

z/OS
Version 2 Release 3

Infoprint Server Customization



Note

Before using this information and the product it supports, read the information in [“Notices” on page 425.](#)

This edition applies to Version 2 Release 3 of z/OS (5650-ZOS) and to all subsequent releases and modifications until otherwise indicated in new editions.

Last updated: 2019-02-15

© **Copyright International Business Machines Corporation 1995, 2017.**

US Government Users Restricted Rights – Use, duplication or disclosure restricted by GSA ADP Schedule Contract with IBM Corp.

Contents

- List of Figures..... xi**
- List of Tables.....xiii**

- About this document..... xvii**
 - Who should read this document..... xvii
 - How to read syntax diagrams..... xvii
 - Where to find more information..... xviii
 - Preventive Service Planning information..... xviii
 - Infoprint Server migration information..... xviii
 - Documents..... xix
 - Infoprint Server online help.....xx
- How to send your comments to IBM..... xxi**
 - If you have a technical problem..... xxi
- Summary of changes..... xxii**
 - z/OS Version 2 Release 3 (V2R3)..... xxii
 - z/OS Version 2 Release 2 (V2R2)..... xxiv
 - z/OS Version 2 Release 1 summary of changes.....xxvii

- Chapter 1. Introducing Infoprint Server..... 1**
 - Printer Inventory Manager..... 2
 - Windows client..... 4
 - Print Interface..... 5
 - Print Interface with an SAP R/3 application server on the z/OS system..... 7
 - Print Interface with an SAP R/3 application server on a remote system.....8
 - NetSpool..... 9
 - IP PrintWay..... 12
 - Transform Interface..... 15
 - Transforms..... 16
 - Infoprint Central..... 17

- Chapter 2. Customization roadmap..... 19**

- Chapter 3. Customizing the Printer Inventory Manager..... 21**
 - Identifying software requirements for Printer Inventory Manager..... 22
 - Enabling the Infoprint Server feature.....22
 - Updating the BPXPRMxx member of SYS1.PARMLIB..... 22
 - Determining the Infoprint Server operating mode..... 23
 - Setting the operating mode for product functions..... 24
 - Making Language Environment and C++ runtime libraries available..... 25
 - Creating Infoprint Server directories..... 26
 - /etc/Printsrv directory..... 26
 - /var/Printsrv directory..... 27
 - Creating and editing the Infoprint Server configuration file (aopd.conf)..... 30
 - Steps for creating the Infoprint Server configuration file (aopd.conf).....36
 - Steps for editing the Infoprint Server configuration file (aopd.conf).....37
 - Setting environment variables for the Printer Inventory Manager..... 38
 - Setting up security for the Printer Inventory and operator commands..... 43
 - AOP.ADMINISTRATOR profile..... 45
 - AOP.CONFIGURATION profile..... 45
 - AOPADMIN and AOPOPER groups..... 45

AOPCONF group.....	46
Steps for setting up security for the Printer Inventory, common message log, and operator commands.....	46
Setting permissions for directories and executable files -- aopsetup.....	49
Steps for running aopsetup.....	50
Customizing startup and shutdown commands and procedures.....	51
Editing the aopstart EXEC.....	53
Creating an environment variables file (<i>envvar</i>).....	55
Creating a user ID to assign to the JCL startup and shutdown procedures.....	56
Defining the JCL startup and shutdown procedures to RACF.....	56
Editing JCL startup procedures.....	57
Editing JCL shutdown procedures.....	61
Starting Infoprint Server daemons automatically.....	64
Editing the JCL status procedure.....	64
Enabling Infoprint Server ISPF panels.....	65
Defining libraries in the TSO logon procedure.....	65
Displaying the Infoprint Server panel option	66
Modifying the AOPINIT EXEC.....	66
Enabling dynamic configuration.....	67
Dynamic attributes.....	68
Cross-system coupling facility (XCF)	71
Customizing Infoprint Server for dynamic tracing.....	71
Steps for enabling dynamic configuration.....	72
Steps for disabling dynamic configuration.....	74
Steps for determining whether dynamic configuration is enabled.....	75
Editing the system configuration definition for Printer Inventory Manager.....	75
Steps for editing the system configuration definition.....	79
Sending non-console messages to the hardcopy log.....	82
Creating the message configuration file (<i>aopmsg.conf</i>)	83
Editing the message configuration file (<i>aopmsg.conf</i>).....	85
Setting up the MVS system logger for the common message log.....	86
Deciding whether to use the MVS system logger.....	86
Deciding the type of log stream.....	87
Deciding on a naming convention for log streams	87
Determining how long to retain messages.....	87
Determining the size of log-stream data sets and interim storage.....	88
Setting up security for log streams.....	88
Defining log streams to the MVS system logger.....	91
Activating a log stream in Infoprint Server.....	95
Switching from one log stream to another.....	96
Deactivating a log stream in Infoprint Server.....	97
Handling system logger errors.....	98
Viewing messages in the log stream.....	99
Backing up and restoring the Printer Inventory.....	100
Steps for backing up the Printer Inventory to an HFS or zFS file.....	100
Steps for restoring the Printer Inventory from an HFS or zFS file.....	101
Steps for backing up the Printer Inventory to a generation data group (GDG).....	102
Steps for restoring the Printer Inventory from a GDG.....	103
Restoring the Printer Inventory with the <i>loadprinterinventory</i> command.....	105
Saving messages in the common message log in the z/OS UNIX file system.....	105
Reducing the size of the common message log in the z/OS UNIX file system.....	106
Setting Workload Manager goals.....	107
Chapter 4. Customizing Print Interface.....	109
Identifying software requirements for Print Interface.....	110
Common customization for Print Interface.....	110
Customizing z/OS Communications Server.....	111

Updating the BPXPRMxx member of SYS1.PARMLIB.....	112
Working with JES spool limits.....	113
Editing the aopd.conf file for Print Interface.....	113
Writing a filter program.....	114
Customizing JES to specify no blank truncation.....	120
Setting environment variables for Print Interface.....	120
Editing the system configuration definition for Print Interface.....	121
Customizing the z/OS UNIX printing commands.....	122
Customizing the AOPPRINT JCL procedure.....	123
Customizing the Print Interface LPD.....	124
Customizing z/OS Communications Server (TCP/IP)	125
Editing the aopd.conf file for the LPD.....	126
Editing the system configuration definition for the LPD.....	127
Using the LPD compatibility filter.....	128
Customizing LPR clients.....	128
Customizing the z/OS SMB server to use Print Interface.....	129
Customizing the Print Interface IPP Server.....	130
Ensuring sufficient memory is available to start the IPP Server.....	131
Editing the aopd.conf file for the IPP Server.....	131
Setting environment variables for the IPP Server.....	132
Editing the system configuration definition for the IPP Server.....	133
Customizing the IPP workstation client.....	133
Customizing SAP R/3.....	134
Defining an SAP user for the callback daemon.....	136
Creating the SAP callback daemon configuration file (aopsapd.conf).....	136
Setting environment variables for the SAP OMS.....	138
Defining a ROMS and LOMS to the SAP R/3 application server.....	138
Modifying the LOMS to specify job attributes.....	139
Creating an SAP R/3 output device.....	139
Customizing the Print Interface subsystem.....	142
Editing the aopd.conf file for the Print Interface subsystem.....	142
Increasing the maximum number of active transform daemons.....	143
Chapter 5. Customizing Transform Interface.....	145
Identifying software requirements for Transform Interface.....	146
Editing the aopd.conf file for the Transform Manager.....	146
Creating the transform configuration file (aopxfd.conf).....	146
Transform classes.....	147
Format of an entry in the transform configuration file.....	147
Example of a transform entry.....	149
Steps for creating the transform configuration file.....	149
Steps for editing the transform configuration file.....	151
Creating the remote transform configuration file (aoprxf.conf).....	152
Format of the remote transform configuration file.....	152
Steps for creating the remote transform configuration file.....	153
Setting environment variables for Transform Interface.....	154
Customizing the TCP/IP firewall.....	155
Setting up security for transform resources.....	155
Creating a code page conversion table.....	155
Chapter 6. Customizing NetSpool.....	157
Identifying software requirements for NetSpool.....	158
Updating the BPXPRMxx member of SYS1.PARMLIB.....	158
Editing the aopd.conf file for NetSpool.....	158
Customizing the NetSpool message log.....	160
Customizing the NetSpool startup procedure.....	160
Determining the number of NetSpool tasks to start.....	161

Using the Japanese version.....	161
Using an extended MCS console.....	161
Creating a user ID to assign to the NetSpool startup procedure.....	162
Defining the NetSpool startup procedure to RACF.....	162
Editing the NetSpool startup procedure.....	162
Working with JES spool limits.....	165
Changing Language Environment runtime options.....	165
Writing NetSpool exit and filter programs.....	166
Programming considerations.....	167
APIPP1X2 control block.....	167
Beginning of File exit for SCS data streams (APIPPTD1).....	168
Beginning of File exit for 3270 data streams (APIUBF3).....	171
Transparent Data Control exit (APIPPTD2).....	173
Graphic Escape exit (APIUGEX).....	175
Sample exits and macro.....	177
Installing the exits.....	177
Modifying the exits.....	177
Setting environment variables for NetSpool.....	178
Editing the system configuration definition for NetSpool.....	178
Chapter 7. Customizing IP PrintWay.....	181
Comparing IP PrintWay extended mode to basic mode.....	183
Identifying software requirements for IP PrintWay.....	186
Editing the aopd.conf file for IP PrintWay (extended mode).....	187
Increasing the space available in /var/Printsrv directory (extended mode).....	188
Updating the BPXPRMxx member of SYS1.PARMLIB (extended mode).....	188
Creating IP PrintWay job selection rules (extended mode).....	189
Creating job selection rules in the Printer Inventory (extended mode).....	192
Starting and stopping job selection rules (extended mode).....	193
Authorizing IP PrintWay to select data sets from the JES spool (extended mode).....	194
Authorizing IP PrintWay to write SMF type 6 records (extended mode).....	195
Setting environment variables for IP PrintWay (extended mode).....	196
Editing the system configuration definition for IP PrintWay (extended mode).....	202
APF-authorizing SYS1.IMAGELIB (extended mode).....	208
Customizing from AFP transforms for IP PrintWay (extended mode).....	209
Defining printer host names in the DNS.....	209
Customizing z/OS Communications Server.....	209
Customizing the TCPIP.DATA data set.....	210
Customizing the PROFILE.TCPIP data set.....	211
Customizing the sendmail bridge.....	211
Writing IP PrintWay exit and filter programs.....	212
Comparing IP PrintWay basic mode and extended mode exits.....	213
Resubmit for filtering considerations (basic mode).....	215
Programming considerations.....	216
Common control blocks.....	217
Routing exit (ANFUXRTG).....	220
Begin Data Set exit.....	229
Record exit.....	239
End Data Set exit.....	246
SMF exit (ANFUXSMF).....	253
Message exit (ANFUXMSG) — basic mode.....	258
Response Notification exit (ANFUXRSP).....	259
Using the Block Letter program (ANFUBLK).....	264
IP PrintWay sample exits.....	266
Installing IP PrintWay exits.....	266
Modifying IP PrintWay exits.....	267
Updating the BPXPRMxx member of SYS1.PARMLIB (basic mode).....	267

APF-authorizing SYS1.IMAGELIB (basic mode).....	268
Defining the IP PrintWay functional subsystem (basic mode).....	268
Determining how many functional subsystems to define (basic mode).....	268
Determining how many functional subsystem applications to define (basic mode).....	269
Determining work-selection criteria (basic mode).....	269
Specifying a default font and page definition for data transforms (basic mode).....	270
Defining the IP PrintWay functional subsystem in JES2 (basic mode).....	271
Defining the IP PrintWay functional subsystem in JES3 (basic mode).....	274
Creating FSS and FSA definitions in the Printer Inventory (basic mode).....	277
Creating FSS definitions (basic mode).....	277
Creating FSA definitions (basic mode).....	280
Using the transmission-queue data set (basic mode).....	280
Sharing the transmission-queue data set (basic mode).....	280
Allocating and initializing the transmission-queue data set (basic mode).....	281
Restricting access to the transmission-queue data set (basic mode).....	282
Creating the IP PrintWay message-log data set (basic mode).....	282
Customizing the IP PrintWay startup procedure (basic mode).....	283
Creating a user ID to assign to the IP PrintWay startup procedure (basic mode).....	283
Defining the IP PrintWay startup procedure to RACF (basic mode).....	284
Editing the ANFWPROC startup procedure (basic mode).....	284
Changing Language Environment runtime options (basic mode).....	287
Customizing PSF for sharing network printers.....	287
Customizing AOPCMND for starting and stopping printers.....	287

Chapter 8. Customizing Infoprint Central..... 289

Identifying software requirements for Infoprint Central.....	290
Editing the aopd.conf file for Infoprint Central.....	291
Customizing the IBM HTTP Server - Powered by Apache.....	293
Configuring the IBM HTTP Server - Powered by Apache	294
Editing the configuration file for the IBM HTTP Server - Powered by Apache (conf/httpd.conf)....	295
Customizing the environment variables file for the IBM HTTP Server - Powered by Apache (bin/envvars).....	296
Creating a started task to run the IBM HTTP Server - Powered by Apache.....	301
Setting up security for Infoprint Central.....	301
Authorizing the AOPOPER group to RACF profiles.....	302
Defining Infoprint Central users as z/OS UNIX users.....	304
Activating the PRINTSRV class.....	304
Authorizing users to read the Printer Inventory.....	304
Setting up security for printers.....	305
Setting up security for NetSpool logical units (LUs).....	312
Setting up security for IP PrintWay job selection rules.....	313
Setting up security for print jobs.....	315
Setting up security for Infoprint Server daemons.....	320
Setting up security for printer and printer pool definitions.....	321
Requesting RACF notification and auditing.....	321
Editing the system configuration definition for Infoprint Central.....	322
Customizing web browsers.....	323
Logging on to Infoprint Central from the web.....	324
Customizing JES3 console standards (CONSTD statement).....	325
Re-creating the search database.....	325

Chapter 9. Installing and customizing the Infoprint Server Windows client..... 327

Chapter 10. Customizing PSF for z/OS to use the Printer Inventory..... 329

Identifying PSF software requirements.....	329
Creating PSF FSS and FSA definitions in the Printer Inventory.....	329
Customizing PSF for the Printer Inventory.....	330

Customizing PSF for z/OS to write messages to the common message log.....	330
Appendix A. Checklist of Infoprint Server customization tasks.....	333
Appendix B. Infoprint Server files.....	337
aopd.conf -- Infoprint Server configuration file.....	337
Purpose.....	337
Format.....	337
Usage notes.....	346
aopmsg.conf -- Infoprint Server message configuration file.....	347
Purpose.....	347
Format.....	347
Usage notes.....	348
aoprxf.conf -- Infoprint Server remote transform configuration file.....	348
Purpose.....	348
Format.....	348
Usage notes.....	349
aopxfd.conf -- Infoprint Server transform configuration file.....	349
Purpose.....	349
Example.....	349
Usage notes.....	349
aopsapd.conf -- Infoprint Server SAP callback daemon configuration file.....	350
Purpose.....	350
Format.....	350
Example.....	350
Usage notes.....	351
Appendix C. Environment variables.....	353
Appendix D. Configuration attributes.....	373
Appendix E. AOPBATCH program.....	391
Format.....	391
Description.....	391
Parameters.....	392
Usage notes.....	392
Exit values.....	393
Examples.....	394
Sample jobs.....	394
Appendix F. Application programming interface (API).....	395
API files.....	395
API data structures.....	395
DocumentInfo - information about a document in a job.....	396
JobInfo - information about an Infoprint Server print job and each document in the job.....	397
JobToken - identifies an Infoprint Server print job.....	397
PrinterInfo - information about an Infoprint Server printer.....	397
QueryToken - identifies an Infoprint Server query request.....	398
Transform - information about a transform connection.....	398
API functions.....	398
AbortPrintFile -- terminate an Infoprint Server print job.....	400
BeginInitJobs -- begin an enumeration of Infoprint Server print jobs for a printer.....	400
BeginInitPrinters -- begin an enumeration of Infoprint Server printers.....	400
BufferSizeRequired -- return the required size of the buffer after a buffer overflow error.....	401
CancelJob -- cancel a print job.....	401
ClosePrintFile -- close an Infoprint Server print job.....	402

CreatePrintFile -- create an Infoprint Server print job.....	402
EndEnumJobs -- end the enumeration of Infoprint Server print jobs for a printer.....	403
EndEnumPrinters -- end the enumeration of Infoprint Server printers.....	403
EnumJobs -- enumerate Infoprint Server print jobs for a printer.....	404
EnumPrinters -- enumerate Infoprint Server printers.....	405
ErrorNumber -- return the API error code.....	405
ErrorString -- return a pointer to the API error message.....	406
GetAPIVersionNumber -- return the current API version number.....	407
GetJobInfo -- return the status of an Infoprint Server print job.....	407
GetPrinterInfo -- return information about an Infoprint Server printer.....	408
InitAPI -- initialize the API.....	409
ReleaseTransform -- release a connection with a transform daemon.....	409
RequestTransform -- establish a connection with a transform daemon.....	410
SetTerminationHandler -- register a termination function.....	410
TermAPI -- terminate the API.....	411
WritePrintFile -- write data to an Infoprint Server print job.....	411
Programming considerations.....	412
Customization requirements.....	413

Appendix G. Migrating from IP PrintWay basic mode to extended mode..... 415

I Appendix H. Benefiting from new functions in z/OS V2R3..... 419

Dynamic trace facility.....	419
Infoprint Central enhancements.....	419
Infoprint Port Monitor 3.2.....	419
IP PrintWay backup printer capability.....	419
JES2 job grouping.....	420
Mail transport replacement for sendmail.....	420
Support for 8-character TSO/E user ID.....	420

Appendix I. Accessibility..... 421

Accessibility features.....	421
Consult assistive technologies.....	421
Keyboard navigation of the user interface.....	421
Dotted decimal syntax diagrams.....	421

Notices.....425

Terms and conditions for product documentation.....	426
IBM Online Privacy Statement.....	427
Policy for unsupported hardware.....	427
Minimum supported hardware.....	428
Programming interfaces.....	428
Trademarks.....	428

Glossary.....429

Index..... 441

List of Figures

1. Infoprint Server system diagram.....	1
2. Printer Inventory Manager system diagram.....	3
3. Print Interface system diagram.....	5
4. Printing SAP R/3 documents with an SAP R/3 application server that runs on a z/OS system.....	8
5. Printing SAP R/3 documents with an SAP R/3 application server that runs on a non-z/OS system.....	9
6. NetSpool system diagram.....	10
7. IP PrintWay system diagram.....	13
8. Transform Interface system diagram.....	15
9. AOPSTART startup procedure — SYS1.IBM.PROCLIB(AOPSTART).....	59
10. AOPDEMON startup procedure — SYS1.IBM.PROCLIB(AOPDEMON).....	60
11. AOPSTAR2 startup procedure — SYS1.IBM.PROCLIB(AOPSTAR2).....	61
12. AOPSTOP shutdown procedure — SYS1.IBM.PROCLIB(AOPSTOP).....	63
13. AOPSTOP2 shutdown procedure — SYS1.IBM.PROCLIB(AOPSTOP2).....	64
14. AOPSTAT procedure — SYS1.IBM.PROCLIB(AOPSTAT).....	65
15. Sample JCL to define a DASD-only log stream to the system logger.....	92
16. Sample JCL to define a coupling-facility structure to the system logger.....	94
17. Sample JCL to define a coupling-facility structure in the CFRM policy.....	94
18. Sample JCL to define a coupling-facility log stream to the system logger.....	95
19. Sample UNIX filter.....	117
20. AOPPRINT JCL procedure in SYS1.IBM.PROCLIB.....	123
21. NetSpool startup procedure — SYS1.IBM.PROCLIB(APIJPJCL).....	163
22. Language Environment runtime options for NetSpool.....	166
23. Sample JES2 initialization statements.....	271
24. Sample JES3 initialization statements.....	274
25. IDCAMS parameters to allocate a transmission-queue data set — SYS1.SAMPLIB(ANFDEAL).....	282
26. IP PrintWay startup procedure — SYS1.IBM.PROCLIB(ANFWPROC).....	285
27. Language Environment runtime options for IP PrintWay.....	287

List of Tables

- 1. Syntax notation..... xvii
- 2. Documents for Infoprint Server.....xix
- 3. Documents for IBM transform products..... xx
- 4. Documents for Ricoh products.....xx
- 5. Transforms that work with Infoprint Server..... 16
- 6. Summary of Infoprint Server components..... 19
- 7. Customization tasks for Printer Inventory Manager.....21
- 8. Operating mode settings and functions..... 23
- 9. Configurations for operating Infoprint Server..... 23
- 10. Number of documents in the Historical Inventory.....35
- 11. Where to define environment variables for the Printer Inventory Manager.....40
- 12. RACF access for Infoprint Server.....44
- 13. Customization tasks for startup and shutdown procedures..... 52
- 14. Dynamic attributes and ISPF field names..... 68
- 15. Attributes in system configuration definition and the equivalent attributes in aopd.conf and aopmsg.conf and equivalent environment variables..... 70
- 16. Number of documents in the Historical Inventory.....78
- 17. Customization tasks for system logger.....86
- 18. DASD-only log stream parameters for Infoprint Server.....91
- 19. Coupling-facility structure parameters for Infoprint Server..... 93
- 20. Coupling-facility log stream parameters for Infoprint Server..... 93
- 21. Customization tasks for Print Interface..... 109
- 22. Customization tasks for Infoprint Server components.....110
- 23. Common customization tasks for Print Interface..... 110
- 24. Customization tasks for Print Interface LPD..... 124
- 25. Customization tasks for Print Interface IPP Server..... 130
- 26. IPP attributes and corresponding Infoprint Server attributes..... 134
- 27. Customization tasks for Print Interface when SAP R/3 application server runs on same z/OS system..... 135
- 28. Customization tasks for Print Interface when SAP R/3 application server does not run on same z/OS system.....135
- 29. Customization tasks for Print Interface subsystem.....142
- 30. Customization tasks for Transform Interface..... 145
- 31. Other components to customize for Transform Interface.....145
- 32. Customization tasks for NetSpool..... 157
- 33. Other components to customize for NetSpool.....157
- 34. Customization tasks for NetSpool startup procedure..... 160
- 35. Customization tasks for IP PrintWay extended mode..... 181
- 36. Customization tasks for IP PrintWay basic mode..... 182
- 37. Customization tasks for IP PrintWay protocols..... 183

38. Other components to customize for IP PrintWay.....	183
39. How IP PrintWay extended mode differs from basic mode.....	185
40. IP PrintWay job selection rules.....	189
41. Customization tasks for TCP/IP.....	210
42. Contents of ANFUEXTP fields when resubmit for filtering option is selected (IP PrintWay basic mode).....	215
43. XTP_ADDR_TYPE values.....	225
44. XTP_ADDR_TYPE values.....	234
45. XTP_ADDR_TYPE values.....	242
46. IP PrintWay FSS definition.....	277
47. Customization tasks for IP PrintWay startup procedure (basic mode).....	283
48. Customization tasks for Infoprint Central.....	289
49. Other components to customize for Infoprint Central.....	290
50. Customization tasks for using the HTTP Server - Powered by Apache with Infoprint Central.....	293
51. Environment variables in bin/envvars.....	297
52. Customization tasks for Infoprint Central security.....	301
53. Profiles in the OPERCMDS class and minimum access required for the AOOPER group— JES2 systems.....	302
54. Profiles in the OPERCMDS class and minimum access required for the AOOPER group— JES3 systems.....	303
55. Infoprint Central printer actions and the minimum access required to profiles in the PRINTSRV class.....	305
56. Infoprint Central printer actions and minimum access required to profiles in the OPERCMDS class — JES2 systems.....	309
57. Infoprint Central printer actions and the minimum access required to profiles in the OPERCMDS class — JES3 systems.....	310
58. Infoprint Central NetSpool LU actions and the minimum access required to the AOP.NETSPOOL profile in the PRINTSRV class.....	313
59. Infoprint Central job selection rule actions and minimum access required to the profile in the PRINTSRV class.....	314
60. Infoprint Central print job actions and minimum access required to profiles in the OPERCMDS class - JES2.....	316
61. Infoprint Central print job actions and the minimum access required to profiles in the OPERCMDS class - JES3.....	317
62. Infoprint Central print job actions and the minimum access required to profiles in the JESSPOOL class	319
63. Infoprint Central daemon action and the minimum access required to the AOP.DAEMON profile in the PRINTSRV class.....	321
64. Comparison of Windows printing methods.....	327
65. Customization tasks for PSF for z/OS.....	329
66. Number of documents in the Historical Inventory.....	343
67. Where to set environment variables.....	353
68. Number of documents in the Historical Inventory.....	384
69. API files.....	395
70. API data structures.....	395
71. API functions.....	398

72. ErrorNumber names and error descriptions..... 406

About this document

This document helps you customize Infoprint Server in z/OS® Version 2 Release 3. It describes the different components of Infoprint Server and how to customize each component.

Who should read this document

This document is for system programmers and administrators responsible for customizing Infoprint Server for their installation. You need to be familiar with z/OS UNIX System Services, Transmission Control Protocol/Internet Protocol (TCP/IP), the z/OS job entry subsystem (JES), and z/OS job control language (JCL).

This document also contains reference information, including:

- Syntax of Infoprint Server configuration files
- Environment variables that are used by Infoprint Server
- Attributes in the Infoprint Server system configuration definition
- AOPBATCH utility program
- Infoprint Server callable services
- Actions to take when migrating from IP PrintWay™ basic mode to extended mode
- Summary of new functions in z/OS V2R3 and how to use them

How to read syntax diagrams

The general notations that this document uses in syntax diagrams are explained here. For ease of reading, this document breaks some examples into several lines. However, when you enter a command, enter it all on one line. Do not press **Enter** until you type the entire command.

This notation:	Means:	You enter:	For example:	
			This document shows:	You enter:
Apostrophes	String	As shown	SEND '123'	SEND '123'
Bold	Keyword	As shown	CLASS	CLASS
Braces	List of items	The braces and one or more items from the list	{GT10 GT12}	{GT10 GT12}
Brackets	Optional item	One item or no items	aopstop [now]	aopstop
Comma	Separator	As shown	DISPLAY C,K	DISPLAY C,K
Ellipsis	Repeatable item	One or more items	<i>filename ...</i>	file1 file2
Lowercase	Item the system defines	As shown, in lowercase	lp	lp
Lowercase italics	Variable item	A value for the item	MOUNT <i>devnum</i>	MOUNT A30

Table 1: Syntax notation. (continued)

This notation:	Means:	You enter:	For example:	
			This document shows:	You enter:
Parentheses	List of items	The parentheses and one or more items from the list	(GT10,GT12)	(GT10,GT12)
Special characters	Various symbols	As shown	%filter-options	%filter-options
Underline	Default	The item, or you can omit it	K T <u>REF</u>	K T
Uppercase	Item the system defines	As shown, in uppercase	PRMODE	PRMODE
Vertical bar	UNIX pipe (the output of the first is input to the second)	As shown	ls lp	ls lp
Vertical bar in braces	Required choice	One item	{NOW FOREVER}	FOREVER
Vertical bar in brackets	Optional choice	One item or no items	[PORTNO PRTQUEUE]	PORTNO

Where to find more information

The following information describes where to find information that is related to z/OS and Infoprint Server.

Preventive Service Planning information

Before you install Infoprint Server, review the current Preventive Service Planning (PSP) information, also called the *PSP bucket*. The PSP upgrade ID depends on your z/OS operating system; for example, ZOSV2R3. The subset for Infoprint Server is INFOPRINT.

To obtain the current PSP bucket, contact the IBM® Support Center or use z/OS SoftwareXcel (IBMLink). If you obtained z/OS as part of a CBPDO, HOLDDATA and PSP information is included on the CBPDO tape. However, this information might not be current if the CBPDO tape was delivered several weeks before installation.

Infoprint Server migration information

This table lists documents that can help you upgrade from previous releases of z/OS and migrate from IP PrintWay basic mode to IP PrintWay extended mode.

Document	Form number	Description
<u>z/OS Migration</u>	GA32-0889	Describes the tasks that are required to upgrade to z/OS V2R3. Includes the migration tasks for Infoprint Server.
<u>z/OS Summary of Message and Interface Changes</u>	SA23-2300	Describes new and changed messages and interfaces in z/OS V2R3. Includes the messages and interfaces for Infoprint Server.

Document	Form number	Description
<u>z/OS Infoprint Server Customization</u>	SA38-0691	Describes the tasks that are required to migrate to IP PrintWay extended mode from IP PrintWay basic mode. Also, describes the tasks that are required to use the new functions that are introduced in z/OS V2R3.

Documents

These tables list related documents that can help you use Infoprint Server and transform products. For documents for all z/OS products, see [*z/OS Information Roadmap*](#).

<i>Table 2: Documents for Infoprint Server</i>		
Document	Form number	Description
<u>z/OS Infoprint Server Introduction</u>	SA38-0692	Introduces Infoprint Server. This document contains printing scenarios that show how you can use Infoprint Server in your installation.
<u>z/OS Infoprint Server Customization</u>	SA38-0691	Describes customization tasks for Infoprint Server. This document describes Infoprint Server environment variables, configuration files, startup procedures, how to write exit routines and filter programs, and how to use the Infoprint Server API.
<u>z/OS Infoprint Server Operation and Administration</u>	SA38-0693	Describes operator procedures and administrative tasks for Infoprint Server. This document describes how to start and stop Infoprint Server and how operators can use Infoprint Central. It describes how administrators can create entries in the Printer Inventory by using either ISPF panels or the Printer Inventory Definition Utility (PIDU) program and define NetSpool printer LUs to VTAM®.
<u>z/OS Infoprint Server Printer Inventory for PSF</u>	SA38-0694	Describes the Printer Inventory for PSF for PSF customers who do not purchase an Infoprint Server license. It describes the tasks that are required to customize Infoprint Server, start and stop Infoprint Server, create PSF FSS and FSA definitions in the Printer Inventory, and diagnose problems in Infoprint Server.
<u>z/OS Infoprint Server User's Guide</u>	SA38-0695	Describes user tasks for Infoprint Server. This document describes how to submit print jobs from remote systems (including Windows systems), the local z/OS system, and Virtual Telecommunications Access Method (VTAM) applications. It describes z/OS UNIX commands; the AOPPRINT JCL procedure; the AOPBATCH program; DD and OUTPUT JCL parameters that Infoprint Server supports; and how to download and install the Infoprint Port Monitor for Windows.
<u>z/OS Infoprint Server Messages and Diagnosis</u>	GA32-0927	Describes messages from Infoprint Server. This document also describes how to use Infoprint Server tracing facilities to diagnose and report errors.

<i>Table 3: Documents for IBM transform products</i>		
Document	Form number	Description
<u><i>IBM Infoprint Transforms to AFP for z/OS</i></u>	G550-0443	Describes IBM Infoprint Transforms to AFP for z/OS (5655-N60)
<u><i>IBM Print Transforms from AFP for Infoprint Server for z/OS</i></u>	G325-2634	Describes these products: <ul style="list-style-type: none"> • IBM Print Transform from AFP to PCL for Infoprint Server for z/OS (5655-TF2) • IBM Print Transform from AFP to PDF for Infoprint Server for z/OS (5655-TF1) • IBM Print Transform from AFP to PostScript for Infoprint Server for z/OS (5655-TF3)
<u><i>IBM Infoprint XT for z/OS</i></u>	GI11-9492	Describes IBM Infoprint XT for z/OS (5655-O15)

<i>Table 4: Documents for Ricoh products</i>	
Ricoh Document	Description
<u><i>InfoPrint Transform Manager for AIX, Linux, and Windows: Planning and Installing in Ricoh Production Print Information Center (info.rpp.ricoh-usa.com/help/index.jsp)</i></u>	Describes InfoPrint Transform Manager and provides installation and configuration information about the product
<u><i>InfoPrint Transform Manager for Linux: afp2pdf Transform Installation and User's Guide in Ricoh Production Print Information Center (info.rpp.ricoh-usa.com/help/index.jsp)</i></u>	Describes the InfoPrint Transform Manager for Linux AFP to PDF transform

Infoprint Server online help

The Infoprint Server ISPF panels contain integrated online help for each panel and field. To view the help, place your cursor on a panel or in a field on a panel and press the Help function key (F1).

Infoprint Central contains an integrated online help system. To view the general help system and help for individual web pages, select the question mark (?) on the title bar.

The man command provides online help for z/OS UNIX commands. The syntax is:

```
man command_name
```

TSO/E provides online help for the AOPCMND command. The syntax is:

```
HELP AOPCMND
```

How to send your comments to IBM

We invite you to submit comments about the z/OS product documentation. Your valuable feedback helps to ensure accurate and high-quality information.

Important: If your comment regards a technical question or problem, see instead [“If you have a technical problem”](#) on page xxi.

Submit your feedback by using the appropriate method for your type of comment or question:

Feedback on z/OS function

If your comment or question is about z/OS itself, submit a request through the [IBM RFE Community](#) (www.ibm.com/developerworks/rfe/).

Feedback on IBM Knowledge Center function

If your comment or question is about the IBM Knowledge Center functionality, for example search capabilities or how to arrange the browser view, send a detailed email to IBM Knowledge Center Support at ibmkc@us.ibm.com.

Feedback on the z/OS product documentation and content

If your comment is about the information that is provided in the z/OS product documentation library, send a detailed email to mhvrcfs@us.ibm.com. We welcome any feedback that you have, including comments on the clarity, accuracy, or completeness of the information.

To help us better process your submission, include the following information:

- Your name, company/university/institution name, and email address
- The following deliverable title and order number: z/OS Infoprint Server Customization, SA38-0691-30
- The section title of the specific information to which your comment relates
- The text of your comment.

When you send comments to IBM, you grant IBM a nonexclusive right to use or distribute the comments in any way appropriate without incurring any obligation to you.

IBM or any other organizations use the personal information that you supply to contact you only about the issues that you submit.

If you have a technical problem

If you have a technical problem or question, do not use the feedback methods that are provided for sending documentation comments. Instead, take one or more of the following actions:

- Go to the [IBM Support Portal](http://support.ibm.com) (support.ibm.com).
- Contact your IBM service representative.
- Call IBM technical support.

Summary of changes

This information includes terminology, maintenance, and editorial changes. Technical changes or additions to the text and illustrations for the current edition are indicated by a vertical line to the left of the change.

z/OS Version 2 Release 3 (V2R3)

The following content is new, changed, or no longer included in z/OS Version 2 Release 3.

New

- New trace attributes are added to [Table 14 on page 68](#).
- The use-output-disposition attribute is added to:
 - [“Creating and editing the Infoprint Server configuration file \(aopd.conf\)” on page 30](#)
 - [“Editing the system configuration definition for Printer Inventory Manager” on page 75](#)
 - [“Editing the aopd.conf file for Infoprint Central” on page 291](#)
 - [“aopd.conf -- Infoprint Server configuration file” on page 337](#)
 - [Appendix D, “Configuration attributes,” on page 373](#)
- A new BPX.SMF.type.subtype FACILITY class profile can be used. See:
 - [“Steps for setting up security for the Printer Inventory, common message log, and operator commands” on page 46](#)
 - [“Customizing startup and shutdown commands and procedures” on page 51](#)
 - [“Authorizing IP PrintWay to write SMF type 6 records \(extended mode\)” on page 195](#)
- [“Customizing Infoprint Server for dynamic tracing” on page 71](#) is added.
- [Appendix H, “Benefiting from new functions in z/OS V2R3,” on page 419](#) includes new functions.

Changed

- Information about using backup printers in IP PrintWay extended mode is added to the Retry function in [“IP PrintWay” on page 12](#).
- The description of the Infoprint Server operating mode is updated in [“Determining the Infoprint Server operating mode” on page 23](#) and [“Setting the operating mode for product functions” on page 24](#).
- Rules for [“Creating an environment variables file \(envar\)” on page 55](#) are updated.
- The default file location for Java™ is updated in:
 - [“Setting environment variables for the Printer Inventory Manager” on page 38](#)
 - [“Creating an environment variables file \(envar\)” on page 55](#)
 - [“Editing JCL startup procedures” on page 57](#)
 - [“Setting environment variables for the IPP Server” on page 132](#)
 - [“Customizing the environment variables file for the IBM HTTP Server - Powered by Apache \(bin/envvars\)” on page 296](#)
 - [Appendix C, “Environment variables,” on page 353](#)
- [“Steps for editing the system configuration definition” on page 79](#) is updated with a note about saving the system configuration panel.
- The batch job example in [“Restoring the Printer Inventory with the loadprinterinventory command” on page 105](#) is updated.

- Software requirements are updated in:
 - [“Identifying software requirements for Print Interface” on page 110](#)
 - [“Identifying software requirements for Infoprint Central” on page 290](#)
 - [“Customizing web browsers” on page 323](#)
 - [Chapter 9, “Installing and customizing the Infoprint Server Windows client,” on page 327](#)
- Instead of using the z/OS UNIX sendmail program, IP PrintWay now uses the sendmail to Communications Server SMTP (CSSMTP) bridge as the mail transport. These changes are made for the new sendmail bridge:
 - AOPMAILER and AOPMAILER_OPTIONS in [“Setting environment variables for IP PrintWay \(extended mode\)” on page 196](#) and [Appendix C, “Environment variables,” on page 353](#).
 - mailer-options and mailer-path-name in [“Editing the system configuration definition for IP PrintWay \(extended mode\)” on page 202](#) and [Appendix D, “Configuration attributes,” on page 373](#).
 - [“Customizing the sendmail bridge” on page 211](#)
- MVS™ Message Service must be active to use the AOPCMND command. See [“Customizing AOPCMND for starting and stopping printers” on page 287](#).
- The sample configuration file is updated in [“Editing the configuration file for the IBM HTTP Server - Powered by Apache \(conf/httpd.conf\)” on page 295](#).
- AOPTRACEON_EXITMAP is added to [Appendix C, “Environment variables,” on page 353](#).
- A rule for using ipsmode is added in [Appendix D, “Configuration attributes,” on page 373](#).
- The error message that you might see if AOPBATCH conditions are not met is added to the description in [Appendix E, “AOPBATCH program,” on page 391](#).

Deleted

- References to z/OS 1.13 are removed because it is no longer in service.
- References to "PSF V4R4 and later" for common message log and Infoprint Central are removed because the information applies to all releases in service and does not need qualification.
- References to applid, AOP_APPLID, and VTAM services that IP PrintWay uses to transmit data to printers in an SNA network are removed from:
 - [Chapter 1, “Introducing Infoprint Server,” on page 1](#)
 - [“IP PrintWay” on page 12](#)
 - [“Infoprint Central” on page 17](#)
 - [“Dynamic attributes” on page 68](#)
 - [Table 22 on page 110](#)
 - [Table 37 on page 183](#)
 - [“Setting environment variables for IP PrintWay \(extended mode\)” on page 196](#)
 - [“Editing the system configuration definition for IP PrintWay \(extended mode\)” on page 202](#)
 - "Creating a VTAM APPL resource definition for IP PrintWay"
 - **Old style translation** field in [Table 46 on page 277](#)
 - [Appendix A, “Checklist of Infoprint Server customization tasks,” on page 333](#)
 - [Appendix C, “Environment variables,” on page 353](#)
 - [Appendix D, “Configuration attributes,” on page 373](#)
 - [Appendix G, “Migrating from IP PrintWay basic mode to extended mode,” on page 415](#)
- Infoprint Coaxial Printer Support for z/OS (Part Number 5655-N62) is not required in z/OS V2R3 because it is no longer in service. The figure in [“IP PrintWay” on page 12](#) is updated. Also see [“Identifying software requirements for IP PrintWay” on page 186](#) and [Table 46 on page 277](#).
- `_BPX_SHAREAS` is removed from [Appendix C, “Environment variables,” on page 353](#).

z/OS Version 2 Release 2 (V2R2)

The following content is new, changed, or no longer included in z/OS Version 2 Release 2.

New

- You can now configure Infoprint Server to start and stop individual daemons. When this configuration is set, the `aopstart EXEC` and the `start-daemons` attribute are ignored. See this new information:
 - [“Determining the Infoprint Server operating mode”](#) on page 23
 - [“Setting environment variables for the Printer Inventory Manager”](#) on page 38
 - [“Customizing startup and shutdown commands and procedures”](#) on page 51 for the new startup and shutdown commands and JCL procedures, including [“AOPDEMON JCL procedure”](#) on page 59, [“AOPSTAR2 JCL procedure”](#) on page 61, [“AOPSTOP2 JCL procedure”](#) on page 63.
- **Note:** In some cases throughout the publication, specific references to `aopstart` and `aopstop` commands and `AOPSTART` and `AOPSTOP` JCL procedures are changed to more general "start and stop commands" and "JCL startup and shutdown procedures".
 - [“Creating an environment variables file \(envar\)”](#) on page 55 for a new file that is used instead of the `aopstart EXEC`.
 - A new field, **Operating mode**, is added to the ISPF Infoprint Server System Configuration panel in [“Steps for editing the system configuration definition”](#) on page 79. Also, the `PIDU` attribute, `ipsmode`, is added to [“Dynamic attributes”](#) on page 68, [“Editing the system configuration definition for IP PrintWay \(extended mode\)”](#) on page 202, and [Appendix D, “Configuration attributes,”](#) on page 373.
 - A new TSO/E command processor, `AOPCMND`, is added for starting and stopping IP PrintWay extended mode printers. See [Table 39](#) on page 185 and [“Customizing AOPCMND for starting and stopping printers”](#) on page 287.
- [“Editing the JCL status procedure”](#) on page 64 is added to describe the `AOPSTAT` JCL procedure for displaying the status of Infoprint Server daemons and NetSpool tasks.
- [“Restoring the Printer Inventory with the loadprinterinventory command”](#) on page 105 describes a new command for restoring the Printer Inventory.
- Infoprint Central now supports Mozilla Firefox. See [“Identifying software requirements for Infoprint Central”](#) on page 290 and [“Customizing web browsers”](#) on page 323.
- Because z/OS V2R2 supports the IBM HTTP Server - Powered by Apache only, you must now use the Apache 31-bit IBM HTTP Server with Infoprint Central. [“Customizing the IBM HTTP Server - Powered by Apache”](#) on page 293 is updated with tasks for customizing the IBM HTTP Server - Powered by Apache.
- [“GetAPIVersionNumber -- return the current API version number”](#) on page 407 is new.

Changed

- The description of Infoprint Central is updated in [Chapter 1, “Introducing Infoprint Server,”](#) on page 1.
- Web pages for downloading the AFP Printer Driver and the AFP Viewer plug-in are updated. For example, see [“Windows client”](#) on page 4.
- Tasks that you can do with Infoprint Central are updated. See [“Infoprint Central”](#) on page 17.
- [“Making Language Environment and C++ runtime libraries available”](#) on page 25 is updated.
- Information is added to [“/var/Printsrv directory”](#) on page 27 about not placing user directories or files in the `/var/Printsrv` directory and about using a z/OS File System (zFS) instead of a Hierarchical File System (HFS). The note has been clarified to indicate that the directory might contain Printer Inventory Version 1 and Version 2 files when you upgrade from Infoprint Server V1R11 or earlier.

- The dynamic-configuration, log-retention, and start-daemons attributes are updated in [“Creating and editing the Infoprint Server configuration file \(aopd.conf\)”](#) on page 30, [“aopd.conf -- Infoprint Server configuration file”](#) on page 337, and [Appendix D, “Configuration attributes,”](#) on page 373.
- The log-retention attribute in [“Creating and editing the Infoprint Server configuration file \(aopd.conf\)”](#) on page 30, [“Editing the system configuration definition for Printer Inventory Manager”](#) on page 75, [“Editing the aopd.conf file for Infoprint Central”](#) on page 291, [“Editing the system configuration definition for Infoprint Central”](#) on page 322, [“aopd.conf -- Infoprint Server configuration file”](#) on page 337, and [Appendix D, “Configuration attributes,”](#) on page 373 is updated with information about setting environment variables so the date and time are displayed in messages.
- The rule is updated for the base-directory and inventory attributes in [“Creating and editing the Infoprint Server configuration file \(aopd.conf\)”](#) on page 30, [“Editing the aopd.conf file for the Print Interface subsystem”](#) on page 142, and [“aopd.conf -- Infoprint Server configuration file”](#) on page 337.
- References to the IPP Server daemon named "aopipppdxp" are changed to "aopipppd". See:
 - [“start-daemons= {\[ippd\] \[lpd\] \[netd\] \[outd\] \[ssid\] \[subd\] \[xfd\]}”](#) on page 31
 - [“Starting Infoprint Server daemons automatically”](#) on page 64
 - [Table 14](#) on page 68
 - [“Customizing z/OS Communications Server”](#) on page 111
 - [“Working with JES spool limits”](#) on page 113
 - [Table 64](#) on page 327
 - AOP_MAXTHREADTASKS and AOIIPPD_MAXTHREADTASKS in [Appendix C, “Environment variables,”](#) on page 353
 - aopipppd-max-thread-tasks and max-thread-tasks in [Appendix D, “Configuration attributes,”](#) on page 373
- [“Setting permissions for directories and executable files -- aopsetup”](#) on page 49 is updated to indicate that all Infoprint Server daemons have the set-group-ID bit on.
- The example for displaying the UID of the owner ID is updated in [“Steps for running aopsetup”](#) on page 50.
- [“Editing the aopstart EXEC”](#) on page 53 is updated.
- [“Creating a user ID to assign to the JCL startup and shutdown procedures”](#) on page 56 is updated.
- The AOPSTART procedure is updated in [“Editing JCL startup procedures”](#) on page 57.
- The AOPSTOP procedure is updated in [“Editing JCL shutdown procedures”](#) on page 61.
- [“Steps for enabling dynamic configuration”](#) on page 72 is updated with a tip.
- [“Editing the system configuration definition for Printer Inventory Manager”](#) on page 75 is updated with information about message AOP192E.
- [“Backing up and restoring the Printer Inventory”](#) on page 100 is updated with a new command for restoring the Printer Inventory.
- Only Java Technology Edition, V7.1 is supported in Infoprint Server V2R2. For example, see [“Identifying software requirements for Print Interface”](#) on page 110 and [“Setting environment variables for the IPP Server”](#) on page 132.
- A UNIX filter that is defined as a REXX exec now requires that the program control extended attribute is turned on. See [“Writing a UNIX filter”](#) on page 117.
- The term "OS/390" is changed to "z/OS" in [Figure 20](#) on page 123 and [“Defining a ROMS and LOMS to the SAP R/3 application server”](#) on page 138.
- Information about using the SHRLIBRGNSIZE OMVS parameter in a 31-bit environment is added to [“Ensuring sufficient memory is available to start the IPP Server”](#) on page 131, [AOP_MAXTHREADTASKS](#) on page [“AOP_MAXTHREADTASKS”](#) on page 359, and [max-thread-tasks](#) on page [“max-thread-tasks = nnn”](#) on page 385.
- The *envvar* file example in [“Setting environment variables for Transform Interface”](#) on page 154 is updated.

- An example for receiving Japanese messages in NetSpool is added to [“Using the Japanese version”](#) on page 161
- The word "standard" is removed from the type of message you can include in the beginning of emails. See [“Comparing IP PrintWay extended mode to basic mode”](#) on page 183.
- [“Updating the BPXPRMxx member of SYS1.PARMLIB \(basic mode\)”](#) on page 267 is updated with guidelines and tips for specifying parameters.
- [“Authorizing the AOOPER group to RACF profiles”](#) on page 302 is updated to include the profile in the JESSPOOL class for JES2. Also, the statement about giving the AOPADMIN group access to the profiles is deleted.
- Table 53 on page 302 and [“Protecting actions on print jobs with profiles in the OPERCMDS class”](#) on page 315 are updated with profiles and commands for TSO output jobs.
- [“Logging on to Infoprint Central from the web”](#) on page 324 is updated with a procedure for how to stop using Infoprint Central.
- [“Re-creating the search database”](#) on page 325 is updated and renamed.
- When you are changing the **Log messages** field in PSF V4R5, you do not need to restart the PSF functional subsystem (FSS) because PSF automatically picks up a change to this field. See [“Customizing PSF for z/OS to write messages to the common message log”](#) on page 330. Also, a new field, **PINST trace dsname**, is added to the PSF FSS panel.
- Appendix A, [“Checklist of Infoprint Server customization tasks,”](#) on page 333 is updated.
- Appendix C, [“Environment variables,”](#) on page 353 is updated.
- The description and usage notes in Appendix E, [“AOPBATCH program,”](#) on page 391 are updated.

Deleted

- The "SNMP subagent" section is removed from Chapter 1, [“Introducing Infoprint Server,”](#) on page 1.
- References to "Simple Network Management Protocol (SNMP) subagent", "SNMP", "SNMP subagent", "snmp-community", and "snmpd" are removed from:
 - The Infoprint Server components that are listed after [Figure 1](#) on page 1
 - [Figure 2](#) on page 3 and the list of components in bullet 2
 - [Table 6](#) on page 19
 - start-daemons in [“Creating and editing the Infoprint Server configuration file \(aopd.conf\)”](#) on page 30
 - [“Starting Infoprint Server daemons automatically”](#) on page 64
 - [Table 14](#) on page 68
 - [Table 15](#) on page 70
 - [“Steps for editing the system configuration definition”](#) on page 79
 - [“Customizing z/OS Communications Server”](#) on page 111
 - [“Customizing PSF for the Printer Inventory”](#) on page 330
 - Appendix A, [“Checklist of Infoprint Server customization tasks,”](#) on page 333
 - [“aopd.conf -- Infoprint Server configuration file”](#) on page 337
 - Appendix D, [“Configuration attributes,”](#) on page 373
 - [“Glossary”](#) on page 429
- References to "Windows Server 2003" and "Windows XP" as supported operating systems for Infoprint Port Monitor are removed throughout the document. For example, see [“Windows client”](#) on page 4.
- References to daemons aoplogd, aopsdbd, and aophinvd are removed from:
 - start-daemons in [“Creating and editing the Infoprint Server configuration file \(aopd.conf\)”](#) on page 30 and [“aopd.conf -- Infoprint Server configuration file”](#) on page 337
 - AOP_MAXTHREADTASKS in [Appendix C, “Environment variables,”](#) on page 353

- max-thread-tasks in Appendix D, “Configuration attributes,” on page 373
- References to using the /etc/rc shell script to start Infoprint Server are removed in “Starting Infoprint Server daemons automatically” on page 64 and throughout the document.
- aophinvd-max-thread-tasks and aopsdbd-max-thread-tasks are removed from Table 14 on page 68, Table 15 on page 70, and Appendix D, “Configuration attributes,” on page 373.
- LC_TIME and TZ are removed from “Customizing the environment variables file for the IBM HTTP Server - Powered by Apache (bin/envvars)” on page 296.
- AOPHINVD_MAXTHREADTASKS and AOPSDBD_MAXTHREADTASKS are removed from Appendix C, “Environment variables,” on page 353.
- A chapter called *Customizing the SNMP subagent* is deleted.

z/OS Version 2 Release 1 summary of changes

See the Version 2 Release 1 (V2R1) versions of the following publications for all enhancements related to z/OS V2R1:

- *z/OS Migration*
- *z/OS Planning for Installation*
- *z/OS Summary of Message and Interface Changes*
- *z/OS Introduction and Release Guide*

Chapter 1. Introducing Infoprint Server

Infoprint Server supports LAN and host printing on your z/OS system. It works together with data stream transforms that other transform products provide. Figure 1 on page 1 shows how most of the components of Infoprint Server fit into your system. The components of Infoprint Server and the transform products are shaded. Components of Infoprint Server are displayed in yellow, while transform products are displayed in blue. Following the figure is a description of each component.

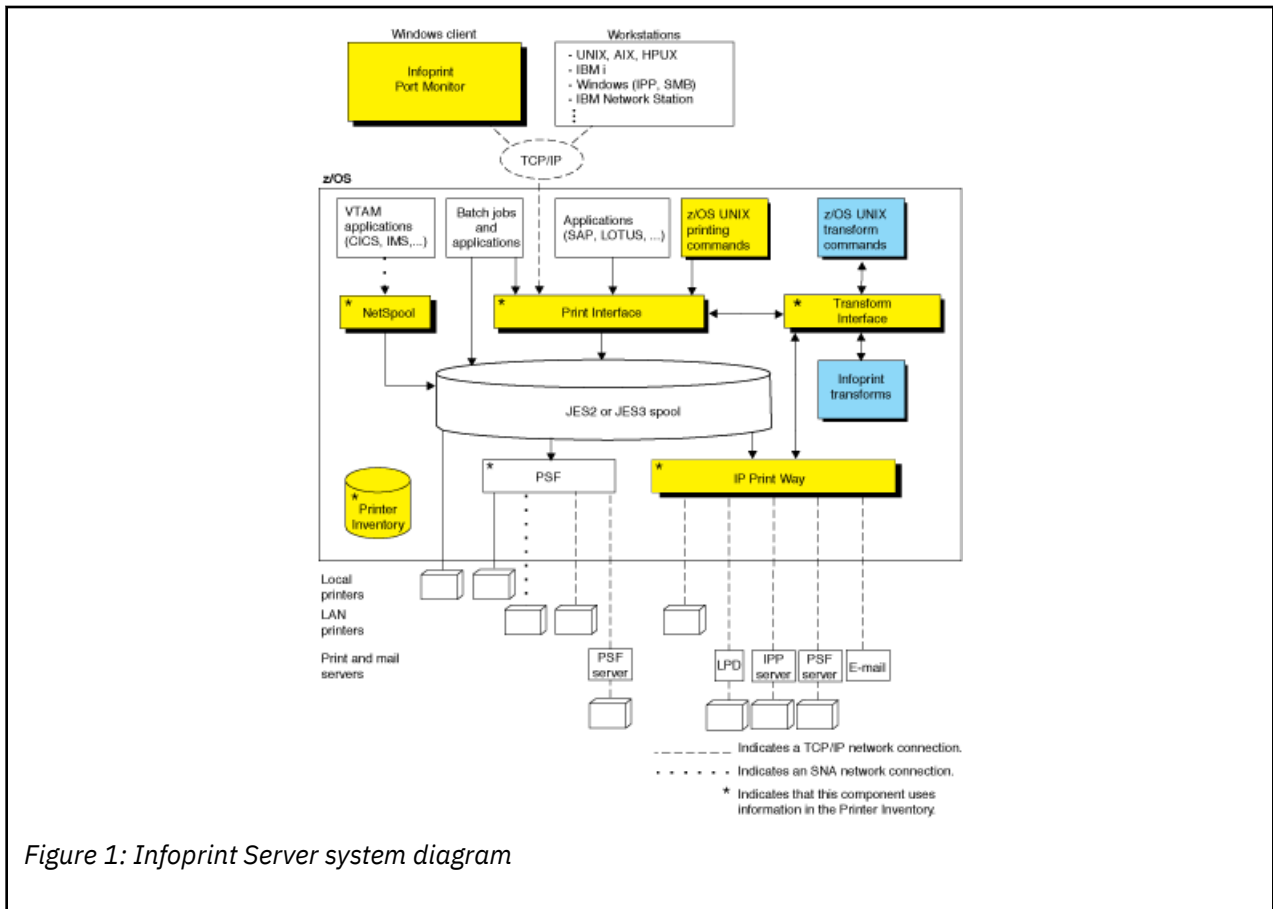


Figure 1: Infoprint Server system diagram

Printer Inventory and Printer Inventory Manager

The Printer Inventory Manager controls the Printer Inventory. The Printer Inventory consists of files in a z/OS UNIX file system (HFS or zFS) that contain information about printers and print jobs. The Printer Inventory also contains information about system configuration.

Infoprint Server Windows Client

The Infoprint Server Windows client consists of the Infoprint Port Monitor, which sends print requests and job attributes to Print Interface.

Print Interface

Print Interface processes print requests from remote clients and from the local z/OS system and allocates output data sets on the JES spool. Print Interface accepts various data formats and can transform input data streams to EBCDIC line data, ASCII text data, AFP, PCL, PostScript, PDF, or other data formats that the printer accepts. A separate transform product is required for some transforms.

NetSpool

NetSpool processes print requests from VTAM applications, such as CICS® and IMS™, and allocates output data sets on the JES spool. NetSpool accepts SCS, 3270, and binary data streams and can transform input data streams to EBCDIC line data, PCL, PDF, AFP, or other data formats that the

printer accepts. A separate transform product is required for some transforms. However, a separate transform product is not required to convert input data streams to the line or PCL formats.

IP PrintWay

IP PrintWay transmits data sets from the JES spool to printers or print servers in a TCP/IP network and to email destinations. IP PrintWay accepts various data formats and can transform input data streams to ASCII text data, PCL, PostScript, PDF, or other data formats that the printer accepts. A separate transform product is required for some transforms.

Transform Interface

Transform Interface communicates with other transform products to transform data to another data format. It manages the transforms that run on z/OS, and it sends data to transforms that run on other systems, including Linux, AIX®, and Windows systems.

Infoprint Central (not shown in figure)

Infoprint Central is a web-based application that help desk operators use to work with print jobs (output data sets) on the JES spool, printers that are controlled by IP PrintWay extended mode or PSF, and NetSpool logical units. Operators also use Infoprint Central to check system status, view printer definitions, and view, start, and stop job selection rules.

Transforms (separate products)

Transform products can transform data streams from one data format to another. These products are separate from Infoprint Server.

PSF for z/OS (separate product)

PSF for z/OS can use system configuration information that is stored in the Printer Inventory. In addition, PSF can write messages for print jobs and printers to the Infoprint Server common message log.

Printer Inventory Manager

The Printer Inventory Manager component of Infoprint Server controls the Printer Inventory. The Printer Inventory consists of Hierarchical File System (HFS) or z/OS File System (zFS) files that contain information about the printing environment. The administrator must create and manage information in the Printer Inventory.

Note: The Printer Inventory cannot be shared by Infoprint Server running on other systems.

The objects in the Printer Inventory are:

Printer definitions

Contain information about printers and email destinations.

Printer pool definitions

Contain information about groups of printer definitions that you want to broadcast data to (applies only to NetSpool).

FSS definitions

Contain configuration information for IP PrintWay basic mode functional subsystems (FSSs) and PSF FSSs.

FSA definitions

Contain configuration information for IP PrintWay basic mode functional subsystem applications (FSAs) and PSF FSAs.

Job selection rules

Contain rules that IP PrintWay extended mode uses to determine which print jobs to select from the JES spool for printing.

System configuration definition

Contains configuration information for Infoprint Server. Infoprint Server creates this definition automatically. Administrators can modify it if the dynamic configuration function is enabled.

Figure 2 on page 3 shows how the administrator can create objects in the Printer Inventory and which components of Infoprint Server use the Printer Inventory.

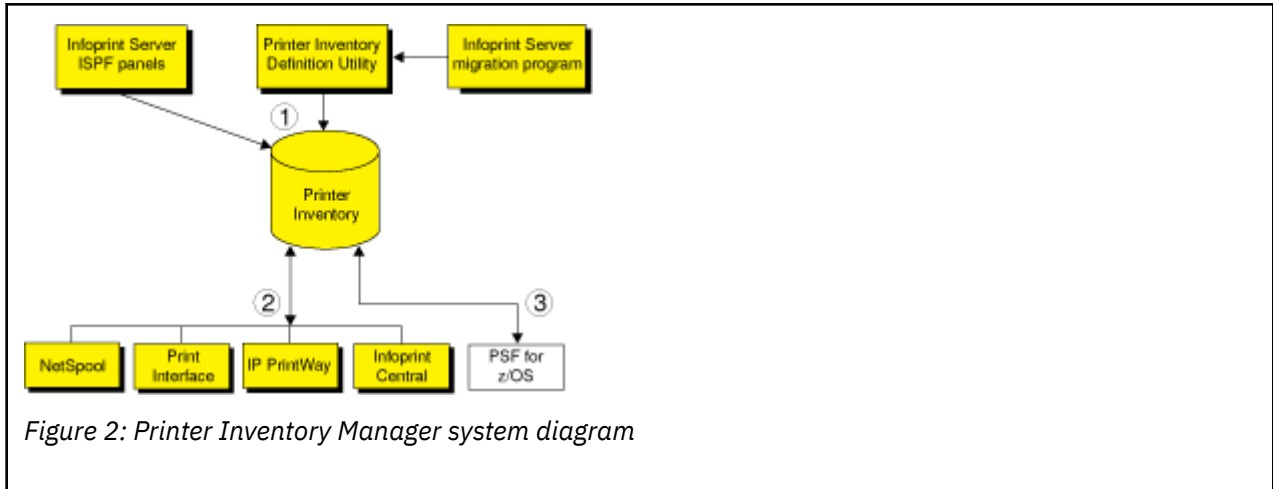


Figure 2: Printer Inventory Manager system diagram

1. The administrator can use Infoprint Server ISPF panels and the Printer Inventory Definition Utility (PIDU) to create and maintain the Printer Inventory. PIDU is useful for creating many printer definitions at the same time and for backing up the Printer Inventory.
2. These Infoprint Server components use information in the Printer Inventory:
 - NetSpool uses information in printer definitions and in printer pool definitions.
 - Print Interface uses information in printer definitions.
 - IP PrintWay uses information in printer definitions. Also, IP PrintWay basic mode uses configuration information in FSS and FSA definitions, and IP PrintWay extended mode uses job selection rules.
 - Infoprint Central displays Printer Inventory information.
3. PSF and the AFP Download Plus feature of PSF can, as an option, use configuration information that is specified in FSS and FSA definitions in the Printer Inventory. For information, see *z/OS Infoprint Server Printer Inventory for PSF*. The system programmer can alternatively specify this configuration information in PSF and AFP Download Plus startup procedures and exits. When the printer configuration information is specified in the Printer Inventory:
 - The information can be changed without restarting all FSAs in the FSS. Only the FSAs with changed configuration information need to be restarted.
 - Authorized operators can use Infoprint Central to work with PSF printers. (Operators can work with AFP Download Plus senders in the same way they work with PSF printers.) For example, operators can start and stop (that is, drain) printers, change JES work-selection criteria, and turn TCP/IP-connected printers online and offline.
 - PSF can write messages for print jobs and printers to the Infoprint Server common message log. Authorized users can view these messages in Infoprint Central. Infoprint Server administrators can use the `aoplogu` command to select messages in a particular time range and copy them to a file or view them on the terminal.

More functions that the Printer Inventory Manager provides are:

Common message log

The common message log displays messages in one place from Infoprint Server, from some transform products, and from PSF for z/OS. The log contains messages from all components of Infoprint Server except for IP PrintWay basic mode. For information about whether a transform can write messages to the common message log, see the documentation for the transform.

IP PrintWay extended mode writes its messages only to the common message log. Other components, such as NetSpool and Print Interface, write their messages to the common message log and also to other locations, such as the NetSpool message-log data set and the system console log.

You can view and process messages in the common message log in these ways:

- Authorized users can use Infoprint Central to view messages for selected print jobs, IP PrintWay printers, PSF printers, and NetSpool LUs.
- Infoprint Server administrators can use the `aoplogu` command to select messages in a particular time range and copy them to a file or view them on the terminal.

Hardcopy log

Infoprint Server administrators can select messages to send to the z/OS system log (SYSLOG) or operations log (OPERLOG) for message automation.

Historical Inventory

The Historical Inventory contains information about print jobs that Infoprint Server processed but that are no longer on the JES spool because they finished processing or were deleted. Authorized users can use Infoprint Central to view information about these print jobs.

Migration program

The Infoprint Server migration program copies configuration information from PSF and AFP Download Plus startup procedures to the Printer Inventory. It automatically creates PSF FSS and FSA definitions in the Printer Inventory.

Security

You can use a z/OS security manager, such as RACF®, to restrict access to the Printer Inventory, the common message log, operator commands that start and stop Infoprint Server daemons, and Infoprint Central actions.

Printer Inventory for PSF

PSF customers who do not purchase an Infoprint Server license can specify PSF and AFP Download Plus configuration information in the Printer Inventory. For information, see [z/OS Infoprint Server Printer Inventory for PSF](#).

Windows client

The Infoprint Server Windows client consists of this program:

Infoprint Port Monitor for Windows

Software that runs on a Windows workstation. You can use this program to print files on z/OS printers just like you print files on local Windows printers. You can submit the files from any Windows application that has a printing function. After the Infoprint Port Monitor is installed and configured on the Windows system, it automatically sends documents to the Print Interface component of Infoprint Server.

Infoprint Port Monitor 3.2 runs on these systems:

32 bit

Windows 7, Windows 8.1, and Windows 10

64 bit

Windows 7, Windows 8.1, Windows 10, Windows Server 2012, and Windows Server 2016

Note: Infoprint Port Monitor can run on 32-bit Windows systems or on 64-bit Windows systems that are based on x64 architecture. However, it cannot run on 64-bit Windows systems that are based on Intel Itanium architecture.

Infoprint Port Monitor 3.2 is included with Infoprint Server at:

`/usr/lpp/Printsrv/win/En_US/aopwin32.exe`

`/usr/lpp/Printsrv/win/En_US/aopwin64.exe`

You can also download the [Infoprint Port Monitor \(www.ibm.com/support/docview.wss?uid=psd1P1000597\)](http://www.ibm.com/support/docview.wss?uid=psd1P1000597).

Note: Infoprint Server also supports printing from a Windows system with the Server Message Block (SMB) protocol and the Internet Printing Protocol (IPP). To use the SMB and IPP protocols, Windows users do not need to install the Infoprint Port Monitor.

You might want to use these products if your installation has AFP printers or prints AFP documents:

AFP Printer Driver for Windows

Creates output files in AFP format. Files in AFP format can be printed on AFP printers. The driver can create output files that contain documents, overlays, or page segments. It can also create inline form definitions for printing documents with special options, such as printing on both sides of the paper.

AFP Viewer plug-in for Windows

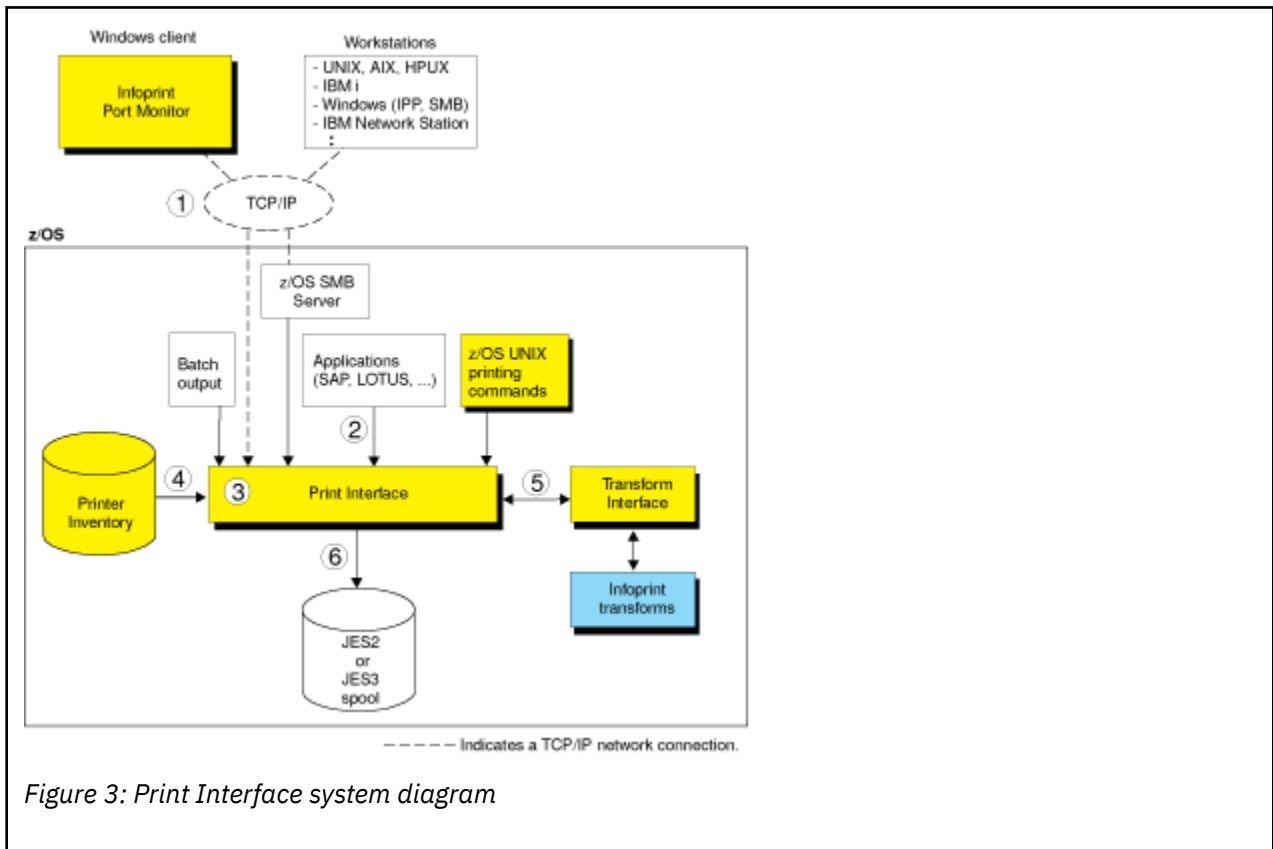
You can use this product to view documents in AFP format. For example, documents that are downloaded from the z/OS system or documents on the web. You can also use the viewer to print AFP documents on AFP printers and on non-AFP printers.

Note: You can download the AFP Printer Driver for Windows and the AFP Viewer plug-in for Windows from these websites:

- Ricoh AFP Printer Driver website (support.rpp.ricoh-usa.com/internet/dcfdata.nsf/vwWeb/P4000384)
- Ricoh AFP Viewer plug-in website (support.rpp.ricoh-usa.com/internet/dcfdata.nsf/vwweb/p4000233)

Print Interface

The Print Interface component of Infoprint Server processes print requests received from both remote clients and local users. Figure 3 on page 5 shows the steps that occur from the time Print Interface receives a print request until it allocates an output data set on the JES spool. An explanation of each step follows.



1. Users can submit print requests and query job status from remote clients in the Internet Protocol network with one of these TCP/IP protocols:

LPR protocol

The LPR protocol is defined by RFC 1179. Clients that use this protocol include:

- The Infoprint Port Monitor for Windows. Infoprint Server provides this client (see [“Windows client”](#) on page 4).
- The `lpra.fpr` command for Windows and UNIX systems. You can use this command to specify Infoprint Server job attributes. You can download the `lpra.fpr` command from [z/OS downloads](http://www.ibm.com/systems/z/os/zos/downloads) (www.ibm.com/systems/z/os/zos/downloads). In the "As-is z/OS downloads" section, select **Infoprint Server for z/OS**.
- TCP/IP commands such as `lpr`, `enq`, and `lpc`.
- An SAP R/3 application server that runs on a remote system.

Internet Printing Protocol (IPP)

IPP is a standard protocol for printing over the Internet. An IPP client must run in the remote system.

Server Message Block (SMB) printing protocol

SMB is the standard printing protocol that Windows systems use. The z/OS SMB server must be installed on the z/OS system to receive print requests. The z/OS SMB server uses Print Interface callable services to allocate output data sets on the JES spool and return print job status to the client.

2. Users can submit print requests from the local z/OS system with one of these methods:

Print Interface subsystem

By using the Print Interface subsystem, you can transform and print output data that is created by a batch application with minimal changes to your JCL.

AOPPRINT

By using the AOPPRINT JCL procedure, you can print existing MVS data sets and UNIX files.

z/OS UNIX printing commands (`lp`, `lpstat`, and `cancel`) that Infoprint Server provides

By using these commands, you can print MVS data sets and UNIX files, query the status of a print job, and cancel a print job. You can run these commands from the z/OS UNIX command line or from a UNIX application.

Infoprint Server SAP Output Management System (OMS)

By using the Infoprint Server SAP OMS and the SAP R/3 Application Server for z/OS, SAP R/3 users can submit a print job and receive immediate notification about job events.

3. Print Interface runs as a UNIX application that uses the services of z/OS UNIX System Services.

Print Interface accepts data in any format, including but not limited to these formats: line data, MO:DCA-P (also known as AFP), PostScript, PDF, PCL, SAP (OTF and ABAP), XML, and text.

4. Each print request specifies the name of a printer definition in the Printer Inventory. The printer definition can describe a printer or an email destination. Print Interface uses information in the printer definition to determine items, such as how to process the data or whether to transform the data.
5. Print Interface can, in most cases, automatically detect the data format of the input data and validate that the printer accepts that data format. Print Interface can convert data between EBCDIC and ASCII. Also, it can use other transform products to transform data into other formats for printing or emailing.
6. For each print request, Print Interface dynamically allocates an output data set on the JES2 or JES3 spool. In a JES2 environment, you can request that Print Interface allocate output data sets on the spool of the primary JES2 subsystem or a secondary JES2 subsystem. Print Interface uses JES allocation parameters that are specified in the printer definition, including:
 - JES work-selection parameters, such as class, forms name, and destination. These parameters cause JES to direct the output data sets to the correct program, such as PSF or IP PrintWay.
 - Advanced Function Presentation (AFP) parameters, such as the name of a form definition and page definition. PSF uses these parameters when printing data on AFP printers.

Some additional functions that Print Interface provides include:

Transforms

Print Interface can transform data to line data or text format without using a separate transform product. It can:

- Transform text data into line data for printing on AFP printers.
- Transform line data (for example, in a sequential data set or a partitioned data set) into text data for printing on a network printer or emailing.

Print Interface can also transform data to AFP format for printing on AFP printers, and it can transform data to PCL, PostScript, or PDF format for printing or emailing. To do these transforms, Print Interface can use the transform products that are described in [“Transforms” on page 16](#).

Validation of print requests

Print Interface can validate, with some exceptions, that the document can print as requested on the selected printer. For example, Print Interface can reject documents with data formats that the printer does not support or that are too large to print on the selected printer.

Notification of completion

Print Interface can notify users on the local z/OS system when document processing is complete and the data set is removed from the JES spool. It can also notify users who request mail notification with a command, such as `lpr`, that uses the LPR to LPD protocol.

Operator control

The operator can use tools, such as SDSF and Infoprint Central, to find output data sets that Print Interface writes to the JES spool. Infoprint Central can display additional status, such as whether the output data sets (called *print jobs*) are completed successfully, are retained because of failed transmission to LAN printers, or are deleted before printing.

Identification of output

Print Interface retains the user ID of the job submitter for printing on separator pages and for display on the JES spool so that the user ID can be printed on separator pages and the operator can see the name of the job submitter when the data set is on the JES spool.

Double-byte character set (DBCS) support

Print Interface can convert DBCS data from one code page to another before it writes the data to the JES spool.

Filters

You can write filter programs to modify data before Print Interface writes the data to the JES spool. For example, a filter can add separator pages or transform data from one format to another.

SAP Output Management System (OMS)

Print Interface provides an SAP OMS with a Callback daemon to support printing with the SAP R/3 Application Server for z/OS. SAP users can use the OMS and Callback daemon to print, cancel jobs, obtain job status, and receive immediate notification about job events.

The SAP-certified functions that Print Interface provides are:

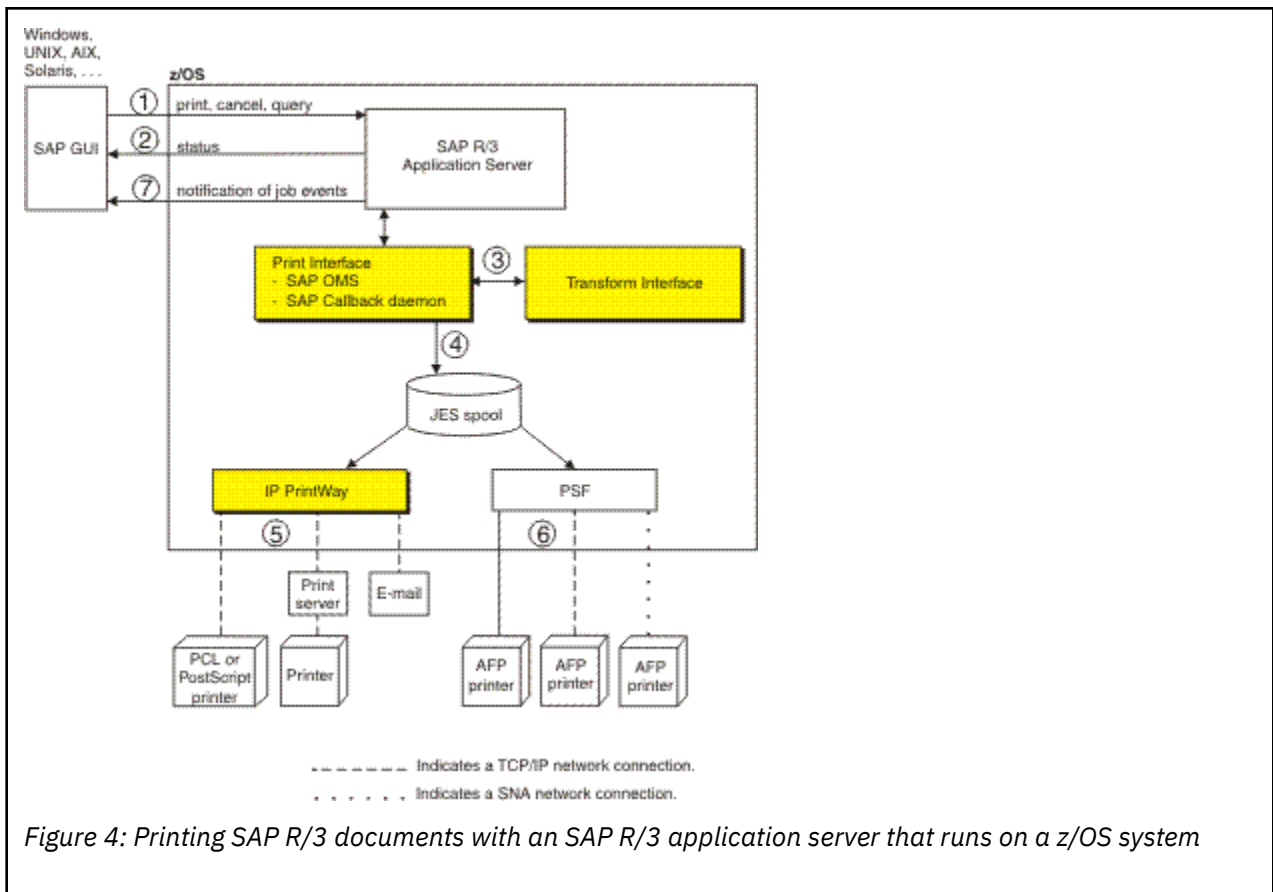
- OMS Polling Interface
- OMS/XOM Callback Interface
- OMS Operations Supplement

For more information about SAP certification, see the [SAP website \(www.sap.com\)](http://www.sap.com).

[“Print Interface with an SAP R/3 application server on the z/OS system” on page 7](#) describes SAP OMS support. The Print Interface LPD can print documents that are received from an SAP R/3 application server that is running on another system, such as an AIX or Windows system. [“Print Interface with an SAP R/3 application server on a remote system” on page 8](#) describes this support.

Print Interface with an SAP R/3 application server on the z/OS system

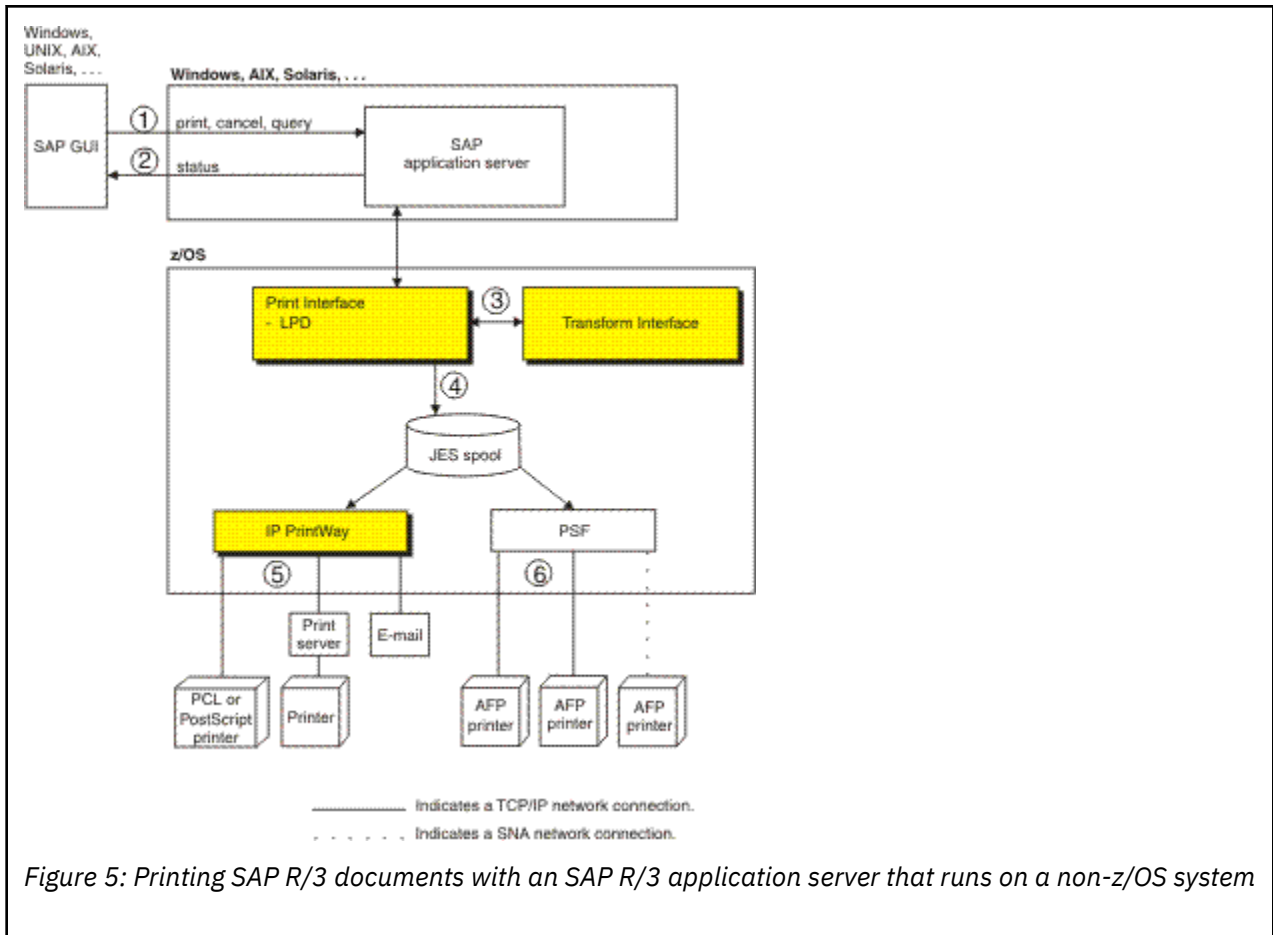
[Figure 4 on page 8](#) shows how the Print Interface SAP Output Management System (OMS), Callback daemon, and the SAP R/3 Application Server for z/OS fit into your system. When the SAP R/3 Application Server runs on the same z/OS system, the Print Interface OMS receives print and status requests, and the Callback daemon provides immediate notification of job events. The SAP R/3 Application Server for z/OS and its spool work process must run on the same system as Infoprint Server. The Print Interface Callback daemon can return notification of job events to SAP R/3 application servers that run on other SAP R/3 systems, if the SAP spool work process runs on the z/OS system.



1. From an SAP R/3 GUI, users make print, cancel, job query, and device query requests to the SAP R/3 Application Server. These print requests specify the name of an SAP R/3 output device that is defined to the SAP R/3 system. The SAP administrator associates each output device with a printer definition in the Infoprint Server Printer Inventory.
2. For a status request, the Print Interface SAP OMS returns the status of a print job or a list of print jobs that the printer is processing.
3. For a print request, Print Interface automatically detects the data format. It calls Transform Interface to transform the data to another format if the administrator specified a filter in the printer definition. For example, if the data format is PCL or PostScript, Transform Interface can call the PCL to AFP transform or the PostScript to AFP transform to transform the data to AFP format for printing on an AFP printer.
4. Print Interface creates an output data set on the JES spool. From the JES spool, IP PrintWay, PSF, or JES can print the document.
5. IP PrintWay selects data sets from the JES spool and transmits them to remote printers, print servers, or email destinations.
6. PSF selects data sets from the JES spool and prints them on AFP printers. The printers can be local, TCP/IP-attached, or SNA-attached.
7. As print jobs complete (successfully or unsuccessfully), the Print Interface SAP callback daemon sends notification back to the SAP R/3 system.

Print Interface with an SAP R/3 application server on a remote system

Figure 5 on page 9 shows how the Print Interface LPD and an SAP R/3 application server that runs on a remote system (such as AIX or Windows) fit into your system. When no SAP R/3 application server is running on the z/OS system, the Infoprint Server LPD (as opposed to the Infoprint Server OMS) receives print and status requests, and notification of job events does not occur.



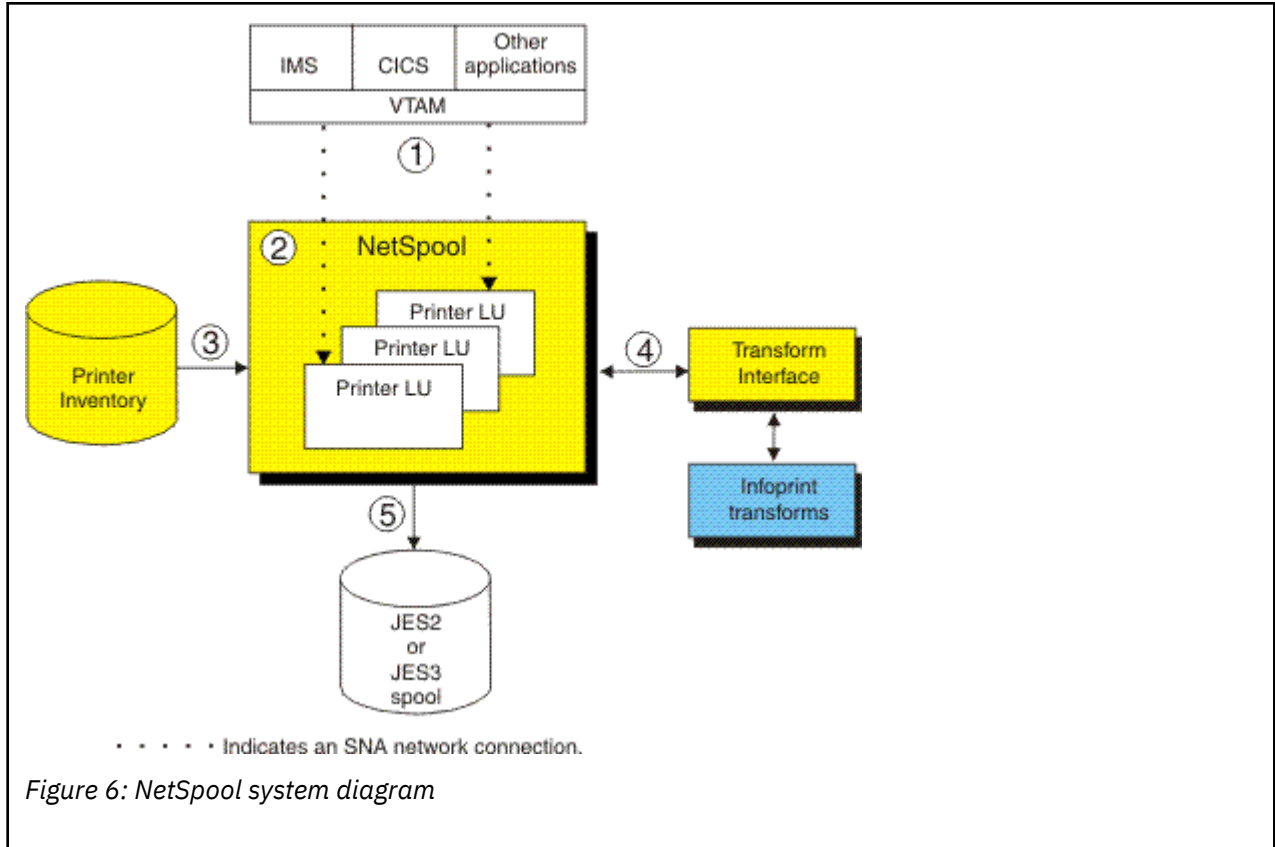
1. From an SAP R/3 GUI, users make print, cancel, job query, and device query requests to an SAP R/3 application server that runs on a remote system such as Windows, AIX, or Solaris. These print requests specify the name of an SAP R/3 output device that is defined to the SAP R/3 system. The SAP administrator associates each output device with a printer definition in the Infoprint Server Printer Inventory.
2. For a status request, the Print Interface LPD returns the status of a print job or a list of print jobs that the printer is processing.
3. For a print request, Print Interface automatically detects the data format. It calls Transform Interface to transform the data to another format if the administrator specified a filter in the printer definition. For example, if the data format is PCL or PostScript, Transform Interface can call the PCL to AFP transform or the PostScript to AFP transform to transform the data to AFP format for printing on an AFP printer. The transform that you need depends on the type of output the SAP R/3 output device creates.
4. Print Interface creates an output data set on the JES spool. From the JES spool, IP PrintWay, PSF, or JES can print the document, or IP PrintWay can send it to an email destination.
5. IP PrintWay selects data sets from the JES spool and transmits them to remote printers or print servers or sends them to email destinations.
6. PSF selects data sets from the JES spool and prints them on AFP printers. The printers can be local, TCP/IP-attached, or SNA-attached.

NetSpool

The NetSpool component of Infoprint Server intercepts print data from VTAM applications, such as CICS and IMS; transforms the data streams to EBCDIC line data, PCL, PDF, or other formats that the printer

accepts; and creates output data sets on the JES2 or JES3 spool. You can configure NetSpool so that you do not need to change existing VTAM applications. That is, existing VTAM applications can send print requests to NetSpool in the same manner as they currently send print requests to SNA network printers.

Figure 6 on page 10 shows the steps that occur from the time VTAM applications send print requests to NetSpool printer logical units (LUs) until NetSpool allocates output data sets on the JES spool. An explanation of each step follows.



1. VTAM applications, such as CICS or IMS, establish communication sessions with NetSpool printer logical units (LUs) instead of with SNA-network printers. Each NetSpool printer LU must be defined to VTAM as an application logical-unit (LU).

NetSpool can process these types of VTAM data streams:

- SNA character string (SCS) data over an LU type 1 session
 - 3270 data over an LU type 3 or LU type 0 session
 - A binary data stream over an LU type 0, type 1, or type 3 session
2. NetSpool runs as a VTAM application on the same or different z/OS system. NetSpool can process VTAM print requests sent to different NetSpool printer LUs.
 3. The administrator defines each NetSpool printer LU in a printer definition or printer pool definition in the Printer Inventory. NetSpool uses information in the printer definition to format data into lines and pages, transform data to a format that the printer accepts, and group the data into output data sets.
 4. NetSpool can transform SCS and 3270 data streams to EBCDIC line data or ASCII PCL data streams. Also, it can use other transform products to convert line data to other formats for printing or emailing.
 5. NetSpool dynamically allocates output data sets on the JES2 or JES3 spool with JES allocation parameters that are specified in the printer definition, including:
 - JES work-selection parameters, such as class, forms name, and destination. These parameters cause JES to direct the output data sets to the correct program, such as IP PrintWay or PSF.

- Advanced Function Presentation (AFP) parameters, such as the name of a form definition and page definition. PSF can use these parameters when printing data on AFP printers.
- Distribution information, such as name and address, which can be printed on output header pages.

More functions that NetSpool provides are:

Transforms

NetSpool can transform data to line data or PCL format without using a separate transform product. It can:

- Transform SCS and 3270 data streams into line data streams. Line data can be printed on AFP printers.
- Transform SCS and 3270 data streams into PCL data streams. PCL data can be printed on network printers.

For information about how NetSpool transforms SCS and 3270 data streams to line or PCL format, see [*z/OS Infoprint Server User's Guide*](#).

NetSpool can transform data to PDF or PostScript format by using one of the transform products that are described in [“Transforms” on page 16](#). (NetSpool first transforms SCS and 3270 data to line data, and then uses the transform).

Validation of print requests

NetSpool can validate, with some exceptions, that the document can print as requested on the selected printer. For example, NetSpool can reject documents that are too large to print on the selected printer.

Operator control

The operator can control NetSpool LUs from Infoprint Central, from the system console, or from extended MCS consoles. For example, the operator can display the status of NetSpool LUs, stop them, and start them.

The operator can use tools such as SDSF and Infoprint Central to find output data sets that NetSpool writes to the JES spool. Infoprint Central can display additional status such as whether the output data sets (called *print jobs*) completed successfully, were retained because of failed transmission to LAN printers, or were deleted before printing.

Broadcasting output

You can print output to several printers at the same time. Also, you can print output and send it to email destinations at the same time. To do this, the administrator creates a printer pool definition in the Printer Inventory. When VTAM application data is submitted to a printer pool definition, NetSpool creates multiple output data sets on the JES spool.

Exits and filters

System programmers can write and install exits to customize NetSpool processing. NetSpool exits can add data to the beginning of output data sets, map graphic escape characters to other printable characters, and modify or delete transparent data in SCS data streams. System programmers can also write filter programs to provide their own data stream transforms.

Binary data support

The administrator can request in the printer definition that NetSpool treat the data stream as binary data. NetSpool writes binary data to the output data set as variable length records without formatting the data and without rejecting unsupported commands, orders, or data. This function is useful if you want to pass through all data without change and without including transparent (TRN) controls.

Owner and job attribute support

VTAM application programmers can embed the owner job attribute and other Infoprint Server job attributes in the application's print data that is sent to NetSpool. Application programmers might want to embed the owner job attribute to help identify the owner of printed output or the user to charge in an accounting system for printing jobs. Application programmers might want to embed other job

attributes, such as forms, page-definition, or form-definition. Also, the administrator can specify a NetSpool default owner in the printer definition.

IP PrintWay

The IP PrintWay component of Infoprint Server transmits output data sets from the JES spool to remote printers or print servers and to email destinations. You can run either IP PrintWay basic mode or IP PrintWay extended mode:

- IP PrintWay basic mode, the original mode of operation, uses the z/OS Functional Subsystem Interface (FSI) to obtain output data sets from the JES spool. IBM does not plan more enhancements to IP PrintWay basic mode.
- IP PrintWay extended mode uses the z/OS SYSOUT Application Programming Interface (SAPI) to obtain output data sets from the JES spool. It provides better performance, improved usability, and more function than IP PrintWay basic mode.

IP PrintWay basic mode and IP PrintWay extended mode use the same printer definitions in the Printer Inventory.

IP PrintWay can use one of these protocols to transmit output data sets to printers:

LPR

The LPR protocol is a TCP/IP protocol that is defined by RFC 1179. An LPD that adheres to RFC 1179 must be running in the remote printer or system.

Direct-sockets

The direct sockets printing protocol is a TCP/IP protocol in which data is transmitted directly to a designated port. The remote printer or print server must support direct sockets printing.

Internet Printing Protocol (IPP)

IPP is a standard TCP/IP protocol for printing over the internet. An IPP Server must be running in the remote printer or system.

Email

IP PrintWay can send print output to one or more email addresses. IP PrintWay can optionally transform the output to another format with a separate transform product. It can send the output as an email attachment or include text and line data inline in the body of the email. You can specify the recipients of the email in a header in the document, in JCL parameters on the OUTPUT JCL statement, in Infoprint Server job attributes, or in the printer definition. You can also specify a standard greeting in the printer definition.

Tip: IP PrintWay basic mode cannot transmit data sets larger than 2 gigabytes to a remote LPD. Also, depending on the IP PrintWay options the administrator selects in the printer definition, IP PrintWay basic mode might not be able to transmit data sets larger than 2 gigabytes to a remote printer that uses the IPP or direct-sockets printing protocol, or to email destinations. This restriction does not apply to IP PrintWay extended mode.

Figure 7 on page 13 shows the steps that occur from the time IP PrintWay selects output data sets from the JES spool until it transmits them to the printer or email destination and then deletes them from the JES spool. An explanation of each step follows.

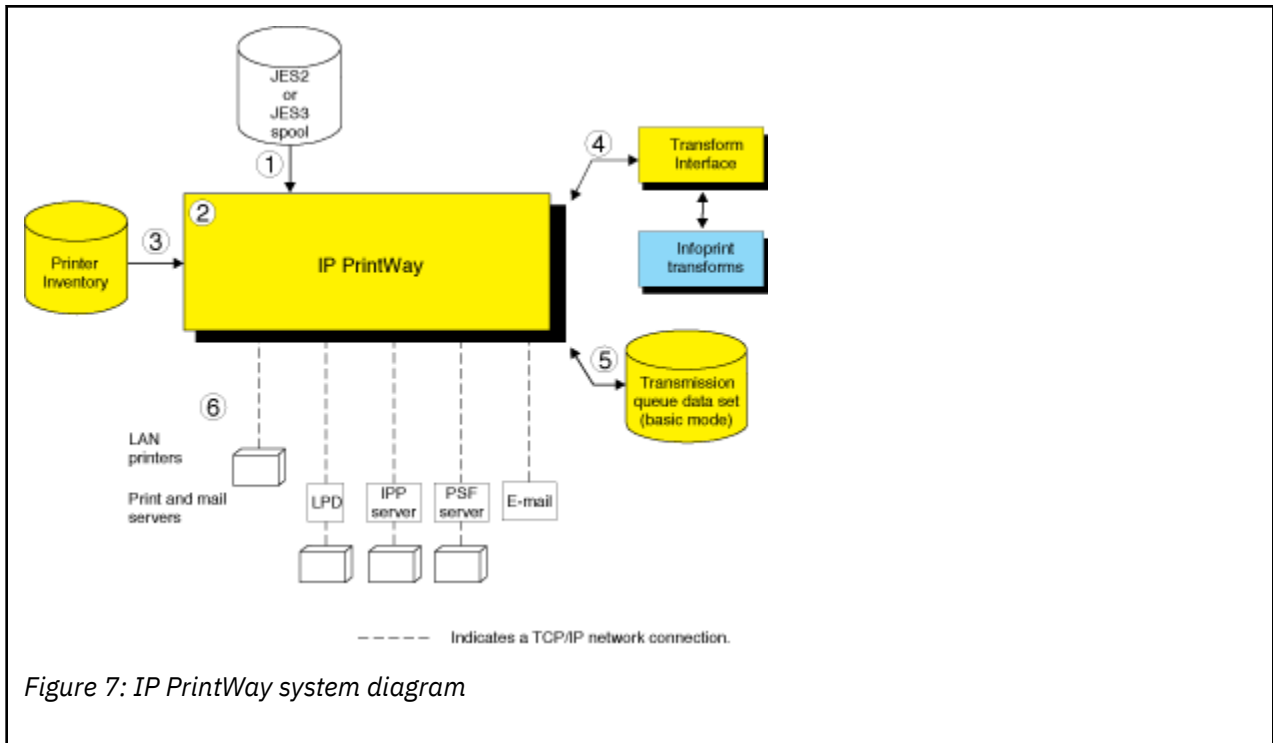


Figure 7: IP PrintWay system diagram

1. IP PrintWay selects output data sets from the JES2 or JES3 spool. IP PrintWay can select output data sets that were allocated on the JES spool by NetSpool or Print Interface, or data sets submitted from z/OS batch jobs with JCL. The data sets can contain line data, ASCII text data, or formatted data, such as PCL, PostScript, SAP, or MO:DCA-P (AFP) data.
2. IP PrintWay extended mode uses the SAPI interface to select output data sets from the JES2 or JES3 spool. IP PrintWay basic mode runs as a JES functional subsystem (FSS). An IP PrintWay basic mode functional subsystem application (FSA) uses the FSI interface to select output data sets from the JES spool.

In a JES2 environment, you can configure IP PrintWay to select output data sets from the spool of either the JES2 primary subsystem or a JES2 secondary subsystem.

3. IP PrintWay uses information in printer definitions in the Printer Inventory to process data sets, select the transmission protocol, and obtain printer addresses. IP PrintWay can, instead, use the printer's IP address that is specified on the OUTPUT JCL statement or in an Infoprint Server job attribute.

IP PrintWay recognizes data sets allocated on the JES spool by Print Interface and NetSpool and does not convert data from EBCDIC to ASCII or format the data if Print Interface or NetSpool is already converted data to ASCII. For other data sets, IP PrintWay can convert data between EBCDIC and ASCII, can add a header to each page, and can format data with the carriage-control characters in line data, an FCB, or pagination attributes that are specified in the printer definition.

4. In most cases, IP PrintWay extended mode can automatically detect the input data format and transform data into the format that is required by the printer or email destination. IP PrintWay basic mode can transform data by resubmitting the data stream to Print Interface. To do transforms, IP PrintWay uses transforms that other transform products provide.
5. When you run IP PrintWay extended mode, operators can use Infoprint Central to work with output data sets that IP PrintWay is processing or retained on the JES spool. In addition, you can use Infoprint Central to work with data sets that IP PrintWay has not yet selected for processing.

When you run IP PrintWay basic mode, the IP PrintWay transmission queue data set contains information about output data sets that IP PrintWay is processing or retained on the JES spool. Operators must use Infoprint Server ISPF panels to manage these data sets.

6. IP PrintWay transmits data sets to the printer, print server, or email destination with the protocol that is selected in the printer definition: LPR, direct sockets, IPP, or email. IP PrintWay can also transmit

LPD options and IPP job attributes to the printer's LPDs and IPP Servers. For example, IP PrintWay can transmit information that the LPD prints on a separator page.

More functions that IP PrintWay provides include:

Retry

IP PrintWay can retransmit an unsuccessful transmission for a specified number of times at a specified interval. Retry limits and retry times can be specified in the printer definition and on an OUTPUT JCL statement. In addition to the requested retransmissions, IP PrintWay tries an unsuccessful transmission automatically for a short time after transmission. The administrator can use IP PrintWay extended mode to define a backup printer in case the retransmissions fail because the IP PrintWay printer is broken or offline. The backup printer is defined in an ISPF printer definitions panel or PIDU. The operator can then select the backup printer for IP PrintWay to use when the primary printer is not functioning.

If an error occurs in the middle of a print job, IP PrintWay restarts printing from the beginning of the print job. However, IP PrintWay extended mode can restart printing after the last page that printed successfully if the printer supports Hewlett Packard (HP) Printer Job Language (PJM) and the direct sockets printing protocol. The administrator must request in the printer definition that IP PrintWay extended mode restart printing after the last successful page.

Retention of jobs on the JES spool

After successfully transmitting each data set, or after it completes the requested number of transmission attempts, IP PrintWay can retain the data set on the JES spool forever or for a specific time. Retention periods can be specified in the printer definition or on an OUTPUT JCL statement.

Transforms

IP PrintWay can transform line data to text format for printing on a network printer or emailing without using a separate transform product.

IP PrintWay can transform data to PCL, PDF, or PostScript format for printing or emailing by using one of the transform products that are described in [“Transforms” on page 16](#).

Validation of print requests

IP PrintWay extended mode can validate, with some exceptions, that the document can print as requested on the selected printer. For example, IP PrintWay extended mode can reject documents with data formats that the printer does not support or that are too large to print on the selected printer.

Operator control

When you run IP PrintWay extended mode, the operator can use tools, such as SDSF and Infoprint Central, to work with output data sets (called *print jobs*) that are intended for IP PrintWay or that IP PrintWay retained. In addition, you can use Infoprint Central to delete, hold, and move print jobs that IP PrintWay extended mode is processing. Infoprint Central can display additional status, such as whether the print jobs are completed successfully, were retained because of failed transmission to LAN printers, or were deleted before printing.

When you run IP PrintWay basic mode, the operator must use Infoprint Server ISPF panels to work with output data sets that IP PrintWay is processing or retained on the JES spool.

Job selection rules

When you run IP PrintWay extended mode, the administrator defines job selection rules in the Printer Inventory to specify which print jobs to select. The operator can use Infoprint Central to start and stop these job selection rules, or the administrator can automate the starting and stopping of job selection rules.

Printer selection using an OUTPUT JCL statement

On an OUTPUT JCL statement, a user can select the printer definition by specifying either the name of the printer definition in the FSSDATA parameter or the DEST, CLASS, or FORMS parameter (or a combination of these parameters) associated with the printer definition.

Users can also specify the IP address for the printer directly on the OUTPUT JCL statement, thereby eliminating the need for the administrator to create a printer definition for each printer in the Printer Inventory.

SMF accounting

For each data set processed, IP PrintWay writes a System Management Facilities (SMF) type 6 record. The SMF type 6 record identifies the job submitter and the address of the printer. It also contains the number of bytes that were transmitted to the printer. IP PrintWay extended mode records additional information in the type 6 record. For example, IP PrintWay extended mode includes accounting information from the JOB JCL statement and the number of pages that printed successfully if the printer supports Hewlett Packard (HP) Printer Job Language (PJM) and the direct sockets printing protocol. The administrator must request in the printer definition that IP PrintWay extended mode record the number of pages.

Exits and filters

You can use IP PrintWay to write exits to customize IP PrintWay processing. For example, exits can change the IP address of the remote printer, add separator pages, specify printer commands in document headers and trailers, and modify SMF accounting records. You can also write filter programs to provide your own data stream transforms.

Transmission order

IP PrintWay preserves the order of the data sets on the JES spool when it transmits data sets. IP PrintWay retains this order even if the transmission of the data sets must be tried again. If a JES output group contains more than one output data set, IP PrintWay acquires all of the data sets in the output group before it transmits any of them and can transmit these data sets to the printer as a single file. Although the data sets are a single file, each data set starts printing on a new page.

Printer commands

The administrator can specify printer commands for IP PrintWay to send to the printer before or after the data to be printed. Printer commands can be used to change fonts or switch between simplex and duplex printing. The administrator can specify printer commands in the printer definition or in the Begin Data Set exit. You can use the Begin Data Set exit to specify different printer commands for each data set.

IPsec data encryption

The IP security function of z/OS Communications Server can encrypt data that IP PrintWay sends to printers and print servers that support Internet Protocol security (IPsec). Encrypting data ensures the confidentiality of the data that you send to the printer.

Transform Interface

The Transform Interface component of Infoprint Server communicates with transforms that transform products provide. Transforms convert data from one format to another, for example, from PCL to AFP format and from AFP to PDF format.

Transform Interface can communicate with transforms that run on the z/OS system and on non-z/OS systems. For a list of the transform products that Transform Interface supports, see [“Transforms”](#) on page 16.

Figure 8 on page 15 shows how Transform Interface fits into your system. An explanation of each step follows.

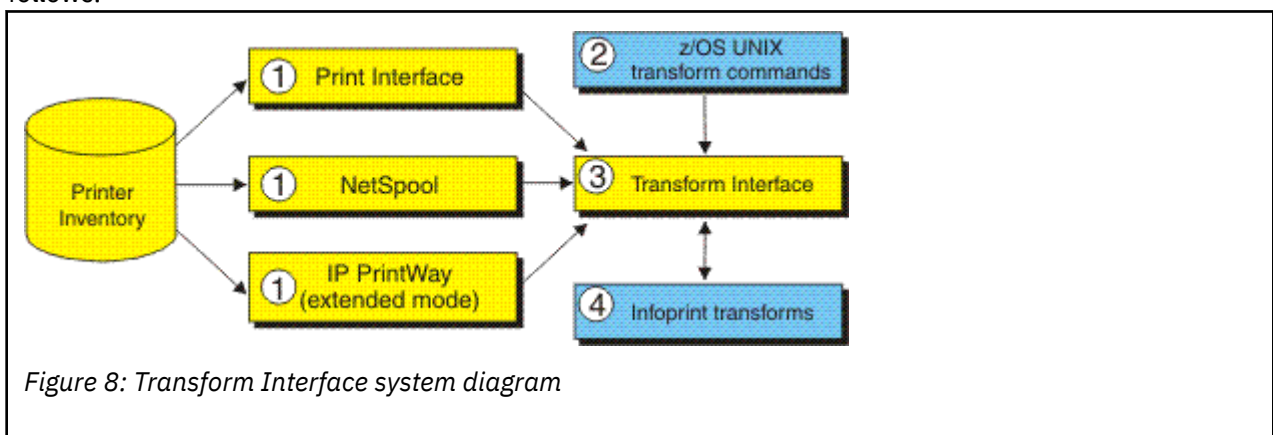


Figure 8: Transform Interface system diagram

1. When they process a print request, Print Interface, NetSpool, and IP PrintWay extended mode call Transform Interface to transform data from one format to another if the administrator specifies a transform filter in the printer definition. The administrator can specify a different transform filter for each data format. Infoprint Server and other transform products provide these transform filters:
 - Some transform products provide transform filters. For example, Infoprint Transforms to AFP for z/OS provides the pdf2afp.dll filter, which transforms data from PDF to AFP.
 - aoprxf.so: This filter sends data to Ricoh InfoPrint Transform Manager for Linux to be transformed.
 - aoprform.dll: This filter sends data to Ricoh InfoPrint Manager for AIX or Windows for transform.

Tip: IP PrintWay basic mode transforms data by resubmitting it to the Print Interface component. This function is called the *resubmit for filtering* function.
2. z/OS job submitters can specify one of these z/OS UNIX commands to transform data without printing it:
 - A transform command: IBM transform products provide z/OS UNIX transform commands (such as pdf2afp).
 - remotexf command: This command sends data to Ricoh InfoPrint Transform Manager for Linux for transform.
3. Transform Interface communicates with the transform:
 - If the transform runs on z/OS, the Infoprint Server Transform Manager (part of Transform Interface) starts and stops the transform daemons with configuration information that is specified by the administrator.
 - If the transform runs on a non-z/OS system, the Infoprint Server Transform Interface sends the data to the transform.
4. The transform converts the data from one format to another.

Transforms

IBM provides several separately priced transform products that convert data from one format to another. These products run on the z/OS system. Ricoh provides other transform products that run on other systems.

Table 5 on page 16 lists the transform products that you can use with Infoprint Server, the transforms that each product provides, and where you can find more information about the transforms and how to customize them.

Transform product	Transform	For information, see:
IBM Infoprint Transforms to AFP for z/OS (5655-N60)	PCL to AFP PDF to AFP PostScript to AFP SAP to AFP	<u>IBM Infoprint Transforms to AFP for z/OS</u>
IBM Print Transform from AFP to PCL for Infoprint Server for z/OS (5655-TF2)	AFP to PCL	<u>IBM Print Transforms from AFP for Infoprint Server for z/OS</u>
IBM Print Transform from AFP to PDF for Infoprint Server for z/OS (5655-TF1)	AFP to PDF	<u>IBM Print Transforms from AFP for Infoprint Server for z/OS</u>
IBM Print Transform from AFP to PostScript for Infoprint Server for z/OS (5655-TF3)	AFP to PostScript	<u>IBM Print Transforms from AFP for Infoprint Server for z/OS</u>

Table 5: Transforms that work with Infoprint Server (continued)

Transform product	Transform	For information, see:
IBM Infoprint XT for z/OS (5655-O15)	Xerox to AFP	<i>IBM Infoprint XT for z/OS</i>
Ricoh InfoPrint Transform Manager for Linux	AFP to PDF GIF to AFP JPEG to AFP PCL to AFP PDF to AFP PostScript to AFP TIFF to AFP	<i>InfoPrint Transform Manager for AIX, Linux, and Windows: Planning and Installing</i> and <i>InfoPrint Transform Manager for Linux: afp2pdf Transform Installation and User's Guide</i> in Ricoh Production Print Information Center (info.rpp.ricoh-usa.com/help/index.jsp)
Ricoh InfoPrint Manager for AIX	PCL to AFP PDF to AFP PostScript to AFP	<i>InfoPrint Manager for AIX: Procedures</i> in Ricoh Production Print Information Center (info.rpp.ricoh-usa.com/help/index.jsp)
Ricoh InfoPrint Manager for Windows	PCL to AFP PDF to AFP PostScript to AFP	<i>InfoPrint Manager for Windows: Procedures</i> in Ricoh Production Print Information Center (info.rpp.ricoh-usa.com/help/index.jsp)

Infoprint Central

Infoprint Central is a web-based print management system primarily for help desk operators. However, authorized job submitters can also use it. Infoprint Central requires the IBM HTTP Server - Powered by Apache and a web browser. No applications other than a web browser need to be installed on users' workstations.

With Infoprint Central you can:

Work with print jobs

You can work with print jobs on the JES spool, including Time Sharing Option (TSO) output jobs. Plus, you can see more information about print jobs that Infoprint Server or PSF processed. For example, you can see whether a print job completed successfully and where it printed - even if the print job is no longer on the JES spool.

You can use several different search criteria to find print jobs. After you find a print job, you can delete, hold, release, move, or change the priority of the print job. And, you can see all messages in the common message log for the print job.

Tip: A print job consists of one or more output data sets submitted together in the same batch job. In JES2, a print job is called an *output group*.

Work with printers

You can work with printers that are defined in the Printer Inventory - including AFP printers that PSF for z/OS controls (called *PSF printers*), and TCP/IP-attached printers to which IP PrintWay extended mode sends print jobs (called *IP PrintWay printers*). You can find and work with IP PrintWay printers only when you run IP PrintWay extended mode.

You can also work with PSF AFP Download Plus senders as if they were PSF printers. An AFP Download Plus sender sends print jobs to a receiver on another system for printing, emailing, or faxing.

You can use various search criteria to find printers. After you find a printer, you can see its status, the printer's job queue, and other properties of the printer. You can do these printer actions:

- PSF printers: Start, stop, space, interrupt, pause (JES2 only), ping, turn online, turn offline, and reset. Also, you can change forms and other job selection criteria, see all messages from PSF for

that one printer, and link to the printer's web page. If the PSF printer is an AFP Download Plus sender, you can do a limited set of PSF printer actions.

- IP PrintWay printers: Start, stop, redirect, restore, ping, turn online, turn offline, and reset. Also, you can see all the messages from Infoprint Server for that one printer, and you can link to the printer's web page.

Some printer actions (ping, turn online, turn offline, and reset) are available only for TCP/IP-attached printers.

Work with NetSpool logical units

You can work with any NetSpool logical units (LUs) that are defined to NetSpool in the Printer Inventory and also defined to VTAM.

You can find LUs by name. After you find a NetSpool LU, you can start and stop it. When you start an LU, that LU is started in both Infoprint Server and VTAM. Likewise, when you stop an LU, that LU is stopped in both Infoprint Server and VTAM. Also, you can display information about the current VTAM session that is established with a NetSpool LU.

You cannot work with NetSpool LUs if more than one NetSpool task uses the same Printer Inventory. Instead, you must use NetSpool commands and VTAM commands.

Display printer definitions

You can display the properties of any printer definition in the Printer Inventory. You can use various search criteria to find printer definitions, including the printer definition name and the printer's location. This can help you find the name of a printer in your area.

Manage IP PrintWay job selection rules

You can display the job selection rules that are defined in the Printer Inventory. IP PrintWay selects only print jobs whose properties match all of the criteria in a started job selection rule. In addition, you can start and stop IP PrintWay job selection rules to change which print jobs IP PrintWay processes.

Check system status

You can see the status of all Infoprint Server daemons and tasks to help determine the cause of a printing problem.

More functions that Infoprint Central provides are:

Security

You can authorize access to Infoprint Central by configuring IBM HTTP Server - Powered by Apache so that it uses an authorized user ID that is authenticated by a z/OS security manager, such as RACF. In addition, you can use RACF to restrict access to print jobs, IP PrintWay printers, PSF printers, NetSpool logical units, IP PrintWay job selection rules, and Infoprint Server daemons.

Auditing

You can find out who used Infoprint Central to do actions on print jobs, IP PrintWay printers, PSF printers, and NetSpool LUs. For example, a message in the log for an Infoprint Server print job identifies who deleted the print job.

Tip: When you log on to Infoprint Central, you can log on to only one z/OS system. You can see all the print jobs, printer queues, and Infoprint Server messages for that one z/OS system only. To see print jobs, printer queues, and messages for more than one system, you can open separate instances of your web browser and log on to several z/OS systems at a time.

Chapter 2. Customization roadmap

This information can help you determine which Infoprint Server components you must customize to use the different functions that Infoprint Server provides. [Table 6 on page 19](#) lists the functions that Infoprint Server provides, the Infoprint Server components you need to customize, and the sections that describe the customization tasks.

You must customize the Printer Inventory Manager component to use any function that Infoprint Server provides. You can customize other components later as your installation decides to use additional functions.

If you plan to use more than one Infoprint Server function, customize all related components. For example, to print from VTAM applications to TCP/IP-attached printers, customize the Printer Inventory Manager, NetSpool, and IP PrintWay.

<i>Table 6: Summary of Infoprint Server components.</i>		
Infoprint Server function	Components	See page
Receive print requests from these sources, and create output data sets on the JES spool: <ul style="list-style-type: none"> • Clients that use LPR to LPD protocol • Clients that use Internet Printing Protocol (IPP) • Windows clients that use Server Message Block (SMB) protocol • z/OS UNIX lp, lpstat, and cancel commands • The AOPPRINT JCL procedure • Any Windows application that supports printing • The Infoprint Server Application Programming Interface • Batch z/OS job that specifies the Print Interface subsystem on a DD statement 	Printer Inventory Manager <hr/> Print Interface Infoprint Port Monitor for Windows (optional)	“#unique_99/unique_99_Connect_42_pimconfpg” on page 21 “#unique_50/unique_50_Connect_42_cpipg” on page 109 “#unique_41/unique_41_Connect_42_windowspg” on page 327
Receive print requests from VTAM applications (such as CICS and IMS), and create output data sets on the JES spool	Printer Inventory Manager <hr/> NetSpool	“#unique_99/unique_99_Connect_42_pimconfpg” on page 21 “#unique_100/unique_100_Connect_42_nscustpg” on page 157

Table 6: Summary of Infoprint Server components. (continued)

Infoprint Server function	Components	See page
Send output data sets from the JES spool to an ASCII printer, a print server, or an email destination	Printer Inventory Manager	“#unique_99/unique_99_Connect_42_pimconfpg” on page 21
	IP PrintWay, basic or extended mode	“#unique_51/unique_51_Connect_42_pwcustpg” on page 181
	Print Interface (if you use IP PrintWay basic mode and transforms)	“#unique_50/unique_50_Connect_42_cpipg” on page 109
Specify PSF and AFP Download Plus configuration information in FSS and FSA definitions in the Printer Inventory; write PSF and AFP Download messages in the Infoprint Server common message log	Printer Inventory Manager	“#unique_99/unique_99_Connect_42_pimconfpg” on page 21
	PSF for z/OS	“#unique_101/unique_101_Connect_42_cpsfpg” on page 329
Transform data from one format to another	Printer Inventory Manager	“#unique_99/unique_99_Connect_42_pimconfpg” on page 21
	Transform Interface	“#unique_102/unique_102_Connect_42_ctfpg” on page 145
Use Infoprint Central	Printer Inventory Manager	“#unique_99/unique_99_Connect_42_pimconfpg” on page 21
	Infoprint Central	“#unique_103/unique_103_Connect_42_guicustpg” on page 289

Chapter 3. Customizing the Printer Inventory Manager

This information describes how to customize the Printer Inventory Manager component of Infoprint Server. You must customize the Printer Inventory Manager to use Infoprint Server.

The Printer Inventory Manager controls the Printer Inventory. It provides Infoprint Server ISPF panels and the Printer Inventory Definition Utility program (PIDU), which the administrator can use to create and manage entries in the Printer Inventory. The Printer Inventory Manager also controls the Infoprint Server common message log and Historical Inventory.

For an overview of the Printer Inventory Manager and how this component fits into your system, see [“Printer Inventory Manager” on page 2](#).

Note: The Printer Inventory cannot be shared by any Infoprint Server components that are running at the same or different levels on other systems. For sysplex considerations, see [“/var/Printsrv directory” on page 27](#).

Table 7 on page 21 summarizes the tasks to customize the Printer Inventory Manager. Required tasks are necessary for all installations. Optional tasks are required only if the listed condition applies to your installation.

<i>Table 7: Customization tasks for Printer Inventory Manager</i>	
Task	Condition
“Identifying software requirements for Printer Inventory Manager” on page 22	Required
“Enabling the Infoprint Server feature” on page 22	Optional: If the Infoprint Server feature was not in your original z/OS order.
“Updating the BPXPRMxx member of SYS1.PARMLIB” on page 22	Required
“Making Language Environment and C++ runtime libraries available” on page 25	Optional: If required libraries are not in LNKLST.
“Creating Infoprint Server directories” on page 26	Required
“Determining the Infoprint Server operating mode” on page 23	Optional: To activate new functions in Infoprint Server.
“Creating and editing the Infoprint Server configuration file (aopd.conf)” on page 30	Required
“Setting environment variables for the Printer Inventory Manager” on page 38	Required
“Setting up security for the Printer Inventory and operator commands” on page 43	Required
“Setting permissions for directories and executable files -- aopsetup” on page 49	Required
“Customizing startup and shutdown commands and procedures” on page 51	Optional: To specify environment variables or to start and stop Infoprint Server with JCL procedures.

Table 7: Customization tasks for Printer Inventory Manager (continued)

Task	Condition
“Enabling Infoprint Server ISPF panels” on page 65	Required
“Enabling dynamic configuration” on page 67	Optional: To customize Infoprint Server without restarting Infoprint Server.
“Editing the system configuration definition for Printer Inventory Manager” on page 75	Optional: To specify dynamic attributes.
“Sending non-console messages to the hardcopy log” on page 82	Optional: To send messages to the hardcopy log.
“Setting up the MVS system logger for the common message log” on page 86	Optional: To use the MVS system logger for the common message log.
“Backing up and restoring the Printer Inventory” on page 100	Required
“Saving messages in the common message log in the z/OS UNIX file system” on page 105	Optional: To save the common message log.
“Reducing the size of the common message log in the z/OS UNIX file system” on page 106	Optional: To free space in the z/OS UNIX file system.
“Setting Workload Manager goals” on page 107	Optional: To prioritize Infoprint Server work.

Related task: Some customization tasks require that you start Infoprint Server daemons. For information about how to start Infoprint Server, see [z/OS Infoprint Server Operation and Administration](#).

Identifying software requirements for Printer Inventory Manager

Additional IBM software beyond the z/OS base elements is required:

- To print output from Infoprint Server on printers that PSF controls, PSF V4R5 for z/OS or later (5655-M32)
- z/OS Security Server Resource Access Control Facility (RACF) or another access control manager with equivalent function

Enabling the Infoprint Server feature

If the Infoprint Server priced feature was not included in your original z/OS order, you must dynamically enable Infoprint Server. To do this, you must add an entry for Infoprint Server to the active IFAPRDxx member of SYS1.PARMLIB. The feature name is INFOPRINT SERVER, and the product identifier is 5650-ZOS. For information about dynamic enablement, see [z/OS Planning for Installation](#).

Updating the BPXPRMxx member of SYS1.PARMLIB

Infoprint Server uses z/OS UNIX domain sockets. The BPXPRMxx member of SYS1.PARMLIB must define an AF_UNIX file system, for example:

```
FILESYSTYPE TYPE(UDS) ENTRYPOINT(BPXTUINT)
NETWORK DOMAINNAME(AF_UNIX)
          DOMAINNUMBER(1)
          TYPE(UDS)
```

For AF_UNIX file systems, the MAXSOCKETS parameter is ignored if specified. The maximum number of AF_UNIX sockets is 10000.

Related information: For more information about defining AF_UNIX file systems, see [z/OS UNIX System Services Planning](#).

Determining the Infoprint Server operating mode

The product function level that Infoprint Server operates with depends on whether dynamic configuration is enabled. *Dynamic configuration* is a function that you use to change configuration attributes in the system configuration definition in the Printer Inventory while Infoprint Server is running, without stopping and restarting Infoprint Server. For more information about the advantages of using dynamic configuration, see “[Enabling dynamic configuration](#)” on page 67.

When dynamic configuration is not enabled, Infoprint Server operates with functions earlier than z/OS V2R1. When dynamic configuration is enabled, you can use the operating mode function to specify whether Infoprint Server operates with z/OS V2R1 functions (the default) or with functions from later z/OS releases. The operating mode is set with the **Operating mode** field on the ISPF System Configuration panel or the ipsmode attribute in the PIDU command.

Table 8 on page 23 shows the product function that Infoprint Server operates with depending on how the operating mode is set.

ISPF System Configuration setting	PIDU setting	Product function
Operating mode =z/OS 2.1	ipsmode=z201	The Printer Inventory Manager daemon is always started when you start Infoprint Server; other daemons are started if they are specified in the Printer Inventory system configuration.
Operating mode =z/OS 2.2	ipsmode=z202	You can enter one command to start one daemon at a time or start multiple daemons with a JCL procedure. You can also display TSO output jobs in the list of JES print jobs from a search in Infoprint Central.

The commands and JCL procedures you use to start and stop Infoprint Server daemons depend on whether dynamic configuration is enabled and if so, what the **Operating mode** field is set to. Table 9 on page 23 shows the operating environment and commands that you use depending on how Infoprint Server is configured.

Keep in mind: Table 9 on page 23 lists the commands that you enter from the UNIX command line to start and stop Infoprint Server; however, IBM strongly suggests that you use the JCL startup procedures to start Infoprint Server instead of running the start command directly from the z/OS UNIX command line. See “[Customizing startup and shutdown commands and procedures](#)” on page 51.

Infoprint Server configuration	Operating environment	Commands	Display status
Dynamic configuration not enabled	aopstart EXEC, aopd.conf, and aopmsg.conf (see Note 1)	aopstart and aopstop (see Note 2)	

Table 9: Configurations for operating Infoprint Server (continued)

Infoprint Server configuration	Operating environment	Commands	Display status
Dynamic configuration enabled with Operating mode set to z/OS 2.1	Printer Inventory system configuration, aopstart EXEC, and aopd.conf (see Note 3)	aopstart and aopstop (see Note 2)	aopstat (see Note 4)
Dynamic configuration enabled with Operating mode set to z/OS 2.2	Printer Inventory system configuration, aopdemon variables file, and aopd.conf (see Notes 3 and 5)	aopdemon and aopsend (see Note 6)	aopstat (see Note 4)

Notes:

1. All environment variables are defined in aopstart EXEC, while configuration attributes are defined in aopd.conf and aopmsg.conf.
2. All daemons that are specified with the start-daemons attribute in aopd.conf are started. IBM suggests that you use the AOPSTART JCL procedure to start Infoprint Server. The aopstop command stops all Infoprint Server daemons or only specified daemons. You can also use the AOPSTOP procedure to stop Infoprint Server daemons.
3. When dynamic configuration is first enabled, Infoprint Server automatically creates the system configuration definition in the Printer Inventory, which contains many environment variables and attributes from aopstart EXEC, aopd.conf, and aopmsg.conf. Thereafter, the attributes in the system configuration definition are used instead of the variables in aopstart EXEC and the attributes in aopd.conf. The aopmsg.conf is ignored.
4. The aopstat command can be used to display the status of Infoprint Server daemons and NetSpool tasks. You can also use the AOPSTAT JCL procedure.
5. The aopdemon command defaults to the same environmental variables that the sample aopstart EXEC specifies. To change the default values or define new environment variables, you create a user-defined variables file instead of editing aopstart EXEC. See [“Creating an environment variables file \(envar\)”](#) on page 55.
6. The aopdemon command starts one Infoprint Server daemon, while the aopsend command stops either one or all daemons. IBM suggests that you use the AOPDEMON or AOPSTAR2 JCL procedures to start Infoprint Server. The AOPDEMON procedure starts one daemon and the AOPSTAR2 procedure starts multiple daemons. You can also use the AOPSTOP2 JCL procedure to stop one or all daemons.

Setting the operating mode for product functions

To activate product functions in Infoprint Server:

1. Copy any customized environment variables in the aopstart EXEC to a user-defined variables file. See [“Creating an environment variables file \(envar\)”](#) on page 55.
2. See [“Editing JCL startup procedures”](#) on page 57 for information about using the AOPDEMON JCL procedure. For the aopdemon command options and more examples of how to specify options on the AOPDEMON procedure, see [z/OS Infoprint Server Operation and Administration](#).
3. Enable dynamic configuration if it is not already enabled. See [“Steps for enabling dynamic configuration”](#) on page 72. When dynamic configuration is enabled, Infoprint Server automatically creates the system configuration definition in the Printer Inventory.
4. If Infoprint Server is not already started, start it with the AOPSTART procedure. See [“AOPSTART JCL procedure”](#) on page 57.
5. Set the **Operating mode** field on the ISPF System Configuration panel or the ipsmode attribute in the PIDU command to one of these:
 - For z/OS V2R1 functions, set **Operating mode**=z/OS 2.1 or ipsmode=z201 (default).
 - For product functions later than z/OS V2R1, set **Operating mode**=z/OS 2.2 or ipsmode= z202.

See *z/OS Infoprint Server Operation and Administration*.

Tip: When you change the operating mode, you do not need to restart Infoprint Server. However, because the `aopstart` command started all specified daemons, when the Printer Inventory Manager daemon, `aopd`, is shut down the first time after the change, all daemons are shut down. The next time that you start Infoprint Server, you must start each daemon individually or use the AOPSTAR2 JCL procedure to start multiple daemons.

Making Language Environment and C++ runtime libraries available

These Language Environment® and C++ runtime libraries must be available to Infoprint Server and IBM transforms:

- `hlq.SCEERUN`
- `hlq.SCEERUN2`
- `hlq.SCLBDLL`

The `hlq.SCEERUN` and `hlq.SCLBDLL` data sets must be APF-authorized.

Steps for making runtime libraries available

1. Add the `hlq.SCEERUN`, `hlq.SCEERUN2`, and `hlq.SCLBDLL` libraries to the system LNKLST. Also, consider placing the `hlq.SCEELPA` data set (which contains key modules) in the link pack area (LPA) for better performance.

Tip: Some installations choose not to add the `hlq.SCEERUN` and `hlq.SCLBDLL` libraries to LNKLST because these libraries contain module names that might intersect with names in other libraries. However, the module names in `hlq.SCEERUN2` do not intersect with module names in other libraries, so you can add `hlq.SCEERUN2` to LNKLST with no adverse effects. If you do not add `hlq.SCEERUN2` to LNKLST, specify `hlq.SCEERUN2` in the same places you specify `hlq.SCEERUN` in the next step.

2. If you do not add the `hlq.SCEERUN` and `hlq.SCLBDLL` libraries to LNKLST, do these steps:
 - a. Add the `hlq.SCEERUN` and `hlq.SCLBDLL` libraries to the STEPLIBLIST facility of the BPXPRMxx `hlq.PARMLIB` member.
 - b. Add this statement to the `/etc/rc` file:

```
export STEPLIB=hlq.SCEERUN:hlq.SCLBDLL
```

For example, if you use the standard high-level qualifiers, add this statement:

```
export STEPLIB=CEE.SCEERUN:CBC.SCLBDLL
```

- c. Remove these statements from the `/etc/profile` file:

```
if [-z "$STEPLIB"] && tty -s;
then
  export STEPLIB=none
  exec sh -L
fi
```

Replace the statements that you removed in the `/etc/profile` file with this statement:

```
export STEPLIB=hlq.SCEERUN:hlq.SCLBDLL
```

For example, if you use the standard high-level qualifiers, add this statement:

```
export STEPLIB=CEE.SCEERUN:CBC.SCLBDLL
```

- d. Make this change in the `aopstart` EXEC if the **Operating mode** field on the ISPF System Configuration panel is set to `z/OS 2.1` or in the `envvar` file for the `aopdemon` command if the **Operating mode** field is set to `z/OS 2.2`:

aopstart EXEC

Uncomment and edit this statement:

```
/*n=n+1;env.n='STEPLIB=h1q.SCEERUN:h1q.SCLBDLL' */
```

For example, if you use the standard high-level qualifiers, code this statement:

```
n=n+1;env.n='STEPLIB=CEE.SCEERUN:CBC.SCLBDLL'
```

envar file

Add this statement:

```
STEPLIB=h1q.SCEERUN:h1q.SCLBDLL
```

For example, if you use the standard high-level qualifiers, code this statement:

```
STEPLIB=CEE.SCEERUN:CBC.SCLBDLL
```

For information, see [“Editing the aopstart EXEC” on page 53](#) or [“Creating an environment variables file \(envar\)” on page 55](#).

- e. Add the *hlq.SCEERUN* and *hlq.SCLBDLL* libraries to the TSO logon procedures for administrators who use Infoprint Server ISPF panels. For information, see [“Defining libraries in the TSO logon procedure” on page 65](#).
- f. Add the *hlq.SCEERUN* and *SCLBDLL* libraries to JCL that starts AOPBATCH. The AOPSTART, AOPDEMON, and AOPPRINT JCL procedures use AOPBATCH.
- g. Add the *hlq.SCEERUN* and *SCLBDLL* libraries to the NetSpool and IP PrintWay basic mode startup procedures. For more information, see [“Customizing the NetSpool startup procedure” on page 160](#) and [“Customizing the IP PrintWay startup procedure \(basic mode\)” on page 283](#).

Related information: For more information about how to access the Language Environment runtime libraries and improve the performance of runtime libraries, see [z/OS UNIX System Services Planning](#).

Creating Infoprint Server directories

The Printer Inventory Manager uses these directories:

- The `/etc/Printsrv` directory, which is the default location for Infoprint Server configuration files
- The `/var/Printsrv` directory, which is the default location for Printer Inventory files and other Infoprint Server files

Note: Infoprint Server directories can be in a Hierarchical File System (HFS) or a z/OS File System (zFS). However, because a zFS has higher performance characteristics than an HFS and is the strategic file system for z/OS, you need to allocate a zFS rather than an HFS. For information about zFS, see [z/OS Distributed File Service zFS Administration](#).

`/etc/Printsrv` directory

The `/etc/Printsrv` directory is the default location for all Infoprint Server configuration files. This directory is created automatically when you install Infoprint Server.

The `/etc/Printsrv` directory is created with these owners and permissions:

- Owned by UID of 0
- Readable and executable by everyone
- Writable only by users with an effective UID of 0

The permission bits, in octal, are 755.

If you want, you can change the group owner to the RACF group you create for Infoprint Server administrators (AOPADMIN) and change the permissions to allow the AOPADMIN group to write files in the directory. This lets users who are members of the AOPADMIN group create configuration files.

Related task: If you create Infoprint Server configuration files in a directory other than the `/etc/Printsrv` directory, specify the location of the configuration files in these environment variables in the `aopstart EXEC` or the `envvar` file for the `aopdemon` command:

- AOPCONF
- AOPMSG_CONF
- AOPRXF_CONF
- AOPSAPD_CONF
- AOPXFD_CONF

Related information: For a summary of all environment variables, see [Appendix C, “Environment variables,”](#) on page 353.

/var/Printsrv directory

The `/var/Printsrv` directory contains the Printer Inventory and other Infoprint Server files. You can change the name of this directory in the *base-directory* attribute in the Infoprint Server configuration file (`aopd.conf`).

Tip: The `aopsetup` shell script creates the `/var/Printsrv` directory (or the directory that is named in the *base-directory* attribute) and sets the appropriate permissions for it. For information about how to run `aopsetup` in a later step, see [“Setting permissions for directories and executable files -- aopsetup”](#) on page 49

Guidelines:

1. Mount a separate file system at the `/var/Printsrv` mount point because some subdirectories can become large. If your system is part of a sysplex, the `/var/Printsrv` file system must be system-specific and designated NOAUTOMOVE in the BPXPRMxx PARMLIB member.

Example: This example shows a sample BPXPRMxx member in SYS1.PARMLIB:

```
MOUNT FILESYSTEM('my.var.printsrv.filesystem')
      TYPE(ZFS)
      MODE(RDWR)
      NOAUTOMOVE
      MOUNTPPOINT('&SYSNAME./var/Printsrv')
```

The `/var/Printsrv` directory can be in a Hierarchical File System (HFS) or a z/OS File System (zFS) that is HFS-compatible. Because a zFS has higher performance characteristics than an HFS and is the strategic file system for z/OS, you need to allocate a zFS rather than an HFS. For information about zFS, see *z/OS Distributed File Service zFS Administration*.

2. Make sure that the file system that contains the `/var/Printsrv` directory has enough space. For information about how much space is required, see [“Calculating DASD space requirements for the /var/Printsrv directory”](#) on page 28.
3. Do not change the owner or permissions of the `/var/Printsrv` directory after it is created. For a secure environment, this directory must be:
 - Owned by UID of 0
 - Readable and writable only by users with an effective UID of 0 or members of the AOPADMIN group
 - Executable by everyone
4. The `/var/Printsrv` directory is a working directory for Infoprint Server. Do not place any user directories or files in the `/var/Printsrv` directory.

Infoprint Server creates the Printer Inventory files automatically the first time the administrator uses the Infoprint Server ISPF panels or the Printer Inventory Definition Utility (PIDU) to create objects in the Printer Inventory, such as printer definitions. The Printer Inventory files also contain objects that the

administrator does not create. For example, Print Interface creates objects for each job processed. These job objects are deleted when the data sets to which they correspond are deleted from the JES spool.

The Printer Inventory consists of files in the `/var/Printsrv` directory with file extension `.v2db`. For example, these Printer Inventory files are in the `/var/Printsrv` directory:

- `master.v2db`
- `jestoken.v2db`
- `pwjestoken.v2db`

Other Printer Inventory files with the `.v2db` extension are in `/var/Printsrv` subdirectories.

Note: Printer Inventory files with extension `.v2db` are in Version 2 format. Printer Inventory files with extension `.db` are in Version 1 format. If you upgraded to Infoprint Server from V1R11 or an earlier release, the `/var/Printsrv` directory might contain Printer Inventory Version 1 and Version 2 files. Infoprint Server V2R1 or later does not read or update Printer Inventory Version 1 files. You can delete the Version 1 files (extension `.db`).

Calculating DASD space requirements for the `/var/Printsrv` directory

The amount of space that is required for the file system at the `/var/Printsrv` mount point depends on various factors, such as the number of printers you have, the size of data sets you process, whether you use data-stream transforms, the number of days worth of historical information you keep, and (if you do not use the MVS system logger for messages) the number of days worth of messages you keep. Use the information here to estimate how much space you need to allocate for the file system. Also, other factors can influence how much space is required.

Tip: The Printer Inventory, Historical Inventory, search database, and message log database are optimized for rapid direct access to objects. As you add objects to these databases, files in the databases increase in size. When you remove objects, the files do not decrease in size because the Printer Inventory Manager designates as available the space that is occupied by the removed objects. When you add objects in the future, the Printer Inventory Manager uses available space in the files. The files increase in size only when they do not contain sufficient available storage. So, the size of files can be characterized as a high-water mark.

Guideline: Allocate at least 750 MB of DASD space for the file system that is mounted at the `/var/Printsrv` mount point. If you do not run IP PrintWay extended mode or use data stream transforms, you might need less space. If you print large files or if you want to keep many days worth of messages and historical information, you might need more space.

The `/var/Printsrv` directory and its subdirectories contain these types of files:

`/var/Printsrv`

This directory contains:

- Printer Inventory files `master.v2db`, `jestoken.v2db`, and `pwjestoken.v2db`.
- Temporary files that the Print Interface LPD creates as it receives data from clients that send the control file and data files. By default, most clients send the control file after they send data files. The Infoprint Port Monitor, however, always sends the control file first. Commands such as `ls` do not display these files because the LPD unlinks them after it opens them. When the LPD closes the files, they are deleted.
- Language Environment dumps (CEEDUMPs)

Tip: To save space in this directory:

1. Configure clients that send data to the Print Interface LPD to send the control file first. Not all clients can be configured to do so.
2. Delete Language Environment dumps in this directory that begin with "CEEDUMP" after you provide them to IBM support if necessary. These dumps can be large.

`/var/Printsrv/printway`

This directory contains temporary files that IP PrintWay extended mode writes before transmitting data to printers. IP PrintWay extended mode always writes temporary files when it uses the LPR

transmission protocol. It also writes temporary files when it uses the IPP or direct-socket transmission protocol but only if more than one copy is requested. IP PrintWay basic mode never writes temporary files in this directory. Instead, IP PrintWay basic mode writes temporary files in hiperspace.

To calculate the maximum size of this directory, multiply the size of the largest possible output data set by the number of output data sets in a job. Multiply the result by the number of printers that can be printing at the same time. Add 10 MB.

Tip: To save space in this directory, print very large data sets (such as 4 GB or larger) on one or two printers so that large data sets do not print at the same time.

/var/Printsrv/logs and /var/Printsrv/logdb

These directories contain message logs and the common message log database.

The number of days that are specified in the log-retention attribute indirectly determines the size of these directories. For every 1000 data sets processed in the specified number of days, allow 3 MB in the logs directory and 2 MB in the logdb directory.

Tips:

1. If you use the MVS system logger for the common message log, messages are not stored in the logs subdirectory. However, data is still stored in the logdb subdirectory.
2. Because the common message log can contain a large amount of data, start with a value of 1 day in the log-retention attribute. Increase the number of days only if there is enough space in the file system to keep more historical print job information and messages.
3. If the size of the message files grows too large, you can decrease the size. However, if you do this, Infoprint Central cannot display messages that were written to the log before you decreased its size. For more information, see [“Reducing the size of the common message log in the z/OS UNIX file system”](#) on page 106.

/var/Printsrv/hinv

This directory contains the Historical Inventory. The default maximum size is 10 MB. To change the maximum size, specify the max-historical-inventory-size attribute.

/var/Printsrv/searchdb

This directory contains the search database. Allow five times the amount of space as the maximum for the /var/Printsrv/hinv directory. Also, allow an extra 12 K for each IP PrintWay and PSF printer.

/var/Printsrv/trace

This directory contains trace information when you activate tracing with the AOPTRACEON environment variable. IP PrintWay basic mode does not write trace information to this directory.

Tip: To save space in this directory:

1. Specify an alternate trace directory in the AOPTRACEDIR environment variable before you activate tracing.
2. Erase trace files after the problem is solved.

/var/Printsrv/xfd and /var/Printsrv/xf_sockets

These directories and their subdirectories contain:

- Temporary files and messages for Infoprint transform products.
- Language Environment dumps (CEEDUMPs). When you stop and restart the Transform Manager, these CEEDUMPs are moved to the /var/Printsrv directory.

Allow enough space to contain all data sets that can be transformed at the same time.

Creating and editing the Infoprint Server configuration file (aopd.conf)

The Infoprint Server configuration file (aopd.conf) is a required file. You must create it before you start Infoprint Server for the first time. The default location of this file is /etc/Printsrv/aopd.conf.

If you change the aopd.conf file while Infoprint Server is running, in most cases you must stop all Infoprint Server daemons and restart Infoprint Server before the changes can take effect. An exception is if you change the start-daemons attribute. For more information, see the description of the start-daemons attribute.

To configure the Printer Inventory Manager, you can specify these attributes in the aopd.conf file:

base-directory = path

The directory path in which Infoprint Server creates Printer Inventory files and other files. This attribute is required.

The directory path can contain up to 95 characters. However, if you use Infoprint Server transforms, the maximum length of the directory path might be less, depending on the length of the transform class names you define. If the transform class names can be up to 20 characters, the maximum length of the directory path is 60 characters.

Rule: Do not change this attribute while Infoprint Server (including NetSpool, IP PrintWay basic mode, and Infoprint Central) or the Printer Inventory for PSF is running. If you change this attribute, you must stop and restart:

- All Infoprint Server daemons
- NetSpool
- IP PrintWay basic mode
- IBM HTTP Server - Powered by Apache (when running Infoprint Central)
- PSF for z/OS (when running Printer Inventory for PSF)

Default: None.

Example: To use the suggested name for the base directory:

```
base-directory = /var/Printsrv
```

dynamic-configuration = yes | no

Indicates whether the dynamic configuration function is enabled. If dynamic configuration is enabled, you can change many configuration attributes in the system configuration definition in the Printer Inventory while Infoprint Server is running, without stopping and restarting Infoprint Server.

yes

Dynamic configuration is enabled.

no

Dynamic configuration is not enabled.

Tip: For more information about dynamic configuration, see [enablingdynamicconfiguration.dita#enablingdynamicconfiguration](#).

Rule: If you change this attribute while Infoprint Server is running, stop all Infoprint Server daemons and restart Infoprint Server. Be sure to wait for all daemons to stop before you restart Infoprint Server.

Default: dynamic-configuration = no

Example: dynamic-configuration = yes

inventory = inventory

The name of the Printer Inventory and the Print Interface subsystem. Specify exactly four uppercase or lowercase letters or numbers. This name is case-sensitive.

If you use the Print Interface subsystem, the first character must be an uppercase letter. It *cannot* be a lowercase letter or numeric. The remaining characters can be uppercase letters or numeric. The job submitter specifies this name in the SUBSYS parameter on the DD JCL statement.

If you start NetSpool or IP PrintWay basic mode, specify this name on the EXEC statement of the startup procedure. Also, specify this name in the PSF and AFP Download Plus startup procedures if you want PSF or AFP Download Plus to use information that is specified in FSS and FSA definitions in the Infoprint Server Printer Inventory.

Rule: Do not change this attribute while Infoprint Server (including NetSpool, IP PrintWay basic mode, and Infoprint Central) or the Printer Inventory for PSF is running. If you change this attribute, you must stop and restart:

- All Infoprint Server daemons
- NetSpool
- IP PrintWay basic mode
- IBM HTTP Server - Powered by Apache (when running Infoprint Central)
- PSF for z/OS (when running Printer Inventory for PSF)

Default: inventory = AOP1

jes-name = name

The 1–4 character name of the JES2 secondary subsystem that Infoprint Server works with. If this attribute is specified, Print Interface and NetSpool create output data sets on the spool of the specified subsystem, and IP PrintWay extended mode selects output data sets for printing from the spool of the specified subsystem. Infoprint Server converts any lowercase letters to uppercase.

Tip: If you want Infoprint Server to work with the JES2 or JES3 primary subsystem, you can either omit this attribute or specify the name of the primary subsystem.

Rules:

1. If you change this attribute while Infoprint Server is running, stop all Infoprint Server daemons and restart Infoprint Server. Be sure to wait for all daemons to stop before you restart Infoprint Server.
2. If you use Infoprint Central and change this attribute, restart the IBM HTTP Server - Powered by Apache.

Default: None. Infoprint Server works with the JES2 or JES3 primary subsystem.

Example: jes-name = JESX

start-daemons= {[ippd] [lpd] [netd] [outd] [ssid] [subd] [xfd]}

The Infoprint Server daemons that are started when you use the aopstart command. This attribute is ignored when the **Operating mode** field on the ISPF Configuration panel is set to **z/OS 2.2**.

You can specify one or more of these daemon names that are enclosed in braces:

ippd

The IPP Server daemon, aopippd, starts. It processes print jobs that are submitted by an Internet Printing Protocol (IPP) client.

lpd

The line printer daemon, aoplpd, starts. It processes print jobs that are submitted with commands, such as lpr, and by the Infoprint Port Monitor for Windows.

netd

The NetSpool daemon, aopnetd, starts. It supports printing from VTAM applications such as CICS and IMS.

outd

The IP PrintWay extended mode daemons, aopoutd and aopwsmd, start. They select output data sets from the JES spool and send them to remote printers in an Internet Protocol network or to email destinations.

ssid

The Infoprint Central daemon, `aopssid`, starts. It communicates between Infoprint Central and JES.

subd

The Print Interface subsystem daemon, `aopsubd`, starts. It processes output data sets when the DD JCL statement requests the subsystem on the SUBSYS parameter.

xfd

The Transform Manager, `aopxfd`, starts. It manages data stream transforms.

The Printer Inventory Manager daemon `aopd` always starts, regardless of which daemons you specify in this attribute. To start only the Printer Inventory Manager daemon, type braces with no daemon names.

Rule: If you add or remove a value from `start-daemons` while Infoprint Server is running, you must start Infoprint Server again. You do not need to stop any daemons before you restart Infoprint Server unless you add value `ssid` (see [Note](#)).

When you restart Infoprint Server:

- Daemons that were removed from `start-daemons` are stopped.
- Daemons that were added to `start-daemons` are started.
- Daemons that were not removed or added continue to run without interruption.

To run the AOPSTART JCL procedure to start daemons that you added to the `start-daemons` attribute, enter this MVS START command:

```
START AOPSTART
```

Note: Stop all Infoprint Server daemons before you restart Infoprint Server if *all* of these conditions are met:

1. You added value `ssid`.
2. Dynamic configuration is not enabled.
3. You did not specify the `log-retention` attribute or you specified `log-retention=0` the last time you started all Infoprint Server daemons.

Before you restart Infoprint Server, if `log-retention=0` is specified, change the value to 1 or higher.

For example, enter these MVS commands to run the AOPSTART and AOPSTOP JCL procedures:

```
START AOPSTOP
START AOPSTART
```

Default: `start-daemons = {lpd}`

Examples:

1. In this example, all daemons start:

```
start-daemons = {ippd lpd netd outd ssid subd xfd}
```

2. In this example, only the Printer Inventory Manager daemon starts:

```
start-daemons = {}
```

xcf-group-qualifier = q

A one-character XCF group qualifier that Infoprint Server adds to the end of the XCF group name to make it unique in a sysplex. The character must be an alphanumeric or national (\$, #, and @) character. Enclose a national character in single or double quotation marks. A lowercase letter is converted to uppercase.

You must specify a qualifier only if you enable dynamic configuration and multiple instances of Infoprint Server run in a sysplex with the same Printer Inventory name. Keep in mind that in the XCF

group name, the Printer Inventory name is always uppercase. Therefore, you need to specify a qualifier if the Printer Inventory names are the same except for case. For example, specify a qualifier if the Printer Inventories are named "AOP1" and "aop1".

As an alternative, you can change the Printer Inventory name so that it is unique for each instance of Infoprint Server running in the sysplex. (You specify the Printer Inventory name in the inventory attribute.)

Format of the XCF group name: AOPpppp[q]:

AOP

Infoprint Server identifier.

pppp

Printer Inventory name. Any lowercase letters are converted to uppercase.

q

A one-character XCF group qualifier if specified in xcf-group-qualifier. This qualifier is optional.

Rule: If you change this attribute while Infoprint Server is running, stop all Infoprint Server daemons and restart Infoprint Server. Be sure to wait for all daemons to stop before you restart Infoprint Server.

Default: None

Example: xcf-group-qualifier = 1

If dynamic configuration is not enabled (dynamic-configuration=no), you can also specify these attributes in the aopd.conf file:

ascii-codepage = codepage

The name of an IBM-supplied or custom ASCII code page that is supported by the z/OS iconv utility. For the names of IBM-supplied code page names, see [z/OS XL C/C++ Programming Guide](#).

Infoprint Server converts data from:

- The document code page to the printer code page
- The code page for the z/OS locale to the document code page
- The code page for the z/OS locale to the printer code page

Therefore, if you specify a custom code page in this field, make sure that conversion tables exist so that Infoprint Server can convert between code pages. For information about how to create conversion tables, see information about code set conversion utilities in [z/OS XL C/C++ Programming Guide](#).

Infoprint Server uses the code page that is specified in this field in these ways:

- The Printer Inventory Manager displays this code page in the **Printer code page** field in ISPF panels for new IP PrintWay printer definitions that use the LPR, direct sockets, or IPP protocol to transmit data sets to the remote system.
- Print Interface uses this code page as the default source (document) code page when it converts data streams from ASCII to EBCDIC. A document code page that is specified in the printer definition or job attribute overrides this value.
- Print Interface uses this code page as the target (printer) code page when it converts PostScript documents that were created with a non-ASCII code page.

Rules:

1. If dynamic configuration is enabled, specify this attribute in the system configuration definition. If you change this attribute, you do not need to restart Infoprint Server.
2. If dynamic configuration is not enabled, specify this attribute in the aopd.conf file. If you change this attribute while Infoprint Server is running, stop all Infoprint Server daemons and restart Infoprint Server. Be sure to wait for all daemons to stop before you restart Infoprint Server.

Default: ascii-codepage = ISO8859-1

ebcdic-codepage = codepage

The name of an IBM-supplied or custom EBCDIC code page that is supported by the z/OS iconv utility. For the names of IBM-supplied code page names, see [z/OS XL C/C++ Programming Guide](#).

Infoprint Server converts data from:

- The document code page to the printer code page
- The code page for the z/OS locale to the document code page
- The code page for the z/OS locale to the printer code page

Therefore, if you specify a custom code page in this field, make sure that conversion tables exist so that Infoprint Server can convert between code pages. For information about how to create conversion tables, see information about code set conversion utilities in [z/OS XL C/C++ Programming Guide](#).

Infoprint Server uses this code page in these ways:

- The Printer Inventory Manager displays this code page in the **Printer code page** field in ISPF panels for new PSF printer definitions, general printer definitions, and IP PrintWay printer definitions that use the VTAM or email protocol to transmit data sets to the remote system.
- NetSpool uses this code page as the default source (document) code page when it converts data streams from EBCDIC to ASCII. A document code page in the printer definition or job attribute overrides this value.
- IP PrintWay extended mode uses this code page as the default source (document) code page when it converts data streams from EBCDIC to ASCII. A document code page in the printer definition overrides this value.
- Print Interface uses this code page as the source (document) code page when Print Interface cannot determine the user locale for the `lp` command.

Rules:

1. If dynamic configuration is enabled, specify this attribute in the system configuration definition. If you change this attribute, you do not need to restart Infoprint Server.
2. If dynamic configuration is not enabled, specify this attribute in the `aopd.conf` file. If you change this attribute while Infoprint Server is running, stop all Infoprint Server daemons and restart Infoprint Server. Be sure to wait for all daemons to stop before you restart Infoprint Server. Also, restart the NetSpool started task.

Default: `ebcdic-codepage = IBM-1047`

log-retention = days

The number of days worth of messages that Infoprint Server retains in the common message log. Also, this attribute specifies the number of days for which Infoprint Central displays information about print jobs that are removed from the JES spool.

You can specify a value 0 - 59. A value of 0 means that Infoprint Server does not write any messages to the common message log and Infoprint Central does not display information about print jobs that are removed from the JES spool.

Guidelines:

1. If you do not start the Infoprint Central daemon, specify a value greater than 0 so that Infoprint Server writes messages to the common message log.
2. If you specify a value greater than 0 or start the Infoprint Server daemon, you might need to increase the amount of space available to the file system mounted at the `/var` or `/var/Printsrv` mount point because the common message log and Historical Inventory can contain a large amount of data. See [printsrvspace.dita#printsrvspace](#).
3. Because the common message log and Historical Inventory can contain a large amount of data, start with a value of 1 day. Increase the value by 1 day if enough space exists in the file system and if users request to see more messages or historical information.

4. If the size of the common message log in the z/OS UNIX file system grows too large, you can decrease its size. For more information, see [reducelogsize.dita#reducelogsize](#).
5. If you use aoplogu to view messages, the date and time format that is displayed in messages is controlled by the TZ and either the LC_TIME or LC_ALL environment variables. See [env.dita#env](#).
If you use Infoprint Central to view messages, the date and time format for the messages is controlled by the operating system that runs your web browser.

Rules:

1. If dynamic configuration is enabled, specify this attribute in the system configuration definition. If you change this attribute, you do not need to restart Infoprint Server.
2. If dynamic configuration is not enabled, specify this attribute in the aopd.conf file. If you change this attribute while Infoprint Server is running, stop all Infoprint Server daemons and restart Infoprint Server. Be sure to wait for all daemons to stop before you restart Infoprint Server.

Default: If you start the Infoprint Central daemon (aopssid), the default is 1 day. Otherwise, the default is 0. If you enable dynamic configuration, the default changes to 1 day regardless of whether you start aopssid.

Example: log-retention = 3

max-historical-inventory-size = megabytes

The maximum size in megabytes (MBs) of the Historical Inventory, /var/Printserv/hinv. The Historical Inventory contains information about print jobs and documents (output data sets) that are no longer on the JES spool.

When the maximum size is reached, Infoprint Server overwrites the oldest historical information. A value of 0 means that Infoprint Server does not limit the size of the Historical Inventory. However, the number of days that are specified in the log-retention attribute limits the amount of information that Infoprint Server keeps in the Historical Inventory.

[#cf/d40e1234](#) shows the number of documents 1 MB in the Historical Inventory can contain.

<i>Table 10: Number of documents in the Historical Inventory</i>	
If print jobs on the JES spool contain:	1 MB in the Historical Inventory contains:
1 document in each print job	1350 documents
3 documents in each print job	1750 documents
5 documents in each print job	1850 documents
10 documents in each print job	1950 documents

Guideline: Use this formula to estimate the maximum size of the Historical Inventory:

```
Maximum size of Historical Inventory =
  (Documents processed in one day X Days to retain information) /
  Documents in 1 MB
```

For example:

- Documents processed in one day = 100,000
- Days to retain information = 3 (log-retention = 3)
- Documents in 1 MB = 1350 documents

The maximum size of the Historical Inventory = (100,000 X 3) / 1350 = 223 MB (rounded up).

Rules:

1. If dynamic configuration is enabled, specify this attribute in the system configuration definition. If you change this attribute, you do not need to restart Infoprint Server.

2. If dynamic configuration is not enabled, specify this attribute in the `aopd.conf` file. If you change this attribute while Infoprint Server is running, stop all Infoprint Server daemons and restart Infoprint Server. Be sure to wait for all daemons to stop before you restart Infoprint Server.

Default: `max-historical-inventory-size = 10`

Example: `max-historical-inventory-size = 300`

use-output-disposition = yes | no

Indicates whether Infoprint Central uses the document OUTDISP value when it releases print jobs from a JES2 spool to a non-IP PrintWay printer, such as PSF.

yes

Infoprint Central uses the document OUTDISP value when it releases print jobs.

no

Infoprint Central releases print jobs according to its defined job-release function; for example, the job is purged after it prints.

Note: For information about how the OUTDISP and use-output-disposition values determine the release function, see [z/OS Infoprint Server Operation and Administration](#).

Rules:

1. If dynamic configuration is enabled, specify this attribute in the **Other** field for the system configuration definition. You do not need to restart Infoprint Server.
2. If dynamic configuration is not enabled, specify this attribute in the `aopd.conf` configuration file and then restart Infoprint Server.

Default: `use-output-disposition = no`

Related information: For information about:

- All attributes that you can specify in the `aopd.conf` file, see [“aopd.conf -- Infoprint Server configuration file” on page 337](#).
- Enabling dynamic configuration, see [“Enabling dynamic configuration” on page 67](#).

Steps for creating the Infoprint Server configuration file (aopd.conf)

These steps show how to create the `aopd.conf` configuration file in the `/etc/Printsrv` directory, which is the default directory for Infoprint Server configuration files. You must create the `aopd.conf` file before you start Infoprint Server for the first time.

To edit an existing `aopd.conf` file, follow the steps in [“Steps for editing the Infoprint Server configuration file \(aopd.conf\)” on page 37](#).

Before you begin: You must have permission to create files in the `/etc/Printsrv` directory. If you did not change the owner and permissions for `/etc/Printsrv` after installation, you must have an effective UID of 0 to create files in this directory.

1. Switch to an effective UID of 0:

```
su
```

Tip: To use the `su` command, you must have authority to the BPX.SUPERUSER profile in the FACILITY class in RACF.

2. Copy the sample configuration file, `/usr/lpp/Printsrv/samples/aopd.conf`, to `/etc/Printsrv/aopd.conf`:

```
cp /usr/lpp/Printsrv/samples/aopd.conf /etc/Printsrv/aopd.conf
```

If you copy the sample configuration file to a different location, specify the full path name of the configuration file in the AOPCONF environment variable in the `aopstart EXEC`, in the `aopdemon` environment variables file, and in the `/etc/profile` file.

Tip: You can use the sample job that is provided in SYS1.SAMPLIB(AOPCPETC) to copy all Infoprint Server sample configuration files, including the Infoprint Server configuration file, from /usr/lpp/Printsrv/samples to the /etc/Printsrv directory. Review the comments in the sample job to determine which configuration files you require, and then run the job to create the configuration files. IBM suggests that a user with an effective UID of 0 run this job.

3. Change the owner of the file to UID 0:

```
chown 0 /etc/Printsrv/aopd.conf
```

4. Change the group owner to AOPADMIN. AOPADMIN is the suggested RACF group name for Infoprint Server administrators. However, you can use a different name for this group (see [“AOPADMIN and AOOPER groups”](#) on page 45).

```
chgrp AOPADMIN /etc/Printsrv/aopd.conf
```

5. Change the permissions of the file so that it is readable by everyone and writable only by UID 0 and members of the AOPADMIN group.

```
chmod 664 /etc/Printsrv/aopd.conf
```

6. Edit the configuration file to specify configuration attributes and save your changes. For example, enter:

```
oedit /etc/Printsrv/aopd.conf
```

Edit this file by using the IBM-1047 code page. For the syntax rules for editing the file, see ["Syntax rules"](#).

Tip: You can select the ISPF **z/OS Unix Shell** option (ISPF 13.11) to edit z/OS UNIX files.

7. If you switched to an effective UID of 0 in step 1, switch back to your own UID:

```
exit
```

Syntax rules: When you edit this file, follow these syntax rules:

1. Use lowercase characters for the attributes and use uppercase or lowercase characters for the values. Use blank characters before or after the equal sign, if wanted.
2. If a value contains blank characters or special characters (such as {}-> =, # &), enclose the value in single or double quotation marks.
3. Start comments with the # symbol.
4. Include blank lines, if wanted.

Steps for editing the Infoprint Server configuration file (aopd.conf)

These steps show the z/OS UNIX commands to use to edit an existing aopd.conf configuration file.

Note: To create the aopd.conf file, follow the steps in [“Steps for creating the Infoprint Server configuration file \(aopd.conf\)”](#) on page 36.

Before you begin: You must be a member of the RACF group for Infoprint Server administrators (AOPADMIN) or have an effective UID of 0.

1. Edit the configuration file to specify configuration attributes. Use your preferred editor and save your changes. For example, enter:

```
oedit /etc/Printsrv/aopd.conf
```

Edit this file by using the IBM-1047 code page. For the syntax rules for editing the file, see ["Syntax rules"](#).

Tip: You can select the ISPF **z/OS Unix Shell** option (ISPF 13.11) to edit z/OS UNIX files.

2. If you change any attributes except for start-daemons while Infoprint Server is running, you must stop and restart Infoprint Server before the changes take effect:
 - a. Stop NetSpool and IP PrintWay basic mode. Also, if PSF uses the Printer Inventory, stop the PSF functional subsystem (FSS).
 - b. Stop Infoprint Server daemons and wait for all daemons to stop.

Example: Enter this MVS command to run the AOPSTOP JCL procedure:

```
START AOPSTOP
```

- c. Restart the Infoprint Server daemons.

Example: Enter this MVS command to run the AOPSTART JCL procedure:

```
START AOPSTART
```

- d. Restart NetSpool and IP PrintWay basic mode. Also, if PSF uses the Printer Inventory, restart the PSF functional subsystem (FSS).

If you changed the inventory attribute, be sure to also change the Printer Inventory name in the NetSpool, IP PrintWay basic mode, and PSF startup procedures.

Notes:

- a. If you change only the start-daemons attribute, in most cases you do not need to stop Infoprint Server daemons or any other programs before you start Infoprint Server again. When you start Infoprint Server again, any daemons that you removed from start-daemons are stopped and any daemons that you added are started. For more information, see the description of the start-daemons attribute.

Example: Enter this MVS command to run the AOPSTART JCL procedure:

```
START AOPSTART
```

Tip: The start-daemons attribute is ignored when the **Operating mode** field on the ISPF Configuration panel is set to z/OS 2.2.

- b. Do not change the *base-directory*, *inventory*, or *xcf-group-qualifier* attributes while Infoprint Server is running.
3. If you add or change any of these attributes and you run Infoprint Central, restart the IBM HTTP Server - Powered by Apache:
 - base-directory
 - inventory
 - jes-name

Tip: You can restart the IBM HTTP Server - Powered by Apache while Infoprint Server is stopped.

Syntax rules: When you edit this file, follow these syntax rules:

1. Use lowercase characters for the attributes and use uppercase or lowercase characters for the values. Use blank characters before or after the equal sign, if wanted.
2. If a value contains blank characters or special characters (such as {}-> =, # &), enclose the value in single or double quotation marks.
3. Start comments with the # symbol.
4. Include blank lines, if wanted.

Setting environment variables for the Printer Inventory Manager

Infoprint Server uses environment variables to define its environment in the z/OS system. For a description of environment variables, see [z/OS UNIX System Services User's Guide](#).

Only those environment variables that affect the Printer Inventory Manager are described here. Other environment variables affect other components of Infoprint Server, such as Print Interface and IP PrintWay extended mode. See [Appendix C, “Environment variables,” on page 353](#) for a summary of all the environment variables that Infoprint Server uses.

The Printer Inventory Manager and other Infoprint Server daemons use environment variables that are specified in these places:

aopstart EXEC

For a secure environment, Printer Inventory Manager uses environment variables set in this EXEC. In addition, the daemons accept certain variables from the runtime environment, such as environment variables that control tracing, locale, and the language for messages. The aopstart EXEC lists the variables that Infoprint Server accepts from the runtime environment. If you use the AOPSTART JCL procedure to start Infoprint Server daemons, you must specify these runtime variables in the STDENV data definition (DD) of the AOPSTART JCL procedure. However, if you use the aopstart command in a UNIX System Services shell to start Infoprint Server daemons, the daemons accept certain environment variables from the shell. The `/etc/profile` file contains environment variables that apply to most shells.

Tip: The aopstart EXEC is only used when the **Operating mode** field is not set to `z/OS 2.2` on the ISPF System Configuration panel.

aopdaemon *envvar* file

This is an optional, user-defined z/OS UNIX file or MVS data set that is used instead of aopstart EXEC when dynamic configuration is enabled and the **Operating mode** field is set to `z/OS 2.2`. When you use the aopdaemon command in a UNIX System Services shell to start an Infoprint Server daemon, the daemon accepts certain environment variables from the shell. You can use the *envvar* file to define other environment variables for a daemon. The *envvar* file is specified with the aopdaemon command or, if you use the AOPDEMON JCL procedure to start an Infoprint Server daemon, with the VARFILE DD statement.

Infoprint Server commands, such as aoplogu and pidu, accept environment variables from the `/etc/profile` file.

For information about how to edit the aopstart EXEC, see [“Editing the aopstart EXEC” on page 53](#). For information about the *envvar* file, see [“Creating an environment variables file \(envvar\)” on page 55](#).

To edit the `/etc/profile` file, you can use your preferred editor. For example, enter:

```
oedit /etc/profile
```

To set and export an environment variable, use the z/OS UNIX `export` command.

Examples:

1. If you installed Infoprint Server libraries in the default locations, add these z/OS UNIX `export` commands to the `/etc/profile` file:

```
export LIBPATH=/usr/lpp/Printsrv/lib:$LIBPATH
export NLSPATH=/usr/lpp/Printsrv/%L/%N:/usr/lpp/Printsrv/En_US/%N:$NLSPATH
export PATH=/usr/lpp/Printsrv/bin:$PATH
export MANPATH=/usr/lpp/Printsrv/man/En_US:$MANPATH
```

2. To display the value of an environment variable, use the z/OS UNIX `echo` command:

```
echo $PATH
```

Table 11 on page 40 summarizes the variables that affect the Printer Inventory Manager, including the common message log and the pidu command. The table indicates where you need to set the variable. Required variables must be set; optional variables must be set only if the default value is not suitable for your installation.

Table 11: Where to define environment variables for the Printer Inventory Manager.

Environment variable	Location where set		
	/etc/profile file	aopstart EXEC or <i>envvar</i> file	STDENV data set (AOPSTART JCL procedure)
_BPX_UNLIMITED_OUTPUT	No	Optional ²	No
AOPCONF	Optional	Optional ²	No
AOPMSG_CONF	Optional	Optional or No ¹	No
AOPRXF_CONF	Optional	Optional ²	No
AOPTRACEDIR	No	Optional ²	No
AOPVALIDATEDB	Optional	Optional	Optional
AOPXFD_CONF	Optional	Optional ²	No
CLASSPATH	No	Optional ²	No
JAVA_HOME	No	Optional ²	No
LANG	Optional	Optional	Optional
LC_ALL	Optional	Optional	Optional
LC_CTYPE	Optional	Optional	Optional
LC_TIME	Optional	Optional	Optional
LIBPATH	Required	Optional ²	No
MANPATH	Required	No	No
NLSPATH	Required	Optional ²	No
PATH	Required	Optional ²	No
TZ	Optional	Optional	Optional

1. This environment variable is Optional for the aopstart EXEC and No for the *envvar* file.
2. The default aopstart EXEC and aopdemon command sets these environment variables to the default values. You do not need to set them in the aopstart EXEC or *envvar* file if the default values are suitable.

Tip: If you change the environment variables while any Infoprint Server daemons are running, the settings do not change for the current login shell, daemons, or other processes already started.

These environment variables affect the behavior of the Printer Inventory Manager:

_BPX_UNLIMITED_OUTPUT

Specifies that unlimited spooled output is processed for non-local spawn requests. The aopstart EXEC and aopdemon command set this variable to `_BPX_UNLIMITED_OUTPUT=YES`. Do not remove this variable or change its value.

AOPCONF

The full path name of the Infoprint Server configuration file. This environment variable is optional if you created the configuration file in `/etc/Printsrv/aopd.conf`.

Default: `/etc/Printsrv/aopd.conf`

AOPMSG_CONF

The full path name of the Infoprint Server message configuration file, `aopmsg.conf`. If dynamic configuration is enabled, you did not create this configuration file or you created the configuration file in the default location, you do not need to set this environment variable.

Default: /etc/Printsrv/aopmsg.conf

AOPRXF_CONF

The full path name of the Infoprint Server remote transform configuration file (aoprxf.conf). This environment variable is optional if you did not create this configuration file or if you created it in the default location.

Default: /etc/Printsrv/aoprxf.conf

AOPTRACEDIR

The name of the trace directory. Set this environment variable if you did not create the trace directory in the default location. When you create the trace directory, the AOPADMIN group must have permission to write to the specified directory.

Default: *base-directory/trace*

If you use the default base directory, the default is /var/Printsrv/trace.

Example: AOPTRACEDIR=/mydirectory/trace

AOPVALIDATEDB

If this environment variable is set to any value, Infoprint Server checks internal databases for validity when it starts processing. This environment variable is optional. Specify it only if an Infoprint Server message indicates that the databases might be corrupted or if instructed to do so by IBM service personnel.

Default: The environment variable is not set.

Example: AOPVALIDATEDB=YES

AOPXFD_CONF

The full path name of the Infoprint Server transform configuration file (aopxfd.conf). Set this environment variable if you did not create the transform configuration file in the default location.

Default: /etc/Printsrv/aopxfd.conf

CLASSPATH

The full path names of IPP Server Java Archive (JAR) files.

If you installed Infoprint Server files in the default directory, /usr/lpp/Printsrv, you do not need to set this environment variable.

If you installed Infoprint Server files in a non-default directory, add this environment variable in the *envvar* file:

```
CLASSPATH=/directory/classes/ipp.jar:/directory/classes/ippreal.jar:\
/directory/classes/ippserver.jar
```

directory is the directory that contains Infoprint Server files.

Rule: Separate directories with a colon, do not include any blanks in the value, and specify the entire value on one line.

Default:

```
/usr/lpp/Printsrv/classes/ipp.jar:\
/usr/lpp/Printsrv/classes/ippreal.jar:\
/usr/lpp/Printsrv/classes/ippserver.jar
```

JAVA_HOME

The path that is used to locate Java files. JAVA_HOME must specify the path of the 31-bit version of Java because the IPP Server does not support the 64-bit version. Set this environment variable if you did not create the Java file path in the default location.

Default: /usr/lpp/java/J8.0 or /usr/lpp/java/J7.1 if J8.0 does not exist.

LANG

The language that is used for messages. Infoprint Server provides messages in English and Japanese. Specify En_US for English messages, or Ja_JP for Japanese messages.

Default: C (equivalent to En_US)

LC_ALL

The locale that is used to format time and date information in messages. This locale overrides the locale in the LC_TIME variable.

Rule: In the IBM HTTP Server - Powered by Apache environment variables file (bin/envvars), do not specify a value that is associated with a code page other than IBM-1047.

Examples:

1. aopstart EXEC: LC_ALL=Fr_FR.IBM-297
2. bin/envvars file: LC_ALL=Fr_FR.IBM-1047

Default: C (also called POSIX)

LC_CTYPE

The locale that determines the EBCDIC code page that is used to validate Infoprint Server attribute values.

Rules: In the IBM HTTP Server - Powered by Apache environment variables file (bin/envvars):

1. Do not specify the LC_CTYPE environment variable.
2. Specify the AOPCENTRAL_CODEPAGE environment variable with the same EBCDIC code page as specified in the LC_CTYPE environment variable. For example:
AOPCENTRAL_CODEPAGE=Fr_FR.IBM-297

Example: LC_CTYPE=Fr_FR.IBM-297

Default: C (also called POSIX). The default code page is IBM-1047.

LC_TIME

The locale that is used to format time and date information in messages. Specify the same LC_TIME value in the environments for the Printer Inventory Manager and Infoprint Central.

Default: C (also called POSIX)

LIBPATH

The path that is used to find dynamic link library (DLL) files. This environment variable is required. If you installed Infoprint Server files in the default directory, add /usr/lpp/Printsrv/lib to any existing values. If you installed Infoprint Server files in a different directory, add the directory to any existing values.

Default: /usr/lpp/Printsrv/lib

The default is set in the aopstart EXEC and with the aopdemon command. You must set this environment variable in the /etc/profile file.

MANPATH

The path of directories that contain the man pages. Infoprint Server man pages are available only in English. Add /usr/lpp/Printsrv/man/En_US to the values in this variable. This variable is required.

Tip: Add the new directory path before /usr/man/%L in the MANPATH variable so that the Infoprint Server versions of the lp, lpstat, and cancel man pages are displayed.

Default: None.

NLSPATH

The path of directories that contain message catalogs. This environment variable is required. If the LANG environment variable identifies the language in which you want to receive Infoprint Server messages, add /usr/lpp/Printsrv/%L/%N to the values in this variable. Otherwise, add one of these values:

English

/usr/lpp/Printsrv/En_US/%N

Japanese

/usr/lpp/Printsrv/Ja_JP/%N

%L represents the value of the LANG environment variable. %N is the catalog file name.

Default: /usr/lpp/Printsrv/%L/%N: /usr/lpp/Printsrv/En_US/
%N: /usr/lib/nls/msg/%L/%N

This default is set in the aopstart EXEC and with the aopdemon command. You must specify this environment variable in the /etc/profile file.

PATH

The path that is used to locate executable files. This environment variable is required. If you installed Infoprint Server executable files in the default directory, add /usr/lpp/Printsrv/bin to the existing values. Be sure to add the directory before /bin in the PATH environment variable to make sure that the Infoprint Server versions of the lp, lpstat, and cancel commands are started.

Default: /usr/lpp/Printsrv/bin:/bin

This default is set in the aopstart EXEC and with the aopdemon command. You must specify this environment variable in the /etc/profile file.

TZ

The time zone that is used to format date, time, and trace information in messages that are displayed by aoplogu.

For information about the allowed values, see [z/OS UNIX System Services Command Reference](#).

Related information:

- For information about the optional tracing variables, see [z/OS Infoprint Server Messages and Diagnosis](#).
- For information about how to edit the aopstart EXEC and AOPSTART JCL procedure, see “[Customizing startup and shutdown commands and procedures](#)” on page 51. For information about the *envar* file, see “[Creating an environment variables file \(envar\)](#)” on page 55.
- For more information about the LANG, LC_ALL, LC_CTYPE, LC_TIME, and TZ environment variables, see [z/OS UNIX System Services Command Reference](#).

Setting up security for the Printer Inventory and operator commands

A description follows about how to set up security for the Printer Inventory, common message log, and operator commands. You can specify which users can read and update the Printer Inventory, read and write messages in the common message log, and start and stop Infoprint Server daemons.

You can use the Resource Access Control Facility (RACF) or another program that follows System Authorization Facility (SAF) protocol to set up security. For information about RACF, see [z/OS Security Server RACF Security Administrator's Guide](#).

Table 12 on page 44 summarizes the RACF access that is required to do different functions. For more security requirements if you use Infoprint Central or the MVS system logger, see:

- “[Setting up security for Infoprint Central](#)” on page 301
- “[Setting up security for log streams](#)” on page 88

Table 12: RACF access for Infoprint Server.

Function	AOP.ADMINISTRATOR profile (PRINTSRV class)	AOP.CONFIGURATION profile (PRINTSRV class)	Member of AOPADMIN group	Member of AOOPER group
Use ISPF panels to view and update the Printer Inventory except for the system configuration definition (see Note)	<ul style="list-style-type: none"> View: READ access View and update: UPDATE access 	Not required	Not required	Not required
Use ISPF panels to view and update the system configuration definition (see Note)	<ul style="list-style-type: none"> View: READ access View and update: UPDATE access only if AOP.CONFIGURATION is not defined 	<ul style="list-style-type: none"> View: READ access View and update: UPDATE access 	Not required	Not required
Use the PIDU program to view and update the Printer Inventory except for the system configuration definition	<ul style="list-style-type: none"> View: READ access View and update: UPDATE access 	Not required	Required	Not required
Use the PIDU program to view and update the system configuration definition	<ul style="list-style-type: none"> View: READ access View and update: UPDATE access only if AOP.CONFIGURATION is not defined 	<ul style="list-style-type: none"> View: READ access View and update: UPDATE access 	Required	Not required
Use Infoprint Central to view PSF printers, printer definitions, and IP PrintWay job selection rules	READ access	Not required	Not required	Not required
Use the aoplogu command to view messages in the common message log	Not required	Not required	Required	Not required
Start and stop Infoprint Server daemons	Not required	Not required	Not required	Required
Initialize the search database for Infoprint Central	Not required	Not required	Required	Not required
View transform messages in the transform's stderr file	Not required	Not required	Required	Not required
View trace information that is written to the default trace directory	Not required	Not required	Required	Not required

Table 12: RACF access for Infoprint Server. (continued)

Function	AOP.ADMINISTRATOR profile (PRINTSRV class)	AOP.CONFIGURATION profile (PRINTSRV class)	Member of AOPADMIN group	Member of AOOPER group
Note: To use the ISPF panels, users must have READ access to the Infoprint Server ISPF data sets.				

AOP.ADMINISTRATOR profile

The AOP.ADMINISTRATOR resource profile in the RACF PRINTSRV class is a required profile. It restricts access to objects in the Printer Inventory:

- READ or UPDATE access lets users view the Printer Inventory by using ISPF panels, Infoprint Central, or the Printer Inventory Definition Utility (PIDU). Users do not need any access to the profile to simply to list names of printer definitions with the `lpsstat` command or with Infoprint Port Monitor.
- UPDATE access lets users update all objects except for the system configuration definition in the Printer Inventory by using ISPF panels or the PIDU program.

If the AOP.CONFIGURATION resource profile is not defined in the PRINTSRV class, UPDATE access to the AOP.ADMINISTRATOR profile lets users update the system configuration definition.

Tips:

1. If the AOP.ADMINISTRATOR profile does not exist in the PRINTSRV class, Infoprint Server checks the AOPADMIN profile in the FACILITY class. READ or higher access to the AOPADMIN profile is equivalent to UPDATE access to the AOP.ADMINISTRATOR profile.
2. RACF profiles with the prefix AOP in the PRINTSRV class are reserved by IBM. Do not create profiles for other purposes that start with AOP in the PRINTSRV class.

AOP.CONFIGURATION profile

The AOP.CONFIGURATION resource profile in the RACF PRINTSRV class is an optional profile that you can use to restrict access to the system configuration definition separately from other definitions in the Printer Inventory:

- READ or UPDATE access to either the AOP.CONFIGURATION profile or the AOP.ADMINISTRATOR profile lets users view the system configuration definition.
- UPDATE access to the AOP.CONFIGURATION profile lets users update the system configuration definition.

If the AOP.CONFIGURATION profile does not exist, UPDATE access to the AOP.ADMINISTRATOR profile lets users update the system configuration definition and update other definitions in the Printer Inventory.

Tips:

1. Consider defining the AOP.CONFIGURATION profile before you enable the dynamic configuration function because when dynamic configuration is enabled, users who have UPDATE access to the AOP.ADMINISTRATOR profile can update the system configuration definition.
2. If the AOP.ADMINISTRATOR and AOP.CONFIGURATION profiles both do not exist in the PRINTSRV class, Infoprint Server checks the AOPADMIN profile in the FACILITY class. READ or higher access to the AOPADMIN profile is equivalent to UPDATE access to the AOP.ADMINISTRATOR and AOP.CONFIGURATION profiles.
3. RACF profiles with the prefix AOP in the PRINTSRV class are reserved by IBM. Do not create profiles for other purposes that start with AOP in the PRINTSRV class.

AOPADMIN and AOOPER groups

You must define these groups to RACF to restrict access to the Printer Inventory, the common message log, and Infoprint Server operator commands:

- AOPADMIN: This group is for Infoprint Server administrators, who can view and update the Printer Inventory and view all messages in the common message log.
- AOOPER: This group is for Infoprint Server operators, who can start and stop Infoprint Server daemons.

If you do not want to distinguish between administrators and operators, you need to define only one group.

You can choose any names for these groups.

AOPCONF group

You can optionally define the AOPCONF group to RACF for Infoprint Server configuration managers who can update the system configuration definition in the Printer Inventory. Consider defining the AOPCONF group if you define the AOP.CONFIGURATION profile. If you define the AOPCONF group, you can give the group UPDATE access to the AOP.CONFIGURATION profile.

If you do not want to distinguish between Infoprint Server administrators (members of the AOPADMIN group) and Infoprint Server configuration managers, you do not need to define this group. Instead, you can give the AOPADMIN group or individual users UPDATE access to the AOP.CONFIGURATION profile if you define it.

You can choose any name for this group.

Steps for setting up security for the Printer Inventory, common message log, and operator commands

These steps show the RACF and z/OS UNIX commands to use to set up security for the Printer Inventory, common message log, and Infoprint Server operator commands.

Tip: The sample CLIST in SYS1.SAMPLIB(AOPRACF) contains the RACF commands for most of the steps that are described here. You must modify AOPRACF before you run it.

1. Define a group to RACF for Infoprint Server administrators.

An Infoprint Server administrator can view and update the Printer Inventory and can view all messages in the common message log. The suggested group name for administrators is AOPADMIN. However, you can use any name. The group profile must have an OMVS segment and an OMVS group identifier (GID).

Example: This ADDGROUP command defines group AOPADMIN. For *group-identifier*, specify an integer that is different from other GIDs in your installation:

```
ADDGROUP (AOPADMIN) OMVS(GID(group-identifier))
```

If you use the MVS system logger for the common message log, Infoprint Server administrators must also have READ access to the profile that protects the log stream. For information, see [“Setting up security for log streams”](#) on page 88.

2. Define a group to RACF for Infoprint Server operators.

Infoprint Server operators can start and stop Infoprint Server daemons with the start and stop commands from the z/OS UNIX command line or the JCL startup and shutdown procedures. The suggested group name for Infoprint Server operators is AOOPER. However, you can use any name. The group profile must have an OMVS segment and a group identifier (GID).

Example: This ADDGROUP command creates group AOOPER. For *group-identifier*, specify an integer that is different from other GIDs in your installation:

```
ADDGROUP (AOOPER) OMVS(GID(group-identifier))
```

If your installation's security policy does not require a distinction between Infoprint Server administrators and operators, you can skip this step and give the group for Infoprint Server administrators (AOPADMIN) access to the AOP.ADMINISTRATOR profile in a later step.

3. (Optional) Define a group to RACF for Infoprint Server configuration managers.

Infoprint Server configuration managers can view and update Infoprint Server configuration attributes in the system configuration definition if the dynamic configuration function is enabled. The suggested group name for Infoprint Server configuration managers is AOPCONF. However, you can use any name. The group profile does not need an OMVS segment and a group identifier (GID).

Example: This ADDGROUP command creates group AOPCONF:

```
ADDGROUP (AOPCONF)
```

Consider defining the AOPCONF group if you enable dynamic configuration and you define the AOP.CONFIGURATION resource profile to restrict access to the system configuration definition.

4. Activate the PRINTSRV class. In addition, to improve performance, copy profiles in the PRINTSRV class into virtual storage. If you copy profiles into virtual storage, you must use the SETROPTS command to refresh the PRINTSRV class after you define new profiles or authorize new users to profiles in the class.

Example: This SETROPTS command activates the PRINTSRV class and copies profiles into virtual storage.

```
SETROPTS CLASSACT(PRINTSRV) RACLIST(PRINTSRV)
```

5. Define a resource profile to RACF named AOP.ADMINISTRATOR in the PRINTSRV class.

Example: This RDEFINE command defines resource profile AOP.ADMINISTRATOR with universal READ access:

```
RDEFINE PRINTSRV (AOP.ADMINISTRATOR) UACC(READ)  
SETROPTS RACLIST(PRINTSRV) REFRESH
```

Guideline: If you want RACF to notify the security administrator (by a message) when a user tries to read or update the Printer Inventory and is not authorized, specify the NOTIFY parameter on the RDEFINE command. Otherwise, Infoprint Server suppresses RACF messages when it checks the AOP.ADMINISTRATOR profile.

6. (Optional) Define a resource profile to RACF named AOP.CONFIGURATION in the PRINTSRV class.

If you want to restrict who can update the system configuration definition separately from other definitions in the Printer Inventory, define the AOP.CONFIGURATION profile. If you do not define the AOP.CONFIGURATION profile, users who have UPDATE access to the AOP.ADMINISTRATOR profile can update the system configuration definition and other objects in the Printer Inventory.

Users who have READ access to either the AOP.CONFIGURATION profile or the AOP.ADMINISTRATOR profile can view the system configuration definition.

Example: This RDEFINE command defines resource profile AOP.CONFIGURATION with universal access of NONE:

```
RDEFINE PRINTSRV (AOP.CONFIGURATION) UACC(NONE)  
SETROPTS RACLIST(PRINTSRV) REFRESH
```

7. Give non-administrators READ access to the AOP.ADMINISTRATOR profile.

If you defined resource profile AOP.ADMINISTRATOR with universal access of NONE, give users who need to view the Printer Inventory with either Infoprint Server ISPF panels or Infoprint Central, READ access to the AOP.ADMINISTRATOR profile.

Example: This PERMIT command lets a user or group read the Printer Inventory:

```
PERMIT AOP.ADMINISTRATOR CLASS(PRINTSRV) ACCESS(READ) ID(userid or groupid)  
SETROPTS RACLIST(PRINTSRV) REFRESH
```

Note: READ access to the AOP.ADMINISTRATOR profile also lets users use the ISPF panels to view the system configuration definition.

8. Give the Infoprint Server administrator group (AOPADMIN) UPDATE access to the AOP.ADMINISTRATOR resource profile.

You can authorize group AOPADMIN to the AOP.ADMINISTRATOR resource profile or you can authorize each user separately. Users must have UPDATE (or higher) access to the AOP.ADMINISTRATOR resource profile to view and update the Printer Inventory.

Example: This PERMIT command authorizes the AOPADMIN group to the AOP.ADMINISTRATOR profile in the PRINTSRV class:

```
PERMIT AOP.ADMINISTRATOR CLASS(PRINTSRV) ACCESS(UPDATE) ID(AOPADMIN)
SETROPTS RACLIST(PRINTSRV) REFRESH
```

9. (Optional) If you defined the AOP.CONFIGURATION resource profile in step 6, give Infoprint Server configuration managers UPDATE access to the profile.

You can authorize group AOPCONF to the AOP.CONFIGURATION resource profile or you can authorize each user separately.

Example: This PERMIT command authorizes the AOPCONF group to the AOP.CONFIGURATION profile in the PRINTSRV class:

```
PERMIT AOP.CONFIGURATION CLASS(PRINTSRV) ACCESS(UPDATE) ID(AOPCONF)
SETROPTS RACLIST(PRINTSRV) REFRESH
```

10. (Optional) If you defined resource profiles AOP.CONFIGURATION and AOP.ADMINISTRATOR with universal access of NONE, give users who need to view the system configuration definition, but not update it, READ access to either the AOP.CONFIGURATION profile or the AOP.ADMINISTRATOR profile.

Example: This PERMIT command lets a user view the system configuration definition:

```
PERMIT AOP.CONFIGURATION CLASS(PRINTSRV) ACCESS(READ) ID(userid)
SETROPTS RACLIST(PRINTSRV) REFRESH
```

11. Define Infoprint Server administrators, operators, and other users whom you want to read the Printer Inventory to RACF as z/OS UNIX users. This step shows one way to define users to RACF. For complete information about how to define z/OS UNIX users to RACF, see [z/OS UNIX System Services Planning](#).

For each user, establish an OMVS segment and set the user's default group to a group that has an OMVS segment with a group identifier (GID). You can specify any home directory or use the default home directory. You can use either the ADDUSER command to define a new user ID or the ALTUSER command to modify an existing user ID.

Example: This ALTUSER command modifies an existing user ID. For *userid*, specify an existing user ID. For *user-identifier*, specify an integer that is different from other UIDs in your installation. For *group*, specify AOOPER, AOPADMIN, or any another group that has an OMVS GID.

```
ALTUSER userid OMVS(UID(user-identifier) PROGRAM('/bin/sh'))
DFLTGRP(group)
```

Guidelines:

- a. A GID must be defined in the user's default group so that the user can use z/OS UNIX.
 - b. For instructions about how to define a user ID for use with the JCL startup and shutdown procedures, see [“Creating a user ID to assign to the JCL startup and shutdown procedures” on page 56](#).
12. Connect Infoprint Server administrators, operators, and configuration managers to the appropriate group.

If you use the JCL startup and shutdown procedures to start and stop Infoprint Server, connect the user ID assigned to these procedures to the AOOPER group.

Example: These CONNECT commands connect a user to the AOPADMIN group for administrators, connect a user to the AOOPER group for operators, and connect a user to the AOPCONF group for configuration managers. Specify an existing user ID for *userid*:

```
CONNECT (userid) GROUP(AOPADMIN)
```

```
CONNECT (userid) GROUP(AOOPER)
```

```
CONNECT (userid) GROUP(AOPCONF)
```

Tip: If you did not define a separate group for Infoprint Server operators in step 2, connect the operators to the group for Infoprint Server administrators (AOPADMIN).

13. Give the AOOPER group (or the user ID that is associated with the JCL startup procedure) RACF authorization to these resources and profiles:

- If you use IP PrintWay extended mode, UPDATE access to profiles in the JESSPOOL class. See [“Authorizing IP PrintWay to select data sets from the JES spool \(extended mode\)”](#) on page 194.
- If you use IP PrintWay extended mode, READ access to the BPX.SMF or BPX.SMF.type.subtype profile in the FACILITY class. See [“Authorizing IP PrintWay to write SMF type 6 records \(extended mode\)”](#) on page 195.
- If you use Infoprint Central, access to profiles in the OPERCMDS and JESSPOOL classes. For information about the type of access that is required, see [“Setting up security for Infoprint Central”](#) on page 301.
- If you use IBM transforms from AFP to PCL, PDF, or PostScript, READ access to transform resources, such as AFP resource libraries, that are on the z/OS system. For more information, see the documentation for the transform.
- If you use the MVS system logger for the common message log, UPDATE access to the profile that protects the log stream. For information, see [“Setting up security for log streams”](#) on page 88.

Tip: If you always use the JCL startup and shutdown procedures (and not the start and stop commands from the z/OS UNIX command line) to start and stop Infoprint Server, instead of giving RACF access to the AOOPER group, you can give RACF access to the user ID that is associated with the JCL startup and shutdown procedures.

14. Give universal RACF access to the Infoprint Server ISPF data sets so that all users can view Infoprint Server ISPF panels.

Example: The RACF ADDGROUP command creates a group that is named AOP to own the data set resource profile. The RACF ADDSD command creates a generic data set resource profile that gives universal READ access to data sets that start with "AOP .":

```
ADDGROUP (AOP) SUPGROUP(SYS1) OWNER(SYS1)  
ADDSD 'AOP.*' GENERIC OWNER(AOP) UACC(READ)
```

Setting permissions for directories and executable files -- aopsetup

You must run the aopsetup shell script to set up the correct z/OS UNIX permissions for Infoprint Server directories and executable files before you start Infoprint Server daemons for the first time. Also, you must rerun aopsetup whenever you move to a new z/OS release.

The aopsetup shell script sets z/OS UNIX permissions for these directories and files:

- /var/Printsrv directory:

This directory contains the Printer Inventory files and other Infoprint Server files. If the /var/Printsrv directory does not exist, aopsetup creates it. Also, aopsetup sets permissions so that this directory is readable and writable only by members of the RACF group for Infoprint Server administrators (suggested name is AOPADMIN) and users with an effective UID of 0.

If you specify a different directory in the base-directory attribute in the Infoprint Server configuration file (`aopd.conf`), `aopsetup` creates that directory instead of the `/var/Printsrv` directory.

- Files in the `/usr/lpp/Printsrv/bin` directory:

This directory contains Infoprint Server executable files. `aopsetup` sets file permissions so that:

- Operator commands, such as `aopstart`, are executable by members of the RACF group for Infoprint Server operators (AOPOPER).
- Administrative commands, such as `pidu`, are executable by members of the RACF group for Infoprint Server administrators (AOPADMIN).
- All Infoprint Server daemons have the set-group-ID bit on.

Tip: `aopsetup` does not set permissions for all files in this directory. Therefore, you cannot copy this directory to another system and use `aopsetup` to restore all the original permissions.

The `aopsetup` shell script requires two positional arguments:

```
aopsetup operator-group administrator-group
```

operator-group

The name of the RACF group you created for Infoprint Server operators. The suggested RACF group name is AOPOPER. However, you can use a different name for this group (see [“AOPADMIN and AOPOPER groups”](#) on page 45). This argument is required.

administrator-group

The name of the RACF group you created for Infoprint Server administrators. The suggested RACF group name is AOPADMIN. However, you can use a different name for this group (see [“AOPADMIN and AOPOPER groups”](#) on page 45). This argument is required.

Steps for running aopsetup

Before you begin:

- Define the RACF groups for Infoprint Server operators and administrators as described in [“Setting up security for the Printer Inventory and operator commands”](#) on page 43.
- Make sure that the file systems that contain the `/usr/lpp/Printsrv/bin` and `/var` or `/var/Printsrv` directories are mounted read/write.
- Make sure that the `/usr/lpp/Printsrv/bin` directory, which contains `aopsetup`, is in your PATH environment variable.
- If you do not want to use the default Infoprint Server base directory, `/var/Printsrv`, specify the `base-directory` attribute in the Infoprint Server configuration file, `aopd.conf`.
- You must have an effective UID of 0.

These steps show how to run `aopsetup`:

1. Switch to an effective UID of 0.

Example: `su`

Tip: To use the z/OS UNIX `su` command, you must be authorized to the BPX.SUPERUSER profile in the FACILITY class in RACF.

2. Run `aopsetup`.

You can run `aopsetup` from a rlogin shell or from an OMVS session.

Tip: You must run `aopsetup` before you start Infoprint Server daemons. However, if you attempted to start Infoprint Server before you ran `aopsetup`, stop all Infoprint Server daemons before you do this step.

Examples:

- a. If you defined group AOPOPER for operators and group AOPADMIN for administrators, enter:

```
/usr/lpp/Printsrv/bin/aopsetup AOPOPER AOPADMIN
```

- b. If you defined group AOPADMIN for both Infoprint Server operators and administrators, enter:

```
/usr/lpp/Printsrv/bin/aopsetup AOPADMIN AOPADMIN
```

- c. If you want to run aopsetup while the /usr/lpp/Printsrv directory is mounted at a /service mount point, specify the service directory in the INSTALL_DIR environment variable. For example, enter:

```
INSTALL_DIR=/service/usr/lpp/Printsrv aopsetup AOPOPER AOPADMIN
```

3. If you switched to an effective UID of 0 in step 1, switch back to your own UID:

```
exit
```

Results: You see output from the z/OS UNIX ls command similar to the following samples if you specified the AOPOPER and AOPADMIN groups as arguments to aopsetup. To display the UID of the owner ID, you can use the -n option on the ls command. Also, the owner ID of the /var/Printsrv directory and the executable files, which are shown as ROOT in the sample output, must have a UID of 0.

- Sample 1:

```
ls -d -n /var/Printsrv
drwxrwxr-x 12 0 256 ... .. /var/Printsrv
```

- Sample 2:

```
ls -n /usr/lpp/Printsrv/bin
...
-rwx--S--- 1 0 4000 ... .. aopd
-rwsr-x--- 1 0 4001 ... .. aopdemon
-rwx--S--- 1 0 4000 ... .. aopipdd
-rwxr-x--- 1 0 4000 ... .. aoplogu
-rwx--S--- 1 0 4000 ... .. aoplpd
```

Customizing startup and shutdown commands and procedures

To start and stop Infoprint Server daemons, including the Printer Inventory daemon, you can use one of these methods:

- JCL startup and shutdown procedures
- Start and stop commands from the z/OS UNIX command line

In addition, you can use z/OS automation tools to start Infoprint Server daemons automatically during system initialization.

The user ID assigned to the JCL startup procedure or the user ID that runs the start command from the z/OS UNIX command line must be connected to the AOPOPER group and have authorization to these RACF profiles:

- If you use the AFP to PCL, AFP to PostScript, or AFP to PDF transform, this user ID must have READ access to all system and user AFP resource libraries that the transform uses. See the documentation for the transform.
- If you use Infoprint Central, this user ID must have access to profiles in the OPERCMDS and JESSPOOL classes. See [“Setting up security for Infoprint Central”](#) on page 301.
- If you use IP PrintWay extended mode, this user ID must have UPDATE access to profiles in the JESSPOOL class and READ access to the BPX.SMF or BPX.SMF.type.subtype profile. See [“Authorizing IP](#)

PrintWay to select data sets from the JES spool (extended mode)” on page 194 and “Authorizing IP PrintWay to write SMF type 6 records (extended mode)” on page 195.

Guideline: IBM strongly suggests that you use the JCL startup procedures to start Infoprint Server instead of running the start command directly from the z/OS UNIX command line for these reasons:

- With a JCL startup procedure, you can associate one user ID with the JCL procedure and that user can be the sole member of the AOOPER group. You can give that user access to the required RACF profiles.
- If you run a start command directly from the z/OS UNIX command line, Infoprint Server can inherit undesirable limits, such as the maximum CPU time limit, from the user ID that runs the command. For information about system limits, see *z/OS UNIX System Services Planning*.

Tips:

1. The JCL startup and shutdown procedures and the start and stop commands from the z/OS UNIX command line, can end with abends EC6 (reason code FFFF) and 33E. These abends do not indicate an error, and they are typically suppressed in the IEASLP00 member of SYS1.PARMLIB. This statement in the IEASLP00 member suppresses EC6 abends:

```
SLIP SET,C=EC6,RE=0000FFXX,ID=XEC6,A=NODUMP,END
```

2. When you are starting Infoprint Server for the first time with z/OS V2R2 or later, and dynamic configuration is enabled in aopd.conf, you see message AOP192E if Infoprint Server cannot find a valid system configuration definition in the Printer Inventory. You must supply a system configuration definition before Infoprint Server can complete the startup. See “Restoring the Printer Inventory with the loadprinterinventory command” on page 105 or, if you do not have a PIDU export file, use the ISPF System Configuration panel or the Printer Inventory Definition Utility (PIDU) to edit and save the system configuration definition. See *z/OS Infoprint Server Operation and Administration*.

Table 13 on page 52 summarizes the customization tasks that are related to setting up your startup and shutdown procedures. Required tasks are necessary for all installations. Optional tasks are required only if the listed condition applies to your installation.

<i>Table 13: Customization tasks for startup and shutdown procedures</i>	
Task	Condition
<u>“Editing the aopstart EXEC” on page 53</u>	Optional: To specify environment variables.
<u>“Creating an environment variables file (envar)” on page 55</u>	Optional: To specify environment variables.
<u>“Creating a user ID to assign to the JCL startup and shutdown procedures” on page 56</u>	Optional: To use the JCL startup and shutdown procedures.
<u>“Defining the JCL startup and shutdown procedures to RACF” on page 56</u>	Optional: To use the JCL startup and shutdown procedures.
<u>“Editing JCL startup procedures” on page 57</u>	Optional: To use the JCL startup procedures and change default settings.
<u>“Editing JCL shutdown procedures” on page 61</u>	Optional: To use the JCL shutdown procedures and change default settings.
<u>“Starting Infoprint Server daemons automatically” on page 64</u>	Optional: To start Infoprint Server daemons automatically.

Editing the aopstart EXEC

The `aopstart` command is a REXX EXEC that sets environment variables that Infoprint Server daemons use. It also starts the Printer Inventory daemon and any other daemons that are specified in the `start-daemons` attribute in the Infoprint Server configuration file (`aopd.conf`).

Note: When dynamic configuration is enabled and the **Operating mode** field is set to `z/OS 2.2` on the System Configuration panel, `aopstart` EXEC is not used. Instead, you can specify environment variables in an `envvar` file for the `aopdemon` command. See [“Creating an environment variables file \(envvar\)”](#) on page 55.

The `aopstart` EXEC provided with Infoprint Server is suitable for most installations. However, you must edit the `aopstart` EXEC if you need to specify certain environment variables. For security reasons, Infoprint Server uses some environment variables only if they are set in the `aopstart` EXEC. Infoprint Server does not use the same variables set in the `/etc/profile` file. See [Appendix C, “Environment variables,”](#) on page 353 for a summary of the environment variables that you must set in the `aopstart` EXEC.

In the `aopstart` EXEC, you can:

- Set a new environment variable that uses this format:

```
n=n+1;env.n='environment_variable=value'
```

Specify all environment variables before this statement in the EXEC:

```
env.0=n
```

Example:

```
n=n+1;env.n='AOPTRACEDIR=/mydirectory/trace'  
env.0=n
```

- Change the value of any environment variable that is set in the EXEC.
- Change the name of the directory where Infoprint Server files are installed by editing this statement:

```
install_path='/usr/lpp/Printsrv'
```

Rule: The owner of the `aopstart` file must be UID 0. Also, only users with a UID of 0 can be authorized to write the file.

Steps for copying and editing the aopstart EXEC

Before you begin: You must have an effective UID of 0.

These steps show the z/OS UNIX commands to use to copy the `aopstart` EXEC from the `usr/lpp/Printsrv/bin` directory to a new directory and edit it. If you already copied the `aopstart` EXEC to a new directory, follow the steps in [“Steps for editing the aopstart EXEC”](#) on page 54.

1. Switch to an effective UID of 0:

```
su
```

Tip: To use the z/OS UNIX `su` command, you must be authorized to the `BPX.SUPERUSER` profile in the `FACILITY` class in RACF.

2. Copy the default `aopstart` EXEC to another directory. You must copy the file because you must not modify the directory that contains Infoprint Server executable files. This example copies the `aopstart` EXEC to `/usr/local/bin`:

```
cp /usr/lpp/Printsrv/bin/aopstart /usr/local/bin
```

3. Change to the directory where `aopstart` exists:

```
cd /usr/local/bin
```

4. Change the owner of the aopstart file to UID 0:

```
chown 0 aopstart
```

5. Change the group owner of the aopstart file to AOOPER. AOOPER is the suggested RACF group name for Infoprint Server operators. However, you can use a different name for this group (see [“AOPADMIN and AOOPER groups” on page 45](#)).

```
chgrp AOOPER aopstart
```

6. Edit the new aopstart EXEC with your preferred editor and save your changes. For example:

```
oedit aopstart
```

Edit this file by using the IBM-1047 code page. For more instructions, see the comments in the aopstart EXEC.

Tip: You can select the ISPF **z/OS Unix Shell** option (ISPF 13.11) to edit z/OS UNIX files.

7. Change the permissions for the file. Make the file writable by only UID 0, readable by everyone, and executable only by UID 0 and members of the AOOPER group. Also, set the set-uid-flag on. For example:

```
chmod 4754 aopstart
```

Tip: Do this step after you edit the file because the set-uid-flag is turned off when you edit a file.

8. Place the directory that contains the new aopstart EXEC in the PATH environment variable of each operator's /u/userid/.profile file before the directory that contains Infoprint Server files (default directory /usr/lpp/Printsrv/bin). For example, you can add this line to the end of the operators' profile files:

```
export PATH=/usr/local/bin:$PATH
```

9. If you switched to an effective UID of 0 in step 1, switch back to your own UID:

```
exit
```

10. Specify the full path name of the aopstart EXEC on the PARM parameter in the AOPSTART procedure. For details, see [“Editing JCL startup procedures” on page 57](#).

Steps for editing the aopstart EXEC

These steps show the z/OS UNIX commands to use to edit the aopstart EXEC. If the aopstart EXEC is in the /usr/lpp/Printsrv/bin directory, see [“Steps for copying and editing the aopstart EXEC” on page 53](#).

Before you begin: You must have an effective UID of 0.

1. Switch to an effective UID of 0:

```
su
```

To use the z/OS UNIX su command, you must be authorized to the BPX.SUPERUSER profile in the FACILITY class in RACF.

2. Change to the directory where aopstart exists. For example:

```
cd /usr/local/bin
```

3. Edit the aopstart file with your preferred editor and save your changes. For example:

```
oedit aopstart
```

See comments in the EXEC. Edit this file by using the IBM-1047 code page. For more instructions, see the comments in the aopstart EXEC.

Tip: You can select the ISPF **z/OS Unix Shell** option (ISPF 13.11) to edit z/OS UNIX files.

4. Set the `set-uid-flag` on. For example:

```
chmod 4754 aopstart
```

Tip: Do this step after you edit the file because the `set-uid-flag` is turned off when you edit a file.

5. If you switched to an effective UID of 0 in step 1, switch back to your own UID:

```
exit
```

6. If Infoprint Server is running, stop all Infoprint Server daemons and restart Infoprint Server for your changes to take effect. For example, enter these MVS commands to run the AOPSTOP and AOPSTART JCL procedures to stop and restart all Infoprint Server daemons:

```
START AOPSTOP  
START AOPSTART
```

Creating an environment variables file (*envvar*)

When dynamic configuration is enabled and the **Operating mode** field is set to z/OS 2.2 on the ISPF System Configuration panel, `aopstart EXEC` is not used. Instead, these default environment variables are used with the `aopdemon` command:

```
_BPX_UNLIMITED_OUTPUT=YES  
PATH=/usr/lpp/Printsrv/bin:/bin  
LIBPATH=/usr/lpp/Printsrv/lib  
CLASSPATH=/usr/lpp/Printsrv/classes/ipp.jar:/usr/lpp/Printsrv/classes/ippserver.jar:\  
/usr/lpp/Printsrv/classes/ippreal.jar  
NLSPATH=/usr/lpp/Printsrv/%L/%N:/usr/lpp/Printsrv/En_US/%N:/usr/lib/nls/msg/%L/%N  
JAVA_HOME=/usr/lpp/java/J8.0  
AOPCONF=/etc/Printsrv/aopd.conf  
AOPRXF_CONF=/etc/Printsrv/aoprxf.conf  
AOPTRACEDIR=/var/Printsrv/trace  
AOPXFD_CONF=/etc/Printsrv/aopxfd.conf
```

Note: The default for `JAVA_HOME` is `/usr/lpp/java/J8.0` or `/usr/lpp/java/J7.1` if `J8.0` does not exist.

If you need to change the value of the environment variables from the default or specify more variables, you can create an *envvar* file, which is a user-defined z/OS UNIX file or MVS data set. For example, you might want to create the *envvar* file in `/etc/Printsrv`.

Keep in mind: When dynamic configuration is enabled, many values that used to be specified as environment variables are now attributes in the system configuration definition; you do not need to specify environment variables for them in the *envvar* file.

You specify an *envvar* file with the `aopdemon` command or the `VARFILE DD` statement in the `AOPDEMON` JCL procedure.

For information about authorizations that are required to use the *envvar* file, see [z/OS Infoprint Server Operation and Administration](#).

1. In the *envvar* file, specify each environment variable in the format *variable=value*. For example:

```
AOPTRACEON=1
```

Rules:

- a. Specify one environment variable per line or record, starting in column 1.
- b. Lines without an "=" are ignored.
- c. These items are not allowed:
 - Leading or embedded blanks

- Continued lines
 - Symbol substitutions
 - Quotation marks around text strings
- d. Trailing blanks are discarded.
 - e. Characters are case-sensitive.
 - f. If the records are 80 bytes and the last eight columns are numeric, those columns are discarded as sequence numbers.
 - g. Use a # symbol to start a comment. All data between the first “#” and the end of the line is ignored.
2. If an environment variable specifies a long variable string, you might need to define an MVS data set with a record length greater than 80. For example, you might need to specify these DCB attributes:
 - RECFM=VB
 - LRECL=255

Creating a user ID to assign to the JCL startup and shutdown procedures

Do these steps to create a user ID that is assigned to the JCL startup and shutdown procedures. This user ID must be defined to RACF as a z/OS UNIX user and be a member of the AOPOPER group.

Tip: The sample CLIST in SYS1.SAMPLIB(AOPRACF) contains the RACF commands that are described here. You must modify AOPRACF before you run it.

1. Define group AOPOPER to RACF as described in [“Setting up security for the Printer Inventory and operator commands”](#) on page 43. You can use another name for the AOPOPER group.
2. Create a z/OS user ID. The user ID must have an OMVS segment, and the default group must have an OMVS segment and a GID.

You can select any name for the user ID, or you can alter an existing user ID to be a z/OS UNIX ID. You can specify any home directory, including the default directory.

Example: This RACF command defines user AOPSTC with default group AOPOPER and home directory /tmp:

```
ADDUSER AOPSTC OMVS(UID(user-identifier) PROGRAM('/bin/sh')) HOME(/tmp)
DFLTGRP(AOPOPER) NOPASSWORD
```

Tips:

- a. For *user-identifier*, specify an integer that is different from other UIDs in your installation. If the **Operating mode** field is set to z/OS 2.2 on the ISPF System Configuration panel and you use the VARFILE DD statement to specify environment variables, *user-identifier* must be 0.
 - b. The NOPASSWORD operand defines the user ID as a *protected* user ID. Protected user IDs cannot log on to the z/OS system, and they cannot be revoked because of incorrect password attempts.
3. If the user's default group is not AOPOPER, connect the user ID to group AOPOPER.

Example: This CONNECT command connects user ID AOPSTC to group AOPOPER:

```
CONNECT (AOPSTC) GROUP(AOPOPER)
```

Note: If the RACF user ID that is assigned to the JCL startup and shutdown procedures as a z/OS UNIX user is not a z/OS UNIX user, the Infoprint Server daemons do not start or stop, and you might not receive any error messages.

Defining the JCL startup and shutdown procedures to RACF

If you use the JCL startup and shutdown procedures, you must define profiles for them in the RACF STARTED class.

Example: These commands assume that the user ID you defined for use with these procedures is AOPSTC and that AOPSTC is connected to group AOPOPER.

```
RDEFINE STARTED AOPSTART.* STDATA(USER(AOPSTC) GROUP(AOPOPER))
RDEFINE STARTED AOPDEMON.* STDATA(USER(AOPSTC) GROUP(AOPOPER))
RDEFINE STARTED AOPSTOP.* STDATA(USER(AOPSTC) GROUP(AOPOPER))
SETROPTS RACLIST(STARTED) REFRESH
```

Tips:

1. The sample CLIST in SYS1.SAMPLIB(AOPRACF) contains the RACF commands that are described here. You must modify AOPRACF before you run it.
2. If you want to use the started procedure table (ICHRIN03) instead, see [z/OS Security Server RACF Security Administrator's Guide](#) for more information.

Editing JCL startup procedures

Three JCL procedures, AOPSTART, AOPDEMON, and AOPSTAR2, are included in SYS1.IBM.PROCLIB for starting Infoprint Server. AOPDEMON and AOPSTAR2 are used only when dynamic configuration is enabled and the **Operating mode** field is set to z/OS 2.2 on the ISPF System Configuration panel; otherwise, AOPSTART is used. AOPDEMON starts one daemon; the AOPSTAR2 procedure starts one or multiple daemons. You can use the AOPSTAR2 procedure to start all daemons in the same way you use the AOPSTART procedure.

Note: During installation, the procedures might be copied to another data set in the PROCLIB concatenation.

If you specify a z/OS UNIX file or an MVS data set in a DD statement in the AOPSTART or AOPDEMON procedure, the user ID associated with the startup procedure must be authorized to:

- Read the data set or file specified in the STDENV or VARFILE DD statement.
- Read and write to the data set or file specified in the STDOUT and STDERR DD statements (not required if these DD statements point to SYSOUT).

To authorize the user ID:

MVS data set

Give the AOPOPER group RACF authorization to read to the data set.

UNIX file

Make AOPOPER the group that is associated with this file; give group members permission to read the file.

AOPSTART JCL procedure

The AOPSTART procedure invokes the `aopstart` command to start Infoprint Server daemons that are specified in the `start-daemons` attribute in the `aopd.conf` configuration file.

Tip: When dynamic configuration is enabled, you can use this startup procedure only when the **Operating mode** field is set to z/OS 2.1 on the ISPF System Configuration panel.

You must edit the AOPSTART procedure if any of these conditions apply to your installation:

- The region size of 512 megabytes is not suitable. These minimum requirements apply:
 - If you start the IPP Server, specify at least 200 megabytes.
 - If you use transforms to convert data streams from one format to another, specify at least 256 megabytes.
- The `aopstart` command is not in the default directory `/usr/lpp/Printsrv/bin`. You specify the directory in the PARM parameter on the EXEC statement.
- You want to specify any of these environment variables:

- AOPVALIDATEDB
- LANG
- LC_ALL, LC_CTYPE, LC_TIME
- TZ
- For tracing: AOPTRACEON, AOPTRACEON_DATA, AOPTRACEON_FILTER, AOPTRACEON_MSGLOG, AOPTRACEBYTES, AOPTRACEMAXFILES
- AOPDUMPON

For information about these environment variables, see [Appendix C, “Environment variables,”](#) on page 353. For security purposes, you can specify only these environment variables in the AOPSTART procedure. You must specify all other environment variables in the aopstart EXEC, which only authorized users can edit. See [“Editing the aopstart EXEC”](#) on page 53. You can also choose to specify these environment variables in the aopstart EXEC. However, if you specify them in the aopstart EXEC, do not specify them in the AOPSTART procedure.

Rules for environment variables:

1. You can specify in-stream environment variables in the JCL, or you can specify the environment variables in a z/OS UNIX file or MVS data set that the STDENV data definition (DD) points to.
2. If you specify environment variables in an MVS data set that have long variable strings, you might need to define a record length greater than 80. For example, you might need to specify these DCB attributes:
 - RECFM=VB
 - LRECL=255
3. Specify each environment variable in the format *variable=value*. Specify one environment variable per line or record, starting in column 1. For example:

```
AOPTRACEON=1
```

Rules for using the AOPSTART procedure:

1. If you are using JES2 dynamic PROCLIBs, refresh the PROCLIBs before you restart Infoprint Server.

Example: To refresh PROCLIBs, enter this JES2 command:

```
$T PROCLIB(*)
```

2. If Infoprint Server is running, stop all Infoprint Server daemons and restart Infoprint Server for your changes to take effect. Be sure to wait for all daemons to stop before you restart Infoprint Server.

Example: To stop and restart all Infoprint Server daemons, enter these MVS commands:

```
START AOPSTOP
START AOPSTART
```

Figure 9 on page 59 shows the AOPSTART procedure. If you need more information about the AOPBATCH program, see [Appendix E, “AOPBATCH program,”](#) on page 391.

```

/*-----
/*
/*  AOPSTART - This procedure starts the Infoprint Server daemons.
/*              The USERID assigned to this proc must be a member of
/*              the AOPOPER group.
/*
/*-----
/*AOPSTART PROC
/*-----
/*  AOPBATCH PARM specifies the path of the program to be run.
/*  If Infoprint Server was not installed in /usr/lpp/Printsrv,
/*  then this path must be changed as required for the installation
/*  directory.
/*-----
/*AOPSTART EXEC PGM=AOPBATCH,PARM='/usr/lpp/Printsrv/bin/aopstart',
/*              REGION=512M,
/*              TIME=NOLIMIT
/*STDOUT  DD  SYSOUT=*
/*STDERR  DD  SYSOUT=*
/*-----
/*  STDENV is optionally used to specify environment variables.
/*
/*  A Unix System Services file can be specified, for example:
/*    //STDENV DD PATH='/etc/Printsrv/env.conf',PATHOPTS=ORDONLY
/*
/*  or an MVS data set, for example:
/*    //STDENV DD DISP=SHR,DSN=hlq.stdenv
/*
/*  This file or data set should contain VARIABLE=VALUE pairs
/*  starting in column 1, for example:
/*
/*  AOPTRACEON=1
/*-----

```

Figure 9: AOPSTART startup procedure — SYS1.IBM.PROCLIB(AOPSTART)

AOPDEMON JCL procedure

The AOPDEMON JCL procedure invokes the aopdemon command to start Infoprint Server. AOPDEMON starts one daemon.

Tip: This startup procedure is used only when dynamic configuration is enabled and the **Operating mode** field is set to z/OS 2.2 on the ISPF System Configuration panel.

You must edit the AOPDEMON JCL procedure in these situations:

- You need to specify the directory path for the aopdemon command you created for your installation in the PARM parameter of the EXEC statement.
- You need to specify the *envvar* file if you change the following default environment variables or you specify more variables:

```

_BPX_UNLIMITED_OUTPUT=YES
PATH=/usr/lpp/Printsrv/bin:/bin
LIBPATH=/usr/lpp/Printsrv/lib
CLASSPATH=/usr/lpp/Printsrv/classes/ipp.jar:/usr/lpp/Printsrv/classes/
ippserver.jar:\
/usr/lpp/Printsrv/classes/ippreal.jar
NLSPATH=/usr/lpp/Printsrv/%L/%N:/usr/lpp/Printsrv/En_US/%N:/usr/lib/nls/msg/%L/%N
JAVA_HOME=/usr/lpp/java/J8.0
AOPCONF=/etc/Printsrv/aopd.conf
AOPRXF_CONF=/etc/Printsrv/aoprxf.conf
AOPTRACEDIR=/var/Printsrv/trace
AOPXFD_CONF=/etc/Printsrv/aopxfd.conf

```

Note: The default for JAVA_HOME is /usr/lpp/java/J8.0 or /usr/lpp/java/J7.1 if J8.0 does not exist.

You can specify the *envvar* file with a STDENV or VARFILE DD statement. Use STDENV to specify only these environment variables: AOPDUMPON, AOPVALIDATEDB, AOPTRACEBYTES, AOPTRACEMAXFILES, AOPTRACEON, AOPTRACEON_DATA, AOPTRACEON_FILTER, AOPTRACEON_MSGLOG, LANG, LC_APP, LC_CTYPE, LC_TIME, and TZ. Otherwise, if you specify any other variables, use VARFILE and assign UID 0 to the started task.

- You need to specify the type of daemon if you are using the procedure to start a specific daemon. Otherwise, you can add the type when you enter the MVS START command. For example,

```
START AOPDEMON,TYPE=SSI
```

Rule: The Printer Inventory daemon (aopd) must be running before you start any other daemons.

Figure 10 on page 60 shows the AOPDEMON procedure that Infoprint Server provides in SYS1.IBM.PROCLIB.

```

/*-----
/*
/* AOPDEMON - This procedure starts an Infoprint Server daemon.
/*           The USERID assigned to this proc must be a member of
/*           the AOPOPER group.
/*
/*           TYPE the 3 character "type" of the daemon to start.
/*           Valid choices are: AOP IPP LPD NET OUT SSI SUB WSM XFD
/*-----
/* AOPDEMON PROC TYPE=
/*-----
/* The AOPBATC PARM includes the path of the aopdemon command.
/* If Infoprint Server was not installed in /usr/lpp/Printsrv then
/* this path must be changed appropriately.
/*-----
/* AOPDEMON EXEC PGM=AOPBATC,REGION=512M,TIME=NOLIMIT,
/*           PARM='/usr/lpp/Printsrv/bin/aopdemon -t&TYPE'
/* STDIN DD DUMMY
/* STDOUT DD PATH='/dev/console' or '/dev/operlog'
/* STDERR DD PATH='/dev/console' or '/dev/operlog'
/*-----
/* To change values of default environment variables or to specify
/* more variables.
/*
/* 1. Define one of these:
/*    - An MVS PDS member (or sequential data set), such as:
/*      //dd_name DD DSN=hlq.stdenv(member),DISP=SHR
/*    - A UNIX System Services file, such as:
/*      //dd_name DD PATH='/etc/Printsrv/env.conf',PATHOPTS=ORDONLY
/*
/* 2. In this file, specify each environment variable in the format
/*    VARIABLE=VALUE by following these rules:
/*    - Specify one VARIABLE=VALUE per line, starting in column 1.
/*    - Use a # symbol to start a comment.
/*    For example:
/*    # Environment variables to turn on tracing and set time zone.
/*    AOPTRACEON=1
/*    TZ=MST7MDT           # Mountain Time Zone
/*
/* 3. Use dd_name=STDENV for AOPTRACEBYTES, AOPTRACEMAXFILES, any
/*    variable whose name begins with AOPTRACEON, AOPVALIDATEDB,
/*    AOPDUMPON, LANG, LC_APP, LC_CTYPE, LC_TIME, and TZ. Otherwise,
/*    use dd_name=VARFILE and assign UID 0 to the started task.
/*-----
/* dd_name DD DSN=USER.PARMLIB(ENVVARS),DISP=SHR

```

Figure 10: AOPDEMON startup procedure — SYS1.IBM.PROCLIB(AOPDEMON)

AOPSTAR2 JCL procedure

The AOPSTAR2 JCL procedure invokes the AOPDEMON JCL procedure one or more times to individually start one or more Infoprint Server daemons. You can use this procedure in the same way you use the AOPSTART procedure to start all daemons.

Tip: This startup procedure is used only when dynamic configuration is enabled and the **Operating mode** field is set to z/OS 2.2 on the ISPF System Configuration panel.

To start all Infoprint Server daemons that are specified in the procedure, enter this MVS command:

```
START AOPSTAR2
```

You can edit the AOPSTAR2 procedure and comment out those daemons you do not want to run. [Figure 11 on page 61](#) shows the AOPSTAR2 procedure that Infoprint Server provides in SYS1.IBM.PROCLIB.

```
//*-----  
/*  
/* AOPSTAR2 - This procedure starts the Infoprint Server daemons.  
/*           The USERID executing this proc must be a member of  
/*           the AOPOPER group.  
/*           The first step MUST be coded. The rest are optional  
/*           and depend on which Infoprint Server services you  
/*           wish to use.  
/*-----  
/*AOPSTAR2 PROC  
/*  
/*INVENTORY EXEC AOPDEMON,TYPE=AOP Required  
/*  
/*INETPRNT EXEC AOPDEMON,TYPE=IPP  
/*  
/*LPDEMON EXEC AOPDEMON,TYPE=LPD  
/*  
/*NETSPOOL EXEC AOPDEMON,TYPE=NET  
/*  
/*PRINTWAY EXEC AOPDEMON,TYPE=OUT  
/*  
/*GUIDEMON EXEC AOPDEMON,TYPE=SSI  
/*  
/*SUBSYSTEM EXEC AOPDEMON,TYPE=SUB  
/*  
/*WORKSELC EXEC AOPDEMON,TYPE=WSM  
/*  
/*TRANSFRM EXEC AOPDEMON,TYPE=XFD  
/*
```

Figure 11: AOPSTAR2 startup procedure – SYS1.IBM.PROCLIB(AOPSTAR2)

Editing JCL shutdown procedures

These JCL procedures are included in SYS1.IBM.PROCLIB for stopping Infoprint Server:

AOPSTOP

Stops all daemons or specified daemons.

AOPSTOP2

Stops one or all daemons. AOPSTOP2 is used only when dynamic configuration is enabled. It must be used when the **Operating mode** field is set to z/OS 2.2 on the ISPF System Configuration panel; otherwise, AOPSTOP is used. You can use the AOPSTOP2 procedure to stop all daemons in the same way that you use the AOPSTOP procedure.

Guidelines:

1. During installation, the procedures might be copied to another data set in the PROCLIB concatenation.
2. If you specify an MVS data set or z/OS UNIX file in a DD statement in the AOPSTOP or AOPSTOP2 procedure, the user ID associated with the shutdown procedure must be authorized to:
 - Read the data set or file specified in the STDENV DD statement (AOPSTOP only).

- Read and write to the data set or file specified in the STDOUT and STDERR DD statements (not required if these DD statements point to SYSOUT).

To authorize the user ID:

MVS data set

Give the AOOPER group RACF authorization to read or write to the data set.

z/OS UNIX file

Make AOOPER the group that is associated with this file; give group members permission to read the file.

3. You can also enter this MVS STOP command to stop an Infoprint Server daemon instead of using AOPSTOP or AOPSTOP2:

```
STOP jobname_id
```

jobname_id

The descriptive name of an Infoprint Server daemon. When dynamic configuration is enabled, you can use the AOPSTAT JCL procedure or `aopstat` command from the UNIX command line to list the job IDs for the daemons.

For more information about the MVS STOP command, see [z/OS MVS System Commands](#).

AOPSTOP JCL procedure

The AOPSTOP procedure invokes the `aopstop` command to stop some or all active Infoprint Server daemons immediately or after current activity stops.

Tip: When dynamic configuration is enabled, you can use AOPSTOP only when the **Operating mode** field is set to z/OS 2.1 on the ISPF System Configuration panel. Otherwise, you must use the AOPSTOP2 procedure.

You need to edit the AOPSTOP procedure if any of these conditions apply to your installation:

- If the `aopstop` command is not in the default directory `/usr/lpp/Printsrv/bin`, specify the directory where it exists in the PARM parameter on the EXEC statement.
- If the Infoprint Server configuration file is not in the default location `/etc/Printsrv/aopd.conf`, specify the location of the file in the AOPCONF environment variable. You can specify in-stream environment variables in the JCL, or you can specify environment variables in a z/OS UNIX file or MVS data set that the STDENV data definition (DD) points to. The AOPSTOP procedure does not use environment variables that are set elsewhere, for example in the `/etc/profile` file.

When the operator starts this procedure without any options, all active daemons stop when current activity ends. The operator can specify `aopstop` command options to stop daemons immediately and to stop selected daemons. For example, to stop the Infoprint Server Transform Manager and the LPD daemons immediately, enter this MVS START command:

```
START AOPSTOP,OPTIONS='-d xfd -d lpd now'
```

For the `aopstop` command options and more examples of how to specify options on the AOPSTOP procedure, see [z/OS Infoprint Server Operation and Administration](#).

Figure 12 on page 63 shows the AOPSTOP procedure. If you need more information about the AOPBATC program, see Appendix E, “AOPBATC program,” on page 391.

```
//*-----  
//*  
//* AOPSTOP - This procedure stops the Infoprint Server daemons.  
//*           The USERID assigned to this proc should be a member  
//*           of the AOPOPER group.  
//*  
//*-----  
//AOPSTOP PROC OPTIONS=  
//*-----  
//* AOPBATC PARM specifies the path of the program to be run.  
//* If Infoprint Server was not installed in /usr/lpp/Printsrv,  
//* then this path should be changed as required for the installation  
//* directory.  
//*-----  
//AOPSTOP EXEC PGM=AOPBATC,  
//  PARM='//usr/lpp/Printsrv/bin/aopstop &OPTIONS'  
//STDOUT DD SYSOUT=*  
//STDERR DD SYSOUT=*  
//*-----  
//* STDENV is optionally used to specify environment variables.  
//*  
//* A Unix System Services file can be specified, for example:  
//* //STDENV DD PATH='/etc/Printsrv/env.conf',PATHOPTS=ORDONLY  
//*  
//* or an MVS data set, for example:  
//* //STDENV DD DISP=SHR,DSN=hlq.stdenv  
//*  
//* This file or data set should contain VARIABLE=VALUE pairs  
//* starting in column 1, for example:  
//*  
//* AOPCONF=/etc/Printsrv/aopd.conf  
//*-----
```

Figure 12: AOPSTOP shutdown procedure — SYS1.IBM.PROCLIB(AOPSTOP)

AOPSTOP2 JCL procedure

The AOPSTOP2 procedure invokes the aopsend command to stop one or all Infoprint Server daemons. You can use this procedure in the same way you use the AOPSTOP procedure to stop all daemons.

Tip: This shutdown procedure is used only when dynamic configuration is enabled. When the **Operating mode** field is set to z/OS 2.2 on the ISPF System Configuration panel, you must use AOPSTOP2 instead of the AOPSTOP procedure.

You must edit the AOPSTOP2 JCL procedure in these situations:

- If the aopsend command is not in the default directory /usr/lpp/Printsrv/bin, specify the directory in the PARM parameter on the EXEC statement.
- You want to specify one daemon to stop rather than stopping all daemons (the default). Otherwise, you can add the daemon member name when you enter the MVS START command. For example:

```
START AOPSTOP2, MEMB=XFDIBM00
```

Rule: Do not stop the Printer Inventory Manager daemon while other Infoprint Server daemons are still running.

Figure 13 on page 64 shows the AOPSTOP2 procedure provided in SYS1.IBM.PROCLIB.

```
//*-----  
/*  
/* AOPSTOP2 - This procedure stops Infoprint Server daemons.  
/* The USERID assigned to this proc must be a member of  
/* the AOPOPER group.  
/*  
/* MEMB the 8 character XCF-name of the daemon to stop  
/* the value "ALL" stops all READY daemons  
/*  
/*-----  
/*AOPSTOP PROC MEMB=ALL  
/*  
/* The AOPBATCH PARM includes the path of the aopsend command.  
/* If Infoprint Server was not installed in /usr/lpp/Printsrv then  
/* this path must be changed appropriately.  
/*-----  
/*AOPSTOP EXEC PGM=AOPBATCH,  
/* PARM='/usr/lpp/Printsrv/bin/aopsend -c STOP -m&MEMB'  
/*STDIN DD DUMMY  
/*STDOUT DD SYSOUT=*  
/*STDERR DD PATH='/dev/console' or '/dev/operlog'
```

Figure 13: AOPSTOP2 shutdown procedure — SYS1.IBM.PROCLIB(AOPSTOP2)

Starting Infoprint Server daemons automatically

To start Infoprint Server daemons automatically during system initialization, you can use this method:

- z/OS automation tools to run the AOPSTART, AOPDEMON, or AOPSTAR2 procedure.

Rules:

1. Start the Printer Inventory Manager daemons before you start IP PrintWay basic mode FSAs or the NetSpool task.
2. If PSF uses the Printer Inventory, start the Printer Inventory Manager daemons before you start any printers in the PSF FSS. For information about how to start PSF, see [PSF for z/OS: Customization](#).
3. Start TCP/IP, and make sure that TCP/IP finished initialization, before you start these Infoprint Server daemons: LPD (aoplpd), the IPP Server daemon (aoppipd), and the IP PrintWay extended mode daemons (aopoutd and aopwsmd).

If TCP/IP does not finish initialization, you might receive this error message:

```
BPXF024I (BPX0INIT aoplpd: socket(AF_INET,SOCK_STREAM,0)failed in  
TCPsocket::TCPsocket (int&,int,int) at ./src/tcpsock.cpp 83:  
EDC5112I Resource temporarily unavailable. errno2=0x74b30296
```

Tip: If you use the startup procedure, you can specify the order in which TCP/IP and Infoprint Server start at system initialization in the COMMNDxx PARMLIB member. Put as many other start commands as possible in COMMNDxx between the TCP/IP startup procedure and the AOPSTART procedure to give TCP/IP as much time as possible to start before the AOPSTART procedure starts.

Editing the JCL status procedure

The AOPSTAT JCL procedure invokes the aopstat command to display the status of Infoprint Server daemons and NetSpool tasks. AOPSTAT is included in SYS1.IBM.PROCLIB; it is used only when dynamic configuration is enabled.

Note: During installation, the procedure might be copied to another data set in the PROCLIB concatenation.

Figure 14 on page 65 shows the AOPSTAT procedure. If you need more information about the AOPBATCH program, see [Appendix E, “AOPBATCH program,”](#) on page 391.

```

/*-----
/*
/* AOPSTAT - This procedure allows the console operator to display
/* the status of the Infoprint Server daemons.
/*
/* You may need to specify OPTIONS if Infoprint Server is
/* running on a different processor within the sysplex.
/*
/*-----
/* AOPSTAT PROC OPTIONS=
/*-----
/* AOPBATCH PARM specifies the path of the program to be run.
/* If Infoprint Server was not installed in /usr/lpp/Printsrv, then
/* this path must be changed to reflect the installation directory.
/*-----
/*STEP0001 EXEC PGM=AOPBATCH,
/* PARM='/usr/lpp/Printsrv/bin/aopstat -c &OPTIONS'
/*STDIN DD DUMMY
/*STDOUT DD SYSOUT=(,)
/*STDERR DD PATH='/dev/console' or '/dev/operlog'
/*-----
/* STDENV is used to specify environment variables.
/*
/* A UNIX System Services file is usually specified, for example:
/* //STDENV DD PATH='/etc/Printsrv/env.conf',PATHOPTS=ORDONLY
/* but an MVS data set can be used, for example:
/* //STDENV DD DSN=hlq.stdenv,DISP=SHR
/*
/* This file or data set should contain VARIABLE=VALUE pairs
/* starting in column 1. Comment lines start with a #.
/* For example:
/* # An unnecessary variable since this is the default location.
/* AOPCONF=/etc/Printsrv/aopd.conf
/*-----
/* STDENV DD DSN=USER.PARMLIB(ENVVARS),DISP=SHR

```

Figure 14: AOPSTAT procedure – SYS1.IBM.PROCLIB(AOPSTAT)

Enabling Infoprint Server ISPF panels

The administrator can use Infoprint Server ISPF panels to add, browse, copy, edit, and delete printer definitions and other objects in the Printer Inventory. The information here describes how to enable the Infoprint Server ISPF panels.

Infoprint Server ISPF panels are available in English and Japanese. The Japanese version of the panels is translated to code page IBM-939.

Defining libraries in the TSO logon procedure

If you followed the instructions in the ISPF Setup sections in the *z/OS Program Directory* in the [z/OS Internet library \(www.ibm.com/servers/resourcecenter/svc00100.nsf/pages/zosInternetLibrary\)](http://www.ibm.com/servers/resourcecenter/svc00100.nsf/pages/zosInternetLibrary), you can skip the instructions here. Otherwise, concatenate these libraries in the TSO logon procedure:

- Concatenate one of these panel libraries to DD statement ISPLIB, depending on the language in which you want to view the panels:

English

AOP.SAOPPENU

Japanese

AOP.SAOPPJPN

- Concatenate one of these message libraries to DD statement ISPLIB, depending on the language in which you want to receive messages:

English

AOP.SAOPMENU

Japanese

AOP.SAOPMJPN

- Concatenate library AOP.SAOPEXEC to DD statement SYSPROC or SYSEXEC.

Tip: If you did not add the Language Environment runtime libraries (*hlq.SCEERUN* and *hlq.CEERUN2*) and the C++ runtime library (*hlq.SCLBDLL*) to the system LNKLST, concatenate them to the ISPLLIB DD statement, or concatenate them to STEPLIB. You can use the TSOLIB function of TSO/E to do this.

Related information: For information about how to access the Language Environment runtime libraries and improve the performance of runtime libraries, see [z/OS UNIX System Services Planning](#).

Displaying the Infoprint Server panel option

ISPF provides sample ISPF panels to enable panels for most z/OS elements. The system programmer panel, ISR@390S, includes an entry for Infoprint Server. If you are not using the default ISPF panels, customize ISPF to display the **Infoprint Server** option. For information about how to use these sample panels to customize ISPF, see *z/OS Program Directory* in the *z/OS Internet library* (www.ibm.com/servers/resourcelink/svc00100.nsf/pages/zosInternetLibrary).

Modifying the AOPINIT EXEC

The AOPINIT EXEC displays the main Infoprint Server ISPF panel. It also sets the default values for fields that display on the Infoprint Server Configuration panel. Before you use the ISPF panels, review the AOPINIT EXEC provided in AOP.SAOPEXEC(AOPINIT) and modify it, if necessary, for your installation. You can change any of these values in the AOPINIT EXEC:

- Configuration file

The path name of the Infoprint Server configuration file. The default file name is `/etc/Printsrv/aopd.conf`.

- Default printer

The name of the printer definition that the `lpstat` command uses as the default printer. Also, the name of the printer definition that `lp` command uses if the `PRINTER` and `LPDEST` environment variables are not set. The default is `lp1`.

- Language

The value of the `LANG` and `LC_ALL` environment variables. The default is `En_US` (equivalent to C).

- NLS path

The directory path that contains the Infoprint Server message catalog.

If the `LANG` environment variable identifies the language in which you want to receive Infoprint Server messages, specify `/usr/lpp/Printsrv/%L/%N`. Otherwise, add one of these values:

English

`/usr/lpp/Printsrv/En_US/%N`

Japanese

`/usr/lpp/Printsrv/Ja_JP/%N`

The default is `/usr/lpp/Printsrv/%L/%N`.

- IP PrintWay basic mode message data set

The name of the data set where IP PrintWay basic mode writes messages. The default is `ANF.MESSAGE`.

- IP PrintWay basic mode ISPF trace data set

The name of the data set to contain the trace of IP PrintWay ISPF processing. The default is `userid.ANFISPF.TRACE`.

- Printer Inventory Manager ISPF trace file

The name of the directory to contain the trace of ISPF processing. The default directory name is `/var/Printsrv/trace`.

- Install directory

The name of the directory where you installed Infoprint Server. The default directory is `/usr/lpp/Printsrv`. If you installed Infoprint Server in a non-default directory, edit this line:

```
install_path='/usr/lpp/Printsrv'
```

To modify AOPINIT, copy AOPINIT to a local library and follow the instructions in the comments in AOPINIT to make your changes. Then, add the local library that contains AOPINIT to the SYSPROC or SYSEXEC DD statement of each user's TSO logon procedure at the beginning of the search order.

Enabling dynamic configuration

You use the dynamic configuration function to change many Infoprint Server configuration attributes while Infoprint Server is running, without stopping and restarting Infoprint Server. These configuration attributes are called *dynamic attributes* and are stored in the system configuration definition in the Printer Inventory.

To use the dynamic configuration function, you must enable it. Some advantages of enabling dynamic configuration are:

- Authorized administrators can use the Infoprint Server ISPF panels or the Printer Inventory Definition Utility (PIDU) to view and change the dynamic attributes.
- If you change an attribute in the system configuration definition, with a few exceptions, you do not need to stop and restart Infoprint Server for the change to take effect.
- You can configure Infoprint Server to start and stop individual daemons.
- You can benefit from new functions in Infoprint Server that require dynamic configuration. For example, you can use the MVS system logger function or dynamic tracing.

To change attributes in the system configuration definition, authorized administrators can use the Infoprint Server System Configuration ISPF panel or the Printer Inventory Definition Utility (PIDU).

The AOP.CONFIGURATION and AOP.ADMINISTRATOR resource profiles in the RACF PRINTSRV class let you authorize users to view and update the system configuration definition:

- READ access to the AOP.CONFIGURATION or AOP.ADMINISTRATOR resource profile lets users view the system configuration definition.
- UPDATE access to the AOP.CONFIGURATION profile lets users view and update the system configuration definition. If the AOP.CONFIGURATION profile does not exist, UPDATE access to the AOP.ADMINISTRATOR profile lets users view and update the system configuration definition.

If the AOP.CONFIGURATION or AOP.ADMINISTRATOR profile does not exist, READ access to the AOPADMIN profile in the RACF FACILITY class lets users view and update the system configuration definition.

To use PIDU, users must also be members of the RACF group for Infoprint Server administrators (default group name is AOPADMIN).

Limitation: The IP PrintWay attributes in the system configuration definition apply only to IP PrintWay extended mode. IP PrintWay basic mode does not use them. To configure IP PrintWay basic mode, you must specify the equivalent environment variables in the IP PrintWay basic mode started task.

Related information: For information about:

- Dynamic attributes, see [“Dynamic attributes” on page 68](#)
- How to set up security for the system configuration definition, see [“Setting up security for the Printer Inventory and operator commands” on page 43](#).
- How to enable dynamic configuration, see [“Steps for enabling dynamic configuration” on page 72](#)

- How to view and edit the system configuration definition, see [“Editing the system configuration definition for Printer Inventory Manager”](#) on page 75.

Dynamic attributes

Dynamic attributes are configuration attributes that are stored in the system configuration definition in the Printer Inventory. When dynamic configuration is enabled, you can change the dynamic attributes while Infoprint Server is running. If you change an attribute, with a few exceptions, the new value takes effect when you save the change. A few attributes require that you stop and restart the daemon or daemons that use the attribute before the change can take effect.

Table 14 on page 68 lists the dynamic attributes, the name of the field on the Infoprint Server System Configuration ISPF panel that you use to specify the attribute, and whether you need to restart any Infoprint Server daemons before a change you make can take effect.

Dynamic attribute	ISPF field	Restart these daemons
allow-all-characters-in-line-data	Allow all characters in line data	None
aopipdd-max-thread-tasks	Other	IPP Server daemon (aopipdd)
aoplpd-max-thread-tasks	Other	Infoprint Server LPD (aoplpd)
aopnetd-max-thread-tasks	Other	NetSpool daemon (aopnetd)
aopoutd-max-thread-tasks	Other	IP PrintWay extended mode daemons (aopoutd, aopwsmd)
aopssid-max-thread-tasks	Other	Infoprint Central daemon (aopssid)
aopsubd-max-thread-tasks	Other	Subsystem daemon (aopsubd)
aopwsmd-max-thread-tasks	Other	IP PrintWay extended mode daemons (aopoutd, aopwsmd)
ascii-codepage	ASCII	None
blank-truncation-classes	Blank truncation classes	None
console-name	Extended MCS console name	Infoprint Central daemon (aopssid)
ebcdic-codepage	EBCDIC	None
hardcopy-messages	Send messages to hardcopy log	None
hardcopy-message-list	Message list for hardcopy log	None
ignore-dcf-routing-errors	Ignore DEST, CLASS, FORMS routing errors	None
ipp-port-number	IPP port number	None
ipsmode	Operating mode	None
job-prefix	Job ID prefix	None

Table 14: Dynamic attributes and ISPF field names. (continued)

Dynamic attribute	ISPF field	Restart these daemons
log-retention	Log retention period (days)	None
lpd-port-number	LPD port number	None
logstream-name	Log stream name	None
mail-do-not-add-suffixes	Do not add suffixes	None
mail-preserve-suffixes	Preserve suffixes	None
mail-use-first-address	Send email to address of first document	None
mailer-options	Application options	None
mailer-path-name	Application path	None
max-historical-inventory-size	Maximum Historical Inventory size (MBs)	None
max-thread-tasks	Other	None
netspool-use-fixed-jobid	Other	NetSpool daemon (aopnetd)
netspool-use-unaltered-jobid	Other	NetSpool daemon (aopnetd)
select-work-from-hold-queue	Select work from hold queue	IP PrintWay extended mode daemons (aopoutd, aopwsmd)
smf-recording	Write SMF records	None
suppress-post-unix-filter-formatting	Suppress formatting after UNIX filter	None
tracedata	Trace type: Data	None (see Note)
tracedirectory	Trace directory name	None (see Note)
traceexit	Trace type: Exit	None (see Note)
tracefiles	Number of files	None (see Note)
tracefilter	Trace type: Filter	None (see Note)
tracemegabytes	Trace size (MBs)	None (see Note)
tracemsg	Trace type: Message log	None (see Note)
traceon	Trace type: General	None (see Note)
use-output-disposition	Other	None

Note: To use the dynamic trace fields in the ISPF System Configuration panel, see [“Customizing Infoprint Server for dynamic tracing”](#) on page 71.

Table 15 on page 70 lists the attributes that you can specify in the system configuration definition, the equivalent attributes in the `aopd.conf` and `aopmsg.conf` files, and the equivalent environment variables in the `aopstart EXEC` and `aopdemon envvar` file. If dynamic configuration is enabled, Infoprint Server uses the dynamic attributes that are set in the system configuration definition and ignores the equivalent attributes in the `aopd.conf` and `aopmsg.conf` files and the equivalent environment variables in the `aopstart EXEC` and `aopdemon envvar` file.

Table 15: Attributes in system configuration definition and the equivalent attributes in aopd.conf and aopmsg.conf and equivalent environment variables.

Attribute in system configuration definition	Equivalent attribute in aopd.conf and aopmsg.conf files	Equivalent environment variable in aopstart EXEC and aopdemon envvar file
allow-all-characters-in-line-data	None	ALLOW_ALL_CHARACTERS_IN_LINE_DATA
aopipdd-max-thread-tasks	None	AOPIPPD_MAXTHREADTASKS
aoplpd-max-thread-tasks	None	AOPLPD_MAXTHREADTASKS
aopnetd-max-thread-tasks	None	AOPNETD_MAXTHREADTASKS
aopoutd-max-thread-tasks	None	AOPOUTD_MAXTHREADTASKS
aopssid-max-thread-tasks	None	AOPSSID_MAXTHREADTASKS
aopsubd-max-thread-tasks	None	AOPSUBD_MAXTHREADTASKS
aopwsmd-max-thread-tasks	None	AOPWSMD_MAXTHREADTASKS
ascii-codepage	ascii-codepage (aopd.conf)	None
blank-truncation-classes	None	AOP_BLANK_TRUNCATION_CLASSES
console-name	console-name (aopd.conf)	None
ebcdic-codepage	ebcdic-codepage (aopd.conf)	None
hardcopy-messages	hardcopy-messages (aopmsg.conf)	None
hardcopy-message-list	hardcopy-message-list (aopmsg.conf)	None
ignore-dcf-routing-errors	None	AOP_IGNORE_DCF_ROUTING_ERRORS
ipp-port-number	ipp-port-number (aopd.conf)	None
ipsmode	None	None
job-prefix	job-prefix (aopd.conf)	None
log-retention	log-retention (aopd.conf)	None
lpd-port-number	lpd-port-number (aopd.conf)	None
logstream-name	None	None
mail-do-not-add-suffixes	None	AOP_MAIL_DO_NOT_ADD_SUFFIX
mail-preserve-suffixes	None	AOP_MAIL_PRESERVE_SUFFIXES
mail-use-first-address	None	AOP_MAIL_USE_FIRST_ADDRESS
mailer-options	None	AOPMAILER_OPTIONS
mailer-path-name	None	AOPMAILER
max-historical-inventory-size	max-historical-inventory-size (aopd.conf)	None
max-thread-tasks	None	AOP_MAXTHREADTASKS
netspool-use-fixed-jobid	None	AOPNETD_USE_FIXED_JOBID
netspool-use-unaltered-jobid	None	AOPNETD_USE_UNALTERED_JOBID

Table 15: Attributes in system configuration definition and the equivalent attributes in aopd.conf and aopmsg.conf and equivalent environment variables. (continued)

Attribute in system configuration definition	Equivalent attribute in aopd.conf and aopmsg.conf files	Equivalent environment variable in aopstart EXEC and aopdemon envvar file
select-work-from-hold-queue	None	AOP_SELECT_WORK_FROM_HOLD_QUEUE
smf-recording	smf-recording (aopd.conf)	None
suppress-post-unix-filter-formatting	None	AOP_SUPPRESS_POST_UNIX_FILTER_FORMATTING
use-output-disposition	use-output-disposition (aopd.conf)	None

Note: These attributes do not apply to IP PrintWay basic mode: aopoutd-max-thread-tasks, ignore-dcf-routing-errors, ipsmode, mail-do-not-add-suffixes, mail-preserve-suffixes, mail-use-first-address, mailer-path-name, mailer-options, select-work-from-hold-queue. To configure IP PrintWay basic mode, specify the equivalent environment variable (if one exists) in the IP PrintWay basic mode startup procedure, regardless of whether dynamic configuration is enabled.

Related information: For information about:

- How to customize Infoprint Server for dynamic tracing, see [“Customizing Infoprint Server for dynamic tracing”](#) on page 71
- How to view and edit the system configuration definition, see [“Editing the system configuration definition for Printer Inventory Manager”](#) on page 75.
- All attributes that you can specify in the system configuration definition, see [Appendix D, “Configuration attributes,”](#) on page 373.

Cross-system coupling facility (XCF)

When dynamic configuration is enabled, Infoprint Server uses the cross-system coupling facility (XCF) component of z/OS to communicate between daemons. Infoprint Server adds all daemons to an XCF group. The group name has this format: AOPpppp[q]:

AOP

Infoprint Server identifier.

pppp

Printer Inventory name. Any lowercase letters are converted to uppercase.

q

XCF group qualifier that makes the group name unique when multiple instances of Infoprint Server are running in a sysplex with the same Printer Inventory name. This qualifier is optional.

Because the XCF group name must be unique in a sysplex, if multiple instances of Infoprint Server run in a sysplex with the same Printer Inventory name, you must specify a unique one-character group qualifier in the xcf-group-qualifier attribute in the aopd.conf file.

Related information: For information about the xcf-group-qualifier attribute, see [“Creating and editing the Infoprint Server configuration file \(aopd.conf\)”](#) on page 30.

Customizing Infoprint Server for dynamic tracing

As an option in z/OS V2R3, the trace facility for Infoprint Server can use cross-system coupling facility (XCF) signaling to adjust trace parameters dynamically while the target daemon is running. The dynamic trace facility uses trace fields in the ISPF System Configuration panel or PIDU attributes instead of environment variables to start and stop tracing for Infoprint Server daemons.

To use the dynamic trace fields in the ISPF System Configuration panel, you must do these customization steps:

1. Edit the IKJTSOxx member of SYS1.PARMLIB and add program AOPICXCF to the AUTHPGM and AUTHTSF lists.
2. Enable dynamic configuration.

Rules:

1. If you move AOPICXCF from SYS1.LINKLIB to another library, make sure that it is in an APF-authorized library.
2. Dynamic tracing is not used with IP PrintWay basic mode.

For information about tracing and using the dynamic tracing attributes, see [z/OS Infoprint Server Messages and Diagnosis](#).

Steps for enabling dynamic configuration

These steps show how to enable dynamic configuration.

Before you begin:

- Make sure that you do not want to return to a release before z/OS V2R1. If you enable dynamic configuration and change attributes in the system configuration definition, the changes in the system configuration definition are lost when you return to a previous release.
- Make sure that all users who need to view and update the system configuration definition have access to the AOP.CONFIGURATION or AOP.ADMINISTRATOR resource profile in the RACF PRINTSRV class:
 - READ access to the AOP.CONFIGURATION or AOP.ADMINISTRATOR profile lets you view the system configuration definition.
 - UPDATE access to the AOP.CONFIGURATION profile lets you view and update the system configuration definition. If the AOP.CONFIGURATION profile does not exist, UPDATE access to the AOP.ADMINISTRATOR profile lets you view and update the system configuration definition.

If both the AOP.CONFIGURATION and AOP.ADMINISTRATOR profiles do not exist, READ access to the AOPADMIN profile in the RACF FACILITY class lets you view and update the system configuration definition.

- If the log-retention attribute is not specified in the aopd.conf file, make sure that the /var/Printsrv directory (or the directory that is specified in the base-directory attribute) has enough space for at least one day's worth of messages and historical print job information. This is because when you enable dynamic configuration, the default value for log-retention changes from 0 to 1 day.
- To edit the aopd.conf and aopmsg.conf files, you must be a member of the RACF group for Infoprint Server administrators (AOPADMIN) or have an effective UID of 0.
- To edit the aopstart EXEC, you must have an effective UID of 0.

These steps show how to enable dynamic configuration:

1. Edit the Infoprint Server configuration file (aopd.conf) and save the file:
 - a. Specify this attribute:

```
dynamic-configuration = yes
```

- b. If more than one instance of Infoprint Server runs in a sysplex with the same Printer Inventory name, specify a unique one-character qualifier in the xcf-group-qualifier attribute. For example:

```
xcf-group-qualifier = 1
```

2. If Infoprint Server is running, stop all daemons and wait for all daemons to stop.

Example: Enter this MVS command to run the AOPSTOP JCL procedure:

```
START AOPSTOP
```

3. Start Infoprint Server.

Example: Enter this MVS command to run the AOPSTART JCL procedure:

```
START AOPSTART
```

Tip: When you are starting Infoprint Server with z/OS V2R2 for the first time, and dynamic configuration is enabled in `aopd.conf`, you see message AOP192E if Infoprint Server cannot find a valid system configuration definition in the Printer Inventory. You must supply a system configuration definition before Infoprint Server can complete the startup. See [“Restoring the Printer Inventory with the loadprinterinventory command” on page 105](#) or, if you do not have a PIDU export file, edit and save the system configuration definition (see [“Steps for editing the system configuration definition” on page 79](#)).

4. (Optional) To verify that dynamic configuration is enabled, use the Infoprint Server ISPF panels to view the system configuration definition in the Printer Inventory. If you can view the Infoprint Server System Configuration panel, dynamic configuration is enabled. You must have authority to view the system configuration definition.

5. If you use Infoprint Central, restart the IBM HTTP Server - Powered by Apache.

Tip: You can restart the HTTP server while Infoprint Server is stopped.

6. Use the Printer Inventory Definition Utility `pidu export` command to create a backup copy of the Printer Inventory so that if you need to restore the Printer Inventory, you can use a backup copy that you made after you enabled dynamic configuration. You must have authority to create a backup copy of the Printer Inventory.

7. (Optional) Comment out or remove the attributes in the `aopd.conf` and `aopmsg.conf` files that have equivalent attributes in the system configuration definition. This step is optional, but it prevents confusion about which attributes in the files Infoprint Server uses. When you start Infoprint Server after you specify `dynamic-configuration=yes`, Infoprint Server ignores the attributes in the `aopd.conf` and `aopmsg.conf` files that have equivalent attributes in the system configuration definition.

Tips:

a. For a list of the dynamic attributes, see [Table 15 on page 70](#).

b. To comment out a dynamic attribute, type the `#` symbol in the first column of the line with the attribute.

c. Consider making a backup copy of the `aopd.conf` and `aopmsg.conf` files before you comment out or remove attributes so that if you decide to disable dynamic configuration or return to a release before z/OS V2R1, you can restore the original files.

8. (Optional) Comment out or remove the environment variables in the `aopstart EXEC` that have equivalent attributes in the system configuration definition. This step is optional, but it prevents confusion about which environment variables Infoprint Server uses. When you start Infoprint Server after you specify `dynamic-configuration=yes`, Infoprint Server ignores the environment variables in the `aopstart EXEC` that have equivalent attributes in the system configuration definition.

Tip: Consider making a backup copy of the `aopstart EXEC` before you comment out or remove environment variables so that if you decide to disable dynamic configuration or return to a release before z/OS V2R1, you can restore the original `aopstart EXEC`.

Related information: For information about:

- How to set up security for the system configuration definition, see [“Setting up security for the Printer Inventory and operator commands” on page 43](#).
- How to edit the `aopd.conf` file, see [“Steps for editing the Infoprint Server configuration file \(aopd.conf\)” on page 37](#).

- How to edit the `aopmsg.conf` file, see [“Editing the message configuration file \(aopmsg.conf\)”](#) on page 85.
- Which attributes in the `aopd.conf` and `aopmsg.conf` files and which environment variables have equivalent attributes in the system configuration definition, see [Table 15](#) on page 70.
- How to determine whether dynamic configuration is enabled, see [“Steps for determining whether dynamic configuration is enabled”](#) on page 75.
- How to back up the Printer Inventory, see [“Backing up and restoring the Printer Inventory”](#) on page 100.

Steps for disabling dynamic configuration

These steps show how to disable dynamic configuration. When you disable dynamic configuration:

- If you changed the system configuration definition while dynamic configuration was enabled, these changes are lost.
- When you restart Infoprint Server, Infoprint Server uses the configuration attributes specified in the `aopd.conf` and `aopmsg.conf` files and the environment variables set in the `aopstart EXEC` to create a new system configuration definition. You cannot modify this system configuration definition.
- Infoprint Server cannot write messages to an MVS system logger log stream. Instead, Infoprint Server writes messages to the z/OS UNIX file system specified in the `base-directory` attribute if the `log-retention` attribute in the `aopd.conf` file is set to at least 1 day or if you start the Infoprint Central daemon.

Before you begin:

- You must be a member of the RACF group for Infoprint Server administrators (AOPADMIN) or have an effective UID of 0.
- You must have READ access to the AOP.ADMINISTRATOR resource profile.

These steps show how to disable dynamic configuration:

1. Run the `pidu` command to display all attributes that are stored in the system configuration definition.

Example: Enter this z/OS UNIX command to display the attributes:

```
pidu -c 'display configuration aopd.conf ; '
```

2. Edit the Infoprint Server configuration file (`aopd.conf`) and save the file:
 - Specify the `dynamic-configuration=no` attribute.
 - Specify the configuration attributes that are currently specified in the system configuration definition. However, do not specify the `logstream-name` attribute because it is not allowed in the `aopd.conf` file.
 - Make sure that the `log-retention` attribute specifies at least 1 day. When dynamic configuration is disabled, the default for the `log-retention` attribute changes to 0 if the `aopssid` daemon is not specified in the `start-daemons` attribute.
3. If these attributes are specified in the system configuration definition, edit the `aopmsg.conf` file to specify them:
 - `hardcopy-messages`
 - `hardcopy-message-list`
4. Edit the `aopstart EXEC` to specify any environment variables with equivalent attributes that are specified in the system configuration definition. Save the file.
5. If Infoprint Server is running, stop all daemons and wait for all daemons to stop.

Example: Enter this MVS command to run the AOPSTOP JCL procedure:

```
START AOPSTOP
```

6. Start Infoprint Server.

Example: Enter this MVS command to run the AOPSTART JCL procedure:

```
START AOPSTART
```

7. Use the Printer Inventory Definition Utility `pidu export` command to create a backup copy of the Printer Inventory so that if you need to restore the Printer Inventory, you can use a backup copy that you made after you disabled dynamic configuration.

Related information: For information about:

- How to run the `pidu` command, see [z/OS Infoprint Server Operation and Administration](#).
- How to edit the `aopd.conf` file, see [“Steps for editing the Infoprint Server configuration file \(aopd.conf\)”](#) on page 37.
- How to edit the `aopmsg.conf` file, see [“Editing the message configuration file \(aopmsg.conf\)”](#) on page 85.
- Dynamic attributes, see [“Dynamic attributes”](#) on page 68.
- How to back up the Printer Inventory, see [“Backing up and restoring the Printer Inventory”](#) on page 100.

Steps for determining whether dynamic configuration is enabled

These steps show how to determine whether dynamic configuration is enabled.

1. If Infoprint Server is running, on the main Infoprint Server ISPF panel, select **8 System**.

```
                                Infoprint Server: Printer Inventory Manager
Option ===>

Printer Definitions
  1 Add                Add a printer definition
  2 List              List printer definitions
  3 Select            Select printer definitions to list

Other Functions
  4 Other Definitions Manage FSS, FSA, pool, and job selection definitions
  5 PrintWay Queue   View IP PrintWay basic mode transmission queue
  6 PrintWay Message View IP PrintWay basic mode message log

Infoprint Server Configuration
  7 ISPF              Manage ISPF panel configuration
  8 System            Manage system configuration
```

If dynamic configuration is enabled, you see the Infoprint Server System Configuration panel.

If dynamic configuration is not enabled, this error message is displayed on the panel:

```
Option not enabled
```

2. If Infoprint Server is not running, view the `aopd.conf` file. If the `dynamic-configuration=yes` attribute is set, dynamic configuration is enabled or will be enabled the next time that you start Infoprint Server.

Related information: For information about:

- How to view and edit the `aopd.conf` file, see [“Steps for editing the Infoprint Server configuration file \(aopd.conf\)”](#) on page 37.

Editing the system configuration definition for Printer Inventory Manager

The system configuration definition in the Printer Inventory contains attributes that let you customize Infoprint Server while Infoprint Server is running.

Infoprint Server automatically creates the system configuration definition when dynamic configuration is enabled. In some cases, you might see message AOP192E when you start Infoprint Server if Infoprint Server cannot find a valid system configuration definition in the Printer Inventory. You must supply a system configuration definition before Infoprint Server can complete the startup. See [“Restoring the](#)

Printer Inventory with the `loadprinterinventory` command” on page 105 or, if you do not have a PIDU export file, edit and save the default system configuration definition (“Steps for editing the system configuration definition” on page 79).

If dynamic configuration is enabled, you can specify these attributes in the system configuration definition to customize the Printer Inventory Manager:

ascii-codepage = codepage

The name of an IBM-supplied or custom ASCII code page that is supported by the z/OS iconv utility. For the names of IBM-supplied code page names, see [z/OS XL C/C++ Programming Guide](#).

Infoprint Server converts data from:

- The document code page to the printer code page
- The code page for the z/OS locale to the document code page
- The code page for the z/OS locale to the printer code page

Therefore, if you specify a custom code page in this field, make sure that conversion tables exist so that Infoprint Server can convert between code pages. For information about how to create conversion tables, see information about code set conversion utilities in [z/OS XL C/C++ Programming Guide](#).

Infoprint Server uses the code page that is specified in this field in these ways:

- The Printer Inventory Manager displays this code page in the **Printer code page** field in ISPF panels for new IP PrintWay printer definitions that use the LPR, direct sockets, or IPP protocol to transmit data sets to the remote system.
- Print Interface uses this code page as the default source (document) code page when it converts data streams from ASCII to EBCDIC. A document code page that is specified in the printer definition or job attribute overrides this value.
- Print Interface uses this code page as the target (printer) code page when it converts PostScript documents that were created with a non-ASCII code page.

Rules:

1. If dynamic configuration is enabled, specify this attribute in the system configuration definition. If you change this attribute, you do not need to restart Infoprint Server.
2. If dynamic configuration is not enabled, specify this attribute in the `aopd.conf` file. If you change this attribute while Infoprint Server is running, stop all Infoprint Server daemons and restart Infoprint Server. Be sure to wait for all daemons to stop before you restart Infoprint Server.

Default: `ascii-codepage = ISO8859-1`

ebcdic-codepage = codepage

The name of an IBM-supplied or custom EBCDIC code page that is supported by the z/OS iconv utility. For the names of IBM-supplied code page names, see [z/OS XL C/C++ Programming Guide](#).

Infoprint Server converts data from:

- The document code page to the printer code page
- The code page for the z/OS locale to the document code page
- The code page for the z/OS locale to the printer code page

Therefore, if you specify a custom code page in this field, make sure that conversion tables exist so that Infoprint Server can convert between code pages. For information about how to create conversion tables, see information about code set conversion utilities in [z/OS XL C/C++ Programming Guide](#).

Infoprint Server uses this code page in these ways:

- The Printer Inventory Manager displays this code page in the **Printer code page** field in ISPF panels for new PSF printer definitions, general printer definitions, and IP PrintWay printer definitions that use the VTAM or email protocol to transmit data sets to the remote system.

- NetSpool uses this code page as the default source (document) code page when it converts data streams from EBCDIC to ASCII. A document code page in the printer definition or job attribute overrides this value.
- IP PrintWay extended mode uses this code page as the default source (document) code page when it converts data streams from EBCDIC to ASCII. A document code page in the printer definition overrides this value.
- Print Interface uses this code page as the source (document) code page when Print Interface cannot determine the user locale for the `lp` command.

Rules:

1. If dynamic configuration is enabled, specify this attribute in the system configuration definition. If you change this attribute, you do not need to restart Infoprint Server.
2. If dynamic configuration is not enabled, specify this attribute in the `aopd.conf` file. If you change this attribute while Infoprint Server is running, stop all Infoprint Server daemons and restart Infoprint Server. Be sure to wait for all daemons to stop before you restart Infoprint Server. Also, restart the NetSpool started task.

Default: `ebcdic-codepage = IBM-1047`

log-retention = days

The number of days worth of messages that Infoprint Central displays for print jobs and printers. Also, the number of days for which Infoprint Central displays print jobs that are removed from the JES spool.

If you do not use the MVS system logger for the common message log, this attribute also determines how many days worth of messages Infoprint Server retains in the z/OS UNIX file system. If you use the system logger for messages, the retention period that is specified in the system logger log stream definition is used instead.

You can specify a value 0 - 59. A value of 0 means that Infoprint Central cannot display any messages and cannot display information about print jobs are removed from the JES spool. In addition, if you do not use the system logger for messages, Infoprint Server does not write any messages in the z/OS UNIX file system.

Guidelines:

1. If you do not use the system logger for messages, specify a value greater than 0 or use the default of 1 day so that Infoprint Server writes messages in a z/OS UNIX file system.
2. If you use the system logger for messages and also use Infoprint Central, the value needs to be less than or equal to the retention period specified in the log stream definition. If you specify a higher value than the retention period for the log stream, you might not be able to see the messages for all the historical print jobs that Infoprint Central displays.
3. If you use the system logger but do not use Infoprint Central, you can specify 0 to save space in the z/OS UNIX file system.
4. If you specify a value greater than 0 or use the default of 1 day, you might need to increase the amount of space available to the file system mounted at the `/var` or `/var/Printsrv` mount point because the common message log and Historical Inventory can contain a large amount of data. See [“Calculating DASD space requirements for the /var/Printsrv directory”](#) on page 28.
5. Because the common message log and Historical Inventory can contain a large amount of data, start with a value of 1 day. Increase the value by 1 day if enough space exists in the file system and if users request to see more messages or historical information.
6. If the size of the common message log in the z/OS UNIX file system grows too large, you can decrease its size. For more information, see [reducelogsize.dita#reducelogsize](#).
7. If you use `aoplogu` to view messages, the date and time format that is displayed in messages is controlled by the `TZ` and either the `LC_TIME` or `LC_ALL` environment variables. See [env.dita#env](#).

If you use Infoprint Central to view messages, the date and time format for the messages is controlled by the operating system that runs your web browser.

Rules:

1. If dynamic configuration is enabled, specify this attribute in the system configuration definition. If you change this attribute, you do not need to restart Infoprint Server.
2. If dynamic configuration is not enabled, specify this attribute in the `aopd.conf` file. If you change this attribute while Infoprint Server is running, stop all Infoprint Server daemons and restart Infoprint Server. Be sure to wait for all daemons to stop before you restart Infoprint Server.

Default: `log-retention = 1`

Example: `log-retention = 3`

max-historical-inventory-size = megabytes

The maximum size in megabytes (MBs) of the Historical Inventory, `/var/Printsrv/hinv`. The Historical Inventory contains information about print jobs and documents (output data sets) that are no longer on the JES spool.

When the maximum size is reached, Infoprint Server overwrites the oldest historical information. A value of 0 means that Infoprint Server does not limit the size of the Historical Inventory. However, the number of days that are specified in the `log-retention` attribute limits the amount of information that Infoprint Server keeps in the Historical Inventory.

[#editingsystemconfigurationdef/d40e1234](#) shows the number of documents 1 MB in the Historical Inventory can contain.

<i>Table 16: Number of documents in the Historical Inventory</i>	
If print jobs on the JES spool contain:	1 MB in the Historical Inventory contains:
1 document in each print job	1350 documents
3 documents in each print job	1750 documents
5 documents in each print job	1850 documents
10 documents in each print job	1950 documents

Guideline: Use this formula to estimate the maximum size of the Historical Inventory:

```
Maximum size of Historical Inventory =
(Documents processed in one day X Days to retain information) /
Documents in 1 MB
```

For example:

- Documents processed in one day = 100,000
- Days to retain information = 3 (`log-retention = 3`)
- Documents in 1 MB = 1350 documents

The maximum size of the Historical Inventory = $(100,000 \times 3) / 1350 = 223$ MB (rounded up).

Rules:

1. If dynamic configuration is enabled, specify this attribute in the system configuration definition. If you change this attribute, you do not need to restart Infoprint Server.
2. If dynamic configuration is not enabled, specify this attribute in the `aopd.conf` file. If you change this attribute while Infoprint Server is running, stop all Infoprint Server daemons and restart Infoprint Server. Be sure to wait for all daemons to stop before you restart Infoprint Server.

Default: `max-historical-inventory-size = 10`

Example: `max-historical-inventory-size = 300`

use-output-disposition = yes | no

Indicates whether Infoprint Central uses the document `OUTDISP` value when it releases print jobs from a JES2 spool to a non-IP PrintWay printer, such as PSF.

yes

Infoprint Central uses the document OUTDISP value when it releases print jobs.

no

Infoprint Central releases print jobs according to its defined job-release function; for example, the job is purged after it prints.

Note: For information about how the OUTDISP and use-output-disposition values determine the release function, see *z/OS Infoprint Server Operation and Administration*.

Rules:

1. If dynamic configuration is enabled, specify this attribute in the **Other** field for the system configuration definition. You do not need to restart Infoprint Server.
2. If dynamic configuration is not enabled, specify this attribute in the aopd.conf configuration file and then restart Infoprint Server.

Default: use-output-disposition = no

Example: This screen shows a portion of the System Configuration ISPF panel that you use to edit the system configuration definition for the Printer Inventory Manager:

```
Infoprint Server: System Configuration

Code Pages:
  ASCII . . IS08859-1
  EBCDIC . . IBM-1047

Messages:
  Log retention period (days) . . . . . 1
  Maximum Historical Inventory size (MBs) . 10
```

Related information: For information about:

- How to enable dynamic configuration, see [“Enabling dynamic configuration” on page 67](#).
- How to edit the system configuration definition, see [“Steps for editing the system configuration definition” on page 79](#).

Steps for editing the system configuration definition

You can use the Infoprint Server ISPF panels or the Printer Inventory Definition Utility (PIDU) to edit the system configuration definition while Infoprint Server is running. These steps show how to use the ISPF panels to view and edit the system configuration definition.

Before you begin:

- Dynamic configuration must be enabled.
- Infoprint Server must be started.
- You must have UPDATE access to the AOP.CONFIGURATION resource profile in the RACF PRINTSRV class. If the AOP.CONFIGURATION profile does not exist, you must have UPDATE access to the AOP.ADMINISTRATOR profile in the PRINTSRV class.

If both the AOP.CONFIGURATION and AOP.ADMINISTRATOR profiles do not exist, you must have READ or higher access to the AOPADMIN profile in the RACF FACILITY class.

These steps show how to edit the system configuration definition:

1. On the main Infoprint Server ISPF panel, select **8 System** and press Enter.

```

                                Infoprint Server: Printer Inventory Manager
Option ==>>

Printer Definitions
  1 Add                Add a printer definition
  2 List              List printer definitions
  3 Select            Select printer definitions to list

Other Functions
  4 Other Definitions Manage FSS, FSA, pool, and job selection definitions
  5 PrintWay Queue   View IP PrintWay basic mode transmission queue
  6 PrintWay Message View IP PrintWay basic mode message log

Infoprint Server Configuration
  7 ISPF              Manage ISPF panel configuration
  8 System            Manage system configuration

```

If dynamic configuration is not enabled, this error message is displayed on the panel:

```
Option not enabled
```

2. On the Infoprint Server System Configuration panel:

- a. View the non-editable field on the panel under the "Startup information" heading. To display help information for a field, place the cursor on the value area of the field and press the HELP function key.
- b. Edit any of the editable fields. In the **Other** field, you can specify other attributes that your IBM service representative says to specify. To display help information for a field, place the cursor on the value area of the field and press the HELP function key.
- c. (Optional) To validate the fields before you save the panel, press Enter. If you see a message that says to restart one or more Infoprint Server daemons before a change can take effect, note the daemon or daemons that you need to restart.
- d. Do one of these actions to save the system configuration definition or exit without saving the definition:

- To save the panel but keep the panel on the screen, type SAVE on the command line and press Enter.

Note: If you are creating a new system configuration definition and you enter SAVE, the panel is saved but does not stay on the screen; instead, it exits.

- To save the panel and exit, type END on the command line and press Enter or press the END function key.
- To exit without saving the panel, type CANCEL on the command line and press Enter.

If you need to restart an Infoprint Server daemon before a change can take effect, you see a message that indicates which daemons you need to restart. If you do not see a message, changes to fields on the panel take effect as soon as you save the system configuration definition.

3. Stop and restart these daemons if necessary:

- If you changed the **Extended MCS console name** field and the Infoprint Central daemon (aopssid) is running, stop the daemon and start Infoprint Server. When you start Infoprint Server, the Infoprint Central daemon is restarted; however, other Infoprint Server daemons continue to run uninterrupted.
- If you changed the **Select work from hold queue** field and the IP PrintWay is running, stop the IP PrintWay daemons (aopoutd and aopwsmd) and start Infoprint Server. When you start Infoprint Server, the IP PrintWay daemons are restarted; however, other Infoprint Server daemons continue to run uninterrupted.

4. Use the Printer Inventory Definition Utility `pidu export` command to back up the Printer Inventory. The `export` command saves the system configuration definition in the backup copy of the Printer Inventory. To make a backup copy of the Printer Inventory, you must meet both of these requirements:

- Be a member of the RACF group for Infoprint Server administrators (AOPADMIN) or have an effective UID of 0.
- Have READ access to the AOP.ADMINISTRATOR resource profile.

This screen shows the Infoprint Server System Configuration ISPF panel:

```

                                Infoprint Server: System Configuration

Startup Information:
 / Dynamic configuration
 / Resolve IP PrintWay printers
Base directory . . . . . /var/Printsrv                (extend)
Printer Inventory name . . . . . AOP1
JES subsystem name . . . . .
XCF group name . . . . . AOPAOP1
Started daemons:
  ippd      / lpd      netd      outd
  ssid      subd      xfd

General:
Operating mode . . . . . 1 1. z/OS 2.1 2. z/OS 2.2
Job ID prefix . . PS
_ Allow all characters in line data

Code Pages:
ASCII . . . . . ISO8859-1
EBCDIC . . . . . IBM-1047

Messages:
Log retention period (days) . . . . . 1
Maximum Historical Inventory size (MBs) . 10
Log stream name . . . . .
Send messages to hardcopy log . . . . . 3 1. All 2. List 3. None
Message list for hardcopy log . . . . . ----- (more)

Infoprint Central:
Extended MCS console name . . AOP1xxxx

IP PrintWay (extended mode):
_ Ignore DEST, CLASS, FORMS routing errors
 / Select work from hold queue
_ Suppress formatting after UNIX filter
 / Write SMF records
APPL ID . . . . . -----
Blank truncation classes . . -----

-----
Email:
 / Send email to address of first document
_ Do not add suffixes to files
Preserve suffixes . . . . . ----- (more)
Application path . . . . . /bin/sendmail (extend)
Application options . . . . . ----- (extend)

Print Interface:
IPP port number . . 631
LPD port number . . 515

Other:
----- (more)

```

Related information: For information about:

- How to set up security for the system configuration definition, see [“Setting up security for the Printer Inventory and operator commands”](#) on page 43.
- How to enable dynamic configuration, see [“Enabling dynamic configuration”](#) on page 67.
- How to back up the Printer Inventory, see [“Backing up and restoring the Printer Inventory”](#) on page 100.
- How to use PIDU to edit the system configuration definition, see [z/OS Infoprint Server Operation and Administration](#).
- How to stop daemons and start Infoprint Server, see [z/OS Infoprint Server Operation and Administration](#).

- Attributes in the system configuration definition, see [Appendix D, “Configuration attributes,”](#) on page 373.

Sending non-console messages to the hardcopy log

Infoprint Server sends all console messages to the z/OS hardcopy log. (Console messages are messages that require the attention of an operator or administrator.) You can configure Infoprint Server to also send all or selected non-console messages to the hardcopy log. You might want to send non-console messages to the hardcopy log so that you can use a z/OS message automation facility to process them.

The hardcopy log can be the system log (SYSLOG) or the operations log (OPERLOG), or both, depending on how you configured the hardcopy medium in the HARDCOPY statement in the CONSOLxx PARMLIB member.

Limitation: Infoprint Server cannot send non-console messages from IP PrintWay basic mode, the ISPF panels, or the Printer Inventory Definition Utility (PIDU) to the hardcopy log.

You can configure Infoprint Server to send messages to the hardcopy log in one of these ways:

- If dynamic configuration is enabled, specify the message attributes in the system configuration definition in the Printer Inventory.
- If dynamic configuration is not enabled, specify the message attributes in the Infoprint Server message configuration file (`aopmsg.conf`).

To send all or selected non-console messages to the hardcopy log, specify these attributes:

hardcopy-messages = all | list | none

Specifies which additional messages Infoprint Server sends to the hardcopy log:

all

Sends all eligible messages to the hardcopy log.

list

Sends only the additional messages that are listed in the `hardcopy-message-list` attribute to the hardcopy log.

none

Sends no additional messages to the hardcopy log. Only console messages are sent to the hardcopy log. This is the default.

Rules:

1. If dynamic configuration is enabled, specify this attribute in the system configuration definition. If you change this attribute, you do not need to restart Infoprint Server.
2. If dynamic configuration is not enabled, specify this attribute in the `aopmsg.conf` file. If you change this attribute while Infoprint Server is running, stop all Infoprint Server daemons and restart Infoprint Server. Be sure to wait for all daemons to stop before you restart Infoprint Server.

Default: `hardcopy-messages = none`

Example: `hardcopy-messages = list`

hardcopy-message-list = {messageID messageID ...}

The message IDs of the messages that Infoprint Server sends to the hardcopy log when the `hardcopy-messages = list` attribute is specified. Specify the entire message ID including the severity code (E, I, S, T, or W). You can use either uppercase or lowercase characters. Enclose the list of messages in braces, and separate message IDs with spaces.

Tips:

1. You do not need to specify messages that Infoprint Server sends to the console, such as messages with the API prefix, because these messages are automatically sent to the hardcopy log.
2. If your installation uses the MPFLSTxx PARMLIB member for message automation, you might want to specify the same message IDs in MPFLSTxx.

3. If your installation uses an automated operations tool, the tool can process these messages.

Rules:

1. If you specify this attribute, also specify `hardcopy-messages = list`.
2. If dynamic configuration is enabled, specify this attribute in the system configuration definition. If you change this attribute, you do not need to restart Infoprint Server.
3. If dynamic configuration is not enabled, specify this attribute in the `aopmsg.conf` file. If you change this attribute while Infoprint Server is running, stop all Infoprint Server daemons and restart Infoprint Server. Be sure to wait for all daemons to stop before you restart Infoprint Server.

Default: None.

Example: `hardcopy-message-list={A0P3614I A0P3803E}`

This screen shows a portion of the System Configuration ISPF panel that you use to specify the attributes in the system configuration definition:

```
Messages:                               Infoprint Server: System Configuration
Send messages to hardcopy log           . . . . . 3  1. All  2. List  3. None
Message list for hardcopy log           . . . . . -----  (more)
```

Messages sent to the hardcopy log have this format:

```
date time priority:level user:id [job:id] [filename:name] [dsn:name]
[output_device:name] [job_selection_rule:name] [fsa:name] [luname:name]
[jes_jobname:name] system:name inventory:name [program:name]
msg:message
```

For information about the fields after the message text, see the description of the output from the `aoplogu` command in *z/OS Infoprint Server Messages and Diagnosis*.

If necessary, Infoprint Server truncates messages to six lines with up to 70 characters in each line. Infoprint Server uses the system default routing and descriptor codes.

Related information: For information about:

- How to create the message configuration file (`aopmsg.conf`), see [“Creating the message configuration file \(aopmsg.conf\)”](#) on page 83.
- How to edit an existing message configuration file (`aopmsg.conf`), see [“Editing the message configuration file \(aopmsg.conf\)”](#) on page 85.
- How to edit the system configuration definition, see [“Steps for editing the system configuration definition”](#) on page 79.
- The `CONSOLxx PARMLIB` member, see *z/OS MVS Initialization and Tuning Reference*.
- z/OS message automation, see *z/OS MVS Planning: Operations*.

Creating the message configuration file (aopmsg.conf)

These steps show the z/OS UNIX commands to use to create the message configuration file (`aopmsg.conf`) in the `/etc/Printsrv` directory, which is the default directory for Infoprint Server configuration files.

To edit an existing `aopmsg.conf` file, follow the steps in [“Editing the message configuration file \(aopmsg.conf\)”](#) on page 85.

Note: If dynamic configuration is enabled, do not create this file. Instead, specify the attributes in the system configuration definition in the Printer Inventory.

Before you begin: You must have permission to create files in the `/etc/Printsrv` directory. If you did not change the owner and permissions for `/etc/Printsrv` after installation, you must have an effective UID of 0 to create files in this directory.

To create the message configuration file:

1. On the z/OS UNIX command line, switch to an effective UID of 0:

```
su
```

To use the su command, you must be authorized to the BPX.SUPERUSER profile in the FACILITY class in RACF.

2. Copy the sample message configuration file, /usr/lpp/Printsrv/samples/aopmsg.conf, to /etc/Printsrv/aopmsg.conf:

```
cp /usr/lpp/Printsrv/samples/aopmsg.conf /etc/Printsrv/aopmsg.conf
```

Tips:

- a. If you copy the sample configuration file to a different location, specify the full path name of the configuration file in the AOPMSG_CONF environment variable in the /etc/profile file and the aopstart EXEC. For information, see [“Setting environment variables for the Printer Inventory Manager”](#) on page 38.
 - b. You can use the sample job that is provided in SYS1.SAMPLIB(AOPCPETC) to copy all Infoprint Server sample configuration files, including the message configuration file, from /usr/lpp/Printsrv/samples to the /etc/Printsrv directory. Review the comments in the sample job to determine which configuration files you require. A user with an effective UID of 0 must run this job.
3. Change the owner of the file to UID 0:

```
chown 0 /etc/Printsrv/aopmsg.conf
```

4. Change the group owner to AOPADMIN. AOPADMIN is the suggested RACF group name for Infoprint Server administrators. However, you can use a different name for this group (see [“AOPADMIN and AOOPER groups”](#) on page 45).

```
chgrp AOPADMIN /etc/Printsrv/aopmsg.conf
```

5. Change the permissions of the file so that it is readable by everyone and writable only by UID 0 and members of the AOPADMIN group.

```
chmod 664 /etc/Printsrv/aopmsg.conf
```

6. Edit the message configuration file with your preferred editor and save your changes. For example, enter:

```
oedit /etc/Printsrv/aopmsg.conf
```

Edit this file by using the IBM-1047 code page. For the syntax rules for editing the file, see ["Syntax rules"](#).

7. If you switched to an effective UID of 0 in step 1, switch back to your own UID:

```
exit
```

8. If Infoprint Server is running, stop and restart all Infoprint Server daemons. Be sure to wait for all daemons to stop before you restart. For example, enter these MVS commands to run the AOPSTOP and AOPSTART JCL procedures:

```
START AOPSTOP  
START AOPSTART
```

Syntax rules: When you edit this file, follow these syntax rules:

1. Use lowercase characters for the attribute names. Use uppercase or lowercase characters for the values.
2. Use blank characters before or after the equal sign, if wanted.

3. Start comments with the # symbol.
4. Include blank lines, if wanted.

Related information: For information about:

- All the attributes that you can specify in the `aopmsg.conf` file, see [“aopmsg.conf -- Infoprint Server message configuration file”](#) on page 347.
- How to edit an existing `aopmsg.conf` file, see [“Editing the message configuration file \(aopmsg.conf\)”](#) on page 85.
- How to edit the system configuration definition, see [“Steps for editing the system configuration definition”](#) on page 79.

Editing the message configuration file (aopmsg.conf)

These steps show the z/OS UNIX commands to use to edit an existing `aopmsg.conf` file.

Note: If dynamic configuration is enabled, do not edit this file. Instead, edit the attributes in the system configuration definition in the Printer Inventory.

Before you begin: You must be a member of the RACF group for Infoprint Server administrators (AOPADMIN) or have an effective UID of 0.

To edit the `aopmsg.conf` file:

1. Edit the message configuration file with your preferred editor and save your changes. For example, enter:

```
oedit /etc/Printsrv/aopmsg.conf
```

Edit this file by using the IBM-1047 code page. For the syntax rules for editing the file, see [“Syntax rules”](#).

Tip: You can select the ISPF **z/OS UNIX Shell** option (ISPF 13.11) to edit z/OS UNIX files.

2. If Infoprint Server is running, stop and restart all Infoprint Server daemons. For example, enter these MVS commands to run the AOPSTOP and AOPSTART JCL procedures:

```
START AOPSTOP  
START AOPSTART
```

Syntax rules: When you edit this file, follow these syntax rules:

1. Use lowercase characters for the attribute names. Use uppercase or lowercase characters for the values.
2. Use blank characters before or after the equal sign, if wanted.
3. Start comments with the # symbol.
4. Include blank lines, if wanted.

Related information: For information about:

- All the attributes that you can specify in the `aopmsg.conf` file, see [“aopmsg.conf -- Infoprint Server message configuration file”](#) on page 347.
- How to create the `aopmsg.conf` file, see [“Creating the message configuration file \(aopmsg.conf\)”](#) on page 83.
- How to edit the system configuration definition, see [“Steps for editing the system configuration definition”](#) on page 79.

Setting up the MVS system logger for the common message log

You can set up the MVS system logger for the Infoprint Server common message log. All components of Infoprint Server except for IP PrintWay basic mode write messages to the common message log. In addition, IBM transform products and PSF can write messages to the common message log.

Table 17 on page 86 summarizes the customization tasks for setting up the MVS system logger environment for the common message log. Required tasks are necessary for all installations that want to use the system logger. Optional tasks are required only if the listed condition applies to your installation.

Task	Condition
“Deciding whether to use the MVS system logger” on page 86	Required
“Deciding the type of log stream” on page 87	Required
“Deciding on a naming convention for log streams ” on page 87	Required
“Determining how long to retain messages” on page 87	Required
“Determining the size of log-stream data sets and interim storage” on page 88	Required
“Setting up security for log streams” on page 88	Required
“Defining log streams to the MVS system logger” on page 91	Required
“Activating a log stream in Infoprint Server” on page 95	Required
“Switching from one log stream to another” on page 96	Optional: To switch to a new log stream.
“Deactivating a log stream in Infoprint Server” on page 97	Optional: To deactivate a log stream.
“Handling system logger errors” on page 98	Optional: To handle any logger errors.
“Viewing messages in the log stream” on page 99	Optional: To view messages.

Deciding whether to use the MVS system logger

The Infoprint Server common message log can be in one of these locations:

- Log files in the z/OS UNIX file system
- An MVS system logger log stream

If you do not set up the MVS system logger for the common message log, the log, by default, is in the z/OS UNIX file system that is specified in the base-directory attribute in the `aopd.conf` configuration file if the value of the `log-retention` attribute is at least 1 day.

Advantages of setting up the MVS system logger for the common message log are:

- You can retain more messages in a system logger log stream because the system logger can automatically offload log records to auxiliary storage when the log stream is nearing capacity. If you retain numerous messages in the z/OS UNIX file system, you can run out of space in the file system.
- If Infoprint Server runs on more than one system in a sysplex, all instances of Infoprint Server can write messages to the same log stream (a coupling-facility log stream is required). You can use the Infoprint Server `aoplogu` command to view merged messages from all systems.

One disadvantage of using the system logger is that it might take more time for Infoprint Central and the `aoplogu` command to retrieve and display messages from a log stream.

To use the MVS system logger, you must meet the MVS system logger requirements. In addition, the Infoprint Server dynamic configuration function must be enabled.

Related information: For information about:

- MVS system logger, see [z/OS MVS Setting Up a Sysplex](#)
- Enabling dynamic configuration, see [“Enabling dynamic configuration” on page 67](#)

Deciding the type of log stream

You can define either of these types of log streams:

- DASD-only log stream
- Coupling-facility log stream

If only one instance of Infoprint Server runs in a sysplex, for simpler administration, you might want to define a DASD-only log stream. However, you can also define a coupling-facility log stream.

If more than one instance of Infoprint Server runs in a sysplex, you can define:

- A separate DASD-only log stream, or a separate coupling-facility log stream, for each instance of Infoprint Server
- A coupling-facility log stream that all (or some) instances of Infoprint Server share

If one or more instances of Infoprint Server run in a sysplex, consider defining a coupling-facility log stream and share the log stream among all instances of Infoprint Server. This lets you use the Infoprint Server `aoplogu` command to view merged messages from all the systems. For example, if Infoprint Server transforms a document on one system and prints the document on another system, the `aoplogu` command lets you view all messages for that document regardless of which system wrote the message. However, even if several instances of Infoprint Server share the log stream, Infoprint Central can display messages only from the system on which Infoprint Central is running.

Related information: For information about the types of log streams, see [z/OS MVS Setting Up a Sysplex](#).

Deciding on a naming convention for log streams

You can use any log stream name that follows the MVS system logger guidelines because Infoprint Server does not use a fixed name for the log stream. The system logger requires that each log stream name is unique in a sysplex.

Tip: To make sure that a log stream name is unique, use "AOP" as the first qualifier for Infoprint Server log stream names.

Examples:

1. If you plan to define only one DASD-only or one coupling-facility log stream, you can use this naming convention:

```
AOP.MSG
```

2. If you plan to define a separate DASD-only log stream, or a separate coupling-facility log stream, for each instance of Infoprint Server in a sysplex, you can use this naming convention:

```
AOP.MSG.SYSA  
AOP.MSG.SYSB
```

The third qualifier of the log-stream name (SYSA, SYSB) identifies the system.

Related information: For information about system logger naming requirements, see [z/OS MVS Setting Up a Sysplex](#).

Determining how long to retain messages

Infoprint Server does not delete any messages from the MVS system logger log stream. Therefore, when you define a log stream to the system logger, you must select the system logger automatic delete function

and specify how long you want the system logger to retain the log-stream data sets that contain messages.

Define the log stream to the system logger with these parameters when you run the system logger IXCMIAPU utility:

- AUTODELETE(YES): Specifies that the system logger automatically deletes messages when the retention period specified in the RETPD parameter expires.
- RETPD(dddd): Specifies that the system logger retains messages in the log stream for *dddd* days. The system logger deletes an entire log data set when all data is older than the retention period (RETPD) specified for the log stream.

Guideline: Specify a RETPD value that is equal to or greater than the value specified in the log-retention attribute in the Infoprint Server system configuration definition. For example, if `log-retention=2`, specify a RETPD value of at least 2 days.

Determining the size of log-stream data sets and interim storage

When you define a log stream, you can specify the size of the log-stream interim storage, staging data set, and offload data sets. To determine the optimum sizes, follow the guidelines in these publications:

- [z/OS MVS Setting Up a Sysplex](#)
- [IBM Redbooks \(www.ibm.com/redbooks\)](http://www.ibm.com/redbooks) *System Programmer's Guide to: System Logger*, SG24-6898

You can use the Coupling Facility Structure Sizer Tool (CFSizer) to determine the values for some of the size parameters. You can find the CFSizer tool at [Coupling Facility sizer \(www.ibm.com/support/docview.wss?uid=isg3T1027062\)](http://www.ibm.com/support/docview.wss?uid=isg3T1027062).

Tip: If you need to determine the number of bytes that Infoprint Server writes to the common message log in a specified time period, you can use the Infoprint Server `aoplogu` command to retrieve all messages that are written in the time period and pipe the results to the `wc -c` command to count the number of bytes.

Example: To determine the number of bytes written to the common message log in one day, enter on the z/OS UNIX command line:

```
aoplogu -l 1:00:00 | wc -c
```

Related information: For information about:

- The `aoplogu` command, see [z/OS Infoprint Server Operation and Administration](#)
- The `wc` command, see [z/OS UNIX System Services Command Reference](#)

Setting up security for log streams

Before you can define a log stream to the MVS system logger, you must define one or more profiles to RACF to protect the log stream. You must also authorize system logger administrators and Infoprint Server users to the RACF profiles.

Note: System logger administrators might need access to other system logger profiles that are not described here. For information, see [z/OS MVS Setting Up a Sysplex](#).

Setting up security for a DASD-only log stream

These steps show how to define a log-stream resource profile to RACF for a DASD-only log stream and give users access to the profile. You need to define a separate log-stream resource profile for each DASD-only log stream that you plan to define.

1. Define a resource profile for the log stream to RACF in the LOGSTRM class.

Example: This RACF command defines a resource profile named AOP.MSG:

```
RDEFINE LOGSTRM (AOP.MSG) UACC(NONE)
```

The name of the resource profile (AOP.MSG in the example) must match the log stream name that is specified in the NAME parameter of the DEFINE LOGSTREAM statement in the LOGR policy. If you plan to define more than one log stream that starts with AOP, you might want to define a resource profile with the generic name AOP.*.

2. Give system logger administrators who run the IXCMIAPU utility ALTER access to the log-stream resource profile. IXCMIAPU is used to define, update, and delete log streams.

Example: This RACF command gives a user ALTER access to profile AOP.MSG:

```
PERMIT AOP.MSG CLASS(LOGSTRM) ACCESS(ALTER) ID(userID)
```

3. Give Infoprint Server operators who start Infoprint Server UPDATE access to the log-stream resource profile. This allows Infoprint Server to read and write messages. Because users who start Infoprint Server must be members of the RACF group for Infoprint Server operators (AOPOPER), you can give the AOPOPER group UPDATE access to the log-stream resource profile.

Example: This RACF command gives the AOPOPER group UPDATE access to profile AOP.MSG:

```
PERMIT AOP.MSG CLASS(LOGSTRM) ACCESS(UPDATE) ID(AOPOPER)
```

Tip: If you always use the JCL startup procedure and not a z/OS UNIX start command to start Infoprint Server, instead of giving the AOPOPER group access to the profiles, you can give the user ID that is associated with the JCL startup procedure access to the profile.

4. Give Infoprint Server administrators who use the aoplogu command READ access to the log-stream resource profile. The aoplogu command lets you view messages in the common message log. Because users of the aoplogu command must be members of the RACF group for Infoprint Server administrators (AOPADMIN), you can give the AOPADMIN group READ access.

Example: This RACF command gives the AOPADMIN group READ access to profile AOP.MSG:

```
PERMIT AOP.MSG CLASS(LOGSTRM) ACCESS(READ) ID(AOPADMIN)
```

Tip: Infoprint Central displays messages for a selected print job or printer. However, Infoprint Central users do not need access to the log-stream profile because Infoprint Central checks that users are authorized to view the print job or the printer before it displays messages for the print job or printer.

5. (Optional) If you copy profiles in the LOGSTRM class into virtual storage, refresh the class after you define new profiles or authorize new users to profiles in the class.

Example: This RACF command refreshes the LOGSTRM class:

```
SETROPTS RACLIST(LOGSTRM) REFRESH
```

Related information: For information about:

- System logger security, see [z/OS MVS Setting Up a Sysplex](#).
- Infoprint Central security, see [“Setting up security for Infoprint Central” on page 301](#).

Setting up security for a coupling-facility log stream

These steps show how to define a log-stream resource profile and a structure resource profile to RACF for a coupling-facility log stream and give users access to the profiles.

1. Define a resource profile to RACF in the LOGSTRM class for the coupling-facility log stream.

Example: This RACF command defines a resource profile named AOP.MSG:

```
RDEFINE LOGSTRM (AOP.MSG) UACC(NONE)
```

The name of the resource profile (AOP.MSG in the example) must match the log stream name that is specified in the NAME parameter of the DEFINE LOGSTREAM statement in the LOGR policy. If you plan to define more than one log stream that starts with AOP, you might want to define a resource profile with the generic name AOP.*.

2. Define a resource profile to RACF in the FACILITY class to protect the structure for the log stream.

Example: This RACF command defines a structure resource profile named IXLSTR.AOP_MSG_STR:

```
RDEFINE FACILITY (IXLSTR.AOP_MSG_STR) UACC(NONE)
```

The profile name (IXLSTR.AOP_MSG_STR in the example) is "IXLSTR." followed by the structure name. You specify the structure name (AOP_MSG_STR) in the NAME parameter of the DEFINE STRUCTURE statement in the LOGR policy.

3. Give the system logger administrator who runs the IXCMIAPU utility to define, update, and delete log streams ALTER access to the log-stream resource profile and UPDATE access to the structure resource profile.

Example: These RACF commands give a user ALTER access to profile AOP.MSG and UPDATE access to profile IXLSTR.AOP_MSG_STR:

```
PERMIT AOP.MSG CLASS(LOGSTRM) ACCESS(ALTER) ID(userID)  
PERMIT IXLSTR.AOP_MSG_STR CLASS(FACILITY) ACCESS(UPDATE) ID(userID)
```

4. Give the system logger administrator who runs the IXCMIAPU utility to define and delete structures ALTER access to the structure resource profile.

Example: This RACF command gives a user ALTER access to profile IXLSTR.AOP_MSG_STR:

```
PERMIT IXLSTR.AOP_MSG_STR CLASS(FACILITY) ACCESS(ALTER) ID(userID)
```

5. Give Infoprint Server operators who can start Infoprint Server UPDATE access to the log-stream resource profile. This allows Infoprint Server to read and write messages. Because users who start Infoprint Server must be members of the RACF group for Infoprint Server operators (AOOPER), you can give the AOOPER group UPDATE access to the log-stream resource profile.

Example: This RACF command gives the AOOPER group UPDATE access to profile AOP.MSG:

```
PERMIT AOP.MSG CLASS(LOGSTRM) ACCESS(UPDATE) ID(AOOPER)
```

Tip: If you always use the JCL startup procedure and not a z/OS UNIX start command to start Infoprint Server, instead of giving the AOOPER group access to the profiles, you can give the user ID that is associated with the JCL startup procedure access to the profile.

6. Give Infoprint Server administrators who use the aoplogu command READ access to the log-stream resource profile. The aoplogu command lets you view messages in the common message log. Because users of the aoplogu command must be members of the RACF group for Infoprint Server administrators (AOPADMIN), you can give the AOPADMIN group READ access.

Example: This RACF command gives the AOPADMIN group READ access to profile AOP.MSG:

```
PERMIT AOP.MSG CLASS(LOGSTRM) ACCESS(READ) ID(AOPADMIN)
```

Tip: Infoprint Central displays messages for a selected print job or printer. However, Infoprint Central users do not need access to the log-stream profile because Infoprint Central checks that users are authorized to view the print job or the printer before it displays messages for the print job or printer.

7. (Optional) If you copy profiles in the LOGSTRM and FACILITY classes into virtual storage, refresh the classes after you define new profiles or authorize new users to profiles in the class.

Example:

```
SETROPTS RACLIST(LOGSTRM) REFRESH  
SETROPTS RACLIST(FACILITY) REFRESH
```

Related information: For information about:

- MVS system logger security, see [z/OS MVS Setting Up a Sysplex](#).
- Infoprint Central security, see [“Setting up security for Infoprint Central” on page 301](#).

Defining log streams to the MVS system logger

The following information describes how to define DASD-only and coupling-facility log streams for the common message log to the MVS system logger. It does not include all the information that you need to define log streams. For complete information, see [z/OS MVS Setting Up a Sysplex](#).

Defining a DASD-only log stream to the MVS system logger

A general description follows about how to define a DASD-only log stream for the common message log to the MVS system logger.

Before you begin:

- Define the system logger LOGR policy.
- Set up security for the log stream.

To define a DASD-only log stream for the common message log:

1. Define the log stream in the LOGR policy. [Table 18 on page 91](#) shows some of the parameters that you specify to define a log stream. [Figure 15 on page 92](#) shows sample JCL for running the logger data administrative utility, IXCMIAPU, to define a DASD-only log stream.
2. (Optional) Verify that the log stream is defined to the MVS system logger.

Example: This MVS command displays the status of log stream AOP.MSG:

```
DISPLAY LOGGER,L,LSN=AOP.MSG
```

[Table 18 on page 91](#) lists the log stream parameters for DASD-only log streams that have special considerations for Infoprint Server. For parameters that are not shown in [Table 18 on page 91](#), you can specify any values that are suitable for your installation.

Parameter	Meaning	Suggested value
NAME	Name of the log stream	See “Deciding on a naming convention for log streams” on page 87.
DASDONLY	Type of log stream	DASDONLY(YES)
RETPD	Number of days that the system logger retains messages before it deletes them	See “Determining how long to retain messages” on page 87.
AUTODELETE	Automatic delete option	AUTODELETE(YES)
MAXBUFSIZE	Size, in bytes, of the largest log block that can be written to the log stream	MAXBUFSIZE(8192)
LS_SIZE	Size, in 4 KB blocks, of the offload data sets for the log stream	See “Determining the size of log-stream data sets and interim storage” on page 88.
STG_SIZE	Size, in 4 KB blocks, of the staging data sets for the log stream	See “Determining the size of log-stream data sets and interim storage” on page 88.
HIGHOFFLOAD	High offload threshold	HIGHOFFLOAD(80)
LOWOFFLOAD	Low offload threshold	LOWOFFLOAD(0)
DIAG	Allows collection of diagnostic information	YES

Figure 15 on page 92 shows sample JCL to define a DASD-only log stream that is named AOP.MSG to the system logger.

```
//STEP1 EXEC PGM=IXCMIAPU
//SYSPRINT DD SYSOUT=A
//*****
//* Define DASD-only log streams to the system logger. The *
//* parameter values are for illustration only. Substitute values *
//* appropriate to your installation. *
//*****
//SYSIN DD *
        DATA TYPE(LOGR)
        DEFINE LOGSTREAM
        NAME(AOP.MSG)
        DESCRIPTION(Infoprint_Server)
        DASDONLY(YES)
        LS_SIZE(size)
        STG_SIZE(size)
        HIGHOFFLOAD(80)
        LOWOFFLOAD(0)
        MAXBUFSIZE(8192)
        RETPD(25)
        AUTODELETE(YES)
        DIAG(YES)
        HLQ(IXGLOGR)

/*
//
```

Note: The HLQ and EHLQ parameters are mutually exclusive. The HLQ parameter specifies the high-level qualifier for log-stream data set names (IXGLOGR is the default).

Figure 15: Sample JCL to define a DASD-only log stream to the system logger

Related information: For information about:

- How to define the LOGR policy and run the IXCMIAPU utility, see [z/OS MVS Setting Up a Sysplex](#).
- How to set up security for a log stream, see [“Setting up security for a DASD-only log stream” on page 88](#).
- The DISPLAY LOGGER command, see [z/OS MVS System Commands](#).

Defining a coupling-facility log stream to the MVS system logger

The following information describes, in general how to define a coupling-facility log stream and structure for the common message log to the MVS system logger.

Before you begin:

- Define the system logger LOGR policy.
- Define the system logger CFRM policy.
- Set up security for the log stream.

To define a coupling-facility log stream:

1. Define the structure in the LOGR policy. [Table 19 on page 93](#) shows some of the parameters that you specify to define a structure in the LOGR policy. [Figure 16 on page 94](#) shows sample JCL to run the administrative data utility, IXCMIAPU, to define a structure in the LOGR policy.
2. Define the structure in the CFRM policy. [Figure 17 on page 94](#) shows sample JCL to run the IXCMIAPU utility to define a structure in the CFRM policy.
3. Define the log stream in the LOGR policy. [Table 20 on page 93](#) shows some of the parameters that you specify to define a log stream in the LOGR policy. [Figure 18 on page 95](#) shows sample JCL to run the IXCMIAPU utility to define the log stream.
4. (Optional) Verify that the log stream is defined to the MVS system logger.

Example: This MVS command displays the status of log stream AOP.MSG:

```
DISPLAY LOGGER,L,LSN=AOP.MSG
```

Table 19 on page 93 lists the coupling-facility structure parameters and the suggested values for Infoprint Server.

Parameter	Meaning	Suggested value
NAME	Structure name	Any name that follows the system logger guidelines
LOGSNUM	Number of log streams that can be allocated in the coupling facility list structure	2 or more
AVGBUFSIZE	Average size, in bytes, of log blocks that are written to all the log streams that use this coupling facility structure	AVGBUFSIZE(512)
MAXBUFSIZE	Size, in bytes, of the largest log block that can be written to log streams that are allocated to the coupling facility	MAXBUFSIZE(8192)

Table 20 on page 93 lists the coupling-facility log stream parameters that have special considerations for the Infoprint Server. For parameters that are not shown in Table 20 on page 93, you can specify any values that are suitable for your installation.

Parameter	Meaning	Suggested value
NAME	Name of the log stream	See “Deciding on a naming convention for log streams” on page 87.
STRUCTURE	Name of the structure	Name of a structure that is defined to the system logger
DASDONLY	Type of log stream	DASDONLY(NO)
RETPD	Number of days that the system logger retains messages before it deletes them	See “Determining how long to retain messages” on page 87.
AUTODELETE	Automatic delete option	AUTODELETE(YES)
LS_SIZE	Size, in 4 K blocks, of the offload data sets for the log stream	See “Determining the size of log-stream data sets and interim storage” on page 88.
STG_SIZE	Size, in 4 K blocks, of the staging data sets for the log stream	See “Determining the size of log-stream data sets and interim storage” on page 88.
HIGHOFFLOAD	High offload threshold	HIGHOFFLOAD(80) You can change this value to suit your installation.
LOWOFFLOAD	Low offload threshold	LOWOFFLOAD(0) You can change this value to suit your installation.
DIAG	Allows collection of diagnostic information	DIAG(YES)

Table 20: Coupling-facility log stream parameters for Infoprint Server (continued)

Parameter	Meaning	Suggested value
STG_DUPLEX	Duplex option	Because Infoprint Server can tolerate a loss of messages, you can specify STG_DUPLEX(NO) or STG_DUPLEX(YES).

Figure 16 on page 94 shows sample JCL to define a coupling-facility structure that is named AOP_MSG_STR to the system logger.

```
//STEP1 EXEC PGM=IXCMIAPU
//SYSPRINT DD SYSOUT=A
//*****
//* Define a coupling-facility structure in the LOGR policy. The *
//* parameter values are for illustration only. Substitute values *
//* appropriate to your installation. *
//*****
//SYSIN DD *
          DATA TYPE(LOGR)
          DEFINE STRUCTURE
          NAME(AOP_MSG_STR)
          LOGSNUM(2)
          AVGBUFSIZE(512)
          MAXBUFSIZE(8192)

/*
```

Figure 16: Sample JCL to define a coupling-facility structure to the system logger

Figure 17 on page 94 shows sample JCL to define a coupling-facility structure that is named AOP_MSG_STR in the system logger CFRM policy.

```
//STEP1 EXEC PGM=IXCMIAPU
//SYSPRINT DD SYSOUT=A
//*****
//* Define a coupling-facility structure in the CFRM policy. The *
//* parameter values are for illustration only. Substitute values *
//* appropriate to your installation. *
//*****
//SYSIN DD *
          DATA TYPE(CFRM)
          STRUCTURE NAME(AOP_MSG_STR)
          SIZE(size)
          INITSIZE(size)
          PREFLIST(FACIL01,FACIL02)

/*
```

Figure 17: Sample JCL to define a coupling-facility structure in the CFRM policy

Figure 18 on page 95 shows sample JCL to define a coupling-facility log stream that is named AOP.MSG in the LOGR policy.

```
//STEP1 EXEC PGM=IXCMIAPU
//SYSPRINT DD SYSOUT=A
//*****
//* Define a coupling-facility log stream to the system logger. The *
//* parameter values are for illustration only. Substitute values *
//* appropriate to your installation. *
//*****
//SYSIN DD *
        DATA TYPE(LOGR)
        DEFINE LOGSTREAM
        NAME(AOP.MSG)
        DESCRIPTION(Infoprint_Server)
        DASDONLY(NO)
        STRUCTURE(AOP_MSG_STR)
        STG_SIZE(size)
        LS_SIZE(size)
        HIGHOFFLOAD(80)
        LOWOFFLOAD(0)
        RETPD(25)
        AUTODELETE(YES)
        DIAG(YES)
        HLQ(IXGLOGR)
/*
```

Note: The HLQ and EHLQ parameters are mutually exclusive. HLQ specifies the high-level qualifier for log-stream data set names (IXGLOGR is the default).

Figure 18: Sample JCL to define a coupling-facility log stream to the system logger

Related information: For information about:

- How to run the IXCMIAPU utility, see [z/OS MVS Setting Up a Sysplex](#).
- How to set up security for a log stream, see [“Setting up security for a coupling-facility log stream” on page 89](#).
- The DISPLAY LOGGER command, see [z/OS MVS System Commands](#).

Activating a log stream in Infoprint Server

After you define the log stream for messages to the MVS system logger, you must specify the log stream name in the Infoprint Server system configuration definition. When you save the system configuration definition, Infoprint Server immediately starts writing new messages to the specified log stream. If the log stream is a shared coupling-facility log stream, you must specify the name of the log stream in the system configuration definition on each system in the sysplex that shares the log stream.

Before you begin:

- Define the log stream to the MVS system logger and set up security for the log stream.
- Infoprint Server must be started. The user who started Infoprint Server must have UPDATE access to the RACF resource profile for the log stream.
- You must have UPDATE access to the AOP.CONFIGURATION resource profile in the RACF PRINTSRV class. If the AOP.CONFIGURATION profile does not exist, you must have UPDATE access to the AOP.ADMINISTRATOR profile in the PRINTSRV class.

If both the AOP.CONFIGURATION and AOP.ADMINISTRATOR profiles do not exist, you must have READ or higher access to the AOPADMIN profile in the RACF FACILITY class.

To activate the log stream:

1. Use the Infoprint Server ISPF panels to edit the system configuration definition in the Printer Inventory.
 - a. On the main Infoprint Server ISPF panel, select 8 System and press Enter.

- b. On the Infoprint Server System Configuration panel, specify the name of the log stream in the **Log stream name** field.

Example: This example shows a portion of the ISPF panel that you use to specify the log stream name:

```

Edit                               Infoprint Server: System Configuration
Command ==>

Messages:

  Log stream name . . . . . AOP.MSG
  
```

- c. Save the panel. When Infoprint Server writes the first message to the common message log, it connects to the log stream.
2. (Optional) Verify that Infoprint Server is connected to the new log stream:
 - a. Print a document. Infoprint Server connects to the log stream when the first message is written to the common message log.
 - b. Display the connection status of the log stream. If the log stream is not connected, check the system console for error messages.

Example: This MVS command displays the connection status of log stream AOP.MSG:

```

DISPLAY LOGGER,CONN,LSN=AOP.MSG

CONNECTION INFORMATION BY LOGSTREAM FOR SYSTEM xxxx
LOGSTREAM          STRUCTURE          #CONN STATUS
-----
AOP.MSG            *DASDONLY*          000001 IN USE
  
```

Tip: IP PrintWay basic mode does not write any messages to the log stream. Therefore, to connect to the log stream and write at least one message to it when you use IP PrintWay basic mode, you must use one of these methods to submit a print job:

- z/OS UNIX lp command
- TCP/IP lpr command
- Windows operating system
- NetSpool

Related information: For information about:

- How to set up security for a log stream, see [“Setting up security for log streams” on page 88](#).
- How to define a log stream to the system logger, see [“Defining log streams to the MVS system logger” on page 91](#).
- How to edit the system configuration definition, see [“Editing the system configuration definition for Printer Inventory Manager” on page 75](#).
- How to handle system logger errors, see [“Handling system logger errors” on page 98](#).
- DISPLAY LOGGER command, see [z/OS MVS System Commands](#).

Switching from one log stream to another

You can switch from one system logger log stream to another one. You might want to switch log streams if the current log stream fails.

Before you begin:

- Define the new log stream to the MVS system logger and set up security for the log stream.
- Infoprint Server must be started. The user who started Infoprint Server must have UPDATE access to the RACF resource profile for the new log stream.

- You must have UPDATE access to the AOP.CONFIGURATION resource profile in the RACF PRINTSRV class. If the AOP.CONFIGURATION profile does not exist, you must have UPDATE access to the AOP.ADMINISTRATOR profile in the PRINTSRV class.

If both the AOP.CONFIGURATION and AOP.ADMINISTRATOR profiles do not exist, you must have READ or higher access to the AOPADMIN profile in the RACF FACILITY class.

To switch from one log stream to another:

1. Use the Infoprint Server ISPF panels to edit the system configuration definition in the Printer Inventory.
 - a. On the Infoprint Server System Configuration panel, change the name of the log stream in the **Log stream name** field.

Example: This example shows a portion of the panel:

```

Edit                               Infoprint Server: System Configuration
Command ===>

Messages:

  Log stream name . . . . . AOP.MSG.NEW
  
```

- b. Save the panel. When Infoprint Server writes the first message to the common message log, it disconnects from the old log stream and connects to the new log stream.
2. (Optional) Verify that the Infoprint Server is connected to the new log stream:
 - a. Print a document. Infoprint Server connects to the new log stream when the first message is written to the common message log.
 - b. Display the connection status of the log stream. If the log stream is not connected, check the system console for error messages.

Example: This MVS command displays the connection status of log stream AOP.MSG.NEW:

```

DISPLAY LOGGER,CONN,LSN=AOP.MSG.NEW

CONNECTION INFORMATION BY LOGSTREAM FOR SYSTEM xxxx
LOGSTREAM          STRUCTURE          #CONN STATUS
-----
AOP.MSG.NEW        *DASDONLY*          000001 IN USE
  
```

Tip: IP PrintWay basic mode does not write any messages to the common message log. If you use IP PrintWay basic mode and the DISPLAY LOGGER command shows that the log stream is not connected, try printing a document with the z/OS UNIX lpr command, with the TCP/IP lpr command, from the Windows operating system, or from NetSpool.

Related information: For information about:

- How to set up security for a log stream, see [“Setting up security for log streams” on page 88](#).
- How to define a log stream to the system logger, see [“Defining log streams to the MVS system logger” on page 91](#).
- How to edit the Infoprint Server system configuration definition, see [“Editing the system configuration definition for Printer Inventory Manager” on page 75](#).
- How to handle system logger errors, see [“Handling system logger errors” on page 98](#).
- DISPLAY LOGGER command, see [z/OS MVS System Commands](#).

Deactivating a log stream in Infoprint Server

You might want to deactivate a log stream if an error occurs that prevents Infoprint Server from connecting to the log stream or writing messages to the log stream. When you deactivate a log stream, Infoprint Server automatically starts writing messages to the z/OS UNIX file system instead of to the log stream. Infoprint Server writes messages to the z/OS UNIX file system only if the **Log retention period (days)** field is set to 1 day or higher (1 day is the default).

Before you begin:

- Infoprint Server must be started.
- You must have UPDATE access to the AOP.CONFIGURATION resource profile in the RACF PRINTSRV class. If the AOP.CONFIGURATION profile does not exist, you must have UPDATE access to the AOP.ADMINISTRATOR profile in the PRINTSRV class.

If both the AOP.CONFIGURATION and AOP.ADMINISTRATOR profiles do not exist, you must have READ or higher access to the AOPADMIN profile in the RACF FACILITY class.

To deactivate a log stream:

1. Use the Infoprint Server ISPF panels to edit the system configuration definition in the Printer Inventory.
 - a. On the Infoprint Server System Configuration panel, remove the name of the log stream in the **Log stream name** field.
 - b. On the Infoprint Server System Configuration panel, specify the number of days worth of messages you want to retain in the z/OS UNIX file system in the **Log retention period (days)** field. The default value is 1 day.
 - c. Save the panel. When Infoprint Server writes the first message to the common message log, it disconnects from the log stream and starts writing messages to the z/OS UNIX file system.

Example: This example shows a portion of the panel:

```
Edit                               Infoprint Server: System Configuration
Command ==>>>

Messages:
  Log retention period (days) . . . . . 1
  Log stream name . . . . . _____
```

After you deactivate a log stream, if you use the `aoplogu` command or Infoprint Central to view messages that Infoprint Server wrote to the log stream, Infoprint Server tries to read messages from the log stream and from the z/OS UNIX file system so that you can view messages that were written to the log stream before you deactivated it.

Related information: For information about:

- How to edit the system configuration definition, see [“Steps for editing the system configuration definition”](#) on page 79.
- The **Log retention period (days)** field, see [“Editing the system configuration definition for Printer Inventory Manager”](#) on page 75.

Handling system logger errors

If an MVS system logger error occurs that prevents Infoprint Server from connecting to the log stream, writing messages to the log stream, or reading messages from the log stream, Infoprint Server writes one of these error messages to the console:

- AOP186E *user* is not authorized to *access* log stream *log-stream*.
- AOP187E *log-stream* is not a valid log stream name.
- AOP188E Log stream *log-stream* is in use on another system.
- AOP189E System logger *macro* request for log stream *log-stream* failed with return code *return-code*, reason code *reason-code*.
- AOP190W System logger *macro* request for log stream *log-stream* was successful, but with return code *return-code*, reason code *reason-code*.
- AOP193E The system logger address space is not available.

After Infoprint Server writes the error message or messages to the console, if the same system logger error occurs again, Infoprint Server does not write any more error messages to the console. However,

Infoprint Server continues to try to connect to the log stream and write or read messages until the problem is corrected or you deactivate the log stream in Infoprint Server.

To prevent lost messages while you fix an MVS system logger problem, you can deactivate the log stream in Infoprint Server:

- If you deactivate the log stream, Infoprint Server starts writing messages to the z/OS UNIX file system instead of to the log stream. When the system logger error is fixed, activate the log stream in Infoprint Server again.
- If you do not deactivate the log stream in Infoprint Server, when the system logger problem is fixed, Infoprint Server automatically connects to the log stream and starts writing messages to it.

Related information: For information about:

- How to deactivate a log stream, see [“Deactivating a log stream in Infoprint Server”](#) on page 97.
- How to activate a log stream, see [“Activating a log stream in Infoprint Server”](#) on page 95.
- Infoprint Server messages, see [z/OS Infoprint Server Messages and Diagnosis](#).

Viewing messages in the log stream

You can use the same methods to view messages in the common message log regardless of whether you use the system logger:

- You can use the Infoprint Server `aoplogu` command to view messages that were written in the time period that is specified on the command. If several instances of Infoprint Server in a sysplex use the same coupling-facility log stream, the messages from all systems that share the log stream are merged.

To use the `aoplogu` command, you must be a member of the RACF group for Infoprint Server administrators (AOPADMIN) and have READ access to the RACF resource profile for the log stream.

- You can use Infoprint Central to view messages for a selected printer, print job, or NetSpool LU.

Infoprint Central displays only the messages that were written during the period that is specified in the log-retention attribute (**Log retention period** field) of the system configuration definition. For example, if the value is 1 day, Infoprint Central only displays messages that are written in the last day.

Infoprint Central displays only the messages that were written from the system on which Infoprint Central is running. For example, Infoprint Central on system A displays only the messages that were written on system A even if Infoprint Server on system A and system B use the same coupling-facility log stream.

To view messages in Infoprint Central, you do not need to have access to the RACF resource profile for the log stream. However, you must be authorized to view information for the selected printer, print job, or NetSpool LU.

Both the `aoplogu` command and Infoprint Central can automatically determine which log streams were used in the specified time period. If more than one log stream was used in the time period, the `aoplogu` command and Infoprint Central read messages from all log streams. In addition, the `aoplogu` command reads any messages that were written in the z/OS UNIX file system during the time period.

You can run the `aoplogu` command while Infoprint Server is not running. However, in this case, the `aoplogu` command cannot determine the names of the log streams that were used. Therefore, you must specify the `-n` option on the `aoplogu` command.

Example: To view all messages in log stream AOP.MSG when Infoprint Server is not running, enter on the z/OS UNIX command line:

```
aoplogu -n AOP.MSG
```

The `aoplogu` output has this format:

```
date time priority:level user:id system:name inventory:name [job:id]
[filename:name] [dsn:name] [output_device:name] [job_selection_rule:name]
[fsa:name] [luname:name] [jes_jobname:name] [program:name] msg:message
```

Tip: The system keyword contains the MVS system name. You can use the system keyword to determine which system wrote the message.

Related information: For information about the `aoplogu` command, see [z/OS Infoprint Server Operation and Administration](#).

Backing up and restoring the Printer Inventory

It is important that you back up the Printer Inventory regularly. You also need to back up the Printer Inventory after you create or modify definitions (such as printer definitions) in the Printer Inventory.

When you restore the Printer Inventory, no print jobs are lost. However, information in the Printer Inventory about current print jobs is lost. This means that users, including SAP R/3 users, are not notified when jobs submitted through Print Interface complete, users cannot query the status of the jobs, and operators cannot see information about the print jobs in Infoprint Central.

You can use the Infoprint Server Printer Inventory Definition Utility `pidu export` command to back up and restore the Printer Inventory. The following information summarize the steps to back up (and restore) the Printer Inventory to one of these types of files:

- A file in a Hierarchical File System (HFS) or a z/OS File System (zFS)
- A data set in a generation data group (GDG)

When you try to start Infoprint Server with z/OS V2R2 or later, and dynamic configuration is enabled, you see message AOP192E if Infoprint Server cannot find a valid system configuration definition in the Printer Inventory. You can use the `loadprinterinventory` command to restore the Printer Inventory with a valid system configuration definition.

Rule: Do not use copy commands to create a backup copy of the Printer Inventory because the copy might contain inconsistent data that makes the Printer Inventory unusable.

Steps for backing up the Printer Inventory to an HFS or zFS file

Do these steps to back up the Printer Inventory to an HFS or zFS file at the same time each day. These steps show how to back up the Printer Inventory at 3 AM each day to file `/var/Printsrv.backups/inventory.backup.yymmdd`. The date of the backup is `yymmdd`.

Guideline: Do not back up the Printer Inventory to files in the `/var/Printsrv` directory because the backup files can be large.

Before you begin:

- Create a separate file system that is mounted at `/var/Printsrv.backups`.
- You must be a member of the RACF group for Infoprint Server administrators (AOPADMIN) or have an effective UID of 0.
- You must have READ access to the AOP.ADMINISTRATOR profile in the PRINTSRV class.

To back up the Printer Inventory to an HFS or zFS file:

1. Create a file to contain a short shell script, for example `/u/userid/do.backup`. Your login user ID is `userid`.

If you set the `PATH`, `NLSPATH`, and optional `AOPCONF` environment variables with the values required by Infoprint Server in `/etc/profile` or `/u/userid/.profile`, put these lines in this file:

```
. /etc/profile
. /u/userid/.profile
export extension=$(date +%y%m%d)
pidu -c "export /var/Printsrv.backups/inventory.backup.$extension;"
```


Otherwise, put these lines in this file to export the environment variables. You can omit the AOPCONF environment variable if the Infoprint Server configuration file is `/etc/Printsrv/aopd.conf`.

```
export PATH=/usr/lpp/Printsrv/bin:/bin:$PATH
export NLSPATH=/usr/lpp/Printsrv/%L/%N:/usr/lpp/Printsrv/En_US/%N:$NLSPATH
export AOPCONF=/etc/Printsrv/aopd.conf
export extension=$(date +%y%m%d)
pidu -c "export /var/Printsrv.backups/inventory.backup.$extension;"
```

Tip: To automatically delete all files in the `/var/Printsrv.backups` directory that were created more than five days ago, add this command to the shell script:

```
rm $(find /var/Printsrv.backups -ctime "+5")
```

2. Set the execute permission bit for the `/u/userid/do.backup` file. For example:

```
chmod +x /u/userid/do.backup
```

3. Use the `crontab` command with the `-e` option to insert this line into the `crontab` entry:

```
00 03 * * * /u/userid/do.backup
```

When the `cron` daemon runs the commands in your `crontab` entry, it does not first run your `.profile` to establish environment variables. For more information about the `crontab` command and the `cron` daemon, see [z/OS UNIX System Services Command Reference](#).

Steps for restoring the Printer Inventory from an HFS or zFS file

Before you begin:

- You must be a member of the RACF group for Infoprint Server administrators (AOPADMIN) or have an effective UID of 0.
- You must have UPDATE access to the AOP.ADMINISTRATOR profile in the PRINTSRV class.
- If dynamic configuration is enabled, you must also have UPDATE access to the AOP.CONFIGURATION profile in the PRINTSRV class if the profile is defined.

To restore the Printer Inventory from an HFS or zFS file:

1. Stop the NetSpool and IP PrintWay basic mode tasks. Stop any PSF FSAs that use the Printer Inventory.
2. Stop all Infoprint Server daemons. Be sure to wait for all daemons to stop.

Example: To stop all Infoprint Server daemons, enter this MVS command to run the AOPSTOP JCL procedure:

```
START AOPSTOP
```

3. Move the `/var/Printsrv/master.v2db`, `/var/Printsrv/jestoken.v2db`, `pwjestoken.v2db`, `/var/Printsrv/logdb/log.v2db`, `/var/Printsrv/hinv/hinv.v2db`, and `/var/Printsrv/searchdb/*` files to another directory. Save these files until you restore the Printer Inventory, restart Infoprint Server, and run with the restored Printer Inventory for a few days.
4. Start Infoprint Server daemons.

Example: To start Infoprint Server daemons, enter this MVS command to run the AOPSTART JCL procedure:

```
START AOPSTART
```

5. Use one of these methods to restore the Printer Inventory:

- Run the `pidu` command.

Example: This example shows how to restore the Printer Inventory from file `/var/Printsrv.backups/inventory.backup.yymmdd`. This command uses the UNIX redirection

symbols (> for stdout and 2> for stderr) to redirect command output to file pidu.output, and command errors to file pidu.errors:

```
pidu /var/Printsrv.backups/inventory.backup.yymmdd >pidu.output 2>pidu.errors
```

- If you see message AOP192E, run the loadprinterinventory command. See [“Restoring the Printer Inventory with the loadprinterinventory command”](#) on page 105.
6. (Optional) If you use Infoprint Central, update the Infoprint Central search database to reflect the changed contents of the Printer Inventory.

Example: Run the sdbu command with the -z option to update this database:

```
sdbu -z
```

7. Restart the NetSpool and IP PrintWay basic mode tasks.
8. Restart any PSF FSAs that use the Printer Inventory.

Steps for backing up the Printer Inventory to a generation data group (GDG)

Before you begin:

- You must be a member of the RACF group for Infoprint Server administrators (AOPADMIN) or have an effective UID of 0.
- You must have READ access to the AOP.ADMINISTRATOR profile in the PRINTSRV class.

To back up the Printer Inventory to a data set in a GDG:

1. Create a GDG. This sample JCL creates a GDG for which five generation data sets are maintained:

```
//AOPGDG JOB MSGLEVEL=(1,1)
//STEP1 EXEC PGM=IDCAMS
//SYSPRINT DD SYSOUT=*
//SYSIN DD *
DEFINE GDG (NAME(hlq.INV.BACKUPS) NOEMPTY SCRATCH LIMIT(5))
/*
```

2. Use one of these methods to run the pidu export command to back up the Printer Inventory to a new data set in GDG hlq.INV.BACKUPS:

- Run the pidu export command as a batch job:

```
//AOPBINV JOB MSGLEVEL=(1,1)
//STEP1 EXEC PGM=AOPBATCH,PARM='/pidu -c "export //DD:INVENT;"'
//INVENT DD DISP=(NEW,CATLG),DSN=hlq.INV.BACKUPS(+1),
// DCB=(RECFM=VB,LRECL=32756,BLKSIZE=32760),
// UNIT=SYSDA,SPACE=(TRK,(50,10),RLSE)
//STDOUT DD SYSOUT=*
//STDERR DD SYSOUT=*
//STDENV DD *
NLSPATH=/usr/lpp/Printsrv/En_US/%N
AOPCONF=/etc/Printsrv/aopd.conf
/*
```

If Infoprint Server files are in the default locations, you can omit the STDENV data definition (DD).

- Run the pidu export command as a cron job:
 - a. Create a file to contain a short shell script, for example /u/userid/do.backup. Your login user ID is userid.

If you set the PATH, NLSPATH, and optional AOPCONF environment variables with the values required by Infoprint Server in /etc/profile or /u/userid/.profile, put these lines in this file:

```
. /etc/profile
. /u/userid/.profile
pidu -c "export /\ 'hlq.INV.BACKUPS\(\+1\)\'";"
```

Otherwise, put these lines in this file to export the variables. You can omit the AOPCONF variable if the Infoprint Server configuration file is `/etc/Printsrv/aopd.conf`.

```
export PATH=/usr/lpp/Printsrv/bin:/bin:$PATH
export NLSPATH=/usr/lpp/Printsrv/%L/%N:/usr/lpp/Printsrv/En_US/%N:$NLSPATH
export AOPCONF=/etc/Printsrv/aopd.conf
pidu -c "export /\`hlq.INV.BACKUPS\`(\`+1\`)\" ;"
```

b. Set the execute permission bit for the `/u/userid/do.backup` file. For example:

```
chmod +x /u/userid/do.backup
```

c. Use the `crontab` command with the `-e` option to insert this line into the **crontab** entry to back up the Printer Inventory at 3 AM each day.

```
00 03 * * * /u/userid/do.backup
```

When the `cron` daemon runs the commands in your **crontab** entry, it does not first run your `.profile` to establish environment variables. For more information about the `crontab` command and the `cron` daemon, see [z/OS UNIX System Services Command Reference](#).

Steps for restoring the Printer Inventory from a GDG

Before you begin:

- You must be a member of the RACF group for Infoprint Server administrators (AOPADMIN) or have an effective UID of 0.
- You must have UPDATE access to the AOP.ADMINISTRATOR profile in the PRINTSRV class.
- If dynamic configuration is enabled, you must also have UPDATE access to the AOP.CONFIGURATION profile in the PRINTSRV class if the profile is defined.

To restore the Printer Inventory from the latest data set in the GDG:

1. Stop the NetSpool and IP PrintWay basic mode tasks. Stop any PSF FSAs that use the Printer Inventory.
2. Stop all Infoprint Server daemons. Be sure to wait for all daemons to stop.

Example: To stop all Infoprint Server daemons, enter this MVS command to run the AOPSTOP JCL procedure:

```
START AOPSTOP
```

3. Move the `/var/Printsrv/master.v2db`, `/var/Printsrv/jestoken.v2db`, `pwjestoken.v2db`, `/var/Printsrv/logdb/log.v2db`, `/var/Printsrv/hinv/hinv.v2db`, and `/var/Printsrv/searchdb/*` files to another directory. Save these files until you restore the Printer Inventory, restart Infoprint Server, and run with the restored Printer Inventory for a few days.
4. Start Infoprint Server daemons.

Example: To start Infoprint Server daemons, enter this MVS command to run the AOPSTART JCL procedure:

```
START AOPSTART
```

5. Use one of these methods to restore the Printer Inventory from the most recent generation data set of a GDG named `hlq.INV.BACKUPS`:
 - Run the `pidu` command as a batch job:

```
//AOPRINV JOB MSGLEVEL=(1,1)
//STEP1 EXEC PGM=AOPBATCH,PARM='/pidu //DD:INVENT'
//INVENT DD DISP=SHR,DSN=hlq.INV.BACKUPS(0)
//STDOUT DD SYSOUT=*
//STDERR DD SYSOUT=*
//STDENV DD *
NLSPATH=/usr/lpp/Printsrv/En_US/%N
```

```
AOPCONF=/etc/Printsrv/aopd.conf
/*
```

If Infoprint Server files are in the default locations, you can omit the STDENV data definition (DD).

- Run the pidu command from the sh command:
 - a. Create a file to contain a short shell script, for example `/u/userid/do.restore`. Your login user ID is `userid`. This example shows how to restore the Printer Inventory from the most recent generation data set of a GDG named `hlq.INV.BACKUPS`. This example uses the UNIX redirection symbols (`>` for stdout and `2>` for stderr) to redirect command output to file `pidu.output`, and command errors to file `pidu.errors`:

```
pidu //\'hlq.INV.BACKUPS\(\0\)\' >pidu.output 2>pidu.errors
```

- b. Run the sh command to restore the Printer Inventory by running the pidu command in the `/u/userid/do.restore` file:

```
sh /u/userid/do.restore
```

Tip: Use the sh command to run the pidu command in the `/u/userid/do.restore` file instead of running the pidu command directly. GDG relative generations are maintained for the duration of the UNIX shell that is created when you log in to z/OS UNIX System Services. Using the sh command to create a new shell ensures that the current generation is always 0. For example, these commands create a new generation data set and then display the generation data set before the newly created data set:

```
pidu -c "export //\'hlq.INV.BACKUPS\(\+1\)\';"
cat //\'hlq.INV.BACKUPS\(\0\)\'
```

To create a new generation data set and then display that data set, you would need to run this command:

```
pidu -c "export //\'hlq.INV.BACKUPS\(\+1\)\';"
cat //\'hlq.INV.BACKUPS\(\+1\)\'
```

- If you see message AOP192E, run the `loadprinterinventory` command as a batch job. For example:

```
//AOPRINV JOB MSGLEVEL=(1,1)
//STEP1 EXEC PGM=AOPBATCH,PARM='/loadprinterinventory //DD:INVENT'
//INVENT DD DISP=SHR,DSN=hlq.INV.BACKUPS(0)
//STDOUT DD SYSOUT=*
//STDERR DD SYSOUT=*
//STDENV DD *
NLSPATH=/usr/lpp/Printsrv/En_US/%N
AOPCONF=/etc/Printsrv/aopd.conf
/*
```

See [“Restoring the Printer Inventory with the loadprinterinventory command”](#) on page 105.

6. (Optional) If you use Infoprint Central, update the Infoprint Central search database to reflect the changed contents of the Printer Inventory.

Example: Run the `sdbu` command with the `-z` option to update this database:

```
sdbu -z
```

7. Restart the NetSpool and IP PrintWay basic mode tasks.
8. Restart any PSF FSAs that use the Printer Inventory.

Restoring the Printer Inventory with the loadprinterinventory command

When you try to start Infoprint Server with z/OS V2R2 or later and dynamic configuration is enabled, you see message AOP192E if Infoprint Server cannot find a valid system configuration definition in the Printer Inventory:

```
AOP192E The Configuration object is missing in the inventory.
```

When you see message AOP192E, use the `loadprinterinventory` command to restore the Printer Inventory.

Before you begin: Make sure that you are a member of the AOPADMIN group and have UPDATE access to the AOP.ADMINISTRATOR resource profile in the PRINTSRV class.

To supply a valid system configuration definition and restore the Printer Inventory, run this command:

```
loadprinterinventory pidu_export
```

where `pidu_export` is the name of the PIDU export file. If you do not have a PIDU export file, use the ISPF System Configuration panel or the Printer Inventory Definition Utility (PIDU) to edit and save the system configuration definition. See [z/OS Infoprint Server Operation and Administration](#).

Otherwise, contact your service representative in the IBM Support Center, or use your electronic link with IBM service for assistance.

You can also run the `loadprinterinventory` command as a batch job. For example:

```
//LOADPINV JOB 000,CLASS=2,NOTIFY=&SYSUID
//*
//DEFAULT OUTPUT CLASS=T,DEFAULT=YES,JESDS=ALL
//*
//STEP0001 EXEC PGM=AOPBATCH,
// PARM='/loadprinterinventory /u/dewolfe/base/pidu.export.july15'
//STEPLIB DD DSN=DEWOLFE.DEVB.Z22.LINKLIB,DISP=SHR
//STDERR DD SYSOUT=(, )
//STDOUT DD SYSOUT=(, )
//STDIN DD DUMMY
//
```

Saving messages in the common message log in the z/OS UNIX file system

The following information describes how to save messages in the common message log regularly. You might want to save messages if you specify a low retention period for messages. If you use the z/OS UNIX file system for messages, Infoprint Server automatically deletes messages after the retention time specified in the log-retention attribute expires. If you use the MVS system logger for messages, the system logger automatically deletes messages after the retention time for the log stream (specified in the RETPD parameter) expires.

You can use the Infoprint Server `aoplogu` command to save messages in the common message log to an HFS or zFS file or to an MVS data set. To use the `aoplogu` command, you must be a member of the AOPADMIN group. For more information, see [“Setting up security for the Printer Inventory and operator commands”](#) on page 43.

Before you begin: Create a separate file system for the saved message log files; for example, mounted at `/var/Printsrv.backups`. Do not save messages in the `/var/Printsrv` directory because the saved message log files can be large. For information about creating and mounting file systems, see [z/OS UNIX System Services Planning](#).

Steps for saving messages

These steps show how to save one day's worth of messages at 3 AM each day to file `/var/Printsrv.backups/message.logs.yymmdd`. The date of the backup is `yymmdd`.

1. Create a file to contain a short shell script, for example `/u/userid/do.savemsg`, to save one day's worth of messages. Your login user ID is `userid`.

If you set the PATH, NLSPATH, and optional AOPCONF environment variables with the values required by Infoprint Server in `/etc/profile` or `/u/userid/.profile`, put these lines in this file:

```
. /etc/profile
. /u/userid/.profile
export extension=$(date "+%y%m%d")
aoplogu -l 1:0:0 > /var/Printsrv.backups/message.logs.$extension
```

Otherwise, put these lines in this file to export the environment variables. You can omit the AOPCONF variable if the Infoprint Server configuration file is `/etc/Printsrv/aopd.conf`.

```
export PATH=/usr/lpp/Printsrv/bin:/bin:$PATH
export NLSPATH=/usr/lpp/Printsrv/%L/%N:/usr/lpp/Printsrv/En_US/%N:$NLSPATH
export AOPCONF=/etc/Printsrv/aopd.conf
export extension=$(date "+%y%m%d")
aoplogu -l 1:0:0 > /var/Printsrv.backups/message.logs.$extension
```

Tip: To automatically delete all files in the `/var/Printsrv.backups` directory that were created more than five days ago, add this command to the shell script:

```
rm $(find /var/Printsrv.backups -ctime "+5")
```

2. Set the execute permission bit for the `/u/userid/do.savemsg` file. For example:

```
chmod +x /u/userid/do.savemsg
```

3. Use the `crontab` command with the `-e` option to insert this line into the **crontab** entry:

```
00 03 * * * /u/userid/do.savemsg
```

When the `cron` daemon runs the commands in your **crontab** entry, it does not first run your `.profile` to establish environment variables. For more information about the `crontab` command and the `cron` daemon, see [z/OS UNIX System Services Command Reference](#).

Reducing the size of the common message log in the z/OS UNIX file system

The following information describes how to reduce the size of the common message log database in the z/OS UNIX file system. You might need to do this task if the database becomes larger than your file system can accommodate. If you reduce the size of the database, Infoprint Central cannot display messages that were written to the log before you decreased its size.

Steps for reducing the size of the common message log

1. Switch to an effective UID of 0:

```
su
```

To use the z/OS UNIX `su` command, you must be authorized to the BPX.SUPERUSER profile in the FACILITY class in RACF.

2. Specify fewer days or 0 in the log-retention attribute in the Infoprint Server configuration file (`aopd.conf`).

Tip: Because the common message log and Historical Inventory can contain a large amount of data, start with a value of 1 day. Increase the value by 1 if there is enough space in the file system and if users request to see more messages or historical information. (For other tips related to this attribute, see [“Creating and editing the Infoprint Server configuration file \(aopd.conf\)”](#) on page 30.)

3. Stop all Infoprint Server daemons. For example, enter this MVS command to run the AOPSTOP JCL procedure:

```
START AOPSTOP
```

4. Change to the Infoprint Server base directory. The default base directory is `/var/Printsrv`. If you specify a different base directory in the `base-directory` attribute in the `aopd.conf` file, change to that directory.

```
cd /var/Printsrv
```

5. Delete the `log.v2db` file, which contains the common message log database:

```
rm logdb/log.v2db
```

6. If you switched to an effective UID of 0 in step 1, switch back to your own UID:

```
exit
```

7. Restart Infoprint Server daemons. For example, enter this MVS command to run the AOPSTART JCL procedure:

```
START AOPSTART
```

Results:

1. Infoprint Central can no longer display messages that were previously written in the common message log. However, you can still use the `aoplogu` command to retrieve these messages.
2. Infoprint Server creates a new `log.v2db` file with no data. If you specified a value greater than 0 in the `log-retention` attribute, as Infoprint Server processes print jobs, the size of this file grows.
3. As the retention time expires for messages, Infoprint Server deletes message files (`/var/Printsrv/logs/timestamp`).

Setting Workload Manager goals

The following information lists considerations for defining Workload Manager (WLM) classification rules for prioritizing Infoprint Server work. The WLM component of z/OS lets you manage workload distribution, balance workload, and distribute resources to competing workloads.

- Put the NetSpool and IP PrintWay basic mode started tasks in a high-priority started task (subsystem type STC) service class.
- Assign the Infoprint Server daemons in a Classification Group to a Transaction Name Group (TNG) by using Transaction Class Groups. If you want to list each Infoprint Server daemon individually, see [“Customizing startup and shutdown commands and procedures” on page 51](#) for a list of daemon names.

The transform daemons, by default, inherit the name of the Infoprint Server Transform Manager daemon, `AOPXFD`. However, you can assign a unique name to each transform daemon in the `_BPX_JOBNAME` environment variable in the transform configuration file, `aopxfd.conf`. If the transform daemons have unique names, you can put transform daemons in separate TNGs and manage them separately. (For information about how to specify the `_BPX_JOBNAME` environment variable, see [“Format of an entry in the transform configuration file” on page 147](#).)

Example: This example uses the group name `AOP` and a wildcard for all daemons that start with `AOP`. Also, it assumes that the transform daemons have unique names in the `_BPX_JOBNAME` environment variable. For example, it assumes that this environment variable is set for the PostScript/PDF to AFP transform daemon: `_BPX_JOBNAME=PS2AFPD`.

```
Qualifier type . . . . . : Transaction Name
Group name . . . . . : AOP
Description . . . . . : Infoprint Server tasks
Fold qualifier names? . . . . Y (Y or N)

Qualifier Name  Description
AOP*           Infoprint Server daemons
AFP*           From AFP transforms
PS2AFPD       PostScript/PDF to AFP transform
```

```
PCL2AFPD      PCL to AFP transform
X2AFPD       Xerox to AFP transform
```

- Determine how important your print workload is to your installation compared with other work that is running on the system. In most cases, an importance of 3 for the first period is adequate.
- Assign the Infoprint Server daemons to a service class that uses a percentage response time goal for all except the last period. Use a velocity goal for the last period to handle long-running transactions, such as a transform. You can use the service-units-per-second value reported in the RMF™ SYSRPTS WLMGL options report to determine duration values. You can either create a service class for Infoprint Server daemons similar to the OMVS user service class, or you can use the same service class that you use for OMVS users.

Example: This example shows a definition for service class OMVSDMN, which is used for Infoprint Server daemons:

```
#  Duration  Imp  Goal description
-  - - - - -  -  - - - - -
1  200      3   80% complete within 00:00:00.500
2  600      4   60% complete within 00:00:01.000
3           5   Execution velocity of 40
```

Tips:

1. # = Period number
 2. Imp = Importance
- Assign the TNG name that you defined for Infoprint Server to the service class in Classification Rules, under the OMVS subsystem type.

Example: This example shows the TNG named AOP, assigned to service class OMVSDMN, with the report class RAOP. The report class is optional.

```
Subsystem Type . : OMVS
Description . . . z/OS UNIX System Services

  Qualifier  Qualifier  Starting  Service  Report
# type      name         position  Class    Class
- - - - -  - - - - -  - - - - -  - - - - -  - - - - -
1  TNG      AOP           ---      OMVSDMN  RAOP
:
:
```

For more information about Workload Manager, see [z/OS MVS Planning: Workload Management](#).

Chapter 4. Customizing Print Interface

This information describes how to customize the Print Interface component of Infoprint Server. You must customize Print Interface to submit print requests from these sources:

- z/OS UNIX shell commands (`lp`, `lpstat`, or `cancel`) or the AOPPRINT JCL procedure
- Remote clients that use the TCP/IP LPR to LPD protocol, Internet Printing Protocol (IPP), or Server Message Block (SMB) protocol
- Infoprint Port Monitor for Windows
- Infoprint Server Application Programming Interface (API)
- SAP R/3 Application Server for z/OS
- Batch jobs that specify the Print Interface subsystem in the SUBSYS parameter on the DD JCL statement

Print Interface processes print requests from local users and remote clients, and allocates output data sets on the JES spool. For an overview of Print Interface and how it fits into your system, see [“Print Interface”](#) on page 5.

Table 21 on page 109 summarizes the tasks to customize Print Interface. Required tasks are necessary for all installations. Optional tasks are required only if the listed condition applies.

<i>Table 21: Customization tasks for Print Interface</i>	
Task	Condition
“Identifying software requirements for Print Interface” on page 110	Required
“Common customization for Print Interface” on page 110	Required
“Customizing the z/OS UNIX printing commands” on page 122	Optional: To use <code>lp</code> command.
“Customizing the AOPPRINT JCL procedure” on page 123	Optional: To use AOPPRINT procedure.
“Customizing the Print Interface LPD” on page 124	Optional: To print from an LPR, the Infoprint Port Monitor for Windows, or a remote SAP R/3 application server; also required to use the IP PrintWay basic mode resubmit for filtering function.
“Customizing the z/OS SMB server to use Print Interface” on page 129	Optional: To print from a Windows client with SMB protocol.
“Customizing the Print Interface IPP Server” on page 130	Optional: To print from an IPP client.
“Customizing SAP R/3” on page 134	Optional: To print from SAP R/3.
“Customizing the Print Interface subsystem” on page 142	Optional: To use the Print Interface subsystem.

Table 22 on page 110 describes other components of Infoprint Server that you might need to customize. Required tasks are necessary for all installations. Optional tasks are required only if the listed condition applies.

<i>Table 22: Customization tasks for Infoprint Server components</i>	
Task	Condition
<u>Chapter 3, “Customizing the Printer Inventory Manager,” on page 21</u>	Required
<u>Chapter 5, “Customizing Transform Interface,” on page 145</u>	Optional: To transform data.
<u>Chapter 7, “Customizing IP PrintWay,” on page 181</u>	Optional: To print on printers in a TCP/IP network.
<u>Chapter 9, “Installing and customizing the Infoprint Server Windows client,” on page 327</u>	Optional: To submit print requests from the Infoprint Port Monitor for Windows.

Related tasks: After you customize Print Interface, do these tasks. For information about these tasks, see *z/OS Infoprint Server Operation and Administration*:

- Create a printer definition in the Printer Inventory for each printer and specify the fields in the printer definition that Print Interface requires.
- To use the LPD, IPP Server, or subsystem, start the daemons by running either a JCL startup procedure or a start command from the z/OS UNIX command line.

Identifying software requirements for Print Interface

Additional IBM software beyond the z/OS base elements is required:

- To submit print jobs with the SMB printing protocol, the z/OS SMB print server, which is part of the z/OS Distributed File Service element, is required.
- If you start the Print Interface IPP Server, one of these is required:
 - IBM 31-bit SDK for z/OS, Java Technology Edition, V7.1 (5655-W43)
 - IBM 31-bit SDK for z/OS, Java Technology Edition, V8.0 (5655-DGG)

The IPP Server cannot use the 64-bit SDK. However, you can install it on the z/OS system. For information, see [Java products for z/OS \(www.ibm.com/systems/z/os/zos/tools/java\)](http://www.ibm.com/systems/z/os/zos/tools/java).

- To submit print jobs from SAP R/3, one of these SAP R/3 application servers, which you can order from SAP, is required:
 - The SAP R/3 Application Server for z/OS
 - An SAP R/3 application server for another system (such as Windows, AIX, or Solaris)
- To print SAP R/3 output on AFP printers on the z/OS system, Infoprint Transforms to AFP for z/OS (5655-N60) is required.

Common customization for Print Interface

You must do the following customization tasks before you submit print requests to Print Interface. Required tasks are necessary for all installations that use Print Interface. Optional tasks are required only if the listed condition applies to your installation.

<i>Table 23: Common customization tasks for Print Interface</i>	
Task	Condition
<u>“Customizing z/OS Communications Server” on page 111</u>	Required
<u>“Updating the BPXPRMxx member of SYS1.PARMLIB” on page 112</u>	Required

Table 23: Common customization tasks for Print Interface (continued)

Task	Condition
“Working with JES spool limits” on page 113	Required
“Editing the aopd.conf file for Print Interface” on page 113	Optional: To change default configuration.
“Writing a filter program” on page 114	Optional: To inspect or modify input data streams.
“Customizing JES to specify no blank truncation” on page 120	Optional: To print XML data with PSF.
“Setting environment variables for Print Interface” on page 120	Optional: To print line data that has unprintable characters.
“Editing the system configuration definition for Print Interface” on page 121	Optional: To specify dynamic attributes.

Customizing z/OS Communications Server

You must customize and start the IP component (TCP/IP) of z/OS Communications Server if you plan to do one of these:

- Submit print jobs to Print Interface from remote systems.
- Use IP PrintWay to transmit print jobs to remote printers or email destinations.

The following information describes considerations that are related to customizing TCP/IP.

Print Interface and IP PrintWay extended mode support IPv6. If you enable or disable IPv6 while Infoprint Server daemons are running, you must stop and restart the LPD (aop1pd), the IPP Server daemon (aoppipd), and the IP PrintWay extended mode daemons (aopoutd and aopwsmd).

For complete information about how to customize TCP/IP, see:

- [z/OS Communications Server: IP Configuration Guide](#)
- [z/OS Communications Server: IP Configuration Reference](#)

Editing the hlq.PROFILE.TCPIP data set

You can customize the *hlq*.PROFILE.TCPIP data set when you customize the Communications Server. The *hlq*.PROFILE.TCPIP data set contains statements that initialize the TCP/IP address space. Special considerations exist for Print Interface and IP PrintWay for these statements: TCPCONFIG, PORT, and AUTOLOG.

Tips:

1. If you change any of the values in the *hlq*.PROFILE.TCPIP data set, restart the Communications Server so that your changes take effect.
2. For considerations that apply if you also run IP PrintWay, see [“Customizing z/OS Communications Server” on page 209](#).

TCPCONFIG statement

The TCPCONFIG statement in the *hlq*.PROFILE.TCPIP data set updates the TCP layer of TCP/IP. This is a sample TCPCONFIG statement that you might want to include in the *hlq*.PROFILE.TCPIP data set, followed by an explanation of the parameters and considerations for both Print Interface and IP PrintWay: TCPCONFIG INTERVAL 10 SENDGARBAGE TRUE TCPCVBUFRSIZE 32768 TCPSENDBFRSIZE 32768

INTERVAL *minutes* SENDGARBAGE TRUE

Number of minutes TCP waits after it receives a packet for a connection before it sends a keep-alive packet for that connection.

IP PrintWay relies on TCP to detect when a connection with the receiving system is no longer usable by sending keep-alive packets. Therefore, if you plan to use IP PrintWay, consider specifying a shorter interval than the default, which is approximately two hours. For example, consider specifying an interval of 10 minutes.

Note: The interval you specify applies to all TCP applications that direct TCP to send keep-alive packets.

Specify SENDGARBAGE TRUE if any target host requires that the keep-alive packet contains data.

TCPRCVBFRSIZE *buffersize*

The TCP receive buffer size. IP PrintWay requires a buffer size of at least 32768.

TCPSENBFRSIZE *buffersize*

The TCP send buffer size. IP PrintWay requires a buffer size of at least 32768.

Tip: You can also specify some of these parameters on other Communications Server statements. The settings from the last statement that is processed are used.

PORT and PORTRANGE statements

The PORT and PORTRANGE statements tell TCP/IP to reserve ports for specific processes. Make sure that the port numbers Infoprint Server uses are not reserved for other processes. If you use the Infoprint Server default ports, do not reserve these ports:

- Print Interface LPD: port 515
- Print Interface IPP Server: port 631

Example: This example comments out a line that reserves port 515 for the TCP/IP LPD. A semicolon in the first column indicates that the line is a comment.

```
PORT
:
; 515 TCP LPSERVE      ; LP Server
```

Tip: Both Print Interface and IP PrintWay must be able to obtain an available port in the 0 - 1023 range. However, you do not need to explicitly reserve any ports in this range for use by Print Interface or IP PrintWay even if the **Restrict ports** field is selected in a printer definition.

AUTOLOG statement

The AUTOLOG statement tells TCP/IP which procedure names to start. If you want to run only the Infoprint Server LPD and not the Communications Server LPD, remove or comment out the LPSERVE procedure name from the AUTOLOG statement. Use a semicolon in the first column to indicate that the line is a comment.

Example:

```
AUTOLOG
:
; LPSERVE              ; LPD Server
```

For information about whether you want to run the Communications Server LPD in addition to the Print Interface LPD, see [“Customizing z/OS Communications Server \(TCP/IP\)”](#) on page 125.

Updating the BPXPRMxx member of SYS1.PARMLIB

When you use Print Interface, you need to increase the number of active z/OS UNIX processes that the z/OS system allows. You can specify the number of allowed processes in these parameters in the BPXPRMxx member of SYS1.PARMLIB:

Parameter

Meaning

MAXPROCUSER

The maximum number of processes that a single z/OS UNIX user ID can have concurrently active.

Guideline: Add at least 70 for Infoprint Server processes.

MAXPROCSYS

The maximum number of processes that the z/OS system allows.

Guideline: Add 200 for processes that are used by both NetSpool and Print Interface. If you run IP PrintWay, add an extra 50 (extended mode) or an extra 70 for each IP PrintWay FSS (basic mode).

Example: Specify these statements in the BPXPRMxx member:

```
MAXPROCUSER(70) /*70(Infoprint Server) */
MAXPROCSYS(450) /*200(PrintInterface/NetSpool)+50(PrintWay extended)+200(initial)*/
```

Tip: You can use the SETOMVS or SET OMVS command to dynamically increase the MAXPROCUSER and MAXPROCSYS values. However, to make a permanent change, edit the BPXPRMxx member that is used for IPLs. For more information about the BPXPRMxx member, see [z/OS MVS Initialization and Tuning Reference](#).

Working with JES spool limits

Infoprint Server daemons that write data to the JES spool typically run for extended periods of time and write data to the spool for many print requests. Therefore, during normal processing, an Infoprint Server daemon can exceed the JES *spool limit* that you set in your installation. The *spool limit* is the cumulative amount of data that a program can write to the JES spool. Infoprint Server daemons that write data to the JES spool include these daemons:

- NetSpool daemon (aopnetd)
- Print Interface LPD (aoplpd)
- Print Interface IPP Server (aoppipd)
- Print Interface subsystem (aopsubd)

The `_BPX_UNLIMITED_OUTPUT` environment variable lets z/OS UNIX programs that have an effective UID of 0 and run in their own address space (such as the Infoprint Server daemons) continue processing when they exceed their spool limit. In this case, the JES2 and JES3 spool limit for each program is fixed at slightly less than 1 GB, with large spool limits for lines and AFP pages. Spool limits and JES actions that are specified in JES initialization statements or on the JOB JCL statement do not apply.

When the spool limit is reached, JES2 and JES3 display a warning message on the system console and let the program continue. You can specify the interval at which the warning message is displayed in these JES initialization statements:

- JES2: ESTBYTES, ESTLINES, and ESTPAGES statements
- JES3: STANDARDS statement

The `aopstart EXEC` and `aopdemon` command define `_BPX_UNLIMITED_OUTPUT=YES` in the environment in which it starts Infoprint Server daemons. Do not remove or change the value of this environment variable.

Tip: The specification of `_BPX_UNLIMITED_OUTPUT=YES` does not affect the z/OS SMB server, which uses the Infoprint Server Application Programming Interface (API) to write data to the JES spool.

Related task: Your administrator can limit the amount of data that Infoprint Server writes to the JES spool for any one print job. For information, see the description of the **Maximum document size** field or `maximum-document-size` attribute in [z/OS Infoprint Server Operation and Administration](#).

Editing the aopd.conf file for Print Interface

The `aopd.conf` file contains attributes that Infoprint Server uses when it starts. The default location of this file is `/etc/Printsrv/aopd.conf`.

If dynamic configuration is not enabled, you can specify the following attribute in the `aopd.conf` file. If you change this attribute, you must stop and restart all Infoprint Server daemons for the change to take effect.

job-prefix = prefix

A prefix that Print Interface and NetSpool use for the job IDs of output data sets that they allocate on the JES spool. For example, if you specify prefix IS, the job ID of a print job might be IS001234. This prefix can help you identify data sets that Print Interface and NetSpool allocate on the JES spool.

The prefix must be two alphanumeric or national (@, \$, and #) characters. Enclose a prefix that contains national characters in single or double quotation marks. The first character *cannot* be numeric.

In some situations, this prefix is not used. For example:

- If a job submitter specifies the sysout-job-id job attribute, the job ID of the data set on the JES spool is the job ID specified in the job attribute.
- If a job submitter submits a data set to the Print Interface subsystem, the job ID of the data set on the JES spool is the job ID that JES assigned to the job.
- If IP PrintWay basic mode resubmits a print job to Print Interface for filtering, the job ID of the data set on the JES spool is the job ID that JES assigned to the original job.

Tips:

1. z/OS also assigns a unique z/OS job ID to each output data set. The z/OS job ID might be different from the job ID of the output data set on the JES spool. JES operator commands use this z/OS job ID.
2. The job ID that Print Interface returns to the job submitter does not contain this prefix.

Rules:

1. If dynamic configuration is enabled, specify this attribute in the system configuration definition. If you change this attribute, you do not need to restart Infoprint Server.
2. If dynamic configuration is not enabled, specify this attribute in the aopd.conf file. If you change this attribute while Infoprint Server is running, stop all Infoprint Server daemons and restart Infoprint Server. Be sure to wait for all daemons to stop before you restart Infoprint Server.

Default: job-prefix = PS

Example: job-prefix = 'P#'

Related information: For information about:

- All attributes in the aopd.conf file, see [Appendix B, “Infoprint Server files,” on page 337](#).
- How to edit the aopd.conf file, see [“Steps for editing the Infoprint Server configuration file \(aopd.conf\)” on page 37](#).
- How to enable dynamic configuration, see [“Enabling dynamic configuration” on page 67](#).

[Programming Interface Information] Writing a filter program

This information documents programming-interfaces that you can use to write programs to obtain the services of Infoprint Server.

Infoprint Server lets your installation write filter programs to monitor and modify data. Infoprint Server calls the filter program before Print Interface or NetSpool writes the data to an output data set on the JES spool. For batch jobs submitted with JCL to IP PrintWay extended mode, Infoprint Server calls the filter program before IP PrintWay extended mode sends the data to the printer.

A filter can inspect the input data and do these types of functions:

- Convert data in a document from one data format to another
- Add a header or trailer page to each document
- Add printer instructions to the beginning of each document
- Add, delete, or modify data in a document
- Stop processing of a document

- Specify job attributes, such as the number of copies, email address, or form definition. Only a DLL filter can do this function. A UNIX filter cannot do this function.

You can write these types of filters:

- DLL filter: A filter that is in a dynamic link library (DLL) that `cfilter.h` defines.
- UNIX filter: A filter that reads from `stdin` and writes to `stdout`.

For some applications, you might need to write a DLL filter instead of a UNIX filter because a DLL filter can inspect more information about the input data stream and can also do more functions. For example, only in a DLL filter can you change the attribute that indicates the format of the data stream. If you want to change the data format, therefore, you must write a DLL filter instead of a UNIX filter. For more information about differences between DLL and UNIX filters, see [“Writing a DLL filter” on page 116](#) and [“Writing a UNIX filter” on page 117](#).

Options:

1. Instead of writing a filter to add header pages and trailer pages to output data sets that IP PrintWay transmits to the target printer, you can write an IP PrintWay Begin Data Set and an IP PrintWay End Data Set exit routine. For more information, see [“Begin Data Set exit” on page 229](#) and [“End Data Set exit” on page 246](#).
2. Instead of writing a filter to specify printer instructions for IP PrintWay to add to the beginning and end of each data set, the administrator can specify these instructions in a printer definition. For more information, see [z/OS Infoprint Server Operation and Administration](#).
3. Instead of writing a filter to add header and trailer pages to output data sets that PSF processes, you can write a PSF separator page exit. For information, see [PSF for z/OS: Customization](#).

[End Programming Interface Information]

Filter options

You can pass filter options and operands to your DLL or UNIX filter. The administrator can specify filter options and operands in the printer definition, and the user can specify filter options in the filter-options job attribute.

The administrator can use the special `%` operator to pass the value of a job attribute to the filter. For example, if a user specifies a job attribute on the `lp` command, the value of the attribute can be passed to the filter. Use this format:

`%attribute_name`

%

Causes the entire `%attribute-name` substring to be replaced by the value of the attribute.

attribute-name

The name of any job attribute, as defined in [z/OS Infoprint Server User's Guide](#).

If an attribute value is empty or contains special character or spaces, the value is enclosed in quotation marks and passed to the filter as one argument.

Examples:

1. Using the `%` operator

In this example, `%address-text` is specified as an operand for UNIX filter `test_filter` in the printer definition:

```
spawn /usr/local/bin/test_filter %address-text
```

If the `lp` command specifies this `address-text` job attribute:

```
lp -o "address-text={a1 a2}"
```

Filter `test_filter` is passed these arguments:

```
/usr/local/bin/test_filter "{ a1 a2 }"
```

The filter program receives `/usr/local/bin/test_filter` as the first argument and `{ a1 a2 }` as the second argument (without quotation marks).

2. Using the % operator with a filter written in the REXX language

Sometimes the values for job attributes are null. If you use REXX to write your filter, use a parse statement like this one to parse arguments, so that null arguments are properly passed to the program:

```
parse arg arg1 ' ' arg2 ' ' arg3
```

Sometimes the values for job attributes contain embedded spaces. Because the parse statement shown in the example does not correctly receive an argument that contains embedded spaces, use an alternative delimiter such as `/` to delimit filter options that use the % operator. Make sure that the delimiter you select does not have a special meaning to the shell and does not occur in the data. For example, if the administrator uses `/` to delimit filter options in the printer definition, such as:

```
spawn /usr/local/bin/test_filter /%name-text/%document-format/
```

And if the `lp` command specifies the name-text job attribute:

```
lp -o "name-text='mike smith'" text.file
```

The command, after substitution of the attribute values, is:

```
/usr/local/bin/test_filter /"mike smith"/text/
```

You can use this REXX parse statement to parse the arguments:

```
parse arg '/' name_text '/' doc_format '/'
```

For more information about how to specify the filter name in a printer definition, see [“Invoking a DLL or UNIX filter”](#) on page 118 and *z/OS Infoprint Server Operation and Administration*.

Writing a DLL filter

A DLL filter can convert data to a different format. For example, a DLL filter can convert line data to text format or to PDF format. If a DLL filter changes the data format, the filter must indicate the new data format in the document-format job attribute. DLL filters must convert the data to the printer code page.

To assist you in writing a new DLL filter, IBM provides the source code for the `aopfiltr.so` DLL filter in these files:

- `cfilter.h`, a header file that contains declarations and interface descriptions. Do not change the contents of this file.
- `cfilter.c`, the source code for the `aopfiltr.so` filter.

Both files are in directory `/usr/lpp/Printsrv/samples`. For more information about `aopfiltr.so`, see [“Filters provided with Infoprint Server”](#) on page 119.

To customize the `aopfiltr.so` filter:

- Modify file `cfilter.c` as necessary, using the comments in the prologs of the file.
- Link the filter as a dynamic link library (DLL), as described in the comments in file `cfilter.c`.

Rule: Use the `z/OS UNIX extattr` command to set the `a` extended attribute for the filter. To use the `extattr` command, you must have at least read access to the `BPX.FILEATTR.APF` resource in the `FACILITY` class profile. For example:

```
extattr +a filtername.dll
```


For a more secure environment, do not link the filter with the AC=1 attribute. When you omit AC=1, the exit runs APF-authorized only when an APF-authorized program, such as Infoprint Server, calls it.

Input to a DLL filter

A DLL filter has access to this information:

- Filter options and operands.
- Environment variables.
- Input data in a document. Text and line-data documents are already converted to the printer code page.
- Name of the printer code page that is used to convert the data.
- Format of the data, as determined by Infoprint Server or as specified by the job submitter.
- The LPD control file in a format that is defined by RFC 1179.
- The type of carriage controls in the input file.
- The name of the input file.
- The name of the printer definition for the print request.
- Job attributes. Job attributes can be specified either by the job submitter or in the printer definition. For a list of Infoprint Server job attributes, see [z/OS Infoprint Server User's Guide](#).

Output from a DLL filter

A DLL filter can return this output to Infoprint Server:

- Modified data.
- Format of the data.
- The type of carriage controls.
- Job attributes. Infoprint Server uses job attributes when it allocates data sets on the JES spool. For example, if the filter specifies the copies or form-definition job attribute, Infoprint Server allocates the data set on the JES spool as if the COPIES or FORMDEF JCL parameter were specified. For a list of Infoprint Server job attributes and corresponding JCL parameters, see [z/OS Infoprint Server User's Guide](#).
- Printer code page. Text and line-data documents are converted to this code page before the data is passed as input to the filter.
- Return code. If the return code indicates an error, Infoprint Server ends processing of the document.

Writing a UNIX filter

A UNIX filter can be a shell executable, such as a C program, REXX exec, or a shell script. Infoprint Server creates a UNIX filter as a separate process. (cat found on all UNIX systems is an example of a UNIX filter.)

You can write a UNIX filter to modify data before Infoprint Server formats it. However, a UNIX filter must not convert data to a different format. For example, a UNIX filter must not convert line data to text format or to PDF format. Also, a UNIX filter must not convert data to a different code page. After Infoprint Server calls a UNIX filter, Infoprint Server processes the data as usual. It assumes that the document format and document code page are unchanged.

The shell script in [Figure 19 on page 117](#) shows an example of a simple UNIX filter:

```
#!/bin/sh
# DESCRIPTION:
#   This filter processes EBCDIC (not ASCII).
#   Terminate each line with "carriage return + line feed".
#=====
awk '{ printf "%s\r\n", $0 }';
exit
```

Figure 19: Sample UNIX filter

Rules:

1. z/OS UNIX Services restrict the UNIX filter files that can be used by z/OS UNIX set-user-ID and set-group-ID privileged programs. A UNIX filter that is defined as a REXX exec now requires that the program control extended attribute is turned on; otherwise, you see an error message. To set the program control extended attribute, enter:

```
extattr +p pathname
```

where *pathname* is the REXX exec.

2. If you use the AOPPRINT JCL procedure or the AOPBATCH program to print, set the `_BPX_SHAREAS=YES` environment variable in the AOPPRINT JCL procedure and the AOPBATCH program.

Input to a UNIX filter

A UNIX filter can access this information:

- Filter options and operands.
- Environment variables.
- The input data in `stdin`. All data is in the document code page.

Output from a UNIX filter

A UNIX filter can return this output to Infoprint Server:

- Modified data in `stdout`. The modified data must be in the document code page. A UNIX filter must not convert data to a different format or change any document attributes.
- A return code. If the return code indicates an error, Infoprint Server ends processing of the document and does not allocate the data set on the JES spool.

Tip: If you run IP PrintWay extended mode and your UNIX filter transforms line data to PCL, PDF, or PostScript format, consider specifying the `AOP_SUPPRESS_POST_UNIX_FILTER_FORMATTING` environment variable or, if dynamic configuration is enabled, the `suppress-post-unix-filter-formatting` attribute.

Invoking a DLL or UNIX filter

To request that Infoprint Server invoke a filter, the administrator must specify the filter name and filter options in the printer definition for the target printer. The full path name is required unless the filter is in a directory that is named in the `LIBPATH` environment variable (for DLL filters) or in the `PATH` environment variable (for UNIX filters). For UNIX filters, the administrator must type **spawn** before the filter name.

The administrator specifies the filter in the **Filter** field of the Processing section of a printer definition, or in a Processing component. The administrator can specify different filters for different input data formats. For more detailed information, see [z/OS Infoprint Server Operation and Administration](#).

Programming considerations

Consider these points when you are coding a filter program:

- You need to be an experienced programmer who is aware of overall system implications.
- Do not send a long-term explicit or implied `WAIT` in the filter program because it can reduce the throughput of the Print Interface LPD or IPP Server.
- The filter program runs in 31-bit addressing mode.
- Code the filter program to be reentrant.
- All filter programs run in problem state.
- Programming exceptions cause an Infoprint Server abend. An `ESTAE` is in effect while a filter program is running.

- A DLL filter, in the initialization function, can obtain a work area and pass a pointer to that work area to other functions in the filter program. Using the work area, one function can pass data to another function.
- Future Infoprint Server program maintenance might require that you recompile your filter programs.

When a UNIX filter reads from `stdin`, the read function can obtain fewer than the requested number of bytes. You must code your UNIX filter accordingly.

In most programming and scripting languages, the read function obtains the requested number of bytes if the program reads from a file on disk. The read function can obtain fewer than the requested number of bytes if the program reads from a pipe or socket. When Infoprint Server runs a UNIX filter, the UNIX filter's `stdin` is a pipe. The read function returns zero bytes when end-of-file (end-of-input) is reached on a file, pipe, or socket.

If a UNIX filter needs to obtain a specific number of bytes from `stdin` before it can process the data, it must continue to invoke the read function until it obtains that number of bytes or end-of-file is reached. Each time the program invokes the read function, it must adjust the buffer pointer and bytes requested to account for data that is already obtained. It is often convenient to create a function in the UNIX filter for this purpose. Here is some representative pseudo-code:

```
function:      read_x_bytes
input arguments:  buffer_ptr
                bytes_requested
returns:      success or failure
{
  curr_ptr = buffer_ptr
  total_bytes_obtained = 0

  do {
    bytes_obtained = read( curr_ptr,
                          bytes_requested - total_bytes_obtained )
    curr_ptr = curr_ptr + bytes_obtained
    total_bytes_obtained = total_bytes_obtained + bytes_obtained
  } while ((bytes_obtained > 0) AND
           (total_bytes_obtained < bytes_requested))

  if (total_bytes_obtained EQUALS bytes_requested)
    return success
  else
    return failure
}
```

Testing filters

To test your filter, specify the name of the filter in a printer definition and use the `lp` command to print a document to that printer definition. As an alternative, you can use the `filter` command to test your filter. For a description of the `filter` command, see `/usr/lpp/Printsrv/samples/cfilter.h`.

Modifying filters

After you modify a DLL filter, you must restart the Infoprint Server daemons to load the new version of the filter if Infoprint Server already uses the old version of the filter with the same name. You do not need to restart Infoprint Server when you modify a UNIX filter or if you tested the filter only with the `lp` or `filter` command.

Filters provided with Infoprint Server

Infoprint Server provides these DLL filters in directory `/usr/lpp/Printsrv/lib`:

- `aopfiltr.so`: Converts ASCII line-feed controls (X'0A') that are not preceded by carriage-return controls to carriage-return and line-feed controls (X'0D0A'). The X'0D0A' control is suitable for most ASCII printers and print queues.
- `aoprform.dll`: Sends data to be transformed to Ricoh InfoPrint Manager for AIX or Windows.
- `aoprxf.so`: Sends data to be transformed to Ricoh InfoPrint Transform Manager for Linux.
- `lpd_compat.so`: Provides an LPD filter with similar function to the z/OS Communications Server LPD.

Customizing JES to specify no blank truncation

JES2 and JES3, by default, truncate EBCDIC blank characters (X'40' characters) from the end of each record on the JES spool to save spool space. If you print XML data through PSF without first transforming the XML data to AFP data, you need to customize JES so it does not truncate blank characters.

To request no blank truncation, specify these JES parameters:

JES2

BLNKTRNC=NO on the JES2 OUTCLASS statement. The default is BLNKTRNC=YES.

JES3

TRUNC=NO on the JES3 SYSOUT statement. The default is TRUNC=YES. However, you can change the default in the TRUNC parameter of the JES3 BUFFER statement.

For example, if PSF processes XML data sets that are in output class X, specify BLNKTRNC=NO (in JES2) and TRUNC=NO (in JES3) for class X.

For more information about these JES parameters and how to restart JES after you set them, see:

- [z/OS JES2 Initialization and Tuning Reference](#) for information about the JES2 OUTCLASS statement.
- [z/OS JES3 Initialization and Tuning Reference](#) for more information about the JES3 SYSOUT statement.

Tip: When you use IP PrintWay instead of PSF to send data to the printer, you can request either JES blank truncation (to save spool space) or JES no blank truncation. This is because any truncated characters are restored before data is printed.

Setting environment variables for Print Interface

If dynamic configuration is not enabled, Print Interface uses the following environment variable, which you can set in the aopstart EXEC:

AOP_ALLOW_ALL_CHARACTERS_IN_LINE_DATA

Determines how Infoprint Server detects the data format of documents that contain line data. Valid line data contains carriage control characters, table reference characters, binary zeros, and printable characters. However, some applications might create line data that contains unprintable characters.

If this environment variable is set to YES, if line data contains unprintable characters, Infoprint Server detects the data format as "line data".

If this environment variable is not set, if line data contains unprintable characters, Infoprint Server detects the data format as "other". Line data that Infoprint Server detects as "other" might not print correctly because Infoprint Server does not convert it to the printer's code page.

Tips:

1. Job submitters can specify the data format in the document - format job attribute. For example, job submitters can specify document-format=line in the PRTATTRS parameter on the OUTPUT JCL statement. If the document-format job attribute is specified, Infoprint Server ignores this environment variable because it does not detect the data format.
2. Set this environment variable to YES if Infoprint Server does not detect the line data format and job submitters cannot specify the document-format=line job attribute.
3. This environment variable does not affect how NetSpool checks SCS and 3270 data streams for validity. The input SCS and 3270 data streams must contain only valid characters.

Rules:

1. If dynamic configuration is enabled, specify the equivalent allow-all-characters-in-line-data attribute in the system configuration definition.
2. If dynamic configuration is not enabled, specify this environment variable in the aopstart EXEC.

Default: The environment variable is not set.

Example: AOP_ALLOW_ALL_CHARACTERS_IN_LINE_DATA=YES

Print Interface also uses the LANG, LIBPATH, NLSPATH, and PATH environment variables.

Related information: For information about:

- How to edit the `aopstart EXEC`, see [“Editing the aopstart EXEC” on page 53](#)
- The `LANG`, `LIBPATH`, `NLSPATH`, and `PATH` variables, see [“Setting environment variables for the Printer Inventory Manager” on page 38](#)

Editing the system configuration definition for Print Interface

The system configuration definition in the Printer Inventory contains attributes that let you customize Infoprint Server while Infoprint Server is running. If dynamic configuration is enabled, you can specify these attributes in the system configuration definition to customize Print Interface:

allow-all-characters-in-line-data = yes | no

This attribute determines how Infoprint Server detects the data format of documents that contain line data. Valid line data contains carriage control characters, table reference characters, binary zeros, and printable characters. However, some applications might create line data that contains unprintable characters.

yes

Infoprint Server detects the data format as "line data" even if the input data contains unprintable characters.

no

Infoprint Server detects the data format as "other" if the input data contains unprintable characters. Line data that Infoprint Server detects as "other" might not print correctly because Infoprint Server does not convert it to the printer's code page.

Tips:

1. Job submitters can specify the data format in the document-format job attribute. For example, job submitters can specify `document-format=line` in the `PRTATTRS` parameter on the `OUTPUT JCL` statement. If the document-format job attribute is specified, Infoprint Server ignores this attribute because it does not detect the data format.
2. Specify `allow-all-characters-in-line-data=yes` if Infoprint Server does not detect the line data format and job submitters cannot specify the `document-format=line` job attribute.
3. This attribute does not affect how NetSpool checks SCS and 3270 data streams for validity. The input SCS and 3270 data streams must contain only valid characters.

Rules:

1. If dynamic configuration is enabled, specify this attribute in the system configuration definition. If you change this attribute, you do not need to restart Infoprint Server.
2. If dynamic configuration is not enabled, specify the equivalent `AOP_ALLOW_ALL_CHARACTERS_IN_LINE_DATA` environment variable in the `aopstart EXEC`.
3. This attribute does not apply to IP PrintWay basic mode.

Default: `allow-all-characters-in-line-data = no`

Example: `allow-all-characters-in-line-data = yes`

job-prefix = prefix

A prefix that Print Interface and NetSpool use for the job IDs of output data sets that they allocate on the JES spool. For example, if you specify prefix `IS`, the job ID of a print job might be `IS001234`. This prefix can help you identify data sets that Print Interface and NetSpool allocate on the JES spool.

The prefix must be two alphanumeric or national (`@`, `$`, and `#`) characters. Enclose a prefix that contains national characters in single or double quotation marks. The first character *cannot* be numeric.

In some situations, this prefix is not used. For example:

- If a job submitter specifies the `sysout-job-id` job attribute, the job ID of the data set on the JES spool is the job ID specified in the job attribute.

- If a job submitter submits a data set to the Print Interface subsystem, the job ID of the data set on the JES spool is the job ID that JES assigned to the job.
- If IP PrintWay basic mode resubmits a print job to Print Interface for filtering, the job ID of the data set on the JES spool is the job ID that JES assigned to the original job.

Tips:

1. z/OS also assigns a unique z/OS job ID to each output data set. The z/OS job ID might be different from the job ID of the output data set on the JES spool. JES operator commands use this z/OS job ID.
2. The job ID that Print Interface returns to the job submitter does not contain this prefix.

Rules:

1. If dynamic configuration is enabled, specify this attribute in the system configuration definition. If you change this attribute, you do not need to restart Infoprint Server.
2. If dynamic configuration is not enabled, specify this attribute in the `aopd.conf` file. If you change this attribute while Infoprint Server is running, stop all Infoprint Server daemons and restart Infoprint Server. Be sure to wait for all daemons to stop before you restart Infoprint Server.

Default: `job-prefix = PS`

Example: `job-prefix = 'P#'`

Example: This screen shows a portion of the ISPF panel that you use to edit the system configuration definition for Print Interface:

```

                                Infoprint Server: System Configuration

General:
  _ Allow all characters in line data
  Job ID prefix . . PS
```

Related information: For information about:

- How to enable dynamic configuration, see [“Enabling dynamic configuration” on page 67](#).
- How to edit the system configuration definition, see [“Steps for editing the system configuration definition” on page 79](#).

Customizing the z/OS UNIX printing commands

Print Interface provides enhanced z/OS UNIX shell commands for printing: `lp`, `lpstat`, and `cancel`. For information about how to use these commands, see [z/OS Infoprint Server User's Guide](#).

These environment variables affect the behavior of these commands. You can set the environment variables in the `/etc/profile` file so that they apply for all users of the `lp`, `lpstat`, and `cancel` commands.

AOPOPTIONS

Specifies a string of job attributes and values that are to be in effect for each `lp` command. The `lp` command includes the attributes that are specified in this environment variable before the attributes specified, if any, on the `-o` option of the `lp` command. Because the `lp` command reads the value of the `AOPOPTIONS` environment variable before the options you specify on the command line, a user can override the values of this variable. This variable is optional. Use this environment variable to specify job attributes that are constant for all print jobs. For the format of the job attributes and values, see [z/OS Infoprint Server User's Guide](#).

AOPPATH

The directory that contains attribute files that are used by the `lp` command. This variable is optional. If you do not create attribute files for the `lp` command, you do not need to set this variable. For information about attribute files, see [z/OS Infoprint Server User's Guide](#).

PRINTER or LPDEST

The default printer for the lp command. The value in LPDEST overrides the value in PRINTER.

This variable is optional. You can also use Infoprint Server ISPF panels to define a default printer. See *z/OS Infoprint Server Operation and Administration*. The printer that is named in either LPDEST or PRINTER overrides the printer that is named on the ISPF configuration panel.

To use the z/OS UNIX printing commands, you do not need to start any daemons in addition to the Printer Inventory Manager daemon.

Customizing the AOPPRINT JCL procedure

Infoprint Server provides the AOPPRINT JCL procedure, which local users can use to submit the lp command from a batch job.

AOPPRINT is included in SYS1.IBM.PROCLIB. However, during installation, AOPPRINT might be copied to another data set in the PROCLIB concatenation.

For information about how to use the AOPPRINT JCL procedure, see *z/OS Infoprint Server User's Guide*.

Figure 20 on page 123 shows the AOPPRINT procedure.

```
/*-----  
/* AOPPRINT - z/OS Print Server batch print procedure  
/*-----  
//AOPPRINT PROC PRINTER='p1',OPTIONS=,OUTCLASS='*',ERRCLASS='*'  
//LP EXEC PGM=AOPBATCH,  
// PARM='/lp -d &PRINTER -o "&OPTIONS" //DD:SYSIN'  
//STDOUT DD SYSOUT=&OUTCLASS  
//STDERR DD SYSOUT=&ERRCLASS  
/* STDENV may point to a dataset containing environment variables.  
/* Builtin values will work for the default installation.  
/*STDENV DD DSN=USERID.JCL(ENVVARS),DISP=SHR
```

Figure 20: AOPPRINT JCL procedure in SYS1.IBM.PROCLIB

You can customize the AOPPRINT JCL procedure for your installation in these ways:

- To change the name of the default printer definition, specify the printer definition name in the PRINTER option on the PROC statement. If you do not change the name, the default is p1. The administrator must create a printer definition with the default name.
- Specify environment variables in an STDENV data definition (DD), as shown in the procedure. If your installation installed Infoprint Server in the default directory, /usr/lpp/Printsrv/, you do not need to specify the LIBPATH, NLSPATH, and PATH environment variables. Specify each variable on a separate line, in the format *variable=value*:

```
LIBPATH=/usr/mylib  
PATH=/usr/mylib
```

Tip: The lp command returns MVS return codes (0, 4, 8) instead of UNIX exit values (0, 1) when you set the AOP_MVS_RETURN_CODES=YES environment variable.

- If any printer definitions specify an installation-written UNIX filter, specify the _BPX_SHAREAS=YES environment variable. If you do not set _BPX_SHAREAS=YES, you can receive this error message:

```
lp: AOP003E cat: EDC5157I An internal error has occurred.
```

- If you did not add the Language Environment runtime libraries (*hlq.SCEERUN* and *hlq.SCEERUN2*) and the C++ runtime library (*hlq.SCLBDLL*) to the system LNKLIST, concatenate them to a STEPLIB DD statement.

To use the AOPPRINT procedure, you do not need to start any daemons in addition to the Printer Inventory Manager daemon.

Related information: For information about how to access the Language Environment runtime libraries and improve the performance of runtime libraries, see [z/OS UNIX System Services Planning](#).

Customizing the Print Interface LPD

You need to customize the Print Interface Line Printer Daemon (LPD) if you want to do any of the following tasks:

- Submit print requests to Infoprint Server with commands that use the LPR to LPD protocol, such as:
 - LPR and LPQ commands from z/OS, VM, z/VM®, IBM i, UNIX, and Windows systems
 - lpr, enq, and qstat commands from AIX systems
 - lprafp command from Windows and UNIX systems
- Submit print requests to Infoprint Server with the Infoprint Port Monitor from Windows systems.
- Transform data sets that Print Interface does not allocate on the JES spool (for example, data sets that NetSpool allocates on the JES spool and that the z/OS system allocates on the JES spool) and that IP PrintWay basic mode transmits to remote printers. For information about how to select the IP PrintWay basic mode transform function in a printer definition, see the description of the resubmit for filtering option in [z/OS Infoprint Server Operation and Administration](#).

Tip: You do not need to customize the Print Interface LPD to print from Windows systems that use the native Windows Server Message Block (SMB) protocol or from any operating system that uses Internet Printing Protocol (IPP).

The Print Interface LPD accepts print requests from clients that use the LPR to LPD protocol as defined by RFC 1179; detects the input data stream and transforms data streams; validates that documents can print as requested; allocates jobs on the JES spool; and provides notification of job completion and job status.

Table 24 on page 124 describes customization tasks. Required tasks are necessary for all installations that want to use the Print Interface LPD. Optional tasks are required only if the listed condition applies to your installation.

Table 24: Customization tasks for Print Interface LPD	
Task	Condition
“Customizing z/OS Communications Server (TCP/IP)” on page 125	Required
“Editing the aopd.conf file for the LPD” on page 126	Required
“Editing the system configuration definition for the LPD” on page 127	Optional: To specify dynamic attributes.
“Using the LPD compatibility filter” on page 128	Optional: To obtain formatting similar to z/OS Communications Server LPD.
“Customizing LPR clients” on page 128	Optional: To print from a remote client.

Related tasks: After you customize the Print Interface LPD, do these tasks. For information about these tasks, see [z/OS Infoprint Server Operation and Administration](#):

- Create a printer definition in the Printer Inventory for each printer and specify the fields in the printer definition that Print Interface requires.
- Run a JCL startup procedure or a start command from the z/OS UNIX command line to start the Print Interface LPD.

Customizing z/OS Communications Server (TCP/IP)

z/OS Communications Server also provides an LPD (LPDSERVE) on the z/OS system. You must decide whether to run only the Print Interface LPD or both the Communications Server LPD and the Print Interface LPD on the z/OS system.

Guideline: Run only the Print Interface LPD, without the Communications Server LPD, for these reasons:

- The Print Interface LPD provides comparable function to the Communications Server LPD. The Print Interface LPD is suitable for most clients that currently use the Communications Server LPD.
- If you run both the Print Interface LPD and the Communications Server LPD on the same system, you must configure two TCP/IP stacks so that you can use all functions that Infoprint Server provides. For more information, see [“Running the Print Interface LPD and the Communications Server LPD on the same z/OS system” on page 125.](#)

Running only the Print Interface LPD on the z/OS system

To run only the Print Interface LPD, and not the Communications Server LPD:

- To use all functions that Infoprint Server provides, the Print Interface LPD must listen at port 515. Therefore, you must make sure that the Communications Server LPD does not reserve port 515. See [“PORT and PORTRANGE statements” on page 112.](#)
- Do not start the Communications Server LPD. For information about how to remove the LPDSERVE procedure name from the AUTOLOG statement in the *hlq.PROFILE.TCPIP* data set, see [“AUTOLOG statement” on page 112.](#)
- Ask your administrator to create printer definitions in the Printer Inventory with the same name as the printers that are defined with SERVICE statements in the Communications Server LPD Server configuration data set, *hlq.SEXAINST(LPDDATA)*.
- If you want the Print Interface LPD to function comparably to the Communications Server LPD, specify the Print Interface LPD compatibility filter in the printer definitions for PSF-controlled printers. For information, see [“Using the LPD compatibility filter” on page 128.](#)

Running the Print Interface LPD and the Communications Server LPD on the same z/OS system

To run both the Print Interface LPD and the Communications Server LPD on the same z/OS system, you can either run each LPD on a separate TCP/IP stack or both LPDs on the same TCP/IP stack.

Guideline: Run each LPD on a separate TCP/IP stack so that you can use all of the functions that Infoprint Server provides.

Running each LPD on a separate TCP/IP stack

You need to define multiple TCP/IP stacks so that the Print Interface LPD can run on one stack, while the Communications Server LPD runs on the other stack. Each TCP/IP stack has its own IP address, or its own host name that resolves to an IP address. When the Print Interface LPD and the Communications Server LPD run on their own stacks, you can use all of the functions that Infoprint Server provides because you can assign port 515 to both the Print Interface LPD and the Communications Server LPD.

The Print Interface LPD must run on a z/OS UNIX System Services stack. You must identify the job name that is associated with the z/OS UNIX TCP/IP stack in the `_BPXK_SETIBMOPT_TRANSPORT` environment variable. Specify this variable before you start the Print Interface LPD. For example, if you configure two stacks, one named TCPIP and another named TCPIPOE, and you want Infoprint Server to use the TCPIPOE stack, specify `_BPXK_SETIBMOPT_TRANSPORT=TCPIPOE`. You must set variable `_BPXK_SETIBMOPT_TRANSPORT` in the `aopstart EXEC` or `envvar` file as described in [“Editing the aopstart EXEC” on page 53](#) or [“Creating an environment variables file \(envvar\)” on page 55](#). If you do not specify this environment variable, the z/OS Communications Server uses its standard search mechanism to determine the TCP/IP stack to use.

For more information about how to configure multiple TCP/IP stacks and set the `_BPXK_SETIBMOPT_TRANSPORT` variable, see:

- [z/OS Communications Server: IP Configuration Guide](#)

- *z/OS UNIX System Services Planning*

Running both LPDs on the same TCP/IP stack

The same TCP/IP stack can serve both the Print Interface LPD and the Communications Server LPD. However, you must assign different port numbers to each LPD to distinguish between them. Because you must assign port 515 to the Communications Server LPD, you must assign a port other than 515 to the Print Interface LPD. To assign a port to the Print Interface LPD, change the port number in the `lpd-port-number` attribute.

Limitations: When you run both LPDs on the same TCP/IP stack, you cannot use all of the functions that Infoprint Server provides. These limitations apply if you select this TCP/IP configuration option:

- Remote users cannot use commands such as `LPR` and `enq` to submit print requests. The reason is because you cannot configure most LPR clients to send print requests to a port other than the well-known port 515. However, the Infoprint Port Monitor for Windows is an exception. You can configure the Port Monitor to send print requests to any port.
- IP PrintWay basic mode cannot transform data from and to the AFP data format by using the *resubmit for filtering* option. The reason is because IP PrintWay basic mode resubmits data for transform to Print Interface at port 515. This limitation does not apply when you run IP PrintWay extended mode because IP PrintWay extended mode can transform data without resubmitting it to Print Interface for filtering.

Editing the `aopd.conf` file for the LPD

The `aopd.conf` file contains attributes that Infoprint Server uses when it starts. The default location of this file is `/etc/Printsrv/aopd.conf`.

To start the LPD, you must specify the following attribute in the `aopd.conf` file:

`start-daemons = { lpd }`

To start the LPD, add `lpd` to the values in this attribute. Enclose the values in braces. If this attribute is not specified, the Printer Inventory Manager daemons and the LPD start.

Rule: If you change this attribute while Infoprint Server is running, start Infoprint Server again. You do not need to stop any Infoprint Server daemons before you restart.

Default: `start-daemons = {lpd}`

If dynamic configuration is not enabled, you can also specify the following attribute in the `aopd.conf` file:

`lpd-port-number = portnumber`

The number of the port at which the Infoprint Server LPD waits for print requests. Port 515 is the well-known port for communication between LPRs and LPDs. If you specify a port other than 515, make sure that the port is not used by any other service on the z/OS system. Windows users must specify this port number when they configure the Infoprint Port Monitor for Windows. This attribute is optional.

Tip: Assign port 515 to the Print Interface LPD so that you can use all of the functions that Infoprint Server provides. These limitations apply if you assign a port other than port 515:

- Remote users cannot use commands such as `LPR` and `enq` to submit print requests. The reason is because you *cannot* configure most LPR clients to send print requests to a port other than the well-known port 515. However, the Infoprint Port Monitor for Windows is an exception. You can configure the Port Monitor to send print requests to any port.
- IP PrintWay basic mode cannot transform data with the *resubmit for filtering* option. The reason is because IP PrintWay resubmits data to Print Interface at port 515. This limitation does not apply when you run IP PrintWay extended mode because IP PrintWay extended mode can transform data without resubmitting it to Print Interface for filtering.

Rules:

1. Make sure that the port is not used by any other service on the same TCP/IP stack.

2. This port number must not be reserved in the *hlq.PROFILE.TCPIP* data set. For more information about the PORT statement, see [tcpprof.dita#idprof](#).
3. If dynamic configuration is enabled, specify this attribute in the system configuration definition. If you change this attribute, you do not need to restart Infoprint Server.
4. If dynamic configuration is not enabled, specify this attribute in the `aopd.conf` file. If you change this attribute while Infoprint Server is running, stop all Infoprint Server daemons and restart Infoprint Server. Be sure to wait for all daemons to stop before you restart Infoprint Server.

Default: `lpd-port-number = 515`

Related information: For information about:

- How to edit the `aopd.conf` file, see [“Steps for editing the Infoprint Server configuration file \(aopd.conf\)”](#) on page 37.
- All attributes in the `aopd.conf` file, see [Appendix B, “Infoprint Server files,”](#) on page 337.
- How to enable dynamic configuration, see [“Enabling dynamic configuration”](#) on page 67.

Editing the system configuration definition for the LPD

The system configuration definition in the Printer Inventory contains attributes that let you customize Infoprint Server while Infoprint Server is running. If dynamic configuration is enabled, you can specify this attribute in the system configuration definition to customize the LPD:

lpd-port-number = *portnumber*

The number of the port at which the Infoprint Server LPD waits for print requests. Port 515 is the well-known port for communication between LPRs and LPDs. If you specify a port other than 515, make sure that the port is not used by any other service on the z/OS system. Windows users must specify this port number when they configure the Infoprint Port Monitor for Windows. This attribute is optional.

Tip: Assign port 515 to the Print Interface LPD so that you can use all of the functions that Infoprint Server provides. These limitations apply if you assign a port other than port 515:

- Remote users cannot use commands such as LPR and `enq` to submit print requests. The reason is because you *cannot* configure most LPR clients to send print requests to a port other than to the well-known port 515. However, the Infoprint Port Monitor for Windows is an exception. You can configure the Port Monitor to send print requests to any port.
- IP PrintWay basic mode cannot transform data with the `resubmit` for filtering option. The reason is because IP PrintWay resubmits data to Print Interface at port 515. This limitation does not apply when you run IP PrintWay extended mode because IP PrintWay extended mode can transform data without resubmitting it to Print Interface for filtering.

Rules:

1. Make sure that the port is not used by any other service on the same TCP/IP stack.
2. This port number must not be reserved in the *hlq.PROFILE.TCPIP* data set. For more information about the PORT statement, see [tcpprof.dita#idprof](#).
3. If dynamic configuration is enabled, specify this attribute in the system configuration definition. If you change this attribute, you do not need to restart Infoprint Server.
4. If dynamic configuration is not enabled, specify this attribute in the `aopd.conf` file. If you change this attribute while Infoprint Server is running, stop all Infoprint Server daemons and restart Infoprint Server. Be sure to wait for all daemons to stop before you restart Infoprint Server.

Default: `lpd-port-number = 515`

This screen shows a portion of the ISPF panel that you use to edit the system configuration definition for the LPD:

Print Interface:

LPD port number . . 515

Related information: For information about:

- How to enable dynamic configuration, see [“Enabling dynamic configuration”](#) on page 67.
- How to edit the system configuration definition, see [“Steps for editing the system configuration definition”](#) on page 79.

Using the LPD compatibility filter

The LPD compatibility filter, `lpd_compat.so`, supports some LPD command codes and parameters that the Print Interface LPD does not otherwise support. LPD command codes and parameters are specified in the LPD control file that is sent by the LPR client with each document to be printed.

The LPD compatibility filter provides support that is similar to the support that the z/OS Communications Server LPD provides. For example, with the LPD compatibility filter, the Print Interface LPD supports the `p` command code, which lets you print a header with a page number on each page. The LPD compatibility filter also lets job submitters and the administrator specify the `-f`, `-l`, and `-w` filter options, which correspond to the `FILTER`, `LINECOUNT`, and `WIDTH` parameters of the TCP/IP LPR command.

The LPD compatibility filter can be used for printing to PSF-controlled printers and to other printers that print line data.

For more information, see:

- [z/OS Infoprint Server Operation and Administration](#) for information about how to specify the LPD compatibility filter in a printer definition.
- [z/OS Infoprint Server User's Guide](#) for information about how to specify LPD compatibility filter options in the `filter-options` job attribute.

Customizing LPR clients

To submit a print request from LPR clients to the Print Interface LPD, a user typically uses a TCP/IP command such as the LPR command. The Infoprint Port Monitor for Windows also uses the LPR protocol to submit a print request to the Print Interface LPD.

You must provide users of LPR commands and the Infoprint Port Monitor for Windows with this information:

- The IP address or host name of the z/OS system where the Print Interface LPD is running. If you run more than one TCP/IP stack, this is the IP address or host name of the stack where the Print Interface LPD is running.
- The port number at which the Print Interface LPD is listening. The port is the value that you specified in `lpd-port-number` attribute. The default port is 515.
- The name of the printer definition for the target printer that is defined in the Printer Inventory. This name is case-sensitive.
- The printer driver to use for the target printer.

For printing to AFP printers, Windows users can download the AFP Printer Driver for Windows. If you specified either the PCL to AFP transform or the PostScript to AFP transform in the printer definition, users can use a PostScript or PCL printer driver because the transform converts the data to AFP format on the z/OS system.

- Whether the LPR must use a source port in the range of 721 to 731. Some LPDs require that the source port is in this range, which is defined by RFC 1179. However, the Print Interface LPD does not require that the LPR is in this range. Generally, performance on the system where the LPR runs is improved if you do not restrict the range for the source port.

For additional information about how to submit jobs from remote systems and how to configure the Infoprint Port Monitor for Windows, see [z/OS Infoprint Server User's Guide](#).

Sending the control file first

Some LPRs let you specify whether the LPR sends the LPD control file first (before the data) or last (after the data file). The Print Interface LPD can receive the LPD control file either first or last. However, IBM suggests that the LPR send the control file first because the Print Interface LPD uses less storage and can process the data file more quickly.

[“Increasing the timeout value on an AIX system” on page 129](#) shows an example of how to configure an AIX print queue to send the control file first.

Increasing the timeout value on an AIX system

When you are sending large files to the Print Interface LPD, especially when the printer definition specifies a data transform, users on an AIX system might need to change the timeout value that is used by the AIX system. The timeout value is the amount of time the AIX system waits for an acknowledgment from the LPD that transmission was successful. Because the Print Interface LPD returns an acknowledgment only after data is transformed to a format accepted by the printer and written successfully to the JES spool, the LPD might send an acknowledgment only after several minutes. If the document contains several gigabytes of data that needs to be transformed, the LPD might send an acknowledgment only after an hour or more.

On an AIX system, the `rempak` command, which is used by the AIX queuing subsystem to send jobs to remote printers, uses a default timeout value of 90 seconds. IBM suggests that you change this default to a long timeout value when you are sending files to Infoprint Server, especially when you send large files that need to be transformed. To change the value, specify the `-T` option on the `rempak` command. You can specify the `-T` option in the `/etc/qconfig` file in the backend option under the queue device name.

This example specifies a timeout value of 5 minutes. This example also shows these options:

- `-X` option, which lets users send Infoprint Server job attributes on the `enq -o` option.
- `-C` option, which sends the control file first, before the data.

```
backend = /usr/lib/lpd/rempak -T 5 -X -C
```

After you make this change, delete the `/etc/qconfig.bin` file. Then, use these commands to stop and restart the queue daemon:

```
stopsrc -s qdaemon  
startsrc -s qdaemon
```

Customizing the z/OS SMB server to use Print Interface

Print Interface, with support that the z/OS SMB server provides, lets Windows users print by using the standard Windows Server Message Block (SMB) protocol. Windows users can print on any printer that is defined in the Printer Inventory. Print Interface validates that the document can print on the selected printer, transforms data from one format to another (optional), and allocates output data sets on the JES spool. Print Interface can also provide job status to the z/OS SMB server.

Tip: As an alternative to using SMB protocol, Windows users can use the Internet Printing Protocol or the Infoprint Port Monitor for Windows. For a comparison that can help you decide which method to use to print from Windows systems, see [Chapter 9, “Installing and customizing the Infoprint Server Windows client,” on page 327](#).

Before Windows users can print with SMB protocol, you must customize the z/OS SMB server. As part of SMB customization, do these tasks, which are more fully described in [z/OS Distributed File Service SMB Administration](#):

- Create an SMB printer share for each printer definition in the Printer Inventory to which Windows users need to print. When you create the printer share, consider these points:

- For the name of the printer share, you can use either the name of the printer definition or a different name. Using the same name can make it easier to correlate the SMB printer name with the printer definition in the Infoprint Server Printer Inventory.
- For the printer type, specify the printer driver for the printer. The printer driver must be on the client's system. If the printer is an AFP printer, you can download the AFP printer driver. As an alternative, if the administrator configured the printer definitions in the Printer Inventory to use the PCL or PostScript (and PDF) to AFP data transforms, you can specify generic PCL or PostScript drivers for AFP printers.
- Add the directory that contains Infoprint Server library files to the LIBPATH variable in the SMB environment variable file. If you installed Infoprint Server in the default directory, the directory name is `/usr/lpp/Printsrv/lib`. SMB attempts to use Infoprint Server if it finds the Infoprint Server library file that is named `aopapi.dll` in one of the directories that is contained in the LIBPATH variable. Therefore, before you add the Infoprint Server library directory to the LIBPATH variable and start SMB, make sure that Infoprint Server is started and that the administrator created the required printer definitions.

If you decide not to use Infoprint Server with SMB, do not add the Infoprint Server library directory to the LIBPATH variable in the SMB environment file. If the Infoprint Server library directory is already specified in the LIBPATH variable, remove it.

Related tasks:

- Run a JCL startup procedure or a start command from the z/OS UNIX command line to start Infoprint Server.
- Create a printer definition in the Printer Inventory for each printer that you plan to define to SMB. In the printer definitions, specify the printer attributes required by Print Interface. For information, see [z/OS Infoprint Server Operation and Administration](#).

Customizing the Print Interface IPP Server

Print Interface provides an Internet Printing Protocol (IPP) Server, which accepts print requests from any client that uses the IPP protocol. The Print Interface IPP Server supports the IPP job attributes sent with the print requests. For the job attributes supported by the IPP Server, see [Table 26 on page 134](#). The IPP Server can also provide job status to the IPP client. However, the IPP Server does not support canceling a print request.

Tip: Do not confuse the IPP client that sends print requests to the Print Interface IPP Server with the IPP client that is part of the IP PrintWay component. The IPP client in IP PrintWay transmits output data sets from the JES spool to IPP Servers running in a remote printer or host system.

[Table 25 on page 130](#) summarizes the tasks to customize the IPP Server. Required tasks are necessary for all installations. Optional tasks are required only if the listed condition applies to your installation.

<i>Table 25: Customization tasks for Print Interface IPP Server</i>	
Task	Condition
“Ensuring sufficient memory is available to start the IPP Server” on page 131	Required
“Editing the aopd.conf file for the IPP Server” on page 131	Required
“Setting environment variables for the IPP Server” on page 132	Optional: To change the default configuration.
“Editing the system configuration definition for the IPP Server” on page 133	Optional: To specify dynamic attributes.
“Customizing the IPP workstation client” on page 133	Required

Related tasks: After you customize the Print Interface IPP Server, do these tasks. For information about these tasks, see *z/OS Infoprint Server Operation and Administration*:

- Create a printer definition in the Printer Inventory for each printer and specify fields in the printer definition that Print Interface requires.
- Run a JCL startup procedure or a start command from the z/OS UNIX command line to start the IPP Server daemon.

Ensuring sufficient memory is available to start the IPP Server

The IPP Server requires at least 200 megabytes (MB) of memory. Therefore, you might need to increase the region size before you start the IPP Server. The way that you increase the region size depends on how you start Infoprint Server:

JCL startup procedure

Specify a region size of 200 MB in the REGION parameter on the EXEC statement in the JCL startup procedure. If the REGION parameter is not specified, the default region size that is defined for your installation is used.

Start command

If you enter a start command on the z/OS UNIX command line, make sure the MAXASSIZE parameter in the BPXPRMxx member of SYS1.PARMLIB is at least 200 MB. The MAXASSIZE parameter determines the system-wide maximum region size for an address space. (You can set the MAXASSIZE parameter dynamically with the SETOMVS command.)

Examples:

1. This statement sets the maximum region size to 200 MB:

```
MAXASSIZE(209715200) /* 200*1024*1024 = 200MB */
```

2. This command sets the maximum region size to 200 MB:

```
SETOMVS MAXASSIZE=209715200
```

Tips:

1. The ASSIZEMAX parameter of the RACF ADDUSER and ALTUSER commands, which lets you specify the maximum region size for a particular user, overrides the MAXASSIZE parameter.
2. Be careful when you are using the SHRLIBRGNSIZE OMVS parameter in a 31-bit environment because it limits the size of usable regions across the system.
3. The z/OS IEFUSI user exit can modify the region size of an address space. IBM strongly discourages you from altering the region size of address spaces in the OMVS subsystem category. For more information about the IEFUSI exit, see *z/OS MVS Installation Exits*.

If you enter a start command on the TSO/E OMVS command line, make sure the SIZE parameter on the TSO/E LOGON panel specifies at least 200 MB. The SIZE parameter determines the maximum region size for an address space.

Editing the aopd.conf file for the IPP Server

The aopd.conf file contains attributes that Infoprint Server uses when it starts. The default location of this file is /etc/PRINTSV/aopd.conf.

When you are using aopstart to start the IPP server, you must specify the following attribute in the aopd.conf file:

start-daemons = { ippd }

To start the IPP Server daemon, add ippd to any other values in this attribute. Enclose the values in braces. This attribute is required.

Rule: If you add ippd while Infoprint Server is running, start Infoprint Server again. You do not need to stop any Infoprint Server daemons before you restart Infoprint Server.

Default: `start-daemons = {lpd}`

Example: `start-daemons = {lpd ippd}`

If dynamic configuration is not enabled, you can also specify the following attribute in the `aopd.conf` file:

ipp-port-number = *portnumber*

The number of the port at which the IPP Server waits for print requests. Port 631 is the well-known port for communication between IPP clients and IPP Servers.

Rules:

1. Make sure that the port is not used by any other service on the same TCP/IP stack.
2. If dynamic configuration is enabled, specify this attribute in the system configuration definition. If you change this attribute, you do not need to restart Infoprint Server.
3. If dynamic configuration is not enabled, specify this attribute in the `aopd.conf` file. If you change this attribute while Infoprint Server is running, stop all Infoprint Server daemons and restart Infoprint Server. Be sure to wait for all daemons to stop before you restart Infoprint Server.

Default: `ipp-port-number = 631`

Related information: For information about:

- How to edit the `aopd.conf` file, see [“Steps for editing the Infoprint Server configuration file \(aopd.conf\)” on page 37.](#)
- All attributes in the `aopd.conf` file, see [Appendix B, “Infoprint Server files,” on page 337.](#)
- How to enable dynamic configuration, see [“Enabling dynamic configuration” on page 67.](#)

Setting environment variables for the IPP Server

These environment variables affect the behavior of the IPP Server. If you need to change the default values of these environment variables, see [“Editing the aopstart EXEC” on page 53](#) or [“Creating an environment variables file \(envar\)” on page 55.](#)

CLASSPATH

The full path names of IPP Server Java Archive (JAR) files. If you installed Infoprint Server in the default directory, `/usr/lpp/Printsrv`, you do not need to set this environment variable. If you installed Infoprint Server in a different directory, specify these values:

- `directory/classes/ipp.jar`
- `directory/classes/ippreal.jar`
- `directory/classes/ippserver.jar`

directory is the directory that contains Infoprint Server files.

Rule: Separate directories with a colon, do not include any blanks in the value, and specify the entire value on one line.

Default:

```
/usr/lpp/Printsrv/classes/ipp.jar:\
/usr/lpp/Printsrv/classes/ippreal.jar:\
/usr/lpp/Printsrv/classes/ippserver.jar
```

JAVA_HOME

The path that is used to locate Java files. The IPP Server can use Java 7.1 or Java 8.0. This environment variable is optional. However, you must set it if you did not install Java files in the default Java directory.

JAVA_HOME must specify the path of the 31-bit version of Java because the IPP Server does not support the 64-bit version.

Default: `/usr/lpp/java/J8.0` or `/usr/lpp/java/J7.1` if `J8.0` does not exist.

Example: JAVA_HOME=/usr/lpp/java/J8.0

Editing the system configuration definition for the IPP Server

The system configuration definition in the Printer Inventory contains attributes that let you customize Infoprint Server while Infoprint Server is running. If dynamic configuration is enabled, you can specify this attribute in the system configuration definition to customize the IPP Server:

ipp-port-number = portnumber

The number of the port at which the IPP Server waits for print requests. Port 631 is the well-known port for communication between IPP clients and IPP Servers.

Rules:

1. Make sure that the port is not used by any other service on the same TCP/IP stack.
2. If dynamic configuration is enabled, specify this attribute in the system configuration definition. If you change this attribute, you do not need to restart Infoprint Server.
3. If dynamic configuration is not enabled, specify this attribute in the aopd.conf file. If you change this attribute while Infoprint Server is running, stop all Infoprint Server daemons and restart Infoprint Server. Be sure to wait for all daemons to stop before you restart Infoprint Server.

Default: ipp-port-number = 631

This screen shows a portion of the ISPF panel that you use to edit the system configuration definition for the IPP Server:

```
Infoprint Server: System Configuration

Print Interface:
IPP port number . . 631
```

Related information: For information about:

- How to enable dynamic configuration, see [“Enabling dynamic configuration”](#) on page 67.
- How to edit the system configuration definition, see [“Steps for editing the system configuration definition”](#) on page 79.

Customizing the IPP workstation client

To submit a print request over the Internet with the IPP protocol, the user's workstation must contain an IPP client. Using an IPP client, the job submitter can print any document (not only web documents) on any printer that is defined in the Printer Inventory.

The user must first define the printer to the IPP client on the workstation. For example, on a Windows system, the user must define the printer to Windows as an Internet printer. The user must also specify the Uniform Resource Identifier (URI) of the printer. The URI of any printer that is defined in the Printer Inventory has this format:

```
http://host:port/printers/printername
```

host

The host name or IP address of the z/OS system.

port

The port number where the IPP Server is listening. Specify the same number as specified in the ipp-port-number attribute. If the ipp-port-number attribute is not set, specify 631, which is the default value for the attribute.

printers

A qualifier that is required by the Print Interface IPP Server. This qualifier is case-sensitive. You can replace printers with servlet/IPPServlet. For example, this URI also works:

```
http://host:port/servlet/IPPServlet/printername
```

printername

The name of the printer definition in the Printer Inventory. The printer definition name is case-sensitive. You must use the same uppercase and lowercase letters as are stored in the Printer Inventory.

Example: If the IP address of the z/OS system is 9.99.1234, the IPP Server is listening at port 631, and the name of the printer definition is `myprinter`, use this URI:

```
http://9.99.1234:631/printers/myprinter
```

Guidelines:

1. Some IPP clients might also support the `ipp` format of the URI. In this case, the URI can have this format:

```
ipp://host[:port]/printers/printername
```

When you use the `ipp` format for the URI and omit the port, the default is 631, which is the default port at which the Print Interface IPP Server listens.

Example: If the IP address of the z/OS system is 9.99.1234, the Print Interface IPP Server is listening at port 631, and the name of the printer definition is `myprinter`, use this URI:

```
ipp://9.99.1234/printers/myprinter
```

2. For detailed information about how to add an Internet printer to a Windows workstation, see [z/OS Infoprint Server User's Guide](#).
3. The Print Interface IPP Server cannot receive data that is encrypted. Therefore, the user must make sure that the IPP client does not encrypt data.

An IPP client can specify IPP job attributes with a print request. The Print Interface IPP Server supports some of the IPP job attributes that have corresponding Infoprint Server job attributes. [Table 26 on page 134](#) lists the IPP job attributes that the Print Interface IPP Server supports for all printers and the corresponding Infoprint Server job attribute that it sets. For information about these Infoprint Server job attributes, see [z/OS Infoprint Server User's Guide](#).

IPP job attribute	Infoprint Server job attribute
copies	copies
job-name	title-text
job-priority	jes-priority
requesting-user-name	owner ¹

1. JES does not authorize the IPP Server to allocate data sets on the JES spool with the owner name that is specified in the IPP job attribute. Therefore, to make the owner name available in SMF records and in the data set name that is displayed by SDSF, the IPP Server uses the owner name as the job name when it allocates data sets on the JES spool.

Customizing SAP R/3

SAP R/3 users can use Print Interface to print on any printers that are defined in the Printer Inventory. If the printer is an AFP printer, Print Interface can automatically invoke a transform such as a PCL to AFP, PostScript to AFP, or SAP to AFP transform. The transform that you need depends on the type of output the SAP R/3 output device creates.

Depending on where your SAP R/3 application servers run, different Print Interface components handle the print requests and provide different functions:

- An SAP R/3 application server runs on the same z/OS system as Infoprint Server.

When an SAP R/3 application server runs on the same z/OS system as Infoprint Server, the SAP Output Management System (OMS) provided with Print Interface handles print requests. Users can use the SAP OMS to cancel jobs and obtain accurate job status. The SAP Callback daemon provided with Print Interface provides immediate notification when documents complete successfully or unsuccessfully. The Callback daemon also can provide notification to SAP R/3 applications that are running on other systems if the SAP R/3 spool work process runs on the same z/OS system as Infoprint Server. [Figure 4 on page 8](#) shows this configuration.

- An SAP R/3 application server does not run on the same z/OS system as Infoprint Server.

When no SAP R/3 application server runs on the same z/OS system as Infoprint Server, the Print Interface LPD handles print requests. Users cannot receive notification about their print requests or cancel jobs. Users can receive job status. However, the job status is not as accurate as when the SAP R/3 application server runs on the same z/OS system as Infoprint Server and the Infoprint Server OMS is used. [Figure 5 on page 9](#) shows this configuration.

[Table 27 on page 135](#) summarizes the customization tasks when an SAP R/3 application server runs on the same z/OS system as Infoprint Server. Required tasks are necessary for all installations. Optional tasks are required only if the listed condition applies to your installation.

<i>Table 27: Customization tasks for Print Interface when SAP R/3 application server runs on same z/OS system</i>	
Task	Condition
“Defining an SAP user for the callback daemon” on page 136	Required
“Creating the SAP callback daemon configuration file (aopsapd.conf)” on page 136	Required
“Setting environment variables for the SAP OMS” on page 138	Required
“Defining a ROMS and LOMS to the SAP R/3 application server” on page 138	Required
“Modifying the LOMS to specify job attributes” on page 139	Optional: To specify Infoprint Server job attributes.
“Creating an SAP R/3 output device” on page 139	Required

[Table 28 on page 135](#) summarizes the customization tasks when an SAP R/3 application server does not run on the same system as Infoprint Server. For example, the application server might run on an AIX or Windows system.

<i>Table 28: Customization tasks for Print Interface when SAP R/3 application server does not run on same z/OS system</i>	
Task	Condition
“Creating an SAP R/3 output device” on page 139	Required
“Customizing the Print Interface LPD” on page 124	Required

Related tasks: After you customize Print Interface for printing from SAP R/3, do these tasks:

- If you use the SAP Callback daemon, stop and restart all Infoprint Server daemons. The SAP Callback daemon, aopsapd, starts automatically when the first print request is received from the SAP R/3 Application Server for z/OS. For information, see [z/OS Infoprint Server Operation and Administration](#).
- Create a printer definition in the Printer Inventory for each printer. In the printer definition, specify fields that Print Interface requires. For information, see [z/OS Infoprint Server Operation and Administration](#).

- If the printer is an AFP printer, customize the SAP to AFP, PCL to AFP, or PostScript to AFP transform. The transform that you need depends on the type of output the SAP R/3 output device creates. For information about these transforms, see *IBM Infoprint Transforms to AFP for z/OS*.

Defining an SAP user for the callback daemon

You must define an SAP user that the Print Interface SAP Callback daemon can use to log on to the SAP R/3 Application Server for z/OS. Define an SAP user to each SAP R/3 application server at which you want to receive job callback notification. To define a user for the Callback daemons:

1. From the SAP R/3 GUI, select **Tools --> Administration --> User maintenance --> Users**.
2. The user must be a CPIC type with XOMI permissions to log on the CCMS system management XOM application programming interface. You can provide these authorizations in the S_XMI_XOM_A profile.

Tip: If you change the SAP user, make the same changes in the `aopsapd.conf` configuration file. Then, stop and restart Infoprint Server daemons so that your changes take effect.

Creating the SAP callback daemon configuration file (aopsapd.conf)

The SAP Callback daemon configuration file, `aopsapd.conf`, contains information that the SAP Callback daemon needs to log on to the SAP R/3 application servers. This file is required.

To create the configuration file:

1. Copy the sample configuration file, `/usr/lpp/Printsrv/samples/aopsapd.conf`, to `/etc/Printsrv/aopsapd.conf`. For example, this z/OS UNIX command copies the sample configuration file to the default location:

```
cp /usr/lpp/Printsrv/samples/aopsapd.conf /etc/Printsrv/aopsapd.conf
```

Tip: A sample job is provided in SYS1.SAMPLIB(AOPCPETC) to copy all Infoprint Server sample configuration files from `/usr/lpp/Printsrv/samples` to the `/etc/Printsrv` directory, including the SAP Callback configuration file. Review the comments in the sample job to determine which configuration files your installation requires, and then run the job to create the configuration files.

2. Because this file contains information about how to log on to the SAP R/3 application servers, set the permissions so that only administrators can read the file. Set the owner to the SAP administration ID and set permissions to 0700. Use the `chown` and `chmod` commands to define the owner and set permissions. For example, if the SAP administration ID is *mike*, enter these commands:

```
chown mike /etc/Printsrv/aopsapd.conf
chmod 0700 /etc/Printsrv/aopsapd.conf
```

3. Edit the file for your installation by using your preferred editor and save your changes. For example:

```
oedit /etc/Printsrv/aopsapd.conf
```

Edit this file by using the IBM-1047 code page.

4. If you did not create the configuration file in directory `/etc/Printsrv/`, specify the full path name of the configuration file in the `AOPSAPD_CONF` environment variable in the `aopstart EXEC` or `envvar` file, and in the `/etc/profile` file.
5. If you edit the configuration file while Infoprint Server is running, stop and restart all Infoprint Server daemons. For example, enter these MVS commands to run the `AOPSTOP` and `AOPSTART JCL` procedures:

```
START AOPSTOP
START AOPSTART
```

Also, restart the SAP R/3 Logical Output Management System (LOMS).

Format of an entry in the SAP callback daemon configuration file

In the `aopsapd.conf` file, create one entry for each SAP R/3 system that contains an Infoprint Server job callback LOMS. An entry consists of a set of attributes, starting with the system attribute and ending with a semicolon. All attributes are required.

```
# comment
system system-name
    initial-target = instance-name
    client = clientname
    userid = userid
    password = password
    language = language
;
```

system *system-name*

The name of the SAP R/3 system that contains an LOMS for which you want callback notification. The SAP R/3 system can run on any z/OS or non-z/OS system. This attribute must be the first attribute in the entry.

initial-target = *instance-name*

The name of an SAP R/3 server instance on the SAP R/3 system that is defined in the system attribute. The Print Interface Callback daemon initially contacts this server instance to obtain configuration information about the LOMSs defined on that SAP R/3 system.

client = *clientname*

The name of the client that is defined to SAP for use by the Callback daemon.

userid = *userid*

The user ID defined to SAP for use by the Callback daemon.

password = *password*

The password that is defined to SAP for use by the user ID.

language = *language*

The language that is used for messages from the SAP R/3 application server.

Note: The client name, user ID, and password must match the values that are specified when you defined an SAP user for the OMS Callback daemon. See [“Defining an SAP user for the callback daemon”](#) on page 136.

Example -- SAP callback daemon

This example shows two sample entries in the `aopsapd.conf` configuration file.

```
system EZ0
    initial-target = boefcs1_EZ0_00
    client = 000
    userid = mike
    password = xxxxxxx
    language = EN
;

system EX0
    initial-target = boefcs5_EX0_00
    client = 000
    userid = mike
    password = xxxxxxx
    language = EN
;
```

Syntax rules

When you are editing the SAP Callback daemon configuration file, follow these syntax rules:

1. End the last attribute in each entry with a semicolon.
2. Use lowercase characters for the attribute names and uppercase or lowercase characters for the attribute values.
3. Code blank characters before or after the equal sign, if wanted.

4. If a value contains blank characters or special characters (such as {}-> =,#), enclose the value in single or double quotation marks.
5. Start comments with the # symbol.
6. Include blank lines, if wanted.

Setting environment variables for the SAP OMS

The following environment variables affect the behavior of the SAP OMS. Set these environment variables in the aopstart EXEC or *envvar* file, and in the */etc/profile* file.

AOPSAPD_CONF

Specify the full path name of the SAP Callback daemon configuration file. If the configuration file is in */etc/Printsrv/aopsapd.conf*, you do not need to set this environment variable.

Default: */etc/Printsrv/aopsapd.conf*

LIBPATH

Add the directory that contains the SAP remote function calls DLL (*librfc.dll*).

Defining a ROMS and LOMS to the SAP R/3 application server

To define the Infoprint Server Output Management System (OMS) to an SAP R/3 application server, the SAP administrator must define these entries:

- An SAP Real Output Management System (ROMS)

The ROMS defines the general capabilities of the OMS and global configuration information.

- One or more SAP Logical Output Management Systems (LOMS)

An LOMS lets you customize the capabilities for a particular set of SAP output devices.

To define a ROMS and two LOMSs that interface with Infoprint Server, import sample file */usr/lpp/Printsrv/samples/infoprint.oms* into SAP R/3. This sample file defines a ROMS with this name and description:

- INFOPRINT: IBM Infoprint Server for z/OS

It creates two LOMSs with these names and descriptions:

- IPS001: Infoprint Server with callback: This LOMS provides job callback notification.
- IPS002: Infoprint Server with polling: This LOMS does not provide job callback notification.

To import the file, do these steps (these steps might be different on your SAP GUI):

1. Log on to the SAP R/3 Application Server for z/OS.
2. Select **Tools --> CCMS --> Spool --> SPAD --> Spool administration**.
3. On the Spool Administration screen, select **Utilities --> To output management system --> Import**.
4. On the Spool: Saving and Loading of Definitions screen:
 - Type */usr/lpp/Printsrv/samples/infoprint.oms* in the **Export/Import file name** field.
 - Select **Import**.
 - Select the **Execute import** and **Generate log** options.

After you import the ROMS and LOMSs, do these steps to edit them:

1. Edit the INFOPRINT ROMS. For the initialization instance, select the SAP R/3 Application Server for z/OS that runs on the same z/OS system as Infoprint Server.
2. Edit the IPS001 and IPS002 LOMSs. For the tasking target, select the SAP R/3 Application Server for z/OS that runs on the same z/OS system as Infoprint Server.
3. Edit the IPS001 LOMS. For the callback target instance, specify any server instance in the SAP R/3 system.

Modifying the LOMS to specify job attributes

The Infoprint Server LOMS contains aopoms commands that do the SUBMIT, DPOLL, DQUERY, JQUERY, and CANCEL OMS commands. If you want to specify Infoprint Server job attributes for print requests, you can modify the aopoms command that does the SUBMIT command. For example, you can specify the duplex job attribute to obtain duplex printing on an AFP printer.

The format of the aopoms command that does the SUBMIT command is:

```
aopoms -c submit -d printer -j sap-spoolid -r sap-rmg -s sap-system
-T sap-callback-target [-t title] [-n copies] [-o options] file ...
```

The options are:

-d *printer*

Name of the printer definition for the target printer.

-j *sap-spoolid*

SAP R/3 spool ID to be stored in the job entry.

-n *copies*

Number of copies to be printed. The values are 1 - 255.

-o *option*

One or more attribute value assignments in the format: *attribute=value*. Separate each attribute value assignment with spaces. You can specify any job attributes defined in the [z/OS Infoprint Server User's Guide](#).

-r *sap-rmg*

The SAP R/3 rmg ID to be stored in the job entry.

-s *sap-system*

The name of the SAP R/3 system.

-T *sap-callback-target*

The name of the SAP R/3 server that is the target server for job callbacks.

-t *title*

A title for the document. This option is equivalent to Infoprint Server title job attribute.

The aopoms commands are defined in the LOMS as templates with replacement variables used to supply specific information. The generic form of the aopoms SUBMIT command as defined in the Infoprint Server LOMS is:

```
aopoms -c submit -j &EI -r &EG -s &Es -T &ES -d &P -t"&T" -n &C &F
```

To specify Infoprint Server job attributes, for example the jes-priority job attribute, specify these aopoms commands on one line:

```
aopoms -c submit -j &EI -r &EG -s &Es -T &ES -d &P -t "&T" -n &C -o "jes-priority = 4" &F
```

Creating an SAP R/3 output device

To print from SAP R/3, the SAP R/3 administrator must create an SAP R/3 output device for each target printer. You might want to create more than one SAP R/3 output device for the same printer. For example, you might want to customize the LOMS differently for each SAP output device, or you might want to associate each SAP output device with a different printer definition for the same target printer. (The administrator can create more than one printer definition in the Printer Inventory for the same printer to specify different job characteristics, such as a different form definition name.)

To create an SAP R/3 output device, you need this information:

- The name of the SAP R/3 Application Server for z/OS.
- The name of the printer definition in the Printer Inventory. This name is case-sensitive.
- The data format accepted by the printer, for example, AFP, PCL, or PostScript. The data format determines the device driver that you select.

- The name of the LOMS defined to SAP R/3. Default names for Infoprint Server LOMSs are:

Infoprint Server with callback

Use this LOMS if you want immediate notification of job events.

Infoprint Server with polling

Use this LOMS if you do not need immediate notification of job events. The Callback daemon returns notification only when polled by the SAP R/3 system.

- The host spool access method:
 - Use access method E when the SAP application server runs on the same system as Infoprint Server
 - Use access method U when the SAP application server runs on a different system from Infoprint Server
- For access method U, you also need:
 - The host name or IP address of the z/OS system where Infoprint Server runs.
 - The port number where the Print Interface LPD listens (default port is 515).

The following information contains instructions for creating an SAP output device. Use the instructions for the correct host spool access method: E or U. The screen and field names in the instructions might be different on your SAP R/3 GUI.

Creating an SAP output device with access method E

If the SAP R/3 application server runs on the same z/OS system as Infoprint Server, do these steps to create an SAP R/3 output device from the SAP R/3 GUI:

1. On the Spool Administration: Initial Screen, select **Output devices**.
2. Enter change mode by pressing F8 or selecting the Change icon (a pencil).
3. On the Spool Administration: List of Output Devices screen, select **Output device --> Create**.
4. On the Spool Administration: Create Output Device screen, complete these fields:
 - **Output device:** Type a name for the printer.
 - **Short name:** Type a short name.
 - **Device Type:** Select a printer driver that creates a data stream that the printer accepts. Or, select a printer driver that creates a data stream that can be transformed into a format that the printer accepts.
 - For AFP printers, select one of these options:
 - PCL**
Select if you use the PCL to AFP transform.
 - PostScript**
Select if you use the PostScript to AFP transform.
 - SAPGOF (Generic output format)**
Select if you use the SAP to AFP transform.

Tip: If you use Infoprint Transforms to AFP V2.2, do not select SAPGOF_E (Generic output format EBCDIC) because V2.1 of the SAP to AFP transform does not accept EBCDIC output.

For other printers, select the PCL or PostScript option.
 - **Spool server:** Select the name of the SAP R/3 application server.
5. On the HostSpoolAccMethod tab, complete these fields:
 - **Host spool access method:** Select **E: External output management system**
 - **Logical OMS:** Select an Infoprint Server LOMS.
 - **Host printer:** Type the name of the printer definition in the Printer Inventory.
6. Save your changes.

Creating an SAP output device with access method U

If the SAP R/3 application server runs on a non-z/OS system, do these steps to create an SAP R/3 output device from the SAP R/3 GUI:

1. On the Spool Administration: Initial Screen, select **Output devices**.
2. Enter change mode by pressing F8 or selecting the Change icon (a red pencil).
3. On the Spool Administration: List of Output Devices screen, select **Output device --> Create**.
4. On the Spool Administration: Create Output Device screen, complete these fields:
 - **Output device:** Type a name for the printer.
 - **Short name:** Type a short name for the printer.
 - **Device Type:** Select a printer driver that creates a data stream that the printer accepts. Or, select a printer driver that creates a data stream that can be transformed into a format that the printer accepts.
 - For AFP printers, select one of these options:
 - PCL**
Select if you use the PCL to AFP transform.
 - PostScript**
Select if you use the PostScript to AFP transform.
 - SAPGOF (Generic output format)**
Select if you use the SAP to AFP transform.

Tip: You can instead select SAPGOF_E (Generic output format EBCDIC). However, the SAP to AFP transform might not accept EBCDIC output in future releases.

For other printers, select the PCL or PostScript option.
 - **Spool server:** Select the name of the SAP R/3 application server.
5. On the HostSpoolAccMethod tab, complete these fields:
 - **Host spool access method:** Select **U: Print using Berkley protocol**.
 - **Logical OMS:** Select an Infoprint Server LOMS.
 - **Host printer:** Type the name of the printer definition in the Printer Inventory.
 - **Destination host:** Type the address of the z/OS system.
 - **Port number:** Type the port where the Infoprint Server LPD listens.
6. Save your changes.

Viewing job status and job events, querying jobs, canceling jobs

After you create an SAP R/3 output device, SAP R/3 users can print on an Infoprint Server printer, view job status, view job events, query jobs, and cancel jobs. These considerations apply when users make these print requests:

- View current information and all events for a job:
 - If the status indicates that the print job completed, the print job might remain on the JES spool.
 - If the status indicates that the print job is waiting in the host spooler, the position in the queue does not reflect the order in which the job is printed. For example, jobs that are not submitted through Infoprint Server might print before the job.
- Display device information:
 - Print jobs that are submitted to the same printer with a different printer definition name in the Printer Inventory are not listed.
 - The position of the job in the list does not reflect the order in which the job is printed.
- Cancel a print job:

Users can cancel a print job only if Infoprint Server is not yet selected it for processing.

Customizing the Print Interface subsystem

The Print Interface subsystem can process output data that is created by z/OS batch jobs. To request that the Print Interface subsystem process an output data set, the job submitter specifies the name of the Print Interface subsystem in the SUBSYS parameter on the DD JCL statement.

The Print Interface subsystem validates that a data set can print on the printer and calls the data stream transform, or other filter, requested in the printer definition. The subsystem then allocates an output data set on the JES spool by using job attributes and JCL parameters that are specified on the DD JCL statement, the associated OUTPUT JCL statement, and values that are specified in the Allocation section of the printer definition. Each output data set is placed in a separate JES output group. The output data set can be printed on any printer, including printers that PSF and IP PrintWay control.

Table 29 on page 142 summarizes the customization tasks for the Print Interface subsystem. Required tasks are necessary for all installations that want to use the Print Interface subsystem. Optional tasks are required only if the listed condition applies to your installation.

Task	Condition
“Editing the aopd.conf file for the Print Interface subsystem” on page 142	Required
“Increasing the maximum number of active transform daemons” on page 143	Optional

Related tasks: After you customize the Print Interface subsystem, do these tasks. For information about these tasks, see [z/OS Infoprint Server Operation and Administration](#):

- Create a printer definition in the Printer Inventory for each printer, or for each set of related printers, and specify fields in the printer definition that Print Interface and the transforms require.
- Run a start command or a JCL startup procedure to start the Print Interface subsystem daemon.

Editing the aopd.conf file for the Print Interface subsystem

The `aopd.conf` file contains attributes that Infoprint Server uses when it starts. The default location of this file is `/etc/Printsrv/aopd.conf`.

To start the Print Interface subsystem, you must specify this attribute in the `aopd.conf` file:

start-daemons = { subd }

To start the Print Interface subsystem daemon, add `subd` to the values in this attribute. Enclose the values in braces. This attribute is required.

Rule: If you add `subd` while Infoprint Server is running, start Infoprint Server again. You do not need to stop any Infoprint Server daemons before you restart Infoprint Server.

Default: `start-daemons = {lpd}`

Example: In this example, the Printer Inventory Manager, the Infoprint Server Transform Manager, and the Print Interface subsystem start:

```
start-daemons = {xfd subd}
```

This attribute in the `aopd.conf` file has special considerations when you use the Print Interface subsystem:

inventory = inventory

The name of both the Printer Inventory and the Print Interface subsystem. The name must contain exactly four letters or numbers. The first character must be an uppercase letter. It cannot be a

lowercase letter or numeric. The remaining characters can be uppercase letters or numeric. The job submitter specifies this name in the SUBSYS parameter on the DD JCL statement.

This name must exactly match the inventory name in the NetSpool, IP PrintWay basic mode, and PSF startup procedures (if PSF uses the Printer Inventory).

Rule: Do not change this attribute while Infoprint Server (including NetSpool, IP PrintWay basic mode, and Infoprint Central) or the Printer Inventory for PSF is running. If you change this attribute, you must stop and restart:

- All Infoprint Server daemons
- NetSpool
- IP PrintWay basic mode
- IBM HTTP Server - Powered by Apache (when running Infoprint Central)
- PSF for z/OS (when running Printer Inventory for PSF)

Default: `inventory = AOP1`

Related information: For information about:

- All attributes in the `aopd.conf` file, see [Appendix B, “Infoprint Server files,” on page 337](#).
- How to edit the `aopd.conf` file, see [“Steps for editing the Infoprint Server configuration file \(aopd.conf\)” on page 37](#).

Increasing the maximum number of active transform daemons

If your installation limits the number of transform daemons that can be active at one time, you might need to specify a higher number if jobs that use the Print Interface subsystem take a long time to complete or hang until they are canceled by the operator. For example, these situations can occur:

- If you limit the number of AFP to PCL transform daemons to one, a job that writes AFP output to two data sets in the same job step does not complete if both data sets require an AFP to PCL transform daemon.
- If you limit the number of AFP to PCL transform daemons to two, two jobs that each write AFP output to two data sets in the same job step might not complete if each job reserves an AFP to PCL transform daemon.

Also, other jobs that require the AFP to PCL transform are not able to complete.

To increase the maximum number of active transforms:

1. Edit the maximum-active attributes in the transform configuration file, `aopxfd.conf`.
2. Stop and restart the Infoprint Server Transform Manager daemon so that your changes take effect. For example, enter these MVS commands to run the AOPSTOP and AOPSTART JCL procedures:

```
START AOPSTOP,OPTIONS='-d xfd'  
START AOPSTART
```

For more information about the transform configuration file, see [“aopxfd.conf -- Infoprint Server transform configuration file” on page 349](#).

Chapter 5. Customizing Transform Interface

This information describes how to customize the Transform Interface component of Infoprint Server. Transform Interface communicates with transforms that IBM and Ricoh provide. For an overview of Transform Interface, see [“Transform Interface” on page 15](#) and [“Transforms” on page 16](#).

Table 30 on page 145 summarizes the tasks to customize the Transform Interface. Required tasks are necessary for all installations that use the indicated transforms. Optional tasks are required only if the listed condition applies to your installation.

Task	Condition
“Identifying software requirements for Transform Interface” on page 146	Required
“Editing the aopd.conf file for the Transform Manager” on page 146	Optional: To use IBM transforms that run on the z/OS system.
“Creating the transform configuration file (aopxfd.conf)” on page 146	Optional: To use IBM transforms that run on the z/OS system.
“Creating the remote transform configuration file (aoprxf.conf)” on page 152	Optional: To use Ricoh transforms that InfoPrint Transform Manager for Linux manages.
“Setting environment variables for Transform Interface” on page 154	Optional: To change the default location of configuration files.
“Customizing the TCP/IP firewall” on page 155	Optional: To use transforms that run on a remote system.
“Setting up security for transform resources” on page 155	Optional: To use transform resources.
“Creating a code page conversion table” on page 155	Optional: To use Ricoh transforms that InfoPrint Transform Manager for Linux manages with a custom EBCDIC code page for the z/OS locale.

Table 31 on page 145 lists other components of Infoprint Server that you might need to customize:

Task	Condition
Chapter 3, “Customizing the Printer Inventory Manager,” on page 21	Required
Chapter 4, “Customizing Print Interface,” on page 109	Optional: To transform data that is submitted to Print Interface or to IP PrintWay basic mode.
Chapter 7, “Customizing IP PrintWay,” on page 181	Optional: To transform data that is submitted to IP PrintWay basic mode or extended mode.

Related tasks: After you customize Transform Interface, do these tasks. For information about these tasks, see [z/OS Infoprint Server Operation and Administration](#):

- Specify the appropriate transform filter in the **Filter** field of the printer definitions.

Tip: If you run IP PrintWay basic mode, also select the **resubmit for filtering** option in the printer definition.

- If you edited the Infoprint Server configuration file to start the Infoprint Server Transform Manager, restart Infoprint Server.

Identifying software requirements for Transform Interface

One or more of these transform products is required:

- IBM Infoprint Transforms to AFP for z/OS (5655-N60)
- IBM Print Transform from AFP to PCL for Infoprint Server for z/OS (5655-TF2)
- IBM Print Transform from AFP to PDF for Infoprint Server for z/OS (5655-TF1)
- IBM Print Transform from AFP to PostScript for Infoprint Server for z/OS (5655-TF3)
- IBM Infoprint XT for z/OS (5655-O15)
- Ricoh InfoPrint Transform Manager for Linux
- Ricoh InfoPrint Manager for AIX
- Ricoh InfoPrint Manager for Windows

Editing the aopd.conf file for the Transform Manager

The `aopd.conf` file contains attributes that Infoprint Server uses when it starts. The default location of this file is `/etc/Printsrv/aopd.conf`.

To start the Infoprint Server Transform Manager, you must specify the following attribute in the `aopd.conf` file:

start-daemons = { xfd }

Add `xfd` to the existing values in this attribute to start the Infoprint Server Transform Manager daemon, `aopxfd`. Enclose all values in braces.

Rule: After you add `xfd` and create the transform configuration file, start Infoprint Server again. You do not need to stop any Infoprint Server daemons before you restart Infoprint Server.

Default: `start-daemons = {lpd}`

Example: In this example, the Printer Inventory Manager, the LPD, and the Infoprint Server Transform Manager start:

```
start-daemons = {lpd xfd}
```

Note: You must start the Infoprint Server Transform Manager if you run IBM transforms on z/OS systems. If you run transforms that Ricoh InfoPrint Transform Manager for Linux or Ricoh InfoPrint Manager for AIX and Windows provide, you do not need to start the Infoprint Server Transform Manager.

Related information: For information about:

- All attributes in the `aopd.conf` file, see [Appendix B, “Infoprint Server files,”](#) on page 337.
- How to edit the `aopd.conf` file, see [“Steps for editing the Infoprint Server configuration file \(aopd.conf\)”](#) on page 37.

Creating the transform configuration file (aopxfd.conf)

If you use IBM transforms that run on the z/OS system, you must create the transform configuration file, `aopxfd.conf`, which contains information that the Infoprint Server Transform Manager uses to manage transforms that run on the z/OS system. You must create the transform configuration file before you start the Infoprint Server Transform Manager.

If you transform data only with Ricoh InfoPrint Transform Manager for Linux or Ricoh InfoPrint Manager for AIX/Windows, do not create this file.

In the transform configuration file, create at least one entry for each transform. In the transform entry you can specify:

- Attributes that the Infoprint Server Transform Manager uses to manage the transform.
- Environment variables for the transform. Each transform uses different environment variables. For information about the environment variables you can specify for each transform, see the documentation for the transform product.

These attributes and environment variables apply whether Infoprint Server starts a transform automatically or the user starts a transform with a z/OS UNIX transform command.

Transform classes

If you want to specify different environment variables for the same transform for different printing situations, you can create different classes of the transform. For example, if you want to transform PCL data to AFP format for printers that have different resolutions or paper sizes, you can define a transform class for each combination of printer resolution and paper size.

In the `aopxfd.conf` file, you create a separate entry for each transform class. The sample transform configuration file (`/usr/lpp/Printsrv/samples/aopxfd.conf`) defines several sample transform classes.

To use a transform class, the administrator or the job submitter must specify the transform class:

- The administrator specifies the transform class in the printer definition in the `-c` filter option. For example, in the **Filter** field for the **PCL** data format, specify:

```
pcl2afp.dll -c letter_300
```

- The job submitter specifies the transform class on the z/OS UNIX transform command in the `-c` option. For example:

```
pcl2afp -c letter_300 -o myfile.afp myfile.pcl
```

- The job submitter specifies the transform class in the filter-options job attribute on the `lp` command or AOPPRINT procedure. For example:

```
lp -d myprinter -o "filter-options='-c letter_300'" myfile.pcl
```

Format of an entry in the transform configuration file

Each transform entry consists of a set of attributes, starting with the transform attribute and ending with a semicolon. The following information shows the general format of a transform entry and defines the attributes in the transform entry that are common for all transforms.

```
# comment
transform transformname[_transformclass]
  start-command = "daemon [ option ]..."
  [ environment = {name -> value [ name -> value ]...} ]
  [ maximum-active = number ]
  [ maximum-idle-time = seconds ]
  [ minimum-active = number ]
;
```

transform transformname[_transformclass]

This attribute indicates the beginning of a transform entry. This attribute is required and must be the first attribute in the entry.

transformname

The name of the transform, for example, `pcl2afp` or `ps2a.fps`.

transformclass

The name of an optional transform class. Specify 1 - 63 characters, including letters, numbers, or special characters. The transform name is case-sensitive. To use the transform class, you must specify the transform class when you start the transform.

Default: No transform class. This transform entry is used when no transform class option (-c) is specified either in the printer definition or by the job submitter.

Example: transform pcl2afp_letter_300

To specify the letter_300 transform class on the pcl2afp command, type:

```
pcl2afp -c letter_300
```

start-command = "daemon [option]... "

The name of the transform daemon and options. Enclose the value in single or double quotation marks if you specify an option. This attribute is required.

daemon

The name of the transform daemon, for example, pcl2afpd or ps2afpd. If the transform daemon is not in a directory that is identified in the PATH environment variable in the aopstart EXEC or with the aopdemon, specify the full directory path name of the daemon.

option

One or more options that the transform supports. For information about the transform options you can specify for each transform, see the documentation for the transform product.

environment = {name -> value [name -> value]... }

Environment variables that define the transform environment. Enclose the entire set of environment variables in braces.

For information about the environment variables you can specify for each transform, see the documentation for the transform product.

These environment variables override environment variables with the same names that you set in the aopstart EXEC or *envvar* file. The aopstart EXEC also picks up selected environment variables from the runtime environment.

Tip: You can specify the `_BPX_JOBNAME` environment variable in each transform entry to assign a different job name to each class of transform daemon. By default, the job name of each transform daemon is AOPXFD. When you assign a different job name to each class of transform daemon, the operator can manage the transform daemons more effectively. You can specify a job name of 1 to 8 alphanumeric characters. Incorrect job names are ignored. If you specify a different job name, you might need to list it in the Transaction Name Group (TNG) you defined for the z/OS Workload Manager (see "Setting Workload Manager goals" on page 107). For more information about the `_BPX_JOBNAME` variable, see *z/OS UNIX System Services Planning*.

maximum-active = number

The maximum number of transform daemons that the Infoprint Server Transform Manager activates concurrently. Specify a number greater than 0 and greater than or equal to the number specified in minimum-active. When this number is reached, the Infoprint Server Transform Manager does not start a new transform daemon to do the transform, and a print job waits until a transform daemon is available. This attribute is optional.

Guidelines:

1. A value of 2 or 3 is suitable if you transform small print jobs and do not transform many print jobs at the same time. However, if you might need to transform large print jobs at the same time, consider setting a higher number. Large print jobs might take several minutes or even an hour to transform. As a result, a transform daemon might not be available to service other transform requests. If the other transform requests are delayed long enough, the requesting programs might timeout and fail.
2. If you use the Print Interface subsystem in your installation, do not specify a low value because jobs that use the subsystem and write multiple data sets might not be able to complete.

3. To avoid having many transform daemons active, consider specifying either `maximum-active` or `maximum-idle-time`, or both.

Default: No maximum number. Transform daemons are started when needed.

maximum-idle-time = seconds

The number of seconds before the Infoprint Server Transform Manager shuts down an idle transform daemon and system resources are freed. Specify a number greater than 0.

This attribute is optional. However, to avoid having many transform daemons active, consider specifying either this attribute or the *maximum-active* attribute, or both.

Default: An idle transform daemon is not shut down.

minimum-active = number

The number of transform daemons that the Infoprint Server Transform Manager activates concurrently. Also, the minimum number of transform daemons that the Infoprint Server Transform Manager keeps active (that is, not shut down) even when the `maximum-idle-time` expires for an idle transform daemon. Specify a number less than or equal to the number specified in the `maximum-active` attribute. This attribute is optional.

Tip: Do not specify a high number because active transform daemons use some system resources. However, starting transform daemons uses more CPU resources, so you need to keep some transform daemons active even when they are idle.

Default: `minimum-active = 0`

Example of a transform entry

This example shows one sample entry in the `aopxfd.conf` configuration file for the PCL to AFP transform.

When the Infoprint Server Transform Manager starts, it starts one transform daemon for the PCL to AFP transform. The Infoprint Server Transform Manager keeps no more than two transform daemons active at any time. The Infoprint Server Transform Manager shuts down any transform daemon that is idle and frees system resources after 5 minutes. However, the Infoprint Server Transform Manager keeps at least one transform daemon active.

Because the transform attribute does not specify a transform class, the Infoprint Server Transform Manager uses this entry when no transform class is specified as a transform command option or a filter option when the transform is started.

```
transform pcl2afp
  start-command = "pcl2afpd"
  environment = { _BPX_JOBNAME -> PCL2AFPD }
  minimum-active = 1
  maximum-active = 2
  maximum-idle-time = 300 # 5 minutes
;
```

Steps for creating the transform configuration file

These steps show how to create the `aopxfd.conf` configuration file in the `/etc/Printsrv` directory, which is the default directory for Infoprint Server configuration files.

To edit an existing `aopxfd.conf` file, follow the steps in [“Steps for editing the transform configuration file”](#) on page 151.

Before you begin: You must have permission to create files in the `/etc/Printsrv` directory. If you did not change the owner and permissions for `/etc/Printsrv` after installation, you must have an effective UID of 0 to create files in this directory.

To create the transform configuration file:

1. On a z/OS UNIX command line, switch to an effective UID of 0:

```
su
```

To use the z/OS UNIX `su` command, you must be authorized to the BPX.SUPERUSER FACILITY class profile in RACF.

2. Copy the sample configuration file, `/usr/lpp/Printsrv/samples/aopxfd.conf`, to the `/etc/Printsrv` directory:

```
cp /usr/lpp/Printsrv/samples/aopxfd.conf /etc/Printsrv/aopxfd.conf
```

Tips:

- a. If you copy the configuration file to another directory, specify the full path name of the file in the AOPXFD_CONF environment variable in both the `aopstart EXEC` or `envvar` file, and the `/etc/profile` file. For information, see [“Setting environment variables for Transform Interface” on page 154](#).
 - b. You can use the sample job that is provided in SYS1.SAMPLIB(AOPCPETC) to copy all Infoprint Server sample configuration files, including the transform configuration file, from `/usr/lpp/Printsrv/samples` to the `/etc/Printsrv` directory. Review the comments in the sample job to determine which configuration files your installation requires, and then run the job to create the configuration files. A user with an effective UID of 0 must run this job.
3. Change the owner of the file to UID 0:

```
chown 0 /etc/Printsrv/aopxfd.conf
```

4. Change the group owner to AOPADMIN. AOPADMIN is the suggested RACF group name for Infoprint Server administrators. However, you might use a different name for this group.

```
chgrp AOPADMIN /etc/Printsrv/aopxfd.conf
```

5. Change the permissions of the file so that it is readable by everyone and writable only by UID 0 and members of the AOPADMIN group:

```
chmod 664 /etc/Printsrv/aopxfd.conf
```

6. Edit the file by using your preferred editor and save the changes:

```
oedit /etc/Printsrv/aopxfd.conf
```

Edit this file by using the IBM-1047 code page. For the syntax rules for editing the file, see ["Syntax rules"](#).

7. If you switched to an effective UID of 0 in step 1, switch back to your own UID:

```
exit
```

8. Start the Infoprint Server Transform Manager. For example, enter this MVS command to run the AOPSTART JCL procedure:

```
START AOPSTART
```

Tip: Before you run the AOPSTART procedure, make sure that you added the `xfd` value to the `start-daemons` attribute in the Infoprint Server configuration file. See [“Editing the `aopd.conf` file for the Transform Manager” on page 146](#).

9. Check for error messages in the `stderr` file of each transform daemon. If you find any error messages, fix the errors and restart the Infoprint Server Transform Manager.

Each instance of a transform daemon writes messages to its own `stderr` file, which is cleared when the Infoprint Server Transform Manager restarts. To find the transform's `stderr` file, look in directory `base-directory/xfd`, where `base-directory` is the directory that is specified in the `base-directory`

attribute of the Infoprint Server configuration file, `aopd.conf`. The default base directory is `/var/Printsrv`.

The `stderr` file-naming convention is:

`transform[_class].n.stderr`

To read the `stderr` file, you must be a member of the RACF group for Infoprint Server administrators (AOPADMIN).

Syntax rules: When you edit this file, follow these syntax rules:

1. Start comments with the `#` symbol
2. End the last attribute in a transform entry with a semicolon.
3. Code blank characters before and after equal signs, if wanted.
4. Use lowercase characters for the attribute names. Use uppercase or lowercase characters for the attribute values.
5. Environment variable names are case-sensitive. Typically, environment variable names are all uppercase.
6. If a value contains blank characters or special characters (such as `{}`-> `=`, `#` &), enclose the value in single or double quotation marks.
7. To continue a line that contains a character string that is enclosed in quotation marks, end the line with a backslash and do not type any characters, even blank characters, after the backslash. For example:

```
environment = {AOP_FONTLIB -> "sys1.font300 \
sys1.sfntlib inst.font300"}
```

Steps for editing the transform configuration file

These steps show how to edit an existing `aopxfd.conf` configuration file. If you did not create the `aopxfd.conf` file yet, follow the steps in [“Steps for creating the transform configuration file”](#) on page 149.

Before you begin: You must be a member of the RACF group for Infoprint Server administrators (AOPADMIN) or have an effective UID of 0.

To edit the transform configuration file:

1. Edit the file by using your preferred editor and save the changes:

```
oedit /etc/Printsrv/aopxfd.conf
```

Edit this file by using the IBM-1047 code page. For the syntax rules for editing the file, see [“Syntax rules”](#).

2. Stop and restart the Infoprint Server Transform Manager. For example, enter these MVS commands to run the AOPSTOP and AOPSTART JCL procedures.

```
START AOPSTOP,OPTIONS='-d xfd'
START AOPSTART
```

3. Check for error messages in the `stderr` file of each transform daemon. If you find any error messages, fix the errors and restart the Infoprint Server Transform Manager.

Each instance of a transform daemon writes messages to its own `stderr` file, which is cleared when the Infoprint Server Transform Manager restarts. To find the transform's `stderr` file, look in directory `base-directory/xfd`, where `base-directory` is the directory that is specified in the `base-directory` attribute of the Infoprint Server configuration file, `aopd.conf`. The default base directory is `/var/Printsrv`.

The `stderr` file-naming convention is:

`transform[_class].n.stderr`

To read the `stderr` file, you must be a member of the RACF group for Infoprint Server administrators (AOPADMIN).

Syntax rules: When you edit this file, follow these syntax rules:

1. Start comments with the `#` symbol.
2. End the last attribute in a transform entry with a semicolon.
3. Code blank characters before and after equal signs, if wanted.
4. Use lowercase characters for the attribute names. Use uppercase or lowercase characters for the attribute values.
5. Environment variable names are case-sensitive. Typically, environment variable names are all uppercase.
6. If a value contains blank characters or special characters (such as `{}`-> `=`, `#` &), enclose the value in single or double quotation marks.
7. To continue a line that contains a character string that is enclosed in quotation marks, end the line with a backslash and do not type any characters, even blank characters, after the backslash. For example:

```
environment = {AOP_FONTLIB -> "sys1.font300 \
sys1.sfntilib inst.font300"}
```

Creating the remote transform configuration file (aoprxf.conf)

The remote transform configuration file contains information that Transform Interface uses to access Ricoh InfoPrint Transform Manager for Linux. If you use InfoPrint Transform Manager for Linux, this configuration file is required.

For information about InfoPrint Transform Manager for Linux, see *InfoPrint Transform Manager for Linux* and *InfoPrint Transform Manager for Linux: afp2pdf Transform Installation and User's Guide* in [Ricoh Production Print Information Center \(info.rpp.ricoh-usa.com/help/index.jsp\)](http://info.rpp.ricoh-usa.com/help/index.jsp).

Format of the remote transform configuration file

The remote transform configuration file, `aoprxf.conf`, has this format:

```
[ #comment ]
remote-transform-manager-ip-address = hostname
[ remote-transform-manager-port-number = portnumber ]
```

remote-transform-manager-ip-address = hostname

The host name or dotted decimal IP address of the InfoPrint Transform Manager for Linux transform server. This attribute is required.

Tip: The InfoPrint Transform Manager for Linux user interface lists the IP address and port number of the transform server.

Default: None.

Examples:

1. `remote-transform-manager-ip-address = linux1.xyz.com`
2. `remote-transform-manager-ip-address = 99.99.123.234`

remote-transform-manager-port-number = portnumber

The port number of the InfoPrint Transform Manager for Linux transform server. This attribute is optional.

Default: `remote-transform-manager-port-number = 6986`

Example: `remote-transform-manager-port-number = 6987`

Steps for creating the remote transform configuration file

These steps show how to create the `aoprxf.conf` configuration file in the `/etc/Printsrv` directory, which is the default directory for Infoprint Server configuration files.

Before you begin: You must have permission to create files in the `/etc/Printsrv` directory. If you did not change the owner and permissions for `/etc/Printsrv` after installation, you must have an effective UID of 0 to create files in this directory.

To create the remote transform configuration file:

1. Switch to an effective UID of 0:

```
su
```

To use the z/OS UNIX `su` command, you must be authorized to the `BPX.SUPERUSER FACILITY` class profile in RACF.

2. Copy the sample configuration file, `/usr/lpp/Printsrv/samples/aoprxf.conf`, to the `/etc/Printsrv` directory.

```
cp /usr/lpp/Printsrv/samples/aoprxf.conf /etc/Printsrv/aoprxf.conf
```

Tips:

- a. If you copy the configuration file to another location, specify the full path name of the file in the `AOPRXF_CONF` environment variable in both the `/etc/profile` and the `aopstart EXEC` or `envvar` file. For information, see [“Setting environment variables for Transform Interface”](#) on page 154.
 - b. You can use the sample job that is provided in `SYS1.SAMPLIB(AOPCPETC)` to copy all Infoprint Server sample configuration files, including the remote transform configuration file, from `/usr/lpp/Printsrv/samples` to the `/etc/Printsrv` directory. Review the comments in the sample job to determine which configuration files your installation requires, and then run the job to create the configuration files. A user with an effective UID of 0 must run this job.
3. Change the owner of the file to UID 0:

```
chown 0 /etc/Printsrv/aoprxf.conf
```

4. Change the group owner to `AOPADMIN`. `AOPADMIN` is the suggested RACF group name for Infoprint Server administrators. However, you might use a different name for this group.

```
chgrp AOPADMIN /etc/Printsrv/aoprxf.conf
```

5. Change the permissions of the file so that it is readable by everyone and writable only by UID 0 and members of the `AOPADMIN` group:

```
chmod 664 /etc/Printsrv/aoprxf.conf
```

6. Edit the file by using your preferred editor and save the changes.

```
oedit /etc/Printsrv/aoprxf.conf
```

Edit this file by using the IBM-1047 code page. For the syntax rules for editing the file, see ["Syntax rules"](#).

7. If you switched to an effective UID of 0 in step 1, switch back to your own UID:

```
exit
```

Tip: Infoprint Server picks up the changes to this file automatically. You do not need to restart Infoprint Server after you create or edit this file.

Syntax rules: When you edit this file, follow these syntax rules:

1. Use lowercase characters for the attribute names. Use uppercase or lowercase characters for the values.
2. Use blank characters before or after the equal sign, if wanted.
3. Start comments with the # symbol.
4. Include blank lines, if wanted.

Setting environment variables for Transform Interface

These environment variables affect the behavior of Transform Interface. Set these environment variables only if you do not create the transform configuration files in the default locations.

If you set these environment variables, set them in both of these locations:

- `aopstart EXEC` or the `aopdemon` environment variables file: Transform Interface uses environment variables that are specified in this file. For information about how to edit this file, see [“Editing the aopstart EXEC” on page 53](#) or [“Creating an environment variables file \(envar\)” on page 55](#).
- `/etc/profile` file: z/OS UNIX transform commands, such as `ps2afp` and `remotexf`, use environment variables that are specified in this file.

AOPRXF_CONF

The full path name of the remote transform configuration file, `aoprxf.conf`. This environment variable is optional. If you did not create this configuration file, or if you created it in the default location, you do not need to set it.

Default: `/etc/Printsrv/aoprxf.conf`

AOPXFD_CONF

The full path name of the transform configuration file, `aopxfd.conf`. This environment variable is optional. If you did not create this configuration file, or if you created it in the default location, you do not need to set it.

Default: `/etc/Printsrv/aopxfd.conf`

Transform Interface also uses the `LANG`, `LIBPATH`, `MANPATH`, `NLSPATH`, and `PATH` environment variables.

Examples: To specify a non-default location for the configuration files:

1. Change these lines in the `aopstart EXEC`:

```
n=n+1; env.n='AOPRXF_CONF=/etc/Printsrv/aoprxf.conf'
n=n+1; env.n='AOPXFD_CONF=/etc/Printsrv/aopxfd.conf'
```

Tip: After you edit the `aopstart EXEC`, stop and restart all Infoprint Server daemons. For example, enter these MVS commands to run the `AOPSTOP` and `AOPSTART JCL` procedures:

```
START AOPSTOP
START AOPSTART
```

2. Change these lines in the `envar` file:

```
AOPRXF_CONF=/etc/Printsrv/aoprxf.conf,
AOPXFD_CONF=/etc/Printsrv/aopxfd.conf
```

Tips:

- a. If you use the `AOPDEMON JCL` procedure, define the `envar` file on the `VARFILE` statement and assign UID 0 to the task.

- b. After you edit the *envar* file, stop and restart all InfoPrint Server daemons. For example, enter these MVS commands to run the AOPSTOP2 and the AOPDEMON or AOPSTAR2 JCL procedures:

```
START AOPSTOP2
START AOPDEMON OR START AOPSTAR2
```

3. Add these statements to the */etc/profile* file:

```
export AOPRXF_CONF=/directory/aoprxf.conf
export AOPXFD_CONF=/directory/aopxfd.conf
```

directory is the absolute directory path that contains the configuration file.

Customizing the TCP/IP firewall

If you configured a TCP/IP firewall, make sure that the z/OS system is allowed to communicate by using the TCP/IP protocol with transforms that run on remote systems.

If you use InfoPrint Transform Manager for Linux to transform data, the z/OS system must be able to connect to each InfoPrint Transform Manager transform server that the administrator defined. The z/OS system must be able to connect to each transform server at both these ports:

- The transform server's defined port. The default port is 6986.

You specify the defined port in the *remote-transform-manager-port-number* attribute in the remote transform configuration file, *aoprxf.conf*.

- Port 6984, which is the port to which InfoPrint Server sends data.

Tip: The InfoPrint Transform Manager for Linux user interface lists the IP addresses and defined port numbers of all the transform servers.

If you use Ricoh InfoPrint Manager for AIX or Windows to transform data, the z/OS system must be able to connect to InfoPrint Manager at the ports where the transform daemons are running. The administrator specifies the port for the transform daemon in the *-P* option of the *aoprxf.dll* transform filter in the printer definition.

Setting up security for transform resources

The user ID that starts InfoPrint Server must have permission to read any transform resource files that are on the z/OS system. For example, the AFP to PCL, AFP to PDF, and AFP to PostScript transforms use AFP resources, such as form definitions and fonts, that are on the z/OS system. And, the SAP to AFP transform uses configuration files that are on the z/OS system.

For information about how to set up security for transform resources, see:

- [*IBM Print Transforms from AFP for Infoprint Server for z/OS*](#)
- [*IBM Infoprint Transforms to AFP for z/OS*](#)

Transforms that run on non-z/OS systems might use transform resources that are on the z/OS system. For example, InfoPrint Transform Manager for Linux transforms use a PostScript halftone dictionary, which can be on the z/OS system. If a resource is on the z/OS system, set the z/OS UNIX permissions for the file so that the user ID that starts InfoPrint Server can read it.

Creating a code page conversion table

Transform Interface converts messages from InfoPrint Transform Manager for Linux from the ISO8859-1 code page to the code page for the z/OS locale. Therefore, if you use a custom code page for the z/OS locale, make sure that a conversion table exists. For information about how to create conversion tables, see information about code set conversion utilities in [*z/OS XL C/C++ Programming Guide*](#).

Chapter 6. Customizing NetSpool

This information describes the NetSpool component of Infoprint Server. You must customize NetSpool if you want to print from VTAM applications, such as CICS and IMS.

NetSpool intercepts print data from VTAM applications, such as CICS and IMS; transforms the data streams to EBCDIC line data, PCL, PDF, or other formats that the printer accepts; and creates output data sets on the JES2 or JES3 spool. For an overview of NetSpool and how it fits into your system, see “NetSpool” on page 9.

Table 32 on page 157 summarizes the tasks to customize NetSpool. Required tasks are necessary for all installations that want to use NetSpool. Optional tasks are required only if the listed condition applies to your installation.

Task	Condition
“Identifying software requirements for NetSpool” on page 158	Required
“Updating the BPXPRMxx member of SYS1.PARMLIB” on page 158	Required
“Editing the aopd.conf file for NetSpool” on page 158	Required
“Customizing the NetSpool message log” on page 160	Optional: To record messages in the NetSpool log.
“Customizing the NetSpool startup procedure” on page 160	Required
“Working with JES spool limits” on page 165	Required
“Changing Language Environment runtime options” on page 165	Optional: To change default options.
“Writing NetSpool exit and filter programs” on page 166	Optional: To customize how NetSpool processes SCS and 3270 data streams.
“Setting environment variables for NetSpool” on page 178	Optional: To print line data that contains unprintable characters.
“Editing the system configuration definition for NetSpool” on page 178	Optional: To specify dynamic attributes.

Table 33 on page 157 lists the other components of Infoprint Server that you might need to customize when you use NetSpool.

Task	Condition
Chapter 3, “Customizing the Printer Inventory Manager,” on page 21	Required
Chapter 5, “Customizing Transform Interface,” on page 145 ¹	Optional: To transform data from one format to another.

Table 33: Other components to customize for NetSpool. (continued)

Task	Condition
Chapter 7, “Customizing IP PrintWay,” on page 181	Optional: To print data to remote printers in your Internet Protocol network or send data to email destinations.
1. This task is not required to transform SCS or 3270 data to line data or PCL data. However, it is required to transform line data or PCL data to another format such as to AFP or PDF format.	

Related tasks: After you customize NetSpool, the administrator and operator must do these tasks. For information about these tasks, see [z/OS Infoprint Server Operation and Administration](#):

- The administrator must create or update the printer definition for each printer in the Printer Inventory and specify printer attributes that are required by NetSpool.
- The administrator must define each NetSpool printer logical unit (LU) to VTAM, and modify VTAM resource definitions if necessary.
- The operator must start NetSpool and vary the NetSpool printer LUs active.

Identifying software requirements for NetSpool

No additional software is required.

Updating the BPXPRMxx member of SYS1.PARMLIB

When you use NetSpool, you need to increase the number of active z/OS UNIX processes that the z/OS system allows. You can specify the number of allowed processes in these parameters in the BPXPRMxx member of SYS1.PARMLIB:

MAXPROCUSER

The maximum number of processes that a single z/OS UNIX user ID can have concurrently active.

Guideline: Add at least 70 for Infoprint Server processes.

MAXPROCSYS

The maximum number of processes that the z/OS system allows.

Guideline: Add 200 for processes that are used by both NetSpool and Print Interface. If you also run IP PrintWay, add an extra 50 (extended mode) or an extra 70 for each IP PrintWay FSS (basic mode).

Example: Specify these statements in the BPXPRMxx member:

```
MAXPROCUSER(70) /*70(Infoprint Server) */
MAXPROCSYS(450) /*200(Print Interface/NetSpool)+50(PrintWay extended)+200(initial)*/
```

Tip: You can use the SETOMVS or SET OMVS command to dynamically increase the MAXPROCUSER and MAXPROCSYS values. However, to make a permanent change, edit the BPXPRMxx member that is used for IPLs. For more information about the BPXPRMxx member, see [z/OS MVS Initialization and Tuning Reference](#).

Editing the aopd.conf file for NetSpool

The aopd.conf file contains attributes that Infoprint Server uses when it starts. The default location of this file is /etc/Printsrv/aopd.conf.

To start the NetSpool daemon, you must specify the following attribute in the aopd.conf file:

start-daemons = {netd}

To start the NetSpool daemon, add netd to the values in this statement. Enclose the values in braces. This statement is required.

Rule: If you add netd while Infoprint Server is running, start Infoprint Server again. You do not need to stop any Infoprint Server daemons before you restart Infoprint Server.

Default: start-daemons = {lpd}

Example: In this example, the Printer Inventory Manager daemons, the LPD, and the NetSpool daemon start:

```
start-daemons = {lpd netd}
```

If dynamic configuration is not enabled, you can also specify this attribute in the aopd.conf file:

job-prefix = prefix

A prefix that Print Interface and NetSpool use for the job IDs of output data sets that they allocate on the JES spool. For example, if you specify prefix IS, the job ID of a print job might be IS001234. This prefix can help you identify data sets that Print Interface and NetSpool allocate on the JES spool.

The prefix must be two alphanumeric or national (@, \$, and #) characters. Enclose a prefix that contains national characters in single or double quotation marks. The first character *cannot* be numeric.

In some situations, this prefix is not used. For example:

- If a job submitter specifies the sysout-job-id job attribute, the job ID of the data set on the JES spool is the job ID specified in the job attribute.
- If a job submitter submits a data set to the Print Interface subsystem, the job ID of the data set on the JES spool is the job ID that JES assigned to the job.
- If IP PrintWay basic mode resubmits a print job to Print Interface for filtering, the job ID of the data set on the JES spool is the job ID that JES assigned to the original job.

Tips:

1. z/OS also assigns a unique z/OS job ID to each output data set. The z/OS job ID might be different from the job ID of the output data set on the JES spool. JES operator commands use this z/OS job ID.
2. The job ID that Print Interface returns to the job submitter does not contain this prefix.

Rules:

1. If dynamic configuration is enabled, specify this attribute in the system configuration definition. If you change this attribute, you do not need to restart Infoprint Server.
2. If dynamic configuration is not enabled, specify this attribute in the aopd.conf file. If you change this attribute while Infoprint Server is running, stop all Infoprint Server daemons and restart Infoprint Server. Be sure to wait for all daemons to stop before you restart Infoprint Server.

Default: job-prefix = PS

Example: job-prefix = 'P#'

Related information: For information about:

- How to edit the aopd.conf file, see [“Steps for editing the Infoprint Server configuration file \(aopd.conf\)” on page 37.](#)
- All attributes in the aopd.conf file, see [Appendix B, “Infoprint Server files,” on page 337.](#)
- How to enable dynamic configuration, see [“Enabling dynamic configuration” on page 67.](#)

Customizing the NetSpool message log

The NetSpool started task can write informational and error messages in both the common message log and the NetSpool message-log data set:

- The common message log lets you see messages from most Infoprint Server components and most transforms in one place.
- The NetSpool message-log data set is an optional data set that is organized as a circular queue. When a message extends to the end of the data set, the next message starts at the beginning. In this way, the size of the message data set remains stable, with old messages automatically overlaid by newer messages. Not all NetSpool print job-related errors are written to the NetSpool message-log, so consider using the common message log to see all job-related messages.

To use the NetSpool message log, you must allocate space for the data set and initialize it. You can use the sample JCL in SYS1.SAMPLIB (APIMIJCL) to allocate space and run the ANFMFILE program to initialize the data set.

The NetSpool message-log data set requires these specifications:

- Sequential organization (PS).
- Fixed block format (FBA).
- Logical record length (LRECL) of 57 at a minimum. 80 is suggested.
- Block size (BLKSIZE) of about 10 records per block. 800 is suggested.

Secondary space is unnecessary because the ANFMFILE program formats all available space. To change the size of the NetSpool message-log data set, rerun the ANFMFILE program.

Tip: The ANFMFILE program produces a D37 abend when it completes processing.

Customizing the NetSpool startup procedure

Before you start NetSpool, you must create a startup procedure. The startup procedure identifies:

- Program name, region size, time out value, classes of printer LUs, tracing option, console name, and the name of the Printer Inventory
- The location of the NetSpool message-log data set
- The location of the trace options file
- The location of exit programs

Table 34 on page 160 summarizes the customization tasks that are related to setting up the startup procedure. Required tasks are necessary for all installations. Optional tasks are required only if the listed condition applies to your installation.

Task	Condition
<u>“Determining the number of NetSpool tasks to start” on page 161</u>	Required
<u>“Using the Japanese version” on page 161</u>	Optional: To receive messages in Japanese.
<u>“Using an extended MCS console” on page 161</u>	Optional: To receive unsolicited messages at an extended console.
<u>“Creating a user ID to assign to the NetSpool startup procedure” on page 162</u>	Required
<u>“Defining the NetSpool startup procedure to RACF” on page 162</u>	Required

Table 34: Customization tasks for NetSpool startup procedure (continued)

Task	Condition
“Editing the NetSpool startup procedure” on page 162	Optional: To change default settings.

Determining the number of NetSpool tasks to start

You can start more than one NetSpool task at the same time. Each started task runs in a different address space. You might want to start more than one task for these reasons:

- To spread processing across multiple address spaces
- To reduce region-size requirements by spreading the printer LUs across multiple regions
- To enable different sets of printer LUs to be started and stopped at different times

Tip: If you start more than one NetSpool task, you cannot use Infoprint Central to work with NetSpool LUs.

The NetSpool daemon, `aopnetd`, controls part of the NetSpool processing. You can run only one NetSpool daemon, but it can control several NetSpool started tasks.

If you start more than one NetSpool task, specify unique class values in the `LUCLASS` parameter in the startup procedure for each task. These class values correspond to LU class values specified in the printer definitions in the Printer Inventory. Unique class values cause each NetSpool started task to start different printer LUs.

Using the Japanese version

A Japanese version is available for the NetSpool task. If you ordered the Japanese version, a new message data set is provided in a separate FMID. To install the message data set associated with the language feature, see *z/OS Program Directory* in the *z/OS Internet library* (www.ibm.com/servers/resourcelink/svc00100.nsf/pages/zosInternetLibrary).

To receive messages in Japanese, specify the `LANGUAGE` parameter in the `EXEC` statement by using the last 3 characters in the name of the message data set. For example, specify `LANGUAGE=JPN`. For more information about the `LANGUAGE` parameter, see [“Editing the NetSpool startup procedure” on page 162](#).

If the language feature is installed, you can still use the English message data set by either removing the `LANGUAGE` parameter from the `EXEC` statement or by specifying `LANGUAGE=ENU` and starting the NetSpool task again.

To receive messages from the NetSpool daemon in Japanese, specify the `LANG=Ja_JP` environment variable. See [“Setting environment variables for the Printer Inventory Manager” on page 38](#).

Be certain your console supports the language that you install. NetSpool sends all messages to the console, an optional NetSpool message-log data set, and the optional common message log. Some NetSpool messages are sent before NetSpool loads the message data set. These messages are sent in English.

You must configure an extended MCS console on TSO/E to view messages in Japanese. For information about customizing TSO/E, see *z/OS TSO/E Customization*. Messages that are sent by NetSpool are already translated into Japanese.

Using an extended MCS console

When you use extended MCS consoles, messages sent in response to NetSpool operator commands are routed to the console that issued the command. The NetSpool started task sends unsolicited messages to an extended MCS console when the `CONSNAME` parameter in the startup procedure specifies the name of an extended MCS console.

Creating a user ID to assign to the NetSpool startup procedure

The user ID assigned to the NetSpool startup procedure must be defined to RACF with access to z/OS UNIX.

Steps for creating a RACF user ID with access to z/OS UNIX

1. Create a user ID with an OMVS segment and a default group that has an OMVS segment with a group identifier (GID).

You can select any name for the user ID. Use the RACF ADDUSER command to create a new user ID. Use the RACF ALTUSER command to alter an existing user ID to give it access to z/OS UNIX. For the default group, you can select any group that has an OMVS segment and a GID. You can specify any home directory or use the default home directory.

Example: This RACF command defines user ID AOPSTC with a default group of AOPOPER and home directory /tmp. For *user-identifier*, specify an integer that is different from other UIDs in your installation. The NOPASSWORD operand defines the user ID as a *protected* user ID. Protected user IDs cannot log on to the z/OS system, and they cannot be revoked because of incorrect password attempts.

```
ADDUSER AOPSTC OMVS(UID(user-identifier) PROGRAM('/bin/sh')) HOME (/tmp)
DFLTGRP(AOPOPER) NOPASSWORD
```

2. Give the user ID RACF update access to the NetSpool message-log data set.

Example: This RACF command gives user ID AOPSTC update access to data set USER.MSGFILE:

```
PERMIT USER.MSGFILE ACCESS(UPDATE) ID(AOPSTC)
```

Defining the NetSpool startup procedure to RACF

You must define a profile for the NetSpool startup procedure in the RACF STARTED class.

Example: These RACF commands define a profile for the APIJPJCL procedure. This example assumes that the user ID you defined for use with this procedure is AOPSTC and that AOPSTC is connected to group AOPOPER.

```
RDEFINE STARTED APIJPJCL.* STDATA(USER(AOPSTC) GROUP(AOPOPER))
SETROPTS RACLIST(STARTED) REFRESH
```

Tip: If you want to use the started procedure table (ICHRIN03) instead, see [z/OS Security Server RACF Security Administrator's Guide](#) for more information.

Editing the NetSpool startup procedure

Infoprint Server provides procedure APIJPJCL, which you can use to start NetSpool. You can modify this procedure for your installation.

APIJPJCL is included in SYS1.IBM.PROCLIB. However, during installation APIJPJCL might be copied to another data set in the STC PROCLIB concatenation.

Steps for editing the NetSpool startup procedure

1. Copy the APIJPJCL to a procedure library that is known to JES. For information about procedure libraries, see [z/OS JES2 Initialization and Tuning Guide](#) and [z/OS JES3 Initialization and Tuning Guide](#).
2. Edit the APIJPJCL procedure if any of these conditions apply to your installation:
 - If you did not add the Language Environment runtime libraries (*hlq.SCEERUN* and *hlq.SCEERUN2*) and the C++ runtime library (*hlq.SCLBDLL*) to the system LNKLST, add them to the STEPLIB DD statement.
 - If you use a NetSpool exit and the library that contains the exit is not in the standard z/OS search order, add the library to the STEPLIB DD statement.

- If you want to start NetSpool LU classes other than class 1, specify the classes in the LUCLASS parameter of the PROC statement.
- If the Printer Inventory name is not the default name, AOP1, specify the inventory name in the INV parameter of the PROC statement.
- If you do not use the default name for the NetSpool message-log data set, change the data set name in the MSGFILE parameter of the PROC statement.
- If you want to receive NetSpool messages in Japanese, specify the LANGUAGE parameter in the EXEC statement.
- If you want to receive NetSpool unsolicited messages on an alternative console, specify the CONSNAME parameter in the EXEC statement.

This procedure uses symbolic parameters with default values for some of the parameters that you might want to change for your installation. For more information about symbolic parameters, see [z/OS MVS JCL Reference](#).

3. If a NetSpool task is running, restart it to pick up the changes. For information about how to stop and start NetSpool, see [z/OS Infoprint Server Operation and Administration](#).

Related information: For information about how to access the Language Environment runtime libraries and improve the performance of runtime libraries, see [z/OS UNIX System Services Planning](#).

APIJPJCL procedure

Figure 21 on page 163 shows the NetSpool startup procedure.

```
//NETSPOOL PROC LUCLASS=(1),INV='AOP1',DURATION=NOLIMIT,
//          SIZE=31M,MSGFILE=USER.MSGFILE
//APIPPAAA EXEC PGM=APIPPAAA,REGION=&SIZE,TIME=&DURATION, X
//          PARM='LUCLASS=&LUCLASS,INV=&INV'
//* Modify the next STEPLIB to replace the transparent data exit or
//* the beginning of file exit. This library must be APF
//* authorized.
//*STEPLIB DD DSN=NETSPOOL.EXIT.SLOADLIB,DISP=SHR
//APIMMSG DD DSN=&MSGFILE,DISP=SHR
//SYSPRINT DD SYSOUT=*
```

Figure 21: NetSpool startup procedure — SYS1.IBM.PROCLIB(APIJPJCL)

The JCL statements and parameters that you can include in your NetSpool startup procedure are:

label PROC

Marks the beginning of the procedure. The sample PROC statement in [Figure 21 on page 163](#) specifies default values for symbolic parameters that are coded in the sample. If you plan to use the sample procedure, modify these default values to suit your installation.

label EXEC PGM=APIPPAAA,REGION=size,TIME=NOLIMIT, PARM='LUCLASS=(class[, ...]),INV=inventory[,LANGUAGE=language_id] [,CONSNAME=console_name][,TRACE=ON]'

Invokes the NetSpool program.

PGM=APIPPAAA

The NetSpool program entry point.

REGION=size

The maximum amount of virtual storage the NetSpool task can use. For more information about specifying region size, see [z/OS MVS JCL Reference](#).

TIME=NOLIMIT

Specify TIME=1440 or TIME=NOLIMIT to prevent TIMEOUT abends.

PARM=

Specify a maximum of 100 characters for the value of the PARM parameter, as described in [z/OS MVS JCL Reference](#).

LUCLASS=(class[,...])

The classes of printer LUs that this NetSpool task starts. The class of each printer LU is specified in the printer definition in the Printer Inventory.

Valid class values are 1 - 64. Enclose the classes in parentheses, even if you specify only one class value. To specify more than one class, separate each class with a comma. NetSpool starts all printer LUs that are assigned to any one of the classes specified. For example, if you specify `LUCLASS=(1,2)`, NetSpool starts all printer LUs assigned to class 1 and all printer LUs assigned to class 2. For more information about using LU classes, see [z/OS Infoprint Server Operation and Administration](#).

If you want to start a NetSpool task without starting any printer LUs, specify a class number, 1 - 64, that does not match any classes that are defined for printer LUs in the Printer Inventory. To start individual printers, use Infoprint Central or the NetSpool LUNAME ADD command that is described in [z/OS Infoprint Server Operation and Administration](#).

This parameter is required.

INV=inventory

The name that you assigned to the Printer Inventory in the inventory attribute in the `aopd.conf` configuration file. Specify AOP1 (the default name) if you did not create an `aopd.conf` configuration file or if the `inventory` attribute is omitted. This name is case-sensitive. This parameter is required.

CONSNAME=console_name

The name of an MCS or extended MCS console where you want NetSpool to display its unsolicited messages. Unsolicited messages are sent by NetSpool as a result of an unexpected error, such as a VTAM or data error. For *console_name*, specify a name that is defined in a CONSOLE statement in the CONSOLxx member of SYS1.PARMLIB. You can abbreviate the CONSNAME parameter: `CON=console_name`.

Translated NetSpool messages can be displayed correctly when CONSNAME specifies the name of an extended MCS console that is configured for the language of the translated messages.

If the CONSNAME parameter is not specified, unsolicited NetSpool messages are displayed at the console that used the START NetSpool command to start NetSpool.

LANGUAGE=language_id

The language that this NetSpool task uses for messages.

Tip: You can abbreviate this parameter: `LNG=language_id`

NetSpool appends the *language_id* to the prefix APIMT to determine the name of the message data set to load. If you specify Japanese, first install the Japanese version. If you omit the LANGUAGE parameter, or if NetSpool does not find the specified message data set, NetSpool sends messages in English. (NetSpool uses the default message data set APIMTENU.)

Example:

```
LNG=JPN
```

TRACE=ON

Specifies that NetSpool reads the data set in the TRACEOPT DD statement to obtain the trace options. The tracing starts when NetSpool is started.

STEPLIB DD DSN=dsname,DISP=SHR

The name of a data set that contains NetSpool exit programs that are written by your installation. The library must be APF-authorized. This statement is optional. Specify it if you are replacing any of the IBM-supplied exit programs.

Also, concatenate the Language Environment libraries (*hlq.SCEERUN* and *hlq.CEERUN2*) and the C++ runtime library (*hlq.SCLBDLL*) if you did not add them to the system LNKLIST.

APIMMSG DD DSN=*dsname*,DISP=SHR

The name of the NetSpool message-log data set. This statement is optional. If you include this statement, this NetSpool task writes messages to the message-log data set and to the operator console. If you specify a language identifier other than ENU in the LANGUAGE parameter on the NetSpool startup procedure, the message-log data set contains the translated messages. For more information, see [“Customizing the NetSpool message log” on page 160](#).

TRACEOPT DD DSN=*dsname*,DISP=SHR

The name of the trace options data set. Specify DISP=SHR to allow more than one NetSpool started task to use the data set. The trace options data set can be either a member of a PDS or a sequential data set.

Related information: For information about how to access the Language Environment runtime libraries and improve the performance of runtime libraries, see [z/OS UNIX System Services Planning](#).

Working with JES spool limits

Infoprint Server daemons that write data to the JES spool typically run for extended periods of time and write data to the spool for many print requests. Therefore, during normal processing, an Infoprint Server daemon can exceed the JES *spool limit* that you set in your installation. The *spool limit* is the cumulative amount of data that a program can write to the JES spool. Infoprint Server daemons that write data to the JES spool include these daemons:

- NetSpool daemon (aopnetd)
- Print Interface LPD (aoplpd)
- Print Interface IPP Server (aoppipd)
- Print Interface subsystem (aopsubd)

The `_BPX_UNLIMITED_OUTPUT` environment variable lets z/OS UNIX programs that have an effective UID of 0 and run in their own address space (such as the Infoprint Server daemons) continue processing when they exceed their spool limit. In this case, the JES2 and JES3 spool limit for each program is fixed at slightly less than 1 GB, with large spool limits for lines and AFP pages. Spool limits and JES actions that are specified in JES initialization statements or on the JOB JCL statement do not apply.

When the spool limit is reached, JES2 and JES3 display a warning message on the system console and let the program continue. You can specify the interval at which the warning message is displayed in these JES initialization statements:

- JES2: ESTBYTES, ESTLINES, and ESTPAGES statements
- JES3: STANDARDS statement

The `aopstart EXEC` and `aopdemon` command define `_BPX_UNLIMITED_OUTPUT=YES` in the environment in which it starts Infoprint Server daemons. Do not remove or change the value of this environment variable.

Tip: The specification of `_BPX_UNLIMITED_OUTPUT=YES` does not affect the z/OS SMB server, which uses the Infoprint Server Application Programming Interface (API) to write data to the JES spool.

Related task: Your administrator can limit the amount of data that Infoprint Server writes to the JES spool for any one print job. For information, see the description of the **Maximum document size** field or maximum-document-size attribute in [z/OS Infoprint Server Operation and Administration](#).

Changing Language Environment runtime options

Figure 22 on [page 166](#) shows the runtime options for the Language Environment that NetSpool establishes.

```
TRAP(OFF)
POSIX(ON)
ALL31(ON)
ENVAR("_CEE_ENVFILE=//DD:STDENV")
RPTOPTS(ON)
RPTSTG(ON)
MSGFILE(,,,ENQ)
STACK(8K,64K,ANY,KEEP)
HEAP(8K,8K,,FREE)
ANYHEAP(8K,8K)
THREADHEAP(8,4K,ANY,FREE)
BELOWHEAP(8,4K,FREE)
LIBSTACK(8,0)
```

Figure 22: Language Environment runtime options for NetSpool

To change any of the Language Environment runtime options:

1. Create a CEEUOPT object file. You can use sample job CEE.SCEESAMP(CEEWUOPT) to create the CEEUOPT.
2. Create an SMPE usermod to link-edit the CEEUOPT object file with NetSpool module SYS1.LINKLIB(APIIOPN). Place the CEEUOPT text deck first when you link-edit it with module APIIOPN.
3. Put the new module into a link library and add that library to the NetSpool startup procedure with a STEPLIB or JOBLIB DD statement.

For more information, see:

- For information about Language Environment runtime options, see [z/OS Language Environment Programming Guide](#).
- For information about how to create a CEEUOPT file and link-edit it with another module, see [z/OS Language Environment Customization](#).

[Programming Interface Information] Writing NetSpool exit and filter programs

This information documents programming-interfaces intended to allow you to write programs to obtain the services of Infoprint Server.

NetSpool provides these exits, which let you customize how NetSpool processes SCS and 3270 data streams:

- The Beginning of File exit for SCS data streams (APIPPTD1)
NetSpool calls this exit each time it creates a new output data set.
- The Beginning of File exit for 3270 data streams (APIUBF3)
NetSpool calls this exit each time it creates a new output data set.
- The Transparent Data Control exit for SCS data streams (APIPPTD2)
NetSpool calls this exit when it finds the Transparent Data control (TRN) in the input data stream.
- The Graphic Escape exit for SCS and 3270 data streams (APIUGEX)
NetSpool calls this exit when it finds a Graphic Escape SCS code, X'08', in the input data stream.

If the NetSpool exits do not meet your needs, you can write a filter program. A filter program can inspect the line or PCL output data stream and modify the data stream, add separator pages, or specify job

attributes (DLL filter only), such as the copies or the mail-to-addresses job attribute. An application programmer can also code job attributes in the input data stream, or an administrator can specify job attributes in the printer definition.

When you write a filter program and specify it in the printer definition, Print Interface and IP PrintWay can also use it. However, a filter program is called only once for any data stream. NetSpool calls filters after the SCS or 3270 data stream is converted to either line data or PCL data.

Tip: You can specify only one filter for each data format in the printer definition. Therefore, if you write your own filter, you cannot also specify a transform in the printer definition.

Related information:

- For information about how to write filter programs, see [“Writing a filter program” on page 114](#).
- For information about how to specify job attributes in the application, see [z/OS Infoprint Server User's Guide](#).
- For information about how to specify job attributes in the printer definition (in the Allocation section), and how to specify filters in the printer definition, see [z/OS Infoprint Server Operation and Administration](#).

[End Programming Interface Information]

Programming considerations

Consider these points when you are coding exit programs:

- You need to be an experienced programmer and aware of overall system implications.
- Do not do an explicit or implied WAIT in an exit because it puts NetSpool into a WAIT state.
- The exits can run in either 24-bit or 31-bit addressing mode. IBM suggests 31 bit addressing to allow more printer LUs to run in an address space.
- Use only the control block that is passed to the exit. Code the references to fields in the control block by using the names that are associated with each field in the DSECT control block. Do not use absolute displacements because these displacements can change from one release to another.
- The exit programs are run in supervisor state in key 8.
- The exit programs must be non-reentrant, which is the default value for the IBM assembler and binder.
- An ESPIE is in effect while the exit programs are running. Programming exceptions cause the printer session and the application session to end.

Guideline: Future NetSpool program maintenance might require that you reassemble these exits.

APIPP1X2 control block

When the exits are called, register 1 contains the address of the APIPP1X2 control block, which is mapped by DSECT S2STG, shown in [“Sample APIPP1X2 control block” on page 167](#).

Sample APIPP1X2 control block

Offset	(Hex)	Type	Length	Name	Description
0	(0)	Structure	*	S2STG	Exit parameter area
0	(0)	Character	5	S2EYEC	Set to 'S2STG'
5	(5)		1	*	Reserved
=====					
The following flags are input fields to all exits. The exits must not change these fields.					
=====					
5	(5)	Unsigned	1	S2FLAGS	Flags for LU type and formatting option
		...1		S2LU1	Set for LU1; not set for LU0 and LU3
	1		S2FPCL	Set when NetSpool converts to PCL
=====					
The following fields are input to APIPPTD1 and APIPPTD2. The exits must not change these fields.					
=====					
Horizontal Page Format:					
6	(6)	Signed	2	S2COL	Next column number in output
8	(8)	Signed	2	S2LM	Left margin column number

```

10 (0A) Signed      2 S2RM      Right margin column number
12 (0C) Signed      2 S2MPP     Maximum presentation position (line length)
14 (0E) Signed      2 S2LINE    Vertical Page Format:
16 (10) Signed      2 S2TM      Next output line number
18 (12) Signed      22 S2C2T12 Top margin line number (channel 1)
40 (28) Signed      2 S2BM      Channel 2-12 line numbers, 2 bytes per channel
42 (2A) Signed      2 S2MPL     Bottom margin line number
                          Maximum page length

```

=====
The following fields are input to all exits. The exits must not change these fields.
=====

```

44 (2C) Character    8 S2PLUNAM LU name of the application generating
                          the print request - primary LU (PLU)
52 (34) Character    8 S2LPTNAM Name of the printer LU - secondary LU (SLU)
60 (3C) Character    8 S2PRTCLS Classes of the printer LU.
                          Each bit represents a class, from 1 to 64:
                          Value  Class
                          1... .... 1 Class 1
                          .1.. .... 1 Class 2
                          .... ...1 1 Class 8
                          This pattern repeats for 7 more bytes.
                          More than one bit can be set at a time.

```

=====
The following field can be set by exit APIPPTD1.
=====

```

68 (44) Character    1 S2DBCSM Number of bytes to allocate per DBCS character:
                          Value  Meaning
                          0      Two positions per character (default)
                          1      One position per character

```

=====
The following field can be set by exit APIUBF3.
=====

```

69 (45) Unsigned     1 S2OUTFLG Flags for output
                          1... .... S2VLN255 Maximum 3270 variable line length
                                          is 255 characters (default is 132)

```

=====
The following fields can be set by exits APIPPTD1 and APIPPTD2.
=====

```

70 (46) Signed       2 S2NLNUM New line number for output
72 (48) Signed       2 S2NCNUM New column number for output

```

=====
The following field is input to exits APIPPTD2 and APIUGEX. The exits must not change this field.
=====

```

76 (4C) Character    275 S2TPDATA APIPPTD2: Transparent data found in input data:
                          1 byte: X'35'
                          1 byte: Length of data
                          * bytes: Transparent data
                          APIUGEX: Graphic Escape character in EBCDIC:
                          1 byte: In EBCDIC
                          1 byte: In printer code page
351 (15F)           5 *      Reserved

```

=====
The following fields can be set by all exits.
=====

```

356 (164) Signed     4 S2WRKLEN Length of data in S2WRKARA
360 (168) Character  275 S2WRKARA Data returned by exit to include in output
                          APIPPTD1: SCS controls or transparent data
                          APIPPTD2: Modified transparent data and SCS controls
                          APIUBF3: Line data or PCL data to add
                          APIUGEX: Line data or PCL data to replace the Graphic
                                          Escape character sequence X'08XX'

```

Beginning of File exit for SCS data streams (APIPPTD1)

The Beginning of File exit for SCS data streams (APIPPTD1) receives control when NetSpool starts a new output data set for SCS input data streams. You can use this exit to add up to 275 bytes of data to the start of a data set or to close the VTAM session with the printer.

NetSpool calls the same exit for all LU type 1 sessions. However, your exit can do different functions based on these input fields in the APIPP1X2 control block:

- S2FLAGS: Type of output data stream NetSpool creates for this printer— a line or PCL data stream
- S2LPTNAM: NetSpool printer name, also known as the secondary LU (SLU) name
- S2PLUNAM: LU name of the VTAM application, also known as the primary LU (PLU) name

- S2PRTCLS: LU classes to which the NetSpool printer belongs

You can use this exit to add SCS controls, printable text, and PCL commands. Follow these guidelines when you add data:

- You can add any SCS controls that NetSpool supports. For more information about using LU classes, see *z/OS Infoprint Server User's Guide*.
- If IP PrintWay controls the printer, you can add text data and any PCL commands that your printer supports as transparent data. Code text data in ASCII representation, and precede text and PCL commands with an SCS Transparent (TRN) control — X'35' followed by a 1-byte length field. Either NetSpool or IP PrintWay removes the SCS TRN control before it transmits the text and PCL commands, unchanged, to the printer.
- If you add transparent data in a TRN control, you might need to adjust the column and line number of the next print position. By default, when NetSpool finds a TRN control, NetSpool increases the column and line number at which the next character prints by the length of the transparent data, as specified in the TRN control. In your exit, you can change the column and line number where the next character after the transparent data prints. To help calculate the line and column numbers you want, NetSpool provides the exit with the column and line number of the next print position before any transparent data is added.
- Any PCL commands that you add in this exit override any PCL commands that are specified in the IP PrintWay **Document header** field in the printer definition. They also override any PCL commands that NetSpool automatically generates as a result of PCL conversion values that are specified in the printer definition, such as the print density or line density.

Input to APIPPTD1

At input to the Beginning of File exit (APIPPTD1), the contents of the registers are:

Register 1

Address of the APIPP1X2 control block.

Register 13

Address of an 18-word save area for saving the caller's registers.

Register 14

Return address.

The APIPP1X2 control block is described in [“Sample APIPP1X2 control block”](#) on page 167. These fields are valid at entry:

S2FLAGS

Type of conversion and VTAM session:

S2LU1

Set for VTAM LU1 session. Not set for VTAM LU0 or LU3 sessions.

S2PCL

Set when NetSpool converts the input data stream to a PCL data stream.

S2COL

The column number of the next print position.

S2LM

Left margin column number.

S2RM

Right margin column number.

S2MPP

Maximum presentation position (line length).

S2LINE

The line number of the next print position.

S2TM

Top margin line number (channel 1).

S2C2T12

Channel 2-12 line numbers.

S2BM

Bottom margin line number.

S2MPL

Maximum page length.

S2PLUNAM

LU name of the application that is generating the print request (PLU).

S2LPTNAM

Name of the printer LU that NetSpool is processing (SLU).

S2PRTCLS

Logical unit classes to which the printer LU belongs. Each bit in this field represents a class, with the high order-bit of the leftmost byte representing class 1. For a description of the bits, see [“Sample APIPP1X2 control block”](#) on page 167.

Output from APIPPTD1

At return from the Beginning of File exit (APIPPTD1), restore the contents of all registers, and place one of these codes in register 15 to tell NetSpool what action to take:

Code**Meaning****1**

Add the data from S2WRKARA to the output data set.

2

Do not add data from S2WRKARA to the output data set.

4

Close the VTAM session for this printer LU.

8

Do not call exit APIPPTD2 for any transparent data that is found in the data stream for this output data set. Do not add data from S2WRKARA to the output data set.

9

Do not call exit APIPPTD2 for any transparent data that is found in the data stream for this output data set. Add the data from S2WRKARA to the output data set.

Also, set these fields in the APIPP1X2 control block:

S2DBCSM

The number of character positions NetSpool allocates in an output line for each double-byte character.

Value**Meaning****0**

Allocate two print positions for each DBCS character. This is the default value set by NetSpool.

1

Allocate only one print position for each DBCS character.

S2NCNUM

The column number of the next print position after the transparent data. If this field is zero, NetSpool determines the column number.

S2NLNUM

The line number of the next print position after the transparent data. If this field is zero, NetSpool determines the line number.

S2WRKLEN

The length of the data in the work area, S2WRKARA.

S2WRKARA

The transparent-data control (TRN) and data to be added to the data stream. You can also add other SCS controls that NetSpool supports. Valid controls are described in [z/OS Infoprint Server User's Guide](#).

Examples

1. To add no data to the beginning of the data set, set return code 2 or 8 in register 15.
2. To add data to the beginning of the data set:
 - Put the data in the S2WRKARA field.
 - Put the length of the data in S2WRKARA into the S2WRKLEN field.
 - Set return code 1 or 9 in register 15.

Beginning of File exit for 3270 data streams (APIUBF3)

The Beginning of File exit for 3270 data streams (APIUBF3) receives control when NetSpool starts a new output data set for 3270 input data streams. You can use this exit to do these functions:

- Add up to 275 bytes of printable text and PCL commands to the start of a data set.
- Print data that is wider than 132 characters (up to 255 characters) on the same line.

NetSpool calls the same exit for all LU type 0 and LU type 3 sessions. However, your exit can do different functions based on these input fields in the APIPP1X2 control block:

- S2FLAGS: Type of output data stream NetSpool creates for this printer— a line or PCL data stream
- S2LPTNAM: NetSpool printer name, also known as the secondary LU (SLU) name
- S2PLUNAM: LU name of the VTAM application, also known as the primary LU (PLU) name
- S2PRTCLS: LU classes to which the NetSpool printer belongs

If your exit adds printable text and PCL commands, follow these guidelines:

- If NetSpool converts the input data stream to a line data stream:
 - If the printer accepts EBCDIC line data (such as an AFP printer that PSF controls), you can add text. Code the text data in EBCDIC representation, and precede the data with a carriage control character.
 - If IP PrintWay controls the printer, you can add text and any PCL commands that your printer supports. Code text data in ASCII representation, and precede the text and PCL commands with an X'35' character followed by a 1-byte length field. IP PrintWay removes the X'35' and length field before it transmits the text and PCL commands, without change, to the printer.
- If NetSpool converts the input data stream to a PCL data stream:
 - You can add text and any PCL commands that your printer supports. Code text data in ASCII representation. NetSpool and IP PrintWay transmit the text and PCL commands to the printer without change.
 - If you add text, be sure to add a line termination control, such as a Carriage Return/New Line control sequence or a Form Feed control, after the text data to make sure that subsequent text starts either on a new line or page.
- Any PCL commands that you add in this exit override PCL commands that are specified in the IP PrintWay **Document header** field in the printer definition. They also override any PCL commands that NetSpool automatically generates as a result of PCL conversion values that are specified in the printer definition, such as print density or line density values.

Input to APIUBF3

At input to the Beginning of File exit (APIPPTD1), the contents of the registers are:

Register 1

Address of the APIPP1X2 control block.

Register 13

Address of an 18-word save area for saving the caller's registers.

Register 14

Return address.

The APIPP1X2 control block is described in [“Sample APIPP1X2 control block” on page 167](#). These fields are valid at entry:

S2FLAGS

Type of conversion and VTAM session:

S2LU1

Set for VTAM LU1 session. Not set for VTAM LU0 or LU3 sessions.

S2PCL

Set when NetSpool converts the input data stream to a PCL data stream.

S2PLUNAM

LU name of the application that is generating the print request — primary LU (PLU).

S2LPTNAM

Name of the printer LU that NetSpool is processing — secondary LU (SLU).

S2PRTCLS

Logical unit classes to which the printer LU belongs. Each bit in this field represents a class, with the high order-bit of the leftmost byte representing class 1. For a description of the bits, see [“Sample APIPP1X2 control block” on page 167](#).

Output from APIUBF3

At return from the Beginning of File exit (APIUBF3), restore the contents of all registers, and place one of these return codes in register 15 to tell NetSpool what action to take:

Code**Meaning****1**

Add the data from S2WRKARA to the output data set.

2

Do not add data from S2WRKARA to the output data set.

You can set these fields in the APIPP1X2 control block:

S2WRKLEN

Length of work area S2WRKARA.

S2WRKARA

Data and PCL commands to be added to the output data stream.

S2OUTFLG

Flags to customize the line data and PCL output data streams that NetSpool creates:

S2VLN255

Set this flag if you want to print data that is wider than 132 characters (up to 255 characters) on the same line, without wrapping characters to the next line. If this flag is set, NetSpool sets the maximum line length with variable length line format to 255 characters (not including carriage control). If this flag is not set, NetSpool sets the maximum line length to 132 characters. This flag is ignored for Double Byte Character Set (DBCS) data.

Tip: The Write Control Character (WCC), which is the second byte in the first RU of a chain, sets the variable length line format.

Examples

1. To add no data, set return code 2 in register 15.
2. To add data and PCL commands:

- Put the data and PCL commands in the S2WRKARA field.
 - Put the length of field S2WRKARA in the S2WRKLEN field.
 - Set return code 1 in register 15.
3. To print data wider than 132 characters without adding data or PCL commands:
- Set flag S2VLN255.
 - Set return code 2 in register 15.

Transparent Data Control exit (APIPPTD2)

NetSpool calls the Transparent Data Control exit (APIPPTD2) whenever NetSpool encounters the Transparent Data control (TRN) in an SCS input data stream. You can use this exit to inspect the transparent data and leave it unchanged, modify it, or delete it.

NetSpool calls the same exit for all VTAM sessions. However, your exit can do different functions based on these input fields in the APIPP1X2 control block:

- S2FLAGS: Type of output data stream NetSpool creates for this printer— a line or PCL data stream
- S2LPTNAM: NetSpool printer name, also known as the secondary LU (SLU) name
- S2PLUNAM: LU name of the VTAM application, also known as the primary LU (PLU) name
- S2PRTCLS: LU classes to which the NetSpool printer belongs

When you modify the transparent data, you can also add other SCS controls in addition to the TRN control. The SCS controls supported by NetSpool are described in *z/OS Infoprint Server User's Guide*. The total number of bytes of modified data that you can include is 275. NetSpool does not call the Transparent Data Control exit (APIPPTD2) again for any transparent data included by this exit.

To format lines and pages, NetSpool tracks the next output print position, that is, the column number and line number at which the next character prints. For transparent data, NetSpool increases the column and line number by the length of the transparent data, as specified in the TRN control.

The APIPPTD2 exit lets you change the column and line number of the next print position after the transparent data. To help calculate the line and column numbers you want, NetSpool provides the exit with the column and line number of the next print position, before the transparent data. NetSpool also provides the exit with other page-formatting values.

Input to APIPPTD2

At input to the Transparent Data Control exit (APIPPTD2), the contents of the registers are:

Register 1

Address of the APIPP1X2 control block.

Register 13

Address of an 18-word save area for saving the caller's registers.

Register 14

Return address.

The APIPP1X2 control block is described in [“Sample APIPP1X2 control block”](#) on page 167. These fields are valid at entry:

S2FLAGS

Type of conversion and VTAM session:

S2LU1

Set for VTAM LU1 session. Not set for VTAM LU0 or LU3 sessions.

S2PCL

Set when NetSpool converts the input data stream to a PCL data stream.

S2COL

The column number of the next print position.

S2LM

Left margin column number.

S2RM

Right margin column number.

S2MPP

Maximum presentation position (line length).

S2LINE

The line number of the next print position.

S2TM

Top margin line number (channel 1).

S2C2T12

Channel 2-12 line numbers.

S2BM

Bottom margin line number.

S2MPL

Maximum page length.

S2PLUNAM

LU name of the application that is generating the print request (PLU).

S2LPTNAM

Name of the printer LU that NetSpool is processing (SLU).

S2PRTCLS

Logical unit classes to which the printer LU belongs. Each bit in this field represents a class, with the high-order bit of the leftmost byte representing class 1. For a description of the bits, see [“Sample APIPP1X2 control block”](#) on page 167.

S2TPDATA

Transparent data that is found in the input data stream, containing the TRN control and transparent data.

Output from APIPPTD2

At return from the Transparent Data Control exit (APIPPTD2), restore the contents of registers 1 - 14, and place one of these codes in register 15 to tell NetSpool what action to take:

Code**Meaning****1**

Modify the transparent data. S2WRKARA contains the modified data.

2

Do not modify the transparent data.

4

Close the VTAM session for this printer LU.

8

Do not call exit APIPPTD2 again for any additional transparent data that is found in this data set. Do not modify the transparent data.

9

Do not call exit APIPPTD2 again for any additional transparent data that is found in this data set. Modify the transparent data. S2WRKARA contains the modified data.

Also, set these fields in the APIPP1X2 control block:

S2NCNUM

The column number of the next print position after the transparent data. If this field is zero, NetSpool determines the column number.

S2NLNUM

The line number of the next print position after the transparent data. If this field is zero, NetSpool determines the line number.

S2WRKLEN

The length of the data in the work area, S2WRKARA. Set this field to zero to delete the transparent data.

S2WRKARA

The modified TRN control and transparent data. You can also include other SCS controls that NetSpool supports. Valid controls are described in [z/OS Infoprint Server User's Guide](#).

Note: Do not change the TRN control or data in the S2TPDATA field.

Examples

1. To include the transparent data that is passed to this exit, unmodified, in the output data stream, set code 2 or 8 in register 15.
2. To modify the transparent data in the output data stream:
 - Put the TRN control and the modified transparent data in the S2WRKARA field.
 - Put the length of the TRN control and transparent data into S2WRKARA in the S2WRKLEN field.
 - Set code 1 or 9 in register 15.
3. To delete the transparent data that is passed to this exit from the output data stream:
 - Set the S2WRKLEN field to zero to indicate that no data is in S2WRKARA.
 - Set code 1 or 9 in register 15.

Graphic Escape exit (APIUGEX)

The Graphic Escape exit (APIUGEX) for both SCS and 3270 data streams receives control when NetSpool finds a Graphic Escape (GE) character sequence in the input data stream. A GE character sequence begins with a 1-byte code, X'08', followed by the GE printable character. You can use this exit to replace the Graphic Escape character sequence with another character or sequence of characters.

If you do not modify the default Graphic Escape exit, NetSpool removes the GE code (X'08') and prints the next character in the font that is used to print the rest of the data set. For example, for GE character sequence X'08C1', letter A prints. A GE code typically means, however, that the printer prints the next character in an alternative font. Therefore, if any of your VTAM applications generate GE characters, you might want to write an exit that replaces GE characters with a different character in the same font or the same character in the printer's alternative font. The sample Graphic Escape exit illustrates how to replace GE characters with the same character in the alternative font.

NetSpool calls the same Graphic Escape exit for all VTAM sessions. However, your exit can do different functions based on these input fields in the APIPP1X2 control block:

- S2FLAGS: Type of output data stream NetSpool creates for this printer — a line or PCL data stream
- S2LPTNAM: NetSpool printer name, also known as the secondary LU (SLU) name
- S2PLUNAM: LU name of the VTAM application, also known as the primary LU (PLU) name
- S2PRTCLS: LU classes to which the NetSpool printer belongs

When you replace a GE character sequence, follow these guidelines:

- When NetSpool creates a PCL data stream, code the replacement characters in ASCII representation.
- When NetSpool creates a line data stream, code the replacement characters in EBCDIC representation.
- Do not include the X' 08' GE code in the replacement character sequence.

Input to APIUGEX

At input to the Graphic Escape exit (APIUGEX), the contents of the registers are:

Register 1

Address of the APIPP1X2 control block.

Register 13

Address of an 18-word save area for saving the caller's registers.

Register 14

Return address.

The APIPP1X2 control block is described in [“Sample APIPP1X2 control block”](#) on page 167. These fields are valid at entry:

S2FLAGS

Type of conversion and VTAM session:

S2LU1

Set for VTAM LU1 session. Not set for VTAM LU0 or LU3 sessions.

S2PCL

Set when NetSpool converts the input data stream to a PCL data stream.

S2PLUNAM

LU name of the application that is generating the print request — primary LU (PLU).

S2LPTNAM

Name of the printer LU that NetSpool is processing — secondary LU (SLU).

S2PRTCLS

Logical unit classes to which the printer LU belongs. Each bit in this field represents a class, with the high order-bit of the leftmost byte representing class 1. For a description of the bits, see [“Sample APIPP1X2 control block”](#) on page 167.

S2TPDATA

First byte: The Graphic Escape (GE) character that is found in the input data stream. That is, the character after GE code X'08'. This character is usually in EBCDIC representation.

Second byte: When NetSpool creates a PCL data stream, this byte contains the equivalent character from the printer's code page. This character is usually in ASCII representation. When NetSpool creates a line data stream, this byte contains X'00'.

Output from APIUGEX

At return from the Graphic Escape exit (APIUGEX), restore the contents of all registers, and place one of these return codes in register 15 to tell NetSpool what action to take:

Code**Meaning****1**

Add the replacement data in S2WRKARA to the output data set.

2

Do not add data in S2WRKARA to the output data set.

Also, set these fields in the APIPP1X2 control block:

S2WRKLEN

Length of work area S2WRKARA.

S2WRKARA

Data to replace the Graphic Escape character sequence.

Examples

1. To keep the Graphic Escape character, set return code 2 in register 15.
2. To replace the Graphic Escape character:
 - Put the replacement data in the S2WRKARA field.
 - Put the length of the data in S2WRKARA into the S2WRKLEN field.

- Set return code 1 in register 15.

Sample exits and macro

NetSpool provides sample exits and a macro, which is written in assembler language. The sample exits are in SYS1.SAMPLIB. The macro is in SYS1.MACLIB:

- APIJPTD1, a sample Beginning of File exit for SCS data streams
- APIJPTD2, a sample Transparent Data Control exit
- APIJUBF3, a sample Beginning of File exit for 3270 data streams
- APIJUGEX, a sample Graphic Escape exit
- APIPP1X2, a macro that contains parameter area S2STG and is used in assembling the exits

You can either view the samples online or print them. You can then modify, assemble, and install the exit programs to provide your own versions of the exits. When you link-edit the samples, change the names to:

- APIPPTD1 for the Beginning of File exit for SCS data streams
- APIPPTD2 for the Transparent Data Control exit
- APIUBF3 for the Beginning of File exit for 3270 data streams
- APIUGEX for the Graphic Escape exit

Object code for the sample exits is not provided.

Installing the exits

To install the exits, do these steps to compile and link-edit the exits:

1. Make sure that the name of the file is correct. For the required names, see [“Sample exits and macro” on page 177](#).
2. For a more secure environment, do not specify AC=1 when you link-edit the exit. The AC=1 link-edit specification, which makes a program APF-authorized, is not required because the NetSpool program that calls the exit is APF-authorized and it loads the exit from an APF-authorized library. When you omit AC=1, the exit runs APF-authorized only when the NetSpool program calls it.
3. Put the exit in an APF-authorized library such as SYS1.LINKLIB.

Identify the library that contains the exits in either:

- A STEPLIB statement in the NetSpool startup procedure. To provide a different exit program for each NetSpool started task, use a unique STEPLIB for each startup procedure.
- A library concatenated to LNKLST. If you place an exit in a LNKLST library, you must use the same exit program for each NetSpool started task.

Modifying the exits

If you replace an exit while NetSpool is running, enter this command:

```
F jobname{.id},RELOAD EXITS
```

jobname is the name of the NetSpool startup procedure.

id is the number that identifies a procedure if more than one NetSpool task is started from the same startup procedure.

When you enter the command, the exits are reloaded at the beginning of the next file:

- LU0/LU3 exits are reloaded at the beginning of the next LU0 or LU3 file.
- LU1 exits are reloaded at the beginning of the next LU1 file.

Setting environment variables for NetSpool

If dynamic configuration is not enabled, NetSpool uses this environment variable, which you can specify in the `aopstart EXEC`:

AOP_ALLOW_ALL_CHARACTERS_IN_LINE_DATA

Determines how Infoprint Server detects the data format of documents that contain line data. Valid line data contains carriage control characters, table reference characters, binary zeros, and printable characters. However, some applications might create line data that contains unprintable characters.

If this environment variable is set to YES, if line data contains unprintable characters, Infoprint Server detects the data format as "line data".

If this environment variable is not set, if line data contains unprintable characters, Infoprint Server detects the data format as "other". Line data that Infoprint Server detects as "other" might not print correctly because Infoprint Server does not convert it to the printer's code page.

Tips:

1. Job submitters can specify the data format in the document - `format` job attribute. For example, job submitters can specify `document-format=line` in the `PRTATTRS` parameter on the `OUTPUT JCL` statement. If the `document-format` job attribute is specified, Infoprint Server ignores this environment variable because it does not detect the data format.
2. Set this environment variable to YES if Infoprint Server does not detect the line data format and job submitters cannot specify the `document-format=line` job attribute.
3. This environment variable does not affect how NetSpool checks SCS and 3270 data streams for validity. The input SCS and 3270 data streams must contain only valid characters.

Rules:

1. If dynamic configuration is enabled, specify the equivalent `allow-all-characters-in-line-data` attribute in the system configuration definition.
2. If dynamic configuration is not enabled, specify this environment variable in the `aopstart EXEC`.

Default: The environment variable is not set.

Example: `AOP_ALLOW_ALL_CHARACTERS_IN_LINE_DATA=YES`

NetSpool also uses the `LANG`, `LIBPATH`, `NLSPATH`, and `PATH` environment variables, which you can specify in the `aopstart EXEC`.

Related information: For information about:

- How to edit the `aopstart EXEC`, see [“Editing the aopstart EXEC” on page 53](#)
- Environment variables, see [“Setting environment variables for the Printer Inventory Manager” on page 38](#)

Editing the system configuration definition for NetSpool

The system configuration definition in the Printer Inventory contains attributes that let you customize Infoprint Server while Infoprint Server is running. If dynamic configuration is enabled, you can specify these attributes in the system configuration definition to customize NetSpool:

allow-all-characters-in-line-data = yes | no

This attribute determines how Infoprint Server detects the data format of documents that contain line data. Valid line data contains carriage control characters, table reference characters, binary zeros, and printable characters. However, some applications might create line data that contains unprintable characters.

yes

Infoprint Server detects the data format as "line data" even if the input data contains unprintable characters.

no

Infoprint Server detects the data format as "other" if the input data contains unprintable characters. Line data that Infoprint Server detects as "other" might not print correctly because Infoprint Server does not convert it to the printer's code page.

Tips:

1. Job submitters can specify the data format in the document-format job attribute. For example, job submitters can specify document-format=line in the PRTATTRS parameter on the OUTPUT JCL statement. If the document-format job attribute is specified, Infoprint Server ignores this attribute because it does not detect the data format.
2. Specify allow-all-characters-in-line-data=yes if Infoprint Server does not detect the line data format and job submitters cannot specify the document-format=line job attribute.
3. This attribute does not affect how NetSpool checks SCS and 3270 data streams for validity. The input SCS and 3270 data streams must contain only valid characters.

Rules:

1. If dynamic configuration is enabled, specify this attribute in the system configuration definition. If you change this attribute, you do not need to restart Infoprint Server.
2. If dynamic configuration is not enabled, specify the equivalent AOP_ALLOW_ALL_CHARACTERS_IN_LINE_DATA environment variable in the aopstart EXEC.
3. This attribute does not apply to IP PrintWay basic mode.

Default: allow-all-characters-in-line-data = no

Example: allow-all-characters-in-line-data = yes

job-prefix = *prefix*

A prefix that Print Interface and NetSpool use for the job IDs of output data sets that they allocate on the JES spool. For example, if you specify prefix IS, the job ID of a print job might be IS001234. This prefix can help you identify data sets that Print Interface and NetSpool allocate on the JES spool.

The prefix must be two alphanumeric or national (@, \$, and #) characters. Enclose a prefix that contains national characters in single or double quotation marks. The first character *cannot* be numeric.

In some situations, this prefix is not used. For example:

- If a job submitter specifies the sysout-job-id job attribute, the job ID of the data set on the JES spool is the job ID specified in the job attribute.
- If a job submitter submits a data set to the Print Interface subsystem, the job ID of the data set on the JES spool is the job ID that JES assigned to the job.
- If IP PrintWay basic mode resubmits a print job to Print Interface for filtering, the job ID of the data set on the JES spool is the job ID that JES assigned to the original job.

Tips:

1. z/OS also assigns a unique z/OS job ID to each output data set. The z/OS job ID might be different from the job ID of the output data set on the JES spool. JES operator commands use this z/OS job ID.
2. The job ID that Print Interface returns to the job submitter does not contain this prefix.

Rules:

1. If dynamic configuration is enabled, specify this attribute in the system configuration definition. If you change this attribute, you do not need to restart Infoprint Server.

2. If dynamic configuration is not enabled, specify this attribute in the `aopd.conf` file. If you change this attribute while Infoprint Server is running, stop all Infoprint Server daemons and restart Infoprint Server. Be sure to wait for all daemons to stop before you restart Infoprint Server.

Default: `job-prefix = PS`

Example: `job-prefix = 'P#'`

Example: This screen shows a portion of the ISPF panel that you use to edit the system configuration definition for NetSpool:

```
Infoprint Server: System Configuration

General:
_ Allow all characters in line data
Job ID prefix . . PS
```

Related information: For information about:

- How to enable dynamic configuration, see [“Enabling dynamic configuration” on page 67](#).
- How to edit the system configuration definition, see [“Steps for editing the system configuration definition” on page 79](#).

Chapter 7. Customizing IP PrintWay

This information describes how to customize the IP PrintWay component of Infoprint Server. You must customize IP PrintWay if you want to transmit output data sets from the JES spool to TCP/IP-attached ASCII printers or print servers, or email destinations. For an overview of IP PrintWay and how this component fits into your system, see [“IP PrintWay” on page 12](#).

You can run either IP PrintWay basic mode or IP PrintWay extended mode:

- IP PrintWay basic mode uses the Functional Subsystem Interface (FSI) to obtain output data sets from the JES spool.
- IP PrintWay extended mode uses the z/OS SYSOUT Application Programming Interface (SAPI) to obtain output data sets from the JES spool.

Tip: Run IP PrintWay extended mode to obtain better performance, improved usability, and more functions. IBM does not plan to add new functions to IP PrintWay basic mode in future releases. For comparison information, see [“Comparing IP PrintWay extended mode to basic mode” on page 183](#). For information about actions you need to take to migrate from IP PrintWay basic mode to extended mode, see [Appendix G, “Migrating from IP PrintWay basic mode to extended mode,” on page 415](#).

Table 35 on page 181 summarizes the tasks to customize IP PrintWay extended mode. Required tasks are necessary for all installations. Optional tasks are required only if the listed condition applies.

Task (IP PrintWay extended mode)	Condition
“Comparing IP PrintWay extended mode to basic mode” on page 183	Required
“Identifying software requirements for IP PrintWay” on page 186	Required
“Editing the aopd.conf file for IP PrintWay (extended mode)” on page 187	Required
“Increasing the space available in /var/Printsrv directory (extended mode)” on page 188	Required
“Updating the BPXPRMxx member of SYS1.PARMLIB (extended mode)” on page 188	Required
“Creating IP PrintWay job selection rules (extended mode)” on page 189	Required
“Authorizing IP PrintWay to select data sets from the JES spool (extended mode)” on page 194	Required
“Authorizing IP PrintWay to write SMF type 6 records (extended mode)” on page 195	Required
“Setting environment variables for IP PrintWay (extended mode)” on page 196	Optional: To customize IP PrintWay processing.
“Editing the system configuration definition for IP PrintWay (extended mode)” on page 202	Optional: To specify dynamic attributes.
“APF-authorizing SYS1.IMAGELIB (extended mode)” on page 208	Optional: To use FCBs.

Table 35: Customization tasks for IP PrintWay extended mode (continued)

Task (IP PrintWay extended mode)	Condition
“Customizing from AFP transforms for IP PrintWay (extended mode)” on page 209	Optional: If you use the AFP to PCL or AFP to PostScript transform.
“Defining printer host names in the DNS” on page 209	Required
“Customizing z/OS Communications Server” on page 209	Required
“Writing IP PrintWay exit and filter programs” on page 212	Optional: To customize IP PrintWay processing.
“Customizing PSF for sharing network printers” on page 287	Optional: To share printers with PSF
“Customizing AOPCMND for starting and stopping printers” on page 287	Optional: To start and stop printers from TSO instead of Infoprint Central.

Table 36 on page 182 summarizes the tasks to customize IP PrintWay basic mode. Required tasks are necessary for all installations. Optional tasks are required only if the listed condition applies.

Table 36: Customization tasks for IP PrintWay basic mode

Task (IP PrintWay basic mode)	Condition
“Comparing IP PrintWay extended mode to basic mode” on page 183	Required
“Identifying software requirements for IP PrintWay” on page 186	Required
“Defining printer host names in the DNS” on page 209	Required
“Customizing z/OS Communications Server” on page 209	Required
“Writing IP PrintWay exit and filter programs” on page 212	Optional: To customize IP PrintWay processing.
“Updating the BPXPRMxx member of SYS1.PARMLIB (basic mode)” on page 267	Optional: To start multiple IP PrintWay FSAs.
“APF-authorizing SYS1.IMAGELIB (basic mode)” on page 268	Optional: To use FCBs.
“Defining the IP PrintWay functional subsystem (basic mode)” on page 268	Required
“Creating FSS and FSA definitions in the Printer Inventory (basic mode)” on page 277	Optional: To change default configuration options.
“Using the transmission-queue data set (basic mode)” on page 280	Required
“Creating the IP PrintWay message-log data set (basic mode)” on page 282	Required
“Customizing the IP PrintWay startup procedure (basic mode)” on page 283	Required
“Changing Language Environment runtime options (basic mode)” on page 287	Optional: To change default options.

Table 36: Customization tasks for IP PrintWay basic mode (continued)	
Task (IP PrintWay basic mode)	Condition
“Customizing PSF for sharing network printers” on page 287	Optional: To share printers with PSF

If you already customized IP PrintWay to use the LPR or direct sockets transmission protocol and you now want to use the email or IPP protocol, you need to do the additional customization tasks summarized in Table 37 on page 183.

Table 37: Customization tasks for IP PrintWay protocols					
Task	LPR	Direct socket s	IPP	Email	See
Customize the sendmail bridge.	No	No	No	Yes	“Customizing the sendmail bridge” on page 211
Specify environment variables in the IP PrintWay startup procedure (basic mode).	No	No	Yes	Yes	“Customizing the IP PrintWay startup procedure (basic mode)” on page 283
Specify environment variables (extended mode).	No	No	No	Yes	“Setting environment variables for IP PrintWay (extended mode)” on page 196

Table 38 on page 183 lists other components of Infoprint Server that you might need to customize.

Table 38: Other components to customize for IP PrintWay	
Task	Condition
Chapter 3, “Customizing the Printer Inventory Manager,” on page 21	Required
Chapter 8, “Customizing Infoprint Central,” on page 289	Optional but suggested (extended mode only).
Chapter 5, “Customizing Transform Interface,” on page 145	Optional: To transform data from one format to another.
Customizing the Print Interface LPD, see “Common customization for Print Interface” on page 110	Optional: To transform data from one format to another (basic mode only).

Related tasks: After you customize IP PrintWay, do these tasks. For information about these tasks, see *z/OS Infoprint Server Operation and Administration*:

- Create a printer definition in the Printer Inventory for each target printer and specify attributes that are required by IP PrintWay. To transform data, also specify attributes that are required by the transforms. IP PrintWay extended mode and basic mode use the same printer definitions.
- Start IP PrintWay:
 - IP PrintWay basic mode: Start the IP PrintWay basic mode functional subsystems (FSAs).
 - IP PrintWay extended mode: Use either a start command or a JCL startup procedure to start the IP PrintWay extended mode daemons.

Comparing IP PrintWay extended mode to basic mode

IP PrintWay extended mode provides these enhancements as compared to IP PrintWay basic mode:

- Better performance:
 - Most jobs start printing sooner.
 - A printer problem or large job on one printer does not delay printing to another printer.
 - IP PrintWay extended mode calls data stream transforms and other filters directly without resubmitting them to Print Interface for filtering. Calling transforms directly is more efficient because data is not written to the JES spool a second time.
- Improved usability:
 - Operators can use Infoprint Central, instead of Infoprint Server ISPF panels, to work with IP PrintWay extended mode printers and print jobs. For more information about Infoprint Central, see "New functions". For a comparison of Infoprint Server ISPF panels and Infoprint Central functions, see [*z/OS Infoprint Server Operation and Administration*](#).
 - Operators can use JES commands to work with print jobs that IP PrintWay extended mode selected to process, is waiting to retransmit, or retained on the JES spool. However, to work with print jobs that IP PrintWay is currently processing, operators must use Infoprint Central.
 - If you enable dynamic configuration, you can configure IP PrintWay extended mode without having to stop and restart it.
- New functions:
 - IP PrintWay extended mode can process and retain more data sets on the JES spool without running out of address space. This reduces the possibility of ending abnormally with an F02 abend code.
 - IP PrintWay extended mode prints output data sets in priority order.
 - IP PrintWay extended mode can print data sets larger than 2 gigabytes if space is available in the file system.
 - IP PrintWay extended mode can print on printers that have IPv6 addresses.
 - IP PrintWay extended mode writes the printer address for all protocol types in the System Management Facilities (SMF) type 6 record. It also includes job accounting information in the SMF type 6 record.
 - IP PrintWay extended mode enhanced how it selects print jobs from the JES spool:
 - It can select all print jobs that specify the DEST=IP: parameter on the OUTPUT JCL statement. You specify this job selection criterion in a job selection rule in the Printer Inventory.
 - If print jobs request a printer that is not defined in the Printer Inventory, IP PrintWay extended mode releases the print job back to JES so that another program can select the print job for processing.
 - IP PrintWay extended mode can restart printing after an error from the last page that the printer reported printed successfully. This can prevent duplicate pages and save paper. The printer must support PJI commands and the direct sockets printing protocol.
 - IP PrintWay extended mode can record the number of pages that printed successfully in the SMF type 6 accounting record that IP PrintWay writes. The printer must support PJI commands and the direct sockets printing protocol.
 - Authorized users can use Infoprint Central, a web-based application, to do these additional printer functions:
 - Stop printing to printers. Restart printing to stopped printers.
 - Ping printers and run the `tracert` command to pinpoint a network problem.
 - Redirect all print jobs on a printer's queue (except for the print job that is currently processing) and all future print jobs to an alternative printer. The alternative printer must also be an IP PrintWay printer. Redirections remain in effect until the operator restores the original printers or until IP PrintWay is restarted.
 - Restore redirected printers.
 - Turn printers online and offline, and reset them.

- See all messages in the Infoprint Server common message log for a printer.
- Link to the web pages of TCP/IP-attached printers.
- See the status that a printer reports, such as whether the printer is offline or is out of paper or toner.
- Authorized users can use Infoprint Central to do these additional print job functions:
 - Delete print jobs that IP PrintWay extended mode is currently processing.
 - Hold print jobs that IP PrintWay extended mode is currently processing.
 - Change the priority of print jobs before or after IP PrintWay extended mode selected them for processing.
 - Move print jobs to alternative printers, including print jobs that are currently being processed. The alternative printer must also be an IP PrintWay printer.
 - See all messages in the Infoprint Server common message log for a print job.
- When you send documents to email destinations, you can:
 - Include text and line-data documents inline in the body of an email.
 - Specify the email recipients in an email header in line-data documents.
 - Include a message in the beginning of emails.
- IP PrintWay extended mode writes messages in the Infoprint Server common message log.

Limitations:

1. In a JES3 sysplex with a shared spool, if you want to run Infoprint Server on more than one system in the sysplex, you must:
 - Define different job selection rules for IP PrintWay extended mode on each system so that IP PrintWay on each system selects different print jobs. For example, IP PrintWay on system A can select print jobs in class P, while IP PrintWay on system B can select print jobs in class Q.
 - Print Interface and NetSpool on each system must allocate print jobs with job selection criteria that match the job selection rules for IP PrintWay running on the same system. For example, Print Interface and NetSpool running on system A can allocate print jobs in class P, while Print Interface and NetSpool running on system B can allocate print jobs in class Q.
2. IP PrintWay extended mode always uses the z/OS iconv utility to convert between EBCDIC and ASCII code pages. It does not use standard or customized TCP/IP translate tables as IP PrintWay basic mode does.
3. IP PrintWay extended mode prints all data sets in an output group on the same printer, which is the printer that is selected for the first data set in the output group. In addition, retry values and retention periods for the first data set in the output group apply to all data sets in the output group.

Table 39 on page 185 summaries how IP PrintWay extended mode differs from IP PrintWay basic mode.

<i>Table 39: How IP PrintWay extended mode differs from basic mode</i>	
Area	How IP PrintWay basic and extended modes differ
Administration	IP PrintWay basic mode and IP PrintWay extended mode can use the same printer definitions. However, some fields in the printer definitions apply only to basic mode or extended mode. Fields that do not apply to are ignored.
Application programming	User exits for IP PrintWay basic mode and extended mode differ in these ways: <ul style="list-style-type: none"> • IP PrintWay extended mode does not support the Message exit. • IP PrintWay extended mode does not pass some values in the ANFUEXTP control block to the exits. • The exits cannot hold or delete output data sets.

Table 39: How IP PrintWay extended mode differs from basic mode (continued)

Area	How IP PrintWay basic and extended modes differ
Auditing	IP PrintWay extended mode writes different fields in the SMF type 6 record than IP PrintWay basic mode. IP PrintWay extended mode writes the IP address of the printer in a different field and in a different format. IP PrintWay extended mode also writes accounting information from the JOB JCL statement in the SMF type 6 record.
Customization	<p>The major differences between IP PrintWay basic and extended modes are:</p> <ul style="list-style-type: none"> • To start IP PrintWay extended mode daemons, you must edit the Infoprint Server configuration file (aopd.conf). • To control which data sets IP PrintWay extended mode selects from the JES spool, you must define IP PrintWay job selection rules in the Printer Inventory. • You specify environment variables for IP PrintWay extended mode in the aopstart EXEC or envvar file instead of in the basic mode startup procedure. • You might need more space in the /var/Printsrv directory because IP PrintWay extended mode writes data to this directory instead of to hiperspace. • You must customize Infoprint Central so that operators can work with IP PrintWay extended mode print jobs and printers. • You do not need to define JES functional subsystems (FSSs and FSAs) for IP PrintWay extended mode.
Diagnosis	<p>The major differences between IP PrintWay basic and extended modes are:</p> <ul style="list-style-type: none"> • To trace IP PrintWay extended mode, you use the Infoprint Server trace facility. IP PrintWay basic mode uses GTF tracing. • IP PrintWay extended mode writes messages to the common message log. IP PrintWay basic mode writes messages to a separate data set.
Job submission	IP PrintWay extended mode prints all print jobs in the same JES output group to the same printer by using the same retry and retention values.
Operations	<p>The major differences between IP PrintWay basic and extended modes are:</p> <ul style="list-style-type: none"> • To start and stop IP PrintWay extended mode, you use the JCL startup procedure instead of the IP PrintWay basic mode startup procedure. • To start and stop individual printers, you can use: <ul style="list-style-type: none"> – Infoprint Central instead of JES commands. – AOPCMND from TSO/E. • To work with IP PrintWay extended mode print jobs on the JES spool, you can use either JES commands or Infoprint Central instead of the ISPF panels for the IP PrintWay basic mode transmission-queue data set. Infoprint Central lets you work with print jobs that IP PrintWay is currently processing. • To view messages from IP PrintWay extended mode, you can use either Infoprint Central or the aoplogu command instead of the ISPF panel for IP PrintWay basic mode messages. Use Infoprint Central to see messages for selected print jobs and printers. Use the aoplogu command to copy messages in a specified time range to a file.

Identifying software requirements for IP PrintWay

No additional software is required.

Editing the aopd.conf file for IP PrintWay (extended mode)

The `aopd.conf` file contains attributes that Infoprint Server uses when it starts. The default location of this file is `/etc/Printsrv/aopd.conf`.

To start the IP PrintWay extended mode daemons, you must specify this attribute in the `aopd.conf` file:

start-daemons = { outd }

To start the IP PrintWay extended mode daemons, `aopoutd` and `aopwsmd`, add the `outd` value to any existing values in this attribute. Enclose all values in braces. This attribute is required.

Rule: If you add `outd` while Infoprint Server is running, start Infoprint Server again. You do not need to stop any Infoprint Server daemons before you restart Infoprint Server.

Default: `start-daemons = {lpd}`

Example: In this example, the Printer Inventory Manager daemon, the LPD, the IP PrintWay extended mode daemon, and the Infoprint Central daemon start: `start-daemons = {lpd outd ssid}`

You can also specify this attribute in the `aopd.conf` configuration file:

resolve-printway-printers = yes | no

Indicates whether IP PrintWay extended mode looks up the full host names of printers in the domain name server (DNS).

yes

IP PrintWay looks up the full host names of printers in the DNS so that administrators and job submitters can use these supported methods to specify printer addresses: dotted decimal IP address, short host name, and full host name.

For example, assume that the administrator creates three printer definitions for the same printer. In each printer definition, the administrator specifies the printer's address in a different way: dotted decimal IP address, short host name, and full host name. When IP PrintWay starts, it looks up the full host names of all printers in the DNS. It recognizes that these three printer definitions all refer to the same printer.

Therefore, IP PrintWay sets up only one internal print queue for the printer. One internal print queue ensures that IP PrintWay sends print jobs to the printer in the order they were submitted and reduces contention within IP PrintWay for the printer. In addition, operators who use Infoprint Central see only one IP PrintWay printer.

no

IP PrintWay does not look up the full host names of printers in the DNS. Therefore, administrators and job submitters must use a consistent method when they are specifying printer addresses for the same physical printer. For example, if the administrator defines more than one printer definition for the same physical printer, in each printer definition, the administrator must specify the same IP address or host name so that IP PrintWay recognizes that all the printer definitions refer to the same printer.

Tip: If administrators and job submitters always specify dotted decimal IP addresses for printers, consider specifying `resolve-printway-printers = no` to limit the number of DNS lookups that IP PrintWay does.

Rules:

1. If you specify `resolve-printway-printers = no`, when the operator searches for a printer in Infoprint Central, the operator must enter the printer's dotted decimal IP address or host name exactly as it is specified in the printer definition or in the `DEST=IP:` parameter of the `OUTPUT JCL` statement. Otherwise, Infoprint Central cannot find the printer. For example, if the printer definition contains the printer's IP address, the operator must search for the printer by using the IP address instead of the printer's host name.
2. If you change this attribute while Infoprint Server is running, stop all Infoprint Server daemons and restart Infoprint Server. Be sure to wait for all daemons to stop before you restart Infoprint Server.

Default: `resolve-printway-printers = yes`

Example: `resolve-printway-printers = no`

If dynamic configuration is not enabled, you can also specify the following attribute in the `aopd.conf` configuration file:

smf-recording = yes | no

Indicates whether IP PrintWay extended mode writes SMF type 6 records for data sets that it sends to a printer or email destination. SMF type 6 records contain accounting information.

yes

IP PrintWay extended mode writes SMF type 6 records.

no

IP PrintWay extended mode does not write SMF type 6 records.

Rules:

1. If you run IP PrintWay extended mode and dynamic configuration is enabled, specify this attribute in the system configuration definition. If you change this attribute, you do not need to restart Infoprint Server.
2. If you run IP PrintWay extended mode and dynamic configuration is not enabled, specify this attribute in the `aopd.conf` file. If you change this attribute while Infoprint Server is running, stop all Infoprint Server daemons and restart Infoprint Server. Be sure to wait for all daemons to stop before you restart Infoprint Server.
3. This attribute does not apply to IP PrintWay basic mode.

Default: `smf-recording = yes`

Example: `smf-recording = no`

Related information: For information about:

- How to edit the `aopd.conf` file, see [“Steps for editing the Infoprint Server configuration file \(aopd.conf\)”](#) on page 37.
- All attributes in the `aopd.conf` file, see [Appendix B, “Infoprint Server files,”](#) on page 337.
- How to enable dynamic configuration, see [“Enabling dynamic configuration”](#) on page 67.

Increasing the space available in /var/Printsrv directory (extended mode)

IP PrintWay extended mode writes data to the `/var/Printsrv` directory before it sends the data to the printer. Therefore, you might need to increase the amount of space available to the file system mounted at the `/var` or `/var/Printsrv` mount point. For space requirements, see [“Calculating DASD space requirements for the /var/Printsrv directory”](#) on page 28.

Updating the BPXPRMxx member of SYS1.PARMLIB (extended mode)

When you use IP PrintWay extended mode, you need to increase the number of active z/OS UNIX processes that the z/OS system allows. You can specify the number of allowed processes in these parameters in the BPXPRMxx member of SYS1.PARMLIB:

MAXPROCUSER

The maximum number of processes that a single z/OS UNIX user ID can have concurrently active.

Guideline: Add at least 70 for Infoprint Server processes.

MAXPROCSYS

The maximum number of processes that the z/OS system allows.

Guideline: Add an extra 50 to the current MAXPROCSYS value. If you also run Print Interface or NetSpool, add an extra 200 for processes that are used by both NetSpool and Print Interface.

STEPLIBLIST

The path name of a z/OS UNIX file that contains a list of MVS data sets sanctioned by your installation for use as step libraries. Follow these guidelines:

- In the z/OS UNIX file, specify the name of each MVS data set on a separate line without quotation marks.
- Give the z/OS UNIX file execute permission for other. IBM suggests that UID 0 own the file and that the file's permissions be 755 or 555.

Tip: Also, specify the names of the MVS data sets in the STEPLIB environment variable. See [“Setting environment variables for IP PrintWay \(extended mode\)”](#) on page 196.

Example: Specify these statements in the BPXPRMxx member:

```
MAXPROCUSER(70) /*70(Infoprint Server) */
MAXPROCSYS(450) /*50(PrintWay extended)+200(PrintInterface/NetSpool)+200(initial)*/
STEPLIBLIST('/etc/steplib')
```

Tip: You can use the SETOMVS or SET OMVS command to dynamically set the MAXPROCUSER, MAXPROCSYS, and STEPLIBLIST values. However, to make a permanent change, edit the BPXPRMxx member that is used for IPLs.

Related information:

- For information about the BPXPRMxx member, see [z/OS MVS Initialization and Tuning Reference](#).
- For more planning information and for information about how to create the file that is specified by the STEPLIBLIST statement, see [z/OS UNIX System Services Planning](#).

Creating IP PrintWay job selection rules (extended mode)

IP PrintWay job selection rules determine which print jobs IP PrintWay extended mode selects from the JES spool. You define job selection rules in the Printer Inventory.

In each job selection rule in the Printer Inventory, you can specify the job selection criteria that are shown in [Table 40](#) on page 189.

Job selection criteria	Description	Examples
DEST	The destination name of the print jobs. This name must match the DEST parameter of the OUTPUT JCL statement and the DEST field of the printer definition. Wildcards are allowed ¹ . Note: In JES2, R*, RM*, RMT*, U*, and N* do not match DEST parameters with a JES route code of remote, special local, local, anylocal, or NJE. Also, do not specify an asterisk for destinations that JES DESTID initialization statements define.	PRT001
CLASS	The JES output class of the print jobs. This class must match the CLASS parameter of the OUTPUT JCL statement and the CLASS field of the printer definition. You can specify 1 - 36 classes.	D, N

Table 40: IP PrintWay job selection rules. (continued)

Job selection criteria	Description	Examples
FORMS	The forms name of the print jobs. This value must match the FORMS parameter of the OUTPUT JCL statement, the forms job attribute, and the FORMS field of the printer definition. You can specify 1 - 8 forms names. Wildcards are allowed ¹ .	STD, ACCT*
Creator	The z/OS user ID associated with the print jobs. For print jobs submitted with JCL, the lp command, or the AOPPRINT JCL procedure, specify the user ID of the user who submits the print requests. For other print jobs that Print Interface or NetSpool allocates on the JES spool, specify the user ID of the user who started the Infoprint Server daemons. Wildcards are allowed ¹ .	USER01
Writer	The writer name for the print jobs. This value must match the WRITER parameter of the OUTPUT JCL statement and the Writer field of the printer definition. Wildcards are allowed ¹ .	PRINTWAY
DEST IP address	<p>Indicates whether print jobs can specify the DEST=IP: parameter on the OUTPUT JCL statement:</p> <ul style="list-style-type: none"> • Include: Select only print jobs that specify the DEST=IP: parameter. • Exclude: Select only print jobs that do not specify the DEST=IP: parameter. • Ignore: Select print jobs that specify the DEST=IP: parameter and jobs that do not specify the DEST=IP: parameter. 	Include
Record limit	<p>The lower and upper limits for the total number of input records in all non-AFP documents (data sets) in a print job (output group). JES calculates the number of input records.</p> <p>Note: One input record is not always equivalent to one printed line. For example, one record in a document that Print Interface creates on the JES spool can contain up to 32 K bytes of data. Therefore, a large document can have a small number of records.</p>	<p>To select print jobs with 1200 records or less:</p> <p>Lower: 0 Upper: 1200</p>
Page limit (AFP only)	<p>The lower and upper limits for the total number of input pages in all AFP documents (data sets) in a print job (output group). JES calculates the number of input pages.</p>	<p>To select print jobs of 20 AFP pages or less:</p> <p>Lower: 0 Upper: 20</p>
<p>1. You can specify an asterisk (*) and a question mark (?) in any position in the DEST, CLASS, FORMS, Creator, and WRITER fields as wildcards:</p> <ul style="list-style-type: none"> • An * represents zero or more characters. • A ? represents one character. 		

Tips:

1. If you specify multiple job selection criteria in a job selection rule, IP PrintWay selects print jobs that meet all the criteria that are specified in the rule. For example, if you select Include in the **DEST=IP** field and specify a class in the **CLASS** field, IP PrintWay selects only print jobs that specify the DEST=IP: JCL parameter and are in the specified output class.
2. If you specify no job selection criteria in a job selection rule, IP PrintWay selects all print jobs from the JES spool.
3. If IP PrintWay extended mode selects a print job for processing, but no printer definition exists for the printer in the Printer Inventory and the DEST=IP: parameter is not specified on the OUTPUT JCL statement, IP PrintWay releases the print job to JES and does not select it again unless the operator releases the print job. Another program, however, can select the print job from the JES spool. The operator can release print jobs by using Infoprint Central or JES commands. For example, the operator might want to release the print job after the administrator creates a missing printer definition.
4. JES3 sysplex: In JES3 systems only, if the systems in the sysplex share the JES spool, you can run Infoprint Server (Print Interface, NetSpool, and IP PrintWay) on only one system in the sysplex. However, if you want to run Infoprint Server on more than one system:
 - IP PrintWay on each system must select different print jobs from the JES spool. To accomplish this, you must define different job selection rules for IP PrintWay on each system. For example, IP PrintWay on system A can select print jobs in class P, while IP PrintWay on system B can select print jobs in class Q.
 - Print Interface and NetSpool on each system must allocate print jobs with job selection criteria that match IP PrintWay running on the same system. For example, Print Interface and NetSpool running on system A can allocate print jobs in class P, while Print Interface and NetSpool running on system B can allocate print jobs in class Q.
5. For best performance, specify job selection criteria that are unique to IP PrintWay print jobs. For example, if you specify CLASS P as the job selection criterion, all print jobs in JES output class P must be IP PrintWay print jobs.
6. If some performance degradation is acceptable, you can specify job selection criteria that are not unique to IP PrintWay print jobs. For example, assume that you want both IP PrintWay and PSF to process print jobs in output class P:
 - IP PrintWay processes print jobs that request an IP PrintWay printer in the FSSDATA JCL parameter; in a combination of the CLASS, DEST and FORMS JCL parameters; or in the DEST=IP: JCL parameter.
 - PSF processes print jobs that request a PSF printer in the DEST, FORMS, WRITER, or other JCL parameters.

In this case, you can specify CLASS P as the IP PrintWay job selection criterion. IP PrintWay selects any print job on the JES spool in output class P. However, if IP PrintWay does not find a printer definition in the Printer Inventory for the print job, and the DEST=IP: JCL parameter is not specified, IP PrintWay releases the print job to JES so that PSF (or any other program) can process it. IP PrintWay does not select the print job again unless the operator releases it.

If you want IP PrintWay to release print jobs back to JES without recording any error information, specify the AOP_IGNORE_DCF_ROUTING_ERRORS=YES environment variable if dynamic configuration is not enabled. Specifying this environment variable improves performance and reduces the size of Infoprint Server databases. For information about this environment variable, see [“Setting environment variables for IP PrintWay \(extended mode\)”](#) on page 196.

7. If you export the Printer Inventory from one system and import it to a second system, the IP PrintWay job selection rules are exported to the second system along with the printer definitions and other definitions. Therefore, if you want IP PrintWay extended mode to use different job selection rules on each system, you must customize the job selection rules on the second system after you import the Printer Inventory. For example, you might want to create a script that runs the PIDU modify command to start and stop job selection rules in the Printer Inventory on the second system. You can run this script each time you import the Printer Inventory to the second system. You can modify the job-selection-status attribute to start (enable) or stop (disable) a job selection rule.
8. To migrate from IP PrintWay basic mode:

- a. Job selection rules for IP PrintWay extended mode are comparable to the JES work selection criteria you specify in IP PrintWay basic mode functional subsystem applications (FSAs). In your job selection rules, specify the same work selection criteria that are specified in the WS parameter of the JES initialization statements for the IP PrintWay FSAs.

Examples:

- 1) If you have two IP PrintWay FSAs, one that selects print jobs in class D and another that selects print jobs in class N, create either one or two job selection rules:
 - If you want IP PrintWay to start and stop processing print jobs in the two classes at different times, create two job selection rules. Specify class D in one rule and class N in the second rule.
 - If you want to start and stop processing print jobs in these classes at the same time, create one job selection rule. Specify classes D and N in that rule.
 - 2) If you have two or more IP PrintWay FSAs that all select print jobs in class P, create one job selection rule. Specify class P in that rule.
- b. If you want to run IP PrintWay extended mode and IP PrintWay basic mode at the same time, make sure that IP PrintWay extended mode does not select the same print jobs that IP PrintWay basic mode does. For example, both IP PrintWay basic mode and IP PrintWay extended mode must not select print jobs in the same class.

Creating job selection rules in the Printer Inventory (extended mode)

You can use either the Infoprint Server ISPF panels or the Printer Inventory Definition Utility (PIDU) to create, modify, and delete job selection rules in the Printer Inventory. If you do not create any job selection rules, IP PrintWay does not select any print jobs from the JES spool to process.

Note: You must start Infoprint Server before you can create job selection rules.

One job selection rule is sufficient for many installations. You do not need to specify more than one job selection rule to obtain more efficient workload balancing. However, if you want IP PrintWay to process different print jobs at different times of the day, or if you want different operators to start and stop processing of different print jobs, you must create separate job selection rules. For example, you can create a separate job selection rule to process print jobs that are submitted to an output class reserved for overnight jobs in your installation. Operators can start this job selection rule in the evening and stop it during the day.

You do not need to restart IP PrintWay after you create, modify, or delete job selection rules in the Printer Inventory. When you create or modify a job selection rule, IP PrintWay immediately starts using the new or changed rule unless you specify the PIDU job-selection-status=disabled attribute. When you delete a job selection rule from the Printer Inventory, IP PrintWay immediately stops using the rule to select print jobs. However, IP PrintWay continues to process print jobs that it are already selected from the JES spool.

Examples:

1. This Infoprint Server ISPF panel shows a job selection rule that is named `night` for processing print jobs in output class N.

```

Job Selection Rule

Rule name . . night
Description . Select overnight jobs in class N. Start at 12 AM. Stop at 7 AM. (extend)
Operator security profile
. . . myprofile
-----
DEST. . . -----
CLASS . . N -----
FORMS . . -----
Creator . -----
WRITER. . -----

DEST IP address . 3 1. Include 2. Exclude 3. Ignore

Record limit . . . . . Lower ----- Upper -----
Page limit (AFP-only). Lower ----- Upper -----

```

2. This Infoprint Server ISPF panel shows a job selection rule that is named `small print jobs` for processing smaller print jobs in class P. The print jobs must contain less than (or equal to) 1200 records and 20 AFP pages.

```

Job Selection Rule

Rule name . . small
Description . Select smaller print jobs. (extend)
Operator security profile
. . . myprofile
-----
DEST. . . -----
CLASS . . P -----
FORMS . . -----
Creator . -----
WRITER. . -----

DEST IP address . 3 1. Include 2. Exclude 3. Ignore

Creator . -----
WRITER. . -----

Record limit . . . . . Lower 0 Upper 1200
Page limit (AFP-only). Lower 0 Upper 20

```

Related information: For information about:

- How to use the Infoprint Server ISPF panels and the PIDU program, see [z/OS Infoprint Server Operation and Administration](#).
- How to set up security for job selection rules and specify the **Operator security profile** field, see [“Setting up security for IP PrintWay job selection rules”](#) on page 313.

Starting and stopping job selection rules (extended mode)

The operator can use Infoprint Central to start and stop IP PrintWay job selection rules, or you can set up an automatic process to start and stop job selection rules at different times of the day.

When a job selection rule is stopped, IP PrintWay no longer uses that rule to select print jobs. However, any print jobs that are already selected by using that job selection rule continue to be processed. When the operator stops a job selection rule and then restarts IP PrintWay, the job selection rule remains stopped.

The security administrator can define a RACF resource profile in the PRINTSRV class to restrict who can display, start, and stop job selection rules with Infoprint Central. You must specify the name of that RACF resource profile in the job selection rule. If you do not specify a RACF resource profile in the job selection rule, any Infoprint Central user authorized to read the Printer Inventory can display, start, and stop the job selection rule.

You can set up a cron job to start and stop job selection rules automatically.

Steps for starting and stopping job selection rules at the same time each day

To start job selection rule night at 12 AM each day and stop it at 7 AM:

1. Create two files to contain shell scripts. For example, create `/u/userid/do.dayrules` and `/u/userid/do.nightrules`. Your login user ID is `userid`.

Examples:

- a. Put these lines in file `/u/userid/do.dayrules`:

```
. /etc/profile
. /u/userid/.profile
pidu -c "modify job-selection-rule night job-selection-status=disabled;"
```

- b. Put these lines in file `/u/userid/do.nightrules`:

```
. /etc/profile
. /u/userid/.profile
pidu -c "modify job-selection-rule night job-selection-status=enabled;"
```

Tips:

- a. If you do not set the `PATH`, `NLSPATH`, and optional `AOPCONF` environment variables in `/etc/profile` or `/u/userid/.profile`, replace the first two lines in the files with the following `export` commands to export the environment variables. You can omit the `AOPCONF` variable if the Infoprint Server configuration file is `/etc/Printsrv/aopd.conf`.

```
export PATH=/usr/lpp/Printsrv/bin:/bin:$PATH
export NLSPATH=/usr/lpp/Printsrv/%L/%N:/usr/lpp/Printsrv/En_US/%N:$NLSPATH
export AOPCONF=/etc/Printsrv/aopd.conf
```

- b. When the `cron` daemon runs the commands in your crontab entry, it does not first run your `.profile` to set environment variables.
2. Set the execute permission bits in the files:

Examples:

- a. `chmod +x /u/userid/do.dayrules`
- b. `chmod +x /u/userid/do.nightrules`

3. Use the `crontab` command with the `-e` option to insert these lines into the `crontab` entry:

```
00 07 * * * /u/userid/do.dayrules
00 00 * * * /u/userid/do.nightrules
```

Related information: For information about:

- How to use the `crontab` command, see *z/OS UNIX System Services Command Reference*.
- How to use Infoprint Central to start and stop job selection rules, see the online help system for Infoprint Central.

Authorizing IP PrintWay to select data sets from the JES spool (extended mode)

If you activate the `JESSPOOL` class in your installation, you must give IP PrintWay extended mode `UPDATE` access to profiles in this class so that IP PrintWay extended mode can select output data sets from the JES spool.

IBM suggests that you give the `AOPOPER` group access to profiles in the `JESSPOOL` class because users who start Infoprint Server must be members of the `AOPOPER` group or have a UID of 0. (`AOPOPER` is the default group name for Infoprint Server operators. However, your installation can use a different name for this group.) If someone with a user ID of 0 who is not a member of the `AOPOPER` group can start Infoprint Server (for example, by using the `aopstart` command), you must also give this user ID access to the profiles in the `JESSPOOL` class.

Examples:

1. To define a broad profile to protect all print jobs on node N1, enter this RACF command:

```
RDEFINE JESSPOOL (N1.*.*.D*.* ) UACC(NONE)
```

2. To give the AOOPER group UPDATE access to the broad profile, enter these RACF commands:

```
PERMIT N1.*.*.D*.* CLASS(JESSPOOL) ID(AOOPER) ACCESS(UPDATE)  
SETROPTS RACLIST(JESSPOOL) REFRESH
```

Tips:

1. If you also define more specific profiles in the JESSPOOL class, give the AOOPER group access to those profiles.
2. If you authorize the AOOPER group to profiles while IP PrintWay extended mode daemons (aopoutd and aopwsmd) are started, stop and restart them so that your change takes effect. For example, if **Operating mode=z/OS 2.1**, enter these MVS commands to run the AOPSTOP and AOPSTART JCL procedures:

```
START AOPSTOP,OPTIONS='-d outd'  
START AOPSTART
```

3. Do not activate the JESSPOOL class while IP PrintWay extended mode is running.

Authorizing IP PrintWay to write SMF type 6 records (extended mode)

If you want IP PrintWay extended mode to write System Management Facilities (SMF) type 6 records, you must authorize the user ID that starts Infoprint Server daemons to write SMF records. Give the user ID that starts Infoprint Server daemons READ access to the BPX.SMF or BPX.SMF.type.subtype profile in the FACILITY class. The BPX.SMF profile grants a permitted user the authority to write any SMF record that is being recorded. The BPX.SMF.type.subtype profile grants a permitted user the authority to write only the SMF record of the specific type and subtype that are contained in the FACILITY class profile name. For more information about the BPX.SMF profiles, see [z/OS UNIX System Services Planning](#).

Users who start Infoprint Server must be members of the AOOPER RACF group, or have a UID of 0. (AOOPER is the default group name for Infoprint Server operators. However, your installation can use a different name for this group.) Therefore, IBM suggests that you give the AOOPER group access to the BPX.SMF or BPX.SMF.type.subtype profile as shown in this example. If someone with a user ID of 0 who is not a member of the AOOPER group can start Infoprint Server (for example, by using the aopstart command), you must also give this user ID access to the BPX.SMF or BPX.SMF.type.subtype profile.

Tip: If you do not want IP PrintWay extended mode to write SMF type 6 records, specify the smf-recording=no attribute in the Infoprint Server configuration file.

Steps for authorizing IP PrintWay to write SMF type 6 records

1. Define the BPX.SMF or BPX.SMF.type.subtype profile in the FACILITY class if the profile does not exist. Enter one of these RACF commands:

```
RDEFINE FACILITY (BPX.SMF) UACC(NONE)
```

```
RDEFINE FACILITY (BPX.SMF.6.0) UACC(NONE)
```

2. Give the AOOPER group READ access to the BPX.SMF or BPX.SMF.type.subtype profile. Enter one of these RACF commands:

- PERMIT BPX.SMF CLASS(FACILITY) ID(AOOPER) ACCESS(READ)
SETROPTS RACLIST(FACILITY) REFRESH

- PERMIT BPX.SMF.6.0 CLASS(FACILITY) ID(AOPOPER) ACCESS(READ)
SETROPTS RACLIST(FACILITY) REFRESH

3. Stop and restart the IP PrintWay extended mode daemons so that your changes take effect. For example, if **Operating mode=z/OS 2.1**, enter these MVS commands to run the AOPSTOP and AOPSTART JCL procedures:

```
START AOPSTOP,OPTIONS='-d outd'
START AOPSTART
```

Setting environment variables for IP PrintWay (extended mode)

You must specify environment variables for IP PrintWay extended mode if any of these conditions apply:

- More than one TCP/IP stack exists in your installation (see `_BPXK_SETIBMOPT_TRANSPORT`).
- The library that contains IP PrintWay exits is not in the system LNKLIST (see STEPLIB).
- The SYS1.IMAGELIB library that contains FCBs is not in the system LNKLIST (see STEPLIB).

You can specify these environment variables in the `aopstart` EXEC or `envvar` file:

`_BPXK_SETIBMOPT_TRANSPORT`

The job name that is associated with the z/OS UNIX TCP/IP stack. For example, if the job name for the z/OS UNIX stack is TCPIPOE, specify `_BPXK_SETIBMOPT_TRANSPORT=TCPIPOE`. If you have only one TCP/IP stack in your installation, you do not need to specify this variable.

Tip for migrating from IP PrintWay basic: The name that you specify in the `_BPXK_SETIBMOPT_TRANSPORT` environment variable might not match the TCP/IP job name that is specified in the IP PrintWay basic mode FSS definition in the Printer Inventory or in the TCPIP.DATA data set. The reason is because IP PrintWay basic mode can run on any TCP/IP stack, while IP PrintWay extended mode must use the z/OS UNIX stack.

STEPLIB

The names of step libraries that are not in the system LNKLIST. Separate library names with a colon. Specify:

- The library that contains optional IP PrintWay exits
- SYS1.IMAGELIB if you want IP PrintWay to use FCBs to format data with carriage controls
- Language Environment runtime libraries (`hlq.SCEERUN` and `hlq.SCEERUN2`) and C++ runtime library (`hlq.SCLBDLL`)

Rule: Specify these step libraries in the file that is specified by the STEPLIBLIST statement in the BPXPRMxx PARMLIB member. See [“Updating the BPXPRMxx member of SYS1.PARMLIB \(extended mode\)” on page 188](#).

Default: None

Example: STEPLIB=SYS1.IMAGELIB:PW.EXITLIB

If dynamic configuration is not enabled, you must also specify these environment variables for IP PrintWay extended mode if any of these conditions apply:

- You print line data that contains unprintable characters (see `AOP_ALLOW_ALL_CHARACTERS_IN_LINE_DATA`).
- Line or text data that is created by batch applications print with extra blank characters at the end of lines (see `AOP_BLANK_TRUNCATION_CLASSES`).
- You want to suppress errors because of missing printer definitions (see `AOP_IGNORE_DCF_ROUTING_ERRORS`).
- You want to customize the IP PrintWay email function (see `AOP_MAIL_DO_NOT_ADD_SUFFIX` and `AOP_MAIL_PRESERVE_SUFFIXES`, and `AOP_MAIL_USE_FIRST_ADDRESS`).

- You send output to email destinations and the sendmail executable file was not installed in the default directory or you need to specify sendmail options (see AOPMAILER and AOPMAILER_OPTIONS).

If dynamic configuration is not enabled, you can specify these variables in the aopstart EXEC:

AOP_ALLOW_ALL_CHARACTERS_IN_LINE_DATA

Determines how Infoprint Server detects the data format of documents that contain line data. Valid line data contains carriage control characters, table reference characters, binary zeros, and printable characters. However, some applications might create line data that contains unprintable characters.

If this environment variable is set to YES, if line data contains unprintable characters, Infoprint Server detects the data format as "line data".

If this environment variable is not set, if line data contains unprintable characters, Infoprint Server detects the data format as "other". Line data that Infoprint Server detects as "other" might not print correctly because Infoprint Server does not convert it to the printer's code page.

Tips:

1. Job submitters can specify the data format in the document-format job attribute. For example, job submitters can specify document-format=line in the PRTATTRS parameter on the OUTPUT JCL statement. If the document-format job attribute is specified, Infoprint Server ignores this environment variable because it does not detect the data format.
2. Set this environment variable to YES if Infoprint Server does not detect the line data format and job submitters cannot specify the document-format=line job attribute.
3. This environment variable does not affect how NetSpool checks SCS and 3270 data streams for validity. The input SCS and 3270 data streams must contain only valid characters.

Rules:

1. If dynamic configuration is enabled, specify the equivalent allow-all-characters-in-line-data attribute in the system configuration definition.
2. If dynamic configuration is not enabled, specify this environment variable in the aopstart EXEC.

Default: The environment variable is not set.

Example: AOP_ALLOW_ALL_CHARACTERS_IN_LINE_DATA=YES

AOP_BLANK_TRUNCATION_CLASSES

The list of JES output classes for which IP PrintWay extended mode removes blanks from the end of records or lines. If a data set is allocated in one of the listed classes, and the data set contains either line data or text data, IP PrintWay removes any blank characters that occur at the end of each record or line. If this environment variable is not set, IP PrintWay does not remove any blank characters.

Value: One or more letters or numbers. Specify multiple letters and numbers with no separation. An asterisk (*) indicates all JES output classes. Lowercase letters are converted to uppercase.

Tips:

1. Specify this environment variable only if line or text data prints with extra blank characters at the end of lines.
2. This environment variable can slow performance and cause IP PrintWay to use more system resources.
3. Before JES gives data to IP PrintWay extended mode, JES always restores blanks that it truncated from data sets to save space on the JES spool. JES restores blanks regardless of how you set the JES2 BLNKTRNC and JES3 TRUNC parameters. Therefore, if you specify either BLNKTRNC=YES (JES2) or TRUNC=YES (JES3), you might need to specify this environment variable if your printed output contains unwanted blank characters. For example, if you specify BLNKTRNC=YES for output classes C and D, you can specify AOP_BLANK_TRUNCATION_CLASSES=CD to request that IP PrintWay extended mode remove trailing blank characters for output classes C and D. (BLNKTRNC=YES and TRUNC=YES are the JES defaults.)

For information about specifying JES blank truncation, see one of these:

- [z/OS JES2 Initialization and Tuning Guide](#)
- [z/OS JES3 Initialization and Tuning Guide](#)

Rules:

1. If you run IP PrintWay extended mode and dynamic configuration is enabled, specify the equivalent blank-truncation-classes attribute in the system configuration definition.
2. If you run IP PrintWay extended mode and dynamic configuration is not enabled, specify this environment variable in the aopstart EXEC.
3. This environment variable does not apply to IP PrintWay basic mode.

Default: The environment variable is not set.

Example: AOP_BLANK_TRUNCATION_CLASSES=ABC123

AOP_IGNORE_DCF_ROUTING_ERRORS

If this environment variable is set to YES, IP PrintWay extended mode does not write an error message (AOP3201E) when it cannot find a printer definition in the Printer Inventory that matches the DEST, CLASS, and FORMS parameters that are specified on the OUTPUT (or DD) JCL statement for a print job. Also, it does not save information about the print job in the Printer Inventory.

If this environment variable is not set, IP PrintWay extended mode writes an error message (AOP3201I) when it cannot find a printer definition that matches the DEST, CLASS, and FORMS parameters. Also, it saves information about the print job in the Printer Inventory so that Infoprint Central can display the print job and the associated AOP3201E message.

Tips:

1. Set this environment variable to YES if your IP PrintWay job-selection rules cause IP PrintWay to select many jobs whose DEST, CLASS, and FORMS parameters do not match printer definitions in the Printer Inventory. (In this situation, message AOP3201E occurs numerous times in the common message log.) Setting this environment variable to YES can conserve storage and processing resources.
2. If you set this environment variable to YES, it might be difficult to determine that IP PrintWay did not process a print job because its CLASS, DEST, and FORMS parameters do not match a printer definition.
3. The text of message AOP3201E is:

```
AOP3201E The DEST, CLASS, and FORMS JCL keywords do not match a
printer definition in the Printer Inventory.
```

Rules:

1. If you run IP PrintWay extended mode and dynamic configuration is enabled, specify the equivalent ignore-dcf-routing-errors attribute in the system configuration definition.
2. If you run IP PrintWay extended mode and dynamic configuration is not enabled, specify this environment variable in the aopstart EXEC.
3. This environment variable does not apply to IP PrintWay basic mode.

Default: The environment variable is not set.

Example: AOP_IGNORE_DCF_ROUTING_ERRORS=YES

AOP_MAIL_DO_NOT_ADD_SUFFIX

If this environment variable is set to YES, IP PrintWay does not append a suffix to any file names specified in the MAILFILE JCL parameter or the mail-file-name job attribute.

If this environment variable is not set, IP PrintWay appends one of these suffixes for the data formats it recognizes: afp, jpg, pcl, pdf, ps, sap, tif, txt, or octet-stream (for unrecognized data formats).

Tip: If the AOP_MAIL_DO_NOT_ADD_SUFFIX environment variable is set to YES, IP PrintWay ignores the AOP_MAIL_PRESERVE_SUFFIXES environment variable.

Rules:

1. If you run IP PrintWay extended mode and dynamic configuration is enabled, specify the equivalent mail-do-not-add-suffixes attribute in the system configuration definition.
2. If you run IP PrintWay extended mode and dynamic configuration is not enabled, specify this environment variable in the aopstart EXEC.
3. If you run IP PrintWay basic mode, specify this environment variable in the IP PrintWay basic mode startup procedure.

Default: The environment variable is not set.

Example: AOP_MAIL_DO_NOT_ADD_SUFFIX=YES

AOP_MAIL_PRESERVE_SUFFIXES

The list of suffixes that IP PrintWay preserves in file names that are specified in the MAILFILE JCL parameter or in the mail-file-name job attribute. If the file name ends with one of the suffixes in this list, IP PrintWay does not append another suffix to the file name.

If no file name is specified in MAILFILE or mail-file-name, or if the suffix of the file name does not match a suffix in this environment variable, IP PrintWay appends one of these suffixes for the data formats it recognizes: afp, jpg, pcl, pdf, ps, sap, tif, txt, or octet-stream (for unrecognized data formats).

Tips:

1. Specify the suffixes that users might specify in file names. For example, you might specify the .doc suffix for Microsoft Word documents.
2. If the AOP_MAIL_DO_NOT_ADD_SUFFIX environment variable is set to YES, IP PrintWay ignores the AOP_MAIL_PRESERVE_SUFFIXES environment variable.

Rules:

1. Begin each suffix with a period.
2. To specify more than one suffix, separate the suffixes with a blank. Do not enclose the list of suffixes in single or double quotation marks.
3. If you run IP PrintWay extended mode and dynamic configuration is enabled, specify the equivalent mail-preserve-suffixes attribute in the system configuration definition.
4. If you run IP PrintWay extended mode and dynamic configuration is not enabled, specify this environment variable in the aopstart EXEC.
5. If you run IP PrintWay basic mode, specify this environment variable in the IP PrintWay startup procedure.

Default: The environment variable is not set.

Example: c

AOP_MAIL_USE_FIRST_ADDRESS

Specifies the email addresses that IP PrintWay extended mode uses when a print job (output group) contains more than one document (data set).

Values:**YES**

IP PrintWay sends each document to the email address or addresses that are specified for the first document in the print job.

NO

IP PrintWay sends each document to the email address or addresses that are specified for the document.

Tips:

1. AOP_MAIL_USE_FIRST_ADDRESS has no effect if the Concatenate job option is selected in the **Dataset grouping** field in the printer definition, or if the **Automatic dataset grouping** field is

selected in the printer definition. When either concatenation option is selected, IP PrintWay extended mode sends all documents in a print job in one email to the email address or addresses that are specified for the first document in the print job.

2. IP PrintWay basic mode ignores this environment variable. IP PrintWay basic mode always sends each document to the email address or addresses that are specified for the document unless the Concatenate job option is selected in the **Dataset grouping** field in the printer definition.

Rules:

1. If you run IP PrintWay extended mode and dynamic configuration is enabled, specify the equivalent mail-use-first-address attribute in the system configuration definition.
2. If you run IP PrintWay extended mode and dynamic configuration is not enabled, specify this environment variable in the `aopstart EXEC`.
3. This environment variable does not apply to IP PrintWay basic mode.

Default: YES

Example: `AOP_MAIL_USE_FIRST_ADDRESS=NO`

AOP_SELECT_WORK_FROM_HOLD_QUEUE

Indicates whether IP PrintWay extended mode selects new held output groups from the JES spool.

Values:

YES

IP PrintWay extended mode selects new held output groups from the JES spool. You can use Infoprint Central to move the held output groups to different IP PrintWay printers before you release them.

NO

IP PrintWay extended mode does not select new held output groups from the JES spool. You can use JES or SDSF commands to release individual data sets in an output group for printing.

Rules:

1. If you run IP PrintWay extended mode and dynamic configuration is enabled, specify the equivalent select-work-from-hold-queue attribute in the system configuration definition.
2. If you run IP PrintWay extended mode and dynamic configuration is not enabled, specify this environment variable in the `aopstart EXEC`.
3. This environment variable does not apply to IP PrintWay basic mode.

Default: YES

Example: `AOP_SELECT_WORK_FROM_HOLD_QUEUE = NO`

AOP_SUPPRESS_POST_UNIX_FILTER_FORMATTING

Indicates whether IP PrintWay extended mode formats line or text data after a UNIX filter processes it. If this environment variable is set to any value, IP PrintWay extended mode does not format data when all these conditions are met:

- The data set to be processed contains either line data or text data.
- A UNIX filter is specified in the printer definition for the data format.
- The PAGEDEF or FORMDEF parameter is specified on the OUTPUT JCL statement for the data set. (A page or form definition that is specified in the printer definition does not meet this criterion.)

If this environment variable is not set, IP PrintWay extended mode always formats line or text data after a UNIX filter processes it. For example, IP PrintWay processes carriage control characters and transparent data characters, and converts the data from the document code page to the printer code page.

Tips:

1. Specify this environment variable if you use a UNIX filter that calls an AFP transform to convert line data to PCL, PDF, or PostScript format.

2. This environment variable does not affect how IP PrintWay extended mode processes data when you specify a DLL filter in the printer definition. IP PrintWay extended mode does not modify data that is returned by DLL filters.

Rules:

1. If you run IP PrintWay extended mode and dynamic configuration is enabled, specify the equivalent suppress-post-unix-filter-formatting attribute in the system configuration definition.
2. If you run IP PrintWay extended mode and dynamic configuration is not enabled, specify this environment variable in the aopstart EXEC.
3. This environment variable does not apply to IP PrintWay basic mode.

Default: IP PrintWay extended mode formats line or text data after a UNIX filter processes it.

Example:

```
AOP_SUPPRESS_POST_UNIX_FILTER_FORMATTING=YES
```

AOPMAILER

The full path name of the sendmail bridge that IP PrintWay uses to send output to email destinations. This environment variable is optional. However, you must set it if you did not install the sendmail executable file in the default /bin directory.

Rules:

1. Start the path name with a slash (/).
2. If you run IP PrintWay extended mode and dynamic configuration is enabled, specify the equivalent mailer-path-name attribute in the system configuration definition.
3. If you run IP PrintWay extended mode and dynamic configuration is not enabled, specify this environment variable in the aopstart EXEC.
4. If you run IP PrintWay basic mode, specify this environment variable in the IP PrintWay basic mode startup procedure.

For more information, see [sendmail.dita#sendmail](#)

Default: /bin/sendmail

Example: AOPMAILER=/mydirectory/sendmail

AOPMAILER_OPTIONS

Options that IP PrintWay specifies in addition to the -i option when it sends emails. You can specify this environment variable regardless of whether you specify the AOPMAILER environment variable. This environment variable is optional; however, only a limited number of options are supported by the sendmail bridge in z/OS V2R3.

Rules:

1. If you run IP PrintWay extended mode and dynamic configuration is enabled, specify the equivalent mailer-options attribute in the system configuration definition.
2. If you run IP PrintWay extended mode and dynamic configuration is not enabled, specify this environment variable in the aopstart EXEC.
3. If you run IP PrintWay basic mode, specify this environment variable in the IP PrintWay basic mode startup procedure.

For more information, see [sendmail.dita#sendmail](#)

Default: The environment variable is not set.

IP PrintWay extended mode also uses the LANG, LIBPATH, NLSPATH, and PATH environment variables.

Example: This example shows how to specify an environment variable in the aopstart EXEC:

```
/*-----  
/* The following environment variables are examples of other variable  
/* which may need to be set for your installation.
```

```
/*-----  
n=n+1;env.n='STEPLIB=SYS1.IMAGELIB:hlg.EXITLIB'
```

Tips for migrating from IP PrintWay basic mode:

1. If the STEPLIB JCL statement in the IP PrintWay basic mode startup procedure specifies a library that contains IP PrintWay exits, specify the STEPLIB environment variable in the aopstart EXEC or *envvar* file. Also, add the library to the file specified by the STEPLIBLIST statement in the BPXPRMxx PARMLIB member.
2. If the STDENV data definition (DD) in the IP PrintWay basic mode startup procedure contains environment variables, specify the same environment variables in the aopstart EXEC or, if dynamic configuration is enabled, in the system configuration definition.

Related information: For information about:

- How to edit the aopstart EXEC, see [“Editing the aopstart EXEC” on page 53](#)
- The LANG, LIBPATH, NLSPATH, and PATH variables, see [“Setting environment variables for the Printer Inventory Manager” on page 38](#)
- For information about how to access the Language Environment runtime libraries and improve the performance of runtime libraries, see [z/OS UNIX System Services Planning](#).

Editing the system configuration definition for IP PrintWay (extended mode)

The system configuration definition in the Printer Inventory contains attributes that you can use to customize IP PrintWay extended mode while it is running. If dynamic configuration is enabled, you can specify these attributes in the system configuration definition to customize IP PrintWay extended mode:

allow-all-characters-in-line-data = yes | no

This attribute determines how Infoprint Server detects the data format of documents that contain line data. Valid line data contains carriage control characters, table reference characters, binary zeros, and printable characters. However, some applications might create line data that contains unprintable characters.

yes

Infoprint Server detects the data format as "line data" even if the input data contains unprintable characters.

no

Infoprint Server detects the data format as "other" if the input data contains unprintable characters. Line data that Infoprint Server detects as "other" might not print correctly because Infoprint Server does not convert it to the printer's code page.

Tips:

1. Job submitters can specify the data format in the document-format job attribute. For example, job submitters can specify document-format=line in the PRTATTRS parameter on the OUTPUT JCL statement. If the document-format job attribute is specified, Infoprint Server ignores this attribute because it does not detect the data format.
2. Specify allow-all-characters-in-line-data=yes if Infoprint Server does not detect the line data format and job submitters cannot specify the document-format=line job attribute.
3. This attribute does not affect how NetSpool checks SCS and 3270 data streams for validity. The input SCS and 3270 data streams must contain only valid characters.

Rules:

1. If dynamic configuration is enabled, specify this attribute in the system configuration definition. If you change this attribute, you do not need to restart Infoprint Server.
2. If dynamic configuration is not enabled, specify the equivalent AOP_ALLOW_ALL_CHARACTERS_IN_LINE_DATA environment variable in the aopstart EXEC.
3. This attribute does not apply to IP PrintWay basic mode.

Default: allow-all-characters-in-line-data = no

Example: allow-all-characters-in-line-data = yes

blank-truncation-classes = classes

The list of JES output classes for which IP PrintWay extended mode removes blanks from the end of records or lines. If a data set is allocated in one of the listed classes, and the data set contains either line data or text data, IP PrintWay removes any blank characters that occur at the end of each record or line. If this attribute is not specified, IP PrintWay extended mode does not remove any blank characters.

Value: One or more letters or numbers. Specify multiple letters and numbers with no separation. An asterisk (*) indicates all JES output classes. Lowercase letters are converted to uppercase.

Tips:

1. Specify this attribute only if line or text data prints with extra blank characters at the end of lines.
2. This attribute can slow performance and cause IP PrintWay to use more system resources.
3. Before JES gives data to IP PrintWay extended mode, JES always restores blanks that it truncated from data sets to save space on the JES spool. JES restores blanks regardless of how you set the JES2 BLNKTRNC and JES3 TRUNC parameters. Therefore, if you specify either BLNKTRNC=YES (JES2) or TRUNC=YES (JES3), you might need to specify this attribute if your printed output contains unwanted blank characters. For example, if you specify BLNKTRNC=YES for output classes C and D, you can specify AOP_BLANK_TRUNCATION_CLASSES=CD to request that IP PrintWay extended mode remove trailing blank characters for output classes C and D. (BLNKTRNC=YES and TRUNC=YES are the JES defaults.)

For information about specifying JES blank truncation, see one of these:

- [z/OS JES2 Initialization and Tuning Guide](#)
- [z/OS JES3 Initialization and Tuning Guide](#)

Rules:

1. If you run IP PrintWay extended mode and dynamic configuration is enabled, specify this attribute in the system configuration definition. If you change this attribute, you do not need to restart Infoprint Server.
2. If you run IP PrintWay extended mode and dynamic configuration is not enabled, specify the equivalent AOP_BLANK_TRUNCATION_CLASSES environment variable in the aopstart EXEC.
3. This attribute does not apply to IP PrintWay basic mode.

Default: None.

Example: blank-truncation-classes = ABC123

ignore-dcf-routing-errors = yes | no

Indicates whether IP PrintWay extended mode writes an error message when it cannot find a printer definition in the Printer Inventory that matches the specified DEST, CLASS, and FORMS JCL parameters:

yes

IP PrintWay extended mode does not write an error message (AOP3201E) when it cannot find a printer definition in the Printer Inventory that matches the DEST, CLASS, and FORMS parameters that are specified on the OUTPUT (or DD) JCL statement for a print job. Also, it does not save information about the print job in the Printer Inventory.

no

IP PrintWay extended mode writes an error message (AOP3201I) when it cannot find a printer definition that matches the DEST, CLASS, and FORMS parameters. Also, it saves information about the print job in the Printer Inventory so that Infoprint Central can display the print job and the associated AOP3201E message.

Tips:

1. Set `ignore-dcf-routing-errors = yes` if your IP PrintWay job-selection rules cause IP PrintWay to select many jobs whose DEST, CLASS, and FORMS parameters do not match printer definitions in the Printer Inventory. (In this situation, message AOP3201E occurs numerous times in the common message log.) Specifying `ignore-dcf-routing-errors = yes` can conserve storage and processing resources.
2. If you set `ignore-dcf-routing-errors = yes`, it might be difficult to determine that IP PrintWay did not process a print job because its CLASS, DEST, and FORMS parameters do not match a printer definition.
3. The text of message AOP3201E is:

```
AOP3201E The DEST, CLASS, and FORMS JCL keywords do not match a
printer definition in the Printer Inventory.
```

Rules:

1. If you run IP PrintWay extended mode and dynamic configuration is enabled, specify this attribute in the system configuration definition. If you change this attribute, you do not need to restart Infoprint Server.
2. If you run IP PrintWay extended mode and dynamic configuration is not enabled, specify the equivalent AOP_IGNORE_DCF_ROUTING_ERRORS environment variable in the aopstart EXEC.
3. This attribute does not apply to IP PrintWay basic mode.

Default: `ignore-dcf-routing-errors = no`

Example: `ignore-dcf-routing-errors = yes`

ipsmode = z201 | z202

Indicates the product function level that you want Infoprint Server to operate with.

z201

Infoprint Server operates with z/OS 2.1 product functions (default).

z202

Infoprint Server operates with z/OS 2.2 or later product functions.

Rule: You can specify this attribute only if dynamic configuration is enabled.

Default: `ipsmode=z201`

Example: `ipsmode=z202`

mail-do-not-add-suffixes = yes | no

Indicates whether IP PrintWay extended mode appends a suffix to file names that are specified in the MAILFILE JCL parameter or the mail-file-name job attribute:

yes

IP PrintWay does not append a suffix.

no

IP PrintWay appends one of these suffixes for the data formats: afp, jpg, pcl, pdf, ps, sap, tif, txt, or octet-stream (for unrecognized data formats).

Tip: If `mail-do-not-add-suffixes = yes`, IP PrintWay ignores the mail-preserve-suffixes attribute.

Rules:

1. If you run IP PrintWay extended mode and dynamic configuration is enabled, specify this attribute in the system configuration definition. If you change this attribute, you do not need to restart Infoprint Server.
2. If you run IP PrintWay extended mode and dynamic configuration is not enabled, specify the equivalent AOP_MAIL_DO_NOT_ADD_SUFFIX environment variable in the aopstart EXEC.
3. If you run IP PrintWay basic mode, specify the equivalent AOP_MAIL_DO_NOT_ADD_SUFFIX environment variable in the IP PrintWay startup procedure.

Default: mail-do-not-add-suffixes = no

Example: mail-do-not-add-suffixes = yes

mail-preserve-suffixes = *suffixes*

The suffixes that IP PrintWay extended mode preserves in file names that are specified in the MAILFILE JCL parameter or in the mail-file-name job attribute. If the file name ends with one of the suffixes in this list, IP PrintWay does not append another suffix to the file name.

If no file name is specified in MAILFILE or mail-file-name, or if the suffix of the file name does not match a suffix in this attribute, IP PrintWay appends one of these suffixes for the data formats it recognizes: afp, jpg, pcl, pdf, ps, sap, tif, txt, or octet-stream (for unrecognized data formats).

Tips:

1. Specify the suffixes that users might specify in file names. For example, you might specify the .doc suffix for Microsoft Word documents.
2. If the mail-do-not-add-suffixes = yes, IP PrintWay ignores the mail-preserve-suffixes attribute.

Rules:

1. Begin each suffix with a period.
2. To specify more than one suffix, separate the suffixes with a blank and enclose the suffixes in single or double quotation marks.
3. If you run IP PrintWay extended mode and dynamic configuration is enabled, specify this attribute in the system configuration definition. If you change this attribute, you do not need to restart Infoprint Server.
4. If you run IP PrintWay extended mode and dynamic configuration is not enabled, specify the equivalent AOP_MAIL_PRESERVE_SUFFIXES environment variable in the aopstart EXEC.
5. If you run IP PrintWay basic mode, specify the equivalent AOP_MAIL_PRESERVE_SUFFIXES environment variable in the IP PrintWay startup procedure.

Default: None.

Example: mail-preserve-suffixes = ".123 .xls .doc"

mail-use-first-address = yes | no

When the print job contains more than one document, indicates whether IP PrintWay extended mode sends each document to the email address or addresses that are specified for the first document in the print job.

yes

IP PrintWay sends each document to the email address or addresses that are specified for the first document in the print job.

no

IP PrintWay sends each document to the email address or addresses that are specified for that document.

Rules:

1. If you run IP PrintWay extended mode and dynamic configuration is enabled, specify this attribute in the system configuration definition. If you change this attribute, you do not need to restart Infoprint Server.
2. If you run IP PrintWay extended mode and dynamic configuration is not enabled, specify the equivalent AOP_MAIL_USE_FIRST_ADDRESS environment variable in the aopstart EXEC.
3. This attribute does not apply to IP PrintWay basic mode.

Tip: This attribute has no effect if the **Concatenate job** option is selected in the **Dataset grouping** field in the printer definition, or if the **Automatic dataset grouping** field is selected in the printer definition. When either concatenation option is selected, IP PrintWay extended mode sends all documents in a print job in one email to the email address or addresses that are specified for the first document in the print job.

Default: mail-use-first-address = yes

Example: mail-use-first-address = no

mailer-options = options

Options that IP PrintWay extended mode specifies in addition to the -i option when it sends emails. You can specify this attribute regardless of whether you specify the mailer-path-name attribute. This attribute is optional; however, only a limited number of options are supported by the sendmail bridge in z/OS V2R3.

Rules:

1. To specify more than one option, separate the options with a blank and enclose the options in single or double quotation marks.
2. If you run IP PrintWay extended mode and dynamic configuration is enabled, specify this attribute in the system configuration definition. If you change this attribute, you do not need to restart Infoprint Server.
3. If you run IP PrintWay extended mode and dynamic configuration is not enabled, specify the equivalent AOPMAILER_OPTIONS environment variable in the aopstart EXEC.
4. If you run IP PrintWay basic mode, specify the equivalent AOPMAILER_OPTIONS environment variable in the IP PrintWay startup procedure.

For more information, see [sendmail.dita#sendmail](#)

Default: None.

mailer-path-name = pathname

The full path name of the sendmail bridge that IP PrintWay extended mode uses to send output to email destinations. This attribute is optional. However, you must specify it if you did not install the sendmail executable file in the default directory, /bin.

Rules:

1. Start the path name with a slash (/).
2. If you run IP PrintWay extended mode and dynamic configuration is enabled, specify this attribute in the system configuration definition. If you change this attribute, you do not need to restart Infoprint Server.
3. If you run IP PrintWay extended mode and dynamic configuration is not enabled, specify the equivalent AOPMAILER environment variable in the aopstart EXEC.
4. If you run IP PrintWay basic mode, specify the equivalent AOPMAILER environment variable in the IP PrintWay startup procedure.

For more information, see [sendmail.dita#sendmail](#)

Default: mailer-path-name=/bin/sendmail

Example: mailer-path-name=/mydirectory/sendmail

select-work-from-hold-queue = yes | no

Indicates whether IP PrintWay extended mode selects new held output groups from the JES spool.

yes

IP PrintWay extended mode selects new held output groups from the JES spool. You can use Infoprint Central to move the held output groups to different IP PrintWay printers before you release them.

no

IP PrintWay extended mode does not select new held output groups from the JES spool. You can use JES or SDSF commands to release individual data sets in an output group for printing.

Rules:

1. If you run IP PrintWay extended mode and dynamic configuration is enabled, specify this attribute in the system configuration definition. If you change this attribute while IP PrintWay is running, stop the IP PrintWay daemons (aopoutd and aopwsmd) and restart Infoprint Server.
2. If you run IP PrintWay extended mode and dynamic configuration is not enabled, specify the equivalent AOP_SELECT_WORK_FROM_HOLD_QUEUE environment variable in the aopstart EXEC.
3. This attribute does not apply to IP PrintWay basic mode.

Default: `select-work-from-hold-queue = yes`

Example: `select-work-from-hold-queue = no`

smf-recording = yes | no

Indicates whether IP PrintWay extended mode writes SMF type 6 records for data sets that it sends to a printer or email destination. SMF type 6 records contain accounting information.

yes

IP PrintWay extended mode writes SMF type 6 records.

no

IP PrintWay extended mode does not write SMF type 6 records.

Rules:

1. If you run IP PrintWay extended mode and dynamic configuration is enabled, specify this attribute in the system configuration definition. If you change this attribute, you do not need to restart Infoprint Server.
2. If you run IP PrintWay extended mode and dynamic configuration is not enabled, specify this attribute in the aopd.conf file. If you change this attribute while Infoprint Server is running, stop all Infoprint Server daemons and restart Infoprint Server. Be sure to wait for all daemons to stop before you restart Infoprint Server.
3. This attribute does not apply to IP PrintWay basic mode.

Default: `smf-recording = yes`

Example: `smf-recording = no`

suppress-post-unix-filter-formatting = yes | no

Indicates whether IP PrintWay extended mode formats line or text data after a UNIX filter processes it:

yes

IP PrintWay extended mode does not format data when all these conditions are met:

- The data set to be processed contains either line data or text data.
- A UNIX filter is specified in the printer definition for the data format.
- The PAGEDEF or FORMDEF parameter is specified on the OUTPUT JCL statement for the data set. (A page or form definition that is specified in the printer definition does not meet this criterion.)

no

IP PrintWay extended mode always formats line or text data after a UNIX filter processes it. For example, IP PrintWay processes carriage control characters and transparent data characters, and converts the data from the document code page to the printer code page.

Tips:

1. Specify `suppress-post-unix-filter-formatting=yes` if you use a UNIX filter that calls an AFP transform to convert line data to PCL, PDF, or PostScript format.
2. This attribute does not affect how IP PrintWay extended mode processes data when you specify a DLL filter in the printer definition. IP PrintWay extended mode does not modify data that is returned by DLL filters.

Rules:

1. If you run IP PrintWay extended mode and dynamic configuration is enabled, specify this attribute in the system configuration definition. If you change this attribute, you do not need to restart Infoprint Server.
2. If you run IP PrintWay extended mode and dynamic configuration is not enabled, specify the equivalent AOP_SUPPRESS_POST_UNIX_FILTER_FORMATTING environment variable in the aopstart EXEC.
3. This attribute does not apply to IP PrintWay basic mode.

Default: suppress-post-unix-filter-formatting = no

Example: suppress-post-unix-filter-formatting = yes

This screen shows a portion of the ISPF panel that you use to edit the system configuration definition for IP PrintWay extended mode:

```

                                Infoprint Server: System Configuration

General:
_ Allow all characters in line data

IP PrintWay (extended mode):
  Ignore DEST, CLASS, FORMS routing errors
  / Select work from hold queue
  / Suppress formatting after UNIX filter
  / Write SMF records
APPL ID . . . . . -----
Blank truncation classes . . -----

-
-----
Email:
  / Send email to address of first document
  _ Do not add suffixes to files
Preserve suffixes . . . . . (more)
Application path . . . . /bin/sendmail (extend)
Application options . . . . (extend)

```

Related information: For information about:

- How to enable dynamic configuration, see [“Enabling dynamic configuration” on page 67](#)
- How to edit the system configuration definition, see [“Steps for editing the system configuration definition” on page 79](#)

APF-authorizing SYS1.IMAGELIB (extended mode)

You must APF-authorize the SYS1.IMAGELIB data set if IP PrintWay extended mode uses forms control buffers (FCBs) to process any documents. If SYS1.IMAGELIB is in the system LNKLIST, you can APF-authorize the system LNKLIST. If SYS1.IMAGLIB is not in the system LNKLIST, or if you do not APF-authorize the system LNKLIST, you must APF-authorize SYS1.IMAGELIB.

To temporarily APF-authorize SYS1.IMAGELIB, use the SETPROG APF system command. For more information, see *z/OS MVS System Commands*.

To permanently authorize SYS1.IMAGELIB, add the data set to the APF statement in the PROGxx member of SYS1.PARMLIB. For more information, see *z/OS MVS Initialization and Tuning Reference*.

Note: If SYS1.IMAGELIB is not in the system LNKLIST, you must specify SYS1.IMAGELIB in the STEPLIB environment variable and in the STEPLIBLIST sanction list in the BPXPRMxx PARMLIB member. For information, see:

- [“Setting environment variables for IP PrintWay \(extended mode\)” on page 196](#)
- [“Updating the BPXPRMxx member of SYS1.PARMLIB \(extended mode\)” on page 188](#)

Customizing from AFP transforms for IP PrintWay (extended mode)

If the administrator selects one of the Printer Job Control (PJL) options in the printer definition (**Restart printing after last successful page** and **Record pages printed successfully**), that printer definition cannot be used to print documents that already contain PJL JOB commands. This is because a PJL JOB command in the document would conflict with the PJL JOB command that IP PrintWay adds to the document to track the number of pages that print successfully.

If you use an IBM transform that transforms AFP to PCL or PostScript, you can customize the transform to not add a PJL JOB command to the output data stream. For information about how to customize the transform, see the documentation for the transform.

If a document contains the PJL JOB command, IP PrintWay extended mode cannot track the number of pages that print. It writes an error message (AOP3859E) and does not print the document.

Related information: For information about:

- IBM transforms that add PJL JOB commands, see *IBM Print Transforms from AFP for Infoprint Server for z/OS*.
- PJL options in the printer definition, see *z/OS Infoprint Server Operation and Administration*.

Defining printer host names in the DNS

IP PrintWay uses the domain name server (DNS) to do these lookups:

- Look up the IP address for a printer's host name (basic and extended modes)
- Look up the host name for a printer's IP address (extended mode)

Follow these rules when you define printer host names in the DNS:

1. If a printer's IP address is in the IPv6 colon-hexadecimal format, define a host name for the IPv6 address in the DNS. This is required because administrators cannot specify IP addresses in the colon-hexadecimal format in printer definitions.
2. If you specify a printer's host name to IP PrintWay, map the printer's host name to an IP address.
3. IP PrintWay extended mode:
 - If you specify a printer's host name to IP PrintWay extended mode, map the printer's host name to the IP address and also map the printer's IP address to the host name.
 - If you specify a printer's IP address to IP PrintWay extended mode, you do not need to map the IP address to a host name. However, if you do map the printer's IP address to a host name, also map the printer's host name to the IP address.
 - Define a printer's host name in the DNS before the administrator creates a printer definition for the printer.

If the administrator specifies a host name in a printer definition before the host name is defined in the DNS, Infoprint Central cannot display the printer until someone submits a print job or the administrator changes a field in the printer definition.

Tip: If you run IP PrintWay extended mode and do not define printer host names for any printers in the DNS, consider specifying the `resolve-printway-printers=no` attribute in the Infoprint Server configuration file. This limits the number of DNS lookups that IP PrintWay does. For information, see [“Editing the aopd.conf file for IP PrintWay \(extended mode\)” on page 187](#).

Customizing z/OS Communications Server

To print on TCP/IP-attached printers or to send output to email destinations, you must customize the TCP/IP component of z/OS Communications Server. For information about how to customize TCP/IP, see

z/OS Communications Server: IP Configuration Guide and z/OS Communications Server: IP Configuration Reference.

Table 41 on page 210 describes tasks that are related to TCP/IP customization. Required tasks are necessary for all installations. Optional tasks are required only if the listed condition applies.

Table 41: Customization tasks for TCP/IP	
Task	Condition
“Customizing the TCPIP.DATA data set” on page 210	Optional: To specify the TCP/IP name or high-level qualifier.
“Customizing the PROFILE.TCPIP data set” on page 211	Optional: To change TCP/IP configuration.
“Customizing the sendmail bridge” on page 211	Optional: To send output to email destinations.

Customizing the TCPIP.DATA data set

The TCP/IP TCPIP.DATA data set contains configuration information for TCP/IP. The following information describes only those statements that have special consideration for IP PrintWay basic mode or IP PrintWay extended mode. For information about the TCPIP.DATA data set, see [z/OS Communications Server: IP Configuration Reference](#).

This TCPIP.DATA statement primarily affects IP PrintWay extended mode:

LOOKUP

Specifies the order in which TCP/IP uses the DNS and the local host files to resolve host names.

Guideline: To significantly improve performance when you run IP PrintWay extended mode, specify:

```
LOOKUP DNS
```

These TCPIP.DATA statements affect only IP PrintWay basic mode:

TCPIPJOBNAME

Specifies the name of the TCP/IP program that IP PrintWay basic mode uses.

You can specify the TCP/IP program name either in this statement or in the IP PrintWay FSS definition in the Printer Inventory. If you do not specify a name in either this statement or the FSS definition, the name of the TCP/IP program must be TCPIP. If you specify a TCP/IP name in both places, IP PrintWay basic mode uses the name in the FSS definition.

Limitation: IP PrintWay cannot interpret symbolic TCP/IP names. Symbolic names include an ampersand (&). Therefore, if the TCPIPJOBNAME statement specifies a symbolic TCP/IP name, do one of these:

- Specify the TCP/IP name in the **TCP/IP job name** field in the IP PrintWay FSS definition in the Printer Inventory. IP PrintWay basic mode uses the TCP/IP name in the **TCP/IP job name** field instead of the TCP/IP name in the TCPIPJOBNAME statement. However, each IP PrintWay FSS and FSA writes informational message ANFM016I to the console because the TCPIPJOBNAME statement contains a symbolic name:

```
ANFM016I Invalid TCP/IP jobname
```

Operators can ignore this message because it does not cause an error.

- Create a separate TCPIP.DATA data set for IP PrintWay basic mode to use. In this TCPIP.DATA data set, replace the symbolic TCP/IP job name with the actual TCP/IP job name. Specify this TCPIP.DATA data set in the SYSTCPD DD statement in the IP PrintWay startup procedures. In this case, IP PrintWay does not write message ANFM016I to the console.

DATASETPREFIX

Specifies the high-level qualifier for TCP/IP data sets. IP PrintWay basic mode uses this high-level qualifier when it searches for TCP/IP translation tables.

Tip: If you change any of the values in the TCPIP.DATA data set, you must restart TCP/IP so that your changes take effect.

IP PrintWay basic mode: You can create a separate TCPIP.DATA data set for use only by IP PrintWay basic mode. If you do this, you must either identify that data set in the IP PrintWay basic mode startup procedure with a SYSTCPD DD statement or use the job name of the IP PrintWay basic mode startup procedure as the high-level qualifier of the TCPIP.DATA data set name.

To find the TCPIP.DATA data set to use, IP PrintWay basic mode follows this search sequence. IP PrintWay basic mode reads each instance of TCPIP.DATA it can find, in order, until it finds values for each TCP/IP configuration statement (TCPIPDATA and DATASETPREFIX). It uses the first value that it finds for each statement. If an allocation fails, the data set does not exist, or the data set is not available, IP PrintWay basic mode searches the next data set in the sequence:

1. The data set that the SYSTCPD DD statement refers to in the IP PrintWay basic mode startup procedure
2. *jobname*.TCPIP.DATA
jobname is the job name of the IP PrintWay basic mode startup procedure.
3. SYS1.TCPPARMS(TCPDATA)
4. *tcphlq*.TCPIP.DATA
tcphlq is the value in a DATASETPREFIX statement found earlier in the search sequence or the system default value of TCPIP.

Customizing the PROFILE.TCPIP data set

When you customize TCP/IP, you can customize the PROFILE.TCPIP data set. For information about how to customize this data set for IP PrintWay and also for other components of Infoprint Server, see [“Customizing z/OS Communications Server” on page 111](#).

Customizing the sendmail bridge

When the email protocol is selected in a printer definition, IP PrintWay uses a sendmail to z/OS Communications Server SMTP (CSSMTP) bridge as the mail transport to send emails to the recipients listed in the printer definition.

If you did not already customize the sendmail bridge, you must do so before IP PrintWay can send output to email destinations. For information about how to customize the sendmail bridge, see [z/OS Communications Server: IP Configuration Guide](#).

Guidelines: Follow these guidelines when you customize the sendmail bridge:

1. The sendmail bridge depends on the domain name server (DNS). Therefore, be sure to set up this component correctly.
2. An alias name is a file that is defined to the sendmail bridge and lists one or more actual email addresses. The sendmail bridge expands alias names into email addresses when it sends an email. In z/OS V2R3, only existing alias files are supported. You cannot create new alias files to be used with the sendmail bridge.
3. Configure the z/OS system so that a firewall does not prevent users from sending emails. You can receive replies from the email unless you are a TSO or z/OS UNIX System Services user. To receive replies from the email, specify the reply email address in the **reply-to** field of an email header or in the mail-reply-address job attribute. If none is specified, the **Reply address** in the printer definition is used.
4. If you do not install the the sendmail bridge in the default directory, /bin, specify the full path name of the the sendmail bridge in one of these ways:

- If you run IP PrintWay extended mode and dynamic configuration is enabled, specify the mailer-path-name attribute in the system configuration definition.
 - If you run IP PrintWay extended mode and dynamic configuration is not enabled, specify the AOPMAILER environment variable in the aopstart EXEC.
 - If you run IP PrintWay basic mode, specify the AOPMAILER environment variable in the IP PrintWay startup procedure.
5. If you need to specify sendmail options, specify the options in one of these ways:
- If you run IP PrintWay extended mode and dynamic configuration is enabled, specify the mailer-options attribute in the system configuration definition.
 - If you run IP PrintWay extended mode and dynamic configuration is not enabled, specify the AOPMAILER_OPTIONS environment variable in the aopstart EXEC.
 - If you run IP PrintWay basic mode, specify the AOPMAILER_OPTIONS environment variable in the IP PrintWay startup procedure.

IP PrintWay specifies the options that you specify in addition to the *-i* option when it sends emails; however, only a limited number of options are supported by the sendmail bridge in z/OS V2R3.

Related information: For information about:

- How to edit the system configuration definition, see [“Editing the system configuration definition for IP PrintWay \(extended mode\)”](#) on page 202
- How to specify environment variables for IP PrintWay extended mode, see [“Setting environment variables for IP PrintWay \(extended mode\)”](#) on page 196
- How to specify environment variables for IP PrintWay basic mode, see [“Customizing the IP PrintWay startup procedure \(basic mode\)”](#) on page 283

[Programming Interface Information] Writing IP PrintWay exit and filter programs

The following information contains programming-interface information.

You can use these optional exits to customize IP PrintWay processing:

Routing exit

The Routing exit lets you inspect and change routing parameters for each data set before the data set is transmitted. The Routing exit lets you change the printer or email address and some options. You cannot change the transmission protocol that IP PrintWay uses (LPR, IPP, direct sockets, VTAM, or email). IP PrintWay basic mode also lets you hold the data set on the JES spool, or delete the data set from the JES spool. For more information, see [“Routing exit \(ANFUXRTG\)”](#) on page 220.

Note: The email addresses specified in an email header override email addresses that are specified in any other location, including any email addresses specified in the Routing exit.

Begin Data Set exit

The Begin Data Set exit lets you inspect routing parameters and transmission options for a data set before the data set is transmitted. You can change most transmission options, add a document header and document trailer, and add one or more records to the beginning of the data set. For example, you can add a separator page. For more information, see [“Begin Data Set exit”](#) on page 229.

Record exit

The Record exit lets you add, replace, or delete records in a data set before the data set is transmitted. For more information, see [“Record exit”](#) on page 239.

End Data Set exit

The End Data Set exit lets you add records to the end of a data set before the data set is transmitted. For example, you can add a separator page. For more information, see [“End Data Set exit”](#) on page 246.

SMF exit

The SMF exit lets you suppress or replace the System Management Facilities (SMF) type 6 record that IP PrintWay writes for each data set that is transmitted. For more information, see [“SMF exit \(ANFUXSMF\)”](#) on page 253.

Message exit (basic mode)

The Message exit lets you suppress or change the text of any message that IP PrintWay writes to the IP PrintWay message-log data set. The Message exit applies only to IP PrintWay basic mode. For more information, see [“Message exit \(ANFUXMSG\) – basic mode”](#) on page 258.

Response Notification exit

The Response Notification exit lets you do an action based on the success or failure of the transmission as indicated by the Response Notification code. For more information, see [“Response Notification exit \(ANFUXRSP\)”](#) on page 259.

IP PrintWay calls exits in this order:

1. Routing exit
2. Begin Data Set exit
3. Record exit
4. End Data Set exit
5. Response Notification exit
6. SMF exit

IP PrintWay basic mode calls the Message exit before it writes any messages to the IP PrintWay message-log data set.

In addition to writing IP PrintWay exits, you can write filter programs to modify the data stream or add separator pages. When you write a filter program and specify it in the printer definition, Print Interface and NetSpool also use it. However, a filter program is called only once for any data stream. If you write a filter program, and you run IP PrintWay basic mode, you must select the Resubmit for filtering option in the printer definition.

Tip: You can specify only one filter for each data format in the printer definition. Therefore, if you write your own filter, you cannot also specify a transform filter in the printer definition.

Related information: For information about how to write filter programs, see [“Writing a filter program”](#) on page 114.

[End Programming Interface Information]

Comparing IP PrintWay basic mode and extended mode exits

These differences exist between IP PrintWay basic mode and extended mode exits:

- If an IP PrintWay exit is in an APF-authorized step library instead of in the system LNKLIST:
 - IP PrintWay basic mode: Specify the step library in the STEPLIB DD statement in the IP PrintWay startup procedure. For information, see [“Editing the ANFWPROC startup procedure \(basic mode\)”](#) on page 284.
 - IP PrintWay extended mode: Specify the step library in the STEPLIB environment variable. For information, see [“Setting environment variables for IP PrintWay \(extended mode\)”](#) on page 196.
- Also, specify the step library in the file that is specified in the STEPLIBLIST statement in the BPXPRMxx PARMLIB member. For information, see [z/OS UNIX System Services Planning](#).
- IP PrintWay exits run in different states:
 - IP PrintWay basic mode: Exits are run in supervisor state with a protection key of 1.
 - IP PrintWay extended mode: Exits are run in problem state with a protection key of 8.
- If an exit sets flag XTPM2CON to write a message to the console:
 - IP PrintWay basic mode: The message is written only to the console.

- IP PrintWay extended mode: The message is written to both the console and the common message log.
- If an exit sets flag XTPM2MDS to write a message to a message data set:
 - IP PrintWay basic mode: The message is written only to the IP PrintWay message-log data set.
 - IP PrintWay extended mode: The message is written to both the message-log data set and the common message log.
- IP PrintWay extended mode does not set these fields in the ANFUEXTP control block:
 - XTP_FILTERING: IP PrintWay extended mode always sets this flag to zero because the resubmit for filtering option applies only to IP PrintWay basic mode.
 - XTPDSJNW: IP PrintWay extended mode always sets this flag to zero. (IP PrintWay basic mode sets this flag to indicate the data set being processed is the JESNEWS data set.)
- IP PrintWay passes the name of the z/OS system where the data set originated to the exits in different ways:
 - IP PrintWay basic mode: The system name is in the JMR control block. The address of the JMR is in the IAZJSPA control block.
 - IP PrintWay extended mode: No JMR is provided. Instead, the ANFUEXTP control block contains these fields: XTP_ORIGINATING_MVS_SYSTEM and XTP_ORIGINATING_JES2_SYSTEM. Your exit can check the XTPVERS field to determine whether these fields are set. IP PrintWay extended mode sets the XTPVERS field to 1. IP PrintWay basic mode sets the XTPVERS field to 0.
- IP PrintWay passes job separator information to the exits in different ways:
 - IP PrintWay basic mode: Field XTPJSPAP in the ANFUEXTP control block contains a pointer to the JES job separator page data area (IAZJSPA) for the data set being processed.
 - IP PrintWay extended mode: Field XTPJSPAP contains a pointer to a data area that is the same as the JES data area except for some fields. For more information, see [“JES job separator page data area \(IAZJSPA\)” on page 217](#).
- In IP PrintWay extended mode, the Routing exit cannot share work areas with other exits. For more information about work areas, see [“Programming considerations” on page 216](#).
- Begin Data Set exit: IP PrintWay extended mode stores the maximum line length in field XTPMLINL in the ANFUEXTP control block. IP PrintWay basic mode always sets field XTPMLINL to zeros.
- Routing exit: IP PrintWay supports different functions in this exit:
 - IP PrintWay basic mode: The Routing exit can hold or delete the print job.
 - IP PrintWay extended mode: The Routing exit cannot hold or delete the print job. IP PrintWay extended mode ignores flags XTPDSHLD and XTPDSTRM in the ANFUEXTP control block.
- Routing exit: IP PrintWay processes this exit in different ways for data sets in the same print job (JES output group):
 - IP PrintWay basic mode: The Routing exit can reroute each data set in the same output group to a separate printer. Also, the Routing exit can specify different printing options for each data set in the same output group.
 - IP PrintWay extended mode: The Routing exit cannot reroute each data set in the same output group to a separate printer. The Routing exit can reroute the first data set in an output group. IP PrintWay reroutes all data sets in the output group to the same printer. Also, the Routing exit cannot specify different retry and retention times for each data set in the same output group. However, the exit can specify a different number of copies (XTPCOPYS field in the ANFUEXTP control block) and different print options (XTPOPTNM field) for each data set in the output group.
- SMF exit: IP PrintWay extended mode writes information in new fields in the SMF type 6 record. Therefore, you must recompile your SMF exit when you migrate to IP PrintWay extended mode.

For example, IP PrintWay does not write the IP address of the printer in fields SMF6IP1 through SMF6IP4. These fields contain zeros when you run IP PrintWay extended mode. For information about

the SMF type 6 record that IP PrintWay extended mode writes, see [z/OS MVS System Management Facilities \(SMF\)](#).

- Message exit: IP PrintWay extended mode does not support the Message exit.

Tip: If the Message exit writes IP PrintWay basic mode messages to the system console, you can instead use the Infoprint Server hardcopy log function. The hardcopy log function writes all or selected Infoprint Server messages, including IP PrintWay extended mode messages, to the z/OS hardcopy log. For information about how to use this function, see [“Sending non-console messages to the hardcopy log”](#) on page 82.

Resubmit for filtering considerations (basic mode)

For a detailed description of IP PrintWay basic mode and Print Interface processing when the resubmit for filtering option is selected in a printer definition, see [z/OS Infoprint Server Operation and Administration](#). When the resubmit for filtering option is selected, IP PrintWay basic mode processes data two times—once when it selects the original data set from the JES spool and a second time when it selects the data set that Print Interface allocated on the JES spool.

When the resubmit for filtering option is selected, IP PrintWay calls the Response Notification and SMF exits once for each data set. However, IP PrintWay calls the Routing, Begin Data Set, Record, and End Data Set exits only for the second data set. When the Routing, Begin Data Set, Record, and End Data Set exits are called, Print Interface transformed data into the new data format.

When IP PrintWay calls the Routing, Begin Data Set, Record, and End Data Set exits, some fields in the ANFUEXTP control block no longer contain the values that are originally specified by the job submitter in JCL parameters. Instead, these fields contain values that are specified in the printer definition or, if no value is specified, a default value that is assigned by JES. Table 42 on page 215 summarizes the values in some of the ANFUEXTP fields when the resubmit for filtering option is selected.

ANFUEXTP field names	Contents of field
XTPKEY	Name of the printer definition.
XTPIPADR, XTPPRTQU, XTPIPORT	IP address, print queue name, and port number that is specified in the printer definition.
XTPRETNS, XTPRETNF	Retention times that are specified in the printer definition.
XTPRTRYL, XTPRTRYT	Retry values that are specified in the printer definition.
XTPUSRID	User ID of the person who submitted the original batch job.

To obtain the original JCL values that are specified by the job submitter, use the Scheduler Work Block Text Unit (SWBTU). (The address of the SWBTU is in field XTPSWBTP in the ANFUEXTP control block.) These are the JCL parameters in the SWBTU that contain the original values that are specified by the job submitter when the Routing, Begin Data Set, Record, and End Data Set exits are called:

- ADDRESS, BUILDING, DEPT, NAME, ROOM, TITLE
- DATAACK
- DUPLEX
- CHARS (If the CHARS parameter is not specified, the value in the UCS parameter is used.)
- COPIES
- FORMDEF
- FORMS

- INTRAY, OUTBIN
- OFFSETXB, OFFSETXF, OFFSETYB, OFFSETYF
- OVERLAYB, OVERLAYF
- PAGEDEF (If the PAGEDEF parameter is not specified, the value in the FCB parameter is used.)
- PRMODE
- TRC
- USERLIB

JCL parameters not in this list, such as the CLASS and DEST parameters, do not contain the original JCL value that is specified by the job submitter when the Routing, Begin Data Set, Record, and End Data Set exits are called. Instead, they contain values from the Allocation section of the printer definition.

The Begin Data Set, End Data Set, SMF, and Response Notification exits can check field XTP_FILTERING in the ANFUEXTP control block to determine whether the resubmit for filtering option is selected in the printer definition.

Programming considerations

Consider these points when you are coding an exit:

- You need to be an experienced programmer who is aware of overall system implications.
- Test the exit before you install it on a production system. A programming exception in an exit causes an IP PrintWay extended mode or IP PrintWay basic mode FSA abend. An ESTAI is in effect while the exit is running.
- The exit must restore all registers at exit and not set a return code in register 15.
- Do not do an explicit or implied WAIT in the exit because it puts IP PrintWay into a WAIT state.
- The exits run in 31-bit addressing mode.
- To reference fields in control blocks, use the name that is associated with each field in the DSECT control block. Do not use absolute displacements because these displacements can change from one release to another.
- Code the exits to be reentrant.
- IP PrintWay basic mode exits run in supervisor state with a protection key of 1. IP PrintWay extended mode exits are run in problem state with a protection key of 8.
- As it processes an output group, IP PrintWay passes the same Exit Parameter Area (ANFUEXTP) to the Begin Data Set exit, the Record exit, and the End Data Set exit.
- Exits, except for the Message exit in basic mode and the Routing exit in extended mode, use the same work areas. Fields XTPWORK1 and XTPWORK2 contain the addresses of the shared work areas. The sample exits check if these work area addresses are set and, if so, use the work areas. IP PrintWay frees the work area storage only when the IP PrintWay FSA ends (basic mode) or when IP PrintWay ends (extended mode).

You can code exits that allocate and free their own work areas. In this case, do not set the work area address in fields XTPWORK1 and XTPWORK2. These address fields must contain zeros. In addition, be sure to free the work areas in the exits.

The Begin Data Set exit, Record exit, and End Data Set are called in sequence for a single data set. If these exits use the same work areas, they can pass information about a data set from one exit to another in the work areas. IP PrintWay never clears the information in the work areas.

The SMF exit is not called in sequence. Therefore, exits do not pass data set information to the SMF exit in the work areas.

Rule: If exits share work areas, all exits must declare the same work area size. The work area size must be the largest that any exit requires. The work area size must also contain extra space for future changes.

- A return code of 8 to the Response Notification exit indicates that an error was encountered in IP PrintWay's initial processing of a data set. In this case, no data set transmission processing exits are invoked. Therefore, no communication with these exits is possible.

Tip: Future IP PrintWay program maintenance might require that you reassemble the exits.

Common control blocks

All IP PrintWay exits, except for the Message exit, can access data set and job information that is contained in these control blocks:

- JES job separator page data area (IAZJSPA)
- Scheduler work block text unit (SWBTU)

All IP PrintWay exits can access data set and job information that is contained in this control block:

- IP PrintWay Exit Parameter Area (ANFUEXTP)

JES job separator page data area (IAZJSPA)

The JES job separator page data area (IAZJSPA), called the *JSPA*, is a system control block that contains job and data set information. You might want to use information in the JSPA to create separator pages in an exit. IP PrintWay basic mode passes the address of the JSPA to exits in field XTPJSPAP of the ANFUEXTP control block. IP PrintWay extended mode passes the address of a partial JSPA to the exits in field XTPJSPAP because IP PrintWay extended mode cannot access the JES JSPA.

The partial JSPA that IP PrintWay extended mode creates contains information that is available to it:

- These fields contain valid values:
 - JSPAJBNM
 - JSPAJBID
 - JSPJGRPN
 - JSPJGRPD
 - JSPJRMNO
 - JSPJPNAM
 - JSPJDSNM
 - JSPJSOCL
 - JSPJPRIO
 - JSPCEUID
 - JSPCEDSN
 - JSPCESEG
- These fields do not contain valid values:
 - JSPADEVN
 - JSPADEVA
 - JSPAJMR
 - JSPJGRP1
 - JSPJGRP2
 - JSPAUSR1
 - JSPAUSR2
 - JSPCELEN
 - JSPCEVSN
 - JSPCESEC.

Fields that do not contain valid values contain blanks (text fields) or zeros (numeric fields).

- The address of the JMR, in field JSPAJMR, is not available to IP PrintWay extended mode. However, IP PrintWay extended mode puts the system name in these fields of the ANFUEXTP control block: XTP_ORIGINATING_MVS_SYSTEM and XTP_ORIGINATING_JES2_SYSTEM.
- No JSPA user extensions are present.

Tips:

1. Your exit can retrieve the z/OS system name from either the JMR control block (basic mode) or the XTP_ORIGINATING_MVS_SYSTEM and XTP_ORIGINATING_JES2_SYSTEM fields in the ANFUEXTP control block (extended mode).
2. Your exit can check the XTPVERS field to determine whether the JSPA is the full JSPA that IP PrintWay basic mode provides or the partial JSPA that IP PrintWay extended mode provides. IP PrintWay extended mode sets the XTPVERS field to 1. IP PrintWay basic mode sets the XTPVERS field to 0.
3. For information about the contents of the JSPA, see [z/OS MVS Using the Functional Subsystem Interface](#).

Scheduler work block text unit (SWBTU)

The SWBTU is a system control block that contains JCL parameters for the data set. These JCL values are merged from the DD statement, the OUTPUT statement, and JES defaults, according to a hierarchy determined by JES. If NetSpool or Print Interface allocated the data set on the JES spool, the JCL values come from the printer definition or Infoprint Server job attributes.

You can use the SWBTUREQ macro to obtain the JCL parameters that are specified for the data set from the SWBTU. For example, you can obtain distribution parameters that are specified on the OUTPUT statement and print them on a separator page that is created in your Begin Data Set exit. For information about how to specify distribution parameters on an OUTPUT statement, see [z/OS Infoprint Server User's Guide](#).

If your installation selects the resubmit for filtering option in the printer definitions, see [“Resubmit for filtering considerations \(basic mode\)”](#) on page 215 for more information about the JCL parameters in this control block.

For information about the SWBTUREQ macro, see [z/OS MVS Programming: Authorized Assembler Services Reference SET-WTO](#). For information about SWBs and how to use the SWB token to retrieve keywords, see [z/OS MVS Using the Subsystem Interface](#).

IP PrintWay exit parameter area (ANFUEXTP)

The IP PrintWay Exit Parameter Area (ANFUEXTP) provides information to the exits about the data set being processed. Also, the exits can set flags in ANFUEXTP to specify the action IP PrintWay takes at return and can modify values in ANFUEXTP to change the processing of IP PrintWay.

When you run IP PrintWay basic mode, the same ANFUEXTP control block is shared by all exits, except for the Message exit, that are called by the same IP PrintWay basic mode FSA. When you run IP PrintWay extended mode, the same ANFUEXTP control block is shared by all exits except for the Routing exit. Your exit programs do not need to enqueue on this control block because IP PrintWay calls the exits serially.

See the description of each exit for the fields that are valid at input and the fields that each exit can modify. [“Sample format of ANFUEXTP ”](#) on page 218 shows the format of ANFUEXTP. Macro ANFUEXTP provides a DSECT in assembler language for this control block.

Sample format of ANFUEXTP

Offsets	Hex	Type	Length	Name	Description
0	(0)	Structure	1280	ANFUEXTP	Exit parameter area
0	(0)	Character	4	XTPID	Eye catcher - 'XTP '
4	(4)	Unsigned	72	XTPSAVE	Save area for exit
76	(4C)	Address	4	XTPWORK1	Work area for exit
80	(50)	Address	4	XTPWORK2	Work area for exit
84	(54)	Character	53	XTPDSNAM	Data set name
137	(89)	Unsigned	1	XTPVERS	Version of IP PrintWay: 0 = basic mode 1 = extended mode
138	(8A)	Character	2	*	Reserved

140	(8C)	Character	8	XTPUSRID	User id of submitter
148	(94)	Bit string	1	XTPSRCFL	Flags showing where values came from. If the bit is on the value came from JCL on OUTPUT; otherwise it came from the printer definition or defaults:
		1... ..		XTPSOPTS	PRTOPTNS from JCL
		.1.. ..		XTPSIPAD	IPADDR from JCL
		..1.		XTPSPRTQ	PRTQUEUE from JCL
		...1		XTPSRTNS	RETAINS from JCL
	 1...		XTPSRTNF	RETAINF from JCL
	1..		XTPSRTYL	RETRYL from JCL
	1.		XTPSRTYT	RETRYT from JCL
	1		XTPSPORT	PORTNO from JCL
149	(95)	Bit string	1	XTPDSFLG	Data set information flags:
		1...		XTPDSCC	data set has carriage controls
		.1..		XTPDSHLD	release data set to JES; data set is held on JES spool
		..1.		XTPDSTRM	release data set to JES; data set is deleted from JES spool
		...1		XTPDSRTG	reselect printer definition
	 1...		XTPDSJOB	data set is first in job
	1..		XTPDSJNW	data set is JESNEWS data set
	1.		XTPDSEJB	data set is last in job
	1		XTPDSCON	data set is in a concatenation
150	(96)	Bit string	1	XTPRCFLG	Record flags:
		1...		XTPRCTRN	translate record from exit
		.1..		XTPRCCC	record from exit has carriage controls
		..1.		XTPRCORG	transmit original record
		...1		XTPRDFST	1st call to exit for record or data set
	 1...		XTPRLAST	last record from exit
	1..		XTPRCEXT	transmit record from exit
	1.		XTPRCDBL	record from exit is double-byte
	1		*	reserved
151	(97)	Bit string	1	XTPMSGFL	Message flags:
		1...		XTPM2CON	issue message to console
		.1..		XTPM2MDS	issue message to message data set
		..11 1111		*	reserved
152	(98)	Address	4	XTPERPTR	Address of record from exit
156	(9C)	Unsigned	4	XTPERLEN	Length of record from exit
160	(A0)	Address	4	XTPPRPTR	Address of original record
164	(A4)	Unsigned	4	XTPPRLEN	Length of original record
168	(A8)	Character	16	XTPOPTNM	Name of components
184	(B8)	Unsigned	2	XTPLOLEN	Length of LPR options
186	(BA)	Unsigned	2	XTPPQLEN	Length of value in XTPPRTQU
188	(BC)	Unsigned	2	XTPIALEN	Length of value in XTPIPADR
190	(BE)	Unsigned	2	XTPMSGLN	Length of message
192	(C0)	Character	256	XTPPRTQU	Name of print queue or VTAM logmode
448	(1C0)	Character	256	XTPIPADR	IP address/host name, URL, LU name, or email addresses
704	(2C0)	Unsigned	4	XTPRETNS	Success retain time (see note)
708	(2C4)	Unsigned	4	XTPRETNF	Failure retain time (see note)
712	(2C8)	Unsigned	4	XTPRTRYL	Retry limit
716	(2CC)	Unsigned	4	XTPRTRYT	Retry time (see note)
720	(2D0)	Character	17	XTPKEY	Name of printer definition
720	(2D0)	Character	8	XTPDEST	DEST
728	(2D8)	Character	1	XTPCLASS	CLASS
729	(2D9)	Character	8	XTPFORMS	FORMS
737	(2E1)	Bit string	1	XTPRECFM	Record format
738	(2E2)	Unsigned	2	XTPMRECL	Maximum record length
740	(2E4)	Address	4	XTPSWBTP	Address of SWBTU area
744	(2E8)	Unsigned	4	XTPSWBTL	Length of SWBTU area
748	(2EC)	Address	4	XTPJSPAP	Address of JSPA
752	(2F0)	Unsigned	4	XTPCOPYS	Number of copies
756	(2F4)	Address	4	XTPMSGP	Address of message
760	(2F8)	Unsigned	4	XTPIPORT	PORTNO value
764	(2FC)	Bit String	1	XTP_MISC_FLAGS	Miscellaneous flags:
		1...		XTP_FIRST_REC	first record of a data set
		.1..		XTP_MAIL_INCOM	email addresses exceed 256 chars
		..1.		XTP_TRANS_DOC_HEADER	translate document header
		...1		XTP_TRANS_DOC_TRAILER	translate document trailer
	 1111		*	reserved
765	(2FD)	Character	2	XTPMLINL	Maximum line length
767	(2FF)	Character	1	*	Reserved

=====

The following fields are used by the Block Letter program.

=====

768	(300)	Bit string	1	XTPBIFLG	Input flags for block program:
		1...		XTPBSLNT	slant the letters
		.1..		XTPBPRFM	performance (narrow) letters

	..1.		XTPBLJST	left justify letters
	...1		XTPBFRST	first call to block program for this string
	1111		*	reserved
769	(301)	Bit string	1	XTPBOFLG	Output flags for block program:
	1...		XTPBLAST	this is the last line
	.111	1111		*	reserved
770	(302)	Unsigned	1	XTPBLENG	Length of output record
771	(303)	Character	1	*	Reserved
772	(304)	Character	8	XTPBSTRG	String to convert, blank padded
780	(30C)	Character	150	XTPBOUTP	Output string
930	(3A2)	Character	16	XTPBWRKA	Work area for block program
946	(3B2)	Character	2	*	Reserved
948	(3B4)	Signed	4	XTPRSPCD	Response code

=====

The following fields are used by all exits.

=====

952	(3B8)	Unsigned	4	XTP_ADDR_TYPE	Protocol that IP PrintWay uses: 0 = LPR 1 = IPP 2 = direct sockets 3 = VTAM 4 = email
956	(3BC)	Unsigned	4	XTP_ROUTING_KEY_TYPE	Value in XTPKEY field: 0 = DEST, CLASS, and FORMS 1 = Printer definition name
960	(3C0)	Unsigned	4	XTP_FILTERING	Resubmit for filtering values: 0 = No resubmit for filtering 1 = This is first data set processed 2 = This is second data set processed
964	(3C4)	Character	8	XTP_JCL_DEST	DEST from JCL
972	(3CC)	Character	1	XTP_JCL_CLASS	CLASS from JCL
973	(3CD)	Character	8	XTP_JCL_FORMS	FORMS from JCL
981	(3D5)	Character	8	XTP_ORIGINATING_MVS_SYSTEM	MVS_SYSTEM System name
989	(3DD)	Character	4	XTP_ORIGINATING_JES2_SYSTEM	JES2_SYSTEM System name (JES2 only)
993	(3E1)	Character	7	*	Reserved
1000	(3E8)	Character	1012	XTPOPTNS	Transmission options (See macro for field names)
2012	(7DC)	Address	4	XTP_DOC_HEADER_PTR	Document header address
2016	(7E0)	Address	4	XTP_DOC_TRAILER_PTR	Document trailer address
2020	(7E4)	Signed	2	XTP_DOC_HEADER_LENGTH	Document header length
2022	(7E6)	Signed	2	XTP_DOC_TRAILER_LENGTH	Document trailer length

Note: The time in the XTPRETNS, XTPRETNF, and XTPRTRYT fields is a hexadecimal number: (*hours* x 10 000) + (*minutes* x 100) + *seconds*. For example, if the time period is 24 hours, 5 minutes, and 1 second, this field contains 03AB75, the hexadecimal representation of the decimal number 240501.

Routing exit (ANFUXRTG)

IP PrintWay calls the Routing exit one time for each data set. The Routing exit lets you:

- Inspect routing parameters for a data set before it is transmitted to the printer or email destination.

The Routing exit can inspect the address of the printer or email destination, retry values, retention values, the name of the components that contain printer options, and the number of copies.

When the exit gets control, the values from the DD and OUTPUT JCL statements for the data set and from the printer definition in the Printer Inventory are merged. Parameters on the DD and OUTPUT override the values that are specified in the printer definition. The XTPSRCFL field in the ANFUEXTP control block indicates whether a parameter was specified on a JCL statement.

- Reroute a data set (basic mode) or output group (extended mode) to another printer or email destination.

The exit can specify a new printer or email address in the ANFUEXTP control block, or the exit can specify a new printer definition for IP PrintWay to use. The exit can identify the new printer definition by either the printer definition name or by the class, destination, and form name that is assigned to it.

- Change the retry time and retention values for a data set (basic mode) or output group (extended mode).
- Change the number of copies of the data set that are printed.

- Change the name of the components that contain default options.
- IP PrintWay basic mode: Hold the data set on the JES spool for operator intervention.
- IP PrintWay basic mode: Delete the data set from the JES spool.
- Specify a message for IP PrintWay to write. IP PrintWay assigns message ID ANFM155I (basic mode) or AOP3003I (extended mode) to each message created by the exit.

IP PrintWay calls the same Routing exit before it processes each data set or output group. You can install different Routing exits for different IP PrintWay basic mode FSSs. For information, see [“Installing IP PrintWay exits”](#) on page 266.

You might want to write a Routing exit to do one of these functions:

- Enforce limits in JCL parameters. For example, your installation might want to limit the length of the retention time that is specified by job submitters on the OUTPUT JCL statement. To do this, the Routing exit can inspect the values that are specified in the RETAINS and RETAINF JCL parameters and change them if they exceed the maximum time that is defined for your installation.
- Restrict the use of certain printers to specific users. To do this, the Routing exit can inspect the user ID of the job submitter and the host name or IP address and the print queue name or port of the printer. If you run IP PrintWay basic mode, your exit can hold or delete a data set or output group if the user ID of the job submitter is not on your list of authorized user IDs.

Tip: IP PrintWay does not call the Routing exit under these conditions:

- IP PrintWay cannot find a printer definition for a data set and the DEST=IP: JCL parameter is not specified.
- The resubmit for filtering option is selected in the printer definition and IP PrintWay basic mode is transmitting the data set to Print Interface for filtering. For more information, see [“Resubmit for filtering considerations \(basic mode\)”](#) on page 215.

Input to the Routing exit

At entry to the Routing exit, the registers contain:

Register 1

Pointer to the address of the ANFUEXTP control block.

Register 13

Address of an 18-word save area for saving the caller's registers.

Register 14

Return address.

Register 15

Entry-point address.

These fields in the ANFUEXTP control block are valid when the Routing exit is called. The format of ANFUEXTP is shown in [“Sample format of ANFUEXTP”](#) on page 218.

XTPSAVE

A register save area for use by the exit.

XTPWORK1

Address of a work area, or zeros. For information about how to use work areas, see [“Programming considerations”](#) on page 216.

XTPWORK2

Address of a work area, or zeros. For information about how to use work areas, see [“Programming considerations”](#) on page 216.

XTPDSNAM

Fully qualified name of the data set being processed, padded to the right with blanks.

XTPVERS

Indicates whether IP PrintWay basic mode or extended mode called the exit and constructed the ANFUEXTP control block.

Value
Meaning

0
IP PrintWay basic mode called the exit.

1
IP PrintWay extended mode called the exit.

Tip: Your exit can use this field to determine whether fields XTP_ORIGINATING_MVS_SYSTEM and XTP_ORIGINATING_JES2_SYSTEM contain valid values. These fields contain valid values if XTPVERS=1 (IP PrintWay extended mode called the exit).

XTPUSRID

User ID of the job submitter, padded to the right with blanks, with these exceptions:

- If NetSpool allocated the data set on the JES spool, this field contains the owner that is embedded in the print data or specified in the printer definition. If none is specified, this field is the ID of the user who started the Infoprint Server daemons.
- If Print Interface allocated the data set on the JES spool and the print request was not submitted from a z/OS system, this field contains the user ID from the remote system of the person who submitted the print request.

XTPSRCFL

Flags indicating whether a parameter was specified as a JCL parameter:

- If the flag is set to 1, the indicated parameter was specified as a JCL parameter.
- If the flag is set to 0, the JCL parameter was not specified. Instead, IP PrintWay obtained the value from a printer definition. If the DEST=IP: parameter was specified in JCL without the name of a printer definition, IP PrintWay obtained the value from the IP PrintWay default printer definition. If no PrintWay default printer definition exists, IP PrintWay sets a default value.

Flag meanings when set to B'1':

XTPSOPTS

The PRTOPTNS parameter specified the name of components in the Printer Inventory.

XTPSIPAD

The DEST=IP: parameter specified the host name or IP address of the target printer or print server.

XTPSPRTQ

The PRTQUEUE parameter specified the name of the target print queue.

XTPSRTNS

The RETAINS parameter specified the retention time after a successful transmission.

XTPSRTNF

The RETAINF parameter specified the retention time after a failed transmission.

XTPSRTYL

The RETRYL parameter specified the retry limit.

XTPSRTYT

The RETRYT parameter specified the retry time.

XTPSPORT

The PORTNO parameter specified the port number.

XTPDSFLG

Flags containing data set information when set to B'1':

XTPDSJOB

This is the first data set in the print job (JES output group).

XTPDSJNW

This data set is the JESNEWS data set. This flag applies only to IP PrintWay basic mode.

XTPDSEJB

This is the last data set in the print job (JES output group).

XTPDSCON

This data set is part of an IP PrintWay concatenation. IP PrintWay sets this flag when the Concatenate job option is selected in the **Dataset grouping** field of the printer definition and IP PrintWay is transmitting this data set with other data sets in the same transmission.

XTPOPTNM

The component name that was specified in the PRTOPTNS JCL parameter. The name is case-sensitive and is padded to the right with blanks. This field contains blanks if no component name was specified in the PRTOPTNS parameter.

XTPPQLEN

Length of the value in field XTPPRTQU.

XTPIALEN

Length of the value in field XTPIPADR.

XTPPRTQU

Name of the target print queue that is specified in the PRTQUEUE JCL parameter or in a printer definition; or the VTAM logmode that is specified in a printer definition. Field XTP_ADDR_TYPE identifies which value is in this field.

XTPIPADR

Field XTP_ADDR_TYPE identifies which of these values this field contains:

- Host name or IP address of the target printer or print server that is specified in the DEST=IP: JCL parameter, the printer-ip-address job attribute, or in the printer definition
- URL of the target printer that is specified in the printer definition
- LU name of the target printer that is specified in the printer definition
- Email addresses of the primary recipients that are specified in the MAILTO JCL parameter, mail-to-addresses job attribute, or printer definition. Multiple email addresses are separated by a comma. If the email addresses are greater than 256 characters, field XTP_MAIL_INCOM is set and field XTPIPADR contains only the email addresses that fit into this field. If field XTP_MAIL_INCOM is set, IP PrintWay does not let the Routing exit update this field.

Tip: IP PrintWay does not pass the email addresses of the copy or blind copy recipients to the exit.

XTPRETNS

Amount of time IP PrintWay retains the data set on the JES spool after a successful transmission. This time was specified in the RETAINS JCL parameter or in the printer definition. IP PrintWay might set a default value of zeros. For the format of this field, see the note on page [“#unique_305/unique_305_Connect_42_stime”](#) on page 220.

XTPRETNF

Amount of time IP PrintWay retains the data set on the JES spool after all retransmissions failed. This time was specified in the RETAINF JCL parameter or in the printer definition. IP PrintWay might set a default value of zeros. For the format of this field, see the note on page [“#unique_305/unique_305_Connect_42_stime”](#) on page 220.

XTPRTRYL

Number of times IP PrintWay tries to retransmit the data set. This number was specified in the RETRYL JCL parameter or in the printer definition. IP PrintWay might set a default value of zero.

XTPRTRYT

Amount of time IP PrintWay waits between retransmissions. This time was specified in the RETRYT JCL parameter or in the printer definition. IP PrintWay might set a default value of zero. For the format of this field, see the note on page [“#unique_305/unique_305_Connect_42_stime”](#) on page 220.

XTPKEY

If XTP_ROUTING_KEY_TYPE is set to 1, this field contains the name of the printer definition that was specified in JCL or in the printer definition. The name is padded to the right with blanks. The printer definition name is case-sensitive.

Fields XTPDEST, XTPCLASS, and XTPFORMS are mapped to the same location as XTPKEY.

XTPDEST

If XTP_ROUTING_KEY_TYPE is set to 0, this field contains the value in the DEST field of the printer definition that IP PrintWay uses to print the data set. The name is padded to the right with blanks. If the DEST field in the printer definition is not specified, this field contains blanks.

Tip: Use field XTP_JCL_DEST if you want to obtain the value that is specified in the JCL parameter.

XTPCLASS

If XTP_ROUTING_KEY_TYPE is set to 0, this field contains the value in the CLASS field of the printer definition that IP PrintWay uses to print the data set. If the CLASS field in the printer definition is not specified, this field contains blanks.

Tip: Use field XTP_JCL_CLASS if you want to obtain the value that is specified in the JCL parameter.

XTPFORMS

If XTP_ROUTING_KEY_TYPE is set to 0, this field contains the value in the FORMS field of the printer definition that IP PrintWay uses to print the data set. The name is padded to the right with blanks. If the FORMS field in the printer definition is not specified, this field contains blanks.

Tip: Use field XTP_JCL_FORMS if you want to obtain the value that is specified in the JCL parameter.

XTPRECFM

Basic mode: The record format as indicated in the JFCRECFM field in the job file control block (JFCB).

Extended mode: Indicates the type of carriage control characters:

Value

Meaning

X'04'

A - American national standard (ASA) control characters

X'02'

M - Machine code control characters

X'00'

No control characters

XTPMRECL

Maximum record length that is specified on the LRECL parameter of the OUTPUT JCL statement. For data sets that NetSpool and Print Interface allocate on the JES spool, the value is 32756.

XTPSWBTP

Address of the SWBTU for the data set. For more information, see [“Scheduler work block text unit \(SWBTU\)”](#) on page 218.

XTPSWBTL

Length of the SWBTU.

XTPVERS

Indicates whether IP PrintWay basic mode or extended mode called the exit and constructed the ANFUEXTP control block.

Value

Meaning

0

IP PrintWay basic mode called the exit.

1

IP PrintWay extended mode called the exit.

Tip: Your exit can use this field to determine whether fields XTP_ORIGINATING_MVS_SYSTEM and XTP_ORIGINATING_JES2_SYSTEM contain valid values. These fields contain valid values if XTPVERS=1 (IP PrintWay extended mode called the exit).

XTPJSPAP

The address of a full or partial JSPA. For more information about this field, see [“JES job separator page data area \(IAZJSPA\)”](#) on page 217.

- IP PrintWay basic mode: Address of the JSPA (IAZJSPA) for the data set being processed.
- IP PrintWay extended mode: Address of a partial JSPA (IAZJSPA) for the data set being processed.

XTPCOPYS

Number of copies of the data set. This number was specified in JCL, in the printer definition, or JES provided a default value.

XTPIPORT

Port number on the target system. This number was specified in the PORTNO JCL parameter or in the printer definition.

XTP_MISC_FLAGS

Flag containing miscellaneous information when set to B'1':

XTP_MAIL_INCOM

The list of email addresses for the primary recipients exceeds 256 characters. Therefore, field XTPIPADR does not contain the complete list of email addresses. If this flag is set, IP PrintWay does not let the Routing exit modify field XTPIPADR.

XTP_ADDR_TYPE

This field identifies the transmission protocol and the contents of fields XTPIPADR, XTPRTQU, and XTPIPORT. [#n2rx/d40e2133](#) lists the values that identify the protocols and field contents.

<i>Table 43: XTP_ADDR_TYPE values</i>				
Value	Protocol	XTPIPADR	XTPRTQU	XTPIPORT
0	LPR	IP address	Print queue name	
1	IPP	URL		
2	Direct sockets	IP address		Port number
3	VTAM	LU name	Logmode	
4	Email	email addresses		

XTP_ROUTING_KEY_TYPE

An indicator of how IP PrintWay selected the printer definition it uses to obtain printing options:

Value**Meaning****0**

IP PrintWay selected the printer definition by matching the DEST, CLASS, and FORMS fields that are specified in JCL parameters with the values in the printer definition.

1

IP PrintWay selected the printer definition by using the printer definition name that is specified in JCL parameters or specified by NetSpool or Print Interface.

XTP_JCL_DEST

The DEST value with which the output data set was allocated on the JES spool.

If NetSpool or Print Interface allocated the data set, this is the DEST value in the printer definition. Otherwise, it is the DEST value in the OUTPUT JCL statement unless the resubmit for filtering option is selected in the printer definition, in which case this field contains the DEST value that is specified in the printer definition. The value is padded to the right with blanks.

XTP_JCL_CLASS

The CLASS value with which the output data set was allocated on the JES spool.

If NetSpool or Print Interface allocated the data set, this is the CLASS value in the printer definition. Otherwise, it is the CLASS value that is specified in a JCL statement unless the resubmit for filtering option is selected in the printer definition, in which case this field contains the CLASS value that is specified in the printer definition. The value is padded to the right with blanks.

XTP_JCL_FORMS

The FORMS value with which the output data set was allocated on the JES spool.

If NetSpool or Print Interface allocated the data set, this is the FORMS value in the printer definition. Otherwise, it is the FORMS value in a JCL statement. The value is padded to the right with blanks.

XTP_ORIGINATING_MVS_SYSTEM

The system name (left-aligned and padded with blanks) of the MVS image where the data set originated. This field contains the same value as the SSS2SYS field in the IAZSSS2 control block. For information about the SSS2SYS field, see *z/OS MVS Using the Subsystem Interface*. This field contains the system name only if you run IP PrintWay extended mode (XTPVERS=1). IP PrintWay basic mode does not set this field.

Tip: In a JES2 environment, the XTP_ORIGINATING_JES2_SYSTEM field contains the member name of the individual JES2 system where the data set originated.

XTP_ORIGINATING_JES2_SYSTEM

Contains the member name (left-aligned and padded with blanks) of the individual JES2 system where the data set originated. This field contains the same value as the SSS2MBR field in the IAZSSS2 control block. For information about the SSS2MBR field, see *z/OS MVS Using the Subsystem Interface*. This field contains the member name only if you run IP PrintWay extended mode (XTPVERS=1). IP PrintWay basic mode does not set this field. On a JES3 system, this field contains blanks.

Output from the Routing exit

At return, restore the contents of all registers. Do not set a return code in register 15.

The exit can modify these fields in the ANFUEXTP control block:

XTPWORK1

Address of a work area, or zeros. For information about how to use work areas, see [“Programming considerations”](#) on page 216.

XTPWORK2

Address of a work area, or zeros. For information about how to use work areas, see [“Programming considerations”](#) on page 216.

XTPDSFLG

Flags indicating the action that you want IP PrintWay to take upon return. IP PrintWay sets these flags to B'0' before it calls the exit. To transmit the data set, do not set any of these flags.

Note: Set only one of these flags to B'1':

XTPDSHLD

Hold the data set on the JES spool for operator intervention. This flag applies only to IP PrintWay basic mode. IP PrintWay extended mode ignores this flag.

XTPDSTRM

Delete the data set from the JES spool. This flag applies only to IP PrintWay basic mode. IP PrintWay extended mode ignores this flag.

XTPDSRTG

Reselect the printer definition by using the value in the XTPKEY field.

XTPMSGFL

Flags indicating the destination of a message that is created by this exit. IP PrintWay sets these flags to B'0' before it calls the exit. Put the address of the message in field XTPMSGP and the length of the message in field XTPMSGLN.

Flag meanings when set to B'1':

XTPM2CON

IP PrintWay basic mode writes the message to the console. IP PrintWay extended mode writes the message to both the console and the Infoprint Server common message log.

XTPM2MDS

IP PrintWay basic mode writes the message to the IP PrintWay message-log data set. IP PrintWay extended mode writes the message to both the Infoprint Server common message log and the console.

XTPMSGLN

Length of the message whose address is in field XTPMSGP.

XTPMSGP

Address of a message that is created by this exit. IP PrintWay adds message ID ANFM155I (IP PrintWay basic mode) or AOP3003I (IP PrintWay extended mode) to the beginning of this message.

If you set the XTPDSRTG flag, you can also change these fields in the ANFUEXTP control block. (IP PrintWay ignores changes that you make to fields that contain routing parameters, such as fields XTPOPTNM, XTPRRTQU, XTPIPADR, XTPRETNS, XTPRETNF, XTPRTRYL, and XTPRTRYT.)

XTPKEY

Name of the printer definition you want IP PrintWay to use. This field is case-sensitive. Also set XTP_ROUTING_KEY_TYPE to '1'.

Fields XTPDEST, XTPCLASS, and XTPFORMS are mapped to the same location as XTPKEY.

IP PrintWay extended mode uses the value in this field only if this is the first data set in the output group. Otherwise, it ignores the value and uses the value for the first data set.

XTPCLASS

Class that is specified in the CLASS field of the printer definition you want IP PrintWay to use. Do not use lowercase characters. Also set XTP_ROUTING_KEY_TYPE to '0'.

XTPDEST

Destination name that is specified in the DEST field of the printer definition you want IP PrintWay to use, padded to the right with blanks. Do not use lowercase characters. Also, set XTP_ROUTING_KEY_TYPE to 0.

Note: Do not specify DFLTENTRY as the destination name.

XTPFORMS

Form name that is specified in the FORMS field of the printer definition you want IP PrintWay to use, padded to the right with blanks. Do not use lowercase characters. Also set XTP_ROUTING_KEY_TYPE to 0.

XTPCOPYS

Number of copies of the data set. Specify a number 1 - 255.

XTP_ROUTING_KEY_TYPE

Indicates how you want IP PrintWay to select the new printer definition:

Value**Meaning****0**

IP PrintWay selects the printer definition by matching the values in fields XTPCLASS, XTPDEST, and XTPFORMS with the values in the printer definition.

1

IP PrintWay selects the printer definition by using the printer definition name in field XTPKEY.

If you do not set any of the flags in field XTPDSFLG, you can change the values in these fields in the ANFUEXTP control block. IP PrintWay uses the changed values when it transmits the data set. (IP PrintWay ignores changes that you make to fields XTPKEY, XTPCLASS, XTPFORMS, and XTPDEST.)

XTPOPTNM

The name of components in the Printer Inventory that contain default options. The component name is case-sensitive and must be padded to the right with blanks.

XTPPQLEN

Length of the value in field XTPPRTQU.

XTPPRTQU

Name of the printer or print server's queue, or the VTAM logmode.

IP PrintWay extended mode uses the value in this field only if this is the first data set in the output group. Otherwise, it ignores the value and uses the value for the first data set.

XTPIALEN

Length of the value in field XTPIPADR.

XTPIPADR

Specify one of these values:

- Host name or IP address of the printer or print server.
- URL of the printer or print server.
- LU name of the printer.
- Email addresses of the primary recipients. Separate each email address or sendmail alias name with a comma. If field XTP_MAIL_INCOM is set at entry to the exit, which indicates that the original email addresses are greater than 256 characters, IP PrintWay does not let the exit modify this field.

Tips:

1. The Routing exit cannot change the email addresses of the copy or blind copy recipients.
2. If an email address is specified in a header in the document, the email address in the document overrides the email address that is specified in this field.

IP PrintWay extended mode uses the value in this field only if this is the first data set in the output group. Otherwise, it ignores the value and uses the value for the first data set.

XTPRETNS

Amount of time IP PrintWay retains the data set on the JES spool after a successful transmission. For the format of this field, see the note on page [“#unique_305/unique_305_Connect_42_stime” on page 220.](#)

IP PrintWay extended mode uses the value in this field only if this is the first data set in the output group. Otherwise, it ignores the value and uses the value for the first data set.

XTPRETNF

Amount of time IP PrintWay retains the data set on the JES spool after all retransmissions failed. For the format of this field, see the note on page [“#unique_305/unique_305_Connect_42_stime” on page 220.](#)

IP PrintWay extended mode uses the value in this field only if this is the first data set in the output group. Otherwise, it ignores the value and uses the value for the first data set.

XTPRTRYL

Number of times IP PrintWay tries to retransmit the data set. Specify a number 0 - 32767.

IP PrintWay extended mode uses the value in this field only if this is the first data set in the output group. Otherwise, it ignores the value and uses the value for the first data set.

XTPRTRYT

Amount of time IP PrintWay waits between retransmissions. For the format of this field, see the note on page [“#unique_305/unique_305_Connect_42_stime” on page 220.](#)

IP PrintWay extended mode uses the value in this field only if this is the first data set in the output group. Otherwise, it ignores the value and uses the value for the first data set.

XTPCOPYS

Number of copies of the data set. Specify a number 1 - 255.

XTPIPORT

Port number of the printer or print server.

IP PrintWay extended mode uses the value in this field only if this is the first data set in the output group. Otherwise, it ignores the value and uses the value for the first data set.

Examples -- Routing exit

1. To request that IP PrintWay obtain routing parameters from a specific printer definition:
 - Set XTPDSRTG=1 in the ANFUEXTP control block.
 - Specify the printer definition name in field XTPKEY; or specify the class, destination name, and forms name in fields XTPCLASS, XTPDEST, and XTPFORMS.
 - Set XTP_ROUTING_KEY_TYPE, depending on whether you specified the printer definition name or the class, destination, and forms names.
 2. To transmit the data set without changing any routing information, return control to IP PrintWay.
 3. To transmit the data set to:
 - A different port number, overriding the previous port number:
 - Put the port number in XTPIPORT
 - A different print queue, overriding the previous print queue:
 - Put the name of the printer's or print server's queue in field XTPPRTQU.
 - Put the length of the queue name in field XTPPQLEN.
 - A different VTAM LU name, overriding the previous LU name:
 - Put the LU name in field XTPIPADR.
 - Put the length of the LU name in field XTPIALEN.
 - A different email address, overriding the previous email addresses:
 - Put the email addresses and sendmail alias names in field XTPIPADR. Separate each address and alias name with a comma.
 - Put the length of the email addresses in field XTPIALEN.
- Tip:** You cannot change the protocol that IP PrintWay uses in the XTP_ADDR_TYPE field.
4. To request that IP PrintWay write a message to the console:
 - Set XTPM2CON=1 in the ANFUEXTP control block.
 - Put the address of the message in field XTPMSGP.
 - Put the length of the message in field XTPMSGLN.

Also, see the sample exits that are distributed with IP PrintWay and described in [“IP PrintWay sample exits”](#) on page 266.

Begin Data Set exit

The Begin Data Set exit lets you:

- Inspect the routing parameters and transmission options for a data set.
- Change most of the transmission options for a data set.
- Add one or more records to the beginning of a data set. For example, the exit can add records to create a separator page.
 - The exit can add more than one record by requesting that IP PrintWay call the exit multiple times for the same data set.
 - On a separator page, the exit can print job and data set information that is contained in the scheduler work block text unit (SWBTU). See [“Scheduler work block text unit \(SWBTU\)”](#) on page 218.
 - The exit can create a job-level separator page by adding a separator page only for the first data set in each print job (JES output group). The XTPDSJOB flag in the ANFUEXTP control block indicates whether the data set is the first data set in a print job.

- The exit can use the Block Letter program (ANFUBLK) to build block letters suitable for printing on a separator page. For more information, see [“Using the Block Letter program \(ANFUBLK\)”](#) on page 264.
- When IP PrintWay sends multiple data sets to a printer in a concatenation (dataset-grouping=concatenate-job attribute is specified in the printer definition), it sends the records that the Begin Data Set exit adds before the first data set in the concatenation. It does not send the records again before each subsequent data set in the concatenation.

Tip: If you run IP PrintWay basic mode, the administrator can set the concatenation-separators=document printer attribute in the IP PrintWay FSS definition to send the records before each data set in the concatenation. However, this can cause an extra separator page to print before each copy. For information, see [z/OS Infoprint Server Operation and Administration](#).

- Specify a document header and a document trailer for a data set (see the XTP_DOC_HEADER_PTR and XTP_DOC_TRAILER_PTR fields). Typically, the document header and document trailer contain printer commands. For example, a document header might specify printer commands for landscape printing, and a document trailer might specify a printer command to reset the printer to its original state.
 - The exit can specify a different document header and trailer for each data set. This capability exists even for data sets that IP PrintWay sends to the printer in the same job or the same concatenation.
 - The document header and trailer override the document header and trailer that is specified in the printer definition.
 - IP PrintWay sends the document header and trailer to the printer before and after each data set, and before and after each subsequent copy of the data set in this order:
 1. Records (Begin Data Set)
 2. Document header
 3. Data set
 4. Document trailer
 5. Document header
 6. Data set (copy)
 7. Document trailer
 8. Records (End Data Set)

Tip: If you add printer commands, in some cases you might need to redefine the print driver on your workstation. For example, when printing data on an HP Laserjet IIISi printer on a Windows system, define the HP print driver as a "generic/text only" driver. This prevents the print driver from changing your setup strings to be incorrect.

- Inspect the routing parameters of a data set. However, the exit cannot change them.
- Specify a message for IP PrintWay to write. IP PrintWay assigns message ID ANFM155I (basic mode) or AOP3003I (extended mode) to the message.

Tips:

1. The administrator specifies the name of the Begin Data Set exit in the printer definition. Therefore, you can write different Begin Data Set exits for different data sets if the data sets use different printer definitions.
2. IP PrintWay does not call the Begin Data Set exit when the resubmit for filtering option is selected in the printer definition and IP PrintWay basic mode transmits the data set to Print Interface for filtering. For more information, see [“Resubmit for filtering considerations \(basic mode\)”](#) on page 215.

Input to the Begin Data Set exit

At entry to the Begin Data Set exit, the registers contain:

Register 1

Pointer to the address of the ANFUEXTP control block.

Register 13

Address of an 18-word save area for saving the caller's registers.

Register 14

Return address.

Register 15

Entry-point address.

These fields in ANFUEXTP are valid when the Begin Data Set exit is called. The format of the ANFUEXTP control block is shown in [“Sample format of ANFUEXTP”](#) on page 218.

XTPSAVE

A register save area for use by the exit.

XTPWORK1

Address of a work area, or zeros. For information about how to use work areas, see [“Programming considerations”](#) on page 216.

XTPWORK2

Address of a work area, or zeros. For information about how to use work areas, see [“Programming considerations”](#) on page 216.

XTPDSNAM

Fully qualified name of the data set being processed, padded to the right with blanks.

XTPVERS

Indicates whether IP PrintWay basic mode or extended mode called the exit and constructed the ANFUEXTP control block.

Value**Meaning****0**

IP PrintWay basic mode called the exit.

1

IP PrintWay extended mode called the exit.

Tip: Your exit can use this field to determine whether fields XTP_ORIGINATING_MVS_SYSTEM and XTP_ORIGINATING_JES2_SYSTEM contain valid values. These fields contain valid values if XTPVERS=1 (IP PrintWay extended mode called the exit).

XTPUSRID

User ID of the job submitter, padded to the right with blanks, with these exceptions:

- If NetSpool allocated the data set on the JES spool, this field contains the owner that is embedded in the print data or specified in the printer definition. If none is specified, this is the ID of the user who started the Infoprint Server daemons.
- If Print Interface allocated the data set on the JES spool and the print request was not submitted from a z/OS system, this field contains the user ID from the remote system of the person who submitted the print request.

XTPDSFLG

Flags containing data set information when set to B'1':

XTPDSCC

This data set contains carriage control characters.

XTPDSJOB

This is the first data set in the print job (JES output group).

XTPDSJNW

This data set is the JESNEWS data set. This flag applies only to IP PrintWay basic mode.

XTPDSEJB

This is the last data set in the print job (JES output group).

XTPDSCON

This data set is part of an IP PrintWay concatenation. IP PrintWay sets this flag when the **Concatenate job** option is selected in the **Dataset grouping** field of the printer definition and IP PrintWay is transmitting this data set with other data sets in the same transmission.

XTPRCFLG

Flag containing data set information when set to B'1':

XTPRDFST

This is the first call to the exit for this data set.

XTPPQLEN

Length of the value in field XTPPRTQU.

XTPIALEN

Length of the value in field XTPIPADR.

XTPPRTQU

Name of the printer or print server queue that is specified in the PRTQUEUE JCL parameter, in a printer definition, or by the Routing exit; or the VTAM logmode that is specified in a printer definition or by the Routing exit. Field XTP_ADDR_TYPE identifies which value is in this field.

XTPIPADR

Field XTP_ADDR_TYPE identifies which of these values this field contains:

- Host name or IP address of the printer or print server that is specified in the DEST=IP: JCL parameter, in the printer-ip-addresses job attribute, in the printer definition, or by the Routing exit
- URL of the printer or print server that is specified in the printer definition or by the Routing exit
- LU name of the printer that is specified in the printer definition or by the Routing exit
- Email addresses of the primary recipients that are specified in the MAILTO JCL parameter, mail-to-addresses job attribute, printer definition, or Routing exit. Multiple email addresses are separated by a comma. If the email addresses are greater than 256 characters, field XTP_MAIL_INCOM is set and field XTPIPADR contains only the email addresses that fit into this field.

Tip: IP PrintWay does not pass the email addresses of the copy or blind copy recipients to the exit.

XTPRETNS

Amount of time IP PrintWay retains the data set on the JES spool after a successful transmission. This time was specified in the RETAINS JCL parameter, in the printer definition, or by the Routing exit. IP PrintWay might set a default value of zeros. For the format of this field, see the note on page [“#unique_305/unique_305_Connect_42_stime”](#) on page 220.

XTPRETNF

Amount of time IP PrintWay retains the data set on the JES spool after all retransmissions failed. This time was specified in the RETAINF JCL parameter, in the printer definition, or by the Routing exit. IP PrintWay might set a default value of zeros. For the format of this field, see the note on page [“#unique_305/unique_305_Connect_42_stime”](#) on page 220.

XTPRTRYL

Number of times IP PrintWay tries to retransmit the data set. This number was specified in the RETRYL JCL parameter, in the printer definition, or by the Routing exit. IP PrintWay might set a default value of zero.

XTPRTRYT

Amount of time IP PrintWay waits between retransmissions. This time was specified in the RETRYT JCL parameter, in the printer definition, or by the Routing exit. IP PrintWay might set a default value of zero. For the format of this field, see the note on page [“#unique_305/unique_305_Connect_42_stime”](#) on page 220.

XTPKEY

If XTP_ROUTING_KEY_TYPE is set to 1, contains the name of the printer definition. This name was specified in JCL, in the printer definition, or by the Routing exit. The name is padded to the right with blanks. This field is case-sensitive.

Fields XTPDEST, XTPCLASS, and XTPFORMS are mapped to the same location as XTPKEY.

XTPDEST

If XTP_ROUTING_KEY_TYPE is set to 0, this field contains the value in the DEST field of the printer definition that IP PrintWay uses to print the data set. The name is padded to the right with blanks. If the DEST field in the printer definition is not specified, this field contains blanks.

Tip: Use field XTP_JCL_DEST if you want to obtain the value that is specified in a JCL parameter.

XTPCLASS

If XTP_ROUTING_KEY_TYPE is set to 0, this field contains the value in the CLASS field of the printer definition that IP PrintWay uses to print the data set. If the CLASS field in the printer definition is not specified, this field contains blanks.

Tip: Use field XTP_JCL_CLASS if you want to obtain the value that is specified in a JCL parameter.

XTPFORMS

If XTP_ROUTING_KEY_TYPE is set to 0, this field contains the value in the FORMS field of the printer definition that IP PrintWay uses to print the data set. The name is padded to the right with blanks. If the FORMS field in the printer definition is not specified, this field contains blanks.

Tip: Use field XTP_JCL_FORMS if you want to obtain the value that is specified in a JCL parameter.

XTPRECFM

Basic mode: The record format as indicated in the JFCRECFM field in the job file control block (JFCB).

Extended mode: Indicates the type of carriage control characters:

Value

Meaning

X'04'

A - American national standard (ASA) control characters

X'02'

M - Machine code control characters

X'00'

No control characters

XTPMRECL

Maximum record length that is specified on the LRECL parameter of the OUTPUT JCL statement. For data sets that NetSpool and Print Interface allocate on the JES spool, the value is 32756.

XTPSWBTP

Address of the SWBTU for the data set. For more information, see [“Scheduler work block text unit \(SWBTU\)”](#) on page 218.

XTPSWBTL

Length of the SWBTU.

XTPJSPAP

The address of a full or partial JSPA. For more information about this field, see [“JES job separator page data area \(IAZJSPA\)”](#) on page 217.

- IP PrintWay basic mode: Address of the JSPA (IAZJSPA) for the data set being processed.
- IP PrintWay extended mode: Address of a partial JSPA (IAZJSPA) for the data set being processed.

XTPCOPYS

Number of copies of the data set. This number was specified in JCL, by the Routing exit, or JES provided a default value.

XTPIPORT

Port number of the printer or print server. This number was specified in the PORTNO JCL parameter or in the printer definition.

XTP_MISC_FLAGS

Flags containing miscellaneous information when set to B'1':

XTP_MAIL_INCOM

The list of email addresses for the primary recipients exceeds 256 characters. Therefore, field XTPIPADR does not contain the complete list of email addresses.

XTP_TRANS_DOC_HEADER

Indicates that IP PrintWay translates the document header to the printer code page specified in the printer definition.

XTP_TRANS_DOC_TRAILER

Indicates that IP PrintWay translates the document trailer to the printer code page specified in the printer definition.

XTP_ADDR_TYPE

This field identifies the transmission protocol and the contents of fields XTPIPADR, XTPPRTQU, and XTPIPORT. [#nbdx/d40e2133](#) lists the values that identify the protocols and field contents.

Table 44: XTP_ADDR_TYPE values				
Value	Protocol	XTPIPADR	XTPPRTQU	XTPIPORT
0	LPR	IP address	Print queue name	
1	IPP	URL		
2	Direct sockets	IP address		Port number
3	VTAM	LU name	Logmode	
4	Email	email addresses		

XTP_ROUTING_KEY_TYPE

An indicator of how IP PrintWay selected the printer definition it uses to obtain printing options:

Value

Meaning

0

IP PrintWay selected the printer definition by matching the DEST, CLASS, and FORMS fields that are specified in JCL statements with the values in the printer definition.

1

IP PrintWay selected the printer definition by using the printer definition name that is specified on the OUTPUT JCL statement or specified by NetSpool or Print Interface.

If field XTP_FILTERING = 2, this field contains 1.

XTP_FILTERING

This field identifies when IP PrintWay processes data two times (as two separate data sets) because the resubmit for filtering option is selected in the printer definition. This field applies only to IP PrintWay basic mode. IP PrintWay extended mode always sets this field to 0 because the resubmit for filtering option does not apply to extended mode. For more information, see [“Resubmit for filtering considerations \(basic mode\)”](#) on page 215.

Value

Meaning

0

The resubmit for filtering option is not selected in the printer definition.

2

The resubmit for filtering option is selected and either this is the second data set IP PrintWay processes or the job was originally submitted directly to Print Interface and IP PrintWay processes only one data set. Print Interface already transformed the input data into the format that is required by the printer. For example, if the afpxpcl filter is specified in the printer definition, the input data is now in PCL format.

XTP_JCL_DEST

The DEST value with which the output data set was allocated on the JES spool.

If NetSpool or Print Interface allocated the data set, this is the DEST value in the printer definition. Otherwise, it is the DEST value in the OUTPUT JCL statement unless the resubmit for filtering option is selected in the printer definition, in which case this field contains the DEST value that is specified in the printer definition. The value is padded to the right with blanks.

XTP_JCL_CLASS

The CLASS value with which the output data set was allocated on the JES spool.

If NetSpool or Print Interface allocated the data set, this is the CLASS value in the printer definition. Otherwise, it is the CLASS value that is specified in a JCL statement unless the resubmit for filtering option is selected in the printer definition, in which case this field contains the CLASS value that is specified in the printer definition. The value is padded to the right with blanks.

XTP_JCL_FORMS

The FORMS value with which the output data set was allocated on the JES spool.

If NetSpool or Print Interface allocated the data set, this is the FORMS value in the printer definition. Otherwise, it is the FORMS value in a JCL statement. The value is padded to the right with blanks.

XTP_ORIGINATING_MVS_SYSTEM

The system name (left-aligned and padded with blanks) of the MVS image where the data set originated. This field contains the same value as the SSS2SYS field in the IAZSSS2 control block. For information about the SSS2SYS field, see *z/OS MVS Using the Subsystem Interface*. This field contains the system name only if you run IP PrintWay extended mode (XTPVERS=1). IP PrintWay basic mode does not set this field.

Tip: In a JES2 environment, the XTP_ORIGINATING_JES2_SYSTEM field contains the member name of the individual JES2 system where the data set originated.

XTP_ORIGINATING_JES2_SYSTEM

Contains the member name (left-aligned and padded with blanks) of the individual JES2 system where the data set originated. This field contains the same value as the SSS2MBR field in the IAZSSS2 control block. For information about the SSS2MBR field, see *z/OS MVS Using the Subsystem Interface*. This field contains the member name only if you run IP PrintWay extended mode (XTPVERS=1). IP PrintWay basic mode does not set this field. On a JES3 system, this field contains blanks.

XTPOPTNS

Transmission options. These options were specified in the printer definition or in the components that are named in the PRTOPTNS JCL parameter. For the field names, see the ANFUEXTP macro. For each transmission option, two fields exist:

- The first field contains the length of the value. A number greater than zero indicates that the second field contains a valid value.
- The second field contains the value of the option.

XTP_DOC_HEADER_PTR

The address of a 292-byte area. The area contains the document header, if one exists. This header was specified in the printer definition or in the Begin Data Set exit in a previous call to the exit for the data set. IP PrintWay sends the document header to the printer at the beginning of the data set and at the beginning of each subsequent copy of the data set.

Tips:

1. XTP_DOC_HEADER_LENGTH contains the length of the document header.
2. XTP_TRANS_DOC_HEADER indicates whether IP PrintWay translates the document header to the printer code page before it sends the header to the printer.

XTP_DOC_TRAILER_PTR

The address of a 292-byte area. The area contains the document trailer, if one exists. This trailer was specified in the printer definition or in the Begin Data Set exit in a previous call to the exit for the data set. IP PrintWay sends the document trailer to the printer at the end of the data set and at the end of each subsequent copy of the data set.

Tips:

1. XTP_DOC_TRAILER_LENGTH contains the length of the document trailer.
2. XTP_TRANS_DOC_TRAILER indicates whether IP PrintWay translates the document trailer to the printer code page before it sends the trailer to the printer.

XTP_DOC_HEADER_LENGTH

The length of the document header. XTP_DOC_HEADER_PTR contains the address of the document header. -1 indicates that no document header exists.

XTP_DOC_TRAILER_LENGTH

The length of the document trailer. XTP_DOC_TRAILER_PTR contains the address of the document trailer. -1 indicates that no document trailer exists.

XTPMLINL (extended mode)

The length of the longest line in the data set including unprintable characters, such as all control characters and transparent data. This field contains a value only for data sets that NetSpool converts to line data format and allocates on the JES spool. For all other data sets, including data sets that NetSpool converts to PCL format, this field contains zeros. The Begin Data Set exit can use the line length to add PCL commands that select an appropriate font and page orientation (portrait or landscape) for the data.

Note: IP PrintWay basic mode always sets this field to zeros.

Output from the Begin Data Set exit

At return, restore the contents of all registers. Do not set a return code in register 15.

The exit can set these fields in the ANFUEXTP control block:

XTPWORK1

Address of a work area, or zeros. For information about how to use work areas, see [“Programming considerations”](#) on page 216.

XTPWORK2

Address of a work area, or zeros. For information about how to use work areas, see [“Programming considerations”](#) on page 216.

XTPRCFLG

Flags to request that IP PrintWay add a record and specify characteristics of the new record.

Tips:

1. IP PrintWay sets all flags to B'0' before it calls the exit.
2. If the exit does not add a record on the first call to the exit (XTPRCEXT=0), IP PrintWay does not call the exit again regardless of whether flag XTPRLAST is set. That is, the exit must add at least one record for the exit to be called more than once.
3. If the exit adds a record (XTPRCEXT=1) on any call to the exit, set the XTPRLAST flag if it is the last record. This tells IP PrintWay to not call the exit again.

Flag meanings when set to B'1':

XTPRCTR

Translate data in the new record to the printer code page specified in the printer definition. Also, IP PrintWay adds a CRLF instruction (X'0D0A') to the end of the data to start a new line. This can cause a blank line to be printed if the new record does not contain any data.

Tip: To avoid a blank line when the exit adds a printer instruction, code the printer instruction in hexadecimal and do not set this flag.

XTPRCCC

The new record contains a carriage control character in column 1.

XTPRLAST

Do not call this exit again to add another record to the beginning of this data set.

XTPRCEXT

Add the record whose address is in field XTPERPTR.

XTPRCDBL

The new record contains double-byte characters.

XTPMSGFL

Flags indicating the destination of a message that is created by this exit. IP PrintWay sets these flags to B'0' before it calls the exit. Put the address of the message in field XTPMSGP and the length of the message in field XTPMSGLN.

Flag meanings when set to B'1':

XTPM2CON

IP PrintWay basic mode writes the message to the console. IP PrintWay extended mode writes the message to both the console and the Infoprint Server common message log.

XTPM2MDS

IP PrintWay basic mode writes the message to the IP PrintWay message-log data set. IP PrintWay extended mode writes the message to both the Infoprint Server common message log and the console.

XTPMSGLN

Length of the message whose address is in field XTPMSGP.

XTPMSGP

Address of a message that is created by this exit. IP PrintWay adds message ID ANFM155I (basic mode) or AOP3003I (extended mode) to the beginning of this message.

XTPERPTR

Address of the record to be added.

XTPERLEN

Length of the record to be added.

XTP_MISC_FLAGS

Flags containing miscellaneous information when set to B'1':

XTP_TRANS_DOC_HEADER

Indicates that IP PrintWay translates the document header to the printer code page that is specified in the printer definition before it sends the header to the printer.

XTP_TRANS_DOC_TRAILER

Indicates that IP PrintWay translates the document trailer to the printer code page that is specified in the printer definition before it sends the trailer to the printer.

XTP_DOC_HEADER_PTR

The address of a 292-byte area that contains the document header. IP PrintWay sends the document header to the printer at the beginning of the data set and at the beginning of each subsequent copy of the data set. Specify the length of the document header in the XTP_DOC_HEADER_LENGTH field.

Rules:

1. Do not change the address in this field. You can change the data in the 292-byte area that this field points to.
2. The document header cannot exceed 292 bytes.
3. Set the XTP_TRANS_DOC_HEADER flag to indicate whether IP PrintWay translates the document header to the printer code page specified in the printer definition.
4. Do not specify these values, which are allowed only in a printer definition:

```
<ESC> <CR> <FF> <LF> <SP>
```

XTP_DOC_TRAILER_PTR

The address of a 292-byte area that contains the document trailer. IP PrintWay sends the document trailer to the printer at the end of the data set and at the end of each subsequent copy of the data set.

Rules:

1. Do not change the address in this field. You can change the data in the 292-byte area that this field points to.
2. Specify the length of the document trailer in XTP_DOC_TRAILER_LENGTH.

3. The document trailer cannot exceed 292 bytes.
4. Set XTP_TRANS_DOC_TRAILER to indicate whether IP PrintWay must translate the document trailer to the printer code page specified in the printer definition.
5. Do not specify these values, which are allowed only in a printer definition:

```
<ESC> <CR> <FF> <LF> <SP>
```

XTP_DOC_HEADER_LENGTH

The length of the document header. XTP_DOC_HEADER_PTR contains the address of the document header. If you do not want to change the document header that is specified in the printer definition, do not change the value in this field. If you do not want a document header at all, specify -1.

XTP_DOC_TRAILER_LENGTH

The length of the document trailer. XTP_DOC_TRAILER_PTR contains the address of the document trailer. If you do not want to change the document trailer that is specified in the printer definition, do not change the value in this field. If you do not want a document trailer at all, specify -1.

XTPOPTNS

The transmission options. For the field names, see the ANFUEXTP macro. For each option, there are two fields:

- The first field contains the length of the value. A number greater than zero indicates that the next field contains a valid value.
- The second field contains the value for the option.

If you add or change a value for one of the options, also set the length in the length field.

Examples -- Begin Data Set exit

1. To add one record to the beginning of the data set, set these fields in ANFUEXTP:
 - Set flag XTPRCEXT=1 to request that IP PrintWay add a record.
 - Put the address of the new record in field XTPERPTR.
 - Put the length of the new record in field XTPERLEN.
 - Set flags to indicate the characteristics of the record you are adding:
 - Set flag XTPRCTRN=1 if you want IP PrintWay to translate the record to the printer code page specified in the printer definition.
 - Set flag XTPRCCC=1 if the record contains a carriage-control character.
 - Set flag XTPRCDBL=1 if the record contains double-byte characters.
 - Set flag XTPRLAST=1 to indicate this is the last record that you are adding.
2. To add or change a value for a transmission option, specify these values in the XTPOPTNS field of the ANFUEXTP control block:
 - Specify the value in the field for that transmission option. For the field names and valid values, see the ANFUEXTP macro.
 - Specify the length of the value in the corresponding length field. A zero length indicates that the value is not specified.

For example, to request that the printer or print server's LPD print a banner (separator) page, set these fields:

- Set XTPO_LPR_PRINT_BANNER to 1.
- Set XTPO_LPR_PRINT_BANNER to the length of XTPO_LPR_PRINT_BANNER.

If you specify a character string, for example in the XTPO_LPR_BANNER_CLASS field, set the length to the actual length of the character string.

3. To transmit the data set with no changes, return control to IP PrintWay.
4. To request that IP PrintWay write a message to the console:

- Set XTPM2CON=1 in the ANFUEXTP control block.
 - Put the address of the message in field XTPMSGP.
 - Put the length of the message in field XTPMSGLN.
5. To specify a document header, use these instructions to move the document header from area DOC_H into the area that XTP_DOC_HEADER_PTR points to, and set the length of the document header in field XTP_DOC_HEADER_LENGTH. These instructions assume that registers 2, 3, and 5 are available.
- Copy some ASCII PCL commands into the document header area and set the length:

```
L      R2,XTP_DOC_HEADER_PTR
LA     R3,DOC_H
MVC   0(L'DOC_H,R2),0(R3)
LA     R5,L'DOC_H
STH   R5,XTP_DOC_HEADER_LENGTH
```

- Ensure that the XTP_TRANS_DOC_HEADER flag is 0 because the document header contains ASCII PCL commands that must not be translated to the code page specified in the **Printer codepage** field in the printer definition:

```
OI     XTP_MISC_FLAGS,XTP_TRANS_DOC_HEADER
XI     XTP_MISC_FLAGS,XTP_TRANS_DOC_HEADER

DOC_H  DC  X'1B451B266C31301B2873313748'
```

Tips:

- a. Use similar instructions to specify a document trailer.
- b. If the document header or trailer is longer than 256 bytes, change the MVC instruction to MVCL. Do not specify a header or trailer that is larger than 292 bytes.

Tip: See also the sample exits distributed with IP PrintWay and described in [“IP PrintWay sample exits”](#) on page 266.

Record exit

The Record exit lets you:

- Inspect each record in a data set before the data set is transmitted.
- Add one or more records, replace a record, or delete a record. The exit can add more than one record at the same location in the data set by requesting that IP PrintWay call the exit multiple times.

If the exit adds or replaces a record, the exit can specify whether the record:

- Is translated to ASCII or EBCDIC
 - Contains carriage control characters
 - Contains double-byte characters
- Inspect the routing parameters and the transmission options for a data set. However, the exit cannot change them.
 - Specify a message for IP PrintWay to write. IP PrintWay assigns message ID ANFM155I (basic mode) or AOP3003I (extended mode) to the message.

Tips:

1. The administrator specifies the name of the Record exit in the printer definition. Therefore, you can write different Record exits for different data sets if the data sets use different printer definitions.
2. IP PrintWay does not call the Record exit in these situations:
 - When a record was added by the Begin Data Set exit or the End Data Set exit.
 - When the resubmit for filtering option is selected in the printer definition and IP PrintWay is transmitting the data set to Print Interface for filtering. For more information, see [“Resubmit for filtering considerations \(basic mode\)”](#) on page 215.

Input to the Record exit

At entry to the Record exit, the registers contain:

Register 1

Pointer to the address of the ANFUEXTP control block.

Register 13

Address of an 18-word save area for saving the caller's registers.

Register 14

Return address.

Register 15

Entry-point address.

These fields in ANFUEXTP are valid when the Record exit is called. The format of the ANFUEXTP control block is shown in [“Sample format of ANFUEXTP”](#) on page 218.

XTPSAVE

A register save area for use by the exit.

XTPWORK1

Address of a work area, or zeros. For information about how to use work areas, see [“Programming considerations”](#) on page 216.

XTPWORK2

Address of a work area, or zeros. For information about how to use work areas, see [“Programming considerations”](#) on page 216.

XTPDSNAM

Fully qualified name of the data set being processed, padded to the right with blanks.

XTPVERS

Indicates whether IP PrintWay basic mode or extended mode called the exit and constructed the ANFUEXTP control block.

Value

Meaning

0

IP PrintWay basic mode called the exit.

1

IP PrintWay extended mode called the exit.

Tip: Your exit can use this field to determine whether fields XTP_ORIGINATING_MVS_SYSTEM and XTP_ORIGINATING_JES2_SYSTEM contain valid values. These fields contain valid values if XTPVERS=1 (IP PrintWay extended mode called the exit).

XTPUSRID

User ID of the job submitter, padded to the right with blanks, with these exceptions:

- If NetSpool allocated the data set on the JES spool, this field contains the owner that is embedded in the print data or specified in the printer definition. If none is specified, this is the ID of the user who started the Infoprint Server daemons.
- If Print Interface allocated the data set on the JES spool and the print request was not submitted from a z/OS system, this field contains the user ID from the remote system of the person who submitted the print request.

XTPDSFLG

Flags containing data set information when set to B'1':

XTPDSCC

This data set contains carriage control characters.

XTPDSJNW

This data set is the JESNEWS data set. This flag applies only to IP PrintWay basic mode.

XTPRCFLG

Flag containing record information when set to B'1':

XTPRDFST

This is the first call to the exit for this record.

XTPPRPTR

Address of the record currently in the data set (original record).

XTPPRLN

Length of record whose address is in field XTPPRPTR.

XTPPQLEN

Length of the value in field XTPPRTQU.

XTPIALEN

Length of the value in field XTPIPADR.

XTPPRTQU

Name of the printer or print server queue that is specified in the PRTQUEUE JCL parameter, in a printer definition, or by the Routing exit; or the VTAM logmode that is specified in a printer definition or by the Routing exit. Field XTP_ADDR_TYPE identifies which value is in this field.

XTPIPADR

Field XTP_ADDR_TYPE identifies which of these values this field contains:

- Host name or IP address of the printer or print server that is specified in the DEST=IP: JCL parameter, in the printer-ip-address job attribute, in the printer definition, or by the Routing exit
- URL of the printer or print server that is specified in the printer definition or by the Routing exit
- LU name of the printer that is specified in the printer definition or by the Routing exit
- Email addresses of the primary recipients that are specified in the MAILTO JCL parameter, mail-to-addresses job attribute, printer definition, or Routing exit. Multiple email addresses are separated by a comma. If the email addresses are greater than 256 characters, field XTP_MAIL_INCOM is set and field XTPADR contains only the email addresses that fit into this field.

Tip: IP PrintWay does not pass the email addresses of the copy or blind copy recipients to the exit.

XTPRETNS

Amount of time IP PrintWay retains the data set on the JES spool after a successful transmission. This time was specified in the RETAINS JCL parameter, in the printer definition, or by the Routing exit. IP PrintWay might set a default value of zeros. For the format of this field, see the note on page [“#unique_305/unique_305_Connect_42_stime”](#) on page 220.

XTPRETNF

Amount of time IP PrintWay retains the data set on the JES spool after all retransmissions failed. This time was specified in the RETAINF JCL parameter, in the printer definition, or by the Routing exit. IP PrintWay might set a default value of zeros. For the format of this field, see the note on page [“#unique_305/unique_305_Connect_42_stime”](#) on page 220.

XTPRTRYL

Number of times IP PrintWay tries to retransmit the data set. This number was specified in the RETRYL JCL parameter, in the printer definition, or by the Routing exit. IP PrintWay might set a default value of zero.

XTPRTRYT

Amount of time IP PrintWay waits between retransmissions. This time was specified in the RETRYT JCL parameter, in the printer definition, or by the Routing exit. IP PrintWay might set a default value of zero. For the format of this field, see the note on page [“#unique_305/unique_305_Connect_42_stime”](#) on page 220.

XTPKEY

If XTP_ROUTING_KEY_TYPE is set to 1, contains the name of the printer definition. This name was specified in JCL, in the printer definition, or by the Routing exit. The name is padded to the right with blanks.

Fields XTPDEST, XTPCLASS, and XTPFORMS are mapped to the same location as XTPKEY.

XTPDEST

If XTP_ROUTING_KEY_TYPE is set to 0, this field contains the value in the DEST field of the printer definition that IP PrintWay uses to print the data set. The name is padded to the right with blanks. If the DEST field in the printer definition is not specified, this field contains blanks.

Tip: Use field XTP_JCL_DEST if you want to obtain the value that is specified in JCL parameters.

XTPCLASS

If XTP_ROUTING_KEY_TYPE is set to 0, this field contains the value in the CLASS field of the printer definition that IP PrintWay uses to print the data set. If the CLASS field in the printer definition is not specified, this field contains blanks.

Tip: Use field XTP_JCL_CLASS if you want to obtain the value that is specified in JCL parameters.

XTPFORMS

If XTP_ROUTING_KEY_TYPE is set to 0, this field contains the value in the FORMS field of the printer definition that IP PrintWay uses to print the data set. The name is padded to the right with blanks. If the FORMS field in the printer definition is not specified, this field contains blanks.

Tip: Use field XTP_JCL_FORMS if you want to obtain the value that is specified in JCL parameters.

XTPSWBTP

Address of the SWBTU for the data set. For more information, see [“Scheduler work block text unit \(SWBTU\)”](#) on page 218.

XTPSWBTL

Length of the SWBTU.

XTPJSPAP

The address of a full or partial JSPA. For more information about this field, see [“JES job separator page data area \(IAZJSPA\)”](#) on page 217.

- IP PrintWay basic mode: Address of the JSPA (IAZJSPA) for the data set being processed.
- IP PrintWay extended mode: Address of a partial JSPA (IAZJSPA) for the data set being processed.

XTPIPORT

Port number of the printer or print server. This number was specified in the PORTNO JCL parameter or in the printer definition.

XTP_MISC_FLAGS

Flags containing miscellaneous information when set to B'1':

XTP_FIRST_REC

This is the first record in the exit.

XTP_MAIL_INCOM

The list of email addresses for the primary recipients exceeds 256 characters. Therefore, field XTPIPADR does not contain the complete list of email addresses.

XTP_ADDR_TYPE

This field identifies the transmission protocol and the contents of fields XTPIPADR, XTPPRTQU, and XTPIPORT. [#n2rex/d40e2133](#) lists the values that identify the protocols and field contents.

Value	Protocol	XTPIPADR	XTPPRTQU	XTPIPORT
0	LPR	IP address	Print queue name	
1	IPP	URL		
2	Direct sockets	IP address		Port number
3	VTAM	LU name	Logmode	
4	Email	email addresses		

XTP_ROUTING_KEY_TYPE

An indicator of how IP PrintWay selected the printer definition it uses to obtain printing options:

Value

Meaning

0

IP PrintWay selected the printer definition by matching the DEST, CLASS, and FORMS fields that are specified in JCL statements with the values in the printer definition.

1

IP PrintWay selected the printer definition by using the printer definition name that is specified on the OUTPUT JCL statement or specified by NetSpool or Print Interface.

XTP_JCL_DEST

The DEST value with which the output data set was allocated on the JES spool.

If NetSpool or Print Interface allocated the data set, this is the DEST value in the printer definition. Otherwise, it is the DEST value in the OUTPUT JCL statement unless the resubmit for filtering option is selected in the printer definition, in which case this field contains the DEST value that is specified in the printer definition. The value is padded to the right with blanks.

XTP_JCL_CLASS

The CLASS value with which the output data set was allocated on the JES spool.

If NetSpool or Print Interface allocated the data set, this is the CLASS value in the printer definition. Otherwise, it is the CLASS value that is specified in a JCL statement unless the resubmit for filtering option is selected in the printer definition, in which case this field contains the CLASS value that is specified in the printer definition. The value is padded to the right with blanks.

XTP_JCL_FORMS

The FORMS value with which the output data set was allocated on the JES spool.

If NetSpool or Print Interface allocated the data set, this is the FORMS value in the printer definition. Otherwise, it is the FORMS value in a JCL statement. The value is padded to the right with blanks.

XTP_ORIGINATING_MVS_SYSTEM

The system name (left-aligned and padded with blanks) of the MVS image where the data set originated. This field contains the same value as the SSS2SYS field in the IAZSSS2 control block. For information about the SSS2SYS field, see *z/OS MVS Using the Subsystem Interface*. This field contains the system name only if you run IP PrintWay extended mode (XTPVERS=1). IP PrintWay basic mode does not set this field.

Tip: In a JES2 environment, the XTP_ORIGINATING_JES2_SYSTEM field contains the member name of the individual JES2 system where the data set originated.

XTP_ORIGINATING_JES2_SYSTEM

Contains the member name (left-aligned and padded with blanks) of the individual JES2 system where the data set originated. This field contains the same value as the SSS2MBR field in the IAZSSS2 control block. For information about the SSS2MBR field, see *z/OS MVS Using the Subsystem Interface*. This field contains the member name only if you run IP PrintWay extended mode (XTPVERS=1). IP PrintWay basic mode does not set this field. On a JES3 system, this field contains blanks.

XTPOPTNS

Transmission options. These options were specified in the printer definition or in the components that are named in the PRTOPTNS JCL parameter. For the field names, see the ANFUEXTP macro. For each transmission option, two fields exist:

- The first field contains the length of the value. A number greater than zero indicates that the second field contains a valid value.
- The second field contains the value of the option.

Output from the Record exit

At return, restore the contents of all registers. Do not set a return code in register 15.

The exit can set these fields in the ANFUEXTP control block:

XTPWORK1

Address of a work area, or zeros. For information about how to use work areas, see [“Programming considerations”](#) on page 216.

XTPWORK2

Address of a work area, or zeros. For information about how to use work areas, see [“Programming considerations”](#) on page 216.

XTPRCFLG

Flags to request that IP PrintWay add the original record or a new record and to specify characteristics of the record.

Tips:

1. IP PrintWay sets all flags to B'0' before it calls the exit.
2. If the exit does not add a record on the first call to the exit (XTPRCORG=0 and XTPRCEXT=0), IP PrintWay does not call the exit again regardless of whether flag XTPRLAST is set. That is, the exit must add at least one record for the exit to be called more than once.
3. If the exit adds a record (XTPRCORG=1 or XTPRCEXT=1) on any call to the exit, set the XTPRLAST flag if this is the last record to be added. This tells IP PrintWay to not call the exit again for this record.

Flag meanings when set to B'1':

XTPRCTRN

Translate data in the new record to the printer code page specified in the printer definition. Also, IP PrintWay adds a CRLF instruction (X'0D0A') to the end of the data to start a new line. This can cause a blank line to be printed if the new record does not contain any data.

Tips:

1. To avoid a blank line when the exit adds a printer instruction, code the printer instruction in hexadecimal and do not set this flag.
2. This flag does not apply to the original record.

XTPRCCC

The new record contains a carriage control character in column 1. This flag does not apply to the original record.

XTPRCORG

Add the original record to the data set.

XTPRLAST

Do not call this exit again for this record.

XTPRCEXT

Add the new record whose address is in field XTPERPTR. Do not set this flag and flag XTPRCORG at the same time. If flag XTPRCORG is set, IP PrintWay ignores this flag.

XTPRCDBL

The new record contains double-byte characters. This flag does not apply to the original record.

XTPMSGFL

Flags indicating the destination of a message that is created by this exit. Put the address of the message in field XTPMSGP and the length of the message in field XTPMSGLN.

Flag meanings when set to B'1':

XTPM2CON

IP PrintWay basic mode writes the message to the console. IP PrintWay extended mode writes the message to both the console and the Infoprint Server common message log.

XTPM2MDS

IP PrintWay basic mode writes the message to the IP PrintWay message-log data set. IP PrintWay extended mode writes the message to both the Infoprint Server common message log and the console.

XTPERPTR

Address of the record to be added.

XTPERLEN

Length of the record to be added.

XTPPRPTR

Address of the original record in the data set. You can change the contents of the original record.

XTPPRLN

Length of the original record whose address is in field XTPPRPTR.

XTPMSGLN

Length of the message whose address is in field XTPMSGP.

XTPMSGP

Address of a message that is created by this exit. IP PrintWay adds message ID ANFM155I (basic mode) or AOP3003I (extended mode) to the beginning of this message.

Examples -- Record exit

1. To add a record after the original record in the data set, set these fields in ANFUEXTP:

- Set flag XTPRCORG=1 to request that IP PrintWay transmits the original record.
- Set flag XTPRLAST=0 to indicate that IP PrintWay calls the exit again to add another record.

On the next call to the Record exit, set these fields in ANFUEXTP:

- Set flag XTPRCORG=0 to request that IP PrintWay not add the original record.
- Set flag XTPRCEXT=1 to request that IP PrintWay add a record.
- Put the address of the new record in field XTPERPTR.
- Put the length of the new record in field XTPERLEN.
- Set flags to indicate the characteristics of the new record:
 - Set flag XTPRCTR=1 if you want IP PrintWay to translate the record to the printer code page specified in the printer definition.
 - Set flag XTPRCCC=1 if the record contains a carriage-control character.
 - Set flag XTPRCDBL=1 if the record contains double-byte characters.
- Set flag XTPRLAST=1 to indicate this is the last record that you are adding.

2. To replace the original record, set these fields in ANFUEXTP:

- Set flag XTPRCORG=1 to request that IP PrintWay add the original record.
- Modify the record whose address is in field XTPPRPTR. However, do not increase the length of the record in the original location. To make the record longer, create the record in another location and put the address of the record in field XTPPRPTR.
- If the length of the record changed, put the new record length in XTPPRLN.
- Set flag XTPRLAST=1 to indicate this is the last record to be added.

3. To make no changes to the original record:

- Set flag XTPRCORG=1 to request that IP PrintWay add the original record.
- Set flag XTPRLAST=1 to indicate this is the last record to be added.

4. To delete the original record, return control to IP PrintWay.

5. To request that IP PrintWay write a message to the console:

- Set XTPM2CON=1 in the ANFUEXTP control block.

- Put the address of the message in field XTPMSGP.
- Put the length of the message in field XTPMSGLN.

Tip: See also the sample exits distributed with IP PrintWay and described in [“IP PrintWay sample exits” on page 266.](#)

End Data Set exit

The End Data Set exit lets you:

- Add one or more records to the end of a data set. You might want to create a separator page or to append fonts to send to the printer.
 - The exit can add more than one record by requesting that IP PrintWay call the exit multiple times for the same data set.
 - On a separator page, the exit can print job and data set information that is contained in the scheduler work block text unit (SWBTU). See [“Scheduler work block text unit \(SWBTU\)” on page 218.](#)
 - The exit can create a job-level separator page by adding a separator page only for the last data set in each print job (JES output group). The XTPDSEJB flag in the ANFUEXTP control block indicates whether the data set is the last data set in a print job.
 - The exit can use the Block Letter program (ANFUBLK) to build block letters suitable for printing on a separator page. For more information, see [“Using the Block Letter program \(ANFUBLK\)” on page 264.](#)
 - When IP PrintWay sends multiple data sets to a printer in a concatenation (dataset-grouping=concatenate-job attribute is specified in the printer definition), it sends records that the End Data Set exit adds only after the last data set in the concatenation. It does not send the records after each data set in the concatenation.

Tip: If you run IP PrintWay basic mode, the administrator can set the *concatenation-separators=document* printer attribute in the IP PrintWay FSS definition to send the records after each data set in the concatenation. However, this can cause extra a separator page to print after each copy. For information, see [z/OS Infoprint Server Operation and Administration.](#)

- Inspect the transmission options for a data set. However, the exit cannot change them.
- Inspect the routing parameters for a data set. However, the exit cannot change them.
- Specify a message for IP PrintWay to write. IP PrintWay assigns message ID ANFM155I (basic mode) or AOP3003I (extended mode) to the message.

Tips:

1. The administrator specifies the name of the End Data Set exit in the printer definition. Therefore, you can write different End Data Set exits for different data sets if the data sets use different printer definitions.
2. IP PrintWay basic mode does not call the End Data Set exit when the resubmit for filtering option is selected in the printer definition and IP PrintWay transmits the data set to Print Interface for filtering. For more information, see [“Resubmit for filtering considerations \(basic mode\)” on page 215.](#)
3. To specify a document trailer that contains printer commands, use the Begin Data Set exit.
4. IP PrintWay sends the document trailer to the printer before any records that the End Data Set exit adds.

Input to the End Data Set exit

At entry to the End Data Set exit, the registers contain:

Register 1

Pointer to the address of the ANFUEXTP control block.

Register 13

Address of an 18-word save area for saving the caller's registers.

Register 14

Return address.

Register 15

Entry-point address.

These fields in ANFUEXTP are valid when the End Data Set exit is called. The format of the ANFUEXTP control block is shown in [“Sample format of ANFUEXTP”](#) on page 218.

XTPSAVE

A register save area for use by the exit.

XTPWORK1

Address of a work area, or zeros. For information about how to use work areas, see [“Programming considerations”](#) on page 216.

XTPWORK2

Address of a work area, or zeros. For information about how to use work areas, see [“Programming considerations”](#) on page 216.

XTPDSNAM

Fully qualified name of the data set being processed, padded to the right with blanks.

XTPVERS

Indicates whether IP PrintWay basic mode or extended mode called the exit and constructed the ANFUEXTP control block.

Value**Meaning****0**

IP PrintWay basic mode called the exit.

1

IP PrintWay extended mode called the exit.

Tip: Your exit can use this field to determine whether fields XTP_ORIGINATING_MVS_SYSTEM and XTP_ORIGINATING_JES2_SYSTEM contain valid values. These fields contain valid values if XTPVERS=1 (IP PrintWay extended mode called the exit).

XTPUSRID

User ID of the job submitter, padded to the right with blanks, with these exceptions:

- If NetSpool allocated the data set on the JES spool, this field contains the owner that is embedded in the print data or specified in the printer definition. If none is specified, this is the ID of the user who started the Infoprint Server daemons.
- If Print Interface allocated the data set on the JES spool and the print request was not submitted from a z/OS system, this field contains the user ID from the remote system of the person who submitted the print request.

XTPDSFLG

Flags containing data set information when set to B'1':

XTPDSCC

This data set contains carriage control characters.

XTPDSJOB

This is the first data set in the print job (JES output group).

XTPDSJNW

This data set is the JESNEWS data set. This flag applies only to IP PrintWay basic mode.

XTPDSEJB

This is the last data set in the print job (JES output group).

XTPDSCON

This data set is part of an IP PrintWay concatenation. IP PrintWay sets this flag when the Concatenate job option is selected in the **Dataset grouping** field of the printer definition and IP PrintWay is transmitting this data set with other data sets in the same transmission.

XTPRCFLG

Flag containing data set information when set to B'1':

XTPRDFST

This is the first call to the exit for this data set.

XTPPQLEN

Length of the value in field XTPPRTQU.

XTPIALEN

Length of the value in field XTPIPADR.

XTPPRTQU

Name of the printer's or print server's queue that is specified in the PRTQUEUE JCL parameter, in a printer definition, or by the Routing exit; or the VTAM logmode that is specified in a printer definition or by the Routing exit. Field XTP_ADDR_TYPE identifies which value is in this field.

XTPIPADR

Field XTP_ADDR_TYPE identifies which of these values this field contains:

- Host name or IP address of the printer or print server that is specified in the DEST=IP: JCL parameter, printer-ip-address job attribute, in a printer definition, or by the Routing exit
- URL of the printer or print server that is specified in the printer definition or by the Routing exit
- LU name of the printer that is specified in the printer definition or by the Routing exit
- Email addresses of the primary recipients that are specified in the MAILTO JCL parameter, mail-to-addresses job attribute, printer definition, or Routing exit. Multiple email addresses are separated by a comma. If the email addresses are greater than 256 characters, field XTP_MAIL_INCOM is set and field XTPIPADR contains only the email addresses that fit into this field.

Tip: IP PrintWay does not pass the email addresses of the copy or blind copy recipients to the exit.

XTPRETNS

Amount of time IP PrintWay retains the data set on the JES spool after a successful transmission. This time was specified in the RETAINS JCL parameter, in the printer definition, or by the Routing exit. IP PrintWay might set a default value of zeros. For the format of this field, see the note on page [“#unique_305/unique_305_Connect_42_stime”](#) on page 220.

XTPRETNF

Amount of time IP PrintWay retains the data set on the JES spool after all retransmissions failed. This time was specified in the RETAINF JCL parameter, in the printer definition, or by the Routing exit. IP PrintWay might set a default value of zeros. For the format of this field, see the note on page [“#unique_305/unique_305_Connect_42_stime”](#) on page 220.

XTPRTRYL

Number of times IP PrintWay tries to retransmit the data set. This time was specified in the RETRYL JCL parameter, in the printer definition, or by the Routing exit. IP PrintWay might set a default value of zero.

XTPRTRYT

Amount of time IP PrintWay waits between retransmissions. This time was specified in the RETRYT JCL parameter, in the printer definition, or by the Routing exit. IP PrintWay might set a default value of zero. For the format of this field, see the note on page [“#unique_305/unique_305_Connect_42_stime”](#) on page 220.

XTPKEY

If XTP_ROUTING_KEY_TYPE is set to 1, this field contains the name of the printer definition. This name was specified in JCL, in the printer definition, or by the Routing exit. The name is padded to the right with blanks.

Fields XTPDEST, XTPCLASS, and XTPFORMS are mapped to the same location as XTPKEY.

XTPDEST

If XTP_ROUTING_KEY_TYPE is set to 0, this field contains the value in the DEST field of the printer definition that IP PrintWay uses to print the data set. The name is padded to the right with blanks. If the DEST field in the printer definition is not specified, this field contains blanks.

Tip: Use field XTP_JCL_DEST if you want to obtain the value that is specified on the OUTPUT JCL statement.

XTPCLASS

If XTP_ROUTING_KEY_TYPE is set to 0, this field contains the value in the CLASS field of the printer definition that IP PrintWay uses to print the data set. If the CLASS field in the printer definition is not specified, this field contains blanks.

Tip: Use field XTP_JCL_CLASS if you want to obtain the value that is specified in JCL statements.

XTPFORMS

If XTP_ROUTING_KEY_TYPE is set to 0, this field contains the value in the FORMS field of the printer definition that IP PrintWay uses to print the data set. The name is padded to the right with blanks. If the FORMS field in the printer definition is not specified, this field contains blanks.

Tip: Use field XTP_JCL_FORMS if you want to obtain the value that is specified in JCL statements.

XTPRECFM

Basic mode: The record format as indicated in the JFCRECFM field in the job file control block (JFCB).

Extended mode: Indicates the type of carriage control characters:

Value**Meaning****X'04'**

A - American national standard (ASA) control characters

X'02'

M - Machine code control characters

X'00'

No control characters

XTPMRECL

Maximum record length that is specified on the LRECL parameter of the OUTPUT JCL statement. For data sets that NetSpool and Print Interface allocate on the JES spool, the value is 32756.

XTPSWBTP

Address of the SWBTU for the data set. For more information, see [“Scheduler work block text unit \(SWBTU\)” on page 218](#).

XTPSWBTL

Length of the SWBTU.

XTPJSPAP

The address of a full or partial JSPA. For more information about this field, see [“JES job separator page data area \(IAZJSPA\)” on page 217](#).

- IP PrintWay basic mode: Address of the JSPA (IAZJSPA) for the data set being processed.
- IP PrintWay extended mode: Address of a partial JSPA (IAZJSPA) for the data set being processed.

XTPCOPYS

Number of copies of the data set. This number was specified in JCL, by the Routing exit, or JES provided a default value.

XTPIPORT

Port number on the target system. This number was specified in the PORTNO JCL parameter or in the printer definition.

XTP_MISC_FLAGS

Flags containing miscellaneous information when set to B'1':

XTP_TRANS_DOC_HEADER

Indicates that IP PrintWay translates the document header to the printer code page specified in the printer definition.

XTP_TRANS_DOC_TRAILER

Indicates that IP PrintWay translates the document trailer to the printer code page specified in the printer definition.

XTP_FILTERING

This field identifies when IP PrintWay basic mode processes data two times (as two separate data sets) because the resubmit for filtering option is selected in the printer definition. This field applies only to IP PrintWay basic mode. IP PrintWay extended mode always sets this field to 0 because the resubmit for filtering option does not apply to extended mode. For more information, see [“Resubmit for filtering considerations \(basic mode\)”](#) on page 215.

Value

Meaning

0

The resubmit for filtering option is not selected in the printer definition.

2

The resubmit for filtering option is selected and either this is the second data set IP PrintWay basic mode processes or the job was originally submitted directly to Print Interface and IP PrintWay basic mode processes only one data set. Print Interface already transformed the input data into the format that is required by the printer. For example, if the afpxpcl filter is specified in the printer definition, the input data is now in PCL format.

XTP_JCL_DEST

The DEST value with which the output data set was allocated on the JES spool.

If NetSpool or Print Interface allocated the data set, this is the DEST value in the printer definition. Otherwise, it is the DEST value in the OUTPUT JCL statement unless the resubmit for filtering option is selected in the printer definition, in which case this field contains the DEST value that is specified in the printer definition. The value is padded to the right with blanks.

XTP_JCL_CLASS

The CLASS value with which the output data set was allocated on the JES spool.

If NetSpool or Print Interface allocated the data set, this is the CLASS value in the printer definition. Otherwise, it is the CLASS value that is specified in a JCL statement unless the resubmit for filtering option is selected in the printer definition, in which case this field contains the CLASS value that is specified in the printer definition. The value is padded to the right with blanks.

XTP_JCL_FORMS

The FORMS value with which the output data set was allocated on the JES spool.

If NetSpool or Print Interface allocated the data set, this is the FORMS value in the printer definition. Otherwise, it is the FORMS value in a JCL statement. The value is padded to the right with blanks.

XTP_ORIGINATING_MVS_SYSTEM

The system name (left-aligned and padded with blanks) of the MVS image where the data set originated. This field contains the same value as the SSS2SYS field in the IAZSSS2 control block. For information about the SSS2SYS field, see [z/OS MVS Using the Subsystem Interface](#). This field contains the system name only if you run IP PrintWay extended mode (XTPVERS=1). IP PrintWay basic mode does not set this field.

Tip: In a JES2 environment, the XTP_ORIGINATING_JES2_SYSTEM field contains the member name of the individual JES2 system where the data set originated.

XTP_ORIGINATING_JES2_SYSTEM

Contains the member name (left-aligned and padded with blanks) of the individual JES2 system where the data set originated. This field contains the same value as the SSS2MBR field in the IAZSSS2 control block. For information about the SSS2MBR field, see [z/OS MVS Using the Subsystem Interface](#). This field contains the member name only if you run IP PrintWay extended mode (XTPVERS=1). IP PrintWay basic mode does not set this field. On a JES3 system, this field contains blanks.

XTPOPTNS

Transmission options. These options were specified in the printer definition or in the components that are named in the PRTOPTNS JCL parameter. For the field names, see the ANFUEXTP macro. For each transmission option, two fields exist:

- The first field contains the length of the value. A number greater than zero indicates that the second field contains a valid value.
- The second field contains the value of the option.

If you change a value for one of the options, also set the length of the value in the length field that precedes that field.

XTP_DOC_HEADER_PTR

The address of a 292-byte area. The area contains the document header, if one exists. This header was specified in the printer definition or in the Begin Data Set exit. IP PrintWay sends the document header to the printer at the beginning of the data set and at the beginning of each subsequent copy of the data set.

Tips:

1. XTP_DOC_HEADER_LENGTH contains the length of the document header.
2. XTP_TRANS_DOC_HEADER indicates whether IP PrintWay translates the document header to the printer code page specified in the printer definition.

XTP_DOC_TRAILER_PTR

The address of a 292-byte area. The area contains the document trailer, if one exists. This trailer was specified in the printer definition or in the Begin Data Set exit. IP PrintWay sends the document trailer to the printer at the end of the data set and at the end of each subsequent copy of the data set.

Tips:

1. XTP_DOC_TRAILER_LENGTH contains the length of the document trailer.
2. XTP_TRANS_DOC_TRAILER indicates whether IP PrintWay translates the document trailer to the printer code page specified in the printer definition.

XTP_DOC_HEADER_LENGTH

The length of the document header. XTP_DOC_HEADER_PTR contains the address of the document header. -1 indicates that no document header exists.

XTP_DOC_TRAILER_LENGTH

The length of the document trailer. XTP_DOC_TRAILER_PTR contains the address of the document trailer. -1 indicates that no document trailer exists.

Output from the End Data Set exit

At return, restore the contents of all registers. Do not set a return code in register 15.

The exit can set these fields in the ANFUEXTP control block:

XTPWORK1

Address of a work area, or zeros. For information about how to use work areas, see [“Programming considerations” on page 216](#).

XTPWORK2

Address of a work area, or zeros. For information about how to use work areas, see [“Programming considerations” on page 216](#).

XTPRCFLG

Flags to request that IP PrintWay add a record and to specify characteristics of the new record.

Tips:

1. IP PrintWay sets all flags to B'0' before it calls the exit.
2. If the exit does not add a record on the first call to the exit (XTPRCEXT=0), IP PrintWay does not call the exit again regardless of whether flag XTPRLAST is set. That is, the exit must add at least one record for the exit to be called more than once.
3. If the exit adds a record (XTPRCEXT=1) on any call to the exit, set the XTPRLAST flag if it is the last record. This tells IP PrintWay to not call the exit again.

Flag meanings when set to B'1':

XTPRCTRN

Translate data in the new record to the printer code page specified in the printer definition. Also, IP PrintWay adds a CRLF instruction (X'0D0A') to the end of the data to start a new line. This can cause a blank line to be printed if the new record does not contain any data.

Tip: To avoid a blank line when the exit adds a printer instruction, code the printer instruction in hexadecimal and do not set this flag.

XTPRCCC

The new record contains a carriage control character in column 1.

XTPRLAST

Do not call this exit again to add another record to the end of this data set.

XTPRCEXT

Add the record whose address is in field XTPERPTR.

XTPRCDBL

The new record contains double-byte characters.

XTPMSGFL

Flags indicating the destination of a message that is created by this exit. IP PrintWay sets these flags to B'0' before it calls the exit. Put the address of the message in field XTPMSGP and the length of the message in field XTPMSGLN.

Flag meanings when set to B'1':

XTPM2CON

IP PrintWay basic mode writes the message to the console. IP PrintWay extended mode writes the message to both the console and the Infoprint Server common message log.

XTPM2MDS

IP PrintWay basic mode writes the message to the IP PrintWay message-log data set. IP PrintWay extended mode writes the message to both the Infoprint Server common message log and the console.

XTPERPTR

Address of the record to be added.

XTPERLEN

Length of the record to be added.

XTPMSGLN

Length of the message whose address is in field XTPMSGP.

XTPMSGP

Address of a message that is created by this exit. IP PrintWay adds message ID ANFM155I (basic mode) or AOP3003I (extended mode) to the beginning of this message.

Examples -- End Data Set exit

1. To add one record to the end of the data set, set these fields in ANFUEXTP:
 - Set flag XTPRCEXT=1 to request that IP PrintWay add a record.
 - Put the address of the new record in field XTPERPTR.
 - Put the length of the new record in field XTPERLEN.
 - Set flags to indicate the characteristics of the record you are adding:
 - Set flag XTPRCTRN=1 if you want IP PrintWay to translate the record to ASCII or EBCDIC.
 - Set flag XTPRCCC=1 if the record contains a carriage-control character.
 - Set flag XTPRCDBL=1 if the record contains double-byte characters.
 - Set flag XTPRLAST=1 to indicate this is the last record that you are adding.
2. To transmit the data set with no changes, return control to IP PrintWay.
3. To request that IP PrintWay write a message to the console:

- Set XTPM2CON=1 in the ANFUEXTP control block.
- Put the address of the message in field XTPMSGP.
- Put the length of the message in field XTPMSGLN.

Also, see the sample exits distributed with IP PrintWay and described in [“IP PrintWay sample exits” on page 266](#).

SMF exit (ANFUXSMF)

The SMF exit lets you:

- Replace the SMF type 6 records that are written by IP PrintWay.
- Suppress the SMF type 6 records that are written by IP PrintWay.
- Specify a message for IP PrintWay to write. IP PrintWay assigns message ID ANFM155I (basic mode) or AOP3003I (extended mode) to the message.

System Management Facilities (SMF) is an optional control program that collects information to assist you in evaluating system use. If you do not write an SMF exit, IP PrintWay writes a standard SMF type 6 record for each data set sent to the printer.

For more information about the SMF type 6 record that IP PrintWay writes, see *z/OS Infoprint Server Operation and Administration*. For more information about SMF and about macro IFASMFR, which maps the SMF type 6 record, see *z/OS MVS System Management Facilities (SMF)*.

IP PrintWay calls the same SMF exit for all data sets. You can install different SMF exits for different IP PrintWay basic mode FSSs. For information, see [“Installing IP PrintWay exits” on page 266](#).

You might want to write an SMF exit for these reasons:

- To include additional information in the SMF type 6 record.
- To suppress the SMF record for JESNEWS data sets. Flag XTPDSJNW indicates whether this is a JESNEWS data set. This flag applies only to IP PrintWay basic mode.
- To suppress the first SMF record that IP PrintWay basic mode writes for a data set when the resubmit for filtering option is selected in the printer definition. IP PrintWay writes one SMF record when it transmits the data set to Print Interface for filtering (that is, to transform data). This record contains the IP address of the z/OS system. IP PrintWay writes a second SMF record when it transmits the data set to the target printer. This record contains the IP address of the target printer.

For more information, see the description of field XTP_FILTERING in [“Input to the SMF exit” on page 253](#) and see [“Resubmit for filtering considerations \(basic mode\)” on page 215](#). For an example of how to suppress the first SMF record, see [“Examples -- SMF exit” on page 257](#).

Tip: Fields in macro IFASMFR that SVC 83 provides are not available to this exit.

Input to the SMF exit

At entry to the SMF exit, the registers contain:

Register 1

Pointer to the address of the ANFUEXTP control block.

Register 13

Address of an 18-word save area for saving the caller's registers.

Register 14

Return address.

Register 15

Entry-point address.

These fields in ANFUEXTP are valid when the SMF exit is called. The format of the ANFUEXTP control block is shown in [“Sample format of ANFUEXTP ” on page 218](#).

XTPSAVE

A register save area for use by the exit.

XTPWORK1

Address of a work area, or zeros. For information about how to use work areas, see [“Programming considerations”](#) on page 216.

XTPWORK2

Address of a work area, or zeros. For information about how to use work areas, see [“Programming considerations”](#) on page 216.

XTPDSNAM

Fully qualified name of the data set being processed, padded to the right with blanks.

XTPVERS

Indicates whether IP PrintWay basic mode or extended mode called the exit and constructed the ANFUEXTP control block.

Value**Meaning****0**

IP PrintWay basic mode called the exit.

1

IP PrintWay extended mode called the exit.

Tip: Your exit can use this field to determine whether fields XTP_ORIGINATING_MVS_SYSTEM and XTP_ORIGINATING_JES2_SYSTEM contain valid values. These fields contain valid values if XTPVERS=1 (IP PrintWay extended mode called the exit).

XTPUSRID

User ID of the job submitter, padded to the right with blanks, with these exceptions:

- If NetSpool allocated the data set on the JES spool, this field contains the owner that is embedded in the print data or specified in the printer definition. If none is specified, this is the ID of the user who started the Infoprint Server daemons.
- If Print Interface allocated the data set on the JES spool and the print request was not submitted from a z/OS system, this field contains the user ID from the remote system of the person who submitted the print request.

XTPDSFLG

Flags containing data set information when set to B'1':

XTPDSJOB

This is the first data set in the print job (JES output group).

XTPDSJNW

This data set is the JESNEWS data set. This flag applies only to IP PrintWay basic mode.

XTPDSEJB

This is the last data set in the print job (JES output group).

XTPDSCON

This data set is part of an IP PrintWay concatenation. IP PrintWay sets this flag when the Concatenate job option is selected in the Dataset grouping field of the printer definition and IP PrintWay is transmitting this data set with other data sets in the same transmission.

XTPPRPTR

Address of the SMF record for the data set.

XTPPRLN

Length of the SMF record for the data set.

XTPKEY

If XTP_ROUTING_KEY_TYPE is set to 1, contains the name of the printer definition. This name was specified in JCL, in the printer definition, or by the Routing exit. The name is padded to the right with blanks.

Fields XTPDEST, XTPCLASS, and XTPFORMS are mapped to the same location as XTPKEY.

XTPDEST

If XTP_ROUTING_KEY_TYPE is set to 0, this field contains the value in the DEST field of the printer definition that IP PrintWay uses to print the data set. The name is padded to the right with blanks. If the DEST field in the printer definition is not specified, this field contains blanks.

Tip: Use field XTP_JCL_DEST if you want to obtain the value that is specified on the OUTPUT JCL statement.

XTPCLASS

If XTP_ROUTING_KEY_TYPE is set to 0, this field contains the value in the CLASS field of the printer definition that IP PrintWay uses to print the data set. If the CLASS field in the printer definition is not specified, this field contains blanks.

Tip: Use field XTP_JCL_CLASS if you want to obtain the value that is specified in a JCL statement.

XTPFORMS

If XTP_ROUTING_KEY_TYPE is set to 0, this field contains the value in the FORMS field of the printer definition that IP PrintWay uses to print the data set. The name is padded to the right with blanks. If the FORMS field in the printer definition is not specified, this field contains blanks.

Tip: Use field XTP_JCL_FORMS if you want to obtain the value that is specified in a JCL statement.

XTPSWBTP

Address of the SWBTU for the data set. For more information, see [“Scheduler work block text unit \(SWBTU\)”](#) on page 218.

XTPSWBTL

Length of the SWBTU.

XTPJSPAP

The address of a full or partial JSPA. For more information about this field, see [“JES job separator page data area \(IAZJSPA\)”](#) on page 217.

- IP PrintWay basic mode: Address of the JSPA (IAZJSPA) for the data set being processed.
- IP PrintWay extended mode: Address of a partial JSPA (IAZJSPA) for the data set being processed.

XTPCOPYS

Number of copies of the data set. This number was specified in JCL, by the Routing exit, or JES provided a default value.

XTP_ROUTING_KEY_TYPE

An indicator of how IP PrintWay selected the printer definition it uses to obtain printing options:

Value

Meaning

0

IP PrintWay selected the printer definition by matching the DEST, CLASS, and FORMS fields that are specified on JCL statements with the values in the printer definition.

1

IP PrintWay selected the printer definition by using the printer definition name that is specified on the OUTPUT JCL statement or specified by NetSpool or Print Interface.

If field XTP_FILTERING = 2, this field contains 1.

XTP_FILTERING

This field identifies when IP PrintWay basic mode processes data two times (as two separate data sets) because the resubmit for filtering option is selected in the printer definition. This field applies only to IP PrintWay basic mode. IP PrintWay extended mode always sets this field to 0 because the resubmit for filtering option does not apply to extended mode. For more information, see [“Resubmit for filtering considerations \(basic mode\)”](#) on page 215.

Value

Meaning

0

The resubmit for filtering option is not selected in the printer definition.

1

The resubmit for filtering option is selected and this is the first data set. IP PrintWay basic mode is transmitting this data set to Print Interface for filtering. The SMF record contains the IP address of the z/OS system.

2

The resubmit for filtering option is selected and either this is the second data set that IP PrintWay basic mode processed or the job was originally submitted directly to Print Interface and IP PrintWay processed the data set only one time. IP PrintWay basic mode is transmitting this data set to the target printer. The SMF record contains the IP address of the target printer.

XTP_JCL_DEST

The DEST value with which the output data set was allocated on the JES spool.

If NetSpool or Print Interface allocated the data set, this is the DEST value in the printer definition. Otherwise, it is the DEST value in the OUTPUT JCL statement unless the resubmit for filtering option is selected in the printer definition, in which case this field contains the DEST value that is specified in the printer definition. The value is padded to the right with blanks.

XTP_JCL_CLASS

The CLASS value with which the output data set was allocated on the JES spool.

If NetSpool or Print Interface allocated the data set, this is the CLASS value in the printer definition. Otherwise, it is the CLASS value that is specified in a JCL statement unless the resubmit for filtering option is selected in the printer definition, in which case this field contains the CLASS value that is specified in the printer definition. The value is padded to the right with blanks.

XTP_JCL_FORMS

The FORMS value with which the output data set was allocated on the JES spool.

If NetSpool or Print Interface allocated the data set, this is the FORMS value in the printer definition. Otherwise, it is the FORMS value in a JCL statement. The value is padded to the right with blanks.

XTP_ORIGINATING_MVS_SYSTEM

The system name (left-aligned and padded with blanks) of the MVS image where the data set originated. This field contains the same value as the SSS2SYS field in the IAZSSS2 control block. For information about the SSS2SYS field, see *z/OS MVS Using the Subsystem Interface*. This field contains the system name only if you run IP PrintWay extended mode (XTPVERS=1). IP PrintWay basic mode does not set this field.

Tip: In a JES2 environment, the XTP_ORIGINATING_JES2_SYSTEM field contains the member name of the individual JES2 system where the data set originated.

XTP_ORIGINATING_JES2_SYSTEM

Contains the member name (left-aligned and padded with blanks) of the individual JES2 system where the data set originated. This field contains the same value as the SSS2MBR field in the IAZSSS2 control block. For information about the SSS2MBR field, see *z/OS MVS Using the Subsystem Interface*. This field contains the member name only if you run IP PrintWay extended mode (XTPVERS=1). IP PrintWay basic mode does not set this field. On a JES3 system, this field contains blanks.

Output from the SMF exit

At return, restore the contents of all registers. Do not set a return code in register 15.

The exit can set these fields in the ANFUEXTP control block:

XTPWORK1

Address of a work area, or zeros. For information about how to use work areas, see [“Programming considerations”](#) on page 216.

XTPWORK2

Address of a work area, or zeros. For information about how to use work areas, see [“Programming considerations”](#) on page 216.

XTPRCFLG

Flag to request that IP PrintWay write or suppress the SMF record. IP PrintWay sets this flag to B'0' before it calls the exit.

Flag meaning when set to B'1':

XTPRCORG

Write the SMF record. Otherwise, IP PrintWay suppresses the record.

XTPMSGFL

Flags indicating the destination of a message that is created by this exit. IP PrintWay sets these flags to B'0' before it calls the exit. Put the address of the message in field XTPMSGP and the length of the message in field XTPMSGLN.

Flag meanings when set to B'1':

XTPM2CON

IP PrintWay basic mode writes the message to the console. IP PrintWay extended mode writes the message to both the console and the Infoprint Server common message log.

XTPM2MDS

IP PrintWay basic mode writes the message to the IP PrintWay message-log data set. IP PrintWay extended mode writes the message to both the Infoprint Server common message log and the console.

XTPPRPTR

Address of the SMF type 6 record to be written for the data set. You can change the contents and length of the original record.

XTPPRLN

Length of the SMF type 6 record whose address is in field XTPPRPTR.

XTPMSGLN

Length of the message whose address is in field XTPMSGP.

XTPMSGP

Address of a message that is created by this exit. IP PrintWay adds message ID ANFM155I (basic mode) or AOP3003I (extended mode) to the beginning of this message.

Examples -- SMF exit

1. To replace the SMF record, set these fields in ANFUEXTP:
 - Set flag XTPRCORG=1 to request that IP PrintWay transmit the original record.
 - Modify the SMF record whose address is in field XTPPRPTR.
 - If the length of the SMF record changed, put the new length in field XTPPRLN.
2. To write the original SMF record, with no changes, set this field in ANFUEXTP:
 - Set flag XTPRCORG=1 to request that IP PrintWay write the original SMF record.
3. To suppress the SMF record, return control to IP PrintWay.
4. To suppress the first of two SMF records IP PrintWay basic mode writes when the resubmit for filtering option is selected in the printer definition:
 - If XTP_FILTERING=1, return control to IP PrintWay. This action causes IP PrintWay to suppress the first SMF record.
 - If XTP_FILTERING=2, set XTPRCORG=1. This action causes IP PrintWay to write the second SMF record.
5. To request that IP PrintWay write a message to the console:
 - Set XTPM2CON=1.
 - Put the address of the message in field XTPMSGP.
 - Put the length of the message in field XTPMSGLN.

Also, see the sample exits distributed with IP PrintWay and described in [“IP PrintWay sample exits”](#) on page 266.

Message exit (ANFUXMSG) – basic mode

The Message exit applies only to IP PrintWay basic mode.

The Message exit lets you suppress a message or modify the ID or text of a message that IP PrintWay sends to the IP PrintWay message-log data set, including messages that are created by another IP PrintWay exit.

IP PrintWay calls the same Message exit for all data sets. You can install different Message exits for different IP PrintWay FSSs. For information, see [“Installing IP PrintWay exits”](#) on page 266.

Tip: In the Message exit, you can request that IP PrintWay send a message to the IP PrintWay message-log data set. However, you cannot request that IP PrintWay send a message to the console. To send a message to the console, code the WTO macro in the Message exit.

Input to the Message exit

At entry to the Message exit, the registers contain:

Register 1

Pointer to the address of the ANFUEXTP control block.

Register 13

Address of an 18-word save area for saving the caller's registers.

Register 14

Return address.

Register 15

Entry-point address.

These fields in ANFUEXTP are valid when the Message exit is called. The format of the ANFUEXTP control block is shown in [“Sample format of ANFUEXTP”](#) on page 218.

XTPSAVE

A register save area for use by the exit.

XTPMSGLN

Length of the message whose address is in field XTPMSGP.

XTPMSGP

Address of the message to be sent. This message has a message ID, followed by one blank and the message text.

XTP_JCL_DEST

The DEST value with which the output data set was allocated on the JES spool. This field contains binary zeros if the message is not associated with a data set.

If NetSpool or Print Interface allocated the data set, this is the DEST value in the printer definition. Otherwise, it is the DEST value in the OUTPUT JCL statement unless the resubmit for filtering option is selected in the printer definition, in which case this field contains the DEST value that is specified in the printer definition. The value is padded to the right with blanks.

XTP_JCL_CLASS

The CLASS value with which the output data set was allocated on the JES spool. This field contains blanks if the message is not associated with a data set.

If NetSpool or Print Interface allocated the data set, this is the CLASS value in the printer definition. Otherwise, it is the CLASS value that is specified in a JCL statement unless the resubmit for filtering option is selected in the printer definition, in which case this field contains the CLASS value that is specified in the printer definition. The value is padded to the right with blanks.

XTP_JCL_FORMS

The FORMS value with which the output data set was allocated on the JES spool. This field contains blanks if the message is not associated with a data set.

If NetSpool or Print Interface allocated the data set, this is the FORMS value in the printer definition. Otherwise, it is the FORMS value in a JCL statement. The value is padded to the right with blanks.

Output from the Message exit

At return, restore the contents of all registers. Do not set a return code in register 15.

The exit can set these fields in the ANFUEXTP control block:

XTPMSGFL

Flag indicating whether IP PrintWay writes the message. IP PrintWay sets this flag to B'0' before it calls the exit.

Flag meaning when set to B'1':

XTPM2MDS

Write the message to the IP PrintWay message-log data set.

XTPMSGLN

Length of the message whose address is in field XTPMSGP.

XTPMSGP

Address of the message to be sent. This message has a message ID, followed by the message text.

Examples -- Message exit

1. To write the message unchanged to the IP PrintWay message-log data set, set this field in ANFUEXTP:
 - Set flag XTPM2MDS=1 to request that IP PrintWay write the message to the IP PrintWay message-log data set.
2. To suppress the message, return control to IP PrintWay.
3. To replace the message, set these fields in ANFUEXTP:
 - Set XTPM2MDS=1 in the ANFUEXTP control block to write the message to the IP PrintWay message-log data set.
 - Modify the message whose address is in field XTPMSGP. Alternatively, put the address of another message in field XTPMSGP.
 - If the length of the message changed, put the new length in field XTPMSGLN.

Also, see the sample exits distributed with IP PrintWay and described in [“IP PrintWay sample exits”](#) on page 266.

Response Notification exit (ANFUXRSP)

The Response Notification exit lets you take an action based on the success or failure of the transmission, as indicated by the Response Notification code. For example, the exit can send a message to either the operator's console or IP PrintWay message-log data set, or both. The exit can also initiate actions outside of IP PrintWay by calling modules that are external to IP PrintWay.

IP PrintWay calls the same response exit for all data set transmissions. You can install different response exits for different IP PrintWay FSSs. For information, see [“Installing IP PrintWay exits”](#) on page 266.

Input to the Response Notification exit

Register 1

Pointer to the address of the ANFUEXTP control block.

Register 13

Address of an 18-word save area for saving the caller's registers.

Register 14

Return address.

Register 15

Entry point address.

These input fields in ANFUEXTP are valid when the Response Notification exit is called. The format of the ANFUEXTP control block is shown in [“Sample format of ANFUEXTP”](#) on page 218.

XTPSAVE

A register save area for use by this exit.

XTPWORK1

Address of a work area, or zeros. For information about how to use work areas, see [“Programming considerations”](#) on page 216.

XTPWORK2

Address of a work area, or zeros. For information about how to use work areas, see [“Programming considerations”](#) on page 216.

XTPDSNAM

Fully qualified name of the data set being processed, padded to the right with blanks.

XTPUSRID

User ID of the job submitter, padded to the right with blanks, with these exceptions:

- If NetSpool allocated the data set on the JES spool, this field contains the owner that is embedded in the print data or specified in the printer definition. If none is specified, this is the ID of the user who started the Infoprint Server daemons.
- If Print Interface allocated the data set on the JES spool and the print request was not submitted from a z/OS system, this field contains the user ID from the remote system of the person who submitted the print request.

XTPSRCFL

Flags indicating whether a parameter was specified in a JCL parameter:

- If the flag is set to 1, the indicated parameter was specified in a JCL parameter.
- If the flag is set to 0, the JCL parameter was not specified. Instead, IP PrintWay obtained the value from a printer definition. If the DEST=IP: parameter was specified in JCL, IP PrintWay obtained the value from the PrintWay default printer definition. If no PrintWay default printer definition exists, IP PrintWay set a default value.

Flag meanings when set to B'1':

XTPOPTS

The PRTOPTNS parameter specified the name of components in the Printer Inventory.

XTPSIPAD

The DEST=IP: parameter specified the host name or IP address of the target printer or print server.

XTPSPRTQ

The PRTQUEUE parameter specified the name of the target print queue.

XTPSRTNS

The RETAINS parameter specified the retention time after a successful transmission.

XTPSRTNF

The RETAINF parameter specified the retention time after a failed transmission.

XTPSRTYL

The RETYLF parameter specified the retry limit.

XTPSRTYT

The RETYLT parameter specified the retry time.

XTPDSFLG

Flags containing data set information when set to B'1':

XTPMDSCC

This data set contains carriage control characters.

XTPDSJOB

This is the first data set in the print job (JES output group).

XTPDSJNW

This data set is the JESNEWS data set.

XTPDSEJB

This is the last data set in the print job (JES output group).

XTPDSCON

This data set is part of an IP PrintWay concatenation. IP PrintWay sets this flag when the Concatenate job option is selected in the **Dataset grouping** field of the printer definition and IP PrintWay is transmitting this data set with other data sets in the same transmission.

XTPPQLEN

Length of the value in XTPPRTQU.

XTPIALEN

Length of the value in XTPIPADR.

XTPPRTQU

Field XTP_ADDR_TYPE identifies which value is in this field:

- Name of the print queue that is specified in the PRTQUEUE JCL parameter, in the printer definition, or by the Routing exit.
- Name of the VTAM logmode that is specified in a printer definition or by the Routing exit.

Or, the XTPPRTQU might not be available to the Response Notification exit if the Response code is X'08'.

XTP_MISC_FLAGS

Flag containing miscellaneous information when set to B'1':

XTP_MAIL_INCOM

The list of email addresses for the primary recipients exceeds 256 characters. Therefore, field XTPIPADR does not contain the complete list of email addresses.

XTPIPADR

Field XTP_ADDR_TYPE identifies which of these values this field contains:

- Host name or IP address of the target printer or print server that is specified in the DEST=IP: JCL parameter, in the printer definition, or by the Routing exit
- URL of the target printer that is specified in the printer definition or by the Routing exit
- LU name of the target printer that is specified in the printer definition or by the Routing exit
- Email addresses of the primary recipients that are specified in the MAILTO JCL parameter, mail-to-addresses job attribute, printer definition, or Routing exit. Multiple email addresses are separated by a comma. If the email addresses are greater than 256 characters, field XTP_MAIL_INCOM is set and field XTPIPADR contains only the email addresses that fit into this field.

Tip: IP PrintWay does not pass the email addresses of the copy or blind copy recipients to the exit.

XTPRETNS

Amount of time IP PrintWay retains the data set on the JES spool after a successful transmission. This time was specified in the RETAINS JCL parameter or in the printer definition. IP PrintWay might set a default value of zeros. For the format of this field, see the note on page [“#unique_305/unique_305_Connect_42_stime”](#) on page 220. XTPRETNS might not be available to the Response Notification exit if the Response code is X'08'.

XTPRETNF

Amount of time IP PrintWay retains the data set on the JES spool after all retransmissions failed. This time was specified in the RETAINF JCL parameter or in the printer definition. IP PrintWay might set a default value of zeros. For the format of this field, see the note on page [“#unique_305/unique_305_Connect_42_stime”](#) on page 220. XTPRETNF might not be available to the Response Notification exit if the Response code is X'08'.

XTPRTRYL

The number of times IP PrintWay tries to retransmit the data set. This time was specified in the RETRYL JCL parameter or in the printer definition. IP PrintWay might set a default value of zeros. XTPRTRYL might not be available to the Response Notification exit if the Response code is X'08'.

XTPRTRYT

The amount of time IP PrintWay waits between retransmissions. This time was specified in the RETRYT JCL parameter or in the printer definition. IP PrintWay might set a default value of zeros. For the format of this field, see the note on page [“#unique_305/unique_305_Connect_42_stime”](#) on page 220. XTPRTRYT might not be available to the Response Notification exit if the Response code is X'08'.

XTPKEY

If XTP_ROUTING_KEY_TYPE is set to 1, contains the name of the printer definition. This name was specified in JCL, in the printer definition, or by the Routing exit. The name is padded to the right with blanks.

Fields XTPDEST, XTPCLASS, and XTPFORMS are mapped to the same location as XTPKEY.

XTPDEST

If XTP_ROUTING_KEY_TYPE is set to 0, this field contains the value in the DEST field of the printer definition that IP PrintWay uses to print the data set. The name is padded to the right with blanks. If the DEST field in the printer definition is not specified, this field contains blanks.

Tip: Use field XTP_JCL_DEST if you want to obtain the value that is specified on the OUTPUT JCL statement.

XTPCLASS

If XTP_ROUTING_KEY_TYPE is set to 0, this field contains the value in the CLASS field of the printer definition that IP PrintWay uses to print the data set. If the CLASS field in the printer definition is not specified, this field contains blanks.

Tip: Use field XTP_JCL_CLASS if you want to obtain the value that is specified in a JCL statement.

XTPFORMS

If XTP_ROUTING_KEY_TYPE is set to 0, this field contains the value in the FORMS field of the printer definition that IP PrintWay uses to print the data set. The name is padded to the right with blanks. If the FORMS field in the printer definition is not specified, this field contains blanks.

Tip: Use field XTP_JCL_FORMS if you want to obtain the value that is specified in a JCL statement.

XTPRECFM

The record format as indicated in the JFCRECFM field in the job file control block (JFCB).

XTPMRECL

Maximum record length that is specified on the LRECL parameter of the OUTPUT JCL statement. For data sets that NetSpool and Print Interface allocate on the JES spool, the value is 32756.

XTPSWBTP

Address of the SWBTU for the data set. For more information, see [“Scheduler work block text unit \(SWBTU\)”](#) on page 218.

XTPSWBTL

Length of the SWBTU area.

XTPJSPAP

Address of the JSPA (IAZJSPA) for the data set being processed. For more information about this field, see [“JES job separator page data area \(IAZJSPA\)”](#) on page 217.

XTPCOPYS

Number of copies of the data set. This number was specified in JCL or JES provided a default value.

XTPRSPCD

The Response Notification code.

The Response Notification code is stored in XTPRSPCD. It can contain any of these values:

Value	Meaning
-------	---------

00

PrintWay completed a successful transmission. After the successful retain time expires, the output data set is removed from the JES spool.

04

The transmission was unsuccessful.

08

The initial processing of the data set by PrintWay was unsuccessful.

12

The transmission was unsuccessful. The retry limit is now 0. After the failure retain time expires, the output data set is removed from the JES spool.

16

Because a spool I/O error occurred, the data set is unprintable.

XTPIPORT

Port number on the target system. This number was specified in the PORTNO JCL parameter or in the printer definition.

XTP_FILTERING

This field identifies when IP PrintWay basic mode processes data two times (as two separate data sets) because the resubmit for filtering option is selected in the printer definition. For more information, see [“Resubmit for filtering considerations \(basic mode\)”](#) on page 215.

Value

Meaning

0

The resubmit for filtering option is not selected in the printer definition.

1

The resubmit for filtering option is selected in the printer definition and this is the first data set IP PrintWay basic mode processed. IP PrintWay basic mode transmitted this data set to Print Interface for filtering.

2

The resubmit for filtering option is selected in the printer definition and either this is the second data set that IP PrintWay basic mode processed or the data set was originally submitted directly to Print Interface and IP PrintWay basic mode processed only one data set. IP PrintWay basic mode transmitted this data set to the target printer.

XTP_JCL_DEST

The DEST value with which the output data set was allocated on the JES spool.

If NetSpool or Print Interface allocated the data set, this is the DEST value in the printer definition. Otherwise, it is the DEST value in the OUTPUT JCL statement unless the resubmit for filtering option is selected in the printer definition, in which case this field contains the DEST value that is specified in the printer definition. The value is padded to the right with blanks.

XTP_JCL_CLASS

The CLASS value with which the output data set was allocated on the JES spool.

If NetSpool or Print Interface allocated the data set, this is the CLASS value in the printer definition. Otherwise, it is the CLASS value that is specified in a JCL statement unless the resubmit for filtering option is selected in the printer definition, in which case this field contains the CLASS value that is specified in the printer definition. The value is padded to the right with blanks.

XTP_JCL_FORMS

The FORMS value with which the output data set was allocated on the JES spool.

If NetSpool or Print Interface allocated the data set, this is the FORMS value in the printer definition. Otherwise, it is the FORMS value in a JCL statement. The value is padded to the right with blanks.

XTPOPTNS

Transmission options. These options were specified in the printer definition or in the components that are named in the PRTOPTNS JCL parameter. For the field names, see the ANFUEXTP macro. For each transmission option, two fields exist:

- The first field contains the length of the value. A number greater than zero indicates that the second field contains a valid value.
- The second field contains the value of the option.

IP PrintWay calls the same response exit for all data set transmissions. You can install different response exits for different PrintWay FSSs. For information, see [“Installing IP PrintWay exits” on page 266](#).

Output from the Response Notification exit

At return, restore the contents of all registers. Do not set a return code in register 15.

XTPMSGFL

Flags indicating the destination of a message created by this exit. IP PrintWay sets these flags to B'0' before it calls the exit. Put the address of the message in field XTPMSGP and the length of the message in field XTPMSGLN.

Flag meanings when set to B'1':

XTPM2CON

Write the message to the console.

XTPM2MDS

Write the message to the IP PrintWay message-log data set.

XTPMSGLN

Length of message whose address is in XTPMSGP.

XTPMSGP

Address of a message that is created by this exit. IP PrintWay adds message ID ANFM155I to the beginning of this message.

Examples -- Response Notification exit

1. To write a message to the IP PrintWay message log when IP PrintWay exhausted the transmission retry limit, code the Response user exit to:
 - Check that XTPRSPCD = 12.
 - Assemble the transmission failure message.
 - Put the address of the message into XTPMSGP in the ANFUEXTP control block to point to the message.
 - Put the length of the message in field XTPMSGLN.
 - Set XTPM2MDS to B'1' to indicate that the message is printed to the log.
2. To write a message to the operator's console when IP PrintWay found a data set that failed pre-transmission processing:
 - Check that XTPRSPCD = 08.
 - Assemble the processing failure message.
 - Put the address of the message into XTPMSGP in the ANFUEXTP control block to point to the message.
 - Put the length of the message in field XTPMSGLN.
 - Set XTPM2CON to B'1' to indicate that the message is printed to the console.

Using the Block Letter program (ANFUBLK)

The Begin Data Set exit and the End Data Set exit can use the Block Letter program (ANFUBLK) to build block letters suitable for printing on separator pages. The block letters can be straight or slanted, and

centered or left-aligned. They are 12 characters high, using 12 printed lines, and can be either 8 or 12 characters wide.

ANFUBLK creates one line at a time for the exit to add to the data set. The exit must call ANFUBLK multiple times to receive all lines, until the ANFUBLK program indicates that this is the last line.

ANFUBLK produces block characters by using tables in ANFUBTBL. The tables produce block characters from this input. All other characters are translated to blanks.

- Uppercase letters: A-Z
- Symbols: \$, #, and @
- Numerals: 0-9
- Lowercase letters, a-z, which are translated to uppercase
- Superscript EBCDIC numerals, which are translated to numerals, 0-9

IP PrintWay provides the assembler language source code for ANFUBTBL in SYS1.SAMPLIB(ANFUBTBS). You can modify the source to create your own block letters. The comments in ANFUBTBS describe how to change the tables. After you change the tables, assemble ANFUBTBS, rename it to ANFUBTBL, and use the sample link job in SYS1.SAMPLIB(ANFULINK) to create your exit module.

Input to the Block Letter program (ANFUBLK)

When you call the Block Letter program, set the registers:

Register 1

Pointer to the address of the ANFUEXTP control block.

Register 13

Address of an 18-word save area for saving the caller's registers.

Register 14

Return address.

Register 15

Entry-point address.

Also, set these fields in ANFUEXTP. The format of the ANFUEXTP control block is shown in [“Sample format of ANFUEXTP”](#) on page 218.

XTPBIFLG

Flags set to B'1' indicating the type of block letters you want:

XTPBSLNT

Slant letters to the right.

XTPBPRFM

Create narrow letters for faster printing. Narrow letters are 8 characters wide, centered on an 80-character line. Otherwise, letters are 12 characters wide, centered on a 132-character line.

XTPBLJST

Left align the letters. Otherwise, letters are centered.

Tip: During centering calculations, the Block Letter program ignores blanks to the right of the last character in field XTPBSTRG.

XTPBFRST

This is the first call to the Block Letter program to build block letters for the string whose address is in XTPBSTRG.

XTPBSTRG

String to convert to block letters, 1 - 8 characters, padded to the right with blanks.

Output from Block Letter program (ANFUBLK)

ANFUBLK sets register 15 - 0, and also sets these fields in ANFUEXTP:

XTPBLAST

Flag set to 1 if this is the last line. If this flag is set to 0, call the Block Letter program again.

XTPBLENG

Length of the line in field XTPBOUTP.

XTPBOUTP

The output line that contains part of the block letter. The first character or each line contains a carriage control character.

IP PrintWay sample exits

IP PrintWay provides these sample exits written in assembler language in SYS1.SAMPLIB:

- ANFUXRTG changes the IP address of the target printer or print server.
- ANFUXRT1 changes the name of the components that contain transmission options.
- ANFUXRT2 changes the URL.
- ANFUXRT3 changes the IP address and print queue name.
- ANFUXRT4 changes the printer definition name to DEST, CLASS, and FORMS values.
- ANFUXBD1 adds a PCL5 printer setup string to the beginning of a data set.
- ANFUXBD2 adds a separator page that contains line data to the beginning of a data set. ANFUXBD2 uses the Block Letter program (ANFUBLK) to create block letters.
- ANFUXBD3 requests printing of a banner page before the first data set in a job but not before subsequent data sets in the job.

Note: This sample exit is used only with the LPR printing protocol.

- ANFUXED1 adds a separator page that contains line data to the end of a data set. ANFUXED1 uses the Block Letter program (ANFUBLK) to create block letters.
- ANFUXRC1 writes lines in a boustrophedon manner. That is, it writes alternate lines in opposite directions, from left to right and from right to left.
- ANFUXSMF suppresses the SMF record for the JESNEWS data set.
- ANFUXMSG suppresses messages ANFM700I and ANFM604I.
- ANFUXRSP takes action according to the Response Notification code.

You can either view the samples online or print them. You can modify a sample exit, assemble, and install it to provide your own version of the exit. Object code for the sample exits is not provided.

Installing IP PrintWay exits

To install an exit, compile and link-edit the exit:

- Name the exit:
 - For the Routing exit, use the name ANFUXRTG.
 - For the SMF exit, use the name ANFUXSMF.
 - For the Message exit, use the name ANFUXMSG.
 - For the Response Notification exit, use the name ANFUXRSP.
 - For the Begin Data Set exit, the Record exit, and the End Data Set exit, use any program name that is allowed by your system. Specify the exit name in one or more printer definitions.
- Link-edit the exit with the RENT and AMODE 31 specifications. For a more secure environment, do not specify AC=1. AC=1, which makes a program APF-authorized, is not required because the IP PrintWay program is APF-authorized. When you omit AC=1, the exit runs APF-authorized only when IP PrintWay calls it.
- If the Begin Data Set or End Data Set exit program calls the Block Letter program (ANFUBLK), use the sample JCL in SYS1.SAMPLIB(ANFULINK) to link-edit the exit with the Block Letter program (ANFUBLK) and the tables (ANFUBTBL).

Put your exits in a library that is in the system LNKLST or in an APF-authorized step library. If you put the exits in a step library, also:

IP PrintWay extended mode

Specify the step library in the STEPLIB environment variable. For information, see [“Setting environment variables for IP PrintWay \(extended mode\)”](#) on page 196.

Also, add the library to the file specified by the STEPLIBLIST statement in the BPXPRMxx PARMLIB member. For information, see [z/OS UNIX System Services Planning](#).

IP PrintWay basic mode

Specify the library in the STEPLIB DD statement in the IP PrintWay basic mode startup procedure. For information, see [“Editing the ANFWPROC startup procedure \(basic mode\)”](#) on page 284.

Modifying IP PrintWay exits

To modify an exit, replace the exit. If you run IP PrintWay basic mode, you must restart the IP PrintWay FSS. If you run IP PrintWay extended mode, you do not need to restart IP PrintWay daemons.

Updating the BPXPRMxx member of SYS1.PARMLIB (basic mode)

When you start an IP PrintWay FSS, a z/OS UNIX process is started. If you start multiple IP PrintWay FSSs, you might need to increase the number of active z/OS UNIX processes that the z/OS system allows. You can specify the number of allowed processes in these parameters in the BPXPRMxx member of SYS1.PARMLIB:

MAXPROCUSER

The maximum number of processes that a single z/OS UNIX user ID can have concurrently active.

Guideline: Use at least 70 for Infoprint Server processes, and then add the number of FSSs and the total number of FSAs. For example, if you have 10 IP PrintWay FSSs that each have three FSAs, use:

```
70+10+30=110
```

MAXPROCSYS

The maximum number of processes that the z/OS system allows.

Guideline: Add 70 to the current value for each IP PrintWay FSS that you create. For example, if you create 10 IP PrintWay FSSs, add 700 (70 * 10) to the current value. If you also run Print Interface or NetSpool, add an extra 200 for processes that are used by both NetSpool and Print Interface.

Example: If you create 10 IP PrintWay FSSs that each have three FSAs, and also use Print Interface or NetSpool, specify these statements in the BPXPRMxx member:

```
MAXPROCUSER(110) /*70(Infoprint Server)+40(IP PrintWay)*/  
MAXPROCSYS(1100) /*700(IP PrintWay)+200(Print Interface/NetSpool)+200(initial)*/
```

Tips:

1. To see how many processes a user ID is using, do these:
 - a. Enter `D OMVS , A=ALL`.
 - b. Find the PID value for the user ID, and then enter `D OMVS , L , PID=nnnnnnnn`, where the `nnnnnnnn` is the PID value.
2. You can use the SETOMVS or SET OMVS command to dynamically increase the MAXPROCUSER and MAXPROCSYS values. However, to make a permanent change, edit the BPXPRMxx member that is used for IPLs. For more information about the BPXPRMxx member, see [z/OS MVS Initialization and Tuning Reference](#).

3. You can use BPMPRMxx to set limits for all user IDs on the system. However, to allow one user ID to have a higher limit than the MAXPROCUSER setting, you can use the RACF ADDUSER or ALTUSER command to specify a PROCUSERMAX value for that user ID. For example:

```
ALTUSER userid 0MVS(PROCUSERMAX(500))
```

4. The LIMMSG statement in the BPXPRMxx member controls whether z/OS UNIX issues message BPXI040I. The default is that z/OS UNIX does not issue BPXI040I messages. You can change the LIMMSG value dynamically by using the SETOMVS command. For a description of LIMMSG, see the SETOMVS command in [z/OS MVS System Commands](#).

APF-authorizing SYS1.IMAGELIB (basic mode)

If you plan to use FCB support in IP PrintWay basic mode, you must link-list and APF-authorize the SYS1.IMAGELIB data set. To temporarily authorize this data set, use the SETPROG APF system command. To permanently authorize this data set:

- Update the PROGxx member of SYS1.PARMLIB to include the data sets in the LNKLST statement.
- If the LNKAUTH parameter that is put in the IEASYSxx member of SYS1.PARMLIB does not specify LNKLST, also add the data sets to the APF statement in the PROGxx member.

As an alternative to updating the PROGxx member, you can update the LNKLSTxx and IEAAPFxx members of SYS1.PARMLIB. However, IBM suggests updating the PROGxx member. For more information, see [z/OS MVS Initialization and Tuning Reference](#).

Defining the IP PrintWay functional subsystem (basic mode)

IP PrintWay basic mode operates as a JES functional subsystem (FSS). A functional subsystem is an extension of JES that runs in its own address space. For more information about JES functional subsystems, see one of these:

- [z/OS JES2 Initialization and Tuning Guide](#)
- [z/OS JES3 Initialization and Tuning Guide](#)

In the IP PrintWay FSS, you define one or more IP PrintWay functional subsystem applications (FSAs), which use the support facilities of the FSS to communicate with JES. Several IP PrintWay FSAs can run in the same FSS. The following information describes planning decisions to consider before you code the JES2 or JES3 initialization statements and writing a startup procedure.

Determining how many functional subsystems to define (basic mode)

You can create one or more IP PrintWay FSSs. Follow these guidelines to determine how many FSSs to create.

Guidelines:

1. JES lets you create up to 2000 FSSs.
2. For improved throughput and more efficient use of system resources, define several FSSs, with several FSAs per FSS.
3. If you define multiple IP PrintWay FSS, consider sharing the IP PrintWay transmission-queue data set among the FSSs. For information, see [“Sharing the transmission-queue data set \(basic mode\)”](#) on page 280.
4. To avoid system abends that can occur because of out-of-storage conditions:
 - Define more FSSs if you have a large workload or experience network problems that cause IP PrintWay to retain data sets on the JES spool.
 - Define FSAs (within the FSS) with the same JES work-selection criteria so that they can share workload. For information, see [“Determining work-selection criteria \(basic mode\)”](#) on page 269.

- Ask your administrator to specify no retention time for successfully transmitted data sets, and as short a retention time as is reasonable for failed data sets. For information about retaining data sets on the JES spool, see [z/OS Infoprint Server Operation and Administration](#).

System abends can occur because JES uses storage below the 16 MB line in the IP PrintWay FSS address space for control blocks for data sets that IP PrintWay acquired from the JES spool. Acquired data sets include data sets that IP PrintWay is currently processing and data sets that IP PrintWay retained on the JES spool. JES uses about 4 K bytes of storage below the 16 MB line for each acquired data set. JES releases the storage when the data set is deleted from the JES spool.

The amount of storage below the 16 MB line that is available in each IP PrintWay FSS address space is limited. The storage limit depends on the total amount of storage below the 16 MB line that is available. If an FSS requires more storage than is available, a system abend can occur. Typically, an abend occurs when an FSS retains a high number of data sets on the JES spool. For example, in an installation with 7 - 8 megabytes of storage below the 16 MB line, an abend can occur if an FSS retains more than 300-500 data sets.

Determining how many functional subsystem applications to define (basic mode)

You can create at least one or two IP PrintWay FSAs in each FSS. You do not need to create more FSAs because one IP PrintWay FSA can transmit data sets to many printers or email destinations. Follow these guidelines to determine how many FSAs to create per FSS.

Guidelines:

1. You can define up to 64 FSAs per FSS. However, for optimal performance do not define more than 35 FSAs per FSS.
2. For improved throughput, define at least two IP PrintWay FSAs so that when one FSA is waiting for a printer to respond, the second IP PrintWay FSA can print another document on a different printer. An IP PrintWay FSA waits until all retransmissions to a printer are attempted before printing to another printer.
3. Determine how many jobs need to print concurrently (the burst rate), and define at least that many FSAs. For example, some installations with low print volume can drive as many as 600 printers with 5 or 6 FSAs.
4. To make sure that critical printers are always available for printing, define a separate FSA for each critical printer. In the JES FSA definition, specify unique work-selection criteria so that the FSA selects output data sets only for that one printer. For example, the JES work-selection criteria can be the DEST value (or a combination of DEST and FORMS values) that is specified in the printer definition for the printer.

In addition, the FSS for the FSA shares the transmission-queue data set with no more than 9 other FSSs. For information, see [“Sharing the transmission-queue data set \(basic mode\)”](#) on page 280.

Related task: If you create more than one IP PrintWay FSS, you might need to increase the number of active z/OS UNIX processes allowed on your system. For information, see [“Updating the BPXPRMxx member of SYS1.PARMLIB \(basic mode\)”](#) on page 267.

Determining work-selection criteria (basic mode)

You define work-selection criteria for each IP PrintWay FSA during JES initialization. These criteria can determine which output data sets each FSA selects from the JES spool. You specify the work-selection criteria on the WS parameter of either the JES2 PRTnnnn statement or the JES3 DEVICE statement. JES2 and JES3 let you specify various work-selection criteria, which correspond to JCL parameters.

Do not confuse JES work-selection criteria with the criteria that IP PrintWay uses to select printers, called "printer-selection criteria". In most cases, JES work-selection criteria are more general, while IP PrintWay printer-selection criteria are more specific:

- JES uses work-selection criteria to select output data sets from the JES spool for FSAs. For example, you might specify class P as the JES work-selection criterion for several FSAs.

- IP PrintWay uses printer-selection criteria to select printers. IP PrintWay uses either the printer definition name or a combination of the DEST, CLASS, and FORMS values that are specified in the OUTPUT JCL statement to select printers. For example, if CLASS=P and DEST=MYPRN are specified on the OUTPUT JCL statement for an output data set, the IP PrintWay FSA that acquired this data set from JES selects the printer definition that the administrator defined with CLASS P and DEST MYPRN. For more information on using DEST, CLASS, and FORMS to select a printer definition, see [z/OS Infoprint Server Operation and Administration](#).

Some considerations that are related to selecting work-selection criteria are:

- Some work-selection criteria that you might consider for data sets to be processed by IP PrintWay are: output class, form name, and destination name.
- Do not specify destination as a work-selection criterion if job submitters in your installation plan to specify the printer host name or IP address in the DEST=IP: JCL parameter or in the printer-ip-address job attribute. The reason is that JES does not use the host name or IP address that is specified as an OUTPUT JCL parameter when it determines whether an output data set meets the work-selection criteria that are defined for an FSA.
- In a JES3 environment, specify form as a work-selection criterion if your installation wants IP PrintWay to use the form name that is specified in a JCL statement to select any printer definitions in the Printer Inventory. This is because JES3 passes the form name that is specified as a JCL parameter to the IP PrintWay FSA only if form is a JES work-selection criterion.

If you specify form as a work-selection criterion, and also specify DYNAMIC=YES in the JES3 DEVICE statement, JES3 does not start the IP PrintWay FSA dynamically unless an output data set's form attribute (and all other attributes) match the FSA's work selection criterion. Therefore, consider specifying DYNAMIC=NO (this is the JES3 default).

- In a JES3 environment, specify FCB as a work-selection criterion if you want IP PrintWay to do FCB processing. The reason is that JES3 passes the FCB name that is specified as a JCL parameter to the PrintWay FSA only when FCB is a JES work-selection criterion.

Specifying a default font and page definition for data transforms (basic mode)

When you define an IP PrintWay FSA to JES, you can specify a default UCS and a default FCB. JES supplies the default UCS and FCB to IP PrintWay when an output data set does not specify the UCS or FCB parameter on the OUTPUT JCL statement. IP PrintWay uses the default UCS name as the default font name if the output data set does not specify the CHARS parameter on the OUTPUT JCL statement. IP PrintWay uses the default FCB name as the default page definition name (in addition to the FCB name) if the output data set does not specify the PAGEDEF parameter.

You can specify a default font and page definition to JES in these ways:

- JES2:
 - Specify a default font in the NIUCS parameter on the JES2 PRINTDEF statement or the UCS parameter on the JES2 PRTnnnnn statement for the IP PrintWay FSA. If you do not specify a default font, JES2 uses GF10 as the default font.
 - Specify a default page definition in the NIFCB parameter on the JES2 PRINTDEF statement or the FCB parameter on the JES2 PRTnnnnn statement for the IP PrintWay FSA.
- JES3:
 - Specify a default font in the CHARS parameter on the JES3 OUTSERV statement or the CHARS parameter on the JES3 DEVICE statement for the IP PrintWay FSA. If you do not specify a default font, JES3 uses font GS10 as the default font.
 - Specify a default page definition in the CARRIAGE parameter on the JES3 OUTSERV statement or the CARRIAGE parameter on the JES3 DEVICE statement for the IP PrintWay FSA. If you do not specify a default page definition, JES3 uses 6 as the default FCB name. (IP PrintWay adds a P1 prefix, so the default page definition is P16.)

When you select the resubmit for filtering option in a printer definition, IP PrintWay basic mode passes the JES default font and page definition names, if any, to the AFP to PCL, AFP to PDF, and AFP to

PostScript transforms. If the transforms receive a JES2 default font or page definition name, the transforms do not use the default font or page definition name that is specified in the printer definition or, if none are specified, in the transform configuration file.

If you want the transforms to use the default font and page definition names that are specified in the printer definition or, if none are specified, in the transform configuration file, you must prevent JES2 from supplying default font and page definition names:

JES2

To prevent JES2 from supplying a default font name, specify UCS=0 on the JES2 PRTnnnnn statement. When UCS=0, JES2 ignores any font that is specified in the NIUCS parameter.

To prevent JES2 from supplying a default page definition name, do not specify the NIFCB parameter on the JES2 PRINTDEF statement and do not specify the FCB parameter in the JES2 PRTnnnnn statement.

JES3

To prevent JES3 from supplying a default font name, specify PDEFAULT=CHARS and WS=U on the JES3 DEVICE statement for the IP PrintWay FSA.

To prevent JES3 from supplying a default page definition name, specify PDEFAULT=FCB and WS=C on the JES3 DEVICE statement for the IP PrintWay FSA.

To prevent JES3 from supplying a default font and page definition name, specify PDEFAULT=(CHARS,FCB) and WS=(U,C) on the JES3 DEVICE statement for the IP PrintWay FSA.

Related information: For more information about these JES2 initialization statements, see one of these:

- [z/OS JES2 Initialization and Tuning Reference](#)
- [z/OS JES3 Initialization and Tuning Reference](#)

Defining the IP PrintWay functional subsystem in JES2 (basic mode)

To define a functional subsystem for IP PrintWay in a JES2 environment, code these JES2 initialization statements:

- One FSS(*fss_name*) statement to define each IP PrintWay functional subsystem (FSS)
- One PRTnnnnn statement to define each functional subsystem application (FSA) under control of the FSS

Also, these JES2 initialization statements have considerations for IP PrintWay:

- SPOOLDEF: Specify TRKCELL=5 on the JES2 SPOOLDEF statement for improved performance. Also, specify TRKCELL=YES on the PRTnnnnn statement.
- PRINTDEF: The JES2 PRINTDEF statement lets you specify a default FCB and page definition in the NIFCB parameter and a default font in the NIUCS parameter. For more information, see [“Specifying a default font and page definition for data transforms \(basic mode\)”](#) on page 270.

Sample JES2 initialization statements

[Figure 23 on page 271](#) shows sample JES2 statements for one FSS named PRINTWAY and one associated FSA named PRT123.

```
FSS(PRINTWAY)  PROC=ANFWPROC, AUTOSTOP=YES
PRT123         CLASS=E, FSS=PRINTWAY, MODE=FSS, PRESELECT=NO,
              START=NO, TRKCELL=YES, UCS=0, WS=(Q)
```

Figure 23: Sample JES2 initialization statements

The following information describes the JES2 initialization statements that are shown in [Figure 23 on page 271](#), including some additional parameters that you might want to specify for an IP PrintWay FSS and FSA.

Tip: These sample statements do not include all possible JES parameters. For a complete list of JES parameters and detailed descriptions of each of the parameters, see [z/OS JES2 Initialization and Tuning Reference](#).

FSS(*fss_name*) statement

The FSS(*fss_name*) initialization statement is optional but suggested. If you omit it, JES2 generates a default FSS when an FSA is started.

Each FSS must have a unique name, which is specified as a 1 - 8 character name. In the example, the FSS name is PRINTWAY. This FSS name must match the FSS name in the PRT*nnnnn* statement for each associated FSA.

FSS statement parameters are:

PROC=*procedure_name*

Specifies the name of the procedure for starting this FSS. Different FSS statements can refer to the same startup procedure. For more information, see [“Customizing the IP PrintWay startup procedure \(basic mode\)”](#) on page 283. This parameter is required.

AUTOSTOP=YES | NO

Specifies whether the FSS address space is stopped automatically if all FSAs under control of the FSS are stopped. Specifying AUTOSTOP=YES can conserve system resources. This parameter is optional. If you omit it, the default is NO.

HASPFSSM=*name* | HASPFSSM

Specifies the 1 - 8 character name of the load module to be loaded into the functional subsystem address space. This load module contains the various JES2-supplied FSI service routines. If your installation uses the default libraries and module names for the JES2 component, as distributed by IBM, omit this parameter or code HASPFSSM=HASPFSM.

PRT*nnnnn* statement

A PRT*nnnnn* statement defines the FSA to JES. The following information describes the PRT*nnnnn* parameters that you might want to specify for an IP PrintWay FSA. For a complete list of parameters, see [z/OS JES2 Initialization and Tuning Reference](#).

Each FSA must have a unique name. Therefore, *nnnnn* must be a unique number 1 - 32767. JES2 lets you define more than one FSA with one PRT*nnnnn* statement. For more information about how to define a range of FSAs with one PRT*nnnnn* statement, see [z/OS JES2 Initialization and Tuning Reference](#).

If you create an FSA definition in the Printer Inventory for this FSA, you must specify this FSA name in the FSA definition. Although JES might let you use different formats to specify the FSA name in this statement, for example, PRT(*nnnnn*), always specify the FSA name as PRT*nnnnn* in the FSA definition.

PRT*nnnnn* statement parameters include:

CLASS | QUEUE=(*classes*)

Specifies the output classes that are processed by this FSA. List all classes to be selected by this FSA. Do not separate each class with a comma. If you designate CL or Q as a work-selection criterion on the WS parameter, the FSA processes data sets whose class matches one of the values that are specified here.

FCB=*fc*/page*definition*

Specifies the 1 - 4 character name of a default FCB and page definition. IP PrintWay uses this name as the FCB and page definition for output that does not specify the FCB and PAGEDEF parameters on the OUTPUT JCL statement. Do not code the P1 prefix of the page definition name. IP PrintWay adds the P1 prefix.

If you omit this parameter, JES2 determines the default FCB and page definition name from the NIFCB parameter of the JES2 PRINTDEF statement.

Tip: Omit this parameter and also omit the NIFCB parameter if you want the AFP to PCL, AFP to PostScript, and AFP to PDF transforms to use a page definition that is specified in a printer definition or in the transform configuration file for output that is submitted to IP PrintWay with OUTPUT JCL

statements. For more information, see [“Specifying a default font and page definition for data transforms \(basic mode\)”](#) on page 270.

FORMS=(*form_names*)

Specifies the 1 - 8 character form names processed by this FSA. List from one to eight different form names that can be selected by this FSA. Separate each form name with a comma.

FSS=*fss_name*

Specifies the name of the FSS associated with this FSA. This parameter is required.

SETUP=HALT | NOHALT

Specifies whether JES2 issues the device setup message (\$HASP190) after a change of device characteristics. This parameter does not apply to an IP PrintWay FSA.

MODE=FSS

Specifies that the FSA is managed by an FSS. This parameter is optional. The default is FSS if you code the FSS parameter.

PRESELECT=YES | NO

Specifies whether output data sets are preselected for this FSA. This parameter is optional. If you omit it, the default is YES.

Guideline: Specify PRESELECT=NO to make sure that data sets print in the correct order.

ROUTECD=(*destinations*)

Specifies the destinations that are processed by this FSA. List from one to four different destination names that can be selected by this FSA. Separate each destination name with a comma.

START=YES | NO

Specifies whether JES2 automatically starts this FSA whenever JES2 starts. If you specify START=NO, the operator must start the FSA. Consider specifying START=NO so that TCP/IP can be started before IP PrintWay. This parameter is optional. If you omit it, START=YES is the default.

TRKCELL=YES | NO

Specifies whether track-cell despooling is used with this FSA. You specify the size of the track cell, in terms of buffers, in the TRKCELL parameter of the JES2 SPOOLDEF statement. For improved performance, IBM suggests that you specify TRKCELL=YES on this statement and TRKCELL=5 on the JES2 SPOOLDEF statement. The default is NO.

UCS={*font* | 0}

Specifies the 1 - 4 character member name of a coded font in a font library, not including the 2-character prefix. IP PrintWay uses this font name for output that does not specify the CHARS or UCS parameter on the OUTPUT JCL statement. IP PrintWay adds X1 to the name.

UCS=0 indicates that JES2 does not supply a default font to IP PrintWay.

If you omit this parameter, JES2 determines the default font from the NIUCS parameter of the JES2 PRINTDEF statement or, if NIUCS is not specified, uses GF10 as the default.

Tip: Specify UCS=0 if you want the AFP to PCL, AFP to PostScript, and AFP to PDF transforms to use the font that is specified in the printer definition or transform configuration file for jobs that are submitted to IP PrintWay with OUTPUT JCL statements. For more information, see [“Specifying a default font and page definition for data transforms \(basic mode\)”](#) on page 270.

WS=(*work_selection_criteria*)

Specifies the work-selection criteria for this FSA. Separate each value with a comma. For the valid values and defaults, see [z/OS JES2 Initialization and Tuning Reference](#). For an IP PrintWay FSA, consider these values:

CL | Q

Specifies that the FSA selects only those data sets with the same class that are specified in the CLASS parameter of this statement.

R

Specifies that the FSA selects only those data sets with the same destination that are specified in the ROUTECDE parameter of this statement. For considerations related to this work-selection criterion, see [“Determining work-selection criteria \(basic mode\)”](#) on page 269.

F

Specifies that the FSA selects only those data sets with the same form name that is specified in the FORMS parameter of this statement.

This parameter is optional but suggested. If you omit it, the FSA selects output data sets for processing according to default work-selection criteria.

Tip: You might want to specify the SEP=NO parameter to prevent transmission of the JESNEWS data set.

Defining the IP PrintWay functional subsystem in JES3 (basic mode)

To define a functional subsystem for IP PrintWay in a JES3 environment, code these JES3 initialization statements:

- One FSSDEF statement to define each IP PrintWay functional subsystem (FSS)
- One DEVICE statement for each functional subsystem application (FSA) under control of the FSS

Sample JES3 initialization statements

Figure 24 on page 274 shows sample JES3 statements for one FSS named PRINTWAY and one associated FSA named PRT1.

```
FSSDEF ,FSSNAME=PRINTWAY ,PNAME=ANFWPROC ,TYPE=WTR
DEVICE ,DTYPE=PRTAFP1 ,FSSNAME=PRINTWAY ,JNAME=PRT1 ,JUNIT=( ,SYS1 ,UR ,ON) ,
      MODE=FSS ,PDEFAULT=(CHARS ,FCB) ,WC=(E) ,WS=(CL ,F ,C ,U)
```

Figure 24: Sample JES3 initialization statements

The following information describes the JES3 initialization statements that are shown in Figure 24 on page 274, including some additional parameters that you might want to specify for an IP PrintWay FSS and FSA.

Tip: These sample statements do not show all possible JES parameters. For a complete list of parameters and for detailed descriptions of each of the parameters, see [z/OS JES3 Initialization and Tuning Reference](#).

FSSDEF statement

The FSSDEF initialization statement is optional but suggested. If you omit it, JES3 generates a default FSS when an FSA is started.

FSSDEF statement parameters are:

FSSNAME=fss_name

Specifies the name of this FSS. Each FSS must have a unique 1 - 8 character name. This FSS name must match the FSS name in the DEVICE statement for each associated FSA. This parameter is required.

MSGDEST (dest_class | JES)

Specifies the console destination class for messages that concern this FSS. This parameter is optional. If you omit it, JES sets a default.

PNAME=procedure_name

Specifies the name of the procedure for starting this FSS. Different FSSDEF statements can refer to the same startup procedure. For more information, see [“Customizing the IP PrintWay startup procedure \(basic mode\)”](#) on page 283. This parameter is required.

SYSTEM=system_name

Specifies the JES3 processor on which the FSS runs. This parameter is optional. If you omit it, JES determines the default from the DEVICE statement.

TERM=YES | NO

YES specifies that the FSS terminates if the JES3 global address space is ended by a *RETURN or *DUMP operator command. This parameter is optional. If you omit it, the default is NO.

TYPE=WTR

Specifies that the FSS is an output writer. This parameter is required.

DEVICE statement

A DEVICE statement defines each FSA to JES. The following information describes DEVICE parameters that you might want to specify for an IP PrintWay FSA. For a complete list of parameters, see [z/OS JES3 Initialization and Tuning Reference](#).

DGROUP=destination_name

Specifies a 1 - 8 character destination processed by this FSA. If you designate destination as a work-selection criterion on the WS parameter, this FSA selects data sets that match the value that is specified. This parameter is optional. Specify this parameter only if you specify destination as a work-selection criteria on the WS parameter.

DTYPE=PRTAFP1

Specify PRTAFP1 as the device type for an IP PrintWay FSA. This parameter is required.

DYNAMIC=YES[,timeout] | NO

Specifies whether JES3 starts and stops this FSA dynamically.

YES

Specifies that JES3 starts this FSA when work is available for it. If you do not specify a *timeout* value, JES3 stops this FSA and deactivates the address space when no work is available. You can specify a *timeout* value to control when JES3 stops the FSA. For more information, see [z/OS JES3 Initialization and Tuning Reference](#).

NO

Specifies that the operator starts and stops this FSA. Specify NO to keep the address space active between transmission of data sets.

This parameter is optional. If you omit it, the default is NO.

If you specify form as a work-selection criterion (WS=F), and also specify DYNAMIC=YES, JES3 does not start the IP PrintWay FSA dynamically unless an output data set's form attribute (and all other attributes) match the FSA's work selection criterion. Therefore, consider specifying DYNAMIC=NO.

FSSNAME=fss_name

Specifies a unique FSS associated with this FSA. This value must match the value that is coded for the FSSNAME parameter in the corresponding FSSDEF statement. This parameter is optional. If you omit it, the default is the name of this FSA specified in the JNAME parameter.

JNAME=fsa_name

Specifies the unique 1 - 8 character name of this FSA. This parameter is required.

JUNIT=(devnum,main,msgdest,ON | OFF)**devnum**

For IP PrintWay, do not specify a device address. Use a comma as a position holder.

main

Name of the processor on which IP PrintWay is running.

msgdest

Destination for messages about the FSA.

ON | OFF

Specifies whether the FSA is initially online or offline.

This parameter is required.

MODE=FSS

Specifies that this FSA is managed by an FSS. This parameter is required.

PDEFAULT={NONE | CHARS | FCB | (CHARS, FCB)}

Specifies the JES3 default values that JES3 does not supply to IP PrintWay.

CHARS

Indicates that JES3 does not supply a default font name to IP PrintWay when the WS=U parameter is specified on the DEVICE statement.

FCB

Indicates that JES3 does not supply a default FCB name and page definition name to IP PrintWay when the WS=C parameter is specified on the DEVICE statement.

NONE

Indicates that JES3 supplies a default font name, FCB name, and page definition name to IP PrintWay.

This parameter is optional. The default is NONE.

Tip: Specify PDEFAULT=(CHARS, FCB) and WS=(U, C) if you want the AFP to PCL, AFP to PostScript, and AFP to PDF transforms to use the default font and page definition that is specified in the printer definition or, if none is specified, in the transform configuration file for jobs that are submitted to IP PrintWay with a JCL statement. For more information, see [“Specifying a default font and page definition for data transforms \(basic mode\)”](#) on page 270.

WC=(classes)

Specifies the output classes that are processed by this FSA. List all classes to be selected by this FSA. Separate each class with a comma. If you designate CLASS as a work-selection criterion on the WS parameter, this FSA selects data sets that match the values that are specified here. This parameter is optional. If you omit it, this FSA selects data sets with any output class.

WS=(work_selection_criteria)

Specifies the work-selection criteria for this FSA. Separate each value with a comma. For the valid values and the default, see [z/OS JES3 Initialization and Tuning Reference](#). For an IP PrintWay FSA, consider these values:

C

Causes JES3 to pass the FCB name that is specified on the OUTPUT JCL statement to the FSA.

CL

Specifies that the FSA selects only those data sets with the same class that are specified in the WC parameter of this statement.

D

Specifies that the FSA selects only those data sets with the same destination as in the DGROUP parameter of this statement. For considerations related to this work-selection criterion, see [“Determining work-selection criteria \(basic mode\)”](#) on page 269.

F

Requests that JES3 pass the forms name that is specified on a JCL statement to the FSA.

U

Requests that JES3 pass the font name that is specified on a JCL statement to the FSA.

Notes:

1. If you want IP PrintWay to use the form name that is specified in the FORMS JCL parameter to select printer definitions in the Printer Inventory, specify WS=F as one of the work-selection criteria. If you do not specify WS=F, JES3 does not pass the form name that is specified in JCL to the IP PrintWay FSA.
2. If you want IP PrintWay to use the FCB specified in the FCB JCL parameter to format output, specify WS=C as one of the work-selection criteria. If you do not specify WS=C, JES3 does not pass the FCB name that is specified in JCL to the IP PrintWay FSA.
3. If you want IP PrintWay or any data stream transforms to use the page definition that is specified in the PAGEDEF (or FCB) JCL parameter, specify WS=C as one of the work-selection criteria. If you do

not specify WS=C, JES3 does not pass the page definition name that is specified in JCL to the IP PrintWay FSA.

4. If you want IP PrintWay or any data stream transforms to use the font that is specified in the CHARS (or UCS) JCL parameter, specify WS=U as one of the work-selection criteria. If you do not specify WS=U, JES3 does not pass the font name that is specified in JCL to the PrintWay FSA.

Tip: You might want to specify the BURST=NO parameter to prevent transmission of the JESNEWS data set.

Creating FSS and FSA definitions in the Printer Inventory (basic mode)

You can specify IP PrintWay basic mode configuration information in these objects in the Printer Inventory:

- FSS definition. IP PrintWay uses values that are specified in this definition when the IP PrintWay FSS starts.
- FSA definition. IP PrintWay uses values that are specified in this definition when an IP PrintWay FSA starts.

You can use either the Infoprint Server ISPF panels or the Printer Inventory Definition Utility (PIDU) to create FSS and FSA definitions. For information about how to use the Infoprint Server ISPF panels or PIDU, see [z/OS Infoprint Server Operation and Administration](#).

Creating FSS definitions (basic mode)

In an IP PrintWay FSS definition, you can specify configuration information that applies to an IP PrintWay FSS and to all FSAs in that FSS. An IP PrintWay FSS definition is required in these situations:

- If any of the FSAs in the FSS transmit output to VTAM controlled printers. In this case, you must specify the name of the VTAM APPL statement you defined for the FSS.

Note: You can transmit output to VTAM controlled printers only if Infoprint Coaxial Printer Support for z/OS is installed. However, in z/OS V2R3 you cannot install Infoprint Coaxial Printer Support for z/OS because it is no longer in service.

- If you need to change the IP PrintWay configuration defaults. If an IP PrintWay FSS definition does not exist when IP PrintWay starts, IP PrintWay uses default values.

Table 46 on page 277 shows the fields that you can specify in an FSS definition. The table lists the field names on the ISPF panel, describes each field, and indicates the default value that IP PrintWay uses if you do not create an FSS definition or if you leave a field blank.

ISPF field name	Description	Default
Applid	The application program ID that IP PrintWay uses to establish a VTAM session with printers. This ID must match the name of the APPL statement that is defined to VTAM. Note: This field is only used if Infoprint Coaxial Printer Support for z/OS is installed. However, in z/OS V2R3 you cannot install Infoprint Coaxial Printer Support for z/OS because it is no longer in service.	No default. This field is required to use the IP PrintWay VTAM protocol.
Description	A description of the FSS definition, for information purposes only.	No default.

Table 46: IP PrintWay FSS definition (continued)

ISPF field name	Description	Default
Document code page	<p>The default EBCDIC code page that is used as the document code page when IP PrintWay translates data from EBCDIC to ASCII. You can specify the name of an IBM-supplied or custom ASCII code page that is supported by the z/OS iconv utility. For the names of IBM supplied code page names, see <i>z/OS XL C/C++ Programming Guide</i>.</p> <p>Infoprint Server converts data from the document code page to the printer code page and the code page for the z/OS locale to the document code page. Therefore, if you specify a custom code page, make sure that conversion tables exist so that Infoprint Server can convert between code pages. For information about how to create conversion tables, see information about code set conversion utilities in <i>z/OS XL C/C++ Programming Guide</i>.</p>	Code page IBM-1047.
FSS name	<p>The name of the FSS.</p> <p>If the IP PrintWay startup procedure does not contain a JOB JCL statement, specify either:</p> <ul style="list-style-type: none"> • In JES2, the name of the JES FSS initialization statement • In JES3, the name of the JES FSSDEF initialization statement <p>If the IP PrintWay startup procedure contains a JOB JCL statement, specify either:</p> <ol style="list-style-type: none"> 1. The name of the EXEC JCL statement (step name) in the IP PrintWay startup procedure (default name is IEFPROC) 2. If no step name is specified, the name of the PROC JCL statement in the IP PrintWay startup procedure (default is ANFWPROC) 	No default. This field is required.
Hiperspace blocks	<p>The maximum number of 4 KB blocks that each FSA can use in hiperspace. The number that you specify can affect system performance and also can limit the size of the data sets the FSA can process. The maximum amount of hiperspace available is 2 GB.</p> <p>You might need to increase this value to process large data sets. IP PrintWay always writes data sets to hiperspace when it uses the LPR transmission protocol. It also writes data sets to hiperspace when it uses the IPP, direct-sockets, or email transmission protocol and either the Maximum document size or Delete form feed option is selected in the printer definition. IP PrintWay does not write data sets to hiperspace when it transmits data to VTAM controlled printers.</p>	8,000 (32 MB).
National language	The language IP PrintWay uses for messages. You can select either English or Japanese.	English messages.

Table 46: IP PrintWay FSS definition (continued)

ISPF field name	Description	Default
Old style translation	<p>An indicator of how IP PrintWay converts data from EBCDIC to ASCII when a printer definition does not specify the code pages or translate table to use. That is, the printer definition does not specify either a document or a printer code page, a customized TCP/IP translate table, or a DBCS translate table.</p> <ul style="list-style-type: none"> • If this field is selected, IP PrintWay uses the standard TCP/IP translate table to convert data from EBCDIC to ASCII. • If this field is not selected, IP PrintWay uses code pages to convert data from EBCDIC to ASCII. The EBCDIC code page is the code page that is specified in the Document code page field of the IP PrintWay FSS definition in the Printer Inventory. The ASCII code page is IBM-850. <p>This field is ignored for printer definitions with EBCDIC code pages, such as email destinations, because IP PrintWay does not convert the data when the code pages are the same.</p>	See the "Description" column.
TCP/IP job name	The name of the TCP/IP startup procedure.	The default TCP/IP name is used.
Trace mode	The type of IP PrintWay tracing for the FSS, and the default tracing mode for all FSAs. Tracing starts when the FSS and FSAs start. The trace mode that is specified in an FSA definition overrides this trace mode.	No tracing is done.
Trace prompt	An indicator of whether the operator is prompted each time the FSS starts. If this option is selected, message ANFM020A is sent to the operator.	No prompting is done.
Trace table size	The number of 4 KB pages of storage (above the 16 MB line) to allocate for each internal FSA trace table.	32 (128 KB).

This ISPF panel shows a sample IP PrintWay FSS definition:

```

IP PrintWay FSS

FSS name . . . PRINTWAY
Description . My IP PrintWay FSS (extend)

_ Old-style translation
Hiperspace blocks . . 8000
TCP/IP job name . . . MYTCPIP
Document code page . . IBM-850
Applid . . . . . PWAPPL01
National language . . 1 1. English 2. Japanese
Trace mode . . . . 2 1. None 2. Internal 3. No printing 4. Full
Trace prompt
Trace table size . ___

```

Note: If you create an FSS definition after the FSS started or if you change any information in the FSS definition, you must restart the IP PrintWay FSS so that your changes take effect.

Creating FSA definitions (basic mode)

You can create one IP PrintWay FSA definition for each IP PrintWay FSA that your installation defined to JES. In each IP PrintWay FSA definition, you can specify the type of tracing to start for the FSA.

Creating FSA definitions is optional. If an FSA definition does not exist, IP PrintWay uses the tracing value that is specified in the FSS definition. The FSA name must match the name of the FSA as defined to JES.

This ISPF panel shows a sample IP PrintWay FSA definition:

```
IP PrintWay FSA
FSA Name . . . PRT1_____
Description . Printers in Boulder(extend)
Trace mode . . 2 1. None 2. Internal 3. No printing 4. Full
```

Note: If you create an FSA definition after the FSA is started or if you change the FSA definition, you must restart the IP PrintWay FSA to use the changed values. However, you do not need to restart the FSS and any other IP PrintWay FSA.

Using the transmission-queue data set (basic mode)

The transmission-queue data set is a required VSAM key-sequenced data set. You must allocate at least one transmission-queue data set before you start IP PrintWay basic mode. IP PrintWay extended mode does not use the transmission-queue data set.

The transmission-queue data set contains a queue for each printer. It also contains an entry for each data set that IP PrintWay is currently processing, and an entry for each data set that IP PrintWay retained on the JES spool after processing.

IP PrintWay uses information in the transmission-queue data set to manage the transmission of data sets to printers. For example, IP PrintWay transmits data sets to a printer's queue (or port number) in the order in which the IP PrintWay functional subsystem applications (FSAs) acquire the data sets from the JES spool. Also, IP PrintWay FSAs do not attempt to transmit multiple data sets to the same printer's queue (or port number) at the same time.

The operator can use the Infoprint Server ISPF panels to modify and delete entries in the transmission-queue data set. For example, you can use the ISPF panels to print and delete retained data sets, and move data sets, which IP PrintWay is not currently processing, to other printers. With the ISPF panels, you can view the entries in one transmission-queue data set at a time. For information about how to use the Infoprint Server ISPF panels to work with the transmission-queue data set, see [z/OS Infoprint Server Operation and Administration](#)

Sharing the transmission-queue data set (basic mode)

All IP PrintWay FSAs in a functional subsystem (FSS) share the transmission-queue data set. Multiple IP PrintWay FSSs, on the same or different z/OS systems, can also share the transmission-queue data set. As an alternative, you can allocate a separate transmission-queue data set for one or more FSSs.

Advantages of sharing the transmission-queue data set among FSSs are:

- Data sets print on a printer's queue (or port number) in the order in which FSAs within all the FSSs acquire them from the JES spool.
- FSAs in all the FSSs do not attempt to print to a printer's queue (or port number) at the same time. This eliminates delays in printing and failed jobs because of timeout situations.

If the transmission-queue data set is not shared, an IP PrintWay FSA in one FSS might need to wait (for the connection timeout interval) until the printer becomes available. If the printer does not become available in the connection timeout interval, IP PrintWay waits for the retry interval and tries the connection again. Waiting can cause a delay in printing because IP PrintWay is not notified when the

printer becomes available. In addition, if IP PrintWay completes its retransmissions before the printer becomes available, IP PrintWay fails the print job.

- You can use Infoprint Server ISPF panels to look at the transmission queues for all printers at one time.

Disadvantages of sharing the transmission-queue data set among FSSs are:

- Enqueues on the shared transmission-queue data set can result in printing delays.
- If a large number of FSSs share the transmission-queue data set, all IP PrintWay printers might stop printing because of the enqueues on the data set.

Guidelines:

1. Do not share the transmission-queue data set among more than 10 - 15 FSSs. If you have a large workload, many FSAs per FSS, or critical printers that require high performance, do not share the transmission-queue data set among more than 10 FSSs.
2. If FSAs within multiple FSSs can transmit output data sets to the same printers, these FSSs can share the transmission-queue data set, up to the 10 - 15 FSS limit. This ensures that data sets are printed in order and that the FSSs do not try to send data to the same printer at the same time.

Tip: To determine whether FSSs can transmit data sets to the same printers, look at the JES work-selection criteria for each FSA. If the JES work-selection criteria are the same for FSAs in multiple FSSs, these FSSs can transmit data sets to the same printer. For example, if the JES work-selection criterion for FSAs in two FSSs is class P, both FSSs can acquire the same output data sets from the JES spool and therefore, can transmit data sets to the same printer.

3. Allocate a separate transmission-queue data set for each FSS that transmits output to a separate set of printers. A separate transmission-queue data set provides the best performance. However, if you want the convenience of using the same set of ISPF panels to work with all output data sets, consider sharing the transmission-queue data set among these FSSs as well, up to the 10-15 FSS limit.
4. If you allocate more than one transmission-queue data set, put each data set on a separate volume. The volume is not heavily used.
5. Ask your administrator to specify no retention time for most successfully transmitted print jobs and the shortest retention time that is reasonable for failed print jobs. This is because IP PrintWay keeps entries in the transmission-queue data set for retained print jobs. In addition, retaining fewer print jobs for shorter times reduces the possibility of a system abend because of an out-of-storage condition in the IP PrintWay address space. For more information about the out-of-storage condition, see [“Determining how many functional subsystems to define \(basic mode\)” on page 268.](#)

Allocating and initializing the transmission-queue data set (basic mode)

Before you start IP PrintWay basic mode, you must allocate and initialize the transmission-queue data set. The default name for this data set is ANF.QUEUE.

Guidelines:

1. Put the transmission-queue data set on a volume that is not heavily used. If you allocate more than one transmission-queue data set, put each data set on a separate volume.
2. Periodically use the VSAM REPRO command to reclaim space in the transmission-queue data set. Do this only when all IP PrintWay FSAs that share the transmission-queue data set are stopped.

Tip: A VSAM LISTCAT of the transmission-queue data set might show the number of extents that are increasing over time. The extents increase because all print jobs in the data set have ascending keys, and VSAM does not reuse or reclaim lower space (with lower keys) even though IP PrintWay deletes the print jobs from the data set.

3. If you do not periodically use the VSAM REPRO command to reclaim space, IP PrintWay might abnormally end (reason code 0205) because it cannot access the transmission-queue data set. If this occurs, delete the current transmission-queue data set and follow the steps to allocate and initialize a new data set. (To find the name of the current transmission-queue data set, select the **PrintWay Queue** option on the Infoprint Server ISPF main panel. The **Queue Data Set name** field contains the name of the current data set.)

Steps for allocating and initializing the transmission-queue data set

1. Use the IDCAMS program with the specifications shown to allocate the data set. Sample JCL is in SYS1.SAMPLIB(ANFDEAL).

```
DEFINE CLUSTER -
  (NAME (ANF.QUEUE) -
   VOLUMES (volser) -
   INDEXED -
   SPEED -
   SHAREOPTIONS(4 3)) -
  DATA -
  (NAME (ANF.QUEUE.DATA) -
   CYL(2 1) -
   KEYS(20 0) -
   RECORDSIZE(1292 2048) -
   FREESPACE(10,10) -
   CISZ(24576)) -
  INDEX -
  (NAME (ANF.QUEUE.INDEX))
```

Figure 25: IDCAMS parameters to allocate a transmission-queue data set – SYS1.SAMPLIB(ANFDEAL)

Tips:

- a. You can use any data set name. If you change the name, specify the new data set name in the NAME parameter on the DEFINE statement.
 - b. Replace *volser* in the VOLUMES parameter with the volume ID.
 - c. Do not change the values for the RECORDSIZE, SHAREOPTIONS, and KEYS parameters.
 - d. Adjust the value of the FREESPACE parameter based on experience with the data set. The size of the IP PrintWay transmission-queue data set changes dynamically, according to the number of data sets retained after successful or unsuccessful transmission.
2. Run the ANFQINIT program to initialize the data set with binary zeros. SYS1.SAMPLIB(ANFQINIT) contains sample JCL. If you did not use the default name, ANF.QUEUE, for the data set, change the name of the data set in the sample JCL.

Tip: For more information about allocating VSAM data sets, see [z/OS DFSMS Access Method Services Commands](#).

Restricting access to the transmission-queue data set (basic mode)

All ISPF users can use the Infoprint Server ISPF panels to update the IP PrintWay basic mode transmission-queue data set, even if you established a RACF administration group for the Printer Inventory. You can, however, use Resource Access Control Facility (RACF) or a similar program to restrict access to the data set.

If you have RACF-protected the transmission-queue data set, the Infoprint Server ISPF panels display only the actions that a user is allowed to do. For example, if a user has read-only access to the transmission-queue data set, that user is allowed only to browse entries in the data set and is not allowed to modify or delete entries.

Creating the IP PrintWay message-log data set (basic mode)

IP PrintWay basic mode writes messages that track data set transmissions in an IP PrintWay message-log data set. This is a required data set.

The message log is organized as a circular queue. When a message extends to the end of the data set, the next message starts at the beginning. In this way, the size of the message data set remains stable, with old messages automatically overlaid by newer messages.

You can create one message-log data set to be shared by all IP PrintWay functional subsystems (FSSs), or you can create separate data sets for each FSS. To allocate space for the data set and initialize it, use the sample JCL in SYS1.SAMPLIB(ANFMIJCL) to run the ANFMFILE program.

The message-log data set requires these specifications:

- Physical sequential unmovable organization (PSU).
- Fixed block format (FBA).
- Logical record length (LRECL) of 57 at a minimum. 80 is suggested.
- Block size (BLKSIZE) of about 10 records per block. 800 is suggested.

Secondary space is unnecessary because the ANFMFILE program formats all available space. To change the size of the IP PrintWay message-log data set, rerun the ANFMFILE program.

Tip: The ANFMFILE program produces a D37 abend when it completes processing.

You can suppress selected messages that IP PrintWay basic mode writes to the message-log data set by writing a Message exit. For more information, see [“Message exit \(ANFUXMSG\) – basic mode” on page 258](#).

You can view messages in the message-log data set by using the Infoprint Server ISPF panels. For information, see [z/OS Infoprint Server Operation and Administration](#).

Customizing the IP PrintWay startup procedure (basic mode)

To start an IP PrintWay basic mode FSS, you must use a cataloged startup procedure. The startup procedure identifies:

- The program name, region size, and timeout value
- Name of the Printer Inventory
- Location of the IP PrintWay transmission-queue and message-log data sets
- Environment variables

Table 47 on page 283 summarizes the customization tasks that are related to setting up the startup procedure. Required tasks are necessary for all installations. Optional tasks are required only if the listed condition applies to your installation.

<i>Table 47: Customization tasks for IP PrintWay startup procedure (basic mode)</i>	
Task	Condition
“Creating a user ID to assign to the IP PrintWay startup procedure (basic mode)” on page 283	Required
“Defining the IP PrintWay startup procedure to RACF (basic mode)” on page 284	Required
“Editing the ANFWPROC startup procedure (basic mode)” on page 284	Optional: To change default settings.

Creating a user ID to assign to the IP PrintWay startup procedure (basic mode)

The user ID assigned to the IP PrintWay startup procedure must be defined to RACF with access to z/OS UNIX.

Steps for creating a RACF user ID with access to z/OS UNIX

1. Create a user ID with an OMVS segment and a default group that has an OMVS segment with a group identifier (GID).

You can select any name for the user ID. Use the RACF ADDUSER command to create a new user ID. Use the RACF ALTUSER command to alter an existing user ID to give it access to z/OS UNIX. For the default group, you can select any group that has an OMVS segment and a GID. You can specify any home directory or use the default home directory.

Example: These RACF commands define user AOPSTC with default group AOPOPER and home directory /tmp. For *user-identifier*, specify an integer that is different from other UIDs in your installation. The NOPASSWORD operand defines the user ID as a protected user ID. Protected user IDs cannot log on to the z/OS system, and they cannot be revoked because of incorrect password attempts.

```
ADDUSER AOPSTC OMVS(UID(user-identifier) PROGRAM('/bin/sh')) HOME(/tmp)
DFLTGRP(AOPOPER) NOPASSWORD
```

2. Give the user ID RACF update access to the IP PrintWay transmission-queue and message-log data sets. Also, give the user ID RACF read access to the TCP/IP TCPIP.DATA data set.

Example: These RACF commands give user ID AOPSTC access to data sets ANF.QUEUE, ANF.MSGFILE, and TCPIP.TCPIP.DATA:

```
PERMIT ANF.QUEUE ACCESS(UPDATE) ID(AOPSTC)
PERMIT ANF.MSGFILE ACCESS(UPDATE) ID(AOPSTC)
PERMIT TCPIP.TCPIP.DATA ACCESS(READ) ID(AOPSTC)
```

Defining the IP PrintWay startup procedure to RACF (basic mode)

You must define a profile for the IP PrintWay startup procedure in the RACF STARTED class.

Example: These RACF commands define a profile for the ANFWPROC procedure. This example assumes that the user ID you defined for use with this procedure is AOPSTC and that AOPSTC is connected to group AOPOPER.

```
RDEFINE STARTED ANFWPROC.* STDATA(USER(AOPSTC) GROUP(AOPOPER))
SETROPTS RACLIST(STARTED) REFRESH
```

Tip: If you want to use the started procedure table (ICHRIN03) instead, see [z/OS Security Server RACF Security Administrator's Guide](#) for more information.

Editing the ANFWPROC startup procedure (basic mode)

Infoprint Server provides procedure ANFWPROC, which you can use to start an IP PrintWay FSS. You can use ANFWPROC to start more than one IP PrintWay FSS but only if you want all IP PrintWay FSSs to share the IP PrintWay transmission-queue and message-log data sets. You must specify the name of this startup procedure in the JES initialization statement for each FSS.

ANFWPROC is included in SYS1.IBM.PROCLIB. However, during installation ANFWPROC might be copied to another data set in the STC PROCLIB concatenation.

Steps for editing the IP PrintWay startup procedure

1. Copy ANFWPROC to a procedure library that is known to JES. For information about procedure libraries, see [z/OS JES2 Initialization and Tuning Guide](#) and [z/OS JES3 Initialization and Tuning Guide](#).
2. Edit the ANFWPROC procedure:
 - If the high-level qualifier for the TCP/IP TCPIP.DATA data set is not TCPIP, change the TCPHLQ parameter on the PROC statement. If the TCPIP.DATA data set is not *hlq*.TCPIP.DATA, change the data set name in the SYSTCPD DD statement.
 - If the Printer Inventory name is not the default name, AOP1, specify the inventory name in the PARM parameter of the EXEC statement.
 - If you run many FSAs in the IP PrintWay FSS, you might need to increase the size in the REGION parameter of the EXEC statement.

- If you do not use the default names for the IP PrintWay transmission-queue and message-log data sets, change the data set names in the procedure.
 - If you use an IP PrintWay exit and the library that contains the exit is not in the standard z/OS search order, add a STEPLIB statement to identify the library.
 - If you did not add the Language Environment runtime libraries (*hlq.SCEERUN* and *hlq.SCEERUN2*) and the C++ runtime library (*hlq.SCLBDLL*) to the system LNKLST, add them to the STEPLIB DD statement.
 - If you plan to use the IPP or email protocol and did not install Infoprint Server or the sendmail executable file in default locations, specify the directories in environment variables in the STDENV data definition (DD).
 - If you want to customize the email function, specify environment variables in the STDENV data definition (DD).
3. Make sure that the name of this procedure is specified in the JES initialization statements for all IP PrintWay FSSs that you want to use this procedure.
 4. If IP PrintWay is running, stop all IP PrintWay FSAs in the FSS that uses this startup procedure and then restart the FSAs so that your changes take effect. If JES2 does not stop the FSS automatically, you also need to stop the FSS before you restart the FSAs. For information about how to stop and start IP PrintWay, see *z/OS Infoprint Server Operation and Administration*.

Related information: For information about how to access the Language Environment runtime libraries and improve the performance of runtime libraries, see *z/OS UNIX System Services Planning*.

ANFWPROC procedure

Figure 26 on page 285 shows the ANFWPROC procedure. JES initialization statements for an FSS that uses this startup procedure are shown in Figure 23 on page 271 (JES2) and in Figure 24 on page 274 (JES3).

```
//ANFWPROC PROC HLQ=ANF,
//              TCPHLQ=TCPIP
//* -----
//* this is a sample procedure for starting IP PrintWay
//* -----
//IEFPROC EXEC PGM=ANFFIEP,REGION=4M,TIME=NOLIMIT,PARM='INV=AOP1'
//*-----
//* AOP1 is the default name of the Printer Inventory.
//* This must be modified if this is not the
//* name being used for the inventory.
//*-----
//ANFQUEUE DD DSN=&HLQ..QUEUE,DISP=SHR
//SYSTCPD DD DSN=&TCPHLQ..TCPIP.DATA,DISP=SHR
//ANFMSG DD DSN=&HLQ..MSGFILE,DISP=SHR
//SYSPRINT DD SYSOUT=*
//SYSABEND DD SYSOUT=*
//SYSUDUMP DD SYSOUT=*
```

Figure 26: IP PrintWay startup procedure — SYS1.IBM.PROCLIB(ANFWPROC)

The JCL statements that you can specify in the startup procedure are:

//proc_name PROC HLQ=ANF, TCPHLQ=TCPIP

Names a cataloged procedure. *proc_name* must match the procedure name in a JES initialization statement for this FSS:

- PROC parameter of the JES2 FSS(*fss_name*) statement
- PNAME parameter of the JES3 FSSDEF statement

The HLQ keyword identifies the high-level qualifier for the IP PrintWay data sets. TCPHLQ identifies the high-level qualifier for the TCPIP.DATA data set. Change these values for your installation if necessary.

//label EXEC PGM=ANFFIEP,REGION=4M,TIME=NOLIMIT,PARM='INV=inventory'

Invokes the IP PrintWay program.

PGM=ANFFIEP

The IP PrintWay program entry point.

REGION=4M

The amount of storage below the 16 MB line that the FSS requires.

Tips:

1. A region size of 4 megabytes is suitable for many installations. However, if many FSAs run in the IP PrintWay FSS, you might need to specify a region size larger than 4 M.
2. Do not specify 0 M. If you specify 0 M and available storage becomes exhausted, a system F02 abend can occur. A system F02 abend might cause JES to fail and might require that you restart your z/OS system. If you specify a value other than 0 M and available storage becomes exhausted, an abend other than system F02 occurs. JES is not affected and you do not need to restart your z/OS system.

TIME=NOLIMIT

TIME=NOLIMIT prevents TIMEOUT abends.

PARM='INV=inventory'

The name that is assigned to the Printer Inventory in the inventory attribute in the aopd.conf configuration file. Specify AOP1 (the default name) if you did not create an aopd.conf configuration file or if the inventory attribute is omitted. This name is case-sensitive. This parameter is required.

//ANFQUEUE DD DSN=&HLQ..QUEUE,DISP=SHR

The IP PrintWay transmission-queue data set. This statement is required.

Tip: To make sure that data sets are always transmitted in the same order as IP PrintWay acquires them from the JES spool, specify the same transmission-queue data set for each IP PrintWay FSS.

//SYSTCPD DD DSN=&TCPHLQ..TCPIP.DATA,DISP=SHR

The name of the TCP/IP TCPIP.DATA data set. For a description of how IP PrintWay searches for the TCPIP.DATA data set, see [“Customizing the TCPIP.DATA data set”](#) on page 210.

The SYSTCPD DD statement can refer to either an MVS data set or a z/OS UNIX file. If it refers to a z/OS UNIX file, you must specify the LRECL, BLKSIZE, RECFM=FB, and PATHOPTS=ORDONLY parameters. The maximum line length (LRECL) can be 256. For example, if the line length is 80:

```
//SYSTCPD DD PATH='/etc/resolv.conf',PATHOPTS=ORDONLY,  
// LRECL=80,BLKSIZE=80,RECFM=FB
```

//ANFMMSG DD DSN=&HLQ..MSGFILE,DISP=SHR

The IP PrintWay message-log data set. This statement is required.

//STDENV DD DSN=datasetname,DISP=SHR

//STDENV DD PATH='UNIXfilename',PATHOPTS=ORDONLY

Specifies an MVS data set or z/OS UNIX file that contains environment variables. You need to specify this DD statement only if IP PrintWay uses the Internet Printing Protocol (IPP) or email transmission protocol and the default values for the environment variables are not suitable.

These variables apply to the IPP and email protocols:

- LANG
- LIBPATH
- NLSPATH
- PATH

These variables apply to the email protocol:

- AOP_MAIL_DO_NOT_ADD_SUFFIX

- AOP_MAIL_PRESERVE_SUFFIXES
- AOPMAILER
- AOPMAILER_OPTIONS

For a description of these environment variables and their default values, see [Appendix C, “Environment variables,”](#) on page 353.

Rules:

1. If you specify the environment variables in an MVS data set, it must have these DCB attributes: RECFM=VB and LRECL=255.
2. Specify each environment variable in the format *variable=value*. Specify one environment variable per line or record, starting in column 1. For example:

```
AOP_MAIL_PRESERVE_SUFFIXES=.123 .x1s .doc
```

Changing Language Environment runtime options (basic mode)

Figure 27 on page 287 shows the runtime options for the Language Environment environment that PrintWay establishes. If you want to change the Language Environment runtime options, create a CEEUOPT object file as described in [z/OS Language Environment Programming Guide](#). Then create an SMPE usermod to link-edit the object file with ANFICONV.

```
POSIX(ON)
ALL31(ON)
STACK(8K,64K,ANY,KEEP)
HEAP(8K,8K,,FREE)
ANYHEAP(8K,8K)
THREADHEAP(8,4K,ANY,FREE)
BELOWHEAP(8,4K,FREE)
LIBSTACK(8,0)
ENVAR("_CEE_ENVFILE=//DD:STDENV")
MSGFILE(,,,"ENQ)
```

Figure 27: Language Environment runtime options for IP PrintWay

Customizing PSF for sharing network printers

PSF is a separately orderable product that runs on z/OS and controls printing on AFP printers. When customizing PSF to send AFP data to network printers, be sure to configure PSF for printer sharing if you also want to print on these printers from IP PrintWay. When configured for printer sharing, IP PrintWay can also send non-AFP data streams to the printer.

If you do not configure PSF for printer sharing, PSF does not release the printer to receive data from other sources.

For information about how to configure PSF for printer sharing, see [PSF for z/OS: Customization](#).

Customizing AOPCMND for starting and stopping printers

You can use the TSO/E command, AOPCMND, to start and stop IP PrintWay extended mode printers from TSO instead of from the Infoprint Central component that runs under the IBM HTTP Server - Powered by Apache.

To use the AOPCMND command, you must first do these customization steps:

1. Authorize the TSO/E command processor by editing the IKJTSOxx member of SYS1.PARMLIB and adding AOPCMND to the AUTHCMD list.
2. Enable dynamic configuration. See [“Enabling dynamic configuration” on page 67](#).
3. Activate MVS Message Service. See [z/OS UNIX System Services Planning](#).

Rule: If you move AOPCMND from SYS1.LINKLIB to another library, make sure that it is in an APF-authorized library.

For information about using the AOPCMND command, see [z/OS Infoprint Server Operation and Administration](#).

For information about customizing TSO/E, see [z/OS TSO/E Customization](#).

Chapter 8. Customizing Infoprint Central

This information describes how to customize Infoprint Central, a print management application that users access from the web. Help desk operators use Infoprint Central to diagnose and correct problems with print jobs and printers. Print job submitters might want to use Infoprint Central to work with their own print jobs and check printer status. Other authorized users can use Infoprint Central as well.

Users can display information about and work with these objects in Infoprint Central:

- Print jobs that are submitted to z/OS. A print job typically consists of one output data set. However, a print job can consist of several output data sets submitted together in the same batch job. In JES2, a print job is called an *output group*.
- Printers that IP PrintWay extended mode controls (called *IP PrintWay printers*).
- Printers that PSF for z/OS controls (called *PSF printers*) and AFP Download Plus senders (called *AFP Download Plus printers*). AFP Download Plus is a feature of PSF for z/OS.
- Logical units that NetSpool controls (called *NetSpool LUs*).
- IP PrintWay extended mode job selection rules.

Users can display information about, but not work with, these objects in Infoprint Central:

- Printer definitions
- Printer pool definitions
- Infoprint Server daemons

You must customize Infoprint Central if you run IP PrintWay extended mode or PSF for z/OS because operators can use Infoprint Central to do functions that you cannot do with other tools, such as JES commands or SDSF. For example, you can do these functions:

- IP PrintWay extended mode: You can stop and start printers, redirect print jobs to alternative printers, and turn TCP/IP-connected printers online and offline. In addition, you can cancel or hold print jobs that are currently printing, see whether print jobs are retained on the JES spool, and see all messages in the common message log for both print jobs and printers. Plus, you can see the status of print jobs that are no longer on the JES spool.

You cannot use Infoprint Central to work with IP PrintWay basic mode printers or print jobs that IP PrintWay basic mode is processing.

- PSF for z/OS: You can turn TCP/IP-connected printers online and offline. In addition, you can see information about print jobs that are no longer on the JES spool, and see all messages in the common message log for print jobs.

For more information about the functions that Infoprint Central provides, see [“Infoprint Central” on page 17](#).

Table 48 on page 289 summarizes the tasks to customize Infoprint Central. Required tasks are necessary for all installations. Optional tasks are required only if the listed condition applies to your installation.

Task	Condition
“Identifying software requirements for Infoprint Central” on page 290	Required
“Editing the aopd.conf file for Infoprint Central” on page 291	Required
“Customizing the IBM HTTP Server - Powered by Apache” on page 293	Required
“Setting up security for Infoprint Central” on page 301	Required

<i>Table 48: Customization tasks for Infoprint Central (continued)</i>	
Task	Condition
<u>“Editing the system configuration definition for Infoprint Central” on page 322</u>	Optional: To specify dynamic attributes.
<u>“Customizing web browsers” on page 323</u>	Required
<u>“Logging on to Infoprint Central from the web” on page 324</u>	Required
<u>“Customizing JES3 console standards (CONSTD statement)” on page 325</u>	Optional: To change JES3 console editing characters.
<u>“Re-creating the search database” on page 325</u>	Optional
<u>Chapter 10, “Customizing PSF for z/OS to use the Printer Inventory,” on page 329</u>	Optional: To work with PSF printers from Infoprint Central.

Table 49 on page 290 lists other components of Infoprint Server you might need to customize:

<i>Table 49: Other components to customize for Infoprint Central</i>	
Task	Condition
<u>Chapter 3, “Customizing the Printer Inventory Manager,” on page 21</u>	Required
<u>Chapter 7, “Customizing IP PrintWay,” on page 181</u>	Optional: To work with IP PrintWay printers from Infoprint Central.

Related tasks: After you customize Infoprint Central, do these tasks:

- Stop and restart all Infoprint Server daemons so that your changes take effect. For information about how to stop and restart Infoprint Server daemons, see [z/OS Infoprint Server Operation and Administration](#).
- Restart the IBM HTTP Server - Powered by Apache so that your changes take effect. For information about how to restart the HTTP server, see [z/OS HTTP Server - Powered by Apache User's Guide](#).
- If you plan to use Infoprint Central to work with PSF printers, restart the PSF printers after you restart the Infoprint Server daemons.

Identifying software requirements for Infoprint Central

Additional IBM software beyond the z/OS base elements is required:

- IBM XML Toolkit for z/OS, C++ edition, V1.10.0 (5655-J51)
- One of these Java products:
 - IBM 31-bit SDK for z/OS, Java Technology Edition, V7.1 (5655-W43)
 - IBM 64-bit SDK for z/OS, Java Technology Edition, V7.1 (5655-W44)
 - IBM 31-bit SDK for z/OS, Java Technology Edition, V8.0 (5655-DGG)
 - IBM 64-bit SDK for z/OS, Java Technology Edition, V8.0 (5655-DGH)

For information, see [Java products for z/OS \(www.ibm.com/systems/z/os/zos/tools/java\)](http://www.ibm.com/systems/z/os/zos/tools/java).

- One of these web browsers on workstations with these tested operating systems:

Windows 7 Professional, Windows 8.1, and Windows Server 2012

- Microsoft Internet Explorer 10.0 or 11.0
- Mozilla Firefox 42 Extended Support Release (ESR) or later

Windows 10

- Microsoft Edge 25 or later
- Microsoft Internet Explorer 10.0 or 11.0
- Mozilla Firefox 42 Extended Support Release (ESR) or later

Note: Other browsers might work with Infoprint Central V2R3, but are not tested. Using untested browsers might result in some Infoprint Central functions that are unavailable.

Editing the aopd.conf file for Infoprint Central

The `aopd.conf` file contains attributes that Infoprint Server uses when it starts. The default location of this file is `/etc/Printsrv/aopd.conf`.

To start the Infoprint Central daemon when the ISPF **Operating mode** field is set to `z/OS 2.1`, you must specify the following attribute in the `aopd.conf` file:

start-daemons = { ssid }

The daemons that start when you run the `aopstart` command or `AOPSTART JCL` procedure. To use Infoprint Central, you must start the `aopssid` daemon. Add the `ssid` value to any existing values in this attribute. Enclose all values in braces. By default, only the Printer Inventory Manager and LPD daemons start.

Rule: If you add or remove `ssid`, start Infoprint Server again. You do not need to stop any daemons before you restart Infoprint Server unless all these conditions are met:

- You are adding value `ssid`.
- Dynamic configuration is not enabled.
- You did not specify the `log-retention` attribute or you specified `log-retention=0` the last time you started all Infoprint Server daemons.

In this case, you must first stop all daemons. In addition, before you restart Infoprint Server, if `log-retention=0` is specified, change the value to 1 or higher.

Example: In this example, the Printer Inventory Manager, LPD, IP PrintWay extended mode, and Infoprint Central daemons start:

```
start-daemons = {lpd outd ssid}
```

Default: `start-daemons = {lpd}`

You can also specify these attributes in the `aopd.conf` file:

console-name = name

The name of the extended MCS console that Infoprint Central uses to send commands to the `z/OS` system.

Rules:

1. The console name must be 2 – 8 alphanumeric or national (`#`, `$`, and `@`) characters. The first character cannot be numeric. Enclose a name that contains national characters in single or double quotation marks.
2. Do not use these reserved names: `HC`, `INSTREAM`, `INTERNAL`, `OPERLOG`, `SYSIOSRS`, `SYSLOG`, `UNKNOWN`.
3. If you specify the Infoprint Central daemon (`aopssid`) in the `start-daemons` attribute, this console name must be unique among all active and inactive console names on all systems in a sysplex. To display the active and inactive console names, enter this `MVS` command:

```
DISPLAY EMCS,ST=L
```

For information about the `DISPLAY EMCS` command, see [z/OS MVS System Commands](#).

4. If dynamic configuration is enabled, specify this attribute in the system configuration definition. If you change this attribute while the Infoprint Central daemon (aopssid) is running, stop aopssid and restart Infoprint Server.
5. If dynamic configuration is not enabled, specify this attribute in the aopd.conf file. If you change this attribute while Infoprint Server is running, stop all Infoprint Server daemons and restart Infoprint Server. Be sure to wait for all daemons to stop before you restart Infoprint Server.

Default: The Printer Inventory name (specified in the inventory attribute), followed by the last 4 characters of the system name. If the Printer Inventory name is AOP1 and the system name is MYSYS1, the default console name is AOP1SYS1.

Example: console-name = PRINTCON

log-retention = days

The number of days worth of messages that Infoprint Server retains in the common message log. Also, this attribute specifies the number of days for which Infoprint Central displays information about print jobs that are removed from the JES spool.

You can specify a value 0 - 59. A value of 0 means that Infoprint Server does not write any messages to the common message log and Infoprint Central does not display information about print jobs that are removed from the JES spool.

Guidelines:

1. If you do not start the Infoprint Central daemon, specify a value greater than 0 so that Infoprint Server writes messages to the common message log.
2. If you specify a value greater than 0 or start the Infoprint Server daemon, you might need to increase the amount of space available to the file system mounted at the /var or /var/Printsrv mount point because the common message log and Historical Inventory can contain a large amount of data. See [printsrvspace.dita#printsrvspace](#).
3. Because the common message log and Historical Inventory can contain a large amount of data, start with a value of 1 day. Increase the value by 1 day if enough space exists in the file system and if users request to see more messages or historical information.
4. If the size of the common message log in the z/OS UNIX file system grows too large, you can decrease its size. For more information, see [reducelogsize.dita#reducelogsize](#).
5. If you use aoplogu to view messages, the date and time format that is displayed in messages is controlled by the TZ and either the LC_TIME or LC_ALL environment variables. See [env.dita#env](#).

If you use Infoprint Central to view messages, the date and time format for the messages is controlled by the operating system that runs your web browser.

Rules:

1. If dynamic configuration is enabled, specify this attribute in the system configuration definition. If you change this attribute, you do not need to restart Infoprint Server.
2. If dynamic configuration is not enabled, specify this attribute in the aopd.conf file. If you change this attribute while Infoprint Server is running, stop all Infoprint Server daemons and restart Infoprint Server. Be sure to wait for all daemons to stop before you restart Infoprint Server.

Default: If you start the Infoprint Central daemon (aopssid), the default is 1 day. Otherwise, the default is 0. If you enable dynamic configuration, the default changes to 1 day regardless of whether you start aopssid.

Example: log-retention = 3

use-output-disposition = yes | no

Indicates whether Infoprint Central uses the document OUTDISP value when it releases print jobs from a JES2 spool to a non-IP PrintWay printer, such as PSF.

yes

Infoprint Central uses the document OUTDISP value when it releases print jobs.

no

Infoprint Central releases print jobs according to its defined job-release function; for example, the job is purged after it prints.

Note: For information about how the OUTDISP and use-output-disposition values determine the release function, see [z/OS Infoprint Server Operation and Administration](#).

Rules:

1. If dynamic configuration is enabled, specify this attribute in the **Other** field for the system configuration definition. You do not need to restart Infoprint Server.
2. If dynamic configuration is not enabled, specify this attribute in the `aopd.conf` configuration file and then restart Infoprint Server.

Default: `use-output-disposition = no`

Related information: For information about:

- All attributes in the Infoprint Server configuration file, see [Appendix B, “Infoprint Server files,”](#) on page 337.
- How to edit the Infoprint Server configuration file, see [“Steps for editing the Infoprint Server configuration file \(aopd.conf\)”](#) on page 37.
- How to enable dynamic configuration, see [“Enabling dynamic configuration”](#) on page 67.

Customizing the IBM HTTP Server - Powered by Apache

In z/OS V2R1 and earlier versions, the Infoprint Central component of Infoprint Server was designed to work only with the IBM HTTP Server powered by Domino®. In z/OS V2R2, IBM removed support for the Domino HTTP Server and only the IBM HTTP Server - Powered by Apache, a base element of z/OS V2R2 and later, is supported. You must now use the Apache 31-bit IBM HTTP Server with Infoprint Central.

To display Infoprint Central web pages, you must customize and start the IBM HTTP Server - Powered by Apache.

Guidelines:

1. Start a separate IBM HTTP Server - Powered by Apache to be used exclusively by Infoprint Central. A separate HTTP server can improve Infoprint Central performance. Also, you can customize the HTTP server for Infoprint Central without affecting other applications that use the HTTP server.
2. Start an IBM HTTP Server - Powered by Apache on each z/OS system where Infoprint Server is running. The HTTP server can display Infoprint Central web pages only for Infoprint Server running on the same z/OS system as the HTTP server.
3. Customize the IBM HTTP Server - Powered by Apache to use the Secure Sockets Layer (SSL) protocol if you want to encrypt information that passes between the user's browser and the HTTP server.

Related information: For complete information about how to install the IBM HTTP Server - Powered by Apache, see [z/OS HTTP Server - Powered by Apache User's Guide](#). For more information about the HTTP Server - Powered by Apache, see [WebSphere Application Server Knowledge Center \(www.ibm.com/support/knowledgecenter/SSEQTP\)](#).

Table 50 on page 293 summarizes the customization tasks for using the HTTP Server - Powered by Apache with Infoprint Central. Required tasks are necessary for all installations. Optional tasks are required only if the listed condition applies to your installation.

<i>Table 50: Customization tasks for using the HTTP Server - Powered by Apache with Infoprint Central</i>	
Task	Condition
“Configuring the IBM HTTP Server - Powered by Apache ” on page 294	Required

Table 50: Customization tasks for using the HTTP Server - Powered by Apache with Infoprint Central (continued)

Task	Condition
<u>“Editing the configuration file for the IBM HTTP Server - Powered by Apache (conf/httpd.conf)” on page 295</u>	Required
<u>“Customizing the environment variables file for the IBM HTTP Server - Powered by Apache (bin/envvars)” on page 296</u>	Required
<u>“Creating a started task to run the IBM HTTP Server - Powered by Apache” on page 301</u>	Required

Configuring the IBM HTTP Server - Powered by Apache

The IBM HTTP Server - Powered by Apache files are installed with z/OS V2R2 and later; however, to display Infoprint Central web pages, you must configure and start the HTTP server. The following steps describe how to set up a default configuration for the HTTP server that is used exclusively by Infoprint Central:

1. Create an installation directory for the server configuration files. For example:

```
cd install_directory
mkdir -p etc/websrv1
```

2. Change the directory to the IBM HTTP Server - Powered by Apache product directory:

```
cd /usr/lpp/ihsa_zos/.31bit
```

3. Run the installer program, bin/install_ihs, to install the HTTP server product files in your installation directory, do the initial configuration, and create symbolic links from your home directory to the product directory. Use these parameters to run the installer program:

- The installation directory for the configuration files.
- The non-SSL port for the web server. Select a port other than the default port of 80; for example, 8081 or 8082. You might also want to change the port on the Listen directive.

For example:

```
./bin/install_ihs install_directory/etc/websrv1 8081
```

4. Confirm that you successfully installed an operating version of the IBM HTTP Server - Powered by Apache in your installation directory:

- a. Change to the server's installation directory:

```
cd install_directory/etc/websrv1
```

- b. Run these commands to verify that the IBM HTTP Server - Powered by Apache was successfully installed:

```
bin/apachectl -v
bin/apachectl configtest
```

You see output similar to this example when an installation is successful:

```
# bin/apachectl -v
Server version: IBM_HTTP_Server/8.5.5.2 (Unix)
Server built:   Jul 11 2014 18:07:04

# bin/apachectl configtest
Syntax OK
```

5. Use this command to start the IBM HTTP Server - Powered by Apache:

```
bin/apachectl start
```

6. Verify that the IBM HTTP Server - Powered by Apache is running successfully by loading the default Infoprint Central web page with the host name or IP address of your z/OS system and the non-SSL port number you specified in step “3” on page 294. For example:

```
http://bldserv.bldev.infoprint.com:8081/
```

If you have problems opening the web page, see *z/OS HTTP Server - Powered by Apache User's Guide*.

7. Run this command to stop the IBM HTTP Server - Powered by Apache before you edit the HTTP server configuration file and environment variables file:

```
bin/apachectl stop
```

Editing the configuration file for the IBM HTTP Server - Powered by Apache (conf/httpd.conf)

The configuration file for the IBM HTTP Server - Powered by Apache, `conf/httpd.conf`, contains directives that customize the HTTP server. You must add directives to the configuration file so that the HTTP server can display Infoprint Central web pages.

To edit the configuration file, add the following information to the end of the `conf/httpd.conf` file.

Tip: Be sure to uncomment the last two lines if you ordered the Japanese feature.

```
# Make the following changes to the httpd.conf file
# for Infoprint Central.
# Normally, these can be added to the end of the file.

# Modify the HTTP response header
# -----
# Modification of the HTTP request and response headers is
# provided by the mod_headers module. This module is used
# to set the HTTP response header option to prevent clickjacking.
LoadModule headers_module modules/mod_headers.so

# SAF (RACF) authorization
# -----
# SAF authentication is provided by the mod_authnz_saf
# module. The mod_authz_default and mod_auth_basic modules
# provide basic authentication and authorization support
# which is needed in mod_authnz_saf configurations.
LoadModule authnz_saf_module modules/mod_authnz_saf.so

# Allowed Methods
#-----
# This module specifies the allowed methods to
# prevent verb tampering.
LoadModule allowmethods_module modules/mod_allowmethods.so

# Infoprint Central module
# -----
LoadModule IpC_module /usr/lpp/Printsrv/lib/aopipc.so

<Location /Infoprint/>
  AuthName "Infoprint Central"
  AuthType Basic
  AuthBasicProvider saf
  # Infoprint Central requires an authorized user
  Require valid-user
  SAFRunAs %%CLIENT%%

# Use the following directive to use a specific SAF APPL class resource.
# During user signon authentication, this class is checked for user permission.
# The < > are added for demarcation and should not be present if you uncomment the directive.
# SAFAPPLID <name of APPLID>
# Example:
# SAFAPPLID INFOPRINT
```

```

# Handler for Infoprint Central requests
SetHandler IpC

# No translation by default for location /Infoprint/
CharsetSourceEnc ISO8859-1
CharsetDefault ISO8859-1

# Prevent clickjacking
Header append X-Frame-Options "SAMEORIGIN"

# Prevent Verb tampering
AllowMethods GET POST

</Location>

<Location /Infoprint/help/EN_US/>
# Infoprint Central help is in EBCDIC
CharsetSourceEnc IBM-1047
CharsetDefault ISO8859-1
</Location>

# Map URIs to directories
Alias /Infoprint/Scripts/ /usr/lpp/Printsrv/InfoprintCentral/Scripts/
Alias /Infoprint/css/ /usr/lpp/Printsrv/InfoprintCentral/css/
Alias /Infoprint/Images/ /usr/lpp/Printsrv/InfoprintCentral/Images/
Alias /Infoprint/help/En_US/ /usr/lpp/Printsrv/InfoprintCentral/help/En_US/
Alias /Infoprint/En_US/ /usr/lpp/Printsrv/InfoprintCentral/
# Japanese feature: uncomment these lines:
#AliasMatch ^/Infoprint/help/Ja_JP/(.*)\.htm /usr/lpp/Printsrv/InfoprintCentral/help/Ja_JP/
$.htm.binary
#Alias /Infoprint/Ja_JP/ /usr/lpp/Printsrv/InfoprintCentral/

```

Customizing the environment variables file for the IBM HTTP Server - Powered by Apache (bin/envvars)

When you install the IBM HTTP Server - Powered by Apache, the environment variables file, `bin/envvars`, is created. To use the IBM HTTP Server - Powered by Apache with Infoprint Central, you must customize the `bin/envvars` file by adding environment variables at the end of the file. For example, you might add these variables:

```

export AOPCENTRAL=/usr/lpp/Printsrv/InfoprintCentral
export AOPCONF=/etc/Printsrv/aopd.conf # Location of aopd.conf
export CLASSPATH=/usr/lpp/Printsrv/classes/penguin.jar:\
/usr/lpp/Printsrv/classes/ipa.jar:/usr/lpp/Printsrv/classes/snmp.jar:\
/usr/lpp/Printsrv/classes/modelplugin.jar
export JAVA_HOME=/usr/lpp/java/J8.0
export LANG=C
export LC_ALL=En_US.IBM-1047
export LIBPATH=$LIBPATH:/usr/lpp/Printsrv/lib:/usr/lpp/ixm/IBM/xml4c-5_7/lib:\
/usr/lpp/ixm/IBM/xslt4c-1_11/lib
export NLS_PATH=/usr/lpp/Printsrv/%L/%N:/usr/lib/nls/msg/%L/%N:\
/usr/lpp/internet/%L/%N:/usr/lpp/ldap/lib/nls/msg/%L/%N

```

Follow these guidelines when you customize the `bin/envvars` file:

1. If you use the `AOPCONF`, `LC_ALL`, and `LC_CTYPE` environment variables in the HTTP server environment variables file, they must match the variables that are specified in the environment for the start command or the JCL startup procedure.
2. Start each environment variable on a separate line.
3. Use a backslash (\) to continue an environment variable on another line.
4. Do not include any blanks after the last character on a line.
5. After you update the HTTP server environment variables file, do these steps:
 - a. Restart the HTTP server with this command so that your changes take effect:

```
bin/apachectl restart
```

- b. Verify that you can open the main Infoprint Central web page. For example, enter:

```
http://bldserv.bldev.infoprint.com:8081/Infoprint/En_US/IPS.html
```

- c. If you have problems opening the web page, see the logs/error_log file. You can use the LogLevel directive in conf/httpd.conf to adjust the number of the messages that are recorded in the Apache error logs. You can also set GUI_DEBUG=1, AOPTRACEON=1, or both in the bin/envvars file to get more information.

Table 51 on page 297 summarizes the variables that you might need to set in the file. You must always set the required variables. You must set the optional variables only if the default values are not suitable for your installation.

<i>Table 51: Environment variables in bin/envvars</i>		
Environment variable	Condition	Default
AOP_READ_COMMUNITY	Optional	public
AOP_WRITE_COMMUNITY	Optional	public
AOPCENTRAL	Optional	/usr/lpp/Printsrv/InfoprintCentral
AOPCENTRAL_CODEPAGE	Optional	IBM-1047
AOPCONF	Optional	/etc/Printsrv/aopd.conf
AOPLIMIT	Optional	250
AOPLIMIT_DOCS	Optional	250
AOPLIMIT_JOBS	Optional	250
CLASSPATH	Optional	/usr/lpp/Printsrv/classes/ipa.jar:\ /usr/lpp/Printsrv/classes/ modelplugin.jar:\ /usr/lpp/Printsrv/classes/penguin.jar:\ /usr/lpp/Printsrv/classes/snmp.jar
JAVA_HOME	Optional	/usr/lpp/java/J8.0 or /usr/lpp/java/J7.1 if J8.0 does not exist.
LANG	Optional	C
LC_ALL	Optional	C
LIBPATH	Required	None
NLSPATH	Required	None

AOP_READ_COMMUNITY

The SNMP community name that allows read access to TCP/IP-attached printers in your installation. The SNMP read community name is required for Infoprint Central to display information from the printer (such as status, paper level, and model) and to display the turn online, turn offline, and reset printer actions. This environment variable is optional.

Tips:

1. For information about how to assign an SNMP read community name to a printer, see the documentation for the printer or contact the printer manufacturer.
2. You need to assign the same SNMP read community name to all printers and specify it in this environment variable. If a printer's SNMP read community name is different from the one specified in this environment variable, Infoprint Central does not display information from the printer and does not display the turn online, turn offline, and reset printer actions.
3. To see information from the printer and printer actions, Infoprint Central users must have READ access to the RACF profiles in the PRINTSRV and OPERCMDS classes that protect the printer.
4. Infoprint Central does not reveal this community name to Infoprint Central users.

Default: public

Example: AOP_READ_COMMUNITY=mypass

AOP_WRITE_COMMUNITY

The SNMP write community name that allows write access to TCP/IP-attached printers in your installation. The SNMP write community name is required to turn printers online, offline, and reset them. This environment variable is optional.

Tips:

1. For information about how to assign an SNMP write community name to printers, see the documentation for the printer or contact the printer manufacturer.
2. If you assign different SNMP write community names to your printers, specify the most common community name in this environment variable. If this community name is not correct for a particular printer, Infoprint Central asks the user to enter the SNMP write community name for that printer.
3. To do printer actions, Infoprint Central users must have CONTROL access to the RACF profile in the PRINTSRV class that protects the printer.
4. Infoprint Central does not reveal this community name to Infoprint Central users.

Default: public

Example: AOP_WRITE_COMMUNITY=mypass

AOPCENTRAL

The directory that contains Infoprint Central files. This environment variable is optional. If you installed Infoprint Server files in the default directory, you do not need to set this environment variable.

Default: /usr/lpp/Printsrv/InfoprintCentral

Example: AOPCENTRAL=/usr/lpp/mylib/InfoprintCentral

AOPCENTRAL_CODEPAGE

The EBCDIC code page that Infoprint Central uses when it searches for and displays attributes in the Printer Inventory. Specify the same code page for the locale that is specified in the LC_ALL or LC_CTYPE environment variable in the aopstart EXEC, *envvar* file, or JCL startup procedure. This environment variable is optional.

Specify this environment variable only in the IBM HTTP Server - Powered by Apache environment variables file (*bin/envvars*).

Default: IBM-1047

Example: AOPCENTRAL_CODEPAGE=IBM-297

AOPCONF

The full path name of the Infoprint Server configuration file. This environment variable is optional. If you created the configuration file in the default location, you do not need to set this environment variable. The values in the IBM HTTP Server - Powered by Apache environment variables file (*bin/envvars*) and in the aopstart EXEC or *envvar* file must match.

Default: /etc/Printsrv/aopd.conf

AOPLIMIT

The maximum number of objects that Infoprint Central displays after a search. This limit prevents the IBM HTTP Server - Powered by Apache from timing out before Infoprint Central can display all objects that meet the users' search criteria. This environment variable is optional. You can specify a number 1 - 9999. If you specify an incorrect value, the default value is used.

If you set a limit for print jobs in the AOPLIMIT_JOBS environment variable, the limit in AOPLIMIT does not apply to print jobs.

If you set a limit for documents in the AOPLIMIT_DOCS environment variable, the limit in AOPLIMIT does not apply to documents.

Tips:

1. If Infoprint Central users ask to see more than 250 objects, try increasing the limit. If the higher limit causes the HTTP server to time out, try increasing the HTTP server's timeout value.
2. If the HTTP server times out occasionally with the default limit, ask users to narrow their searches.
3. If the HTTP server times out repeatedly with the default limit, reduce the limit or try increasing the HTTP server's timeout value.
4. When the HTTP server times out, users might not see any search results, or they might see partial search results or a "Page not found" error.

Default: 250

Example: AOPLIMIT=100

AOPLIMIT_DOCS

The maximum number of documents that Infoprint Central displays after a search. This limit prevents the HTTP server from timing out before Infoprint Central can display all objects that meet the users' search criteria. This environment variable is optional. You can specify a number 1 - 9999. If you specify an incorrect value, the default value is used.

For more information, see the AOPLIMIT environment variable.

Default: The limit that is specified in the AOPLIMIT environment variable is used. If that environment variable is not specified, the limit is 250.

Example: AOPLIMIT_DOCS=100

AOPLIMIT_JOBS

The maximum number of print jobs that Infoprint Central displays after a search. This limit prevents the HTTP server from timing out before Infoprint Central can display all objects that meet the users' search criteria. This environment variable is optional. You can specify a number 1 - 9999. If you specify an incorrect value, the default value is used.

For more information, see the AOPLIMIT environment variable.

Default: The limit that is specified in the AOPLIMIT environment variable is used. If that environment variable is not specified, the limit is 250.

Example: AOPLIMIT_JOBS=100

CLASSPATH

The full path names of Infoprint Central Java Archive (JAR) files. This environment variable is optional. However, you must set it if you did not install Infoprint Server in the default directory (/usr/lpp/Printsrv), or if you specify the CLASSPATH environment variable in the HTTP server environment variables file.

If you did not install Infoprint Server in the default directory, add these directories to any existing values:

- /*directory*/classes/ipa.jar
- /*directory*/classes/modelplugin.jar
- /*directory*/classes/penguin.jar
- /*directory*/classes/snmp.jar

directory is the name of the directory where you installed Infoprint Server.

Rule: Separate directories with a colon, do not include any blanks in the value, and specify the entire value on one line.

Default:

```
/usr/lpp/Printsrv/classes/ipa.jar:\
/usr/lpp/Printsrv/classes/modelplugin.jar:\
/usr/lpp/Printsrv/classes/penguin.jar:\
/usr/lpp/Printsrv/classes/snmp.jar
```

JAVA_HOME

The path that is used to locate Java files. Infoprint Central requires Java 7.1 or Java 8.0. This environment variable is optional. However, you must set it if you did not install the Java files in the default Java directory.

Default: /usr/lpp/java/J8.0 or /usr/lpp/java/J7.1 if J8.0 does not exist.

Example: JAVA_HOME=/usr/lpp/java/J8.0

LANG

The language that is used for messages. Infoprint Server provides messages in English and Japanese. Specify En_US for English messages, or Ja_JP for Japanese messages.

Default: C (equivalent to En_US)

LC_ALL

The locale that is used to format time and date information in messages. This locale overrides the locale in the LC_TIME variable.

Rule: In the IBM HTTP Server - Powered by Apache environment variables file (bin/envvars), do not specify a value that is associated with a code page other than IBM-1047.

Examples:

1. aopstart EXEC: LC_ALL=Fr_FR.IBM-297
2. bin/envvars file: LC_ALL=Fr_FR.IBM-1047

Default: C (also called POSIX)

LIBPATH

The path that is used to locate dynamic link libraries (DLLs). This environment variable is required. Add these IBM XML Toolkit V1.10 and Infoprint Server libraries before any existing values in LIBPATH:

```
/usr/lpp/ixm/IBM/xml4c-5_7/lib  
/usr/lpp/ixm/IBM/xslt4c-1_11/lib  
/usr/lpp/Printsrv/lib
```

Rules:

1. Separate directories with a colon, do not include any blanks in the value, and specify the entire value on one line.
2. Add the XML Toolkit V1.10 libraries before the libraries for any other XML Toolkit versions.

Default: None

Example:

```
LIBPATH=/usr/lpp/ixm/IBM/xml4c-5_7/lib:/usr/lpp/ixm/IBM/xslt4c-1_11/lib:/usr/lpp/Printsrv/  
lib:other values
```

NLSPATH

The path of directories that contain message catalogs. This environment variable is required. Add these directories for Infoprint Server messages to any existing values in NLSPATH:

```
/usr/lpp/Printsrv/%L/%N  
/usr/lpp/Printsrv/En_US/%N
```

Rule: Separate directories with a colon, do not include any blanks in the value, and specify the entire value on one line.

Default: None

Example:

```
NLSPATH=existing values:/usr/lpp/Printsrv/%L/%N:/usr/lpp/Printsrv/En_US/%N
```


Creating a started task to run the IBM HTTP Server - Powered by Apache

To create a started task to run the IBM HTTP Server - Powered by Apache:

1. Define the user ID for the started task that you want to run the server under.
2. Define a RACF (or other SAF) STARTED rule to map a started task to the user ID.
3. Create a procedure similar to this example:

```

//*-----
//IHSAE001 PROC ACTION='start',
// DIR='install_directory/etc/websrv1',
// CONF='conf/httpd.conf'
//*-----
//IHS EXEC PGM=BPXBATCH,
// PARM='SH &DIR/bin/apachectl -k &ACTION -f &CONF -DNO_DETACH',
// REGION=512M
//STDOUT DD PATH='&DIR/logs/proc.output',
// PATHOPTS=(OWRONLY,OCREAT,OTRUNC),
// PATHMODE=(SIRUSR,SIWUSR,SIRGRP,SIWGRP)
//STDERR DD PATH='&DIR/logs/proc.errors',
// PATHOPTS=(OWRONLY,OCREAT,OTRUNC),
// PATHMODE=(SIRUSR,SIWUSR,SIRGRP,SIWGRP)
// PEND

```

4. Run this command to start the IBM HTTP Server - Powered by Apache:

```
START procname
```

where *procname* is the procedure name; for example, IHSAE001.

Setting up security for Infoprint Central

To set up security for Infoprint Central, you can use the Resource Access Control Facility (RACF) or a functionally equivalent product that follows system authorization facility (SAF) protocol. For more information about how to use RACF, see [z/OS Security Server RACF Security Administrator's Guide](#).

Table 52 on page 301 summarizes the customization tasks that are related to setting up security for Infoprint Central. Required tasks are necessary for all installations. Optional tasks are required only if the listed condition applies to your installation.

Table 52: Customization tasks for Infoprint Central security	
Task	Condition
“Authorizing the AOOPER group to RACF profiles” on page 302	Required
“Defining Infoprint Central users as z/OS UNIX users” on page 304	Required
“Activating the PRINTSRV class” on page 304	Optional: To define profiles in the PRINTSRV class.
“Authorizing users to read the Printer Inventory” on page 304	Optional: To let Infoprint Central users view objects in the Printer Inventory.
“Setting up security for printers” on page 305	Optional: To restrict who can work with printers.
“Setting up security for NetSpool logical units (LUs)” on page 312	Optional: To restrict who can work with NetSpool LUs.
“Setting up security for IP PrintWay job selection rules” on page 313	Optional: To restrict who can work with job selection rules.

Table 52: Customization tasks for Infoprint Central security (continued)

Task	Condition
“Setting up security for print jobs” on page 315	Optional: To restrict who can work with print jobs.
“Setting up security for Infoprint Server daemons” on page 320	Optional: To restrict who can view the status of daemons.
“Setting up security for printer and printer pool definitions” on page 321	Optional: To restrict who can view printer definitions.
“Requesting RACF notification and auditing” on page 321	Optional: To change default RACF notification and auditing.

Authorizing the AOOPER group to RACF profiles

You must give the user ID that starts Infoprint Server access to the RACF profiles in the OPERCMDS class that protect JES operator commands, and profiles in the JESSPOOL class that protect data sets. These profiles are optional. However, if you defined any of these profiles, you must give the user ID that starts Infoprint Server the minimum access.

The profile in the JESSPOOL class for JES2 and JES3 is *nodeid.userid.jobname.jobid.Ddsid.dsname*; the minimum access required for the AOOPER group is UPDATE. [Table 53 on page 302](#) and [Table 54 on page 303](#) list the profiles in the OPERCMDS class and the minimum access required.

Table 53: Profiles in the OPERCMDS class and minimum access required for the AOOPER group— JES2 systems. For *jesname*, substitute the name of the JES system. For example, substitute JES2.

Profile name in OPERCMDS class	Minimum access
<i>jesname</i> .BACKSP.DEV	UPDATE
<i>jesname</i> .CANCEL.DEV	UPDATE
<i>jesname</i> .DISPLAY.DEV	READ
<i>jesname</i> .DISPLAY.BATOUT	READ
<i>jesname</i> .DISPLAY.STCOUT	READ
<i>jesname</i> .DISPLAY.TSUOUT	READ
<i>jesname</i> .FORWARD.DEV	UPDATE
<i>jesname</i> .HALT.DEV	UPDATE
<i>jesname</i> .INTERRUPT.DEV	UPDATE
<i>jesname</i> .MODIFY.DEV	UPDATE
<i>jesname</i> .MODIFY.BATOUT	UPDATE
<i>jesname</i> .MODIFY.STCOUT	UPDATE
<i>jesname</i> .MODIFY.TSUOUT	UPDATE
<i>jesname</i> .REPEAT.DEV	UPDATE
<i>jesname</i> .START.DEV	UPDATE
<i>jesname</i> .STOP.DEV	UPDATE
MVS.MODIFY	UPDATE

Table 53: Profiles in the OPERCMDS class and minimum access required for the AOPOPER group— JES2 systems. For *jesname*, substitute the name of the JES system. For example, substitute JES2. (continued)

Profile name in OPERCMDS class	Minimum access
MVS.VARY.NET	UPDATE

Table 54: Profiles in the OPERCMDS class and minimum access required for the AOPOPER group— JES3 systems. For *jesname*, substitute the name of the JES system. For example, substitute JES3.

Profile name in OPERCMDS class	Minimum access
<i>jesname</i> .CALL.WTR	UPDATE
<i>jesname</i> .CANCEL.DEV.dev	UPDATE
<i>jesname</i> .DISPLAY.D	READ
<i>jesname</i> .DISPLAY.U	READ
<i>jesname</i> .MODIFY.U	UPDATE
<i>jesname</i> .RESTART.DEV.dev	UPDATE
<i>jesname</i> .START.DEV.dev	UPDATE
<i>jesname</i> .VARY.DEV	UPDATE
MVS.MODIFY	UPDATE
MVS.VARY.NET	UPDATE

The user who starts Infoprint Server must be a member of the AOPOPER RACF group, or have a UID of 0. (AOPOPER is the default group name for Infoprint Server operators. However, your installation can assign a different name to this group.) Therefore, you can give the AOPOPER group access to the profiles in the OPERCMDS and JESSPOOL classes as shown in these examples. If someone with a user ID of 0 who is not a member of the AOPOPER group starts Infoprint Server, also give that user access to the profiles.

Guideline: To limit access, use a JCL startup procedure, instead of a start command from the z/OS UNIX command line, to start Infoprint Server because you can associate a user ID with a JCL startup procedure. Then, make that user ID the sole member of the AOPOPER group.

Steps for authorizing the AOPOPER group to JES commands

1. Give the RACF group for Infoprint Server operators (AOPOPER group) access to profiles that protect all operator commands that Infoprint Central uses.

Examples: If the group name for Infoprint Server operators is AOPOPER, enter these RACF commands to give this group UPDATE access to broad profiles in the OPERCMDS and JESSPOOL classes:

- a. JES2:

```
PERMIT JES2.*.* CLASS(OPERCMDS) ACCESS(UPDATE) ID(AOPOPER)
PERMIT MVS.MODIFY CLASS(OPERCMDS) ACCESS(UPDATE) ID(AOPOPER)
PERMIT MVS.VARY.NET CLASS(OPERCMDS) ACCESS(UPDATE) ID(AOPOPER)
PERMIT N1.*.*.D*. * CLASS(JESSPOOL) ACCESS(UPDATE) ID(AOPOPER)
```

- b. JES3:

```
PERMIT JES3.*.* CLASS(OPERCMDS) ACCESS(UPDATE) ID(AOPOPER)
PERMIT JES3.*.*.* CLASS(OPERCMDS) ACCESS(UPDATE) ID(AOPOPER)
PERMIT MVS.MODIFY CLASS(OPERCMDS) ACCESS(UPDATE) ID(AOPOPER)
PERMIT MVS.VARY.NET CLASS(OPERCMDS) ACCESS(UPDATE) ID(AOPOPER)
PERMIT N1.*.*.D*. * CLASS(JESSPOOL) ACCESS(UPDATE) ID(AOPOPER)
```

Tips:

- a. If you define more specific profiles in the OPERCMDS and JESSPOOL classes, give the AOOPER group access to those profiles as well.
 - b. For information about the fields in the profile in the JESSPOOL class, see [“Protecting print jobs with profiles in the JESSPOOL class” on page 318.](#)
2. Refresh the OPERCMDS and JESSPOOL classes.

Examples:

- a. JES2: SETROPTS RACLIST(OPERCMDS JESSPOOL) REFRESH
 - b. JES3: SETROPTS RACLIST(OPERCMDS JESSPOOL) REFRESH
3. If you authorize the AOOPER group to profiles while the Infoprint Central daemon (aopssid) is started, stop and restart it so that your changes take effect. For example, enter these MVS commands to run the AOPSTOP and AOPSTART JCL procedures:

```
START AOPSTOP,OPTIONS='-d ssid'  
START AOPSTART
```

Defining Infoprint Central users as z/OS UNIX users

You must define users of Infoprint Central to RACF as z/OS UNIX users. The following information summarizes the required steps. However, for complete information, see [z/OS UNIX System Services Planning](#).

Tip: Infoprint Central users do not need to be authorized to use TSO.

Step for defining users to RACF as z/OS UNIX users

1. For each user, establish an OMVS segment and set the user's default group to a group that has an OMVS segment with a group identifier (GID). You can specify any home directory or use the default home directory. Use either the ADDUSER command to define a new user ID or the ALTUSER command to modify an existing user ID.

Example: In this ALTUSER command, for *userid*, specify an existing user ID. For *user-identifier*, specify an integer that is different from other UIDs in your installation. For *group*, specify any group that has an OMVS GID.

```
ALTUSER userid OMVS(UID(user-identifier)) PROGRAM('/bin/sh')  
DFLTGRP(group)
```

Activating the PRINTSRV class

To set up security for Infoprint Central, you can define profiles in the PRINTSRV class. If you define any profiles in the PRINTSRV class, you must activate the PRINTSRV class in RACF. In addition, to improve performance, you can copy profiles in the PRINTSRV class into virtual storage. If you copy profiles into virtual storage, you must refresh the PRINTSRV class after you change any profiles or authorize new users to the profiles to make the changes effective.

Example: This SETROPTS command activates the PRINTSRV class and copies profiles into virtual storage.

```
SETROPTS CLASSACT(PRINTSRV) RACLIST(PRINTSRV)
```

Authorizing users to read the Printer Inventory

Some Infoprint Central actions require that users be authorized to read the Printer Inventory. These actions include viewing PSF printers, printer definitions, printer pool definitions, and IP PrintWay job selection rules.

To authorize users to read the Printer Inventory, with either Infoprint Central or Infoprint Server ISPF panels, give the AOP.ADMINISTRATOR profile in the PRINTSRV class universal READ access or give all

Infoprint Central users READ access. For information about how to define the AOP.ADMINISTRATOR profile, see [“Setting up security for the Printer Inventory and operator commands”](#) on page 43.

Example: The PERMIT command gives users READ access to profile AOP.ADMINISTRATOR in the PRINTSRV class. The SETROPTS command refreshes the PRINTSRV class:

```
PERMIT AOP.ADMINISTRATOR CLASS(PRINTSRV) ACCESS(READ) ID(userid or groupid)
SETROPTS RACLIST(PRINTSRV) REFRESH
```

Setting up security for printers

Infoprint Central lets users work with printers that IP PrintWay controls (called *IP PrintWay* printers) and with printers that PSF for z/OS controls (called *PSF printers*). You can protect IP PrintWay and PSF printers with profiles in these classes:

- **PRINTSRV class:** Infoprint Server profiles in the PRINTSRV class restrict who can work with IP PrintWay and PSF printers.
- **OPERCMDS class:** Profiles in the OPERCMDs class restrict who can work with PSF printers.

If you define profiles in both classes, users must have access to both profiles to do actions on PSF printers.

Guidelines:

1. **IP PrintWay printers:** Define profiles in the PRINTSRV class to protect printers. Otherwise, any Infoprint Central user can work with any IP PrintWay printer.
2. **PSF printers:** Define profiles in the PRINTSRV class to protect printers, or define profiles in the OPERCMDs class to protect printer actions. Otherwise, any Infoprint Central user can work with any PSF printer.

Define profiles in the OPERCMDs class if you want to authorize the same users to do actions on all PSF printers. If you want to authorize one group of users to do actions on one set of printers and another group of users to do actions on another set of printers, define profiles in the PRINTSRV class.

Protecting printers with profiles in the PRINTSRV class

You can define profiles in the PRINTSRV class to restrict who can work with printers. Profiles in the PRINTSRV class can apply to both IP PrintWay and PSF printers.

You can define a separate profile to protect each printer, or you can define one profile to protect a group of printers or all printers. For example, if you want to authorize different users to work with printers in different locations, define separate profiles for printers in each location. You can define one profile for all printers in Denver, and another profile for all printers in Houston. If you want to authorize the same group of users to work with all printers, you need to define only one profile.

You specify the name of the profile that applies to each printer in the Printer Inventory:

- **IP PrintWay printers:** Specify the profile name in the printer's printer definition.
- **PSF printers:** Specify the profile name in the printer's FSA definition.

[Table 55 on page 305](#) lists the printer actions users can do in Infoprint Central and the minimum access that is required to the printer's profile in the PRINTSRV class.

<i>Table 55: Infoprint Central printer actions and the minimum access required to profiles in the PRINTSRV class.</i>		
To do this action in Infoprint Central	Access to this profile in the PRINTSRV class is required	This minimum access is required
Change forms - PSF printers only	Profile that is specified in Printer Inventory	UPDATE

Table 55: Infoprint Central printer actions and the minimum access required to profiles in the PRINTSRV class. (continued)

To do this action in Infoprint Central	Access to this profile in the PRINTSRV class is required	This minimum access is required
Change job selection - PSF printers only	Profile that is specified in Printer Inventory	UPDATE
Find and display printers ¹	Profile that is specified in Printer Inventory	READ
Interrupt - PSF printers only ²	Profile that is specified in Printer Inventory	CONTROL
Pause - PSF printers only ²	Profile that is specified in Printer Inventory	CONTROL
Ping and run traceroute	Profile that is specified in Printer Inventory	READ
Redirect - IP PrintWay printers only ⁵	Profile that is specified in Printer Inventory	CONTROL
Repeat - PSF printers only ²	Profile that is specified in Printer Inventory	CONTROL
Reset ^{1, 2, 4, 5}	Profile that is specified in Printer Inventory	CONTROL
Restore - IP PrintWay printers only	Profile that is specified in Printer Inventory	CONTROL
Space - PSF printers only ²	Profile that is specified in Printer Inventory	CONTROL
Start	Profile that is specified in Printer Inventory	CONTROL
Stop printer and delete or hold the current print job ²	Profile that is specified in Printer Inventory	CONTROL
Stop printer after the current print job completes	Profile that is specified in Printer Inventory	CONTROL
Turn offline ^{1, 2, 4, 5}	Profile that is specified in Printer Inventory	CONTROL
Turn online ^{1, 2, 4, 5}	Profile that is specified in Printer Inventory	CONTROL
View log	Profile that is specified in Printer Inventory	READ
View properties	Profile that is specified in Printer Inventory	READ

1. To display information from the printer and to display some printer actions (turn online, turn offline, and reset), the SNMP read community name for the printer must be "public", or it must be specified in the AOP_READ_COMMUNITY environment variable. For information about how to set this environment variable, see [“Customizing the environment variables file for the IBM HTTP Server - Powered by Apache \(bin/envvars\)”](#) on page 296.
2. These PSF printer actions do not apply to AFP Download Plus senders: Interrupt, pause, repeat, reset, space, stop printer and delete the current print job, turn offline, and turn online.
3. To redirect an IP PrintWay printer to an alternative printer, CONTROL access is required to the profiles for both printers.
4. To do some printer actions (turn online, turn offline, and reset), the Infoprint Central user must enter the SNMP write community name for the printer unless the write community name is "public" or it is specified in the AOP_WRITE_COMMUNITY environment variable. For information about how to set this environment variable, see [“Customizing the environment variables file for the IBM HTTP Server - Powered by Apache \(bin/envvars\)”](#) on page 296.
5. The RACF profile for the printer in the PRINTSRV class restricts access to the reset, turn offline, and turn online actions. For information, see [“Protecting printers with profiles in the PRINTSRV class”](#) on page 305.

Steps for defining profiles in the PRINTSRV class to protect printers

1. Define a resource profile to RACF in the PRINTSRV class.

You can define a profile for each printer, or you can define one profile for a group of printers or all printers.

Guidelines:

- a. Select any name for the profile that RACF allows. However, do not start the name with AOP to avoid conflict with profile names that IBM uses now or in the future. Profile names can be up to 64 characters.
- b. Give the profile universal READ access if you want all Infoprint Central users to be able to view properties of the printer.
- c. For information about specifying the NOTIFY and AUDIT parameters on the RDEFINE command, see [“Requesting RACF notification and auditing” on page 321](#).

Example: To define a profile that is named PRINTERS.DENVER for printers in the Denver location, with universal READ access, enter this RACF command:

```
RDEFINE PRINTSRV (PRINTERS.DENVER) UACC(READ)
```

2. Give users access to the resource profile.

For information about the access that is required to do printer actions in Infoprint Central, see [Table 55 on page 305](#). To let users do all printer actions, give CONTROL access.

Example: To give users CONTROL access to the profile, enter this RACF command:

```
PERMIT PRINTERS.DENVER CLASS(PRINTSRV) ACCESS(CONTROL) ID(userid or groupid)
```

3. Refresh the PRINTSRV class.

Example: SETROPTS RACLIST(PRINTSRV) REFRESH

4. IP PrintWay printers: Specify the name of the profile in the printer definition for the printer in the Printer Inventory.

Important: If more than one printer definition exists for a printer, specify the same profile in all printer definitions. Otherwise, Infoprint Central might not check the profile. To find all printer definitions for a printer, on the Select Printer Definitions ISPF panel, specify the host name or IP address of the printer in the **IP address** field.

Tips:

- a. If the same profile applies to a group of printers, for example to all printers in a particular location, specify the same profile in the printer definitions for all the printers.
- b. You can use the Infoprint Server ISPF panels or the Printer Inventory Definition Utility (PIDU) to edit the printer definition. If you want to specify the same operator security profile in many IP PrintWay printer definitions, it is easier to use PIDU as shown in the following example. For information about how to use the ISPF panels and PIDU, see [z/OS Infoprint Server Operation and Administration](#).
- c. To specify the same operator security profile in a group of IP PrintWay printer definitions, create a Protocol component with the name of the security profile and specify that Protocol component in all the printer definitions. Creating a component makes it easier to change the name of the profile if necessary.
- d. If the profile you specify is not defined to RACF, Infoprint Central proceeds as if the user has the required access to the profile.

Examples:

- a. This ISPF screen shows how to specify the name of the profile in a printer definition that uses the LPR protocol.

```

                                LPR Protocol

Printer definition name . myprinter
Operator security profile
. . . PRINTERS.DENVER

Printer IP address . myprinter.xyzcorp.denver (extend)
Print queue name . . PASS (extend)

:

```

b. These PIDU commands show how to specify the name of the same RACF profile in all IP PrintWay printer definitions that do not already contain a profile name.

1) Enter these commands as one command on the z/OS UNIX command line:

```

pidu -qc "list printer where printer-type=ip-printway and
operator-security-profile=null;" | awk '{print "modify printer " $1
" operator-security-profile = \"PRINTERS.DENVER\";"}' > /tmp/defs

```

The PIDU list command lists the names of all IP PrintWay printer definitions with no value in the operator-security-profile attribute. These names are piped to the awk program, which writes modify commands to modify the printer definitions to file /tmp/defs.

2) Inspect the /tmp/defs file to make sure the modify commands are acceptable.

3) Enter this command to update the Printer Inventory:

```

pidu /tmp/defs

```

5. PSF printers: Specify the name of the profile in the printer's FSA definition in the Printer Inventory.

Tips:

- a. If the same profile applies to a group of printers, for example to all printers in a particular location, specify the same profile in the PSF FSA definitions for all the printers.
- b. You can use the Infoprint Server ISPF panels or the Printer Inventory Definition Utility (PIDU) to edit the FSA definition. If you want to put the same operator security profile in all PSF FSA definitions, it is easier to use PIDU as shown in the example. For information about how to use the ISPF panels and PIDU, see *z/OS Infoprint Server Operation and Administration*.
- c. If the profile you specify is not defined to RACF, Infoprint Central proceeds as if the user has the required access to the profile.

Examples:

a. This ISPF screen shows how to specify the name of the profile in the PSF FSA definition for the printer.

```

Add                               PSF FSA, Channel
Command ==>

FSA Name . . . PRT00123
Description . -----(extend)
Location . . . DENVER (extend)
Operator security profile
. . . PRINTERS.DENVER

Processing Information:

:

```

b. These PIDU commands show how to specify the name of the same RACF profile in all PSF FSA definitions for TCP/IP-attached printers that do not already have a profile.

1) Enter these commands as one command on the z/OS UNIX command line:

```
pidu -qc "list fsa where fsa-type=psf-tcpip and
operator-security-profile=null;" |awk '{print "modify fsa " $1
" operator-security-profile=\"PRINTERS.DENVER\";"}' > /tmp/defs
```

The `list` command lists the names of all PSF FSA definitions for TCP/IP-attached printers with no value in the `operator-security-profile` attribute. These names are piped to the `awk` program, which writes `modify` commands to modify the `operator-security-profile` attribute.

2) Inspect the `/tmp/defs` file to make sure the `modify` commands are acceptable.

3) Enter this command to update the Printer Inventory:

```
pidu < /tmp/defs
```

6. PSF printers: Make sure that users are authorized to read the Printer Inventory. For information, see [“Authorizing users to read the Printer Inventory”](#) on page 304.

Protecting PSF printers with profiles in the OPERCMDS class

You can define profiles in the OPERCMDS class to restrict who can do actions on PSF printers. Profiles in the OPERCMDS class apply only to PSF printers and not to IP PrintWay printers. Profiles in the OPERCMDS class also restrict access to JES commands.

Note: In Infoprint Central, the term "PSF printer" refers to printers controlled by PSF and to AFP Download Plus senders. (AFP Download Plus is a feature of PSF.)

You can create:

- A broad profile to protect actions on all PSF printers. You control the actions users can do by giving them either READ or UPDATE access to the broad profile. Each type of access lets the user do a different set of actions.
- Specific profiles to protect specific actions.

In JES3 environments, you can also define profiles that apply just to one printer. To do this, you specify the printer name in the last qualifier of the profile name.

Guideline: If you already defined profiles to protect printers in the OPERCMDS class, these profiles are suitable for Infoprint Central. However, be sure to give Infoprint Central users and the AOOPER group the required access to these existing profiles.

Related information: For more information about how profiles in the OPERCMDS class apply to JES2 and JES3 commands, see:

- [z/OS JES2 Initialization and Tuning Guide](#)
- [z/OS JES3 Initialization and Tuning Guide](#)

Table 56 on page 309 and Table 57 on page 310 list the PSF printer actions users can do in Infoprint Central, the profiles in the OPERCMDS class that restrict access to each action, and the minimum access that is required to the profiles.

<i>Table 56: Infoprint Central printer actions and minimum access required to profiles in the OPERCMDS class – JES2 systems. For <i>jesname</i>, substitute the name of the JES system. For example, substitute JES2.</i>		
To do this action in Infoprint Central	Access to this profile in the OPERCMDS class is required	This minimum access is required
Change forms	<i>jesname</i> .MODIFY.DEV	UPDATE
Change job selection	<i>jesname</i> .MODIFY.DEV	UPDATE
Find and display printers	<i>jesname</i> .DISPLAY.DEV	READ
Interrupt	<i>jesname</i> .INTERRUPT.DEV	UPDATE

Table 56: Infoprint Central printer actions and minimum access required to profiles in the OPERCMDS class – JES2 systems. For *jesname*, substitute the name of the JES system. For example, substitute JES2. (continued)

To do this action in Infoprint Central	Access to this profile in the OPERCMDS class is required	This minimum access is required
Pause	<i>jesname</i> .HALT.DEV	UPDATE
Ping and run traceroute	<i>jesname</i> .DISPLAY.DEV	READ
Repeat	<i>jesname</i> .REPEAT.DEV	UPDATE
Reset	<i>jesname</i> .DISPLAY.DEV	READ
Space - backward	<i>jesname</i> .BACKSP.DEV	UPDATE
Space - forward	<i>jesname</i> .FORWARD.DEV	UPDATE
Start	<i>jesname</i> .START.DEV	UPDATE
Stop printer and delete the current print job	<i>jesname</i> .CANCEL.DEV <i>jesname</i> .STOP.DEV	UPDATE UPDATE
Stop printer after the current print job completes	<i>jesname</i> .STOP.DEV	UPDATE
Turn printer offline	<i>jesname</i> .DISPLAY.DEV	READ
Turn printer online	<i>jesname</i> .DISPLAY.DEV	READ
View properties	<i>jesname</i> .DISPLAY.DEV	READ

Notes:

1. These PSF printer actions do not apply to AFP Download Plus senders: Interrupt, pause, repeat, reset, space, stop printer and delete the current print job, turn offline, and turn online.
2. To display information from the printer and to display some printer actions (turn online, turn offline, and reset), the SNMP read community name for the printer must be "public" or must be specified in the AOP_READ_COMMUNITY environment variable. For information about how to set this environment variable, see [“Customizing the environment variables file for the IBM HTTP Server - Powered by Apache \(bin/envvars\)”](#) on page 296.
3. To do some printer actions (turn online, turn offline, and reset), the Infoprint Central user must enter the SNMP write community name for the printer unless the write community name is "public" or is specified in the AOP_WRITE_COMMUNITY environment variable. For information about how to set this environment variable, see [“Customizing the environment variables file for the IBM HTTP Server - Powered by Apache \(bin/envvars\)”](#) on page 296.

Table 57: Infoprint Central printer actions and the minimum access required to profiles in the OPERCMDS class – JES3 systems. For *jesname*, substitute the name of the JES system. For example, substitute JES3.

To do this action in Infoprint Central	Access to this profile in the OPERCMDS class is required	This minimum access is required
Change forms	<i>jesname</i> .CALL.WTR <i>jesname</i> .RESTART.DEV.dev <i>jesname</i> .START.DEV.dev <i>jesname</i> .VARY.DEV	UPDATE UPDATE UPDATE UPDATE

Table 57: Infoprint Central printer actions and the minimum access required to profiles in the OPERCMDS class – JES3 systems. For *jesname*, substitute the name of the JES system. For example, substitute JES3. (continued)

To do this action in Infoprint Central	Access to this profile in the OPERCMDS class is required	This minimum access is required
Change job selection	<i>jesname</i> .CALL.WTR <i>jesname</i> .RESTART.DEV.dev <i>jesname</i> .START.DEV.dev <i>jesname</i> .VARY.DEV	UPDATE UPDATE UPDATE UPDATE
Find and display printers	<i>jesname</i> .DISPLAY.D	READ
Interrupt	<i>jesname</i> .RESTART.DEV.dev	UPDATE
Ping	<i>jesname</i> .DISPLAY.D	READ
Repeat	<i>jesname</i> .RESTART.DEV.dev	UPDATE
Space - backward or forward	<i>jesname</i> .RESTART.DEV.dev	UPDATE
Start	<i>jesname</i> .CALL.WTR <i>jesname</i> .START.DEV.dev <i>jesname</i> .VARY.DEV	UPDATE UPDATE UPDATE
Stop printer and delete the current print job	<i>jesname</i> .CANCEL.DEV.dev <i>jesname</i> .RESTART.DEV.dev	UPDATE UPDATE
Stop printer after the current print job completes	<i>jesname</i> .RESTART.DEV.dev	UPDATE
View properties	<i>jesname</i> .DISPLAY.D	READ
Notes:		
<p>1. For <i>dev</i>, substitute the name of the printer. The printer name is the name of the PSF FSA definition in the Printer Inventory and the printer name that is defined to JES.</p> <p>2. These PSF printer actions do not apply to AFP Download Plus senders: Interrupt, repeat, space, stop printer and delete the current print job.</p>		

Steps for defining profiles in the OPERCMDS class to protect PSF printers

1. Define profiles in the OPERCMDS class. You can define a broad profile to protect all printer actions or specific profiles to protect specific actions. For a list of profiles, see [Table 56 on page 309](#) and [Table 57 on page 310](#).

Guideline: For information about specifying the NOTIFY and AUDIT parameters on the RDEFINE command, see [“Requesting RACF notification and auditing” on page 321](#).

Examples:

- a. JES2: To define a broad profile to protect all actions on all PSF printers, enter this RACF command:

```
RDEFINE OPERCMDS (JES2.*.DEV) UACC(NONE)
```

To define a specific profile for the "stop printer and delete the current print job" action, enter this RACF command:

```
RDEFINE OPERCMDS (JES2.CANCEL.DEV) UACC(NONE)
```

- b. JES3: To define a broad profile to protect all actions on all PSF printers, enter these RACF commands:

```
RDEFINE OPERCMDS (JES3.*.DEV) UACC(NONE)
RDEFINE OPERCMDS (JES3.*.DEV.*) UACC(NONE)
```

To define a specific profile for the "stop printer and delete the current print job" action, enter this RACF command:

```
RDEFINE OPERCMDS (JES3.CANCEL.DEV.*) UACC(NONE)
```

2. Give users access to the resource profiles.

For information about the minimum access that is required to the JES resource profiles, see [Table 56 on page 309](#) and [Table 57 on page 310](#).

Examples:

- a. JES2: To give some users READ access and other users UPDATE access to the broad profiles, enter these RACF commands:

```
PERMIT JES2.*.DEV CLASS(OPERCMD) ACCESS(READ) ID(userid or groupid)
PERMIT JES2.*.DEV CLASS(OPERCMD) ACCESS(UPDATE) ID(userid or groupid)
```

To give users UPDATE access to the specific profile, enter this RACF command:

```
PERMIT JES2.CANCEL.DEV CLASS(OPERCMD) ACCESS(UPDATE) ID(userid or groupid)
```

- b. JES3: To give some users READ access and other users UPDATE access to the broad profiles, enter these RACF commands:

```
PERMIT JES3.*.DEV CLASS(OPERCMD) ACCESS(READ) ID(userid or groupid)
PERMIT JES3.*.DEV.* CLASS(OPERCMD) ACCESS(READ) ID(userid or groupid)
PERMIT JES3.*.DEV CLASS(OPERCMD) ACCESS(UPDATE) ID(userid or groupid)
PERMIT JES3.*.DEV.* CLASS(OPERCMD) ACCESS(UPDATE) ID(userid or groupid)
```

To give users UPDATE access to the specific profile, enter this RACF command:

```
PERMIT JES3.CANCEL.DEV.* CLASS(OPERCMD) ACCESS(UPDATE) ID(userid or groupid)
```

Tip: If you define both broad and specific profiles, give users who have access to the broad profile the appropriate access to the specific profiles so they do not lose access.

3. Give the group for Infoprint Server operators (AOOPER group) the highest level of access to the profiles you created. For information, see [“Authorizing the AOOPER group to RACF profiles” on page 302](#).
4. Refresh the OPERCMDS class.

Example: SETROPTS RACLIST(OPERCMD) REFRESH

5. Make sure that users are authorized to read the Printer Inventory. For information, see [“Authorizing users to read the Printer Inventory” on page 304](#).

Setting up security for NetSpool logical units (LUs)

Infoprint Central lets users work with NetSpool logical units (LUs). You can define the AOP.NETSPOOL profile to restrict who can display, start, and stop NetSpool LUs.

Guideline: Define the AOP.NETSPOOL profile. Otherwise, any Infoprint Central user can display, start, and stop NetSpool LUs.

[Table 58 on page 313](#) lists the NetSpool LU actions users can do in Infoprint Central and the access that is required to the AOP.NETSPOOL profile in the PRINTSRV class.

Table 58: Infoprint Central NetSpool LU actions and the minimum access required to the AOP.NETSPOOL profile in the PRINTSRV class.

To do this action in Infoprint Central	Access to this profile in the PRINTSRV class is required	This minimum access is required
Find and display LUs	AOP.NETSPOOL	READ
Start	<ul style="list-style-type: none"> • AOP.NETSPOOL¹ • AOP.ADMINISTRATOR 	<ul style="list-style-type: none"> • CONTROL • UPDATE
Stop	<ul style="list-style-type: none"> • AOP.NETSPOOL¹ • AOP.ADMINISTRATOR 	<ul style="list-style-type: none"> • CONTROL • UPDATE
View log	AOP.NETSPOOL	READ
1. If a user has CONTROL access to the AOP.NETSPOOL profile, the AOP.ADMINISTRATOR profile is not checked.		

Steps for defining the AOP.NETSPOOL profile to protect NetSpool LUs

1. Define the AOP.NETSPOOL resource profile in the PRINTSRV class.

If you define the profile with universal READ access, anyone can display NetSpool LUs, and anyone authorized to update the Printer Inventory can start and stop NetSpool LUs.

Guideline: For information about specifying the NOTIFY and AUDIT parameters on the RDEFINE command, see [“Requesting RACF notification and auditing”](#) on page 321.

Example: To define AOP.NETSPOOL in the PRINTSRV class with universal READ access, enter this RACF command:

```
RDEFINE PRINTSRV (AOP.NETSPOOL) UACC(READ)
```

2. Give users access to the AOP.NETSPOOL resource profile.

For information about the minimum access that is required, see [Table 58](#) on page 313.

Example: To let users display, start, and stop NetSpool LUs, enter this RACF command:

```
PERMIT AOP.NETSPOOL CLASS(PRINTSRV) ACCESS(CONTROL) ID(userid or groupid)
```

3. Refresh the PRINTSRV class.

Example: SETROPTS RACLIST(PRINTSRV) REFRESH

4. Give the RACF group for Infoprint Server operators (AOPOPER group) UPDATE access to the MVS.MODIFY and MVS.VARY.NET profiles in the OPERCMDS class. For information, see [“Authorizing the AOPOPER group to RACF profiles”](#) on page 302.

Setting up security for IP PrintWay job selection rules

Infoprint Central lets users work with IP PrintWay job selection rules. IP PrintWay job selection rules control which print jobs IP PrintWay extended mode selects to process from the JES spool. You can define RACF profiles to restrict who can start and stop job selection rules.

You can define a separate profile to protect each job selection rule, or you can define one profile to protect a group of rules or all rules. You specify the profile that applies to each rule in the job selection rule definition in the Printer Inventory.

Guideline: Define profiles to protect job selection rules. Otherwise, any Infoprint Central user who is authorized to read the Printer Inventory can display, start, and stop job selection rules.

Table 59 on page 314 lists the job selection rule actions users can do in Infoprint Central and the minimum access that is required to the job selection rule's profile.

<i>Table 59: Infoprint Central job selection rule actions and minimum access required to the profile in the PRINTSRV class</i>		
To do this action in Infoprint Central	Access to this profile in the PRINTSRV class is required	This minimum access is required
Display	AOP.ADMINISTRATOR	READ
Start	Profile that is specified in Printer Inventory	CONTROL
Stop	Profile that is specified in Printer Inventory	CONTROL

Steps for defining profiles to protect job selection rules

1. Define a resource profile in the PRINTSRV class.

You can define a separate profile for each job selection rule, or you can define one profile for several or all job selection rules. You can use the same profiles that you defined for printers if you want the same groups of users to start and stop job selection rules.

Guidelines:

- a. Select any name for the profile that RACF allows. However, do not start the name with AOP to avoid conflict with profile names that IBM uses. Profile names can be up to 64 characters.
- b. For information about specifying the NOTIFY and AUDIT parameters on the RDEFINE command, see [“Requesting RACF notification and auditing” on page 321](#).

Example: To define a profile that is named JOBSELECTION.ALL for job selection rules, enter this RACF command:

```
RDEFINE PRINTSRV (JOBSELECTION.ALL) UACC(NONE)
```

2. Give users CONTROL access to the profile.

To let users start and stop job selection rules, give CONTROL access to the profile. READ access has no meaning for profiles that control job selection.

Example: To give users CONTROL access to profile JOBSELECTION.ALL, enter this RACF command:

```
PERMIT JOBSELECTION.ALL CLASS(PRINTSRV) ACCESS(CONTROL) ID(userid or groupid)
```

3. Refresh the PRINTSRV class.

Example: SETROPTS RACLIST(PRINTSRV) REFRESH

4. Specify the profile name in the job selection rule in the Printer Inventory.

Specify the name of the profile for the job selection rule in the **Operator security profile** field on the Job Selection Rule ISPF panel.

Tips:

- a. You can use the Infoprint Server ISPF panels or the Printer Inventory Definition Utility (PIDU) to edit the job selection rule. For more information, see [z/OS Infoprint Server Operation and Administration](#).
- b. If the profile you specify is not defined to RACF, Infoprint Central proceeds as if the user has the required access to the profile.

Example: This ISPF panel shows how to specify the name of the profile in the job selection rule.

Job Selection Rule

```
Rule name . . . Class-P
Description . Start all jobs in class P (extend)
Operator security profile
. . . JOBSELECTION.ALL

DEST. . . -----
CLASS : . P -----
FORMS . . -----
Creator . -----
WRITER. . -----

DEST IP address . 3 1. Include 2. Exclude 3. Ignore

Record limit . . . . . Lower ----- Upper -----
Page limit (AFP-only). Lower ----- Upper -----
```

5. Make sure that users are authorized to read the Printer Inventory. For information, see [“Authorizing users to read the Printer Inventory”](#) on page 304.

Setting up security for print jobs

Infoprint Central lets users work with print jobs that are on the JES spool or with historical print jobs, which are no longer on the JES spool. You can restrict access to print jobs with resource profiles in these classes:

- OPERCMDS class: Profiles in the OPERCMDS class restrict which actions users can do on print jobs.
- JESSPOOL class: Profiles in the JESSPOOL class restrict who can work with specific print jobs.
- PRINTSRV class: The AOP.PRIORITY profile in the PRINTSRV class restricts who can change the priority of a print job.

If you define multiple profiles in the OPERCMDS, JESSPOOL, and PRINTSRV classes that apply to a print job, users must have access to the profiles in all classes to do an action. If you define specific profiles in the JESSPOOL class that apply to individual data sets, users must have access to all the data sets within a print job to do an action on that print job.

Infoprint Central lets job submitters display and do other actions on their own print jobs according to the system that they use to submit print jobs:

- From any z/OS system, or from a non-z/OS system that authenticates z/OS user IDs:

Infoprint Central lets these job submitters do all actions on their own print jobs, regardless of whether they have access to the profiles that protect their print jobs. The AOP.PRIORITY profile is an exception. If you define the AOP.PRIORITY profile, job submitters must have UPDATE access to this profile to change the priority of their own print jobs.

SAP R/3 authenticates z/OS user IDs. Also, Microsoft Windows authenticates z/OS user IDs when the SMB protocol is used to print.

- From non-z/OS systems that do not authenticate z/OS user IDs:

Infoprint Central does not let job submitters display or do any actions on print jobs, unless the profiles that protect the print jobs specify the required universal access.

The Infoprint Port Monitor for Windows does not authenticate z/OS user IDs. UNIX, AIX, and IBM i systems do not authenticate z/OS user IDs.

Protecting actions on print jobs with profiles in the OPERCMDS class

You can define profiles in the OPERCMDS class to restrict who can do actions on print jobs. Profiles in the OPERCMDS class also restrict access to JES commands.

You can create:

- A broad profile to protect all actions on print jobs. You control the actions users can do by giving them either READ or UPDATE access to the broad profile. Each type of access lets the user do a different set of actions.
- Specific profiles to protect specific actions on print jobs.

Guideline: The profiles that you already defined in the OPERCMDS class to protect data sets on the JES spool are suitable for use with Infoprint Central. If profiles exist in the OPERCMDS class, give Infoprint Central users and the AOOPER group the appropriate access to those profiles.

Related information: For more information about how profiles in the OPERCMDS class protect JES2 and JES3 commands, see:

- [z/OS JES2 Initialization and Tuning Guide](#)
- [z/OS JES3 Initialization and Tuning Guide](#)

Table 60 on page 316 and Table 61 on page 317 list the print job actions users can do in Infoprint Central, the profiles in the OPERCMDS class that restrict access to each action, and the minimum access that is required to the profile.

<i>Table 60: Infoprint Central print job actions and minimum access required to profiles in the OPERCMDS class - JES2. For jesname, substitute the name of the JES system. For example, substitute JES2.</i>		
To do this action in Infoprint Central	Access to this profile in the JES2 OPERCMDS class is required	This minimum access is required
Change priority	<i>jesname</i> .MODIFY.BATOUT <i>jesname</i> .MODIFY.STCOUT <i>jesname</i> .MODIFY.TSUOUT	UPDATE
Delete	<i>jesname</i> .MODIFY.BATOUT <i>jesname</i> .MODIFY.STCOUT <i>jesname</i> .MODIFY.TSUOUT	UPDATE
Edit properties	<i>jesname</i> .MODIFY.BATOUT <i>jesname</i> .MODIFY.STCOUT <i>jesname</i> .MODIFY.TSUOUT	UPDATE
Find and display print jobs	<i>jesname</i> .DISPLAY.BATOUT <i>jesname</i> .DISPLAY.STCOUT <i>jesname</i> .DISPLAY.TSUOUT	READ
Hold	<i>jesname</i> .MODIFY.BATOUT <i>jesname</i> .MODIFY.STCOUT <i>jesname</i> .MODIFY.TSUOUT	UPDATE
Move	<i>jesname</i> .MODIFY.BATOUT <i>jesname</i> .MODIFY.STCOUT <i>jesname</i> .MODIFY.TSUOUT	UPDATE
Release	<i>jesname</i> .MODIFY.BATOUT <i>jesname</i> .MODIFY.STCOUT <i>jesname</i> .MODIFY.TSUOUT	UPDATE

Table 60: Infoprint Central print job actions and minimum access required to profiles in the OPERCMDS class - JES2. For *jesname*, substitute the name of the JES system. For example, substitute JES2. (continued)

To do this action in Infoprint Central	Access to this profile in the JES2 OPERCMDS class is required	This minimum access is required
View log	<i>jesname</i> .DISPLAY.BATOUT <i>jesname</i> .DISPLAY.STCOUT <i>jesname</i> .DISPLAY.TSUOUT	READ
View properties	<i>jesname</i> .DISPLAY.BATOUT <i>jesname</i> .DISPLAY.STCOUT <i>jesname</i> .DISPLAY.TSUOUT	READ

Table 61: Infoprint Central print job actions and the minimum access required to profiles in the OPERCMDS class - JES3. For *jesname*, substitute the name of the JES system. For example, substitute JES3.

To do this action in Infoprint Central	Access to this profile in the JES3 OPERCMDS class is required	This minimum access is required
Change priority	<i>jesname</i> .MODIFY.U	UPDATE
Delete	<i>jesname</i> .MODIFY.U	UPDATE
Edit properties	<i>jesname</i> .MODIFY.U	UPDATE
Find and display print jobs	<i>jesname</i> .DISPLAY.U	READ
Hold	<i>jesname</i> .MODIFY.U	UPDATE
Move	<i>jesname</i> .MODIFY.U	UPDATE
Release	<i>jesname</i> .MODIFY.U	UPDATE
View log	<i>jesname</i> .DISPLAY.U	READ
View properties	<i>jesname</i> .DISPLAY.U	READ

Steps for defining profiles in the OPERCMDS class to protect print jobs

1. Define profiles in the OPERCMDS class.

You can create one broad profile to protect all actions, or you can define more specific profiles to protect specific actions.

For a list of profiles, see [Table 60 on page 316](#) and [Table 61 on page 317](#).

Guideline: For information about specifying the NOTIFY and AUDIT parameters on the RDEFINE command, see [“Requesting RACF notification and auditing” on page 321](#).

Examples:

- a. JES2: To define a broad profile to protect all actions, enter these RACF commands:

```
RDEFINE OPERCMDS (JES2.*.BATOUT) UACC(NONE)
RDEFINE OPERCMDS (JES2.*.STCOUT) UACC(NONE)
RDEFINE OPERCMDS (JES2.*.TSUOUT) UACC(NONE)
```

To define specific profiles to protect actions that modify print jobs, enter these RACF commands:

```
RDEFINE OPERCMDS (JES2.MODIFY.BATOUT) UACC(NONE)
RDEFINE OPERCMDS (JES2.MODIFY.STCOUT) UACC(NONE)
```

b. JES3: To define a broad profile to protect all actions, enter this RACF command:

```
RDEFINE OPERCMDS (JES3.*.U) UACC(NONE)
```

To define a specific profile to protect actions that modify print jobs, enter this RACF command:

```
RDEFINE OPERCMDS (JES3.MODIFY.U) UACC(NONE)
```

2. Give users access to the resource profiles.

For information about the minimum access that is required to the JES resource profiles, see [Table 60 on page 316](#) and [Table 61 on page 317](#).

Examples:

a. JES2: To give users READ or UPDATE access to the broad profiles, enter these RACF commands:

```
PERMIT JES2.*.BATOUT CLASS(OPERCMDS) ACCESS(READ) ID(userid or groupid)
PERMIT JES2.*.STCOUT CLASS(OPERCMDS) ACCESS(READ) ID(userid or groupid)
PERMIT JES2.*.TSUOUT CLASS(OPERCMDS) ACCESS(READ) ID(userid or groupid)

PERMIT JES2.*.BATOUT CLASS(OPERCMDS) ACCESS(UPDATE) ID(userid or groupid)
PERMIT JES2.*.STCOUT CLASS(OPERCMDS) ACCESS(UPDATE) ID(userid or groupid)
PERMIT JES2.*.TSUOUT CLASS(OPERCMDS) ACCESS(UPDATE) ID(userid or groupid)
```

To give users UPDATE access to the specific profiles, enter these RACF commands:

```
PERMIT JES2.MODIFY.BATOUT CLASS(OPERCMDS) ACCESS(UPDATE) ID(userid or groupid)
PERMIT JES2.MODIFY.STCOUT CLASS(OPERCMDS) ACCESS(UPDATE) ID(userid or groupid)
PERMIT JES2.MODIFY.TSUOUT CLASS(OPERCMDS) ACCESS(UPDATE) ID(userid or groupid)
```

b. JES3: To give some users READ access and other users UPDATE access to the broad profiles, enter these RACF commands:

```
PERMIT JES3.*.U CLASS(OPERCMDS) ACCESS(READ) ID(userid or groupid)
PERMIT JES3.*.U CLASS(OPERCMDS) ACCESS(UPDATE) ID(userid or groupid)
```

To give users UPDATE access to the specific profile, enter this RACF command:

```
PERMIT JES3.MODIFY.U CLASS(OPERCMDS) ACCESS(UPDATE) ID(userid or groupid)
```

Tip: If you define both broad and specific profiles, give users who have access to the broad profile the appropriate access to the specific profiles so they do not lose access.

3. Give the group for Infoprint Server operators (AOOPER group) the highest level of access to the profiles you created. For information, see [“Authorizing the AOOPER group to RACF profiles” on page 302](#).

4. Refresh the OPERCMDS class.

Example: SETROPTS RACLIST(OPERCMDS) REFRESH

Protecting print jobs with profiles in the JESSPOOL class

You can define profiles in the JESSPOOL class to restrict who can work with print jobs. The profiles in the JESSPOOL class also restrict access to JES commands.

You can define:

- A broad profile to protect all data sets.
- Specific profiles to protect specific data sets or data sets submitted with specific z/OS user IDs.

Tips:

1. To let Infoprint Central users work with print jobs submitted from remote non-z/OS systems that do not authenticate z/OS user IDs, give Infoprint Central users access to a broad profile in the JESSPOOL class that protects all data sets as shown in the following example.
2. The profiles that exist in the JESSPOOL class are suitable for use with Infoprint Central. However, be sure to give Infoprint Central users the appropriate access to those profiles.

Related information: For more information about how profiles in the JESSPOOL class protect JES2 and JES3 commands, see:

- [z/OS JES2 Initialization and Tuning Guide](#)
- [z/OS JES3 Initialization and Tuning Guide](#)

Table 62 on page 319 lists the print job actions users can do in Infoprint Central, the profiles in the JESSPOOL class that restrict access to each action, and the minimum access that is required to the profile.

<i>Table 62: Infoprint Central print job actions and the minimum access required to profiles in the JESSPOOL class</i>		
To do this action in Infoprint Central	Access to this profile in the JESSPOOL class is required	This minimum access is required
Change priority	<i>nodeid.userid.jobname.jobid.Ddsid.dsname</i>	ALTER
Delete	<i>nodeid.userid.jobname.jobid.Ddsid.dsname</i>	ALTER
Edit properties	<i>nodeid.userid.jobname.jobid.Ddsid.dsname</i>	ALTER
Find and display print jobs	<i>nodeid.userid.jobname.jobid.Ddsid.dsname</i>	READ
Hold	<i>nodeid.userid.jobname.jobid.Ddsid.dsname</i>	ALTER
Move	<i>nodeid.userid.jobname.jobid.Ddsid.dsname</i>	ALTER
Release	<i>nodeid.userid.jobname.jobid.Ddsid.dsname</i>	ALTER
View log	<i>nodeid.userid.jobname.jobid.Ddsid.dsname</i>	READ
View properties	<i>nodeid.userid.jobname.jobid.Ddsid.dsname</i>	READ

In the table:

nodeid

NJE node ID of the JES2 or JES3 subsystem

userid

z/OS user ID of the job owner. For some output data sets that Print Interface or NetSpool allocates on the JES spool, this is either the user ID of the user who started the Infoprint Server daemons or BPXAS.

jobname

Job name. For some data sets that Print Interface or NetSpool allocates on the JES spool, this is the user ID of the user who started the Infoprint Server daemons or BPXAS.

Ddsid

Data set ID number that identifies the data set prefixed by the required letter D. The D character in the fifth qualifier of the profile name distinguishes the data set's profile from other JESSPOOL profiles.

dsname

Data set name.

Steps for defining profiles in the JESSPOOL class to protect data sets

1. Define profiles in the JESSPOOL class.

You can define a broad profile to protect all print jobs or more specific profiles to protect specific data sets. For a list of the profiles, see [Table 62 on page 319](#).

Guideline: For information about specifying the NOTIFY and AUDIT parameters on the RDEFINE command, see [“Requesting RACF notification and auditing” on page 321](#).

Example: To define a broad profile to protect all print jobs on node N1, enter this RACF command:

```
RDEFINE JESSPOOL (N1.*.*.D*.* ) UACC(NONE)
```

2. Give users access to the resource profiles.

For the minimum access that is required to the JES resource profiles, see [Table 62 on page 319](#).

Example: To give some users READ access and other users ALTER access to the broad profile, enter these RACF commands:

```
PERMIT N1.*.*.D*.* CLASS(JESSPOOL) ACCESS(READ) ID(userid or groupid)  
PERMIT N1.*.*.D*.* CLASS(JESSPOOL) ACCESS(ALTER) ID(userid or groupid)
```

3. Refresh the JESSPOOL class.

Example: SETROPTS RACLIST(JESSPOOL) REFRESH

Protecting the change priority action with a profile in the PRINTSRV class

Infoprint Central lets users change the priority of print jobs. To restrict who can change the priority of a print job, you can define the AOP.PRIORITY profile in the PRINTSRV class. If you do not define the AOP.PRIORITY profile, the job submitter and any other user with the required access to profiles in the OPERCMDS and JESSPOOL classes can change the priority of a print job.

Steps for defining the AOP.PRIORITY profile

1. Define the AOP.PRIORITY resource profile in the PRINTSRV class.

Guideline: For information about specifying the NOTIFY and AUDIT parameters on the RDEFINE command, see [“Requesting RACF notification and auditing” on page 321](#).

Example: RDEFINE PRINTSRV (AOP.PRIORITY) UACC(NONE)

2. Give users UPDATE access to the AOP.PRIORITY resource profile.

Example:

```
PERMIT AOP.PRIORITY CLASS(PRINTSRV) ACCESS(UPDATE) ID(userid or groupid)
```

3. Refresh the PRINTSRV class.

Example: SETROPTS RACLIST(PRINTSRV) REFRESH

Setting up security for Infoprint Server daemons

Infoprint Central lets users display the status of Infoprint Server daemons to see whether they are started. You can define profile AOP.DAEMON to restrict who can display daemons. If you do not define profile AOP.DAEMON, any Infoprint Central user can display the status of daemons. Infoprint Central does not let users start and stop daemons.

[Table 63 on page 321](#) lists the daemon action that users can do in Infoprint Central and the minimum access that is required to the AOP.DAEMON profile in the PRINTSRV class.

Table 63: Infoprint Central daemon action and the minimum access required to the AOP.DAEMON profile in the PRINTSRV class

To do this action in Infoprint Central	Access to this profile in the PRINTSRV class is required	This minimum access is required
Display	AOP.DAEMON	READ

Steps for defining the AOP.DAEMON profile to protect daemons

1. Define the AOP.DAEMON resource profile in the PRINTSRV class.

Guideline: For information about specifying the NOTIFY and AUDIT parameters on the RDEFINE command, see [“Requesting RACF notification and auditing”](#) on page 321.

Example: To define AOP.DAEMON with universal NONE access, enter this RACF command:

```
RDEFINE PRINTSRV (AOP.DAEMON) UACC(NONE)
```

2. Give users access to the AOP.DAEMON resource profile.

Example: Give users READ access:

```
PERMIT AOP.DAEMON CLASS(PRINTSRV) ACCESS(READ) ID(userid or groupid)
```

3. Refresh the PRINTSRV class.

Example: SETROPTS RACLIST(PRINTSRV) REFRESH

Setting up security for printer and printer pool definitions

Infoprint Central lets users display printer definitions and printer pool definitions in the Printer Inventory. Users can only display information in these definitions. Users cannot change any information.

Any Infoprint Central user who is authorized to read the Printer Inventory can display printer definitions and printer pool definitions. For information about how to authorize users to read the Printer Inventory, see [“Authorizing users to read the Printer Inventory”](#) on page 304.

Requesting RACF notification and auditing

Infoprint Central checks a user's access to profiles before it displays any objects (such as printers or print jobs) and action buttons on its web pages. It then displays only those objects and actions to which the user has access.

For the RACF profile that Infoprint Central checks, you must decide whether RACF needs to:

- Notify the security administrator (with a message) if an access check fails. If you want to receive RACF messages about access check failures in Infoprint Central, you must specify the RACF NOTIFY parameter for the profile. If the NOTIFY parameter is not specified, Infoprint Central suppresses RACF messages for access check failures.
- Log access checks to resources that are protected by the profile. Infoprint Central logs access checks as directed by the RACF AUDIT parameter for the profile.

Guideline: Do not request notification or logging for RACF profiles that Infoprint Central checks. As an alternative, request that RACF log only access check failures greater than READ. This is because access check failures can be a normal occurrence as Infoprint Central builds its web pages and determines which objects and actions to display. RACF messages and audit entries do not necessarily mean that the user asked to display an object or selected a printer action that is protected by the profile. In addition, if you request notification (NOTIFY), you might receive numerous RACF messages for the same user and RACF profile because Infoprint Central sometimes checks the same profile numerous times as it builds web pages.

Editing the system configuration definition for Infoprint Central

The system configuration definition in the Printer Inventory contains attributes that let you customize Infoprint Server while Infoprint Server is running. If dynamic configuration is enabled, you can specify these attributes in the system configuration definition to customize Infoprint Central:

console-name = name

The name of the extended MCS console that Infoprint Central uses to send commands to the z/OS system.

Rules:

1. The console name must be 2 – 8 alphanumeric or national (#, \$, and @) characters. The first character cannot be numeric. Enclose a name that contains national characters in single or double quotation marks.
2. Do not use these reserved names: HC, INSTREAM, INTERNAL, OPERLOG, SYSIOSRS, SYSLOG, UNKNOWN.
3. If you specify the Infoprint Central daemon (aopssid) in the start-daemons attribute, this console name must be unique among all active and inactive console names on all systems in a sysplex. To display the active and inactive console names, enter this MVS command:

```
DISPLAY EMCS,ST=L
```

For information about the DISPLAY EMCS command, see [z/OS MVS System Commands](#).

4. If dynamic configuration is enabled, specify this attribute in the system configuration definition. If you change this attribute while the Infoprint Central daemon (aopssid) is running, stop aopssid and restart Infoprint Server.
5. If dynamic configuration is not enabled, specify this attribute in the aopd.conf file. If you change this attribute while Infoprint Server is running, stop all Infoprint Server daemons and restart Infoprint Server. Be sure to wait for all daemons to stop before you restart Infoprint Server.

Default: The Printer Inventory name (specified in the inventory attribute), followed by the last 4 characters of the system name. If the Printer Inventory name is AOP1 and the system name is MYSYS1, the default console name is AOP1SYS1.

Example: console-name = PRINTCON

log-retention = days

The number of days worth of messages that Infoprint Central displays for print jobs and printers. Also, the number of days for which Infoprint Central displays print jobs that are removed from the JES spool.

If you do not use the MVS system logger for the common message log, this attribute also determines how many days worth of messages Infoprint Server retains in the z/OS UNIX file system. If you use the system logger for messages, the retention period that is specified in the system logger log stream definition is used instead.

You can specify a value 0 - 59. A value of 0 means that Infoprint Central cannot display any messages and cannot display information about print jobs are removed from the JES spool. In addition, if you do not use the system logger for messages, Infoprint Server does not write any messages in the z/OS UNIX file system.

Guidelines:

1. If you do not use the system logger for messages, specify a value greater than 0 or use the default of 1 day so that Infoprint Server writes messages in a z/OS UNIX file system.
2. If you use the system logger for messages and also use Infoprint Central, the value needs to be less than or equal to the retention period specified in the log stream definition. If you specify a higher value than the retention period for the log stream, you might not be able to see the messages for all the historical print jobs that Infoprint Central displays.

3. If you use the system logger but do not use Infoprint Central, you can specify 0 to save space in the z/OS UNIX file system.
4. If you specify a value greater than 0 or use the default of 1 day, you might need to increase the amount of space available to the file system mounted at the /var or /var/Printsrv mount point because the common message log and Historical Inventory can contain a large amount of data. See [“Calculating DASD space requirements for the /var/Printsrv directory”](#) on page 28.
5. Because the common message log and Historical Inventory can contain a large amount of data, start with a value of 1 day. Increase the value by 1 day if enough space exists in the file system and if users request to see more messages or historical information.
6. If the size of the common message log in the z/OS UNIX file system grows too large, you can decrease its size. For more information, see [reducelogsize.dita#reducelogsize](#).
7. If you use aoplogu to view messages, the date and time format that is displayed in messages is controlled by the TZ and either the LC_TIME or LC_ALL environment variables. See [env.dita#env](#).
If you use Infoprint Central to view messages, the date and time format for the messages is controlled by the operating system that runs your web browser.

Rules:

1. If dynamic configuration is enabled, specify this attribute in the system configuration definition. If you change this attribute, you do not need to restart Infoprint Server.
2. If dynamic configuration is not enabled, specify this attribute in the aopd.conf file. If you change this attribute while Infoprint Server is running, stop all Infoprint Server daemons and restart Infoprint Server. Be sure to wait for all daemons to stop before you restart Infoprint Server.

Default: log-retention = 1

Example: log-retention = 3

This screen shows a portion of the ISPF panel that you use to edit the system configuration definition for Infoprint Central:

```

                                Infoprint Server: System Configuration

Messages:
  Log retention period (days) . . . . . 1_

Infoprint Central:
  Extended MCS console name . . AOP1xxxx
```

Related information: For information about:

- How to enable dynamic configuration, see [“Enabling dynamic configuration”](#) on page 67.
- How to edit the system configuration definition, see [“Steps for editing the system configuration definition”](#) on page 79.

Customizing web browsers

Infoprint Central supports these web browsers on workstations with these tested operating systems:

Windows 7 Professional, Windows 8.1, and Windows Server 2012

- Microsoft Internet Explorer 10.0 or 11.0
- Mozilla Firefox 42 Extended Support Release (ESR) or later

Windows 10

- Microsoft Edge 25 or later
- Microsoft Internet Explorer 10.0 or 11.0
- Mozilla Firefox 42 Extended Support Release (ESR) or later

Note: Other browsers might work with Infoprint Central V2R3, but are not tested. Using untested browsers might result in some Infoprint Central functions that are unavailable.

You must customize the browser's internet settings:

Required settings:

- Enable JavaScript.
- Enable stylesheets.

Guidelines:

1. Request that your browser always retrieve the most recent pages from the web so that the Infoprint Central refresh function works correctly. Do not use the default setting if it checks for newer versions of stored pages automatically.
2. Do not block or disable all cookies. Infoprint Central stores cookies on your system to save your search values.
3. Do not disable the meta refresh security option. Infoprint Central uses the meta refresh function to display your search results automatically.
4. For better performance, set your browser to cache files.

Logging on to Infoprint Central from the web

To use Infoprint Central, you must log on with an authorized user ID and password. When you are done, you can log off Infoprint Central.

To start using Infoprint Central:

1. Enter a URL in the browser:
 - For the English version:

```
http://hostname:port/Infoprint/En_US/IPS.html
```

If the IBM HTTP Server - Powered by Apache uses Secure Sockets Layer (SSL):

```
https://hostname:port/Infoprint/En_US/IPS.html
```

- For the Japanese version:

```
http://hostname:port/Infoprint/Ja_JP/IPS.html
```

If the IBM HTTP Server - Powered by Apache uses Secure Sockets Layer (SSL):

```
https://hostname:port/Infoprint/Ja_JP/IPS.html
```

hostname

The address of the z/OS system where the IBM HTTP Server - Powered by Apache is running.

port

The port where the IBM HTTP Server - Powered by Apache receives requests. If the HTTP server receives requests at the default port, you can omit the port number. The default port number depends on whether you customized the HTTP server to use Secure Sockets Layer (SSL):

- The SSL default port is 443.
- Otherwise, the default port is 80.

Example: If the HTTP server receives requests at the default port, you can enter:

```
http://hostname/Infoprint/En_US/IPS.html
```


or

```
https://hostname/Infoprint/En_US/IPS.html
```

2. Log on to Infoprint Central with your user name and password for the host z/OS system.

Tip: When you log on to Infoprint Central, you can log on to only one z/OS system. You can see all the print jobs, printer queues, and Infoprint Server messages for that one z/OS system only. Therefore, if you configure IP PrintWay extended mode to print on the same printers from different z/OS systems, you must open separate instances of your web browser so that you can see all print jobs on a printer's queue and all messages from IP PrintWay about a printer.

To stop using Infoprint Central:

- Select your user name on the title bar.
- Select **Sign Out**.

Customizing JES3 console standards (CONSTD statement)

The CONSTD statement in the JES3 initialization stream lets you define standards for your JES3 console configuration. The EDIT parameter of the CONSTD statement lets you specify special characters to be used in editing commands that are processed by JES3 console services.

If you code the EDIT parameter on the CONSTD statement, you must define an escape character so that Infoprint Central can escape special characters in file names. You can omit the EDIT parameter, in which case JES3 uses the default escape character, which is the quotation mark (").

Example: To specify the quotation mark (") as the escape character and the # symbol as the backspace character, code:

```
EDIT=( " " ,# , , )
```

Tips:

1. You must code two quotation marks in the first position because the quotation mark is a special character that is used by the syntax scanner as a control character. Therefore, you must precede the quotation mark with the escape character, which is the quotation mark.
2. If you code the EDIT parameter, do not omit the first value, for example EDIT=(,# , ,). If you omit the first value, no escape character is defined.

For information about the CONSTD statement, see *z/OS JES3 Initialization and Tuning Reference*.

Re-creating the search database

Infoprint Server maintains a search database so that Infoprint Central can find objects in the Printer Inventory. The search database is created automatically when you start Infoprint Server. If the search database becomes corrupted, delete the database and run the sdbu command to re-create it.

Before you begin: You must be a member of the RACF group for Infoprint Server administrators (AOPADMIN) or have an effective UID of 0.

To re-create the search database:

1. Stop all Infoprint Server daemons. For example, enter this MVS command to run the AOPSTOP JCL procedure:

```
START AOPSTOP
```

2. Change to the Infoprint Server base directory (the default base directory is /var/Printsrv):

```
cd /var/Printsrv
```

If you specify a different base directory in the base-directory attribute in the Infoprint Server configuration file (aopd.conf), change to that directory instead.

3. Delete the search database (searchdb directory):

```
rm -r searchdb
```

4. Restart Infoprint Server daemons. For example, enter this MVS command to run the AOPSTART JCL procedure:

```
START AOPSTART
```

When you start Infoprint Server, the search database is created if it does not exist.

5. Repopulate the search database from the Printer Inventory:

```
sdbu -z
```

Result: The search database files are created in the /var/Printsrv/searchdb directory. If you specified a different base directory in the base-directory attribute, the search database files are created in that base directory instead of in the /var/Printsrv base directory.

Chapter 9. Installing and customizing the Infoprint Server Windows client

This information describes how to customize the Infoprint Server client that runs on Windows systems. The client is called IBM Infoprint Port Monitor for Windows. The Infoprint Port Monitor is software that you install on a Windows workstation. It lets you print files on z/OS printers just like you print files on local Windows printers. You can print files from any Windows application that has a printing function.

You can also use several other print-submission methods from a Windows system that do not use the Infoprint Port Monitor. [Table 64 on page 327](#) compares the print-submission methods that you can use: Infoprint Port Monitor, Windows Server Message Block (SMB) protocol, Internet Printing Protocol (IPP), and TCP/IP commands that use the LPR to LPD protocol, including the `lptrafp` command.

Function	Infoprint Port Monitor	SMB	IPP	LPR/LPD
Specify Infoprint Server job attributes	Yes	No	Yes ¹	No
Obtain print job status	Yes ²	Yes ³	Yes	No
Windows systems supported	Windows 7, Windows 8.1, Windows 10, Windows Server 2012, and Windows Server 2016 ⁴		Any Windows systems that support IPP	Any Windows systems with an LPR command
Infoprint Port Monitor must be installed on Windows system	Yes ⁵	No	No	No
Infoprint Server daemon that must be started	aop1pd (LPD)	None ⁶	aopippd (IPP Server)	aop1pd (LPD)
<ol style="list-style-type: none"> 1. You can specify IPP job attributes instead of Infoprint Server job attributes. However, if the printer is not IPP-enabled Infoprint Server supports only a subset of IPP job attributes. For more information, see “Customizing the IPP workstation client” on page 133. 2. You can see the documents that are waiting to print. If an error occurred, you can view the Windows Event Log. 3. When the Windows job status window is open, z/OS system performance might be degraded. 4. Infoprint Port Monitor V3.2 can run on 32-bit Windows systems and on 64-bit Windows systems based on x64 architecture. However, it cannot run on 64-bit Windows systems that are based on Intel Itanium architecture. 5. If you define the z/OS printer as a shared Windows network printer, you do not need to install the Infoprint Port Monitor on each user's Windows system. However, users can modify Infoprint Server job attributes before printing documents only from the system on which the Infoprint Port Monitor is installed. 6. You must customize and start the z/OS SMB print server. For information, see “Customizing the z/OS SMB server to use Print Interface” on page 129. 				

To use the Infoprint Port Monitor:

1. Make sure that you have Windows administrator authority on your Windows system.

2. If you are currently using an earlier version of the Infoprint Port Monitor, do not uninstall it.
3. Customize the Printer Inventory Manager and Print Interface, including the Infoprint Server LPD (aop1pd).
4. Download and install the Infoprint Port Monitor from one of these locations:

- z/OS system: Use a file transfer program (such as ftp) to download one of these files in binary:
 - For 32-bit Windows systems: /usr/lpp/Printsrv/win/En_US/aopwin32.exe
 - For 64-bit Windows systems: /usr/lpp/Printsrv/win/En_US/aopwin64.exe

To download from the z/OS system, you need an account on the z/OS system where Infoprint Server is installed.

- IBM website: Download the [Infoprint Port Monitor \(www.ibm.com/support/docview.wss?uid=psd1P1000597\)](http://www.ibm.com/support/docview.wss?uid=psd1P1000597).

Tips:

- a. (Optional) You can download the Infoprint Port Monitor to a shared Windows folder.
 - b. For more information about downloading and installing the Infoprint Port Monitor, see [z/OS Infoprint Server User's Guide](#).
5. Make sure that Infoprint Sever is started and the Print Interface line printer daemon (aop1pd) is started.
 6. Define z/OS printers to your Windows system. For instructions, see the Infoprint Port Monitor online help. A shortcut to the help, in the Windows folder "IBM Infoprint Port Monitor", was put on your desktop during the installation of the Port Monitor.

Windows printers that you added for the earlier version of the Infoprint Port Monitor are still defined. You do not need to change them.

To define a printer, you need this information:

- The host name or the IP address of the z/OS system where Infoprint Server is running.
 - The port number on the z/OS system where the Infoprint Server line printer daemon (aop1pd) is listening. The port number is usually 515. Specify the same number as specified in the lpd-port-number attribute.
 - The name of the printer. This is the name of the printer definition in the Printer Inventory. (When you configure the Infoprint port on the Windows system, you select this name from a list.)
 - The name of the printer driver. The printer driver converts documents to a format that the printer understands. For example, to AFP format (for AFP printers) or to PostScript format (for PostScript printers).
- If a PCL to AFP or PostScript to AFP transform filter is specified in the printer definition in the Printer Inventory, you can specify a PCL or PostScript printer driver for an AFP printer.
- If you use the AFP Printer Driver, the model number and resolution of the AFP printer.
7. (Optional) You can define the z/OS printer as a shared Windows printer in your Windows network. If you do, other Windows users can print on the printer without downloading the Infoprint Port Monitor.

However, when the printer is defined as a shared Windows printer, other Windows users cannot modify the settings of the Infoprint port before they print a document to the shared printer. For example, a Windows user cannot specify separator sheet information or other job attributes before printing a document.

If you define a z/OS printer as a Windows shared printer:

- In the Infoprint Port Configuration window, select **Unattended port**.
- In the Infoprint Port Monitor Options window, do not select **Prompt for attributes when printing**. This window is displayed only on the Windows system where the Infoprint Port Monitor is installed.

Chapter 10. Customizing PSF for z/OS to use the Printer Inventory

You can customize PSF for z/OS and the AFP Download Plus feature to use printer configuration information in the Printer Inventory. In addition, you can customize PSF and the AFP Download Plus feature to write messages for print jobs and printers in the Infoprint Server common message log. If you want to use Infoprint Central to work with AFP printers that PSF for z/OS controls (called *PSF printers*), you must customize PSF for z/OS to use the Printer Inventory.

When PSF uses printer configuration information in the Printer Inventory:

- If you change information in the Printer Inventory for one PSF functional subsystem (FSA), you need to restart only the FSA that you changed.
- In Infoprint Central, authorized operators can work with PSF printers. For example, operators can start and stop (that is, drain) printers, change JES work-selection criteria, and turn TCP/IP-connected printers online and offline. Operators can also work with AFP Download Plus senders in the same way they work with PSF printers.

Table 65 on page 329 summarizes the tasks to customize PSF for z/OS. Required tasks are necessary for all installations. Optional tasks are required only if the listed condition applies to your installation.

Task	Condition
“Identifying PSF software requirements” on page 329	Required
“Creating PSF FSS and FSA definitions in the Printer Inventory” on page 329	Required
“Customizing PSF for the Printer Inventory” on page 330	Required
“Customizing PSF for z/OS to write messages to the common message log” on page 330	Optional: To write PSF messages in the common message log.

Identifying PSF software requirements

PSF V4R5 for z/OS (5655-M32) or later is required to use printer information in the Printer Inventory and to write messages in the common message log.

Creating PSF FSS and FSA definitions in the Printer Inventory

PSF requires these definitions in the Printer Inventory:

PSF FSS definition:

Create one definition for each functional subsystem (FSS) that uses the Printer Inventory. In this definition, you specify information that applies to the entire FSS.

PSF FSA definition:

Create one definition for each functional subsystem application (FSA) in the FSS. In this definition, you specify printer information that you otherwise would specify in the PRINTDEV statement, in the AFPPARMS data set, and in PSF exits.

To create PSF FSS and FSA definitions in the Printer Inventory, you can use one of these methods:

- Infoprint Server ISPF panels
- Infoprint Server Printer Inventory Definition Utility (PIDU)

Tips:

1. You can use the Infoprint Server migration program, `aopmig`, to create the required PSF FSS and FSA definitions in the Printer Inventory by copying information from the PSF startup procedure.
2. To submit print jobs to PSF printers with JCL, you do not need to create printer definitions for the PSF printers in the Printer Inventory. You only need to create PSF FSA definitions. However, to submit print jobs to PSF printers from the local system with the `lp` command, from remote systems, or from VTAM applications, you must create printer definitions for the PSF printers in addition to the PSF FSA definitions.

Related information: For information about:

- PSF and AFP Download Plus information that you can specify in the Printer Inventory, see:
 - [PSF for z/OS: Customization](#)
 - [PSF for z/OS: AFP Download Plus](#)

You can also use the ISPF online help for each field in the PSF FSS and PSF FSA definitions.

- How to use the Infoprint Server ISPF panels and run PIDU, see [z/OS Infoprint Server Operation and Administration](#)
- How to run the `aopmig` program, see [PSF for z/OS: Customization](#)

Customizing PSF for the Printer Inventory

After you create FSS and FSA definitions in the Printer Inventory, you must customize PSF to use the Printer Inventory.

Related information: For information about how to customize PSF and AFP Download Plus to use the Printer Inventory, see:

- [PSF for z/OS: Customization](#)
- [PSF for z/OS: AFP Download Plus](#)

Customizing PSF for z/OS to write messages to the common message log

PSF can write messages in the Infoprint Server common message log so that you can see all messages from Infoprint Server and PSF in one place. When PSF writes messages in the log:

- Using Infoprint Central, operators can view PSF messages for print jobs that PSF processed and can view PSF messages for PSF printers.
- Using Infoprint Central, operators can view information about print jobs that PSF finished processing. This information includes the final status of the print jobs and on which PSF printers the print jobs printed.
- Using the `aoplogu` command, administrators can view PSF messages for print jobs that PSF processed and can view PSF messages for PSF printers.

To customize PSF to write messages in the Infoprint Server common message log:

1. Access the Infoprint Server ISPF panels.
2. Select the **Log messages** field in the PSF FSS definitions in the Printer Inventory. You do not need to restart the PSF FSS because PSF automatically picks up a change to this field.

Example: This sample Infoprint Server ISPF panel for a PSF FSS definition shows the **Log messages** field selected:

PSF FSS

```
FSS name. . . _____  
Description . _____(extend)  
TCP/IP job name. . . -  
NST trace dsname . . . _____  
PINST trace dsname . . . _____  
Trace table size . . 32  
- Trace prompt  
- Unicode enabled  
/ Log messages
```

Tip: If you use Infoprint Server Printer Inventory Definition Utility (PIDU) to create or edit PSF FSS definitions, specify the log-messages=yes attribute.

Related information: For information about how to use the Infoprint Server ISPF panels and PIDU, see [z/OS Infoprint Server Operation and Administration](#).

Appendix A. Checklist of Infoprint Server customization tasks

This checklist summarizes the major tasks that are involved in customizing Infoprint Server and refers you to the section that describes each task. Do steps 1 - 3 in order. Do subsequent steps in any order unless otherwise noted.

- __ 1. Install the Infoprint Server element of z/OS. See the *z/OS Program Directory* in the *z/OS Internet library* (www.ibm.com/servers/resourcelink/svc00100.nsf/pages/zosInternetLibrary).
- __ 2. Determine which of these Infoprint Server components you need to customize for your installation:
 - __ Printer Inventory Manager (all installations must customize)
 - __ Print Interface
 - __ Transform Interface
 - __ NetSpool
 - __ IP PrintWay basic mode
 - __ IP PrintWay extended mode
 - __ Infoprint Central
 - __ Infoprint Port Monitor for Windows

For information about which components you need to customize, see [Chapter 2, “Customization roadmap,”](#) on page 19.

In addition, you might want to customize PSF for z/OS to use the Printer Inventory and to write messages in the Infoprint Server common message log.

- __ 3. Customize Printer Inventory Manager: See [Chapter 3, “Customizing the Printer Inventory Manager,”](#) on page 21.
 - __ a. [“Identifying software requirements for Printer Inventory Manager”](#) on page 22
 - __ b. [“Enabling the Infoprint Server feature”](#) on page 22
 - __ c. [“Updating the BPXPRMxx member of SYS1.PARMLIB”](#) on page 22
 - __ d. [“Making Language Environment and C++ runtime libraries available”](#) on page 25
 - __ e. [“Creating Infoprint Server directories”](#) on page 26
 - __ f. [“Creating and editing the Infoprint Server configuration file \(aopd.conf\)”](#) on page 30
 - __ g. [“Setting environment variables for the Printer Inventory Manager”](#) on page 38
 - __ h. [“Setting up security for the Printer Inventory and operator commands”](#) on page 43
 - __ i. [“Setting permissions for directories and executable files -- aopsetup”](#) on page 49
 - __ j. [“Customizing startup and shutdown commands and procedures”](#) on page 51
 - __ k. [“Enabling Infoprint Server ISPF panels”](#) on page 65
 - __ l. [“Enabling dynamic configuration”](#) on page 67
 - __ m. [“Editing the system configuration definition for Printer Inventory Manager”](#) on page 75
 - __ n. [“Sending non-console messages to the hardcopy log”](#) on page 82
 - __ o. [“Setting up the MVS system logger for the common message log”](#) on page 86
 - __ p. [“Backing up and restoring the Printer Inventory”](#) on page 100
 - __ q. [“Saving messages in the common message log in the z/OS UNIX file system”](#) on page 105
 - __ r. [“Reducing the size of the common message log in the z/OS UNIX file system”](#) on page 106
 - __ s. [“Setting Workload Manager goals”](#) on page 107
- __ 4. Customize Print Interface: See [Chapter 4, “Customizing Print Interface,”](#) on page 109.

- __ a. [“Identifying software requirements for Print Interface” on page 110](#)
- __ b. [“Common customization for Print Interface” on page 110](#)
 - __ 1) [“Customizing z/OS Communications Server” on page 111](#)
 - __ 2) [“Updating the BPXPRMxx member of SYS1.PARMLIB” on page 112](#)
 - __ 3) [“Editing the aopd.conf file for Print Interface” on page 113](#)
 - __ 4) [“Writing a filter program” on page 114](#)
 - __ 5) [“Customizing JES to specify no blank truncation” on page 120](#)
 - __ 6) [“Setting environment variables for Print Interface” on page 120](#)
 - __ 7) [“Editing the system configuration definition for Print Interface” on page 121](#)
- __ c. [“Customizing the z/OS UNIX printing commands” on page 122](#)
- __ d. [“Customizing the AOPPRINT JCL procedure” on page 123](#)
- __ e. [“Customizing the Print Interface LPD” on page 124](#)
 - __ 1) [“Customizing z/OS Communications Server \(TCP/IP\) ” on page 125](#)
 - __ 2) [“Editing the aopd.conf file for the LPD” on page 126](#)
 - __ 3) [“Editing the system configuration definition for the LPD” on page 127](#)
 - __ 4) [“Using the LPD compatibility filter” on page 128](#)
 - __ 5) [“Customizing LPR clients” on page 128](#)
- __ f. [“Customizing the z/OS SMB server to use Print Interface” on page 129](#)
- __ g. [“Customizing the Print Interface IPP Server” on page 130](#)
 - __ 1) [“Ensuring sufficient memory is available to start the IPP Server” on page 131](#)
 - __ 2) [“Editing the aopd.conf file for the IPP Server” on page 131](#)
 - __ 3) [“Setting environment variables for the IPP Server” on page 132](#)
 - __ 4) [“Editing the system configuration definition for the IPP Server” on page 133](#)
 - __ 5) [“Customizing the IPP workstation client” on page 133](#)
- __ h. [“Customizing SAP R/3” on page 134](#)

If the SAP R/3 application server runs on the z/OS system:

 - __ 1) [“Defining an SAP user for the callback daemon” on page 136](#)
 - __ 2) [“Creating the SAP callback daemon configuration file \(aopsapd.conf\)” on page 136](#)
 - __ 3) [“Setting environment variables for the SAP OMS” on page 138](#)
 - __ 4) [“Defining a ROMS and LOMS to the SAP R/3 application server” on page 138](#)
 - __ 5) [“Modifying the LOMS to specify job attributes” on page 139](#)
 - __ 6) [“Creating an SAP R/3 output device” on page 139](#)

If the SAP R/3 application server does not run on the z/OS system:

 - __ 1) [“Customizing the Print Interface LPD” on page 124](#)
- __ i. [“Customizing the Print Interface subsystem” on page 142](#)
- __ 5. [Customize Transform Interface: See Chapter 5, “Customizing Transform Interface,” on page 145.](#)
 - __ a. [“Identifying software requirements for Transform Interface” on page 146](#)
 - __ b. [“Editing the aopd.conf file for the Transform Manager” on page 146](#)
 - __ c. [“Creating the transform configuration file \(aopxfd.conf\)” on page 146](#)
 - __ d. [“Creating the remote transform configuration file \(aoprxf.conf\)” on page 152](#)
 - __ e. [“Setting environment variables for Transform Interface” on page 154](#)
 - __ f. [“Customizing the TCP/IP firewall” on page 155](#)

- __ g. [“Setting up security for transform resources” on page 155](#)
- __ h. [“Creating a code page conversion table” on page 155](#)
- __ 6. [Customize NetSpool: See Chapter 6, “Customizing NetSpool,” on page 157.](#)
 - __ a. [“Updating the BPXPRMxx member of SYS1.PARMLIB” on page 158](#)
 - __ b. [“Editing the aopd.conf file for NetSpool” on page 158](#)
 - __ c. [“Customizing the NetSpool message log” on page 160](#)
 - __ d. [“Customizing the NetSpool startup procedure” on page 160](#)
 - __ e. [“Changing Language Environment runtime options” on page 165](#)
 - __ f. [“Writing NetSpool exit and filter programs” on page 166](#)
 - __ g. [“Setting environment variables for NetSpool” on page 178](#)
 - __ h. [“Editing the system configuration definition for NetSpool” on page 178](#)
- __ 7. [Customize IP PrintWay basic mode: See Chapter 7, “Customizing IP PrintWay,” on page 181.](#)
 - __ a. [“Comparing IP PrintWay extended mode to basic mode” on page 183](#)
 - __ b. [“Identifying software requirements for IP PrintWay” on page 186](#)
 - __ c. [“Defining printer host names in the DNS” on page 209](#)
 - __ d. [“Customizing z/OS Communications Server” on page 209](#)
 - __ e. [“Updating the BPXPRMxx member of SYS1.PARMLIB \(basic mode\)” on page 267](#)
 - __ f. [“APF-authorizing SYS1.IMAGELIB \(basic mode\)” on page 268](#)
 - __ g. [“Defining the IP PrintWay functional subsystem \(basic mode\)” on page 268](#)
 - __ h. [“Creating FSS and FSA definitions in the Printer Inventory \(basic mode\)” on page 277](#)
 - __ i. [“Using the transmission-queue data set \(basic mode\)” on page 280](#)
 - __ j. [“Creating the IP PrintWay message-log data set \(basic mode\)” on page 282](#)
 - __ k. [“Customizing the IP PrintWay startup procedure \(basic mode\)” on page 283](#)
 - __ l. [“Writing IP PrintWay exit and filter programs” on page 212](#)
 - __ m. [“Changing Language Environment runtime options \(basic mode\)” on page 287](#)
 - __ n. [“Customizing PSF for sharing network printers” on page 287](#)
- __ 8. [Customize PrintWay extended mode: See Chapter 7, “Customizing IP PrintWay,” on page 181.](#)
 - __ a. [“Comparing IP PrintWay extended mode to basic mode” on page 183](#)
 - __ b. [“Identifying software requirements for IP PrintWay” on page 186](#)
 - __ c. [“Editing the aopd.conf file for IP PrintWay \(extended mode\)” on page 187](#)
 - __ d. [“Increasing the space available in /var/Printsrv directory \(extended mode\)” on page 188](#)
 - __ e. [“Updating the BPXPRMxx member of SYS1.PARMLIB \(extended mode\)” on page 188](#)
 - __ f. [“Creating IP PrintWay job selection rules \(extended mode\)” on page 189](#)
 - __ g. [“Authorizing IP PrintWay to select data sets from the JES spool \(extended mode\)” on page 194](#)
 - __ h. [“Authorizing IP PrintWay to write SMF type 6 records \(extended mode\)” on page 195](#)
 - __ i. [“Setting environment variables for IP PrintWay \(extended mode\)” on page 196](#)
 - __ j. [“Editing the system configuration definition for IP PrintWay \(extended mode\)” on page 202](#)
 - __ k. [“APF-authorizing SYS1.IMAGELIB \(extended mode\)” on page 208](#)
 - __ l. [“Customizing from AFP transforms for IP PrintWay \(extended mode\)” on page 209](#)
 - __ m. [“Defining printer host names in the DNS” on page 209](#)
 - __ n. [“Customizing z/OS Communications Server” on page 209](#)
 - __ o. [“Writing IP PrintWay exit and filter programs” on page 212](#)

- __ p. [“Customizing PSF for sharing network printers” on page 287](#)
- __ q. [“Customizing AOPCMND for starting and stopping printers” on page 287](#)
- __ 9. [Customize Infoprint Central: See Chapter 8, “Customizing Infoprint Central,” on page 289.](#)
 - __ a. [“Identifying software requirements for Infoprint Central” on page 290](#)
 - __ b. [“Editing the aopd.conf file for Infoprint Central” on page 291](#)
 - __ c. [“Customizing the IBM HTTP Server - Powered by Apache” on page 293](#)
 - __ d. [“Setting up security for Infoprint Central” on page 301](#)
 - __ e. [“Editing the system configuration definition for Infoprint Central” on page 322](#)
 - __ f. [“Customizing web browsers” on page 323](#)
 - __ g. [“Logging on to Infoprint Central from the web” on page 324](#)
 - __ h. [Customize PSF for z/OS: See Chapter 10, “Customizing PSF for z/OS to use the Printer Inventory,” on page 329](#)
 - __ i. [“Customizing JES3 console standards \(CONSTD statement\)” on page 325](#)
 - __ j. [“Re-creating the search database” on page 325](#)
- __ 10. [Customize Infoprint Port Monitor for Windows: See Chapter 9, “Installing and customizing the Infoprint Server Windows client,” on page 327.](#)
- __ 11. [Customize PSF for z/OS: See Chapter 10, “Customizing PSF for z/OS to use the Printer Inventory,” on page 329.](#)
 - __ a. [“Identifying PSF software requirements” on page 329](#)
 - __ b. [“Creating PSF FSS and FSA definitions in the Printer Inventory” on page 329](#)
 - __ c. [“Customizing PSF for the Printer Inventory” on page 330](#)
 - __ d. [“Customizing PSF for z/OS to write messages to the common message log” on page 330](#)

Appendix B. Infoprint Server files

This information describes these Infoprint Server files that let you customize Infoprint Server:

- [“aopd.conf -- Infoprint Server configuration file” on page 337](#)
- [“aopmsg.conf -- Infoprint Server message configuration file” on page 347](#)
- [“aoprxf.conf -- Infoprint Server remote transform configuration file” on page 348](#)
- [“aopxfd.conf -- Infoprint Server transform configuration file” on page 349](#)
- [“aopsapd.conf -- Infoprint Server SAP callback daemon configuration file” on page 350](#)

aopd.conf -- Infoprint Server configuration file

Purpose

This file contains attributes that customize Infoprint Server.

Format

```
[ #comment ]
[ ascii-codepage = codepage ]*
  base-directory = path
[ console-name = name ]*
[ dynamic-configuration = yes | no ]
[ ebcdic-codepage = codepage ]*
[ inventory = inventory ]
[ ipp-port-number = portnumber ]*
[ jes-name = name ]
[ job-prefix = prefix ]*
[ log-retention = days ]*
[ lpd-port-number = portnumber ]*
[ max-historical-inventory-size = megabytes ]*
[ resolve-printway-printers = yes | no ]
[ smf-recording = yes | no ]*
[ start-daemons = {[ippd] [lpd] [netd] [outd] [ssid] [subd] [xfd]}]
[ use-output-disposition = yes | no]*
[ xcf-group-qualifier = q]
```

Note: Attributes that are marked with an asterisk are equivalent to attributes that you can specify in the system configuration definition. If dynamic configuration is enabled (dynamic-configuration=yes), do not specify these attributes in this file. Infoprint Server ignores them if specified.

ascii-codepage = codepage

The name of an IBM-supplied or custom ASCII code page that is supported by the z/OS iconv utility. For the names of IBM-supplied code page names, see [z/OS XL C/C++ Programming Guide](#).

Infoprint Server converts data from:

- The document code page to the printer code page
- The code page for the z/OS locale to the document code page
- The code page for the z/OS locale to the printer code page

Therefore, if you specify a custom code page in this field, make sure that conversion tables exist so that Infoprint Server can convert between code pages. For information about how to create conversion tables, see information about code set conversion utilities in [z/OS XL C/C++ Programming Guide](#).

Infoprint Server uses the code page that is specified in this field in these ways:

- The Printer Inventory Manager displays this code page in the **Printer code page** field in ISPF panels for new IP PrintWay printer definitions that use the LPR, direct sockets, or IPP protocol to transmit data sets to the remote system.
- Print Interface uses this code page as the default source (document) code page when it converts data streams from ASCII to EBCDIC. A document code page that is specified in the printer definition or job attribute overrides this value.
- Print Interface uses this code page as the target (printer) code page when it converts PostScript documents that were created with a non-ASCII code page.

Rules:

1. If dynamic configuration is enabled, specify this attribute in the system configuration definition. If you change this attribute, you do not need to restart Infoprint Server.
2. If dynamic configuration is not enabled, specify this attribute in the `aopd.conf` file. If you change this attribute while Infoprint Server is running, stop all Infoprint Server daemons and restart Infoprint Server. Be sure to wait for all daemons to stop before you restart Infoprint Server.

Default: `ascii-codepage = ISO8859-1`

base-directory = *path*

The directory path in which Infoprint Server creates Printer Inventory files and other files. This attribute is required.

The directory path can contain up to 95 characters. However, if you use Infoprint Server transforms, the maximum length of the directory path might be less, depending on the length of the transform class names you define. If the transform class names can be up to 20 characters, the maximum length of the directory path is 60 characters.

Rule: Do not change this attribute while Infoprint Server (including NetSpool, IP PrintWay basic mode, and Infoprint Central) or the Printer Inventory for PSF is running. If you change this attribute, you must stop and restart:

- All Infoprint Server daemons
- NetSpool
- IP PrintWay basic mode
- IBM HTTP Server - Powered by Apache (when running Infoprint Central)
- PSF for z/OS (when running Printer Inventory for PSF)

Default: None.

Example: To use the suggested name for the base directory:

```
base-directory = /var/Printsrv
```

console-name = *name*

The name of the extended MCS console that Infoprint Central uses to send commands to the z/OS system.

Rules:

1. The console name must be 2 – 8 alphanumeric or national (#, \$, and @) characters. The first character cannot be numeric. Enclose a name that contains national characters in single or double quotation marks.
2. Do not use these reserved names: HC, INSTREAM, INTERNAL, OPERLOG, SYSIOSRS, SYSLOG, UNKNOWN.
3. If you specify the Infoprint Central daemon (`aopssid`) in the `start-daemons` attribute, this console name must be unique among all active and inactive console names on all systems in a sysplex. To display the active and inactive console names, enter this MVS command:

```
DISPLAY EMCS,ST=L
```

For information about the DISPLAY EMCS command, see *z/OS MVS System Commands*.

4. If dynamic configuration is enabled, specify this attribute in the system configuration definition. If you change this attribute while the Infoprint Central daemon (aopssid) is running, stop aopssid and restart Infoprint Server.
5. If dynamic configuration is not enabled, specify this attribute in the aopd.conf file. If you change this attribute while Infoprint Server is running, stop all Infoprint Server daemons and restart Infoprint Server. Be sure to wait for all daemons to stop before you restart Infoprint Server.

Default: The Printer Inventory name (specified in the inventory attribute), followed by the last 4 characters of the system name. If the Printer Inventory name is AOP1 and the system name is MYSYS1, the default console name is AOP1SYS1.

Example: console-name = PRINTCON

dynamic-configuration = yes | no

Indicates whether the dynamic configuration function is enabled. If dynamic configuration is enabled, you can change many configuration attributes in the system configuration definition in the Printer Inventory while Infoprint Server is running, without stopping and restarting Infoprint Server.

yes

Dynamic configuration is enabled.

no

Dynamic configuration is not enabled.

Tip: For more information about dynamic configuration, see [enablingdynamicconfiguration.dita#enablingdynamicconfiguration](#).

Rule: If you change this attribute while Infoprint Server is running, stop all Infoprint Server daemons and restart Infoprint Server. Be sure to wait for all daemons to stop before you restart Infoprint Server.

Default: dynamic-configuration = no

Example: dynamic-configuration = yes

ebcdic-codepage = codepage

The name of an IBM-supplied or custom EBCDIC code page that is supported by the z/OS iconv utility. For the names of IBM-supplied code page names, see [z/OS XL C/C++ Programming Guide](#).

Infoprint Server converts data from:

- The document code page to the printer code page
- The code page for the z/OS locale to the document code page
- The code page for the z/OS locale to the printer code page

Therefore, if you specify a custom code page in this field, make sure that conversion tables exist so that Infoprint Server can convert between code pages. For information about how to create conversion tables, see information about code set conversion utilities in [z/OS XL C/C++ Programming Guide](#).

Infoprint Server uses this code page in these ways:

- The Printer Inventory Manager displays this code page in the **Printer code page** field in ISPF panels for new PSF printer definitions, general printer definitions, and IP PrintWay printer definitions that use the VTAM or email protocol to transmit data sets to the remote system.
- NetSpool uses this code page as the default source (document) code page when it converts data streams from EBCDIC to ASCII. A document code page in the printer definition or job attribute overrides this value.
- IP PrintWay extended mode uses this code page as the default source (document) code page when it converts data streams from EBCDIC to ASCII. A document code page in the printer definition overrides this value.
- Print Interface uses this code page as the source (document) code page when Print Interface cannot determine the user locale for the lp command.

Rules:

1. If dynamic configuration is enabled, specify this attribute in the system configuration definition. If you change this attribute, you do not need to restart Infoprint Server.
2. If dynamic configuration is not enabled, specify this attribute in the `aopd.conf` file. If you change this attribute while Infoprint Server is running, stop all Infoprint Server daemons and restart Infoprint Server. Be sure to wait for all daemons to stop before you restart Infoprint Server. Also, restart the NetSpool started task.

Default: `ebcdic-codepage = IBM-1047`

inventory = *inventory*

The name of the Printer Inventory and the Print Interface subsystem. Specify exactly four uppercase or lowercase letters or numbers. This name is case-sensitive.

If you use the Print Interface subsystem, the first character must be an uppercase letter. It *cannot* be a lowercase letter or numeric. The remaining characters can be uppercase letters or numeric. The job submitter specifies this name in the SUBSYS parameter on the DD JCL statement.

If you start NetSpool or IP PrintWay basic mode, specify this name on the EXEC statement of the startup procedure. Also, specify this name in the PSF and AFP Download Plus startup procedures if you want PSF or AFP Download Plus to use information that is specified in FSS and FSA definitions in the Infoprint Server Printer Inventory.

Rule: Do not change this attribute while Infoprint Server (including NetSpool, IP PrintWay basic mode, and Infoprint Central) or the Printer Inventory for PSF is running. If you change this attribute, you must stop and restart:

- All Infoprint Server daemons
- NetSpool
- IP PrintWay basic mode
- IBM HTTP Server - Powered by Apache (when running Infoprint Central)
- PSF for z/OS (when running Printer Inventory for PSF)

Default: `inventory = AOP1`

ipp-port-number = *portnumber*

The number of the port at which the IPP Server waits for print requests. Port 631 is the well-known port for communication between IPP clients and IPP Servers.

Rules:

1. Make sure that the port is not used by any other service on the same TCP/IP stack.
2. If dynamic configuration is enabled, specify this attribute in the system configuration definition. If you change this attribute, you do not need to restart Infoprint Server.
3. If dynamic configuration is not enabled, specify this attribute in the `aopd.conf` file. If you change this attribute while Infoprint Server is running, stop all Infoprint Server daemons and restart Infoprint Server. Be sure to wait for all daemons to stop before you restart Infoprint Server.

Default: `ipp-port-number = 631`

jes-name = *name*

The 1–4 character name of the JES2 secondary subsystem that Infoprint Server works with. If this attribute is specified, Print Interface and NetSpool create output data sets on the spool of the specified subsystem, and IP PrintWay extended mode selects output data sets for printing from the spool of the specified subsystem. Infoprint Server converts any lowercase letters to uppercase.

Tip: If you want Infoprint Server to work with the JES2 or JES3 primary subsystem, you can either omit this attribute or specify the name of the primary subsystem.

Rules:

1. If you change this attribute while Infoprint Server is running, stop all Infoprint Server daemons and restart Infoprint Server. Be sure to wait for all daemons to stop before you restart Infoprint Server.
2. If you use Infoprint Central and change this attribute, restart the IBM HTTP Server - Powered by Apache.

Default: None. Infoprint Server works with the JES2 or JES3 primary subsystem.

Example: `jes-name = JESX`

job-prefix = prefix

A prefix that Print Interface and NetSpool use for the job IDs of output data sets that they allocate on the JES spool. For example, if you specify prefix IS, the job ID of a print job might be IS001234. This prefix can help you identify data sets that Print Interface and NetSpool allocate on the JES spool.

The prefix must be two alphanumeric or national (@, \$, and #) characters. Enclose a prefix that contains national characters in single or double quotation marks. The first character *cannot* be numeric.

In some situations, this prefix is not used. For example:

- If a job submitter specifies the `sysout-job-id` job attribute, the job ID of the data set on the JES spool is the job ID specified in the job attribute.
- If a job submitter submits a data set to the Print Interface subsystem, the job ID of the data set on the JES spool is the job ID that JES assigned to the job.
- If IP PrintWay basic mode resubmits a print job to Print Interface for filtering, the job ID of the data set on the JES spool is the job ID that JES assigned to the original job.

Tips:

1. z/OS also assigns a unique z/OS job ID to each output data set. The z/OS job ID might be different from the job ID of the output data set on the JES spool. JES operator commands use this z/OS job ID.
2. The job ID that Print Interface returns to the job submitter does not contain this prefix.

Rules:

1. If dynamic configuration is enabled, specify this attribute in the system configuration definition. If you change this attribute, you do not need to restart Infoprint Server.
2. If dynamic configuration is not enabled, specify this attribute in the `aopd.conf` file. If you change this attribute while Infoprint Server is running, stop all Infoprint Server daemons and restart Infoprint Server. Be sure to wait for all daemons to stop before you restart Infoprint Server.

Default: `job-prefix = PS`

Example: `job-prefix = 'P#'`

log-retention = days

The number of days worth of messages that Infoprint Server retains in the common message log. Also, this attribute specifies the number of days for which Infoprint Central displays information about print jobs that are removed from the JES spool.

You can specify a value 0 - 59. A value of 0 means that Infoprint Server does not write any messages to the common message log and Infoprint Central does not display information about print jobs that are removed from the JES spool.

Guidelines:

1. If you do not start the Infoprint Central daemon, specify a value greater than 0 so that Infoprint Server writes messages to the common message log.
2. If you specify a value greater than 0 or start the Infoprint Server daemon, you might need to increase the amount of space available to the file system mounted at the `/var` or `/var/Printsrv` mount point because the common message log and Historical Inventory can contain a large amount of data. See [printsrvspace.dita#printsrvspace](#).

3. Because the common message log and Historical Inventory can contain a large amount of data, start with a value of 1 day. Increase the value by 1 day if enough space exists in the file system and if users request to see more messages or historical information.
4. If the size of the common message log in the z/OS UNIX file system grows too large, you can decrease its size. For more information, see [reducelogsize.dita#reducelogsize](#).
5. If you use `aoplogu` to view messages, the date and time format that is displayed in messages is controlled by the TZ and either the LC_TIME or LC_ALL environment variables. See [env.dita#env](#).

If you use Infoprint Central to view messages, the date and time format for the messages is controlled by the operating system that runs your web browser.

Rules:

1. If dynamic configuration is enabled, specify this attribute in the system configuration definition. If you change this attribute, you do not need to restart Infoprint Server.
2. If dynamic configuration is not enabled, specify this attribute in the `aopd.conf` file. If you change this attribute while Infoprint Server is running, stop all Infoprint Server daemons and restart Infoprint Server. Be sure to wait for all daemons to stop before you restart Infoprint Server.

Default: If you start the Infoprint Central daemon (`aopssid`), the default is 1 day. Otherwise, the default is 0. If you enable dynamic configuration, the default changes to 1 day regardless of whether you start `aopssid`.

Example: `log-retention = 3`

lpd-port-number = portnumber

The number of the port at which the Infoprint Server LPD waits for print requests. Port 515 is the well-known port for communication between LPRs and LPDs. If you specify a port other than 515, make sure that the port is not used by any other service on the z/OS system. Windows users must specify this port number when they configure the Infoprint Port Monitor for Windows. This attribute is optional.

Tip: Assign port 515 to the Print Interface LPD so that you can use all of the functions that Infoprint Server provides. These limitations apply if you assign a port other than port 515:

- Remote users cannot use commands such as LPR and `enq` to submit print requests. The reason is because you *cannot* configure most LPR clients to send print requests to a port other than to the well-known port 515. However, the Infoprint Port Monitor for Windows is an exception. You can configure the Port Monitor to send print requests to any port.
- IP PrintWay basic mode cannot transform data with the `resubmit` for filtering option. The reason is because IP PrintWay resubmits data to Print Interface at port 515. This limitation does not apply when you run IP PrintWay extended mode because IP PrintWay extended mode can transform data without resubmitting it to Print Interface for filtering.

Rules:

1. Make sure that the port is not used by any other service on the same TCP/IP stack.
2. This port number must not be reserved in the `hlq.PROFILE.TCPIP` data set. For more information about the PORT statement, see [tcpprof.dita#idprof](#).
3. If dynamic configuration is enabled, specify this attribute in the system configuration definition. If you change this attribute, you do not need to restart Infoprint Server.
4. If dynamic configuration is not enabled, specify this attribute in the `aopd.conf` file. If you change this attribute while Infoprint Server is running, stop all Infoprint Server daemons and restart Infoprint Server. Be sure to wait for all daemons to stop before you restart Infoprint Server.

Default: `lpd-port-number = 515`

max-historical-inventory-size = megabytes

The maximum size in megabytes (MBs) of the Historical Inventory, `/var/Printsrv/hinv`. The Historical Inventory contains information about print jobs and documents (output data sets) that are no longer on the JES spool.

When the maximum size is reached, Infoprint Server overwrites the oldest historical information. A value of 0 means that Infoprint Server does not limit the size of the Historical Inventory. However, the number of days that are specified in the log-retention attribute limits the amount of information that Infoprint Server keeps in the Historical Inventory.

`#aop1c000-gen51/d40e1234` shows the number of documents 1 MB in the Historical Inventory can contain.

<i>Table 66: Number of documents in the Historical Inventory</i>	
If print jobs on the JES spool contain:	1 MB in the Historical Inventory contains:
1 document in each print job	1350 documents
3 documents in each print job	1750 documents
5 documents in each print job	1850 documents
10 documents in each print job	1950 documents

Guideline: Use this formula to estimate the maximum size of the Historical Inventory:

```
Maximum size of Historical Inventory =
(Documents processed in one day X Days to retain information) /
Documents in 1 MB
```

For example:

- Documents processed in one day = 100,000
- Days to retain information = 3 (log-retention = 3)
- Documents in 1 MB = 1350 documents

The maximum size of the Historical Inventory = $(100,000 \times 3) / 1350 = 223$ MB (rounded up).

Rules:

1. If dynamic configuration is enabled, specify this attribute in the system configuration definition. If you change this attribute, you do not need to restart Infoprint Server.
2. If dynamic configuration is not enabled, specify this attribute in the `aopd.conf` file. If you change this attribute while Infoprint Server is running, stop all Infoprint Server daemons and restart Infoprint Server. Be sure to wait for all daemons to stop before you restart Infoprint Server.

Default: `max-historical-inventory-size = 10`

Example: `max-historical-inventory-size = 300`

resolve-printway-printers = yes | no

Indicates whether IP PrintWay extended mode looks up the full host names of printers in the domain name server (DNS).

yes

IP PrintWay looks up the full host names of printers in the DNS so that administrators and job submitters can use these supported methods to specify printer addresses: dotted decimal IP address, short host name, and full host name.

For example, assume that the administrator creates three printer definitions for the same printer. In each printer definition, the administrator specifies the printer's address in a different way: dotted decimal IP address, short host name, and full host name. When IP PrintWay starts, it looks up the full host names of all printers in the DNS. It recognizes that these three printer definitions all refer to the same printer.

Therefore, IP PrintWay sets up only one internal print queue for the printer. One internal print queue ensures that IP PrintWay sends print jobs to the printer in the order they were submitted and reduces contention within IP PrintWay for the printer. In addition, operators who use Infoprint Central see only one IP PrintWay printer.

no

IP PrintWay does not look up the full host names of printers in the DNS. Therefore, administrators and job submitters must use a consistent method when they are specifying printer addresses for the same physical printer. For example, if the administrator defines more than one printer definition for the same physical printer, in each printer definition, the administrator must specify the same IP address or host name so that IP PrintWay recognizes that all the printer definitions refer to the same printer.

Tip: If administrators and job submitters always specify dotted decimal IP addresses for printers, consider specifying `resolve-printway-printers = no` to limit the number of DNS lookups that IP PrintWay does.

Rules:

1. If you specify `resolve-printway-printers = no`, when the operator searches for a printer in Infoprint Central, the operator must enter the printer's dotted decimal IP address or host name exactly as it is specified in the printer definition or in the `DEST=IP:` parameter of the OUTPUT JCL statement. Otherwise, Infoprint Central cannot find the printer. For example, if the printer definition contains the printer's IP address, the operator must search for the printer by using the IP address instead of the printer's host name.
2. If you change this attribute while Infoprint Server is running, stop all Infoprint Server daemons and restart Infoprint Server. Be sure to wait for all daemons to stop before you restart Infoprint Server.

Default: `resolve-printway-printers = yes`

Example: `resolve-printway-printers = no`

smf-recording = yes | no

Indicates whether IP PrintWay extended mode writes SMF type 6 records for data sets that it sends to a printer or email destination. SMF type 6 records contain accounting information.

yes

IP PrintWay extended mode writes SMF type 6 records.

no

IP PrintWay extended mode does not write SMF type 6 records.

Rules:

1. If you run IP PrintWay extended mode and dynamic configuration is enabled, specify this attribute in the system configuration definition. If you change this attribute, you do not need to restart Infoprint Server.
2. If you run IP PrintWay extended mode and dynamic configuration is not enabled, specify this attribute in the `aopd.conf` file. If you change this attribute while Infoprint Server is running, stop all Infoprint Server daemons and restart Infoprint Server. Be sure to wait for all daemons to stop before you restart Infoprint Server.
3. This attribute does not apply to IP PrintWay basic mode.

Default: `smf-recording = yes`

Example: `smf-recording = no`

start-daemons= {[ippd] [lpd] [netd] [outd] [ssid] [subd] [xfd]}

The Infoprint Server daemons that are started when you use the `aopstart` command. This attribute is ignored when the **Operating mode** field on the ISPF Configuration panel is set to **z/OS 2.2**.

You can specify one or more of these daemon names that are enclosed in braces:

ippd

The IPP Server daemon, `aopippd`, starts. It processes print jobs that are submitted by an Internet Printing Protocol (IPP) client.

lpd

The line printer daemon, `aoplpd`, starts. It processes print jobs that are submitted with commands, such as `lpr`, and by the Infoprint Port Monitor for Windows.

netd

The NetSpool daemon, `aopnetd`, starts. It supports printing from VTAM applications such as CICS and IMS.

outd

The IP PrintWay extended mode daemons, `aopoutd` and `aopwsmd`, start. They select output data sets from the JES spool and send them to remote printers in an Internet Protocol network or to email destinations.

ssid

The Infoprint Central daemon, `aopssid`, starts. It communicates between Infoprint Central and JES.

subd

The Print Interface subsystem daemon, `aopsubd`, starts. It processes output data sets when the DD JCL statement requests the subsystem on the SUBSYS parameter.

xfd

The Transform Manager, `aopxfd`, starts. It manages data stream transforms.

The Printer Inventory Manager daemon `aopd` always starts, regardless of which daemons you specify in this attribute. To start only the Printer Inventory Manager daemon, type braces with no daemon names.

Rule: If you add or remove a value from `start-daemons` while Infoprint Server is running, you must start Infoprint Server again. You do not need to stop any daemons before you restart Infoprint Server unless you add value `ssid` (see [Note](#)).

When you restart Infoprint Server:

- Daemons that were removed from `start-daemons` are stopped.
- Daemons that were added to `start-daemons` are started.
- Daemons that were not removed or added continue to run without interruption.

To run the AOPSTART JCL procedure to start daemons that you added to the `start-daemons` attribute, enter this MVS START command:

```
START AOPSTART
```

Note: Stop all Infoprint Server daemons before you restart Infoprint Server if *all* of these conditions are met:

1. You added value `ssid`.
2. Dynamic configuration is not enabled.
3. You did not specify the `log-retention` attribute or you specified `log-retention=0` the last time you started all Infoprint Server daemons.

Before you restart Infoprint Server, if `log-retention=0` is specified, change the value to 1 or higher.

For example, enter these MVS commands to run the AOPSTART and AOPSTOP JCL procedures:

```
START AOPSTOP
START AOPSTART
```

Default: `start-daemons = {lpd}`

Examples:

1. In this example, all daemons start:

```
start-daemons = {ippd lpd netd outd ssid subd xfd}
```

2. In this example, only the Printer Inventory Manager daemon starts:

```
start-daemons = {}
```

use-output-disposition = yes | no

Indicates whether Infoprint Central uses the document OUTDISP value when it releases print jobs from a JES2 spool to a non-IP PrintWay printer, such as PSF.

yes

Infoprint Central uses the document OUTDISP value when it releases print jobs.

no

Infoprint Central releases print jobs according to its defined job-release function; for example, the job is purged after it prints.

Note: For information about how the OUTDISP and use-output-disposition values determine the release function, see [z/OS Infoprint Server Operation and Administration](#).

Rules:

1. If dynamic configuration is enabled, specify this attribute in the **Other** field for the system configuration definition. You do not need to restart Infoprint Server.
2. If dynamic configuration is not enabled, specify this attribute in the `aopd.conf` configuration file and then restart Infoprint Server.

Default: use-output-disposition = no

xcf-group-qualifier = q

A one-character XCF group qualifier that Infoprint Server adds to the end of the XCF group name to make it unique in a sysplex. The character must be an alphanumeric or national (\$, #, and @) character. Enclose a national character in single or double quotation marks. A lowercase letter is converted to uppercase.

You must specify a qualifier only if you enable dynamic configuration and multiple instances of Infoprint Server run in a sysplex with the same Printer Inventory name. Keep in mind that in the XCF group name, the Printer Inventory name is always uppercase. Therefore, you need to specify a qualifier if the Printer Inventory names are the same except for case. For example, specify a qualifier if the Printer Inventories are named "AOP1" and "aop1".

As an alternative, you can change the Printer Inventory name so that it is unique for each instance of Infoprint Server running in the sysplex. (You specify the Printer Inventory name in the inventory attribute.)

Format of the XCF group name: AOPpppp[q]:

AOP

Infoprint Server identifier.

pppp

Printer Inventory name. Any lowercase letters are converted to uppercase.

q

A one-character XCF group qualifier if specified in xcf-group-qualifier. This qualifier is optional.

Rule: If you change this attribute while Infoprint Server is running, stop all Infoprint Server daemons and restart Infoprint Server. Be sure to wait for all daemons to stop before you restart Infoprint Server.

Default: None

Example: xcf-group-qualifier = 1

Usage notes

1. For information about dynamic configuration, see [“Enabling dynamic configuration”](#) on page 67.
2. The Infoprint Server configuration file is in the directory that is specified in the AOPCONF environment variable. If AOPCONF is not set, the default location is `/etc/Printsrv/aopd.conf`.
3. To create the configuration file, copy sample file `/usr/lpp/Printsrv/samples/aopd.conf` to `/etc/Printsrv/aopd.conf` or to the file location you specify in AOPCONF.
4. When you edit this file, follow these syntax rules:

- Use lowercase characters for the attributes and use uppercase or lowercase characters for the values, with blank characters before or after the equal sign, if wanted.
- If a value contains blank characters or special characters (such as {}-> =, # &), enclose the value in single or double quotation marks.
- Start comments with the # symbol.
- Include blank lines, if wanted.

aopmsg.conf -- Infoprint Server message configuration file

Purpose

This file contains attributes that customize Infoprint Server message processing.

Note: If dynamic configuration is enabled, Infoprint Server does not use this file.

Format

```
[ #comment ]
[ hardcopy-messages = all | list | none ]
[ hardcopy-message-list = {messageID messageID ...} ]
```

hardcopy-messages = all | list | none

Specifies which additional messages Infoprint Server sends to the hardcopy log:

all

Sends all eligible messages to the hardcopy log.

list

Sends only the additional messages that are listed in the hardcopy-message-list attribute to the hardcopy log.

none

Sends no additional messages to the hardcopy log. Only console messages are sent to the hardcopy log. This is the default.

Rules:

1. If dynamic configuration is enabled, specify this attribute in the system configuration definition. If you change this attribute, you do not need to restart Infoprint Server.
2. If dynamic configuration is not enabled, specify this attribute in the aopmsg.conf file. If you change this attribute while Infoprint Server is running, stop all Infoprint Server daemons and restart Infoprint Server. Be sure to wait for all daemons to stop before you restart Infoprint Server.

Default: hardcopy-messages = none

Example: hardcopy-messages = list

hardcopy-message-list = {messageID messageID ...}

The message IDs of the messages that Infoprint Server sends to the hardcopy log when the hardcopy-messages = list attribute is specified. Specify the entire message ID including the severity code (E, I, S, T, or W). You can use either uppercase or lowercase characters. Enclose the list of messages in braces, and separate message IDs with spaces.

Tips:

1. You do not need to specify messages that Infoprint Server sends to the console, such as messages with the API prefix, because these messages are automatically sent to the hardcopy log.
2. If your installation uses the MPFLSTxx PARMLIB member for message automation, you might want to specify the same message IDs in MPFLSTxx.
3. If your installation uses an automated operations tool, the tool can process these messages.

Rules:

1. If you specify this attribute, also specify `hardcopy-messages = list`.
2. If dynamic configuration is enabled, specify this attribute in the system configuration definition. If you change this attribute, you do not need to restart Infoprint Server.
3. If dynamic configuration is not enabled, specify this attribute in the `aopmsg.conf` file. If you change this attribute while Infoprint Server is running, stop all Infoprint Server daemons and restart Infoprint Server. Be sure to wait for all daemons to stop before you restart Infoprint Server.

Default: None.

Example: `hardcopy-message-list={AOP3614I AOP3803E}`

Usage notes

1. For information about dynamic configuration, see [“Enabling dynamic configuration”](#) on page 67.
2. The Infoprint Server message configuration file is an optional file. If present, it is in the directory that is specified in the `AOPMSG_CONF` environment variable. If `AOPMSG_CONF` is not set, the default location is `/etc/Printsrv/aopmsg.conf`.
3. To create the configuration file, copy sample file `/usr/lpp/Printsrv/samples/aopmsg.conf` to `/etc/Printsrv/aopmsg.conf` or to the file location you specify in `AOPMSG_CONF`.
4. All attributes in this configuration file are optional. If you do not specify an attribute, the default value is used.
5. Follow these syntax rules:
 - Use lowercase characters for the attributes, and use uppercase or lowercase characters for the values.
 - Type blank characters before or after equal signs, if wanted.
 - Start comments with the `#` symbol.
 - Include blank lines, if wanted.
6. If you create or edit the configuration file while Infoprint Server is running, stop and restart all Infoprint Server daemons so that your changes take effect. Be sure to wait for all daemons to stop before you restart Infoprint Server.

aoprxf.conf -- Infoprint Server remote transform configuration file

Purpose

This file is required to use transforms that run on another system, such as transforms that InfoPrint Transform Manager for Linux provides. InfoPrint Transform Manager for Linux is a Ricoh product.

Format

```
[ #comment ]
remote-transform-manager-ip-address = hostname
[ remote-transform-manager-port-number = portnumber ]
```

remote-transform-manager-ip-address = hostname

The host name or dotted decimal IP address of the InfoPrint Transform Manager for Linux transform server. This attribute is required.

Tip: The InfoPrint Transform Manager for Linux user interface lists the IP address and port number of the transform server.

Default: None.

Examples:

1. `remote-transform-manager-ip-address = linux1.xyz.com`

2. `remote-transform-manager-ip-address = 99.99.123.234`

remote-transform-manager-port-number = *portnumber*

The port number of the InfoPrint Transform Manager for Linux transform server. This attribute is optional.

Default: `remote-transform-manager-port-number = 6986`

Example: `remote-transform-manager-port-number = 6987`

Usage notes

1. This configuration file is in the directory that is specified in the AOPRXF_CONF environment variable. If AOPRXF_CONF is not set, the default location is `/etc/Printsrv/aoprxf.conf`.
2. To create the configuration file, copy sample file `/usr/lpp/Printsrv/samples/aoprxf.conf` to `/etc/Printsrv/aoprxf.conf` or to the file location specified in AOPRXF_CONF.
3. Follow these syntax rules:
 - Use lowercase characters for the attributes. Use uppercase or lowercase characters for the values.
 - Start comments with the `#` symbol.
 - Include blank lines, if wanted.
 - Type blank characters before or after equal signs, if wanted.
4. If you create or edit the configuration file while Infoprint Server is running Infoprint Server picks up the changes automatically. You do not need to restart Infoprint Server.

aopxhd.conf -- Infoprint Server transform configuration file

Purpose

The Infoprint Server Transform Manager requires this configuration file. The Transform Manager manages transforms, which convert data streams from one format to another. Create an entry for each transform. If you define transform classes, create a separate entry for each transform class.

Example

```
transform pcl2afp
  start-command = "pcl2afpd"
  environment = { _BPX_JOBNAME -> PCL2AFPD }
  maximum-active = 2
  maximum-idle-time = 300 # 5 minutes
  minimum-active = 1
;
```

Usage notes

1. This configuration file is in the directory that is specified in the AOPXFD_CONF environment variable. If this environment variable is not set, the default location is `/etc/Printsrv/aopxhd.conf`.
2. To create this configuration file, copy sample file `/usr/lpp/Printsrv/samples/aopxhd.conf` to `/etc/Printsrv/aopxhd.conf` or to the file location you specify in the AOPXFD_CONF environment variable.
3. After you edit the configuration file, stop and restart the Transform Manager to pick up the changes.
4. Follow these syntax rules:
 - Start comments with the `#` symbol.
 - End the last attribute in a transform entry with a semicolon.
 - Code blank characters before and after equal signs, if wanted.

- Use lowercase characters for the attribute names, and use uppercase or lowercase characters for the attribute values.
- Environment variable names are case-sensitive. Typically, environment variable names are all uppercase.
- If a value contains blank characters or special characters (such as {}-> =, # &), enclose the value in single or double quotation marks.
- To continue a line that contains a character string that is enclosed in quotation marks, end the line with a backslash and do not type any characters, even blank characters, after the backslash. For example:

```
environment = {AOP_FONTLIB -> "sys1.font300 \
  sys1.sfntilib inst.font300"}
```

aopsapd.conf -- Infoprint Server SAP callback daemon configuration file

Purpose

This file is required when you use the Infoprint Server SAP Output Management System (OMS).

Format

```
# comment
system system-name
  initial-target = instance-name
  client = clientname
  userid = userid
  password = password
  language = language
;
```

system *system-name*

The name of the SAP R/3 system that contains an LOMS for which you want callback notification. The SAP R/3 system can run on any z/OS or non-z/OS system. This attribute must be the first attribute in the entry.

initial-target = *instance-name*

The name of an SAP R/3 server instance on the SAP R/3 system that is defined in the system attribute. The Print Interface Callback daemon initially contacts this server instance to obtain configuration information about the LOMSs defined on that SAP R/3 system.

client = *clientname*

The name of the client that is defined to SAP for use by the Callback daemon.

userid = *userid*

The user ID that is defined to SAP for use by the Callback daemon.

password = *password*

The password that is defined to SAP for use by the user ID.

language = *language*

The language that is used for messages from the SAP R/3 application server.

Example

This example shows two sample entries in the `aopsapd.conf` configuration file.

```
system EZ0
  initial-target = boefcs1_EZ0_00
  client = 000
  userid = mike
  password = xxxxxxx
  language = EN
;
```

```
system EX0
  initial-target = boefcs5_EX0_00
  client = 000
  userid = mike
  password = xxxxxxxx
  language = EN
;
```

Usage notes

1. All attributes are required.
2. The configuration file is in the directory that is specified in the AOPSAPD_CONF environment variable. If this environment variable is not set, the default location is `/etc/Printsrv/aopsapd.conf`.
3. To create this configuration file, copy sample file `/usr/lpp/Printsrv/samples/aopsapd.conf` to `/etc/Printsrv/aopsapd.conf` or to the file location you specify in the AOPSAPD_CONF environment variable.
4. If you edit the configuration file after you start Infoprint Server, stop and restart all Infoprint Server daemons so that your changes take effect. For example, you can enter these MVS commands:

```
AOPSTART AOPSTOP
AOPSTART AOPSTART
```

Also, restart the SAP R/3 Logical Output Management Systems (LOMS).

5. When you edit this file, follow these syntax rules:
 - End the last attribute in each entry with a semicolon.
 - Use lowercase characters for the attribute names and uppercase or lowercase characters for the attribute values. Code blank characters before or after the equal sign, if wanted.
 - If a value contains blank characters or special characters (such as `{}`-> `=`, `#`), enclose the value in single or double quotation marks.
 - Start comments with the `#` symbol.
 - Include blank lines, if wanted.

Appendix C. Environment variables

This information summarizes the environment variables that affect processing of Infoprint Server. [Table 67 on page 353](#) summarizes the variables and indicates where to set each variable. You set environment variables in one or more of these locations:

/etc/profile file

For information about how to set variables, see [“Setting environment variables for the Printer Inventory Manager” on page 38](#).

aopstart EXEC

For security reasons, Infoprint Server daemons use some variables only if they are set in the aopstart EXEC. Daemons do not use the same variables set in the /etc/profile file. For information about how to set variables, see [“Editing the aopstart EXEC” on page 53](#).

Note: If dynamic configuration is enabled, Infoprint Server ignores some environment variables that are specified in the aopstart EXEC. These environment variables are marked with ¹ in the table. You must specify the equivalent attribute in the system configuration definition in the Printer Inventory. For the equivalent attributes, see [Table 15 on page 70](#).

aopdemon envvar file

This file is specified with the aopdemon command or the VARFILE DD statement in the AOPDEMON JCL procedure. For information about how to set variables, see [“Creating an environment variables file \(envvar\)” on page 55](#).

AOPSTART JCL procedure STDENV data definition (DD)

For information about how to set variables, see [“Customizing startup and shutdown commands and procedures” on page 51](#).

IP PrintWay basic mode startup procedure (ANFWPROC) STDENV DD

For information about how to set variables, see [“Editing the ANFWPROC startup procedure \(basic mode\)” on page 284](#).

IBM HTTP Server - Powered by Apache bin/envvars environment variables file

You must set variables in this file only if you use Infoprint Central. For information about how to set variables, see [“Customizing the environment variables file for the IBM HTTP Server - Powered by Apache \(bin/envvars\)” on page 296](#).

Rules:

1. If you specify an environment variable in the AOPSTART JCL procedure STDENV DD, you do not need to specify it in the aopstart EXEC.
2. If you specify an environment variable in the AOPSTART JCL procedure STDENV DD, the aopstart EXEC, or the envvar file VARFILE DD, also specify it in the other files if applicable (etc/profile file, ANFWPROC STDENV DD, bin/envvars file). For example, you must set the AOPCONF environment variable in the aopstart EXEC or the envvar file, in the /etc/profile file, and in the bin/envvars file.

You must always set required variables. You must set optional variables if the default value is not suitable for your installation.

Environment variable	Location where set				
	/etc/profile file	aopstart EXEC or envvar file	AOPSTART STDENV DD	ANFWPROC STDENV DD	bin/envvars file
_BPX_UNLIMITED_OUTPUT	No	Optional	No	No	No
_BPXK_SETIBMOPT_TRANSPORT	No	Optional	No	No	No

Table 67: Where to set environment variables. (continued)

Environment variable	Location where set				
	/etc/profile file	aopstart EXEC or envvar file	AOPSTART STDENV DD	ANFWPROC STDENV DD	bin/envvars file
_ICONV_MODE	No	Optional	No	Optional	No
AOP_64K_JOBID	No	No	No	No	No
AOP_ALLOW_ALL_CHARACTERS_IN_LINE_DATA ¹	No	Optional	No	No	No
AOP_BLANK_TRUNCATION_CLASSES ¹	No	Optional	No	No	No
AOP_IGNORE_DCF_ROUTING_ERRORS ¹	No	Optional	No	No	No
AOP_MAIL_DO_NOT_ADD_SUFFIX ¹	No	Optional	No	Optional	No
AOP_MAIL_PRESERVE_SUFFIXES ¹	No	Optional	No	Optional	No
AOP_MAIL_USE_FIRST_ADDRESS ¹	No	Optional	No	No	No
AOP_MAXTHREADTASKS ¹	No	Optional	No	No	No
AOP_MVS_RETURN_CODES	Optional	No	No	No	No
AOP_READ_COMMUNITY	No	No	No	No	Optional
AOP_SAP2AFP_RESOURCES ²	Optional	Optional	No	No	No
AOP_SELECT_WORK_FROM_HOLD_QUEUE ¹	No	Optional	No	No	No
AOP_SUPPRESS_POST_UNIX_FILTER_FORMATTING ¹	No	Optional	No	No	No
AOP_WRITE_COMMUNITY	No	No	No	No	Optional
AOPCENTRAL	No	No	No	No	Optional
AOPCENTRAL_CODEPAGE	No	No	No	No	Optional
AOPCONF	Optional	Optional	No	No	Optional
AOPDUMPON ³	Optional	Optional	Optional	No	No
AOPIPPD_MAXTHREADTASKS ¹	No	Optional	No	No	No
AOPLIMIT	No	No	No	No	Optional
AOPLIMIT_DOCS	No	No	No	No	Optional
AOPLIMIT_JOBS	No	No	No	No	Optional
AOPLPD_MAXTHREADTASKS ¹	No	Optional	No	No	No
AOPMAILER ¹	No	Optional ³	No	Optional	No
AOPMAILER_OPTIONS ¹	No	Optional	No	Optional	No
AOPMSG_CONF	Optional	Optional ¹	No	No	No
AOPNETD_MAXTHREADTASKS ¹	No	Optional	No	No	No
AOPNETD_USE_FIXED_JOBID ¹	No	Optional	No	No	No
AOPNETD_USE_UNALTERED_JOBID ¹	No	Optional	No	No	No
AOPOPTIONS	Optional	No	No	No	No
AOPOUTD_MAXTHREADTASKS ¹	No	Optional	No	No	No
AOPPATH	Optional	No	No	No	No
AOPRESUBMITUSER	No	Optional	No	No	No
AOPRXF_CONF	Optional	Optional	No	No	No
AOPSAPD_CONF	Optional	Optional	No	No	No
AOPSSID_MAXTHREADTASKS ¹	No	Optional	No	No	No

Table 67: Where to set environment variables. (continued)

Environment variable	Location where set				
	/etc/profile file	aopstart EXEC or envvar file	AOPSTART STDENV DD	ANFWPROC STDENV DD	bin/envvars file
AOPSUBD_MAXTHREADTASKS ¹	No	Optional	No	No	No
AOPTRACEBYTES ³	Optional	Optional	Optional	No	No
AOPTRACEDIR ³	No	Optional	No	No	Optional
AOPTRACEMAXFILES ³	Optional	Optional	Optional	No	No
AOPTRACEON ³	Optional	Optional	Optional	No	Optional
AOPTRACEON_DATA ³	Optional	Optional	Optional	No	No
AOPTRACEON_EXITMAP ³	Optional	Optional	Optional	No	No
AOPTRACEON_FILTER ³	Optional	Optional	Optional	No	No
AOPTRACEON_MSGLOG ³	Optional	Optional	Optional	No	No
AOPVALIDATEDDB	Optional	Optional	Optional	No	No
AOPWSMD_MAXTHREADTASKS ¹	No	Optional	No	No	No
AOPXFD_CONF	Optional	Optional	No	No	No
CLASSPATH	No	Optional	No	No	Optional
JAVA_HOME	No	Optional	No	No	Optional
LANG	Optional	Optional	Optional	No	Optional
LC_ALL	Optional	Optional	Optional	No	Optional
LC_CTYPE	Optional	Optional	Optional	No	No
LC_TIME	Optional	Optional	Optional	No	Optional
LIBPATH	Required	Optional	No	Optional	Required
MANPATH	Required	No	No	No	No
NLSPATH	Required	Optional	No	Optional	Required
PATH	Required	Optional	No	Optional	No
PRINTER or LPDEST	Optional	No	No	No	No
STEPLIB	Optional	Optional	No	No	No
TZ	Optional	Optional	Optional	No	Optional

1. This environment variable is equivalent to an attribute in the system configuration definition. If dynamic configuration is enabled, do not specify this environment variable in the aopstart EXEC or envvar file. Infoprint Server ignores it if specified. For the equivalent attributes in the system configuration definition, see the description of the environment variable.

2. The SAP to AFP transform uses this environment variable. For information about it, see *IBM Infoprint Transforms to AFP for z/OS*.

3. These environment variables control tracing and dumping. For more information about them, see *z/OS Infoprint Server Messages and Diagnosis*.

_BPX_UNLIMITED_OUTPUT

Specifies that Infoprint Server daemons can write an unlimited amount of data to the JES spool without ending abnormally. This variable is set to `_BPX_UNLIMITED_OUTPUT=YES` in the aopstart EXEC or aopdemon command. Do not remove this variable or change its value.

_BPXK_SETIBMOPT_TRANSPORT

The TCP/IP job name that is associated with the TCP/IP stack you want to use. This variable is optional. However, you must set it if your installation defined multiple TCP/IP stacks on the z/OS system and you start the Print Interface LPD or IP PrintWay extended mode. (The Print Interface LPD starts by default.) For more information about this environment variable, see *z/OS UNIX System Services Planning*.

_ICONV_MODE

Determines whether iconv uses customized TCP/IP code page translation tables. Set the value to C if you customized any TCP/IP code page translation tables.

Example:

```
_ICONV_MODE=C
```

AOP_64K_JOBID

If this environment variable is defined in the process that calls the Infoprint Server API, Infoprint Server assigns job IDs in the range of 1 to 65535. If this environment variable is not defined, job IDs can be in the range of 1 to 999999.

Note: This variable is defined for use by the z/OS SMB server. Other applications must not define this variable because system performance might be degraded.

AOP_ALLOW_ALL_CHARACTERS_IN_LINE_DATA

Determines how Infoprint Server detects the data format of documents that contain line data. Valid line data contains carriage control characters, table reference characters, binary zeros, and printable characters. However, some applications might create line data that contains unprintable characters.

If this environment variable is set to YES, if line data contains unprintable characters, Infoprint Server detects the data format as "line data".

If this environment variable is not set, if line data contains unprintable characters, Infoprint Server detects the data format as "other". Line data that Infoprint Server detects as "other" might not print correctly because Infoprint Server does not convert it to the printer's code page.

Tips:

1. Job submitters can specify the data format in the document-format job attribute. For example, job submitters can specify document-format=line in the PRTATTRS parameter on the OUTPUT JCL statement. If the document-format job attribute is specified, Infoprint Server ignores this environment variable because it does not detect the data format.
2. Set this environment variable to YES if Infoprint Server does not detect the line data format and job submitters cannot specify the document-format=line job attribute.
3. This environment variable does not affect how NetSpool checks SCS and 3270 data streams for validity. The input SCS and 3270 data streams must contain only valid characters.

Rules:

1. If dynamic configuration is enabled, specify the equivalent allow-all-characters-in-line-data attribute in the system configuration definition.
2. If dynamic configuration is not enabled, specify this environment variable in the aopstart EXEC.

Default: The environment variable is not set.

Example: AOP_ALLOW_ALL_CHARACTERS_IN_LINE_DATA=YES

AOP_BLANK_TRUNCATION_CLASSES

The list of JES output classes for which IP PrintWay extended mode removes blanks from the end of records or lines. If a data set is allocated in one of the listed classes, and the data set contains either line data or text data, IP PrintWay removes any blank characters that occur at the end of each record or line. If this environment variable is not set, IP PrintWay does not remove any blank characters.

Value: One or more letters or numbers. Specify multiple letters and numbers with no separation. An asterisk (*) indicates all JES output classes. Lowercase letters are converted to uppercase.

Tips:

1. Specify this environment variable only if line or text data prints with extra blank characters at the end of lines.
2. This environment variable can slow performance and cause IP PrintWay to use more system resources.

3. Before JES gives data to IP PrintWay extended mode, JES always restores blanks that it truncated from data sets to save space on the JES spool. JES restores blanks regardless of how you set the JES2 BLNKTRNC and JES3 TRUNC parameters. Therefore, if you specify either BLNKTRNC=YES (JES2) or TRUNC=YES (JES3), you might need to specify this environment variable if your printed output contains unwanted blank characters. For example, if you specify BLNKTRNC=YES for output classes C and D, you can specify AOP_BLANK_TRUNCATION_CLASSES=CD to request that IP PrintWay extended mode remove trailing blank characters for output classes C and D. (BLNKTRNC=YES and TRUNC=YES are the JES defaults.)

For information about specifying JES blank truncation, see one of these:

- [z/OS JES2 Initialization and Tuning Guide](#)
- [z/OS JES3 Initialization and Tuning Guide](#)

Rules:

1. If you run IP PrintWay extended mode and dynamic configuration is enabled, specify the equivalent blank-truncation-classes attribute in the system configuration definition.
2. If you run IP PrintWay extended mode and dynamic configuration is not enabled, specify this environment variable in the aopstart EXEC.
3. This environment variable does not apply to IP PrintWay basic mode.

Default: The environment variable is not set.

Example: AOP_BLANK_TRUNCATION_CLASSES=ABC123

AOP_IGNORE_DCF_ROUTING_ERRORS

If this environment variable is set to YES, IP PrintWay extended mode does not write an error message (AOP3201E) when it cannot find a printer definition in the Printer Inventory that matches the DEST, CLASS, and FORMS parameters that are specified on the OUTPUT (or DD) JCL statement for a print job. Also, it does not save information about the print job in the Printer Inventory.

If this environment variable is not set, IP PrintWay extended mode writes an error message (AOP3201I) when it cannot find a printer definition that matches the DEST, CLASS, and FORMS parameters. Also, it saves information about the print job in the Printer Inventory so that Infoprint Central can display the print job and the associated AOP3201E message.

Tips:

1. Set this environment variable to YES if your IP PrintWay job-selection rules cause IP PrintWay to select many jobs whose DEST, CLASS, and FORMS parameters do not match printer definitions in the Printer Inventory. (In this situation, message AOP3201E occurs numerous times in the common message log.) Setting this environment variable to YES can conserve storage and processing resources.
2. If you set this environment variable to YES, it might be difficult to determine that IP PrintWay did not process a print job because its CLASS, DEST, and FORMS parameters do not match a printer definition.
3. The text of message AOP3201E is:

```
AOP3201E The DEST, CLASS, and FORMS JCL keywords do not match a
printer definition in the Printer Inventory.
```

Rules:

1. If you run IP PrintWay extended mode and dynamic configuration is enabled, specify the equivalent ignore-dcf-routing-errors attribute in the system configuration definition.
2. If you run IP PrintWay extended mode and dynamic configuration is not enabled, specify this environment variable in the aopstart EXEC.
3. This environment variable does not apply to IP PrintWay basic mode.

Default: The environment variable is not set.

Example: AOP_IGNORE_DCF_ROUTING_ERRORS=YES

AOP_MAIL_DO_NOT_ADD_SUFFIX

If this environment variable is set to YES, IP PrintWay does not append a suffix to any file names specified in the MAILFILE JCL parameter or the mail-file-name job attribute.

If this environment variable is not set, IP PrintWay appends one of these suffixes for the data formats it recognizes: afp, jpg, pcl, pdf, ps, sap, tif, txt, or octet-stream (for unrecognized data formats).

Tip: If the AOP_MAIL_DO_NOT_ADD_SUFFIX environment variable is set to YES, IP PrintWay ignores the AOP_MAIL_PRESERVE_SUFFIXES environment variable.

Rules:

1. If you run IP PrintWay extended mode and dynamic configuration is enabled, specify the equivalent mail-do-not-add-suffixes attribute in the system configuration definition.
2. If you run IP PrintWay extended mode and dynamic configuration is not enabled, specify this environment variable in the aopstart EXEC.
3. If you run IP PrintWay basic mode, specify this environment variable in the IP PrintWay basic mode startup procedure.

Default: The environment variable is not set.

Example: AOP_MAIL_DO_NOT_ADD_SUFFIX=YES

AOP_MAIL_PRESERVE_SUFFIXES

The list of suffixes that IP PrintWay preserves in file names that are specified in the MAILFILE JCL parameter or in the mail-file-name job attribute. If the file name ends with one of the suffixes in this list, IP PrintWay does not append another suffix to the file name.

If no file name is specified in MAILFILE or mail-file-name, or if the suffix of the file name does not match a suffix in this environment variable, IP PrintWay appends one of these suffixes for the data formats it recognizes: afp, jpg, pcl, pdf, ps, sap, tif, txt, or octet-stream (for unrecognized data formats).

Tips:

1. Specify the suffixes that users might specify in file names. For example, you might specify the .doc suffix for Microsoft Word documents.
2. If the AOP_MAIL_DO_NOT_ADD_SUFFIX environment variable is set to YES, IP PrintWay ignores the AOP_MAIL_PRESERVE_SUFFIXES environment variable.

Rules:

1. Begin each suffix with a period.
2. To specify more than one suffix, separate the suffixes with a blank. Do not enclose the list of suffixes in single or double quotation marks.
3. If you run IP PrintWay extended mode and dynamic configuration is enabled, specify the equivalent mail-preserve-suffixes attribute in the system configuration definition.
4. If you run IP PrintWay extended mode and dynamic configuration is not enabled, specify this environment variable in the aopstart EXEC.
5. If you run IP PrintWay basic mode, specify this environment variable in the IP PrintWay startup procedure.

Default: The environment variable is not set.

Example: c

AOP_MAIL_USE_FIRST_ADDRESS

Specifies the email addresses that IP PrintWay extended mode uses when a print job (output group) contains more than one document (data set).

Values:

YES

IP PrintWay sends each document to the email address or addresses that are specified for the first document in the print job.

NO

IP PrintWay sends each document to the email address or addresses that are specified for the document.

Tips:

1. AOP_MAIL_USE_FIRST_ADDRESS has no effect if the Concatenate job option is selected in the **Dataset grouping** field in the printer definition, or if the **Automatic dataset grouping** field is selected in the printer definition. When either concatenation option is selected, IP PrintWay extended mode sends all documents in a print job in one email to the email address or addresses that are specified for the first document in the print job.
2. IP PrintWay basic mode ignores this environment variable. IP PrintWay basic mode always sends each document to the email address or addresses that are specified for the document unless the Concatenate job option is selected in the **Dataset grouping** field in the printer definition.

Rules:

1. If you run IP PrintWay extended mode and dynamic configuration is enabled, specify the equivalent mail-use-first-address attribute in the system configuration definition.
2. If you run IP PrintWay extended mode and dynamic configuration is not enabled, specify this environment variable in the aopstart EXEC.
3. This environment variable does not apply to IP PrintWay basic mode.

Default: YES

Example: AOP_MAIL_USE_FIRST_ADDRESS=NO

AOP_MAXTHREADTASKS

The MAXTHREADTASKS limit for these Infoprint Server daemons: aopipdd, aoplpd, aopnetd, aopoutd, aopssid, aopsubd, and aopwsmd. The MAXTHREADTASKS limit is the maximum number of MVS tasks that a single process (daemon) can have concurrently active. This environment variable is optional.

If you set a MAXTHREADTASKS limit for a specific daemon in the MAXTHREADTASKS environment variable for that daemon, the limit in this environment variable does not apply for that daemon.

Tips:

1. The default MAXTHREADTASKS limits that Infoprint Server uses are suitable for most installations. Consider setting a different limit only if you receive this message:

```
BPXI040I PROCESS LIMIT MAXTHREADTASKS HAS REACHED nn% OF ITS  
CURRENT CAPACITY OF nnn FOR PID=nnnnnn IN JOB daemon
```

The BPXI040I message is an informational message and does not indicate that an error occurred. If the BPXI040I message indicates that less than 100% of capacity is reached, threads are run without delay. However, when the limit is reached, a newly created thread does not run until an existing thread ends.

The LIMMSG statement in the BPXPRMxx member of SYS1.PARMLIB controls whether z/OS UNIX issues message BPXI040I. The default is that z/OS UNIX does not issue BPXI040I messages. You can change the LIMMSG value dynamically by using the SETOMVS command.

2. Do not set a value less than 32.
3. If you increase the MAXTHREADTASKS limit, you might need to increase the maximum region size because each concurrent task requires more storage:
 - If you use a JCL startup procedure to start Infoprint Server, increase the region size on the EXEC statement in the procedure.

- If you use a start command from the z/OS UNIX command line to start Infoprint Server, increase the maximum address space in the MAXASSIZE parameter in the BPXPRMxx member of SYS1.PARMLIB or in the ASSIZEMAX RACF parameter for the user ID that starts Infoprint Server (ASSIZEMAX overrides MAXASSIZE). Be careful when you are using the SHRLIBRGNSIZE OMVS parameter in a 31-bit environment because it limits the size of usable regions across the system.
 - If you enter a start command from the TSO/E OMVS command line, the SIZE parameter on the TSO/E LOGON panel determines the maximum region size of the address space.
4. Do not set a high limit because each concurrent task requires some storage below the 16 MB line. If the limit is too high, an abend can occur.
 5. If you exceed the default limit (200) when many printers are waiting for operator intervention at the same time, you might need to increase the limit in the AOPOUTD_MAXTHREADTASKS environment variable or reduce the IP PrintWay response timeout value in the printer definition. For information about setting the response timeout value, see [z/OS Infoprint Server Operation and Administration](#).

Rules:

1. If dynamic configuration is enabled, specify the equivalent max-thread-tasks attribute in the system configuration definition.
2. If dynamic configuration is not enabled, specify this environment variable in the aopstart EXEC.

Default: The limit is 200 for each daemon.

Example: In this example, the limit for the aopoutd daemon is 250, while the limit for all other daemons is 225:

```
AOPOUTD_MAXTHREADTASKS=250
AOP_MAXTHREADTASKS=225
```

AOP_MVS_RETURN_CODES

Specifies whether the lp command and transform commands return MVS return codes (0, 4, 8) or UNIX exit value (0, 1):

Values:

YES

MVS return codes:

0

Successful.

4

A warning occurred during the transform.

8

The command was not accepted, a data stream error occurred during the transform, or the transform failed.

NO

UNIX return codes:

0

Successful. However, a warning or data stream error might occur during the transform.

1

The command was not accepted, or the transform failed.

Notes:

1. For information about whether a transform command supports this environment variable, see the documentation for the transform.

2. Specify this environment variable before the command when you run a command from the z/OS UNIX command line. For example, if you run the `lp` command, enter on the z/OS UNIX command line:

```
AOP_MVS_RETURN_CODES=YES lp -d printername myfile
```

You can also specify this variable in the `$HOME/.profile` file (if you use the `/bin/sh` shell) or the `$HOME/.tcshrc` file (if you use the `/bin/tcsh` shell).

3. If you use the AOPPRINT JCL procedure, specify this environment variable in the STDENV data definition (DD) of the procedure. AOPPRINT runs the `lp` command and returns the code from the `lp` command.
4. If you use the AOPBATCH JCL procedure to run the `lp` command or a transform command, specify this environment variable in the STDENV data definition (DD) of the procedure. AOPBATCH returns the code from the `lp` command or transform command.
5. Do not specify this environment variable in the Infoprint Server transform configuration file, `aopxfd.conf`.

Default: NO

Example: `AOP_MVS_RETURN_CODES=YES`

AOP_READ_COMMUNITY

The SNMP community name that allows read access to TCP/IP-attached printers in your installation. The SNMP read community name is required for Infoprint Central to display information from the printer (such as status, paper level, and model) and to display the turn online, turn offline, and reset printer actions. This environment variable is optional.

Tips:

1. For information about how to assign an SNMP read community name to a printer, see the documentation for the printer or contact the printer manufacturer.
2. You need to assign the same SNMP read community name to all printers and specify it in this environment variable. If a printer's SNMP read community name is different from the one specified in this environment variable, Infoprint Central does not display information from the printer and does not display the turn online, turn offline, and reset printer actions.
3. To see information from the printer and printer actions, Infoprint Central users must have READ access to the RACF profiles in the PRINTSRV and OPERCMDS classes that protect the printer.
4. Infoprint Central does not reveal this community name to Infoprint Central users.

Default: public

Example: `AOP_READ_COMMUNITY=mypass`

AOP_SELECT_WORK_FROM_HOLD_QUEUE

Indicates whether IP PrintWay extended mode selects new held output groups from the JES spool.

Values:

YES

IP PrintWay extended mode selects new held output groups from the JES spool. You can use Infoprint Central to move the held output groups to different IP PrintWay printers before you release them.

NO

IP PrintWay extended mode does not select new held output groups from the JES spool. You can use JES or SDSF commands to release individual data sets in an output group for printing.

Rules:

1. If you run IP PrintWay extended mode and dynamic configuration is enabled, specify the equivalent `select-work-from-hold-queue` attribute in the system configuration definition.

2. If you run IP PrintWay extended mode and dynamic configuration is not enabled, specify this environment variable in the `aopstart EXEC`.
3. This environment variable does not apply to IP PrintWay basic mode.

Default: YES

Example: `AOP_SELECT_WORK_FROM_HOLD_QUEUE = NO`

AOP_SUPPRESS_POST_UNIX_FILTER_FORMATTING

Indicates whether IP PrintWay extended mode formats line or text data after a UNIX filter processes it. If this environment variable is set to any value, IP PrintWay extended mode does not format data when all these conditions are met:

- The data set to be processed contains either line data or text data.
- A UNIX filter is specified in the printer definition for the data format.
- The PAGEDEF or FORMDEF parameter is specified on the OUTPUT JCL statement for the data set. (A page or form definition that is specified in the printer definition does not meet this criterion.)

If this environment variable is not set, IP PrintWay extended mode always formats line or text data after a UNIX filter processes it. For example, IP PrintWay processes carriage control characters and transparent data characters, and converts the data from the document code page to the printer code page.

Tips:

1. Specify this environment variable if you use a UNIX filter that calls an AFP transform to convert line data to PCL, PDF, or PostScript format.
2. This environment variable does not affect how IP PrintWay extended mode processes data when you specify a DLL filter in the printer definition. IP PrintWay extended mode does not modify data that is returned by DLL filters.

Rules:

1. If you run IP PrintWay extended mode and dynamic configuration is enabled, specify the equivalent `suppress-post-unix-filter-formatting` attribute in the system configuration definition.
2. If you run IP PrintWay extended mode and dynamic configuration is not enabled, specify this environment variable in the `aopstart EXEC`.
3. This environment variable does not apply to IP PrintWay basic mode.

Default: IP PrintWay extended mode formats line or text data after a UNIX filter processes it.

Example:

```
AOP_SUPPRESS_POST_UNIX_FILTER_FORMATTING=YES
```

AOP_WRITE_COMMUNITY

The SNMP write community name that allows write access to TCP/IP-attached printers in your installation. The SNMP write community name is required to turn printers online, offline, and reset them. This environment variable is optional.

Tips:

1. For information about how to assign an SNMP write community name to printers, see the documentation for the printer or contact the printer manufacturer.
2. If you assign different SNMP write community names to your printers, specify the most common community name in this environment variable. If this community name is not correct for a particular printer, Infoprint Central asks the user to enter the SNMP write community name for that printer.
3. To do printer actions, Infoprint Central users must have CONTROL access to the RACF profile in the PRINTSRV class that protects the printer.
4. Infoprint Central does not reveal this community name to Infoprint Central users.

Default: public

Example: AOP_WRITE_COMMUNITY=mypass

AOPCENTRAL

The directory that contains Infoprint Central files. This environment variable is optional. If you installed Infoprint Server files in the default directory, you do not need to set this environment variable.

Default: /usr/lpp/Printsrv/InfoprintCentral

Example: AOPCENTRAL=/usr/lpp/mylib/InfoprintCentral

AOPCENTRAL_CODEPAGE

The EBCDIC code page that Infoprint Central uses when it searches for and displays attributes in the Printer Inventory. Specify the same code page for the locale that is specified in the LC_ALL or LC_CTYPE environment variable in the aopstart EXEC, *envvar* file, or JCL startup procedure. This environment variable is optional.

Specify this environment variable only in the IBM HTTP Server - Powered by Apache environment variables file (bin/envvars).

Default: IBM-1047

Example: AOPCENTRAL_CODEPAGE=IBM-297

AOPCONF

The full path name of the Infoprint Server configuration file. This environment variable is optional. If you created the configuration file in the default location, you do not need to set this environment variable. The values in the IBM HTTP Server - Powered by Apache environment variables file (bin/envvars) and in the aopstart EXEC or *envvar* file must match.

Default: /etc/Printsrv/aopd.conf

AOPIPPD_MAXTHREADTASKS

The MAXTHREADTASKS limit for the Internet Printing Protocol (IPP) daemon, aopipd. The MAXTHREADTASKS limit is the maximum number of MVS tasks that aopipd can have concurrently active. This environment variable is optional.

Tip: For more information, see the "Tips" for the AOP_MAXTHREADTASKS environment variable.

Rules:

1. If dynamic configuration is enabled, specify the equivalent aopipd-max-thread-tasks attribute in the system configuration definition.
2. If dynamic configuration is not enabled, specify this environment variable in the aopstart EXEC.

Default: The limit that is specified in the AOP_MAXTHREADTASKS environment variable is used. If that environment variable is not specified, the limit is 200.

AOPLIMIT

The maximum number of objects that Infoprint Central displays after a search. This limit prevents the IBM HTTP Server - Powered by Apache from timing out before Infoprint Central can display all objects that meet the users' search criteria. This environment variable is optional. You can specify a number 1 - 9999. If you specify an incorrect value, the default value is used.

If you set a limit for print jobs in the AOPLIMIT_JOBS environment variable, the limit in AOPLIMIT does not apply to print jobs.

If you set a limit for documents in the AOPLIMIT_DOCS environment variable, the limit in AOPLIMIT does not apply to documents.

Tips:

1. If Infoprint Central users ask to see more than 250 objects, try increasing the limit. If the higher limit causes the HTTP server to time out, try increasing the HTTP server's timeout value.
2. If the HTTP server times out occasionally with the default limit, ask users to narrow their searches.

3. If the HTTP server times out repeatedly with the default limit, reduce the limit or try increasing the HTTP server's timeout value.
4. When the HTTP server times out, users might not see any search results, or they might see partial search results or a "Page not found" error.

Default: 250

Example: AOPLIMIT=100

AOPLIMIT_DOCS

The maximum number of documents that Infoprint Central displays after a search. This limit prevents the HTTP server from timing out before Infoprint Central can display all objects that meet the users' search criteria. This environment variable is optional. You can specify a number 1 - 9999. If you specify an incorrect value, the default value is used.

For more information, see the AOPLIMIT environment variable.

Default: The limit that is specified in the AOPLIMIT environment variable is used. If that environment variable is not specified, the limit is 250.

Example: AOPLIMIT_DOCS=100

AOPLIMIT_JOBS

The maximum number of print jobs that Infoprint Central displays after a search. This limit prevents the HTTP server from timing out before Infoprint Central can display all objects that meet the users' search criteria. This environment variable is optional. You can specify a number 1 - 9999. If you specify an incorrect value, the default value is used.

For more information, see the AOPLIMIT environment variable.

Default: The limit that is specified in the AOPLIMIT environment variable is used. If that environment variable is not specified, the limit is 250.

Example: AOPLIMIT_JOBS=100

AOPLPD_MAXTHREADTASKS

The MAXTHREADTASKS limit for the Infoprint Server LPD, aop1pd. The MAXTHREADTASKS limit is the maximum number of MVS tasks that aop1pd can have concurrently active. This environment variable is optional.

Tip: For more information, see the "Tips" for the AOP_MAXTHREADTASKS environment variable.

Rules:

1. If dynamic configuration is enabled, specify the equivalent aoplpd-max-thread-tasks attribute in the system configuration definition.
2. If dynamic configuration is not enabled, specify this environment variable in the aopstart EXEC.

Default: The limit that is specified in the AOP_MAXTHREADTASKS environment variable is used. If that environment variable is not specified, the limit is 200.

AOPMAILER

The full path name of the sendmail bridge that IP PrintWay uses to send output to email destinations. This environment variable is optional. However, you must set it if you did not install the sendmail executable file in the default /bin directory.

Rules:

1. Start the path name with a slash (/).
2. If you run IP PrintWay extended mode and dynamic configuration is enabled, specify the equivalent mailer-path-name attribute in the system configuration definition.
3. If you run IP PrintWay extended mode and dynamic configuration is not enabled, specify this environment variable in the aopstart EXEC.
4. If you run IP PrintWay basic mode, specify this environment variable in the IP PrintWay basic mode startup procedure.

For more information, see [sendmail.dita#sendmail](#)

Default: /bin/sendmail

Example: AOPMAILER=/mydirectory/sendmail

AOPMAILER_OPTIONS

Options that IP PrintWay specifies in addition to the -i option when it sends emails. You can specify this environment variable regardless of whether you specify the AOPMAILER environment variable. This environment variable is optional; however, only a limited number of options are supported by the sendmail bridge in z/OS V2R3.

Rules:

1. If you run IP PrintWay extended mode and dynamic configuration is enabled, specify the equivalent mailer-options attribute in the system configuration definition.
2. If you run IP PrintWay extended mode and dynamic configuration is not enabled, specify this environment variable in the aopstart EXEC.
3. If you run IP PrintWay basic mode, specify this environment variable in the IP PrintWay basic mode startup procedure.

For more information, see [sendmail.dita#sendmail](#)

Default: The environment variable is not set.

AOPMSG_CONF

The full path name of the Infoprint Server message configuration file, aopmsg.conf. If dynamic configuration is enabled, you did not create this configuration file or you created the configuration file in the default location, you do not need to set this environment variable.

Default: /etc/Printsrv/aopmsg.conf

AOPNETD_MAXTHREADTASKS

The MAXTHREADTASKS limit for the NetSpool daemon, aopnetd. The MAXTHREADTASKS limit is the maximum number of MVS tasks that aopnetd can have concurrently active. This environment variable is optional.

Tip: For more information, see the "Tips" for the AOP_MAXTHREADTASKS environment variable.

Rules:

1. If dynamic configuration is enabled, specify the equivalent aopnetd-max-thread-tasks attribute in the system configuration definition.
2. If dynamic configuration is not enabled, specify this environment variable in the aopstart EXEC.

Default: The limit that is specified in the AOP_MAXTHREADTASKS environment variable is used. If that environment variable is not specified, the limit is 200.

AOPNETD_USE_FIXED_JOBID

If this environment variable is set to YES, NetSpool assigns the same job ID to all output data sets that it creates on the JES spool. The job ID is the value that is specified in the job-prefix attribute, which defaults to PS, followed by 000000. For example, PS000000.

If this environment variable is not set, and environment variable AOPNETD_USE_UNALTERED_JOBID is not set, NetSpool assigns a unique job ID to each data set that it creates. This ID is the same as the job ID that Infoprint Server assigns to each print job.

When Infoprint Central displays Infoprint Server print jobs, it displays the unique Job ID that Infoprint Server assigns to each print job. Therefore, if this environment variable is set to YES, Infoprint Central functions that need to correlate JES print jobs with Infoprint Server print jobs do not work.

Tip: Set this environment variable only if you run JES3 and have a large number of PSF FSAs or IP PrintWay basic mode FSAs. Contact IBM for more information.

Rules:

1. If dynamic configuration is enabled, specify the equivalent netspool-use-fixed-jobid attribute in the system configuration definition.
2. If dynamic configuration is not enabled, specify this environment variable in the aopstart EXEC.

Default: The environment variable is not set.

Example: AOPNETD_USE_FIXED_JOBID=YES

AOPNETD_USE_UNALTERED_JOBID

If this environment variable is set to YES, NetSpool does not assign a job ID to the output data sets that it creates on the JES spool. The job ID for each data set is the same as the job ID of the aopnetd daemon.

If this environment variable is not set, and environment variable AOPNETD_USE_FIXED_JOBID is not set, NetSpool assigns a unique job ID to each data set that it creates. This ID is the same as the job ID that Infoprint Server assigns to each print job.

When Infoprint Central displays Infoprint Server print jobs, it displays the unique job ID that Infoprint Server assigns to each print job. Therefore, if this environment variable is set to YES, Infoprint Central functions that need to correlate JES print jobs with Infoprint Server print jobs do not work.

Rules:

1. If dynamic configuration is enabled, specify the equivalent netspool-use-unaltered-jobid attribute in the system configuration definition.
2. If dynamic configuration is not enabled, specify this environment variable in the aopstart EXEC.

Default: The environment variable is not set.

Example: AOPNETD_USE_UNALTERED_JOBID=YES

AOOPTIONS

A string of job attributes and values that are in effect for each lp command. The lp command includes the attributes that are specified in this environment variable before the attributes specified, if any, on the -o option of the lp command. Because the lp command reads the value of the AOOPTIONS environment variable before the options you specify on the command line, a user can override the values of this variable. This variable is optional. However, you might want to set it to specify job attributes that are constant for all print jobs. For the format of job attributes and values, see *z/OS Infoprint Server User's Guide*.

AOPOUTD_MAXTHREADTASKS

The MAXTHREADTASKS limit for the IP PrintWay extended mode daemon, aopoutd. The MAXTHREADTASKS limit is the maximum number of MVS tasks that aopoutd can have concurrently active. This environment variable is optional.

Tips:

1. If you exceed the default limit (200) when many printers are waiting for operator intervention at the same time, you might need to increase the limit in this environment variable or reduce the IP PrintWay response timeout value in the printer definitions. For information about setting the response timeout value, see *z/OS Infoprint Server Operation and Administration*.
2. See the "Tips" for the AOP_MAXTHREADTASKS environment variable.

Rules:

1. If dynamic configuration is enabled, specify the equivalent aopoutd-max-thread-tasks attribute in the system configuration definition.
2. If dynamic configuration is not enabled, specify this environment variable in the aopstart EXEC.

Default: The limit that is specified in the AOP_MAXTHREADTASKS environment variable is used. If that environment variable is not specified, the limit is 200.

AOPPATH

The path where job attribute files, which are used by the `lp` command and AOPPRINT procedure, are located. This environment variable is optional. However, you must set it if you create attribute files for the `lp` command. For information about attribute files, see [z/OS Infoprint Server User's Guide](#).

AOPRESUBMITUSER

If this environment variable is set to YES, the job submitter's z/OS user ID is considered an authenticated z/OS user ID for doing RACF checks. This user ID is the one that IP PrintWay sends to the Infoprint Server LPD during the resubmit for filtering function. Infoprint Server uses the authenticated z/OS user ID when it checks the job submitter's RACF access to AFP user resource libraries, which are specified in the USERLIB JCL parameter or in the printer definition.

The z/OS system authenticates this z/OS user ID and the associated password during job submission. However, IP PrintWay sends it over a potentially unsecured network to the Infoprint Server LPD.

If this environment variable is not set, Infoprint Server considers the job submitter's z/OS user ID to be an *unauthenticated* user ID. The reason is because an untrusted source can send an unauthenticated user ID to the Infoprint Server LPD in the same manner as IP PrintWay basic mode does, and because the network is potentially unsecured. Instead of using the job submitter's user ID to do RACF checks, Infoprint Server uses ID *NONE*.

Tips:

1. For a secure system, do not set this environment variable.
2. Set this environment variable to YES only if these conditions exist:
 - All users on your z/OS system are trusted, all users who submit print requests to the Infoprint Server LPD are trusted, and your network is protected.
 - You receive this message for data sets submitted with JCL: AOP092E *NONE* IS NOT AUTHORIZED TO READ *resource library*. *NONE* in the message text indicates that Infoprint Server considers the user ID to be unauthenticated.
3. Instead of specifying this environment variable, do one of these:
 - Run IP PrintWay extended mode. IP PrintWay extended mode transforms data without using the resubmit for filtering function.
 - Ask job submitters who receive message AOP092E to print with a job submission method that does not involve the resubmit for filtering function. For example, job submitters can use the `lp` command, the Print Interface subsystem, or the AOPPRINT JCL procedure.
 - Give RACF universal READ access to AFP user resource libraries that do not need to be read-protected.

Default: The environment variable is not set.

Example: AOPRESUBMITUSER=YES

AOPRXF_CONF

The full path name of the remote transform configuration file, `aoprxf.conf`. This environment variable is optional. If you did not create this configuration file, or if you created it in the default location, you do not need to set this environment variable.

Default: `/etc/Printsrv/aoprxf.conf`

AOPSAPD_CONF

The full path name of the SAP Callback daemon configuration file. This environment variable is optional. If you did not create this configuration file or if you created it in the default location, you do not need to set this environment variable.

Default: `/etc/Printsrv/aopsapd.conf`

AOPSSID_MAXTHREADTASKS

The MAXTHREADTASKS limit for the Infoprint Central daemon, `aopssid`. The MAXTHREADTASKS limit is the maximum number of MVS tasks that `aopssid` can have concurrently active. This environment variable is optional.

Tip: For more information, see the "Tips" for the AOP_MAXTHREADTASKS environment variable.

Rules:

1. If dynamic configuration is enabled, specify the equivalent aopssid-max-thread-tasks attribute in the system configuration definition.
2. If dynamic configuration is not enabled, specify this environment variable in the aopstart EXEC.

Default: The limit that is specified in the AOP_MAXTHREADTASKS environment variable is used. If that environment variable is not specified, the limit is 200.

AOPSUBD_MAXTHREADTASKS

The MAXTHREADTASKS limit for the Print Interface subsystem daemon, aopsubd. The MAXTHREADTASKS limit is the maximum number of MVS tasks that aopsubd can have concurrently active. This environment variable is optional.

Tip: For more information, see the "Tips" for the AOP_MAXTHREADTASKS environment variable.

Rules:

1. If dynamic configuration is enabled, specify the equivalent aopsubd-max-thread-tasks attribute in the system configuration definition.
2. If dynamic configuration is not enabled, specify this environment variable in the aopstart EXEC.

Default: The limit that is specified in the AOP_MAXTHREADTASKS environment variable is used. If that environment variable is not specified, the limit is 200.

AOPVALIDATEDB

If this environment variable is set to any value, Infoprint Server checks internal databases for validity when it starts processing. This environment variable is optional. Specify it only if an Infoprint Server message indicates that the databases might be corrupted or if instructed to do so by IBM service personnel.

Default: The environment variable is not set.

Example: AOPVALIDATEDB=YES

AOPWSMD_MAXTHREADTASKS

The MAXTHREADTASKS limit for the IP PrintWay extended mode daemon, aopwsmd. The MAXTHREADTASKS limit is the maximum number of MVS tasks that aopwsmd can have concurrently active. This environment variable is optional.

Tip: For more information, see the "Tips" for the AOP_MAXTHREADTASKS environment variable.

Rules:

1. If dynamic configuration is enabled, specify the equivalent aopwsmd-max-thread-tasks attribute in the system configuration definition.
2. If dynamic configuration is not enabled, specify this environment variable in the aopstart EXEC.

Default: The limit that is specified in the AOP_MAXTHREADTASKS environment variable is used. If that environment variable is not specified, the limit is 200.

AOPXFD_CONF

The full path name of the transform configuration file, aopxfd.conf. This environment variable is optional. If you did not create this configuration file, or if you created it in the default location, you do not need to set this environment variable.

Default: /etc/Printsrv/aopxfd.conf

CLASSPATH

The full path names of Infoprint Server Java Archive (JAR) files. This environment variable is optional. However, you must set it in these situations:

- You start the IPP Server or Infoprint Central and you did not install Infoprint Server in the default directory (/usr/lpp/Printsrv).

- You start Infoprint Central and the CLASSPATH environment variable is set to other values in the HTTP server environment variables file.

Infoprint Central: Add these values to any existing values:

- `/directory/classes/lib/ipa.jar`
- `/directory/classes/lib/modelplugin.jar`
- `/directory/classes/lib/penguin.jar`
- `/directory/classes/lib/snmp.jar`

IPP Server: Specify these values:

- `/directory/classes/ipp.jar`
- `/directory/classes/ippreal.jar`
- `/directory/classes/ippserver.jar`

directory is the directory where you installed Infoprint Server.

Rules:

1. Separate directories with a colon, do not include any blanks in the value, and specify the entire value on one line.
2. If you start the IPP Server, set the CLASSPATH environment variable in the aopstart EXEC or the *envvar* file.
3. If you start Infoprint Central, set the CLASSPATH environment variable in the HTTP server environment variables file.

Default:

IPP Server

```
/usr/lpp/Printsrv/classes/ipp.jar:\
/usr/lpp/Printsrv/classes/ippreal.jar:\
/usr/lpp/Printsrv/classes/ippserver.jar
```

Infoprint Central

```
/usr/lpp/Printsrv/classes/ipa.jar:\
/usr/lpp/Printsrv/classes/modelplugin.jar:\
/usr/lpp/Printsrv/classes/penguin.jar:\
/usr/lpp/Printsrv/classes/snmp.jar
```

JAVA_HOME

The path that is used to locate Java files. This environment variable is optional. However, you might need to set it if the default value is not suitable for the IPP Server or Infoprint Central. For the Java requirements, see:

- IPP Server: [“Identifying software requirements for Print Interface” on page 110](#)
- Infoprint Central: [“Identifying software requirements for Infoprint Central” on page 290](#)

Rules:

1. IPP Server: Set the JAVA_HOME environment variable in the aopstart EXEC or the *envvar* file.
2. Infoprint Central: Set the JAVA_HOME environment variable in the HTTP server environment variables file.

Default: The IPP Server and Infoprint Central use Java files in this directory: `/usr/lpp/java/J8.0` or `/usr/lpp/java/J7.1` if `J8.0` does not exist.

LANG

The language that is used for messages. Infoprint Server provides messages in English and Japanese. Specify `En_US` for English messages, or `Ja_JP` for Japanese messages.

Default: `C` (equivalent to `En_US`)

LC_ALL

The locale that is used to format time and date information in messages. This locale overrides the locale in the LC_TIME variable.

Rule: In the IBM HTTP Server - Powered by Apache environment variables file (bin/envvars), do not specify a value that is associated with a code page other than IBM-1047.

Examples:

1. aopstart EXEC: LC_ALL=Fr_FR.IBM-297
2. bin/envvars file: LC_ALL=Fr_FR.IBM-1047

Default: C (also called POSIX)

LC_CTYPE

The locale that determines the EBCDIC code page that is used to validate Infoprint Server attribute values.

Rules: In the IBM HTTP Server - Powered by Apache environment variables file (bin/envvars):

1. Do not specify the LC_CTYPE environment variable.
2. Specify the AOPCENTRAL_CODEPAGE environment variable with the same EBCDIC code page as specified in the LC_CTYPE environment variable. For example:
AOPCENTRAL_CODEPAGE=Fr_FR.IBM-297

Example: LC_CTYPE=Fr_FR.IBM-297

Default: C (also called POSIX). The default code page is IBM-1047.

LC_TIME

The locale that is used to format time and date information in messages. Specify the same LC_TIME value in the environments for the Printer Inventory Manager and Infoprint Central.

Default: C (also called POSIX)

LIBPATH

The path that is used to locate dynamic link libraries (DLLs). This environment variable is required.

If you installed Infoprint Server in the default directory, add /usr/lpp/Printsrv/lib to any existing values. If you installed Infoprint Server in a different directory, add that directory to any existing values.

If you run the SAP Output Management System (OMS), also add the directory that contains the SAP remote function calls library:

```
librfc.dll
```

If you run Infoprint Central, also add the IBM XML Toolkit V1.10 libraries before the libraries for any other XML Toolkit versions in the HTTP server environment variables file:

```
/usr/lpp/ixm/IBM/xml4c-5_7/lib  
/usr/lpp/ixm/IBM/xslt4c-1_11/lib  
/usr/lpp/Printsrv/lib
```

Default: /usr/lpp/Printsrv/lib

This default is set in the aopstart EXEC and with the aopdemon command. You must specify this environment variable in the /etc/profile file. If you run Infoprint Central, you must also specify this environment variable in the bin/envvars file.

MANPATH

The path of directories that contain the man pages. Infoprint Server man pages are available only in English. Add /usr/lpp/Printsrv/man/En_US to the values in this variable. This variable is required.

Note: Add the new directory path *before* /usr/man/%L in the MANPATH environment variable, so that the Infoprint Server versions of the lp, lpstat, and cancel man pages are displayed.

Default: None.

NLSPATH

The path of directories that contain message catalogs. This environment variable is required. If the LANG environment variable identifies the language in which you want to receive Infoprint Server messages, add `/usr/lpp/Printsrv/%L/%N` to the values in this variable. Otherwise, add one of these values:

English

`/usr/lpp/Printsrv/En_US/%N`

Japanese

`/usr/lpp/Printsrv/Ja_JP/%N`

`%L` represents the value of the LANG environment variable. `%N` is the catalog file name.

Default: `/usr/lpp/Printsrv/%L/%N:/usr/lpp/Printsrv/En_US/`

`%N:` `/usr/lib/nls/msg/%L/%N`

This default is set in the aopstart EXEC and with the aopdemon command. You must specify this environment variable in the `/etc/profile` file.

PATH

The path that is used to locate executable files. This environment variable is required. If you installed Infoprint Server executable files in the default directory, add `/usr/lpp/Printsrv/bin` to the values in this variable. Add the directory before `/bin` in the PATH environment variable to make sure that the Infoprint Server versions of the `lp`, `lpstat`, and `cancel` commands are invoked.

Default: `/usr/lpp/Printsrv/bin:/bin`

This default is set in the aopstart EXEC and with the aopdemon command. You must specify this environment variable in the `/etc/profile` file.

PRINTER or LPDEST

The name of the default printer for the `lp` command. The value in LPDEST overrides the value in PRINTER.

This variable is optional. You can, instead, use Infoprint Server ISPF panels to define the name of the default printer. For information, see *z/OS Infoprint Server Operation and Administration*. The printer that is named in either LPDEST or PRINTER overrides the printer that is named on the ISPF configuration panel.

STEPLIB

The names of any step libraries that are not in the system LNKLIST, such as:

- Language Environment runtime libraries (`hlq.SCEERUN` and `hlq.SCEERUN2`)
- C++ runtime library (`hlq.SCLBDLL`)
- The library that contains optional IP PrintWay extended mode exits.
- `SYS1.IMAGELIB` if you want IP PrintWay extended mode to use FCBs to format data with carriage controls.

Rule: Specify these step libraries in the file that is specified by the STEPLIBLIST statement in the BPXPRMxx PARMLIB member. See [“Updating the BPXPRMxx member of SYS1.PARMLIB \(extended mode\)” on page 188](#).

Example: If you use the standard high-level qualifiers, specify:

```
STEPLIB=CEE.SCEERUN:CEE.SCEERUN2:CBC.SCLBDLL:PW.EXITLIB:SYS1.IMAGELIB
```

TZ

The time zone that is used to format date, time, and trace information in messages that are displayed by aoplogu.

For information about the allowed values, see [z/OS UNIX System Services Command Reference](#).

Appendix D. Configuration attributes

This information summarizes the configuration attributes in the system configuration definition in the Printer Inventory. When dynamic configuration is enabled, you can specify these attributes with the Infoprint Server System Configuration ISPF panel or the Printer Inventory Definition Utility (PIDU).

Note: The examples for each attribute show how to specify the attribute when you use PIDU to edit the system configuration definition. If you use the ISPF panel to edit the system configuration definition, use the online help that is provided with the ISPF panel for information about how to specify values.

allow-all-characters-in-line-data = yes | no

This attribute determines how Infoprint Server detects the data format of documents that contain line data. Valid line data contains carriage control characters, table reference characters, binary zeros, and printable characters. However, some applications might create line data that contains unprintable characters.

yes

Infoprint Server detects the data format as "line data" even if the input data contains unprintable characters.

no

Infoprint Server detects the data format as "other" if the input data contains unprintable characters. Line data that Infoprint Server detects as "other" might not print correctly because Infoprint Server does not convert it to the printer's code page.

Tips:

1. Job submitters can specify the data format in the document-format job attribute. For example, job submitters can specify document-format=line in the PRTATTRS parameter on the OUTPUT JCL statement. If the document-format job attribute is specified, Infoprint Server ignores this attribute because it does not detect the data format.
2. Specify allow-all-characters-in-line-data=yes if Infoprint Server does not detect the line data format and job submitters cannot specify the document-format=line job attribute.
3. This attribute does not affect how NetSpool checks SCS and 3270 data streams for validity. The input SCS and 3270 data streams must contain only valid characters.

Rules:

1. If dynamic configuration is enabled, specify this attribute in the system configuration definition. If you change this attribute, you do not need to restart Infoprint Server.
2. If dynamic configuration is not enabled, specify the equivalent AOP_ALLOW_ALL_CHARACTERS_IN_LINE_DATA environment variable in the aopstart EXEC.
3. This attribute does not apply to IP PrintWay basic mode.

Default: allow-all-characters-in-line-data = no

Example: allow-all-characters-in-line-data = yes

aopipppd-max-thread-tasks = nnn

The MAXTHREADTASKS limit for the Internet Printing Protocol (IPP) daemon, aopipppd. The MAXTHREADTASKS limit is the maximum number of MVS tasks that aopipppd can have concurrently active.

Tip: See the "Tips" for the max-thread-tasks attribute.

Rules:

1. If dynamic configuration is enabled, specify this attribute in the system configuration definition. If you change this attribute, stop aopipppd and restart Infoprint Server.

2. If dynamic configuration is not enabled, specify the equivalent AOIPPD_MAXTHREADTASKS environment variable in the aopstart EXEC.

Default: The limit that is specified in the max-thread-tasks attribute is used. If that attribute is not specified, the limit is 200.

aoplpd-max-thread-tasks = nnn

The MAXTHREADTASKS limit for the Infoprint Server LPD, aoplpd. The MAXTHREADTASKS limit is the maximum number of MVS tasks that aoplpd can have concurrently active.

Tip: See the "Tips" for the max-thread-tasks attribute.

Rules:

1. If dynamic configuration is enabled, specify this attribute in the system configuration definition. If you change this attribute, stop aoplpd and restart Infoprint Server.
2. If dynamic configuration is not enabled, specify the equivalent AOPLPD_MAXTHREADTASKS environment variable in the aopstart EXEC.

Default: The limit that is specified in the max-thread-tasks attribute is used. If that attribute is not specified, the limit is 200.

aopnetd-max-thread-tasks = nnn

The MAXTHREADTASKS limit for the NetSpool daemon, aopnetd. The MAXTHREADTASKS limit is the maximum number of MVS tasks that aopnetd can have concurrently active.

Tip: See the "Tips" for the max-thread-tasks attribute.

Rules:

1. If dynamic configuration is enabled, specify this attribute in the system configuration definition. If you change this attribute, stop aopnetd and restart Infoprint Server.
2. If dynamic configuration is not enabled, specify the equivalent AOPNETD_MAXTHREADTASKS environment variable in the aopstart EXEC.

Default: The limit that is specified in the max-thread-tasks attribute is used. If that attribute is not specified, the limit is 200.

aopoutd-max-thread-tasks = nnn

The MAXTHREADTASKS limit for the IP PrintWay extended mode daemon aopoutd. The MAXTHREADTASKS limit is the maximum number of MVS tasks that aopoutd can have concurrently active.

Tips:

1. If you exceed the default limit (200) when many printers are simultaneously waiting for operator intervention, you might need to increase the limit in this attribute or reduce the IP PrintWay response timeout value in the printer definitions. For information about setting the response timeout value, see [z/OS Infoprint Server Operation and Administration](#).
2. Also, see the "Tips" for the max-thread-tasks attribute.

Rules:

1. If dynamic configuration is enabled, specify this attribute in the system configuration definition. If you change this attribute, stop the IP PrintWay extended mode daemons (aopoutd and aopwsmd) and restart Infoprint Server.
2. If dynamic configuration is not enabled, specify the equivalent AOPOUTD_MAXTHREADTASKS environment variable in the aopstart EXEC.

Default: The limit that is specified in the max-thread-tasks attribute is used. If that attribute is not specified, the limit is 200.

Example: In this example, the limit for the aopoutd daemon is 250:

```
aopoutd-max-thread-tasks = 250
```

aopssid-max-thread-tasks = nnn

The MAXTHREADTASKS limit for the Infoprint Central daemon, aopssid. The MAXTHREADTASKS limit is the maximum number of MVS tasks that aopssid can have concurrently active.

Tip: See the "Tips" for the max-thread-tasks attribute.

Rules:

1. If dynamic configuration is enabled, specify this attribute in the system configuration definition. If you change this attribute, stop aopssid and restart Infoprint Server.
2. If dynamic configuration is not enabled, specify the equivalent AOPSSID_MAXTHREADTASKS environment variable in the aopstart EXEC.

Default: The limit that is specified in the max-thread-tasks attribute is used. If that attribute is not specified, the limit is 200.

aopsubd-max-thread-tasks = nnn

The MAXTHREADTASKS limit for the Print Interface subsystem daemon, aopsubd. The MAXTHREADTASKS limit is the maximum number of MVS tasks that aopsubd can have concurrently active.

Tip: See the "Tips" for the max-thread-tasks attribute.

Rules:

1. If dynamic configuration is enabled, specify this attribute in the system configuration definition. If you change this attribute, stop aopsubd and restart Infoprint Server.
2. If dynamic configuration is not enabled, specify the equivalent AOPSUBD_MAXTHREADTASKS environment variable in the aopstart EXEC.

Default: The limit that is specified in the max-thread-tasks attribute is used. If that attribute is not specified, the limit is 200.

aopwsmd-max-thread-tasks = nnn

The MAXTHREADTASKS limit for the IP PrintWay extended mode daemon aopwsmd. The MAXTHREADTASKS limit is the maximum number of MVS tasks that aopwsmd can have concurrently active.

Tip: See the "Tips" for the max-thread-tasks attribute.

Rules:

1. If dynamic configuration is enabled, specify this attribute in the system configuration definition. If you change this attribute, stop the IP PrintWay extended mode daemons (aopoutd and aopwsmd) and restart Infoprint Server.
2. If dynamic configuration is not enabled, specify the equivalent AOPWSMD_MAXTHREADTASKS environment variable in the aopstart EXEC.

Default: The limit that is specified in the max-thread-tasks attribute is used. If that attribute is not specified, the limit is 200.

Example: In this example, the limit for the aopwsmd daemon is 400:

```
aopwsmd-max-thread-tasks = 400
```

ascii-codepage = codepage

The name of an IBM-supplied or custom ASCII code page that is supported by the z/OS iconv utility. For the names of IBM-supplied code page names, see [z/OS XL C/C++ Programming Guide](#).

Infoprint Server converts data from:

- The document code page to the printer code page
- The code page for the z/OS locale to the document code page

- The code page for the z/OS locale to the printer code page

Therefore, if you specify a custom code page in this field, make sure that conversion tables exist so that Infoprint Server can convert between code pages. For information about how to create conversion tables, see information about code set conversion utilities in [z/OS XL C/C++ Programming Guide](#).

Infoprint Server uses the code page that is specified in this field in these ways:

- The Printer Inventory Manager displays this code page in the **Printer code page** field in ISPF panels for new IP PrintWay printer definitions that use the LPR, direct sockets, or IPP protocol to transmit data sets to the remote system.
- Print Interface uses this code page as the default source (document) code page when it converts data streams from ASCII to EBCDIC. A document code page that is specified in the printer definition or job attribute overrides this value.
- Print Interface uses this code page as the target (printer) code page when it converts PostScript documents that were created with a non-ASCII code page.

Rules:

1. If dynamic configuration is enabled, specify this attribute in the system configuration definition. If you change this attribute, you do not need to restart Infoprint Server.
2. If dynamic configuration is not enabled, specify this attribute in the `aopd.conf` file. If you change this attribute while Infoprint Server is running, stop all Infoprint Server daemons and restart Infoprint Server. Be sure to wait for all daemons to stop before you restart Infoprint Server.

Default: `ascii-codepage = ISO8859-1`

blank-truncation-classes = classes

The list of JES output classes for which IP PrintWay extended mode removes blanks from the end of records or lines. If a data set is allocated in one of the listed classes, and the data set contains either line data or text data, IP PrintWay removes any blank characters that occur at the end of each record or line. If this attribute is not specified, IP PrintWay extended mode does not remove any blank characters.

Value: One or more letters or numbers. Specify multiple letters and numbers with no separation. An asterisk (*) indicates all JES output classes. Lowercase letters are converted to uppercase.

Tips:

1. Specify this attribute only if line or text data prints with extra blank characters at the end of lines.
2. This attribute can slow performance and cause IP PrintWay to use more system resources.
3. Before JES gives data to IP PrintWay extended mode, JES always restores blanks that it truncated from data sets to save space on the JES spool. JES restores blanks regardless of how you set the JES2 `BLNKTRNC` and JES3 `TRUNC` parameters. Therefore, if you specify either `BLNKTRNC=YES` (JES2) or `TRUNC=YES` (JES3), you might need to specify this attribute if your printed output contains unwanted blank characters. For example, if you specify `BLNKTRNC=YES` for output classes C and D, you can specify `AOP_BLANK_TRUNCATION_CLASSES=CD` to request that IP PrintWay extended mode remove trailing blank characters for output classes C and D. (`BLNKTRNC=YES` and `TRUNC=YES` are the JES defaults.)

For information about specifying JES blank truncation, see one of these:

- [z/OS JES2 Initialization and Tuning Guide](#)
- [z/OS JES3 Initialization and Tuning Guide](#)

Rules:

1. If you run IP PrintWay extended mode and dynamic configuration is enabled, specify this attribute in the system configuration definition. If you change this attribute, you do not need to restart Infoprint Server.

2. If you run IP PrintWay extended mode and dynamic configuration is not enabled, specify the equivalent AOP_BLANK_TRUNCATION_CLASSES environment variable in the aopstart EXEC.
3. This attribute does not apply to IP PrintWay basic mode.

Default: None.

Example: blank-truncation-classes = ABC123

console-name = name

The name of the extended MCS console that Infoprint Central uses to send commands to the z/OS system.

Rules:

1. The console name must be 2 – 8 alphanumeric or national (#, \$, and @) characters. The first character cannot be numeric. Enclose a name that contains national characters in single or double quotation marks.
2. Do not use these reserved names: HC, INSTREAM, INTERNAL, OPERLOG, SYSIOSRS, SYSLOG, UNKNOWN.
3. If you specify the Infoprint Central daemon (aopssid) in the start-daemons attribute, this console name must be unique among all active and inactive console names on all systems in a sysplex. To display the active and inactive console names, enter this MVS command:

```
DISPLAY EMCS,ST=L
```

For information about the DISPLAY EMCS command, see *z/OS MVS System Commands*.

4. If dynamic configuration is enabled, specify this attribute in the system configuration definition. If you change this attribute while the Infoprint Central daemon (aopssid) is running, stop aopssid and restart Infoprint Server.
5. If dynamic configuration is not enabled, specify this attribute in the aopd.conf file. If you change this attribute while Infoprint Server is running, stop all Infoprint Server daemons and restart Infoprint Server. Be sure to wait for all daemons to stop before you restart Infoprint Server.

Default: The Printer Inventory name (specified in the inventory attribute), followed by the last 4 characters of the system name. If the Printer Inventory name is AOP1 and the system name is MYSYS1, the default console name is AOP1SYS1.

Example: console-name = PRINTCON

ebcdic-codepage = codepage

The name of an IBM-supplied or custom EBCDIC code page that is supported by the z/OS iconv utility. For the names of IBM-supplied code page names, see *z/OS XL C/C++ Programming Guide*.

Infoprint Server converts data from:

- The document code page to the printer code page
- The code page for the z/OS locale to the document code page
- The code page for the z/OS locale to the printer code page

Therefore, if you specify a custom code page in this field, make sure that conversion tables exist so that Infoprint Server can convert between code pages. For information about how to create conversion tables, see information about code set conversion utilities in *z/OS XL C/C++ Programming Guide*.

Infoprint Server uses this code page in these ways:

- The Printer Inventory Manager displays this code page in the **Printer code page** field in ISPF panels for new PSF printer definitions, general printer definitions, and IP PrintWay printer definitions that use the VTAM or email protocol to transmit data sets to the remote system.
- NetSpool uses this code page as the default source (document) code page when it converts data streams from EBCDIC to ASCII. A document code page in the printer definition or job attribute overrides this value.

- IP PrintWay extended mode uses this code page as the default source (document) code page when it converts data streams from EBCDIC to ASCII. A document code page in the printer definition overrides this value.
- Print Interface uses this code page as the source (document) code page when Print Interface cannot determine the user locale for the lp command.

Rules:

1. If dynamic configuration is enabled, specify this attribute in the system configuration definition. If you change this attribute, you do not need to restart Infoprint Server.
2. If dynamic configuration is not enabled, specify this attribute in the `aopd.conf` file. If you change this attribute while Infoprint Server is running, stop all Infoprint Server daemons and restart Infoprint Server. Be sure to wait for all daemons to stop before you restart Infoprint Server. Also, restart the NetSpool started task.

Default: `ebcdic-codepage = IBM-1047`

hardcopy-messages = all | list | none

Specifies which additional messages Infoprint Server sends to the hardcopy log:

all

Sends all eligible messages to the hardcopy log.

list

Sends only the additional messages that are listed in the `hardcopy-message-list` attribute to the hardcopy log.

none

Sends no additional messages to the hardcopy log. Only console messages are sent to the hardcopy log. This is the default.

Rules:

1. If dynamic configuration is enabled, specify this attribute in the system configuration definition. If you change this attribute, you do not need to restart Infoprint Server.
2. If dynamic configuration is not enabled, specify this attribute in the `aopmsg.conf` file. If you change this attribute while Infoprint Server is running, stop all Infoprint Server daemons and restart Infoprint Server. Be sure to wait for all daemons to stop before you restart Infoprint Server.

Default: `hardcopy-messages = none`

Example: `hardcopy-messages = list`

hardcopy-message-list = {messageID messageID ...}

The message IDs of the messages that Infoprint Server sends to the hardcopy log when the `hardcopy-messages = list` attribute is specified. Specify the entire message ID including the severity code (E, I, S, T, or W). You can use either uppercase or lowercase characters. Enclose the list of messages in braces, and separate message IDs with spaces.

Tips:

1. You do not need to specify messages that Infoprint Server sends to the console, such as messages with the API prefix, because these messages are automatically sent to the hardcopy log.
2. If your installation uses the MPFLSTxx PARMLIB member for message automation, you might want to specify the same message IDs in MPFLSTxx.
3. If your installation uses an automated operations tool, the tool can process these messages.

Rules:

1. If you specify this attribute, also specify `hardcopy-messages = list`.
2. If dynamic configuration is enabled, specify this attribute in the system configuration definition. If you change this attribute, you do not need to restart Infoprint Server.

3. If dynamic configuration is not enabled, specify this attribute in the `aopmsg.conf` file. If you change this attribute while Infoprint Server is running, stop all Infoprint Server daemons and restart Infoprint Server. Be sure to wait for all daemons to stop before you restart Infoprint Server.

Default: None.

Example: `hardcopy-message-list={AOP3614I AOP3803E}`

ignore-dcf-routing-errors = yes | no

Indicates whether IP PrintWay extended mode writes an error message when it cannot find a printer definition in the Printer Inventory that matches the specified DEST, CLASS, and FORMS JCL parameters:

yes

IP PrintWay extended mode does not write an error message (AOP3201E) when it cannot find a printer definition in the Printer Inventory that matches the DEST, CLASS, and FORMS parameters that are specified on the OUTPUT (or DD) JCL statement for a print job. Also, it does not save information about the print job in the Printer Inventory.

no

IP PrintWay extended mode writes an error message (AOP3201I) when it cannot find a printer definition that matches the DEST, CLASS, and FORMS parameters. Also, it saves information about the print job in the Printer Inventory so that Infoprint Central can display the print job and the associated AOP3201E message.

Tips:

1. Set `ignore-dcf-routing-errors = yes` if your IP PrintWay job-selection rules cause IP PrintWay to select many jobs whose DEST, CLASS, and FORMS parameters do not match printer definitions in the Printer Inventory. (In this situation, message AOP3201E occurs numerous times in the common message log.) Specifying `ignore-dcf-routing-errors = yes` can conserve storage and processing resources.
2. If you set `ignore-dcf-routing-errors = yes`, it might be difficult to determine that IP PrintWay did not process a print job because its CLASS, DEST, and FORMS parameters do not match a printer definition.
3. The text of message AOP3201E is:

```
AOP3201E The DEST, CLASS, and FORMS JCL keywords do not match a
printer definition in the Printer Inventory.
```

Rules:

1. If you run IP PrintWay extended mode and dynamic configuration is enabled, specify this attribute in the system configuration definition. If you change this attribute, you do not need to restart Infoprint Server.
2. If you run IP PrintWay extended mode and dynamic configuration is not enabled, specify the equivalent `AOP_IGNORE_DCF_ROUTING_ERRORS` environment variable in the `aopstart EXEC`.
3. This attribute does not apply to IP PrintWay basic mode.

Default: `ignore-dcf-routing-errors = no`

Example: `ignore-dcf-routing-errors = yes`

ipp-port-number = portnumber

The number of the port at which the IPP Server waits for print requests. Port 631 is the well-known port for communication between IPP clients and IPP Servers.

Rules:

1. Make sure that the port is not used by any other service on the same TCP/IP stack.
2. If dynamic configuration is enabled, specify this attribute in the system configuration definition. If you change this attribute, you do not need to restart Infoprint Server.

3. If dynamic configuration is not enabled, specify this attribute in the `aopd.conf` file. If you change this attribute while Infoprint Server is running, stop all Infoprint Server daemons and restart Infoprint Server. Be sure to wait for all daemons to stop before you restart Infoprint Server.

Default: `ipp-port-number = 631`

ipsmode = z201 | z202

Indicates the product function level that you want Infoprint Server to operate with.

z201

Infoprint Server operates with z/OS 2.1 product functions (default).

z202

Infoprint Server operates with z/OS 2.2 or later product functions.

Rule: You can specify this attribute only if dynamic configuration is enabled.

Default: `ipsmode=z201`

Example: `ipsmode=z202`

job-prefix = prefix

A prefix that Print Interface and NetSpool use for the job IDs of output data sets that they allocate on the JES spool. For example, if you specify prefix IS, the job ID of a print job might be IS001234. This prefix can help you identify data sets that Print Interface and NetSpool allocate on the JES spool.

The prefix must be two alphanumeric or national (@, \$, and #) characters. Enclose a prefix that contains national characters in single or double quotation marks. The first character *cannot* be numeric.

In some situations, this prefix is not used. For example:

- If a job submitter specifies the `sysout-job-id` job attribute, the job ID of the data set on the JES spool is the job ID specified in the job attribute.
- If a job submitter submits a data set to the Print Interface subsystem, the job ID of the data set on the JES spool is the job ID that JES assigned to the job.
- If IP PrintWay basic mode resubmits a print job to Print Interface for filtering, the job ID of the data set on the JES spool is the job ID that JES assigned to the original job.

Tips:

1. z/OS also assigns a unique z/OS job ID to each output data set. The z/OS job ID might be different from the job ID of the output data set on the JES spool. JES operator commands use this z/OS job ID.
2. The job ID that Print Interface returns to the job submitter does not contain this prefix.

Rules:

1. If dynamic configuration is enabled, specify this attribute in the system configuration definition. If you change this attribute, you do not need to restart Infoprint Server.
2. If dynamic configuration is not enabled, specify this attribute in the `aopd.conf` file. If you change this attribute while Infoprint Server is running, stop all Infoprint Server daemons and restart Infoprint Server. Be sure to wait for all daemons to stop before you restart Infoprint Server.

Default: `job-prefix = PS`

Example: `job-prefix = 'P#'`

log-retention = days

The number of days worth of messages that Infoprint Central displays for print jobs and printers. Also, the number of days for which Infoprint Central displays print jobs that are removed from the JES spool.

If you do not use the MVS system logger for the common message log, this attribute also determines how many days worth of messages Infoprint Server retains in the z/OS UNIX file system. If you use

the system logger for messages, the retention period that is specified in the system logger log stream definition is used instead.

You can specify a value 0 - 59. A value of 0 means that Infoprint Central cannot display any messages and cannot display information about print jobs are removed from the JES spool. In addition, if you do not use the system logger for messages, Infoprint Server does not write any messages in the z/OS UNIX file system.

Guidelines:

1. If you do not use the system logger for messages, specify a value greater than 0 or use the default of 1 day so that Infoprint Server writes messages in a z/OS UNIX file system.
2. If you use the system logger for messages and also use Infoprint Central, the value needs to be less than or equal to the retention period specified in the log stream definition. If you specify a higher value than the retention period for the log stream, you might not be able to see the messages for all the historical print jobs that Infoprint Central displays.
3. If you use the system logger but do not use Infoprint Central, you can specify 0 to save space in the z/OS UNIX file system.
4. If you specify a value greater than 0 or use the default of 1 day, you might need to increase the amount of space available to the file system mounted at the `/var` or `/var/Printsrv` mount point because the common message log and Historical Inventory can contain a large amount of data. See [“Calculating DASD space requirements for the /var/Printsrv directory”](#) on page 28.
5. Because the common message log and Historical Inventory can contain a large amount of data, start with a value of 1 day. Increase the value by 1 day if enough space exists in the file system and if users request to see more messages or historical information.
6. If the size of the common message log in the z/OS UNIX file system grows too large, you can decrease its size. For more information, see [reducelogsize.dita#reducelogsize](#).
7. If you use `aoplogu` to view messages, the date and time format that is displayed in messages is controlled by the `TZ` and either the `LC_TIME` or `LC_ALL` environment variables. See [env.dita#env](#).

If you use Infoprint Central to view messages, the date and time format for the messages is controlled by the operating system that runs your web browser.

Rules:

1. If dynamic configuration is enabled, specify this attribute in the system configuration definition. If you change this attribute, you do not need to restart Infoprint Server.
2. If dynamic configuration is not enabled, specify this attribute in the `aopd.conf` file. If you change this attribute while Infoprint Server is running, stop all Infoprint Server daemons and restart Infoprint Server. Be sure to wait for all daemons to stop before you restart Infoprint Server.

Default: `log-retention = 1`

Example: `log-retention = 3`

lpd-port-number = *portnumber*

The number of the port at which the Infoprint Server LPD waits for print requests. Port 515 is the well-known port for communication between LPRs and LPDs. If you specify a port other than 515, make sure that the port is not used by any other service on the z/OS system. Windows users must specify this port number when they configure the Infoprint Port Monitor for Windows. This attribute is optional.

Tip: Assign port 515 to the Print Interface LPD so that you can use all of the functions that Infoprint Server provides. These limitations apply if you assign a port other than port 515:

- Remote users cannot use commands such as `LPR` and `enq` to submit print requests. The reason is because you *cannot* configure most LPR clients to send print requests to a port other than to the well-known port 515. However, the Infoprint Port Monitor for Windows is an exception. You can configure the Port Monitor to send print requests to any port.

- IP PrintWay basic mode cannot transform data with the resubmit for filtering option. The reason is because IP PrintWay resubmits data to Print Interface at port 515. This limitation does not apply when you run IP PrintWay extended mode because IP PrintWay extended mode can transform data without resubmitting it to Print Interface for filtering.

Rules:

1. Make sure that the port is not used by any other service on the same TCP/IP stack.
2. This port number must not be reserved in the *hlq.PROFILE.TCPIP* data set. For more information about the PORT statement, see [tcp prof.dita#idprof](#).
3. If dynamic configuration is enabled, specify this attribute in the system configuration definition. If you change this attribute, you do not need to restart Infoprint Server.
4. If dynamic configuration is not enabled, specify this attribute in the *aopd.conf* file. If you change this attribute while Infoprint Server is running, stop all Infoprint Server daemons and restart Infoprint Server. Be sure to wait for all daemons to stop before you restart Infoprint Server.

Default: `lpd-port-number = 515`

logstream-name = name

The name of the log stream that is defined to the MVS system logger for Infoprint Server messages. If this attribute is not specified, Infoprint Server does not use the system logger and instead writes messages in the Infoprint Server base directory (default is */var/Printsrv*).

You can specify 1 - 26 characters. A valid log stream name consists of one or more qualifiers. Each qualifier can contain 1 - 8 letters, numbers, and national characters (\$, #, and @). The first character of each qualifier cannot be a number. Each qualifier must be separated by a period. Lowercase letters are converted to uppercase.

Rule: You can specify this attribute only in the system configuration definition. If you change the value, you do not need to restart Infoprint Server.

Default: None.

Example: `logstream-name = AOP.MSG`

mail-do-not-add-suffixes = yes | no

Indicates whether IP PrintWay extended mode appends a suffix to file names that are specified in the MAILFILE JCL parameter or the mail-file-name job attribute:

yes

IP PrintWay does not append a suffix.

no

IP PrintWay appends one of these suffixes for the data formats: afp, jpg, pcl, pdf, ps, sap, tif, txt, or octet-stream (for unrecognized data formats).

Tip: If `mail-do-not-add-suffixes = yes`, IP PrintWay ignores the mail-preserve-suffixes attribute.

Rules:

1. If you run IP PrintWay extended mode and dynamic configuration is enabled, specify this attribute in the system configuration definition. If you change this attribute, you do not need to restart Infoprint Server.
2. If you run IP PrintWay extended mode and dynamic configuration is not enabled, specify the equivalent `AOP_MAIL_DO_NOT_ADD_SUFFIX` environment variable in the *aopstart EXEC*.
3. If you run IP PrintWay basic mode, specify the equivalent `AOP_MAIL_DO_NOT_ADD_SUFFIX` environment variable in the IP PrintWay startup procedure.

Default: `mail-do-not-add-suffixes = no`

Example: `mail-do-not-add-suffixes = yes`

mail-preserve-suffixes = suffixes

The suffixes that IP PrintWay extended mode preserves in file names that are specified in the MAILFILE JCL parameter or in the mail-file-name job attribute. If the file name ends with one of the suffixes in this list, IP PrintWay does not append another suffix to the file name.

If no file name is specified in MAILFILE or mail-file-name, or if the suffix of the file name does not match a suffix in this attribute, IP PrintWay appends one of these suffixes for the data formats it recognizes: afp, jpg, pcl, pdf, ps, sap, tif, txt, or octet-stream (for unrecognized data formats).

Tips:

1. Specify the suffixes that users might specify in file names. For example, you might specify the .doc suffix for Microsoft Word documents.
2. If the mail-do-not-add-suffixes = yes, IP PrintWay ignores the mail-preserve-suffixes attribute.

Rules:

1. Begin each suffix with a period.
2. To specify more than one suffix, separate the suffixes with a blank and enclose the suffixes in single or double quotation marks.
3. If you run IP PrintWay extended mode and dynamic configuration is enabled, specify this attribute in the system configuration definition. If you change this attribute, you do not need to restart Infoprint Server.
4. If you run IP PrintWay extended mode and dynamic configuration is not enabled, specify the equivalent AOP_MAIL_PRESERVE_SUFFIXES environment variable in the aopstart EXEC.
5. If you run IP PrintWay basic mode, specify the equivalent AOP_MAIL_PRESERVE_SUFFIXES environment variable in the IP PrintWay startup procedure.

Default: None.

Example: mail-preserve-suffixes = ".123 .xls .doc"

mail-use-first-address = yes | no

When the print job contains more than one document, indicates whether IP PrintWay extended mode sends each document to the email address or addresses that are specified for the first document in the print job.

yes

IP PrintWay sends each document to the email address or addresses that are specified for the first document in the print job.

no

IP PrintWay sends each document to the email address or addresses that are specified for that document.

Rules:

1. If you run IP PrintWay extended mode and dynamic configuration is enabled, specify this attribute in the system configuration definition. If you change this attribute, you do not need to restart Infoprint Server.
2. If you run IP PrintWay extended mode and dynamic configuration is not enabled, specify the equivalent AOP_MAIL_USE_FIRST_ADDRESS environment variable in the aopstart EXEC.
3. This attribute does not apply to IP PrintWay basic mode.

Tip: This attribute has no effect if the **Concatenate job** option is selected in the **Dataset grouping** field in the printer definition, or if the **Automatic dataset grouping** field is selected in the printer definition. When either concatenation option is selected, IP PrintWay extended mode sends all documents in a print job in one email to the email address or addresses that are specified for the first document in the print job.

Default: mail-use-first-address = yes

Example: mail-use-first-address = no

mailer-options = options

Options that IP PrintWay extended mode specifies in addition to the `-i` option when it sends emails. You can specify this attribute regardless of whether you specify the `mailer-path-name` attribute. This attribute is optional; however, only a limited number of options are supported by the sendmail bridge in z/OS V2R3.

Rules:

1. To specify more than one option, separate the options with a blank and enclose the options in single or double quotation marks.
2. If you run IP PrintWay extended mode and dynamic configuration is enabled, specify this attribute in the system configuration definition. If you change this attribute, you do not need to restart Infoprint Server.
3. If you run IP PrintWay extended mode and dynamic configuration is not enabled, specify the equivalent `AOPMAILER_OPTIONS` environment variable in the `aopstart EXEC`.
4. If you run IP PrintWay basic mode, specify the equivalent `AOPMAILER_OPTIONS` environment variable in the IP PrintWay startup procedure.

For more information, see [sendmail.dita#sendmail](#)

Default: None.

mailer-path-name = pathname

The full path name of the sendmail bridge that IP PrintWay extended mode uses to send output to email destinations. This attribute is optional. However, you must specify it if you did not install the sendmail executable file in the default directory, `/bin`.

Rules:

1. Start the path name with a slash (`/`).
2. If you run IP PrintWay extended mode and dynamic configuration is enabled, specify this attribute in the system configuration definition. If you change this attribute, you do not need to restart Infoprint Server.
3. If you run IP PrintWay extended mode and dynamic configuration is not enabled, specify the equivalent `AOPMAILER` environment variable in the `aopstart EXEC`.
4. If you run IP PrintWay basic mode, specify the equivalent `AOPMAILER` environment variable in the IP PrintWay startup procedure.

For more information, see [sendmail.dita#sendmail](#)

Default: `mailer-path-name=/bin/sendmail`

Example: `mailer-path-name=/mydirectory/sendmail`

max-historical-inventory-size = megabytes

The maximum size in megabytes (MBs) of the Historical Inventory, `/var/Printsrv/hinv`. The Historical Inventory contains information about print jobs and documents (output data sets) that are no longer on the JES spool.

When the maximum size is reached, Infoprint Server overwrites the oldest historical information. A value of 0 means that Infoprint Server does not limit the size of the Historical Inventory. However, the number of days that are specified in the `log-retention` attribute limits the amount of information that Infoprint Server keeps in the Historical Inventory.

[#systemconfigurationattributes/d7e1234](#) shows the number of documents 1 MB in the Historical Inventory can contain.

<i>Table 68: Number of documents in the Historical Inventory</i>	
If print jobs on the JES spool contain:	1 MB in the Historical Inventory contains:
1 document in each print job	1350 documents

<i>Table 68: Number of documents in the Historical Inventory (continued)</i>	
If print jobs on the JES spool contain:	1 MB in the Historical Inventory contains:
3 documents in each print job	1750 documents
5 documents in each print job	1850 documents
10 documents in each print job	1950 documents

Guideline: Use this formula to estimate the maximum size of the Historical Inventory:

```
Maximum size of Historical Inventory =
(Documenta processed in one day X Days to retain information) /
Documents in 1 MB
```

For example:

- Documents processed in one day = 100,000
- Days to retain information = 3 (log-retention = 3)
- Documents in 1 MB = 1350 documents

The maximum size of the Historical Inventory = (100,000 X 3) / 1350 = 223 MB (rounded up).

Rules:

1. If dynamic configuration is enabled, specify this attribute in the system configuration definition. If you change this attribute, you do not need to restart Infoprint Server.
2. If dynamic configuration is not enabled, specify this attribute in the aopd.conf file. If you change this attribute while Infoprint Server is running, stop all Infoprint Server daemons and restart Infoprint Server. Be sure to wait for all daemons to stop before you restart Infoprint Server.

Default: max-historical-inventory-size = 10

Example: max-historical-inventory-size = 300

max-thread-tasks = nnn

The MAXTHREADTASKS limit for these Infoprint Server daemons: aopipdd, aoplpd, aopnetd, aopoutd, aopssid, aopsubd, and aopwsmd. The MAXTHREADTASKS limit is the maximum number of MVS tasks that a single process (daemon) can have concurrently active.

If you set a MAXTHREADTASKS limit for a specific daemon in another attribute, the limit in this attribute does not apply for that daemon.

Tips:

1. The default MAXTHREADTASKS limits that Infoprint Server uses are suitable for most installations. Consider setting a different limit only if you receive this message:

```
BPXI040I PROCESS LIMIT MAXTHREADTASKS HAS REACHED nn% OF ITS
CURRENT CAPACITY OF nnn FOR PID=nnnnnn IN JOB daemon
```

The BPXI040I message is an informational message and does not indicate that an error occurred. If the BPXI040I message indicates that less than 100% of capacity is reached, threads are run without delay. However, when the limit is reached, a newly created thread does not run until an existing thread ends.

The LIMMSG statement in the BPXPRMxx member of SYS1.PARMLIB controls whether z/OS UNIX issues message BPXI040I. The default is that z/OS UNIX does not issue BPXI040I messages. You can change the LIMMSG value dynamically by using the SETOMVS command.

2. Do not set a value less than 32.
3. If you increase the MAXTHREADTASKS limit, you might need to increase the maximum region size because each concurrent task requires more storage:

- If you use the JCL startup procedure to start Infoprint Server, increase the region size on the EXEC statement in the procedure.
 - If you use the start command from the z/OS UNIX command line to start Infoprint Server, increase the maximum address space in the MAXASSIZE parameter in the BPXPRMxx member of SYS1.PARMLIB or in the ASSIZEMAX RACF parameter for the user ID that starts Infoprint Server (ASSIZEMAX overrides MAXASSIZE). Be careful when you are using the SHRLIBRGNSIZE OMVS parameter in a 31-bit environment because it limits the size of usable regions across the system.
 - If you enter the start command from the TSO/E OMVS command line, the SIZE parameter on the TSO/E LOGON panel determines the maximum region size of the address space.
4. Do not set a high limit because each concurrent task requires some storage below the 16 MB line. If the limit is too high, an abend can occur.
 5. If you exceed the default limit (200) when many printers are waiting for operator intervention at the same time, you might need to increase the limit in the aopoutd-max-thread-tasks attribute or reduce the IP PrintWay response timeout value in the printer definition. For information about setting the response timeout value, see *z/OS Infoprint Server Operation and Administration*.

Rules:

1. If dynamic configuration is enabled, specify this attribute in the system configuration definition. If you change this attribute, stop all Infoprint Server daemons and restart Infoprint Server.
2. If dynamic configuration is not enabled, specify this equivalent AOP_MAXTHREADTASKS environment variable in the aopstart EXEC.

Default: The limit is 200 for each daemon.

Example: In this example, the limit for the aopoutd daemon is 250, while the limit for all other daemons is 225:

```
aopoutd-max-thread-tasks = 250
max-thread-tasks = 225
```

netspool-use-fixed-jobid = yes | no

Indicates whether NetSpool assigns the same job ID to all output data sets that it creates on the JES spool.

yes

NetSpool assigns the same job ID to all output data sets. The job ID is the value that is specified in the job-prefix attribute, which defaults to PS, followed by 000000. For example, PS000000.

no

NetSpool assigns a unique job ID to each data set.

When Infoprint Central displays Infoprint Server print jobs, it displays the unique job ID that Infoprint Server assigns to each print job. Therefore, if netspool-use-fixed-jobid = yes, Infoprint Central functions that need to correlate JES print jobs with Infoprint Server print jobs do not work.

Tip: Specify netspool-use-fixed-jobid = yes only if you run JES3 and have many PSF FSAs or IP PrintWay basic mode FSAs. Contact IBM for more information.

Rules:

1. If dynamic configuration is enabled, specify this attribute in the system configuration definition. If you change this attribute, stop aopnetd and restart Infoprint Server.
2. If dynamic configuration is not enabled, specify the equivalent AOPNETD_USE_FIXED_JOBID environment variable in the aopstart EXEC.

Default: netspool-use-fixed-jobid = no

Example: netspool-use-fixed-jobid = no

netspool-use-unaltered-jobid = yes | no

Indicates whether NetSpool assigns a job ID to output data sets that it creates on the JES spool.

yes

NetSpool does not assign a job ID to the output data sets. The job ID for each data set is the same as the job ID of the aopnetd daemon.

no

NetSpool assigns a job ID to each data set.

When Infoprint Central displays Infoprint Server print jobs, it displays the unique job ID that Infoprint Server assigns to each print job. Therefore, if `netspool-use-unaltered-jobid = yes`, Infoprint Central functions that need to correlate JES print jobs with Infoprint Server print jobs do not work.

Rules:

1. If dynamic configuration is enabled, specify this attribute in the system configuration definition. If you change this attribute, stop `aopnetd` and restart Infoprint Server.
2. If dynamic configuration is not enabled, specify the equivalent `AOPNETD_USE_UNALTERED_JOBID` environment variable in the `aopstart EXEC`.

Default: `netspool-use-unaltered-jobid = no`

Example: `netspool-use-unaltered-jobid = no`

select-work-from-hold-queue = yes | no

Indicates whether IP PrintWay extended mode selects new held output groups from the JES spool.

yes

IP PrintWay extended mode selects new held output groups from the JES spool. You can use Infoprint Central to move the held output groups to different IP PrintWay printers before you release them.

no

IP PrintWay extended mode does not select new held output groups from the JES spool. You can use JES or SDSF commands to release individual data sets in an output group for printing.

Rules:

1. If you run IP PrintWay extended mode and dynamic configuration is enabled, specify this attribute in the system configuration definition. If you change this attribute while IP PrintWay is running, stop the IP PrintWay daemons (`aopoutd` and `aopwsmd`) and restart Infoprint Server.
2. If you run IP PrintWay extended mode and dynamic configuration is not enabled, specify the equivalent `AOP_SELECT_WORK_FROM_HOLD_QUEUE` environment variable in the `aopstart EXEC`.
3. This attribute does not apply to IP PrintWay basic mode.

Default: `select-work-from-hold-queue = yes`

Example: `select-work-from-hold-queue = no`

smf-recording = yes | no

Indicates whether IP PrintWay extended mode writes SMF type 6 records for data sets that it sends to a printer or email destination. SMF type 6 records contain accounting information.

yes

IP PrintWay extended mode writes SMF type 6 records.

no

IP PrintWay extended mode does not write SMF type 6 records.

Rules:

1. If you run IP PrintWay extended mode and dynamic configuration is enabled, specify this attribute in the system configuration definition. If you change this attribute, you do not need to restart Infoprint Server.
2. If you run IP PrintWay extended mode and dynamic configuration is not enabled, specify this attribute in the `aopd.conf` file. If you change this attribute while Infoprint Server is running, stop

all Infoprint Server daemons and restart Infoprint Server. Be sure to wait for all daemons to stop before you restart Infoprint Server.

3. This attribute does not apply to IP PrintWay basic mode.

Default: `smf-recording = yes`

Example: `smf-recording = no`

suppress-post-unix-filter-formatting = yes | no

Indicates whether IP PrintWay extended mode formats line or text data after a UNIX filter processes it:

yes

IP PrintWay extended mode does not format data when all these conditions are met:

- The data set to be processed contains either line data or text data.
- A UNIX filter is specified in the printer definition for the data format.
- The PAGEDEF or FORMDEF parameter is specified on the OUTPUT JCL statement for the data set. (A page or form definition that is specified in the printer definition does not meet this criterion.)

no

IP PrintWay extended mode always formats line or text data after a UNIX filter processes it. For example, IP PrintWay processes carriage control characters and transparent data characters, and converts the data from the document code page to the printer code page.

Tips:

1. Specify `suppress-post-unix-filter-formatting=yes` if you use a UNIX filter that calls an AFP transform to convert line data to PCL, PDF, or PostScript format.
2. This attribute does not affect how IP PrintWay extended mode processes data when you specify a DLL filter in the printer definition. IP PrintWay extended mode does not modify data that is returned by DLL filters.

Rules:

1. If you run IP PrintWay extended mode and dynamic configuration is enabled, specify this attribute in the system configuration definition. If you change this attribute, you do not need to restart Infoprint Server.
2. If you run IP PrintWay extended mode and dynamic configuration is not enabled, specify the equivalent `AOP_SUPPRESS_POST_UNIX_FILTER_FORMATTING` environment variable in the `apstart EXEC`.
3. This attribute does not apply to IP PrintWay basic mode.

Default: `suppress-post-unix-filter-formatting = no`

Example: `suppress-post-unix-filter-formatting = yes`

use-output-disposition = yes | no

Indicates whether Infoprint Central uses the document OUTDISP value when it releases print jobs from a JES2 spool to a non-IP PrintWay printer, such as PSF.

yes

Infoprint Central uses the document OUTDISP value when it releases print jobs.

no

Infoprint Central releases print jobs according to its defined job-release function; for example, the job is purged after it prints.

Note: For information about how the OUTDISP and use-output-disposition values determine the release function, see [z/OS Infoprint Server Operation and Administration](#).

Rules:

1. If dynamic configuration is enabled, specify this attribute in the **Other** field for the system configuration definition. You do not need to restart Infoprint Server.
2. If dynamic configuration is not enabled, specify this attribute in the `aopd.conf` configuration file and then restart Infoprint Server.

Default: `use-output-disposition = no`

Related information: For information about:

- Fields on the Infoprint Server ISPF panel that you can use to specify attributes, see [“Dynamic attributes”](#) on page 68.
- How to edit the system configuration definition, see [“Steps for enabling dynamic configuration”](#) on page 72.
- How to use PIDU, see [z/OS Infoprint Server Operation and Administration](#).

Appendix E. AOPBATCH program

This information describes the AOPBATCH utility program that Infoprint Server provides. AOPBATCH lets you use MVS job control language (JCL) to run a program that is in a z/OS UNIX file.

IBM suggests that you use AOPBATCH instead of BPXBATCH to run programs that Infoprint Server provides because AOPBATCH sets default values for the PATH, LIBPATH, and NLSPATH environment variables that are suitable for installations that installed Infoprint Server files in default locations. Also, AOPBATCH lets `stdin` be read from a DD statement and lets `stdout` and `stderr` be written to a DD statement.

Format

JCL:

```
EXEC PGM=AOPBATCH,PARM='/program_name options'
```

Description

AOPBATCH lets you submit an MVS batch job to run an executable program that is in a z/OS UNIX file.

AOPBATCH uses the `spawn()` function to create a process that runs in the same address space as AOPBATCH under these conditions:

- The set-user-ID and set-group-ID bits are not set for the program.
- Enough storage exists to create a process in the same address space.
- The share address space extended attribute is set for the program object. This attribute is set by default.

If these conditions are not met, AOPBATCH creates the process in a separate address space, none of the DD statements are visible to the process, and you might see the system message: EDC5037I: The specified ddname was not found.

With AOPBATCH, you can specify these optional DD statements to set up the UNIX environment and to allocate `stderr`, `stdin`, and `stdout` files.

Note: The STDIN, STDOUT, and STDERR statements are suitable only for text data. Do not use STDIN, STDOUT, and STDERR to specify an MVS data set that contains non-text data. For example, do not specify an MVS data set in STDIN or STDOUT when you run a transform command because transform input and transformed output is not text data.

STDENV

Specifies environment variables for use by program *program_name*. You can specify the environment variables in-stream in the JCL, in a UNIX file, or in an MVS data set. Specify the environment variables in the format *variable=value*, with one environment variable per line or record.

If you omit the STDENV data definition (DD) or do not specify one of these environment variables, AOPBATCH sets these default values, which are suitable for running Infoprint Server programs if your installation installed Infoprint Server files in the default directories:

- PATH=/usr/lpp/Printsrv/bin:/bin:/usr/bin
- LIBPATH=/usr/lpp/Printsrv/lib:/lib:/usr/lib
- NLSPATH=/usr/lpp/Printsrv/En_US/%N:/usr/lib/nls/msg/%L/%N

AOPBATCH also sets the HOME environment variable to the user's home directory, the LOGIN variable to the user ID, and the `_BPX_SHAREAS` variable.

Tip: The lp command and some transform commands return MVS return codes (0, 4, 8) instead of UNIX exit values (0, 1) when you set the AOP_MVS_RETURN_CODES=YES environment variable.

STDERR

Specifies a SYSOUT data set, UNIX file, or MVS data set.

STDIN

Specifies input to the program. You can specify input in-stream in JCL, a UNIX file, or an MVS data set.

STDOUT

Specifies a SYSOUT data set, UNIX file, or MVS data set.

Parameters

AOPBATCH accepts the name of the executable program file you want to run followed by options for that program.

/

The optional slash indicates that the PARM data that follows is input to AOPBATCH. If you omit the initial slash, your PARM data might be interpreted as C++ runtime options. You must include the initial slash if any of the PARM data itself includes a slash. For example, if the transform name is /mylib/ps2afp, specify: PARM=' /mylib/ps2afp ...'.

program_name

The name of an executable program file that is in a z/OS UNIX file. The program name is case-sensitive. The file must be in one of the directories that are specified in the PATH environment variable or you must specify the path. Use the STDENV data definition (DD) to set the PATH environment variable if the default value set by AOPBATCH is not suitable.

You can run these programs that Infoprint Server provides:

- aopmig: Printer Inventory migration program for PSF
- aoplogu: Writes messages in the common message log to a file
- remotexf: Sends data to InfoPrint Transform Manager for Linux
- pidu: Manages the Printer Inventory

You can also run transform programs. For example: afpxpcl, afpxpdf, afpxps, pcl2afp, pdf2afp, ps2afp.

options

Options that are accepted by program *program_name*. For a description of the allowed options, see the documentation for the program. For Infoprint Server programs, see one of these:

- For the aoplogu and pidu programs, see [z/OS Infoprint Server Operation and Administration](#).
- For the remotexf program, see [z/OS Infoprint Server User's Guide](#).
- For Infoprint transform programs, see the documentation for the transform.

Usage notes

- Sequence numbers in columns 73 - 80 in data that is specified with the STDIN DD statement are treated as part of the data. Therefore, if you use the ISPF editor to edit the data, consider turning sequence numbers off by typing NUMBER OFF on the command line before you type any data. If sequence numbers exist, type UNNUM to remove them and set number mode off.
- Sequence numbers in columns 73 - 80 in data that is specified with the STDENV data definition (DD) are ignored and not treated as part of the data.
- AOPBATCH is installed in SYS1.LINKLIB. Therefore, you do not need to include a STEPLIB DD statement in your JCL.

- If you did not add the Language Environment runtime libraries (*hlq.SCEERUN* and *hlq.CEERUN2*) and the C++ runtime library (*hlq.SCLBDLL*) to the system LNKLST, concatenate them to a STEPLIB DD statement.
- You can use AOPBATC to run a shell script if the first line of the script contains *#!/script interpreter*, where *script interpreter* is the program that processes the script. For example, this is the first line in a script:

```
#!/bin/sh
```

Otherwise, to run a shell command or script, specify *sh* as the program name, for example: *PARM= ' sh -c myscript'* or *PARM= '/sh -c /mylib/myscript*.

- When you run a transform, you must specify the transform input data set or file as a transform argument, and you must specify the *-o* transform option to identify where you want the transform to write its output. This is because when you use AOPBATC, the transform cannot read input from standard input and cannot write its output to standard output. To identify the transform input and transform output data set or file, you can specify either a DD statement name or a data set name. You must specify a DD statement name if you want the transform to write output to an MVS data set that does not exist, and you must include the DD statement to allocate the output data set.
- When you specify the name of a DD statement in the *PARM* parameter, use this format:

```
//DD:DDname
```

The name of the DD statement is *DDname*.

- When you specify an MVS data set name in the *PARM* parameter, code two slashes before the data set name and enclose the data set name in two sets of single quotation marks if you specify a fully qualified data set name. If you do not enclose the data set name in quotation marks, C/C++ assumes that the data set name is not fully qualified and adds a high-level qualifier to the name you specify:
 - If you are running under TSO (batch or interactive), C/C++ appends the TSO user prefix.
 - If you are running under MVS batch or IMS (batch or online), C/C++ appends the RACF user ID.
- If you use AOPBATC to run the *lp* command and the printer definition specifies an installation-written UNIX filter, specify the *_BPX_SHAREAS=YES* environment variable. In all other cases, do not specify the *_BPX_SHAREAS* environment variable because AOPBATC correctly sets it.

If you do not set *_BPX_SHAREAS=YES* and Infoprint Server calls a UNIX filter, you can receive this error message:

```
lp: AOP003E cat: EDC5157I An internal error has occurred.
```

Exit values

AOPBATC returns one of these values:

Value

Meaning

1

An error occurred while AOPBATC was trying to write to the STDOUT DD.

2

An error occurred while AOPBATC was trying to write to the STDERR DD.

4

AOPBATC can not create the process.

nn

The exit value from the created process.

Some transform commands can return either MVS return codes (0, 4, 8) or UNIX exit values (0, 1) depending on the value of the AOP_MVS_RETURN_CODES environment variable. If the environment variable is not set, the transforms return UNIX exit values.

Examples

These examples show how to use the AOPBATCH program. The environment variables that are shown in the first example are set to default values. If you installed and created Infoprint Server files in default directories, you do not need to specify these environment variables, and you can omit the STDENV data definition (DD).

1. This example shows how to use the AOPBATCH program to run the Infoprint Server pidu program.

```
//AOPBATCH JOB ...
//PIDU      EXEC PGM=AOPBATCH,PARM='/pidu'
//STDIN     DD *
list printer;
/*
//STDOUT   DD SYSOUT=*
//STDERR   DD SYSOUT=*
//STDENV   DD *
PATH=/usr/lpp/Printsrv/bin:/bin:/usr/bin
LIBPATH=/usr/lpp/Printsrv/lib:/lib:/usr/lib
NLSPATH=/usr/lpp/Printsrv/En_US/%N:/usr/lib/nls/msg/%L/%N
/*
```

2. This example shows how to use the AOPBATCH program to run the Infoprint Server ps2afp command. In this example, input to the command is in file /tmp/input.ps, and output is written to MVS data set HLQ.OUTPUT.AFP.

```
//AOPBATCH JOB ...
//PRINT     EXEC PGM=AOPBATCH,PARM='/ps2afp -o //DD:OUTPUT /tmp/input.ps'
//OUTPUT    DD DSN=HLQ.OUTPUT.AFP,DISP=SHR
//STDERR    DD SYSOUT=*
```

Tip: For more examples that show how to use AOPBATCH, see [z/OS Infoprint Server User's Guide](#).

Sample jobs

IBM provides these sample jobs in SYS1.SAMPLIB, which uses AOPBATCH:

- AOPPIDU, which runs the Printer Inventory Definition Utility, pidu
- AOPMIGRX, which runs the migration program for PSF, aopmig
- AOPLOGUS, which runs the aoplogu command

Appendix F. Application programming interface (API)

Infoprint Server provides an Application Programming Interface (API) that lets you code C or C++ applications to do these functions:

- Create an Infoprint Server print job on the z/OS Job Entry System (JES) spool.
- Cancel an Infoprint Server print job.
- Query the status of an Infoprint Server print job.
- Query the status of all Infoprint Server print jobs for a printer.
- Query information about all printers that are defined in the Infoprint Server Printer Inventory.
- Connect to a transform daemon.

The following information is described for application programmers who want to use the Infoprint Server API:

- [“API files” on page 395](#)
- [“API data structures” on page 395](#)
- [“API functions” on page 398](#)
- [“Programming considerations” on page 412](#)
- [“Customization requirements” on page 413](#)

API files

Table 69 on page 395 summarizes the files that are provided with the API. For each file, the table lists the default directory into which the file is installed.

File	Directory	Description
aopapi.dll	/usr/lpp/Printsrv/lib	Executable code
aopapi.h	/usr/lpp/Printsrv/samples	Include file that contains data structures and function declarations
libaopapi.a	/usr/lpp/Printsrv/lib	Static library that contains function stubs

API data structures

Table 70 on page 395 summarizes the data structures that are provided with the Infoprint Server API. After the table, each data structure is described more fully in alphabetical order.

Data structure	Include file	Description
DocumentInfo	aopapi.h	Information about a document in an Infoprint Server print job

Table 70: API data structures (continued)

Data structure	Include file	Description
<u>JobInfo</u>	aopapi.h	Information about an Infoprint Server print job and each document in the job
<u>PrinterInfo</u>	aopapi.h	Information about an Infoprint Server printer
<u>JobToken</u>	aopapi.h	A token that uniquely identifies an Infoprint Server print job
<u>QueryToken</u>	aopapi.h	A token that uniquely identifies an Infoprint Server query request
<u>Transform</u>	aopapi.h	Information about a connection between your transform program and a transform daemon.

DocumentInfo - information about a document in a job

The DocumentInfo data structure contains information about a document. It is included in the JobInfo data structure. The status and format fields are described by the DocumentStatus and DocumentFormat enumerations.

```
typedef struct
{
    char          status;          /* Current document status      */
    char          format;         /* Format of the document       */
    char          reserved[2];
    unsigned int  size;          /* low-order word of size in
                                octets of document on spool */
    char*         name;          /* Filename of document        */
    unsigned int  high_size;     /* high-order word of size in
                                octets of document on spool */
} DocumentInfo;
```

The size of a document is stored in two fields: size and high_size. You can calculate the total size and store it in field total as follows:

```
unsigned long long total = (high_size << 31) + size;
```

The high_size field is available only in API Version 1 and later versions. You can use the GetAPIVersionNumber function to obtain the API version number. For information, see [“GetAPIVersionNumber -- return the current API version number”](#) on page 407.

The DocumentStatus enumeration identifies the status of the print job on the JES spool. For an explanation of the job states in this data structure, see the description of the lpstat command in the *z/OS Infoprint Server User's Guide*. The job states in the DocumentStatus structure are the same as those returned by the lpstat command. (The selected state in DocumentStatus is the same as the processing state of the lpstat command.)

```
typedef enum
{
    status_completed = 0,
    status_pending   = 1,
    status_selected  = 2,
    status_held      = 3,
    status_failed    = 4,
    status_purged    = 5
} DocumentStatus;
```

The DocumentFormat enumeration identifies the format of the input data stream. It is included in the DocumentInfo data structure. Infoprint Server determines the format automatically unless the document-format job attribute was specified as an attribute to the CreatePrintFile function. For an

explanation of the data formats in this data structure, see the description of the document-format job attribute in the *z/OS Infoprint Server User's Guide*.

```
typedef enum
{
    format_line          = 0,
    format_modca        = 1,
    format_other        = 2,
    format_pcl          = 3,
    format_postscript   = 4,
    format_text         = 5,
    format_pdf          = 6,
    format_sap          = 7
} DocumentFormat;
```

JobInfo - information about an Infoprint Server print job and each document in the job

This data structure contains information about an Infoprint Server print job and each document in the print job. It is returned by the GetJobInfo and EnumJobs functions. The documents field is described by the DocumentInfo data structure.

```
typedef struct
{
    unsigned int    id;                /* Infoprint Server job number */
    char*          printer_name;      /* The printer on which the job was
    /* submitted. */
    char*          user_name;         /* The owner of the job */
    char*          name_text;        /* The value of the name-text attribute */
    int            priority;         /* Priority at which job was submitted */
    time_t         submitted;        /* The time the job was submitted
    /* in seconds since epoch. */
    unsigned int   ndocuments;        /* The number of documents contained
    /* in the job. */
    DocumentInfo** documents;        /* One DocumentInfo structure for each
    /* document in the job. */
} JobInfo;
```

JobToken - identifies an Infoprint Server print job

This opaque data structure uniquely identifies a request to create an output data set on the JES spool. The CreatePrintFile function returns the JobToken data structure when it receives a request to create an output data set. It is then input to the WritePrintFile, ClosePrintFile, and AbortPrintFile functions. JobToken is no longer valid after the ClosePrintFile function is called to close the output data set or the AbortPrintFile function is called to end the request to create an output data set.

```
typedef struct { void* p[2]; } JobToken;
```

PrinterInfo - information about an Infoprint Server printer

This data structure contains information about an Infoprint Server printer that is described by a printer definition in the Infoprint Server Printer Inventory. It is returned by the GetPrinterInfo and EnumPrinters functions. The fields in this structure are:

name

The name of the printer definition.

description

The description that is specified in the printer definition or a NULL value if no description is specified.

location

The location that is specified in the printer definition or a NULL value if no location is specified.

njobs

Number of Infoprint Server jobs for this printer definition that are in the pending, selected, and held states.

status

Described by the PrinterStatus enumeration.

```
typedef struct
{
    char*      name;           /* Printer definition name          */
    char*      description;    /* Printer description or NULL if not supplied */
    char*      location;       /* Printer location or NULL if not supplied */
    unsigned   njobs;          /* Number of jobs queued on this printer */
    char       status;         /* Current printer status           */
} PrinterInfo;
```

The PrinterStatus enumeration identifies the status of the printer. It is included in the PrinterInfo data structure. Currently, the status of all printers is enabled.

```
typedef enum
{
    status_enabled   = 0,      /* The printer is accepting new jobs */
    status_disabled  = 1,      /* The printer is not accepting new jobs */
} PrinterStatus;
```

QueryToken - identifies an Infoprint Server query request

This opaque data structure uniquely identifies a query request for an enumeration of print jobs for a printer. It is returned by the BeginEnumJobs function. It is input to the EnumJobs and EndEnumJobs functions. It is no longer valid after your application calls the EndEnumJobs function to end the enumeration.

```
typedef struct { void* p[2]; } QueryToken;
```

Transform - information about a transform connection

This data structure describes a connection between your transform program and a transform daemon. It is returned by the RequestTransform function, and is input to the ReleaseTransform function.

```
typedef struct {
    const char*  class_name; /* name of transformer class (63 bytes maximum) */
    const int    fd;         /* connection to transform daemon */
} Transform;
```

The fields in this structure are:

class_name

The name of the transform and class in the format: *transformname[_transformclass]*. This value must match the name of a transform entry in the transform configuration file (*aopxfd.conf*). The format of *class_name* is: *transformname[_transformclass]*.

fd

A UNIX file descriptor that is used to send input and receive output from the transform daemon.

API functions

Table 71 on page 398 summarizes the C library functions that are provided with the API. Each function is listed according to the type of function it does. Each function is described more fully in alphabetical order.

Type	Function	Include file	Description
Determining the API version number	GetAPIVersionNumber	aopapi.h	Returns the version number of this API
Initializing and terminating the API	InitAPI	aopapi.h	Initializes the API
	TermAPI	aopapi.h	Terminates the API

Table 71: API functions. (continued)

Type	Function	Include file	Description
Creating a print job	<u>CreatePrintFile</u>	aopapi.h	Creates an Infoprint Server print job
	<u>WritePrintFile</u>	aopapi.h	Writes data to an Infoprint Server print job
	<u>ClosePrintFile</u>	aopapi.h	Closes an Infoprint Server print job
	<u>AbortPrintFile</u>	aopapi.h	Terminates an Infoprint Server print job
Canceling a print job	<u>CancelJob</u>	aopapi.h	Cancels an Infoprint Server print job
Querying print jobs	<u>GetJobInfo</u>	aopapi.h	Returns status of an Infoprint Server print job
	<u>BeginEnumJobs</u>	aopapi.h	Begins an enumeration of Infoprint Server print jobs for a printer
	<u>EnumJobs</u>	aopapi.h	Returns an enumeration of Infoprint Server print jobs for a printer
	<u>EndEnumJobs</u>	aopapi.h	Ends an enumeration of Infoprint Server print jobs for a printer
Querying printers	<u>GetPrinterInfo</u>	aopapi.h	Returns information about an Infoprint Server printer
	<u>BeginEnumPrinters</u>	aopapi.h	Begins an enumeration of Infoprint Server printers
	<u>EnumPrinters</u>	aopapi.h	Returns an enumeration of Infoprint Server printers
	<u>EndEnumPrinters</u>	aopapi.h	Ends an enumeration of Infoprint Server printers
Connecting to the Infoprint Server Transform Manager	<u>RequestTransform</u>	aopapi.h	Establishes a connection with a transform daemon
	<u>ReleaseTransform</u>	aopapi.h	Releases a connection with a transform daemon
Handling errors	<u>SetTerminationHandle</u> <u>r</u>	aopapi.h	Registers a function to be called at program termination
	<u>ErrorString</u>	aopapi.h	Returns a pointer to an API error message
	<u>ErrorNumber</u>	aopapi.h	Returns the API error code
	<u>BufferSizeRequired</u>	aopapi.h	Returns the required buffer size after a buffer overflow error

AbortPrintFile -- terminate an Infoprint Server print job

Format

```
#include <aopapi.h>
int AbortPrintFile( JobToken token );
```

Description

The `AbortPrintFile` function removes an output data set from the JES spool that is not yet closed by the `ClosePrintFile` function. The *token* argument must be a valid job token that is returned by the `CreatePrintFile` function. After you call the `AbortPrintFile` function, this job token is no longer valid and cannot be used by any other functions.

Returned value

`AbortPrintFile` returns:

- Zero if the function was successful.
- A nonzero value if the job token is not valid or if the function was not successful for another reason. You can use the `ErrorNumber` function to obtain an error code, and you can use the `ErrorString` function to obtain a description of the error.

BeginEnumJobs -- begin an enumeration of Infoprint Server print jobs for a printer

Format

```
#include <aopapi.h>
int BeginEnumJobs( QueryToken* out_token,
                  const char* printer_name );
```

Description

The `BeginEnumJobs` function begins an enumeration of all Infoprint Server print jobs for a printer. After you call `BeginEnumJobs`, call these functions:

1. `EnumJobs` to obtain the enumeration of print jobs.
2. `EndEnumJobs` to end the enumeration.

Input parameters are:

printer_name

The name of a printer definition in the Infoprint Server Printer Inventory whose jobs you want to enumerate. Printer definition names are case-sensitive.

out_token

A query token that is returned by this function. You must pass this token as an argument to the `EnumJobs` and `EndEnumJobs` functions.

Returned value

`BeginEnumJobs` returns:

- Zero and sets *out_token* if the function was successful.
- A nonzero value if the function was not successful. You can use the `ErrorNumber` function to obtain an error code, and you can use the `ErrorString` function to obtain a description of the error.

BeginEnumPrinters -- begin an enumeration of Infoprint Server printers

Format

```
#include <aopapi.h>
int BeginEnumPrinters( QueryToken* out_token );
```

Description

The `BeginEnumPrinters` function begins an enumeration of all printers that are defined by printer definitions in the Infoprint Server Printer Inventory. After you call `BeginEnumPrinters`, call these functions:

1. `EnumPrinters` to obtain the enumeration of printers.
2. `EndEnumPrinters` to end the enumeration.

Argument `out_token` is a query token that is returned by this function. You must pass this token as an argument to the `EnumPrinters` and `EndEnumPrinters` functions.

Returned value

`BeginEnumPrinters` returns:

- Zero and sets `out_token` if the function was successful.
- A nonzero value if the function was not successful. You can use the `ErrorNumber` function to obtain an error code, and you can use the `ErrorString` function to obtain a description of the error.

BufferSizeRequired -- return the required size of the buffer after a buffer overflow error

Format

```
#include <aopapi.h>
unsigned int BufferSizeRequired();
```

Description

The `BufferSizeRequired` function returns the buffer size that is required to complete the last action that failed because of a buffer overflow on the current thread. Call this function when the system error code returned by the `ErrorNumber` function is `API_BUFFER_OVERFLOW`.

Returned value

`BufferSizeRequired` returns:

- Required buffer size if a buffer overflow occurred.
- An undefined value if a buffer overflow did not occur.

CancelJob -- cancel a print job

Format

```
#include <aopapi.h>
int CancelJob( unsigned int job_id,
               const char* user_name );
```

Description

The `CancelJob` function cancels a print job that is closed on the JES spool but is not yet selected for printing. It removes all output data sets for the job on the JES spool. Input parameters are:

job_id

The job ID returned by the `ClosePrintFile` function or the job ID returned by Infoprint Server if the job was created by some other method.

user_name

The user name that is passed to the `CreatePrintFile` function or the submitter name if the job was created by some other method.

Returned value

`CancelJob` returns:

- Zero if the job was successfully canceled.
- A nonzero value if the job was not successfully canceled. You can use the `ErrorNumber` function to obtain an error code, and you can use the `ErrorString` function to obtain a description of the error.

ClosePrintFile -- close an Infoprint Server print job

Format

```
#include <aopapi.h>
int ClosePrintFile( JobToken    token,
                   unsigned int* job_id );
```

Description

The `ClosePrintFile` function closes an output data set on the JES spool. If the output data set cannot be closed but *token* refers to a valid job, the output data set is removed from the JES spool as if `AbortPrintFile` is called. Input parameters are:

token

The job token that is returned by the `CreatePrintFile` function.

job_id

A job ID assigned by Infoprint Server and returned by this function. If you call the `GetJobInfo` or `CancelJob` functions, you must pass this job ID as an argument. This job ID is assigned to the output data set on the JES spool. The operator can display this job ID with System Display and Search Facility (SDSF) commands or a comparable product. (JES commands do not display this job ID.)

To limit the range of *job_id* to a number 1 - 65535, define the environment variable `AOP_64K_JOBID` before you call the `CreatePrintFile` function.

Returned value

`ClosePrintFile` returns:

- Zero and sets *job_id* if the output data set was closed successfully.
- A nonzero value if the output data set was not closed successfully. You can use the `ErrorNumber` function to obtain an error code, and you can use the `ErrorString` function to obtain a description of the error.

CreatePrintFile -- create an Infoprint Server print job

Format

```
#include <aopapi.h>
int CreatePrintFile( const char* printer_name,
                   const char* user_name,
                   const char* file_name,
                   const char* attributes,
                   JobToken* out_token );
```

Description

The `CreatePrintFile` function creates an Infoprint Server print job for a printer that is defined in the Infoprint Server Printer Inventory. This function lets you create only one document in each job. After you call `CreatePrintFile`, call these functions:

1. `WritePrintFile` to write the data.
2. `ClosePrintFile` to close the output data set.

For each successful call to `CreatePrintFile`, you must call either `ClosePrintFile` or `AbortPrintFile`. Otherwise, storage is not freed, and the output data set remains open.

Input parameters are:

printer_name

The name of a printer definition in the Infoprint Server Printer Inventory. Printer definition names are case-sensitive.

user_name

The name of the owner of the print job. The name can be 1 - 31 characters. If *user_name* is NULL, `CreatePrintFile` uses the current user login name that is returned by the `_getlogin1()` function. The user name becomes the job name of the output data set on the JES spool.

file_name

The name of the document. The name can be any length. If *file_name* is NULL, the job identifier is used.

attributes

A null-terminated string of job attributes. If *attributes* is NULL, values specified in the printer definition, or default values, are used for all job attributes. Specify attributes in the format *attribute=value*, separated by spaces. For more information about the valid job attributes and how to specify them, see using job attributes and the description of the `-o` option of the `lp` command in [z/OS Infoprint Server User's Guide](#).

Tip: If the data to be written is ASCII text data, specify an ASCII code page, such as `ISO8859-1` in the `document-codepage` job attribute.

out_token

A job token that is returned by this function. You must pass this job token as an argument to the `WritePrintFile`, `ClosePrintFile`, and `AbortPrintFile` functions. You can pass the returned job token to functions from threads other than the thread that called the `CreatePrintFile` function.

Returned value

`CreatePrintFile` returns:

- Zero and *out_token* if the print job was successfully created.
- A nonzero value if the function was not successful. You can use the `ERRORNUMBER` function to obtain an error code, and you can use the `ERRORSTRING` function to obtain a description of the error.

EndEnumJobs -- end the enumeration of Infoprint Server print jobs for a printer**Format**

```
#include <aopapi.h>
int EndEnumJobs ( QueryToken  token );
```

Description

`EndEnumJobs` ends an enumeration of print jobs. The *token* argument must be a valid token that is returned by the `BeginEnumJobs` function.

Returned value

`EndEnumJobs` returns:

- Zero if the function was successful.
- A nonzero value if the function was not successful. You can use the `ERRORNUMBER` function to obtain an error code, and you can use the `ERRORSTRING` function to obtain a description of the error.

EndEnumPrinters -- end the enumeration of Infoprint Server printers**Format**

```
#include <aopapi.h>
int EndEnumPrinters ( QueryToken  token );
```

Description

EndEnumPrinters ends an enumeration of Infoprint Server printers. The *token* argument must be a valid token that is returned by the BeginEnumPrinters function.

Returned value

EndEnumPrinters returns:

- Zero if the function was successful.
- A nonzero value if the function was not successful. You can use the `ERRORNUMBER` function to obtain an error code, and you can use the `ERRORSTRING` function to obtain a description of the error.

EnumJobs -- enumerate Infoprint Server print jobs for a printer

Format

```
#include <aopapi.h>
int EnumJobs ( QueryToken      token,
              void*          buffer,
              unsigned int    buffer_size,
              unsigned int    max_count,
              JobInfo***      job_list );
```

Description

The EnumJobs function returns information about all print jobs that are created by Infoprint Server for a specified printer definition. Job information is returned in JobInfo data structures in the buffer you provide to this function. The JobInfo data structures are returned in ascending order of the binary value of the job names. The locale has no effect on the ordering.

You can call EnumJobs as many times as necessary to obtain information about all jobs for the printer definition. EnumJobs returns zero when no more jobs exist for the printer. You must call the EndEnumJobs function to end the enumeration of print jobs.

Input parameters are:

token

A valid query token that is returned by the BeginEnumJobs function.

buffer

A buffer in which this function can return the JobInfo data structures.

buffer_size

The number of bytes in the buffer.

max_count

The maximum number of jobs for which you want JobInfo structures to be returned.

job_list

A pointer to an array of pointers to JobInfo data structures. The array of pointers is in the buffer. Do not use the returned array of pointers after the buffer is freed or modified. The returned value indicates the number of pointers in the array.

Returned value

EnumJobs returns:

- The number of JobInfo structures that are created if the function was successful. Zero indicates that there are no more jobs for this printer definition.
- A negative value if the function was not successful. You can use the `ERRORNUMBER` function to obtain an error code, and you can use the `ERRORSTRING` function to obtain a description of the error.

EnumPrinters -- enumerate Infoprint Server printers

Format

```
#include <aopapi.h>
int EnumPrinters ( QueryToken    token,
                  void*         buffer,
                  unsigned int   buffer_size,
                  unsigned int   max_count,
                  PrinterInfo*** printer_list );
```

Description

The `EnumPrinters` function returns information about all of the printers that are defined by printer definitions in the Infoprint Server Printer Inventory. Printer information is returned in `PrinterInfo` data structures in the buffer you provide to this function. The `PrinterInfo` data structures are returned in ascending order of the binary value of the printer definition names. The locale has no effect on the ordering.

You can call `EnumPrinters` as many times as necessary to obtain information about all printers. `EnumPrinters` returns zero when information about all printers is returned. You must call the `EndEnumPrinters` function to end the enumeration of printers.

Input parameters are:

token

A valid query token that is returned by the `BeginEnumPrinters` function.

buffer

A buffer in which this function can return the `PrinterInfo` data structures.

buffer_size

The number of bytes in the buffer.

max_count

The maximum number of printers for which you want `PrinterInfo` structures to be returned.

printer_list

A pointer that is returned by this function to an array of pointers to `PrinterInfo` data structures. The array of pointers is in the buffer. Do not use the returned array of pointers after the buffer is freed or modified. The returned value indicates the number of pointers in the array.

Returned value

`EnumPrinters` returns:

- The number of `PrinterInfo` structures that are created if the function was successful. Zero indicates that information about all printers is returned.
- A negative value if the function was not successful. You can use the `ErrorNumber` function to obtain an error code, and you can use the `ErrorString` function to obtain a description of the error.

ErrorNumber -- return the API error code

Format

```
#include <aopapi.h>
int ErrorNumber();
```

Description

The `ErrorNumber` function returns a number that indicates the last error that is returned by the API for the calling thread. [Table 72 on page 406](#) lists names that are defined in the `aopapi.h` file for the error numbers and describes the error. The table does not list all possible error numbers that are returned by this function. For all errors, you can use the `ErrorString` function to obtain a description of the error.

Table 72: ErrorNumber names and error descriptions

Name	Description
AOP_NO_ERROR	No error occurred.
AOP_PRINTER_NOT_FOUND	The printer definition that was specified as an input argument to an API function does not exist in the Printer Inventory.
AOP_JOB_NOT_FOUND	The job ID that was specified as an input argument to an API function does not exist.
AOP_JOB_LIMIT_EXCEEDED	The CreatePrintFile function was called to create a new job, but no free job IDs exist to assign to the job.
AOP_CANCEL_NOT_PERMITTED	The specified user is not the owner of the print job. Only the owner is allowed to cancel a print job.
AOP_INV_CONNECT_ERROR	The Printer Inventory is not active.
AOP_NOT_ENABLED	The use of Infoprint Server is not enabled.
AOP_NOT_AUTHORIZED	The action on the specified object is not permitted.
AOP_INVALID_TOKEN	The job or query token that was specified as an argument to an API function is not valid.
AOP_BUFFER_OVERFLOW	The buffer that is provided to an API function was not large enough to complete the operation. You can obtain the required buffer size for the operation by calling the BufferSizeRequired function.
AOP_API_INIT_FAILED	The API cannot be initialized. Make sure that aopapi.dll can be loaded from one of the directories that are specified in the LIBPATH environment variable and is accessible to this process.

Returned value

ErrorNumber returns a number that indicates the last error.

ErrorString -- return a pointer to the API error message

Format

```
#include <aopapi.h>
const char* ErrorString();
```

Description

The ErrorString function returns a pointer to a string that describes the last error that is returned by the API for the calling thread. The message is a multi-byte string in the language indicated by the current locale when the locale is supported or in English for other locales. These locales are supported: C, En_US, and Ja_JP.

Returned value

ErrorString returns:

- A pointer to an error string if an error occurred.
- An empty string if no error occurred.

GetAPIVersionNumber -- return the current API version number

Format

```
#include <aopapi.h>
int GetAPIVersionNumber();
```

Description

The `GetAPIVersionNumber` function returns the current version number of the API. Use this function to determine what fields and functions are available in the API based on the version number that is returned.

Returned value

`GetAPIVersionNumber` returns:

0

API Version 0

1

API Version 1

In Version 1, the `DocumentInfo` data structure contains the `high_size` field. This field is not present in API Version 0. See [“DocumentInfo - information about a document in a job”](#) on page 396.

GetJobInfo -- return the status of an Infoprint Server print job

Format

```
#include <aopapi.h>
JobInfo* GetJobInfo( unsigned int   job_id,
                    void*         buffer,
                    unsigned int   buffer_size );
```

Description

The `GetJobInfo` function returns information about the Infoprint Server print job that is identified by argument `job_id`. This function returns the `JobInfo` data structure, which describes the job and each document in the job. The `DocumentInfo` data structure, which is part of the `JobInfo` data structure describes each document in the job.

Input parameters are:

job_id

The job ID returned by the `ClosePrintFile` function or the job ID returned by Infoprint Server if the job was created by some other method.

buffer

A buffer in which this function returns the `JobInfo` data structure.

buffer_size

The number of bytes in the buffer.

Returned value

`GetJobInfo` returns:

- A pointer to a `JobInfo` structure if the function was successful. The address is in the buffer that is identified by the `buffer` argument. Do not use this address after you free or modify the buffer.
- A null pointer if the function was not successful. You can use the `ErrorNumber` function to obtain an error code, and you can use the `ErrorString` function to obtain a description of the error.

Example

This example calls the `GetJobInfo` function to get information for the print job identified by job ID 152. It handles a buffer overflow error condition, prints the API error message if another error occurs, and if

the GetJobInfo function was successful, prints information that is returned about the job and each document in the job.

```
#include <aopapi.h>
#include <time.h>
#include <stdio.h>
#include <stdlib.h>
#define NULL_TEST(x) ((x) ? (x) : "(null)")
int main()
{
    int i;
    JobInfo* job;
    unsigned int job_number = 152;
    int buffer_size = 4096;
    void* buffer = malloc(buffer_size);
    retry: job = GetJobInfo(job_number,
                           buffer,
                           buffer_size);

    if (job == 0) {
        if (ErrorNumber() == AOP_BUFFER_OVERFLOW) {
            buffer_size <<= 1;
            buffer = realloc(buffer, buffer_size);
            goto retry;
        } else {
            fprintf(stderr, "API error: %s\n", ErrorString());
            exit(1);
        }
    }

    printf("Job %-d:\n", job->id);
    printf("  user name: %s\n", job->user_name);
    printf("  printer: %s\n", job->printer_name);
    printf("  submitted: %s", ctime(>submitted));
    printf("  priority: %-d\n", job->priority);
    printf("  name text: %s\n", NULL_TEST(job->name_text));
    for (i=0; i<job->ndocuments; ++i) {
        printf("    document: %s\n", NULL_TEST(job->documents[i]->name));
        printf("      status: %d\n", job->documents[i]->status);
        printf("      size: %-d\n", job->documents[i]->size);
        printf("      format: %-d\n", job->documents[i]->format);
    }
}
```

GetPrinterInfo -- return information about an Infoprint Server printer

Format

```
#include <aopapi.h>
PrinterInfo* GetPrinterInfo( const char* printer_name,
                             void* buffer,
                             unsigned int buffer_size );
```

Description

The GetPrinterInfo function returns information about the printer definition in the Infoprint Server Printer Inventory identified by argument *printer_name*. This function returns the PrinterInfo data structure.

Input parameters are:

printer_name

The name of the printer definition in the Infoprint Server Printer Inventory.

buffer

A buffer in which this function returns the PrinterInfo data structure.

buffer_size

The number of bytes in the buffer.

Returned value

GetPrinterInfo returns:

- A pointer to a `PrinterInfo` structure if the function was successful. The address is in the buffer that is identified by the `buffer` argument. Do not use this address after you free or modify the buffer.
- A null pointer if the function was not successful. You can use the `ErrorNumber` function to obtain an error code, and you can use the `ErrorString` function to obtain a description of the error.

InitAPI -- initialize the API

Format

```
#include <aopapi.h>
int InitAPI();
```

Description

The `InitAPI` function initializes the API. You can call `InitAPI` multiple times from a single process and concurrently from multiple threads. You do not need to explicitly call `InitAPI` because it is called automatically on the first call to any other API function if it is not called explicitly. Use this function if your application needs to determine whether the API can be successfully initialized separately from other calls.

Returned value

`InitAPI` returns:

- Zero if the API was successfully initialized.
- A nonzero value if the DLL was not loadable or the API was not successfully initialized for another reason. You can use the `ErrorNumber` function to obtain an error code, and you can use the `ErrorString` function to obtain a description of the error.

ReleaseTransform -- release a connection with a transform daemon

Format

```
#include <aopapi.h>

typedef enum {
    TRANSFORM_COMPLETE = 2,
    TRANSFORM_ABORT    = 3
} ReleaseType;
int      ReleaseTransform( Transform*, ReleaseType release_type );
```

Description

The `ReleaseTransform` function releases the connection with the transform daemon, which was established by the `RequestTransform` function. Input parameters are:

Transform*

A pointer to the `Transform` data structure returned by the `RequestTransform` function.

release_type

The status of the transform:

- `TRANSFORM_COMPLETE`: This status indicates that the transform completed normally. Specify this status when the transform completes processing, whether successful or not, in a known good state.
- `TRANSFORM_ABORT`: This status indicates that the transform completed abnormally. Specify this status when the status of the transform is uncertain; for example, because of an unexpected transform failure or a communication failure.

Returned value

`ReleaseTransform` returns:

- Zero if the function was successful.

- A nonzero value if the function was not successful. You can use the `ErrorNumber` function to obtain an error code, and you can use the `ErrorString` function to obtain a description of the error.

RequestTransform -- establish a connection with a transform daemon

Format

```
#include <aopapi.h>
Transform* RequestTransform( const char* transform_class );
```

Description

The `RequestTransform` function establishes a connection with a transform daemon. Call this function only when you are writing a transform that is managed by the Infoprint Server Transform Manager. After the connection is established, you can use the identifier in field `fd` in the returned `Transform` data structure to receive data from and send data to the transform daemon.

`transform_class` must match the transform name and class that is specified in the transform attribute in the transform configuration file (`aopxfd.conf`). The format of `transform_class` is: `transformname[_transformclass]`. `transform_class` can be a maximum of 63 bytes. For information about the transform configuration file, see [“Format of an entry in the transform configuration file” on page 147](#).

To release the transform connection, call the `ReleaseTransform` function.

Returned value

`RequestTransform` returns:

- A pointer to a `Transform` structure if the function was successful.
- A null pointer if the function was not successful.

SetTerminationHandler -- register a termination function

Format

```
#include <aopapi.h>
int SetTerminationHandler(TerminationHandler handler,
                          void* argument);
```

Description

The `SetTerminationHandler` function registers a function to handle termination of the API threads created in the current process (Language Environment enclave). If the API encounters a condition on one of the threads it manages that would cause enclave termination, the API calls the termination function pointed to by `handler` with argument `argument`. If the termination function returns without terminating the enclave, the API terminates the enclave.

To remove the termination handler function, call `SetTerminationHandler` with a null argument for `handler`.

Tip: For information about how to write a termination handler function, see [“Programming considerations” on page 412](#).

Returned value

`SetTerminationHandler` returns:

- Zero if the function was successful.
- A nonzero value if the function was not successful. You can use the `ErrorNumber` function to obtain an error code, and you can use the `ErrorString` function to obtain a description of the error.

TermAPI -- terminate the API

Format

```
#include <aopapi.h>
int TermAPI();
```

Description

The `TermAPI` function terminates the API. When the number of `TermAPI` calls equals the number of `InitAPI` calls, then all resources that are associated with the API are freed and the `aopapi.dll` is unloaded. You do not need to explicitly call `TermAPI` because this function is done automatically when your application terminates.

Returned value

`TermAPI` returns:

- Zero if the API was successfully terminated.
- A nonzero value if the API was not successfully terminated. You can use the `ErrorNumber` function to obtain an error code, and you can use the `ErrorString` function to obtain a description of the error.

WritePrintFile -- write data to an Infoprint Server print job

Format

```
#include <aopapi.h>
int WritePrintFile( JobToken    token,
                   const char*  buffer,
                   unsigned int  buffer_size );
```

Description

The `WritePrintFile` function writes data sequentially to an output data set on the JES spool. Infoprint Server determines the data format automatically unless the document-format job attribute is passed to the `CreatePrintFile` function. If the printer definition in the Printer Inventory specifies a filter for the data format, Infoprint Server calls that filter to transform the data before it writes it to the JES spool.

If the data format is text data, and if a printer code page is specified in the printer definition, Infoprint Server converts the data from the document code page to the printer code page before it writes it to the JES spool. Because the default document code page is determined by the locale and is usually an EBCDIC code page, to print an ASCII document, specify an ASCII code page in the document-codepage job attribute when you call the `CreatePrintFile` function. Call the `WritePrintFile` function as many times as necessary to write all the data. After all data is successfully written, you must call the `ClosePrintFile` function to close the output data set on the JES spool or the `AbortPrintFile` function to remove the data set from the JES spool.

If `WritePrintFile` is not successful for a valid *token*, the spooling operation that is associated with *token* is ended and the output data set is removed from the JES spool as if the `AbortPrintFile` function is called.

Input parameters are:

token

A valid job token that is returned by the `CreatePrintFile` function.

buffer

A buffer that contains the data to be written to the output data set on the JES spool.

buffer_size

The number of bytes in the buffer.

Returned value

WritePrintFile returns:

- Zero if the data is written successfully.
- A nonzero value if data is not successfully written.

Programming considerations

These are the programming considerations for writing and link-editing your C or C++ applications that use the API:

Redefining API function names

The names of the API functions are generic, for example `InitAPI` and `TermAPI`. These function names are mapped (by using the `map` pragma) to names that are prefixed with `AOP` to reduce the chance of conflicts with your applications. For example:

```
#pragma map(InitAPI, "AOPINIT")
```

If the name of an API function conflicts with a function name defined in the same scope, you can redefine the API function name before you include the API header file (`aopapi.h`). For example, you can redefine `InitAPI` to `AOP_InitAPI`, as shown in this example:

```
#define InitAPI AOP_InitAPI  
#include <aopapi.h>
```

Linking to API functions

To link to the functions in this API, include the static library `libaopapi.a` in the link-edit for your application. The functions in `libaopapi.a` are stubs that call the actual code, which is in executable file `aopapi.dll`.

APF-authorizing your application

Your application must run APF-authorized to use the API. If your application is in a z/OS UNIX file, use the z/OS UNIX command `extattr` to APF-authorize it. Also, link your program with the `AC=1` specification.

Writing a termination handler function

If your application needs to clean up before an API-created thread terminates abnormally, you can write your own termination handler function. The API calls your termination handler when an abnormal-termination situation occurs.

If you write a termination handler function, you must call the `SetTerminationHandler` function to register your termination handler.

Your termination handler receives three parameters:

handler_argument

The argument that was passed to the `SetTerminationHandler` function.

cleanup_handler

A pointer to a cleanup handler function that your termination handler must call.

cleanup_argument

An argument that the termination handler must pass to the cleanup handler.

Your termination handler function must do these functions:

- Produce a dump or equivalent diagnostic of the process to help diagnose problems in your application and the API.
- Do any wanted cleanup actions. All actions that are permitted by a Language Environment condition handler are allowed in the termination handler.
- Call the cleanup handler with *cleanup_argument*. This call must be the last operation in the termination handler.

- Either call the `exit` function to terminate the process or return, which causes the function that initiated the API thread to fail but lets the process continue.

Compile the executable code that contains the termination handler function with either the NODLL or DLL(CBA) option. The CBA suboption is required if the code is a DLL because the cleanup handler function pointer passed to the termination handler is compiled with the NODLL option.

The `aopapi.h` header file contains these definitions for the termination handler and cleanup handler functions:

```
typedef void (*CleanupHandler) (void* cleanup_argument );
typedef void (*TerminationHandler) (void* handler_argument,
CleanupHandler cleanup_handler,
void* cleanup_argument );
```

Customization requirements

Before you run an application that uses the API, you must do these tasks to customize Infoprint Server:

- Customize the Printer Inventory Manager component. See [Chapter 3, “Customizing the Printer Inventory Manager,”](#) on page 21.
- Customize the Print Interface component of Infoprint Server. You need to do only the general customization tasks for the Print Interface component. See [Chapter 4, “Customizing Print Interface,”](#) on page 109.
- (Optional) Customize the Transform Interface and a transform product. See [Chapter 5, “Customizing Transform Interface,”](#) on page 145.

In addition, do these customization tasks that are related to the API:

- (Optional) Define environment variable `AOP_64K_JOBID`. If this environment variable is defined, the `CreatePrintFile` function limits the job ID of a new print job to the range of 1 to 65535. If this environment variable is not defined, the job ID can be in the range of 1 to 999999.

Tip: This variable is defined for use by the z/OS SMB server. Other applications must not define this variable because system performance might be degraded.

After customizing Infoprint Server, do these tasks that are described in [z/OS Infoprint Server Operation and Administration](#):

1. Start the Printer Inventory Manager daemon. If you want to transform data from one format to another on the z/OS system, also start the Infoprint Server Transform Manager daemon.
2. Create a printer definition in the Infoprint Server Printer Inventory for each target printer and specify the printer attributes required by the Print Interface component. If you want to transform data, also specify the names of the transform filters in the printer definitions.

Appendix G. Migrating from IP PrintWay basic mode to extended mode

A description follows about how to move all processing from IP PrintWay basic mode to IP PrintWay extended mode. For complete information about how to customize IP PrintWay extended mode, see Chapter 7, “Customizing IP PrintWay,” on page 181.

Steps for migrating from IP PrintWay basic mode to extended mode

1. Customize IP PrintWay extended mode:

- In the Infoprint Server configuration file, `aopd.conf`, specify the `outd` and `ssid` values in the `start-daemons` attribute to start the IP PrintWay extended mode daemons and the Infoprint Central daemon. This change takes effect only when you restart Infoprint Server in a later step.
- If dynamic configuration is enabled, edit the system configuration definition in the Printer Inventory to specify these attributes:

ebcdic-codepage:

Specify the same code page that is specified in the **Document code page** field in the IP PrintWay basic mode FSS definition in the Printer Inventory.

log-retention:

Specify how many days worth of historical print job information to display in Infoprint Central. If you do not use the MVS system logger for Infoprint Server messages, this attribute also specifies many days worth of messages Infoprint Server retains in the z/OS UNIX file system.

mail-do-not-add-suffixes:

If the `AOP_MAIL_DO_NOT_ADD_SUFFIX` environment variable is specified in the IP PrintWay basic mode startup procedure, specify the same value in this attribute.

mail-preserve-suffixes:

If the `AOP_MAIL_PRESERVE_SUFFIXES` environment variable is specified in the IP PrintWay basic mode startup procedure, specify the same value in this attribute.

mailer-options:

If the `AOPMAILER_OPTIONS` environment variable is specified in the IP PrintWay basic mode startup procedure, specify the same value in this attribute.

mailer-path-name:

If the `AOPMAILER` environment variable is specified in the IP PrintWay basic mode startup procedure, specify the same value in this attribute.

Tip: If dynamic configuration is not enabled, you can specify the equivalent attributes in the `aopd.conf` file and the equivalent environment variables in the `aopstart EXEC`. For information about the equivalent attributes and environment variables, see [Table 15 on page 70](#). For information about how to edit the system configuration definition, see [“Steps for editing the system configuration definition” on page 79](#).

- Increase the space available to the `/var/Printsrv` directory if necessary. See [“Increasing the space available in /var/Printsrv directory \(extended mode\)” on page 188](#).
- Adjust the values for the `MAXPROCSYS` and `MAXPROCUSER` parameters in the `BPXPRMxx PARMLIB` member if necessary. See [“Updating the BPXPRMxx member of SYS1.PARMLIB \(extended mode\)” on page 188](#).
- Create IP PrintWay extended mode job selection rules in the Printer Inventory. In the job selection rules, specify the same work-selection criteria that you currently specify for the IP PrintWay basic mode functional subsystem applications (FSAs). IP PrintWay extended mode does not process any print jobs until you create work-selection rules. See [“Creating IP PrintWay job selection rules \(extended mode\)” on page 189](#).

- Give IP PrintWay extended mode RACF authorization to select output data sets from the JES spool. See [“Authorizing IP PrintWay to select data sets from the JES spool \(extended mode\)”](#) on page 194.
- Give IP PrintWay extended mode RACF authorization to write SMF type 6 records. See [“Authorizing IP PrintWay to write SMF type 6 records \(extended mode\)”](#) on page 195.
- Edit the aopstart EXEC or *envvar* file to specify these environment variables if necessary:
 - `_BPXK_SETIBMOPT_TRANSPORT`: If you run more than one TCP/IP stack, specify the name of the z/OS UNIX stack. IP PrintWay extended mode must use the z/OS UNIX stack.
 - `STEPLIB`: Specify the STEPLIB environment variable if the IP PrintWay exit library or the FCB image library is not in the system LNKLIST. Also, add the library to the STEPLIBLIST facility of SYS1.PARMLIB.

Tip: If dynamic configuration is not enabled, you might need to specify these environment variables: `AOP_DO_NOT_ADD_SUFFIX`, `AOP_PRESERVE_SUFFIXES`, `AOPMAILER`, and `AOPMAILER_OPTIONS`,

See [“Setting environment variables for IP PrintWay \(extended mode\)”](#) on page 196.

- Recompile the IP PrintWay SMF exit.
 - Review other IP PrintWay exits to see whether changes are required. See [“Comparing IP PrintWay basic mode and extended mode exits”](#) on page 213.
 - If you specify the `concatenation-separators=document` attribute in your IP PrintWay FSS definitions, and your IP PrintWay Begin Data Set or End Data Set exit adds printer instructions in records, change the exit to specify the printer instructions in the ANFUEXTP control block instead of in records. See [“Begin Data Set exit”](#) on page 229.
2. Customize Infoprint Central. See Chapter 8, [“Customizing Infoprint Central,”](#) on page 289.
 3. Restart the IBM HTTP Server - Powered by Apache to pick up changes. For instructions, see [z/OS HTTP Server - Powered by Apache User's Guide](#).
 4. Change IP PrintWay printer definitions in the Printer Inventory if necessary. Because IP PrintWay extended mode and IP PrintWay basic mode share printer definitions, in most cases, no changes are required. However, you might need to change printer definitions that specify any of these fields:
 - **Data format**
 - **Double-byte translate table**
 - **Line termination**
 - **PostScript header** (Landscape, Always landscape, or Add option)
 - **SOSI mode**
 - **Translation dataset qualifier**

For information about how to change printer definitions for IP PrintWay extended mode, see [z/OS Infoprint Server Operation and Administration](#).
 5. If you currently specify a default font in the JES definitions for IP PrintWay basic mode FSAs and also use the AFP to PDF, AFP to PostScript, or AFP to PCL transform, specify the same default font in the printer definitions for the IP PrintWay printers. Or, if you want the default font to apply to all IP PrintWay printers, specify the font in the `AOP_CHARS` variable in the transform configuration file, `aopxfd.conf`. IP PrintWay extended mode does not use a default font that is supplied by JES as IP PrintWay basic mode does.
 6. If you currently specify a default FCB in the JES definitions for IP PrintWay basic mode FSAs, ask job submitters to specify the same FCB in the `FCB JCL` parameter or `forms-control-buffer` job attribute to use this FCB. IP PrintWay extended mode does not use a default FCB supplied by JES like IP PrintWay basic mode does.
 7. Review the SMF type 6 record for IP PrintWay extended mode to see whether changes affect your accounting programs. For the format of the SMF6 record, see [z/OS MVS System Management Facilities \(SMF\)](#). For information about the differences between the records that IP PrintWay basic mode and extended mode write, see [z/OS Infoprint Server Operation and Administration](#).

8. Change the manual and automatic procedures you use to search for IP PrintWay messages. IP PrintWay extended mode writes its messages to the Infoprint Server common message log. IP PrintWay extended mode messages have different IDs and message texts than IP PrintWay basic mode. You can use the `aoplogu` command to retrieve messages from the common message log. Operators can use Infoprint Central to see all messages in the common message log for specific printers and print jobs. For information about the `aoplogu` command, see [z/OS Infoprint Server Operation and Administration](#).

9. Stop any IP PrintWay basic mode FSAs that select the same print jobs from the JES spool as IP PrintWay extended mode does.

Tip: The work-selection criteria for IP PrintWay basic mode FSAs determine which print jobs IP PrintWay basic mode selects. The job selection rules in the Printer Inventory determine which print jobs IP PrintWay extended mode selects.

10. To start IP PrintWay extended mode and Infoprint Central, stop all Infoprint Server daemons and restart Infoprint Server. For information about how to stop and start daemons, see [z/OS Infoprint Server Operation and Administration](#).

After you start IP PrintWay extended mode, you can submit print jobs that meet the criteria in the job selection rules.

To work with print jobs on the JES queue, control IP PrintWay printers, and start and stop IP PrintWay job selection rules, you can use Infoprint Central. For information about how to use Infoprint Central, see [z/OS Infoprint Server Operation and Administration](#). For detailed usage information, see the Infoprint Central online help system.

To diagnose problems, you can use Infoprint Central to look at messages for selected print jobs and printers, or you can use the `aoplogu` command to see all messages in the common message log.

When you are sure that you no longer need to run IP PrintWay basic mode, you can delete:

- FSS and FSA definitions for IP PrintWay basic mode from the Printer Inventory.
- JES initialization statements for IP PrintWay basic mode FSSs and FSAs.
- IP PrintWay basic mode startup procedures.
- IP PrintWay message data set (default name is ANF.MSGFILE) unless NetSpool writes messages to this data set.
- IP PrintWay transmission queue data set (default name is ANF.QUEUE).
- IP PrintWay Message (ANFUXMSG) exit (IP PrintWay extended mode does not support this exit).

Note: If you want to run IP PrintWay basic mode and extended mode at the same time, IP PrintWay extended mode must select different output data sets from the JES spool than basic mode. To run the modes at the same time, create IP PrintWay extended mode job selection rules that cause IP PrintWay extended mode to select different output data sets from the JES spool than IP PrintWay basic mode selects. For example, if IP PrintWay basic mode selects output data sets in class P, extended mode can select output data sets in class Q. (See [“Creating job selection rules in the Printer Inventory \(extended mode\)”](#) on page 192.)

Appendix H. Benefiting from new functions in z/OS V2R3

The following information describes how to benefit from the Infoprint Server functions that are introduced in z/OS V2R3.

Note: All installations must perform some actions when they are upgrading to z/OS V2R3. For information about the actions that installations must take to maintain the same functional behavior in z/OS V2R3 as in previous releases, see *z/OS Migration*.

Dynamic trace facility

As an option, the trace facility for Infoprint Server can use cross-system coupling facility (XCF) signaling to adjust trace parameters dynamically while the target daemon is running. The dynamic trace facility uses new trace fields in the IPSF System Configuration panel or new PIDU attributes instead of environment variables to start or stop tracing for Infoprint Server daemons. With dynamic tracing, users do not need to change environment variables and then stop and restart one or more Infoprint Server daemons.

Infoprint Central enhancements

Infoprint Central is updated with these enhancements:

Job ID search function updates

When you select **Infoprint Server print jobs** and use the **Job ID** field on the Work with Print Jobs page to search for print jobs, the search function works in these ways:

- When you specify a numeric job ID, Infoprint Server searches for all standard JES job prefixes (such as JOB) in addition to the Infoprint Server configuration job-prefix (such as PS).
- When you specify a job ID and select **Show only exact matches**, Infoprint Server searches for jobs that exactly match the job ID you specified. Previously, Infoprint Server ignored the **Show only exact matches** field when it was specified with the **Job ID** field.

Search for multiple forms

You can now specify up to eight FORMS names on the Work with Print Jobs page when you are searching for JES print jobs. The search finds all print jobs that match any of the specified FORMS.

Usability and web browser support

The user interface is updated to improve usability, and now includes support for Microsoft Edge 25 or later.

Infoprint Port Monitor 3.2

Infoprint Port Monitor 3.2 is a new release that supports Windows 7, Windows 8.1, Windows 10, Windows Server 2012, and Windows Server 2016.

IP PrintWay backup printer capability

The administrator can now use IP PrintWay extended mode to define a backup printer in case retransmissions fail because the IP PrintWay printer is broken or offline. The backup printer is defined in an ISPF printer definition panel or PIDU. The operator can then select the backup printer for IP PrintWay to use when the primary printer is not functioning.

JES2 job grouping

Infoprint Server supports the use of JES2 JCL statements to define job groups that describe the relationships among multiple separate jobs. For example, the JCL statements can control the order and conditions under which a group of jobs run: job A can run before jobs B and C, and job D can run after jobs B and C.

For information about the new JCL statements, see [z/OS MVS JCL Reference](#)

Mail transport replacement for sendmail

In z/OS V2R3, instead of using the z/OS UNIX sendmail program, IP PrintWay now uses the sendmail to Communications Server Simple Mail Transport Protocol (SMTP) bridge as the mail transport. The sendmail bridge provides an API that is compatible with the sendmail program API so that programming changes are not required.

While the sendmail bridge performance might be better than the sendmail program, the sendmail bridge does not support these functions:

- Email delivery to local TSO and UNIX System Services mailboxes.
- The `-m` option on the `lp` command.
- Creation of alias files. Only existing alias files are supported.

Also, only a limited number of options are supported by the mailer-options system configuration attribute or `AOPMAILER_OPTIONS` environment variable that the sendmail bridge uses.

Support for 8-character TSO/E user ID

Infoprint Server now supports 8-character TSO/E user IDs.

Appendix I. Accessibility

Accessible publications for this product are offered through [IBM Knowledge Center \(www.ibm.com/support/knowledgecenter/SSLTBW/welcome\)](http://www.ibm.com/support/knowledgecenter/SSLTBW/welcome).

If you experience difficulty with the accessibility of any z/OS information, send a detailed email message to mhvrcfs@us.ibm.com.

Accessibility features

Accessibility features help users who have physical disabilities such as restricted mobility or limited vision use software products successfully. The accessibility features in z/OS can help users do the following tasks:

- Run assistive technology such as screen readers and screen magnifier software.
- Operate specific or equivalent features by using the keyboard.
- Customize display attributes such as color, contrast, and font size.

Consult assistive technologies

Assistive technology products such as screen readers function with the user interfaces found in z/OS. Consult the product information for the specific assistive technology product that is used to access z/OS interfaces.

Keyboard navigation of the user interface

You can access z/OS user interfaces with TSO/E or ISPF. The following information describes how to use TSO/E and ISPF, including the use of keyboard shortcuts and function keys (PF keys). Each guide includes the default settings for the PF keys.

- [*z/OS TSO/E Primer*](#)
- [*z/OS TSO/E User's Guide*](#)
- [*z/OS ISPF User's Guide Vol I*](#)

Dotted decimal syntax diagrams

Syntax diagrams are provided in dotted decimal format for users who access IBM Knowledge Center with a screen reader. In dotted decimal format, each syntax element is written on a separate line. If two or more syntax elements are always present together (or always absent together), they can appear on the same line because they are considered a single compound syntax element.

Each line starts with a dotted decimal number; for example, 3 or 3.1 or 3.1.1. To hear these numbers correctly, make sure that the screen reader is set to read out punctuation. All the syntax elements that have the same dotted decimal number (for example, all the syntax elements that have the number 3.1) are mutually exclusive alternatives. If you hear the lines 3.1 USERID and 3.1 SYSTEMID, your syntax can include either USERID or SYSTEMID, but not both.

The dotted decimal numbering level denotes the level of nesting. For example, if a syntax element with dotted decimal number 3 is followed by a series of syntax elements with dotted decimal number 3.1, all the syntax elements numbered 3.1 are subordinate to the syntax element numbered 3.

Certain words and symbols are used next to the dotted decimal numbers to add information about the syntax elements. Occasionally, these words and symbols might occur at the beginning of the element itself. For ease of identification, if the word or symbol is a part of the syntax element, it is preceded by the backslash (\) character. The * symbol is placed next to a dotted decimal number to indicate that the syntax element repeats. For example, syntax element *FILE with dotted decimal number 3 is given the format 3 * FILE. Format 3* FILE indicates that syntax element FILE repeats. Format 3* * FILE indicates that syntax element * FILE repeats.

Characters such as commas, which are used to separate a string of syntax elements, are shown in the syntax just before the items they separate. These characters can appear on the same line as each item, or on a separate line with the same dotted decimal number as the relevant items. The line can also show another symbol to provide information about the syntax elements. For example, the lines 5.1*, 5.1 LASTRUN, and 5.1 DELETE mean that if you use more than one of the LASTRUN and DELETE syntax elements, the elements must be separated by a comma. If no separator is given, assume that you use a blank to separate each syntax element.

If a syntax element is preceded by the % symbol, it indicates a reference that is defined elsewhere. The string that follows the % symbol is the name of a syntax fragment rather than a literal. For example, the line 2.1 %OP1 means that you must refer to separate syntax fragment OP1.

The following symbols are used next to the dotted decimal numbers.

? indicates an optional syntax element

The question mark (?) symbol indicates an optional syntax element. A dotted decimal number followed by the question mark symbol (?) indicates that all the syntax elements with a corresponding dotted decimal number, and any subordinate syntax elements, are optional. If there is only one syntax element with a dotted decimal number, the ? symbol is displayed on the same line as the syntax element, (for example 5? NOTIFY). If there is more than one syntax element with a dotted decimal number, the ? symbol is displayed on a line by itself, followed by the syntax elements that are optional. For example, if you hear the lines 5 ?, 5 NOTIFY, and 5 UPDATE, you know that the syntax elements NOTIFY and UPDATE are optional. That is, you can choose one or none of them. The ? symbol is equivalent to a bypass line in a railroad diagram.

! indicates a default syntax element

The exclamation mark (!) symbol indicates a default syntax element. A dotted decimal number followed by the ! symbol and a syntax element indicate that the syntax element is the default option for all syntax elements that share the same dotted decimal number. Only one of the syntax elements that share the dotted decimal number can specify the ! symbol. For example, if you hear the lines 2? FILE, 2.1! (KEEP), and 2.1 (DELETE), you know that (KEEP) is the default option for the FILE keyword. In the example, if you include the FILE keyword, but do not specify an option, the default option KEEP is applied. A default option also applies to the next higher dotted decimal number. In this example, if the FILE keyword is omitted, the default FILE(KEEP) is used. However, if you hear the lines 2? FILE, 2.1, 2.1.1! (KEEP), and 2.1.1 (DELETE), the default option KEEP applies only to the next higher dotted decimal number, 2.1 (which does not have an associated keyword), and does not apply to 2? FILE. Nothing is used if the keyword FILE is omitted.

*** indicates an optional syntax element that is repeatable**

The asterisk or glyph (*) symbol indicates a syntax element that can be repeated zero or more times. A dotted decimal number followed by the * symbol indicates that this syntax element can be used zero or more times; that is, it is optional and can be repeated. For example, if you hear the line 5.1* data area, you know that you can include one data area, more than one data area, or no data area. If you hear the lines 3* , 3 HOST, 3 STATE, you know that you can include HOST, STATE, both together, or nothing.

Notes:

1. If a dotted decimal number has an asterisk (*) next to it and there is only one item with that dotted decimal number, you can repeat that same item more than once.
2. If a dotted decimal number has an asterisk next to it and several items have that dotted decimal number, you can use more than one item from the list, but you cannot use the items more than once each. In the previous example, you can write HOST STATE, but you cannot write HOST HOST.

3. The * symbol is equivalent to a loopback line in a railroad syntax diagram.

+ indicates a syntax element that must be included

The plus (+) symbol indicates a syntax element that must be included at least once. A dotted decimal number followed by the + symbol indicates that the syntax element must be included one or more times. That is, it must be included at least once and can be repeated. For example, if you hear the line 6.1+ data area, you must include at least one data area. If you hear the lines 2+, 2 HOST, and 2 STATE, you know that you must include HOST, STATE, or both. Similar to the * symbol, the + symbol can repeat a particular item if it is the only item with that dotted decimal number. The + symbol, like the * symbol, is equivalent to a loopback line in a railroad syntax diagram.

Notices

This information was developed for products and services that are offered in the USA or elsewhere.

IBM may not offer the products, services, or features discussed in this document in other countries. Consult your local IBM representative for information on the products and services currently available in your area. Any reference to an IBM product, program, or service is not intended to state or imply that only that IBM product, program, or service may be used. Any functionally equivalent product, program, or service that does not infringe any IBM intellectual property right may be used instead. However, it is the user's responsibility to evaluate and verify the operation of any non-IBM product, program, or service.

IBM may have patents or pending patent applications covering subject matter described in this document. The furnishing of this document does not grant you any license to these patents. You can send license inquiries, in writing, to:

*IBM Director of Licensing
IBM Corporation
North Castle Drive, MD-NC119
Armonk, NY 10504-1785
United States of America*

For license inquiries regarding double-byte character set (DBCS) information, contact the IBM Intellectual Property Department in your country or send inquiries, in writing, to:

*Intellectual Property Licensing
Legal and Intellectual Property Law
IBM Japan Ltd.
19-21, Nihonbashi-Hakozakicho, Chuo-ku
Tokyo 103-8510, Japan*

The following paragraph does not apply to the United Kingdom or any other country where such provisions are inconsistent with local law: INTERNATIONAL BUSINESS MACHINES CORPORATION PROVIDES THIS PUBLICATION "AS IS" WITHOUT WARRANTY OF ANY KIND, EITHER EXPRESS OR IMPLIED, INCLUDING, BUT NOT LIMITED TO, THE IMPLIED WARRANTIES OF NON-INFRINGEMENT, MERCHANTABILITY OR FITNESS FOR A PARTICULAR PURPOSE. Some states do not allow disclaimer of express or implied warranties in certain transactions, therefore, this statement may not apply to you.

This information could include technical inaccuracies or typographical errors. Changes are periodically made to the information herein; these changes will be incorporated in new editions of the publication. IBM may make improvements and/or changes in the product(s) and/or the program(s) described in this publication at any time without notice.

This information could include missing, incorrect, or broken hyperlinks. Hyperlinks are maintained in only the HTML plug-in output for the Knowledge Centers. Use of hyperlinks in other output formats of this information is at your own risk.

Any references in this information to non-IBM websites are provided for convenience only and do not in any manner serve as an endorsement of those websites. The materials at those websites are not part of the materials for this IBM product and use of those websites is at your own risk.

IBM may use or distribute any of the information you supply in any way it believes appropriate without incurring any obligation to you.

Licensees of this program who wish to have information about it for the purpose of enabling: (i) the exchange of information between independently created programs and other programs (including this one) and (ii) the mutual use of the information which has been exchanged, should contact:

*IBM Corporation
Site Counsel
2455 South Road*

Poughkeepsie, NY 12601-5400
USA

Such information may be available, subject to appropriate terms and conditions, including in some cases, payment of a fee.

The licensed program described in this document and all licensed material available for it are provided by IBM under terms of the IBM Customer Agreement, IBM International Program License Agreement or any equivalent agreement between us.

Any performance data contained herein was determined in a controlled environment. Therefore, the results obtained in other operating environments may vary significantly. Some measurements may have been made on development-level systems and there is no guarantee that these measurements will be the same on generally available systems. Furthermore, some measurements may have been estimated through extrapolation. Actual results may vary. Users of this document should verify the applicable data for their specific environment.

Information concerning non-IBM products was obtained from the suppliers of those products, their published announcements or other publicly available sources. IBM has not tested those products and cannot confirm the accuracy of performance, compatibility or any other claims related to non-IBM products. Questions on the capabilities of non-IBM products should be addressed to the suppliers of those products.

All statements regarding IBM's future direction or intent are subject to change or withdrawal without notice, and represent goals and objectives only.

This information contains examples of data and reports used in daily business operations. To illustrate them as completely as possible, the examples include the names of individuals, companies, brands, and products. All of these names are fictitious and any similarity to the names and addresses used by an actual business enterprise is entirely coincidental.

COPYRIGHT LICENSE:

This information contains sample application programs in source language, which illustrate programming techniques on various operating platforms. You may copy, modify, and distribute these sample programs in any form without payment to IBM, for the purposes of developing, using, marketing or distributing application programs conforming to the application programming interface for the operating platform for which the sample programs are written. These examples have not been thoroughly tested under all conditions. IBM, therefore, cannot guarantee or imply reliability, serviceability, or function of these programs. The sample programs are provided "AS IS", without warranty of any kind. IBM shall not be liable for any damages arising out of your use of the sample programs.

Terms and conditions for product documentation

Permissions for the use of these publications are granted subject to the following terms and conditions.

Applicability

These terms and conditions are in addition to any terms of use for the IBM website.

Personal use

You may reproduce these publications for your personal, noncommercial use provided that all proprietary notices are preserved. You may not distribute, display or make derivative work of these publications, or any portion thereof, without the express consent of IBM.

Commercial use

You may reproduce, distribute and display these publications solely within your enterprise provided that all proprietary notices are preserved. You may not make derivative works of these publications, or

reproduce, distribute or display these publications or any portion thereof outside your enterprise, without the express consent of IBM.

Rights

Except as expressly granted in this permission, no other permissions, licenses or rights are granted, either express or implied, to the publications or any information, data, software or other intellectual property contained therein.

IBM reserves the right to withdraw the permissions granted herein whenever, in its discretion, the use of the publications is detrimental to its interest or, as determined by IBM, the above instructions are not being properly followed.

You may not download, export or re-export this information except in full compliance with all applicable laws and regulations, including all United States export laws and regulations.

IBM MAKES NO GUARANTEE ABOUT THE CONTENT OF THESE PUBLICATIONS. THE PUBLICATIONS ARE PROVIDED "AS-IS" AND WITHOUT WARRANTY OF ANY KIND, EITHER EXPRESSED OR IMPLIED, INCLUDING BUT NOT LIMITED TO IMPLIED WARRANTIES OF MERCHANTABILITY, NON-INFRINGEMENT, AND FITNESS FOR A PARTICULAR PURPOSE.

IBM Online Privacy Statement

IBM Software products, including software as a service solutions, ("Software Offerings") may use cookies or other technologies to collect product usage information, to help improve the end user experience, to tailor interactions with the end user, or for other purposes. In many cases no personally identifiable information is collected by the Software Offerings. Some of our Software Offerings can help enable you to collect personally identifiable information. If this Software Offering uses cookies to collect personally identifiable information, specific information about this offering's use of cookies is set forth below.

Depending upon the configurations deployed, this Software Offering may use session cookies that collect each user's name, email address, phone number, or other personally identifiable information for purposes of enhanced user usability and single sign-on configuration. These cookies can be disabled, but disabling them will also eliminate the functionality they enable.

If the configurations deployed for this Software Offering provide you as customer the ability to collect personally identifiable information from end users via cookies and other technologies, you should seek your own legal advice about any laws applicable to such data collection, including any requirements for notice and consent.

For more information about the use of various technologies, including cookies, for these purposes, see IBM's Privacy Policy at ibm.com/privacy and IBM's Online Privacy Statement at ibm.com/privacy/details in the section entitled "Cookies, Web Beacons and Other Technologies," and the "IBM Software Products and Software-as-a-Service Privacy Statement" at ibm.com/software/info/product-privacy.

Policy for unsupported hardware

Various z/OS elements, such as DFSMS, JES2, JES3, and MVS, contain code that supports specific hardware servers or devices. In some cases, this device-related element support remains in the product even after the hardware devices pass their announced End of Service date. z/OS may continue to service element code; however, it will not provide service related to unsupported hardware devices. Software problems related to these devices will not be accepted for service, and current service activity will cease if a problem is determined to be associated with out-of-support devices. In such cases, fixes will not be issued.

Minimum supported hardware

The minimum supported hardware for z/OS releases identified in z/OS announcements can subsequently change when service for particular servers or devices is withdrawn. Likewise, the levels of other software products supported on a particular release of z/OS are subject to the service support lifecycle of those products. Therefore, z/OS and its product publications (for example, panels, samples, messages, and product documentation) can include references to hardware and software that is no longer supported.

- For information about software support lifecycle, see: [IBM Lifecycle Support for z/OS \(www.ibm.com/software/support/systemsz/lifecycle\)](http://www.ibm.com/software/support/systemsz/lifecycle)
- For information about currently-supported IBM hardware, contact your IBM representative.

Programming interfaces

This information documents programming interfaces intended to allow you to write programs to obtain the services of Infoprint Server.

Trademarks

IBM, the IBM logo, and [ibm.com](http://www.ibm.com) are trademarks or registered trademarks of International Business Machines Corp., registered in many jurisdictions worldwide. Other product and service names might be trademarks of IBM or other companies. A current list of IBM trademarks is available at [Copyright and Trademark information \(www.ibm.com/legal/copytrade.shtml\)](http://www.ibm.com/legal/copytrade.shtml).

Adobe and PostScript are either registered trademarks or trademarks of Adobe Systems Incorporated in the United States, and/or other countries.

Intel and Itanium are trademarks or registered trademarks of Intel Corporation or its subsidiaries in the United States and other countries.

Java and all Java-based trademarks and logos are trademarks or registered trademarks of Oracle and/or its affiliates.

Linux is a registered trademark of Linus Torvalds in the United States, other countries, or both.

Microsoft and Windows are trademarks of Microsoft Corporation in the United States, other countries, or both.

UNIX is a registered trademark of The Open Group in the United States and other countries.

Glossary

This glossary defines technical terms and abbreviations that are used in Infoprint Server documentation. If you do not find the term that you are looking for, see the index or see the [IBM Glossary of Computing Terms \(www.ibm.com/software/globalization/terminology\)](http://www.ibm.com/software/globalization/terminology).

These cross-references are used in this glossary:

Contrast with

Refers to a term that has an opposite or substantively different meaning.

See

Refers to multiple-word terms in which this term appears.

See also

Refers to related terms that have similar, but not synonymous, meanings.

Synonym for

Appears in the commentary of a less desirable or less specific term and identifies the preferred term that has the same meaning.

Synonymous with

Appears in the commentary of a preferred term and identifies less desirable or less specific terms that have the same meaning.

A

access method control block

A control block that links an application program to Virtual Storage Access Method (VSAM) or Virtual Telecommunications Access Method (VTAM).

ACIF

See [AFP Conversion and Indexing Facility](#).

Advanced Function Presentation (AFP)

A set of licensed programs, together with user applications, that use the all-points-addressable concept to print data on a wide variety of printers or to display data on various display devices. AFP includes creating, formatting, archiving, retrieving, viewing, distributing, and printing information.

AFP

See [Advanced Function Presentation](#).

AFP Conversion and Indexing Facility (ACIF)

An Advanced Function Presentation (AFP) program that converts a print file into a Mixed Object Document Content Architecture-Presentation (MO:DCA-P) document, creates an index file for later retrieval and viewing, and retrieves resources that are used by an AFP document into a separate file.

AFP printer driver

A printer driver that runs on a Windows workstation and creates output in Advanced Function Presentation (AFP) format for printing on AFP printers.

AFP Viewer plug-in

A program that runs on a Windows workstation and is used for viewing files in Advanced Function Presentation (AFP) format from a web browser.

AIX

A UNIX operating system that is developed by IBM that is designed and optimized to run on POWER® microprocessor-based hardware such as servers, workstations, and blades.

alphanumeric character

A lowercase or uppercase letter, number, or special symbol.

API

See [application programming interface](#).

application identifier (APPLID)

The name by which a logical unit is known in a VTAM network.

application programming interface (API)

An interface that allows an application program to use specific data or functions of the operating system or another program.

APPLID

See [application identifier](#).

B**banner page**

A page that is printed before the data set is printed.

binary data

A type of data that consists of numeric values that are stored in bit patterns of 0s and 1s.

bind request

A request to establish a connection between systems or logical units.

broadcast

The simultaneous transmission of data to more than one destination.

buffer

An area of storage that compensates for the different speeds of data flow or timings of events by temporarily holding a block of data that is waiting to be processed or written to an I/O device.

burst

To separate continuous-forms paper into individual sheets.

C**carriage control character**

A character that is used to specify a write, space, or skip operation.

carriage return (CR)

The movement of the printing position or display position to the first position on the same line.

catalog

1. A directory of files and libraries, with references to their locations.
2. To enter information about a data set or a library into a catalog.
3. A data set that contains information about other data sets.

CICS (Customer Information Control System)

An IBM licensed program that provides online transaction-processing services and management for business applications.

client/server

Pertaining to the model of interaction in distributed data processing in which a program on one computer sends a request to a program on another computer and awaits a response. The requesting program is called a client; the answering program is called a server.

code point

A unique bit pattern that represents a character in a code page.

coexistence

The ability of two or more entities to function in the same system or network.

common message log

A log that can contain messages from several Infoprint Server components, including Print Interface, NetSpool, and IP PrintWay extended mode, and PSF. Infoprint Central and the `aoplogu` command can display messages in the common message log.

connection

In data communication, an association established between entities for conveying information.

cookie

Information that a server stores on a client machine and accesses during subsequent sessions. Cookies allow servers to retrieve specific information about clients.

copy group

1. An internal object in a form definition or a print data set that controls such items as modifications to a form, page placement, and overlays.
2. One or more copies of a sheet of paper or form. Each copy can have modifications, such as text suppression, page position, forms flash, overlays, paper-source, and duplex printing.

CR

See [carriage return](#).

D**daemon**

A program that runs unattended to perform continuous or periodic functions, such as network control.

data set

The major unit of data storage and retrieval, consisting of a collection of data in one of several prescribed arrangements and described by control information to which the system has access.

data stream

The commands, control codes, data, or structured fields that are transmitted between an application program and a device such as printer or nonprogrammable display station.

DBCS

See [double-byte character set](#). See also [single-byte character set](#).

default

Pertaining to an attribute, value, or option that is assumed when none is explicitly specified.

DLL filter

A filter that is in a dynamic link library (DLL) and that can inspect input data and perform various functions, such as convert data formats, add header pages, and specify job attributes. See also [filter](#), [UNIX filter](#).

dotted decimal notation

The syntactical representation for a 32-bit integer that consists of four 8-bit numbers that are written in base 10 and separated by dots. IP addresses are represented in dotted decimal notation.

double-byte character set (DBCS)

A set of characters in which each character is represented by two bytes. These character sets are commonly used by national languages, such as Japanese and Chinese, that have more symbols than can be represented by a single byte. See also [single-byte character set](#).

download

To transfer data from a computer to a connected device, such as a workstation or personal computer.

drain

An operator action to halt the flow of jobs to a printer, usually to stop the printer or to change print options.

E**EBCDIC**

See [Extended Binary Coded Decimal Interchange Code](#).

encryption

In computer security, the process of transforming data into an unintelligible form in such a way that the original data either cannot be obtained or can be obtained only by using a decryption process.

environment variable

A variable that defines an aspect of the operating environment for a process. For example, environment variables can define the home directory, the command search path, the terminal in use, or the current time zone.

Extended Binary Coded Decimal Interchange Code (EBCDIC)

A coded character set of 256 8-bit characters that are developed for the representation of textual data.

F

filter

In Infoprint Server, a program that can add, delete, or modify input data. Infoprint Server supports two types of filter programs: DLL filters and UNIX filters. See also [DLL filter](#).

font

1. A particular type style (for example, Bodoni or Times Roman) that contains definitions of character sets, marker sets, and pattern sets.
2. A family or assortment of characters of a specific size and style; for example, 9-point Bodoni modern.

form definition

An Advanced Function Presentation (AFP) resource object that defines the characteristics of the form or printed media, including: overlays to be used, duplex printing, text suppression, the position of composed-text data on the form, and the number and modifications of a page.

FSA

See [functional subsystem application](#).

FSS

See [functional subsystem](#).

functional subsystem (FSS)

An extension of JES that runs in an address space separate from the JES address space. An FSS supports a function that is peripheral to JES processing, such as a peripheral device or other component.

functional subsystem application (FSA)

An application that uses the support facilities of the functional subsystem (FSS) to communicate with JES.

H**half-session**

In SNA, one of the locations in a logical connection in a network.

HFS file

An object that exists in a mountable file system.

hiperspace

A high-performance, virtual-storage space of up to 2 gigabytes (GB). Unlike an address space, a hiperspace contains only user data and does not contain system control blocks or common areas; code does not run in a hiperspace. Unlike a data space, data in a hiperspace cannot be referenced directly; data must be moved to an address space in blocks of 4 KB before it is processed.

historical inventory

A set of files that contain information about Infoprint Server print jobs that are no longer on the JES spool. These print jobs finished processing or were deleted from the JES spool. Infoprint Central can display information about print jobs in the historical inventory.

home directory

The current directory that is associated with the user at the time of login.

host

A computer that is connected to a network and that provides an access point to that network. The host can be a client, a server, or both a client and server simultaneously.

host address

See [IP address](#).

host name

In internet communication, the name given to a computer. The host name might be a fully qualified domain name such as `mycomputer.city.company.com`, or it might be a specific subname such as `mycomputer`.

I**IMS/VS**

See [Information Management System/Virtual Storage](#).

Infoprint Server

An element of z/OS that supports printing on local printers and remote printers in a Internet Protocol network. With Infoprint Server, users can submit print requests from remote workstations in a TCP/IP network, from z/OS UNIX System Services applications, from batch applications, from VTAM applications (such as CICS and IMS), and from SAP R/3.

Information Management System/Virtual Storage (IMS/VS)

A database/data communication (DB/DC) system that can manage complex databases and networks.

inline resource

A resource that is contained in a print file or a print data set.

internal copy group

A copy group within a print data set instead of within a form definition.

Internet Printing Protocol (IPP)

An application-level protocol that supports distributed printing on the internet. IPP uses a client/server architecture and defines the interactions between IPP clients (typically workstations) and IPP servers.

IP address (Internet Protocol address)

A unique address for a device or logical unit on a network that uses the Internet Protocol standard.

IPP

See [Internet Printing Protocol](#).

IP PrintWay (PrintWay)

A component of Infoprint Server that transmits output data sets from the JES pool to printers in an Internet Protocol network or to email destinations.

J**JCL**

See [job control language](#).

JES

See [Job Entry Subsystem](#).

JES2

An MVS subsystem that receives jobs into the system, converts them to internal format, selects them for execution, processes their output, and purges them from the system. In an installation with more than one processor, each JES2 processor independently controls its job input, scheduling, and output processing. See also [JES3](#), [Job Entry Subsystem](#).

JES3

An MVS subsystem that receives jobs into the system, converts them to internal format, selects them for execution, processes their output, and purges them from the system. In complexes that have several loosely coupled processing units, the JES3 program manages processors so that the global processor exercises centralized control over the local processors and distributes jobs to them using a common job queue. See also [JES2](#), [Job Entry Subsystem](#).

job control language (JCL)

A command language that identifies a job to an operating system and describes the job requirements.

Job Entry Subsystem (JES)

An IBM licensed program that receives jobs into the system and processes all output data that is produced by those jobs. See also [JES2](#), [JES3](#).

job selection rule

A method that determines which print jobs IP PrintWay extended mode selects to print. The administrator defines job selection rules in the Printer Inventory.

K**Kanji**

A graphic character set consisting of symbols that are used in Japanese ideographic alphabets. Each character is represented by 2 bytes.

KB

See [kilobyte](#).

kilobyte (KB)

For processor storage, real and virtual storage, and channel volume, 2 to the power of 10 or 1,024 bytes. For disk storage capacity and communications volume, 1,000 bytes.

L**LAN**

See [local area network](#).

line data

Data that is prepared for printing on a line printer. Line data can contain carriage-control characters and table-reference characters (TRC) for spacing and font selections.

line printer daemon (LPD)

The printer server that allows other hosts to access its printer.

line printer requester (LPR)

A client that lets the local host submit a file for printing on a remote printer server.

local area network (LAN)

A network that connects several devices in a limited area (such as a single building or campus) and that can be connected to a larger network.

locale

A setting that identifies language or geography and determines formatting conventions such as collation, case conversion, character classification, the language of messages, date and time representation, and numeric representation.

logical printer

In NetSpool, the target of the VTAM print data, which acts as the secondary logical unit (SLU) on the session.

logical unit (LU)

An access point through which a user or application program accesses the SNA network to communicate with another user or application program.

logon mode

In VTAM, a subset of session parameters specified in a logon mode table for communication with a logical unit (LU).

logon mode table

In VTAM programs, a set of entries for one or more logon modes.

LPD

See [line printer daemon](#).

LPR

See [line printer requester](#).

LU

See [logical unit](#).

LU type

The classification of a logical unit in terms of the specific subset of SNA protocols and options that it supports for a specified session. LU type specifies the values that are allowed in the session activation request, the usage of data stream controls, function management headers, request unit parameters, sense data values, and presentation services protocols.

M**Management Information Base (MIB)**

In the Simple Network Management Protocol (SNMP), a database of objects that can be queried or set by a network management system.

MB

See [megabyte](#).

megabyte (MB)

For processor storage, real and virtual storage, and channel volume, 2 to 20th power or 1,048,576 bytes. For disk storage capacity and communications volume, 1,000,000 bytes.

MIB

See [Management Information Base](#).

migrate

To install a new version or release of a program to replace an earlier version or release.

MO:DCA-P data

Print data that is composed into pages. Text-formatting programs (such as DCF) can produce composed text data that consists entirely of structured fields.

N**NCP**

See [Network Control Program](#).

NetSpool

A component of Infoprint Server that provides the capability for an installation to automatically direct VTAM application data that is targeted for a network printer to the JES spool without changing the VTAM applications. From the JES spool, the data can be printed on a JES or PSF printer or sent to another location for printing.

Network Control Program (NCP)

A program that controls the operation of a communication controller.

Network Printer Manager (NPM)

An application that network administrators use to monitor, control, and configure IBM network printers. Network administrators also use NPM to monitor some aspects of printers that are controlled by PSF and other manufacturers' network printers that comply with RFC 1759.

Network Print Facility (NPF)

A feature that routes VTAM, JES2, or JES3 printer output to printers in an Internet Protocol network.

NPF

See [Network Print Facility](#).

NPM

See [Network Printer Manager](#).

O**output data set**

A file that contains the results of processing.

output group

A group of output data sets that share certain characteristics, such as class and destination.

output writer

A part of the Job Entry Subsystem (JES) that receives job output from the system spool.

P**page definition**

An Advanced Function Presentation (AFP) resource that defines the rules for transforming line data and XML data into Mixed Object Document Content Architecture-Presentation (MO:DCA-P) data and text controls.

partitioned data set (PDS)

A data set on direct access storage that is divided into partitions, called members, each of which can contain a program, part of a program, or data. See also [sequential data set](#).

path name

A name that specifies all directories that lead to a file, plus the file name itself.

PDS

See [partitioned data set](#). See also [sequential data set](#).

pel

See [picture element](#).

picture element (pel, pixel)

The smallest printable or displayable unit that can be displayed. A common measurement of device resolution is picture elements per inch.

PIDU

See [Printer Inventory Definition Utility](#).

pixel

See [picture element](#).

PLU

See [primary logical unit](#). See also [secondary logical unit](#).

PostScript

A page description language that is developed by Adobe Systems, Incorporated, that describes how text and graphics are presented on printers and display devices.

primary logical unit (PLU)

In SNA, the logical unit that contains the primary half-session for a particular logical unit-to-logical unit (LU-to-LU) session. See also [secondary logical unit](#).

printer definition

An object in the Printer Inventory that contains information about a printer or set of printers that share the same characteristics. A printer definition contains information that is used to print files.

Printer Inventory

In Infoprint Server, a set of files that contain information about printers. The Printer Inventory includes such objects as printer definitions, functional subsystem (FSS) definitions, and job selection rules for IP PrintWay.

Printer Inventory Definition Utility (PIDU)

In Infoprint Server, a utility program that creates objects in the Printer Inventory.

Print Interface

A component of Infoprint Server that accepts input from remote TCP/IP workstations or from UNIX System Services printing commands. It creates output data sets on the JES spool.

print job

One or more documents that are submitted in the same job to be printed on the same printer.

print queue

A list of print jobs that are waiting to be printed.

Print Services Facility™ (PSF)

An IBM licensed program that manages and controls the input data stream and output data stream that is required by supported page printers.

PrintWay

See [IP PrintWay](#).

PSF

See [Print Services Facility](#).

R**RACF**

See [Resource Access Control Facility](#).

Request for Comments (RFC)

In internet communication, one of a series of numbered documents that describe internet communication protocols.

request unit (RU)

In SNA, a message unit that contains data, control information, or both (for example, data and indicators).

resource

A collection of printing instructions that are used by Print Services Facility (PSF), in addition to the print data set, to produce the printed output.

Resource Access Control Facility (RACF)

An IBM licensed program that provides access control by identifying users to the system; verifying users of the system; authorizing access to protected resources; logging unauthorized attempts to enter the system; and logging accesses to protected resources.

response unit (RU)

A message unit that acknowledges a request unit. It can contain prefix information that is received in a request unit.

Restructured Extended Executor (REXX)

A general-purpose, high-level programming language, suitable for EXEC procedures or programs for personal computing.

retain time

In IP PrintWay, the length of time to keep a data set on the JES spool after a transmission.

retry limit

In IP PrintWay, the maximum number of retries that IP PrintWay attempts.

retry time

In IP PrintWay, the time between two attempts to send the data set to its destination.

REXX

See [Restructured Extended Executor](#).

RFC

See [Request for Comments](#).

root user

A system user who operates without restrictions. A root user has the special rights and privileges that are needed to perform administrative tasks.

RU

1. See [request unit](#).
2. See [response unit](#).

S**SBCS**

See [single-byte character set](#). See also [double-byte character set](#).

SCS

See [SNA character string](#).

SDSF

See [System Display and Search Facility](#).

secondary logical unit (SLU)

In SNA, the logical unit (LU) that contains the secondary half-session for one logical unit-to-logical unit (LU-to-LU) session. See also [primary logical unit](#).

sense code

A value that is sent or received, or a negative response to indicate what error occurred.

sequential data set

A data set whose records are organized based on their successive physical positions, such as on magnetic tape. See also [partitioned data set](#).

Server Message Block (SMB)

A protocol that manages requests and responses in a client/server environment so that clients on a network can share files, directories, and devices.

session

A logical or virtual connection between two stations, software programs, or devices on a network that allows the two elements to communicate and exchange data during the session.

session parameters

In SNA, the parameters that specify or constrain the protocols (such as bracket protocol and pacing) for a session between two network accessible units (NAUs).

shell script

A program, or script, that is interpreted by the shell of an operating system.

Simple Network Management Protocol (SNMP)

A set of protocols for monitoring systems and devices in complex networks. Information about managed devices is defined and stored in a Management Information Base (MIB).

single-byte character set (SBCS)

A coded character set in which each character is represented by a 1-byte code. A 1-byte code point allows representation of up to 256 characters. See also [double-byte character set](#).

SLU

See [secondary logical unit](#). See also [primary logical unit](#).

SMB

See [Server Message Block](#).

SMF

See [System Management Facilities](#).

SNA

See [Systems Network Architecture](#).

SNA character string (SCS)

In SNA, a string of EBCDIC control characters that are carried within a request/response unit (RU); the string can also contain user data.

SNMP

See [Simple Network Management Protocol](#).

spool

The system function of putting files or jobs into disk storage for later processing or printing.

startup procedure

A procedure that is used to start an application and to specify initialization parameters and libraries that contain system resources.

superuser

See [root user](#).

syntax

The rules for the construction of a command or statement.

System Display and Search Facility (SDSF)

An IBM-licensed program that provides a menu-driven full-screen interface that is used to obtain detailed information about jobs and resources in a system.

System Management Facilities (SMF)

A component of z/OS that collects and records various system and job-related information.

Systems Network Architecture (SNA)

The description of the logical structure, formats, protocols, and operational sequences for transmitting information through and controlling the configuration and operation of networks.

T**table reference character (TRC)**

A numeric character corresponding to the order in which font character sets are specified. The TRC is used to select a font character set during printing.

Telnet

In TCP/IP, a protocol that provides remote-terminal connection service. Telnet enables users of one host to log on to a remote host and interact as if they were directly attached terminal users of that host.

Time Sharing Option (TSO)

A base element of the z/OS operating system with which users can interactively work with the system.

trace

A record of the processing of a computer program or transaction. The information that is collected from a trace can be used to assess problems and performance.

transform

A program that converts a data stream from one format to another, for example, from PCL to AFP or PDF to AFP. Transforms provided by IBM are implemented as dynamic link library (DLL) filters.

transmission-queue data set

In IP PrintWay, a data set that contains an entry for each data set that IP PrintWay transmits to the remote system or that IP PrintWay retains on the Job Entry Subsystem (JES) spool.

transparent data

1. A set of code points that is interpreted as presentable data, not as control data. In the AFP architecture, transparent data is identified with a control byte and a count of the number of bytes that follow.
2. Data that can contain any hexadecimal value.

trap

A message that reports a problem or a significant event.

TRC

See [table reference character](#).

TSO

See [Time Sharing Option](#).

U**UCS**

See [universal character set](#).

universal character set (UCS)

A printer feature that permits the use of various character arrays.

UNIX

A highly portable operating system that features multiprogramming in a multiuser environment. The UNIX operating system was originally developed for use on minicomputers, but was adapted for mainframes and microcomputers. The AIX operating system is IBM's implementation of the UNIX operating system.

UNIX file

An object that exists in a hierarchical file system. Examples of UNIX files are HFS, ZFS, NFS, and TFS.

UNIX filter

In UNIX operating systems, a program that obtains data from standard input (STDIN) and returns the results to standard output (STDOUT). See also [DLL filter](#).

UNIX System Services

An element of z/OS that creates a UNIX environment that conforms to XPG4 UNIX 1995 specifications and that provides two open-system interfaces on the z/OS operating system: an application programming interface (API) and an interactive shell interface.

user port

In IP PrintWay, a port address that is outside the range of predefined addresses.

V**Virtual Telecommunications Access Method (VTAM)**

An IBM licensed program that controls communication and the flow of data in an SNA network.

VTAM

See [Virtual Telecommunications Access Method](#).

VTAM application program

A program that opened an access method control block (ACB) to identify itself to VTAM and that can therefore issue VTAM macroinstructions.

Z**zFS**

See [z/OS file system](#).

z/OS

An IBM mainframe operating system that uses 64-bit real storage.

z/OS file system (zFS)

A type of file system that is in a Virtual Storage Access Method (VSAM) linear data set (LDS) and has a hierarchical organization of files and directories with a root directory.

Index

Special Characters

- `_BPX_JOBNAME` environment variable [148](#)
- `_BPX_UNLIMITED_OUTPUT` environment variable [40](#), [355](#)
- `_BPXK_SETIBMOPT_TRANSPORT` environment variable [125](#), [196](#), [355](#)
- `_ICONV_MODE` environment variable [356](#)
- `/etc/Printsrv` directory [26](#)
- `/etc/Printsrv/aopd.conf`, creating [30](#)
- `/etc/Printsrv/aopmsg.conf`, creating [83](#)
- `/etc/Printsrv/aopsapd.conf`, creating [136](#)
- `/etc/profile`, setting environment variables in [38](#)
- `/etc/rc` file
 - setting STEPLIB variable [25](#)
 - starting Infoprint Server daemons [64](#)
- `/usr/lpp/Printsrv/bin`, specifying in PATH variable [43](#), [371](#)
- `/var/Printsrv` directory [27](#)
- & in configuration files [37](#), [38](#), [138](#), [347](#), [349](#), [351](#)
- # in configuration files [37](#), [38](#), [138](#), [347](#), [349](#), [351](#)
- % operator in filter options [115](#)

Numerics

- 161 and 162 ports, unrestricting in TCP/IP data set [112](#)
- 3270 data stream support in NetSpool [11](#)
- 3270 data streams, NetSpool exits for [166](#)
- 33E abend [52](#)
- 515 port number
 - default [126](#)
 - specified as default [127](#)
 - unrestricting in TCP/IP data set [112](#)
- 631 port number
 - specified as default [132](#), [133](#)
 - unrestricting in TCP/IP data set [112](#)

A

- abend D37 [160](#), [282](#)
- AbortPrintFile function [400](#)
- accessibility
 - contact IBM [421](#)
 - features [421](#)
- address spaces, running NetSpool in multiple [161](#)
- administrator group, for security [46](#)
- AFP Download Plus Printer Inventory [3](#), [329](#)
- AFP Printer Driver for Windows
 - overview [5](#)
- AFP to PCL transform, customizing for PJL functions [209](#)
- AFP to PostScript transform, customizing for PJL functions [209](#)
- AFP Viewer plug-in for Windows, overview [5](#)
- AIX, increasing timeout value [129](#)
- alias files, sendmail [211](#)
- allow-all-attributes-in-line-data attribute [121](#), [178](#), [202](#)
- ANFDEAL sample JCL [282](#)
- ANFMFILE program [160](#), [282](#)
- ANFMIJCL sample JCL [282](#)

- ANFMMSG DD statement [286](#)
- ANFQINIT sample JCL [282](#)
- ANFQUEUE DD statement [286](#)
- ANFUBTBL, tables for block letters [265](#)
- ANFUEXTP control block [221](#), [231](#), [240](#), [247](#), [253](#), [258](#)
- ANFULINK sample JCL [266](#)
- ANFUXRSP exit [259](#)
- ANFUXxxx exits, sample [266](#)
- ANFWPROC startup procedure [284](#)
- AOP_64K_JOBID environment variable [356](#), [413](#)
- AOP_ALLOW_ALL_CHARACTERS_IN_LINE_DATA environment variable [120](#), [178](#), [197](#), [359](#)
- AOP_APPLID environment variable [359](#)
- AOP_BLANK_TRUNCATION_CLASSES environment variable [197](#)
- AOP_IGNORE_DCF_ROUTING_ERRORS environment variable [191](#), [197](#), [359](#)
- AOP_MAIL_DO_NOT_ADD_SUFFIX environment variable [197](#), [359](#)
- AOP_MAIL_PRESERVE_SUFFIXES environment variable [197](#), [359](#)
- AOP_MAIL_USE_FIRST_ADDRESS environment variable [197](#), [359](#)
- AOP_MAXTHREADTASKS environment variable [359](#)
- AOP_MVS_RETURN_CODES environment variable [360](#)
- AOP_PJL environment variable [209](#)
- AOP_READ_COMMUNITY environment variable [299](#)
- AOP_SELECT_WORK_FROM_HOLD_QUEUE environment variable [197](#)
- AOP_SUPPRESS_POST_UNIX_FILTER_FORMATTING environment variable [118](#), [197](#)
- AOP_WRITE_COMMUNITY environment variable [299](#)
- AOP.ADMINISTRATOR profile [45](#), [47](#), [304](#)
- AOP.CONFIGURATION profile [45](#), [47](#)
- AOP.DAEMON profile [320](#)
- AOP.NETSPOOL profile [312](#)
- AOP.PRIORITY profile [320](#)
- AOP192E [105](#)
- AOP3201E, suppressing [191](#), [197](#)
- AOPADMIN group [45](#), [46](#), [49](#)
- AOPAPI [395](#)
- AOPBATCH
 - examples [394](#)
 - exit values [393](#)
 - format [391](#)
- AOPCENTRAL environment variable [299](#)
- AOPCENTRAL_CODEPAGE environment variable [299](#)
- AOPCMND, customizing [287](#)
- AOPCONF environment variable [40](#), [299](#)
- AOPCONF group [46](#), [47](#)
- AOPCPETC sample job [37](#), [84](#), [150](#), [153](#)
- aopd.conf
 - attributes [337](#)
 - creating [30](#)
 - editing [37](#)
 - naming in AOPCONF environment variable [40](#)
- AOPDEMON procedure [57](#)

[aopfiltr.so 119](#)
[AOPINIT EXEC 66](#)
[AOPIPPD_MAXTHREADTASKS environment variable 363](#)
[aopippd-max-thread-tasks 373](#)
[AOPLIMIT environment variable 299, 364](#)
[AOPLIMIT_DOCS environment variable 299, 364](#)
[AOPLIMIT_JOBS environment variable 299, 364](#)
[AOPLPD_MAXTHREADTASKS environment variable 364](#)
[aoplpd-max-thread-tasks 374](#)
[AOPMAILER environment variable 197, 365](#)
[AOPMAILER_OPTIONS environment variable 197, 365](#)
[AOPMSG_CONF environment variable 41, 365](#)
[aopmsg.conf](#)
 [creating 83](#)
 [format 347](#)
[AOPNETD_MAXTHREADTASKS environment variable 365](#)
[AOPNETD_USE_FIXED_JOBID environment variable 365](#)
[AOPNETD_USE_UNALTERED_JOBID environment variable 366](#)
[aopnetd-max-thread-tasks 374](#)
[aopoms command 139](#)
[AOPOPER group 45, 46, 49](#)
[AOPOPTIONS environment variable 122, 366](#)
[AOPOUTD_MAXTHREADTASKS environment variable 366](#)
[aopoutd-max-thread-tasks 374](#)
[AOPPATH environment variable 122, 367](#)
[AOPPRINT JCL procedure, customizing 123](#)
[AOPRACF 46, 56, 57](#)
[AOPRESUBMITUSER environment variable 367](#)
[AOPRXF_CONF environment variable 41, 154, 367](#)
[aoprxf.conf](#)
 [creating 152](#)
 [format 152, 348](#)
[aoprxf.so 119](#)
[AOPSAPD_CONF environment variable 138, 367](#)
[aopsapd.conf](#)
 [client attribute 137, 350](#)
 [creating 136](#)
 [example 137](#)
 [format 137, 350](#)
 [initial-target attribute 137, 350](#)
 [language attribute 137, 350](#)
 [naming in environment variable 138](#)
 [password attribute 137, 350](#)
 [syntax rules 137](#)
 [system attribute 137, 350](#)
 [userid attribute 137, 350](#)
[aopsetup shell script 49](#)
[AOPSSID_MAXTHREADTASKS environment variable 367](#)
[aopssid-max-thread-tasks 375](#)
[aopssid, starting 291](#)
[AOPSTAR2 procedure 57](#)
[aopstart EXEC](#)
 [editing 53](#)
 [setting environment variables in 38](#)
[AOPSTART procedure 57](#)
[AOPSTAT procedure 64](#)
[AOPSTOP procedure 61](#)
[AOPSTOP2 procedure 61](#)
[AOPSUBD_MAXTHREADTASKS environment variable 368](#)
[aopsubd-max-thread-tasks 375](#)
[AOPTRACE DIR environment variable 41](#)
[AOPTRACEON environment variable, setting in AOPSTART procedure 57](#)
[AOPVALIDATEDB environment variable](#)
 [setting for Printer Inventory Manager 41](#)
 [setting in AOPSTART procedure 57](#)
[AOPWSMD_MAXTHREADTASKS environment variable 368](#)
[aopwsmd-max-thread-tasks 375](#)
[AOPXFD_CONF environment variable 41, 154, 368](#)
[aopxfd.conf](#)
 [creating 146](#)
 [environment attribute 148](#)
 [example 149](#)
 [format 147, 349](#)
 [maximum-active attribute 148](#)
 [maximum-idle-time attribute 149](#)
 [minimum-active attribute 149](#)
 [start-command attribute 148](#)
 [start-daemons attribute 146](#)
 [transform attribute 147](#)
[APF-authorizing C++ applications that use API 412](#)
[APF-authorizing NetSpool exits 167](#)
[APF-authorizing SYS1.IMAGELIB 208, 268](#)
[API 395](#)
[APIJPJCL startup procedure for NetSpool 163](#)
[APIJPTD1 177](#)
[APIJPTD2 177](#)
[APIMIJCL sample JCL 160](#)
[APIMMSG DD statement 165](#)
[APIPP1X2 control block 167](#)
[APIPP1X2 macro 177](#)
[APIPPTD1 exit, NetSpool 168](#)
[APIPPTD2 exit, NetSpool 173](#)
[APIUBF3 exit, NetSpool 171](#)
[APIUGEX exit, NetSpool 175](#)
[Application Programming Interface 395](#)
[applid attribute 202](#)
[ascii-codepage attribute 33, 75, 375](#)
[assistive technologies 421](#)
[attributes, job, specifying in environment variable 122](#)
[AUDIT parameter, RACF 321](#)
[authorizing users to Printer Inventory, common message log, and operator commands 43](#)
[AUTOLOG statement in TCP/IP 112](#)
[automation, message 82](#)
[AUTOSTOP parameter \(JES2\) 272](#)

B

[backend option, AIX 129](#)
[backing up the Printer Inventory 100](#)
[banner page](#)
 [adding in exit 229, 246](#)
 [controlling in sample exit 266](#)
[base-directory attribute 30](#)
[Begin Data Set exit, IP PrintWay](#)
 [examples 238](#)
 [input 230](#)
 [installing 266](#)
 [modifying 267](#)
 [output 236](#)
 [overview 229](#)
 [programming considerations 216](#)
 [sample 266](#)
[BeginEnumJobs function 400](#)
[BeginEnumPrinters function 400](#)
[Beginning of File exit for 3270 data, NetSpool \(APIUBF3\)](#)

Beginning of File exit for 3270 data, NetSpool (APIPUBF3) (*continued*)
 description [171](#)
 examples [172](#)
 input [171](#)
 installing [177](#)
 modifying [177](#)
 output [172](#)

Beginning of File exit for SCS data, NetSpool (APIPPTD1)
 description [168](#)
 examples [171](#)
 input [169](#)
 installing [177](#)
 modifying [177](#)
 output [170](#)
 programming considerations [167](#)
 sample [177](#)

benefiting from new functions [419](#)
 bin/envvars file, customizing [296](#)
 binary data support in NetSpool [11](#)
 blank truncation
 IP PrintWay extended mode [197](#)
 blank-truncation-classes attribute [202](#), [375](#)
 BLNKTRNC parameter (OUTCLASS) [120](#)
 Block Letter routine
 description of [264](#)
 input [265](#)
 link-editing with exit [266](#)
 output [265](#)
 sample exit for [266](#)
 tables (ANFUBTBL) [265](#)

BPX.SMF profile [195](#)
 BPX.SMF.type.subtype profile [195](#)
 BPXPRMxx member, updating
 for IP PrintWay basic mode [267](#)
 for IPP Server [131](#)
 for NetSpool [158](#)
 for Print Interface [112](#)
 MAXPROCUSER statement for IP PrintWay [188](#)
 MAXSOCKETS parameter [22](#)
 STEPLIBLIST facility, for SCEERUN and SCLBDLL
 libraries [25](#)

broadcasting data [11](#)
 browsers, customizing for Infoprint Central [323](#)
 BufferSizeRequired function [401](#)

C

C++ runtime options
 changing in IP PrintWay [287](#)
 changing in NetSpool [165](#)

callable services [395](#)
 CancelJob function [401](#)
 carriage control characters
 input to Begin Data Set exit [233](#)
 input to End Data Set exit [249](#)
 input to Routing exit [224](#)

CARRIAGE parameter [270](#)
 cfilter.c [116](#)
 checklist of customization tasks [333](#)
 CICS, customization required to print from [19](#)

class
 changing in exit [220](#)
 CLASS parameter (JES2) [272](#)
 QUEUE parameter (JES2) [272](#)
 specifying as JES2 work-selection criteria [272](#), [273](#)
 specifying as JES3 work-selection criteria [276](#)
 WC parameter (JES3) [276](#)

classes for transforms [147](#)
 CLASSPATH environment variable [41](#), [132](#), [299](#), [368](#)
 client attribute [137](#), [350](#)
 ClosePrintFile function [402](#)
 code pages
 custom code pages, specifying in configuration file [33](#),
[75](#)
 default ASCII code page in configuration file [33](#), [75](#)
 default EBCDIC code page in configuration file [33](#), [75](#)
 defaults for IP PrintWay basic mode [277](#)
 for Infoprint Central [299](#)
 Japanese ISPF panels [65](#)

coexistence, regarding Printer Inventory [21](#)
 COMMNDxx PARMLIB member [64](#)
 common message log
 allocating space [29](#)
 MVS system logger [86](#)
 NetSpool [160](#)
 overview [3](#)
 reducing size of [106](#)
 saving [105](#)
 security for [43](#)

community name for Infoprint Central [299](#)
 compatibility filter [128](#)
 conf/httpd.conf, editing [295](#)
 configuration file aopd.conf
 attributes [337](#)
 creating [30](#)
 editing [37](#)
 naming in AOPCONF environment variable [40](#)

configuration file aopmsg.conf
 creating [83](#)
 format [347](#)

configuration file aoprxf.conf
 creating [152](#)
 format [152](#), [348](#)

configuration file aopsapd.conf
 client attribute [137](#), [350](#)
 creating [136](#)
 example [137](#)
 format [137](#), [350](#)
 initial-target attribute [137](#), [350](#)
 language attribute [137](#), [350](#)
 naming in environment variable [138](#)
 password attribute [137](#), [350](#)
 syntax rules [137](#)
 system attribute [137](#), [350](#)
 userid attribute [137](#), [350](#)

configuration file aopxfd.conf
 creating [146](#)
 environment attribute [148](#)
 example [149](#)
 format [147](#), [349](#)
 maximum-active attribute [148](#)
 maximum-idle-time attribute [149](#)
 minimum-active attribute [149](#)
 start-command attribute [148](#)
 start-daemons attribute [146](#)
 transform attribute [147](#)

CONSNAME parameter, for NetSpool [164](#)

- console-name attribute [291](#), [322](#), [375](#)
- consoles, for NetSpool [161](#), [164](#)
- CONSTD statement [325](#)
- contact
 - z/OS [421](#)
- control file first, sending with LPR [129](#)
- COPIES parameter, changing in exit [220](#)
- cp command, example of [136](#)
- CreatePrintFile function [402](#)
- CSSMTP [211](#)
- customizing
 - AOPPRINT JCL procedure [123](#)
 - Infoprint Central [289](#)
 - Infoprint Port Monitor for Windows [327](#)
 - IP PrintWay [181](#)
 - LPD [124](#)
 - NetSpool [157](#)
 - Print Interface [109](#)
 - Print Interface IPP Server [130](#)
 - Print Interface SAP R/3 OMS [134](#)
 - Printer Inventory Manager [21](#)
 - PSF [329](#)
 - Transform Interface [145](#)
 - Transform Manager [145](#)
 - Windows client [327](#)

D

- D37 abend [160](#), [282](#)
- daemons to start [30](#), [126](#), [131](#), [142](#), [146](#), [159](#), [187](#)
- DATASETPREFIX statement [211](#)
- DBCS, customizing for
 - default ASCII code page, specifying [33](#), [75](#)
 - default EBCDIC code page, specifying [33](#), [75](#)
- default printer, specifying [123](#), [371](#)
- destination
 - changing in exit [220](#)
 - DGROUP parameter (JES3) [275](#)
 - ROUTECD parameter (JES2) [273](#)
 - specifying as JES2 work-selection criteria [274](#)
 - specifying as JES3 work-selection criteria [276](#)
- DEVICE statement (JES3) [275](#)
- DGROUP parameter (JES3) [275](#)
- diagram of system flow [5](#)
- directories for Infoprint Server [26](#)
- directory name for files, specifying in configuration file [30](#)
- DLLs, specifying directory for [42](#), [138](#), [370](#)
- DNS
 - defining printers [209](#)
 - email protocol [211](#)
 - lookup order [210](#)
 - resolve-printway-printers attribute [187](#)
- document code page, changing default [33](#), [75](#)
- document header
 - Begin data set exit [230](#)
 - example [239](#)
 - XTP_DOC_HEADER_LENGTH field [236](#)
 - XTP_DOC_HEADER_PTR field [235](#)
 - XTP_TRANS_DOC_HEADER field [233](#)
- document trailer
 - Begin data set exit [230](#)
 - example [239](#)
 - XTP_DOC_TRAILER_LENGTH field [236](#)
 - XTP_DOC_TRAILER_PTR field [235](#)

- document trailer (*continued*)
 - XTP_TRANS_DOC_TRAILER field [234](#)
- DocumentInfo data structure [396](#)
- domain name server (DNS)
 - defining printers [209](#)
 - email protocol [211](#)
 - lookup order [210](#)
 - resolve-printway-printers attribute [187](#)
- downloading Infoprint Port Monitor [327](#)
- DTYPE parameter (JES3) [275](#)
- dynamic attributes [68](#)
- dynamic configuration, enabling [67](#)
- dynamic enablement of Infoprint Server [22](#)
- DYNAMIC parameter (JES3) [275](#)
- dynamic tracing, customizing for [71](#)
- dynamic-configuration attribute [30](#)

E

- ebcdic-codepage attribute [33](#), [75](#), [375](#)
- EC6 abend [52](#)
- echo command, example of [39](#)
- email addresses for multi-document print jobs [199](#), [358](#)
- email protocol, IP PrintWay
 - changing email address in Routing exit [229](#)
 - customization tasks specific to protocol [183](#)
 - environment variables [286](#)
 - sendmail customization [211](#)
- enabling Infoprint Server [22](#)
- End Data Set exit, IP PrintWay
 - examples [252](#)
 - input [246](#)
 - installing [266](#)
 - modifying [267](#)
 - output [251](#)
 - overview [246](#)
 - programming considerations [216](#)
 - sample [266](#)
- EndEnumJobs function [403](#)
- EndEnumPrinters function [403](#)
- EnumJobs function [404](#)
- EnumPrinters function [405](#)
- envvar file
 - creating [55](#)
 - setting environment variables in [38](#)
- environment attribute [148](#)
- environment variables
 - _BPX_JOBNAME [148](#)
 - _BPX_UNLIMITED_OUTPUT variable [40](#), [355](#)
 - _BPXK_SETIBMOPT_TRANSPORT variable [125](#), [196](#), [355](#)
 - _ICONV_MODE variable [356](#)
 - AOP_64K_JOBID variable [356](#), [413](#)
 - AOP_ALLOW_ALL_CHARACTERS_IN_LINE_DATA variable [120](#), [178](#), [197](#), [359](#)
 - AOP_APPLID variable [359](#)
 - AOP_BLANK_TRUNCATION_CLASSES variable [197](#)
 - AOP_IGNORE_DCF_ROUTING_ERRORS variable [197](#), [359](#)
 - AOP_MAIL_DO_NOT_ADD_SUFFIX variable [197](#), [359](#)
 - AOP_MAIL_PRESERVE_SUFFIXES variable [197](#), [359](#)
 - AOP_MAIL_USE_FIRST_ADDRESS variable [197](#), [359](#)
 - AOP_MAXTHREADTASKS variable [359](#)
 - AOP_MVS_RETURN_CODES variable [360](#)

environment variables (*continued*)

AOP_READ_COMMUNITY variable [299](#)
AOP_SELECT_WORK_FROM_HOLD_QUEUE variable [197](#)
AOP_SUPPRESS_POST_UNIX_FILTER_FORMATTING variable [197](#)
AOP_WRITE_COMMUNITY variable [299](#)
AOPCENTRAL variable [299](#)
AOPCENTRAL_CODEPAGE variable [299](#)
AOPCONF variable [40](#), [299](#)
AOPIPPD_MAXTHREADTASKS variable [363](#)
AOPLIMIT variable [299](#), [364](#)
AOPLIMIT_DOCS variable [299](#), [364](#)
AOPLIMIT_JOBS variable [299](#), [364](#)
AOPLPD_MAXTHREADTASKS variable [364](#)
AOPMAILER variable [197](#), [365](#)
AOPMAILER_OPTIONS variable [197](#), [365](#)
AOPMSG_CONF variable [41](#), [365](#)
AOPNETD_MAXTHREADTASKS variable [365](#)
AOPNETD_USE_FIXED_JOBID variable [365](#)
AOPNETD_USE_UNALTERED_JOBID variable [366](#)
AOPTIONS variable [122](#), [366](#)
AOPOUTD_MAXTHREADTASKS variable [366](#)
AOPPATH variable [122](#), [367](#)
AOPRESUBMITUSER variable [367](#)
AOPRXF_CONF variable [41](#), [154](#), [367](#)
AOPSAPD_CONF variable [138](#), [367](#)
AOPSSID_MAXTHREADTASKS variable [367](#)
AOPSUBD_MAXTHREADTASKS variable [368](#)
AOPTRACEDIR [41](#)
AOPVALIDATEDB variable [41](#)
AOPWSMD_MAXTHREADTASKS variable [368](#)
AOPXFD_CONF variable [41](#), [154](#), [368](#)
CLASSPATH variable [41](#), [132](#), [299](#), [368](#)
dynamic attributes, equivalent [70](#), [71](#)
envar file, creating [55](#)
example of displaying with echo command [39](#)
examples of setting with export command [39](#)
for IP PrintWay [286](#)
for IP PrintWay extended mode [196](#)
for IPP Server [132](#)
for NetSpool [178](#)
for Print Interface [120](#)
for Print Interface IPP Server [132](#)
for Printer Inventory Manager [38](#)
for SAP OMS [138](#)
for Transform Interface [154](#)
for transforms [148](#)
JAVA_HOME variable [41](#), [132](#), [300](#), [369](#)
LANG variable [42](#), [300](#), [370](#)
LC_ALL variable [42](#), [370](#)
LC_CTYPE variable [42](#), [370](#)
LC_TIME variable [42](#), [370](#)
LIBPATH variable [42](#), [138](#), [300](#), [370](#)
LPDEST variable [123](#), [371](#)
MANPATH variable [42](#), [370](#)
NLSPATH variable [42](#), [300](#), [371](#)
PATH variable [43](#), [371](#)
PRINTER variable [123](#), [371](#)
setting in aopstart EXEC [53](#)
STEPLIB variable [25](#), [196](#), [371](#)
summary of [353](#)
TZ variable [43](#), [372](#)

ErrorNumber function [405](#)
ErrorString function [406](#)

examples

Begin Data Set exit [238](#)
End Data Set exit [252](#)
JES2 initialization [271](#)
JES3 initialization [274](#)
Message exit [259](#)
Record exit [245](#)
Routing exit [229](#)
SAP callback daemon configuration file [137](#)
SMF exit [257](#)
transform configuration file [149](#)

exit programs

- APF-authorizing NetSpool exits [167](#)
- APIPP1X2 control block [167](#)
- filter programs [167](#), [213](#)
- installing
 - IP PrintWay exits [266](#)
 - NetSpool exits [177](#)
- IP PrintWay Begin Data Set exit [229](#)
- IP PrintWay End Data Set exit [246](#)
- IP PrintWay Message exit [258](#)
- IP PrintWay Record exit [239](#)
- IP PrintWay Response Notification exit [259](#)
- IP PrintWay Routing exit [220](#)
- IP PrintWay SMF exit [253](#)
- modifying
 - IP PrintWay exits [267](#)
 - NetSpool exits [177](#)
- NetSpool Beginning of File exit for 3270 data streams [171](#)
for SCS data [168](#)
- NetSpool Graphic Escape exit [175](#)
- NetSpool Transparent Data Control exit [173](#)
- order of, IP PrintWay [213](#)
- Print Interface filters [114](#)
- programming considerations
 - IP PrintWay [216](#)
 - NetSpool [167](#)
- sample IP PrintWay exits [266](#)
- sample NetSpool exits [177](#)
- STEPLIB for NetSpool exits [164](#)

export command, example of [39](#)
exporting the Printer Inventory [100](#)

F

FCB parameter (JES2) [272](#)
FCB work-selection criterion [276](#)
FCB, APF authorization for SYS1.IMAGELIB [208](#), [268](#)
FCB, default for IP PrintWay (JES3) [276](#)
feedback [xxi](#)
filter programs

- examples of % operator [115](#)
- Infoprint Server filters [119](#)
- input [117](#), [118](#)
- LPD compatibility [128](#)
- modifying [119](#)
- options for [115](#)
- output [117](#), [118](#)
- programming considerations [118](#)
- REXX examples [116](#)
- sample [119](#)
- source code, sample [116](#)
- testing [119](#)

- filter programs (*continued*)
 - writing a DLL filter [116](#)
 - writing a UNIX filter [117](#)
- firewall for remote transforms [155](#)
- firewalls, email considerations [211](#)
- fixed job ID, NetSpool [365](#), [386](#)
- font, default for IP PrintWay
 - JES2 [270](#), [273](#)
 - JES3 [270](#), [276](#)
- form name
 - changing in exit [220](#)
 - FORMS parameter (JES2) [273](#)
 - specifying as JES2 work-selection criteria [274](#)
 - specifying as JES3 work-selection criteria [276](#)
- FSA definitions for IP PrintWay [280](#)
- FSS and FSA definitions, IP PrintWay [277](#)
- FSS definitions for IP PrintWay [277](#)
- FSS initialization statement
 - JES2 [272](#)
 - JES3 [274](#)
- FSSNAME parameter (JES3) [274](#), [275](#)
- functional subsystem (FSS), IP PrintWay
 - defining multiple FSAs [269](#)
 - defining multiple FSSs [268](#)
 - JES2 initialization statements [271](#)
 - JES3 initialization [274](#)
 - name, specifying in
 - JES2 [272](#)
 - JES3 [274](#)
 - planning [268](#)
- functional subsystem application (FSA), IP PrintWay
 - determining work-selection criteria [269](#)
 - how many IP PrintWay FSAs to create [269](#)
 - IP PrintWay configuration information [280](#)
 - name, specifying in
 - JES2 [272](#)
 - JES3 [275](#)

G

- GetAPIVersionNumber function [407](#)
- GetJobInfo function [407](#)
- GetPrinterInfo function [408](#)
- GF10 default font (JES2) [270](#), [273](#)
- Graphic Exit, NetSpool (APIUGEX)
 - description [175](#)
 - examples [176](#)
 - input [175](#)
 - installing [177](#)
 - modifying [177](#)
 - output [176](#)
 - sample [177](#)
- GS10 default font (JES3) [270](#)

H

- hardcopy log [82](#)
- hardcopy-message-list attribute [82](#), [347](#), [375](#), [378](#)
- hardcopy-messages attribute [82](#), [347](#), [375](#), [378](#)
- header, document
 - Begin data set exit [230](#)
 - example [239](#)
 - XTP_DOC_HEADER_LENGTH field [236](#)

- header, document (*continued*)
 - XTP_DOC_HEADER_PTR field [235](#)
 - XTP_TRANS_DOC_HEADER field [233](#)
- HFS directories [26](#)
- hyperspace blocks for IP PrintWay basic mode [277](#)
- Historical Inventory, overview [4](#)
- HTTP Server - Powered by Apache
 - configuring [294](#)
 - creating a started task [301](#)

I

- IAZJSPA control block [217](#)
- IBM HTTP Server - Powered by Apache
 - configuring [294](#)
 - creating a started task [301](#)
- IBM-1047, specified as default [33](#), [75](#)
- IDCAMS parameters to allocate transmission-queue data sets [282](#)
- IFAPRDxx member of SYS1.PARMLIB [22](#)
- ignore-dcf-routing-errors attribute [202](#), [375](#)
- IMS, customization required to print from [19](#)
- Infoprint Central
 - authorizing AOOPER group to JES commands [302](#)
 - CONSTD statement [325](#)
 - customizing
 - IBM HTTP Server - Powered by Apache [293](#)
 - PSF for z/OS [329](#)
 - web browsers [323](#)
 - defining users to RACF [304](#)
 - overview [17](#)
 - RACF notification [321](#)
 - re-creating the search database [325](#)
 - security [301](#)
 - setting up security for
 - actions on PSF printers [309](#)
 - changing print job priority [320](#)
 - daemons [320](#)
 - IP PrintWay job selection rules [313](#)
 - NetSpool logical units [312](#)
 - print jobs [315](#)
 - printer and printer pool definitions [321](#)
 - printers [305](#)
 - software requirements [290](#)
 - starting from the web [324](#)
- Infoprint Port Monitor for Windows
 - compared to other printing protocols [327](#)
 - installing and customizing [327](#)
 - overview [4](#)
- Infoprint Server configuration file aopd.conf
 - attributes [337](#)
 - creating [30](#)
 - editing [37](#)
 - naming in AOPCONF environment variable [40](#)
- InfoPrint Transform Manager for Linux
 - code page conversion table [155](#)
 - configuration file [152](#)
 - customization tasks [145](#)
 - firewall [155](#)
 - resource security [155](#)
 - software requirement [146](#)
- InitAPI function [409](#)
- initial-target attribute [137](#), [350](#)
- input data streams, types supported [10](#)

- interfaces, programming [114](#)
- INTERVAL parameter [111](#)
- INV parameter
 - in IP PrintWay startup procedure [286](#)
 - in NetSpool startup procedure [164](#)
- inventory attribute [30](#), [142](#)
- Inventory, Printer
 - authorizing users [43](#)
 - backing up [100](#)
 - FSS and FSA definitions, IP PrintWay [277](#)
 - naming in IP PrintWay startup procedure [286](#)
 - naming in NetSpool startup procedure [164](#)
 - restoring [100](#)
 - sharing [21](#)
- IP address, changing in exit [220](#)
- IP PrintWay
 - comparing basic and extended modes [183](#)
 - customizing [181](#)
 - overview [12](#)
- IP PrintWay basic mode
 - APF-authorizing SYS1.IMAGELIB [268](#)
 - authorizing to select data sets [194](#)
 - exits, writing [212](#)
 - filters , writing [213](#)
 - FSA definitions [280](#)
 - FSA, defining to JES [268](#)
 - FSS definitions [277](#)
 - FSS, defining to JES [268](#)
 - increasing allowed number of processes [267](#)
 - Language Environment runtime options [287](#)
 - migrating from basic mode to extended mode [415](#)
 - sendmail, customizing [211](#)
 - sharing AFP printers with PSF [287](#)
 - software requirements [186](#)
 - space requirements in hiperspace [277](#)
 - startup procedure for [283](#)
 - TCPIP.DATA data set, customizing for [210](#)
 - transmission-queue data set, allocating [280](#)
- IP PrintWay extended mode
 - APF-authorizing SYS1.IMAGELIB [208](#)
 - authorization to write SMF type 6 records [195](#)
 - environment variables [196](#)
 - exits, writing [212](#)
 - filters , writing [213](#)
 - increasing allowed number of processes [188](#)
 - job selection rules [189](#)
 - sendmail, customizing [211](#)
 - setting up the DNS [209](#)
 - sharing AFP printers with PSF [287](#)
 - software requirements [186](#)
 - space required in /var/Printsrv [29](#)
 - starting and stopping printers [287](#)
 - TCPIP.DATA data set, customizing for [210](#)
 - temporary files in /var/Printsrv [29](#)
- IPP protocol, IP PrintWay
 - customization tasks specific to protocol [183](#)
 - environment variables [286](#)
- IPP Server in Print Interface, customizing
 - environment variables for [132](#)
 - IPP workstation client, customizing [133](#)
 - specifying port number for [132](#), [133](#)
 - starting daemon for [131](#)
 - URI used by IPP workstation client [133](#)
- ipp-port-number attribute [132](#), [133](#), [375](#)
- ISO8859-1, specified as default [33](#), [75](#)
- ISPF panels, Infoprint Server
 - defining libraries in TSO logon procedure [65](#)
 - displaying Infoprint Server option [66](#)
 - enabling [65](#)
 - modifying AOPINIT EXEC [66](#)

J

- Japanese, ISPF panels [65](#)
- Japanese, messages
 - for IP PrintWay basic mode [277](#)
- Java software requirements [110](#), [290](#)
- JAVA_HOME environment variable [41](#), [132](#), [300](#), [369](#)
- JES work-selection criteria
 - determining [269](#)
 - specifying in JES2 [273](#)
 - specifying in JES3 [276](#)
- jes-name attribute [30](#)
- JES2
 - FSS statement example [272](#)
 - initialization statements [271](#)
 - PRTnnnnn statement [272](#)
- JES3
 - DEVICE statement [275](#)
 - FSS statement [274](#)
 - initialization statements [274](#)
- JESNEWS data set
 - indicator in ANFUEXTP control block [219](#)
 - suppressing SMF type 6 record for [253](#), [266](#)
- JNAME parameter (JES3) [275](#)
- job attributes, specifying in environment variable [122](#)
- job control language (JCL)
 - sample to link-edit exit [266](#)
 - startup, for Infoprint Server daemons [57](#)
 - startup, IP PrintWay [285](#)
 - startup, NetSpool [160](#)
 - status, for Infoprint Server daemons [64](#)
- job ID, NetSpool [365](#), [366](#), [386](#)
- job name for transforms, changing [148](#)
- job selection rules
 - creating [189](#)
 - security [313](#)
- job separator page data area (IAZJSPA) [217](#)
- job-prefix attribute [113](#), [121](#), [159](#), [178](#), [375](#)
- JobInfo data structure [397](#)
- JobToken data structure [397](#)
- JSPA control block [217](#)

K

- keyboard
 - navigation [421](#)
 - PF keys [421](#)
 - shortcut keys [421](#)

L

- LANG environment variable [42](#), [300](#), [370](#)
- language attribute [137](#), [350](#)
- Language Environment runtime libraries [25](#)
- Language Environment runtime options
 - changing in IP PrintWay [287](#)

Language Environment runtime options (*continued*)
 changing in NetSpool [165](#)
 language for IP PrintWay basic mode messages [277](#)
 LANGUAGE parameter, in NetSpool startup procedure [164](#)
 large files, sending to LPD [129](#)
 LC_ALL environment variable [42](#), [370](#)
 LC_CTYPE environment variable [370](#)
 LC_TIME environment variable [42](#), [370](#)
 LIBPATH environment variable [42](#), [138](#), [300](#), [370](#)
 libraries, defining in TSO logon procedure (Print Interface) [65](#)
 limit of objects Infoprint Central displays [299](#), [364](#)
 limits on spooled output [113](#), [165](#)
 Linux, Infoprint Transform Manager
 code page conversion table [155](#)
 configuration file [152](#)
 customization tasks [145](#)
 firewall [155](#)
 resource security [155](#)
 software requirement [146](#)
 loadprinterinventory command, restore Printer Inventory [105](#)
 log stream
 deciding on naming convention [87](#)
 deciding to use [86](#)
 deciding type [87](#)
 defining coupling-facility type [92](#)
 defining DASD-only type [91](#)
 defining system logger [91](#)
 determining retention period [87](#)
 disabling [97](#)
 enabling [95](#)
 handling errors [98](#)
 parameters [91](#)
 security for [88](#)
 size of data sets [88](#)
 switching log streams [96](#)
 viewing messages [99](#)
 log-retention attribute [33](#), [75](#), [291](#), [322](#), [375](#)
 log.v2db files, deleting [107](#)
 logon procedure for ISPF panels [65](#)
 logstream-name attribute [375](#)
 LOMS for SAP R/3
 defining [138](#)
 modifying [139](#)
 selecting for an output device [139](#)
 LOOKUP statement [210](#)
 LPD compatibility filter [128](#)
 LPD control file first, sending with LPR [129](#)
 lpd_compat.so [128](#)
 lpd-port-number attribute [126](#), [127](#)
 LPD, customizing
 command codes supported in [128](#)
 running Communications Server LPD on same system [125](#)
 specifying port number for [127](#)
 starting daemon [126](#)
 LPDEST environment variable [123](#), [371](#)
 lprafp command, downloading [6](#)
 LUCLASS parameter in NetSpool startup procedure [164](#)

M

mail-do-not-add-suffixes attribute [202](#), [375](#)
 mail-preserve-suffixes attribute [202](#), [375](#)
 mail-use-first-address attribute [202](#), [375](#)
 mailer-options attribute [202](#), [375](#)
 mailer-path-name attribute [202](#), [375](#)
 man pages, specifying directory for [42](#), [370](#)
 MANPATH environment variable [42](#), [370](#)
 max-historical-inventory-size [33](#), [75](#), [375](#)
 max-thread-tasks [385](#)
 MAXASSIZE parameter [131](#)
 maximum-active attribute [148](#)
 maximum-idle-time attribute [149](#)
 MAXPROCSYS parameter [112](#), [158](#), [188](#), [267](#)
 MAXPROCUSER parameter [112](#), [158](#), [188](#), [267](#)
 MAXSOCKETS parameter [22](#)
 MAXTHREADTASKS limit
 AOP_MAXTHREADTASKS environment variable [359](#)
 AOIIPPD_MAXTHREADTASKS environment variable [363](#)
 AOPLPD_MAXTHREADTASKS environment variable [364](#)
 AOPNETD_MAXTHREADTASKS environment variable [365](#)
 AOPOUTD_MAXTHREADTASKS environment variable [366](#)
 AOPSSID_MAXTHREADTASKS environment variable [367](#)
 AOPSUBD_MAXTHREADTASKS environment variable [368](#)
 AOPWSMD_MAXTHREADTASKS environment variable [368](#)
 MCS console [161](#)
 message automation [82](#)
 message configuration file, aopmsg.conf
 creating [83](#)
 format [347](#)
 Message exit, IP PrintWay
 examples [259](#)
 input [258](#)
 installing [266](#)
 modifying [267](#)
 output [259](#)
 overview [258](#)
 programming considerations [216](#)
 sample [266](#)
 message log, common
 allocating space [29](#)
 MVS system logger [86](#)
 NetSpool [160](#)
 reducing size of [106](#)
 saving [105](#)
 security for [43](#)
 message-log data set, IP PrintWay
 allocating space [282](#)
 defining in startup procedure [286](#)
 initializing [282](#)
 message-log data set, NetSpool [160](#)
 messages, sending to hardcopy log [82](#)
 migration program, overview [4](#)
 minimum-active attribute [149](#)
 missing system configuration definition [105](#)
 MODE parameter
 in DEVICE statement (JES3) [276](#)
 in PRTnnnnn statement (JES2) [273](#)
 MSGDEST parameter (JES3) [274](#)
 multiple TCP/IP stacks [125](#)
 MVS STOP command [62](#)
 MVS system logger
 deciding on naming convention [87](#)

MVS system logger *(continued)*

- deciding to use [86](#)
- deciding type [87](#)
- deciding type of log stream [87](#)
- defining coupling-facility log stream [92](#)
- defining coupling-facility type [92](#)
- defining DASD-only log stream [91](#)
- defining DASD-only type [91](#)
- defining log streams [91](#)
- defining system logger [91](#)
- determining retention period [87](#)
- disabling [97](#)
- enabling [95](#)
- handling errors [98](#)
- log stream parameters [91](#)
- parameters [91](#)
- security for [88](#)
- setting up [86](#)
- size of data sets [88](#)
- structure parameters [94](#)
- switching log streams [96](#)
- viewing messages [99](#)

N

navigation

- keyboard [421](#)

NetSpool

- customizing [157](#)
- environment variables [178](#)
- exits for transparent data, writing [166](#)
- filters, writing [167](#)
- increasing allowed number of processes [158](#)
- job ID, fixed [365](#), [386](#)
- job ID, unaltered [366](#), [386](#)
- Language Environment runtime options [165](#)
- LU classes, specified in startup procedure [164](#)
- message logs [160](#)
- overview [9](#)
- startup procedure for [160](#)

netspool-use-fixed-jobid [386](#)

netspool-use-unaltered-jobid [386](#)

network printers, customizing PSF for [287](#)

NETWORK statement [22](#)

new functions [419](#)

NIFCB parameter (JES2) [270](#), [271](#)

NIUCS parameter (JES2) [270](#), [271](#)

NLSPATH environment variable [42](#), [300](#), [371](#)

NOTIFY parameter, RACF [321](#)

O

operating mode

- determining [23](#)
- setting [24](#)

operator group, for security [46](#)

OPERLOG messages [82](#)

output devices for SAP R/3, creating [139](#)

overview of Infoprint Server components

- AFP Printer Driver for Windows [5](#)
- AFP Viewer plug-in for Windows [5](#)
- Infoprint Central [17](#)
- Infoprint Port Monitor for Windows [4](#)

overview of Infoprint Server components *(continued)*

- IP PrintWay [12](#)
- NetSpool [9](#)
- Print Interface [5](#)
- Printer Inventory [2](#)
- Printer Inventory Manager [2](#)
- Transform Interface [15](#)
- transforms [16](#)
- Windows client [4](#)

P

page definition default for IP PrintWay

JES2 [270](#), [272](#)

JES3 [270](#), [276](#)

panels, ISPF

defining libraries in TSO logon procedure [65](#)

displaying Infoprint Server option [66](#)

enabling [65](#)

modifying AOPINIT EXEC [66](#)

parameters

JES2 initialization statements [271](#)

JES3 initialization statements [274](#)

LANGUAGE parameter [164](#)

TRACE parameter [164](#)

password attribute [137](#), [350](#)

PATH environment variable [43](#), [371](#)

PDEFAULT parameter (JES3) [270](#), [276](#)

performance and the TRKCELL parameter (JES2) [273](#)

performance, improving in IP PrintWay extended mode [210](#)

permissions for directories and daemons [49](#)

PIDU, used to back up and restore Printer Inventory [100](#)

PJL functions in IP PrintWay

customizing Infoprint transforms [209](#)

JOB command

AOP_PJL environment variable [209](#)

PNAME parameter (JES3) [274](#)

port number

for IPP Server [132](#), [133](#)

for Print Interface LPD [126](#), [127](#)

used by LPR [128](#)

PORT statement in TCP/IP [112](#)

PORTRANGE statement in TCP/IP [112](#)

ports, low [112](#)

prefix for job ID [113](#)

prefix for job identifier [121](#), [159](#), [178](#)

PRESELECT parameter (JES2) [273](#)

Print Interface

AOPPRINT JCL procedure, customizing [123](#)

common customization required for all functions [110](#)

configuration attributes [126](#)

customizing [109](#)

environment variables [120](#)

environment variables for z/OS UNIX commands [122](#)

filters, writing [114](#)

increasing allowed number of processes [112](#)

IPP Server customization [130](#)

JES customization [120](#)

LPD customization [124](#)

SAP customization [134](#)

software requirements [110](#)

subsystem customization [142](#)

TCP/IP customization [111](#)

Print Interface, overview [5](#)

- print queue, changing in exit [220](#)
- PRINTDEF statement (JES2) [270](#), [271](#)
- printer code page, changing default [33](#), [75](#)
- PRINTER environment variable [123](#), [371](#)
- Printer Inventory
 - authorizing users [43](#)
 - backing up [100](#)
 - FSS and FSA definitions, IP PrintWay [277](#)
 - naming in IP PrintWay startup procedure [286](#)
 - naming in NetSpool startup procedure [164](#)
 - overview [2](#)
 - restoring [100](#)
 - sharing [21](#)
- Printer Inventory Manager
 - backing up and restoring Printer Inventory [100](#)
 - creating aopd.conf file [30](#)
 - creating aopmsg.conf file [83](#)
 - creating startup and shutdown procedures for [51](#)
 - customizing [21](#)
 - directories [26](#)
 - dynamic enablement of Infoprint Server [22](#)
 - enabling ISPF panels for [65](#)
 - establishing security for [43](#)
 - making runtime libraries available for [25](#)
 - overview [2](#)
 - saving the common message log [105](#)
 - setting environment variables for [38](#)
 - setting Workload Manager goals [107](#)
 - verifying software requirements [22](#)
- printer setup string
 - adding in a filter program [114](#)
 - adding in exit [229](#)
- printer sharing, customizing PSF for [287](#)
- printer, setting a default [123](#), [371](#)
- PrinterInfo data structure [397](#)
- PrintWay, overview [12](#)
- PROC parameter (JES2) [272](#)
- procedure, startup
 - for Infoprint Server daemons [57](#)
 - IP PrintWay
 - sample [285](#)
 - specifying name of in JES2 [272](#)
 - specifying name of in JES3 [274](#)
 - NetSpool
 - sample [162](#)
- procedure, status for Infoprint Server daemons [64](#)
- profile, TCP/IP [111](#)
- programming considerations for
 - filter programs [118](#)
 - IP PrintWay exits [216](#)
 - NetSpool exit programs [167](#)
- programming interfaces [114](#)
- PRTnnnn initialization statement (JES2) [272](#)
- PRTOPTNS parameter, changing in exit [220](#)
- PRTQUEUE parameter, changing in exit [220](#)
- PS, default job prefix [159](#)
- PSF for z/OS
 - AFP printer driver for Windows for creating AFP data [5](#)
 - AFP viewer for viewing AFP data [5](#)
 - customizing for printer sharing [287](#)
 - customizing to use Printer Inventory [329](#)
 - Infoprint Central functions [17](#)
 - Infoprint Server components to customize [19](#)
 - migration program [4](#)

- PSF for z/OS (*continued*)
 - Printer Inventory [3](#), [329](#)
 - roadmap of components to customize [19](#)
 - setting up security for PSF printers [305](#)
 - transforms from AFP on z/OS [16](#)
 - transforms to AFP on z/OS [16](#)

Q

- QueryToken data structure [398](#)
- QUEUE parameter (JES2) [272](#)

R

RACF

- AOP.ADMINISTRATOR profile [45](#), [304](#)
- AOP.CONFIGURATION profile [45](#)
- AOP.DAEMON profile [320](#)
- AOP.NETSPOOL profile [312](#)
- AOP.PRIORITY profile [320](#)
- AOPADMIN group [45](#)
- AOPCONF group [46](#)
- AOPOPER group [45](#)
- aopsetup shell script [49](#)
- auditing, requesting [321](#)
- notification, requesting [321](#)
- PRINTSRV class [45](#)
- security for
 - actions on PSF printers [309](#)
 - changing print job priority [320](#)
 - common message log [43](#)
 - daemons [320](#)
 - Infoprint Central [301](#)
 - IP PrintWay job selection rules [313](#)
 - IP PrintWay transmission-queue data set [282](#)
 - NetSpool logical units (LUs) [312](#)
 - operator commands [43](#)
 - print jobs [315](#)
 - printer and printer pool definitions [321](#)
 - Printer Inventory [43](#)
 - printers [305](#)
- Record exit, IP PrintWay
 - examples [245](#)
 - input [240](#)
 - installing [266](#)
 - modifying [267](#)
 - output [243](#)
 - overview [239](#)
 - sample [266](#)
- record format
 - input to Begin Data Set exit [233](#)
 - input to End Data Set exit [249](#)
 - input to Routing exit [224](#)
- region size
 - IP PrintWay [286](#)
 - NetSpool [163](#)
- registers
 - for Begin Data Set exit [230](#)
 - for Beginning of File exit [169](#), [171](#), [176](#)
 - for Block Letter program [265](#)
 - for End Data Set exit [246](#)
 - for Message exit [258](#)
 - for Record exit [240](#)

- registers (*continued*)
 - for SMF exit [253](#)
 - for the Routing exit [221](#)
 - for Transparent Data exit [173](#)
- ReleaseTransform function [409](#)
- rembak command, AIX [129](#)
- remote transform configuration file, aopxfd.conf
 - creating [152](#)
 - format [152](#), [348](#)
- remote-transform-manager-ip-address attribute [152](#), [348](#)
- remote-transform-manager-port-number attribute [152](#), [348](#)
- RequestTransform function [410](#)
- requirements, software
 - Infoprint Central [290](#)
 - IP PrintWay [186](#)
 - NetSpool [158](#)
 - Print Interface [110](#)
 - Printer Inventory Manager [22](#)
 - PSF for z/OS [329](#)
 - Transform Interface [146](#)
- resolve-printway-printers attribute [187](#)
- Resource Access Control Facility (RACF)
 - AOP.ADMINISTRATOR profile [45](#), [304](#)
 - AOP.CONFIGURATION profile [45](#)
 - AOP.DAEMON profile [320](#)
 - AOP.NETSPOOL profile [312](#)
 - AOP.PRIORITY profile [320](#)
 - AOPADMIN group [45](#)
 - AOPCONF group [46](#)
 - AOPOPER group [45](#)
 - aopsetup shell script [49](#)
 - auditing, requesting [321](#)
 - notification, requesting [321](#)
 - PRINTSRV class [45](#)
 - security for
 - actions on PSF printers [309](#)
 - changing print job priority [320](#)
 - common message log [43](#)
 - daemons [320](#)
 - Infoprint Central [301](#)
 - IP PrintWay job selection rules [313](#)
 - IP PrintWay transmission-queue data set [282](#)
 - NetSpool logical units (LUs) [312](#)
 - operator commands [43](#)
 - print jobs [315](#)
 - printer and printer pool definitions [321](#)
 - Printer Inventory [43](#)
 - printers [305](#)
- resources, security for [155](#)
- Response Notification exit [259](#)
- restoring the Printer Inventory [100](#)
- restrict ports [112](#)
- resubmit for filtering
 - AOPRESUBMITUSER environment variable [367](#)
 - customizing IP PrintWay to use font and page definition in printer definition [270](#)
 - exit processing, description [215](#)
 - specifying for transforms [145](#)
 - suppressing SMF record [253](#)
- RETAINF parameter, changing in exit [220](#)
- RETAINS parameter, changing in exit [220](#)
- RETRYL parameter, changing in exit [220](#)
- RETRYT parameter, changing in exit [220](#)
- REXX examples, for filters [116](#)

- RFC 1179, LPD command codes supported [128](#)
- roadmap of components to customize [19](#)
- ROMS for SAP R/3, defining [138](#)
- ROUTECD parameter (JES2) [273](#), [274](#)
- routing criteria, changing in exit [220](#)
- Routing exit, IP PrintWay
 - examples [229](#)
 - input [221](#)
 - installing [266](#)
 - modifying [267](#)
 - output [226](#)
 - overview [220](#)
 - programming considerations [216](#)
 - sample [266](#)
- runtime libraries for Language Environment [25](#)
- runtime options for C++ Language Environment
 - changing in IP PrintWay [287](#)
 - changing in NetSpool [165](#)

S

- S2STG DSECT [167](#)
- SAF (System Authorization Facility)
 - AOP.ADMINISTRATOR profile [45](#), [304](#)
 - AOP.CONFIGURATION profile [45](#)
 - AOP.DAEMON profile [320](#)
 - AOP.NETSPOOL profile [312](#)
 - AOP.PRIORITY profile [320](#)
 - AOPADMIN group [45](#)
 - AOPCONF group [46](#)
 - AOPOPER group [45](#)
 - aopsetup shell script [49](#)
 - auditing, requesting [321](#)
 - notification, requesting [321](#)
 - PRINTSRV class [45](#)
 - security for
 - actions on PSF printers [309](#)
 - changing print job priority [320](#)
 - common message log [43](#)
 - daemons [320](#)
 - Infoprint Central [301](#)
 - IP PrintWay job selection rules [313](#)
 - IP PrintWay transmission-queue data set [282](#)
 - NetSpool logical units (LUs) [312](#)
 - operator commands [43](#)
 - print jobs [315](#)
 - printer and printer pool definitions [321](#)
 - Printer Inventory [43](#)
 - printers [305](#)
- sample exits [266](#)
- SAP Callback daemon configuration file, aopsapd.conf
 - client attribute [137](#), [350](#)
 - creating [136](#)
 - example [137](#)
 - format [137](#), [350](#)
 - initial-target attribute [137](#), [350](#)
 - language attribute [137](#), [350](#)
 - naming in environment variable [138](#)
 - password attribute [137](#), [350](#)
 - syntax rules [137](#)
 - system attribute [137](#), [350](#)
 - userid attribute [137](#), [350](#)
- SAP R/3 printing
 - configuration file [136](#)

SAP R/3 printing (*continued*)

- configuration file for Callback daemon [136](#)
- creating an SAP R/3 output device [139](#)
- customization tasks [134](#)
- environment variable for configuration file [138](#)
- on remote system [8](#)
- on z/OS system [7](#)
- ROMS and LOMS for [138](#)
- software requirements [110](#)
- user for Callback daemon [136](#)

SCEERUN library [25](#)

SCEERUN2 library [25](#)

scheduler work block text unit (SWBTU) [218](#)

SCLB DLL library [25](#)

SCS data stream support in NetSpool [11](#)

SCS data streams, NetSpool exits for [166](#)

sdbu command [325](#)

search database, re-creating [325](#)

security, establishing

- AOP.ADMINISTRATOR profile [45](#), [304](#)
- AOP.CONFIGURATION profile [45](#)
- AOP.DAEMON profile [320](#)
- AOP.NETSPOOL profile [312](#)
- AOP.PRIORITY profile [320](#)
- AOPADMIN group [45](#)
- AOPCONF group [46](#)
- AOOPER group [45](#)
- aopsetup shell script [49](#)
- auditing, requesting [321](#)
- for actions on PSF printers [309](#)
- for changing print job priority [320](#)
- for common message log [43](#)
- for daemons [320](#)
- for Infoprint Central [301](#)
- for IP PrintWay job selection rules [313](#)
- for IP PrintWay transmission-queue data set [282](#)
- for NetSpool logical units (LUs) [312](#)
- for operator commands [43](#)
- for print jobs [315](#)
- for printer and printer pool definitions [321](#)
- for Printer Inventory [43](#)
- for printers [305](#)
- notification, requesting [321](#)
- PRINTSRV class [45](#)

select-work-from-hold-queue attribute [202](#), [373](#)

sending to IBM

- reader comments [xxi](#)

sendmail

- customizing [211](#)
- environment variables (basic mode) [286](#)
- environment variables (extended mode) [197](#)
- firewalls [211](#)
- specifying alternate directory [211](#)
- specifying options [212](#)

sendmail alias files [211](#)

separator page, adding in exit [229](#), [246](#)

Server Message Block (SMB), customizing Print Interface support for [129](#)

Server Message Block compared to other printing protocols [327](#)

SetTerminationHandler function [410](#)

SETUP parameter (JES2) [273](#)

setup string, adding in exit [229](#)

setup strings for printers, adding in a filter program [114](#)

shared printers, SMB [130](#)

sharing IP PrintWay transmission-queue data set [280](#)

sharing of printers, customizing PSF for [287](#)

shortcut keys [421](#)

shutdown procedure, for Infoprint Server daemons [61](#)

SMB compared to other printing protocols [327](#)

SMB support, software requirements [110](#)

SMB, customizing Print Interface support for [129](#)

SMF exit, IP PrintWay

- examples [257](#)
- input [253](#)
- installing [266](#)
- modifying [267](#)
- output [256](#)
- overview [253](#)
- programming considerations [216](#)
- sample [266](#)

SMF record

- replacing in exit [253](#)
- suppressing in exit [253](#)

smf-recording attribute [188](#), [202](#), [373](#)

SMTP [211](#)

SNMP

- read community name for Infoprint Central [299](#)
- write community name for Infoprint Central [299](#)

sockets, increasing maximum [22](#)

software requirements

- Infoprint Central [290](#)
- IP PrintWay [186](#)
- NetSpool [158](#)
- Print Interface [110](#)
- Printer Inventory Manager [22](#)
- PSF for z/OS [329](#)
- Transform Interface [146](#)

special characters in configuration files [37](#), [38](#), [138](#), [347](#), [349](#), [351](#)

SPOOLDEF statement (JES2) [270](#), [271](#)

stacks, multiple TCP/IP [125](#)

START parameter (JES2) [273](#)

start-command attribute [148](#)

start-daemons attribute [30](#), [126](#), [131](#), [142](#), [146](#), [159](#), [187](#), [291](#)

starting and stopping printers from TSO [287](#)

starting daemons, specifying names in configuration file [30](#), [126](#), [131](#), [142](#), [146](#)

startup procedure

- for Infoprint Server daemons [57](#)
- for IP PrintWay

 - sample [285](#)
 - specifying name of in JES2 [272](#)
 - specifying name of in JES3 [274](#)

- for NetSpool

 - sample [162](#)
 - Printer Inventory Manager [57](#)

status procedure

- for Infoprint Server daemons [64](#)
- Printer Inventory Manager [64](#)

STDENV data definition (DD) [58](#), [286](#), [353](#)

STEPLIB environment variable [25](#), [196](#), [267](#), [371](#)

STEPLIBLIST facility [25](#), [189](#), [196](#)

stopping daemons [61](#)

structure parameters [94](#)

subsystem, Print Interface

- customizing [142](#)

- suffixes for email attachments [199](#), [204](#), [205](#), [358](#), [382](#), [383](#)
- Summary of changes [xxvii](#)
- suppress-post-unix-filter-formatting attribute [202](#), [373](#)
- SWBTU control block [218](#)
- syntax rules for SAP Callback configuration file [137](#)
- SYS1.IMAGELIB [196](#), [208](#), [268](#)
- SYS1.PARMLIB [22](#)
- SYS1.PARMLIB, updating
 - for IP PrintWay basic mode [267](#)
 - for IPP Server [131](#)
 - for NetSpool [158](#)
 - for Print Interface [112](#)
 - MAXPROCUSER statement for IP PrintWay [188](#)
 - MAXSOCKETS parameter [22](#)
 - STEPLIBLIST facility, for SCEERUN and SCLBDLL libraries [25](#)
- SYSLOG messages [82](#)
- SYSOUT statement (JES3) [274](#)
- sysplex considerations
 - IP PrintWay extended mode [185](#)
 - JES3 limitation [191](#)
 - Printer Inventory [21](#)
- SYSTCPD DD statement [286](#)
- system attribute [137](#), [350](#)
- System Authorization Facility (SAF)
 - AOP.ADMINISTRATOR profile [45](#), [304](#)
 - AOP.CONFIGURATION profile [45](#)
 - AOP.DAEMON profile [320](#)
 - AOP.NETSPOOL profile [312](#)
 - AOP.PRIORITY profile [320](#)
 - AOPADMIN group [45](#)
 - AOPCONF group [46](#)
 - AOOPER group [45](#)
 - aopsetup shell script [49](#)
 - auditing, requesting [321](#)
 - notification, requesting [321](#)
 - PRINTSRV class [45](#)
 - security for
 - actions on PSF printers [309](#)
 - changing print job priority [320](#)
 - common message log [43](#)
 - daemons [320](#)
 - Infoprint Central [301](#)
 - IP PrintWay job selection rules [313](#)
 - IP PrintWay transmission-queue data set [282](#)
 - NetSpool logical units (LUs) [312](#)
 - operator commands [43](#)
 - print jobs [315](#)
 - printer and printer pool definitions [321](#)
 - Printer Inventory [43](#)
 - printers [305](#)
- system configuration definition
 - attributes [373](#)
 - editing [79](#)
 - ISPF panel for [79](#)
 - missing [105](#)
- system flow diagram [5](#)
- system logger
 - deciding on naming convention [87](#)
 - deciding to use [86](#)
 - deciding type of log stream [87](#)
 - defining coupling-facility log stream [92](#)
 - defining DASD-only log stream [91](#)
 - defining log streams [91](#)

- system logger (*continued*)
 - determining retention period [87](#)
 - disabling [97](#)
 - enabling [95](#)
 - handling errors [98](#)
 - log stream parameters [91](#)
 - security for [88](#)
 - setting up [86](#)
 - size of data sets [88](#)
 - structure parameters [94](#)
 - switching log streams [96](#)
 - viewing messages [99](#)
- SYSTEM parameter (JES3) [275](#)

T

- TCP/IP
 - customizing sendmail [211](#)
 - error when initialization is not finished [64](#)
 - modifying the hlq.PROFILE.TCPIP data set [111](#)
 - modifying the TCPIP.DATA data set [210](#)
 - multiple stacks, configuring [125](#)
 - specifying the name of [210](#), [277](#)
 - standard translation table, IP PrintWay basic mode [277](#)
 - SYSTCPD DD statement [286](#)
- TCPCONFIG statement in TCP/IP [111](#)
- TCPIP.DATA data set
 - DATASETPREFIX statement [211](#)
 - for IP PrintWay basic mode [211](#)
 - search order used by IP PrintWay basic mode [211](#)
 - specifying name in IP PrintWay basic mode [284](#)
 - SYSTCPD DD statement [286](#)
 - TCPIPJOBNAME statement [210](#)
- TCPIPJOBNAME statement [210](#)
- TCPRCVBUFRSIZE parameter [112](#)
- TCPSENDBFRSIZE parameter [112](#)
- temporary files written by
 - IP PrintWay basic mode [277](#)
 - IP PrintWay extended [29](#)
- TERM parameter (JES3) [275](#)
- TermAPI function [411](#)
- termination handler, writing [412](#)
- time zone, setting [43](#), [372](#)
- timeout value, increasing with sending large files to LPD [129](#)
- TRACE parameter, in NetSpool startup procedure [164](#)
- trace, specifying for IP PrintWay basic mode [280](#)
- TRACEOPT DD statement [164](#), [165](#)
- tracing parameters for IP PrintWay basic mode [277](#)
- tracing, turning on in AOPSTART procedure [57](#)
- trailer, document
 - Begin data set exit [230](#)
 - example [239](#)
 - XTP_DOC_TRAILER_LENGTH field [236](#)
 - XTP_DOC_TRAILER_PTR field [235](#)
 - XTP_TRANS_DOC_TRAILER field [234](#)
- transform attribute [147](#)
- transform classes [147](#)
- transform configuration file, aopxfd.conf
 - creating [146](#)
 - environment attribute [148](#)
 - example [149](#)
 - format [147](#), [349](#)
 - maximum-active attribute [148](#)
 - maximum-idle-time attribute [149](#)

- transform configuration file, aopxfd.conf (*continued*)
 - minimum-active attribute [149](#)
 - start-command attribute [148](#)
 - start-daemons attribute [146](#)
 - transform attribute [147](#)
- Transform data structure [398](#)
- Transform Interface
 - customizing [145](#)
 - overview [15](#)
- Transform Manager configuration file, Infoprint Server [146](#)
- Transform Manager for Linux
 - code page conversion table [155](#)
 - configuration file [152](#)
 - customization tasks [145](#)
 - firewall [155](#)
 - resource security [155](#)
 - software requirement [146](#)
- transforms
 - components to customize [19](#)
 - overview [16](#)
- translation table, standard [277](#)
- transmission-queue data set, IP PrintWay
 - allocating and initializing [281](#)
 - defining in startup procedure [286](#)
 - initializing [282](#)
 - overview [280](#)
 - restricting access [282](#)
 - sharing between IP PrintWay FSSs [268](#), [280](#)
- Transparent Data Control exit, NetSpool
 - description [173](#)
 - examples [175](#)
 - input [173](#)
 - installing [177](#)
 - modifying [177](#)
 - output [174](#)
 - programming considerations [167](#)
 - sample [177](#)
- transparent data exits in NetSpool, writing [166](#)
- TRKCELL parameter
 - JES2 [273](#)
 - SPOOLDEF [271](#)
- TRUNC parameter [120](#)
- TSO logon procedure, defining libraries in [65](#)
- TYPE parameter (JES3) [275](#)
- types of LU sessions supported [10](#)
- TZ environment variable [43](#), [372](#)

U

- UCS parameter (JES2) [273](#)
- unaltered job ID, NetSpool [366](#), [386](#)
- URI for printer [133](#)
- URL for printer [133](#)
- use-output-disposition [33](#), [36](#), [75](#), [78](#), [291](#), [292](#), [346](#), [375](#), [388](#)
- user interface
 - ISPF [421](#)
 - TSO/E [421](#)
- userid attribute [137](#), [350](#)

V

- VARFILE data definition (DD) [60](#)

- VTAM applications, customization required to print from [19](#)

W

- WC parameter (JES3) [276](#)
- web browsers, customizing for Infoprint Central [323](#)
- Windows client
 - customizing [327](#)
 - overview [4](#)
- Windows printing, customization required [19](#)
- Workload Manager [107](#)
- WritePrintFile function [411](#)
- WS parameter
 - in DEVICE statement (JES3) [276](#)
 - in PRTnnnnn statement (JES2) [273](#)

X

- xcf-group-qualifier attribute [30](#)
- XML Toolkit
 - level required for Infoprint Central [290](#)
 - LIBPATH environment variable [300](#)

Z

- zFS directories [26](#)



SA38-0691-30

