

z/OS



# JES2 Commands

*Version 2 Release 1*



z/OS



# JES2 Commands

*Version 2 Release 1*

**Note**

Before using this information and the product it supports, read the information in "Notices" on page 969.

This edition applies to Version 2 Release 1 of z/OS (5650-ZOS) and to all subsequent releases and modifications unless otherwise indicated in new editions.

© **Copyright IBM Corporation 1997, 2013.**

US Government Users Restricted Rights – Use, duplication or disclosure restricted by GSA ADP Schedule Contract with IBM Corp.

---

# Contents

**Figures . . . . . ix**

**Tables . . . . . xi**

**About this document . . . . . xiii**

Who should use this document . . . . . xiii

Where to find more information . . . . . xiii

Additional information . . . . . xiii

**How to send your comments to IBM . . xv**

If you have a technical problem . . . . . xv

**z/OS Version 2 Release 1 summary of changes . . . . . xvii**

**Chapter 1. Controlling JES2 . . . . . 1**

Controlling the JES2 environment . . . . . 5

    Specifying the Start Options . . . . . 5

    Displaying JES2 status . . . . . 10

    Restarting JES2 . . . . . 10

    Stopping JES2 . . . . . 13

    Withdrawing JES2 from the system . . . . . 13

    Specifying JES2 exit point characteristics . . . . . 14

    Monitoring buffers . . . . . 14

Controlling your MAS environment . . . . . 15

    Using independent-mode processing . . . . . 15

    Displaying MAS status and settings . . . . . 15

    Using JES2 and MVS commands together . . . . . 16

    Changing MAS settings . . . . . 17

    Making jobs eligible to restart . . . . . 18

Controlling automatic command processing . . . . . 19

Controlling JES2 diagnostics . . . . . 19

    Controlling JES2 tracing . . . . . 20

    Recovering from errors . . . . . 20

    Debugging errors . . . . . 23

    Displaying module information . . . . . 23

Controlling JES2 spooling . . . . . 23

    Spool addressing modes . . . . . 24

    Considerations for draining a spool volume . . . . . 24

    Controlling spool partitioning . . . . . 24

    Spool volume states . . . . . 25

Migrating spool volumes . . . . . 26

    Spool migration terms . . . . . 26

    Spool migration phases . . . . . 27

    MAS migration restrictions . . . . . 28

    Moving and merging spool volumes . . . . . 28

    Calculating tracks . . . . . 30

    Allocating tracks . . . . . 31

**Chapter 2. Controlling JES2 devices and functional subsystems . . . . . 33**

Device overview . . . . . 40

    Controlling the device environment . . . . . 41

JES2 input processing . . . . . 42

    Controlling readers . . . . . 42

JES2 output processing . . . . . 43

    Controlling printers . . . . . 44

    Controlling punches . . . . . 46

Remote job entry (RJE) . . . . . 46

    Specifying JES2 teleprocessing characteristics . . . . . 47

    Remote entry restrictions . . . . . 48

Controlling spool offload and reload functions . . . . . 55

    Controlling offload devices . . . . . 55

    Controlling offload transmitters and receivers . . . . . 56

**Chapter 3. Controlling jobs and output 59**

Controlling jobs . . . . . 63

    Controlling the scope of commands . . . . . 63

    Using the JOBCORR parameter . . . . . 64

    Displaying job information . . . . . 65

Controlling job execution . . . . . 67

    Controlling JES2 initiators . . . . . 67

    Controlling WLM initiators . . . . . 69

    Specifying JES2 job characteristics . . . . . 70

    JES2 job execution commands . . . . . 70

    Holding and releasing jobs . . . . . 71

    Controlling jobs at another node . . . . . 72

Controlling job output . . . . . 73

    Specifying job output characteristics . . . . . 73

    JES2 job output commands . . . . . 77

    Controlling output groups and job output

    elements . . . . . 78

**Chapter 4. Controlling a network . . . . . 81**

Controlling the NJE environment . . . . . 85

Specifying node characteristics . . . . . 85

    Modifying transmission delays and excessive

    looping through a network . . . . . 86

    Modifying sign-on tolerance . . . . . 86

    Defining a symbolic destination name . . . . . 86

    Deleting a symbolic destination name . . . . . 86

    Displaying subnets and their paths across a

    network . . . . . 86

    Displaying node attributes . . . . . 87

    Setting node attributes . . . . . 87

Starting NJE communications . . . . . 88

    Starting node communication on a BSC line . . . . . 88

    Starting node communication using SNA/VTAM . . . . . 89

    Starting node communication using TCP/IP . . . . . 90

    Controlling the JES2/VTAM interface . . . . . 91

    Controlling the JES2-TCP/IP interface . . . . . 92

    Defining and changing applications . . . . . 92

Controlling NJE lines . . . . . 92

Controlling NJE static connections . . . . . 94

Controlling JES2 transmitting and receiving devices . . . . . 94

Sending messages and commands through the

network . . . . . 95

    Displaying and controlling jobs at other nodes . . . . . 96

## Chapter 5. Command reference section 97

Command descriptions . . . . .	97
Command syntax conventions . . . . .	97
How to read syntax diagrams . . . . .	116
Keywords defined . . . . .	118
\$A A - Release all jobs . . . . .	119
\$A Job - Release held jobs . . . . .	120
\$ACTIVATE - Activate a particular level of JES2 function . . . . .	127
\$ADD APPL - Define a VTAM application to JES2	129
\$ADD CONNECT - Dynamically add network connections . . . . .	131
\$ADD DESTID - Define a symbolic destination . . . . .	134
\$ADD FSS - Define a functional subsystem . . . . .	138
\$ADD JOBCLASS(jobclass) - Define a new job class	140
\$ADD LINE(nnnn) - Add line . . . . .	150
\$ADD LOADMOD - Load a new Installation Load Module . . . . .	156
\$ADD LOGON(nn) - Add a logon . . . . .	157
\$ADD NETSRV(nnn) - Add a network server. . . . .	159
\$ADD PROCLIB(xxxxxxxx) - Define a new dynamic PROCLIB concatenation. . . . .	161
\$ADD PRT(nnnnn) - Define a local printer . . . . .	164
\$ADD REDIRECT - Set redirection for commands	178
\$ADD RMT(nnnnn) - Add an RJE workstation . . . . .	181
\$ADD SOCKET(xxxxxxxx) - Add a socket . . . . .	190
\$ADD SRVCLASS(name) - Add a new permanent service class element . . . . .	192
\$B PRT(nnnnn) and \$B R(nnnnn).PR(m) - Logically backspace printer output . . . . .	193
\$B PUN(nn) and \$B R(nnnnn).PU(m) - Logically backspace punch output. . . . .	196
\$C A - Cancel automatic commands . . . . .	197
\$C Job - Cancel a job . . . . .	199
\$C Lnnnn.xxn - Cancel NJE device activity . . . . .	208
\$C O Job - Cancel output . . . . .	210
\$C OFFn.JR - Cancel a spool offload transmitter/receiver . . . . .	219
\$C PRT(nnnnn) and \$C R(nnnnn).PR(m) - Cancel printer output . . . . .	220
\$C PUN(nn) and \$C R(nnnnn).PU(m) - Cancel punch output . . . . .	221
\$C RDR and \$C Rnnnn.RDm - Cancel reader activity . . . . .	222
\$D A - Display information about currently active jobs . . . . .	223
\$D ACTIVATE - Display current JES2 checkpoint level and MAS readiness for checkpoint activation to z11 level . . . . .	226
\$D ACTRMT - Display Active RJE Workstations in a MAS. . . . .	229
\$D APPL - Display JES2 SNA NJE applications . . . . .	231
\$D BUFDEF - Display JES2 buffer definitions. . . . .	234
\$D CKPTDEF - Display the checkpoint definition	235
\$D CKPTSPACE - Display checkpoint spaces . . . . .	240
\$D CLASSGRP - Display class groups . . . . .	241
\$D COMPACT - Display JES2 compaction tables	242
\$D CONDEF - Display console communication characteristics . . . . .	244
\$D CONNECT - Display network connections . . . . .	246
\$D DEBUG - Display the JES2 DEBUG option . . . . .	250

\$D DESTDEF - Display symbolic destination settings . . . . .	252
\$D DESTid - Display a JES2 symbolic destination	254
\$D ESTBYTE - Display Number of Bytes Set for Jobs and their Output . . . . .	256
\$D ESTLNCT - Display number of lines for jobs and their output . . . . .	257
\$D ESTPAGE - Display number of pages set for jobs and their output . . . . .	258
\$D ESTPUN - Display number of punch pages set for jobs and their output . . . . .	259
\$D ESTIME - Display amount of time set for jobs and their output . . . . .	260
\$D EXIT - Display current characteristics of specified JES2 exit points . . . . .	261
\$D F - Display the job output forms queue . . . . .	265
\$D FSS - Display the characteristics of the specified functional subsystems . . . . .	268
\$D INITDEF - Display the number of logical initiators currently defined . . . . .	270
\$D INITINFO - Display initialization information	271
\$D I[nnmm] - Display initiator information . . . . .	272
\$D INTRDR - Display the current INTRDR initialization statement characteristics . . . . .	276
\$D JES2 - Display the current activity in the JES2 address space . . . . .	278
\$D Job - Display information about specified jobs	280
\$D JOBCLASS(n) - Display job class characteristics	293
\$D JOBDEF - Display characteristics assigned to jobs . . . . .	302
\$D JOBPRTY - Display Current Job Priority Characteristics . . . . .	305
\$D L(nnnn).JR(n) - Display line and job receiver status . . . . .	306
\$D L(nnnn).JT(n) - Display the job transmitter status . . . . .	308
\$D L(nnnn).SR(n) - Display SYSOUT receiver status . . . . .	310
\$D L(nnnn).ST(n) - Display SYSOUT transmitter status . . . . .	312
\$D LINE(nnnnn) - Display a line . . . . .	315
\$D LOADmod(jxxxxxxx) - Display load module information . . . . .	322
\$D LOGON(nnn) - Display the status of JES2/VTAM interface(s) and their characteristics	326
\$D M - Send a message . . . . .	329
\$D MASDEF - Display the multi-access spool environment. . . . .	332
\$D MEMBer - Display information about MAS members . . . . .	336
\$D MODule(jxxxxxxx) - Display assembled module information . . . . .	341
\$D N - Display job queue information . . . . .	348
\$D NETACCT - Display networking account numbers . . . . .	353
\$D NETSRV(nnnnn) - Display a network server	355
\$D NETWORK - Display network activity. . . . .	357
\$D NJEDEF - Display the JES2 Network Environment . . . . .	358
\$D NODE(jnnnnnn) - Display the characteristics of a node. . . . .	361

\$D O Job - Display output characteristics . . . . .	367	\$DEL PROCLIB(xxxxxxxx) - Delete a dynamic PROCLIB concatenation . . . . .	505
\$D OFF(n).JR - Display offload job receiver . . . . .	379	\$E CKPTLOCK - Reset the checkpoint lock . . . . .	508
\$D OFF(n).JT - Display offload job transmitter . . . . .	383	\$E Job - Restart a job . . . . .	510
\$D OFF(n).SR - Display offload SYSOUT receiver . . . . .	386	\$E Lnnnn.xxn - Restart NJE device activity . . . . .	516
\$D OFFn.ST - Display offload SYSOUT transmitter . . . . .	395	\$E LINE(nnnnn) - Restart line activity . . . . .	517
\$D OFFLOAD - Display offload devices . . . . .	401	\$E LOGON(nn) - Restart the JES2/VTAM interface . . . . .	519
\$D OPTsdef - Display start options processing definitions . . . . .	404	\$E MEMBer - Perform cleanup for a failed MAS member . . . . .	520
\$D OUTCLASS(n) - Display output classes . . . . .	405	\$E NETSRV(nnn) - Restart a network server . . . . .	523
\$D OUTDEF - Display output definition options . . . . .	407	\$E NETWORK - Reset current network devices . . . . .	524
\$D OUTPRTY - Display job output priority . . . . .	411	\$E OFFn.xx - Restart a spool offload transmitter . . . . .	525
\$D PATH - Display paths from node to node . . . . .	412	\$E PRT(nnnnn) and \$E R(nnnnn).PR(m) - Restart printer activity . . . . .	526
\$D PCE - Display status for JES2 processors . . . . .	414	\$E PUN(nn) and \$E R(nnnnn).PU(m) - Restart punch activity . . . . .	527
\$D PCEDEF - Display PCE definitions . . . . .	422	\$F PRT(nnnnn) and \$F R(nnnnn).PR(m) - Logically advance printer output . . . . .	528
\$D PRINTDEF - Display print environment characteristics . . . . .	423	\$F PUN(nn) and \$F R(nnnnn).PU(m) - Logically advance punch output . . . . .	531
\$D PROCLIB(xxxxxxxx) - Display a PROCLIB concatenation . . . . .	425	\$G A - Release a job at another node . . . . .	532
\$D PRT(nnnnn) and \$D R(nnnnn).PR(m) - Display printers . . . . .	428	\$G C - Cancel a job at another node . . . . .	534
\$D PUNCHDEF - Display punch environment characteristics . . . . .	439	\$G D - Display job information for a job at another node . . . . .	536
\$D PUN(nn) and \$D R(nnnnn).PU(m) - Display a remote punch . . . . .	440	\$G H - Hold a job at another node . . . . .	538
\$D Q - Display the number of jobs queued . . . . .	445	\$G R, OUT - Request another node to route job output . . . . .	540
\$D R(nn).CON(mm) - Display the specified remote console . . . . .	450	\$G R, XEQ - Request another node to route a job for execution . . . . .	543
\$D RDI - Display the status of JES2-controlled internal reader . . . . .	452	\$H A - Hold all jobs . . . . .	545
\$D RDR(nn) and \$D R(nn).RD(mm) - Display command authority for a reader . . . . .	455	\$H Job - Hold specific jobs . . . . .	547
\$D REBLD - Display rebuild queue information . . . . .	459	\$I PRT(nnnnn) and \$I R(nnnnn).PR(m) - Interrupt printer activity . . . . .	553
\$D RECVOpts - Display current RECVOPTS settings . . . . .	461	\$I PUN(nn) and \$I R(nnnnn).PU(m) - Interrupt punch activity . . . . .	554
\$D REDIRect - Redirect command responses . . . . .	462	\$JDETAILS - Display details summary of jobs . . . . .	555
\$D REQJOBID - Display attributes of JOBID address spaces . . . . .	464	\$JDHISTORY - Display history of JES2 resource usage . . . . .	558
\$D SMFDEF - Display status of SMF buffers . . . . .	465	\$JDJES - Display non-severe incident report . . . . .	562
\$D SOCKET (xxxxxxxx) - Display the characteristics of a socket . . . . .	466	\$JDMONITOR - Display current status of JES2 monitor subtasks . . . . .	563
\$D SPOOL - Display the status of spool volumes . . . . .	469	\$JDSTATUS - Display current status . . . . .	565
\$D SPOOLDEF - Display the JES2 spooling environment . . . . .	478	\$JSTOP - Terminate monitor address space . . . . .	566
\$D SRVCLASS(name) - Display JES2 information for the specified service class . . . . .	482	\$L Job - List job output information . . . . .	567
\$D SSI(nnn) - Display subsystem interface function information . . . . .	483	\$Mnn - Send commands to other MAS members . . . . .	571
\$D SUBTDEF - Display subtask definitions . . . . .	485	\$MSPL - Migrate spool volumes . . . . .	572
\$D SUBNET - Display subnet connections . . . . .	486	\$Nnnnn - Send commands through the network . . . . .	577
\$D TPDEF - Display current teleprocessing characteristics . . . . .	487	\$N PRT(nnnnn) and \$N R(nnnnn).PR(m) - Repeat printer output . . . . .	579
\$D TRace(nnn) - Display current status of trace IDs . . . . .	490	\$N PUN(nn) and \$N R(nnnnn).PU(m) - Repeat punch output . . . . .	580
\$D TRACEDEF - Display current trace environment characteristics . . . . .	492	\$O Job - Release or cancel held output groups . . . . .	581
\$D U - Display the status of JES2-controlled devices . . . . .	494	\$P - Stop JES2 processing . . . . .	588
\$DEL CONNect - Delete network connections . . . . .	499	\$P I[nnmm] - Stop an initiator . . . . .	589
\$DEL DESTid - Delete a symbolic destination . . . . .	501	\$P JES2 - Withdraw JES2 from the system . . . . .	591
\$DEL JOBCLASS(jobclass) - Delete a job class . . . . .	502	\$P Job - Purge a job . . . . .	595
\$DEL LOADmod - Remove a load module from storage . . . . .	504	\$P Lnnnn.xxn - Stop an NJE device . . . . .	603
		\$P LINE(nnnnn) - Stop a line . . . . .	604
		\$P LOGON(nnnnn) - Stop the JES2/VTAM interface . . . . .	606
		\$P NETSRV(nnnnn) - Stop a network server . . . . .	608

\$P O Job - Purge a job's output . . . . .	609	\$T ESTBYTE - Control the default spool space utilization per job . . . . .	702
\$P NETWORK - Purge current network devices	619	\$T ESTIME - Control the default execution time	703
\$P OFFn.xx - Stop an offload transmitter/receiver	620	\$T ESTLNCT - Control the default print line count per job . . . . .	704
\$P OFFLOADn - Stop an offload device . . . . .	621	\$T ESTPAGE - Control the default page count per job . . . . .	706
\$P PRT(nnnnn) and \$P R(nnnnn).PR(m) - Stop a printer. . . . .	622	\$T ESTPUN - Control the default punched card output per job . . . . .	707
\$P PUN(nn) and \$P R(nnnnn).PU(m) - Stop a punch . . . . .	623	\$T EXIT(nnn) - Control JES2 installation exit points	709
\$P RDRnn and \$P Rnnnn.RDm - Stop a reader . . . . .	624	\$T FSS - Control a functional subsystem . . . . .	712
\$P RMT(nnnnn) - Terminate a remote terminal connection . . . . .	625	\$T Init(nnnm) - Control initiators . . . . .	714
\$P SPOOL - Drain a spool volume . . . . .	626	\$T INTRDR - Control internal readers . . . . .	717
\$P SRVCLASS(name) - Drain JES2 processing for a given service class. . . . .	629	\$T Job - Change a job's class, scheduling priority, or affinity . . . . .	722
\$P TRace - Stop a trace ID . . . . .	630	\$T JOBCLASS - Set job class characteristics . . . . .	732
\$P XEQ - Prevents JES2 and WLM-controlled initiators from selecting work . . . . .	632	\$T JOBDEF - Set job processing characteristics . . . . .	745
\$R - Route job output . . . . .	633	\$T JOBPTY(n) - Set job scheduling characteristics	750
\$R XEQ - Route specific jobs for execution . . . . .	637	\$T L(nn).JT(nn) - Specify network job transmitter characteristics . . . . .	752
\$S - Start system activity . . . . .	639	\$T L(nnnn).ST(n) - Specify network SYSOUT transmitter characteristics . . . . .	754
\$S A - Start automatic command processing . . . . .	639	\$T LINE(nnnnn) - Control a line . . . . .	758
\$S I[vvvv] - Start an initiator . . . . .	640	\$T LOADmod - Refresh a load module from storage . . . . .	766
\$S Job - Initiate a batch job into execution . . . . .	642	\$T LOGON(nnn) - Control the JES2/VTAM interface . . . . .	768
\$S Lnnnn.xxn - Start an NJE device . . . . .	645	\$T MASDEF - Control the multi-access spool environment. . . . .	771
\$S LINE(nnnn) - Start a line . . . . .	646	\$T MEMBer - Change a member's operational mode . . . . .	774
\$S LOGON - Start the JES2/VTAM interface . . . . .	647	\$T NETSRV(nnnnn) - Modify the attributes of a network server . . . . .	778
\$S N - Start node communication on a BSC line	648	\$T NJEDEF - Control JES2 network environment	780
\$S N - Start node communication on an SNA line	651	\$T NODE(jnnnnnnn) - Set the characteristics of a node . . . . .	784
\$S N - Start node communication on a TCP/IP line	653	\$T NUM - Set the JES2 internal job numbers . . . . .	795
\$S NETSRV(nnn) - Start a network server . . . . .	654	\$T O Job - Set output characteristics. . . . .	796
\$S NETWORK - Start automatic device restart and NJE connection processing . . . . .	656	\$T OFF(n).JR - Set offload job receiver characteristics . . . . .	808
\$S OFFn.xx - Start offload transmitters and receivers . . . . .	657	\$T OFF(n).JT - Set offload job transmitter characteristics . . . . .	815
\$S OFFLOADn - Start an offload device . . . . .	658	\$T OFF(n).SR - Set offload SYSOUT receiver characteristics . . . . .	823
\$S PRT(nnnnn) and \$S R(nnnnn).PR(m) - Start a printer. . . . .	659	\$T OFF(n).ST - Set offload SYSOUT transmitter characteristics . . . . .	831
\$S PUN(nn) and \$S R(nnnnn).PU(m) - Start a punch . . . . .	660	\$T OFFLOAD(n) - Set offload device characteristics	840
\$S RDRnn and \$Rnnnn.RDm - Start a reader . . . . .	661	\$T OUTCLASS(n) - Set SYSOUT class characteristics . . . . .	844
\$S RMT(nnnnn) - Automatically connect a remote terminal . . . . .	662	\$T OUTDEF - Set job output characteristics . . . . .	846
\$S SPOOL - Start a spool volume. . . . .	664	\$T OUTPTY(n) - Set output scheduling priorities	850
\$S SRVCLASS - Start JES2 processing for a given service class. . . . .	668	\$T PCE - Control JES2 processors. . . . .	852
\$S TRACE(nn) - Start a trace ID . . . . .	669	\$T PRINTDEF - Control the JES2 print environment. . . . .	857
\$S XEQ - Allow JES2 and WLM-controlled initiators to select work . . . . .	670	\$T PROCLIB(xxxxxxxx) - Modify an existing dynamic PROCLIB concatenation. . . . .	859
\$T A - Display, specify, and modify automatic commands . . . . .	671	\$T PRT(nnnnn) and \$T R(nnnnn).PR(m) - Control a printer. . . . .	863
\$T APPL - Control JES2 applications. . . . .	676	\$T PUN(nn) and \$T R(nnnnn).PU(m) - Control a punch . . . . .	886
\$T BUFDEF - Control local buffers . . . . .	679	\$T RDI - Control an internal reader . . . . .	898
\$T CKPTDEF - Set the checkpoint definition . . . . .	680		
\$T CKPTSPACE - Set the checkpoint space . . . . .	687		
\$T CONDEF - Set console communication characteristics . . . . .	688		
\$T CONNect - Change static network connections	691		
\$T DEBUG - Set the JES2 DEBUG option . . . . .	693		
\$T DESTDEF - Control JES2 symbolic destination displays . . . . .	695		
\$T DESTid - Control a JES2 symbolic destination	697		



\$T RDRnn and \$T Rnnnn.RDm - Control a reader	901
\$T RECVOpts - Set JES2 recovery options . . . . .	908
\$T REDIRect - Redirect command responses . . . . .	910
\$T RMT(nnnnn) - Change an RJE workstation . . . . .	913
\$T REQJOBID - Set JOBID attributes. . . . .	926
\$T SMFDEF - Control SMF buffers . . . . .	928
\$T SOCKET (xxxxxxx) - Control a socket . . . . .	929
\$T SPOOL - Modify a spool volume. . . . .	932
\$T SPOOLDEF - Set the JES2 spooling environment	935
\$T SRVCLASS(name) - Modify JES2 information	
for the specified service class . . . . .	940
\$T SSI(nnn) - Control the subsystem interface	
definition. . . . .	941
\$T TPDEF - Set JES2 teleprocessing characteristics	943
\$T TRACE(nn) - Modify a trace ID . . . . .	945
\$T TRACEDEF - Control the trace facility . . . . .	948
\$VS - Enter MVS system commands through JES2	949
\$Z A - Halt automatic command processing . . . . .	950
\$ZAPJOB - Remove job structure from job queue	952
\$Z I[vvvv] - Halt initiator activity . . . . .	953
\$Z NETWORK - Halt automatic network	
connection and device processing and drain NJE	
devices . . . . .	955
\$Z OFFLOADn - Halt offload activity . . . . .	956
\$Z PRT(nnnnn) and \$Z R(nnnnn).PR(m) - Halt	
printer activity . . . . .	957

\$Z PUN(nn) and \$Z R(nnnnn).PU(m) - Halt punch	
activity . . . . .	958
\$Z RDRnn - Halt reader activity . . . . .	959
\$Z SPOOL - Halt a spool volume. . . . .	960

**Appendix A. Notes about the publication index. . . . . 963**

**Appendix B. Accessibility . . . . . 965**

Accessibility features . . . . .	965
Using assistive technologies . . . . .	965
Keyboard navigation of the user interface . . . . .	965
Dotted decimal syntax diagrams . . . . .	965

**Notices . . . . . 969**

Policy for unsupported hardware. . . . .	970
Minimum supported hardware . . . . .	971
Programming Interface Information . . . . .	971
Policy for unsupported hardware. . . . .	971
Trademarks . . . . .	971

**Index . . . . . 973**



---

## Figures

1. Merge migration . . . . .	29	3. Track allocation . . . . .	32
2. Track calculation . . . . .	31	4. Specify Output Dispositions . . . . .	76



---

## Tables

1. Controlling the JES2 Environment . . . . .	1	40. Defining and Changing Applications . . . . .	83
2. Controlling Your Multi-access Spool (MAS) Environment . . . . .	1	41. Defining and Changing TCP/IP sockets . . . . .	83
3. Controlling Automatic Command Processing . . . . .	2	42. Controlling NJE Lines . . . . .	83
4. Controlling JES2 Diagnostics . . . . .	3	43. Controlling NJE Static Connections. . . . .	84
5. Controlling JES2 Spooling . . . . .	4	44. Controlling NJE Devices . . . . .	84
6. JES2/MVS Commands . . . . .	4	45. Sending Messages and Commands Through the Network . . . . .	85
7. JES2 Start Options. . . . .	7	46. Command Syntax Character Meanings . . . . .	97
8. Types of JES2 Warm Start . . . . .	12	47. Command Syntax Conventions . . . . .	97
9. Limitations on move and merge migrations . . . . .	30	48. Coding Asterisks on Initialization Statements . . . . .	106
10. Controlling the Device Environment . . . . .	33	49. Numeric Only (used for most devices, such as PRT, PUN, LINE, RMT) . . . . .	109
11. Controlling Readers . . . . .	33	50. Symbolic Only (REDIRECT, APPL, JOBCLASS, OUTCLASS, SPOOL, SRVCLASS). . . . .	110
12. Controlling Printers . . . . .	34	51. Numeric and Symbolic (NODE, MEMBER, INIT.) . . . . .	111
13. Controlling Punches . . . . .	36	52. JES2 Processing of Initiators. . . . .	112
14. Controlling the JES2/VTAM Interface . . . . .	37	53. Syntax examples . . . . .	117
15. Controlling the JES2 TCP/IP interface. . . . .	37	54. Printer Work Selection Values . . . . .	177
16. Controlling RJE Lines . . . . .	38	55. JES2 BUFSIZE Defaults for RJE Workstations . . . . .	184
17. Controlling RJE Workstations . . . . .	38	56. \$D U Messages. . . . .	498
18. Controlling Offload Devices . . . . .	39	57. Example for ROUTines parameter on \$T EXIT(nnn). . . . .	710
19. Remote Entry Restrictions (\$A-\$D). . . . .	49	58. Example for ROUTines and REFRESH parameters on \$T EXIT(nnn) . . . . .	711
20. Remote Entry Restrictions (\$E-\$O) . . . . .	50	59. JOBCLASS attribute for DSENQSHR . . . . .	738
21. Remote Entry Restrictions (\$P-\$S) . . . . .	51	60. SYSOUT Transmitter Work Selection Criteria . . . . .	754
22. Remote Entry Restrictions (\$S-\$T) . . . . .	52	61. SYSOUT Transmitter Work Selection and Output Criteria . . . . .	758
23. Remote Entry Restrictions (\$T-\$Z) . . . . .	53	62. Offload Job Transmitter Work Selection Criteria . . . . .	822
24. Displaying JES2 Job Information . . . . .	59	63. Offload SYSOUT Transmitter Work Selection Criteria . . . . .	838
25. Specifying Job Execution Characteristics . . . . .	60	64. Interaction of PRINTDEF and PRT(n) parameters that JES2 uses to calculate the output checkpoint interval . . . . .	857
26. Controlling Initiators . . . . .	60	65. Printer Work Selection Criteria. . . . .	884
27. Controlling Job Execution . . . . .	61	66. Punch Work Selection Criteria . . . . .	896
28. Holding and Releasing Jobs . . . . .	61	67. JES2 BUFSIZE Minimum Buffer Size Requirements for RJE Workstations . . . . .	918
29. Controlling Jobs at Another Node . . . . .	62		
30. Specifying Job Output Characteristics . . . . .	62		
31. Controlling Output . . . . .	63		
32. Changing Output Characteristics for SYSOUT Data . . . . .	74		
33. Controlling the Network . . . . .	81		
34. Specifying Node Characteristics. . . . .	81		
35. Starting BSC Node Communications . . . . .	82		
36. Starting SNA Node Communications . . . . .	82		
37. Starting TCP/IP Node Communications . . . . .	82		
38. Controlling the JES2/VTAM Interface . . . . .	82		
39. Controlling the JES2-TCP/IP Interface. . . . .	83		



---

## About this document

This document describes the commands that operate the JES2 element of z/OS® (5650-ZOS). Use this document with *z/OS MVS System Commands*, which provides basic MVS™ system information, in any JES2 complex that runs z/OS.

---

## Who should use this document

This document is intended for use by a system console operator who controls JES2 on a system running under MVS.

---

## Where to find more information

This document references other publications for further details about specific topics. The following table lists these publications, the abbreviated forms of their titles used throughout this document, and their order numbers.

Short Title Used in This document	Title	Order Number
<i>z/OS Communications Server: SNA Operation</i>	<i>z/OS Communications Server: SNA Operation</i>	SC27-3673
<i>z/OS Communications Server: New Function Summary</i>	<i>z/OS Communications Server: New Function Summary</i>	GC27-3664
<i>NJE with JES2 and Other Systems</i>	<i>NJE with JES2 and Other Systems</i>	GG22-9339
<i>Operator's Library: z/OS Remote Terminals (JES2)</i>	<i>Operator's Library: z/OS Remote Terminals (JES2)</i>	GC38-0228
<i>z/OS SDSF Operation and Customization</i>	<i>z/OS SDSF Operation and Customization</i>	SA23-2274

Most licensed documents were declassified in OS/390® V2R4 and are now included on the z/OS Online Library Collection, SK2T-6700. The remaining licensed documents appear in unencrypted documentManager softcopy and PDF form on the z/OS Licensed Product Library, LK2T-2499.

---

## Additional information

Additional information about z/OS elements can be found in the following documents.

Title	Order Number	Description
<i>z/OS Introduction and Release Guide</i>	GA32-0887	Describes the contents and benefits of z/OS as well as the planned packaging and delivery of this new product.
<i>z/OS Planning for Installation</i>	GA32-0890	Contains information that lets users: <ul style="list-style-type: none"><li>• Understand the content of z/OS</li><li>• Plan to get z/OS up and running</li><li>• Install the code</li><li>• Take the appropriate migration actions</li><li>• Test the z/OS system</li></ul>
<i>z/OS Information Roadmap</i>	SA23-2299	Describes the information associated with z/OS including z/OS documents and documents for the participating elements.

Title	Order Number	Description
<i>z/OS Summary of Message and Interface Changes</i>	SA23-2300	Describes the changes to messages for individual elements of z/OS. <b>Note:</b> This document is provided in softcopy only on the message bookshelf of the z/OS collection kit.



---

## How to send your comments to IBM

We appreciate your input on this publication. Feel free to comment on the clarity, accuracy, and completeness of the information or give us any other feedback that you might have.

Use one of the following methods to send us your comments:

1. Send an email to [mhvrcfs@us.ibm.com](mailto:mhvrcfs@us.ibm.com)
2. Visit the Contact z/OS web page at <http://www.ibm.com/systems/z/os/zos/webqs.html>
3. Mail the comments to the following address:  
IBM Corporation  
Attention: MHVRCFS Reader Comments  
Department H6MA, Building 707  
2455 South Road  
Poughkeepsie, NY 12601-5400  
U.S.A
4. Fax the comments to us, as follows:  
From the United States and Canada: 1+845+432-9405  
From all other countries: Your international access code +1+845+432-9405

Include the following information:

- Your name and address
- Your email address
- Your telephone or fax number
- The publication title and order number:  
z/OS V2R1.0 JES2 Commands  
SA22-7526-12
- The topic and page number related to your comment
- The text of your comment.

When you send comments to IBM, you grant IBM a nonexclusive right to use or distribute your comments in any way it believes appropriate without incurring any obligation to you.

IBM or any other organizations will only use the personal information that you supply to contact you about the issues that you submit.

---

## If you have a technical problem

Do not use the feedback methods listed above. Instead, do one of the following:

- Contact your IBM service representative
- Call IBM technical support
- Visit the IBM support portal at <http://www.ibm.com/systems/z/support/>



---

## **z/OS Version 2 Release 1 summary of changes**

See the following publications for all enhancements to z/OS Version 2 Release 1 (V2R1):

- *z/OS Migration*
- *z/OS Planning for Installation*
- *z/OS Summary of Message and Interface Changes*
- *z/OS Introduction and Release Guide*



---

## Chapter 1. Controlling JES2

This chapter describes how to:

- Start, stop, and restart JES2
- Control the JES2 processing environment independent of devices, jobs, and networks. (Chapters 2 through 4 discuss devices, jobs, and networks, respectively.) Devices, jobs, and networks are discussed respectively later.

The following tables list the tasks discussed in this chapter and provide a cross reference to the detailed descriptions of the corresponding commands.

*Table 1. Controlling the JES2 Environment*

Task	Command	Location
Start JES2 processing	\$S	"\$S - Start system activity" on page 639
Stop JES2 processing	\$P	"\$P - Stop JES2 processing" on page 588
Withdraw JES2 from the system	\$P JES2	"\$P JES2 - Withdraw JES2 from the system" on page 591
Specify the characteristics of JES2 exit points	\$T EXIT(nnn)	"\$T EXIT(nnn) - Control JES2 installation exit points" on page 709
Monitor local buffers	\$T BUFDEF	"\$T BUFDEF - Control local buffers" on page 679
Monitor SMF buffers	\$T SMFDEF	"\$T SMFDEF - Control SMF buffers" on page 928

*Table 2. Controlling Your Multi-access Spool (MAS) Environment*

Task	Command	Location
Change a member's operational mode	\$T MEMBER(memname),IND=	"\$T MEMBER - Change a member's operational mode" on page 774
Display characteristics of the MAS	\$D MASDEF	"\$D MASDEF - Display the multi-access spool environment" on page 332

Table 2. Controlling Your Multi-access Spool (MAS) Environment (continued)

Task	Command	Location
Display the status of MAS members	\$D MEMBER	"\$D MEMBer - Display information about MAS members" on page 336
Redirect responses to commands entered at the entry console	\$T REDIRECT	"\$T REDIRect - Redirect command responses" on page 910
Control the MAS environment	\$T MASDEF	"\$T MASDEF - Control the multi-access spool environment" on page 771
Display the checkpoint definition	\$D CKPTDEF	"\$D CKPTDEF - Display the checkpoint definition" on page 235
Control the checkpoint definition	\$T CKPTDEF	"\$T CKPTDEF - Set the checkpoint definition" on page 680
Restart jobs from a failed member	\$E MEMBER(member)	"\$E MEMBer - Perform cleanup for a failed MAS member" on page 520
Reset the checkpoint lock	\$E CKPTLOCK, HELDBY=	"\$E CKPTLOCK - Reset the checkpoint lock" on page 508

Table 3. Controlling Automatic Command Processing

Task	Command	Location
Display, specify, and modify automatic commands	\$T A	"\$T A - Display, specify, and modify automatic commands" on page 671
Start automatic command processing	\$S A	"\$S A - Start automatic command processing" on page 639
Halt automatic command processing	\$Z A	"\$Z A - Halt automatic command processing" on page 950

Table 3. Controlling Automatic Command Processing (continued)

Task	Command	Location
Cancel automatic commands	\$C A	"\$C A - Cancel automatic commands" on page 197

Table 4. Controlling JES2 Diagnostics

Task	Command	Location
Specify the JES2 trace environment characteristics	\$T TRACEDEF	"\$T TRACEDEF - Control the trace facility" on page 948
Activate a trace identifier	\$S TRACE(n)	"\$S TRACE(nn) - Start a trace ID" on page 669
Deactivate trace identifiers	\$P TRACE(n)	"\$P TRACE - Stop a trace ID" on page 630
Trace all JES2 processors of a given type (start/stop tracing)	\$T PCE	"\$T PCE - Control JES2 processors" on page 852
Display tracing status for JES2 processors	\$D PCE	"\$D PCE - Display status for JES2 processors" on page 414
Control subsystem interface function tracing	\$T SSI(n)	"\$T SSI(nnn) - Control the subsystem interface definition" on page 941
Control JES2 recovery options	\$T RECVOpts	"\$T RECVOpts - Set JES2 recovery options" on page 908
Control the JES2 debug option	\$T DEBUG	"\$T DEBUG - Set the JES2 DEBUG option" on page 693
Display module information	\$D MODULE	"\$D MODULE(jxxxxxx) - Display assembled module information" on page 341
Display load module information	\$D LOADMOD	"\$D L(nnnn).SR(n) - Display SYSOUT receiver status" on page 310

Table 4. Controlling JES2 Diagnostics (continued)

Task	Command	Location
Display subsystem interface function information	\$D SSI	"\$D SSI(nnn) - Display subsystem interface function information" on page 483

Table 5. Controlling JES2 Spooling

Task	Command	Location
Display spool volume usage	\$D SPOOL	"\$D SPOOL - Display the status of spool volumes" on page 469
Start a spool volume	\$S SPOOL	"\$S SPOOL - Start a spool volume" on page 664
Control the JES2 spool volume	\$T SPOOL	"\$T SPOOL - Modify a spool volume" on page 932
Control the JES2 spooling environment	\$T SPOOLDEF	"\$T SPOOLDEF - Set the JES2 spooling environment" on page 935
Drain a spool volume	\$P SPOOL	"\$P SPOOL - Drain a spool volume" on page 626
Halt a spool volume	\$Z SPOOL	"\$Z SPOOL - Halt a spool volume" on page 960

Table 6. JES2/MVS Commands

Task	Command	Location
Enter MVS system commands through JES2	\$VS	"\$VS - Enter MVS system commands through JES2" on page 949
Display operator requests	D(DISPLAY) R	"Using JES2 and MVS commands together" on page 16
Start JES2	S JES2	"Controlling the JES2 environment" on page 5
Halt the system and preserve MVS statistics and data records	HALT EOD	"Withdrawing JES2 from the system" on page 13



---

## Controlling the JES2 environment

JES2 can be started after the MVS system has been initialized. The MVS system automatically starts JES2 if your installation provides this capability. Otherwise, you must issue the START JES2 (or S JES2) command to invoke a JCL procedure in SYS1.PROCLIB that starts JES2. See *z/OS MVS System Commands* for a complete description of this command.

JES2 initialization is performed after JES2 has been started. Initiators will not accept work (process jobs) until JES2 initialization is complete. This section presents detailed information about the JES2 start processes and describes commands you can use to stop JES2, withdraw it from the system, specify exit point characteristics, and monitor buffers.

### Specifying the Start Options

When JES2 is started, it uses the specified start options to determine how it will perform the current initialization. The start options described in this section are defined by JES2. However, you can define other start options for your installation by using the scanning facility (a \$SCAN table is provided for initialization options) or an Exit 0 routine for this purpose. (See *z/OS JES2 Installation Exits* for more information about these procedures.) Unless these options are specified in the JCL procedure that is used for automatic starting of JES2, you must specify the start options from the console.

#### Starting Using a JCL Procedure

When the options are specified on the JCL procedure (on the EXEC statement) or by specifying the PARM= parameter on the MVS START command, JES2 suppresses the \$HASP426 (SPECIFY OPTIONS) message and completes initialization without operator intervention unless CONSOLE control statements have been added to the JES2 initialization data set or an initialization statement is in error. *z/OS MVS JCL Reference* gives the rules about using the MVS START command. These rules govern the use of the PARM= parameter on the EXEC JCL statement and apply to how you specify JES2 start options with a JCL procedure. The examples below illustrate both correct and incorrect use of these rules in starting JES2:

```
S JES2,PARM=(FORMAT,SPOOL=VALIDATE) ... is incorrect.
S JES2,PARM=(FORMAT,'SPOOL=VALIDATE') ... is correct.
S JES2,PARM='FORMAT,SPOOL=VALIDATE' ... is correct.
S JES2,PARM=(FORMAT,SPOOL='VALIDATE') ... is incorrect.
```

When the options are specified (from the JCL procedure or on the MVS START command), JES2 does some initial verification, and then issues the \$HASP493 message indicating that initialization has started. After it has accepted the options, JES2 reads the specified initialization data set. Message \$HASP492 indicates that initialization is complete. JES2 is then ready to start processing jobs. If the NOREQ options is specified, JES2 automatically starts processing. Otherwise, you will receive the following messages:

```
$HASP400 ENTER REQUESTS
```

This message requests the operator to use the \$S command to start JES2 processing. JES2 issues the \$HASP492 message to indicate whether initialization was performed for all members of the MAS configuration or only for the member indicated by **memname** (the member name). \$HASP492 also indicates the type of start performed to start member activity.

## Starting Using the Console

If the PARM= parameter is not specified on the MVS START command for JES2, you are choosing to start JES2 by specifying options from the console. JES2 issues message \$HASP426:

```
*id $HASP426 SPECIFY OPTIONS - JES jeslevel SSNAME=ssname
```

You should respond by using the MVS REPLY command to specify the JES2 options determined by your installation procedures. (See *z/OS MVS System Commands* for a complete description of the REPLY command.)

```
REPLY id,options
```

For example, if the *id* for a reply is "003", the \$HASP426 message is:

```
003 $HASP426 SPECIFY OPTIONS..... message
```

You would reply as follows:

```
REPLY 003,options.....
```

### Note:

1. You are only allowed to type one line on the operator console to provide the JES2 options in your reply.
2. The reply to supply options must follow the rules for JES2 initialization statements.

The examples below illustrate correct responses:

```
REPLY 003,a,b,c,d,e  
REPLY 003,'a,b,c,d,e'  
REPLY 003,a,b,x=144,d,e
```

The option table below, Table 7 on page 7, lists the JES2 start options and an explanation of each. If you respond to message \$HASP426 with the \$PJES2 command, JES2 will terminate.

If this is the first start of JES2, the following sequence applies:

1. You should specify the COLD (or FORMAT) option. If COLD (or FORMAT) is not specified, JES2 issues the following messages:

```
$HASP479 UNABLE TO OBTAIN CKPT DATA SET LOCK - I/O ERROR  
$HASP454 SHOULD JES2 BYPASS THE MULTI-MEMBER INTEGRITY LOCK?  
(Y OR N)
```

Reply Y to message \$HASP454. JES2 will then issue the following messages:

```
$HASP478 INITIAL CHECKPOINT READ IS FROM CKPTn  
(dsname ON volser)  
$HASP434 INVALID CHECKPOINT RECORD ON CKPTn DATASET  
$HASP285 JES2 CHECKPOINT RECONFIGURATION IN PROGRESS  
$HASP289 CKPT1 AND/OR CKPT2 SPECIFICATIONS ARE REQUIRED.  
$HASP272 ENTER RESPONSE
```

Reply TERM to the \$HASP289 and \$HASP272 message pair. Then you have to restart JES2 specifying the COLD (or FORMAT) option.

2. All options can be entered in uppercase or lowercase and must be separated by commas.
3. If two options are entered that are considered opposite, for example (WARM,COLD), the last option specified is the one JES uses.
4. If FORMAT is specified, the system will perform a cold start even though WARM is also specified.

The operator then enters the options using the standard reply format.

JES2 must be started and completely initialized before initiators accept work.

Table 7. JES2 Start Options

Option	Explanation
FORMAT	FORMAT specifies that JES2 is to format all existing spool volumes. If you add unformatted spool volumes, JES2 automatically formats them whether FORMAT is specified or not. When you specify FORMAT, JES2 will automatically be cold started.
<u>NOFMT</u>	<b>Note:</b> The FORMAT option is denied if this is a multi-access spool configuration, and JES2 is processing in one or more of the other members.  <b>Default:</b> NOFMT specifies that JES2 is not to format existing spool volumes unless JES2 determines that formatting is required.
COLD	COLD specifies that JES2 is to be cold started. All jobs in the member are lost.
<u>WARM</u>	<b>Note:</b> <ol style="list-style-type: none"><li>1. The COLD option is denied if this is a multi-access spool configuration and JES2 is processing in one or more of the other members.</li><li>2. If the member to be warm started is in a multi-access spool configuration with any other active members, only this member is warm started.</li><li>3. When JES2 is cold started, it will by default start with z11 functions activated unless the UNACT parameter is also specified.</li></ol> <b>Default:</b> WARM specifies that JES2 is to be warm started. JES2 will continue processing jobs from where they were stopped. If the FORMAT option was also coded, then JES2 will ignore the WARM specification and will cold start.
NOREQ	NOREQ specifies that the \$HASP400 (ENTER REQUESTS) message is to be suppressed and that JES2 is to automatically start processing when initialization is complete.
<u>REQ</u>	<b>Default:</b> REQ specifies that the \$HASP400 (ENTER REQUESTS) message is to be written at the console. This message allows the operator to restore the MVS environment (VTAM, for example) to what it was before the preceding shutdown and start JES2 processing with the \$\$ command.

This can be overridden with OPTSDEF.

Table 7. JES2 Start Options (continued)

Option	Explanation
NOLIST	<p>NOLIST specifies that JES2 is not to print the contents of the initialization data set or any error flags that occur during initialization. If you specify NOLIST, JES2 ignores any LIST control statements in the initialization data set. The <i>z/OS JES2 Initialization and Tuning Reference</i> presents an example of an initialization data set listing produced by using the list option.</p>
<u>LIST</u>	<p><b>Default:</b> LIST specifies that JES2 is to print all the statements in the initialization data set and any error flags that occur during initialization. (JES2 prints these statements if a printer is defined for that purpose when JES2 is started.) LIST will not print any statements that follow a NOLIST control statement in the initialization data set.</p>
	<p>This can be overridden with OPTSDEF.</p>
NOLOG	<p>NOLOG specifies that JES2 is not to copy initialization statements or initialization errors to the HARDCPY console. If you specify NOLOG, JES2 ignores LOG control statements in the initialization data set.</p>
<u>LOG</u>	<p><b>Default:</b> LOG specifies that JES2 is to honor any LOG statements in the initialization data set.</p>
	<p>This can be overridden with OPTSDEF.</p>
SPOOL=VALIDATE	<p>VALIDATE specifies that the track group map is validated on a JES2 all-member warm start in addition to the 7-day, ongoing track group validation cycle.</p>
SPOOL= <u>NOVALIDATE</u>	<p>This option when used in conjunction with job queue validation is useful for several special situations that require immediate track group map validation. Refer to the <i>z/OS JES2 Initialization and Tuning Guide</i> for a further discussion of using SPOOL=VALIDATE.</p>
	<p><b>Default:</b> SPOOL=NOVALIDATE specifies that the track group map is not validated when JES2 restarts (single-member and all-member warm start and hot start).</p>
CKPT1	<p>CKPT1 specifies that JES2 reads the CKPT1 data set as the source of the checkpoint data for building the JES2 work queues. CKPT2 specifies that JES2 reads the CKPT2 data set as the source of checkpoint data for building the JES2 work queues.</p>
CKPT2	<p><b>Note:</b> This option is valid only on an all-member warm start.</p>
	<p><b>Default:</b> If you do not specify this option, JES2 determines which checkpoint data set to initially read based on information in the checkpoint data set.</p>
	<p>This can be overridden with OPTSDEF or CKPTDEF.</p>

Table 7. JES2 Start Options (continued)

Option	Explanation
RECONFIG	<p>RECONFIG specifies that JES2 will use the checkpoint data set definitions as specified on the CKPTDEF statement in the initialization data set. JES2 overrides any modifications to the checkpoint data set definitions previously made either by the \$T CKPTDEF command or through the use of the checkpoint reconfiguration dialog. Specifying RECONFIG will also cause JES2 to enter the reconfiguration dialog during initialization; and issue message \$HASP289 CKPT1 AND/OR CKPT2 SPECIFICATIONS ARE REQUIRED. <b>The CKPTDEF statement definition cannot contain the most current checkpoint definition if you have previously reconfigured your checkpoint configuration through the checkpoint reconfiguration dialog because changes made through the dialog are not saved in the input stream data set.</b></p> <p><b>Note:</b></p> <ol style="list-style-type: none"> <li>1. This option is valid only on an all-member warm start.</li> <li>2. Specifying PARM=RECONFIG has the same affect as specifying RECONFIG=YES on the CKPTDEF initialization statement.</li> </ol>
HASPPARM=ddname	<p>HASPPARM=ddname specifies the name of the data definition (DD) statement that defines the data set containing the initialization statements that JES2 is to use for this initialization.</p> <p><i>Default:</i> HASPPARM=<u>HASPPARM</u> specifies that JES2 is to be initialized using the initialization statements in the data set defined by the HASPPARM DD statement in the JES2 procedure.</p> <p>Mutually exclusive with MEMBER=.</p>
HASPPARM= <u>HASPPARM</u>	
MEMBER=memname or PARMLIB_MEMBER=memname	<p>MEMBER=memname specifies the member of the default PARMLIB concatenation containing the initialization statments that JES2 is to use for this initialization. PARMLIB_MEMBER= is a synonym for MEMBER=.</p> <p>MEMBER is mutually exclusive with HASPPARM=. The order of processing is:</p> <ol style="list-style-type: none"> <li>1. MEMBER= if specified</li> <li>2. HASPPARM= if specified</li> <li>3. default HASPPARM=HASPPARM if DD can be opened</li> <li>4. default MEMBER=HASjesx member of the default PARMLIB concatenation</li> </ol>
MEMBER= <u>HASjesx</u>	
CONSOLE	<p>Causes JES2 to simulate receiving a CONSOLE initialization statement after all initialization statements are processed. That is, if CONSOLE is specified, JES2 will divert to the operator console for further parameter input after all PARMLIB parameter input is exhausted. (Refer to the CONSOLE initialization control statement, above, for further information.)</p> <p>This can be overridden with OPTSDEF.</p>

Table 7. JES2 Start Options (continued)

Option	Explanation
NONE	NONE, U, or N character specifies that JES2 is to use all the default start options. There is no difference between these three options. These options are equivalent. When NONE, U, or N is specified, JES2 uses the default start options which are:
U	
N	<ul style="list-style-type: none"><li>• NOFMT</li><li>• WARM</li><li>• REQ</li><li>• LIST</li><li>• LOG</li></ul>
UNACT	UNACT unactivates the new JES2 functions introduced in z/OS Version 1 Release 11. This option reverses the ACTIVATE level=z11 setting. It can be used on an all-member WARM or HOT start or a COLD start.  <i>Default:</i> On a WARM or HOT start, JES2 takes no action and the checkpoint release level stays at the previous setting. On a COLD start, JES2 starts in z/OS Version 1 Release 11 (z11) mode.
\$P JES2	If specified, instructs JES2 to terminate immediately.

## Displaying JES2 status

Once JES2 has been started, you can display the status of the JES2 subsystem using the MVS DISPLAY command. For a description of the DISPLAY command, see *z/OS MVS System Commands*.

JES2 status information is also maintained by a JES2 monitor address space. The \$JD STATUS command can be used to display any problems JES2 might be experiencing. The \$D JES2 command can be used to display the current activity in the JES2 address space.

## Restarting JES2

JES2 may be either cold started or warm started, depending on the current environment. You can specify the type of start (COLD or WARM) on the MVS START command, or in response to the \$HASP426 SPECIFY OPTIONS message. (See “Specifying the Start Options” on page 5 for information about how to specify JES2 options.) Specifying WARM can result in a hot start or quick start, as described below and summarized in Table 8 on page 12.

### Cold start

If you want to specify the COLD and/or FORMAT initialization options (both of which result in a cold start of JES2), you must IPL the system before you issue the MVS START command, unless you stopped the previous JES2 with a \$P JES2 operator command. Implement a cold start with caution because it results in the re-initialization of all JES2 job and output queues. This means all job queue entries and job output elements are cleared and formatted.

If you specify the FORMAT initialization option, JES2 formats all existing spool volumes. Otherwise, JES2 formats any spool volumes it determines are

unformatted. No other member in a MAS configuration can be active during a cold start or JES2 will terminate with an error message.

You invoke one of the remaining initialization processes as a result of specifying the WARM initialization option without the FORMAT option. If you specify the FORMAT option, JES2 automatically performs a cold start.

### **Warm start**

The warm start initialization process applies to:

- Single member
- All members in a MAS configuration.

When you use the warm start initialization process to start a single member the warm start is referred to as a **single-member** warm start. During a single-member warm start, JES2 only re-queues jobs that were previously active on the member.

A single-member warm start occurs if *all* of the following is true:

- This member abnormally terminated.
- This member is not the first member in the MAS configuration to be started.
- You IPL the system before issuing the MVS START command for JES2.

When you start the first member in a MAS configuration that is being initialized after an IPL or clean shutdown of JES2 (\$P JES2), the warm start is referred to as an **all-member** warm start.

An all-member warm start applies to every member of the MAS configuration. Because no other member is currently using the checkpoint data set, this is the only time that activities such as verifying internal control blocks for all jobs in the MAS configuration may occur. All jobs that were previously active on any processor are re-queued to their respective queues.

**Hot start:** A hot start is a warm start of an abnormally terminated JES2 member without an intervening IPL. JES2 performs a hot start when a particular JES2 member has stopped but other systems have continued to function and have not experienced problems. When JES2 hot starts, all address spaces continue to execute as if JES2 had never terminated. Jobs that were processing on output devices are re-queued as if a \$I command had been issued. Jobs on input devices must be resubmitted and lines must be restarted. Hot starts have no affect on other members in a MAS configuration.

**Quick start:** A quick start occurs if you request a warm start and JES2 determines that job queue and job output table updating is not necessary. This can occur in these cases:

- The previous JES2 was stopped by a \$P JES2 command and this is not the first member (or only member) in the MAS configuration to start. Because all work is quiesced, there is no need to update the job queue or job output table before restarting.
- An all-member warm start has been performed (which processes all jobs) and this member is already defined to the MAS configuration. There is no need to update the job queues or job output table.
- This member abnormally terminated and a \$E MEMBER(member) command was issued from another member in the MAS configuration. This gives the issuing member the ability to:
  - Process any jobs that had a specific affinity for the member being reset.

- Process any output for the reset member.
- Restart any jobs that were interrupted on the reset member.
- Dynamically add a new member to a multi-access spool configuration. A new member is defined as a member that has a NAME (on the MEMBER statement) that has not been previously defined to the MAS.

**\$E MEMBER command start:** In addition to the above method of restarting JES2, a restart of work on the failed member can be performed on any other active member in the configuration by the AUTOEMEM facility or by entering the \$E MEMBER command. In-process work on the specified member is recovered and made available for selection by other members of the configuration, subject to affinity for execution restart.

The following table summarizes the type of start performed in a given environment and situation when you request a warm start. In the table, "JES2 Terminates Normally" infers that the operator enters a \$P JES2 command; "JES2 Terminates Abnormally" infers that the operator enters a \$P JES2,ABEND[,FORCE] command or JES2 terminates abnormally.

Table 8. Types of JES2 Warm Start

Environment:	JES2 Terminates:			
	Normally with IPL	Normally without IPL	Abnormally with IPL	Abnormally without IPL
First member starting (single member or MAS complex)	All-member warm start	All-member warm start	All-member warm start	Hot start
Another member joining an already-running MAS complex	Quick start	Quick start	Single-member warm start **	Hot start *
* Assuming no \$E MEMBER from another member. If \$E MEMBER was issued, a hot start will be denied (\$HASP490) and an IPL is required.				
** Assuming no \$E MEMBER from another member (or AUTOEMEM option) from another member. If \$E MEMBER was issued, a quick start results.				

## Warm start processing considerations

You must consider the following when performing a JES2 warm start:

### Spool volumes

No new spool volumes can be added during a warm start of JES2; they must be added with the start spool (\$S SPOOL) command. A volume may be removed using the drain spool (\$P SPOOL) or halt spool (\$Z SPOOL) operator command.

### Reestablishing the previous environment

It is recommended that you specify the REQ initialization option when performing a warm start. This option gives you the chance to reestablish the processing environment that existed before JES2 terminated (by restoring the VTAM® environment, restoring the TCAS environment, and/or modifying the MVS environment) before starting JES2 processing.

### Job status

Any jobs being read into the system when it failed must be resubmitted by the originator of the job. Those jobs awaiting execution, and completed jobs



awaiting output processing, are unaffected by the system failure. Jobs active on printers or punches are returned to the hardcopy queue, and will start at the latest checkpoint when selected.

JES2 examines jobs interrupted during execution to determine which are eligible for restart. (For a discussion of job restart eligibility, see *z/OS JES2 Initialization and Tuning Reference*.) The following message is displayed for each eligible job:

```
*id IEF225D SHOULD jobname.stepname.procedure [ checkid ] RESTART
```

If you reply:

**YES**

The job is restarted.

**NO** The job is queued for output or queued for re-execution (if the RESTART option was specified on the job's /\*JOBPARM statement).

**HOLD**

The job is placed in hold status, to be restarted when it is released.

Once you have determined that the system is ready to resume processing, enter the \$S command (unless NOREQ was specified).

## Stopping JES2

Before stopping JES2, issue the \$P command to stop all JES2 processing. System initiators, printers, punches, job transmitters, and SYSOUT transmitters will not accept any new work and will become inactive after completing their current activity. However, new jobs will be accepted through input devices; JES2 issues message \$HASP099 ALL AVAILABLE FUNCTIONS COMPLETE when JES2 has stopped processing.

## Withdrawing JES2 from the system

Once JES2 processing is complete, you can issue the \$P JES2 command to withdraw JES2 from the system to which the entering console is attached. Specifying \$P JES2 also turns off event tracing with essentially the same results as specifying \$T TRACEDEF,ACTIVE=NO. You can later return JES2 to the system by issuing the MVS START command, which invokes a procedure in SYS1.PROCLIB that contains the JCL necessary to start JES2. If any jobs are being processed or any devices active, the \$P JES2 command is processed as a \$P command (which can be restarted by \$S) and drains JES2 work from the system.

When it is not possible to drain the JES2 member, the command response (\$HASP608 message) from a \$P JES2 command will provide a detailed list of reasons why JES2 was not withdrawn. However, it is not necessary to issue the \$P JES2 command to obtain this list. You can issue the \$D JES2 command to obtain the same list of reasons why JES2 is not withdrawn as a result of a \$P JES2 command. If no activity is detected, the \$HASP608 message will display ALL AVAILABLE FUNCTIONS COMPLETE.

After a successful \$P JES2 command, JES2 termination processing may still need to wait for processes to complete. One item is that JES2 termination will wait for request jobid address spaces to perform the corresponding return jobid. The \$HASP715 message will display request jobid address spaces that must perform a return jobid before JES2 termination processing may proceed.

After a successful \$P JES2 command, it is also possible for you to receive a \$HASP714 message that indicates there are nnnnnnnn address space(s) other than

JES2 which are preventing JES2 termination. This message will continue to be displayed until JES2 is able to shut down, or until JES2 detects that there is no progress being made in address space termination. In this case, a dump is taken of the address space(s) that are preventing JES2 termination. Note that if you receive the "DUMP INITIATED" form of \$HASP714 and a dump was not taken, this indicates that JES2 termination is proceeding as intended.

If it is not possible or reasonable to drain the JES2 member (for example, due to large numbers of lines, jobs, and remotes; or, if you plan to restart JES2 using a hot start) you can specify \$P JES2,ABEND. The ABEND parameter forces JES2 termination regardless of any JES2 or system activity. If the checkpoint resides on a coupling facility structure and the member is processing a write request, JES2 issues the \$HASP552 message and delays the \$P command until the checkpoint write has completed. Before issuing the \$P JES2,ABEND command, you may wish to display current activity using the \$D A or \$D U commands.

If the \$P JES2,ABEND command does not successfully terminate JES2, you can also specify the FORCE parameter. The \$PJES2,ABEND,FORCE command results in a call to the recovery termination manager (RTM) to terminate the JES2 address space. Because the FORCE parameter can cause unpredictable results, always attempt to enter the \$P JES2,ABEND command first. If you enter the \$P JES2,ABEND,FORCE command before entering \$P JES2,ABEND, JES2 issues the \$HASP553 message and ignores the entire command.

To withdraw JES2 from a system involved in cross-system activity, you can issue the \$P JES2, QUICK command. Cross-system activity occurs when a user on one JES2 subsystem requests a cross-system function from another JES2 subsystem within the same poly-JES2 environment (An MVS system in which more than one JES2 is running concurrently). This option deletes the control blocks for the request submitted by the user who requested cross-system function. Before using the QUICK keyword on the \$P JES2 command, you should send a message to the user asking them to end their cross-system activity.

After the \$P JES2 command completes processing, issue the HALT EOD command if you are planning to turn the system over for software or hardware maintenance. Issuing the HALT EOD command ensures that important statistics and data records in storage are not permanently lost. Refer to *z/OS MVS System Commands* for further information regarding system action.

## Specifying JES2 exit point characteristics

JES2 allows the system programmer to add functions or modify processing by writing exits to be executed at certain points during JES2 processing. You can use the \$T EXIT(nnn) command to control the invocation, processing, and tracing of JES2 installation exit points. (The *nnn* subscript defines the exit points affected by this command.) The STATUS parameter specifies whether the exit points are enabled or disabled. The TRACE parameter specifies whether the exit points are traced. The ROUTINES parameter associates the list of routines with an exit point to be changed. The REFRESH parameter can change the list of routines associated with an exit point by considering the state of the modules in which the routines reside.

## Monitoring buffers

All JES2 buffers are maintained in a dynamic pool until required by an active function. The BUFDEF initialization statement defines the number of local I/O buffers to be acquired by JES2 (10 to 2000). To help you tune your system, you

may wish to closely monitor local buffer usage during JES2 processing by issuing the \$T BUFDEF command. (For performance considerations associated with buffer usage, see *z/OS JES2 Initialization and Tuning Reference*.)

Use the \$T BUFDEF command to specify the percentage of local buffers used at which JES2 alerts you of a local buffer shortage. The \$HASP840 message displays the number of local buffers in use, the number currently free, and the percentage of usage at which you are alerted.

Use the \$T SMFDEF command to monitor SMF buffers in the same manner. The \$HASP841 message displays the current values of all the parameters on the SMFDEF initialization statement when you enter the \$T SMFDEF command. The \$HASP050 message alerts you of a shortage of either SMF buffers or local buffers. JES2 deletes this message when the resource shortage is relieved (by a decrease in resource use or an increase in the threshold).

---

## Controlling your MAS environment

JES2 provides commands you can use to control your multi-access spool configuration. You can place a member in independent mode to process jobs separately from other members. Displaying the status and settings of members in the MAS configuration enables you to change specifications to modify job execution.

You can specify the processing characteristics of MAS members and control the JES2 checkpointing mechanism, which enables you to restart or duplicate processing. JES2 allows you to reset the checkpoint lock if a member in the MAS configuration should fail while holding the lock. Additionally, you can make the failed member's jobs eligible for restart on other members.

This section describes the commands you use to perform these functions to control your MAS environment.

### Using independent-mode processing

During processing, your installation may want to test a new system or make modifications to an existing system without disrupting the other processors or their workloads. The \$T MEMBER(memname),IND= command allows you to change the operational mode of the system on which the command is entered. Specifically, you may set a member within a MAS configuration to independent mode so that it may operate independently of the configuration.

A processor designated as operating in independent mode processes only jobs that are routed to it and designated to execute on a processor in independent mode. Non-independent mode jobs that try to execute on that processor can not do so until the processor is taken out of independent mode. The spool volumes are still shared with other processors in the MAS configuration.

### Displaying MAS status and settings

In order to control your MAS environment, you must know its present status and settings. You can issue the \$D MASDEF command to display the characteristics of the MAS configuration. The \$HASP843 message displays information including the time limits on maintaining control of the checkpoint data set, and whether a member can reset the checkpoint data set automatically.

The \$D MASDEF command also provides a means of determining what member owns the checkpoint data set lock, and if a member is actively updating the checkpoint data set. The RSVHELD parameter displays the member that has access to the checkpoint data set, but is not actively updating the data set; the QUESHELD parameter displays the member that has access to the checkpoint data set, and is actively updating the data set.

Use the \$D MEMBER command to list the status of the members in the MAS configuration. The \$HASP673 message displays information including the member name, the MVS system name, and the status of each member.

You can use the \$D command at any time during processing to display the current settings of JES2 initialization statement parameters. If you specify only the statement name, JES2 will display all of the parameters defined on that statement. If you want to display only certain parameters, you must specify the statement name followed by the parameters requested, separated by commas. Because the \$D command allows you to examine the controls in effect, it is recommended that you use this command before making any modifications with the \$T command.

You can route the output of certain \$D commands to an alternate area and/or console. The \$ADD REDIRECT command allows you to specify on which consoles such output can be displayed. For a list of the supported parameters for this command, see the description of the \$ADD REDIRECT command. The \$D REDIRECT command allows you to display the redirection that is already in effect on the member. For a list of the supported parameters for this command, see the description of the \$D REDIRECT command. You can alter the REDIRECT initialization statement and specify different consoles for output by issuing the \$T REDIRECT command. For a list of the supported parameters for this command, see the description of the \$T REDIRECT command. *z/OS JES2 Initialization and Tuning Reference* contains a complete description of the REDIRECT initialization statement.

## Using JES2 and MVS commands together

Use the JES2 \$VS command to enter MVS system commands as automatic commands or in a job stream.

The MVS D (DISPLAY) R command is a JES2-associated command you may issue from the operator console to display a list of JES2 operator requests that have not yet been fulfilled. It specifies that JES2 is to display the text of any message awaiting reply if the message identifier begins with \$HASP where \$ is the defined console character. To display messages awaiting a reply, enter the following:

```
D R, ,MSG=$HASP
```

Note that if the installation changes the console character (as defined on CONDEF CONCHAR), that value must be used instead. See *z/OS MVS System Commands* for a description of other operands you may specify on this command.

You can use the MVS ROUTE command to send a JES2 command to one or more systems in a sysplex. Use the ROUTE command, for example, to change initialization definitions, to control JES2 installation exit points (\$T EXIT) or to define a VTAM application to JES2 (\$ADD APPL). To route a JES2 command (such as \$ADD APPL) to all systems in a sysplex, enter the following:

```
ROUTE *ALL,$ADD APPL
```

In some cases, however, you should not route commands to more than one system. For example, you would not route a command

- If the routed command results in a WTOR.
- If the routed command displays an excessive amount of data.

For more information about the ROUTE command, see *z/OS MVS System Commands*.

### Using the MVS ROUTE \*ALL to expand the scope of a command

Some commands display information or affect the entire MAS, while others display information or affect only the member where the command is issued.

You might want to expand the scope of a command that affects only that single member to all members of the MAS. If so, you can use the MVS ROUTE \*ALL command to issue a command to all active members of the MAS.

However, to use the ROUTE \*ALL command to send a command to all members of the MAS, each member of the MAS must have the same console character. See the CONCHAR parameter on the CONDEF initialization statement or the \$T CONDEF command for information about setting the console character.

Each command includes a description of the scope of that command.

## Changing MAS settings

During execution it is sometimes necessary or desirable to change certain JES2 specifications. For example, you may want to redefine processing characteristics to favor a different workload from the current one. Also, when the MAS configuration grows, the associated values must be changed as well.

Use the \$T command to define and change most initialization statement parameters. The new specifications take effect when jobs enter their next phase of JES2 processing. However, these modifications are not checkpointed, and are not carried across a restart of JES2 (that is, &SYS1.&PARMLIB. is not updated).

This section describes the \$T commands associated with the general JES2 processing environment. Chapters 2, 3, and 4 describe initialization statements associated with devices, jobs, and networks, respectively.

### Controlling the checkpoint definition

The JES2 checkpointing mechanism preserves processing information during a program's operation to allow that processing to be restarted or duplicated. Your checkpoint configuration can be set up in either of two modes: DUPLEX or DUAL. DUPLEX mode processing allows MAS configuration members to maintain a primary checkpoint data set (CKPT1) and, optionally, a backup checkpoint data set (CKPT2). DUAL mode processing uses the same two checkpoint data sets in a "flip-flop" scheme designed to aid system performance. DUAL mode processing is recommended for installations with high checkpoint data set I/O.

If one or both checkpoint data sets at your installation reside on a coupling facility structure instead of on DASD, you cannot use DUAL mode; JES2 processing forces

the mode to DUPLEX. For a more detailed discussion of both DUPLEX and DUAL mode processing, refer to *z/OS JES2 Initialization and Tuning Guide*.

### **Specifying MAS definition parameters and initiating a checkpoint**

**reconfiguration dialog:** You control the use of the checkpoint data set by specifying parameters on the \$T MASDEF and \$T CKPTDEF commands. The \$T MASDEF command allows you to specify MAS definition and tuning parameters. You can specify the minimum and maximum time a MAS member must wait to regain control of the checkpoint data set, how long that member can have control, and at what time interval JES2 determines that a lockout condition exists. You can also specify whether direct access volumes should be marked “shared” or “non-shared”, and at what time interval JES2 assumes that a MAS member is inoperative.

You can use the \$T CKPTDEF command to specify the checkpoint definition and to initiate a checkpoint reconfiguration dialog with JES2. Specify ON or OFF on the DUPLEX parameter to tell JES2 whether CKPT2 is used as a backup of the CKPT1 data set. You may specify that alternate data sets be used in place of the CKPT1 and CKPT2 data sets. The RECONFIG=Y parameter puts JES2 in a dialog so that you can supply the information necessary to reconfigure the checkpoint data set specifications.

*z/OS JES2 Initialization and Tuning Guide* provides several examples of JES2- and operator-initiated checkpoint failure and recovery procedures. It is highly recommended that you familiarize yourself with these dialogs and procedures before attempting to reconfigure the checkpoint environment.

## **Making jobs eligible to restart**

When a checkpoint data set resides on a coupling facility structure instead of on a DASD volume, neither the software checkpoint lock nor the hardware lock are set. Therefore, neither lock has to be released. However, the jobs from the failed processor must be requeued for execution on an active member of the MAS.

When a JES2 member of a MAS configuration fails while holding the software checkpoint lock, other members within the configuration cannot access the checkpoint data set. JES2 issues the message:

```
$HASP264 WAITING FOR RELEASE OF JES2 CKPT LOCK BY memname.
```

To make jobs from a failed JES2 member eligible for restart on another member when both the MVS system and the JES2 subsystem fail, the hardware lock (if held) must be reset and the software checkpoint lock must be reset. If the JES2 subsystem fails and the MVS system continues to run jobs, reset the software lock and restart the JES2 subsystem. After resetting both the hardware and the software checkpoint lock, jobs become eligible for restart:

- Through the use of operator commands.
- Through the use of the AUTOEMEM option.

**Using operator commands:** To make jobs eligible for restart without the AUTOEMEM option (when the JES2 checkpoint data set resides on DASD) an operator must:

- Reset the hardware checkpoint lock.
- Enter the \$E CKPTLOCK, HELDBY= command to reset the software checkpoint lock, if it is held by the failed member.

- Enter the **\$E MEMBER(member)** to requeue jobs for restart on another JES2 MAS member.

**Note:** When a checkpoint resides on a coupling facility structure, you must still enter the **\$E MEMBER(member)** to requeue jobs.

**Using the AUTOEMEM Option:** In a sysplex, JES2 members of a MAS can take advantage of the AUTOEMEM option to make jobs eligible for restart, with minimal operator intervention. The option can be specified on the MASDEF initialization statement (or dynamically through the \$T MASDEF command):

- AUTOEMEM=YES
- RESTART=YES|NO

For a more complete understanding of the AUTOEMEM option, see *z/OS JES2 Initialization and Tuning Guide*.

---

## Controlling automatic command processing

You can specify, from the console or through a local reader, that certain commands or strings of commands take effect automatically at specific times or at regular intervals. Automatic command processing can be used to provide status displays and to lessen your work for common, preset routines or schedules.

You use the \$T A command to display, specify, and modify automatic commands. \$S A starts automatic command processing; \$Z A halts automatic command processing until you wish to restart it; \$C A cancels further automatic command processing.

Because automatic commands are executed at system speed, commands may congest the system or messages may flood the console. If this occurs, you can try submitting the commands in a different sequence.

Automatic command processing can also terminate itself prematurely under the following conditions:

- If you enter the \$Z A command and then let 24 hours or more elapse without restarting it.
- If the system becomes so congested that the automatic commands are delayed approximately five minutes.
- If your specified start time does not include an hour specification, the command is issued and then cancelled.

For examples and more information about automatic command processing, see *z/OS JES2 Initialization and Tuning Reference*.

---

## Controlling JES2 diagnostics

This section describes those commands that enable you to trace JES2 processing and diagnose JES2 problems. You can:

- Control JES2 tracing
- Recover from errors
- Debug errors.

## Controlling JES2 tracing

Tracing of JES2 processing is done by activating IBM® or installation trace points in the code. Trace points may be put into the code to save register contents and data. Initialize tracing by specifying parameters on the TRACE(n), TRACEDEF, SSI(n), and device initialization statements. Traced data can be accessed in formatted system output and through a dump of unformatted trace tables residing in CSA storage.

Enter the \$T TRACEDEF command to start the trace facility. This command allows you to specify the JES2 environment characteristics. The \$S TRACE(n) and \$P TRACE(n) allow you to activate and deactivate specific trace identifiers, which relate to events to be traced. For a list of the trace identifiers and their associated meanings, see *z/OS JES2 Diagnosis*.

You can trace all processors of a given type using the \$T PCE command. This command allows you to start or stop tracing for a particular processor. The \$D PCE command displays the tracing status for JES2 processors.

To start or stop tracing for a subsystem interface function, enter the \$T SSI(n) command. For more information about the SSI functions that are intended for customer use, and their associated meanings, see *z/OS MVS Using the Subsystem Interface*.

## Recovering from errors

JES2 provides several recovery routines to isolate the effects of JES2 programming errors. A JES2 processor can specify a processor recovery routine to be given control when an error occurs.

Until an installation-specified error rate is reached, recovery is automatically attempted and a dump issued. When the error rate threshold has been reached or exceeded, you are required to authorize the recovery attempt. You can also suppress the dump. The error rate threshold is specified on the RECVOPTS initialization statement.

When an error occurs, JES2 issues the \$HASP095 message to describe the error. When the error rate is reached, JES2 issues \$HASP070 SPECIFY RECOVERY OPTIONS - ('RECOVER' OR 'TERMINATE' OR 'SNAP', AND, OPTIONALLY, 'NODUMP').

Use the \$T RECVOpts(type) command to specify the error rate threshold below which automatic SVC dumps are issued and to specify the rate below which you are not involved in the recovery process. The **(type)** parameter specifies the type of recovery for which you will *not* receive the \$HASP070 message.

For problems in JES2 that require recovery, prepare recovery actions for the following items:

- Problems during JES2 initialization. See “Problems during JES2 Initialization” on page 21.
- Errors in the spool data set or in checkpoint input/output (I/O). See “Errors in Spool Data Set or Checkpoint I/O” on page 21.
- Errors in Remote Job Entry (RJE). See “Errors in Remote Job Entry (RJE)” on page 22.
- Errors in Network Job Entry (NJE). See “Errors in Network Job Entry (NJE)” on page 23.



## Reference Books

See the following books:

- *z/OS JES2 Commands* for the commands
- *z/OS JES2 Diagnosis* for the DEBUG facility

## Problems during JES2 Initialization

Problems can occur during JES2 initialization. The symptoms are:

- JES2 abnormally ends with a 4-digit decimal user completion code of \$ddd.
- JES2 fails to initialize.

### Recovery Actions for a JES2 Initialization Problem:

#### About this task

1. If you manually entered the START JES2 command, check it. If the command is in error, reenter it correctly.
2. Enter a DISPLAY JOBS,LIST command to look for tasks on the started task queue. In the display message IEE104I or IEE105I, look for STARTING in place of a job or step name. (Note that STARTING can also appear if the system cannot locate the procedure specified on a START command.) If STARTING appears, reenter the START JES2 command.
3. If JES2 still fails to initialize, re-IPL the system. Disable exits 0 and 19, if present, and any exits changed since the last JES2 start. The error causing the problem is probably in a changed exit.

If the system programmer asks for problem data, do the following, as requested:

1. Restart JES2 with the LIST option. This option writes the JES2 initialization stream to the device defined on the JES2 procedure.
2. Restart JES2 with the following trace identifiers enabled: 1, 2, 3, 6, 7, 11, 12, 13, 17, 18, 19, and 20.
3. Turn on the DEBUG facility.

## Errors in Spool Data Set or Checkpoint I/O

Errors on a spool data set cause problems in applications running on the system and for users. Checkpoint I/O errors will impact the system, unless the system runs in backup checkpoint mode. Symptoms of these errors are:

- I/O error messages indicate the spool or checkpoint data set.
- A printer rejects selected work and marks it non-selectable.
- JES2 displays the checkpoint reconfiguration dialog.
- JES2 issues \$HASP095 message.
- JES2 issues \$HASP096 message followed by \$HASP185.
- JES2 issues \$HASP289 message during JES2 initialization.
- JES2 marks jobs as non-selectable because of I/O errors when a JES2 processor selects work.

### Recovery Actions for a JES2 Spool or Checkpoint I/O Problem:

## About this task

1. If the problem occurred during JES2 initialization and message \$HASP289 was issued, reply TERM. Then restart JES2 with the RECONFIG start option.
2. If the problem is in the checkpoint data set, do the following:
  - a. Make sure that the checkpoint data set was allocated with DSORG=PSU.
  - b. Make sure that defragmentation programs were not run against volumes containing the checkpoint data set. Defragmenting a checkpoint volume is a prime cause of spool problems.
  - c. If JES2 displays the reconfiguration dialog, the problem is in a backup checkpoint data set. Replace the damaged data set as soon as is convenient.
3. If the problem is in the spool volume, enter a \$ZSPL command for each volume that is in error. This will do the following:
  - Prevent JES2 from trying to allocate any more space from the volume.
  - Prevent all jobs that currently have space allocated from the volume from being selected for work (conversion, execution, printing).

If a system-wide warm start is done eventually without the volumes that had errors, JES2 issues the following messages:

```
HASP424 volume NOT MOUNTED  
HASP853 REPLY GO, QUIT, OR PURGE.
```

Do one of the following:

- If the volume is thought to be recoverable, reply GO. This will cause the volume to come up in an inactive state. The jobs that have space allocated from this volume will not be available for work (same as above after issuing \$ZSPL). JES2 will not attempt to use any space from the volume until a \$SSPL command is entered.
- If the volume is permanently damaged, reply PURGE to this message. Reply PURGE only if you are certain that the volume cannot be recovered. Replying PURGE will cause all jobs with any space allocated from the volume to be purged. The system issues no messages or warnings to indicate that this has happened.

## Errors in Remote Job Entry (RJE)

Common problems in installations that can receive jobs submitted from remote work stations and send the output to the work stations are:

- A remote work station cannot establish contact with the host.
- An I/O error occurs on the RJE lines.
- Output for a remote work station remains in the spool data set, so that output cannot reach the remote work station.
- A remote work station receives incorrect or garbled output.
- A remote work station incorrectly floods the host with input that is destined for another node.

### Recovery Actions for an RJE Problem:

#### About this task

1. Remove the affected line or lines from use.
2. Restart the RJE on a different line, if available.
3. Check the host and remote modems and communication controllers for the affected line or lines. Contact hardware support for any problems.
4. If a remote work station incorrectly sends input to the host, check the destination for the input. Ensure that the destination is operative.
5. Contact the long-line carrier, if the problem is not in equipment at either end of the line.

## Errors in Network Job Entry (NJE)

Common problems in installations with network job entry nodes are:

- A remote node cannot establish contact with another node.
- An I/O error occurs on the NJE lines.
- Output for a node remains in the spool data set.
- A node receives incorrect or garbled output.
- One node incorrectly floods another node with input that is destined for a third node.
- Output cannot reach a node.

### Recovery Actions for an NJE Problem:

#### About this task

1. Remove the affected node or nodes and the affected line or lines from use.
2. Restart the node on a different line, if available.
3. Check the Virtual Telecommunications Access Method (VTAM) definition of the nodes. Correct it, if needed.
4. Check the modems and communication controllers for the affected line or lines. Contact hardware support for any problems.
5. If a node incorrectly sends input to another node, check the destination for the input. Ensure that the destination is operative.
6. Contact the long-line carrier, if the problem is not in equipment at either end of the line.

## Debugging errors

The DEBUG facility can be used to trap incorrect alterations of checkpoint data (using `DEBUG=Y|N`), and it can be used (if additional parameters are included with the command) to record certain JES2 events and activities. For example, you can specify whether to count certain events, provide certain `$HASP095` error information to the operator, verify the integrity of a newly created checkpoint version, or, start or stop monitoring updates made to the checkpoint data set. The information collected from the monitoring can be made available through a dump of the JES2 address space.

**Note:** The CKPT option on the DEBUG facility should not be used in production due to significant performance overhead.

## Displaying module information

Use the `$D MODULE`, `$D LOADMOD`, and `$D SSI` commands to obtain information about modules, load modules, and subsystem interface functions. This information can be used to determine possible compatibility errors in the levels of code.

---

## Controlling JES2 spooling

Displaying spool information enables you to monitor JES2 spooling and determine the action to take to control the spool environment. You can use the `$D SPOOL` command to display the status and utilization of spool volumes. Use the `$D JOBQ,SPOOL=(%>NN)` to display all the jobs in the configuration that are using a specified amount of spool space.

The SPOOLDEF initialization statement sets the maximum number of spool volumes (1-253) allowed in the MAS configuration. The number you specify is automatically rounded up to a multiple of 32. For example, if you specify SPOOLNUM=33, a maximum of 64 spool volumes is allowed in the MAS configuration. Use the \$T SPOOLDEF command to dynamically change some of the JES2 spooling environment characteristics.

You can add (and, optionally, format) a new spool volume dynamically or when performing a cold start by issuing the \$S SPOOL command. Additionally, you can use the \$S SPOOL command to reactivate a previously inactive volume. Jobs allocate space on the volume only after it has completed start processing. While the volume is starting, other processing within the system continues normally.

You may also drain and delete spool volumes dynamically using the \$P SPOOL command as well as halt entire spool volumes using the \$Z SPOOL command. Any spooled messages or JESNEWS data sets residing on the volume to be halted or drained are moved to an active spool volume.

**Note:** If there is no active volume to receive these data sets, the volume to be drained or halted will not complete the draining or halting process.

## Spool addressing modes

All new spool volumes use relative track addressing. Relative track addressing uses a track address that is relative to the start of the SPOOL data set. This method allows the SPOOL data set to be anywhere on a volume; however, you might still have some volumes that were started by using absolute addressing.

## Considerations for draining a spool volume

Issuing the \$P SPOOL command allows all work on the spool volume to be processed and prevents any available space from being allocated by new work. You may also cancel and purge all jobs residing on a volume using the CANCEL parameter. If you cancel all work for an inactive volume, JES2 deletes any work remaining on the volume. This could result in lost spool space on other volumes if the jobs on the volume being cancelled have allocated space on other volumes. All other job resources will be recovered. The lost spool space will be recovered upon an all-member warm start if you include SPOOL=VALIDATE as a restart option or automatically within 7 days as provided by the automatic spool reclamation function, whichever occurs first. If the volume can be remounted, you may start it to prevent the loss of spool space by issuing the \$S SPOOL,CANCEL,P command.

## Controlling spool partitioning

JES2 defaults to assigning track groups for jobs evenly across all available spool volumes. If one volume fails, many jobs can be lost. The FENCE parameter on the SPOOLDEF initialization statement and the \$T SPOOLDEF command control spool partitioning. When a specific job reaches its fencing limit, additional volumes are assigned only if there are insufficient track groups available on the volumes to which the job is fenced.

**Note:** If you change the FENCE specification, the new specification is checkpointed and carried across a restart of JES2 unless you perform a cold start. The FENCE specification can only be changed on a cold start or by a \$T SPOOLDEF command.

## Spool volume states

The following are possible states of a spool volume:

### ACTIVE

The spool volume is in use. Allocation and deallocation of spool space is permitted. The volume is allocated to all members in the MAS configuration.

### STARTING

The spool volume is not yet ACTIVE. It is in the process of MVS dynamic allocation or formatting. During this time, the volume is being dynamically allocated to each member in the MAS configuration. Allocation or deallocation of spool space is not permitted.

### DRAINING

Jobs residing on the volume are selectable. Allocation of new spool space is not permitted. The volume must be completely empty before the drain process can complete. When the volume is completely empty, the volume will be dynamically unallocated on all members in the MAS configuration. The spool volume then becomes DRAINED.

### DRAINED

The spool volume is empty and unallocated, that is, no allocated spool space remains on the volume, and the volume is unallocated on all members in the MAS configuration. The volume is considered nonexistent and can not be displayed by JES2.

### HALTING

The spool volume stops allocation of spool space and does not select new work. Currently active work (that is, executing, printing, punching, etc.) is allowed to complete the current phase of processing. When all currently active work that has space allocated on the volume completes, the volume will be dynamically unallocated on all members in the MAS configuration. The spool volume then becomes INACTIVE.

### INACTIVE

The spool volume may contain allocated spool space but does not permit further allocation or the processing of currently allocated spool space. The volume has been unallocated on all members in the MAS configuration and may be removed by the operator.

The following table summarizes the characteristics of the six status classifications of spool volumes:

STATUS	IN USE	ALLOCATABLE	SELECTABLE
STARTING	NO	NO	NO
ACTIVE	YES	YES	YES
DRAINING	YES	NO	YES
DRAINED	NO	NO	NO
HALTING	YES	NO	NO
INACTIVE	NO	NO	NO

- IN USE - Active jobs may be using spool space on the volume.
- ALLOCATABLE - Spool space may be allocated on the volume.
- SELECTABLE - Jobs that have spool space on the volume may be selected for JES2 processing.

When an INACTIVE volume is not available to be started again (for example, the volume might be damaged and cannot be remounted) and the loss of spool space is acceptable, you must cancel all jobs residing on the volume and subsequently drain the volume. Because jobs associated with this volume might also have spool space allocated on other volumes, spool space on other spool volumes might be lost with all currently defined spool volumes active (excluding spool volumes that have been drained). JES2 recovers these lost track groups at the next all-member warm start if you also specify the SPOOL=VALIDATE start option or automatically within 7 days as provided by the automatic spool reclamation function, whichever occurs first. Other JES2 resources, such as job queue elements and job output elements, will be recovered.

For more information on recovering from a JES2 spool failure see Recovering from Spool Volume Failure in *z/OS JES2 Initialization and Tuning Guide*.

---

## Migrating spool volumes

A JES2 spool migration moves an existing JES2 spool volume (an extent or data set) to a new spool volume, or merges an existing volume with another existing spool volume. Migrating a spool volume to a new spool volume is called a *move migration*. Migrating a spool volume to an existing spool volume is called a *merge migration*. Both types of spool migration enhance JES2 spool configuration by providing the following functionality:

- Increasing or reducing the total number of spool volumes
- Increasing or reducing the size of spool volumes
- Extending volumes that have insufficient space to map all tracks
- Removing spool volumes without altering any spool pointers (MTTRs or MQTRs)
- Copying of data from one spool volume to another while address spaces are actively reading and writing data to the spool volumes
- Merging of volumes and track group map onto another spool volume
- Creating a new spool volume.

### Attention:

1. Before attempting a spool migration, you must review the “\$MSPL - Migrate spool volumes” on page 572 command usage in its entirety.
2. For additional spool migration resources, including frequently asked questions, refer to: [http://www.ibm.com/systems/z/os/zos/jes2\\_spoolmigration.html](http://www.ibm.com/systems/z/os/zos/jes2_spoolmigration.html).

## Spool migration terms

The following terms and definitions are specific to JES2 spool migration:

### Migration

Copying tracks from an existing spool volume to a new or existing spool volume.

### Move migration

Migrating an existing, inactive source spool volume to a new target spool volume. The target volume can have an existing spool data set.

### Merge migration

Migrating an existing source spool volume to free space on an existing target spool volume.

**Pending migration**

Migration phase where the \$MSPL command has been accepted, but the migration is not yet active.

**Source volume**

The spool volume that is being migrated to a target spool volume.

**Target volume**

The new or existing spool volume that the source volume is being migrated to.

**Mapped volume**

A migrating spool volume that has had its data set copied to a target SPOOL volume, but has not had its jobs and sysout purged.

**Mapped target**

A spool volume with at least one other spool volume merged onto it.

**Active migration**

A migrating spool volume that is in a phase between the INITIALIZING and CLEANUP phases, inclusive.

**Migrator**

The MAS member that is coordinating an active migration.

**Migration assistant**

The MAS member that is performing work on behalf of the migrator.

## Spool migration phases

The following JES2 spool migration phases all pertain to the source spool volume. SYSLOG status messages indicate whether the migration is a move migration or a merge migration.

**PENDING**

Awaiting start of migration.

**INITIALIZING**

General migration configuration work is being done, such as creating subtasks, data structures, and XCF mailboxes.

**SETUP**

Setup for a migration is being done. All MAS members participate in this process.

**COPY** The dataset on the source spool volume has been migrated to the target spool volume. Runtime changes are coordinated and tracked by the migrator.

**CATCHUP**

Tracks that were changed by runtime operations during the COPY phase are being recopied.

**CANCEL**

Migrator subtask cleanup is being done because an operator cancelled the active migration or the migration process encountered an error.

**BACKOUT**

Updates are being backed out because an operator cancelled the active migration or the migration process encountered an error.

**CLEANUP**

General cleanup is being done at the end of the migration.

## MAS migration restrictions

The following restrictions apply to spool migrations in a MAS environment:

- The MAS must be running in z11 checkpoint mode. Otherwise, the \$MSPL command is rejected and an error message is returned.
- All active members of the MAS must be running z/OS 1.13. Otherwise, the \$MSPL command is rejected and an error message is returned. Once the spool migration is complete, a down level member can be warm-started and join the MAS.
- No inactive member can warm-start and join the MAS while a spool migration is active. In this case, a **HASP447 WARM start denied - Active spool migration detected** message is issued. Because all active members of the MAS participate in a spool migration, the MAS configuration must remain constant while a spool migration is active. Once the spool migration is complete, an inactive member can warm-start and join the MAS.
- If an active MAS member becomes hot-startable during a spool migration, the migration waits until the member is hot-started before proceeding. All active members of the MAS participate in a spool migration, so if a member becomes hot-startable, the spool migration must wait until that member is hot-started and rejoins the MAS. If the status for a JES2 MAS member becomes MVS GONE during a migration (during an MVS IPL, for example), spool migration recovery starts and the spool migration proceeds without the member.
- A down level member cannot warm-start and join the MAS if any spool volumes are in the MAPPED state, or are mapped targets.
- Spool migration requires available BERTs, so the MAS must not have a BERT shortage that is preventing jobs from starting. In this case, the \$MSPL command is rejected and an error message is returned.

## Moving and merging spool volumes

The \$MSPL command migrates JES2 spool volumes. The command moves a source spool volume to a new target spool volume, or merges two existing spool volumes. Source and target spool volumes are specified by their volume serial numbers (*volsers*). When migrating to a new spool volume, the command can also format the new volume, allocate space, and create data sets. See “\$MSPL - Migrate spool volumes” on page 572 for complete command usage details.

Moving a spool data set from an existing volume to a new volume allows you to change the size of the spool data set. If the new volume has a spool data set, that data set is used. Otherwise, a new data set is created, or *allocated*, according to the **SPACE=** keyword that was specified using the \$MSPL command. If the new data set is smaller than the existing data set, the space that is being removed cannot be allocated. If the space being deleted is in use, the move migration will fail.

Merging an existing spool volume (extent or data set) with another existing spool volume also changes the size of the spool extents or data sets. To merge volumes, the target spool volume must have a contiguous free area that is at least as large as the used area in the source volume. For example, merging SPOOL1 onto SPOOL2 maps and copies the used space from SPOOL1 onto SPOOL2. Once completed, the spool data set on SPOOL1 is unallocated, and the DASD is no longer in use by JES2. However, the extent (**\$DAS**) for SPOOL1 still exists and can be displayed with a special **MAPPED** status by the command **\$DSPOOL(SPOOL1)**

Figure 1 on page 29 represents a merge migration, which is a JES2 spool volume being merged with another existing JES2 spool volume. The target volume must



have enough available free space to support the merge. Once completed successfully, the source spool volume is no longer an allocatable spool volume.

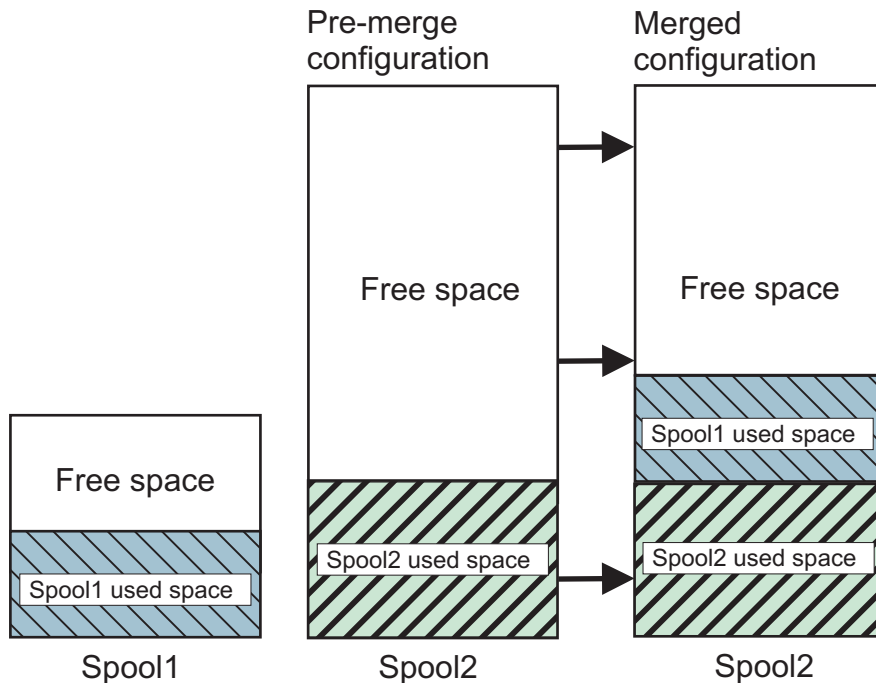


Figure 1. Merge migration

Following a successful spool migration, the source spool volume is no longer recognized as an allocatable spool volume. All JES2 processing has been completed or purged from the source volume. For a move migration, the source volume is now on the new spool volume. For a merge migration, the source volume is now on the specified existing spool volume. The target spool volume has the complete data set from the source volume on it, including any tracks that were written to the source during the active migration.

The following example shows output from a successful merge migration:

```
$mspl (spool1),target=spool2

$HASP893 VOLUME(SPOOL1)
$HASP893 VOLUME(SPOOL1) STATUS=MIGRATING-MERGE,AWAITING(MIGRATION),
$HASP893 TARGET=SPOOL2
$HASP646 0.7489 PERCENT SPOOL UTILIZATION
$HASP808 Migration of SOURCE=SPOOL1 volume to TARGET=SPOOL2 volume
RC=9 -- Migration INITIALIZING phase started.
$HASP808 Migration of SOURCE=SPOOL1 volume to TARGET=SPOOL2 volume
RC=33 -- Active migration completed successfully
```

Table 9 on page 30 summarizes the limitations to consider when choosing between a spool move migration and a spool merge migration:

*Table 9. Limitations on move and merge migrations.* This table summarizes the limitations that apply to spool move and merge migrations. An X character indicates that the limitation applies to the type of migration. The N/A characters indicate that the limitation does not apply to the type of migration.

Limitation	Move migration	Merge migration
The Source spool volume must be INACTIVE.	YES	NO
The Target spool volume must be ACTIVE.	NO	YES
The number of records per track on the Source spool volume must be less than or equal to number of records per track on the Target spool volume.	YES	YES
The Target spool volume must support the largeDS settings on the Source spool volume.	YES	NO
The number of tracks per track group is inherited from the Source spool volume.	YES	NO
The Source spool volume cannot use absolute addressing.	YES	NO
The Target spool volume cannot use absolute addressing.	YES	YES

## Calculating tracks

Figure 2 on page 31 shows how the highest track used on the source volume dictates the amount of space that is required on the target volume. The starting track and highest used tracks of the source spool data set are used to calculate the total number of tracks that are required on the target volume to house the source spool data set.

**Note:** A highly fragmented spool volume can potentially require significantly more space on the target volume than the actual size of the allocated tracks on the source volume.

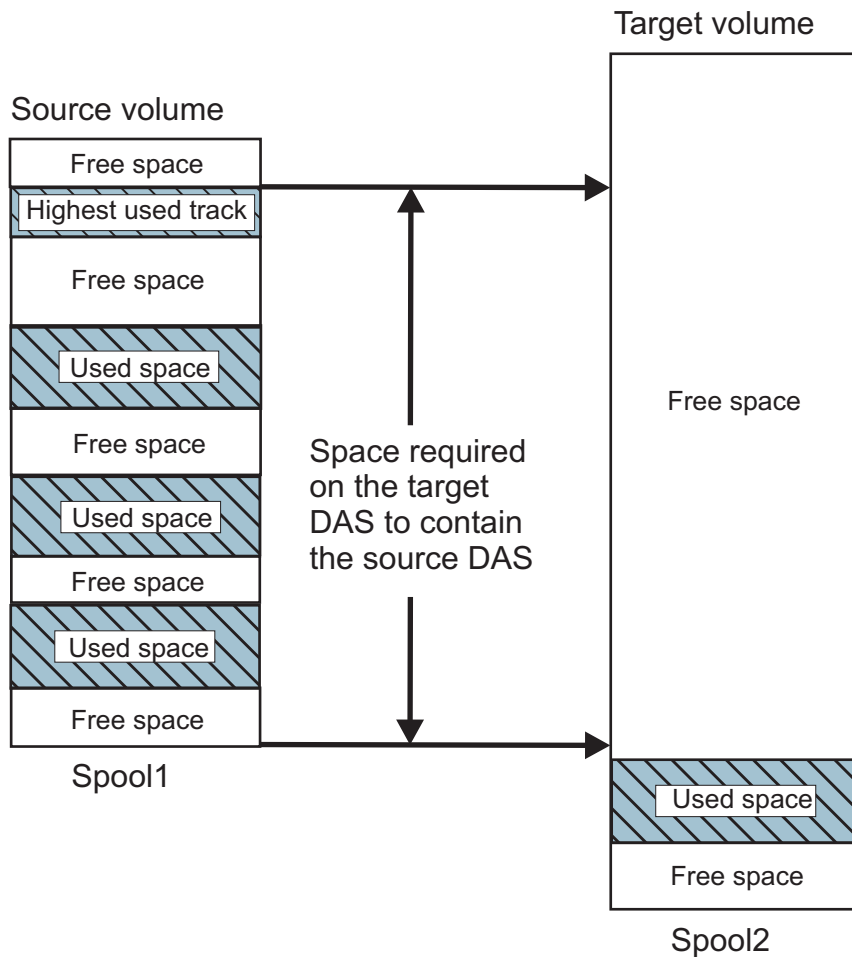


Figure 2. Track calculation

## Allocating tracks

Figure 3 on page 32 shows how the first contiguous group of unallocated tracks on the target volume that is large enough to contain the source spool data set is used for the migration. The highest track that is used on the source spool data set determines the size of the data set to be migrated, as shown in Figure 2. JES2 adds additional space to that size to allow for internal structures that are used to track the progress of migrating data. These structures are stored on the target volume, so their total size is added to the source data set size to determine the total amount of free space that is required on the target volume.

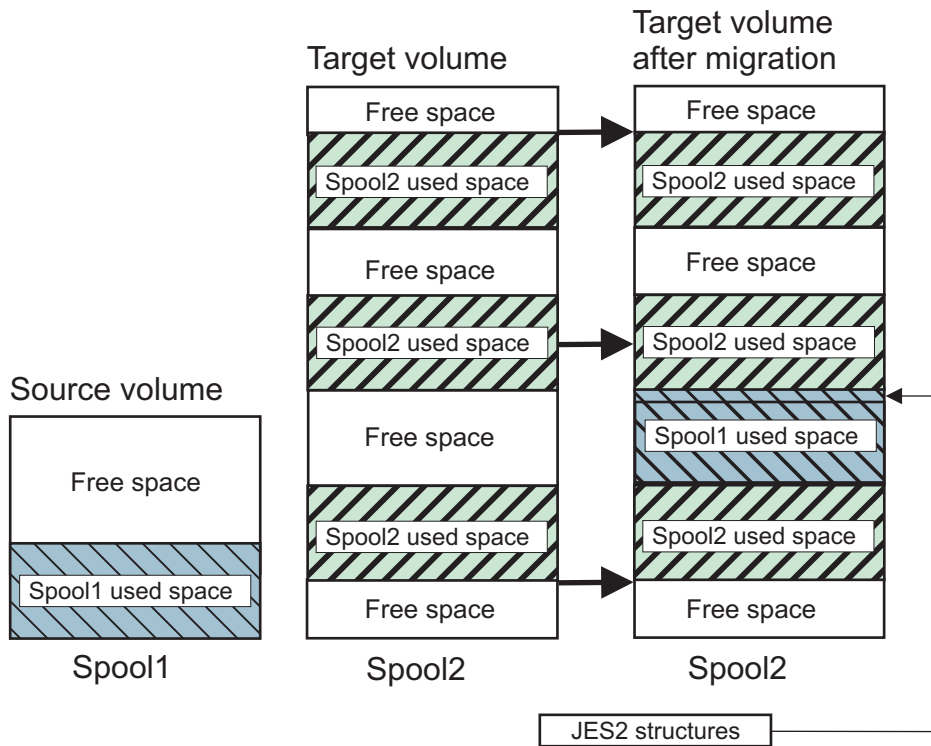


Figure 3. Track allocation

## Chapter 2. Controlling JES2 devices and functional subsystems

This chapter describes how to control:

- The device environment by:
  - Controlling console communication characteristics
  - Displaying device status
  - Controlling functional subsystems
- Local and remote readers
- Local and remote printers and punches
- The remote job entry environment
- Spool offload devices.

The following tables list the tasks discussed in this chapter and provide a cross reference to the detailed descriptions of the corresponding commands.

*Table 10. Controlling the Device Environment*

Task	Command	Location
Control console communication characteristics	\$T CONDEF	"\$T CONDEF - Set console communication characteristics" on page 688
Display the status of all JES2 devices	\$D U	"\$D U - Display the status of JES2-controlled devices" on page 494
Define a new functional subsystem to JES2	\$ADD FSS	"\$ADD FSS - Define a functional subsystem" on page 138
Change a functional subsystem's characteristics	\$T FSS	"\$T FSS - Control a functional subsystem" on page 712

*Table 11. Controlling Readers*

Task	Command	Location
Assign reader characteristics, hold all jobs, and control tracing	\$T RDRnn  Rnnnn.RDm	"\$T RDRnn and \$T Rnnnn.RDm - Control a reader" on page 901
Start a reader	\$S RDRnn  Rnnnn.RDm	"\$S RDRnn and \$Rnnnn.RDm - Start a reader" on page 661

Table 11. Controlling Readers (continued)

Task	Command	Location
Display a reader	\$D RDRnn  Rnnnn.RDm	“\$D RDR(nn) and \$D R(nn).RD(mm) - Display command authority for a reader” on page 455
Cancel reader activity	\$C RDRnn  Rnnnn.RDm	“\$C RDR and \$C Rnnnn.RDm - Cancel reader activity” on page 222
Halt a reader	\$Z RDRnn	“\$Z RDRnn - Halt reader activity” on page 959
Stop a reader	\$P RDRnn  Rnnnn.RDm	“\$P RDRnn and \$P Rnnnn.RDm - Stop a reader” on page 624
Control internal readers	\$T INTRDR	“\$T INTRDR - Control internal readers” on page 717

Table 12. Controlling Printers

Task	Command	Location
Specify printer characteristics and options	\$T PRTnnnn  Rnnnn.PRm	“\$T PRT(nnnnn) and \$T R(nnnnn).PR(m) - Control a printer” on page 863
Specify JES2 printer characteristics	\$T PRINTDEF	“\$T PRINTDEF - Control the JES2 print environment” on page 857
Start a printer	\$S PRTnnnn  Rnnnn.PRm	“\$S PRT(nnnnn) and \$S R(nnnnn).PR(m) - Start a printer” on page 659
Define a local printer	\$ADD PRTnnnn	“\$ADD PRT(nnnnn) - Define a local printer” on page 164
Display printers	\$D PRT  Rnnnn.PRm	“\$D PRT(nnnnn) and \$D R(nnnnn).PR(m) - Display printers” on page 428

Table 12. Controlling Printers (continued)

Task	Command	Location
Interrupt printer activity	\$I PRTnnnn  Rnnnn.PRm	“\$I PRT(nnnnn) and \$I R(nnnnn).PR(m) - Interrupt printer activity” on page 553
Advance printer output	\$F PRTnnnn  Rnnnn.PRm	“\$F PRT(nnnnn) and \$F R(nnnnn).PR(m) - Logically advance printer output” on page 528
Backspace printer output	\$B PRTnnnn  Rnnnn.PRm	“\$B PRT(nnnnn) and \$B R(nnnnn).PR(m) - Logically backspace printer output” on page 193
Repeat printer output	\$N PRTnnnn  Rnnnn.PRm	“\$T PRT(nnnnn) and \$T R(nnnnn).PR(m) - Control a printer” on page 863
Restart printer activity	\$E PRTnnnn  Rnnnn.PRm	“\$E PRT(nnnnn) and \$E R(nnnnn).PR(m) - Restart printer activity” on page 526
Cancel printer output	\$C PRTnnnn  Rnnnn.PRm	“\$C PRT(nnnnn) and \$C R(nnnnn).PR(m) - Cancel printer output” on page 220
Halt printer activity	\$Z PRTnnnn  Rnnnn.PRm	“\$Z PRT(nnnnn) and \$Z R(nnnnn).PR(m) - Halt printer activity” on page 957
Stop a printer	\$P PRTnnnn  Rnnnn.PRm	“\$P PRT(nnnnn) and \$P R(nnnnn).PR(m) - Stop a printer” on page 622

Table 13. Controlling Punches

Task	Command	Location
Specify punch characteristics and options	\$T PUNnn  Rnnnn.PUm	“\$T PUN(nn) and \$T R(nnnnn).PU(m) - Control a punch” on page 886
Start a punch	\$S PUNnn  Rnnnn.PUm	“\$S PUN(nn) and \$S R(nnnnn).PU(m) - Start a punch” on page 660
Display punches.	\$D PUNnn  Rnnnn.PUm	“\$D PUN(nn) and \$D R(nnnnn).PU(m) - Display a remote punch” on page 440
Interrupt punch activity	\$I PUNnn  Rnnnn.PUm	“\$I PUN(nn) and \$I R(nnnnn).PU(m) - Interrupt punch activity” on page 554
Advance punch output	\$F PUNnn  Rnnnn.PUm	“\$F PRT(nnnnn) and \$F R(nnnnn).PR(m) - Logically advance printer output” on page 528
Backspace punch output	\$B PUNnn  Rnnnn.PUm	“\$B PUN(nn) and \$B R(nnnnn).PU(m) - Logically backspace punch output” on page 196
Repeat punch output	\$N PUNnn  Rnnnn.PUm	“\$N PUN(nn) and \$N R(nnnnn).PU(m) - Repeat punch output” on page 580
Restart punch activity	\$E PUNnn  Rnnnn.PUm	“\$E PUN(nn) and \$E R(nnnnn).PU(m) - Restart punch activity” on page 527
Cancel punch output	\$C PUNnn  Rnnnn.PUm	“\$C PUN(nn) and \$C R(nnnnn).PU(m) - Cancel punch output” on page 221



Table 13. Controlling Punches (continued)

Task	Command	Location
Halt punch activity	\$Z PUNnn  Rnnnn.PUm	"\$Z PUN(nn) and \$Z R(nnnnn).PU(m) - Halt punch activity" on page 958
Stop a punch	\$P PUNnn  Rnnnn.PUm	"\$P PUN(nn) and \$P R(nnnnn).PU(m) - Stop a punch" on page 623

Table 14. Controlling the JES2/VTAM Interface

Task	Command	Location
Define the JES2/VTAM interface	\$ADD LOGON(n)	"\$ADD LOGON(nn) - Add a logon" on page 157
Start the JES2/VTAM interface	\$S LOGON(n)	"\$S LOGON - Start the JES2/VTAM interface" on page 647
Stop the JES2/VTAM interface	\$P LOGON(n)	"\$P LOGON(nnnnn) - Stop the JES2/VTAM interface" on page 606
Restart the JES2/VTAM interface	\$E LOGON(n)	"\$E LOGON(nn) - Restart the JES2/VTAM interface" on page 519
Assign a password to the JES2/VTAM interface and diagnose SNA problems	\$T LOGON(n)	"\$T LOGON(nnn) - Control the JES2/VTAM interface" on page 768

Table 15. Controlling the JES2 TCP/IP interface

Task	Command	Location
Define the JES2 TCP/IP interface	\$ADD NETSERV(n)	"\$ADD NETSRV(nnn) - Add a network server" on page 159
Start the JES2 TCP/IP interface	\$S NETSERV(n)	"\$S NETSRV(nnn) - Start a network server" on page 654

Table 15. Controlling the JES2 TCP/IP interface (continued)

Task	Command	Location
Stop the JES2 TCP/IP interface	\$P NETSERV(n)	"\$P NETSERV(nnnnn) - Stop a network server" on page 608
Restart the JES2 TCP/IP interface	\$E NETSERV(n)	"\$E NETSERV(nnn) - Restart a network server" on page 523
Assign related TCP/IP stack and JES2 SOCKET and diagnose NJE/TCP problems	\$T NETSERV(n)	"\$T NETSERV(nnnnn) - Modify the attributes of a network server" on page 778

Table 16. Controlling RJE Lines

Task	Command	Location
Define a RJE line	\$ADD LINE(nnnn)	"\$ADD LINE(nnnn) - Add line" on page 150
Start an RJE line	\$S LINE(nnnn)	"\$S LINE(nnnn) - Start a line" on page 646
Stop an RJE line	\$P LINE(nnnn)	"\$P LINE(nnnnn) - Stop a line" on page 604
Restart RJE line activity	\$E LINE(nnnn)	"\$E LINE(nnnnn) - Restart line activity" on page 517
Disconnect an RJE line, assign a password, or diagnose RJE line problems	\$T LINE(nnnn)	"\$T LINE(nnnnn) - Control a line" on page 758

Table 17. Controlling RJE Workstations

Task	Command	Location
Specify JES2 teleprocessing characteristics	\$T TPDEF	"\$T TPDEF - Set JES2 teleprocessing characteristics" on page 943
Define an RJE workstation	\$ADD RMT(nnnn)	"\$T RMT(nnnnn) - Change an RJE workstation" on page 913
Set an RJE workstation's characteristics	\$T RMT(nnnn)	"\$T RMT(nnnnn) - Change an RJE workstation" on page 913

Table 17. Controlling RJE Workstations (continued)

Task	Command	Location
Automatically connect an SNA RJE workstation	\$\$ RMT(nnnn)	“\$S N - Start node communication on an SNA line” on page 651
Display active RJE workstations in a MAS	\$D ACTRMT	“\$D ACTRMT - Display Active RJE Workstations in a MAS” on page 229
Disconnect an RJE workstation	\$P RMT(nnnn)	“\$P RMT(nnnn) - Terminate a remote terminal connection” on page 625

Table 18. Controlling Offload Devices

Task	Command	Location
Start an offload device	\$\$ OFFLOADn, TYPE=	“\$S OFFLOADn - Start an offload device” on page 658
Cancel a job/output on offload transmitter/ receiver	\$C OFFn.JR  OFFn.JT OFFn.SR OFFn.ST	“\$C OFFn.JR - Cancel a spool offload transmitter/receiver” on page 219
Halt an offload device	\$Z OFFLOADn	“\$Z OFFLOADn - Halt offload activity” on page 956
Drain an offload device	\$P OFFLOADn	“\$P OFFLOADn - Stop an offload device” on page 621
Restart an offload transmitter	\$E OFFn.JT  OFFn.ST	“\$E OFFn.xx - Restart a spool offload transmitter” on page 525
Specify offload device characteristics	\$T OFFLOAD(n)	“\$T OFFLOAD(n) - Set offload device characteristics” on page 840
Start an offload transmitter and/or receiver	\$\$ OFFn.JR  OFFn.JT OFFn.SR OFFn.ST	“\$S OFFn.xx - Start offload transmitters and receivers” on page 657
Drain an offload transmitter and/or receiver	\$P OFFn.JR  OFFn.JT OFFn.SR OFFn.ST	“\$P OFFn.xx - Stop an offload transmitter/receiver” on page 620

Table 18. Controlling Offload Devices (continued)

Task	Command	Location
Specify offload job receiver characteristics	\$T OFF(n).JR	“\$T OFF(n).JR - Set offload job receiver characteristics” on page 808
Specify offload job transmitter characteristics	\$T OFF(n).JT	“\$T OFF(n).JT - Set offload job transmitter characteristics” on page 815
Specify offload SYSOUT receiver characteristics	\$T OFF(n).SR	“\$T OFF(n).SR - Set offload SYSOUT receiver characteristics” on page 823
Specify offload SYSOUT transmitter characteristics	\$T OFF(n).ST	“\$T OFF(n).ST - Set offload SYSOUT transmitter characteristics” on page 831

## Device overview

JES2 is responsible for controlling all system input devices, initiators, and output devices, except those devices controlled by the external writer and programs interfacing with JES2 through an internal reader. The JES2 initiator and device control commands, except the \$T command for devices, can be used to control several local and/or remote devices simultaneously. You can specify local input and output devices by either their full or abbreviated names. The device names and their abbreviations are:

Device Name	Abbreviation	Explanation
LINE(nnnn)	LNE(n)	RJE or NJE line (1-32767)
LOGON(n)	LGN(n)	JES2/VTAM interface
NETSERV(n)	NSV(n), NETSRV(n)	JES2 TCP/IP interface
L(n).JR(n)		NJE job receiver
L(n).JT(n)		NJE job transmitter
L(n).SR(n)		NJE SYSOUT receiver
L(n).ST(n)		NJE SYSOUT transmitter
OFFLOAD(n)		Offload device
OFF(n).JR		Offload job receiver
OFFn.JT		Offload job transmitter
OFFn.SR		Offload SYSOUT receiver
OFFn.ST		Offload SYSOUT transmitter
PRINTERnnnn	PRTnnnn	Local printers 1-32767
PUNCHnn	PUNn	Local punches 1-99
RDI		All internal readers 1-32767
READER(nn)	RDR(nn)	Local readers
R(nnnn).CON*		Remote console
R(nnnn).PR(m)*		Remote printers
R(nnnn).PU(m)*		Remote punches
R(nnnn).RD(m)*		Remote readers

All JES2 input devices, initiators, and output devices are in one of several states:

- **Active:** The device or initiator is actively performing a function.
- **Inactive:** The device or initiator is available to perform a function, but no jobs are available.
- **Startable:** A \$S command has been issued for the indicated offload transmitter/receiver, but the corresponding offload device has not yet been started.
- **Starting (JES2):** An MVS START command has been issued to activate an initiator, but successful creation of the address space has not been verified. The initiator is not processing work and will not do so until a request is made by MVS started task control to start the initiator job.
- **Starting (device):** A device supported by a functional subsystem (such as a 3800-3 printer) has been started by a \$S device command, but successful creation and initialization of the functional subsystem address space has not been verified. The device becomes *active* or *inactive* when functional subsystem initialization is complete.
- **Draining:** The device or initiator is performing a function, but will not begin any new activity upon completion of the current function.
- **Drained:** The device or initiator is inactive and will not become active until you enter a \$S command for the device or initiator.
- **Halting:** The initiator is active, but will not select another job after completing the current function.
- **Halted (initiator):** The initiator is inactive and will not become active until you enter a \$S command. This differs from drained because the system does not free the resources associated with the initiator.
- **Halted (device):** The device has been halted by a \$Z device command or by a requirement for you to perform an action, such as changing the forms, carriage tape, or print train. A \$S device command will allow the device to continue.
- **Paused:** The local printer or punch has paused between data set groups. It can be restarted by entering a \$S command or by resetting it from a not-ready to a ready state.

Keep the following in mind when entering JES2 device control commands:

- You can enter up to 20 operands in a single JES2 initiator command or device control command.
- Devices generally perform the requested operation after the response to the command.
- Many commands will accept operands as valid, even though the devices are unable to perform the requested function.
- If you enter an incorrect operand on a device command other than a \$T device command, JES2 processes all operands preceding the incorrect operand. The operand in error, and those that follow, are ignored.
- Operators at JES2 remote workstations can normally control only the devices attached to their workstations.

## Controlling the device environment

You issue all JES2 commands and control the JES2 environment from the operator's console. You can control the communication characteristics of the console, itself, using the \$T CONDEF command.

The BUFWARN parameter sets the percentage of console message buffers used at which the \$HASP050 message alerts you of a shortage of console message buffers. The BUFNUM parameter sets the maximum number of console message buffers that JES2 should obtain from common storage. The CMDNUM parameter sets the maximum number of console message buffers that JES2 should allocate for command processing.

Use the DISPLEN parameter to control message wrapping on the MCS console. It allows you to specify the length used for the display and error message processing of:

- All initialization statements
- Commands processed by \$SCAN (mostly \$D and \$T commands for initialization statement parameters)
- The \$D U command, which displays the status of all JES2 devices

The DISPMAX parameter specifies the maximum number of lines displayed for the statements and commands referred to above. MAXMSG specifies the maximum number of message or commands queued between any two members of a MAS configuration. The RDRCHAR parameter allows you to specify the character used to identify all JES2 operator commands issued from a local or remote card reader.

The CONCHAR parameter allows you to identify JES2 commands that originate from local consoles. The RDIRAREA parameter specifies the default console out-of-line area which JES2 uses to direct display responses for commands subject to redirection.

### **Controlling JES2 functional subsystems**

A functional subsystem (FSS) is an address space dedicated to performing a specific function. For example, the Print Services Facility™ is used as a functional subsystem to operate the 3800 Model 3 and 3820 printers. You can dynamically define an FSS to JES2 using the \$ADD FSS command or change the characteristics of an existing FSS definition using the \$T FSS command.

The parameters are the same for both commands. You specify the name of the FSS, the name of the JCL procedure used to start the FSS, and the name of the module that is loaded into the FSS address space. The load module contains the various JES2-supplied interface routines. The AUTOSTOP parameter specifies whether or not JES2 is to automatically stop the address space when the devices attached to the FSS are drained. See the individual command descriptions in “Chapter 5. Command Reference Section” for the particular processing considerations associated with these commands.

---

## **JES2 input processing**

This section describes the commands you use to control system input readers (local and remote), internal readers, and initiators. For a discussion of holding and releasing jobs processed by a reader, see Chapter 3, “Controlling jobs and output,” on page 59.

### **Controlling readers**

At system initialization, JES2 uses the initialization deck to define all local and remote readers and assign each a number from 1 to 99. Use the device numbers with the subsystem commands, to control the various readers. Use the \$D U,RDRS command or the \$D RDR(nn) command to request a list of the JES2 input devices assigned to each device address.

## System input readers

A system input reader is a physical device that reads system and subsystem commands, control statements, and user jobs to be processed by the operating system. There are three ways to start an input reader:

1. Enter the \$S reader command when the device is halted, drained, or inactive.
2. Ready the reader with cards before replying to the initialization message.
3. If your installation has selected the Automatic Start Reader feature, ready the reader with cards at any time, unless the \$P reader command is in effect. This feature does not apply to secondary JES2 subsystems.

JES2 provides commands for canceling, halting, and stopping local and remote reader activity (\$C, \$Z, and \$P, respectively). You alter reader characteristics using the \$T RDRnn command (\$T Rnnnn.RDm for remotes). The \$T RDRnn command performs the following functions:

- Assigns command authority for the specified reader
- Specifies default routing, member affinities, and job and message classes for jobs read by the specified reader
- Holds all jobs read by a reader
- Starts or stops tracing of the JES2 processor associated with a reader

## Internal readers

An internal reader is a logical device. It is a special SYSOUT data set, available to problem programs, which allows jobs to be entered directly into the job stream from other programs executing in the system (for example, from a time-sharing user). Although you control all the internal readers much the same as an input reader, they are not real devices. You can control all internal readers using the \$T INTRDR command with certain parameters, but you cannot control individual internal readers. JES2 automatically starts internal readers when they are required. Refer to the internal reader facility information in *z/OS JES Application Programming*

Reader devices not supported by JES2 may be supported by utilities that interface with the JES2 internal reader. For more information, see *z/OS MVS System Commands* .

---

## JES2 output processing

Once a job has finished executing, the output it created must be processed. First, the job is placed on the output queue, where the output processor groups a job's output data sets together based on similar output characteristics. Each of these output groups is represented by a job output element (JOE), which is identified by a group id. Using the \$L and \$T O commands, you can display and modify each of these job output elements. The \$D O job and \$T O commands are described in Chapter 3, "Controlling jobs and output," on page 59.

Once the JOEs are created, the job is placed on the hardcopy queue. The JES2 print/punch processor, the functional subsystem (FSS), or the external writer can now process the job. While it is generally more efficient to use the JES2 print/punch processor or the FSS, you will occasionally want to use the external writer (for example, when you want to put your output on magnetic tape or disk). For further information, see *z/OS MVS System Commands* .

Your installation, depending on its needs, can group SYSOUT data into as many as 36 different classes. Each class consists of all system messages and SYSOUT data

sets the system associates with that class name. Furthermore, users may determine the grouping of their system messages and SYSOUT data sets by using the GROUPLD keyword on the OUTPUT JCL statement. Groups formed in this manner must match on class, destination, writer name, and process mode; however, groups may be formed that have SYSOUT data sets that differ on forms, burst, flash, and other characteristics.

At system initialization, JES2 uses the initialization deck to define all local printers and punches and assign a numeric identifier to each local printer (1-32767) and punch (1-99). You use these identifiers to control the associated devices. If you are uncertain of the status or characteristics assigned to a device, you can display them using the appropriate \$D U command (\$D U,PRTS for printers; \$D U,PUNS for punches) or \$D PRT for printers.

JES2 selects output for a device on the basis of a work selection (WS=) list. This list contains criteria that must be matched exactly with the characteristics of the output device and criteria that are preferred in priority sequence. Using any combination of user- and JES2-defined criteria, you can specify up to 19 criteria in the WS= list. The individual criteria can be specified using the WS= keyword on the output device initialization statement or using the WS= operand on the following commands: \$T L(nnnn).ST(n), \$T OFF(n).JR, \$T OFF(n).JT, \$T OFF(n).SR, \$T OFF(n).ST, \$T PRTnnnn, and \$T PUNnn.

**Note:**

1. If a JES2 device becomes inoperative and you fail to get a system response when you enter a \$C, \$I, or \$E command, reenter the command. JES2 processes the output according to the command you entered.
2. If a 3800 printer fails because of a hardware malfunction, JES2 halts that printer. After you start the printer by operator command, JES2 initiates an automatic restart.

If you try to restart the printer by using the \$E operator command, your output might be printed twice. You can control the number of output groups that refer to JOEDID1 by issuing the \$L command and then canceling unnecessary queued output.

3. When controlling remote devices, you should be aware that the central system is always several lines or cards ahead of the physical output at a remote workstation.

## Controlling printers

### Starting printers

The output characteristics of printers can be defined at initialization through the PRT(nnnn) initialization statement (for local printers defined to JES2) and the R(nnnn).PR(m) initialization statement (for remote printers), or defined dynamically. Output characteristics are the attributes that define how the printer produces output in a hardcopy format.

**Starting a printer defined to JES2:** Once the system has been initialized, you must use the MVS command to VARY the printer online. Then enter the \$S PRT(nnnn) command to start this printer. If the initialization statement specifies SETUP=HALT, JES2 issues the \$HASP190 message, which specifies what output characteristics were specified during initialization. You should verify that the output characteristics of your printer match the output characteristics specified on the initialization statement. Then reenter the \$S command to activate this device.



**Dynamically defining a local printer to JES2:** After initialization, the \$ADD PRT(nnnn) command allows you to define a local printer to JES2. Then enter the \$S PRT(nnnn) command to activate this device. If you reinitialize the system, this local printer is not defined to JES2 unless it has been added to the initialization deck.

### **Halting, restarting, interrupting, purging, and stopping printers**

The \$T PRTnnnn,SETUP=HALT command allows you to specify that a printer should halt so you can verify output characteristics before it starts printing data sets. The \$T PRT can only be entered on an inactive printer. Use the \$Z PRTnnnn command when you want to temporarily halt a printer in the middle of a job, rather than requeuing the job. You must use the \$S PRT(nnnn) to restart this where it had been halted. The \$E PRTnnnn command restarts the job, requeuing the output by its job priority. To interrupt a printer during processing of the current output group (set of a job's output data sets that share output characteristics) and return the output to the output queue, enter the \$I PRTnnnn command. To purge the output currently printing, enter the \$C PRTnnnn command. To stop a printer after it completes processing the current output group and then drain the device (free the associated system resources), enter the \$P PRTn nnn command.

### **Setting output characteristics**

You can use JES2 commands to specify printer characteristics, override a system request for a setup you are unable to fulfill, and display the controls in effect for a printer. You can also specify, verify, and reset the work selection values for a printer.

The list of work selection values specifies those output characteristics that are considered during work selection. The output characteristics for a printer are defined during initialization or dynamically through the \$ADD PRT(nnnn) command. All output characteristics can be modified through the \$T PRT(nnnn) command. This command allows you to remove, add, and rearrange values to the list.

The UNIT= parameter of the \$T PRT(nnnn) command allows you to reassign the unit address of a JES2 printer, a FSS-managed printer, or a non-channel attached printer. Before entering \$T PRT,UNIT=, you must ensure that no address is specified on the UNIT= parameter of the initialization statement for this printer. Use the \$D PRT command or the \$D U, PRTS command to check the status of all output characteristics assigned at initialization. If no unit address has been assigned, enter the \$T PRT,UNIT= command, followed by the \$S PRT(nnnn) command.

While printing the output of a data set, FSS-managed printers pre-select the next data set for printing, making that data set unselectable for another printer that may have become free. Using the PRESELECT=NO parameter on the \$T PRTnnnn command, you can prevent a printer from pre-selecting data sets, making them selectable for **any** printer.

### **Controlling printer output**

Use the \$N PRT(nnnn) command to repeat the printing of job output. You must repeat the command for each copy, then wait for the \$HASP170 PRINTER REPEATED message to appear between the scheduling of each printing.

Backspace or advance printer output a specified number of pages using the \$B PRT(nnnn) and \$F PRT(nnnn) commands, respectively. You can also backspace output to the beginning of a data set or to the most recent checkpoint; you can

advance output to the end of a data set or advance it from the most recent checkpoint. For a complete description of the parameters you can specify on these commands and the processing considerations associated with each, see the individual command descriptions in Chapter 5.

**Processing output on a 3800:** Output on a 3800 printer is not purged or requeued until that output group has reached the stacker. Normally, this task is accomplished as output groups are printed and progress through the paper path to the stacker. However, if there are no more output groups available to be printed, you must finish processing the output group before the work can be requeued or purged. Do one of the following actions:

- For the 3800-1 printer, perform a non-process runout by pressing STOP, NPRO, READY.
- Enter the \$P PRTnnnn command to drain the printer.
- Make other output groups available to print.
- For the 3800-3 printer, allow the NPRO time interval to expire.

## Controlling punches

JES2 provides commands for controlling punches that are identical to those described for printers. (See the preceding sections, “Controlling Printers” and “Specifying Printer Characteristics”.) For a list of the commands used for controlling punch activity and references to the individual command descriptions, see Table 13 on page 36 at the beginning of this chapter.

**Note:** If a device (printers and punches) cannot select output because the device does not have sufficient access to that output, the output remains on the output queue until you:

- Change the security attributes of the device; you must then stop and restart that device for the security attributes to take affect.
- Authorize the userid associated with the output to the device.
- Change the work selection criteria of the output so that a device with the appropriate security attributes can select the output.

---

## Remote job entry (RJE)

The remote job entry (RJE) facility of JES2 allows RJE workstations to use the job entry subsystem. Remote jobs are processed in the same manner as those received from local readers, printers, and punches. JES2 supports both systems network architecture (SNA) and binary synchronous communication (BSC) remote stations as RJE facilities. JES2 expects the RJE workstations to be under the control of a remote operator.

RJE workstations usually have a processor. A processor (for example, System/390<sup>®</sup>) executes a JES2-generated program that allows it to send jobs to, and receive data from, JES2. An RJE workstation, which includes printers, punches, card readers, and a console, is established by a JES2 program, RMTGEN.

An RJE workstation can also consist of a remote terminal that does not have a processor. A remote terminal (for example, a 2780 or 2770) can be used for entering jobs into, and receiving data from, JES2. For a description of the commands you can issue to control remote terminals, see “Controlling RJE workstations” on page 47.

## Specifying JES2 teleprocessing characteristics

You can specify the characteristics of the JES2 teleprocessing environment using the \$T TPDEF command. Its parameters allow you to monitor teleprocessing buffer usage, control message queuing to a remote console, and specify the interval between autologon scans.

### SNA RJE considerations

RJE workstations use the facilities of an SNA network to gain access to JES2 through VTAM. During VTAM system definition, these RJE stations (for example, 3790 terminals, 3770 terminals, and the System/32 workstation) are defined to VTAM as logical units (LUs) and physical units (PUs). The installation must decide at VTAM system definition how to tailor the JES2/VTAM support for its SNA stations because the parameters of the LU and PU VTAM definition statements affect not only how JES2 operates, but also how the remote operator uses the station.

### Controlling the JES2/VTAM interface

In the JES2 networking environment, each job entry subsystem must have a unique name by which it is defined to VTAM. You use the APPLID parameter on the \$T LOGON(n) command to identify JES2 as an application to VTAM. The \$T LOGON(n) command also allows you to assign or delete a password for the JES2/VTAM interface and diagnose SNA problems by monitoring the interface and recording all SNA events on the console with master level authority. You use the \$S, \$P, and \$E LOGON(n) commands respectively to start, stop, and restart the JES2/VTAM interface.

### Controlling RJE lines

RJE lines are the logical connections between JES2 and VTAM. Use the \$T LINE(nnnn) command to specify the characteristics of a line, diagnose line problems, and disconnect a line. This command allows you to change many of the parameters specified on the LINE(nnnn) initialization statement. Use the \$D U LINE(nnnn) or the \$D LINE(nnnn) command to display current values through the \$HASP880 message. In particular, the RMTSHARE= parameter displays whether or not a line can be dedicated to an RJE workstation.

You can dynamically define RJE workstations through the \$ADD RMT(nnnn) command only if all RJE lines have been predefined at initialization.

Because teleprocessing lines are not considered active at JES2 initialization, each line must be activated using a JES2 \$S LINE(nnnn) command. You issue this command through a command stream (for example, in the JES2 initialization data set), through the automatic command processor, or in a job stream. A line is dynamically allocated when activated; you deactivate a line using the \$P LINE(nnnn) command. You can restart a line using the \$E LINE(nnnn) command.

**Note:** You may also specify a range of lines on the \$S, \$T, \$E, \$P, and \$D U LINE(nnnn) commands.

### Controlling RJE workstations

You can use the \$T RMT(nnnn) command to dynamically change the characteristics of remote terminals you have previously defined in the initialization deck and to set terminals to disconnect after a specified period of inactivity. This command also allows SNA RJE workstations to be connected automatically. You can use the \$P RMT(nnnn) command to terminate an RJE workstation connection.

**Specifying RJE workstation characteristics:** Use the \$T RMT(nnnn) command to change the characteristics of RJE workstations. The AUTOLOG= parameter specifies whether an SNA terminal is to be automatically connected when output or messages are queued for transmission to the terminal. The DISCINTV=nnnn parameter specifies the time interval (in seconds) after which, if there has been no session activity, the RJE workstation is disconnected from the processing unit.

The MFORM= parameter controls the amount of information displayed for JES2 BSC remote operator messages for a specified console. For messages that cannot be displayed on a console, use the MSGPRT=Y|N parameter to specify whether JES2 should print those messages (MSGPRT=Y) or discard them (MSGPRT=N). Note that certain parameters on the \$T RMT(nnnn) command can only be altered when the RJE workstation is inactive.

**Setting a terminal to automatically connect:** The automatic logon capability is available only to terminals operating in a VTAM network using SLDC (RECORD) mode communications. Note that automatic logon does not provide for unattended operation of the terminal; the operator must continue to control the terminal and take the necessary error recovery actions. *BSC RJE workstations are not supported by automatic logon.*

If an RJE workstation is set to automatic connect mode using the \$T RMT(nnnn),AUTOLOG=Y command, it is connected automatically when output (print/punch) or messages are queued for transmission to that terminal. For automatic connection to be successful, a JES2 line must be available and started.

To start an SNA remote job entry station, you must first issue the \$\$ LOGON(n) command to start the JES2/VTAM interface. You then issue the \$\$ LINE(nnnn) command to activate a line to VTAM for the SNA RJE station. This allows JES2 to begin processing logons from remote stations.

**Note:** The maximum number of sessions specified at initialization must not be exceeded.

Issue the \$\$ RMT(nnnn) command to automatically logon to a specified SNA RJE workstation. The actual logon will take place when needed system resources are available. For a detailed description of the automatic logon facility, see *z/OS JES2 Initialization and Tuning Guide*.

Note that you cannot start a remote, whether BSC or SNA, if the remote number is already being used on another JES2 member of the MAS. Use the \$D ACTRMT command to determine which RJE workstations are active in a MAS.

**Disconnecting an RJE workstation:** Disconnect a specific RJE workstation by entering the \$P RMT(nnnn) command. If the RJE workstation is already connected when the command is entered, it will finish all printing and punching already in progress and then disconnect. If the RJE workstation is not connected, but the operator has requested its connection using the \$\$ RMT(nnnn) command, the connection request will be cancelled.

## Remote entry restrictions

The following tables list the remote entry restrictions for all commands. The **RJE** and **NJE** columns list the restrictions placed on a JES2 command received from either of two remote sources:

- Over an RJE line from a directly attached RJE workstation.

- Over an NJE line from another node in the network. The command was entered as the text portion of a node send (\$Nnnnn) command.

The entries in these columns assume that the node at which the command originated *does not* have network authority at the receiving node. If it does, there are no restrictions (unless otherwise noted) and the command is honored as though it were entered at the local system console.

**Note:**

1. System, job, or device authority is required *in addition to* network authority in order to have commands take effect at another node.
2. The tables represent the restrictions applied if there is no security product active to control commands; otherwise, the security product determines whether or not the command can be issued.

*Table 19. Remote Entry Restrictions (\$A-\$D)*

Command	RJE	NJE
\$A A	Prohibited	Prohibited
\$A job	Owner	(4) Owner
\$ACTIVATE	Prohibited	Prohibited
\$ADD APPL	Prohibited	Prohibited
\$ADD CONNECT	Prohibited	None
\$ADD DESTid	Prohibited	Prohibited
\$ADD FSS	Prohibited	Prohibited
\$ADD LINE(nnnn)	Prohibited	Prohibited
\$ADD LOGON(nnn)	Prohibited	Prohibited
\$ADD PROCLIB	Prohibited	Prohibited
\$ADD PRT	Prohibited	Prohibited
\$ADD RMT(nnnn)	Prohibited	Prohibited
\$B PRT	(2) (3)	Prohibited
\$B PUN	(2) (3)	Prohibited
\$C A	Prohibited	Prohibited
\$C job	(2)	(2)
\$CO Job	Owner	Owner
\$C Lnnnn.xxn	Prohibited	Prohibited
\$C OFFn.xx	Prohibited	Prohibited
\$C PRTnnnn	(2) (3)	Prohibited
\$C PUN	(2)	Prohibited
\$C RDR	Owner	Prohibited
\$D A	None	None
\$D ACTIVATE	None	None
\$D ACTRMT	None	None
\$D CONNECT	Prohibited	None
\$D F	None	None
\$D I	None	None

Table 19. Remote Entry Restrictions (\$A-\$D) (continued)

Command	RJE	NJE
\$D L(nnnn).JR(n)	None	None
\$D L(nnnn).JT(n)	None	None
\$D L(nnnn).SR(n)	None	None
\$D L(nnnn).ST(n)	None	None
\$D job	Owner	Owner
\$D M	None	None
\$D MEMBER	None	None
\$D N	(1) None	(1) None
\$DO Job	Owner	Owner
\$D PATH	None	None
\$D PCE	None	None
\$D PROCLIB	None	None
\$D PRTnnnn	None	None
\$D PUNnn	None	None
\$D Q	(1) None	(1) None
\$D RDI	None	None
\$D SPOOL	None	None
\$D SUBNET	None	None
\$D U	None	None
\$DEL CONNECT	Prohibited	None
\$DEL CONNECT	Prohibited	Prohibited
\$DEL PROCLIB	Prohibited	Prohibited
<p>(1) If the R= operand is omitted from either the \$D N or \$D Q command, and the command is entered from a remote workstation or another node, the only jobs qualifying will be those with a default print/punch routing to that particular remote workstation or node.</p> <p>If the R= operand is included in either the \$D N or \$D Q command, all jobs within the specified range will be displayed regardless of the default print/punch routing of the console on which the command was issued.</p> <p>(2) Prohibited on local devices, but this command can be entered by the owner on remote workstations.</p> <p>(3) When a non-multileaving remote device is in command input mode, output devices on that remote device are not active.</p> <p>(4) Job-related commands from another node will be honored only insofar as they affect jobs "owned" by that node. A node is considered to "own" a job if the job originated at that node or if the job's default print/punch output is destined for that node.</p>		

Table 20. Remote Entry Restrictions (\$E-\$O)

Command	RJE	NJE
\$E Jn[-n]	(1)	(1)
\$E Lnnnn.xxn	Prohibited	Prohibited
\$E LINE(nnnn)	Prohibited	Prohibited

Table 20. Remote Entry Restrictions (\$E-\$O) (continued)

Command	RJE	NJE
\$E LOGON(n)	Prohibited	Prohibited
\$E OFFn.xx	Prohibited	Prohibited
\$E PRTnnnn	(1) (2)	Prohibited
\$E PUNnn	(1)	Prohibited
\$E MEMBER(member)	Prohibited	Prohibited
\$E CKPTLOCK, HELDBY=	Prohibited	Prohibited
\$F PRTnnnn	(1) (2)	Prohibited
\$F PUNnn	(1)	Prohibited
\$G A	Owner	(3) Prohibited
\$G C	Owner	(3) Prohibited
\$G D	Owner	(3) Prohibited
\$G H	Owner	(3) Prohibited
\$G R	Owner	(3) Prohibited
\$H A	Prohibited	Prohibited
\$H job	Owner	Owner
\$I PRTnnnn	(1) (2)	Prohibited
\$I PUNnn	(1)	Prohibited
\$JDETAILS	Prohibited	Prohibited
\$JDHISTORY	Prohibited	Prohibited
\$JDJES	Prohibited	Prohibited
\$JDMONITOR	Prohibited	Prohibited
\$JDSTATUS	Prohibited	Prohibited
\$JSTOP	Prohibited	Prohibited
\$L job	Owner	Owner
\$M N	Prohibited	(3) Prohibited
\$Nnnnn	Prohibited	(3) Prohibited
\$N PRTnnnn	(1) (2)	Prohibited
\$N PUNnn	(1)	Prohibited
\$O	Owner	Owner
<p>(1) Prohibited on local devices, but this command can be entered by the owner on remote workstations.</p> <p>(2) When a non-multileaving remote device is in command input mode, output devices on that remote device are not active.</p> <p>(3) This command will always be rejected if received over an NJE line as the text portion of a node send (\$Nnnnn) command, even if the sending node has network authority at the destination node.</p>		

Table 21. Remote Entry Restrictions (\$P-\$S)

Command	RJE	NJE
\$P	Prohibited	Prohibited
\$P JES2	Prohibited	Prohibited

Table 21. Remote Entry Restrictions (\$P-\$S) (continued)

Command	RJE	NJE
\$P I	Prohibited	Prohibited
\$P job	Owner	Owner
\$P Lnnnn.xxn	Prohibited	Prohibited
\$P LINE(nnnn)	Prohibited	Prohibited
\$P LOGON(n)	Prohibited	Prohibited
\$P OFFn.xx	Prohibited	Prohibited
\$P OFFLOADn	Prohibited	Prohibited
\$P PRTnnnn	(2) (3)	Prohibited
\$P PUNnn	(2)	Prohibited
\$P Q	Prohibited	Prohibited
\$P RDR	(2)	Prohibited
\$P RMT(nnnn)	(2)	(2)
\$P SPOOL	Prohibited	Prohibited
\$P TRACE(n)	Prohibited	Prohibited
\$P XEQ	Prohibited	Prohibited
\$PO Job	Owner	Owner
\$R	(1) Owner	Owner
\$R XEQ	Owner	Owner
\$S	Prohibited	Prohibited
\$S A	Prohibited	Prohibited
\$S I[vvvv]	Prohibited	Prohibited
\$S Job	Owner	Owner
\$S Lnnnn.xxn	Prohibited	Prohibited
\$S LINE(nnnn)	Prohibited	Prohibited
\$S LOGON(n)	Prohibited	Prohibited
\$S N	Prohibited	Prohibited
\$S OFFLOADn	Prohibited	Prohibited
\$S PRTnnnn	(2)	Prohibited
\$S PUNnn	(2)	Prohibited
\$S RDR	(2)	Prohibited
<p>(1) \$R requires that the job to be routed belong to the JES2 remote workstation; that is, normal print or normal punch must be routed to that workstation.</p> <p>(2) Prohibited on local devices, but this command can be entered by the owner on remote workstations.</p> <p>(3) When a non-multileaving remote device is in command input mode, output devices on that remote device are not active.</p>		

Table 22. Remote Entry Restrictions (\$S-\$T)

Command	RJE	NJE
\$S RMT(nnnn)	(1)	(1)



Table 22. Remote Entry Restrictions (\$S-\$T) (continued)

Command	RJE	NJE
\$S SPOOL	Prohibited	Prohibited
\$S TRACE(n)	Prohibited	Prohibited
\$S XEQ	Prohibited	Prohibited
\$T A	Prohibited	(2) Prohibited
\$T APPL	Prohibited	Prohibited
\$T BUFDEF	Prohibited	Prohibited
\$T CKPTDEF	Prohibited	Prohibited
\$T CONNECT	Prohibited	None
\$T CONDEF	Prohibited	Prohibited
\$T DEBUG	Prohibited	Prohibited
\$T DES <i>id</i>	Prohibited	Prohibited
\$T ESTBYTE	Prohibited	Prohibited
\$T ESTIME	Prohibited	Prohibited
\$T ESTLNCT	Prohibited	Prohibited
\$T ESTPAGE	Prohibited	Prohibited
\$T ESTPUN	Prohibited	Prohibited
\$T EXIT(nnn)	Prohibited	Prohibited
\$T FSS	Prohibited	Prohibited
\$T I	Prohibited	Prohibited
\$T job	Prohibited	Prohibited
\$T JOBCLASS(n)	Prohibited	Prohibited
\$T JOBDEF	Prohibited	Prohibited
\$T JOBPRTY(n)	Prohibited	Prohibited
\$T LINE(nnnn)	Prohibited	Prohibited
\$T LOGON(n)	Prohibited	Prohibited
\$T M	Prohibited	Prohibited
\$T MASDEF	Prohibited	Prohibited
\$T MEMBER(member)	Prohibited	Prohibited
\$T NJEDEF	Prohibited	Prohibited
\$T NODE(nnnn)	Prohibited	Prohibited
\$T NUM	Prohibited	Prohibited
\$T O	Owner	Owner
<p>(1) Prohibited on local devices, but this command can be entered by the owner on remote workstations.</p> <p>(2) This command will always be rejected if received over an NJE line as the text portion of a node send (\$Nnnnn) command, even if the sending node has network authority at the destination node.</p>		

Table 23. Remote Entry Restrictions (\$T-\$Z)

Command	RJE	NJE
\$T OFF(n).JR	Prohibited	Prohibited

Table 23. Remote Entry Restrictions (\$T-\$Z) (continued)

Command	RJE	NJE
\$T OFF(n).JT	Prohibited	Prohibited
\$T OFF(n).SR	Prohibited	Prohibited
\$T OFF(n).ST	Prohibited	Prohibited
\$T OFFLOAD(n)	Prohibited	Prohibited
\$T OUTCLASS(n)	Prohibited	Prohibited
\$T OUTDEF	Prohibited	Prohibited
\$T OUTPRTY(n)	Prohibited	Prohibited
\$T PCE	Prohibited	Prohibited
\$T PRINTDEF	Prohibited	Prohibited
\$T PROCLIB	Prohibited	Prohibited
\$T PRTnnnn	(2) (3)	Prohibited
\$T PUNnn	(2)	Prohibited
\$T INTRDR	(2) Prohibited	Prohibited
\$T RDRnn	(2) Prohibited	Prohibited
\$T RECVopts	Prohibited	Prohibited
\$T RMT(nnnn)	Prohibited	Prohibited
\$T SMFDEF	Prohibited	Prohibited
\$T SPOOLDEF	Prohibited	Prohibited
\$T SSI(nnn)	Prohibited	Prohibited
\$T TPDEF	Prohibited	Prohibited
\$T TRACEDEF	Prohibited	Prohibited
\$VS	Prohibited	(4)
\$Z A	Prohibited	Prohibited
\$Z I	Prohibited	Prohibited
\$Z OFFLOADn	Prohibited	Prohibited
\$Z PRTnnnn	Prohibited	Prohibited
\$Z PUNnn	Prohibited	Prohibited
\$Z RDRnn	Prohibited	Prohibited
\$Z SPOOL	Prohibited	Prohibited
<p>(1) Prohibited on local devices, but this command can be entered by the owner on remote workstations.</p> <p>(2) When a non-multileaving remote device is in command input mode, output devices on that remote device are not active.</p> <p>(3) This command will always be rejected if received over an NJE line as the text portion of a node send (\$Nnnnn) command, even if the sending node has network authority at the destination node.</p> <p>(4) Job-related commands from another node will be honored only insofar as they affect jobs "owned" by that node. A node is considered to "own" a job if the job originated at that node or if the job's default print/punch output is destined for that node.</p>		

---

## Controlling spool offload and reload functions

This section describes the JES2 commands you use to control the spool offload devices and the corresponding transmitters and receivers. For an overview of the spool offload facility, initializing offload devices, and issuing commands for controlling spool offload operations, see *z/OS JES2 Initialization and Tuning Guide*.

Spool offload devices are started dynamically with operator commands. Eight spool offload devices can be defined per system; however, only a maximum of eight can be active within the MAS configuration. Each individual device corresponds to a unique offload data set.

A job transmitter, SYSOUT transmitter, job receiver, and SYSOUT receiver are automatically associated with each offload device defined. These enable the offload device to control both offload (TRANSMIT) and reload (RECEIVE) functions. When specifying one of these transmitters or receivers, you must specify the device number of the associated offload device.

### Controlling offload devices

JES2 provides commands you can issue for:

- Starting an offload device
- Draining an offload device
- Halting an offload device
- Setting offload data set characteristics

#### Starting an offload device

When an offload device is started, any associated transmitters/receivers that have been started, will become active. If the offload device is already in use on any member in the multi-access configuration, JES2 denies the start and the \$HASP593 message is issued. If the corresponding data set is already in use by another offload device, JES2 denies the start and issues the \$HASP614 message.

#### Draining an offload device

The current job completes processing before the device is allowed to drain. This draining process stops the selection process for associated transmitters and receivers that are currently active. When the device is drained, JES2 closes and deallocates the offload data set.

If you issue the \$P OFFn.xx (where xx is JT, JR, ST, or SR) command for an offload device that has been halted (\$Z) during the receive operation, you may need to restart the reload operation to finish the job that was halted. Then the device will drain.

**Note:** On the receive operation, the offload device is automatically drained when an end-of-file is encountered.

#### Halting an offload device

Halting an offload device does not cause the offload data set to be deallocated, but the selection process for active transmitters and receivers is automatically stopped so that the operator can reset the work selection criteria before restarting the transmit or receive operation.

If you issue the \$Z command during the transmit operation, any active transmitter(s) will finish processing their currently active jobs before the selection process is halted. If you issue the \$Z command during the receive operation, any active receivers will be halted immediately in the middle of the

jobs being processed. When the receive operation is restarted, the offload device will begin to read the offload data set at the point where it was halted.

#### **Displaying the status of an offload device**

You can display detailed information about a specific offload device (\$D OFFLOAD(n)), or about all offload devices defined to JES2 (\$D U,OFFS). Unless you request limited status information, the status of all corresponding transmitters and receivers is also displayed.

#### **Setting offload data set characteristics**

You may set offload data set characteristics only if the indicated offload device is drained. If you are uncertain of the characteristics in effect, you may display the characteristics for the offload device in question. Use \$D OFFLOAD(n) to display detailed information about an offload device; use \$T OFF(n).xx,WS= to set offload data set characteristics.

## **Controlling offload transmitters and receivers**

JES2 provides commands you can issue for:

- Starting offload transmitters and receivers
- Draining offload transmitters and receivers
- Displaying the status of offload transmitters and receivers
- Setting offload transmitter and receiver characteristics
- Canceling jobs on offload transmitters and receivers
- Restarting offload transmitters.

#### **Starting offload transmitters and receivers**

You can cause a specified offload transmitter or receiver to automatically start each time the corresponding offload device is started. If the offload device is already active, the transmitter or receiver will start immediately. Only one job transmitter and one SYSOUT transmitter can be started for a specific offload device and they must be specified with the corresponding device number. The same rule applies to job receivers and SYSOUT receivers. For example, if you issue the \$T OFF1.JR and \$T OFF1.SR commands, JES2 automatically starts the offload job and SYSOUT receivers for offload device 1 when you issue the \$S OFFLOAD1,TYPE=RECEIVE command.

**Note:** If you issue the display command for the transmitters or receivers (\$D OFFn.xx) before the associated offload device is started, it will display their status as "STARTABLE".

#### **Draining offload transmitters and receivers**

When you issue the \$P OFFn.xx command, the current job completes processing before the device is allowed to drain. Once drained, the transmitter or receiver will not be automatically started when the corresponding offload device is started; it must be individually started using the \$S OFFn.xx command.

If both receivers have been drained while the corresponding offload device is still active, the offload device will be automatically halted. You can then terminate the reload operation by issuing the \$P OFFLOADn command or continue loading by starting the offload receivers (\$S OFFn.xR).

#### **Displaying the status of offload transmitters and receivers**

You can display detailed information about specific offload job transmitters and offload SYSOUT transmitters using the \$D U,OFFn.XT command. The \$D U,OFFn.xR does the same for offload job and SYSOUT receivers.

### **Setting offload transmitter and receiver characteristics**

You can specify the work selection characteristics of an offload job transmitter or receiver by issuing the \$T OFFn.xx,WS= command. You can do the same for offload SYSOUT transmitters and receivers. If you are uncertain of the characteristics in effect, you can display the characteristics for a particular offload transmitter or receiver by issuing the \$D U,OFFn.xx command.

### **Canceling offload transmitters and receivers**

The job currently active on a transmitter or receiver may be cancelled by issuing the \$C OFFn.xx command. When canceling a job transmitter, the job will be terminated and deleted from the queue from which it was selected. The transmitter then selects the next job eligible for processing. When canceling a SYSOUT transmitter, the output groups for the job that were eligible to be offloaded according to the work selection criteria, will be terminated and deleted from the queues from which they were selected. The transmitter then selects the next job eligible for processing. When canceling a receiver, reception of job or SYSOUT data continues until the end-of-job indicator is recognized, at which time the received job is deleted from JES2 spool. The transmitter/receiver continues processing as long as the spool offload media device provides data.

### **Restarting offload transmitters**

Processing of the job currently active on a transmitter may be interrupted by issuing the \$E OFFn.xT command. Restarting an offload transmitter is similar to the cancel command with the exception that the job is not deleted from JES2 spool but remains on the queue from which it was selected. The transmitter continues by selecting the next job eligible for processing, which may be the same job that was interrupted. To prevent the interrupted JOB/SYSOUT from being re-selected, the job should be put in HOLD status prior to the \$E OFFn.xT command.



---

## Chapter 3. Controlling jobs and output

This chapter describes the JES2 commands you use to start and stop jobs and to control the flow of work through the system and the network. It also describes the JES2 commands you use to control the output of jobs. These commands allow you to display job information.

The following tables list the tasks discussed in this chapter and provide a cross reference to detailed descriptions of the corresponding commands.

*Table 24. Displaying JES2 Job Information*

Task	Command	Location
Display job queue information	\$D N	"\$D N - Display job queue information" on page 348
Display the number of jobs queued	\$D Q	"\$D Q - Display the number of jobs queued" on page 445
Display the job output forms queue	\$D F	"\$D F - Display the job output forms queue" on page 265
Display jobs on the rebuild queue	\$D REBLD	"\$D REBLD - Display rebuild queue information" on page 459
Display information about active jobs	\$D A	"\$D A - Display information about currently active jobs" on page 223
Display information about specified jobs	\$D job	"\$D Job - Display information about specified jobs" on page 280
Display count of output group information	\$L job	"\$L Job - List job output information" on page 567
Display information about specified output groups	\$DO Job	"\$D O Job - Display output characteristics" on page 367
Display information for a job at another node	\$G D	"\$G D - Display job information for a job at another node" on page 536
Display a message at another operator console or send a message to an executing job's JES2 job log	\$D M	"\$D M - Send a message" on page 329

Table 25. Specifying Job Execution Characteristics

Task	Command	Location
Set the JES2 internal job numbers	\$T NUM	“\$T NUM - Set the JES2 internal job numbers” on page 795
Specify the JES2 job characteristics	\$T JOBDEF	“\$T JOBDEF - Set job processing characteristics” on page 745
Specify the JES2 job scheduling priority	\$T JOBPRTY(n)	“\$T JOBPRTY(n) - Set job scheduling characteristics” on page 750
Specify the estimated execution time for jobs	\$T ESTIME	“\$T ESTIME - Control the default execution time” on page 703

Table 26. Controlling Initiators

Task	Command	Location
Start an initiator	\$S I	“\$S I[vvvv] - Start an initiator” on page 640
Display initiator information	\$D I	“\$D I[nnmm] - Display initiator information” on page 272
Assign initiator classes	\$T I	“\$T Init(nnmm) - Control initiators” on page 714
Halt an initiator	\$Z I	“\$Z I[vvvv] - Halt initiator activity” on page 953
Stop an initiator	\$P I	“\$P I[nnmm] - Stop an initiator” on page 589
Start initiation of batch jobs into execution	\$S XEQ	“\$S XEQ - Allow JES2 and WLM-controlled initiators to select work” on page 670
Stop initiation of batch jobs into execution	\$P XEQ	“\$P XEQ - Prevents JES2 and WLM-controlled initiators from selecting work” on page 632



Table 27. Controlling Job Execution

Task	Command	Location
Route specified jobs for execution	\$R XEQ, D=	"\$R XEQ - Route specific jobs for execution" on page 637
Cancel a job	\$C job	"\$C Job - Cancel a job" on page 199
Purge a job	\$P job	"\$P Job - Purge a job" on page 595
Drain a spool volume (process/cancel remaining jobs)	\$P SPOOL	"\$P SPOOL - Drain a spool volume" on page 626
Restart a currently executing job	\$E Job	"\$E Job - Restart a job" on page 510
Change 's class, scheduling priority, or member affinity	\$T job	"\$T Job - Change a job's class, scheduling priority, or affinity" on page 722
Initiate a batch job into execution	\$S Job	"\$S Job - Initiate a batch job into execution" on page 642
Specify an XBM procedure to be used for jobs in a selected class.	\$T JOBCLASS(n)	"\$T JOBCLASS - Set job class characteristics" on page 732

Table 28. Holding and Releasing Jobs

Task	Command	Location
Hold all jobs	\$H A	"\$H A - Hold all jobs" on page 545
Release all jobs	\$A A	"\$A A - Release all jobs" on page 119
Hold specified jobs	\$H job	"\$H Job - Hold specific jobs" on page 547
Release specified jobs	\$A job	"\$A Job - Release held jobs" on page 120
Hold job queues	\$T JOBCLASS(x),QHELD=Y	"\$T JOBCLASS - Set job class characteristics" on page 732
Release job queues	\$T JOBCLASS(x),QHELD=N	"\$T JOBCLASS - Set job class characteristics" on page 732

Table 29. Controlling Jobs at Another Node

Task	Command	Location
Hold a job at another node	\$G H	“\$G H - Hold a job at another node” on page 538
Release a job at another node	\$G A	“\$G A - Release a job at another node” on page 532
Cancel a job at another node	\$G C	“\$G C - Cancel a job at another node” on page 534
Request another node to route a job for execution	\$G R	“\$G R, XEQ - Request another node to route a job for execution” on page 543
Request another node to route job output	\$G R	“\$G R, OUT - Request another node to route job output” on page 540

Table 30. Specifying Job Output Characteristics

Task	Command	Location
Set output characteristics	\$TO Job	“\$T O Job - Set output characteristics” on page 796
Specify JES2 job output characteristics	\$T OUTDEF	“\$T OUTDEF - Set job output characteristics” on page 846
Set job class characteristics	\$T JOBCLASS(n)	“\$T JOBCLASS - Set job class characteristics” on page 732
Set SYSOUT class characteristics output classes	\$T OUTCLASS(n)	“\$T OUTCLASS(n) - Set SYSOUT class characteristics” on page 844
Specify JES2 output scheduling priority	\$T OUTPRTY(n)	“\$T OUTPRTY(n) - Set output scheduling priorities” on page 850
Specify the estimated amount of spool space needed for a job output	\$T ESTBYTE	“\$T ESTBYTE - Control the default spool space utilization per job” on page 702

Table 30. Specifying Job Output Characteristics (continued)

Task	Command	Location
Specify the estimated print line count for job output	\$T ESTLNCT	"\$T ESTLNCT - Control the default print line count per job" on page 704
Specify the estimated page count for job output	\$T ESTPAGE	"\$T ESTPAGE - Control the default page count per job" on page 706
Specify the estimated number of punched cards for job output	\$T ESTPUN	"\$T ESTPUN - Control the default punched card output per job" on page 707

Table 31. Controlling Output

Task	Command	Location
Release or cancel held output data sets	\$O	"\$O Job - Release or cancel held output groups" on page 581
Cancel output groups	\$PO Job	"\$P O Job - Purge a job's output" on page 609
Route job output	\$R ,D=	"\$R - Route job output" on page 633
Cancel output groups	\$CO Job	"\$C O Job - Cancel output" on page 210

## Controlling jobs

For JES2, a "job" can actually be a batch job, started task, or time-sharing user (known as a job, STC, and TSU, respectively). They are further identified by a job identifier (jobid), which is an eight-character string of the form "JOBnnnnn", "J0nnnnn", "STCnnnnn", "S0nnnnn", "TSUnnnnn", and "T0nnnnn" respectively. You can control the action JES2 is to take on jobs, (for example, cancel, display, or hold), and you can control the display of information about jobs, as the following topics explain.

### Controlling the scope of commands

Operators can control batch jobs, started tasks (STCs), and time-sharing userids (TSUs) through commands, parameters (for example, the JOBQ, JOBMASK and JOBCORR parameters) and wildcards.

#### Using parameters on job-related commands

The JOBQ and JOBMASK parameters can help you to limit the amount of processing needed to control batch jobs, STCs and TSUs. You can specify these parameters on the job-related commands listed below.

Use the JOBQ parameter to control **all** batch jobs, STCs, and TSUs. Use the JOBMASK parameter to select, or filter, a subset of jobs whose job name matches this combination of characters (mask). The JOBMASK parameter can include wildcard characters.

For example, to display all batch jobs, STCs, and TSUs whose name begins with the characters IBM, enter the command:

```
$D JOBQ, JOBMASK=IBM*
```

The command produces a display of jobs meeting the JOBMASK criteria anywhere in the MAS.

For more information about using wild cards, see “Using wildcards” on page 108.

**Job-related commands:** The JOBQ and JOBMASK parameters can be specified on the following commands:

- \$A Job
- \$C Job
- \$CO Job
- \$D Job
- \$DO Job
- \$E Job
- \$H Job
- \$L Job
- \$O Job
- \$P Job
- \$PO Job
- \$T Job
- \$T O

On the \$E job command, only the JOBMASK parameter can be specified.

## Using the JOBCORR parameter

The JOBCORR job correlator parameter consists of a 31-byte system-defined portion and a colon character (:), which are followed by a 32-byte user portion. The 32-byte user portion of the JOBCORR parameter can be set using any of the following methods:

- The user portion can be set using the UJOBCORR JCL keyword on the JOB card. For more information on the UJOBCORR parameter, refer to *z/OS MVS JCL Reference*.
- Using the JES Symbol service, the user portion can be set for batch jobs that are submitted through an internal reader by a user application. This symbol value will override any value that is specified on the UJOBCORR parameter. For more information on the JES Symbol service, refer to *z/OS JES Application Programming*.
- The user portion can be set in installation exits 2 and 52 for a JOB JCL statement scan, or 20 and 50 for end of job input. A user portion that is set in an installation exit will override any value specified on the UJOBCORR keyword or in the symbol. For more information on installation exits, refer to *z/OS JES2 Installation Exits*.

Use the JOBCORR parameter to select, or filter, a subset of jobs with the values of job correlator that match the specified combination of characters (mask). The JOBCORR parameter can include wildcard characters.

For example, the following \$D Job command uses the JOBCORR parameter to display all jobs across the MAS that are associated with an application named PAYROLL:

```
$djobq,jobcorr=*:payroll*,jobcorr
JOB00063 $HASP890 JOB(D15USER1) C
$HASP890 JOB(D15USER1) JOBCORR=J0000063POK.....C88B8C10.....:
$HASP890 PAYROLL
JOB00064 $HASP890 JOB(D15USER2) C
$HASP890 JOB(D15USER2) JOBCORR=J0000064POK.....C88B8C11.....:
$HASP890 PAYROLL
```

(The example assumes that when jobs are submitted, the application uses the JES Symbol Service (IAZSYMBL) to set the user portion of job correlators to a value starting with the string PAYROLL.)

**Note:** For wildcard character usage, refer to “Using wildcards” on page 108.

The JOBCORR parameter can be specified with the following commands:

- “\$A Job - Release held jobs” on page 120
- “\$C Job - Cancel a job” on page 199
- “\$C O Job - Cancel output” on page 210
- “\$D Job - Display information about specified jobs” on page 280
- “\$D O Job - Display output characteristics” on page 367
- “\$E Job - Restart a job” on page 510
- “\$H Job - Hold specific jobs” on page 547
- “\$L Job - List job output information” on page 567
- “\$O Job - Release or cancel held output groups” on page 581
- “\$P Job - Purge a job” on page 595
- “\$P O Job - Purge a job's output” on page 609
- “\$S Job - Initiate a batch job into execution” on page 642
- “\$T Job - Change a job's class, scheduling priority, or affinity” on page 722
- “\$T O Job - Set output characteristics” on page 796

## Displaying job information

You can display job information to monitor the JES2 system and control job processing. Displaying information such as the amount of output for jobs in the held output class and the output processing characteristics of designated output groups enables you to plan job execution. You may wish to change some of this information to process jobs more efficiently. (For information about the \$T commands you can specify to change output processing characteristics, see “Controlling Job Output”).

Using the MVS CONTROL command, you can include the job identifier in the message output. For example, you first enter the MVS command

```
CONTROL S,MFORM=(J)
```

Now, when you enter JES2 commands such as:

```
$d jq'myjob'
```

```
JOB00017 $HASP890 JOB(MYJOB)  
$HASP890 JOB(MYJOB) STATUS=(AWAITING EXECUTION),CLASS=H,  
$HASP890 PRIORITY=9,SYSAFF=(ANY),HOLD=(JOB)
```

the job identifier is displayed before the message number. For more information about using the MVS CONTROL command see *z/OS MVS System Commands*.

JES2 allows you to display the following job information:

#### **Number of jobs on a queue**

The \$D Q command displays the number of jobs on a particular queue. The parameters on this command allow you to display detailed job information, including the percentage of spool disk utilization for all jobs that have data on the spool volume specified on the V=volser parameter.

#### **Number of jobs on the rebuild queue**

Use the \$D REBLD command to display all job output elements (JOEs) and job queue elements (JQEs) on the rebuild queue and the total number of each. JES2 moves JOEs and JQEs to the rebuild queue when JES2 determined that particular element was not valid or corrupted. Typically the rebuild queue is empty; however, you might find this command useful if:

- You receive messages indicating that JOEs or JQEs are pending discard and you require further information.
- In response to other display commands, JES2 indicates the job is not found or found on the rebuild queue.

#### **Currently active jobs**

Use the \$D A command to display information about currently active jobs (batch jobs, started tasks, and time-sharing users). You can also display information about jobs being processed on unit record devices or spool offload devices. For example, issuing \$D A,SYSA,DEV,L=4A displays information on area A of console 4 for all jobs (batch, STCs, and TSUs) active on unit record devices on the member whose identifier is SYSA.

The MVS DISPLAY ACTIVE command provides further information about active jobs. For a description of this command, see *z/OS MVS System Commands*.

#### **For specific jobs**

To display information about a specific job or range of jobs, issue the \$D job command. The \$HASP890 message displays number, name, status, class, priority, and spool volume information for the specified job(s).

#### **Job output forms queue**

Use the \$D F command to display the number of data sets queued for output. The \$HASP621 message displays the destination and processing requirements (such as forms, carriage, print train, bursting) of the work on the output forms queue.

**Note:** The \$D F command does not display specific job information; it displays only the number of queued elements according to their attributes.

#### **Job queue information**

Use the \$D N command to display information about a specific job or range of jobs:

- Whose affinities include that specified (member name)
- With affinities of ANY

- For all jobs in the MAS configuration (ALL)
- For all jobs whose affinity is for members operating in independent mode (IND)

The \$HASP890 message displays number, name, status, class, priority, and affinity information. The \$HASP646 message displays the percentage of spool disk utilization for the specified jobs that have data on the spool volume specified on the V=volser parameter.

#### Output information

Use the \$L job command to display the number of held or non-held data sets for a specified job or range of jobs. Use the \$DO Job command to display the output processing characteristics of specified output groups or individual job output elements (JOEs).

#### For a job at another node

Issue the \$G D command to display information about jobs you previously routed for execution at another node (by using the \$R XEQ,D= command) or to display information about *any job at any node* (subject to your node's command authority at that node). You must specify the O= parameter if the job did not originate at your node.

You can also use the \$G D command to locate a job. By omitting the destination name, you are effectively issuing a global locate command that is sent to all reachable nodes in the network. Each node responds individually in this case.

#### Display a message

Issue the \$D M command to display a message on a specified operator console or a range of consoles. This includes remote workstations at other nodes and consoles at other MAS members.

You may also use this command to send a message to an executing job's JES2 job log. The job can be on any member of the MAS, but must be currently executing within the MAS, not awaiting execution or output.

---

## Controlling job execution

Batch jobs are selected for execution by initiators, each one running in a separate address space. Initiators are controlled by JES2 or by the workload manager (WLM). Who controls the initiators is determined by the job class and by the MODE= parameter (JES or WLM) in the JOBCLASS statement. JES2 maintains two different queue organizations for all jobs awaiting execution to service the two different selection mechanisms:

1. All jobs are queued by job class, priority, and the order in which they finished conversion. This is the queue from which JES2 managed initiators select jobs for execution.
2. Jobs awaiting execution in WLM managed job classes are also queued by their WLM assigned service class in the order they were made available for execution. This is the queue from which WLM managed initiators select jobs for execution.

You can switch job classes between JES mode and WLM mode with the \$T JOBCLASS,MODE= command.

## Controlling JES2 initiators

JES2 associates one logical initiator residing in JES2 with each system initiator interfacing with JES2. You can control the number of active logical initiators and,

using commands or during JES2 initialization, you associate logical initiators with the order in which JES2 selects the classes. During execution, an initiator selects non-held jobs in priority order within each non-held class in the order specified for that initiator. That is, the lowest priority job in the first non-empty class is selected ahead of the highest priority job of the next class assuming neither job nor class is held. The only exception is the processing of a job with a name duplicating a job currently in execution. The following two settings control the duplicate jobname processing:

- JOBDEF DUPL\_JOB
- JOBCLASS(x) DUPL\_JOB

If you specify DUPL\_JOB=DELAY on the JOBDEF statement or DUPL\_JOB=DELAY is the default, no two batch jobs with the same name will execute at the same time in the MAS, except when DUPL\_JOB=NODELAY is specified on the JOBCLASS(x) statement.

If you specify DUPL\_JOB=NODELAY on the JOBDEF statement, jobs with the same name can run at the same time, no matter what DUPL\_JOB= is specified on the JOBCLASS(x) statement.

At system initialization, JES2 uses the initialization deck to assign an identifier to each initiator, to a maximum of 9999. Use these identifiers with JES2 commands to control the initiators. For information about naming initiators, see *z/OS JES2 Initialization and Tuning Reference*.

When JES2 finishes reading a job that is to be executed locally, it is converted and placed in one of the execution queues according to its job class. The appropriate job class is determined by:

- The CLASS= parameter on the JCL JOB statement.
- The JES2 command \$T J(n), C=class, which you may issue to change the job class after the job has been read and queued.
- The default class assigned for that particular reader if the CLASS= parameter is not specified on the JCL JOB statement and you did not alter the job class.

Jobs are placed on the queues in priority sequence. Jobs of the same priority are selected on a first-in first-out basis. A job's priority is determined by:

- The JES2 command \$T J(n), P=priority, which you may issue to change the job's priority after the job has been read and queued.
- The /\*PRIORITY control statement.
- The job time estimate information on the JOB statement or /\*JOBPARM statement.

When an initiator is started, it will search its assigned queues for a job to process. On completion, it searches its queues for another job. The initiator processes jobs in priority order; for example, if the initiator is assigned classes A, B, and X, it will initiate only class A jobs as long as there are class A jobs ready for execution. When no class A jobs are available, the initiator will select only class B jobs or, if no class A or B jobs are available, class X. If there are no jobs available in the assigned classes, the initiator is inactive until such jobs are available.

For initiator processing, class groups exist within the priority-ordered class list. However, they are considered to be a conglomerated 'class'. Classes within a group are selected in a round robin scheme (across all job selection). This ensures an even distribution of work across all classes in the group. For example, if a group has



classes A, B, and FRED, then those classes are chained in a ring off the job class group structure. One class is at the head of that loop and is the first searched when looking for work. If work is found in class B in this example, the head is updated to class FRED. The next selection will search class FRED first, and if work is found in that class, the head is updated to class A.

This process is repeated each time an initiator attempts to select a job. An exception to this order of selecting jobs occurs when an execution batch monitor is active. In this case, the execution batch monitor class temporarily assumes the highest priority (for as long as the execution batch monitor remains active), thus reducing the overhead of bringing an execution batch monitor in and out of the system.

### Initiator commands

JES2 provides commands you issue to display initiator information, assign initiator classes, halt, start, and stop initiators. For a list of the JES2 commands associated with these functions and references to their detailed command descriptions, see Table 26 on page 60 at the beginning of this chapter .

## Controlling WLM initiators

Job initiators for WLM-managed job classes are controlled dynamically by workload management (WLM). These initiators run under the master subsystem and are not assigned JES2 job numbers. WLM can adjust the number of initiators on each system based on:

- The queue of jobs awaiting execution in WLM-managed classes.
- The performance goals and relative importance of this work.
- The success of meeting these goals.
- The capacity of each system to do more work.

The following must also be true for WLM-managed initiators to be active:

- WLM must be operating in goal mode.
- All members of the MAS must be in goal mode for consistent operation.

Although workload management dynamically controls its initiators, there are several mechanisms by which you can manage them with JES2 commands:

- Limit the number of jobs in each class that can execute simultaneously on a member of the MAS by using the XEQMEMBER(membername)=MAX= parameter on a \$T JOBCLASS command. You can also limit the number of jobs in execution by class on an individual system basis by using the XEQMEMBER(membername)=MAX= operand.
- Stop or start the selection of batch jobs by JES or WLM managed initiators on an individual system with the \$P XEQ and \$S XEQ commands. The initial setting when JES2 first initializes is to allow selection. If you want to prevent this, place a \$P XEQ command in your JES2 initialization deck.
- Stop or start the selection of batch jobs by JES or WLM initiators on an individual system and service class or by jobclass.
  - To stop selection of jobs in a given service class on a given member, issue \$T SRVCLASS(service\_class),QAFF=-membername.
  - To stop selection of jobs in a given jobclass on a given member, issue \$T JOBCLASS(jobclass),QAFF=-membername.
  - To resume selection, use QAFF+=membername on the example commands.

- Immediately start the execution of a batch job in a WLM managed job class, with the \$S Job operator command. Workload management will select the job for immediate execution from the list of systems where the job is eligible to run (based on SYSAFF and SCHENV parameters as well as SECLABEL affinity if active). This is processed even if the job is held.

## Specifying JES2 job characteristics

You can control job execution by specifying JES2 job characteristics in the following ways:

### Set the JES2 internal job numbers

The \$T NUM command allows you to set (or reset) the JES2 job number base. JES2 assigns the new number base to the next job entering the system; if the specified number is being used, JES2 assigns the next available number to the job.

Use the \$T NUM,BASE= command to help you track all new work entering the system or when performing a reload operation. The \$HASP609 message displays the new job number base.

**Note:** If you enter the \$D JOBDEF command after issuing the \$T NUM command, the JNUMBASE field displays a value 1 less than the one you specified on the \$T NUM command. The next job number is actually the value of JNUMBASE + 1.

### Specify JES2 job characteristics

The \$T JOBDEF command allows you to control scanning of the job's JCL as well as prioritization in relation to the length of time the job awaits execution. Additional parameters allow you to specify when you are to be alerted of a shortage of job numbers and a shortage of job queue elements.

### Specify job scheduling priority

The \$T JOBPRTY(n) command allows you to specify the job scheduling priority in relation to execution time. This command affects only those jobs that have not yet entered the system. When you enter the \$T JOBPRTY(n) command, the \$HASP832 message displays the current values of all the parameters on the JOBPRTY(n) initialization statement.

### Specify the estimated execution time for jobs

The \$T ESTIME command allows you to specify the default time for jobs that have not yet been selected for execution and the action that JES2 takes (to notify you at specified intervals or not) if a job exceeds this time. You can issue the \$T JOBPRTY(n) command to increase the priority of jobs that have exceeded the time specified on the \$T ESTIME,NUM= command.

There are other JES2 commands you can issue that allow you to specify job characteristics that control job output. These commands are described in the "Controlling Job Output" section later in this chapter.

## JES2 job execution commands

JES2 allows you to issue commands to control job execution in the following ways:

### Route specified jobs for execution

Issue the \$R XEQ,D= command to route specified jobs to another node (D=) for execution. You can use the J= parameter to specify a particular batch job to be routed or use the R= parameter to specify that all jobs in the system are to be routed to the node named on the D= parameter.

You can still control the execution of jobs you've routed to another node. For a description of the commands you can use, see "Controlling Jobs at Another Node" later in this chapter.

### **Stop a job**

Use the \$C job command to cancel a job or time sharing user (TSU) *immediately*, regardless of the member of the MAS on which the job is executing. To stop a job *after it has completed its current activity* and remove all traces of it from the system, issue the \$P job command. STCs, however, can only be cancelled using these commands after they have executed. (Use the MVS CANCEL command if you wish to cancel these types of jobs during execution.)

The \$C job command terminates the scheduling of a job or range of jobs. If the job is in execution, you can also request a storage dump to diagnose a problem by specifying \$C job,D. Issue the \$C job,P command to purge the job output.

The \$P job command cancels job output and purges all information about the job from the system. The \$P job,Q= command allows you to specify up to 36 classes of output to be cancelled for the job. However, if data for the job remains queued in an output class you did not specify, JES2 does not cancel the job from the system.

The CANCEL parameter on the \$P SPOOL,V=volser,CANCEL command cancels all jobs on the volume that can be cancelled. If any job being cancelled has data sets residing on another volume, those data sets are also cancelled. JES2 issues the \$HASP890 message to display the status of cancelled jobs.

### **Restart a currently executing job**

Issue the \$E Jn[-n] command to queue one or more batch jobs for re-execution, regardless of which member of the MAS the job is on. If you wish to restart a job, but do not want it to execute at this time, first hold the job using the \$H command, then issue the \$E command.

### **Change the execution class, scheduling priority, or affinity**

Use the \$T job command to change these characteristics for a single job or a specified range of jobs.

The \$T JOBCLASS(n),XBM=xxxxxxx command allows you to specify that all jobs in the specified class (n) be processed by the named execution batch monitor procedure.

## **Holding and releasing jobs**

Jobs being processed, or waiting to be processed, are kept on a job queue in priority sequence. You can issue JES2 commands to hold and release specified jobs or all jobs currently in a system. You can also keep jobs in specified job queues or all job queues from being executed until you release them.

The following describes the JES2 commands you can issue to hold and release local jobs and queues. For information about holding and releasing jobs at another node, see "Controlling Jobs at Another Node" later in this chapter.

### **Holding and Releasing All Jobs**

Use the \$H A command to hold all jobs currently in the member from which the command is issued. Issuing \$H A,memname holds all jobs in the MAS configuration whose affinities include the specified member name; \$H A,ALL holds all jobs in the MAS configuration regardless of affinity. Use the \$A A command with the same parameters to release the held jobs.

### Holding and Releasing Specified Jobs

Use the \$H job command to hold a specific job or a range of jobs. For example, issuing \$H J5-8 places batch jobs 5, 6, 7, and 8 in hold status. The current status of the indicated jobs is displayed in the \$HASP890 message.

The \$A job command releases specified jobs in the same manner. The current status of the indicated jobs is displayed in the \$HASP890 message.

**Note:** The \$A job command may be used to release any held job or range of jobs, not just those held by the \$H job command.

### Holding and Releasing Job Queues

Use the \$T JOBCLASS(x),QHELD=YES command to keep jobs in a specified job queue from being executed. To allow jobs on that queue to be executed again, issue \$T JOBCLASS(x),QHELD=NO.

## Controlling jobs at another node

JES2 allows you to route jobs for execution at other nodes using the \$R XEQ,D= command. You can display information about these jobs using the \$G D command and control their processing using the commands described in this section.

**Note:** You may issue the \$G D command or any of the commands listed in the following description for *any job at any node*. Yours does not have to be the originating node.

The following considerations apply to all \$G commands issued to display information about, or control, jobs at another node:

- The destination node must have your node flagged as having job authority. If the job did not originate at your node or have default print/punch output for your node, the destination node must have your node flagged as having network authority. (The destination node can issue the \$T NODE(nnnn),AUTH= command to assign your node command authority.)
- If more than one job has the specified job name, you'll need to specify the job ID. If you do not know the job ID, issue the \$G D command to display the IDs of all of the jobs with this name at a specific node.

You can control jobs at another node in the following ways:

- Issue the \$G H command to hold a job at another node.
- Issue the \$G A command to release a job at another node.
- Issue the \$G C command to cancel a job at another node:
  - The \$G C command allows you to terminate the scheduling or execution of a batch job. You can also issue this command to cancel STCs or TSUs after they have completed execution.
  - To diagnose a problem, you may specify the D parameter to request a storage dump upon cancellation. Alternatively, you may cancel the job output by specifying the P parameter. You *must* specify the P parameter to cancel a job that is already in the output processing phase.
- Issue the \$G R command to request another node to route a job to yet another node for execution. By issuing the \$G R command, you are, in effect, issuing a \$R XEQ,D= command for another node.
  - You can also issue the \$G R command to route normal output for a job at another node to an alternate location. You are, in effect, issuing a \$R ,D= command for another node.

---

## Controlling job output

Following job execution, JES2 queues each output unit of work for a job according to a priority based on the volume of output represented by that work unit. Alternatively, you can specify a priority on the JCL OUTPUT statement to control job queuing.

Job output elements (JOEs) are created by JES2 during output processing (or during execution in the case of spinoff data sets.) Each JOE represents a unit of output work to JES2 and is queued in order of output priority. If a priority was not specified on the JCL OUTPUT statement, a separate JOE priority is computed for each JOE using the tables specified by the PRIORITY parameter on the OUTPRTY initialization statement in combination with either the RECORD parameter statement for line data, the PAGE parameter for page data, or both the RECORD and PAGE parameters for data containing both line and page data.

The JOE priority is computed based on the total number of print lines, punch cards, or pages in the data set which the JOE represents. If the JOE represents a data set containing both line and page data, the output priority is the average of the priorities specified by the RECORD and PAGE parameters, respectively. The default table values for the priority calculation are presented in *z/OS JES2 Initialization and Tuning Reference*.

## Specifying job output characteristics

JOEs are selected for output processing based on the job's output priority. The original priority is set by the OUTPRTY(n) statement, but this level is permitted to increase based on the minimal priority aging level set by the PRTYLOW= and the maximum priority aging level set by the PRTYHIGH= parameters on the OUTDEF statement at a rate as specified by the PRTYRATE= parameter on the JOBDEF statement. You can use JES2 commands to specify these and other parameters and control output processing.

JES2 allows you to specify print train and either carriage tape name or forms control buffers for SYSOUT directed to printers with these features. JES2 also supports the 3525 print and interpret features for SYSOUT data sets. Additionally, you can specify all options and features of the 3800 printer for SYSOUT data sets directed to the 3800. This allows you to minimize operator interaction due to forms, carriage tape, and print train loading for impact printers, and forms, overlay frames, and burster loading for the 3800.

You can specify JES2 output characteristics in the following ways:

### Set output characteristics for JOEs

There are two ways of dynamically changing the output characteristics for all or selected JOEs belonging to the specified jobs:

- By using SDSF or a functionally equivalent product to access the output JCL statements
- By using the \$T O command to set output characteristics

Since all JES2 output characteristics are assigned on either output JCL statements or on JES2 initialization statements, it is recommended that you use the SDSF interface to change the output characteristics for a SYSOUT data set. For further information about the SDSF interface, see *z/OS SDSF Operation and Customization*. For further information on output JCL statements, see *z/OS MVS JCL Reference*. The following table lists all output characteristics and shows how they can be dynamically modified.

Table 32. Changing Output Characteristics for SYSOUT Data

Output Characteristic keyword	Purpose	How To Modify
ADDRESS=	Specifies an address to be printed on print separator pages.	SDSF
BUILDING=	Specifies a building location to be printed on print separator pages.	SDSF
BURST=	Directs output to a stacker on a 3800 printer subsystem.	SDSF(BURST=) or \$T O line command (B=)
CLASS=	Assigns the data set to an output class.	SDSF(CLASS=) or \$T O line command (Q=)
COMSETUP=	Specifies options for microfiche printers.	SDSF
CONTROL=	Specifies that the data set records begin with carriage control characters or specifies line spacing.	SDSF(CONTROL=) or \$T O line command (C=)
DEPT=	Specifies a department identification to be specified on separator pages.	SDSF
DEST=	Sends a data set to the specified destination.	SDSF(DEST=) or \$T O line command (D=)
FLASH=	Indicates that the data set is to be printed with forms overlay and can specify how many copies are to be flashed.	SDSF(FLASH=) or \$T O line command (O=)
FORMS=	Identifies forms on which the data set is to be printed or punched.	SDSF(FORMS=) or \$T O line command (F=)
FORMDEF=	Names a library member that PSF uses in printing the SYSOUT data set on a page-mode printer.	SDSF
NAME=	Specifies the preferred name to be printed on output separator pages.	SDSF
NOTIFY=	Specifies the print complete message to as many as four users.	SDSF
OUTBIN=	Specifies the output bin.	SDSF
OUTDISP=	Specifies the disposition of the process instance for normal or abnormal termination of the job step.	SDSF(OUTDISP) or \$T O line command (OUTDISP=)
PAGEDEF=	Names a library member SYSOUT data set on a page-mode printer.	SDSF
PRMODE=	Identifies the process mode required to print the SYSOUT data set.	SDSF(PRMODE) or \$T O line command (PRMODE=)
PRTY=	Specifies initial priority at which the SYSOUT data set enters the output queue.	SDSF(PRTY) or \$T O line command (P=)
ROOM=	Specifies a room identification to be printed on output separator pages.	SDSF
TITLE=	Identifies a report title to be printed on new separator pages.	SDSF

Table 32. Changing Output Characteristics for SYSOUT Data (continued)

Output Characteristic keyword	Purpose	How To Modify
USERLIB=	Identifies the libraries containing Advanced Function Printing (AFP) resources to be used by Print Services (PSF) when processing SYSOUT data sets.	SDSF
UCS=	Specifies universal character set, print train, or character-arrangement table for a 3800 Printing Subsystem.	SDSF(UCS=) or \$T O line command (T=)
WRITER=	Names an external writer to process the SYSOUT data set rather than JES2.	SDSF(WRITER=) or \$T O line command (W=)

### Specify JES2 job output characteristics

The \$T OUTDEF command allows you to specify the general output processing characteristics of JES2, such as whether the MAS configuration is to use shared broadcasting. You also specify the number of job output copies that may be requested, set the percentage of JOE usage at which you are alerted of a shortage, and set the PRTYHIGH and PRTYLOW characteristics for jobs that have not yet been selected for execution. The PRTYOUT=Y|N parameter specifies whether the priority specification (PRTY=) on the JCL OUTPUT statement is supported or not.

**Note:** The \$T OUTDEF command does not affect output that has already been created. This also applies to the \$T commands that control conditional purging described below.

You can control conditional purging of output for jobs according to the type of job.

- STCs, using the \$T JOBCLASS(STC) command.
- TSUs, using the \$T JOBCLASS(TSU) command.

### Specify output disposition

You can specify the disposition for output data sets through the OUTDisp parameter on the following commands:

- \$T JOBCLASS
- \$T OUTCLASS

You can specify the following dispositions:

#### HOLD

Hold the output. JES2 does not process the output until you either change the disposition to WRITE or KEEP, or release the output. When the output is released, the disposition changes to WRITE.

**KEEP** Process the output and then keep a copy of it on spool. After processing, the disposition of this output becomes LEAVE.

#### LEAVE

JES2 does not process the output until you change the disposition to either WRITE or KEEP, or release the output. When the output is released, the disposition changes to KEEP.

#### PURGE

Purge the output immediately.

## WRITE

Process the output then purge it.

For each command you can specify abnormal and normal dispositions. The abnormal disposition applies when a job abends or contains a JCL error. The default is abnormal disposition.

Below you can see the output disposition changes that take place after a data set has been released and/or processed.

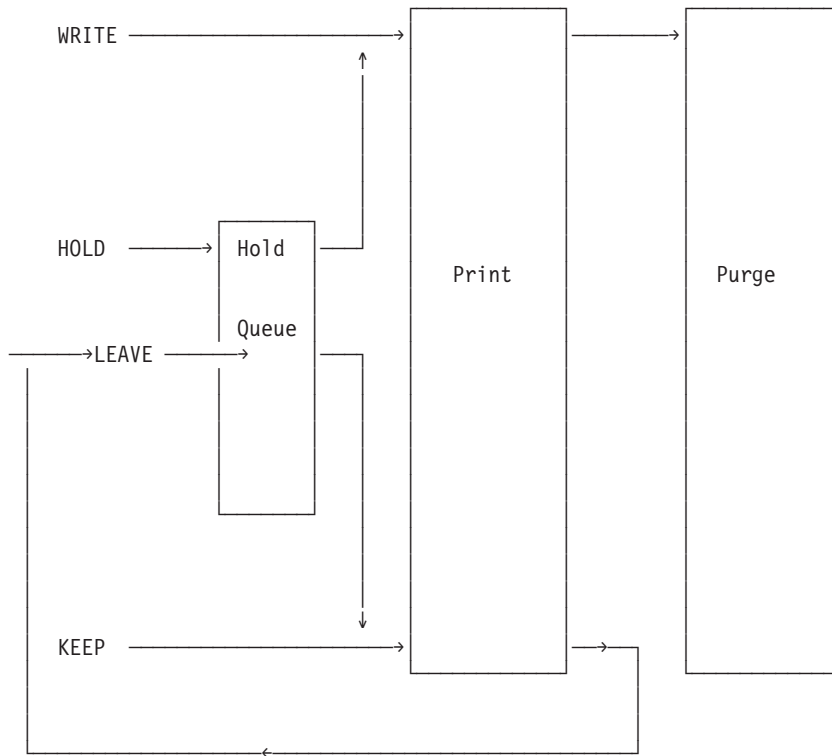


Figure 4. Specify Output Dispositions

### Specify JES2 output scheduling priority in relation to output quantity

The \$T OUTPRTY(n) relates scheduling to the quantity of records or pages of output. When JES2 builds JOEs for a job, it assigns a priority to each JOE based on the total number of output lines, cards, or pages represented by the JOE. The \$T OUTPRTY(n) command allows you to specify page, record, and priority parameters to control output scheduling.

**Note:** This command does not affect post-execution jobs, nor does it affect an output data set if the PRTY= parameter was specified on the data set's OUTPUT JCL statement and PRTYOUT=YES was specified on the OUTDEF initialization statement.

### Specify the default spool space utilization for job output

Use the \$T ESTBYTE command to specify the default amount of spool space needed for a job's output (1-99999 bytes) and the action that JES2 takes if the output exceeds this amount. You specify the interval at which JES2 issues the \$HASP375 message informing you that the amount has been exceeded and control whether the job is to continue executing or be cancelled (with or without issuing a dump).



### **Specify the estimated print line count for jobs**

The \$T ESTLNCT command allows you to specify the default print line count (1-9999) in thousands of lines for a job's output and the action JES2 takes if the job exceeds this estimate. You receive the \$HASP375 message informing you that the line count has been exceeded at the interval specified on the INT parameter. The OPT parameter allows you to control whether JES2 is to allow the job to continue executing or cancel the job and, optionally, issue a dump.

For example, specifying \$T ESTLNCT,NUM=20,INT=1000,OPT=1 indicates to JES2 that, if a job that has not yet been selected for execution exceeds 20,000 print lines, JES2 should issue the \$HASP375 message for every 1000 lines after 20,000 and cancel the job without issuing a dump.

### **Specify the estimated page count for a job's output**

The \$T ESTPAGE command allows you to specify the default page count (1-999999) for a job's output and the action JES2 takes if the job exceeds this estimate. You receive the \$HASP375 message informing you that the page count has been exceeded at the interval specified on the INT parameter. The OPT parameter allows you to control whether JES2 is to allow the job to continue executing or cancel the job and, optionally, issue a dump.

### **Specify the estimated punched card output for jobs**

The \$T ESTPUN command allows you to specify the default number of punched cards per job (0-9999999) and the action JES2 takes if the job exceeds this estimate. You receive the \$HASP375 message informing you that the page count has been exceeded at the interval specified on the INT parameter. The OPT parameter allows you to control whether JES2 is to allow the job to continue executing or cancel the job and, optionally, issue a dump.

## **JES2 job output commands**

JES2 commands allow you to display and control job output. For example, you can display the amount of output for a job or jobs in either the held or released output classes. For information about JES2 commands you can issue to display job output, see "Displaying Job Information" at the beginning of this chapter.

You can issue commands to release or cancel held output data sets. You can also cancel all or selected ready but inactive output data sets on a class and/or routing basis.

### **Releasing or canceling output groups**

Use the \$O command to release or cancel held output groups. You can control the held output of a single job, a range of jobs, specific output classes, or all output classes. Specify CANCEL to cancel held output groups; use the R= parameter to release held output groups to a specified destination.

The DAYS= and HOURS= parameters allow you to control held output according to the day and hour it was created. For example, issuing \$O J1-20,DAYS>5 causes JES2 to release all held output groups that are at least 5 days old for batch jobs 1 through 20.

### **Canceling output data sets**

To cancel a job's output, issue either the \$C O Job command or the \$PO Job command. You can cancel a job's output by output class (using the Q= filter), route code (using the R= filter) or output group (the OUTGRP= filter). The \$HASP686 message displays information about each output group cancelled. The \$HASP250 message is issued when all output for a job is deleted and the job is purged.

To speed throughput or ease the amount of work queued for a device, you can route both normal and specially routed output for a job or jobs to an alternate location. Specially routed output is independent of the normal job output, which is unaffected.

### Producing a separator page

The \$T PRINTDEF command allows you to specify whether JES2 produces the print separator page or the format of the print separator page through the SEPPAGE= parameter. You can suppress the separator page, print only the detail box information, print one full separator page, or print two full separator pages. For more information about this function, see “Control a Printer” in chapter 5.

### Rerouting job output

The \$R command allows you to reroute to another destination both ready and held output for batch jobs, started tasks, or TSO/E users. This command allows an operator to change the specified destination on a piece of output as often as necessary. You can issue the \$R command only for output groups. You can display the destination of output groups by entering the \$DO J command (destination appears on the ROUTECDE= parameter in the display).

In addition, you can use the \$R command to change the command authority routing on jobs, or allow them to remain the same. Command authority allows an operator to control output disposition and display jobs.

The command authority of a job can be specified from two distinct places:

- The route code of the input device that brought the job into the system.
- The remote or node specified on either the JES2 /\*ROUTE PRT or the /\*ROUTE PUN JES2 control statement.

You can display the command authority of a job by entering the \$D Jn, LONG command; the \$HASP890 message displays the CMDAUTH= parameter. If you do not code ALL,Q= or OUTDISP= with the J= or the R= parameter (in conjunction with the D= parameter) on the \$R command, both the routing for the output of the job and the command authority of the job are transferred.

For the sending node to retain the authority to change output characteristics while routing all output from one remote to another, specify the ALL,Q= parameters or OUTDisp= parameter to reroute the specified JOE (job output elements) to an alternate location. The command authority for those jobs remains unchanged. If you enter

```
$R a11,r=j5,d=r7,outd=(w,h,k,l),
```

JES2 routes all eligible print and punch output from remote 5 to remote 7, but retains command authority at remote 5.

If you do not specify the OUTDisp parameter, all output with a disposition of WRITE, HOLD, KEEP, or LEAVE will be rerouted.

If output is not routed when you issue the \$R command, wait a few minutes and retry the command. If your output is still not routed, contact your system programmer.

## Controlling output groups and job output elements

To optimize the use of print/punch devices, JES2, or the user, groups a job's output data sets together based on similar output characteristics. Data sets must agree on class, destination, writer name and process mode characteristics to be grouped together. These characteristics are called grouping characteristics. Each of these

output groups is represented by a job output element (JOE), which is the smallest unit of a job's output that JES2 selects for output device processing.

An output group has three identifiers (for example, group10.1.2). The first identifier is the group id. This is a 1 to 8 character alphanumeric name that the user can specify in the JCL. If the user does not specify a name, JES2 will generate one. The name refers to the collection of data sets that JES2 grouped together because their grouping characteristics matched.

The second identifier distinguishes between job output elements of the same group. Job output elements may have the same group id when JES2 constructs more than one job output element for the group because class, destination, writer, and/or mode were not identical within the group, or because device setup characteristics were not identical within the group and your installation does not permit demand setup job output elements (that is, job output elements that require more than one device setup).

The third identifier is used to distinguish between copies of the same job output. Multiple copies of the same job output may result from job copies (COPIES= on the output JCL statement) or the \$N command.

Qualifying the output group name with a job output element identifier allows you to address, and thus control the job output element.

JES2 commands allow you to control various aspects of the job processing cycle by addressing the data by output group name, with or without a job output element identifier. You can set the output characteristics for one or all of the job output elements in a job, or range of jobs using the \$T O command. You can also display the output processing characteristics of designated output groups or individual job output elements (JOEs) using the \$DO job command and cancel specific output groups or JOEs created by a job.



## Chapter 4. Controlling a network

Through network job entry (NJE), a user located at a node, or remotely attached to a node by a remote job entry (RJE) line, can use the capabilities of any other reachable node in the network. This chapter describes the JES2 commands you use to control a network. (For an overview of NJE and RJE, refer to *z/OS JES2 Initialization and Tuning Guide*.)

The following tables list the tasks discussed in this chapter and provide a cross reference to the detailed descriptions of the corresponding NJE commands.

*Table 33. Controlling the Network*

Task	Command	Location
Display the network activity	\$D NETWORK	"\$D NETWORK - Display network activity" on page 357
Reset networking devices	\$E NETWORK	"\$E NETWORK - Reset current network devices" on page 524
Purge networking devices	\$P NETWORK	"\$P NETWORK - Purge current network devices" on page 619
Start automatic device restart and NJE connection processing	\$S NETWORK	"\$S NETWORK - Start automatic device restart and NJE connection processing" on page 656
Halt automatic network connection and device processing	\$Z NETWORK	"\$Z NETWORK - Halt automatic network connection and device processing and drain NJE devices" on page 955

*Table 34. Specifying Node Characteristics*

Task	Command	Location
Specify the JES2 network environment for message, command, and data transmission among nodes	\$T NJEDEF	"\$T NJEDEF - Control JES2 network environment" on page 780
Display the JES2 network environment for message, command, and data transmission among nodes	\$D NJEDEF	"\$D NJEDEF - Display the JES2 Network Environment" on page 358
Define a symbolic destination name	\$ADD DESTid	"\$ADD DESTID - Define a symbolic destination" on page 134
Change the route code associated with a symbolic destination name	\$T DESTid	"\$T DESTID - Control a JES2 symbolic destination" on page 697
Delete a symbolic destination name	\$DEL DESTid	"\$DEL DESTID - Delete a symbolic destination" on page 501
Display subnets and node names	\$D SUBNET	"\$D SUBNET - Display subnet connections" on page 486

Table 34. Specifying Node Characteristics (continued)

Task	Command	Location
Display node attributes	\$D U,LINEn or \$D NODE	“\$D U - Display the status of JES2-controlled devices” on page 494  “\$D NODE(jnnnnnnn) - Display the characteristics of a node” on page 361
Change node characteristics	\$T NODE	“\$T NODE(jnnnnnnn) - Set the characteristics of a node” on page 784

Table 35. Starting BSC Node Communications

Task	Command	Location
Start an NJE line	\$S LINExx	“\$S LINE(nnnn) - Start a line” on page 646
Establish an NJE connection with an adjacent node	\$SN,LINExx, N=nodename	“\$S N - Start node communication on a BSC line” on page 648

Table 36. Starting SNA Node Communications

Task	Command	Location
Start the JES2/VTAM interface	\$S LOGON(n)	“\$S LOGON - Start the JES2/VTAM interface” on page 647
Start an NJE line	\$S LINExx	“\$S LINE(nnnn) - Start a line” on page 646
Start an SNA application-to-application session with another node	\$S N,A=	“\$S N - Start node communication on an SNA line” on page 651

Table 37. Starting TCP/IP Node Communications

Task	Command	Location
Start the JES2-TCP/IP interface	\$S NETSRV	“\$S NETSRV(nnn) - Start a network server” on page 654
Start an NJE line	\$SLINE	“\$S LINE(nnnn) - Start a line” on page 646
Start a TCP/IP session with another node	\$SN,S=	“\$S N - Start node communication on a TCP/IP line” on page 653

Table 38. Controlling the JES2/VTAM Interface

Task	Command	Location
Define the JES2/VTAM interface	\$ADD LOGON(n)	“\$ADD LOGON(nn) - Add a logon” on page 157
Start the JES2/VTAM interface	\$S LOGON(n)	“\$S LOGON - Start the JES2/VTAM interface” on page 647

Table 38. Controlling the JES2/VTAM Interface (continued)

Task	Command	Location
Assign a password to the JES2/VTAM interface and diagnose SNA problems	\$T LOGON(n)	"\$T LOGON(nnn) - Control the JES2/VTAM interface" on page 768
Stop the JES2/VTAM interface	\$P LOGON(n)	"\$P LOGON(nnnnn) - Stop the JES2/VTAM interface" on page 606
Restart the JES2/VTAM interface	\$E LOGON(n)	"\$E LOGON(nnn) - Restart the JES2/VTAM interface" on page 519

Table 39. Controlling the JES2-TCP/IP Interface

Task	Command	Location
Define the JES2-TCP/IP interface	\$ADD NETSRV	"\$ADD NETSRV(nnn) - Add a network server" on page 159
Start the JES2-TCP/IP interface	\$S NETSRV	"\$S NETSRV(nnn) - Start a network server" on page 654
Indicate which STACK or SOCKET to use	\$T NETSRV	"\$T NETSRV(nnnnn) - Modify the attributes of a network server" on page 778
Stop the JES2-TCP/IP interface	\$P NETSRV	"\$P NETSRV(nnnnn) - Stop a network server" on page 608
Restart the JES2-TCP/IP interface	\$E NETSRV	"\$E NETSRV(nnn) - Restart a network server" on page 523

Table 40. Defining and Changing Applications

Task	Command	Location
Define a new JES2 application	\$ADD APPL	"\$ADD APPL - Define a VTAM application to JES2" on page 129
Change an application's characteristics	\$T APPL	"\$T APPL - Control JES2 applications" on page 676

Table 41. Defining and Changing TCP/IP sockets

Task	Command	Location
Define a new socket	\$ADD SOCKET	"\$ADD SOCKET(xxxxxxxx) - Add a socket" on page 190
Change a socket's attributes	\$T SOCKET	"\$T SOCKET (xxxxxxxx) - Control a socket" on page 929

Table 42. Controlling NJE Lines

Task	Command	Location
Define an NJE line	\$ADD LINE(nnnn)	"\$ADD LINE(nnnn) - Add line" on page 150
Start an NJE line	\$S LINE(nnnn)	"\$S LINE(nnnn) - Start a line" on page 646
Disconnect an NJE line, assign a password, or diagnose NJE line problems	\$T LINE(nnnn)	"\$T LINE(nnnnn) - Control a line" on page 758

Table 42. Controlling NJE Lines (continued)

Task	Command	Location
Restart NJE line activity	\$E LINE(nnnn)	“\$E LINE(nnnnn) - Restart line activity” on page 517
Stop an NJE line	\$P LINE(nnnn)	“\$P LINE(nnnnn) - Stop a line” on page 604

Table 43. Controlling NJE Static Connections

Task	Command	Location
Add static network connections	\$ADD CONNECT	“\$ADD CONNECT - Dynamically add network connections” on page 131
Display network connections that are defined to JES2	\$D CONNECT	“\$D CONNECT - Display network connections” on page 246
Change static network connections that have been previously defined	\$T CONNECT	“\$T CONNect - Change static network connections” on page 691
Delete static connections	\$DEL CONNECT	“\$DEL CONNect - Delete network connections” on page 499

Table 44. Controlling NJE Devices

Task	Command	Location
Start an NJE device	\$S L(nnnn).JR(n)  L(nnnn).JT(n) L(nnnn).SR(n) L(nnnn).ST(n)	“\$S Lnnnn.xxn - Start an NJE device” on page 645
Restart NJE device activity	\$E L(nnnn).JR(n)  L(nnnn).JT(n) L(nnnn).SR(n) L(nnnn).ST(n)	“\$E Lnnnn.xxn - Restart NJE device activity” on page 516
Control work selection on an NJE device	\$T L(nnnn).ST(n)	“\$T L(nnnn).ST(n) - Specify network SYSOUT transmitter characteristics” on page 754
Cancel NJE device activity	\$C L(nnnn).JR(n)  L(nnnn).JT(n) L(nnnn).SR(n) L(nnnn).ST(n)	“\$C Lnnnn.xxn - Cancel NJE device activity” on page 208
Stop an NJE device	\$P L(nnnn).JR(n)  L(nnnn).JT(n) L(nnnn).SR(n) L(nnnn).ST(n)	“\$P Lnnnn.xxn - Stop an NJE device” on page 603



Table 45. Sending Messages and Commands Through the Network

Task	Command	Location
Send messages through the network	\$D M	“\$D M - Send a message” on page 329
Send commands to another MAS member	\$M n	“\$Mnn - Send commands to other MAS members” on page 571
Send commands to another RJE node	\$N n	“\$Nnnnn - Send commands through the network” on page 577
Display information about a job at another node	\$G D	“\$G D - Display job information for a job at another node” on page 536

---

## Controlling the NJE environment

You define nodes to a network through the NJEDEF and the NODE initialization statements. Use the NJEDEF statement to define your own node characteristics, and the NODE statement to define other nodes. JES2 provides \$T commands to modify some of the parameters on these initialization statements.

You can use symbolic destination names to reference nodes, remote workstations, and local devices or workstations and devices attached to a network node. The \$ADD DESTid command allows you to dynamically define a symbolic destination name for a node, workstation, or device. You can use the \$T DESTid to change a symbolic destination name.

When you have defined nodes to the network, you can start node communications using binary synchronous communication (BSC) lines through VTAM, which maintains the connection information for SNA NJE application-to-application sessions, or through TCP/IP. You start the three types of connections using different JES2 commands. (For an overview of connecting the network through BSC lines, establishing an SNA session through VTAM, or through TCP/IP, see *z/OS JES2 Initialization and Tuning Guide*.)

JES2 allows you to control the VTAM interface for SNA sessions and define new applications dynamically to VTAM. You can also set SNA remote terminals to automatically connect and disconnect. (For a description of controlling remote terminals, see “Remote Job Entry”.) JES2 also allows you to control the TCP/IP interface for TCP/IP sessions, or define new sockets.

You can control NJE lines and devices using the same JES2 commands, regardless of how the NJE connection was established. JES2 also provides networking commands you can use to send requests to any other node in the network. (For a list of all JES2 commands and their RJE restrictions in an NJE environment, see “Remote Entry Restrictions”.)

---

## Specifying node characteristics

This section describes the commands you can issue to specify node characteristics. It includes information about dynamically defining a destination name for a node, displaying node attributes, and setting node command authority. All these values have been set through the JES2 initialization stream. These commands should be used only after you contact your system programmer.

## Modifying transmission delays and excessive looping through a network

Use the \$T NJEDEF command to modify the specified delay interval for message and command transmission, the range of sign on time between the local and adjacent nodes, and the maximum number of nodes a job or output can cross.

The DELAY=nnn parameter enables JES2 to attempt to remedy a lockout condition by clearing transmission congestion between nodes. It specifies the number of seconds that a message or command will be delayed in any stage of transmission between nodes before the system assumes that a lockout condition exists.

The MAXHOP=nnnn parameter specifies the maximum number of nodes a job or output can cross to reach a destination. JES2 issues the \$HASP528 message when a job exceeds this limit. If you receive this message, your MAXHOP value may be set too low or your net may be in a loop.

## Modifying sign-on tolerance

The TIMETOL=nnnn parameter specifies the difference between the time-of-day (TOD) clocks of this node and any adjacent node at signon. JES2 checks this value when the adjacent node attempts to sign on to your NJE network. Any adjacent node whose value is above or below the TIMETOL value is rejected by JES2. Nodes that had signed on under an earlier TIMETOL value are not disconnected by this command.

## Defining a symbolic destination name

Use the \$ADD DESTid command to dynamically define a symbolic destination name for a node, workstation, or device. The DEST= parameter specifies the route code (destination) you want to associate with the DESTid name. When you dynamically define a JES2 symbolic destination, it is carried across a hot start of JES2 only. To permanently define the symbolic destination, add a new DESTid initialization statement before restarting JES2.

### Changing the destination associated with a DESTid

Use the \$T DESTid command to change the route code (destination) name associated with a specific or generic DESTid. The DEST= parameter specifies the destination you wish to change.

**Note:** You cannot alter a DESTid whose status is the node name. (Use the \$D DESTid command to determine the status of a DESTid.) Change the node name first (to make it inactive) using the \$T NODE command, then issue the \$T DESTid command.

## Deleting a symbolic destination name

Use the \$DEL DESTid command to delete a symbolic destination (destid). Note that when you dynamically delete a destid, JES2 honors the deletion across a restart only if you perform a hot start. To permanently delete the symbolic destination, remove the DESTid initialization statement before restarting JES2.

## Displaying subnets and their paths across a network

Use the \$D SUBNET command to display the subnet connections defined to JES2. A subnet is any subset of a network identified to an installation by the eight-character 'SUBNET' name on the JES2 NODE initialization statement.

Generally, the nodes in a subnet are physically close and perform a similar function. If you have access to one node within a subnet, JES2 assumes you have access to them all.

You could enter a **\$D SUBNET(\*)** to display all the subnets within the network.

```
$HASP816      SUBNET (A)    N1,N2
$HASP816      SUBNET (B)    N3,N4
$HASP816      SUBNET (C)    N5,N6
```

JES2 shows each node on each subnet.

The **\$D SUBNET** shows what nodes are located within a particular subnet. The **\$D PATH** command provides the installation's view of the path to a particular node and the resistance level of that path. The resistance indicates how likely an installation is to use a path. In all instances, the path manager chooses the path of least resistance.

When the **\$D SUBNET** command is used in conjunction with the **\$D PATH** command, it provides a powerful diagnostic tool. To determine network connectivity to remote node 6, an operator enters a **\$D PATH(6)** and receives the following console display:

```
$HASP231 PATH(N6)      STATUS=(through LINE 7),REST=20,
$HASP231                PATH=(N1,N2,N3...N4,N5...N6)
```

JES2 shows that LINE 7 is the conduit that connects local node 1 to target node 6. The resistance is 20 and the actual path travels from node N1 to N6. The comma between nodes indicate a direct path from one node to the other, while the ellipsis (...) indicates that N3 to N4 and N5 to N6 involve travel through subnets.

In complex network configurations, these commands can help users determine why a path link is not receiving information and how to resend jobs across a network to reduce processing bottlenecks. For more information about networking, refer to *z/OS JES2 Initialization and Tuning Guide*.

## Displaying node attributes

Each system in the network has a node information table, which contains an entry for every node (up to 32767) capable of being attached to the network. You can display the following information from this table using the **\$D U,LINEn** and **\$D NODE** commands as indicated:

- Node number and node name (use **\$D NODE**)
- Password status (whether the node requires a password when signing on -- use either command)
- Connected/unconnected status (whether the node is reachable); if connected, the name of the locally attached NJE line used to begin transmission to this node (use either command)
- Command authority for any commands originating from this node (use **\$D NODE**)
- A list of the active (not drained) JES2 transmitting and receiving devices that exist (or are allowed to exist) for all NJE lines directly attached to this node. (use **\$D U,LNES**)

## Setting node attributes

Use the **\$T NODE** command to change node characteristics for nodes other than your own. The **AUTH=** parameter specifies the types of commands that the

indicated node has authority to issue to the local node. You can also specify a password on the `PASSWORD=` parameter that will be used to verify the identity of the indicated node during an NJE connection. The following describes these parameters in further detail. (For a description of all `$T NODE` command parameters, see the command description in “Chapter 5. Command Reference Section”.)

### Setting node command authority

The `$T NODE(nnnn),AUTH=` command sets the command authority to be attributed to all commands originating at a specific node. (To use this command, you need to have system authority.) Use any combination of the following authority codes:

- NET - network command authority
- JOB - job command authority
- DEV - device command authority
- SYS - system command authority

In addition to network authority, system, job, or device authority is required to have commands take effect at another node.

**Note:** In a MAS configuration, enter the `$T NODE(nnnn), AUTH=` command on each member of the node because each member maintains its own version of the node information table.

### Setting node password

Use the `$T NODE(nnnn)` command to assign or delete a password for a node. Both `PASSWORD=xxxxxxx` and `PASSWORD=(SEND=xxxxxxx,VERIFY=xxxxxxx)` specify the password used to verify the identity of the node during an NJE connection.

**Note:** Be certain to make a note of the password you assign because there is no facility for displaying the passwords in effect.

---

## Starting NJE communications

NJE communications can be started over a BSC line, an SNA/VTAM or a TCP/IP. You start NJE communications differently depending on which method your installation uses. Controlling NJE lines and devices is the same (except where noted) once NJE communication has been established.

This section describes starting node communication on a BSC line, an SNA/VTAM or TCP/IP.

### Starting node communication on a BSC line

To start node communication on a BSC line:

1. Enter the `$S LINE(nnnn)` command to start the specified NJE line(s), this is not required when the line(s) are specified on the `NODE` initialization statement.
2. Enter the `$S N,LINEnnnn` command or the `$SN,N=nodename` command to establish an NJE connection with an adjacent node by identifying the started BSC line upon which this system is to try to establish an NJE connection.

The system will try to sign on to whatever system is at the other end of the specified line by sending an NJE sign-on record over the line. The command will be ignored if the line is currently signed on for RJE or NJE activity.

**Note:** Before starting networking on a line, it is necessary that the line be started from both nodes using the \$S LINE(nnnn) command. This is not required when the line(s) are specified on the NODE initialization statement.

The \$S N,LINEnnnn command also allows you to specify a node password (up to 8 alphanumeric characters) that is to be transmitted in the sign-on record resulting from this command. If the password is omitted, the node password contained in the node information table entry for the local node is used. Each side of the connection must assign the same password for the line used in the connection. For information about establishing a BSC network connection, see *z/OS JES2 Initialization and Tuning Reference*.

If the \$S N command is unsuccessful, do the following:

1. Enter a \$D U command to ensure that the BSC line is started.
  - If it is not started, issue a \$S LINE(nnnn) command.
2. If the line is active, issue a \$E LINE(nnnn) command to stop the current activity.
3. Reissue the \$S N command.

If this also fails (having been attempted from both nodes, if necessary), then:

1. Drain the line from both nodes using a \$P LINE(nnnn) command followed by a \$E LINE(nnnn) command.
2. Start the line from both nodes with a \$S LINE(nnnn) command. (If a dial-up line is used, you will have to re-dial after issuing the \$S LINE(nnnn) command.)
3. Enter the \$S N command from one of the nodes.

When you wish to stop an NJE line after it completes its current activity, issue the \$P LINE(nnnn) command.

## Starting node communication using SNA/VTAM

To start node communication using SNA/VTAM:

1. Enter the MVS commands necessary to start VTAM (S VTAM and VTAM VARY)
2. Enter the \$S LOGON(n) command to start the JES2/VTAM interface
3. Enter the \$S LINE(nnnn) to start the specified NJE line(s)
4. Enter the \$S N command to start a session with another node, specifying the name of the application with which the session is started on the A= parameter.

The following describes each of these commands in more detail:

### Starting VTAM

The MVS S VTAM command starts the network controllers or communication links needed to establish a path to the remote workstation and the physical unit. The MVS VTAM VARY command activates the logical unit associated with the workstation. This activation can also be accomplished by an automatic activation specified in the VTAM network definition.

For information about starting VTAM and activating the network, refer to *z/OS Communications Server: SNA Operation*.

### Starting the JES2/VTAM interface

Issuing the \$S LOGON(n) command allows JES2 to begin processing

connection requests from SNA remote workstations. Use the value of n specified in the LOGON(n) initialization parameter for the interface to be started.

#### **Starting the specified NJE lines**

Use the \$S LINE(nnnn) command to start the specified NJE lines. You must know how the system programmer defined your NJE network in the JES2 initialization procedure; that is, you must know which workstations can use which lines. Ask your system programmer for this information. JES2 cannot be withdrawn from the system until all lines are drained.

#### **Starting an SNA session**

The \$S N,A= command starts an SNA application-to-application session with another node. The optional LINE(nnnn) parameter identifies the started logical line to be used for the session. The physical SDLC line(s) involved will be managed by VTAM and the Network Control Program (NCP). If you do not identify the line to be used, an SNA logical line will be selected from a pool of available, idle SNA logical lines. At least one SNA line must be available to establish an SNA session. If you specify a currently-used or drained line, the command is rejected.

Use the A= parameter to provide the name of the application with which an SNA application-to-application session is to be started. This application name corresponds to the APPLID= value on the LOGON(nnn) initialization statement at the node with which a session is desired.

If a node consists of more than one member, each member of that node must be uniquely defined as an application to VTAM and the application names used must be defined to JES2 with APPL initialization statements. APPL initialization statements must be supplied at every node in the network that may initiate SNA sessions with these applications.

## **Starting node communication using TCP/IP**

To start node communication using TCP/IP:

1. Enter the MVS commands necessary to start TCP/IP.
2. Enter the \$S NETSRV(n) command to start the JES2-TCP/IP interface.
3. Enter the \$S LINE command to start the specified NJE line(s).
4. Enter the \$SN command to start a session with another node, specifying the name of the socket that specifies IP address and port on the SOCKET= parameter.

The following describes each of these commands in more detail:

#### **Starting TCP/IP**

Issue the commands to start TCP/IP at your installation.

#### **Starting the JES2-TCP/IP interface**

Issuing the \$S NETSRV(n) command allows JES2 to begin processing connection requests through TCP/IP. Use the value of n specified in the NETSRV(n) initialization parameter for the interface to be started.

#### **Starting the specified NJE line(s)**

Use the \$S LINE(nnnn) command to start the specified NJE line(s). You must know how the system programmer defined your NJE network in the JES2 initialization procedure; that is, you must know which workstations can use which lines. Ask your system programmer for this information. JES2 cannot be withdrawn from the system until all lines are drained. All lines need to have UNIT=TCP.

### **Starting a TCP/IP session**

Use the \$SN,S= command to start a TCP/IP session with another node. The optional LINE= parameter identifies the started logical TCP/IP line to be used for the session. TCP/IP manages the physical lines involved. If you do not identify the line to be used, a TCP/IP logical line will be selected from a pool of available, idle TCP/IP lines. At least one TCP/IP line must be available to establish a TCP/IP session. If you specify a line that is currently in use or drained, the command will be rejected. Use the S= parameter to provide the name of the SOCKET(xxxx) definition on this node that defines the TCP/IP address (or host name) and port to of the peer node with which a connection is to be established. This TCP/IP address and port corresponds to the TCP/IP address and PORT associated with an active NETSRV device on the node with which the connection is to be established.

## **Controlling the JES2/VTAM interface**

Use the \$S LOGON(n) command to start the JES2/VTAM interface, as previously described in “Starting Node Communication Using SNA/VTAM”. JES2 allows you to assign a password and ID to the JES2/VTAM interface and monitor the interface activity. You can also stop and restart the interface. The following describes the commands you issue to perform these functions:

### **Assigning a password and ID to the JES2/VTAM interface**

Use the \$T LOGON(n) command to assign a password and an application ID to the JES2/VTAM interface. You must be certain to make note of the password assigned because there is no facility for displaying the password in effect. This command requires system authority.

**Note:** The password and application ID assigned to the JES2/VTAM interface must also be defined to VTAM. For VTAM interface information, refer to *z/OS Communications Server: New Function Summary*.

### **Monitoring the JES2/VTAM interface**

You can also use the \$T LOGON(n) command to record SNA events on the master console as an aid in diagnosing SNA problems. These events can also be traced. This command requires system authority.

**Note:** When the JES2/VTAM interface is monitored, activity on all SNA lines is monitored.

### **Stopping the JES2/VTAM interface**

For SNA remote workstations, use the \$P LOGON(n) command to stop the JES2/VTAM interface. When you issue this command, all logon requests are rejected. Sessions that are already established are allowed to finish normally. Use the value of n specified in the LOGON(n) initialization parameter that defines the interface to be stopped.

### **Restarting the JES2/VTAM interface**

Use the \$E LOGON(n) command to stop and restart the JES2/VTAM interface on a logical line. Use the value of n as defined in the LOGONn initialization parameter for the interface to be restarted. When you issue this command, data currently being transmitted immediately stops, and the partial input is purged. Any output being transmitted is placed on the output queue. When data is transmitted again, the output is transmitted from the point where it was stopped.

## Controlling the JES2-TCP/IP interface

Use the \$S NETSRV(n) command to start the JES2-TCP/IP interface, or specify START=YES on the NETSRV(n) initialization statement to bring the interface up automatically. You can also stop and restart the interface. The following describes the commands you issue to perform these functions:

### Stopping the JES2-TCP/IP interface

Issue the \$P NETSRV(n) command to stop the JES2-TCP/IP interface. When you issue this command, all requests to start a new TCP/IP connection are rejected. You can finish sessions that are already established normally.

### Restarting the JES2-TCP/IP interface

Use the \$E NETSRV(n) command to stop and restart the JES2-TCP/IP interface. When you issue this command, data currently being transmitted immediately stops, and partial input is purged. All connections using the TCP/IP interface represented by the NETSRV device are immediately terminated.

## Defining and changing applications

You can dynamically define JES2 as an application to VTAM and change the characteristics of JES2 applications in the following ways:

### Defining a new JES2 application

Use the \$ADD APPL to dynamically define JES2 as an application to VTAM at a specified JES2 node. You identify the application name by which JES2 is known to VTAM at the indicated node (NODE=nnnn). The NODE=nnnn initialization statement that defines the node indicated on the \$ADD APPL command *must* specify the SNA parameter. You can also specify a compaction table number and a resistance rating of the connection.

**Note:** When you dynamically define JES2 as an application to VTAM, its specifications are not checkpointed and are not carried across a restart of JES2. If you want to permanently define the new application, you must add a new APPL initialization statement before restarting JES2.

### Changing an application's characteristics

Use the \$T APPL command to specify the characteristics of one or more JES2 applications. You specify the application name, compaction table number, the node at which JES2 is defined as an application to VTAM, and the resistance rating of the connection. (For information about selecting resistance values, see *z/OS JES2 Initialization and Tuning Reference*.)

**Note:** If the application is active, you cannot change the specifications.

---

## Controlling NJE lines

This section describes the JES2 commands for controlling NJE lines. Many of the commands you issue to control NJE activity are used for controlling remote job entry (RJE) lines as well. For information about controlling the RJE environment, see the "Remote Job Entry" section in "Chapter 2. Controlling JES2 Devices and Functional Subsystems". (For a discussion of the RJE and NJE facilities, see *z/OS JES2 Initialization and Tuning Reference*.)

### Starting a line

To start an NJE line for an SNA remote workstation, you must know how the system programmer defined your NJE network in the JES2 initialization procedure; that is, you must know which workstations can use which lines. Ask the system programmer for this information.



Issue the `$S LINE(nnnn)` command to start an NJE line. This activates a line to VTAM for the SNA NJE station, allowing JES2 to begin processing logon requests from remote stations. Use the `$S RMT(nnnn)` command to cause a remote terminal to logon automatically if you have placed the terminal in automatic logon mode by previously issuing the `$T RMT(nnnn)` command. (For a description of controlling remote terminals, see “Remote Job Entry” in “Chapter 2. Controlling JES2 Devices and Functional Subsystems”.)

#### **Assigning a password to a line**

Use the `$T LINE(nnnn)` command to assign or delete a password for a line. You must make a note of those passwords assigned because there is no facility for displaying the passwords in effect. Assigning and deleting passwords requires system authority. (Use the `$T NODE(nnnn),AUTH=` command to set node command authority.)

#### **Diagnosing line problems**

Use the `$T LINE(nnnn)` command when you suspect there is a problem on a line. For BSC lines, this command causes the system to issue a diagnostic message on the console with master level authority every time a channel end is detected on the specified line. For SNA lines, this command causes the system to issue a diagnostic message on the console with master level authority for each event detected on the specified line. This command requires system authority and should be used only at the direction of your system programmer. In addition, you can trace I/O activity on a line using this command.

#### **Restarting line activity**

Use the `$E LINE(nnnn)` command to stop the current activity on an NJE line. Any input currently being transmitted over the specified line will immediately stop, and the partial input will be purged. Any output being transmitted over the line will be placed on the hardcopy queue.

The NJE node or JES2 remote workstation currently signed on to the restarted line is disconnected. If the line status was active, new JES2 remote workstations can sign on to the line or it can be used for networking. If the line status was draining, it becomes drained and unusable for JES2 I/O until the operator starts it again. For an NJE line, `$E LINE(nnnn)` stops attempts to sign on to another node.

**Note:** If the line status remains draining because of an I/O device missing an interrupt, a second `$E LINE(nnnn)` command is required to restart the line.

#### **Disconnecting a line**

You can disconnect an NJE line immediately using the `$T LINE(nnnn),DISCON=I` command or when all data set communications over the line cease (`DISCON=Q`). When the line is disconnected immediately, a sign-off record is sent to a multi-leaving remote workstation or to the connected NJE node. When the line is disconnected after communications cease, the disconnection occurs as though the remote operator or NJE node had signed off.

#### **Stopping a line**

Use the `$P LINE(nnnn)` command to stop an NJE line. The specified line will not start any new activity and will stop upon completion of its current activity.

---

## Controlling NJE static connections

This section describes the JES2 commands for controlling NJE static connections. Static connections applies to all connections created through a JES2 CONNECT initialization statement or a \$ADD command; the system presumes the connections are logically static and will not end. For the following four commands, you can use symbolic names to specify the nodes involved in a connection through the NODEA= and NODEB= parameters.

### Adding network connections

To add static network connections, you must know how your NJE network in the JES2 initialization procedure is defined; that is, you must know which nodes can use which lines.

Enter the \$ADD CONNECT command to dynamically add network connections. (For a description of controlling remote terminals, see “Remote Job Entry” in “Chapter 2. Controlling JES2 Devices and Functional Subsystems.”)

### Changing static network connections

Enter the \$T CONNECT command to dynamically change previously defined network path connections. Through this command you can change only static connections: those defined by a CONNECT initialization statement or established by the \$ADD CONNECT command. However, you cannot use this command to change the NODE and MEMBER attributes of new connections. (Change NODE and MEMBER by using the \$DEL CONNECT command to delete the existing connection and the \$ADD CONNECT command to add the required connection.)

### Displaying network connections

Enter the \$D CONNECT command to display network path connections defined to JES2. The \$D CONNECT displays both static and non-static (connection records received from other nodes) connections.

### Deleting network connections

Enter the \$DEL CONNECT command to delete static path connections. Through this command you can delete only static connections: those defined by a CONNECT initialization statement or established by the \$ADD CONNECT command.

---

## Controlling JES2 transmitting and receiving devices

JES2 allows you to start, restart, cancel, or stop NJE device activity. All commands allow you to specify the job receivers, job transmitters, SYSOUT receivers, and SYSOUT transmitters to be acted upon.

### Starting an NJE device

Use the \$\$ L(nnnn).xx(n) command to start one or more currently drained transmitting or receiving devices. A transmitter will drain if it attempts to send a unit of work to a receiving node that has any of the following:

1. The corresponding receiver drained
2. The corresponding receiving function drained
3. No corresponding receiver

To activate the receiving function, the operator at the receiving end (except for case 3) should start the function (\$T NODE,RECEIVE=) or receiver (\$S) before the operator at the transmitting end attempts to start the transmitter.

### Restarting an NJE device

Use the `$E L(nnnn).xx(n)` command to stop the current transmission or receipt of a job or SYSOUT data over an NJE line and requeue the data for the transmission at the appropriate node.

### Controlling Work Selection on an NJE Device

You can specify the work selection characteristics of a SYSOUT transmitter by issuing the `$T L(nnnn).ST(n),WS=` command. Work selection can specify the size of the SYSOUT data set, in lines and pages, that is used to determine what the transmitter will select. If you are uncertain of the characteristics in effect, you can display the characteristics for a particular SYSOUT transmitter by issuing the `$D L(nnnn).ST(n)` command.

### Canceling an NJE device

Use the `$C L(nnnn).xx(n)` command to cancel a job or SYSOUT data currently being received or transmitted over an NJE line.

**Note:** Canceling a receiver does not stop the actual transmission of data. The operator at the receiving node can elect to cancel job or SYSOUT reception by having the operator at the transmitting end cancel the transmitter.

### Stopping an NJE device

Use the `$P L(nnnn).xx(n)` command to stop the specified NJE transmitting or receiving devices after they complete their current work. When a specified device has been drained, JES2 issues the `$HASP097` device IS DRAINED message.

---

## Sending messages and commands through the network

Use the `$D M` command to send a *message* to a remote workstation operator, a console operator on another multi-access spool member, or to a console or remote workstation operator at another node.

To send a *command* through the network to an indicated system, use the `$M n` command (for communication between MAS members) or the `$N n` command (for communication between NJE node members). Identify the node and, optionally, the specific MAS member of that node to which the command text is to be sent. Both commands allow you to specify:

- The MAS member and the node (by number or installation-defined name) to which the command text is to be sent.
- The area and console identifier of the active MCS console at which the response to the command is to appear.

A command authority check is performed on all JES2 commands received from another node. The command authority defined for the sending node in the receiving node's node information table is used as the authority to govern all JES2 commands received from that node. Commands are ignored if the required authority is lacking. If the sending node is not defined as having network authority, job-related commands are processed to the extent in which they affect jobs in the system owned by the sending node. A node is considered to own a job if the job originated at that node or if the job's default print and/or punch output is for that node. (Use the `$T NODE(nnnn),AUTH=` command to set node command authority.)

If the command is not a JES2 command, the receiving JES2 passes the text to the operating system for processing (providing the sending node has network and system authority); however, no attempt is made to return MVS responses.

## Displaying and controlling jobs at other nodes

JES2 provides networking commands (\$G or “global” commands), which are those capable of being sent to any node within a network (except the node of entry). These are sent as formatted control blocks so they can be understood by any subsystem type, whereas commands sent using the \$N command must be in the syntax of the target subsystem. For more information, see *NJE with JES2 and Other Systems*.

Global commands request that some type of action be taken for a specific job at another node. If a command is entered from a remote workstation, it will result in a “job not found” response unless the job's default print and/or punch output is for that workstation. Even a command entered from the system console will result in a “job not found” response if the job did not originate at or have default print and/or punch output for that node (unless the destination node has the sending node flagged as having network authority). (Use the \$T NODE(nnnn),AUTH= command to set node command authority.)

Use the \$G D display command to obtain job information for a specified job at another node. The information returned from the other node contains the job number assigned to the job by the node at which the job was first introduced to the network.

The target node for the display command must be currently connected to the network. If the node name is omitted, the command is treated as a locate command and is sent to all reachable nodes in the network and each node will respond individually to the command.

Besides displaying information about a job at another node, you may hold and release a job, cancel a job, or request another node to route job output or to route a job for execution. For information about using these commands, see “Controlling Jobs at Another Node” in “Chapter 3. Controlling Jobs and Output”.

## Chapter 5. Command reference section

This chapter describes all JES2 commands in alphabetical order.

### Command descriptions

Each command description contains the following parts:

- Function
- Syntax
- Parameters
- Authority Required
- Processing Considerations (if applicable)
- Messages
- Examples

For information about filtering, see “Using filtering to control and display information” on page 114.

### Command syntax conventions

The command syntax used in this publication involves lowercase characters that have special meanings. For example, the characters v, x, and n in \$S Ivvvv[-vvvv] and \$E Lnnn.xxn mean that you may code values for these characters according to the rules depicted in Table 46.

Table 46. Command Syntax Character Meanings

Character	Meaning
a	Alphabetic (A-Z)
c	All EBCDIC characters except ( ) - = ,
n	Numeric (0-9)
m	Numeric (0-9)
h	Hexadecimal (0-9 and A-F)
j	Alphabetic (A-Z) and the special characters \$ # @
v	Alphabetic (A-Z) and numeric (0-9)
x	Alphabetic (A-Z), numeric (0-9), and the special characters \$ # @

When entering JES2 operator commands, follow the syntax rules in Table 47, unless specifically indicated otherwise.

Table 47. Command Syntax Conventions

Notation	Description	Example	
		Book Syntax	Sample Entry
\$	The command is a JES2 command. Enter the \$ command identifier as shown. (See notes below.)	\$S Ivvvv[-vvvv]	\$S I3-7

Table 47. Command Syntax Conventions (continued)

Apostrophes (also referred to as single quotation marks)	Must be entered as shown.	\$D MRn[-n], 'message'	\$D MR2-33, 'OK'
Brackets	Enter all, some, or none of the enclosed parameters in any order. <b>Do not enter the brackets</b>	\$S I[vvvv[-vvvv] ]	\$S I3
Ellipsis (...)	The parameter can be repeated. <b>You cannot enter both unit record and teleprocessing (tp) devices on the same command.</b> Do not enter the ellipsis.	\$Z PRTnnnnn[,PRTnnnnn]...	\$Z PRT2,PRT3,PRT4
Lower case	A parameter must be substituted. You can enter the parameter in either uppercase or lowercase.	\$T LNE <sub>n</sub> ,P=[password]	\$T LNE4,P=SECRET or \$t lne4,p=secret
Parentheses	Must be entered as shown if more than one value is specified.	\$T PRT3,V=(volume, [volume]...)	\$T PRT3,V=(v1,v2)
Single quotation marks (see Apostrophe)	Must be entered as shown.	\$D MRn[-n], 'message'	\$D MR2-33, 'OK'
Items in braces-stacked or denoted by an OR symbol ( )	<i>One and only one</i> of the parameters must be entered unless otherwise noted. <b>Do not enter the braces or the OR symbol.</b>	\$D {J <sub>n</sub>   S <sub>n</sub>   T <sub>n</sub> } or \$D {J <sub>n</sub> }  {S <sub>n</sub> } {T <sub>n</sub> }	\$D J100
Underscore	The underscored parameter is the system default. If you do not enter any of the parameters, the system will supply the underscored parameter.	\$D A [{,J <u>OB</u>   ,STC   ,TSU}]	\$D A,STC
Uppercase	The parameter must be spelled as shown. You can enter the parameter in either uppercase or lowercase.	\$C A	\$C A or \$c a

**Note:**

1. Because your installation establishes the JES2 command identifier, it may be some character other than \$. If your installation's command identifier is not specified in your initialization stream by CONCHAR= parameter on the CONDEF statement, the \$ is the default. This publication shows the format of a command entered through any console. A command entered through a card reader has a /\* (slash asterisk) in card columns 1 and 2 preceding the command identifier.
2. The system recognizes the following hexadecimal representations of the U.S. National characters; @ as X'7C'; \$ as X'5B'; and # as X'7B'. In countries other than the U.S., the U.S. National characters represented on terminal keyboards might generate a different hexadecimal representation and cause an error. For example, in some countries the \$ character may generate a X'4A'.

This publication uses the full syntax for the LINE and LOGON commands. JES2 accepts LNE for LINE and LGN for LOGON if you prefer to use the shorter syntax for these commands.

This publication may use **sysid** to denote “system identifier or member name”. Likewise, **jobid** denotes “job identifier”. A job identifier is the type of job (JOB, TSU, or STC) followed by the job number.

## Specifications

Specifying JES2 initialization statements and commands involves using numeric values, alphabetic values, uppercase or lowercase characters, or blanks.

- You must code written uppercase operands as they appear in the syntax diagrams. Also, punctuation such as commas, parentheses, and single quotation marks are not metasymbols; if present in the syntax diagrams they **must** be coded. Parameters shown in lowercase are **not** to be coded as written; they denote variables that are explained in the description of the particular parameter for the initialization statement or command.
- You must code numbers and uppercase letters exactly as shown.
- You must substitute specific information or specific values for lowercase letters, which represent variables.
- You can use blanks anywhere within an initialization statement or command, but you need not use any blanks.

## Command syntax

JES2 command input processing requires that you use the following set of syntax rules. JES2 performs syntax checking for commands. While syntax is strictly checked to ensure that JES2 performs only those actions that the operator intends to effect, note that some commands may ignore additional characters following an alphabetic operand (for example, if you enter \$NAD3JESZ,'\$CJ2457' instead of \$N,D=AD3JESZ,'\$CJ2457'.)

- **JES2 command identifier**

JES2 commands must begin with a character that identifies the command as one that is processed by JES2. This character, the command identifier, is a dollar sign ( \$ ) by default. You can redefine the identifier to another character by using the CONCHAR= parameter on the CONDEF initialization statement. (Refer to *z/OS JES2 Initialization and Tuning Reference* for specifying CONCHAR=.)

- **Case**

Use uppercase or lowercase to enter a command.

- **Blanks**

You can use blanks anywhere within a command. For example:

\$s lne4	/* VALID USE OF BLANKS	*/
\$ s l n e 4	/* ALSO VALID USE OF BLANKS	*/

During command processing, JES2 removes all blanks within commands. Therefore, to JES2, both examples of the start line 4 command shown above are equivalent to \$SLNE4. (To prevent blanks in text strings from being deleted, enclose the text strings in apostrophes. See the \$dm example below.)

- **Maximum command length**

The maximum length for a command depends on where the command originates, as follows:

- Console - 126 characters
- Card reader - 70 characters

- **Maximum operands**

The maximum number of operands varies with each command but cannot exceed 20.

- **Apostrophes**

If you require an apostrophe within a text string, enclose the text string in apostrophes and enter two apostrophes where you want an apostrophe to appear. For example:

```
$d mr1, 'your job''s done' /* USE 2 APOSTROPHES IN TEXT */
```

- **Not equal to symbol**

Within this book, we use the not equal symbol set ( $\neq$ ) to set a selection to mean "not equal to", but your keyboard might not support the use of the  $\neq$  symbol. Consoles support the  $\neq$  character; personal computers typically do not. However, you can use your terminal emulator or keyboard mapping to map the shift 6 key (^) to the hexadecimal value for  $\neq$ . Alternatively, using the symbol set "less than-greater than" (<>) or "exclamation point equal" (!=) can provide this same, "not-equal-to", definition.

## Sharing JES2 commands by using system symbols

JES2 allows two or more members of a multi-access spool (MAS) configuration to share commands while retaining unique values in those commands. A single command can affect multiple, unique entities on different JES2 members, allowing you to view a MAS as a *single image* with one point of control.

System symbols represent unique values in shared commands. Each member defines its own values to system symbols. When shared commands are processed, each member replaces the system symbols with its own values.

Before you use system symbols in JES2 commands, you must understand the types of system symbols, the elements that comprise them, and the general rules for using them. See *z/OS MVS Initialization and Tuning Reference* for details about planning to use system symbols.

### Displaying Static System Symbols:

You can enter the MVS DISPLAY SYMBOLS command to display the static system symbols and associated substitution texts that are in effect for a member, and determine the system symbols you can specify in JES2 commands. See the description of DISPLAY SYMBOLS in *z/OS MVS System Commands*.

### Rules and recommendations for using system symbols:

The general rules and recommendations for using system symbols (which are described in *z/OS MVS Initialization and Tuning Reference*) also apply to JES2 commands. The following are exceptions to those general rules and recommendations:

- **Use at least one blank:**

When you enter a JES2 command that contains system symbols, you must code at least one blank or comma before the first system symbol occurs. Otherwise symbolic substitution does not occur for the system symbols in the command.



For example, symbolic substitution occurs in the following command, which specifies a VTAM application identifier of **jes**, because a blank appears after the **\$e** character string and before the **&SYSNAME** system symbol:

```
$e logon(1),a=jes&SYSNAME.
```

If the command is routed to two systems named **SYS1** and **SYS2**, the following are the results of symbolic substitution:

```
$e logon(1),a=JESSYS1      /* Command entered on system SYS1 */
$e logon(1),a=JESSYS2      /* Command entered on system SYS2 */
```

However, symbolic substitution does not occur for the following valid command, which does not include a blank or comma before the **&SYSNAME** system symbol:

```
$DJ'&SYSNAME.' /* Substitution does not occur for &SYSNAME! */
```

- **Use the MVS ROUTE command to route a command:**

If you want to route a command on one member to be processed on another member in a MAS, use the **MVS ROUTE** command instead of the **JES2 \$M** command. For details on how to use the **ROUTE** command, see the description of **ROUTE** in *z/OS MVS System Commands*.

- **Use double ampersands with the \$N command:**

If you use the **\$N** command to route a command to another node in a network, or if you enter a command from a workstation that is attached to an RJE line, use *double ampersand (&&)* notation to cause substitution to occur on the receiving node.

For example, to enter a single **JES2** command from another node in a network to specify unique offload data set names for three local members of a MAS(**SYS1**, **SYS2**, and **SYS3**), enter the following command from the remote node:

```
$N,D=targetnode,'$t offload1,dsn=&&sysname..offload'
```

When the command reaches the target node, **JES2** substitutes text for **&SYSNAME** as follows:

```
SYS1.OFFLOAD on system SYS1
SYS2.OFFLOAD on system SYS2
SYS3.OFFLOAD on system SYS3
```

For more information about using double ampersand notation, see *z/OS MVS Initialization and Tuning Reference*.

- **Restriction:** **JES2** commands containing system symbols, which enter the system through card readers, are not translated.

*Using system symbols as application identifiers:*

Use the following examples as guides when specifying system symbols in **JES2** commands for application identifiers.

In the **JES2** network environment, each job entry subsystem must have a unique name defined to VTAM. When you need to define several instances of **JES2** as VTAM applications, you can enter a single command to define a unique name to each instance. For example, you can establish the following naming convention for the application names:

```
JES&SYSNAME.
```

If you enter the following command:

```
ROUTE *ALL,$t logon(1),p=,a=jes&SYSNAME.
```

For a sysplex that contains three MVS systems names **SYS1**, **SYS2**, and **SYS3**, the following commands are entered on each system:

```
$t logon(1),p=,a=jessys1 /* Define appl jessys1 on system SYS1 */
$t logon(1),p=,a=jessys2 /* Define appl jessys2 on system SYS1 */
$t logon(1),p=,a=jessys3 /* Define appl jessys3 on system SYS2 */
```

Because the application names follow a naming convention, you can enter subsequent commands to affect some or all of the JES2 instances identified by application names. For example, to stop JES2 and restart all the JES2/VTAM interfaces in the sysplex, enter the following command:

```
ROUTE *ALL,$e logon(1),a=jes&SYSNAME.
```

The commands entered on each system are:

```
$e logon(1),a=jessys1 /* Restart appl jessys1 on system SYS1 */
$e logon(1),a=jessys2 /* Restart appl jessys2 on system SYS1 */
$e logon(1),a=jessys3 /* Restart appl jessys3 on system SYS2 */
```

Note that the use of system symbols allows you to enter one command to restart applications with different names on different systems.

### Entering multiple commands on one line

Both JES2 and MVS support the use of a delimiter character to enter more than one command on a single input line. JES2 uses a semicolon to delimit multiple lines. MVS uses the character specified by the CMDDELIM parameter in the CONSOLXX member of SYS1.PARMLIB.

Following are guidelines and examples for using JES2 and MVS delimiters:

1. If you use the JES2 delimiter, separate the commands by a semicolon. Only the first command is prefixed by the \$-sign (or the character you specified in CONDEF CONCHAR initialization parameter). You can only use the JES2 command delimiter (;) if MVS does NOT use the same character for CMDDELIM.

**Note:** The JES2 command cannot be used with JES2 monitor commands (commands that start with \$J).

For example, you can use the JES2 delimiter between JES2 commands:

```
$da;du;dn,a11
```

2. If you use the MVS command delimiter (CMDDELIM), you can enter multiple JES2 or MVS commands on a single input line, but each JES2 command must begin with a \$-sign (or the CONDEF CONCHAR initialization parameter character).

For example, if you specified the MVS delimiter CMDDELIM("):

```
$da"$du"$dn,a11
```

If you specified the MVS delimiter CMDDELIM(]):

```
$da]$du]$dn,a11
```

You can even mix JES2 and MVS commands on the same line:

```
$da]$du]d a,a11
```

3. You can use both the MVS delimiter and the JES2 delimiter to enter JES2 and MVS commands on the same line:

```
$da;du]d a,a11
```

If you enter multiple commands on one line, do not exceed the maximum number of characters - (console - 126, card reader - 70).

### Routing JES2 command responses

Because JES2 permits the entry of multiple commands on one line, you can enter the L= parameter to route command responses for:

- A single command
- All commands
- Certain commands to specified active MCS consoles and the remaining responses to an alternate active MCS console.

**Note:** If you use the L= parameter or any of the REDIRECT commands to redirect output to any out-of-line area, the output is issued as a multi-line WTO (write to operator) response to the specified area. The first line is the \$HASP636 control line.

To route command responses for a single command, enter the L=*consolename* parameter as an operand of the command. L= is specified as follows:

- a – the console area on this "entry console"
- consolename — the name of a "redirect console"
- consolename-a – the name of a "redirect console" and its console area

For example:

```
$d j1-5,l=pok-b;ds1-5;dt1-5
```

JES2 routes the job information to display area **B** of console **POK** while routing remaining commands' responses to the default console.

To route command responses for all commands, enter a semicolon and the L=*consolename* parameter after the last command.

For example:

```
$d j1-5;ds1-5;dt1-5;l=pok-b
```

JES2 routes the job, system task, and time-sharing information to display area **B** of console **POK** rather than to the default console.

To route certain command responses to a specified destination and the remaining responses to another, enter:

- The L= parameter with the commands that are to be specially routed responses.
- A semicolon and L= to route all commands not requiring specially routed responses.

For example:

```
$d j1-5,l=pok;;ds1-5;dt1-5;l=poklab-a
```

JES2 routes the job information to console **POK**, while routing the system task and time-sharing information to area **A** of console **POKLAB**.

**Note:** The L= parameter is not valid if entered through an internal reader. This restriction does not apply to L= subparameters that are normally enclosed in apostrophes.

For example:

```
$ta,i=30,'$da,l=pok-a',l=pok /* AN INVALID COMMAND */  
$ta,i=30,'$da,l=pok-a' /* A VALID COMMAND */
```

### Adding comments to commands

You can add comments to JES2 commands to explain the intended action. This option often aids in later problem diagnosis. (All JES2 commands are recorded in OPERLOG.) The rules for coding comments are:

- **Delimiters**

Use the beginning delimiter ( /\* ) and the ending delimiter ( \*/ ). They cannot be interchanged. See the following example. If you omit the beginning delimiter, JES2 includes the comment text as part of the command. If you omit the ending delimiter, JES2 fails the command and issues the \$HASP649 INVALID COMMAND message.

```
$t a,t=11.15,'$sline4'/* at 11:15 AM START LINE 4 AUTOMATICALLY */
```

**Note:** The JES2 command processor deletes all comments, just as it deletes blanks. If you need to retain comments, enclose the comment within apostrophes. In the following example, JES2 retains the first comment, AUTO START, but deletes the second comment, AT 11:15 AM START LINE 4 AUTOMATICALLY.

```
$t a,t=11.15,'$sline4/*AUTO START*/' /* AT 11:15 AM START LINE 4 AUTOMATICALLY */
```

If you enter a command with a comment and omit the comment delimiters, the command fails because JES2 compresses the command and deletes all the blanks. For example:

```
$h j123          INVALID COMMAND WITHOUT COMMENT DELIMITERS
```

This command is not valid. JES2 issues a message because 123INVALID is not a valid job identifier.

- **Placement**

Place comments anywhere within a command. For example:

```
$d/*SAME */ sp1/*COMMAND*/,v/*AS*/=spo/*THE ONE*/o112,/*BELOW*
$d sp1,v=spool12 /* SAME COMMAND AS THE ONE ABOVE */
```

Because JES2 deletes all blanks and comments within commands, both examples of the display spool command shown above are equivalent to \$DSPL,V=SPOOL12.

## Parameter ranges

Some commands have parameters that allow you to specify a range of values. The following explains the ranges for parameters with subscripts (**nnnn**), (**nnn**), or (**n**):

- (**nnnn**) - denotes that you may specify a range for the subscript as follows:

**nnnn**

A specific numeric value.

**nnnn-mmmm**

A specific numeric range (for example, 1-15 or 15-1 where 15-1 is interpreted as having all the values from 1 to 15). No matter how the range is specified, all members of the range are processed. Descending or ascending specification does not matter.

**nnnn-\***

A generic numeric range (for example, 3-\* denotes a range from 3 to the highest value allowed).

**\*-mmmm**

A generic numeric range (for example, \*-3 denotes a range from the highest value allowed to 3).

**\*** A generic value that denotes all values in a defined range.

- (**nnn**) - denotes that you may specify a range for the subscript in the same way as (nnnn), where (nnn) is 1-255.
- (**n**) - denotes that you may specify a value (0-9) or a generic range (\*).

The effect of specifying a range of values on a command is as if the command had been issued for each value in the range in turn. Therefore, issuing a command with a range of values in descending order does not necessarily have the same effect as issuing the same command with the same range of values in ascending order.

For example, issuing the command \$TJ(2-5),C=X has the same effect as issuing the commands:

```
$TJ(2),C=X
$TJ(3),C=X
$TJ(4),C=X
$TJ(5),C=X
```

In this case, JES2 places the jobs on the class X queue, and therefore executes in the order of job number 2, job number 3, job number 4, and finally job number 5.

Issuing the command \$TJ(5-2)C=X has the same effect as issuing the commands:

```
$TJ(5),C=X
$TJ(4),C=X
$TJ(3),C=X
$TJ(2),C=X
```

In this case, JES2 places the jobs on the class X queue, and executes in the order of job number 5, job number 4, job number 3, and finally job number 2.

**Note:** For display commands, you can omit the subscript. If omitted, this denotes a generic value to include all values in a defined range. For example, the command \$D MEMBER is equivalent to \$D MEMBER(\*).

For a description of the allowed ranges for **all** parameter specifications, see “JES2 Initialization Statement and Parameter Summary Table” in *z/OS JES2 Initialization and Tuning Reference*.

**Note:** Using the ALL parameter on any type of display command that may involve up to 30,000 jobs is not recommended.

### Subscript ranges

Ranges appear in JES2 initialization statements and commands as subscripts of the name associated with the initialization statement.

```
REDIRect(vvvvvvvv)
```

```
$ADD REDIRect(vvvvvvvv)
```

**Note:** The name of the initialization statement and the target of the command are the same.

All KEYWORD= ranges must be coded explicitly; whereas subscript ranges can either be coded explicitly or as a generic range using the asterisk (\*). The use of parenthesis with a generic range is optional for all numeric ranges, but is required for symbolic (character) ranges. Throughout this book, the parenthesis are included for consistency and clarity of presentation. It is recommended that you use parenthesis when you specify a range.

- Example: Initialization statement (generic subscript)

```
NODE(5-*) PATHMGR=NO
```

- Example: Commands (generic subscript)

```
$d jobclass(d-*),qhld=yes,qhld
```

```
$Doff(*-5).JT,CLASS=a,b,c,z
```

```
$D OFF(1-10).ST
```

How JES2 interprets the use of the asterisk in specifying the subscript depends on how it is used in the command or statement. “Using wildcards” on page 108 shows how the asterisk is coded to indicate various ranges.

*Table 48. Coding Asterisks on Initialization Statements*

RANGE	INTERPRETATION and RESULT
*	All values in the range (for nodes and jobclasses) Statement: NODE(*) COMPACT=1,.-->All nodes Command: \$d jobclass(*),. -->All jobclasses
n-*	Range from n to highest value Statement: NODE(5-*) compact=2 -->5 to highest value Command: \$Dnode(3-*)NAME=XRAY -->3 to highest value
*-m	Range from highest descending to m Statement: PRT(*-1) ws=(W,Q,R/) -->highest to 1 Command: \$d jobclass(*-C),qhld=yes -->highest to C

Table 48. Coding Asterisks on Initialization Statements (continued)

RANGE	INTERPRETATION and RESULT
c*	All values starting with char "c" Statement: APPL(OUT*).JT All APPLs starting with OUT Command: \$d jobclass(A*),... -->All jobclasses starting with A

**Note:** When specified in a numeric range, the asterisk **always** indicates the highest defined value in either the ascending (n-\*) or descending (\*-m) order.

#### Statement range considerations:

Care should be taken when using the asterisk on initialization statements and commands. Processing times can increase. For example, the statement NODE(\*) increases processing time drastically, although no additional nodes are actually created, and no changes are made to nodes outside the defined range. Likewise, the command, \$T NODE(\*), increases processing time.

The PRT statement, however, processes differently. The initialization statement, PRT(\*), resets values on only those printers that have been previously defined by initialization statements. But the PRT(1-\*) initialization statement will define 32767 printers (the maximum number).

#### Route codes

A route code defines a destination for a piece of output. NnnnnRmmmm is the most basic form of a JES2 route code, indicating remote mmmmm at node nnnn. This basic form is called the explicit form of a route code. When the node is local (our own node), the Nnnnn can be omitted. In order to have the destination resolved to NODE1, REMOTE1, the destination needs to be qualified with a 'dot':

```
DEST=N1.R1
DEST=N1.RM1
DEST=N1.RMT1
```

The maximum size of a route code is 18 characters. You can specify a route code in any of the forms listed below (although specific commands may be more limited). Note that a slash, a colon, or parentheses can be used instead of a period anywhere a period appears as a separator in a route code. For example, you could specify node.remote, node:remote, node/remote, or node(remote) for a route code.

- LOCAL.\*
- LOCAL|ANYLOCAL
- destid
- Nnnnn|nodename
- Nnnnn.Rmmmm|node.remote|node.userid
- Ummmm
- node.destid
- remote
  - LOCAL|ANYLOCAL
  - Rmmmm
  - destid
  - userid
  - node

If /R=LOCAL is specified on a command, only output that has explicitly a destination of LOCAL will be released. Destination of a userid which resides on local node will not be released. However, if you specify LOCAL.\*, outputs having a destination of LOCAL will be released as well as outputs destined to local userid:

```
$HASP686 OUTPUT(JEANAMB)
$HASP686 OUTPUT(JEANAMB)   OUTGRP=1.1.1,BURST=NO,FCB=****,
$HASP686                   FLASH=****,FORMS=STD,HOLD=(NONE),
$HASP686                   OUTDISP=HOLD,PRIORITY=144,
$HASP686                   PRMODE=LINE,QUEUE=B,
$HASP686                   RECORDS=(312 OF 312),ROUTECD=JFB,
$HASP686                   SECLABEL=,TSOAVAIL=NO,UCS=****,
$HASP686                   USERID=JEAN,WRITER=
```

Above destination is destined to userid JFB on local node. The \$OJ1286,/R=LOCAL will have no effect on output. \$OJ1286,/R=LOCAL.\* will release above output.

In most places, userids may be used instead of remotes. A userid at the local node must have the format of a valid TSO userid. It must begin with an alphabetic character (A-Z) or a special character (@, #, or \$). The remaining characters may be alphabetic, numeric, or special characters. Userids at non-local nodes may contain any characters except the following:

- Separators: a period; a colon; a slash; a set of parentheses.
- Delimiters: a comma; a blank; hexadecimal '00'.

In some commands, generic userids are allowed. A generic userid is a userid that ends in an asterisk (\*) and refers to all userids that begin with any characters preceding the \*. Note that if the userid is a local userid, then the \* can be specified in the last position of the userid.

## Using wildcards

Several types of commands can use wildcards to select or filter on a subset that matches a combination of characters (mask). The types of commands that can use wildcards include:

- Commands that use symbolic subscripts (for example, \$D NODE)
- Commands that use filtering (the \$D commands)
- Commands that are job-related (for example, \$A job)
- Commands that pertain to printers, punches, and job and SYSOUT receivers and transmitters.

The two kinds of wildcards JES2 uses are:

- Multiple-character wildcard, which is specified by an asterisk (\*). The asterisk (\*) means zero or more characters of any kind can be used here. For example, AB\* matches ABC or ABCDEFG or ABCXXE.
- Single-character wildcard, which is specified by a question mark (?). The question mark (?) means any single character can be used here. For example, ABC?E?? matches ABCDEFG or ABC1E23 but not ABCXXE.

The following examples show the different uses of wildcards:

```
$DJ1-*,JOBMASK=IEB*
```



wildcards are used here to specify the maximum job number, and in the job mask. JES2 displays output for all jobs that have a job name starting with the characters IEB.

```
$D NODE(*),SUBNET=B?E
```

wildcards are used here to display information about all nodes whose subnet name matches a specific combination of characters.

```
$T PRT(5),JOBNAME=POK?*
```

wildcards are used to select jobs for this printer whose name matches the selection criteria set by JOBNAME.

### Range summary

The following tables summarize and illustrate how you should code JES2 initialization statements and commands using subscripts. Table 49, Table 50 on page 110, and Table 51 on page 111 focus your attention to the NAME of the initialization statement or the object of the command. You can use these tables as a reference to guide your coding. “Examples of numeric and symbolic subscripts” on page 112 makes you aware of how JES2 processes numbers and names.

Table 49. Numeric Only (used for most devices, such as PRT, PUN, LINE, RMT)

Specification	Explanation and Examples
NAMEnn	number nn RMT44 BUFSIZE=3500,COMPRESS=YES \$T R5.PU1,JOBNAME=todeko,RANGE=(1,6),...
NAME(nn)	number nn RMT(3) BUFSIZE=4096,COMPRESS=NO \$D R(3).PU(22),COMP,FLUSH,LRECL
NAMEnn-mm	Ascending or descending range nn to mm LINE5-2 COMPRESS=NO,JRNUM=2,JTNUM=2,... \$T RMT5-1,MFORM=T,SHAR=Y,TRANSPAR=N
NAME(nn-mm)	Ascending or descending range nn to mm PRT(25-22) CREATOR=fredonia,DEVFCB=TABX \$D PUN(11-10),CR,F,JOB
NAMEnn-*	Ascending range from nn to maximum possible value LINE5-* COMPRESS=NO,JRNUM=2,JTNUM=2,... \$T RMT5-*,MFORM=T,SHAR=Y,TRANSPAR=N
NAME(nn-*)	Ascending range from nn to maximum possible value RDR(3-*) XEQDEST=seattle \$Trdr11-*,tr=yes,Q
NAME*-nn	Descending range from maximum possible value to nn LINE*-5 LOG=YES,TR=YES,SRNUM=224 \$S line *-1
NAME(*-nn)	Descending range from maximum possible value to nn LINE(*-12) LOG=YES,TR=YES \$T line (*-10),DISCON=QUIESCE

Table 49. Numeric Only (used for most devices, such as PRT, PUN, LINE, RMT) (continued)

Specification	Explanation and Examples
NAME(*)	All values, but holes not filled in by create requests RMT(*) BUFSIZE=512,COMPRESS=YES \$T RMT(*),BUFSIZE=1024,COMPRESS=NO
NAME(mm,nn)	Multiple subscripts LINE(2,6) LOG=YES,TR=YES \$tline(1,3),DISCON=QUIESCE
NAME(mm,nn-pp)	Multiple subscripts (one subscript is a range)  If the subscripts are processed individually, it is possible for a particular element to be processed multiple times (that is, for NAME(1-3,2), element 2 is processed twice). rdr(1,10-15,22) AUTH=(JOB=YES) \$D rdr(2,4-8,11),AUTH=JOB
NAME	When allowed, equivalent to NAME(*). d PRT \$D L.jr
<b>Note:</b> Valid Names: PRT, PUN, LINE, RMT.	

Table 50. Symbolic Only (REDIRECT, APPL, JOBCLASS, OUTCLASS, SPOOL, SRVCLASS)

Specification	Explanation and Examples
NAME(xxxx)	Explicit subscript REDIR(CN320) DA=cn330 \$T REDIR(cn3e0),du=cn320 \$ADD redir(cn3e0)
NAME'xxxx'	Explicit character string APPL'jmaxsum' compact=65,node=3 \$dappl'maxsum',compact,line,logmode,...
NAME('xxxx')	Explicit subscript as a character string JOBCLASS('A') COMMAND=DISPLAY,HOLD=YES \$d jobclass('c')
NAME(xxxx-yyyy)	Explicit symbolic range. Wildcard characters may be specified in ranges, but they are not treated as wild cards. OUTCLASS(a-j) blnktrnc=no,trkcell=no \$toutclass(2-3),outdisp=(purge,..)
NAME('xxxx'-'yyyy')	Explicit symbolic range as characters REDIR('CN320'-'cn321') DA=cn444 \$T REDIR('cn3e0'-'cn4e0'),du=cn320
NAME(X*Y?Z)	* and ? are treated as wild card characters APPL(jmax*) compact=65,node=3 \$dappl('maxs?m'),compact,line,logmode,...
NAME'X*Y?Z'	* and ? are NOT treated as wild card characters OUTCLASS'a*',blnktrnc=no,trkcell=no \$Djob'T?cobe11'

Table 50. Symbolic Only (REDIRECT, APPL, JOBCLASS, OUTCLASS, SPOOL, SRVCLASS) (continued)

Specification	Explanation and Examples
NAME(xxxx,yyyy)	Multiple keywords, must be in parenthesis and may include ranges, wild cards, or quoted strings. If the subscripts are processed individually, it is possible for a particular element to be processed multiple times. JOBCLASS('A','B',c*,D),HOLD=YES \$d jobclass('c'-'d',e,f,g*)
NAME	When allowed, this is equivalent to NAME(*). Holes are never filled on create requests. JOBCLASS \$Djob,cards

Table 51. Numeric and Symbolic (NODE, MEMBER, INIT.)

Specification	Explanation and Examples
NAMEnn	Numeric subscript NODE001 auth=(net=yes),compact=65 \$dnode4
NAME(nn)	Symbolic name nn (if it exists, else numeric value nn) MEMBER(3) NAME=100 \$Tmember(100),IND=YES
NAME'nn'	Name nn INIT'3' name=backup,class=z \$Si'3',status=halted
NAMEnn-mm	Numeric range INIT01-05 class=x,y,z,start=no \$di01-02,class>x,status=halted
NAME(nn-mm)	Numeric range. The expected performance would be as symbolic range, and if nothing exists in range, as a numeric range. NODE(001-022) auth=(net=yes),... \$dnode(4-9)
NAME('nn-mm')	Symbolic range MEMBER('100-115') NAME=wilcox \$dmember('100-112'),IND=YES
NAME(xxxx-mm)	Symbolic range. See note 3. NODE(nyork-102) auth=(net=yes),compact=65 \$dnode(atlanta-austin)
NAME(nn-xxxx)	Symbolic range. See note 2. INIT(01-txs) class=x,y,z,start=no \$di(5-last),class>x,status=halted
NAME(xxxx-yyyy)	Symbolic range NODE(gaith-seattle) auth=(net=yes),... \$dnode(atlanta-columbus)
NAME(nn,'xxxx')	Multiple subscripts, may mix any valid flavors (numerics, symbols, ranges, wild cards). See note 1. NODE(100,'alpha'-'sigma',102) PATHMGR=no \$d member(3,'beta',1-5),IND=YES

Table 51. Numeric and Symbolic (NODE, MEMBER, INIT.) (continued)

Specification	Explanation and Examples
<b>Note:</b>	
<ol style="list-style-type: none"> <li>1. If the subscripts are processed individually, it is possible for a particular element to be processed multiple times.</li> <li>2. To avoid confusion, it is recommended that when both numerics and symbolics are allowed, symbolic names (usually specified by a NAME=parameter) either include at least one alphabetic character, or match the numeric value exactly (for example, INIT(1) NAME=1).</li> <li>3. Any numeric is allowed. Symbolic is only allowed when both numeric and symbolic are allowed.</li> <li>4. All ranges are considered numeric unless at least one of the range limits is forced to be a symbolic. Holes are filled only on numeric ranges.</li> </ol>	

**Examples of numeric and symbolic subscripts:**

The following table illustrates how numeric and symbolic subscripts are processed. The table is based on the following initialization statements for system initiators.

To avoid confusion, it is recommended that when both numeric names and symbolic names are allowed, symbolic names (specified using the NAME= parameter) either include at least one alphabetic character or match the numeric value exactly (for example, INIT(1) NAME=1). This example illustrates the confusion that can occur when this is not done.

Based on these initiator definitions, JES2 interprets the initiator number and its name as follows:

Table 52. JES2 Processing of Initiators

Example Initiator Statements	
INIT1 NAME=3 INIT2 NAME=2 INIT3 NAME=1 INIT4 NAME=4A INIT5 NAME=10 INIT6 NAME=6 INIT7 NAME=7 INIT8 NAME=8 INIT9 NAME=9 INIT10 NAME=10 INIT11 NAME=11	
Command Example	JES2 Processing Interpretation
\$dinit1 \$HASP892 INIT(1) NAME=3	Initiator number 1.
\$dinit(1) \$HASP892 INIT(3) NAME=1	Initiator with name "1" exists.
\$dinit(5) \$HASP892 INIT(5) NAME=10	Initiator with name "5" does not exist, use init number 5.
\$dinit'1' \$HASP892 INIT(3) NAME=1	Initiator with name "1".

Table 52. JES2 Processing of Initiators (continued)

Example Initiator Statements	
<pre>INIT1 NAME=3 INIT2 NAME=2 INIT3 NAME=1 INIT4 NAME=4A INIT5 NAME=10 INIT6 NAME=6 INIT7 NAME=7 INIT8 NAME=8 INIT9 NAME=9 INIT10 NAME=10 INIT11 NAME=11</pre>	
Command Example	JES2 Processing Interpretation
<pre>\$dinit3-4 \$HASP892 INIT(3) NAME=1 \$HASP892 INIT(4) NAME=4A</pre>	Initiator in numeric range of 3-4.
<pre>\$dinit(3-4) \$HASP892 INIT(3) NAME=1 \$HASP892 INIT(4) NAME=4A</pre>	Initiator in numeric range of 3-4.
<pre>\$dinit('3'-'4') \$HASP892 INIT(1) NAME=3</pre>	Initiator with names in EBCDIC range '3' to '4'.
<pre>\$dinit(3-4b) \$HASP892 INIT(1) NAME=3 \$HASP892 INIT(4) NAME=4A</pre>	4b is non-numeric, so initiator in EBCDIC range '3'-'4b'.
<pre>\$dinit('1'-'2') \$HASP892 INIT(2) NAME=2 \$HASP892 INIT(3) NAME=1 \$HASP892 INIT(5) NAME=10 \$HASP892 INIT(10) NAME=10 \$HASP892 INIT(11) NAME=11</pre>	All initiators between EBCDIC '1' to '2' in HEX that is 'F1404040' to 'F2404040'.
<pre>\$dinit('1'-'10') \$HASP892 INIT(3) NAME=1 \$HASP892 INIT(5) NAME=10 \$HASP892 INIT(10) NAME=10</pre>	All initiators between EBCDIC '1' to '10' in HEX that is 'F1404040' to 'F1F04040'
<pre>\$dinit(4-*) \$HASP892 INIT(4) NAME=4A \$HASP892 INIT(5) NAME=10 \$HASP892 INIT(6) NAME=6 \$HASP892 INIT(7) NAME=7 \$HASP892 INIT(8) NAME=8 \$HASP892 INIT(9) NAME=9 \$HASP892 INIT(10) NAME=10 \$HASP892 INIT(11) NAME=11</pre>	Numeric range (4 is numeric and * represents the maximum numeric value).
<pre>\$dinit(4a-*) \$HASP892 INIT(4) NAME=4A \$HASP892 INIT(6) NAME=6 \$HASP892 INIT(7) NAME=7 \$HASP892 INIT(8) NAME=8 \$HASP892 INIT(9) NAME=9</pre>	Ascending EBCDIC range '4A' to '*', in HEX that is 'F4C14040' to 'FFFFFFF'

Table 52. JES2 Processing of Initiators (continued)

Example Initiator Statements	
INIT1	NAME=3
INIT2	NAME=2
INIT3	NAME=1
INIT4	NAME=4A
INIT5	NAME=10
INIT6	NAME=6
INIT7	NAME=7
INIT8	NAME=8
INIT9	NAME=9
INIT10	NAME=10
INIT11	NAME=11
Command Example	JES2 Processing Interpretation
<p><b>Note:</b> There are exceptions to the processing results above. When using JES2 Commands for JOB, STC, TSU, or JOBQ, a numeric subscript (JOB(nn)) is always treated as numeric unless enclosed in quotation marks. Also, job names consisting of all numerics are not valid but may occur in error scenarios for example, a job is incorrectly submitted or received from NJE.</p>	

## Using filtering to control and display information

JES2 allows you to refine how certain information is displayed or processed. Using command parameters and keyword values, you can define the selection criteria JES2 is to use, and how much information JES2 should display in the message text.

- **Defining the Selection Criteria**

To limit the type of information JES2 should look for, you can define the selection criteria JES2 is to use by specifying an asterisk or a numerical range within parentheses after the command verb, specific keyword value or part of a keyword value. For example,

\$D MODULE(*),LOADMOD=HASC*	
\$HASP468	MODULE(HASCDAU) ADDRESS=034DD018,ASSEMBLY=(03/08/93,13.03),ENVIRON=USER,EXITPTS=(),
\$HASP468	IBMJES2=BASE, LASTAPAR=NONE,
\$HASP468	LENGTH=0002D0, LOADMOD=HASCDAU,
\$HASP468	MACLEVEL=4, SPLEVEL=CHECK
\$HASP468	MODULE(HASCDSAL) ADDRESS=0349F358,ASSEMBLY=(03/08/93,13.03),ENVIRON=USER,
\$HASP468	EXITPTS=(31,34,48),IBMJES2=BASE,
\$HASP468	LASTAPAR=NONE, LENGTH=004CA0,
\$HASP468	LOADMOD=HASCDSAL,MACLEVEL=4,
\$HASP468	SPELVEL=CHECK
\$HASP468	MODULE(HASCXJCT) ADDRESS=033C0090,ASSEMBLY=(04/21/93,12.27),ENVIRON=USER,EXITPTS=(),
\$HASP468	IBMJES2=BASE, LASTAPAR=NONE,
\$HASP468	LENGTH=0005B0, LOADMOD=HASCXJCT,
\$HASP468	MACLEVEL=4, SPLEVEL=CHECK
:	:
:	:

JES2 limits its search to load modules that begin with the characters HASC. It then displays a variety of information about all the modules that are assembled and linked into load modules that begins with the characters HASC.

- **Limiting how much information JES2 displays**

To limit the amount of information JES2 should display, specify a parameter, but no keyword value for the parameter. For example,

```
$D MODULE(*),LOADMOD
$HASP468 MODULE(FREDXJ00)
$HASP468 MODULE(HASCDAU)   LOADMOD=HASCDAU
$HASP468 MODULE(HASCDSAL)  LOADMOD=HASCDSAL
$HASP468 MODULE(HASCDSOC)  LOADMOD=HASCDSOC
$HASP468 MODULE(HASCDSO)   LOADMOD=HASCDSO
$HASP468 MODULE(HASCDS)    LOADMOD=HASCDS
$HASP468 MODULE(HASCSS)    LOADMOD=HASCSS
$HASP468 MODULE(HASCGGKY)  LOADMOD=HASCGGKY
$HASP468 MODULE(HASCGGST)  LOADMOD=HASCGGST
:
```

JES2 displays only the limited amount of information you requested to see--all the module names and the load module names.

- **Combining techniques**

You can combine both techniques to obtain information that is very specific. For example,

```
$D MODULE(*),LOADMOD=HASCX*,LOADMOD
$HASP468 MODULE(HASCXJCT)  LOADMOD=HASCXJCT
```

In this example, the command limits the number of modules that meet the criteria set; the module must be assembled and linked into a load module that begins with the characters HASCX. Also, the amount of information you wish to see about each module is limited to display only the load module name.

Selection filtering is not limited to display commands. For example, you may want to change the destination associated with all SYSOUT queues to class A. This could be done using the \$TO JOBQ command. However, the command \$TO JOBQ(\*),QUEUE=A,DEST=N2 would change both the output queue and the destination associated with all SYSOUT. For keywords such as QUEUE= you must indicate whether this is being used as a filter or as a modification keyword. To do this, prefix the keyword with a "/". If you want to change all output queues to class A to have a destination of N2, enter the command \$TO JOBQ(\*),/QUEUE=A,DEST=N2. The "/" prefix can be used on any command to indicate that the keyword that follows is a filter. It is only required on commands where a single keyword could be interpreted as both a filter and a modification keyword. For example, to change the execution class of all CLASS A jobs to CLASS B, enter the command \$TJOB(\*),/CLASS=A,CLASS=B. All filter keywords must precede modification keywords. To ensure compatibility with future changes, IBM recommends that non-display commands which use selection filtering, prefix filter keywords with the "/". This is especially important for commands issued by automation scripts.

- **Expanding filtering techniques**

Some commands can use wild cards, the JOBMASK parameter, or the JOBQ parameter (or a combination of all three) to control the action JES2 is to take. For example, using wild cards, and the JOBQ and JOBMASK parameters, you can control the amount of jobs JES2 is to release, as shown in the next example.

```
$A JOBQ,JOBMASK=I*
```

```
STC00010 $HASP890 JOB(INIT)
$HASP890 JOB(INIT) STATUS=(EXECUTING/IBM1),CLASS=STC,
$HASP890 PRIORITY=9,SYSAFF=(IBM1),HOLD=(NONE),
$HASP890 INITASID=012D
STC00017 $HASP890 JOB(INIT)
$HASP890 JOB(INIT) STATUS=(EXECUTING/IBM2),CLASS=STC,
$HASP890 PRIORITY=9,SYSAFF=(IBM2),HOLD=(NONE),
$HASP890 INITASID=NONE
JOB00018 $HASP890 JOB(IEBGENER)
$HASP890 JOB(IEBGENER) STATUS=(AWAITING EXECUTION),CLASS=A,
$HASP890 PRIORITY=9,SYSAFF=(ANY),HOLD=(NONE),
$HASP890 INITASID=NONE
JOB00036 $HASP890 JOB(IBMUSERX)
$HASP890 JOB(IBMUSERX) STATUS=(AWAITING EXECUTION),CLASS=A,
$HASP890 PRIORITY=9,SYSAFF=(ANY),HOLD=(NONE)
```

In this example, JES2 releases all held jobs, started tasks, and time-sharing users whose job names begin with the character I.

## How to read syntax diagrams

This section describes how to read syntax diagrams. It defines syntax diagram symbols, items that may be contained within the diagrams (keywords, variables, delimiters, operators, fragment references, operands) and provides syntax examples that contain these items.

Syntax diagrams pictorially display the order and parts (options and arguments) that comprise a command statement. They are read from left to right and from top to bottom, following the main path of the horizontal line.

For users accessing the Information Center using a screen reader, syntax diagrams are provided in dotted decimal format.

### Symbols

The following symbols may be displayed in syntax diagrams:

#### Symbol

##### Definition

- ▶— Indicates the beginning of the syntax diagram.
- ▶ Indicates that the syntax diagram is continued to the next line.
- ▶— Indicates that the syntax is continued from the previous line.
- ▶◀ Indicates the end of the syntax diagram.

### Syntax items

Syntax diagrams contain many different items. Syntax items include:

- Keywords - a command name or any other literal information.
- Variables - variables are italicized, appear in lowercase, and represent the name of values you can supply.
- Delimiters - delimiters indicate the start or end of keywords, variables, or operators. For example, a left parenthesis is a delimiter.
- Operators - operators include add (+), subtract (-), multiply (\*), divide (/), equal (=), and other mathematical operations that may need to be performed.
- Fragment references - a part of a syntax diagram, separated from the diagram to show greater detail.



- Separators - a separator separates keywords, variables or operators. For example, a comma (,) is a separator.

**Note:** If a syntax diagram shows a character that is not alphanumeric (for example, parentheses, periods, commas, equal signs, a blank space), enter the character as part of the syntax.

Keywords, variables, and operators may be displayed as required, optional, or default. Fragments, separators, and delimiters may be displayed as required or optional.

### Item type

#### Definition

#### Required

Required items are displayed on the main path of the horizontal line.

#### Optional

Optional items are displayed below the main path of the horizontal line.

#### Default

Default items are displayed above the main path of the horizontal line.

### Syntax examples

The following table provides syntax examples.

Table 53. Syntax examples


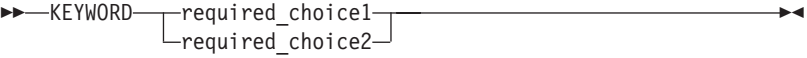
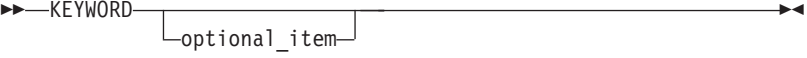
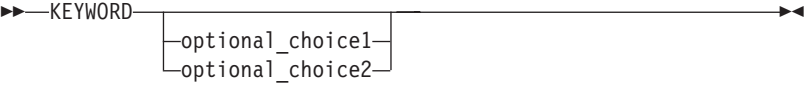
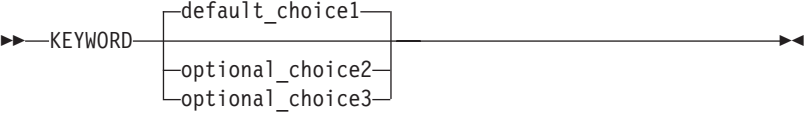



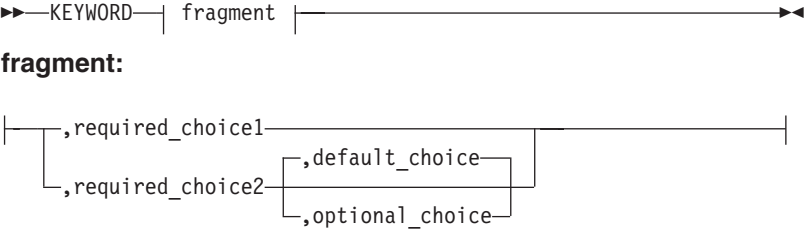
Item	Syntax example
Required item.	
Required items appear on the main path of the horizontal line. You must specify these items.	
Required choice.	
A required choice (two or more items) appears in a vertical stack on the main path of the horizontal line. You must choose one of the items in the stack.	
Optional item.	
Optional items appear below the main path of the horizontal line.	
Optional choice.	
An optional choice (two or more items) appears in a vertical stack below the main path of the horizontal line. You may choose one of the items in the stack.	
Default.	
Default items appear above the main path of the horizontal line. The remaining items (required or optional) appear on (required) or below (optional) the main path of the horizontal line. The following example displays a default with optional items.	

Table 53. Syntax examples (continued)

Item	Syntax example
Variable.	
Variables appear in lowercase italics. They represent names or values.	
Repeatable item.	
An arrow returning to the left above the main path of the horizontal line indicates an item that can be repeated.	
A character within the arrow means you must separate repeated items with that character.	
An arrow returning to the left above a group of repeatable items indicates that one of the items can be selected, or a single item can be repeated.	
Fragment.	
The fragment symbol indicates that a labelled group is described below the main syntax diagram. Syntax is occasionally broken into fragments if the inclusion of the fragment would overly complicate the main syntax diagram.	

## Keywords defined

Display limiting keywords will restrict the amount of output generated on the display command. This can be particularly useful for automation to parse the result of a \$D command. For example:

```
$DOJOBQ, JM=RMF*, PRMODE, OUTGRP, ROUTECDE
```

This means to scan all queues for outputs that start with a jobname of RMF™ and display the PRMODE, OUTGRP, and ROUTECDE:

```
$HASP686 OUTPUT(RMF) 458
$HASP686 OUTPUT(RMF)      PRMODE=LINE, OUTGRP=2.1.1,
$HASP686                   ROUTECDE=LOCAL
```

Filtering keywords can also be added to the command for more granularity.

Modification limiting keywords are the keywords that can be changed on a command. These keywords will generally appear on most \$T commands.

Selection limiting keywords can be viewed as filter keywords. Again, these keywords will appear on most \$T and \$D commands. In other words, the values you want to modify or display for a given job, on which it should take effect. In order to tell JES2 this is a filter keyword, the keyword must be preceded by a slash. For example:

```
$TOJOBQ, /FCB=JFB, FCB=ABC
```

This will change all output groups that has an FCB=JFB to ABC. Multiple filtering keywords can be used:

```
$TOJOBQ,/FORMS=123,/OUTG=1.1.1,FCB=456
```

This means to scan all queues for output of a FORMS=123 and OUTG=1.1.1 and change the FCB to 456. Additional modification keywords can be added to the same command as well:

```
$TOJOBQ,/FORMS=123,/FCB=789,QUEUE=A,ROUTECD=PR5
```

---

## \$A A - Release all jobs

### Function

To release all jobs in the following conditions:

- Jobs that have the member through which the command is entered as an affinity.
- Jobs whose affinities include the specified member.
- Jobs within the multi-access spool configuration.

### Syntax

```
▶▶ $A A [ ,memname ] [ ,ALL ] ▶▶▶▶
```

### Parameters

**A** All jobs held by the \$H A command that are currently in the member are released.

If this is a multi-access spool configuration and neither memname nor ALL is specified, all jobs that have affinity for the member through which the command is entered are released.

**ALL**

All jobs, regardless of their affinities, are released.

**memname**

The 1 to 4 character alphanumeric identifier of a member in the multi-access spool configuration. JES2 releases all jobs that have affinity for the specified member.

### Authority Required

This command requires **job** authority. The description of the \$T RDRnn command explains how to ensure that the authority of the appropriate MVS system command group is assigned.

This command requires **update** security access authority. For a description of assigning command input authority, see *z/OS JES2 Initialization and Tuning Guide*.

### Scope

**MAS-Wide.** This command has an effect across the entire MAS.

## Messages

The \$HASP000 message indicates JES2 has accepted the command.

### Example

```
1 $a a
$HASP000 OK
```

JES2 releases all jobs originally held by a \$H A command that are currently in the member. If the member is in a multi-access spool configuration, JES2 releases all jobs originally held by a \$H A command that have affinity for the member through which the command is entered.

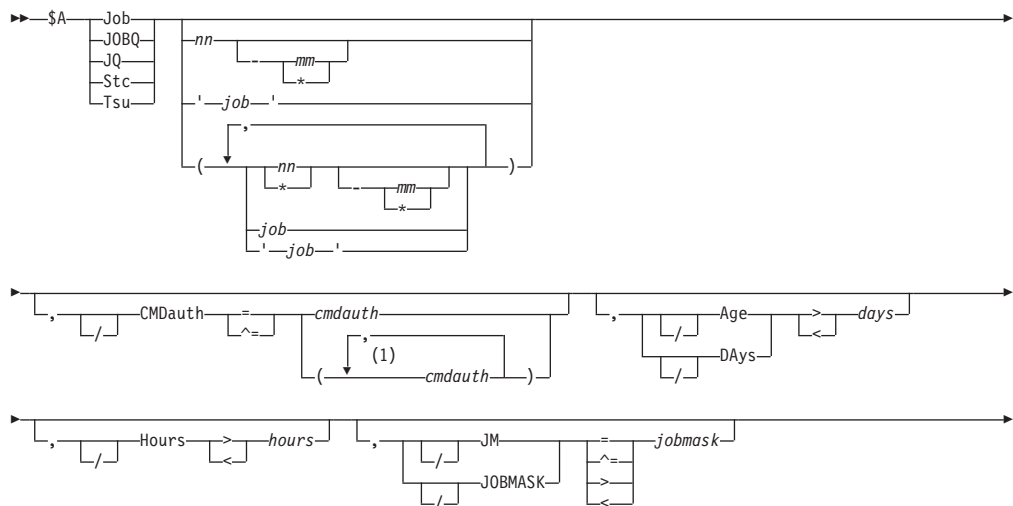
## \$A Job - Release held jobs

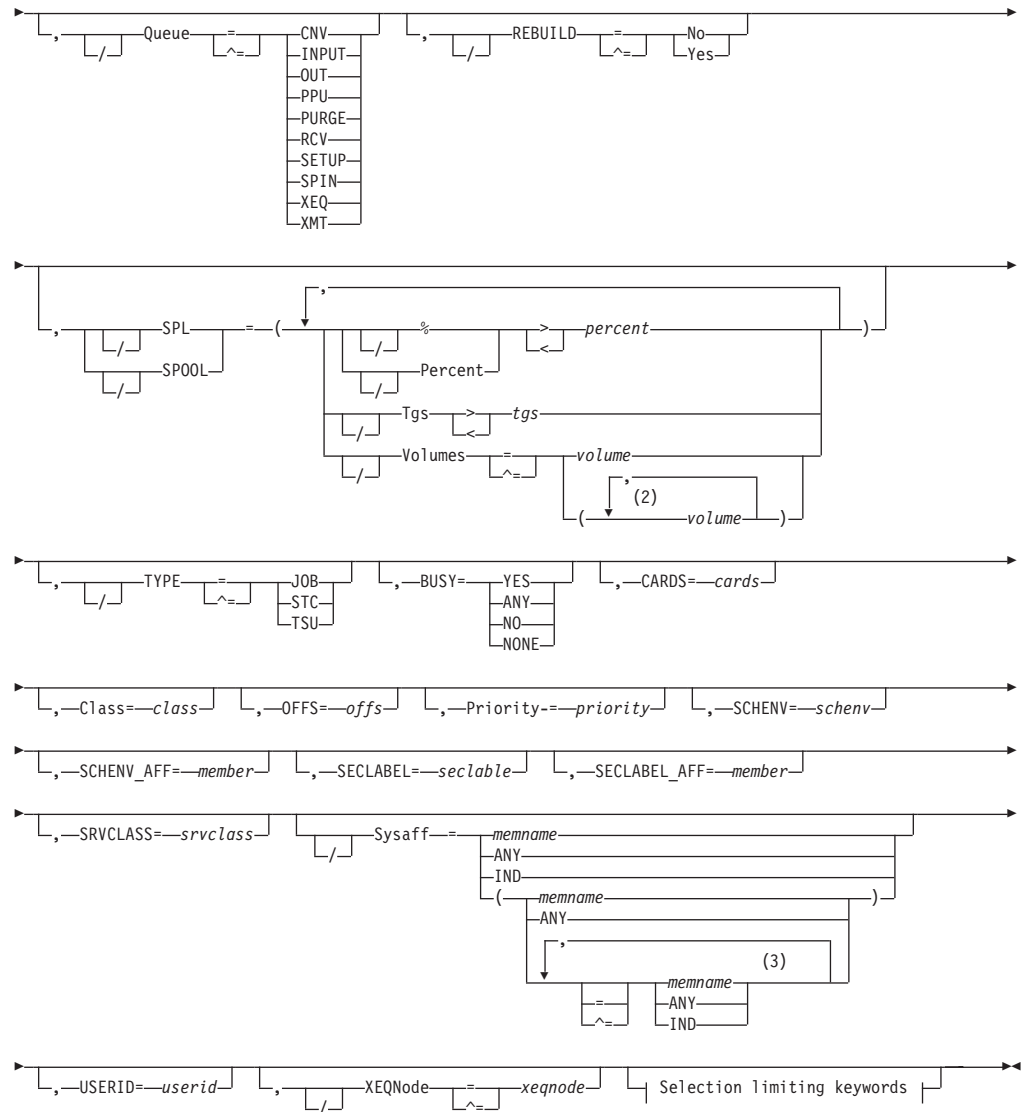
### Function

To release held jobs. For example the jobs that are held by the following commands or statements:

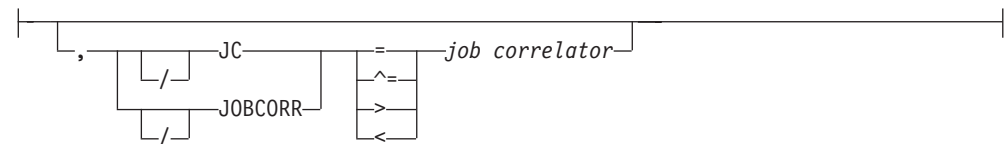
- \$G H commands
- \$H A commands
- \$H job commands
- /\* SETUP control statements
- \$T Nn, H=JR commands
- \$T RDRn, H=Y commands
- TYPRUN=HOLD JCL parameters

### Syntax





**Selection limiting keywords:**



**Notes:**

- 1 *cmdauth* can be coded up to 2 times
- 2 *volume* can be coded up to 253 times
- 3 Multiple *Sysaff* values can be coded up to 33 times

**Parameters**

**Age|DAys<days | Age|DAys>days**

Specifies the age of affected jobs in days. Only jobs more (with DAYS>nn) or

## \$A Job

less (with DAYS<nn) than the specified number of days in age are affected, The days are counted from the current hour.

### **BUSY=**

Specifies one of the following:

- The system name or number on which the job is busy. Note that you can specify a value of 0 to indicate the job is not busy. You can also specify values above 32 to match systems with invalid values in the BUSY value (for example, \$AJOBQ,BUSY>32)
- YES or ANY, indicating that all busy jobs are to match
- NO or NONE, indicating that all non-busy jobs are to match

### **CARDS=cards**

Specifies the number of input cards associated with the job.

### **Class=class**

Specifies a job class used to select a subset of jobs that have a matching job class. Wildcard characters can also be specified: see “Using wildcards” on page 108 for details.

### **CMDauth=(auth1{,auth2})**

Only the jobs that can be affected from the specified remote(s) or node(s) will be released. The valid specifications are:

#### **LOCAL|ANYLOCAL**

Only the local devices at the local node can affect the output.

#### **Nnnnn|nodename**

Only local devices at the specified node can affect the output.

#### **Rnnnn**

Only the specified remote device can affect the output.

#### **NnnnnRnnnn|nodename.Rnnnn**

Only the specified remote device at the specified remote node can affect the output.

#### **destid**

A destid corresponding to any of the above remote devices.

**Note:** Specification of the CMDAUTH filter does not override the authority of the console from which the command is issued; both the authority of the console and the specified CMDAUTH filter must match for the job to be affected.

### **H|Hours=hours**

Specifies the age of affected jobs in hours. Only jobs more (with HOURS>nn) or less (with HOURS<nn) than the specified number of hours in age are affected.

### **JC|JOBCORR=job correlator**

Specifies a combination of 1-64 alphanumeric, special (colon, period or underscore) and wildcard characters that can be used to select a subset of jobs that have a matching job correlator. For a description of wildcard characters, refer to “Using wildcards” on page 108.

### **JM|JOBMASK=jobmask**

Specifies 1 to 8 alphanumeric, special (\$, #, or @) or wildcard characters (or a combination of them) that can be used to select a subset of jobs whose job name matches this combination of characters (mask). For a description of using wild cards, see “Using wildcards” on page 108.

**Note:**

1. This is a positional parameter. Specify this following the job\_id (JOB, STC, or TSU), or JOBQ parameter.
2. The JOBMASK parameter is not valid with the 'jobname' parameter.

**job**

Specifies 1 to 8 alphanumeric, special (\$, #, or @) or wildcard characters (or a combination of them) that can be used to select a subset of jobs whose job name matches this combination of characters (mask). For a description of using wild cards, see "Using wildcards" on page 108.

**'job'**

The name of the job that is released. This name must appear as coded on the JOB statement and must be enclosed in apostrophes. If more than one job exists with this name, no action is taken.

**Job**

A Batch job or range of batch jobs is to be released.

**JOBQ|JQ**

Specifies *all* jobs, STCs, and TSUs across the MAS for processing.

**OFFS=offs**

Specifies offload device numbers on which the job has been archived.

**Priority=priority**

Specifies the priority of the job.

**Queue={CNV|INPUT|OUT|PPU|PURGE|RCV| SETUP|SPIN|XEQ|XMT}**

Only jobs on the specified job queue are to be released.

**CNV**

Only jobs awaiting conversion are to be released.

**INPUT**

Only jobs on the JES2 \$INPUT queue are to be released.

**OUT**

Only jobs awaiting output processing are to be released.

**PPU**

Only jobs awaiting print/punch processing are to be released.

**PURGE**

Only jobs awaiting purge processing are to be released.

**RCV**

Only jobs on the JES2 \$RECEIVE queue are to be released.

**SETUP**

Only jobs on the JES2 \$SETUP queue are to be released.

**SPIN**

Only jobs awaiting spin processing are to be released.

**XEQ**

Only jobs awaiting execution are to be released.

**XMT**

Only jobs queued for network transmission are to be released.

**REBUILD={No|Yes}**

Jobs on the rebuild queue are to be released (Yes) or not released (No).

**SCHENV=schenv**

Specifies the scheduling environment associated with the job.

**SCHENV\_AFF=member**

Specifies the JES2 MAS members on which the scheduling environment for this job is available.

**SECLABEL\_AFF=member**

Specifies the JES2 MAS members on which the SECLABEL for this job is available but only if the RACF® SECLABEL\_BY\_SYS is also active.

**SECLABEL=seclabel**

Specifies the security label associated with the job.

**SPL|SPOOL={Percent|Tgs|Volumes}**

Only jobs with specific SPOOL characteristics are to be released:

**Percent|%**

Only jobs using more (with %>nn) or less (with %<nn) than the specified percentage of the total available spool space are to be released.

**Tgs**

Only jobs using more (with Tgs>nn) or less (with Tgs<nn) than the specified number of track groups are to be released.

**Volumes=(v1,v2,...)**

Only jobs which have allocated spool space on the specified spool volume(s) are to be released.

**SRVCLASS=svclass**

Specifies the service class of the job. The service class is available for batch jobs only. It is not available for started tasks or time-sharing users. The default workload manager (WLM) policy assigns a service class of blanks to all jobs, and WLM-managed initiators can then select such jobs for processing.

**Stc**

A started task or range of started tasks is to be released.

**Sysaff**

Specifies jobs to process based on this system affinity. Up to 33 entries can be coded by using a combination of the following values:

**memname**

Specifies the identifier (1 to 4 alphanumeric characters) of a member in the JES2 multi-access spool configuration that a job has in its system affinity list.

**ANY** Specifies jobs that are eligible to run on any member in the JES2 multi-access spool configuration. If you specify ANY followed by the IND parameter, they must be separated by a comma and the list must be enclosed in parentheses, for example, (ANY,IND).

**IND** Specifies the job that is selected and must be executed on a processor operating in independent mode.

**Tsu**

A time-sharing user or range of time-sharing users is to be released.

**TYPE={JOB|STC|TSU}**

Indicates whether only batch jobs (JOB), started tasks (STC), or time-sharing users (TSU) are to be released.

**USERID=userid**

Specifies the userid associated with the job.



**XEQNode=xeqnode**

Only jobs which are destined to execute at the specified node, or which have already executed at the specified node, are to be released. The node name may be specified using the decimal node number (Nnnnnn) or an EBCDIC node name.

**Authority Required**

This command requires **job** authority. The description of the \$T RDRnn command explains how to ensure that the authority of the appropriate MVS system command group is assigned.

This command requires **update** security access authority. For a description of assigning command input authority, see *z/OS JES2 Initialization and Tuning Guide*.

**Scope**

**MAS-Wide.** This command has an effect across the entire MAS.

**Messages**

The \$HASP890 message displays the released job.

JES2 issues message \$HASP003 if the specified job was not being held.

**Examples**

**1** \$aj'payroll'

```
JOB00024 $HASP890 JOB(PAYROLL)
$HASP890 JOB(PAYROLL) STATUS=(AWAITING EXECUTION),CLASS=A,
$HASP890 PRIORITY=9,SYSAFF=(ANY),HOLD=(NONE)
```

JES2 releases the batch job named PAYROLL and makes it available for processing.

**2** \$aj(?ebg\*)

```
JOB00005 $HASP890 JOB(IEBGENER)
$HASP890 JOB(IEBGENER) STATUS=(AWAITING EXECUTION),CLASS=A,
$HASP890 PRIORITY=9,SYSAFF=(ANY),HOLD=(NONE)
JOB00055 $HASP890 JOB(IEBGENER)
$HASP890 JOB(IEBGENER) STATUS=(AWAITING HARDCOPY),CLASS=A,
$HASP890 PRIORITY=1,SYSAFF=(ANY),HOLD=(NONE)
```

JES2 releases any batch jobs whose job name includes EBG as the second, third, and fourth characters.

**3** \$aj1-8,jm=?ebg\*

```
JOB00005 $HASP890 JOB(IEBGENER)
$HASP890 JOB(IEBGENER) STATUS=(AWAITING EXECUTION),CLASS=A,
$HASP890 PRIORITY=9,SYSAFF=(ANY),HOLD=(NONE)
```

JES2 releases any batch jobs that fall within the range of jobs 1-8 whose job name includes EBG as the second, third, and fourth characters.

**4** \$aj(1-3,i\*,5-7)

```
JOB00003 $HASP890 JOB(D96CLW1A)
$HASP890 JOB(D96CLW1A) STATUS=(AWAITING EXECUTION),CLASS=A,
$HASP890 PRIORITY=9,SYSAFF=(ANY),HOLD=(NONE)
JOB00018 $HASP890 JOB(IEBGENER)
$HASP890 JOB(IEBGENER) STATUS=(AWAITING EXECUTION),CLASS=A,
```

## \$A Job

```
$HASP890          PRIORITY=9,SYSAFF=(ANY),HOLD=(NONE)
JOB00036 $HASP890 JOB(IBMUSERX)
$HASP890 JOB(IBMUSERX) STATUS=(AWAITING EXECUTION),CLASS=A,
$HASP890          PRIORITY=9,SYSAFF=(ANY),HOLD=(NONE)
JOB00006 $HASP890 JOB(CNTLABC)
$HASP890 JOB(CNTLABC) STATUS=(AWAITING EXECUTION),CLASS=A,
$HASP890          PRIORITY=9,SYSAFF=(ANY),HOLD=(NONE)
```

JES2 releases any batch jobs that fall within the range of jobs 1-3 or 5-7, PLUS any batch jobs whose job name begins with the letter I.

### 5 \$ajq(1-3,i\*,5-7)

```
STC00002 $HASP890 JOB(NEWS)
$HASP890 JOB(NEWS) STATUS=(EXECUTING/IBM1),CLASS=STC,
$HASP890          PRIORITY=9,SYSAFF=(IBM1),HOLD=(NONE)
JOB00003 $HASP890 JOB(D96CLW1A)
$HASP890 JOB(D96CLW1A) STATUS=(AWAITING EXECUTION),CLASS=A,
$HASP890          PRIORITY=9,SYSAFF=(ANY),HOLD=(NONE)
STC00010 $HASP890 JOB(INIT)
$HASP890 JOB(INIT) STATUS=(EXECUTING/IBM1),CLASS=STC,
$HASP890          PRIORITY=9,SYSAFF=(IBM1),HOLD=(NONE),
$HASP890          INITASID=012D
STC00017 $HASP890 JOB(INIT)
$HASP890 JOB(INIT) STATUS=(EXECUTING/IBM2),CLASS=STC,
$HASP890          PRIORITY=9,SYSAFF=(IBM2),HOLD=(NONE)
$HASP890          INITASID=NONE
JOB00018 $HASP890 JOB(IEBGENER)
$HASP890 JOB(IEBGENER) STATUS=(AWAITING EXECUTION),CLASS=A,
$HASP890          PRIORITY=9,SYSAFF=(ANY),HOLD=(NONE)
JOB00036 $HASP890 JOB(IBMUSERX)
$HASP890 JOB(IBMUSERX) STATUS=(AWAITING EXECUTION),CLASS=A,
$HASP890          PRIORITY=9,SYSAFF=(ANY),HOLD=(NONE)
JOB00006 $HASP890 JOB(CNTLABC)
$HASP890 JOB(CNTLABC) STATUS=(AWAITING EXECUTION),CLASS=A,
$HASP890          PRIORITY=9,SYSAFF=(ANY),HOLD=(NONE)
TSU00007 $HASP890 JOB(D96CLW1)
$HASP890 JOB(D96CLW1) STATUS=(EXECUTING/IBM1),CLASS=TSU,
$HASP890          PRIORITY=9,SYSAFF=(IBM1),HOLD=(NONE)
```

JES2 releases any batch jobs, started tasks, or time-sharing users that fall within the range of jobs 1-3 or 5-7, PLUS any whose job name begins with the letter I.

### 5 \$aj(\*),jc=\*:clientxyzjob\*

```
JOB00069 $HASP890 JOB(D15USER1) C
$HASP890 JOB(INVENTORY) STATUS=(AWAITING EXECUTION),CLASS=A,
$HASP890          PRIORITY=1,SYSAFF=(ANY),HOLD=(NONE)
JOB00070 $HASP890 JOB(D15USER2) C
$HASP890 JOB(PAYROLL) STATUS=(AWAITING EXECUTION),CLASS=A,
$HASP890          PRIORITY=1,SYSAFF=(ANY),HOLD=(NONE)
JOB00071 $HASP890 JOB(D15USER3) C
$HASP890 JOB(ORDERS) STATUS=(AWAITING EXECUTION),CLASS=A,
$HASP890          PRIORITY=1,SYSAFF=(ANY),HOLD=(NONE)
JOB00072 $HASP890 JOB(D15USER4) C
$HASP890 JOB(BACKUP) STATUS=(AWAITING EXECUTION),CLASS=A,
$HASP890          PRIORITY=1,SYSAFF=(ANY),HOLD=(NONE)
```

JES2 releases any batch jobs with the job correlator user portion starting with CLIENTXYZJOB.

## \$ACTIVATE - Activate a particular level of JES2 function

### Function

To activate a particular level of JES2 checkpoint function. Once all MAS members have been migrated to JES2 z/OS V1R11, this command can be used to activate new JES2 functions for V1R11. If problems occur, \$ACTIVATE,LEVEL=Z2 might be used to go back to a previous level of JES2 checkpoint processing.

### Syntax

▶▶—\$ACTIVATE—,—LEVEL—=—z11—  
z2—▶▶

### Parameters

#### LEVEL=

Specifies the checkpoint level to activate to.

**z2** Activates the compatibility mode of JES2 processing. This allows pre-z/OS V1R11 JES2 members to coexist within a MAS that contains z/OS V1R11 JES2 members.

**z11** Activates the full-function level of z/OS V1R11 JES2 processing. This level upgrades JES2 checkpoint and enables the following functions:

- SAPI (SSI 79) and Extended Status (SSI 80) can support selection by transaction job name and/or transaction job id.
- Extended Status (SSI 80) can return transaction information (job name, job id and owner) within the terse SYSOUT section.
- JOE data area extensions supported by BERTs. Initial JOE data area extension includes transaction job name and transaction job ID.
- JOE extension called JOX is fixed. JOX only exists in artificial JOE returned by the new \$DOGJOE service.
- The size of the JOX is increased by 32 bytes.
- The limits for JOEs, JOEs and BERTs are increased to JOEs=400,000, JOEs=1,000,000, and BERTs=1,000,000.

### Authority Required

This command requires **system** authority. The description of the \$T RDRnn command explains how to ensure that the authority of the appropriate MVS system command group is assigned.

This command requires **control** security access authority. For a description of assigning command input authority, see *z/OS JES2 Initialization and Tuning Guide* .

### Processing Considerations

- The \$ACTIVATE,LEVEL=Z2 command should only be used if a z11 problem absolutely requires activation back to z2 checkpoint level.
- The \$ACTIVATE,LEVEL=Z11 command expands the JES2 checkpoint to support functions that are enabled with z11 checkpoint level. JES2 will reject the \$ACTIVATE command if certain conditions are not met. There might be multiple reasons why z11 activation is not permitted. The command \$DACTIVATE will provide an exhaustive list of reasons blocking checkpoint activation to z11 level.

## \$ACTIVATE

For all the reasons that block z11 activation, see “\$D ACTIVATE - Display current JES2 checkpoint level and MAS readiness for checkpoint activation to z11 level” on page 226.

- Extreme BERT shortage is the only reason \$ACTIVATE,LEVEL=Z2 would be disallowed. For more information on extreme BERT shortage, see \$HASP051 message.

### Scope

**MAS-wide.** The command is in effect across the entire MAS.

### Messages

The \$HASP895 message displays the current level or mode of the checkpoint.

The \$HASP003 message indicates a reason why new functions cannot be activated.

The \$HASP296 message displays the amount of space that must be added to the JES2 checkpoint in order to process the command.

### Examples

#### 1 \$ACTIVATE, LEVEL=Z11

```
$HASP895 z11 CHECKPOINT MODE IS NOW ACTIVE
$HASP895 $ACTIVATE, LEVEL=Z11
$HASP895 JES2 CHECKPOINT MODE IS CURRENTLY Z11
$HASP895 CURRENT CHECKPOINT SIZE IS 155 4K RECORDS.
$HASP895 CURRENT NUMBER OF BERTS IS 500.
$HASP895 PERCENT BERTS UTILIZED IS 27 PERCENT.
```

Illustrates a successful request for z11 activation. JES2 activates the z11 functions documented above.

#### 2 \$ACTIVATE, LEVEL=Z2

```
$HASP895 z2 CHECKPOINT MODE IS NOW ACTIVE
$HASP895 $ACTIVATE, LEVEL=Z2
$HASP895 JES2 CHECKPOINT MODE IS CURRENTLY Z2
$HASP895 CURRENT CHECKPOINT SIZE IS 148 4K RECORDS.
$HASP895 CURRENT NUMBER OF BERTS IS 500.
$HASP895 PERCENT BERTS UTILIZED IS 27 PERCENT.
```

Illustrates a successful request for z2 activation. JES2 activates back to z2 checkpoint level. Activating to z2 level allows down-level MAS members (before JES2 z/OS V1R11) to join the MAS. Activating to z2 is only recommended when problems at z11 level prevent normal JES2 functioning.

**Note:** The increased limits for JQEs, JOEs and BERTs stays at z11 level.

#### 3 \$ACTIVATE, LEVEL=Z11

```
$HASP003 RC=(123),ACT
$HASP003 RC=(123),ACTIVATE - BOTH z2 AND z11 CHECKPOINT
$HASP003 ACTIVATION ARE DISALLOWED DUE TO EXTREME
$HASP003 BERT SHORTAGE. JES2 IS IN A NON-STABLE
$HASP003 STATE. RESTART JES2 AS SOON AS MORE BERTS
$HASP003 HAVE BEEN MADE AVAILABLE.
$HASP895 $ACTIVATE,LEVEL=Z11
$HASP895 JES2 CHECKPOINT MODE IS CURRENTLY Z2
$HASP895 CURRENT CHECKPOINT SIZE IS 148 4K RECORDS.
$HASP895 CURRENT NUMBER OF BERTS IS 500.
$HASP895 PERCENT BERTS UTILIZED IS 27 PERCENT.
```

JES2 attempts z11 activation but fails because an extreme BERT shortage has previously been encountered. Extreme BERT shortage blocks both z11 and z2 activations. The \$HASP895 message indicates that the checkpoint level remains at z2. Run \$D ACTIVATE command for a complete list of situations which might prevent z11 activation.

**4 \$ACTIVATE, LEVEL=Z11**

```

$HASP296 MEMBER N1M1 -- CKPT1 SYS1.JESCKPT1 ON SPOOL1 - SPACE
INSUFFICIENT -- 16 TRACKS NEEDED
$HASP003 RC=(116),ACT
$HASP003 RC=(116),ACTIVATE - z11 CHECKPOINT ACTIVATION CANNOT
$HASP003 BE PERFORMED. CHECKPOINT DATA SETS ARE
$HASP003 TOO SMALL. ISSUE COMMAND $D ACTIVATE FOR
$HASP003 MORE INFORMATION.
$HASP895 $ACTIVATE ,LEVEL=Z11
$HASP895 JES2 CHECKPOINT MODE IS CURRENTLY Z2
$HASP895 CURRENT CHECKPOINT SIZE IS 170 4K RECORDS.
$HASP895 CURRENT NUMBER OF BERTS IS 1900.
$HASP895 PERCENT BERTS UTILIZED IS 6 PERCENT.
    
```

JES2 attempts z11 activation but fails because the size of the current CKPT1 data set is too small by 16 tracks. The \$HASP895 message indicates that the checkpoint level remains at z2.

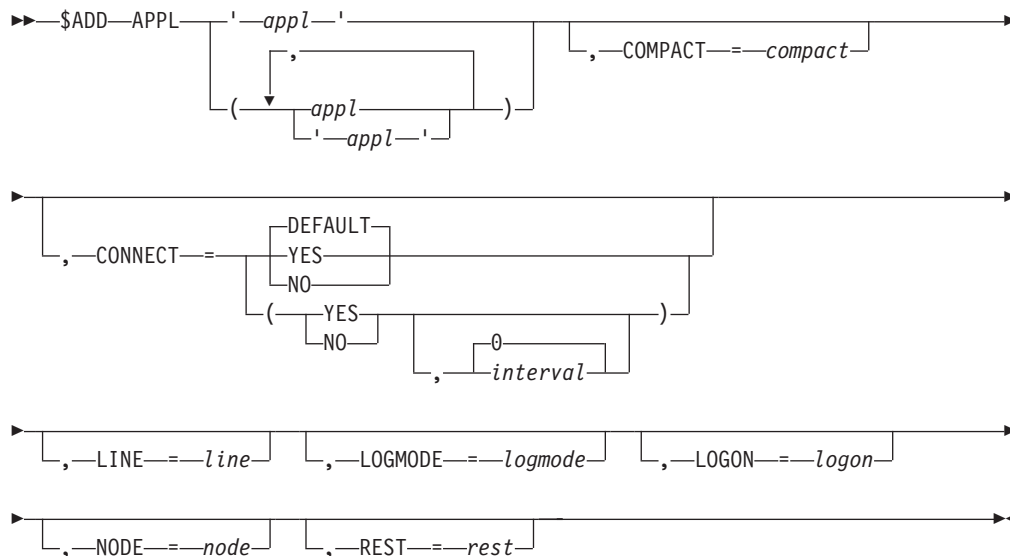
---

## \$ADD APPL - Define a VTAM application to JES2

### Function

To dynamically define a VTAM application to JES2 at the specified JES2 node.

### Syntax



### Parameters

**appl**

Specifies the 1 to 8 alphanumeric or special (\$, #, or @) character application name by which JES2/NJE is known to VTAM at the indicated node.

**COMPACT=compact**

The compaction table number (0-99) that is used for outbound compaction in communicating with this application at the specified node. Zero denotes no compaction.

**Default:** The value for COMPACT specified on the NODE(nnnn) initialization statement that defines the node indicated by the NODE=node parameter on this command.

**CONNECT=(Yes|No|DEFAULT, interval)**

Specifies whether an NJE connection is automatically attempted for this appl. The default value **DEFAULT** uses the CONNECT=(YES|NO) value that is specified on the associated NODE statement. The *interval* is the approximate time (in minutes) between attempted connections. The valid range for *interval* is 0 to 1440. The default *interval* value of 0 indicates that the default interval (from NJEDEF CONNECT=) is used.

**LINE=line**

A dedicated line used for the SNA NJE session associated with this application. Specify only when the application is inactive.

**Default:** 0 (No line is dedicated.)

**LOGMODE=logmode**

The 1 to 8 character name of the logon mode table entry that is used for this VTAM application. The parameter input must adhere to the VTAM naming conventions for a logon mode table entry name. A logon mode table entry determines which entry in the VTAM application logon mode table will be used. If the program participates as the secondary end of a session (SLU), the table entry provides a set of session parameters. This parameter is used only for NJE applications. If it is specified for non-NJE applications, the parameter is ignored. Specify only when the application is inactive.

**Default:** If you omit the parameter, the system uses the VTAM defaults.

**LOGON=logon**

Specifies the number (1-999) of the local LOGON DCT which should be used when specifying connections to the application. The default value of 0 indicates that the LOGON DCT defined with the lowest number is to be used.

**NODE=node**

The number (1-32767) or the 1 to 8 alphanumeric or special (\$, #, or @) symbolic name (xxxxxxx) of the node at which the JES2 application is defined to VTAM.

**Note:** The symbolic name must have been specified on the NAME= parameter of the NODE initialization statement for the referenced node, or must have been defined on the DESTID initialization statement.

**REST=rest**

An integer (0-2000), which represents the resistance rating of the connection as viewed by the installation manager and coordinated with other installations. For information about selecting resistances, see *z/OS JES2 Initialization and Tuning Guide*.

**Default:** The value for REST specified on the NODE(nnnn) initialization statement that defines the node indicated by the NODE=nnnn parameter on this command.

## Authority Required

This command requires **system** authority. The description of the \$T RDRnn command explains how to ensure that the authority of the appropriate MVS system command group is assigned.

This command requires **control** security access authority. For a description of assigning command input authority, see *z/OS JES2 Initialization and Tuning Guide*.

## Processing Considerations

When you dynamically define JES2 as an application to VTAM, its specifications are not checkpointed and are not carried across a restart of JES2. If you want to permanently define the new application, you must add a new APPL initialization statement before restarting JES2.

## Scope

**Single Member.** The values supplied for this command will be in effect for this member only.

Depending on your installation's setup, however, you might want this command to be applied to all members of the MAS (to ensure a consistent environment across the MAS). If so, you can use the MVS ROUTE \*ALL command to issue this command to all active members (if the JES2 command character is the same on all members). See *z/OS MVS System Commands* for more information on using the ROUTE \*ALL command.

## Messages

The \$HASP821 message displays the current values of all the parameters that define this application.

## Examples

```
$add appl(jesc),node=33
```

```
$HASP821 APPL(JESC)      NODE=33,COMPACT=0,CONNECT=(DEFAULT),
$HASP821                LINE=0,LOGMODE=,LOGON=0,REST=0
```

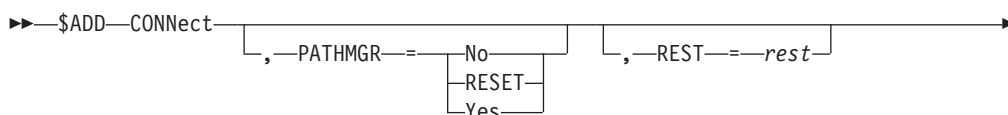
The application named JESC is known to VTAM at node 33.

## \$ADD CONNECT - Dynamically add network connections

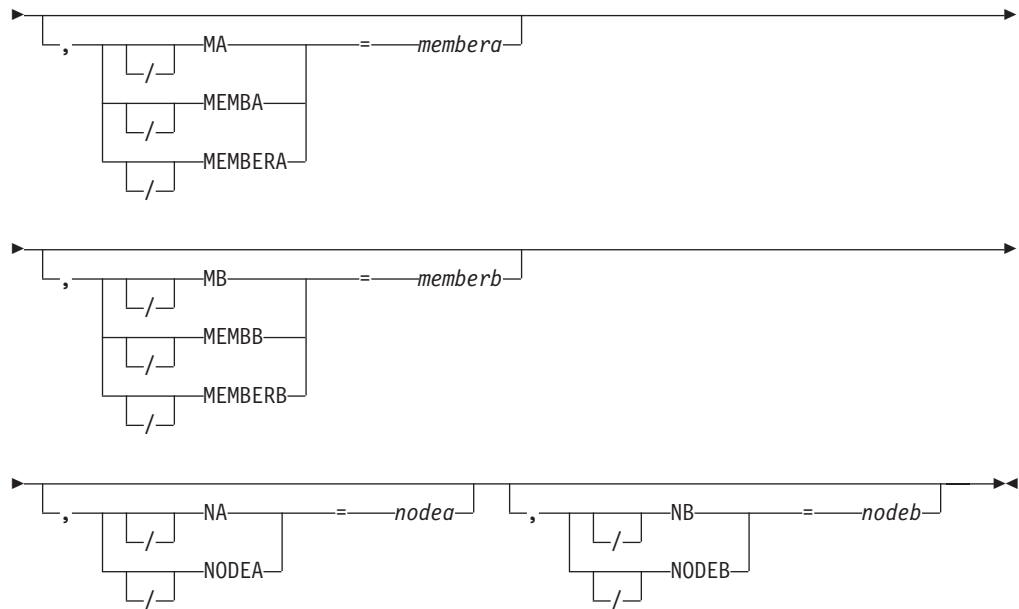
### Function

To add static network connections.

### Syntax



## \$ADD CONNECT



### Parameters

#### MA | MEMBA | MEMBERA=membera

The member number at the NODEA end of the connection.

**Default:** The default is 1. The value for MEMBERA if NODEA is the local node must be a 1. If the member number is greater than a 1 for the local node, the command is rejected.

**Note:** Most supported NJE nodes require this parameter to be defaulted or set to 1. This parameter should only be used if the documentation for the NJE product on the node specified by NODEA= requires it. Improper specification of this field can cause portions of your NJE network to be unreachable. IBM recommends that you do not specify this parameter, and allow it to default.

#### MB | MEMBB | MEMBERB=memberb

The member number at the NODEB end of the connection.

**Default:** The default is 1. The value for MEMBERB if NODEB is the local node must be a 1. If the member number is greater than a 1 for the local node, the command is rejected.

**Note:** Most supported NJE nodes require this parameter to be defaulted or set to 1. This parameter should only be used if the documentation for the NJE product on the node specified by NODEB= requires it. Improper specification of this field can cause portions of your NJE network to be unreachable. IBM recommends that you do not specify this parameter, and allow it to default.

#### NA | NODEA=nodea

Specifies the 1- to 8-alphanumeric or special (\$, #, or @) character symbolic node name (xxxxxxx) or node number (nnnn) at one end of the connection. The name must match the NAME= parameter of the NODE initialization statement for the referenced node. The node number must be less than the NODENUM= parameter of the NJEDEF statement.

**Note:** NODEA and NODEB may appear in any order when defining a static connection, that is NODEA does not have to be your node or the other end.



When JES2 resolves the static connection, the order may be different than what was entered on the command when you issue a \$DCONNECT. This is because the node with the smallest number will always be assigned to NODEA. The end result is the same.

**NB | NODEB=nodeb**

Specifies the 1- to 8-alphanumeric or special (\$, #, or @) character symbolic node name (xxxxxxx) or node number (nnnn) at one end of the connection. The name must match the NAME= parameter of the NODE initialization statement for the referenced node. The node number must be less than the NODENUM= parameter of the NJEDEF statement.

**Note:** NODEA and NODEB might appear in any order when defining a static connection, that is NODEA does not have to be your node or the other end. When JES2 resolves the static connection, the order may be different than what was entered on the command when you issue a \$DCONNECT. This is because the node with the smallest number will always be assigned to NODEA. The end result is the same.

**PATHMGR={No | RESET | Yes}**

Indicates whether this connection supports path manager type protocols. PATHMGR=RESET indicates that the value of PATHMGR= should be reset to the default.

**Default:** The default depends on the specifications for the NODEA= and NODEB= parameters.

- If either node is defined as PATHMGR=NO, the default is PATHMGR=NO. You can sign on to JES3 or VM.
- If both nodes are defined as PATHMGR=YES, the default is PATHMGR=YES.

**Note:** This static connection has a resistance of 30.

**REST=rest**

An integer (0-8000) that represents the resistance rating of the connection as viewed by the installation manager and coordinated with other installations. For information about selecting resistances, see *z/OS JES2 Initialization and Tuning Guide*.

**Authority Required**

This command requires **system** authority. The description of the \$T RDRnn command explains how to ensure that the authority of the appropriate MVS system command group is assigned.

This command requires **control** security access authority. For a description of assigning command input authority, see *z/OS JES2 Initialization and Tuning Guide*.

**Scope**

**Single Member.** The values supplied for this command will be in effect for this member only.

Depending on your installation's setup, however, you might want this command to be applied to all members of the MAS (to ensure a consistent environment across the MAS). If so, you can use the MVS ROUTE \*ALL command to issue this command to all active members (if the JES2 command character is the same on all

## \$ADD CONNECT

members). See *z/OS MVS System Commands* for more information on using the ROUTE \*ALL command.

### Messages

The \$HASP815 message is issued in response to this command.

### Example

```
1 $ADD CONNECT, NODEA=PHOENIX, MEMBA=1,  
  NODEB=TUCSON, MEMBB=2, REST=30
```

This example adds a static connection between member 1 at PHOENIX and member 2 at TUCSON.

---

## \$ADD DESTID - Define a symbolic destination

### Function

To dynamically define a symbolic name for a JES2 route code.

Use the \$D DESTID command to view the actual destination for a destid.

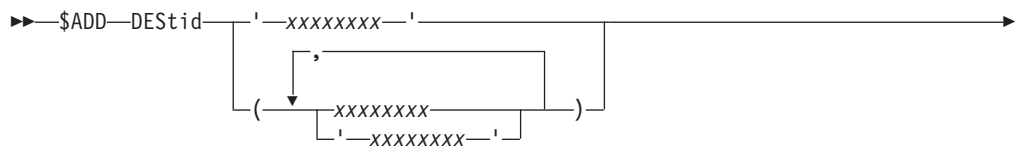
### Note:

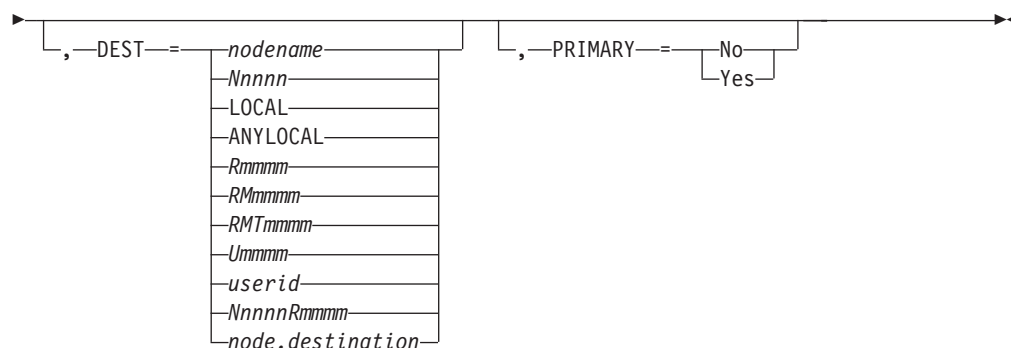
1. None of the route codes specified on the DEST= of this command are affected by the DESTDEF initialization statement or the \$T DESTDEF command.
2. If any parameters on the DESTDEF initialization statement specify USER and multiple destids can match the routing, then at least one of these multiple destids must specify PRIMARY=YES.

If installations do not specify PRIMARY=YES, application products such as SDSF can have problems altering the routing of a job or SYSOUT data set to that of the multiply defined destids.

3. New output created can take advantage of this route code immediately but existing output might require the \$R command to be selected by this destination.

### Syntax





## Parameters

### xxxxxxx

Specifies the 1 to 8 alphanumeric or special (\$, #, or @) character symbolic destination name affected by this statement.

### DEST=

Specifies a route code JES2 can use to route data.

*When specifying only the node (first-level destination):*

#### nodename | Nnnnn

References only the nodal portion (first-level destination) of a JES2 route code.

#### nodename

Specify a symbolic node name. For example, if NODE(10) is defined as NAME=ALBANY on the DESTID(jxxxxxxx) initialization statement, then an installation can create a DESTID(NYCAP) with DEST=ALBANY.

#### Nnnnn

Specify N followed by a numeric value (1-32767). For example, DESTID(NYCAP),DEST=N10.

*When specifying only the destination at a node (second-level destination):*

#### LOCAL | ANYLOCAL | Rmmmm | RMmmmm | RMTmmmm | Ummmm | userid

References only the destination at a node (second-level destinations).

When these destids are referenced, users must specify either an explicit first-level destination or allow JES2 to assign a default first-level destination. JES2 determines the first-level portion of the destination from one of the following:

- /\*ROUTE PRT JES2 control statement
- /\*ROUTE PUN JES2 control statement
- The output route code associated with the device through which the job entered the system.

For example, DESTID(REMOTE5),DEST=R5 defines a second-level destination. Using the destids DESTID(NYCAP) DEST=ALBANY and DESTID(NYCAP) DEST=N10 as specified on DESTID(jxxxxxxx) initialization statements, JCL can route a data set to R5 at N10 by specifying DEST=NYCAP.REMOTE5.

However, if the JCL only specifies DEST=REMOTE5, the nodal portion of the destination is obtained from the default routing of the job. (A job

## \$ADD DESTID

submitted from N10 without any /\*ROUTE JES2 control statements has a default nodal routing of N10, regardless of where in the network it executes.)

Valid destinations:

### **LOCAL|ANYLOCAL**

Data is not associated with any specific routing.

### **Rmmmm | RMmmmm | RMTmmmm**

Specify R, RM, or RMT, followed by a numeric value (0-32767). For example, 'R17' represents remote work station 17.

### **Ummmm**

Specify U followed by a numeric value in the range of 1 through the value specified on the LOCALNUM= parameter of the DESTDEF initialization statement. For example, 'U19' represents special local routing 19.

Use the LOCALNUM= parameter on the DESTDEF initialization statement to specify the highest number for a special local route code. JES2 assumes that numbers beyond this range are userids.

**userid** Specify a 1 to 8 character string that is interpreted on the destination node. For example, the string 'TANYA' represents a userid (assuming that there are no destids that define TANYA at the destination node).

*When specifying both the node and a destination at that node (first and second level destinations):*

### **NnnnnRmmmm | node.destination**

Allows an installation to define the complete JES2 route code (destination at a specified node). JES2 does not use information from the default routing.

### **NnnnnRmmmm**

Specify 'N' followed by a numeric value (1-32767), then 'R' followed by a numeric value (0-32767). For example, N5R7 indicates remote 7 at node 5.

### **node.destination**

Specify a first-level destination, followed by a period (.), followed by either a second-level destination or a complete destination.

If 'destination' is a second-level destination, the routing associated with this destid is the composite of 'node' and 'destination'.

For the following examples, assume that node 1 is the local node:

- 'N1.R3' indicates data routed to remote 3 at the local node.
- 'N2.R5' indicates data routed to whatever 'R5' is at node 2.
- 'N5.BOB' indicates data is routed to whatever 'BOB' is at node 5.

If 'destination' is a complete destination, the final routing associated with this destid depends on 'node'.

For the following examples, assume that node 1 is the local node:

- 'N2.N2R3' indicates data routed to remote 3 at node 2 because the first-level destination of 'destination' matches 'node'.
- 'N5.N2R3' indicates data routed to 'N2R3' at node 5 because the first-level destination of 'destination' does not match 'node' and 'node' is not the local node. If node 5 has not explicitly defined 'N2R3', node 5 routes the data to destination 'R3' at node 2.
- 'N1.N5R3' results in an error because the first-level destination of 'destination' does not match 'node' and 'node' is the local node.

Note that you can use existing destids to define additional destids. For example, assume that the following destids have been defined through the DESTID(jxxxxxx) initialization statement:

```
DESTID(ALBANY) DEST=N10
DESTID(REMOTE5) DEST=R5
```

You can define on the \$ADD DESTID(jxxxxxx) command:

```
DESTID(CAPITOL),DEST=ALBANY.REMOTE5
```

The routing associated with 'CAPITOL' is N10.R5.

#### **PRIMARY={No|Yes}**

Specifies whether (YES) or not (NO) to display this destid for job and SYSOUT routing. Use this parameter if multiple destids have the same routing.

When searching for a destid to display for a job's or SYSOUT's routing, JES2 selects:

1. Node name (destid with STATUS=NODENAME) if routed to a node.
2. First destid found that specifies PRIMARY=YES.
3. If only one destid is found, that destid is used.
4. If multiple destids are found, no destid is used (and routing is displayed explicitly).

If USER is specified for either the Ndest=, Udest=, or R|RM|RMTdest= parameters on the DESTDEF initialization statement and multiple destids can match the routing of a job or SYSOUT data set, then at least one of these multiple destids must specify PRIMARY=YES. If not, products such as SDSF may have problems altering the routing of a job or SYSOUT data set to any of these multiply defined destids.

Because PRIMARY=YES can affect SDSF's security procedures, consult *SDSF Guide and Reference* before using this parameter.

#### **Authority Required**

This command requires **system** authority. The description of the \$T RDRnn command explains how to ensure that the authority of the appropriate MVS system command group is assigned.

This command requires **control** security access authority. For a description of assigning command input authority, see *z/OS JES2 Initialization and Tuning Guide*.

## \$ADD DESTID

### Processing Considerations

When you dynamically define a JES2 symbolic destination (destid), JES2 carries it across a restart only if you perform a hot start. To permanently define the symbolic destination, add a new DESTid initialization statement before restarting JES2.

### Scope

**Single member.** The values supplied for this command will be in effect for this member only.

Depending on your installation's setup, however, you might want this command to be applied to all members of the MAS (to ensure a consistent environment across the MAS). If so, you can use the MVS ROUTE \*ALL command to issue this command to all active members (if the JES2 command character is the same on all members). See *z/OS MVS System Commands* for more information on using the ROUTE \*ALL command.

### Messages

The \$HASP822 message displays the current values of all the parameters that define this DESTid. The STATUS= parameter displays whether the DESTid is associated with a particular node. This parameter cannot be altered by command or initialization statement because it is display-only.

### Examples

**1** \$add destid(wrk1),dest=u34,primary=yes

```
$HASP822 DESTID(WRK1)      DEST=U34,STATUS=DESTID,PRIMARY=YES
```

JES2 adds destination identifier WRK1 with a special local routing of U34 to the installation. The STATUS= parameter displayed in the \$HASP822 message indicates that the symbolic name WRK1 does not match the name of a node. This parameter cannot be altered by command or initialization statement because it is display-only. The PRIMARY= parameter indicates that this destid is displayed for all job and SYSOUT routing, even if another destid is routed to special local routing 34 at this installation.

**2** \$add destid(r0007),dest=R7

```
$HASP822 DESTID(REMOTE7)  DEST=R7,STATUS=DESTID,PRIMARY=NO
```

JES2 adds destination identifier REMOTE7 with a destination of R7 to the installation. The STATUS= keyword displayed in the \$HASP822 message indicates that the symbolic name REMOTE7 does not match the name of a node. The PRIMARY= keyword displayed in the \$HASP822 message indicates that JES2 will display a destination of R7 (D=R7) rather than the actual destid subscript (REMOTE7) in any display of SYSOUT routed to this destination.

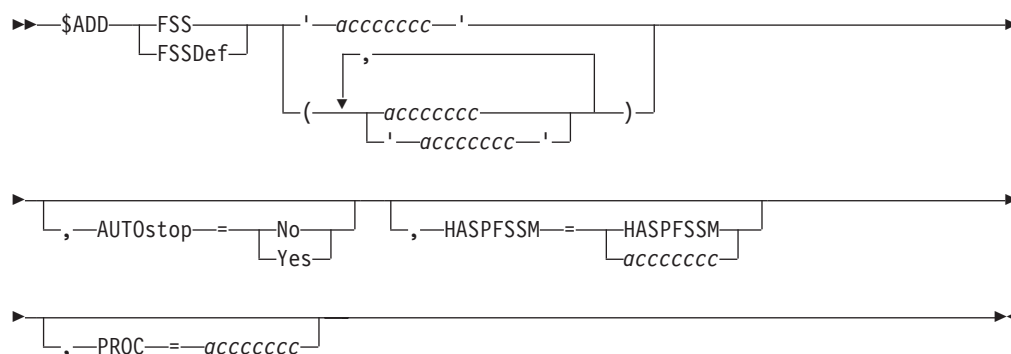
---

## \$ADD FSS - Define a functional subsystem

### Function

To dynamically define a functional subsystem (FSS) to JES2.

## Syntax



## Parameters

### accccccc

The 1 to 8 character name of this functional subsystem (FSS).

### AUTOstop={No|Yes}

Specifies whether JES2 is to automatically stop (shutdown) the FSS address space when all devices attached to the FSS are drained.

### HASPFSM={HASPFSM|accccccc}

The 1 to 8 character name of the load module that is loaded into the functional subsystem address space. This load module contains the various JES2-supplied FSI service routines.

### PROC=accccccc

The 1 to 8 character name of the JCL procedure (usually in SYS1.PROCLIB) required to start the functional subsystem.

**Default:** The value specified as the FSS token (accccccc).

## Authority Required

This command requires **system** authority. The description of the \$T RDRnn command explains how to ensure that the authority of the appropriate MVS system command group is assigned.

This command requires **control** security access authority. For a description of assigning command input authority, see *z/OS JES2 Initialization and Tuning Guide*.

## Processing Considerations

When you dynamically define an FSS to JES2, its specifications are carried across a restart of JES2 only if you perform a hot start. To permanently define the functional subsystem, add a new FSS initialization statement before restarting JES2.

## Scope

**Single Member.** The values supplied for this command will be in effect for this member only.

Depending on your installation's setup, however, you might want this command to be applied to all members of the MAS (to ensure a consistent environment across the MAS). If so, you can use the MVS ROUTE \*ALL command to issue this

## \$ADD FSS

command to all active members (if the JES2 command character is the same on all members). See *z/OS MVS System Commands* for more information on using the ROUTE \*ALL command.

### Messages

The \$HASP824 message displays the current values of all the parameters that define this functional subsystem.

### Example

```
❶ $add fss(myfss),proc=start1
```

```
$HASP824 FSS(MYFSS) PROC=START1,HASPFSSM=HASPFSSM,AUTOSTOP=NO
```

The functional subsystem named MYFSS is defined to JES2.

---

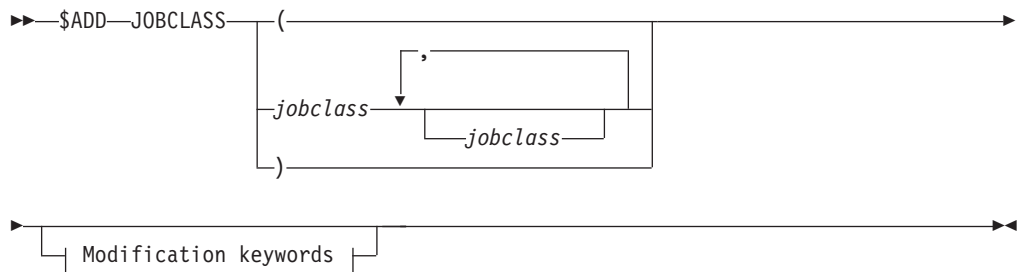
## \$ADD JOBCLASS(jobclass) - Define a new job class

### Function

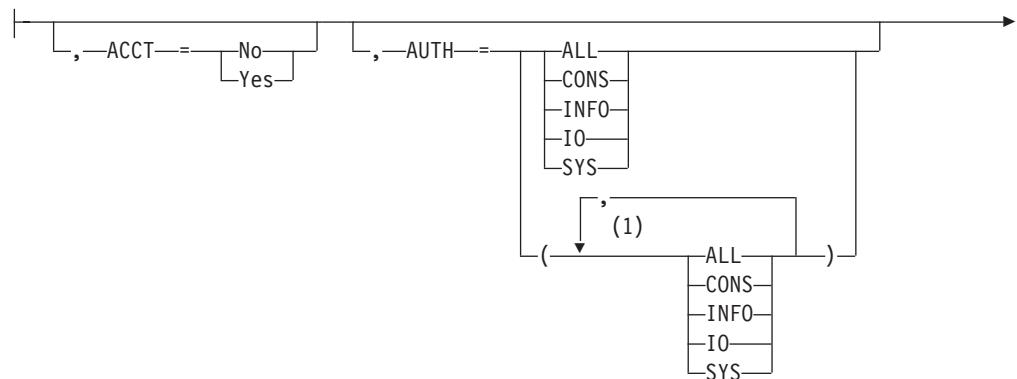
To define one or more new job classes for JES2.

Specify a comma-separated list of one or more new job class names. Each job class name must be 2-8 characters in length, using character sets A-Z and 0-9. A new name cannot match any existing job class name.

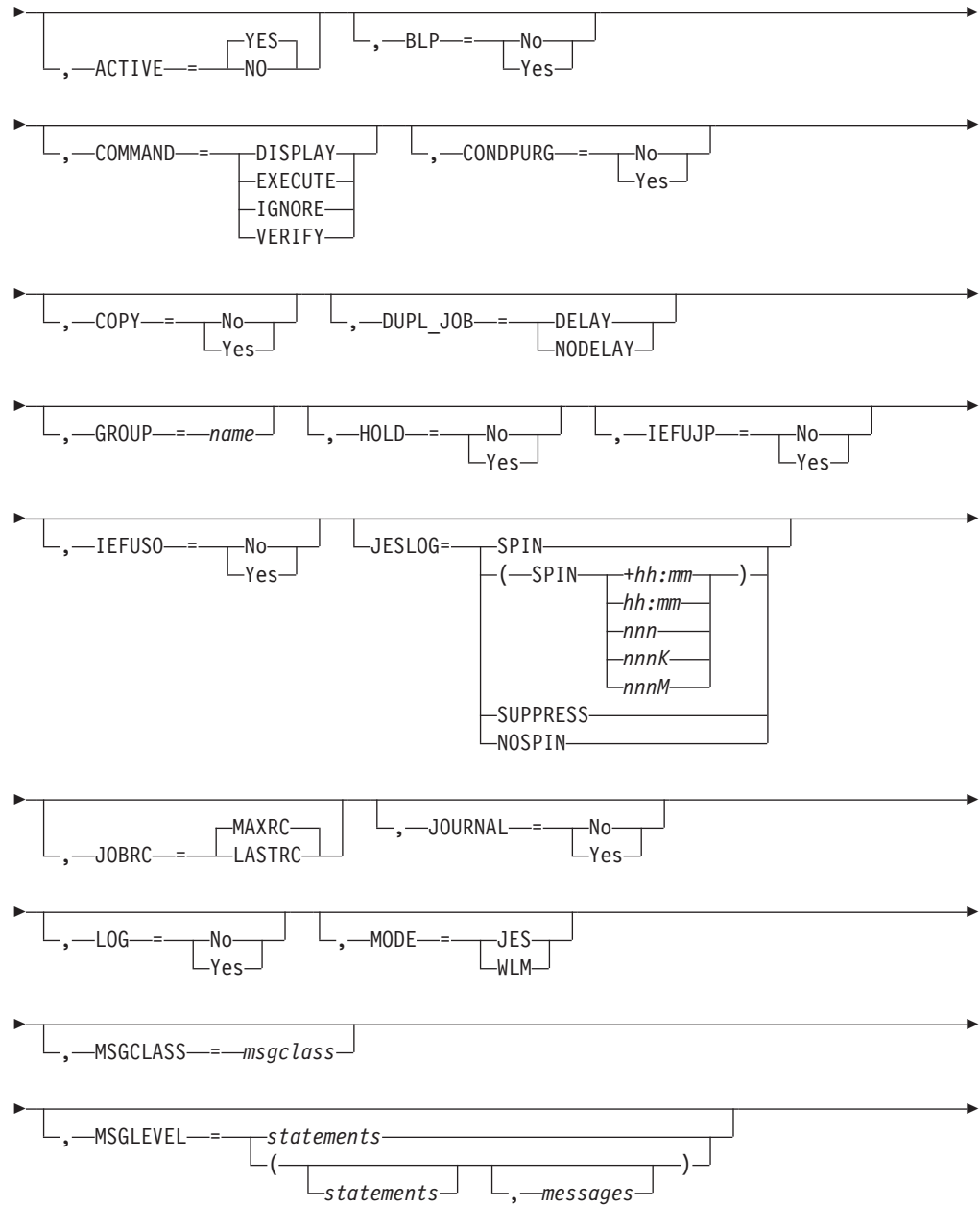
### Syntax



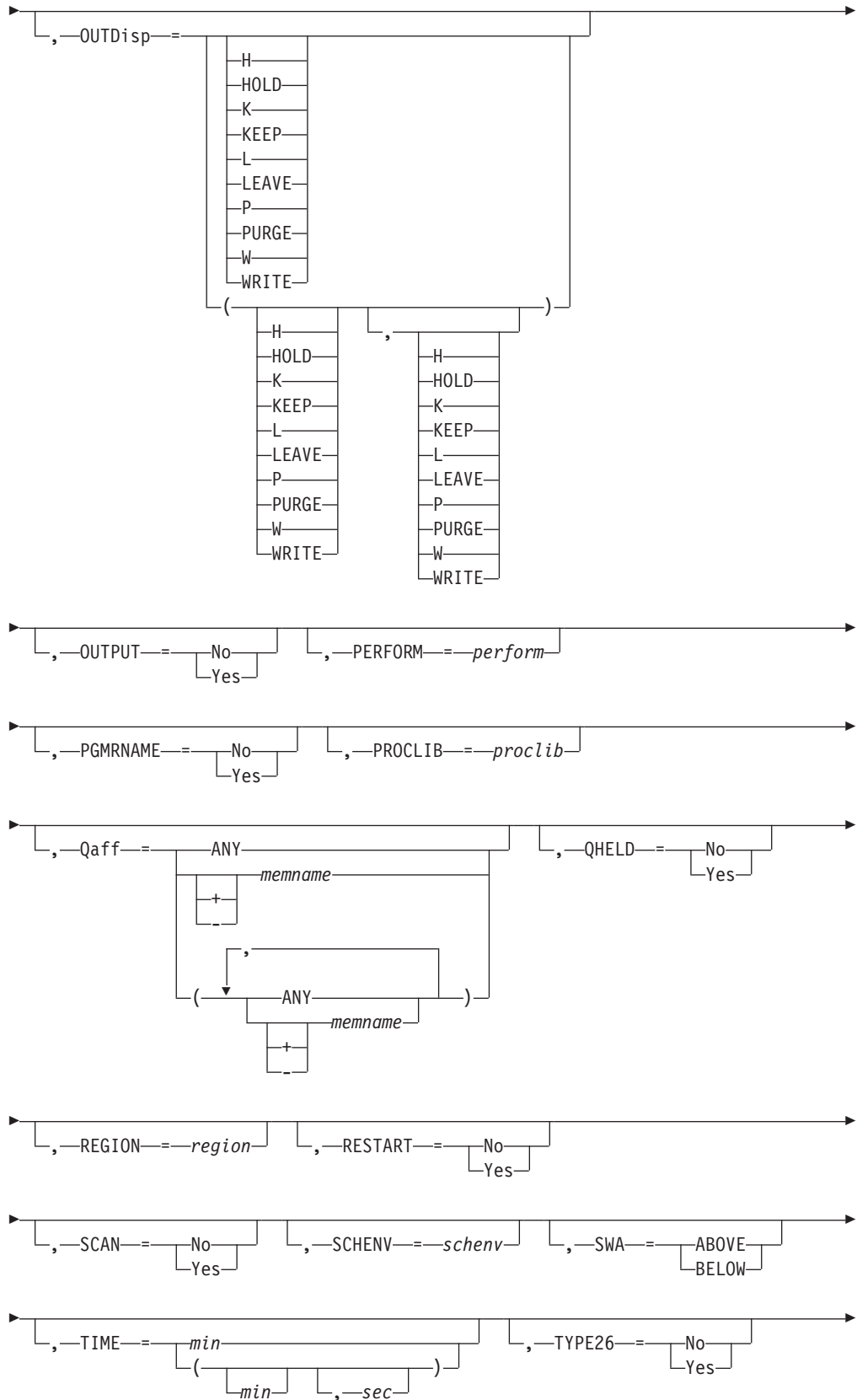
### Modification keywords:

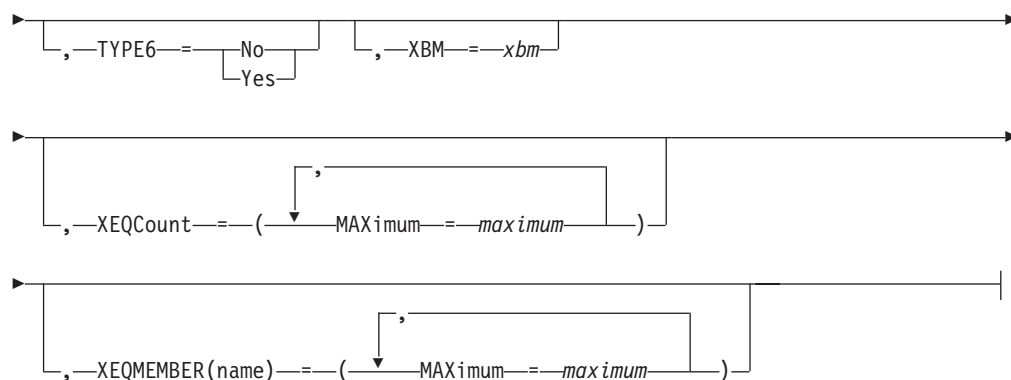






# \$ADD JOBCLASS





**Notes:**

- 1 AUTH can be coded up to 4 times.

**Parameters**

*jobclass*

The subscript defining the job classes to be defined by this command. Each job class name can be 2-8 characters, using characters A-Z and 0-9. A name cannot match any existing job class name.

**ACCT={No|Yes}**

Specifies whether an account number is required (Yes) or not required (No).

This parameter is not allowed on either the JOBCLASS(STC) or JOBCLASS(TSU) initialization statements.

**ACTIVE={NO|YES}**

Specifies whether or not this class is active. Active classes can be used on new jobs that are submitted. The ACTIVE parameter has no effect on jobs once they have been submitted. The default value is YES.

**AUTH={ALL|CONS|INFO|IO|SYS}**

Specifies the MVS operator command groups that are to be executed. The groups includes:

**ALL**

All operator command types.

**CONS**

Console commands.

**INFO**

Information commands (such as display).

**IO** Input/output commands.

**SYS**

System commands.

**BLP={No|Yes}**

Specifies that either the bypass label processing parameter in the label field of a DD statement is to be ignored (NO) and processed as no label or that bypass label processing is performed as requested (YES) and the label parameter is processed as it appears.

**COMMAND={DISPLAY|EXECUTE|IGNORE|VERIFY}**

Specifies the disposition of commands read from the input stream as follows.

## \$ADD JOBCLASS

### **DISPLAY**

The command is displayed and scheduled for execution.

### **EXECUTE**

The command is scheduled for execution.

### **IGNORE**

The command is ignored (that is, interpreted as a 'no operation').

### **VERIFY**

Specifies that the system displays the command, asks the operator whether the command should be executed, and if the operator replies "YES", schedules the command for execution.

### **CONDPURG={No|Yes}**

Specifies whether (YES) or not (NO) system data sets (such as JESMSG and SYMSG) in this job class are to be conditionally purged.

**Note:** This is only valid for JOBCLASS(STC) and JOBCLASS(TSU).

### **COPY={No|Yes}**

Displays whether (Yes) or not (No) jobs in this job class are to be queued for output processing as though TYPRUN=COPY was specified on the JOB statement for these jobs.

### **DUPL\_JOB={DELAY|NODELAY}**

Specifies whether or not JES2 is allowed to concurrently execute batch jobs with the same name in the same MAS. If DUPL\_JOB=DELAY is specified, JES2 is not allowed to execute batch jobs with the same name in the same MAS at the same time.

**Note:** DUPL\_JOB on a JOBCLASS specification is ignored if JOBDEF DUPL\_JOB=NODELAY. If JOBDEF DUPL\_JOB=DELAY, that specification can be overridden on a jobclass basis by specifying DUPL\_JOB=NODELAY on the JOBCLASS statement.

### **GROUP=*name***

Specifies the 2-8 character name of the job class group which this class will be associated with. The name cannot match any existing job class (including the default 1 character job classes). By default, the job class is not in a group.

Each job class can be in 0 or 1 groups. The group is created when the first job class is placed in a group and deleted when the last job class is removed from a group. Deleting a job class removes a class from its group.

### **HOLD={No|Yes}**

Specifies that jobs in the job class are to be held (Yes) or not held (No). If a job is held, it will remain so until a RELEASE command for the job is issued by the operator (\$A J).

This parameter is not allowed on either the JOBCLASS(STC) or JOBCLASS(TSU) initialization statements.

### **IEFUJP={No|Yes}**

Specifies whether (YES) or not (NO) the IEFUJP exit is taken when a started task is purged. IEFUJP receives control when a started task is ready to be purged from the system; that is, after the started task has been ended and all the SYSOUT output that pertains to the started task has been processed.

### **IEFUSO={No|Yes}**

Specifies whether (YES) or not (NO) the IEFUSO installation exit is taken when the SYSOUT limit is reached for a started task in this job class. The SYSOUT

limit, which is specified by the OUTLIM parameter on the DD statement, defines the maximum number of physical records to be written to the associated SYSOUT data set. When the OUTLIM value is exceeded, JES2 normally calls the IEFUSO SMF exit routine either to increase the SYSOUT limit or to end the job. When NO is specified and OUTLIM is exceeded, JES2 abnormally ends the job.

**JESLOG=**

Sets the default processing for the JESLOG data sets (JESMSGGLG and JESYSMSG).

**SPIN** JESLOG data is to be immediately spun off for jobs in this jobclass.

**Note:** Specifying JESLOG=SPIN will cause a job in this class to use at least two additional track groups of SPOOL space for the two JESLOG data sets. If this job class normally has a large number of jobs that use a minimal amount of SPOOL space, then an increase of two track groups could significantly increase SPOOL utilization. Consider additional SPOOL requirements when deciding whether to use JESLOG=SPIN.

**(SPIN,+hh:mm)**

Indicates to spin JESLOG every hh:mm time interval, where hh is hours and has a range of 0 through 23 and, mm is minutes and has a range of 00 through 59.

**Note:** A minimum of 10 minutes must be specified or an error message occurs. Also, for time intervals of less than one hour, you must specify JESLOG=(SPIN,+00:mm).

**(SPIN,hh:mm)**

Indicates to spin JESLOG at hh:mm every 24 hours.

**(SPIN,nnn)**

Indicates to spin JESLOG whenever either JESMSGGLG or JESYSMSG has nnn lines. nnn is the number of lines in the data set and has a range of 1 through 999. nnn is specified as nnn, nnnK or nnnM, where 'K' is thousands and 'M' is millions.

**Note:** A minimum of 500 lines must be specified or an error message occurs.

**(SPIN,nnnK)**

Indicates to spin JESLOG whenever either JESMSGGLG or JESYSMSG has "nnnK" lines.

**(SPIN,nnnM)**

Indicates to spin JESLOG whenever either JESMSGGLG or JESYSMSG has "nnnM" lines.

**SUPPRESS**

Indicates that the JESLOG data sets will have nothing written to them during the execution of jobs defined for this job class. Data will only be written to JESLOG data sets during each job's input service and post execution.

**NOSPIN**

Indicates that JESLOG data will not be spun, but will not be suppressed. NOSPIN is the default setting for the JOBCLASS(v) initialization statement.

## \$ADD JOBCLASS

### **JOBRC=MAXRC|LASTRC**

Specifies the method for JES2 to use to determine the job return code. Specify **MAXRC** to use the highest return code of any executed step as the job return code. Specify **LASTRC** to use the return code of the last executed step as the job return code. The default is **MAXRC**.

### **JOURNAL={No|Yes}**

Specifies whether (Yes) or not (No) job-related information is to be saved in a job journal.

Job journaling limits the scope of **RESTART=YES**. If the **JOURNAL=Yes** parameter is specified:

- JES2 restarts interrupted jobs from the beginning only if the MVS system is unable to restart the job from a step or checkpoint.
- **RESTART=NO** has no effect; all jobs are requeued for execution. (Specifying **RD=R|RNC** on the JCL **JOB** statement has the same effect.)

If the jobs are not journaled (**JOURNAL=No**), JES2 always attempts to restart interrupted jobs in this class from the beginning.

This parameter is not allowed on either the **JOBCLASS(STC)** or **JOBCLASS(TSU)** initialization statements.

### **LOG={No|Yes}**

Specifies whether (YES) or not (NO) the JES2 job log is printed for started tasks. The JES2 job log contains the user's console messages and replies to WTORs issued during the processing of the job. When **NO** is specified, the printing of JES2 statistics information (normally printed with the job) is also suppressed.

This parameter is not allowed on either the **JOBCLASS(STC)** or **JOBCLASS(TSU)** initialization statements.

### **MODE={JES|WLM}**

Indicates whether jobs in this class are to be run under JES-mode or WLM-mode initiators.

This parameter is not allowed on either the **JOBCLASS(STC)** or **JOBCLASS(TSU)** initialization statements.

### **MSGCLASS=msgclass**

Specifies the message class (A-Z,0-9) for started tasks or time-sharing users. Valid only for **JOBCLASS(STC)** and **JOBCLASS(TSU)**.

### **MSGLEVEL=statements**

Specifies a message level value for use when the **MSGLEVEL=** parameter is not specified on a **JOB** statement. If a **MSGLEVEL=** parameter is not specified, JCL and allocation/termination messages are recorded in the system message data set according to the value specified in this parameter. The character "n" specifies the kinds of JCL listed, as follows:

- 0 JOB statement only
- 1 Input statements, cataloged procedure statements, and symbolic parameter substitution values
- 2 Input statements only, including instream procedures.

The character "m" specifies the kinds of allocation/termination messages listed, as follows:

- 0 No messages are to be listed, except in the case of an abnormal termination, in which case allocation/termination messages are listed.

1 Allocation/termination messages are listed.

**OUTDisp=(normal,abnormal)**

Specifies the default disposition of the JES data sets created by jobs in the specified job class(es).

**normal**

Specifies the output disposition if the job ends successfully. Specify one of the output dispositions below.

**abnormal**

Specifies the output disposition if the job ends unsuccessfully. Specify one of the output dispositions below.

The valid output dispositions:

**H|HOLD**

Hold the output. JES2 does not process the output until you either change the disposition to WRITE or KEEP, or release the output. When the output is released, the disposition changes to WRITE.

**K|KEEP**

Process the output and then keep a copy of it on spool. After processing, the disposition of this output becomes LEAVE.

**L|LEAVE**

JES2 does not process the output until you change the disposition to WRITE or KEEP, or release the output. Once the output is released, the disposition changes to KEEP.

**P|PURGE**

Purge the output immediately.

**W|WRITE**

Process the output then purge it.

See *z/OS JES2 Initialization and Tuning Guide* for more information about specifying output disposition and how JES2 determines output disposition defaults.

**OUTPUT={No|Yes}**

Specifies whether SYSOUT data is to be written for started tasks.

**PERFORM=perform**

Specifies the default performance-group number (0-999) for started tasks.

**PGMRNAME={No|Yes}**

Specifies whether a programmer name is required (Yes) or not required (No) on a JCL JOB statement.

**PROCLIB=proclib**

Specifies the default procedure library number (00-99) which is to be used for started tasks.

**Qaff=sysaff**

Specifies which members a particular job class is active on (not held). A member list can be a combination of the following keywords separated by commas.

**ANY**

This job class is active on all members in the JES2 multi-access spool configuration.

## \$ADD JOBCLASS

**+|-memname|\***

The memnames (one to four characters) to be added to (+) or deleted from (-) the current list of members that this job class is active on. If neither + nor - is specified, the affinities of the job class is explicitly to the specified members. "\*" specifies the member the command was issued on.

**Note:** The processing of the QAFF parameter must result in at least one member that is eligible to execute this job. Otherwise, the command will be rejected.

**QHELD={Yes|No}**

Specifies whether (Yes) or not (No) jobs in this class are to be held (not selected for execution) until the class is released from held status by operator command (\$TJOBCLASS,QHELD=NO).

This parameter is not allowed on either the JOBCLASS(STC) or JOBCLASS(TSU) initialization statements.

**REGION=region**

Specifies the default for the region size assigned to each job step.

**RESTART={No|Yes}**

Specifies whether (Yes) or not (No) JES2 is to requeue for execution any job of this job class that had been executing before the IPL of the system was repeated and a JES2 warm start was performed.

Job journaling limits the scope of RESTART=YES. If the JOURNAL=Yes parameter is specified:

- JES2 restarts interrupted jobs from the beginning only if the MVS system is unable to restart the job from a step or checkpoint.
- RESTART=NO has no effect; all jobs are requeued for execution. (Specifying RD=R|RNC on the JCL JOB statement has the same effect.)

If the jobs are not journaled (JOURNAL=No), JES2 always attempts to restart interrupted jobs in this class from the beginning.

This parameter is not allowed on either the JOBCLASS(STC) or JOBCLASS(TSU) initialization statements.

**SCAN={No|Yes}**

Specifies that the jobs in this job class are to be queued for output processing immediately after JCL conversion (Yes) or queued as usual (No).

This parameter is not allowed on either the JOBCLASS(STC) or JOBCLASS(TSU) initialization statements.

**SCHENV=xxxxx**

The default SCHENV for a given JOBCLASS can be specified through \$ADD JOBCLASS(c), SCHENV=xxxxx where xxxxx is a 1 to 16 character SCHENV. The SCHENV must be defined to WLM. If it is not, the setting will be ignored.

**SWA={ABOVE|BELOW}**

SWA=ABOVE specifies that all eligible schedule work area (SWA) control blocks created for started task will be placed above 16 megabytes in virtual storage.

In a MAS environment, this parameter is set by the member on which the job is converted, not the member on which it executes.

SWA=BELOW specifies that all SWA control blocks for started task will reside below 16 megabytes in virtual storage.



**TIME=min,sec**

Specifies the default for the maximum processor time that each job step can run.

**TYPE6={No|Yes}**

Specifies whether (YES) or not (NO) JES2 produces type 6 SMF records for started tasks.

**TYPE26={No|Yes}**

Specifies whether (YES) or not (NO) JES2 produces type 26 (job summary) SMF records for started tasks.

**XBM=xbm**

The 1 to 8 character name of the execution batch monitor (XBM) procedure to be executed by jobs running in the specified class.

This parameter is not allowed on either the JOBCLASS(STC) or JOBCLASS(TSU) initialization statements.

**XEQCount=maximum**

Specifies the maximum number of jobs executed in the MAS.

**XEQMEMBER(name)=(MAXimum=maximum)**

For the member name specified, specifies the maximum number of jobs that can execute concurrently in the class on the member.

**Processing Considerations**

The new *jobclass* that is specified is defined to JES2. This *jobclass* is defined on all members of the MAS and will persist over a warm start of JES2. All valid *jobclass* attributes can be specified on the command.

**Related Commands**

\$D JOBCLASS, \$T JOBCLASS, \$DEL JOBCLASS

**Authority Required**

This command requires **system** authority. The description of the \$T RDRnn command explains how to ensure that the authority of the appropriate MVS system command group is assigned.

This command requires **control** security access authority. For a description of assigning command input authority, see *z/OS JES2 Initialization and Tuning Guide*.

**Note:**

.

**Scope**

**MAS-wide.** This command affects all members of the multi-access spool.

**Messages**

The \$HASP837 message displays the characteristics of the added job class.

**Context**

HASCSCAN and HASPSXIT are responsible for processing this command.

## \$ADD JOBCLASS

### Examples

The following example adds a new job class named TEST.

```
$ADD JOBCLASS(TEST)

$HASP837 JOBCLASS(TEST)
$HASP837 JOBCLASS(TEST) ACTIVE=YES,MODE=JES,QAFF=(ANY),QHELD=NO,
$HASP837          SCHENV=,XEQCOUNT=(MAXIMUM=*,
$HASP837          CURRENT=0),
$HASP837          XEQMEMBER(AQFT)=(MAXIMUM=*,
$HASP837          CURRENT=0),
$HASP837          XEQMEMBER(AQTS)=(MAXIMUM=*,
$HASP837          CURRENT=0)
```

The following example creates job classes CLASS1 and CLASS2, adds them to GROUP1, and sets each class to ACTIVE=NO:

```
$ADD JOBCLASS(CLASS1,CLASS2),GROUP=GROUP1,ACTIVE=NO
$HASP837 JOBCLASS(CLASS1)
$HASP837 JOBCLASS(CLASS1) ACTIVE=NO,GROUP=GROUP1,MODE=JES,
$HASP837          QAFF=(ANY),QHELD=NO,SCHENV=,
$HASP837          XEQCOUNT=(MAXIMUM=*,CURRENT=0),
$HASP837          XEQMEMBER(N1M1)=(MAXIMUM=*,
$HASP837          CURRENT=0)
$HASP837 JOBCLASS(CLASS2)
$HASP837 JOBCLASS(CLASS2) ACTIVE=NO,GROUP=GROUP1,MODE=JES,
$HASP837          QAFF=(ANY),QHELD=NO,SCHENV=,
$HASP837          XEQCOUNT=(MAXIMUM=*,CURRENT=0),
$HASP837          XEQMEMBER(N1M1)=(MAXIMUM=*,
$HASP837          CURRENT=0)
```

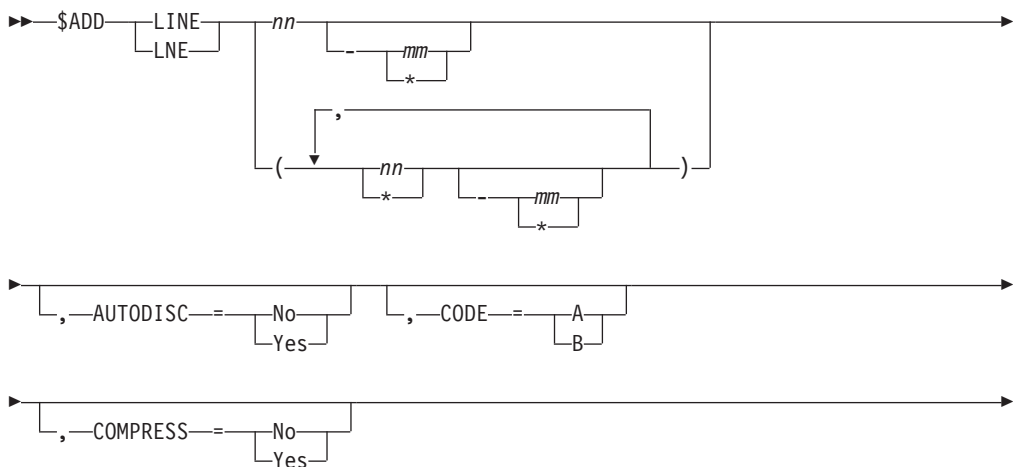
---

## \$ADD LINE(nnnn) - Add line

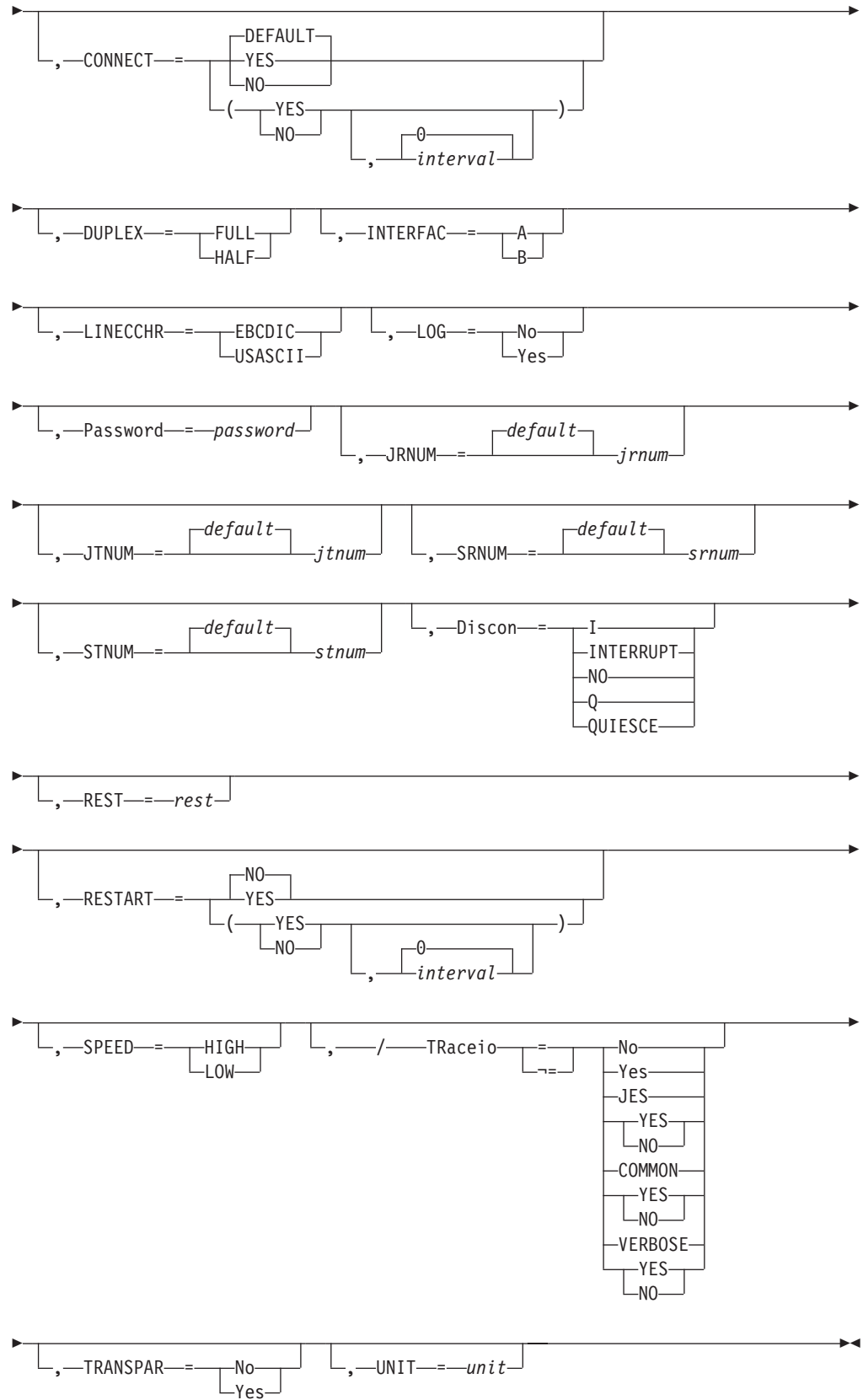
### Function

To dynamically add a line.

### Syntax



# \$ADD LINE(nnnn)



## \$ADD LINE(nnnn)

### Parameters

#### nnnn

The subscript defining one or more lines that are affected by this command. The subscript can specify a specific numeric value or a range of values (1-65535). For information about specifying a range for this subscript, see "Command syntax conventions" on page 97.

#### AUTODISC={No|Yes}

Specifies whether (Yes) or not (No) this line is to be disconnected automatically from a terminal when the local modem disconnects.

**Note:** If you use AUTODISC=Yes for a leased, dedicated line, you may cause serious performance impact without receiving the \$HASP094 I/O ERROR message. This may also occur if a modem is disconnected or powered-off during a session or a line started with a modem disconnected or powered off.

#### CODE={A|B}

Specifies the code for this line.

- A** Specifies code A for this line; code A refers to the first code in a BSC adapter that has the dual code feature.
- B** Specifies code B for this line. Code B refers to the second code in a BSC adapter that has the dual code features. If the dual code feature is not present, B should not be specified. See *2701 Data Adapter Unit Component Description*, GA22-6864 for information about BSC CCWs and sense codes.

#### COMPRESS={No|Yes}

**For RJE workstations only**, specifies whether (Yes) or not (No) BSC hardware terminals attached to this line can utilize data compression. If you specify NO, it overrides the specification of the COMPRESS= parameter on the RJE workstation (RMT(nnnn) ) initialization statement for any workstation that might use this line and any remote device statement. Compression compatibility is standard for BSC multileaving workstations.

If you specify COMPRESS=Yes, the specification of the COMPRESS= parameter on the RMT(nnnn) and the COMP parameter on the remote device (Rnnnn.xxx) statements is allowed to take effect. IF RMT(nnnn) specifies COMPRESS=No, or Rnnnn.xxx specifies NOCOMP, no compression will take place.

This parameter defaults to Yes, which specifies that the line allows data compression.

#### CONNECT= (Yes|No|DEFAULT, *interval*)

Specifies whether an NJE connection is automatically attempted for this line. For the default value **DEFAULT**, processing uses the CONNECT=(YES|NO) value that is specified on the associated NODE statement. The *interval* is the approximate time (in minutes) between attempted connections. The valid range for *interval* is 0 to 1440. The default *interval* value of 0 indicates that the default interval (from NJEDEF CONNECT=) is used.

#### DUPLEX={FULL|HALF}

Specifies whether this is a full-duplex (FULL) or half-duplex (HALF) line.

#### INTERFAC={A|B}

A specifies interface A for this line; interface A refers to the first interface in a BSC adapter that has the dual-communications interface feature. B specifies interface B for this line; interface B refers to the second interface in a BSC

adapter that has the dual-communications interface feature. If the adapter for this line does not have the dual-communications interface feature, B should not be specified.

**JRNUM=n | DEFAULT**

Specifies the number (0-7) of network job receivers to be associated with this NJE line. The value of n is an integer that specifies the maximum number of input job streams allowed to be concurrently active on this line. This specification should match the value of JTNUM for this line on other nodes with which this node is to communicate directly. The sum of the values of JRNUM and SRNUM for this line must not exceed 8, or the statement is ignored.

This value overrides the default global value set by the JRNUM= parameter of the NJEDEF statement. If this value is omitted or set to DEFAULT, the value is taken from the JRNUM= parameter of NJEDEF. If omission or use of DEFAULT would result in a sum of JRNUM= and SRNUM= exceeding 8, JRNUM= is reduced so that the sum would equal 8.

**JTNUM=n | DEFAULT**

Specifies the number (0-7) of network job transmitters to be associated with this NJE line. The value of n is an integer that specifies the maximum number of output job streams allowed to be concurrently active on this line. This value should remain unchanged unless it is known that a particular user has some jobs with extremely large amounts of input to be transmitted and other short jobs that must be transmitted concurrently. If there are not enough receivers on the receiving node to receive jobs over the line, excess transmitters drain automatically. The sum of the values JTNUM= and STNUM= for this line must not exceed 8, or the statement is ignored.

This value overrides the default global value set by the JTNUM= parameter of the NJEDEF statement. If this value is omitted or set to DEFAULT, the value is taken from the JTNUM= parameter of NJEDEF. If omission or use of DEFAULT would result in a sum of JTNUM= and STNUM= exceeding 8, JTNUM= is reduced so that the sum would equal 8.

**LINECCHR={EBCDIC | USASCII}**

USASCII specifies that the BSC adapter is configured for ASCII line-control characters. When USASCII is specified, this line must be used with 2770, 2780, or 3780 USASCII terminals. EBCDIC specifies that the BSC adapter is configured for EBCDIC line-control characters.

**LOG={No | Yes}**

Specifies whether (Yes) or not (No) JES2 is to monitor this line for channel-end completions or SNA events. If you specify LOG=Yes, JES2 issues \$HASPO94 message for every transmission across this BSC line. You should specify LOG=No if your installation performs extensive networking activity.

**Password=password**

Specifies a 1 to 8 character security password JES2 uses to prevent unauthorized terminal users from using this line. This password can be used in the connection request from RJE workstations.

If you do not specify a password, one does not exist.

**REST=rest**

Specifies an integer between 0 and 2000 which represents the resistance rating of the line as viewed by the installation management and coordinated with other installations. Resistance is an arbitrary value set to indicate a specific

## \$ADD LINE(nnnn)

line's ability/inability to route work due to "normal" workload requirements and line speed. Refer to *z/OS JES2 Initialization and Tuning Guide* for details concerning resistance selection.

### **RESTART=(Yes|No, *interval*)**

Specifies whether this line will be restarted if it is drained. The *interval* is the approximate time (in minutes) between attempted restarts. The valid range for *interval* is 0 to 1440. An *interval* value of 0 indicates that the default interval (from NJEDEF CONNECT=) is used. The default **RESTART** value is **No**, and the default *interval* value is **0**.

### **SPEED={HIGH|LOW}**

Specifies whether this is a high-speed (greater than 9600 bits per second) or low-speed line.

**Note:** This parameter is only applicable to 360/20 submodels 2 and 4.

### **SRNUM=n|DEFAULT**

Specifies the number (0-7) of network SYSOUT receivers to be associated with this NJE line. The value of n is an integer which specifies the maximum number of SYSOUT receiver streams allowed to be concurrently active on this line. This specification should match the value of STNUM= for this line on the other nodes with which this member is to communicate directly. The sum of the values JRNUM= and SRNUM= for this line must not exceed 8, or the statement is ignored.

This value overrides the default global value set by the SRNUM= parameter on the NJEDEF statement. If this value is omitted or set to **DEFAULT**, the value is taken from the SRNUM= parameter of NJEDEF. If omission or use of **DEFAULT** would result in a sum of SRNUM= and JRNUM= exceeding 8, SRNUM= is reduced so that the sum would equal 8.

### **STNUM=n|DEFAULT**

Specifies the number (0-7) of network SYSOUT transmitters which will be associated with this NJE line. The value of n is an integer which specifies the maximum number of SYSOUT transmitter streams allowed to be concurrently active on this line. If there are not enough receivers on the receiving node to receive SYSOUT data over the line, excess transmitters drain automatically. The sum of the values JTNUM= and STNUM= for this line must not exceed 8, or the statement is ignored.

This value overrides the default global value set by the STNUM= parameter of the NJEDEF statement. If this value is omitted or set to **DEFAULT**, the value is taken from the STNUM= parameter of NJEDEF. If omission or use of **DEFAULT** would result in a sum of STNUM= and JTNUM= exceeding 8, STNUM= is reduced so that the sum would equal 8.

### **TRaceio [=NO|YES|JES=YES|NO|COMMON=YES|NO|VERBOSE=YES|NO]**

Specifies whether tracing is to be active and which types of traces are to be activated for the TCP/IP line.

#### **YES**

Indicates all types of tracing are to be done.

**NO** Indicates no tracing is to be done.

#### **JES=YES|NO**

Indicates whether data and control records passed between JES and TCP/IP are to be traced for this line.

**COMMON=YES|NO**

Indicates whether TCP/IP and other services called by IAZNJTCP are to be traced.

**VERBOSE=YES|NO**

Indicates whether diagnostic messages are to be issued to the master console and SYSLOG.

**TRANSPAR={No|Yes}**

Specifies whether (Yes) or not (No) the text transparency feature of the BSC adapter is present on this line. Yes must be specified for NJE lines.

TRANSPAR=No is valid only for EP links generated to operate as a D/T2701 without the transparency feature. For device types which require the transparency feature, such as 2703 and CTC, specifying TRANSPAR=NO will have no effect and TRANSPAR=YES will be forced at initialization.

**UNIT=unit**

UNIT can be specified as one of the following:

- A 3- or 4-digit hexadecimal device number. Device numbers can be specified in any of the following formats:

```
UNIT=hhh
UNIT=hhhh
UNIT=/hhh
UNIT=/hhhh
```

where hhh and hhhh represent the device numbers.

A slash (/) can optionally precede the device number (for compatibility with other initialization statements that require a slash to denote a 4-digit device number).

- For RJE BSC lines, specify the device number as the same address that you specified for the subchannel address defined for the communication controller.
- NJE protocols support an ESCON<sup>®</sup> Basic Mode CTC (defined to the hardware configuration dialog as BCTC) and a 3088 CTC but do not support an ESCON CTC (defined to the hardware as SCTC).

Specify UNIT=SNA to obtain an SNA line, or UNIT=TCP to obtain a TCP/IP line.

**Authority Required**

This command requires **device** authority. The description of the \$T RDRnn command explains how to ensure that the authority of the appropriate MVS system command group is assigned.

This command requires **control** security access authority. For a description of assigning command input authority, see *z/OS JES2 Initialization and Tuning Guide*.

**Scope**

**Single Member.** The values supplied for this command will be in effect for this member only.

**Messages**

The \$HASP880 message displays the current status of all parameters that define this LINE.

## \$ADD LINE(nnnn)

### Example

```
1 $add line125,unit=sna
```

```
$HASP880 LINE125      UNIT=SNA,STATUS=DRAINED,COMPRESS=YES,  
$HASP880              LOG=NO,PASSWORD=(NOTSET),REST=0,  
$HASP880              RMTSHARE=YES,SESSIONS=,TRACEIO=NO,  
$HASP880              JRNUM=DEFAULT,JTNUM=DEFAULT,SRNUM=DEFAULT,  
$HASP880              STNUM=DEFAULT
```

SNA line 125 is defined to JES2.

---

## \$ADD LOADMOD - Load a new Installation Load Module

### Function

To load a new installation load module into storage. Load modules can be placed in JES2 private, common storage, or obtained from LPA. See *z/OS JES2 Initialization and Tuning Guide* for the search order used during loading modules.

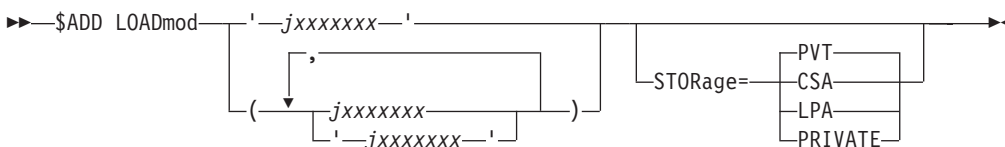
As part of loading the new module, JES2 processes any dynamic tables in the load module. However, adding a new module does not affect any routine specification on an EXIT(nnn) statement. If the new load module contains exit routines, an appropriate \$T EXIT(nnn) command is needed to enable those exit routines.

**Note:** This function alters the current execution environment by adding new routines and tables that can get control. It is primarily intended for a test environment. In a production environment, this function should be limited to one of the following situations:

- The situation that could prevent an IPL.
- The situation that loads service modules provided by IBM or other vendors.

Before using this command, ensure that the module to load supports dynamic loads. See *z/OS JES2 Installation Exits* for more information about considerations for dynamic load modules.

### Syntax



### Parameters

#### jxxxxxxx

Specifies the name of the module to load. If there is an existing load module with this name, the \$ADD LOADMOD will fail.

#### STORage=PVT|CSA|LPA|PRIVATE

Specifies whether this load module is loaded into the JES2 private area (PVT), common storage (CSA), or if the module will be found in the link pack area (LPA). See *z/OS JES2 Initialization and Tuning Guide* for more detailed information. See *z/OS JES2 Installation Exits* for detailed information about how JES2 uses this statement to determine which load module to use if there are multiple load modules with the same name.



## Authority Required

This command requires **system** authority. The description of the \$T RDRnn command explains how to ensure that the authority of the appropriate MVS system command group is assigned.

This command requires **control** security access authority. See *z/OS JES2 Initialization and Tuning Guide* for a description of assigning command input authority.

## Scope

**Single member.** The values supplied for this command will be in effect for this member only.

Depending on the setup of installation, you might want this command to be applied to all members of the MAS to ensure a consistent environment. If the JES2 command character is the same on all members, you can use the MVS ROUTE \*ALL command to issue this command to all active members. See *z/OS MVS System Commands* for more information on how to use the ROUTE \*ALL command.

## Messages

The \$HASP819 message displays the current values of all the parameters for the load module.

## Example

**1** \$add loadmod(hasx05a)

```

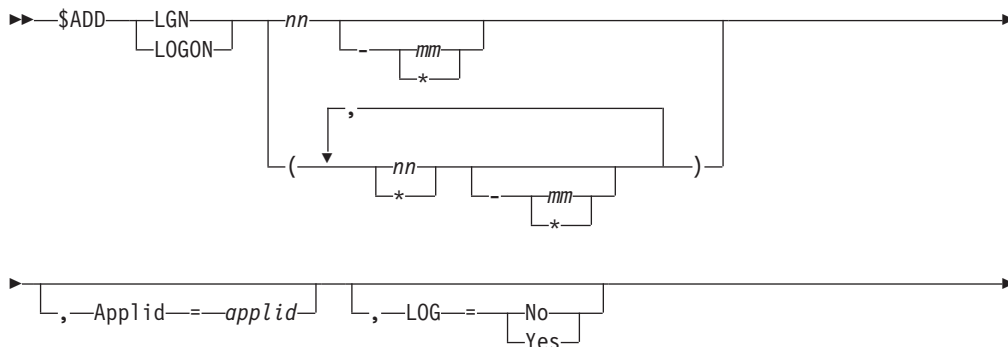
$HASP819 LOADMOD(HASX05A)
$HASP819 LOADMOD(HASX05A) ADDRESS=09C73000,LENGTH=000800,
$HASP819 LOADTIME=(2007.337,15:12:36),
$HASP819 RMODE=ANY,SPLEVEL=CHECK,STORAGE=PVT
    
```

## \$ADD LOGON(nn) - Add a logon

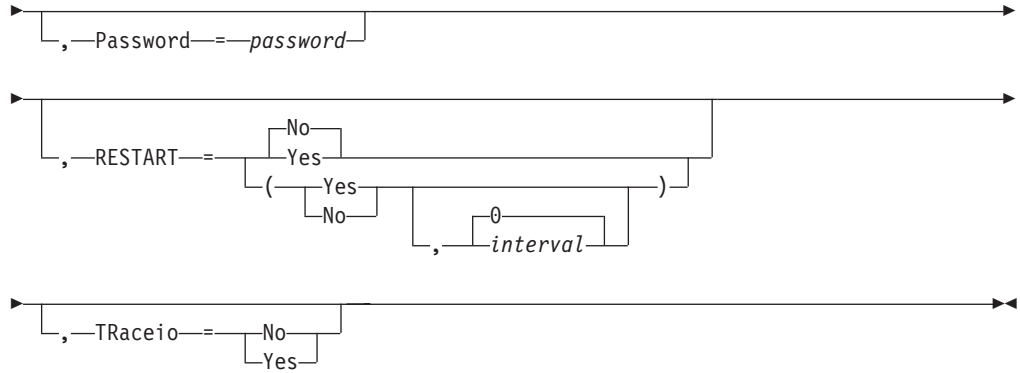
### Function

To create a new LOGON pseudo-device, which defines JES2 as an application program to VTAM.

### Syntax



## \$ADD LOGON(nn)



### Parameters

#### **APPLID=applid**

Specifies the 1 to 8 character name that your installation assigned to JES2. This name is passed to VTAM, and it must match the name defined to VTAM. Although the default name, JES2, will be supplied in the absence of this specification, it must be stressed that in the JES2 networking environment each job entry subsystem must have a unique name by which it is defined to VTAM. For NJE, this name must correspond to an application name appearing in one of the application table (APT) entries defined for the local node (OWNNODE parameter on the NJEDEF statement). Application table entries are created using information provided on the APPLID(avvvvvvv) initialization statement or, by default, using information from the NODE(xxxxxxxx) initialization statement.

#### **LOG={No|Yes}**

Specifies whether JES will monitor the VTAM interface and record all SNA events.

If you specify LOG=YES, JES2 issues a \$HASPO94 message for every transmission on the LOGON APPLID. You should specify LOG=NO if your installation performs extensive networking activity.

This parameter does not have a default.

#### **Password=password**

Specifies a 1 to 8 character security password that is presented to VTAM. (Passwords with fewer than 8 characters are padded with blanks.) This password must have been associated with the APPLID= parameter on this statement at VTAM system definition.

If you do not specify a password, none exists.

#### **RESTART=(Yes|No,interval)**

Specifies whether this logon will be restarted if it is drained. The *interval* is the approximate time (in minutes) between attempted restarts. The valid range for *interval* is 0 to 1440. A value of 0 indicates that the default interval (from NJEDEF CONNECT=) is used. The default **RESTART** value is **No**, and the default interval value is 0.

#### **TRaceio={No|Yes}**

Specifies whether (Yes) or not (No) JES2 will trace channel-end completions for logons. This is done with trace ID 5.

## Authority Required

This command requires **device** authority. The description of the \$T RDRnn command explains how to ensure that the authority of the appropriate MVS system command group is assigned.

This command requires **control** security access authority. For a description of assigning command input authority, see *z/OS JES2 Initialization and Tuning Guide*.

## Scope

**Single Member.** The values supplied for this command will be in effect for this member only.

## Messages

The \$HASP881 message displays the current status of all the parameters that define this LOGON.

## Example

```
$add logon4,appl=jes2n2
```

```
$HASP881 LOGON4
$HASP881 LOGON4      APPLID=JES2N2,STATUS=DRAINED,LOG=NO,
$HASP881              PASSWORD=(NOTSET),SESSIONS=,TRACEIO=NO
```

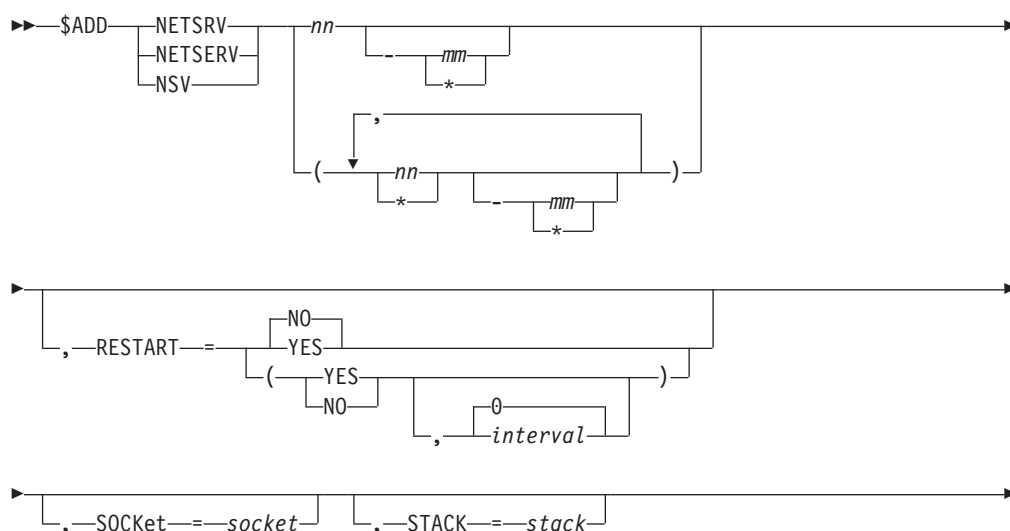
LOGON 4 is defined to JES2.

## \$ADD NETSRV(nnn) - Add a network server

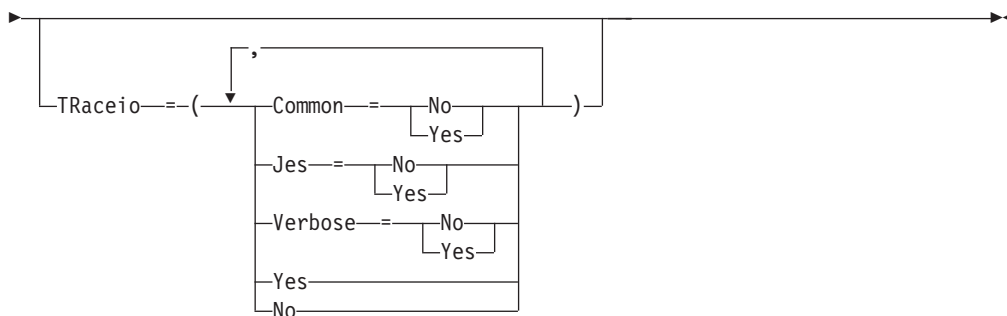
### Function

To dynamically create a network server device, as a JES2 TCP/IP interface.

### Syntax



## \$ADD NETSRV(nnn)



### Parameters

**(nn) | (nn-mm)**

A single or range of numeric values between 1 to 999.

**RESTART=(Yes|No, *interval*)**

Specifies whether this NETSRV will be restarted if it is drained. The *interval* is the time (in minutes) between attempted restarts. The valid range for *interval* is 0-1440. An *interval* value of 0 indicates that the default interval (from NJEDEF CONNECT=) is used. The default **RESTART** value is **No**, and the default interval value is **0**.

**SOCKET=**

Specifies the name of a local socket upon which the NETSRV should listen.

**TRACEIO=(YES|NO|JES=YES|NO|COMMON=YES|NO|VERBOSE=YES|NO)**

Specifies whether tracing is to be active, and which types of traces are to be activated for the server.

**YES**

Indicates all types of tracing are to be done (JES,COMMON,VERBOSE).

**NO** Indicates no tracing is to be done. If you omit the TRACEIO keyword or specify its value as NO, the subparameters (JES,COMMON,VERBOSE) will be set to NO.

**JES=YES|NO**

Indicates whether data and control records passed between JES and TCP/IP are to be traced for this server.

**COMMON=YES|NO**

Indicates whether TCP/IP and other services called by IAZNJTCP are to be traced.

**VERBOSE=YES|NO**

Indicates whether diagnostic messages are to be issued to the master console and SYSLOG.

**STACK=**

Specifies the name of a TCP/IP stack to be used by this server when the Common INET (CINET) configuration is being used. If not specified, all stacks on the local machine will be used. When only an INET configuration is being used, specification of a stack name is ignored.

### Authority Required

This command requires **device** authority. The description of the \$T RDRnn command explains how to ensure that the authority of the appropriate MVS system command group is assigned.

This command requires **control** security access authority. For a description of assigning command input authority, see *z/OS JES2 Initialization and Tuning Guide*.

**Scope**

**Single member.** The values supplied for this command will be in effect for this member only.

**Messages**

\$HASP898

**Example**

```
$addnetserv3
$HASP898 NETSRV3
$HASP898 NETSRV3 STATUS=DRAINED,RESTART=(NO),SOCKET=,STACK=,
$HASP898 TRACEIO=(JES=NO,COMMON=NO,VERBOSE=NO)
```

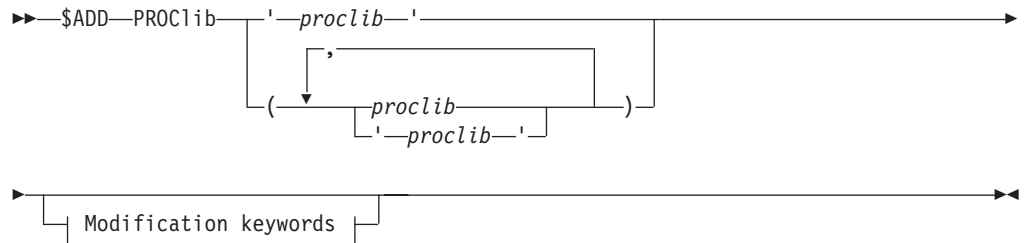
---

**\$ADD PROCLIB(xxxxxxx) - Define a new dynamic PROCLIB concatenation**

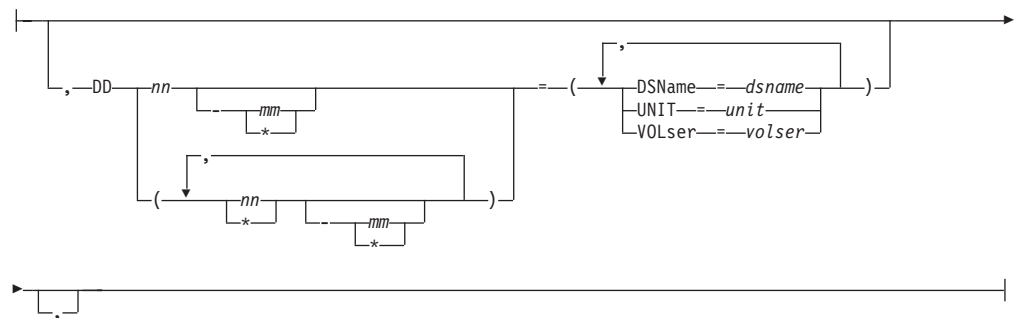
**Function**

To define a dynamic PROCLIB concatenation to be used during conversion processing for jobs on this member. Dynamic PROCLIB can override PROCxx DDs in the JES2 start PROC but cannot alter nor delete them.

**Syntax**



**Modification keywords:**



**Parameters**

**(proclib)**

Specifies the 1-8 character PROCLIB DD name being defined. If a dynamic

## **\$ADD PROCLIB(xxxxxxxxx)**

PROCLIB already exists with this name, the command will fail. DD names of the form PROCxx can be referenced by the JOBCLASS PROCLIB= statement. DD names of any format can be referenced on the JECL /\*JOBPARM PROCLIB=ddname statement. If this name matches a DD name in the JES2 start PROC, then this PROCLIB concatenation will be used instead of the one in the JES2 start PROC.

### **DD(nnn)=**

Specifies up to 255 data sets to be concatenated to this PROCLIB DD name. Data sets in this list are compacted after the \$ADD command is processed. If you specify DD(1), DD(20), and DD(100) for a new PROCLIB concatenation, the resulting concatenation will have DD(1), DD(2) and DD(3). Though up to 255 data sets can be specified, MVS rules limit any data set concatenation to 255 extents. If any data set has more than one extent, then the total number of data sets that can be supported will be reduced.

### **DSName=jxxx...x**

Specifies a 1-44 character data set name which JES2 will include in this PROCLIB concatenation. This must specify a partitioned data set (PDS).

### **UNIT=hhhh|/hhhh|nnnn|ccccccc**

If the PROCLIB data set to be used is not cataloged, then the unit information for the device containing the data set must be specified in one of the following ways:

#### **hhhh | /hhhh**

specifies a 3 or 4 digit hexadecimal device number. Device numbers can be specified by any of the following formats:

- UNIT=hhh
- UNIT=/hhh
- UNIT=/hhhh

where hhh and hhhh represent the device numbers. A slash (/) must precede a 4 digit device number.

#### **nnnn**

Specifies a device name.

#### **ccccccc**

Specifies a 1 to 8 character group name assigned to the device or group of devices that contained the non-cataloged PROCLIB data set to be used.

### **VOLser=xxxxxx**

If the PROCLIB data set to be used is not cataloged, then this specifies a 1 to 6 character volume serial number on which the data set resides.

### **UNCONDitional**

Specifies what action should be taken if one of the data sets cannot be allocated. If UNCONDitional is not specified then if any data set cannot be allocated, the \$ADD command is failed. If UNCONDitional is specified, then an error allocating a single data set is ignored. The data set is not added to the concatenation but it remains assigned to the DD(nnn). If the concatenation is displayed, failed DD(nnn) will display the text 'ALLOCATION FAILED' before the data set name. If all the data sets in a concatenation fail to allocate, then the \$ADD command fails regardless of whether UNCONDitional was specified.

## Authority Required

This command requires **system** authority. The description of the \$T RDRnn command explains how to ensure that the authority of the appropriate MVS system command group is assigned.

This command requires **control** security access authority. For a description of assigning command input authority, see *z/OS JES2 Initialization and Tuning Guide*.

## Processing Considerations

\$ADD PROCLIB command processing only ensures that the data sets specified can be allocated. It does not ensure that they actually exist or can be opened and used as a PROCLIB data set. That processing occurs when the PROCLIB is used by a job during conversion processing.

## Scope

**Single member.** The values supplied for this command will be in effect for this member only.

Depending on your installation's setup, however, you might want this command to be applied to all members of the MAS (to ensure a consistent environment across the MAS). If so, you can use the MVS ROUTE \*ALL command to issue this command to all active members (if the JES2 command character is the same on all members). See *z/OS MVS System Commands* for more information on using the ROUTE \*ALL command.

## Messages

The \$HASP319 message displays the current PROCLIB concatenation.

The \$HASP003 RC=56 indicates that you are trying to add a PROCLIB concatenation but it already exists.

The \$HASP003 RC=91 indicates that the command failed because there was an allocation failure. In this case, additional IKJ message will be issued to describe the allocation error.

## Examples

**1**

```
$add proclib(proc01),dd1=dsn=sys1.proclib,dd2=dsn=test.proclib
$HASP319 PROCLIB(PROC01) DD(1)=(DSNAME=SYS1.PROCLIB),
$HASP319 DD(2)=(DSNAME=TEST.PROCLIB)
```

Add a new PROCLIB concatenation PROC01 with 2 data set SYS1.PROCLIB and TEST.PROCLIB

**2**

```
$add proclib(proc02),dd1=dsn=sys1.proclib,dd2=dsn=junk.proclib,uncond
IKJ56228I DATA SET JUNK.PROCLIB NOT IN CATALOG OR CATALOG CAN NOT BE ACCESSED
$HASP319 PROCLIB(PROC02) DD(1)=(DSNAME=SYS1.PROCLIB),
$HASP319 DD(2)=(ALLOCATION FAILED,
$HASP319 DSNAME=JUNK.PROCLIB)
```

Add a new PROCLIB concatenation with one data set, JUNK.PROCLIB, that does not exist but UNCOND was specified. In this case, the PROC02 DD is an available PROCLIB with only one active data set

## \$ADD PROCLIB(xxxxxxxx)

**3**  
**\$add proclib(proc99),dd100=dsn=sys1.proclib,dd200=dsn=test.proclib**  
**\$HASP319 PROCLIB(PROC99) DD(1)=(DSNAME=SYS1.PROCLIB),**  
**\$HASP319 DD(2)=(DSNAME=TEST.PROCLIB)**

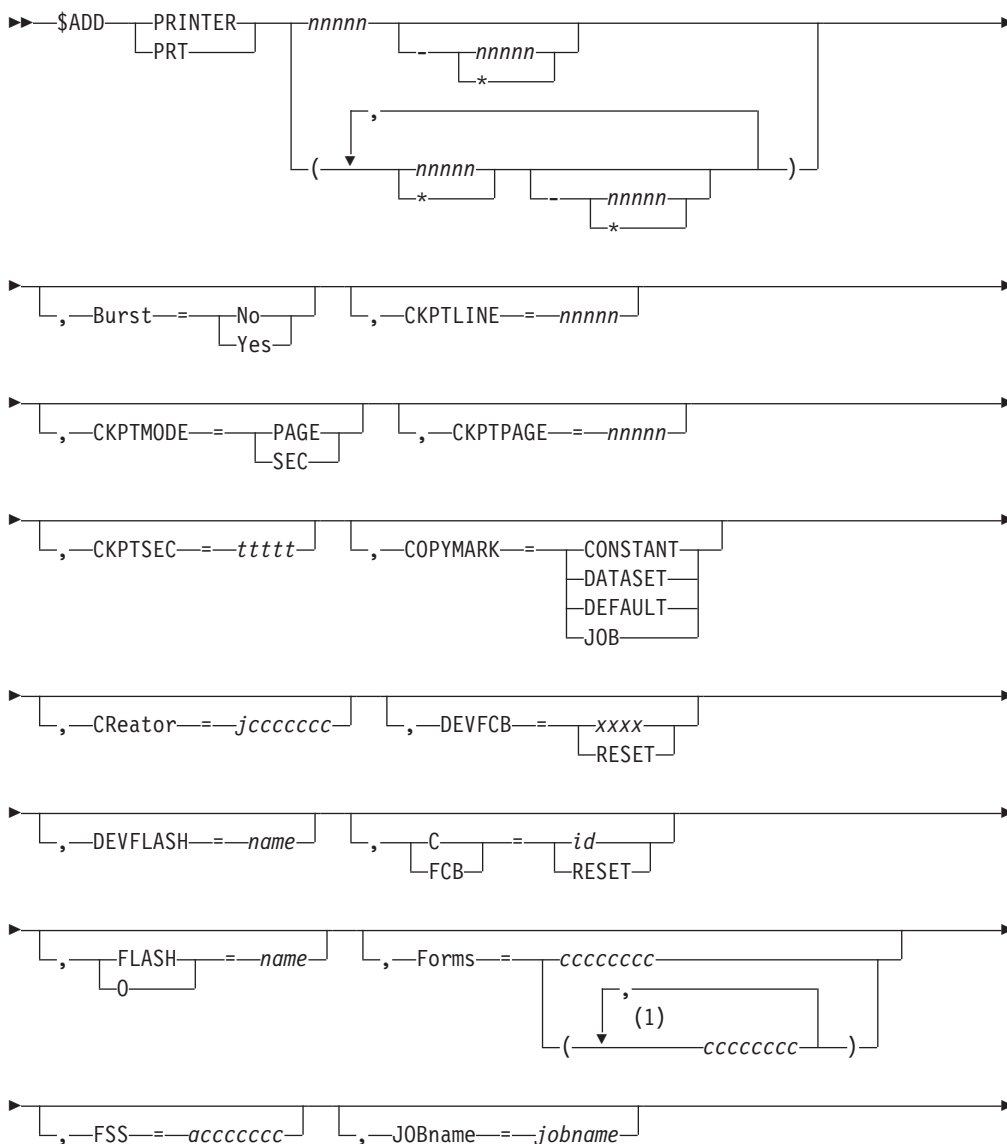
This example shows how DD(nnn) is compressed to form a dense list.

## \$ADD PRT(nnnnn) - Define a local printer

### Function

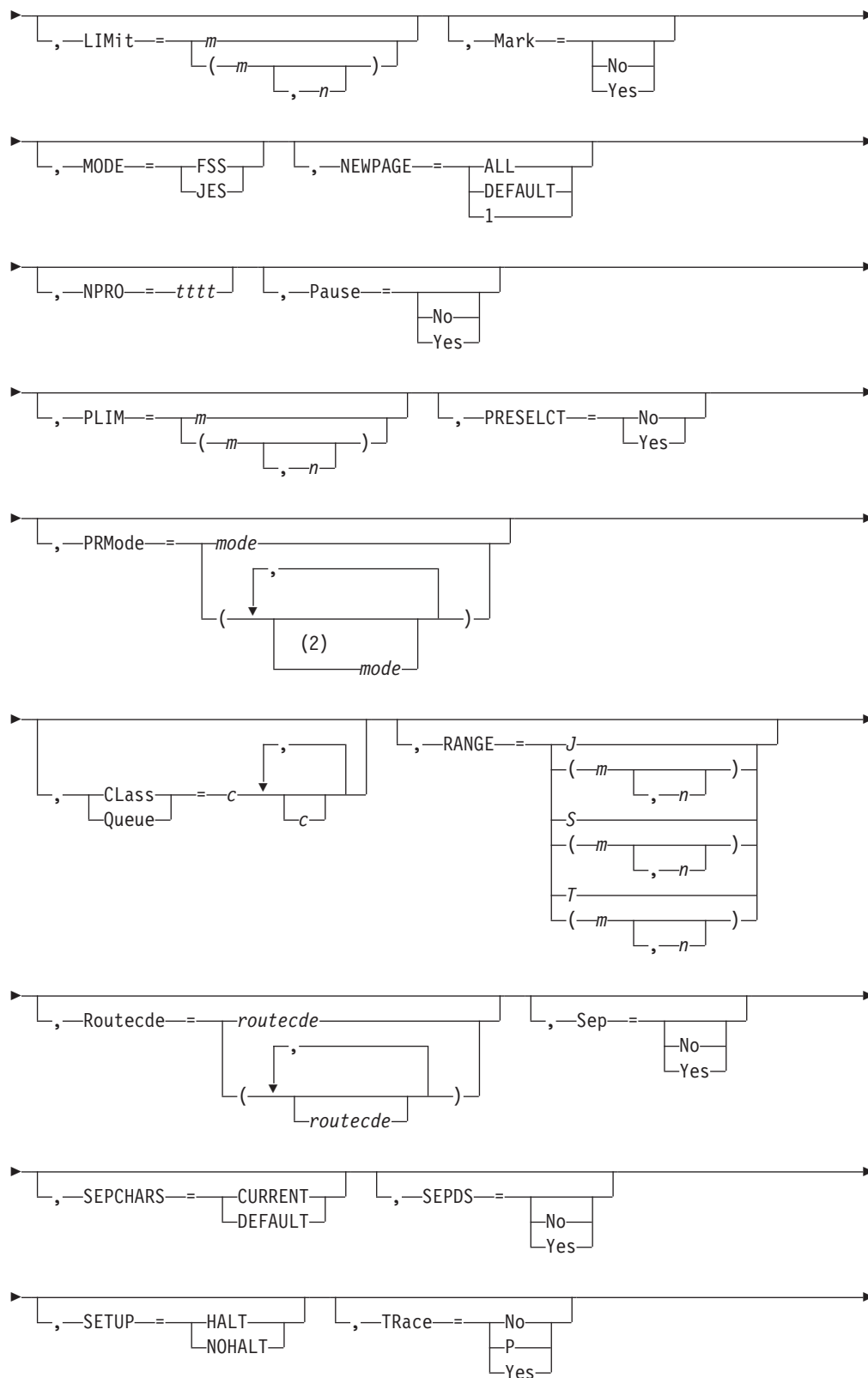
To dynamically add a local printer.

### Syntax

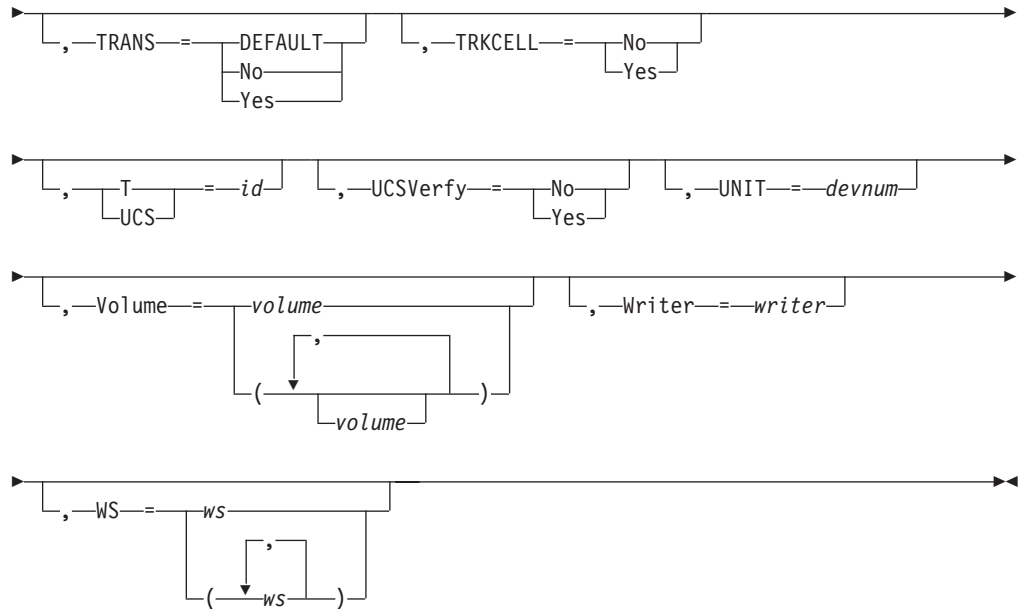




# \$ADD PRT(nnnnn)



## \$ADD PRT(nnnnn)



### Notes:

- 1 *Forms* can be coded up to 8 times
- 2 *PRMode* can be coded up to 8 times (*mode1,mode2,...,mode8*)

### Parameters

*nnnnn*

The identifier of the local printer (1-32767) to dynamically add.

#### Burst=[No|Yes]

Specifies whether the printed output from the indicated 3800 printer is to be burst into separate sheets (Y) or is to be in continuous fanfold form (N).

#### C|FCB={id|RESET}

Specifies the carriage tape name for the 3211, 3203 Model 5, or 1403 printer for printing this output class.

**id** The identifier (1-4 alphanumeric characters) of the tape for a printer lacking a forms control buffer (FCB) feature, or the FCB image for a printer having the FCB feature. If you specify an FCB image, it must be available in SYS1.IMAGELIB.

#### RESET

Specifies that a 3800 printer or a printer running under the control of a functional subsystem (FSS mode) is to construct a 6 lines per inch FCB based on the forms loaded in the printer. For any printers in FSS mode, JES2 uses the FCB specified in the PROC that starts the FSS. RESET can be used to correct the problem indicated by the \$HASP180 load message.

### Note:

1. When you explicitly set the FCB= parameter for the 3800 printer, the specified value is used as the installation's default FCB image for SYSOUT data sets that do not specify the FCB= parameter through JCL.
2. If you have received the \$HASP180 load error message indicating an FCB image error, specify the FCB= parameter to correct the problem.

**CKPTLINE=nnnnn**

The maximum number of lines (range 0-32767) in a logical page. JES2 uses this value, with the CKPTPAGE value, to determine when to take output checkpoints. The size of a logical page is also defined as the number of lines printed until:

- A channel skip is encountered.
- The line count specified by the LINECT parameter on the PRINTDEF initialization statement, the /\*JOBPARM control statement, the JCL OUTPUT statement, or the JOB statement accounting field has been exceeded.

If you specify CKPTLINE=0, a logical page is defined only by the items noted above. If the LINECT value specified is greater than zero, setting CKPTLINE to a value greater than LINECT results in the LINECT value being used as the definition of a logical page; it overrides CKPTLINE.

**Note:** This operand is ignored if specified for a printer under the control of a functional subsystem. The functional subsystem does its own physical and logical pages checkpoint based on the CKPTPAGE and CKPTSEC values passed to it from JES2.

**CKPTMODE={PAGE|SEC}**

Specifies whether the functional subsystem is to take checkpoints based on page count or elapsed time.

**Note:** This operand is valid for printers under the control of a functional subsystem only, not those under the control of JES2.

**PAGE**

The functional subsystem uses the checkpointing interval specified by the CKPTPAGE operand.

**SEC**

The functional subsystem uses the checkpointing interval specified by the CKPTSEC operand.

**Note:** The installation should set the values for CKPTSEC and CKPTPAGE so they are best for the printer; then control which checkpoint method to use, either SEC or PAGE, by changing the CKPTMODE parameter.

**CKPTPAGE=nnnnn**

The number (1-32767) of logical pages for non-page mode printers and physical pages for page-mode printers to be printed before each output checkpoint is taken. This parameter and CKPTLINE control the amount of checkpoint activity to spool.

**Note:**

1. When you use the K|SPACE=(1|2|3|R) operand for a data set that is printing on a 3800-3 printer operating in FSS mode, the forced spacing is reset either at the end of that data set, or when you issue a \$TPRTnnnn,CKPTPAGE=nnnnn command while this data set is printing. If you issue the \$TPRTnnnn,CKPTPAGE command and forced spacing is still desired, you must include the K=(1|2|3|R) operand.
2. The CKPTPAGE parameter should be set to a low value for slow printers and a high value for faster printers such as the 3800 to prevent the occurrence of excessive checkpoint cycles for faster devices.

## \$ADD PRT(nnnnn)

### **CKPTSEC=ttttt**

The number (0-32767) of seconds to elapse before each output checkpoint is taken. This parameter is valid only for a printer under control of a functional subsystem.

### **Class|Queue=c1[...c36]**

Specifies the output class(es) (A-Z, 0-9) the printer is to process. You can specify as many as 36 output classes.

### **COPYMARK={CONSTANT|DATASET|DEFAULT|JOB}**

Specifying DATASET or JOB causes copy marks (SYSOUT separation indicator markings) to be incremented on a data set level or on a JOE level, respectively. Copy marks are not incremented when you specify CONSTANT.

**Note:** The COPYMARK parameter applies to FSS-controlled devices only.

### **Creator=jcccccc**

Specifies the 1 through 8 character userid that creates the SYSOUT data sets to be processed.

**j** An alphabetic character (A-Z) or any of the special characters (\$, #, or @).

**cccccc**

Any combination of EBCDIC characters except a comma, a right parenthesis, or an equal sign.

### **DEVFCB={xxxx|RESET}**

Specifies the default FCB attribute JES2 uses when FCB= is not coded in the job's JCL. (JES2 does not validate the existence of the FCB name in SYS1.IMAGELIB.) Specifying RESET sets the default FCB attribute to null.

**Note:** 3800 printers use the FCB specified on the PRT initialization statement.

### **DEVFLASH|FLASH|0=name**

The 1 to 4 alphanumeric character name that specifies the name of the default forms FLASH ID.

### **Forms=ccccccc**

The 1 to 8 character name of the forms that are loaded into this printer.

**Note:** You can specify 1 through 8 forms for local printers.

F=(STD1,STD2)

### **FSS=accccccc**

Specifies a 1 to 8 character functional subsystem name that supports a page-mode printer. If an FSSNAME is not defined on an FSS initialization statement, the functional subsystem name assigned on this statement will cause the generation of a default FSS initialization statement. The FSS statement then defines (by default) the FSSNAME and PROCname specified here.

#### **Note:**

1. This parameter must be specified if MODE=FSS is specified for this PRT(nnnn) command. If this parameter is not specified, the MODE setting becomes MODE=JES.
2. You must also specify UNIT= if this PRT(nnnn) command defines a 3827 or 3835 printer.

**JOBname=jobname**

The 1 to 8 character name of jobs whose output is to be selected by this printer.

A null parameter of (JOBname=) specifies that jobname is not a criterion for output selection.

**LIMit={m|m-n|m-\*}**

Specifies the lower and upper limits (in records) for the size of output that is to be selected by this printer.

For both variables *m* and *n*, you can specify a range of values from 0 through 2147483647. *m* and *n* can be equal. If they are not equal, *n* must be larger than *m*.

If you code only *m*, that value becomes both the lower and upper limit. If *m*-\* is specified, the upper limit is set to the default value (4294967295).

**Note:** If the printing of a data set is interrupted by a warm start, JES2 uses the original size of the output (prior to any printing) to determine where the remainder of the output is printed. That is, the original size of the JOE is used to determine output device selection.

**Mark=[No|Yes]**

Specifies for the 3800 printer whether the edge of the separator page is to be marked.

**Note:** If the printer is under control of a functional subsystem, specifying N suppresses marking on the separator page, but produces a unique mark on the carrier strip (that is, the punched, perforated page edge).

**MODE={FSS|JES}**

Specifies whether the printer is under control of a functional subsystem (FSS) or JES2.

**Note:**

1. When a change of control mode is desired for a printer that is active (that is, output is being printed), you must wait for this printer to drain and then enter a \$T PRTnnnn command. The \$HASP097 message indicates when the draining process is complete. If the printer is not drained before entering this command, JES2 ignores it.
2. JES2 ignores the MODE specification if the printer was not defined as a functional subsystem device (using the FSS= parameter) on the PRTnnnn initialization statement. (If a device was mistakenly defined as being a function subsystem device, JES2 honors the MODE specification, but incorrect output results.

**NEWPAGE={ALL|DEFAULT|1}**

Specifies when a 'skip to channel' is counted as a new page. You can specify one of the following:

**ALL**

Specifies that JES2 will treat skip-to-any-channel as a new page.

**DEFAULT**

Specifies that the NEWPAGE specification on the PRINTDEF initialization statement will be used.

- 1 Specifies that JES2 will treat only skip-to-channel-one as a new page.

## \$ADD PRT(nnnnn)

### **NPRO=tttt**

Specifies the non-process runout (NPRO) time interval in seconds (0-3600). You can use this operand to control the amount of time that an FSS-controlled printer is idle with output in the paper path but not at the stacker. When the time interval expires, the functional subsystem directs the printer to force the output to the stacker. NPRO=0 specifies that a timer-based NPRO is not used.

**Note:** The NPRO operand has no effect on cut-sheet page printers.

### **Pause=[No|Yes]**

Specifies whether the local printer is to pause between data sets. If you specify Y, you can restart the device by changing it from a not-ready to a ready state.

**Note:** This operand has no effect for page-mode printers that operate under the control of a functional subsystem.

### **PLIM={m|m-n|m-\*}**

Specifies the lower and upper page limits for the size of output that is to be selected by this printer.

For both variables *m* and *n*, you can specify a range of values from 0 through 2147483647. *m* and *n* can be equal. If they are not equal, *n* must be larger than *m*.

If you code only *m*, that value becomes both the lower and upper limit. If you code *m-\** the upper limit is set to the default value (4294967295). This parameter is valid only when the printer is controlled by a functional subsystem.

If the printing of a data set is interrupted by a warm start, JES2 uses the original number of pages specified by the job output element and the original priority value to determine when and where the remaining output is printed.

### **PRESELECT={No|Yes}**

Specifies whether JES2 preselects data sets for a device. Specifying PRESELECT=N makes data sets selectable by any device. Y is the default.

**Note:** The PRESELECT operand is valid only when the printer is under control of a functional subsystem.

### **PRMode=(mode1[, . . mode8])**

The SYSOUT mode(s) (1 to 8 alphanumeric characters) to be processed by this printer. You can specify as many as 8 SYSOUT modes for a single printer. Multiple entries must be separated by commas and the list must be enclosed in parentheses. If all processing modes are selectable by this printer, specify a null parameter of PRMODE= (). You must specify the empty parentheses.

**Note:** For a list of valid process-mode values, see your system programmer.

### **RANGE={J|S|T} nnnnn[-nnnnn] | J1-65534**

Specifies the job ID range for output jobs that can be selected by this printer. Use "J" to specify batch jobs, "S" to specify started tasks, and "T" for TSO/E jobs. You can specify a single job number or range of jobs. If you code this parameter, you can specify one or two values:

- If you specify one value, that value becomes both the low and the high end of the range.
- If you specify two values, the first value is the low end of the range and the second value the high end. The two values can be equal. If they are not equal, the second value must be larger than the first value.

**Route~~code~~=route~~code~~**

Specifies up to four internal route codes to be assigned to this printer. If more than one route code is assigned, enclose the list in parentheses. For specification requirements, refer to "Route codes" on page 107.

**Note:** NODENAME=REQUIRED on the DESTDEF initialization statement will cause JES2 to require that a userid be prefixed with a node name.

**Ummmm**

Indicates that output for special local routing is selected. The special routing numbers range from 1 to 32767.

**destid**

Indicates that output routed to the specified node(s) is selected. If destid is specified alone, it refers to both the node and the remote.

**remote**

Indicates routing to a remote. Remote can be specified in any of the following ways:

**LOCAL|ANYLOCAL**

Indicates that jobs are to be run at the local node.

**Rnnnnn**

Indicates routing to the specified remote. *Rnnnnn* can also be specified as *RMnnnnn* or *RMTnnnnn*. The value specified for *nnnnn* can range from 1 to 32767.

**destid** Indicates routing to a destid referring to a remote.

**userid** Indicates routing to a valid TSO userid. Generic userids are also valid. A generic userid is a userid that ends in an asterisk (\*) and refers to all userids that begin with the characters preceding the \*. Note that the \* can only be specified in the last position of the userid.

For more information about specifying userids as remotes, refer to "Route codes" on page 107.

**Sep=[No|Yes]**

Specifies whether JES2-supplied separator pages are to be placed between output groups. If you specify N, the JESNEWS data set is not printed. If this is a remote printer, specifying N also suppresses transmission of operator messages to the remote terminal, with the exception of the \$HASP190 setup message.

**Note:**

1. If you specify Sep=Y, but SEPPAGE=(LOCAL=NONE) (for local printers) was specified on either the PRINTDEF initialization statement or through the \$T PRINTDEF command, default JES2 separator pages are not produced.
2. If you specify Sep=Y, but SEPPAGE=(REMOTE=NONE) (for remote printers) was specified on either the PRINTDEF initialization statement or through the \$T PRINTDEF command, default JES2 separator pages are not produced.
3. If you specify Sep=N, a user created page (made in Exit 1) is not suppressed.

**SEPCHARS={CURRENT|DEFAULT}**

Specifies the character arrangement table to use for separator pages printed on

## \$ADD PRT(nnnnn)

the 3800 printer. The NUICS parameter on the PRINTDEF initialization statement defines this value at system initialization.

### CURRENT

Specifies use of the character arrangement table loaded in the 3800. The first character arrangement table is used if the installation default is not loaded.

### DEFAULT

Specifies use of the installation default character arrangement table. If not already loaded, this parameter specifies that this table be loaded before printing the separator pages.

### SEPDS=[No|Yes]

Specifies whether a header separator page is to be produced for each copy of each data set within an output group. If the printer is running under JES2, specifying Y causes JES2 to invoke an enabled EXIT 15 (output data set/copy separators) to generate separator pages. For printers under control of a functional subsystem, SEPDS is supported with a default separator page.

**Note:** If EXIT 15 is not enabled when you specify Y on this operand, separator pages are not generated.

### SETUP={HALT|NOHALT}

Specifies whether JES2 issues the device setup message (\$HASP190) after a change of device characteristics (for example, forms control).

**HALT** Allows the operator to verify the changes to the printer by halting the printer and issuing the setup message.

### NOHALT

Allows the printer to process output without requiring setup verification by the operator. With SETUP=NOHALT, JES2 can unload any printer characteristics that require no manual intervention. The printer uses any previously existing setup characteristics that you have not changed to process output.

### T|UCS=id

Specifies, for impact printers, the 1 to 4 character identifier of the print train that is mounted on this printer. The identifier must reside in SYS1.IMAGELIB and the indicated printer must have the universal character set (UCS) feature.

For 3800 printers, T= specifies both the identifier (1 to 4 alphanumeric characters) of the print train character set that is mounted on the printer and the installation's default character set for SYSOUT data sets that do not specify the UCS= parameter through JCL. This identifier must be available in SYS1.IMAGELIB.

### Note:

1. If you specify an invalid identifier, JES2 bypasses the UCS loading procedure and issues the \$HASP190 setup message so the operator can specify a valid image.
2. If you specify T=0 or a zero value was specified for the UCS operand on the PRINTDEF initialization statement, JES2 does not load the UCS buffer. You would want to nullify the UCS operand when running a printer in FSS mode if you wish to use the default character set specified in the FSS procedure used to start the printer.
3. This operand is only valid for a 1403 printer that has the UCS feature.



**TRace={No|P|Yes}**

Specifies whether tracing is to be activated or deactivated for this print processor. This operand requires system authority.

**No** Tracing is disabled.

**P|Yes** Tracing is activated if trace IDs 11, 12, 14, and 15 are currently enabled. Trace IDs 11, 12, 14, and 15 can be enabled either at initialization on the TRACE(n) statement or through the \$S TRACE(n) command.

**TRANS={DEFAULT|No|Yes}**

IF MODE=JES, the TRANS= parameter on this statement affects data translation:

- If TRANS=YES, JES2 translates each line of output sent to the device regardless of the device type or the setting of the TRANS= parameter of the PRINTDEF initialization statement.
- If TRANS=NO, JES2 does not translate output sent to the device regardless of the device type or the setting of the TRANS= parameter on the PRINTDEF initialization statement.
- If TRANS=DEFAULT, or TRANS= is omitted and the PRINTDEF initialization statement specifies TRANS=YES, and the device is either a local 1403 or a remote printer, JES2 translates each line of output sent to the device. Otherwise, JES2 does not translate output sent to the device.

**TRKCELL={No|Yes}**

Specifies whether data sets that belong to a SYSOUT class with the track-cell characteristic are read from the spool in one operation. The TRKCELL parameter on the SPOOLDEF initialization statement specifies the number of records in the track cell. If you specify NO, one record is read from the spool for each despooling operation.

**UCSVerify={No|Yes}**

Specifies whether (YES) or not (NO) UCS verification processing is performed when a UCS image is loaded for 4245 and 4248 printers. UCS images are loaded on 4245 and 4248 printers only when required for print processing (they are **not** loaded in response to a \$T PRT command that specifies a change in UCS setup). Specifying UCSVERIFY=YES provides UCS verification and causes the band image to be displayed to the 4245 and 4248 printers. UCSVERIFY=NO suppresses the image display. This operand can be modified through a JES2 Warm start.

**UNIT={devnum|/devnum}**

Specifies no value or a 3-digit, or 4-digit hexadecimal device number. Device numbers can be specified by any of the following formats:

```
UNIT=          (to specify a null value)
UNIT=ddd
UNIT=dddd
UNIT=/ddd
UNIT=/dddd
```

where ddd and dddd represent the device numbers.

A slash (/) can optionally precede the device number (for compatibility with other commands that require a slash to denote a 4-digit device number).

**Note:**

## \$ADD PRT(nnnnn)

1. You can omit this parameter when defining local printers; however, if you do and the printer requires a unit address (for example, all JES mode printers), you must specify a unit address on the UNIT parameter of the \$T command before starting the printer.
2. If UNIT= is not specified at this time, the defaults for COPYMARK, FLASH, FCB, and UCS will be based on the setting of the MODE= parameter. If you specify MODE=FSS, the defaults will be the same as if the device was a non-impact printer. If you specify MODE=JES, the defaults will be set assuming the device is an impact printer.

### **Volume=volume**

Specifies the 5 to 6 character volume serial number of a volume containing a spool data set. Only the output of jobs which reside on one or more of the specified volume(s) can be selected for printing. You can specify as many as four volumes. Use commas to separate individual volume IDs and enclose this list in parentheses if more than one ID is specified.

**Note:** A null parameter of VOLUME=() specifies that volume is not a value specified for work selection. You must specify the empty parentheses.

### **Writer=writer**

Specifies the 1 to 8 character writer name assigned to this printer. If you do not specify this parameter, no writer name is assigned.

**Note:** If you do not assign a writer name to this printer but specify Writer as an exact value match in the work selection (WS) list, the printer selects only output groups without a writer name.

### **WS=ws**

Specifies the work values for this printer. Using any combination of user and JES2-defined criteria, you can specify up to 19 criteria in the WS= list. Values which are not specified are not considered during output selection, although they are used by JES2 to determine setup requirements. This operand can be particularly useful when draining a specific spool volume. To specify a printer work selection list, use the following values:

1. One slash (/) can precede or follow any number of values. All values placed before the slash must be matched exactly if the work is to be selected. Values placed after the slash do not have to match exactly except in the following cases:

Queue  
Route cde  
PRMode  
Volume

Table 54 on page 177 defines each value when placed either before or after the slash.

2. Queue, Route cde, PRMode, and Volume can be specified as multiple values on the output device statements. Placing these values before the slash in the WS= list, indicates a left to right priority order of multiple values, if multiple values have been specified. Placing these values after the slash indicates no priority order of multiple values, but a match is still required.
3. The order of those criteria specified after the slash indicates the priority (highest to lowest, in left to right order) in which JES2 attempts to match them.
4. Specifying a minus sign (-) before a value removes it from the list.

**Note:** Message \$HASP650 is issued if an incorrect operand is found in the WS operand; that is, this message is issued if you try to remove a value that is not there. For example, if you enter: \$addprt1,ws=(-o) you get the \$HASP650 message because 'o' (forms overlay) is not in the current work selection list for printer1.

5. Specifying a value that is not currently specified adds it to the list. List position depends upon whether you specify a slash before or after the value in the command.
6. Demand setup presumes that characteristics change throughout the output group. As a result, if your output specifies demand (DMND) setup, you cannot specify an exact match between that output and the device.  
To print demand (DMND) setup output you must first remove the work selection criteria specified for the printer that is referenced by DMND.
7. If the device is a remote printer, route code (R=) must be specified in the work selection list.
8. The smaller the work selection list, the less the placement of certain values affects work selection. Job output elements are queued to the class queues by route code, then by priority. You can improve system performance by using this information to tune the work selection list.

### Authority Required

This command requires **device and system** authority. The description of the \$T RDRnn command explains how to ensure that the authority of the appropriate MVS system command group is assigned.

This command requires **update** security access authority. For a description of assigning command input authority, see *z/OS JES2 Initialization and Tuning Guide*.

### Processing Considerations

- If you shut down this JES2 system and then attempt to restart it, you will lose the specifications of any printer defined through the \$ADD PRT unless those specifications had been permanently defined by a PRT(nnnnn) initialization statement.
- If you are uncertain of the controls in effect, enter either the \$D U command or the \$D PRT command for the printer in question.
- When adding printers, you might experience a system delay of several seconds or even a few minutes before the printer is available in SDSF. The delay might be caused by the additional processing JES2 needs while performing tasks such as extracting the SECLABEL associated with a device for use by applications such as SDSF. JES2 performs this processing independently of the \$ADD command processing. As a result, if you add a large number of printers it is possible that SDSF might recognize some of the printers before JES2 has completed extracting the SECLABELs. If this occurs, an SDSF display might provide data you might consider inconsistent with the \$ADD command. For example, a printer might initially be displayed with no SECLABEL or a printer you added is not displayed at all due to SECLABEL restrictions. Allow JES2 time to extract the SECLABEL before exiting and re-entering the SDSF printer display.

### Scope

**Single member.** The values supplied for this command will be in effect for this member only.

## \$ADD PRT(nnnnn)

Depending on your installation's setup, however, you might want this command to be applied to all members of the MAS (to ensure a consistent environment across the MAS). If so, you can use the MVS ROUTE \*ALL command to issue this command to all active members (if the JES2 command character is the same on all members). See *z/OS MVS System Commands* for more information on using the ROUTE \*ALL command.

### Messages

The \$HASP603 message displays the status of the specified device and its current characteristics.

The \$HASP003 rc=65 indicates that the device specified by the UNIT= parameter exists, but does not match the device type information specified on the \$ADD PRT command.

The \$HASP003 rc=66 indicates that the device specified by the UNIT= parameter does not exist.

The \$HASP003 rc=67 indicates that the FSS device specified by the UNIT= parameter is not defined on the \$ADD PRT command or the PRT initialization statement.

### Examples

```
❶ $add prt999,unit=002
$HASP603 PRT999 UNIT=0002,STATUS=DRAINED,CKPTLINE=0,
$HASP603 CKPTMODE=PAGE,CKPTPAGE=100,CREATOR=,DEVFCB=,
$HASP603 FCB=6,FORMS=(STD,,,,,),FSS=,HONORTRC=YES,
$HASP603 JOBNAME=,LASTFORM=STD,LIMIT=(0,*),MODE=JES,
$HASP603 NEWPAGE=DEFAULT,NPRO=300,PAUSE=NO,PLIM=(0,*),
$HASP603 PRMODE=(LINE),QUEUE=AJ,RANGE=(J1,999999),
$HASP603 ROUTECDE=(LOCAL),SEP=YES,SEPCHARS=DEFAULT,
$HASP603 SEPDS=NO,SETUP=HALT,SPACE=,TRACE=NO,
$HASP603 TRANS=DEFAULT,TRKCELL=NO,UCS=0,UCSVERIFY=NO,
$HASP603 VOLUME=(,,),WRITER=,
$HASP603 WS=(W,Q,R,PRM,LIM/F,UCS,FCB),FSATRACE=NO
```

JES2 defines local printer 999 at address 002 to the current installation.

```
❷ $add prt114,fss=prt114,mode=fss
$HASP603 PRT114 UNIT=,STATUS=DRAINED,BURST=NO,CKPTLINE=0,
$HASP603 CKPTMODE=PAGE,CKPTPAGE=100,CKPTSEC=0,
$HASP603 CREATOR=,DEVFCB=,DEVFLASH=****,FCB=STD3,
$HASP603 FORMS=(STD,,,,,),FSS=PRT114,HONORTRC=YES,
$HASP603 JOBNAME=,LASTFORM=STD,LIMIT=(0,*),
$HASP603 COPYMARK=DATASET,MARK=NO,MODE=JES(SWITCHING),
$HASP603 NEWPAGE=DEFAULT,NPRO=300,PAUSE=NO,PLIM=(0,*),
$HASP603 PRESELCT=YES,PRMODE=(LINE),QUEUE=AJ,
$HASP603 RANGE=(J1,999999),ROUTECDE=(LOCAL),SEP=YES,
$HASP603 SEPCHARS=DEFAULT,SEPDS=NO,SETUP=HALT,SPACE=,
$HASP603 TRACE=NO,TRANS=DEFAULT,TRKCELL=NO,UCS=GT10,
$HASP603 UCSVERIFY=NO,VOLUME=(,,),WRITER=,
$HASP603 WS=(W,Q,R,PRM,LIM/F,UCS,FCB),FSATRACE=NO
```

JES2 defines page-mode printer 114 under the control of a functional subsystem to the current installation.

Table 54. Printer Work Selection Values

VALUE	BEFORE SLASH (/)	AFTER SLASH (/)
Burst	The B= specification of the output group must match the Burst specification of the printer. Otherwise, this output group is not considered selectable.	The B= specification of the output group need not match the burst specification of the printer. However, JES2 issues the \$HASP190 message if a difference exists.
CReator	The output group's CReator= specification must match the CReator= specification of the printer. Otherwise, this output group is not selected.	The CReator specification of the output group need not match the burst specification of the printer. However, JES2 issues the \$HASP190 message if a difference exists.
{FCB C}	The output group's FCB image or carriage control tape must match the printer's current FCB or carriage control tape. Otherwise, the output group is not considered selectable.	The output group's FCB image or carriage control tape need not match the FCB or carriage control tape specification of the printer. However, JES2 issues the \$HASP190 message if differences exist in both the FCB and FORMS specifications.
{FLash O}	The output group's FLASH or forms overlay must match the current FLASH (O=) specification for the output printer. Otherwise, the output group is not selected.	The output group's FLASH or forms overlay need not match the FLASH (O=) specification for the printer. However, JES2 issues the \$HASP190 message if a difference exists. In this case it is preferred that the forms of the output group match one of the forms specified for the printer.
Forms	The output group's FORMS specification must match one of the forms specified for the printer. Otherwise, the output group is not considered selectable. If there are multiple forms, the forms have equal priority.	It is not required that the output group's forms match the current forms setup of the printer. However, JES2 issues the \$HASP190 message if a difference exists.
JOBname	The output group's jobname must match the jobname specified (JOBNAME=) for this printer.	It is not required that the output group's jobname match the jobname specified (JOBNAME=) for this printer. JES2 attempts to consecutively select all eligible output for a particular job.
LIMit	The amount of output generated by an output group must fall within the limits (LIM= or PLIM=) set for this printer. Otherwise, the output group is not considered selectable. Page limits are checked if the data set is in page mode. Record limits are checked if the data set is in line mode. If the page data set contains some line mode data, then both page limits and record limits are checked.	It is not required that the amount of output generated by the output group fall within the limits (LIM= or PLIM=).
{PRMode}	The output group's process mode must match one of the process modes (PRMODE=) specified for the printer. Otherwise, the output group is not considered selectable. If there are multiple PRMODEs, the list is considered to be in priority sequence: the highest priority is given to the first PRMODE in the list.	The output group's process mode must match the process mode (PRMODE=) specified for the printer. However, if there are multiple PRMODEs, the list is not in priority sequence.
Queue	When specified in the WS list, only those output classes specified for this device are searched for work. Since all classes (A-Z and 0-9) are searched when Queue is not specified, we recommend that 'Q' always be included in the WS list. The search order follows the list sequence.	Output classes specified for this device are not in priority sequence: all classes are equally preferred. Output groups in the list's first class are selected first if they meet all other requirements.

## \$ADD PRT(nnnnn)

Table 54. Printer Work Selection Values (continued)

VALUE	BEFORE SLASH (/)	AFTER SLASH (/)
RANGE	The job number of the job associated with the output group must be within the range (RANGE=) specified for this printer.	It is not required that the number of the job associated with the output group be within the specified range (RANGE=).
Routecde	The output group's destination must match the route code (R=) specified for this printer. If not, the output group cannot be selected. If you specify multiple route codes for the printer, a match with the first route code is preferred since the list is in priority sequence.	It is not required that the output group's destination match the route code (R=) specified for this printer. If there are multiple route codes, the list is not in priority sequence.
{UCS T}	The output group's universal character set must match the universal character set (UCS=) specified for this printer. Otherwise, the work is not selected.	It is not required that the output group's universal character set match the universal character set specified for this printer. However, JES2 issues the \$HASP190 message if a difference exists.
Volume	The volume of the job associated with this output group must match the volume (VOLUME=) specified for this printer. If you specify multiple volumes, the list is in priority sequence: the leftmost volume has the highest priority.	The volume of the job associated with this output group must match the volume (VOLUME=) specified for this printer. However, if you specify multiple volumes the list is not in priority sequence.
Writer	The writer name specified for the output group must match the writer name specified (W=) for this printer. Otherwise, the output group cannot be selected.	It is not required that the writer name specified for the output group match the writer name (W=+)specified for the printer.

---

## \$ADD REDIRECT - Set redirection for commands

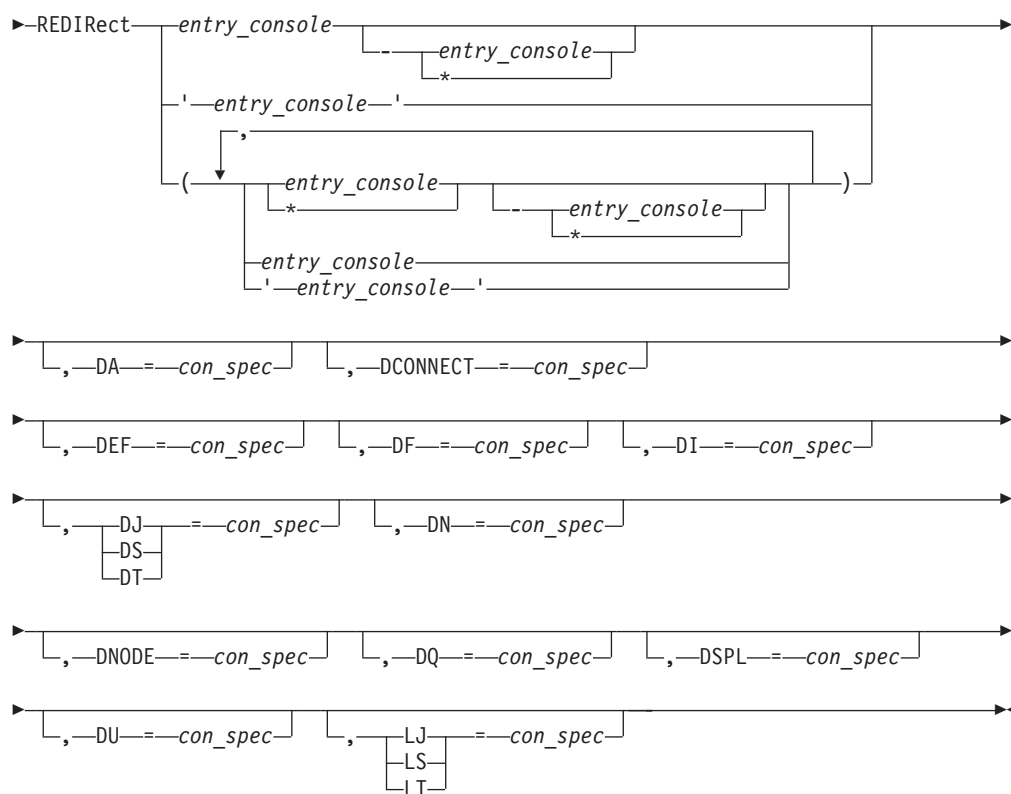
### Function

To specify redirection for commands entered at the entry console. The operator should use \$ADD REDIRECT if redirection was not specified already by the initialization statement or a previous \$ADD REDIRECT for this console.

In a sysplex, if a JES2 subsystem has SCOPE=SYSTEM on its CONDEF initialization statement, redirection will not be in effect for that subsystem. To have that subsystem take part in the redirection, issue the \$ADD REDIRECT command on that JES2 subsystem.

### Syntax

▶▶—\$ADD—————▶



## Parameters

### con\_spec

Specifies the active MCS console at which the redirected command responses appear. If you specify only an area, the output will appear in the indicated area of the entry\_console. If area is omitted, then the default area defined on the CONDEF RDIRAREA= operand will be used. This parameter is required. Con\_spec may be defined as follows:

- a** An output area ID
- name** A 2- to 8-character symbolic console name
- name-a**  
A symbolic console name and an output area ID

**DA=con\_spec**  
Display active jobs command.

**DCONNECT=con\_spec**  
Display network connections.

**DEF=con\_spec**  
Display JES2 parameter definitions.

**DF=con\_spec**  
Display forms queue.

**DI=con\_spec**  
Display initiators.

**DJ|DS|DT=con\_spec**  
Display job.

## \$ADD REDIRECT

### **DN=conn\_spec**

Display queued jobs.

### **DNODE=con\_spec**

Display NJE nodes.

### **DQ=conn\_spec**

Display number of queued jobs.

### **DSPL=con\_spec**

Display spool volumes.

### **DU=con\_spec**

Display units.

### **entry\_console**

Specifies the 2- to 8-character console name on which an operator enters a command. If you enter any redirected commands from this console, it displays those commands that are redirected to an alternate console or area. This parameter is required and must include a console name defined during initialization. Do not specify a console area.

### **LJ|LS|LT=con\_spec**

List job output.

## Authority Required

This command requires **system** authority. The description of the \$T RDRnn command explains how to ensure that the authority of the appropriate MVS system command group is assigned.

This command also requires of assigning command input authority, see *z/OS JES2 Initialization and Tuning Guide*.

## Scope

**Single member.** The values supplied for this command will be in effect for this member only. There is no need to have this command issued to all members of the MAS.

## Messages

The \$HASP003 RC=56 message is issued if an \$ADD REDIRECT command is entered for a console that is already redirected.

## Examples

**1** \$ADD redirect(CN3EO),DNODE=CN320

```
$HASP818 DA=CN3EO,DF=CN3EO,DI=CN3EO,DJ=CN3EO,DN=CN3EO,  
$HASP818 DQ=CN3EO,DU=CN3EO,DCONNECT=CN3EO,DNODE=CN320,  
$HASP818 DEF=CN3EO,DSPL=CN3EO,LJ=CN3EO
```

The above example causes the display response from a \$D NODE command entered at console CN3EO to be automatically displayed at the console CN320.

**2** \$ADD redirect(CN320),da=cn3eo-a

```
$HASP818 DA=CN3EO-A,DF=CN320,DI=CN320,DJ=CN320,DN=CN320,  
$HASP818 DQ=CN320,DU=CN320,DCONNECT=CN320,DNODE=CN320,  
$HASP818 DEF=CN320,DSPL=CN320,LJ=CN320
```



The above example causes the display response from a \$DA command entered on console CN320 to be automatically displayed at the console CN3EO in the out of line area A.

---

## \$ADD RMT(nnnnn) - Add an RJE workstation

### Function

To add one or more RJE workstations. You cannot use this command to add an RJE workstation with a number higher than that either previously defined by RMTNUM= on the TPDEF initialization statement or the highest numbered RJE workstation defined by RMT(nnnnn) initialization statements.

This command can be used to add BSC and SNA RJE workstations.

Not all parameters are applicable to each type of workstation. The parameter descriptions indicate applicability to each type and differences as appropriate. Parameters applicable to BSC-only and SNA-only workstations are listed here.

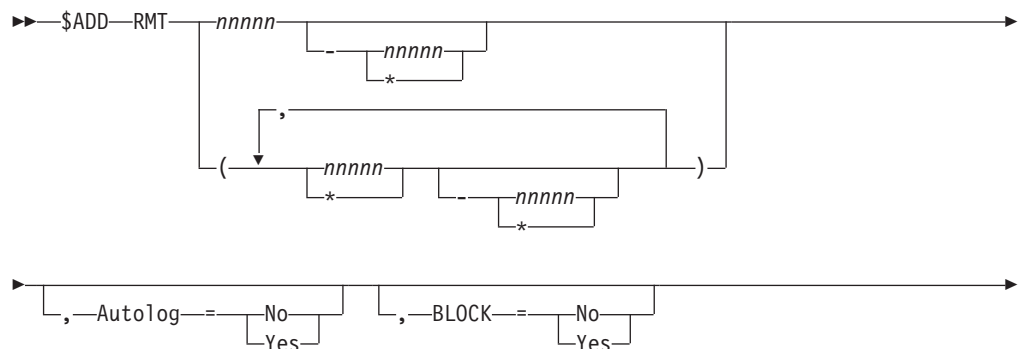
#### Parameters applicable to **BSC RJE workstations only:**

- BLOCK=
- BUFEXPAN=
- HTABS=
- MFORM=
- MRF2780=
- MULTILV=
- RECFM=
- SHARABLE=
- TRANSPAR=

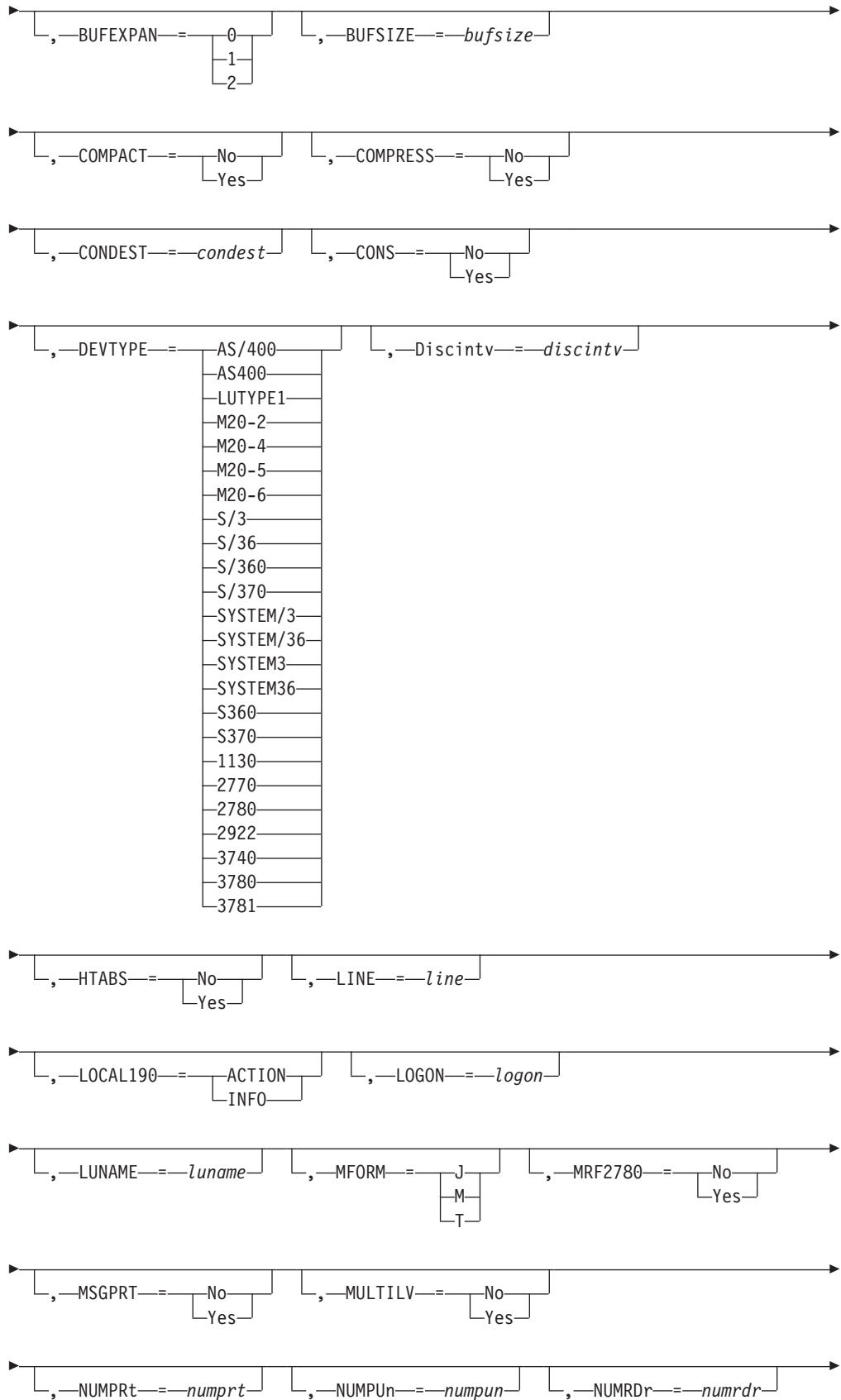
#### Parameters applicable to **SNA RJE workstations only:**

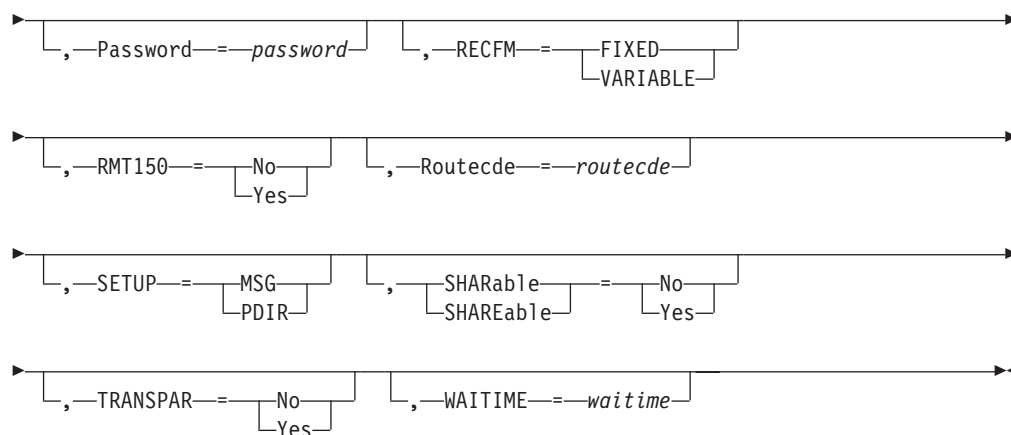
- Autolog=
- COMPACT=
- LUNAME=
- SETUP=

### Syntax



# \$ADD RMT(nnnnn)





## Parameters

### (nnnnn)

The subscript defining the RJE workstations affected by this command. The subscript may specify a 1- to 5-digit RJE workstation identifier or a range of identifiers as defined by an RMT(nnnnn) initialization statement. For information about specifying a range for this subscript, see “Command syntax conventions” on page 97.

### Autolog={No|Yes}

**For SNA RJE workstations only**, specifies whether the SNA RJE workstation can be automatically connected (logged on) when output (print/punch) or messages are queued for transmission to the RJE workstation. The RJE workstation is allowed to log on only if:

- This command also specifies a logical unit name through the LUNAME= parameter on the corresponding RMTnnnn initialization statement.
- A JES2 line has been started and is available.
- The maximum number of sessions specified at initialization (with the SESSIONS parameter on the TPDEF statement) has not been exceeded.

### BLOCK={No|Yes}

**For BSC RJE workstations only**, specifies whether this workstation has a blocked (YES) or unblocked (NO) data record format.

### BUFEXPAN= {0|1|2}

**For BSC 2770 RJE workstations only**, specifies whether this 2770 terminal has a buffer-expansion feature. If you do not specify a value, JES2 provides no buffer expansion.

- 0 This terminal does not have the buffer-expansion feature.
- 1 This terminal has the buffer-expansion feature and implies an RJE workstation buffer of 264 bytes.
- 2 This terminal has the additional buffer-expansion feature and implies an RJE workstation buffer of 520 bytes.

**Note:** If an attached printer has a PRWIDTH= parameter greater than 120 bytes, specify BUFEXPAN=1 or 2.

### BUFSIZE=bufsize

**For BSC RJE workstations**, specifies the largest buffer (127 to the

## \$ADD RMT(nnnnn)

BELOWBUF=(SIZE=) parameter value on the TPDEF initialization statement) that can be either sent from or received by this workstation.

BUFSIZE= enforces minimum buffer size specification based on device type for BSC RJE workstations.

**For SNA RJE workstations**, specifies the largest buffer (256 to the EXTBUF=(SIZE=) parameter value on the TPDEF initialization statement) that can be either sent from or received by this SNA RJE workstation.

If you do not specify this parameter, JES2 provides the following defaults for the following device types:

Table 55. JES2 BUFSIZE Defaults for RJE Workstations

Workstation	Type	BUFSIZE Value
SNA	N/A	256
Multileaving Terminals and Systems	N/A	MBUFSIZE= value on TPDEF statement
Hardware Terminal	2770 without buffer expansion (BUFEXPAN=0)	127
Hardware Terminal	2770 with buffer expansion (BUFEXPAN=1)	264
Hardware Terminal	2770 with additional buffer expansion (BUFEXPAN=2)	520
Hardware Terminal	2780	400
Hardware Terminal	3780	520
Hardware Terminal	3781	520

### COMPACT={No|Yes}

**For SNA RJE workstations only**, specifies whether (YES) or not (NO) this RJE workstation or terminal allows JES2 to send a compaction table for use with a printer or punch data set.

Use the COMPACT initialization statement to define compaction tables. If more than one session is active and COMPACT=YES, all sessions are eligible to receive a compaction table.

### COMPRESS={No|Yes}

Specifies whether (YES) or not (NO) this RJE workstation uses the compression/expansion feature.

**For BSC RJE (2770 and 3780) workstations**, specifies if COMPRESS=YES is specified on both the LINE(nnnn) initialization statement and the remote device (print, punch, and reader) initialization statement (R(nnnn).XXm), the COMPRESS= parameter on this command determines whether JES2 uses the compression/expansion feature. If you specify COMPRESS=YES, JES2 forces HTABS=NO.

If COMPRESS=NO on the LINE(nnnn) statement, JES2 ignores this parameter.

For SNA RJE workstations, if COMPACT=YES is specified, JES2 forces compression.

**CONDEST=condest**

The route code (1 to the value of RMTNUM= on the TPDEF initialization statement) that is used for responses to commands entered from this RJE workstation. The value specified should be the number of a defined RJE workstation.

**CONS={No|Yes}**

Specifies whether (YES) or not (NO) this RJE workstation has an operator console or is simulating an operator console through the &PRTCONS RMT generation statement. For SNA RJE workstations, you should specify this parameter only if the RJE workstation has an operator console.

If JES2 determines that this remote workstation cannot have a console, it forces CONS=NO.

If you do not specify this parameter, JES2 provides a default of CONS=NO. The CONS=NO value does not stop JES2 from sending data destined to a console.

**DEVTYPE=type**

Specifies the type of processor at this RJE workstation. If this parameter is not specified, terminal type 2770 (BSC workstation) is used.

The following types apply:

**LUTYPE1**

For SNA RJE workstations, specifies that the workstation can be accessed only through a logical line. (This is the only valid SNA specification for DEVTYPE=.)

**2770|2780|3740|3780|3781**

For BSC RJE workstations, specifies a hardware terminal.

**1130|2922|M20-2|M20-4|M20-5|M20-6**

For BSC RJE workstations, specifies a multileaving workstation.

**AS400|AS/400®|SYSTEM36|SYSTEM/36| S/36|S360|S/360|S370|S/370|SYSTEM3|SYSTEM/3|S/3**

For BSC RJE workstations, specify a system.

**Note:**

1. If you define a workstation that is not explicitly supported by JES2 but does emulate one of the types listed above, consult the documentation for that terminal so you set characteristics (such as buffer sizes) appropriately.
2. Specify a 3740 hardware terminal as a 2780.
3. To ensure that punch output is directed to the proper device, specify '3781' to define remote 3780 terminals that contain punches.

**Discintv=discintv**

For BSC RJE workstations, specifies the time interval in seconds (0 to 8160) after which, if there has been no successful text transmission in either direction, JES2 disconnects this RJE workstation from the processing unit.

For SNA RJE workstations, specifies the *maximum* interval in seconds (0 to 8160) after which, if there has been no successful text transmission in either direction, JES2 ends the session between the SNA RJE workstation and the processing unit.

- JES2 rounds this value to the next highest multiple of 32.

## \$ADD RMT(nnnnn)

- 0 indicates that this terminal is not to be disconnected
- Error recovery tries and idle time do not count as successful text transmission.
- If automatic disconnect is not specified, the remote terminal remains connected until the operator signs it off.

### HTABS={No|Yes}

**For BSC RJE workstations only**, specifies whether (YES) or not (NO) this 2770 or 2780 terminal has the horizontal format-control feature.

If you specify COMPRESS=YES, this parameter is forced to HTABS=NO.

### LINE=line

Specifies the number (0-65535) of the teleprocessing (BSC) or logical (SNA) lines that are both connected and **dedicated** to this terminal.

**For BSC RJE workstations**, if you specify LINE=0, JES2 provides a **nondedicated** RJE workstation, which can use any **nondedicated** BSC line. A /\*SIGNON JCL statement is required to start the RJE workstation.

**For SNA RJE workstations**, if you specify LINE=0, JES2 provides a **nondedicated** RJE workstation, which can use any **nondedicated** SNA line. If you specify LINE= as a value other than 0, you must also specify the UNIT=SNA parameter on the LINE(nnnn) initialization statement.

### LOCAL190={ACTION|INFO}

Specifies the type of operator setup messages (\$HASP190) that JES2 issues at the local processor console for this RJE workstation. If you do not specify this parameter, JES2 provides a default of ACTION.

#### ACTION

Specifies that operator setup messages issued at the local console for this remote device are **action messages** (messages that require an operator action to delete them from the console).

#### INFO

Specifies operator setup messages issued at the local console for this remote device as **information messages** (messages that do not require an operator action to delete them from the console).

### LOGON=logon

Specifies the number (1-999) of the local LOGON DCT which should be used when starting a JES2-initiated session with this SNA remote (autologon or \$S RMT). The default value of 0 indicates that LOGON2 is to be used unless it is not defined, in which case the lowest numbered logon is to be used.

### LUNAME=luname

**For SNA RJE workstations only**, specifies the logical unit name of this RJE workstation or terminal. If you specify this parameter, it must match the name defined to VTAM at system initialization.

If you use the automatic logon capability (Autolog=YES), you must specify an LUNAME= value. If the logical unit associated with the logical unit name is not the first of the terminal's logical units to logon to JES2, the LUNAME associated with the session comes from the name pointed to by the parameter list that VTAM passes to the JES2 logon exit.

### MFORM={J|M|T}

**For BSC RJE workstations only**, specifies the amount of information to be displayed in JES2 remote console messages for this RJE workstation.

- J** JES2 job-related messages including the jobname and job ID of the issuer.
- M** JES2 job-related message text only.
- T** JES2 job-related messages including a time stamp, the jobname, and job ID of the issuer.

**MRF2780={No|Yes}**

**For BSC RJE workstations only**, specifies whether (YES) or not (NO) this 2780 terminal has the multiple-record feature.

**MSGPRT={No|Yes}**

**For BSC RJE workstations**, specifies whether (YES) or not (NO) JES2 prints messages routed to a printer attached to the console of an RJE workstation.

**NO** Specifies that JES2 discards messages if the RJE workstation console is not available.

Specify NO if you would rather discard messages instead of printing them on the first available printer at the remote.

**For BSC RJE workstations**, this parameter only has meaning for an RJE workstation that does **not** have a console.

**YES** Specifies that JES2 prints messages if the remote console is unavailable. For example, the remote console might not exist, be signed on, or have enough messages queued to it to exceed the RMTMSG= parameter on the TPDEF initialization statement.

**For BSC RJE workstations**, note that once a message is spooled for an RJE workstation, that message can only be printed; it cannot be displayed on an RJE workstation console.

**MULTILV={No|Yes}**

**For BSC RJE workstations only**, specifies whether (YES) or not (NO) this RJE workstation uses the BSC multileaving interfaces. If MULTILV=YES, you must specify a multileaving workstation. MULTILV=NO defines this RJE workstation as a BSC hardware terminal.

**NUMPrt=numprt**

Specifies the number (0-7) of printers (BSC) or logical printers (SNA) at this RJE workstation or terminal. JES2 provides the defaults specified on the R(nnnn).PR(m) initialization statement.

Use the \$T R(nnnn).PR(m) command to change any characteristics of each printer.

**For BSC RJE workstations**, JES2 can use values greater than 1 only when you specify MULTILV=YES. If you specify MULTILV=NO, JES2 uses a value of NUMPRT=1. A maximum total of eight printers and punches can be defined.

**For SNA RJE workstations**, a maximum total of eight printers, punches, and a console can be specified. You must specify at least one device on the RMT(nnnn) definition.

If you do not specify a value, JES2 provides a default of NUMPRT=1. Specify NUMPRT=0 if you want no printers on this RJE workstation or terminal.

**NUMPUn=numpun**

Specifies the number (0-7) of card punches (BSC) or logical card punches (SNA) at this RJE workstation or terminal. You must specify at least one device (printer, punch, or reader) on the remote definition. JES2 provides the defaults

## \$ADD RMT(nnnnn)

specified on the R(nnnn).PU(m) initialization statement. Then you can use the \$T R(nnnn).PU(m) command to change any characteristics of each punch.

**For BSC RJE workstations**, a maximum total of eight printers and punches can be defined. If you specify MULTILV=NO and this parameter is specified greater than 1, JES2 uses only 1.

**For SNA RJE workstations**, a maximum total of eight printers, punches, and a console can be defined. SNA RJE workstations can support as many as seven reader data streams.

### NUMRDr=numrdr

Specifies the number (0-7) of card readers (BSC) or logical card readers (SNA) at this RJE workstation or terminal. SNA RJE workstations can support as many as seven reader data streams. You must specify at least one device (printer, punch, or reader) on the remote definition. JES2 provides the defaults specified on the R(nnnn).RD(m) initialization statement. Then you can use the \$T R(nnnn).RD(m) command to change any characteristics of each reader.

If you do not specify a value, JES2 provides a default of NUMRDR=1.

### Password=password

The 1 to 8 character security password used to prevent unauthorized RJE workstation users from using the resources of this RJE workstation.

If you do not specify this parameter, JES2 provides no password.

**Note:** Be certain to make a note of those passwords assigned because there is no facility for displaying the passwords in effect.

### RECFM={FIXED|VARIABLE}

**For BSC RJE workstations only**, specifies whether the data record for this terminal is fixed-length (FIXED) or variable-length (VARIABLE).

### RMT150={No|Yes}

Specifies \$HASP150 message routing as follows:

- Y** If this RJE workstation has a console, the \$HASP150 message is first sent to this console and then to the local operator.
- N** The \$HASP150 message is sent only to the local operator.

### Note:

1. For SYSTEM36 (S/36) terminals, if you specify CONS=YES, MULTILV=YES, and RMT150=YES, the remote printer pauses to ensure that the \$HASP150 message arrives at the console before the data sets begin to print.
2. For SNA RJE workstations, this parameter is valid only if CONS=YES.
3. This parameter is not valid for hardware terminals. Refer to the DEVTYPE= parameter for a list of valid hardware terminal types for SNA RJE workstations.

### Routecode=routecode

Specifies the route code (1 to 32767) assigned to this terminal and its associated printers, punches and readers. If you do not assign a Routecode= value, JES2 assigns the number of this terminal (RMT(nnnn)) as its route code.

New output created can take advantage of this route code immediately but existing output might require the \$R command to be selected by this destination.

### SETUP={MSG|PDIR}

**For SNA RJE workstations only**, specifies setup information as follows:



**MSG**

Specifies that JES2 must inform the remote operator of any setup requirements through the \$HASP190 message. After setup is complete, the operator must enter a \$S command to start JES2 transmission.

**PDIR**

Specifies that JES2 constructs and sends a peripheral data information record (PDIR) to the RJE workstation. The RJE workstation must process the data set header and generate any required messages. This setting allows spooling of data and generation of multiple copies of a data set at the RJE workstation.

**SHARable|SHAREable={No|Yes}**

**For BSC RJE workstations only**, specifies whether (YES) or not (NO) JES2 allows the LINE= parameter value to be used by other RJE workstations. (If LINE=0, JES2 ignores this parameter.)

**NO** Indicates that no other RJE workstations can specify and use the LINE= value and no /\*SIGNON JCL statement is needed to start the remote.

**YES**

Indicates that multiple RMT definitions can also specify and use (share) the line specified on LINE= and a /\*SIGNON JCL statement is required to start one of these RJE workstations.

**TRANSPAR={No|Yes}**

**For BSC RJE workstations only**, specifies whether (YES) or not (NO) this RJE workstation has the text-transparency feature. To use this feature, you must also specify TRANSPAR=YES on the LINE(nnnn) initialization statement.

**WAITIME=waitime**

The length of time in seconds (0-30), that the RJE workstation access method (RTAM) should wait after completing the processing of any input stream, printed output stream, or punched output stream to allow the operator to enter an input stream at this RJE workstation.

**For SNA RJE workstations**, if WAITIME= is set too low (note the default of 1 second), contention might occur during SNA logon processing, which results in \$HASP094 messages and the termination of the SNA session. Increase this parameter to allow the RJE workstation adequate time to respond during logon processing so that proper LU type 1 protocol is followed.

**Authority Required**

This command requires **device** authority. The description of the \$T RDRnn command explains how to ensure that the authority of the appropriate MVS system command group is assigned.

This command requires **control** security access authority. For a description of assigning command input authority, see *z/OS JES2 Initialization and Tuning Guide*.

**Scope**

**Single member.** The values supplied for this command will be in effect for this member only.

**Messages**

The \$HASP879 message displays the status of the specified RJE workstation.

## \$ADD RMT(nnnnn)

### Examples

**1** \$addrmt83,devtype=2780,transpar=n

```
$HASP879 RMT(83)  DEVTYPE=2780,STATUS=INACTIVE,BUFEXPAN=0,
                  BLOCK=YES,BUFSIZE=400,COMPRESS=NO,
                  CONDEST=83,DISCINTV=0,HTABS=NO,LINE=0
                  LOCAL190=ACTION,MFORM=T,MRF2780=NO,
                  MSGPRT=YES,MULTILV=NO,NUMPRT=1,NUMPUN=0,
                  NUMRDR=1,PASSWORD=(NOTSET),RECFM=VARIABLE,
                  RMT150=NO,ROUTECD=83,TRANSPAR=NO,WAITIME=1
```

JES2 adds BSC RJE workstation 83 with a hardware terminal that does not have the text transparency feature.

**2** \$addrmt11,devtype=lutype1,numpun=7,cons=n,numprt=1

```
$HASP879 RMT(11)  DEVTYPE=LUTYPE1,STATUS=INACTIVE,AUTOLOG=NO,
                  BUFSIZE=256,COMPACT=NO,COMPRESS=NO,
                  CONDEST=11,CONS=NO,DISCINTV=0,LINE=0,
                  LOCAL190=ACTION,LUNAME=,MFORM=T,MSGPRT=YES,
                  NUMPRT=1,NUMPUN=7,NUMRDR=1,
                  PASSWORD=(NOTSET),RMT150=NO,ROUTECD=11,
                  SETUP=MSG,START=NO,WAITIME=1
```

The results of this command are:

- JES2 creates an SNA RJE workstation with seven punches, one printer, and no console.
- Because the RJE workstation has no console, JES2 spools messages to the printer.

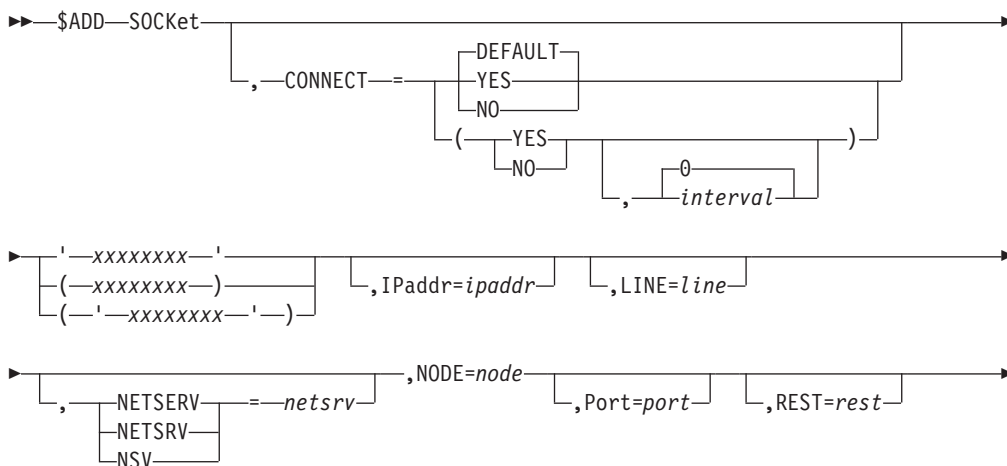
---

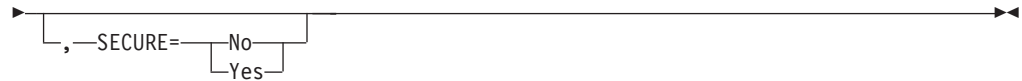
## \$ADD SOCKET(xxxxxxxx) - Add a socket

### Function

To define a SOCKET statement for use in NJE over TCP/IP. SOCKETs map an IP address and port combination to an NJE node. You can also use SOCKETs to define the IP address and port that a local NETSERV listens on.

### Syntax





## Parameters

### **CONNECT=(Yes|No|DEFAULT, *interval*)**

Specifies whether an NJE connection is automatically attempted for this socket. For the default value **DEFAULT**, processing uses the **CONNECT=(YES|NO)** value that is specified on the associated **NODE** statement. The *interval* is the approximate time (in minutes) between attempted connections. The valid range for *interval* is 0 to 1440. The default *interval* value of 0 indicates that the default interval (from **NJEDEF CONNECT=**) is used.

### **XXXXXXXX**

Specifies the 1 to 8 character name of this socket. Installations can assign any name to a **SOCKET**. You can only use it in **\$SN** commands and on **NETSERV** statements.

### **IPADDR=**

Specifies the TCP/IP address or hostname associated with this socket. The default value, **\*LOCAL**, indicates all IP addresses associated with the local machine are to be considered.

### **PORT=**

Specifies the port number associated with this socket. The default is the value associated with **VMNET** (typically 175) if **SECURE=NO**, and the value associated with **NJENET-SSL** (typically 2252) if **SECURE=YES**. The range is 0-32767.

### **LINE=**

Specifies a TCP/IP line which is to be dedicated to this socket.

### **NODE=**

Specifies the NJE node associated with this socket. Both the symbolic name and the corresponding numeric value are valid.

### **NETSRV=**

Specifies the device number of the **NETSRV** to be used when connecting to this remote socket. **\$ADDSOCKET** and **\$ADDNETSRV** commands are interdependent. You can enter a non-existent **netshr** value in the **\$ADDSOCKET** command, if the **netshr** value is created before the connection is established.

### **REST=**

Specifies the resistance associated with the socket. The default value is 0.

### **SECURE=YES|NO**

Specifies whether (YES) or not (NO) SSL/TLS is to be used when communicating with this socket.

#### **YES**

Indicates that SSL/TLS is to be used when communicating with this socket.

**NO** Indicates that SSL/TLS is not to be used when communicating with this socket.

## \$ADD SOCKET(xxxxxxx)

### Authority Required

This command requires **system** authority. The description of the \$T RDRnn command explains how to ensure that the authority of the appropriate MVS system command group is assigned.

This command requires **control** security access authority. For a description of assigning command input authority, see *z/OS JES2 Initialization and Tuning Guide*.

### Scope

**Single member.** The values supplied for this command will be in effect for this member only.

### Messages

\$HASP897

### Examples

```
$addsock(POK1),ipaddr=poughkeepsie.ibm.com,port=175,node=35
$HASP897 SOCKET(POK1)
$HASP897 SOCKET(POK1) IPADDR=POUGHKEEPSIE.IBM.COM,PORT=175,
$HASP897             SECURE=NO,LINE=0,NODE=35,REST=0,
$HASP897             NETSRV=0
```

---

## \$ADD SRVCLASS(name) - Add a new permanent service class element

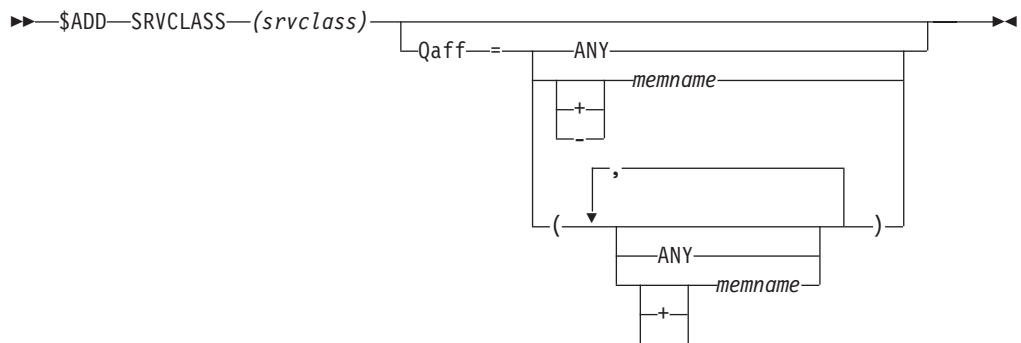
### Function

To add a new permanent service class element that corresponds to a WLM service class. JES2 maintains two types of service classes. Dynamic service classes are created when a job enters the system and the service class assigned to that job is not currently known. Dynamic service classes are deleted when there are no longer any pre-execution jobs in that class and a timer has expired.

Permanent service classes are created with either the \$ADD or \$T SRVCLASS command. JES2 permanent service classes are never deleted.

The class specified cannot match the class name of any existing JES2 SRVCLASS statement, no matter permanent or dynamic.

### Syntax



**Parameters****Qaff=sysaff**

Specifies which members a particular service class is on. A member list can be a combination of the following keywords separated by commas. The default value of this parameter is ANY, which specifies that the service class is on all members.

**ANY**

This service class is on all members in the JES2 multi-access spool configuration.

**+|-memname|\***

The *memname* (one to four characters) to be added to (+) or deleted from (-) the current list of members that this service class is on. If neither + nor - is specified, the affinities of the service class are set explicitly to the specified members. '\*' specifies the member the command was issued on.

**Authority Required**

This command requires **system** authority. The description of the \$T RDRnn command explains how to ensure that the authority of the appropriate MVS system command group is assigned.

This command requires **control** security access authority. For a description of assigning command input authority, see *z/OS JES2 Initialization and Tuning Guide*.

**Scope**

**MAS-wide.** This command displays information about the entire MAS.

**Messages**

\$HASP889

**Example****\$ADD SRVCLASS(DISCRETN)**

```
$HASP889 SRVCLASS(DISCRETN) QAFF=(ANY),TYPE=PERMANENT,
$HASP889 MASCOUNT=(INITS=0,ACTIVE=0)
```

This command registers a service class on JES2's behalf. The service class (DISCRETN) must be defined to WLM.

---

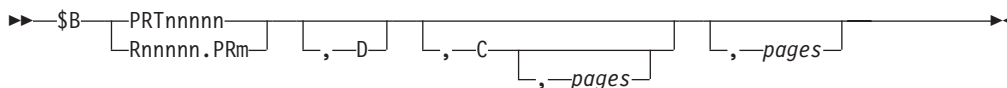
## **\$B PRT(nnnnn) and \$B R(nnnnn).PR(m) - Logically backspace printer output**

**Function**

To backspace printer output a specified number of pages, to the beginning of a data set, or to the most recent checkpoint.

## \$B PRT(nnnnn) and \$B R(nnnnn).PR(m)

### Syntax



### Parameters

#### *nnnnn*

For **PRT**, the identifier of the local printer (1-32767) to backspace output on.  
For **R**, the identifier of the remote workstation (1-32767) that is attached to printer *m* (1-7).

*m* The identifier of the printer (1-7) that is attached to the remote workstation **Rnnnnn** (1-32767).

**C** Output is backspaced to the most recent checkpoint. JES2 assumes that all data up to the most recent checkpoint has printed successfully. Backspacing to the most recent checkpoint is the only way JES2 can ensure no loss of data for remote printers.

You can also specify *pages* with **C**, which causes JES2 to backspace the data set *pages* further than the most recent checkpoint.

**D** Output is backspaced to the beginning of the data set. Printing resumes at the beginning of the data set.

#### **pages**

Specifies the number of pages, or for FSS printers, the number of sides, that the output is to be backspaced. For FSS devices, this can be up to 8 digits in length (1-99999999). For other devices, it can be up to 4 digits in length (1-9999).

If you are using an impact printer and you specify *pages* for data sets with a line count of zero and no channel skips, JES2 backspaces the output to the beginning of the data set. This happens regardless of the value specified for *pages* (The line count for a data set is specified by the LINECT parameter on the PRINTDEF initialization statement or the LINECT parameter on the /\*JOBPARM JES2 control statement, /\*OUTPUT JES2 statement, in the JOB statement accounting field, or on the OUTPUT JCL statement.)

For the 3800 printer running in JES mode, specifying 1-9999 causes backspacing of the output for the specified number of physical pages.

For FSS mode devices, specifying 1-99999999 causes backspacing of the output for the specified number of sides. When simplex printing, there is one side per sheet of paper. When duplex printing, there are two sides per sheet of paper.

Each page in a copy group (a collection of contiguous pages representing multiple copies of a data set to be printed) is counted as a separate page. You can backspace all the way to the beginning of the data that is currently being stacked. Because multiple jobs can be active concurrently on the 3800, the backspace could require crossing data set or job boundaries.

### Authority Required

This command requires **device** authority. The description of the \$T RDRnn command explains how to ensure that the authority of the appropriate MVS system command group is assigned.

This command requires **update** security access authority. For a description of assigning command input authority, see *z/OS JES2 Initialization and Tuning Guide*.

### Processing Considerations

- If you omit *D*, *C*, and *nnnnn*, one page is the default backspace.
- For data sets with no channel skips and a line count of zero, you specify the number of lines in a page by either:
  - The CKPTLNS parameter on the /\*OUTPUT JES2 statement.
  - The CKPTLINE parameter on the PRT*nnnnn* and R*nnnnn*.PR*m* initialization statements, the OUTPUT JCL statement, or using the \$T device command.
- The amount of output between checkpoints is controlled by either:
  - The CKPTLNS and CKPTPGS parameters on the /\*OUTPUT JES2 statement.
  - The CKPTLINE and CKPTPAGE parameters on the PRT*nnnnn* and R*nnnnn*.PR*m* initialization statements, the OUTPUT JCL statement, or using the \$T device command.
- Restarted output that is selected by an FSS printer controlled by PSF cannot be backspaced beyond the point of interruption.
- For the 3800 printer, the backspacing is relative to the page that is visible at the transfer station.
- The \$B command is useful if a printer jam causes one line to be overprinted multiple times. After you clear the jam, you can backspace to a point in the data set before the printer jam and resume printing.
- For impact printers, the number of pages to backspace is affected by channel skips. JES2 counts all channel skips as new pages.

**Note:** The printer must be physically stopped before entering a backspace command for that printer in order to maintain proper line count displays through \$DU,PRT*x*.

### Scope

**Single member.** The values supplied for this command will be in effect for this member only. There is no need to have this command issued to all members of the MAS.

### Messages

The \$HASP170 message displays the status of output processing on the specified printer.

### Examples

**1** \$b r9.pr1,c

\$HASP170 R9.PR1 BACKSPACED

JES2 backspaces the output on printer 1 of remote 9 to the most recent checkpoint. If no checkpoint exists, or if the page currently being printed precedes the most recent checkpoint (this can happen if the data set was previously repositioned behind the most recent checkpoint by another \$B command), JES2 backspaces the output to the beginning of the data set. For example, if the most recent checkpoint was taken at the top of page 145 but the printer is currently printing page 141, JES2 will backspace the output to the beginning of the data set.

## \$B PRT(nnnnn) and \$B R(nnnnn).PR(m)

**2** \$b r11.pr1,c,10

\$HASP170 R11.PR1 BACKSPACED

JES2 backspaces the output on printer 1 of remote 11 ten pages behind the most recent checkpoint. If no checkpoint exists, or if the page currently being printed precedes the most recent checkpoint, JES2 backspaces the output to the beginning of the data set.

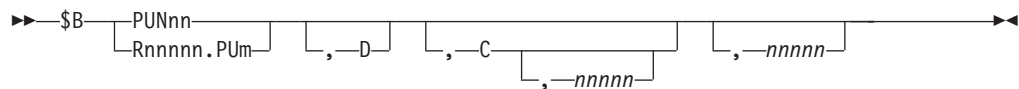
---

## \$B PUN(nn) and \$B R(nnnnn).PU(m) - Logically backspace punch output

### Function

To backspace punch output a specified number of cards, to the beginning of a data set, or to the most recent checkpoint.

### Syntax



### Parameters

*nn* The identifier of the local punch (1-99) on which JES2 backspaces output.

*nnnn*

The output is backspaced *nnnn* (1-9999) cards.

*nnnnn*

The identifier of the remote workstation **R** (1-32767) that is attached to punch *m* (1-7).

*m* The identifier of the punch (1-7) that is attached to the remote workstation **Rnnnnn** (1-32767).

**C** The output is backspaced to the most recent checkpoint. JES2 assumes that all data up to the most recent checkpoint has punched successfully. Backspacing to the most recent checkpoint is the only way JES2 can ensure no loss of data for remote punches.

You can also specify *nnnn* with **C**, which causes JES2 to backspace the output *nnnn* cards further than the most recent checkpoint.

**D** The output is backspaced to the beginning of the data set. Punching resumes at the beginning of the data set.

### Authority Required

This command requires **device** authority. The description of the \$T RDRnn command explains how to ensure that the authority of the appropriate MVS system command group is assigned.

This command requires **update** security access authority. For a description of assigning command input authority, see *z/OS JES2 Initialization and Tuning Guide*.



## Processing Considerations

- If you omit *D*, *C*, and *nnnn*, one card is the default backspace.
- The amount of output between checkpoints is controlled by either:
  - The CKPTLNS and CKPTPGS parameters on the /\*OUTPUT JES2 statement.
  - The CKPTLINE and CKPTPAGE parameters on the PRT*nn* and R*nn*.PRM initialization statements, the OUTPUT JCL statement, or using the \$T device command.
- The \$B command is useful if a punch jam causes a loss of punched cards. After you clear the jam, you can backspace to a point in the data set before the punch jam and resume punching.

## Scope

**Single member.** The values supplied for this command will be in effect for this member only. There is no need to have this command issued to all members of the MAS.

## Messages

The \$HASP170 message displays the status of output processing on the specified punch.

## Examples

**1** \$b r9.pu1,c

\$HASP170 R9.PU1 BACKSPACED

JES2 backspaces the output on punch 1 of remote 9 to the most recent checkpoint. If no checkpoint exists, or if the card currently being punched precedes the most recent checkpoint (this can happen if the punch was previously repositioned behind the most recent checkpoint by another \$B command), JES2 backspaces the output to the beginning of the data set. For example, if the most recent checkpoint was taken at card 250 and card 245 is currently being punched, JES2 will backspace the output to the beginning of the data set.

**2** \$b r11.pu1,c,10

\$HASP170 R11.PU1 BACKSPACED

JES2 backspaces the output on punch 1 of remote 11 ten cards behind the most recent checkpoint. If there is no checkpoint, or if the card currently being punched precedes the most recent checkpoint, JES2 backspaces the output to the beginning of the data set.

---

## \$C A - Cancel automatic commands

### Function

To cancel the processing of all or specified automatic command entries and delete those entries.

### Syntax

▶▶ \$C A [ ,ALL ] [ cccc ] ▶▶

## Parameters

### ALL

JES2 cancels the processing of all automatic command entries you are authorized to cancel and deletes those entries.

**Note:** Put a comma before this parameter.

### cccc

The 1 to 4 character identifier of an automatic command entry. JES2 cancels the processing of the specified command entry and then deletes the entry.

**Note:** Do **not** put a comma before this parameter.

## Authority Required

This command requires **system** authority. The description of the \$T RDRnn command explains how to ensure that the authority of the appropriate MVS system command group is assigned.

This command can be issued with varying security access authorities. For a description of assigning command input authority, see *z/OS JES2 Initialization and Tuning Guide*.

## Scope

**Single member.** The values supplied for this command will be in effect for this member only.

Depending on your installation's setup, however, you might want this command to be applied to all members of the MAS (to ensure a consistent environment across the MAS). If so, you can use the MVS ROUTE \*ALL command to issue this command to all active members (if the JES2 command character is the same on all members). See *z/OS MVS System Commands* for more information on using the ROUTE \*ALL command.

## Messages

The \$HASP000 message indicates JES2 has accepted the command.

## Examples

**1** \$c a,a11

\$HASP000 OK

JES2 cancels the processing of all automatic command entries you are authorized to cancel and then deletes those entries.

**2** \$c a5

\$HASP000 OK

JES2 cancels the processing of all automatic command entries associated with character identifier 5.

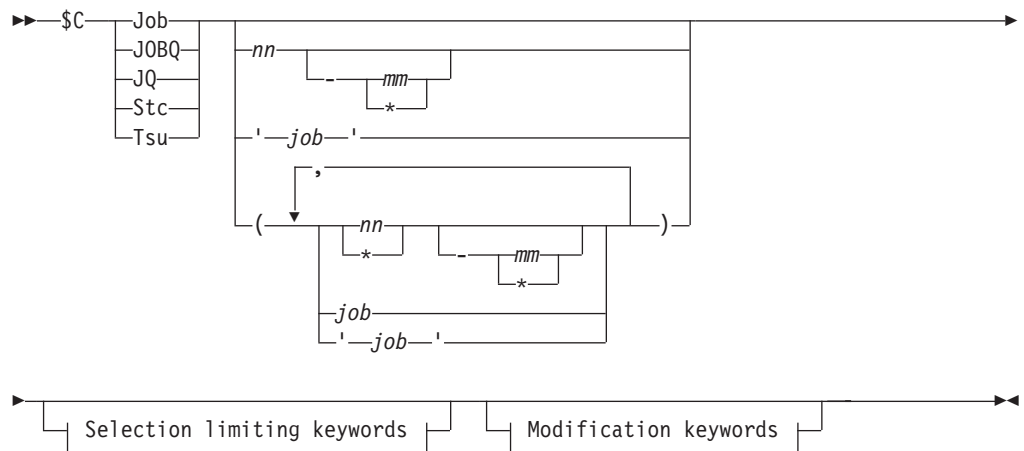
## \$C Job - Cancel a job

### Function

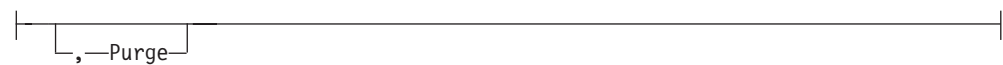
To perform the following functions:

- Cancel jobs or TSU sessions on any member of the MAS and, if desired, provide a storage dump.
- Immediately cancel jobs, STCs, or TSU sessions currently waiting for, or actively in, conversion.
- Cancel the output of jobs, started tasks, or TSU sessions on any member in the MAS.

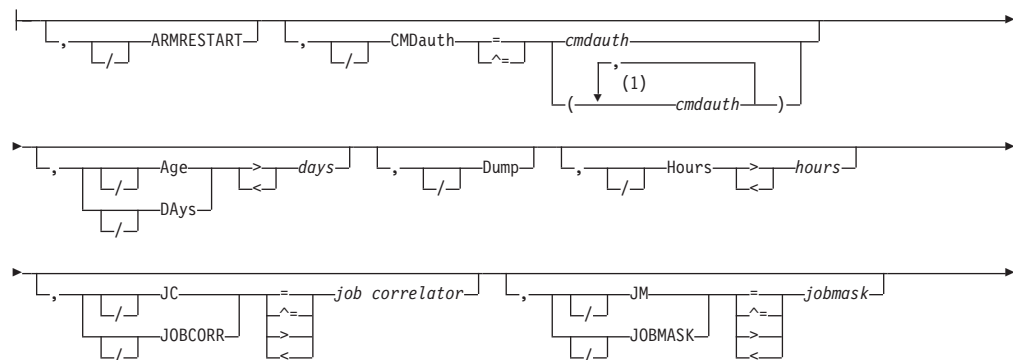
### Syntax



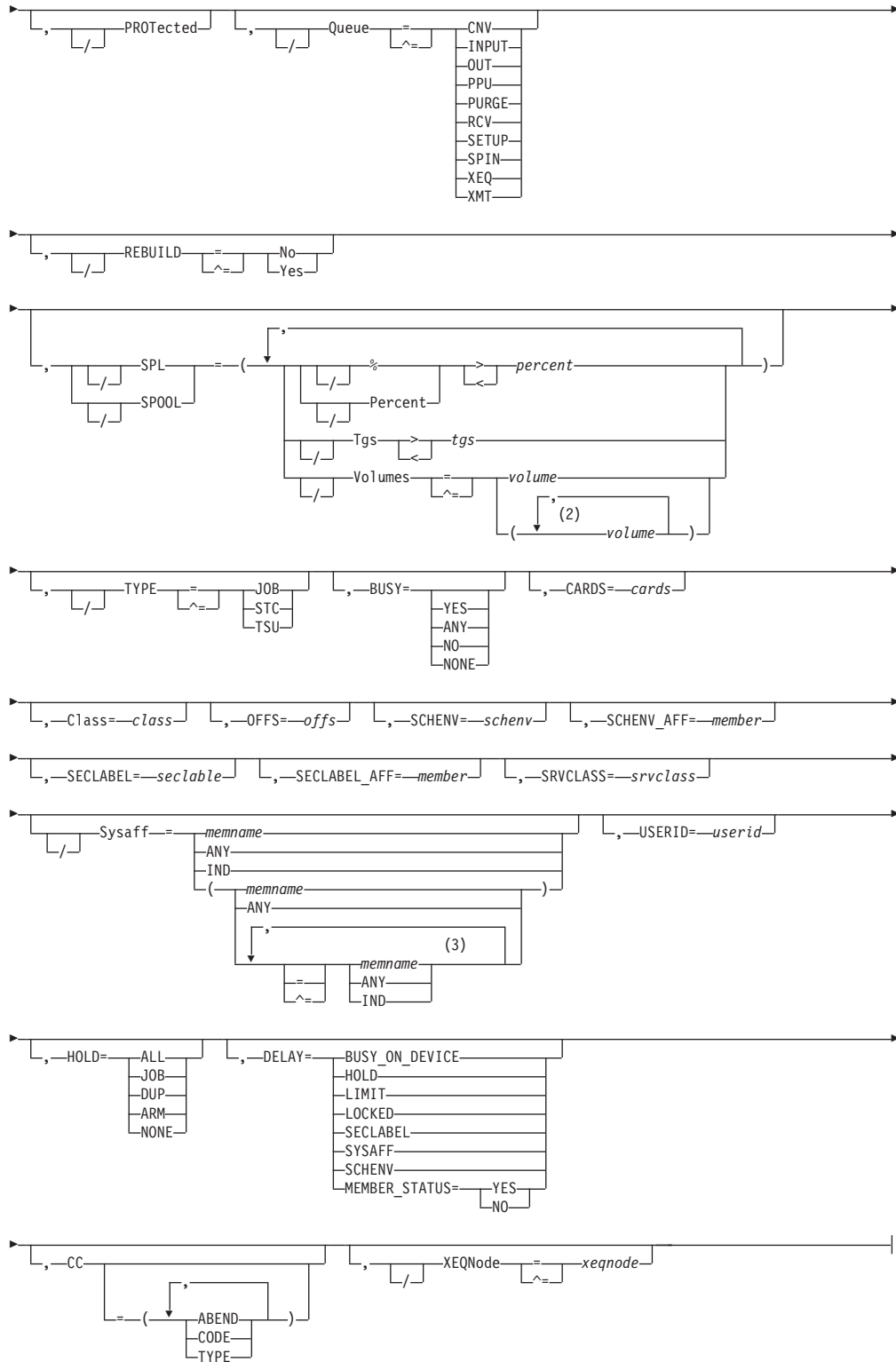
### Modification keywords:



### Selection limiting keywords:



# \$C Job



## Notes:

- 1 *cmdauth* can be coded up to 2 times
- 2 *volume* can be coded up to 253 times
- 3 Multiple *Sysaff* values can be coded up to 33 times

## Parameters

### Age|DAys<days | Age|DAys>days

Specifies the age of affected jobs in days. Only jobs more (with DAYS>nn) or less (with DAYS<nn) than the specified number of days in age are affected, The days are counted from the current hour.

### ARMRESTART

Specify ARMRESTART to request that the automatic restart management automatically restart each specified job after it is cancelled, if that job is registered with the automatic restart management. ARMRESTART is ignored if the job is not executing or is not registered with the automatic restart management.

ARMRESTART is mutually exclusive with PURGE.

### BUSY=

Specifies one of the following:

- The system name or number on which the job is busy. Note that you can specify a value of 0 to indicate the job is not busy. You can also specify values above 32 to match systems with invalid values in the BUSY value (for example, \$CJOBQ,BUSY>32)
- YES or ANY, indicating that all busy jobs are to match
- NO or NONE, indicating that all non-busy jobs are to match

### CARDS=cards

Specifies the number of input cards associated with the job.

**CC=(ABEND|ABENDED|CANce1led|CNVT\_abend|CODE|COMPLeted|ENDEd\_by\_cc|EOM\_failure|JCLerror|SECurity\_failure|TYPE)**  
Specifies the completion information associated with the job.

### ABENDED

Specifies only jobs which have abnormally ended.

### ABEND

Specifies the ABEND code associated with the job's termination.

### CANce1led

Specifies only jobs which were cancelled by the operator.

### CNVT\_abend

Specifies only jobs which have abnormally ended during the conversion phase.

### CODE

Specifies the last (or highest) completion code of steps in the job.

### COMPLeted

Specifies only jobs which completed.

### ENDEd\_by\_cc

Specifies only jobs which were ended by a step completion code.

### EOM\_failure

Specifies only jobs which failed in end-of-memory processing.

### JCLerror

Specifies jobs which did not execute due to a JCL error.

### SECurity\_failure

Specifies jobs which failed security validation.

**Class=class**

Specifies a job class used to select a subset of jobs that have a matching job class. Wildcard characters can also be specified: see "Using wildcards" on page 108 for details.

**CMDauth=(auth1{,auth2})**

Only the jobs that can be affected from the specified remote(s) or node(s) will be cancelled. The valid specifications are:

**LOCAL|ANYLOCAL**

Only the local devices at the local node can affect the output.

**Nnnnn|nodename**

Only local devices at the specified node can affect the output.

**Rnnnn**

Only the specified remote device can affect the output.

**NnnnnRnnnn|nodename.Rnnnn**

Only the specified remote device at the specified remote node can affect the output.

**destid**

A destid corresponding to any of the above remote devices.

**Note:** Specification of the CMDAUTH filter does not override the authority of the console from which the command is issued; both the authority of the console and the specified CMDAUTH filter must match for the job to be affected.

**DELAY={BUSY\_ON\_HOLD|HOLD|LIMIT|LOCKED|  
No|QUEUE\_ERROR|SCHENV|SECLABEL|SPOOLS\_NOT\_AVAILABLE|SYSAFF|  
MEMBER\_STATUS|Yes}**

Specifies reasons why a pre-execution job will not enter execution:

**BUSY\_ON\_DEVICE**

The job does not execute because it is busy on a device (such as an offload job transmitter).

**HOLD**

The job does not execute because it is held, its job class is held, or another job with the same jobname is executing.

**LIMIT**

The job does not execute because the job class execution limit has been reached (as specified by JOBCLASS XEQCOUNT=(MAX=)).

**LOCKED**

The job does not execute because it's being updated by JES2.

**SECLABEL**

The security label (SECLABEL) assigned to the job is not defined as active on any member that is active.

**SYSAFF**

Each of the members for which the job has affinity (SYSAFF) is inactive, or the job has specified independent state, and the JES2 member is not independent (IND=NO).

**SCHENV**

The job's scheduling environment is not available on any member, or is available only on systems where JES2 is inactive. Use the \$DJ'jobname',LONG command to find out what scheduling environment a

job requires. Then use the `D WLM,SCHENV=schenv-name` command to find out the current status of the scheduling environment on each system in the sysplex.

The SCHENV state masks other reasons why the job might be ineligible to run, such as the `$P` and `$P XEQ` commands having been issued. Also, note that the SCHENV delay is detected only after a job goes through conversion. If a job is delayed prior to conversion because of system affinity requirements, scheduling environments are not considered in determining delay status.

**MEMBER\_STATUS**

A combination of system affinity, scheduling environment and SECLABEL restrictions is preventing the job from running or other member events prevent the job from running on systems where the job is otherwise eligible. These events on other members include the following:

- `$P` command has been issued
- `$P XEQ` command has been issued
- `BOSS=NO` (used in a poly-JES environment only)

When used as a command filter, the string `MEMBER_STATUS` matches jobs delayed for `SYSAFF`, `SCHENV`, `SECLABEL`, or `MEMBER_STATUS`. To get detail on why a job is delayed, display job status with the `$DJ'jobname'`, `LONG` command or display member status with the `$DJMEMBER(member-name)` command.

**Yes**

Specifies only jobs which are delayed for any of the above reasons.

**No** Specifies only jobs which are not delayed for any of the above reasons.

**Dump|D**

If the job is waiting for conversion, actively in conversion, or in execution, `JES2` provides a storage dump.

**HOLD=**

Specifies the hold status of the job.

**ALL**

Specifies jobs held by the `$H A` command.

**JOB**

Specifies jobs held by the `$H J` command, `TYPRUN=HOLD`, `TYPRUN=JCLHOLD`, or held due to error.

**DUP**

Specifies jobs held for duplicate job name.

**ARM**

Specifies jobs which are held awaiting restart through `ARM`.

**NONE**

Specifies jobs which are not held.

**Hours=hours**

Specifies the age of affected jobs in hours. Only jobs more (with `HOURS>nn`) or less (with `HOURS<nn`) than the specified number of hours in age are affected.

**JC|JOBCORR=job correlator**

Specifies a combination of 1-64 alphanumeric, special (colon, period or

underscore) and wildcard characters that can be used to select a subset of jobs that have a matching job correlator. For a description of wildcard characters, refer to “Using wildcards” on page 108.

**JM|JOBMASK=jobmask**

Specifies 1 to 8 alphanumeric, special (\$, #, or @) or wild card characters (or a combination of them) that can be used to select a subset of jobs whose job name matches this combination of characters (mask). For additional information, see “Using wildcards” on page 108.

**job**

Specifies 1 to 8 alphanumeric, special (\$, #, or @) or wildcard characters. (or a combination of them) that can be used to select a subset of jobs whose job name matches this combination of characters (mask). For additional information, see “Using wildcards” on page 108.

**'job'**

The name of the job that is cancelled. This name must appear as coded on the JOB statement and must be enclosed in apostrophes. If more than one job exists with this name, no action is taken.

**Job**

A batch job or range of batch jobs is to be cancelled.

**JOBQ|JQ**

Specifies *all* jobs, STCs, and TSUs across the MAS for processing.

**OFFS=offs**

Specifies offload device numbers on which the job has been archived.

**PROTECTED**

Indicates that **all** output groups, including output groups that have been specified 'protected', should be purged. The 'protected' attribute is assigned to programs running in a transactional environment such as APPC or OMVS, where the transaction output is associated with the initiators like ASCHINIT or BPXAS. The 'protected' attribute for output can also be assigned to jobs by JES2 installation exits. This parameter is only valid when used with the PURGE parameter.

**Purge**

JES2 purges the job output.

**Note:**

1. The P operand must be specified to terminate jobs that are already in the output phase.
2. \$C with the P operand will not purge a job with affinity to an inactive processor until the job's affinity has been changed with the \$TJ,S= command.
3. If the TSO/E user has affinity to an inactive member, the TSO/E notify message will not be issued when you specify the P operand.
4. \$C with the P operand is ignored for output that is active on an FSS printer.

PURGE is mutually exclusive with ARMRESTART.

**Queue={CNV|INPUT|OUT|PPU|PURGE|RCV| SETUP|SPIN|XEQ|XMT}**

Only jobs on the specified job queue are to be cancelled.

**CNV**

Only jobs awaiting conversion are to be cancelled.



**INPUT**

Only jobs on the JES2 \$INPUT queue are to be cancelled.

**OUT**

Only jobs awaiting output processing are to be cancelled.

**PPU**

Only jobs awaiting print/punch processing are to be cancelled.

**PURGE**

Only jobs awaiting purge processing are to be cancelled.

**RCV**

Only jobs on the JES2 \$RECEIVE queue are to be cancelled.

**SETUP**

Only jobs on the JES2 \$SETUP queue are to be cancelled.

**SPIN**

Only jobs awaiting spin processing are to be cancelled.

**XEQ**

All jobs awaiting execution and in execution are to be cancelled.

**XMT**

Only jobs queued for network transmission are to be cancelled.

**SCHENV=schenv**

Specifies the scheduling environment associated with the job.

**SCHENV\_AFF=member**

Specifies the JES2 MAS members on which the scheduling environment for this job is available.

**SECLABEL\_AFF=member**

Specifies the JES2 MAS members on which the SECLABEL for this job is available but only if the RACF SECLABEL\_BY\_SYS is also active.

**SECLABEL=seclabel**

Specifies the security label associated with the job.

**SPL|SPOOL={Percent|%|Tgs|Volumes}**

Only jobs with specific SPOOL characteristics are to be cancelled:

**Percent|%**

Only jobs using more (with %>nn) or less (with %<nn) than the specified percentage of the total available spool space are to be cancelled.

**Tgs**

Only jobs using more (with Tgs>nn) or less (with Tgs<nn) than the specified number of track groups are to be cancelled.

**Volumes=(v1,v2,...)**

Only jobs which have allocated spool space on the specified spool volume(s) are to be cancelled.

**SRVCLASS=srvclass**

Specifies the service class of the job. The service class is available for batch jobs only. It is not available for started tasks or time-sharing users.

**Note:** The default workload manager (WLM) policy assigns a service class of blanks to all jobs, and WLM-managed initiators can then select such jobs for processing.

### Stc

A started task or range of started tasks is to be cancelled.

**Note:** Started tasks can be cancelled with the \$C command:

- If they are waiting for conversion
- If they are currently in conversion
- After they have completed execution.

To cancel a started task in execution, you must use the MVS CANCEL command.

### Sysaff

Specifies jobs to process based on this system affinity. Up to 33 entries can be coded by using a combination of the following values:

#### memname

Specifies the identifier (1 to 4 alphanumeric characters) of a member in the JES2 multi-access spool configuration that a job has in its system affinity list.

**ANY** Specifies jobs that are eligible to run on any member in the JES2 multi-access spool configuration. If you specify ANY followed by the IND parameter, they must be separated by a comma and the list must be enclosed in parentheses, for example, (ANY,IND).

**IND** Specifies the job that is selected and must be executed on a processor operating in independent mode.

### Tsu

A time-sharing user or range of time-sharing users is to be cancelled.

#### TYPE={JOB|STC|TSU}

Indicates whether only batch jobs (JOB), started tasks (STC), or time-sharing users (TSU) are to be cancelled.

#### USERID=userid

Specifies the userid associated with the job.

#### XEQNode=xeqnode

Only jobs which are destined to execute at the specified node, or which have already executed at the specified node, are to be cancelled. The node name may be specified using the decimal node number (Nnnnnn) or an EBCDIC node name.

## Authority Required

This command requires **job** authority. The description of the \$T RDRnn command explains how to ensure that the authority of the appropriate MVS system command group is assigned.

This command requires **update** security access authority. For a description of assigning command input authority, see *z/OS JES2 Initialization and Tuning Guide*.

## Processing Considerations

- If the job does not cancel, reenter the command.
- \$C cannot cancel messages that are either being spooled for a remote or being printed by a remote.

- When canceling jobs or TSUs in execution, the \$C command results in an MVS CANCEL command. This allows other subsystems to monitor the canceling of jobs and, if necessary, take appropriate action.  
The MVS CANCEL command may also be used to cancel jobs in execution but the MVS command must be entered on the system where the job is running; therefore, using the \$C command gives you more flexibility.
- When canceling a TSU or STC that is waiting for conversion, or actively in conversion, the \$C command must be entered on the same member where the TSU or STC is active.
- When canceling a job, TSU or STC that is waiting for, or actively in conversion, with the DUMP parameter also specified, be aware that the dump produced will be processed using Dump Analysis and Elimination (DAE).
- For additional capabilities, refer to the descriptions of MVS CANCEL and STOP in *z/OS MVS System Commands*.

## Scope

**MAS-wide.** This command has an effect across the entire MAS.

## Messages

The \$HASP890 message displays the status of the job.

The \$HASP003 message indicates that you have issued the \$C JOB command to cancel the specified job(s) without issuing the ,PROTECTED operand.

## Examples

**1** \$c j3

```
JOB00003 $HASP890 JOB(INFN2)
$HASP890 JOB(INFN2) STATUS=(EXECUTING/SPLB),CLASS=A,
$HASP890 PRIORITY=15,SYSAFF=(SPLB),HOLD=(NONE),
$HASP890 CANCEL=YES
JOB00003 $HASP395 INFN2 ENDED
$HASP309 INIT 1 INACTIVE ***** C=ABCDEFGHI
```

JES2 cancels job 3.

**2** \$cj 'inf1',d

```
JOB00032 $HASP890 JOB(INFN2)
$HASP890 JOB(INFN2) STATUS=(EXECUTING/SPLB),CLASS=A,
$HASP890 PRIORITY=15,SYSAFF=(SPLB),HOLD=(NONE),
$HASP890 CANCEL=YES
JOB00032 IEA995I SYMPTOM DUMP OUTPUT
SYSTEM COMPLETION CODE=122
TIME=21.15.51 SEQ=00037 CPU=0000 ASID=0013
PSW AT TIME OF ERROR 078D2000 00006EEE ILC 2 INTC 14
ACTIVE LOAD MODULE=GO ADDRESS=00006EB8 OFFSET=00000036
DATA AT PSW 00006EE8 - 80006F50 0A144110 00014120
GPR 0-3 000001C0 00000001 00000001 009F69A4
GPR 4-7 009F6980 009F3E88 009D3FF8 FD000000
GPR 8-11 009FF1D0 809F3BA8 00006F08 009F3E88
GPR 12-15 40006EBE 00006F08 40006EE8 00000000
END OF SYMPTOM DUMP
JOB00032 $HASP375 INFN1 ESTIMATED LINES EXCEEDED
JOB00032 $HASP375 INFN1 ESTIMATE EXCEEDED BY 2,000 LINES 1%
SPOOL
JOB00032 IEF450I INFN1 GO STEP1 - ABEND=S222 U0000 REASON=00000 000
```

## \$C Job

```
                TIME=21.16.25
JOB00032 $HASP395 INFN1      ENDED
                $HASP099 ALL AVAILABLE FUNCTIONS COMPLETE
```

JES2 cancels the job named INFN1, which is currently in execution, and issues a storage dump.

**3** \$CJ100-105,JM=?EBG\*

```
JOB00102 $HASP890 JOB(IEBGENER)
$HASP890 JOB(IEBGENER) STATUS=(AWAITING OUTPUT),CLASS=A,
$HASP890                PRIORITY=1,SYSAFF=(ANY),HOLD=(NONE),
$HASP890                CANCEL=YES
JOB00103 $HASP890 JOB(IEBGENEZ)
$HASP890 JOB(IEBGENEZ) STATUS=(AWAITING OUTPUT),CLASS=A,
$HASP890                PRIORITY=1,SYSAFF=(ANY),HOLD=(NONE),
$HASP890                CANCEL=YES
```

JES cancels jobs that fall within the range of jobs 100-105, whose job name includes EBG as the second, third and fourth characters.

**4** \$c jobq,jc=\*:branchbankxyz,purge

```
$HASP890 JOB(D15USER2) STATUS=(AWAITING PURGE),CLASS=A,
$HASP890                PRIORITY=1,SYSAFF=(ANY),HOLD=(NONE),
$HASP890                PURGE=YES,CANCEL=YES
JOB00101 $HASP890 JOB(D15USER3)                                C
$HASP890 JOB(D15USER3) STATUS=(AWAITING PURGE),CLASS=A,
$HASP890                PRIORITY=1,SYSAFF=(ANY),HOLD=(NONE),
$HASP890                PURGE=YES,CANCEL=YES
JOB00102 $HASP890 JOB(D15USER4)                                C
$HASP890 JOB(D15USER4) STATUS=(AWAITING PURGE),CLASS=A,
$HASP890                PRIORITY=1,SYSAFF=(ANY),HOLD=(NONE),
$HASP890                PURGE=YES,CANCEL=YES
JOB00102 $HASP250 D15USER4 PURGED -- (JOB KEY WAS C88BCDC2)
JOB00100 $HASP250 D15USER2 PURGED -- (JOB KEY WAS C88BCDC0)
JOB00101 $HASP250 D15USER3 PURGED -- (JOB KEY WAS C88BCDC1)
```

JES2 cancel all batch jobs, STCs, and TSUs with the job correlator user portion BRANCHBANKXYZ and then purges the job output.

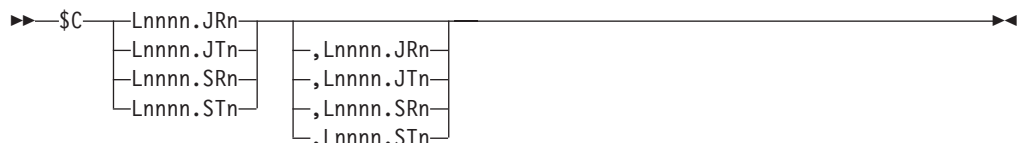
---

## \$C Lnnnn.xxn - Cancel NJE device activity

### Function

To cancel a job or SYSOUT data currently being received or transmitted over an NJE line.

### Syntax



### Parameters

#### Lnnnn.JRn

The job receiver on line nnnn currently receiving the job. JES2 immediately queues the job for output. Any subsequent data for the job is ignored until JES2 reaches the end of the current file.

**Lnnnn.JTn**

The job transmitter on line nnnn currently transmitting the job. JES2 stops transmission of the job and immediately queues the job for output.

**Lnnnn.SRn**

The SYSOUT receiver on line nnnn currently receiving the SYSOUT data. JES2 purges the data already received, and any subsequent data is ignored until end of file.

**Lnnnn.STn**

The SYSOUT transmitter on line nnnn currently transmitting the SYSOUT data. JES2 stops the current transmission and purges the SYSOUT data.

**Authority Required**

This command requires **device** authority. The description of the \$T RDRnn command explains how to ensure that the authority of the appropriate MVS system command group is assigned.

This command requires **update** security access authority. For a description of assigning command input authority, see *z/OS JES2 Initialization and Tuning Guide*.

**Processing Considerations**

Because cancellation of receivers does not stop actual transmission of data, the operator at the receiving node can elect to cancel job or SYSOUT reception by having the operator at the transmitting end cancel the transmitter.

**Scope**

**Single member.** The values supplied for this command will be in effect for this member only. There is no need to have this command issued to all members of the MAS.

**Messages**

\$HASP523 indicates the job, which was being transmitted by the job transmitter, has been cancelled.

\$HASP533 indicates the job that has been cancelled for the SYSOUT transmitter.

\$HASP543 indicates that the job has been cancelled for either the SYSOUT receiver or the job receiver.

\$HASP545 indicates that the job has been cancelled for the network SYSOUT receiver or the network job receiver.

**Example**

```
1 $c 14.jr1
```

```
JOB00005 $HASP543 MYJOB L4.JR1 DELETED
```

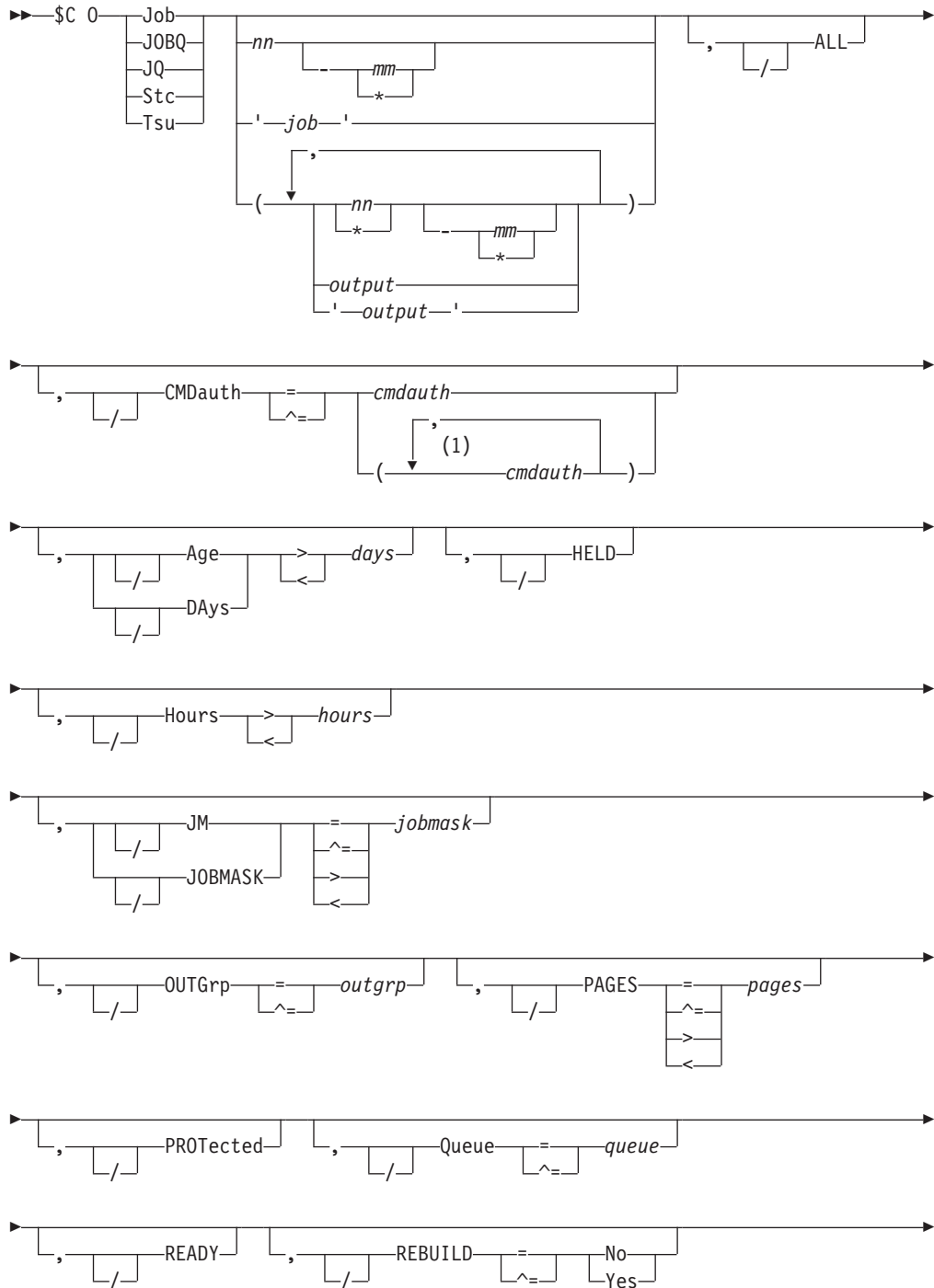
JES2 queues the job currently being received by job receiver 1 on line 4 for output. Any subsequent data for the job is ignored until end of file.

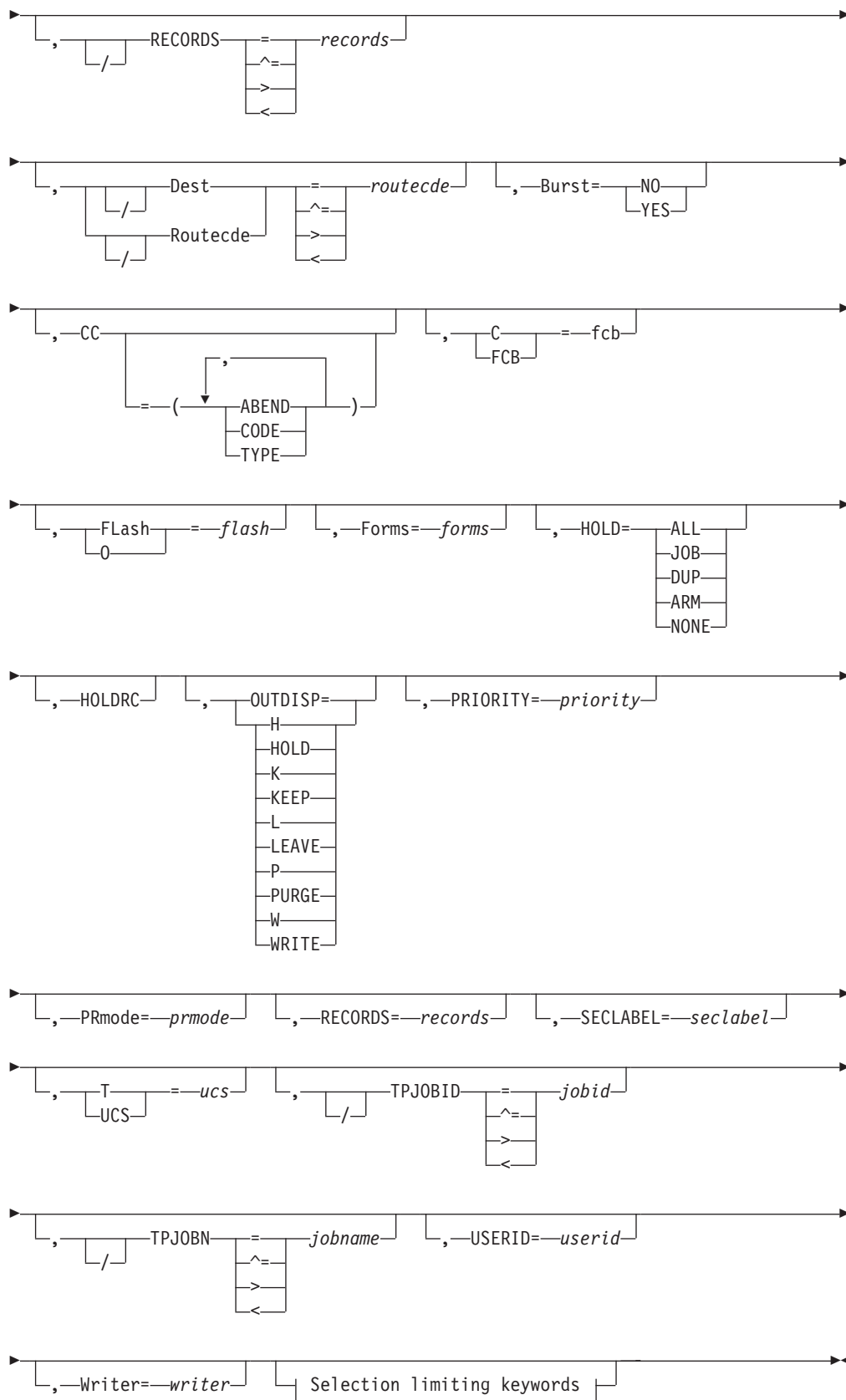
## \$C O Job - Cancel output

### Function

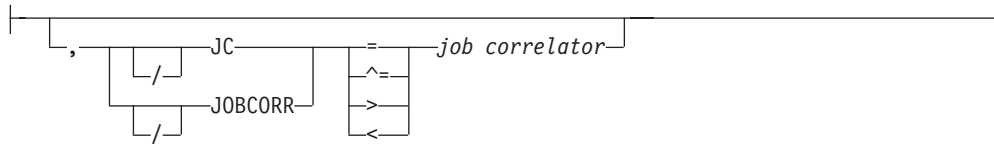
To cancel specific output groups or individual job output elements created by a job.

### Syntax





**Selection limiting keywords:**



**Notes:**

- 1 *cmdauth* can be coded up to 2 times

**Parameters**

**Age|DAys<days|Age|DAys>days**

Specifies the age of affected output in days. Only output more (with DAYS>nn) or less (with DAYS<nn) than the specified number of days in age are affected, The days are counted from the current hour.

**ALL**

JES2 cancels the specified job's output elements based on the presence of filters as follows:

ALL specified?	Filters?	Meaning
YES	YES	Command is rejected
YES	NO	Command applies to all job output elements belonging to the specified job
NO	YES	ALL is not considered
NO	NO	Command applies to all job output elements belonging to the specified job

**Burst={No|Yes}**

Specifies whether the printed output is to be burst into separate sheets (Yes) or to be in continuous, fanfold mode (No).

**CC=(ABEND|ABENDED|CANce11ed|CNVT\_abend|CODE|COMPLeted|ENDED\_by\_cc|EOM\_failure|JCLerror|SECURITY\_failure|TYPE)**

Specifies the completion information associated with the job.

**ABENDED**

Specifies only jobs which have abnormally ended.

**ABEND**

Specifies the ABEND code associated with the job's termination.

**CANce11ed**

Specifies only jobs which were cancelled by the operator.

**CNVT\_abend**

Specifies only jobs which have abnormally ended during the conversion phase.

**CODE**

Specifies the last (or highest) completion code of steps in the job.

**COMPLeted**

Specifies only jobs which completed.

**ENDED\_by\_cc**

Specifies only jobs which were ended by a step completion code.



**EOM\_failure**

Specifies only jobs which failed in end-of-memory processing.

**JCLerror**

Specifies jobs which did not execute due to a JCL error.

**SECurity\_failure**

Specifies jobs which failed security validation.

**C|FCB=fc**

A 1 to 4 alphanumeric character or special character (\$ # @) identifier for the data set forms control or carriage specifications.

**CMDauth=(cmdauth1{,cmdauth2})**

Only the output that can be affected from the specified remote(s) or node(s) will be cancelled. The valid specifications are:

**LOCAL|ANYLOCAL**

Only the local devices at the local node can affect the output.

**Nnnnn|nodename**

Only local devices at the specified node can affect the output.

**Rnnnn**

Only the specified remote device can affect the output.

**NnnnnRnnnn|nodename.Rnnnn**

Only the specified remote device at the specified remote node can affect the output.

**destid**

A destid corresponding to any of the above remote devices.

**Note:** Specification of the CMDAUTH filter does not override the authority of the console from which the command is issued; both the authority of the console and the specified CMDAUTH filter must match for the job to be affected.

**Dest|RouteCde=routeCde**

The destination assigned to the job output element(s). Only job output destined for "dest" is cancelled. You may specify a remote destination (workstation), another node, or a specific local device. The value for all routing numbers can range from 1 to 32767. Use parentheses if more than one route code is specified.

If this command originates from another node in the network and the D|ROUTECD= operand does not specify a node (first-level destination), the receiving node defaults the first-level destination to the node where the command originated.

If this command is sent to another node in the network using the \$N command, be aware that the receiving node will default the node (first-level destination) of the D|ROUTECD= operand to the sending node. If another node is desired, specify a destination on the D|ROUTECD= operand that will resolve to the desired node (first-level destination) at the receiving node.

**Note:**

1. NODENAME=REQUIRED on the DESTDEF initialization statement will cause JES2 to require that a userid be prefixed with a node name.

2. Greater than (> or >=) and less than (< or <=) filters may be used in conjunction to support route code ranges. For example, you could specify the filters R>=R1,R<=R7 to affect output for all remotes in the range R1 to R7. Note that:
  - The destination being filtered upon is converted to its binary equivalent prior to the comparison.
  - Open-ended ranges (for example, a > filter without a < filter, or a < filter without a > filter) are not allowed.
  - When using nodal ranges, a specification of "nodename.\*" must be used. Only the nodal routing of the output will be compared.

**FLASH|O=f1ash**

A 1 to 4 alphanumeric or special character (\$ # @) overlay name (FLASH).

**Forms=forms**

A 1 to 8 alphanumeric or special character (\$ # @) identifier for the print or punch forms.

**HELD**

Output is HELD if it is destined for this node and the output disposition is HOLD or LEAVE.

**HOLD=**

Specifies the hold status of the job.

**ALL**

Specifies jobs held by the \$H A command.

**JOB**

Specifies jobs held by the \$H J command, TYPRUN=HOLD, TYPRUN=JCLHOLD, or held due to error.

**DUP**

Specifies jobs held for duplicate job name.

**ARM**

Specifies jobs which are held awaiting restart through ARM.

**NONE**

Specifies jobs which are not held.

**H|Hours>hours | H|Hours<hours**

Specifies the age of affected output in hours. Only output more (with HOURS>nn) or less (with HOURS<nn) than the specified number of hours in age are affected.

**HOLDRC**

Only output groups with the specified system hold reason code are to be purged (when HOLD=SYS).

**Job**

A Batch job or range of batch jobs is to be cancelled.

**JC|JOBCORR=job correlator**

Specifies a combination of 1-64 alphanumeric, special (colon, period or underscore) and wildcard characters that can be used to select a subset of jobs that have a matching job correlator. For a description of wildcard characters, refer to "Using wildcards" on page 108.

**JOBMASK|JM=jobmask**

Specifies 1 to 8 alphanumeric, special (\$, #, or @) or wildcard characters (or a combination of them) that can be used to select a subset of jobs whose job

name matches this combination of characters (mask). For additional information, see “Using wildcards” on page 108.

**Note:**

1. This is a positional parameter. Specify this following the job\_id (JOB, STC, or TSU), or JOBQ parameter.
2. The JOBMASK parameter is not valid with the 'jobname' parameter.

**JOBQ|JQ**

Specifies *all* jobs, STCs, and TSUs across the MAS for processing.

The following specifications are valid:

**LOCAL|ANYLOCAL**

Indicates that jobs are to be printed or punched at the local node.

**destid** Indicates that jobs are to be printed or punched at the specified node(s). You can specify this location by an alias for the name of a node. If destid is specified alone, it refers to both the node and the remote.

**Nnnnn|nodename**

Indicates that jobs are to be printed or punched at the specified node(s). You can specify a node using the decimal node identifier or an EBCDIC nodename.

**NnnnnRmmmm|node.remote|node.userid**

Indicates routing to the remote Rmmmm at the node Nnnnn. Rmmmm can also be specified as RMmmmm or RMTmmmm.

**Ummmm**

Indicates special local routing.

**node.destid**

Indicates a destination at the specified node. The destid refers to both the node and the remote. The node specified in the destid must be the same as the node portion of the route code. If the number of the remote is reassigned, you can use the destid to send to this node.

**remote**

Indicates routing to a remote. Remote can be specified in any of the following ways:

**LOCAL|ANYLOCAL**

Indicates that jobs are to be printed or punched at the local node.

**Rmmmm**

Indicates routing to the specified remote. Rmmmm can also be specified as RMmmmm or RMTmmmm.

**destid** Indicates routing to a destid referring to a remote.

**userid** Indicates routing to a valid TSO userid.

**node.\*** Indicates that the node name is to be modified to the specified node name, but the remote name will remain the same.

**\*** Indicates that the node name is to be modified to the local node name, but the remote name will remain the same.

**OUTDISP={H|HOLD|K|KEEP|L|LEAVE|P|PURGE|W|WRITE}**

Indicates that you want to display the output for the specified job that matches

this current disposition. Specify WRITE, HOLD, LEAVE, or KEEP. If you do not specify this parameter, all output with a disposition of WRITE, HOLD, KEEP, or LEAVE will be modified.

**OUTGrp=grpid[.joeid1[.joeid2]]**

The job output group or the job output element that is cancelled.

**grpid**

The 1 to 8 alphanumeric group ID that is either specified by the user in the JCL or generated by JES2. If you specify only group ID (OUTGRP=grpid) on this command, JES2 cancels all the job output elements in that output group.

**joeid1**

A number assigned by JES2 to distinguish between job output elements within the output group. If you specify only group ID and the first qualifier (OUTGRP=grpid.joeid1) on this command, JES2 cancels all the copies of the specified job output element in that output group.

**joeid2**

A number assigned by JES2 to distinguish between several copies of grpid.joeid1. If you specify group ID and both qualifiers (OUTGRP=grpid.joeid1.joeid2) on this command, JES2 cancels only the specified copy (joeid2) within the job output element (joeid1) in that output group.

**Note:** The OUTGRP parameter is positional and must immediately follow the jobid (JOB, STC, TSU), JOBQ or 'jobname' (or JOBMASK if coded) parameter.

**output**

Specifies 1 to 8 alphanumeric, special (\$, #, or @) or wildcard characters (or a combination of them) that can be used to select a subset of jobs whose job name matches this combination of characters (mask).

**'output'**

The name of the job whose output is cancelled. This name must appear as coded on the JOB statement and must be enclosed in apostrophes. If more than one job exists with this name, no action is taken.

**PAGES**

Only output groups with the specified number of pages are to be cancelled.

**PRIORITY=priority**

The queue selection priority (0-255) assigned to the job output element(s).

**PRmode=prmode**

The process mode (1 to 8 alphanumeric characters) for the job output element(s).

**PROTECTED**

Indicates that **all** specified output groups, including output groups that have been specified 'protected', should be purged. The 'protected' attribute is assigned to programs running in a transactional environment such as APPC or OMVS, where the transaction output is associated with the initiators like ASCHINIT or BPXAS. The 'protected' attribute can also be assigned to jobs by JES2 installation exits.

**Note:** Since the OUTGRP= parameter identifies the output to be cancelled, you do not need to specify PROTECTED with this command, even for output that is protected.

**Queue=queue**

Only output in the specified output class(es) is to be cancelled. Up to 36 output classes may be listed.

**READY**

Output is READY if it is not HELD.

**REBUILD={No|Yes}**

Output on the rebuild queue is to be cancelled (Yes) or not cancelled (No).

**RECORDS=records**

Only output groups with the specified number of records are to be cancelled.

**RECORDS=records**

The number of print records associated with the output group.

**SECLABEL=seclabel**

The security label associated with the output group.

**Stc**

A started task or range of started tasks is to be cancelled.

**Tsu**

A time-sharing user or range of time-sharing users is to be cancelled.

**T|UCS=ucs**

A 1 to 4 alphanumeric or special character (\$ # @) identifier for the universal character set specification. This operand also sets the character set (CHAR1) to be used on non-impact printers unless the UCS and CHARS values are both assigned to an output data set by a job's JCL and their values are not equal.

**TPJOBID=jobid**

Only output groups with the specified transaction job ID are to be cancelled.

**TPJOBN=jobname**

Only output groups with the specified transaction job name are to be cancelled.

**USERID=userid**

The userid associated with the output group.

**Writer=writer**

A 1 to 8 alphanumeric or special character (\$ # @) writer name assigned to the job output element(s).

## Authority Required

This command requires **job** authority. The description of the \$T RDRnn command explains how to ensure that the authority of the appropriate MVS system command group is assigned.

This command requires **update** security access authority. For a description of assigning command input authority, see *z/OS JES2 Initialization and Tuning Guide*.

## Processing Considerations

If you want to cancel both a job and its output, see “\$C Job - Cancel a job” on page 199.

## Scope

**MAS-wide.** This command has an effect across the entire MAS.

## Messages

The \$HASP686 displays all the output groups that are cancelled.

### Examples

**1** \$c o j'fred',outgrp=1.1.1

```
JOB00012 $HASP686 OUTPUT(FRED)      OUTGRP=1.1.1 CANCELLED
```

JES2 cancels the specified output group.

**2** \$c o jq,q=b,r=r1

```
JOB00012 $HASP686 OUTPUT(FRED)      OUTGRP=1.1.1 CANCELLED
JOB00012 $HASP686 OUTPUT(FRED)      OUTGRP=2.1.1 CANCELLED
JOB00016 $HASP686 OUTPUT(WILMA)     OUTGRP=1.1.1 CANCELLED
JOB00017 $HASP686 OUTPUT(BARNEY)    OUTGRP=6.1.1 CANCELLED
JOB00017 $HASP686 OUTPUT(BARNEY)    OUTGRP=7.1.1 CANCELLED
```

JES2 cancels all class B output destined for remote workstation 1.

**3** \$c o jq,all,a>8

```
JOB00012 $HASP686 OUTPUT(FRED)      OUTGRP=1.1.1 CANCELLED
JOB00016 $HASP686 OUTPUT(WILMA)     OUTGRP=1.1.1 CANCELLED
JOB00017 $HASP686 OUTPUT(BARNEY)    OUTGRP=7.1.1 CANCELLED
```

JES2 cancels all output in the system more than 8 days old.

**4** \$c o jq,r=denver,q=bk

```
TSU00027 $HASP686 OUTPUT(FRED)      OUTGRP=1.1.1 CANCELLED
TSU00027 $HASP686 OUTPUT(FRED)      OUTGRP=2.1.1 CANCELLED
TSU00027 $HASP686 OUTPUT(FRED)      OUTGRP=3.1.1 CANCELLED
JOB00047 $HASP686 OUTPUT(BARNEY)    OUTGRP=6.1.1 CANCELLED
JOB00047 $HASP686 OUTPUT(BARNEY)    OUTGRP=7.1.1 CANCELLED
```

JES2 cancels all class output in classes B and K destined for DENVER. (DENVER is an installation-defined name, which must equate to one of the valid destination forms.)

**5** \$co s'aschint',tpjob=testjob,tpjobid=a0000014,protect

```
STC00017 $HASP686 OUTPUT(ASCHINT)   OUTGRP=TESTJOB.1.1 CANCELLED
STC00017 $HASP686 OUTPUT(ASCHINT)   OUTGRP=TESTJOB.4.1 CANCELLED
STC00017 $HASP686 OUTPUT(ASCHINT)   OUTGRP=TESTJOB.3.1 CANCELLED
STC00017 $HASP686 OUTPUT(ASCHINT)   OUTGRP=TESTJOB.2.1 CANCELLED
```

JES2 cancels the transaction job name of TESTJOB and transaction job ID of A0000014.

**6** \$c o jq,jc=:\*applicationXYZtestrun\*

```
JOB00104 $HASP686 OUTPUT(D15USER1)  OUTGRP=1.1.1 CANCELLED
JOB00105 $HASP686 OUTPUT(D15USER2)  OUTGRP=1.1.1 CANCELLED
JOB00106 $HASP686 OUTPUT(D15USER3)  OUTGRP=1.1.1 CANCELLED
JOB00107 $HASP686 OUTPUT(D15USER4)  OUTGRP=1.1.1 CANCELLED
- JOB00106 $HASP250 D15USER3 PURGED -- (JOB KEY WAS C88BCE3C)
- JOB00107 $HASP250 D15USER4 PURGED -- (JOB KEY WAS C88BCE3D)
- JOB00105 $HASP250 D15USER2 PURGED -- (JOB KEY WAS C88BCE3B)
- JOB00104 $HASP250 D15USER1 PURGED -- (JOB KEY WAS C88BCE3A)
```

JES2 cancels all output in the system with a job correlator user portion containing APPLICATIONXYZTESTRUN.

## \$C OFFn.JR - Cancel a spool offload transmitter/receiver

### Function

To cancel the job or output that is currently active on the specified offload transmitter or receiver.

### Syntax



### Parameters

*n* The identifier (1-8) of the associated offload device.

#### OFFn.JR

The job on the offload job receiver is cancelled. The subscript *n* specifies a numeric value (1-8) of the associated offload device.

#### OFFn.JT

The job on the offload job transmitter is cancelled. The subscript *n* specifies a numeric value (1-8) of the associated offload device.

#### OFFn.SR

The job on the offload sysout receiver is cancelled. The subscript *n* specifies a numeric value (1-8) of the associated offload device.

#### OFFn.ST

The job on the offload sysout transmitter is cancelled. The subscript *n* specifies a numeric value (1-8) of the associated offload device.

### Authority Required

This command requires **device** authority. The description of the \$T RDRnn command explains how to ensure that the authority of the appropriate MVS system command group is assigned.

This command requires **control** security access authority. For a description of assigning command input authority, see *z/OS JES2 Initialization and Tuning Guide*.

### Processing Considerations

- OFFn.JT | JR | SR

JES2 causes the job on the specified device to be cancelled and deleted from JES2 spool. Processing continues by selecting the next job eligible to be processed by the device.

- OFFn.ST

The output groups selected according to the work selection criteria of the SYSOUT transmitter are cancelled and deleted from the queue from which they were selected. The transmitter continues to select the next job.

### Scope

**Single member.** The values supplied for this command will be in effect for this member only. There is no need to have this command issued to all members of the MAS.

### Messages

The \$HASP000 message indicates JES2 has accepted the command. Upon completion, JES2 issues a message to indicate that the job on the device has been deleted.

### Examples

**1** \$c off1.jt, off1.st

```
$HASP000 OK
$HASP523 jobname -- OFF1.JT DELETED
$HASP523 jobname -- OFF1.ST DELETED
```

JES2 cancels the processing of the job on offload job transmitter 1 and deletes the job from the spool; JES2 cancels the job on offload sysout transmitter 1 and deletes the output group currently being processed.

**2** \$c off2.jr, off3.sr

```
$HASP000 OK
$HASP545 OFF2.JR SKIPPING TO END-OF-JOB
$HASP543 jobname -- OFF2.JR DELETED
$HASP545 OFF3.SR SKIPPING TO END-OF-JOB
$HASP543 jobname -- OFF3.SR DELETED
```

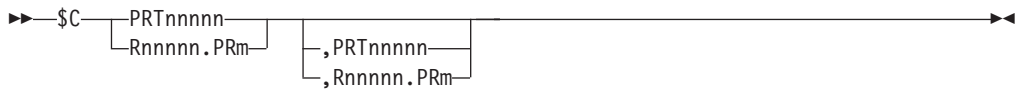
JES2 cancels the processing of the jobs on offload job receiver 2 and sysout receiver 3, and deletes the jobs from the spool.

## \$C PRT(nnnnn) and \$C R(nnnnn).PR(m) - Cancel printer output

### Function

To cancel the output currently being printed.

### Syntax



### Parameters

*nnnnn*

For **PRT**, the identifier of the local printer (1-32767) to cancel output on. For **R**, the identifier of the remote workstation (1-32767) that is attached to printer *m* (1-7).

*m* The identifier of the printer (1-7) that is attached to the remote workstation **Rnnnnn** (1-32767).



## Authority Required

This command requires **device** authority. The description of the \$T RDRnn command explains how to ensure that the authority of the appropriate MVS system command group is assigned.

This command requires **update** security access authority. For a description of assigning command input authority, see *z/OS JES2 Initialization and Tuning Guide*.

## Processing Considerations

For the 3800 printer, JES2 cancels the output group that is visible at the transfer station.

## Scope

**Single member.** The values supplied for this command will be in effect for this member only. There is no need to have this command issued to all members of the MAS.

## Messages

The \$HASP170 message displays the status of output processing on the specified printer.

## Example

```
1 $c prt5
```

```
$HASP170 PRT5 DELETED
```

Printer 5 stops printing the current output group and JES2 purges the output. Printer 5 resumes printing the next available output based on its work selection criteria.

## \$C PUN(nn) and \$C R(nnnnn).PU(m) - Cancel punch output

### Function

To cancel the output currently being punched.

### Syntax

```

>> $C PUNnn
      |
      | Rnnnnn.PUm
      |
      | ,PUNnn
      | |
      | | Rnnnnn.PUm
      |
      |----->>
  
```

### Parameters

*nn* The identifier of the local punch (1-99) to cancel.

*nnnnn*

The identifier of the remote workstation **R** (1-32767) that is attached to punch *m* (1-7).

*m* The identifier of the punch (1-7) that is attached to the remote workstation **Rnnnnn** (1-32767).

## \$C PUN(nn) and \$C R(nnnnn).PU(m)

### Authority Required

This command requires **device** authority. The description of the \$T RDRnn command explains how to ensure that the authority of the appropriate MVS system command group is assigned.

This command requires **update** security access authority. For a description of assigning command input authority, see *z/OS JES2 Initialization and Tuning Guide*.

### Scope

**Single member.** The values supplied for this command will be in effect for this member only. There is no need to have this command issued to all members of the MAS.

### Messages

The \$HASP170 message displays the status of output processing on the specified punch.

### Examples

**1** \$c pun4

\$HASP170 PUN4 DELETED

Punch 4 stops punching the current output group and JES2 purges the output. Punch 4 then begins punching the next available output group.

---

## \$C RDR and \$C Rnnnn.RDm - Cancel reader activity

### Function

To cancel the job currently being read.

### Syntax



### Parameters

#### RDRnn

The local reader currently reading the job.

#### Rnnnn.RDm

The remote reader currently reading the job.

### Authority Required

This command requires **device** authority. The description of the \$T RDRnn command explains how to ensure that the authority of the appropriate MVS system command group is assigned. The \$T RDI command sets the command authority for internal readers.

This command requires **update** security access authority. For a description of assigning command input authority, see *z/OS JES2 Initialization and Tuning Guide*.

### Scope

**Single member.** The values supplied for this command will be in effect for this member only. There is no need to have this command issued to all members of the MAS.

### Messages

\$HASP119 indicates the input service processor has deleted the indicated job.

### Example

**1** \$c rdr1

JOB00010 \$HASP119 MYJOB DELETED

Reader 1 flushes the job currently being read and then continues reading the next valid job card.

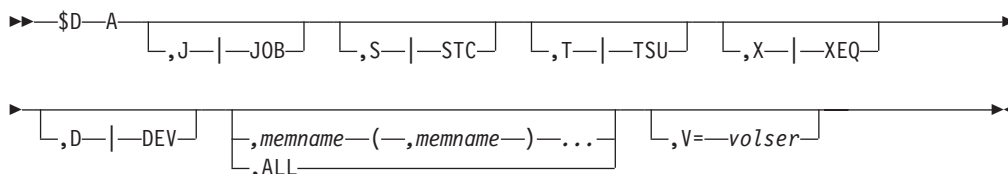
## \$D A - Display information about currently active jobs

### Function

To display the following information:

- Information about active batch jobs.
- Information about active started tasks.
- Information about active time-sharing users.
- Information about jobs being processed on unit record devices or spool offload devices.

### Syntax



### Parameters

**A** JES2 displays the job number, job name, status, class, priority, and active member name for all jobs of the requested job type that are active in the JES2 process requested (if one is specified), on the requested member.

**Note:** If you do not specify any other operands, JES2 displays information for batch jobs that are active on the member to which the entering console is attached.

#### J|JOB

JES2 displays information for active batch jobs.

#### S|STC

JES2 displays information for active started tasks.

**T|TSU**

JES2 displays information for active time-sharing users.

**X|XEQ**

JES2 displays information for active jobs currently in execution or conversion processing.

**D|DEV**

JES2 displays information for jobs currently being processed on a unit-record device or spool offload device.

**Defaults:**

- If neither XEQ nor DEV is specified and JOB is specified, both are assumed.
- If JOB, STC, or TSU is not specified, but XEQ or DEV is specified, then JOB, STC, and TSU are assumed.
- If nothing is specified, then JOB, XEQ, and DEV are assumed.

**memname**

The 1 to 4 character alphanumeric identifier of a member in a multi-access spool configuration. JES2 displays the above information for the specified member based on the selected groups (JOB, STC, TSU, DEV, XEQ).

**ALL**

JES2 displays the above information for all members in the multi-access spool configuration based on the selection groups (JOB, STC, TSU, DEV, XEQ) or defaults.

**Default:** If neither ALL nor the *memname* is specified, the member to which the entering console is attached is assumed as the *memname*.

**V=volser**

JES2 displays job information for all jobs that have data on the spool volume specified by volser.

**Authority Required**

This command requires **display** authority. The description of the \$T RDRnn command explains how to ensure that the authority of the appropriate MVS system command group is assigned.

This command requires **read** security access authority. For a description of assigning command input authority, see *z/OS JES2 Initialization and Tuning Guide*.

**Scope**

**MAS-wide.** This command can display information about jobs on any or all members of the MAS, depending on the parameters you provide.

**Messages**

The \$HASP890 message displays the current status of the indicated job.

**Examples**

**1** \$da,dev,a11

```
JOB00013 $HASP890 JOB(OUT3000)
$HASP890 JOB(OUT3000) STATUS=(ON PRT2/SPL2),CLASS=A,
$HASP890 PRIORITY=1,SYSAFF=(ANY),HOLD=(NONE)
```

JES2 displays all active jobs on a device. In the message, job OUT30000 on printer 2 has a JES2 scheduling priority of 1 on member SPL2.

**2** \$da,a11,v=spool3

```
JOB00007 $HASP890 JOB(SPINLOOP)
$HASP890 JOB(SPINLOOP) STATUS=(EXECUTING/SPL2),CLASS=A,
$HASP890 PRIORITY=9,SYSAFF=(ANY),HOLD=(NONE)
```

JES2 displays all active jobs that have space on the specified pool volume (3).

**3** \$da,s,a11

```
STC00002 $HASP890 JOB(SYSLOG)
$HASP890 JOB(SYSLOG) STATUS=(EXECUTING/SPL2),CLASS=STC,
$HASP890 PRIORITY=15,SYSAFF=(SPL2),HOLD=(NONE)
STC00004 $HASP890 JOB(INIT)
$HASP890 JOB(INIT) STATUS=(EXECUTING/SPL2),CLASS=STC,
$HASP890 PRIORITY=15,SYSAFF=(SPL2),HOLD=(NONE)
STC00005 $HASP890 JOB(VTAM)
$HASP890 JOB(VTAM) STATUS=(EXECUTING/SPL2),CLASS=STC,
$HASP890 PRIORITY=15,SYSAFF=(SPL2),HOLD=(NONE)
STC00008 $HASP890 JOB(INIT)
$HASP890 JOB(INIT) STATUS=(EXECUTING/SPLB),CLASS=STC,
$HASP890 PRIORITY=15,SYSAFF=(SPLB),HOLD=(NONE)
```

JES2 displays information for all active started tasks in the MAS configuration.

**4** \$da,s,sp1b

```
STC00008 $HASP890 JOB(INIT)
$HASP890 JOB(INIT) STATUS=(EXECUTING/SPLB),CLASS=STC,
$HASP890 PRIORITY=15,SYSAFF=(SPLB),HOLD=(NONE)
```

JES2 displays information for all started tasks active on the member identified AS SPLB.

**5** \$da

```
JOB00010 $HASP890 JOB(SPINTWO)
$HASP890 JOB(SPINTWO) STATUS=(EXECUTING/SPLB),CLASS=A,
$HASP890 PRIORITY=9,SYSAFF=(SPLB),HOLD=(NONE)
```

JES2 displays information for batch jobs on member 2 (SPLB).

**6** \$da,a11

```
JOB00007 $HASP890 JOB(SPINLOOP)
$HASP890 JOB(SPINLOOP) STATUS=(EXECUTING/SPL2),CLASS=A,
$HASP890 PRIORITY=9,SYSAFF=(SPL2),HOLD=(NONE)
JOB00010 $HASP890 JOB(SPINTWO)
$HASP890 JOB(SPINTWO) STATUS=(EXECUTING/SPLB),CLASS=A,
$HASP890 PRIORITY=9,SYSAFF=(SPLB),HOLD=(NONE)
```

JES2 displays information for batch jobs in the MAS configuration.

**7** \$da,xeq

```
STC00008 $HASP890 JOB(INIT)
$HASP890 JOB(INIT) STATUS=(EXECUTING/SPLB),CLASS=STC,
$HASP890 PRIORITY=15,SYSAFF=(SPLB),HOLD=(NONE)
JOB00010 $HASP890 JOB(SPINTWO)
$HASP890 JOB(SPINTWO) STATUS=(EXECUTING/SPLB),CLASS=A,
$HASP890 PRIORITY=9,SYSAFF=(SPLB),HOLD=(NONE)
```

JES2 displays information for all STCs, TSUs, and batch jobs executing on member 2 (SPLB).

**8** \$da,x,eq,a11

```

STC00002 $HASP890 JOB(SYSLOG)
$HASP890 JOB(SYSLOG) STATUS=(EXECUTING/SPL2),CLASS=STC,
$HASP890 PRIORITY=15,SYSAFF=(SPL2),HOLD=(NONE)
STC00004 $HASP890 JOB(INIT)
$HASP890 JOB(INIT) STATUS=(EXECUTING/SPL2),CLASS=STC,
$HASP890 PRIORITY=15,SYSAFF=(SPL2),HOLD=(NONE)
STC00005 $HASP890 JOB(VTAM)
$HASP890 JOB(VTAM) STATUS=(EXECUTING/SPL2),CLASS=STC,
$HASP890 PRIORITY=15,SYSAFF=(SPL2),HOLD=(NONE)
STC00008 $HASP890 JOB(INIT)
$HASP890 JOB(INIT) STATUS=(EXECUTING/SPLB),CLASS=STC,
$HASP890 PRIORITY=15,SYSAFF=(SPLB),HOLD=(NONE)
JOB00007 $HASP890 JOB(SPINLOOP)
$HASP890 JOB(SPINLOOP) STATUS=(EXECUTING/SPL2),CLASS=A,
$HASP890 PRIORITY=9,SYSAFF=(SPL2),HOLD=(NONE)
JOB00010 $HASP890 JOB(SPINTWO)
$HASP890 JOB(SPINTWO) STATUS=(EXECUTING/SPLB),CLASS=A,
$HASP890 PRIORITY=9,SYSAFF=(SPLB),HOLD=(NONE)

```

JES2 displays information for all STCs, TSUs, and batch jobs executing on all members of the MAS configuration.

**9** \$da,a11,x,dev,v=spool1

```

STC00002 $HASP890 JOB(SYSLOG)
$HASP890 JOB(SYSLOG) STATUS=(EXECUTING/SPL2),CLASS=STC,
$HASP890 PRIORITY=15,SYSAFF=(SPL2),HOLD=(NONE)
STC00004 $HASP890 JOB(INIT)
$HASP890 JOB(INIT) STATUS=(EXECUTING/SPL2),CLASS=STC,
$HASP890 PRIORITY=15,SYSAFF=(SPL2),HOLD=(NONE)

```

Use this command to determine which jobs are active and have space on the SPOOL volume. The ALL parameter displays all jobs in the MAS; the X parameter displays all the types of jobs (JOBS, TSUs, and STCs) that are running; the DEV parameter displays all jobs on a device.

---

## \$D ACTIVATE - Display current JES2 checkpoint level and MAS readiness for checkpoint activation to z11 level

### Function

To display the current JES2 checkpoint level that is set by the \$ACTIVATE command. If the current level is z2, this command also displays an indication whether checkpoint activation to z11 will succeed.

### Syntax

▶▶—\$D—ACTIVATE—◀◀

### Authority Required

This command requires **display** authority. The description of the \$T RDRnn command explains how to ensure that the authority of the appropriate MVS system command group is assigned.

This command requires **read** security access authority. For a description of assigning command input authority, see *z/OS JES2 Initialization and Tuning Guide*.

## Scope

**MAS-wide.** The command is in effect across the entire MAS.

## Messages

The \$HASP895 message displays the current checkpoint level or mode. The \$HASP895 message might display up to four levels of information in the following order:

1. Current checkpoint mode (z2 or z11).
2. Current checkpoint configuration (z2 or z11):
  - Number of BERTs in the checkpoint along with current utilization.
  - Current checkpoint size in 4K pages.
3. Future checkpoint configuration after activation to z11 mode through the \$ACTIVATE,LEVEL=Z11 command:
  - Number of BERTs along with projected utilization.
  - Projected checkpoint size in 4K pages.

**Note:** This section only appears when the current checkpoint is z2.

4. Indication of whether \$ACTIVATE,LEVEL=Z11 will succeed along with all issues that prevent checkpoint activation to z11 level. The issues which might prevent z11 activation are as follows:
  - LARGEDS SUPPORT MUST BE ACTIVATED.
  - RC=(94),JOB/OUTPUT QUEUE ERROR DETECTED RC=XX. z11 ACTIVATION IS NOT ALLOWED. SEE DESCRIPTION OF HASP003 REASON CODE 94 FOR MORE INFORMATION.
  - ALL MAS MEMBERS ARE NOT AT THE REQUIRED PRODUCT/SERVICE LEVEL TO SUPPORT ACTIVATION. MAS MEMBERS MUST BE AT z/OS RELEASE 11.
  - AN EXTREME BERT SHORTAGE PREVENTS z11 CHECKPOINT ACTIVATION. JES2 IS IN A NON-STABLE STATE. RESTART JES2 AS SOON AS MORE BERTS HAVE BEEN MADE AVAILABLE.

**Note:** See description of message \$HASP051 for more information on extreme BERT shortage.

JES2 displays the current checkpoint level and information which shows that the \$ACTIVATE,LEVEL=Z11 command would fail because an extreme BERT shortage has been previously encountered. The extreme BERT shortage prevents \$ACTIVATE,LEVEL=Z11 and \$ACTIVATE,LEVEL=Z2.

- NOT ENOUGH FREE BERTS FOR z11 ACTIVATION. A MINIMUM OF XXXX ADDITIONAL BERTS ARE REQUIRED TO AVOID A CRITICAL BERT SHORTAGE.

**Note:** See description of message \$HASP052 for more information.

- CKPT1 IS NOT ACCESSIBLE.
- CKPT2 IS NOT ACCESSIBLE.
- CKPT1 IS TOO SMALL BY XXXX 4K RECORDS.
- CKPT2 IS TOO SMALL BY XXXX 4K RECORDS.

**Note:** This section only appears when the current checkpoint is z2.

## Examples

### 1 \$D ACTIVATE

```
$HASP895 $DACTIVATE
$HASP895 JES2 CHECKPOINT MODE IS CURRENTLY Z11
$HASP895 THE CURRENT CHECKPOINT:
$HASP895 -- CONTAINS 650 BERTS AND BERT UTILIZATION IS 20
$HASP895    PERCENT.
$HASP895 -- CONTAINS 158 4K RECORDS.
```

JES2 displays the current checkpoint level and information when the checkpoint is already at z11 activation level.

### 2 \$D ACTIVATE

```
$HASP895 $DACTIVATE
$HASP895 JES2 CHECKPOINT MODE IS CURRENTLY Z2
$HASP895 THE CURRENT CHECKPOINT:
$HASP895 -- CONTAINS 650 BERTS AND BERT UTILIZATION IS 20
$HASP895    PERCENT.
$HASP895 -- CONTAINS 158 4K RECORDS.
$HASP895 $ACTIVATE TO z2 MODE WILL FAIL IF ISSUED FROM THIS
$HASP895 MEMBER.
$HASP895 THE FOLLOWING ISSUES PREVENT ACTIVATION:
$HASP895 -- A SPOOL IS USING NON-DEFAULT DATA SET NAME.
```

JES2 displays the current checkpoint level and information explaining why the command will fail from this member.

### 3 \$D ACTIVATE

```
$HASP895 $DACTIVATE
$HASP895 JES2 CHECKPOINT MODE IS CURRENTLY Z2
$HASP895 THE CURRENT CHECKPOINT:
$HASP895 -- CONTAINS 500 BERTS AND BERT UTILIZATION IS 98
$HASP895    PERCENT.
$HASP895 -- CONTAINS 143 4K RECORDS.
$HASP895 z11 CHECKPOINT MODE ACTIVATION WILL:
$HASP895 -- EXPAND CHECKPOINT SIZE TO 155 4K RECORDS.
$HASP895 -- REQUIRE 300 ADDITIONAL BERTS AND UTILIZATION
$HASP895    WOULD REACH 158 PERCENT.
$HASP895 z11 ACTIVATION WILL FAIL IF ISSUED FROM THIS MEMBER.
$HASP895 THE FOLLOWING ISSUES PREVENT ACTIVATION:
$HASP895 -- AN EXTREME BERT SHORTAGE PREVENTS z11
$HASP895    CHECKPOINT ACTIVATION. JES2 IS IN A
$HASP895    NON-STABLE STATE. RESTART JES2 AS SOON AS
$HASP895    MORE BERTS HAVE BEEN MADE AVAILABLE.
```

JES2 displays the current checkpoint level and information which shows that the \$ACTIVATE,LEVEL=Z11 command would fail because an extreme BERT shortage has previously been encountered. See the description of message \$HASP051 for more information on extreme BERT shortage.

**Note:** The extreme BERT shortage prevents \$ACTIVATE,LEVEL=Z11 and \$ACTIVATE,LEVEL=Z2.

### 4 \$D ACTIVATE

```
$HASP895 $DACTIVATE
$HASP895 JES2 CHECKPOINT MODE IS CURRENTLY Z2
$HASP895 THE CURRENT CHECKPOINT:
$HASP895 -- CONTAINS 500 BERTS AND BERT UTILIZATION IS 26
$HASP895    PERCENT.
$HASP895 -- CONTAINS 143 4K RECORDS.
$HASP895 z11 CHECKPOINT MODE ACTIVATION WILL:
$HASP895 -- EXPAND CHECKPOINT SIZE TO 398 4K RECORDS.
```



```

$HASP895 -- REQUIRE 200 ADDITIONAL BERTS AND UTILIZATION
$HASP895   WOULD REACH 66 PERCENT.
$HASP895 z11 ACTIVATION WILL FAIL IF ISSUED FROM THIS MEMBER.
$HASP895   THE FOLLOWING ISSUES PREVENT ACTIVATION
$HASP895 -- CKPT1 IS TOO SMALL BY 255 4K RECORDS
$HASP895 -- CKPT2 IS TOO SMALL BY 255 4K RECORDS.
    
```

JES2 displays the current checkpoint level and information which shows that the \$ACTIVATE,LEVEL=Z11 command would fail because CKPT1 and CKPT2 sizes are too small.

**5 \$D ACTIVATE**

```

$HASP895 $DACTIVATE
$HASP895 JES2 CHECKPOINT MODE IS CURRENTLY Z2
$HASP895 THE CURRENT CHECKPOINT:
$HASP895 -- CONTAINS 500 BERTS AND BERT UTILIZATION IS 26
$HASP895   PERCENT.
$HASP895 -- CONTAINS 157 4K RECORDS.
$HASP895 z11 CHECKPOINT MODE ACTIVATION WILL:
$HASP895 -- EXPAND CHECKPOINT SIZE TO 181 4K RECORDS.
$HASP895 -- REQUIRE 1637 ADDITIONAL BERTS AND UTILIZATION
$HASP895   WOULD REACH 426 PERCENT.
$HASP895 z11 ACTIVATION WILL FAIL IF ISSUED FROM THIS MEMBER.
$HASP895   THE FOLLOWING ISSUES PREVENT ACTIVATION:
$HASP895 -- NOT ENOUGH FREE BERTS FOR z11 ACTIVATION.
$HASP895   A MINIMUM OF 1637 ADDITIONAL BERTS ARE REQUIRED
$HASP895   TO AVOID A CRITICAL BERT SHORTAGE.
$HASP895 -- LARGEDS SUPPORT MUST BE ACTIVATED.
    
```

JES2 displays the current checkpoint level and information which shows that the \$ACTIVATE,LEVEL=Z11 command would fail because critical BERT shortage and LARGEDS support must be activated.

---

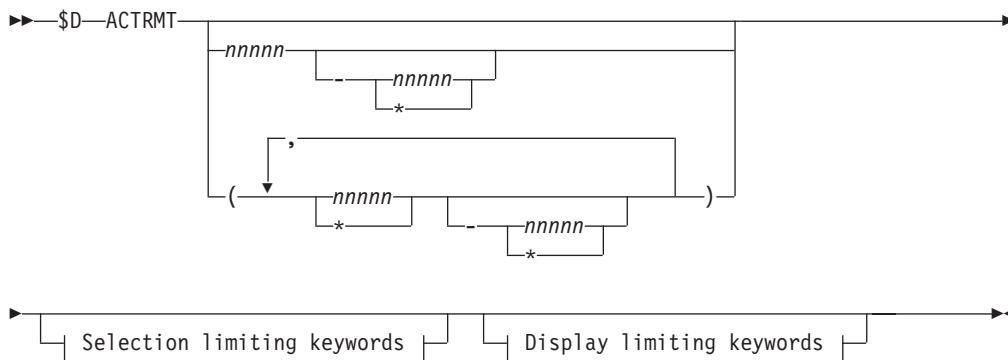
## **\$D ACTRMT - Display Active RJE Workstations in a MAS**

### **Function**

To display active RJE workstations in a multi-access spool (MAS) configuration.

This command has parameters you can use as a filtering technique to limit the type of information to search, or the amount of information to display. See “Using filtering to control and display information” on page 114 for additional information.

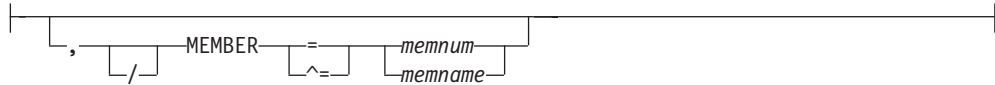
### **Syntax**



## Display limiting keywords:



## Selection limiting keywords:



## Parameters

### nnnnn

The subscript defining the active RJE workstations that are affected by this command. The subscript can specify a specific numeric value or a range of values (1-32767) or an asterisk (\*). For information about specifying a range for a subscript, see "Parameter Ranges".

### MEMBER[=memnum|memname]

Specifies the member number or member name of the MAS member, as specified on the MEMBER(nn) initialization statement, for which JES2 is to display active RJE workstations.

## Authority Required

This command requires **display** authority. The description of the \$T RDRnn command explains how to ensure that the authority of the appropriate MVS system command group is assigned.

This command requires **read** security access authority. For a description of assigning command input authority, see *z/OS JES2 Initialization and Tuning Guide*.

## Scope

**MAS-Wide.** This command displays information about the entire MAS.

## Messages

The \$HASP137 message displays all the active RJE workstations in the MAS. The RJE workstations displayed do not need to be defined by RMT(nnnn) initialization statements or \$ADD RMT(nnnn) commands on the member where the command is entered.

## Examples

**1** \$d actrmt(3)

```
$HASP137 ACTRMT(3) MEMBER=IBM1
```

JES2 displays RJE workstation 3 as active on the IBM1 member.

**2** \$d actrmt(\*),member=nih1

```
$HASP137 ACTRMT(4) MEMBER=NIH1  
$HASP137 ACTRMT(7) MEMBER=NIH1
```

JES2 displays all the active RJE workstations on the NIH1 member.

**3** \$d actrmt(\*)

```

$HASP137 ACTRMT (2)    MEMBER=PSU1
$HASP137 ACTRMT (3)    MEMBER=IBM1
$HASP137 ACTRMT (4)    MEMBER=NIH1
$HASP137 ACTRMT (5)    MEMBER=PSU1
$HASP137 ACTRMT (6)    MEMBER=PSU1
$HASP137 ACTRMT (7)    MEMBER=NIH1
    
```

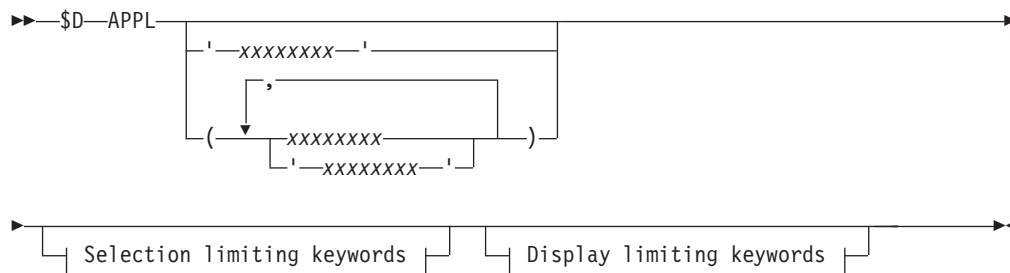
JES2 displays all the active RJE workstations throughout the MAS.

## \$D APPL - Display JES2 SNA NJE applications

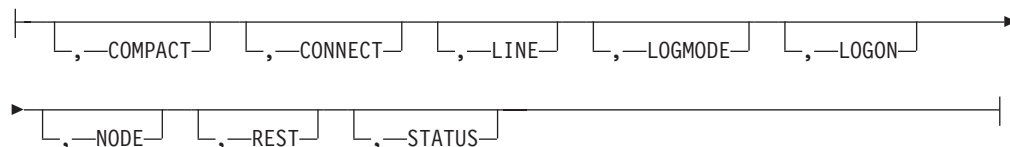
### Function

To display the current values of **all** parameters defined on the SNA NJE applications.

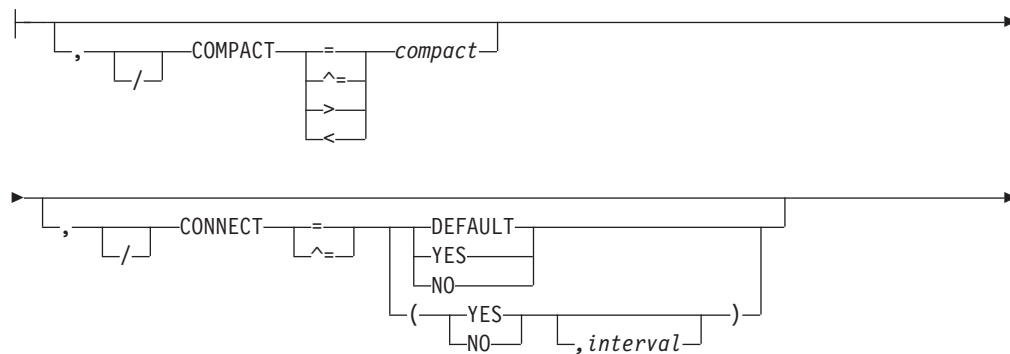
### Syntax

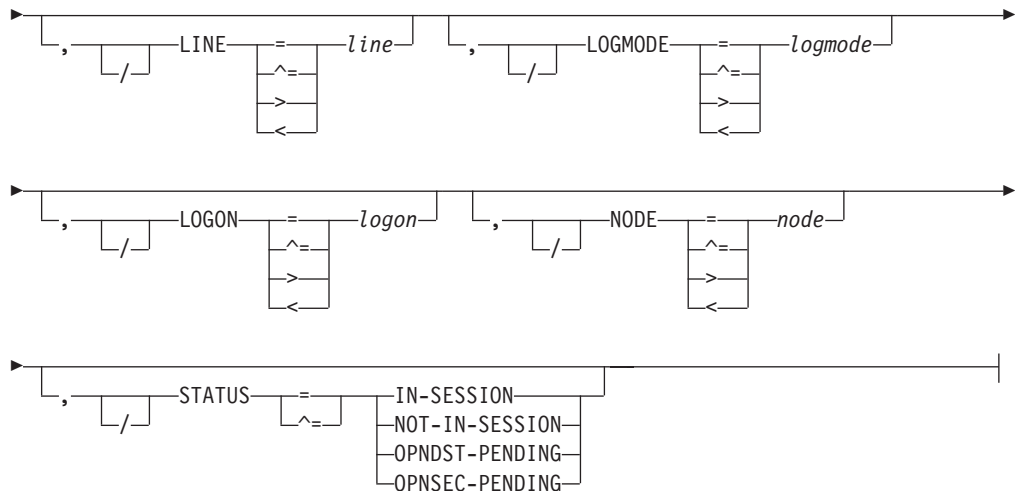


### Display limiting keywords:



### Selection limiting keywords:





## Parameters

### COMPACT=*compact*

The compaction table number (0-99) that is used for outbound compaction in communicating with this application at the specified node. Zero denotes no compaction.

**Default:** The value for COMPACT specified on the NODE(nnnn) initialization statement that defines the node indicated by the NODE=nnnn parameter on this command.

### CONNECT=(*Yes|No|DEFAULT, interval*)

Displays whether an NJE connection is automatically attempted for this appl. The *interval* is the approximate time in minutes between attempted connections. The valid range for *interval* is 0 to 1440. A value of 0 indicates that the default interval (from NJEDEF CONNECT=) is used. A third positional displays the approximate time (yyyy.ddd, hh:mm) when the next attempt is made.

### LINE=*line*

A dedicated line used for the SNA NJE session associated with this application. Specify only when the application is inactive.

**Default:** 0 (No line is dedicated.)

### LOGMODE=*logmode*

The 1 to 8 character name of the logon mode table entry that is used for this VTAM application. The parameter input must adhere to the VTAM naming conventions for a logon mode table entry name. A logon mode table entry determines which entry in the VTAM application logon mode table will be used. If the program participates as the secondary end of a session (SLU), the table entry provides a set of session parameters. This parameter is used only for NJE applications. If it is specified for non-NJE applications, the parameter is ignored. Specify only when the application is inactive.

**Default:** If you omit the parameter, the system uses the VTAM defaults.

### LOGON=*logon*

Specifies the number (1-999) of the local LOGON DCT which should be used when specifying connections to the application.

**NODE=node**

The number (1-32767) or the 1 to 8 alphanumeric or special (\$, #, or @) symbolic name (xxxxxxx) of the node at which the JES2 application is defined to VTAM.

**Note:** The symbolic name must have been specified on the NAME= parameter of the NODE initialization statement for the referenced node, or must have been defined on the DESTID initialization statement.

**REST**

An integer (0-2000), which represents the resistance rating of the connection as viewed by the installation manager and coordinated with other installations. For information about selecting resistances, see *z/OS JES2 Initialization and Tuning Guide*.

**Default:** The value for REST specified on the NODE(nnnn) initialization statement that defines the node indicated by the NODE=nnnn parameter on this command.

**STATUS**

The status of current applications:

**IN-SESSION**

The application is currently in a session with another application.

**NOT-IN-SESSION**

The application is not currently in a session.

**OPNDST-PENDING**

The application is in the process of establishing a session with another application. An SNA OPNDST is expected.

**OPNSEC-PENDING**

The application is in the process of establishing a session with another application. An SNA OPNSEC is expected.

**Authority Required**

This command requires **display** authority. The description of the \$T RDRnn command explains how to ensure that the authority of the appropriate MVS system command group is assigned.

This command requires **read** security access authority. For a description of assigning command input authority, see *z/OS JES2 Initialization and Tuning Guide*.

**Scope**

**Single member.** See *z/OS MVS System Commands* for more information on using the ROUTE \*ALL command.

**Messages**

The \$HASP821 message displays the current status of VTAM applications.

**Examples**

**1** \$d app1(jes2)

```
$HASP821 APPL(JES2) NODE=2,COMPACT=0,LINE=0,LOGMODE=,
$HASP821 LOGON=0,REST=0
```

**2** \$dapp1(jes2)

```

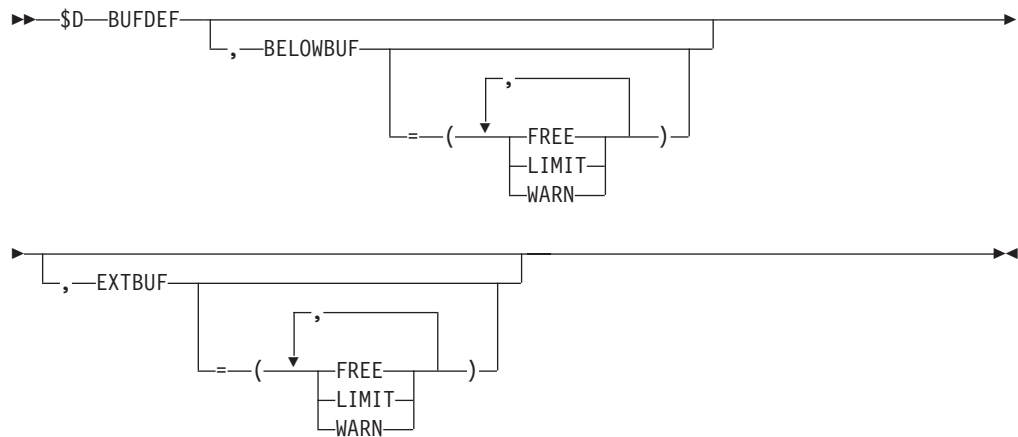
$HASP821 APPL(JES2)
$HASP821 APPL(JES2)      NODE=1,CONNECT=(YES,1),COMPACT=0,
$HASP821                  LINE=0,LOGMODE=,LOGON=0,REST=0
    
```

## \$D BUFDEF - Display JES2 buffer definitions

### Function

To display the current values of **all** parameters defined on the BUFDEF initialization statement or command.

### Syntax



### Parameters

**BELOWBUF=**

The specifications for buffers that reside below 16 megabytes of virtual storage.

**FREE** The current number of free buffers.

**LIMIT**

The maximum number (10-2000) of buffers that is allowed.

**WARN**

The percentage (0-100) of local buffers used at which the \$HASP050 message alerts the operator of a shortage of local buffers. JES2 deletes this message from the console when the resource shortage is relieved (either by a decrease in resource use or an increase in the threshold).

**EXTBUF=**

The specifications for buffers that reside above 16 megabytes of virtual storage.

**FREE** The current number of free buffers.

**LIMIT**

The maximum number (10-9999) of buffers that is allowed.

**WARN**

The percentage (0-100) of local buffers used at which the \$HASP050 message alerts the operator of a shortage of local buffers. JES2 deletes this message from the console when the resource shortage is relieved (either by a decrease in resource use or an increase in the threshold).

## Authority Required

This command requires **display** authority. The description of the \$T RDRnn command explains how to ensure that the authority of the appropriate MVS system command group is assigned.

This command requires **read** security access authority. For a description of assigning command input authority, see *z/OS JES2 Initialization and Tuning Guide*.

## Scope

**Single member.** The values supplied for this command will be in effect for this member only. There is no need to have this command issued to all members of the MAS.

## Messages

The \$HASPxxx messages display the current values for all the parameters on the BUFDEF statement.

## Example

**1** \$d bufdef

```
$HASP840 BUFDEF BELOWBUF=(LIMIT=1000,WARN=80,FREE=823),
$HASP840 EXTBUF=(LIMIT=1000,WARN=80,FREE=243)
```

JES2 displays the buffer definitions and current free counts.

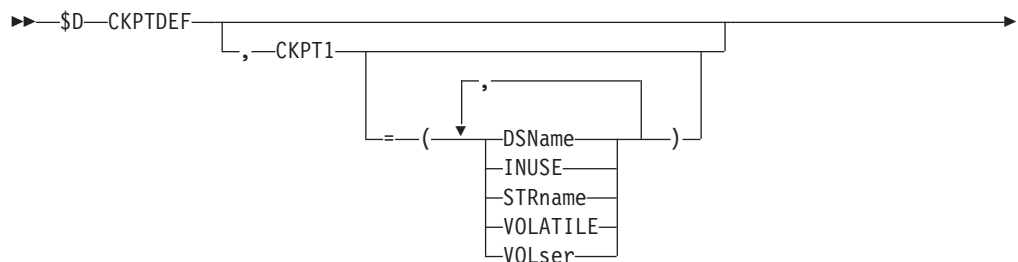
## \$D CKPTDEF - Display the checkpoint definition

### Function

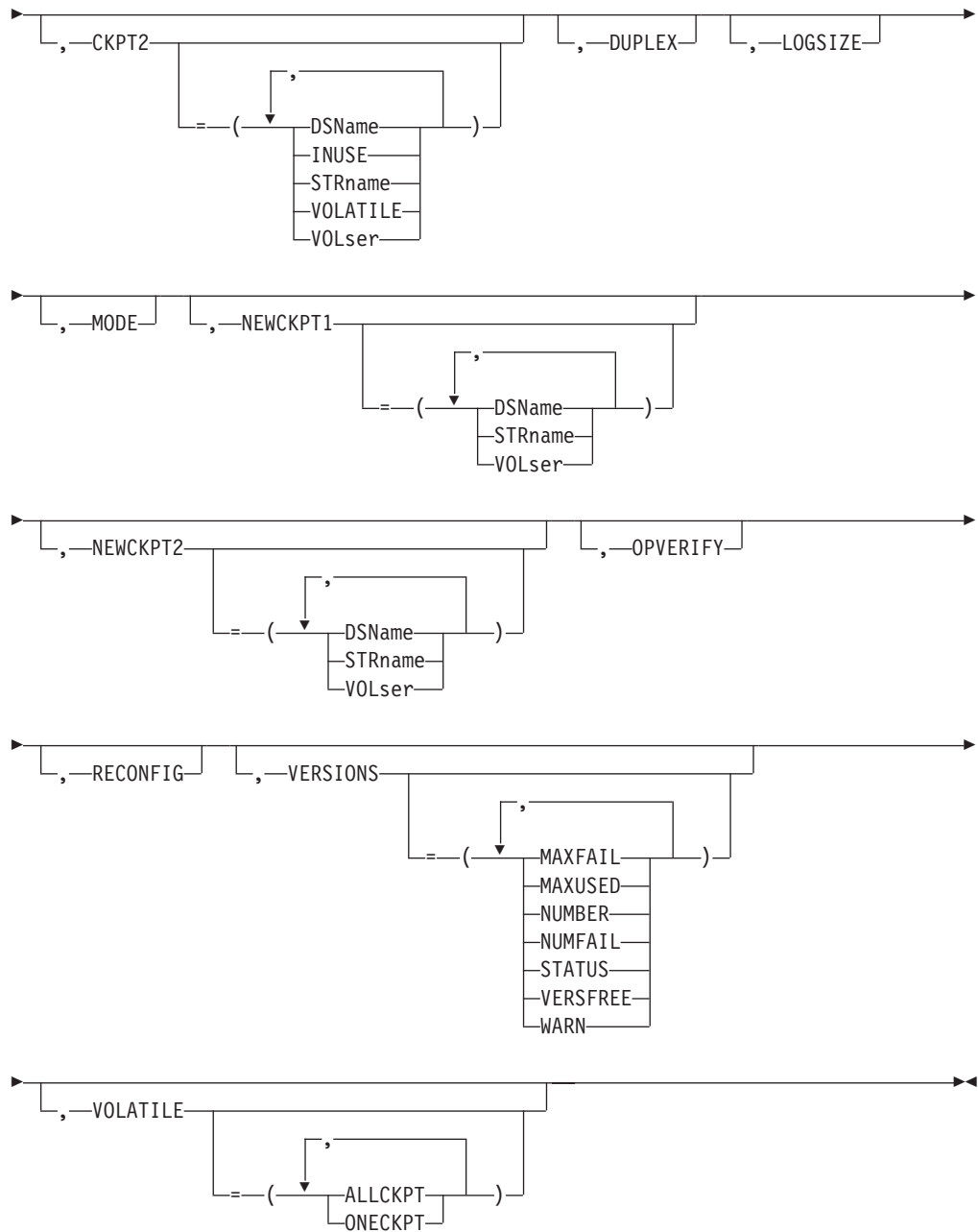
To display the checkpoint definition.

This command has parameters you can use as a filtering technique to limit the type of information to search, or the amount of information to display. See "Using filtering to control and display information" on page 114 for additional information.

### Syntax



## \$D CKPTDEF



### Parameters

#### CKPTn

Displays the status of either the primary (CKPT1) or the secondary (CKPT2) checkpoint data set.

You can specify one or more of the following options:

#### DSName

Displays the 1 to 44 character data set name of the checkpoint data set if it resides on DASD.

#### INUSE

Displays whether (YES) or not (NO) this data set is defined to a JES2



multi-access spool configuration as a checkpoint data set. For more information on this and related parameters, see *z/OS JES2 Initialization and Tuning Reference*.

**STRname**

Displays the 1 to 16 character name of the structure if the primary data set resides on a coupling facility.

**VOLATILE**

Displays whether (YES) or not (NO) the specified checkpoint data set that resides on a coupling facility has entered the state where, if power to the coupling facility is lost, all data on the coupling facility is lost.

This parameter does not apply when a coupling facility structure becomes volatile during the checkpoint reconfiguration dialog.

**VOLser**

Displays the volume serial number on which the data set specified by the DSN= parameter resides.

**Scope: MAS-Wide.**

**DUPLEX**

Displays whether (ON) or not (OFF) this member of the multi-access spool configuration uses the duplexing function.

**Scope: Single Member.**

**LOGSIZE**

Displays the number of 4K storage blocks used for the change log portion of the checkpoint data set if the data set resides on DASD.

**Scope: MAS-Wide.**

**MODE**

Displays whether the multi-access spool configuration uses the data set defined by CKPT2 as the alternate primary checkpoint data set (DUAL) or as the backup to the CKPT1 data set (DUPLEX).

**Scope: MAS-Wide.**

**NEWCKPTn**

Displays an alternate data set that can replace the CKPTn data set if the CKPTn data set experiences a failure or becomes unavailable.

You can specify one or more of the following options:

**DSName**

Displays the 1 to 44 character name of the NEWCKPTn data set if the data set resides on DASD.

**STRname**

Displays the 1 to 16-character structure name of the NEWCKPTn data set if the data set resides on a coupling facility.

**Note:** If a checkpoint data set resides on a coupling facility structure and you attempt to display either the DSNAME= or the VOLSER= parameters, JES2 returns a null value (). When the checkpoint resides on DASD and you attempt to display STRNAME=, JES2 returns the same null value.

**VOLser**

The volume serial number on which the data set specified by DSName resides.

## \$D CKPTDEF

**Scope: MAS-Wide.**

### **OPVERIFY**

Displays whether (Yes) or not (No) JES2 prompts the operator during a JES2-initiated I/O error checkpoint reconfiguration to verify or alter the default reconfiguration action. OPVERIFY has no meaning for a checkpoint reconfiguration entered for any other reasons.

**Scope: MAS-Wide.**

### **RECONFIG**

Displays whether (Yes) or not (No) JES2 enters the checkpoint reconfiguration dialog so that you can supply the information needed to reconfigure the checkpoint data set specifications.

**Scope: MAS-Wide.**

### **VERSIONS**

Displays the status of the checkpoint versioning parameter.

You can specify one or more of the following options:

#### **MAXFAIL**

Displays the greatest number of checkpoint version failures between successful updates since the last \$T CKPTDEF,NUMBER= command was entered.

#### **MAXUSED**

Displays the greatest number of versions of the checkpoint data set that have been in use since the last IPL of JES2.

#### **NUMBER**

Displays the maximum number (2-50) of versions of the checkpoint data set that JES2 maintains.

#### **NUMFAIL**

Displays the number of failures since the last \$T CKPTDEF,NUMBER= was entered.

#### **STATUS**

Displays whether checkpointing is active or inactive on the member.

#### **VERSFREE**

Displays the number of checkpoint versions available for updating.

#### **WARN**

Displays the percent (0-100) usage threshold of versions of the checkpoint data set.

**Scope: Single Member.**

### **VOLATILE**

Displays how JES2 responds when a coupling facility enters the state where, if power to the coupling facility is lost, the data on the coupling facility is lost.

#### **ALLCKPT**

Displays the action taken if the coupling facilities on which all available checkpoint data sets reside (INUSE=YES) become volatile (unstable).

JES2 either issues a WTOR (WTOR), enters the checkpoint reconfiguration dialog (DIALOG), or ignores the change to volatile status (IGNORE).

### ONECKPT

Displays the action taken if the coupling facility on which a checkpoint data set resides becomes volatile (unstable).

JES2 either issues a WTOR (WTOR), enters the checkpoint reconfiguration dialog (DIALOG), or ignores the change to volatile status (IGNORE).

**Scope: Single member.**

### Authority Required

This command requires **display** authority. The description of the \$T RDRnn command explains how to ensure that the authority of the appropriate MVS system command group is assigned.

This command requires **read** security access authority. For a description of assigning command input authority, see *z/OS JES2 Initialization and Tuning Guide*.

### Scope

The scope of this command varies by parameter. See the description of each parameter for its scope.

Some parameters on this command will display information about the entire MAS, while other parameters will display information about this member only.

You might want to use the parameters for this command to get information about all members of the MAS. If so, you can use the MVS ROUTE \*ALL command to issue this command to all active members (if the JES2 command character is the same on all members). See *z/OS MVS System Commands* for more information on using the ROUTE \*ALL command.

### Messages

The \$HASP829 message displays the current values of all the parameters on the CKPTDEF initialization statement.

### Examples

```

1 $d ckptdef
$HASP829 CKPTDEF CKPT1=(DSNAME=SYS1.JESCKPT1,VOLSER=DATA1,
$HASP829 INUSE=YES,VOLATILE=NO),
$HASP829 CKPT2=(DSNAME=SYS1.JESCKPT2,VOLSER=DATA1,
$HASP829 INUSE=YES,VOLATILE=NO),
$HASP829 NEWCKPT1=(DSNAME=SYS2.JESCKPT1,VOLSER=DATA2),
$HASP829 NEWCKPT2=(DSNAME=SYS2.JESCKPT2,VOLSER=DATA2),
$HASP829 MODE=DUAL,DUPLEX=ON,LOGSIZE=4,
$HASP829 VERSIONS=(STATUS=INACTIVE,NUMBER=2,WARN=80,
$HASP829 MAXFAIL=0,NUMFAIL=0,VERSFREE=2,MAXUSED=0),
$HASP829 RECONFIG=NO,VOLATILE=(ONECKPT=WTOR,
$HASP829 ALLCKPT=WTOR),OPVERIFY=YES
  
```

The \$HASP829 message displays two checkpoint data sets ('SYS1.JESCKPT1' and 'SYS1.JESCKPT2') that reside on DASD volumes, and the current status of these data sets.

```

2 $d ckptdef
$HASP829 CKPTDEF CKPT1=(STRNAME=J2WRKCKPT1,INUSE=YES,VOLATILE=NO)
  
```

## \$D CKPTDEF

The \$HASP829 message displays the CKPT1 value when the checkpoint data set resides on a coupling facility structure. Note that the \$HASP829 message displays a STRNAME= value, but no DSNNAME= or VOLSER= values.

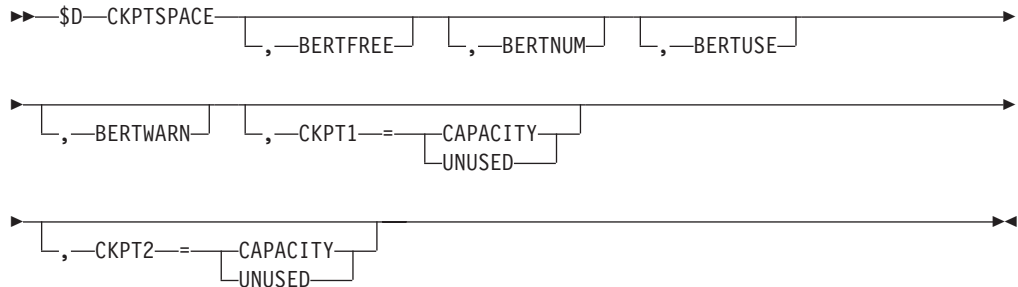
---

## \$D CKPTSPACE - Display checkpoint spaces

### Function

To display information about the amount of space in the checkpoint.

### Syntax



### Parameters

#### BERTFREE

The current number of free BERT entries.

#### BERTNUM

The number of BERT (Block Extent Reuse Table) entries defined in the checkpoint.

#### BERTUSE

The types of control blocks in BERTs and the number of BERTs used by each control block type.

#### BERTWARN

The threshold of BERT utilization at which the \$HASP050 message should be issued.

#### CKPT1=(CAPACITY|UNUSED)

Displays information about the number of 4K records in the checkpoint data set.

##### CAPACITY

The maximum capacity of the CKPT1 data set in 4K records.

##### UNUSED

The number of 4K records that are unused by the CKPT1 data set.

#### CKPT2=(CAPACITY|UNUSED)

Displays information about the number of 4K records in the checkpoint data set.

##### CAPACITY

The maximum capacity of the CKPT2 data set in 4K records.

##### UNUSED

The number of 4K records that are unused by the CKPT2 data set.

## Authority Required

This command requires **display** authority.

This command requires **read** security access authority. For a description of assigning command input authority, see *z/OS JES2 Initialization and Tuning Guide*.

## Scope

**MAS-wide.** This command displays information about the entire MAS.

## Messages

The \$HASP852 message displays the current values of all the parameters on the CKPTSPACE initialization statement.

## Examples

**1** \$d ckptspace

```
$HASP852 CKPTSPACE
$HASP852 CKPTSPACE BERTNUM=5000,BERTFREE=3660,BERTWARN=80,
$HASP852 CKPT1=(CAPACITY=168,UNUSED=27),
$HASP852 CKPT2=(CAPACITY=168,UNUSED=27),
```

**2** \$d ckptspace,bertuse

```
$HASP852 CKPTSPACE CURRENT BERT UTILIZATION
$HASP852 TYPE COUNT CB COUNT
$HASP852 -----
$HASP852 INTERNAL 11 1
$HASP852 JQE 211 108
$HASP852 CAT 114 38
$HASP852 WSCQ 1 1
$HASP852 DJBQ 0 0
$HASP852 JOE 0 0
$HASP852 FREE 763 0
```

---

## \$D CLASSGRP - Display class groups

### Function

Displays information about class groups that have been created by the GROUP= keyword.

### Syntax

▶▶—\$D—CLASSGRP— *group\_list* —▶▶

### Parameters

*group\_list*

Specifies one or more comma-separated 1-8 character group list names to display information about. Wildcard characters are accepted.

### Authority Required

This command requires **display** authority. The description of the \$T RDRnn command explains how to ensure that the authority of the appropriate MVS system command group is assigned.

## \$D CLASSGRP

This command requires **read** security access authority. For a description of assigning command input authority, see *z/OS JES2 Initialization and Tuning Guide*.

### Scope

**Single member.** The values supplied for this command will be in effect for this member only.

### Examples

There are two groups (AAAGRP1 and AAAGRP2) on the system. AAAGRP1 contains one class (AACLS1). AAAGRP2 contains two classes (AACLS2 and AACLS21):

```
$D CLASSGRP
  $HASP816 CLASSGRP(AAAGRP1) AACLS1
  $HASP816 CLASSGRP(AAAGRP2) AACLS2,AACLS21

$D CLASSGRP(*)
  $HASP816 CLASSGRP(AAAGRP1) AACLS1
  $HASP816 CLASSGRP(AAAGRP2) AACLS2,AACLS21

$D CLASSGRP(AAAGRP2)
  $HASP816 CLASSGRP(AAAGRP2) AACLS2,AACLS21

$D CLASSGRP(AAAGRP1,AAAGRP2)
  $HASP816 CLASSGRP(AAAGRP1) AACLS1
  $HASP816 CLASSGRP(AAAGRP2) AACLS2,AACLS21

$D CLASSGRP(AAAGRP*)
  $HASP816 CLASSGRP(AAAGRP1) AACLS1
  $HASP816 CLASSGRP(AAAGRP2) AACLS2,AACLS21
```

---

## \$D COMPACT - Display JES2 compaction tables

### Function

To display the JES2 compaction tables.

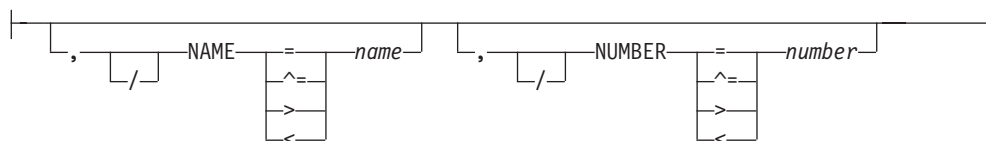
### Syntax

```
▶▶ $D COMPACT _____▶▶
      | Selection limiting keywords |
      |_____|
▶ | Display limiting keywords | _____▶
```

### Display limiting keywords:

```
| |_____| |_____| |_____|
| |, _CHARS| |, _NAME| |, _NUMBER|
```

**Selection limiting keywords:**



**Parameters**

**CHARS**

Specifies the characters defined in the compaction table (dd,m1,m2,...mn,x1,x2,...xn).

**dd** A decimal number specifying the number of master characters.

**m1, . . . mn**

The master characters compacted by this compaction table. There will be dd of these master characters listed.

**x1, . . . xn**

Non-master characters which are not compacted.

**NAME=name**

The 1 to 8 character table name which can be used in JCL to reference this compaction table.

**NUMBER=number**

The number (1-99) assigned to this compaction table for reference by JES2.

**Authority Required**

This command requires **display** authority. The description of the \$T RDRnn command explains how to ensure that the authority of the appropriate MVS system command group is assigned.

This command requires **read** security access authority. For a description of assigning command input authority, see *z/OS JES2 Initialization and Tuning Guide*.

**Scope**

**Single member.** The values supplied for this command will be in effect for this member only.

**Messages**

The \$HASP468 message displays the compaction table.

**Example**

**1** \$d compact,name=dataset2

```
$HASP468 COMPACT NAME=DATASET2,NUMBER=2,CHARS=(15,F0,F1,F2,F3,
$HASP468 F4,F5,F6,F7,F8,F9,C1,C5,C9,D6,E4,40,4D,5B,5D,
$HASP468 6B,C2,C3,C4,C6,C7,C8,D2,D3,D4,D5,D7)
```

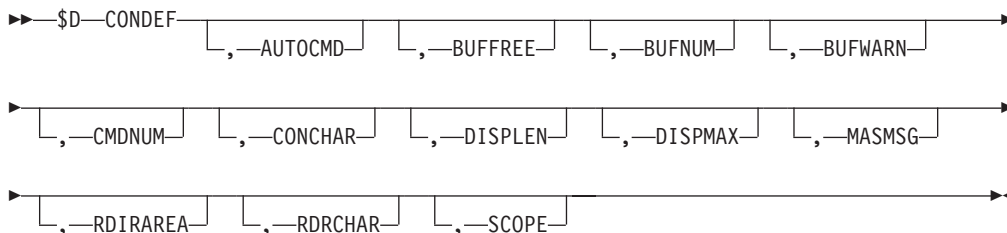
JES2 displays the compaction table named DATASET2.

## \$D CONDEF - Display console communication characteristics

### Function

To display the console communication characteristics of JES2.

### Syntax



### Parameters

#### AUTOCMD

Specifies the number (2-9999) of automatic commands that can be active concurrently in JES2. The value should be large enough to permit operators to leave a JES2 dynamic display in each user defined ("out of line") area of all MCS consoles.

#### BUFFREE

Displays the current number of free console message buffers in private storage.

#### BUFNUM

Displays the number of console message buffers to be provided for JES2 from private storage (above 16-megabytes in virtual storage). The value displayed for BUFNUM has been rounded up to the next page boundary to take advantage of available storage.

#### BUFWARN

Displays the percentage of console message buffers used at which the \$HASP050 message alerts the operator of a shortage of console message buffers.

#### CMDNUM

Displays the maximum number of console message buffers to be allocated from common storage for JES2 command processing.

#### CONCHAR

A single character used to identify JES2 commands from MCS consoles.

One of the following characters will be displayed:

| % : ¢ + ~ # [ ] ! &  
 - @ . \$ / ? = \_ ( \* "

#### DISPLEN

Displays the length that is used for the displays and error message processing of:

- All initialization statements
- Those commands processed by \$SCAN (most of those commands are the \$D and \$T commands for initialization statement parameters)
- The \$DU command.



**DISPMAX**

Displays the maximum number of lines that JES2 displays for those requests processed by the \$SCAN facility. Those requests include initialization parameters and the \$T and \$D commands for initialization parameters.

**MASMSG**

Displays the maximum number of messages or commands that can be queued between any two members of a multi-access spool configuration.

**RDIRAREA**

Displays the default console out-of-line area which JES2 uses to direct display responses for commands subject to redirection. All redirectable commands which do not use either an L= or do not have redirection set up on the issuing console for that command have their responses directed to the RDIRAREA specification.

**RDRCHAR**

Displays the character used to identify all JES2 operator commands entered from a local or remote card reader.

One of the following characters will be displayed:

| % : ¢ + ~ # [ ] ! &  
 - @ . \$ / ? = \_ ( ) \* "

**SCOPE**

Specifies whether the command prefix specified on the CONCHAR parameter is recognized by this MVS system only, or by all MVS systems in the sysplex.

SCOPE=SYSTEM specifies that the prefix is recognized by this MVS system, but if the command was entered on a different MVS system, that system would not recognize or send the command to this system.

SCOPE=SYSPLEX specifies that the prefix is recognized as belonging to this system no matter which MVS system in the sysplex the command was entered on, and, if necessary, is routed to the correct MVS system for processing by this subsystem.

**Authority Required**

This command requires **display** authority. The description of the \$T RDRnn command explains how to ensure that the authority of the appropriate MVS system command group is assigned.

This command requires **control** security access authority. For a description of assigning command input authority, see *z/OS JES2 Initialization and Tuning Guide*.

**Scope**

**Single member.** The response to this command will be a display of information about this member only. You might want to use this command to get information about all members in the MAS. To do so, you can use the MVS ROUTE \*ALL command to issue this command to all active members (if the JES2 command character is the same on all members). See *z/OS MVS System Commands* for more information on using the ROUTE \*ALL command.

**Messages**

The \$HASP830 message displays the current values of all the parameters on the CONDEF statement.

## \$D CONDEF

### Example

1 \$d condef

```
$HASP830 CONDEF AUTOCMD=20,CONCHAR=$,BUFNUM=10013,CMDNUM=100,  
$HASP830          BUFFREE=10013,BUFWARN=80,MASMSG=200,RDIRAREA=Z,  
$HASP830          RDRCHAR=$,SCOPE=SYSTEM,DISPLEN=64,DISPMAX=100
```

JES2 displays all the console communication characteristics. Note that the value displayed for BUFNUM has been rounded up to the next page boundary to take advantage of available storage.

---

## \$D CONNECT - Display network connections

### Function

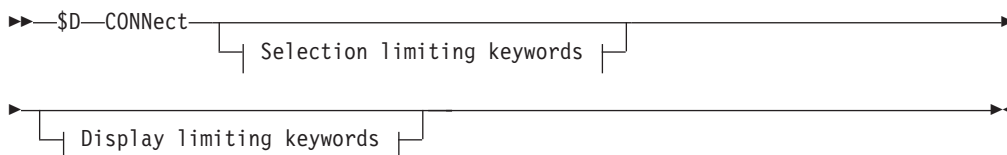
To display network connections that are defined to JES2. This command allows the display of connections defined by CONNECT initialization statements, \$ADD commands or NCC records from other nodes.

**Note:** You can redirect these displays to a networking console.

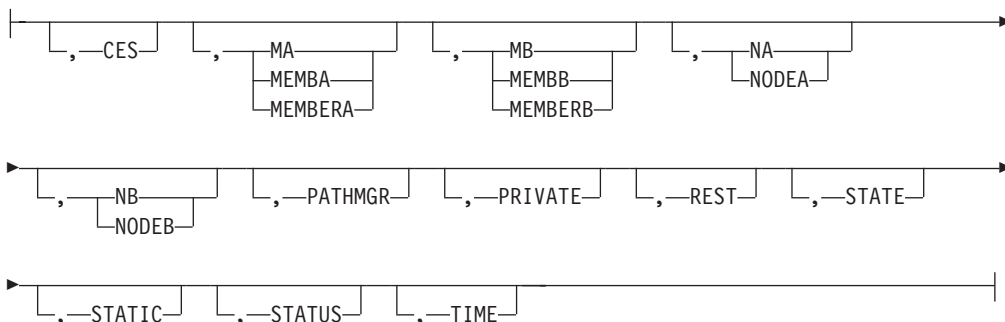
This command has parameters you can use as a filtering technique to limit the type of information to search, or the amount of information to display. See “Using filtering to control and display information” on page 114 for additional information.

One or more parameters on this command accepts wild cards. Parameter descriptions will note that.

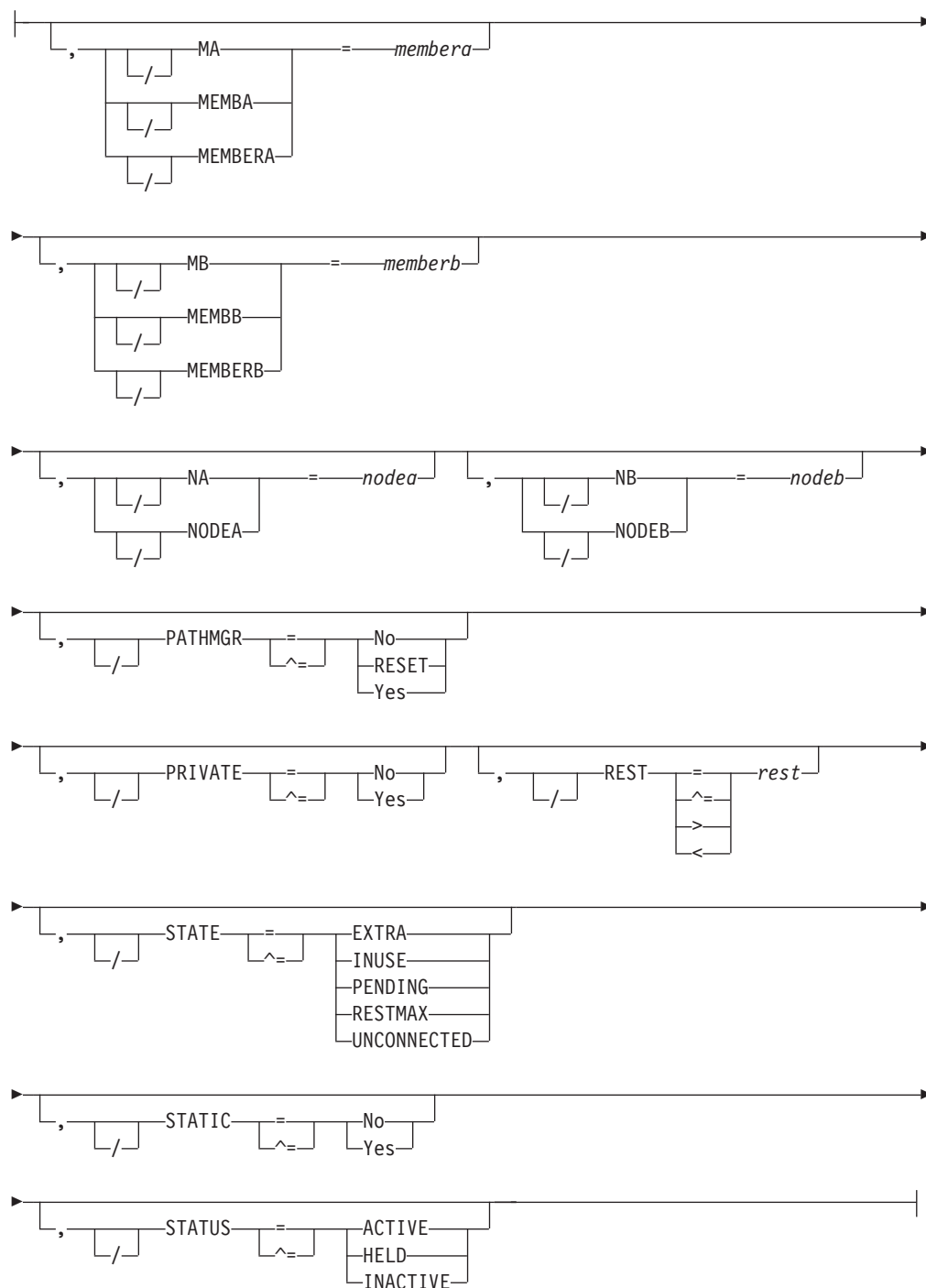
### Syntax



#### Display limiting keywords:



#### Selection limiting keywords:



## Parameters

### CES

Displays the connection event sequence (CES) for non-static connections.

### MA | MEMBA | MEMBERA [=membera]

The member number at the NODEA end of the connection. You can specify the MEMBERA parameter without any keyword to obtain information about all members, or you can specify the member number to obtain information about a specific member.

**Default:** The default is 1. The value for MEMBERA if NODEA is the local node must be a 1. If the member number is greater than a 1 for the local node, the command is rejected.

### **MB|MEMBB|MEMBERB [=memberb]**

The member number at the NODEB end of the connection. You can specify the MEMBERB parameter without any keyword to obtain information about all members, or you can specify the member number to obtain information about a specific member.

**Default:** The default is 1. The value for MEMBERB if NODEB is the local node must be a 1. If the member number is greater than a 1 for the local node, the command is rejected.

### **NA|NODEA [=nodea]**

The node name at one end of the connection. You can specify the NODEA parameter without any keyword to obtain information about all connections, or you can specify the 1 to 8 alphanumeric or special (\$, #, or @) symbolic node name (xxxxxxx) or node number (nnnn) to obtain information about a specific node.

You can also specify wild cards on this parameter. See "Using wildcards" on page 108 for additional information. You must specify the NAME= parameter of the NODE initialization statement for the referenced node or the node number.

### **NB|NODEB [=nodeb]**

The node name at the other end of the connection. You can specify the NODEB parameter without any keyword to obtain information about all connections, or you can specify the 1 to 8 alphanumeric or special (\$, #, or @) symbolic node name (xxxxxxx) or node number (nnnn) to obtain information about a specific node.

You can also specify wild cards on this parameter. See "Using wildcards" on page 108 for additional information. You must specify the NAME= parameter of the NODE initialization statement for the referenced node.

### **PATHMGR [=No|RESET|Yes]**

Displays whether this connection supports path manager type protocols.

### **PRIVATE [=No|Yes]**

Displays whether the connection between this node and an adjacent node is broadcast to the rest of the network.

### **REST [=rest]**

Displays an integer (0-2000) that represents the resistance rating of the connection as viewed by the installation manager and coordinated with other installations. You can specify wild cards on this parameter. See "Using wildcards" on page 108 for additional information.

For information about resistances, see *z/OS JES2 Initialization and Tuning Guide*.

### **STATIC [=No|Yes]**

Displays whether (YES) or not (NO) the connection is static.

### **STATUS [=ACTIVE|HELD|INACTIVE]**

Displays the status of the connection. The following are valid types of status:

#### **ACTIVE**

JES2 displays only active connections, which include the following (in addition to ACTIVE without qualification):

ACTIVE(HELD) is displayed when a static connection exists but the underlying connection is in the process of signing on.

ACTIVE(INACTIVE) is displayed when a static connection exists but the underlying connection is inactive.

**INACTIVE**

JES2 displays only inactive connections.

**HELD** JES2 only displays connections in the process of signing on.

**STATE[=EXTRA|INUSE|PENDING|RESTMAX| UNCONNECTED]**

This parameter further describes the state of an active connection. It is only displayed when STATUS=ACTIVE.

The keyword values and their meanings are:

**EXTRA**

Connection is currently not a part of any path and is not needed to reach any node.

**INUSE**

Connection is currently in use in some path to a node.

**PENDING**

An INUSE STATIC connection to an adjacent node for which the corresponding line is not currently signed on.

**RESTMAX**

Connection is not in use because all paths that can make use of it have reached their resistance limit (as specified on NJEDEF RESTMAX).

**UNCONNECTED**

Static connection between two nodes, neither of which are reachable by any path.

**TIME**

Displays the time JES2 received the connection record for a connection or the time the operator issued a command that changed a static connection.

**Authority Required**

This command requires **display** authority. The description of the \$T RDRnn command explains how to ensure that the authority of the appropriate MVS system command group is assigned.

This command requires **read** security access authority. For a description of assigning command input authority, see *z/OS JES2 Initialization and Tuning Guide*.

**Scope**

**Single member.** The response to this command will be a display of information about this member only. You might want to use this command to get information about all members in the MAS. To do so, you can use the MVS ROUTE \*ALL command to issue this command to all active members (if the JES2 command character is the same on all members). See *z/OS MVS System Commands* for more information on using the ROUTE \*ALL command.

**Messages**

The \$HASP815 message is issued in response to this command.

## \$D CONNECT

**Note:** This command will only display one connection. If there is more than one connections, only the first will be displayed.

### Examples

An operator is able to display all existing connections between a set of nodes in the network. For example,

```
❶ $D CONNECT,NODEA=PHOENIX,NODEB=TUCSON
```

The above example displays all existing connections between members of the node PHOENIX and the node TUCSON.

Characters such as an \* can also be used. For example,

```
❷ $D CONNECT,NODEA=POK*,NODEB=PHOENIX,MEMBB=2
```

This example displays all direct connections between nodes that begin with POK, and member 2 of the PHOENIX node.

```
❸ $D CONNECT,NODEA=PHOENIX,MEMBA=2
```

The above example displays all direct connections into member 2 of the PHOENIX node.

---

## \$D DEBUG - Display the JES2 DEBUG option

### Function

Use the \$D DEBUG command to display the JES2 monitoring and recording activity settings.

### Syntax

```
▶▶ — $D DEBUG —————▶▶  
    | $D DEBUG — | DEBUG CHOICES — |
```

### DEBUG CHOICES:

```
| —, BERT —, CKPT —, MISC —, SECURITY —, STORAGE —, SYMREC —, VERSION —, MEMBER_STATUS — |
```

### Parameters

#### DEBUG

Displays all JES2 events and monitor activity settings.

#### BERT

Displays the JES2 setting for error code \$BR3 to inform the operator that a data error has been detected in a chain of BERTs.

#### CKPT

Displays the JES2 setting for verifying the integrity of the checkpoint data set and protect the storage containing JQEs, JOEs and other checkpoint data when a member releases the checkpoint.

#### MEMBER\_STATUS

Displays the JES2 setting for issuing the \$HASP1701 message whenever the status of a MAS member changes.

**MISC**

Displays the JES2 setting for occurrence counting of certain JES2 events.

**SECURITY**

Displays the JES2 setting for the security product (ex: RACF) logging information contained in the \$HASP186 message, or if in WARN mode.

**STORAGE**

Displays the JES2 setting for providing \$HASP095 error code GW3 to inform the operator that \$RETNWORK macro processing detected that the storage being returned was modified beyond the length specified by its associated \$GETWORK macro invocation.

**SYMREC**

Displays the JES2 setting for issuing the \$HASP805 message when it invokes the MVS SYMREC service to indicate a possible error.

**VERBOSE**

Displays the JES2 setting for sending \$BLDMSG system log-only messages to the console.

**VERSION**

Displays the JES2 setting for verifying the integrity of a newly created checkpoint version.

**Authority Required**

This command requires **display** authority.

This command requires **read** security access authority. For a description of assigning command input authority, see *z/OS JES2 Initialization and Tuning Guide* .

**Processing Considerations**

Be aware that if YES is set for the CKPT, or VERSION parameters in a production environment, these options will affect JES2 performance because there is a noticeable increase in the processor cycles JES2 uses.

By using the DEBUG command with the CKPT, or VERSION parameters, you can detect some incorrect updates resulting from checkpoint serialization programming errors in JES2 modules or installation exits.

Use the DEBUG command, with the CKPT parameter specified, for testing installation exits that update checkpointed information. Some common program errors such as failing to use the \$QSUSE macro before updating checkpointed information, or failing to use the \$CKPT macro after updating the checkpoint may be found by using CKPT=YES. However, you should not rely on CKPT=YES since timing and the order of events play a large part in surfacing serialization errors.

**Scope**

**Single member.** The response to this command displays information about this member only. To display information about all members in the MAS, use the MVS ROUTE \*ALL command to issue this command to all active members (if the JES2 command character is the same on all members).

## \$D DESTDEF

### Messages

The \$HASP827 message displays the current setting of the DEBUG option.

### Examples

**1**

```
$D debug=y
```

```
$HASP827 DEBUG  
$HASP827 DEBUG BERT=YES,CKPT=YES,MISC=YES,  
$HASP827 SECURITY=YES,STORAGE=YES,SYMREC=YES,VERSION=YES
```

JES2 monitors all specifiable JES2 activities.

**2**

```
$D DEBUG,STORAGE=N,MISC=N,SECURITY=Y
```

```
$HASP827 DEBUG BERT=YES,CKPT=YES,MISC=NO,  
$HASP827 SECURITY=YES,STORAGE=NO,SYMREC=YES,  
$HASP827 VERSION=YES
```

JES2 monitors all JES2 activities except MISC and STORAGE.

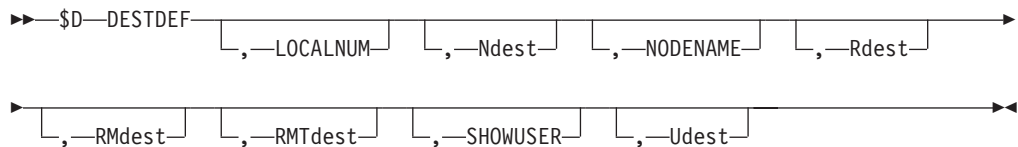
---

## \$D DESTDEF - Display symbolic destination settings

### Function

To display the meaning and context of explicit and symbolic destinations on the DESTID statement.

### Syntax



### Parameters

#### LOCALNUM

Displays the maximum special local routing allowed on this system.

#### Ndest

Displays how JES2 interprets destinations of the form 'Nnnnn'. JES2 either interprets 'Nnnnn' and 'NnnnnRmmmm' as a node (NODE) or as a userid (USER).

#### NODENAME

Displays the nodename.

#### Rdest

Displays how JES2 interprets destinations of the form 'Rmmmm' and 'NnnnnRmmmm'. JES2 either interprets 'Rmmmm' as a remote work station (REMOTE) or as a userid (USER).

#### RMdest

Displays how JES2 interprets destinations of the form 'RMmmmm'. JES2 either interprets 'RMmmmm' as a remote work station (REMOTE) or as a userid (USER).



**RMTdest**

Displays how JES2 interprets destinations of the form 'RMTmmm'. JES2 either interprets 'RMTmmm' as a remote work station (REMOTE) or as a userid (USER).

**SHOWUSER**

Displays whether destinations for the local node that have user routings are displayed with a 'LOCAL.' prefix (WITHLOCAL) or not (NOLOCAL).

**Udest**

Displays how JES2 interprets destinations of the form 'Unnnn'. JES2 either interprets 'Unnnn' as a special local route code (SPLOCAL) or as a userid (USER).

**Authority Required**

This command requires **display** authority. The description of the \$T RDRnn command explains how to ensure that the authority of the appropriate MVS system command group is assigned.

This command requires **read** security access authority. For a description of assigning command input authority, see *z/OS JES2 Initialization and Tuning Guide*.

**Scope**

The scope of this command varies by parameter.

The values supplied for the LOCALNUM and SHOWUSER parameters will display information about this member only. Depending on your installation's setup, however, you might want to use these parameters to get information about all members of the MAS. If so, you can use the MVS ROUTE \*ALL command to issue this command to all active members (if the JES2 command character is the same on all members).

The values supplied for all other parameters are MAS-wide and will display information about the entire MAS.

See *z/OS MVS System Commands* for more information on using the ROUTE \*ALL command.

**Messages**

The \$HASP812 message displays the current status of DESTDEF parameters in the installation.

**Example**

**1** \$d destdef

```
$HASP812 DESTDEF LOCALNUM=9999,NDEST=USER,RDEST=USER,RMDEST=
$HASP812 REMOTE,RMTDEST=REMOTE,UDEST=USER,SHOWUSER=
$HASP812 WITHLOCAL
```

JES2 displays an installation where destids prefixed by 'N', 'U', and 'R' can be userids. JES2 processes destids prefixed by either 'RM' or 'RMT' as remote work stations and displays the 'LOCAL.' prefix for all route codes.

## \$D DESTid - Display a JES2 symbolic destination

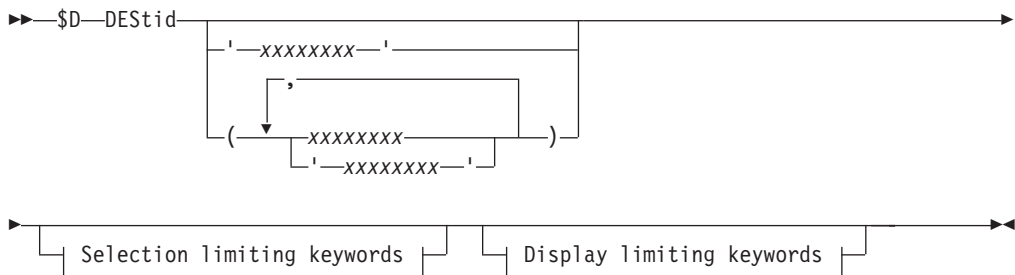
### Function

To display the JES2 route code associated with the specified symbolic destination name.

This command has parameters you can use as a filtering technique to limit the type of information to search, or the amount of information to display. See "Using filtering to control and display information" on page 114 for additional information.

One or more parameters on this command accepts wild cards. Parameter descriptions will note that.

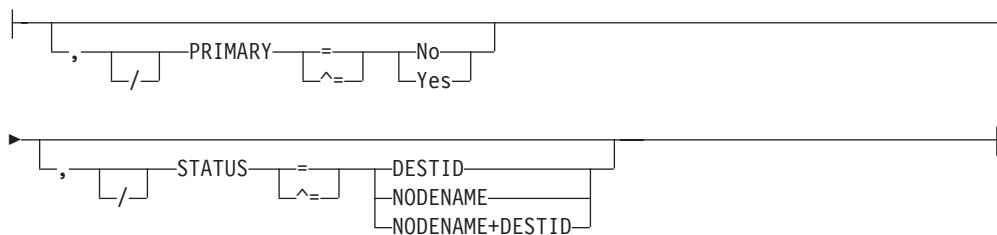
### Syntax



#### Display limiting keywords:



#### Selection limiting keywords:



### Parameters

#### XXXXXXXX

Specifies the 1 to 8 alphanumeric or special (\$, #, or @) character symbolic destination name you want to display. You may specify a particular symbolic destination name or use wild cards (for example, POK\* or \*). See "Using wildcards" on page 108 for additional information.

#### DEST

Displays the route code JES2 uses to route data.

#### PRIMARY [=No | Yes]

Displays whether this is a primary destid.

**STATUS[=DESTID|NODENAME|NODENAME+DESTID]**

Displays whether this is a node (or NJE node name) or a destid. The status displayed will be one of the following values:

- STATUS=NODENAME+DESTID
- STATUS=NODENAME
- STATUS=DESTID

**Authority Required**

This command requires **display** authority. The description of the \$T RDRnn command explains how to ensure that the authority of the appropriate MVS system command group is assigned.

This command requires **read** security access authority. For a description of assigning command input authority, see *z/OS JES2 Initialization and Tuning Guide*.

**Scope**

**Single member.** The response to this command will be a display of information about this member only. You might want to use this command to get information about all members in the MAS. To do so, you can use the MVS ROUTE \*ALL command to issue this command to all active members (if the JES2 command character is the same on all members). See *z/OS MVS System Commands* for more information on using the ROUTE \*ALL command.

**Messages**

The \$HASP822 message displays the current values of all the parameters on the DESTid initialization statement.

**Examples**

**1** \$D DESTID(\*)

```

$HASP822 DESTID(P0K)          DEST=N1,STATUS=NODENAME+DESTID,
$HASP822                      PRIMARY=NO
      $HASP822 DESTID(REMOTE20) DEST=R20,STATUS=DESTID,PRIMARY=NO
$HASP822 DESTID(REMOTE21)    DEST=R21,STATUS=DESTID,PRIMARY=NO
$HASP822 DESTID(REMOTE22)    DEST=R22,STATUS=DESTID,PRIMARY=NO
$HASP822 DESTID(REMOTE23)    DEST=R23,STATUS=DESTID,PRIMARY=NO
$HASP822 DESTID(REMOTE24)    DEST=R24,STATUS=DESTID,PRIMARY=NO
$HASP822 DESTID(REMOTE25)    DEST=R25,STATUS=DESTID,PRIMARY=NO
$HASP822 DESTID(REMOTE26)    DEST=R26,STATUS=DESTID,PRIMARY=NO
$HASP822 DESTID(REMOTE27)    DEST=R27,STATUS=DESTID,PRIMARY=NO
$HASP822 DESTID(REMOTE34)    DEST=R34,STATUS=DESTID,PRIMARY=NO
$HASP822 DESTID(REMOTE5)     DEST=R5,STATUS=DESTID,PRIMARY=NO
$HASP822 DESTID(SANJOSE)
$HASP822 DESTID(SANJOSE)     DEST=N3,STATUS=NODENAME+DESTID,
$HASP822                      PRIMARY=NO
      $HASP822 DESTID(WSC)
$HASP822 DESTID(WSC)        DEST=N2,STATUS=NODENAME+DESTID,
$HASP822                      PRIMARY=NO

```

JES2 displays all destids.

**2** \$D DESTID(\*), STATUS=NODENAME+DESTID

```

      $HASP822 DESTID(NODE4)
$HASP822 DESTID(NODE4)      DEST=N4,STATUS=NODENAME+DESTID,
$HASP822                      PRIMARY=NO
      $HASP822 DESTID(P0K)

```

## \$D DESTID

```
$HASP822 DESTID(P0K)      DEST=N1,STATUS=NODENAME+DESTID,
$HASP822                   PRIMARY=NO
                        $HASP822 DESTID(SANJOSE)
$HASP822 DESTID(SANJOSE)  DEST=N3,STATUS=NODENAME+DESTID,
$HASP822                   PRIMARY=NO
                        $HASP822 DESTID(WSC)
$HASP822 DESTID(WSC)     DEST=N2,STATUS=NODENAME+DESTID,
$HASP822                   PRIMARY=NO
```

JES2 displays all destids that have a status of nodename and destid.

### 3a \$D DESTID(FAXROOM)

```
$HASP822 DESTID(FAXROOM)  DEST=U3,STATUS=DESTID,PRIMARY=YES
```

### 3b \$D DESTID(PRINTER3)

```
$HASP822 DESTID(PRINTER3) DEST=U3,STATUS=DESTID,PRIMARY=NO
```

### 3c \$T0J7,ALL,D=U3

```
JOB00007 $HASP686 OUTPUT(DIA)
$HASP686 OUTPUT(DIA)      OUTGRP=1.1.1,BURST=NO,FCB=****,
$HASP686                   FLASH=****,FORMS=DXP,HOLD=(NONE),
$HASP686                   HOLDRC=,OUTDISP=LEAVE,PAGES=,
$HASP686                   PRIORITY=12,PRMODE=LINE,QUEUE=1,
$HASP686                   RECORDS=(37 OF 37),ROUTECD=FAXROOM,
$HASP686                   SECLABEL=,TSOAVAIL=NO,UCS=****,
$HASP686                   USERID=PIKE,WRITER=
```

The series of examples above shows that multiple names (aliases) may exist for a destination. The PRIMARY parameter indicates what the alias is to be resolved to when the DEST of a job or SYSOUT is U3.

For example, if SYSOUT is routed to U3, as in the last example of the series, any displays of this output display FAXROOM.

---

## \$D ESTBYTE - Display Number of Bytes Set for Jobs and their Output Function

To display the estimated number of bytes set for jobs and their output.

### Syntax

```
➔ $D—ESTBYTE [ ,—INT ] [ ,—NUM ] [ ,—OPT ] ➔
```

### Parameters

#### INT

Displays the estimated interval, in thousands of bytes of spool space, for jobs and their output.

#### NUM

Displays the estimated number, in thousands of bytes of spool space, for jobs and their output.

#### OPT

Displays the action (0, 1, or 2) JES2 takes when a job exceeds the estimated spool utilization:

0 job is allowed to continue execution

- 1 job is cancelled without a dump
- 2 job is cancelled with a dump

### Authority Required

This command requires **display** authority. The description of the \$T RDRnn command explains how to ensure that the authority of the appropriate MVS system command group is assigned.

This command requires **read** security access authority. For a description of assigning command input authority, see *z/OS JES2 Initialization and Tuning Guide*.

### Scope

**Single Member.** The response to this command will be a display of information about this member only.

### Messages

The \$HASP845 message displays the keywords defined and their current values.

### Example

```

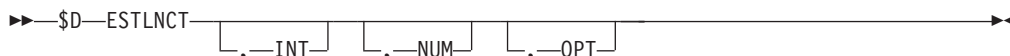
1 $d estbyte
$HASP845 ESTBYTE NUM=99999,INT=99999,OPT=0
  
```

## \$D ESTLNCT - Display number of lines for jobs and their output

### Function

To display the estimated number of lines for jobs and their output.

### Syntax



### Parameters

#### INT

Displays the estimated lines for jobs and their output.

#### NUM

Displays the estimated number, for jobs and their output.

#### OPT

Displays the action (0, 1, or 2) JES2 takes when a job exceeds the estimated spool utilization:

- 0 job is allowed to continue execution
- 1 job is cancelled without a dump
- 2 job is cancelled with a dump

## \$D ESTLNCT

### Authority Required

This command requires **display** authority. The description of the \$T RDRnn command explains how to ensure that the authority of the appropriate MVS system command group is assigned.

This command requires **read** security access authority. For a description of assigning command input authority, see *z/OS JES2 Initialization and Tuning Guide*.

### Scope

**Single member.** The response to this command will be a display of information about this member only.

### Messages

The \$HASP845 message displays the keywords defined and their current values.

### Example

```
❶ $d estlnct
   $HASP845 ESTLNCT  NUM=4,INT=4000,OPT=0
```

---

## \$D ESTPAGE - Display number of pages set for jobs and their output

### Function

To display the estimated number of pages set for jobs and their output.

### Syntax

```
▶▶ $D—ESTPAGE [ ,—INT ] [ ,—NUM ] [ ,—OPT ] ▶▶
```

### Parameters

#### INT

Displays the interval, in number of pages, for jobs and their output.

#### NUM

Displays the estimated number of pages for jobs and their output.

#### OPT

Displays the action (0, 1, or 2) JES2 takes when a job exceeds the estimated spool utilization:

- 0 job is allowed to continue execution
- 1 job is cancelled without a dump
- 2 job is cancelled with a dump

### Authority Required

This command requires **display** authority. The description of the \$T RDRnn command explains how to ensure that the authority of the appropriate MVS system command group is assigned.

This command requires **read** security access authority. For a description of assigning command input authority, see *z/OS JES2 Initialization and Tuning Guide*.

### Scope

**Single member.** The response to this command will be a display of information about this member only.

### Messages

The \$HASP845 message displays the keywords defined and their current values.

### Example

```
1 $d estpage
```

```
$HASP845 ESTPAGE NUM=40,INT=10,OPT=0
```

## \$D ESTPUN - Display number of punch pages set for jobs and their output

### Function

To display the estimated number of punch pages set for jobs and their output.

### Syntax

```

>> $D-ESTPUN [ ,--INT ] [ ,--NUM ] [ ,--OPT ]

```

### Parameters

#### INT

Displays the interval, in cards, for jobs and their output.

#### NUM

Displays the estimated punch card output for jobs and their output.

#### OPT

Displays the action (0, 1, or 2) JES2 takes when a job exceeds the estimated spool utilization:

- 0 job is allowed to continue execution
- 1 job is cancelled without a dump
- 2 job is cancelled with a dump

### Authority Required

This command requires **display** authority. The description of the \$T RDRnn command explains how to ensure that the authority of the appropriate MVS system command group is assigned.

This command requires **read** security access authority. For a description of assigning command input authority, see *z/OS JES2 Initialization and Tuning Guide*.

## Scope

**Single member.** The response to this command will be a display of information about this member only.

## Messages

The \$HASP845 message displays the keywords defined and their current values.

## Example

```
1 $d estpun
```

```
$HASP845 ESTPUN NUM=100,INT=2000,OPT=0
```

---

## \$D ESTIME - Display amount of time set for jobs and their output

### Function

To display the estimated amount of time set for jobs.

### Syntax

```
▶▶ $D—ESTIME [ ,—INT ] [ ,—NUM ] [ ,—OPT ] ▶▶
```

### Parameters

#### INT

Displays the interval, in minutes, for jobs and their output.

#### NUM

Displays the default estimated time execution for jobs and their output.

#### OPT

Displays the action (Yes or No) JES2 takes when a job exceeds the estimated spool utilization:

##### Yes

Specifies that the \$HASP308 message is issued.

**No** Specifies that the \$HASP308 message is not issued.

### Authority Required

This command requires **display** authority. The description of the \$T RDRnn command explains how to ensure that the authority of the appropriate MVS system command group is assigned.

This command requires **read** security access authority. For a description of assigning command input authority, see *z/OS JES2 Initialization and Tuning Guide*.

## Scope

**Single member.** The response to this command will be a display of information about this member only.



### Example

**1** \$d estimate

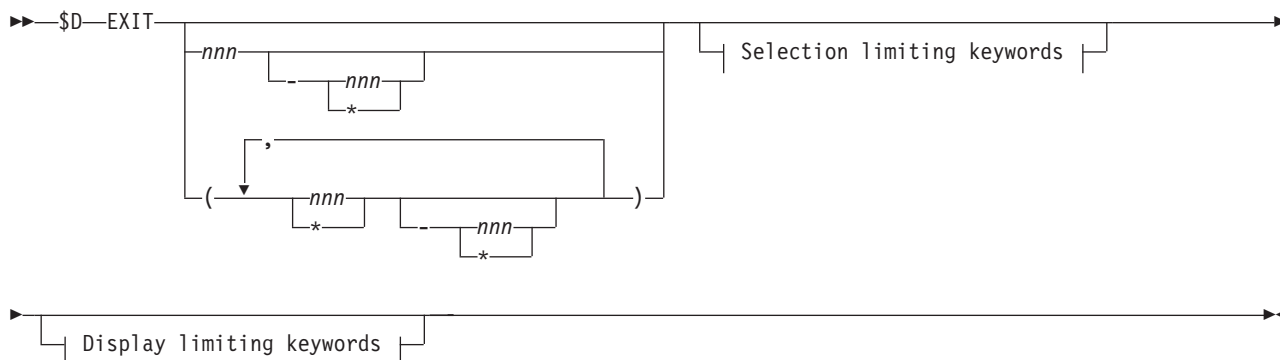
\$HASP845 ESTIME NUM=40,INT=10,OPT=Yes

## \$D EXIT - Display current characteristics of specified JES2 exit points

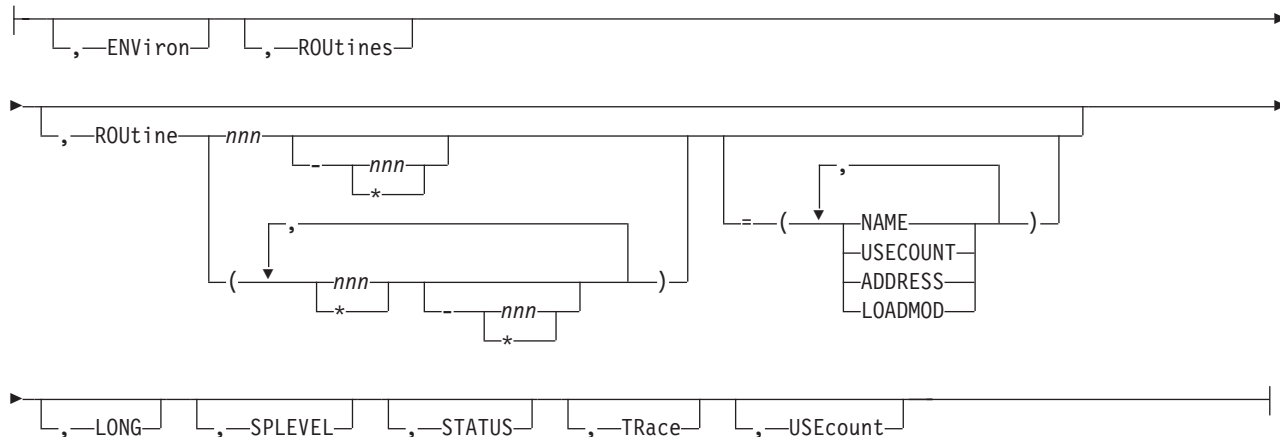
### Function

To display the characteristics of JES2 exit points.

### Syntax



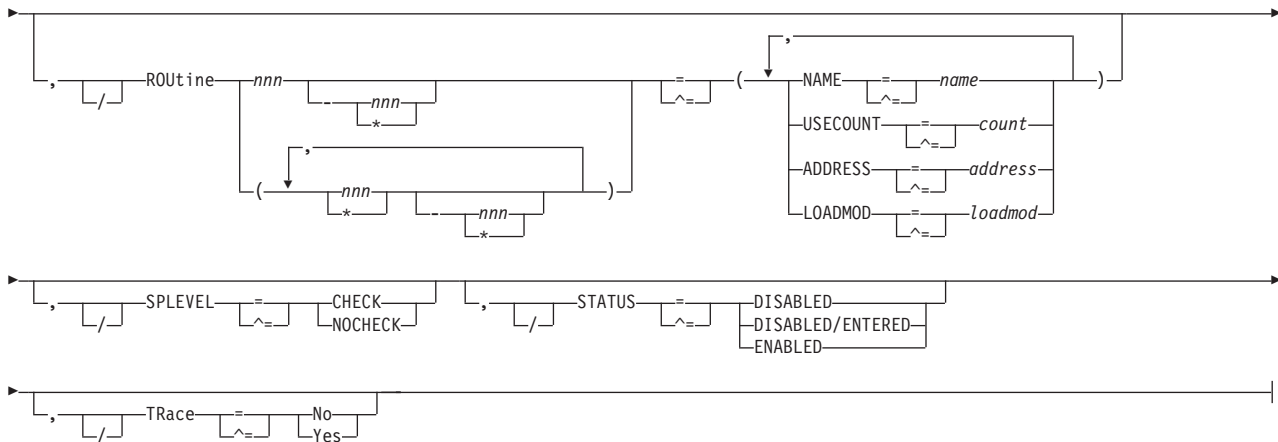
### Display limiting keywords:



### Selection limiting keywords:



## \$D EXIT



### Parameters

#### EXIT (nnn|\*)

The \$HASP823 message displays the current characteristics of the specified JES2 exit points.

#### ENVIRON [=FSS|JES2|MIXED|SUBTASK|USER]

Displays the environment in which the exit gains control. You can specify the ENVIRON parameter without an environment keyword, or you can specify an environment if you are requesting information about all modules in that environment only (for example, ENV=USER).

Valid keyword values for the D MODULE ENV= parameter and their meanings are:

#### Value Meaning

**FSS** Displays only those exits that are entered in the FSS address space environment.

**JES2** Displays only those exits that are entered in the JES2 address space main task environment.

#### MIXED

Displays only those exits that are entered in the same environment. Having a module with routines defined for different environments is rare in IBM modules, and is not recommended in installation-defined modules.

#### SUBTASK

Displays only those exits that are entered in the JES2 address space subtask environment.

**USER** Displays only those exits that are entered in the multi-address-space user environment.

#### LONG

Specifies whether or not an abbreviated list of characteristic is provided. An abbreviated display of characteristics is provided unless LONG is requested. The abbreviated list includes only the following characteristics:

- STATUS
- ENVIRON
- ROUTINES
- SPLEVEL

- TRACE
- USECOUNT

When LONG is specified, if there are routines associated with the selected exit or exits, the ROUTINE(nnn) keyword is displayed while the ROUTINES keyword is not displayed. If there are no routines associated with the selected exit or exits, neither of these keywords will be displayed when LONG is specified.

**ROUTines**

Displays the names of the routines associated with the selected exit or exits.

**ROUTine(nnn)**

Displays detailed information about a particular routine associated with the exit. This keyword is displayed if specified on the command or if LONG is specified. Detailed information includes the following values:

**NAME**

Routine name

**USECOUNT**

Current use count

**ADDRESS**

Address of routine

**LOADMOD**

Name of loadmod that contains routine

**SPLEVEL [=CHECK|NOCHECK]**

Display only those exits that are entered in the SPLEVEL= parameter on the \$MODULE macro. Optionally, you can display only those modules that have assigned a specific value to the \$MODULE SPLEVEL= parameter by coding one of the following keywords:

**Value Meaning**

**CHECK**

Display only those modules that specified CHECK on the \$MODULE SPLEVEL= parameter.

**NOCHECK**

Display only those modules that specified NOCHECK on the \$MODULE SPLEVEL= parameter.

**STATUS={DISABLED|DISABLED/ENTERED|ENABLED}**

Display the current state of the exit in:

**DISABLED**

The exit is not to be entered.

**DISABLED/ENTERED**

The exit received control even though it is in a disabled state.

**ENABLED**

The exit is to be entered at the appropriate point in processing.

**TRace [=No|Yes]**

Specifies whether the execution of this exit is to be traced (Yes) or not (No).

**USECOUNT**

Displays a count of processes using the exit at this time.

## Authority Required

This command requires **display** authority. The description of the \$T RDRnn command explains how to ensure that the authority of the appropriate MVS system command group is assigned.

This command requires **read** security access authority. For a description of assigning command input authority, see *z/OS JES2 Initialization and Tuning Guide*.

## Scope

**Single member.** The command will be in effect for this member only. There is no need to have this command issued to all members of the MAS.

## Messages

The \$HASP823 messages displays the characteristics of JES2 exit points.

## Examples

### 1 \$d exit(5)

```
$HASP823 EXIT(5)    STATUS=ENABLED, ENVIRON=JES2,  
$HASP823           ROUTINES=(OURCMD, QUEBRK) , SPLEVEL=CHECK,  
$HASP823           TRACE=YES, USECOUNT=0
```

JES2 displays the current status of \$EXIT 5. The exit is enabled, and routines OURCMD and QUEBRK will get control whenever exit 5 is entered.

### 2 \$d exit(\*),status=enabled,routines

```
$HASP823 EXIT(5)    ROUTINES=(OURCMD, QUEBRK)  
$HASP823 EXIT(24)   ROUTINES=(FIXMAP)  
$HASP823 EXIT(26)   ROUTINES=(FREEMAP)
```

JES2 displays all enabled \$EXITs, and the routines associated with each.

### 3 \$d exit(5),long

```
          $HASP823 EXIT(5)  
$HASP823 EXIT(5)    STATUS=ENABLED, ENVIRON=JES2,  
$HASP823           ROUTINE(1)=(NAME=OURCMD, USECOUNT=0,  
$HASP823           ADDRESS=0A18F4A0, LOADMOD=HASTX5) ,  
$HASP823           ROUTINE(2)=(NAME=DIAGXITM, USECOUNT=0,  
$HASP823           ADDRESS=09F302C0, LOADMOD=HASTDIAG) ,  
$HASP823           SPLEVEL=CHECK, TRACE=YES, USECOUNT=0
```

### 4 \$d exit(\*),ROUTINE(\*)=(loadmod=HASTDIAG)

```
          $HASP823 EXIT(1)  
$HASP823 EXIT(1)    ROUTINE(1)=(NAME=DIAGX01, USECOUNT=0,  
$HASP823           ADDRESS=09F429F0, LOADMOD=HASTDIAG) ,  
$HASP823           ROUTINE(2)=(NAME=DIAGXITM, USECOUNT=0,  
$HASP823           ADDRESS=09F302C0, LOADMOD=HASTDIAG)  
          $HASP823 EXIT(2)  
$HASP823 EXIT(2)    ROUTINE(1)=(NAME=DIAGX02, USECOUNT=0,  
$HASP823           ADDRESS=09F35520, LOADMOD=HASTDIAG) ,  
$HASP823           ROUTINE(2)=(NAME=DIAGXITM, USECOUNT=0,  
$HASP823           ADDRESS=09F302C0, LOADMOD=HASTDIAG)  
          $HASP823 EXIT(3)  
$HASP823 EXIT(3)    ROUTINE(1)=(NAME=DIAGX03, USECOUNT=0,  
$HASP823           ADDRESS=09F35AA8, LOADMOD=HASTDIAG) ,  
$HASP823           ROUTINE(2)=(NAME=DIAGXITM, USECOUNT=0,  
$HASP823           ADDRESS=09F302C0, LOADMOD=HASTDIAG)  
          $HASP823 EXIT(4)
```

```

$HASP823 EXIT(4)    ROUTINE(2)=(NAME=DIAGXITM,USECOUNT=0,
$HASP823          ADDRESS=09F302C0,LOADMOD=HASTDIAG)
                $HASP823 EXIT(5)
$HASP823 EXIT(5)    ROUTINE(2)=(NAME=DIAGXITM,USECOUNT=0,
$HASP823          ADDRESS=09F302C0,LOADMOD=HASTDIAG)
    
```

## \$D F - Display the job output forms queue

### Function

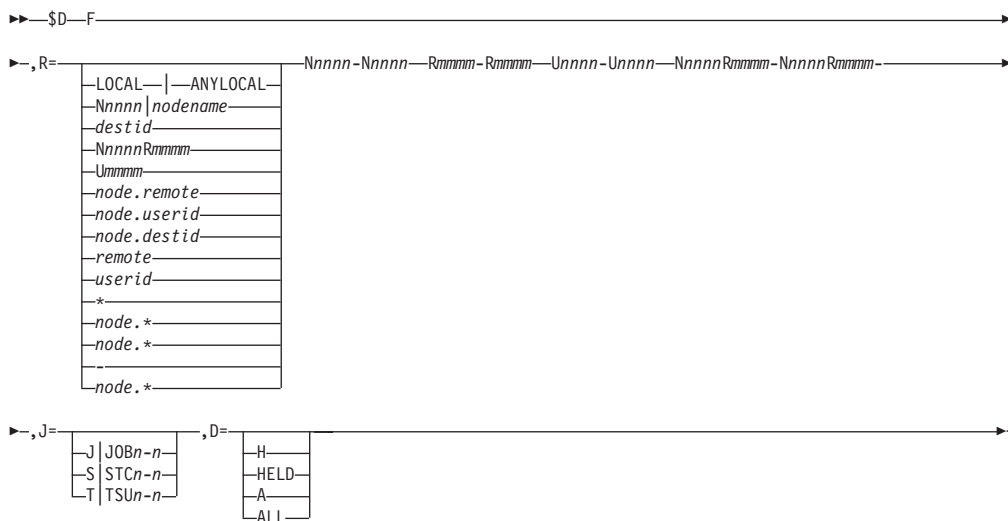
To display the following information about data set groups queued (ready) for output. That is, output groups (displayable with \$DOjob) with OUTDISP=WRITE or KEEP that are routed to the local node and are not busy:

- Route code
- Forms required
- Carriage required
- Train required
- Forms overlay frame, if required
- Bursting, if required
- Number of jobs queued for each output class
- Process mode

By default, if the job is held (as displayed by \$Djob) then JES2 doesn't count the output group.

One or more parameters on this command accepts wild cards. Parameter descriptions will note that.

### Syntax



### Parameters

- F** JES2 displays the number of data sets queued for output.
- R=** Specifies a destination for a piece of output. Indicates that output sent to the specified destinations can be selected. The value for all routing numbers can range from 1 to 32767. You can also specify wild cards on this parameter. See

“Route codes” on page 107 for a description of how to specify route codes and “Using wildcards” on page 108 for information on wild cards.

If this command originates from another node in the network and the R= operand does not specify a node (first-level destination), the receiving node defaults the first-level destination to the node where the command originated.

If this command is sent to another node in the network using the \$N command, be aware that the receiving node will default the node (first-level destination) of the R= operand to the sending node. If another node is desired, specify a destination on the R= operand that will resolve to the desired node (first level destination) at the receiving node.

**Note:** NODENAME=REQUIRED on the DESTDEF initialization statement will cause JES2 to require that a userid be prefixed with a node name.

Valid specifications are:

**LOCAL|ANYLOCAL**

Indicates that only output for the local node is displayed.

**Nnnnn|nodename**

Indicates that output for jobs is displayed at the node(s) specified through the decimal node identifier or an EBCDIC nodename.

**destid** Indicates that only output for the node(s) represented by the destid is displayed.

**NnnnnRmmmm|node.remote|node.userid**

Indicates that output for jobs is displayed at remote Rmmmm at the node Nnnnn. Rmmmm can also be specified as RMmmmm or RMTmmmm.

**Ummmm**

Indicates that job output is displayed as special local routing. Wild cards are not supported.

**node.destid**

Indicates that output for a job is displayed at a destination at the specified node. The destid refers to both the node and the remote. The node specified in the destid must be the same as the node portion of the route code. If the number of the remote has been reassigned, you can use the destid to send to this node.

**remote**

Indicates job output display routing to a remote. Remote can be specified in any of the following ways:

**LOCAL|ANYLOCAL**

Indicates that output for the jobs is displayed at the local node.

**Rmmmm**

Indicates that output for the jobs is displayed at the specified remote.

**destid** Indicates that output for the jobs is displayed at a destid that refers to a remote.

**userid** Indicates routing to a valid TSO userid. If the userid ends in \*, this route code refers to all userids beginning with the characters that precede the \*, up to but not including the \*.

For more information about specifying userids as remotes, refer to “Route codes” on page 107.

\* Displays all output for the local node, including special local, userid, and a remote workstation on the local node.

**node.\*** Displays output for all userids at the local node.

**node.\*-node.\***

Displays all output for each node in the range. The range may include the local node.

**Nnnnn-Nnnnn**

Displays all output for each node in the range. The range may include the local node.

**Rmmmm-Rmmmm**

Displays all output for each remote in the range.

**Unnnn-Unnnn**

Displays all output for each special local node in the range. Wild cards are not supported.

**NnnnnRmmmm-NnnnnRmmmm**

Displays a range of remotes at a node. Both node identifiers must be the same.

**J=J|JOBn[-n]**

The batch job or range of batch jobs for which job output information is displayed.

**J=S|STCn[-n]**

The started task or range of started tasks for which job output information is displayed.

**J=T|TSUn[-n]**

The time-sharing user or range of time-sharing users for whom job output information is displayed.

**D=H|HELD|A|ALL**

D=(A|ALL) tells JES2 to consider ready output groups even if the owning job is held. D=(H|HELD) tells JES2 to only count ready output groups belonging to held jobs. If you omit this parameter, JES2 displays job output information for all jobs.

## Authority Required

This command requires **display** authority. The description of the \$T RDRnn command explains how to ensure that the authority of the appropriate MVS system command group is assigned.

This command requires **read** security access authority. For a description of assigning command input authority, see *z/OS JES2 Initialization and Tuning Guide*.

## Scope

**MAS-wide.** This command can display information about jobs on any or all members of the MAS depending on the parameters you provide.

## Messages

The \$HASP621 message displays the destination and processing requirements of the work on the output forms queue.

### Example

**1** \$df,r=local

```
$HASP621 OUT R=LOCAL F=STD C=**** T=**** W= (NONE)
$HASP621 PRMODE=LINE CLASS A=3 B=1
```

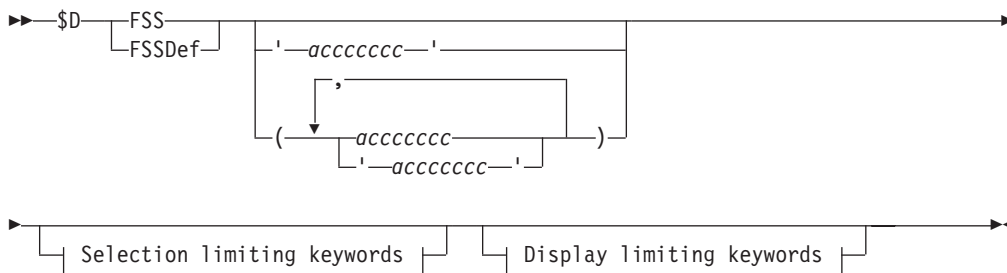
JES2 displays job output information for released jobs that route their output to remote workstations off the local node.

## \$D FSS - Display the characteristics of the specified functional subsystems

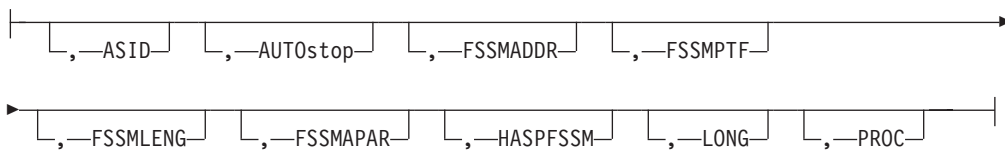
### Function

To display characteristics of function subsystems.

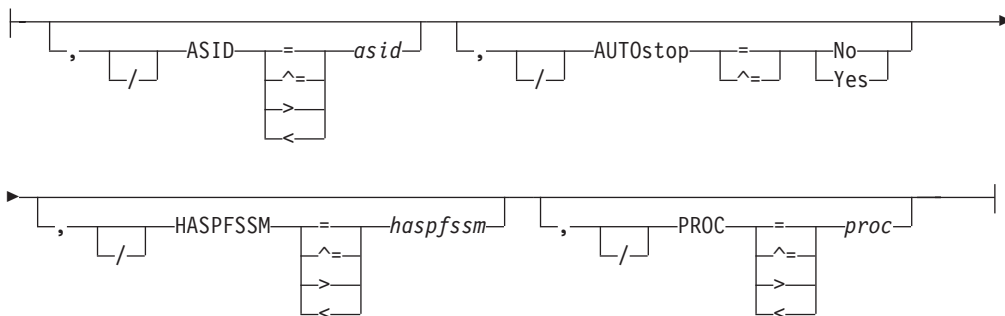
### Syntax



### Display limiting keywords:



### Selection limiting keywords:





## Parameters

### ASID=asid

Displays the ASID of the address space in the functional subsystem.

### AUTOstop={No|Yes}

Specifies whether (Yes) or not (No) the FSS address space is to be stopped (shut down) if all the devices attached to the FSS are drained.

### FSSMADDR

Displays the hexadecimal address where the HASPFSSM module in use by this FSS has been loaded into storage (in the address space indicated by the ASID= parameter). This parameter is only displayed when the FSS is active and LONG is specified on the display command.

### FSSMAPAR

Displays the last service applied to the HASPFSSM module in use by this FSS. This parameter is only displayed when the FSS is active and LONG is specified on the display command.

### FSSMLENG

Displays the length of the HASPFSSM module in use by this FSS. This parameter is only displayed when the FSS is active and LONG is specified on the display command.

### FSSMPTF

Displays the last PTF maintenance applied to the HASPFSSM module by this FSS. This parameter is only displayed when the FSS is active and LONG is specified on the display command.

### HASPFSSM=haspfssm

The 1- to 8- character name of the load module that is loaded into the functional subsystem address space. This load module contains the various JES2-supplied FSI service routines.

### LONG

Displays additional information.

**Note:** Because LONG= automatically triggers a "long" display, you cannot add additional display-limiting parameters to this command; however, you can add selection-limiting parameters.

### PROC=proc

Specifies the 1- to 8-character name of the procedure in SYS1.PROCLIB that contains the JCL required to start the functional subsystem.

## Authority Required

The scope of some commands varies by parameter.

Some parameters on certain commands will display information about the entire MAS, while other parameters will display information about this member only.

For those commands that are single member scope, or have some parameters that are single member scope, you might want to use the parameters for that command to get information about all members of the MAS. If so, you can use the MVS ROUTE \*ALL command to issue that command to all active members (if the JES2 command character is the same on all members). See *z/OS MVS System Commands* for more information on using the ROUTE \*ALL command.

## Scope

**Single member.** The response to this command will be a display of information about this member only.

## Messages

The individual parameter descriptions list the resulting messages.

## Examples

```
❶ $d fss(psf1)
$HASP824 FSS(PSF1) PROC=WTR3800S,HASPFSSM=HASPFSSM,
$HASP824 AUTOSTOP=NO
```

The \$HASP824 message displays the attributes of functional subsystem PSF1.

---

## \$D INITDEF - Display the number of logical initiators currently defined

### Function

To display the number of JES2 logical initiators.

### Syntax

```
➤—$D—INITDEF—┐
                  └,—PARTNUM—┘
```

### Parameters

#### PARTNUM

The number of JES2 initiators on this member.

### Authority Required

This command requires **display** authority. The description of the \$T RDRnn command explains how to ensure that the authority of the appropriate MVS system command group is assigned.

This command requires **read** security access authority. For a description of assigning command input authority, see *z/OS JES2 Initialization and Tuning Guide*.

### Scope

**Single member.** This command will be in effect for his member only. There is no need to have this command issued to all members of the MAS.

### Messages

The \$HASP468 message displays the number of JES2 logical initiators currently defined.

### Example

```
❶ $d initdef
$HASP468 INITDEF PARTNUM=10
```

JES2 indicates that there are 10 JES-managed initiators on this member.

## \$D INITINFO - Display initialization information

### Function

Displays JES2 initialization information, including the command that was used to start JES2 (if applicable), the initialization decks that were used during startup with a count of cards read, and the data sets included in the STEPLIB concatenation in the JES2 PROC.

### Syntax

```

▶▶ $D INITINFO [ ,—STARTCMD ] [ ,—HASPPARM ] [ ,—STEPLIB ]
  
```

### Parameters

#### HASPPARM

Displays the data sets that have been read for the JES2 initialization statements and the number of cards that have been read from each data set. Up to 256 data sets can be displayed.

#### STARTCMD

Displays the command that was used to start this instance of the JES2 address space, if applicable.

#### STEPLIB

Displays the STEPLIB DD concatenation that is currently set for JES2.

### Authority Required

This command requires **display** authority. The description of the \$T RDRnn command explains how to ensure that the authority of the appropriate MVS system command group is assigned.

This command requires **read** security access authority. For a description of assigning command input authority, see *z/OS JES2 Initialization and Tuning Guide*.

### Scope

**Single member.** The response to this command displays information about this member only. To display information about all members in the MAS, use the MVS ROUTE \*ALL command to issue this command to all active members (if the JES2 command character is the same on all members).

### Messages

The \$HASP825 message is issued in response to this command.

### Example

```

❶ $D INITINFO
$HASP825 INITINFO --- Command used to start JES2
$HASP825 S JES2,M=SPOOLZ21,PARM=(WARM,NOREQ)
$HASP825 --- HASPPARM data sets read
$HASP825 DSN=SYS1.PARMLIB(SPOOLZ21),VOLSER=J2SHR2,
$HASP825 CARDS=458,
  
```

## \$D INITINFO

```
$HASP825          DSN=SYS1.PARMLIB(DYNEXITD),CARDS=121,  
$HASP825          DSN=CONSOLE,CARDS=1  
$HASP825          --- STEPLIB Concatenation  
$HASP825          DSN=NULL.JES2000.LINKLPA,VOLSER=J2SPA1,  
$HASP825          DSN=SYS1.SRVLIB.JES2000.LINKLPA,  
$HASP825          VOLSER=J2SPA1,  
$HASP825          DSN=SYS2.LINKLIB,VOLSER=ZDR21,  
$HASP825          DSN=SYS1.MIGLIB,VOLSER=ZDR21
```

---

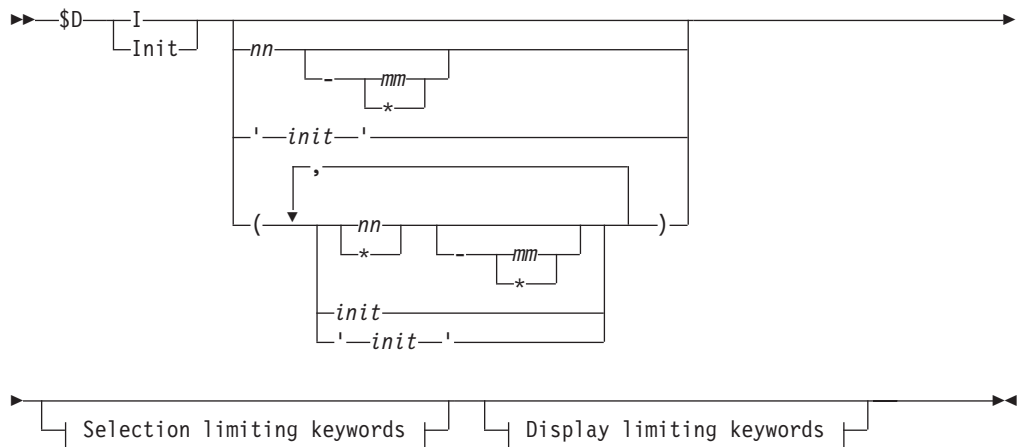
## \$D I[nnmm] - Display initiator information

### Function

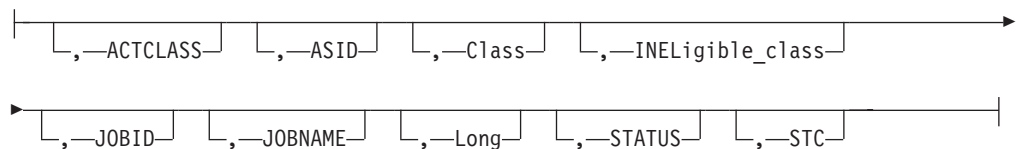
To display the status of an initiator and the job classes assigned to it.

This command has parameters you can use as a filtering technique to limit the type of information to search, or the amount of information to display. See "Using filtering to control and display information" on page 114 for additional information.

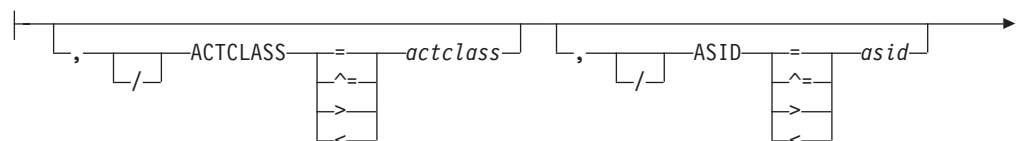
### Syntax

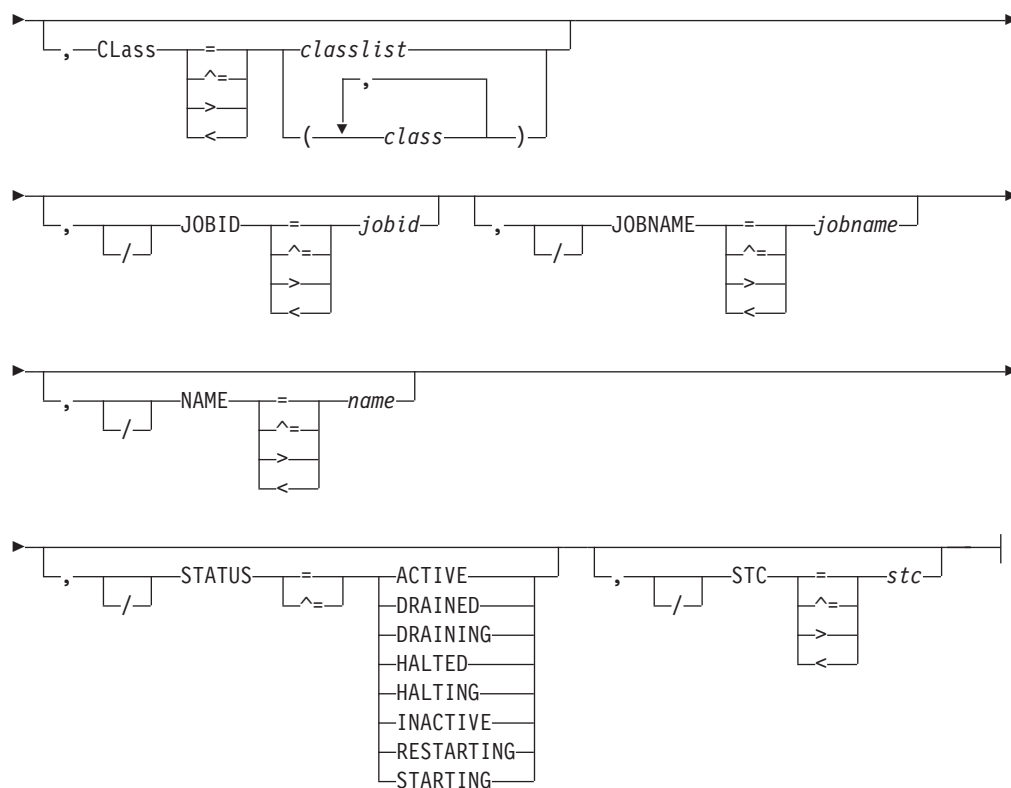


### Display limiting keywords:



### Selection limiting keywords:





## Parameters

### I[init[-init]]

Specifies the subscript (1-9999) of the initiator(s) that are displayed.

**Note:** JES2 commands do not recognize JES2-controlled initiators that are numbered (with subscripts) greater than the PARTNUM= specification on the INITDEF initialization statement.

### ACTCLASS=actclass

Displays the job class of the job being actively processed by the initiator.

### ASID=asid

Displays the ASID of the address space in which the initiator is running.

### Class=classlist|class,class

Displays the list of classes which are associated with the initiator. Classes associated with the initiator but ineligible to select work are not displayed in the list (but are matched on a filter).

The *classlist* variable specifies a list of single character job classes A-Z and 0-9: for example, 'ABCDEF'. A maximum of 36 classes can be specified.

The *class* variable specifies a comma-separated list of job classes or job class groups (each 1-8 characters in length). A maximum of eight items can be specified in the list: for example, (CLASS1,CLASS2,CLASS3).

Wildcards can also be specified: see "Using wildcards" on page 108 for details.

### INELigible\_class

Displays those classes which are associated with the initiator but ineligible to select work. Classes are displayed with an indicator as to why the class is not eligible:

## \$D I[nnmm]

### HELD

The initiator cannot select work in this job class because the job class is held.

### WLM

The initiator cannot select work from this job class because it is a WLM-mode job class.

### QAFF

The initiator cannot select work from this job class because the member is not in the queue affinity list (QAFF) for this job class.

### **JOBID=jobid**

Displays the job id of the job active on this initiator.

### **JOBNAME=jobname**

Displays the job name of the job active on this initiator.

### **Long**

Specifies the long form of the display.

**Note:** Because LONG automatically triggers a "long" display, you cannot add additional display-limiting parameters to this command; however, you can add selection-limiting parameters.

### **STATUS={ACTIVE|DRAINED|DRAINING|HALTED| HALTING|INACTIVE|RESTARTING|STARTING}**

Displays the current state of the initiator.

### **ACTIVE**

A job is active on the initiator.

### **DRAINED**

The initiator is drained.

### **DRAINING**

The initiator is transitioning to a DRAINED state.

### **HALTED**

The initiator has been halted through a \$Z I command.

### **INACTIVE**

The initiator has been started but has not selected a job.

### **RESTARTING**

The initiator has terminated abnormally and is in the process of restarting automatically.

### **STARTING**

The initiator has been started but has not fully initialized yet.

### **STC=stc**

Displays the job id of the initiator STC.

## **Authority Required**

This command requires **display** authority. The description of the \$T RDRnn command explains how to ensure that the authority of the appropriate MVS system command group is assigned.

This command requires **read** security access authority. For a description of assigning command input authority, see *z/OS JES2 Initialization and Tuning Guide*.

## Scope

**Single member.** The response to this command will be a display of information about this member only. There is no need to issue this command for all members of the MAS.

## Messages

The \$HASP892 message displays the status of the specified initiators.

## Examples

**1**

\$d i1

\$HASP892 INIT(1) STATUS=INACTIVE,CLASS=A,NAME=1,ASID=0017

JES2 displays the status of initiator 1 and its assigned job class.

**2**

\$d i2,long

\$HASP892 INIT(2) STATUS=ACTIVE,CLASS=A,NAME=1,ASID=0017,  
 \$HASP892 JOBID=JOB00013,JOBNAME=JLNKCLW2,ACTCLASS=A  
 \$HASP892 STC=STC00004

When you specify the LONG operand, additional information (JOBNAME, ACTCLASS, and STC) is displayed.

**3**

\$d i3

\$HASP892 INIT(3) STATUS=ACTIVE,CLASS=C,  
 \$HASP892 INELIGIBLE\_CLASS=(A-HELD,B-WLM),NAME=3,  
 \$HASP892 ASID=0018

Initiator 3 is displayed. Job classes A, B, and C were all specified in the class list for initiator 3, but the initiator cannot select from class A because the job class is held and cannot select from class B because it is a WLM-mode job class.

**4**

\$di

\$HASP892 INIT(1) STATUS=INACTIVE,CLASS=A,NAME=1,ASID=012E  
 \$HASP892 INIT(2) STATUS=DRAINED,CLASS=AB,NAME=1  
 \$HASP892 INIT(3) STATUS=DRAINED,CLASS=ABC,NAME=44  
 \$HASP892 INIT(4) STATUS=DRAINED,CLASS=ABC,NAME=44  
 \$HASP892 INIT(5) STATUS=DRAINED,CLASS=JX,NAME=5  
 \$HASP892 INIT(6) STATUS=DRAINED,CLASS=A,NAME=6  
 \$HASP892 INIT(7) STATUS=DRAINED,CLASS=A,NAME=7  
 \$HASP892 INIT(8) STATUS=DRAINED,CLASS=A,NAME=8  
 \$HASP892 INIT(9) STATUS=DRAINED,CLASS=JX,NAME=9  
 \$HASP892 INIT(10) STATUS=DRAINED,CLASS=A,NAME=10

**5**

\$di4

\$HASP892 INIT(4) STATUS=DRAINED,CLASS=ABC,NAME=44

Display initiator number 4.

**6**

\$di44

\$HASP003 RC=(03),I44 - INVALID PARAMETER STATEMENT

## \$D I[nnmm]

Display initiator number 44.

```
7
$di (44)
```

```
$HASP892 INIT(3)    STATUS=DRAINED,CLASS=ABC,NAME=44
$HASP892 INIT(4)    STATUS=DRAINED,CLASS=ABC,NAME=44
```

Display initiator, first as name of 44, then if not found, number of 44.

```
8
$di (4)
```

```
$HASP892 INIT(4)    STATUS=DRAINED,CLASS=ABC,NAME=44
```

Display initiator, first as name 4, then if not found, number of 4.

```
9
$di '1'
```

```
$HASP892 INIT(1)    STATUS=INACTIVE,CLASS=A,NAME=1,ASID=012E
$HASP892 INIT(2)    STATUS=DRAINED,CLASS=AB,NAME=1
```

Display initiator with name of 1.

```
10
$di (1)
```

```
$HASP892 INIT(1)    STATUS=INACTIVE,CLASS=A,NAME=1,ASID=012E
```

Display initiator with name of 1, then if not found, number of 1.

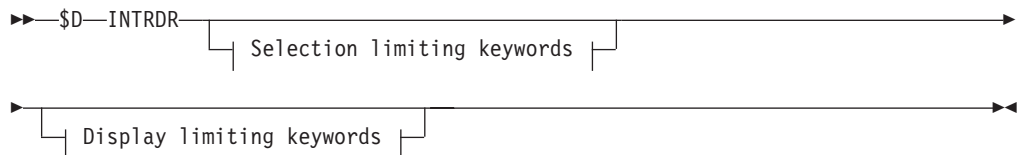
---

## \$D INTRDR - Display the current INTRDR initialization statement characteristics

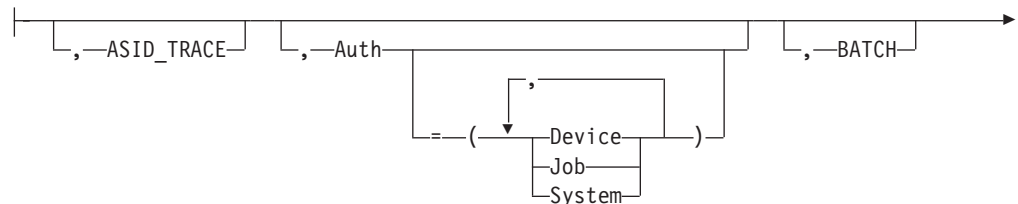
### Function

To display the current INTRDR initialization statement characteristics that are given for internal readers.

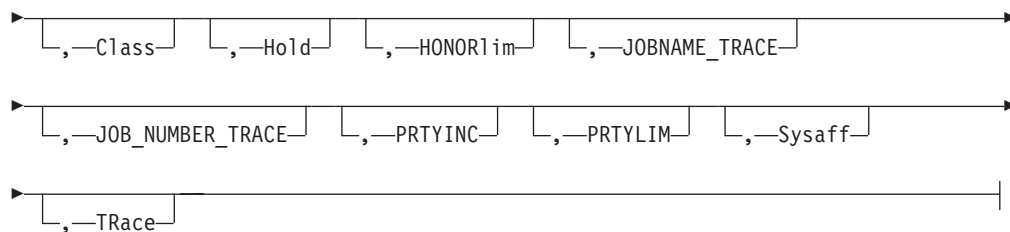
### Syntax



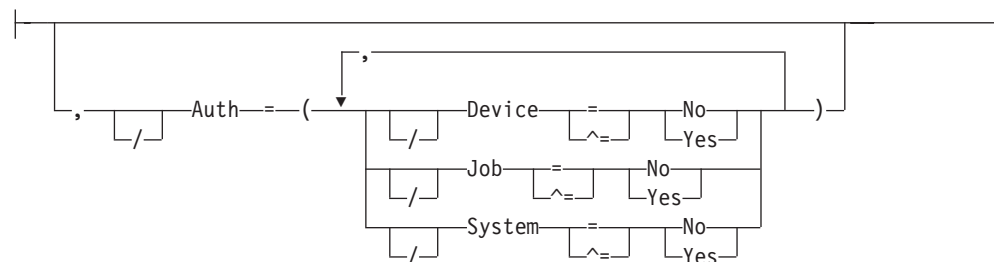
### Display limiting keywords:







**Selection limiting keywords:**



**Parameters**

**ASID\_TRACE**

Displays the ASID used when filtering JES2 INTRDR trace points.

**Note:** If TRACE=YES is specified, any ASID\_TRACE, JOBNAME\_TRACE, or JOB\_NUMBER\_TRACE filter is ignored. If more than one ASID\_TRACE=, JOBNAME\_TRACE=, and JOB\_NUMBER\_TRACE= parameters are specified, only one of the conditions must match the trace to be taken. For jobs being submitted through the internal reader, it is the job name, number, and ASID of the submitter of a job that are compared to the filters, not the values of the job being submitted.

**Auth=[Device|Job|System]**

Displays the command authority for internal readers.

**BATCH**

Displays whether internal readers can be used to process batch jobs.

**Class**

Displays the default job class to be assigned to all jobs submitted through the internal reader.

**Hold**

Displays whether jobs submitted through the internal reader are to be held after conversion.

**HONORLim**

Specifies if the data sets sent to the internal reader are to be counted toward the byte limit for a job.

**JOBNAME\_TRACE**

Displays the *jobname* used when filtering JES2 INTRDR trace points.

**JOB\_NUMBER\_TRACE**

Displays the job number used when filtering JES2 INTRDR trace points.

## \$D INTRDR

### PRTYINC

Displays the value to be added to the selection priority of all jobs submitted through the internal reader.

### PRTYLIM

Displays the highest allowable priority for jobs submitted through the internal reader.

### Sysaff

Displays the default system affinity for jobs submitted through the internal reader.

### TRace

Displays whether tracing is currently active for internal readers.

## Authority Required

This command requires **display** authority. The description of the \$T RDRnn command explains how to ensure that the authority of the appropriate MVS system command group is assigned.

This command requires **read** security access authority. For a description of assigning command input authority, see *z/OS JES2 Initialization and Tuning Guide*.

## Scope

**Single member.** The response to this command will be a display of information about this member only.

## Messages

The \$HASP838 displays the characteristics of the INTRDR initialization statement.

## Example

```
1 $d intrdr
```

```
$HASP838 INTRDR AUTH=(DEVICE=NO, JOB=YES, SYSTEM=NO), BATCH=YES,  
$HASP838 CLASS=A, DCBATTR=NO, HOLD=NO, HONORLIM=NO,  
$HASP838 PRTYINC=0, PRTYLIM=15, SYSAFF=(ANY),  
$HASP838 TRACE=NO
```

---

## \$D JES2 - Display the current activity in the JES2 address space

### Function

To display the current activity in the JES2 address space. The information displayed corresponds to the specific reasons provided in the \$HASP607 message when a \$PJES2 command is rejected. The following is the list of reasons:

- Outstanding I/O
- Active processors
- Active address spaces
- Active networking devices
- Outstanding held processors
- Allocated internal readers
- Outstanding cross member requests
- Outstanding PSO, SAPI, or end of memory activity

## Syntax

▶—\$D—JES2—▶

## Parameters

None.

## Authority Required

This command requires **display** authority. The description of the \$T RDRnn command explains how to ensure that the authority of the appropriate MVS system command group is assigned.

This command requires **read** security access authority. For a description of assigning command input authority, see *z/OS JES2 Initialization and Tuning Guide*.

## Scope

**Single member.** The values supplied for this command will be in effect for this member only.

However, you might want this command to be applied to all members of the MAS (to ensure a consistent environment across the MAS). If so, you can use the MVS ROUTE \*ALL command to issue this command to all active members (if the JES2 command character is the same on all members). See *z/OS MVS System Commands* for more information on using the ROUTE \*ALL command.

## Messages

\$HASP608

## Examples

**1**

```

$DJES2
$HASP608 $DJES2
$HASP608 ACTIVE PROCESSORS (PCES)
$HASP608 NAME                                COUNT  JOBID
$HASP608 -----
$HASP608 OUTPUT PROCESSOR                    1  JOB00018
$HASP608 ACTIVE ADDRESS SPACES
$HASP608 ASID      JOBNAME  JOBID
$HASP608 -----
$HASP608 001D      ZFS       STC00004
$HASP608 0022      VTAM      STC00012
$HASP608 0023      TCAS      STC00013
$HASP608 0024      IBMUSER   TSU00014
$HASP608 INTERNAL ACTIVITY
$HASP608 TYPE                                COUNT
$HASP608 -----
$HASP608 TOTAL PCE I/O                        1
$HASP608 SAPI REQUESTS (SSI 79)              0
$HASP608 PSO REQUESTS (SSI 1)                0
$HASP608 END OF MEMORY REQUESTS (EOM)        0

```

**2**

```

$djes2
$HASP608 $DJES2
$HASP608 ACTIVE PROCESSORS (PCES)
$HASP608 NAME                                COUNT  JOBID

```

## \$D JES2

```

$HASP608 -----
$HASP608 PRT2                      1 STC00002
$HASP608 PRT1                      1 STC00006
$HASP608 ACTIVE ADDRESS SPACES
$HASP608 ASID      JOBNAME  JOBID
$HASP608 -----
$HASP608 0022      TCAS      STC00010
$HASP608 0024      VTAM      STC00008
$HASP608 ACTIVE NETWORKING DEVICES
$HASP608 NAME                                STATUS
$HASP608 -----
$HASP608 LINE15                             ACTIVE
$HASP608 LINE16                             ACTIVE
$HASP608 LINE17                             ACTIVE
$HASP608 LINE25                             ACTIVE
$HASP608 LINE26                             ACTIVE
$HASP608 LINE27                             ACTIVE
$HASP608 LINE28                             ACTIVE
$HASP608 LINE29                             ACTIVE
$HASP608 LINE40                             ACTIVE
$HASP608 LINE41                             ACTIVE
$HASP608 LINE42                             ACTIVE
$HASP608 LINE43                             ACTIVE
$HASP608 LINE44                             ACTIVE
$HASP608 LINE50                             ACTIVE
$HASP608 LINE51                             ACTIVE
$HASP608 LINE55                             ACTIVE
$HASP608 LINE59                             ACTIVE
  
```

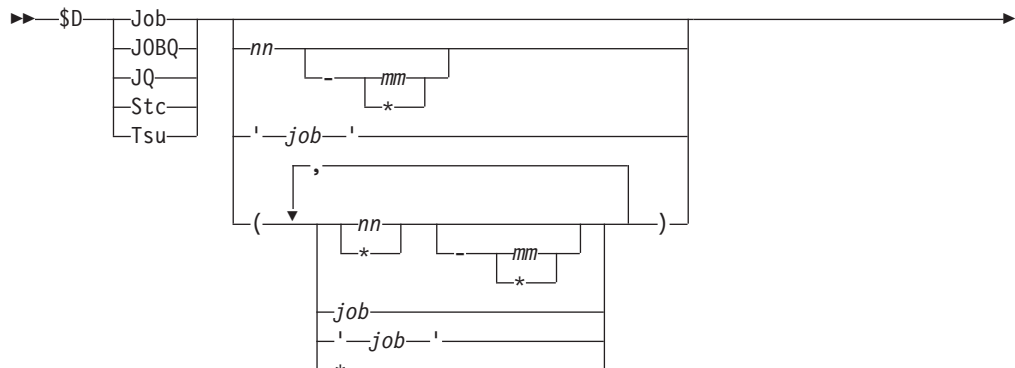
## \$D Job - Display information about specified jobs

### Function

To display the following job information for a specified job:

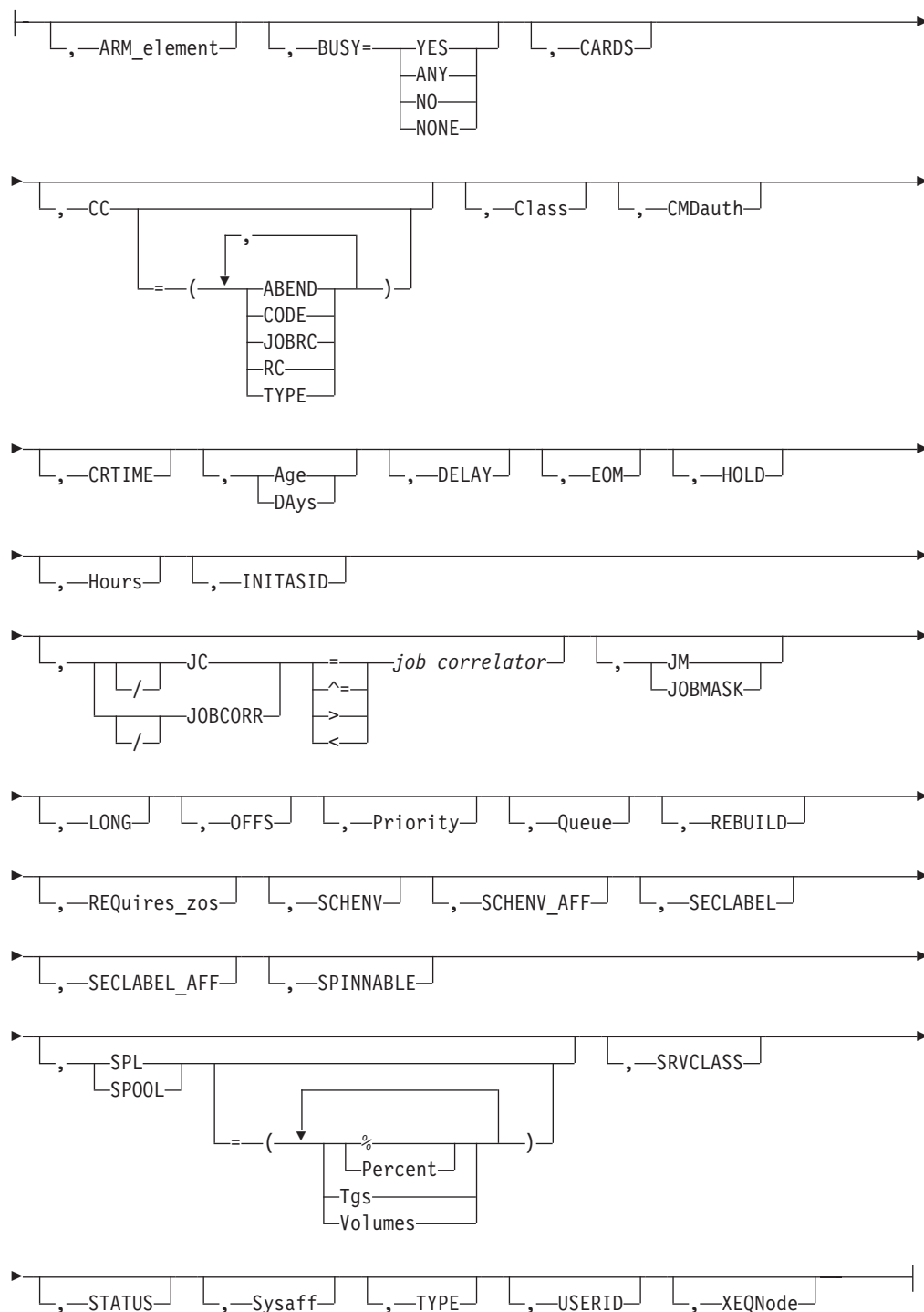
- Number
- Name
- Status
- Class
- Priority
- Spool Volumes

### Syntax



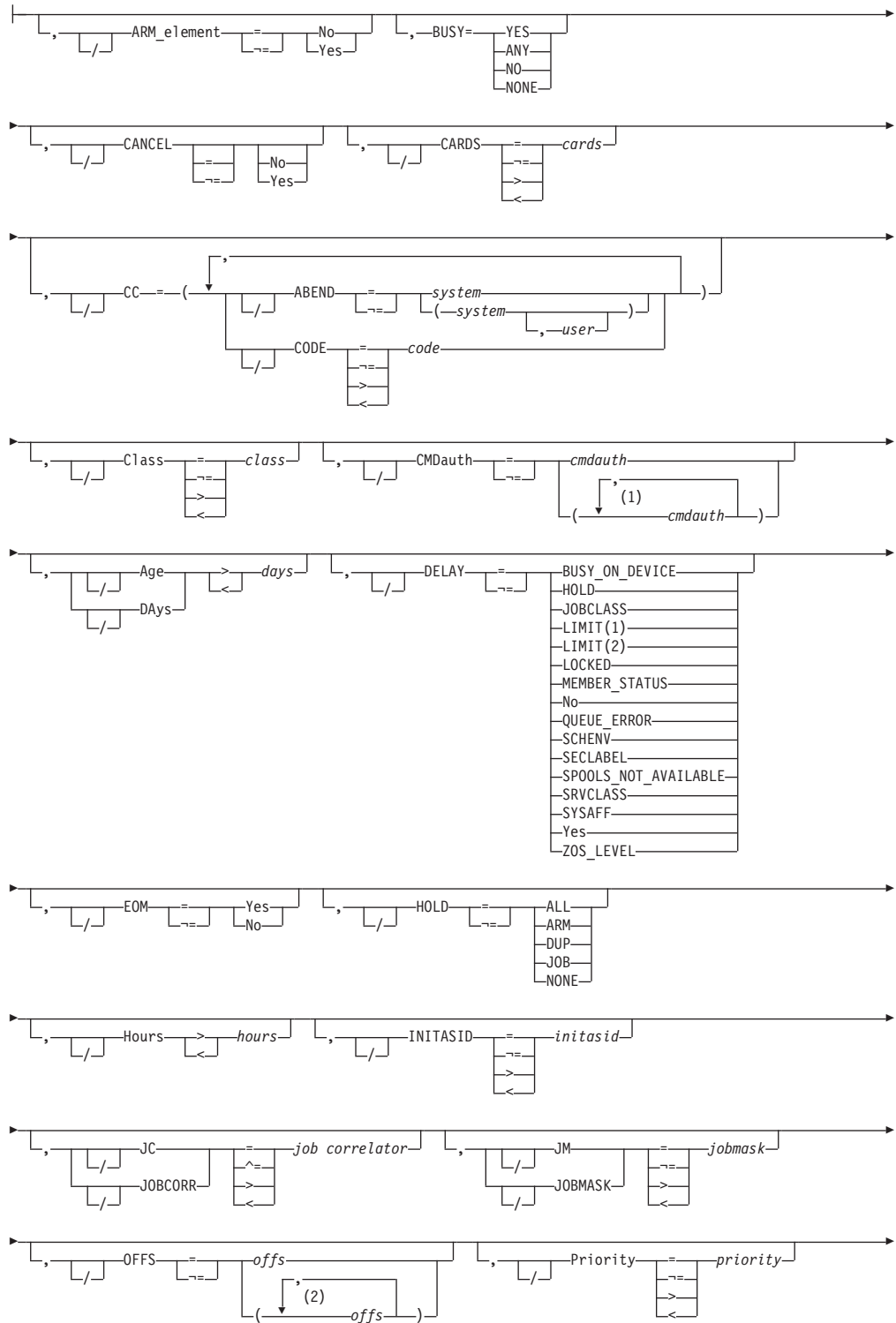


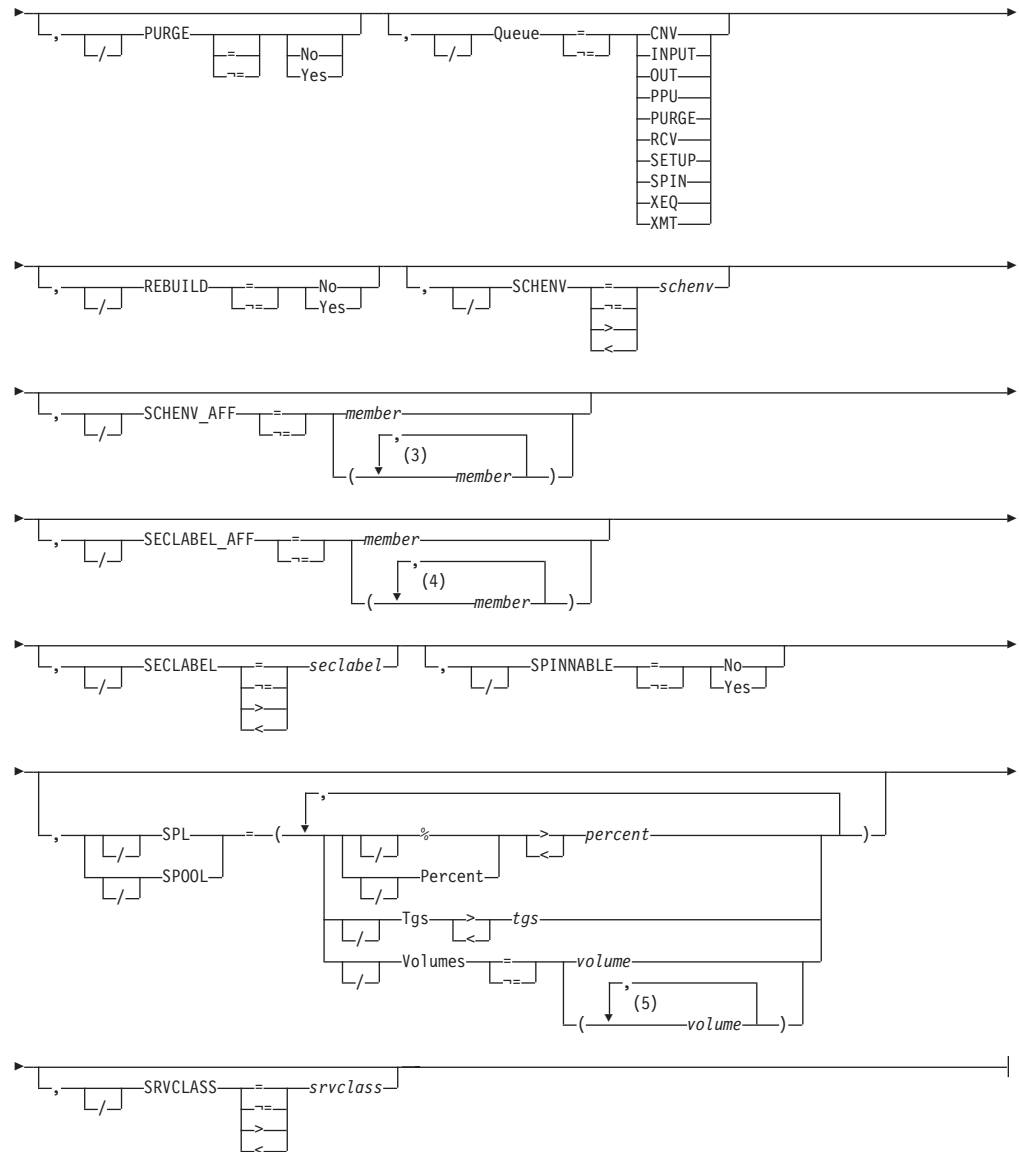
**Display limiting keywords:**



**Selection limiting keywords:**

# \$D Job





**Notes:**

- 1 *cmdauth* can be coded up to 2 times
- 2 *offs* can be coded up to 8 times
- 3 *member* can be coded up to 33 times
- 4 *member* can be coded up to 33 times
- 5 *volume* can be coded up to 253 times

**Parameters**

**job**

Specifies 1 to 8 alphanumeric, special (\$, #, or @) or wildcard characters (or a combination of them) that can be used to select a subset of jobs whose job name matches this combination of characters (mask).

**'job'**

The name of the job that is displayed. This name must appear as coded on the

## \$D Job

JOB statement and must be enclosed in apostrophes. If more than one job exists with this name, no action is taken.

### **Job**

A Batch job or range of batch jobs is to be displayed.

### **JOBQ|JQ**

Specifies *all* jobs, STCs, and TSUs across the MAS for processing.

### **Stc**

A started task or range of started tasks is to be displayed.

### **Tsu**

A time-sharing user or range of time-sharing users is to be displayed.

### **Age|DAys<days | Age|DAys>days**

Specifies the age of affected jobs in days. Only jobs more (with DAYS>nn) or less (with DAYS<nn) than the specified number of days in age are affected, The days are counted from the current hour.

### **ARM\_element={No|Yes}**

Displays whether (Yes) or not (No) the job is registered with the Automatic Restart Management (ARM).

### **BUSY=**

Specifies one of the following:

- The system name or number on which the job is busy. Note that you can specify a value of 0 to indicate the job is not busy. You can also specify values above 32 to match systems with invalid values in the BUSY value (for example, \$DJOBQ,BUSY>32)
- YES or ANY, indicating that all busy jobs are to match
- NO or NONE, indicating that all non-busy jobs are to match

### **CANCEL=[No|Yes]**

Cancel only jobs which have been cancelled (Yes) or have not been cancelled (No).

### **CARDS=cards**

Displays the number of input cards associated with the job.

### **CC=(ABEND|ABENDED|CANce11ed|CNVT\_abend|CODE|COMPLeted|ENDED\_by\_cc|EOM\_failure|JCLerror|JOBRC|RC|SECurity\_failure|TYPE)**

Displays the completion information associated with the job.

#### **ABENDED**

Display only jobs which have abnormally ended.

#### **ABEND**

Displays the ABEND code associated with the job's termination.

#### **CANce11ed**

Display only jobs which were cancelled by the operator.

#### **CNVT\_abend**

Display only jobs which have abnormally ended during the conversion phase.

#### **CODE**

Displays the last (or highest) completion code of steps in the job.

#### **COMPLeted**

Display only jobs which completed.



**ENDED\_by\_cc**

Display only jobs which were ended by a step completion code.

**EOM\_failure**

Display only jobs which failed in end-of-memory processing.

**JCLerror**

Display jobs which did not execute due to a JCL error.

**JOBRC**

Displays the return code of the last step that was executed.

**RC** Displays the highest return code for any executed step.

**SECurity\_failure**

Display jobs which failed security validation.

**Class=class**

Specifies a job class used to select a subset of jobs that have a matching job class. Wildcard characters can also be specified: see "Using wildcards" on page 108 for details.

**CMDauth=(cmdauth{,cmdauth})**

Only the jobs that can be affected from the specified remote(s) or node(s) will be displayed. The valid specifications are:

**LOCAL|ANYLOCAL**

Only the local devices at the local node can affect the output.

**Nnnnn|nodename**

Only local devices at the specified node can affect the output.

**Rnnnn**

Only the specified remote device can affect the output.

**NnnnnRnnnn|nodename.Rnnnn**

Only the specified remote device at the specified remote node can affect the output.

**destid**

A destid corresponding to any of the above remote devices.

**Note:** Specification of the CMDAUTH filter does not override the authority of the console from which the command is issued; both the authority of the console and the specified CMDAUTH filter must match for the job to be affected.

**CRTIME**

Displays the creation date and time of the job.

**DELAY={BUSY\_ON\_HOLD|HOLD|JOBCLASS|LIMIT|LOCKED|  
No|QUEUE\_ERROR|SCHENV|SECLABEL|SPOOLS\_NOT\_AVAILABLE|SRVCLASS|SYSAFF|  
MEMBER\_STATUS|Yes|ZOS\_LEVEL}**

Displays reasons why a pre-execution job will not enter execution:

**BUSY\_ON\_DEVICE**

The job will not execute because it is busy on a device (such as an offload job transmitter).

**HOLD**

The job will not execute because it is held, its job class is held, or another job with the same jobname is executing.

### **JOBCLASS**

The QAFF for the job class is not selectable where the job has system affinity. SYSAFF for the job and QAFF for the job class have no member in common.

### **LIMIT(1)**

The job will not execute because the job class execution limit has been reached (as specified by JOBCLASS XEQCOUNT=(MAX=)).

### **LIMIT(2)**

The job will not execute because the job class execution limit has been reached for all members (as specified by JOBCLASS XEQMEMBER = (MAX=)) that are included in the intersection of job affinity, job class QAFF and SCHENV affinities.

### **LOCKED**

The job will not execute because it's being updated by JES2.

### **SECLABEL**

The security label (SECLABEL) assigned to the job is not defined as active on any member that is active.

### **SRVCLASS**

The QAFF for the service class is not selectable where the job has system affinity. SYSAFF for the job and QAFF for the service class have no member in common.

### **SYSAFF**

Each of the members for which the job has affinity (SYSAFF) is inactive, or the job has specified independent state, and the JES2 member is not independent (IND=NO).

### **SCHENV**

The job's scheduling environment is not available on any member, or is available only on systems where JES2 is inactive. Use the \$DJ'jobname',LONG command to find out what scheduling environment a job requires. Then use the D WLM,SCHENV=schenv-name command to find out the current status of the scheduling environment on each system in the sysplex.

The SCHENV state masks other reasons why the job might be ineligible to run, such as the \$P and \$P XEQ commands having been issued. Also, note that the SCHENV delay is detected only after a job goes through conversion. If a job is delayed prior to conversion due to system affinity requirements, scheduling environments are not considered in determining delay status.

### **MEMBER\_STATUS**

A combination of system affinity, scheduling environment, SECLABEL restrictions, job class QAFF, and service class QAFF (if WLM managed job class) are preventing the job from running, or, other member states prevent the job from running on systems where the job is otherwise eligible. These states include:

- \$P command has been issued
- \$P XEQ command has been issued
- BOSS=NO (used in a poly-JES environment only)

When used as a command filter, the string MEMBER\_STATUS matches on jobs delayed for SYSAFF, SCHENV, SECLABEL, or MEMBER\_STATUS. To get detail on why a job is delayed, display job status with the

\$DJ'jobname',LONG command or display member status with the \$DMEMBER(member-name) command.

**ZOS\_LEVEL**

The job will not execute because there is no JES2 member active in the MAS that is running the minimum or higher z/OS level that is required by the job.

**Yes**

Display only jobs which are delayed for any of the above reasons.

**No** Display only jobs which are not delayed for any of the above reasons.

**EOM={No|Yes}**

Displays whether the job is currently queued to the JES2 address space for end of memory processing. EOM= is only displayed while the job is queued for processing. EOM=NO is never displayed.

**HOLD**

Displays the hold status of the job.

**ALL**

Display jobs held by the \$H A command.

**JOB**

Display jobs held by the \$H J command, TYPRUN=HOLD, TYPRUN=JCLHOLD, or held due to error.

**DUP**

Display jobs held for duplicate job name.

**ARM**

Display jobs which are held awaiting restart through ARM.

**NONE**

Display jobs which are not held.

**Hours=hours**

Specifies the age of affected jobs in hours. Only jobs more (with HOURS>nn) or less (with HOURS<nn) than the specified number of hours in age are affected.

**INITASID=initasid**

For initiator jobs, displays the address space identifier (ASID) associated with the initiator.

**JC|JOB CORR=job correlator**

Specifies a combination of 1-64 alphanumeric, special (colon, period or underscore) and wildcard characters that can be used to select a subset of jobs that have a matching job correlator. For a description of wildcard characters, refer to "Using wildcards" on page 108.

**JOBMASK|JM=jobmask**

Specifies 1 to 8 alphanumeric, special (\$, #, or @) or wildcard characters (or a combination of them) that can be used to select a subset of jobs whose job name matches this combination of characters (mask). For a description of wild cards, see "Using wildcards" on page 108.

**Note:**

1. This is a positional parameter. Specify this following the job\_id (JOB, STC, or TSU), or JOBQ parameter.

2. You must specify JOBMASK if you specified either the JOBQ parameter or an asterisk (n-\*) on the job\_id parameter.
3. The JOBMASK parameter is not valid with the 'jobname' parameter.

### LONG

If you specify the LONG operand, JES2 will display the following information:

- The userid of the job
- The spool volumes on which the specified jobs have space allocated
- The remote consoles or nodes that can enter commands that affect a job (CMDAUTH)
- whether the job uses the automatic restart management services.

**Note:** Because LONG automatically triggers a "long" display, you cannot add additional display-limiting parameters to this command; however, you can add selection-limiting parameters.

### OFFS=offs

Displays offload device numbers on which the job has been archived.

### Priority=priority

Displays the priority of the job.

### PURGE={No|Yes}

Indicates that only jobs which are (Yes) or are not (No) pending purge processing should be displayed.

### Queue={CNV|INPUT|OUT|PPU|PURGE|RCV| SETUP|SPIN|XEQ|XMT}

Only jobs on the specified job queue are to be displayed.

#### CNV

Only jobs awaiting conversion are to be displayed.

#### INPUT

Only jobs on the JES2 \$INPUT queue are to be displayed.

#### OUT

Only jobs awaiting output processing are to be displayed.

#### PPU

Only jobs awaiting print/punch processing are to be displayed.

#### PURGE

Only jobs awaiting purge processing are to be displayed.

#### RCV

Only jobs on the JES2 \$RECEIVE queue are to be displayed.

#### SETUP

Only jobs on the JES2 \$SETUP queue are to be displayed.

#### SPIN

Only jobs awaiting spin processing are to be displayed.

#### XEQ

Only jobs awaiting or in execution are to be displayed.

#### XMT

Only jobs queued for network transmission are to be displayed.

### REBUILD={No|Yes}

Jobs on the rebuild queue are to be displayed (Yes) or not displayed (No).

**REQUIRES\_zos**

The minimum z/OS level that the job requires to run. This value is set by the system when the JCL specifies an option that is only supported by the z/OS level that is displayed, and later. This parameter can also be set based on the use of symbols at job submission time. If there are no systems available at this level of z/OS, the job is delayed until an eligible system becomes available.

**SCHENV=schenv**

Displays the scheduling environment associated with the job.

**SCHENV\_AFF=member**

Displays the JES2 MAS members on which the scheduling environment for this job is available.

**SECLABEL\_AFF=member**

Displays the JES2 MAS members on which the SECLABEL for this job is available but only if the RACF SECLABEL\_BY\_SYS is also active.

**SECLABEL=seclabel**

Displays the security label associated with the job.

**SPINNABLE=spinnable**

Indicates that the JESLOG data sets can be spun (made available) while the job is executing.

**SPL|SPOOL={Percent|%|Tgs|Volumes}**

Only jobs with specific SPOOL characteristics are to be displayed:

**Percent|%**

Only jobs using more (with %>nn) or less (with %<nn) than the specified percentage of the total available spool space are to be displayed.

**Tgs**

Only jobs using more (with Tgs>nn) or less (with Tgs<nn) than the specified number of track groups are to be displayed.

**Volumes=(v1,v2,...)**

Only jobs which have allocated spool space on the specified spool volume(s) are to be displayed.

**SRVCLASS=svclass**

Displays the service class of the job. The service class is available for batch jobs only. It is not available for started tasks or time-sharing users.

**Note:** The default workload manager (WLM) policy assigns a service class of blanks to all jobs, and WLM-managed initiators can then select such jobs for processing.

**Sysaff=member**

Displays the job's system affinity.

**TYPE={JOB|STC|TSU}**

Indicates whether only batch jobs (JOB), started tasks (STC), or time-sharing users (TSU) are to be displayed.

**USERID=userid**

Displays the userid associated with the job.

**XEQNODE=xeqnode**

Only jobs which are destined to execute at the specified node, or which have already executed at the specified node, are to be displayed. The node name may be specified using the decimal node number (Nnnnnn) or an EBCDIC node name.

## Authority Required

This command requires **display** authority. The description of the \$T RDRnn command explains how to ensure that the authority of the appropriate MVS system command group is assigned.

This command requires **read** security access authority. For a description of assigning command input authority, see *z/OS JES2 Initialization and Tuning Guide*.

## Processing Considerations

If you first specify the MVS command CONTROL S,MFORM=J, you can display the job number as well as the job name with the \$D job command. For a description of the MVS CONTROL command, see *z/OS MVS System Commands*.

## Scope

**MAS-wide.** This command displays information about the entire MAS.

## Messages

The \$HASP890 message displays the current status of the indicated job.

## Examples

**1** \$d j'myjob'

```
JOB00017 $HASP890 JOB(MYJOB)
$HASP890 JOB(MYJOB)      STATUS=(AWAITING EXECUTION),CLASS=H,
$HASP890                  PRIORITY=9,SYSAFF=(ANY),HOLD=(JOB)
```

JES2 displays job information for all jobs with the name MYJOB (1 batch job, in hold status).

**2** \$d j1-\*,jm=ieb\*

```
JOB00009 $HASP890 JOB(IEBGENER)
$HASP890 JOB(IEBGENER)  STATUS=(AWAITING EXECUTION),CLASS=9,
$HASP890                  PRIORITY=9,SYSAFF=(ANY),HOLD=(JOB)
```

JES2 displays job information for all batch jobs whose job name begins with the characters IEB.

**3** \$d j1-\*,q=ppu,cc

```
JOB00008 $HASP890 JOB(J1)          CC=(COMPLETED, CODE=0)
JOB00030 $HASP890 JOB(J2)          CC=(ABENDED, ABEND=(S0C4,U000))
JOB00031 $HASP890 JOB(J3)          CC=(COMPLETED, CODE=4)
JOB00034 $HASP890 JOB(J4)          CC=(ENDED_BY_CC, CODE=8)
```

JES2 displays job completion information (the CC parameter) for all batch job awaiting print/punch processing.

**4** \$d jq,delay=yes,delay

```
JOB00100 $HASP890 JOB(BATCH1)      DELAY=(HOLD)
JOB00102 $HASP890 JOB(BATCH2)      DELAY=(HOLD)
JOB00105 $HASP890 JOB(BATCH3)      DELAY=(HOLD, LIMIT, SCHENV)
JOB00140 $HASP890 JOB(BATCH4)      DELAY=(MEMBER_STATUS)
```

For all delayed jobs in the system (DELAY=YES), JES2 displays the reason for the job not entering execution. In this example, jobs BATCH1 and BATCH2 are delayed

because of some form of HOLD, job BATCH3 is delayed for multiple reasons, and BATCH4 is delayed because no system is eligible to select the job.

**5** \$d jq,delay=schenv,schenv

```
JOB00105 $HASP890 JOB(BATCH3)    SCHENV=DB2
```

JES2 displays the scheduling environment for all jobs which will not execute because the scheduling environment is unavailable. In this example, job BATCH3 will not execute because its scheduling environment, DB2®, is not available on any active member.

**6** \$dj'myjob',long

```
JOB00007 $HASP890 JOB(MYJOB)
$HASP890 JOB(MYJOB)    STATUS=(EXECUTING/IBM1),CLASS=B,
$HASP890                PRIORITY=9,SYSAFF=(ANY),HOLD=(NONE),
$HASP890                CMDAUTH=(LOCAL),OFFS=(),SECLABEL=,
$HASP890                USERID=IBMUSER,SPOOL=(VOLUMES=(SPOOL1),
$HASP890                TGS=6,PERCENT=1.1428),ARM_ELEMENT=NO,
$HASP890                CARDS=185,REBUILD=NO,SRVCLASS=DISCRETN,
$HASP890                SCHENV=,SCHENV_AFF=(IBM1),CC=()
```

JES2 displays extended attributes for the job named MYJOB.

**7** \$d jq,spool=(v=spool1,percent>1)

```
JOB00007 $HASP890 JOB(MYJOB)
$HASP890 JOB(MYJOB)    STATUS=(EXECUTING/IBM1),CLASS=B,
$HASP890                PRIORITY=9,SYSAFF=(ANY),HOLD=(NONE),
$HASP890                SPOOL=(VOLUMES=(SPOOL1),TGS=6,
$HASP890                PERCENT=1.1428)
JOB00018 $HASP890 JOB(MYJOB2)
$HASP890 JOB(MYJOB2)  STATUS=(EXECUTING/IBM1),CLASS=B,
$HASP890                PRIORITY=9,SYSAFF=(ANY),HOLD=(NONE),
$HASP890                SPOOL=(VOLUMES=(SPOOL1),TGS=6,
$HASP890                PERCENT=1.1428)
```

JES2 displays all jobs which use more than 1% of spool which utilize spool space on volume SPOOL1.

**8**

\$dj36,days<1

```
JOB00036 $HASP890 JOB(DEST10)
$HASP890 JOB(DEST10)  STATUS=(AWAITING EXECUTION),CLASS=A,
$HASP890                PRIORITY=9,SYSAFF=(ANY),HOLD=(NONE)
```

JES2 displays any job 36 if age is less than one day.

**9**

\$dj36,hours

```
JOB00036 $HASP890 JOB(DEST10)    HOURS=0
```

JES2 displays hours for job 36.

**10**

\$dj1-999,hours

```
JOB00036 $HASP890 JOB(DEST10)    HOURS=0
JOB00037 $HASP890 JOB(DEST11)    HOURS=0
JOB00038 $HASP890 JOB(DEST12)    HOURS=0
JOB00039 $HASP890 JOB(DEST13)    HOURS=0
```

## \$D Job

```
JOB00040 $HASP890 JOB(DEST14) HOURS=0
JOB00041 $HASP890 JOB(DEST15) HOURS=0
JOB00042 $HASP890 JOB(DEST16) HOURS=0
JOB00043 $HASP890 JOB(DEST17) HOURS=0
```

JES2 displays hours for each job in range of 1 through 999.

**11**

```
$dj36,age<1
```

```
JOB00036 $HASP890 JOB(DEST10)
$HASP890 JOB(DEST10) STATUS=(AWAITING EXECUTION),CLASS=A,
$HASP890 PRIORITY=9,SYSAFF=(ANY),HOLD=(NONE)
```

JES2 displays job 36 if age is less than one day.

**12**

```
$djq,q=xeq,busy=no
```

```
JOB00036 $HASP890 JOB(DEST10)
$HASP890 JOB(DEST10) STATUS=(AWAITING EXECUTION),CLASS=A,
$HASP890 PRIORITY=9,SYSAFF=(ANY),HOLD=(NONE)
```

JES2 displays all jobs which are awaiting execution.

**13** \$dj(\*),jc=:ordernumber123456\*

```
JOB00109 $HASP890 JOB(WIDGETS) C
$HASP890 JOB(WIDGETS) STATUS=(AWAITING HARDCOPY),CLASS=A,
$HASP890 PRIORITY=1,SYSAFF=(ANY),HOLD=(NONE)
JOB00110 $HASP890 JOB(GADGETS) C
$HASP890 JOB(GADGETS) STATUS=(AWAITING HARDCOPY),CLASS=A,
$HASP890 PRIORITY=1,SYSAFF=(ANY),HOLD=(NONE)
JOB00111 $HASP890 JOB(PARTS) C
$HASP890 JOB(PARTS) STATUS=(AWAITING HARDCOPY),CLASS=A,
$HASP890 PRIORITY=1,SYSAFF=(ANY),HOLD=(NONE)
JOB00112 $HASP890 JOB(SUPPLIES) C
$HASP890 JOB(SUPPLIES) STATUS=(AWAITING HARDCOPY),CLASS=A,
$HASP890 PRIORITY=1,SYSAFF=(ANY),HOLD=(NONE)
```

JES2 displays batch jobs with a job correlator user portion starting with ORDERNUMBER123456.

**14** \$dj(\*),jc=:ordernumber123456\*,jc

```
JOB00109 $HASP890 JOB(WIDGETS) C
$HASP890 JOB(WIDGETS) JOBCORR=J0000109POK.....C88BD3D2.....:
$HASP890 ORDERNUMBER123456
JOB00110 $HASP890 JOB(GADGETS) C
$HASP890 JOB(GADGETS) JOBCORR=J0000110POK.....C88BD3D3.....:
$HASP890 ORDERNUMBER123456
JOB00111 $HASP890 JOB(PARTS) C
$HASP890 JOB(PARTS) JOBCORR=J0000111POK.....C88BD3D4.....:
$HASP890 ORDERNUMBER123456
JOB00112 $HASP890 JOB(SUPPLIES) C
$HASP890 JOB(SUPPLIES) JOBCORR=J0000112POK.....C88BD3D5.....:
$HASP890 ORDERNUMBER123456
```

JES2 displays the job correlator for batch jobs with a job correlator user portion starting with ORDERNUMBER123456.

**15** \$dj109,jc

```
JOB00109 $HASP890 JOB(WIDGETS) C
$HASP890 JOB(WIDGETS) JOBCORR=J0000109POK.....C88BD3D2.....:
$HASP890 ORDERNUMBER123456
```



JES2 displays the job correlator for batch job 109.

## \$D JOBCLASS(n) - Display job class characteristics

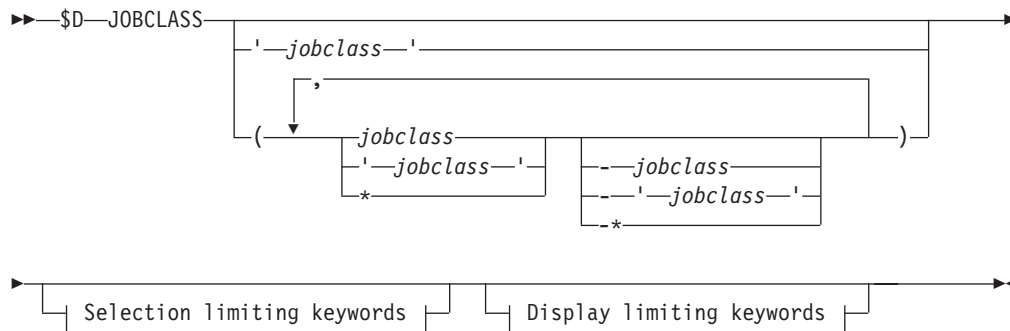
### Function

To display information about the job class characteristics including:

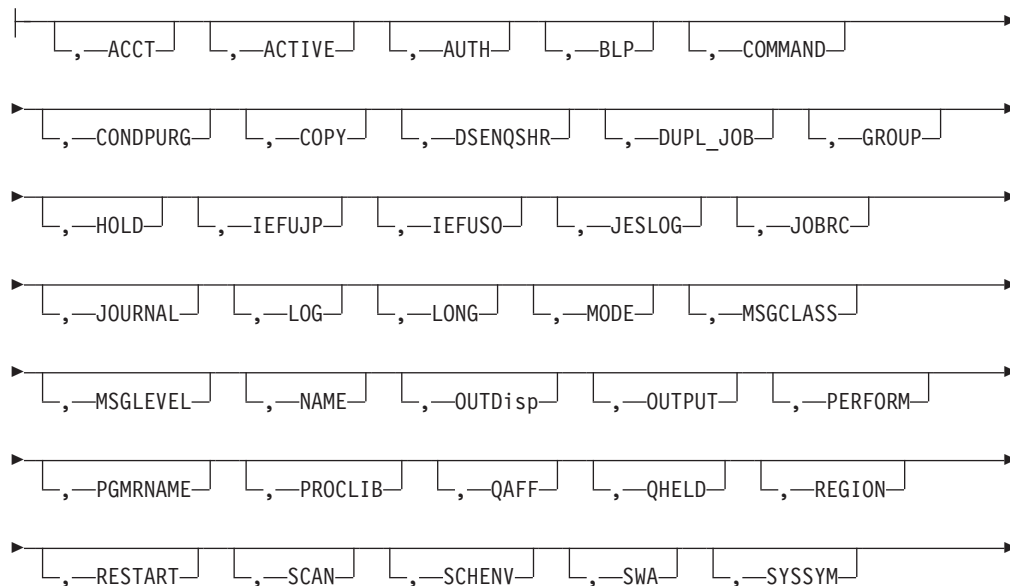
- The default disposition of the JES data sets created by jobs in a specified job class.
- An execution batch monitor procedure that is to be used for jobs in a specified class.

This command has parameters you can use as a filtering technique to limit the type of information to search, or the amount of information to display. See "Using filtering to control and display information" on page 114 for additional information.

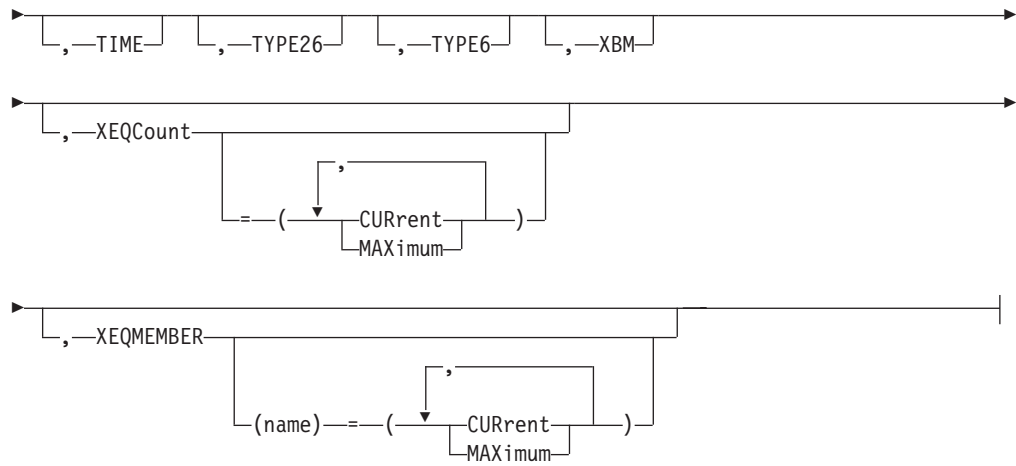
### Syntax



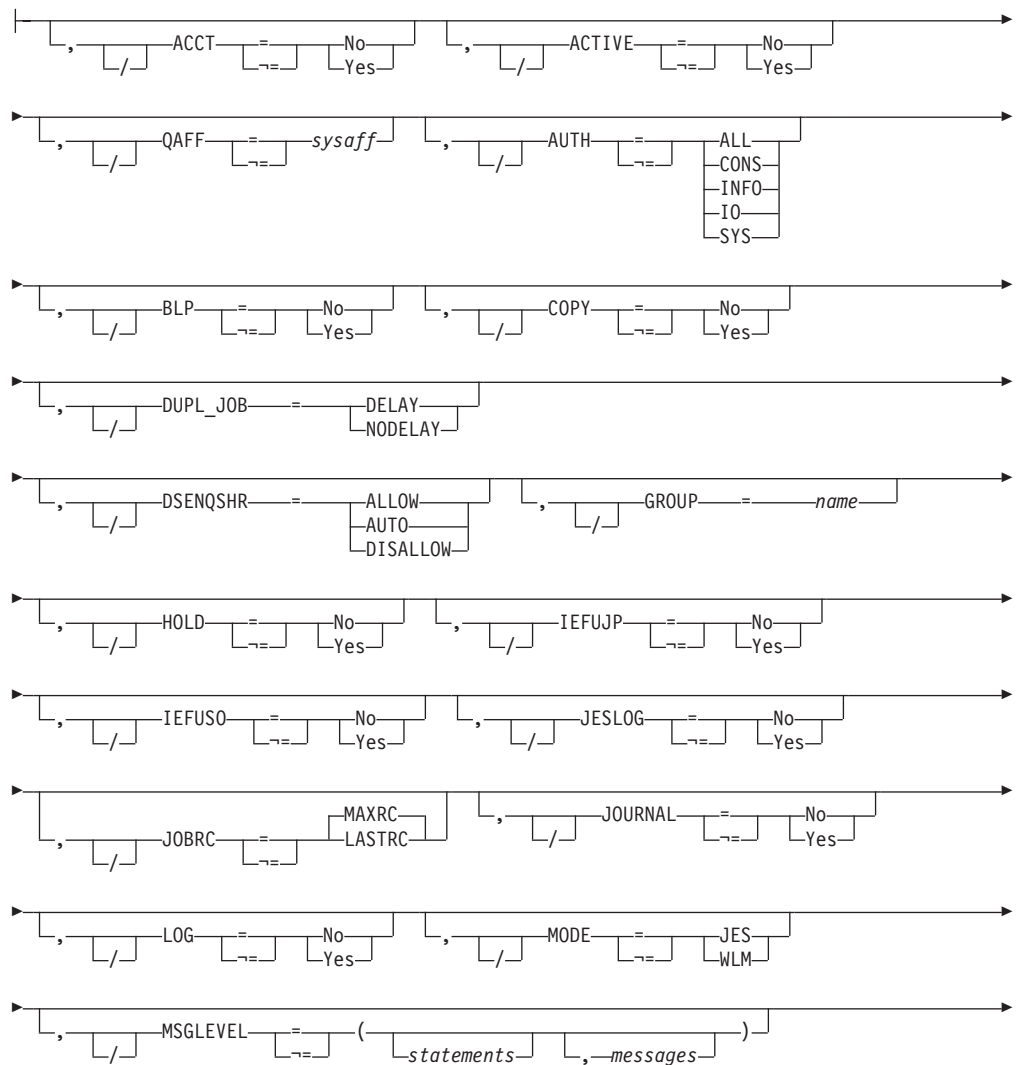
### Display limiting keywords:

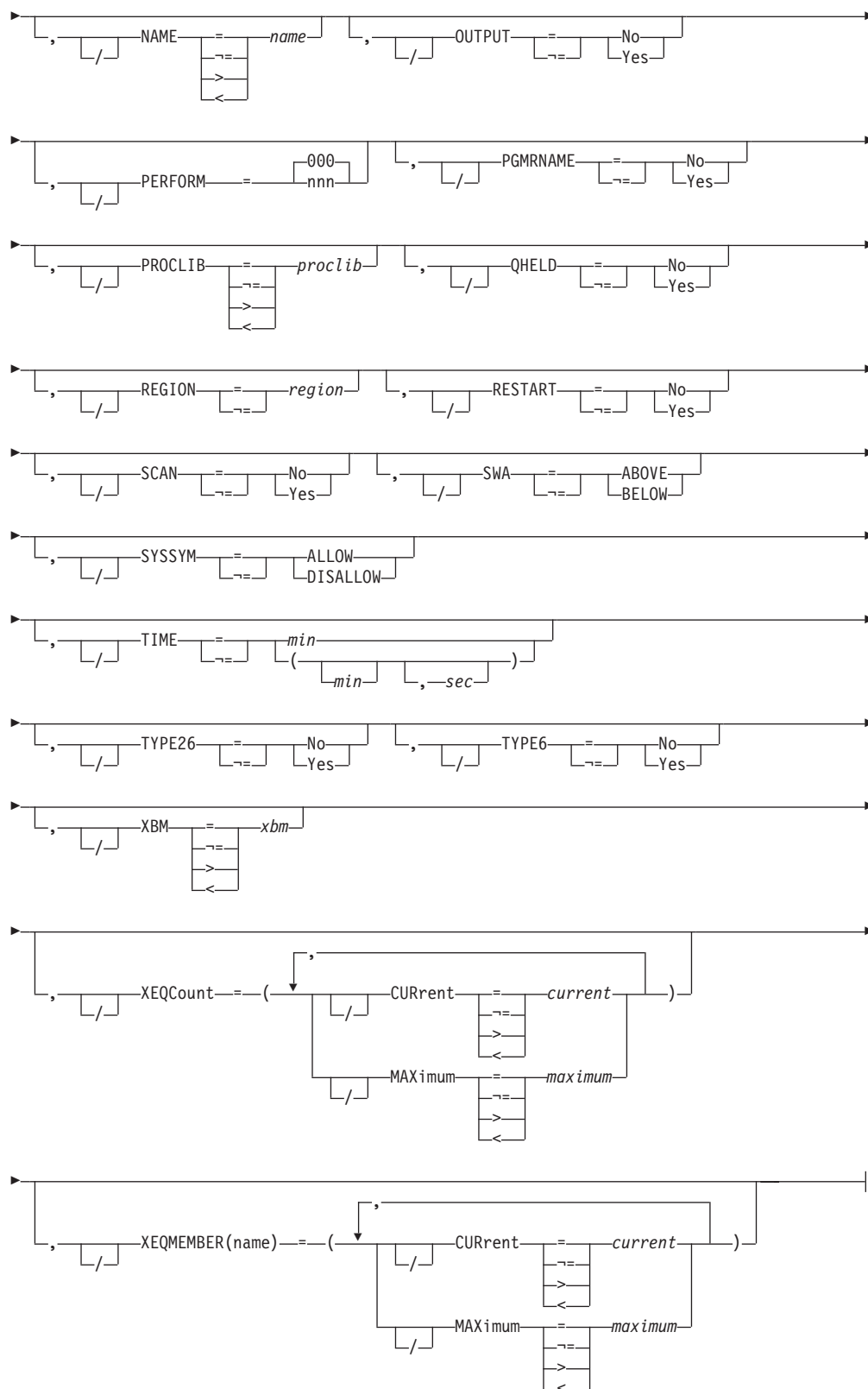


## \$D JOBCLASS



### Selection limiting keywords:





### Parameters

*jobclass*

The subscript defining the job classes to be displayed by this command. Valid

## \$D JOBCLASS

class specifications are any existing job class, "STC", "TSU", and the wild cards "\*" and "?". The subscript can specify a specific job class or a range of job classes.

### **ACCT={No|Yes}**

Displays whether an account number is required (YES) or not required (NO) on a JCL JOB statement.

### **ACTIVE={No|Yes}**

Displays classes that are active (YES) or inactive (NO).

### **AUTH={ALL|CONS|INFO|IO|SYS}**

Displays the MVS operator command groups that are to be executed. The display will be one of the following:

- ALL (to include all operator command types)
- CONS (console commands)
- INFO (information commands such as display)
- IO (input/output commands)
- SYS (system commands)

For an explanation of operator command groups and the relationship of JES2 to MVS command groups, refer to *z/OS MVS System Commands*.

### **BLP={No|Yes}**

Displays that either the bypass label processing parameter in the label field of a DD statement is to be ignored (NO) and processed as no label, or that bypass label processing is performed as requested (YES) and the label parameter is processed as it appears.

### **COMMAND[=IGNORE|DISPLAY|EXECUTE|VERIFY]**

Displays the disposition of commands read from the input stream as follows.

#### **IGNORE**

The command is ignored.

#### **DISPLAY**

The command is displayed and scheduled for execution.

#### **EXECUTE**

The command is scheduled for execution.

#### **VERIFY**

Specifies that the system displays the command, asks the operator whether the command should be executed and, if the operator replies "YES", schedules the command for execution.

### **CONDPURG**

Specifies whether (Yes) or not (No) system data sets (such as JESMSG and SYSMMSG) in this jobclass are to be displayed.

### **COPY={No|Yes}**

Displays whether (Yes) or not (No) jobs in this job class are to be queued for output processing as though TYPRUN=COPY was specified on the JOB statement for these jobs.

### **DSENQSHR={ALLOW|AUTO|DISALLOW}**

Indicates how the system will treat changes in data set disposition between job steps. When a step includes a DD statement with OLD, NEW or MOD on the DISP (disposition) keyword, and a later step requests the same data set as SHR, this parameter controls whether the system can change the serialization

on the data set to shared control, allowing other jobs to also share that data set. The values specified here interact with the value specified for DSENQSHR on the JOB card to determine the behavior:

**ALLOW**

The system is allowed to change the serialization on the data set to shared control if the JOB card specifies ALLOW.

**AUTO**

The system is allowed to change the serialization on the data set to shared control if the JOB card specifies ALLOW or USEJC.

**DISALLOW**

The system is not allowed to change the serialization on the data set to shared control.

**DUPL\_JOB{=DELAY|NODELAY}**

Displays whether (DUPL\_JOB=NODELAY) or not (DUPL\_JOB=DELAY) JES2 is allowed to concurrently execute batch jobs with the same name in the same MAS.

**GROUP=name**

Displays job classes that match the specified job class group name.

**HOLD{=No|Yes}**

Displays whether (Yes) or not (No) jobs in this job class are to be held until a RELEASE command is issued by the operator.

**IEFUJP{=No|Yes}**

Displays whether (Yes) or not (no) the IEFUJP installation exit is to be taken when a job is purged.

**IEFUSO{=No|Yes}**

Displays whether (Yes) or not (No) the IEFUSO installation exit is to be taken when the SYSOUT limit is reached for a job in this job class.

**JESLOG{=SPIN|NOSPIN|SUPPRESS}**

Displays the default processing for the JESLOG data sets (JESMSGLG and JESYSMSG).

**SPIN**

JESLOG is spin-eligible.

**NOSPIN**

JESLOG will not be spun.

**SUPPRESS**

JESLOG will be suppressed.

**JOBRC**

Displays the method that JES2 uses to determine the return codes for jobs that are submitted in this class. If **MAXRC** is displayed, JES2 is using the highest return code of any executed step as the job return code. If **LASTRC** is displayed, JES2 is using the return code of the last executed step as the job return code. The default value is **MAXRC**.

**JOURNAL{=No|Yes}**

Displays whether (Yes) or not (No) job-related information is to be saved in a job journal.

Job journaling limits the scope of RESTART=YES. If the JOURNAL=Yes parameter is specified:

## \$D JOBCLASS

- JES2 restarts interrupted jobs from the beginning only if the MVS system is unable to restart the job from a step or checkpoint.
- RESTART=NO has no effect; all jobs are requeued for execution. (Specifying RD=R|RNC on the JCL JOB statement has the same effect.)

If the jobs are not journaled (JOURNAL=No), JES2 always attempts to restart interrupted jobs in this class from the beginning.

### LOG{=No|Yes}

Displays whether (Yes) or not (No) the JES2 job log is to be printed for this job class.

### LONG

Specifies whether an abbreviated list of characteristics is provided. An abbreviated display of characteristics is provided unless LONG is requested. The abbreviated list includes the following characteristics:

- MODE
- QAFF
- QHELD
- SCHENV
- XEQCOUNT
- XEQMEMBER

### MODE={JES|WLM}

Displays whether jobs in this class are to be run under JES-mode or WLM-mode initiators.

### MSGCLASS

Specifies the message class (A-Z,0-9) for started tasks or time-sharing users.

### MSGLEVEL

Displays the message level value. The first value specifies the kinds of JCL listed:

- 0 JOB statement only
- 1 Input statements, cataloged procedure statements, and symbolic parameter substitution values
- 2 Input statements only, including instream procedures.

The second value specifies the kinds of allocation/termination messages listed:

- 0 No messages are to be listed, except in the case of an abnormal termination, in which case allocation/termination messages are listed.
- 1 Allocation/termination messages are listed.

### NAME=name

Specifies a job class name to be used in selecting jobs from the job class.

### OUTDisp=[=HOLD|KEEP|LEAVE|PURGE|WRITE]

Displays the default output disposition for JES data sets created for jobs in this class.

Output dispositions are:

#### HOLD

Hold the output. JES2 does not process the output until you either change the disposition to WRITE or KEEP, or release the output. When the output is released, the disposition changes to WRITE.

**KEEP** Process the output and then keep a copy of it on spool. After processing, the disposition of this output becomes LEAVE.

**LEAVE**

JES2 does not process the output until you change the disposition to WRITE or KEEP, or release the output. When the output is released, the disposition changes to KEEP.

**PURGE**

Purge the output immediately.

**WRITE**

Process the output then purge it.

**OUTPUT{=No|Yes}**

Displays whether (Yes) or not (No) SYSOUT data is to be written for jobs executed in this job class.

**PERFORM[=nnn|000]**

Displays the default performance group number for this job class. This number is used as the performance-group number on the JCL EXEC statement when a performance-group number is not specified on the JCL JOB or EXEC statement for a job of this job class.

**Note:** The performance-group value specified on the EXEC card (step level) has no effect if running in WLM goal mode.

The parameter default is 000, which indicates that no performance-group processing will be performed by JES2. A default value of 1 is assigned for all steps in a job.

**PGMRNAME{=No|Yes}**

Displays whether a programmer name is required (YES) or not required (NO) on a JCL JOB statement.

**PROCLIB[=*proclib*]**

Displays the default procedure library number which is to be used for this job class. Any integer (0-99) can be specified.

**QAFF=*sysaff***

Displays which members a particular job class is active on (not held).

**QHELD[=No|Yes]**

Displays whether (Yes) or not (No) jobs in this class are not selected for execution (meaning, they are held) on this member until the **class** is released from held status by operator command.

**REGION[=*region*]**

Displays the default region size assigned to each job step, in the form [=nnnx]. The *nnnn* value indicates the number of units in the default region size; the *x* value indicates the unit of measure – **K** for Kilobytes or **M** for Megabytes.

**RESTART[=No|Yes]**

Displays whether (Yes) or not (No) JES2 is to requeue for execution any job of this job class that had been executing before the IPL of the system was repeated and a JES2 warm start was performed.

Job journaling limits the scope of RESTART=YES. If the JOURNAL=Yes parameter is specified:

- JES2 restarts interrupted jobs from the beginning only if the MVS system is unable to restart the job from a step or checkpoint.

## \$D JOBCLASS

- RESTART=NO has no effect; all jobs are requeued for execution. (Specifying RD=R|RNC on the JCL JOB statement has the same effect.)

If the jobs are not journaled (JOURNAL=No), JES2 always attempts to restart interrupted jobs in this class from the beginning.

### SCAN[=No|Yes]

Displays whether (Yes) or not (No) jobs in this job class are to be queued for output processing immediately after JCL conversion, as though TYPRUN=SCAN was specified on the JOB statement for these jobs.

### SCHENV=xxxxx

Displays the default SCHENV for this job class and xxxxx is a 1 to 16 character SCHENV. The SCHENV must be defined to WLM. If it is not, the setting will be ignored.

### SWA{=ABOVE|BELOW}

Displays whether all eligible schedule work area (SWA) control blocks created for jobs in this job class will be placed above or below 16 megabytes in virtual storage.

### SYSSYM[=ALLOW|DISALLOW]

Specifies whether system symbols are substituted in batch jobs that are submitted in this JOBCLASS. Symbols are substituted when the job is processed by the z/OS converter using the system symbols that are set on the system where the conversion occurs.

**Note:** You can choose the system that converts a job using SYSAFF on the JOB or JOBPARM JCL/JECL card or SYSTEM on the JOB card. If CNVT\_SCHENV= is set to HONOR on the JOBDEF statement, then you can also choose the system that converts a job by associating a system with the job scheduling environment.

### TIME

Displays the default for the maximum processor time that each job step may run.

### TYPE6[=No|Yes]

Displays whether (Yes) or not (No) JES2 is to produce type 6 SMF records for jobs in this job class.

### TYPE26[=No|Yes]

Displays whether (Yes) or not (No) JES2 is to produce type 26 (job summary) SMF records for jobs in this job class.

### XBM=xbm

Displays the procedure name JES2 uses as the target of an EXEC statement. The procedure names a program that processes the input submitted to this job class.

### XEQCount=(CURrent|MAXimum)

Displays the current number of jobs that are executing, or the maximum number of jobs that can execute concurrently in the class.

### XEQMember(name)=(CURrent|MAXimum)

For the member name specified, displays the current number of jobs that are executing, or the maximum number of jobs that can execute concurrently in the class on the member.



## Authority Required

This command requires **display** authority. The description of the \$T RDRnn command explains how to ensure that the authority of the appropriate MVS system command group is assigned.

This command requires **read** security access authority. For a description of assigning command input authority, see *z/OS JES2 Initialization and Tuning Guide*.

## Scope

**MAS-wide.** This command displays information about the entire MAS.

## Messages

The \$HASP837 message displays the current job class characteristics for the specified job classes.

## Examples

```

1 $D JOBCLASS(A)
      $djobclass(a)
      $HASP837 JOBCLASS(A)
$HASP837 JOBCLASS(A)      MODE=JES,QAFF=(ANY),QHELD=NO,
$HASP837                  SCHENV=,XEQCOUNT=(MAXIMUM=*,
$HASP837                  CURRENT=0),
$HASP837                  XEQMEMBER(IBM1)=(MAXIMUM=*,
$HASP837                  CURRENT=0)
$djobclass(a),long
      $djobclass(a),long
      $HASP837 JOBCLASS(A)
$HASP837 JOBCLASS(A)      ACTIVE=YES,ACCT=NO,AUTH=(ALL),
$HASP837                  BLP=NO,COMMAND=DISPLAY,COPY=NO,
$HASP837                  DSENQSHR=ALLOW,DUPL_JOB=DELAY,
$HASP837                  GROUP=,HOLD=NO,IEFUJP=YES,
$HASP837                  IEFUSO=YES,JESLOG=(NOSPIN),
$HASP837                  JOBRC=MAXRC,JOURNAL=YES,LOG=YES,
$HASP837                  MODE=JES,MSGLEVEL=(0,1),
$HASP837                  OUTDISP=(,),OUTPUT=YES,PERFORM=000,
$HASP837                  PGMNAME=NO,PROCLIB=00,QAFF=(ANY),
$HASP837                  QHELD=NO,RESTART=NO,REGION=0001M,
$HASP837                  SCAN=NO,SCHENV=,SWA=ABOVE,
$HASP837                  SYSSYM=DISALLOW,TIME=(000030,00),
$HASP837                  TYPE26=YES,TYPE6=YES,XBM=,
$HASP837                  XEQCOUNT=(MAXIMUM=*,CURRENT=0),
$HASP837                  XEQMEMBER(IBM1)=(MAXIMUM=*,
$HASP837                  CURRENT=0)

```

JES2 displays the status for class A.

```

2 $d jobclass(*),qheld=yes,qheld
$HASP837 JOBCLASS(A) QHELD=YES
$HASP837 JOBCLASS(E) QHELD=YES
$HASP837 JOBCLASS(I) QHELD=YES
$HASP837 JOBCLASS(O) QHELD=YES
$HASP837 JOBCLASS(U) QHELD=YES

```

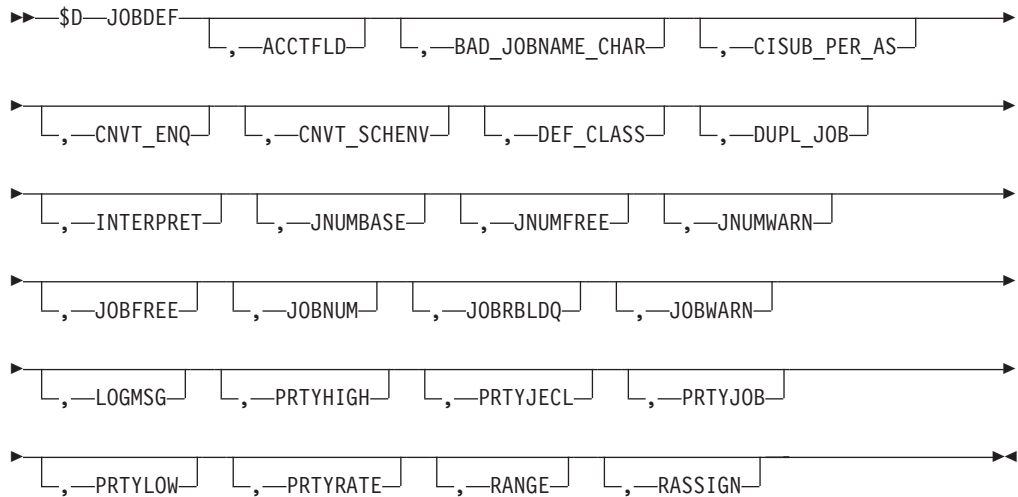
JES2 displays the held status for all job classes which have been held by the \$T JOBCLASS,QHELD=YES command.

## \$D JOBDEF - Display characteristics assigned to jobs

### Function

To display the characteristics assigned to jobs entering the system.

### Syntax



### Parameters

#### JOBDEF

The \$HASP835 message displays the characteristics assigned to jobs entering the JES2 system.

#### ACCTFLD

Displays the JES2 form of the accounting information (the job accounting number and room number).

#### BAD\_JOBNAME\_CHAR

Displays the character used in place of invalid characters in a jobname. This translation is used for JES2 commands and displays as well as RACF entity names.

#### CISUB\_PER\_AS=*nn*

Displays the *nn* number of subtasks (converter/interpreter subtasks) that are run in each of the *jesxClxx* address spaces when INTERPRET=JES is specified. Valid values are 1-25 (25 being the maximum number of converter PCEs that can be specified on PCEDEF).

#### CNVT\_ENQ

Displays action taken if the data set ENQ for a data set specified on a DD statement cannot be obtained.

#### CNVT\_SCHENV=HONOR|IGNORE

Displays whether the availability of a scheduling environment that is associated with a job controls which member a job converts on. If CNVT\_SCHENV=HONOR is specified, then a job can only convert on a system where the scheduling environment associated with the job is available.

#### DEF\_CLASS=*class*|A

Displays the default class that JES2 will use if a non-valid class is discovered during processing. The default class must be a defined and active batch job

class. The default class cannot be set to ACTIVE=NO, and cannot be deleted. The following examples show when the default class would be used:

- When a job is submitted with a CLASS= value that is not valid. The job is failed, but this class is associated with the job for later processing.
- When a job class is deleted that is associated with the INTRDR statement as CLASS=. The INTRDR CLASS value is set to this value.
- During initialization processing, when the CLASS= value that is specified for a reader (INTRDR, local or remote) is not valid and the operator continues initialization.

The default class value is A.

**Modification:** \$T JOBDEF operator command or a JES2 all-member warm start.

**Scope:** MAS-wide

#### **DUPL\_JOB**

Displays whether JES2 is allowed to concurrently execute batch jobs with the same name in the same MAS.

#### **DELAY**

Do not allow JES2 to execute batch jobs with the same name in the same MAS at the same time.

#### **NODELAY**

Allow JES2 to execute batch jobs with the same name in the same MAS at the same time.

#### **INTERPRET=JES|INIT**

Displays when JES2 calls the z/OS interpreter to process a job. INIT specifies that the interpreter is called when the job is selected for execution by an initiator.

**Note:** The INTERPRET parameter is only valid when JES2 is in z11 mode. The INTERPRET parameter is not supported in z2 mode.

JES specifies that it will be called by JES2 at the end of conversion processing. When INTERPRET=JES is specified, conversion and interpretation processing occurs in a subtask in a new address space named jesxClxx. Invoking the interpreter in the initiator is the traditional way that JES2 processing works. However, the following functions are available if processing is done under JES (after conversion):

- Earlier detection of JCL errors detected by the z/OS interpreter. This allows errors to be detected even if the job never executes for TYPRUN=.
- Processing of JESDS OUTPUT statements to control the attributes of JES data sets, even if the job never executes.

#### **JNUMBASE**

The last job number that was assigned to a job.

#### **JNUMFREE**

The number of available job numbers.

#### **JNUMWARN**

Displays the percentage (1-99) of assignable job numbers that have been used for jobs submitted at the local node.

#### **JOBFREE**

The number of available job queue elements.

## \$D JOBDEF

### JOBNUM

Displays the maximum number (10-400000) of jobs that can be in the JES2 job queue at any time.

### JOBRBLDQ

Displays Yes if there are jobs on the rebuild queue.

### JOBWARN

Displays the percent (0-99) usage threshold of available job queue elements (JQEs).

### LOGMSG

Displays whether the messages issued by JES2 and written at job JCL converter time are set to mixed-case (ASIS) or uppercase (FOLD).

**Scope: MAS-Wide.**

### PRTYHIGH

Displays the upper priority limit (0-15) to be associated with the JES2 job priority-aging feature.

### PRTYJECL

Displays whether the JES2 /\*PRIORITY control statement is supported.

### PRTYJOB

Displays whether the priority specified on the JCL JOB statement is supported.

### PRTYLOW

Displays the lower priority limit (0-15) to be associated with the JES2 job priority-aging feature.

### PRTYRATE

Displays the number (0-1440) of time periods into which a 24-hour day is to be divided for use increasing a job's priority by the JES2 priority-aging feature.

### RANGE

Displays the range of number (1-999,999) which JES2 will assign as JOBIDs to jobs which originated on the local node.

### RASSIGN

Displays whether job numbers outside of the RANGE= range can be used when jobs are received from NJE or spool reload.

## Scope

**MAS-wide.** This command displays information about the entire MAS.

## Messages

The \$HASP835 message displays the keywords defined and their current values.

## Example

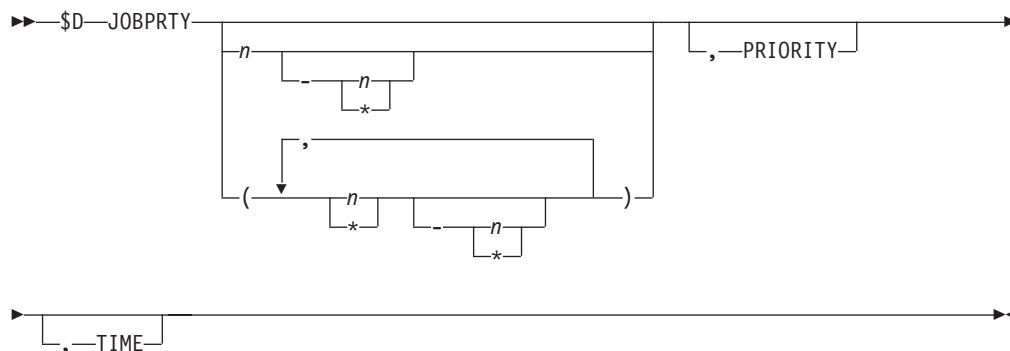
```
1 $D JOBDEF          $djobdef
$HASP835 JOBDEF
$HASP835 JOBDEF ACCTFLD=OPTIONAL,BAD_JOBNAME_CHAR=?,
$HASP835          CNVT_ENQ=FAIL,INTERPRET=INIT,CISUB_PER_AS=5,
$HASP835          CNVT_SCHENV=IGNORE,JNUMBASE=12,JNUMFREE=9988,
$HASP835          JNUMWARN=80,JOBFREE=489,JOBNUM=500,JOBWARN=80,
$HASP835          PRTYHIGH=10,PRTYJECL=YES,PRTYJOB=NO,PRTYLOW=5,
$HASP835          PRTYRATE=0,RANGE=(1,9999),RASSIGN=YES,
$HASP835          JOBRBLDQ=NONE,DUPL_JOB=DELAY
```

## \$D JOBPRTY - Display Current Job Priority Characteristics

### Function

To display the current job priority characteristics defined in the JOBPRTY table.

### Syntax



### Parameters

#### JOBPRTY(n)

The \$HASP832 message displays the current job priority characteristics defined by entry (n) in the JOBPRTY table.

#### PRIORITY

Specifies the job-scheduling priority (0-15) relationship with execution times.

#### TIME

Specifies the execution times (1-279620), in minutes, that are to be associated with job-scheduling priorities.

### Authority Required

This command requires **display** authority. The description of the \$T RDRnn command explains how to ensure that the authority of the appropriate MVS system command group is assigned.

This command requires **read** security access authority. For a description of assigning command input authority, see *z/OS JES2 Initialization and Tuning Guide*.

### Scope

**Single Member.** This response to this command will be a display of information about this member only.

### Messages

The \$HASP832 message displayed the keywords and their current values.

### Example

**1** \$D JOBPRTY

```
$HASP832 JOBPRTY(1)  PRIORITY=9,TIME=2
$HASP832 JOBPRTY(2)  PRIORITY=8,TIME=5
$HASP832 JOBPRTY(3)  PRIORITY=7,TIME=15
```

## \$D JOBPRTY

```

$HASP832 JOBPRTY(4)  PRIORITY=6,TIME=279620
$HASP832 JOBPRTY(5)  PRIORITY=5,TIME=279620
$HASP832 JOBPRTY(6)  PRIORITY=4,TIME=279620
$HASP832 JOBPRTY(7)  PRIORITY=3,TIME=279620
$HASP832 JOBPRTY(8)  PRIORITY=2,TIME=279620
$HASP832 JOBPRTY(9)  PRIORITY=1,TIME=279620
  
```

## \$D L(nnnn).JR(n) - Display line and job receiver status

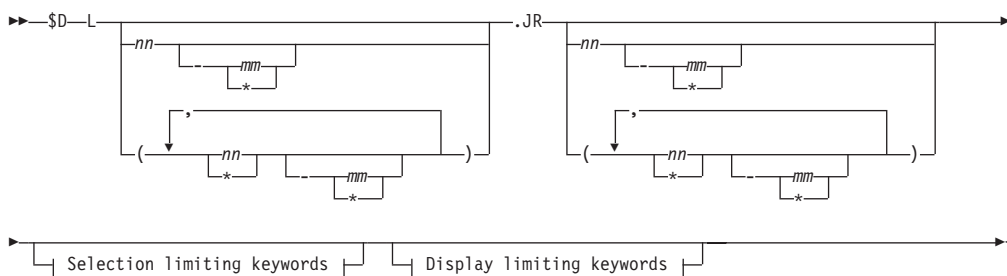
### Function

To display information about the indicated line(s) and job receiver.

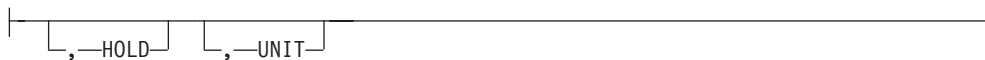
This command has parameters you can use as a filtering technique to limit the type of information to search, or the amount of information to display. See "Using filtering to control and display information" on page 114 for additional information.

One or more parameters on this command accepts wild cards. Parameter descriptions will note that.

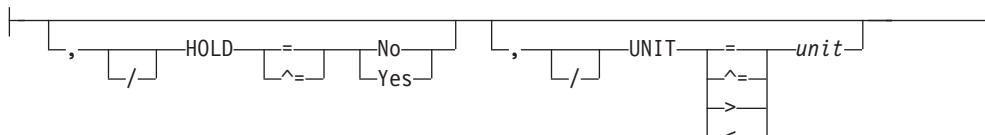
### Syntax



#### Display limiting keywords:



#### Selection limiting keywords:



### Parameters

**nnmm**

Specifies the 1 to 4 numeric subscript (1-65535) defining one or more line numbers affected by this command.

**(\*)**

Specifies the numeric subscript (1-7) defining the job receiver affected by this command.

**HOLD={No|Yes}**

Displays whether the job received on the specified receiver is held (YES) or not (NO).

**STATUS[=ACTIVE|DRAINED|DRAINING|HALTED| INACTIVE|STARTING]**

Displays information about JES2-managed devices. The following types of status can be displayed:

**Type    Meaning****ACTIVE**

JES2 is using the device for job processing and will continue to do as long as jobs are both available and eligible for the device.

**DRAINED**

JES2 does not use the device until you start it with a \$S command.

**DRAINING**

JES2 is using the device to process jobs, but will stop using this device once the current function has completed.

**HALTED**

JES2 has either requested operator assistance or an operator has entered the \$Z command to halt the device. To start the device, you must enter a \$S command.

**INACTIVE**

JES2 is not using the device, but would do so if a job were both available and eligible for the device.

**STARTING**

The device is being started. Applies to FSS-owned devices only.

**UNIT={SNA|devnum|/devnum}**

Displays a 4-digit hexadecimal device number for a binary synchronous communication (BSC) line. You can specify wild cards on this parameter. See "Using wildcards" on page 108 for additional information.

Device numbers can be specified by any of the following formats:

```
UNIT=ddd
UNIT=dddd
UNIT=/ddd
UNIT=/dddd
```

where ddd and dddd represent the device numbers.

A slash (/) can optionally precede the device number (for compatibility with other commands that require a slash to denote a 4-digit device number).

Specify UNIT=SNA to obtain information about a systems network architecture (SNA) line, or UNIT=TCP to obtain a TCP/IP line.

**Authority Required**

This command requires **display** authority. The description of the \$T RDRnn command explains how to ensure that the authority of the appropriate MVS system command group is assigned. The \$T INTRDR command sets the command authority for internal readers.

This command requires **read** security access authority. For a description of assigning command input authority, see *z/OS JES2 Initialization and Tuning Guide*.

## \$D L(nnnn).JR(n)

### Scope

**Single member.** The response to this command will be a display of information about this member only. You might want to use this command to get information about all members in the MAS. To do so, you can use the MVS ROUTE \*ALL command to issue this command to all active members (if the JES2 command character is the same on all members). See *z/OS MVS System Commands* for more information on using the ROUTE \*ALL command.

### Messages

The \$HASP603 message displays information about the specified job receiver.

### Example

```
1 $d115.jr(1)
```

```
$HASP603 L15.JR1 UNIT=SNA,STATUS=INACTIVE,HOLD=NO
```

JES2 displays the status of job receiver 1 at line 15.

---

## \$D L(nnnn).JT(n) - Display the job transmitter status

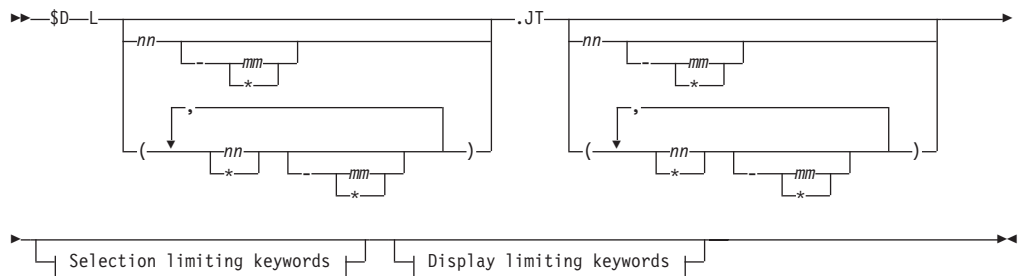
### Function

To display information about the indicated line(s) and job transmitter.

This command has parameters you can use as a filtering technique to limit the type of information to search, or the amount of information to display. See "Using filtering to control and display information" on page 114 for additional information.

One or more parameters on this command accepts wild cards. Parameter descriptions will note that.

### Syntax

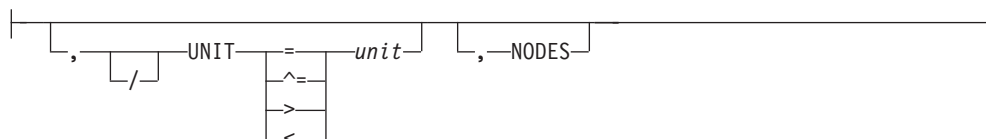


### Display limiting keywords:



### Selection limiting keywords:





## Parameters

### nnmm

Specifies the 1 to 4 numeric subscript (1-65535) defining the line(s) affected by this command.

**n** Specifies the subscript (1-7) defining the job transmitter affected by this command.

### LIMit

Displays the limits (in card images) for jobs that the job transmitter will select.

### NODES=

Displays and filters all lines through which node can be reached.

### STATUS[=ACTIVE|DRAINED|DRAINING|HALTED| INACTIVE|STARTING]

Displays information about JES2-managed devices. The following types of status can be displayed:

#### Type    Meaning

##### ACTIVE

JES2 is using the device for job processing and will continue to do as long as jobs are both available and eligible for the device.

##### DRAINED

JES2 does not use the device until you start it with a \$S command.

##### DRAINING

JES2 is using the device to process jobs, but will stop using this device once the current function has completed.

##### HALTED

JES2 has either requested operator assistance or an operator has entered the \$Z command to halt the device. To start the device, you must enter a \$S command.

##### INACTIVE

JES2 is not using the device, but would do so if a job were both available and eligible for the device.

##### STARTING

The device is being started. Applies to FSS-owned devices only.

### UNIT={SNA|devnum|/devnum}

Displays a 4-digit hexadecimal device number for a binary synchronous communication (BSC) line. You can specify wild cards on this parameter. See "Using wildcards" on page 108 for additional information.

Device numbers can be specified by any of the following formats:

- UNIT=ddd
- UNIT=dddd
- UNIT=/ddd
- UNIT=/dddd

where ddd and dddd represent the device numbers.

## \$D L(nnnn).JT(n)

A slash (/) can optionally precede the device number (for compatibility with other commands that require a slash to denote a 4-digit device number).

Specify UNIT=SNA to obtain information about a systems network architecture (SNA) line, or UNIT=TCP to obtain information about a TCP/IP line.

**WS** Displays the work selection criteria for this line job transmitter.

### Authority Required

This command requires **display** authority. The description of the \$T RDRnn command explains how to ensure that the authority of the appropriate MVS system command group is assigned. The \$T INTRDR command sets the command authority for internal readers.

This command requires **read** security access authority. For a description of assigning command input authority, see *z/OS JES2 Initialization and Tuning Guide*.

### Scope

**Single member.** The response to this command will be a display of information about this member only. You might want to use this command to get information about all members in the MAS. To do so, you can use the MVS ROUTE \*ALL command to issue this command to all active members (if the JES2 command character is the same on all members). See *z/OS MVS System Commands* for more information on using the ROUTE \*ALL command.

### Messages

The \$HASP603 message displays information about the specified job transmitter.

### Example

```
1 $d115.jt(1)
```

```
$HASP603 L15.JT1 UNIT=SNA,STATUS=INACTIVE
```

JES2 displays information about job transmitter 1 on line 15.

---

## \$D L(nnnn).SR(n) - Display SYSOUT receiver status

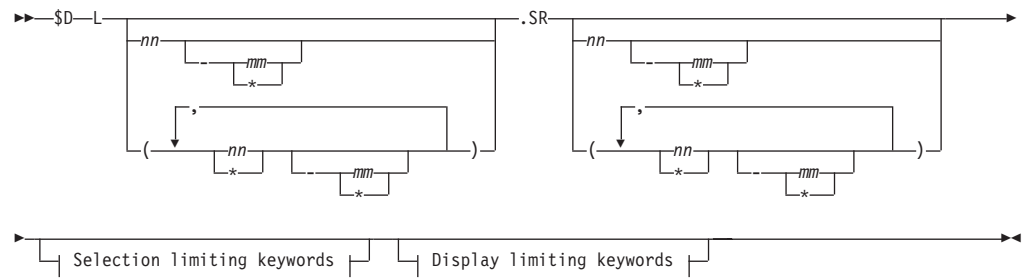
### Function

To display information about the indicated SYSOUT line(s) and receiver.

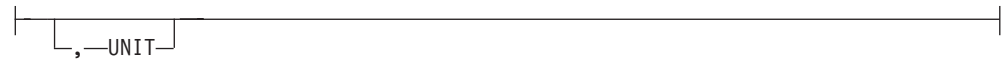
This command has parameters you can use as a filtering technique to limit the type of information to search, or the amount of information to display.

One or more parameters on this command accepts wild cards. Parameter descriptions will note that.

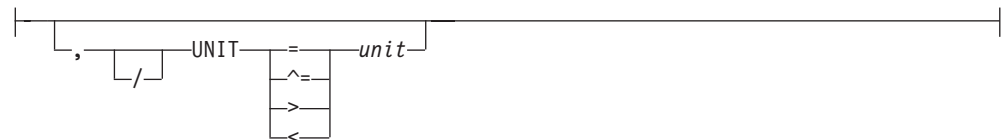
### Syntax



**Display limiting keywords:**



**Selection limiting keywords:**



**Parameters**

**nnmm**

Specifies the 1 to 4 character numeric subscript (1-65535) defining one or more lines affected by this command.

**n**

Specifies the subscript (1-7) defining the SYSOUT receiver(s) that are affected by this command.

**STATUS[=ACTIVE|DRAINED|DRAINING|HALTED| INACTIVE|STARTING]**

Displays information about JES2-managed devices. The following types of status can be displayed:

**Type    Meaning**

**ACTIVE**

JES2 is using the device for job processing and will continue to do as long as jobs are both available and eligible for the device.

**DRAINED**

JES2 does not use the device until you start it with a \$S command.

**DRAINING**

JES2 is using the device to process jobs, but will stop using this device once the current function has completed.

**HALTED**

JES2 has either requested operator assistance or an operator has entered the \$Z command to halt the device. To start the device, you must enter a \$S command.

**INACTIVE**

JES2 is not using the device, but would do so if a job were both available and eligible for the device.

**STARTING**

The device is being started. Applies to FSS-owned devices only.

## \$D L(nnnn).SR(n)

**UNIT={SNA|devnum|/devnum}**

Displays a 4-digit hexadecimal device number for a binary synchronous communication (BSC) line. You can specify wild cards on this parameter. See “Using wildcards” on page 108 for additional information.

Device numbers can be specified by any of the following formats:

```
UNIT=ddd  
UNIT=dddd  
UNIT=/ddd  
UNIT=/dddd
```

where ddd and dddd represent the device numbers.

A slash (/) can optionally precede the device number (for compatibility with other commands that require a slash to denote a 4-digit device number).

Specify UNIT=SNA to obtain information about a systems network architecture (SNA) line, or UNIT=TCP to obtain information about a TCP/IP line.

### Authority Required

This command requires **display** authority. The description of the \$T RDRnn command explains how to ensure that the authority of the appropriate MVS system command group is assigned. The \$T INTRDR command sets the command authority for internal readers.

This command requires **read** security access authority. For a description of assigning command input authority, see *z/OS JES2 Initialization and Tuning Guide*.

### Scope

**Single member.** The response to this command will be a display of information about this member only. You might want to use this command to get information about all members in the MAS. To do so, you can use the MVS ROUTE \*ALL command to issue this command to all active members (if the JES2 command character is the same on all members). See *z/OS MVS System Commands* for more information on using the ROUTE \*ALL command.

### Messages

The \$HASP603 message displays information about the specified SYSOUT receiver.

### Example

```
❶ $d115.sr1,status  
  
$HASP603 L15.SR1 STATUS=INACTIVE
```

Because the command specifies the STATUS parameter only, JES2 displays only the status of SYSOUT receiver 1 on line 15. You can filter on the UNIT parameter as well.

---

## \$D L(nnnn).ST(n) - Display SYSOUT transmitter status

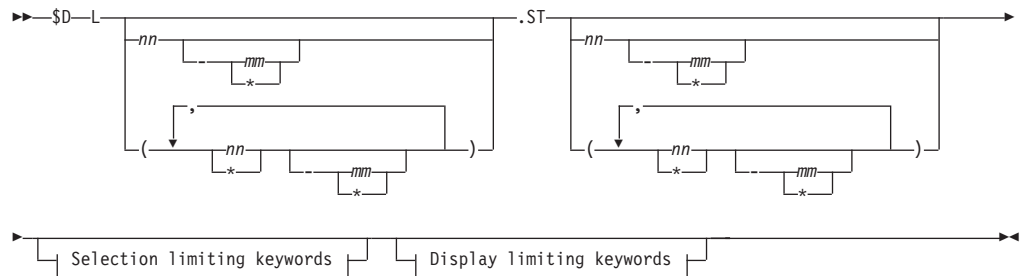
### Function

To display information about the indicated SYSOUT line(s) and transmitter.

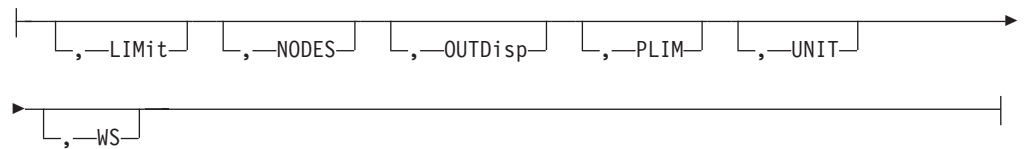
This command has parameters you can use as a filtering technique to limit the type of information to search, or the amount of information to display. See “Using filtering to control and display information” on page 114 for additional information.

One or more parameters on this command accepts wild cards. Parameter descriptions will note that.

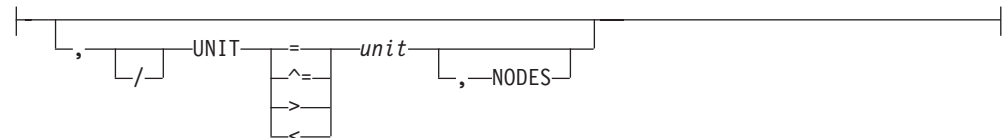
**Syntax**



**Display limiting keywords:**



**Selection limiting keywords:**



**Parameters**

**nnmm**

Specifies the 1 to 4 character numeric subscript (1-65535) defining the line(s) affected by this command.

**n** The subscript (1-7) defining the SYSOUT transmitter(s) that are affected by this command.

**LIMit**

Displays the limits (in lines) for SYSOUT data sets that the SYSOUT transmitter will select. This number applies to the total lines of all non-spun output in the job or to individual spun SYSOUT data sets (or data set segments) in a job.

**NODES=**

Displays and filters all lines through which node can be reached.

**OUTDisp**

Displays the default output disposition for SYSOUT data sets.

**PLIM**

Displays the limits (in pages) for SYSOUT data sets that the SYSOUT transmitter will select. This number applies to the total pages of all non-spun output in the job or to individual spun SYSOUT data sets in a job.

**STATUS[=ACTIVE|DRAINED|DRAINING|HALTED| INACTIVE|STARTING]**

Displays information about JES2-managed devices. The following types of status can be displayed:

**Type    Meaning**

**ACTIVE**

JES2 is using the device for job processing and will continue to do so as long as jobs are both available and eligible for the device.

**DRAINED**

JES2 does not use the device until you start it with a \$S command.

**DRAINING**

JES2 is using the device to process jobs, but will stop using this device when the current job processing completes.

**HALTED**

JES2 has either requested operator assistance or an operator has entered the \$Z command to halt the device. To start the device, you must enter a \$S command.

**INACTIVE**

JES2 is not using the device but would do so if a job were both available and eligible for the device.

**STARTING**

The device is being started. Applies to FSS-owned devices only.

**UNIT={SNA|devnum|/devnum}**

Displays a 4-digit hexadecimal device number for a binary synchronous communication (BSC) line. You can also specify wild cards on this parameter. See "Using wildcards" on page 108 for additional information.

Device numbers can be specified by any of the following formats:

UNIT=ddd  
UNIT=dddd  
UNIT=/ddd  
UNIT=/dddd

where ddd and dddd represent the device numbers.

A slash (/) can optionally precede the device number (for compatibility with other commands that require a slash to denote a 4-digit device number).

Specify UNIT=SNA to obtain information about a systems network architecture (SNA) line, or UNIT=TCP to obtain information about a TCP/IP line.

**WS** Displays work selection criteria for this line SYSOUT transmitter.

**Authority Required**

This command requires **display** authority. The description of the \$T RDRnn command explains how to ensure that the authority of the appropriate MVS system command group is assigned. The \$T INTRDR command sets the command authority for internal readers.

This command requires **read** security access authority. For a description of assigning command input authority, see *z/OS JES2 Initialization and Tuning Guide*.

**Scope**

**Single member.** The response to this command will be a display of information about this member only. You might want to use this command to get information about all members in the MAS. To do so, you can use the MVS ROUTE \*ALL command to issue this command to all active members (if the JES2 command character is the same on all members). See *z/OS MVS System Commands* for more information on using the ROUTE \*ALL command.

**Messages**

The \$HASP603 message displays information about the specified SYSOUT transmitter.

**Example**

❶ \$d13.st1

```
$HASP603 L3.ST1 UNIT=SNA,STATUS=DRAINED,LIMIT=(46,46),PLIM=(
$HASP603 84,84),WS=(LIM/)
```

JES2 displays information about SYSOUT transmitter 1 at line 3.

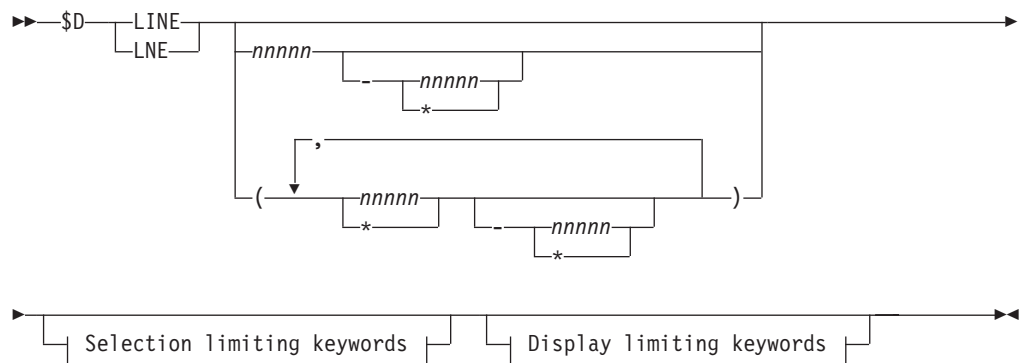
**\$D LINE(nnnnn) - Display a line**

**Function**

To display the characteristics of a line.

This command has parameters you can use as a filtering technique to limit the type of information to search, or the amount of information to display. See “Using filtering to control and display information” on page 114 for additional information. One or more parameters on this command accepts wild cards. Parameter descriptions will note that.

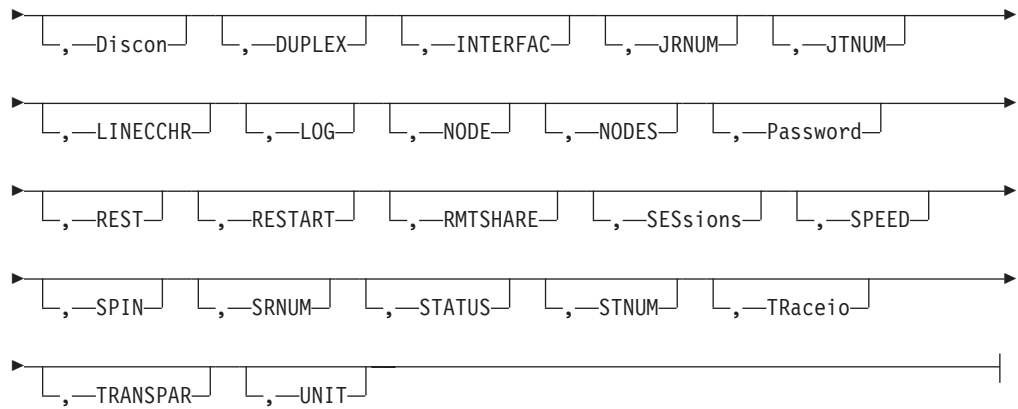
**Syntax**



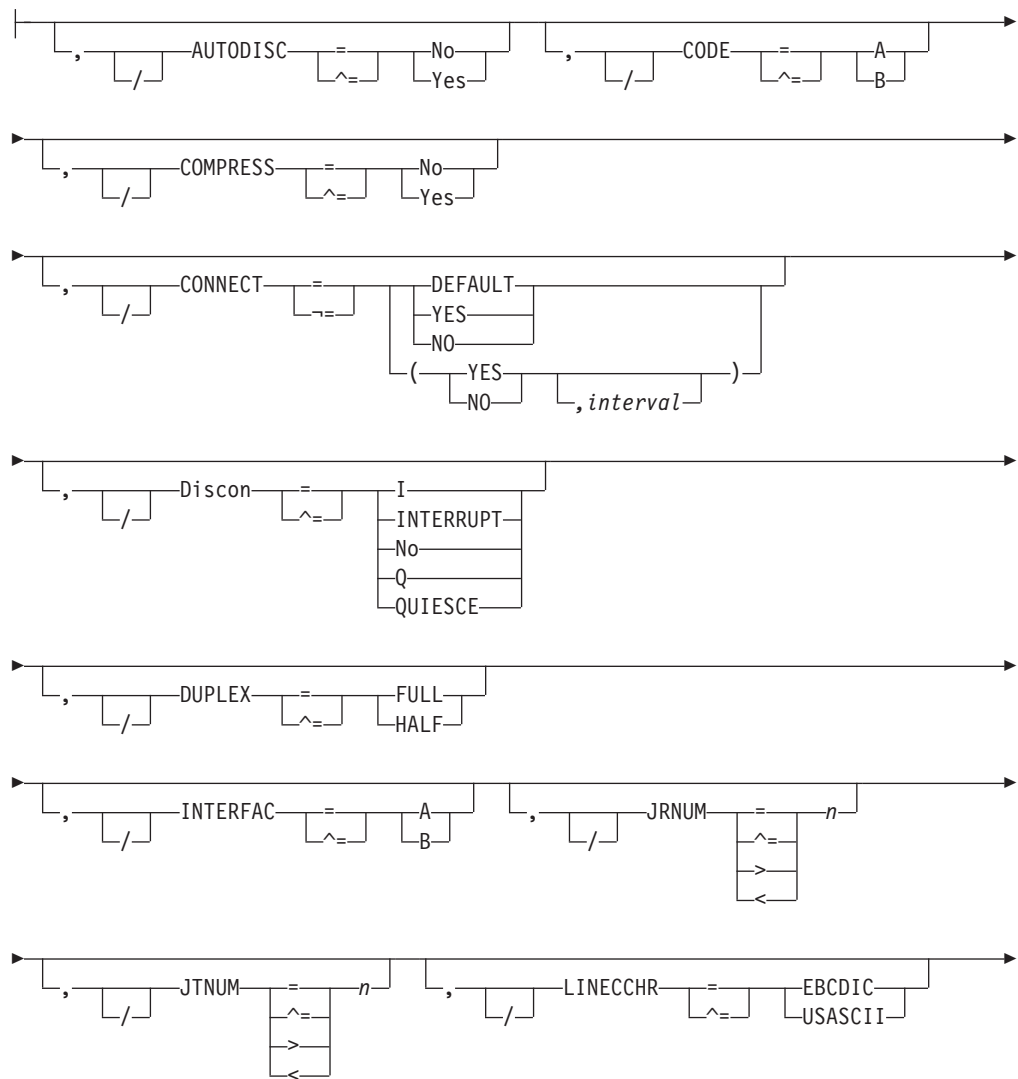
**Display limiting keywords:**



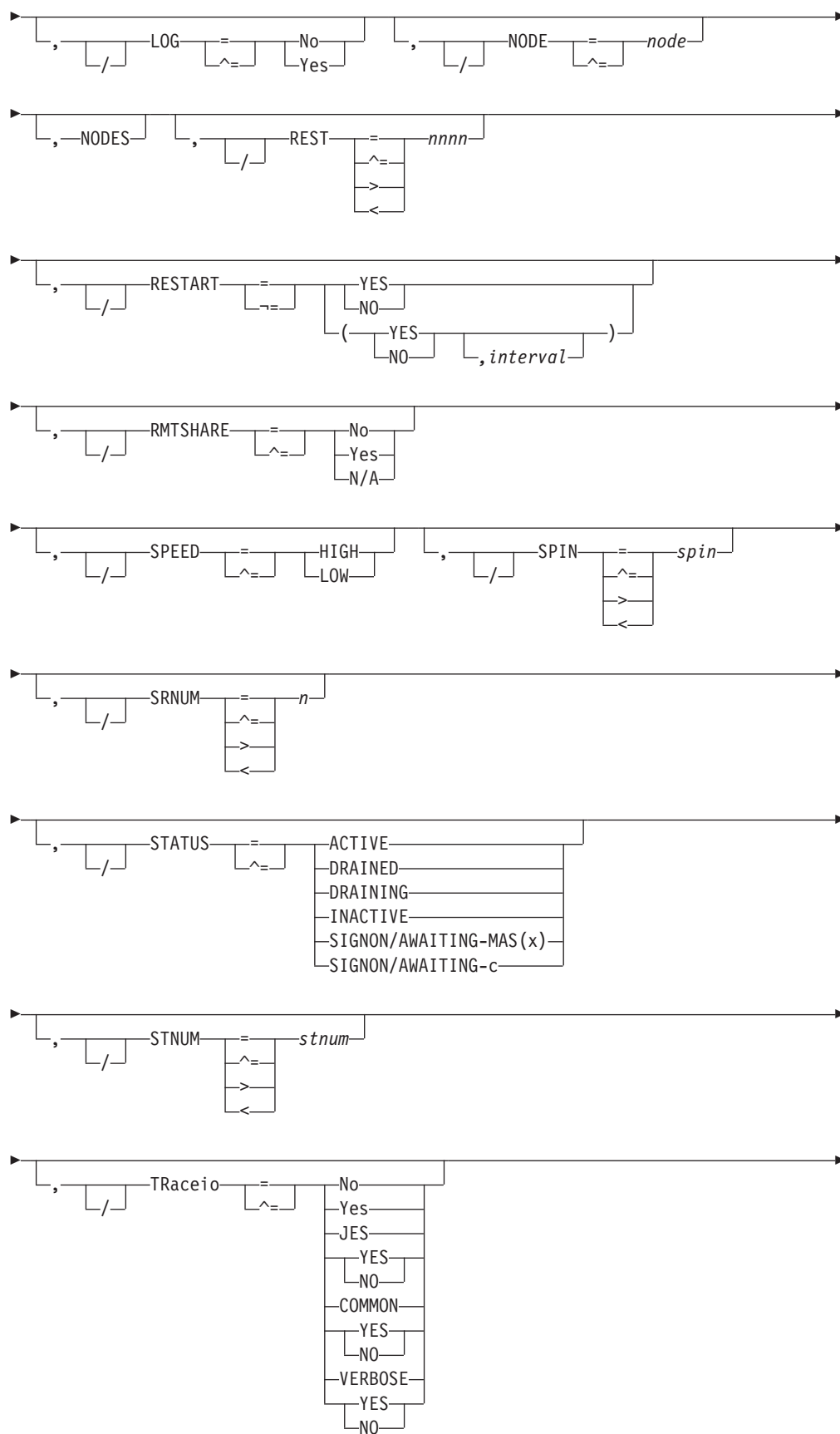
## \$D LINE(nnnn)



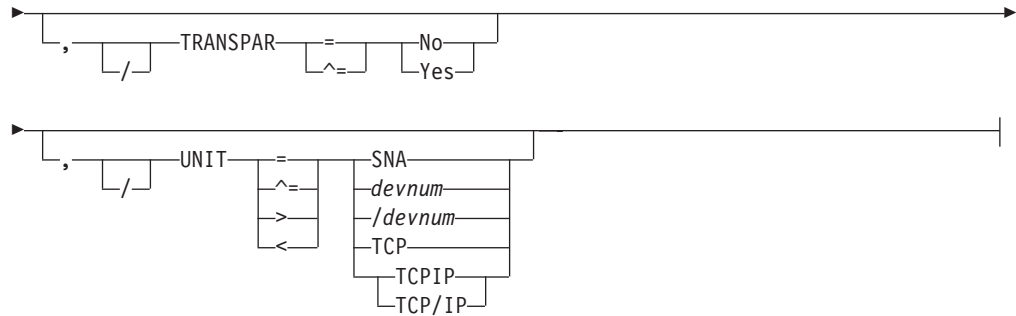
### Selection limiting keywords:







## \$D LINE(nnnn)



### Parameters

#### nnnnn

The subscript defining one or more lines that are affected by this command. The subscript can specify a specific numeric value or a range of values (1-65535).

#### AUTODISC[={No|Yes}]

Displays whether this line is automatically disconnected from a terminal when the local modem disconnects.

#### CODE[=A|B]

Displays the BSC adapter code for this line. Code A refers to the first code in a BSC adapter. Code B refers to the second code in a BSC adapter that has the dual code feature.

#### COMPRESS[=No|Yes]

Displays whether this line allows terminals to use data compression.

#### CONNECT=(Yes|No|DEFAULT, interval)

Displays whether an NJE connection is automatically attempted for this line. The *interval* is the approximate time (in minutes) between attempted connections. The valid range for *interval* is 0-1440. A value of 0 indicates that the default interval (from NJEDEF CONNECT=) is used. A third positional displays the approximate time (yyyy.ddd,hh:mm) when the next attempt is made.

#### Discon[=I|INTERRUPT|No|Q|QUIESCE]

Displays whether the line is to be disconnected immediately (I), after it completes its current activity (Q), or not at all (NO).

##### I|INTERRUPT

A sign-off record is sent to the attached multi-leaving remote workstation or to the connected NJE node.

##### Q|QUIESCE

The disconnection occurs as though the remote operator or NJE node had signed off.

**NO** The line is not to be disconnected.

#### DUPLEX[=FULL|HALF]

Displays whether this is a half-duplex or full-duplex line.

#### INTERFAC[=A|B]

Displays the BSC adapter interface for this line. **A** refers to the first interface in a BSC adapter; **B** refers to the second, which has the dual-communications interface feature.

**JRNUM[=*n*|DEFAULT]**

Displays the number (0-7) of network job receivers to be associated with this NJE line. The value of *n* is an integer that specifies the maximum number of input job streams allowed to be concurrently active on this line.

**JTNUM[=*n*|DEFAULT]**

Displays the number (0-7) of network job transmitters to be associated with this NJE line. The value of *n* is an integer that specifies the maximum number of output job streams allowed to be concurrently active on this line.

**LINECCHR[=*EBCDIC*|*USASCII*]**

Displays how the adapter is configured.

**EBCDIC**

The BSC adapter is configured for EBCDIC line-control characters.

**USASCII**

The BSC adapter is configured for ASCII line-control characters.

**LOG[=*No*|*Yes*]**

Displays whether JES2 is to monitor the specified line for channel-end completions (BSC lines) or SNA events (SNA lines).

**NODE=*node***

Displays the NJE node name associated with this node.

**NODES=**

Displays and filters all lines through which node can be reached.

**Password**

Displays the security password used to reject unauthorized terminals attempting to use the specified line.

**REST[=*nnnn*]**

Displays an integer (0-2000) that represents the resistance rating of the line as viewed by the installation management and coordinated with other installations.

**RESTART=(*Yes*|*No*,*interval*)**

Displays whether this line will be restarted if it is drained. The *interval* is the approximate time (in minutes) between attempted restarts. The valid range for *interval* is 0 to 1440. A third positional displays the approximate time (yyyy.ddd, hh:mm) when the next attempt is made. A value of 0 indicates that the default interval (from NJEDEF CONNECT=) is used.

**RMTSHARE[=*NO*|*YES*|*N/A*]**

Displays whether the line is allowed to be dedicated by specifying it on the LINE= parameter of a \$ADD RMT(nnnn) command or a \$T RMT(nnnn) command. This parameter is displayed for both BSC and SNA lines.

**YES**

Displays that this line can be shared. That is, this line is:

- An SNA line
- Not dedicated to any RJE workstation or
- Dedicated to one or more BSC RJE workstations with SHARABLE=YES specified on the RMT(nnnn) definition.

**NO** Displays that this line cannot be shared. That is, this line is dedicated to one BSC RJE workstation with SHARABLE=NO specified on the RMT(nnnn) definition.

## \$D LINE(nnnn)

**N/A**

Displays that this line is not available.

### **SESSions**

Displays the VTAM application interfaces and their corresponding status associated with this SNA line.

### **SPEED[=HIGH|LOW]**

Displays whether this is a high-speed (greater than 9600 bits per second) or low-speed line.

**Note:** This parameter is applicable only to 360/20 sub-models 2 and 4.

### **SRNUM[=n|DEFAULT]**

Displays the number (0-7) of network SYSOUT receivers to be associated with this NJE line. The value of n is an integer which specifies the maximum number of SYSOUT receiver streams allowed to be concurrently active on this line.

### **STATUS[=ACTIVE|DRAINED|DRAINING|INACTIVE |SIGNON/AWAITING-MAS(x) |SIGNON/AWAITING-c ]**

Displays the current status of the device. The following types of status can be displayed:

#### **Type    Meaning**

##### **ACTIVE**

JES2 is using the device for job processing and will continue to do so as long as jobs are both available and eligible for the device.

##### **DRAINED**

JES2 does not use the device until you start it with a \$S command.

##### **DRAINING**

JES2 is using the device to process jobs, but will stop using this device once the current function has completed.

##### **INACTIVE**

JES2 is not using the device, but would do so if a job were both available and eligible for the device.

##### **SIGNON/AWAITING-MAS(x)**

The device signing on is waiting for responses from one or more MAS members. In the message, x can be the member name, or a list of member names, from which a response is required.

##### **SIGNON/AWAITING-c**

The device signing on is waiting for an NCC record from the other end of the connection. In the message, c is the NCC record type (J, K, or L) for which the sign-on is waiting.

### **STNUM=stnum**

Displays the number (0-7) of network SYSOUT transmitters which will be associated with this NJE line. The value of n is an integer which specifies the maximum number of SYSOUT transmitter streams allowed to be concurrently active on this line.

### **TRaceio[=NO|YES|JES=YES/NO|COMMON=YES/NO|VERBOSE=YES/NO]**

Displays whether I/O operations on the specified line are to be traced. The following types of status can be displayed:

#### **Type    Meaning**

**YES** Indicates all types of tracing are to be done.

**NO** Indicates no tracing is to be done.

**JES=YES/NO**

Indicates whether data and control records passed between JES and TCP/IP are to be traced for this line.

**COMMON=YES/NO**

Indicates whether TCP/IP and other services called by IAZNJTCP are to be traced.

**VERBOSE=YES/NO**

Indicates whether diagnostic messages are to be issued to the master console and SYSLOG.

**TRANSPAR[=No|Yes]**

Displays whether the text transparency feature of the BSC adapter is present on this line.

**UNIT[=devnum|/devnum|SNA][TCP|/TCP|TCP/IP]**

Displays a 4-digit hexadecimal device number for a binary synchronous communication (BSC) line. You can specify wild cards on this parameter. See "Using wildcards" on page 108 for additional information.

Device numbers can be specified by any of the following formats:

```
UNIT=ddd
UNIT=dddd
UNIT=/ddd
UNIT=/dddd
```

where *ddd* and *dddd* represent the device numbers.

A slash character (/) can optionally precede the device number (for compatibility with other commands that require a slash to denote a 4-digit device number).

Specify UNIT=SNA to obtain information about a systems network architecture (SNA) line, or UNIT=TCP to obtain information about a TCP/IP line.

## Authority Required

This command requires **display** authority. The description of the \$T RDRnn command explains how to ensure that the authority of the appropriate MVS system command group is assigned.

This command requires **read** security access authority. For a description of assigning command input authority, see *z/OS JES2 Initialization and Tuning Guide*.

## Scope

**Single member.** The response to this command will be a display of information about this member only. You might want to use this command to get information about all members in the MAS. To do so, you can use the MVS ROUTE \*ALL command to issue this command to all active members (if the JES2 command character is the same on all members). See *z/OS MVS System Commands* for more information on using the ROUTE \*ALL command.

## \$D LINE(nnnn)

### Messages

The \$HASP880 message displays the status of the specified lines and their current characteristics.

### Examples

**1** \$d line(\*),autodisc=y,transpar=y

```
$HASP880 LINE2      UNIT=0023,STATUS=DRAINED,AUTODISC=YES,  
$HASP880            CODE=A,COMPRESS=YES,DUPLEX=HALF,INTERFAC=A,  
$HASP880            LINECCHR=EBCDIC,LOG=NO,PASSWORD=(NOTSET),  
$HASP880            REST=0,RMTSHARE=YES,SPEED=LOW,TRACEIO=NO,  
$HASP880            TRANSPAR=YES,JRNUM=DEFAULT,JTNUM=DEFAULT,  
$HASP880            SRNUM=DEFAULT,STNUM=DEFAULT
```

```
$HASP880 LINE8      UNIT=0020,STATUS=DRAINED/RMT5,AUTODISC=YES,  
$HASP880            CODE=A,COMPRESS=YES,DUPLEX=HALF,INTERFAC=A,  
$HASP880            LINECCHR=EBCDIC,LOG=NO,PASSWORD=(NOTSET),  
$HASP880            REST=0,RMTSHARE=NO,SPEED=LOW,TRACEIO=NO,  
$HASP880            TRANSPAR=YES,JRNUM=DEFAULT,JTNUM=DEFAULT,  
$HASP880            SRNUM=DEFAULT,STNUM=DEFAULT
```

:

This command displays all lines that JES2 automatically disconnects from the RJE workstation when the local modem disconnects and that have the BSC adapter text transparency feature.

**2** \$d line(\*),rmtshare=y

```
$HASP880 LINE1      UNIT=0022,STATUS=DRAINED,AUTODISC=YES,CODE=A,  
$HASP880            COMPRESS=YES,DUPLEX=HALF,INTERFAC=A,  
$HASP880            LINECCHR=EBCDIC,LOG=NO,PASSWORD=(NOTSET),  
$HASP880            REST=0,RMTSHARE=YES,SPEED=LOW,TRACEIO=NO,  
$HASP880            TRANSPAR=YES,JRNUM=DEFAULT,JTNUM=DEFAULT,  
$HASP880            SRNUM=DEFAULT,STNUM=DEFAULT
```

:

This command displays all lines that can be shared by an RJE workstation.

**3** \$dline15

```
          $HASP880 LINE15  
$HASP880 LINE15      UNIT=SNA,STATUS=ACTIVE,COMPRESS=YES,  
$HASP880            DISCON=NO,LOG=NO,PASSWORD=(NOTSET),REST=0,  
$HASP880            NODE=0,RMTSHARE=YES,SESSIONS=,  
$HASP880            CONNECT=(DEFAULT),RESTART=(YES,0),  
$HASP880            TRACEIO=(NO),JRNUM=DEFAULT,JTNUM=DEFAULT,  
$HASP880            SRNUM=DEFAULT,STNUM=DEFAULT
```

---

## \$D LOADmod(jxxxxxx) - Display load module information

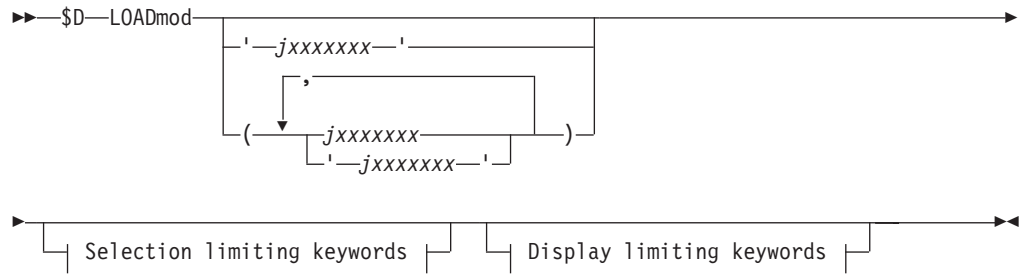
### Function

To display information that would be useful for diagnosing JES2 problems. Use this command to get the virtual address where a load module has been loaded in storage, exit routines included in the load module, its length, the RMODE, and the area of storage where the load module is located.

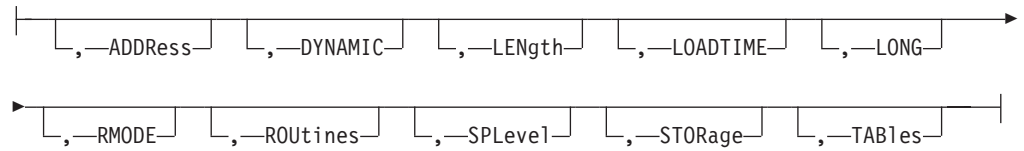
This command has parameters you can use as a filtering technique to limit the type of information to search, or the amount of information to display. See "Using filtering to control and display information" on page 114 for additional information.

One or more parameters on this command accepts wild cards. Parameter descriptions will note that.

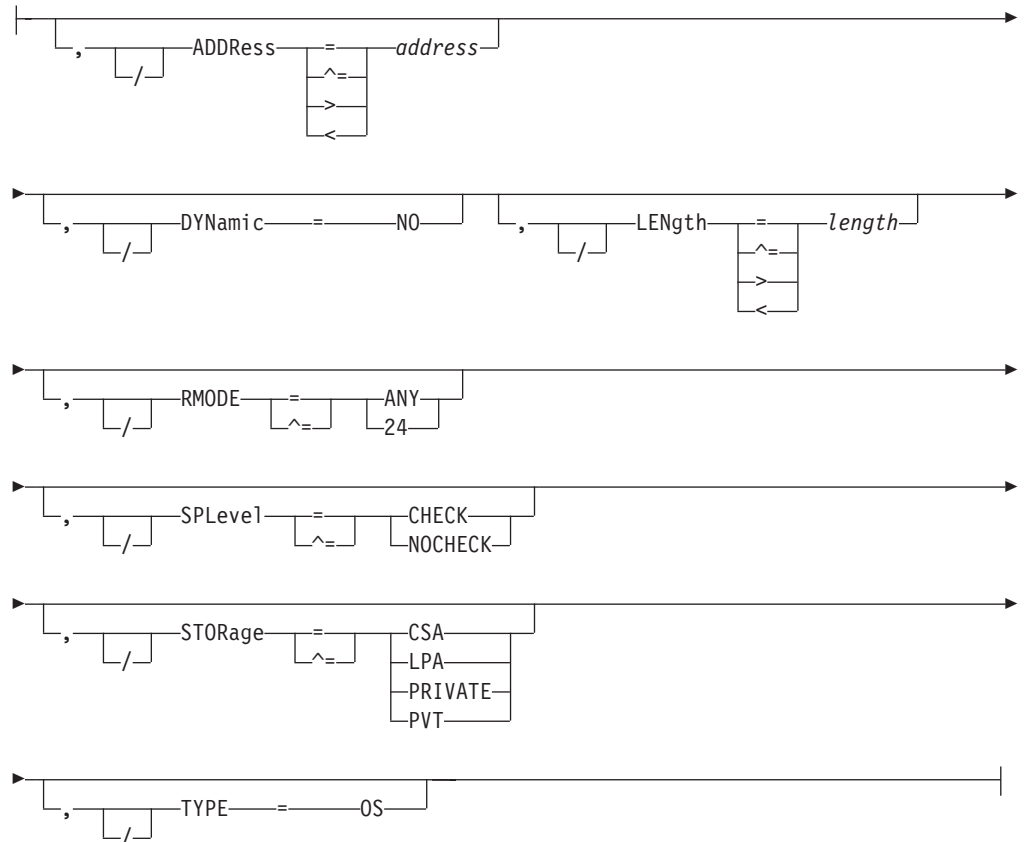
**Syntax**



**Display limiting keywords:**



**Selection limiting keywords:**



## \$D LOADmod(jxxxxxxx)

### Parameters

#### LOADmod

Specifies the JES2 load module name for which information is to be displayed. Specify the load module name (for example, HASCLINK) to obtain specific load module information, or an asterisk ( \* ) to obtain information for **all** load modules. You can also specify wild cards for the load module name. See "Using wildcards" on page 108 for additional information. The following load modules cannot be displayed:

- HASPFSSM
- HASJES20
- Load modules beginning with the characters HASM

#### ADDRess=address

Displays the hexadecimal address of the load module in storage.

#### DYNamic

DYNamic=NO indicates that this module does not support dynamic functions (\$ADD LOADMOD, \$DEL LOADMOD and \$T LOADMOD,REFRESH). Nothing displays if the module supports dynamic functions.

#### LENGth=length

Displays the load module's exact hexadecimal length.

#### LOADTIME

Displays the time when the load module being displayed was loaded.

#### LONG

Specifies whether or not an abbreviated list of characteristic is provided. An abbreviated display of characteristics is provided unless LONG is requested. The abbreviated list includes only the following characteristics:

- ADDRESS
- LENGTH
- LOADTIME
- RMODE
- SPLEVEL
- STORAGE

#### RMODE [=24|ANY]

Displays the link-edit attributes of the load module. Optionally, you can specify one of the following keywords to display load modules that reside in a particular area:

Value	Meaning
-------	---------

24	Display only those load modules that reside below 16 megabytes of virtual storage.
----	--

ANY	Display only those load modules that reside above 16 megabytes of virtual storage.
-----	--

#### ROUTines

Displays the routines that are defined using the \$ENTRY macros in a module. These routines are available for use through the EXIT(nnn) initialization statement.

Only routine names in installation-provided modules or in IBM-provided sample exit modules will be included.



**SPLevel [=CHECK|NOCHECK]**

Displays the value the module assigned to the SPLEVEL= parameter on the \$MODULE macro. Optionally, you can display only those modules that have assigned a specific value to the \$MODULE SPLEVEL= parameter by coding one of the following keywords:

**Value Meaning****CHECK**

Display only those modules that specified CHECK on the \$MODULE SPLEVEL= parameter.

**NOCHECK**

Display only those modules that specified NOCHECK on the \$MODULE SPLEVEL= parameter.

**STORage [=CSA|LPA|PRIVATE|PVT]**

Displays the type of storage in which the load module resides. Optionally, you can specify an area of storage.

Code one of the following keywords:

**Value Meaning**

**CSA** Display only those load modules that are loaded into common storage.

**LPA** Display only those load modules that are loaded into link pack area storage.

**PRIVATE|PVT**

Display only those load modules that are loaded into the private storage of the JES2 address space.

**TABles**

Displays any DYNAMIC tables which are defined in this module, along with the type of table.

**TYPE**

TYPE=OS indicates that this module is not a JES2 module. Nothing displays if the module is a JES2 module.

**Authority Required**

This command requires **display** authority. The description of the \$T RDRnn command explains how to ensure that the authority of the appropriate MVS system command group is assigned.

This command requires **read** security access authority. For a description of assigning command input authority, see *z/OS JES2 Initialization and Tuning Guide*.

**Scope**

**Single member.** The response to this command will be a display of information about this member only. You might want to use this command to get information about all members in the MAS. To do so, you can use the MVS ROUTE \*ALL command to issue this command to all active members (if the JES2 command character is the same on all members). See *z/OS MVS System Commands* for more information on using the ROUTE \*ALL command.

## \$D LOADmod(jxxxxxxx)

### Messages

The \$HASP819 message displays the current address, length, routines, RMODE, SPLEVEL and storage information for the specified load modules.

### Examples

**1** \$d loadmod(hastx24)

```
$HASP819 LOADMOD(HASTX24)
$HASP819 LOADMOD(HASTX24) ADDRESS=0A18D000,LENGTH=000E70,
$HASP819 LOADTIME=(2007.337,15:07:35),
$HASP819 RMODE=ANY,SPLEVEL=CHECK,STORAGE=PV
```

This command displays the characteristics of HASTX24.

**2** \$d loadmod(hastx24),long

```
$HASP819 LOADMOD(HASTX24)
$HASP819 LOADMOD(HASTX24) ADDRESS=0A18D000,LENGTH=000E70,
$HASP819 LOADTIME=(2007.337,15:07:35),
$HASP819 ROUTINES=($$$$LOAD=0A18D050,
$HASP819 $$$DEL=0A18D1A0,FIXMAP=0A18D4A0,
$HASP819 ISSI256=0A18D5F0),RMODE=ANY,
$HASP819 SPLEVEL=CHECK,STORAGE=PVT,
$HASP819 TABLES=($LDMSG($SCANTAB))
```

This command displays a complete list of the characteristics of HASTX24.

**3** \$d loadmod(\*),rmode,storage=pvt

```
$HASP819 LOADMOD(HASTX24) RMODE=ANY
$HASP819 LOADMOD(HASTX5) RMODE=ANY
```

This command displays the RMODE for all load modules in private storage.

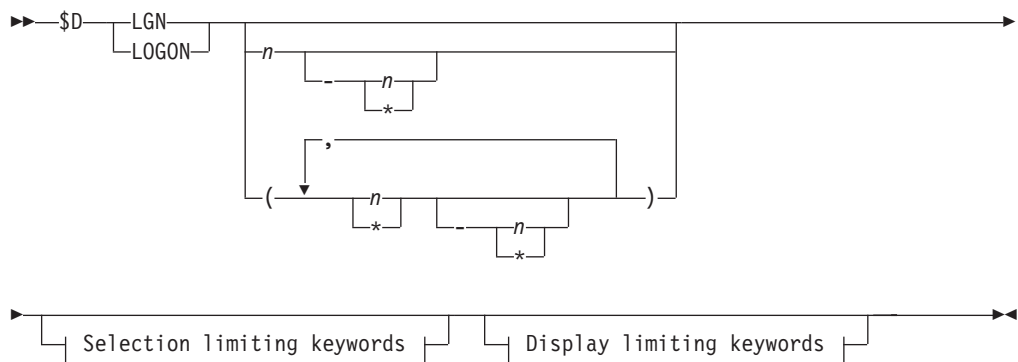
---

## \$D LOGON(nnn) - Display the status of JES2/VTAM interface(s) and their characteristics

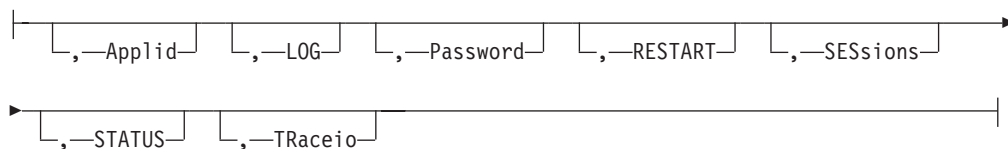
### Function

To display the status of the specified JES2/VTAM interface(s) and their current characteristics.

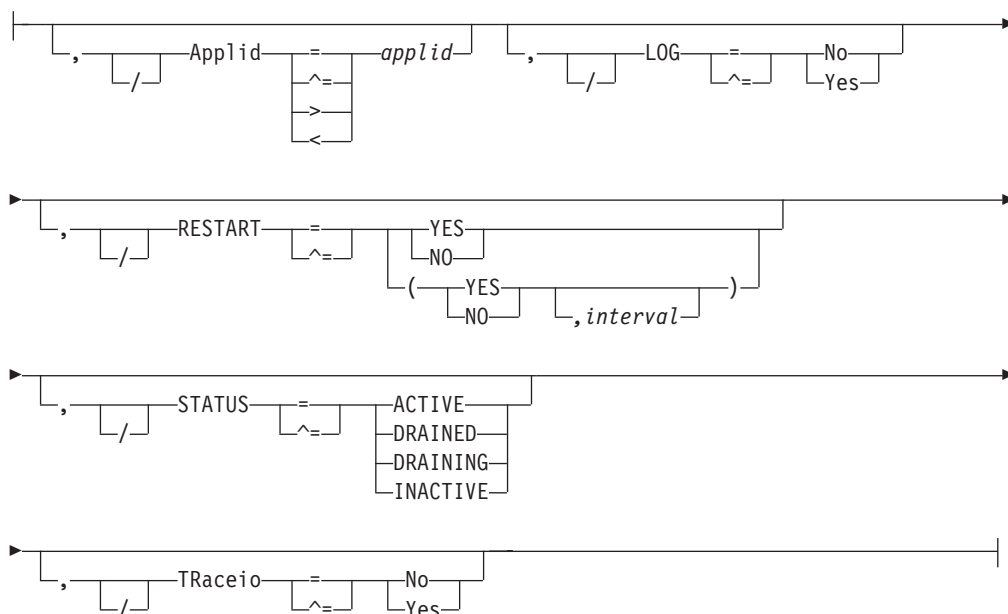
### Syntax



**Display limiting keywords:**



**Selection limiting keywords:**



**Parameters**

**LGN|LOGON(n|\*)**

The \$HASP881 message displays the status of the specified JES2/VTAM interface(s) and their current characteristics. The subscript can also specify a range of values.

**AppIid=applid**

Specifies the 1 to 8 character name that your installation assigned to JES2.

**LOG={No|Yes}**

Specifies whether JES will monitor the VTAM interface and record all SNA events.

**Password**

Specifies a 1 to 8 character security password that is presented to VTAM.

**RESTART=(Yes|No, interval)**

Displays whether this logon will be restarted if it is drained. The *interval* is the approximate time (in minutes) between attempted restarts. The valid range for *interval* is 0 to 1440. A value of 0 indicates that the default interval (from NJEDEF CONNECT=) is used. A third positional displays the approximate time (yyyy.ddd,hh:mm) when the next attempt is made.

**SESSions**

Displays the VTAM application interfaces and their corresponding status associated with this SNA line.

## \$D LOGON(nnn)

**STATUS[=ACTIVE|DRAINED|DRAINING|INACTIVE]**

Displays the current status of the device. The following types of status can be displayed:

**Type    Meaning**

**ACTIVE**

JES2 is using the device for job processing and will continue to do so as long as jobs are both available and eligible for the device.

**DRAINED**

JES2 does not use the device until you start it with a \$S command.

**DRAINING**

JES2 is using the device to process jobs, but will stop using this device once the current function has completed.

**INACTIVE**

JES2 is not using the device, but would do so if a job were both available and eligible for the device.

**TRaceio={Yes|No}**

Specifies whether (Yes) or not (No) JES2 will trace channel-end completions for logons.

### Authority Required

This command requires **display** authority. The description of the \$T RDRnn command explains how to ensure that the authority of the appropriate MVS system command group is assigned.

This command requires **read** security access authority. For a description of assigning command input authority, see *z/OS JES2 Initialization and Tuning Guide*.

### Scope

**Single member.** The response to this command will be a display of information about this member only.

### Messages

\$HASP881 command response.

### Examples

```
1 $D LOGON
      $d logon(*)
      $HASP881 LOGON20
$HASP881 LOGON20  APPLID=POK,STATUS=DRAINED,LOG=NO,
$HASP881          PASSWORD=(NOTSET),SESSIONS=,TRACEIO=NO
      $HASP881 LOGON998
$HASP881 LOGON998 APPLID=JES2,STATUS=DRAINED,LOG=NO,
$HASP881          PASSWORD=(NOTSET),SESSIONS=,TRACEIO=NO
      $HASP881 LOGON999
$HASP881 LOGON999 APPLID=JES2N1,STATUS=DRAINED,LOG=NO,
$HASP881          PASSWORD=(NOTSET),SESSIONS=,TRACEIO=NO
```

The \$HASP881 message indicates logon characteristics.

```
2 $dlogon1
      $HASP881 LOGON1  APPLID=JESA,STATUS=DRAINED,RESTART=(YES,2),
$HASP881          LOG=NO,PASSWORD=(NOTSET),SESSIONS=,TRACEIO=NO
```

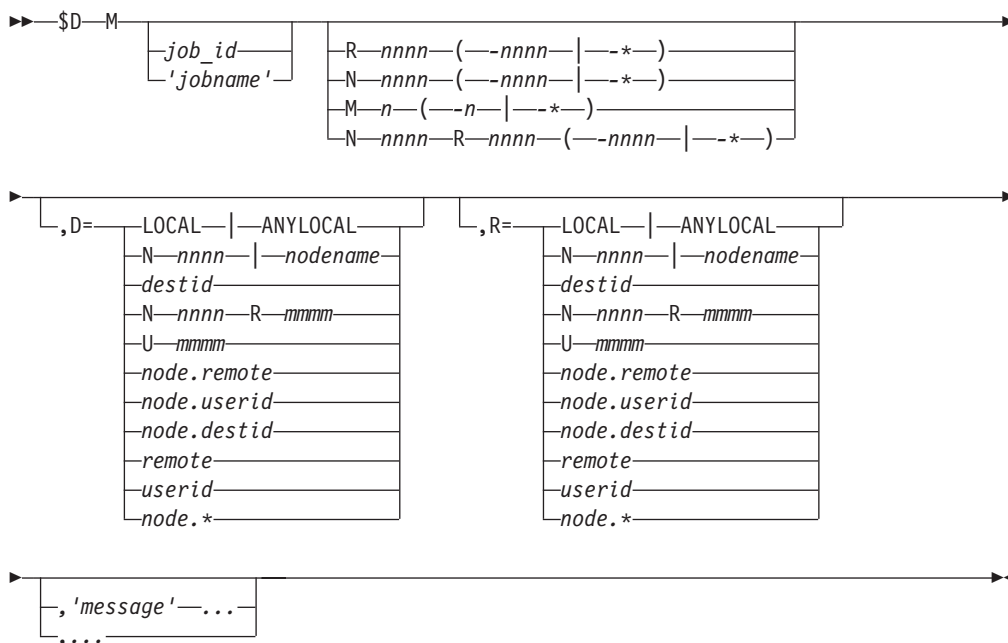
## \$D M - Send a message

### Function

To send a message to a remote workstation operator, a console operator on another multi-access spool (MAS) member, or to a console or remote workstation operator at another node.

Note that an asterisk (\*) can be used within a range to indicate the highest-numbered RJE workstation (Rnnnn-\*), node (Nnnnn-\*), or JES2 member (Mn-\*) available.

### Syntax



### Parameters

**M** JES2 sends a message to the specified destination.

#### job\_id

A "job" can actually be a batch job, started task (STC), or time-sharing user (TSU). A job identifier (jobid) is a 1 to 8 character string specified as "JOBnnnnn", "STCnnnnn", and "TSUnnnnn", respectively.

Specify job\_id in one of the following ways:

#### J|JOBn

The batch job whose job log receives the message.

#### S|STCn

The started task whose job log receives the message.

#### T|TSUn

The time-sharing user whose job log receives the message.

#### 'jobname'

The name of the job whose job log receives the message.

**Rnnnn[-nnnn|-\*]**

The remote workstation or range of remote workstations on the local node to which the message is sent.

**Note:** If R0 is entered, JES2 sends the message to the console with master level authority on the member processing the command. This is how the remote console operator typically sends a message to the system console operator.

**Nnnnn[-nnnn|-\*]**

The node or range of nodes to which the message is sent.

**Mn[-n|-\*]**

The multi-access spool member or range of members on this node to which the message is sent.

**NnnnnMn[-n|-\*]**

The specific member or range of members on node nnnn to which the message is sent.

Only **this** node can be specified when using the range n-\*

**NnnnnRnnnn[-nnnn|-\*]**

The remote workstation or range of remote workstations on node nnnn to which the message is sent.

Only **this** node can be specified when using the range n-\*

**D=** Specifies a destination for the message. The value for all routing numbers can range from 1 to 32767. Use parentheses if more than one route code is specified. For specification requirements, see "Route codes" on page 107.

If this command originates from another node in the network and the D= operand does not specify a node (first-level destination), the receiving node defaults the first-level destination to the node where the command originated.

If this command is sent to another node in the network using the \$N command, be aware that the receiving node will default the node (first-level destination) of the D= operand to the sending node. If another node is desired, specify a destination on the D= operand that will resolve to the desired node (first level destination) at the receiving node.

**Note:** NODENAME=REQUIRED on the DESTDEF initialization statement will cause JES2 to require that a userid be prefixed with a node name.

**LOCAL|ANYLOCAL**

Indicates that messages are sent to the local node.

**Nnnnn|nodename**

Indicates that messages are sent to the node(s) specified by the decimal node identifier or an EBCDIC nodename.

**destid** Indicates that messages are sent to the specified node(s). If destid is listed alone, it refers to both the node and the remote.

**NnnnnRmmmm|node.remote|node.userid**

Indicates that messages are sent to the remote Rmmmm at the node Nnnnn. Rmmmm can also be specified as RMmmmm or RMTmmmm.

**Ummmm**

Indicates that messages are sent to a special local routing.

**node.destid**

Indicates that messages are sent to a destination at the specified node. The destid refers to both the node and the remote.

**remote**

Indicates that messages are sent to a remote. Remote can be specified in any of the following ways:

**LOCAL|ANYLOCAL**

Indicates that messages are sent to the local node.

**Rmmm**

Indicates that messages are sent to the specified remote.

**destid** Indicates that messages are sent to a destid referring to a remote.

**userid** Indicates sending messages to a valid TSO userid, or a user\* (where \* means all local, remote, special local unit, and userid output at the specified node).

For more information about specifying userids as remotes, refer to "Route codes" on page 107.

**node.\*** Indicates sending messages to a nodename modified to the specified node name, but the remote node will remain the same.

**R=** The remote workstation on the node specified in the D= parameter (which must precede this) to which the message is sent. If you use the R= parameter to specify a node, it must be the node specified in the D= parameter. You may specify any of the options available through the D= parameter.

**Note:**

1. The R= parameter is not valid if the D= parameter specified is a nodal range.
2. NODENAME=REQUIRED on the DESTDEF initialization statement will cause JES2 to require that a userid be prefixed with a node name.

**'message'**

The message text that JES2 sends to the specified destination. If you do not enclose the message in apostrophes, JES2 compresses the message text by removing all blanks. If an apostrophe is desired within the message text, you must use double apostrophes.

**Authority Required**

This command requires **display** authority. The description of the \$T RDRnn command explains how to ensure that the authority of the appropriate MVS system command group is assigned.

This command requires **read** security access authority. For a description of assigning command input authority, see *z/OS JES2 Initialization and Tuning Guide*.

**Processing Considerations**

- The specified batch job, STC, or TSU must be in execution, not awaiting execution or output.

- The specified message is not printed if the job's submitter specified that no job log was to be printed (NOLOG), or if the attributes specified at JES2 initialization for the job's execution class indicate that no job log is to be generated.
- Use the MVS SEND command to send a message directly to a time-sharing user's terminal.

## Scope

**MAS-wide.** You can issue this command from anywhere in the MAS and the command will be routed appropriately.

## Messages

The \$HASP001 message displays the operator console or remote terminal value, followed by the operator message.

## Examples

**1** \$d m j29, 'could not find your tape'

```
$HASP001 0,COULD NOT FIND YOUR TAPE
```

JES2 writes the message "COULD NOT FIND YOUR TAPE" on job 29's job log.

**2** \$d m 'stanley', 'next time please increase your output estimate'

```
$HASP001 0,NEXT TIME PLEASE INCREASE YOUR OUTPUT ESTIMATE
```

JES2 writes the message "NEXT TIME PLEASE INCREASE YOUR OUTPUT ESTIMATE" on the job log for the job whose name is STANLEY.

**3** \$d m n3r2-5, 'Jobs remaining after 5 PM will be purged.'

```
$HASP001 0,JOBS REMAINING AFTER 5 PM WILL BE PURGED
```

JES2 sends the message "JOBS REMAINING AFTER 5PM WILL BE PURGED" to remote workstations 2 through 5 on node 3.

**4** \$d m n4, 'Node 3 requesting network authority.'

```
$HASP001 0,NODE 3 REQUESTING NETWORK AUTHORITY
```

JES2 sends the message "NODE 3 REQUESTING NETWORK AUTHORITY" to the operator's console at node 4.

**5** \$D M N2M1-\*, 'JOBS REMAINING AFTER 5 PM WILL BE PURGED'

```
$HASP001 02 , 'JOBS REMAINING AFTER 5 PM WILL BE PURGED'
```

The command is issued from Node 2. JES2 sends the message "JOBS REMAINING AFTER 5PM WILL BE PURGED" to members, beginning with member 1 through the highest numbered member, on node 2.

---

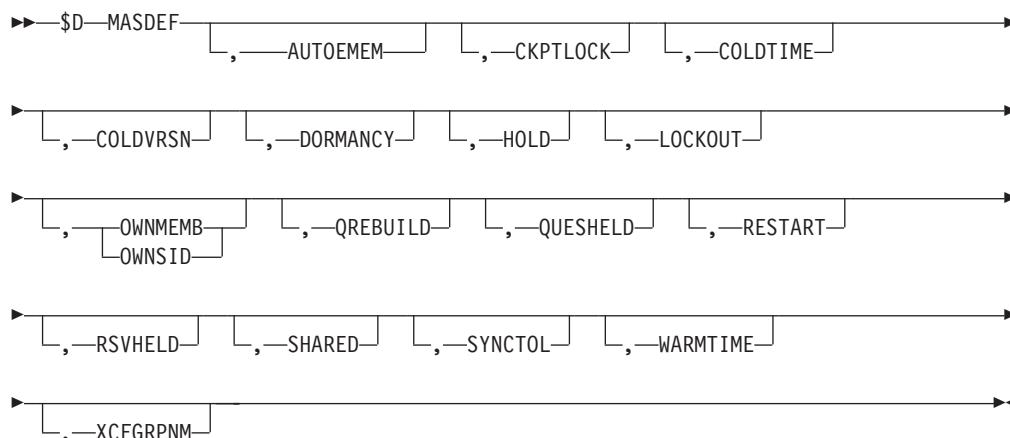
## \$D MASDEF - Display the multi-access spool environment

### Function

To display multi-access spool definition and tuning parameters.



## Syntax



## Parameters

### AUTOEMEM

Displays the status of this JES2 MAS member's AUTOEMEM function. They can be:

**ON** This MAS member's jobs can be restarted.

**OFF** This MAS member's jobs cannot be reset automatically.

### STARTING

This MAS member's jobs are in the process of turning AUTOEMEM on.

### STOPPING

This MAS member's jobs are in the process of turning AUTOEMEM off.

### CKPTLOCK

Displays whether message \$HASP479 is issued during a cold or warm start of JES2. The value displayed will be one of the following:

#### INFORM

JES2 will not issue message \$HASP479 during a cold or warm start of JES2 if:

- The checkpoint lock cannot be obtained, and
- The member ID of the member holding the lock is the same as the one being started.

Instead, JES2 issues message \$HASP457 to indicate that the member has bypassed confirmation of the lock release.

#### ACTION

JES2 issues message \$HASP479 in all cases.

### COLDTIME

Displays the time of the cold start (yyyy.ddd,hh:mm:ss).

**Scope: MAS-wide.**

### COLDVRSN

Displays the version of JES2 that was cold started.

**Scope: MAS-wide.**

### **DORMANCY**

Displays the minimum and maximum time, in hundredths of seconds, that a member of the MAS must wait before it attempts to regain control of the checkpoint data set.

**Scope: Single member.**

### **HOLD**

Displays the minimum length of time, in hundredths of seconds, that a member of a multi-access spool configuration must maintain control of the checkpoint data set.

**Scope: Single member.**

### **LOCKOUT**

Displays the time interval, in hundredths of seconds, from the first denied request for the checkpoint data set by a member of a multi-access spool configuration to the time that the configuration assumes the member controlling the checkpoint data set is inoperative.

**Scope: Single member.**

### **OWNMEMB | OWNSID**

Displays the member name of this member.

**Scope: Single member.**

### **QREBUILD**

Displays the count of times that the job queue has been rebuilt since the last all-member warm start or cold start.

**Scope: MAS-wide.**

### **QUESHELD**

This information is displayed if this JES2 member has control of, and is actively updating, the checkpoint data set.

**Scope: Single member.**

### **RESTART**

Displays whether (Yes) or not (No) a JES2 MAS member can make the jobs on a failed member eligible for restart.

#### **Note:**

1. If the job is registered with the automatic restart manager, the automatic restart manager restarts jobs regardless of the settings of the AUTOEMEM= and RESTART= parameters.
2. If a JES2 member has been identified as the target of an automatic reconfiguration facility takeover, specify RESTART=NO. For more information about the Processor Resource/Systems Manager™ (PR/SM™) environment to which this applies, see *PR/SM Planning Guide, GA22-7236* and *z/OS MVS Setting Up a Sysplex*.

**Scope: Single member.**

### **RSVHELD**

This information is displayed if this JES2 member has control of, but is not actively updating, the checkpoint data set.

**Scope: Single member.**

**SHARED**

Displays whether the direct access volumes being used in the configuration for spool and checkpoint devices are to be marked as shared (CHECK) or non-shared (NOCHECK).

**Scope: Single member.**

**SYNCTOL**

Displays the time interval, in seconds, that must expire before a JES2 member in a multi-access spool configuration is assumed to be inoperative.

**Scope: Single member.**

**WARMTIME**

Displays the time of the last all-member warm start (yyyy.ddd,hh:mm:ss).

**Scope: MAS-wide.**

**XCFGRPNM**

Displays the multi-access spool configuration's XCF groupname. The default is the local node name. The node name is defined on the NAME= parameter of the local NODE(nnnn) initialization statement.

**Scope: MAS-wide.**

**Authority Required**

This command requires **display** authority. The description of the \$T RDRnn command explains how to ensure that the authority of the appropriate MVS system command group is assigned.

This command requires **read** security access authority. For a description of assigning command input authority, see *z/OS JES2 Initialization and Tuning Guide*.

**Scope**

The scope of this command varies by parameter. See the description of each parameter for its scope.

Some parameters on this command will display information about the entire MAS, while other parameters will display information about this member only.

You might want to use the parameters for this command to get information about all members of the MAS. If so, you can use the MVS ROUTE \*ALL command to issue this command to all active members (if the JES2 command character is the same on all members). See *z/OS MVS System Commands* for more information on using the ROUTE \*ALL command.

**Messages**

The \$HASP843 message displays the current values of all the parameters.

**Example**

**1** \$d masdef

```
$HASP843 MASDEF  OWNMEMB=IBM1,AUTOEMEM=OFF,CKPTLOCK=ACTION,
$HASP843          COLDTIME=(1994.192,12:37:29),COLDVRSN=SP 5.2.0,
$HASP843          DORMANCY=(100,500),HOLD=30,LOCKOUT=1000,
$HASP843          RESTART=NO,SHARED=NOCHECK,SYNCTOL=120,
$HASP843          XCFGRPNM=POK,QREBUILD=0
```

## \$D MEMBer

JES2 displays information about the MAS environment.

---

## \$D MEMBer - Display information about MAS members

### Function

To display information about members of a multi-access spool (MAS).

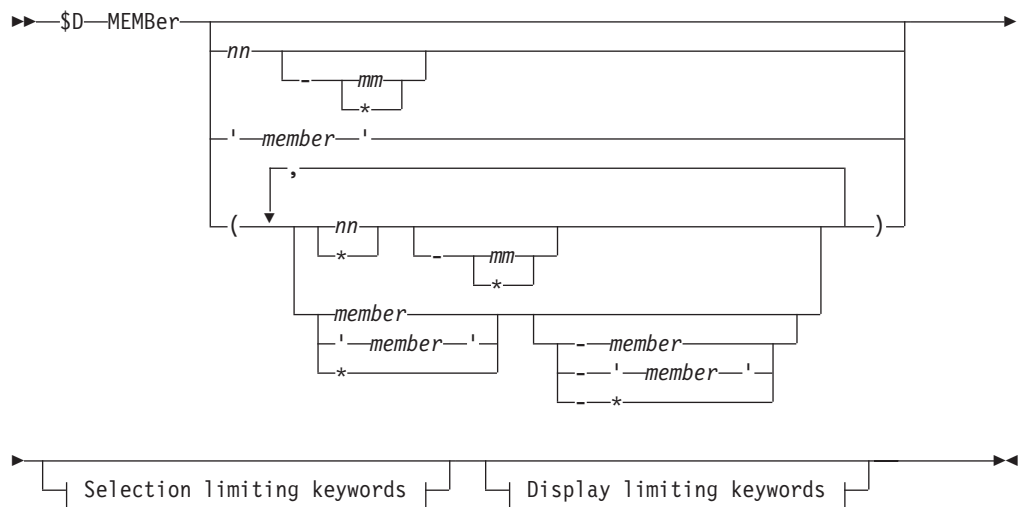
The information displayed for each member includes the member name and any of the following information:

- Date and time the member was started.
- Member that is restarting this member's work.
- Status of the member.
- Name of the MVS system image of the member.
- Time the member last accessed the checkpoint.
- Version of JES2 running on the member.

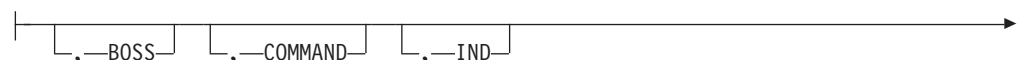
This command has parameters you can use as a filtering technique to limit the type of information to search, or the amount of information to display. See "Using filtering to control and display information" on page 114 for additional information.

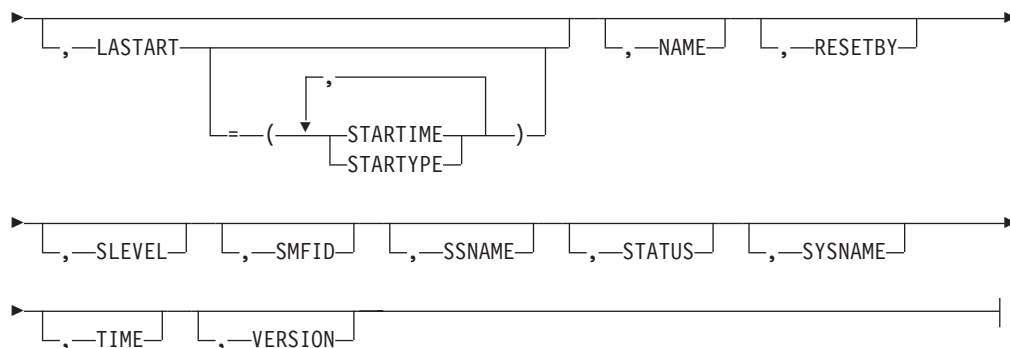
One or more parameters on this command accepts wild cards. Parameter descriptions will note that.

### Syntax

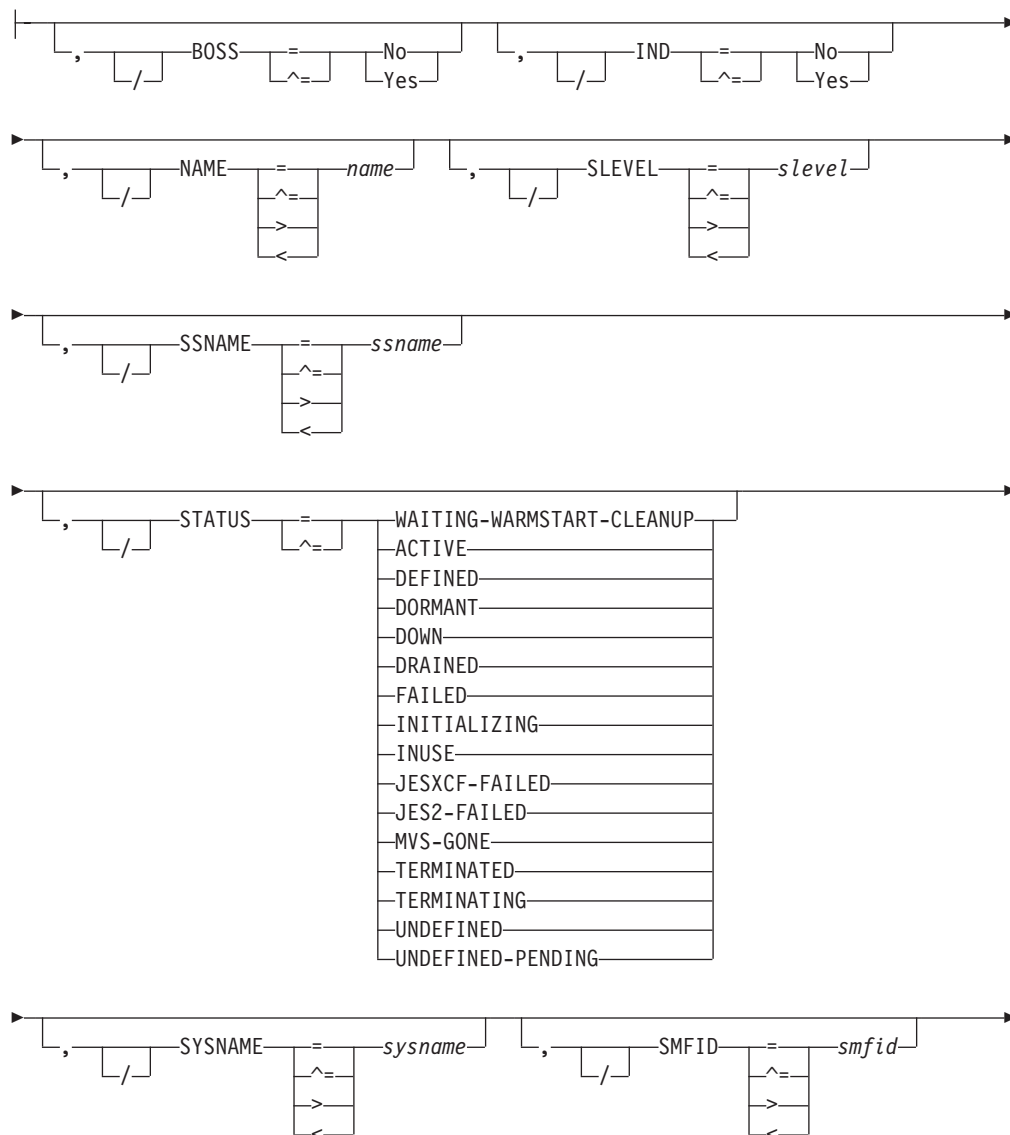


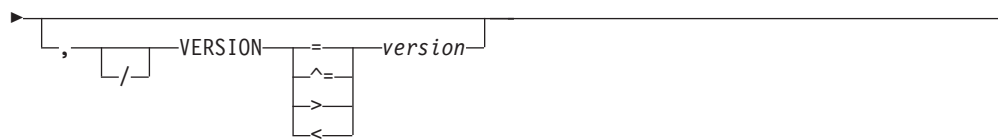
### Display limiting keywords:





**Selection limiting keywords:**





## Parameters

**nn** The numeric value (1-32), range of values.

### *member*

The 1 to 4 alphanumeric or special (\$, #, or @) character name of the MAS member to be displayed. Specify the member number or the member name to obtain information on a specific member, or an asterisk (\*) to obtain information for all members of the MAS.

You can also specify wild cards on this parameter. See “Using wildcards” on page 108 for additional information.

### **BOSS[=No|Yes]**

Displays the JES2 WLM representative for the MAS on this MVS image. The primary JES2 will be the BOSS if it's active and it's a part of the MAS, otherwise, the first JES2 subsystem defined for the MAS (which is active) is declared the BOSS.

### **COMMAND**

Specifies that any commands (\$P or \$P XEQ) which have been issued on this member should be listed.

### **IND[=No|Yes]**

Specifies that the independent mode status of the member is to be displayed. This is only displayed if the member is defined.

### **LASTART**

Specifies that the type and time of the last start is to be displayed. This value is not displayed if the member has never been started.

### **STARTYPE**

The type is one of the following:

- COLD
- HOT
- QUICK
- FORMAT
- ALL-MEMBER-WARM
- SINGLE-MEMBER-WARM

### **STARTIME**

The time is GMT time, and is in the format of yyyy.ddd,hh:mm:ss.

### **NAME[=name]**

Specifies the 1 to 4 alphanumeric or special (\$, #, or @) character name of the member to be displayed.

You can also specify wild cards on this parameter. See “Using wildcards” on page 108 for additional information.

### **RESETBY**

Requests the identity of the member (the member number) that is performing a \$E MEMBER of this member. This is only displayed while the \$E MEMBER is in progress.

**SLEVEL[=slevel]**

Specifies that the service level number of the member is to be displayed.

**SSNAME[=ssname]**

Displays the subsystem name used by this member.

**STATUS[=ACTIVE|DEFINED|DORMANT|DOWN|DRAINED|FAILED|INITIALIZING|INUSE|JESXCF-FAILED|JES2-FAILED|MVS-GONE|TERMINATED|TERMINATING|UNDEFINED|UNDEFINED-PENDING|WAITING-WARMSTART-CLEANUP]**

Specifies that the current status of the member is to be displayed. Valid keyword values for the STATUS parameter and their meanings are as follows:

**ACTIVE**

Displayed when the member that is up and running.

**DEFINED**

Displays only defined members.

**Note:** This parameter is only a filter. You can specify this status but DEFINED will not be displayed in the message.

**DORMANT**

Displayed when the member that is up and running but has not recently accessed the JES2 checkpoint.

**DOWN**

Displays only TERMINATED, DRAINED or FAILED members.

**Note:** This parameter is only a filter. You can specify this status but DOWN will not be displayed in the message.

**DRAINED**

Displayed when JES2 is no longer available and all work has been reset.

**FAILED**

Displays all members that have a status of JES2-FAILED, JESXCF-FAILED or MVS-GONE.

**Note:** This parameter is only a filter. You can specify this status but FAILED will not be displayed in the message.

**INITIALIZING**

Displayed when the member is in the process of initializing.

**INUSE**

Displays only ACTIVE, INITIALIZING, TERMINATING and DORMANT members.

**Note:** This parameter is only a filter. You can specify this status but INUSE will not be displayed in the message.

**JESXCF-FAILED**

Displayed when JES2 abends. Indicates that JESXCF is no longer available.

**JES2-FAILED**

Displayed when JES2 abends. Indicates that the address space is no longer available.

**MVS-GONE**

Displayed when the MVS system that JES2 was running on is no longer available and a \$E MEMBER is required.

### TERMINATED

Displayed after a \$PJES2,TERM is issued. Specifies that JES2 is no longer available and a \$E MEMBER is required.

### TERMINATING

Displayed when JES2 is in the process of terminating.

### UNDEFINED

Displayed when the member has not been defined through a MEMBER(n) initialization statement.

### UNDEFINED-PENDING

Displayed when the member was previously defined through a MEMBER(n) initialization statement, but is in the process of having its definition deleted by another member in initialization.

### WAITING-WARMSTART-CLEANUP

Display members for which warm-start processing has completed with some jobs still pending processing.

### SYSNAME[=*sysname*]

Specifies that the system name of the MVS image of the member is to be displayed. You can also specify wild cards on this parameter. See “Using wildcards” on page 108 for additional information.

The system name will not be displayed if it is equal to the member name (NAME=) or if the member is inactive.

### SMFID[=*smfid*]

Specifies that the SMF ID of the MVS image of the member is to be displayed. You can also specify wild cards on this parameter. See “Using wildcards” on page 108 for additional information.

The SMF ID will not be displayed if it is equal to the member name (NAME=) or if the member is inactive.

### TIME

Displays the last time (in GMT time) the member accessed the checkpoint. This is not displayed if the member is inactive or undefined.

### VERSION[=*version*]

Indicates the version of the JES2 release that is running on this member.

## Authority Required

This command requires **display** authority. The description of the \$T RDRnn command explains how to ensure that the authority of the appropriate MVS system command group is assigned.

This command requires **read** security access authority. For a description of assigning command input authority, see *z/OS JES2 Initialization and Tuning Guide*.

## Scope

**MAS-wide.** The response to this command will be a display of information about the requested member(s) only.

## Messages

The \$HASP673 message is issued in response to this command.



## Examples

### 1 \$D MEMBER(2)

```
$HASP673 MEMBER(2)  NAME=IBM2,STATUS=ACTIVE,IND=NO,
$HASP673              LASTART=(ALL-MEMBER-WARM,(1997.134,
$HASP673              12:54:30)),SYSNAME=SY1,
$HASP673              TIME=(1997.136,19:08:00.77),
$HASP673              VERSION=OS 2.4.0,SLEVEL=0,SSNAME=JES2,
$HASP673              BOSS=YES
```

This command displays information about MAS member 2.

### 2 \$D MEMBER(\*), ind=no

```
$HASP673          MEMBER(1)  NAME=PSU2,STATUS=DRAINED,IND=NO
$HASP673 MEMBER(2)  NAME=IBM2,STATUS=ACTIVE,IND=NO,
$HASP673          LASTART=(ALL-MEMBER-WARM,(1994.235,
$HASP673          20:31:38)),SYSNAME=SY1,
$HASP673          TIME=(1994.235,20:32:02.41),
$HASP673          VERSION=SP 5.2.0
$HASP673 MEMBER(3)  NAME=NIH2,STATUS=DRAINED,IND=NO
$HASP673 MEMBER(4)  NAME=BCG2,STATUS=DRAINED,IND=NO
$HASP673 MEMBER(5)  NAME=WFB2,STATUS=DRAINED,IND=NO
$HASP673 MEMBER(6)  NAME=SY06,STATUS=DRAINED,IND=NO
$HASP673 MEMBER(7)  NAME=SY07,STATUS=DRAINED,IND=NO
$HASP673 MEMBER(8)  NAME=SY08,STATUS=DRAINED,IND=NO
:
:
```

This command displays information about all members not in independent mode.

---

## \$D MODUle(jxxxxxxx) - Display assembled module information

### Function

To display information about JES2 assembly modules within JES2 load modules, in the JES2 address space or in common storage. These modules can be from IBM or installation-defined.

The information displayed for each module includes the module name and any of the following information:

- The storage address where the module is loaded and the module length.
- The date and time the module was assembled.
- The assembly environment of the module.
- Any exit points defined within the module.
- Whether the module is a base module, a sample exit routine, or not part of the JES2 product.
- The number of the last APAR applied to the module.
- The hexadecimal length of the module.
- The name of the load module that contains the assembly module.
- The value that the module assigned to the SPLEVEL SET= parameter.
- The names of any exit routines that are included in the module.
- The SPLEVEL of the MVS macros used in the assembly of this module.

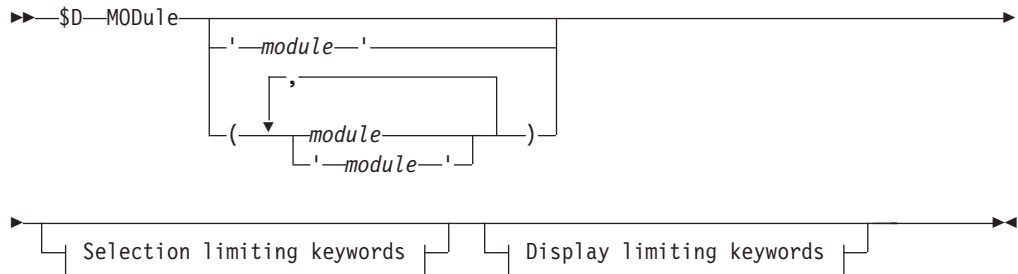
This information would be useful for diagnosing JES2 problems.

## \$D MODUle(jxxxxxxx)

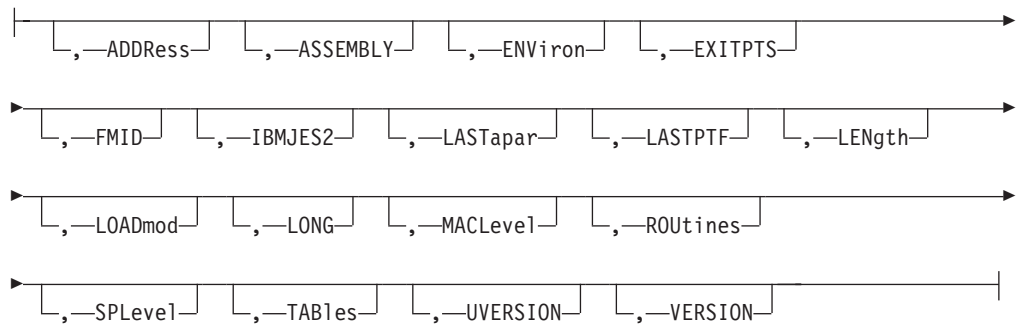
This command has parameters you can use as a filtering technique to limit the type of information to search, or the amount of information to display. See “Using filtering to control and display information” on page 114 for additional information.

One or more parameters on this command accepts wild cards. Parameter descriptions will note that.

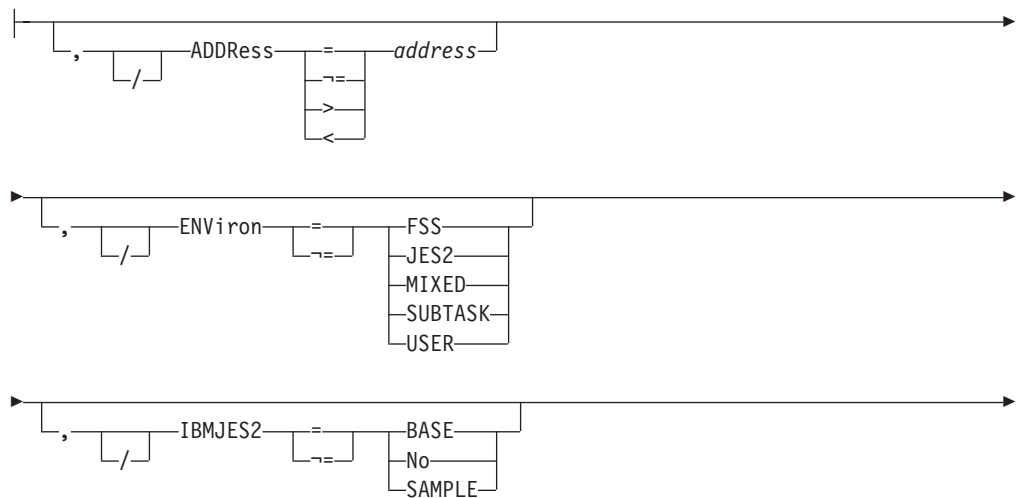
### Syntax

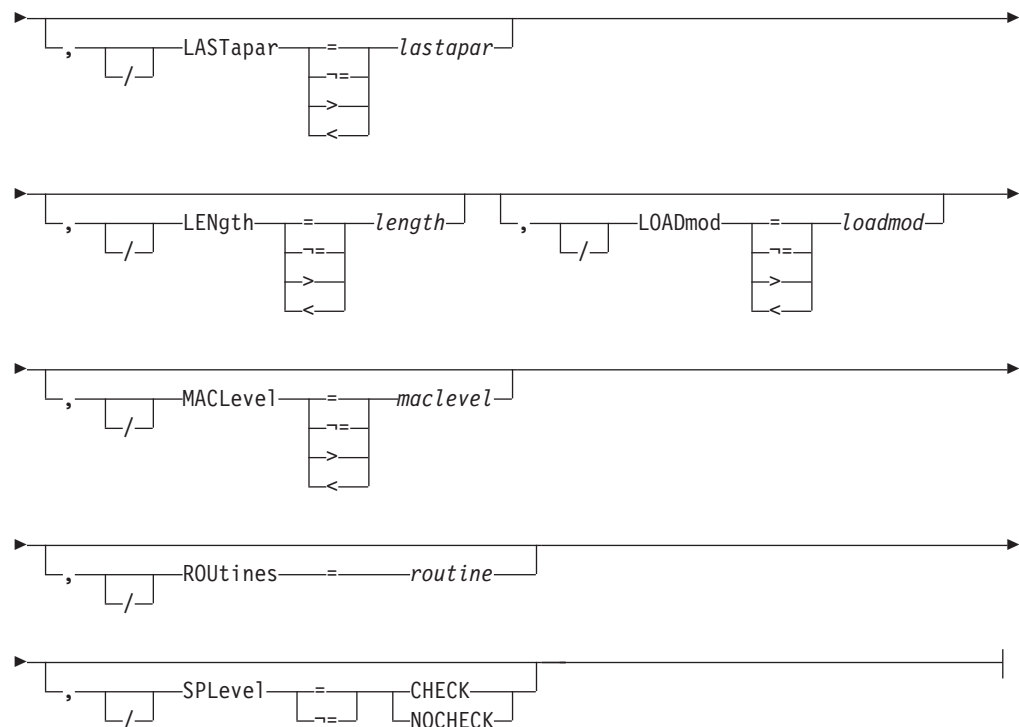


### Display limiting keywords:



### Selection limiting keywords:





## Parameters

### module

Specifies the JES2 module name for which information is to be displayed. Specify the module name (for example, HASPNUC or HASCLINK) to obtain specific module information, or an asterisk ( \* ) to obtain information for **all** modules. You can also specify wild cards on this parameter. See “Using wildcards” on page 108 for additional information.

### ADDRESS=address

The hexadecimal address where the module has been loaded into storage. If a module has not been loaded into storage, an address of 00000000 is displayed.

You can specify wild cards on this parameter. See “Using wildcards” on page 108 for additional information.

### ASSEMBLY

Displays the date and time the module was assembled.

### ENViron[=FSS|JES2|MIXED| SUBTASK|USER]

Displays the value of the ENVIRON= parameter, which was set in the \$MODULE macro, of the module. You can specify the ENVIRON parameter without an environment keyword, or specify an environment if you are requesting information about all modules in that environment only (for example, ENV=USER).

Valid keyword values for the ENV= parameter are:

#### Value Meaning

**FSS** Display only those modules that are assembled for the FSS address space environment.

**JES2** Display only those modules that are assembled for the JES2 address space main task environment.

## **\$D MODule(jxxxxxxx)**

### **MIXED**

Display only those modules that contain routines (\$ENTRY macros) that are not all defined for the same environment. Having a module with routines defined for different environments is rare in IBM modules, and is not recommended in installation-defined modules.

### **SUBTASK**

Display only those modules that are assembled for the JES2 address space subtask environment.

**USER** Display only those modules that are assembled for the multi-address-space user environment.

### **EXITPTS**

Displays the exit points defined in the module. If the module being displayed issued the \$EXIT macro, the display includes the exit points defined by that macro. An exit point is a number from 0 through 255. For example, if the module defined exit point 31, the display shows EXITPTS=(31).

If the module did not issue the \$EXIT macro, the display shows EXITPTS=( ).

### **FMID**

Displays the FMID of the release of JES2.

### **IBMJES2 [=BASE | No | SAMPLE]**

Displays the category of the module. The categories are: a base module in the JES2 product, a JES2-provided sample exit routine, or any other JES2 module that's not provided as part of the JES2 product.

You can specify this parameter without any keywords or you can specify a keyword to display only those modules that fall into one of the three module categories just mentioned.

The keyword values and their meanings are:

#### **Value    Meaning**

**BASE**    Limit the display to only base modules in the JES2 product.

**No**        Limit the display to JES2 modules that are not base modules or JES2-provided sample exit routines.

#### **SAMPLE**

Limit the display to JES2-provided sample exit routines.

### **LASTapar [=lastapar]**

Displays the last service that has been applied to a module. You can specify wild cards on this parameter. See "Using wildcards" on page 108 for additional information.

If no service has been applied to a module, a value of NONE is displayed.

Optionally, you can specify a service number if you are requesting information about all modules last affected by that service. You can specify NONE to display information about all modules that have not been affected by service.

The keyword values and their meanings are:

#### **Value    Meaning**

#### **aannnnn**

Limit the display to only those modules that have APAR *lastapar* applied as their last APAR.

For non-IBM modules that contain a character constant with the label APARNUM, the display includes the value of the character constant. For

non-IBM modules that do not contain this constant, the display includes the value of the &UVERS global variable defined in the \$HASPGBL macro.

**LASTPTF**

Displays the latest PTF maintenance applied to this module.

**LENGth=length**

Displays the module hexadecimal length. The length that is displayed is the module's approximate length and is generally within 8 bytes of the actual module length.

**LOADmod [=loadmod]**

Displays the name of the load module that contains the module. You can specify a load module name if you are requesting information about all modules contained within that specific load module.

You can specify wild cards on this parameter. See "Using wildcards" on page 108 for additional information.

**LONG**

Displays additional information.

**Note:** Because LONG automatically triggers a "long" display, you cannot add additional display-limiting parameters on this command; however, you can add selection-limiting parameters.

**MACLevel [=maclevel]**

Displays the value the module assigned to the SET= parameter on the SPLEVEL macro. You can specify a numeric value to display only those modules that have assigned a specific value to the SPLEVEL SET= parameter.

The numerical values and their meanings are:

**Value Meaning**

- |   |   |
|---|---|
| 1 | Display only those modules that specified 1 on the SET= parameter of the SPLEVEL macro. |
| 2 | Display only those modules that specified 2 on the SET= parameter of the SPLEVEL macro. |
| 3 | Display only those modules that specified 3 on the SET= parameter of the SPLEVEL macro. |
| 4 | Display only those modules that specified 4 on the SET= parameter of the SPLEVEL macro. |
| 5 | Display only those modules that specified 5 on the SET= parameter of the SPLEVEL macro. |
| 6 | Display only those modules that specified 6 on the SET= parameter of the SPLEVEL macro. |

**ROUTines [=routine]**

Displays routines and their addresses within the module. Only routines defined by \$ENTRY are displayed. When used as a filter, only the module containing the routine and the specified routine address (unless LONG is also specified) are displayed.

**SPLevel [=CHECK|NOCHECK]**

Displays the value the module assigned to the SPLEVEL= parameter on the \$MODULE macro. Optionally, you can display only those modules that have assigned a specific value to the \$MODULE SPLEVEL= parameter by coding one of the following keywords:

## \$D MODule(jxxxxxxx)

### Value Meaning

#### CHECK

Display only those modules that specified CHECK on the \$MODULE SPLEVEL= parameter.

#### NOCHECK

Display only those modules that specified NOCHECK on the \$MODULE SPLEVEL= parameter.

#### TABLES

Displays any DYNAMIC tables which are defined in this module along with the type of table.

#### UVERSION

Displays the user version of JES2 (LONG only).

#### VERSION

Displays the version of JES2 (LONG only).

## Authority Required

This command requires **display** authority. The description of the \$T RDRnn command explains how to ensure that the authority of the appropriate MVS system command group is assigned.

This command requires **read** security access authority. For a description of assigning command input authority, see *z/OS JES2 Initialization and Tuning Guide*.

## Scope

**Single member.** The response to this command will be a display of information about this member only. You might want to use this command to get information about all members in the MAS. To do so, you can use the MVS ROUTE \*ALL command to issue this command to all active members (if the JES2 command character is the same on all members). See *z/OS MVS System Commands* for more information on using the ROUTE \*ALL command.

## Messages

The \$HASP468 message displays the current address and assembly information for the desired modules, and if applicable, the latest service.

## Examples

### 1

```
$dmodule(haspnuc)
```

```
$HASP468 MODULE(HASPNUC)
```

```
$HASP468 MODULE(HASPNUC) ADDRESS=00006000,ASSEMBLY=(11/17/99,
```

```
$HASP468 18.07),ENVIRON=MIXED,EXITPTS=(7,21),
```

```
$HASP468 FMID=HJE6607,IBMJES2=BASE,
```

```
$HASP468 LASTAPAR=0W40627, LASTPTF=UW63110,
```

```
$HASP468 LENGTH=00A530,LOADMOD=HASJES20,
```

```
$HASP468 MACLEVEL=6,SPLEVEL=CHECK
```

JES2 displays the characteristics of HASPNUC in load module HASJES20.

**2**  
\$d module(haspira)

\$HASP468 MODULE(HASPIRA) ADDR=00000000

JES2 displays the characteristics of HASPIRA in load module HASPINIT. However, if load module HASPINIT was not linked with load module HASJES20, the load module is no longer present. Therefore, the \$HASP468 message cannot provide an address.

**3**  
\$dmodule,routines=\$post

```
$HASP468 MODULE(HASPNUC)
$HASP468 MODULE(HASPNUC) ADDRESS=00006000,ASSEMBLY=(11/17/99,
$HASP468 18.07),ENVIRON=MIXED,EXITPTS=(7,21),
$HASP468 FMID=HJE6607,IBMJES2=BASE,
$HASP468 LASTAPAR=0W40627, LASTPTF=UW63110,
$HASP468 LENGTH=00A530,LOADMOD=HASJES20,
$HASP468 MACLEVEL=6,ROUTINES=($POST=00007EA8),
$HASP468 SPLEVEL=CHECK
```

JES2 displays the module containing the routine \$POST and includes the address of the \$POST routine itself.

**4**  
\$dmodule(\*),lastapar=none

```
$HASP468 MODULE(HASCDAU) ADDRESS=03004BB8,ASSEMBLY=(08/19/92,
$HASP468 15.55),ENVIRON=USER,EXITPTS=(),
$HASP468 IBMJES2=BASE, LASTAPAR=NONE,
$HASP468 LENGTH=0002C0,LOADMOD=HASCDAU,
$HASP468 MACLEVEL=4,SPLEVEL=CHECK

$HASP468 MODULE(HASCDSAL) ADDRESS=02FF2478,ASSEMBLY=(08/19/92,
$HASP468 15.56),ENVIRON=USER,
$HASP468 EXITPTS=(31,34,48),IBMJES2=BASE,
$HASP468 LASTAPAR=NONE,LENGTH=004B80,
$HASP468 LOADMOD=HASCDSAL,MACLEVEL=4,
$HASP468 SPLEVEL=CHECK
```

JES2 displays information about the modules that have not been affected by service.

\$dmodule,(hascsisc),long

```
$HASP468 MODULE(HASCSISC)
$HASP468 MODULE(HASCSISC) ADDRESS=05DAC000,ASSEMBLY=(11/17/99,
$HASP468 16.04),ENVIRON=USER,EXITPTS=(),
$HASP468 FMID=HJE6607,IBMJES2=BASE,
$HASP468 LASTAPAR=0W35104, LASTPTF=UW63920,
$HASP468 LENGTH=004130,LOADMOD=HASCSISC,
$HASP468 MACLEVEL=6,
$HASP468 ROUTINES=(SSICSCAN=05DAC050,
$HASP468 SSICSTAT=05DAC2E0,SSISTAT=05DAC760,
$HASP468 CNVDEVID=05DAF1C8,PRJBCLD=05DAF4C8),
$HASP468 SPLEVEL=CHECK, TABLES=(),
$HASP468 VERSION=OS 2.7.0,UVERSION=
```

JES2 displays characteristics of module HASCSISC, including extended attributes such as the list of routine names.

## \$D MODule(jxxxxxxx)

5

```
$dmodule(haspnuc),addr,assembly,env,exitpts
```

```
$HASP468 MODULE(HASPNUC) ADDRESS=00006000,ASSEMBLY=(08/19/92,  
$HASP468 16.37),ENVIRON=JES2,EXITPTS=(7,14,21)
```

JES2 displays the address, assembly date, environment, and exit points for module HASPNUC.

6

```
$dmod(haspnuc),load,mac1,sp1
```

```
$HASP468 MODULE(HASPNUC) LOADMOD=HASJES20,MACLEVEL=4,  
$HASP468 SPLEVEL=CHECK
```

This command displays the name of the load module in which this module is linked, the value assigned to the SET= parameter on the SPLEVEL macro, and the SPLEVEL= assigned.

---

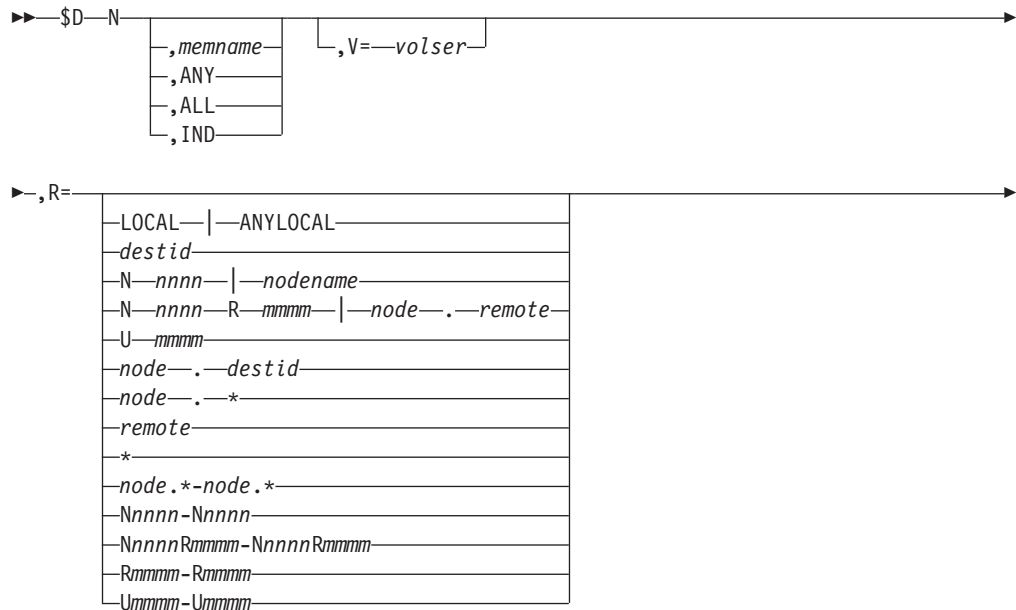
## \$D N - Display job queue information

### Function

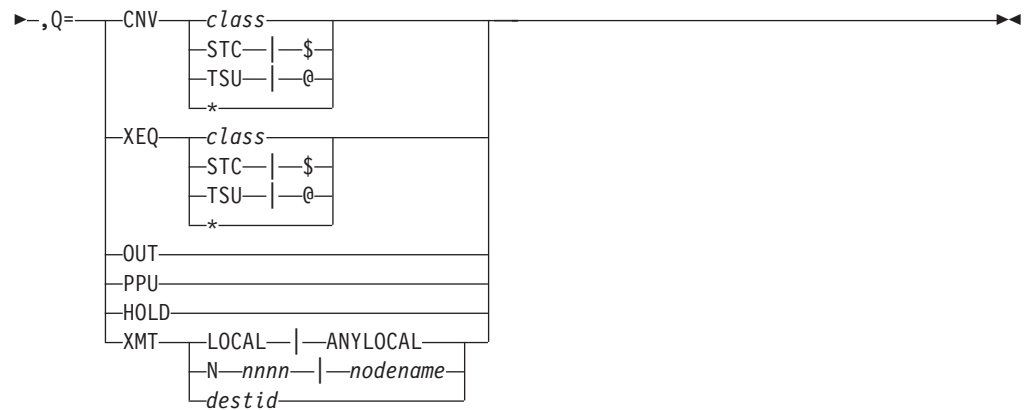
To display the following information for the specified jobs:

- Job number
- Job name
- Job status
- Job class
- Job priority
- Job's affinities for MAS member(s)
- Percentage of spool disk utilization

### Syntax







### Parameters

**N** JES2 displays job information for the specified jobs.

**Note:** You must specify at least one operand, unless you are issuing this command from an RJE terminal. If you do not specify any operands, JES2 issues the \$HASP606 message indicating that you supplied an insufficient number of operands.

**memname**

JES2 displays information for all jobs whose affinities for member(s) of the MAS include the member identified by the 1 to 4 character member name.

**ANY**

JES2 displays information for all jobs with affinities of ANY.

**ALL**

JES2 displays information for all jobs in the multi-access spool configuration, regardless of affinity. If a job has affinity with more than one member, it is displayed only once.

**IND**

JES2 displays information for all jobs whose affinity is for members operating in independent mode. When you specify IND with memname, JES2 displays only those jobs with IND affinity and member name affinity. When you specify IND with ANY, JES2 displays all jobs with the affinity of ANY and IND. When you specify IND with ALL or when it is specified alone, JES2 displays all jobs with the IND affinity.

**Note:**

1. The first two operands of the \$D N command (those operands concerning affinity) are positional in nature; if entered, they must be in the order shown.
2. The ANY and IND parameters refer only to jobs awaiting execution/conversion. Affinity is ignored for jobs awaiting print/punch processing; in this case, specifying ANY or IND results in a list of *all* waiting jobs.

**V=volser**

JES2 displays information for all jobs that have data on the spool volume specified by volser.

**R=** The output group destination or range of destinations (low to high) for which JES2 displays job information. If you omit this operand or specify this operand

without a node id when entering the command from a remote workstation or another node (through a node send command, \$Nn), JES2 displays only those jobs with a default print/punch routing to that particular remote or node. Therefore, if you want to display jobs with print/punch routing of the target node, this operand must be specified with a node id of the target node (for example, R=N2.U25 or R=NEWYORK.R41.) For further information, refer to the section on SEND commands through the network. The value for all routing numbers can range from 1 to 32767. See "Route codes" on page 107 for a description of how to specify route codes.

**Note:** NODENAME=REQUIRED on the DESTDEF initialization statement will cause JES2 to require that a userid be prefixed with a node name.

The valid specifications are:

**LOCAL|ANYLOCAL**

Indicates that job queue information is displayed at the local node.

**destid** Indicates that job queue information is displayed at the specified node(s) through an alias for the name of the node. If destid is specified alone, it refers to both the node and the remote.

**Nnnnn|nodename**

Indicates that job queue information is displayed at the specified node(s) through the decimal node identifier or an EBCDIC nodename.

**NnnnnRmmmm|node.remote**

Indicates that job queue information is sent to the remote Rmmmm at the node Nnnnn. Rmmmm can also be specified as RMmmmm or RMTmmmm.

**Ummmm**

Indicates a special local routing for job queue information. Wild cards are not supported.

**node.destid**

Indicates that job queue information is displayed at the specified node. The destid refers to both the node and the remote.

**node.\*** Displays output for all userids at the local node.

**remote**

Indicates that job queue information is displayed at a remote. Remote can be specified in any of the following ways:

**LOCAL|ANYLOCAL**

Indicates that job queue information is displayed at the local node.

**Rmmmm**

Indicates that job queue information is displayed at the specified remote. Rmmmm can also be specified as RMmmmm or RMTmmmm.

**destid** Indicates that job queue information is displayed at a destid referring to a remote.

**\*** Displays all output for the local node, including special local, userid, and a remote workstation on the local node.

**node.\*-node.\***

Displays all output for each node in the range. The range may include the local node.

**Nnnnn-Nnnnn**

Displays all output for each node in the range. The range may include the local node.

**NnnnnRmmmm-NnnnnRmmmm**

Displays a range of remotes at a node. Both node identifiers must be the same.

**Rmmmm-Rmmmm**

Displays all output for each remote in the range.

**Ummmm-Ummmm**

Displays all output for each special local node in the range. Wild cards are not supported.

**Q=CNV**

Jobs waiting for conversion are displayed. You can specify one of the following values for *cnv*:

- \* Jobs waiting for conversion in all classes are displayed. Specifying CNV\* is equivalent to specifying CNV. Must be used as Q=CNV\*

Cannot be used by itself.

**class** The execution class of jobs waiting for conversion are displayed.

**STC|**\$

Started tasks waiting for conversion are displayed. This operand can be abbreviated \$.

**TSU|**@

Time-sharing users waiting for conversion are displayed. This operand can be abbreviated @.

**Q=XEQ**

Jobs waiting for execution are displayed. You can specify one of the following values for *xeg*:

- \* Jobs waiting for execution in all classes are displayed. Specifying XEQ\* is equivalent to specifying XEQ. Must be used as Q=XEQ\*

. Cannot be used by itself.

**class** The execution class of jobs waiting for execution are displayed.

**STC|**\$

Started tasks waiting for execution are displayed. This operand can be abbreviated \$.

**TSU|**@

Time-sharing users waiting for execution are displayed. This operand can be abbreviated @.

**Q=OUT**

Jobs waiting for output processing are displayed.

**Q=PPU**

Jobs queued for print/punch processing are displayed. When JES2 displays the status of a job awaiting print/punch processing, only the default print and punch routings are listed. This does not necessarily mean the job has any output data sets awaiting print/punch processing for the default destination;

there might be one or more specially routed data sets awaiting output. The \$D N display does not provide this type of job output information.

**Q=HOLD**

Jobs waiting for any activity and in hold status are displayed.

**Q=XMT**

Jobs queued for network transmission are displayed. See “Route codes” on page 107. for a description of how to specify route codes. The destination that is converted to the lower (or only) route code should be specified first, followed by the destination with the higher route code. If, for example, NEWYORK is the node name equivalent to N1 and DENVER is the node name equivalent to N10, then Q=XMT NEWYORK-DENVER is the order required to display jobs on the transmit queue for nodes N1,N2,...N10.

If this command originates from another node in the network and the Q= operand does not specify a node (first-level destination), the receiving node defaults the first-level destination to the node where the command originated.

If this command is sent to another node in the network using the \$N command, be aware that the receiving node will default the node (first-level destination) of the Q= operand to the sending node. If another node is desired, specify a destination on the Q= operand that will resolve to the desired node (first level destination) at the receiving node.

The valid specifications are:

**LOCAL|ANYLOCAL**

Indicates that the number of jobs queued is displayed at the local node.

**Nnnnn|nodename**

Indicates that the number of jobs queued is displayed at the specified node through the decimal node identifier or an EBCDIC nodename. You can also specify a range (low to high).

**destid** Indicates that the number of jobs queued is displayed at the specified node(s) through an alias for the name of the node.

**Note:**

1. Since the system only transmits jobs to NJE nodes, destinations that refer to a remote work station are converted to the node to which that remote workstation is attached.
2. NODENAME=REQUIRED on the DESTDEF initialization statement will cause JES2 to require that a userid be prefixed with a node name.

**Authority Required**

This command requires **display** authority. The description of the \$T RDRnn command explains how to ensure that the authority of the appropriate MVS system command group is assigned.

This command requires **read** security access authority. For a description of assigning command input authority, see *z/OS JES2 Initialization and Tuning Guide*.

## Processing Considerations

- If you specify only the Q= operand and omit all other operands (with the exception of the L= operand), JES2 displays information for jobs that have execution affinity for the member to which the console entering the command is attached.
- If you omit the Q= operand, JES2 displays information for jobs in the following categories:
  - All jobs queued for conversion
  - All jobs queued for execution
  - All jobs queued for network transmission
  - All jobs queued for the output processor
  - All jobs queued for print/punch
 Information for jobs in hold status is not displayed.

## Scope

**MAS-wide.** This command can display information about jobs on any or all members of the MAS, depending on the parameters you provide.

## Messages

The \$HASP890 message displays job number, job name, job status, job class, job priority, and job member affinities. The \$HASP646 message displays the percentage of spool utilization.

## Examples

**1** \$D N

```
$dn,a11,r=local,q=xeq
JOB00017 $HASP890 JOB(MYJOB)
$HASP890 JOB(MYJOB) STATUS=(AWAITING EXECUTION),CLASS=H,
$HASP890 PRIORITY=9,SYSAFF=(ANY),HOLD=(JOB)
$HASP646 9.1346 PERCENT SPOOL UTILIZATION
```

JES2 displays information for all jobs in the MAS configuration that are waiting for conversion and/or execution whose output routings are local.

**2**  
\$dn,q=xeqc

```
JOB00011 $HASP890 JOB(JLNK1007)
$HASP890 JOB(JLNK1007) STATUS=(AWAITING EXECUTION),CLASS=C,
$HASP890 PRIORITY=9,SYSAFF=(ANY),HOLD=(NONE)
```

---

## \$D NETACCT - Display networking account numbers

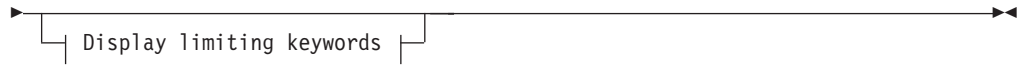
### Function

To display the JES2 networking account numbers.

### Syntax

```
➔—$D—NETACCT—➔
                  |_____|
                  Selection limiting keywords
```

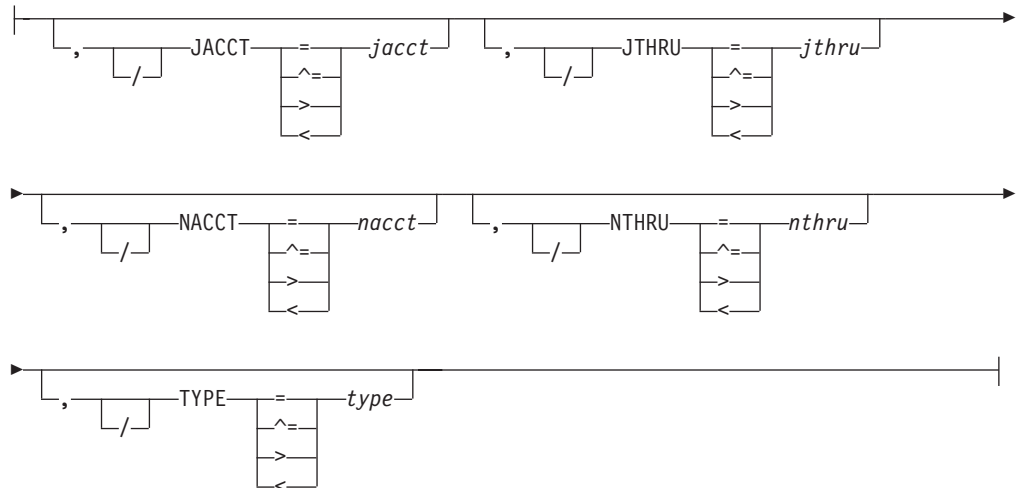
## \$D NETACCT



### Display limiting keywords:



### Selection limiting keywords:



## Parameters

### NETACCT

Displays JES2 networking account numbers.

### JACCT=jacct

Specifies the 1 to 4 character name that defines a job account number.

### JTHRU=jthru

Specifies the 1 to 4 character upper limit of the range of job account numbers.

### NACCT=nacct

Specifies the 1 to 8 character name that defines a network account number.

### NTHRU=nthru

Specifies the 1 to 8 character upper limit of the range of network account numbers.

### TYPE=type

Specifies the type of account number defined by this statement.

## Authority Required

This command requires **display** authority. The description of the \$T RDRnn command explains how to ensure that the authority of the appropriate MVS system command group is assigned.

This command requires **read** security access authority. For a description of assigning command input authority, see *z/OS JES2 Initialization and Tuning Guide*.

## Scope

**Single member.** The response to this command will be a display of information about this member only.

## Messages

The individual parameter descriptions list the resulting messages.

## Example

**1** \$D NETACCT

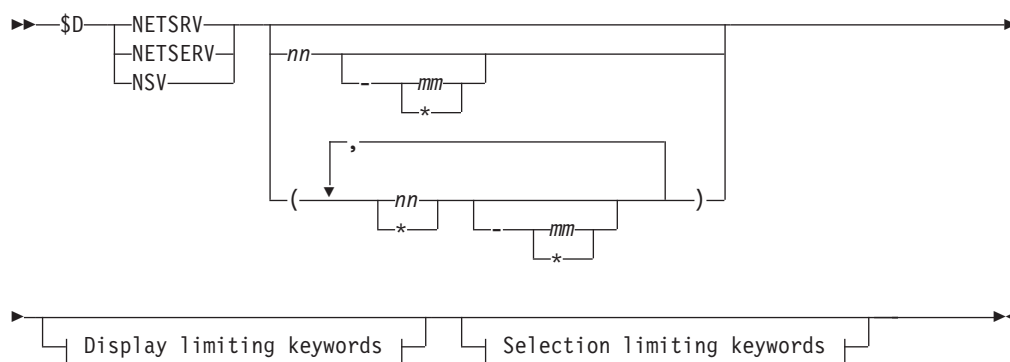
```
$d netacct
$HASP468 NETACCT
$HASP468 NETACCT JACCT=1234,JTHRU=1234,NACCT=NET001A,
$HASP468 NTHRU=NET001A,TYPE=BOTH
```

## \$D NETSRV(nnnnn) - Display a network server

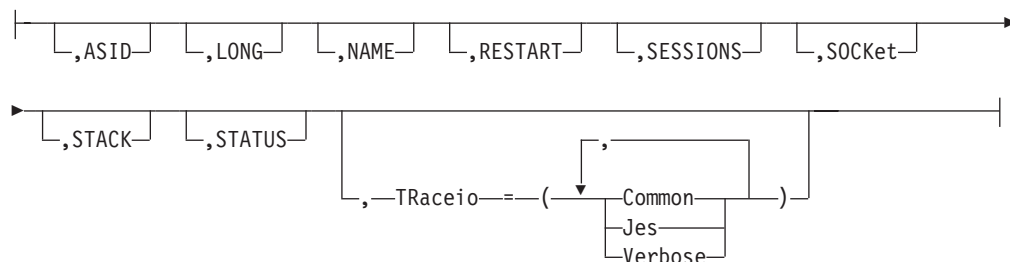
### Function

To display the characteristics of a network server.

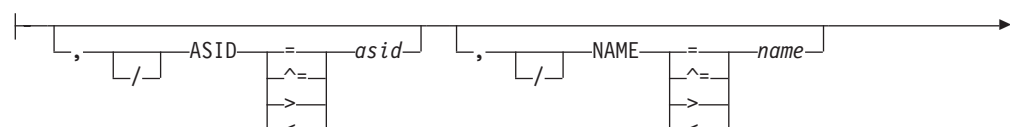
### Syntax



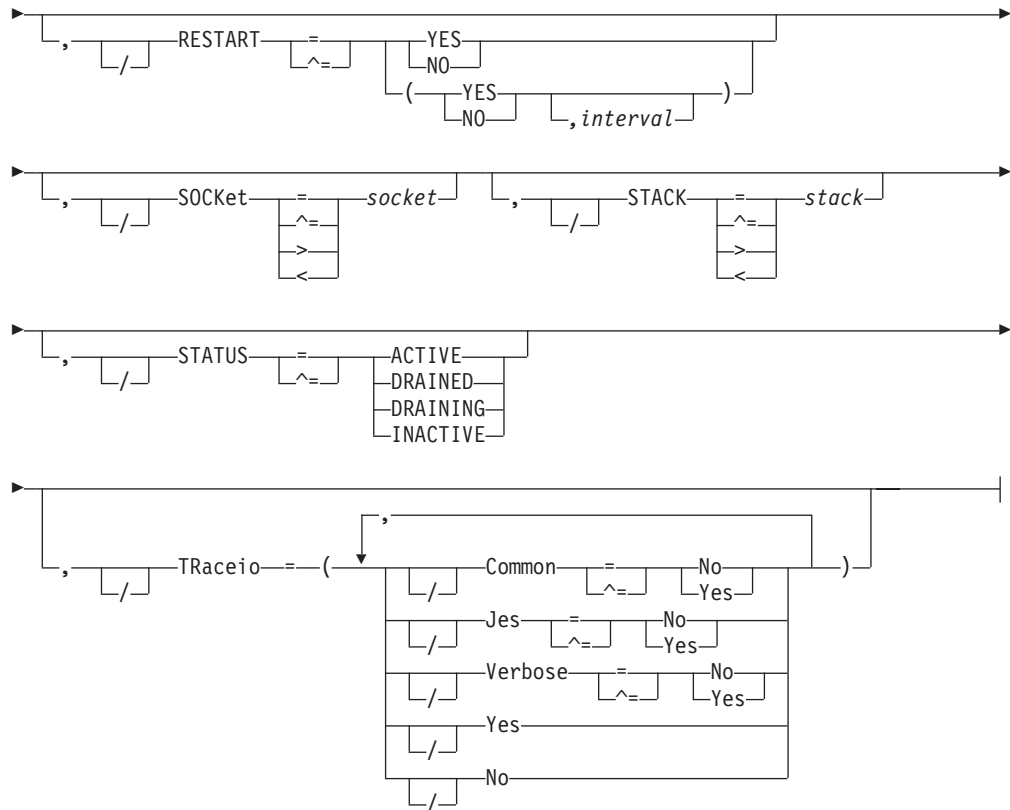
### Display limiting keywords:



### Selection limiting keywords:



## \$D NETSRV(nnnnn)



### Parameters

#### RESTART=(Yes|No, interval)

Displays whether this NETSRV will be restarted if it is drained. The *interval* is the time (in minutes) between attempted restarts. The valid range for *interval* is 0 to 1440. An *interval* value of 0 indicates that the default interval (from NJEDEF CONNECT=) is used.

#### SOCKET=

Specifies the name of a local socket which the NETSRV should listen upon.

#### TRaceio=(YES|NO|JES=YES|NO|COMMON=YES|NO|VERBOSE=YES|NO)

Displays or filters based on the trace settings of the server.

#### YES

Indicates all types of tracing are to be done (JES, COMMON, VERBOSE).

**NO** Indicates no tracing is to be done.

#### JES=YES|NO

Indicates whether data and control records passed between JES and TCP/IP are to be traced for this server.

#### COMMON=YES|NO

Indicates whether TCP/IP and other services called by IAZNJTCP are to be traced.

#### VERBOSE=YES|NO

Indicates whether diagnostic messages are to be issued to the master console and SYSLOG.



**STACK=**

Displays or filters based on the name of the TCP/IP stack to be used by this server.

**ASID=**

Specifies the hexadecimal address space id associated with the active NETSRV.

**NAME=**

Specifies the address space name associated with the active NETSRV. The address space name is the subsystem name followed by the character 'S' followed by the 3–digit device number, for example, JES2S001.

**SESSIONS=**

Displays a list of all the active connections associated with this server (line number/socket name).

**STATUS=**

Displays the status of the server.

**LONG=**

Displays extended parameters associated with the server (including SESSIONS)

**Authority Required**

This command requires **display** authority. The description of the \$T RDRnn command explains how to ensure that the authority of the appropriate MVS system command group is assigned.

This command requires **read** security access authority. For a description of assigning command input authority, see *z/OS JES2 Initialization and Tuning Guide*.

**Scope**

**Single system.** The values supplied for this command will be in effect for this member only.

**Messages**

\$HASP898

**Examples****1** \$dnetsrv2

```
$HASP898 NETSRV2
$HASP898 NETSRV2 STATUS=ACTIVE,ASID=0027,NAME=JES2S002
$HASP898          SOCKET=S2,STACK=,TRACEIO=(JES=NO,COMMON=NO,
$HASP898          VERBOSE=NO)
```

**2** \$dnetsrv1

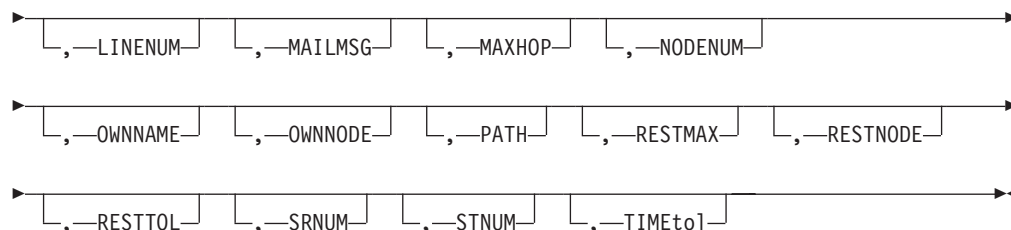
```
$HASP898 NETSRV1 STATUS=DRAINED,RESTART=(YES,2),SOCKET=LOCAL,
$HASP898          STACK=,TRACEIO=(JES=NO,COMMON=NO,VERBOSE=NO)
```

---

**\$D NETWORK - Display network activity****Function**

To display network activity.





## Parameters

### CONNECT

Specifies that NJE connections for APPLs, LINEs, or SOCKETs that specify or defer to CONNECT=YES will automatically be initiated or restarted. The *interval* displayed is the time (in minutes) between attempted connections.

### DELAY

Displays the maximum length of time, in seconds (10-999), that a message or command is delayed in any stage of transmission between nodes before the system assumes that possible lockout situations have occurred.

### HDRBUF=[FREE|LIMIT|WARN]

Allows installations to display the amount of storage used by NJE headers and trailers.

#### FREE

Displays the number of header/trailer cells at an installation.

#### LIMIT

Displays the maximum number (10-9999) of NJE header and trailer cells allocated at this installation for jobs and SYSOUT data received from the network.

#### WARN

Displays the percentage (0-100) of NJE header and trailer cells in use at an installation.

### JRNUM

Displays the number (0-7) of network job receivers associated with each line.

### JTNUM

Displays the number (0-7) of network job transmitters associated with each line.

### LINENUM

Displays the number of lines (0-65535), including CTC (channel to channel) adapters, to be used by this JES2 member for NJE communications.

### MAILMSG

Displays whether (YES) or not (NO) JES2 issues the \$HASP549 mail notification message automatically to notify a userid that a transmitted file has arrived from another node or a spool reload procedure.

### MAXHOP

Displays the maximum number of nodes (0-32k) a job or output can cross to reach a destination.

### NODENUM

Displays the maximum number (1-32767) of nodes in the NJE network to which this system belongs, or a value greater than or equal to the highest numbered node in your system.

## \$D NJEDEF

### OWNNAME

Displays the name of this node.

### OWNNODE

Displays the number (1-32767) of this node.

### PATH

Displays the maximum number (1-8) of paths from the local member to a given non-adjacent node that must be maintained simultaneously.

### RESTMAX

Displays the maximum tolerable resistance (0 to 79992000) of a network connection for both adjacent and non-adjacent nodes.

### RESTNODE

Displays the resistance (1-2000) of this node to the flow of jobs through the network.

### RETTOL

Displays the maximum difference in resistance (0-8000) allowed between the best possible path and an acceptable alternate path.

### SRNUM

Displays the number (0-7) of NJE SYSOUT receivers associated with each NJE line. This value should match the STNUM specification at other subsystems with which this member communicates directly.

### STNUM

Displays the number (0-7) of NJE SYSOUT transmitters associated with each NJE line.

### TIMEtol

Displays the time variation in minutes (0-1500) that occurs between the time-of-day (TOD) clocks of this node and any adjacent node at signon.

## Authority Required

This command requires **display** authority. The description of the \$T RDRnn command explains how to ensure that the authority of the appropriate MVS system command group is assigned. The \$T NODE(nnnn) command sets the command authority for a node.

This command requires **control** security access authority. For a description of assigning command input authority, see *z/OS JES2 Initialization and Tuning Guide*.

## Scope

**Single Member.** The response to this command will be a display of information about this member only.

## Messages

The \$HASP831 message displays the current values of all the parameters on the NJEDEF initialization statement.

## Examples

**1** \$D njedef

```
$HASP831 NJEDEF  OWNNAME=POK,OWNNODE=1,DELAY=120,  
$HASP831          HDRBUF=(LIMIT=10,WARN=80,FREE=10),JRNUM=1,
```

```

$HASP831          JTNUM=3,SRNUM=4,STNUM=3,LINENUM=3,MAILMSG=NO,
$HASP831          MAXHOP=0,NODENUM=5,PATH=1,RESTMAX=79992000,
$HASP831          RESTNODE=100,RESTTOL=0,TIMETOL=1440
    
```

The \$HASP831 message displays the current status of global network definitions in the installation.

**2** \$dnjedef

```

$HASP831 NJEDEF  $HASP831 NJEDEF
$HASP831          OWNNAME=WSC,OWNNODE=2,CONNECT=(YES,2),
$HASP831          DELAY=120,HDRBUF=(LIMIT=23,WARN=80,FREE=23),
$HASP831          JRNUM=1,JTNUM=3,SRNUM=4,STNUM=3,LINENUM=10,
$HASP831          MAILMSG=NO,MAXHOP=0,NODENUM=5,PATH=1,
$HASP831          RESTMAX=262136000,RESTNODE=100,RESTTOL=0,
$HASP831          TIMETOL=1440
    
```

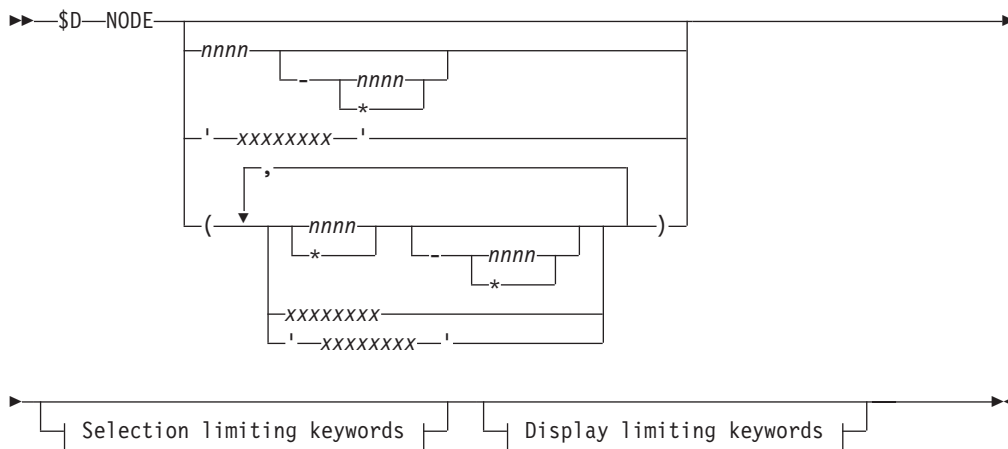
## \$D NODE(jnnnnnnn) - Display the characteristics of a node

### Function

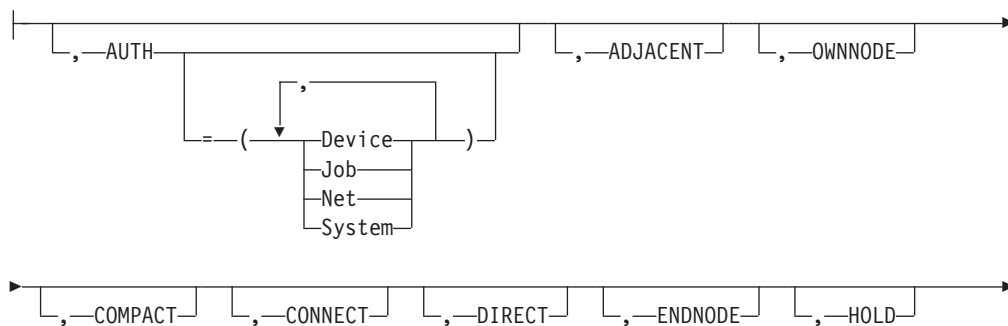
To display the characteristics of the specified nodes.

One or more parameters on this command accepts wild cards. Parameter descriptions will note that.

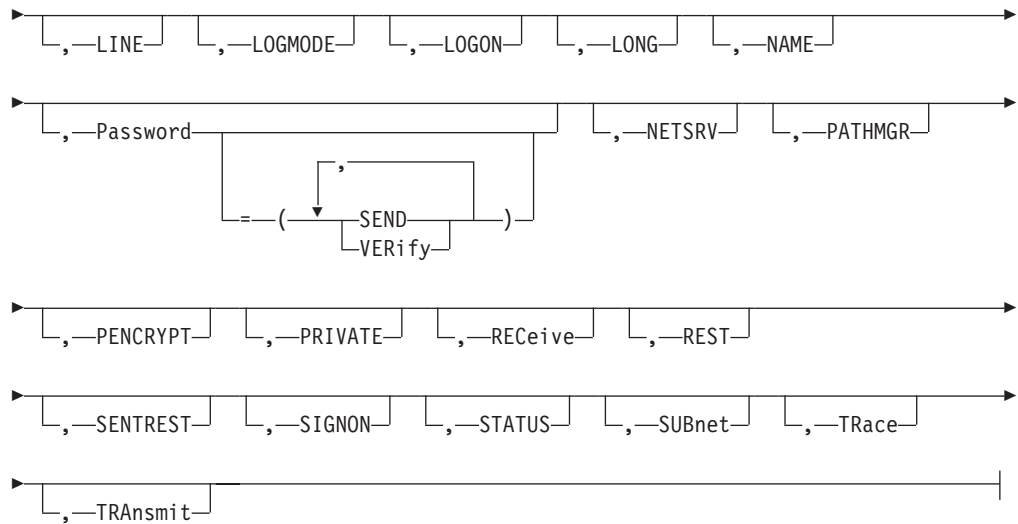
### Syntax



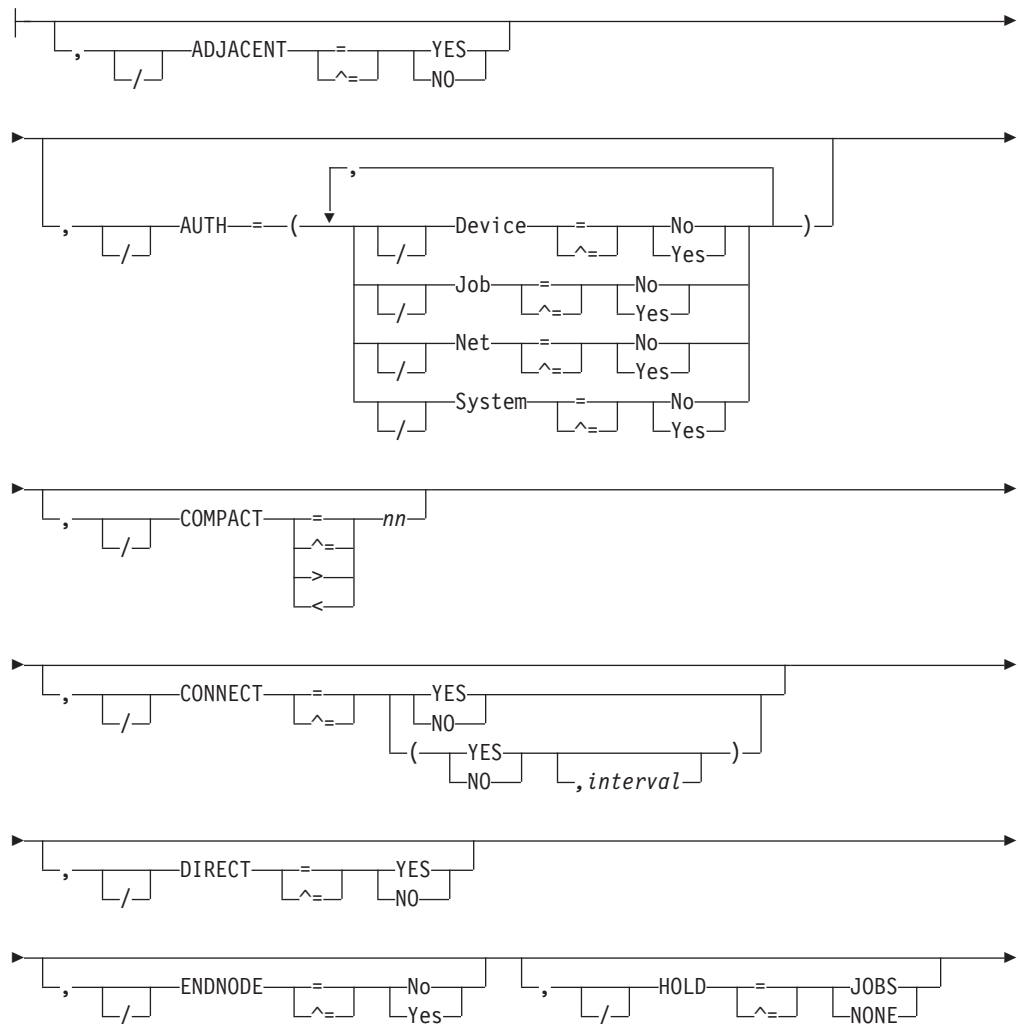
### Display limiting keywords:

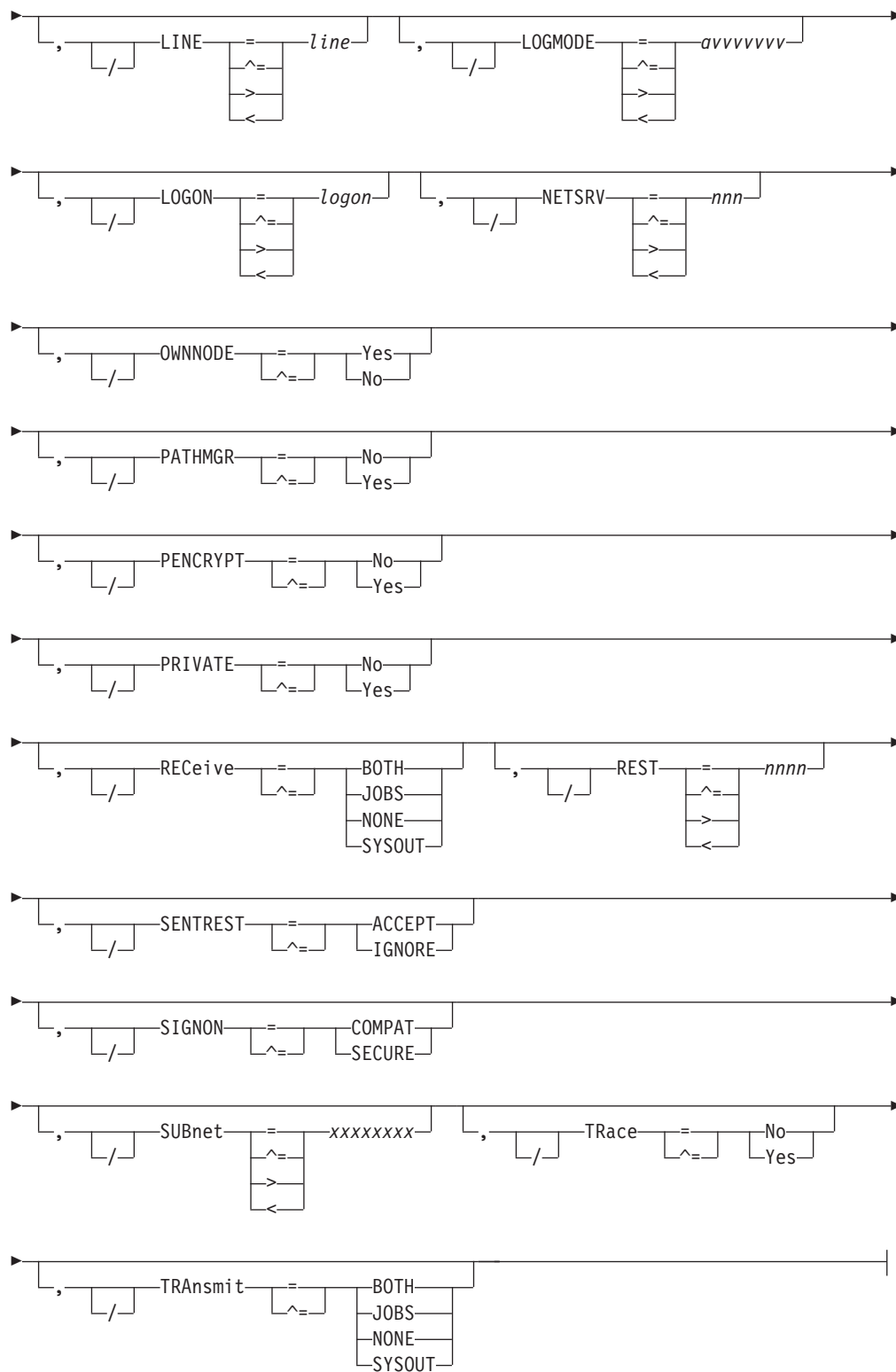


## \$D NODE(jnnnnnnn)



### Selection limiting keywords:





**Parameters**

`nnnn|xxxxxxx|*`

The subscript of the node(s).

The subscript can specify:

## \$D NODE(jnnnnnnn)

- A numeric value, 1-32767, as specified by the NODENUM parameter on the NJEDEF initialization statement, for example NODE(105).
- The 1 to 8 alphanumeric or special (\$, #, or @) character name of a node (jxxxxxxx) as specified by the NAME parameter on the NODE(nnnn) initialization statement. For example, NODE(POKBLDG1).
- Wild cards to specify a generic symbolic range. For example, POK\* implies all defined nodes whose names begin with POK. Wild cards to specify a generic value (\* implies node 1 to the highest numbered node as specified by the NODENUM parameter on the NJEDEF initialization statement. See "Using wildcards" on page 108 for additional information.

### ADJACENT=YES|NO

Specifies whether the node is currently directly attached.

### AUTH=[(Device[=Yes|No], Job[=Y|N], Net[=Y|N], System[=Y|N])]

Displays the type of command authority assigned to the indicated node.

#### Device[={Y|N}]

Refers to the device authority of a node.

#### Job[=Y|N]

Refers to the job authority of a node.

#### Net[=Y|N]

Refers to the net authority of a node.

#### System[=Y|N]

Refers to the system authority of a node.

### COMPACT[=nn]

Displays the compaction table number (0-99) used for outbound compaction in communicating with the specified node. Zero denotes no compaction.

### CONNECT=(Yes|No, interval)

Displays whether NJE connections that specify CONNECT=DEFAULT on the APPL, LINE, or SOCKET statements that are associated with this node are automatically attempted. The *interval* is the time (in minutes) between attempted connections. The valid range for *interval* is 0 to 1440. A value of 0 indicates that the default interval (from NJEDEF CONNECT=) is used.

### DIRECT=YES|NO

Specifies whether the node must be directly attached:

#### YES

Indicates that only direct connections to this node will be considered when computing path information.

NO Indicates that the node may be reached either through direct or indirect (for example, store-and-forward) paths.

### ENDNODE[=Yes|No]

Displays whether the node is to be considered eligible for use in store-and-forward operations.

### HOLD[=JOBS|NONE]

Displays whether the local node holds jobs (HOLD=JOBS) or does not hold jobs (HOLD=NONE) received from the specified node.

### LINE[=line]

Displays a line that is dedicated to the NJE session associated with this node. The subscript is specified as a numeric value (1-65535).



**LOGMODE[=avvvvvvv]**

Displays the logon mode table entry name for this application.

**LOGON=logon**

Specifies the number (1-999) of the local LOGON DCT which should be used when specifying connections to the application.

**LONG**

Specifies whether an abbreviated list of characteristics is provided. An abbreviated display of characteristics is provided unless LONG is requested. LONG also displays all multi-trunk connections. The abbreviated list includes the following characteristics:

- NAME
- STATUS
- TRANSMIT
- RECEIVE
- HOLD

**NAME**

The 1 to 8 alphanumeric or special (\$, #, or @) character name that symbolically defines the node.

**NETSRV[=nnn]**

Specifies the device number of the NETSRV of the local network server (0-999) that is to be used to establish a TCP/IP NJE connection to this node. 0 is the default value which indicates no NETSRV is to be dedicated.

**OWNNODE=YES|NO**

Specifies whether the node is the local node.

**Password[=(SEND[,VERi fy])]**

Displays password information associated with the node.

**SEND**

Displays whether the 1 to 8 character password sent to a node by an NJE connection has been set.

**VERi fy**

Displays whether the 1 to 8 character password received from a node by an NJE connection has been set.

**PATHMGR[=No|Yes]**

Displays whether NCC records relevant to the path manager should be sent to this node.

**PENCRYPT[=No|Yes]**

Displays whether passwords sent in NJE headers are to be encrypted for jobs destined to the specified node.

**PRIVATE[=No|Yes]**

Displays whether the connection between this node and an adjacent node is broadcast to the rest of the network. This parameter is not used if the node is not a directly adjacent node.

**RECeive[={BOTH|JOBS|NONE|SYSOUT}]**

Displays what the local node (as specified by the OWNNODE parameter on the NJEDEF initialization statement) receives from the specified node. If the node is not a directly adjacent node, this parameter is not used. You can specify a keyword value below:

## **\$D NODE(jnnnnnnn)**

### **BOTH**

The local node receives both jobs and SYSOUT data from the specified node.

### **JOBS**

The local node receives only jobs from the specified node.

### **NONE**

The local node does not receive any data from the specified node.

### **SYSOUT**

The local node receives only SYSOUT data from the specified node.

### **REST [=nnnn]**

Displays an integer (0-2000) that represents the resistance rating of the connection as viewed by the installation manager and coordinated with other installations.

### **SENTREST [=ACCEPT | IGNORE]**

Displays whether the resistance from an adjacent node is used in calculating the resistance of an adjacent connection.

### **SIGNON=[COMPAT | SECURE]**

Specifies the type of signon security to be used when NJE connections to this node are established:

#### **COMPAT**

Specifies that node and line passwords, where applicable, are to be exchanged and verified by the NJE signon process.

#### **SECURE**

Specifies that encrypted session keys are to be exchanged rather than node and line passwords.

### **STATUS**

Displays the available paths to the node. If multiple trunks (lines) are associated with one path, all trunks are displayed.

### **SUBnet [=xxxxxxxx]**

Displays the 1 to 8 alphanumeric or special (\$, #, or @) character name of the subnet that is associated with this node.

### **TRace [=No | Yes]**

Displays whether NCC records to and from the direct connection to the specified node should be traced.

### **TRAnsmit [= {BOTH | JOBS | NONE | SYSOUT}]**

Displays what type of data the local node (as specified by the OWNNODE parameter on the NJEDEF initialization statement) transmits to the specified node. If the node is not a directly adjacent node, this parameter is not used. You can specify a keyword value below:

#### **BOTH**

The local node transmits both jobs and SYSOUT data to the specified node.

#### **JOBS**

The local node transmits only jobs to the specified node.

#### **NONE**

The local node does not transmit any data to the specified node.

#### **SYSOUT**

The local node transmits only SYSOUT data to the specified node.

## Authority Required

This command requires **read** security access authority. For a description of assigning command input authority, see *z/OS JES2 Initialization and Tuning Guide*.

## Messages

The \$HASP826 message displays information about the specified node.

## Examples

### 1 \$dnode(node4)

```

$HASP826 NODE(4)
$HASP826 NODE(4)  NAME=NODE4,STATUS=(UNCONNECTED),TRANSMIT=BOTH,
$HASP826           RECEIVE=BOTH,HOLD=NONE
    
```

### 2 \$dnode(node4),long

```

$HASP826 NODE(4)
$HASP826 NODE(4)  NAME=NODE4,STATUS=(UNCONNECTED),
$HASP826           AUTH=(DEVICE=YES,JOB=YES,NET=NO,SYSTEM=YES),
$HASP826           TRANSMIT=BOTH,RECEIVE=BOTH,HOLD=NONE,
$HASP826           PENCRYPT=NO,SIGNON=COMPAT,ADJACENT=NO,
$HASP826           DIRECT=NO,ENDNODE=NO,REST=0,SENTREST=ACCEPT,
$HASP826           COMPACT=0,LINE=0,LOGMODE=,LOGON=0,NETSRV=0,
$HASP826           OWNNODE=NO,PASSWORD=(VERIFY=(NOTSET),
$HASP826           SEND=(NOTSET)),PATHMGR=YES,PRIVATE=NO,
$HASP826           CONNECT=(YES,2,2007.035,21:35:10),SUBNET=,
$HASP826           TRACE=NO
    
```

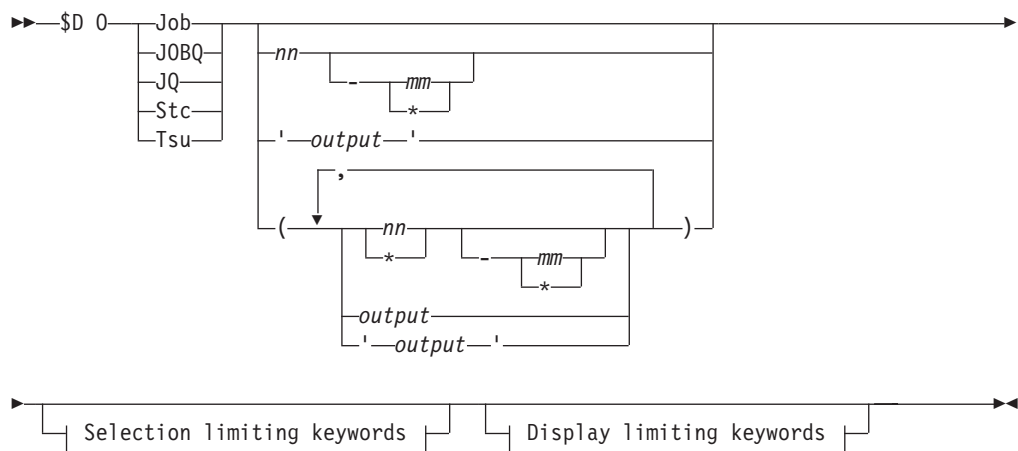
---

## \$D O Job - Display output characteristics

### Function

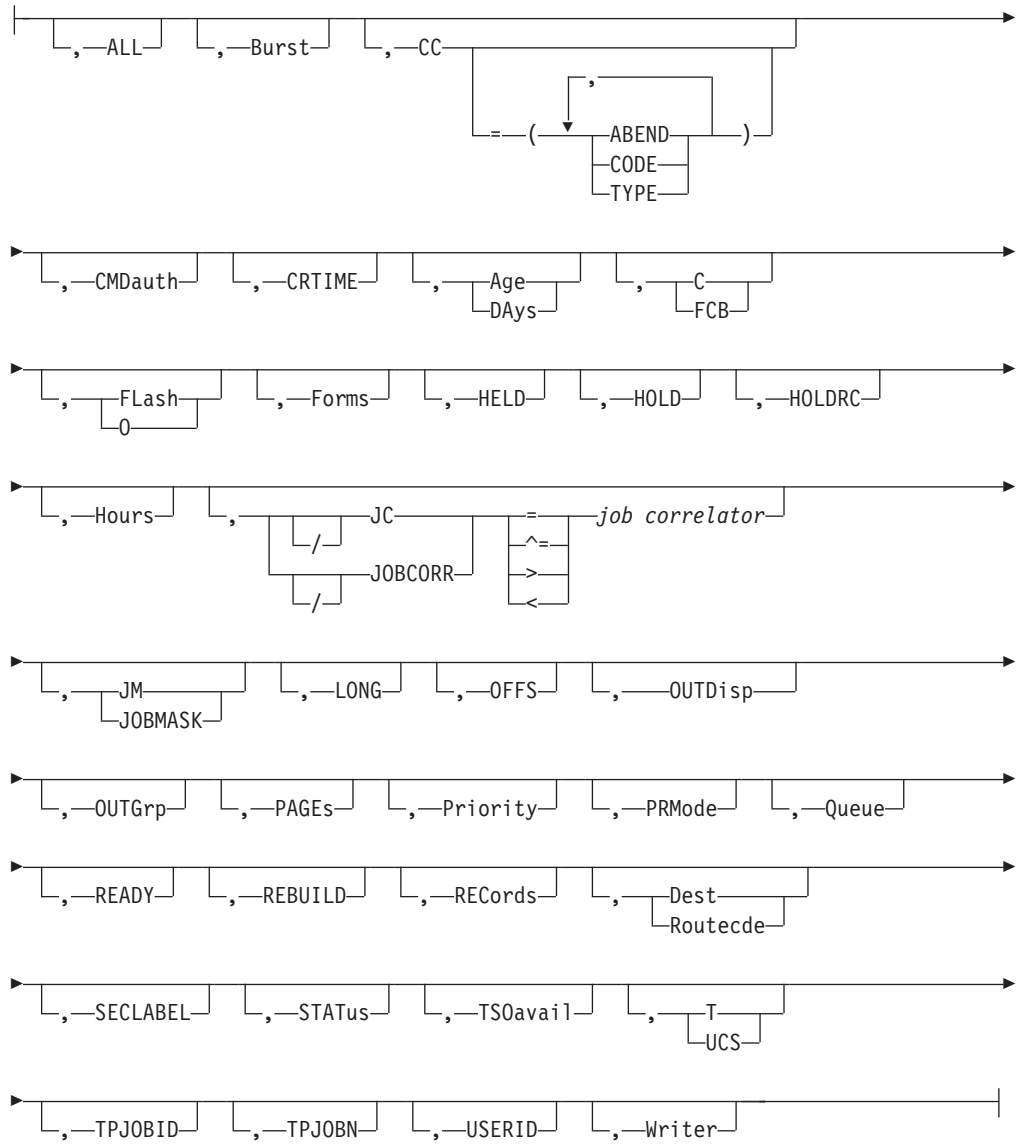
To display the output characteristics of specified output groups or individual job output elements (JOEs).

### Syntax

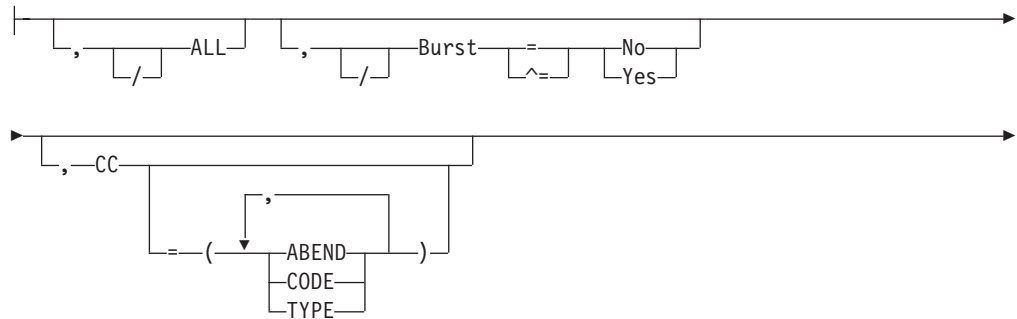


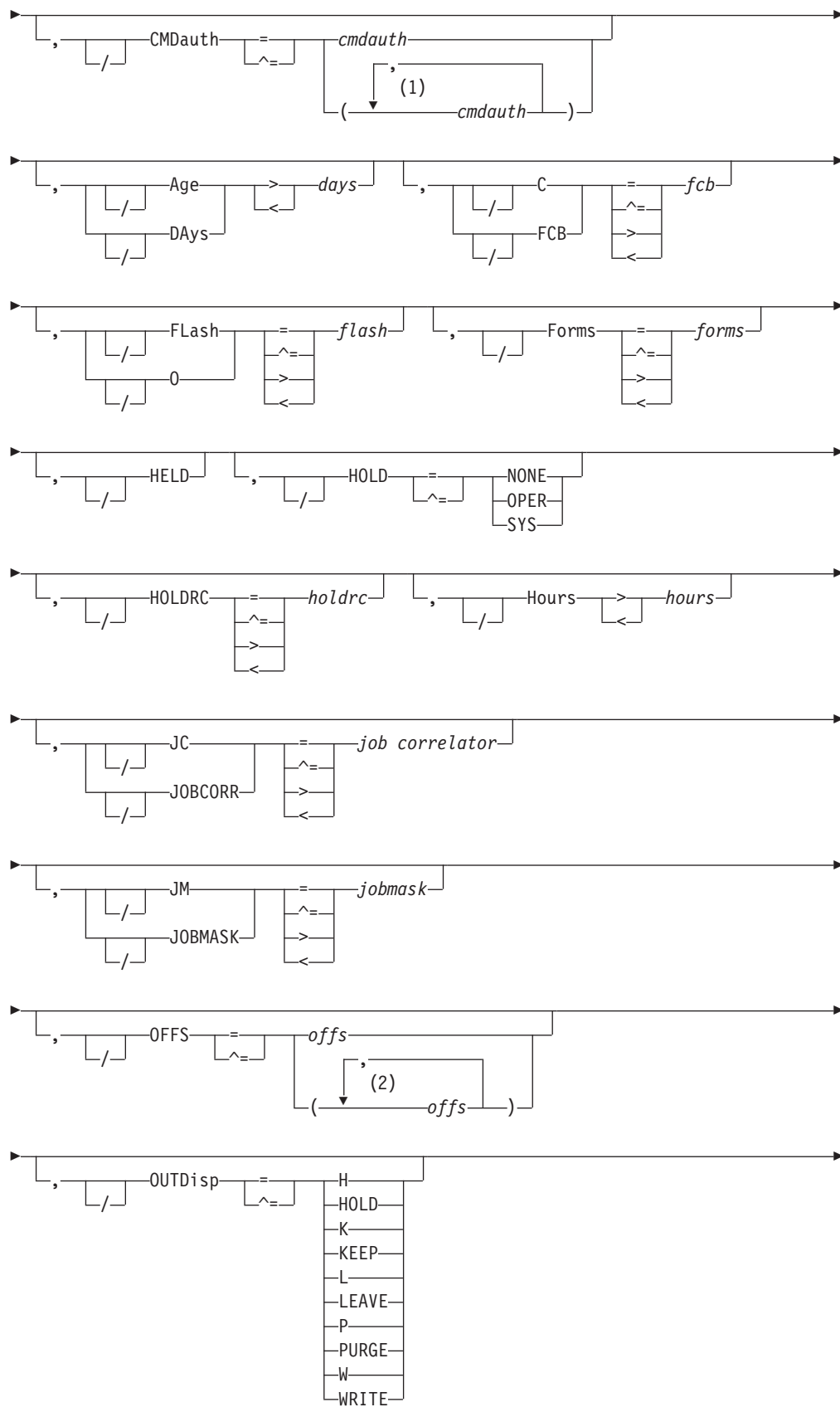
### Display limiting keywords:

## \$D O Job

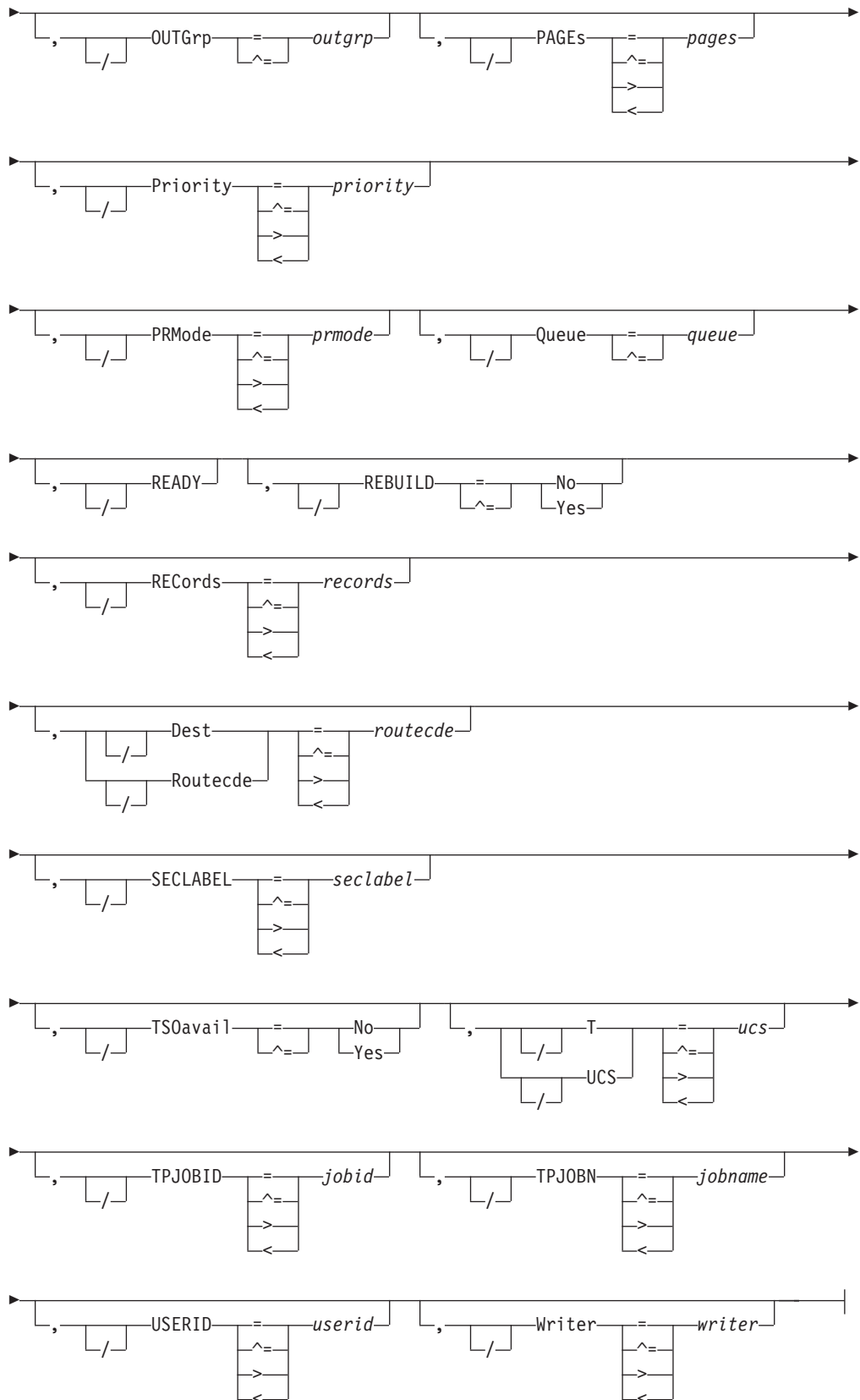


### Selection limiting keywords:





# \$D O Job



## Notes:

- 1 *cmdauth* can be coded up to 2 times

2 *offs* can be coded up to 8 times

### Parameters

#### output

Specifies 1 to 8 alphanumeric, special (\$, #, or @) or wildcard characters (or a combination of them) that can be used to select a subset of jobs whose job name matches this combination of characters (mask).

#### 'output'

The name of the job that is displayed. This name must appear as coded on the JOB statement and must be enclosed in apostrophes. If more than one job exists with this name, all output will be displayed.

#### JC|JOB CORR=*job correlator*

Specifies a combination of 1-64 alphanumeric, special (colon, period or underscore) and wildcard characters that can be used to select a subset of jobs that have a matching job correlator. For a description of wildcard characters, refer to "Using wildcards" on page 108.

#### Job

A Batch job or range of batch jobs is to be displayed.

#### JOBQ|JQ

Specifies *all* jobs, STCs, and TSUs across the MAS for processing.

#### Stc

A started task or range of started tasks is to be displayed.

#### Tsu

A time-sharing user or range of time-sharing users is to be displayed.

#### Age|DAys<days | Age|DAys>days

Specifies the age of affected output in days. Only output more (with DAYS>nn) or less (with DAYS<nn) than the specified number of days in age are displayed. The days are counted from the current hour.

#### ALL

JES2 displays the specified job's output elements based on the presence of filters as follows:

ALL specified?	Filters?	Meaning
YES	YES	ALL is ignored
YES	NO	Command applies to all job output elements belonging to the specified job
NO	YES	ALL is not considered
NO	NO	Command applies to all job output elements belonging to the specified job

#### Burst={No|Yes}

Specifies whether the printed output is to be burst into separate sheets (Yes) or to be in continuous, fanfold mode (No).

#### CC=(ABEND|ABENDED|CANce1led|CNVT\_abend|CODE|COMPLeted|ENDEd\_by\_cc|EOM\_failure|JCLerror|SECurity\_failure|TYPE)

Displays the completion information associated with the job.

#### ABENDED

Display only jobs which have abnormally ended.

**ABEND**

Displays the ABEND code associated with the job's termination.

**CANcelled**

Display only jobs which were cancelled by the operator.

**CNVT\_abend**

Display only jobs which have abnormally ended during the conversion phase.

**CODE**

Displays the last (or highest) completion code of steps in the job.

**COMPleted**

Display only jobs which completed.

**ENDEd\_by\_cc**

Display only jobs which were ended by a step completion code.

**EOM\_failure**

Display only jobs which failed in end-of-memory processing.

**JCLerror**

Display jobs which did not execute due to a JCL error.

**SECurity\_failure**

Display jobs which failed security validation.

**C|FCB=fc**

A 1 to 4 alphanumeric character or special character (\$ # @) identifier for the data set forms control or carriage specifications.

**CMDauth=(auth1{,auth2})**

Only the output that can be affected from the specified remote(s) or node(s) will be released. The valid specifications are:

**LOCAL|ANYLOCAL**

Only the local devices at the local node can affect the output.

**Nnnnn|nodename**

Only local devices at the specified node can affect the output.

**Rnnnn**

Only the specified remote device can affect the output.

**NnnnnRnnnn|nodename.Rnnnn**

Only the specified remote device at the specified remote node can affect the output.

**destid**

A destid corresponding to any of the above remote devices.

**Note:** Specification of the CMDAUTH filter does not override the authority of the console from which the command is issued; both the authority of the console and the specified CMDAUTH filter must match for the job to be affected.

**CRTIME**

Specifies the time this piece of output was created.

**Dest|Route****cd****=route****cd**

The destination assigned to the job output element(s). You may specify a remote destination (workstation), another node, or a specific local device. The value for all routing numbers can range from 1 to 32767.



If this command originates from another node in the network and the D|ROUTECD= operand does not specify a node (first-level destination), the receiving node defaults the first-level destination to the node where the command originated.

If this command is sent to another node in the network using the \$N command, be aware that the receiving node will default the node (first-level destination) of the D|ROUTECD= operand to the sending node. If another node is desired, specify a destination on the D|ROUTECD= operand that will resolve to the desired node (first-level destination) at the receiving node.

**Note:**

1. If an output group is queued for transmission and an operator changes its destination, the userid portion of the routing is lost. If an output group is interrupted while printing and the destination is changed, the output group will begin printing from the top when it is printed at the new destination.
2. NODENAME=REQUIRED on the DESTDEF initialization statement will cause JES2 to require that a userid be prefixed with a node name.
3. Greater than (> or >=) and less than (< or <=) filters may be used in conjunction to support route code ranges. For example, you could specify the filters R>=R1,R<=R7 to affect output for all remotes in the range R1 to R7. Note that:
  - The destination being filtered upon is converted to its binary equivalent prior to the comparison.
  - When using nodal ranges, a specification of "nodename.\*" must be used. Only the nodal routing of the output will be compared.

The following specifications are valid:

**LOCAL|ANYLOCAL**

Indicates that jobs are to be printed or punched at the local node.

**destid** Indicates that jobs are to be printed or punched at the specified node(s). You can specify this location by an alias for the name of a node. If destid is specified alone, it refers to both the node and the remote.

**Nnnnn|nodename**

Indicates that jobs are to be printed or punched at the specified node(s). You can specify a node using the decimal node identifier or an EBCDIC nodename.

**NnnnnRmmmm|node.remote|node.userid**

Indicates routing to the remote Rmmmm at the node Nnnnn. Rmmmm can also be specified as RMmmmm or RMTmmmm.

**Ummmm**

Indicates special local routing.

**node.destid**

Indicates a destination at the specified node. The destid refers to both the node and the remote. The node specified in the destid must be the same as the node portion of the route code. If the number of the remote is reassigned, you can use the destid to send to this node.

**remote**

Indicates routing to a remote. Remote can be specified in any of the following ways:

**LOCAL|ANYLOCAL**

Indicates that jobs are to be printed or punched at the local node.

**Rmmmm**

Indicates routing to the specified remote. Rmmmm can also be specified as RMmmmm or RMTmmmm.

**destid** Indicates routing to a destid referring to a remote.

**userid** Indicates routing to a valid TSO userid.

**node.\*** Indicates that the node name is to be modified to the specified node name, but the remote name will remain the same.

**\*** Indicates that the node name is to be modified to the local node name, but the remote name will remain the same.

**Forms=forms**

A 1 to 8 alphanumeric or special character (\$ # @) identifier for the print or punch forms.

**HELD**

Output is HELD if it is destined for this node and the output disposition is HOLD or LEAVE.

**HOLD={NONE|OPER|SYS}**

This operand explicitly sets the operator HOLD type. The only hold type that can be set using this operand is OPER. This parameter prevents JES2 from selecting an output group for any processing other than purging. Specifying HOLD= for an output group is more restrictive than specifying an output group's output disposition. OUTDISP=HOLD or LEAVE prevents JES2 from selecting an output group for print/punch or external writer processing only.

Specifying the REL= parameter on this command makes the output available for processing.

**HOLDRC=ho1drc**

Specifies the hold reason code for system held output groups (HOLD=SYS).

**H|Hours>hours | H|Hours<hours**

Specifies the age of affected output in hours. Only output more (with HOURS>nn) or less (with HOURS<nn) than the specified number of hours in age are affected.

**JOBMASK|JM=jobmask**

Specifies 1- to 8-alphanumeric, special (\$, #, or @) or wildcard characters (or a combination of them) that can be used to select a subset of jobs whose job name matches this combination of characters (mask). For a description of wild cards, see "Using wildcards" on page 108.

**Note:**

1. This is a positional parameter. Specify this following the job\_id (JOB, STC, or TSU) or JOBQ parameter.
2. The JOBMASK parameter is not valid with the 'jobname' parameter.

**LONG**

Displays additional information.

**Note:** Because LONG automatically triggers a "long" display, you cannot add additional display-limiting parameters on this command; however, you can add selection-limiting parameters.

**OUTGrp=outgrp**

The job output element(s) that are displayed.

**grp*id***

The 1- to 8-character alphanumeric group ID that is either specified by the user in the JCL or generated by JES2.

**jo*eid*1**

A number assigned by JES2 to distinguish between job output elements within the output group.

**jo*eid*2**

A number assigned by JES2 to distinguish between several copies of grp*id*.jo*eid*1.

**OUTDISP={H|HOLD|K|KEEP|L|LEAVE|P|PURGE|W|WRITE}**

Indicates that you wish to display the output for the specified job that matches this current disposition. Specify WRITE, HOLD, LEAVE, or KEEP.

**Note:** If you do not specify this parameter, all output with a disposition of WRITE, HOLD, KEEP, or LEAVE will be modified.

**FLASH|0=fl*ash***

A 1 to 4 alphanumeric or special character (\$ # @) overlay name (FLASH).

**OFFS=*offs***

Displays offload device numbers on which sysout for the job has been archived or marked as archived by the \$TO command.

**PAGEs**

Output groups with the specified number of pages are displayed.

**PRIORITY=pr*iority***

The queue selection priority (0-255) assigned to the job output element(s).

**PRmode=pr*mode***

The process mode (1 to 8 alphanumeric characters) for the job output element(s).

**QUEUE=queu*e***

The output class (A-Z and 0-9) assigned to the job output element(s).

**READY**

Output is READY if it is not HELD.

**REBUILD={No|Yes}**

Output on the rebuild queue is to be cancelled (Yes) or not cancelled (No).

**RECORDS=rec*ords***

The number of print records associated with the output group.

**SECLABEL=sec*label***

The security label associated with the output group.

**T|UCS=uc*s***

A 1 to 4 alphanumeric or special character (\$ # @) identifier for the universal character set specification. This will also set the character set (CHAR1) to be used on non-impact printers unless the UCS and CHARs values are both assigned to an output data set by a job's JCL and their values are not equal.

**TPJOBID**

The transaction job ID associated with the output group.

**TPJOBN**

The transaction job name associated with the output group.

**TSOavail={No|Yes}**

Indicates whether the output group is available for TSO OUTPUT processing.

**USERID=userid**

The userid associated with the output group.

**Writer=writer**

A 1 to 8 alphanumeric or special character (\$ # @) writer name assigned to the job output element(s).

### Authority Required

This command requires **job** authority. The description of the \$T RDRnn command explains how to ensure that the authority of the appropriate MVS system command group is assigned.

This command requires **update** security access authority. For a description of assigning command input authority, see *z/OS JES2 Initialization and Tuning Guide*.

### Processing Considerations

- If you use this command to change both the destination and other output characteristics, those changes to the other output characteristics are ignored for duplicate output groups (those groups created by specifying more than one job copy or by issuing the \$N command to repeat the processing of an output group).
- If any of the characteristics that you specify on this command are also specified as work selection criteria with the WS= parameter on the device initialization statement or using the \$T device command, then those characteristics are compared against the matching output device specifications; work is selected accordingly.
- If the following characteristics are modified, the output group will begin printing from the top when the output starts printing again.
  - Burst
  - FCB
  - Destination
  - Form
  - Overlay (Flash)
  - Process mode(PRMODE)
  - UCS
  - Writer name
- Once a held output group has been released (the output disposition is changed to WRITE or KEEP), the group is no longer available for processing by the TSO/E OUTPUT command. For more information, see the \$HASP686 message in *z/OS JES2 Messages*.

### Scope

**MAS-wide.** This command has an effect across the entire MAS.

## Messages

The \$HASP686 message displays the current output characteristics for each job output element specified.

### Examples

**1**

```
$d o j'iebgener',outgrp=1.1.1
```

```
JOB00005 $HASP686 OUTPUT(IEBGENER)
$HASP686 OUTPUT(IEBGENER)  OUTGRP=1.1.1,BURST=NO,FCB=****,
$HASP686                      FLASH=****,FORMS=STD,HOLD=(NONE),
$HASP686                      OUTDISP=WRITE,PRIORITY=144,
$HASP686                      PRMODE=LINE,QUEUE=A,
$HASP686                      RECORDS=(53 OF 53),ROUTECD=LOCAL,
$HASP686                      SECLABEL=,TSOAVAIL=NO,UCS=****,
$HASP686                      USERID=+++++,,,WRITER=
```

JES2 displays the attributes of output group 1.1.1 associated with job IEBGENER.

**2**

```
$d o jobq,ready,r=local,outgrp
```

```
JOB00005 $HASP686 OUTPUT(IEBGENER) OUTGRP=1.1.1
JOB00005 $HASP686 OUTPUT(IEBGENER) OUTGRP=2.1.1
JOB00005 $HASP686 OUTPUT(IEBGENER) OUTGRP=3.1.1
JOB00006 $HASP686 OUTPUT(IEBGENE2) OUTGRP=1.1.1
JOB00006 $HASP686 OUTPUT(IEBGENE2) OUTGRP=4.1.1
STC00011 $HASP686 OUTPUT(VTAM) OUTGRP=1.1.1
.
.
.
```

JES2 displays the output group identifier of all ready output groups destined to print locally.

**3**

```
$d o job,offs=
```

```
JOB00006 $HASP686 OUTPUT(IEBGENE2) OFFS=()
```

JES2 displays the offload device numbers on which sysout for the job has been archived or marked as archived by the \$TO command.

**4**

```
$d o jobq,q=h,hours>60
```

```
JOB00023 $HASP686 OUTPUT(IEBGENE1)
$HASP686 OUTPUT(IEBGENE1)  OUTGRP=3.1.1,BURST=NO,FCB=****,
$HASP686                      FLASH=****,FORMS=STD,HOLD=(NONE)
$HASP686                      OUTDISP=HOLD,PRIORITY=144,
$HASP686                      PRMODE=LINE,QUEUE=H,
$HASP686                      RECORDS=(43 OF 43),ROUTECD=LOCA
$HASP686                      SECLABEL=,TSOAVAIL=YES,UCS=****,
$HASP686                      USERID=IBMUSER,WRITER=
```

JES2 displays all output older than 2 days and 12 hours.

**5**

```
$dojobq1-*,age>1
```

```
STC00003 $HASP686 OUTPUT(IRRDP TAB)
$HASP686 OUTPUT(IRRDP TAB)  OUTGRP=1.1.1,BURST=NO,FCB=****,
$HASP686                      FLASH=****,FORMS=STD,HOLD=(NONE),
$HASP686                      OUTDISP=WRITE,PRIORITY=144,
$HASP686                      PRMODE=LINE,QUEUE=A,
```

```

$HASP686 RECORDS=(53 OF 53),ROUTECD=LOCAL,
$HASP686 SECLABEL=,TSOAVAIL=NO,UCS=****,
$HASP686 USERID=+++++++,WRITER=

```

JES2 displays any job on the job queue with age greater than one day.

```

6
$dos1-*,hours>25

```

```

STC00003 $HASP686 OUTPUT(IRRDPTAB)
$HASP686 OUTPUT(IRRDPTAB) OUTGRP=1.1.1,BURST=NO,FCB=****,
$HASP686 FLASH=****,FORMS=DORA,HOLD=(NONE),
$HASP686 OUTDISP=WRITE,PRIORITY=144,
$HASP686 PRMODE=LINE,QUEUE=A,
$HASP686 RECORDS=(53 OF 53),ROUTECD=LOCAL,
$HASP686 SECLABEL=,TSOAVAIL=NO,UCS=****,
$HASP686 USERID=+++++++,WRITER=

```

JES2 displays started task with hours greater than 25.

```

7
$dos'aschint',tpjobn=testjob,long

```

```

STC00018 $HASP686 OUTPUT(ASCHINT)
$HASP686 OUTPUT(ASCHINT) OUTGRP=TESTJOB.1.1,BURST=NO,FCB=****,
$HASP686 FLASH=****,FORMS=STD,HOLD=(NONE),
$HASP686 OFFS=(),OUTDISP=WRITE,PRIORITY=144,
$HASP686 PRMODE=LINE,QUEUE=A,RECORDS=(2 OF 2),
$HASP686 ROUTECD=PRTB03,SECLABEL=,
$HASP686 TPJOBID=A00000009,TPJOBN=TESTJOB,
$HASP686 TSOAVAIL=NO,UCS=****,USERID=D15USER,
$HASP686 WRITER=,REBUILD=NO,
$HASP686 CRTIME=(2008.297,19:17:17),TMOD=(),
$HASP686 JWEL=(),NOTIFY=

```

JES2 displays the started task with the transaction job name of testjob.

```

8 $d o jq,jc=*:urgentdelivery*

```

```

JOB00117 $HASP686 OUTPUT(HOTORDER) C
$HASP686 OUTPUT(HOTORDER) OUTGRP=1.1.1,BURST=NO,FCB=****,
$HASP686 FLASH=****,FORMS=STD,HOLD=(NONE),
$HASP686 OUTDISP=WRITE,PRIORITY=144,
$HASP686 PRMODE=LINE,QUEUE=A,
$HASP686 RECORDS=(48 OF 48),ROUTECD=LOCAL,
$HASP686 SECLABEL=,TPJOBID=,TPJOBN=,
$HASP686 TSOAVAIL=NO,UCS=****,USERID=IBMUSER,
$HASP686 WRITER=
JOB00125 $HASP686 OUTPUT(SUPERHOT) C
$HASP686 OUTPUT(SUPERHOT) OUTGRP=1.1.1,BURST=NO,FCB=****,
$HASP686 FLASH=****,FORMS=STD,HOLD=(NONE),
$HASP686 OUTDISP=WRITE,PRIORITY=144,
$HASP686 PRMODE=LINE,QUEUE=A,
$HASP686 RECORDS=(48 OF 48),ROUTECD=LOCAL,
$HASP686 SECLABEL=,TPJOBID=,TPJOBN=,
$HASP686 TSOAVAIL=NO,UCS=****,USERID=IBMUSER,
$HASP686 WRITER=

```

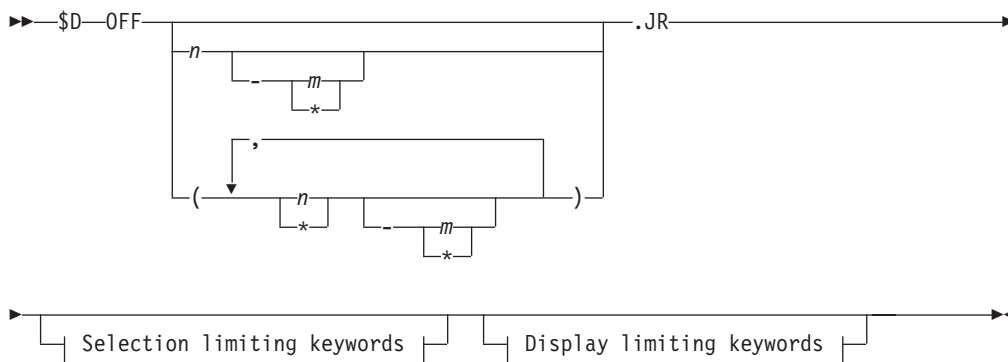
JES2 displays all output in the system with a job correlator user portion containing URGENTDELIVERY.

## \$D OFF(n).JR - Display offload job receiver

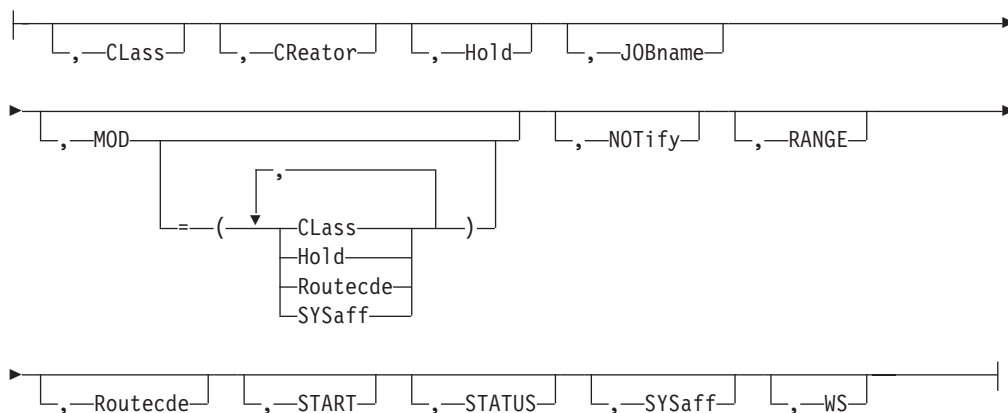
### Function

To display the offload job receiver associated with an individual device.

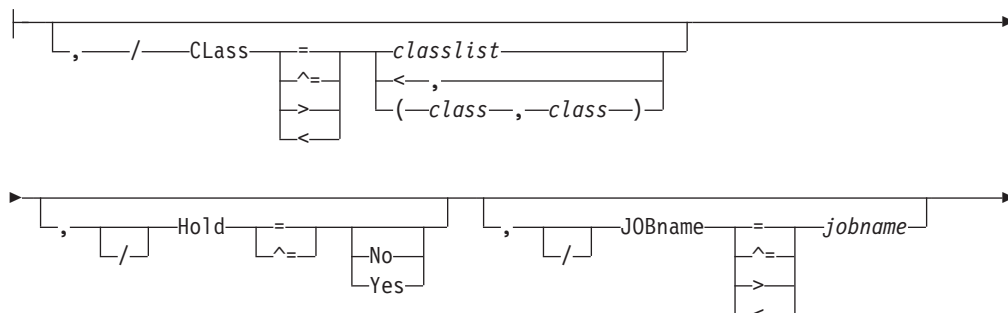
### Syntax

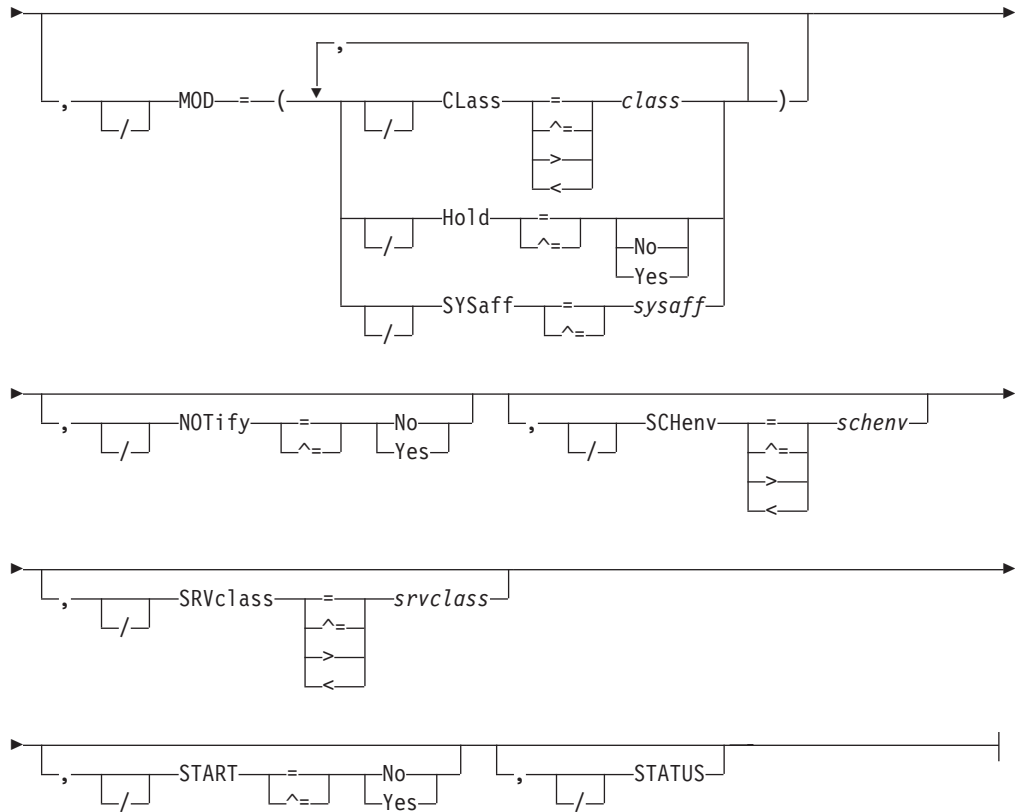


### Display limiting keywords:



### Selection limiting keywords:





## Parameters

*n* [-*m* | \*]

The subscript defining the offload job receivers that are affected by this command. The subscript can specify a single numeric value *n* (1-8) or a range of values *n-m* (1-8) associating offload job receivers with offload devices. The asterisk character (\*) can be used to specify the first or last offload job receivers in a range (*n-\**, for example). A comma-delimited list of values or ranges is also supported. For details about specifying a range of values for this subscript, see "Command syntax conventions" on page 97.

**Class=classlist** | (*class, class...*)

Specifies the job classes to be loaded from the offload data set."

The *classlist* variable specifies a list of single-character job classes A-Z and 0-9 (for example, 'ABCDEF'). A maximum of 36 classes can be specified.

The *class* variable specifies a comma separated list of job classes or job class groups (each 1-8 characters in length). A maximum of eight items can be specified in the list. For example: (CLASS1,CLASS2,CLASS3).

You can also specify wild cards: see "Using wildcards" on page 108 for additional information.

**Creator**

Specifies the 1 to 8 character userid whose job(s) are to be loaded from the offload data set.

**Hold=Yes|No**

Specifies whether jobs in HOLD status can be loaded. If you allow this parameter to default and HOLD is not in the work selection list, JES2 can



select all jobs, whether held or not, for loading. If you allow this parameter to default and HOLD is in the work selection list, no jobs can be loaded.

**No** Indicates that only jobs that are not in HOLD status can be loaded.

**Yes**

Indicates that only jobs that are in HOLD status can be loaded.

**JOBname=jobname**

Specifies the 1 to 8 character job name of the job(s) to be loaded from the offload data set.

**MOD={Class | Hold | Routecde | SYSaff}**

Specifies the characteristics of the pre-execution jobs that are to be automatically modified when these jobs are loaded from the offload data set.

**Class=class**

Specifies the execution class for all pre-execution jobs loaded by this device.

**Hold={No|Yes}**

Specifies whether jobs are held for conversion after reloading.

**Routecde**

Specifies the destination from which jobs loaded by this device are run.

**ANYLOCAL|LOCAL**

Indicates that the jobs are to be run at the local node.

**destid**

Specifies the name of a node, or an alias for the name of a node, where the jobs are to be run.

**Nnnnn|nodename**

Indicates that the jobs are to be run at the specified node. The node can be specified using the binary node identifier (nnnn), or the EBCDIC nodename.

**SYSaff=sysaff**

Specifies the member affinity (sysid) for all pre-execution jobs loaded by this device.

**NOTify=Yes|No**

Specifies whether a notification message is sent to the TSO/E userid specified on either the JOB statement or the /\*NOTIFY control statement.

**No** Indicates that a notification message is not sent when a pre-execution job is loaded from the offload data set.

**Yes**

Indicates that a notification message is sent when a pre-execution job is loaded from the offload data set.

**RANGE**

Specifies the job ID range of those jobs that can be loaded from the offload data set.

**Routecde**

Specifies the execution node selection criteria for jobs to be loaded. Valid values are:

**ANYLOCAL|LOCAL**

Indicates that only jobs routed to the local node for execution can be selected.

## \$D OFF(n).JR

### **destid**

Indicates that only jobs routed to the specified destid for execution can be selected. The destid can be the name of a node, or an alias for the name of a node.

### **Nnnnn|nodename**

Indicates that only jobs routed to the specified node for execution can be selected. The node can be specified using the binary node identifier (nnnn) or the EBCDIC nodename.

### **SChenv=schenv**

Specifies the 1 to 16 alphanumeric, special (\$, #, or @), or wildcard character (or combination of them) scheduling environment. Only those jobs with this SCHENV will be selected.

### **SRVclass=svcclass**

Specifies the 1 to 8 alphanumeric, special (\$, #, or @), or wildcard character (or a combination of them) service class name. Only those jobs with this service class will be selected.

### **START=Yes|No**

Specifies the initial status of this receiver when its corresponding offload device is started for a receive operation, that is, when a \$S OFFLOAD(n),TYPE=RECEIVE command is issued.

**No** Indicates that this receiver is not started when a corresponding \$S OFFLOAD(n) command is issued. This receiver can later be started individually by issuing the \$S OFF(n).JR command and stopped as required by issuing the \$P OFF(n).JR command.

### **Yes**

Indicates that this receiver is started when a corresponding \$S OFFLOAD(n) command is issued.

### **STATUS**

Specifies the status of the offload job receiver.

### **SYSaff**

Specifies the member affinity for jobs that are selected for loading.

**WS** Specifies the job selection criteria for this device.

## **Authority Required**

This command requires **display** authority. The description of the \$T INTRDRnn command explains how to ensure that the authority of the appropriate MVS system command group is assigned.

## **Scope**

**Single member.** The command will be in effect for this member only.

## **Messages**

The \$HASP883 message is issued in response to this command.

## **Example**

**1**

```
$doff1.jr
```

```
$HASP883 OFF1.JR
```

```

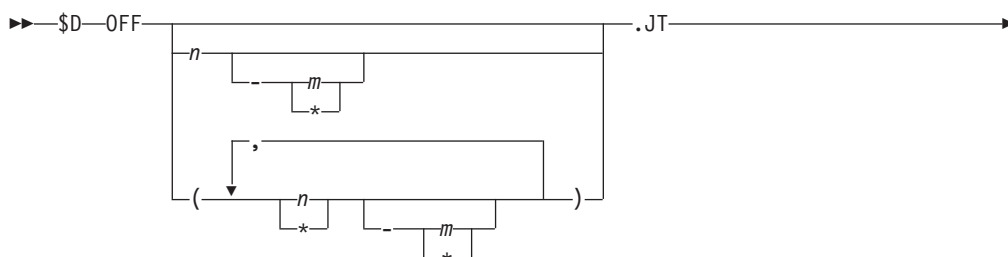
$HASP883 OFF1.JR STATUS=STARTABLE,CLASS=ABCDEFGH,CREATOR=,
$HASP883         HOLD=,JOBNAME=,MOD=(CLASS=,HOLD=,ROUTECD=,
$HASP883         SYSAFF=),NOTIFY=NO,RANGE=(J1,2147483647),
$HASP883         ROUTECDE=(),SCHENV=,SRVCLASS=,START=YES,
$HASP883         SYSAFF=(NONE),WS=(CL/)
    
```

## \$D OFF(n).JT - Display offload job transmitter

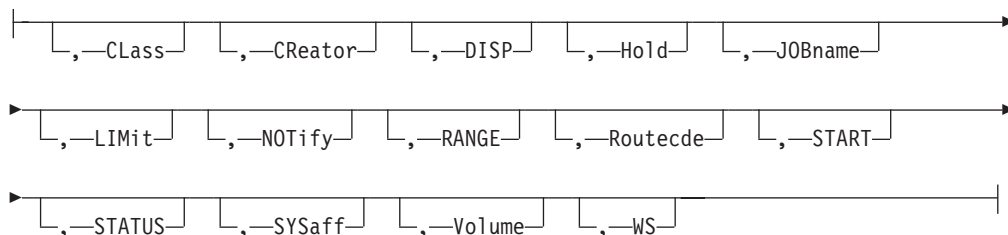
### Function

To display the offload job transmitter associated with an individual offload device.

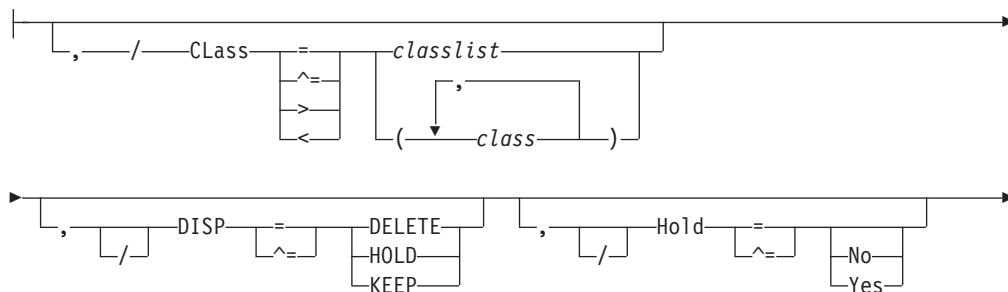
### Syntax

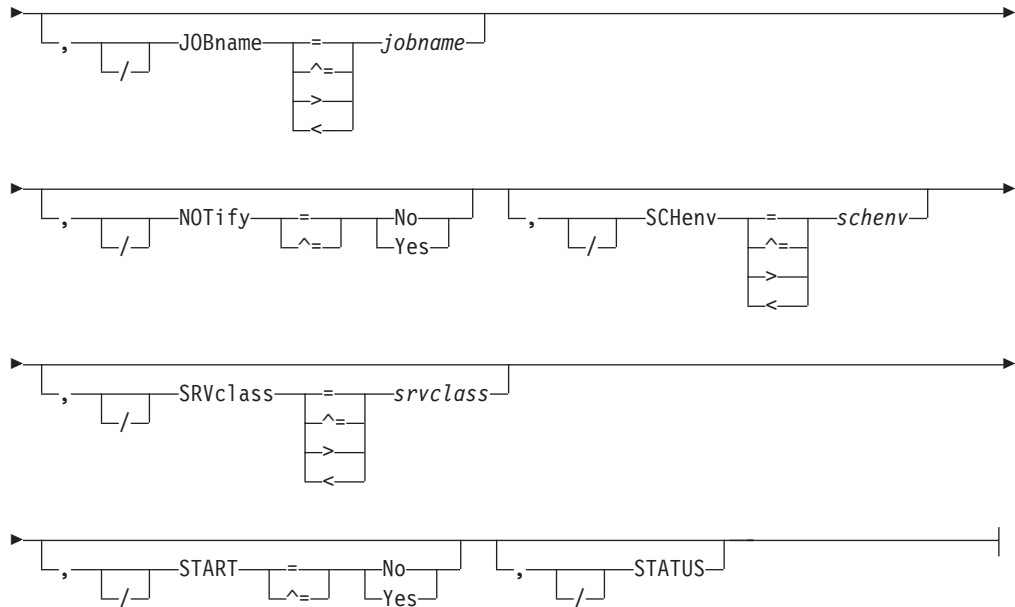


### Display limiting keywords:



### Selection limiting keywords:





## Parameters

**n** [-m | \*]

The subscript defining the offload job transmitters that are affected by this command. The subscript can specify a single numeric value *n* (1-8) or a range of values *n-m* (1-8) associating offload job transmitters with offload devices. The asterisk character (\*) can be used to specify the first or last offload job transmitter in a range (*n-\**, for example). A comma-delimited list of values or ranges is also supported. For details about specifying a range of values for this subscript, see “Command syntax conventions” on page 97.

**Class=classlist** | (*class,class...*)

Specifies the job class(es) to be selected by this job transmitter. Class=, (that is, null) and CClass not specified in the WS= list on this statement allows all defined classes to be transmitted.

The *classlist* variable specifies a list of single-character job classes A-Z and 0-9 (for example, 'ABCDEF'). A maximum of 36 classes can be specified.

The class variable specifies a comma separated list of job classes or job class groups (each 1-8 characters in length). A maximum of eight items can be specified in the list. For example: (CLASS1,CLASS2,CLASS3).

You can also specify wild cards: see “Using wildcards” on page 108 for additional information.

**CReator**

Specifies the 1 to 8 character userid whose job(s) are to be selected by this job transmitter.

**DISP={DELETE | HOLD | KEEP}**

Specifies the disposition of all jobs that are selected for transmitting to the offload data set.

**Hold={No | Yes}**

Specifies whether jobs in HOLD status (that is, jobs that have been held by specifying a \$H J command, TYPRUN=HOLD, or JCL HOLD) can be transmitted. Jobs that have been previously held (in a held class) do not apply to this parameter; such jobs are not considered here.

If you allow this parameter to default and HOLD is not in the work selection list, JES2 can select all jobs, whether held or not, for transmission. If you allow this parameter to default and HOLD is in the work selection list, no jobs can be transmitted.

**No** Indicates that only jobs that are not in HOLD status can be selected.

**Yes**

Indicates that only jobs that are in HOLD status can be selected.

**JOBname=jobname**

Specifies the 1 to 8 character job name of the job(s) to be transmitted to the offload data set.

**LIMit**

Specifies the amount of output (in records) for which output can be selected.

**NOTify={No | Yes}**

Specifies whether a notification message is sent to the TSO/E userid specified on either the JOB statement or the /\*NOTIFY control statement.

**No** Indicates that a notification message is not sent when a pre-execution job is transmitted to the offload data set.

**Yes**

Indicates that a notification message is sent when a pre-execution job is transmitted to the offload data set.

**RANGE=Jnnnnn[-nnnnn] | J1-99999**

Specifies the job ID range of those jobs that can be transmitted to the offload data set.

**Routecde**

Specifies the execution node selection criteria for jobs to be transmitted. Valid values are:

**ANYLOCAL | LOCAL**

Indicates that only jobs on the local node can be selected.

**destid**

Specifies the name of a node, or an alias for the name of a node, from which jobs can be selected.

**Note:** If destid is used, it must be previously defined on a DESTID statement in the initialization stream.

**Nnnnn | nodename**

Indicates that only jobs which are to run on the specifically indicated node(s) can be selected. The nodes can be specified using the binary node identifier (nnnn) or the EBCDIC nodename.

**SCHenv=schenv**

Specifies the 1 to 16 byte scheduling environment. Only those job with this SCHENV will be selected.

**SRVclass=svclass**

Specifies the 1 to 8 byte service class name. Only those jobs with this service class will be selected.

**START={No | Yes}**

Specifies the initial status of this transmitter when its corresponding offload device is started for a transmit operation, that is when a \$S OFFLOAD(n),TYPE=TRANSMIT command is issued.

## \$D OFF(n).JT

**No** Indicates that this transmitter is not started when a corresponding \$S OFFLOAD(n) command is issued. This transmitter can later be started individually by issuing the \$S OFF(n).JT command and stopped, as required, by issuing the \$P OFF(n).JT command.

**Yes**

Indicates that this transmitter is started when a corresponding \$S OFFLOAD(n) command is issued.

### STATUS

Specifies that the status of the offload job transmitter is to be displayed.

### SYSaff

Specifies the member affinity for jobs that are selected for offloading.

### Volume

Specifies the 5- or 6-character volume serial of a volume containing a spool data set. Only jobs using tracks on this volume(s) can be selected for dumping. As many as four volumes can be specified.

**WS** Specifies the job selection criteria for this device. If a criterion is specified in the work selection list, job selection is based on the corresponding parameter specification on this initialization statement.

## Authority Required

This command requires **display** authority. The description of the \$T INTRDRnn command explains how to ensure that the authority of the appropriate MVS system command group is assigned.

## Scope

**Single member.** The command will be in effect for this member only.

## Messages

The \$HASP884 message is issued in response to this command.

## Example



\$doff1.jt

```
$HASP884 OFF1.JT
$HASP884 OFF1.JT STATUS=STARTABLE,CLASS=ABCDEFGH,CREATOR=,
$HASP884 DISP=DELETE,HOLD=,JOBNAME=,LIMIT=(0,*),
$HASP884 NOTIFY=NO,RANGE=(J1,65534),ROUTECD=(),
$HASP884 START=YES,SCHENV=,SRVCLASS=,SYSAFF=(NONE),
$HASP884 VOLUME=(,,),WS=(CL/)
```

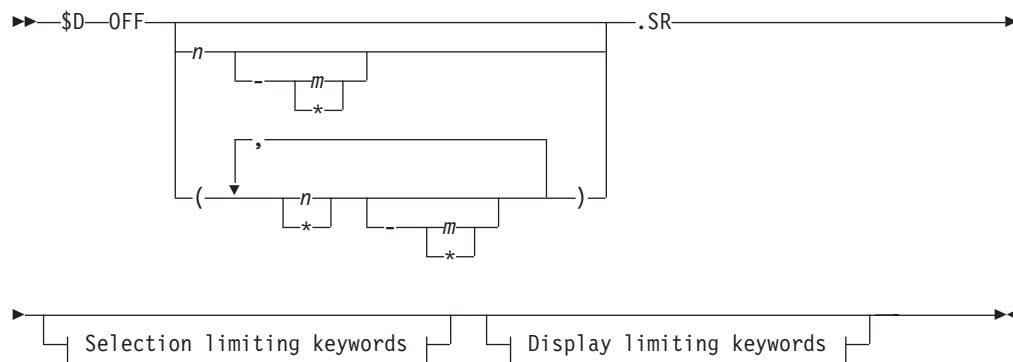
---

## \$D OFF(n).SR - Display offload SYSOUT receiver

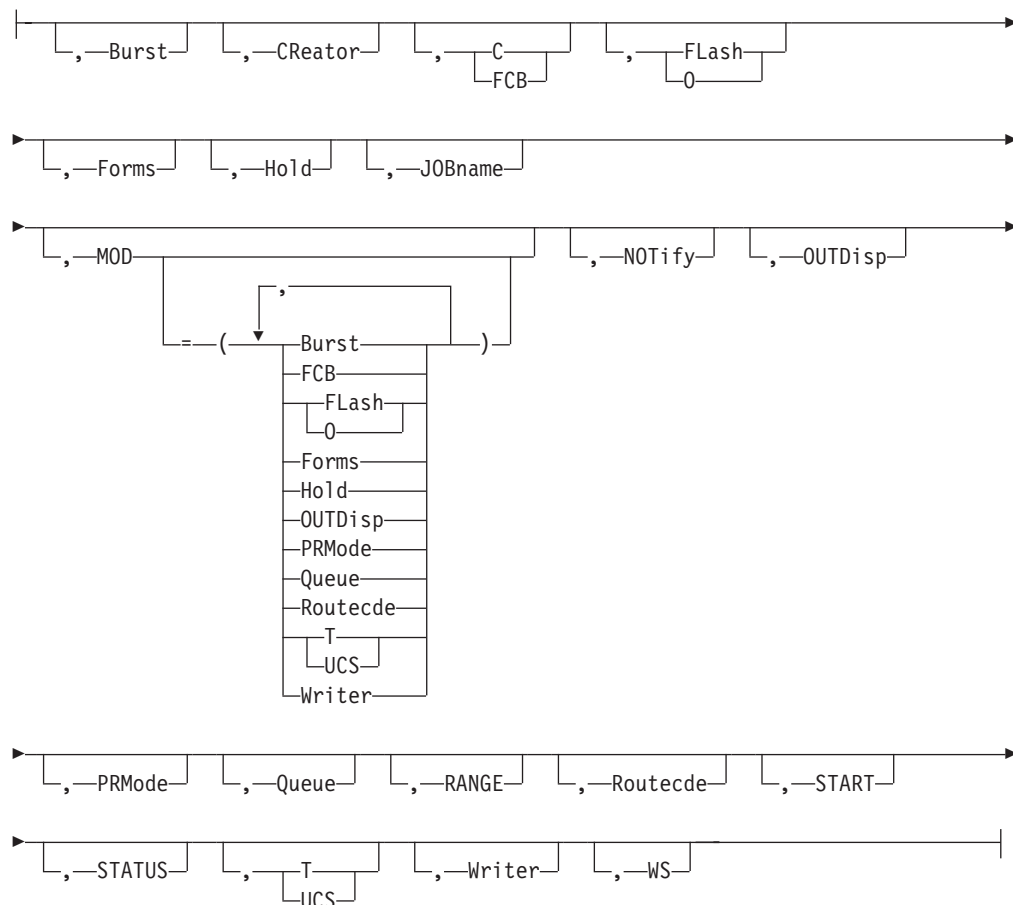
### Function

To display the offload SYSOUT receiver associated with an individual offload device.

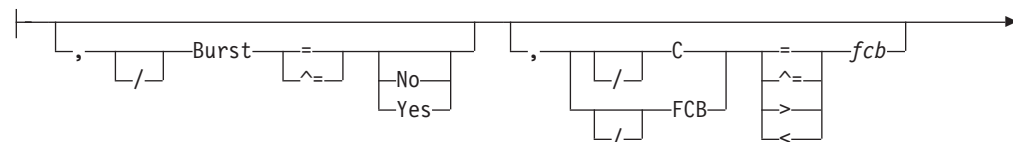
### Syntax



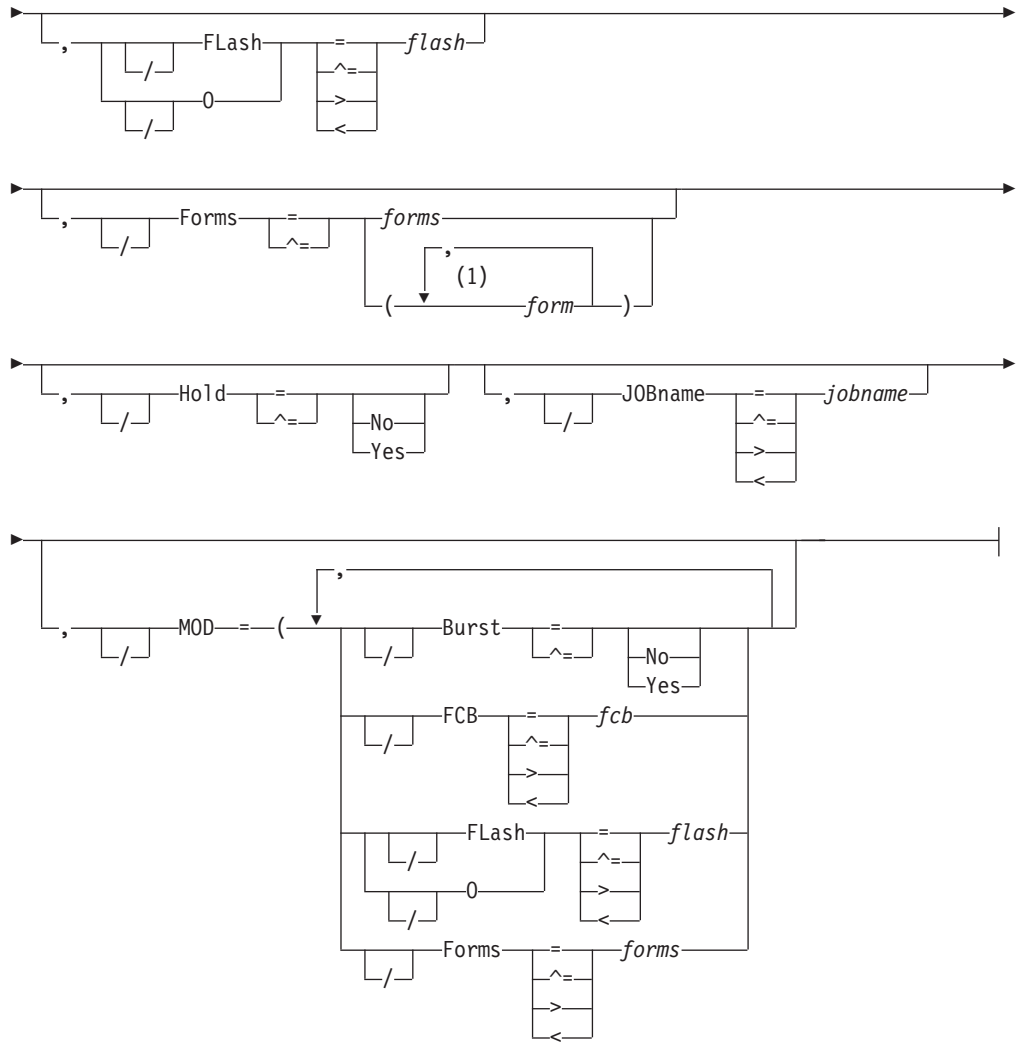
**Display limiting keywords:**



**Selection limiting keywords:**

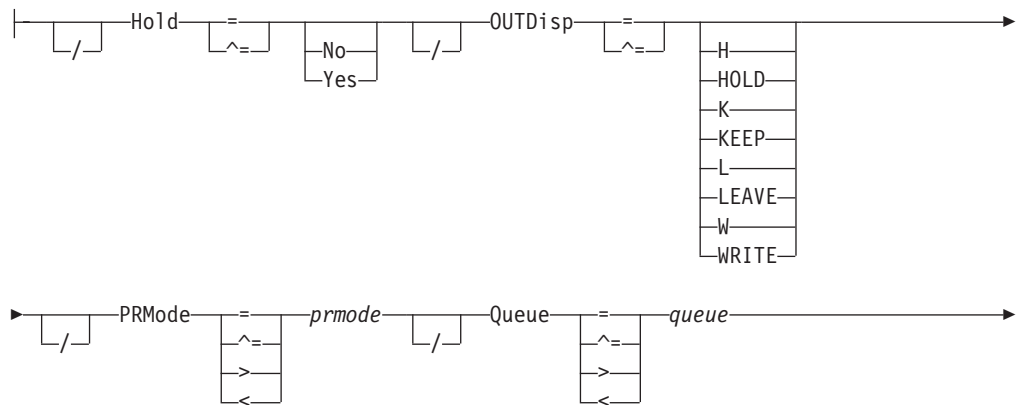


**\$D OFF(n).SR**

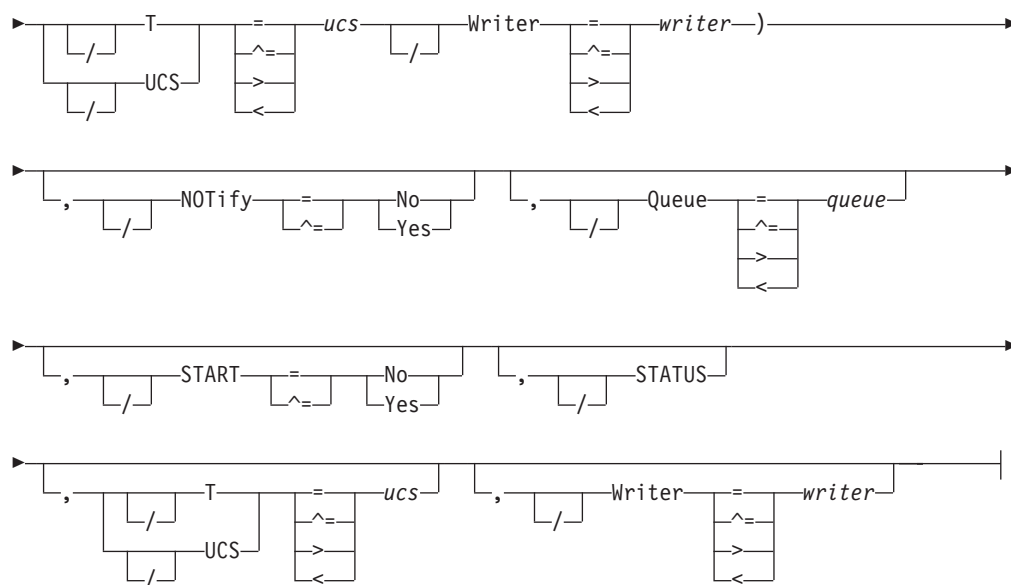


**Notes:**

- 1 `forms` can be coded up to 8 times







### Parameters

*n* [-*m* | \*]

The subscript defining the offload SYSOUT receivers that are affected by this command. The subscript can specify a single numeric value *n* (1-8) or a range of values *n-m* (1-8) associating offload SYSOUT receivers with offload devices. The asterisk character (\*) can be used to specify the first or last offload SYSOUT receivers in a range (*n-\**, for example). A comma-delimited list of values or ranges is also supported. For details about specifying a range of values for this subscript, see “Command syntax conventions” on page 97.

#### Burst

Specifies the burst specification for which output is selected.

If you allow this parameter to default, JES2 can select all output, regardless of burst specification, for loading.

**No** Indicates that the printed output is not to be burst into separate sheets.

**Yes**

Indicates that the printed output is to be burst into separate sheets.

#### CReator

Specifies the 1- to 8-character userid whose output is to be loaded from the offload data set.

#### FCB|C=fcb

Specifies the 1- to 4-character name forms control image buffer or carriage control tape.

If you allow this parameter to default, JES2 can select all output, regardless of its FCB, for loading.

#### FLash|0=f1ash

Specifies a 1- to 4-character flash name for output loaded from the offload data set.

If you allow this parameter to default, JES2 can select all output, regardless of the flash specification, for loading.

**Forms=forms**

Specifies the 1 to 8 character forms specification for which output is selected.

**Hold={No|Yes}**

Specifies whether output for held jobs are to be reloaded.

If you allow this parameter to default and HOLD is not in the work selection list, JES2 can select all output, whether held or not, for reloading. If you allow this parameter to default and HOLD is in the work selection list, no output can be reloaded.

**No** Specifies that output from held jobs cannot be selected by this device.

**Yes**

Specifies that output from held jobs can be selected by this device.

**JOBname=jobname**

Specifies the 1- to 8-character job name of the job(s) to be loaded from the offload data set.

**MOD**

Specifies those characteristics of the post-execution jobs that are to be automatically modified when post-execution jobs are loaded from the offload data set.

**Burst=Yes|No**

Specifies whether job output from this device is to be burst (page-separated).

**FCB=fcb**

Specifies a valid forms control buffer image or carriage control tape for output loaded from the offload data set.

**Flash|0=flash**

Specifies a valid flash name for output loaded from the offload data set.

**Forms=forms**

Specifies a valid forms name for output loaded from the offload data set.

**Hold=No|Yes**

Specifies whether all jobs are held after loading.

**No** Specifies that all jobs are released prior to output processing.

**Yes**

Specifies that all jobs are held prior to output processing.

**OUTDisp**

Specifies that output selected by this offload SYSOUT receiver should have its disposition changed to this value. You can specify one of the following valid dispositions:

**HOLD|H**

Hold the output. JES2 does not process the output until you either change the disposition to WRITE or KEEP, or release the output. When the output is released, the disposition changes to WRITE.

**Note:** This specification is honored when the output reaches the destination node.

**KEEP|K**

Process the output, then keep a copy of it on spool. After processing, the disposition of this output becomes LEAVE.

**LEAVE | L**

JES2 does not process the output until you change the disposition to WRITE or KEEP, or release the output. When the output is released, the disposition changes to KEEP.

**WRITE | W**

Process the output then purge it.

This modification defaults to the current disposition.

**PRMode=prmode**

Specifies a valid processing mode for output loaded from the offload data set.

**Queue=queue**

Specifies a valid output class (A-Z, 0-9) for all output loaded from the offload data set. Specify Queue=, (that is, null) and do not code Queue in the WS= list on this statement; this allows **all** defined classes to be reloaded.

**Route cde**

Specifies a destination for all output loaded from the offload data set.

**UCS | T=ucs**

Specifies a valid print train or character arrangement table for all output loaded from the offload data set.

**Writer=writer**

Specifies an external writer name for output loaded from the offload data set.

**NOTify={No | Yes}**

Specifies whether a notification message is sent to the userid specified on either the JOB statement or the /\*NOTIFY control statement.

**No** Indicates that a notification message is not sent when a post-execution job is offloaded to the offload data set.

**Yes**

Indicates that a notification message is sent when a post-execution job is offloaded to the offload data set.

**OUTDisp=(disposition[,...disposition])**

Specifies the disposition(s) that the output must have in order to be eligible for processing by this offload receiver. The operator can specify one to four of the following valid dispositions:

**HOLD | H**

Hold the output. JES2 does not process the output until you either change the disposition to WRITE or KEEP, or release the output. When the output is released, the disposition changes to WRITE.

**KEEP | K**

Process the output, then keep a copy of it on spool. After processing, the disposition of this output becomes LEAVE.

**LEAVE | L**

JES2 does not process the output until you change the disposition to WRITE or KEEP, or release the output. When the output is released, the disposition changes to KEEP.

**WRITE | W**

Process the output then purge it.

See *z/OS JES2 Initialization and Tuning Guide* for more information about specifying output disposition and how JES2 determines output disposition defaults.

**PRMode=(vvvvvvvv[,vvvvvvvv...])**

Specifies the processing mode for which output can be selected. Use commas to separate individual processing modes and enclose the list in parenthesis if more than one processing mode is specified. Wildcard specifications are allowed on this parameter.

If you allow this parameter to default, JES2 can select all output, regardless of its processing mode, for loading.

**Queue=queue**

Specifies the classes that output can be selected for. As many as 36 classes can be specified.

If you allow this parameter to default, JES2 can select all output, regardless of its class, for loading.

**RANGE={J | S | T} nnnnnn[-nnnnn] | J1-2147483647**

Specifies the range (1-2147483647) of IDs of jobs (J), started tasks (S), or TSUs (T) of those jobs that can be loaded from the offload data set. If you code this parameter, you can specify one or two values:

- If you specify one value, that value becomes both the low and the high end of the range.
- If you specify two values, the first value is the low end of the range and the second value the high end. The two values can be equal. If they are not equal, the second value must be larger than the first value.

**Routecde**

Specifies a destination for a piece of output. Its meaning depends on whether it is used as a subparameter of MOD= or not:

- If it is **not** used as a subparameter of MOD=, Routecde= means that output sent to the specified destination(s) can be selected.
- If Routecde= is used as a subparameter of the MOD= parameter, it specifies the destination(s) to which you want this output to go.

The maximum size of a route code is 18 characters. Use parentheses if more than one route code is specified. You can specify a route code in any of the forms listed. Note that a slash, a colon, or a matched set of parentheses can be used instead of a period anywhere a period appears as a separator in a route code. For example, you could specify node.remote, node:remote, node/remote, or node(remote) for an explicit route code. Wildcard specifications are allowed on this parameter for userids only.

node  
NnnnnnRmmmmm  
Ummmmm  
destid  
node.remote  
node.user  
node.Ummmmm  
node.destid  
remote  
user  
node.\*

\*

statement in the initialization stream. Explanations of the different forms of specifying route codes follow:

**LOCAL|ANYLOCAL**

Indicates routing to the local node.

**Nnnnnn**

Indicates routing to the node specified by its binary node identifier. The value specified for nnnnn can range from 1 to 32767.

**destid**

Indicates routing to the specified node(s). You can specify the name of a node, or an alias for the name of a node, for destid.

**nodename**

Indicates routing to the node specified by its EBCDIC node name.

**NnnnnnRmmmmm**

Indicates routing to the remote Rmmmmm at the node Nnnnnn. If the node is the local node, Nnnnnn may be omitted. Values specified for both nnnnn and mmmmm can range from 1 to 32767.

**Note:** NnnnnnRmmmmm is restricted to a maximum of eight characters. Therefore, the combined number of digits *nnnnn* plus *mmmmm* cannot exceed six. Valid combinations are NnnnnnRmm, NnnnnRmmm, NnnRmmmmm.

**Ummmmm**

Indicates special local routing. The special routing numbers range from 1 to 32767.

**destid**

Indicates routing to the specified node(s). If destid is specified alone, it refers to both the node and the remote.

**node.remote**

Indicates routing to a remote at the specified node.

**node.user**

Indicates routing to a user at the specified node.

**node.Ummmmm**

Indicates special local routing at the specified node. The special routing numbers range from 1 to 32767.

**node.destid**

Indicates a destination at the specified node. The destid refers to both the node and the remote. The node specified in the destid must be the same as the node portion of the route code.

**remote**

Indicates routing to a remote. Remote can be specified in any of the following ways:

**Rmmmmm**

Indicates routing to the specified remote. Rmmmmm can also be specified as RMmmmmm or RMTmmmmm. The value specified for mmmmm can range from 1 to 32767.

**destid**

Indicates routing to a destid referring to a remote.

**user**

Indicates routing to a specified userid.

If Routecde= is not used as a subparameter of MOD=, a generic userid can be specified. A generic userid is a userid that ends in an asterisk (\*), and refers to all userids that begin with any characters preceding the \*. Note that the \* can only be specified in the last position of the userid.

A userid at the local node must be in the form of a valid TSO/E userid. It must begin with an alphabetic (A-Z) or a special character ( @ # or \$ ) and the remaining characters can be alphabetic, numeric, or special characters. Userids at non-local nodes may contain any characters except separators (a period, a colon, a slash, or a set of parentheses), delimiters (a comma, or a blank), or an asterisk (\*).

**node.\***

If Routecde= is not used as a subparameter of MOD=, node.\* indicates that all output destined for the specified node is selected, regardless of the userid or remote specified. If Routecde= is used as a subparameter of MOD=, node.\* indicates that the node name is to be modified to the specified node name, but the remote node will remain the same.

- \* If Routecde= is not used as a subparameter of MOD=, \* indicates that all output specified for the local node is selected, regardless of the userid or remote specified. If Routecde is used as a subparameter of MOD=, \* indicates that the node number will be changed to the local node. However, the remote number originally specified will remain the same.

**STATUS**

Specifies that the status of the offload sysout receiver is to be displayed.

**START=Yes | No**

Specifies the initial status of this receiver when its corresponding offload device is started for a receive operation, that is when a \$S OFFLOAD(n),TYPE=RECEIVE command is issued.

**No** Indicates that this receiver is not started when a corresponding \$S OFFLOAD(n) command is issued. This receiver can later be started individually by issuing the \$S OFF(n).SR command and stopped, as required, by issuing the \$P OFF(n).SR command.

**Yes**

Indicates that this receiver is started when a corresponding \$S OFFLOAD(n) command is issued.

**Modification:** \$S OFF(n).SR operator command or \$P OFF(n).SR operator command.

**UCS | T=ucs**

Specifies the 1 to 4 character print train (universal character set) for output to be dumped.

If you allow this parameter to default, JES2 can select all output, regardless of its UCS, for loading.

**Writer=writer**

Specifies the 1 to 8 character writer name for which output can be selected.

If you allow this parameter to default, JES2 can select all output, regardless of its writer, for loading.

**WS** Specifies the selection criteria for this device. If a criterion is specified in the

work selection list, output selection is based on the corresponding parameter specification on this initialization statement.

### Authority Required

This command requires **display** authority. The description of the \$T INTRDRnn command explains how to ensure that the authority of the appropriate MVS system command group is assigned.

### Scope

**Single member.** The command will be in effect for this member only.

### Messages

The \$HASP885 message is issued in response to this command.

### Example

**1** \$d off.sr

```

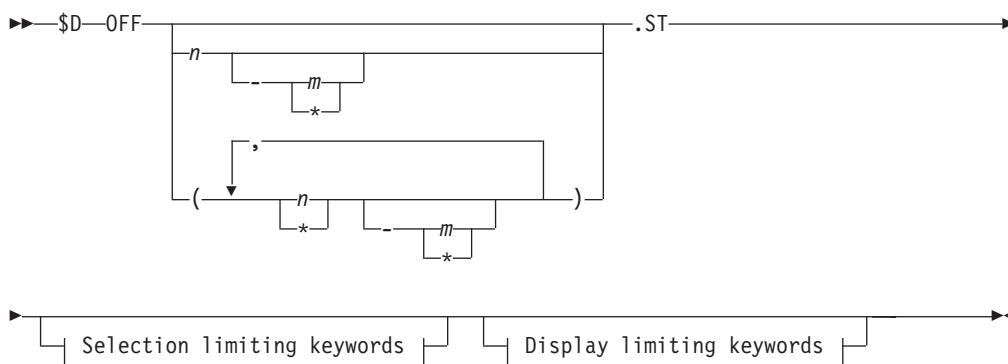
$HASP885 OFF1.SR STATUS=STARTABLE,OUTDISP=(WRITE,HOLD,KEEP,
$HASP885 LEAVE),CREATOR=,HOLD=,JOBNAME=,MOD=(BURST=,
$HASP885 OUTDISP=,FCB=,FLASH=,FORMS=,HOLD=,PRMODE=,
$HASP885 QUEUE=,ROUTECD=,UCS=,WRITER=),NOTIFY=NO,
$HASP885 RANGE=(J1,2147483647),ROUTECD=(),START=YES,
$HASP885 WS=(OUTD/),BURST=,FCB=,FLASH=,FORMS=(,,,,,,),
$HASP885 PRMODE=(),QUEUE=,UCS=,WRITER=
    
```

## \$D OFFn.ST - Display offload SYSOUT transmitter

### Function

To display offload SYSOUT transmitter associated with an individual offload device.

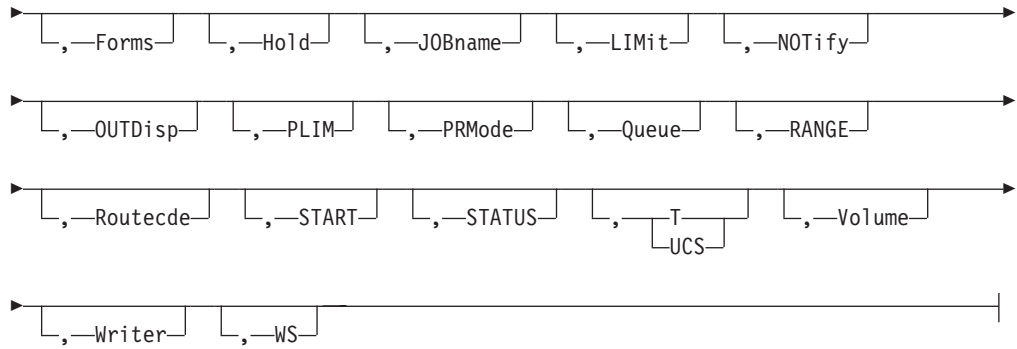
### Syntax



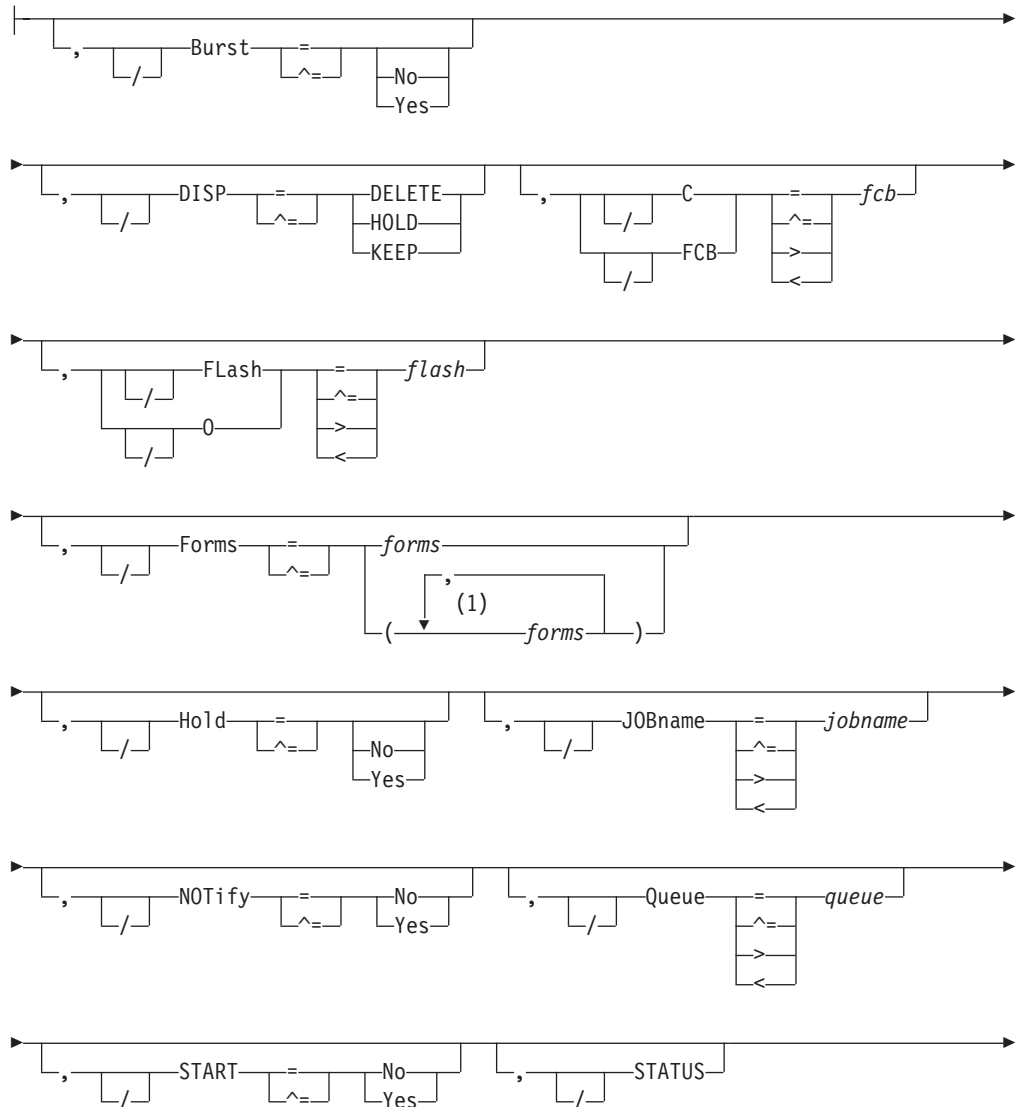
### Display limiting keywords:



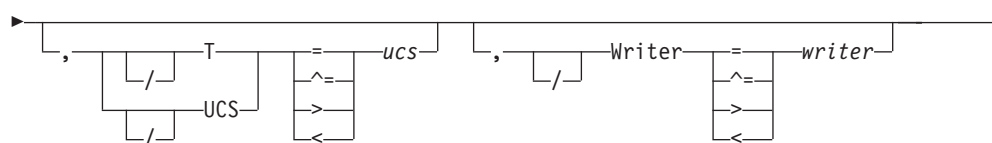
# \$D OFF(n).ST



## Selection limiting keywords:







**Notes:**

- 1 *forms* can be coded up to 8 times

**Parameters**

*n* [-*m* | \*]

The subscript defining the offload SYSOUT transmitters that are affected by this command. The subscript can specify a single numeric value *n* (1-8) or a range of values *n-m* (1-8) associating offload SYSOUT transmitters with offload devices. The asterisk character (\*) can be used to specify the first or last offload SYSOUT transmitters in a range (*n-\**, for example). A comma-delimited list of values or ranges is also supported. For details about specifying a range of values for this subscript, see "Command syntax conventions" on page 97.

**Burst={No|Yes}**

Specifies the burst specification for which output is selected.

If you allow this parameter to default, JES2 can select all output, regardless of its burst specification, for transmission.

**No** Indicates that the printed output is not to be burst into separate sheets.

**Yes**

Indicates that the printed output is to be burst into separate sheets.

**CReator**

Specifies the 1 to 8 character userid whose output is to be offloaded to the offload data set.

**DISP={KEEP|HOLD|DELETE}**

Specifies the disposition of all output that is selected for offload to the offload data set as follows:

**KEEP**

Indicates that selected output will not change status after offloading to the offload data set.

**HOLD**

Indicates that selected held output remains held after offloading to the offload data set, or HOLD indicates that selected non-held output is marked as non-selectable after offloading to the offload data set. The operator must issue a \$T O command to release jobs specified here as "HOLD".

**Note:** Marking this output as non-selectable is not the same as putting a job in HOLD status.

**DELETE**

Indicates that the selected output groups are deleted after offloading to the offload data set.

**C|FCB=fcb**

Specifies the 1 to 4 character name forms control image buffer or carriage control tape.

**FLash|0=f1ash**

Specifies the 1 to 4 character name of a particular flash for which output is selected.

**Forms=forms**

Specifies the 1 to 8 character forms specification for which output is selected.

**Hold={No|Yes}**

Specifies whether SYSOUT for held jobs can be transmitted to the offload data set. Output for held jobs is output from jobs that the operator placed on hold using the \$H command.

If you allow this parameter to default and HOLD is not in the work selection list, JES2 can select all output, whether held or not, for transmission. If you allow this parameter to default and HOLD is in the work selection list, no output can be transmitted.

**No** Specifies that output for held jobs cannot be transmitted to the offload data set.

**Yes**

Specifies that output for held jobs can be transmitted to the offload data set.

**JOBname=jobname**

Specifies the 1 to 8 character job name of the job(s) to be offloaded to the offload data set. Wildcard specifications are allowed on this parameter.

**LIMit**

Specifies the amount of output (in records) for which output can be selected.

**NOTify={No|Yes}**

Specifies whether a notification message is sent to the userid specified on either the JOB statement or the /\*NOTIFY control statement.

**No** Indicates that a notification message is not sent when a post-execution job is offloaded to the offload data set.

**Yes**

Indicates that a notification message is sent when a post-execution job is offloaded to the offload data set.

**OUTDisp**

Specifies the disposition(s) that the output must have in order to be eligible for processing by this offload transmitter.

**PLIM**

Specifies the amount of output (in pages) for which output can be selected.

**PRMode**

Specifies the processing mode for which output can be selected.

**Queue=queue**

Specifies the classes (A-Z, 0-9) that output can be selected for. All 36 classes can be specified. Specify Queue=, (that is, null) and do not code Queue in the WS= list on this statement; this allows **all** defined classes to be transmitted.

**RANGE={J | S | T} nnnnnn[-nnnnn ] | J1-99999**

Specifies the job ID range (J), started task range (S), or TSU range (T) of those jobs that can be loaded from the offload data set. Use the Jnnnnn form for job routing, the Snnnnn form for STC routing, and the Tnnnnn form for TSU job routing.

**Route code**

Specifies the one to four destination selection criteria for which output can be selected. If more than one route code is specified, enclose the list in parentheses.

The maximum size of a route code is 18 characters.

Explanations of the different forms of specifying route codes follow:

**LOCAL|ANYLOCAL**

Indicates that output routed to the local node is selected.

**Nnnnnn**

Indicates that output routed to the node specified by its binary node identifier is selected. The value specified for nnnnnn can range from 1 to 32767.

**destid**

Indicates that output routed to the specified node(s) is selected. You can specify the name of a node, or an alias for the name of a node, for destid.

**nodename**

Indicates that output routed to the node specified by its EBCDIC node name is selected.

**NnnnnnRmmmm**

Indicates that output routed to the remote Rmmmm at the node Nnnnnn is selected. If the node is the local node, Nnnnnn may be omitted. Values specified for both nnnnnn and mmmmm can range from 1 to 32767.

**Note:** NnnnnnRmmmm is restricted to a maximum of eight characters. Therefore, the combined number of digits *nnnnn* plus *mmmm* cannot exceed six. Valid combinations are NnnnnnRmm, NnnnRmmm, NnnRmmmm.

**Ummmm**

Indicates that output for special local routing is selected. The special routing numbers range from 1 to 32767.

**destid**

Indicates that output routed to the specified node(s) is selected. If destid is specified alone, it refers to both the node and the remote.

**node.remote**

Indicates that output routed to a remote at the specified node is selected.

**node.user**

Indicates that output routed to a user at the specified node is selected.

**node.Ummmm**

Indicates that output for special local routing at the specified node is selected. The special routing numbers range from 1 to 32767.

**node.destid**

Indicates that output to be routed to a destination at the specified node is selected. The destid refers to both the node and the remote. The node specified in the destid must be the same as the node portion of the route code.

**remote**

Indicates that output routed to a remote is selected. Remote can be specified in any of the following ways:

## **\$D OFF(n).ST**

### **Rmmmmm**

Indicates that output routed to the specified remote is selected. Rmmmmm can also be specified as RMmmmmm or RMTmmmmm. The value specified for mmmmm can range from 1 to 32767.

### **destid**

Indicates that output routed to a destid referring to a remote is selected.

### **user**

Indicates that output routed to a userid, or a generic userid, is selected. A generic userid is a userid that ends in an asterisk (\*), and refers to all userids that begin with any characters preceding the \*. Note that the \* can only be specified in the last position of the userid.

A userid at the local node must be in the form of a valid TSO/E userid. It must begin with an alphabetic (A-Z) or a special character ( @ # \$ ), and the remaining characters may be alphabetic, numeric, or special characters. Userids at non-local nodes may contain any characters except separators (a period, a colon, a slash, or a set of parentheses), delimiters (a comma, or a blank), or an asterisk (\*).

### **node.\***

Indicates that all output destined for the specified node is selected, regardless of the userid or remote specified.

- \* Indicates that all output specified for the local node is selected, regardless of the userid or remote specified.

If you allow this parameter to default, JES2 can select all output, regardless of the route code, for transmission.

### **START={No|Yes}**

Specifies the initial status of this transmitter when its corresponding offload device is started for a transmit operation, that is when a \$S OFFLOAD(n),TYPE=TRANSMIT command is issued.

**No** Indicates that this transmitter is not started when a corresponding \$S OFFLOAD(n) command is issued. This transmitter can later be started individually by issuing the \$S OFF(n).ST command and stopped, as required by issuing the \$P OFF(n).ST command.

### **Yes**

Indicates that this transmitter is started when a corresponding \$S OFFLOAD(n) command is issued.

### **STATUS**

Specifies that the status of the offload SYSOUT transmitter is to be displayed.

### **UCS|T=ucs**

Specifies the 1 to 4 character print train (universal character set) for output to be transmitted.

### **Volume**

Specifies the 5 or 6 character volume serial of a volume containing a spool data set. Only jobs using tracks on this volume(s) can be selected for dumping. As many as four volumes can be specified. Use commas to separate individual volume IDs and enclose the list in parenthesis if more than one ID is specified.

### **Writer=writer**

Specifies the 1 to 8 character writer name for which output can be selected.

**WS** Specifies the selection criteria for this device. If a criterion is specified in the

work selection list, output selection is based on the corresponding parameter specification on this initialization statement. If the criterion is not listed here, the criterion is not considered during work selection.

### Authority Required

This command requires **display** authority. The description of the \$T INTRDRnn command explains how to ensure that the authority of the appropriate MVS system command group is assigned.

### Scope

**Single member.** The command will be in effect for this member only.

### Messages

The \$HASP886 message is issued in response to this command.

### Example

**1** \$d off1.st

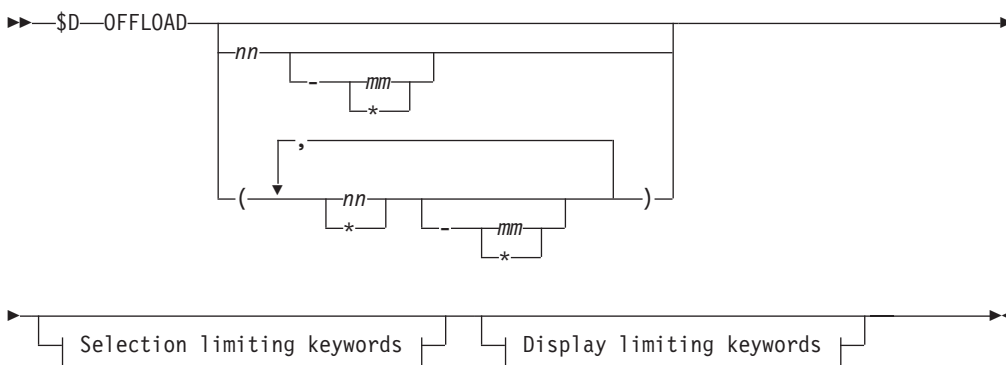
```
$HASP886 OFF1.ST STATUS=STARTABLE,CREATOR=,DISP=DELETE,
$HASP886          OUTDISP=(),HOLD=,JOBNAME=,NOTIFY=NO,RANGE=(J1,
$HASP886          65534),ROUTECD=(),START=YES,VOLUME=(,,),
$HASP886          WS=(OUTD/),BURST=,FCB=,FLASH=,FORMS=(,,,,,,),
$HASP886          LIMIT=(0,*),PLIM=(0,*),PRMODE=(),QUEUE=,UCS=,
$HASP886          WRITER=
```

## \$D OFFLOAD - Display offload devices

### Function

To display JES2 offload devices.

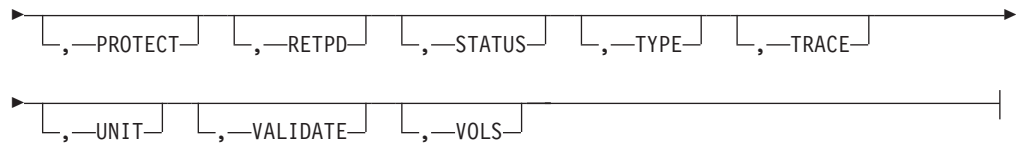
### Syntax



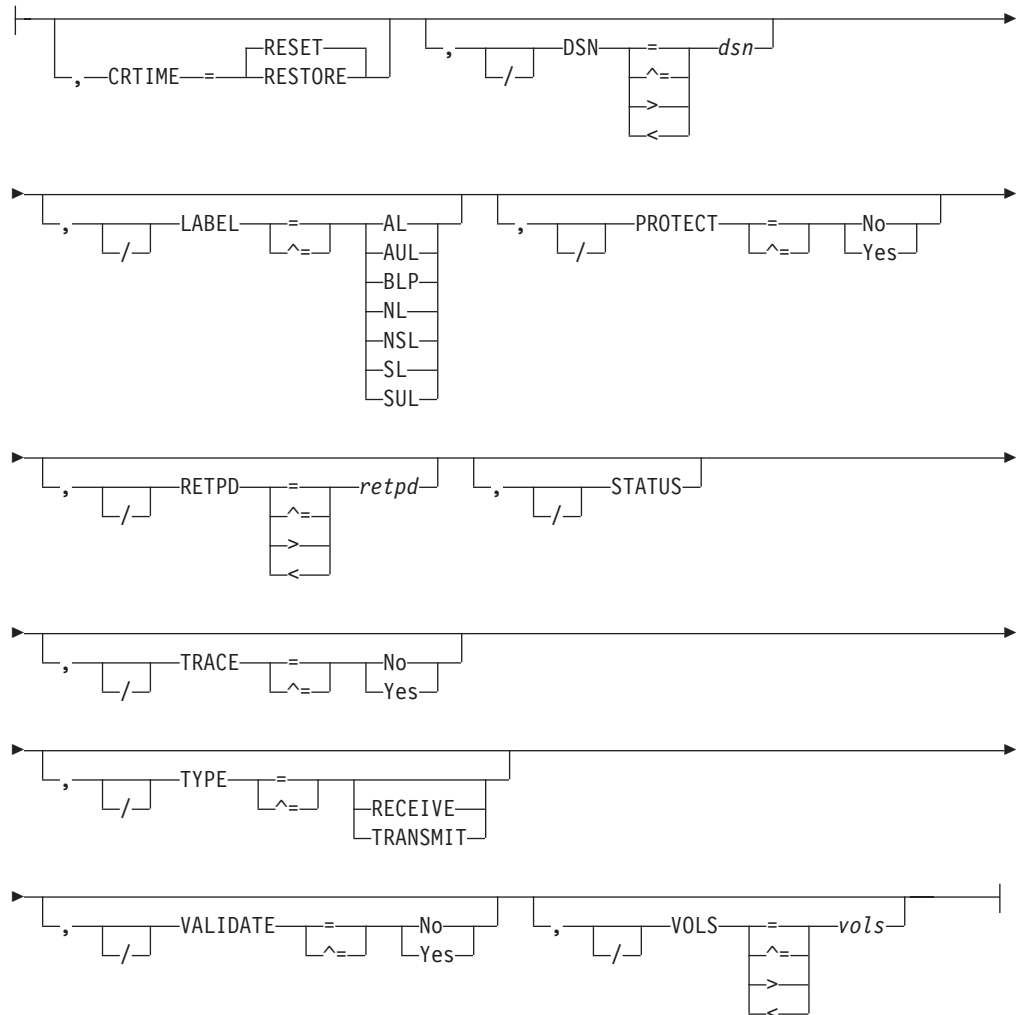
### Display limiting keywords:



## \$D OFFLOAD



### Selection limiting keywords:



## Parameters

### ARCHIVE

Specifies which offload devices JES2 prevents from scheduling jobs for offload.

### CRTIME={RESET|RESTORE}

Specifies the creation time to be associated with jobs and output on reload.

### RESET

Indicates that the time to be assigned is the time of the reload.

### RESTORE

Indicates that the time to be assigned is the original creation time (before the data was offloaded).

**DSN=dsn**

Specifies the offload data set used to define the offload device.

**LABEL={AL|AUL|BLP|NL|NSL|SL|SUL }**

Specifies the type of label processing that is required for the tape that is to be allocated for a non-cataloged spool offload data set.

**AL** American National Standard label

**AUL**

American National Standard label and American National Standard user-defined label

**BLP**

Bypass label processing

**NL** No Label

**NSL**

Non-standard label

**SL** IBM Standard label

**SUL**

IBM standard label and user-defined label

**PROTECT={No|Yes}**

Specifies whether the spool offload data set requires System Authorization Facility (SAF) protection.

**RETPD=retpd**

Specifies the retention period (1-9999), in days, if the offload data set is to be retained.

**STATUS**

Indicates that the status of the offload device is to be displayed.

**TRACE={No|Yes}**

Displays whether trace records are to be cut for data read or written by this offload device. See specific trace ids for more information.

**TYPE={TRANSMIT|RECEIVE}**

Indicates whether the offload device is in the process of offloading jobs to an offload data set (TYPE=TRANSMIT) or reloading jobs from an offload data set (TYPE=RECEIVE).

**VALIDATE={No|Yes}**

Specifies the action JES2 takes if it determines that the first record of the offload data set is not LRECL=80.

**VOLS=vols**

Specifies the volume count (1-255) to be used for the spool offload data set.

**Authority Required**

For a description of assigning command input authority, see *z/OS JES2 Initialization and Tuning Guide*.

**Scope**

**Single member.** See *z/OS MVS System Commands* for more information on using the ROUTE \*ALL command.

## Messages

The \$HASP882 message is issued in response to this command.

## Example

**1** \$DOFFLOAD1

```
$HASP882 OFFLOAD1 DSN=OFFLOAD.DATASET1,STATUS=DRAINED,  
$HASP882          ARCHIVE=ONE,CRTIME=RESET,LABEL=SL,PROTECT=NO,  
$HASP882          RETPD=30,TRACE=NO,UNIT=(161,1),VALIDATE=YES,  
$HASP882          VOLS=255
```

JES2 provides information about offload devices.

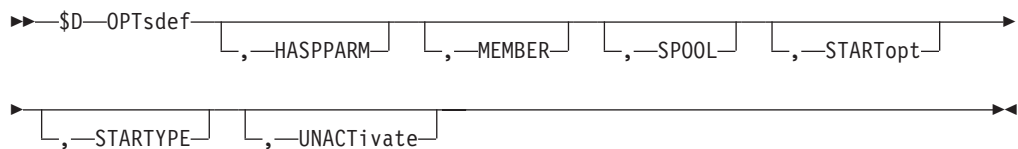
---

## \$D OPTsdef - Display start options processing definitions

### Function

To display JES2 start options.

### Syntax



### Parameters

#### HASPPARM

Displays the name of the data definition (DD) statement that defines the data set containing the initialization statements that JES2 is to use for initialization.

#### MEMBER

Displays the member of the MVS default PARMLIB concatenation containing the initialization statements that JES2 is to use for initialization.

#### SPOOL

Displays whether this member performed a spool validation on its last restart, and whether validation was forced.

#### STARTOpt

Displays the type of start that was specified in the initialization options (FORMAT, COLD, WARM).

#### STARTYPE

Displays the type of start that was actually performed (FORMAT, COLD, ALL-MEMBER WARM, SINGLE-MEMBER WARM, QUICK, HOT).

#### UNACTivate

Displays whether or not the UNACTivate START PARM was specified.

### Authority Required

This command requires **display** authority. The description of the \$T RDRnn command explains how to ensure that the authority of the appropriate MVS system command group is assigned.



This command requires **read** security access authority. For a description of assigning command input authority, see *z/OS JES2 Initialization and Tuning Guide*.

### Scope

**Single member.** The response to this command will be a display of information about this member only. You might want to use this command to get information about all members in the MAS. To do so, you can use the MVS ROUTE \*ALL command to issue this command to all active members (if the JES2 command character is the same on all members). See *z/OS MVS System Commands* for more information on using the ROUTE \*ALL command.

### Messages

The \$HASP820 message is issued in response to this command.

### Example

**1** \$d optsdef

```
$HASP820 OPTSDEF HASPPARM=HASPPARM, MEMBER=, SPOOL=NOVALIDATE,
$HASP820 UNACTIVATE=NO, STARTOPT=COLD, STARTYPE=COLD
```

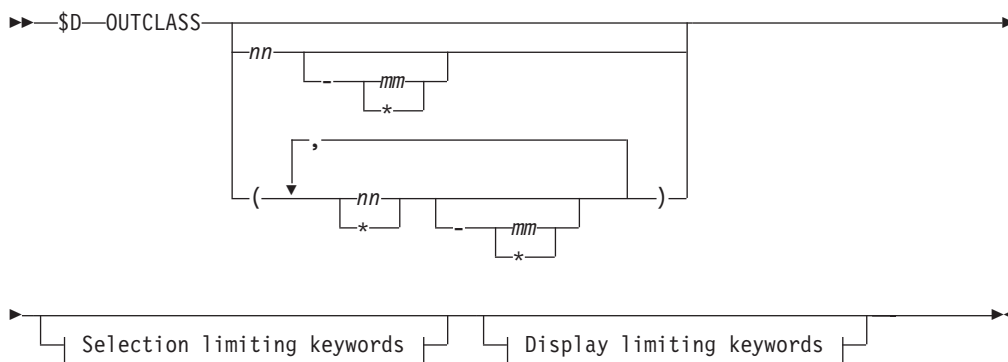
JES2 provides information about the start options.

## \$D OUTCLASS(n) - Display output classes

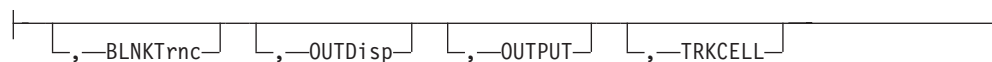
### Function

To display output classes.

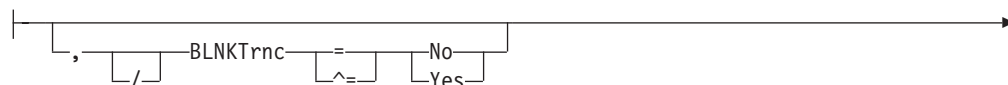
### Syntax



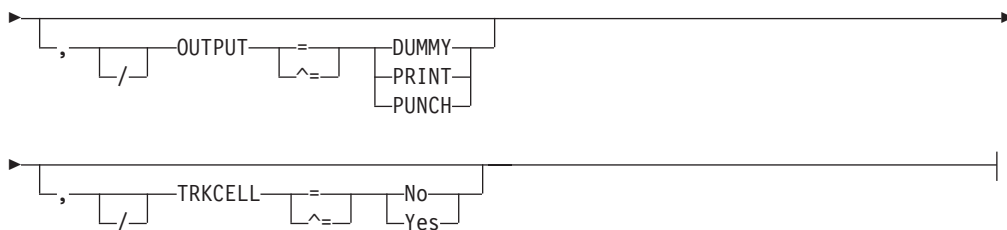
### Display limiting keywords:



### Selection limiting keywords:



## \$D OUTCLASS(n)



### Parameters

#### (nn-mm)

The subscript of the output class(es) (A-Z, 0-9) that are displayed

#### BLNKTrnc

Specifies whether (Yes) or not (No) JES2 truncates trailing blanks for non-page-mode data sets in this output class.

#### OUTDisp

Specifies the default output disposition for the SYSOUT data sets in this class, depending on the successful completion of the job.

#### OUTPUT [=DUMMY | PRINT | PUNCH]

Specifies the installations standard for output classes so that appropriate print and punch accounting can be maintained.

#### DUMMY

Specifies that JES2 is to process the output class as a dummy data set (the class will still be allocated spool space but will be marked non-printable to JES2).

#### PRINT

Specifies that the output class is to be printed.

#### PUNCH

Specifies that the output class is to be punched.

#### TRKCELL={No | Yes}

Specifies that physical records of each data set of this SYSOUT class are to be specially grouped on the spool volume(s), and are to be read from the spool volume in blocks.

### Authority Required

This command requires **display** authority.

This command requires **read** security access authority. For a description of assigning command input authority, see *z/OS JES2 Initialization and Tuning Guide*.

### Scope

**Single member.** The response to this command will be a display of information about this member only. You might want to use this command to get information about all members in the MAS. To do so, you can use the MVS ROUTE \*ALL command to issue this command to all active members (if the JES2 command character is the same on all members). See *z/OS MVS System Commands* for more information on using the ROUTE \*ALL command.

## Messages

The \$HASP842 message is issued in response to this command.

## Example

**1** \$D OUTCLASS

```
$d outclass(a)
$HASP842 OUTCLASS(A)
$HASP842 OUTCLASS(A) OUTPUT=PRINT,BLNKTRNC=YES,OUTDISP=(WRITE
$HASP842 WRITE),TRKCELL=YES
```

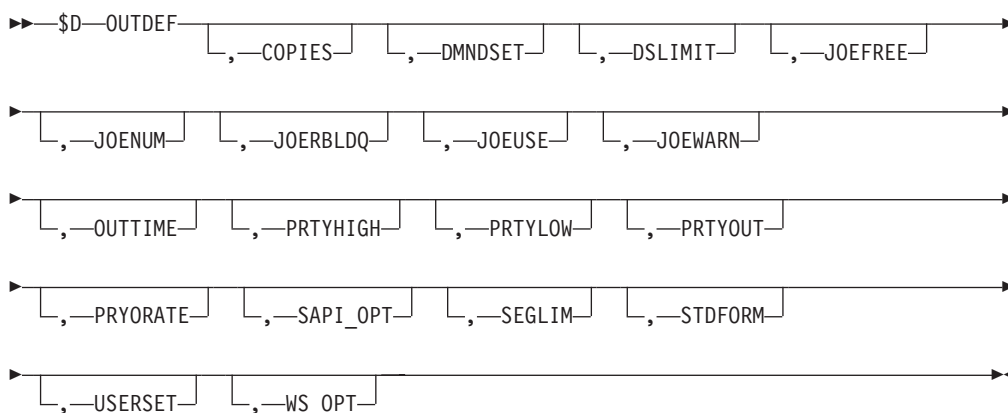
JES2 provides information about output classes.

## \$D OUTDEF - Display output definition options

### Function

To display output definitions.

### Syntax



### Parameters

#### COPIES

Specifies the maximum number (1-255) of job output copies that can be requested in the accounting field of your JOB statement or on a /\*JOBPARM control statement.

**Scope: Single Member.** The response to this command will be a display of information about this member only.

#### DMNDSET

Specifies whether inline printer setup will be allowed for data sets whose SYSOUT class matches the job message class.

#### DSLIMIT

Specifies the current limit on the number of SPOOL data sets that any job can create during the entire lifetime of the job. One of the following values is displayed:

**10M** A job is allowed to create up to 10 Million (9,999,999) data sets.

**4B** A job is allowed to create up to 4 Billion (4,294,967,296) data sets.

**Scope: MAS-Wide.** This command displays MAS-wide information.

**JOEFREE**

The number of available job output elements.

**Scope: MAS-Wide.** This command can display information about jobs on any or all members of the MAS depending upon the parameters you provide.

**JOENUM**

Specifies the number (10-400000) of job elements (JOEs) to be generated.

**Scope: MAS-Wide.** This command can display information about jobs on any or all members of the MAS depending upon the parameters you provide.

**JOERBLDQ**

Displays YES if there are output elements on the rebuild queue.

**Scope: MAS-Wide.** This command can display information about jobs on any or all members of the MAS depending upon the parameters you provide.

**JOEUSE**

Displays the number of JOEs of different types in the JES2 checkpoint.

**Scope: MAS-Wide.** The response to this command will be a display of MAS-Wide information.

**JOEWARN**

Specifies the percentage (0-100) of use of job output elements at which the operator will be alerted through message \$HASP050.

**Scope: MAS-Wide.** This command can display information about jobs on any or all members of the MAS depending upon the parameters you provide.

**OUTTIME**

Specifies whether JES2 will save the time stamp that indicates the creation time of an output's JOE, or whether it will instead save the time when the JOE was last updated.

**Scope: Single Member.** The response to this command will be a display of information about this member only.

**PRTYHIGH**

Specifies the upper priority limit (0-255) to be associated with the JES2 job priority aging feature.

**Scope: MAS-Wide.** This command can display information about jobs on any or all members of the MAS depending upon the parameters you provide.

**PRTYLOW**

Specifies the lower priority limit (0-255) to be associated with the JES2 job priority aging feature.

**Scope: MAS-Wide.** This command can display information about jobs on any or all members of the MAS depending upon the parameters you provide.

**PRTYOUT**

Specifies whether the priority specification on the JCL OUTPUT statement is supported (Yes) or ignored (No).

**Scope: Single Member.** The response to this command will be a display of information about this member only.

**PRYORATE**

Specifies the number (0-1440) of time periods into which a 24-hour day is to be divided for use in increasing a job's output priority by the JES2 output priority aging feature.

**Scope: MAS-Wide.** This command can display information about jobs on any or all members of the MAS depending upon the parameters you provide.

**SAPI\_OPT**

Displays whether SAPI POST work selection optimization is enabled for this member.

**Scope: Single Member.** The response to this command will be a display of information about this member only.

**SEGLIM**

Specifies the maximum number of output segments (1-99999) JES2 creates for a SYSOUT data set.

**Scope: Single Member.** The response to this command will be a display of information about this member only.

**STDFORM**

Specifies 1 to 8 character identifier to be used as a default forms ID when a forms ID is not specified.

**Scope: Single Member.** The response to this command will be a display of information about this member only.

**USERSET**

Specifies whether the user is permitted (Yes) or not permitted (No) to create demand setup JOEs through the use of the JCL OUTPUT statement.

**Scope: Single member.** The response to this command will be a display of information about this member only.

**WS\_OPT**

Displays whether SAPI GET – JOE-INDEX work selection optimization is enabled for the MAS. Depending on the current state of the SYSOUT work selection optimization, one of the following values is displayed:

**NO** SYSOUT work selection optimization is disabled.

**YES** SYSOUT work optimization is enabled and fully functional.

**YES-IN-PROGRESS**

SYSOUT work selection optimization has been enabled but the request is still being processed in the background. When the request completes, message \$HASP145 is issued.

**YES-SUSPENDED**

SYSOUT work selection optimization was enabled but has been suspended due to an error found in the internal JES2 processing. SYSOUT work selection optimization can be completely disabled by issuing \$TOUTDEF,WS\_OPT=NO or re-enabled by issuing \$TOUTDEF,WS\_OPT=YES. JES2 attempts to re-enable SYSOUT work selection optimization automatically whenever any MAS member starts.

**Scope: MAS-Wide.** The response to this command will be a display of MAS-Wide information.

## Authority Required

This command requires **display** authority.

This command requires **read** security access authority. For a description of assigning command input authority, see *z/OS JES2 Initialization and Tuning Guide*.

## Scope

The scope of this command varies by parameter. See the description of each parameter for its scope.

The values supplied for some parameters on this command will be in effect across the entire MAS, while the values supplied for other parameters will be in effect for this member only.

Depending on your installation's setup, you might want the parameters for this command to be applied to all members of the MAS (to ensure a consistent environment across the MAS). If so, you can use the MVS ROUTE \*ALL command to issue this command to all active members (if the JES2 command character is the same on all members). See *z/OS MVS System Commands* for more information on using the ROUTE \*ALL command.

## Messages

The \$HASP836 message is issued in response to this command.

## Example

```
1 $doutdef
   $HASP836 OUTDEF
   $HASP836 OUTDEF COPIES=255,DMNDSET=NO,JOENUM=200,JOEFREE=198,
   $HASP836         JOEWARN=80,OUTTIME=CREATE,PRTYLOW=0,
   $HASP836         PRTYHIGH=255,PRTYOUT=NO,PRYORATE=0,SEGLIM=100,
   $HASP836         STDFORM=STD,USERSET=NO,JOERBLDQ=NONE,
   $HASP836         DSLIMIT=10M,E58ALL=NO
```

JES2 provides information about output definitions.

```
2 $doutdef,sapi_opt
   $HASP836 OUTDEF SAPI_OPT=NO
```

SAPI POST work selection optimization is not enabled.

```
3 $doutdef,ws_opt
   $HASP836 OUTDEF WS_OPT=YES
```

SAPI GET -- JOE Index -- work selection optimization is enabled.

```
4 $doutdef,ws_opt
   $HASP836 OUTDEF WS_OPT= YES-IN-PROGRESS
```

JOE Index was created but is not yet usable because it is being built by the asynchronous process.

```
5 $doutdef,ws_opt
   $HASP836 OUTDEF WS_OPT=YES-SUSPENDED
```

SAPI GET -- JOE Index work selection optimization was enabled, but an error caused it to become unusable. The suspended JOE Index can be destroyed using \$TOUTDEF,WS\_OPT=NO command and rebuilt using \$TOUTDEF,WS\_OPT=YES command. JES2 automatically attempts to rebuild a suspended JOE index every time a JES2 member starts.

```

6 $doutdef,joeuse
      $HASP836 OUTDEF
      $HASP836 OUTDEF CURRENT JOE UTILIZATION
      $HASP836         TYPE          COUNT
      $HASP836         -----          -----
      $HASP836         WORK           50000
      $HASP836         CHAR            440
      $HASP836         INDEX           300
      $HASP836         FREE            34000
  
```

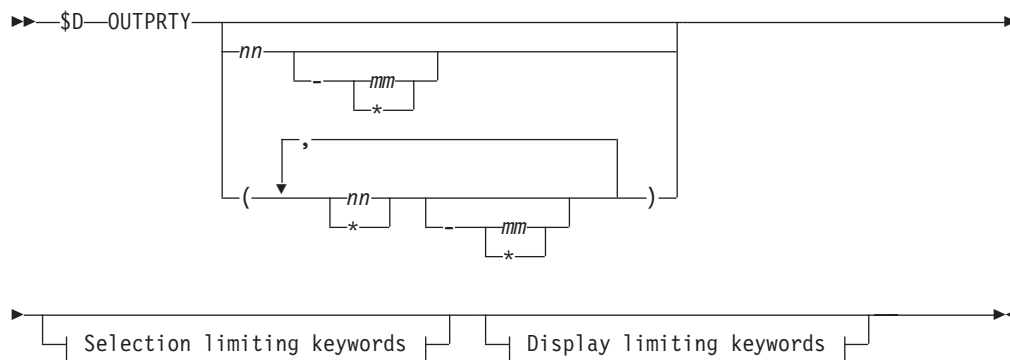
The JOE counts for the MAS are displayed.

## \$D OUTPRTY - Display job output priority

### Function

To display job output priority.

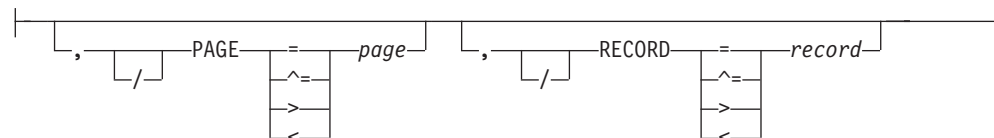
### Syntax



### Display limiting keywords:



### Selection limiting keywords:



## \$D OUTPRTY

### Parameters

#### PAGE=page

Specifies the output page counts (1-16777215) that are associated with the priorities specified in the PRIORITY=parameter.

#### PRIORITY

Specifies the output selection priority (0-255) for the output interval specified by the corresponding RECORD= and PAGE= parameters.

#### RECORD=record

Specifies the output line counts (1-16777215) that are associated with the priorities specified in the PRIORITY parameter.

### Authority Required

This command requires **display** authority.

This command requires **read** security access authority. For a description of assigning command input authority, see *z/OS JES2 Initialization and Tuning Guide*.

### Scope

**Single member.** The response to this command will be a display of information about this member only. You might want to use this command to get information about all members in the MAS. To do so, you can use the MVS ROUTE \*ALL command to issue this command to all active members (if the JES2 command character is the same on all members). See *z/OS MVS System Commands* for more information on using the ROUTE \*ALL command.

### Messages

The \$HASP848 message is issued in response to this command.

### Example

#### 1 \$D OUTPRTY

```
$d outprty
$HASP848 OUTPRTY(1) PRIORITY=144,RECORD=2000,PAGE=50
$HASP848 OUTPRTY(2) PRIORITY=128,RECORD=5000,PAGE=100
$HASP848 OUTPRTY(3) PRIORITY=112,RECORD=15000,PAGE=300
$HASP848 OUTPRTY(4) PRIORITY=96,RECORD=16777215,PAGE=16777215
$HASP848 OUTPRTY(5) PRIORITY=80,RECORD=16777215,PAGE=16777215
$HASP848 OUTPRTY(6) PRIORITY=64,RECORD=16777215,PAGE=16777215
$HASP848 OUTPRTY(7) PRIORITY=48,RECORD=16777215,PAGE=16777215
$HASP848 OUTPRTY(8) PRIORITY=32,RECORD=16777215,PAGE=16777215
$HASP848 OUTPRTY(9) PRIORITY=16,RECORD=16777215,PAGE=16777215
```

JES2 provides information about the output priority.

---

## \$D PATH - Display paths from node to node

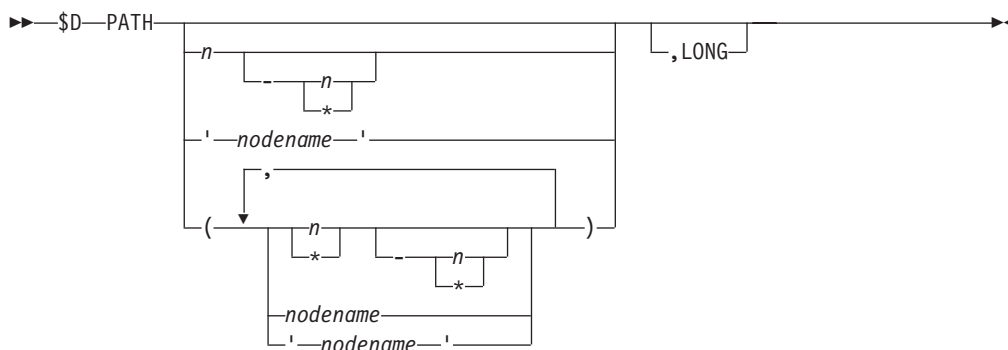
### Function

To display the path from one node to another in a network.

One or more parameters on this command accepts wild cards. Parameter descriptions will note that.



## Syntax



## Parameters

### PATH

Displays the path from the node at which the command is entered to the node specified in the command.

### (nodename|n|\*)

Specifies the target node. You can use nodename or node number or an asterisk ( \* ) to obtain information for **all** nodes. You can also specify wild cards for the path name. See “Using wildcards” on page 108 for additional information.

### LONG

Displays information about secondary lines.

## Authority Required

This command requires **display** authority. The description of the \$T RDRnn command explains how to ensure that the authority of the appropriate MVS system command group is assigned.

This command requires **read** security access authority. For a description of assigning command input authority, see *z/OS JES2 Initialization and Tuning Guide*.

## Scope

**MAS-wide.** This command displays information about the entire MAS.

## Messages

The \$HASP231 message displays the nodes in the path from the node on which the command is entered to the node named in the command.

The STATUS parameter will be displayed; however, this parameter cannot be specified (it is display-only). A STATUS=SIGNON VIA LINE will be displayed whenever the primary line displayed in the message is currently in the process of a sign-on.

**Note:** If there are multiple paths through the same adjacent node, only the primary trunk is displayed.

## \$D PATH

### Examples

```
1
$dpath(vmx02)
$hasp231 path(vmx02) 634
$hasp231 path(vmx02)      status=(through member d3x0),rest=100,
$hasp231                  path=(isof1,vmx02)
```

The path from local node isof1 to target node vmx02 is made through MAS member d3x0 and consists of only these two nodes.

```
2
$DPATH001
$HASP231 PATH(BATEST) 856
$HASP231 PATH(BATEST)  STATUS=(THROUGH MEMBER ST37),REST=400,
$HASP231                PATH=(S2324,AB2JES,BATEST),
$HASP231                STATUS=(THROUGH LNE1101),REST=400,
$HASP231                PATH=(S2324,JSYSTEM,BATEST),
$HASP231                STATUS=(AWAITING RESET WITH AHFJES),
$HASP231                REST=400,PATH=(S2324,AHFJES,BATEST)
```

The path from local node S2324 to target node BATEST occurs through MAS members ST37/LNE1101, causes the installation a resistance of 400, and consists of three nodes.

```
3
$dpath(node1)
$HASP231 PATH(NODE1)
$HASP231 PATH(NODE1)      STATUS=(THROUGH LNE1),REST=200,
$HASP231                  PATH=(NODE2,NODE1)
```

```
4
$dpath(node1),long
$HASP231 PATH(NODE1)
$HASP231 PATH(NODE1)      STATUS=(THROUGH LNE1,THROUGH LNE11),
$HASP231                  REST=200,PATH=(NODE2,NODE1)
```

The LONG parameter displays information about secondary lines.

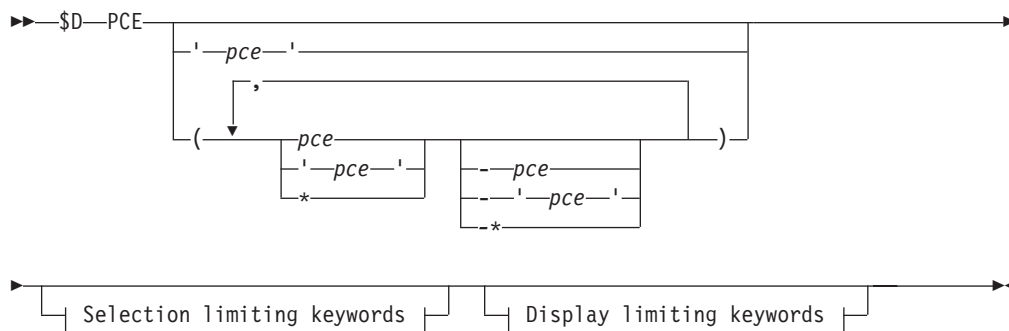
---

## \$D PCE - Display status for JES2 processors

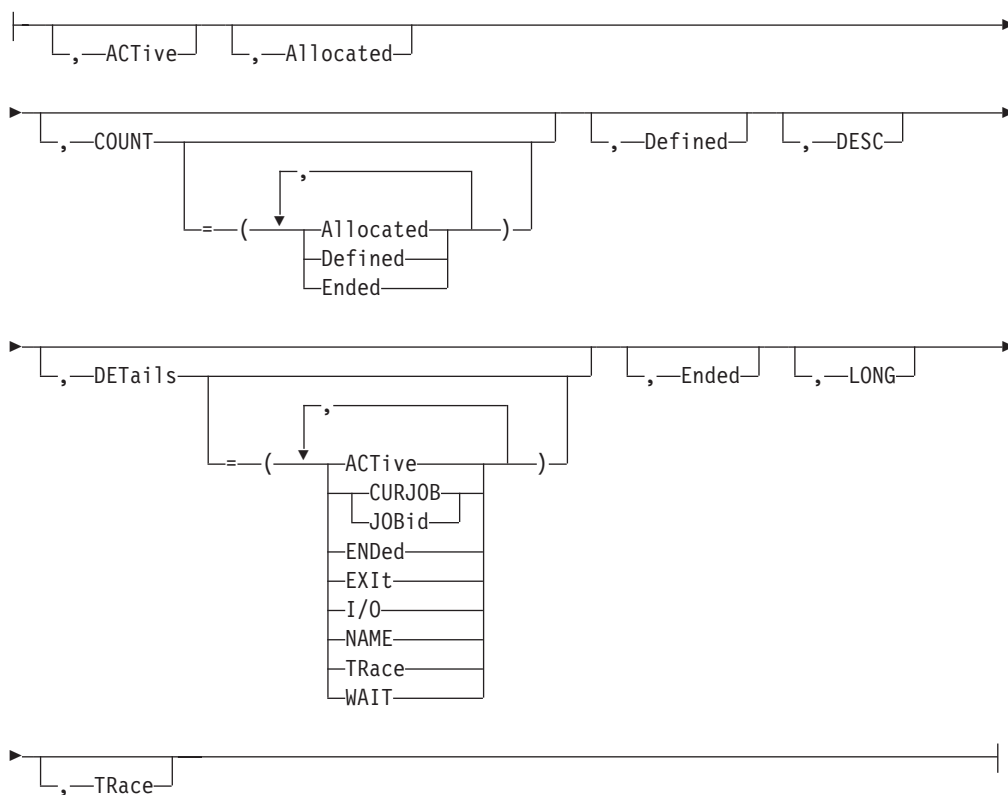
### Function

To display status information (such as tracing status, ended counts or \$ACTIVE counts) for one or more JES2 PCE types.

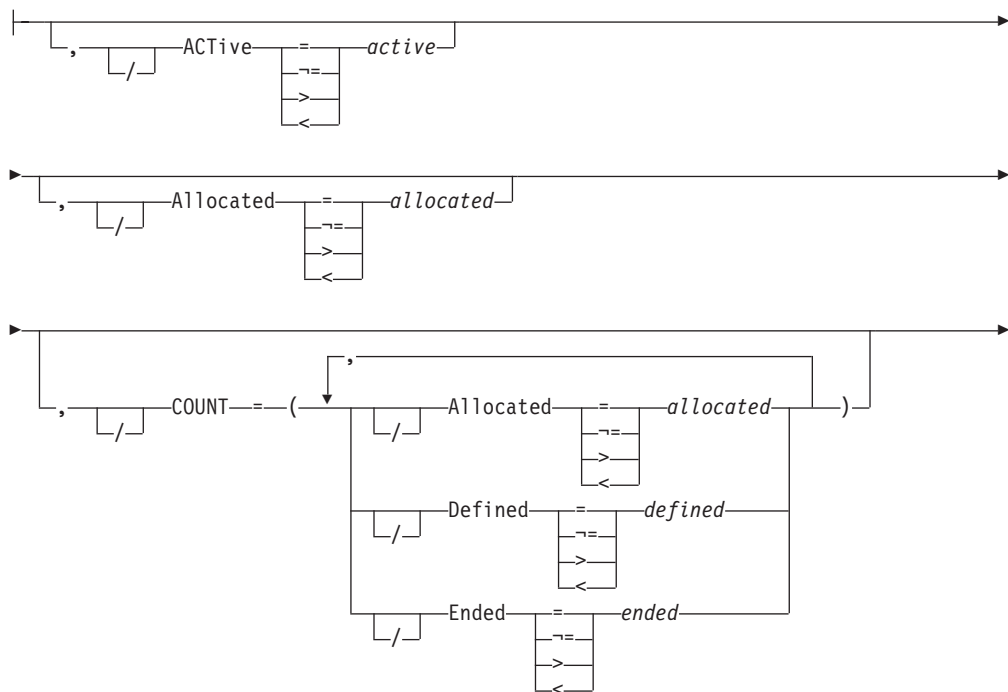
### Syntax

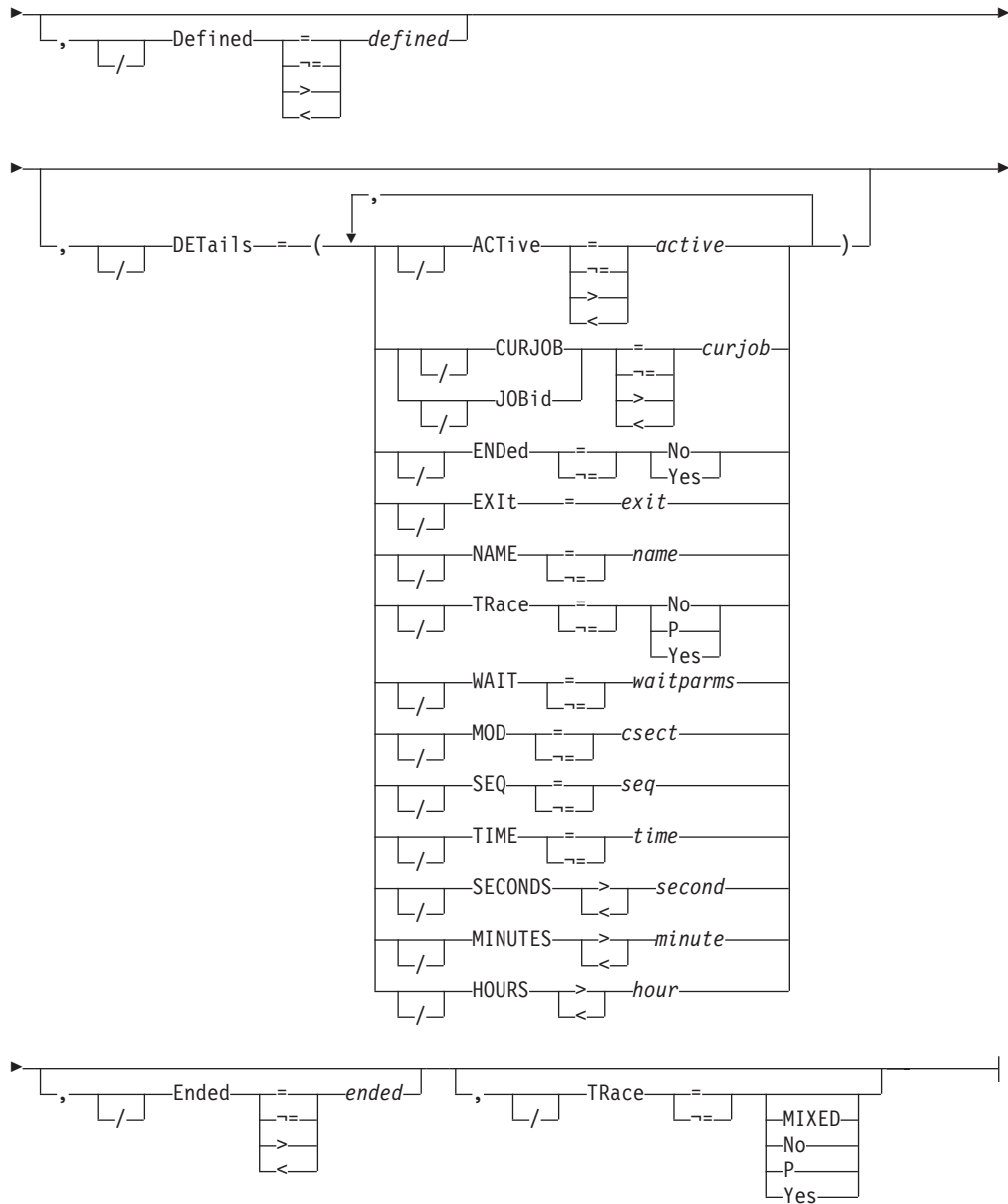


**Display limiting keywords:**



**Selection limiting keywords:**





## Parameters

(*pce-type*)

JES2 displays the status of processors in the specified processor-type(s). If this operand is omitted, then all PCE types are displayed.

The valid processor-types are:

### Command Input

#### Processors

#### ALICE

Acquire lock and initiate cleanup executor

#### ASync

ASync I/O Processor

#### BERTLOCK

BERT Lock Post Processor

**CKPT** Checkpoint Processor  
**CNVT** JCL Converter  
**COMM**  
    Command Processor  
**DAWN**  
    Distributed Available Work Notification  
**ENF** ENF Listen Processor  
**EOM** End of Memory Processor  
**EVTL** Event Trace Log  
**EXEC** Execution Services  
**FCLEANUP**  
    FSS Cleanup at EOM  
**HOPE** Output Processor  
**IRCLEAN**  
    Internal Reader Cleanup  
**JCMD** MAS Command Processor  
**JQRP** JQE Request Processor  
**MCON**  
    Remote Console Processor  
**MLLM**  
    Line Manager  
**MISC** Miscellaneous processor  
**NET.JR**  
    NJE Job Receiver  
**NET.JT**  
    NJE Job Transmitter  
**NET.SR**  
    NJE SYSOUT Receiver  
**NET.ST**  
    NJE SYSOUT Transmitter  
**NET.RR**  
    Job Route Receiver  
**NET.RT**  
    Job Route Transmitter  
**NPM** Network Path Manager  
**NRM** Network Resource Monitor  
**OFF.JR**  
    Offload Job Receiver  
**OFF.JT**  
    Offload Job Transmitter  
**OFF.SR**  
    Offload SYSOUT Receiver

## \$D PCE

**OFF.ST** Offload SYSOUT Transmitter

**PRT** Printer

**PRTYO** Output Priority Aging

**PRTY** Job Priority Aging

**PSO** Process SYSOUT Processor

**PUN** Punch

**PURGE** Purge Processor

**RDR** Reader

**RESOURCE** Resource Monitor

**RESTART** ARM Support Processor

**RMT.RDR** RJE Reader

**RMT.PRT** RJE Printer

**RMT.PUN** RJE Punch

**SJFSERV** SWB Modify Processor

**SNF** Spool Garbage Collector

**SOM** Spool Offload I/O Manager

**SPI** SYSOUT API Processor

**SPIN** Spin Output Processor

**SPOOL** Spool Command Processor

**STAC** SSI Status/Cancel Services

**TIME** Elapsed Time Monitor

**TIMER** STIMER/TTIMER Processor

**WARM** Warm Start Processor

**XCF** JESXCF Interface

**XCFMND** JESXCF Request Processor

See topic about PCE List in *z/OS JES2 Messages* for a list of PCEs and a description of their functions.

**ACTive=active**

\$ACTIVE count of all PCEs of this type. The \$ACTIVE count is the number of devices of this type that are currently active or the number of jobs active on PCEs of this type.

**Allocated=allocated**

Number of defined PCEs that have been created.

**COUNT=Allocated|Defined|Ended**

**Allocated**

Number of defined PCEs that have been created.

**Defined**

Number of PCEs of this type defined to JES2.

**Ended**

Number of allocated PCEs that have ended.

**Defined=defined**

Number of PCEs of this type defined to JES2.

**DESC**

Displays a short description of the PCE type.

**DETAils=PCE**(*pcetype*) | **NAME**=*name* | **WAIT**=*waitparms* | **MOD**=*csect* | **SEQ**=*seq* | **TIME**=*yyyy.ddd, hh:mm:ss* | **SECONDS** | **MINUTES** | **HOURS** | **TRace**=*yes* | {**CURJOB** | **JOBid**=*jobnnnnn*} | {**ACTIVE**=*active*} | {**I/O**=*iii*} | {**ENDED**=*yes*} | {**EXIT**=*eee*}

Displays detailed information about every PCE of the type.

**pcetype**

The processor type for a group of JES2 processors. This value is the NAME operand for an entry in the JES2 installation PCE table. For a complete list of the JES2 processor types, see the \$T PCE command, or Appendix A PCE list for a list of PCEs, their names, and whether they are required, and a description of their function.

**mod**

Module CSECT name where PCE is \$WAITing.

**SEQ**

Sequence number in *mod* where PCE is \$WAITing.

**TIME**

Date and time when PCE \$WAITed.

**SECONDS**>*second* | **SECONDS**<*second*

Time interval in second, more or less than which PCE has been waiting.

**MINUTES**>*minute* | **MINUTES**<*minute*

Time interval in minute, more or less than which PCE has been waiting.

**HOURS**>*hour* | **HOURS**<*hour*

Time interval in hour, more or less than which PCE has been waiting.

**TRace**=*yes*

Current trace status for the PCE.

**CURJOB** | **JOBid**

Current job id of job being processed (if any) by the PCE.

**ACTIVE**

\$ACTIVE count for the PCE.

## \$D PCE

### I/O

Number of \$EXCPs outstanding for the PCE.

### ENDED=yes

Present only if the PCE has **ended**.

### EXIT=eee

Present only if the PCE is in logic that is part of an installation exit.

### Ended=ended

Number of allocated PCEs that have ABENDED and are now ended.

### LONG

Includes a description of the PCEs in the display.

**Note:** Because LONG automatically triggers a "long" display, you cannot add additional display-limiting parameters on this command; however, you can add selection-limiting parameters.

### TRace={Mixed|No|P|Yes}

Displays the current trace status.

## Authority Required

This command requires **display** authority. The description of the \$T RDRnn command explains how to ensure that the authority of the appropriate MVS system command group is assigned.

This command requires **read** security access authority. For a description of assigning command input authority, see *z/OS JES2 Initialization and Tuning Guide*.

## Processing Considerations

If the processors within the specified type do not all have the same TRACE status, JES2 displays the status as 'MIXED'. You must then use individual \$DU commands to determine the status of each processor.

## Scope

**Single member.** The response to this command will be a display of information about this member only. You might want to use this command to get information about all members in the MAS. To do so, you can use the MVS ROUTE \*ALL command to issue this command to all active members (if the JES2 command character is the same on all members). See *z/OS MVS System Commands* for more information on using the ROUTE \*ALL command.

## Messages

The \$HASP653 message displays the current tracing status and PCE counts for the processor types specified.

## Examples

**1** \$d pce(prt)

```
$HASP653 PCE(PRT)          COUNT=(20,20,0),ACTIVE=0,TRACE=YES
```

20 local printers are defined to JES2 and all 20 are currently allocated (PCEs exist in storage for these printers). All allocated PCEs have processor tracing set (TR=P).



**2** \$d pce(rdr,rmt.rdr)

```
$HASP653 PCE(RDR)      COUNT=(15,10,0),ACTIVE=0,TRACE=MIXED
$HASP653 PCE(RMT.RDR)  COUNT=(20,0,0),ACTIVE=0,TRACE=
```

15 local readers are defined to JES2, 10 of which are currently allocated (PCEs exist in storage for these readers). The tracing status of the allocated local readers is mixed (some readers are currently being traced, others are not).

20 remote readers are defined to JES2. Because none of these readers is currently allocated, JES2 does not display the tracing status.

**Note:** Local devices (PRT, PUN, RDR) always have a PCE. Remote devices are dynamic (Rn.PR, Rn.PU, Rn.RD).

**3** \$d pce(stac)

```
$HASP653 PCE(STAC)      COUNT=(2,2,0),ACTIVE=0,TRACE=NO
```

Two Status/Cancel Services processors are defined and both are currently allocated (PCEs exist in storage for these 2 processors). No allocated PCEs have processor tracing set (TR=N).

**4** \$d pce(npm),long

```
$HASP653 PCE(NPM)  DESC=NETWORK PATH MANAGER,COUNT=(1,1,0),
$HASP653  ACTIVE=0,TRACE=NO
```

LONG adds DESC.

**5** \$d pce(npm),details

```
$HASP653 PCE(NPM)  NAME=NPM,WAIT=WORK,XECB,INHIBIT=NO,
$HASP653  MOD=HASPNPM,SEQ=074910000,TIME=1998.175,
$HASP653  09:37:16,JOBID=JOB00012,ACTIVE=1,I/O=2
```

JOBID, ACTIVE, I/O and ENDED are optional. JOBID only displays if there is one. ACTIVE and I/O will display if non-zero.

**6** \$dpce(\*),details=seconds<5

```

$HASP653 PCE(TIMER)
$HASP653 PCE(TIMER)  NAME=TIMER,WAIT=WORK,MOD=HASPNUC,
$HASP653  SEQ=31870000,
$HASP653  TIME=(2007.310,09:38:23.802151),
$HASP653  ACTIVE=0,I/O=0,ADDR=09BCCB58
$HASP653 PCE(CKPT)
$HASP653 PCE(CKPT)  NAME=CKPT,WAIT=CKPTW,INHIBIT=NO,
$HASP653  MOD=HASPCCKPT,SEQ=06730000,
$HASP653  TIME=(2007.310,09:38:23.819029),
$HASP653  ACTIVE=0,I/O=0,ADDR=09BCCCD8
$HASP653 PCE(MCON)
$HASP653 PCE(MCON)  NAME=MCON,WAIT=WORK,INHIBIT=NO,
$HASP653  MOD=HASPRAM,SEQ=48110000,
$HASP653  TIME=(2007.310,09:38:23.814838),
$HASP653  CURJOB=STC00001,ACTIVE=0,I/O=0,
$HASP653  ADDR=09BCFCE8
$HASP653 PCE(RESOURCE)
$HASP653 PCE(RESOURCE)  NAME=RESOURCE,WAIT=WORK,MOD=HASPMISC,
$HASP653  SEQ=60240000,
$HASP653  TIME=(2007.310,09:38:23.814855),
$HASP653  ACTIVE=0,I/O=0,ADDR=09BD1028
```

Display PCEs that have been waiting for less than 5 seconds.

## \$D PCE

**7** \$dpce(prt),d,a,e

\$HASP653 PCE(PRT) DEFINED=11,ALLOCATED=11,ENDED=0

Display DEFINED, ALLOCATED and ENDED.

---

## \$D PCEDEF - Display PCE definitions

### Function

To display JES2 PCE definitions.

### Syntax

```
▶▶ $D—PCEDEF [ ,—CNVTNUM ] [ ,—OUTNUM ] [ ,—PSO NUM ] [ ,—PURGENUM ]
▶ [ ,—SPINNUM ] [ ,—STACNUM ] ▶▶
```

### Parameters

#### CNVTNUM

Specifies the number (1-10) of conversion processors defined to JES2.

#### OUTNUM

Specifies the number (1-10) of output processors defined to JES2.

#### PSO NUM

Specifies the number (1-10) of PSO processors defined to JES2.

#### PURGENUM

Specifies the number (1-10) of purge processors defined to JES2.

#### SPINNUM

Specifies the number (3-10) of spin processors defined to JES2.

#### STACNUM

Specifies the number (1-10) of TSO/E STATUS/CANCEL processors defined to JES2.

### Authority Required

This command requires **display** authority.

This command requires **read** security access authority. For a description of assigning command input authority, see *z/OS JES2 Initialization and Tuning Guide*.

### Scope

**Single member.** The response to this command will be a display of information about this member only. You might want to use this command to get information about all members in the MAS. To do so, you can use the MVS ROUTE \*ALL command to issue this command to all active members (if the JES2 command character is the same on all members). See *z/OS MVS System Commands* for more information on using the ROUTE \*ALL command.

## Messages

The \$HASP849 message is issued in response to this command.

### Example

```

1 $D PCEDEF
      $d pcedef
      $HASP849 PCEDEF
$HASP849 PCEDEF  CNVTNUM=2,PURGENUM=2,PSONUM=2,OUTNUM=2,
$HASP849          STACNUM=2,SPINNUM=3
    
```

JES2 provides information about the PCE definitions.

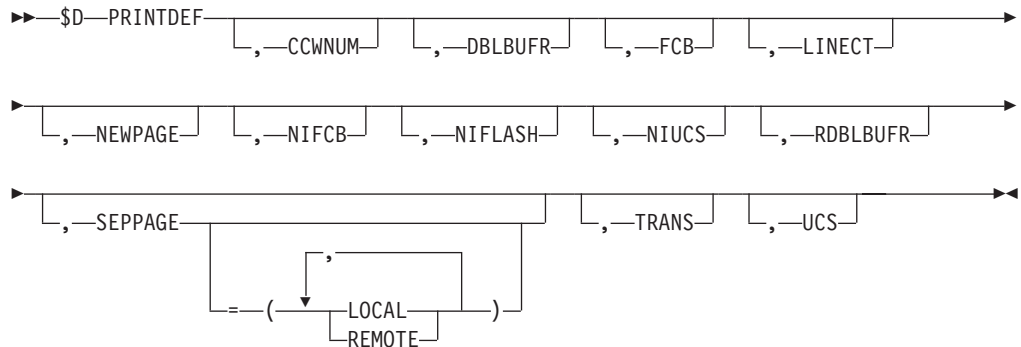
---

## \$D PRINTDEF - Display print environment characteristics

### Function

To display the characteristics assigned to jobs entering the system.

### Syntax



### Parameters

#### PRINTDEF

The \$HASP833 message displays the current JES2 print environment characteristics.

#### CCWNUM

Specifies the maximum number (1-233) of channel command words (CCWs) to be used per channel program area for local impact printers.

#### DBLBUFR

Specifies whether double buffering is to be used for local printers.

#### FCB

Specifies the name of the forms control buffer (FCB) image or the carriage control tape that JES2 initially assumes is mounted on every impact printer.

#### LINECT

Specifies the maximum number (1-254) of lines to be printed per page on job output.

#### NEWPAGE

Specifies how to "skip to channel" is counted as a new page.

#### NIFCB

Specifies the name of both the forms control buffer image that JES initially

## \$D PRINTDEF

loads into every non-impact printer and the installation's default FCB for data sets that do not explicitly request an FCB when printed on a non-impact printer.

### **NIFLASH**

Specifies the 1 to 4 character name of the initial and default forms flash ID.

### **NIUCS**

Specifies the name of both the character arrangement table that JES2 initially loads into every 3800 printer and the installation's default character arrangement table that is loaded into the printer for data sets that do not specify a character arrangement table.

### **RDBLBUFR**

Specifies whether double (Yes) or single (No) buffering is to be used for remote printers.

### **SEPPAGE[=LOCAL|REMOTE]**

Specifies the type of separator page JES2 produces on local and remote printers.

### **TRANS**

Specifies whether (Yes) or not (No) character translation is to be used for local and remote printers.

### **UCS**

Specifies the name of the print chain, print train, or print band default character set that is mounted on every impact printer for which a specific universal character set (UCS) image is not specified.

## **Authority Required**

This command requires **display** authority. The description of the \$T RDRnn command explains how to ensure that the authority of the appropriate MVS system command group is assigned.

This command requires **read** security access authority. For a description of assigning command input authority, see *z/OS JES2 Initialization and Tuning Guide*.

## **Scope**

The scope of some commands varies by parameter.

Some parameters on certain commands will display information about the entire MAS, while other parameters will display information about this member only.

For those commands that are single member scope, or have some parameters that are single member scope, you might want to use the parameters for that command to get information about all members of the MAS. If so, you can use the MVS ROUTE \*ALL command to issue that command to all active members (if the JES2 command character is the same on all members). See *z/OS MVS System Commands* for more information on using the ROUTE \*ALL command.

## **Messages**

The \$HASP833 message is issued in response to this command. list the resulting messages.

### Example

**1** \$d printdef

```
$HASP833 PRINTDEF CCWNUM=49,LINECT=60,NEWPAGE=ALL,NIFCB=STD3,
$HASP833           NIFLASH=****,NIUCS=GT10,FCB=6,TRANS=NO,UCS=0,
$HASP833           DBLBUFR=YES,RDBLBUFR=NO,SEPPAGE=(LOCAL=HALF,
$HASP833           REMOTE=HALF)
```

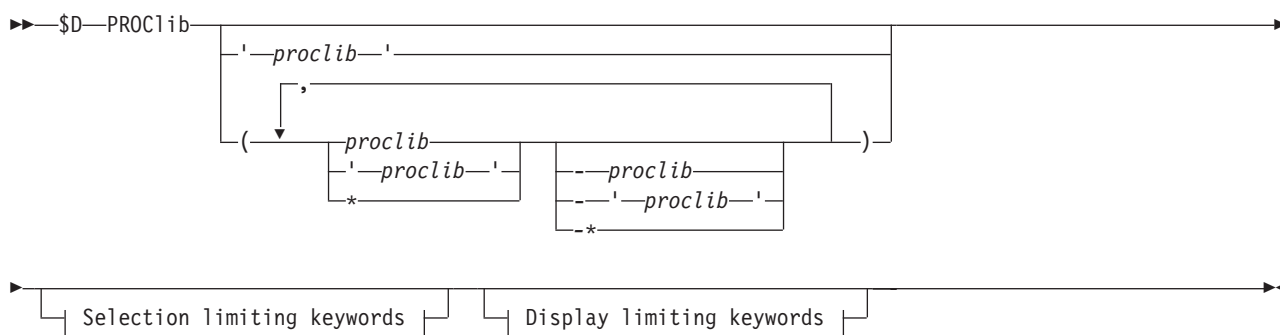
The \$HASP833 message indicates print characteristics.

## \$D PROCLIB(xxxxxxx) - Display a PROCLIB concatenation

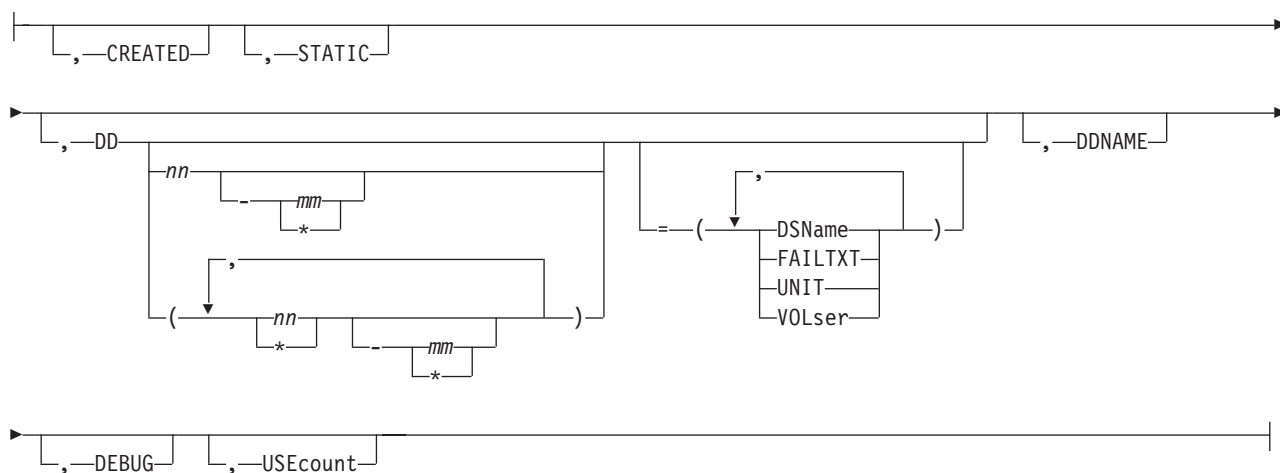
### Function

To display PROCLIB concatenations. \$D PROCLIB(xxxxxxx) displays dynamic PROCLIBs and PROCLIBs defined in the JES2 start PROC.

### Syntax

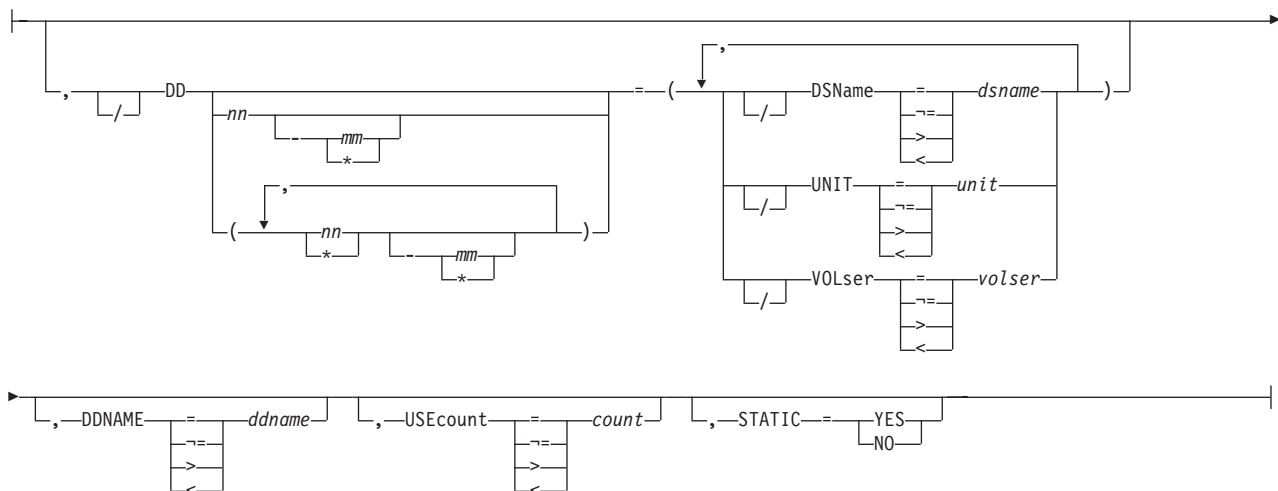


### Display limiting keywords:



### Selection limiting keywords:

## \$D PROCLIB(xxxxxxxxx)



### Parameters

#### (xxxxxxxx)

Specifies the 1- to 8- character PROCLIB DD name being displayed. You can also specify wild cards on this parameter. See “Using wildcards” on page 108 for additional information.

#### CREATED

Displays the time the PROCLIB concatenation was created. For PROCLIBs in the JES2 start PROC, this displays the approximate time that JES2 started.

#### DD(nnn)=

Can be used to select which PROCLIB concatenation to display.

#### DDNAME

Displays the real DD name that is associated with this PROCLIB concatenation.

#### DEBUG

Displays additional information about PROCLIB concatenations including concatenation that have been logically deleted.

**Note:** Because DEBUG automatically triggers a “long” display, you cannot add additional display-limiting parameters on this command; however, you can add selection-limiting parameters.

#### DSName=jxxx...x

Specifies a 1-44 character data set name which is in a PROCLIB concatenation. You can also specify wild cards on this parameter. See “Using wildcards” on page 108 for additional information.

#### STATIC=YES|NO

Specifies whether or not PROCLIB concatenations in the JES2 start PROC are displayed or not. Concatenations in the JES2 start PROC are considered to be STATIC=YES.

#### UNIT=hhh|/hhh|nnnn|cccccc

Specifies unit information for the PROCLIB concatenations to be displayed. The data set must be specified in one of the following ways:

##### hhh | /hhh

specifies a 3 or 4 digit hexadecimal device number. Device numbers can be specified by any of the following formats:

- UNIT=hhh

- UNIT=/hhh
- UNIT=/hhhh

where hhh and hhhh represent the device numbers. A slash (/) must precede a 4 digit device number.

**nnnn**

Specifies a device name.

**ccccccc**

Specifies a 1 to 8 character group name assigned to the device or group of devices.

**USEcount**

Displays the current use count for a PROCLIB concatenation. A PROCLIB is considered in use if a conversion processor currently has the data set open.

**VOLser=xxxxxx**

Specifies a 1 to 6 character volume serial number for the PROCLIBs to be displayed.

**Authority Required**

This command requires **display** authority. The description of the \$T RDRnn command explains how to ensure that the authority of the appropriate MVS system command group is assigned.

This command requires **read** security access authority. For a description of assigning command input authority, see *z/OS JES2 Initialization and Tuning Guide*.

**Scope**

**Single member.** The response to this command will be a display of information about this member only.

You may want to use this command to get information about all members in the MAS. To do so, you can use the MVS ROUTE \*ALL command to issue this command to all active members (if the JES2 command character is the same on all members). See *z/OS MVS System Commands* for more information on using the ROUTE \*ALL command.

**Messages**

\$HASP319 displays the current PROCLIB concatenation.

\$HASP003 RC=52 indicates that no PROCLIBs exist matching the filters specified.

**Examples****1**

```
$dproclib
$HASP319 PROCLIB(PROC01) DD(1)=(DSNAME=SYS1.PROCLIB),
$HASP319 DD(2)=(DSNAME=TEST.PROCLIB)
```

Display all dynamic PROCLIBs

**2**

```
$dproclib,debug
$HASP319 PROCLIB(PROC00) DELETED PROCLIB,USECOUNT=1,
$HASP319 DDNAME=SYS00025,
$HASP319 CREATED=2001.157,16:32:58.78,
```

## \$D PROCLIB(xxxxxxxx)

```
$HASP319 DD(1)=(DSNAME=SYS1.PROCLIB)
$HASP319 PROCLIB(PROC01) USECOUNT=0,DDNAME=SYS00026,
$HASP319 CREATED=2001.157,16:34:03.67,
$HASP319 DD(1)=(DSNAME=SYS1.PROCLIB),
$HASP319 DD(2)=(DSNAME=TEST.PROCLIB)
```

Display debugging information for dynamic PROCLIB concatenations

---

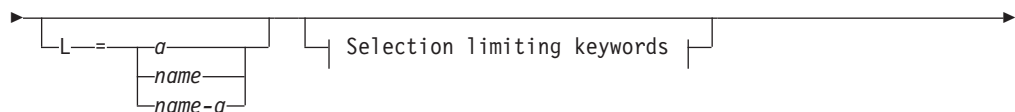
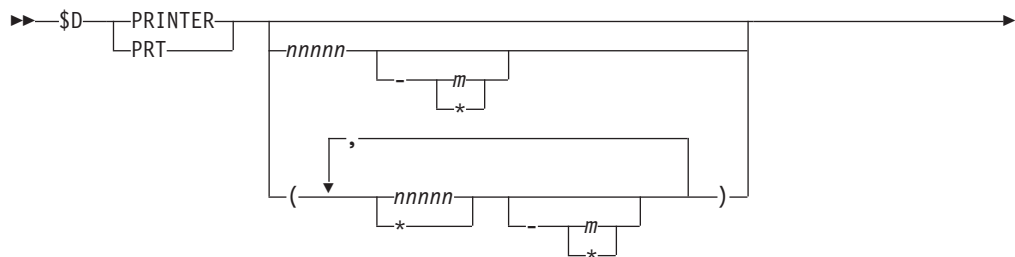
## \$D PRT(nnnnn) and \$D R(nnnnn).PR(m) - Display printers

### Function

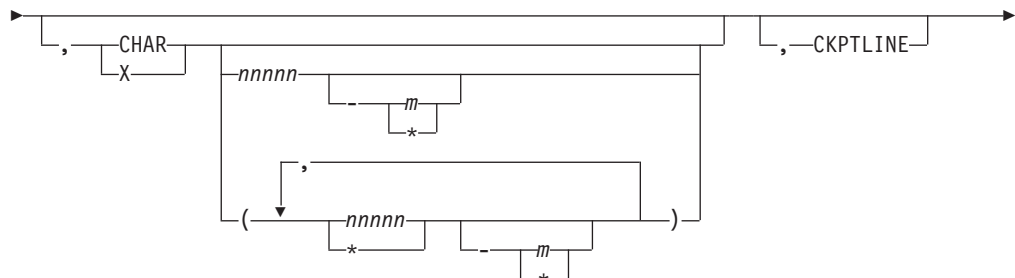
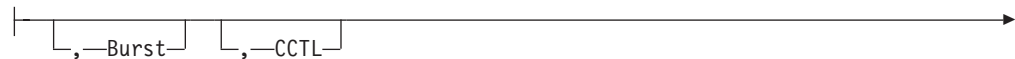
To display printer work selection and processing characteristics.

This command has parameters you can use as a filtering technique to limit the type of information to search, or the amount of information to display. See "Using filtering to control and display information" on page 114 for additional information.

### Syntax

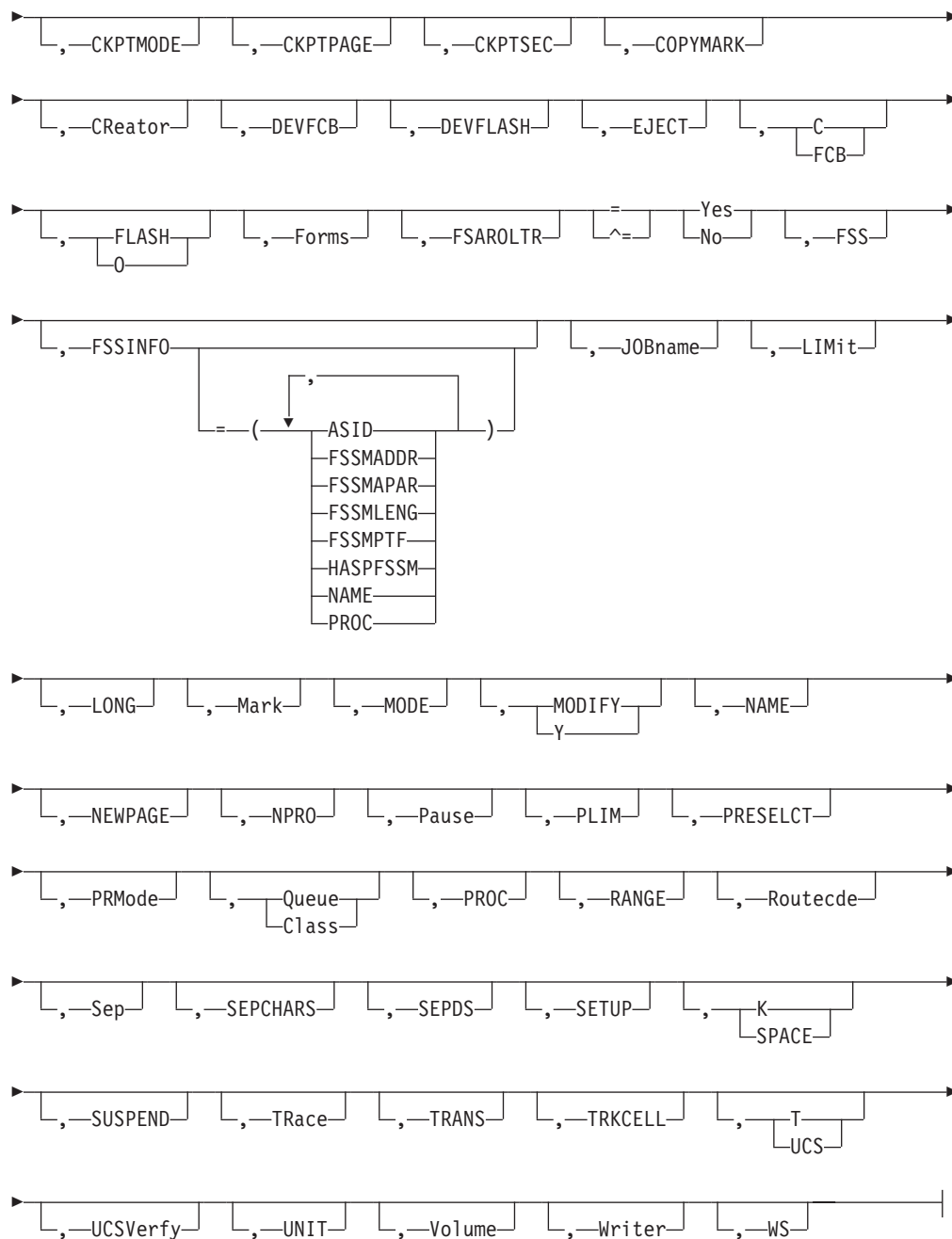


### Display limiting keywords:

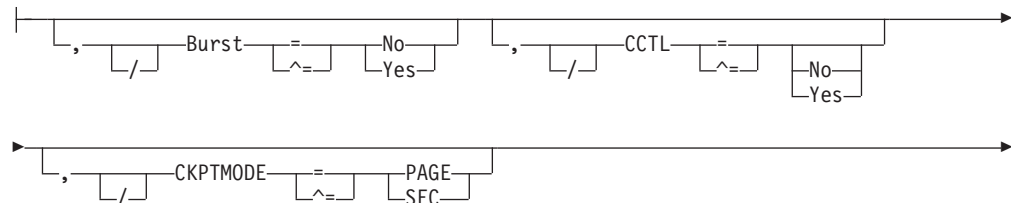




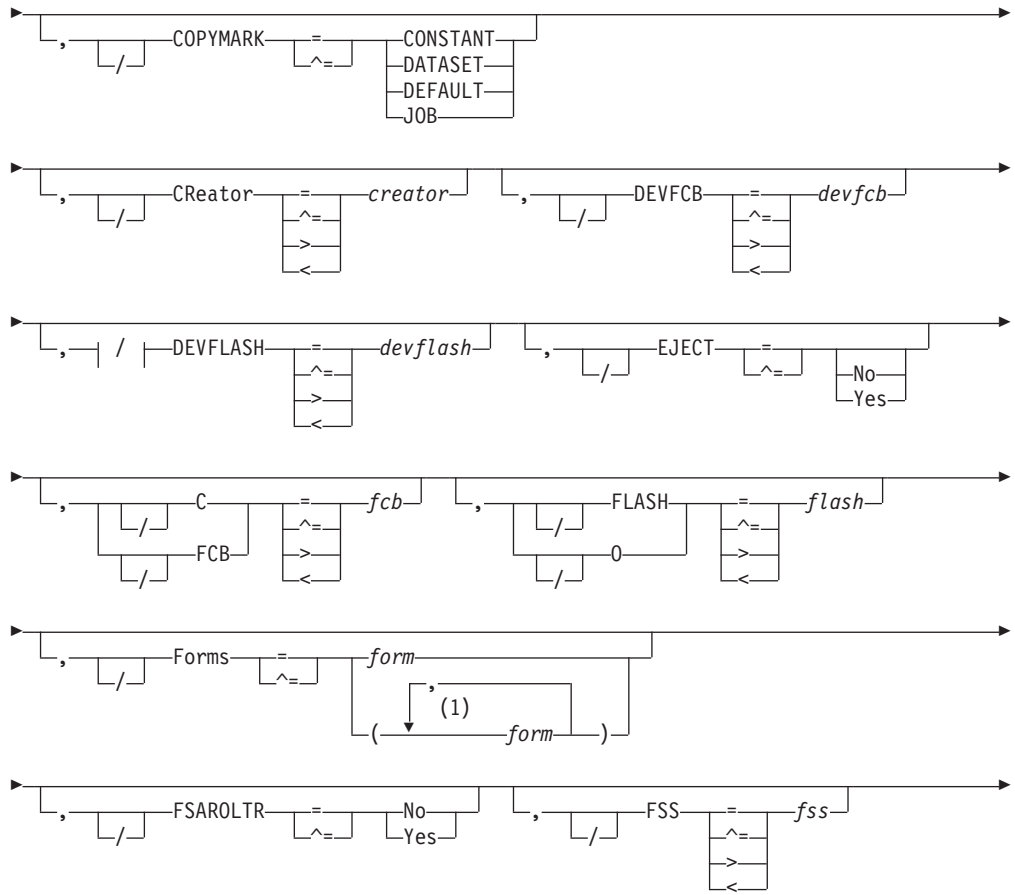
## \$D PRT(nnnnn) and \$D R(nnnnn).PR(m)



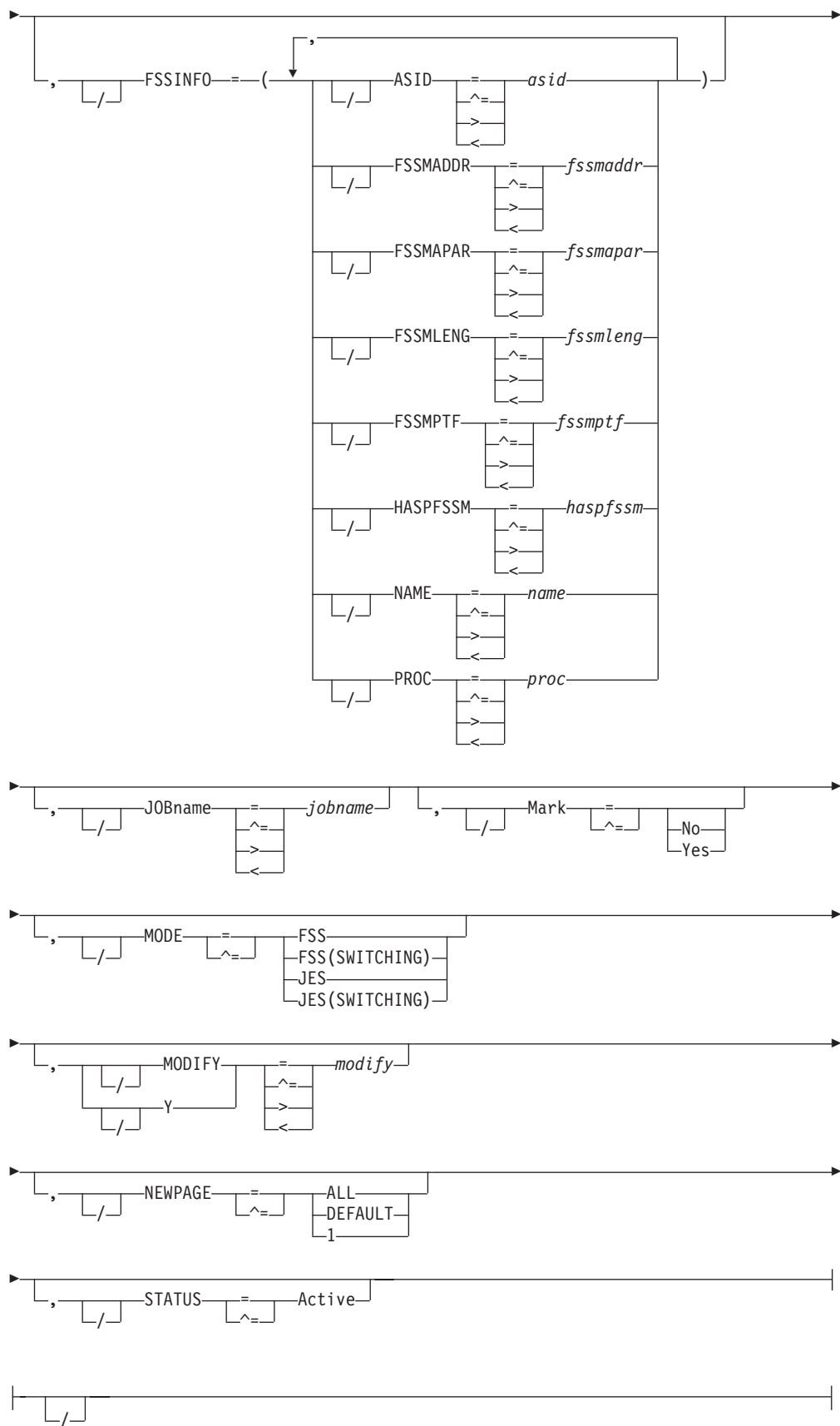
### Selection limiting keywords:



# \$D PRT(nnnnn) and \$D R(nnnnn).PR(m)



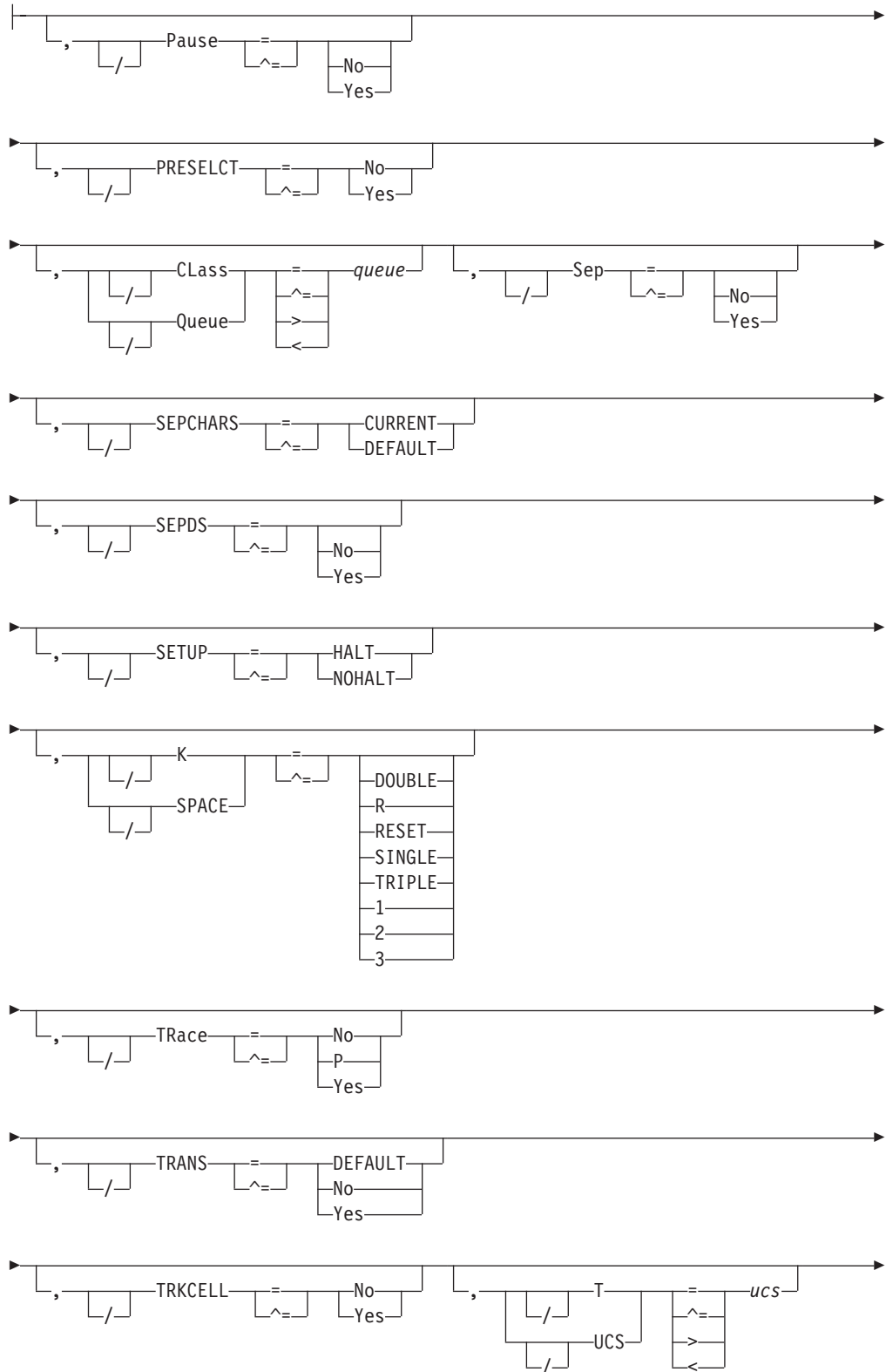
## \$D PRT(nnnnn) and \$D R(nnnnn).PR(m)

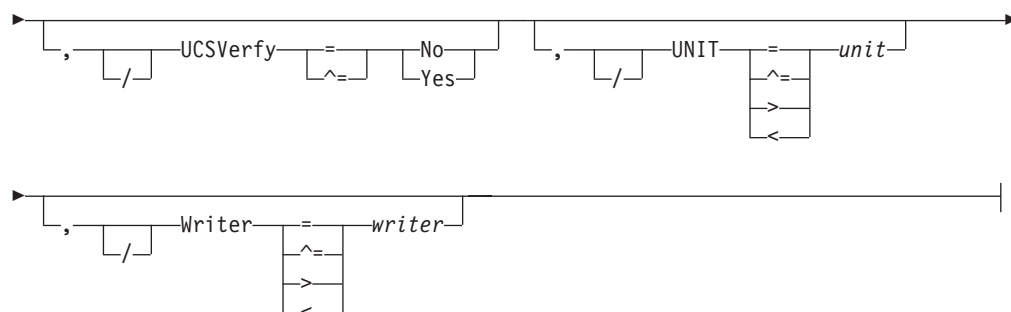


## \$D PRT(nnnnn) and \$D R(nnnnn).PR(m)

### Notes:

1 *form* can be coded up to 8 times



**Parameters***nnnnn*

For **PRT**, the identifier of the local printer (1-32767) to display. For **R**, the identifier of the remote workstation (1-32767) that is attached to printer *m* (1-7).

*m* The identifier of the printer (1-7) that is attached to the remote workstation **Rnnnnn** (1-32767).

**CCTL**

CCTL={YES|NO}

Displays whether (YES) or not (NO) JES2 places carriage control characters in the output stream transmitted to this remote printer. If you specify CCTL=NO, JES2 neither compresses (COMPRESS=NO) nor compacts (COMPACT=NO) data, and standard character string (SCS) control characters are not placed in the output string.

**Note:** The CCTL= parameter applies to remote printer and SNA devices only.

**Burst**

Displays whether the printed output from this 3800 printer is burst into separate sheets (Yes) or continuous fanfold form (No).

**CHAR(1-4) | X1-4**

Displays the 1 to 4 character identifier for the first through fourth character arrangement tables to be used in the specified 3800 printer.

**CKPTLINE**

Displays the maximum number of lines (range 0-32767) in a logical page. JES2 uses this value, with the CKPTPAGE value, to determine when to take output checkpoints.

**CKPTMODE**

Displays whether the functional subsystem is to take checkpoints based upon page count (PAGE) or elapsed time (SEC).

**CKPTPAGE**

Displays the number (1-32767) of logical pages to be printed before each output checkpoint is taken by JES2. This parameter and CKPTLINE control the amount of checkpoint activity to spool.

**CKPTSEC**

Displays the number of seconds (0-32767) to elapse before each output checkpoint is taken. This parameter is valid only for a printer under the control of a functional subsystem.

## **\$D PRT(nnnnn) and \$D R(nnnnn).PR(m)**

### **Class|Queue**

Displays, in priority sequence, the output class(es) (A-Z, 0-9) this printer is to process.

### **COPYMARK**

Displays whether indicators of SYSOUT separation markings are incremented on a data set level (DATASET), on a job output element level (JOB), or not at all (CONSTANT).

### **Creator**

Displays the 1 through 8 character userid that creates the SYSOUT data sets to be processed.

### **DEVFCB**

Displays the forms control buffer (FCB) this printer uses if the printer selects output that does not have an FCB associated with it.

### **DEVFLASH**

Displays the 1 to 4 character device default forms FLASH ID.

### **EJECT={YES | NO}**

Displays whether JES2 sends a page eject to a remote printer on the printer's first use following the start of an RJE session, depending upon the assumed position of the printer. JES2 assumes that the remote printer is not positioned at the top of a page on the first use after JES2 is started, restarted, or after an RJE session fails and the remote printer is not at the top of a page.

EJECT=Yes causes JES2 to send a page eject when the remote printer is not assumed to currently be at the top of a page. Use this parameter value when the output is destined for a physical printer.

EJECT=No ensures that a print stream never begins with a page eject. Workstations that write SYSOUT to media other than paper can use this parameter to create files that do not contain page ejects in the first line.

### **FCB|C**

Displays the forms control buffer (FCB) image or the carriage control tape initially mounted on this remote printer.

### **FLASH|0**

Displays the 1 to 4 character identifier of the forms overlay frame for the specified 3800 printer.

### **Forms**

Displays the 1 through 8 character name of the forms loaded into this printer.

### **FSAROLTR={YES|NO}**

Specifies whether the internal rolling trace for an FSS printer is activated or deactivated.

### **FSS**

Displays a 1 to 8 character functional subsystem name that supports a page-mode printer.

### **FSSINFO**

Displays information about the FSS associated with this MODE=FSS printer. This data is only displayed when LONG is specified on the display command.

### **ASID**

Displays the address space identifier (ASID) for this printer.

**FSSMADDR**

Displays the virtual address of the HASPFSSM module used by this printer (in the address space indicated by ASID=).

**FSSMAPAR**

Displays the APAR number of the latest maintenance applied to the HASPFSSM module used by this printer.

**FSSMLENG**

Displays the length of the HASPFSSM module used by this printer.

**FSSMPTF**

Displays the last maintenance applied to the HASPFSSM module used by this printer.

**HASPFSSM**

Displays the name of the load module that is loaded into the functional subsystem address space (ASID).

**NAME**

Displays the name of the FSS used by this printer.

**PROC**

Displays the name of the procedure that contains the JCL to start the FSS.

**JOBname**

Displays the 1 through 8 character name of jobs whose output is selected by this remote printer. A null parameter of (JOBNAME=) specifies that jobname is not a criterion for output selection.

**LIMit**

Displays the lower and upper limits (in records) for the size of output that is selected by this printer.

For further information about this parameter, refer to the \$T PRTnnnn command.

**LONG**

Displays additional information.

**Note:** Because LONG automatically triggers a "long" display, you cannot add additional display-limiting parameters on this command; however, you can add selection-limiting parameters.

**Mark**

Displays whether (Yes) or not (No) the edge of the separator page is marked.

**MODE**

Displays whether the printer is under the control of a functional subsystem or JES2.

**MODIFY|Y**

Displays the 1 to 4 character identifier of the copy modification module for the specified 3800 printer.

**NEWPAGE**

Displays whether JES2 will treat a 'skip to channel' or 'skip to any channel' as a new page.

**NPRO**

Displays the non-process runout time in seconds (0-3600).

**Pause**

Displays whether (Yes) or not (No) the local printer pauses between data sets.

## **\$D PRT(nnnnn) and \$D R(nnnnn).PR(m)**

### **PLIM**

Displays the lower and upper page limits for the size of output selected by this printer.

### **PRESELECT**

Displays whether (Y) or not (N) JES2 preselects data sets for this printer. If PRESELECT=N, data sets are selectable by any device.

### **PRMode**

Displays the SYSOUT mode(s) (1 to 8 alphanumeric characters) processed by this remote printer.

For more information about this parameter, refer to the \$T PRT(nnnn) command. For a list of valid process-mode values, see your system programmer.

### **PRTnnnnn**

The identifier of the printer (1-32767).

### **RANGE**

Displays the range of batch jobs (J), started tasks (S), or time sharing users (T) whose output is selected by this remote printer.

### **Routecode**

Displays as many as four internal route codes assigned to this remote printer. A route code indicates that this printer is eligible for print routing. The value for all routing numbers can range from 1 to 32767. For specification requirements, refer to "Route codes" on page 107.

### **Sep**

Displays whether (YES) or not (NO) separator cards are provided initially between data set groups.

### **SEPCHARS**

Displays the character arrangement table to use for separator pages printed on the 3800 printer.

### **SEPDS**

Displays whether (Y) or not (N) a header separator page is to be produced for each copy of each data set within an output group. JES2 invokes EXIT 15 (Output Data Set/Copy Separators), if enabled, to generate separator pages.

### **SETUP**

Displays whether (HALT) or not (NOHALT) JES2 is to halt the printer and issue the \$HASP190 message requesting the operator to verify the output control specifications when the output requirements for a particular job differ from the output characteristics specified for the printer. (If halted, the punch must be restarted using the \$S command.)

### **SPACE|K**

Displays the spacing for printed output: 1=single; 2=double; 3=triple.

### **SUSPEND**

Displays whether a remote printer can (No) or cannot (Yes) use the printer-interrupt feature which allows the remote operator to interrupt printing for the transmitting of jobs or JES2 commands to this JES2 system. This parameter applies only to printers that are connected to BSC hardware terminals.

### **STATUS**

Displays the current status of the printer, the job active on the printer, and the number of pages or lines printed. Valid printer status values are:



- **ACTIVE** - JES2 is using the device for job processing and will continue to do so as long as there are jobs available and eligible for that device.
- **BUSY** - A device in FSS mode is unable to respond with the current status because a previous command is being processed for this device.
- **DRAINED** - JES2 is not using the device and will not do so until the device is started using a \$S command.
- **DRAINING** - JES2 is currently using the device for the processing of jobs, but will discontinue its use upon completion of the current function.
- **ENDED** - A non-recoverable ABEND occurred during processing for this device. JES2 has suspended all processing for this device. At the time the device was suspended, work might still have been assigned to the device. All processing on that work has also been suspended. You need to perform a JES2 hot start to recover the device and any work assigned to it.
- **HALTED** - JES2 has either requested operator assistance or the operator has halted the device (\$Z) and is waiting for the device to be started using a \$S command.
- **INACTIVE** - JES2 is not using the device but would do so if jobs were available and eligible for that device.
- **INTERVENTION** - An FSS-controlled printer requires operator intervention.
- **NOT RESPONDING** - The FSA informed JES2 that the device is no longer responding to the FSA.
- **NOT RESPONDING,INTERVENTION** - The FSA informed JES2 that the device is no longer responding to the FSA. Device intervention is required. To determine why the device is not responding, check the device and/or the communication components (for example, VTAM).
- **PAUSED** - JES2 has paused between jobs during printing or punching. The specified device will not be used until it is started (\$S command) or it has been reset from a not-ready to a ready state.
- **STARTING** - The device is in the process of being started. This status is only possible for FSS-owned devices and initiators.

**TRANS**

Displays whether data translation is affected.

**TRKCELL**

Displays whether (YES) or not (NO) data sets that belong to a SYSOUT class with the track-cell characteristic are read from the spool in one operation. The TRKCELL= parameter on the SPOOLDEF initialization statement specifies the number of records in the track cell.

**TRace**

Displays whether (Yes) or not (No) tracing is activated for this print processor.

**UCS|T**

Displays the 1- to 4-character identifier of the print train, print chain, or print band that is mounted on this impact printer. This identifier resides in SYS1.IMAGELIB.

**UCSVerfy**

Displays whether (YES) or not (NO) UCS verification processing is performed when a UCS image is loaded for 4245 and 4248 printers. UCS images are loaded on these printers only when required for print processing; they are **not** loaded in response to a \$T PRT command that specifies a change in UCS setup.

## \$D PRT(nnnnn) and \$D R(nnnnn).PR(m)

### UNIT

Displays a 4–digit device number.

### Volume

Displays the 5– to 6–character volume serial number of a volume containing a spool data set.

### Writer

Displays the 1– through 8–character writer name assigned to this remote printer.

**WS** Displays the work selection criteria for this remote printer.

### L=a|name|name-a

The area (a), console name (name), or console name and output area (name-a) of the active MCS console at which the requested display appears.

## Authority Required

This command requires **display** authority. The description of the \$T RDRnn command explains how to ensure that the authority of the appropriate MVS system command group is assigned. The \$T INTRDR command sets the command authority for internal readers.

This command requires **read** security access authority. For a description of assigning command input authority, see *z/OS JES2 Initialization and Tuning Guide*.

## Scope

**Single member.** The response to this command will be a display of information about this member only. You might want to use this command to get information about all members in the MAS. To do so, you can use the MVS ROUTE \*ALL command to issue this command to all active members (if the JES2 command character is the same on all members). See *z/OS MVS System Commands* for more information on using the ROUTE \*ALL command.

## Messages

The \$HASP603 message displays the status of the printers.

## Examples

```
1 $dprt1
$HASP603 PRT1          UNIT=0017,STATUS=HALTED,(STC00008 DIP),
$HASP603              BURST=NO,CHAR(1)=GT10,CKPTLINE=0,
$HASP603              CKPTMODE=PAGE,CKPTPAGE=100,CKPTSEC=0,
$HASP603              CREATOR=,DEVFCB=,DEVFLASH=****,FCB=STD3,
$HASP603              FORMS=(STD,,,,),FSS=BLUEBERY,HONORTRC=YES,
$HASP603              JOBNAME=,LASTFORM=STD,LIMIT=(0,*),
$HASP603              COPYMARK=DATASET,MARK=NO,MODE=JES,
$HASP603              NEWPAGE=DEFAULT,NPRO=300,PAUSE=NO,PLIM=(0,*),
$HASP603              PRESELCT=YES,PRMODE=(LINE),QUEUE=A,RANGE=(J1,
$HASP603              999999),ROUTECD=(LOCAL),SEP=YES,
$HASP603              SEPCHARS=DEFAULT,SEPDS=NO,SETUP=HALT,SPACE=,
$HASP603              TRACE=NO,TRANS=DEFAULT,TRKCELL=NO,UCS=GT10,
$HASP603              UCSVERFY=NO,VOLUME=(,,),WRITER=,
$HASP603              WS=(W,Q,R,PRM,LIM/F,UCS,FCB),FSAROLTR=NO
```

JES2 displays detailed information about local printer 1 that has been defined.

**2 \$dprt6,class**

**\$HASP603 PRT16 QUEUE=X**

JES2 displays the output class to be processed by local printer 6.

**3 \$dr1.pr1,eject,suspend**

**\$HASP603 R1.PR1 EJECT=YES,SUSPEND=YES**

JES2 displays that printer 1 on remote 1 can use the printer-interrupt feature and does eject a page when not starting at the top of a page.

**4 \$dr(\*) .pr(\*),eject,suspend**

```

$HASP603 R1.PR1 EJECT=YES,SUSPEND=YES
$HASP603 R2.PR1 EJECT=YES,SUSPEND=YES
$HASP603 R3.PR1 EJECT=YES,SUSPEND=YES
$HASP603 R4.PR1 EJECT=YES,SUSPEND=YES
$HASP603 R5.PR1 EJECT=YES,SUSPEND=YES
$HASP603 R5.PR2 EJECT=YES,SUSPEND=YES
$HASP603 R24.PR1 EJECT=YES,SUSPEND=YES
$HASP603 R24.PR2 EJECT=YES,SUSPEND=YES
    
```

JES2 displays only the status of eject and suspend parameters for all remote printers in the MAS complex.

**5 \$dr1.pr1,suspend**

**\$HASP603 R1.PR1 SUSPEND=YES**

JES2 displays only the status of the SUSPEND parameter for remote printer 1.

## **\$D PUNCHDEF - Display punch environment characteristics**

### **Function**

To display the characteristics assigned to jobs entering the system.

### **Syntax**

▶▶—\$D—PUNCHDEF—┌┐┐—┘┘┘

└┬┬┬┘

└┬┬┬┘

└┬┬┬┘

### **Parameters**

**CCWNUM**

Specifies the maximum number (1-235) of double words to be used for the channel program area for local punches.

**DBLBUFR**

Specifies whether (Yes) or not (No) double buffering is used for local card punches.

**RDBLBUFR**

Specifies whether double buffering (Yes) or single buffering (No) is to be used for remote card punches.

### Authority Required

This command requires **display** authority. The description of the \$T RDRnn command explains how to ensure that the authority of the appropriate MVS system command group is assigned.

This command requires **read** security access authority. For a description of assigning command input authority, see *z/OS JES2 Initialization and Tuning Guide*.

### Scope

The scope of some commands varies by parameter.

Some parameters on certain commands will display information about the entire MAS, while other parameters will display information about this member only.

For those commands that are single member scope or have some parameters that are single member scope, you might want to use the parameters for that command to get information about all members of the MAS. If so, you can use the MVS ROUTE \*ALL command to issue that command to all active members (if the JES2 command character is the same on all members). See *z/OS MVS System Commands* for more information on using the ROUTE \*ALL command.

### Messages

The \$HASP847 message is issued in response to this command. list the resulting messages.

### Example

**1** \$d punchdef

\$HASP847 PUNCHDEF CCWNUM=49,DBLBUFR=NO,RDBLBUFR=NO

The \$HASP847 message indicates punch characteristics.

---

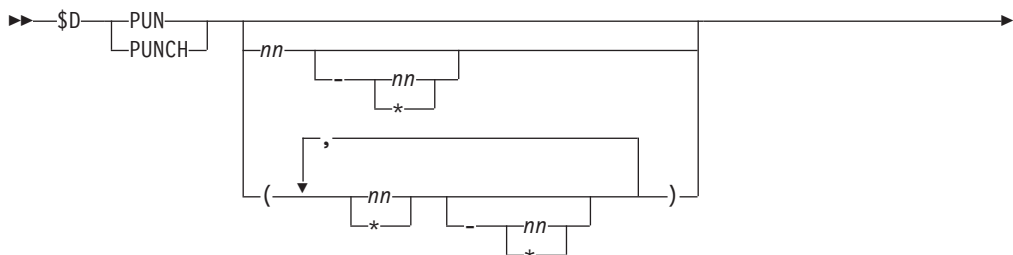
## \$D PUN(nn) and \$D R(nnnnn).PU(m) - Display a remote punch

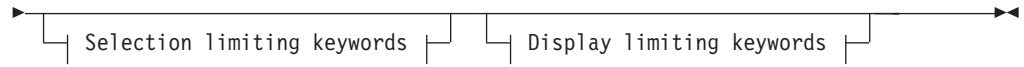
### Function

To display remote punch work selection and processing characteristics.

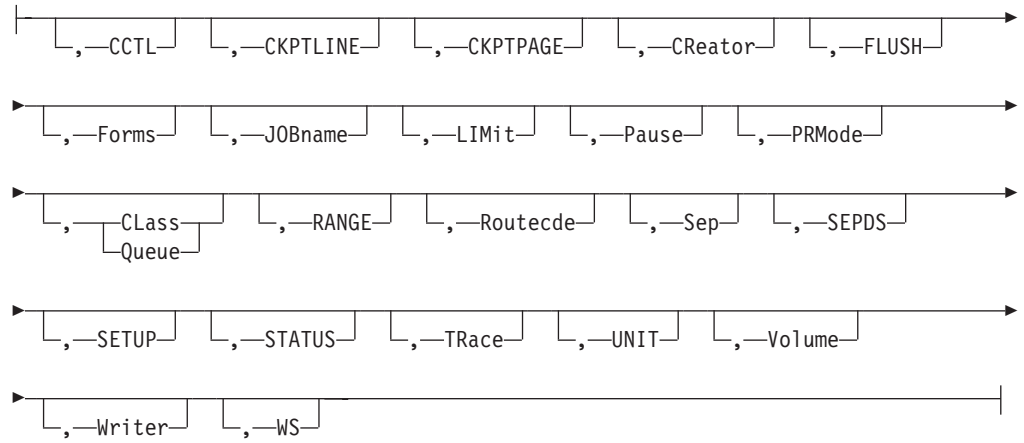
This command has parameters you can use as a filtering technique to limit the type of information to search, or the amount of information to display. See "Using filtering to control and display information" on page 114 for additional information.

### Syntax

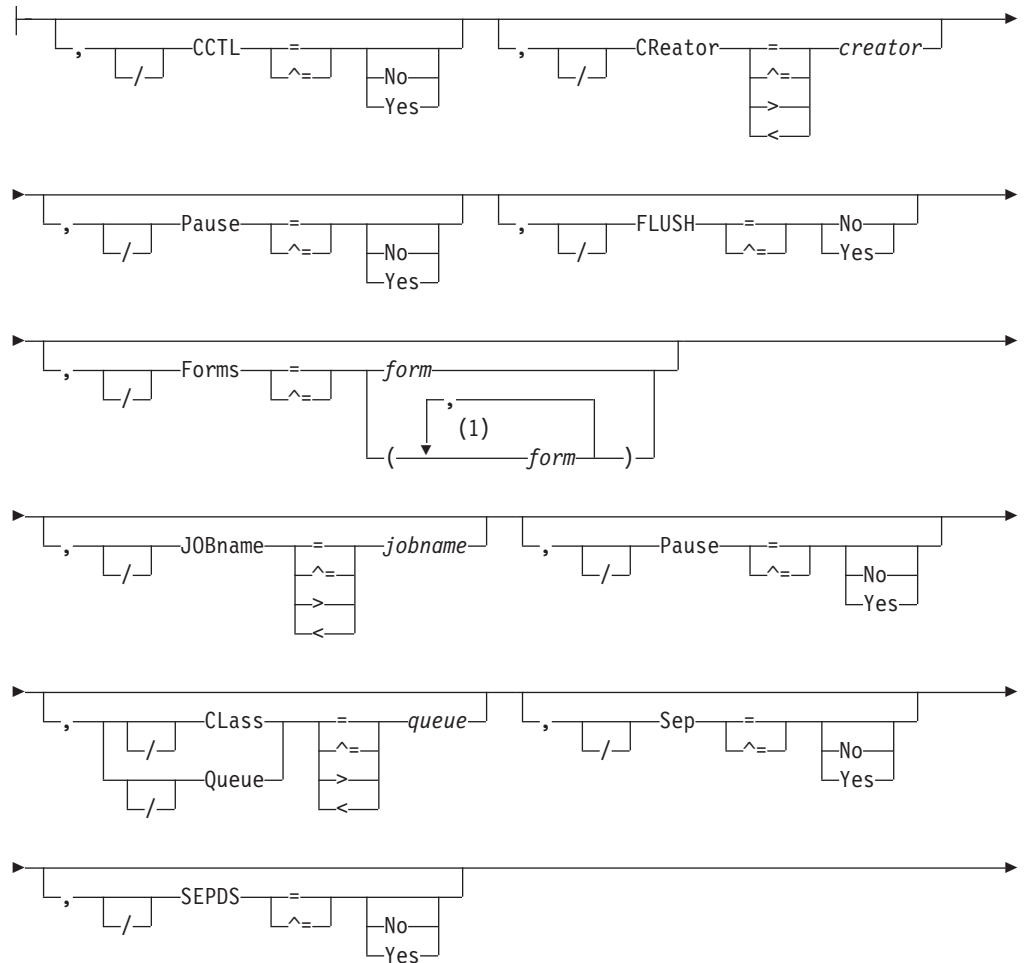




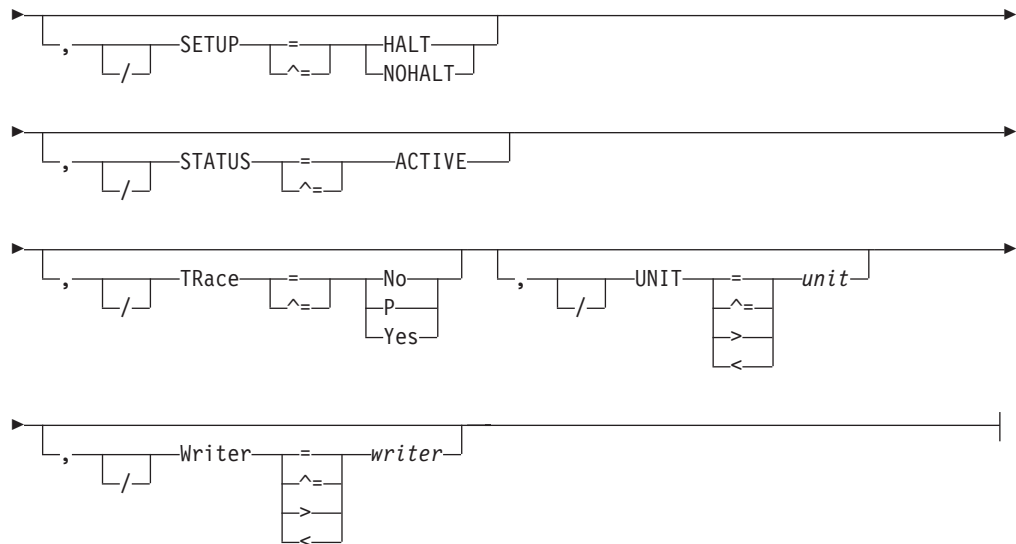
**Display limiting keywords:**



**Selection limiting keywords:**



## \$D PUN(nn) and \$D R(nnnnn).PU(m)



### Notes:

- 1 *form* can be coded up to 8 times

### Parameters

*nn* The identifier of the local punch (1-99) to display.

*nnnnn*

The identifier of the remote workstation **R** (1-32767) that is attached to punch *m* (1-7).

*m* The identifier of the punch (1-7) that is attached to the remote workstation **Rnnnnn** (1-32767).

### CCTL

CCTL={YES|NO}

Displays whether (YES) or not (NO) JES2 places carriage control characters in the output stream transmitted to this remote punch. If you specify CCTL=NO, JES2 neither compresses (COMPRESS=NO) nor compacts (COMPACT=NO) data, and standard character string (SCS) control characters are not placed in the output string.

**Note:** The CCTL= parameter applies to remote punch and SNA devices only.

### CKPTLINE

Displays the maximum number of lines (range 0-32767) in a logical page. JES2 uses this value, with the CKPTPAGE value, to determine when to take output checkpoints.

### CKPTPAGE

Displays the number (1-32767) of logical pages to be punched before each output checkpoint is taken by JES2. This parameter and CKPTLINE control the amount of checkpoint activity to spool.

### CLass|Queue=queue

Displays, in priority sequence, the output class(es) (A-Z, 0-9) this punch processes.

**CReator=creator**

Displays the 1 through 8 character userid that creates the SYSOUT data sets to be processed.

**FLUSH**

Displays whether (YES) or not (NO) JES2 punches a blank card following each data set or data set copy processed by this device.

**Forms=form**

Displays the 1 through 8 character name of the forms loaded into this punch.

**JOBname=jobname**

Displays the 1 through 8 character name of jobs whose output is selected by this punch. A null parameter of (JOBNAME=) specifies that jobname is not a criterion for output selection.

**LIMit**

Displays the lower and upper limits (in records) for the size of output that is selected by this punch.

**LRECL**

Displays the logical record length (1-255) of data transmitted to this SNA remote punch. This parameter is ignored for BSC devices.

LRECL= can be modified through a warm start.

**Pause={Yes|No}**

Displays whether (Yes) or not (No) a punch is to pause between data sets.

**PRMode**

Displays the SYSOUT mode(s) (1- 8) processed by this remote punch. For a list of valid process-mode values, see your system programmer.

**RANGE**

Displays the range of batch jobs (J), started tasks (S), or time sharing users (T) whose output is selected by this punch.

**Routecde**

Displays as many as four internal route codes assigned to this card punch. A route code indicates that this card punch is eligible for punch routing. The value for all routing numbers can range from 1 to 32767. For specification requirements, refer to "Route codes" on page 107.

**SEPDS={Yes|No}**

Displays whether (Y) or not (N) a header separator card is to be produced for each copy of each data set within an output group. JES2 invokes EXIT 15 (Output Data Set/Copy Separators) -- if enabled -- to generate separator cards.

**Sep**

Displays whether (YES) or not (NO) separator cards are provided initially between data set groups.

**SETUP={HALT|NOHALT}**

Displays whether (YES) or not (NO) JES2 is to halt the punch and issue the \$HASP190 message requesting the operator to verify the output control specifications when the output requirements for a particular job differ from the output characteristics specified for the punch. (If halted, the punch must be restarted using the \$S command.)

**STATUS**

Displays the current status of the printer, the job active on the printer, and the number of cards printed. Valid printer status values are:

## \$D PUN(nn) and \$D R(nnnnn).PU(m)

- ACTIVE - JES2 is using the device for job processing and will continue to do so as long as there are jobs available and eligible for that device.
- DRAINED - JES2 is not using the device and will not do so until the device is started using a \$S command.
- DRAINING - JES2 is currently using the device for the processing of jobs, but will discontinue its use upon completion of the current function.
- ENDED - A non-recoverable ABEND occurred during processing for this device. JES2 has suspended all processing for this device. At the time the device was suspended, work might still have been assigned to the device. All processing on that work has also been suspended. You need to perform a JES2 hot start to recover the device and any work assigned to it.
- HALTED - JES2 has either requested operator assistance or the operator has halted the device (\$Z) and is waiting for the device to be started using a \$S command.
- INACTIVE - JES2 is not using the device but would do so if jobs were available and eligible for that device.
- PAUSED - JES2 has paused between jobs during printing or punching. The specified device will not be used until it is started (\$S command) or it has been reset from a not-ready to a ready state.

### TRace

Displays whether (Yes) or not (No) tracing is activated for this punch processor.

### UNIT

Displays a 4-digit hexadecimal device number.

### Volume

Displays the 5- to 6-character volume serial number of a volume containing a spool data set.

### Writer

Displays the 1 through 8 character writer name assigned to this punch.

**WS** Displays the work selection criteria for this remote punch.

## Authority Required

This command requires **display** authority. The description of the \$T RDRnn command explains how to ensure that the authority of the appropriate MVS system command group is assigned. The \$T INTRDR command sets the command authority for internal readers.

This command requires **read** security access authority. For a description of assigning command input authority, see *z/OS JES2 Initialization and Tuning Guide*.

## Scope

**Single member.** The response to this command will be a display of information about this member only. You might want to use this command to get information about all members in the MAS. To do so, you can use the MVS ROUTE \*ALL command to issue this command to all active members (if the JES2 command character is the same on all members). See *z/OS MVS System Commands* for more information on using the ROUTE \*ALL command.



## Messages

The \$HASP603 message displays the status of the punches.

### Example

1 \$dr1.pu1,lim,f

\$HASP603 R1.PU1 LIMIT=(0,\*),FORMS=STD

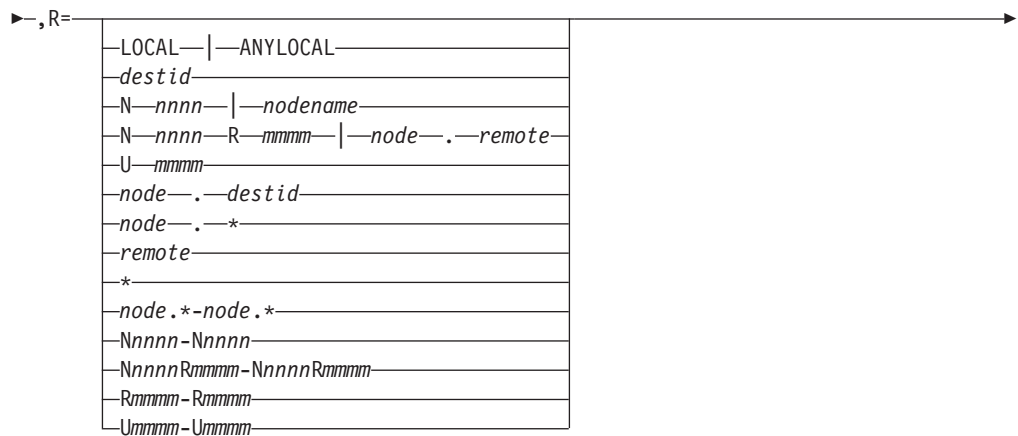
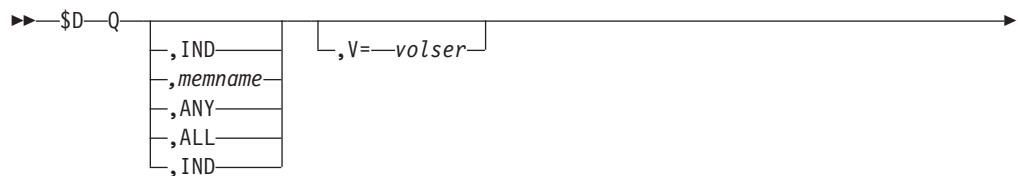
JES2 displays the forms name and the lower and upper limits for the record size of output selected by punch 1 on remote 1.

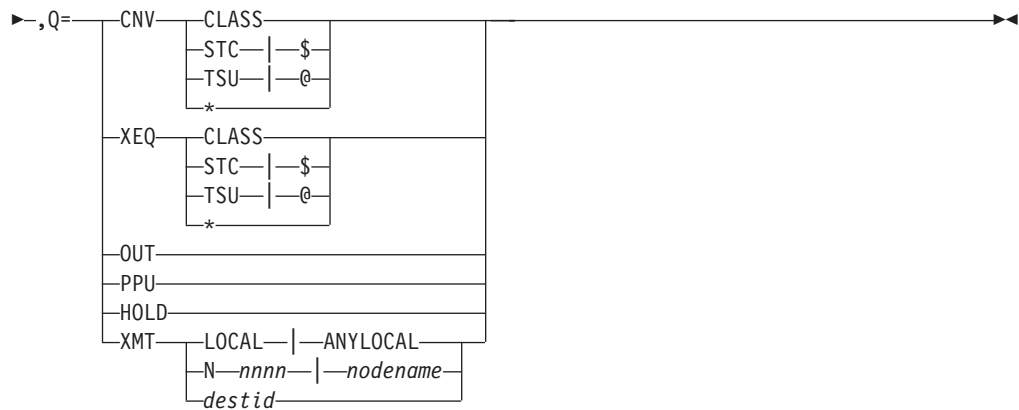
## \$D Q - Display the number of jobs queued

### Function

To display the number of jobs on a particular queue and the percentage of spool disk use.

### Syntax





### Parameters

**Q** JES2 displays the number of jobs on the specified job queue.

**memname**

The 1 to 4 alphanumeric character identifier of a member in the multi-access spool configuration. JES2 displays the number of jobs on the specified queue whose affinities include the member specified by member name.

**ANY**

JES2 displays the number of jobs on the specified queue whose affinity is for any member in the multi-access spool configuration.

**ALL**

JES2 displays the number of jobs on the specified queue, regardless of affinity. The counts are given for each member in the multi-access spool configuration. A job is counted multiple times if its queued affinity includes multiple members.

**IND**

JES2 displays the number of jobs on the specified queue whose affinity is for members operating in independent mode.

**Note:** The first two operands of the \$D Q command (those operands concerning affinity) are positional in nature; if entered, they must be in the order shown.

**V=volser**

JES2 displays job information and percentage of spool disk utilization for all jobs that have data on the spool volume specified by volser.

**R=** The output group destination or range of destinations (low to high) for which job information is displayed. If you omit this operand or specify this operand without a node id when entering the command from a remote workstation or another node (through a node send command, \$Nn), JES2 displays only those jobs with a default print/punch routing to that particular remote or node. Therefore, if you want to display jobs with print/punch routing of the target node, this operand must be specified with a node id of the target node (for example, R=N2.U25 or R=NEWYORK.R41.) For further information, refer to the section on SEND commands through the network. See "Route codes" on page 107 for additional information. The value for all routing numbers can range from 1 to 32767. The valid specifications are:

**LOCAL|ANYLOCAL**

Indicates that the number of jobs queued is displayed at the local node.

**destid** Indicates that the number of jobs queued is displayed at the specified node(s) through an alias for the name of the node.

**Nnnnn|nodename**

Indicates that the number of jobs queued is displayed at the specified node(s) through the decimal node identifier or an EBCDIC nodename.

**NnnnnRmmmm|node.remote**

Indicates that the number of jobs queued is displayed at the remote Rmmmm at the node Nnnnn. Rmmmm can also be specified as RMmmmm or RMTmmmm.

**Ummmm**

Indicates that the number of jobs queued is displayed at a special local routing. Wild cards are not supported.

**node.destid**

Indicates that the number of jobs queued is displayed at a destination at the specified node. The destid refers to both the node and the remote.

**node.\*** Displays output for all userids at the local node.

**remote**

Indicates that the number of jobs queued is displayed at a remote destination. Remote can be specified in any of the following ways:

**LOCAL|ANYLOCAL**

Indicates that the number of jobs queued is displayed at the local node.

**Rmmmm**

Indicates that the number of jobs queued is displayed at the specified remote. Rmmmm can also be specified as RMmmmm or RMTmmmm.

**destid** Indicates that the number of jobs queued is displayed at a destid referring to a remote.

\* Displays all output for the local node, including special local, userid, and a remote workstation on the local node.

**node.\*-node.\***

Displays all output for each node in the range. The range may include the local node.

**Nnnnn-Nnnnn**

Displays all output for each node in the range. The range may include the local node.

**NnnnnRmmmm-NnnnnRmmmm**

Displays a range of remotes at a node. Both node identifiers must be the same.

**Rmmmm-Rmmmm**

Displays all output for each remote in the range.

**Unnnn-Unnnn**

Displays all output for each special local node in the range. Wild cards are not supported.

For the second value of the destination range, all specification values from the R= parameter are valid except for \*, node.\* and Ummmm. Refer to the syntax diagram.

**Q=CNV**

JES2 displays the number of jobs waiting for conversion. You can specify one of the following values for *cnv*:

\* JES2 displays the number of jobs waiting for conversion in all classes (including STC and TSU). Specifying CNV\* is equivalent to specifying CNV.

**class** The execution class for which jobs waiting for conversion are counted.

**STC or \$**

JES2 displays the number of started tasks waiting for conversion. This operand can be abbreviated \$.

**TSU or @**

JES2 displays the number of time-sharing users waiting for conversion. This operand can be abbreviated @.

**Q=XEQ**

JES2 displays the number of jobs waiting for execution. You can specify one of the following values for *xeq*:

\* JES2 displays the number of jobs waiting for execution in all classes (including STC and TSU). Specifying XEQ\* is equivalent to specifying XEQ.

**class** The execution class for which jobs waiting for execution are counted.

**STC or \$**

JES2 displays the number of started tasks waiting for execution. This operand can be abbreviated \$.

**TSU or @**

JES2 displays the number of time-sharing users waiting for execution. This operand can be abbreviated @.

**Q=OUT**

JES2 displays the number of jobs waiting for output processing.

**Q=PPU**

JES2 displays the number of jobs waiting for print/punch processing.

**Q=HOLD**

JES2 displays the number of jobs waiting for any activity and in hold status.

**Q=XMT**

JES2 displays the number of jobs queued for execution on other nodes. See "Route codes" on page 107 for additional information. The destination that is converted to the lower (or only) route code should be specified first, followed by the destination with the higher route code. If, for example, NEWYORK is the node name equivalent to N1 and DENVER is the node name equivalent to N10, then Q=XMT NEWYORK-DENVER is the order required to display jobs on the transmit queue for nodes N1,N2,...N10.

The valid specifications are:

**LOCAL|ANYLOCAL**

Indicates that the number of jobs queued is displayed at the local node.

**Nnnnn | nodename**

Indicates that the number of jobs queued is displayed at the specified node through the decimal node identifier or an EBCDIC nodename. You can also specify a range (low to high).

**destid** Indicates that the number of jobs queued is displayed at the specified node(s) through an alias for the name of the node.

**Note:** Since the system only transmits jobs to NJE nodes, destinations that refer to a remote work station are converted to the node to which that remote workstation is attached.

**Authority Required**

This command requires **display** authority. The description of the \$T RDRnn command explains how to ensure that the authority of the appropriate MVS system command group is assigned.

This command requires **read** security access authority. For a description of assigning command input authority, see *z/OS JES2 Initialization and Tuning Guide*.

**Processing Considerations**

If you do not specify the Q= parameter, JES2 displays the number of jobs in each of the queues described above, except the HOLD queue.

**Scope**

**MAS-wide.** This command can display information about jobs on any or all members of the MAS, depending on the parameters you provide.

**Messages**

JES2 issues the following messages in response to the \$D Q commands:

- \$HASP630 — displays the SPOOL volume status, if you specify the V= operand.
- \$HASP642 — displays the number of jobs in HOLD, if you specify Q=HOLD.
- \$HASP643 — displays the number of jobs in the print/punch queue.
- \$HASP644 — displays the number of jobs in the output queue.
- \$HASP645 — displays the number of jobs in the transmit queue (XMT).
- \$HASP646 — displays the percentage of spool utilization.
- \$HASP647 — displays the number of jobs on the conversion and execution queues.

**Examples**

**1** \$dq,sp12

```

$HASP647      1 XEQ A SPL2
$HASP647      1 XEQ H SPL2
$HASP643      3 PPU LOCAL      ANY
$HASP646  10 PERCENT SPOOL UTILIZATION

```

There is 1 job awaiting execution in class A and 1 in class H on a member identified as SPL2. There are 3 jobs in the print/punch queue. 10 percent of spool space is being used.

## \$D Q

**2** \$dq,sp12,q=hold,v=spool4

```
$HASP642      1 HOLD SPL2
$HASP630 VOLUME SPOOL4 ACTIVE   25 PERCENT UTILIZATION
```

There is 1 job on the hold queue on a member identified as SPL2. 25 percent of volume SPOOL4 is allocated.

**3**

\$dq,q=xeqc

```
$HASP647      1 XEQ C IBM1
$HASP647 67.8095 PERCENT SPOOL UTILIZATION
```

---

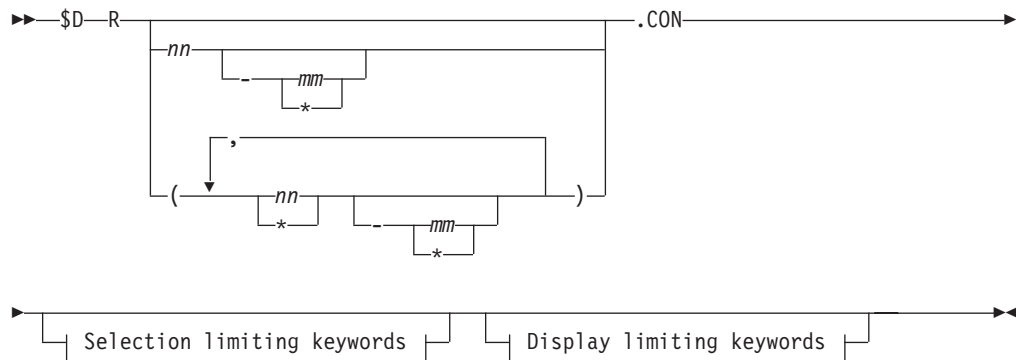
## \$D R(nn).CON(mm) - Display the specified remote console

### Function

To display the status of the specified remote console.

This command has parameters you can use as a filtering technique to limit the type of information to search, or the amount of information to display. See “Using filtering to control and display information” on page 114 for additional information.

### Syntax



### Display limiting keywords:

```
[ , -STATUS ]
```

### Selection limiting keywords:

```
[ , [ / ] STATUS ]
```

### Parameters

**Rnn . CONmm**

Displays the status of the specified remote console.

## STATUS

Displays information about JES2-managed devices. The following types of status can be displayed:

### Type    Meaning

#### STARTING

The device is being started. Applies to FSS-owned devices only.

#### DRAINED

JES2 does not use the device until you start it with a \$S command.

#### DRAINING

JES2 is using the device to process jobs, but will stop using this device once the current function has completed.

#### INACTIVE

JES2 is not using the device, but would do so if a job were both available and eligible for the device.

#### ACTIVE

JES2 is using the device for job processing and will continue to do as long as jobs are both available and eligible for the device.

#### HALTED

JES2 has either requested operator assistance or an operator has entered the \$Z command to halt the device. To start the device, you must enter a \$S command.

## Authority Required

This command requires **display** authority. The description of the \$T RDRnn command explains how to ensure that the authority of the appropriate MVS system command group is assigned. The \$T INTRDR command sets the command authority for internal readers.

This command requires **read** security access authority. For a description of assigning command input authority, see *z/OS JES2 Initialization and Tuning Guide*.

## Scope

**Single member.** The response to this command will be a display of information about this member only. You might want to use this command to get information about all members in the MAS. To do so, you can use the MVS ROUTE \*ALL command to issue this command to all active members (if the JES2 command character is the same on all members). See *z/OS MVS System Commands* for more information on using the ROUTE \*ALL command.

## Messages

The \$HASP603 message displays the status of the remote console.

## Examples

```
1 $dr1.con
```

```
$HASP603 R1.CON    STATUS=INACTIVE
```

JES2 displays the status of remote console 1.

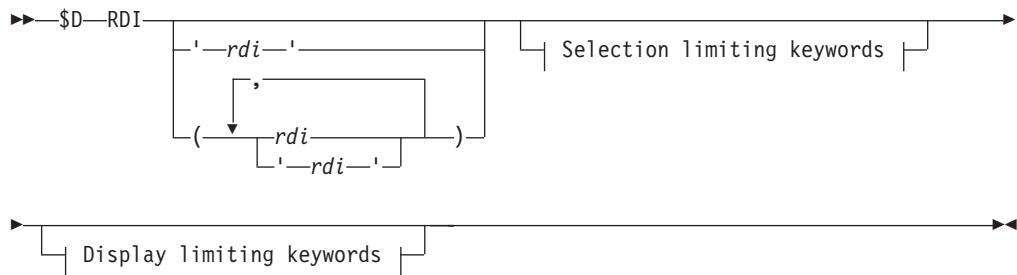
## \$D RDI - Display the status of JES2-controlled internal reader

### Function

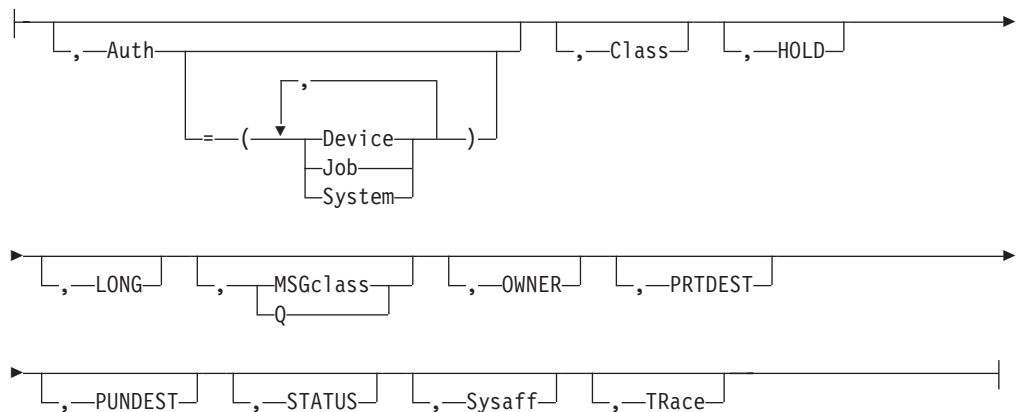
To display the status of the internal readers, including the identification of any jobs currently active on the device.

This command has parameters you can use as a filtering technique to limit the type of information to search, or the amount of information to display. See “Using filtering to control and display information” on page 114 for additional information. Because internal readers are dynamically created as they are needed, this command only displays internal readers that are currently allocated. If no internal readers are allocated, \$HASP003 NO SELECTABLE ENTRIES FOUND will be displayed.

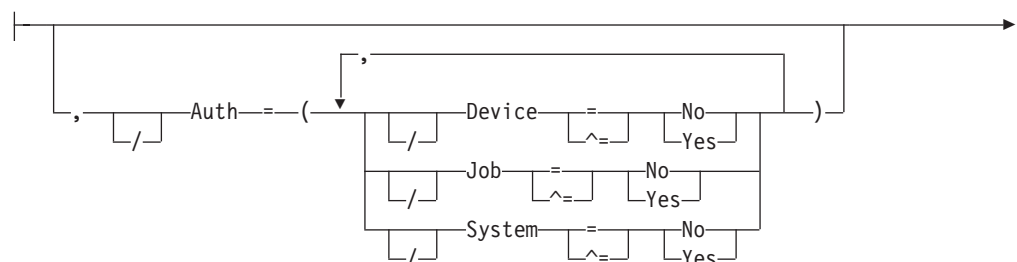
### Syntax



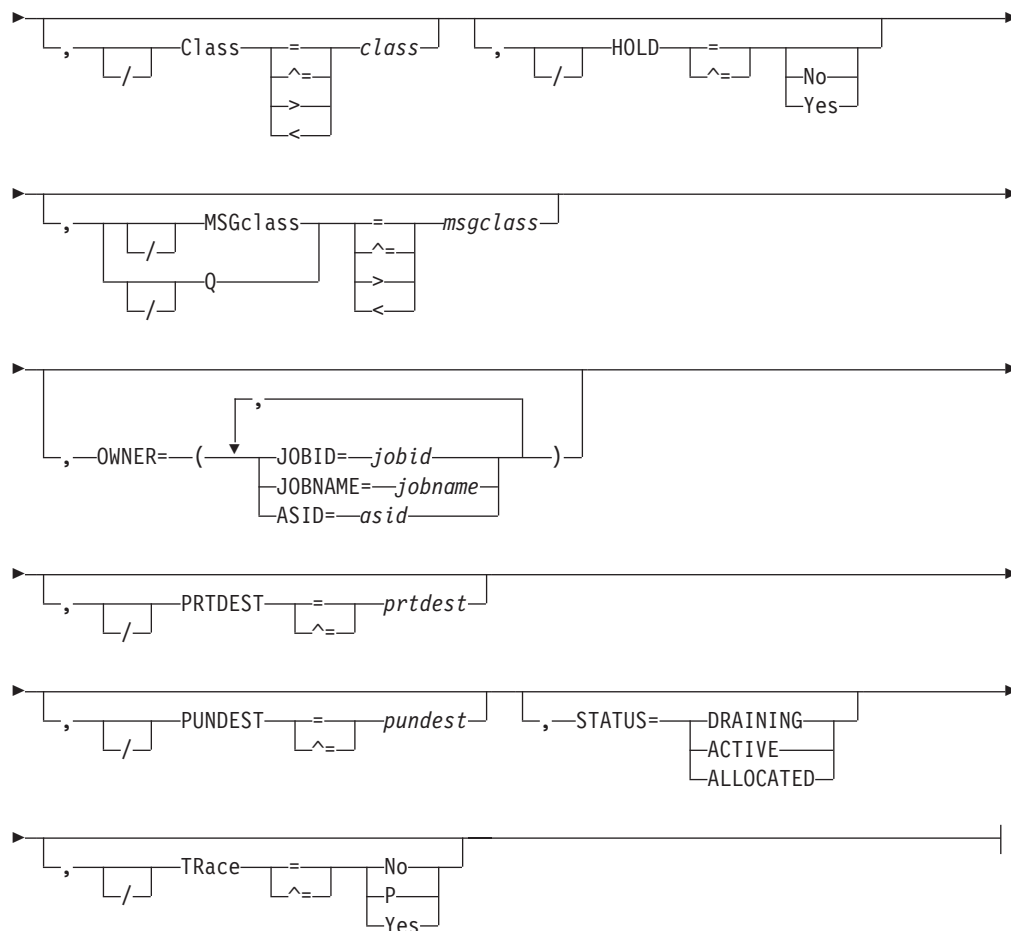
### Display limiting keywords:



### Selection limiting keywords:







## Parameters

### Auth

Displays whether (YES) or not (NO) the indicated reader has the specified authority to issue commands to the internal reader.

### Class=class

Displays the default execution class for all jobs entered at this internal reader that do not have a job class specified on the JOB statement.

### HOLD={No|Yes}

Displays whether (YES) or not (NO) all jobs read by the specified are held after JCL conversion.

### LONG

Displays additional information on the number of jobs submitted (JOBCOUNT=), the statistics for the current job on the internal reader including number of records submitted (RECORDS=), and the current card being processed (CARD=).

### MSGclass|Q=msgclass

Displays the default message class assigned to jobs entered at this internal reader that do not have a MSGCLASS specified on the JOB statement.

### OWNER=(JOBID=jobid, JOBNAME=jobname, ASID=asid)

JES2 displays information on internal readers owned by the *jobid*, *jobname*, or *asid* specified. All the three support generic filters.

## **PRTDEST=prtdest**

Displays the default destination for the print output from all jobs that are read by the internal reader and that do not have a /\*ROUTE statement or DEST parameter. The value for all routing numbers can range from 1 to 32767.

## **PUNDEST**

Displays the default destination for the punch output from all jobs that are read by the internal reader and that do not have a /\*ROUTE statement or DEST parameter.

## **Sysaff**

Displays the default affinities assigned to jobs read by the internal reader.

## **TRace={Yes|No|P}**

Displays whether (Yes) or not (No) tracing is activated for this print processor.

## **Authority Required**

This command requires **display** authority. The description of the \$T INTRDR command explains how to ensure that the authority of the appropriate MVS system command group is assigned. The \$T INTRDR command sets the command authority for internal readers.

This command requires **read** security access authority. For a description of assigning command input authority, see *z/OS JES2 Initialization and Tuning Guide*.

## **Scope**

**Single member.** The response to this command will be a display of information about this member only. You might want to use this command to get information about all members in the MAS. To do so, you can use the MVS ROUTE \*ALL command to issue this command to all active members (if the JES2 command character is the same on all members). See *z/OS MVS System Commands* for more information on using the ROUTE \*ALL command.

## **Messages**

The \$HASP603 message displays the status of the specified internal reader and its current characteristics.

## **Examples**

**1** \$d rdi(\*)

```
$DRDI(*)
$HASP603 RDI(INTRDR)
$HASP603 RDI(INTRDR) STATUS=ALLOCATED,AUTH=(DEVICE=NO,
$HASP603 JOB=YES,SYSTEM=NO),CLASS=A,HOLD=NO,
$HASP603 MSGCLASS=,OWNER=(JOB00018,INTRDACB
$HASP603 ASID=0021),PRTDEST=LOCAL,PUNDEST=LOCAL,
$HASP603 SYSAFF=(ANY),TRACE=NO
```

```
$drdi(*),long
$HASP603 RDI(INTRDR)
$HASP603 RDI(INTRDR) STATUS=ACTIVE,AUTH=(DEVICE=NO,JOB=YES,
$HASP603 SYSTEM=NO),CLASS=A,HOLD=NO,JOBCOUNT=2,
$HASP603 JOBSTAT=(RECORD=7,CARD=EOF),MSGCLASS=A,
$HASP603 OWNER=(JOB00018,INTRDACB,ASID=0021),
$HASP603 PRTDEST=LOCAL,PUNDEST=LOCAL,
$HASP603 SYSAFF=(ANY),TRACE=NO
```

JES2 displays the status of all internal readers.

## \$D RDR(nn) and \$D R(nn).RD(mm) - Display command authority for a reader

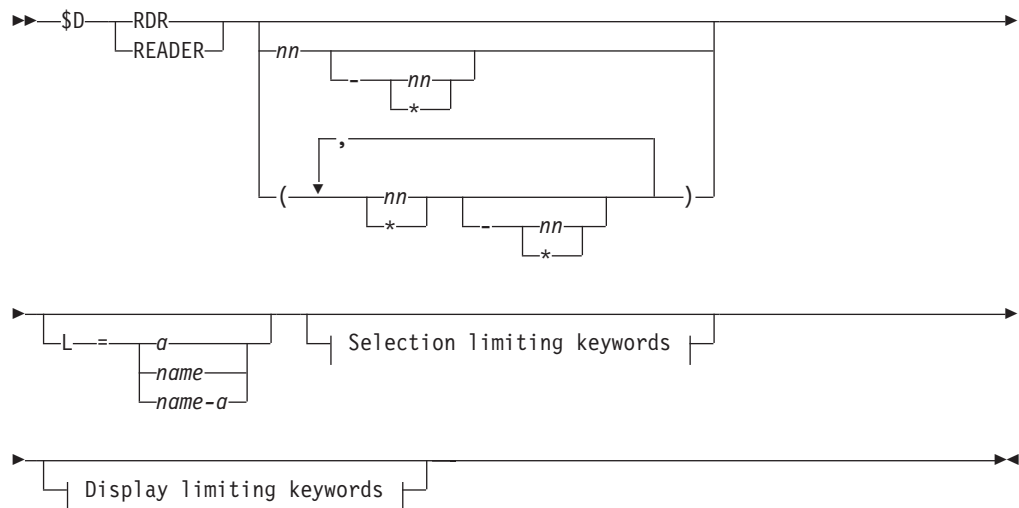
### Function

Use these commands to perform the following functions:

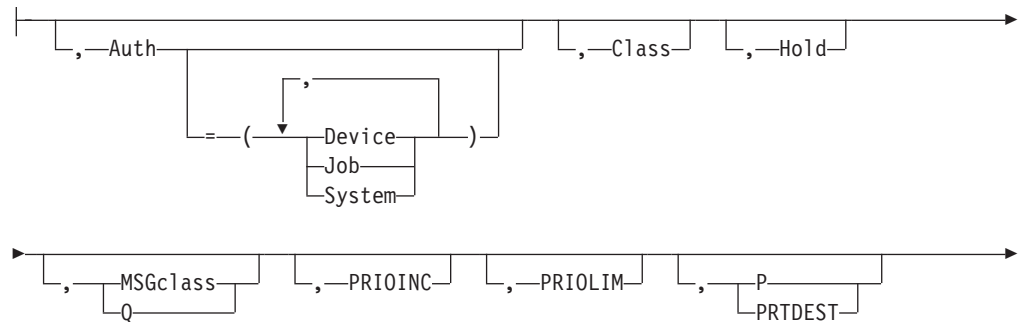
- Display command authority for the specified reader.
- Display default routing, affinities for one or more member of the MAS, job and message classes for jobs read by the specified reader.
- Display whether the JES2 processor is starting or stopping tracing on the specified reader.

This command has parameters you can use as a filtering technique to limit the type of information to search, or the amount of information to display. See “Using filtering to control and display information” on page 114 for additional information.

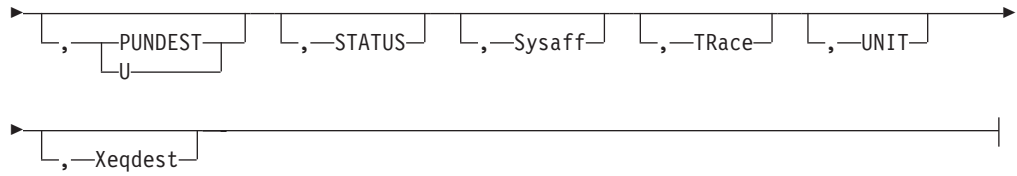
### Syntax



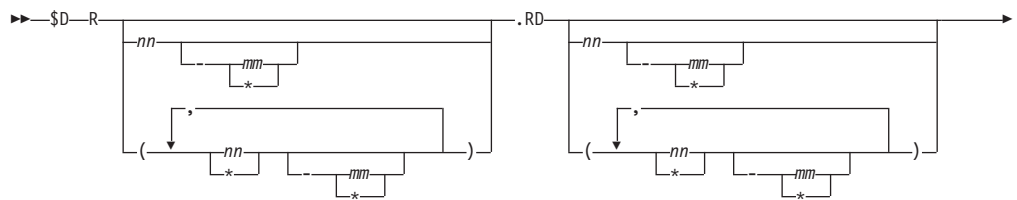
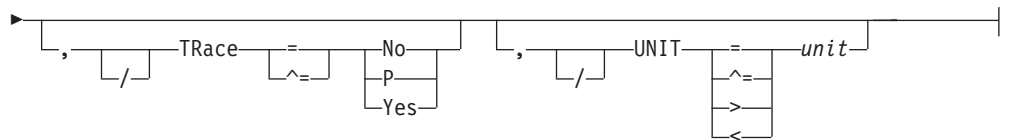
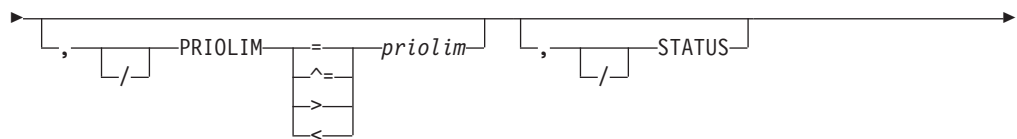
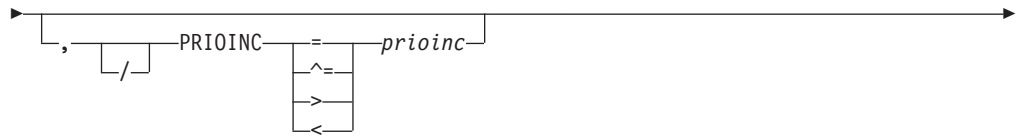
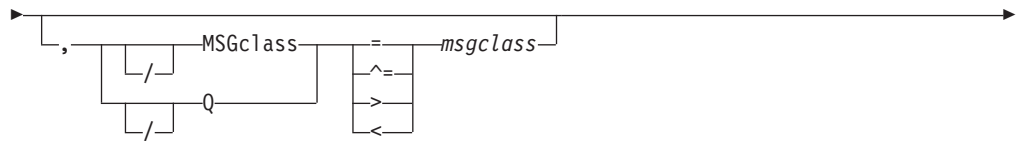
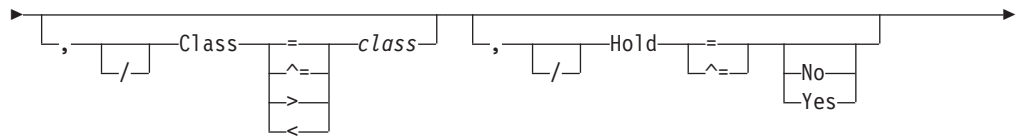
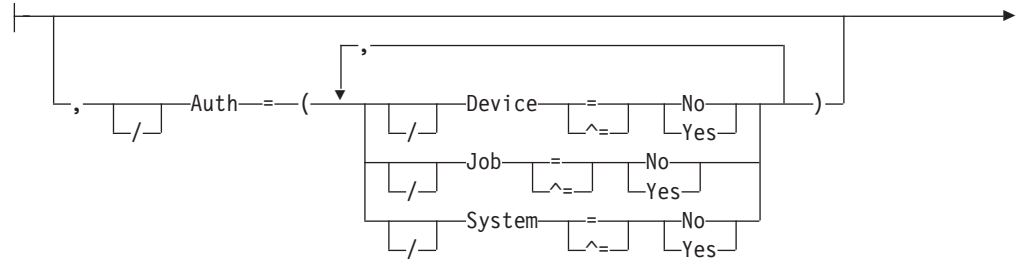
### Display limiting keywords:

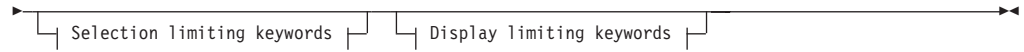


# \$D RDR(nn)

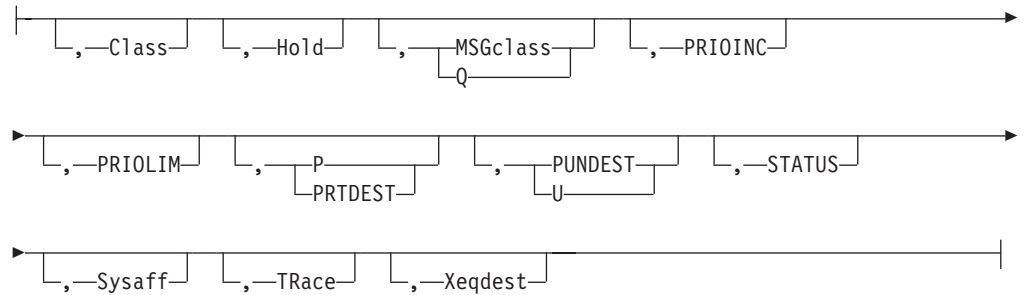


## Selection limiting keywords:

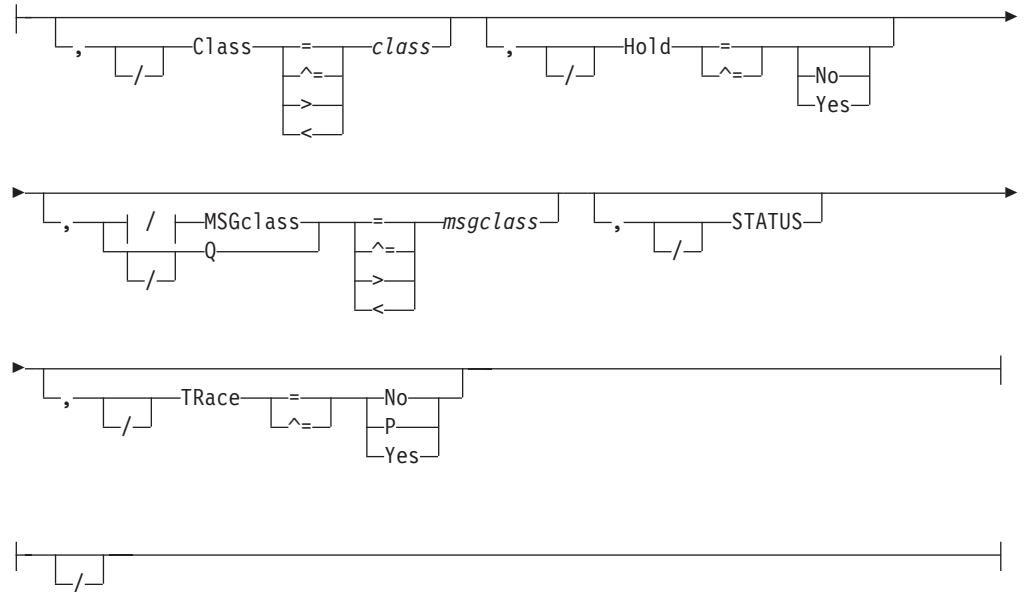




**Display limiting keywords:**



**Selection limiting keywords:**



**Parameters**

**RDRnn**

The local reader that is affected by this command.

**Rnn.RDmm**

The remote reader affected by this command.

**Auth**

Displays whether (YES) or not (NO) the indicated reader has the specified authority to issue commands to the local reader. A reader can have Device, Job, or System authority. These levels of authority are **not** mutually exclusive.

**Class=class**

Displays the default execution class for all jobs entered at this remote reader that do not have a job class specified on the JOB statement.

## \$D RDR(nn)

### **Hold={No|Yes}**

Displays whether (Y) or not (N) all jobs read by the specified reader are held after JCL conversion. You can release these jobs on an individual basis using the \$A command.

In an NJE environment, if a job contains a /\*ROUTE XEQ or /\*XEQ JES2 control statement specifying another node for execution, the job is not held at the entry node, but at the execution node (that is, the node which performs the JCL conversion).

### **MSGclass|Q=msgclass**

Displays the default message class assigned to jobs entered at this remote reader that do not have a MSGCLASS specified on the JOB statement.

### **PRIOINC=prioinc**

Displays the number (0-15) to be added to the selection priority of each job entered at this card number.

### **PRIOLIM=priolim**

Displays the maximum priority level (0-15) that can be assigned to jobs entered at this card reader. Any job's priority that exceeds this level will be reduced to it.

### **PRTDEST|P**

Displays the default destination for the print output from all jobs that are read by the specified reader and that do not have a /\*ROUTE statement or DEST parameter. The value for all routing numbers can range from 1 to 32767. For specification requirements, see "Route codes" on page 107.

### **PUNDEST|U**

Displays the default destination for the punch output from all jobs that are read by the specified reader and that do not have a /\*ROUTE statement or DEST parameter.

### **STATUS**

Displays the status of the reader.

### **Sysaff**

Displays the default affinities assigned to jobs read by the specified reader.

### **TRace={No|P|Yes}**

Displays whether (Yes) or not (No) tracing is activated for this print processor.

### **UNIT=unit**

Displays a 4-digit hexadecimal device number.

### **Xeqdest**

Displays the default execution node for all jobs that are read by the specified reader and that do not specify a /\*XEQ statement.

### **L=a|name|name-a**

The area (a), console name (name), or console name and output area (name-a) of the active MCS console at which the requested display appears.

## **Authority Required**

This command requires **display** authority. The description of the \$T RDRnn command explains how to ensure that the authority of the appropriate MVS system command group is assigned. The \$T INTRDR command sets the command authority for internal readers.

This command requires **read** security access authority. For a description of assigning command input authority, see *z/OS JES2 Initialization and Tuning Guide*.

## Scope

**Single member.** The response to this command will be a display of information about this member only. You might want to use this command to get information about all members in the MAS. To do so, you can use the MVS ROUTE \*ALL command to issue this command to all active members (if the JES2 command character is the same on all members). See *z/OS MVS System Commands* for more information on using the ROUTE \*ALL command.

## Messages

The \$HASP603 message displays the status of the readers.

## Examples

**1** \$dr1.rd(\*),msg,xeqdest

```
$HASP603 R1.RD1    MSGCLASS=A,XEQDEST=LOCAL
```

JES2 displays only the message class and execution class for all readers attached to remote reader 1.

**2** \$dr(\*).rd(\*),msg,xeqdest

```
$HASP603 R1.RD1    MSGCLASS=A,XEQDEST=LOCAL
$HASP603 R2.RD1    MSGCLASS=A,XEQDEST=LOCAL
$HASP603 R3.RD1    MSGCLASS=A,XEQDEST=LOCAL
$HASP603 R4.RD1    MSGCLASS=A,XEQDEST=LOCAL
$HASP603 R5.RD1    MSGCLASS=A,XEQDEST=LOCAL
$HASP603 R24.RD1   MSGCLASS=A,XEQDEST=LOCAL
```

JES2 displays the message class and execution class for all readers attached to all the remotes in the MAS member.

## \$D REBLD - Display rebuild queue information

### Function

To display the job output elements (JOEs) and job queue elements (JQEs) on the rebuild queue and the total number of each.

This command is useful:

- If you received messages indicating that JOEs or JQEs are pending discard and you require further information. (\$HASP440 for a JOE; \$HASP517 for a JQE).
- If in response to a job-oriented command (\$D J or \$L J) JES2 indicates that jobs or OUTGRP are not found, these missing jobs might be on the rebuild queue.
- If in response to a \$D JOBDEF command, JES2 indicates there are jobs on the rebuild queue (JOBRBLDQ).
- If in response to a \$D OUTDEF command, JES2 indicates there are JOEs on the rebuild queue (JOERBLDQ).
- If in response to a \$D MASDEF command, JES2 indicates that the queues have been rebuilt one or more times (QREBUILD=n).

## Syntax

▶—\$D—REBLD—▶

## Authority Required

This command requires **display** authority. The description of the \$T RDRnn command explains how to ensure that the authority of the appropriate MVS system command group is assigned.

This command requires **read** security access authority. For a description of assigning command input authority, see *z/OS JES2 Initialization and Tuning Guide*.

## Scope

**MAS-wide.** This command has an effect across the entire MAS.

## Messages

The \$HASP890 message displays the job queue elements (JQEs) and the \$HASP686 message displays the job output elements (JOEs) on the rebuild queue. The \$HASP685 message displays the total number of JQEs and JOEs on the rebuild queue.

## Examples

**1** \$d rebld

```
JOB00000 $HASP890 JOB(USRCLASA)
$HASP890 JOB(USRCLASA) STATUS=(AWAITING OUTPUT),CLASS=A,
$HASP890 PRIORITY=15,SYSAFF=(ANY),HOLD=(NONE),
$HASP890 REBUILD=YES
$STC0000 $HASP890 JOB(INIT)
$HASP890 JOB(INIT) STATUS=(EXECUTING/N503),CLASS=STC,
$HASP890 PRIORITY=15,SYSAFF=(N503),HOLD=(NONE),
$HASP890 REBUILD=YES
JOB00006 $HASP686 OUTPUT(USRCLASB)
$HASP686 OUTPUT(USRCLASB) OUTGRP=23.1.1,HOLD=(NONE),HOLDRC=,
$HASP686 OUTDISP=WRITE,PAGES=,PRIORITY=144,
$HASP686 QUEUE=A,RECORDS=(223 OF 223),
$HASP686 ROUTECDE=LOCAL,TSOAVAIL=NO,
$HASP686 USERID=D15USER,REBUILD=YES
$HASP685 2 JOBS ON REBUILD QUEUE, 1 JOES ON REBUILD QUEUE
```

**2** \$d rebld

```
$STC0000 $HASP890 JOB(INIT)
$HASP890 JOB(INIT) STATUS=(EXECUTING/N504),CLASS=A,
$HASP890 PRIORITY=15,SYSAFF=(N504),HOLD=(NONE),
$HASP890 REBUILD=YES
JOB00000 $HASP890 JOB(USRCLASA)
$HASP890 JOB(USRCLASA) STATUS=(AWAITING OUTPUT),CLASS=A,
$HASP890 PRIORITY=15,SYSAFF=(ANY),HOLD=(NONE),
$HASP890 REBUILD=YES
$STC0000 $HASP890 JOB(INIT)
$HASP890 JOB(INIT) STATUS=(EXECUTING/N503),CLASS=STC,
$HASP890 PRIORITY=15,SYSAFF=(N503),HOLD=(NONE),
$HASP890 REBUILD=YES
$HASP685 3 JOBS ON REBUILD QUEUE, 0 JOES ON REBUILD QUEUE
```

JES2 displays JOEs and JQEs on the rebuild queue.

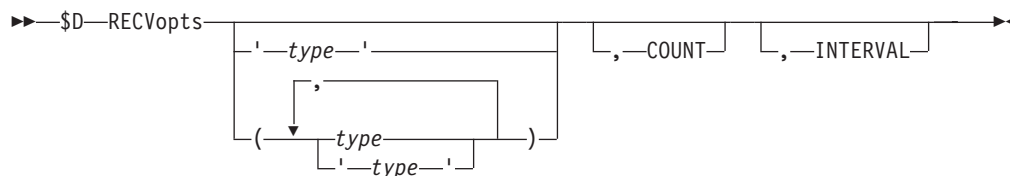


## \$D RECVOpts - Display current RECVOPTS settings

### Function

To display the current RECVOPTS settings for types of errors.

### Syntax



### Parameters

#### RECVOpts (type | \*)

The \$HASP846 message displays the current RECVOPTS settings for the specified types of errors.

#### COUNT

For the MAIN type COUNT= specifies the number (1-99) of errors (within the INTERVAL= time period) below which the operator will not become involved in the recovery process.

#### INTERVAL

Specifies the number of hours (0-9999) in the current interval in which JES2 is counting errors.

### Authority Required

This command requires **display** authority. The description of the \$T RDRnn command explains how to ensure that the authority of the appropriate MVS system command group is assigned.

This command requires **read** security access authority. For a description of assigning command input authority, see *z/OS JES2 Initialization and Tuning Guide*.

### Scope

The scope of some commands varies by parameter.

Some parameters on certain commands will display information about the entire MAS, while other parameters will display information about this member only.

For those commands that are single member scope, or have some parameters that are single member scope, you might want to use the parameters for that command to get information about all members of the MAS. If so, you can use the MVS ROUTE \*ALL command to issue that command to all active members (if the JES2 command character is the same on all members). See *z/OS MVS System Commands* for more information on using the ROUTE \*ALL command.

### Messages

The individual parameter descriptions list the resulting messages.

### Example

**1** \$D RECVOPTS

```

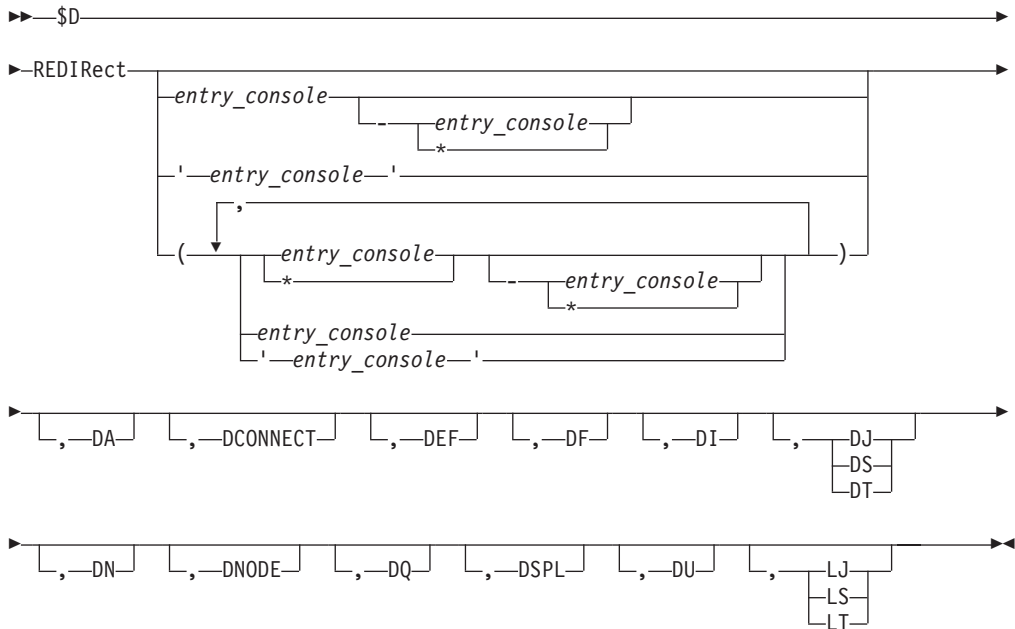
$HASP846 RECVOPTS(MAIN)          COUNT=1, INTERVAL=1
$HASP846 RECVOPTS(DISTERR)       COUNT=1, INTERVAL=24
$HASP846 RECVOPTS(CKPT)          COUNT=1, INTERVAL=24
$HASP846 RECVOPTS(PQE)           COUNT=1, INTERVAL=24
$HASP846 RECVOPTS(IMAGE)         COUNT=1, INTERVAL=24
$HASP846 RECVOPTS(ALLOCATE)      COUNT=1, INTERVAL=24
$HASP846 RECVOPTS(SPOOL)         COUNT=1, INTERVAL=24
$HASP846 RECVOPTS(SMF)           COUNT=1, INTERVAL=24
$HASP846 RECVOPTS(VTAM)          COUNT=1, INTERVAL=24
$HASP846 RECVOPTS(WTO)           COUNT=1, INTERVAL=24
$HASP846 RECVOPTS(CONVERT)       COUNT=1, INTERVAL=24
$HASP846 RECVOPTS(OFFLOAD)       COUNT=1, INTERVAL=24
$HASP846 RECVOPTS(CKPTVRNS)     COUNT=1, INTERVAL=24
$HASP846 RECVOPTS(GENERAL)       COUNT=1, INTERVAL=24
$HASP846 RECVOPTS(CKPTONCF)     COUNT=1, INTERVAL=24
    
```

## \$D REDirect - Redirect command responses

### Function

To allow the operator to display redirection targets of command responses. These responses are to commands entered at a particular console.

### Syntax



### Parameters

**entry\_console**

Specifies the active MCS console. If you enter any redirected commands from this console, it displays responses to those commands at another console or area. \* specifies the redirection for all consoles that have any redirection set up on them. Do not specify a console area.

**cmd**

Specifies the group of JES2 commands to be affected. You can specify more than one command.

The allowed list of display commands includes the following:

- DA**    Display active job
- DCONNECT**  
          Display JES2 network connections
- DEF**    Display JES2 parameter definitions
- DF**     Display forms queue
- DI**     Display initiators
- DJ|DS|DT**  
          Display JOB, STC, TSU information
- DN**     Display queued jobs
- DNODE**  
          Display NJE nodes
- DQ**     Display number of queued jobs
- DSPL**   Display spool volumes
- DU**     Display units
- LJ|LS|LT**  
          List JOB, STC, TSU output

**Authority Required**

This command requires **display** authority. The description of the \$T RDRnn command explains how to ensure that the authority of the appropriate MVS system command group is assigned. The \$T INTRDR Command sets the command authority for internal readers.

This command requires **read** security access authority. For a description of assigning command input authority, see *z/OS JES2 Initialization and Tuning Guide*.

**Scope**

**Single member.** The response to this command will be a display of information about this member only. There is no need to issue this command for all members of the MAS.

**Messages**

The \$HASP818 message is issued in response to this command. If no redirection has been set up for the specified entry console, the \$HASP003 RC=52 message indicates that the operator entered the command incorrectly.

**Examples**

```

1 $d redirect(cn3e0)
   $HASP818 REDIRECT(CN3E0)
   DA=CN3E0,DF=CN3E0,DI=CN3E0,DJ=
   CN3E0,DN=CN3E0,DQ=CN3E0,DU=CN3E0,
   DCONNECT=CN3E0,DNODE=320,DEF=
   CN3E0,DSPL=CN3E0,LJ=CN3E0

```

## \$D REDIRect

Shows what redirection has been set up for console CN3E0.

```
2 $d redir(*)
$HASP818 REDIRECT(CN320)    DA=CN3E0-A,DF=CN320,DI=CN320,DJ=
                             CN320,DN=CN320,DQ=CN320,DU=CN320,
                             DCONNECT=CN320,DNODE=CN320,DEF=
                             CN320,DSPL=CN320,LJ=CN320
$HASP818 REDIRECT(CN3E0)    DA=CN3E0,DF=CN3E0,DI=CN3E0,DJ=
                             CN3E0,DN=CN3E0,DQ=CN3E0,DU=CN3E0,
                             DCONNECT=CN3E0,DNODE=CN320,DEF=
                             CN3E0,DSPL=CN3E0,LJ=CN3E0
```

Shows the redirection for all consoles that have any redirection set up on them.

```
3 $d redirect(cn3e0),da,di
$HASP818 REDIRECT(CN3E0)    DA=CN3E0-A,DI=CN320
```

---

## \$D REQJOBID - Display attributes of JOBID address spaces

### Function

To display the attributes to be assigned to Request JOBID address spaces.

### Syntax

```
▶▶ $D—REQJobid [ ,—JESLOG ] ▶▶
```

### Parameters

**JESLOG=SPIN | NOSPIN | SUPPRESS**

Displays the default processing for the JESLOG data sets for request jobID jobs.

#### SPIN

JESLOG is spin-eligible. There is an optional second operand for SPIN:

- JESLOG=(SPIN, hh:mm)  
JESLOG will be spun at time hh:mm each 24 hour period. For time intervals of less than one hour, you must specify the time in the JESLOG=(SPIN,+00:mm) format.
- JESLOG=(SPIN,+hh:mm)  
JESLOG will be spun every hh:mm time interval.
- JESLOG=(SPIN,nK | SPIN,nM)  
JESLOG will be spun when either data set has 'n' lines.

where:

- *hh* is hours in the range 0 through 23
- *mm* is minutes in the range 00 through 59
- *n* is the number of lines in the data set in the range 1 through 999. *n* is specified as nnn, nnnK, or nnnM, where 'K' is thousands and 'M' is millions. You must specify a minimum number of 500 lines.

**Note:** The order of precedence for request jobID address spaces from most dominant to least dominant is:

1. The specifications in the IEFSSRR SSOB extension (supplied by the application).
2. Specifications supplied by installation exits.
3. The REQJOBID statement.

**NOSPIN**

JESLOG will not be spun.

**SUPPRESS**

JESLOG will be suppressed.

**Authority Required**

This command requires **display** authority. The description of the \$T RDRnn command explains how to ensure that the authority of the appropriate MVS system command group is assigned.

This command requires **control** security access authority. For a description of assigning command input authority, see *z/OS JES2 Initialization and Tuning Guide*.

**Processing Considerations**

None.

**Scope**

**Single member.** The response to this command will be a display of information about this member only. You might want to use this command to get information about all members in the MAS. To do so, you can use the MVS ROUTE \*ALL command to issue this command to all active members (if the JES2 command character is the same on all members). See *z/OS MVS System Commands* for more information on using the ROUTE \*ALL command.

**Messages**

\$HASP860 displays the current REQJOBID concatenation.

**Example**

```

1
$dreqjobid
$HASP860 REQJOBID JESLOG=(NOSPIN)
    
```

Display attributes of request JOBID address spaces.

**\$D SMFDEF - Display status of SMF buffers**

**Function**

To display the current status of System Management Facility (SMF) buffers.

**Syntax**



**Parameters**

**BUFFREE**

Displays the number of SMF buffers which are currently not in use.

## \$D SMFDEF

### BUFNUM

Specifies the number (0-10000) of system management facilities (SMF) buffers JES2 obtains.

### BUFWARN

Specifies the percentage (0-100) of SMF buffers in use at which the operator will be alerted.

## Authority Required

This command requires **display** authority. The description of the \$T RDRnn command explains how to ensure that the authority of the appropriate MVS system command group is assigned.

This command requires **read** security access authority. For a description of assigning command input authority, see *z/OS JES2 Initialization and Tuning Guide*.

## Scope

The scope of some commands varies by parameter.

Some parameters on certain commands will display information about the entire MAS, while other parameters will display information about this member only.

For those commands that are single member scope, or have some parameters that are single member scope, you might want to use the parameters for that command to get information about all members of the MAS. If so, you can use the MVS ROUTE \*ALL command to issue that command to all active members (if the JES2 command character is the same on all members). See *z/OS MVS System Commands* for more information on using the ROUTE \*ALL command.

## Messages

The individual parameter descriptions list the resulting messages.

## Example

```
1 $d smfdef
```

```
$HASP841 SMFDEF BUFNUM=53,BUFFREE=53,BUFWARN=80
```

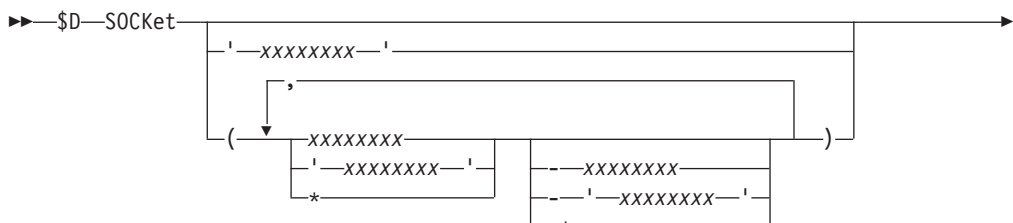
---

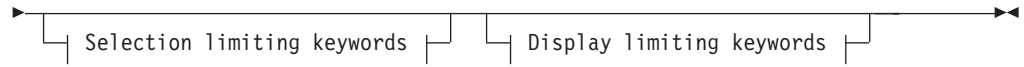
## \$D SOCKET (xxxxxxx) - Display the characteristics of a socket

### Function

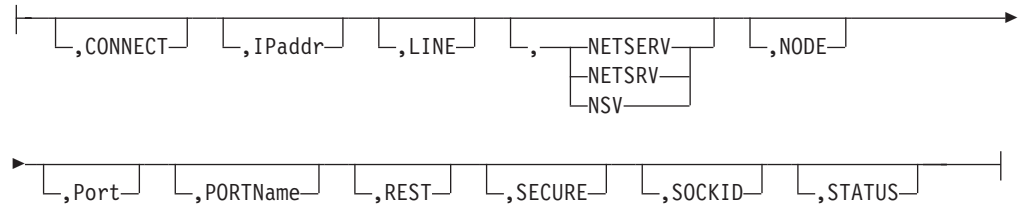
To display the characteristics of a socket.

### Syntax

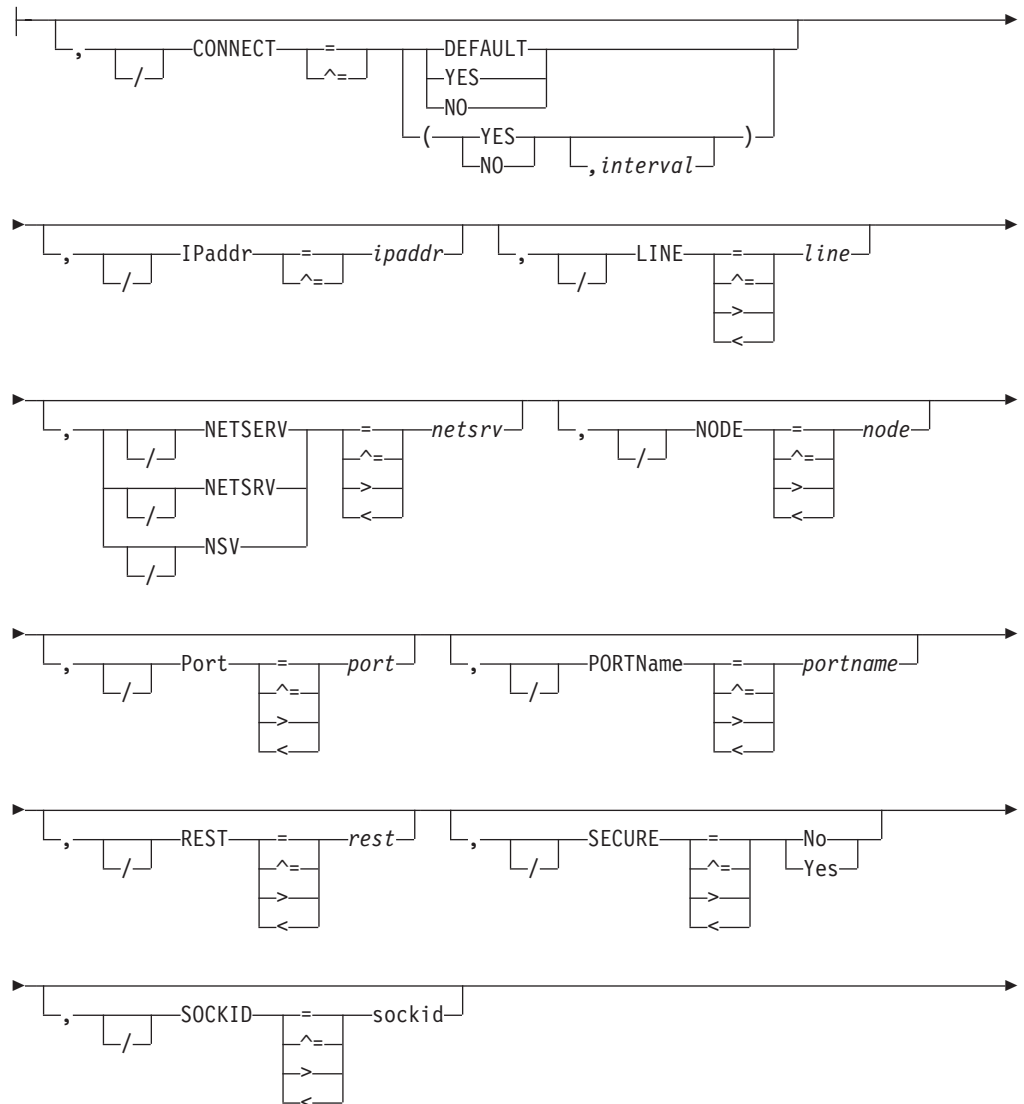




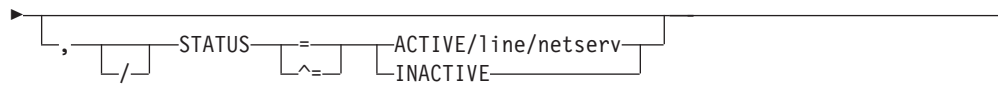
**Display limiting keywords:**



**Selection limiting keywords:**



## \$D SOCKET (xxxxxxxx)



### Parameters

xxxxxxxx

Specifies the 1 to 8 character name of this socket. Installations can assign any name to a SOCKET. You can only use it in \$SN commands and on NETSERV statements.

#### CONNECT=(Yes|No|DEFAULT, *interval*)

Displays whether an NJE connection is automatically attempted for this socket. The *interval* is the approximate time (in minutes) between attempted connections. The valid range for *interval* is 0 to 1440. A value of 0 indicates that the default interval (from NJEDEF CONNECT=) is used. A third positional displays the approximate time (yyyy.ddd,hh:mm) when the next attempt is made.

#### IPADDR=

Specifies the TCP/IP address or hostname associated with this socket. The default value, \*LOCAL, indicates all IP addresses available at the start netserver time are to be considered.

#### PORT=

Specifies the port number associated with this socket. The default is the value associated with VMNET (typically 175) if SECURE=NO, and the value associated with NJENET-SSL (typically 2252) if SECURE=YES. The range is 0-32767.

#### PORTNAME=

If PORT= is specified as the default value, it displays either VMNET or NJENET-SSL, depending on the value of SECURE=.

#### LINE=

Specifies a TCP/IP line which is to be dedicated to this socket.

#### NODE=

Specifies the NJE node associated with this socket.

#### NETSRV=

Specifies the device number of the NETSRV to be used when connecting to this remote socket.

#### REST=

Specifies the resistance associated with the socket.

#### SECURE=

Indicates whether SSL/TLS is to be used or not when communicating with this socket.

#### YES

Indicates that SSL/TLS is to be used when communicating with this socket.

#### NO

Indicates that SSL/TLS is not to be used when communicating with this socket.

#### SOCKID=

Displays the socket ID assigned by IAZNJTCP (display only).



**STATUS=**

Specifies the current status of the socket.

**ACTIVE/line/netserv**

Indicates that the socket is active on the displayed line and netserv.

**INACTIVE**

Indicates that the socket is currently not being used.

**Authority Required**

This command requires **display** authority. The description of the \$T RDRnn command explains how to ensure that the authority of the appropriate MVS system command group is assigned.

This command requires **read** security access authority. For a description of assigning command input authority, see *z/OS JES2 Initialization and Tuning Guide*

**Scope**

**Single system.** The values supplied for this command will be in effect for this member only.

**Messages**

\$HASP897

**Examples****1 \$dsocket (wsc)**

```

$HASP897 SOCKET(WSC)          $HASP897 SOCKET(WSC)
$HASP897 SOCKET(WSC)          STATUS=ACTIVE/LNE26/NETSRV1,
$HASP897                      IPADDR=9.57.1.179,PORT=175,
$HASP897                      PORTNAME=VMNET,SECURE=NO,LINE=0,
$HASP897                      NODE=2,REST=0,NETSRV=0,SOCKID=S1

```

**2 \$dsocket (node4)**

```

$HASP897 SOCKET(NODE4)       $HASP897 SOCKET(NODE4)
$HASP897 SOCKET(NODE4)       STATUS=INACTIVE,IPADDR=9.117.0.0,
$HASP897                      PORTNAME=VMNET,CONNECT=(YES,2),
$HASP897                      SECURE=NO,LINE=0,NODE=4,REST=0,
$HASP897                      NETSRV=0

```

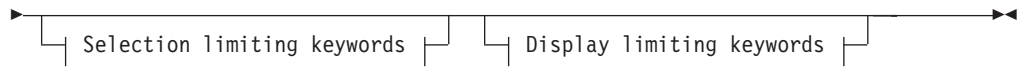
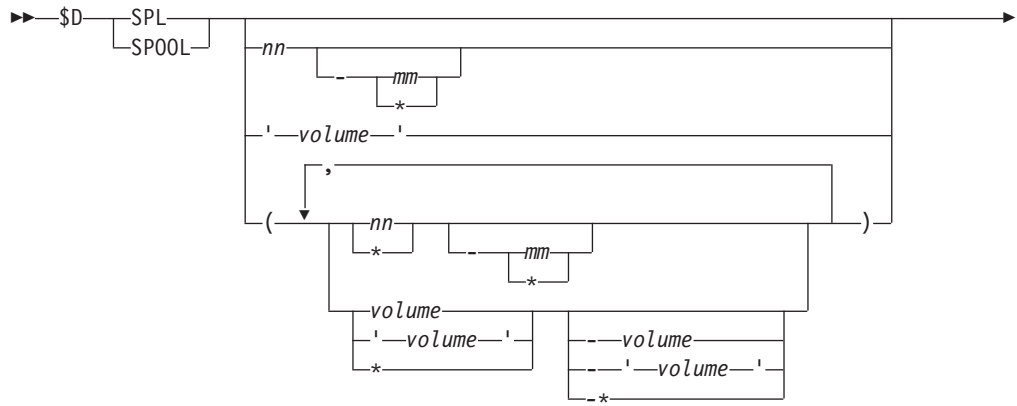
---

**\$D SPOOL - Display the status of spool volumes****Function**

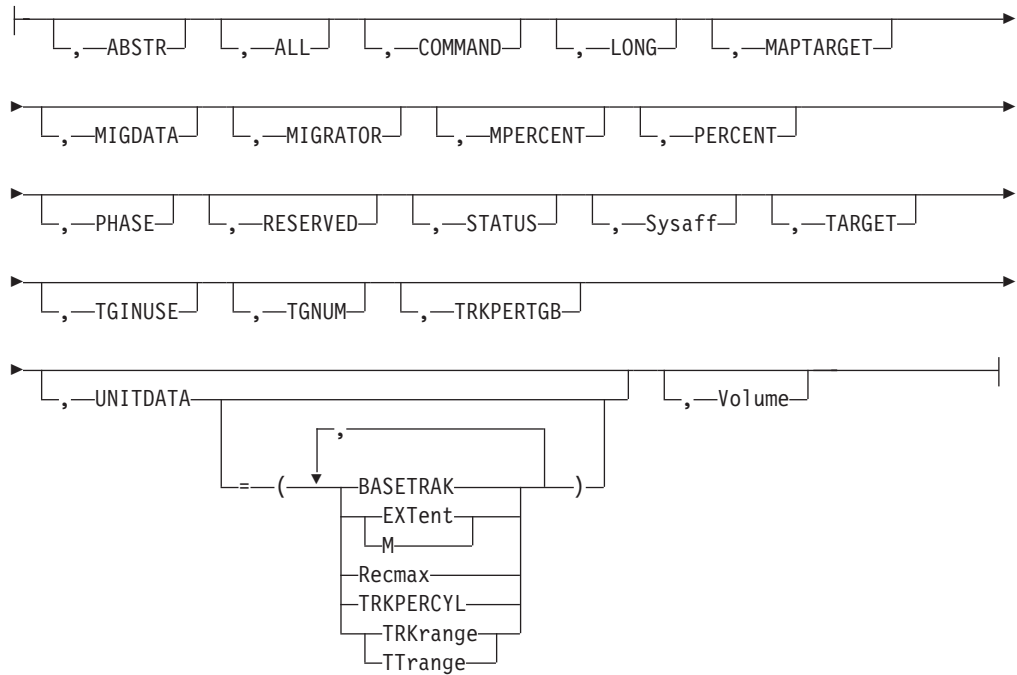
To display the status and percent utilization of a specified spool volume or all spool volumes.

**Syntax**

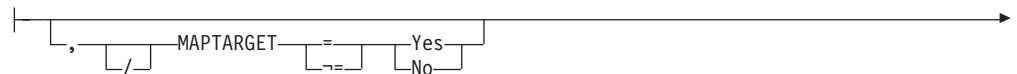
# \$D SPOOL

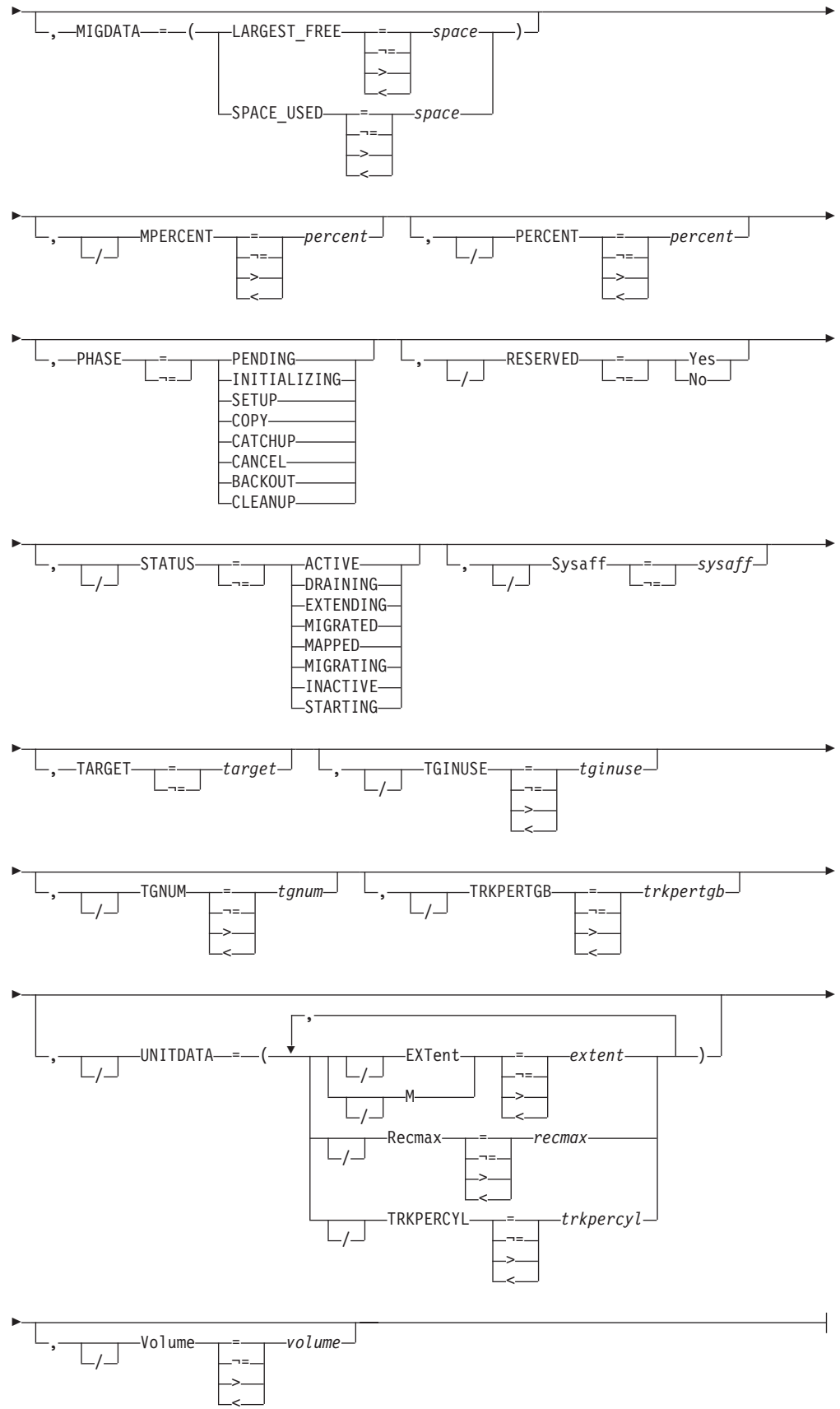


## Display limiting keywords:



## Selection limiting keywords:





## Parameters

### ABSTR

Displays the size and starting track for each SPOOL data set on this volume. In the event that a SPOOL data set has to be reallocated on another volume, this parameter provides the `SPACE(ABSTR,size,start)` values for the submitted JCL.

### ALL

The \$HASP893 message displays the status and percent utilization for each spool volume defined to JES2. The \$HASP646 message then displays the total percent spool utilization for the complex of all active spool volumes.

**Note:** Because ALL automatically triggers a "long" display, you cannot add additional display-limiting parameters on this command; however, you can add selection-limiting parameters.

### AWAITING

Lists any spool volumes whose unavailability is preventing this spool volume from draining, most likely because jobs which have space on that volume cannot purge.

### COMMAND

Displays any commands which are outstanding on this spool volume (START, DRAIN, HALT, FORMAT).

### LONG

Displays additional information on the \$HASP893 message.

**Note:** Because LONG automatically triggers a "long" display, you cannot add additional display-limiting parameters on this command; however, you can add selection-limiting parameters.

### MAPTARGET=Yes | No

Indicates if the volume is the target of a MAPPED spool volume. **Yes** indicates the volume is the target of a MAPPED volume. **No** indicates the volume is not the target of a MAPPED volume.

### MIGDATA=( [LARGEST\_FREE | SPACE\_USED] )

On a per spool volume basis, displays the largest contiguous free space or the highest used location. The unit of measurement is tracks.

**Note:** To track the progress of a spool migration, JES2 stores internal structures on the target spool volume. To determine the total free space that is required on the target spool volume for the migration, the size of these internal structures (approximately four tracks) must be added to the value displayed by the `MIGDATA=SPACE_USED` parameter on the source volume.

### MIGRATOR

Displays the name of the JES2 MAS member that is performing the migration of a MIGRATING spool volume.

### MPERCENT

Displays the percentage of the migration that has completed.

### PERCENT=percent

Displays the percentage of this spool volume that is utilized.

### PHASE

Filters the migrating volumes by current phase:

**PENDING**

The spool volume has been scheduled for migration and is awaiting the start of migration.

**INITIALIZING**

The migration environment is initializing.

**SETUP**

Setup for a migration is processing.

**COPY** The dataset on the source spool volume is being migrated to the target spool volume.

**CATCHUP**

Tracks that were changed by runtime operations during the COPY phase are being recopied.

**CANCEL**

Migrator subtasks are being cleaned up due to an operator canceling an active migration or the migration process detecting an error.

**BACKOUT**

Updates are being backed out due to an operator canceling an active migration or the migration process detecting an error.

**CLEANUP**

General cleanup at the end of migration is processing.

**RESERVED**

Indicates if the spool volume is selectable and not allocatable. **Yes** indicates the spool volume is reserved. **No** indicates the spool volume is not reserved.

**STATUS=[ACTIVE | DRAINING | EXTENDING | HALTING | INACTIVE | MAPPED | MIGRATING | STARTING]**

Displays the status of the spool volume.

**ACTIVE**

The spool volume is in use. Allocation and deallocation of spool space are permitted.

**DRAINING**

The spool volume is transitioning to a DRAINED state.

**EXTENDING**

The spool volume is currently being extended in size.

**HALTING**

The spool volume is transitioning to an INACTIVE state.

**INACTIVE**

The spool volume has been started and can contain allocated tracks. You cannot further allocate or process the allocated tracks.

**MAPPED**

The spool volume has been migrated and the corresponding data set is eligible for deletion.

**Note:** The spool volume extent number will persist until all jobs and SYSOUT that have space on the volume have been purged.

**MIGRATING**

The spool volume is a source of an active migration. The associated target volume is also displayed.

## \$D SPOOL

### STARTING

The spool volume has been started but has not fully initialized yet.

### SYSAFF=sysaff

Displays the spool volume(s) associated with the specified member(s).

### TGINUSE=tginuse

Displays the number of track groups in use on this spool volume.

### TGNUM=tgnum

Displays the total number of track groups (either in use or free) on this spool volume.

### TRKPERTGB=trkpertgb

Displays the number of tracks in each track group on this spool volume.

### UNITDATA=[BASETRAK|EXTent|M|Recmax|TRKPERCYL]

Displays extended information about the spool volume.

### BASETRAK=

Displays the base rack address if relative addressing is in use for this volume.

### EXTent|M

The extent number (in hex) that JES2 has assigned this volume.

### TRKrange|TTrange

The range of tracks on this volume that the spool data set occupies.

### Recmax

The maximum record number within a track that JES2 will use.

### TRKPERCYL

The number of tracks per cylinder on the spool device.

### Volume=volser

Only volumes matching the specified volser will be displayed.

## Related Commands

To display jobs with more than a specified amount of spool space or space on specific spool volumes, use the \$D JOBQ,SPOOL= command.

See also the \$MSPL, \$T SPOOL, \$S SPOOL, \$T SPOOLDEF commands.

## Authority Required

This command requires **display** authority. The description of the \$T INTRDRnn command explains how to ensure that the authority of the appropriate MVS system command group is assigned.

This command requires **read** security access authority. For a description of assigning command input authority, see *z/OS JES2 Initialization and Tuning Guide*.

## Processing Considerations

The \$D SPOOL command displays active migrations and provides filtering capability.

## Scope

**MAS-wide.** This command displays information about the entire MAS.

## Context

HASCSCAN, HASPSTAB, HASPSXIT, and HASPSPOL.

## Messages

The \$HASP893 message displays information about individual spool volumes.

The \$HASP646 message displays the percentage of total spool space in the MAS that is in use.

## Examples

1. \$d spl

```
$HASP893 VOLUME(SPOOL1) STATUS=ACTIVE,PERCENT=84
$HASP893 VOLUME(SPOOL2) STATUS=ACTIVE,PERCENT=92
$HASP646 88.1904 PERCENT SPOOL UTILIZATION
```

The total utilization of all spool volumes is displayed, as well as the status and total utilization of each individual spool volume.

2. \$dsp1(spool1)

```
$HASP893 VOLUME(SPOOL1) STATUS=ACTIVE,PERCENT=84
$HASP646 88.1904 PERCENT SPOOL UTILIZATION
```

The total utilization of all spool volumes is displayed, as well as the status and total utilization of spool volume SPOOL1.

3. \$dsp1(spool1),long

```
$HASP893 VOLUME(SPOOL1)
$HASP893 VOLUME(SPOOL1) STATUS=ACTIVE,SYSAFF=(ANY),TGNUM=525
$HASP893 TGINUSE=141,TRKPERTGB=1,PERCENT=26,RESERVED=Yes,MAPTARGET=Yes
$HASP646 88.1904 PERCENT SPOOL UTILIZATION
```

The total utilization of all spool volumes is displayed, as well as the status, the list of member(s) the spool volume is associated with, total utilization, and track group information about spool volume SPOOL1.

4. \$dsp1(\*),unitdata

```
$HASP893 VOLUME(SPOOL1)
$HASP893 VOLUME(SPOOL1) UNITDATA=(EXTENT=00,TRKRANGE=(0087,
$HASP893 0293),RECMAX=12,TRKPERCYL=15)
$HASP893 VOLUME(SPOOL2)
$HASP893 VOLUME(SPOOL2) UNITDATA=(EXTENT=01,TRKRANGE=(0001,
$HASP893 001E),BASETRAK=00000E,RECMAX=10,
$HASP893 TRKPERCYL=15)
$HASP646 2.5225 PERCENT SPOOL UTILIZATION
```

Unit-specific information about spool volumes SPOOL1 and SPOOL2 is displayed. Note that SPOOL1 is using absolute addressing and SPOOL2 is using relative addressing.

5. \$dsp1,sysaff

```
$HASP893 VOLUME(SPOOL1) SYSAFF=(ANY)
$HASP893 VOLUME(SPOOL2) SYSAFF=(PSU1)
$HASP893 VOLUME(SPOOL3) SYSAFF=(ANY)
$HASP893 VOLUME(SPOOL4) SYSAFF=( )
$HASP893 VOLUME(SPOOL5) SYSAFF=(PSU1,IBM1,NIH1)
$HASP646 43.2679 PERCENT SPOOL UTILIZATION
```

## \$D SPOOL

The member(s) with which all spool volumes are associated is displayed.

### 6. \$D SPOOL,MIGDATA

```
$HASP893 VOLUME (SPOL1)
$HASP893 VOLUME (SPOL1) MIGDATA=(SPACE_USED=40000,LARGEST_FREE=10000)
$HASP893 VOLUME (SPOL2)
$HASP893 VOLUME (SPOL2) MIGDATA=(SPACE_USED=20000,LARGEST_FREE=10000)
$HASP646 43.2679 PERCENT SPOOL UTILIZATION
```

The largest contiguous free space for each spool volume, with highest location used in tracks, is displayed.

### 7. \$D SPOOL,MIGDATA=LARGEST\_FREE

```
$HASP893 VOLUME (SPOL1)
$HASP893 VOLUME (SPOL1) MIGDATA=(LARGEST_FREE=10000)
$HASP893 VOLUME (SPOL2)
$HASP893 VOLUME (SPOL2) MIGDATA=(LARGEST_FREE=20000)
$HASP646 43.2679 PERCENT SPOOL UTILIZATION
```

The largest contiguous free space for all spool volumes is displayed.

### 8. \$D SPOOL(SPOL2),MIGDATA=LARGEST\_FREE

```
$HASP893 VOLUME (SPOL2)
$HASP893 VOLUME (SPOL2) MIGDATA=(LARGEST_FREE=10000)
$HASP646 43.2679 PERCENT SPOOL UTILIZATION
```

The largest contiguous free space for spool **SPOL2** is displayed.

### 9. \$D SPOOL,MIGDATA=LARGEST\_FREE>3000,MIGDATA

```
$HASP893 VOLUME (SPOL2)
$HASP893 VOLUME (SPOL2) MIGDATA=(LARGEST_FREE=4000)
$HASP893 VOLUME (SPOL5)
$HASP893 VOLUME (SPOL5) MIGDATA=(LARGEST_FREE=7000)
$HASP646 43.2679 PERCENT SPOOL UTILIZATION
```

All volumes having contiguous free space greater than 3000 tracks are displayed.

### 10. \$D SPOOL,TARGET=SPOL10,TARGET

```
$HASP893 VOLUME(SPOL1) TARGET=SPOL10
$HASP893 VOLUME(SPOL3) TARGET=SPOL10
$HASP646 80.0000 PERCENT SPOOL UTILIZATION
```

All spool volumes that have spool **SPOL10** as a target are displayed. This includes both migrating and mapped source spool volumes.

**Note:** The \$HASP646 message displays the percentage of total spool space in use within the MAS.

### 11. \$D SPOOL, TARGET^=' ',TARGET

```
$HASP893 VOLUME(SPOL1) TARGET=SPOL10
$HASP893 VOLUME(SPOL3) TARGET=SPOL10
$HASP893 VOLUME(SPOL4) TARGET=SPOL11
$HASP893 VOLUME(SPOL5) TARGET=SPOL12
$HASP646 80.0000 PERCENT SPOOL UTILIZATION
```

All spool volumes that have target spool volumes are displayed.

### 12. \$D SPOOL(SPOL1,SPOL2,SPOL3),TARGET=SPOL10,TARGET

```
$HASP893 VOLUME(SPOL1) TARGET=SPOL10
$HASP893 VOLUME(SPOL3) TARGET=SPOL10
$HASP646 80.0000 PERCENT SPOOL UTILIZATION
```

Any of the specified spool volumes that have spool volume **SPOL10** as a target are displayed.



13. \$DSPL,RESERVED=YES

```
$HASP893 VOLUME(SPOOL2) STATUS=ACTIVE,PERCENT=20,RESERVED=YES
$HASP893 VOLUME(SPOOL3) STATUS=ACTIVE,PERCENT=40,RESERVED=YES
$HASP646 30.0000 PERCENT SPOOL UTILIZATION
```

All spool volumes that are currently **RESERVED** are displayed.

**Note:** The percentage value shown in \$HASP646 is spool utilization.

14. \$DSPL,STATUS=EXTENDING,STATUS

```
$HASP893 VOLUME(SPOOL2) STATUS=EXTENDING,AWAITING(IBM1)
$HASP893 VOLUME(SPOOL3) STATUS=EXTENDING,AWAITING(IBM1)
$HASP893 VOLUME(SPOOL5) STATUS=EXTENDING,AWAITING(IBM1)
$HASP646 70.0000 PERCENT SPOOL UTILIZATION
```

All volumes currently being extended are displayed.

15.

\$DSPL

```
$HASP893 VOLUME(SPOOL1) STATUS=ACTIVE,PERCENT=4
$HASP893 VOLUME(SPOOL2) STATUS=MIGRATING-MOVE,AWAITING(IBM1),
$HASP893 PERCENT=0,RESERVED=YES
$HASP893 VOLUME(SPOOL3) STATUS=MIGRATING-MERGE,AWAITING(MIGRATION),PERCENT=0
$HASP893 VOLUME(SPOOL4) STATUS=MIGRATING-MERGE,AWAITING(MIGRATION),PERCENT=0
$HASP646 50 PERCENT SPOOL UTILIZATION
```

All spool volumes and states are displayed.

16.

\$DSPL,STATUS=MIGRATING,MPERCENT<50,STATUS,PHASE,MPERCENT

```
$HASP893 VOLUME(SPOOL2) STATUS=MIGRATING-MOVE,AWAITING(IBM1),
$HASP893 PHASE=SETUP,MPERCENT=0
$HASP893 VOLUME(SPOOL3) STATUS=MIGRATING-MERGE,AWAITING(MIGRATION),
$HASP893 PHASE=PENDING,MPERCENT=0
$HASP893 VOLUME(SPOOL4) STATUS=MIGRATING-MERGE,AWAITING(MIGRATION),
$HASP893 PHASE=PENDING,MPERCENT=0
$HASP646 30 PERCENT SPOOL UTILIZATION
```

All migrating spool volumes that are less than 50% complete, and their current execution phases, are displayed.

17.

\$D SPOOL,STATUS=MIGRATING,STATUS,PHASE=CLEANUP,PHASE

```
$HASP893 VOLUME(SPOL8) STATUS=MIGRATING-MERGE,TARGET=SPOL2,PHASE=CLEANUP
$HASP893 VOLUME(SPOL7) STATUS=MIGRATING-MERGE,TARGET=SPOL4,PHASE=CLEANUP
$HASP646 75.0000 PERCENT SPOOL UTILIZATION
```

All migrating spool volumes that are currently in the cleanup phase are displayed.

18. \$D SPOOL(SPOL1,SPOL2,SPOL7,SPOL8),STATUS=MIGRATING

```
$HASP893 VOLUME(SPOL7) STATUS=MIGRATING-MOVE,TARGET=SPOL2
$HASP893 VOLUME(SPOL8) STATUS=MIGRATING-MOVE,TARGET=SPOL2
$HASP646 75.0000 PERCENT SPOOL UTILIZATION
```

Any of the specified spool volumes that are currently migrating are displayed.

19. \$DSPL,MIGRATOR,PHASE,STATUS

```
$HASP893 VOLUME(J2WRK1) STATUS=ACTIVE
$HASP893 VOLUME(J2WRK3)
$HASP893 VOLUME(J2WRK3) PHASE=PENDING,
$HASP893 STATUS=MIGRATING-MERGE,AWAITING(MIGRATION)
$HASP893 VOLUME(J2WRK2)
$HASP893 VOLUME(J2WRK2) PHASE=PENDING,
$HASP893 STATUS=MIGRATING-MERGE,AWAITING(MIGRATION)
$HASP893 VOLUME(J2WRKD)
```

## \$D SPOOL

```
$HASP893 VOLUME(J2WRKD)  MIGRATOR=N2M1,PHASE=COPY,  
$HASP893                      STATUS=MIGRATING-MERGE,AWAITING(N2M2)  
$HASP893 VOLUME(J2WRKF)  STATUS=ACTIVE  
$HASP646 42.4749 PERCENT SPOOL UTILIZATION
```

Shows the Migrator, Phase of spool migration, and status of all spool volumes. Note that Migrator and Phase are only displayed for SPOOL volumes that are the Source spool volume of a spool migration. The display for J2WRKD indicates that MAS member N2M1 is the Migrator responsible for the spool migration, using J2WRKD as a Source spool volume. The display also indicates that the migrator N2M1 is waiting on MAS member N2M2 to finish its portion of the migration process before the migration can be completed. Run the \$D MEMBER command on any member that a spool migration is waiting on to determine the state of that member. If that member is hot-startable, the spool migration will not complete until that member is started.

For more information on spool migration, refer to "Migrating spool volumes" on page 26 and "\$MSPL - Migrate spool volumes" on page 572.

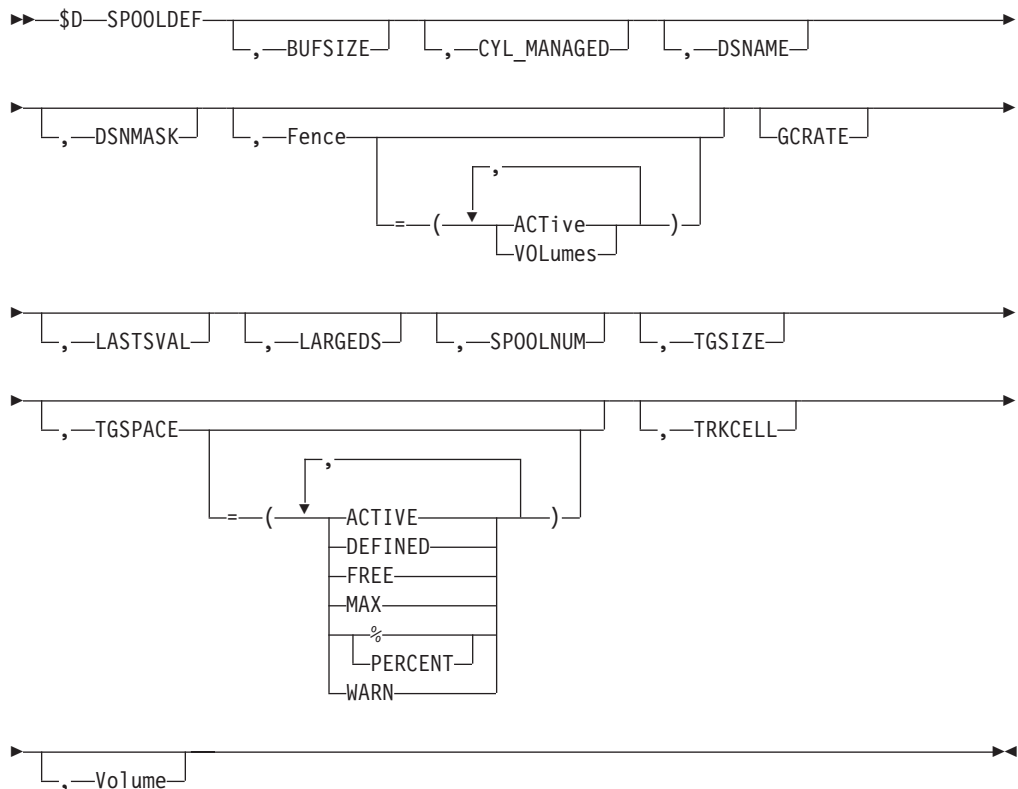
---

## \$D SPOOLDEF - Display the JES2 spooling environment

### Function

To display the JES2 spooling environment characteristics.

### Syntax



### Parameters

#### BUFSIZE

Displays the size (1944-3992 in bytes) of each JES2 buffer.

**Scope: MAS-Wide.**

**CYL\_MANAGED**

Displays whether MAS members allow a SPOOL volume on cylinder-managed storage or not.

**FAIL**

JES2 data sets cannot be allocated in EAV cylinder-managed space.

**ALLOWED**

Both JES2 spool and checkpoint data sets can be allocated in EAV cylinder managed space.

**Scope: MAS-Wide.**

**DSNAME**

Displays the 1-44 character data set name for the JES2 spool data set. This data set is normally named SYS1.HASPACE, but its name can be changed. The \$D SPOOL DSNAME value must match either the \$D SPOOLDEF DSNAME or the \$D SPOOLDEF DSNMASK value.

**Scope: MAS-Wide.**

**DSNMASK**

Displays the 1-44 characters data set mask name, including generic characters. If the DSNAME parameter is specified with the \$S SPOOL command, the DSNAME value must match either the \$D SPOOLDEF DSNAME value or the \$D SPOOLDEF DSNMASK value. If the \$D SPOOLDEF DSNMASK value is null, the DSNAME value must match the \$D SPOOL DSNAME value.

**Scope: MAS-Wide.**

**FENCE**

Displays how track groups for jobs will be assigned across spool volumes.

**ACTIVE=YES|NO**

Determines whether (YES) or not (NO) any fencing is active at the time.

**VOLUMES=nnn**

Is the number of volumes a job will be fenced to.

**Scope: MAS-Wide.**

**GCRATE**

Specifies the rate for a JES2 spool garbage collection cycle. During a cycle, JES2 examines the signature records for every allocated track group on non-inactive spool volumes. JES2 recovers track groups for jobs no longer in the system and writes a symptom record.

You can only set this parameter using a \$T command.

**Note:** Using GCRATE=FAST will not ease most SPOOL-full situations when the SPOOL space is legitimately owned by existing jobs.

**NORMAL**

Specifies that JES2 is pacing the examination of track group so that JES2 completes a spool garbage collection cycle in about seven days

**FAST**

Specifies that JES2 is performing an accelerated garbage collection cycle. JES2 is not performing pacing and is not waiting between track groups examination. JES2 resumes NORMAL pace processing after it completes this FAST cycle.

**Scope: MAS-Wide.**

### LASTSVAL

Displays the time (GMT time) of the last spool validation (yyyy/ddd,hh:mm:ss). This time stamp represents the last time the system was either cold started or spool=validate was issued on a warm start.

This is used for diagnosis purposes, and the time stamp will be generated in one of three ways:

- Cold start
- Warm start with spool=validate
- JES2 initiated spool=validate when there is a detected error. The source of this error will be reported by message \$HASP492

**Scope: MAS-Wide.**

### LARGEDS

Displays whether large SPOOL data sets (greater than 65,535 tracks) can be started or not. Also indicates whether the new format SPOOL record addresses (MTTRs) are in use or not.

### FAIL

Any attempt to start a SPOOL data set with more than 65,535 tracks fails.

### ALLOWED

SPOOL data sets with up to the current size limit (1,048,575 tracks) can be started. New format SPOOL addresses are used when starting a new volume that contains SPOOL data sets that are greater than 65,535 tracks.

### ALWAYS

SPOOL data sets with up to the current size limit (1,048,575 tracks) can be started. The new format SPOOL addresses are used when starting any volume (regardless of data set size).

**Scope: MAS-Wide.**

### SPOOLNUM

The SPOOLNUM parameter displays the maximum number (1-253, rounded up to a multiple of 32 to 253) of spool volumes defined to a JES2 MAS configuration.

**Scope: MAS-Wide.**

### TGFSIZE

Displays the number (1-255) of JES2 buffers in a track group. JES2 uses this parameter to determine the size of a track group on a new spool volume being added to the complex.

**Scope: Single Member.**

### TGSPACE=[ACTIVE|DEFINED|FREE|MAX|PERCENT|WARN]

The TGSPACE parameter displays the number of track groups on spool volumes. Information displayed for the type of spool volume follows:

- ACTIVE - the total number of track groups on all available spool volumes.
- DEFINED - the total number of track groups on all defined spool volumes.
- FREE - the total number of track groups on all available spool volumes that are currently unallocated.
- MAX - the maximum number of track groups that can be used in the complex.

- PERCENT - The current percentage of the total amount of spool space that is in use.
- WARN - the percentage of used track groups at which the operator will be alerted through message \$HASP050 JES2 RESOURCE SHORTAGE.

**Scope: MAS-Wide.**

### **TRKCELL**

The TRKCELL parameter displays the size of a track cell in terms of spool buffers (1-120); that is, TRKCELL displays the number of direct-access spool records to be logically ordered on a spool track and the number of records to be despoiled (read from the spool) in one operation during print processing.

**Scope: MAS-Wide.**

### **VOLUME**

The VOLUME parameter displays the 4- to 5-character prefix assigned to JES2 spool volumes. The prefix can contain 1-5 generic characters.

**Scope: MAS-wide.**

## **Authority Required**

This command requires **display** authority. The description of the \$T RDRnn command explains how to ensure that the authority of the appropriate MVS system command group is assigned.

This command requires **read** security access authority. For a description of assigning command input authority, see *z/OS JES2 Initialization and Tuning Guide*.

## **Scope**

The scope of this command varies by parameter.

Some parameters on this command will display information about the entire MAS, while other parameters will display information about this member only.

You might want to use the parameters for this command to get information about all members of the MAS. If so, you can use the MVS ROUTE \*ALL command to issue this command to all active members (if the JES2 command character is the same on all members). See *z/OS MVS System Commands* for more information on using the ROUTE \*ALL command.

## **Messages**

The \$HASP844 message displays the current values of all the parameters on the SPOOLDEF initialization statement.

The LASTSVAL parameter displays the time of the last spool validation (yyyy/ddd,hh:mm:ss). This parameter cannot be specified by command because it is display-only.

## **Example**

```
1 $d spooldef
    $HASP844 SPOOLDEF
$HASP844 SPOOLDEF BUFSIZE=3768,DSNAME=SYS1.HASPACE,
$HASP844 FENCE=(ACTIVE=NO,VOLUMES=1),GCRATE=NORMAL,
$HASP844 LASTSVAL=(2009.024,18:58:49),LARGEDS=ALWAYS,
```

## \$D SPOOLDEF

```
$HASP844 SPOOLNUM=128,TGFSIZE=6,TGSPACE=(MAX=16288,  
$HASP844 DEFINED=525,ACTIVE=525,PERCENT=2.8571,  
$HASP844 FREE=510,WARN=80),CYL_MANAGED=ALLOWED
```

JES2 displays all current spooling environment characteristics.

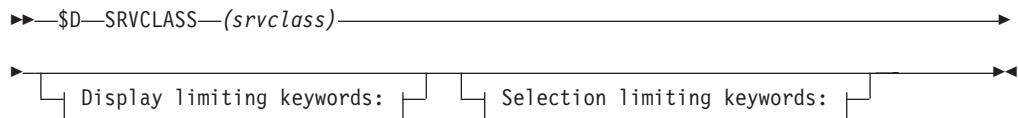
---

## \$D SRVCLASS(name) - Display JES2 information for the specified service class

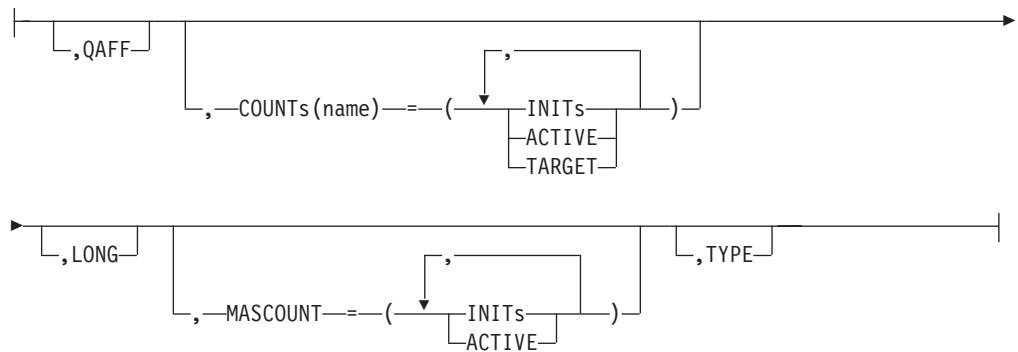
### Function

To display a permanent or dynamic JES2 service class element.

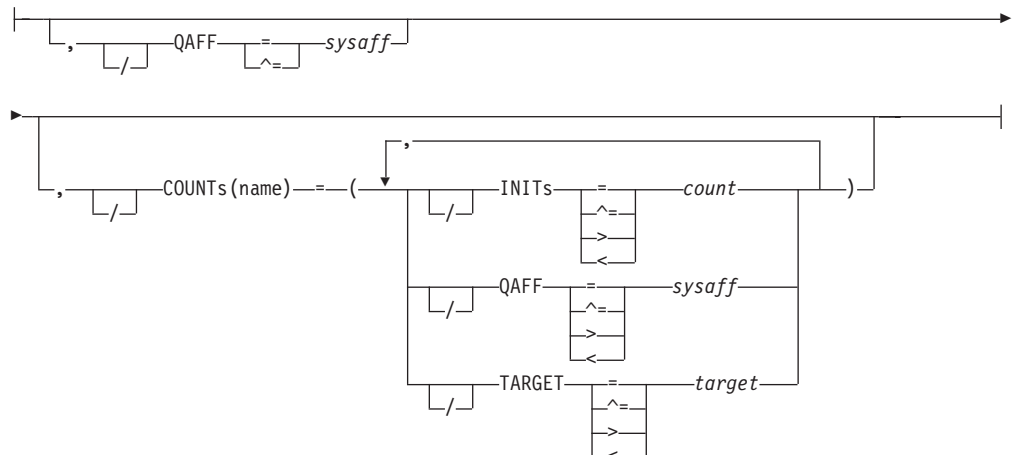
### Syntax



### Display limiting keywords::



### Selection limiting keywords:



**Parameters****QAFF=***sysaff*

Displays which members a particular service class is active on.

**COUNTs**(*member*)=**INITS|ACTIVE|TARGET**

Displays the current number of WLM initiators, executing jobs, and target execution count for the specified member. JES2 only displays the COUNTs keyword if explicitly requested or when LONG is specified.

**LONG**

Displays additional information about service classes.

**MASCOUNT=**

Displays the current number of WLM initiator and executing jobs in the MAS.

**TYPE=**

Displays whether the service class is dynamic or permanent.

**Authority Required**

This command requires **display** authority. The description of the \$T RDRnn command explains how to ensure that the authority of the appropriate MVS system command group is assigned.

This command requires **read** security access authority. For a description of assigning command input authority, see *z/OS JES2 Initialization and Tuning Guide*.

**Scope**

**MAS-wide.** This command displays information about the entire MAS.

**Messages**

\$HASP889

**Example**

\$D SRV(DISCRETN),LONG

```
SRVCLASS(DISCRETN) QAFF=(ANY),TYPE=DYNAMIC,
COUNTS(M031)=(INITS=1,ACTIVE=1,
TARGET=*),MASCOUNT=(INITS=1,
ACTIVE=1)
```

\$D SRV(DISCRETN)

```
SRVCLASS(DISCRETN) QAFF=(ANY),TYPE=DYNAMIC,
MASCOUNT=(INITS=1,ACTIVE=1)
```

**\$D SSI(nnn) - Display subsystem interface function information****Function**

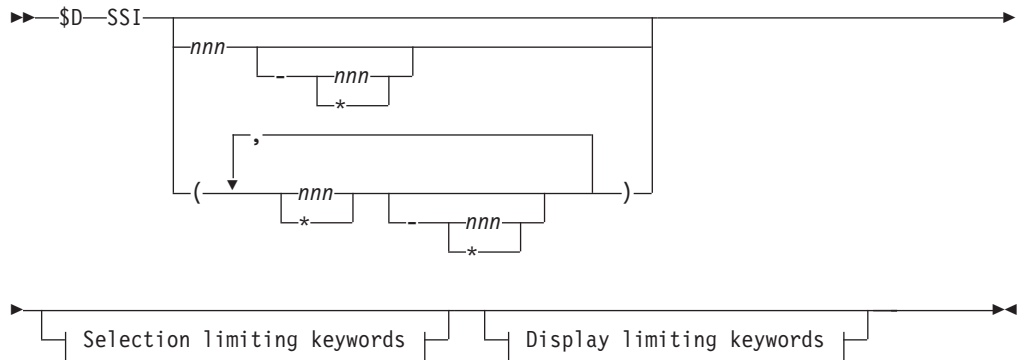
To display information about a subsystem interface (SSI) function. This information is helpful in diagnosing a JES2 problem. This information includes the virtual address of an SSI entry point in storage, a short description of the SSI function, and whether tracing is active or not.

This command has parameters you can use as a filtering technique to limit the type of information to search, or the amount of information to display. See "Using

## \$D SSI(nnn)

filtering to control and display information” on page 114 for additional information.

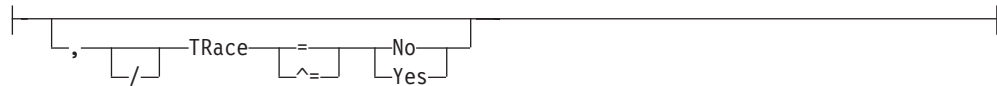
### Syntax



### Display limiting keywords:



### Selection limiting keywords:



### Parameters

#### ADDRESS

Displays the hexadecimal address of the SSI function routine in storage.

#### DESC

Displays a short description of the SSI function.

#### MODULE

Displays the assembly module containing the SSI function routine.

#### SSI({nnn|\*})

Specifies the SSI function number (1-256). Specify the SSI number to display information for a specific SSI function, or specify an asterisk (\*) to display information for all SSI functions. Information only for SSI function routines which are defined will be displayed.

#### TRace[=No|Yes]

Displays whether tracing is active for this SSI function. You can specify the TRACE parameter without a keyword, or you can specify a trace keyword (Y or N) to request information about all SSI functions where tracing has been activated (Y) or no tracing is active (N).

### Authority Required

This command requires **display** authority. The description of the \$T RDRnn command explains how to ensure that the authority of the appropriate MVS system command group is assigned.



This command requires **read** security access authority. For a description of assigning command input authority, see *z/OS JES2 Initialization and Tuning Guide*.

### Scope

**Single member.** The response to this command will be a display of information about this member only. You might want to use this command to get information about all members in the MAS. To do so, you can use the MVS ROUTE \*ALL command to issue this command to all active members (if the JES2 command character is the same on all members). See *z/OS MVS System Commands* for more information on using the ROUTE \*ALL command.

### Messages

The \$HASP648 message displays requested information about the SSI function.

### Example

```

❶ $d ssi(*)

$HASP648 SSI(1)
$HASP648 SSI(1) ADDRESS=0759D538,DESC=(PROCESS SYSOUT),
$HASP648 MODULE=HASCSIRQ,TRACE=NO
$HASP648 SSI(2)
$HASP648 SSI(2) ADDRESS=07596050,DESC=(JOB CANCEL),
$HASP648 MODULE=HASCSISC,TRACE=NO
$HASP648 SSI(3)
$HASP648 SSI(3) ADDRESS=07596388,DESC=(JOB STATUS),
$HASP648 MODULE=HASCSISC,TRACE=NO
:
```

This example displays the characteristics of all SSI functions that have been defined; this example shows only a portion of the complete output.

---

## \$D SUBTDEF - Display subtask definitions

### Function

To display the JES2 subtask definitions.

### Syntax

```

▶▶ $D—SUBTDEF —————▶▶
      └──, —GSUBNUM──┘
```

### Parameters

#### GSUBNUM

Defines the maximum number (1-50) general purpose subtasks available.

### Authority Required

This command requires **display** authority.

This command requires **read** security access authority. For a description of assigning command input authority, see *z/OS JES2 Initialization and Tuning Guide*.

## \$D SUBTDEF

### Scope

The scope of this command varies by parameter.

Some parameters on this command will display information about the entire MAS, while other parameters will display information about this member only.

You might want to use the parameters for this command to get information about all members of the MAS. If so, you can use the MVS ROUTE \*ALL command to issue this command to all active members (if the JES2 command character is the same on all members). See *z/OS MVS System Commands* for more information on using the ROUTE \*ALL command.

### Messages

The \$HASP817 message displays the current values of all the parameters on the SUBTDEF statement.

### Example

```
1 $D SUBTDEF
  $d subtdef
  $HASP817 SUBTDEF  GSUBNUM=10
```

JES2 displays all current subtask definitions.

---

## \$D SUBNET - Display subnet connections

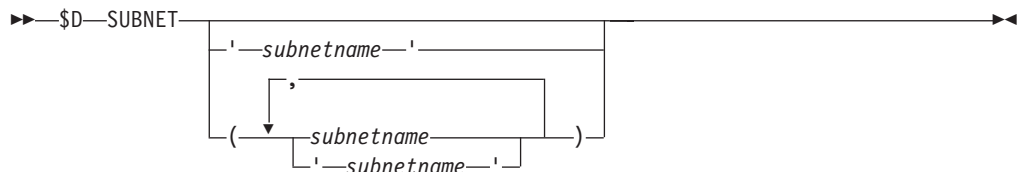
### Function

To display subnet connections that are defined to JES2. This command allows the display of subnets defined by the keyword SUBNET on the NODE initialization statement.

**Note:** You can redirect these displays to a networking console.

One or more parameters on this command accepts wild cards. Parameter descriptions will note that.

### Syntax



### Parameters

#### (subnetname)

Specify the 1 to 8 alphanumeric or special (\$, #, or @) character subnet name to obtain information for a specific subnet or specify an asterisk (\*) to obtain information for **all** subnets.

You can also specify wild cards for the subnet name. See “Using wildcards” on page 108 for additional information.

### Authority Required

This command requires **display** authority. The description of the \$T RDRnn command explains how to ensure that the authority of the appropriate MVS system command group is assigned.

This command requires **read** security access authority. For a description of assigning command input authority, see *z/OS JES2 Initialization and Tuning Guide*.

### Scope

**Single member.** The response to this command will be a display of information about this member only. You might want to use this command to get information about all members in the MAS. To do so, you can use the MVS ROUTE \*ALL command to issue this command to all active members (if the JES2 command character is the same on all members). See *z/OS MVS System Commands* for more information on using the ROUTE \*ALL command.

### Messages

The \$HASP816 message displays the nodes for the specified subnet.

### Example

**1** \$d subnet(pok)

\$HASP816 SUBNET(P0K) NODE4,NODE5,NODE6,P0K,SANJOSE,WSC

JES2 displays all the nodes on the POK subnet.

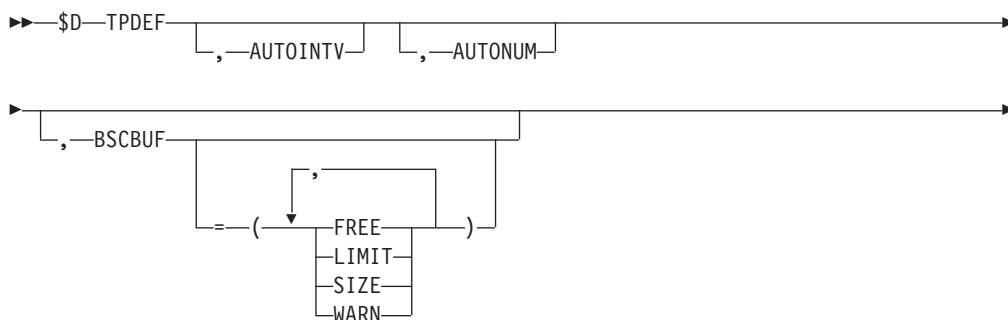
---

## \$D TPDEF - Display current teleprocessing characteristics

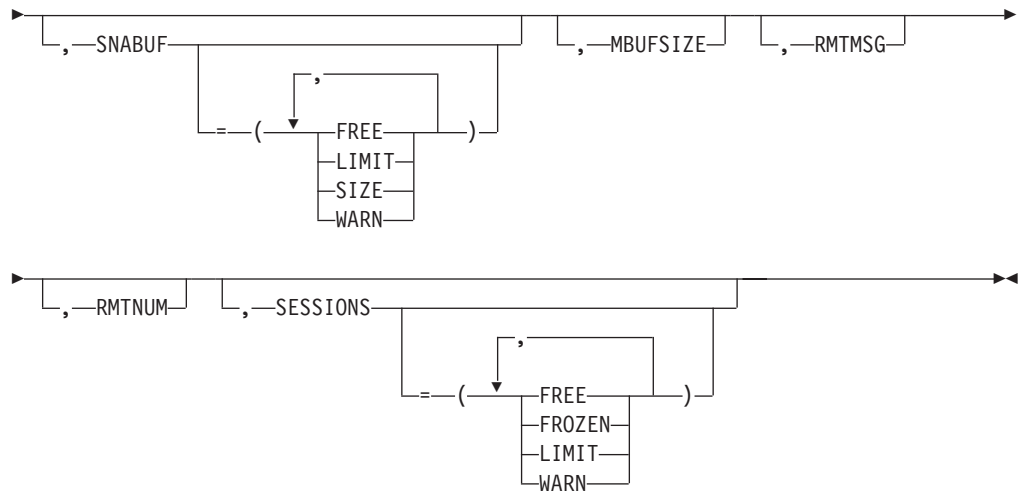
### Function

To display the current teleprocessing characteristics.

### Syntax



## \$D TPDEF



## Parameters

### TPDEF

The \$HASP839 message displays the current JES2 teleprocessing characteristics.

### AUTOINTV

Specifies the autologon timer interval (10-600 seconds) (the time between JES2 automatic logon attempts) for this installation.

### AUTONUM

The current number of RJE devices which can specify AUTOLOG=YES.

### BSCBUF [=FREE | LIMIT | SIZE | WARN]

Specifies information about the BSC teleprocessing buffers JES2 allocates below 16 megabytes in virtual storage.

#### FREE

The current number of free TP buffers below the 16M line.

#### LIMIT

Specifies the maximum number (10-9999) of teleprocessing buffers JES2 allocates below 16 megabytes in virtual storage.

#### SIZE

Specifies the size (520-32512) in bytes of the teleprocessing buffers JES2 allocates below 16 megabytes in virtual storage.

#### WARN

Specifies the threshold percentage (0-100) of the maximum use of teleprocessing buffers below 16 megabytes in virtual storage.

### SNABUF [=FREE | LIMIT | SIZE | WARN]

Specifies information about the SNA teleprocessing buffers JES2 allocates above 16 megabytes in virtual storage.

#### FREE

The current number of free TP buffers above the 16M line.

#### LIMIT

Specifies the maximum number (10-9999) of teleprocessing buffers JES2 allocates above 16 megabytes in virtual storage.

**SIZE**

Specifies the size (520-3960) in bytes of the teleprocessing buffers JES2 allocates above 16 megabytes in virtual storage.

**WARN**

Specifies the threshold percentage (0-100) of the maximum use of teleprocessing buffers above 16 megabytes in virtual storage.

**MBUFSIZE**

Specifies the size (128-3960) in bytes (dependent upon JES2 macro expansions) of each JES2 multileaving buffer.

**RMTMSG**

Specifies the maximum number (1-255) of messages that may be queued by RTAM to a multileaving remote console.

**RMTNUM**

Specifies the highest number (0-32767) that can be defined for an RJE workstation on this member.

**SESSIONS[=FREE|FROZEN|LIMIT|WARN]**

Specifies information about the maximum number of VTAM sessions.

**FREE**

The current number of VTAM sessions available to JES2 which are not in use.

**FROZEN**

The current number of VTAM sessions which have been “frozen” due to an error on the session.

**LIMIT**

Specifies the maximum number (1-9999) of VTAM sessions (nnn) that can be active at one time.

**WARN**

Specifies a threshold percentage (0-100) of the maximum used number of VTAM sessions at which JES2 issues the \$HASP050 to warn the operator of a resource shortage.

## Authority Required

This command requires **display** authority. The description of the \$T RDRnn command explains how to ensure that the authority of the appropriate MVS system command group is assigned.

This command requires **read** security access authority. For a description of assigning command input authority, see *z/OS JES2 Initialization and Tuning Guide*.

## Scope

The scope of some commands varies by parameter.

Some parameters on certain commands will display information about the entire MAS, while other parameters will display information about this member only.

For those commands that are single member scope, or have some parameters that are single member scope, you might want to use the parameters for that command to get information about all members of the MAS. If so, you can use the MVS ROUTE \*ALL command to issue that command to all active members (if the JES2

## \$D TPDEF

command character is the same on all members). See *z/OS MVS System Commands* for more information on using the ROUTE \*ALL command.

### Messages

The \$HASP839 message is issued in response to this command.

### Example

**1** \$d tpdef

```
$HASP839 TPDEF AUTOINTV=32,AUTONUM=3,BSCBUF=(LIMIT=48,  
$HASP839     WARN=80,FREE=48,SIZE=520),MIBUFSIZE=400,  
$HASP839     RMTMSG=200,TMTNUM=32767,SESSIONS=(LIMIT=102,  
$HASP839     WARN=80,FREE=102,FROZEN=0),SNABUF=(LIMIT=30,  
$HASP839     WARN=80,FREE=30,SIZE=400)
```

The \$HASP839 message shows JES2 teleprocessing characteristics.

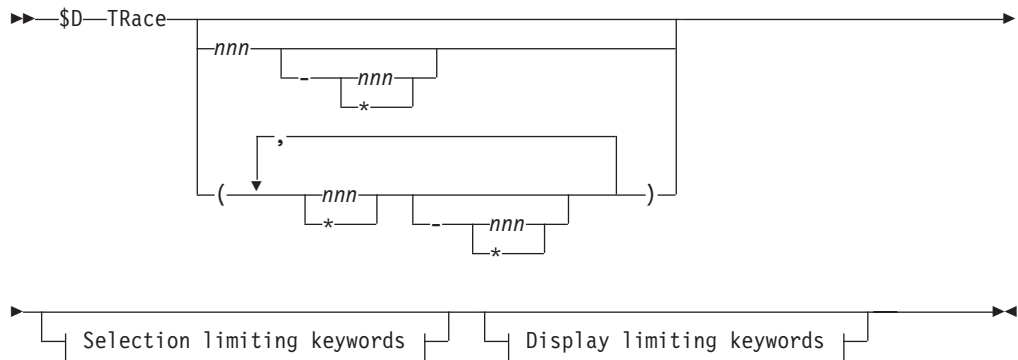
---

## \$D TRace(nnn) - Display current status of trace IDs

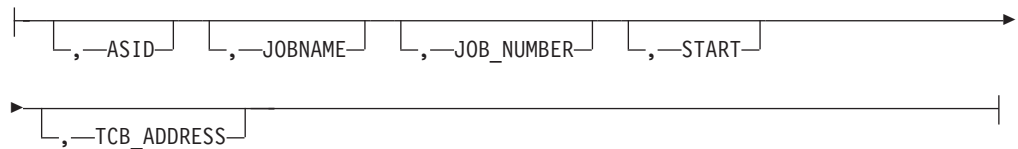
### Function

To display the current status of JES2 trace IDs.

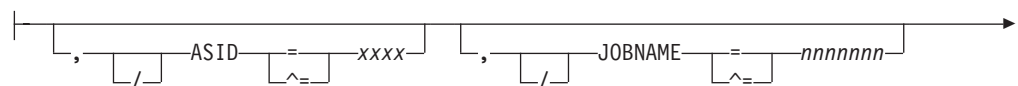
### Syntax

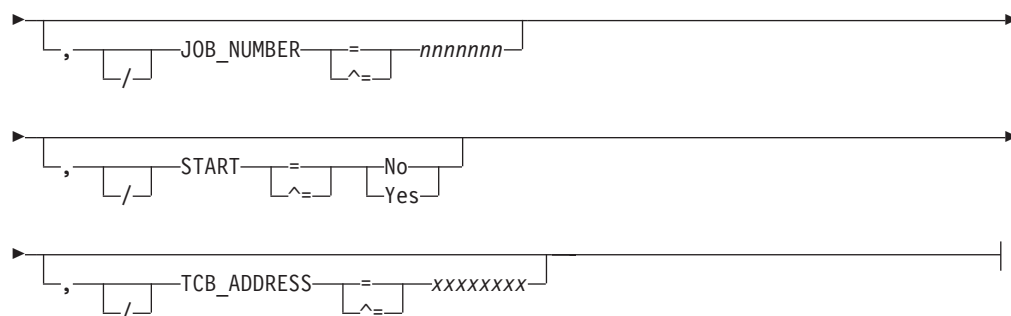


### Display limiting keywords:



### Selection limiting keywords:





## Parameters

**ASID= xxxx**

Specifies the ASID used when filtering this JES2 trace point.

**JOBNAME=nnnnnnnn**

Specifies the jobname used when filtering this JES2 trace point.

**JOB\_NUMBER=nnnnnnnn**

Specifies the job number used when filtering this JES2 trace point.

**Note:** If more than one of ASID=, JOBNAME=, and JOB\_NUMBER= are specified for a specific trace ID, only one of the conditions must match the trace to be taken. In the JES2 address space, the values specified refer to the job that is being processed by JES2. For example, never specify the JES2 address space as ASID= because JES2 is never processing requests on the behalf of JES2. Outside the JES2 address space, these filters refer to the address space where the trace is being taken. For jobs being submitted through the internal reader, it is the job name, number, and ASID of the submitter of a job that are compared to the filters, not the values of the job being submitted. The same is true for FSS or SAPI devices. The filters refer to the SAPI or FSS address space, not the job that the FSS or SAPI application is processing.

**START={No|Yes}**

Specifies whether (Yes) or not (No) a specific trace ID or a range of IDs is activated.

**TCB\_ADDRESS=xxxxxxxx**

Specifies the further limit tracing to the specified TCB. This is in addition to any filtering that is applied. This operand is ignored if ASID=, JOBNAME=, and JOB\_NUMBER= are not specified. The TCB address must match even in the JES2 address space.

**TRace(nnn)**

The \$HASP667 message displays the current status of the specified trace ID(s).

## Authority Required

This command requires **display** authority. The description of the \$T RDRnn command explains how to ensure that the authority of the appropriate MVS system command group is assigned.

This command requires **read** security access authority. For a description of assigning command input authority, see *z/OS JES2 Initialization and Tuning Guide*.

## \$D TRace(nnn)

### Scope

The scope of some commands varies by parameter.

Some parameters on certain commands will display information about the entire MAS, while other parameters will display information about this member only.

For those commands that are single member scope, or have some parameters that are single member scope, you might want to use the parameters for that command to get information about all members of the MAS. If so, you can use the MVS ROUTE \*ALL command to issue that command to all active members (if the JES2 command character is the same on all members). See *z/OS MVS System Commands* for more information on using the ROUTE \*ALL command.

### Messages

The individual parameter descriptions list the resulting messages.

### Example

**1** \$D TRACE

```
$d trace(4)
$HASP667 TRACE(4)    START=NO
```

The \$HASP667 message shows JES2 trace id status.

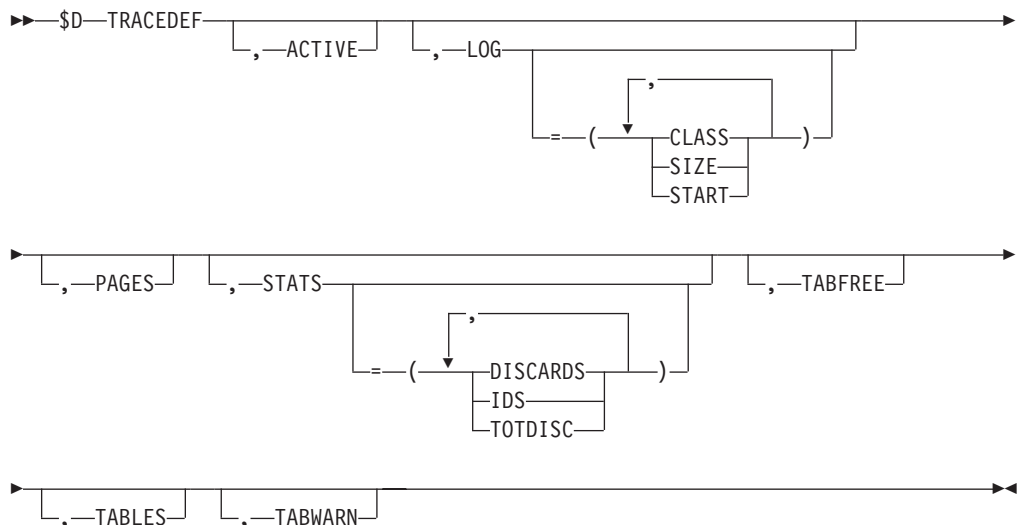
---

## \$D TRACEDEF - Display current trace environment characteristics

### Function

To display the current JES2 trace environment characteristics.

### Syntax



### Parameters

#### ACTIVE

Specifies whether (Yes) or not (No) the TRACE facility is started.



**LOG[=CLASS|SIZE|START]**

Specifies the trace table logging environment.

**CLASS**

Specifies the output class (A-Z, 0-9) of the trace log data set.

**SIZE**

Specifies the maximum size (100-2147483647) (in bytes) that the trace log data set may attain before it is queued for printing.

**START**

Specifies whether (Yes) or not (No) the trace log information is formatted and periodically added to the trace log data set.

**PAGES**

Specifies the number (9-1250) of 4K-pages available to each trace table.

**STATS[=DISCARDS|IDS|TOTDISC]**

Displays statistics about the tracing facility.

**DISCARDS**

Discards since last successful trace.

**IDS**

The active trace IDs.

**TOTDISC**

Total discards since tracing was started.

**TABFREE**

The number of unused trace tables.

**TABLES**

Specifies the number (0-2500) of trace tables that JES2 creates at initialization.

**TABWARN**

Specifies the percentage (0-100) of trace table use at which the operator will be alerted.

## Authority Required

This command requires **display** authority. The description of the \$T RDRnn command explains how to ensure that the authority of the appropriate MVS system command group is assigned.

This command requires **read** security access authority. For a description of assigning command input authority, see *z/OS JES2 Initialization and Tuning Guide*.

## Scope

**Single member.** The response to this command will be a display of information about this member only. You might want to use this command to get information about all members in the MAS. To do so, you can use the MVS ROUTE \*ALL command to issue this command to all active members (if the JES2 command character is the same on all members). See *z/OS MVS System Commands* for more information on using the ROUTE \*ALL command.

## Messages

The individual parameter descriptions list the resulting messages.

## \$D TRACEDEF

### Example

#### 1 \$D TRACEDEF

```
$d tracedef
$HASP698 TRACEDEF
$HASP698 TRACEDEF ACTIVE=NO, TABLES=3, PAGES=9, TABWARN=80,
$HASP698 TABFREE=3, LOG=(CLASS=A, START=NO, SIZE=500),
$HASP698 STATS=(TOTDISC=0, DISCARDS=0, IDS=(NONE))
```

The \$HASP698 message shows JES2 trace characteristics.

---

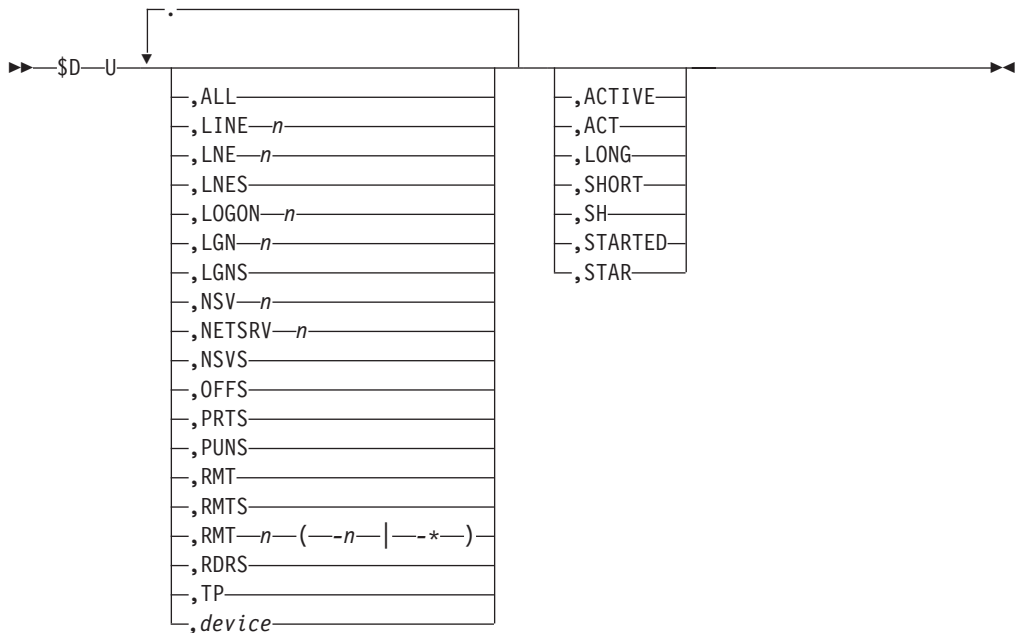
## \$D U - Display the status of JES2-controlled devices

### Function

To perform the following functions:

- Display the status of the specified devices.
- Display detailed information about the specified devices, including the identification of any jobs currently active on the device.
- Determine the tracing status of the processors associated with individual devices (such as, RDRnn, PRTnnnn, PUNnn, etc.) that allow TR=Y to be set.
- Determine how devices are notified of printer intervention conditions.

### Syntax



### Parameters

**U** If you do not specify any device operands, JES2 displays the status of all local JES2-controlled devices.

#### ALL

JES2 displays the status of all local JES2-controlled devices and active remote devices. To display the status of internal readers, use the \$D RDI command.

**LINE<sub>n</sub> | LNE<sub>n</sub>**

JES2 displays detailed information about the line and any remote devices or NJE nodes connected to the specified line.

**LNES**

JES2 displays the status of all lines and any connected remote devices or NJE nodes.

**LOGON<sub>n</sub> | LGN<sub>n</sub>**

JES2 displays detailed information about the specified JES2/VTAM interface. If an SNA session is established, JES2 also displays detailed information about the SNA remote terminal.

**LGNS**

JES2 displays the status of all JES2/VTAM interfaces.

**NSVS**

JES2 displays the status of all network servers.

**NSV<sub>n</sub> | NETSRV<sub>n</sub>**

JES2 displays the status of a particular network server.

**OFFS**

JES2 displays the status of all defined offload devices and their associated transmitters and receivers.

**PRTS**

JES2 displays the status of all local printers.

**PUNS**

JES2 displays the status of all local punches.

**RMT**

JES2 displays the information for the remote from which the command is entered. For example, if the operator at the remote workstation, RMT34, enters \$D U,RMT, JES2 responds with the information for remote 34 at the console attached to RMT34. This parameter can only be used from a console attached to a remote workstation.

**RMTS**

JES2 displays the status of all remote terminals, associated remote devices, and any lines to which a remote terminal is connected.

**RMT<sub>n</sub> [-n | -\*]**

JES2 displays detailed information about the specified remote terminal or range of terminals, associated remote devices, and any lines to which they are connected.

Note that *n*-\* can be used to specify a range up to the highest-numbered RJE workstation attached to a JES2 member.

**RDRS**

JES2 displays the status of all local readers.

**TP** JES2 displays the status of all lines and the JES2/VTAM interface.

**device**

JES2 displays detailed information about the specified devices. You can specify any of the following devices:

**Device Definition****OFFLOAD<sub>n</sub>**

A spool offload device

- OFFn.JT**  
A job transmitter associated with offload device n
- OFFn.JR**  
A job receiver associated with offload device n
- OFFn.ST**  
A SYSOUT transmitter associated with offload device n
- OFFn.SR**  
A SYSOUT receiver associated with offload device n
- PUNnn**  
A local punch
- PRTnnnn**  
A local printer
- RDRnn**  
A local reader
- Rnnnn.PRm**  
A printer connected to remote terminal n
- Rnnnn.PUm**  
A punch connected to remote terminal n
- Rnnnn.RDm**  
A reader connected to remote terminal n
- Ln.STn**  
A SYSOUT transmitter logically connected to NJE line n
- Ln.SRn**  
A SYSOUT receiver logically connected to NJE line n
- Ln.JTn**  
A job transmitter logically connected to NJE line n
- Ln.JRn**  
A job receiver logically connected to NJE line n

**Note:**

1. When you specify PRn, PUn, and RDn from a remote console, JES2 displays detailed information for the specified devices connected to that remote system.
2. If you specify OFFLOADn, JES2 also displays detailed information for the associated transmitters and receivers.
3. The NPRO parameter displayed for cut sheet page printers (for example, the 3820) has no effect on these printers.
4. The number of lines displayed for a job on an active printer are only as accurate as the last valid checkpoint.
5. For the 3800 printer, the job name that is displayed is the name of the job that is currently visible at the transfer station.

The following operands modify the default amount of information displayed. For example, if you want to display detailed information for all readers (a limited status display is the default), specify \$DU,RDRS,LONG. If you want to limit this display for only those readers that are active, specify \$DU,RDRS,LONG,ACTIVE.

Although it is not invalid to specify all four modifiers, SHORT overrides LONG and ACTIVE overrides STARTED when specified together. In addition, the SHORT or LONG modifier may produce the same display as the default, depending on the device operand specified. The individual descriptions below explain the modifier's effects when used with specific device operands.

#### ACTIVE|ACT

JES2 displays the requested information only for devices that are connected to the function subsystem application level control block (FSA), and that are currently performing work or have lines currently dedicated for remote device configuration.

#### LONG

If you specify LONG for a group of devices (for example, RMTS), JES2 displays detailed information for all the major devices and any associated sub-devices (for example, Rnnnn.PRn). The exceptions to this rule are:

1. \$DU, LONG, \$DU, ALL, LONG and \$DU, TP, LONG do not produce displays for any associated sub-devices (for example, OFFn.JT or Rnnnn.RDm).
2. \$DU, LGNS, LONG does not produce a display for any SNA remote terminals connected to the interfaces.

If you specify LONG for a single device (for example, LINE2), JES produces the default display of detailed information for the major device and any associated sub-devices (for example, Rnnnn.RDm).

#### SHORT|SH

If you specify SHORT for a group of devices (for example, RMTS), JES2 displays the status of only the major devices. No sub-devices (for example, Rnnnn.PRm) are displayed.

**Note:** Specifying SHORT for \$DU, \$DU, ALL, \$DU, TP, or \$DU, LGNS produces the same display as the default.

If you specify SHORT for a single device (for example, LINE4), JES2 displays only the status of the major device and any associated sub-devices (for example, Rnnnn.PRm).

#### STARTED|STAR

JES2 displays information only for started devices or lines (as specified by the device operands).

**Note:** This modifier operand is not valid for started offload transmitters and receivers unless the offload device is also started. JES2 issues the \$HASP003 message indicating that the specified device could not be found.

### Authority Required

This command requires **display** authority. The description of the \$T RDRnn command explains how to ensure that the authority of the appropriate MVS system command group is assigned.

This command requires **read** security access authority. For a description of assigning command input authority, see *z/OS JES2 Initialization and Tuning Guide*.

### Scope

**Single member.** The response to this command will be a display of information about this member only. You might want to use this command to get information

about all members in the MAS. To do so, you can use the MVS ROUTE \*ALL command to issue this command to all active members (if the JES2 command character is the same on all members). See *z/OS MVS System Commands* for more information on using the ROUTE \*ALL command.

## Messages

Table 56. \$D U Messages

Device	Resulting Message
LINE <sub>n</sub>	\$HASP880
LOGON <sub>n</sub>	\$HASP881
RMT <sub>n</sub>	\$HASP879
OFFLOAD <sub>n</sub>	\$HASP882
OFF <sub>n</sub> .JR	\$HASP883
OFF <sub>n</sub> .JT	\$HASP884
OFF <sub>n</sub> .SR	\$HASP885
OFF <sub>n</sub> .ST	\$HASP886
other devices	\$HASP603

## Examples

### 1 \$d u,line15

```

$HASP880 LINE15      UNIT=SNA,STATUS=DRAINED,COMPRESS=YES,LOG=NO,
                    PASSWORD=(NOTSET),REST=0,SESSIONS=,
                    TRACEIO=NO,JRNUM=3,JTNUM=3,SRNUM=4,STNUM=2
L15.JR1             UNIT=SNA,STATUS=DRAINED,HOLD=NO
L15.JR2             UNIT=SNA,STATUS=DRAINED,HOLD=NO
L15.JR3             UNIT=SNA,STATUS=DRAINED,HOLD=NO
L15.JT1             UNIT=SNA,STATUS=DRAINED
L15.JT2             UNIT=SNA,STATUS=DRAINED
L15.JT3             UNIT=SNA,STATUS=DRAINED
L15.SR1             UNIT=SNA,STATUS=DRAINED
L15.SR2             UNIT=SNA,STATUS=DRAINED
L15.SR3             UNIT=SNA,STATUS=DRAINED
L15.SR4             UNIT=SNA,STATUS=DRAINED
L15.ST1             UNIT=SNA,STATUS=DRAINED,LIMIT=(0,*),PLIM=(0,*),
                    WS=(/)
L15.ST2             UNIT=SNA,STATUS=DRAINED,LIMIT=(0,100),
                    PLIM=(0,2),WS=(LIM/)

```

JES2 displays detailed information about line 15, including information about job receivers (JR<sub>x</sub>), job transmitters (JT<sub>x</sub>), SYSOUT receivers (SR<sub>x</sub>) and SYSOUT transmitters (ST<sub>x</sub>). The SYSOUT transmitter information includes their work selection criterion (line and page limits). In this case, SYSOUT transmitter 1 (ST1) has no work selection limits specified for SYSOUT data sets that it selects. ST2 has work selection limits specified and selects SYSOUT data sets with up to 100 lines and up to 2 pages.

### 2 \$d u,rdrs,l=pok

```

$HASP603 RDR1       UNIT=000C,STATUS=DRAINED
$HASP603 RDR2       UNIT=0011,STATUS=DRAINED
$HASP603 RDR3       UNIT=0012,STATUS=DRAINED
$HASP603 RDR4       UNIT=001A,STATUS=DRAINED

```

JES2 displays the status of all local readers on console "pok".

**3** \$du,prts,long,started

```

$HASP603 PRT1      UNIT=0017,STATUS=HALTED,(STC00003 IRRDPTAB),
$HASP603          BURST=NO,CHAR(1)=GT10,CKPTLINE=0,
$HASP603          CKPTMODE=PAGE,CKPTPAGE=100,CKPTSEC=0,
$HASP603          CREATOR=,DEVFCB=,FCB=STD3,FORMS=(STD,,,,,),
$HASP603          FSS=BLUEBERRY,JOBNAME=IRRDPTAB,LASTFORM=STD,
$HASP603          LIMIT=(0,*),COPYMARK=DATASET,MARK=NO,
$HASP603          MODE=JES,NEWPAGE=DEFAULT,NPRO=300,PAUSE=NO,
$HASP603          PLIM=(0,*),PRESELCT=YES,PRMODE=(LINE),
$HASP603          QUEUE=A,RANGE=(J1,32767),ROUTECD=(LOCAL),
$HASP603          SEP=YES,SEPCHARS=DEFAULT,SEPDS=NO,SETUP=HALT,
$HASP603          SPACE=,TRACE=NO,TRANS=DEFAULT,TRKCELL=NO,
$HASP603          UCS=GT10,UCSVERIFY=NO,VOLUME=(,,),WRITER=,
$HASP603          WS=(W,Q,R,PRM,LIM/F,UCS,FCB)

```

JES2 displays detailed information about all local printers that have been started.

**4** \$d u,offload1,offload2,offload3,short,active

```

$HASP882 OFFLOAD2 DSN=SY1.DMP1.WORK,STATUS=ACTIVE
$HASP884 OFF2.JT STATUS=ACTIVE,(JOB00002 MYJOB)
$HASP886 OFF2.ST STATUS=INACTIVE
$HASP883 OFF2.JR STATUS=DRAINED
$HASP886 OFF2.SR STATUS=DRAINED

```

JES2 displays the status of offload devices 1, 2, and 3 and their associated transmitters and receivers, if the offload devices are currently active. In this case, offload device 2 is the only specified offload device that is currently performing work. Its associated offload job transmitter is in the process of transmitting job 2 (named MYJOB) to the offload data set.

**5** \$du,prt2

```

$HASP603 PRT2      UNIT=0002,STATUS=DRAINED,CKPTLINE=0,
$HASP603          CKPTMODE=PAGE,CKPTPAGE=100,CREATOR=,DEVFCB=,
$HASP603          FCB=6,FORMS=(HFAMFORM,,,,,),FSS=BLUEBERRY,
$HASP603          JOBNAME=,LASTFORM=HFAMFORM,LIMIT=(0,*),
$HASP603          MODE=JES,NEWPAGE=DEFAULT,NPRO=300,PAUSE=NO,
$HASP603          PLIM=(0,*),PRMODE=(LINE),
$HASP603          QUEUE=1A2B3C4D5E6F7G8,RANGE=(J1,32767),
$HASP603          ROUTECDE=(LOCAL),SEP=YES,SEPCHARS=DEFAULT,
$HASP603          SEPDS=NO,SETUP=HALT,SPACE=,TRACE=NO,
$HASP603          TRANS=DEFAULT,TRKCELL=NO,UCS=0,UCSVERIFY=NO,
$HASP603          VOLUME=(,,),WRITER=,
$HASP603          WS=(W,Q,R,PRM,LIM/F,UCS,FCB)

```

JES2 displays detailed information about local printer 2, which has been started.

---

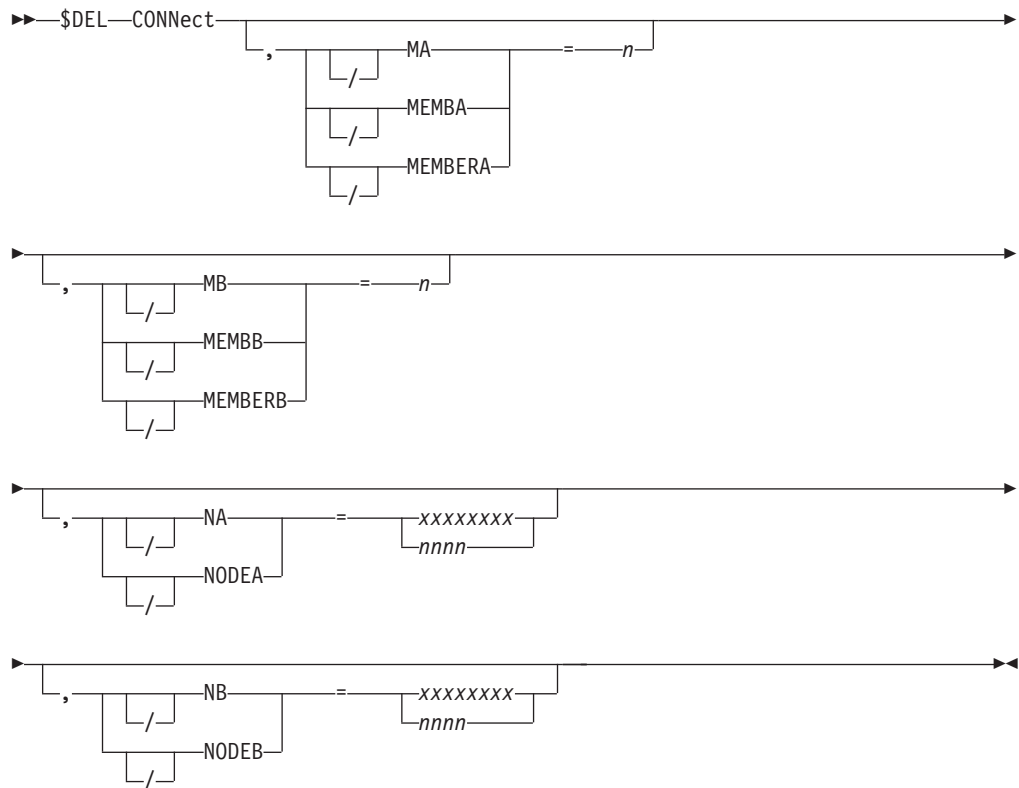
## \$DEL CONNect - Delete network connections

### Function

To delete static connections, that is, connections defined by CONNECT initialization statements and \$ADD commands. You cannot delete connections defined by the network path manager.

### Syntax

## \$DEL CONNECT



### Parameters

#### NA | NODEA=xxxxxxxx | nnnn

The 1 to 8 alphanumeric or special (\$, #, or @) character symbolic node name (xxxxxxxx) or node number (nnnn) at one end of the connection. The name must match the NAME= parameter of the NODE initialization statement for the referenced node.

**Default:** This parameter is required.

#### NB | NODEB=xxxxxxxx | nnnn

The 1 to 8 alphanumeric or special (\$, #, or @) character symbolic node name (xxxxxxxx) or node number (nnnn) of the node at the other end of the connection. You must specify the NAME= parameter of the NODE initialization statement for the referenced node.

**Default:** This parameter is required.

#### MA | MEMBA | MEMBERA=n

The member number at the NODEA end of the connection.

**Default:** The default is 1. The value for MEMBERA if NODEA is the local node must be a 1.

#### MB | MEMBB | MEMBERB=n

The member number at the NODEB end of the connection.

**Default:** The default is 1. The value for MEMBERB if NODEB is the local node must be a 1.



## Authority Required

This command requires **system** authority. The description of the \$T RDRnn command explains how to ensure that the authority of the appropriate MVS system command group is assigned.

This command requires **control** security access authority. For a description of assigning command input authority, see *z/OS JES2 Initialization and Tuning Guide*.

## Scope

**Single member.** The values supplied for this command will be in effect for this member only.

Depending on your installation's setup, however, you might want this command to be applied to all members of the MAS (to ensure a consistent environment across the MAS). If so, you can use the MVS ROUTE \*ALL command to issue this command to all active members (if the JES2 command character is the same on all members). See *z/OS MVS System Commands* for more information on using the ROUTE \*ALL command.

## Messages

The \$HASP815 message is issued in response to this command.

## Example

```
1 $DEL CONNECT, NODEA=PHOENIX, MEMBA=1, NODEB=TUCSON, MEMBB=1
```

This example deletes an old connection between member 1 at Tucson and member 1 at Phoenix.

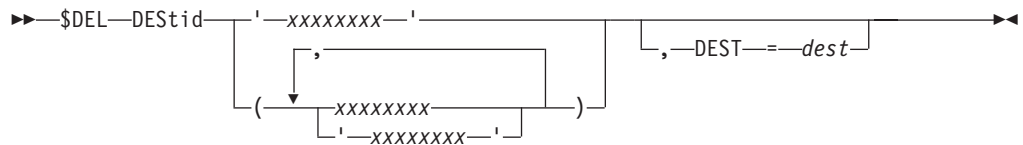
---

## \$DEL DESTid - Delete a symbolic destination

### Function

To delete a symbolic name for a JES2 route code.

### Syntax



### Parameters

**xxxxxxx**

Specifies the 1 to 8 alphanumeric or special (\$, #, or @) character symbolic destination name affected by this statement.

### Authority Required

This command requires **system** authority. The description of the \$T RDRnn command explains how to ensure that the authority of the appropriate MVS system command group is assigned.

This command requires **control** security access authority. For a description of assigning command input authority, see *z/OS JES2 Initialization and Tuning Guide*.

### Processing Considerations

When you dynamically delete a JES2 symbolic destination (destid), JES2 honors the deletion across a restart only if you perform a hot start. To permanently delete the symbolic destination, remove the DESTid initialization statement before restarting JES2.

### Scope

**Single member.** The values supplied for this command will be in effect for this member only.

Depending on your installation's setup, however, you might want this command to be applied to all members of the MAS (to ensure a consistent environment across the MAS). If so, you can use the MVS ROUTE \*ALL command to issue this command to all active members (if the JES2 command character is the same on all members). See *z/OS MVS System Commands* for more information on using the ROUTE \*ALL command.

### Messages

The \$HASP822 message indicates that the specified DESTID has been deleted.

### Example

```
1 $del destid(wrk1)
```

```
$HASP822 DESTID(WRK1) DEST=U34-ELEMENT DELETED
```

JES2 deletes the destination identifier WRK1.

---

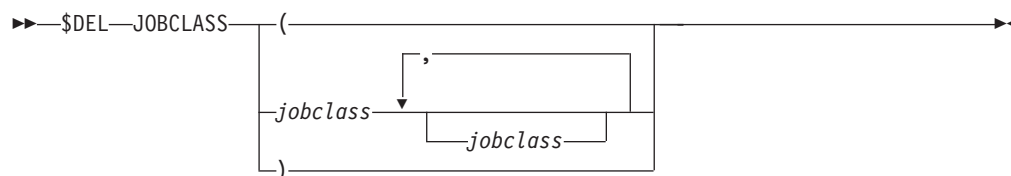
## \$DEL JOBCLASS(jobclass) - Delete a job class

### Function

To delete a job class that was added by the \$ADD JOBCLASS command.

Specify a comma-separated list of one or more job class names. Each job class name must be 2-8 characters in length, using character sets A-Z and 0-9 only. Job classes A-Z, 0-9, STC and TSU cannot be deleted. A job class will only be deleted if ACTIVE=NO.

### Syntax



## Parameters

### *jobclass*

Specifies the job class or classes to be deleted. Valid class specifications are 2-8 characters in length, using characters A-Z and 0-9 only. Job classes A-Z, 0-9, STC and TSU cannot be deleted.

## Processing considerations

A check is made to see if there are any pre-OUTPUT phase jobs using the specified job class. If there are none, then the specified job class is deleted. The ACTIVE=NO check is also made. The set of predefined job classes (single-character names A-Z and 0-9) cannot be deleted.

Each job class can be in 0 or 1 groups. The group is created when the first job class is placed in a group and deleted when the last job class is removed from a group. Deleting a job class removes the class from its group.

## Related commands

\$D JOBCLASS, \$T JOBCLASS, \$ADD JOBCLASS

## Authority Required

This command requires **system** authority. The description of the \$T RDRnn command explains how to ensure that the authority of the appropriate MVS system command group is assigned.

This command requires **control** security access authority. For a description of assigning command input authority, see *z/OS JES2 Initialization and Tuning Guide*.

## Scope

**MAS-wide.** This command affects all members of the multi-access spool.

## Messages

The \$HASP837 message displays the deleted job class.

## Context

HASCSCAN and HASPSXIT are responsible for processing this command.

## Examples

The following example deletes the job class named TEST, which was added by the \$ADD JOBCLASS command:

```
$DEL JOBCLASS(TEST)
$HASP837 JOBCLASS(TEST) - ELEMENT DELETED
```

## \$DEL JOBCLASS

The following example deletes CLASS1 and CLASS2, which were added by the \$ADD JOBCLASS command:

```
$DEL JOBCLASS(CLASS1,CLASS2)
$HASP837 JOBCLASS(CLASS1) - ELEMENT DELETED
$HASP837 JOBCLASS(CLASS2) - ELEMENT DELETED
```

The following example sets the job class to INACTIVE before deleting the job class:

```
$T  JOBCLASS(CLASS1),ACTIVE=NO
$DEL JOBCLASS(CLASS1)
```

---

## \$DEL LOADmod - Remove a load module from storage

### Function

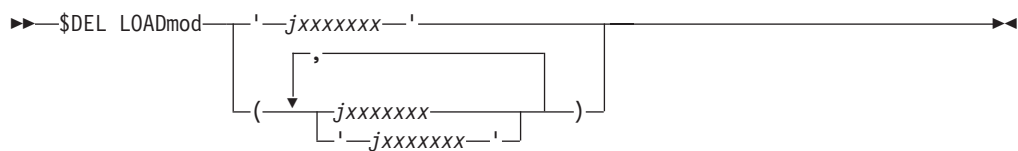
To discontinue use of an installation load module. Once the module is no longer in use, the storage associated with the module is freed (unless the module was in LPA).

As part of deleting the load module, JES2 disconnects any dynamic tables in the load module. If any EXIT(nnn) statements specify routines that reside in the load module to be deleted, the corresponding routine addresses for those exits will be nullified.

**Note:** This function alters the current execution environment by removing routines and tables which may be critical to correct operations. It is primarily intended for a test environment. Use in a production environment should be limited to situations that could prevent an IPL or to remove service modules provided by IBM or other vendors.

Before using this command, ensure that the module to delete supports dynamic deletion. See *z/OS JES2 Installation Exits* for more information about considerations for dynamic load modules.

### Syntax



### Parameters

**jxxxxxxx**

Specifies the name of the module to delete.

### Authority Required

This command requires **system** authority. The description of the \$T RDRnn command explains how to ensure that the authority of the appropriate MVS system command group is assigned.

This command requires **control** security access authority. See *z/OS JES2 Initialization and Tuning Guide* for a description of assigning command input authority.

## Scope

**Single member.** This values supplied for this command will be in effect for this member only.

Depending on the setup of installation, you might want this command to be applied to all members of the MAS to ensure a consistent environment. If the JES2 command character is the same on all members, you can use the MVS ROUTE \*ALL command to issue this command to all active members. See *z/OS MVS System Commands* for more information on using the ROUTE \*ALL command.

## Messages

The \$HASP819 message indicates that the specified load module has been deleted.

## Examples

**1** Exit 5 specifies that routine EXIT05, which resides in load module HASX05A, will be invoked:

```
$d exit(5),routines
$HASP823 EXIT(5) ROUTINES=(EXIT05)
```

Use \$DEL LOADMOD to delete load module HASX05A:

```
$del loadmod(hasx05a)

$HASP819 LOADMOD(HASX05A)
$HASP819 LOADMOD(HASX05A) ADDRESS=09C73000,
$HASP819 LOADTIME=(2007.337,15:17:59),
$HASP819 STORAGE=PVT - ELEMENT DELETED
```

After the module has been deleted, the routine specification on the EXIT(5) statement is null:

```
$d exit(5),routines
$HASP823 EXIT(5) ROUTINES=(EXIT05(NULL))
```

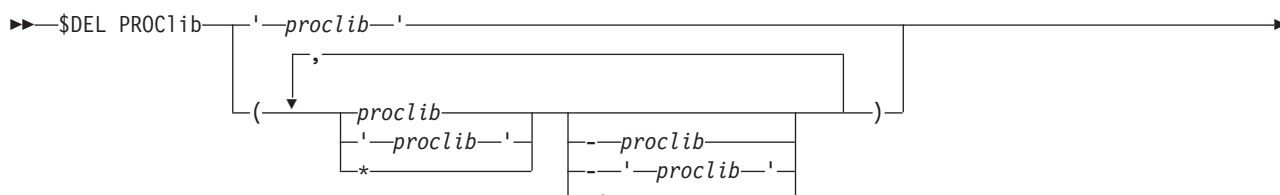
The routine name is remembered in case a \$T EXIT(5),REFRESH command is issued. However, no actual routine is called for this exit.

## \$DEL PROCLIB(xxxxxxx) - Delete a dynamic PROCLIB concatenation

### Function

To remove a dynamic PROCLIB concatenation. The \$DEL PROCLIB(xxxxxxx) command only affects dynamic PROCLIBs and cannot be used to delete PROCLIBs defined in the JES2 start PROC. If the dynamic PROCLIB override a PROCxx DDs in the JES2 start PROC, deleting the dynamic PROCLIB will cause the PROCLIB in the JES2 start PROC to be used.

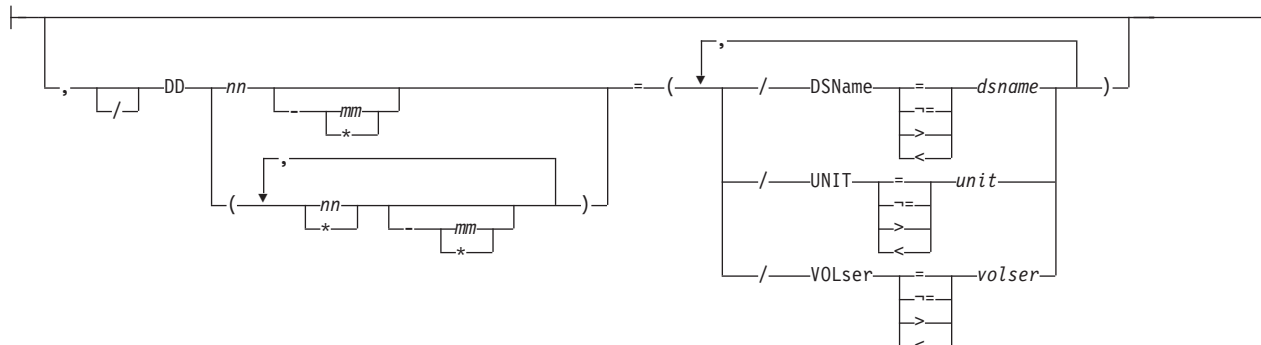
### Syntax



## \$DEL PROCLIB(xxxxxxxx)

Selection limiting keywords

### Selection limiting keywords:



### Parameters

#### (xxxxxxx)

Specifies the – to 8–character PROCLIB DD name being deleted. You can also specify wild cards on this parameter. See “Using wildcards” on page 108 for additional information.

#### DD(nnn)=

Can be used to select which PROCLIB concatenation to delete.

#### DSName=jxxx...x

Specifies a 1– to 44–character data set name which is in a PROCLIB concatenation. You can also specify wild cards on this parameter. See “Using wildcards” on page 108 for additional information.

#### UNIT=hhh|/hhh|nnnn|ccccccc

If the PROCLIB data set to be used is not cataloged, then the unit information for the device containing the data set must be specified in one of the following ways:

#### hhh | /hhh

Specifies unit information for the PROCLIB concatenation to be deleted. The data set must be specified in one of the following ways:

- UNIT=hhh
- UNIT=/hhh
- UNIT=/hhh

where hhh and hhhh represent the device numbers. A slash (/) must precede a 4 digit device number.

#### nnnn

Specifies a device name.

#### ccccccc

Specifies a 1 to 8 character group name assigned to the device or group of devices.

#### VOLser=xxxxxx

Specifies a 1 to 6 character volume serial number for the PROCLIBs to be deleted.

## Authority Required

This command requires **system** authority. The description of the \$T RDRnn command explains how to ensure that the authority of the appropriate MVS system command group is assigned.

This command requires **control** security access authority. For a description of assigning command input authority, see *z/OS JES2 Initialization and Tuning Guide*.

## Processing Considerations

A \$DEL PROCLIB command cannot delete PROCLIB concatenation specified in the JES2 start PROC.

Deleting a dynamic PROCLIB that has the same name as a PROCLIB DD in the JES2 start PROC causes JES2 to revert to using the PROCLIB DD in the JES2 start PROC.

JES2 will delete all PROCLIB concatenations that match all keywords specified.

**Note:** To delete an individual dataset from a PROCLIB concatenation, use the \$TPROCLIB command and nullify the appropriate DD that needs to be removed.

See *z/OS JES2 Initialization and Tuning Guide* for more information on scratching a PDSE in the dynamic PROCLIB concatenation.

## Scope

**Single member.** The values supplied for this command will be in effect for this member only.

You may want to use this command to get information about all members in the MAS. To do so, you can use the MVS ROUTE \*ALL command to issue this command to all active members (if the JES2 command character is the same on all members). See *z/OS MVS System Commands* for more information on using the ROUTE \*ALL command.

## Messages

\$HASP319 displays the current PROCLIB concatenation.

\$HASP003 RC=52 indicates that you are trying to delete a PROCLIB concatenation that does not exist.

## Examples

```

1
$del proclib(proc01)
$HASP319 PROCLIB(PROC01)
$HASP319 PROCLIB(PROC01)      DD(1)=(DSNAME=SYS1.PROCLIB),
$HASP319                      DD(2)=(DSNAME=TEST.PROCLIB) -
$HASP319                      ELEMENT DELETED

```

Delete dynamic PROCLIB PROC01

## \$DEL PROCLIB(xxxxxxxx)

```
2
$del proclib(*),DD(*)=(/DSN=SYS1.PROCLIB)
$HASP319 PROCLIB(PROC02)
$HASP319 PROCLIB(PROC02)      DD(1)=(DSNAME=SYS1.PROCLIB) -
$HASP319                      ELEMENT DELETED
```

Delete all dynamic PROCLIB concatenations that refer to SYS1.PROCLIB

---

## \$E CKPTLOCK - Reset the checkpoint lock

### Function

To reset the checkpoint lock when a member fails holding the lock and normal processing to release the lock has failed. JES2 issues the \$HASP264 message to identify the member holding the lock. If the lock is not released, other members in the multi-access spool (MAS) configuration are unable to access the checkpoint data set.

### Attention:

Use this command with CAUTION!

- Do not issue this command unless directed to by an IBM service representative.
- Use of this command when the failing JES2 address space still exists might cause a system outage.
- Never automate this command.

Issue this command only if normal processing has failed to release the lock and only after verifying the state of the member identified as holding the lock. When a member fails, normal processing in JES2 (if the checkpoint lock is on DASD) or normal processing in MVS (if the checkpoint is in a coupling facility structure) will typically release the lock. However, this code depends on the status of the JES2 address space which holds the lock.

Before using this command to reset the checkpoint lock, you need to ensure that the JES2 member that holds the lock is no longer active. If MVS (specifically, XCF and JESXCF) still considers the member active, then that is why normal processing has not released the lock. To determine if MVS considers the JES2 member active, issue the following command:

```
D XCF, GROUP, group, node$member
```

where

- *group* is the JES2 XCF group name obtained from a response to a \$DMASDEF,XCFGRPNM command
- *node* is the JES2 node name obtained from a response to \$DNJEDEF,OWNNAME command
- *member* is the name of the member that holds the lock.

Typically, the XCF group name and the JES2 node name are the same. For example if the member is IBM1 and the XCF group name and the JES2 node name are POK the command would be:

```
D XCF, GROUP, POK, POK$IBM1
```

Based on the status in the resulting MVS IXC333I message, you can determine if issuing a \$E CKPTLOCK command is appropriate. If the status is



- FAILED or the member is not defined to the group (IXC326I response), then it is safe to issue the \$E CKPTLOCK command
- ACTIVE, then further investigation is required.

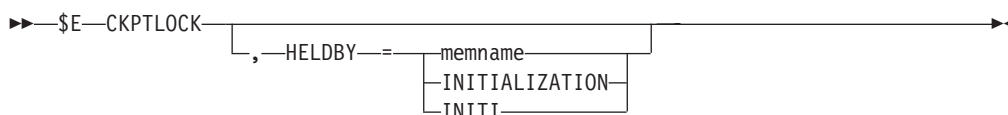
You must first determine if the JES2 address space still exists. Issue:

```
ROUTE system,D A,JES2
```

where system is the SYSTEM name from the IXC333I message. Note: If the name of your JES2 subsystem is not JES2, use the actual subsystem name in the ROUTE command. If the IEE115I response indicates JES2 NOT FOUND, then it is safe to issue the \$E CKPTLOCK command. Otherwise, JES2 is still active and issuing the \$E CKPTLOCK command could result in JES2 work queue damage.

- Any state other than ACTIVE or FAILED, then JES2 should resolve the condition and resuming normal processing. In this case, do not issue a \$E CKPTLOCK command.

### Syntax



### Parameters

#### CKPTLOCK

The member to which the entering console is attached attempts to reset the checkpoint lock.

#### HELDBY={memname|INITIALIZATION|INITI}

Specifies the member that has failed while holding the checkpoint lock.

##### memname

Specifies the 1- to 8- alphanumeric or special (\$, #, or @) character name of the failed member that is holding the checkpoint lock.

##### INITIALIZATION|INITI

The member failed during initialization before a member name was assigned to it (the \$HASP264 message indicates this condition).

### Authority Required

This command requires **system** authority. The description of the \$T RDRnn command explains how to ensure that the authority of the appropriate MVS system command group is assigned.

This command requires **control** security access authority. For a description of assigning command input authority, see *z/OS JES2 Initialization and Tuning Guide*.

### Processing Considerations

- The lock reset should be automatic and you shouldn't have to issue this command. Make sure it's appropriate to use this command as described above.
- Issue this command from only one member in the multi-access spool configuration.

## \$E CKPTLOCK

- If the checkpoint lock is not held by the member specified by memname, JES2 does not reset the lock, but reissues the \$HASP264 message. This happens only if you specified an incorrect memname or JES2 previously reset the lock.
- If you do not plan to restart the failed member immediately, consider using the \$EMEMBER(member) command to warm start it if your MASDEF specifications do not already automatically perform this function.

**Note:** To determine your installation's processing environment, consult your system programmer.

### Scope

**Single member.** The values supplied for this command will be in effect for this member only.

### Messages

The \$HASP000 message indicates the command was accepted.

### Example

```
❶ $e ckptlock,holdby=sysa
```

```
$HASP000 OK
```

JES2 resets the checkpoint lock that is held by the failed member identified as *sysa*.

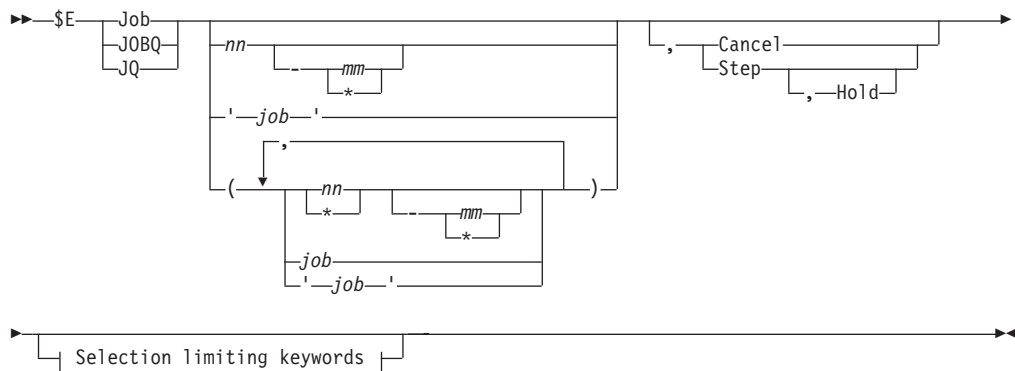
---

## \$E Job - Restart a job

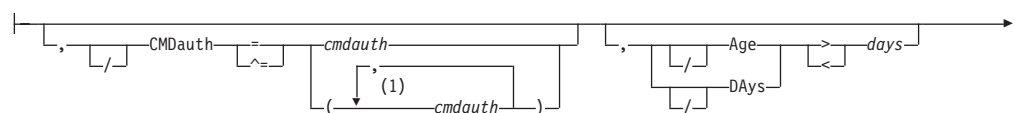
### Function

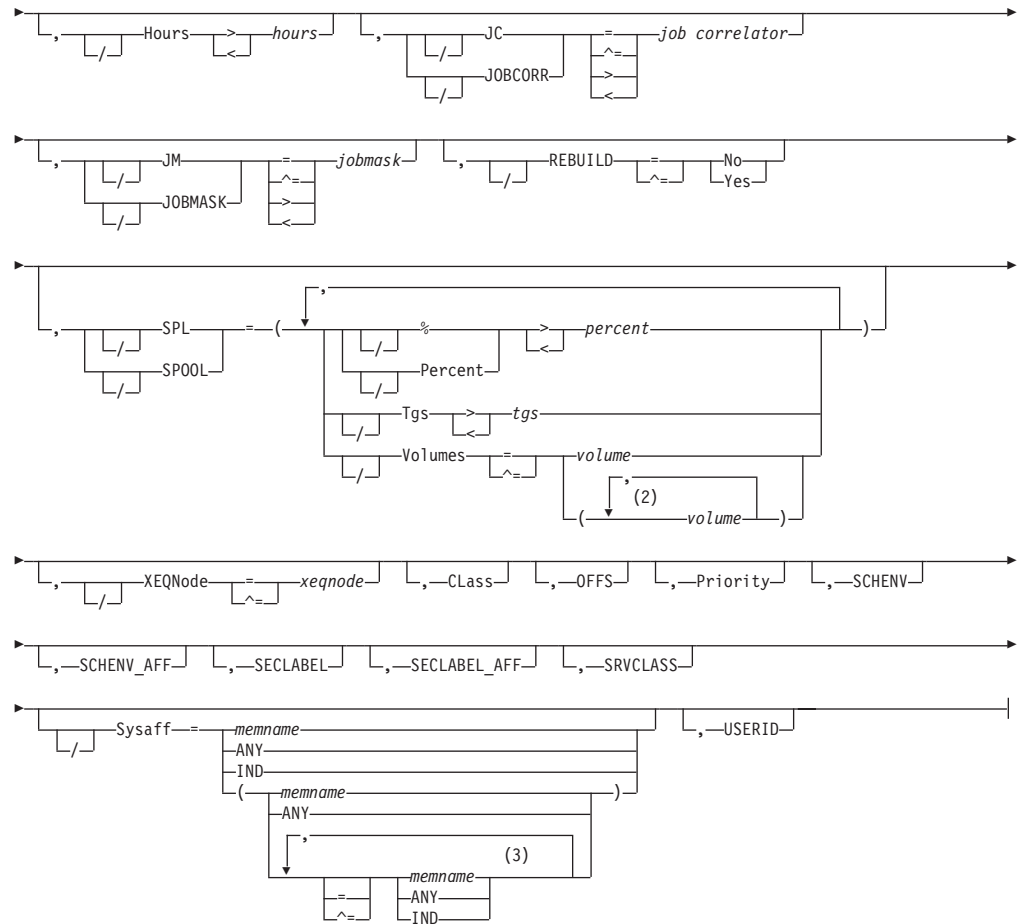
To restart a job.

### Syntax



### Selection limiting keywords:





**Notes:**

- 1 *cmdauth* can be coded up to 2 times
- 2 *volume* can be coded up to 253 times
- 3 Multiple *Sysaff* values can be coded up to 33 times

**Parameters**

**Age|DAys<days | Age|DAys>days**

Specifies the age of affected jobs in days. Only jobs more (with DAYS>nn) or less (with DAYS<nn) than the specified number of days in age are affected, The days are counted from the current hour.

**Cancel**

Indicates that the job is to be cancelled and held prior to execution. This operand is equivalent to specifying a \$H and \$C command, in addition to the \$E command.

**Class=class**

Specifies a job class used to select a subset of jobs that have a matching job class. Wildcard characters can also be specified: see “Using wildcards” on page 108 for details.

**CMDauth=(auth1{,auth2})**

Only the jobs that can be affected from the specified remote(s) or node(s) will be restarted. The valid specifications are:

**LOCAL|ANYLOCAL**

Only the local devices at the local node can affect the output

**Nnnnn|nodename**

Only local devices at the specified node can affect the output

**Rnnnn**

Only the specified remote device can affect the output

**NnnnnRnnnn|nodename.Rnnnn**

Only the specified remote device at the specified remote node can affect the output

**destid**

A destid corresponding to any of the above remote devices

**Note:** Specification of the CMDAUTH filter does not override the authority of the console from which the command is issued; both the authority of the console and the specified CMDAUTH filter must match for the job to be affected.

**Hours=hours**

Specifies the age of affected jobs in hours. Only jobs more (with HOURS>nn) or less (with HOURS<nn) than the specified number of hours in age are affected.

**JC|JOB CORR=job correlator**

Specifies a combination of 1-64 alphanumeric, special (colon, period or underscore) and wildcard characters that can be used to select a subset of jobs that have a matching job correlator. For a description of wildcard characters, refer to "Using wildcards" on page 108.

**JM|JOB MASK=jobmask**

Specifies 1 to 8 alphanumeric, special (\$, #, or @) or wildcard characters (or a combination of them) that can be used to select a subset of jobs whose job name matches this combination of characters (mask). For a description of wild cards, see "Using wildcards" on page 108.

**Note:**

1. This is a positional parameter. Specify this following the job\_id (JOB, STC, or TSU), or JOBQ parameter.
2. The JOB MASK parameter is not valid with the 'jobname' parameter.

**job**

Specifies 1 to 8 alphanumeric, special (\$, #, or @) or wildcard characters (or a combination of them) that can be used to select a subset of jobs whose job name matches this combination of characters (mask).

**'job'**

The name of the job that is restarted. This name must appear as coded on the JOB statement and must be enclosed in apostrophes. If more than one job exists with this name, no action is taken.

**Job**

A batch job or range of batch jobs is to be restarted.

**JOBQ|JQ**

Specifies all jobs, STCs, and TSUs across the MAS for processing.

**OFFS=offs**

Specifies offload device numbers on which the job has been archived.

**Priority=priority**

Specifies the priority of the job.

**REBUILD={No|Yes}**

Indicates that jobs on the rebuild queue are to be restarted (Yes) or not restarted (No).

**SCHENV=schenv**

Specifies the scheduling environment associated with the job.

**SCHENV\_AFF=member**

Specifies the JES2 MAS members on which the scheduling environment for this job is available.

**SECLABEL\_AFF=member**

Specifies the JES2 MAS members on which the SECLABEL for this job is available but only if the RACF SECLABEL\_BY\_SYS is also active.

**SECLABEL=seclabel**

Specifies the security label associated with the job.

**SPL|SPOOL={Percent|%|Tgs|Volumes}**

Only jobs with specific SPOOL characteristics are to be restarted:

**Percent|%**

Only jobs using more (with %>nn) or less (with %<nn) than the specified percentage of the total available spool space are to be released.

**Tgs**

Only jobs using more (with Tgs>nn) or less (with Tgs<nn) than the specified number of track groups are to be released.

**Volumes=(v1,v2,...)**

Only jobs which have allocated spool space on one or more specified spool volumes are to be released.

**SRVCLASS=srvclass**

Specifies the service class of the job. The service class is available for batch jobs only. It is not available for started tasks or time-sharing users. The default workload manager (WLM) policy assigns a service class of blanks to all jobs, and WLM-managed initiators can then select such jobs for processing.

**Step [,Hold]**

Restarts the job at the next step once the current step completes. By default, the job is placed back in the execution queue in the ready state, and will re-execute immediately. However, if the current step is the final step in the job, the **Step** parameter has no effect and the job will exit the execution phase.

The optional **Hold** parameter causes the job to be held and re-queued for execution once the current step completes.

### Attention:

1. The **Step** parameter requires that the job use journaling. If the job does not have a journal, the \$E command will fail.
2. The **Step** parameter is designed for moving a job to another system for re-execution at a step boundary. To move a job, it must no longer be eligible to run on the original system, which can be achieved by altering the affinity of the job, or by draining the job class, service class or member that the job is currently executing on.

### Sysaff

Specifies jobs to process based on this system affinity. Up to 33 entries can be coded by using a combination of the following values:

#### memname

Specifies the identifier (1 to 4 alphanumeric characters) of a member in the JES2 multi-access spool configuration that a job has in its system affinity list.

**ANY** Specifies jobs that are eligible to run on any member in the JES2 multi-access spool configuration. If you specify ANY followed by the IND parameter, they must be separated by a comma and the list must be enclosed in parentheses, for example, (ANY,IND).

**IND** Specifies the job that is selected and must be executed on a processor operating in independent mode.

### USERID=userid

Specifies the userid associated with the job.

## Processing

Command processing verifies that the requested jobs are in the execution phase, and marks the job for the appropriate restart processing. The job is not required to be executing on the member where the command was issued. If the job is not executing, the command has no effect.

## Authority Required

This command requires **job and system** authority. The description of the \$T RDRnn command explains how to ensure that the authority of the appropriate MVS system command group is assigned.

This command requires **control** security access authority. For a description of assigning command input authority, see *z/OS JES2 Initialization and Tuning Guide*.

## Processing Considerations

- If you wish to restart a job, but do not want it to execute at this time, first hold the job using the \$H command and then issue the \$E command.
- If you wish to cancel the current execution of the job, you should follow the \$E command with the \$C, MVS CANCEL or MVS REPLY command.
- The \$E command does not honor the restart parameter on the /\*JOBPARM JECL statement or on the JOBCLASS initialization statement.
- When a job is restarted, all non-spin SYSOUT data sets created during the previous execution are deleted.
- A job can be put into HELD status if it is restarted (using \$E command) while being transmitted. For Job transmitters, any failure other than trying to acquire

the matching JR device on the other side will result in the job being held. Jobs that are held must then be activated with a \$A command.

- If the **Step** parameter is specified, the target job is required to have a journaled data set. Otherwise, the command will fail.

## Scope

**MAS-wide.** This command has an effect across the entire MAS.

## Context

HASCSCAN and HASPSXD.

## Messages

The \$HASP890 message indicates the specified job is queued for re-execution.

The \$HASP003 message indicates any errors.

## Examples

### 1 \$e j2-5

```
JOB00002 $HASP890 JOB(MYJOB)
$HASP890 JOB(MYJOB) STATUS=(EXECUTING/IBM1),CLASS=A,
$HASP890 PRIORITY=9,SYSAFF=(IBM1),HOLD=(NONE)
JOB00003 $HASP890 JOB(MYJOBA)
$HASP890 JOB(MYJOBA) STATUS=(EXECUTING/IBM1),CLASS=A,
$HASP890 PRIORITY=9,SYSAFF=(ANY),HOLD=(NONE)
JOB00004 $HASP890 JOB(MYJOB B)
$HASP890 JOB(MYJOB B) STATUS=(EXECUTING/IBM2),CLASS=A,
$HASP890 PRIORITY=9,SYSAFF=(IBM2),HOLD=(NONE)
JOB00005 $HASP890 JOB(MYJOB C)
$HASP890 JOB(MYJOB C) STATUS=(EXECUTING/IBM1),CLASS=A,
$HASP890 PRIORITY=9,SYSAFF=(IBM1),HOLD=(NONE)
```

JES2 restarts jobs 2, 3, 4, and 5 after they complete execution.

### 2 \$e j1-\*,jm=inf\*

```
JOB00215 $HASP890 JOB(INFLOOP)
$HASP890 JOB(INFLOOP) STATUS=(EXECUTING/IBM1),CLASS=A,
$HASP890 PRIORITY=9,SYSAFF=(IBM1),HOLD=(NONE)
JOB00220 $HASP890 JOB(INFSPIN)
$HASP890 JOB(INFSPIN) STATUS=(EXECUTING/IBM1),CLASS=A,
$HASP890 PRIORITY=9,SYSAFF=(IBM1),HOLD=(NONE)
```

JES2 restarts jobs, beginning with job 1 through the highest-numbered job, whose name begins with the characters INF.

### 3 \$E J124,STEP

```
JOB00124 $HASP890 JOB(MYJOB)
$HASP890 JOB(MYJOB) STATUS=(EXECUTING/IBM1),CLASS=A,
$HASP890 PRIORITY=9,SYSAFF=(IBM1),HOLD=(NONE)
```

JES2 marks job 124 for re-execution after the current step completes.

### 4 \$ej(\*),jc=:client\_xyzjob\*

```
JOB00129 $HASP890 JOB(STATUSB2) C
$HASP890 JOB(STATUSB2) STATUS=(EXECUTING/IBM1),CLASS=A,
$HASP890 PRIORITY=9,SYSAFF=(ANY),HOLD=(NONE)
```

JES2 restarts any batch job with a job correlator user portion starting with CLIENT\_XYZJOB.

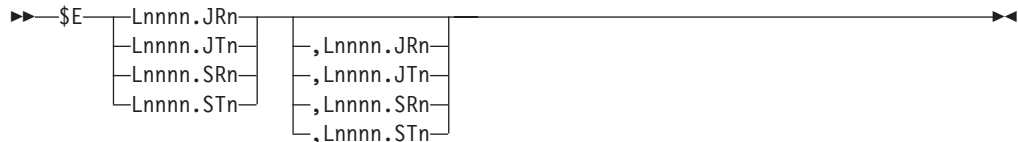
---

## \$E Lnnnn.xxn - Restart NJE device activity

### Function

To stop the current transmission or receipt of a job or SYSOUT data over an NJE line and requeue the data for transmission at the appropriate node.

### Syntax



### Parameters

#### Lnnnn.JRn

The job receiver on line nnnn currently receiving the job. The receiver sends a negative-close record to the transmitter and immediately queues the job for purge. The job is requeued for transmission at the transmitting node.

The \$HASP543 message displays the results of this command.

#### Lnnnn.JTn

The job transmitter on line nnnn currently transmitting the job. The transmitter stops transmitting the job and then requeues it for transmission. The job is purged at the receiving node. A job can be put into HELD queue if it is restarted (using \$E command) while being transmitted. For Job transmitters, any failure other than trying to acquire the matching JR device on the other side results in the job being held. Jobs that are held must be activated with the \$A command.

The \$HASP522 message displays the results of this command.

#### Lnnnn.SRn

The SYSOUT receiver on line nnnn currently receiving the SYSOUT data. The receiver sends a negative-close record to the transmitter and purges the data already received. The SYSOUT data is requeued for transmission at the transmitting node.

The \$HASP543 message displays the results of this command.

**Note:** Only if the SR device has received and processed the NJHeader from the sending node, JES2 issues \$HASP543. If a device is active, issuing the \$E command will not cause JES2 to issue \$HASP659. Instead, JES2 issues message \$HASP000 OK if a permission to allocate stream is sent to the receiver device. If the NJHeader has not been read in to build a job structure on the SR side, issuing \$E will not generate the \$HASP543.

#### Lnnnn.STn

The SYSOUT transmitter on line nnnn currently transmitting the SYSOUT data. The transmitter stops transmitting the data and requeues it for transmission. The SYSOUT data is purged at the receiving node.

The \$HASP532 message displays the results of this command.



## Authority Required

This command requires **device** authority. The description of the \$T RDRnn command explains how to ensure that the authority of the appropriate MVS system command group is assigned.

This command requires **control** security access authority. For a description of assigning command input authority, see *z/OS JES2 Initialization and Tuning Guide*.

## Scope

**Single member.** This command will be in effect for this member only. There is no need to have this command issued to all members of the MAS.

## Messages

The individual parameter descriptions list the resulting messages.

## Examples

**1** \$e 12.st2

JOB00005 \$HASP532 MYJOB L2.ST2 RESTARTED

The line 2 SYSOUT transmitter 2 stops transmitting the SYSOUT data for the current job and requeues the data for transmission at a later time. The SYSOUT receiver deletes any data it has already received.

**2** \$e 14.jr5

JOB00005 \$HASP543 MYJOB L4.JR5 DELETED

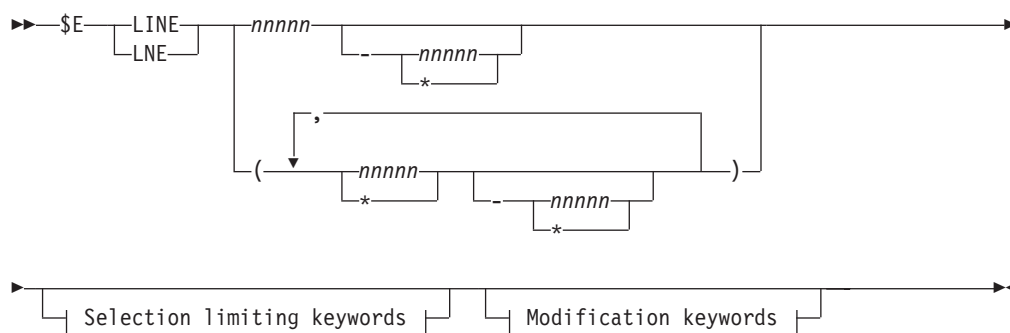
The line 4 job receiver 5 stops receiving data from the current job and immediately queues the job for purging. The job is queued for transmission at the transmitting node.

## \$E LINE(nnnnn) - Restart line activity

### Function

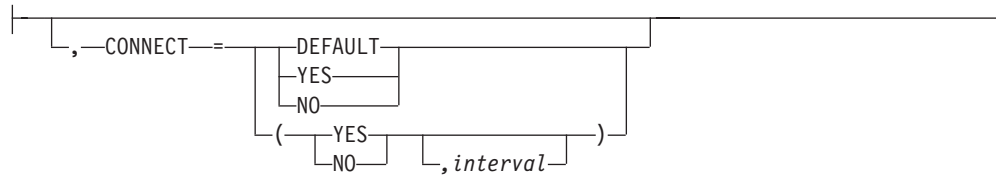
To stop and restart the current activity on an RJE or NJE line.

### Syntax

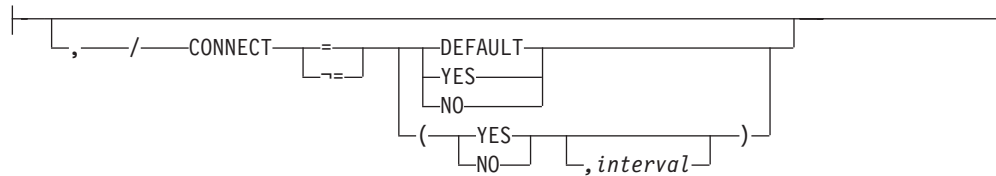


## \$E LINE(nnnnn)

### Modification keywords:



### Selection limiting keywords:



## Parameters

### nnnnn

Specifies the subscript that defines the restarted lines. The subscript can specify a specific value or a range of values. For information about specifying ranges for this subscript, see “Command syntax conventions” on page 97.

You can also specify wild cards. See “Using filtering to control and display information” on page 114 for additional information.

### CONNECT=(Yes|No|DEFAULT, interval)

Specifies whether an NJE connection is automatically attempted for this line. If DEFAULT is specified, processing uses the CONNECT=(YES|NO) value that is specified on the associated NODE statement. The *interval* is the approximate time (in minutes) between attempted connections. The valid range for *interval* is 0 to 1440. A value of 0 indicates that the default interval (from NJEDEF CONNECT=) is used.

## Authority Required

This command requires **device** authority. The description of the \$T RDRnn command explains how to ensure that the authority of the appropriate MVS system command group is assigned.

This command requires **control** security access authority. For a description of assigning command input authority, see *z/OS JES2 Initialization and Tuning Guide*.

## Processing Considerations

Any input currently being transmitted over the specified line immediately stops, and the partial input is purged. Any output being transmitted over the line is placed on the output queue. When the job is again selected for printing, the printer backspaces 1 page before resuming processing. When the job is again selected for punching, punching resumes at the last JES2 checkpoint.

The NJE node or JES2 remote workstation currently signed on to the restarted line is disconnected. If the line status was active, new JES2 remote workstations can sign on to the line or it can be used for networking (through the \$S N command).

If the line status was draining (for example, after \$P LINE(nnnnn)), the line becomes drained and unusable for JES2 I/O until the operator starts it again. For an NJE line, \$E negates the effect of a \$S N,LINE(nnnnn) command; that is, it stops attempts to sign on to another node.

**Note:** If the line status remains draining because an I/O device missed an interrupt, you must issue a second \$E LINE(nnnnn) command to restart the line.

### Scope

**Single member.** This command will be in effect for this member only. There is no need to have this command issued to all members of the MAS.

### Messages

The \$HASP880 message displays the status of the specified lines and their current characteristics.

### Example

```
❏ $eline15,connect=no
   $HASP880 LINE15 UNIT=SNA,STATUS=ACTIVE/POK,DISCON=NO
```

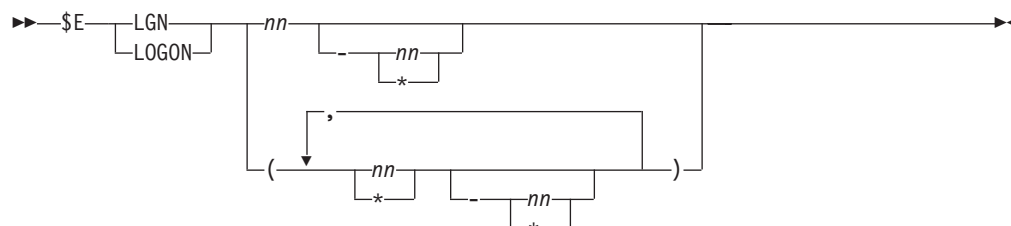
---

## \$E LOGON(nn) - Restart the JES2/VTAM interface

### Function

To stop and restart the JES2/VTAM interface on a logical line.

### Syntax



### Parameters

**nn** The subscript defining the JES2/VTAM interface(s) that are restarted. You may specify a single interface using the value of n on the LOGONn initialization statement that defines that interface. The subscript can also specify a range of values.

### Authority Required

This command requires **system** authority. The description of the \$T RDRnn command explains how to ensure that the authority of the appropriate MVS system command group is assigned.

This command requires **control** security access authority. For a description of assigning command input authority, see *z/OS JES2 Initialization and Tuning Guide*.

## \$E LOGON(nn)

### Processing Considerations

When you issue this command, the current transmission of data stops and the partial input is purged. Any output being transmitted is placed on the output queue. Upon restart, the output is transmitted from the point where it was stopped.

### Scope

**Single member.** This command has an effect for this member only. There is no need to have this command issued to all members of the MAS.

### Messages

The \$HASP881 message displays the current status of the specified LOGONs.

### Example

```
❶ $E LOGON(1)
```

```
$HASP881 LOGON1 APPLID=JESA,STATUS=INACTIVE
```

JES2 stops and then restarts the specified JES2/VTAM interface. Upon restart, the output is transmitted from the point where it was stopped.

---

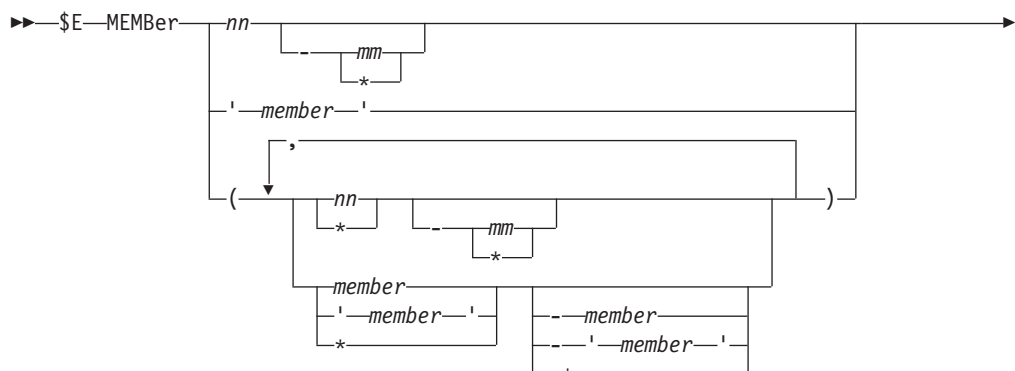
## \$E MEMBer - Perform cleanup for a failed MAS member

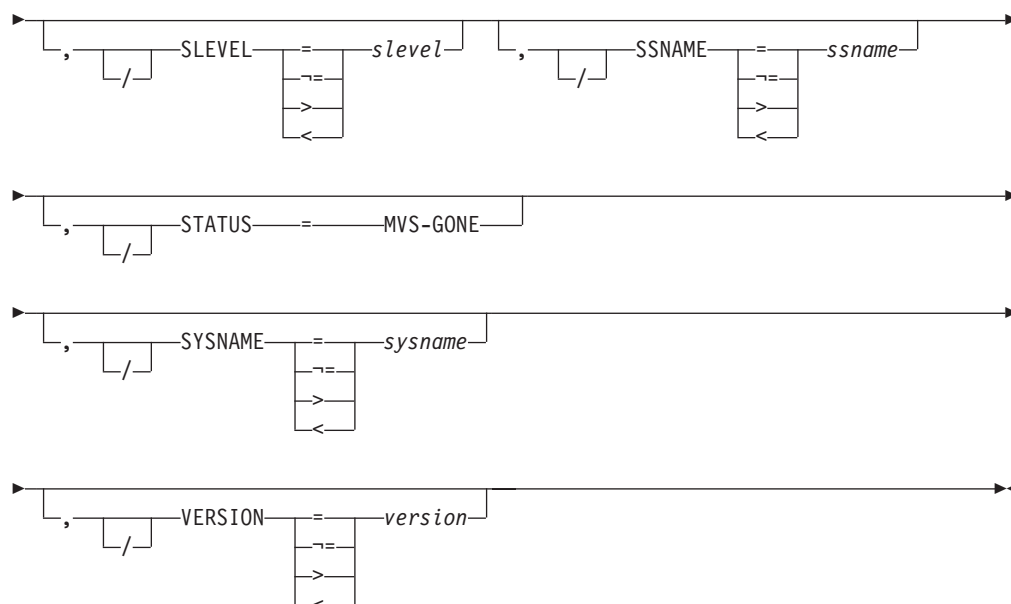
### Function

When a member of a MAS fails (terminates without proper \$PJES2 processing), JES2 does not free resources that are assigned to that member. You can request that JES2 perform this cleanup processing by issuing this command or by using the AUTOEMEM function on the MASDEF initialization statement. \$E MEMBER processing (either through this command or the automatic E MEMBER processing) performs the following functions:

- To cause the jobs that were being processed on the specified failed member eligible for restart on other members in the multi-access spool (MAS) configuration.
- To allow remotes to sign on to other members in the MAS configuration.
- To allow SPOOL command processing to complete for the specified failed member in the MAS configuration.

### Syntax





## Parameters

### MEMBER

The member to which the entering console is attached makes the jobs being processed on the specified failed member eligible for restart on other members in the MAS configuration.

#### *member*

Specifies the 1 to 4 alphanumeric or special (\$, #, or @) character name of the failed member within the MAS configuration for which job processing is restarted. You can also specify the member number (or a range, to specify more than one member), or an asterisk (\*) to specify all members.

**Note:** Your installation determines the name of each member in the MAS configuration. The various member name used in examples throughout this publication might not be the names your installation selects.

**mm** The numeric value (1-32), range of values

#### 'member'

The 1 to 4 alphanumeric or special (\$, #, or @) character name of the MAS member to be displayed. Specify the member number or the member name to obtain information on a specific member, or an asterisk (\*) to obtain information for all members of the MAS.

You can also specify wild cards on this parameter. See "Using wildcards" on page 108 for additional information.

### SLEVEL=*slevel*

Specifies that only members at the specified service level are to be reset.

### STATUS= MVS-GONE

Specifies that the MVS system on which JES2 was running is no longer available, and you must issue \$E MEMBER or by using the AUTOEMEM function on the MASDEF initialization statement to clean up any held resources.

### SYSNAME=*sysname*

Specifies that the system name of the MVS image of the member is to be

## \$E MEMBer

restarted. You can also specify wild cards on this parameter. See “Using wildcards” on page 108 for additional information.

The system name will not be displayed if it is equal to the member name (NAME=) or if the member is inactive.

### VERSION=version

Indicates the version of the JES2 release that is running on this member.

## Authority Required

This command requires **system** authority. The description of the \$T RDRnn command explains how to ensure that the authority of the appropriate MVS system command group is assigned.

This command requires **control** security access authority. For a description of assigning command input authority, see *z/OS JES2 Initialization and Tuning Guide*.

## Processing Considerations

The failed member must re-IPL. When it does, it will automatically quick start instead of warm start, resulting in significantly less JES2 initialization processing.

If your installation is participating in the AUTOEMEM option, jobs from a failed member can be restarted without this command. For information about the AUTOEMEM option, refer to the \$T MASDEF command.

### Note:

1. Jobs with member affinity to the failed system will not be restarted until the failed member is available or member affinity for those jobs is modified.
2. To determine the processing environment of your installation, consult your system programmer.

### Note:

## Scope

**Single member.** The values supplied for this command will be in effect for this member only.

## Messages

The \$HASP000 message indicates the command was accepted.

JES2 issues the \$HASP493 message when initialization processing is in progress. The \$HASP492 message is issued when initialization has completed.

## Examples

```
❶ $e member(sysa)
```

```
$HASP673 MEMBER(2) NAME=SYSA
$HASP493 MEMBER SYSA QUICK START IS IN PROGRESS
$HASP492 MEMBER SYSA QUICK START HAS COMPLETED
```

Assuming that the console on which you issue the \$E command is attached to SYSC, this command causes the SYSC member to make the jobs that were being processed on SYSA (the failed member) eligible for restart on other members in the MAS configuration.

**2 \$e member(1)**

```
$HASP003 RC=(52),MEMBER(1) - NO SELECTABLE ENTRIES
$HASP003          FOUND MATCHING SPECIFICATION
```

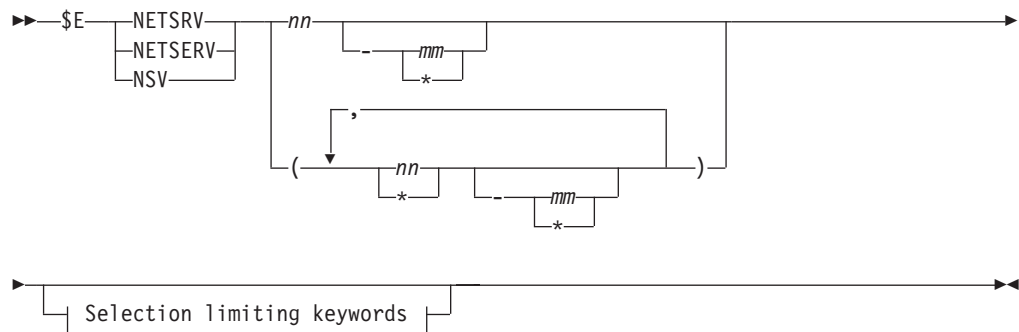
The member (1) specified on the command does not need to be restarted, therefore, JES2 issues the \$HASP003 message.

## \$E NETSRV(nnn) - Restart a network server

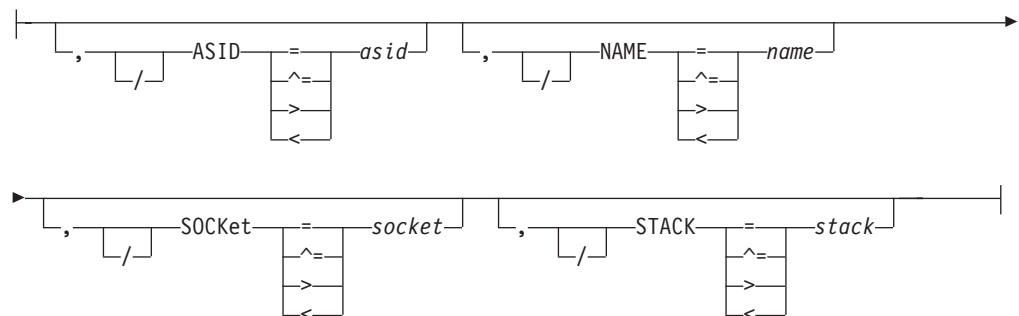
### Function

To reset a network server. All connections associated with the server will be terminated.

### Syntax



### Selection limiting keywords:



### Parameters

**(nn) | (nn-mm)**

A single or range of numeric values between 1 to 999.

**SOCKET=socket (Selection limiting keyword)**

Specifies the name of a local socket which the NETSRV is to listen upon.

**STACK=stack (Selection limiting keyword)**

Filters based on the name of the TCP/IP stack to be used by this server.

## \$E NETSRV(nnn)

### ASID=asid (Selection limiting keyword)

Specifies the hexadecimal address space ID associated with the active NETSRV. asid is 1 to 4 hexadecimal digits.

### NAME=name (Selection limiting keyword)

Specifies the address space name associated with the active NETSRV. The address space name is the subsystem name followed by the character 'S' followed by the 3–digit device number, for example, JES2S001.

## Authority Required

This command requires **system** authority. The description of the \$T RDRnn command explains how to ensure that the authority of the appropriate MVS system command group is assigned.

This command requires **control** security access authority. For a description of assigning command input authority, see *z/OS JES2 Initialization and Tuning Guide*.

## Scope

**Single system.** The values supplied for this command will be in effect for this member only.

## Messages

\$HASP898

### Example

```
$e netsrv(2)
```

```
$HASP898 NETSRV2 STATUS=ACTIVE,ASID=0027,NAME=JES2S002,  
$HASP898 SOCKET=S2,STACK=
```

---

## \$E NETWORK - Reset current network devices

### Function

To reset current network devices.

### Syntax

▶▶—\$E NETWORK—▶▶

### Parameters

None.

## Authority Required

This command requires **system** authority. The description of the \$T RDRnn command explains how to ensure that the authority of the appropriate MVS system command group is assigned. You can use \$T NODE(nnnn) command to set the authority for a node.

This command requires **control** security access authority. For a description of assigning command input authority, see *z/OS JES2 Initialization and Tuning Guide*.



## Scope

**Single system.** The values supplied for this command will be in effect for this member only.

## Messages

\$HASP899 command response.

## Example

**1** \$enet

```

                $HASP899 $ENET
$HASP899 ACTIVE NETWORKING DEVICES
$HASP899 NAME                                STATUS
$HASP899 -----
$HASP899 LINE15                              ACTIVE/POK
$HASP899 LOGON1                              ACTIVE
    
```

## \$E OFFn.xx - Restart a spool offload transmitter

### Function

To stop the processing of the current job on the specified offload transmitter(s) and restart the current job or a new job.

### Syntax

```

>> $E [OFFn.JT] [OFFn.ST] [ ,OFFn.JT ] [ ,OFFn.ST ] <<<
    
```

### Parameters

*n* The subscript defining the offload job transmitters affected by this command. The subscript can specify a numeric value (1-8) or a range of values associating offload job transmitters with offload devices. For information about specifying a range of values for this subscript, see “Command syntax conventions” on page 97.

#### OFFn.JT

The offload job transmitter to be restarted. The subscript specifies a numeric value (1-8) of the associated offload device.

#### OFFn.ST

The offload sysout transmitter to be restarted. The subscript specifies a numeric value (1-8) of the associated offload device.

### Authority Required

This command requires **device** authority. The description of the \$T RDRnn command explains how to ensure that the authority of the appropriate MVS system command group is assigned.

This command requires **control** security access authority. For a description of assigning command input authority, see *z/OS JES2 Initialization and Tuning Guide*.

## Processing Considerations

JES2 causes the job on the specified device to be stopped. The job remains on the current queue. JES2 selects the next job eligible to be processed by the device, which may be the same job that was stopped.

## Scope

**Single member.** This command will be in effect for this member only. There is no need to have this command issued to all members of the MAS.

## Messages

The \$HASP000 message indicates JES2 has accepted the command. Upon completion, JES2 issues a message to indicate that the job on the device has been restarted.

## Example

```
❶ $e off1.jt, off1.st
```

```
$HASP000 OK  
$HASP522 jobname -- OFF1.JT RESTARTED  
$HASP523 jobname -- OFF1.ST RESTARTED
```

JES2 restarts the processing of the job on offload job transmitter 1 and the job on offload sysout transmitter 1.

---

## \$E PRT(nnnnn) and \$E R(nnnnn).PR(m) - Restart printer activity

### Function

To stop the printing of the current output group and requeue the output according to its job priority for later processing.

### Syntax

```
➔ $E PRTnnnnn  
      Rnnnnn.PRm  
      ,PRTnnnnn  
      ,Rnnnnn.PRm ➔
```

### Parameters

*nnnnn*

For **PRT**, the identifier of the local printer (1-32767) to restart. For **R**, the identifier of the remote workstation (1-32767) that is attached to printer *m* (1-7).

*m* The identifier of the printer (1-7) that is attached to the remote workstation **Rnnnnn** (1-32767).

### Processing Considerations

- For the 3800 printer, JES2 restarts the output group that is visible at the transfer station.
- When the output is again selected for processing, printing resumes at the beginning of the output group.

## Authority Required

This command requires **device** authority. The description of the \$T RDRnn command explains how to ensure that the authority of the appropriate MVS system command group is assigned.

This command requires **update** security access authority. For a description of assigning command input authority, see *z/OS JES2 Initialization and Tuning Guide*.

## Scope

**Single Member.** This command will be in effect for this member only. There is no need to have this command issued to all members of the MAS.

## Messages

The \$HASP170 message displays the status of output processing on the specified printer.

## Example

```
1 $e prt2
```

```
$HASP170 PRT2 RESTARTED
```

Printer 2 stops printing the current output group and JES2 returns the output to the output queue in priority sequence. Printer 2 then selects the next available data set for processing.

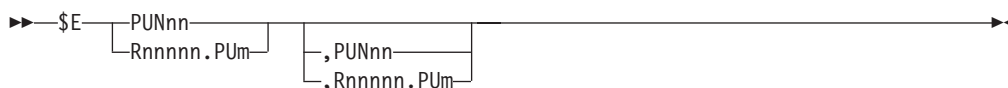
---

## \$E PUN(nn) and \$E R(nnnnn).PU(m) - Restart punch activity

### Function

To stop the punching of the current output group and requeue the output according to its job priority for later processing.

### Syntax



### Parameters

*nn* The identifier of the local punch (1-99) to restart.

*nnnnn*

The identifier of the remote workstation **R** (1-32767) that is attached to punch *m* (1-7).

*m* The identifier of the punch (1-7) that is attached to the remote workstation **Rnnnnnn** (1-32767).

### Processing Considerations

When the output group is again selected for processing, punching resumes at the beginning of the output group.

## \$E PUN(nnnnn) and \$E R(nnnnn).PU(m)

### Authority Required

This command requires **device** authority. The description of the \$T RDRnn command explains how to ensure that the authority of the appropriate MVS system command group is assigned.

This command requires **update** security access authority. For a description of assigning command input authority, see *z/OS JES2 Initialization and Tuning Guide*.

### Scope

**Single member.** This command will be in effect for this member only. There is no need to have this command issued to all members of the MAS.

### Messages

The \$HASP170 message displays the status of output processing on the specified punch.

### Example

```
❶ $e pun3
```

```
$HASP170 PUN3 RESTARTED
```

Punch 3 stops punching the current output group and JES2 returns the output to the output queue in priority sequence. Punch 3 then selects the next available data set for processing.

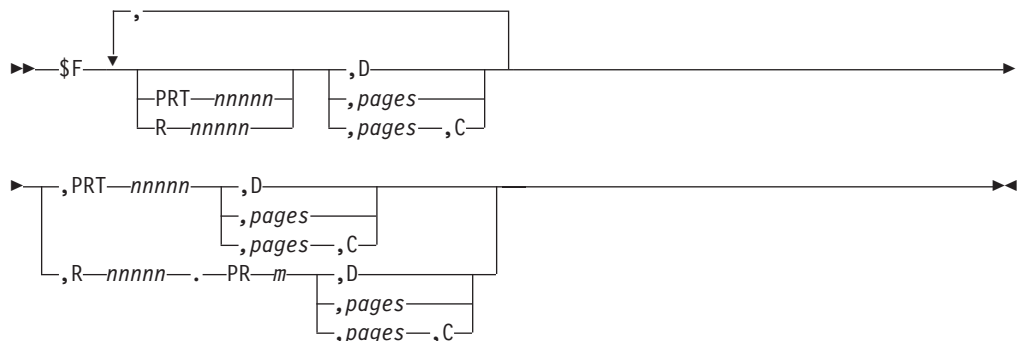
---

## \$F PRT(nnnnn) and \$F R(nnnnn).PR(m) - Logically advance printer output

### Function

To advance printer output a specified number of pages, a specified number of pages from the most recent checkpoint, or to the end of a data set.

### Syntax



**Parameters***nnnnn*

For **PRT**, the identifier of the local printer (1-32767) to advance output on. For **R**, the identifier of the remote workstation (1-32767) that is attached to printer *m* (1-7).

*m* The identifier of the printer (1-7) that is attached to the remote workstation **Rnnnnn** (1-32767).

**C** Specifies that starting from the most recent checkpoint, output is advanced the number of pages (specified by *pages*). JES2 assumes that all data up to the most recent checkpoint has printed successfully. Therefore, advancing output from the most recent checkpoint is the only way JES2 can ensure no loss of data for remote printers.

**D** Output is advanced to the end of the data set. Printing resumes with the next data set or the next copy of the current data set.

**Note:** The action of the CANCEL key on the 3800 printer emulates this operation.

**pages**

Specifies the number of pages, or for FSS printers, the number of sides, that the output is to be advanced.

For FSS devices, this number can be up to 8 digits in length (1-99999999). For other devices, this number can be up to 4 digits in length (1-9999).

**Note:** If you are using an impact printer and you specify *pages* for data sets with a line count of zero and no channel skips, JES2 advances output to the end of the data set. This happens regardless of the value specified for *pages*. The line count for a data set is specified by the LINECT parameter on the PRINTDEF initialization statement or the LINECT parameter on the /\*JOBPARM JES2 control statement, /\*OUTPUT JES2 statement, in the JOB statement accounting field, or on the OUTPUT JCL statement.)

For the 3800 printer running in JES mode, specifying 1-9999 causes advancing of the output for the specified number of physical pages.

For FSS mode devices, specifying 1-99999999 causes advancing of the output for the specified number of sides. When simplex printing, there is one side per sheet of paper. When duplex printing, there are two sides per sheet of paper.

**Authority Required**

This command requires **device** authority. The description of the \$T RDRnn command explains how to ensure that the authority of the appropriate MVS system command group is assigned.

This command requires **update** security access authority. For a description of assigning command input authority, see *z/OS JES2 Initialization and Tuning Guide*.

**Processing Considerations**

- If you omit **D**, **C** and *nnnnn*, one page is the default advance.
- For data sets with no channel skips and a line count of zero, the number of lines in a checkpoint page is specified by either:
  - the CKPTLNS parameter on the /\*OUTPUT JES2 statement

## \$F PRT(nnnnn) and \$E R(nnnnn).PR(m)

- the CKPTLINE parameter on the PRTnnnnn and Rnnnnn.PRm initialization statements, the OUTPUT JCL statement, or specified using the \$T device command

**Note:** This applies to 3800 printers in compatibility mode and printers under FSS control.

- The amount of output between checkpoints (checkpoint interval) is controlled by either:
  - the CKPTLNS and CKPTPGS parameters on the /\*OUTPUT JES2 statement
  - the CKPTLINE and CKPTPAGE parameters on the PRTnnnnn and Rnnnnn.PRm initialization statements, the OUTPUT JCL statement, or specified using the \$T device command
- A backspace results if the printer is printing more than *nnnnn* pages ahead of the most recent checkpoint and you specify an advance of *C,nnnnn*. The backspace amount is the difference between the page indicated by *C,nnnnn* and the current print page. For example, if page 275 is currently being printed and the most recent checkpoint is at page 225, specifying \$F Rnnnnn.PRm,15,C causes the printer to backspace to page 240.
- If you try to advance the printer relative to a checkpoint (by specifying *C*) and no checkpoint exists, the printer backsplaces to the beginning of the data set.
- For the 3800 printer, forward spacing is relative to the page that is visible at the transfer station.
- You can use this command to skip the printing of unneeded information.
- The printer must be physically stopped before entering a forward space command for that printer in order to maintain proper line count displays using the \$DU,PRTx command.
- If you are using an impact printer and specify *n* for data sets with a line count of zero and no channel skips, the data set is advanced to the end. JES2 treats the data set as one contiguous page of data. A \$B PRTx or \$F PRTx command with the *n* parameter will either backspace to the beginning of the data set or forward space to the end of the data set, regardless of the value specified for CKPTLINE. before the printer jam and resume printing.
- For impact printers, the number of pages to logically advance is affected by skip-to-channel commands. JES2 counts all skip-to-channel commands as new pages.

### Scope

**Single member.** This command will be in effect for this member only. There is no need to have this command issued to all members of the MAS.

### Messages

The \$HASP170 message displays the status of output processing on the specified printer.

### Example

```
1 $f r9.pr1,4,c,prt4
```

```
$HASP170 R9.PR1 FWD-SPACED  
$HASP170 R9.PR2 FWD-SPACED
```

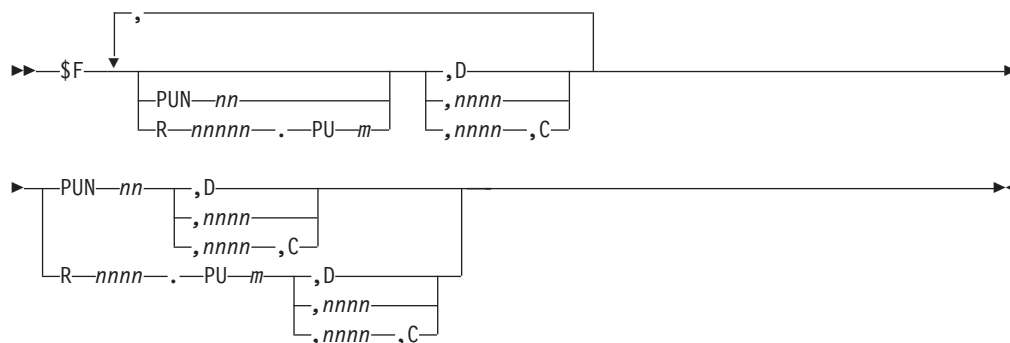
JES2 advances the output on printer 1 of remote 9 four pages forward of the most recent checkpoint. For exceptions, see processing considerations 4 and 5. JES2 advances the output on local printer 4 one page (see processing consideration 1).

## \$F PUN(nn) and \$F R(nnnnn).PU(m) - Logically advance punch output

### Function

To advance punch output a specified number of cards, a specified number of cards from the most recent checkpoint, or to the end of a data set.

### Syntax



### Parameters

*nn* The identifier of the local punch (1-99) to advance.

*nnnnn*

The identifier of the remote workstation **R** (1-32767) that is attached to punch *m* (1-7).

*m* The identifier of the punch (1-7) that is attached to the remote workstation **Rnnnnn** (1-32767).

**D** Output is advanced to the end of the data set. Punching resumes with the next data set or the next copy of the current data set.

**nnnn**

Output is advanced nnnn (1-9999) cards.

**nnnn,C**

Output is advanced *nnnn* (1-9999) cards from the most recent checkpoint. JES2 assumes that all data up to the most recent checkpoint has punched successfully. Therefore, advancing output from the most recent checkpoint is the only way JES2 can ensure no loss of data for remote punches.

**PUNnn**

The identifier of the local punch (1-99) on which JES2 advances output.

**Rnn . PUm**

The identifier of the remote punch (1-99) on which JES2 advances output.

## \$F PUN(nnnnn) and \$F R(nnnnn).PU(m)

### Authority Required

This command requires **device** authority. The description of the \$T RDRnn command explains how to ensure that the authority of the appropriate MVS system command group is assigned.

This command requires **update** security access authority. For a description of assigning command input authority, see *z/OS JES2 Initialization and Tuning Guide*.

### Processing Considerations

- If you omit D, C, and nnnnn, one card is the default advance.
- The amount of output between checkpoints is controlled by either:
  - The CKPTLNS and CKPTPGS parameters on the /\*OUTPUT JES2 statement
  - The CKPTLINE and CKPTPAGE parameters on the PRTnnnn and Rnnnn.PRm initialization statements, the OUTPUT JCL statement, or specified using the \$T device command.
- If the punch is punching more than nnnn cards ahead of the most recent checkpoint and you specify an advance of C,nnnn, a backspace results. The amount of backspace is the difference between the card indicated by C,nnnn and the current punch card. For example, if card 275 is currently being punched and the most recent checkpoint is at card 225, specifying \$F Rnnnn.PUm,15,C causes the punch to backspace to card 240.
- If you try to advance the punch relative to a checkpoint (by specifying C) and no checkpoint exists, the punch backsplaces to the beginning of the data set.
- You can use this command to skip punching of unneeded cards.

### Scope

**Single member.** This command will be in effect for this member only. There is no need to have this command issued to all members of the MAS.

### Messages

The \$HASP170 message displays the status of output processing on the specified punch.

### Example

```
1 $f r9.pu1,1,c,pun2
```

```
$HASP170 R9.PU1 FWD-SPACED  
$HASP170 R9.PU2 FWD-SPACED
```

JES2 advances the output on punch 1 of remote 9 one card forward of the most recent checkpoint. For exceptions, see processing considerations 3 and 4. JES2 advances the output on local punch 2 one card (see processing consideration 1).

---

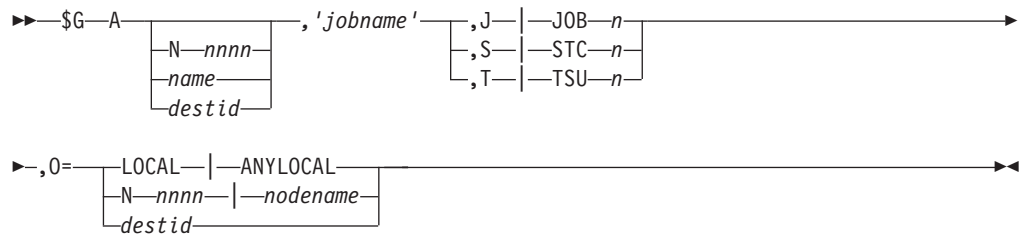
## \$G A - Release a job at another node

### Function

To release a job held at another node.



## Syntax



## Parameters

### J|JOBn or S|STCn or T|TSUn

The job ID (batch job (Jn), started task (Sn) or time-sharing user (Tn)) assigned to the job by its originating node. This operand is necessary only if more than one job exists with the specified job name.

### 'jobname'

The name of the job that is released. The name must appear as coded on the JOB statement and must be enclosed in apostrophes. If the job did not originate at the sending node (or have default print and/or punch output for the sending node), the destination node must have the sending node flagged as having network authority.

### Nnnnn|name|destid

The destination node to which JES2 sends this command. You can specify this location by an alias for the name of a node. The destination node must have the sending node flagged as having job authority.

0= The node on which the job originated. You must specify this parameter if the originating node is not the node at which this \$G A command is entered. If you fail to identify the originating node, JES2 issues the \$HASP693 message indicating that the job was not found. The valid specifications:

#### LOCAL|ANYLOCAL

Indicates that jobs are to be run at the local node.

#### Nnnnn|nodename

Indicates that jobs are to be run at the specified node(s). You can specify a node using a decimal node identifier ranging from 1 to 32767 or an EBCDIC nodename.

**destid** Indicates that jobs are to be run at the specified node(s). You can specify this location by an alias for the name of a node.

**Note:** This parameter requires that the destination node has the sending node flagged as having network authority.

## Authority Required

This command requires **job** authority. The description of the \$T RDRnn command explains how to ensure that the authority of the appropriate MVS system command group is assigned.

This command requires **update** security access authority. For a description of assigning command input authority, see *z/OS JES2 Initialization and Tuning Guide*.

## \$G A

For the authority required at the destination node, see “Displaying and controlling jobs at other nodes” on page 96.

### Processing Considerations

If you do not know the job ID of the job with this jobname, use the \$G D command to display the job IDs of all jobs with this jobname at a specific node.

### Scope

**Network-wide.** This command only needs to be issued from a single member; the command has an effect across the entire MAS.

### Messages

The \$HASP000 message indicates the command was accepted.

### Example

```
1 $g a n2, 'jobx', j25
```

```
$HASP000 OK
```

JES2 sends a global release command record through the network to node 2. Node 2 releases the job named JOBX whose originating node job identifier is J25, and then sends a response back to the sending node.

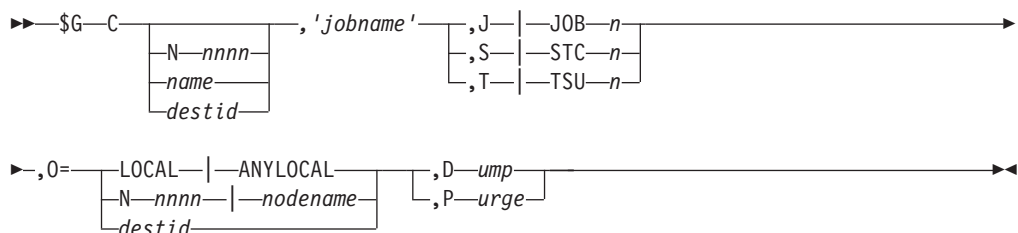
---

## \$G C - Cancel a job at another node

### Function

To terminate the scheduling or execution of a job at another node and provide a storage dump if requested.

### Syntax



### Parameters

#### Dump

JES2 provides a storage dump.

#### J|JOBn or S|STCn or T|TSUn

The job ID (batch job (Jn), started task (Sn), or time-sharing user (Tn)) assigned to the job by its originating node. This operand is necessary only if more than one job exists with the specified job name.

#### 'jobname'

The name of the job that is cancelled. This name must appear as coded on the JOB statement and must be enclosed in apostrophes. If the job did not

originate at the sending node (or have default print and/or punch output for the sending node), the destination node must have the sending node flagged as having network authority.

**Note:** Started tasks and time-sharing users can be cancelled only after they completed execution.

**Nnnnn|name|destid**

The destination node to which JES2 sends this command. You can specify this location by an alias for the name of a node. The destination node must have the sending node flagged as having job authority.

**0=** The node on which the job originated. You must specify this parameter if the originating node is not the node at which this \$G C command is entered. If you fail to identify the originating node, JES2 issues the \$HASP693 message which indicates the job was not found. The valid specifications:

**LOCAL|ANYLOCAL**

Indicates that jobs are to be run at the local node.

**Nnnnn|nodename**

Indicates that jobs are to be run at the specified node(s). You can specify a node using a decimal node identifier from 1 to 32767 or an EBCDIC nodename.

**destid** Indicates that jobs are to be run at the specified node(s). You can specify this location by an alias for the name of a node.

**Note:** This parameter requires that the destination node has the sending node flagged as having network authority.

**Purge**

JES2 cancels the job output. You must specify this operand to cancel a job that is already in the output phase.

**Authority Required**

This command requires **job** authority. The description of the \$T RDRnn command explains how to ensure that the authority of the appropriate MVS system command group is assigned.

This command requires **update** security access authority. For a description of assigning command input authority, see *z/OS JES2 Initialization and Tuning Guide*.

For the authority required at the destination node, see “Displaying and controlling jobs at other nodes” on page 96.

**Processing Considerations**

- If you do not know the job ID of the job with this jobname, use the \$G D command to display the job IDs of all jobs with this jobname at a specific node.
- The \$T NODE,Auth= command sets the command authority of a specified node.

**Scope**

**Network-wide.** This command only needs to be issued from a single member; the command has an effect across the entire MAS.

## Messages

The \$HASP000 message indicates the command has been accepted.

The \$HASP890 message, displaying the current status of the indicated job, is sent from node 2 to node 1.

## Examples

**1** \$g c n2, 'myjob'

```

          $HASP000 OK
JOB00018 $HASP540 MYJOB  ON L15.SR1    285 RECORDS
JOB00017 N2  M2  $HASP890 MYJOB  EXECUTING A PRIO  9 CANCEL IBM2

```

JES2 sends a global cancel command record through the network to node 2. Node 2 terminates the job named MYJOB (if found and owned by the sending node) and then sends the \$HASP890 to the sending node.

The following messages are displayed on the console at node 2:

```

2 JOB00017 $H ASP395 MYJOB  ENDED
          $HASP309  INIT 3 INACTIVE ***** C=ABC
JOB00017 $HASP530 MYJOB  ON L15.ST1    285 RECORDS
          $HASP534 L15.ST1 INACTIVE
JOB00017 $HASP250 MYJOB  IS PURGED

```

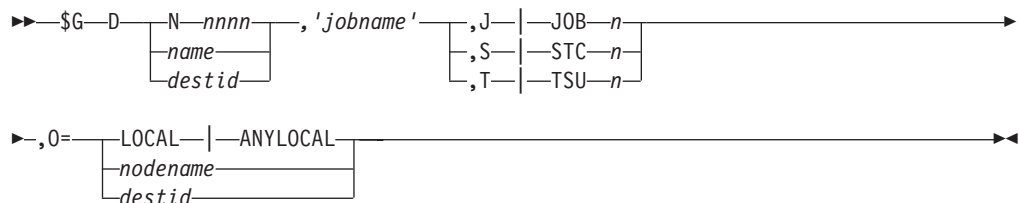
---

## \$G D - Display job information for a job at another node

### Function

To display job information for a job at another node.

### Syntax



### Parameters

#### J|JOBn or S|STCn or T|TSUn

The job ID (batch job (Jn), started task (Sn), or time-sharing user (Tn)) assigned to the job by the originating node. If more than one job exists with the specified job name, and you want to display only one particular job, you must specify this parameter.

#### 'jobname'

The name of the job for which information is displayed. The name must appear as coded on the job statement and must be enclosed in apostrophes. If the job did not originate at the sending node (or have default print and/or punch output for the sending node), the destination node must have the sending node flagged as having network authority.

#### Nnnnn|name|destid

The destination node to which JES2 sends this command. You can specify this

location by an alias for the name of a node. If you omit this operand, JES2 treats this as a global locate command and sends it to all reachable nodes in the network. Each node responds individually to the command.

**Note:** This command is rejected if the destination node is not currently connected to the network.

- 0=** The node on which the job originated. You must specify this parameter if the originating node is not the node at which this \$G D command is entered. If you fail to identify the originating node, JES2 issues the \$HASP693 message which indicates the job was not found. The valid specifications:

**LOCAL|ANYLOCAL**

Indicates that jobs are to be run at the local node.

**Nnnnn|nodename**

Indicates that jobs are to be run at the specified node(s). You can specify a node using a decimal node identifier from 1 to 32767 or an EBCDIC nodename.

**destid** Indicates that jobs are to be run at the specified node(s). You can specify this location by an alias for the name of a node.

**Note:** This parameter requires that the destination node has the sending node flagged as having network authority.

## Authority Required

This command requires **display** authority. The description of the \$T RDRnn command explains how to ensure that the authority of the appropriate MVS system command group is assigned.

This command requires **read** security access authority. For a description of assigning command input authority, see *z/OS JES2 Initialization and Tuning Guide*.

For the authority required at the destination node, see “Displaying and controlling jobs at other nodes” on page 96.

## Processing Considerations

- The information returned from the other node for display contains the same job information displayed in response to a \$D J command.
- The job number displayed is the number assigned to the job by its originating node.
- The \$T NODE,Auth= command sets the command authority of a specified node.

## Scope

**Network-wide.** This command only needs to be issued from a single member; the command has an effect across the entire MAS.

## Messages

The \$HASP000 command indicates that the command has been accepted.

The message id of the message displaying the status of the job is dependent on the operating system on the node to which the command was issued. For example, a

command issued to a JES2 system may display \$HASP890, depending on the level of JES2 on the target system.

### Examples

**1** \$gdn2, 'myjob'

```
$HASP000 OK
JOB00019 N2 M2 $HASP890 MYJOB EXECUTING A PRIO 9 IBM2
```

JES2 sends a global display command record through the network to node 2. Node 2 returns to the sending node a display of job information for all jobs named MYJOB on node 2 that are owned by the sending node (that is, jobs originating at the sending node or jobs for which the sending node has network authority at node 2).

**2** \$gd, 'joba', j17, o=denver

```
$HASP000 OK
N2 M2 $HASP693 $GD JOBA JOB NOT FOUND
```

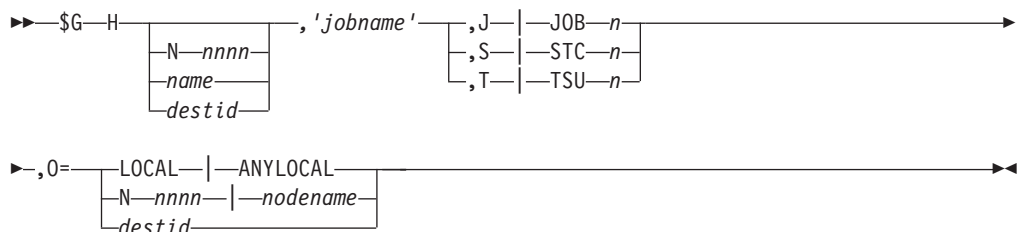
Because a specific destination node was not specified, JES2 sends a global display command to every reachable node in the network. Each node responds with either a JOB NOT FOUND response or a display of job information for the job named JOBA that originated at the node named DENVER and had an original job number of 17. (Note that, unless the node entering the command is named DENVER, it must have network authority at the node where the job is currently located.)

## \$G H - Hold a job at another node

### Function

To hold a Job at another node.

### Syntax



### Parameters

**J|JOBn or S|STCn or T|TSUn**

The job ID (batch job (Jn), started task (Sn), or time-sharing user (Tn)) assigned to the job by its originating node. This operand is necessary only if more than one job exists with the specified job name.

**'jobname'**

The name of the job that is held. The name must appear as coded on the JOB statement and must be enclosed in apostrophes. If the job did not originate at the sending node (or have default print and/or punch output for the sending node), the destination node must have the sending node flagged as having network authority.

**Nnnnn|name|destid**

The destination node to which JES2 sends this command. You can specify this location by an alias for the name of a node. The destination node must have the sending node flagged as having job authority.

- 0=** The node on which the job originated. You must specify this parameter if the originating node is not the node at which this \$G H command is entered. If you fail to identify the originating node, JES2 issues the \$HASP693 message indicating that the job was not found. The valid specifications:

**LOCAL|ANYLOCAL**

Indicates that jobs are to be run at the local node.

**Nnnnn|nodename**

Indicates that jobs are to be run at the specified node(s). You can specify a node using a decimal node identifier from 1 to 32767 or an EBCDIC nodename.

**destid** Indicates that jobs are to be run at the specified node(s). You can specify this location by an alias for the name of a node.

**Note:** This parameter requires that the destination node has the sending node flagged as having network authority.

**Authority Required**

This command requires **system** authority. The description of the \$T RDRnn command explains how to ensure that the authority of the appropriate MVS system command group is assigned.

This command requires **update** security access authority. For a description of assigning command input authority, see *z/OS JES2 Initialization and Tuning Guide*.

For the authority required at the destination node, see “Displaying and controlling jobs at other nodes” on page 96.

**Processing Considerations**

- If you do not know the job ID of the job with this jobname, use the \$G D command to display the job IDs of all jobs with this jobname at a specific node.
- The \$T NODE,Auth= command sets the command authority of a specified node.

**Scope**

**Network-wide.** This command only needs to be issued from a single member; the command has an effect across the entire MAS.

**Messages**

The \$HASP000 command indicates that the command has been accepted.

**Example**

```
1 $g h newyork,'jobc'
```

```
          $HASP000 OK
JOB00019 N2  M2 $HASP890 JOBC  EXECUTING A PRIO  9 HOLD IBM2
```

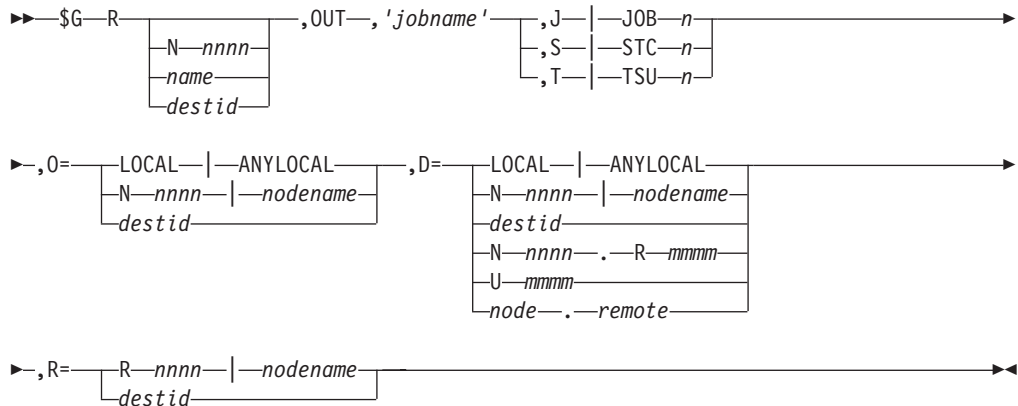
JES2 sends a global hold command record through the network to the node named NEWYORK. That node places the job named JOBC in hold status (if found and owned by the sending node) and then sends a response back to the sending node.

## \$G R, OUT - Request another node to route job output

### Function

To route normal output for a job at another node to an alternate location.

### Syntax



### Parameters

**D=** Specifies a destination for a piece of output. Indicates that output sent to the specified destinations can be selected. The value for all routing numbers can range from 1 to 32767. Use parentheses if more than one route code is specified. For specification requirements, see "Route codes" on page 107.

#### LOCAL|ANYLOCAL

Indicates that jobs are to be run at the local node.

#### Nnnnn|nodename

Indicates that jobs are to be run at the specified node(s). You can specify a node using the decimal node identifier or an EBCDIC nodename.

**destid** Indicates that jobs are to be run at the specified node(s). You can specify this location by an alias for the name of a node. If destid is specified alone, it refers to both the node and the remote.

#### NnnnnRmmmm|node.remote

Indicates routing to the remote Rmmmm at the node Nnnnn. Rmmmm can also be specified as RMmmmm or RMTmmmm.

#### Ummmm

Indicates special local routing.

#### node.destid

Indicates a destination at the specified node. The destid refers to both the node and the remote. The node specified in the destid must be the same as the node portion of the route code. If the number of the remote is reassigned, you can use the destid to send to this node.



**remote**

Indicates routing to a remote. Remote can be specified in any of the following ways:

**LOCAL|ANYLOCAL**

Indicates that jobs are to be run at the local node.

**Rmmmm**

Indicates routing to the specified remote. Rmmmm can also be specified as RMmmmm or RMTmmmm.

**destid** Indicates routing to a destid referring to a remote.

For more information about specifying userids as remotes, refer to "Route codes" on page 107.

If you specify Nnnnn[Rnnnn], Nnnnn is converted to an 8-byte EBCDIC node name and, optionally, Rnnnn is right-padded with blanks to create an 8-byte EBCDIC remote name (it is overridden by the R= parameter, if specified). This destination name is placed in the global route command record for the receiving node.

If you specify an installation-defined name for a destination, the name is right-padded with blanks and then placed in the global route command record for the receiving node. The symbolic destination names are validated and converted to internal route codes at the receiving node, not the node at which the \$G R command is entered.

**J|JOBn or S|STCn or T|TSUn**

The job ID (batch job (Jn), started task (Sn), or time-sharing user (Tn)) assigned to the job by its originating node. This operand is necessary only if more than one job exists with the specified job name.

**'jobname'**

The name of the job for which output is rerouted. The name must appear as coded on the JOB statement and must be enclosed in apostrophes. If the job did not originate at the sending node (or have default print and/or punch output for the sending node), the destination node must have the sending node flagged as having network authority.

**Nnnnn|name|destid**

The destination node to which JES2 sends this command. You can specify this location through an alias for the name of a node. The destination node must have the sending node flagged as having job authority.

**0=** The node on which the job originated. You must specify this parameter if the originating node is not the node at which this \$G R command is entered. If you fail to identify the originating node, JES2 issues the \$HASP693 message which indicates the job was not found. In addition, the originating node must have authorized this node for network commands or the \$HASP693 message will be issued. For more information about authorizing nodes, refer to the \$T NODE command. The valid specifications:

**LOCAL|ANYLOCAL**

Indicates that jobs are to be run at the local node.

**Nnnnn|nodename**

Indicates that jobs are to be run at the specified node(s). You can specify a node using a decimal node identifier from 1 to 32767 or an EBCDIC nodename.

## \$G R, OUT

**destid** Indicates that jobs are to be run at the specified node(s). You can specify this location by an alias for the name of a node.

**Note:** This parameter requires that the destination node has the sending node flagged as having network authority.

### OUT

Job output is rerouted.

### R=Rnnnn|nodename|destid

If you specified a symbolic name for a node on the D= parameter, this parameter allows you to specify a remote destination off that node. Whatever is entered is right-padded with blanks to create an 8-byte EBCDIC remote name, that is placed in the global route command record. Validation and conversion to a remote destination route code is performed at the receiving node.

**Note:** This parameter overrides a remote specification on the D= parameter.

## Authority Required

This command requires **job** authority. The description of the \$T RDRnn command explains how to ensure that the authority of the appropriate MVS system command group is assigned.

This command requires **update** security access authority. For a description of assigning command input authority, see *z/OS JES2 Initialization and Tuning Guide*.

For the authority required at the destination node, see “Displaying and controlling jobs at other nodes” on page 96.

## Processing Considerations

- The receiving node ignores the \$G R command if the specified job is currently being received on a reader, being received or transmitted on an NJE or RJE line, or if its output is TSO held output.
- If you do not know the job ID of the job with this jobname, use the \$G D command to display the job IDs of all jobs with this jobname at a specific node.
- The \$T NODE,Auth= command sets the command authority for a specified node.

## Scope

**Network-wide.** This command only needs to be issued from a single member; the command has an effect across the entire MAS.

## Messages

The \$HASP000 message indicates the command was accepted.

## Examples

```
❶ $g r n4,out,'myjob',d=n3r1
```

```
$HASP000 OK
```

JES2 sends a global route command record through the network to node 4. Node 4 routes all normal output for the job named MYJOB to node 3 remote workstation 1.

**2** \$g r denver,out,'joba', d=newyork, r=broadway

\$HASP000 OK

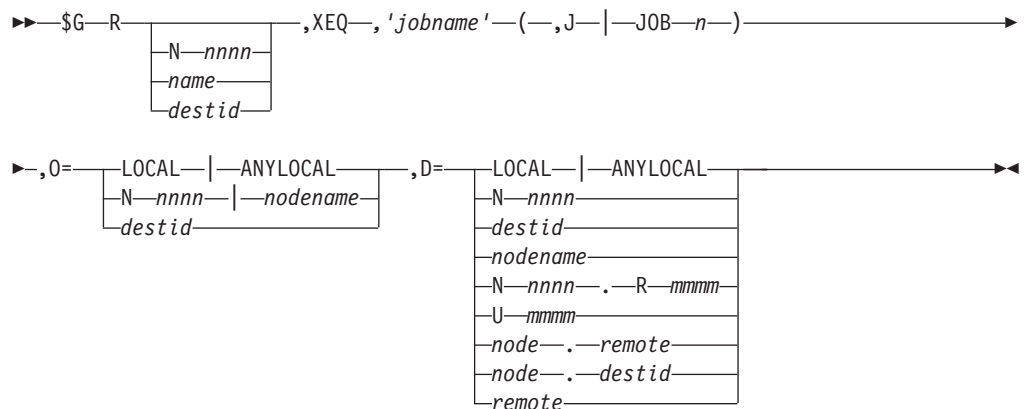
JES2 sends a global route command record through the network to the node named DENVER. That node routes all normal output for the job named JOBA to the remote workstation with the installation-defined name BROADWAY on the node with the installation-defined name NEWYORK.

## \$G R, XEQ - Request another node to route a job for execution

### Function

To route a job, located at another node, to yet another node for execution.

### Syntax



### Parameters

**D=** The node to which the job is routed.

If you specify Nnnnn, Nnnnn is converted to an 8-byte EBCDIC node name that is placed in the global route command record for the receiving node.

If you specify an installation-defined node name, the name is right-padded with blanks and then placed in the global route command record for the receiving node. Symbolic node names are validated and converted to internal route codes at the receiving node, not the node at which the \$G R command is entered. The value for all routing numbers can range from 1 to 32767. The valid specifications:

#### LOCAL | ANYLOCAL

Indicates that jobs are to be run at the local node.

**destid** Indicates that jobs are to be run at the specified node(s). You can specify this location by an alias for the name of a node. If `destid` is specified alone, it refers to both the node and the remote.

**Nnnnn | nodename**

Indicates that jobs are to be run at the specified node(s). You can specify a node using the decimal node identifier or an EBCDIC nodename.

**NnnnnRmmmm | node.remote**

Indicates routing to the remote Rmmmm at the node Nnnnn. Rmmmm can also be specified as RMmmmm or RMTmmmm.

**Ummmm**

Indicates special local routing.

**node.destid**

Indicates a destination at the specified node. The destid refers to both the node and the remote. The node specified in the destid must be the same as the node portion of the route code. If the number of the remote is reassigned, you can use the destid to send to this node.

**remote**

Indicates routing to a remote. Remote can be specified in any of the following ways:

**LOCAL | ANYLOCAL**

Indicates that jobs are to be run at the local node.

**Rmmmm**

Indicates routing to the specified remote. Rmmmm can also be specified as RMmmmm or RMTmmmm. The value specified for mmmmm can range from 1 to 32767.

**destid** Indicates routing to a destid referring to a remote.

For more information about specifying userids as remotes, see "Route codes" on page 107.

**J | JOBn**

The job ID (Job n) assigned to the job by its originating node.

**'jobname'**

The name of the job that is routed for execution. The name must appear as coded on the JOB statement and must be enclosed in apostrophes. If the job did not originate at the sending node (or have default print and/or punch output for the sending node), the destination node must have the sending node flagged as having network authority.

**Nnnnn | name | destid**

The destination node to which JES2 sends this command. You can specify the location by an alias for the name of a node. The destination node must have the sending node flagged as having job authority.

**0=** The node on which the job originated. You must specify this parameter if the originating node is not the node at which the \$G R command is entered. If you fail to identify the originating node, JES2 issues the \$HASP693 message indicating that the job was not found. The valid specifications:

**LOCAL | ANYLOCAL**

Indicates that jobs are to be run at the local node.

**Nnnnn | nodename**

Indicates that jobs are to be run at the specified node(s). You can specify a node using a decimal node identifier from 1 to 32767 EBCDIC nodename.

**destid** Indicates that jobs are to be run at the specified node(s). You can specify this location by an alias for the name of a node.

**Note:** This parameter requires that the destination node has the sending node flagged as having network authority.

**XEQ**

The job is routed for execution.

**Authority Required**

This command requires **job** authority. The description of the \$T RDRnn command explains how to ensure that the authority of the appropriate MVS system command group is assigned.

This command requires **update** security access authority. For a description of assigning command input authority, see *z/OS JES2 Initialization and Tuning Guide*.

For the authority required at the destination node, see “Displaying and controlling jobs at other nodes” on page 96.

**Processing Considerations**

- The receiving node rejects the \$G R command if the specified job is currently being received on a reader, is currently being received or transmitted on an NJE or RJE line, has already executed, or is currently in execution.
- If you do not know the job ID of the job with this jobname, use the \$G D command to display the job IDs of all jobs with this jobname at a specific node.
- The \$T NODE,Auth= command sets the command authority for a specified node.

**Scope**

**Network-wide.** This command only needs to be issued from a single member; the command has an effect across the entire MAS.

**Messages**

The \$HASP000 message indicates the command was accepted.

**Example**

```
1 $g r n3,xeq,'jobc',d=n4
```

```
$HASP000 OK
```

JES2 sends a global route command record through the network to node 3. Node 3 routes the job named JOBC to node 4 for execution.

**\$H A - Hold all jobs****Function**

To perform the following functions:

- Hold all jobs that have affinity for the member through which the command is entered.
- Hold all jobs whose affinities include the specified member.

## \$H A

- Hold all jobs within the entire multi-access spool configuration.

### Syntax



### Parameters

- A** All jobs currently in the member are held.

If this is a multi-access spool configuration, and neither member name nor ALL is specified, all jobs that have affinity for the member through which the command is entered are held. Even if the member name is specified in the command, all jobs that do not explicitly specify a member affinity is held across the MAS.

**ALL**

All jobs, regardless of their affinities, are held.

**memname**

The 1 to 4 character alphanumeric identifier of a member in the multi-access spool configuration. All jobs that have affinity for the specified member are held.

### Authority Required

This command requires **job** authority. The description of the \$T RDRnn command explains how to ensure that the authority of the appropriate MVS system command group is assigned.

This command requires **update** security access authority. For a description of assigning command input authority, see *z/OS JES2 Initialization and Tuning Guide*.

### Processing Considerations

- Any new jobs read into the member after you issue this command will not be held.
- Use the \$A command to release the held jobs.

### Scope

**MAS-wide.** This command has an effect across the entire MAS.

### Messages

The \$HASP000 message indicates the command was accepted.

### Examples

```
❶ $h a
```

```
$HASP000 OK
```

JES2 holds all jobs that are currently in the member. If the member is in a multi-access spool configuration, JES2 holds all jobs that have affinity for the member through which the command is entered.

**2** \$h a,sysa

\$HASP000 OK

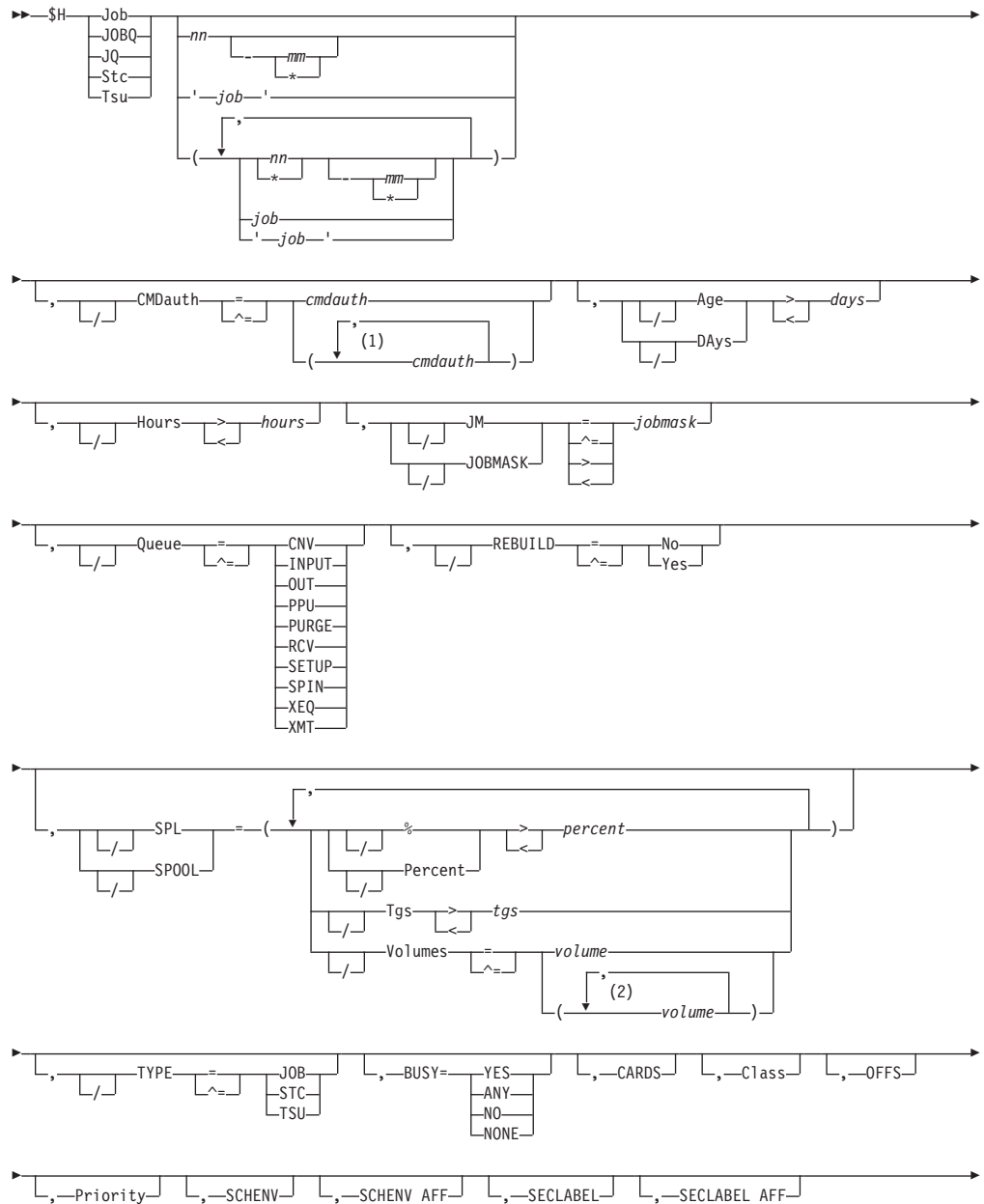
JES2 holds all jobs that have affinity for member SYSA.

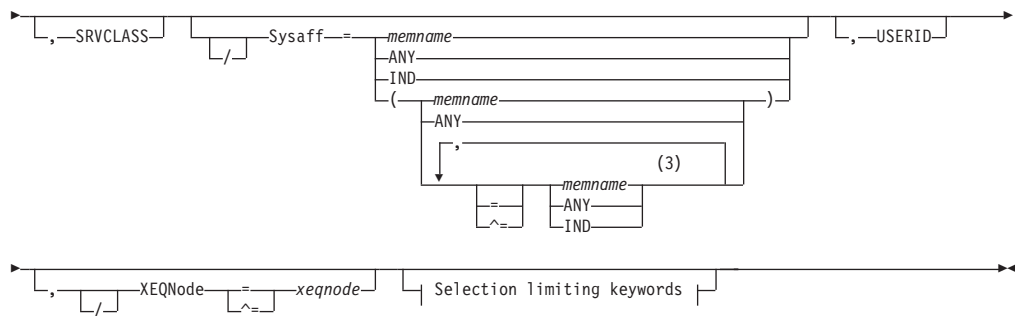
## \$H Job - Hold specific jobs

### Function

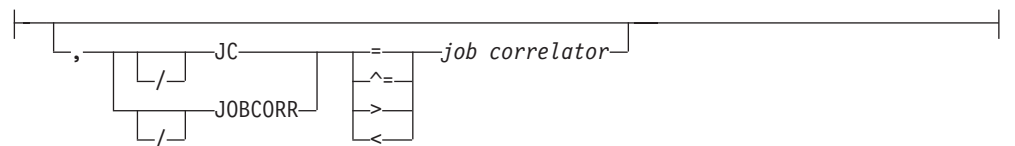
To place specific jobs in hold status.

### Syntax





**Selection limiting keywords:**



**Notes:**

- 1 *cmdauth* can be coded up to 2 times
- 2 *volume* can be coded up to 253 times
- 3 Multiple *Sysaff* values can be coded up to 33 times

**Parameters**

**Age|DAys<days | Age|DAys>days**

Specifies the age of affected jobs in days. Only jobs more (with DAYS>nn) or less (with DAYS<nn) than the specified number of days in age are affected, The days are counted from the current hour.

**BUSY=**

Specifies one of the following:

- The system name or number on which the job is busy. Note that you can specify a value of 0 to indicate the job is not busy. You can also specify values above 32 to match systems with invalid values in the BUSY value (for example, \$HJOBQ,BUSY>32)
- YES or ANY, indicating that all busy jobs are to match
- NO or NONE, indicating that all non-busy jobs are to match

**CARDS=cards**

Specifies the number of input cards associated with the job.

**Class=class**

Specifies a job class used to select a subset of jobs that have a matching job class. Wildcard characters can also be specified: see "Using wildcards" on page 108 for details.

**CMDauth=(auth1{,auth2})**

Only the jobs that can be affected from the specified remote(s) or node(s) will be held. The valid specifications are:

**LOCAL|ANYLOCAL**

Only the local devices at the local node can affect the output.

**Nnnnn|nodename**

Only local devices at the specified node can affect the output.



**Rnnnn**

Only the specified remote device can affect the output.

**NnnnnRnnnn|nodename.Rnnnn**

Only the specified remote device at the specified remote node can affect the output.

**destid**

A destid corresponding to any of the above remote devices.

**Note:** Specification of the CMDAUTH filter does not override the authority of the console from which the command is issued; both the authority of the console and the specified CMDAUTH filter must match for the job to be affected.

**Hours=hours**

Specifies the age of affected jobs in hours. Only jobs more (with HOURS>nn) or less (with HOURS<nn) than the specified number of hours in age are affected.

**JC|JOB CORR=job correlator**

Specifies a combination of 1-64 alphanumeric, special (colon, period or underscore) and wildcard characters that can be used to select a subset of jobs that have a matching job correlator. For a description of wildcard characters, refer to "Using wildcards" on page 108.

**JM|JOB MASK=jobmask**

Specifies 1 to 8 alphanumeric, special (\$, #, or @) or wildcard characters (or a combination of them) that can be used to select a subset of jobs whose job name matches this combination of characters (mask). For a description of wild cards, see "Using wildcards" on page 108.

**Note:**

1. This is a positional parameter. Specify this following the job\_id (JOB, STC, or TSU), or JOBQ parameter.
2. The JOB MASK parameter is not valid with the 'jobname' parameter.

**job**

Specifies 1 to 8 alphanumeric, special (\$, #, or @) or wildcard characters (or a combination of them) that can be used to select a subset of jobs whose job name matches this combination of characters (mask).

**'job'**

The name of the job that is held. This name must appear as coded on the JOB statement and must be enclosed in apostrophes. If more than one job exists with this name, no action is taken.

**Job**

A Batch job or range of batch jobs is to be held.

**JOBQ|JQ**

Specifies all jobs, STCs, and TSUs across the MAS for processing.

**OFFS=offs**

Specifies offload device numbers on which the job has been archived.

**Priority=priority**

Specifies the priority of the job.

**Queue={CNV|INPUT|OUT|PPU|PURGE|RCV| SETUP|SPIN|XEQ|XMT}**

Only jobs on the specified job queue are to be held.

## \$H Job

### **CNV**

Only jobs awaiting conversion are to be held.

### **INPUT**

Only jobs on the JES2 \$INPUT queue are to be held.

### **OUT**

Only jobs awaiting output processing are to be held.

### **PPU**

Only jobs awaiting print/punch processing are to be held.

### **PURGE**

Only jobs awaiting purge processing are to be held.

### **RCV**

Only jobs on the JES2 \$RECEIVE queue are to be held.

### **SETUP**

Only jobs on the JES2 \$SETUP queue are to be held.

### **SPIN**

Only jobs awaiting spin processing are to be held.

### **XEQ**

Only jobs awaiting execution are to be held.

### **XMT**

Only jobs queued for network transmission are to be held.

### **REBUILD={No|Yes}**

Jobs on the rebuild queue are to be held (Yes) or not held (No).

### **SCHENV=schenv**

Specifies the scheduling environment associated with the job.

### **SCHENV\_AFF=member**

Specifies the JES2 MAS members on which the scheduling environment for this job is available.

### **SECLABEL\_AFF=member**

Specifies the JES2 MAS members on which the SECLABEL for this job is available but only if the RACF SECLABEL\_BY\_SYS is also active.

### **SECLABEL=seclabel**

Specifies the security label associated with the job.

### **SPL|SPOOL={Percent|%|Tgs|Volumes}**

Only jobs with specific SPOOL characteristics are to be held:

#### **Percent|%**

Only jobs using more (with %>nn) or less (with %<nn) than the specified percentage of the total available spool space are to be held.

#### **Tgs**

Only jobs using more (with Tgs>nn) or less (with Tgs<nn) than the specified number of track groups are to be held.

#### **Volumes=(v1,v2,...)**

Only jobs which have allocated spool space on the specified spool volume(s) are to be held.

### **SRVCLASS=svcclass**

Specifies the service class of the job. The service class is available for batch jobs only. It is not available for started tasks or time-sharing users. The default

workload manager (WLM) policy assigns a service class of blanks to all jobs, and WLM-managed initiators can then select such jobs for processing.

**Stc**

A started task or range of started tasks is to be held.

**Sysaff**

Specifies jobs to process based on this system affinity. Up to 33 entries can be coded by using a combination of the following values:

**memname**

Specifies the identifier (1 to 4 alphanumeric characters) of a member in the JES2 multi-access spool configuration that a job has in its system affinity list.

**ANY** Specifies jobs that are eligible to run on any member in the JES2 multi-access spool configuration. If you specify ANY followed by the IND parameter, they must be separated by a comma and the list must be enclosed in parentheses, for example, (ANY,IND).

**IND** Specifies the job that is selected and must be executed on a processor operating in independent mode.

**Tsu**

A time-sharing user or range of time-sharing users is to be held.

**TYPE={JOB|STC|TSU}**

Indicates whether only batch jobs (JOB), started tasks (STC), or time-sharing users (TSU) are to be held.

**USERID=userid**

Specifies the userid associated with the job.

**XEQNode=xeqnode**

Only jobs which are destined to execute at the specified node, or which have already executed at the specified node, are to be held. The node name may be specified using the decimal node number (Nnnnnn) or an EBCDIC node name.

**Related Commands**

To hold entire job classes, or all jobs, see the \$A Job, \$H A, or \$T JOBCLASS commands.

**Authority Required**

This command requires **job** authority. The description of the \$T RDRnn command explains how to ensure that the authority of the appropriate MVS system command group is assigned.

This command requires **update** security access authority. For a description of assigning command input authority, see *z/OS JES2 Initialization and Tuning Guide*.

**Processing Considerations**

When a job is restarted using the automatic restart management, the hold status of the job is carried over to the restarted job.

**Scope**

**MAS-wide.** This command has an effect across the entire MAS.

## Messages

The \$HASP890 message displays the current status of the indicated job.

### Examples

**1** \$h j34-36

```
JOB00034 $HASP890 JOB(TESTA)
$HASP890 JOB(TESTA) STATUS=(AWAITING XMITTER N2),CLASS=A,
$HASP890 PRIORITY=9,SYSAFF=(ANY),HOLD=(JOB)
JOB00035 $HASP890 JOB(HOLDJOB)
$HASP890 JOB(HOLDJOB) STATUS=(AWAITING EXECUTION),CLASS=H,
$HASP890 PRIORITY=9,SYSAFF=(ANY),HOLD=(JOB)
JOB00036 $HASP890 JOB(SPINTWO)
$HASP890 JOB(SPINTWO) STATUS=(AWAITING EXECUTION),CLASS=A,
$HASP890 PRIORITY=9,SYSAFF=(ANY),HOLD=(JOB)
```

JES2 places batch jobs 34, 35, and 36 in hold status.

**2** \$h j100-105,jm=?ebg\*

```
JOB00100 $HASP890 JOB(IEBGENER)
$HASP890 JOB(IEBGENER) STATUS=(AWAITING HARDCOPY),CLASS=A,
$HASP890 PRIORITY=1,SYSAFF=(ANY),HOLD=(JOB)
JOB00102 $HASP890 JOB(IEBGENEZ)
$HASP890 JOB(IEBGENEZ) STATUS=(AWAITING EXECUTION),CLASS=B,
$HASP890 PRIORITY=9,SYSAFF=(ANY),HOLD=(JOB)
JOB00103 $HASP890 JOB(IEBGENEY)
$HASP890 JOB(IEBGENEY) STATUS=(AWAITING EXECUTION),CLASS=B,
$HASP890 PRIORITY=9,SYSAFF=(ANY),HOLD=(JOB)
```

JES2 places batch jobs in hold status that fall in the range of 100 through 105, and whose job name includes EBG as the second, third and fourth characters.

**3** \$h jq,jm=ib\*,q=xeq

```
JOB00102 $HASP890 JOB(IBMUSERX)
$HASP890 JOB(IBMUSERX) STATUS=(AWAITING EXECUTION),CLASS=B,
$HASP890 PRIORITY=9,SYSAFF=(ANY),HOLD=(JOB)
JOB00103 $HASP890 JOB(IBMUSERY)
$HASP890 JOB(IBMUSERY) STATUS=(AWAITING EXECUTION),CLASS=B,
$HASP890 PRIORITY=9,SYSAFF=(ANY),HOLD=(JOB)
```

JES2 places all batch jobs, STCs, and TSUs whose job name begins with the characters IB that are on the execution queue in hold status.

**4** \$hj(\*),jc=::\*overnightjob\*

```
JOB00131 $HASP890 JOB(LATERUN1) C
$HASP890 JOB(LATERUN1) STATUS=(AWAITING EXECUTION),CLASS=A,
$HASP890 PRIORITY=9,SYSAFF=(ANY),HOLD=(JOB)
JOB00132 $HASP890 JOB(BACKUP) C
$HASP890 JOB(BACKUP) STATUS=(AWAITING EXECUTION),CLASS=A,
$HASP890 PRIORITY=9,SYSAFF=(ANY),HOLD=(JOB)
JOB00133 $HASP890 JOB(ENDOFDAY) C
$HASP890 JOB(ENDOFDAY) STATUS=(AWAITING EXECUTION),CLASS=A,
$HASP890 PRIORITY=9,SYSAFF=(ANY),HOLD=(JOB)
JOB00134 $HASP890 JOB(D15USER4) C
$HASP890 JOB(D15USER4) STATUS=(AWAITING EXECUTION),CLASS=A,
$HASP890 PRIORITY=9,SYSAFF=(ANY),HOLD=(JOB)
```

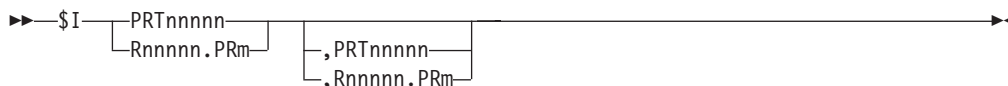
JES2 places in hold status any batch job with a job correlator user portion containing OVERNIGHTJOB.

## \$I PRT(nnnnn) and \$I R(nnnnn).PR(m) - Interrupt printer activity

### Function

To terminate the printing of the current output group and return the output to the output queue.

### Syntax



### Parameters

*nnnnn*

For **PRT**, the identifier of the local printer (1-32767) to interrupt. For **R**, the identifier of the remote workstation (1-32767) that is attached to printer *m* (1-7).

*m* The identifier of the printer (1-7) that is attached to the remote workstation *Rnnnnn* (1-32767).

### Authority Required

This command requires **device** authority. The description of the \$T RDRnn command explains how to ensure that the authority of the appropriate MVS system command group is assigned.

This command requires **update** security access authority. For a description of assigning command input authority, see *z/OS JES2 Initialization and Tuning Guide*.

### Processing Considerations

- For the 3800 printer, JES2 interrupts the output group that is visible at the transfer station.
- If a checkpoint interval was designated on a device initialization statement, this command causes the printer to backspace to the last checkpoint taken (based on that interval) and requeue the printer data at that point. Otherwise, the printer backsquares 1 or more pages and requeues the data at that point.

For printers controlled by JES2, a page is defined as:

1. The last page eject (skip to channel 1) supplied by JES2 (LINECT value) when the programmer did not supply any page ejects (skip to channel commands). The LINECT value (system default page value) is specified on the PRINTDEF initialization statement.
2. The entire output group, if the programmer supplied LINECT=0 on the /\*JOBPARM statement, the /\*OUTPUT JES2 statement, in the accounting field on the JOB statement, or on the OUTPUT JCL statement. For a description of the /\*OUTPUT JES2 statement and OUTPUT JCL statement, see *z/OS MVS JCL Reference*.
3. The last page eject (skip to any channel) supplied by the programmer, if that eject is not further back than the value of the LINECT parameter specified on the JOB or JOBPARM statement or on the OUTPUT JES2 statement or OUTPUT JCL statement or on the PRINTDEF initialization statement.

For printers controlled by the print services facility (PSF), a page is defined as the data bracketed by *begin page* (BPG) and *end page* (EPG) PSF control records.

## \$I PRT(nnnnn) and \$I R(nnnnn).PR(m)

These records delimit one “impression”, or one side, of a sheet of paper. BPG and EPG records are present on the JES2 spool for data sets created by DCF, GDDM<sup>®</sup>, and other applications that produce output data in composed-text form. For line-mode data sets sent to a page-mode printer, PSF adds the BPG and EPG records when it processes the spool data. PSF communicates the page count information back to JES2.

**Note:** A skip to any channel, when supplied by the programmer, is a JES2 logical page. The backspace operation will use the logical page defined by LINECT, or the programmer supplied skip, depending on which was last used to define the current page.

### Scope

**Single member.** This command will be in effect for this member only. There is no need to have this command issued to all members of the MAS.

### Messages

The \$HASP170 message displays the status of output processing on the specified printer.

### Example

```
❶ $i prt2,prt4
```

```
$HASP170 PRT2 INTERRUPTED  
$HASP170 PRT4 INTERRUPTED
```

Printers 2 and 4 stop printing their current output, and JES2 returns the output to the output queue. These printers select the next available output groups for processing.

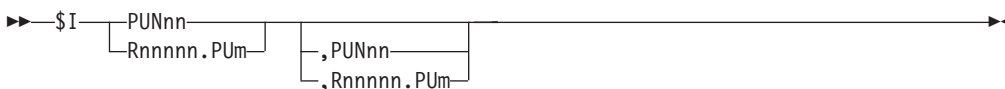
---

## \$I PUN(nn) and \$I R(nnnnn).PU(m) - Interrupt punch activity

### Function

To terminate the punching of the current output group and return the output to the output queue.

### Syntax



### Parameters

*nn* The identifier of the local punch (1-99) to interrupt.

*nnnnn*

The identifier of the remote workstation **R** (1-32767) that is attached to punch *m* (1-7).

*m* The identifier of the punch (1-7) that is attached to the remote workstation **Rnnnnn** (1-32767).

## Authority Required

This command requires **device** authority. The description of the \$T RDRnn command explains how to ensure that the authority of the appropriate MVS system command group is assigned.

This command requires **update** security access authority. For a description of assigning command input authority, see *z/OS JES2 Initialization and Tuning Guide*.

## Processing Considerations

- When the output is interrupted, JES2 does not recalculate its selection priority. The original priority value is used.
- When the output group is again selected for processing, the punch resumes at the last JES2 checkpoint.

## Scope

**Single member.** This command will be in effect for this member only. There is no need to have this command issued to all members of the MAS.

## Messages

The \$HASP170 message displays the status of output processing on the specified punch.

## Example

```
1 $i pun3,r1.pu5
```

```
$HASP170 PUN3 INTERRUPTED
```

Local punch 3 and remote workstation 1 punch 5 stop punching their current output, and JES2 returns the output to the output queue. These punches select the next available output groups for processing.

## \$JDDetails - Display details summary of jobs

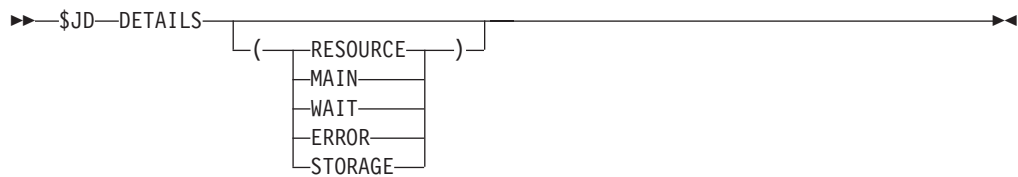
### Function

To display resource, sampling, and wait statistics for the JES2 address space being monitored. This command should be used to determine if a resource problem is impacting JES2. The first part of the display contains statistics on the major JES2 resources. The second part displays JES2 CPU sampling statistics. High sample counts with a status other than ACTIVE or IDLE might indicate a problem. The final section is the MVS wait table. The main task should not enter long MVS WAITs after initialization. Typically, waits indicate some resource that was not immediately available to JES2.

The resource usage and CPU statistics are reset at the beginning of every hour. To view statistics for previous intervals use the \$JD HISTORY command. Because the sampling is done without serialization, it is possible, in rare stations, that PCE and exit information in the wait table are inconsistent. It is also possible that the high and low utilization numbers might not reflect the highest and lowest actual utilization if the utilization spikes for a period of time shorter than the 1-second sampling interval .

The \$JDDetails command allows subscripts.

## Syntax



## Authority Required

This command requires **display** authority. The description of the \$T RDRnn command explains how to ensure that the authority of the appropriate MVS system command group is assigned.

This command requires read security access authority. For a description of assigning command input authority, see *z/OS JES2 Initialization and Tuning Guide*.

## Processing Considerations

The following restrictions apply to all monitor commands. They:

- Can only be issued through the MVS command interface (consoles or MGCRC) or JES2 automatic commands
- Cannot be issued from the JES2 initialization data set, NJE/RJE, \$M commands, or through a reader (INTRDR)
- Can be the object of a \$VS command
- Are not limited by CONDEF CMDNUM=
- Are not limited by CONDEF DISPMAX=
- Support L= for directing the output but do not honor CONDEF RDIRAREA= or REDIRECT= parameters
- Cannot use the JES2 command separator, semicolon (;), to separate monitor commands unless it is also the MVS command separator.

The \$JDDETAILS command supports subscripts to limit the information that is being returned. If no subscript is provided, JES2 will display all the information. The valid subscripts are:

### RESOURCE

Displays \$HASP9104 with information on the current JES2 resource usage.

### MAIN

Displays \$HASP9105 with information on the current breakdown of CPU samples.

### WAIT

Displays \$HASP9106 which contains the table of MVS WAITs in the JES2 main task.

### ERROR

Displays \$HASP9107 with counts of errors JES2 has recently encountered.

### STORAGE

Displays \$HASP9108 with storage utilization statistics.



## Scope

**Single Member.** The response to this command will be a display of information about this member only.

## Messages

### Examples

1

```

$JDDetails
$HASP9103 D DETAIL
$HASP9104 JES2 RESOURCE USAGE SINCE 2002.149 23:00:00
RESOURCE      LIMIT      USAGE      LOW      HIGH      AVERAGE
-----
BERT           1100         89         89         89         89
BSCB            42           0           0           0           0
BUFX           249           0           0           0           0
CKVR            2             0           0           0           0
CMBS           208           0           0           0           0
CMDS           200           0           0           0           0
ICES           101           0           0           0           0
JNUM           9999           6           6           6           6
JOES           200           2           2           2           2
JQES           500           6           6           6           6
LBUF           151           0           0           0           0
NHBS           23            0           0           0           0
SMFB           53            0           0           0           0
TGS            525           13          13          13          13
TTAB            3             0           0           0           0
VTMB            24            0           0           0           0
$HASP9105 JES2 SAMPLING STATISTICS SINCE 2002.149 23:00:00
TYPE          COUNT      PERCENT
-----
ACTIVE          134        0.22
IDLE          58257      99.77
LOCAL LOCK           0         0.00
NON-DISPATCHABLE  0         0.00
PAGING           0         0.00
OTHER WAITS       0         0.00
TOTAL SAMPLES  58391
$HASP9106 JES2 MAIN TASK MVS WAIT TABLE
DATE      TIME      ADDRESS  MODULE  OFFSET  WT-COUNT  SM-COUNT  PCE  XIT
-----
2002.149  22:34:06  011340B4  IGC018  +000B74      4        13  23  JCO
2002.149  22:33:57  043B2BAE  IGC0013I+001BAE      1         1  23  JCO
2002.149  22:33:57  0003D5F2  HASPCKPT+0065F2      1         2  23  JCO
2002.149  22:34:01  06C02108  HASPIRA +001108      2       142  23  JCO
2002.149  22:34:06  00FE2FF6  IEAVEWAT+0007DE      3         6  MLT  JCO
2002.149  22:34:04  06C057C2  HASPIRDA+0027C2      1        24  23  JCO
2002.149  22:34:06  01182426  IEWFETCH+00152E      3         4  23  JCO
2002.149  22:34:06  0003FC00  HASPCKPT+008C00      1         6  23  JCO
2002.149  22:34:06  00066F7A  HASPDYN +000F7A      1         1  23  JCO

```

The WT-COUNT in the above \$HASP9106 response is the number of distinct times this MVS wait was encountered. The SM-COUNT is the number of times the sampling task sampled this wait. For the first wait, it has a wait count of 4 and a sample count of 13. It waited an average of 3 sample intervals at this wait. The sample interval is about 1/20 of a second; therefore, this MVS wait lasted on average 3/20 of a second each of the 4 times it was encountered.

In the MVS wait table, the PCE column can contain one of the following:

- nnn – PCEID value for the PCE in control at the time of the MVS wait.

## \$JDDetails

- MLT – Multiple PCEs have MVS waited at this point.

In the MVS wait table, the XIT column can contain one of the following:

- nnn – JES2 exit number at the time of the MVS wait.
- JCO – MVS wait occurred in JES2 code only (never in an exit).
- JNX – JES2 code and exit code both encountered this MVS wait.
- MLT – The MVS wait occurred under multiple exits but never in non-exit JES2 code.

---

## \$JDHISTORY - Display history of JES2 resource usage

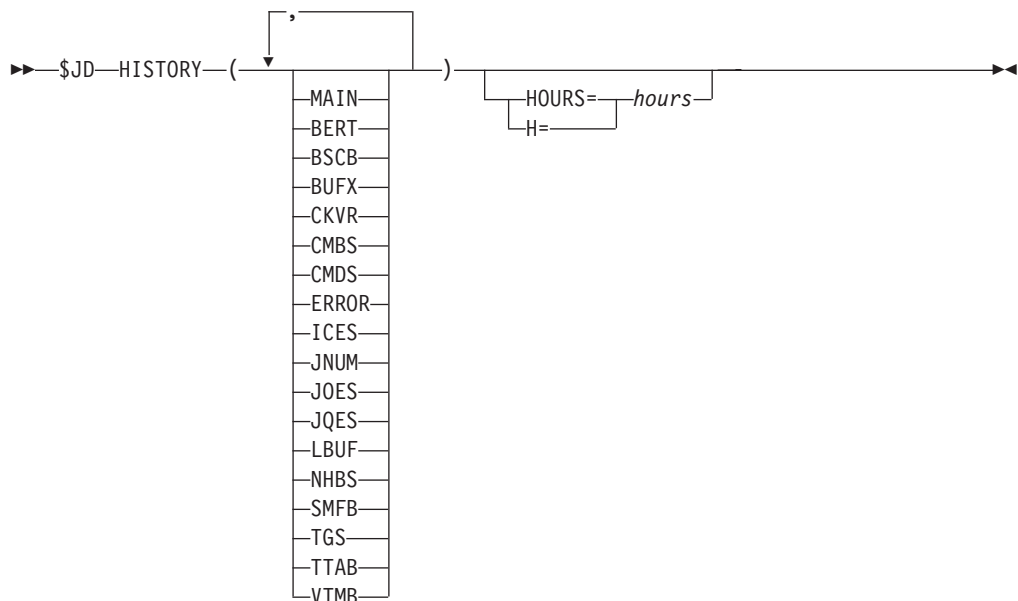
### Function

To display the history of resource usage and CPU statistics over time. At the beginning of every hour, JES2 saves the current statistics and resets the count. Use this command to review the saved statistics. The monitor obtains and displays up to 72 hours of samples, based on how long the monitor address space has been running. This command allows subscripts for resources.

The monitor displays information by sampling fields in the JES2 address space. Because JES2 samples without serialization, it is possible that the high and low utilization numbers might not reflect the highest and lowest actual utilization if the utilization spikes for period of time shorter than the 1-second sampling period.

**Note:** If the monitor address space has been active over 72 hours, a single display from the \$JDHISTORY command will result in over to 1270 lines of data.

### Syntax



## Authority Required

The \$JDHISTORY command supports subscripts to limit the information returned. If no subscript is provided, then all information is displayed. The valid subscripts are:

### **MAIN**

Main task sampling percent history.

### **BERT**

JES2 BERT usage history.

### **BSCB**

JES2 BSC buffer usage history.

### **BUFX**

JES2 Extended buffer usage history.

### **CKVR**

JES2 CKPT versions usage history.

### **CMBS**

JES2 CMB usage history.

### **CMDS**

JES2 CMD usage history.

### **ERROR**

JES2 error history.

### **ICES**

JES2 ICE usage history.

### **JNUM**

JES2 Job number usage history.

### **JOES**

JES2 JOE usage history.

### **JQES**

JES2 JQE usage history.

### **LBUF**

JES2 logical buffer usage history.

### **NHBS**

JES2 NJE header buffer usage history.

### **SMFB**

JES2 SMF buffer usage history.

### **TGS**

JES2 track group usage history.

### **TTAB**

JES2 trace table usage history.

### **VTMB**

JES2 VTAM buffer usage history.

## Parameters

### **HOURS=|H=**

Indicates how many history entries are to be displayed. If not specified, the default is 72 hours, or however many hours the monitor has been active.

## \$JDHISTORY

HOURS= can increase or decrease the number of intervals displayed. The monitor maintains history for the life of the monitor address space.

### Authority Required

This command requires display authority. The description of the \$T RDRnn command explains how to ensure that the authority of the appropriate MVS system command group is assigned.

This command requires read security access authority. For a description of assigning command input authority, see *z/OS JES2 Initialization and Tuning Guide*.

### Processing Considerations

The following restrictions apply to all monitor commands. They:

- Can only be issued through the MVS command interface (consoles or MGCRC) or JES2 automatic commands
- Cannot be issued from the JES2 initialization data set, NJE/RJE, \$M commands, or through a reader (INTRDR)
- Can be the object of a \$VS command
- Are not limited by CONDEF CMDNUM=
- Are not limited by CONDEF DISPMAX=
- Support L= for directing the output but do not honor CONDEF RDIRAREA= or REDIRECT= parameters
- Cannot use the JES2 command separator, semicolon (;), to separate monitor commands unless it is also the MVS command separator.

### Scope

**Single member.** This response to this command displays information about this member only.

### Messages

### Examples

**1**

```
$JD HISTORY
```

```
$HASP9130 D HISTORY
```

\$HASP9131 JES2 BERT USAGE HISTORY							
DATE	TIME	LIMIT	USAGE	LOW	HIGH	AVERAGE	
2002.149	23:00:00	1100	89	89	89	89	
2002.149	22:33:57	1100	89	83	90	89	

\$HASP9131 JES2 BSCB USAGE HISTORY							
DATE	TIME	LIMIT	USAGE	LOW	HIGH	AVERAGE	
2002.149	23:00:00	42	0	0	0	0	
2002.149	22:33:57	42	0	0	0	0	

\$HASP9131 JES2 BUFV USAGE HISTORY							
DATE	TIME	LIMIT	USAGE	LOW	HIGH	AVERAGE	
2002.149	23:00:00	249	0	0	0	0	
2002.149	22:33:57	249	0	0	7	0	

\$HASP9131 JES2 CKVR USAGE HISTORY							
DATE	TIME	LIMIT	USAGE	LOW	HIGH	AVERAGE	
2002.149	23:00:00	2	0	0	0	0	
2002.149	22:33:57	2	0	0	0	0	

\$HASP9131 JES2 CMBS USAGE HISTORY								
DATE	TIME	LIMIT	USAGE	LOW	HIGH	AVERAGE		
2002.149	23:00:00	208	0	0	0	0		
2002.149	22:33:57	208	0	0	0	0		
\$HASP9131 JES2 CMDS USAGE HISTORY								
DATE	TIME	LIMIT	USAGE	LOW	HIGH	AVERAGE		
2002.149	23:00:00	200	0	0	0	0		
2002.149	22:33:57	200	0	0	0	0		
\$HASP9131 JES2 ICES USAGE HISTORY								
DATE	TIME	LIMIT	USAGE	LOW	HIGH	AVERAGE		
2002.149	23:00:00	101	0	0	0	0		
2002.149	22:33:57	101	0	0	0	0		
\$HASP9131 JES2 JNUM USAGE HISTORY								
DATE	TIME	LIMIT	USAGE	LOW	HIGH	AVERAGE		
2002.149	23:00:00	9999	6	6	6	6		
2002.149	22:33:57	9999	6	0	6	6		
\$HASP9131 JES2 JOES USAGE HISTORY								
DATE	TIME	LIMIT	USAGE	LOW	HIGH	AVERAGE		
2002.149	23:00:00	200	2	2	2	2		
2002.149	22:33:57	200	2	0	2	2		
\$HASP9131 JES2 JQES USAGE HISTORY								
DATE	TIME	LIMIT	USAGE	LOW	HIGH	AVERAGE		
2002.149	23:00:00	500	6	6	6	6		
2002.149	22:33:57	500	6	0	6	6		
\$HASP9131 JES2 LBUF USAGE HISTORY								
DATE	TIME	LIMIT	USAGE	LOW	HIGH	AVERAGE		
2002.149	23:00:00	151	0	0	0	0		
2002.149	22:33:57	151	0	0	0	0		
\$HASP9131 JES2 NHBS USAGE HISTORY								
DATE	TIME	LIMIT	USAGE	LOW	HIGH	AVERAGE		
2002.149	23:00:00	23	0	0	0	0		
2002.149	22:33:57	23	0	0	0	0		
\$HASP9131 JES2 SMFB USAGE HISTORY								
DATE	TIME	LIMIT	USAGE	LOW	HIGH	AVERAGE		
2002.149	23:00:00	53	0	0	0	0		
2002.149	22:33:57	53	0	0	0	0		
\$HASP9131 JES2 TGS USAGE HISTORY								
DATE	TIME	LIMIT	USAGE	LOW	HIGH	AVERAGE		
2002.149	23:00:00	525	13	13	13	13		
2002.149	22:33:57	525	13	9	13	13		
\$HASP9131 JES2 TTAB USAGE HISTORY								
DATE	TIME	LIMIT	USAGE	LOW	HIGH	AVERAGE		
2002.149	23:00:00	3	0	0	0	0		
2002.149	22:33:57	3	0	0	0	0		
\$HASP9131 JES2 VTMB USAGE HISTORY								
DATE	TIME	LIMIT	USAGE	LOW	HIGH	AVERAGE		
2002.149	23:00:00	24	0	0	0	0		
2002.149	22:33:57	24	0	0	0	0		
\$HASP9132 MAIN TASK SAMPLING PERCENT HISTORY								
DATE	TIME	COUNT	ACTIVE	IDLE	WAIT	L-LOCK	N-DISP	PAGING
2002.149	23:00:00	58811	0.23	99.76	0.00	0.00	0.00	0.00
2002.149	22:33:57	30791	0.29	99.07	0.61	0.00	0.00	0.00

In the \$HASP9132 message above, status is one of:

## \$JDHISTORY

- ACTIVE– Subtask is active and processing normally.
- INITIALIZING– Subtask is still completing its initialization processing (or is reinitializing after a failure.)
- TERMINATING– Subtask is in the process of shutting down.
- TERMINATED– Subtask has shut down.

Alerts are based on the individual subtask and the functions they perform. Alerts include:

- AWAITING JES2– The JES2 address space is not active; therefore, the subtask is not performing its normal function.
- RECOVERING– The subtask has ABENDED and is in the process of recovering.

The module information display includes the name of the module, where it is located in the monitor address space, the length of the module (in hex), the date and time the module was assembled, and information on what maintenance was applied to the module.

---

## \$JDJES - Display non-severe incident report

### Function

To display the current state of the JES2 address space being monitored. \$JDJES displays information about conditions that the monitor is tracking that are not considered problems as well as the data displayed in response to \$JDSTATUS.

As conditions are detected by the monitor, they are ignored until they reach a tracking threshold. At that point JES2 creates a tracking element, which you display using the \$JDJES command. If the condition persists long enough, the monitor considers it to be a problem and issues an alert (highlighted WTO). Alerts are displayed in response to \$JDJES and \$JDSTATUS commands. Tracking and alert messages displayed in these commands are refreshed with the current conditions and might be different from any highlighted message previously issued.

Some conditions are not time related. The existence of the condition might indicate a problem. These conditions are displayed as notices in response to the \$JDJES and \$JDSTATUS commands.

### Syntax

▶▶—\$JD—JES—▶▶

### Authority Required

This command requires display authority. The description of the \$T RDRnn command explains how to ensure that the authority of the appropriate MVS system command group is assigned.

This command requires read security access authority. For a description of assigning command input authority, see *z/OS JES2 Initialization and Tuning Guide*.

### Processing Considerations

The following restrictions apply to all monitor commands. They:

- Can only be issued through the MVS command interface (consoles or MGCRC) or JES2 automatic commands
- Cannot be issued from the JES2 initialization data set, NJE/RJE, \$M commands, or through a reader (INTRDR)
- Can be the object of a \$VS command
- Are not limited by CONDEF CMDNUM=
- Are not limited by CONDEF DISPMAX=
- Support L= for directing the output but do not honor CONDEF RDIRAREA= or REDIRECT= parameters
- Cannot use the JES2 command separator, semicolon (;), to separate monitor commands unless it is also the MVS command separator.

## Scope

**Single member.** This response to this command displays information about this member only.

## Messages

### Example

```

1
$JD JES

      $HASP9120 D JES
$HASP9121 OUTSTANDING ALERTS
$HASP9201 JES2 MAIN TASK WAIT DETECTED AT HASPSXIT+01F626
DURATION-000:00:16.39 PCE-COMM      EXIT-NONE JOB ID-NONE
COMMAND-$TJOBDEF,JOBNUM=3000
$HASP9122 NO INCIDENTS BEING TRACKED
$HASP9150 NO JES2 NOTICES

```

---

## \$JDMONITOR - Display current status of JES2 monitor subtasks

### Function

To display information about the JES2 monitor. It displays the status of all the tasks that make up the monitor as well as information on all the modules in the monitor. If the monitor is not functioning properly, this command can provide information to assist its diagnosis.

### Syntax

```
▶▶—$JD—MONITOR—————▶▶
```

### Authority Required

This command requires display authority. The description of the \$T RDRnn command explains how to ensure that the authority of the appropriate MVS system command group is assigned.

This command requires read security access authority. For a description of assigning command input authority, see *z/OS JES2 Initialization and Tuning Guide*.

## Processing Considerations

The following restrictions apply to all monitor commands. They:

- Can only be issued through the MVS command interface (consoles or MGCRES) or JES2 automatic commands
- Cannot be issued from the JES2 initialization data set, NJE/RJE, \$M commands, or through a reader (INTRDR)
- Can be the object of a \$VS command
- Are not limited by CONDEF CMDNUM=
- Are not limited by CONDEF DISPMAX=
- Support L= for directing the output but do not honor CONDEF RDIRAREA= or REDIRECT= parameters
- Cannot use the JES2 command separator, semicolon (;), to separate monitor commands unless it is also the MVS command separator.

## Scope

**Single Member.** This response to this command displays of information about this member only.

## Messages

### Example

**1** \$JD MONITOR

```
$HASP9100 D MONITOR
NAME      STATUS      ALERTS
-----
MAINTASK  ACTIVE
SAMPLER  ACTIVE
COMMANDS  ACTIVE
PROBE     ACTIVE
$HASP9102 MONITOR MODULE INFORMATION
NAME      ADDRESS  LENGTH  ASSEMBLY DATE  LASTAPAR  LASTPTF
-----
HASJMON   06C2B000 00001088 04/13/02 03.05  NONE     NONE
HASJSPLR 06C31000 00002838 04/13/02 02.23  NONE     NONE
HASJCMDS 06C2D000 000030B0 04/13/02 02.23  NONE     NONE
```

Status in the \$HASP9100 message is one of:

- ACTIVE– Subtask is active and processing normally.
- INITIALIZING– Subtask is still completing its initialization processing (or is reinitializing after a failure.)
- TERMINATING– Subtask is in the process of shutting down.
- TERMINATED– Subtask has shut down.

Alerts are based on the individual subtask and the functions they perform. Alerts include:

- AWAITING JES2– The JES2 address space is not active; therefore, the subtask is not performing its normal function.
- RECOVERING– The subtask has ABENDED and is in the process of recovering.



The module information in the \$HASP9102 display includes the name of the module, where it is located in the monitor address space, the length of the module (in hex), the date and time the module was assembled, and information on what maintenance was applied to the module.

---

## **\$JDSTATUS - Display current status**

### **Function**

To display the current status of the JES2 address space. This is the primary monitor command that you should use to diagnose problems with JES2. This command displays all current alerts and any notices that are outstanding.

JES2 generates an alert is generated when a condition, such as a loop, persists for a long enough interval that the monitor considers it abnormal. The monitor generates a highlighted message and creates an element that is displayed in response to the \$JDSTATUS and \$JDJES commands. Messages displayed through these commands are refreshed with the current conditions and might be different from the highlighted message previously issued.

Some conditions, which might be considered normal in some situations, might be the cause of JES2 problems. These conditions are not considered time related. JES2 displays notices in response to the \$JDSTATUS and \$JDJES commands to describe these conditions.

### **Syntax**

▶▶—\$JD—STATUS—▶▶

### **Authority Required**

This command requires display authority. The description of the \$T RDRnn command explains how to ensure that the authority of the appropriate MVS system command group is assigned.

This command requires read security access authority. For a description of assigning command input authority, see *z/OS JES2 Initialization and Tuning Guide*.

### **Processing Considerations**

The following restrictions apply to all monitor commands. They:

- Can only be issued through the MVS command interface (consoles or MGCRES) or JES2 automatic commands
- Cannot be issued from the JES2 initialization data set, NJE/RJE, \$M commands, or through a reader (INTRDR)
- Can be the object of a \$VS command
- Are not limited by CONDEF CMDNUM=
- Are not limited by CONDEF DISPMAX=
- Support L= for directing the output but do not honor CONDEF RDIRAREA= or REDIRECT= parameters
- Cannot use the JES2 command separator, semicolon (;), to separate monitor commands unless it is also the MVS command separator.

## \$JDSTATUS

### Scope

**Single member.** This response to this command displays information about this member only.

### Messages

#### Examples

##### 1 \$JD STATUS

```
$HASP9120 D STATUS
$HASP9121 NO OUTSTANDING ALERTS
```

This indicates that JES2 is functioning normally.

##### 2 \$JD STATUS

```
$HASP9120 D STATUS
$HASP9121 OUTSTANDING ALERTS
$HASP9201 JES2 MAIN TASK WAIT DETECTED AT HASPSXIT+01F626
DURATION-000:02:04.05 PCE-COMM      EXIT-NONE JOB ID-NONE
COMMAND-$TJOBDEF,JOBNUM=3000
$HASP9150 NO JES2 NOTICES
```

Message \$HASP9201 indicates that alerts have been issued for JES2. The main task appears to be MVS waiting in JES2 module HASPSXIT and the current PCE is a \$TJOBDEF command.

---

## \$JSTOP - Terminate monitor address space

### Function

To terminate the JES2 monitor address space. You might need to stop the monitor address space because it is not functioning properly or you want to reset the timeframe for the statistics the monitor has been maintaining.

If the JES2 address space is functioning, it will restart the monitor address space within 32 seconds of discovering it has terminated, or when you hot start JES2, JES2 determines if the monitor also needs to be restarted. This is either a normal termination (\$JSTOP) or an abnormal termination (ABEND or CANCEL command).

### Syntax

▶▶—\$J—STOP—▶▶

### Authority Required

This command requires display authority. The description of the \$T RDRnn command explains how to ensure that the authority of the appropriate MVS system command group is assigned.

This command requires read security access authority. For a description of assigning command input authority, see *z/OS JES2 Initialization and Tuning Guide*.

### Processing Considerations

The following restrictions apply to all monitor commands. They:

- Can only be issued through the MVS command interface (consoles or MGCRES) or JES2 automatic commands
- Cannot be issued from the JES2 initialization data set, NJE/RJE, \$M commands, or through a reader (INTRDR)
- Can be the object of a \$VS command
- Are not limited by CONDEF CMDNUM=
- Are not limited by CONDEF DISPMAX=
- Support L= for directing the output but do not honor CONDEF RDIRAREA= or REDIRECT= parameters
- Cannot use the JES2 command separator, semicolon (;), to separate monitor commands unless it is also the MVS command separator.

**Scope**

**Single Member.** The command effects this member only.

**Messages**

**Example**

**1** \$jstop

**\$HASP9101 MONITOR STOPPING**

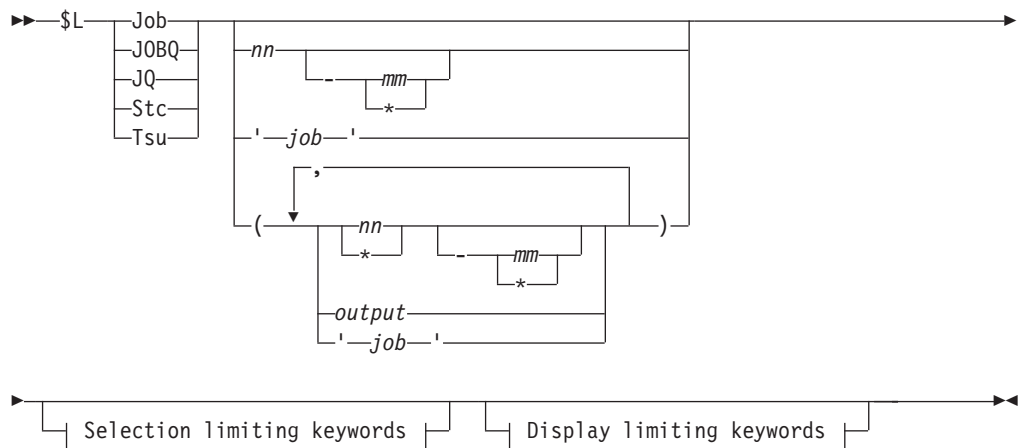
The JES2 monitor is stopped. JES2 address space restarts the monitor within 32 seconds.

**\$L Job - List job output information**

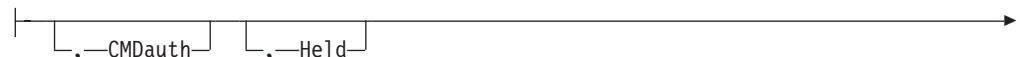
**Function**

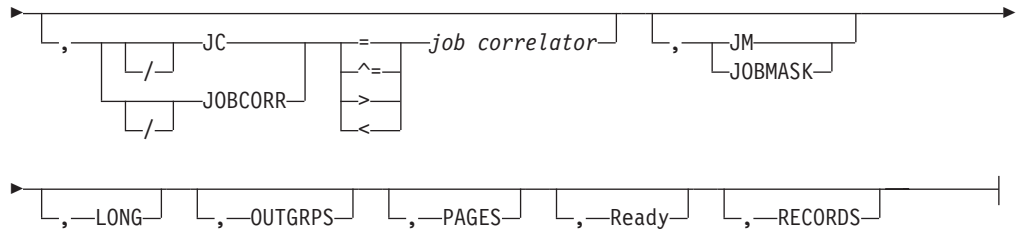
To display the number of held or non-held data sets for one or more specified jobs.

**Syntax**

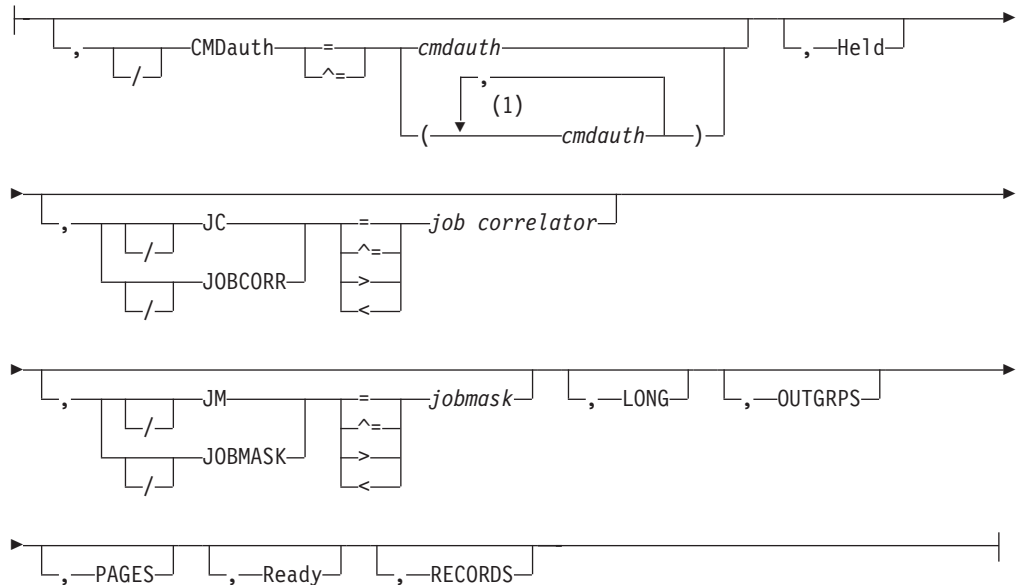


**Display limiting keywords:**





**Selection limiting keywords:**



**Notes:**

- 1 *cmdauth* can be coded up to 2 times

**Parameters**

**CMDauth=(auth1{,auth2})**

Only the jobs that can be affected from the specified remote(s) or node(s) will be released. The valid specifications are:

**LOCAL|ANYLOCAL**

Only the local devices at the local node can affect the output.

**Nnnnn|nodename**

Only local devices at the specified node can affect the output.

**Rnnnn**

Only the specified remote device can affect the output.

**NnnnnRnnnn|nodename.Rnnnn**

Only the specified remote device at the specified remote node can affect the output.

**destid**

A destid corresponding to any of the above remote devices.

**Note:** Specification of the CMDAUTH filter does not override the authority of the console from which the command is issued; both the authority of the console and the specified CMDAUTH filter must match for the job to be affected.

**HELD**

Specifies that the \$HASP891 message displays all the held job output elements for the specified jobs. When specified as a filter, only jobs matching the specified count of held output elements, regardless of class, are displayed.

**Held**

Specifies that the \$HASP891 message displays all the held job output elements for one or more specified jobs.

**JC|JOB CORR=job correlator**

Specifies a combination of 1-64 alphanumeric, special (colon, period or underscore) and wildcard characters that can be used to select a subset of jobs that have a matching job correlator. For a description of wildcard characters, refer to "Using wildcards" on page 108.

**JM|JOB MASK=jobmask**

Specifies 1 to 8 alphanumeric, special (\$, #, or @) or wildcard characters (or a combination of them) that can be used to select a subset of jobs whose job name matches this combination of characters (mask). For a description of wild cards, see "Using wildcards" on page 108.

**Note:**

1. This is a positional parameter. Specify this following the job\_id (JOB, STC, or TSU) or JOBQ parameter.
2. The JOB MASK parameter is not valid with the 'jobname' parameter.

**job**

Specifies 1 to 8 alphanumeric, special (\$, #, or @) or wildcard characters (or a combination of them) that can be used to select a subset of jobs whose job name matches this combination of characters (mask).

**'job'**

The name of the job that is displayed. This name must appear as coded on the JOB statement and must be enclosed in apostrophes. If more than one job exists with this name, no action is taken.

**Job**

A batch job or range of batch jobs is to be displayed.

**JOBQ|JQ**

Specifies all jobs, STCs, and TSUs across the MAS for processing.

**LONG**

Displays all output information. Only HELD and READY output element counts are displayed if LONG is not specified.

**PAGES****TOTAL**

Displays or filters the total number of records in all output elements.

**HELD** Displays or filters the total number of records in all held output elements.

**READY**

Displays or filters the total number of records in all ready output elements.

## \$L Job

### READY

Specifies that the \$HASP891 message displays all the ready job output elements for the specified jobs. When specified as a filter, only jobs matching the specified count of ready output elements, regardless of class, are displayed.

### Ready

Specifies that the \$HASP891 message displays all the ready job output elements for the specified job(s).

### RECORDS

#### TOTAL

Displays or filters the total number of records in all output elements.

**HELD** Displays or filters the total number of records in all held output elements.

#### READY

Displays or filters the total number of records in all ready output elements.

### OUTGRPS

Displays the total count of output elements associated with the job regardless of class or hold/ready status.

### Stc

A started task or range of started tasks is to be displayed.

### Tsu

A time-sharing user or range of time-sharing users is to be displayed.

## Related Commands

To display a job's output data set, see the \$DO Job command.

## Authority Required

This command requires **display** authority. The description of the \$T RDRnn command explains how to ensure that the authority of the appropriate MVS system command group is assigned.

This command requires **read** security access authority. For a description of assigning command input authority, see *z/OS JES2 Initialization and Tuning Guide*.

## Processing Considerations

Using the \$L command to display output information for a large range of batch jobs, started tasks, or time-sharing users could result in a shortage of console message buffers (CMBS).

## Scope

**MAS-wide.** This command displays information about the entire MAS.

## Messages

The \$HASP891 message displays the count of output groups.

## Examples

**1** \$1 j12

```
JOB00012 $HASP891 JOB(D15USERC) READY=(A=3),HELD=(NONE)
```

**2** \$1 j11,h

```
JOB00011 $HASP891 JOB(D15USER) HELD=(C=1)
```

JES2 displays the count of held output groups for batch job 11.

**3** \$1 j11,ready

```
JOB00011 $HASP891 JOB(D15USER) READY=(A=3,B=2,Z=1)
```

JES2 displays the count of ready output groups for batch job 11.

**4** \$1 j12,long

```
JOB00012 $HASP891 OUTPUT(SMALLOUT)
$HASP891 OUTPUT(SMALLOUT) READY=(A=1),HELD=NONE
$HASP891 RECORDS=(READY=110,HELD=0),
$HASP891 PAGES=(READY=0,HELD=0)
```

JES2 displays the number of output groups by class, the number of records, and pages associated with output for job 12.

**5** \$Ljq,outgrps>1000

```
JOB00011 $HASP891 OUTPUT(BIGOUT) READY=(A=1257),HELD=NONE
```

JES2 displays all jobs that currently have over 1000 output groups associated with them.

**6** \$lj(\*),jc=:\*:ordernumber123456\*

```
JOB00109 $HASP891 OUTPUT(WIDGETS) READY=(A=1),HELD=NONE
JOB00110 $HASP891 OUTPUT(GADGETS) READY=(A=1),HELD=NONE
JOB00111 $HASP891 OUTPUT(PARTS) READY=(A=1),HELD=NONE
JOB00112 $HASP891 OUTPUT(SUPPLIES) READY=(A=1),HELD=NONE
```

JES2 displays the count of ready and held output groups for any batch job with a job correlator user portion containing ORDERNUMBER123456.

## \$Mnn - Send commands to other MAS members

### Function

To send any command acceptable to the appropriate MAS member through the network to the indicated member.

►►—\$M—nn—, 'command'—►►

### Parameters

, 'command'

Specifies the command to be transmitted. The command is preceded by a comma and enclosed in single quotation marks. The command will be transmitted as it appears and should be in the same format as it would be if entered from the local console of the receiving system. If the command is a JES2 command, be sure to begin it with the appropriate remote/reader

## \$Mnn

command character (usually a dollar sign) or, optionally, the valid JES2 command character of the receiving system.

**nn** The specific multi-access spool member of this node to which the command is to be sent.

### Authority Required

This command requires **display** authority. The description of the \$T RDRnn command explains how to ensure that the authority of the appropriate MVS system command group is assigned.

This command requires **read** security access authority. For a description of assigning command input authority, see *z/OS JES2 Initialization and Tuning Guide*.

### Scope

**Single member.** The values supplied for this command will be in effect for this member only. There is no need to have this command issued to all members of the MAS.

### Messages

The \$HASP000 message indicates the command was accepted.

### Example

```
1 $m 2, '$d q'
```

```
$HASP000 OK
```

A JES2 command to display the number of queued jobs is sent to member 2, acted upon by JES2 in member 2, and the resulting display is transmitted back through the network and appears at the active MCS console of the entry member. If the entry member is not defined as having network authority at member 2, the resulting display includes only a count of those jobs owned by the entry MAS configuration member.

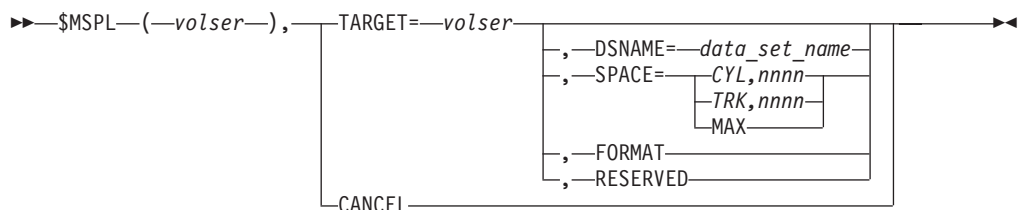
---

## \$MSPL - Migrate spool volumes

### Function

To migrate one or more spool volumes to a new spool volume or to an existing spool volume.

### Syntax





## Parameters

### *(volser)*

Specifies a comma-separated list of one or more source spool volume serial numbers.

### **TARGET=***volser*

Specifies a target spool volume serial number (*volser*) of 1-6 characters. If a new spool volume is specified, JES2 starts the spool for the new volume before moving the source volumes. If an existing spool volume is specified, the target volume must be in **ACTIVE** state. An existing target spool volume can have an existing spool data set.

### **DSNAME=***data\_set\_name*

Specifies a JES2 spool data set *data\_set\_name* of 1–44 characters. The **DSNAME** parameter can only be specified when migrating to a new spool volume. If the **DSNAME** parameter is not specified, the default data set name is used, which is set using the **SPOOLDEF** command. If the specified data set name does not exist and the **SPACE** parameter is also specified, JES2 creates the specified data set on the target spool volume.

### **SPACE= (CYL,nnnn | TRK,nnnn | MAX)**

Specifies the space allocation when moving spool volumes to a new volume. The migration requirements dictate the minimum space that is permitted. One of the following operands must be specified:

#### **CYL,nnnn**

Allocates a spool data set with *nnnn* number of cylinders.

#### **TRK,nnnn**

Allocates a spool data set with *nnnn* number of tracks.

**MAX** Allocates the largest spool data set permitted by the available space on the disk and JES2 architecture limits.

### **FORMAT**

Formats the target spool volume unconditionally before the migration starts. The **FORMAT** parameter is only valid when migrating to a new spool volume.

### **RESERVED**

Leaves the target spool volume **RESERVED** once the migration is complete, which prohibits new allocations. The **RESERVED** parameter is similar to the **DRAINING** state, but without the associated DAS on the work queue.

### **CANCEL**

Cancels the spool migration. Specify only the source spool volume *volser*; specifying other parameters returns an error message. Migration cannot be cancelled during later portions of the **CATCHUP** phase or any **CLEANUP** phases. See “\$D SPOOL - Display the status of spool volumes” on page 469 for complete information on spool migration states.

## Authority Required

This command requires **system** authority. The description of the \$T RDRnn command explains how to ensure that the authority of the appropriate MVS system command group is assigned.

This command requires **control** security access authority. For a description of assigning command input authority, see *z/OS JES2 Initialization and Tuning Guide*.

## Processing Considerations

The **\$MSPL**(*volser*,) command queues a request to move one or more existing spool volumes to a new spool volume, or to merge them with an existing spool volume. For move requests, the target spool volume specified as a *volser* is not recognized by JES2. When the move completes, the source spool volumes are no longer recognized by JES2.

For merge requests, the specified target must be a spool volume that is recognized by JES2. When the merge completes, the source spool volumes remain in the **MAPPED** state until all users of the source spool volumes have been purged.

To manage the migration of spool volume data and the access to that data, JES2 runs various operations on all members of a MAS. These operations communicate messages through JESXCF services. JESXCF services require one XCF group per active migration to identify the messages that are specific to each active migration. Because XCF groups are a limited system resource, JES2 limits the number of concurrent active migrations to five. Therefore, you must have up to five XCF groups available—one each for up to five active spool migrations. If a spool migration is requested and an XCF group is not available, JES2 refuses the request and issues a **\$HASP808** message with return code 57 or 58.

### Note:

1. To determine the number of available XCF groups, run the **DISPLAY XCF,COUPLE** command.
2. The format of the XCF group name that is created is **SYSMGxxx**, where *xxx* is the source volume DASEXTNO (in printable characters). The migrator mailboxes **MG\$VOLSER** and **RN\$VOLSER** are created within this group for a migration, which allows JESXCF reroute to redirect messages to another member if the migrator member goes offline.
3. For a move migration, the source volume must be in **INACTIVE** state.
4. For conceptual information, refer to “Migrating spool volumes” on page 26.

## Scope

**Single member.** The values supplied for this command will be in effect for this member only.

## Related Commands

**\$D SPOOL**, **\$T SPOOL**, **\$S SPOOL**, and **\$T SPOOLDEF**.

## Context

**HASCSCAN**, **HASPSTAB**, **HASPSXIT**, and **HASPSPOL**.

## Messages

**\$HASP003**, **\$HASP064**, **\$HASP423**, **\$HASP443**, **\$HASP630**, **\$HASP800**, **\$HASP807**, **\$HASP808**, **\$HASP809**, **\$HASP814** and **\$HASP893**.

The **\$HASP808** and **\$HASP809** messages display the status of a spool migration. The **\$HASP808** message is directed to the system log and the system console. It

indicates key points in the progress of a migration, including migration initialization and completion. Any errors encountered are also sent to the system console using the \$HASP808 message.

The \$HASP809 message is directed to the system log only, to limit system console messages for spool migrations to key information. The \$HASP809 displays the progress of the migration, including when each migration phase starts and ends. The DEBUG option VERBOSE can be used to direct \$HASP809 messages to the system console in addition to the system log. This debug option sends all syslog-only messages to the system console, not just migration messages. Use the command \$TDEBUG,VERBOSE=YES to turn on the debug option.

## Examples

The following examples demonstrate **\$MSPL**(*volser*,) command usage:

1. The **\$MSPL**(*volser*,) command can be used to migrate one or more existing spool volumes (volsers) to a new spool volume, as shown in the following example:
  - a. When the following **\$MSPL** command example is run, JES2 creates a new data set on the new spool volume **J2SPL1**. The default data set name is defined by the **\$SPOOLDEF** command.
  - b. The data set size, specified by **SPACE=MAX** in the example, is the largest size possible considering the available disk space and JES2 architecture limits.
  - c. Once the spool volume **J2SPL1** is formatted, it becomes **RESERVED** and remains reserved until the **\$TSPOOL RESERVED=NO** command is executed.
  - d. The spool volume **SPOOL6** is in the **INACTIVE** state prior to the migration and transitions to the **MIGRATING** state during the migration. **SPOOL6** is removed from the SPOOL configuration (drained) at the completion of the migration.
  - e. The data set previously associated with the spool volume **SPOOL6** can now be deleted.
  - f. The \$HASP808 message displays the migration progress.

This example and output are shown below:

```

1
$MSPL(spool6),target=spool5,space=max,r

$HASP893 VOLUME(SPOOL6)
$HASP893 VOLUME(SPOOL6) STATUS=MIGRATING-MOVE,AWAITING(MIGRATION)
$HASP646 30 PERCENT SPOOL UTILIZATION
$HASP808 Migration of SOURCE=SPOOL6 volume to TARGET=SPOOL5 volume
RC=9 -- Migration INITIALIZING phase started.
$HASP423 SPOOL5 IS BEING FORMATTED
$HASP808 Migration of SOURCE=SPOOL6 volume to TARGET=SPOOL5 volume
RC=33 -- Migration processing completed. Migration was successful.
```

The \$DSPL command displays the status of the target volume:

```

$DSPL(spool5),status,percent,reserved

$HASP893 VOLUME(SPOOL5) STATUS=ACTIVE,PERCENT=0,RESERVED=YES
$HASP646 30 PERCENT SPOOL UTILIZATION
```

2. The **\$MSPL**(*volser*,) command can be used to merge one or more existing spool volumes (volsers) with a single existing spool volume, as shown in the following example:

## \$MSPL

- a. When the following **\$MSPL**(*volser*,) command is run, JES2 merges spool volumes **SPOOL2**, **SPOOL3** and **SPOOL4** with the existing active spool volume **SPOOL5**.
- b. Spool volume **SPOOL2** is merged first, followed by **SPOOL3** and then **SPOOL4**.
- c. Spool volumes **SPOOL3** and **SPOOL4** migration phases are pending while **SPOOL2** is migrating.
- d. Once migration is complete, **SPOOL2**, **SPOOL3** and **SPOOL4** are left in the **MAPPED** state.
- e. At this point, the data sets previously associated with volumes **SPOOL2**, **SPOOL3** and **SPOOL4** can be deleted.
- f. Both spool volumes will remain in a **MAPPED** state until all jobs using the volumes are purged, at which point **SPOOL2**, **SPOOL3** and **SPOOL4** are removed from the SPOOL configuration (drained) and the corresponding spool extent number can be reused.

This example and output are shown below:

```
$MSPL(spool2,spool3,spool4),target=spool5
```

```
$HASP808 Migration of SOURCE=SPOOL2 volume to TARGET=SPOOL5 volume
RC=9 -- Migration INITIALIZING phase started.
$HASP893 VOLUME(SPOOL2) STATUS=MIGRATING-MERGE,AWAITING(MIGRATION)
$HASP893 VOLUME(SPOOL3) STATUS=MIGRATING-MERGE,AWAITING(MIGRATION)
$HASP893 VOLUME(SPOOL4) STATUS=MIGRATING-MERGE,AWAITING(MIGRATION)
$HASP893 VOLUME(SPOOL4) STATUS=MIGRATING-MERGE,AWAITING(MIGRATION)
$HASP646 20 PERCENT SPOOL UTILIZATION
$HASP808 Migration of SOURCE=SPOOL2 volume to TARGET=SPOOL5 volume
RC=33 -- Migration processing completed. Migration was successful.
$HASP808 Migration of SOURCE=SPOOL3 volume to TARGET=SPOOL5 volume
RC=9 -- Migration INITIALIZING phase started.
$HASP630 VOLUME SPOOL2 INACTIVE 2 PERCENT UTILIZATION
$HASP808 Migration of SOURCE=SPOOL3 volume to TARGET=SPOOL5 volume
RC=33 -- Migration processing completed. Migration was successful.
$HASP808 Migration of SOURCE=SPOOL4 volume to TARGET=SPOOL5 volume
RC=9 -- Migration INITIALIZING phase started.
$HASP630 VOLUME SPOOL3 INACTIVE 1 PERCENT UTILIZATION
$HASP808 Migration of SOURCE=SPOOL4 volume to TARGET=SPOOL5 volume
RC=33 -- Migration processing completed. Migration was successful.
```

Run the **\$DSPL** to see the status of the target volume, and the source volumes if they are **MAPPED**:

```
$dsp1
$HASP893 VOLUME(SPOOL1) STATUS=ACTIVE,PERCENT=1
$HASP893 VOLUME(SPOOL2) STATUS=MAPPED,PERCENT=2
$HASP893 VOLUME(SPOOL3) STATUS=MAPPED,PERCENT=1
$HASP893 VOLUME(SPOOL4) STATUS=MAPPED,AWAITING(JOBS),PERCENT=1
$HASP893 VOLUME(SPOOL5) STATUS=ACTIVE,PERCENT=1
$HASP646 0.5714 PERCENT SPOOL UTILIZATION

$dsp1,status,target,maptarget
$HASP893 VOLUME(SPOOL1) STATUS=ACTIVE,MAPTARGET=NO
$HASP893 VOLUME(SPOOL2) STATUS=MAPPED,TARGET=SPOOL5,MAPTARGET=NO
$HASP893 VOLUME(SPOOL3) STATUS=MAPPED,TARGET=SPOOL5,MAPTARGET=NO
$HASP893 VOLUME(SPOOL4) STATUS=MAPPED,AWAITING(JOBS),TARGET=SPOOL5,
MAPTARGET=NO
$HASP893 VOLUME(SPOOL5) STATUS=ACTIVE,MAPTARGET=YES
$HASP646 30 PERCENT SPOOL UTILIZATION
```

3. The following single source to target migration displays output from the **DEBUG VERBOSE** option set to **YES**:

```

$debug,verbose=yes

$HASP827 DEBUG
$HASP827 DEBUG BERT=YES,CKPT=YES,MISC=YES,SECURITY=YES,
$HASP827 STORAGE=YES,SYMREC=YES,VERSION=YES,VERBOSE=YES

$mspl(spool6),target=spool5

$HASP809 Migration of SOURCE=SPOOL6 volume to TARGET=SPOOL5 volume
RC=4 -- Initiated drain of source volume.
$HASP893 VOLUME(SPOOL6)
$HASP893 VOLUME(SPOOL6) STATUS=MIGRATING-MERGE,AWAITING(MIGRATION)
$HASP646 20 PERCENT SPOOL UTILIZATION
$HASP808 Migration of SOURCE=SPOOL6 volume to TARGET=SPOOL5 volume
RC=9 -- Migration INITIALIZING phase started.
$HASP809 Migration of SOURCE=SPOOL6 volume to TARGET=SPOOL5 volume
RC=49 -- Migration phase INITIALIZING is complete. Migrator
and spool assistant subtasks have been attached.
$HASP809 Migration of SOURCE=SPOOL6 volume to TARGET=SPOOL5 volume
RC=24 -- Migration phase SETUP-MERGE is starting.
$HASP809 Migration of SOURCE=SPOOL6 volume to TARGET=SPOOL5 volume
RC=25 -- Migration phase SETUP-MERGE is complete.
$HASP809 Migration of SOURCE=SPOOL6 volume to TARGET=SPOOL5 volume
RC=26 -- Migration phase COPY-MERGE is starting.
$HASP809 Migration of SOURCE=SPOOL6 volume to TARGET=SPOOL5 volume
RC=27 -- Migration phase COPY-MERGE is complete.
$HASP809 Migration of SOURCE=SPOOL6 volume to TARGET=SPOOL5 volume
RC=28 -- Migration phase CATCHUP-MERGE is starting.
$HASP809 Migration of SOURCE=SPOOL6 volume to TARGET=SPOOL5 volume
RC=29 -- Migration phase CATCHUP-MERGE is complete.
$HASP809 Migration of SOURCE=SPOOL6 volume to TARGET=SPOOL5 volume
RC=47 -- Migration phase CLEANUP-MERGE is starting.
$HASP809 Migration of SOURCE=SPOOL6 volume to TARGET=SPOOL5 volume
RC=31 -- Migration phase CLEANUP-MERGE is complete.
$HASP808 Migration of SOURCE=SPOOL6 volume to TARGET=SPOOL5 volume
RC=33 -- Migration processing completed. Migration was successful.
$HASP806 VOLUME SPOOL6 DRAINED
$HASP850 525 TRACK GROUPS ON SPOOL1
$HASP850 150 TRACK GROUPS ON SPOOL2
$HASP850 150 TRACK GROUPS ON SPOOL3
$HASP850 150 TRACK GROUPS ON SPOOL4
$HASP850 748 TRACK GROUPS ON SPOOL5

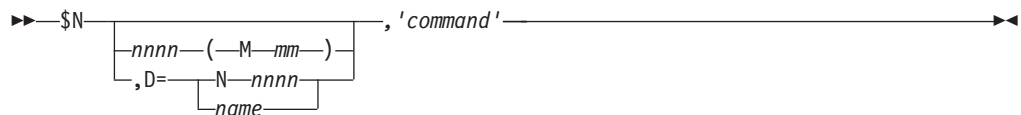
```

---

## \$Nnnnn - Send commands through the network

### Function

To send any command acceptable to the appropriate node or node member through the network to the indicated system.



### Parameters

`, 'command'`

Specifies the command to be transmitted. The command is preceded by a comma and enclosed in single quotation marks. The command will be transmitted as it appears and should be in the same format as it would be if entered from the local console of the receiving system. If the command is a

## \$Nnnnn

JES2 command, be sure to begin it with the appropriate remote/reader command character (usually a dollar sign) or, optionally, the valid JES2 command character of the receiving system.

### Note:

1. If one of the commands listed below originates from another node in the network and the operand does not specify a node (first-level destination), the receiving node defaults the first-level destination to the node where the command originated.
2. If one of the commands listed below is sent to another node in the network using the \$N command, be aware that the receiving node will default the node (first-level destination) of the operand to the sending node. If another node is desired, specify a destination on the operand that will resolve to the desired node (first level destination) at the receiving node.

These rules apply to the following commands and operands:

- \$COJ,R=
- \$D F, R=
- \$D M, D=
- \$D N, R=
- \$D N, XMTnnnn
- \$O J, R=
- \$POJ,R=
- \$R, R=
- \$R, D=
- \$T O, D=

### D=Nnnnn | name

Identifies the node (by number or installation-defined name) to which the command text is to be sent.

### nnnn [Mnn]

Identifies the node and, optionally, the specific multi-access spool member of that node to which the command text is to be sent.

## Authority Required

This command requires **display** authority. The description of the \$T RDRnn command explains how to ensure that the authority of the appropriate MVS system command group is assigned.

This command requires **read** security access authority. For a description of assigning command input authority, see *z/OS JES2 Initialization and Tuning Guide*.

## Scope

**Network-wide.** This command only needs to be issued from a single member; the command has an effect across the entire MAS.

## Messages

- The \$HASP000 message indicates the command was accepted.
- The \$HASP249 message echoes the command you issued, indicating that the command was received from a remote job entry (RJE) workstation or another JES2 node.

## Example

```
1 $n 2, '$d q'
```

```
$HASP000 OK
$HASP249 N1      $DQ
```

A JES2 command to display the number of queued jobs is sent to node 2, acted upon by JES2 in node 2, and the resulting display is transmitted back through the network and appears at the active MCS console of the entry node. If the entry node is not defined as having network authority at node 2, the resulting display includes only a count of those jobs owned by the entry node.

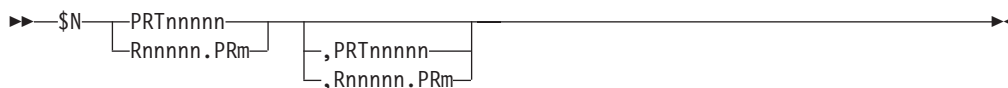
---

## \$N PRT(nnnnn) and \$N R(nnnnn).PR(m) - Repeat printer output

### Function

To repeat the printing of job output.

### Syntax



### Parameters

*nnnnn*

For **PRT**, the identifier of the local printer (1-32767) to repeat printing on. For **R**, the identifier of the remote workstation (1-32767) that is attached to printer *m* (1-7).

*m* The identifier of the printer (1-7) that is attached to the remote workstation **Rnnnnn** (1-32767).

### Authority Required

This command requires **device** authority. The description of the \$T RDRnn command explains how to ensure that the authority of the appropriate MVS system command group is assigned.

This command requires **update** security access authority. For a description of assigning command input authority, see *z/OS JES2 Initialization and Tuning Guide*.

### Processing Considerations

- For the 3800 printer, JES2 repeats the printing of the output group that is visible at the transfer station.
- When you want to print several copies of an output group, wait for the \$HASP170 PRINTER REPEATED message to appear between the scheduling of each printing.

### Scope

**Single member.** This command will be in effect for this member only. There is no need to have this command issued to all members of the MAS.

## \$N PRT(nnnnn) and \$N R(nnnnn).PR(m)

### Messages

The \$HASP170 message displays the status of output processing on the specified printer.

### Example

```
❶ $n prt3
```

```
$HASP170 PRT3 REPEATED
```

When the output currently being printed by printer 3 finishes, JES2 places the output group back on the output queue for reprinting.

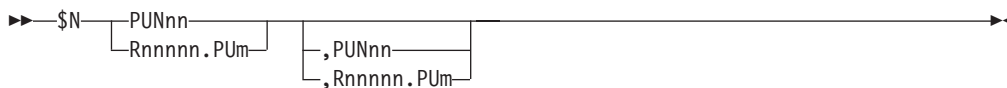
---

## \$N PUN(nn) and \$N R(nnnnn).PU(m) - Repeat punch output

### Function

To repeat the punching of job output.

### Syntax



### Parameters

*nn* The identifier of the local punch (1-99) to repeat.

*nnnnn*

The identifier of the remote workstation **R** (1-32767) that is attached to punch *m* (1-7).

*m* The identifier of the punch (1-7) that is attached to the remote workstation **Rnnnnn** (1-32767).

### Authority Required

This command requires **device** authority. The description of the \$T RDRnn command explains how to ensure that the authority of the appropriate MVS system command group is assigned.

This command requires **update** security access authority. For a description of assigning command input authority, see *z/OS JES2 Initialization and Tuning Guide*.

### Processing Considerations

When you want to punch several copies of an output group, wait for the \$HASP170 PUNCH REPEATED message to appear between the scheduling of each punching.

### Scope

**Single member.** This command will be in effect for this member only. There is no need to have this command issued to all members of the MAS.



## Messages

The \$HASP170 message displays the status of output processing on the specified punch.

### Example

❶ \$n pun2

\$HASP170 PUN2 REPEATED

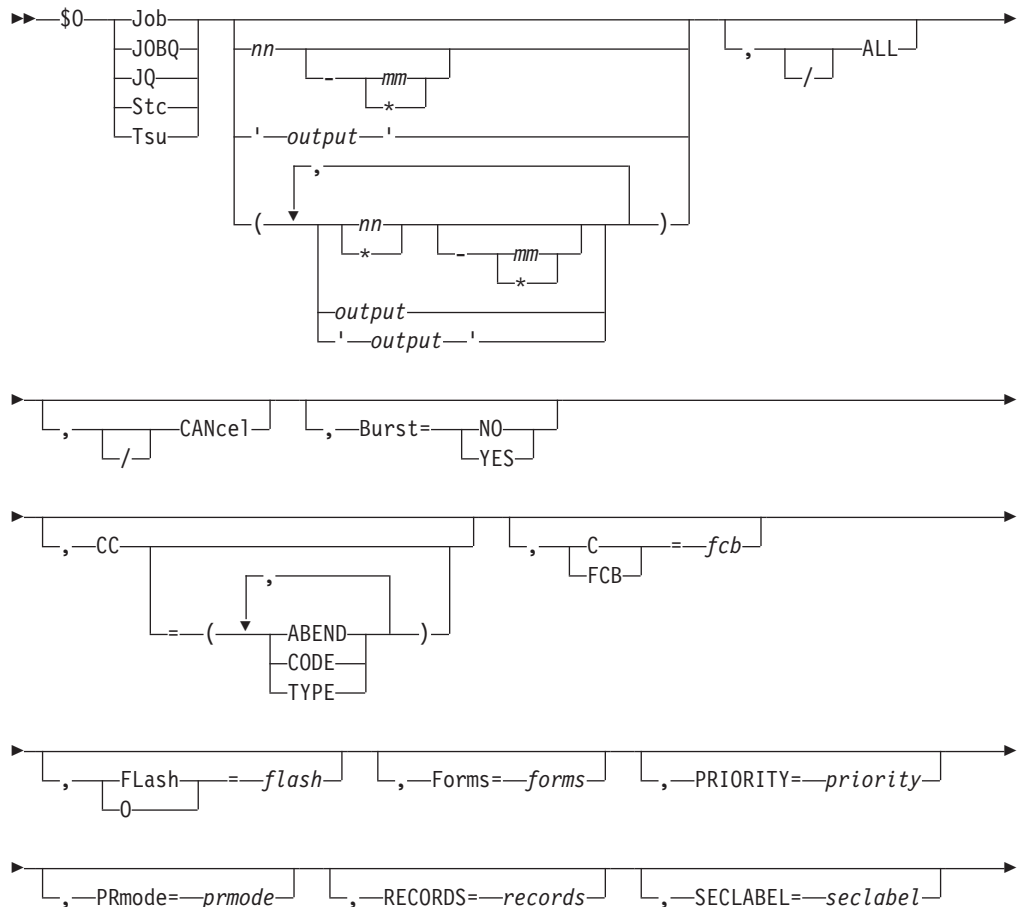
When the output currently being processed on punch 2 finishes, JES2 places the output back on the output queue for repeated punching.

## \$O Job - Release or cancel held output groups

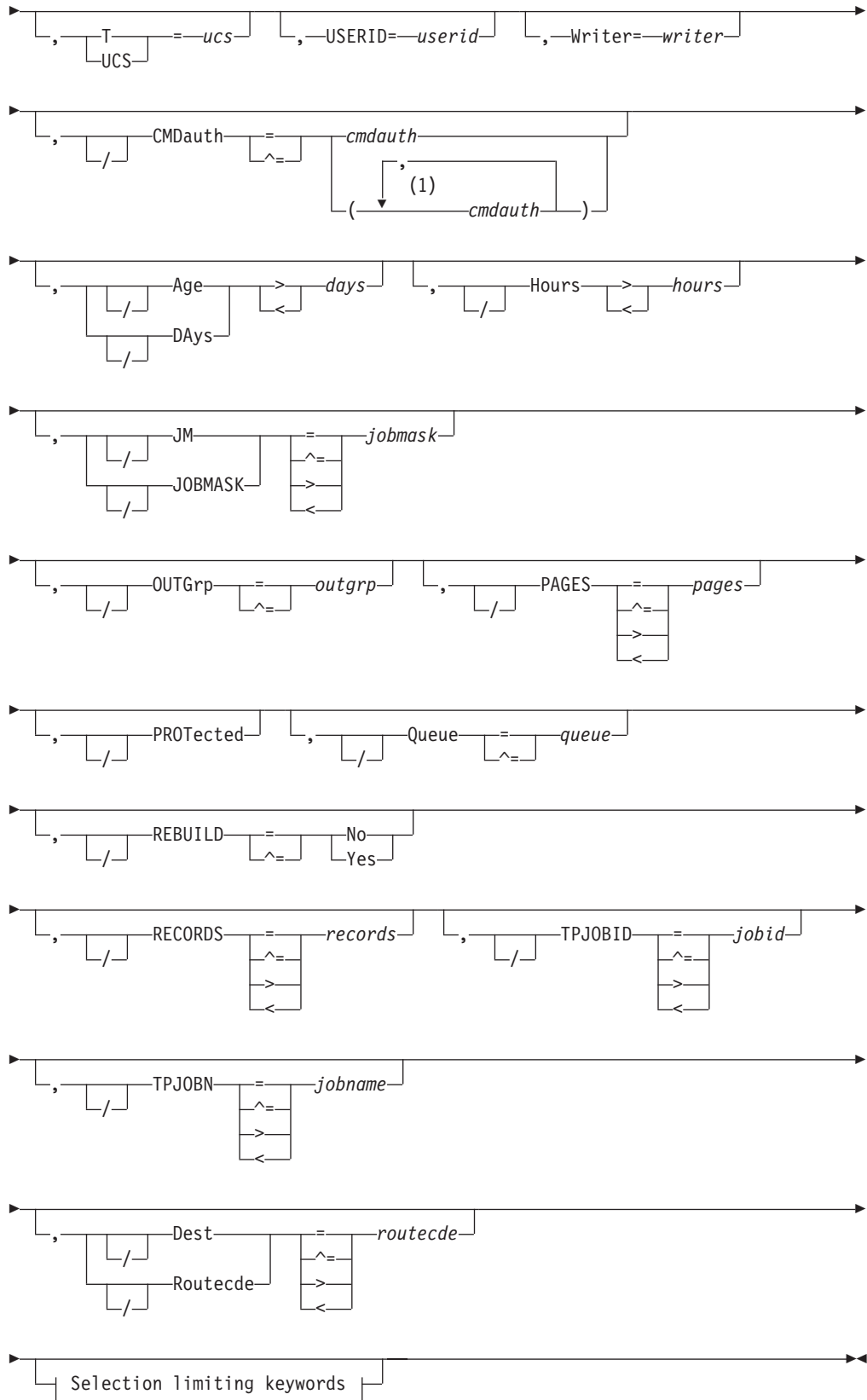
### Function

To release or cancel held output groups. An output group (or job output element) with an output disposition of HOLD or LEAVE that is not routed to another node is 'held'. All output groups routed to other nodes, regardless of disposition, are considered 'ready' at this node because output is not held until it reaches its destination.

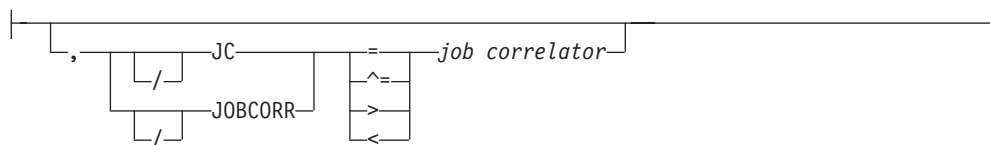
### Syntax



**\$O Job**



**Selection limiting keywords:**



**Notes:**

- 1 *cmdauth* can be coded up to 2 times

**Parameters**

**Age|DAys<days | Age|DAys>days**

Specifies the age of affected output in days. Only output more (with DAYS>nn) or less (with DAYS<nn) than the specified number of days in age is affected. The days are counted from the current hour. The creation time used to compute the age of the output is the time the output was originally created or the time the output was SPOOL reloaded. CRTIME=RESET is specified on the corresponding OFFLOAD(x) statement.

**ALL**

The Held output in all classes is released or cancelled. The ALL operand and the Q=keyword are mutually exclusive.

**Burst={No|Yes}**

Specifies whether the printed output is to be burst into separate sheets (Yes) or to be in continuous, fanfold mode (No).

**CANcel**

JES2 cancels all of the selected held output.

**Note:** If CANCEL is not specified on the \$O command, the output will not be deleted, but only released, meaning that it will be moved from the HELD to OUTPUT queue.

**CC=(ABEND|ABENDED|CANcelled|CNVT\_abend|CODE|COMPLeted|ENDEd\_by\_cc|EOM\_failure|JCLerror|SECurity\_failure|TYPE)**

Displays the completion information associated with the job.

**ABENDED**

Display only jobs which have abnormally ended.

**ABEND**

Displays the ABEND code associated with the job's termination.

**CANcelled**

Display only jobs which were cancelled by the operator.

**CNVT\_abend**

Display only jobs which have abnormally ended during the conversion phase.

**CODE**

Displays the last (or highest) completion code of steps in the job.

**COMPLeted**

Display only jobs which completed.

**ENDEd\_by\_cc**

Display only jobs which were ended by a step completion code.

**EOM\_failure**

Display only jobs which failed in end-of-memory processing.

**JCLerror**

Display jobs which did not execute due to a JCL error.

**SECurity\_failure**

Display jobs which failed security validation.

**C|FCB=fcb**

A 1 to 4 alphanumeric character or special character (\$ # @) identifier for the data set forms control or carriage specifications.

**CMDauth=(auth1{,auth2})**

Only the output that can be affected from the specified remote(s) or node(s) will be released. The valid specifications are:

**LOCAL|ANYLOCAL**

Only the local devices at the local node can affect the output.

**Nnnnn|nodename**

Only local devices at the specified node can affect the output.

**Rnnnn**

Only the specified remote device can affect the output.

**NnnnnRnnnn|nodename.Rnnnn**

Only the specified remote device at the specified remote node can affect the output.

**destid**

A destid corresponding to any of the above remote devices.

**Note:** Specification of the CMDAUTH filter does not override the authority of the console from which the command is issued; both the authority of the console and the specified CMDAUTH filter must match for the job to be affected.

**Dest|Routecode=routecode**

Specifies the destination to which the output should be released. When preceded by a slash (/), it indicates that only held output which has already been routed to this destination should be released.

**Note:**

1. NODENAME=REQUIRED on the DESTDEF initialization statement will cause JES2 to require that a userid be prefixed with a node name.
2. Greater than (> or >=) and less than (< or <=) filters may be used in conjunction to support route code ranges. For example, you could specify the filters R>=R1,R<=R7 to affect output for all remotes in the range R1 to R7, Note that:
  - The destination being filtered upon is converted to its binary equivalent prior to the comparison.
  - When using nodal ranges, a specification of "nodename.\*" must be used. Only the nodal routing of the output will be compared.

**FLASH|0=f1ash**

A 1 to 4 alphanumeric or special character (\$ # @) overlay name (FLASH).

**Forms=forms**

A 1 to 8 alphanumeric or special character (\$ # @) identifier for the print or punch forms.

**H|Hours>hours | H|Hours<hours**

Specifies the age of affected output in hours. Only output more (with HOURS>nn) or less (with HOURS<nn) than the specified number of hours in age is affected. The creation time used to compute the age of the output is the time the output was originally created or the time the output was SPOOL reloaded. CRTIME=RESET is specified on the corresponding OFFLOAD(x) statement.

**JC|JOBCORR=job correlator**

Specifies a combination of 1-64 alphanumeric, special (colon, period or underscore) and wildcard characters that can be used to select a subset of jobs that have a matching job correlator. For a description of wildcard characters, refer to "Using wildcards" on page 108.

**JM|JOBMASK=jobmask**

Specifies 1 to 8 alphanumeric, special (\$, #, or @) or wildcard characters (or a combination of them) that can be used to select a subset of jobs whose job name matches this combination of characters (mask). For a description of wild cards, see "Using wildcards" on page 108.

**Note:**

1. This is a positional parameter. Specify this following the job\_id (JOB, STC, or TSU), or JOBQ parameter.
2. The JOBMASK parameter is not valid with the 'output' parameter.

**Job**

A batch job or range of batch jobs is to be released/cancelled.

**JOBQ|JQ**

Specifies *all* jobs, STCs, and TSUs across the MAS for processing.

**OUTGrp=outgrp**

Specifies the job output element(s) that are to be released or cancelled.

**grpID**

The 1 to 8 character alphanumeric group ID that is either specified by the user in the JCL or generated by JES2. If you specify only group ID (OUTGRP=grpID) on this command, JES2 releases or cancels all the held job output elements in that group.

**joeid1**

A number assigned by JES2 to distinguish between job output elements within the output group. If you specify only group ID and the first qualifier (OUTGRP=grpID.joeid1) on this command, JES2 releases or cancels all copies of the specified job output element in that group.

**joeid2**

A number assigned by JES2 to distinguish between several copies of grpID.joeid1. If you specify group ID and both qualifiers (OUTGRP=grpID.joeid1.joeid2) on this command, JES2 releases or cancels only the specified copy (joeid2) within the job output element (joeid) in that group.

**output**

Specifies 1 to 8 alphanumeric, special (\$, #, or @) or wildcard characters (or a combination of them) that can be used to select a subset of jobs whose job name matches this combination of characters (mask).

**'output'**

The name of the job that is to released/cancelled. This name must appear as

coded on the JOB statement and must be enclosed in apostrophes. If more than one job exists with this name, no action is taken.

**PAGES**

Only output groups with the specified number of pages are to be released or cancelled.

**PRIORITY=priority**

The queue selection priority (0-255) assigned to the job output element(s).

**PRmode=prmode**

The process mode (1 to 8 alphanumeric characters) for the job output element(s).

**PROTECTED**

Indicates that **all** specified output groups, including output groups that have been specified 'protected', should be purged. The 'protected' attribute is assigned to programs running in a transactional environment such as APPC or OMVS, where the transaction output is associated with the initiators like ASCHINIT or BPXAS. The 'protected' attribute can also be assigned to jobs by JES2 installation exits. APPC output is always protected. This parameter is only valid when used with the CANCEL parameter.

**Note:** Since the OUTGRP= parameter identifies the output to be cancelled, you do not need to specify PROTECTED with this operand, even for output that is protected.

**Queue=queue**

The held output in the specified output class(es) (A-Z and 0-9) is released or cancelled. A maximum of 36 classes may be specified.

**REBUILD={No|Yes}**

Output on the rebuild queue is to be released/cancelled (Yes) or not released/cancelled (No).

**RECORDS=records**

Only output groups with the specified number of records are to be released or cancelled.

**SECLABEL=seclabel**

The security label associated with the output group.

**Stc**

A started task or range of started tasks is to be released/cancelled.

**Tsu**

A time-sharing user or range of time-sharing users is to be released/cancelled.

**T|UCS=ucs**

A 1 to 4 alphanumeric or special character (\$ # @) identifier for the universal character set specification. This will also set the character set (CHAR1) to be used on non-impact printers unless the UCS and CHARS values are both assigned to an output data set by a job's JCL and their values are not equal.

**TPJOBID=jobid**

Only output groups with the specified transaction job ID are to be released or cancelled.

**TPJOBN=jobname**

Only output groups with the specified transaction job name are to be released or cancelled.

**USERID=userid**

The userid associated with the output group.

**Writer=writer**

A 1 to 8 alphanumeric or special character (\$ # @) writer name assigned to the job output element(s).

**Authority Required**

This command requires **job** authority. The description of the \$T RDRnn command explains how to ensure that the authority of the appropriate MVS system command group is assigned.

This command requires **update** security access authority. For a description of assigning command input authority, see *z/OS JES2 Initialization and Tuning Guide*.

**Processing Considerations**

Once a held output group has been released, the group is no longer available for processing by the TSO/E output command. For more information, see the \$HASP686 message in *z/OS JES2 Messages*.

**Scope**

**MAS-wide.** This command has an effect across the entire MAS.

**Messages**

THE \$HASP686 message is displayed to indicate which output groups were released or cancelled by this command.

**Examples**

**1** \$o j'payroll',q=abc,r=r2

```
JOB00213 $HASP686 OUTPUT(PAYROLL) OUTGRP=1.1.1 RELEASED
JOB00213 $HASP686 OUTPUT(PAYROLL) OUTGRP=8.1.1 RELEASED
JOB00213 $HASP686 OUTPUT(PAYROLL) OUTGRP=9.1.1 RELEASED
JOB00213 $HASP686 OUTPUT(PAYROLL) OUTGRP=24.1.1 RELEASED
```

JES2 releases all held output data sets in classes A, B, and C, that belong to the batch job named PAYROLL, to remote work station 2. Output data sets in other output classes are unaffected.

**2** \$o j'payroll',q=abc,/r=r2

```
JOB00213 $HASP686 OUTPUT(PAYROLL) OUTGRP=1.1.1 RELEASED
JOB00213 $HASP686 OUTPUT(PAYROLL) OUTGRP=9.1.1 RELEASED
```

JES2 releases all held output data sets in classes A, B, and C, that belong to the batch job named PAYROLL and currently specify a routing to remote workstation 2. Output data sets in other output classes or destined for other remote work stations are unaffected.

**3** \$o j1-20,days>2 -or- \$o j1-20,hours>48

```
JOB00003 $HASP686 OUTPUT(REPORT1) OUTGRP=1.1.1 RELEASED
JOB00003 $HASP686 OUTPUT(REPORT1) OUTGRP=2.1.1 RELEASED
JOB00004 $HASP686 OUTPUT(REPORT2) OUTGRP=1.1.1 RELEASED
:
```

## \$O Job

```
JOB00020 $HASP686 OUTPUT(REPORT20) OUTGRP=11.1.1 RELEASED
JOB00020 $HASP686 OUTPUT(REPORT20) OUTGRP=12.1.1 RELEASED
```

JES2 releases all held output that is at least 2 days old for batch jobs 1 through 20.

```
4 $o jq,q=abjk
```

```
JOB00020 $HASP686 OUTPUT(MYJOB) OUTGRP=1.1.1 RELEASED
JOB00037 $HASP686 OUTPUT(YOURJOB) OUTGRP=2.1.1 RELEASED
```

JES2 releases all held output data sets in classes A, B, J, and K.

```
5 $o s'aschint',tpjobn=testjob,tpjobid=a0000014
```

```
STC00017 $HASP686 OUTPUT(ASCHINT) OUTGRP=TESTJOB.1.1 RELEASED
```

JES2 releases the held transaction job name of testjob with a transaction job id of a0000014.

```
6 $o jq,jc=*:overnight_print*
```

```
JOB00063 $HASP686 OUTPUT(D15USER1) OUTGRP=1.1.1 RELEASED
JOB00064 $HASP686 OUTPUT(D15USER2) OUTGRP=1.1.1 RELEASED
JOB00065 $HASP686 OUTPUT(D15USER3) OUTGRP=1.1.1 RELEASED
JOB00066 $HASP686 OUTPUT(D15USER4) OUTGRP=1.1.1 RELEASED
```

JES2 releases all held output for batch jobs with a job correlator user portion containing OVERNIGHT\_PRINT.

---

## \$P - Stop JES2 processing

### Function

To stop all system initiators, printers, punches, job transmitters, and SYSOUT transmitters after they complete their current activity.

### Syntax

```
▶▶—$P—▶▶
```

### Authority Required

This command requires **system** authority. The description of the \$T RDRnn command explains how to ensure that the authority of the appropriate MVS system command group is assigned.

This command requires **control** security access authority. For a description of assigning command input authority, see *z/OS JES2 Initialization and Tuning Guide*.

### Processing Considerations

Although JES2 discontinues scheduling of work, it continues to accept new jobs through input devices.

The \$DMEMBER command will tell you if a \$P is in effect.



## Scope

**Single member.** This command will be in effect for this member only.

However, you might want this command to be applied to all members of the MAS (to ensure a consistent environment across the MAS). If so, you can use the MVS ROUTE \*ALL command to issue this command to all active members (if the JES2 command character is the same on all members). See *z/OS MVS System Commands* for more information on using the ROUTE \*ALL command.

## Messages

The \$HASP623 message indicates the member is draining. When all functions are complete, JES2 issues the \$HASP099 message.

## Example

1 \$p

```
$HASP623 MEMBER DRAINING
$HASP099 ALL AVAILABLE FUNCTIONS COMPLETE
```

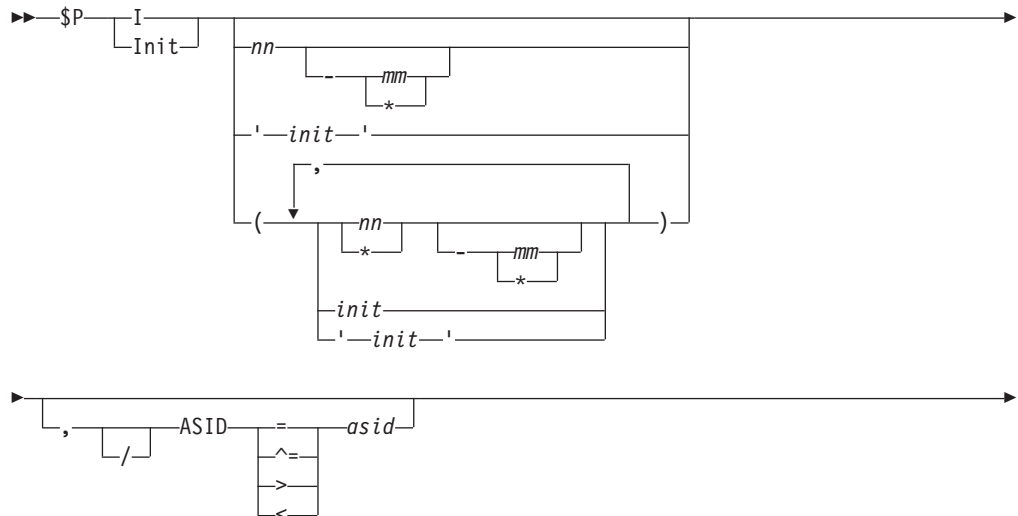
JES2 discontinues scheduling of work and does not start any new functions.

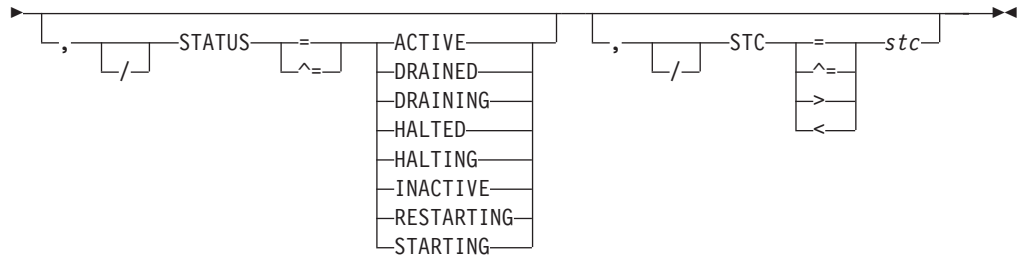
## \$P I[nnmm] - Stop an initiator

### Function

To stop the specified initiators and free associated resources.

### Syntax





## Parameters

### I[nn[-mm]]

Specifies the subscript (1-9999) of the initiator(s) that are stopped after completing their current activity.

#### Note:

1. If you omit the initiator identification (nnmm), JES2 stops all initiators.
2. JES2 commands do not recognize JES2-controlled initiators that are numbered (with subscripts) greater than the PARTNUM= specification on the INITDEF initialization statement.

For information about naming initiators, see *z/OS JES2 Initialization and Tuning Reference*.

### ASID=asid

Specifies the ASID of the initiator to be stopped.

### STATUS[=ACTIVE|DRAINED|DRAINING|HALTED|HALTING|INACTIVE|RESTARTING|STARTING]

Displays information about JES2-managed devices. Displays the current state of the initiator.

Type	Meaning
<b>ACTIVE</b>	A job is active on the initiator.
<b>DRAINED</b>	The initiator is drained.
<b>DRAINING</b>	The initiator is transitioning to a DRAINED state.
<b>HALTED</b>	The initiator has been halted by a \$Z I command.
<b>HALTING</b>	The initiator is transitioning to a HALTED state.
<b>INACTIVE</b>	The initiator has been started but has not selected a job.
<b>RESTARTING</b>	The initiator has terminated abnormally and is in the process of restarting automatically.
<b>STARTING</b>	The initiator has been started but has not fully initialized yet.

### STC=stc

Specifies the job id of the initiator to be stopped.

## Authority Required

This command requires **system** authority. The description of the \$T RDRnn command explains how to ensure that the authority of the appropriate MVS system command group is assigned.

This command requires **control** security access authority. For a description of assigning command input authority, see *z/OS JES2 Initialization and Tuning Guide*.

## Processing Considerations

If JES2 has not received verification of address space creation for the specified initiator, it stops the specified logical initiator; no MVS initiator job is cancelled.

## Scope

**Single member.** The values supplied for this command will be in effect for this member only.

Depending on your installation's setup, however, you might want this command to be applied to all members of the MAS (to ensure a consistent environment across the MAS). If so, you can use the MVS ROUTE \*ALL command to issue this command to all active members (if the JES2 command character is the same on all members). See *z/OS MVS System Commands* for more information on using the ROUTE \*ALL command.

## Messages

The \$HASP395 message indicates the specified initiator is stopped.

## Example

**1** \$p i3-5

```
STC00003 $HASP395 INIT ENDED
STC00004 $HASP395 INIT ENDED
STC00005 $HASP395 INIT ENDED
```

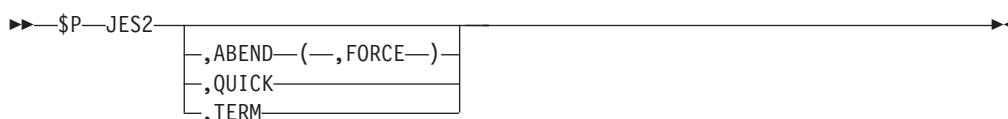
JES2 stops initiators in the EBCDIC range X'404040F3' to X'404040F5'. JES2 stops initiators 3, 4, and 5 after they complete processing their current jobs, and then frees the associated system resources.

## \$P JES2 - Withdraw JES2 from the system

### Function

To withdraw JES2 from the system to which the entering console is attached.

### Syntax



## Parameters

### ABEND

JES2 terminates immediately, with one exception, regardless of any JES2 or system activity. The \$HASP095 message displays the \$PJ2 termination code. The exception occurs if the checkpoint resides on a coupling facility structure and the member is processing a write request. JES2 issues the \$HASP552 message and delays the \$P JES2,ABEND command until the checkpoint write has completed.

**Note:** If \$P JES2, ABEND does not succeed, specify FORCE.

### FORCE

A call is made to the recovery termination manager (RTM) to immediately terminate the JES2 address space. The \$HASP095 message displays the \$PJF termination code.

Use this parameter only if the JES2 main task is not responding to the \$P JES2, ABEND.

If you enter the FORCE parameter without first attempting a \$P JES2,ABEND command, JES2 issues the \$HASP553 message and ignores the command until you try the ABEND option. Specifying the FORCE parameter can cause unpredictable results.

**Note:** The \$PJES2,ABEND,FORCE command *must* be specified as a string of characters. Blanks are not permitted within either the command verb or the individual parameters of the command.

### JES2

JES2 terminates. If \$P JES2 does not successfully remove JES2 from the system, specify ABEND or TERM.

**Note:** If JES2 is processing any jobs, or any devices are active, you cannot remove JES2 from the system unless you specify the ABEND or TERM operand. Started RJE and NJE lines also prevent withdrawal, even if no remotes or NJE nodes are active on those lines. In this case, the JES2 operand is ignored, and the \$PJES2 command merely stops JES2 processing (which can be restarted by \$S) and drains JES2 work from the system. You may display any activity using the \$D A or \$D U commands.

### QUICK

JES2 attempts to withdraw cleanly, regardless of any cross-system activity.

### TERM

JES2 terminates but does not terminate active programs and devices. A JES2 hot start will not be permitted. It is recommended that the JES2 address space be terminated prior to bringing down MVS. The preferred method to do this is by a clean shutdown of JES2 using the \$PJES2 command. If this is not possible, a \$PJES2,TERM should be used.

**Note:** This termination option ensures that track groups are not lost.

## Authority Required

This command requires **system** authority. The description of the \$T RDRnn command explains how to ensure that the authority of the appropriate MVS system command group is assigned.

This command requires **control** security access authority. For a description of assigning command input authority, see *z/OS JES2 Initialization and Tuning Guide*.

### Processing Considerations

- The \$P JES2 command deactivates event tracing with the same results as specifying \$T TRACEDEF,ACTIVE=N.
- After the \$P JES2 command completes its processing, you should issue the HALT EOD command if you are planning to turn the system over for software or hardware maintenance. Issuing the HALT EOD command ensures that important statistics and data records in storage are not permanently lost. Refer to *z/OS MVS System Commands* for further information regarding system action.
- You can return JES2 to the system by issuing an MVS START command which invokes a procedure in SYS1.PROCLIB that contains the JCL necessary to start JES2.
- Since the QUICK keyword ignores cross-system users while deciding whether to end the JES2 program, those applications (cross-system users) can abnormally end.

### Scope

**Single member.** This command will be in effect for this member only.

However, you might want this command to be applied to all members of the MAS (to ensure a consistent environment across the MAS). If so, you can use the MVS ROUTE \*ALL command to issue this command to all active members (if the JES2 command character is the same on all members). See *z/OS MVS System Commands* for more information on using the ROUTE \*ALL command.

### Messages

The \$HASP085 message indicates JES2 termination is complete.

The \$HASP607 message indicates that you have attempted to withdraw from the system before all JES2 functions are down. See *z/OS JES2 Messages* for an explanation of the return codes.

The \$HASP608 message lists the specific reasons why JES2 cannot be withdrawn as a response to a \$DJES2 command or as a response when a \$PJES2 command is rejected.

If the JES2 main task encountered an error, JES2 issues message \$HASP088 to describe the error. Message \$HASP198 (an informational message) lists the termination options and precedes the \$HASP098 message.

The \$HASP098 message requests a termination option.

The \$HASP552 message informs the operator that JES2 is writing to a checkpoint data set; the JES2 member cannot terminate until the checkpoint write has completed.

The \$HASP553 message informs the operator that a \$P JES2,ABEND,FORCE command was entered before attempting a \$P JES2,ABEND command. You must specify the \$P JES2,ABEND command to bring the JES2 member down.

## Examples

**1**

```
$p jes2
      $pjes2
*      *$HASP607 JES2 NOT DORMANT -- MEMBER DRAINING
*      RC=10 ACTIVE ADDRESS SPACES
*      RC=11 ACTIVE NETWORKING DEVICES
      $HASP608 $PJES2
$HASP608 ACTIVE ADDRESS SPACES
$HASP608 ASID      JOBNAME  JOBID
$HASP608 -----
$HASP608 001D      ZFS       STC00003
$HASP608 0022      BPXAS     STC00009
$HASP608 0023      BPXAS     STC00010
$HASP608 0024      BPXAS     STC00011
$HASP608 0025      BPXAS     STC00012
$HASP608 ACTIVE NETWORKING DEVICES
$HASP608 NAME                                           STATUS
$HASP608 -----
$HASP608 LINE15                                         ACTIVE
$HASP608 LINE16                                         ACTIVE
$HASP608 LINE17                                         ACTIVE
$HASP608 LINE25                                         ACTIVE
$HASP608 LINE26                                         ACTIVE
$HASP608 LINE27                                         ACTIVE
$HASP608 LINE28                                         ACTIVE
$HASP608 LINE29                                         ACTIVE
$HASP608 LINE40                                         ACTIVE
$HASP608 LINE41                                         ACTIVE
$HASP608 LINE42                                         ACTIVE
$HASP608 LINE43                                         ACTIVE
$HASP608 LINE44                                         ACTIVE
$HASP608 LINE50                                         ACTIVE
$HASP608 LINE51                                         ACTIVE
$HASP608 LINE55                                         ACTIVE
$HASP608 LINE59                                         ACTIVE
```

JES2 does not terminate because all the JES2 functions are not down. The \$HASP607 and \$HASP608 messages indicate the reasons why command is rejected.

**2**

```
$p jes2
      $pjes2
$HASP608 $PJES2 COMMAND ACCEPTED
$HASP085 JES2 TERMINATION COMPLETE
```

JES2 terminates normally.

**3**

```
      $pjes2,abend
*      *$HASP095 JES2 CATASTROPHIC ERROR.  CODE = $PJ2
      $HASP088 JES2 ABEND ANALYSIS
$HASP088 -----
$HASP088 FMID      = HJE7705      LOAD MODULE = HASJES20
$HASP088 SUBSYS    = JES2 z/OS 1.2
$HASP088 DATE      = 2001.158      TIME      = 11.30.58
$HASP088 DESC      = OPERATOR ISSUED $PJES2, ABEND
$HASP088 MODULE    MODULE      OFFSET SERVICE  ROUTINE      EXIT
$HASP088 NAME      BASE        + OF CALL LEVEL  CALLED        ##
$HASP088 -----
$HASP088 HASPCOMM 00042C00 + 007BC2  NONE      *ERROR $PJ2
$HASP088 PCE      = COMM          (066663E0)
$HASP088 R0       = 0004A4AA      00B5D680  00006F5E  00047170
$HASP088 R4       = 00000000      06666D84  00000004  06666D88
$HASP088 R8       = 0004A4AA      0004E266  00000000  00007000
$HASP088 R12      = 00042C50      066663E0  0662A6E8  000C0AC0
$HASP088 -----
*      *$HASP198 REPLY TO $HASP098 WITH ONE OF THE FOLLOWING:
```

- \* END - STANDARD ABNORMAL END
- \* END,DUMP - END JES2 WITH A DUMP (WITH AN OPTIONAL TITLE)
- \* END,NOHOTSTART - ABBREVIATED ABNORMAL END (HOT-START IS AT RISK)
- \* SNAP - RE-DISPLAY \$HASP088
- \* DUMP - REQUEST SYSTEM DUMP (WITH AN OPTIONAL TITLE)
- \* \*08 \$HASP098 ENTER TERMINATION OPTION

JES2 ends and displays a short dump analysis. Following the analysis, JES2 displays message \$HASP198 with termination options from which to choose; JES2 then issues \$HASP098 and waits for you to enter a termination option.

```
4 $p jes2,abend,force
```

```
$HASP553 $PJES2,ABEND,FORCE COMMAND DENIED. ISSUE THE $PJES2,
ABEND COMMAND FIRST
```

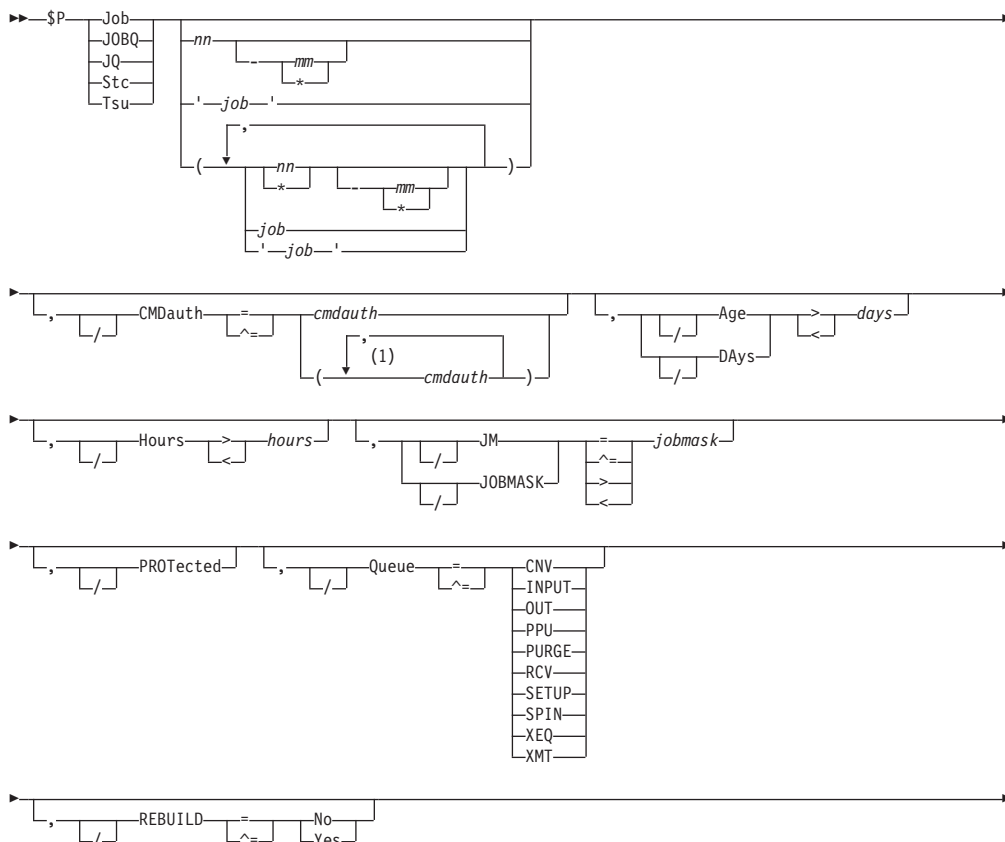
JES2 does not terminate because the FORCE parameter has been entered before attempting the \$P JES2,ABEND command.

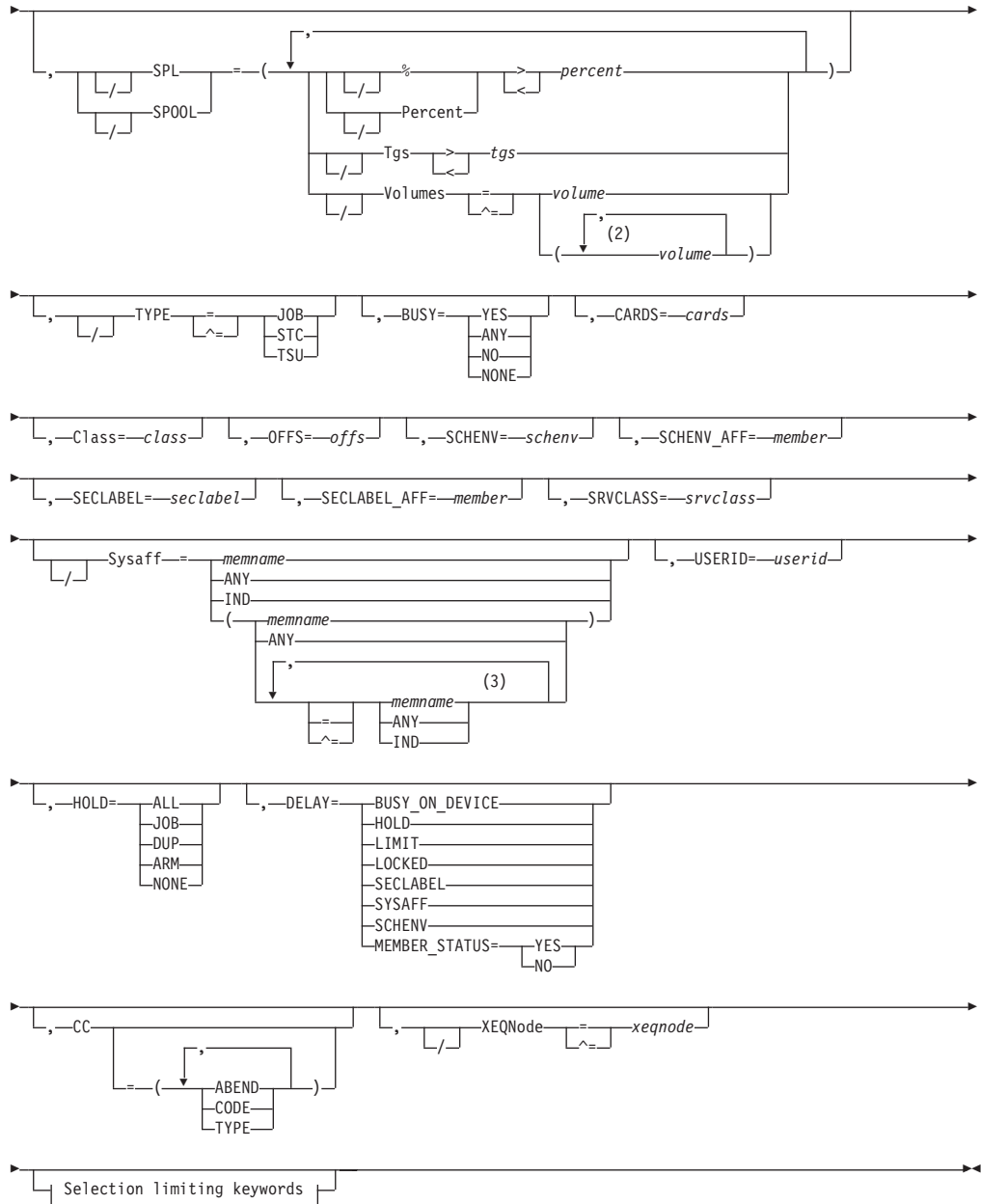
## \$P Job - Purge a job

### Function

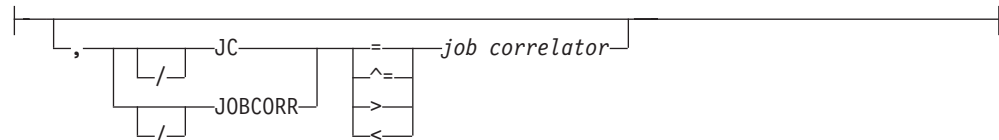
To cancel one or more jobs on the specified queue, including purging the job's output, and removing all traces of it from the system. If the job is active, wait for it to complete its current activity, then purge it from the system.

### Syntax





**Selection limiting keywords:**



**Notes:**

- 1 `cmdauth` can be coded up to 2 times
- 2 `volume` can be coded up to 253 times
- 3 Multiple `Sysaff` values can be coded up to 33 times



## Parameters

### Age|DAys<days | Age|DAys>days

Specifies the age of affected jobs in days. Only jobs more (with DAYS>nn) or less (with DAYS<nn) than the specified number of days in age are affected, The days are counted from the current hour.

### BUSY=

Specifies one of the following:

- The system name or number on which the job is busy. Note that you can specify a value of 0 to indicate the job is not busy. You can also specify values above 32 to match systems with invalid values in the BUSY value (for example, \$PJOBQ,BUSY>32)
- YES or ANY, indicating that all busy jobs are to match
- NO or NONE, indicating that all non-busy jobs are to match

### CARDS=cards

Specifies the number of input cards associated with the job.

### CC=(ABEND|ABENDED|CANce11ed|CNVT\_abend|CODE|COMPLeted|ENDEd\_by\_cc|EOM\_failure|JCLerror|SECurity\_failure|TYPE)

Specifies the completion information associated with the job.

#### ABENDED

Specifies only jobs which have abnormally ended.

#### ABEND

Specifies the ABEND code associated with the job's termination.

#### CANce11ed

Specifies only jobs which were cancelled by the operator.

#### CNVT\_abend

Specifies only jobs which have abnormally ended during the conversion phase.

#### CODE

Specifies the last (or highest) completion code of steps in the job.

#### COMPLeted

Specifies only jobs which completed.

#### ENDEd\_by\_cc

Specifies only jobs which were ended by a step completion code.

#### EOM\_failure

Specifies only jobs which failed in end-of-memory processing.

#### JCLerror

Specifies jobs which did not execute due to a JCL error.

#### SECurity\_failure

Specifies jobs which failed security validation.

### Class=class

Specifies a job class used to select a subset of jobs that have a matching job class. Wildcard characters can also be specified: see "Using wildcards" on page 108 for details.

### CMDauth=cmdauth

Only the jobs that can be affected from the specified remote(s) or node(s) will be released. The valid specifications are:

**LOCAL|ANYLOCAL**

Only the local devices at the local node can affect the output.

**Nnnnn|nodename**

Only local devices at the specified node can affect the output.

**Rnnnn**

Only the specified remote device can affect the output.

**NnnnnRnnnn|nodename.Rnnnn**

Only the specified remote device at the specified remote node can affect the output.

**destid**

A destid corresponding to any of the above remote devices.

**Note:** Specification of the CMDAUTH filter does not override the authority of the console from which the command is issued; both the authority of the console and the specified CMDAUTH filter must match for the job to be affected.

**DELAY={BUSY\_ON\_HOLD|HOLD|LIMIT|LOCKED|  
No|QUEUE\_ERROR|SCHENV|SECLABEL|SPOOLS\_NOT\_AVAILABLE|SYSAFF|  
MEMBER\_STATUS|Yes}**

Specifies reasons why a pre-execution job does not enter execution:

**BUSY\_ON\_DEVICE**

The job does not execute because it is busy on a device (such as an offload job transmitter).

**HOLD**

The job does not execute because it is held, its job class is held, or another job with the same jobname is executing.

**LIMIT**

The job does not execute because the job class execution limit has been reached (as specified by JOBCLASS XEQCOUNT=(MAX=)).

**LOCKED**

The job does not execute because it's being updated by JES2.

**SECLABEL**

The security label (SECLABEL) assigned to the job is not defined as active on any member that is active.

**SYSAFF**

Each of the members for which the job has affinity (SYSAFF) is inactive, or the job has specified independent state, and the JES2 member is not independent (IND=NO).

**SCHENV**

The job's scheduling environment is not available on any member, or is available only on systems where JES2 is inactive. Use the \$DJ'jobname',LONG command to find out what scheduling environment a job requires. Then use the D WLM,SCHENV=schenv-name command to find out the current status of the scheduling environment on each system in the sysplex.

The SCHENV state masks other reasons why the job might be ineligible to run, such as the \$P and \$P XEQ commands having been issued. Also, note that the SCHENV delay is detected only after a job goes through

conversion. If a job is delayed prior to conversion because of system affinity requirements, scheduling environments are not considered in determining delay status.

**MEMBER\_STATUS**

A combination of system affinity, scheduling environment and SECLABEL restrictions is preventing the job from running or other member events prevent the job from running on systems where the job is otherwise eligible. These events on other members include the following:

- \$P command has been issued
- \$P XEQ command has been issued
- BOSS=NO (used in a poly-JES environment only)

When used as a command filter, the string MEMBER\_STATUS matches on jobs delayed for SYSAFF, SCHENV, SECLABEL, or MEMBER\_STATUS. To get detail on why a job is delayed, display job status with the \$DJ'jobname',LONG command or display member status with the \$DJMEMBER(member-name) command.

**Yes**

Display only jobs which are delayed for any of the above reasons.

**No**

Display only jobs which are not delayed for any of the above reasons.

**H|Hours=hours**

Specifies the age of affected jobs in hours. Only jobs more (with HOURS>nn) or less (with HOURS<nn) than the specified number of hours in age are affected.

**HOLD**

Specifies the hold status of the job.

**ALL**

Specifies jobs held by the \$H A command.

**JOB**

Specifies jobs held by the \$H J command, TYPRUN=HOLD, TYPRUN=JCLHOLD, or held due to error.

**DUP**

Specifies jobs held for duplicate job name.

**ARM**

Specifies jobs which are held awaiting restart through ARM.

**NONE**

Specifies jobs which are not held.

**JC|JOBCORR=job correlator**

Specifies a combination of 1-64 alphanumeric, special (colon, period or underscore) and wildcard characters that can be used to select a subset of jobs that have a matching job correlator. For a description of wildcard characters, refer to "Using wildcards" on page 108.

**JM|JOBMASK=jobmask**

Specifies 1 to 8 alphanumeric, special (\$, #, or @) or wildcard characters (or a combination of them) that can be used to select a subset of jobs whose job name matches this combination of characters (mask). For a description of wild cards, see "Using wildcards" on page 108.

**Note:**

## \$P Job

1. This is a positional parameter. Specify this following the job\_id (JOB, STC, or TSU) or JOBQ parameter.
2. The JOBMASK parameter is not valid with the 'jobname' parameter.

### **job**

Specifies 1 to 8 alphanumeric, special (\$, #, or @) or wildcard characters (or a combination of them) that can be used to select a subset of jobs whose job name matches this combination of characters (mask).

### **'job'**

The name of the job that is cancelled. This name must appear as coded on the JOB statement and must be enclosed in apostrophes. If more than one job exists with this name, no action is taken.

### **Job**

A batch job or range of batch jobs is to be cancelled.

### **JOBQ|JQ**

Specifies *all* jobs, STCs, and TSUs across the MAS for processing.

### **OFFS=offs**

Specifies offload device numbers on which the job has been archived.

### **PROTECTED**

Indicates that **all** specified output groups, including output groups that have been specified 'protected', should be purged. The 'protected' attribute is assigned to programs running in a transactional environment such as APPC or OMVS, where the transaction output is associated with the initiators like ASCHINIT or BPXAS. The 'protected' attribute can also be assigned to jobs by JES2 installation exits. APPC output is always protected.

**Note:** Since the OUTGRP= parameter identifies the output to be cancelled, you do not need to specify PROTECTED with this operand, even for output that is protected.

### **Queue={CNV|INPUT|OUT|PPU|PURGE|RCV| SETUP|SPIN|XEQ|XMT}**

Only jobs on the specified job queue are to be purged.

#### **CNV**

Only jobs awaiting conversion are to be cancelled.

#### **INPUT**

Only jobs on the JES2 \$INPUT queue are to be cancelled.

#### **OUT**

Only jobs awaiting output processing are to be cancelled.

#### **PPU**

Only jobs awaiting print/punch processing are to be cancelled.

#### **PURGE**

Only jobs awaiting purge processing are to be cancelled.

#### **RCV**

Only jobs on the JES2 \$RECEIVE queue are to be cancelled.

#### **SETUP**

Only jobs on the JES2 \$SETUP queue are to be cancelled.

#### **SPIN**

Only jobs awaiting spin processing are to be cancelled.

#### **XEQ**

Only jobs awaiting execution are to be cancelled.

**XMT**

Only jobs queued for network transmission are to be cancelled.

**REBUILD={No|Yes}**

Jobs on the rebuild queue are to be cancelled (Yes) or not cancelled (No).

**SCHENV=schenv**

Specifies the scheduling environment associated with the job.

**SCHENV\_AFF=member**

Specifies the JES2 MAS members on which the scheduling environment for this job is available.

**SECLABEL\_AFF=member**

Specifies the JES2 MAS members on which the SECLABEL for this job is available but only if the RACF SECLABEL\_BY\_SYS is also active.

**SECLABEL=seclabel**

Specifies the security label associated with the job.

**SPL|SPOOL={Percent|%|Tgs|Volumes}**

Only jobs with specific SPOOL characteristics are to be cancelled:

**Percent|%**

Only jobs using more (with %>nn) or less (with %<nn) than the specified percentage of the total available spool space are to be cancelled.

**Tgs**

Only jobs using more (with Tgs>nn) or less (with Tgs<nn) than the specified number of track groups are to be cancelled.

**Volumes=(v1,v2,...)**

Only jobs which have allocated spool space on the specified spool volume(s) are to be cancelled.

**SRVCLASS=srvclass**

Specifies the service class of the job. The service class is available for batch jobs only. It is not available for started tasks or time-sharing users. The default workload manager (WLM) policy assigns a service class of blanks to all jobs, and WLM-managed initiators can then select such jobs for processing.

**Stc**

A started task or range of started tasks is to be cancelled.

**Sysaff**

Specifies jobs to process based on this system affinity. Up to 33 entries can be coded by using a combination of the following values:

**memname**

Specifies the identifier (1 to 4 alphanumeric characters) of a member in the JES2 multi-access spool configuration that a job has in its system affinity list.

**ANY** Specifies jobs that are eligible to run on any member in the JES2 multi-access spool configuration. If you specify ANY followed by the IND parameter, they must be separated by a comma and the list must be enclosed in parentheses, for example, (ANY,IND).

**IND** Specifies the job that is selected and must be executed on a processor operating in independent mode.

**Tsu**

A time-sharing user or range of time-sharing users is to be cancelled.

## \$P Job

### TYPE={JOB|STC|TSU}

Indicates whether only batch jobs (JOB), started tasks (STC), or time-sharing users (TSU) are to be cancelled.

### USERID=userid

Specifies the userid associated with the job.

### XEQNode=xeqnode

Only jobs which are destined to execute at the specified node, or which have already executed at the specified node, are to be cancelled. The node name may be specified using the decimal node number (Nnnnnn) or an EBCDIC node name.

## Related Commands

To purge a job's output data set, see the \$PO Job command.

## Authority Required

This command requires **job** authority. The description of the \$T RDRnn command explains how to ensure that the authority of the appropriate MVS system command group is assigned.

This command requires **update** security access authority. For a description of assigning command input authority, see *z/OS JES2 Initialization and Tuning Guide*.

## Scope

**MAS-wide.** This command has an effect across the entire MAS.

## Messages

The \$HASP890 message displays the jobs that are to be deleted.

If all output has been purged for a specified job, JES2 issues the \$HASP250 message to indicate that the job has been purged.

## Examples

**1** \$p j'myjob'

```
JOB00002 $HASP890 JOB(MYJOB)
$HASP890 JOB(MYJOB)      STATUS=(AWAITING EXECUTION),CLASS=A,
$HASP890                  PRIORITY=9,SYSAFF=(IBM1),HOLD=(NONE),
$HASP890                  PURGE=YES
```

Job MYJOB is purged from the system.

**2** \$p jobq,q=ppu,days>2

```
JOB00002 $HASP890 JOB(MYJOB)
$HASP890 JOB(MYJOB)      STATUS=(AWAITING HARDCOPY),CLASS=A,
$HASP890                  PRIORITY=1,SYSAFF=(IBM1),HOLD=(NONE),
$HASP890                  PURGE=YES
TSU00065 $HASP890 JOB(D96CLW1A)
$HASP890 JOB(D96CLW1A)  STATUS=(AWAITING HARDCOPY),CLASS=A,
$HASP890                  PRIORITY=1,SYSAFF=(IBM1),HOLD=(NONE),
$HASP890                  PURGE=YES
```

All batch jobs, STCs, and TSUs awaiting print that are more than two days old are purged from the system.

**3** \$pj9,age<1

```
JOB00009 $HASP890 JOB(IE)
$HASP890 JOB(IE) STATUS=(AWAITING PURGE),CLASS=A,
$HASP890 PRIORITY=1,SYSAFF=(ANY),HOLD=(NONE),
$HASP890 PURGE=YES
JOB00009 $HASP250 IE PURGED -- (JOB KEY WAS B3FB7D66)
```

JES2 purges job 9 if age is less than one day.

**4** \$pj9-25,/days>1

```
$HASP003 RC=(52),
$HASP003 RC=(52),J9-25 - NO SELECTABLE ENTRIES FOUND MATCHING
$HASP003 SPECIFICATION
```

JES2 purges jobs 9 through 25 if age is greater than 1 day.

**5** \$pj(\*),jc=:inventory,age>200

```
JOB00141 $HASP890 JOB(INVJOB01) C
$HASP890 JOB(INVJOB01) STATUS=(AWAITING PURGE),CLASS=A,
$HASP890 PRIORITY=1,SYSAFF=(ANY),HOLD=(NONE),
$HASP890 PURGE=YES
JOB00142 $HASP890 JOB(INVJOB02) C
$HASP890 JOB(INVJOB02) STATUS=(AWAITING PURGE),CLASS=A,
$HASP890 PRIORITY=1,SYSAFF=(ANY),HOLD=(NONE),
$HASP890 PURGE=YES
JOB00143 $HASP890 JOB(INVJOB03) C
$HASP890 JOB(INVJOB03) STATUS=(AWAITING PURGE),CLASS=A,
$HASP890 PRIORITY=1,SYSAFF=(ANY),HOLD=(NONE),
$HASP890 PURGE=YES
JOB00144 $HASP890 JOB(INVJOB04) C
$HASP890 JOB(INVJOB04) STATUS=(AWAITING PURGE),CLASS=A,
$HASP890 PRIORITY=1,SYSAFF=(ANY),HOLD=(NONE),
$HASP890 PURGE=YES
JOB00143 $HASP250 INVJOB03 PURGED -- (JOB KEY WAS C88BDD25)
JOB00142 $HASP250 INVJOB02 PURGED -- (JOB KEY WAS C88BDD24)
JOB00141 $HASP250 INVJOB01 PURGED -- (JOB KEY WAS C88BDD23)
JOB00144 $HASP250 INVJOB04 PURGED -- (JOB KEY WAS C88BDD26)
```

JES2 purges any batch job with an age greater than 200 days and a job correlator user portion is the value INVENTORY.

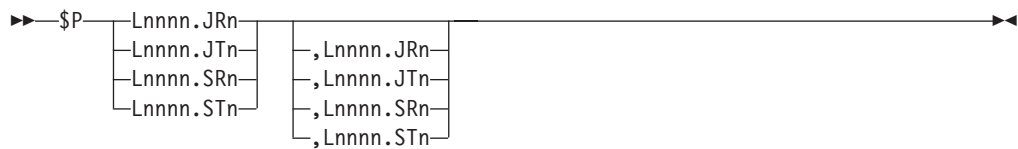
---

## \$P Lnnnn.xxn - Stop an NJE device

### Function

To stop the specified NJE transmitting or receiving devices after they complete their current work. If a receiver (JR or SR) is drained and the transmitter (JT or ST) device on the other side of the NJE connection tries to send a permission to allocate stream, such as sending work across the line, it will be rejected by the receiving side because the receiving device is drained. This rejection causes the transmitter device to drain. You must ensure that both the receiver and transmitter are restarted (\$S) for work to begin transmitting again.

## Syntax



## Parameters

### Lnnnn.JRn

The job receiver on line nnnn that is stopped.

### Lnnnn.JTn

The job transmitter on line nnnn that is stopped.

### Lnnnn.SRn

The SYSOUT receiver on line nnnn that is stopped.

### Lnnnn.STn

The SYSOUT transmitter on line nnnn that is stopped.

## Authority Required

This command requires **device** authority. The description of the \$T RDRnn command explains how to ensure that the authority of the appropriate MVS system command group is assigned.

This command requires **control** security access authority. For a description of assigning command input authority, see *z/OS JES2 Initialization and Tuning Guide*.

## Scope

**Single member.** This command will be in effect for this member only. There is no need to have this command issued to all members of the MAS.

## Messages

The \$HASP000 message indicates the command was accepted.

Upon completion, the \$HASP097 message indicates that the device is drained.

## Example

```
❶ $p 13.sr1,15.jt2
```

```
$HASP000 OK  
$HASP097 SR1 IS DRAINED  
$HASP097 JT2 IS DRAINED
```

JES2 stops SYSOUT receiver 1 on line 3 and job transmitter 2 on line 5 after they complete their current activity.

---

## \$P LINE(nnnnn) - Stop a line

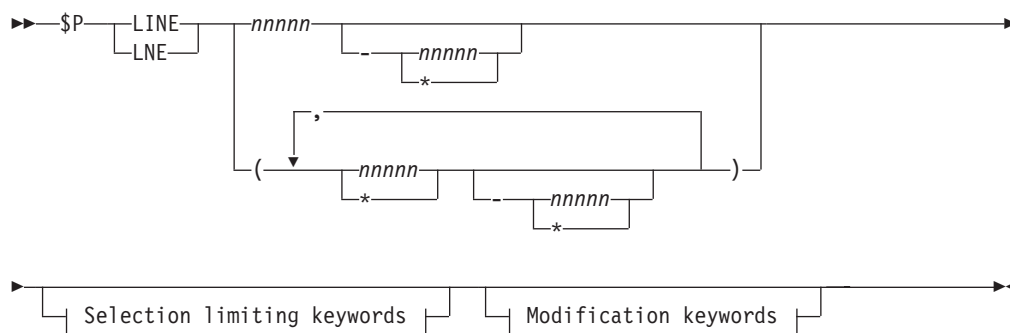
### Function

To stop the RJE or NJE line after it completes its current activity. When the \$P is issued on a line, depending on where the work is in the NJE transmission, the \$P

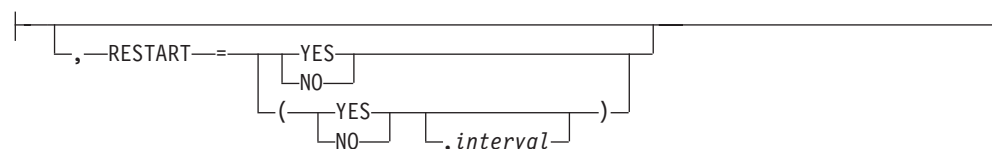


can cause the job to be put into HELD. You must release the job using the \$A command.

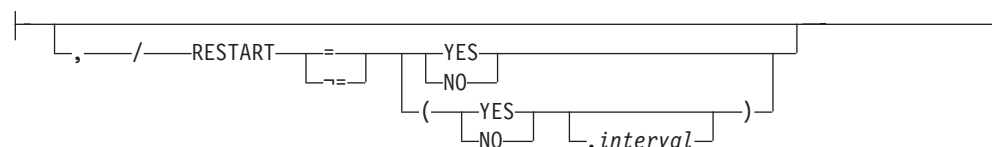
### Syntax



### Modification keywords:



### Selection limiting keywords:



### Parameters

#### nnnnn

Specifies the subscript that defines the stopped RJE or NJE lines. The subscript can specify a specific value or a range of values. For information about entering a range of values for this subscript, see "Command syntax conventions" on page 97.

#### RESTART=(Yes|No, interval)

Specifies whether this line will be restarted if it is drained. The *interval* is the approximate time (in minutes) between attempted restarts. The valid range for *interval* is 0 to 1440. An *interval* value of 0 indicates that the default interval (from NJEDEF CONNECT=) is used.

### Authority Required

This command requires **device** authority. The description of the \$T RDRnn command explains how to ensure that the authority of the appropriate MVS system command group is assigned.

This command requires **control** security access authority. For a description of assigning command input authority, see *z/OS JES2 Initialization and Tuning Guide*.

## \$P LINE(nnnn)

### Scope

**Single member.** This command will be in effect for this member only. There is no need to have this command issued to all members of the MAS.

### Messages

The \$HASP880 message displays the current status of the specified lines.

### Examples

**1** \$p line(2-\*)

```
$HASP880 LINE2      UNIT=0023,STATUS=DRAINED
$HASP880 LINE3      UNIT=0024,STATUS=DRAINED
$HASP880 LINE4      UNIT=0025,STATUS=DRAINED
$HASP880 LINE5      UNIT=0026,STATUS=DRAINED
$HASP880 LINE6      UNIT=0027,STATUS=DRAINED
$HASP880 LINE7      UNIT=0021,STATUS=DRAINED
$HASP880 LINE8      UNIT=0020,STATUS=DRAINED/RMT5
.                   .                   .
.                   .                   .
.                   .                   .
$HASP880 LINE24     UNIT=0C45,STATUS=DRAINED
```

JES2 stops all defined lines that are numbered 2 and higher after they complete their current activity.

**2** \$pline15,restart=no

```
$HASP880 LINE15     UNIT=SNA,STATUS=DRAINING,DISCON=NO
```

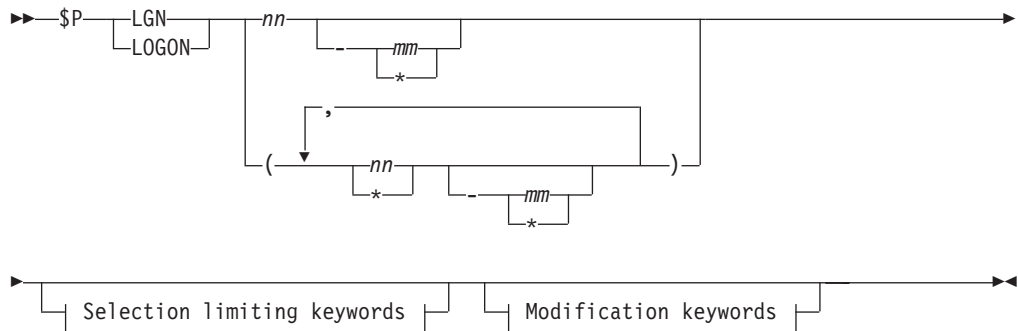
---

## \$P LOGON(nnnn) - Stop the JES2/VTAM interface

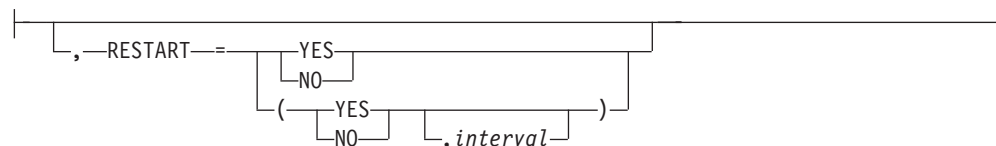
### Function

To stop the logon after current activity completes.

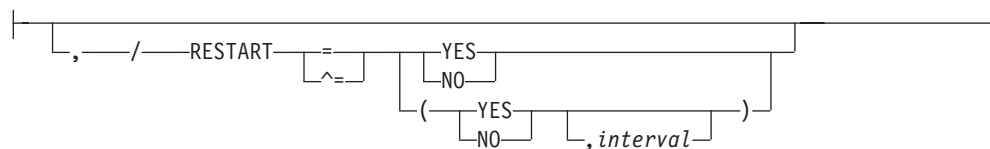
### Syntax



### Modification keywords:



**Selection limiting keywords:**



**Parameters**

**(nn|mm|\*)**

The subscript that defines the stopped JES2/VTAM interfaces. You can specify a single interface using the value of *n* on the LOGON(*n*) initialization statement that defines the interface. The subscript can also specify a range of values.

**RESTART=(Yes|No, interval)**

Specifies whether this logon will be restarted if it is drained. The *interval* is the time (in minutes) between attempted restarts. The valid range for *interval* is 0 to 1440. An *interval* value of 0 indicates that the default interval (from NJEDEF CONNECT=) is used.

**Authority Required**

This command requires **system** authority. The description of the \$T RDRnn command explains how to ensure that the authority of the appropriate MVS system command group is assigned.

This command requires **control** security access authority. For a description of assigning command input authority, see *z/OS JES2 Initialization and Tuning Guide*.

**Processing Considerations**

Sessions that are already established on this interface are allowed to finish normally.

**Scope**

**Single member.** This command will be in effect for this member only. There is no need to have this command issued to all members of the MAS.

**Messages**

The \$HASP881 message displays the current status of the specified LOGONs.

**Examples**

**1** \$p logon1

\$HASP881 LOGON1 APPLID=JESA,STATUS=DRAINED

JES2 stops the JES2/VTAM interface identified by LOGON1.

**1** \$plogon1, restart=no

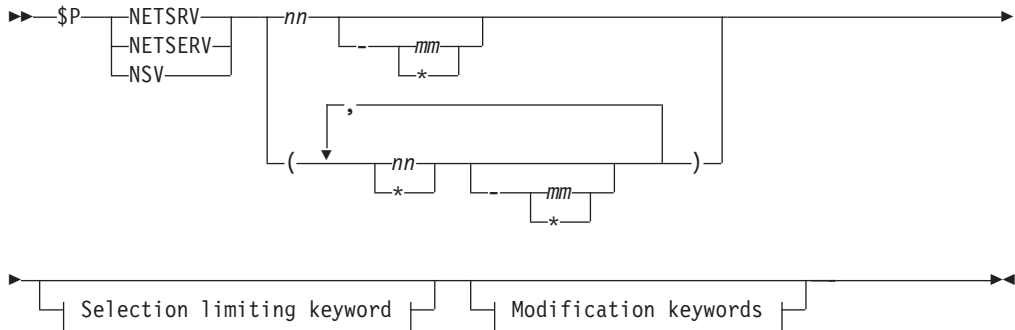
\$HASP881 LOGON1 APPLID=JESA,STATUS=DRAINING

## \$P NETSRV(nnnnn) - Stop a network server

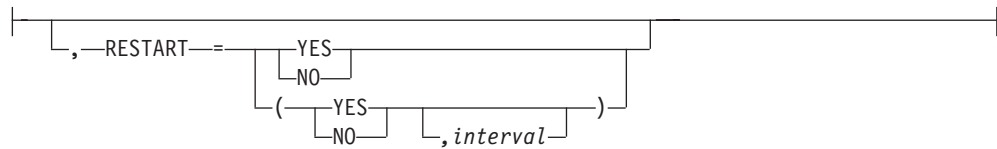
### Function

To Stop the JES2 specified NETSERV interface. As a result, JES2 rejects all new connections from TCPIP. The NETSERV will not terminate until all active connections using this NETSERV terminate.

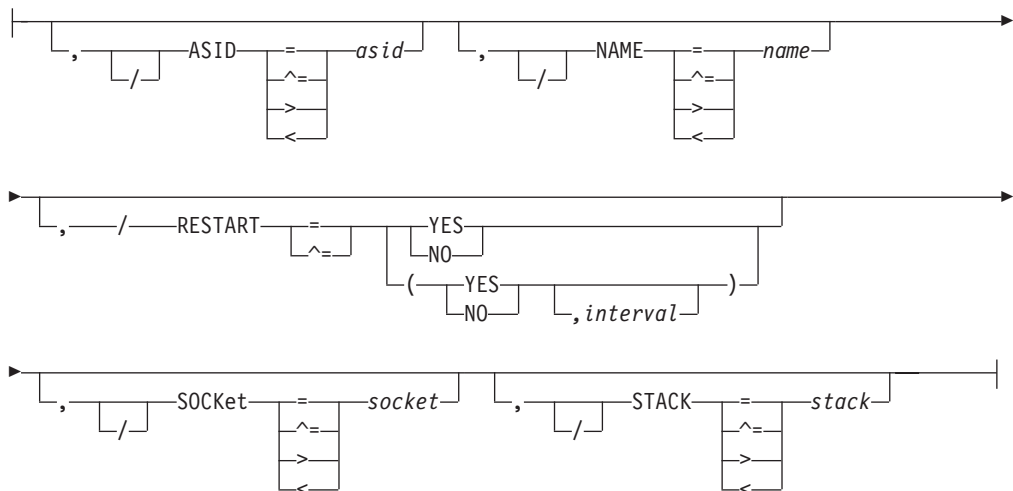
### Syntax



### Modification keywords:



### Selection limiting keyword:



### Parameters

**(nn) | (nn-mm)**

A single or range of numeric values between 1 to 999.

**RESTART=(Yes|No, interval)**

Specifies whether this NETSRV will be restarted if it is drained. The *interval* is

the time (in minutes) between attempted restarts. The valid range for *interval* is 0 to 1440. An *interval* value of 0 indicates that the default interval (from NJEDEF CONNECT=) is used.

**SOCKET=socket (Selection limiting keyword)**

Specifies the name of a local socket which the NETSRV should listen upon.

**STACK=stack (Selection limiting keyword)**

Filters based on the name of the TCP/IP stack to be used by this server.

**ASID=asid (Selection limiting keyword)**

Specifies the hexadecimal address space id associated with the active NETSRV. asid is 1 to 4 hexadecimal digits.

**NAME=name (Selection limiting keyword)**

Specifies the address space name associated with the active NETSRV. The address space name is the subsystem name followed by the character 'S' followed by the 3–digit device number, for example, JES2S001.

**Authority Required**

This command requires **system** authority. The description of the \$T RDRnn command explains how to ensure that the authority of the appropriate MVS system command group is assigned.

This command requires **control** security access authority. For a description of assigning command input authority, see *z/OS JES2 Initialization and Tuning Guide*.

**Scope**

**Single system.** The values supplied for this command will be in effect for this member only.

**Messages**

\$HASP898

**Examples****1** \$pnetsrv(2)

```
$HASP898 NETSRV2 STATUS=DRAINING,ASID=0027,NAME=JES2S002
$HASP898          SOCKET=S2,STACK=
```

**2** \$pnetsrv1, restart=no

```
$HASP898 NETSRV1
$HASP898 NETSRV1 STATUS=DRAINING,ASID=0029,NAME=JESAS001,
$HASP898          SOCKET=LOCAL,STACK=
```

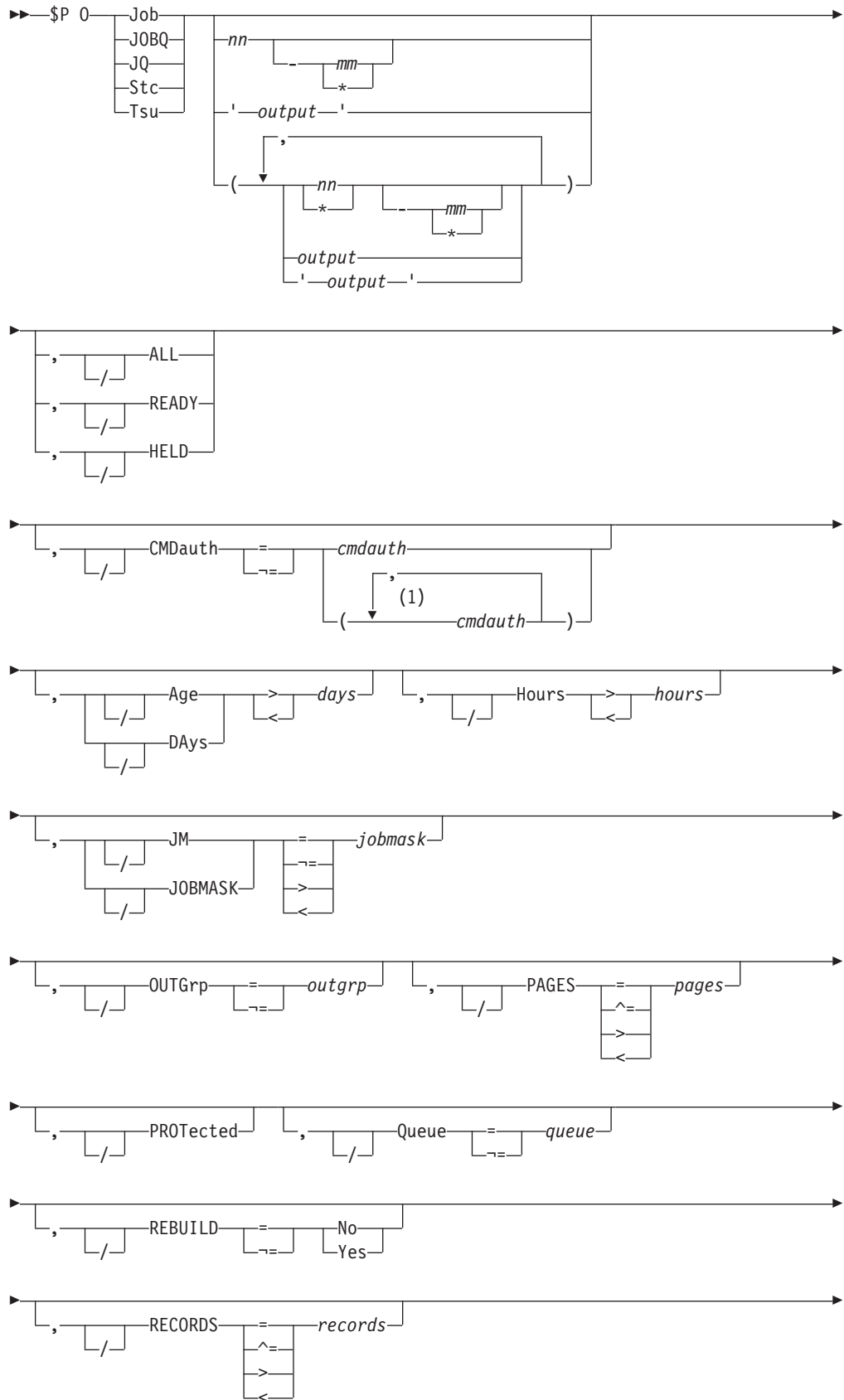
---

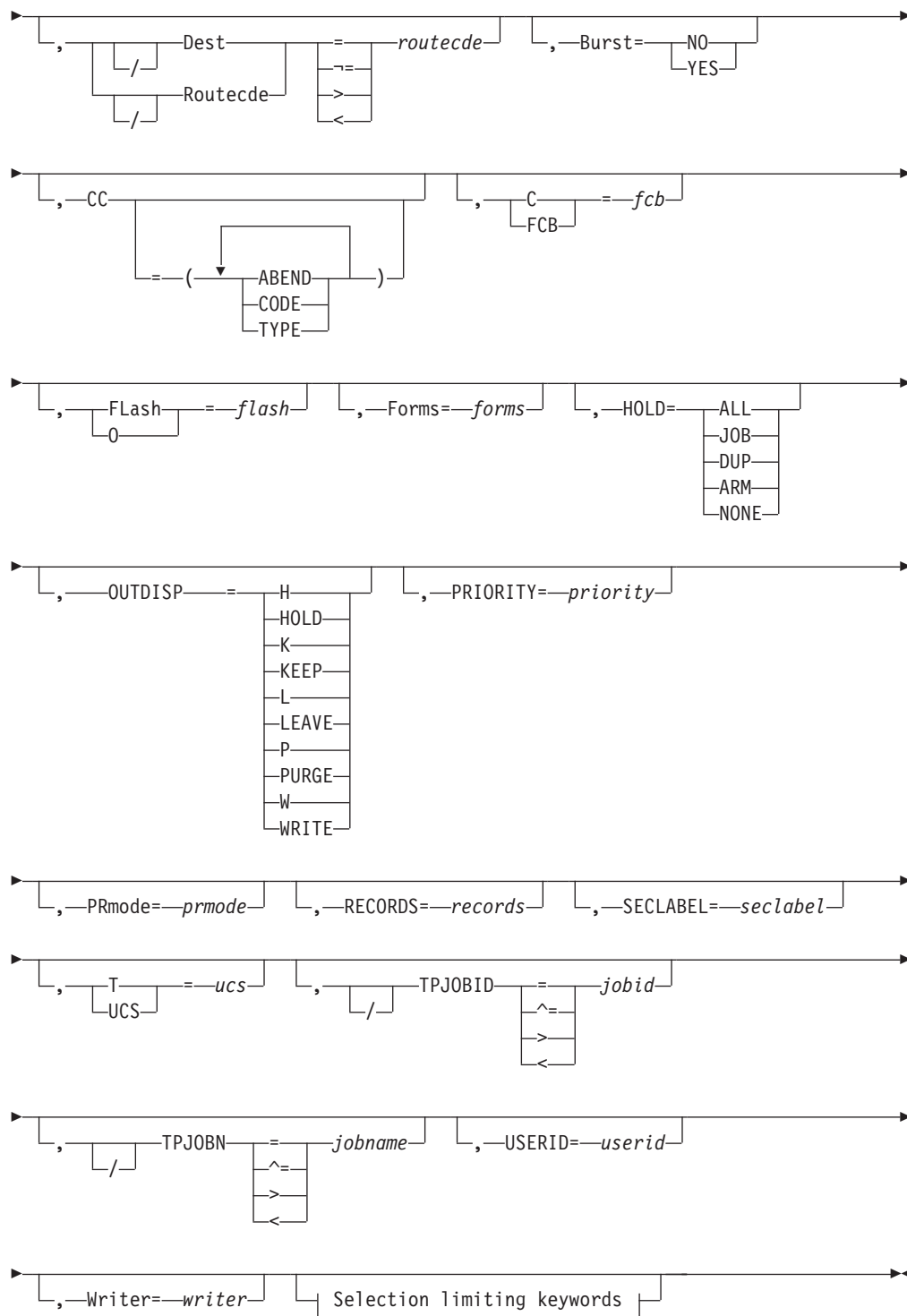
**\$P O Job - Purge a job's output****Function**

To cancel a job's output and remove all traces of the output from the system.

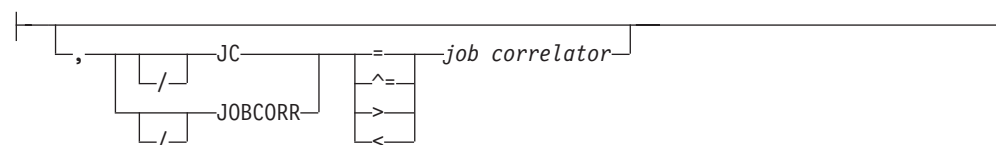
**Syntax**

# \$P O Job





**Selection limiting keywords:**



**Notes:**

1 *cmdauth* can be coded up to 2 times

**Parameters**

**Age|DAys<days | Age|DAys>days**

Specifies the age of affected output in days. Only output more (with DAYS>nn) or less (with DAYS<nn) than the specified number of days in age are affected, The days are counted from the current hour.

**ALL**

JES2 cancels the specified job's output elements based on the presence of filters as follows:

ALL specified?	Filters?	Meaning
YES	YES	Command is rejected
YES	NO	Command applies to all job output elements belonging to the specified job
NO	YES	ALL is not considered
NO	NO	Command applies to all job output elements belonging to the specified job

**Burst={No|Yes}**

Specifies whether the printed output is to be burst into separate sheets (Yes) or to be in continuous, fanfold mode (No).

**CC=(ABEND|ABENDED|CANce11ed|CNVT\_abend|CODE|COMPLeted|ENDED\_by\_cc|EOM\_failure|JCLerror|SECurity\_failure|TYPE)**

Displays the completion information associated with the job.

**ABENDED**

Display only jobs which have abnormally ended.

**ABEND**

Displays the ABEND code associated with the job's termination.

**CANce11ed**

Display only jobs which were cancelled by the operator.

**CNVT\_abend**

Display only jobs which have abnormally ended during the conversion phase.

**CODE**

Displays the last (or highest) completion code of steps in the job.

**COMPLeted**

Display only jobs which completed.

**ENDED\_by\_cc**

Display only jobs which were ended by a step completion code.

**EOM\_failure**

Display only jobs which failed in end-of-memory processing.

**JCLerror**

Display jobs which did not execute due to a JCL error.

**SECurity\_failure**

Display jobs which failed security validation.



**C|FCB=fc**

A 1 to 4 alphanumeric character or special character (\$ # @) identifier for the data set forms control or carriage specifications.

**CMDauth=(auth1{,auth2})**

Only the output that can be affected from the specified remote(s) or node(s) will be purged. The valid specifications are:

**LOCAL|ANYLOCAL**

Only the local devices at the local node can affect the output.

**Nnnnn|nodename**

Only local devices at the specified node can affect the output.

**Rnnnn**

Only the specified remote device can affect the output.

**NnnnnRnnnn|nodename.Rnnnn**

Only the specified remote device at the specified remote node can affect the output.

**destid**

A destid corresponding to any of the above remote devices.

**Note:** Specification of the CMDAUTH filter does not override the authority of the console from which the command is issued; both the authority of the console and the specified CMDAUTH filter must match for the job to be affected.

**Dest|Routeede=routeede**

Only those data sets that are to be routed to the specified destination are cancelled. If more than one R= operand is specified, the last one entered is used. For routing specification requirements, see "Route codes" on page 107.

A variety of filters can be used to select a range of routeedes. For example, R>R1, R<=R10. You can also specify wild cards on this parameter. See "Using wildcards" on page 108.

If this command originates from another node in the network and the R= operand does not specify a node (first-level destination), the receiving node defaults the first-level destination to the node where the command originated.

If this command is sent to another node in the network using the \$N command, be aware that the receiving node will default the node (first-level destination) of the R= operand to the sending node. If another node is desired, specify a destination on the R= operand that will resolve to the desired node (first-level destination) at the receiving node.

**Note:**

1. NODENAME=REQUIRED on the DESTDEF initialization statement will cause JES2 to require that a userid be prefixed with a node name.
2. Greater than (> or >=) and less than (< or <=) filters may be used in conjunction to support route code ranges. For example, you could specify the filters R>=R1,R<=R7 to affect output for all remotes in the range R1 to R7, Note that:
  - The destination being filtered upon is converted to its binary equivalent prior to the comparison.
  - Open-ended ranges (for example, a > filter without a < filter, or a < filter without a > filter) are not allowed.

- When using nodal ranges, a specification of "nodename.\*" must be used. Only the nodal routing of the output will be compared.

The valid specifications are:

**LOCAL|ANYLOCAL**

Indicates that jobs are to be run at the local node.

**Nnnnn|nodename**

Indicates that jobs are to be run at the specified node(s). You can specify a node using the decimal node identifier or an EBCDIC nodename.

**destid** Indicates that jobs are to be run at the specified node(s). You can specify this location by an alias for the name of a node. If destid is specified alone, it refers to both the node and the remote.

**NnnnnRmmmm|node.remote|node.userid**

Indicates routing to the remote Rmmmm at the node Nnnnn. Rmmmm can also be specified as RMmmmm or RMTmmmm.

**Ummmm**

Indicates special local routing.

**node.destid**

Indicates a destination at the specified node. The destid refers to both the node and the remote. The node specified in the destid must be the same as the node portion of the route code. If the number of the remote is reassigned, you can use the destid to send to this node.

**remote**

Indicates routing to a remote. Remote can be specified in any of the following ways:

**LOCAL|ANYLOCAL**

Indicates that jobs are to be run at the local node.

**Rmmmm**

Indicates routing to the specified remote. Rmmmm can also be specified as RMmmmm or RMTmmmm.

**destid** Indicates routing to a destid referring to a remote.

**userid** Indicates routing to a valid TSO userid. If the userid ends in \*, this route code refers to all userids beginning with the characters that precede the \*.

**Note:** Exercise caution when specifying non-local userids that end with \*. For example, if you specify NODE2.FRED\*, it will cause all output with current route codes NODE2.FREDDY as well as NODE2.FRED\* to be purged.

\* Indicates all output for the local node, including special local, userid, and a remote workstation on the local node.

**node.\*** Displays output for all userids at the local node.

**node.\*-node.\***

**FLASH|0=f1ash**

A 1 to 4 alphanumeric or special character (\$ # @) overlay name (FLASH).

**Forms=forms**

A 1 to 8 alphanumeric or special character (\$ # @) identifier for the print or punch forms.

**HELD**

Output is HELD if it is destined for this node and the output disposition is HOLD or LEAVE.

**H|Hours>hours | H|Hours<hours**

Specifies the age of affected output in hours. Only output more (with HOURS>nn) or less (with HOURS<nn) than the specified number of hours in age are affected.

**HOLD**

Displays the hold status of the job.

**ALL**

Display jobs held by the \$H A command.

**JOB**

Display jobs held by the \$H J command, TYPRUN=HOLD, TYPRUN=JCLHOLD, or held due to error.

**DUP**

Display jobs held for duplicate job name.

**ARM**

Display jobs which are held awaiting restart through ARM.

**NONE**

Display jobs which are not held.

**HOLDRC**

Only output groups with the specified system hold reason code are to be purged (when HOLD=SYS).

**JC|JOB CORR=job correlator**

Specifies a combination of 1-64 alphanumeric, special (colon, period or underscore) and wildcard characters that can be used to select a subset of jobs that have a matching job correlator. For a description of wildcard characters, refer to "Using wildcards" on page 108.

**JM|JOB MASK=jobmask**

Specifies 1- to 8-alphanumeric, special (\$, #, or @) or wildcard characters (or a combination of them) that can be used to select a subset of jobs whose job name matches this combination of characters (mask). For a description of using wild cards, see "Using wildcards" on page 108.

**Note:**

1. This is a positional parameter. Specify this following the job\_id (JOB, STC, or TSU), or JOBQ parameter.
2. The JOB MASK parameter is not valid with the 'jobname' parameter.

**Job**

A Batch job or range of batch jobs is to be cancelled.

**JOBQ|JQ**

Specifies all jobs, STCs, and TSUs across the MAS for processing.

**OUTDISP={H|HOLD|K|KEEP|L|LEAVE|P|PURGE|W|WRITE}**

Indicates that you wish to display the output for the specified job that matches this current disposition. Specify WRITE, HOLD, LEAVE, or KEEP.

**Note:** If you do not specify this parameter, all output with a disposition of WRITE, HOLD, KEEP, or LEAVE will be modified.

**OUTGrp=outgrp**

The job output element(s) that are cancelled.

**grp id**

The 1- to 8-character alphanumeric group ID that is either specified by the user in the JCL or generated by JES2. If you specify only group ID (OUTGRP=grp id) on this command, JES2 cancels all the held job output elements in that group.

**joe id1**

A number assigned by JES2 to distinguish between job output elements within the output group. If you specify only group ID and the first qualifier (OUTGRP=grp id.joe id1) on this command, JES2 releases or cancels all copies of the specified job output element in that group.

**joe id2**

A number assigned by JES2 to distinguish between several copies of grp id.joe id1. If you specify group ID and both qualifiers (OUTGRP=grp id.joe id1.joe id2) on this command, JES2 releases or cancels only the specified copy (joe id2) within the job output element (joe id) in that group.

**Note:** This parameter is positional. If specified, it must immediately follow the jobid (JOB, STC, TSU), JOBQ or 'jobname' (or JOBMASK if coded) parameter.

**output**

Specifies 1- to 8- alphanumeric, special (\$, #, or @) or wildcard characters (or a combination of them) that can be used to select a subset of jobs whose job name matches this combination of characters (mask).

**'output'**

The name of the job that is cancelled. This name must appear as coded on the JOB statement and must be enclosed in apostrophes. If more than one job exists with this name, no action is taken.

**PAGES**

Only output groups with the specified number of pages are to be cancelled.

**PRIORITY=priority**

The queue selection priority (0-255) assigned to the job output element(s).

**PRmode=prmode**

The process mode (1 to 8 alphanumeric characters) for the job output element(s).

**PROTECTED**

Indicates that **all** specified output groups, including output groups for jobs that have been specified 'protected', should be cancelled. The 'protected' attribute is assigned to programs running in a transactional environment such as APPC or OMVS, where the transaction output is associated with the initiators like ASCHINIT or BPXAS. The 'protected' attribute can also be assigned to jobs by JES2 installation exits.

**Queue=queue**

The held output in the specified output class(es) (A-Z and 0-9) is cancelled. A maximum of 36 classes may be specified. The Q= keyword and the ALL parameter are mutually exclusive.

**READY**

Output is READY if it is not HELD.

**REBUILD={No|Yes}**

Output on the rebuild queue is to be cancelled (Yes) or not cancelled (No).

**RECORDS=records**

Only output groups with the specified number of records are to be cancelled.

**SECLABEL=seclabel**

The security label associated with the output group.

**Stc**

A started task or range of started tasks is to be cancelled.

**Tsu**

A time-sharing user or range of time-sharing users is to be cancelled.

**T|UCS=ucs**

A 1 to 4 alphanumeric or special character (\$ # @) identifier for the universal character set specification. This will also set the character set (CHAR1) to be used on non-impact printers unless the UCS and CHARS values are both assigned to an output data set by a job's JCL and their values are not equal.

**TPJOBID=jobid**

Only output groups with the specified transaction job ID are to be cancelled.

**TPJOBN=jobname**

Only output groups with the specified transaction job name are to be cancelled.

**USERID=userid**

The userid associated with the output group.

**Writer=writer**

A 1 to 8 alphanumeric or special character (\$ # @) writer name assigned to the job output element(s).

## Authority Required

This command requires **job** authority. The description of the \$T RDRnn command explains how to ensure that the authority of the appropriate MVS system command group is assigned.

This command requires **update** security access authority. For a description of assigning command input authority, see *z/OS JES2 Initialization and Tuning Guide*.

## Scope

**MAS-wide.** This command has an effect across the entire MAS. There is no need to have this command issued to all members of the MAS.

## Messages

The \$HASP000 message indicates the command was accepted.

Upon completion, JES2 issues the \$HASP686 message.

The \$HASP686 message is issued for each output group to be cancelled.

## Examples

**1** \$p o j'fred',outgrp=1.1.1

```
JOB00012 $HASP686 OUTPUT(FRED) OUTGRP=1.1.1 CANCELLED
```

JES2 cancels the specified output group.

**2** \$p o jq,q=b,r=r1

```
JOB00012 $HASP686 OUTPUT(FRED) OUTGRP=1.1.1 CANCELLED
JOB00012 $HASP686 OUTPUT(FRED) OUTGRP=2.1.1 CANCELLED
JOB00016 $HASP686 OUTPUT(WILMA) OUTGRP=1.1.1 CANCELLED
JOB00017 $HASP686 OUTPUT(BARNEY) OUTGRP=6.1.1 CANCELLED
JOB00017 $HASP686 OUTPUT(BARNEY) OUTGRP=7.1.1 CANCELLED
```

JES2 cancels all class B output destined for remote workstation 1.

**3** \$p o jq,r=denver,q=bk

```
TSU00027 $HASP686 OUTPUT(FRED) OUTGRP=1.1.1 CANCELLED
TSU00027 $HASP686 OUTPUT(FRED) OUTGRP=2.1.1 CANCELLED
TSU00027 $HASP686 OUTPUT(FRED) OUTGRP=3.1.1 CANCELLED
JOB00047 $HASP686 OUTPUT(BARNEY) OUTGRP=6.1.1 CANCELLED
JOB00047 $HASP686 OUTPUT(BARNEY) OUTGRP=7.1.1 CANCELLED
```

JES2 cancels all class output in classes B and K destined for DENVER. (DENVER is an installation-defined name, which must equate to one of the valid destination forms.)

**4** \$p o jobq,q=c,hours>12,days<1

```
JOB00041 $HASP686 OUTPUT(IEBGENE1) OUTGRP=1.1.1 CANCELLED
JOB00042 $HASP686 OUTPUT(IEBGENE1) OUTGRP=3.1.1 CANCELLED
JOB00042 $HASP686 OUTPUT(IEBGENE1) OUTGRP=2.1.1 CANCELLED
JOB00042 $HASP686 OUTPUT(IEBGENE1) OUTGRP=1.1.1 CANCELLED
JOB00043 $HASP686 OUTPUT(IEBGENE1) OUTGRP=3.1.1 CANCELLED
```

JES2 cancels all class C output that is at least 12 hours old but not more than 1 day old.

**5** \$poj11-12,hours>0

```
JOB00011 $HASP686 OUTPUT(IEBANY) OUTGRP=1.1.1 CANCELLED
JOB00012 $HASP686 OUTPUT(IEBGENER) OUTGRP=1.1.1 CANCELLED
JOB00012 $HASP250 IEBGENER PURGED -- (JOB KEY WAS B3FB7D76)
JOB00011 $HASP250 IEBANY PURGED -- (JOB KEY WAS B3FB7D6D)
```

JES2 cancels the specified jobs with hours >0.

**6** \$POJOBQ,ALL,PROTECTED,DAYS>7

```
$HASP686 OUTPUT(IRRDPTAB) OUTGRP=1.1.1 CANCELLED
$HASP686 OUTPUT(INIT) OUTGRP=1.1.1 CANCELLED
$HASP686 OUTPUT(NEWSJ) OUTGRP=1.1.1 CANCELLED
$HASP686 OUTPUT(BPXAS) OUTGRP=1.1.1 CANCELLED
$HASP686 OUTPUT(BPXAS) OUTGRP=1.1.1 CANCELLED
$HASP686 OUTPUT(BPXAS) OUTGRP=1.1.1 CANCELLED
$HASP686 OUTPUT(IBMUSERJ) OUTGRP=1.1.1 CANCELLED
$HASP250 BPXAS PURGED -- (JOB KEY WAS C10E25E5)
$HASP250 IBMUSERJ PURGED -- (JOB KEY WAS C10E3170)
$HASP250 BPXAS PURGED -- (JOB KEY WAS C10E25E2)
$HASP250 BPXAS PURGED -- (JOB KEY WAS C10E25D3)
$HASP250 NEWSJ PURGED -- (JOB KEY WAS C10E259E)
$HASP250 INIT PURGED -- (JOB KEY WAS C10E259D)
$HASP250 IRRDPTAB PURGED -- (JOB KEY WAS C10E259C)
```

JES2 cancels all jobs with days>7.

```
7 $po s'aschint',/tpjobn=testjob,tpjobid=a0000014,protect
```

```
STC00017 $HASP686 OUTPUT(ASCHINT) OUTGRP=TESTJOB.4.1 CANCELLED
STC00017 $HASP686 OUTPUT(ASCHINT) OUTGRP=TESTJOB.3.1 CANCELLED
STC00017 $HASP686 OUTPUT(ASCHINT) OUTGRP=TESTJOB.2.1 CANCELLED
STC00017 $HASP686 OUTPUT(ASCHINT) OUTGRP=TESTJOB.1.1 CANCELLED
```

JES2 cancels transaction job names of TESTJOB with transaction job ID of A0000014.

```
8 $p o jq,jc=:*TEMPOUTPUT*
```

```
JOB00146 $HASP686 OUTPUT(D15USER1) OUTGRP=1.1.1 CANCELLED
JOB00147 $HASP686 OUTPUT(D15USER2) OUTGRP=1.1.1 CANCELLED
JOB00148 $HASP686 OUTPUT(D15USER3) OUTGRP=1.1.1 CANCELLED
JOB00149 $HASP686 OUTPUT(D15USER4) OUTGRP=1.1.1 CANCELLED
- JOB00149 $HASP250 D15USER4 PURGED -- (JOB KEY WAS C88BDE1C)
- JOB00148 $HASP250 D15USER3 PURGED -- (JOB KEY WAS C88BDE1B)
- JOB00147 $HASP250 D15USER2 PURGED -- (JOB KEY WAS C88BDE1A)
- JOB00146 $HASP250 D15USER1 PURGED -- (JOB KEY WAS C88BDE19)
```

JES2 cancels all batch jobs with a job correlator user portion containing TEMPOUTPUT.

---

## \$P NETWORK - Purge current network devices

### Function

To purge current network devices after current activity completes.

### Syntax

```
▶▶—$P NETWORK—————▶▶
```

### Parameters

None.

### Authority Required

This command requires **system** authority. The description of the \$T RDRnn command explains how to ensure that the authority of the appropriate MVS system command group is assigned. You can use \$T NODE(nnnn) command to set the command authority for a node.

This command requires **control** security access authority. For a description of assigning command input authority, see *z/OS JES2 Initialization and Tuning Guide*.

### Scope

**Single system.** The values supplied for this command will be in effect for this member only.

### Messages

\$HASP899 command response.

### Example

#### 1 \$pnet

```

$HASP899 $PNET
$HASP899 ACTIVE NETWORKING DEVICES
$HASP899 NAME STATUS
$HASP899 -----
$HASP899 LINE15 DRAINING/POK
$HASP899 LOGON1 DRAINING

```

## \$P OFFn.xx - Stop an offload transmitter/receiver

### Function

To stop the specified offload transmitters and/or receivers after they complete their current activity.

### Syntax



### Parameters

*n* The subscript defining the offload job transmitters and receivers affected by this command. The subscript can specify a numeric value (1-8) or a range of values associating offload job transmitters and receivers with offload devices. For information about specifying a range of values for this subscript, see "Command syntax conventions" on page 97.

#### OFFn.JR

The offload job receiver that is stopped. *n* is the number (1-8) of the associated offload device.

#### OFFn.JT

The offload job transmitter that is stopped. *n* is the number (1-8) of the associated offload device.

#### OFFn.SR

The offload SYSOUT receiver that is stopped. *n* is the number (1-8) of the associated offload device.

#### OFFn.ST

The offload SYSOUT transmitter that is stopped. *n* is the number (1-8) of the associated offload device.

### Authority Required

This command requires **device** authority. The description of the \$T RDRnn command explains how to ensure that the authority of the appropriate MVS system command group is assigned.

This command requires **update** security access authority. For a description of assigning command input authority, see *z/OS JES2 Initialization and Tuning Guide*.



## Processing Considerations

- Once the device is stopped, JES2 does not automatically start it when the corresponding offload device (OFFLOADn) is started. You must use the \$S command to individually start the device.
- If you stop both receivers while the corresponding offload device is still reloading data, JES2 automatically halts the offload device. To stop the reload operation, issue the \$P OFFLOADn command. To continue loading, issue a \$S OFFn.xR command and then restart the offload device (\$S OFFLOADn).

## Scope

**Single member.** This command will be in effect for this member only. There is no need to have this command issued to all members of the MAS.

## Messages

The \$HASP000 message indicates the command was accepted.

Upon completion, JES2 issues the \$HASP097 message to indicate the device has been drained.

## Example

```
1 $p off2.jt,off4.jt
```

```
$HASP000 OK
$HASP097 OFF2 IS DRAINED
$HASP097 OFF4 IS DRAINED
```

JES2 stops the offload job transmitters for offload devices 2 and 4 when they complete their current work.

## \$P OFFLOADn - Stop an offload device

### Function

To stop an offload device when it completes its current work and then close and deallocate the offload data set.

### Syntax

```
▶▶—$P——,OFFLOADn————▶▶▶▶
```

### Parameters

#### OFFLOADn

The offload device (1-8) that is stopped.

### Authority Required

This command requires **device** authority. The description of the \$T RDRnn command explains how to ensure that the authority of the appropriate MVS system command group is assigned.

This command requires **update** security access authority. For a description of assigning command input authority, see *z/OS JES2 Initialization and Tuning Guide*.

## \$P OFFLOADn

### Processing Considerations

- This command causes the associated active transmitters and receivers to stop selecting work.
- If you issue this command for an offload device that has been halted (\$Z) during the receive operation, you may need to issue the \$S OFFLOADn command to finish reloading the job that was halted, before the device will stop.
- During the receive operation, JES2 automatically stops the offload device when an end-of-file is encountered.

### Scope

**Single member.** This command will be in effect for this member only. There is no need to have this command issued to all members of the MAS.

### Messages

The \$HASP000 message indicates the command was accepted.

Upon completion, JES2 issues the \$HASP097 message to indicate the device has been drained.

### Example

**1** \$p offload2

```
$HASP000 OK
$HASP097 OFFLOAD2 IS DRAINED
```

JES2 stops offload device 2 when it completes its current work and then closes and deallocates the offload data set. The associated transmitters and receivers that are currently active no longer select work.

---

## \$P PRT(nnnnn) and \$P R(nnnnn).PR(m) - Stop a printer

### Function

To stop a printer after it completes processing the current output group and then free the associated system resources.

### Syntax



### Parameters

*nnnnn*

For **PRT**, the identifier of the local printer (1-32767) to stop. For **R**, the identifier of the remote workstation (1-32767) that is attached to printer *m* (1-7).

*m* The identifier of the printer (1-7) that is attached to the remote workstation **Rnnnnnn** (1-32767).

### Authority Required

This command requires **device** authority. The description of the \$T RDRnn command explains how to ensure that the authority of the appropriate MVS system command group is assigned.

This command requires **update** security access authority. For a description of assigning command input authority, see *z/OS JES2 Initialization and Tuning Guide*.

### Processing Considerations

- If the printer being stopped is a 3800-1, there is always output remaining in the paper-line (that is, between the fuser and the stacker) after JES2 has freed the system resources. The operator should issue a non-process runout to stack this output group. (The non-process runout is issued by depressing the following 3800 keys in succession: STOP, NPRO, and READY.)
- If the printer being stopped is a 3800 printer or another channel attached printer operating in FSS mode, the device automatically generates NPRO if it is inactive for a period greater than the NPRO= value on the PRTnnnn statement. However, if NPRO is set to zero, this means that the timer-based NPRO is not to be used, and the operator must issue a non-process runout using the process described above.

### Scope

**Single member.** This command will be in effect for this member only. There is no need to have this command issued to all members of the MAS.

### Messages

Upon completion, JES2 issues the \$HASP097 message to indicate the device has been drained.

### Example

**1** \$p prt4,prt6,prt8,prt9

```

$HASP097 PRT4 IS DRAINED
$HASP097 PRT6 IS DRAINED
$HASP097 PRT8 IS DRAINED
$HASP097 PRT9 IS DRAINED

```

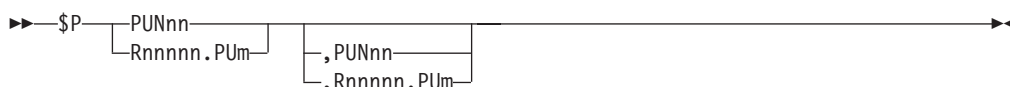
JES2 stops printers 4, 6, 8, and 9 after they complete processing their current work and then frees the associated system resources.

## \$P PUN(nn) and \$P R(nnnnn).PU(m) - Stop a punch

### Function

To stop a punch after it completes processing the current output group and then free the associated system resources.

### Syntax



## \$P PUN(nnnnn) and \$P R(nnnnn).PU(m)

### Parameters

*nn* The identifier of the local punch (1-99) to stop.

*nnnnn*

The identifier of the remote workstation **R** (1-32767) that is attached to punch *m* (1-7).

*m* The identifier of the punch (1-7) that is attached to the remote workstation **Rnnnnn** (1-32767).

### Authority Required

This command requires **device** authority. The description of the \$T RDRnn command explains how to ensure that the authority of the appropriate MVS system command group is assigned.

This command requires **update** security access authority. For a description of assigning command input authority, see *z/OS JES2 Initialization and Tuning Guide*.

### Scope

**Single member.** This command will be in effect for this member only. There is no need to have this command issued to all members of the MAS.

### Messages

Upon completion, JES2 issues the \$HASP097 message to indicate the device has been drained.

### Example

```
1 $p pun1
```

```
$HASP097 PUN1 IS DRAINED
```

JES2 stops punch 1 after it completes processing the current output group and then frees the associated system resources.

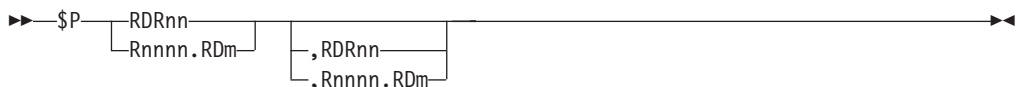
---

## \$P RDRnn and \$P Rnnnn.RDm - Stop a reader

### Function

To stop a reader after it completes its current work and then free the associated system resources.

### Syntax



### Parameters

**RDRnn**

The local reader that is stopped.

**Rnnnn.RDm**

The remote reader that is stopped.

### Authority Required

This command requires **device** authority. The description of the \$T RDRnn command explains how to ensure that the authority of the appropriate MVS system command group is assigned.

This command requires **update** security access authority. For a description of assigning command input authority, see *z/OS JES2 Initialization and Tuning Guide*.

### Scope

**Single member.** This command will be in effect for this member only. There is no need to have this command issued to all members of the MAS.

### Messages

The \$HASP097 message is issued after the device has drained.

### Example

```

❶ $p rdr1, rdr2, rdr3

$HASP097 RDR1 IS DRAINED
$HASP097 RDR2 IS DRAINED
$HASP097 RDR3 IS DRAINED

```

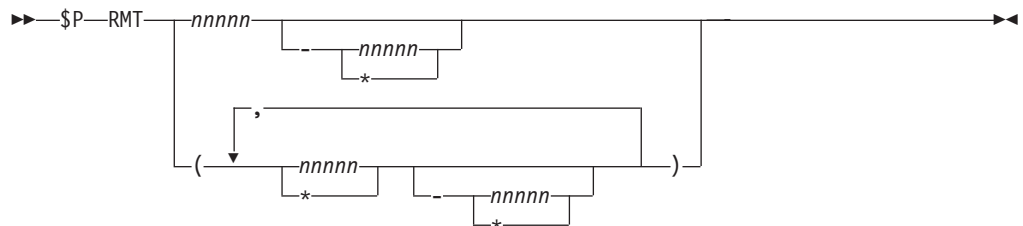
JES2 stops readers 1, 2, and 3 after they complete their current activity and then frees the associated system resources.

## \$P RMT(nnnnn) - Terminate a remote terminal connection

### Function

To terminate the connection of a remote terminal after it completes processing its current work.

### Syntax



### Parameters

`nnnnn` | \*

The subscript defining the remote terminals that are disconnected. The subscript may specify a specific value or a range of values.

## \$P RMT(nnnnn)

### Authority Required

This command requires **device** authority. The description of the \$T RDRnn command explains how to ensure that the authority of the appropriate MVS system command group is assigned.

This command requires **control** security access authority. For a description of assigning command input authority, see *z/OS JES2 Initialization and Tuning Guide*.

### Processing Considerations

If the remote terminal is not currently connected, but the operator has issued the \$S RMTnnnn command to request its connection, the connection request is cancelled.

### Scope

**Single member.** This command will be in effect for this member only. There is no need to have this command issued to all members of the MAS.

### Messages

The \$HASP879 message displays the current status of the specified remote terminals.

### Example

```
1 $p rmt20
```

```
$HASP879 RMT(20)  DEVTYP=LU3770PC,STATUS=ACTIVE/LINE16  
$HASP210 SESSION LU3770PC LOGGED OFF LINE16  
$HASP203 RMT20   DISCONNECTED
```

JES2 disconnects remote terminal 20.

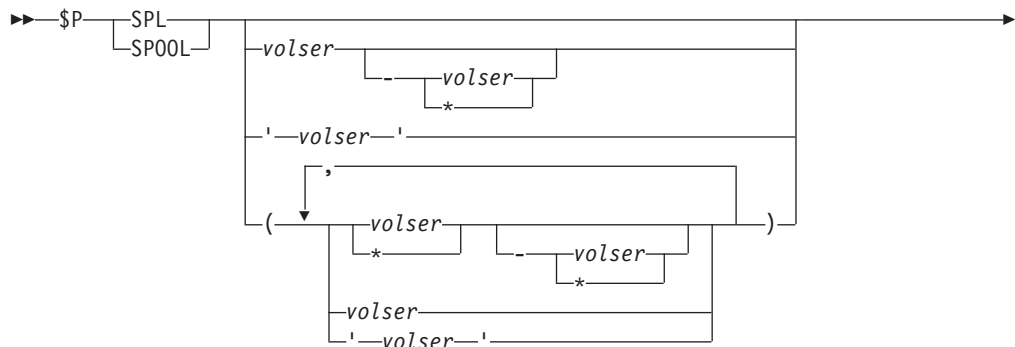
---

## \$P SPOOL - Drain a spool volume

### Function

To drain and delete an entire spool volume by processing all work on the volume and preventing any available space on the volume from being allocated.

### Syntax

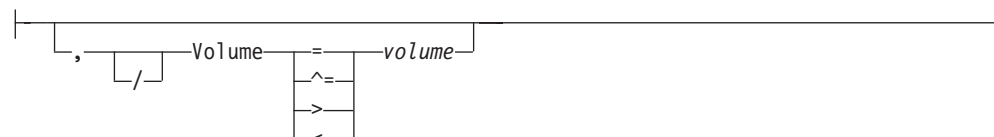




**Modification keywords:**



**Selection limiting keywords:**



**Parameters**

**Cancel**

JES2 cancels all jobs that have used the volume (those jobs that can be cancelled). If any of the jobs being cancelled have data sets residing on another volume, those jobs are also cancelled. JES2 cancels output for non-selectable jobs as well. For the jobs being cancelled, all track groups across all spool volumes are cancelled.

If you specify this parameter for an INACTIVE volume, JES2 deletes any work remaining on the volume. This could result in lost spool space on other volumes if the jobs on the volume being cancelled have allocated space on other volumes. All other job resources are recovered. JES2 is able to recover the lost spool space at an all-member warm start if you include SPOOL=VALIDATE as a restart option or automatically within 7 days as provided by the automatic spool reclamation function, whichever occurs first.

If the volume can be remounted, issue the start (\$S SPOOL,CANCEL,P) command to prevent the loss of spool space.

**Volume=volume**

The volume serial number of the spool volume.

**Authority Required**

This command requires **system** authority. The description of the \$T RDRnn command explains how to ensure that the authority of the appropriate MVS system command group is assigned.

This command requires **control** security access authority. For a description of assigning command input authority, see *z/OS JES2 Initialization and Tuning Guide*.

**Processing Considerations**

During the draining process, JES2 moves any spooled messages or JESNEWS to an ACTIVE spool volume.

## \$P SPOOL

If a spool failure occurs, the operator should be instructed to issue a \$Z SPL command for each volume that is in error. This will prevent JES2 from trying to allocate more space from that volume, and from being selected for work (i.e. conversion, execution, and printing).

If a member wide warm start is done without the volumes that had errors on them, then JES2 message \$HASP424, VOLUME NOT MOUNTED, will be issued followed by JES2 message \$HASP853, REPLY GO, QUIT, or PURGE. If the volume is thought to be recoverable at some time, reply GO. This will cause the volume to come up in an inactive state. The jobs that have space allocated from this volume will not be available for work. JES2 will not attempt to use any space from the volume until a \$S SPL command is used.

If the volume is permanently damaged, reply PURGE to this message. Reply PURGE only if you are absolutely certain that all volumes cannot be recovered. Replying PURGE will cause all jobs with space allocated from that volume to be purged. No messages or warnings will be issued indicating that this happened.

You can use the FENCE parameter on the SPOOLDEF initialization statement to define the spooling environment by controlling the partitioning of the spool volumes. This can be a safeguard against spool failure. You use the FENCE parameter to tell JES2 how to partition spool volumes when performing I/O operations. If fencing is turned off, then jobs that have already obtained some spool space when fencing was active will not be fenced. The syntax of the FENCE= keyword is changed to FENCE=(ACTIVE=YES,VOLUMES=nnn) to indicate that all space that a job requires will be allocated from "nnn" volumes. (FENCE=(ACTIVE=YES,VOLUMES=1) is equivalent to FENCE=YES in prior releases.) These volumes are determined by JES2 as the first available volume from which this job can allocate space.

Although, FENCE=(ACTIVE=YES,VOLUMES=nnn) indicates that JES2 will fence to nnn volumes in most cases. However, more than nnn volumes may be used in certain situations (when spool volumes fill or if the job obtains spool space on different systems as it goes through different phases.) JES2 will allocate space from a subsequent volume(s) when, and if, the "nnn" becomes full. Refer to the FENCE= parameter on the SPOOLDEF statement in *z/OS JES2 Initialization and Tuning Reference* for how to use this parameter. You may also set the FENCE= parameter using the \$T SPOOLDEF command.

JES2 exits 11 and 12 can be used as an alternative method for limiting the volumes from which a job may allocate space.

### Scope

**MAS-wide.** This command has an effect across the entire MAS.

### Messages

If the volume already has a status of DRAINING, JES2 issues the \$HASP893 message indicating the status of the volume.

When all work on the volume is completed and the volume is deallocated, the \$HASP806 message notifies the member on which this command is entered that the volume is drained.



## Examples

**1** \$pspl (spool1)

```
$HASP893 VOLUME(SPOOL1) STATUS=ACTIVE,COMMAND=(DRAIN)
$HASP646 39.4285 PERCENT SPOOL UTILIZATION
```

JES2 drains spool volume SPOOL1 (which is currently active).

**2** \$pspl (spool2),cancel

```
$HASP893 VOLUME(SPOOL2) STATUS=ACTIVE,COMMAND=(DRAIN)
$HASP646 33.3333 PERCENT SPOOL UTILIZATION
```

JES2 cancels all work that can be cancelled on SPOOL2 and then drains the spool volume.

---

## \$P SRVCLASS(name) - Drain JES2 processing for a given service class

### Function

To drain JES2 processing for a given service class on the member where the command is issued. This command is equivalent to \$T SRVCLASS(class),QAFF=(-\*).

### Syntax

►►—\$P—SRVCLASS—(srvcass)——————►►

### Parameters

None.

### Authority Required

This command requires **system** authority. The description of the \$T RDRnn command explains how to ensure that the authority of the appropriate MVS system command group is assigned.

This command requires **control** security access authority. For a description of assigning command input authority, see *z/OS JES2 Initialization and Tuning Guide*.

### Scope

**Single member.** This command will be in effect for this member only. There is no need to have this command issued to all members of the MAS.

### Messages

\$HASP889

### Examples

**1** An example of a Service class display before a \$P SRVCLASS(DISCRETN).

```
$HASP889 SRVCLASS(DISCRETN)
SRVCLASS(DISCRETN) QAFF=(ANY),TYPE=DYNAMIC,
MASCOUNT=(INITS=1,ACTIVE=1)
```

## \$P SRVCLASS(name)

The result of a \$P SRVCLASS(DISCRETN) on M031.

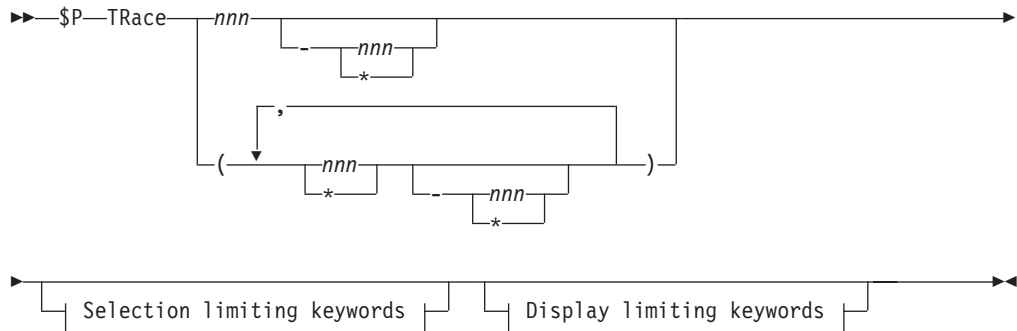
```
$HASP889 SRVCLASS(DISCRETN)
SRVCLASS(DISCRETN) QAFF=(PSU1,IBM1,NIH1,BCG1,WFB1,
M012,M018,M023,M027),TYPE=PERMANENT
```

## \$P TRace - Stop a trace ID

### Function

To deactivate one or more specified trace identifiers.

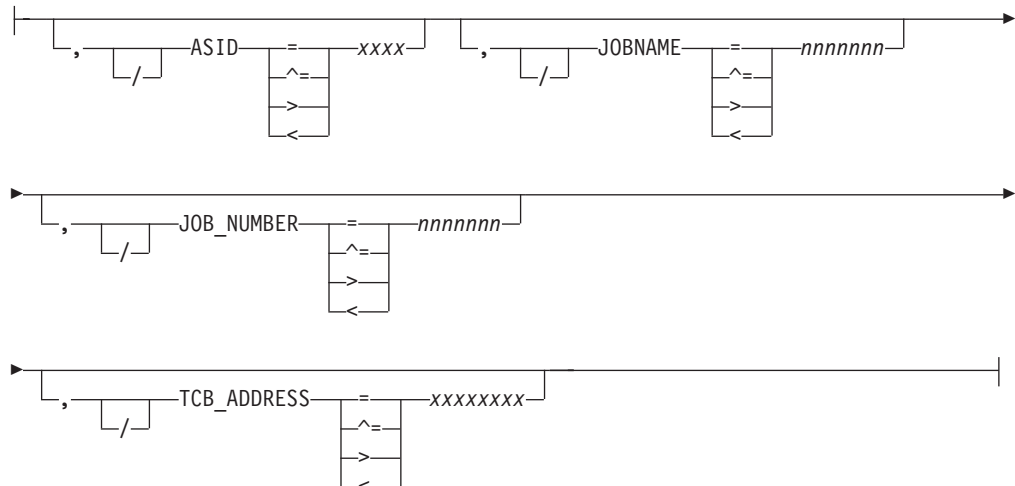
### Syntax



### Display limiting keywords:



### Selection limiting keywords:



### Parameters

nnn|\*

The subscript defining the trace ID(s) that are deactivated. The subscript may specify a specific trace identifier or a range of trace identifiers.

Trace Identifiers 1-47 have specific meanings that are described in *z/OS JES2 Diagnosis*. Trace identifiers 48-255 are available for customer use.

**ASID= xxxx**

Specifies the ASID used when filtering this JES2 trace point.

**JOBNAME=nnnnnnn**

Specifies the jobname used when filtering this JES2 trace point.

**JOB\_NUMBER=nnnnnnn**

Specifies the job number used when filtering this JES2 trace point.

**Note:** If more than one of ASID=, JOBNAME=, and JOB\_NUMBER= are specified for a specific trace ID, only one of the conditions must match the trace to be taken. In the JES2 address space, the values specified refer to the job that is being processed by JES2. For example, never specify the JES2 address space as ASID= because JES2 is never processing requests on the behalf of JES2. Outside the JES2 address space, these filters refer to the address space where the trace is being taken. For jobs being submitted through the internal reader, it is the job name, number, and ASID of the submitter of a job that are compared to the filters, not the values of the job being submitted. The same is true for FSS or SAPI devices. The filters refer to the SAPI or FSS address space, not the job that the FSS or SAPI application is processing.

**TCB\_ADDRESS=xxxxxxxx**

Specifies the further limit tracing to the specified TCB. This is in addition to any filtering that is applied. This operand is ignored if ASID=, JOBNAME=, and JOB\_NUMBER= are not specified. The TCB address must match even in the JES2 address space.

## Authority Required

This command requires **system** authority. The description of the \$T RDRnn command explains how to ensure that the authority of the appropriate MVS system command group is assigned.

This command requires **control** security access authority. For a description of assigning command input authority, see *z/OS JES2 Initialization and Tuning Guide*.

## Scope

**Single member.** This command will be in effect for this member only.

However, you might want this command to be applied to all members of the MAS (to ensure a consistent environment across the MAS). If so, you can use the MVS ROUTE \*ALL command to issue this command to all active members (if the JES2 command character is the same on all members). See *z/OS MVS System Commands* for more information on using the ROUTE \*ALL command.

## Messages

The \$HASP667 message displays the current status of the specified trace identifier.

## Example

```
1 $ptrace(1)
```

```
$HASP667 TRACE(1) START=NO
```

JES2 deactivates trace(1).

---

## \$P XEQ - Prevents JES2 and WLM-controlled initiators from selecting work

### Function

To prevent JES2 and WLM-controlled initiators from selecting work.

**Note:** The \$SJ command issued on a member where the \$PXEQ command has been issued, overrides the \$PXEQ command, but only on the member where these commands are issued.

### Syntax

▶▶—\$P—XEQ—▶▶

### Authority Required

This command requires **system** authority. The description of the \$T RDRnn command explains how to ensure that the authority of the appropriate MVS system command group is assigned.

This command requires **control** security access authority. For a description of assigning command input authority, see *z/OS JES2 Initialization and Tuning Guide*.

### Processing Considerations

\$P XEQ stops all JES2 and WLM initiators from selecting new work. Message \$HASP222 is displayed while JES2 is in this state. The \$S JOB command will continue to run WLM-managed jobs even if a \$P XEQ was previously issued.

The \$DMEMBER command will tell you if a \$PXEQ is in effect.

### Scope

**Single member.** The values will be in effect for this member only.

### Messages

The \$HASP000 message indicates the command has been accepted.

The \$HASP222 message indicates that no jobs will be selected for execution on this member until a \$S XEQ command is issued.

### Example

```
1 $p xeq

$HASP000 OK
*$HASP222 XEQ DRAINING
```

JES2 and WLM initiators may not select jobs from the JES2 job queue.

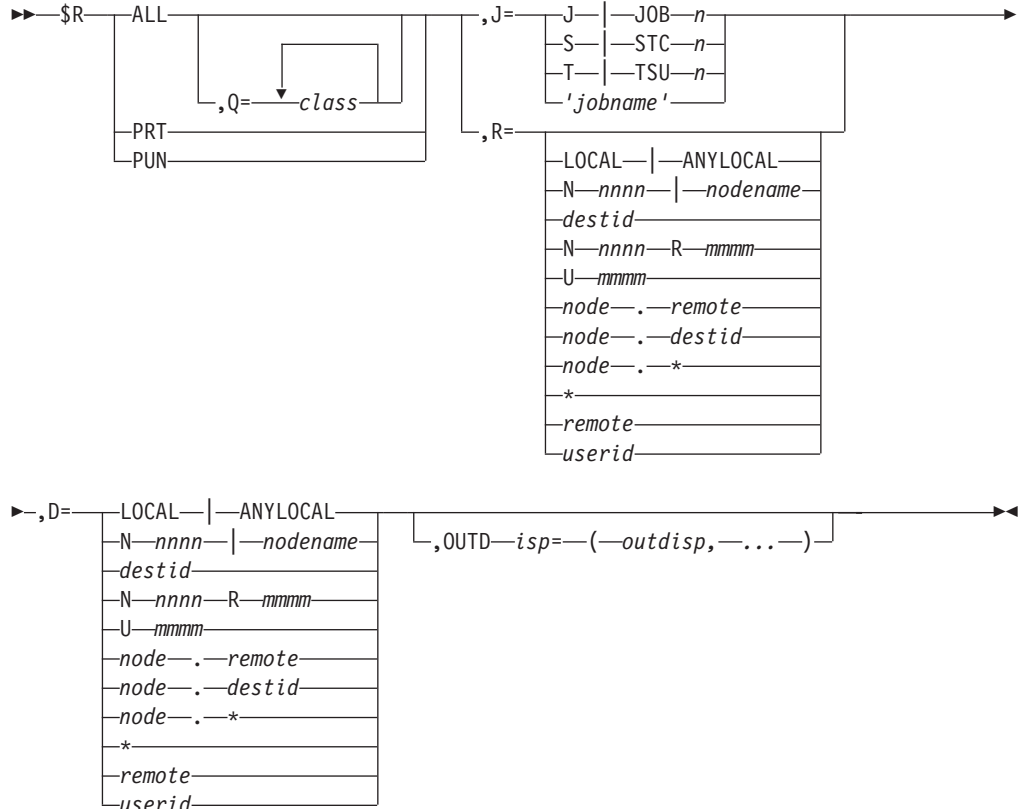
## \$R - Route job output

### Function

To reroute SYSOUT that is on the output queue. This affects both ready and held SYSOUT.

One or more parameters on this command accepts wildcards. Parameter descriptions will note that.

### Syntax



### Parameters

#### ALL

Specifies both print and punch output that is rerouted.

#### PRT

Specifies **print** output that is rerouted.

#### PUN

Specifies **punch** output that is rerouted.

#### Q=c1[...c36]

Specifies the class(es) (A-Z and 0-9) of output that is rerouted. You can specify a maximum of thirty-six classes. This parameter is valid only when ALL is specified.

**J=** Specifies jobs for which output is rerouted.

**J|JOBn**

Specifies the batch job for which output is rerouted.

**S|STCn**

Specifies the started task for which output is rerouted.

**T|TSUn**

Specifies the time-sharing user for which output is rerouted.

**'jobname'**

Specifies the name of the job for which output is rerouted. The name must appear as coded on the JOB statement and must be enclosed in apostrophes. If more than one job exists with this name, no action is taken.

**Note:** If you do not code ALL,Q= or OUTDISP= with the J= parameter (in conjunction with the D= parameter), both the routing for that job's output and the command authority are transferred.

**R=** Specifies the current destination for output that is rerouted. For routing specification requirements, see "Route codes" on page 107.

You can also specify wildcards on this parameter. See "Using wildcards" on page 108 for additional information. For specification requirements, see "Route codes" on page 107.

If this command originates from another node in the network and the R= operand does not specify a node (first-level destination), the receiving node defaults the first-level destination to the node where the command originated.

If this command is sent to another node in the network using the \$N command, be aware that the receiving node will default the node (first-level destination) of the R= operand to the sending node. If another node is desired, specify a destination on the R= operand that will resolve to the desired node (first-level destination) at the receiving node.

**LOCAL|ANYLOCAL**

Indicates that jobs are routed to the local node.

**Nnnnn|nodename**

Indicates that jobs are routed to the specified node(s). You can specify a node using the decimal node identifier or an EBCDIC nodename.

**destid**

Indicates that jobs are routed to the specified node(s). You can specify this location by an alias for the name of a node. If destid is specified alone, it refers to both the node and the remote.

**NnnnnRmmmm|node.remote**

Indicates routing to the remote Rmmmm at the node Nnnnn. Rmmmm can also be specified as RMmmmm or RMTmmmm.

**Ummmm**

Indicates special local routing.

**node.destid**

Indicates a destination at the specified node. The destid refers to both the node and the remote. The node specified in the destid must be the same as the node portion of the route code. If the number of the remote is reassigned, you can use the destid to send to this node.

**node.\***

Indicates that all output destined for the specified node, including userids, special local, remotes, and destids, is rerouted.

- \* Indicates that all output for the local node, including special local, userid, and a remote workstation are on the local node.

**remote**

Indicates routing to a remote. Remote can be specified in any of the following ways:

**LOCAL|ANYLOCAL**

Indicates that jobs are to be run at the local node.

**Rmmmm**

Indicates routing to the specified remote. Rmmmm can also be specified as RMmmmm or RMTmmmm.

**destid** Indicates routing to a destid referring to a remote.

**userid** Indicates that output is destined to a valid TSO userid. If the userid ends in \*, all output with userids beginning with any characters that precede the \* will be rerouted. See "Route codes" on page 107 for a description of how to specify a userid.

**Note:**

1. NODENAME=REQUIRED on the DESTDEF initialization statement will cause JES2 to require that a userid be prefixed with a node name.
  2. If you do not code ALL,Q= or OUTDISP= with the R= parameter (in conjunction with the D= parameter), both the routing for that job's output and the command authority are transferred.
- D=** Specifies the new destination to which currently existing output is routed. This does not apply to output groups not yet created.

If this command originates from another node in the network and the D= operand does not specify a node (first-level destination), the receiving node defaults the first-level destination to the node where the command originated.

If this command is sent to another node in the network using the \$N command, be aware that the receiving node will default the node (first-level destination) of the D= operand to the sending node. If another node is desired, specify a destination on the D= operand that will resolve to the desired node (first-level destination) at the receiving node.

- \* Indicates that all output for the local node, including special local, userid, and a remote workstation are on the local node.

For valid specifications, see the list for the R= parameter.

**Note:**

1. NODENAME=REQUIRED on the DESTDEF initialization statement will cause JES2 to require that a userid be prefixed with a node name.
2. If an output group is interrupted while printing and the destination is changed, the output group will begin printing from the top when it is printed at the new destination.

**OUTDisp=outdisp**

Specifies the disposition of output to be rerouted. The valid output dispositions are **W|WRITE**, **H|HOLD**, **K|KEEP**, and **L|LEAVE**. You can specify as many as four dispositions.

**Note:** If you do not specify this parameter, all output with a disposition of WRITE, HOLD, KEEP, or LEAVE will be rerouted.

## \$R

For further information about this parameter, see Processing Considerations in this command.

### Authority Required

This command requires **job** authority. The description of the \$T RDRnn command explains how to ensure that the authority of the appropriate MVS system command group is assigned.

This command requires **update** security access authority. For a description of assigning command input authority, see *z/OS JES2 Initialization and Tuning Guide*.

### Processing Considerations

- The \$R command changes a job's output. This command does not apply to jobs on the input, SYSOUT receiver, or purge queue since output has not been created. It will change only the destination of data sets that have already been spun for a job in execution. The remote(s) or node(s) that can issue commands that affect this job will be updated by the \$R command unless:
  - You specify the Q= or the OUTDisp= parameter
  - If you specify the R= parameter and it does not match the job's current command authority.
- If you enter this command and the job output element is being processed, wait and reissue the command again.
- All output (held and non-held) will be sent to the new network destination as soon as the \$R command has been processed.

### Scope

**MAS-wide.** This command has an effect across the entire MAS.

### Messages

The \$HASP000 message indicates the command was accepted.

### Examples

```
1 $r all,j=j3,d=r6
```

```
$HASP000 OK
```

JES2 reroutes output for batch job 3 to remote workstation 6 off the local node. JES2 transfers the job's default routing to remote workstation 6. Refer to Processing Considerations above for more details.

```
2 $r all,r=r3,d=r6
```

```
$HASP000 OK
```

JES2 reroutes output for remote workstation 3 to remote workstation 6 off the local node. If the job's default print and/or punch is remote workstation 3, JES2 transfers the job's default print and/or punch routing to remote workstation 6. Refer to Processing Considerations above for more details.

```
3 $r all,r=r6,d=n3r1,q=a
```

```
$HASP000 OK
```



JES2 reroutes all class A routed output destined for remote workstation 6 to node 3 remote workstation 1. The job's command authority is unchanged.

**4** \$r a11,r=local,outdisp=(w,k),d=n2

\$HASP000 OK

JES2 reroutes all ready local output to node 2. The job's command authority is unchanged.

**5** \$r a11,j=j894,outd=(h,1),d=r3

\$HASP000 OK

JES2 reroutes all held output for job number 894 to remote 3. The job's command authority is unchanged.

**6** \$r a11,r=n3.\*,d=n5.\*

\$HASP000 OK

JES2 reroutes all output for node N3 to node N5. At N5, the output retains the original remote specification.

**7** \$r a11,r=n3,d=n5

\$HASP000 OK

JES2 reroutes all local output for node N3 to node N5. At N5, the output will be LOCAL.

**8** \$r a11,r=n3.\*,d=n5r6

\$HASP000 OK

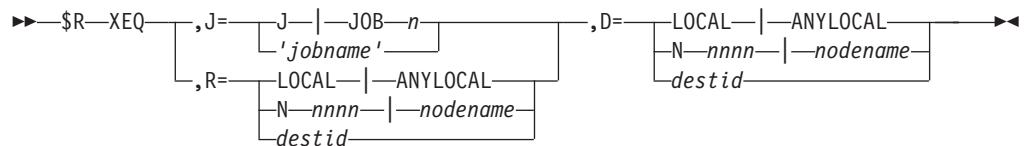
JES2 reroutes all output for node N3 to node 5, remote workstation 6.

## \$R XEQ - Route specific jobs for execution

### Function

To route the specified job(s) to another node for execution.

### Syntax



### Parameters

**D=** The new execution node for the specified job(s). All specifications for the R= parameter are valid.

**J=J|JOBn|'jobname'**

The job ID (Jn) or name ('jobname') of the **batch job** that is routed for execution. If you specify 'jobname', it must appear as coded on the JOB statement and must be enclosed in apostrophes. If more than one job exists with this name, no action is taken.

## \$R XEQ

**R=** All jobs in the system that are supposed to execute on the specified node are routed to the node specified in the D= parameter for execution.

The following specifications are valid:

### **LOCAL|ANYLOCAL**

Indicates that only jobs routed to the local node for execution can be selected.

### **Nnnnn|nodename**

Indicates that only jobs routed to the specified location through a decimal node identifier from 1 to 32767 or an EBCDIC nodename can be selected for execution.

**destid** Indicates that only jobs routed to the specified location through an alias for the name of a node can be selected for execution.

## **XEQ**

JES2 routes the specified job(s) to the D= location for execution.

## **Authority Required**

This command requires **job** authority. The description of the \$T RDRnn command explains how to ensure that the authority of the appropriate MVS system command group is assigned.

This command requires **update** security access authority. For a description of assigning command input authority, see *z/OS JES2 Initialization and Tuning Guide*.

## **Processing Considerations**

- To be routed by this command, a job must be owned by the input console and must be on the queue awaiting either conversion, execution, or transmission to another node.
- You cannot route remote message data sets, a special type of STC, with the \$R command.

## **Scope**

**MAS-wide.** This command has an effect across the entire MAS.

## **Messages**

The \$HASP000 message indicates the command was accepted.

## **Examples**

**1**     \$R xeq,j='myjob',d=denver

       \$HASP000 OK

JES2 routes the job named MYJOB to the node named DENVER for execution.

**2**     \$R xeq,r=n3,d=n4

       \$HASP000 OK

JES2 routes all jobs in the local system currently scheduled to execute on node 3 to node 4 for execution.

---

## \$\$ - Start system activity

### Function

To start system activity.

### Syntax

▶—\$S—▶

### Authority Required

This command requires **system** authority. The description of the \$T RDRnn command explains how to ensure that the authority of the appropriate MVS system command group is assigned. The \$T RDI command sets the command authority for internal readers.

This command requires **control** security access authority. For a description of assigning command input authority, see *z/OS JES2 Initialization and Tuning Guide*.

### Scope

**Single member.** This command will be in effect for this member only.

Depending on your installation's setup, however, you might want this command to be applied to all members of the MAS (to ensure a consistent environment across the MAS). If so, you can use the MVS ROUTE \*ALL command to issue this command to all active members (if the JES2 command character is the same on all members). See *z/OS MVS System Commands* for more information on using the ROUTE \*ALL command.

### Messages

The \$HASP000 message indicates the command was accepted.

### Example

```
1 $s
```

```
$HASP000 OK
```

JES2 starts processing jobs.

---

## \$\$ A - Start automatic command processing

### Function

To start automatic command processing.

### Syntax

▶—\$S—A, ALL—▶

## Parameters

### ALL

JES2 starts processing any commands that were specified for automatic processing with the \$T A command.

## Authority Required

This command requires **system** authority. The description of the \$T RDRnn command explains how to ensure that the authority of the appropriate MVS system command group is assigned.

This command requires **control** security access authority. For a description of assigning command input authority, see *z/OS JES2 Initialization and Tuning Guide*.

## Scope

**Single member.** This command will be in effect for this member only.

Depending on your installation's setup, however, you might want this command to be applied to all members of the MAS (to ensure a consistent environment across the MAS). If so, you can use the MVS ROUTE \*ALL command to issue this command to all active members (if the JES2 command character is the same on all members). See *z/OS MVS System Commands* for more information on using the ROUTE \*ALL command.

## Messages

The \$HASP000 message indicates the command was accepted.

## Example

```
1 $s a,a11
```

```
$HASP000 OK
```

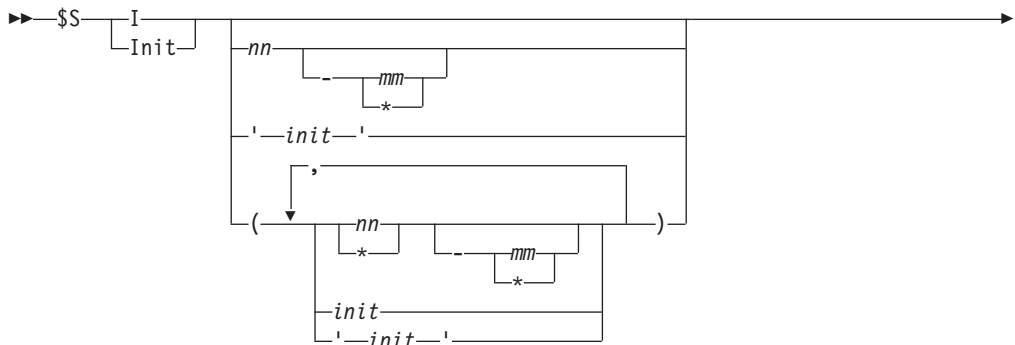
JES2 begins processing any commands that were specified for automatic processing with the \$T A command.

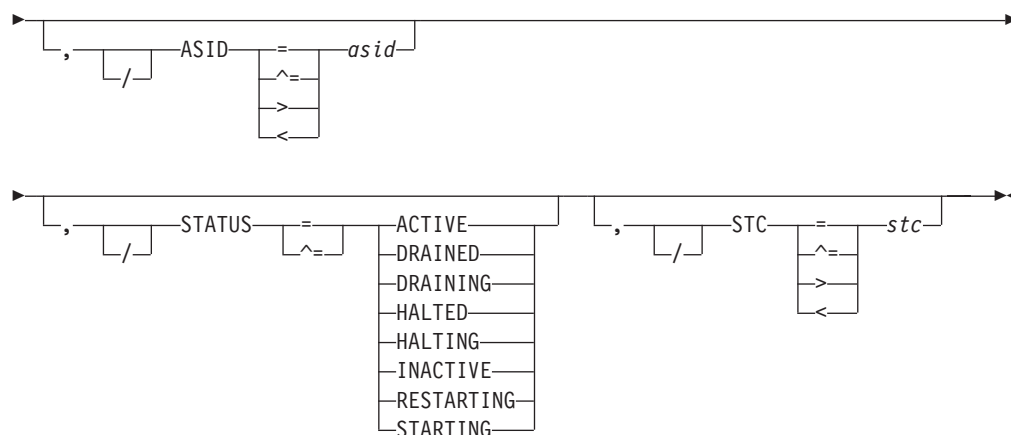
## \$\$ I[vvvv] - Start an initiator

### Function

To start one or more initiators.

### Syntax





## Parameters

### ASID=asid

The initiator associated with the specific address space is to be started.

### I[init[-init]]

Specifies the subscript (1-9999) of the initiator(s) that are started.

#### Note:

1. If you omit the initiator identification (vvvv), JES2 starts only those initiators stopped by a prior `$Z I` or `$P I` command that also did not specify an identifier. For example, note that if initiator 1 was stopped with the `$P I1` command and is later to be restarted, you must issue `$S I1`; issuing `$S I` will return message `$HASP000 OK`, but initiator 1 is **not** restarted.

If JES2 is started with the option `START=NO` on the `INIT` statement, a `$SI` will not be successful. In such case, the `$SI` command needs to be qualified with a specific or range of initiators like `$SI (1-*)` for example. `$SI` unqualified will only work if a previous `$PI` or `$ZI` was issued.

2. JES2 commands do not recognize JES2-controlled initiators that are numbered (with subscripts) greater than the `PARTNUM=` specification on the `INITDEF` initialization statement.

For information about naming initiators, see *z/OS JES2 Initialization and Tuning Reference*.

### STATUS[=ACTIVE|DRAINED|DRAINING|HALTED|HALTING|INACTIVE|RESTARTING|STARTING]

Initiators in the specified state are to be started. The following types of status can be displayed:

#### Type Meaning

##### ACTIVE

A job is active on the initiator

##### DRAINED

The initiator is drained

##### DRAINING

The initiator is transitioning to a DRAINED state

##### HALTED

The initiator has been halted by the `$Z I` command

**HALTING**

The initiator is transitioning to a HALTED state

**INACTIVE**

The initiator has been started but has not selected a job

**RESTARTING**

The initiator has terminated abnormally and is in the process of restarting automatically

**STARTING**

The initiator has been started but has not fully initialized yet

**STC=stc**

The initiator associated with the specific STC that is to be started.

**Authority Required**

This command requires **system** authority. The description of the \$T RDRnn command explains how to ensure that the authority of the appropriate MVS system command group is assigned.

This command requires **control** security access authority. For a description of assigning command input authority, see *z/OS JES2 Initialization and Tuning Guide*.

**Scope**

**Single member.** This command will be in effect for this member only. There is no need to have this command issued to all members of the MAS.

**Messages**

The \$HASP892 message indicates the command was accepted.

When the initiator starts processing a job from the job classes assigned to it, JES2 issues the \$HASP373 message.

**Example**

**1** \$s i3

\$HASP892 INIT(3) STATUS=STARTING,CLASS=ABC,NAME=3

Initiator 3 (X'404040F3') begins processing jobs from the job classes assigned to it.

---

**\$S Job - Initiate a batch job into execution**

**Function**

To initiate a batch job into JES or WLM job class execution.

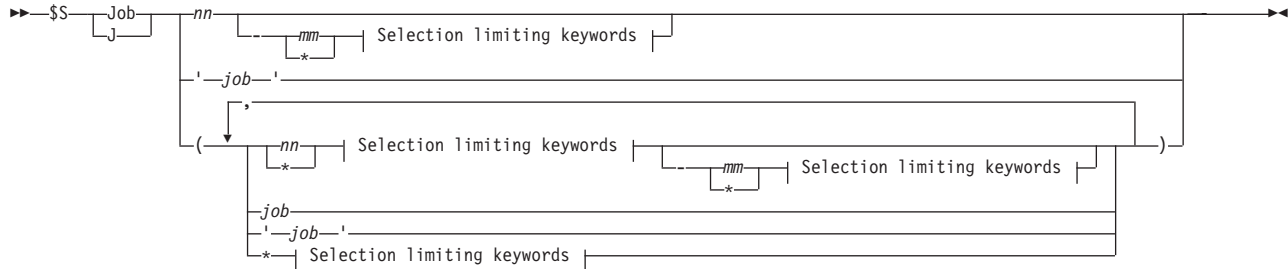
Use this command to initiate a job immediately instead of letting it wait on the execution queue for normal selection by an initiator.

**Note:**

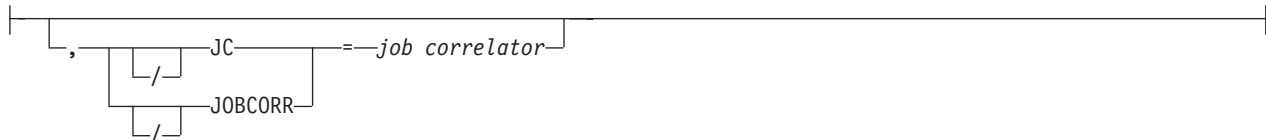
1. The \$SJ command, when issued on a member where the \$PXEQ command has been run, overrides the \$PXEQ command on that member.

- The \$SJ command, when issued on a member where the \$PXEQ command has been run, starts a WLM initiator for the JES class that is specified in the //JOB card, or if there are no initiators active for that JES class.

### Syntax



### Selection limiting keywords:



### Parameters

#### *job*

A 1-8 alphanumeric character job identifier. Only a single job can be submitted. If you also specify a job correlator parameter (JOBCORR), which identifies a unique job, then this parameter can contain wildcard characters for selecting a subset of job names that match this combination of characters (mask). For additional information, refer to “Using wildcards” on page 108.

#### '*job*'

The name of the job that is to be started. This name must appear as coded on the JOB statement and must be enclosed within apostrophe characters. If more than one job exists with this name, no action is taken.

*nn* A batch job to be started. Only a single job can be submitted. If you also specify a job correlator parameter (JOBCORR), which identifies a unique job, then this parameter can contain wildcard characters for selecting a range of batch jobs that can be used to select a subset of jobs. For additional information, refer to “Using wildcards” on page 108.

#### JC|JOBCORR=*job correlator*

Specifies a combination of characters, 1-64 alphanumeric, special (colon : or period .) and wildcard, that can be used to select a job that has a matching job correlator. For a description of wildcard characters, refer to “Using wildcards” on page 108. If you specify a *job correlator* with the \$SJ command, the specification must return a single job.

### Authority Required

This command requires **job** authority. The description of the \$T RDRnn command explains how to ensure that the authority of the appropriate MVS system command group is assigned.

This command requires **update** security access authority. For a description of assigning command input authority, see *z/OS JES2 Initialization and Tuning Guide*.

### Processing Considerations

The \$SJ command will be rejected if one or more of the following conditions exist:

1. Combining any of the following affinities with the active members results in no eligible members:
  - a. Job-affinity
  - b. SCHENV-affinity
  - c. Multi-Level-Security (MLS) affinity
  - d. JOBCLASS affinity (QAFF) - see the \$P XEQ exception below
  - e. Service class affinity (QAFF) - see the \$P XEQ exception below
2. Another job with a duplicate jobname is currently executing, the installation option for JOBDEF is DUPL\_JOB=DELAY, and the JOBCLASS has a specification of DUPL\_JOB=DELAY (the default).
3. SPOOL volumes that the job requires are not available.
4. The job is already busy.
5. The job is not awaiting execution.
6. The job is held for ARM restart.
7. Exit 49 return code is "not selectable."
8. The JOBCORR filter value supplied is less than 31 characters long or a wildcard character ("\*" or "?") appears in the first 31 characters of the JOBCORR value.

In addition, the following actions apply only if a \$P XEQ command is in effect on the member that originated the \$SJ command:

- The \$P XEQ command is ignored for purposes of processing the specified job. The \$P XEQ command is ignored *only* for the member that originated the \$S J command.
- The QAFF for the service class (if any) and the QAFF for the job class will be forced to temporarily include the member that originated the \$SJ command.

### Scope

**MAS-wide.** This command has an effect across the entire MAS.

### Messages

The \$HASP890 message is issued to indicate that the job can be started.

The \$HASP003 message is issued if no jobs are found in the specified range that are eligible to be started.

The \$HASP361 message is issued if the job is no longer eligible when the attempt by the initiator to select the job fails.

### Example

```
❶ $s j5
```

```
JOB00005 $HASP890 JOB(STARTJOB)
$HASP890 JOB(STARTJOB) STATUS=(AWAITING EXECUTION),CLASS=A,
$HASP890 PRIORITY=1,SYSAFF=(IBM1),HOLD=(NONE)
```



Job 5 (STARTJOB) is initiated into execution.

```

2 $sj(*),jc=J0000151POK.....C88BDE5E.....:*

JOB00151 $HASP890 JOB(STATUSB3)                                C
$HASP890 JOB(STATUSB3) STATUS=(AWAITING EXECUTION),CLASS=A,
$HASP890 PRIORITY=9,SYSAFF=(ANY),HOLD=(NONE)
- JOB00151 ICH70001I IBMUSER LAST ACCESS AT 17:36:00 ON WEDNESDAY,
OCTOBER 19, 2011
- JOB00151 $HASP373 STATUSB3 STARTED - WLM INIT - SRVCLASS DISCRETN -
SYS IBM1
  
```

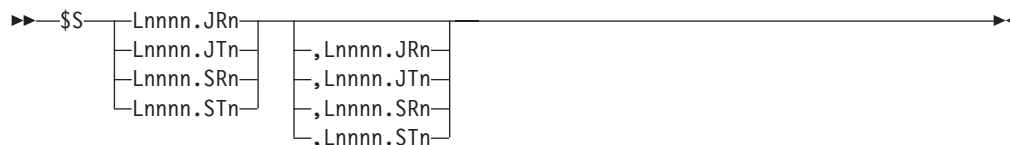
JES2 initiates into execution the batch job that exactly matches the supplied job correlator system portion (batch job 151).

## \$S Lnnnn.xxn - Start an NJE device

### Function

To start one or more currently drained NJE transmitting and/or receiving devices.

### Syntax



### Parameters

#### Lnnnn.JRn

The job receiver on line nnnn that is started.

#### Lnnnn.JTn

The job transmitter on line nnnn that is started.

#### Lnnnn.SRn

The SYSOUT receiver on line nnnn that is started.

#### Lnnnn.STn

The SYSOUT transmitter on line nnnn that is started.

### Authority Required

This command requires **device** authority. The description of the \$T RDRnn command explains how to ensure that the authority of the appropriate MVS system command group is assigned.

This command requires **control** security access authority. For a description of assigning command input authority, see *z/OS JES2 Initialization and Tuning Guide*.

### Processing Considerations

If a transmitter attempts to send a unit of work to a receiving node that has (1) the corresponding receiver drained, (2) the corresponding receiving function drained, or (3) no corresponding receiver, the transmitter will drain. To activate the receiving function, the operator at the receiving end (except for case 3) should start the function (\$T NODE,RECEIVE=) or receiver (\$S) before the operator at the

transmitting end attempts to start the transmitter.

### Scope

**Single member.** This command will be in effect for this member only. There is no need to have this command issued to all members of the MAS.

### Messages

The \$HASP000 message indicates the command was accepted.

If there is work for the line to transmit, JES2 issues the \$HASP520 message indicating the job transmitter has begun transmitting the indicated job to another node for execution.

### Example

**1** \$s 11.jt1

```
$HASP000 OK
JOB00015 $HASP520 YOURJOB ON JT1
```

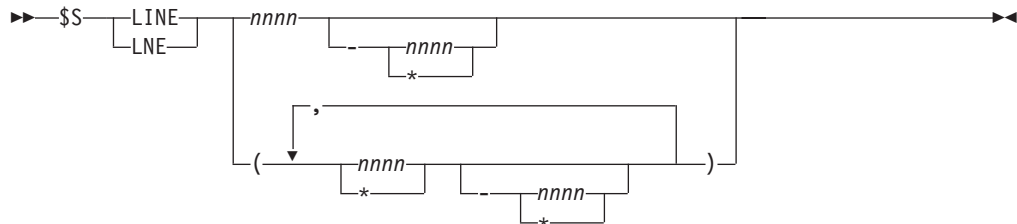
JES2 starts job transmitter 1 on line 1. If any jobs are waiting for transmission over that line, the job transmitter selects a job and begins transmitting.

## \$S LINE(nnnn) - Start a line

### Function

To start the specified RJE or NJE lines.

### Syntax



### Parameters

**nnnn|\***

The subscript defining the RJE or NJE lines that are started. The subscript may specify a specific value or a range of values.

### Authority Required

This command requires **device** authority. The description of the \$T RDRnn command explains how to ensure that the authority of the appropriate MVS system command group is assigned.

This command requires **control** security access authority. For a description of assigning command input authority, see *z/OS JES2 Initialization and Tuning Guide*.

### Processing Considerations

- To start a line for an SNA remote workstation, you must know how the system programmer defined your RJE network (the terminals and lines) in the JES2 initialization procedure; that is, you must know which workstations can use which lines. Ask the system programmer for this information.
- JES2 cannot be withdrawn from the system until all lines are drained (see the \$P LINE(nnnn) command).

### Scope

**Single member.** This command will be in effect for this member only. There is no need to have this command issued to all members of the MAS.

### Messages

The \$HASP880 message displays the current status of the specified line(s).

The \$HASP626 message indicates that the unit device has not been specified or is invalid.

The \$HASP627 message indicates that the unit device has been specified, but is unavailable.

### Example

**1** \$s line(1-2)

```
$HASP880 LINE1 UNIT=0C14,STATUS=INACTIVE
$HASP880 LINE2 UNIT=SNA,STATUS=INACTIVE
```

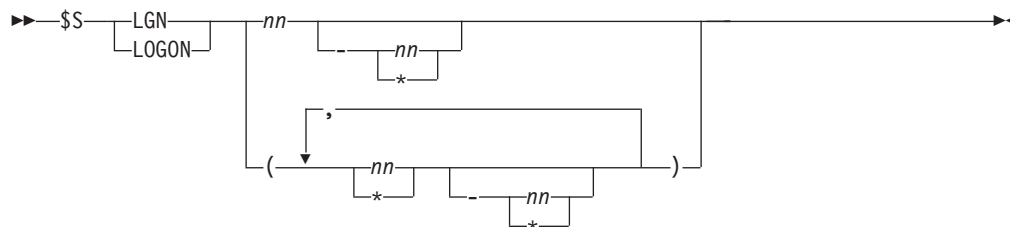
JES2 starts lines 1 and 2, if they are not already started.

## \$S LOGON - Start the JES2/VTAM interface

### Function

To start the JES2/VTAM interface which enables JES2 to begin processing connection requests from SNA remote workstations.

### Syntax



### Parameters

**nn|\***

The subscript defining the JES2/VTAM interface(s) that are started. You may specify a single interface using the value of n on the LOGON(n) initialization statement that defines that interface. The subscript can also specify a range of values.

## \$S LOGON

### Authority Required

This command requires **system** authority. The description of the \$T RDRnn command explains how to ensure that the authority of the appropriate MVS system command group is assigned.

This command requires **control** security access authority. For a description of assigning command input authority, see *z/OS JES2 Initialization and Tuning Guide*.

### Processing Considerations

Before you can start the JES2/VTAM interface, VTAM must be started and the network must be activated. The network consists of both the network controllers or communication links needed to establish a path to the remote workstation and the physical unit and logical unit associated with the workstation. The network is activated with the VTAM VARY command or automatically if specified in the VTAM network definition.

For information on starting VTAM and activating the network, refer to *z/OS Communications Server: SNA Operation*.

### Scope

**Single member.** This command will be in effect for this member only. There is no need to have this command issued to all members of the MAS.

### Messages

The \$HASP091 message indicates the access control block (ACB) for LOGON(n) opened successfully and the \$HASP881 message displays the current status of LOGON(n).

### Example

```
1 $s logon1
```

```
$HASP091 LOGON1 IS ACTIVE
$HASP881 LOGON1 APPLID=JESA,STATUS=INACTIVE
```

JES2 starts the JES2/VTAM interface with the identifier 1, making it available to process connection requests from SNA remote workstations.

---

## \$S N - Start node communication on a BSC line

### Function

To establish an NJE connection with an adjacent node.

### Syntax

```
▶▶ $S-N [ ,LINE=nnnn ] [ ,P=—password ] [ ,N=—nodename ] ▶▶
```

### Parameters

**N** Identifies this as a start networking command.

**LINEnnnn**

The BSC line with which this system tries to establish an NJE connection. The system attempts to sign on to the system at the other end of the specified line by sending an NJE sign-on record over the line.

**Note:**

1. If the line is currently signed on for RJE or NJE activity, this command is rejected.
2. Before starting networking on a line that is not dedicated, it is necessary that the line be started from both nodes using a \$\$ LINE(nnnn) command.
3. To enter the password used previously, specify the \$\$,LINE command.
4. If a dedicated line exists but is drained, it will automatically be started and a connection will be attempted by the \$\$ N,N= command.

**P=password**

The password (1 to 8 alphanumeric characters) used to verify the identity of the node attempting to establish the NJE connection. This password is transmitted in the sign-on record resulting from this command.

If you omit this parameter:

- The password specified by the PASSWORD=(SEND= ) parameter on the NODE initialization statement (for the node to which JES2 is trying to connect) is used if you specify that nodename on the N= parameter of this command.
- If there is no password specified by the PASSWORD=(SEND= ) parameter, the PASSWORD=(VERIFY= ) parameter on the NODE initialization statement (for the local node) is used.
- If there is no SEND= or VERIFY= password, no password is used.

**N=nodename**

The 1 to 8 alphanumeric or special (\$, #, or @) character name of the node through which you can begin networking.

**Authority Required**

This command requires **system** authority. The description of the \$T RDRnn command explains how to ensure that the authority of the appropriate MVS system command group is assigned. \$T NODE(nnnn) sets the command authority for a node.

This command requires **control** security access authority. For a description of assigning command input authority, see *z/OS JES2 Initialization and Tuning Guide*.

**Processing Considerations**

1. If the \$\$ N command is unsuccessful, enter a \$D U command to ensure that the BSC line is started. If it is not started, issue a \$\$ LINE(nnnn) command.
  - If the line is active, issue a \$E LINE(nnnn) command to stop the current activity, and then reissue the \$\$ N command.
2. If this also fails (having been attempted from both nodes, if necessary), drain the line from both nodes using a \$P LINE(nnnn) command followed by a \$E LINEnnnn command.
3. Then, start the line from both nodes with a \$\$ LINE(nnnn) command (if dial-up line is used, you will have to re-dial after the \$\$).
4. Finally, enter the \$\$ N command from one of the nodes.

**Note:**

1. Each side of the connection must assign the same password for the line used in the connection. For information about establishing a network connection, see *z/OS JES2 Initialization and Tuning Guide*
2. When processing the **\$SN,N=nodename** command, JES2 gives priority to dedicated lines, and to TCP/IP over SNA/VTAM.

**Note:** .

**Scope**

**Single member.** This command will be in effect for this member only. There is no need to have this command issued to all members of the MAS.

**Note:** All the members of the MAS are connected to that node.

**Messages**

The \$HASP000 message indicates the command was accepted.

The \$HASP200 message indicates the target node name is started on the specified line.

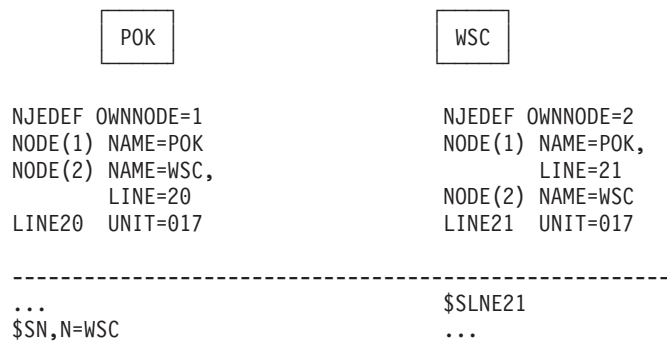
**Examples**

**1** \$s n,line6,p=secret

```
$HASP000 OK
$HASP200 POK STARTED ON LINE6
```

JES2 tries to form a network connection with the node (POK) attached by line 6 with a node password of secret.

**2** \$s n,n=wsc



The \$S N command is entered from NODE(POK) to begin networking. POK's initialization deck has LINE20 dedicated to node(2) or WSC. Since the node has a dedicated line, the line is automatically started and POK initiates signon processing to establish a connection.

**Note:** If POK's initialization deck did not dedicate LINE20 to WSC, a \$SLINE20 would be needed to start the line before \$SN,N=WSC can be issued.

## SS N - Start node communication on an SNA line

### Function

To start an SNA application-to-application session with another node and to automatically start dedicated lines.

### Syntax

```

▶▶ $S-N [ ,LINE=nnnn ] [ ,A=applname ] [ ,N=nodename ]

```

### Parameters

**N** Identifies this as a start networking command.

#### LINEnnnn

The started logical line that is used for the application-to-application session. The physical SDLC line(s) involved are managed by VTAM and the Network Control Program (NCP). If you omit this parameter, JES2 will select an SNA logical line from a pool of available, idle SNA logical lines. At least one SNA line must be available to establish an SNA session. If you specify a currently-used or drained line, the command is rejected. If a line has been dedicated to this application, (LINE= on the APPL statement) or to this node (LINE= on the NODE statement) it will be automatically started and an SNA connection will be established.

#### A=applname

The name of the application with which an SNA application-to-application session is started. This name corresponds to the APPLID= value on the LOGON(1) initialization statement at the node with which a session is desired.

**Note:** When a \$SN is applid qualified and the applid is not defined but happens to be a known node name, it dynamically adds the applid and then tries to start the connection with that applid.

#### N=nodename

The 1 to 8 alphanumeric or special (\$, #, or @) character name of the node used to start networking. Use an APPLID= associated with node or dynamically create an application with this nodename.

### Authority Required

This command requires **system** authority. The description of the \$T RDRnn command explains how to ensure that the authority of the appropriate MVS system command group is assigned. \$T NODE(nnnn) sets the command authority for a node.

This command requires **control** security access authority. For a description of assigning command input authority, see *z/OS JES2 Initialization and Tuning Guide*.

### Processing Considerations

- If a node is a multi-access spool node, each member of that node must be uniquely defined as an application to VTAM and the application names used must be defined to JES2 with APPL initialization statements. APPL initialization statements must be supplied at every node in the network that may initiate SNA sessions with these applications.

- When processing the `$SN,N=nodename` command, JES2 gives priority to dedicated lines, and to TCP/IP over SNA/VTAM.

**Scope**

**Single member.** This command will be in effect for this member only. There is no need to have this command issued to all members of the MAS.

**Note:** All the members of the MAS are connected to that node.

**Messages**

The `$HASP200` message indicates that the NJE node at which this SNA session is requested has correctly identified itself to this JES2 system.

**Examples**

**1** `$s n,a=wsc`

`$HASP200 POK STARTED ON LINE15 SESSION DENVER`

This JES2 system tries to initiate an SNA application-to-application session with the application defined to JES2 and VTAM as DENVER.

NJEDEF OWNNODE=1	NJEDEF OWNNODE=2
NODE(1) NAME=POK	NODE(1) NAME=POK,
NODE(2) NAME=WSC,	LINE=21
LINE=20	NODE(2) NAME=WSC
LINE20 UNIT=SNA	LINE21 UNIT=SNA
APPL(POK) NODE=1	APPL(WSC) NODE=2,
LOGON1 APPL=POK	LOGON1 APPL=WSC

---

<code>\$SLOGON1</code>	<code>...</code>
<code>...</code>	<code>\$SLOGON1</code>
<code>\$SN,N=WSC</code>	<code>...</code>

At NODE(POK), `$SN` searches for an APPL that is assigned to node 2. If none is found, APPL(WSC) is created. NODE(WSC) points to LINE20, which is automatically started. The node password is automatically obtained from NODE(WSC).

At NODE(WSC), HASPSNA searches for an APPL assigned to node 1. If none is found, APPL(POK) is created. NODE(POK) points to LINE21, which is automatically started.

**2** `$SN,A=XXXXXX` where WASHDC is not defined as applid, but is a valid node name.

`$HASP000 OK`  
`$HASP094 I/O ERROR ON LNE37 SNA ,17,0000,`

The `$SN` fails because the applid is not known

`087D0001,141001000000002484800000,XXXXXX`  
`$DAPPL(XXXXXX)`  
`$HASP821 APPL(XXXXXX) 240`  
`$HASP821 APPL(XXXXXX) NODE=38,COMPACT=0,LINE=0,LOGMODE=,`



## \$\$ N - Start node communication on a TCP/IP line

### Function

To start a TCP/IP application-to-application session with another node and to automatically start dedicated lines.

### Syntax

```

>> $S-N [ ,LINE=nnnn ] [ ,SOCKET=socketname ] [ ,N=nodename ]
  
```

### Parameters

**N** Identifies this as a start networking command.

#### LINEnnnn

Specifies a logical TCP/IP line (UNIT=TCP) to be used by this network connection. If you omit this parameter, a TCP/IP logical line will be selected from a pool of available or idle TCP/IP lines. At least one TCP/IP line must be available to establish a TCP/IP connection. If a line has been dedicated to this socket (LINE= on the SOCKET statement) or to this node (LINE= on the NODE statement), it will be automatically started and a TCP/IP connection will be established.

#### S=|SOCKET=

Specifies the name of a TCP/IP socket with which a NJE connection should be initiated.

#### N=nodename

1-8 alphanumeric or special character name (\$, #, or @) of the node can be used to start networking. Use a socket associated with the node.

### Authority Required

This command requires **system** authority. The description of the \$T RDRnn command explains how to ensure that the authority of the appropriate MVS system command group is assigned. \$T NODE(nnnn) sets the command authority for a node.

This command requires **control** security access authority. For a description of assigning command input authority, see *z/OS JES2 Initialization and Tuning Guide*.

### Processing Considerations

When processing the \$SN,N=nodename command, JES2 gives priority to dedicated lines, and to TCP/IP over SNA/VTAM.

### Scope

Single system. This command will be in effect for this member only. There is no need to have this command issued to all members of the MAS.

### Messages

The \$HASP000 message indicates the command was accepted.

## \$S N

The \$HASP200 message indicates the target node name is started on the specified line.

### Examples

```

NJEDF OWNNODE=1
NODE(1) NAME=POK
NODE(2) NAME=WSC,
      LINE=20
LINE20 UNIT=TCP
SOCKET(POK) NODE=1
SOCKET(WSC) NODE=2,
      IPADDR=WSC.IBM.COM,
      PORT=175
NETSRV1 SOCKET=POK
-----
$SNETSRV1
...
$SN,S=WSC

NJEDF OWNNODE=2
NODE(1) NAME=POK,
      LINE=21
NODE(2) NAME=WSC
LINE21 UNIT=TCP
SOCKET(POK) NODE=1,
      IPADDR=POK.IBM.COM,
      PORT=175
SOCKET(WSC) NODE=2
NETSRV1 SOCKET=WSC
-----
...
$SNETSRV1
...

```

At NODE(POK), \$SN searches for a SOCKET that is assigned to node 2. NODE(WSC) points to LINE20, which is automatically started. The node password is automatically obtained from NODE(WSC).

At NODE(WSC), HASPTCP searches for a SOCKET assigned to node 1. NODE(POK) points to LINE21, which is automatically started.

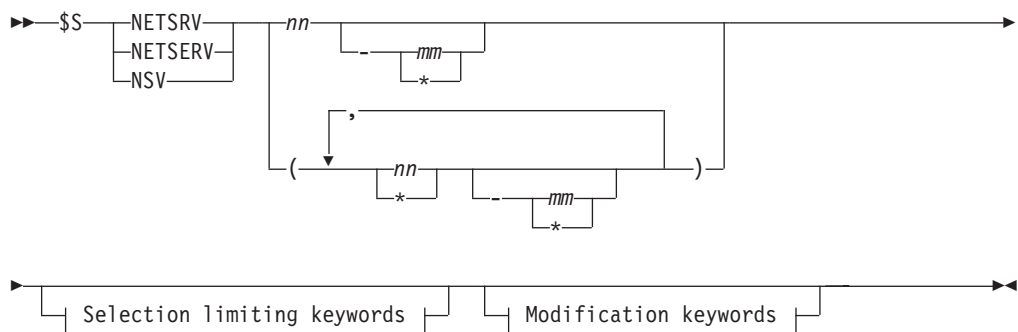
---

## \$S NETSRV(nnn) - Start a network server

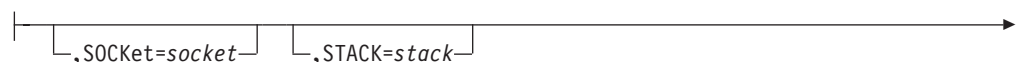
### Function

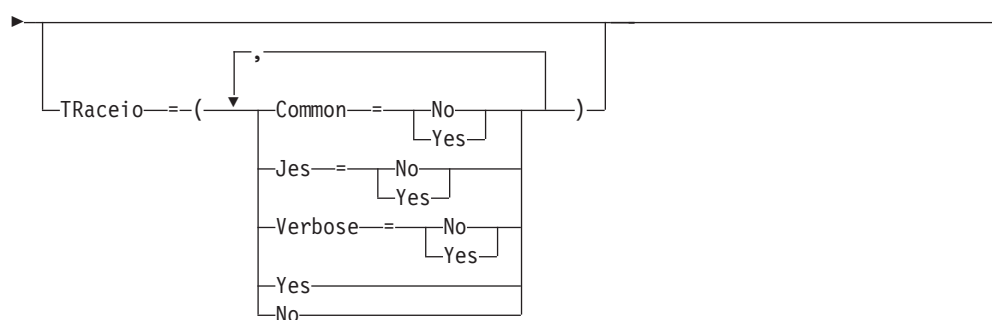
To start a network server.

### Syntax

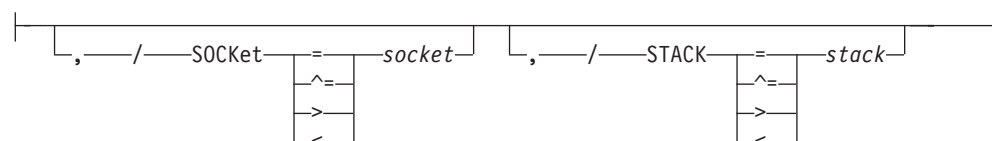


### Modification keywords:





**Selection limiting keywords:**



**Parameters**

**(nn) | (nn-mm)**

A single or range of numeric values between 1 to 999.

**SOCKET=**

Specifies the name of a local socket which the NETSRV should listen upon.

**TRaceio=(YES|NO|JES=YES|NO|COMMON=YES|NO|VERBOSE=YES|NO)**

Specifies whether tracing is to be active, and which types of traces are to be activated for the server.

**YES**

Indicates all types of tracing are to be done (JES, COMMON, VERBOSE).

**NO** Indicates no tracing is to be done.

**JES=YES|NO**

Indicates whether data and control records passed between JES and TCP/IP are to be traced for this server.

**COMMON=YES|NO**

Indicates whether TCP/IP and other services called by IAZNJTCP are to be traced.

**VERBOSE=YES|NO**

Indicates whether diagnostic messages are to be issued to the master console and SYSLOG.

**STACK=**

Specifies the name of a TCP/IP stack to be used by this server when the Common INET (CINET) configuration is being used. If not specified, all stacks on the local machine will be used. When only an INET configuration is being used, specification of a stack name is ignored.

**Authority Required**

This command requires **system** authority. The description of the \$T RDRnn command explains how to ensure that the authority of the appropriate MVS system command group is assigned.

## **\$S NETSRV(nnn)**

This command requires **control** security access authority. For a description of assigning command input authority, see *z/OS JES2 Initialization and Tuning Guide*.

### **Scope**

**Single system.** The values supplied for this command will be in effect for this member only.

### **Messages**

\$HASP898

### **Example**

```
$s netsrv2
```

```
$HASP898 NETSRV2 STATUS=INACTIVE,SOCKET=S2,STACK=
```

---

## **\$S NETWORK - Start automatic device restart and NJE connection processing**

### **Function**

To start automatic device restart and NJE connection processing that might have been stopped with a \$P NETWORK command.

### **Syntax**

▶▶—\$S NETWORK—————▶▶

### **Parameters**

None.

### **Authority Required**

This command requires **system** authority. The description of the \$T RDRnn command explains how to ensure that the authority of the appropriate MVS system command group is assigned. You can use \$T NODE(nnnn) command to set the command authority for a node.

This command requires **control** security access authority. For a description of assigning command input authority, see *z/OS JES2 Initialization and Tuning Guide*.

### **Scope**

**Single system.** The values supplied for this command will be in effect for this member only.

### **Messages**

\$HASP899 command response.

### Example

#### 1 \$snet

```

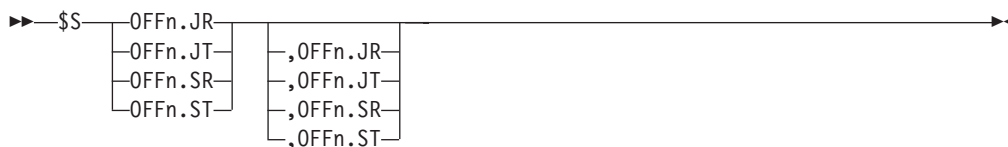
$HASP899 $SNET
$HASP899 ACTIVE NETWORKING DEVICES
$HASP899 NAME                               STATUS
$HASP899 -----
$HASP899 LINE15                             ACTIVE
$HASP899 LOGON1                             ACTIVE
    
```

## \$\$ OFFn.xx - Start offload transmitters and receivers

### Function

To cause the specified offload transmitter(s) and/or receiver(s) to automatically start each time the corresponding offload device is started.

### Syntax



### Parameters

*n* The subscript defining the offload job transmitters and receivers affected by this command. The subscript can specify a numeric value (1-8) or a range of values associating offload job transmitters and receivers with offload devices. For information about specifying a range of values for this subscript, see “Command syntax conventions” on page 97.

#### OFFn.JR

The offload job receiver that is started, where *n* is the number (1-8) of the corresponding offload device.

#### OFFn.JT

The offload job transmitter that is started, where *n* is the number (1-8) of the corresponding offload device.

#### OFFn.SR

The offload SYSOUT receiver that is started, where *n* is the number (1-8) of the corresponding offload device.

#### OFFn.ST

The offload SYSOUT transmitter that is started, where *n* is the number (1-8) of the corresponding offload device.

### Authority Required

This command requires **device** authority. The description of the \$T RDRnn command explains how to ensure that the authority of the appropriate MVS system command group is assigned.

This command requires **update** security access authority. For a description of assigning command input authority, see *z/OS JES2 Initialization and Tuning Guide*.

### **Processing Considerations**

- If the offload device is already active, the transmitters and/or receivers start immediately.
- You can start only one job receiver, SYSOUT receiver, job transmitter and SYSOUT transmitter for a specific offload device and each must be specified with the corresponding device number.
- If you issue the \$DU command for the transmitters before the associated offload device is started, it will display their status as STARTABLE.

### **Scope**

**Single member.** This command will be in effect for this member only. There is no need to have this command issued to all members of the MAS.

### **Messages**

The \$HASP000 message indicates the command was accepted.

### **Example**

**1** \$s off1.jt,off2.sr

\$HASP000 OK

JES2 starts the offload job transmitter for offload device 1 and the offload SYSOUT receiver for offload device 2.

---

## **\$S OFFLOADn - Start an offload device**

### **Function**

To start an offload device.

### **Syntax**

▶▶ \$S OFFLOAD *n* , TYPE= TRANSMIT  
RECEIVE ▶▶

### **Parameters**

#### **OFFLOADn**

The offload device (1-8) that is started.

#### **TYPE=**

Specifies the type of operation that the offload device performs.

#### **TRANSMIT**

The offload device is used to transmit jobs and/or SYSOUT from the spool data set to the offload data set.

#### **RECEIVE**

The offload device is used to receive jobs and/or SYSOUT from the offload data set to the spool data set.



## **\$S PRT(nnnnn) and \$S R(nnnnn).PR(m)**

*m* The identifier of the printer (1-7) that is attached to the remote workstation  
*Rnnnnn* (1-32767).

### **Authority Required**

This command requires **device** authority. The description of the \$T RDRnn command explains how to ensure that the authority of the appropriate MVS system command group is assigned.

This command requires **update** security access authority. For a description of assigning command input authority, see *z/OS JES2 Initialization and Tuning Guide*.

### **Scope**

**Single member.** This command will be in effect for this member only. There is no need to have this command issued to all members of the MAS.

### **Messages**

The \$HASP000 message indicates the command was accepted.

If work is found, JES2 issues the \$HASP150 message indicating that the specified device is starting to process output.

If no work is found, JES2 issues the \$HASP160 message indicating that the specified device found no work in the queue(s).

The \$HASP626 message indicates that the unit device has not been specified or is invalid.

The \$HASP627 message indicates that the unit device has been specified, but is unavailable.

### **Example**

```
❶ $s prt1, r2.pr3
```

```
$HASP000 OK
```

JES2 starts local printer 1 and printer 3 at remote workstation 2.

---

## **\$S PUN(nn) and \$S R(nnnnn).PU(m) - Start a punch**

### **Function**

To start punch activity. The \$HASP190 message asks whether the requested setup has been completed for the specified device. Either verify that the setup is complete or issue the \$T PUNnnnnnn command to override specific setup specifications. Then reissue the \$S command to physically start the punch.

### **Syntax**

```
➔ $S PUNnn  
    Rnnnnn.PUm  
    ,PUNnn  
    ,Rnnnnn.PUm ➔
```



**Parameters**

*nn* The identifier of the local punch (1-99) to start.

*nnnnn*

The identifier of the remote workstation **R** (1-32767) that is attached to punch *m* (1-7).

*m* The identifier of the punch (1-7) that is attached to the remote workstation **Rnnnnn** (1-32767).

**Authority Required**

This command requires **device** authority. The description of the \$T RDRnn command explains how to ensure that the authority of the appropriate MVS system command group is assigned.

This command requires **update** security access authority. For a description of assigning command input authority, see *z/OS JES2 Initialization and Tuning Guide*.

**Scope**

**Single member.** This command will be in effect for this member only. There is no need to have this command issued to all members of the MAS.

**Messages**

The \$HASP000 message indicates the command was accepted.

If work is found, JES2 issues the \$HASP150 message indicating that the specified device is starting to process output.

If no work is found, JES2 issues the \$HASP160 message indicating that the specified device found no work in the queue(s).

The \$HASP626 message indicates that the unit device has not been specified or is invalid.

The \$HASP627 message indicates that the unit device has been specified, but is unavailable.

**Example**

```
1 $s pun1,r3.pu2
```

```
$HASP000 OK
```

JES2 starts local punch 1 and punch 2 at remote workstation 3.

**\$S RDRnn and \$Rnnnn.RDm - Start a reader****Function**

To start a system input reader.

**Syntax**

## \$S RDRnn and \$Rnnnn.RDm



### Parameters

#### RDRnn

The local system input reader that is started.

#### Rnnnn.RDm

The remote reader that is started.

### Authority Required

This command requires **device** authority. The description of the \$T RDRnn command explains how to ensure that the authority of the appropriate MVS system command group is assigned. The \$T RDI command sets the command authority for internal readers.

This command requires **update** security access authority. For a description of assigning command input authority, see *z/OS JES2 Initialization and Tuning Guide*.

### Scope

**Single member.** This command will be in effect for this member only. There is no need to have this command issued to all members of the MAS.

### Messages

The \$HASP000 message indicates the command was accepted.

The \$HASP626 message indicates that the unit device has not been specified or is invalid.

The \$HASP627 message indicates that the unit device has been specified, but is unavailable.

### Example

```
❶ $s rdr1,r4.rd2
```

```
$HASP000 OK
```

JES2 starts local reader 1 and reader 2 at remote workstation 4, making them available to process job streams.

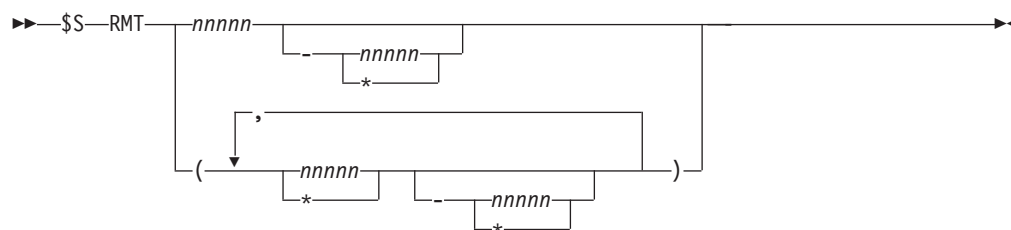
---

## \$S RMT(nnnnn) - Automatically connect a remote terminal

### Function

To automatically log on to a specified SNA remote terminal.

### Syntax



## Parameters

### nnnnn

The subscript defining the remote terminals that are automatically connected. The subscript may specify a specific 1- to 5-digit remote terminal identifier or a range as defined by an RMT(nnnnn) initialization statement.

## Authority Required

This command requires **device** authority. The description of the \$T RDRnn command explains how to ensure that the authority of the appropriate MVS system command group is assigned.

This command requires **control** security access authority. For a description of assigning command input authority, see *z/OS JES2 Initialization and Tuning Guide*.

## Processing Considerations

- The correct LUNAME= parameter must have been specified on the RMT(nn) initialization statement for the automatic logon to be successful.
- The actual logon will take place when needed system resources are available. See *z/OS JES2 Initialization and Tuning Reference* for further information.
- This command is for SNA remote terminals only; remote terminals connected over a BSC line are not supported by automatic logon. BSC remote terminals are started using a control card. See *Operator's Library: OS/VS2 Remote Terminals (JES2)* for more information.

## Scope

**Single member.** This command will be in effect for this member only. There is no need to have this command issued to all members of the MAS.

## Messages

The \$HASP879 message displays the current status of the specified remote terminal(s).

## Example

```
1 $s rmt(125-127)
```

```
$HASP879 RMT125 DEVTYPE=LUTYPE1,STATUS=INACTIVE
$HASP879 RMT126 DEVTYPE=LUTYPE1,STATUS=INACTIVE
$HASP879 RMT127 DEVTYPE=LUTYPE1,STATUS=INACTIVE
```

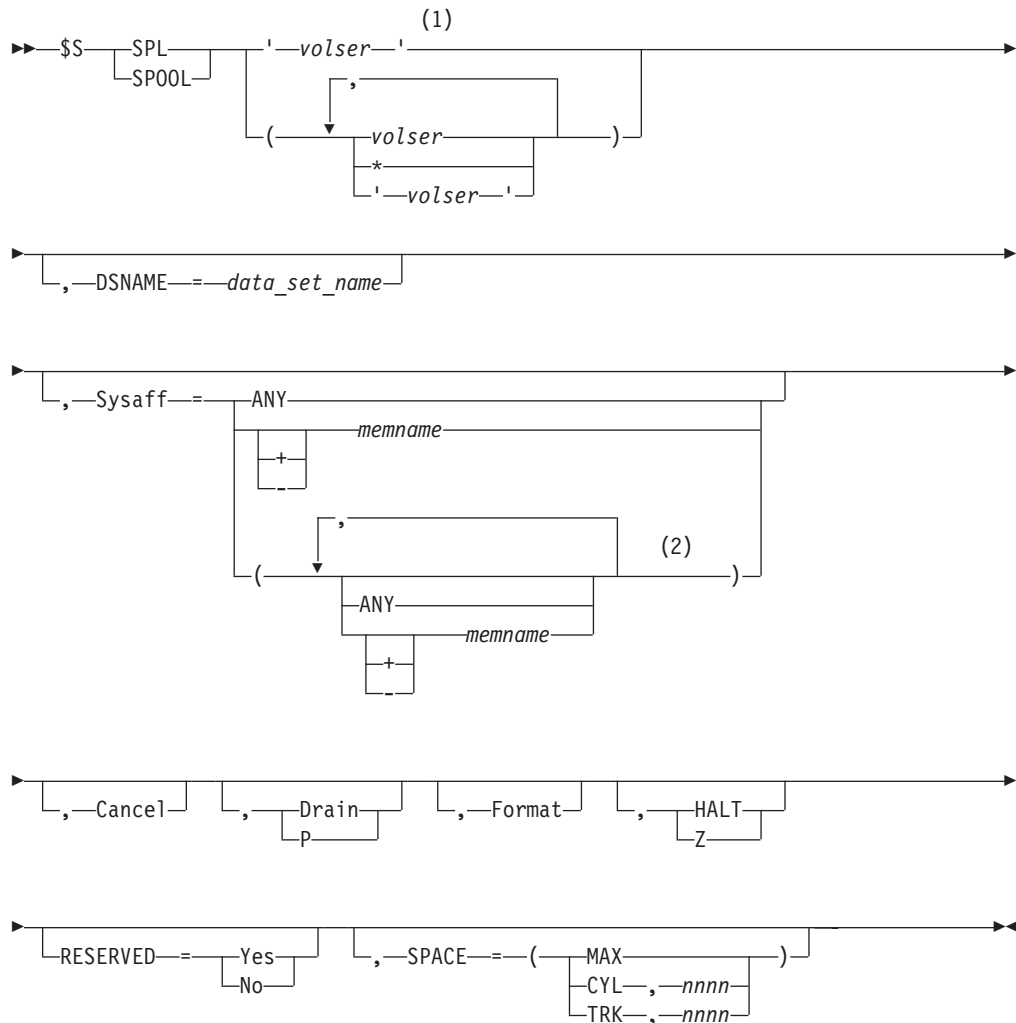
JES2 automatically logs on to remote terminals 125, 126 and 127 when the needed system resources are available.

## \$\$ SPOOL - Start a spool volume

### Function

To add or reactivate a spool volume to the spool configuration.

### Syntax



### Notes:

- 1 Omit the comma between initialization statement and first keyword
- 2 *sysaff* can be coded up to 32 times

### Parameters

#### Cancel

JES2 cancels all jobs on the volume that can be cancelled and then deletes the volume from the configuration. If you specify CANCEL, you must also specify the P operand to allow JES2 to recover the space on other spool volumes allocated by jobs on the spool volume to be cancelled.

**Drain|P**

JES2 brings the new spool volume (if used with FORMAT) or the INACTIVE spool volume into the spool environment with a status of DRAINING. For an INACTIVE spool volume, this allows work to complete without permitting allocation to the spool volume.

**DSNAME=*data\_set\_name***

Specifies a 1-44 character name for a JES2 spool volume data set. The **DSNAME** parameter can only be specified when starting a new volume. If not specified, the default data set name that is defined using the **SPOOLDEF** command is used.

**Format**

JES2 formats the **new** spool volume. You need to specify this parameter if you want to reformat a new spool volume that is already formatted or if you want to specify the P or Z operands for a new spool volume.

**Note:** If SYS1.HASPACE has ever been scratched or deleted from the volume, you should specify FORMAT.

**Sysaff**

JES2 associates the spool volume with the specified member(s). A member list is some combination of the following keywords separated by commas.

**ANY**

This volume is associated with all members in the JES2 multi-access spool configuration.

**+|-memname|\***

The memnames (1 to 4 characters) to be added to (+) or deleted from (-) the current list of members that this volume is associated with. If neither + nor - is specified, the affinities of the volume is explicitly set to the specified members. '\*' specifies the member the command was issued on.

**HALT|Z**

JES2 brings the spool volume into the spool environment with a status of INACTIVE. A new volume can also be formatted but allocation of spool space is prevented.

**volser**

The volume serial number of the spool volume. The first 4 or 5 characters must be identical to the 4-5 character prefix specified by the VOLUME= parameter on the SPOOLDEF initialization statement. If the specified spool volume is already in use, JES2 issues the \$HASP893 message indicating that it is active and allocation is permitted.

**RESERVED=Yes | No**

**RESERVED=Yes** marks the spool volume as reserved for special processing; no new allocations will be allowed. **RESERVED=No** clears the reserved attribute.

**SPACE=(MAX|CYL,nnnn|TRK,nnnn)**

Allocates a data set when starting a new spool volume. SPACE is an optional parameter. If it is not specified, no allocation will be performed.

**MAX** Allocates the largest data set as possible considering the free space on disk.

**CYL,nnnn**

Allocates a Spool data set with nnnn cylinders.

**TRK,nnnn**

Allocates a Spool data set with nnnn tracks.

## \$S SPOOL

### Note:

1. The SPACE parameter cannot be used if JES2 starts an existing Spool volume.
2. If the SPACE parameter is specified, the CANCEL or DRAIN (P) parameter cannot be specified.
3. If the SPACE parameter is specified, JES2 formats the spool volume, no matter whether or not the format parameter is specified.

### Authority Required

This command requires **system** authority. The description of the \$T RDRnn command explains how to ensure that the authority of the appropriate MVS system command group is assigned.

This command requires **control** security access authority. For a description of assigning command input authority, see *z/OS JES2 Initialization and Tuning Guide*.

### Processing Considerations

If a spool failure occurs, the operator should be instructed to issue a \$Z SPL command for each volume that is in error. This will prevent JES2 from trying to allocate more space from that volume, and from being selected for work (i.e. conversion, execution, and printing).

If a member wide warm start is done without the volumes that had errors on them, then JES2 message \$HASP424, VOLUME NOT MOUNTED, will be issued followed by JES2 message \$HASP853, REPLY GO, QUIT, or PURGE. If the volume is thought to be recoverable at some time, reply GO. This will cause the volume to come up in an inactive state. The jobs that have space allocated from this volume will not be available for work. JES2 will not attempt to use any space from the volume until a \$S SPL command is issued.

If the volume is permanently damaged, reply PURGE to this message. Reply PURGE only if you are absolutely certain that the volume cannot be recovered. Replying PURGE will cause all jobs with space allocated from that volume to be purged. No messages or warning will be issued indicating that this happened.

To lessen the impact of a spool failure, use the SPOOLDEF FENCE=(ACTIVE=YES,VOLUMES=nn)option to specify the number (nn) of volumes to initially allocate for jobs. This can be set at initialization or may be changed through an operator command. This will cause JES2 to allocate all the track groups for a job from the specified number of volumes. If spool fencing is not used, JES2 will allocate the track groups for a job from as many spool volumes as it can. Without spool fencing, the loss of one spool volume may affect more jobs in the system than if spool fencing had been used. For more information about spool fencing, see *z/OS JES2 Initialization and Tuning Guide*.

JES2 exits 11 and 12 can be used as an alternative method for limiting the volumes from which a job may allocate space.

If the **DSNAME** parameter is specified with the **SPACE** parameter, JES2 performs a **DISP=NEW** allocation of the data set. If the **SPACE** parameter is not specified with **DSNAME**, JES2 performs a **DISP=OLD** allocation.

## Scope

MAS-wide. This command has an effect across the entire MAS.

## Related Commands

\$D SPOOL, \$S SPOOL, and \$T SPOOLDEF.

## Context

HASCSCAN, HASPSTAB, HASPSXIT, and HASPSPOL.

## Messages

The \$HASP893 message indicates the command was accepted.

The \$HASP423 message indicates that an unformatted spool volume is now being formatted.

## Examples

**1** `$sspl (spool1), format, p`

```
$HASP893 VOLUME(SPOOL1) STATUS=INACTIVE,COMMAND=(START,FORMAT,
$HASP893 DRAIN)
$HASP646 2.0952 PERCENT SPOOL UTILIZATION
```

JES2 formats a new spool volume, spool1, and then drains it.

**2** `$sspl (spool2), format, z`

```
$HASP893 VOLUME(SPOOL2) STATUS=INACTIVE,COMMAND=(START,FORMAT,
$HASP893 HALT)
$HASP646 2.0952 PERCENT SPOOL UTILIZATION
```

JES2 formats a new spool volume, spool2, and then halts it.

**3** `$sspl (spool3)`

```
$HASP893 VOLUME(SPOOL3) STATUS=DRAINING,COMMAND=(START)
$HASP646 33.3333 PERCENT SPOOL UTILIZATION
```

JES2 starts a spool volume, spool3. The volume was previously draining.

**4** `$sspl (spool4), p, cancel`

```
$HASP893 VOLUME(SPOOL4) STATUS=DRAINING,COMMAND=(START,DRAIN)
$HASP646 33.3333 PERCENT SPOOL UTILIZATION
```

JES2 restarts spool volume spool4, cancels the jobs on it, and then drains the volume.

**5** `$sspl (spool5), p`

```
$HASP893 VOLUME(SPOOL5) STATUS=DRAINING,COMMAND=(START,DRAIN)
$HASP646 33.3333 PERCENT SPOOL UTILIZATION
```

JES2 restarts spool volume spool5, and then drains the volume.

**6** `$sspl (spool6), z`

```
$HASP893 VOLUME(SPOOL6) STATUS=DRAINING,COMMAND=(START,HALT)
$HASP646 33.3333 PERCENT SPOOL UTILIZATION
```

## \$\$ SPOOL

JES2 restarts spool volume spool6, and then puts it in a halting state.

```
7  $ssp1 (spool7),space=(cyl,100)
```

```
$HASP893 VOLUME(SPOOL7) STATUS=INACTIVE,COMMAND=(START)
$HASP646 1.3333 PERCENT SPOOL UTILIZATION
$HASP423 SPOOL7 IS BEING FORMATTED
$HASP630 VOLUME SPOOL7 ACTIVE 0 PERCENT UTILIZATION
```

JES2 starts spool volume SPOOL7. If SPOOL7 is a new volume, a 100 cylinder sized data set is allocated. However, if SPOOL7 is already defined to JES2, the command fails and the HASP003 error message is issued.

```
8  $s spool (spool7),dsname=sys1.example,space=(cyl,100)
```

```
$HASP893 VOLUME(SPOOL7) STATUS=INACTIVE,COMMAND=(START)
$HASP646 1.3333 PERCENT SPOOL UTILIZATION
$HASP423 SPOOL7 IS BEING FORMATTED
$HASP630 VOLUME SPOOL7 ACTIVE 0 PERCENT UTILIZATION
```

JES2 starts spool volume SPOOL7. If SPOOL7 is a new volume, a 100-cylinder data set named SYS1.example is allocated. The allocation performed is DISP=NEW. However, if SPOOL7 is already defined, the command fails and the HASP003 error message is issued.

---

## \$\$ SRVCLASS - Start JES2 processing for a given service class

### Function

To start JES2 processing for a given service class on the member where the command is issued. This command is equivalent to \$T SRVCLASS(class),QAFF=(+\*).

### Syntax

```
▶▶—$S—SRVCLASS—(srvclass)—————▶▶
```

### Parameters

None.

### Authority Required

This command requires **system** authority. The description of the \$T RDRnn command explains how to ensure that the authority of the appropriate MVS system command group is assigned.

This command requires **control** security access authority. For a description of assigning command input authority, see *z/OS JES2 Initialization and Tuning Guide*.

### Scope

**Single member.** This command will be in effect for this member only. There is no need to have this command issued to all members of the MAS.

### Messages

```
$HASP889
```



### Example

\$\$ SRVCLASS(DISCRETN)

\$HASP889 SRVCLASS(DISCRETN) QAFF=(ANY),TYPE=PERMANENT

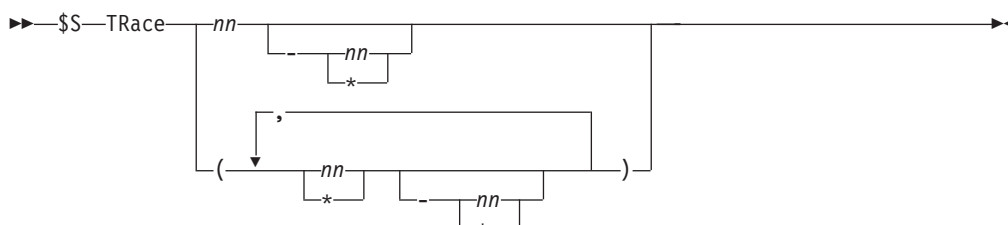
This command re-registers a service class (DISCRETN) for the member where the command is entered. This is equivalent to using the command \$T SRVCLASS(DISCRETN),QAFF=+\*.

## \$\$ TRACE(nn) - Start a trace ID

### Function

To activate the specified trace identifiers.

### Syntax



### Parameters

**nn** The subscript that defines the activated trace IDs. The subscript might specify a specific trace ID or a range of trace IDs. The range of trace IDs reserved by IBM is 1 to 47. Trace IDs 48 to 255 are available for customer use. For more information about specific identifier meanings, see *z/OS JES2 Diagnosis*.

### Authority Required

This command requires **system** authority. The description of the \$T RDRnn command explains how to ensure that the authority of the appropriate MVS system command group is assigned.

This command requires **control** security access authority. For a description of assigning command input authority, see *z/OS JES2 Initialization and Tuning Guide*.

### Processing Considerations

- Each trace ID may be started independent of the overall trace facility. However, no tracing is done unless the trace facility is also started. See the description of the TRACE facility and the TRACEDF initialization statement in *z/OS JES2 Initialization and Tuning Reference* for information about starting the trace facility.
- The trace table entries are added to JES2 trace tables as they are generated. These tables are reused if trace logging is not in effect. If trace logging is enabled, then full trace tables are formatted and added to the JES2 event trace log.

### Scope

**Single member.** This command will be in effect for this member only.

## **\$\$ TRACE(nn)**

However, you might want this command to be applied to all members of the MAS (to ensure a consistent environment across the MAS). If so, you can use the MVS ROUTE \*ALL command to issue this command to all active members (if the JES2 command character is the same on all members). See *z/OS MVS System Commands* for more information on using the ROUTE \*ALL command.

### **Messages**

The \$HASP667 message displays the current status of the specified trace IDs.

### **Example**

```
❶ $s trace(1-3)

$HASP667 TRACE(1) START=YES
$HASP667 TRACE(2) START=YES
$HASP667 TRACE(3) START=YES
```

JES2 activates trace identifiers 1, 2, and 3.

---

## **\$\$ XEQ - Allow JES2 and WLM-controlled initiators to select work**

### **Function**

To allow JES2 and WLM-controlled initiators to select work.

### **Syntax**

▶▶—\$\$—XEQ—▶▶

### **Authority Required**

This command requires **system** authority. The description of the \$T RDRnn command explains how to ensure that the authority of the appropriate MVS system command group is assigned.

This command requires **control** security access authority. For a description of assigning command input authority, see *z/OS JES2 Initialization and Tuning Guide*.

### **Processing Considerations**

\$\$ XEQ negates a prior \$P XEQ (if any) and allows JES2 and WLM initiators to resume selecting new work.

### **Scope**

**Single member.** The values will be in effect for this member only.

### **Messages**

The \$HASP000 message indicates the command has been accepted.

### **Example**

```
❶ $s xeq

$HASP000 OK
```

JES2 and WLM initiators may now select jobs from the JES2 job queue.

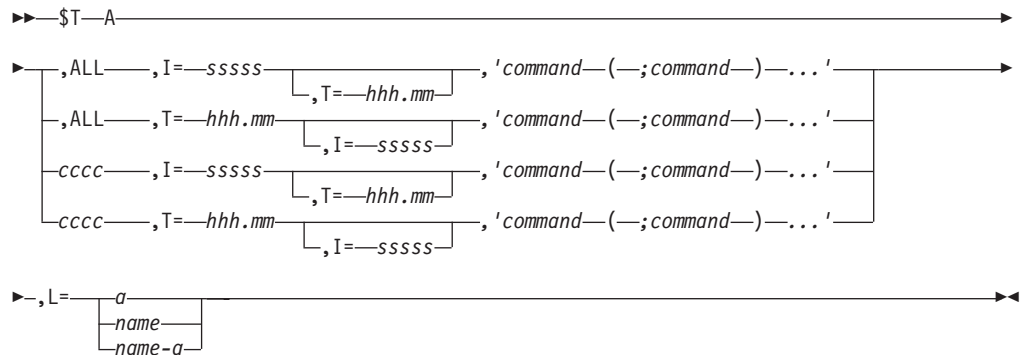
## \$T A - Display, specify, and modify automatic commands

### Function

To perform the following functions:

- Display the automatic commands currently in effect.
- Specify a new command or series of commands for automatic processing.
- Modify an existing automatic command entry.

### Syntax



### Parameters

#### ALL

If you specify ALL without any other parameters except the optional L= parameter, JES2 displays all automatic command entries you are authorized to see.

If you specify ALL with additional operands, JES2 modifies all automatic command entries you are authorized to change.

#### cccc

The 1 to 4-character identifier of an existing automatic command entry or a new entry generated by JES2. If you do not specify any other parameters except the optional L= parameter, and an automatic command entry with the specified identifier already exists, JES2 displays the entry.

If you specify cccc with additional parameters, and an automatic command entry with this identifier exists, JES2 modifies the entry. If there is no entry with the specified identifier, JES2 generates one.

#### Note:

1. If you omit this operand and this is not a display-only request, JES2 assigns an identifier for you.
2. Do not specify an identifier that will cause the \$TA command to match any existing JES2 command.

For example, **\$TA LLOG,I=hh.mm,\$command'**, requests an automatic command be created with the identifier LLOG. Similarly, if **\$TA PPL,I=hh.mm,\$command'** is specified, it will be misinterpreted as a \$TAPPL command.

**I=sssss**

The time interval, in seconds, at which the specified command(s) are repeated; 10 seconds is the minimum value. Leading zeros may be omitted. The maximum number of seconds is 86,400 (the number of seconds in one day).

If you specify an interval, but do not specify a start time, JES2 assumes an immediate start time, runs the command when entered, and then repeats it continuously at the specified interval.

Refer to "Processing Considerations" on page 673 for additional information on how a time or date change affects this parameter.

**T=hh.mm**

The time of day, in hours and minutes from the last midnight, that the specified command(s) are issued. The maximum value is 168.59 (168 hours, 59 minutes). A leading zero may be omitted from the hour specification.

Refer to "Processing Considerations" on page 673 for additional information on how a time or date change affects this parameter.

The following example is set to run at 12:30 a.m., at an interval of 24 hours:

```
$T A,T=00.30,I=86400,'$VS,' 'I SMF' ''
```

However, if the command is not submitted until 13:00 (1:00 p.m.), it will be run immediately at 13:00, and then again at 12:30 a.m., and then repeat every 24 hours at 12:30 a.m.

**Note:**

1. If you specify a time that is earlier than the current time, and you specify an interval, the command is issued immediately, and then repeated at the specified time with the given interval.  
If you specify a time that is earlier than the current time, without specifying an interval, the command is issued immediately and then cancelled.
2. If you specify a time that does not include an hour specification (hh) but only a minute specification (mm), the command is cancelled **without** being issued.
3. If you modify the system time to an earlier time, the interval is not remembered for more than 168.59 hours (7 days, 59 minutes).

**'command'**

The JES2 command that is automatically issued. Multiple commands must be separated by semicolons (;).

Apostrophes within the command text must be doubled, as shown in the following examples. Within a command string, a pair of single quotation marks is interpreted as one single quotation mark.

If the command you wish to enter is: '\$VS,'D A', and you want the command to be issued at 20-second intervals starting at 12:05, you would enter: `$TA,I=20,T=12.05,'$VS,"D A"`.

To issue the MVS SEND command as an automatic command, you would enter: `$TA,I=20,T=12.05,'$VS,"SEND""message text"";USER=(userid)""`.

**Note:**

1. JES2 verifies the validity of and the authority for these commands at command execution time, not when you issue the \$T A command.

2. You can route the response messages associated with these commands by specifying the L= operand within the quotation marks.

**L=a | name | name-a**

The area (a), console name (name), or console name and output area (name-a) of the active MCS console at which the responses to the \$T A commands appear. If this operand is omitted, the console of entry is assumed. If the automatic commands are entered through a card reader or an internal reader, console 1 is assumed.

## Authority Required

When \$T A creates a command element, it requires a console of at least equal authority to reference it with another \$T A command.

This command requires **system** authority. The description of the \$T RDRnn command explains how to ensure that the authority of the appropriate MVS system command group is assigned.

This command can require **control** security access authority. For a description of assigning command input authority, see *z/OS JES2 Initialization and Tuning Guide*.

Access level to create an automatic command is always READ. Access level to modify (or cancel) an automatic command depends on whether the requestor created the automatic command. If the requestor created the automatic command, the access level is READ. If not, the access level required is CONTROL.

## Processing Considerations

When you code this command, JES2 establishes a starting point (when to begin issuing a command), and an interval (when to repeat a command).

**Effects on Automatic Commands When Changing the Date or Time:** When a time or date change occurs, the interval (for example, every 2 hours) remains the same, but the time (for example, 1:00 a.m.) when the command will next be issued is recomputed.

Using the example below, several scenarios follow to help you understand the effects of changing the time or date.

By issuing the command:

```
$TA, T=1:00,I=7200,'$D LINE 1'
```

the interval is set for an automatic command to be issued every two hours. It is first issued at 1:00 a.m. The next issuance would be at 3:00 a.m.

- When You Change the Time Backward or Forward:
  - If, at 1:15 a.m., the clock is set back one hour, making the current time 12:15 a.m., the command will not be issued **again** at 1:00 a.m., but will be issued at the next interval (two hours beyond 1:00 a.m.), which is 3:00 a.m.
  - If, at 1:15 a.m., the clock is set ahead two hours, making the current time 3:15 a.m., the command will be issued immediately, at 3:15 a.m., and will be issued again at the next interval (two hours beyond 3:15 a.m.), which is 5:15 a.m.
- When You Change the Date Backward or Forward:

## \$T

- If the date is changed at 1:15 a.m., from day 200 to day 199, the command will not be issued **again** at the intervals where the command was already issued. Thus, it won't be issued again until 3:00 a.m. on day 200.
- If the date is changed at 1:15 a.m., from day 200 to day 201, the command is issued immediately, then scheduled to be issued again at the next interval, which is 3:15 a.m.

## Scope

**Single member.** This command applies to this member only.

Depending on your installation's setup, however, you might want this command to be applied to all members of the MAS (to ensure a consistent environment across the MAS). If so, you can use the MVS ROUTE \*ALL command to issue this command to all active members (if the JES2 command character is the same on all members). See *z/OS MVS System Commands* for more information on using the ROUTE \*ALL command.

## Messages

The \$HASP604 message indicates the contents of the command element being created, displayed, modified, or deleted.

The \$HASP249 message echoes the command you issued, indicating that the command was received from the automatic command facility.

## Examples

```
1 $t a,i=90,'$du,prt6'  
$HASP604 ID 2 T=**.** I= 90 L=CN3D0 $DU,PRt6  
$HASP249 COMMAND RECEIVED FROM AUTO COMMAND ID=2  
$DU,PRt6  
$HASP603 PRt6  
$HASP603 PRt6 UNIT=000F,STATUS=DRAINED,BURST=NO,CKPTLINE=0,  
$HASP603 CKPTMODE=PAGE,CKPTPAGE=100,CKPTSEC=0,  
$HASP603 CREATOR=,DEVFCB=,FCB=STD3,FORMS=(STD,,,,),  
$HASP603 FSS=HFAM,JOBNAME=,LASTFORM=STD,LIMIT=(0,*),  
$HASP603 COPYMARK=DATASET,MARK=NO,MODE=FSS,  
$HASP603 NEWPAGE=DEFAULT,NPRO=300,PAUSE=NO,PLIM=(0,*),  
$HASP603 PRESELCT=YES,PRMODE=(LINE),QUEUE=HFAM,  
$HASP603 RANGE=(J1,32767),ROUTECD=(LOCAL),SEP=YES,  
$HASP603 SEPCHARS=DEFAULT,SEPDS=NO,SETUP=HALT,SPACE=,  
$HASP603 TRACE=NO,TRANS=DEFAULT,TRKCELL=NO,UCS=GT10,  
$HASP603 UCSVERIFY=NO,VOLUME=(,,),WRITER=,  
$HASP603 WS=(W,Q,R,PRM,LIM/F,UCS,FCB)
```

JES2 issues the \$HASP604 message in response to the \$T A command. JES2 issues the automatic command (\$D U,PRt6) every 90 seconds, preceded by the \$HASP249 message. JES2 issues the \$HASP603 message in response to the automatic command.

```
2 $t a,all  
$HASP604 ID 2 T=17.29 I= 90 L=CN3D8 $DPRINTDEF  
$HASP604 ID 1 T=17.30 I= 90 L=CN3E0 $DUPRT6
```

JES2 displays all the automatic command entries you are authorized to see.

```
3 $t a,i=90,'$du,prt6,1=cn3d8-a',1=b
```

At console CN3D0 in out of line area B (assuming the example 3 command is entered there and area B is defined):

```
$HASP636 11.34.44 $TA,I=90,'$DU,PR  FRAME LAST F E  SYS=SY1
ID 6   T=***.** I=   90 L=CN3D0   $DU,PRT6,L=CN3D8-A
```

At console CN3D8 in the inline area:

```
          $HASP249 COMMAND RECEIVED FROM AUTO COMMAND ID=6
$DU,PRT6
```

At console CN3D8 in out of line area A (assuming area A is defined and is large enough so that all output can be displayed):

```
$HASP636 17.11.04 $DU,PRT6  FRAME 1  F      E      SYS=SY1
PRT6      UNIT=000F,STATUS=DRAINED,BURST=NO,CKPTLINE=0,
          CKPTMODE=PAGE,CKPTPAGE=100,CKPTSEC=0,
          CREATOR=,DEVFCB=,DEVFLASH=****,FCB=STD3,
          FORMS=(STD,,,,),FSS=HFAM,HONORTRC=YES,
          JOBNAME=,LASTFORM=STD,LIMIT=(0,*),
          COPYMARK=DATASET,MARK=NO,MODE=FSS,
          NEWPAGE=DEFAULT,NPRO=300,PAUSE=NO,PLIM=(0,*),
          PRESELCT=YES,PRMODE=(LINE),QUEUE=HFAM,
          RANGE=(J1,999999),ROUTECD=(LOCAL),SEP=YES,
          SEPCHARS=DEFAULT,SEPDS=NO,SETUP=HALT,SPACE=,
          TRACE=NO,TRANS=DEFAULT,TRKCELL=NO,UCS=GT10,
          UCSVERFY=NO,VOLUME=(,,),WRITER=,
          WS=(W,Q,R,PRM,LIM/F,UCS,FCB),FSAROLTR=YES,
          NOTIFY=
```

Assuming the \$T A command was issued at console CN3D0, JES2 redirects the \$HASP636 message in response to the \$T A command to out-of-line area B at console CN3D0. JES2 issues the automatic command (\$D U,PRT6) every 90 seconds, preceded by the \$HASP249 message in the inline area of console CN3D8. JES2 issues the \$HASP636 message in response to the automatic command, then redirects this response to out-of-line area A of console CN3D8. Neither \$HASP604 nor \$HASP603 message ID appears when the response is directed to an out-of-line area.

```
4 $t a,i=30,'$du,rdr1,l=CN3E0'
```

At console CN3D0 in the inline area (assuming the example 4 command is entered there):

```
$HASP604 ID 5   T=***.** I=   30 L=CN3D0   $DU,RDR1,L=CN3E0
```

At console CN3E0 in the inline area:

```
          $HASP249 COMMAND RECEIVED FROM AUTO COMMAND ID=5
$DU,RDR1
          $HASP603 RDR1
$HASP603 RDR1  UNIT=000C,STATUS=DRAINED,AUTH=(DEVICE=NO,
$HASP603      JOB=NO,SYSTEM=NO),CLASS=A,HOLD=NO,MSGCLASS=A,
$HASP603      PRIOINC=0,PRIOLIM=15,PRTDEST=LOCAL,
$HASP603      PUNDEST=LOCAL,SYSAFF=(ANY),TRACE=NO,
$HASP603      XEQDEST=LOCAL
```

Assuming the \$T A command was issued at console CN3D0, JES2 redirects the response to the \$T A command (\$HASP604) to console CN3D0. JES2 issues the automatic command (\$d u,rdr1) every 30 seconds, preceded by the \$HASP249 message. JES2 issues the \$HASP603 message in response to the automatic command and redirects this response to console CN3E0.

**Note:** Neither \$HASP604 nor \$HASP603 message ID appears when the response is directed to an out-of-line area.

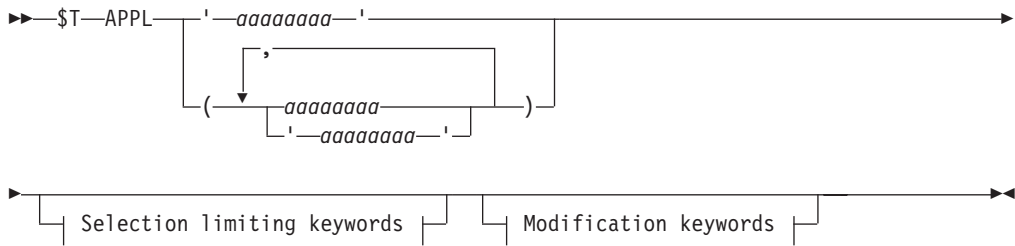
## \$T APPL - Control JES2 applications

### Function

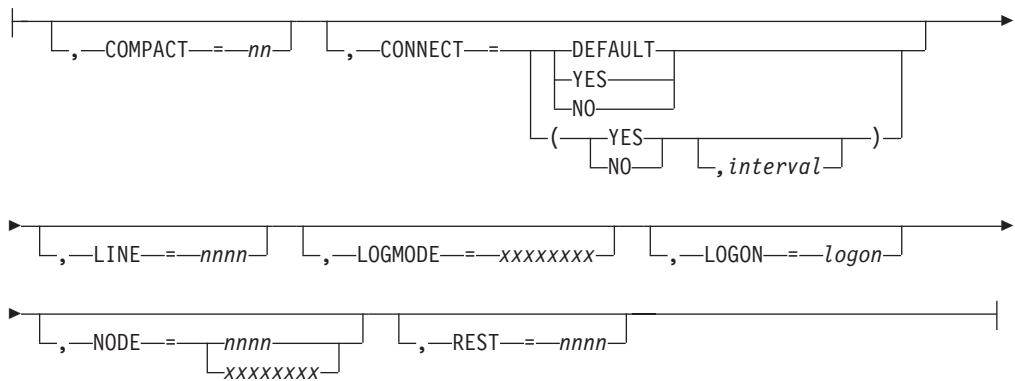
To specify the characteristics of one or more JES2 applications.

**Note:** Parameter descriptions note those parameters that accept wild cards.

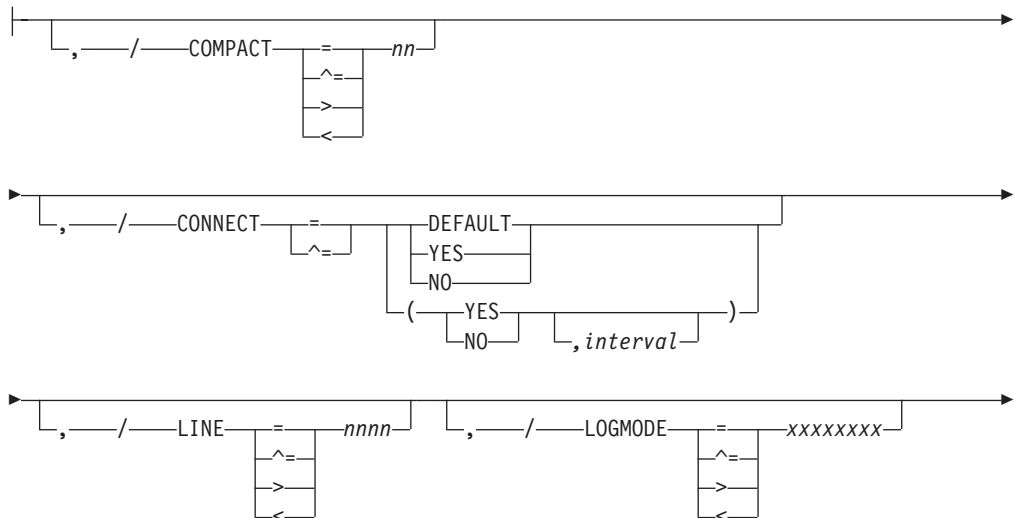
### Syntax



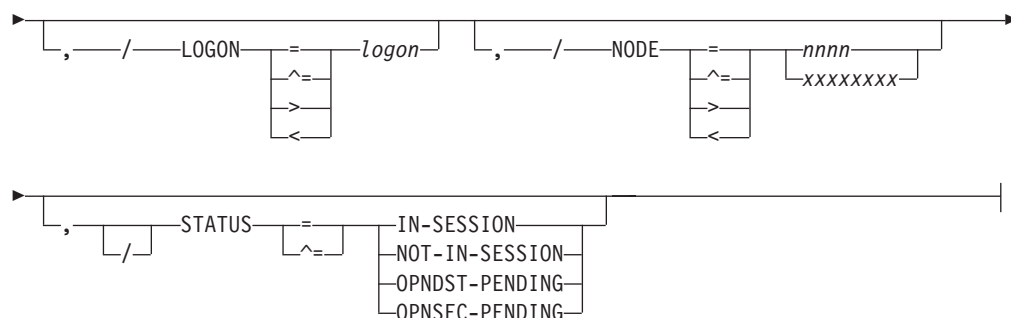
### Modification keywords:



### Selection limiting keywords:







## Parameters

### aaaaaaaa

Specifies the 1- to 8-alphanumeric or special (\$, #, or @) character subscript defining the JES2 application(s) affected by this command. You may specify a particular application name (for example, JES2) or a wild card to specify a generic name (for example, JES\* or \*). See "Using wildcards" on page 108 for additional information.

### COMPACT=nn

The compaction table number (0-99) that is used for outbound compaction in communicating with the specified application(s) at the indicated node. Zero denotes no compaction.

### CONNECT=(Yes|No|DEFAULT, interval)

Specifies whether an NJE connection is automatically attempted for this appl. If DEFAULT is specified, processing uses the CONNECT=(YES|NO) value that is specified on the associated NODE statement. The *interval* is the approximate time (in minutes) between attempted connections. The valid range for *interval* is 0 to 1440. A value of 0 indicates that the default interval (from NJEDEF CONNECT=) is used.

### LINE=nnnn

The line used for the SNA NJE session associated with this application. To change this parameter, you must ensure that the application is inactive. Valid range is 0-65535.

### LOGON=logon

Specifies the number (1-999) of the local LOGON DCT which is used when specifying connections to the application.

### LOGMODE=xxxxxxx

The 1- to 8-character name of the logon mode table entry that is used for this VTAM application. A logon mode table entry determines which entry the VTAM application logon mode table uses. If the program participates as the secondary end of a session (SLU), the table entry provides a set of session parameters. This parameter is used only for NJE applications. If it is specified for non-NJE applications, the parameter is ignored. The parameter input should adhere to the VTAM naming conventions for a logon mode table entry name. To change this parameter, the application must be inactive.

**Default:** If you omit the parameter, the system uses the VTAM defaults.

### NODE=nnnn|xxxxxxx

Specifies the 1- to 8-alphanumeric or special (\$, #, or @) character symbolic name or number (1-32767) of the node at which the JES2 application is defined to VTAM.

## \$T APPL

**Note:** The symbolic name must have been specified on the NAME= parameter of the NODE initialization statement for the referenced node, or must have been defined on the DESTID initialization statement.

### REST=nnnn

An integer (0-2000), that represents the resistance rating of the connection as viewed by the installation manager and coordinated with other installations. See *z/OS JES2 Initialization and Tuning Guide* for details about selecting resistances.

### STATUS={IN-SESSION|NOT-IN-SESSION|OPNDST-PENDING| OPNSEC-PENDING}

The status of current applications:

#### IN-SESSION

The application is currently in a session with another application.

#### NOT-IN-SESSION

The application is not currently in a session.

#### OPNDST-PENDING

The application is in the process of establishing a session with another application. An SNA OPNDST is expected.

#### OPNSEC-PENDING

The application is in the process of establishing a session with another application. An SNA OPNSEC is expected.

## Authority Required

This command requires **system** authority. The description of the \$T RDRnn command explains how to ensure that the authority of the appropriate MVS system command group is assigned.

This command requires **control** security access authority. For a description of assigning command input authority, see *z/OS JES2 Initialization and Tuning Guide*.

## Processing Considerations

If the application is active, you cannot change the specifications.

## Scope

**Single member.** This command will be in effect for this member only. There is no need to have this command issued to all members of the MAS.

## Messages

The \$HASP821 message displays the current values of all the parameters on the APPL initialization statement.

## Examples

```
❶ $t appl(jesc),node=4
```

```
$HASP821 APPL(JESC) NODE=4,COMPACT=0,LINE=0,LOGMODE=,REST=0
```

The application named JESC is known to VTAM at node 4.

**2** \$tapp1(jes2),connect=(yes,1)

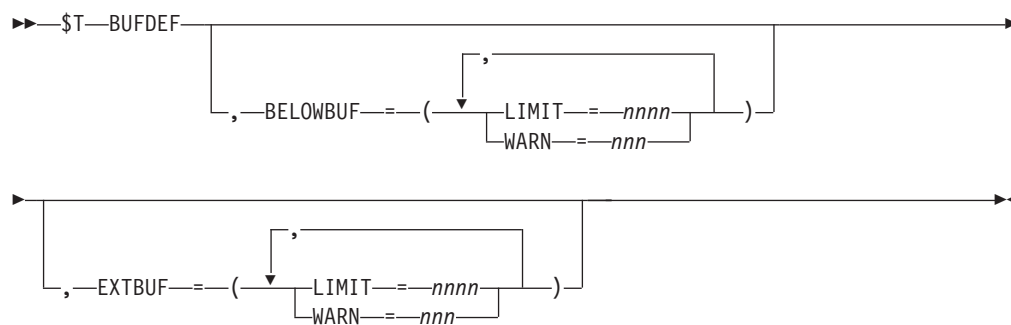
```
$HASP821 APPL(JES2)
$HASP821 APPL(JES2)      NODE=1,CONNECT=(YES,1),COMPACT=0,
$HASP821                  LINE=0,LOGMODE=,LOGON=0,REST=0
```

## \$T BUFDEF - Control local buffers

### Function

To specify the percentage of local buffers used at which JES2 alerts the operator of a local buffer shortage. Local buffers can reside above or below 16 megabytes of virtual storage.

### Syntax



### Parameters

#### BELOWBUF=

The specifications for buffers that reside below 16 megabytes of virtual storage.

#### LIMIT=nnnn

The maximum number (10-2000) of buffers that is allowed. You can only increase the limit using this command.

#### WARN=nnn

The percentage (0-100) of local buffers used at which the \$HASP050 message alerts the operator of a shortage of local buffers. JES2 deletes this message from the console when the resource shortage is relieved (either by a decrease in resource use or an increase in the threshold).

**Note:** If you do not want JES2 to issue a message, specify zero for this parameter.

#### EXTBUF=

The specifications for buffers that reside above 16 megabytes of virtual storage.

#### LIMIT=nnnn

The maximum number (10-9999) of buffers that is allowed. You can only increase the limit using this command.

#### WARN=nnn

The percentage (0-100) of local buffers used at which the \$HASP050 message alerts the operator of a shortage of local buffers. JES2 deletes this message from the console when the resource shortage is relieved (either by a decrease in resource use or an increase in the threshold).

## \$T BUFDEF

**Note:** If you do not want JES2 to issue a message, specify zero for this parameter.

**Note:** Use this parameter to increase the limit for the JNUM resource that is reported on the HASP050 message.

### Authority Required

This command requires **system** authority. The description of the \$T RDRnn command explains how to ensure that the authority of the appropriate MVS system command group is assigned.

This command requires **control** security access authority. For a description of assigning command input authority, see *z/OS JES2 Initialization and Tuning Guide*.

### Scope

**Single member.** This command will be in effect for this member only.

Depending on your installation's setup, however, you might want this command to be applied to all members of the MAS (to ensure a consistent environment across the MAS). If so, you can use the MVS ROUTE \*ALL command to issue this command to all active members (if the JES2 command character is the same on all members). See *z/OS MVS System Commands* for more information on using the ROUTE \*ALL command.

### Messages

The \$HASP840 message displays the current values of all the parameters on the BUFDEF initialization statement.

### Example

```
❶ $t bufdef,belowbuf=(limit=200,warn=75),  
extbuf=(limit=225,warn=5)
```

```
$HASP840 BUFDEF BELOWBUF=(LIMIT=200,WARN=75,FREE=200),  
EXTBUF=(LIMIT=225,WARN=65,FREE=225)
```

The WARN value indicates that, when 75% of the local buffers are in use, JES2 issues the \$HASP050 message to alert the operator of a local buffer shortage.

---

## \$T CKPTDEF - Set the checkpoint definition

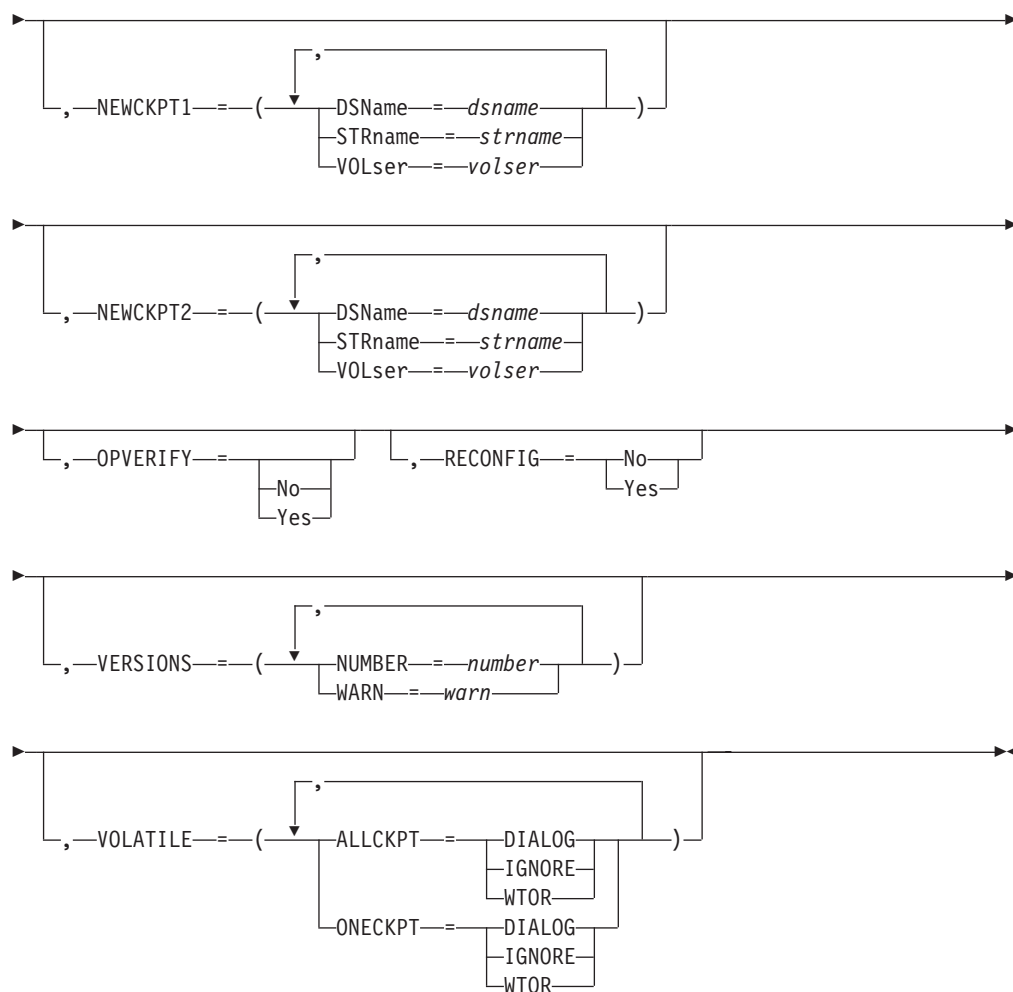
### Function

To perform the following functions:

- Modify the checkpoint definition.
- Initiate a checkpoint reconfiguration dialog with JES2 .

### Syntax

```
▶▶ $T-CKPTDEF [,-DUPLEX= [OFF] | [ON]] [,-MODE= [DUAL] | [DUPLEX]]
```



### Parameters

#### DUPLEX={OFF|ON}

Specifies whether this member of the multi-access spool configuration uses the duplexing function.

#### OFF

No writes are made to the CKPT2 duplex data set from this member of the multi-access spool configuration.

**ON** CKPT2 is used as a backup of the CKPT1 data set, if MODE=DUPLEX has been specified on the CKPTDEF initialization statement.

#### Note:

1. If MODE=DUPLEX has been specified on the CKPTDEF initialization statement, at least one member of the MAS should specify DUPLEX=ON. If no member specifies DUPLEX=ON, an I/O error on the CKPT1 data set is disastrous to your single member or multi-access spool complex if JES2 also fails.

It is recommended that all members specify DUPLEX=ON unless CKPT2 must be placed on a volume that may be reserved for other uses. In this case you should limit the number of members specifying DUPLEX=ON to avoid availability problems.

## \$T CKPTDEF

2. If MODE=DUPLEX and only one of the CKPTn data sets is marked INUSE=YES, DUPLEX=ON is not allowed. If you try to set DUPLEX=ON, JES2 issues the \$HASP288 message and forces DUPLEX to OFF.
3. If MODE=DUAL, JES2 does not use the value assigned to the DUPLEX= parameter.  
If any CKPT data sets are defined as being on CF (CKPT1, CKPT2, NEWCKPT1, NEWCKPT2) then the mode must be DUPLEX and it cannot be altered.  
If both checkpoint data sets are in use, to change to DUAL mode, all active members must have DUPLEX=ON. If any member is DUPLEX=OFF, the command will fail with a \$HASP003 message.

**Scope: Single Member.**

### MODE=DUAL | DUPLEX

Specifies whether the multi-access spool configuration will use the data set defined by CKPT2= as the alternate primary checkpoint data set (DUAL) or as the backup to the CKPT1 data set (DUPLEX).

### DUAL

Specifies that the data set specified by CKPT2 be used as the alternate primary checkpoint data set. The two data sets, specified by CKPT1= and CKPT2= are used in a “flip-flop” alternating scheme. (Refer to *z/OS JES2 Initialization and Tuning Guide* for a further discussion of DUAL mode processing.)

If any checkpoint data set resides on a coupling facility (STRname= is coded for CKPT1, CKPT2, NEWCKPT1, or NEWCKPT2), JES2 forces the MODE= parameter to DUPLEX.

### DUPLEX

Specifies that the data set specified by CKPT2 be used as the backup to the primary checkpoint data set. The data set specified by CKPT1= is the primary checkpoint data set and the data set specified by CKPT2= is the backup (duplex) checkpoint data set. (Refer to *z/OS JES2 Initialization and Tuning Guide* for a further discussion of DUPLEX mode processing.)

### Note:

1. If you specify MODE=DUAL, the DUPLEX= specification is ignored.
2. If you specify MODE=DUPLEX and DUPLEX=OFF for a specific member of the multi-access spool configuration, that member will neither use nor allocate a backup (CKPT2=) checkpoint data set.
3. If you specify MODE=DUPLEX and DUPLEX=ON for a specific member of the multi-access spool configuration, that member **will** use the data set defined by CKPT2= as the backup checkpoint data set.
4. The MODE= parameter must be specified the same for all members of the multi-access spool configuration.
5. The MODE= parameter can be changed through Operator Command.
6. The DUPLEX value does not affect the CKPTn INUSE setting of the multi-access spool configuration.

**Performance Considerations:** If you specify MODE=DUAL on CKPTDEF, also specifying HOLD=99999999 on the MASDEF statement causes performance degradation. If you must use HOLD=99999999 on MASDEF, be certain to also specify MODE=DUPLEX on CKPTDEF.

**NEWCKPTn=(DSName=dsname) | (STRname=strname) | VOLser=volser)**

Specifies the alternate checkpoint data sets that can be used to replace the CKPTn data sets. Should either CKPTn data set experience a failure or otherwise become unavailable, NEWCKPT1 could replace CKPT1 and NEWCKPT2 could replace CKPT2.

The DSNAME= parameter and the VOLSER= parameter are mutually exclusive with the STRNAME= parameter. To remove the value for this parameter without specifying a replacement, specify null values:

`$T CKPTDEF,NEWCKPT1=(DSN=,VOL=)`

-or-

`$T CKPTDEF,NEWCKPT1=(STR=)`

**DSName=dsname**

The (1 to 44 character) name of the NEWCKPTn data set.

**STRname=strname**

Specifies the 1 to 16 character name of the coupling facility structure to be used as a checkpoint data set. This structure must have been defined in the coupling facility policy. The name can contain numeric, uppercase alphabetic, dollar sign (\$), at sign (@), pound sign (#), or underscore (\_) characters.

You cannot specify the same STRNAME= subparameter for the NEWCKPTn= parameter as that on the CKPTn parameter; the coupling facility does not allow the CKPTn structure name to be forwarded to the NEWCKPTn structure name.

**VOLser=volser**

The volume serial number on which the data set specified by DSName resides. Although it is not a system requirement that all four checkpoint data sets (CKPT1, CKPT2, NEWCKPT1, NEWCKPT2) reside on separate volumes, it is **strongly recommended** that at least CKPT1 and CKPT2 reside on their own volumes.

**Note:**

1. Although it is not a system requirement that you predefine the NEWCKPTn data sets (either on the CKPTDEF initialization statement or using the \$T CKPTDEF command), it is recommended that you do so for ease of use. If you issue the \$T CKPTDEF,NEWCKPTn=... command on any one member in the multi-access spool configuration and wait a sufficient length of time (based on the individual systems' HOLD= specifications), that change is reflected across all active members through the CKPTn data set(s).
2. If you do not predefine the NEWCKPTn data sets, you may dynamically define them when and if needed during the reconfiguration dialog.
3. If you change the NEWCKPTn values (either using the \$T CKPTDEF command or during the dialog) and then warm start JES2, the values of NEWCKPTn in the CKPTn data set(s) are used instead of those specified on the CKPTDEF initialization statement (unless PARM=RECONFIG was specified, in which case the values from the CKPTDEF statement are used).

**Scope: MAS-Wide.**

**OPVERIFY=[No|Yes]**

Displays whether (Yes) or not (No) JES2 prompts the operator during a JES2-initiated I/O error checkpoint reconfiguration to verify or alter the default

## \$T CKPTDEF

reconfiguration action. JES2 propagates this parameter specification to all members in the MAS. OPVERIFY has no meaning for a checkpoint reconfiguration entered for any other reasons.

**No** Suppresses operator verification during the checkpoint reconfiguration dialog. JES2 takes the following default reconfiguration actions:

- For message \$HASP273, JES2 replaces the checkpoint data set with its replacement data set defined on the NEWCKPTn parameter of the CKPTDEF statement.
- For message \$HASP278, when JES2 cannot locate the specified replacement checkpoint data set, JES2 automatically creates one. This new checkpoint data set can always be defined on DASD, but if you require that it be a new coupling facility structure, JES2 can only create it if you previously defined the coupling facility resource management (CFRM) policy. JES2 cannot dynamically create a CFRM policy even if the original checkpoint was defined as a coupling facility structure. Refer to *z/OS MVS Setting Up a Sysplex* for information on how to define a CFRM policy.

**Yes**

JES2 prompts the operator during the checkpoint reconfiguration when **entered by JES2 for I/O errors only** to respond to message pairs \$HASP273 and \$HASP272 or \$HASP278 and \$HASP272.

**Scope: MAS-Wide.**

**RECONFIG={No|Yes}**

Specifies whether JES2 should enter the checkpoint reconfiguration dialog.

**No** JES2 does not enter the checkpoint reconfiguration dialog.

**Yes**

JES2 enters the checkpoint reconfiguration dialog so that you can supply the information needed for the checkpoint data set specifications. The dialog allows you to allocate an existing backup data set, create a new data set to replace the checkpoint data set currently in use, or suspend the use of a data set. No other JES2 processing is done during a checkpoint reconfiguration dialog.

If you specify RECONFIG=Y, you **must** not specify any other operands on the \$T CKPTDEF command because:

- Those modifications are not reflected on any other member in the MAS configuration.
- When JES2 command processing is unable to accept commands, JES2 can still process the \$TCKPTDEF,RECONFIG=Y command if no other operands are specified on the command. The command must be entered in one of the following formats for it to be accepted: accepted:
  - \$TCKPTDEF,RECONFIG=Y
  - \$TCKPTDEF,RECONFIG=YES
  - \$T CKPTDEF,RECONFIG=Y
  - \$T CKPTDEF,RECONFIG=YES

No other operands, blanks, or comments can be entered with the command string.

**Scope: MAS-Wide.**



**VERSIONS=(NUMBER=nn|WARN=mmm)**

Indicates modification to the checkpoint versioning parameter.

**NUMBER=nn**

Changes the maximum number (2-50) of versions of the checkpoint data set that JES2 maintains. Too low a number could result in an application program having to use a copy that does not contain the most recent checkpoint data.

**Default:** Set by JES2

**WARN=mmm**

Changes a percent (0-100) usage threshold of versions of the checkpoint data set. When the percentage of checkpoint data versions reaches this threshold, the operator is alerted with the message \$HASP050 JES2 RESOURCE SHORTAGE. If you specify 0, no alert is given.

**Default:** Set by JES2

**Scope: Single Member.**

**VOLATILE=**

Specifies how JES2 should respond when a checkpoint data set that resides on a coupling facility enters the state where, if power to the coupling facility is lost, all data on the coupling facility is lost.

This parameter does not apply when a coupling facility structure becomes volatile during the checkpoint reconfiguration dialog.

Before modifying this parameter, consult with your systems programmer and refer to *z/OS JES2 Initialization and Tuning Guide*.

**ALLCKPT=**

Specifies the action that should be taken if all available checkpoint data sets (INUSE=YES) reside on coupling facilities that become volatile (unstable).

If only one checkpoint resides on a coupling facility, JES2 uses the ALLCKPT subparameter setting.

**DIALOG**

Specifies that JES2 enters the checkpoint reconfiguration dialog.

**IGNORE**

Specifies that JES2 ignores when a coupling facility becomes volatile (unstable).

**WTOR**

Specifies that JES2 issues a WTOR so the operator can determine whether to suspend or continue use of the checkpoint(s) that reside on coupling facility structure(s).

**ONECKPT=**

Specifies the action taken if the coupling facility on which a checkpoint data set resides becomes volatile (unstable).

JES2 uses the ONECKPT= subparameter settings if:

- Only one of the two checkpoint data sets resides on a coupling facility structure and that coupling facility becomes volatile.
- Both checkpoint data sets reside on a coupling facility, but only one becomes volatile.

## \$T CKPTDEF

### DIALOG

Specifies that JES2 enters the checkpoint reconfiguration dialog.

### IGNORE

Specifies that JES2 ignores when the coupling facility becomes volatile (unstable).

### WTOR

Specifies that JES2 issues a WTOR so the operator can determine whether to suspend or continue use of the checkpoint that resides on a coupling facility structure.

**Scope:** Single member.

## Authority Required

This command requires **system** authority. The description of the \$T RDRnn command explains how to ensure that the authority of the appropriate MVS system command group is assigned.

This command requires **control** security access authority. For a description of assigning command input authority, see *z/OS JES2 Initialization and Tuning Guide*.

## Processing Considerations

If JES2 is currently in the checkpoint reconfiguration dialog, the \$T CKPTDEF command is not accepted. JES2 issues the \$HASP003 message with RC=30, which indicates the device change request is prohibited.

## Scope

The scope of this command varies by parameter. See the description of each parameter for its scope.

The values supplied for some parameters on this command will be in effect across the entire MAS, while the values supplied for other parameters will be in effect for this member only.

Depending on your installation's setup, you might want the parameters for this command to be applied to all members of the MAS (to ensure a consistent environment across the MAS). If so, you can use the MVS ROUTE \*ALL command to issue this command to all active members (if the JES2 command character is the same on all members). See *z/OS MVS System Commands* for more information on using the ROUTE \*ALL command.

## Messages

The \$HASP829 message displays the current values of all the parameters on the CKPTDEF initialization statement.

## Example

```
❶ $t ckptdef,newckpt1=(dsn=sys1.replace1,vol=j2com1),
    newckpt2=(dsn=sys1.replace2,vol=j2com1)
```

```
$HASP829 CKPTDEF CKPT1=(DSNAME=SYS1.JESCKPT1,VOLSER=DATA1,
$HASP829          INUSE=YES,VOLATILE=NO),
$HASP829          CKPT2=(DSNAME=SYS1.JESCKPT2,VOLSER=DATA1,
$HASP829          INUSE=YES,VOLATILE=NO),
```

```

$HASP829      NEWCKPT1=(DSNAME=SYS1.REPLACE1,VOLSER=J2COM1),
$HASP829      NEWCKPT2=(DSNAME=SYS1.REPLACE2,VOLSER=J2COM1),
$HASP829      MODE=DUAL,DUPLEX=ON,LOGSIZE=4,APPLCOPY=NONE,
$HASP829      VERSIONS=(STATUS=INACTIVE,NUMBER=2,WARN=80,
$HASP829      MAXFAIL=0,NUMFAIL=0,VERSFREE=2,MAXUSED=0),
$HASP829      RECONFIG=NO,VOLATILE=(ONECKPT=WTOR,
$HASP829      ALLCKPT=WTOR),OPVERIFY=YES
    
```

If the data set and/or volume, on which CKPT1 resides, has a failure, JES2 assigns CKPT1 to the SYS1.REPLACE1 data set on volume J2COM1. If the data set and/or volume on which CKPT2 resides has a failure, JES2 assigns CKPT2 to the SYS1.REPLACE2 data set on volume J2COM1.

## \$T CKPTSPACE - Set the checkpoint space

### Function

To modify information about the amount of space in the checkpoint.

### Syntax

```

▶▶ $T CKPTSPACE [ , BERTNUM = bertnum ] [ , BERTWARN = bertwarn ]
    
```

### Parameters

#### BERTNUM=bertnum

The number (200–1000000) of BERT (Block Extent Reuse Table) entries defined in the checkpoint. The lower limit when decreasing this value is based on the number of JOEs and JQEs defined on the system. In addition, you cannot decrease it below the number of BERTs that are in use. For example, if BERT 23176 is the highest BERT in use, then 23177 is the lowest you can reduce BERTNUM to. This is true even if 23175 is not currently in use. Likewise, you cannot increase the **BERTNUM** parameter to a value below the number of BERTs that are defined on the system. You must specify a **BERTNUM** value that is between the system-calculated minimum and the system-defined maximum. Specifying a value that is too low will result in a HASP003 message with the lowest valid value displayed.

**Note:** Use this parameter to increase the limit for the JNUM resource that is reported on the HASP050 message.

#### BERTWARN=bertwarn

The threshold of BERT utilization at which the \$HASP050 message should be issued. The valid range is 1 to 100.

### Authority Required

This command requires **system** authority. The description of the \$T RDRnn command explains how to ensure that the authority of the appropriate MVS system command group is assigned.

This command requires **control** security access authority. For a description of assigning command input authority, see *z/OS JES2 Initialization and Tuning Guide*.

## \$T CKPTSPACE

### Scope

MAS-wide. The command has an effect across the entire MAS.

### Messages

The \$HASP852 message displays the current values of all the parameters on the CKPTSPACE initialization statement.

### Example

1

```
$t ckptspace,bertnum=6100
```

```
$HASP852 CKPTSPACE BERTNUM=6100,BERTFREE=6014,BERTWARN=80,  
$HASP852 CKPT1=(CAPACITY=168,UNUSED=3),  
$HASP852 CKPT2=(CAPACITY=168,UNUSED=3)
```

---

## \$T CONDEF - Set console communication characteristics

### Function

To specify or modify the console communication characteristics of JES2.

### Syntax

```
→ $T CONDEF [ ,_BUFNUM=nnnn ] [ ,_BUFWARN=nnnn ]  
→ [ ,_CMDNUM=nnnn ] [ ,_CONCHAR=c ] [ ,_DISPLEN=nnn ]  
→ [ ,_DISPMAX=nnnnnnnnnn ] [ ,_MASMSG=nnn ] [ ,_RDIRAREA=c ]  
→ [ ,_RDRCHAR=c ]
```

### Parameters

#### BUFNUM=nnnn

The BUFNUM parameter specifies the number (4-9999) of console message buffers to be provided for JES2 from private storage (above 16-megabytes in virtual storage). The value specified for BUFNUM will be rounded up to the next page boundary to take advantage of available storage. You can only increase the limit using this command.

#### BUFWARN=nnnn

The percentage (0-100) of console message buffers used at which the \$HASP050 message alerts the operator of a shortage of console message buffers. JES2 deletes this message from the console when the resource shortage is relieved (either by a decrease in resource use or an increase in the threshold).

**Note:** If you specify 0, no alert is given.

#### CMDNUM=nnnn

The CMDNUM parameter specifies the maximum number (4-9999) of console message buffers to be allocated from common storage for JES2 command processing.

**CONCHAR=c**

A single character used to identify JES2 commands from MCS consoles.

The specification must be one of the following characters:

| % : ¢ + ~ # [ ] ! &  
 - @ . \$ / ? = \_ ( \* "

**Note:** To use the MVS ROUTE \*ALL command to expand the scope of a command, each member of the MAS must have the same CONCHAR character.

**DISPLEN=nnn**

The display length (50-70) that is used for the displays and error message processing of:

- All initialization statements
- Those commands processed by \$SCAN (most of those commands are the \$D and \$T commands for initialization statement parameters)
- The \$DU command.

The main purpose of the DISPLEN= parameter is to control message wrapping on MCS consoles. You should set it to a value that takes into account the MFORM value used for most MCS consoles in your installation. The value 64 is appropriate for single MFORM options, such as MFORM=(J). The minimum value of 50 is appropriate for two MFORM options, such as MFORM=(J,T).

**DISPMAX=nnnnnnn|100**

The maximum number (10-9999999) of lines that JES2 displays for those requests processed by the \$SCAN facility.

**Note:** The DISPMAX= parameter is not honored when any of the following situations occur:

- Output is displayed for error conditions.
- Output is destined for an out-of-line area on the MCS console, or a command is issued with the explicit L= parameter specifying an out-of-line area or L=Z. In this case, the output is still ended at the maximum of 9999999 lines.

**MASMSG=nnn**

The maximum number (10-999) of messages or commands that are queued between any two members of a multi-access spool configuration. Messages or commands exceeding this number are discarded.

**RDIRAREA=c**

This parameter specifies the default console out-of-line area which JES2 uses to direct display responses for commands subject to redirection. All redirectable commands which do not use either an L= or do not have redirection set up on the issuing console for that command have their responses directed to the RDIRAREA specification.

**Default:** If RDIRAREA is not specified, JES2 uses a default console area specification of Z.

**RDRCHAR=c**

The character used to identify all JES2 operator commands entered from a local or remote card reader.

The specification must be one of the following characters:

## \$T CONDEF

| % : ¢ + ~ # [ ] ! &  
- @ . \$ / ? = \_ ( ) \* "

### Note:

1. The RDRCHAR value may be the same as that specified for the CONCHAR parameters on the CONDEF initialization statement.
2. If you change this parameter to a value other than its default (\$), the command control statement varies from the format given in *z/OS MVS JCL Reference*.

## Authority Required

x

This command requires **system** authority. The description of the \$T RDRnn command explains how to ensure that the authority of the appropriate MVS system command group is assigned.

This command requires **control** security access authority. For a description of assigning command input authority, see *z/OS JES2 Initialization and Tuning Guide*.

## Scope

**Single member.** This command will be in effect for this member only.

Depending on your installation's setup, however, you might want this command to be applied to all members of the MAS (to ensure a consistent environment across the MAS). If so, you can use the MVS ROUTE \*ALL command to issue this command to all active members (if the JES2 command character is the same on all members). See *z/OS MVS System Commands* for more information on using the ROUTE \*ALL command.

## Messages

The \$HASP830 message displays the current values of all the parameters on the CONDEF statement.

## Examples

**1** \$t condef,masmsg=300,rdrchar=%

```
$HASP830 CONDEF AUTOCMD=20,CONCHAR=$,BUFNUM=200,CMDNUM=100,  
$HASP830          BUFREE=200,BUFWARN=80,MASMSG=300,RDIRAREA=Z,  
$HASP830          RDRCHAR=%,SCOPE=SYSTEM,DISPLEN=64,DISPMAX=100
```

JES2 queues a maximum of 300 messages between any two members of a multi-access spool configuration. All commands entered from a local or remote card reader that begin with a percent sign (%) are identified as JES2 commands.

**2** \$t condef,bufnum=9998

```
$HASP830 CONDEF AUTOCMD=20,CONCHAR=.,BUFNUM=10013,CMDNUM=100,  
$HASP830          BUFREE=10013,BUFWARN=80,MASMSG=200,RDIRAREA=Z,  
$HASP830          RDRCHAR=.,SCOPE=SYSTEM,DISPLEN=64,DISPMAX=100
```

The number of console message buffers to be provided has been increased. Note that the value specified for BUFNUM has been rounded up to the next page boundary.

## \$T CONNect - Change static network connections

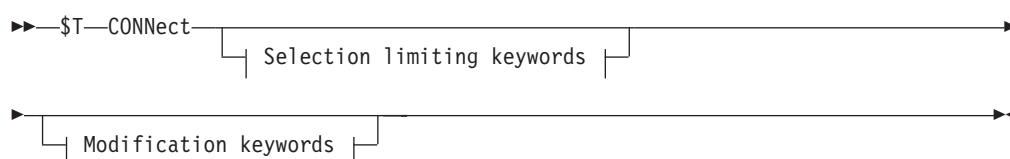
### Function

To change static network connections that have been previously defined. With this command you can only change static connections: those connections defined by a CONNECT initialization statement or an \$ADD CONNECT command.

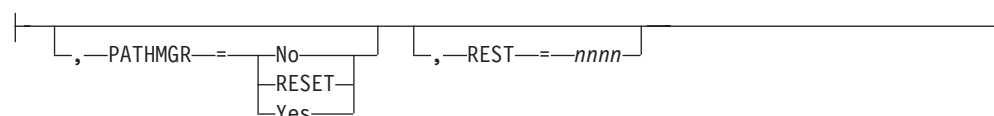
#### Note:

1. You cannot use this command to modify the node name or node number in an existing connection.
2. Parameter descriptions note which parameters accept wild cards.

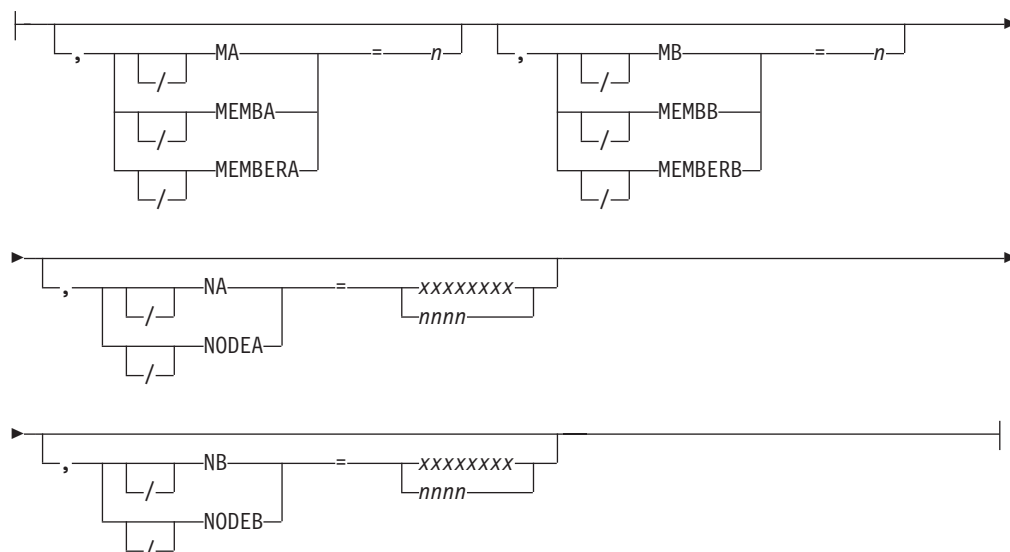
### Syntax



#### Modification keywords:



#### Selection limiting keywords:



### Parameters

**MA | MEMBA | MemberA=n**

The member number at the NODEA end of the connection.

**Default:** The default is 1. The value for MEMBERA if NODEA is the local node must be a 1. If the member number is greater than a 1 for the local node, the command is rejected.

### MB|MEMBB|MemberB=n

The member number at the NODEB end of the connection.

**Default:** The default is 1. The value for MEMBERB if NODEB is the local node must be a 1. If the member number is greater than a 1 for the local node, the command is rejected.

### NA|NODEA=xxxxxxx|nnnn

The 1- to 8-alphanumeric or special (\$, #, or @) character symbolic node name (xxxxxxx) or node number (nnnn) at one end of the connection.

You can specify wild cards on this parameter. See "Using wildcards" on page 108 for additional information.

The name must match the NAME= parameter of the NODE initialization statement for the referenced node.

### NB|NODEB=xxxxxxx|nnnn

The 1- to 8-alphanumeric or special (\$, #, or @) character symbolic node name (xxxxxxx) or node number (nnnn) at one end of the connection.

You can specify wild cards on this parameter. See "Using wildcards" on page 108 for additional information.

The name must match the NAME= parameter of the NODE initialization statement for the referenced node.

### PATHMGR={No|RESET|Yes}

Indicates whether this connection supports path manager type protocols. PATHMGR=RESET indicates that the value of PATHMGR= should be reset to the default.

**Default:** The default depends on the specifications for the NODEA= and NODEB= parameters.

- If either node is defined as PATHMGR=NO, the default is PATHMGR=NO.
- If both nodes are defined as PATHMGR=YES, the default is PATHMGR=YES.

### REST=nnnn

An integer (2-8000) that represents the resistance rating of the connection as viewed by the installation manager and coordinated with other installations. For information about selecting resistances, see *z/OS JES2 Initialization and Tuning Guide*.

**Default:** None

## Authority Required

This command requires **system** authority. The description of the \$T RDRnn command explains how to ensure that the authority of the appropriate MVS system command group is assigned.

This command requires **control** security access authority. For a description of assigning command input authority, see *z/OS JES2 Initialization and Tuning Guide*.



## Scope

**Single member.** The values supplied for this command will be in effect for this member only.

Depending on your installation's setup, however, you might want this command to be applied to all members of the MAS (to ensure a consistent environment across the MAS). If so, you can use the MVS ROUTE \*ALL command to issue this command to all active members (if the JES2 command character is the same on all members). See *z/OS MVS System Commands* for more information on using the ROUTE \*ALL command.

## Messages

The \$HASP815 message is issued in response to this command.

## Example

An installation is able to change the resistance for a direct connection between two nodes, for example, Phoenix and Tucson.

```
1 $T CONNECT, NODEA=PHOENIX,
    MEMBA=1, NODEB=TUCSON, MEMBB=1, RES=30
```

The above example changes the resistance between the PHOENIX and TUCSON nodes to 30.

## \$T DEBUG - Set the JES2 DEBUG option

### Function

Use the \$T DEBUG=YES|NO command to start or stop the monitoring and recording of JES2 activities.

Use the command, with its other parameters, to selectively request that JES2 monitor and record only certain JES2 activities.

### Syntax

```
▶▶ $T DEBUG=(Y|N)
    |
    | $T DEBUG DEBUG CHOICES
```

#### DEBUG CHOICES:

```
|,BERT=(YES|NO),CKPT=(YES|NO),MISC=(YES|NO)
▶,SECURITY=(YES|NO),STORAGE=(YES|NO),SYMREC=(YES|NO)
▶,VERSION=(YES|NO),MEMBER_STATUS=(YES|NO)
```

## Parameters

### DEBUG={Y|N}

Specifies whether JES2 is to record certain JES2 events and monitor certain JES2 activities. Specifying DEBUG=YES requests JES2 to record *all* events listed individually (BERT=YES, CKPT=YES, and so on) for this command.

### BERT={YES|NO}

Specifies whether (YES) or not (NO) JES2 provides error code \$BR3 to inform the operator that a data error has been detected in a chain of BERTs.

### CKPT={YES|NO}

Specifies whether (YES) or not (NO) JES2 should verify the integrity of the checkpoint data set and protect the storage containing JQEs, JOEs and other checkpoint data when a member releases the checkpoint.

### MEMBER\_STATUS=={YES|NO}

Specifies whether (YES) or not (NO) JES2 issues the \$HASP1701 message whenever the status of a MAS member changes.

### MISC={YES|NO}

Specifies whether (YES) or not (NO) JES2 provides occurrence counting of certain JES2 events.

### SECURITY={YES|NO}

Specifies whether (YES) or not (NO) JES2 indicates that the security product (ex: RACF) is to log information contained in the \$HASP186 message, or if in WARN mode. This applies JES2 output selection when the security authorization fails.

### STORAGE={YES|NO}

Specifies whether (YES) or not (NO) JES2 provides \$HASP095 error code GW3 to inform the operator that \$RETNWORK macro processing detected that the storage being returned was modified beyond the length specified by its associated \$GETWORK macro invocation.

### SYMREC={YES|NO}

Specifies whether (YES) or not (NO) JES2 should issue the \$HASP805 message when it invokes the MVS SYMREC service to indicate a possible error.

### VERBOSE={YES|NO}

Specifies whether (YES) or not (NO) JES2 sends \$BLDMSG system log-only messages to the console.

### VERSION={YES|NO}

Specifies whether (YES) or not (NO) JES2 should verify the integrity of a newly created checkpoint version.

## Authority Required

This command requires **system** authority. The description of the \$T RDRnn command explains how to ensure that the authority of the appropriate MVS system command group is assigned.

This command requires **control** security access authority. For a description of assigning command input authority, see *z/OS JES2 Initialization and Tuning Guide* .

## Processing Considerations

Be aware that if you specify YES for the CKPT, or VERSION parameters in a production environment, these options will affect JES2 performance because there is a noticeable increase in the processor cycles JES2 uses.

By using the DEBUG command with the CKPT, or VERSION parameters, you can detect some incorrect updates resulting from checkpoint serialization programming errors in JES2 modules or installation exits.

Use the DEBUG command, with the CKPT parameter specified, for testing installation exits that update checkpointed information. Some common program errors such as failing to use the \$QSUSE macro before updating checkpointed information, or failing to use the \$CKPT macro after updating the checkpoint may be found by using CKPT=YES. However, you should not rely on CKPT=YES since timing and the order of events play a large part in surfacing serialization errors.

## Scope

**Single member.** This command will be in effect for this member only.

However, you might want this command to be applied to all members of the MAS (to ensure a consistent environment across the MAS). If so, you can use the MVS ROUTE \*ALL command to issue this command to all active members (if the JES2 command character is the same on all members). See *z/OS MVS System Commands* for more information on using the ROUTE \*ALL command.

## Messages

The \$HASP827 message displays the current setting of the DEBUG option.

## Examples

**1**

```
$t debug=y
```

```
$HASP827 DEBUG
$HASP827 DEBUG BERT=YES,CKPT=YES,MISC=YES,
$HASP827 SECURITY=YES,STORAGE=YES,SYMREC=YES,VERSION=YES
```

JES2 monitors all specifiable JES2 activities.

**2**

```
$T DEBUG,STORAGE=N,MISC=N,SECURITY=Y
```

```
$HASP827 DEBUG BERT=YES,CKPT=YES,MISC=NO,
$HASP827 SECURITY=YES,STORAGE=NO,SYMREC=YES,
$HASP827 VERSION=YES
```

JES2 monitors all JES2 activities except MISC and STORAGE.

---

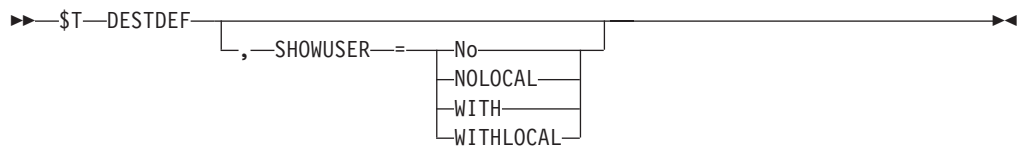
## \$T DESTDEF - Control JES2 symbolic destination displays

### Function

To control how JES2 displays a destination routed to the local node.

Because SHOWUSER can affect SDSF's security, see *SDSF Guide and Reference* before specifying this parameter.

## Syntax



## Parameters

**SHOWUSER={No|NOLOCAL|WITH|WITHLOCAL}**

Specifies whether destinations for the local node that have user routines are (WITH or WITHLOCAL) or are not (No or NOLOCAL) to be displayed with a 'LOCAL.' prefix.

**No|NOLOCAL**

Specifies that JES2 is to display destinations for the local node that contain user routings without the 'LOCAL.' prefix. For example, SYSOUT routed to a TSO/E userid of FRED at the local node will display as 'FRED'.

**WITH|WITHLOCAL**

Specifies that JES2 is to display destinations for the local node that contain user routings with a prefix of 'LOCAL.' For example, SYSOUT routed to a TSO/E userid of FRED at the local node will display as 'LOCAL.FRED'.

When the DESTDEF initialization statement parameters specify USER, you should specify SHOWUSER=WITHLOCAL to avoid possible confusion between displays of explicit routings and displays of user routings.

## Authority Required

This command requires **system** authority. The description of the \$T RDRnn command explains how to ensure that the authority of the appropriate MVS system command group is assigned.

This command requires **control** security access authority. For a description of assigning command input authority, see *z/OS JES2 Initialization and Tuning Guide*.

## Scope

**Single member.** This command will be in effect for this member only.

Depending on your installation's setup, however, you might want this command to be applied to all members of the MAS (to ensure a consistent environment across the MAS). If so, you can use the MVS ROUTE \*ALL command to issue this command to all active members (if the JES2 command character is the same on all members). See *z/OS MVS System Commands* for more information on using the ROUTE \*ALL command.

## Messages

The \$HASP812 message displays the current status of DESTDEF parameters in the installation.

### Example

**1** \$t destdef,showuser=withlocal

```
$HASP812 DESTDEF LOCALNUM=9999,NDEST=NODE,RDEST=REMOTE,RMDEST=
$HASP812 REMOTE,RMTDEST=REMOTE,UDEST=SPLOCAL,SHOWUSER=
$HASP812 WITHLOCAL
```

JES2 displays userids at the local node with a prefix of 'LOCAL.'

## \$T DESTid - Control a JES2 symbolic destination

### Function

To change the JES2 route code associated with the specified symbolic destination name.

To distinguish between destids that share the same routing, installations should specify PRIMARY=YES for one of them (either on the DESTID(jxxxxxxx) initialization statement or on this command).

For example, the following destids share the same routing. DESTID(JOHN) specifies PRIMARY=YES. JES2 consistently displays the symbolic name JOHN for output routed to this destination.

```
DESTID(REMOTE5) DEST=R5
DESTID(JOHN) DEST=N1.R5,PRIMARY=YES
```

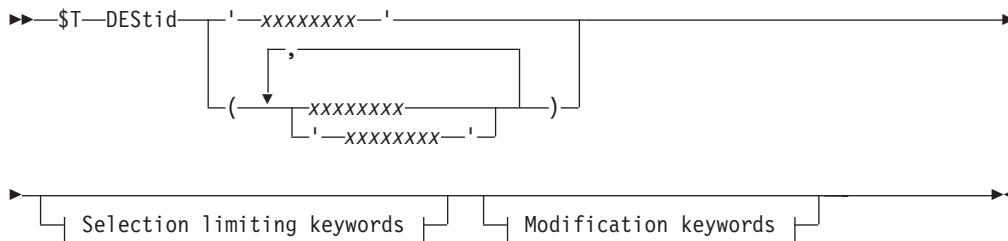
PRIMARY=YES is necessary for application products such as SDSF.

#### Note:

1. None of the route codes specified on the DEST= of this command are affected by the DESTDEF initialization statement or the \$T DESTDEF command.
2. If any parameters on the DESTDEF initialization statement specify USER and multiple destids can match the routing, then at least one of these multiple destids must specify PRIMARY=YES.

One or more parameters on this command accepts wild cards. Parameter descriptions will note that.

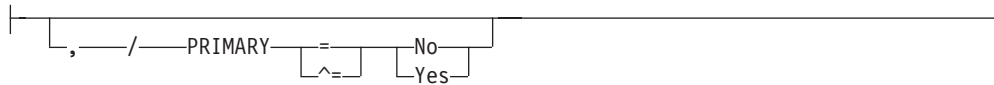
### Syntax



#### Modification keywords:



**Selection limiting keywords:**



**Parameters**

**xxxxxxx**

Specifies the 1 to 8 alphanumeric or special (\$, #, or @) character symbolic destination name affected by this statement. You may specify a particular symbolic destination name or wild cards for a generic name (for example, POK\* or \*). See "Using wildcards" on page 108 for additional information.

**DEST={nodename | Nnnnn}**

Specifies a route code JES2 can use to route data.

*When specifying only the node (first-level destination):*

**nodename | Nnnnn**

References only the nodal portion (first-level destination) of a JES2 route code.

**nodename**

Specify a symbolic node name. For example, if NODE(10) is defined with NAME=ALBANY on the NODE(nnnn) initialization statement, then an installation can create a DESTID(NYCAP) with DEST=ALBANY.

**Nnnnn**

Specify N followed by a numeric value (1-32767). For example, DESTID(NYCAP),DEST=N10.

*When specifying only the destination at a node (second-level destination):*

**LOCAL | ANYLOCAL | Rmmmm | RMmmmm | RMTmmmm | Unnnn | userid**

References only the destination at a node (second-level destinations).

When these destids are referenced, users must specify either an explicit first-level destination or allow JES2 to assign a default first-level destination. JES2 determines the first-level destination from one of the following:

- /\*ROUTE PRT JES2 control statement
- /\*ROUTE PUN JES2 control statement
- The output route code associated with the device through which the job entered the system.

For example, DESTID(REMOTE5),DEST=R5 defines a second-level destination. Using the destids DESTID(NYCAP) DEST=ALBANY and DESTID(NYCAP) DEST=N10 as specified on DESTID(jxxxxxx) initialization statements, JCL can route a data set to R5 at N10 by specifying DEST=NYCAP.REMOTE5.

However, if the JCL only specifies DEST=REMOTE5, the nodal portion of the destination is obtained from the default routing of the job. (A job submitted from N10 without any /\*ROUTE JES2 control statements has a default nodal routing of N10, regardless of where in the network it executes.)

Valid destinations:

**LOCAL|ANYLOCAL**

Data is not associated with any specific routing.

**Rmmm | RMmmm | RMTmmm**

Specify R, RM, or RMT, followed by a numeric value (0 - 32767). For example, 'R17' represents remote work station 17.

**Unnnn**

Specify U followed by a numeric value that can range from 1 through the value specified on the LOCALNUM= parameter of the DESTDEF initialization statement. For example, 'U19' represents special local routing 19. Wild cards are not supported.

Use the LOCALNUM= parameter on the DESTDEF initialization statement to specify the highest number for a special local route code. JES2 assumes that numbers beyond this range are userids.

**userid** Specify a 1 to 8 character string that is interpreted on the destination node. For example, the string 'TANYA' represents a userid (assuming that there are no destids that define TANYA at the destination node).

*When specifying both the node and a destination at that node (first and second level destinations):*

**NnnnnRmmm | node.destination**

Allows an installation to define the complete JES2 route code (destination at a specified node). JES2 does not use information from the default routing.

**NnnnnRmmm**

Specify 'N' followed by a numeric value (1 - 32767), then 'R' followed by a numeric value (0 - 32767). For example, N5R7 indicates remote 7 at node 5.

**node.destination**

Specify a first-level destination, followed by a period (.), followed by either a second-level destination or a complete destination.

If 'destination' is a second-level destination, the routing associated with this destid is the composite of 'node' and 'destination'.

For the following examples, assume that node 1 is the local node:

- 'N1.R3' indicates data routed to remote 3 at the local node.
- 'N2.R5' indicates data routed to whatever 'R5' is at node 2.
- 'N5.BOB' indicates data is routed to whatever 'BOB' is at node 5.

If 'destination' is a complete destination, the final routing associated with this destid depends on 'node'.

For the following examples, assume that node 1 is the local node:

- 'N2.N2R3' indicates data routed to remote 3 at node 2 because the first-level destination of 'destination' matches 'node'.

## \$T DESTid

- 'N5.N2R3' indicates data routed to 'N2R3' at node 5 because the first-level destination of 'destination' does not match 'node' and 'node' is not the local node. If node 5 has not explicitly defined 'N2R3', node 5 routes the data to destination 'R3' at node 2.
- 'N1.N5R3' results in an error because the first-level destination of 'destination' does not match 'node' and 'node' is the local node.

Note that you can use existing destids to define additional destids. For example, assume that the following destids are defined:

```
DESTID(ALBANY) DEST=N10
DESTID(REMOTE5) DEST=R5
```

You can define on the \$T DESTID(jxxxxxxx) command:

```
DESTID(CAPITOL),DEST=ALBANY.REMOTE5
```

The routing associated with 'CAPITOL' is N10.R5.

### PRIMARY={No|Yes}

Specifies whether (YES) or not (NO) this destid for job and SYSOUT routing is to be displayed. Use this parameter if multiple destids have the same routing.

When searching for a destid to display for a job's or SYSOUT's routing, JES2 selects:

1. Node name (destid with STATUS=NODENAME) if routed to a node.
2. First destid found that specifies PRIMARY=YES.
3. If only one destid is found, that destid is used.
4. If multiple destids are found, no destid is used (and routing is displayed explicitly).

If USER is specified for either the Ndest=, Udest=, or R|RM|RMTdest= parameters on the DESTDEF initialization statement and multiple destids can match the routing of a job or SYSOUT data set, then at least one of these multiple destids must specify PRIMARY=YES. If not, products such as SDSF may have problems altering the routing of a job or SYSOUT data set to any of these multiply defined destids.

Because PRIMARY=YES can affect SDSF's security procedures, consult *SDSF Guide and Reference* before using this parameter.

## Authority Required

This command requires **system** authority. The description of the \$T RDRnn command explains how to ensure that the authority of the appropriate MVS system command group is assigned.

This command requires **control** security access authority. For a description of assigning command input authority, see *z/OS JES2 Initialization and Tuning Guide*.

## Processing Considerations

You cannot alter a destid that is a node name (STATUS=DESTID). (Use the \$D DESTID command to display the status of a destid). Change the node name first (to make it inactive) through the \$T NODE(nnnn),NAME= command, then change the destid.



## Scope

**Single member.** This command will be in effect for this member only.

Depending on your installation's setup, however, you might want this command to be applied to all members of the MAS (to ensure a consistent environment across the MAS). If so, you can use the MVS ROUTE \*ALL command to issue this command to all active members (if the JES2 command character is the same on all members). See *z/OS MVS System Commands* for more information on using the ROUTE \*ALL command.

## Messages

The \$HASP822 message displays the current values of all the parameters on the DESTid initialization statement.

## Examples

**1** \$t destid(houston),dest=n3

```
$HASP822 DESTID(HOUSTON)  DEST=N3,STATUS=DESTID,PRIMARY=NO
```

Users and operators can use the symbolic destination name "HOUSTON" to refer to any local device at node 3. The STATUS= keyword indicates that the symbolic name HOUSTON does not match the name of a node.

**2**

In the installation described for example 2, JES2 displays multiple destid's with a DEST= routing of special local 'U3'.

```
$d destid(*),dest,primary
```

```
$HASP822 DESTID(CLW2Z18)  DEST=N1.U3,PRIMARY=NO
$HASP822 DESTID(JPK2Z37)  DEST=N1.U3,PRIMARY=NO
$HASP822 DESTID(RMJ2AA18) DEST=N1.U3,PRIMARY=NO
$HASP822 DESTID(SJG2Z19)  DEST=U3,PRIMARY=NO
```

Note that without specifying 'PRIMARY=YES' on any of the above, the SYSOUT is displayed (through the \$L J command below) with the explicit route code, not with a DESTID:

```
$D0 j55,a11
```

```
$HASP686 OUTPUT(NEWJOBS)  OUTGRP=1.1.1,BURST=NO,FCB=****,
$HASP686                   FLASH=****,FORMS=STD,HOLD=(NONE),
$HASP686                   HOLDRC=,OUTDISP=KEEP,PAGES=,
$HASP686                   PRIORITY=144,PRMODE=LINE,QUEUE=X,
$HASP686                   RECORDS=(72 OF 72),ROUTECD=U3
$HASP686                   SECLABEL=SYSHIGH,TSOAVAIL=YES,UCS=****,
$HASP686                   USERID=BERNER,WRITER=
```

```
$t destid(cam2x37),dest=u3,primary=yes
```

```
$HASP822 DESTID(CAM2X37)  DEST=U3,STATUS=DESTID,PRIMARY=YES
```

Users and operators can use the symbolic destination name "CAM2X37" to refer to the special local printer at U3. The STATUS= keyword displayed in the \$HASP822 message indicates that the symbolic name CAM2X37 does not match the name of a node.

Note that by specifying PRIMARY=YES, JES2 displays the SYSOUT (through the \$L J command) with the destid 'CAM2X37' as the destination for the SYSOUT:

## \$T DESTid

\$DO j55,a11

```
$HASP686 OUTPUT(NEWJOBS)  OUTGRP=1.1.1,BURST=NO,FCB=****,  
$HASP686                   FLASH=****,FORMS=STD,HOLD=(NONE),  
$HASP686                   HOLDRC=,OUTDISP=KEEP,PAGES=,  
$HASP686                   PRIORITY=144,PRMODE=LINE,QUEUE=X,  
$HASP686                   RECORDS=(72 OF 72),ROUTECD=CAM2X37  
$HASP686                   SECLABEL=SYSHIGH,TSOAVAIL=YES,UCS=****,  
$HASP686                   USERID=BERNER,WRITER=
```

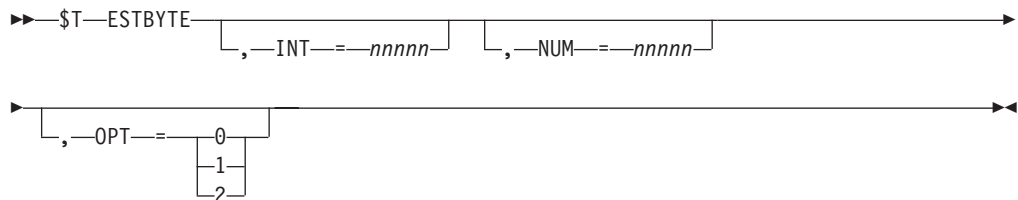
---

## \$T ESTBYTE - Control the default spool space utilization per job

### Function

To specify the default amount of spool space needed for a job's output and the action that JES2 takes if the output exceeds this amount.

### Syntax



### Parameters

#### INT=nnnnn

The interval (1-99999), in thousands of bytes of spool space, at which JES2 repeats the \$HASP375 message to the operator.

#### NUM=nnnnn

The number (1-99999) of bytes of spool space, in thousands, used by a job's output, after which the \$HASP375 message informs the operator that the job's estimated output has been exceeded.

#### OPT={0|1|2}

Specifies the action JES2 takes when a job exceeds the estimated spool utilization value as specified by the NUM= parameter. The options and subsequent action are:

- 0 Job is allowed to continue execution.
- 1 Job is cancelled without a dump.
- 2 Job is cancelled with a dump (if a dump statement was coded for this job step).

### Authority Required

This command requires **system** authority. The description of the \$T RDRnn command explains how to ensure that the authority of the appropriate MVS system command group is assigned.

This command requires **control** security access authority. For a description of assigning command input authority, see *z/OS JES2 Initialization and Tuning Guide*.

## Processing Considerations

This command affects only those jobs that have not yet been selected for execution.

### Scope

**Single member.** This command will be in effect for this member only.

Depending on your installation's setup, however, you might want this command to be applied to all members of the MAS (to ensure a consistent environment across the MAS). If so, you can use the MVS ROUTE \*ALL command to issue this command to all active members (if the JES2 command character is the same on all members). See *z/OS MVS System Commands* for more information on using the ROUTE \*ALL command.

### Messages

The \$HASP845 message displays the current values of all the parameters on the ESTBYTE initialization statement.

### Example

```
$t estbyte,num=4500,int=300
```

```
$HASP845 ESTBYTE NUM=4500,INT=300,OPT=0
```

If a job's output exceeds 4,500,000 bytes of spool space, JES2 issues the \$HASP375 message to inform the operator that the job's output has been exceeded. JES2 reissues this message each time the job exceeds another 300,000 bytes until the job finishes execution.

## \$T ESTIME - Control the default execution time

### Function

To specify the default execution time for jobs that have not yet been selected for execution and the action that JES2 takes if a job exceeds this time.

### Syntax

```

>> $T ESTIME [ , INT = nn ] [ , NUM = nnnn ] [ , OPT = { No | Yes }

```

### Parameters

#### INT=nn

The interval (1-99), in minutes, at which JES2 repeats the \$HASP308 message to the operator.

#### NUM=nnnn

The default execution time (1-9999), in minutes, after which the \$HASP308 message informs the operator that the job has exceeded its estimated execution time.

#### OPT={No|Yes}

Specifies whether you want to use the JES2 elapsed time monitor feature. If

## \$T ESTIME

you specify Y, JES2 issues the \$HASP308 message as specified on the NUM= and INT= parameters. JES2 does not issue the \$HASP308 message if you specify N.

### Authority Required

This command requires **system** authority. The description of the \$T RDRnn command explains how to ensure that the authority of the appropriate MVS system command group is assigned.

This command requires **control** security access authority. For a description of assigning command input authority, see *z/OS JES2 Initialization and Tuning Guide*.

### Processing Considerations

If changed by this command after a job was submitted, the ESTIME parameters are affected as follows:

- the INT= and OPT= values are effected immediately and are reflected during job execution
- the NUM= value remains equal to the value when the job was submitted. It takes affect for only newly submitted jobs.

### Scope

**Single member.** This command will be in effect for this member only.

Depending on your installation's setup, however, you might want this command to be applied to all members of the MAS (to ensure a consistent environment across the MAS). If so, you can use the MVS ROUTE \*ALL command to issue this command to all active members (if the JES2 command character is the same on all members). See *z/OS MVS System Commands* for more information on using the ROUTE \*ALL command.

### Messages

The \$HASP845 message displays the current values of all the parameters on the ESTIME initialization statement.

### Example

```
1 $t estimate,num=120
```

```
$HASP845 ESTIME NUM=120,INT=10,OPT=YES
```

JES2 assigns a default execution time of 120 minutes to jobs that have not yet been selected for execution. If a job exceeds 120 minutes, JES2 issues the \$HASP308 message every 10 minutes until the job completes execution.

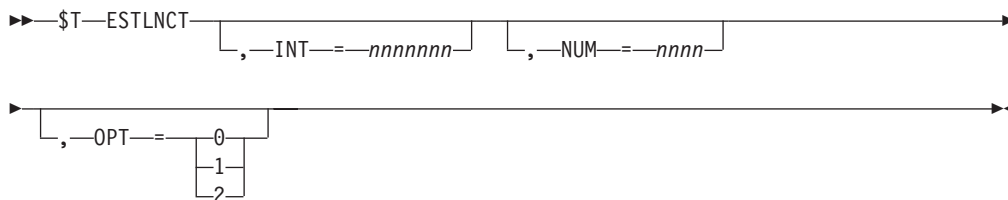
---

## \$T ESTLNCT - Control the default print line count per job

### Function

To specify the default print line count for a job's output and the action JES2 takes if a job exceeds this line count.

## Syntax



## Parameters

### INT=nnnnnnn

The interval (1-9999999), in lines, at which JES2 repeats the \$HASP375 message to the operator.

### NUM=nnnn

The default print line count (1-9999), in thousands of lines, after which the \$HASP375 message informs the operator that the job has exceeded its estimated output.

### OPT={0|1|2}

Specifies the action JES2 takes when a job exceeds the estimated number of output lines as specified by the NUM= parameter. The options and subsequent action are:

- 0 Job is allowed to continue execution.
- 1 Job is cancelled without a dump.
- 2 Job is cancelled with a dump (if a dump was coded for this job step).

## Authority Required

This command requires **system** authority. The description of the \$T RDRnn command explains how to ensure that the authority of the appropriate MVS system command group is assigned.

This command requires **control** security access authority. For a description of assigning command input authority, see *z/OS JES2 Initialization and Tuning Guide*.

## Processing Considerations

If changed by this command after a job was submitted, the ESTLNCT parameters are affected as follows:

- the INT= and OPT= values are effected immediately and are reflected during job execution
- the NUM= value remains equal to the value when the job was submitted. It takes affect for only newly submitted jobs.

## Scope

**Single member.** This command will be in effect for this member only.

Depending on your installation's setup, however, you might want this command to be applied to all members of the MAS (to ensure a consistent environment across the MAS). If so, you can use the MVS ROUTE \*ALL command to issue this command to all active members (if the JES2 command character is the same on all

## \$T ESTLNCT

members). See *z/OS MVS System Commands* for more information on using the ROUTE \*ALL command.

### Messages

The \$HASP845 message displays the current values of all parameters on the ESTLNCT initialization statement.

### Example

```
❶ $t estlnct,opt=1
```

```
$HASP845 ESTLNCT NUM=50,INT=1000,OPT=1
```

If a job that has not yet been selected for execution exceeds 50,000 print lines (NUM=50) during its execution, JES2 cancels the job without a dump.

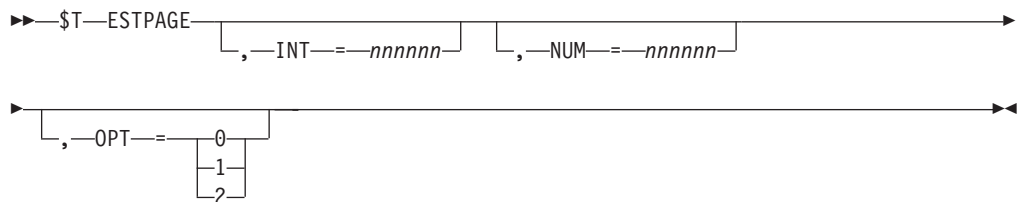
---

## \$T ESTPAGE - Control the default page count per job

### Function

To specify the default page count for a job's output and the action JES2 takes if a job exceeds this page count.

### Syntax



### Parameters

#### INT=nnnnnn

The interval (1-999999), in number of pages, at which JES2 repeats the \$HASP375 message to the operator.

#### NUM=nnnnnn

The number of pages (1-999999) produced for a job after which the \$HASP375 message informs the operator that the job's estimated output has been exceeded.

#### OPT={0|1|2}

Specifies the action JES2 takes when a job exceeds the estimated page output as specified by the NUM= parameter. The options and subsequent action are:

- 0 Job is allowed to continue execution.
- 1 Job is cancelled without a dump.
- 2 Job is cancelled with a dump (if a dump statement was coded for this job step).

## Authority Required

This command requires **system** authority. The description of the \$T RDRnn command explains how to ensure that the authority of the appropriate MVS system command group is assigned.

This command requires **control** security access authority. For a description of assigning command input authority, see *z/OS JES2 Initialization and Tuning Guide*.

## Processing Considerations

If changed by this command after a job was submitted, the ESTPAGE parameters are affected as follows:

- the INT= and OPT= values are effected immediately and are reflected during job execution
- the NUM= value remains equal to the value when the job was submitted. It takes affect for only newly submitted jobs.

## Scope

**Single member.** This command will be in effect for this member only.

Depending on your installation's setup, however, you might want this command to be applied to all members of the MAS (to ensure a consistent environment across the MAS). If so, you can use the MVS ROUTE \*ALL command to issue this command to all active members (if the JES2 command character is the same on all members). See *z/OS MVS System Commands* for more information on using the ROUTE \*ALL command.

## Messages

The \$HASP845 message displays the current values of all the parameters on the ESTPAGE initialization statement.

## Example

```
1 $t estpage,int=10
```

```
$HASP845 ESTPAGE NUM=200,INT=10,OPT=0
```

If a job that has not yet been selected for execution exceeds 200 pages of output (NUM=200) during its execution, the \$HASP375 message informs the operator that the job's estimated output has been exceeded. JES2 repeats the \$HASP375 message to the operator every 10 pages that exceed the estimated page output (200 pages) until the job completes execution.

---

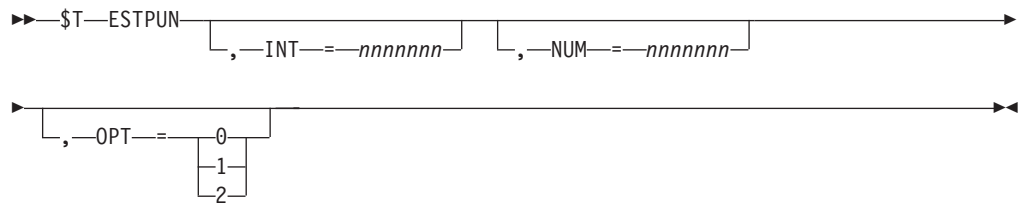
## \$T ESTPUN - Control the default punched card output per job

### Function

To specify the default number of punched cards per job and the action JES2 takes if a job exceeds this punched card amount.

### Syntax

## \$T ESTPUN



### Parameters

#### INT=nnnnnnn

The interval (1-9999999), in cards, at which JES2 repeats the \$HASP375 message to the operator.

#### NUM=nnnnnnn

The default punched output (0-9999999), in cards, for a job after which the \$HASP375 message informs the operator that the job has exceeded its estimated output.

#### OPT={0|1|2}

Specifies the action JES2 takes when a job exceeds the estimated number of cards as specified by the NUM= parameter. The options and subsequent action are:

- 0 Job is allowed to continue execution.
- 1 Job is cancelled without a dump.
- 2 Job is cancelled with a dump (if a dump statement was coded for this job step).

### Authority Required

This command requires **system** authority. The description of the \$T RDRnn command explains how to ensure that the authority of the appropriate MVS system command group is assigned.

This command requires **control** security access authority. For a description of assigning command input authority, see *z/OS JES2 Initialization and Tuning Guide*.

### Processing Considerations

If changed by this command after a job was submitted, the ESTPUN parameters are affected as follows:

- the INT= and OPT= values are effected immediately and are reflected during job execution
- the NUM= value remains equal to the value when the job was submitted. It takes affect for only newly submitted jobs.

### Scope

**Single member.** This command will be in effect for this member only.

Depending on your installation's setup, however, you might want this command to be applied to all members of the MAS (to ensure a consistent environment across the MAS). If so, you can use the MVS ROUTE \*ALL command to issue this command to all active members (if the JES2 command character is the same on all



members). See *z/OS MVS System Commands* for more information on using the ROUTE \*ALL command.

### Messages

The \$HASP845 message displays the current values of all the parameters on the ESTPUN initialization statement.

### Example

```
$t estpun,opt=0
```

```
$HASP845 ESTPUN NUM=3000,INT=100,OPT=0
```

If a job that has not yet been selected for execution, exceeds 3000 punched cards while executing, JES2 allows it to continue execution.

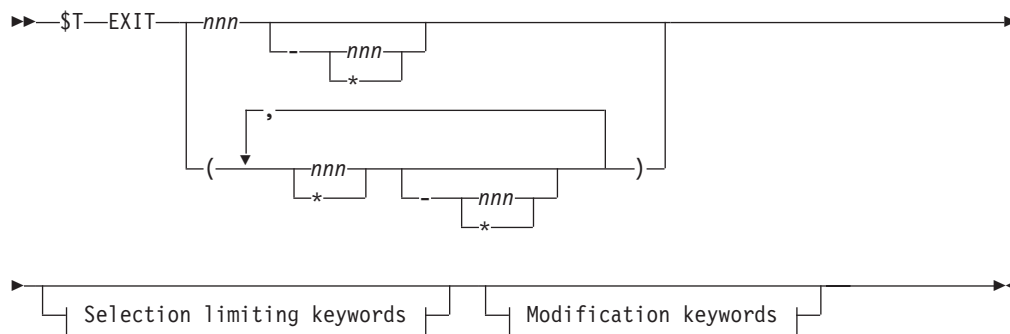
## \$T EXIT(nnn) - Control JES2 installation exit points

### Function

To perform the following functions:

- Enables and disables an exit point. When an exit is disabled, none of the routines specified are invoked.
- Alters the list of routines associated with an exit.
- Specifies whether selective trace records are created when this exit is invoked.

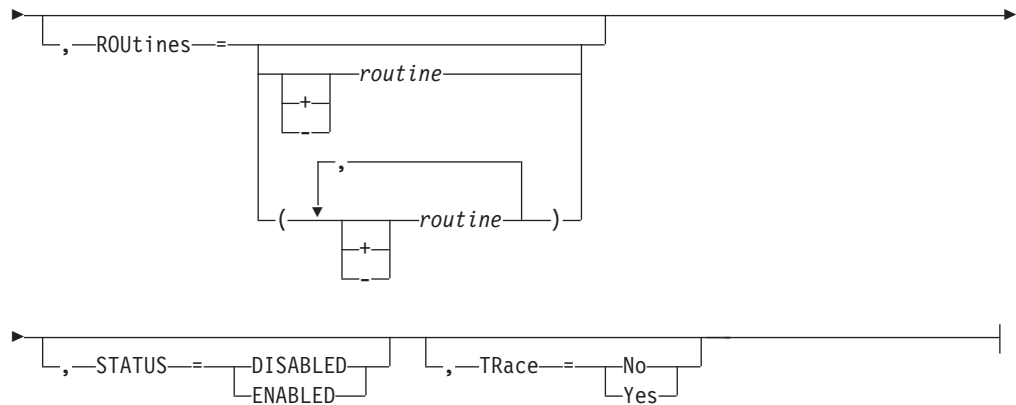
### Syntax



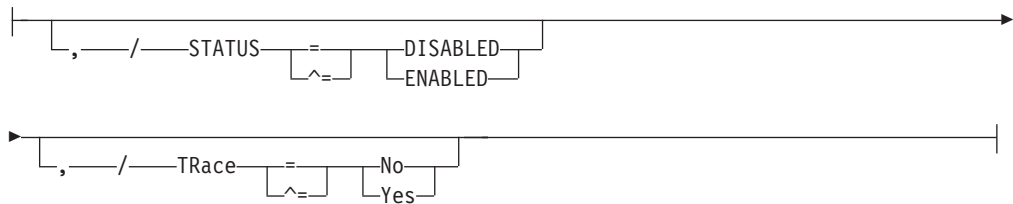
### Modification keywords:



## \$T EXIT



### Selection limiting keywords:



### Parameters

#### nnn

The subscript that defines one or more exit points affected by this command. The subscript can specify a numeric value or a range of values. For information about specifying a range of values for this subscript, see "Command syntax conventions" on page 97.

#### REFRESH

Refreshes the list of routine names associated with the exit through address resolution processing. The address of the most recently loaded routine with a matching name is associated with the exit. This process also resolves entries that are NULL because load modules are deleted.

#### ROUTINES=(+/-routine)

Specifies a list of routines to replace the existing one, that is to add routines to the end of the list, to remove routines from the beginning of the list, or both. The "+" indicates the routine names to add to the end of the routine list. The "-" indicates routine names to be removed from the beginning of the routine list. If there is no "+" or "-" prefix for a routine name, then the previous prefix is used. If the non-prefix routine name is the first element in the specified list, then the list is a replacement of the existing one. Table 57 shows an example of specifying the routine list (cumulative list).

Table 57. Example for ROUTINES parameter on \$T EXIT(nnn)

ROUTINES=specification	Resulting routine list
A,B,C	A,B,C
+D	A,B,C,D
-B	A,C,D
+E,F,G	A,C,D,E,F,G

Table 57. Example for ROUTINES parameter on \$T EXIT(nnn) (continued)

ROUTINES=specification	Resulting routine list
-C,D,+H,I	A,E,F,G,H,I
X,Y,Z,-X,+A	Y,Z,A

The added routine names are resolved to the address of the most recently loaded routine with a matching name. The existing routines in the list are not effected. As the example in Table 57 on page 710, when +D is specified, the address of the most recently loaded routine named D is associated with the exit. However, the addresses associated with A, B, and C are not affected, even if a \$ADD LOADMOD was done for a new module with routine B in it. For example, Table 58 shows the resulting list of EXIT(5) after each command.

Table 58. Example for ROUTINES and REFRESH parameters on \$T EXIT(nnn)

Command	Resulting list
	ROUTINES=(A,B,C)
\$DEL LOADMOD(BLOAD)	ROUTINES=(A,B(NULL),C)
\$ADD LOADMOD(BLOAD)	ROUTINES=(A,B(NULL),C)
\$T EXIT(5),ROUTINES=+D	ROUTINES=(A,B(NULL),C,D)
\$T EXIT(5),REFRESH	ROUTINES=(A,B,C,D)

**STATUS={DISABLED|ENABLED}**

Specifies the status of the JES2 exit point(s).

**DISABLED**

JES2 does not invoke any exit routines at this exit point.

**ENABLED**

JES2 invokes the exit routines at this exit point providing the job being processed is eligible to use the exit.

**TRace={No|Yes}**

Specifies whether the specified exit point(s) are to be traced.

**Note:** Trace ID 13 must be activated for tracing to occur for any JES2 exit point. Individual trace IDs can be activated either during initialization on the TRACE(n) initialization statement, or using the \$S TRACE(n) command.

**Authority Required**

This command requires **system** authority. The description of the \$T RDRnn command explains how to ensure that the authority of the appropriate MVS system command group is assigned.

This command requires **control** security access authority. For a description of assigning command input authority, see *z/OS JES2 Initialization and Tuning Guide*.

**Scope**

**Single member.** This command will be in effect for this member only.

Depending on your installation's setup, however, you might want this command to be applied to all members of the MAS (to ensure a consistent environment across the MAS). If so, you can use the MVS ROUTE \*ALL command to issue this

## \$T EXIT

command to all active members (if the JES2 command character is the same on all members). See *z/OS MVS System Commands* for more information on using the ROUTE \*ALL command.

### Messages

The \$HASP823 message displays the current values of all the parameters on the EXIT(nnn) initialization statement.

### Examples

**1** \$t exit(5),status=enabled

```
          $HASP823 EXIT(5)
$HASP823 EXIT(5)  STATUS=ENABLED, ENVIRON=JES2,
$HASP823          ROUTINES=(DIAGX05, OURCMD, DIAGXITM),
$HASP823          SPLEVEL=CHECK, TRACE=YES, USECOUNT=0
```

**2** \$t exit(5),routine=-diagx05

```
          $HASP823 EXIT(5)
$HASP823 EXIT(5)  STATUS=ENABLED, ENVIRON=JES2,
$HASP823          ROUTINES=(OURCMD, DIAGXITM(NULL)),
$HASP823          SPLEVEL=CHECK, TRACE=YES, USECOUNT=0
```

**3** \$t exit(5),refresh

```
          $HASP823 EXIT(5)
$HASP823 EXIT(5)  STATUS=ENABLED, ENVIRON=JES2,
$HASP823          ROUTINES=(OURCMD, DIAGXITM),
$HASP823          SPLEVEL=CHECK, TRACE=YES, USECOUNT=0
```

---

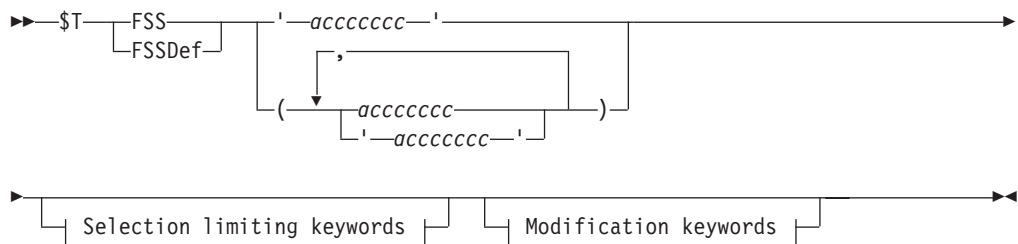
## \$T FSS - Control a functional subsystem

### Function

To specify the characteristics of a JES2 functional subsystem.

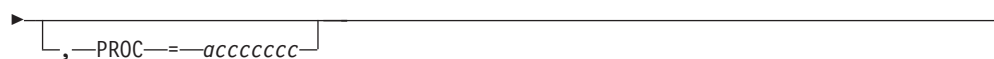
One or more parameters on this command accepts wild cards. Parameter descriptions will note that.

### Syntax

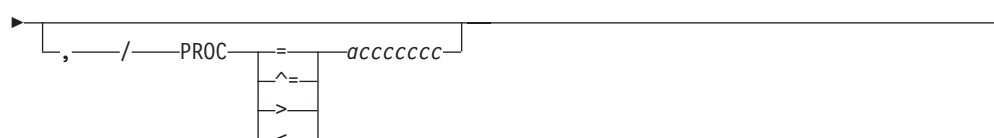


### Modification keywords:





**Selection limiting keywords:**



**Parameters**

**(accccccc|ac\*|\*)**

The 1- to 8-character subscript naming the functional subsystem(s) affected by this command. You may specify either a particular FSS name (for example, MYFSS) or wild cards to specify a generic name (for example, FSS\* or \*). See "Using wildcards" on page 108 for additional information.

**AUTOSTOP={No|Yes}**

Specifies whether JES2 is to automatically stop the FSS address space when all devices attached to the FSS are drained.

**HASPFSSM={accccccc|HASPFSSM}**

The 1- to 8-character name of the load module that is loaded into the functional subsystem address space. This load module contains the various JES2-supplied FSI service routines.

**PROC=accccccc**

The 1- to 8-character name of the procedure in SYS1.PROCLIB that contains the JCL required to start the functional subsystem.

**Authority Required**

This command requires **system** authority. The description of the \$T RDRnn command explains how to ensure that the authority of the appropriate MVS system command group is assigned.

This command requires **control** security access authority. For a description of assigning command input authority, see *z/OS JES2 Initialization and Tuning Guide*.

**Processing Considerations**

If the FSS address space defined by this FSS is active, you can change the AUTOSTOP option but you may not change the other specifications.

### Scope

**Single member.** This command will be in effect for this member only. There is no need to have this command issued to all members of the MAS.

### Messages

The \$HASP824 message displays the current values of all the parameters on the FSS initialization statement.

### Example

```
1 $t fss(quikprt) haspfssm=fssmtest
```

```
$HASP824 FSS(QUIKPRT) PROC=MYPROC,HASPFSSM=FSSMTEST,
AUTOSTOP=NO
```

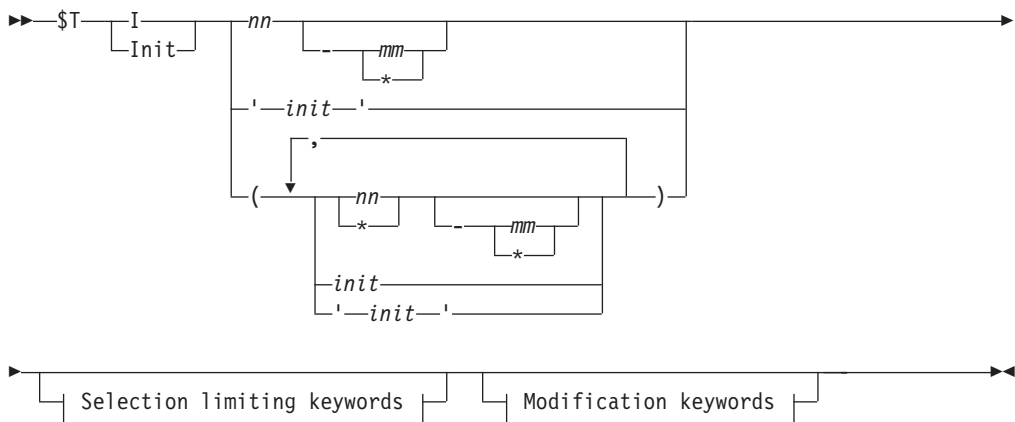
JES2 loads the FSSMTEST load module into the QUIKPRT FSS address space when the first printer assigned to that FSS is started.

## \$T Init(nnmm) - Control initiators

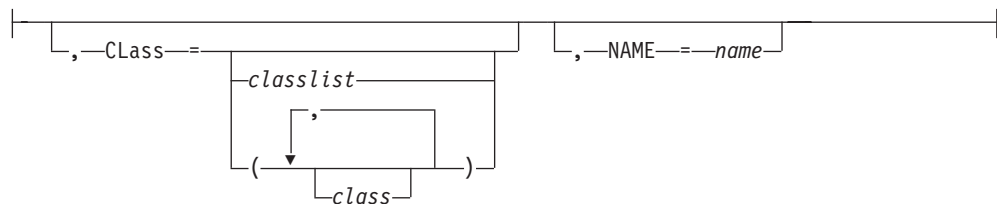
### Function

To control initiators.

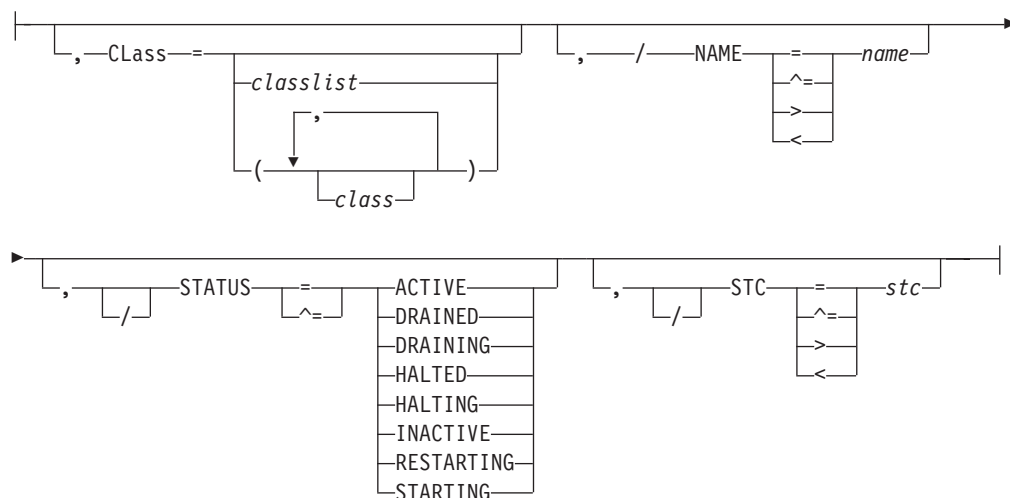
### Syntax



### Modification keywords:



### Selection limiting keywords:



## Parameters

### I(nn[-mm])

Specifies the subscript (1-9999) of the initiator(s) that you are controlling.

**Note:** JES2 commands do not recognize JES2-controlled initiators that are numbered (with subscripts) greater than the PARTNUM= specification on the INITDEF initialization statement.

For information about naming initiators, see *z/OS JES2 Initialization and Tuning Reference*.

### Class=classlist | (class,class...)

The job classes, in priority sequence, that the initiator processes.

The *classlist* variable specifies a list of single-character job classes A-Z and 0-9 (for example, 'ABCDEF'), in priority sequence, that the initiator processes. A maximum of 36 classes can be specified.

The *class* variable specifies a comma-separated list of job classes or job class groups (each 1-8 characters in length), in priority sequence, that the initiator processes. A maximum of eight items can be specified in the list (for example, CLASS1,CLASS2,CLASS3). Work selection from job class groups occurs in a round robin fashion across the classes in the group.

### NAME=name

The EBCDIC name associated with the initiator.

### STATUS[=ACTIVE | DRAINED | DRAINING | HALTED | HALTING | INACTIVE | RESTARTING | STARTING]

Only initiators in the specified state will be modified. The following types of status can be displayed:

#### Type    Meaning

##### ACTIVE

JES2 is using the initiator for job processing and will continue to do as long as jobs are both available and eligible for the device.

##### DRAINED

JES2 does not use the initiator until you start it with a \$S command.

## \$T Init(nmmm)

### DRAINING

JES2 is using the initiator to process jobs, but will stop using this device once the current function has completed.

### HALTED

JES2 has either requested operator assistance or an operator has entered the \$Z command to halt the initiator. To start the initiator, you must enter a \$S command.

### HALTING

The initiator is transitioning to a HALTED state.

### INACTIVE

JES2 is not using the initiator, but would do so if a job were both available and eligible for the initiator.

### RESTARTING

The initiator has terminated abnormally and is in the process of restarting automatically.

### STARTING

The initiator is being started. Applies to FSS-owned devices only.

### STC=stc

The initiator associated with the specific STC that is to be controlled.

## Related Commands

\$D Init

## Authority Required

This command requires **device** and **system** authority. The description of the \$T RDRnn command explains how to ensure that the authority of the appropriate MVS system command group is assigned. The \$T NODE(nnnn) command sets the command authority for a node.

This command requires **update** security access authority. For a description of assigning command input authority, see *z/OS JES2 Initialization and Tuning Guide*.

## Scope

**Single member.** The values supplied for this command will be in effect for this member only.

Depending on your installation's setup, however, you might want this command to be applied to all members of the MAS (to ensure a consistent environment across the MAS). If so, you can use the MVS ROUTE \*ALL command to issue this command to all active members (if the JES2 command character is the same on all members). See *z/OS MVS System Commands* for more information on using the ROUTE \*ALL command.

## Context

HASCSCAN and HASPSXIT are responsible for processing this command.



## Examples

1 \$t i1,c=abcde

\$HASP892 INIT(1) STATUS=INACTIVE,CLASS=ABCDE,NAME=1,ASID=0017

Initiator 1 is modified to select work from job classes A, B, C, D, and E

2 \$ti 2,c=VMXYZ

\$HASP892 INIT(2) STATUS=INACTIVE,CLASS=XYZ,  
 \$HASP892 INELIGIBLE\_CLASS=(V-HELD,W-WLM),NAME=2,  
 \$HASP892 ASID=0018

Initiator 2 is modified to select work from job classes V, W, X, Y, and Z. In this case, class V will not be selected because it is held (by JOBCLASS(V) QHELD=Y) and class W will not be selected because the job class is WLM-managed (by JOBCLASS(w) MODE=WLM).

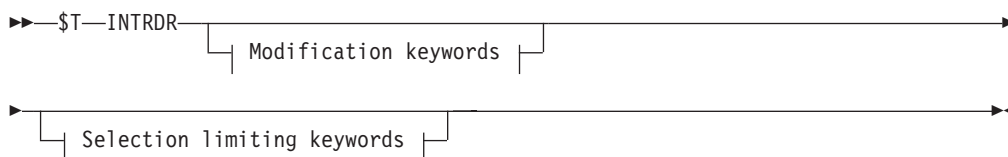
## \$T INTRDR - Control internal readers

### Function

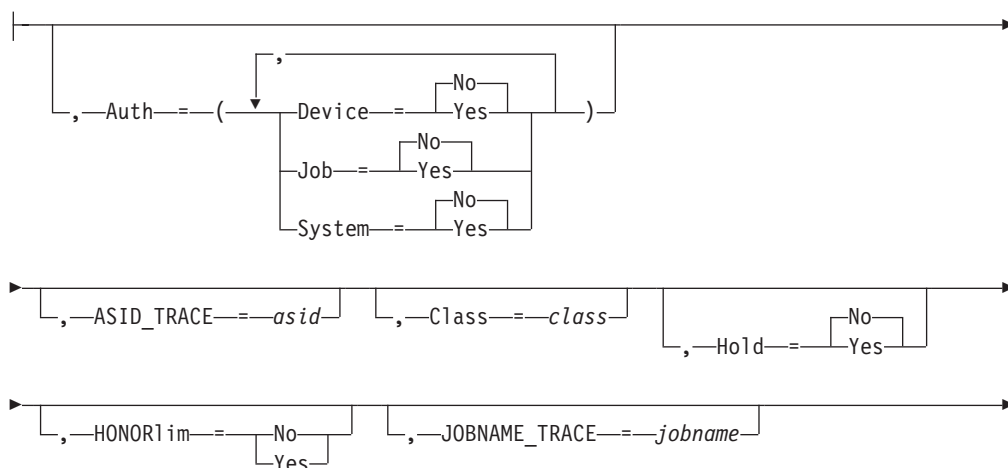
To perform the following functions:

- Assign command authority for internal readers.
- Specify a default job class and/or affinity for jobs read by internal readers.
- Hold all jobs read by internal readers.
- Start or stop tracing of the JES2 processor associated with internal readers.

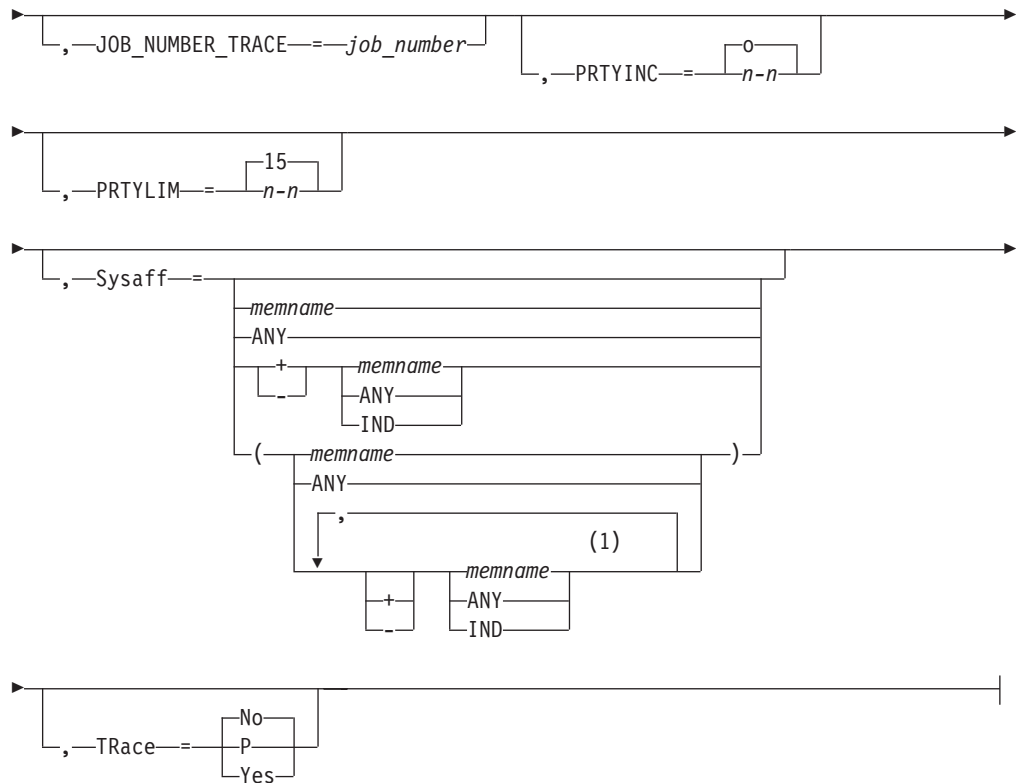
### Syntax



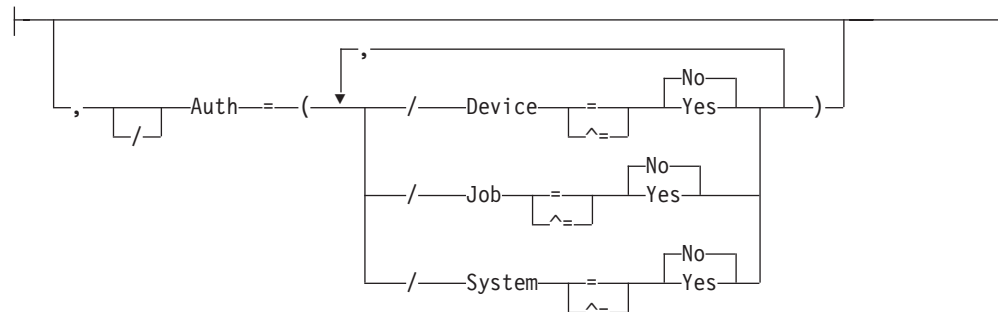
### Modification keywords:



## \$T INTRDR



### Selection limiting keywords:



### Notes:

- Multiple *Sysaff* values can be coded up to 33 times

## Parameters

### INTRDR

All internal readers are affected by this command.

### ASID\_TRACE

Specifies the ASID used when filtering JES2 INTRDR trace points.

**Note:** If `TRACE=YES` is specified, any `ASID_TRACE`, `JOBNAME_TRACE`, or `JOB_NUMBER_TRACE` filter is ignored. If more than one `ASID_TRACE=`, `JOBNAME_TRACE=`, and `JOB_NUMBER_TRACE=` parameters are specified, only one of the conditions must match the trace to be taken. For jobs that are

being submitted through the internal reader, the job name, number and ASID of the job submitter are compared to the filters—not the job name, number and ASID of the job that is being submitted.

**Auth**

The command authority for internal readers, that is, the JES2 command groups that the reader is authorized to enter.

**DEVICE={No|Yes}**

Specifies whether the commands that have the authority to affect devices can enter the system from the internal readers.

**Job={No|Yes}**

Specifies whether the commands that have the authority to affect jobs can enter the system from the internal readers.

**System={No|Yes}**

Specifies whether the commands that have the authority to affect system resources can enter the system from the internal readers.

This parameter affects JES2 command statements only. Use the AUTH parameter of the JOBCLASS initialization statement to specify the authorization for JCL command statements. JES2 command statements begin with /\* in columns 1 and 2. JCL command statements begin with // in columns 1 and 2.

**Note:**

1. A reader may not be used to set the command authority for any local reader device. The \$T INTRDR,AUTH command can be issued only by a console with device and system authority.
2. The command authorities that are set only operate on JES2 commands; they do not apply to MVS commands.

**CLASS=class**

Specifies the default execution class for jobs that are read by internal readers and that do not have a job class specified on the JOB statement.

**Note:** If you specify this parameter, the command requires device authority.

**Hold|H={No|Yes}**

Specifies whether (Y) or not (N) all jobs submitted through internal readers are to be held after JCL conversion. You can release these jobs on an individual basis using the \$A command.

**HONORim|HONOR={No|Yes}**

Specifies whether (Y) or not (N) data sets sent to the internal reader are to be counted toward the byte limit for a job.

**JOBNAME\_TRACE**

Specifies the *jobname* used when filtering JES2 INTRDR trace points.

**JOB\_NUMBER\_TRACE**

Specifies the job number used when filtering JES2 INTRDR trace points.

**PRTYINC={n-n}**

Specifies a number (0-15) to be added to the selection priority of each job entered at this card reader. If the total of this number and a job's priority exceeds the priority level specified by PRTYLIM= (described next), JES2 uses the priority level specified by PRTYLIM=.

**PRTYLIM={n-n}**

Specifies the maximum priority level (0-15) that can be assigned to jobs entered at this card reader. Any job that exceeds this priority is reduced to this level.

**Sysaff**

Changes the system affinity of the job. Up to 33 entries can be coded by using a combination of the following values:

**memname|\***

Specifies the identifier (1 to 4 alphanumeric characters) of a member in the JES2 multi-access spool configuration that has affinity for the job. Use an asterisk to specify the member that executes the command.

**ANY** Specifies jobs that are eligible to run on any member in the JES2 multi-access spool configuration. If you specify ANY followed by the IND parameter, they must be separated by a comma and the list must be enclosed in parentheses, for example, (ANY,IND).

**+|-** The subsequent memnames, ANY, and IND, are to be added to (+) or deleted from (-) the current list of affinities that are associated with this job. If neither + nor - qualifier is specified anywhere in the SYSAFF parameter, the affinity of the job is set explicitly to the affinity entries that are specified in the SYSAFF parameter. If a + or - qualifier is specified on the first entry in a list of entries, the current affinity list of this job is affected. A + or - qualifier on an entry will add (+) or delete (-) that entry from the current affinity list of this job. If the first entry in a list of entries has no + or - qualifier, the current affinity list of this job will be replaced with the affinities that are determined by processing the SYSAFF parameter. A + or - qualifier on a subsequent entry will add (+) or delete (-) that entry from the replacement list. When a + or - qualifier is encountered in the SYSAFF parameter, the qualifier becomes the active qualifier that is applied to each of the following entries in the list until a different qualifier, or the keyword ANY is encountered in the list.

**Note:** If you specify IND without any member names (*memname*), you must specify + or - qualifier.

**IND** Specifies the job that must be executed on a processor operating in independent mode. IND cannot be specified by itself.

**Note:** The processing of the SYSAFF parameter must result in at least one member that is eligible to execute this job. Otherwise, the command will be rejected.

**TRace={No|P|Yes}**

Specifies whether tracing is to be activated or deactivated for all of the internal readers. This parameter requires system authority.

**No** Tracing is disabled.

**P|Yes**

Tracing is activated if trace IDs 11 and 12 are currently enabled.

**Note:** Trace IDs 11 and 12 may be enabled either at initialization on the TRACE(n) statement or using the \$S TRACE(n) command.

**Note:** If TRACE=YES is specified, any ASID\_TRACE, JOBNAME\_TRACE, or JOB\_NUMBER\_TRACE filter is ignored. If more than one ASID\_TRACE=, JOBNAME\_TRACE=, and JOB\_NUMBER\_TRACE=

parameters are specified, only one of the conditions must match the trace to be taken. For jobs that are being submitted through the internal reader, the job name, number and ASID of the job submitter are compared to the filters—not the job name, number and ASID of the job that is being submitted.

## Authority Required

This command requires **device** and **system** authority. The description of the \$T RDRnn command explains how to ensure that the authority of the appropriate MVS system command group is assigned. The \$T NODE(nnnn) command sets the command authority for a node.

This command requires **update** security access authority. For a description of assigning command input authority, see *z/OS JES2 Initialization and Tuning Guide*.

## Scope

**Single member.** The values supplied for this command will be in effect for this member only.

The \$T INTRDR command affects all internal readers generated and cannot be used to control a single internal reader.

Depending on your installation's setup, however, you might want this command to be applied to all members of the MAS (to ensure a consistent environment across the MAS). If so, you can use the MVS ROUTE \*ALL command to issue this command to all active members (if the JES2 command character is the same on all members). See *z/OS MVS System Commands* for more information on using the ROUTE \*ALL command.

## Messages

The \$HASP838 message displays the characteristics of internal readers and their current characteristics.

## Examples

**1** \$t intrdr,sysaff=(n1m1,n1m2),tr=y

```
$HASP838 INTRDR
          AUTH=(DEVICE=NO,JOB=NO,SYSTEM=NO),BATCH=YES
$HASP838 CLASS=A,HOLD=NO,PRTYINC=0,PRTYLIM=15,
$HASP838          SYSAFF=(N1M1,N1M2),TRACE=YES
```

JES2 assigns the affinities of N1M1, and N1M2 to all internal readers and activates tracing for the associated JES2 reader processor.

**2** \$t intrdr,c=f,s=+ind,sysa

```
$HASP838 INTRDR
          AUTH=(DEVICE=NO,JOB=NO,SYSTEM=NO),BATCH=YES
$HASP838 CLASS=F,HOLD=YES,PRTYINC=0,PRTYLIM=15,
$HASP838          SYSAFF=(IND,SYSA,SYSB),TRACE=NO
```

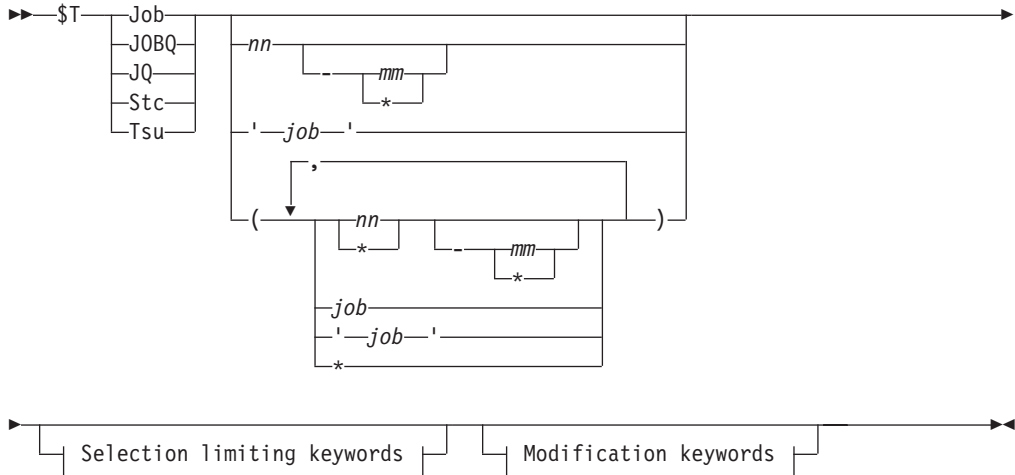
JES2 assigns execution class F to all jobs submitted through internal readers which do not specify a job class on their JOB statements. In addition, all jobs read by internal readers are eligible to run on members SYSA and SYSB if these members are operating in independent mode.

## \$T Job - Change a job's class, scheduling priority, or affinity

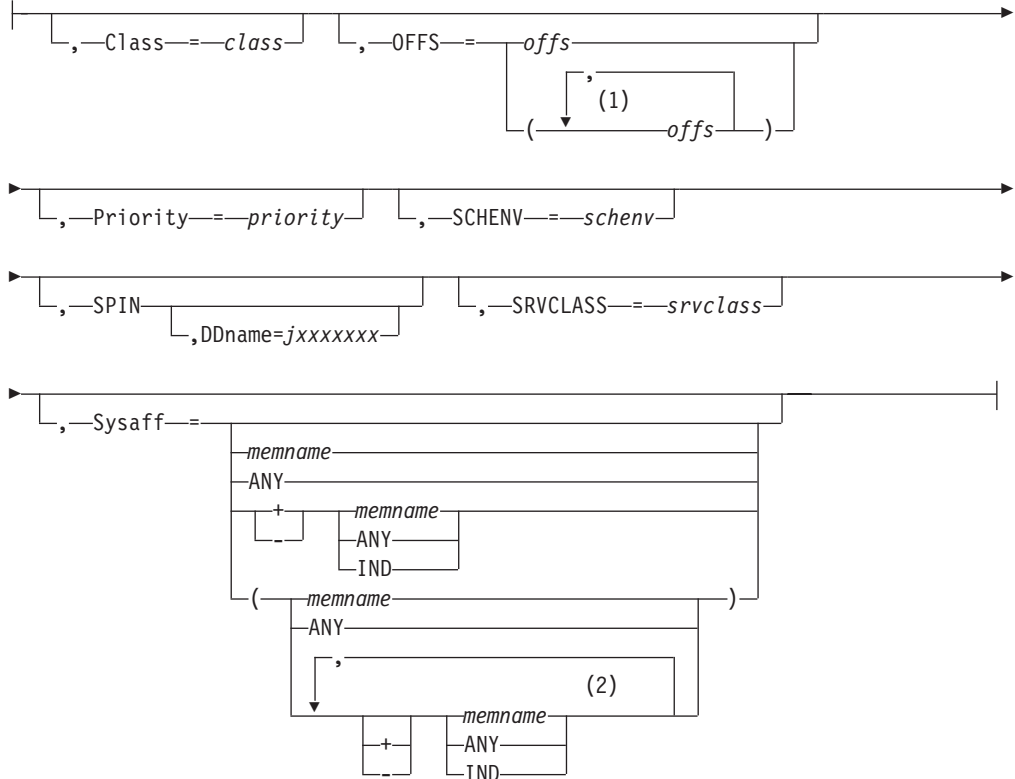
### Function

To change the execution class, priority, or affinity for the specified jobs, or to SPIN either the JESLOG data sets or a particular SYSOUT DD associated with a job.

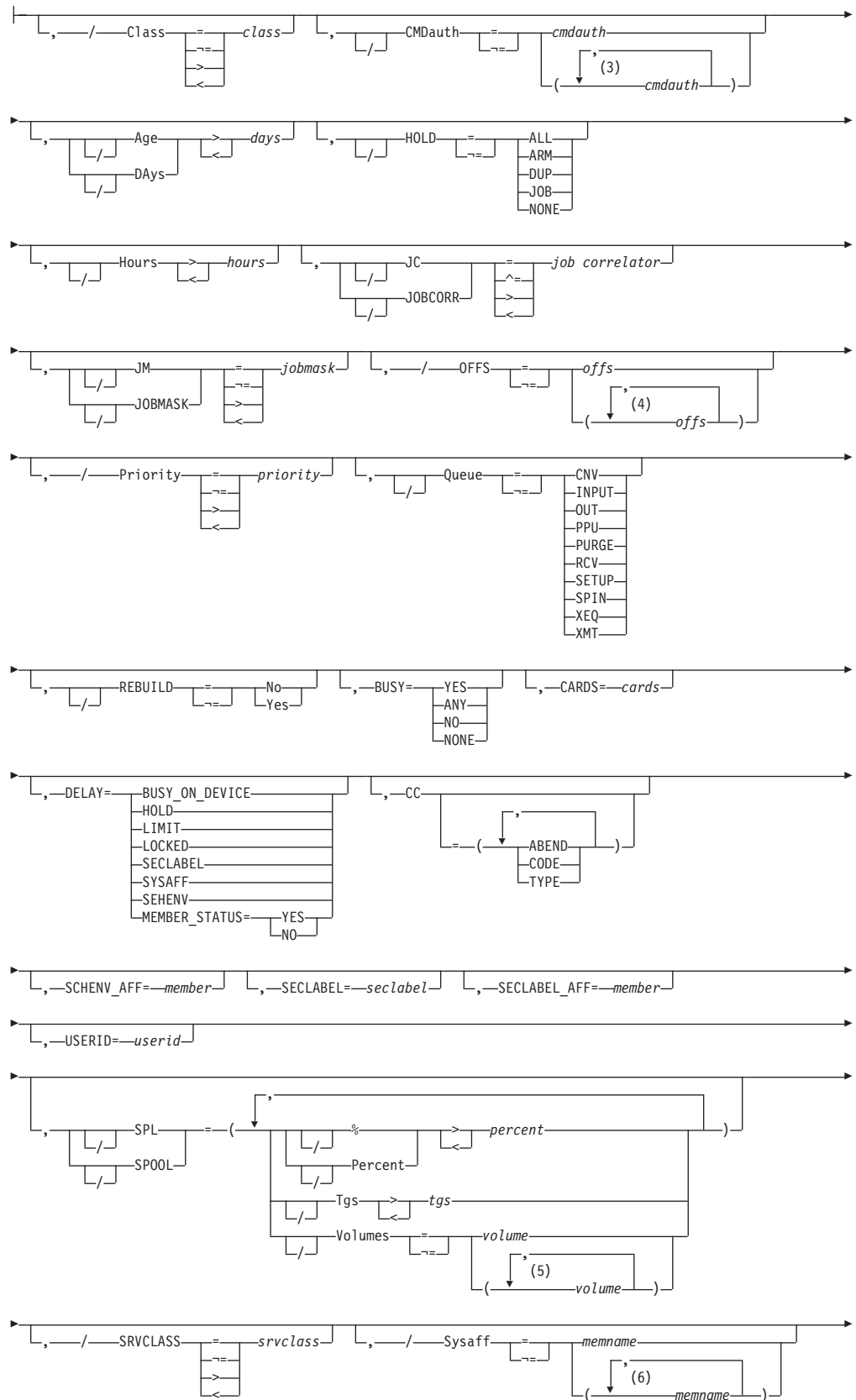
### Syntax



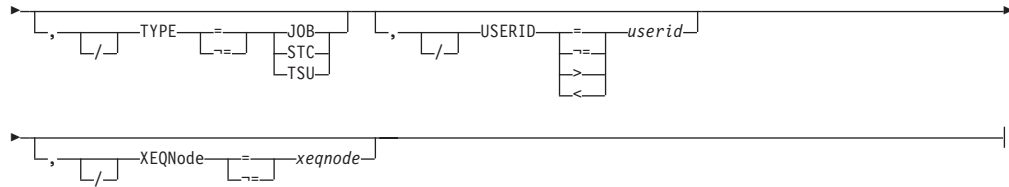
### Modification keywords:



Selection limiting keywords:



## \$T Job



### Notes:

- 1 *offs* can be coded up to 8 times
- 2 Multiple *Sysaff* values can be coded up to 33 times
- 3 a *cmdauth* can be coded up to 2 times
- 4 *offs* can be coded up to 8 times
- 5 *volume* can be coded up to 253 times
- 6 Multiple *Sysaff* values can be coded up to 33 times

### Parameters

#### Age|DAys<days | Age|DAys>days

Specifies the age of affected jobs in days. Only jobs more (with DAYS>nn) or less (with DAYS<nn) than the specified number of days in age are affected. The days are counted from the current hour.

#### BUSY=

Specifies one of the following:

- The system name or number on which the job is busy. Note that you can specify a value of 0 to indicate the job is not busy. You can also specify values above 32 to match systems with invalid values in the BUSY value (for example, \$TJOBQ,BUSY>32)
- YES or ANY, indicating that all busy jobs are to match
- NO or NONE, indicating that all non-busy jobs are to match

#### CARDS=cards

Specifies the number of input cards associated with the job.

#### CC=(ABEND|ABENDED|CANce11ed|CNVT\_abend|CODE|COMPLeted|ENDEd\_by\_cc|EOM\_failure|JCLerror|SECurity\_failure|TYPE)

Specifies the completion information associated with the job.

#### ABENDED

Specifies only jobs which have abnormally ended.

#### ABEND

Specifies the ABEND code associated with the job's termination.

#### CANce11ed

Specifies only jobs which were cancelled by the operator.

#### CNVT\_abend

Specifies only jobs which have abnormally ended during the conversion phase.

#### CODE

Specifies the last (or highest) completion code of steps in the job.

#### COMPLeted

Specifies only jobs which completed.



**ENDED\_by\_cc**

Specifies only jobs which were ended by a step completion code.

**EOM\_failure**

Specifies only jobs which failed in end-of-memory processing.

**JCLerror**

Specifies jobs which did not execute due to a JCL error.

**SECurity\_failure**

Specifies jobs which failed security validation.

**Class=class**

The new class that is assigned to the specified job(s). You may not move jobs in the execution-batch-processing class to a non-execution batch processing class, and vice versa. Note that wildcard characters can be specified when used as a selection limiting keyword: see "Using wildcards" on page 108 for details.

1. When changing the job class, be sure the new job class is defined on the member on which the job executes.
2. The class change resulting from this command affects JES2 job scheduling only. If you move a job from class P to class S with this command, the job is eligible for initiators processing class S jobs, and is no longer eligible for class P initiator processing.

If you enter the command before the job's conversion, the class remains P for conversion purposes, but is then scheduled for an initiator selecting class S jobs.

If you enter the command after conversion, job attributes determined by class during conversion (for example, default region size) are unchanged, but the job is scheduled for an initiator selecting class S jobs.

3. If these values are modified for a job in execution note that the service class is not changed. If these changes would result in a different service class this takes effect only if the job is restarted. The service class of an executing job can be modified only by explicitly changing the service class.

**CMDauth=cmdauth**

Only the jobs that can be affected from the specified remote(s) or node(s) will be changed. The valid specifications are:

**LOCAL|ANYLOCAL**

Only the local devices at the local node can affect the output.

**Nnnnn|nodename**

Only local devices at the specified node can affect the output.

**Rnnnn**

Only the specified remote device can affect the output.

**NnnnnRnnnn|nodename.Rnnnn**

Only the specified remote device at the specified remote node can affect the output.

**destid**

A destid corresponding to any of the above remote devices.

**Note:** Specification of the CMDAUTH filter does not override the authority of the console from which the command is issued; both the authority of the console and the specified CMDAUTH filter must match for the job to be affected.

**DELAY**={**BUSY\_ON\_HOLD**|**HOLD**|**LIMIT**|**LOCKED**|  
**No**|**QUEUE\_ERROR**|**SCHENV**|**SECLABEL**|**SPOOLS\_NOT\_AVAILABLE**|**SYSAFF**|  
**MEMBER\_STATUS**|**Yes**}

Specifies reasons why a pre-execution job will not enter execution:

### **BUSY\_ON\_DEVICE**

The job will not execute because it is busy on a device (such as an offload job transmitter).

### **HOLD**

The job will not execute because it is held, its job class is held, or another job with the same jobname is executing.

### **LIMIT**

The job will not execute because the job class execution limit has been reached (as specified by **JOBCLASS XEQCOUNT=(MAX=)**).

### **LOCKED**

The job will not execute because it's being updated by JES2.

### **SECLABEL**

The security label (**SECLABEL**) assigned to the job is not defined as active on any member that is active.

### **SYSAFF**

Each of the members for which the job has affinity (**SYSAFF**) is inactive, or the job has specified independent state, and the JES2 member is not independent (**IND=NO**).

### **SCHENV**

The job's scheduling environment is not available on any member, or is available only on systems where JES2 is inactive. Use the **\$DJ'jobname',LONG** command to find out what scheduling environment a job requires. Then use the **D WLM,SCHENV=schenv-name** command to find out the current status of the scheduling environment on each system in the sysplex.

The **SCHENV** state masks other reasons why the job might be ineligible to run, such as the **\$P** and **\$P XEQ** commands having been issued. Also, note that the **SCHENV** delay is detected only after a job goes through conversion. If a job is delayed prior to conversion due to system affinity requirements, scheduling environments are not considered in determining delay status.

### **MEMBER\_STATUS**

A combination of system affinity, scheduling environment and **SECLABEL** restrictions are preventing the job from running, or, other member states prevent the job from running on systems where the job is otherwise eligible. These states include:

- **\$P** command has been issued
- **\$P XEQ** command has been issued
- **BOSS=NO** (used in a poly-JES environment only)

When used as a command filter, the string **MEMBER\_STATUS** matches on jobs delayed for **SYSAFF**, **SCHENV**, **SECLABEL**, or **MEMBER\_STATUS**. To get detail on why a job is delayed, display job status with the **\$DJ'jobname',LONG** command or display member status with the **\$DJMEMBER(member-name)** command.

### **Yes**

Specifies only jobs which are delayed for any of the above reasons.

**No** Specifies only jobs which are not delayed for any of the above reasons.

**H|Hours=hours**

Specifies the age of affected jobs in hours. Only jobs more (with HOURS>nn) or less (with HOURS<nn) than the specified number of hours in age are affected.

**HOLD={ALL|ARM|DUP|JOB|NONE}**

Only jobs with the specified hold attributes are modified.

**ALL**

Changes jobs held by the \$H A command.

**ARM**

Changes jobs which are held awaiting a restart through ARM.

**DUP**

Change jobs held for a duplicate job name.

**JOB**

Change jobs held by the \$H J command, TYPRUN=HOLD, TYPRUN=JCLHOLD, or held due to error.

**NONE**

Change jobs which are not held.

**job**

Specifies 1 to 8 alphanumeric, special (\$, #, or @) or wildcard characters (or a combination of them) that can be used to select a subset of jobs whose job name matches this combination of characters (mask).

**'job'**

The name of the job that is to be changed. This name must appear as coded on the JOB statement and must be enclosed in apostrophes. If more than one job exists with this name, no action is taken.

**Job**

A Batch job or range of batch jobs is to be changed.

**JC|JOBCORR=job correlator**

Specifies a combination of 1-64 alphanumeric, special (colon, period or underscore) and wildcard characters that can be used to select a subset of jobs that have a matching job correlator. For a description of wildcard characters, refer to "Using wildcards" on page 108.

**JOBMASK|JM=jobmask**

Specifies 1 to 8 alphanumeric, special (\$, #, or @) or wildcard characters (or a combination of them) that can be used to select a subset of jobs whose job name matches this combination of characters (mask). For a description of wild cards, see "Using wildcards" on page 108.

**Note:**

1. This is a positional parameter. Specify this following the job\_id (JOB, STC, or TSU) or JOBQ parameter.
2. The JOBMASK parameter is not valid with the 'jobname' parameter.

**JOBQ|JQ**

Specifies *all* jobs, STCs, and TSUs across the MAS for processing.

**OFFS=(n[,n,n...])|(+n,[n,n...])|(-n,[n,n...])|0**

Specifies updates to the archival status of this job. Jobs will be marked as

already offloaded for all offload device numbers that were specified and as not offloaded for all offload device numbers not specified.

Specifying + or - before the offload device number(s) updates offload status of the job for only the specified offload device numbers. Specifying + marks the output as offloaded and specifying - marks it as not having been offloaded by the specified offload device number(s). Use this option to allow offloading of job(s) that have been already been offloaded or to prevent offloading of jobs by an offload device.

**Priority=priority**

The new priority (0-15), or the value that is added to (+n) or subtracted from (-n) the present priority for the specified job(s). If the job priority is adjusted to a value less than zero, zero is assumed. If the priority is adjusted to a value greater than 15, JES2 assigns a maximum priority. This maximum priority is greater than 15, which allows the operator to selectively run jobs at a priority higher than any jobs submitted with a priority of 15.

**Note:**

1. Even though a job has been assigned a maximum priority, JES displays the job priority as 15.
2. If these values are modified for a job in execution note that the service class is not changed. If these changes would result in a different service class this takes effect only if the job is restarted. The service class of an executing job can be modified only by explicitly changing the service class.

**Queue={CNV|INPUT|OUT|PPU|PURGE|RCV| SETUP|SPIN|XEQ|XMT}**

Only jobs on the specified job queue are to be modified.

**CNV**

Only jobs awaiting conversion are to be modified.

**INPUT**

Only jobs on the JES2 \$INPUT queue are to be modified.

**OUT**

Only jobs awaiting output processing are to be modified.

**PPU**

Only jobs awaiting print/punch processing are to be modified.

**PURGE**

Only jobs awaiting purge processing are to be modified.

**RCV**

Only jobs on the JES2 \$RECEIVE queue are to be modified.

**SETUP**

Only jobs on the JES2 \$SETUP queue are to be modified.

**SPIN**

Only jobs awaiting spin processing are to be modified.

**XEQ**

Only jobs awaiting execution are to be modified.

**XMT**

Only jobs queued for network transmission are to be modified.

**REBUILD={No|Yes}**

Jobs on the rebuild queue are to be changed (Yes) or not changed (No).

**SCHEMV=schenv**

Specifies the scheduling environment associated with the job.

**SCHEMV\_AFF=member**

Specifies the JES2 MAS members on which the scheduling environment for this job is available.

**SECLABEL=seclabel**

Specifies the security label associated with the job.

**SECLABEL\_AFF=member**

Specifies the JES2 MAS members on which the SECLABEL for this job is available but only if the RACF SECLABEL\_BY\_SYS is also active.

**SPIN[,DDname=jxxxxxxx]**

Requests SPIN processing for the specified job. If **DDname=** is not specified, all eligible data sets (including JESMSG LG and JESYSMSG) are immediately spun off for the job. If **DDname=** is specified, the specified SYSOUT DD is immediately spun off for the job. The **DDname=** value specified must represent a SYSOUT data set that was allocated with a **SPIN=** attribute that allows it to be spun. For more information, see the description of the DD **SPIN=** keyword in the *z/OS MVS JCL Reference*.

**Note:** When the JESLOG data sets are spun, the message, \$HASP138 JESLOG SPIN REQUESTED BY OPERATOR is placed in the JESMSG LG and JESYSMSG data sets. \$HASP138 is not placed in the console or SYSLOG.

**SPL|SPOOL={Percent|%|Tgs|Volumes}**

Only jobs with specific SPOOL characteristics are to be changed:

**Percent|%**

Only jobs using more (with %>nn) or less (with %<nn) than the specified percentage of the total available spool space are to be changed.

**Tgs**

Only jobs using more (with Tgs>nn) or less (with Tgs<nn) than the specified number of track groups are to be changed.

**Volumes=(v1,v2,...)**

Only jobs which have allocated spool space on the specified spool volume(s) are to be changed.

**SRVCLASS=srvclass**

Change the WLM service class for the job to the specified service class. If the service class keyword is specified without a service class, the job is reclassified. See the MVS RESET command RESUME keyword description for more information.

**Stc**

A started task or range of started tasks is to be changed.

**Sysaff**

Changes the system affinity of the job. Up to 33 entries can be coded by using a combination of the following values:

**memname|\***

Specifies the identifier (1 to 4 alphanumeric characters) of a member in the JES2 multi-access spool configuration that has affinity for the job. Use an asterisk to specify the member that executes the command.

**ANY** Specifies jobs that are eligible to run on any member in the JES2 multi-access spool configuration. If you specify ANY followed by the

## \$T Job

IND parameter, they must be separated by a comma and the list must be enclosed in parentheses, for example, (ANY,IND).

**+|-** The subsequent memnames, ANY, and IND, are to be added to (+) or deleted from (-) the current list of affinities that are associated with this job. If neither + nor - qualifier is specified anywhere in the SYSAFF parameter, the affinity of the job is set explicitly to the affinity entries that are specified in the SYSAFF parameter. If a + or - qualifier is specified on the first entry in a list of entries, the current affinity list of this job is affected. A + or - qualifier on an entry will add (+) or delete (-) that entry from the current affinity list of this job. If the first entry in a list of entries has no + or - qualifier, the current affinity list of this job will be replaced with the affinities that are determined by processing the SYSAFF parameter. A + or - qualifier on a subsequent entry will add (+) or delete (-) that entry from the replacement list. When a + or - qualifier is encountered in the SYSAFF parameter, the qualifier becomes the active qualifier that is applied to each of the following entries in the list until a different qualifier, or the keyword ANY is encountered in the list.

**Note:** If you specify IND without any member names (*memname*), you must specify + or - qualifier.

**IND** Specifies the job that must be executed on a processor operating in independent mode. IND cannot be specified by itself.

**Note:** The processing of the SYSAFF parameter must result in at least one member that is eligible to execute this job. Otherwise, the command will be rejected.

### Tsu

A time-sharing user or range of time-sharing users is to be changed.

### TYPE={JOB|STC|TSU}

Indicates whether only batch jobs (JOB), started tasks (STC), or time-sharing users (TSU) are to be changed.

### USERID=userid

Specifies the userid associated with the job.

### XEQNode=xeqnode

Only jobs which are destined to execute at the specified node, or which have already executed at the specified node, are to be changed. The node name may be specified using the decimal node number (Nnnnnn) or an EBCDIC node name.

## Authority Required

This command requires **job** authority. The description of the \$T RDRnn command explains how to ensure that the authority of the appropriate MVS system command group is assigned.

This command requires **update** security access authority. For a description of assigning command input authority, see *z/OS JES2 Initialization and Tuning Guide*.

## Scope

**MAS-wide.** This command has an effect across the entire MAS.

## Messages

The \$HASP890 message displays the current status of the specified job.

The \$HASP003 message indicates that the command was improperly specified.

## Examples

### 1 \$t j3,s=-sysa

```
JOB00003 $HASP890 JOB(MYJOB)
$HASP890 JOB(MYJOB) STATUS=(AWAITING EXECUTION),CLASS=A,
$HASP890 PRIORITY=9,SYSAFF=(SYSB,SYSC,SYSD),HOLD=NONE
```

JES2 removes SYSA from the affinities for batch job 3.

### 2 \$t j27,s=(+SPL2,IND)

```
JOB00027 $HASP890 JOB(MYJOB)
$HASP890 JOB(MYJOB) STATUS=(AWAITING EXECUTION),CLASS=H,
$HASP890 PRIORITY=9,SYSAFF=(IND,SPL2,SPL3),HOLD=(JOB)
```

JES2 adds SPL2 to the affinities for batch job 27, and sets the job to run on an independent mode processor.

### 3 \$t j3,c=b,p=+4

```
JOB00003 $HASP890 JOB(MYJOB)
$HASP890 JOB(MYJOB) STATUS=(AWAITING EXECUTION),CLASS=B,
$HASP890 PRIORITY=13,SYSAFF=(SYSB,SYSC,SYSD),
$HASP890 HOLD=NONE
```

JES2 changes the class of batch job 3 to class B and increases its priority by 4 (to 13). Note that, if this increase had adjusted the priority to a value greater than 15, JES2 would have assigned a maximum priority to batch job 3.

### 4 \$t jq,/userid=ibmuser,/q=xeq,class=d

```
JOB00022 $HASP890 JOB(IJOB1)
$HASP890 JOB(IJOB1) STATUS=(EXECUTING/IBM1),CLASS=D,
$HASP890 PRIORITY=9,SYSAFF=(ANY),HOLD=(NONE),
$HASP890 USERID=IBMUSER
```

JES2 modifies all jobs on the execution queue for user IBMUSER to class D.

### 5 \$t jq,/q=xeq,/c=a,c=b

```
JOB00003 $HASP890 JOB(MYJOB)
$HASP890 JOB(MYJOB) STATUS=(AWAITING EXECUTION),CLASS=B,
$HASP890 PRIORITY=9,SYSAFF=(SYSB,SYSC,SYSD),HOLD=NONE
JOB00009 $HASP890 JOB(MYJOB2)
$HASP890 JOB(MYJOB2) STATUS=(AWAITING EXECUTION),CLASS=B,
$HASP890 PRIORITY=9,SYSAFF=(SYSB,SYSC,SYSD),HOLD=NONE
```

JES2 modifies all jobs on the class A execution queue to class B.

### 6 \$tj37,/age<1,priority=7

```
JOB00037 $HASP890 JOB(DEST11)
$HASP890 JOB(DEST11) STATUS=(AWAITING EXECUTION),CLASS=A,
$HASP890 PRIORITY=7,SYSAFF=(ANY),HOLD=(NONE)
```

JES2 changes priority for job 37 if age is less than 1 day.

### 7 \$TJ23,spin,ddname=logfile

```
JOB00023 $HASP890 JOB(IBMUSER1)
$HASP890 JOB(IBMUSER1) STATUS=(EXECUTING/IBM1),CLASS=A,
$HASP890 PRIORITY=9,SYSAFF=(ANY),HOLD=(NONE)
```

JES2 executes SPIN processing for the DDNAME logfile.

## \$T Job

**8** \$tj(100-160),jc=:rushorder\_xyz\*,p=+4

```

JOB00153 $HASP890 JOB(D15USER1) C
$HASP890 JOB(D15USER1) STATUS=(AWAITING EXECUTION),CLASS=A,
$HASP890 PRIORITY=13,SYSAFF=(ANY),HOLD=(NONE)
JOB00154 $HASP890 JOB(D15USER2) C
$HASP890 JOB(D15USER2) STATUS=(AWAITING EXECUTION),CLASS=A,
$HASP890 PRIORITY=13,SYSAFF=(ANY),HOLD=(NONE)
JOB00155 $HASP890 JOB(D15USER3) C
$HASP890 JOB(D15USER3) STATUS=(AWAITING EXECUTION),CLASS=A,
$HASP890 PRIORITY=13,SYSAFF=(ANY),HOLD=(NONE)
JOB00156 $HASP890 JOB(D15USER4) C
$HASP890 JOB(D15USER4) STATUS=(AWAITING EXECUTION),CLASS=A,
$HASP890 PRIORITY=13,SYSAFF=(ANY),HOLD=(NONE)

```

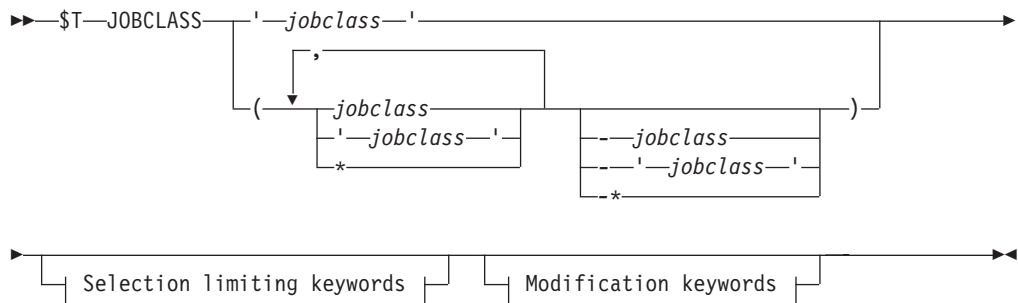
JES2 increases by 4 the priority of any batch job within the job number range of 100-160 with a job correlator user portion starting with RUSHORDER\_XYZ.

## \$T JOBCLASS - Set job class characteristics

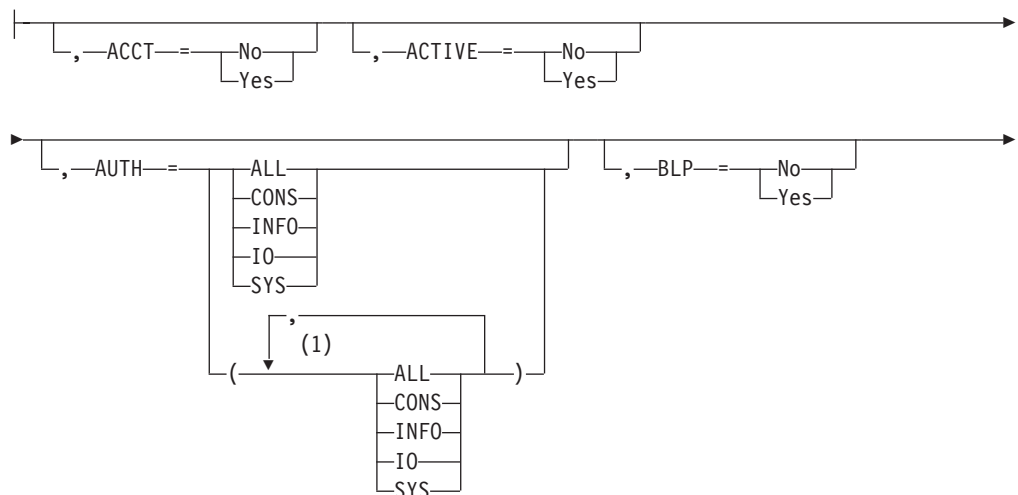
### Function

To modify the characteristics associated with one job class, started task control (STC) class, or time-sharing user (TSU) class.

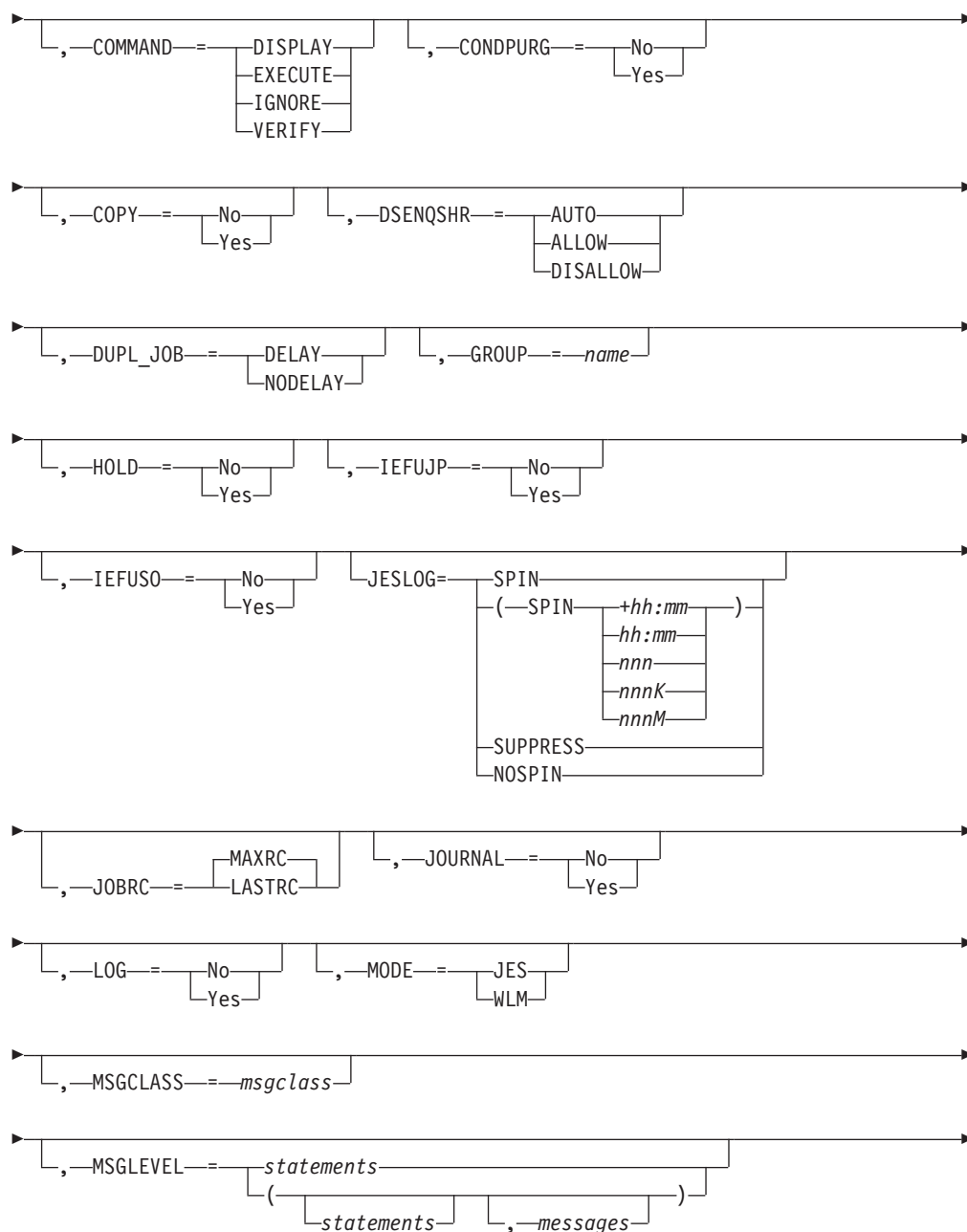
### Syntax



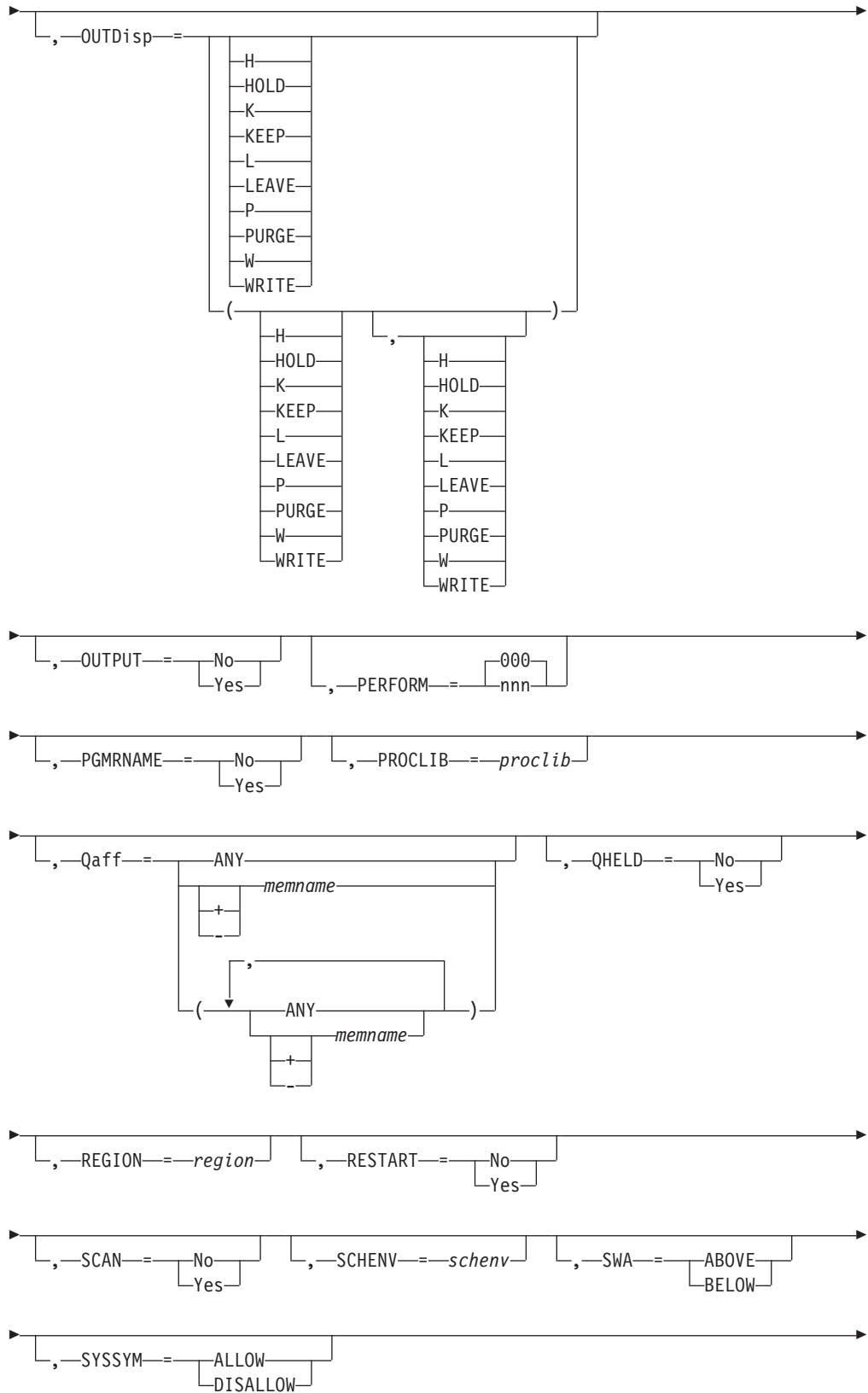
### Modification keywords:

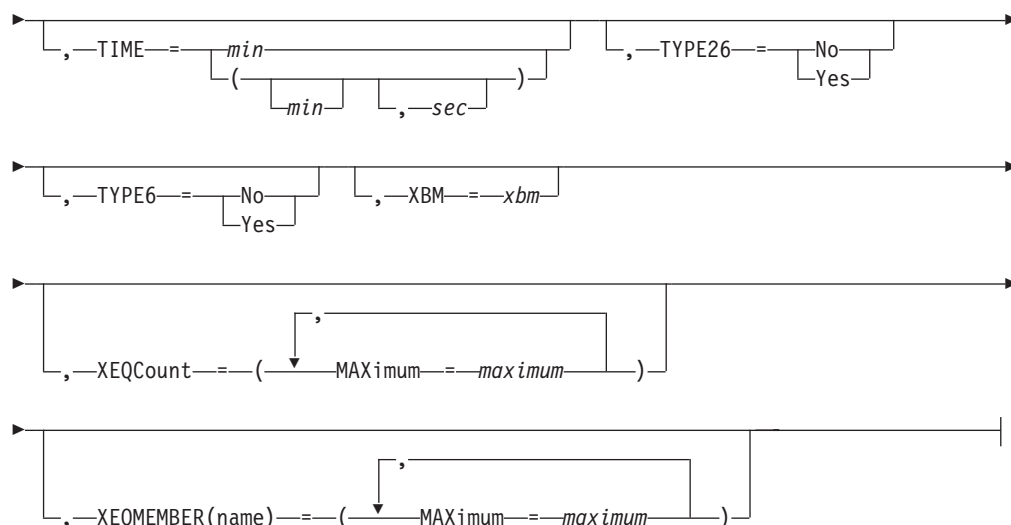






# \$T JOBCLASS

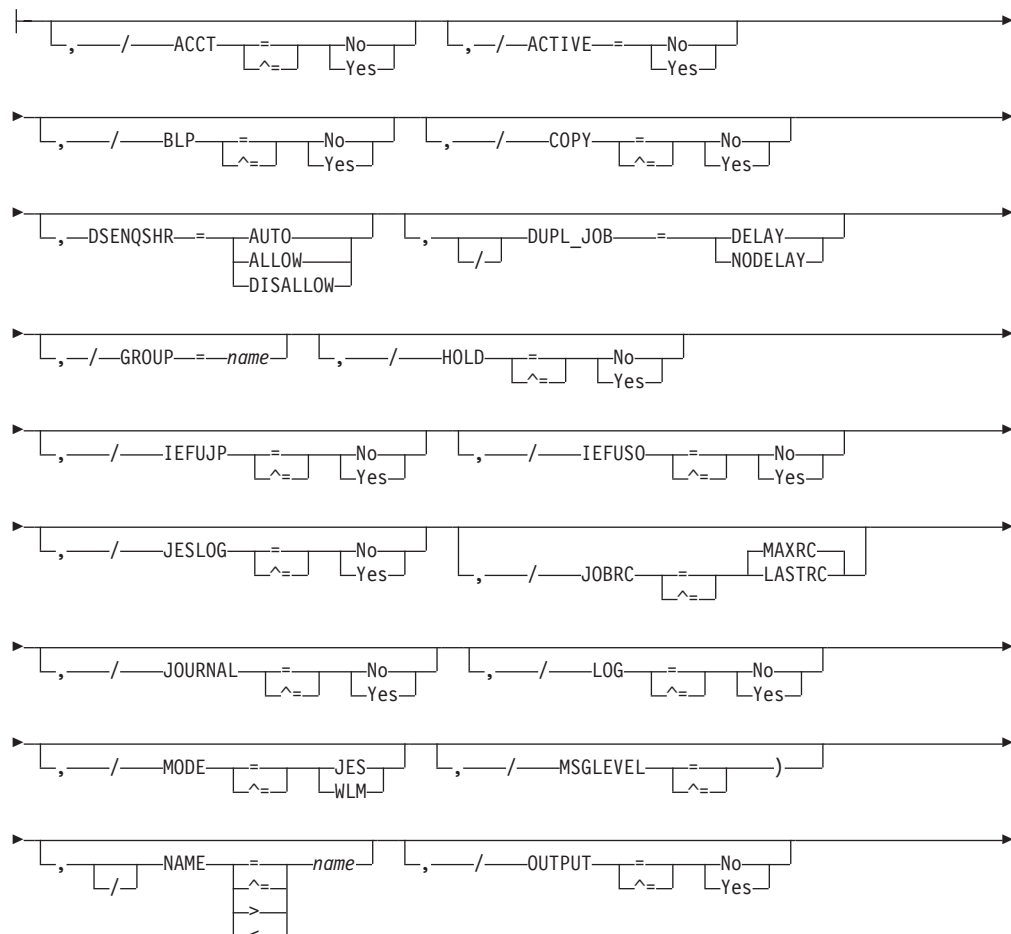




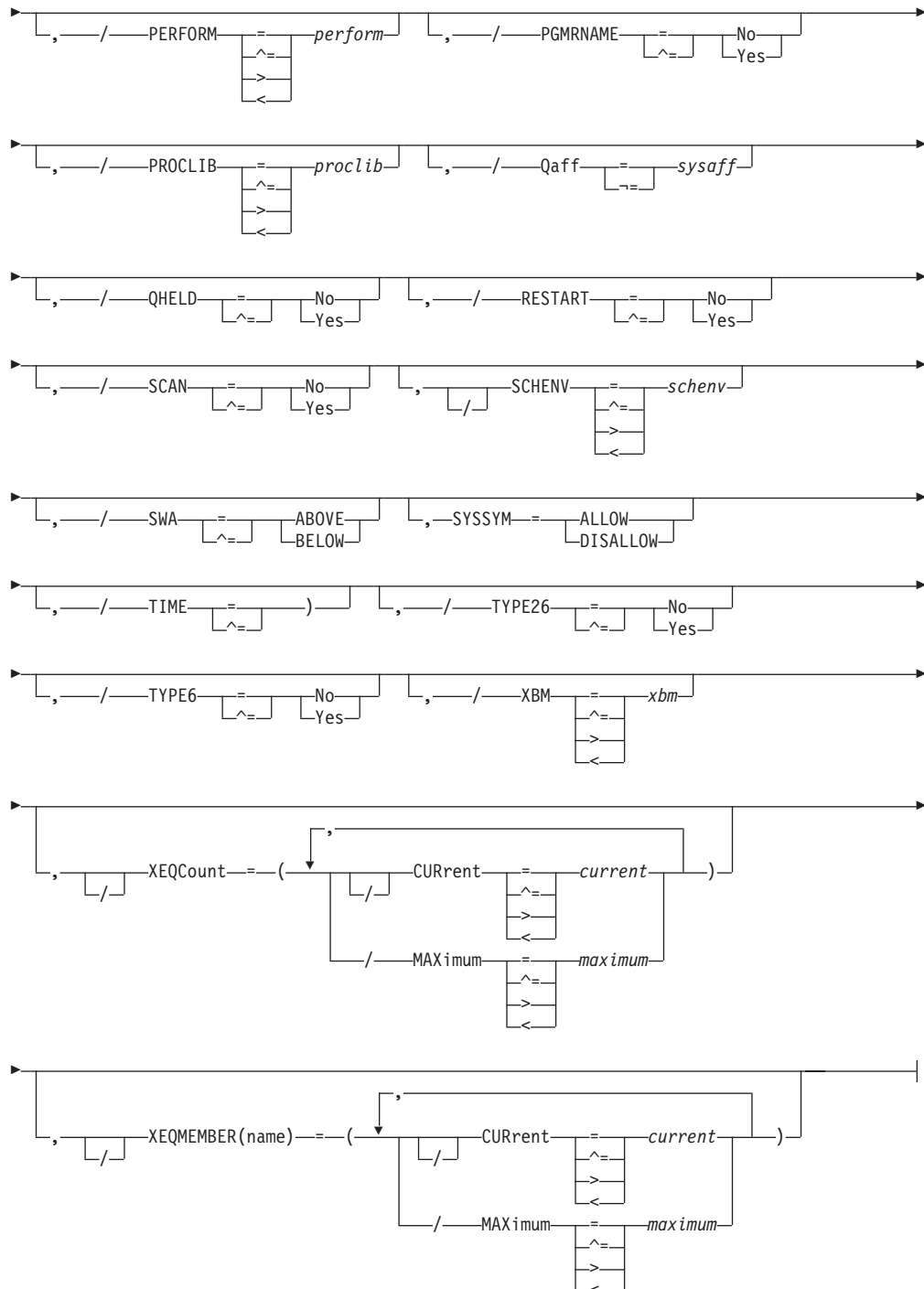
**Notes:**

- 1 AUTH can be coded up to 4 times.

**Selection limiting keywords:**



## \$T JOBCLASS



### Parameters

#### *jobclass*

The subscript defining the job classes to be modified by this command. Valid class specifications are any existing job class, "STC", "TSU", and the wild cards, "\*", and "?". The subscript can specify a specific job class or a range of job classes.

#### ACCT={No|Yes}

Specifies whether an account number is required (Yes) or not required (No).

This parameter is not allowed on either the JOBCLASS(STC) or JOBCLASS(TSU) initialization statements.

**ACTIVE={Yes|No}**

Specifies whether or not the class is active. Active classes can be used on new jobs that are submitted. The ACTIVE parameter has no effect on jobs once they have been submitted. This parameter does not apply to the STC and TSU job classes.

**AUTH={ALL|CONS|INFO|IO|SYS}**

Specifies the MVS operator command groups that are to be executed. The groups includes:

**ALL**

All operator command types.

**CONS**

Console commands.

**INFO**

Information commands (such as display).

**IO** Input/output commands.

**SYS**

System commands.

**BLP={No|Yes}**

Specifies that either the bypass label processing parameter in the label field of a DD statement is to be ignored (NO) and processed as no label or that bypass label processing is performed as requested (YES) and the label parameter is processed as it appears.

**COMMAND={DISPLAY|EXECUTE|IGNORE|VERIFY}**

Specifies the disposition of commands read from the input stream as follows.

**DISPLAY**

The command is displayed and scheduled for execution.

**EXECUTE**

The command is scheduled for execution.

**IGNORE**

The command is ignored (that is, interpreted as a 'no operation').

**VERIFY**

Specifies that the system displays the command, asks the operator whether the command should be executed, and if the operator replies "YES", schedules the command for execution.

**CONDPURG={No|Yes}**

Specifies whether (YES) or not (NO) system data sets (such as JESMSG and SYSMMSG) in this job class are to be conditionally purged.

**Note:** This is only valid for JOBCLASS(STC) and JOBCLASS(TSU).

**COPY={No|Yes}**

Displays whether (Yes) or not (No) jobs in this job class are to be queued for output processing as though TYPRUN=COPY was specified on the JOB statement for these jobs.

**DSENQSHR={ALLOW|AUTO|DISALLOW}**

Indicates how the system handles changes in data set disposition between job steps. When a step includes a DD statement with OLD, NEW or MOD on the

DISP (disposition) keyword, and a later step requests the same data set as SHR, this parameter controls whether the system can change the serialization on the data set to shared control; permitting this change allows other jobs to share that same data set. The value specified interacts with the value specified for DSENQSHR on the JOB card to determine the behavior:

**ALLOW**

The system is allowed to change the serialization on the data set to shared control if the JOB card specifies ALLOW.

**AUTO**

The system is allowed to change the serialization on the data set to shared control if the JOB card specifies ALLOW or USEJC.

**DISALLOW**

The system is not allowed to change the serialization on the data set to shared control.

**Note:** Specifying DSENQSHR=AUTO restricts any job that is converted with the class to run only on the z/OS 2.1 version of MVS, or later. If earlier levels of MVS are active in the MAS (JESPLEX), then this additional system restriction could prevent some jobs from running.

Table 59. JOBCLASS attribute for DSENQSHR

LANGUAGE	JOBCLASS attribute for DSENQSHR			
		AUTO	ALLOW	DISALLOW
JCL	ALLOW	yes	yes	no
	USEJC	yes	no	no
	DISALLOW	no	no	no

When yes is indicated, the system is allowed to change the data set serialization to shared control and other jobs may share that data set with this job.

**DUPL\_JOB={DELAY|NODELAY}**

Specifies whether or not JES2 is allowed to concurrently execute batch jobs with the same name in the same MAS. If DUPL\_JOB=DELAY is specified, JES2 is not allowed to execute batch jobs with the same name in the same MAS at the same time.

**Note:** DUPL\_JOB on a JOBCLASS specification is ignored if JOBDEF DUPL\_JOB=NODELAY. If JOBDEF DUPL\_JOB=DELAY, that specification can be overridden on a jobclass basis by specifying DUPL\_JOB=NODELAY on the JOBCLASS statement.

**GROUP=name**

Specifies the 2-8 character name of the job class group the class will be associated with. The name cannot match any existing job class (including the default 1 character job classes). This parameter does not apply to the STC and TSU job classes.

**HOLD={No|Yes}**

Specifies that jobs in the job class are to be held (Yes) or not held (No). If a job is held, it will remain so until a RELEASE command for the job is issued by the operator (\$A J).

This parameter is not allowed on either the JOBCLASS(STC) or JOBCLASS(TSU) initialization statements.

**IEFUJP={No|Yes}**

Specifies whether (YES) or not (NO) the IEFUJP exit is taken when a started task is purged. IEFUJP receives control when a started task is ready to be purged from the system; that is, after the started task has been ended and all the SYSOUT output that pertains to the started task has been processed.

**IEFUSO={No|Yes}**

Specifies whether (YES) or not (NO) the IEFUSO installation exit is taken when the SYSOUT limit is reached for a started task in this job class. The SYSOUT limit, which is specified by the OUTLIM parameter on the DD statement, defines the maximum number of physical records to be written to the associated SYSOUT data set. When the OUTLIM value is exceeded, JES2 normally calls the IEFUSO SMF exit routine either to increase the SYSOUT limit or to end the job. When NO is specified and OUTLIM is exceeded, JES2 abnormally ends the job.

**JESLOG=**

Sets the default processing for the JESLOG data sets (JESMSGGLG and JESYSMSG).

**SPIN** JESLOG data is to be immediately spun off for jobs in this jobclass.

**Note:** Specifying JESLOG=SPIN will cause a job in this class to use at least two additional track groups of SPOOL space for the two JESLOG data sets. If this job class normally has a large number of jobs that use a minimal amount of SPOOL space, then an increase of two track groups could significantly increase SPOOL utilization. Consider additional SPOOL requirements when deciding whether to use JESLOG=SPIN.

**(SPIN,+hh:mm)**

Indicates to spin JESLOG every hh:mm time interval, where hh is hours and has a range of 0 through 23 and, mm is minutes and has a range of 00 through 59.

**Note:** A minimum of 10 minutes must be specified or an error message occurs. Also, for time intervals of less than one hour, you must specify JESLOG=(SPIN,+00:mm).

**(SPIN,hh:mm)**

Indicates to spin JESLOG at hh:mm every 24 hours.

**(SPIN,nnn)**

Indicates to spin JESLOG whenever either JESMSGGLG or JESYSMSG has nnn lines. nnn is the number of lines in the data set and has a range of 1 through 999. nnn is specified as nnn, nnnK or nnnM, where 'K' is thousands and 'M' is millions.

**Note:** A minimum of 500 lines must be specified or an error message occurs.

**(SPIN,nnnK)**

Indicates to spin JESLOG whenever either JESMSGGLG or JESYSMSG has "nnnK" lines.

**(SPIN,nnnM)**

Indicates to spin JESLOG whenever either JESMSGGLG or JESYSMSG has "nnnM" lines.

## \$T JOBCLASS

### SUPPRESS

Indicates that the JESLOG data sets will have nothing written to them during the execution of jobs defined for this job class. Data will only be written to JESLOG data sets during each job's input service and post execution.

### NOSPIN

Indicates that JESLOG data will not be spun, but will not be suppressed. NOSPIN is the default setting for the JOBCLASS(v) initialization statement.

### **JOBRC=MAXRC | LASTRC**

Specifies the method for JES2 to use to determine the job return code. Specify **MAXRC** to use the highest return code of any executed step as the job return code. Specify **LASTRC** to use the return code of the last executed step as the job return code. The default is **MAXRC**.

### **JOURNAL={No | Yes}**

Specifies whether (Yes) or not (No) job-related information is to be saved in a job journal.

Job journaling limits the scope of RESTART=YES. If the JOURNAL=Yes parameter is specified:

- JES2 restarts interrupted jobs from the beginning only if the MVS system is unable to restart the job from a step or checkpoint.
- RESTART=NO has no effect; all jobs are requeued for execution. (Specifying RD=R | RNC on the JCL JOB statement has the same effect.)

If the jobs are not journaled (JOURNAL=No), JES2 always attempts to restart interrupted jobs in this class from the beginning.

This parameter is not allowed on either the JOBCLASS(STC) or JOBCLASS(TSU) initialization statements.

### **LOG={No | Yes}**

Specifies whether (YES) or not (NO) the JES2 job log is printed for started tasks. The JES2 job log contains the user's console messages and replies to WTORs issued during the processing of the job. When NO is specified, the printing of JES2 statistics information (normally printed with the job) is also suppressed.

This parameter is not allowed on either the JOBCLASS(STC) or JOBCLASS(TSU) initialization statements.

### **MODE={JES | WLM}**

Indicates whether jobs in this class are to be run under JES-mode or WLM-mode initiators.

This parameter is not allowed on either the JOBCLASS(STC) or JOBCLASS(TSU) initialization statements.

### **MSGCLASS=msgclass**

Specifies the message class (A-Z,0-9) for started tasks or time-sharing users. Valid only for JOBCLASS(STC) and JOBCLASS(TSU).

### **MSGLEVEL=statements**

Specifies a message level value for use when the MSGLEVEL= parameter is not specified on a JOB statement. If a MSGLEVEL= parameter is not specified, JCL and allocation/termination messages are recorded in the system message data set according to the value specified in this parameter. The character "n" specifies the kinds of JCL listed, as follows:



- 0 JOB statement only
- 1 Input statements, cataloged procedure statements, and symbolic parameter substitution values
- 2 Input statements only, including instream procedures.

The character “m” specifies the kinds of allocation/termination messages listed, as follows:

- 0 No messages are to be listed, except in the case of an abnormal termination, in which case allocation/termination messages are listed.
- 1 Allocation/termination messages are listed.

**OUTDisp=(normal,abnormal)**

Specifies the default disposition of the JES data sets created by jobs in the specified job class(es).

**normal**

Specifies the output disposition if the job ends successfully. Specify one of the output dispositions below.

**abnormal**

Specifies the output disposition if the job ends unsuccessfully. Specify one of the output dispositions below.

The valid output dispositions:

**H|HOLD**

Hold the output. JES2 does not process the output until you either change the disposition to WRITE or KEEP, or release the output. When the output is released, the disposition changes to WRITE.

**K|KEEP**

Process the output and then keep a copy of it on spool. After processing, the disposition of this output becomes LEAVE.

**L|LEAVE**

JES2 does not process the output until you change the disposition to WRITE or KEEP, or release the output. Once the output is released, the disposition changes to KEEP.

**P|PURGE**

Purge the output immediately.

**W|WRITE**

Process the output then purge it.

See *z/OS JES2 Initialization and Tuning Guide* for more information about specifying output disposition and how JES2 determines output disposition defaults.

**OUTPUT={No|Yes}**

Specifies whether SYSOUT data is to be written for started tasks.

**PERFORM[=nnn|000]**

Specifies the default performance group number for this job class. This number is used as the performance-group number on the JCL EXEC statement when a performance-group number is not specified on the JCL JOB or EXEC statement for a job of this job class.

**Note:** The performance-group value specified on the EXEC card (step level) has no effect if running in WLM goal mode.

## \$T JOBCLASS

The parameter default is 000, which indicates that no performance-group processing will be performed by JES2. A default value of 1 is assigned for all steps in a job.

### **PGMRNAME={No|Yes}**

Specifies whether a programmer name is required (Yes) or not required (No) on a JCL JOB statement.

### **PROCLIB=proclib**

Specifies the default procedure library number (00-99) which is to be used for started tasks.

### **Qaff=sysaff**

Specifies which members a particular job class is active on (not held). A member list can be a combination of the following keywords separated by commas.

#### **ANY**

This job class is active on all members in the JES2 multi-access spool configuration.

#### **+|-memname|\***

The memnames (one to four characters) to be added to (+) or deleted from (-) the current list of members that this job class is active on. If neither + nor - is specified, the affinities of the job class is explicitly to the specified members. '\*' specifies the member the command was issued on.

### **QHELD={Yes|No}**

Specifies whether (Yes) or not (No) jobs in this class are to be held (not selected for execution) until the class is released from held status by operator command (\$TJOBCLASS,QHELD=NO).

This parameter is not allowed on either the JOBCLASS(STC) or JOBCLASS(TSU) initialization statements.

### **REGION=region**

Specifies the default for the region size assigned to each job step.

### **RESTART={No|Yes}**

Specifies whether (Yes) or not (No) JES2 is to requeue for execution any job of this job class that had been executing before the IPL of the system was repeated and a JES2 warm start was performed.

Job journaling limits the scope of RESTART=YES. If the JOURNAL=Yes parameter is specified:

- JES2 restarts interrupted jobs from the beginning only if the MVS system is unable to restart the job from a step or checkpoint.
- RESTART=NO has no effect; all jobs are requeued for execution. (Specifying RD=R|RNC on the JCL JOB statement has the same effect.)

If the jobs are not journaled (JOURNAL=No), JES2 always attempts to restart interrupted jobs in this class from the beginning.

This parameter is not allowed on either the JOBCLASS(STC) or JOBCLASS(TSU) initialization statements.

### **SCAN={No|Yes}**

Specifies that the jobs in this job class are to be queued for output processing immediately after JCL conversion (Yes) or queued as usual (No).

This parameter is not allowed on either the JOBCLASS(STC) or JOBCLASS(TSU) initialization statements.

**SCHEMV=xxxxx**

The default SCHEMV for a given JOBCLASS can be specified through \$T JOBCLASS(c), SCHEMV=xxxxx where xxxxx is a 1 to 16 character SCHEMV. The SCHEMV must be defined to WLM. If it is not, the setting will be ignored.

**SWA={ABOVE|BELOW}**

SWA=ABOVE specifies that all eligible schedule work area (SWA) control blocks created for started task will be placed above 16 megabytes in virtual storage.

In a MAS environment, this parameter is set by the member on which the job is converted, not the member on which it executes.

SWA=BELOW specifies that all SWA control blocks for started task will reside below 16 megabytes in virtual storage.

**SYSSYM[=ALLOW|DISALLOW]**

Specifies whether system symbols are substituted in batch jobs that are submitted in this JOBCLASS. Symbols are substituted when the job is processed by the z/OS converter using the system symbols that are set on the system where the conversion occurs.

**Note:** You can choose the system that converts a job using SYSAFF on the JOB or JOBPARM JCL/JECL card or SYSTEM on the JOB card. If CNVT\_SCHEMV= is set to HONOR on the JOBDEF statement, then you can also choose the system that converts a job by associating a system with the job scheduling environment.

**TIME=min,sec**

Specifies the default for the maximum processor time that each job step can run.

**TYPE6={No|Yes}**

Specifies whether (YES) or not (NO) JES2 produces type 6 SMF records for started tasks.

**TYPE26={No|Yes}**

Specifies whether (YES) or not (NO) JES2 produces type 26 (job summary) SMF records for started tasks.

**XBM=xbm**

The 1 to 8 character name of the execution batch monitor (XBM) procedure to be executed by jobs running in the specified class.

This parameter is not allowed on either the JOBCLASS(STC) or JOBCLASS(TSU) initialization statements.

**XEQCount=maximum**

Specifies the maximum number of jobs executed in the MAS.

**XEQMEMBER(name)=(MAXimum=maximum)**

For the member name specified, specifies the maximum number of jobs that can execute concurrently in the class on the member.

**Related Commands**

\$ADD JOBCLASS, \$D JOBCLASS, \$DEL JOBCLASS, \$T JOBCLASS

## Authority Required

This command requires **system** authority. The description of the \$T RDRnn command explains how to ensure that the authority of the appropriate MVS system command group is assigned.

This command requires **control** security access authority. For a description of assigning command input authority, see *z/OS JES2 Initialization and Tuning Guide*.

## Scope

**MAS-wide.** This command affects job classes on all members of the multi-access spool.

## Messages

The \$HASP837 message displays the current values of all the parameters on the JOBCLASS initialization statement.

## Context

HASCSCAN and HASPSXIT are responsible for processing this command.

## Examples

```
1 $t jobclass(1),outdisp=(purge,write)
JOBCLASS(1) ACCT=NO,AUTH=(ALL),BLP=NO,
COMMAND=VERIFY,COPY=NO,
DUPL_JOB=DELAY,HOLD=NO,IEFUJP=YES,
IEFUŠO=YES,JESLOG=(NOSPIN),
JOURNAL=YES,LOG=YES,MODE=JES,
MSGLEVEL=(0,1),
OUTDISP=(PURGE,WRITE),OUTPUT=YES,
PERFORM=000,PGMRNAME=NO,PROCLIB=00,
QAFF=(ANY),QHeld=NO,RESTART=NO,
REGION=0001M,SCAN=NO,SCHENV=,
SWA=BELOW,TIME=(000030,00),
TYPE26=YES,TYPE6=YES,XBM=MYPROC DR,
XEQCOUNT=(MAXIMUM=*,CURRENT=0),
XEQMEMBER(M031)=(MAXIMUM=*,
CURRENT=0)
```

Class 1 jobs are processed by MYPROC DR. If a job in this class ends normally and has not yet entered output processing, JES2 purges its JES2 data sets.

```
2 $t jobclass(b),qheld=yes
JOBCLASS(B) MODE=JES,QAFF=(ANY),QHeld=YES,
SCHENV=,XEQCOUNT=(MAXIMUM=*,
CURRENT=0),
XEQMEMBER(M031)=(MAXIMUM=*,
CURRENT=0)
```

JES2 modifies the held status for class B.

```
3 $t jobclass(w),mode=wlm
JOBCLASS(W) MODE=WLM,QAFF=(ANY),QHeld=NO,
SCHENV=,XEQCOUNT=(MAXIMUM=*,
CURRENT=0),
XEQMEMBER(M031)=(MAXIMUM=*,
CURRENT=0)
```

Jobs in class W which have not yet entered execution will be selected by WLM-controlled initiators rather than JES-controlled initiators.

**4** \$t jobclass(stc),condpurg=yes,outdisp=(keep,leave)  
 JOBCLASS(STC) AUTH=(ALL),BLP=NO,COMMAND=EXECUTE,  
 CONDPURG=YES,IEFUJP=YES,IEFUSO=YES,  
 JESLOG=(NOSPIN),LOG=YES,  
 MSGLEVEL=(0,0),MSGCLASS=Q,  
 OUTDISP=(KEEP,LEAVE),OUTPUT=YES,  
 PERFORM=000,PROCLIB=00,QAFF=(ANY),  
 REGION=0000K,SWA=BELOW,  
 TIME=(000010,00),TYPE26=YES,  
 TYPE6=YES,XEQCOUNT=(),  
 XEQMEMBER(M031)=(MAXIMUM=\*,  
 CURRENT=5)

**5** To put CLASS1 and CLASS2 into GROUP1, enter:  
**\$T JOBCLASS(CLASS1,CLASS2),GROUP=GROUP1,ACTIVE=NO**

To change all classes in GROUP1 to ACTIVE=NO, enter:  
**\$T JOBCLASS(\*),/GROUP=GROUP1,ACTIVE=NO**

To change all classes in GROUP1 to GROUP2, enter:  
**\$T JOBCLASS(\*),/GROUP=GROUP1,GROUP=GROUP2**

STCs that have not yet entered output processing are affected as follows:

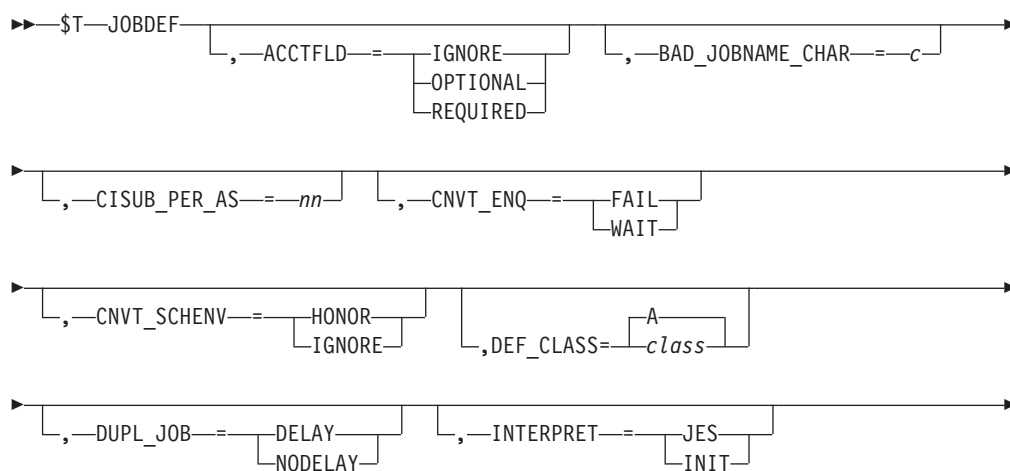
- If the STC ends normally and has only null data sets (other than JES2 data sets), JES2 purges its output. The specification of CONDPURG=YES produces the result.
- If the STC ends normally but has non-null data sets, JES2 assigns the normal output disposition (keep) to the STC's JES data sets.
- If the STC ends abnormally, JES2 assigns the abnormal output disposition (leave) to the STC's JES data sets.

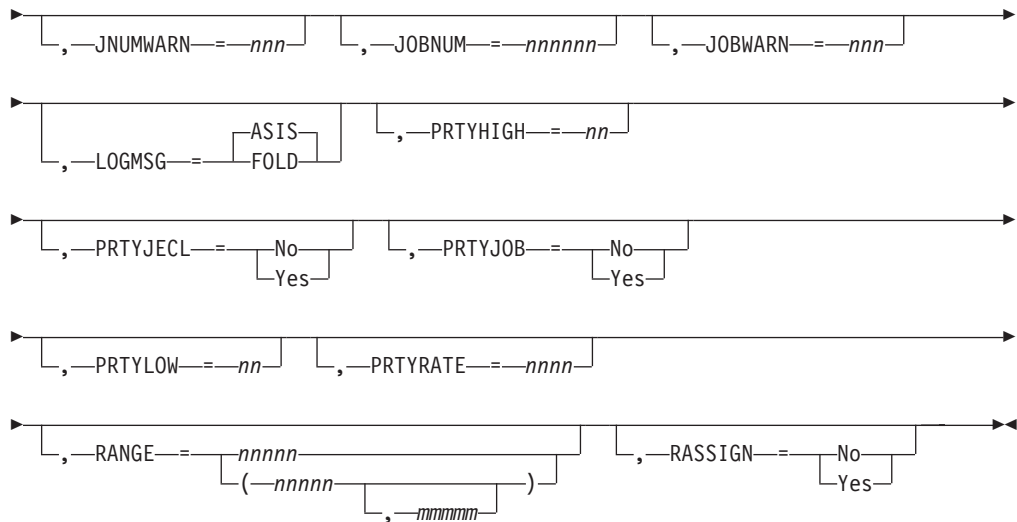
## \$T JOBDEF - Set job processing characteristics

### Function

To specify the job processing characteristics of JES2.

### Syntax





## Parameters

### ACCTFLD={IGNORE|OPTIONAL|REQUIRED}

Specifies the type of scan that JES2 is to perform on the JCL JOB statement account field:

#### IGNORE

If the account field is specified on the JOB statement, it is ignored.

#### OPTIONAL

The account field on the JOB statement is optional and no account parameters are required.

#### REQUIRED

The account field is required on the JOB statement and the first two positional parameters must be specified.

**Note:** The specified value is applied only to those jobs that have not yet entered the system.

**Scope:** Single Member.

### BAD\_JOBNAME\_CHAR=c

Specifies the character to use in place of invalid characters in a jobname. This translation is used for JES2 commands and displays as well as RACF entity names. Valid values are: A-Z, 0-9, \$, #, @, /, +, :, ?, \_ , - , !

**Scope:** MAS-Wide.

### CISUB\_PER\_AS=*nn*

Specifies the *nn* number of subtasks (converter/interpreter subtasks) that are run in each of the *jesxCLxx* address spaces when INTERPRET=JES is specified. Valid values are 1-25 (25 being the maximum number of converter PCEs that can be specified on PCEDEF).

### CNVT\_ENQ={FAIL|WAIT}

Specifies if the converter should WAIT for the unavailable data set to become available or FAIL (with a JCL error) a job that requests an unavailable JCLLIB data set.

**Scope:** MAS-Wide

**CNVT\_SCHENV=HONOR|IGNORE**

Specifies whether the availability of a scheduling environment that is associated with a job controls which member a job converts on. If CNVT\_SCHENV=HONOR is specified, then a job can only convert on a system where the scheduling environment associated with the job is available.

**DEF\_CLASS=class|A**

Specifies a default class that JES2 will use if a non-valid class is discovered during processing. The specified class must be a defined and active batch job class. The specified class cannot be set to ACTIVE=NO, and cannot be deleted. The following examples show when the default class would be used:

- When a job is submitted with a CLASS= value that is not valid. The job is failed, but this class is associated with the job for later processing.
- When a job class is deleted that is associated with the INTRDR statement as CLASS=. The INTRDR CLASS value is set to this value.
- During initialization processing, when the CLASS= value that is specified for a reader (INTRDR, local or remote) is not valid and the operator continues initialization.

The default class value is A.

**Modification:** \$T JOBDEF operator command or a JES2 all-member warm start.

**Scope:** MAS-wide

**DUPL\_JOB={DELAY|NODELAY}**

Specifies whether JES2 is allowed to concurrently execute batch jobs with the same name in the same MAS.

**DELAY**

Do not allow JES2 to execute batch jobs with the same name in the same MAS at the same time.

**NODELAY**

Allow JES2 to execute batch jobs with the same name in the same MAS to execute at the same time.

**Scope:** MAS-Wide.

**INTERPRET=JES|INIT**

Specifies when JES2 calls the z/OS interpreter to process a job. INIT specifies that the interpreter is called when the job is selected for execution by an initiator.

**Note:** The INTERPRET parameter is only valid when JES2 is in z11 mode. The INTERPRET parameter is not supported in z2 mode.

JES specifies that it will be called by JES2 at the end of conversion processing. When INTERPRET=JES is specified, conversion and interpretation processing occurs in a subtask in a new address space named jesxCLxx. Invoking the interpreter in the initiator is the traditional way that JES2 processing works. However, the following functions are available if processing is done under JES (after conversion):

- Earlier detection of JCL errors detected by the z/OS interpreter. This allows errors to be detected even if the job never executes for TYPRUN=.
- Processing of JESDS OUTPUT statements to control the attributes of JES data sets, even if the job never executes.

**JOBNUM=nnnnnn**

Specifies the maximum number (10-400000) of jobs that can be in the JES2 job

queue at any given time. This value includes all TSU and STC jobs, as well as batch jobs. This number can be increased or decreased by operator command. If JOBNUM is increased, JES2 may assign a larger value to BERTNUM to reduce the chance of a shortage of BERTs. However, installations should monitor BERT usage (using \$D CKPTSPACE,BERTUSE and the \$HASP050 message) to ensure they do not run out of BERTs.

**JNUMWARN=nnn**

The percentage (1-99) of assignable job numbers (for jobs originating at the local node) used at which the \$HASP050 message alerts the operator of a shortage of job numbers. JES2 deletes this message from the console when the shortage is relieved (either by a decrease in resource use or by an increase in the threshold).

**Scope: MAS-Wide.**

**JOBWARN=nnn**

The percentage (0-100) of job queue elements used at which the \$HASP050 message alerts the operator of a shortage of job queue elements. JES2 deletes this message from the console when the resource shortage is relieved (either by a decrease in resource use or an increase in the threshold).

**Note:** If you specify 0, no alert is given.

**Scope: MAS-Wide.**

**LOGMSG={ASIS|FOLD}**

Specifies whether the messages issued by JES2 and written at job JCL converter time are mixed-case (ASIS) or uppercase (FOLD). The default is mixed-case (ASIS).

**Scope: MAS-Wide.**

**PRTYHIGH=nn**

The upper priority limit (0-15) associated with the JES2 job priority aging feature. JES2 does not priority-age a job if the job's priority is (or becomes) equal to, or greater than, the PRTYHIGH value.

**Note:** The specified value is applied only to those jobs that have not yet entered execution.

**Scope: MAS-Wide.**

**PRTYJECL={No|Yes}**

Specifies whether the priority specification on the JES2 /\*PRIORITY control statement is to be supported or ignored.

**Note:** The specified value is applied only to those jobs that have not yet entered the system.

**Scope: Single Member.**

**PRTYJOB={No|Yes}**

Specifies whether the priority specification (PRTY=) on the JOB statement is to be supported or ignored.

**Note:** The specified value is applied only to those jobs that have not yet entered execution.

**Scope: Single Member.**



**PRTYLOW=nn**

The lower priority limit (0-15) associated with the JES2 job priority aging feature. JES2 does priority-age a job only if the job's priority is initially equal to or greater than the PRTYLOW value.

**Note:** The specified value is applied only to those jobs that have not yet entered execution.

**Scope: MAS-Wide.**

**PRTYRATE=nnnn**

The number (0-1440) of time periods into which a 24-hour day is to be divided for use in increasing a job's priority by the JES2 priority aging feature. JES2 uses this rate to increase the job's execution priority and the job's output priority. For example, if you specify PRTYRATE=3, JES2 increases a job's priority by one for every 8 hours it remains in the system.

**Note:**

1. The specified value is applied only to those jobs that have not yet entered execution.
2. JES2 increases a job's priority only if it is equal to or above the value specified by the PRTYLOW parameter.
3. JES2 does not increase a job's priority above the value specified by the PRTYHIGH parameter.
4. If you specify zero, no priority aging is performed.
5. Jobs in WLM-node job classes are not priority aged.

**Scope: MAS-Wide.**

**RANGE=(nnnnnn,mmmmmm)**

The range of job numbers (1-999999) that JES2 uses to assign JOBIDs to jobs originating on the local node.

**nnnnnn**

The lowest number (1-999989) that is assigned as a JES2 job identifier for jobs originating at the local node.

**mmmmmm**

The highest number ((nnnn+10)-999999) that is assigned as a JES2 job identifier for jobs originating at the local node. The value specified for the highest number (mmmmmm) must be equal to the lowest number (nnnnnn) or at least 10 greater than the value used for the lowest number (nnnnnn).

If you code this parameter, you can specify one or two values:

- If you specify one value, that value becomes both the low and the high end of the range.
- If you specify two values, the first value is the low end of the range and the second value the high end. The two values can be equal. If they are not equal, the second value must be larger than the first value.

**Note:**

1. The specified value is applied only to those jobs that have not yet entered the system.
2. JES2 maintains the new RANGE= specification until you perform a cold start or issue another \$T JOBDEF,RANGE=( ) command.

## \$T JOBDEF

- Setting JOBDEF RANGE upper limit above 99,999 will cause the jobid format to change from CCCNNNNN to C0NNNNNN where CCC is JOB/STC/TSU and C is J/S/T and NNNNN and NNNNNN are numbers.

**Scope: MAS-Wide.**

**RASSIGN={No|Yes}**

Specifies whether job numbers outside of the RANGE definition can be assigned to jobs received through NJE or spool reload.

**Scope: Single Member.**

### Processing Considerations

See the individual parameter descriptions to determine the impact of this command on jobs in different phases of execution.

### Scope

The scope of this command varies by parameter. See the description of each parameter for its scope.

The values supplied for some parameters on this command will be in effect across the entire MAS, while the values supplied for other parameters will be in effect for this member only.

Depending on your installation's setup, you might want the single-member parameters for this command to be applied to all members of the MAS (to ensure a consistent environment across the MAS). If so, you can use the MVS ROUTE \*ALL command to issue this command to all active members (if the JES2 command character is the same on all members). See *z/OS MVS System Commands* for more information on using the ROUTE \*ALL command.

### Messages

The \$HASP835 message displays the current values of all the parameters on the JOBDEF initialization statement.

### Example

```
❶ $t jobdef,prtyjob=yes,prtylow=5,prtyhigh=12
```

```
$HASP835 JOBDEF
$HASP835 JOBDEF ACCTFLD=OPTIONAL,BAD_JOBNAME_CHAR=?,
$HASP835 CNVT_ENQ=FAIL,INTERPRET=INIT,CISUB_PER_AS=5,
$HASP835 CNVT_SCHENV=IGNORE,JNUMBASE=12,JNUMFREE=9988,
$HASP835 JNUMWARN=80,JOBFREE=489,JOBNUM=500,JOBWARN=80,
$HASP835 PRTYHIGH=12,PRTYJECL=YES,PRTYJOB=YES,PRTYLOW=5,
$HASP835 PRTYRATE=0,RANGE=(1,9999),RASSIGN=YES,
$HASP835 JOBRBLDQ=NONE,DUPL_JOB=DELAY
```

JES2 supports the priority specification on the JCL JOB statement. JES2 priority-ages all jobs whose initial priority is equal to, or greater than, 3 and less than 12. If a job's priority becomes 12, JES2 stops priority-aging that job.

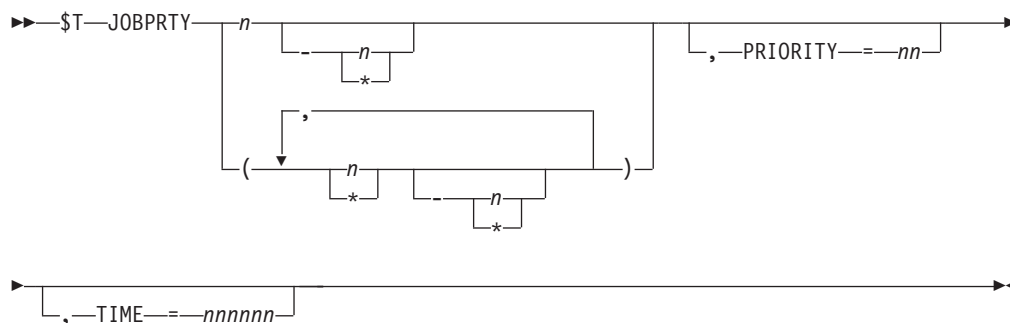
---

## \$T JOBPRTY(n) - Set job scheduling characteristics

### Function

To specify the job scheduling priorities with relation to execution time.

## Syntax



## Parameters

**n** The entry (1-9) being referenced in the JOBPRTY table.

### PRIORITY=nn

The job priority (0-15) that is to be associated with the job execution time, specified by the TIME parameter.

### TIME=nnnnnn

The execution time (1-279620, in minutes) of a job that is to be associated with the PRIORITY= value. The TIME value is compared against the estimated execution time for a job, taken from the accounting field of the JOB statement, the /\*JOBPARM statement, or the ESTIME initialization statement.

## Authority Required

This command requires **system** authority. The description of the \$T RDRnn command explains how to ensure that the authority of the appropriate MVS system command group is assigned.

This command requires **control** security access authority. For a description of assigning command input authority, see *z/OS JES2 Initialization and Tuning Guide*.

## Processing Considerations

- This command affects only those jobs that have not yet entered the system.
- The JOBPRTY values do not affect a job if either of the following are true:
  - A /\*PRIORITY control statement was specified for the job and PRTYJECL=YES was specified on the JOBDEF initialization statement.
  - The PRTY= parameter was specified on the job's JCL JOB statement and PRTYJOB=YES was specified on the JOBDEF initialization statement.
- Before changing the specifications of JOBPRTY(n), make sure the values you want assigned fit into the defined JOBPRTY table. See *z/OS JES2 Initialization and Tuning Reference* for further information about the size of the JOBPRTY(n) table.

## Scope

**Single member.** This command will be in effect for this member only.

Depending on your installation's setup, however, you might want this command to be applied to all members of the MAS (to ensure a consistent environment across the MAS). If so, you can use the MVS ROUTE \*ALL command to issue this command to all active members (if the JES2 command character is the same on all

## \$T JOBPRTY(n)

members). See *z/OS MVS System Commands* for more information on using the ROUTE \*ALL command.

### Messages

The \$HASP832 message displays the current values of all the parameters on the JOBPRTY(n) initialization statement.

### Example

```
❶ $t jobprty(2),priority=11,time=3
```

```
$HASP832 JOBPRTY(2) PRIORITY=11,TIME=3
```

Any job entering the system with an estimated execution time of 3 minutes receives a priority of 11 in the JES2 job queues.

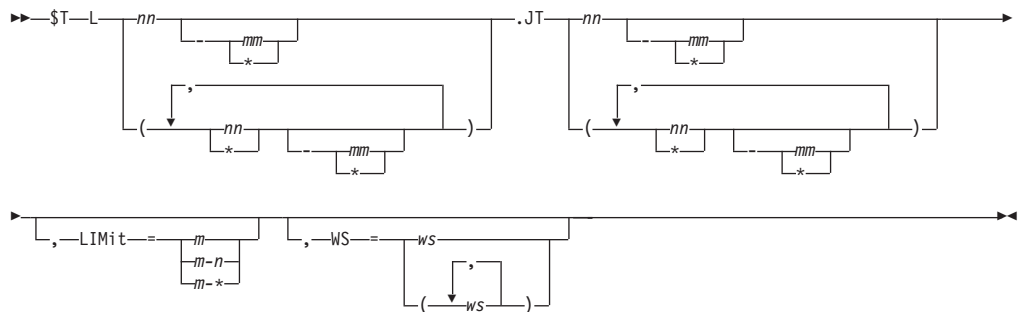
---

## \$T L(nn).JT(nn) - Specify network job transmitter characteristics

### Function

To specify the work selection and processing characteristics of one or more indicated job transmitters.

### Syntax



### Parameters

(nn)

The subscript defining the NJE transmission line or lines that are affected by this command. The subscript can specify a numeric value (1-65535) or a range of values associating lines with SYSOUT transmitters.

(n)

The subscript defining the job transmitter or transmitters that are affected by this command. The subscript can specify a numeric value (1-7) or a range of values for job transmitters on the specified line.

**LIMit**={m|m-n|m-\*}

Specifies the limits (in records) for SYSOUT data sets that the SYSOUT transmitter will select.

For both variables *m* and *n*, you can specify a range of values 0-4294967295. *m* and *n* can be equal. If they are not equal, *n* must be larger than *m*.

If you code only *m*, that value becomes both the lower and upper limit. If *m*-\* is specified, the upper limit is set to the default value of 4294967295.

**WS=ws**

Specifies the work selection criteria for this device. Using any combination of user and JES2-defined criteria, you can specify up to 19 criteria in the WS= list. Multiple entries must be separated by commas and the list must always be enclosed in parentheses (even if only one criterion is specified). If a criterion is specified in the list, work selection is based on the current setting of the corresponding parameter. If a criterion is not specified in the list, the criterion is not considered during work selection.

The general rules for specifying a job transmitter work selection list are:

1. You can use one slash (/) before or after one of the criterion to further specify work selection. Criteria placed before the slash must be matched exactly if the work is to be selected. Criteria placed after the slash do not have to match exactly.

Table 60 on page 754, describes the effect of each criterion when placed before and after the slash.

2. The order of those criteria specified after the slash indicates the priority (highest to lowest, in left to right order) in which JES2 attempts to match them.
3. Specifying a minus sign (-) before a criterion causes that criterion to be removed from the list.

**Note:** An invalid operand message (\$HASP003) is issued if an error is found in the WS operand, that is, if you try to remove a criterion that is not there. For example: If you enter \$tl1.jt1,ws=(-limit) and limit is not in the current work selection list for l1.jt1, you get the \$HASP003 message.

4. Specifying a criterion that is not currently specified in the list adds it to the end of the list either before or after the slash, depending on the placement of the slash in the command. If the slash is omitted from the command, JES2 assumes that the slash is at the end of the command.
5. Specifying a criterion currently in the list causes that criterion to be moved to the end of the list, thereby decreasing its priority. To correct a WS list that was erroneously changed by an incorrect operator command, remove any criterion that should not be in the list (specify a minus sign (-) before the criterion). If necessary, reorder the remaining criterion.
6. The LIMit subparameter has no effect as a work selection value for files received from a node that does not provide a page count for its files. For more information, refer to the sending node's reference documentation.
7. In general, the smaller the work selection list the less the placement of certain criteria within the list affects the work selection.

**Authority Required**

This command requires **system** authority. The description of the \$T RDRnn command explains how to ensure that the authority of the appropriate MVS system command group is assigned.

This command requires **control** security access authority. For a description of assigning command input authority, see *z/OS JES2 Initialization and Tuning Guide*.

## \$T L(nn).JT(nn)

### Processing Considerations

- If you specify a null value for a characteristic, make sure that characteristic is not specified as an exact match criterion in the work selection list. If the characteristic is specified as an exact match criterion, this device does not select any output.
- If you are uncertain of the characteristics in effect, enter the \$D or \$D U command for the particular SYSOUT transmitter.

### Scope

**Single member.** This command will be in effect for this member only. There is no need to have this command issued to all members of the MAS.

### Messages

The \$HASP003 message displays the current settings of all the parameters on the L(nnnn).JT(n) initialization statement.

### Example

```
$t 11.jt1,ws=(lim),lim=(0-100)
```

```
$HASP603 L1.JT1 UNIT=0022,STATUS=DRAINED,LIMIT=(0,100),
$HASP603 WS=(LIM/)
```

Job transmitter 1 on line 1 takes work selection limits of 0-100 records.

Table 60. SYSOUT Transmitter Work Selection Criteria

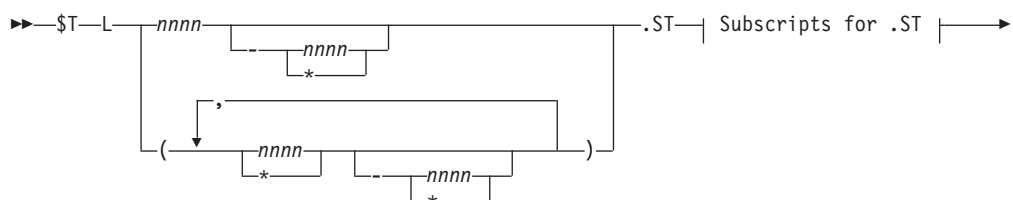
CRITERION	BEFORE SLASH (/)	AFTER SLASH (/)
LIMit	<p>The amount of output generated by an output group must fall within the limits (LIMit=) set for this device.</p> <p>This subparameter has no effect as a work selection value for files received from a node that does not provide a page count for its files. For more information, refer to the sending node's reference documentation.</p>	<p>It is not required that the amount of output generated by the output group fall within the limits (LIMit=) set for this device.</p> <p>This subparameter has no effect as a work selection value for files received from a node that does not provide a page count for its files. For more information, refer to the sending node's reference documentation.</p>

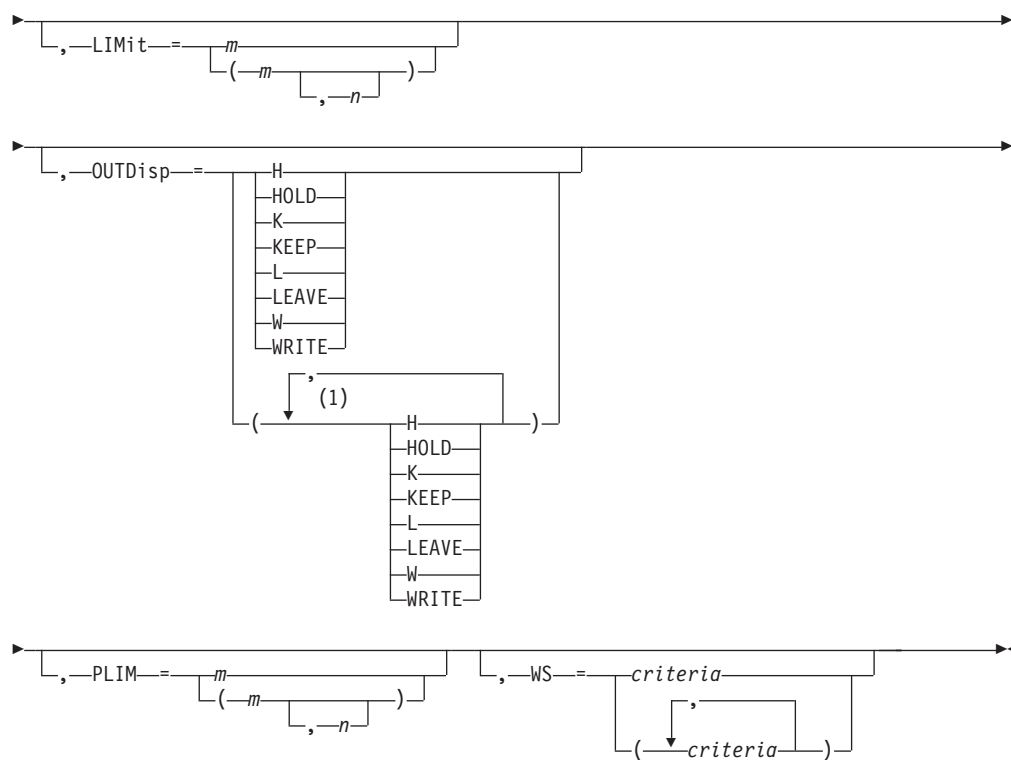
## \$T L(nnnn).ST(n) - Specify network SYSOUT transmitter characteristics

### Function

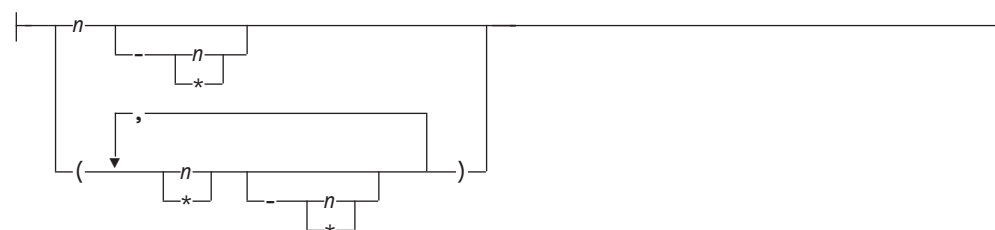
To specify the work selection and processing characteristics of one or more indicated SYSOUT transmitters.

### Syntax





### Subscripts for .ST



### Notes:

1 *outdisp* can be coded up to 4 times

### Parameters

#### (nnnn)

The subscript defining the NJE transmission line or lines that are affected by this command. The subscript can specify a numeric value (1-65535) or a range of values associating lines with SYSOUT transmitters.

#### (n)

The subscript defining the SYSOUT transmitter or transmitters that are affected by this command. The subscript can specify a numeric value (1-7) or a range of values for SYSOUT transmitters on the specified line.

#### LIMit={m|m-n|m-\*}

Specifies the limits (in records) for SYSOUT data sets that the SYSOUT transmitter will select. This number applies to the total lines of all non-spun output in the job or to individual spun SYSOUT data sets (or data set fragments) in a job.

## \$T L(nnnn).ST(n)

For both variables *m* and *n*, you can specify a range of values from 0-4294967295. *m* and *n* can be equal. If they are not equal, *n* must be larger than *m*.

If you code only *m*, that value becomes both the lower and upper limit. If *m* is specified, the upper limit is set to the default value of 4294967295.

### **OUTDISP={H|HOLD|K|KEEP|L|LEAVE| W|WRITE}**

Specifies the disposition(s) that the output must have in order to be eligible for processing by this transmission line. The operator can specify one to four of the following valid dispositions: Hold, Keep, Leave, or Write.

### **PLIM={m|m-n|m-\*}**

Specifies the limits (in pages) for SYSOUT data sets that the SYSOUT transmitter will select. This number applies to the total pages of all non-spun output in the job or to individual spun SYSOUT data sets in a job.

For both variables *m* and *n*, you can specify a range of values 0-4294967295. *m* and *n* can be equal. If they are not equal, *n* must be larger than *m*.

If you code only *m*, that value becomes both the lower and upper limit. If *m* is specified, the upper limit is set to the default value of 4294967295.

### **WS=(criteria)**

Specifies the work selection criteria for this device. Using any combination of user and JES2-defined criteria, you can specify up to 19 criteria in the WS= list. Multiple entries must be separated by commas and the list must always be enclosed in parentheses (even if only one criterion is specified). If a criterion is specified in the list, work selection is based on the current setting of the corresponding parameter. If a criterion is not specified in the list, the criterion is not considered during work selection.

The general rules for specifying a SYSOUT transmitter work selection list are:

1. You can use one slash (/) before or after one of the criterion to further specify work selection. Criteria placed before the slash must be matched exactly if the work is to be selected. Criteria placed after the slash do not have to match exactly.  
Table 61 on page 758, describes the effect of each criterion when placed before and after the slash.
2. The order of those criteria specified after the slash indicates the priority (highest to lowest, in left to right order) in which JES2 attempts to match them.
3. Specifying a minus sign (-) before a criterion causes that criterion to be removed from the list.

**Note:** An invalid operand message (\$HASP650) is issued if an error is found in the WS operand, that is, if you try to remove a criterion that is not there. For example: If you enter \$toff1.st,ws=(-jobname) and jobname is not in the current work selection list for off1.st, you get the \$HASP650 message.

4. Specifying a criterion that is not currently specified in the list adds it to the end of the list either before or after the slash, depending on the placement of the slash in the command. If the slash is omitted from the command, JES2 assumes that the slash is at the end of the command.
5. Specifying a criterion currently in the list causes that criterion to be moved to the end of the list, thereby decreasing its priority. To correct a WS list that was erroneously changed by an incorrect operator command, remove any criterion that should not be in the list (specify a minus sign (-) before the criterion). If necessary, reorder the remaining criterion.



6. The LIMit subparameter has no effect as a work selection value for files received from a node that does not provide a page count for its files. For more information, refer to the sending node's reference documentation.
7. In general, the smaller the work selection list the less the placement of certain criteria within the list affects the work selection.
8. For both line and page mode devices, the LIM= and PLIM= values must be satisfied.

## Authority Required

This command requires **system** authority. The description of the \$T RDRnn command explains how to ensure that the authority of the appropriate MVS system command group is assigned.

This command requires **control** security access authority. For a description of assigning command input authority, see *z/OS JES2 Initialization and Tuning Guide*.

## Processing Considerations

- If you specify a null value for a characteristic, make sure that characteristic is not specified as an exact match criterion in the work selection list. If the characteristic is specified as an exact match criterion, this device does not select any output.
- If you are uncertain of the characteristics in effect, enter the \$D or \$D U command for the particular SYSOUT transmitter.

## Scope

**Single member.** This command will be in effect for this member only. There is no need to have this command issued to all members of the MAS.

## Messages

The \$HASP603 message displays the current settings of all the parameters on the L(nnnn).ST(n) initialization statement.

## Example

```
1 $t l1.st1,ws=(lim),lim=0-100,plim=0-5
```

```
$HASP603 L1.ST1 UNIT=0022,STATUS=DRAINED,LIMIT=(0,100),
$HASP603 PLIM=(0,5),WS=(LIM/)
```

SYSOUT transmitter 1 on line 1 takes work selection limits of 0-100 lines and 0-5 pages.

## \$T L(nnnn).ST(n)

Table 61. SYSOUT Transmitter Work Selection and Output Criteria

CRITERION	BEFORE SLASH (/)	AFTER SLASH (/)
LIMit	<p>The amount of output generated by an output group must fall within the limits (LIMit= or PLIM=) set for this device. Otherwise, the output group is not selected. For both line and page mode devices, JES2 checks the LIM= and PLIM= values.</p> <p>This subparameter has no effect as a work selection value for files received from a node that does not provide a page count for its files. For more information, refer to the sending node's reference documentation.</p>	<p>It is not required that the amount of output generated by the output group fall within the limits (LIMit= or PLIM=) set for this device.</p> <p>This subparameter has no effect as a work selection value for files received from a node that does not provide a page count for its files. For more information, refer to the sending node's reference documentation.</p>
OUTDisp	<p>The output group's output disposition must match the output disposition specified (OUTDISP=) for this device.</p>	<p>It is not required that the output group's output disposition matches the output disposition (OUTDISP=) specified for this device; however, JES2 attempts to match dispositions. That match has top priority.</p>

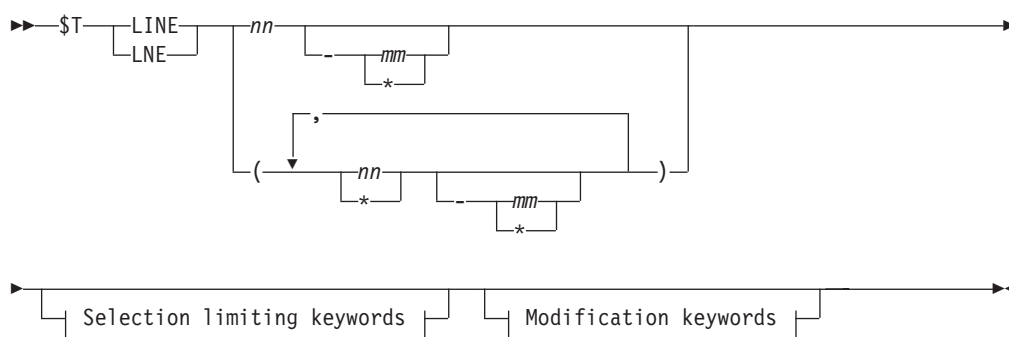
## \$T LINE(nnnnn) - Control a line

### Function

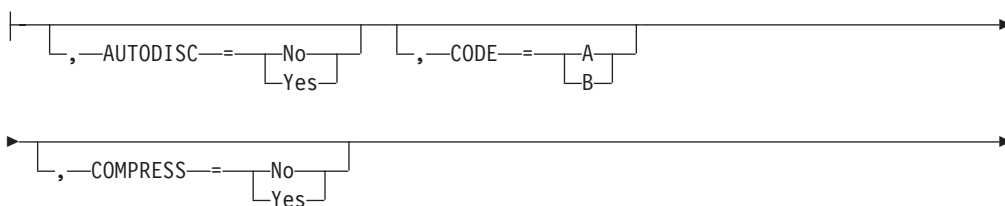
To perform the following functions:

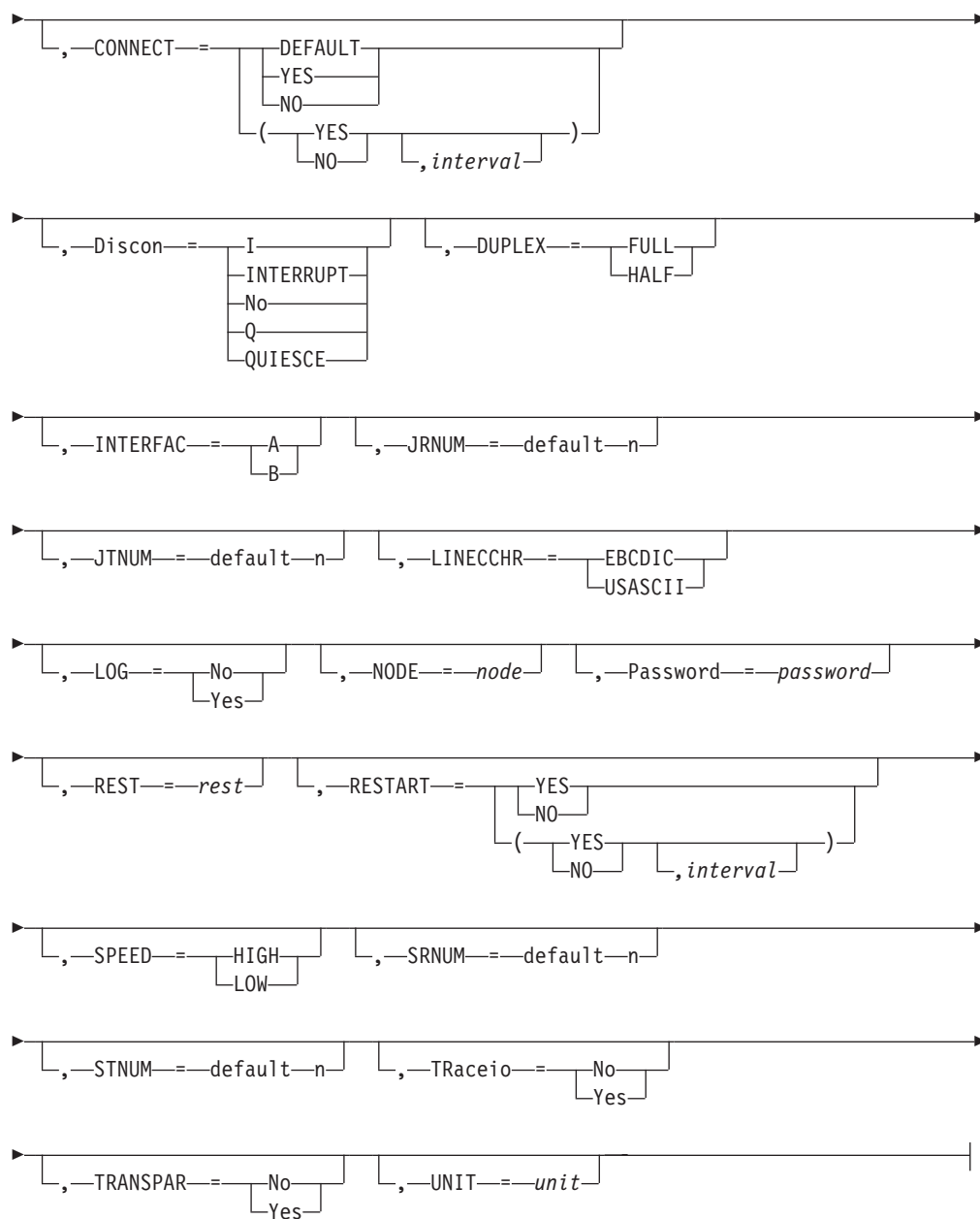
- Specify the characteristics of a line.
- Diagnose line problems.
- Disconnect a line.

### Syntax

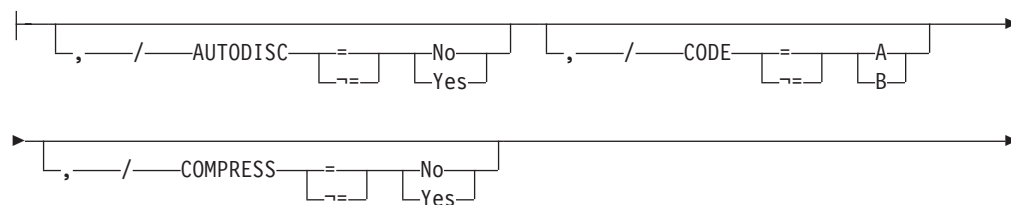


### Modification keywords:

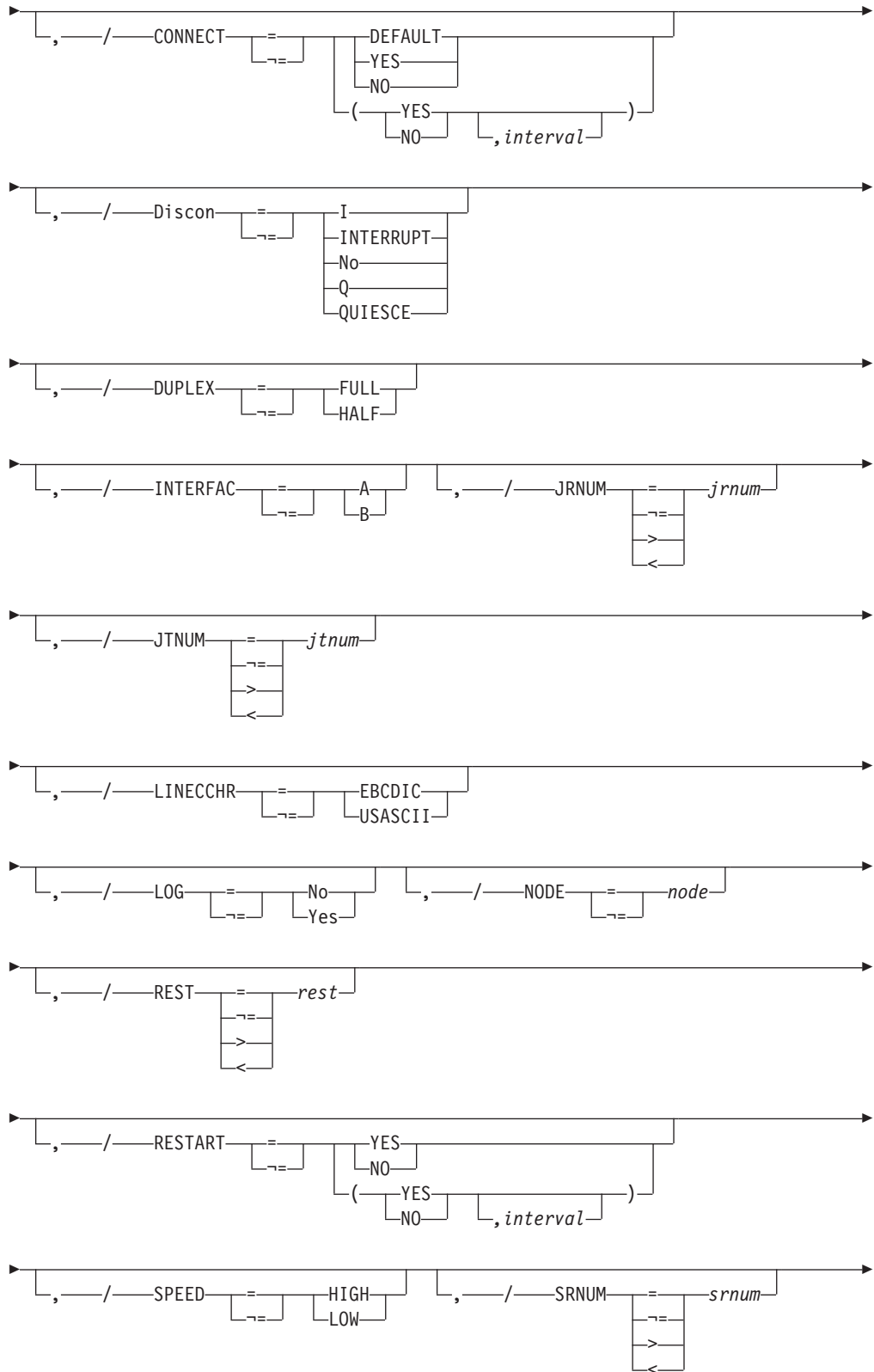


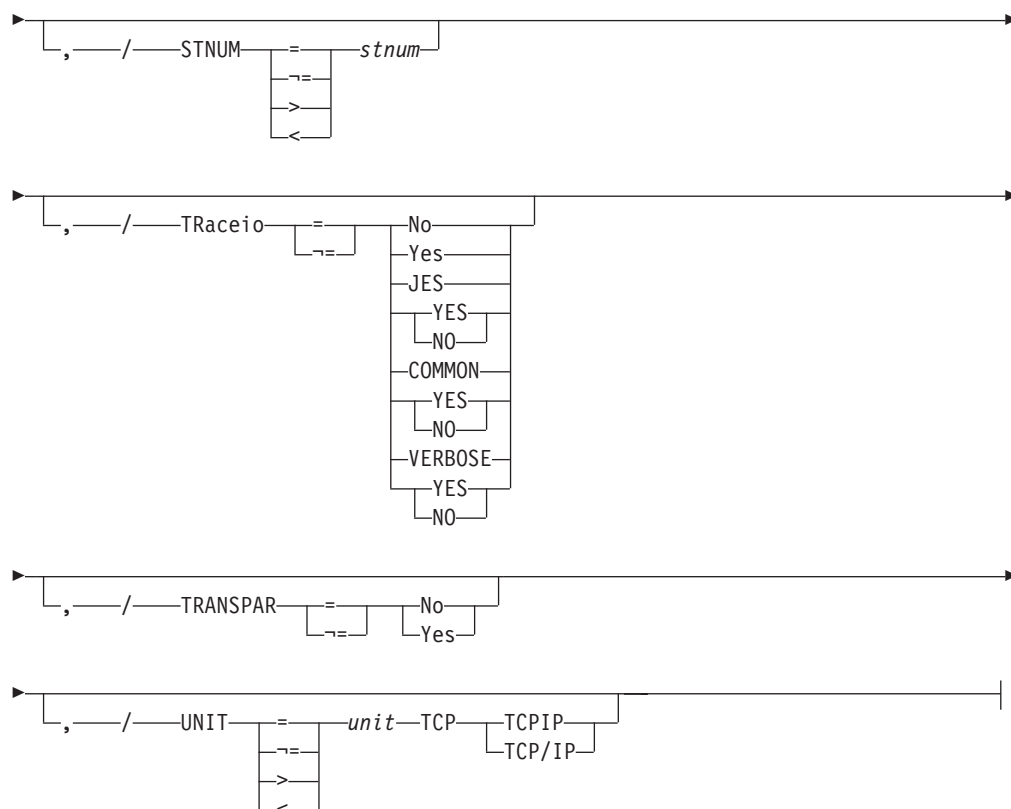


**Selection limiting keywords:**



# \$T LINE(nnnnn)





## Parameters

### nnnnn

The subscript that defines one or more lines that are affected by this command. The subscript can specify a specific numeric value or a range of values (1-65535). For information about specifying a range for this subscript, see "Command syntax conventions" on page 97.

### AUTODISC={No|Yes}

Specifies whether this line is automatically disconnected from a terminal when the local modem disconnects.

#### Note:

1. You can change this parameter only if the specified line is drained.
2. If you specify AUTODISC=Y for a leased, dedicated line, you might cause serious performance problems without receiving the \$HASP094 I/O ERROR message. This might also occur if a modem is disconnected or powered-off during a session or a line is started with the modem disconnected or powered-off.

### CODE={A|B}

The BSC adapter code for this line. Code A refers to the first code in a BSC adapter. Code B refers to the second code in a BSC adapter that has the dual code feature. If the dual code feature is not present, do not specify CODE=B.

**Note:** You may change this parameter only if the specified line is drained.

### COMPRESS={No|Yes}

Specifies whether this line allows BSC-attached hardware terminals to use data compression.

## \$T LINE(nnnnn)

If you specify Y, the specification of the COMPRESS= parameter on the RMT(nnnn) initialization statement or the COMP/NOCOMP parameter on any remote device (Rnnnn.xxx) initialization statements is allowed to take affect. For example, if RMT(nnnn) specifies COMPRESS=NO, or Rnnnn.xxx specifies NOCOMP, no data compression takes place.

If you specify N, this parameter overrides the specification of the COMPRESS= parameter on the RMT(nnnn) initialization statement for any remote workstation that might use this line and the COMP/NOCOMP parameter on any remote device (Rnnnn.xxx) initialization statements.

### Note:

1. Compression compatibility is standard for SNA remotes and BSC multi-leaving workstations. NJE data will always be compressed.
2. You may change this parameter only if the specified line is drained.

### CONNECT=(Yes|No|DEFAULT, *interval*)

Specifies whether an NJE connection is automatically attempted for this line. If DEFAULT is specified, processing uses the CONNECT=(YES|NO) value that is specified on the associated NODE statement. The *interval* is the time (in minutes) between attempted connections. The valid range for *interval* is 0 to 1440. A value of 0 indicates that the default interval (from NJEDEF CONNECT=) is used.

### Discon={I|INTERRUPT|No|Q|QUIESCE}

Specifies whether the line is to be disconnected immediately (I) or after it completes its current activity (Q).

#### I|INTERRUPT

A sign-off record is sent to the attached multi-leaving remote workstation or to the connected NJE node.

**No** The line is not to be disconnected.

#### Q|QUIESCE

The disconnection occurs as though the remote operator or NJE node had signed off.

**Note:** You may change this parameter only if the specified line is **not** currently drained.

### DUPLEX={FULL|HALF}

Specifies whether this is a half-duplex or full-duplex line.

**Note:** You may change this parameter only if the specified line is drained.

### INTERFAC={A|B}

The BSC adapter interface for this line. A refers to the first interface in a BSC adapter; B refers to the second, which has the dual-communications interface feature. If the adapter does not have the dual-communications interface feature, do not specify INTERFAC=B.

**Note:** You may change this parameter only if the specified line is drained.

### JRNUM=n|DEFAULT

Specifies the number (0-7) of network job receivers to be associated with this NJE line. The value of n is an integer that specifies the maximum number of input job streams allowed to be concurrently active on this line. This specification should match the value of JTNUM for this line on other nodes

with which this node is to communicate directly. The sum of the values of JRNUM and SRNUM for this line must not exceed 8, or the statement is ignored.

This value overrides the default global value set by the JRNUM= parameter of the NJEDEF statement. If this value is omitted or set to DEFAULT, the value is taken from the JRNUM= parameter of NJEDEF. If omission or use of DEFAULT would result in a sum of JRNUM= and SRNUM= exceeding 8, JRNUM= is reduced so that the sum would equal 8.

**JTNUM=n | DEFAULT**

Specifies the number (0-7) of network job transmitters to be associated with this NJE line. The value of n is an integer that specifies the maximum number of output job streams allowed to be concurrently active on this line. This value should remain unchanged unless it is known that a particular user has some jobs with extremely large amounts of input to be transmitted and other short jobs that must be transmitted concurrently. If there are not enough receivers on the receiving node to receive jobs over the line, excess transmitters drain automatically. The sum of the values JTNUM= and STNUM= for this line must not exceed 8, or the statement is ignored.

This value overrides the default global value set by the JTNUM= parameter of the NJEDEF statement. If this value is omitted or set to DEFAULT, the value is taken from the JTNUM= parameter of NJEDEF. If omission or use of DEFAULT would result in a sum of JTNUM= and STNUM= exceeding 8, JTNUM= is reduced so that the sum would equal 8.

**LINECHR={EBCDIC | USASCII}****EBCDIC**

The BSC adapter is configured for EBCDIC line-control characters.

**USASCII**

The BSC adapter is configured for ASCII line-control characters. If you specify USASCII, this line must be used with a 2770, 2780, or 3780 USASCII terminal.

**Note:** You may change this parameter only if the specified line is drained.

**LOG={No | Yes}**

Specifies whether JES2 is to monitor the specified line for channel-end completions (BSC lines) or SNA events (SNA lines). If you specify Y, JES2 issues a diagnostic message to the console with master level authority for each channel-end completion or SNA event detected on the specified line.

**NODE=node**

Specifies the NJE node name associated with this node. You can use this to determine what node to connect to when a \$SN,LINE=xxx command is issued or the line is automatically connected.

**Password=ccccccc**

The security password, 1 to 8 alphanumeric characters, used to reject unauthorized terminals attempting to use the specified line. If you specify a null password (P=), JES2 deletes the previously-assigned password.

**Note:** If you specify a password for an SNA line, it is only meaningful if that line is a dedicated line. You should not specify a password for an SNA line that is used in NJE host-to-host sessions. Be certain to make a note of those passwords assigned because there is no facility for displaying the passwords in effect.

## \$T LINE(nnnnn)

### REST=nnnn

An integer (0-2000) that represents the resistance rating of the line as viewed by the installation management and coordinated with other installations. The resistance is an arbitrary value set to indicate a specific line's ability/inability to route work due to "normal" work load requirements and line speed. See *z/OS JES2 Initialization and Tuning Guide* for details about resistance selection.

**Note:** You may change this parameter only if the specified line is drained.

### RESTART=(Yes|No, interval)

Specifies whether this line is restarted if it is drained. The *interval* is the time (in minutes) between attempted restarts. The valid range for *interval* is 0 to 1440. An *interval* value of 0 indicates that the default interval (from NJEDEF CONNECT=) is used.

### SPEED={HIGH|LOW}

Specifies whether this is a high-speed (greater than 9600 bits per second) or low-speed line.

#### **Note:**

1. This parameter is applicable only to 360/20 sub-models 2 and 4.
2. You may change this parameter only if the specified line is drained.

### SRNUM=n|DEFAULT

Specifies the number (0-7) of network SYSOUT receivers to be associated with this NJE line. The value of *n* is an integer which specifies the maximum number of SYSOUT receiver streams allowed to be concurrently active on this line. This specification should match the value of STNUM= for this line on the other nodes with which this member is to communicate directly. The sum of the values JRNUM= and SRNUM= for this line must not exceed 8, or the statement is ignored.

This value overrides the default global value set by the SRNUM= parameter on the NJEDEF statement. If this value is omitted or set to DEFAULT, the value is taken from the SRNUM= parameter of NJEDEF. If omission or use of DEFAULT would result in a sum of SRNUM= and JRNUM= exceeding 8, SRNUM= is reduced so that the sum would equal 8.

### STNUM=n|DEFAULT

Specifies the number (0-7) of network SYSOUT transmitters which will be associated with this NJE line. The value of *n* is an integer which specifies the maximum number of SYSOUT transmitter streams allowed to be concurrently active on this line. If there are not enough receivers on the receiving node to receive SYSOUT data over the line, excess transmitters drain automatically. The sum of the values JTNUM= and STNUM= for this line must not exceed 8, or the statement is ignored.

This value overrides the default global value set by the STNUM= parameter of the NJEDEF statement. If this value is omitted or set to DEFAULT, the value is taken from the STNUM= parameter of NJEDEF. If omission or use of DEFAULT would result in a sum of STNUM= and JTNUM= exceeding 8, STNUM= is reduced so that the sum would equal 8.

### TRaceio [=NO|YES|JES=YES|NO|COMMON=YES|NO|VERBOSE=YES|NO]

Specifies whether tracing is to be active and which types of traces are to be activated for the TCP/IP line.

#### **YES**

Indicates all types of tracing are to be done.



**NO** Indicates no tracing is to be done.

**JES=YES|NO**

Indicates whether data and control records passed between JES and TCP/IP are to be traced for this line.

**COMMON=YES|NO**

Indicates whether TCP/IP and other services called by IAZNJTCP are to be traced.

**VERBOSE=YES|NO**

Indicates whether diagnostic messages are to be issued to the master console and SYSLOG.

**TRANSPAR={No|Yes}**

Specifies whether the text transparency feature of the BSC adapter is present on this line. You must specify Y for NJE lines.

**Note:**

1. TRANSPAR=NO is valid only for EP links generated to operate as a D/T2701 without the transparency feature. For device types which require the transparency feature -- such as 2703 and CTC -- specifying TRANSPAR=NO has no effect and TRANSPAR=YES is forced.
2. You may change this parameter only if the specified line is drained.

**UNIT=[devnum|/devnum|SNA] [TCP|/TCP|TCP/IP]**

Specifies a 3-digit or 4-digit hexadecimal device number for a binary synchronous communication (BSC) line. Device numbers can be specified by any of the following formats:

```
UNIT=ddd
UNIT=dddd
UNIT=/ddd
UNIT=/dddd
```

where ddd and dddd represent the device numbers.

A slash (/) can optionally precede the device number (for compatibility with other commands that require a slash to denote a 4-digit device number).

Specify UNIT=SNA to obtain an SNA line, or UNIT=TCP to obtain a TCP/IP line.

## Authority Required

This command requires **system** authority. The description of the \$T RDRnn command explains how to ensure that the authority of the appropriate MVS system command group is assigned.

This command requires **control** security access authority. For a description of assigning command input authority, see *z/OS JES2 Initialization and Tuning Guide*.

## Scope

**Single member.** This command will be in effect for this member only. There is no need to have this command issued to all members of the MAS.

## \$T LINE(nnnnn)

### Messages

The \$HASP880 message displays the current values of all the parameters on the LINE(nnnnn) initialization statement.

### Examples

**1** \$t line(4),autodisc=y,transpar=y

```
$HASP880 LINE4 UNIT=0C14,STATUS=DRAINED,AUTODISC=YES,
          CODE=A,COMPRESS=YES,DUPLICATION=HALF,INTERFAC=A,
          LINECCHR=EBCDIC,LOG=NO,PASSWORD=(SET),
          REST=0,SPEED=HIGH,TRACEIO=NO,TRANSPAR=YES
```

When the local modem disconnects, JES2 automatically disconnects line 4 from the remote terminal. The text transparency feature of the BSC adapter is present on line 4.

**2** \$t line(12),log=y,p=

```
$HASP880 LINE12 UNIT=SNA,STATUS=INACTIVE,COMPRESS=YES,
              LOG=YES,PASSWORD=(NOTSET),REST=2,
              SESSIONS=(JESA/INACTIVE),TRACEIO=YES
```

JES2 deletes the password for line 12 and no password is required. JES2 issues a diagnostic message for each SNA event detected on line 12. In the \$HASP880 message, the SESSIONS= parameter displays the name of the SNA session (JESA) on this line and the status of that session (INACTIVE).

**3** \$t line(26),unit=sna

```
$HASP880 LINE26 UNIT=SNA,STATUS=DRAINED,COMPRESS=YES,LOG=NO
$HASP880          PASSWORD=(NOTSET),REST=0,SESSIONS=,TRACEIO=NO
```

JES2 specifies that previously defined line 26 is an SNA line. Its status is drained, so a \$S LINE command is necessary to start it.

**4** \$t line(1),unit=026

```
$HASP880 LINE1 UNIT=0026,STATUS=DRAINED,AUTODISC=YES,CODE=A,
$HASP880 COMPRESS=YES,DUPLICATION=FULL,INTERFAC=A,
$HASP880 LINECCHR=EBCDIC,LOG=NO,PASSWORD=(NOTSET),
$HASP880 REST=0,SPEED=LOW,TRACEIO=NO,TRANSPAR=YES
```

JES2 specifies that line 1 has an address of 0026. When the local modem disconnects, JES2 automatically disconnects line 1 from the remote terminal.

**5** \$tline15,restart=(yes,1)

```
$HASP880 LINE15
$HASP880 LINE15 UNIT=SNA,STATUS=ACTIVE,COMPRESS=YES,
$HASP880          DISCON=NO,LOG=NO,PASSWORD=(NOTSET),REST=0,
$HASP880          NODE=0,RMTSHARE=YES,SESSIONS=,
$HASP880          CONNECT=(DEFAULT),RESTART=(YES,1),
$HASP880          TRACEIO=(NO),JNUM=DEFAULT,JTNUM=DEFAULT,
$HASP880          SRNUM=DEFAULT,STNUM=DEFAULT
```

---

## \$T LOADmod - Refresh a load module from storage

### Function

To replace the old copy of an installation load module with a newly loaded one. If the old copy of the module is no longer in use, the storage associated with the module is freed.

The new copy of the module is loaded with the storage attribute of the current module. If the current module was originally located in LPA (even though STORAGE= PVT or CSA was specified) and the new copy was placed the link list or the STEPLIB concatenation, you might want a different storage attribute. If a different storage attribute is needed, delete the current module (\$DEL LOADMOD) and load a new copy in the desired location (\$ADD LOADMOD).

If the current module is located in LPA, you must place a new copy in LPA using the MVS dynamic LPA services before issuing the JES2 \$T LOADMOD,REFRESH command. The same module will be found in LPA if you fail to place a new module in LPA.

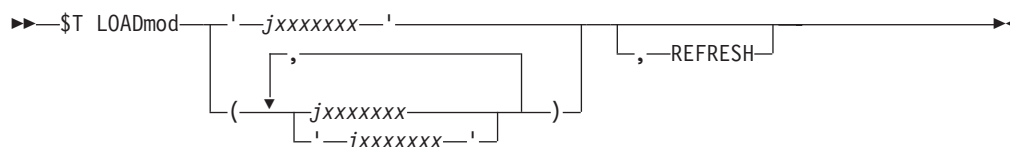
As part of refreshing the load module, JES2 replaces any dynamic tables and routines on EXIT(nnn) statements in the old module with corresponding tables and routines in the new modules:

- Any dynamic tables in the old module that do not have corresponding tables in the new module are disconnected.
- Any new dynamic tables in the new module are connected.
- Any routines on a EXIT(nnn) statement in the old module that do not have corresponding routines in the new module are nullified.
- New routines in the new module are not processed by this command. A separate \$T EXIT(nnn) command is needed to associate those routines with an exit.

**Note:** This function alters the current execution environment by replacing routines and tables that might be currently in use. It is primarily intended for a test environment. Use in a production environment should be limited to situations that could prevent an IPL or to refresh service modules provided by IBM or other vendors.

Before using this command, ensure that the module to refresh supports dynamic functions. See *z/OS JES2 Installation Exits* for more information about considerations for dynamic load modules.

### Syntax



### Parameters

**jxxxxxxx**

Specifies the name of an existing load module to refresh.

**REFRESH**

Indicates that the specified load routine must be refreshed. If this keyword is not specified, the command does nothing.

### Authority Required

This command requires **system** authority. The description of the \$T RDRnn command explains how to ensure that the authority of the appropriate MVS system command group is assigned.

## \$T LOADmod

This command requires **control** security access authority. See *z/OS JES2 Initialization and Tuning Guide* for a description of assigning command input authority.

### Scope

**Single member.** The values supplied for this command will be in effect for this member only.

Depending on the setup of installation, you might want this command to be applied to all members of the MAS to ensure a consistent environment. If the JES2 command character is the same on all members, you can use the MVS ROUTE \*ALL command to issue this command to all active members. See *z/OS MVS System Commands* for more information about using the ROUTE \*ALL command.

### Messages

The \$HASP819 message indicates that the specified load module been refreshed.

**Note:** The loadtime prior to the refresh is different from the loadtime after the refresh.

### Example

```
❶ $t loadmod(hasx05a),refresh
```

```
          $HASP819 LOADMOD(HASX05A)
$HASP819 LOADMOD(HASX05A) ADDRESS=09C75000,LENGTH=000800,
$HASP819                      LOADTIME=(2007.337,16:11:39),
$HASP819                      RMODE=ANY,SPLEVEL=CHECK,STORAGE=PVT
```

---

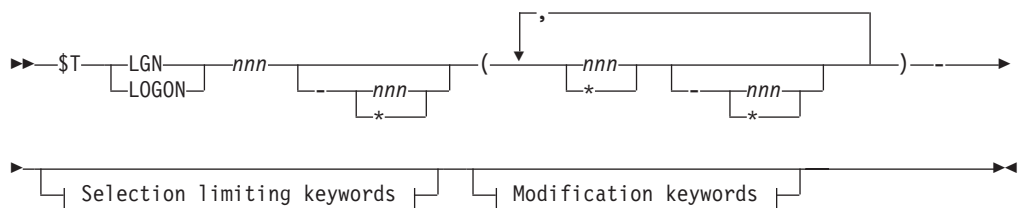
## \$T LOGON(nnn) - Control the JES2/VTAM interface

### Function

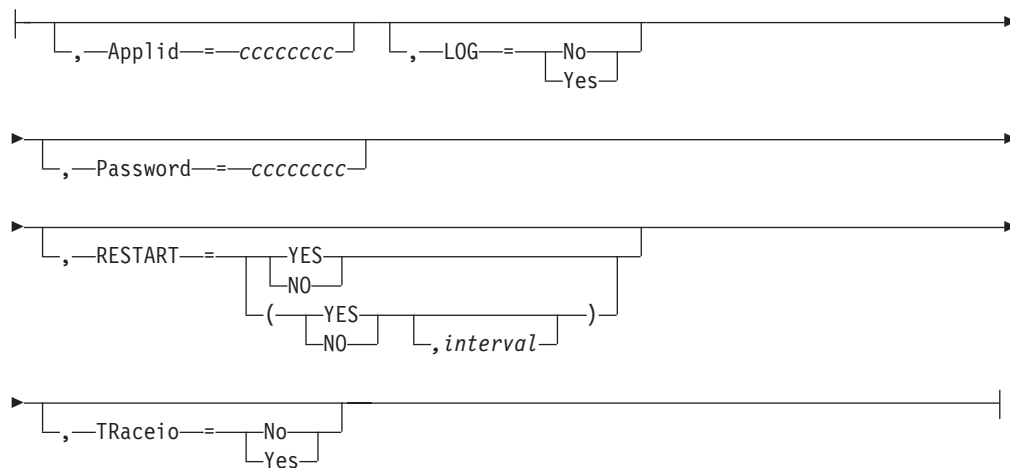
To perform the following functions:

- Assign an ID to the JES2/VTAM interface.
- Assign or delete a password for the JES2/VTAM interface.
- Diagnose SNA Problems.
- Specify the characteristics of a logon.

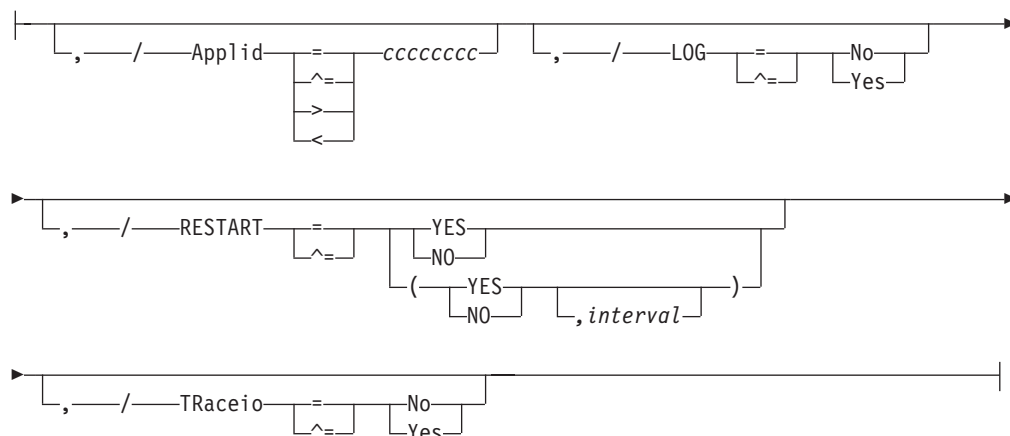
### Syntax



### Modification keywords:



**Selection limiting keywords:**



**Parameters**

**nnn**

The subscript defining the interface(s) affected by this command. You may specify a specific interface using the value of n on the LOGON(n) initialization statement that defines that interface. The subscript can also specify a range of values.

**AppId=ccccccc**

The application name, 1 to 8 alphanumeric characters, assigned to JES2 to identify JES2 as an application to VTAM. This name must be defined to VTAM. See *z/OS Communications Server: New Function Summary* for more information about VTAM definition.

In the JES2 networking environment, each job entry subsystem must have a unique name by which it is defined to VTAM. For NJE, this name must correspond to an application name in one of the application table (APT) entries defined for the local node (OWNNODE parameter on the NJEDEF initialization statement). See *z/OS JES2 Initialization and Tuning Reference* for information about defining APT entries.

**Note:** This parameter can only be changed when the session is inactive.

## \$T LOGON(nnn)

### LOG={No|Yes}

Specifies whether JES2 is to monitor the JES2/VTAM interface and record all SNA events on the console with master level authority.

**Note:** When the JES2/VTAM interface is monitored, activity on all SNA lines is monitored.

### Password=ccccccc

The security password, 1 to 8 alphanumeric characters, used to reject unauthorized terminals attempting to use the JES2/VTAM interface. If you specify a null password (P=), JES2 deletes the previously assigned password.

#### Note:

1. The password that you assign must be defined to VTAM. See *z/OS Communications Server: New Function Summary* for more information about VTAM definition.
2. You must be certain to make note of the password assigned because there is no facility for displaying the password in effect.

### RESTART=(Yes|No, interval)

Specifies whether this logon will be restarted if it is drained. The *interval* is the time (in minutes) between attempted restarts. The valid range for *interval* is 0 to 1440. An *interval* value of 0 indicates that the default interval (from NJEDEF CONNECT=) is used.

### TRaceio={No|Yes}

Specifies whether I/O operations on the specified interface are to be traced. Trace ID 5 is used for interface tracing.

## Authority Required

This command requires **system** authority. The description of the \$T RDRnn command explains how to ensure that the authority of the appropriate MVS system command group is assigned. The \$T NODE(nnnn) command sets command authority for a node.

This command requires **control** security access authority. For a description of assigning command input authority, see *z/OS JES2 Initialization and Tuning Guide*.

## Scope

**Single member.** This command will be in effect for this member only. There is no need to have this command issued to all members of the MAS.

## Messages

The \$HASP881 message displays the current values of the parameters on the LOGON(nnn) initialization statement.

## Examples

```
❶ $t logon(1),p=,a=pgm1
```

```
$HASP881 LOGON(1) APPLID=PGM1,STATUS=DRAINED,  
LOG=NO,PASSWORD=(NOTSET),SESSIONS=,  
TRACEIO=NO
```

JES2 deletes the password for the JES2/VTAM interface, and no password is required. The application ID for this interface is PGM1; no session exists using this interface.

**2** \$t logon(1),log=y,tr=y

```
$HASP881 LOGON(1) APPLID=JESB,STATUS=INACTIVE,
                  LOG=YES,PASSWORD=(SET),
                  SESSIONS=(MYJES/INACTIVE/LINE3),
                  TRACEIO=YES
```

JES2 issues a diagnostic message for each SNA event on both this JES2/VTAM interface (LOGON1) and any SNA line. Trace ID 5 traces event completions on this JES2/VTAM interface. The SESSIONS= indicates the SNA session name on this interface (MYJES), the session status (INACTIVE), and the SNA line used for connection (LINE3).

**3** \$tlogon1,restart=(yes,2)

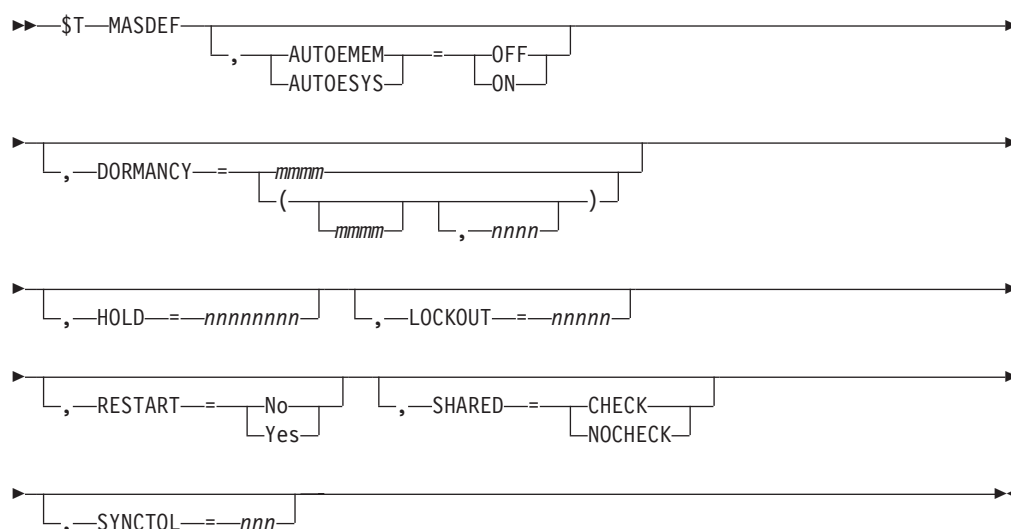
```
$HASP881 LOGON1    APPLID=JESA,STATUS=DRAINED,RESTART=(YES,2),
$HASP881           LOG=NO,PASSWORD=(NOTSET),SESSIONS=,TRACEIO=NO
```

## \$T MASDEF - Control the multi-access spool environment

### Function

To specify multi-access spool definition and tuning parameters.

### Syntax



### Parameters

**AUTOEMEM|AUTOSYS={OFF|ON}**

Specifies whether (ON) or not (OFF) this JES2 MAS member wants to have its work restarted if this member fails. If a MAS member has specified AUTOEMEM=ON and the MVS system where the member resides fails, its jobs will be warm-started if another active member in the same SYSPLEX has specified RESTART=YES on its MASDEF statement.

## \$T MASDEF

If you specify AUTOEMEM=ON but no other MAS member has RESTART=YES specified, the work active on this member will not be automatically restarted.

**Note:** The automatic restart management can restart jobs (if the job is registered with the automatic restart management) regardless of whether AUTOEMEM is ON or OFF.

### DORMANCY=(*mmmm*, *nnnn*)

#### *mmmm*

The minimum time, in hundredths of seconds (0-3000), a member of a multi-access spool configuration must wait before it attempts to regain control of the checkpoint data set. This specification prevents any one member from monopolizing the checkpoint data set.

**nnnn** The maximum time, in hundredths of seconds (100-6000), that a member can wait before it attempts to gain control of the checkpoint data set.

#### **Attention:**

1. If the value specified for *nnnn* is too small, excessive system time may be spent in unnecessary attempts to reacquire the checkpoint data set.
2. If the value specified for *nnnn* is too large, the start of certain functions and the responses to certain display commands may be delayed.

### HOLD=*nnnnnnnn*

The minimum length of time, in hundredths of seconds (0-99999999), that a member of a multi-access spool configuration must maintain control of the checkpoint data set.

**Note:** Setting this parameter to a high value tends to limit access of other members of the configuration to the checkpoint data set.

### LOCKOUT=*nnnnn*

The time interval, in hundredths of seconds (500-15000) from the first denied request for the checkpoint data set by a member of a multi-access spool configuration to the time that the configuration assumes the member controlling the checkpoint data set is inoperative. When this time interval has elapsed, JES2 issues the \$HASP263 WAITING FOR ACCESS TO JES2 CHECKPOINT VOLUME message indicating a lockout situation, and then resets the time interval to the LOCKOUT value.

### RESTART={**No**|**Yes**}

Specifies whether (YES) or not (NO) a JES2 MAS member can make the jobs associated with a JES2 MAS member that resided on a failed MVS member eligible for restart.

#### **Note:**

1. If you specify RESTART=YES, this member will restart any work associated with a member that specified AUTOEMEM=ON when the MVS that the member is running on failed.
2. If a JES2 member has been identified as the target of an Automatic Reconfiguration Facility takeover, specify RESTART=NO. For more information about the Processor Resource/Systems Manager (PR/SM) environment to which this applies, see *PR/SM Planning Guide, GA22-7236*.



**SHARED={CHECK|NOCHECK}**

Specifies whether the direct access volumes being used in the configuration for spool and checkpoint devices are to be marked as shared (CHECK) or non-shared (NOCHECK).

In a single-member environment, you must specify NOCHECK.

In a multi-access spool configuration, you must specify CHECK. The following are exceptions to this rule:

- In a test situation when isolated spool volumes are being used, you can specify NOCHECK.
- If the shared pack is damaged, the installation can use a non-shared pack to bring up one JES2 system.

**SYNCTOL=nnn**

The time interval, in seconds (0-300), that must expire before a JES2 member in a multi-access spool configuration is assumed to be inoperative.

**Authority Required**

This command requires **system** authority. The description of the \$T RDRnn command explains how to ensure that the authority of the appropriate MVS system command group is assigned. The \$T NODE(nnnn) command sets the command authority for a node.

This command requires **control** security access authority. For a description of assigning command input authority, see *z/OS JES2 Initialization and Tuning Guide*.

**Scope**

**Single member.** This command will be in effect for this member only.

Depending on your installation's setup, however, you might want this command to be applied to all members of the MAS (to ensure a consistent environment across the MAS). If so, you can use the MVS ROUTE \*ALL command to issue this command to all active members (if the JES2 command character is the same on all members). See *z/OS MVS System Commands* for more information on using the ROUTE \*ALL command.

**Messages**

The \$HASP843 message displays the current values of all the parameters.

**Examples**

```
1 $T MASDEF,HOLD=1000,LOCKOUT=5000
```

```
$HASP843 MASDEF  OWNMEMB=IBM1,AUTOEMEM=OFF,CKPTLOCK=ACTION,
$HASP843          COLDTIME=(1993.295,13:52:35),COLDVRSN=SP 5.1.0,
$HASP843          DORMANCY=(100,500),HOLD=1000,LOCKOUT=5000,
$HASP843          RESTART=NO,SHARED=NOCHECK,SYNCTOL=120,
$HASP843          XCFGRPNM=POK
```

When a member gets control of the checkpoint data set, it must maintain that control for a minimum of 10 seconds. If another member requests access to the checkpoint data set and is denied, JES2 waits 50 seconds before it assumes the member controlling the checkpoint data set is inoperative.

## \$T MASDEF

### 2 \$T MASDEF,RESTART=YES,AUTOEMEM=ON

```
$HASP843 MASDEF  OWNMEMB=IBM1,AUTOEMEM=STARTING,CKPTLOCK=ACTION,  
$HASP843          COLDTIME=(1993.295,13:52:35),COLDVRSN=SP 5.1.0,  
$HASP843          DORMANCY=(100,500),HOLD=1000,LOCKOUT=5000,  
$HASP843          RESTART=YES,SHARED=NOCHECK,SYNCTOL=120,  
$HASP843          XCFGRPNM=POK
```

JES2 specifies that this member of a sysplex can reset the software checkpoint data set automatically for a failing member of the same sysplex. To see AUTOEMEM=ON on a display console, an operator enters a \$D MASDEF command after entering the \$T MASDEF.

### 3 \$T MASDEF,AUTOEMEM=OFF

```
$HASP843 MASDEF  OWNMEMB=IBM1,AUTOEMEM=STOPPING,CKPTLOCK=ACTION,  
$HASP843          COLDTIME=(1993.295,13:52:35),COLDVRSN=SP 5.1.0,  
$HASP843          DORMANCY=(100,500),HOLD=1000,LOCKOUT=5000,  
$HASP843          RESTART=YES,SHARED=NOCHECK,SYNCTOL=120,  
$HASP843          XCFGRPNM=POK
```

JES2 specifies that this member of a sysplex no longer can have its jobs restarted through the automatic resetting of the software checkpoint data set. To see ,AUTOEMEM=OFF on a display console, you must enter the \$D MASDEF command after entering the \$T MASDEF command.

---

## \$T MEMBer - Change a member's operational mode

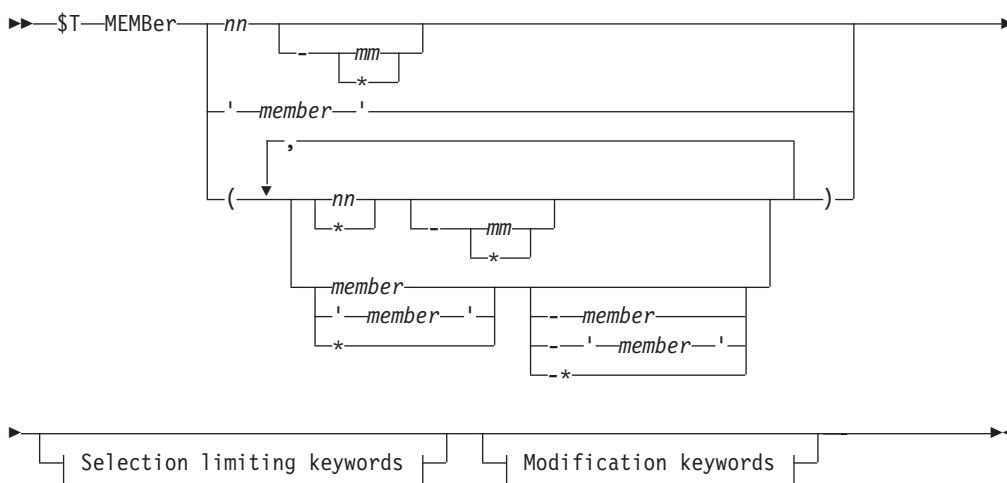
### Function

To perform the following functions:

- Set this member to independent mode so that it may operate independent of the multi-access spool configuration.
- Reset this member to normal operational mode.

One or more parameters on this command accepts wild cards. Parameter descriptions will note that.

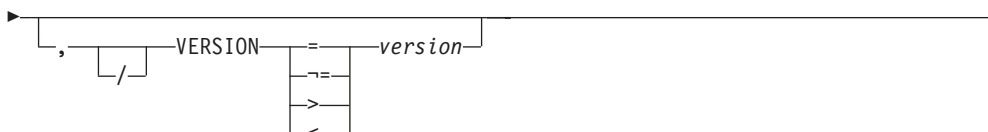
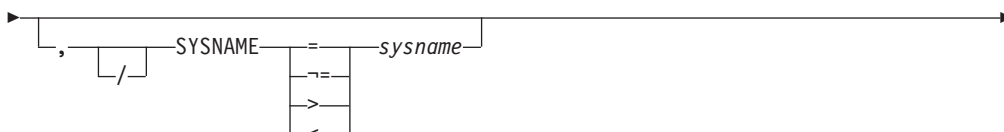
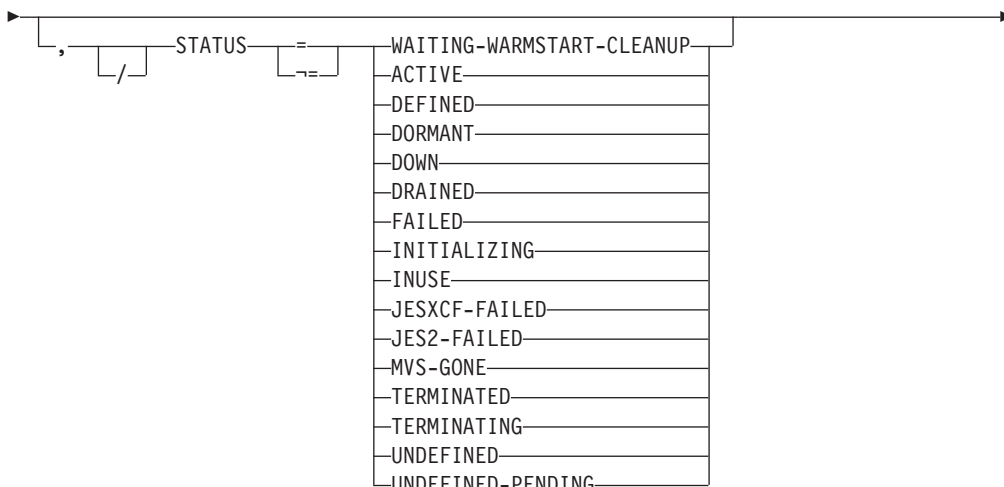
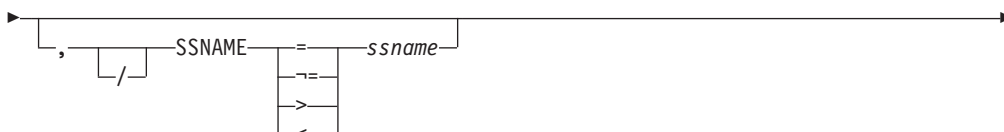
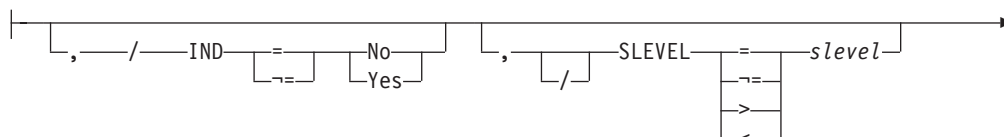
### Syntax



**Modification keywords:**



**Selection limiting keywords:**



**Parameters**

**memname | n | n-n | \***

Specifies the 1 or 2 digit member number (1-32) or the 1 to 4 alphanumeric member name. Specify only the following characters: A-Z, 0-9, \$, #, and @. Each member must have a unique name. The console that enters this command is attached to the member specified here.

## \$T MEMBer

You can specify wild cards on this parameter. See "Using wildcards" on page 108 for additional information.

### **IND={No|Yes}**

Specifies whether this member is to be set to independent mode or reset to normal operational mode within the multi-access spool configuration.

If you specify Y, the member only processes jobs that are routed to it and designated to execute on a member in independent mode. Non-independent mode jobs that try to execute cannot do so until the member is taken out of independent mode. The spool volumes are still shared with other members of the multi-access spool configuration. This function allows an installation to test a new member, or make modifications to an existing member, without disrupting the other processors or their workloads.

### **SLEVEL=sl**

Only members with the specified service level are modified.

### **STATUS[=ACTIVE|DEFINED|DORMANT|DOWN|DRAINED|FAILED|INITIALIZING|INUSE|JES2-FAILED|JESXCF-FAILED| MVS-GONE|TERMINATED|TERMINATING| UNDEFINED|UNDEFINED-PENDING|WAITING-WARMSTART-CLEANUP]**

Specifies that the current status of the member is to be displayed. Valid keyword values for the STATUS parameter and their meanings are as follows:

#### **ACTIVE**

Displayed when the member that is up and running.

#### **DEFINED**

Displays only defined members.

**Note:** This parameter is only a filter. You can specify this status but DEFINED will not be displayed in the message.

#### **DORMANT**

Displayed when the member that is up and running but has not recently accessed the JES2 checkpoint.

#### **DOWN**

Displays only TERMINATED, DRAINED or FAILED members.

**Note:** This parameter is only a filter. You can specify this status but DOWN will not be displayed in the message.

#### **DRAINED**

Displayed when JES2 is no longer available and all work has been reset.

#### **FAILED**

Displays all members that have a status of JES2-FAILED, JESXCF-FAILED or MVS-GONE.

**Note:** This parameter is only a filter. You can specify this status but FAILED will not be displayed in the message.

#### **INITIALIZING**

Displayed when the member is in the process of initializing.

#### **INUSE**

Displays only ACTIVE, INITIALIZING, TERMINATING and DORMANT members.

**Note:** This parameter is only a filter. You can specify this status but INUSE will not be displayed in the message.

**JES2-FAILED**

Displayed when JES2 abends. Indicates that the address space is no longer available.

**JESXCF-FAILED**

Displayed when JES2 abends. Indicates that JESXCF is no longer available.

**MVS-GONE**

Displayed when the MVS system that JES2 was running on is no longer available and a \$E MEMBER is required.

**TERMINATED**

Displayed after a \$PJES2,TERM is issued. Specifies that JES2 is no longer available and a \$E MEMBER is required.

**TERMINATING**

Displayed when JES2 is in the process of terminating.

**UNDEFINED**

Displayed when the member has not been defined through a MEMBER(n) initialization statement.

**UNDEFINED-PENDING**

Displayed when the member was previously defined through a MEMBER(n) initialization statement, but is in the process of having its definition deleted by another member in initialization.

**WAITING-WARMSTART-CLEANUP**

Display members for which warm-start processing has completed with some jobs still pending processing.

**SYSNAME [=system-name]**

Specifies that the system name of the MVS image of the member is to be displayed. You can also specify wild cards on this parameter. See "Using wildcards" on page 108 for additional information.

The system name will not be displayed if it is equal to the member name (NAME=) or if the member is inactive.

**VERSION=version**

Indicates the version of the JES2 release that is running on this member.

## Authority Required

This command requires **system** authority. The description of the \$T RDRnn command explains how to ensure that the authority of the appropriate MVS system command group is assigned.

This command requires **control** security access authority. For a description of assigning command input authority, see *z/OS JES2 Initialization and Tuning Guide*.

## Scope

**MAS-wide.** This command has an effect across the entire MAS.

## Messages

JES2 issues either the \$HASP673 message.

# \$T MEMBer

## Example

1 \$t member(sys3), ind=y

```
$HASP673 MEMBER(2) NAME=SYS3, STATUS=ACTIVE, IND=YES,  
$HASP673 LASTSTART=(ALL-MEMBER-WARN, (1997.134, 12:54:30)),  
$HASP673 SYSNAME=SY1, TIME=(1997.136, 19:08:00.77),  
$HASP673 VERSION=0S 2.4.0, SLEVEL=0, SSNAME=JES2,  
$HASP673 BOSS=YES
```

The member to which the entering console is attached is placed in independent mode.

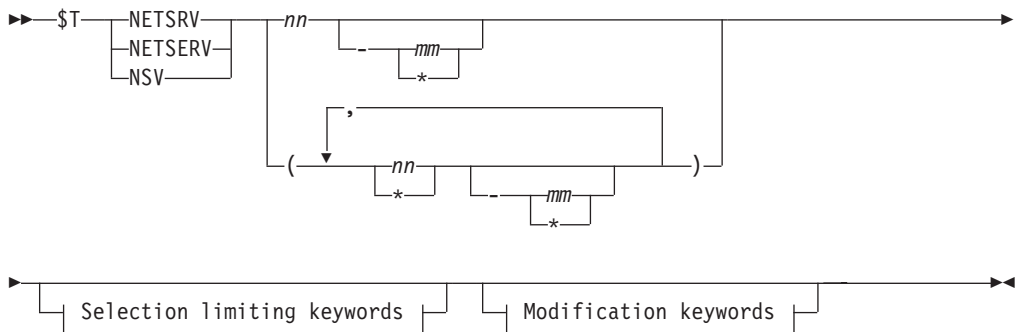
---

## \$T NETSRV(nnnn) - Modify the attributes of a network server

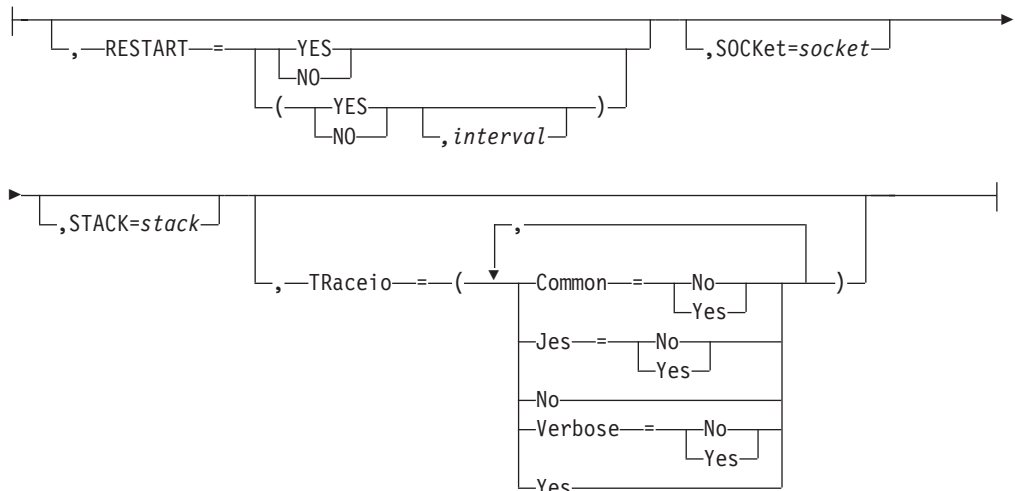
### Function

To modify the attributes of a network server.

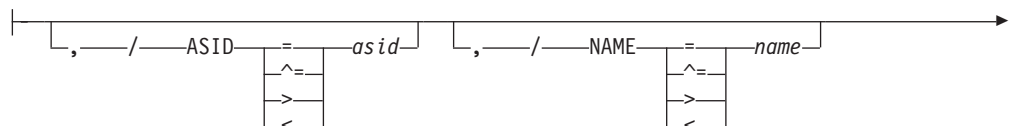
### Syntax

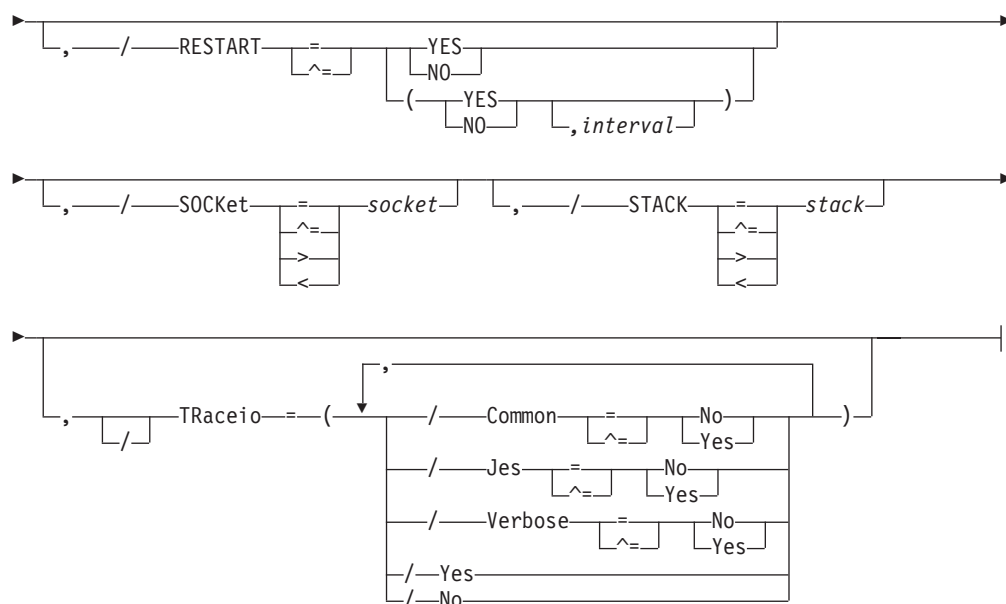


### Modification keywords:



### Selection limiting keywords:





## Parameters

**(nn) | (nn-mm)**

A single or range of numeric values between 1 to 999.

**RESTART=(Yes|No, interval)**

Specifies whether this NETSRV will be restarted if it is drained. The *interval* is the time (in minutes) between attempted restarts. The valid range for *interval* is 0 to 1440. An *interval* value of 0 indicates that the default interval (from NJEDEF CONNECT=) is used.

**SOCKET=socket**

Specifies the name of a local socket which the NETSRV should listen upon.

**TRaceio=(YES|NO|JES=YES|NO|COMMON=YES|NO|VERBOSE=YES|NO)**

Specifies whether tracing is to be active, and which types of traces are to be activated for the server.

**YES**

Indicates all types of tracing are to be done (JES, COMMON, VERBOSE).

**NO** Indicates no tracing is to be done (JES, COMMON, VERBOSE).

**JES=YES|NO**

Indicates whether data and control records passed between JES and TCP/IP are to be traced for this server.

**COMMON=YES|NO**

Indicates whether TCP/IP and other services called by IAZNJTCP are to be traced.

**VERBOSE=YES|NO**

Indicates whether diagnostic messages are to be issued to the master console and SYSLOG.

**STACK=stack**

Specifies the name of a TCP/IP stack to be used by this server when the Common INET (CINET) configuration is being used. If not specified, all stacks on the local machine will be used. When only an INET configuration is being used, specification of a stack name is ignored.

## \$T NETSRV(nnnnn)

### ASID=asid (Selection limiting keyword)

Specifies the hexadecimal address space ID associated with the active NETSRV. asid is 1 to 4 hexadecimal digits.

### NAME=name (Selection limiting keyword)

Specifies the address space name associated with the active NETSRV. The address space name is the subsystem name followed by the character 'S' followed by the 3-digit device number, for example, JES2S001.

## Authority Required

This command requires **system** authority. The description of the \$T RDRnn command explains how to ensure that the authority of the appropriate MVS system command group is assigned. The \$T NODE(nnnn) command sets command authority for a node.

This command requires **control** security access authority. For a description of assigning command input authority, see *z/OS JES2 Initialization and Tuning Guide*.

## Scope

**Single member.** The values supplied for this command will be in effect for this member only.

## Messages

\$HASP898

## Examples

**1** \$t netsrv1,socket=local

```
$HASP898 NETSRV1 STATUS=DRAINED,SOCKET=LOCAL,STACK=,  
$HASP898 TRACEIO=(JES=NO,COMMON=NO,VERBOSE=NO)
```

**2** \$tnetsrv1,restart=(yes,2)

```
$HASP898 NETSRV1 STATUS=DRAINED,RESTART=(YES,2),SOCKET=LOCAL,  
$HASP898 STACK=,TRACEIO=(JES=NO,COMMON=NO,VERBOSE=NO)
```

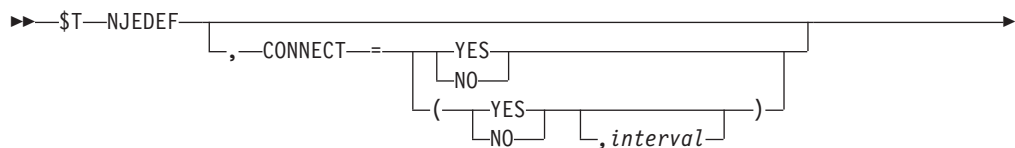
---

## \$T NJEDEF - Control JES2 network environment

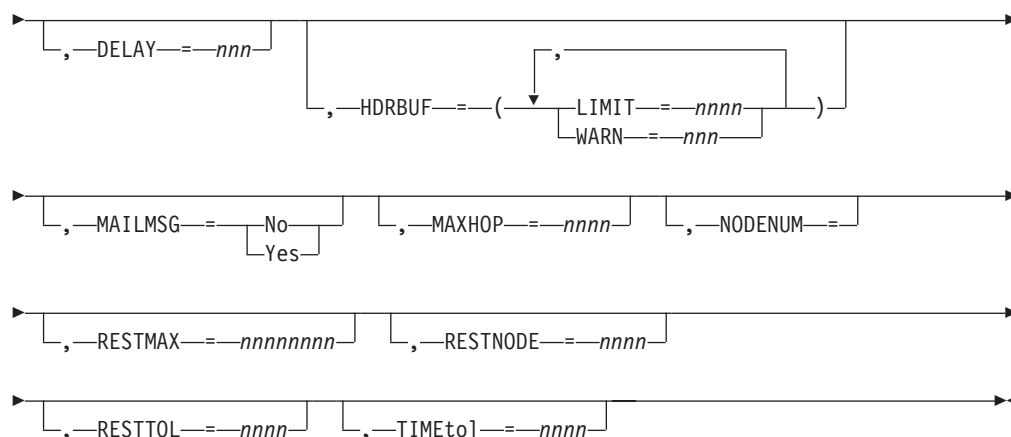
### Function

To specify the JES2 network environment.

### Syntax







## Parameters

### CONNECT={Yes|No, interval}

Specifies whether NJE connections for APPLs, LINES, or SOCKETs that specify or defer to CONNECT=YES should automatically be initiated or restarted. The *interval* is the time (in minutes) between attempted connections. The valid range for *interval* is 1 to 1440.

### DELAY=nnn

The maximum length of time, in seconds (10-999) that a message or command is delayed in any stage of transmission between nodes before the system assumes that possible lockout situations have occurred. When this time interval expires, the system discards messages and commands in an attempt to clear the congestion and remove the lockout situation.

### HDRBUF={LIMIT|WARN}

Allows installations to control the amount of storage used by NJE headers and trailers.

#### LIMIT=nnnn

The maximum number (10-9999) of NJE header and trailer cells allocated at this installation for jobs and SYSOUT data received from the network.

This command can increase, but not decrease, this value.

#### WARN=nnn

Specifies the percentage (0-100) of NJE header and trailer cells at use in an installation. If use of NJE header and trailer cells reaches or exceeds the number specified, JES2 processing notifies the operator by issuing a \$HASP050 message.

If 0 is specified, the \$HASP050 message is not issued.

### MAILMSG={No|Yes}

Specifies whether (YES) or not (NO) JES2 issues the \$HASP549 mail notification message automatically to notify a userid that a transmitted file has arrived from another node or a spool reload procedure.

If EXIT 40 returns a code of 8 or 12, this parameter is ignored. For more information about EXIT 40, see *z/OS JES2 Installation Exits*.

### MAXHOP=nnnn

The maximum number of nodes (0-32K) a job or output can cross to reach a destination. You can determine this variable through the following algorithm:

length of the system  $\times 2 + 2$ . The \$HASP528 message is issued when a job has exceeded this parameter. If you specify 0, no comparison is done. If you specify 32K, JES2 checks indefinitely.

**NODENUM=**

Specifies the maximum number (1–32767) of nodes in the NJE network to which this member belongs. This value may only be increased if all systems are at z/OS V1R7 and NITs in CKPT.

**RESTMAX=nnnnnnnn|79992000**

The maximum tolerable resistance (0 to 79992000) of a connection. If the resistance of a path is greater than the value specified in RESTMAX, the path will be ignored.

Specifying lower values on this parameter tends to eliminate longer paths; use low values when a system should wait for better connections before attempting to communicate with nodes connected through inefficient paths. (For more information, see *z/OS JES2 Initialization and Tuning Guide*.)

**Note:** This parameter applies to both adjacent and non-adjacent nodes.

**RESTNODE=nnnn|100**

Specifies the resistance (1-2000) of this node to the flow of jobs through the network. This value provides half of this node's resistance, which is combined with the resistance of node at the other end of the connection to establish a connection's total resistance.

High values of RESTNODE tend to make JES2 systems choose other paths rather than come through this system's node (see *z/OS JES2 Initialization and Tuning Guide* for more information).

**RESTTOL=nnnn|0**

The maximum difference in resistance (0-8000) allowed between the best possible path and an acceptable alternate path. This value has no meaning unless the value specified in the PATH parameter is greater than 1.

If the value of RESTTOL is greater than or equal to the minimum resistance between any two nodes within the network, jobs and messages may be transmitted throughout the network in an erratic fashion. (For more information, see *z/OS JES2 Initialization and Tuning Guide*.)

**TIMETol=nnnn|1440**

Specifies in approximate minutes the time (0 - 1500) allowed between the TOD clock of this node and any adjacent node. For example, if you specify TIMETOL=60 and an adjacent node attempts a sign on to your node with a clock that differs from yours by 60 minutes or less, the sign on is successful. If the adjacent node's clock differs from yours by significantly more than 60 minutes, the sign on fails.

You supply a TIMETol= value (or accept the default value) so that JES2 can determine whether to accept status information about any node in the network or permit a sign-on.

During JES2 processing, if a record is received with a future timestamp, but the time does not differ from the TOD clock value by more than the TIMETol=value, JES2 accepts the record. If the timestamp is in the future by an amount that is significantly greater than the TIMETol= value, JES2 rejects the record. For network topology records, rejection results in the record being ignored (with an error message). For network sign on records, the sign on to the adjacent node fails.

## Authority Required

This command requires **system** authority. The description of the \$T RDRnn command explains how to ensure that the authority of the appropriate MVS system command group is assigned. The \$T NODE(nnnn) command sets the command authority for a node.

This command requires **control** security access authority. For a description of assigning command input authority, see *z/OS JES2 Initialization and Tuning Guide*.

## Scope

**Single member.** This command will be in effect for this member only.

Depending on your installation's setup, however, you might want this command to be applied to all members of the MAS (to ensure a consistent environment across the MAS). If so, you can use the MVS ROUTE \*ALL command to issue this command to all active members (if the JES2 command character is the same on all members). See *z/OS MVS System Commands* for more information on using the ROUTE \*ALL command.

## Messages

The \$HASP831 message displays the current values of all the parameters on the NJEDEF initialization statement.

## Examples

**1** \$t njedef,delay=340

```
$HASP831 NJEDEF  OWNNAME=POK,OWNNODE=1,DELAY=340,
$HASP831          HDRBUF=(LIMIT=10,WARN=80,FREE=10),JRNUM=1,
$HASP831          JTNUM=3,SRNUM=4,STNUM=3,LINENUM=3,MAILMSG=NO,
$HASP831          MAXHOP=0,NODENUM=5,PATH=1,RESTMAX=79992000,
$HASP831          RESTNODE=100,RESTTOL=0,TIMETOL=1440
```

JES2 delays messages and commands for a maximum of 340 seconds before the system assumes a possible lockout situation and discards them.

**2** \$t njedef,maxhop=300

```
$HASP831 NJEDEF  OWNNAME=POK,OWNNODE=1,DELAY=340,
$HASP831          HDRBUF=(LIMIT=10,WARN=80,FREE=10),JRNUM=1,
$HASP831          JTNUM=3,SRNUM=4,STNUM=3,LINENUM=3,MAILMSG=NO,
$HASP831          MAXHOP=300,NODENUM=5,PATH=1,RESTMAX=79992000,
$HASP831          RESTNODE=100,RESTTOL=0,TIMETOL=1440
```

JES2 displays that a job or output can cross up to 300 nodes to reach a specific destination.

**3** \$t njedef,maxhop=10

```
$HASP831 NJEDEF  OWNNAME=POK,OWNNODE=1,DELAY=340,
$HASP831          HDRBUF=(LIMIT=10,WARN=80,FREE=10),JRNUM=1,
$HASP831          JTNUM=3,SRNUM=4,STNUM=3,LINENUM=3,MAILMSG=NO,
$HASP831          MAXHOP=10,NODENUM=5,PATH=1,RESTMAX=79992000,
$HASP831          RESTNODE=100,RESTTOL=0,TIMETOL=1440
```

JES2 displays that a job or output can cross no more than 10 nodes to reach a specific destination.

## \$T NJEDEF

### 4 \$t njeDEF,mailmsg=yes

```
$HASP831 NJEDEF  OWNNAME=POK,OWNNODE=1,DELAY=340,  
$HASP831          HDRBUF=(LIMIT=10,WARN=80,FREE=10),JRNUM=1,  
$HASP831          JTNUM=3,SRNUM=4,STNUM=3,LINENUM=3,MAILMSG=YES,  
$HASP831          MAXHOP=10,NODENUM=5,PATH=1,RESTMAX=79992000,  
$HASP831          RESTNODE=100,RESTTOL=0,TIMETOL=1440
```

JES2 displays that the mail notification message is sent to TSO/E userids whenever another node or spool reload procedure transmits mail to this node.

### 5 \$t njeDEF,hdrbuf=(limit=20,warn=85)

```
$HASP831 NJEDEF  OWNNAME=POK,OWNNODE=1,DELAY=340,  
$HASP831          HDRBUF=(LIMIT=20,WARN=85,FREE=20),JRNUM=1,  
$HASP831          JTNUM=3,SRNUM=4,STNUM=3,LINENUM=3,MAILMSG=YES,  
$HASP831          MAXHOP=10,NODENUM=5,PATH=1,RESTMAX=79992000,  
$HASP831          RESTNODE=100,RESTTOL=0,TIMETOL=1440
```

JES2 displays that 20 cells have been allocated for building NJE header and trailer cells. JES2 will issue the \$HASP050 message when 85% of these cells have been used.

### 6 \$tnjeDEF,connect=(yes,2)

```
          $HASP831 NJEDEF  
$HASP831 NJEDEF  OWNNAME=WSC,OWNNODE=2,CONNECT=(YES,2),  
$HASP831          DELAY=120,HDRBUF=(LIMIT=23,WARN=80,FREE=23),  
$HASP831          JRNUM=1,JTNUM=3,SRNUM=4,STNUM=3,LINENUM=10,  
$HASP831          MAILMSG=NO,MAXHOP=0,NODENUM=5,PATH=1,  
$HASP831          RESTMAX=262136000,RESTNODE=100,RESTTOL=0,  
$HASP831          TIMETOL=1440
```

---

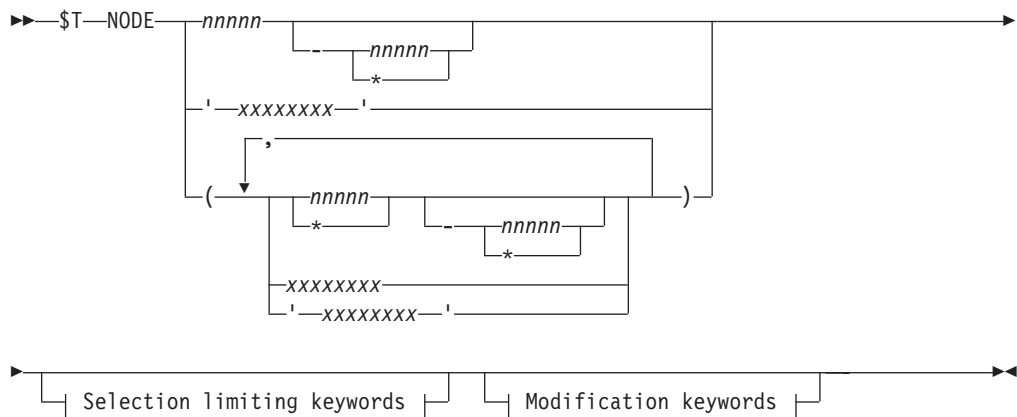
## \$T NODE(jnnnnnn) - Set the characteristics of a node

### Function

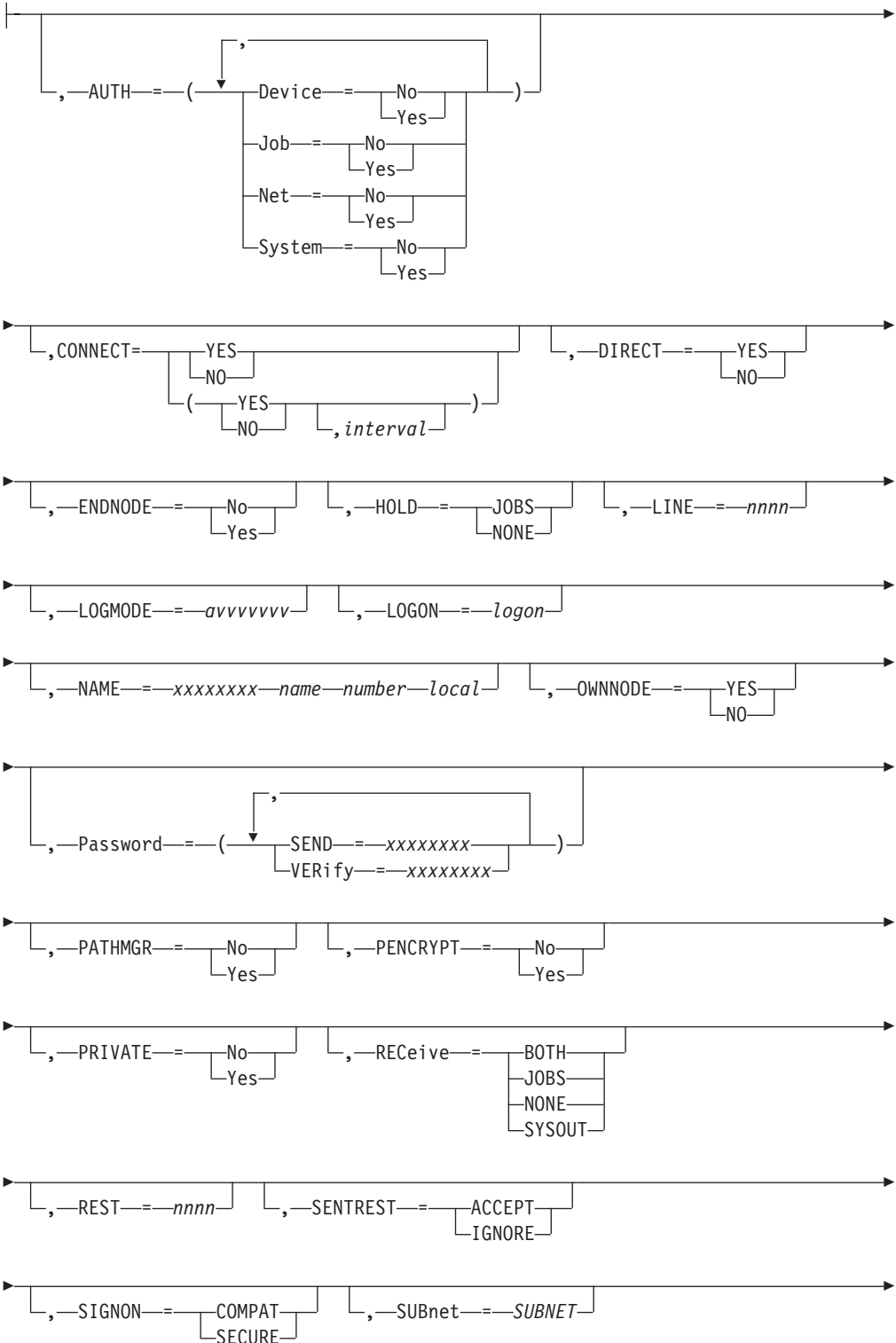
To set or reset the characteristics of the specified node.

One or more parameters on this command accept wild cards. Parameter descriptions will note that.

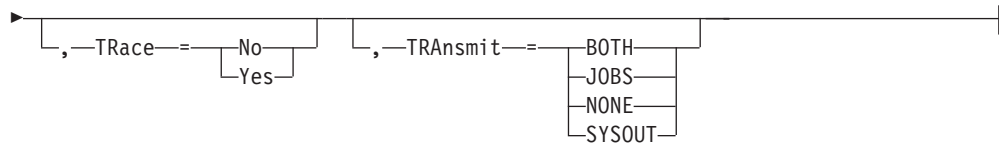
### Syntax



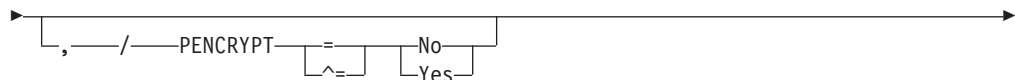
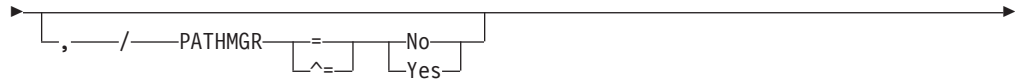
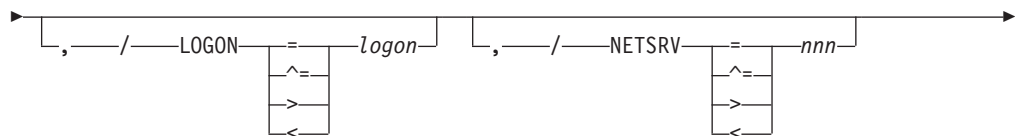
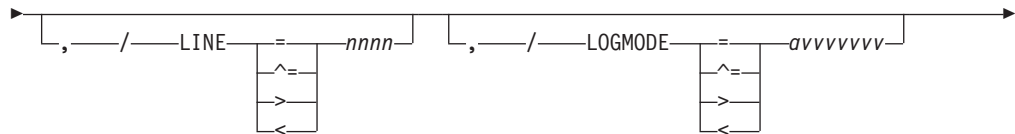
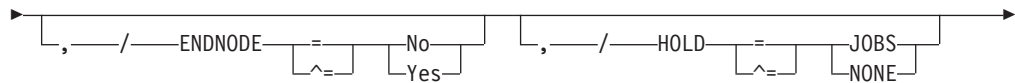
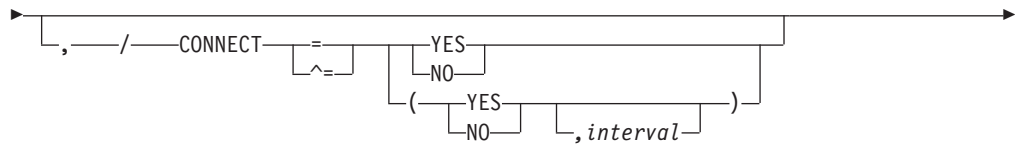
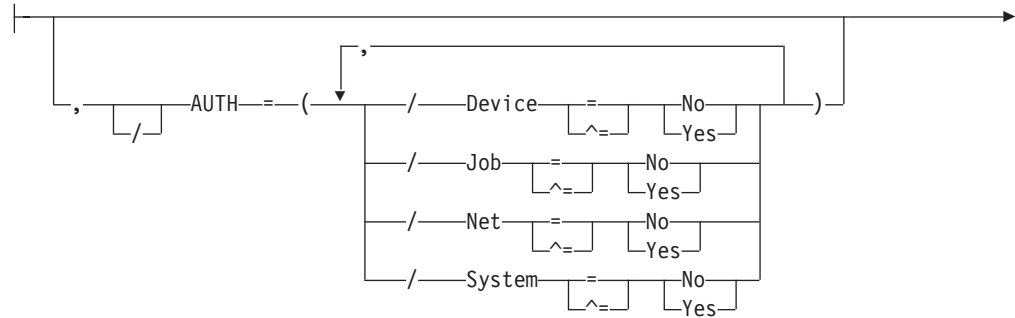
Modification keywords:

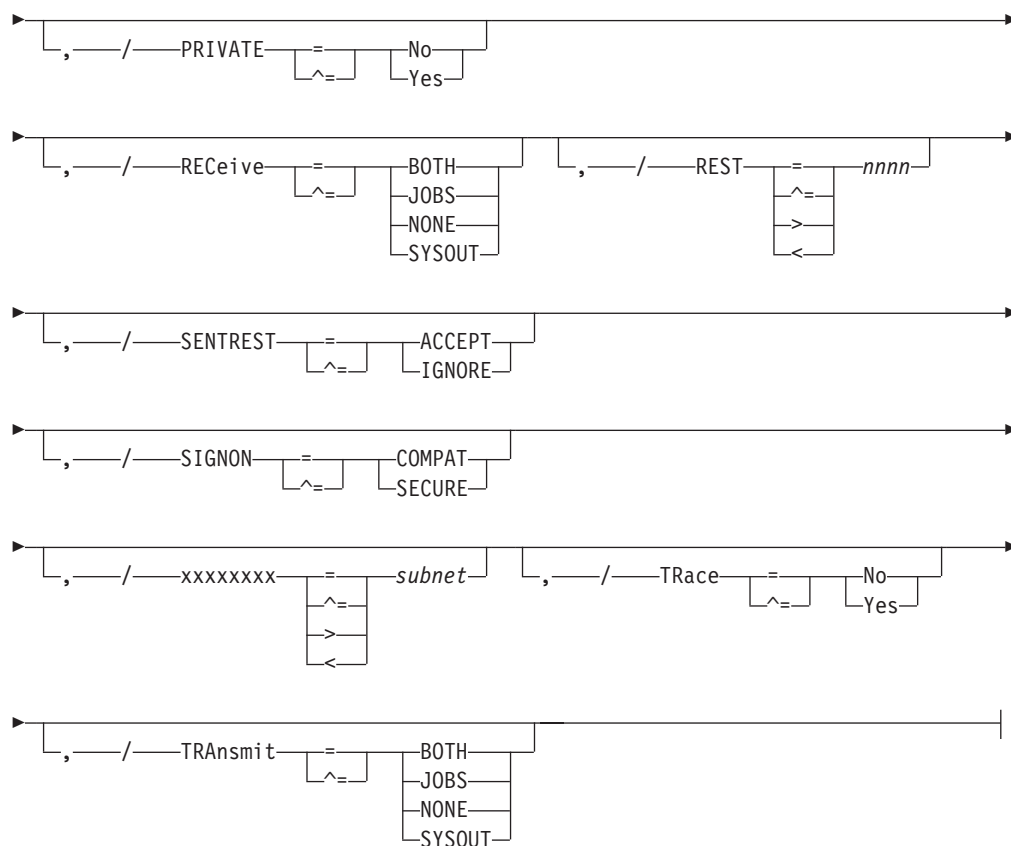


# \$T NODE(jnnnnnnn)



## Selection limiting keywords:





### Parameters

(nnnn|xxxxxxx|xx\*|\*)

The subscript defining the node(s) affected by this command.

The subscript can specify:

- A numeric value (1-32767), as specified by the NODENUM parameter on the NJEDEF initialization statement), for example NODE(105).

**Note:** For information about specifying a range of values for the nnnn subscript, see “Command syntax conventions” on page 97.

- The name of the 1- to 8-alphanumeric or special (\$, #, or @) character node (xxxxxxx) as specified by the NAME parameter on the NODE(nnnn) initialization statement (for example, NODE[POKBLDG1]). This name must be the same for all members of a MAS configuration.
- Wild cards to specify a generic symbolic range (for example, POK\* implies all defined nodes whose names begin with POK) or a generic value (for example, \* implies node 1 to the highest numbered node as specified by the NODENUM parameter on the NJEDEF initialization statement). For example, NODE(\*). See “Using wildcards” on page 108 for additional information.

**Note:** To change the name of the node (NAME=), you must specify a numeric value as the subscript.

**Scope: Single Member.**

## \$T NODE(jnnnnnnn)

**AUTH=([Device=No|Yes][Job=No|Yes] [Net=No|Yes] [System=No|Yes])**

Specifies the types of commands that the indicated node has authority to issue to the local node.

**Device={No|Yes}**

If Device=Y and Net=Y is also specified, the node has authority to issue device commands to the local node.

If Device=N is specified, the node does not have device command authority.

**Job={No|Yes}**

If Job=Y and Net=Y is also specified, the node has authority to issue job-related commands to the local node. If Job=Y and Net=N is specified, the node can control only those jobs on the local node that it owns.

**Note:** A node is considered to own a job if the job originated at that node or if the job's default print and/or punch output is for that node.

If Device=N is specified, the node does not have job command authority.

**Net={No|Yes}**

If Net=Y is specified, the node has authority to issue all types of commands from its system console to the local node (except for those commands that are always prohibited when they originate from another node).

If Net=N is specified, the node can control only those jobs on the local node that it owns (providing Job=Y is also specified).

**Note:** A node is considered to own a job if the job originated at that node or if the job's default print and/or punch output is for that node.

**System={No|Yes}**

If System=Y is specified and Net=Y is also specified, the node has authority to issue system commands to the local node.

If System=N is specified, the node does not have system command authority.

**Note:**

1. If you specify N for every AUTH= subparameter, the indicated node has no specific command authority, and the local node honors only those few commands requiring no authority (for example, display commands).
2. Network authority requires having system, job, or device authority *in addition to* network authority to have system, job, or device commands take affect at another node.
3. In a multi-access spool configuration, you should enter the \$T NODE(nnnn),AUTH= command on each member of the node because each member maintains its own version of the node information table.

**Scope: Single Member.**

**ADJACENT=YES|NO (Selection limiting keyword)**

Specifies whether the node is currently directly attached.

**Scope: Single Member.**

**CONNECT=(Yes|No, interval)**

Specifies whether NJE connections that specify CONNECT=DEFAULT on the APPL, LINE, or SOCKET statements that are associated with this node, are



automatically attempted. The *interval* is the time (in minutes) between attempted connections. The valid range for *interval* is 0 to 1440. A value of 0 indicates that the default interval (from NJEDEF CONNECT=) is used.

**DIRECT=YES|NO**

Specifies whether the node must be directly attached:

**YES**

Indicates that only direct connections to this node will be considered when computing path information.

**NO** Indicates that the node may be reached either through direct or indirect (for example, store and forward) paths.

DIRECT has MAS scope. The values can be changed on any start other than a hot start and will affect all MAS members regardless of whether the node is active or inactive.

**Scope: MAS-Wide.**

**COMPACT=nn**

The compaction table number (0-99) used for outbound compaction in communicating with the specified node. Zero denotes no compaction.

**Scope: Single Member.**

**ENDNODE={No|Yes}**

Specifies whether the node is to be considered eligible for use in store-and-forward operations.

**Yes** Indicates that the node is to be considered ineligible for use in store-and-forward operations. ENDDNODE has MAS scope. The values can be changed on any start other than a hot start and will affect all MAS members regardless of whether the node is active or inactive.

By specifying ENDDNODE=YES for a local node, you ensure that path manager connect records are not sent from your node to adjacent nodes.

**No** Indicates that the node is to be considered eligible for use in store-and-forward operations.

**Scope: MAS-Wide.**

**HOLD={JOBS|NONE}**

Specifies whether the local node holds jobs (HOLD=JOBS) or does not hold jobs (HOLD=NONE) received from the specified node.

**Scope: Single Member.**

**LINE=nnnn**

Specifies a line to be dedicated to the NJE session associated with this node. The subscript is specified as a numeric value (1-65535).

**Scope: Single Member.**

**LOGMODE=avvvvvvv**

Specifies the logon mode table entry name for this application. This name will determine which entry in the VTAM application logon mode table is to be used to provide a set of session parameters for the application program if the program participates as the secondary end of a session. This parameter is valid only for NJE applications. The name specified should follow the VTAM naming conventions for a logon mode table entry name.

## \$T NODE(jnnnnnnn)

**Scope: Single Member.**

### LOGON=logon

Specifies the number (1-999) of the local LOGON DCT which should be used when specifying connections to the application. The default value of 0 indicates that the LOGON DCT defined with the lowest number is to be used.

**Scope: Single Member.**

### NAME=xxxxxxx | name | number | local

Specifies the 1 to 8 alphanumeric or special (\$, #, or @) characters that symbolically defines the node. A DESTid initialization statement defining this name is not required. NAME has MAS scope. The values can be changed on any start other than a hot start and will affect all MAS members regardless of whether the node is active or inactive. The name of any active node, including the local node, may be modified if a symbolic subscript is used.

### Note:

1. To change the name of the node, if you specify a numeric value as the subscript, the node must not be active (connected to the local node). No static connections involving that node may exist, nor any connections with a RESTMAX state. However, if you specify a symbolic value as the subscript, JES2 considers this change a simple renaming of the node and will allow the change even if the node is active.

In order to make the node inactive, issue the command **\$D CONNECT, NA=oldname, STATIC=YES** to determine the connections. If they exist, use the **\$DEL CONNECT** command to remove them, and then retry the **\$T NODE** command.

If you receive the \$HASP003 error message, then check for RESTMAX connections by issuing the command:**\$D CONNECT, NA=oldname, STATE=RESTMAX** Note these connections, then INOP the lines to the nodes that are causing the RESTMAX state condition to exist with the command: **\$ELNEx** If too many of these connections exist, then you may find it prudent to shutdown ALL lines by issuing the command: **\$ELNEx(\*)** or, **HOTSTART JES2** and effectively shutdown this NJE node.

Now that the node is fully inactive, proceed with the command: **\$TNODE(xx),NAME=newname \$TDESTID(oldname), DEST=oldname**. In order for the node to become inactive, these commands need to be issued on all members of the MAS.

2. If you issue a **\$T NODE** to change the name of an existing node, you must first issue a **\$T DESTID** command specifying the new node number. All old node names remain on the system as destids until the member is warm started.
3. When using the spool offload facility, be certain that the node name of the offloaded system is known to the reloading system. If these names do not match, unpredictable routing of jobs and SYSOUT data can occur on the reloading system. ANY unresolved routing results in jobs or SYSOUT data executing or printing locally.
4. **\$T** of nodename can be used if the **NODE(nnnn)** to be altered is **OWNNODE**, and all members are at least z/OS 1.7 and NITCs are in the checkpoint.
5. If any inactive connections involving this node exist, they will be deleted to avoid sending erroneous information about the new node name into the network.

6. Before defining a node name that starts with a numeric character, ensure that all nodes in your network support node names that start with numeric characters, that is, the nodes are at JES2 SP5.1 or higher.
7. When naming a node, avoid names that consist only of 1- to 4-digit numbers (for example, NAME=3 or NAME=246). This can cause confusion when the name is used in commands or displayed in messages.

To reduce any possibility of confusion if you must use 1- to 4-digit numbers for the name, pad the name to the left with zeros (for example, NAME=00000246).

Using the following initialization statements, the command examples below help you to understand the effect of specifying a name that consists of four or less digits.

```
NODE(3)  NAME=246
NODE(246) NAME=POKIPSY
```

If you enter: \$T NODE(3)

JES2 modifies the third node (NAME=246).

If you enter: \$T NODE(POKIPSY)

JES2 modifies the 246th node (NAME=POKIPSY).

If you enter: \$T NODE(246)

JES2 modifies the third node (NODE(3) NAME=246), not NODE(246) NAME=POKIPSY.

8. To add back a member that was in the MAS before the node name change, you also should update XCFGRPNM to the new node name on MASDEF on a warm start.

*name* Can be done anytime.

*number*

Can only be done when no MAS member has an active connection to the node.

*local* Is allowed.

**Scope: MAS-Wide.**

**NETSRV=**

Specifies the device number of the NETSRV which should be used to establish a TCP/IP NJE connection to this node.

**Default:** 0 (no NETSRV is to be dedicated).

**Scope: Single Member.**

**OWNNODE=YES|NO (Selection limiting keyword)**

Specifies whether the node is the local node.

**Scope: Single Member.**

**Password=[SEND=xxxxxxx] [VERify=xxxxxxx]**

If you specify both SEND and VERify, use a comma to separate the subparameters, and enclose them in parenthesis.

**SEND**

The 1 to 8 character password sent to a node by an NJE connection.

**VERify**

The 1 to 8 character password received from a node by an NJE connection.

**Note:**

## \$T NODE(jnnnnnnn)

1. If the specified node is equal to the value of the OWNNODE parameter on the NJEDEF statement, the password is transmitted to other systems so that the system authorization may be verified.
2. If you specify a null password (P=VER=, SEND= or both), JES2 deletes the previously assigned password.
3. Be certain to make a note of the password assigned because there is no facility for displaying the current passwords.

**Scope: Single Member.**

### **PATHMGR={No|Yes}**

Indicates whether NCC records relevant to the path manager should be sent to this node. If the node is not a directly adjacent node, this parameter is not used. PATHMGR has MAS scope. The values can be changed on any start other than a hot start and will affect all MAS members regardless of whether the node is active or inactive.

**NO** Indicates that Reset ("L"), Concurrence ("K"), Add ("M"), and Subtract ("N") NCC records are not sent to this adjacent node.

**YES** Indicates that all relevant NCC records are passed to this adjacent node.

**Note:** If you specify PATHMGR=, the connection must be inactive.

**Scope: MAS-Wide.**

### **PENCRYPT={No|Yes}**

Specifies whether passwords are to be encrypted for jobs destined to the specified node.

**Scope: Single Member.**

### **PRIVATE={No|Yes}**

Indicates whether the connection between this node and an adjacent node is broadcast to the rest of the network. This parameter is not used if the node is not a directly adjacent node. PRIVATE has MAS scope. The values can be changed on any start other than a hot start and will affect all MAS members regardless of whether the node is active or inactive.

**NO** Indicates that the connection is considered public; Any Add ("M") and Subtract ("N") records for this connection are broadcast to all adjacent path manager nodes.

**YES** Indicates that the connection is considered private; Any Add ("M") and Subtract ("N") records for this connection are not broadcast to adjacent nodes.

**Scope: MAS-Wide.**

### **RECeive={BOTH|JOBS|NONE|SYSOUT}**

Specifies what the local node (as specified by the OWNNODE parameter on the NJEDEF initialization statement) receives from the specified node.

#### **BOTH**

The local node receives both jobs and SYSOUT data from the specified node.

#### **JOBS**

The local node receives only jobs from the specified node.

#### **NONE**

The local node does not receive any data from the specified node.

**SYSOUT**

The local node receives only SYSOUT data from the specified node.

**Scope: Single Member.**

**REST=nnnn**

An integer (0-2000) that represents the resistance rating of the connection as viewed by the installation manager and coordinated with other installations. See *z/OS JES2 Initialization and Tuning Guide* for details about selecting resistances.

**Default:** 0. Note that, although 0 is the default, it cannot be specified.

**Scope: Single Member.**

**SENTREST={ACCEPT|IGNORE}**

The total resistance of a connection is comprised of the partial resistance of the local node *plus* the partial resistance of the node to which you are making a connection. When a connection is established between the local node and another node (that is, the node you specify on this NODE(nnnn) statement), SENTREST=ACCEPT specifies that the partial resistance sent to the local node during signon processing is to be added to the partial resistance calculated by the local node to determine the total resistance of the connection. SENTREST=IGNORE specifies that only the partial resistance calculated at the local node is to be used to calculate the total resistance of the connection. The partial resistance sent by the other node is ignored. This keyword only applies if PATHMGR=NO. This keyword is useful when the node being connected to, cannot control the resistance being sent during signon processing.

**Scope: Single Member.**

**SIGNON=**

Specifies the type of signon security to be used when NJE connections to this node are established:

**COMPAT**

Specifies that node and line passwords, where applicable, are to be exchanged and verified by the NJE signon process.

**SECURE**

Specifies that encrypted session keys are to be exchanged rather than node and line passwords.

**Scope: Single Member.**

**SUBnet=xxxxxxx**

Specifies the 1- to 8-alphanumeric or special (\$, #, or @) character name of the subnet that should include this node. Information about connections between two nodes in the same subnet are not passed between nodes outside that subnet. SUBnet has MAS scope. The values can be changed on any start other than a hot start and will affect all MAS members regardless of whether the node is active or inactive.

**Scope: MAS-Wide.**

**TRace={No|Yes}**

Specifies whether NCC records to and from the direct connection to the specified node should be traced.

Tracing is activated if trace IDs 21, 22, 23, and 24 are currently enabled.

**NO** Indicates that trace records are not to be written

## \$T NODE(jnnnnnnn)

**YES** Indicates that trace records are to be written

**Scope: Single Member.**

**TRAnsmi t={BOTH|JOBS|NONE|SYSOUT}**

Specifies what type of data the local node (as specified by the OWNNODE parameter on the NJEDEF initialization statement) transmits to the specified adjacentnode.

**BOTH**

The local node transmits both jobs and SYSOUT data to the specified node.

**JOBS**

The local node transmits only jobs to the specified node.

**NONE**

The local node does not transmit any data to the specified node.

**SYSOUT**

The local node transmits only SYSOUT data to the specified node.

**Scope: Single Member.**

### Authority Required

This command requires **system** authority. The description of the \$T RDRnn command explains how to ensure that the authority of the appropriate MVS system command group is assigned. The \$T INTRDR command sets the command authority for internal readers.

This command requires **control** security access authority. For a description of assigning command input authority, see *z/OS JES2 Initialization and Tuning Guide*.

### Scope

The scope of this command varies by parameter. See the description of each parameter for its scope.

The values supplied for some parameters on this command will be in effect across the entire MAS while the values supplied for other parameters will be in effect for this member only.

Depending on your installation's setup, you might want the parameters for this command to be applied to all members of the MAS (to ensure a consistent environment across the MAS). If so, you can use the MVS ROUTE \*ALL command to issue this command to all active members (if the JES2 command character is the same on all members). See *z/OS MVS System Commands* for more information on using the ROUTE \*ALL command.

### Messages

The \$HASP826 message displays the current values of all the parameters on the NODE(nnnn) initialization statement.

### Examples

**1** \$t node(5),name=newyork,hold=none,rec=jobs

```
$HASP826 NODE(5) NAME=NEWYORK,STATUS=(UNCONNECTED),
        AUTH=(DEVICE=YES,JOB=YES,NET=NO,
```

```
SYSTEM=NO), TRANSMIT=BOTH,
RECEIVE=JOBS, HOLD=NONE, REST=0,
PENCRYPT=NO, REST=0, COMPACT=0,
DIRECT=NO, SIGNON=COMPACT, NETSRV=0,
LINE=0, LOGMODE=, PASSWORD=(VERIFY=
(NOTSET), SEND=(NOTSET)), PATHMGR=YES,
PRIVATE=NO, SUBNET=, TRACE=NO
```

JES2 updates the characteristics for node 5, who's new symbolic name is NEWYORK. The local node receives only jobs from node 5 and it does not hold these jobs. The STATUS= parameter shows that node 5 is not currently connected to the local node. The PASSWORD= parameter shows that the password was nullified when this node was defined or changed.

**2 \$t node(pok\*), auth=(device=n, job=y), tra=both**

```
$HASP826 NODE(1) NAME=POK, STATUS=OWNNODE,
AUTH=(DEVICE=NO, JOB=YES, NET=NO,
SYSTEM=YES), TRANSMIT=BOTH,
RECEIVE=BOTH, HOLD=NONE, PENCRYPT=NO,
DIRECT=NO, SIGNON=COMPACT, NETSRV=0,
REST=0, COMPACT=0, LINE=0,
LOGMODE=, PASSWORD=(VERIFY=(NOTSET),
SEND=((NOTSET))), PATHMGR=YES, PRIVATE=NO,
SUBNET=, TRACE=NO
```

JES2 changes the command authorities for all nodes whose names begin with POK (in this case, node 1). These nodes are authorized to issue job-related commands to the local node, but they cannot affect local devices. The local node now transmits both jobs and SYSOUT data to node 1. The STATUS= parameter shows the individual node's connection status with the local node.

**3 \$tnode(node4), connect=(yes, 2)**

```
$HASP826 NODE(4)
$HASP826 NODE(4) NAME=NODE4, STATUS=(UNCONNECTED),
$HASP826 AUTH=(DEVICE=YES, JOB=YES, NET=NO, SYSTEM=YES),
$HASP826 TRANSMIT=BOTH, RECEIVE=BOTH, HOLD=NONE,
$HASP826 PENCRYPT=NO, SIGNON=COMPAT, ADJACENT=NO,
$HASP826 DIRECT=NO, ENDNODE=NO, REST=0, SENTREST=ACCEPT,
$HASP826 COMPACT=0, LINE=0, LOGMODE=, LOGON=0, NETSRV=0,
$HASP826 OWNNODE=NO, PASSWORD=(VERIFY=(NOTSET),
$HASP826 SEND=(NOTSET)), PATHMGR=YES, PRIVATE=NO,
$HASP826 CONNECT=(YES, 2), SUBNET=, TRACE=NO
```

---

## \$T NUM - Set the JES2 internal job numbers

### Function

To set or reset the JES2 job number base.

### Syntax

▶▶—\$T—NUM—, BASE=—nnnn—▶▶

### Parameters

**BASE=nnnn**

The new job number base (1-999999). JES2 assigns nnnnn to the next job entering the system unless nnnnn has already been assigned to a job. If the value of nnnnn is in use, JES2 assigns the new job the next available job number beyond the value of nnnnn.

### Authority Required

This command requires **system** authority. The description of the \$T RDRnn command explains how to ensure that the authority of the appropriate MVS system command group is assigned. The \$T INTRDR command sets the command authority for internal readers.

This command requires **control** security access authority. For a description of assigning command input authority, see *z/OS JES2 Initialization and Tuning Guide*.

### Scope

**MAS-wide.** This command has an effect across the entire MAS.

### Messages

The \$HASP609 message displays the new job number base.

### Example

```
$t num, base=1000
```

```
$HASP609 NUMBER SET TO 1000
```

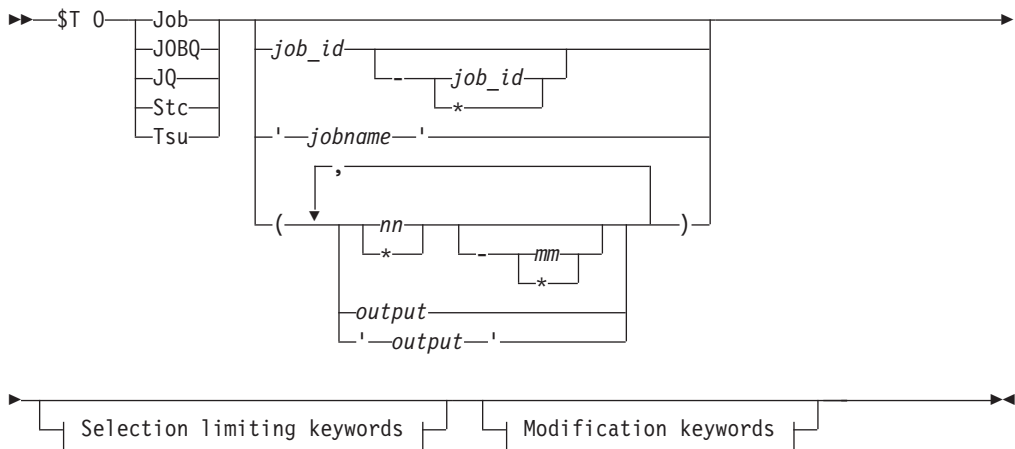
If the number 1000 is not in use, JES2 assigns 1000 to the next job in the system. If there is currently a job numbered 1000 in the system, JES2 assigns the next available job number.

## \$T O Job - Set output characteristics

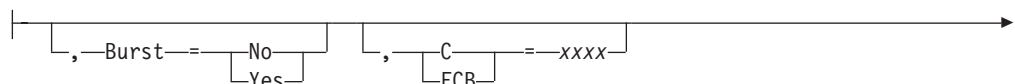
### Function

To set the output characteristics for one or more job output elements belonging to one or more specified jobs.

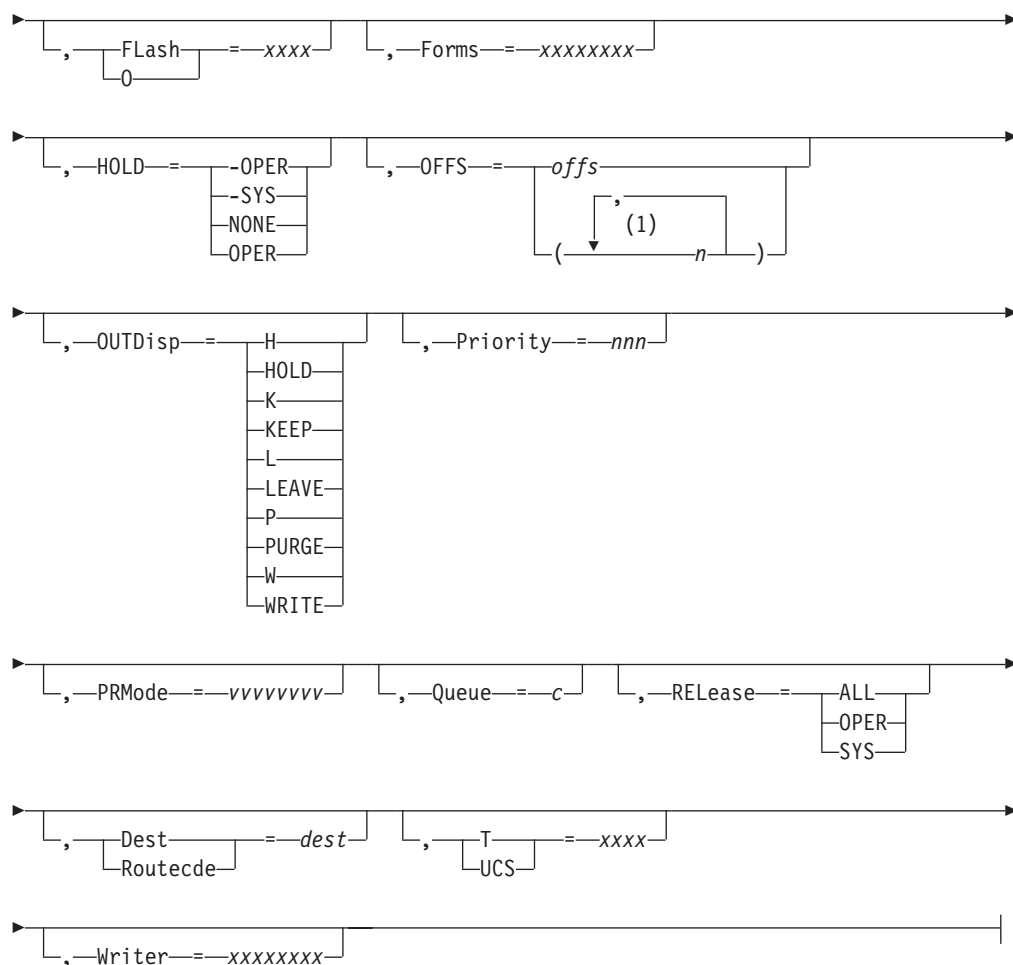
### Syntax



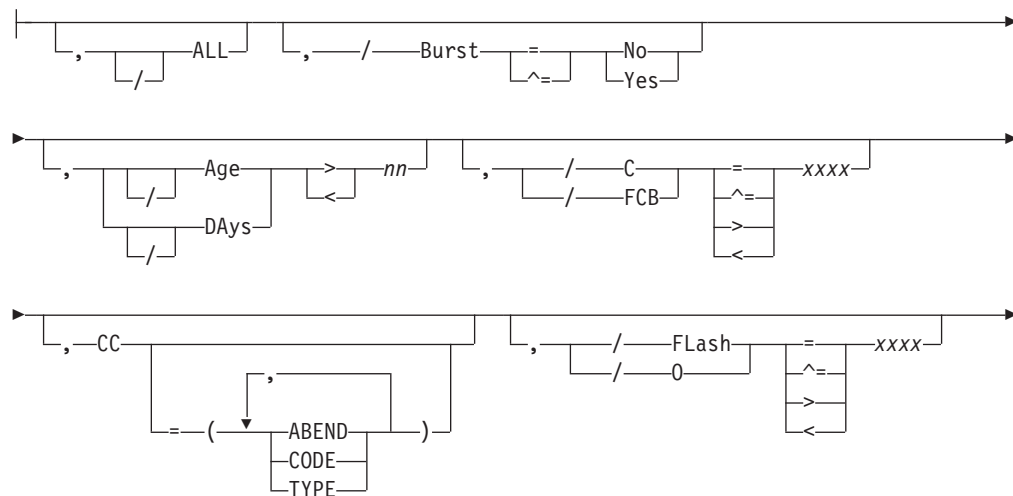
### Modification keywords:



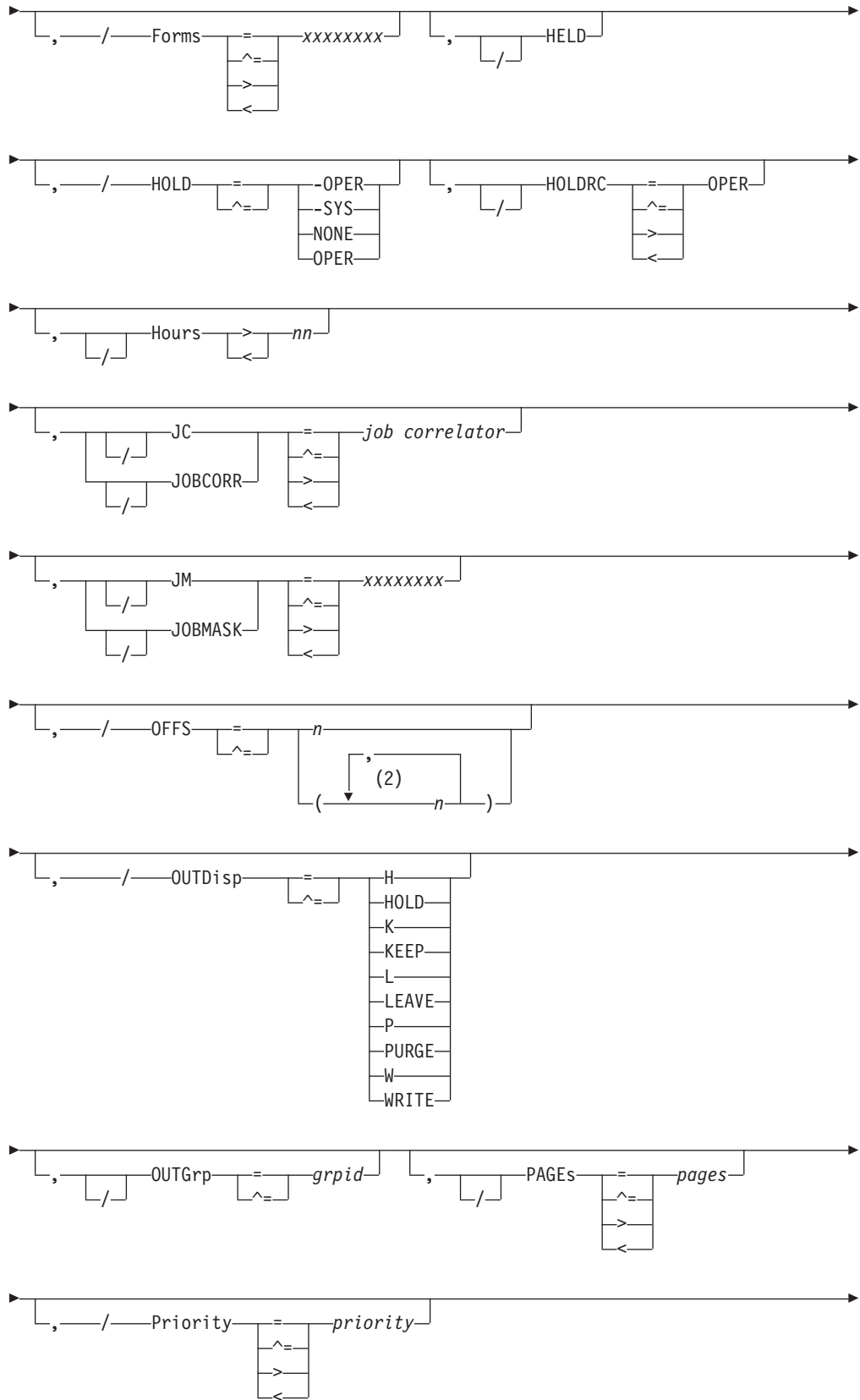


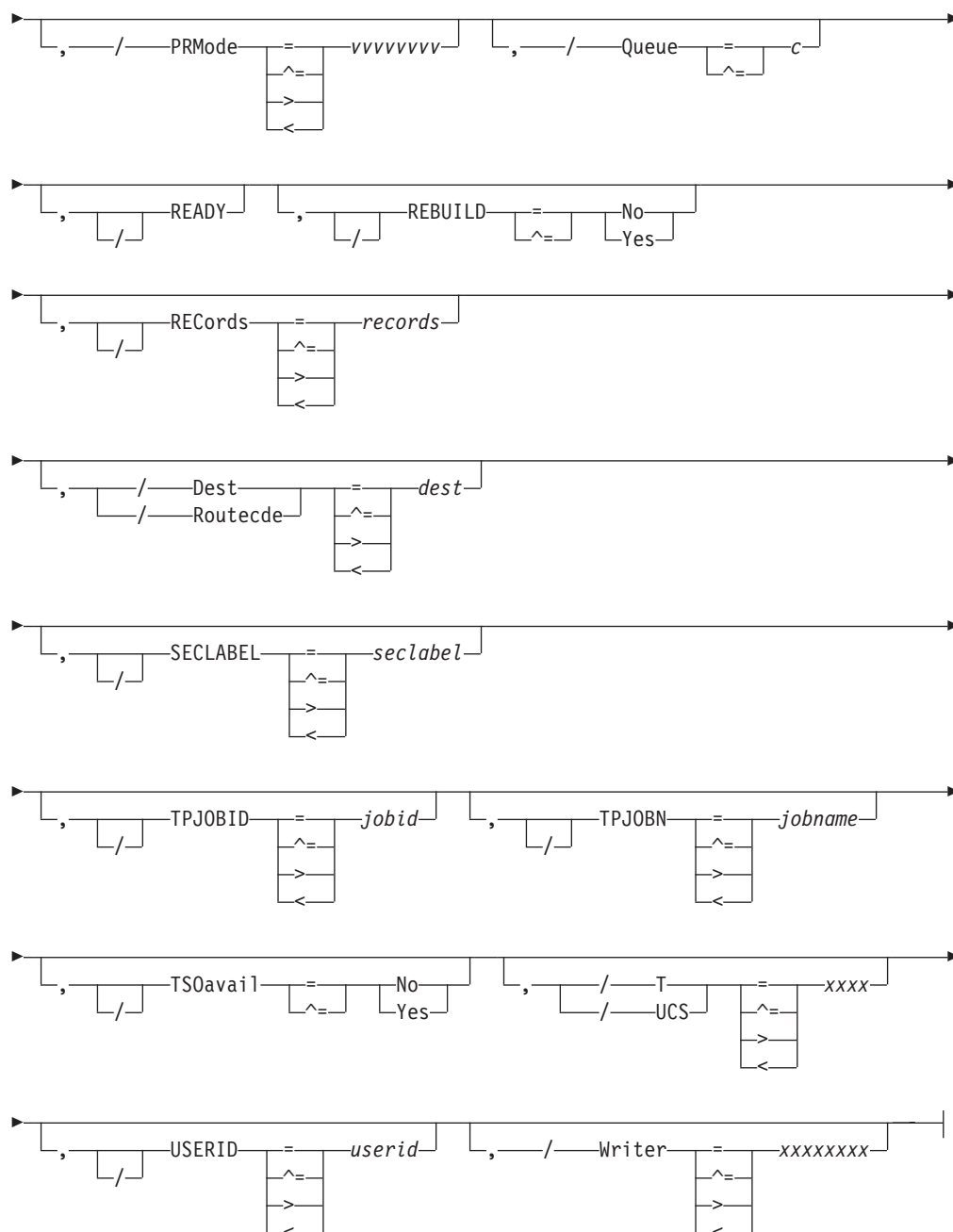


**Selection limiting keywords:**



**\$T O Job**





**Notes:**

- 1 OFFS= can be coded up to 8 times
- 2 OFFS= can be coded up to 8 times

**Parameters**

**output**

Specifies 1 to 8 alphanumeric, special (\$, #, or @) or wildcard characters (or a combination of them) that can be used to select a subset of jobs whose job name matches this combination of characters (mask).

**'output'**

The name of the job that is to be set. This name must appear as coded on the

JOB statement and must be enclosed in apostrophes. If more than one job exists with this name, no action is taken.

**Job**

A Batch job or range of batch jobs is to be set.

**JOBQ|JQ**

Specifies *all* jobs, STCs, and TSUs across the MAS for processing.

**Stc**

A started task or range of started tasks is to be set.

**Tsu**

A time-sharing user or range of time-sharing users is to be set.

**Age|DAys<days | Age|DAys>days**

Specifies the age of affected output in days. Only output more (with DAYS>nn) or less (with DAYS<nn) than the specified number of days in age are affected, The days are counted from the current hour.

**ALL**

JES2 modifies the specified job's output elements based on the presence of filters as follows:

ALL specified?	Filters?	Meaning
YES	YES	Command is rejected
YES	NO	Command applies to all job output elements belonging to the specified job
NO	YES	ALL is not considered
NO	NO	Command applies to all job output elements belonging to the specified job

**B|BURST={No|Yes}**

Specifies whether the printed output is to be burst into separate sheets (Yes) or to be in continuous, fanfold mode (No).

**CC=(ABEND|ABENDED|CANce11ed|CNVT\_abend|CODE|COMPleted| ENDEd\_by\_cc|EOM\_failure|JCLerror|SECurity\_failure|TYPE)**

Specifies the completion information associated with the job.

**ABENDED**

Specifies only jobs which have abnormally ended.

**ABEND**

Specifies the ABEND code associated with the job's termination.

**CANce11ed**

Specifies only jobs which were cancelled by the operator.

**CNVT\_abend**

Specifies only jobs which have abnormally ended during the conversion phase.

**CODE**

Specifies the last (or highest) completion code of steps in the job.

**COMPleted**

Specifies only jobs which completed.

**ENDEd\_by\_cc**

Specifies only jobs which were ended by a step completion code.

**EOM\_failure**

Specifies only jobs which failed in end-of-memory processing.

**JCLerror**

Specifies jobs which did not execute due to a JCL error.

**SECurity\_failure**

Specifies jobs which failed security validation.

**C|FCB={xxxx|\*\*\*\*}**

A 1 to 4 alphanumeric character or special character (\$ # @) identifier for the data set forms control or carriage specifications. Four asterisks (\*\*\*\*) specifies that the output group is to be reset to the default setting specified by the installation.

**Dest|Routeode=dest**

The destination assigned to the job output element(s). You may specify a remote destination (workstation), another node, or a specific local device. The value for all routing numbers can range from 1 to 32767. For more information about valid specifications, see "Route codes" on page 107.

If this command originates from another node in the network and the D|ROUTEODE= operand does not specify a node (first-level destination), the receiving node defaults the first-level destination to the node where the command originated.

If this command is sent to another node in the network using the \$N command, be aware that the receiving node will default the node (first-level destination) of Dest|ROUTEODE= operand to the sending node. If another node is desired, specify a destination on the Dest|ROUTEODE= operand that will resolve to the desired node (first-level destination) at the receiving node.

**Note:**

1. If an output group is queued for transmission and an operator changes its destination, the userid portion of the routing is lost. If an output group is interrupted while printing and the destination is changed, the output group will begin printing from the top when it is printed at the new destination.
2. NODENAME=REQUIRED on the DESTDEF initialization statement will cause JES2 to require that a userid be prefixed with a node name.
3. Greater than (> or >=) and less than (< or <=) filters may be used in conjunction to support route code ranges. For example, you could specify the filters R>=R1,R<=R7 to affect output for all remotes in the range R1 to R7, Note that:
  - The destination being filtered upon is converted to its binary equivalent prior to the comparison.
  - Open-ended ranges (for example, a > filter without a < filter, or a < filter without a > filter) are not allowed.
  - When using nodal ranges, a specification of "nodename.\*" must be used. Only the nodal routing of the output will be compared.

The following specifications are valid:

**LOCAL|ANYLOCAL**

Indicates that jobs are to be printed or punched at the local node.

**destid** Indicates that jobs are to be printed or punched at the specified node(s). You can specify this location by an alias for the name of a node. If destid is specified alone, it refers to both the node and the remote.

**Nnnnn | nodename**

Indicates that jobs are to be printed or punched at the specified node(s). You can specify a node using the decimal node identifier or an EBCDIC nodename.

**NnnnnRmmmm | node.remote | node.userid**

Indicates routing to the remote Rmmmm at the node Nnnnn. Rmmmm can also be specified as RMmmmm or RMTmmmm.

**Ummmm**

Indicates special local routing.

**node.destid**

Indicates a destination at the specified node. The destid refers to both the node and the remote. The node specified in the destid must be the same as the node portion of the route code. If the number of the remote is reassigned, you can use the destid to send to this node.

**remote**

Indicates routing to a remote. Remote can be specified in any of the following ways:

**LOCAL | ANYLOCAL**

Indicates that jobs are to be printed or punched at the local node.

**Rmmmm**

Indicates routing to the specified remote. Rmmmm can also be specified as RMmmmm or RMTmmmm.

**destid** Indicates routing to a destid referring to a remote.

**userid** Indicates routing to a valid TSO userid.

**node.\*** Indicates that the node name is to be modified to the specified node name, but the remote name will remain the same.

**\*** Indicates that the node name is to be modified to the local node name, but the remote name will remain the same.

**F | Forms={xxxxxxx | \*\*\*\*}**

A 1 to 8 alphanumeric or special character (\$ # @) identifier for the print or punch forms. Four asterisks (\*\*\*\*) specifies that the output group is to be reset to the default setting specified by the installation.

**FLASH | 0={xxxx | \*\*\*\*}**

A 1 to 4 alphanumeric or special character (\$ # @) overlay name (FLASH). Four asterisks (\*\*\*\*) specifies that the output group is to be reset to the default setting specified by the installation.

**H | Hours>hours | H | Hours<hours**

Specifies the age of affected output in hours. Only output more (with HOURS>nn) or less (with HOURS<nn) than the specified number of hours in age are affected.

**HELD**

Output is HELD if it is destined for this node and the output disposition is HOLD or LEAVE.

**HOLD={-OPER | -SYS | NONE | OPER}**

This operand explicitly sets the operator HOLD type. The only hold type that can be set using this operand is OPER. This parameter prevents JES2 from selecting an output group for any processing other than purging. Specifying

HOLD= for an output group is more restrictive than specifying an output group's output disposition. OUTDISP=HOLD or LEAVE prevents JES2 from selecting an output group for print/punch or external writer processing only.

Specifying the REL= parameter on this command makes the output available for processing.

**HOLDRC**

Job characteristics are only assigned to objects with the specified hold reason codes.

**JC|JOB CORR=***job correlator*

Specifies a combination of 1-64 alphanumeric, special (colon, period or underscore) and wildcard characters that can be used to select a subset of jobs that have a matching job correlator. For a description of wildcard characters, refer to "Using wildcards" on page 108.

**JOB MASK|JM=**xxxxxxxx

Specifies 1 to 8 alphanumeric, special (\$, #, or @) or wildcard characters (or a combination of them) that can be used to select a subset of jobs whose job name matches this combination of characters (mask). For a description of wild cards, see "Using wildcards" on page 108.

**Note:**

1. This is a positional parameter. Specify this following the job\_id (JOB, STC, or TSU) or JOBQ parameter.
2. The JOB MASK parameter is not valid with the 'jobname ' parameter.

**OUTDISP={H|HOLD|K|KEEP|L|LEAVE|P|PURGE|W|WRITE}**

As a modification keyword, OUTDISP= indicates what the new output disposition should be for the specified job's output. Specify WRITE, HOLD, LEAVE, KEEP, or PURGE.

As a selection limiting keyword, OUTDISP= indicates that you wish to modify the output for the specified job that matches this current disposition. Specify, WRITE, HOLD, LEAVE, or KEEP.

**Note:** If you do not specify this parameter, all output with a disposition of WRITE, HOLD, KEEP, or LEAVE will be modified.

**OUTGRP=**grp id[.joe id1[.joe id2]]

The job output element(s) that are modified.

**grp id**

The 1 to 8 character alphanumeric group ID that is either specified by the user in the JCL or generated by JES2. If you specify only group ID (OUTGRP=grp id) on this command, JES2 modifies all the job output elements in that group.

**joe id1**

A number assigned by JES2 to distinguish between job output elements within the output group. If you specify only group ID and the first qualifier (OUTGRP=grp id.joe id1) on this command, JES2 modifies all copies of the specified job output element in that group.

**joe id2**

A number assigned by JES2 to distinguish between several copies of grp id.joe id1. If you specify group ID and both qualifiers (OUTGRP=grp id.joe id1.joe id2) on this command, JES2 modifies only the specified copy (joe id2) within the job output element (joe id1) in that group.

**Note:** This parameter is positional and must immediately follow the jobid (JOB, STC, TSU), JOBQ or 'jobname' (or JOBMASK if coded) parameter.

**OFFS=(n[,n,n]) | (+n, [n,n]) | (-n, [n,n]) | 0**

Specifies updates to the archival status of sysout for this job. Output will be marked as already offloaded for all offload device numbers that were specified and as not offloaded for all offload device numbers not specified.

Specifying + or - before the offload device number(s) updates offload status of the output for only the specified offload device numbers. Specifying + marks the output as offloaded and specifying - marks it as not having been offloaded. Use this option to allow offloading of output that have been already been offloaded or to prevent offloading of certain output.

**P|PRIORITY=nnn**

The queue selection priority (0-255) assigned to the job output element(s).

**PAGEs=pages**

Only jobs with the specified number of pages of output are modified.

**PRMode=vvvvvvvv**

The process mode (1 to 8 alphanumeric characters) for the job output element(s).

**Q|QUEUE=c**

The output class (A-Z and 0-9) assigned to the job output element(s).

**READY**

Output is READY if it is not HELD.

**REBUILD={No|Yes}**

Output on the rebuild queue is to be set (Yes) or not set (No).

**RECORDS=records**

Only output groups with the specified number of records are to be modified.

**REL|RELease={ALL|SYS|OPER}**

The operand used to explicitly clear one or more HOLD types. If you are only specifying one type, you may drop the parentheses. Parentheses are required, however, when you specify more than one type. You may use this operand to clear all HOLD types (OPER and SYS). In addition, you may use the type "ALL" to clear all holds applied against the specified output group(s).

**SECLABEL=seclabel**

Only output groups with the specified security label are to be modified.

**TPJOBID=jobid**

Only output groups with the specified transaction job ID are to be modified.

**TPJOBN=jobname**

Only output groups with the specified transaction job name are to be modified.

**TSOavail={No|Yes}**

Only output which is (Yes) or is not (No) eligible for the TSO OUTPUT command is to be modified.

**USERID=userid**

Only output groups associated with the specified userid are to be modified.

**T|UCS={xxxx|\*\*\*\*}**

A 1 to 4 character alphanumeric or special character (\$ # @) identifier for the universal character set specification. This will also set the character set (CHAR1) to be used on Non-Impact printers unless the UCS and CHARS values are both assigned to an output data set by a job's JCL and their values



are not equal. Four asterisks (\*\*\*\*) specifies that the output group is to be reset to the default setting specified by the installation.

**W|Writer={xxxxxxx|\*\*\*\*}**

A 1 to 8 alphanumeric or special (\$ # @) character write name assigned to the job output element(s). Four asterisks (\*\*\*\*) specifies that the output group is to be reset to a null value.

## Authority Required

This command requires **job** authority. The description of the \$T RDRnn command explains how to ensure that the authority of the appropriate MVS system command group is assigned.

This command requires **update** security access authority. For a description of assigning command input authority, see *z/OS JES2 Initialization and Tuning Guide*.

## Processing Considerations

- If you use this command to change both the destination and other output characteristics, those changes to the other output characteristics are ignored for duplicate output groups (those groups created by specifying more than one job copy or by issuing the \$N command to repeat the processing of an output group).
- If any of the characteristics that you specify on this command are also specified as work selection criteria with the WS= parameter on the device initialization statement or using the \$T device command, then those characteristics are compared against the matching output device specifications; work is selected accordingly.
- If the following characteristics are modified, the output group will begin printing from the top when the output starts printing again.
  - Burst
  - FCB
  - Destination
  - Form
  - Overlay (Flash)
  - Process mode(PRMODE)
  - UCS
  - Writer name
- Once a held output group has been released (the output disposition is changed to WRITE or KEEP), the group is no longer available for processing by the TSO/E OUTPUT command. For more information, see the \$HASP686 message in *z/OS JES2 Messages*.

## Scope

**MAS-wide.** This command has an effect across the entire MAS.

## Messages

The \$HASP686 message displays the current output characteristics for each job output element specified.

## Examples

**1** \$t o j17,/outgrp=group2,/outdisp=write,outdisp=hold

```
JOB00017  $HASP686 OUTPUT(D15USER)  OUTGRP=GROUP2.2.1,BURST=NO,FCB=****,
$HASP686  FLASH=****,FORMS=STD,HOLD=(NONE),
$HASP686  HOLDRC=,OUTDISP=HOLD,PAGES=,
$HASP686  PRIORITY=144,PRMODE=LINE,QUEUE=A,
$HASP686  RECORDS=(1 OF 1),ROUTECD=LOCAL,
$HASP686  SECLABEL=,TSOAVAIL=NO,UCS=****,
$HASP686  USERID=D15USER,WRITER=
```

JES2 assigns an OUTDISP value of HOLD to all the job output element(s) of the output group that is identified by GROUP2 with a disposition of WRITE and belongs to batch job 17.

**2** \$t o j12,all,hold=oper

```
JOB00012 00000090 $HASP686 OUTPUT(D15USERC) OUTGRP=2.1.1,BURST=NO,FCB=****,
$HASP686  FLASH=****,FORMS=STD,HOLD=(OPER),
$HASP686  HOLDRC=,OUTDISP=WRITE,PAGES=,
$HASP686  PRIORITY=144,PRMODE=LINE,QUEUE=A,
$HASP686  RECORDS=(38 OF 38),ROUTECD=LOCAL,
$HASP686  SECLABEL=,TSOAVAIL=NO,UCS=****,
$HASP686  USERID=D15USER,WRITER=
$HASP686 OUTPUT(D15USERC) OUTGRP=1.1.1,BURST=NO,FCB=****,
$HASP686  FLASH=****,FORMS=STD,HOLD=(OPER),
$HASP686  HOLDRC=,OUTDISP=WRITE,PAGES=,
$HASP686  PRIORITY=144,PRMODE=LINE,QUEUE=A,
$HASP686  RECORDS=(1 OF 1),ROUTECD=LOCAL,
$HASP686  SECLABEL=,TSOAVAIL=NO,UCS=****,
$HASP686  USERID=D15USER,WRITER=
```

JES2 places an operator hold on all job output elements that belong to batch job 12.

**3** \$T O J1-\*,JM=IB\*,OUTGRP=1.1.1,/OUTDISP=WRITE,OUTDISP=HOLD

```
JOB00102  $HASP686 OUTPUT(IBMUSERX)
$HASP686 OUTPUT(IBMUSERX) OUTGRP=1.1.1,BURST=NO,FCB=****,
$HASP686  FLASH=****,FORMS=STD,HOLD=(NONE),
$HASP686  HOLDRC=,OUTDISP=HOLD,PAGES=,
$HASP686  PRIORITY=128,PRMODE=LINE,QUEUE=A,
$HASP686  RECORDS=(2139 OF 2139),
$HASP686  ROUTECDE=LOCAL,SECLABEL=,TSOAVAIL=NO,
$HASP686  UCS=****,USERID=IBMUSER,WRITER=
JOB00104  $HASP686 OUTPUT(IBMUSERY)
$HASP686 OUTPUT(IBMUSERY) OUTGRP=1.1.1,BURST=NO,FCB=****,
$HASP686  FLASH=****,FORMS=STD,HOLD=(NONE),
$HASP686  HOLDRC=,OUTDISP=HOLD,PAGES=,
$HASP686  PRIORITY=128,PRMODE=LINE,QUEUE=A,
$HASP686  RECORDS=(2139 OF 2139),
$HASP686  ROUTECDE=LOCAL,SECLABEL=,TSOAVAIL=NO,
$HASP686  UCS=****,USERID=IBMUSER,WRITER=
```

JES2 assigns an OUTDISP value of HOLD to all the job output element(s) of the output group that is identified by GROUP 1.1.1 with a disposition of WRITE and belongs to all batch jobs, beginning with job 1, whose name begins with the characters IB.

**4** \$T O JOB,OFFS=+4

```
JOB00104  $HASP686 OUTPUT(IBMUSERY)
$HASP686 OUTPUT(IBMUSERY) OUTGRP=1.1.1,BURST=NO,FCB=****,
$HASP686  FLASH=****,FORMS=PUNCH,HOLD=(NONE),
$HASP686  OFFS=(3,4),OUTDISP=WRITE,PRIORITY=7,
$HASP686  PRMODE=LINE,QUEUE=B,
```

```

$HASP686          RECORDS=(14 OF 14),
$HASP686          ROUTECDE=LOCAL,SECLABEL=,TSOAVAIL=NO,
$HASP686          UCS=****,USERID=IBMUSER,WRITER=,
5 .TOJ17,/OUTDISP=WRITE,OUTDISP=HOLD

```

```

JOB00017 .HASP686 OUTPUT (D15USER)  OUTGRP=1.1.1,BURST=NO,FCB=****,
.HASP686          FLASH=****,FORMS=STD,HOLD=(NONE),
.HASP686          OUTDISP=HOLD,PRIORITY=144,
.HASP686          PRMODE=LINE,QUEUE=A,
.HASP686          RECORDS=(50 OF 50),ROUTECDE=LOCAL,
.HASP686          SECLABEL=,TSOAVAIL=NO,UCS=****,
.HASP686          USERID=IBMUSER,WRITER=

```

JES2 assigns an OUTDISP value of HOLD to all the job output element(s) with a disposition of WRITE and belong to batch job 17.

```

6 .TOJ17,OUTDISP=HOLD

```

```

JOB00017 .HASP686 OUTPUT (D15USER)
.HASP686 OUTPUT (D15USER)  OUTGRP=1.1.1,BURST=NO,FCB=****,
.HASP686          FLASH=****,FORMS=STD,HOLD=(NONE),
.HASP686          OUTDISP=HOLD,PRIORITY=144,
.HASP686          PRMODE=LINE,QUEUE=A,
.HASP686          RECORDS=(50 OF 50),ROUTECDE=LOCAL,
.HASP686          SECLABEL=,TSOAVAIL=NO,UCS=****,
.HASP686          USERID=IBMUSER,WRITER=

```

JES2 assigns an OUTDISP value of HOLD to all the job output element(s) that belong to batch job 17.

```

7
$tojq1-*,days>1,forms=dora

```

```

STC00003 $HASP686 OUTPUT(IRRDPTAB)
$HASP686 OUTPUT(IRRDPTAB)  OUTGRP=1.1.1,BURST=NO,FCB=****,
$HASP686          FLASH=****,FORMS=DORA,HOLD=(NONE),
$HASP686          OUTDISP=WRITE,PRIORITY=144,
$HASP686          PRMODE=LINE,QUEUE=A,
$HASP686          RECORDS=(53 OF 53),ROUTECDE=LOCAL,
$HASP686          SECLABEL=,TSOAVAIL=NO,UCS=****,
$HASP686          USERID=+++++++,WRITER=

```

JES2 changes form for any job on output queue with days greater than 1.

```

8
$tos1-*,hours>1,hold=oper
STC00003 $HASP686 OUTPUT(IRRDPTAB)
$HASP686 OUTPUT(IRRDPTAB)  OUTGRP=1.1.1,BURST=NO,FCB=****,
$HASP686          FLASH=****,FORMS=DORA,HOLD=(OPER),
$HASP686          OUTDISP=WRITE,PRIORITY=144,
$HASP686          PRMODE=LINE,QUEUE=A,
$HASP686          RECORDS=(53 OF 53),ROUTECDE=LOCAL,
$HASP686          SECLABEL=,TSOAVAIL=NO,UCS=****,
$HASP686          USERID=+++++++,WRITER=

```

JES2 changes hold type on any started task with hours greater than 1.

```

9
$to s'aschint',/tpjobn=testjob,/tpjobid=a0000014,forms=std
STC00017 $HASP686 OUTPUT(ASCHINT)
$HASP686 OUTPUT(ASCHINT)  OUTGRP=TESTJOB.1.1,BURST=NO,FCB=****,
$HASP686          FLASH=****,FORMS=STD,HOLD=(NONE),
$HASP686          OUTDISP=WRITE,PRIORITY=144,
$HASP686          PRMODE=LINE,QUEUE=A,RECORDS=(2 OF 2),
$HASP686          ROUTECDE=PRTB03,SECLABEL=,

```

## \$T O Job

```

$HASP686          TPJOBID=A0000014,TPJOBN=TESTJOB,
$HASP686          TSOAVAIL=NO,UCS=****,USERID=MYUSERID,
$HASP686          WRITER=
  
```

JES2 changes forms for the transaction job name of TESTJOB and transaction job ID of A0000014 to STD.

**10** \$t o j(120-130),jc=\*\*clientxyz\*,outdisp=hold

```

JOB00122 $HASP686 OUTPUT(BILLING)                                C
$HASP686 OUTPUT(BILLING)  OUTGRP=1.1.1,BURST=NO,FCB=****,
$HASP686                   FLASH=****,FORMS=STD,HOLD=(NONE),
$HASP686                   OUTDISP=HOLD,PRIORITY=144,
$HASP686                   PRMODE=LINE,QUEUE=A,
$HASP686                   RECORDS=(48 OF 48),ROUTECD=LOCAL,
$HASP686                   SECLABEL=,TPJOBID=,TPJOBN=,
$HASP686                   TSOAVAIL=NO,UCS=****,USERID=IBMUSER,
$HASP686                   WRITER=
JOB00127 $HASP686 OUTPUT(MAILING)                                C
$HASP686 OUTPUT(MAILING)  OUTGRP=1.1.1,BURST=NO,FCB=****,
$HASP686                   FLASH=****,FORMS=STD,HOLD=(NONE),
$HASP686                   OUTDISP=HOLD,PRIORITY=144,
$HASP686                   PRMODE=LINE,QUEUE=A,
$HASP686                   RECORDS=(48 OF 48),ROUTECD=LOCAL,
$HASP686                   SECLABEL=,TPJOBID=,TPJOBN=,
$HASP686                   TSOAVAIL=NO,UCS=****,USERID=IBMUSER,
$HASP686                   WRITER=
  
```

JES2 assigns an OUTDISP value of HOLD to all job output elements for batch jobs within the job number range 120-130 that have a job correlator user portion containing CLIENTXYZ.

---

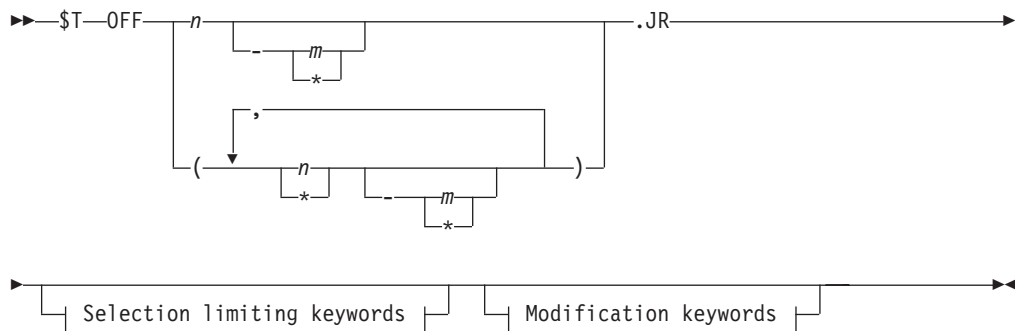
## \$T OFF(n).JR - Set offload job receiver characteristics

### Function

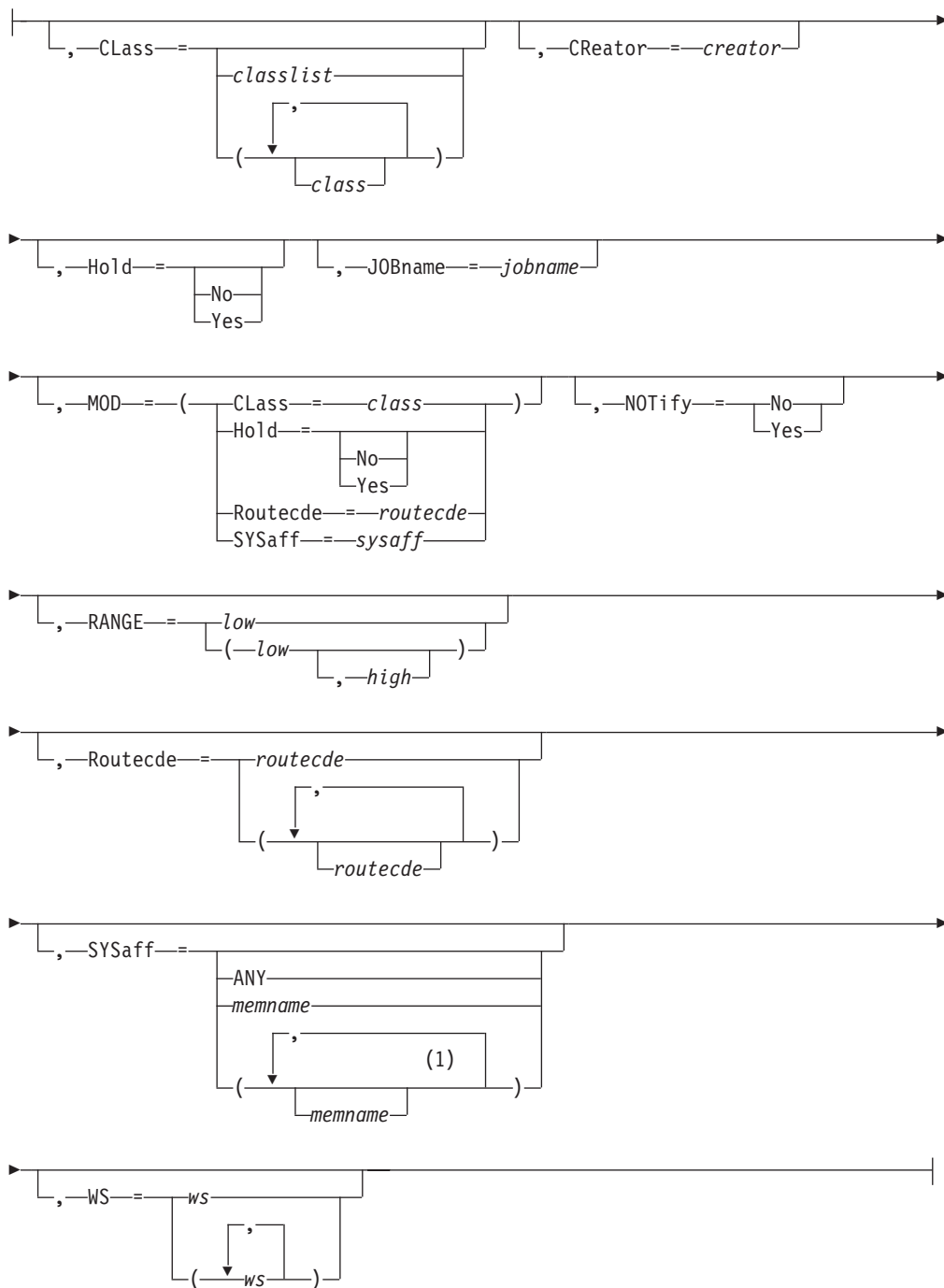
To specify the work selection and processing characteristics of one or more indicated offload job receivers.

One or more parameters on this command accepts wild cards. Parameter descriptions will note that.

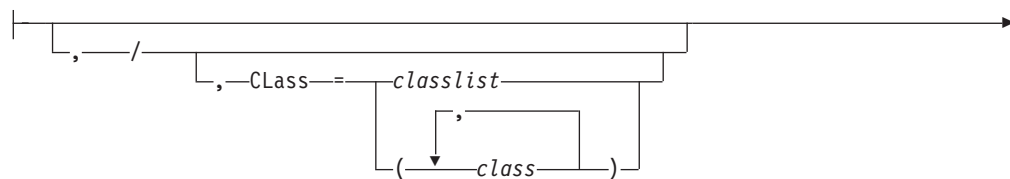
### Syntax

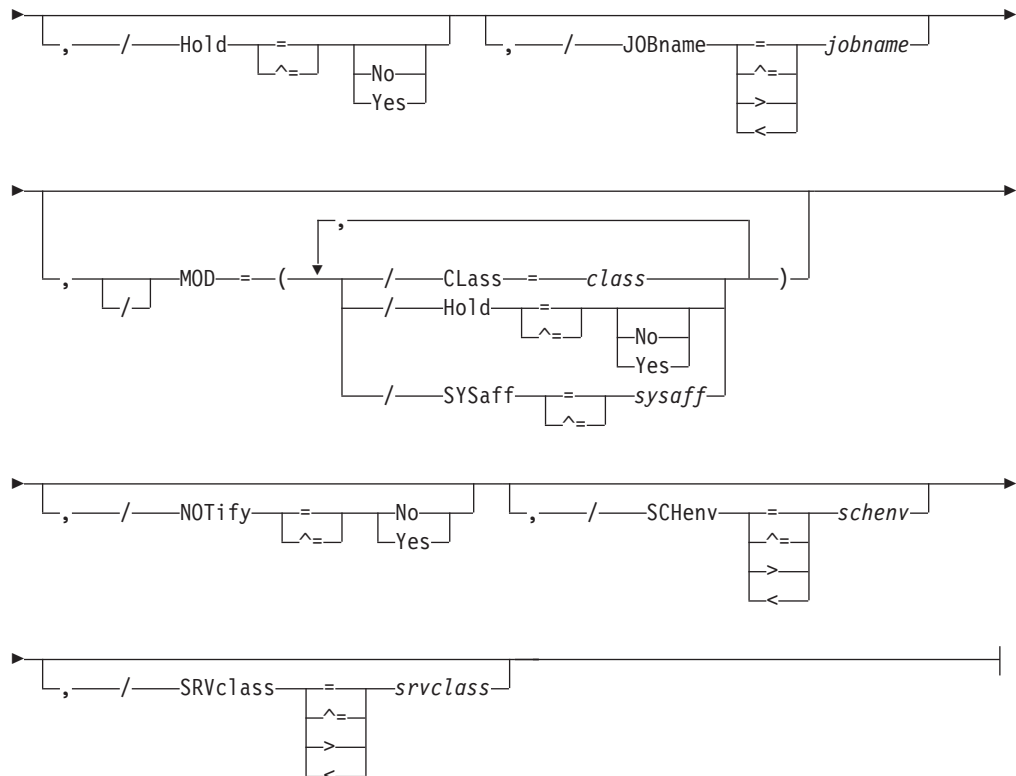


### Modification keywords:



**Selection limiting keywords:**





**Notes:**

- 1 *memname* can be coded up to 32 times

**Parameters**

*n* [-*m* | \*]

The subscript defining the offload job receivers that are affected by this command. The subscript can specify a single numeric value *n* (1-8) or a range of values *n-m* (1-8) associating offload job receivers with offload devices. The asterisk character (\*) can be used to specify the first or last offload job receivers in a range (*n-\**, for example). A comma-delimited list of values or ranges is also supported. For details about specifying a range of values for this subscript, see “Command syntax conventions” on page 97.

**CLass=***classlist* | (*class,class...*)

The only job classes that this device selects, if CLass is also specified in the WS= list. If job class is not a criterion for job selection, specify a null parameter of (CLass=) and do not specify CLass in the WS= list.

The *classlist* variable specifies a list of single-character job classes A-Z and 0-9 (for example, 'ABCDEF'). A maximum of 36 classes can be specified.

The *class* variable specifies a comma separated list of job classes or job class groups (each 1-8 characters in length). A maximum of eight items can be specified in the list. For example: (CLASS1,CLASS2,CLASS3).

**CREator=***creator*

Specifies the 1 through 8 character userid that creates the SYSOUT data sets to be processed. You can also specify wild cards on this parameter. See “Using wildcards” on page 108 for additional information.

**j** An alphabetic character (A-Z) or any of the special characters (\$, #, or @).

**cccccc**

Any combination of EBCDIC characters except a comma, a right parenthesis, or an equal sign.

**Hold=[No|Yes]**

The Hold specification for this device.

**No** Only non-held jobs can be selected, if Hold is also specified in the WS= list.

**Yes**

Only held jobs can be selected, if Hold is also specified in the WS= list.

If both held and non-held jobs are to be selected, specify a null parameter of (Hold=).

**JOBname=jobname**

A 1 to 8 character jobname. If JOBname is also specified in the WS= list, only those jobs with this jobname can be selected. You can also specify wild cards on this parameter. See "Using wildcards" on page 108 for additional information.

If the jobname is not a criterion for job selection, specify a null parameter of (JOBname=) and do not specify JOBname in the WS= list.

**MOD=**

Defines modifications to the specified characteristics of pre-execution jobs that are selected for reloading. These modifications are assigned during the reload process. If you specify more than one of the following parameters, each must be separated by commas and the list must be enclosed in parentheses.

**Class=class**

The new execution class of all pre-execution jobs that are loaded by this receiver. A null parameter of (Class=) specifies that the execution class is not modified.

**Hold={No|Yes}**

Specifies whether pre-execution jobs are to be held when loaded. If you specify Y, all pre-execution jobs that are loaded are held until released for execution. If you specify N, all pre-execution jobs that are loaded are to be released for execution. A null parameter of (Hold=) specifies that the Hold specification is not modified.

**Routeode=routeode**

Specifies the node from which jobs loaded by this device are run.

**LOCAL|ANYLOCAL**

Indicates that jobs are to be run at the local node.

**destid**

Indicates that jobs are to be run at the specified node. This location can be specified by an alias.

**Nnnnn|nodename**

Indicates that jobs are to be run at the node specified by its decimal node identifier from 1 to 32767 or through an EBCDIC nodename.

If route code is not a criterion for job selection, specify a null parameter of (Route code=()) and do not specify Route code in the WS= list. You must specify the empty parentheses.

**SYSaff=sysaff**

The new affinity for all pre-execution jobs loaded by this receiver. ANY indicates the job can execute on any member in the JES2 complex. A null parameter of (SYSaff=) specifies that the affinity is not to be modified.

**NOTify={No|Yes}**

Specifies whether a notification message is sent to the TSO userid specified on the JOB statement or /\*NOTIFY JECL. If you specify Y, a notification message is sent when a pre-execution job is loaded from the offload data set. If you specify N, no notification message is sent.

**RANGE=low [-high]**

The specific range of jobs that this device can select, if RANGE is also specified in the WS= list. The upper limit is the default value 2147483647. If you code this parameter, you can specify one or two values:

- If you specify one value, that value becomes both the low and the high end of the range.
- If you specify two values, the first value is the low end of the range and the second value the high end. The two values can be equal. If they are not equal, the second value must be larger than the first value.

**Route code=route code**

Specifies the execution node selection criteria for jobs to be loaded. Use commas to separate individual route codes and enclose the list in parenthesis if more than one route code is specified.

**Note:** NODENAME=REQUIRED on the DESTDEF initialization statement will cause JES2 to require that a userid be prefixed with a node name.

**LOCAL|ANYLOCAL**

Indicates that only jobs routed to the local node for execution can be selected.

**destid**

Indicates that only jobs routed to the specified location through an alias for the name of a node can be selected for execution.

**Nnnnn|nodename**

Indicates that only jobs routed to the specified location through the decimal node identifier from 1 to 32767 or through the EBCDIC nodename can be selected for execution.

If route code is not a criterion for job selection, specify a null parameter of (Route code=()) and do not specify Route code in the WS= list. You must specify the empty parentheses.

**SCHenv=schenv**

Specifies the 1 to 16 alphanumeric, special (\$, #, or @), or wildcard character (or combination of them) scheduling environment. Only those jobs with this SCHENV will be selected.

**SRVclass=srvclass**

Specifies the 1 to 8 alphanumeric, special (\$, #, or @), or wildcard character (or a combination of them) service class name. Only those jobs with this service class will be selected.



**SYSaff=ANY|memname**

The affinity selection criteria, if SYSaff is also specified in the WS= list.

**memname**

A specific member name. Jobs that have affinity for the specified member can be selected. You may specify up to 32 member names. Multiple member names must be separated by commas and the list must be enclosed in parentheses.

**ANY**

Jobs that have affinity for any member in the JES2 complex can be selected.

If affinity is not a criterion for job selection, specify a null parameter of (SYSaff=()) and do not specify SYSaff in the WS= list. You must specify the empty parentheses.

**WS=ws**

Specifies the work selection criteria for this device. Using any combination of user and JES2-defined criteria, you can specify up to 19 criteria in the WS= list. If a criterion is specified in the list, work selection is based on the current setting of the corresponding parameter. If a criterion is not specified in the list, the criterion is not considered during work selection.

Specifying a minus sign (-) before the criterion causes that criterion to be removed from the list. Specifying a criterion that is not currently specified in the list adds it to the end of the list. Specifying a criterion currently in the list causes that criterion to be moved to the end of the list, thereby decreasing its priority. To correct a WS list that was erroneously changed by an incorrect operator command, remove any criterion that should not be in the list (specify a minus sign (-) before the criterion). If necessary, reorder the remaining criterion.

**Note:**

1. You must always enclose the criterion or criteria in parentheses, for example, WS=(Class).
2. If you specify more than one criterion, each must be separated by commas, for example, WS=(Class,RANGE).
3. The slash (/) is not used for receiver criterion. All specifications are required to match and are assumed to be listed prior to a slash.
4. As with other work selection lists, priority for a criterion that specifies multiple values (Class, Routecdc, and SYSaff) is in left to right priority order.

**Authority Required**

This command requires **system** authority. The description of the \$T RDRnn command explains how to ensure that the authority of the appropriate MVS system command group is assigned.

This command requires **control** security access authority. For a description of assigning command input authority, see *z/OS JES2 Initialization and Tuning Guide*.

**Processing Considerations**

- If you specify a null value for a characteristic that is currently specified in the work selection (WS=) list, for example, Class=(), you must remove that criterion from the WS= list. If you do not remove the criterion from the WS= list, this device does not select any jobs.

## \$T OFF(n).JR

- If you are uncertain of the characteristics in effect, enter the \$D or \$D U command for the particular offload job receiver.

### Scope

**Single member.** The values supplied for this command will be in effect for this member only.

Depending on your installation's setup, however, you might want this command to be applied to all members of the MAS (to ensure a consistent environment across the MAS). If so, you can use the MVS ROUTE \*ALL command to issue this command to all active members (if the JES2 command character is the same on all members). See *z/OS MVS System Commands* for more information on using the ROUTE \*ALL command.

### Messages

The \$HASP883 message displays the current settings of all the parameters on the OFF(n).JR initialization statement.

### Examples

**1**

```
$t off1.jr,hold=y,jobname=report,ws=(hold,jobname)
```

```
$HASP883 OFF1.JR
$HASP883 OFF1.JR STATUS=STARTABLE,CLASS=ABCDEFGH,CREATOR=,
$HASP883 HOLD=YES,JOBNAME=REPORT,MOD=(CLASS=,HOLD=,
$HASP883 ROUTECDE=,SYSAFF=),NOTIFY=NO,RANGE=(J1,
$HASP883 2147483647),ROUTECD=(),SCHENV=,SRVCLASS=,
$HASP883 START=YES,SYSAFF=(),WS=(H,JOB/)
```

Offload receiver 1 selects only held jobs who's jobname is REPORT.

**2**

```
$t off1.jr,r=local
```

```
$HASP883 OFF1.JR
$HASP883 OFF1.JR STATUS=STARTABLE,CLASS=ABCDEFGH,CREATOR=,
$HASP883 HOLD=,JOBNAME=,MOD=(CLASS=,HOLD=,ROUTECD=,
$HASP883 SYSAFF=),NOTIFY=NO,RANGE=(J1,2147483647),
$HASP883 ROUTECDE=(LOCAL),SCHENV=,SRVCLASS=,START=YES,
$HASP883 SYSAFF=(NONE),WS=(CL/)
```

To specify a single list of one-character job classes (up to 36 single-byte class names), enter:

**3**

```
$t off1.jr,class=XYZ
```

```
$HASP883 OFF1.JR
$HASP883 OFF1.JR STATUS=STARTABLE,CLASS=XYZ,CREATOR=,HOLD=,
$HASP883 JOBNAME=,MOD=(CLASS=CLASS1,HOLD=,ROUTECD=,
$HASP883 SYSAFF=),NOTIFY=NO,RANGE=(J1,2147483647),
$HASP883 ROUTECDE=(),SCHENV=,SRVCLASS=,START=YES,
$HASP883 SYSAFF=(NONE),WS=(/)
```

To specify a single list of 8-character job class and job class group names (up to eight names), enter:

**4**

```
$t off1.jr,class=(CLASS1,CLASS2,CLASS3)
```

```
$HASP883 OFF1.JR
$HASP883 OFF1.JR STATUS=STARTABLE,CLASS=(CLASS1,CLASS2,CLASS3),
```

```

$HASP883          CREATOR=,HOLD=,JOBNAME=,MOD=(CLASS=CLASS1,
$HASP883          HOLD=,ROUTECD=,SYSAFF=),NOTIFY=NO,RANGE=(J1,
$HASP883          2147483647),ROUTECD=(),SCHENV=,SRVCLASS=,
$HASP883          START=YES,SYSAFF=(NONE),WS=(/)
```

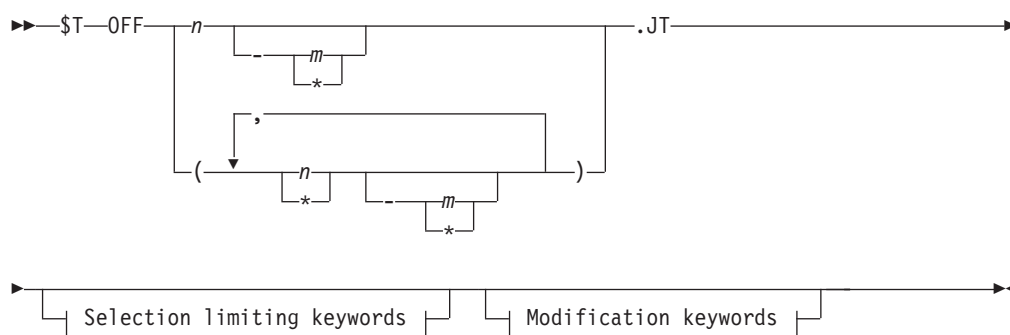
## \$T OFF(n).JT - Set offload job transmitter characteristics

### Function

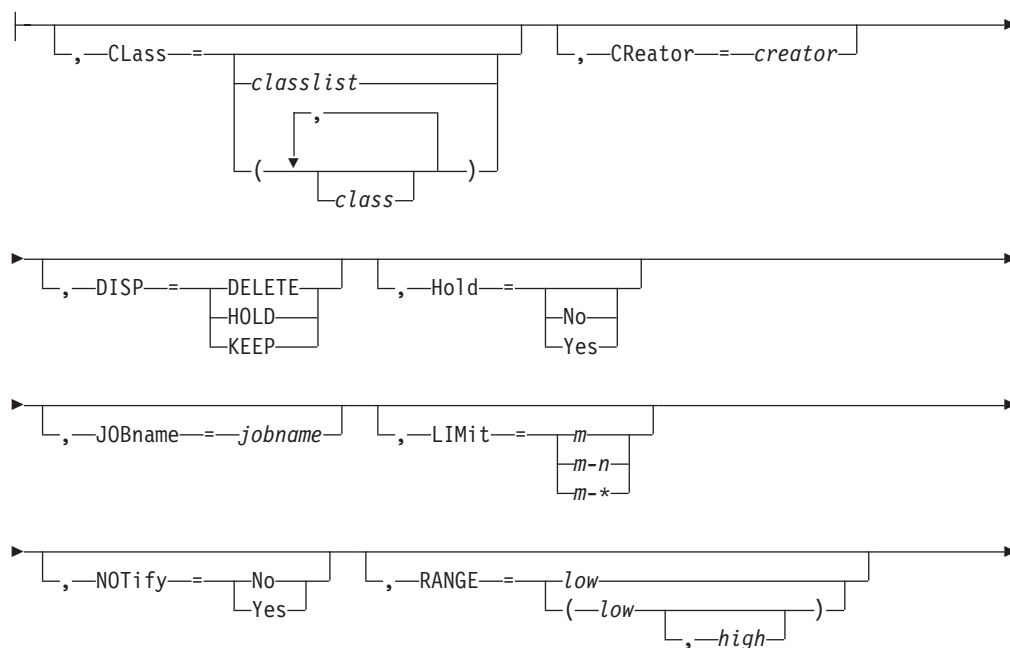
To specify the work selection and processing characteristics of one or more indicated offload job transmitters.

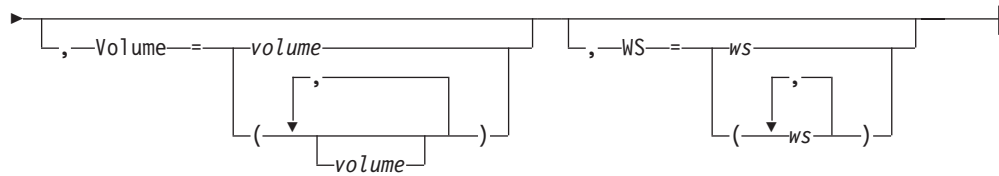
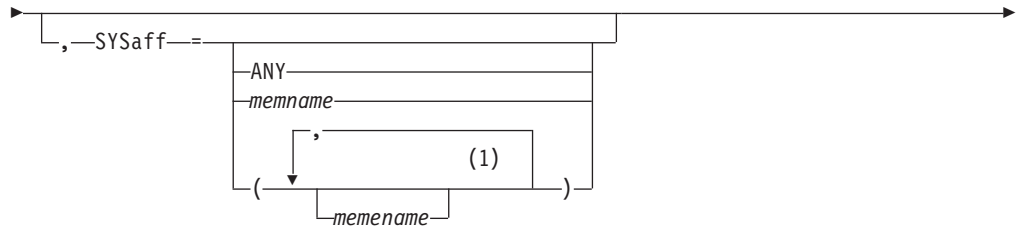
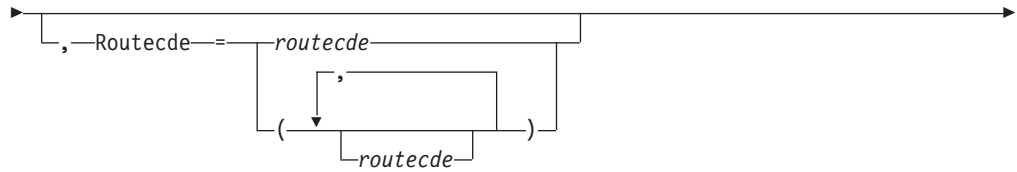
One or more parameters on this command accepts wild cards. Parameter descriptions will note that.

### Syntax

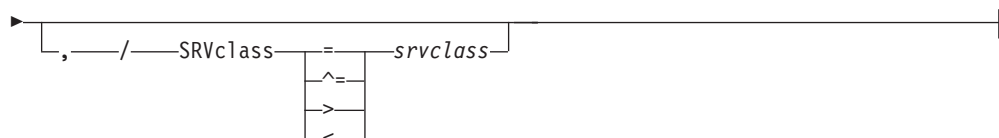
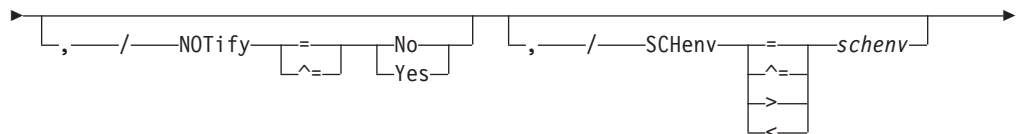
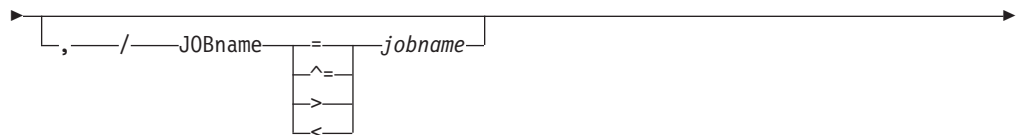
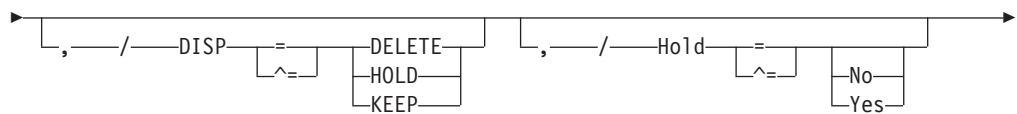
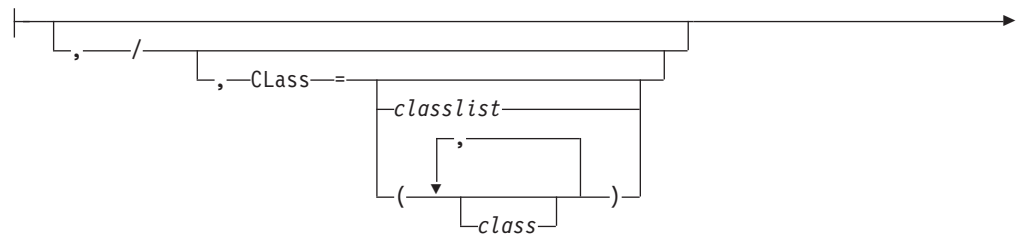


### Modification keywords:





**Selection limiting keywords:**



**Notes:**

1 *memname* can be coded up to 32 times

**Parameters**

*n* [-*m* | \*]

The subscript defining the offload job transmitters that are affected by this command. The subscript can specify a single numeric value *n* (1-8) or a range of values *n-m* (1-8) associating offload job transmitters with offload devices. The asterisk character (\*) can be used to specify the first or last offload job transmitter in a range (*n-\**, for example). A comma-delimited list of values or ranges is also supported. For details about specifying a range of values for this subscript, see “Command syntax conventions” on page 97.

**Class=classlist** | (*class,class...*)

The job classes specified for this device. These classes are to be considered during job selection if CLASS is specified in the work selection (WS) list. If job class is not a criterion for job selection, you may specify a null parameter of (Class=).

The *classlist* variable specifies a list of single-character job classes A-Z and 0-9 (for example, 'ABCDEF'). A maximum of 36 classes can be specified.

The *class* variable specifies a comma separated list of job classes or job class groups (each 1-8 characters in length). A maximum of eight items can be specified in the list. For example: (CLASS1,CLASS2,CLASS3).

**Creator=creator**

Specifies the 1 through 8 character userid that creates the SYSOUT data sets to be processed. You can also specify wild cards on this parameter. See “Using wildcards” on page 108 for additional information.

*j* An alphabetic character (A-Z) or any of the special characters (\$, #, or @).

**cccccc**

Any combination of EBCDIC characters except a comma, a right parenthesis, or an equal sign.

**DISP={DELETE|HOLD|KEEP}**

The disposition of all jobs that are selected for dumping to the offload data set.

**DELETE**

The jobs are purged after being dumped.

**HOLD**

The jobs are held after being dumped. These jobs are eligible for processing by another offload job transmitter that can select held jobs.

**KEEP**

The jobs retain their current status after being dumped. These jobs are eligible for processing by another offload job transmitter.

**Hold=[No|Yes]**

The Hold specification for this device.

**No** Only non-held jobs are to be selected.

**Yes**

Only held jobs are to be selected.

If both held and non-held jobs are to be selected, specify a null parameter of (Hold=).

**JOBname=jobname**

A 1 to 8 character jobname that is considered as a work selection criterion, if JOBname is also specified in the WS= list. You can also specify wild cards on this parameter. See "Using wildcards" on page 108 for additional information.

If the jobname is not a criterion for job selection, you may specify a null parameter of (JOBname=).

**LIMit={m|m-n|m-\*}**

Specifies the limits (in records) set by this device for the amount of input records in a job. This range is considered as a work selection criterion if LIMit is also specified in the WS= list.

For both variables *m* and *n*, you can specify a range of values 0-4294967295. The *m* and *n* values can be equal; if they are not equal, *n* must be larger than *m*. If you code only *m*, that value becomes both the lower and upper limit. If *m-\** is specified, the upper limit is set to the default value of 4294967295.

**NOTify={No|Yes}**

Specifies whether a notification message is sent to the TSO userid specified on the JOB statement or /\*NOTIFY JECL statement. If you specify Y, a notification message is sent when a pre-execution job is dumped to the offload data set. If you specify N, no notification message is sent.

**SCHenv=schenv**

Specifies the 1 to 16 alphanumeric, special (\$, #, or @), or wildcard character (or combination of them) scheduling environment. Only those jobs with this SCHENV will be selected.

**SRVclass=srvclass**

Specifies the 1 to 8 alphanumeric, special (\$, #, or @), or wildcard character (or a combination of them) service class name. Only those jobs with this service class will be selected.

**RANGE=low [-high] |J1-999999**

The range of jobs that are to be selected by this device (1-999999). If you code this parameter, you can specify one or two values:

- If you specify one value, that value becomes both the low and the high end of the range.
- If you specify two values, the first value is the low end of the range and the second value the high end. The two values can be equal. If they are not equal, the second value must be larger than the first value.

**Routecde=routecde**

Specifies the execution node selection criteria for jobs to be transmitted. Use commas to separate individual route codes and enclose the list in parentheses if more than one route code is specified. You may specify up to four route codes. If you allow this parameter to default, JES2 can select all jobs, regardless of execution node, for transmission.

**Note:** NODENAME=REQUIRED on the DESTDEF initialization statement will cause JES2 to require that a userid be prefixed with a node name.

You can specify any of the following values for node:

**LOCAL|ANYLOCAL**

Indicates that only jobs routed to the local node for execution can be selected.

**destid**

Indicates that only jobs routed to the specified location through an alias for the name of a node can be selected for execution.

**Nnnnn|nodename**

Indicates that only jobs routed to the specified location through the decimal node identifier from 1 to 32767 or the EBCDIC nodename can be selected for execution.

If route code is not a criterion for job selection, you may specify a null parameter of (Routeccde=()). You must specify the empty parentheses.

**SYSaff=ANY|memname**

The affinity selection criteria, if SYSaff is also specified in the WS= list.

**memname**

A specific member name. Jobs that have affinity for the specified member can be selected. You may specify up to 32 member names. Multiple member names must be separated by commas and the list must be enclosed in parentheses.

**ANY**

Jobs that have affinity for any member in the JES2 complex can be selected.

If affinity is not a criterion for job selection, you may specify a null parameter of (SYSaff=()). You must specify the empty parentheses.

**Volume=volume**

The volume serial (5-6 characters) of a volume containing a spool data set. If Volume is also specified in the WS= list, only those jobs that reside on one or more of the specified volume(s) can be selected for dumping. You may specify up to 4 volumes. Multiple entries must be separated by commas and the list must be enclosed in parentheses.

If volume is not a criterion for job selection, specify a null parameter of (Volume=()) and do not specify Volume in the WS= list. You must specify the empty parentheses ().

**WS=ws**

Specifies the work selection criteria for the device. Using any combination of user and JES2-defined criteria, you can specify up to 19 criteria in the WS= list. Multiple entries must be separated by commas and the list must always be enclosed in parentheses (even if only one criterion is specified). If a criterion is specified in the list, work selection is based on the current setting of the corresponding parameter. If a criterion is not specified in the list, the criterion is not considered during work selection.

The general rules for specifying an offload job transmitter work selection list are:

1. You can use one slash (/) before or after one of the criterion to further specify work selection. Criteria placed before the slash must be matched exactly if the work is to be selected. Criteria placed after the slash do not have to be matched exactly except in the following cases:

Class  
Routeccde  
SYSaff  
Volume

Table 62 on page 822 describes the effect of each criterion when placed before and after the slash.

2. Class, Routecde, SYSaff, and Volume can be specified as multiple values on the offload job transmitter initialization statement. Placing these criteria before the slash in the WS= list, indicates a left to right priority order of multiple values, if multiple values have been specified. Placing these criteria after the slash indicates no priority order of multiple values, but a match is still required.
3. The order of those criteria specified after the slash indicates the priority (highest to lowest, in left to right order) in which JES2 attempts to match them.
4. Specifying a minus sign (-) before a criterion causes that criterion to be removed from the list.

**Note:** An invalid operand message (\$HASP003) is issued if an error is found in the WS operand, that is, if you try to remove a criterion that is not there. For example: If you enter \$toff1.jt,ws=(-jobname) and jobname is not in the current work selection list for off1.jt, you get the \$HASP003 message.

5. Specifying a criterion that is not currently specified in the list adds it to the end of the list either before or after the slash, depending on the placement of the slash in the command. If the slash is omitted from the command, JES2 assumes that the slash is at the end of the command.
6. Specifying a criterion currently in the list causes that criterion to be moved to the end of the list, thereby decreasing its priority. To correct a WS list that was erroneously changed by an incorrect operator command, remove any criterion that should not be in the list (specify a minus sign (-) before the criterion). If necessary, reorder the remaining criterion.
7. In general, the smaller the work selection list the less the placement of certain criteria within the list affects the work selection.

### Authority Required

This command requires **system** authority. The description of the \$T RDRnn command explains how to ensure that the authority of the appropriate MVS system command group is assigned.

This command requires **control** security access authority. For a description of assigning command input authority, see *z/OS JES2 Initialization and Tuning Guide*.

### Processing Considerations

- If you specify a null value for a characteristic that is currently specified in the work selection (WS=) list, for example, CClass=(), you must remove that criterion from the WS= list. If you do not remove the criterion from the WS= list, this device does not select any jobs.
- If you are uncertain of the characteristics in effect, enter the \$D or \$D U command for the particular offload job transmitter.

### Scope

**Single member.** The values supplied for this command will be in effect for this member only.

Depending on your installation's setup, however, you might want this command to be applied to all members of the MAS (to ensure a consistent environment across the MAS). If so, you can use the MVS ROUTE \*ALL command to issue this command to all active members (if the JES2 command character is the same on all



members). See *z/OS MVS System Commands* for more information on using the ROUTE \*ALL command.

## Messages

The \$HASP884 message displays the current settings of all the parameters on the OFFJT initialization statement.

## Examples

**1**

```
$t off1.jt,disp=keep,ws=(/range)
```

```
$HASP884 OFF1.JT
$HASP884 OFF1.JT STATUS=STARTABLE,CLASS=A,CREATOR=,
$HASP884 DISP=KEEP,HOLD=YES,JOBNAME=,LIMIT=(0,*),
$HASP884 NOTIFY=NO,RANGE=(J1,65534),ROUTECD=(),
$HASP884 START=YES,SCHENV=,SRVCLASS=,SYSAFF=(),
$HASP884 VOLUME=(,,),WS=(CL,H/RANGE)
```

Offload transmitter 1 selects only held jobs whose execution class is A. Because the RANGE criterion is placed after the slash in the work selection (WS=) list, it is preferred but not necessary that the job numbers of these jobs be within the job range (RANGE=) specification of this transmitter. When the transmitter dumps these jobs to the offload data set, they are to retain their current status.

**2**

```
$t off(*) .jt,hold=,ws=(-hold)
```

```
$HASP884 OFF8.JT
$HASP884 OFF8.JT STATUS=STARTABLE,CLASS=B,CREATOR=,
$HASP884 DISP=HOLD,HOLD=,JOBNAME=,LIMIT=(0,*),
$HASP884 NOTIFY=NO,RANGE=(J1,65534),ROUTECD=(),
$HASP884 START=YES,SCHENV=,SRVCLASS=,SYSAFF=(NONE),
$HASP884 VOLUME=(,,),WS=(CL/)
```

To specify a single list of one-character job classes (up to 36 single-byte class names), enter:

**3**

```
$t off1.jt,class=XYZ
$HASP884 OFF1.JT
$HASP884 OFF1.JT STATUS=STARTABLE,CLASS=XYZ,CREATOR=,
$HASP884 DISP=DELETE,HOLD=,JOBNAME=,LIMIT=(0,*),
$HASP884 NOTIFY=NO,RANGE=(J1,999999),ROUTECD=(),
$HASP884 START=YES,SCHENV=,SRVCLASS=,SYSAFF=(NONE),
$HASP884 VOLUME=(,,),WS=(/),NFYUSER=
```

To specify a single list of 8-character job class and job class group names (up to eight names), enter:

**4**

```
$t off1.jt,class=(CLASS1,CLASS2,CLASS3)
$HASP884 OFF1.JT
$HASP884 OFF1.JT STATUS=STARTABLE,CLASS=(CLASS1,CLASS2,CLASS3),
$HASP884 CREATOR=,DISP=DELETE,HOLD=,JOBNAME=,LIMIT=(0,
$HASP884 *),NOTIFY=NO,RANGE=(J1,999999),ROUTECD=(),
$HASP884 START=YES,SCHENV=,SRVCLASS=,SYSAFF=(NONE),
$HASP884 VOLUME=(,,),WS=(/),NFYUSER=
```

JES2 removes the hold specification from the work selection criteria of all defined offload job transmitters. Both held and non-held jobs are eligible for selection by any offload job transmitter.

## \$T OFF(n).JT

Table 62. Offload Job Transmitter Work Selection Criteria

CRITERION	BEFORE SLASH (/)	AFTER SLASH (/)
CLass	The class of the job must match one of the job classes specified for this device. Otherwise, the job is not considered selectable. If there are multiple classes, the list is in left to right priority sequence.	The class of the job must match one of the job classes specified for this device. Otherwise, the job is not deemed selectable. If there are multiple classes, the list is not in priority sequence.
CRreator	The CReator specification of the job must match the CReator specification of this device.	It is not required that the CReator specification of the job match the CReator specification of this device.
Hold	The hold specification of the job must match the hold specification of this device.	It is not required that the hold specification of the job match the hold specification of this device.
JOBname	The jobname of the job must match the jobname (JOBname=) specified for this device.	It is not required the jobname of the job match the jobname (JOBname=) specified for this device.
LIMIT	Specifies that jobs selected must have the number of records (JCL and SYSIN records) specified on the LIMIT= parameter for this device.	Specifies that the number of records for a job (JCL and SYSIN records) will not prevent a job to be selected. However, jobs with the number of records specified on LIMIT= are preferred over jobs not within the specification on LIMIT=.
Priority	The priority of the job is to be considered. Whether specified before or after the slash, higher priority jobs are preferred. Placement of 'P' in the WS list gives priority importance in the work selection process. There is no matching done for priority.	Same as before slash.
RANGE	The job number of the job must be within the job range (RANGE=) specified for this device.	It is not required that the job number of the job be within the job range (RANGE=) specified for this device.
Routecde	The destination of the job must match the route code (Routecde=) specified for this device, otherwise the job is not considered selectable. If there are multiple route codes specified, the list is in left to right priority sequence.	The destination of the job must match the route code (Routecde=) specified for this device, but if there are multiple route codes specified the list is not considered to be in priority sequence.
SCHenv	The SCHenv specification of the job must match the SCHenv specification of this device.	It is not required that the SCHenv specification of the job match the SCHenv specification of this device.
SRVclass	The SRVclass specification of the job must match the SRVclass specification of this device.	It is not required that the SRVclass specification of the job match the SRVclass specification of this device.
SYSaff	The affinity of the job must match the affinity (SYSaff=) specification of this device.	It is not required that the affinity of the job match the affinity (SYSaff=) specification of this device.
Volume	The volume used by the job must match one of the volume specifications of this device, otherwise the job is not considered selectable. If multiple volumes are specified the list is in left to right priority sequence.	The volume used by the job must match one of the volume specifications of this device, but if multiple volumes are specified the list is not in priority sequence.

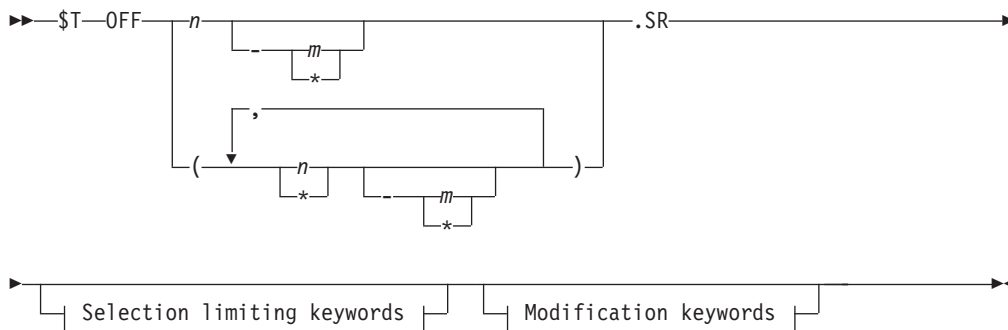
## \$T OFF(n).SR - Set offload SYSOUT receiver characteristics

### Function

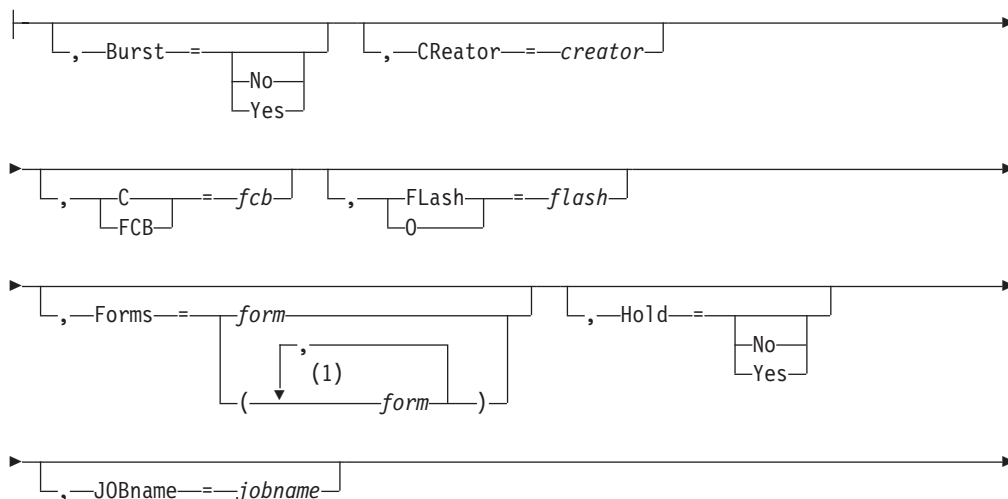
To specify the work selection and processing characteristics of one or more indicated offload SYSOUT receivers.

One or more parameters on this command accepts wild cards. Parameter descriptions will note that.

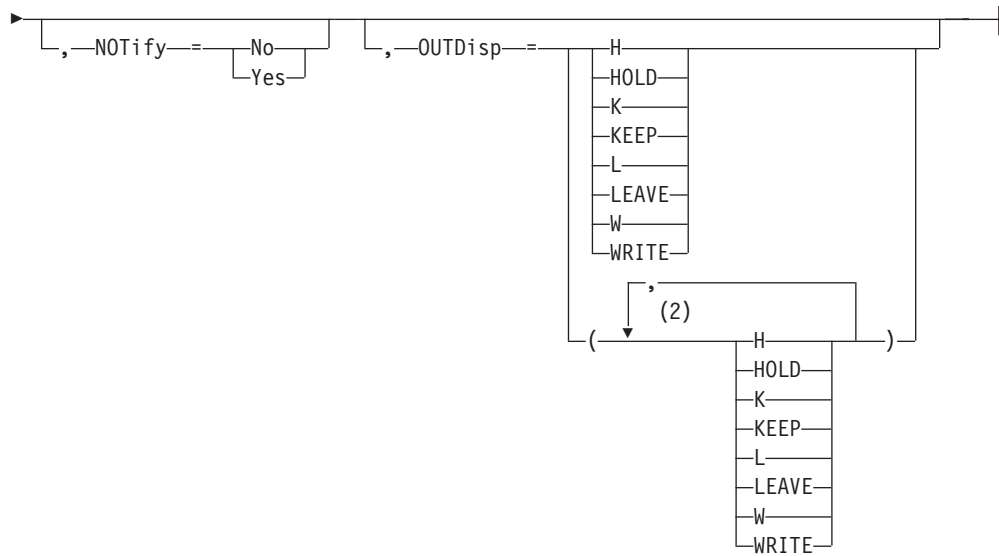
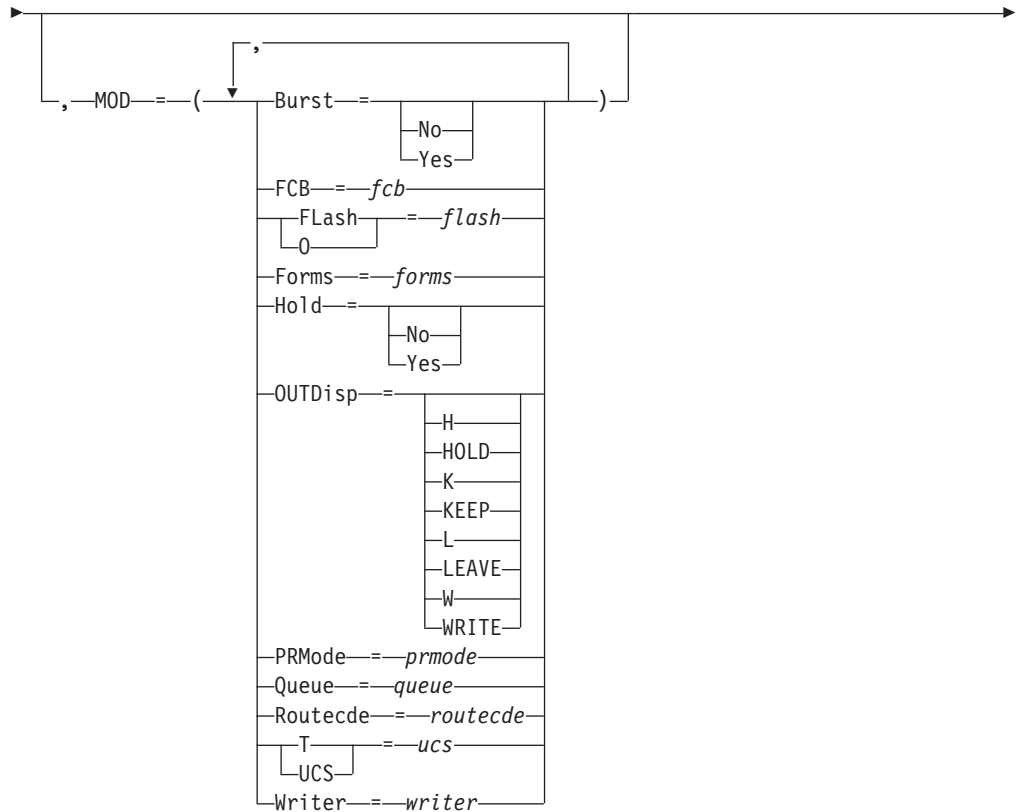
### Syntax



### Modification keywords:

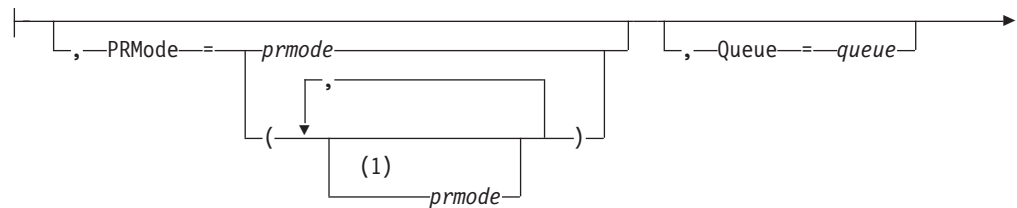


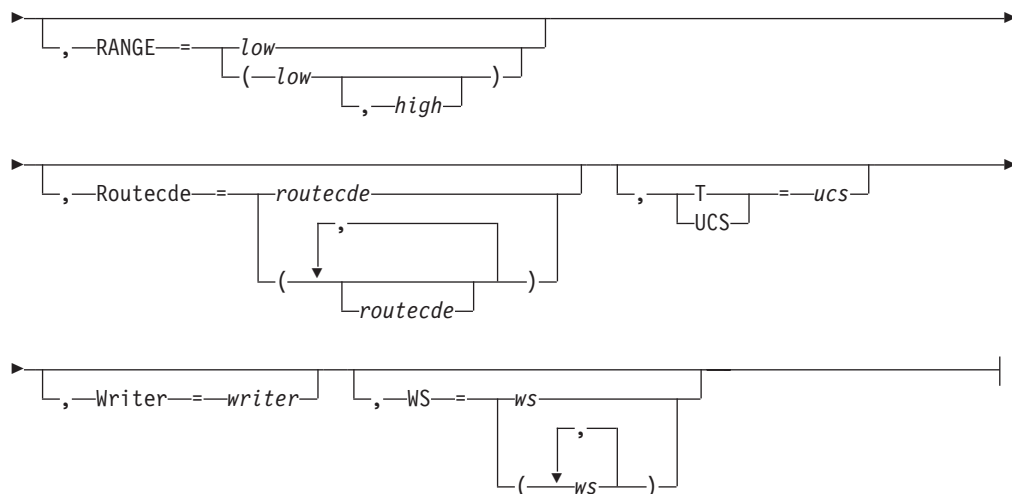
**\$T OFF(n).SR**



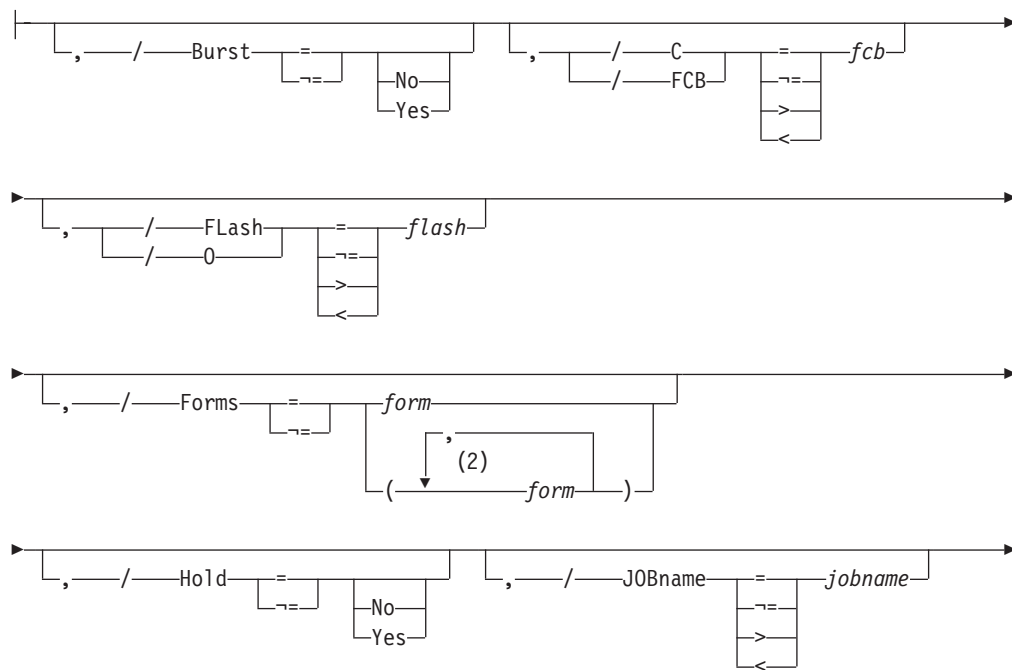
**Notes:**

- 1 *form* can be coded up to 8 times
- 2 *OUTDisp* can be coded up to 4 times

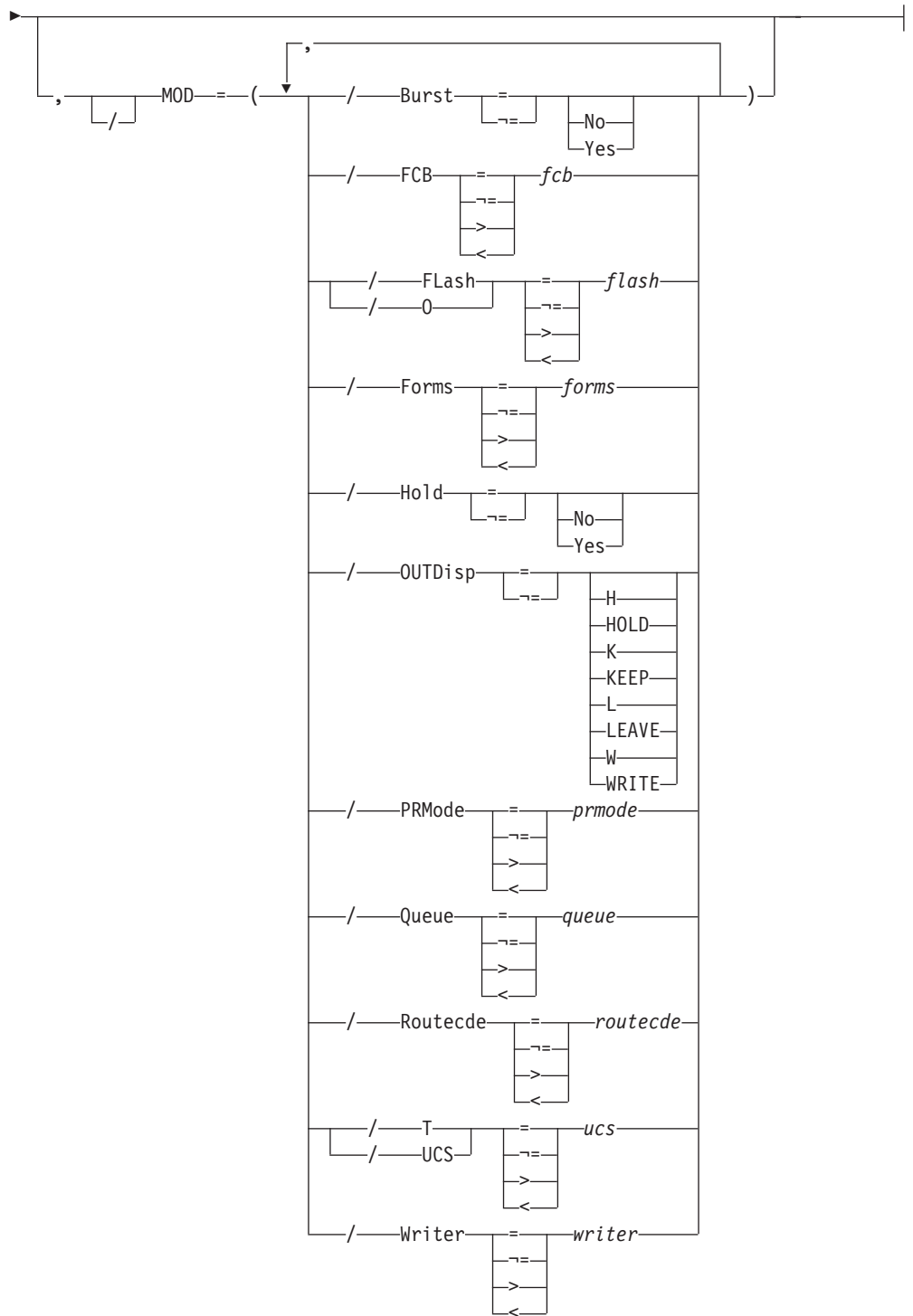




**Selection limiting keywords:**

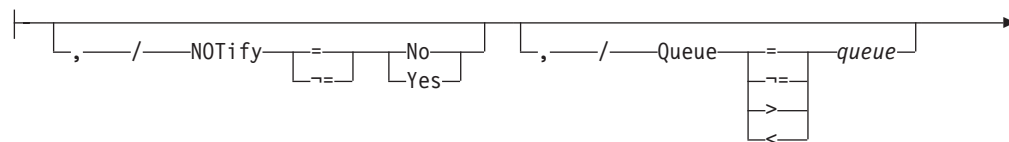


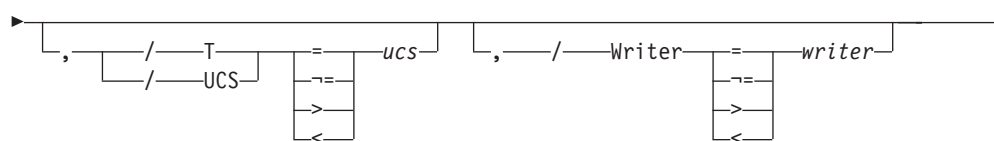
**\$T OFF(n).SR**



**Notes:**

- 1 *prmode* can be coded up to 8 times
- 2 *form* can be coded up to 8 times





## Parameters

**n** [-m | \*]

The subscript defining the offload SYSOUT receivers that are affected by this command. The subscript can specify a single numeric value *n* (1-8) or a range of values *n-m* (1-8) associating offload SYSOUT receivers with offload devices. The asterisk character (\*) can be used to specify the first or last offload SYSOUT receiver in a range (*n-\**, for example). A comma-delimited list of values or ranges is also supported. For details about specifying a range of values for this subscript, see “Command syntax conventions” on page 97.

**Burst=[No|Yes]**

The burst specification for this device.

**No** Only output that is not to be bursted can be selected, if Burst is also specified in the WS= list.

**Yes**

Only output that is to be bursted (page-separated) can be selected, if Burst is also specified in the WS= list.

If the burst specification is not a criterion for output selection, specify a null parameter of (Burst=) and do not specify Burst in the WS= list.

**Creator=creator**

Specifies the 1 through 8 character userid that creates the SYSOUT data sets to be processed. You can also specify wild cards on this parameter. See “Using wildcards” on page 108 for additional information.

**j** An alphabetic character (A-Z) or any of the special characters (\$, #, or @).

**cccccc**

Any combination of EBCDIC characters except a comma, a right parenthesis, or an equal sign.

**FCB|C=fcb**

The 1 to 4 alphanumeric or special character (\$ # @) character identifier of a particular forms control buffer image or carriage control tape. If FCB is also specified in the WS= list, only those output data sets with this FCB specification can be selected. If the FCB characteristic is not a criterion for output selection, specify a null parameter of (FCB=) and do not specify FCB in the WS= list.

**FLash|O=flash**

The 1 to 4 alphanumeric or special character (\$ # @) character flash name for this device. If FLash is also specified in the WS= list, only those output data sets with this flash name can be selected. If the FLash characteristic is not a criterion for output selection, specify a null parameter of (FLash=) and do not specify FLash in the WS= list.

**Forms=form**

The 1 to 8 alphanumeric or special character (\$ # @) character forms name for this device. If Forms is also specified in the WS= list, only those output data

sets with this forms name can be selected. You can also specify wild cards on this parameter. See "Using wildcards" on page 108 for additional information. You may specify up to 8 forms.

If the Forms characteristic is not a criterion for output selection, specify a null parameter of (Forms=) and do not specify Forms in the WS= list.

**Hold=[No|Yes]**

The Hold specification for this device.

**Y** Only held post-execution jobs can be selected, if Hold is also specified in the WS= list.

**N** Only non-held post-execution jobs can be selected, if Hold is also specified in the WS= list.

If both held and non-held jobs are to be loaded, specify a null parameter of (Hold=) and do not specify Hold in the WS= list.

**JOBname=jobname**

A 1 to 8 character jobname. If JOBname is also specified in the WS= list, only those post-execution jobs with this jobname can be selected. You can also specify wild cards on this parameter. See "Using wildcards" on page 108 for additional information.

If jobname is not a criterion for job selection, specify a null parameter of (JOBname=) and do not specify JOBname in the WS= list.

**MOD=**

Specifies modifications to the indicated characteristics of post-execution jobs and output data sets that are selected for reloading. These modifications are assigned during the reload process. If more than one of the following parameters is specified, each must be separated by commas and the list must be enclosed in parentheses.

**Burst=[No|Yes]**

Specifies whether (Y) or not (N) reloaded output is to be burst (page-separated). A null parameter of (Burst=) specifies that the Burst specification is not to be modified.

**FCB=fcb**

A 1 to 4 character identifier of the forms control buffer image or carriage control tape assigned to output when reloaded. A null parameter of (FCB=) specifies that the FCB specification is not to be modified.

**FLash|0=f1ash**

The 1 to 4 character flash name assigned to output when reloaded. A null parameter of (FLash=) specifies that the Flash specification is not to be modified.

**Forms=forms**

The 1 to 8 character forms name assigned to output when reloaded. A null parameter of (Forms=) specifies that the Forms specification is not to be modified.

**Hold=[No|Yes]**

Specifies whether post-execution jobs are to be held (Y) or released (N) once reloaded. A null parameter of (Hold=) specifies that the Hold specification is not to be modified.

**NOTify={No|Yes}**

Specifies whether a notification message is sent to the TSO userid specified



on the JOB statement or /\*NOTIFY JECL statement. If you specify Y, a notification message is sent when a post-execution job is reloaded from the offload data set. If you specify N, no notification message is sent.

**OUTDisp=[H|HOLD|K|KEEP|L|LEAVE|W|WRITE]**

The disposition of the output selected by this offload SYSOUT receiver is changed to the disposition that you specify on the OUTDISP operand.

**PRMode=prmode**

The 1 to 8 alphanumeric character processing mode assigned to output when reloaded. You can also specify wild cards on this parameter. See "Using wildcards" on page 108 for additional information. A null parameter of (PRMode=) specifies that the PRMode specification is not to be modified.

**Queue=queue**

The SYSOUT class (A-Z, 0-9) assigned to output when reloaded. A null parameter of (Queue=) specifies that the output class is not to be modified.

**Routeode=routeode**

Specifies a destination for a piece of output. When used as a subparameter of MOD=, Routeode= specifies the destination(s) for output you have selected. The value for all routing numbers can range from 1 to 32767. You can also specify wild cards on this parameter. See "Using wildcards" on page 108 for additional information. For specification requirements, see "Route codes" on page 107.

**Note:** NODENAME=REQUIRED on the DESTDEF initialization statement will cause JES2 to require that a userid be prefixed with a node name.

**LOCAL|ANYLOCAL**

Indicates that jobs are to be run at the local node.

**destid** Indicates that jobs are to be run at the specified node(s). You can specify this location by an alias for the name of a node. If destid is specified alone, it refers to both the node and the remote.

**Nnnnn|nodename**

Indicates that jobs are to be run at the specified node(s). You can specify a node using the decimal node identifier or an EBCDIC nodename.

**NnnnnRmmmm|node.remote|node.userid**

Indicates routing to the remote Rmmmm at the node Nnnnn. Rmmmm can also be specified as RMmmmm or RMTmmmm.

**Ummmm**

Indicates special local routing.

**node.destid**

Indicates a destination at the specified node. The destid refers to both the node and the remote. The node specified in the destid must be the same as the node portion of the route code. If the number of the remote is reassigned, you can use the destid to send to this node.

**remote**

Indicates routing to a remote. Remote can be specified in any of the following ways:

**LOCAL|ANYLOCAL**

Indicates that jobs are to be run at the local node.

### **Rmmmm**

Indicates routing to the specified remote. Rmmmm can also be specified as RMmmmm or RMTmmmm. The value specified for mmmmm can range from 1 to 32767.

**destid** Indicates routing to a destid referring to a remote.

**userid** Indicates routing to a valid TSO userid, or a user\* (where \* means all local, remote, special local unit, and userid output at the specified node).

**node.\*** Indicates that the nodename is to be modified to the specified node name, but the remote node will remain the same.

### **T|UCS=ucs**

A 1 to 4 character identifier of the print train or character arrangement assigned to output when reloaded. A null parameter of (UCS=) specifies that the UCS specification is not to be modified.

### **Writer=writer**

A 1 to 8 character external writer name assigned to output when reloaded. A null parameter of Writer= specifies that the writer name is not to be modified.

## Authority Required

This command requires **system** authority. The description of the \$T RDRnn command explains how to ensure that the authority of the appropriate MVS system command group is assigned.

This command requires **control** security access authority. For a description of assigning command input authority, see *z/OS JES2 Initialization and Tuning Guide*.

## Processing Considerations

- If you specify a null value for a characteristic that is currently specified in the work selection (WS=) list, for example, Burst=(), you must remove that criterion from the WS= list. If you do not remove the criterion from the WS= list, this device does not select any output.
- If you are uncertain of the characteristics in effect, enter the \$D or \$D U command for the particular offload SYSOUT receiver.

## Scope

**Single member.** The values supplied for this command will be in effect for this member only.

Depending on your installation's setup, however, you might want this command to be applied to all members of the MAS (to ensure a consistent environment across the MAS). If so, you can use the MVS ROUTE \*ALL command to issue this command to all active members (if the JES2 command character is the same on all members). See *z/OS MVS System Commands* for more information on using the ROUTE \*ALL command.

## Messages

The \$HASP885 message displays the current settings of all the parameters on the OFF(n).SR initialization statement.

### Example

```
$t off1.sr, outdisp=(leave,keep), prmode=page,
ws=(prmode/)
```

```
HASP885 OFF1.SR STATUS=STARTABLE, OUTDISP=(LEAVE,KEEP), HOLD=, JOBNAME=,
NOTIFY=NO, MOD=(BURST=, OUTDISP=, FCB=, FLASH=,
FORMS=, HOLD=, PRMODE=, QUEUE=, ROUTECDE=,
UCS=, WRITER=), NOTIFY=NO, RANGE=(J1,32767),
ROUTECD=(), START=YES, WS=(Q,OUTD,PRM/), BURST=,
FCB=, FLASH=, FORMS=(,,,,,,), PRMODE=(PAGE), QUEUE=,
UCS=, WRITER=
```

Offload SYSOUT receiver 1 selects only held output with a processing mode specification of PAGE.

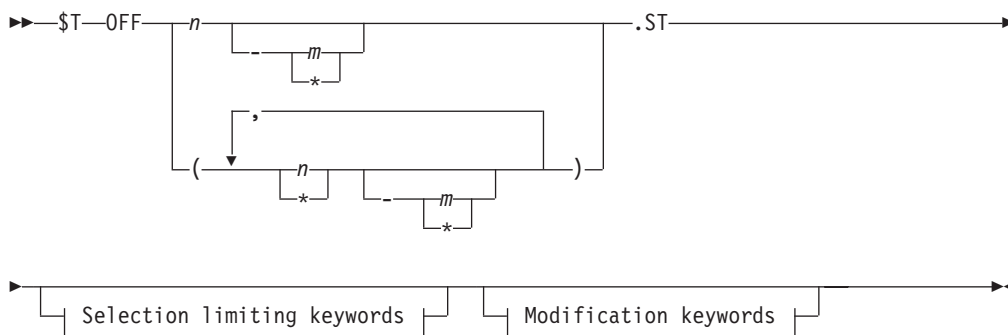
## \$T OFF(n).ST - Set offload SYSOUT transmitter characteristics

### Function

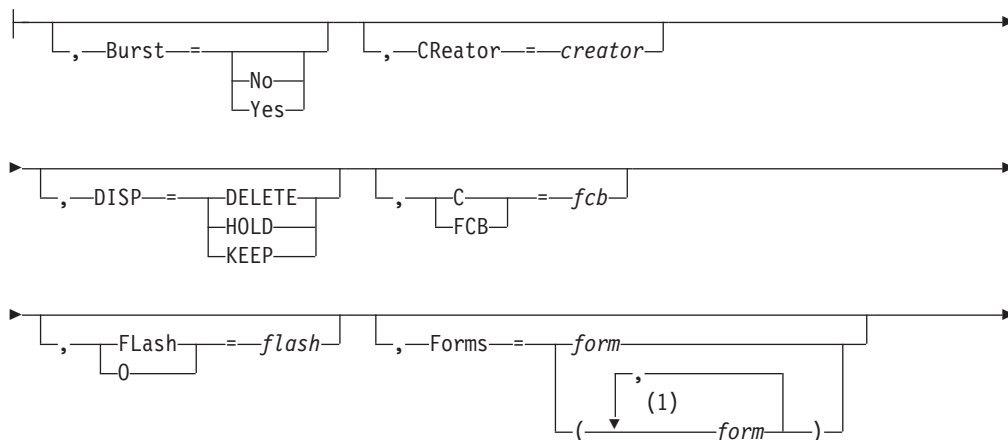
To specify the work selection and processing characteristics of one or more indicated offload SYSOUT transmitters.

One or more parameters on this command accepts wild cards. Parameter descriptions will note that.

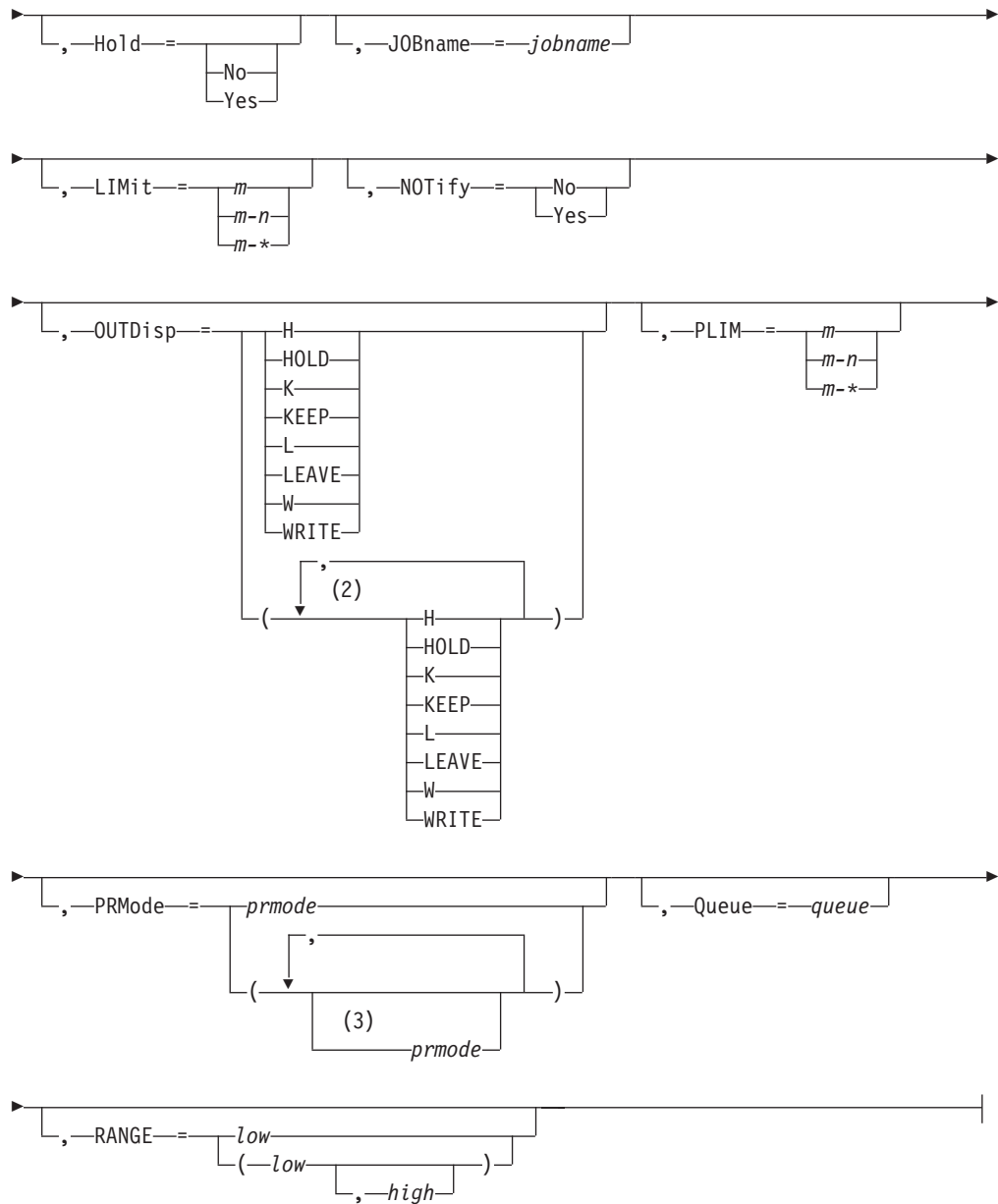
### Syntax



### Modification keywords:



## \$T OFF(n).ST



### Notes:

- 1 *form* can be coded up to 8 times
- 2 **OUTDisp** can be coded up to 4 times
- 3 *prmode* can be coded up to 8 times

### Parameters

*n* [-*m* | \*]

The subscript defining the offload SYSOUT transmitters that are affected by this command. The subscript can specify a single numeric value *n* (1-8) or a range of values *n-m* (1-8) associating offload SYSOUT transmitters with offload devices. The asterisk character (\*) can be used to specify the first or last offload SYSOUT transmitter in a range (*n-\**, for example). A comma-delimited list of values or ranges is also supported. For details about specifying a range of values for this subscript, see "Command syntax conventions" on page 97.

**Burst=[No|Yes]**

The burst specification for this device that is considered as a work selection criterion, if Burst is also specified in the WS= list.

**Y** Output that is to be bursted (page-separated) should be selected.

**N** Output that is not to be bursted should be selected.

If the burst specification is not a criterion for output selection, specify a null parameter of (Burst=) and do not specify Burst in the WS= list.

**Creator=creator**

Specifies the 1 through 8 character userid that creates the SYSOUT data sets to be processed. You can also specify wild cards on this parameter. See "Using wildcards" on page 108 for additional information.

**j** An alphabetic character (A-Z) or any of the special characters (\$, #, or @).

**cccccc**

Any combination of EBCDIC characters except a comma, a right parenthesis, or an equal sign.

**DISP={DELETE|HOLD|KEEP}**

The disposition of all output that is selected for dumping to the offload data set.

**DELETE**

The output groups are purged after being dumped. A job is purged only if no more held or non-held output remains.

**HOLD**

Selected held output remains held after being dumped and is eligible for processing by another spool offload SYSOUT transmitter. Selected non-held output is marked non-selectable after being dumped and is not eligible for processing by another offload SYSOUT transmitter until their status is changed. You can change their status with the \$TO command.

**KEEP**

The output groups retain their current status after being dumped. These output groups are eligible for processing by another spool offload SYSOUT transmitter.

**FCB|C=fcb**

The 1 to 4 alphanumeric or special (\$ # @) character identifier of a particular forms control buffer image or carriage control tape. This characteristic is considered as a work selection criterion, if FCB is also specified in the WS= list. If the FCB characteristic is not a criterion for output selection, specify a null parameter of (FCB=) and do not specify FCB in the WS= list.

**FLash|0=f1ash**

The 1 to 4 alphanumeric or special (\$ # @) character flash name for this device that is considered as a work selection criterion if FLash is also specified in the WS= list. If the FLash characteristic is not a criterion for output selection, specify a null parameter of (FLash=) and do not specify FLash in the WS= list.

**Forms=form**

The 1 to 8 alphanumeric or special (\$ # @) character forms name for this device that is considered as a work selection criterion if Forms is also specified in the WS= list. You can also specify wild cards on this parameter. See "Using wildcards" on page 108 for additional information. You may specify up to 8 forms.

If the Forms characteristic is not a criterion for output selection, specify a null parameter of (Forms=) and do not specify Forms in the WS= list.

**Hold=[No|Yes]**

The Hold specification for this device that is considered as a work selection criterion if Hold is also specified in the WS= list.

**No** Only non-held post-execution jobs are to be selected.

**Yes**

Only held post-execution jobs are to be selected.

If both held and non-held jobs are to be selected, specify a null parameter of (Hold=) and do not specify Hold in the WS= list.

**JOBname=jobname**

A 1-8 character jobname that is considered as a work selection criterion, if JOBname is also specified in the WS= list. You can also specify wild cards on this parameter. See "Using wildcards" on page 108 for additional information.

If the jobname is not a criterion for job selection, specify a null parameter of (JOBname=) and do not specify JOBname in the WS= list.

**LIMit={m|m-n|m-\*}**

Specifies the limits (in records) set by this device for amount of output generated per output group. This range is considered as a work selection criterion if LIMit is also specified in the WS= list.

For both variables *m* and *n*, you can specify a range of values from 0-4294967295. *m* and *n* can be equal. If they are not equal, *n* must be larger than *m*.

If you code only *m*, that value becomes both the lower and upper limit. If *m*-\* is specified, the upper limit is set to the default value of 4294967295.

**NOTify={No|Yes}**

Specifies whether a notification message is sent to the TSO userid specified on the JOB statement or /\*NOTIFY JECL statement. If you specify 'Y', a notification message is sent when all or part of a post-execution job is dumped to the offload data set. If you specify 'N', no notification message is sent.

**OUTDisp={H|HOLD|K|KEEP|L|LEAVE|W|WRITE}**

Specifies the disposition(s) that the output must have in order to be eligible for processing by this offload transmitter. The operator can specify one to four of the following valid dispositions: Hold, Keep, Leave, or Write.

**PLIM={m|m-n|m-\*}**

Specifies the limits (in pages) set by this device for amount of output generated per output group. This range is considered as a work selection criterion if PLIM is also specified in the WS= list.

For both variables *m* and *n*, you can specify a range of values from 0-4294967295. *m* and *n* can be equal. If they are not equal, *n* must be larger than *m*.

If you code only *m*, that value becomes both the lower and upper limit. If *m*-\* is specified, the upper limit is set to the default value of 4294967295.

**PRMode=(vvvvvvvv, vvvvvvvv, . . .)**

Specifies the 1 to 8 alphanumeric character processing mode(s) to select for output. You can specify up to four process modes. You can also specify wild cards on this parameter. See "Using wildcards" on page 108 for additional information.

If all processing modes are selectable, specify a null parameter of PRMODE=(). You must specify the empty parentheses.

**Queue=queue**

The only SYSOUT class(es) (A-Z, 0-9) that this device selects, if Queue is also specified in the WS= list. You may specify up to 36 classes. If the SYSOUT class is not a criterion for output selection, specify a null parameter of (Queue=) and do not specify Queue in the WS= list.

**RANGE={Jnnnnn|Snnnnn|Tnnnnn} [-nnnnn] | J1-999999**

The batch job (J), started task (S), or time sharing user (T) range specified for this device (1-999999). This range is considered as a work selection criterion if the RANGE parameter is also specified in the WS= list. If you code this parameter, you can specify one or two values:

- If you specify one value, that value becomes both the low and the high end of the range.
- If you specify two values, the first value is the low end of the range and the second value the high end. The two values can be equal. If they are not equal, the second value must be larger than the first value.

**Route code=route code**

Specifies the one to four destination selection criteria for which output can be selected. If more than one route code is specified, enclose the list in parentheses. The value for all routing numbers can range from 1 to 32767. You can also specify wild cards on this parameter. See "Using wildcards" on page 108 for additional information. For specification requirements, see "Route codes" on page 107.

**Note:** NODENAME=REQUIRED on the DESTDEF initialization statement will cause JES2 to require that a userid be prefixed with a node name.

**LOCAL|ANYLOCAL**

Indicates that jobs are to be run at the local node.

**destid** Indicates that jobs are to be run at the specified node(s). You can specify this location by an alias for the name of a node. If destid is specified alone, it refers to both the node and the remote.

**Nnnnn | nodename**

Indicates that jobs are to be run at the specified node(s). You can specify a node using the decimal node identifier or an EBCDIC nodename.

**NnnnnRmmmm | node.remote | node.userid**

Indicates routing to the remote Rmmmm at the node Nnnnn. Rmmmm can also be specified as RMmmmm or RMTmmmm.

**Ummmm**

Indicates special local routing.

**node.destid**

Indicates a destination at the specified node. The destid refers to both the node and the remote. The node specified in the destid must be the same as the node portion of the route code. If the number of the remote is reassigned, you can use the destid to send to this node.

**remote**

Indicates routing to a remote. Remote can be specified in any of the following ways:

**LOCAL|ANYLOCAL**

Indicates that jobs are to be run at the local node.

**Rmmm**

Indicates routing to the specified remote. Rmmm can also be specified as RMmmm or RMTmmm.

**destid** Indicates routing to a destid referring to a remote.

**userid** Indicates routing to a valid TSO userid, or a user\* (where \* means all local, remote, special local unit, and userid output at the specified node).

**node.\*** Indicates that the nodename is to be modified to the specified node name, but the remote node will remain the same.

If the route code is not a criterion for output selection, specify a null parameter of (Route=()) and do not specify Route in the WS= list. You must specify the empty parentheses.

**T|UCS=ucs**

The 1 to 4 character print train specification of this device. This print train is considered as a work selection criterion if UCS is also specified in the WS= list. If the UCS specification is not a criterion for output selection, specify a null parameter of (UCS=) and do not specify UCS in the WS= list.

**Volume=volume**

The volume serial (5-6 characters) of a volume containing a spool data set. If Volume is also specified in the WS= list, only the output of those jobs that reside on one or more of the specified volume(s) are selected by this device. You may specify up to 4 volumes. Multiple entries must be separated by commas and the list must be enclosed in parentheses.

If volume is not a criterion for output selection, specify a null parameter of (Volume=()) and do not specify Volume in the WS= list. You must specify the empty parentheses ().

**Writer=writer**

The 1 to 8 alphanumeric or special (\$ # @) character writer name for this device. You can also specify wild cards on this parameter. See "Using wildcards" on page 108 for additional information. A null parameter of Writer= specifies that this device has no writer name. If Writer is specified in the WS= list, only those data sets with matching writer name specifications can be selected.

**WS=ws**

Specifies the work selection criteria for this device. Using any combination of user and JES2-defined criteria, you can specify up to 19 criteria in the WS= list. Multiple entries must be separated by commas and the list must always be enclosed in parentheses (even if only one criterion is specified). If a criterion is specified in the list, work selection is based on the current setting of the corresponding parameter. If a criterion is not specified in the list, the criterion is not considered during work selection.

The general rules for specifying an offload SYSOUT transmitter work selection list are:

1. You can use one slash (/) before or after one of the criterion to further specify work selection. Criteria placed before the slash must be matched exactly if the work is to be selected. Criteria placed after the slash do not have to be matched exactly except in the following cases:



PRMode  
 Queue  
 Routecde  
 Volume

Table 63 on page 838, describes the effect of each criterion when placed before and after the slash.

2. PRMode, Queue, Routecde, and Volume can be specified as multiple values on the offload SYSOUT transmitter initialization statement. Placing these criteria before the slash in the WS= list, indicates a left to right priority order of multiple values, if multiple values have been specified. Placing these criteria after the slash indicates no priority order of multiple values, but a match is still required.
3. The order of those criteria specified after the slash indicates the priority (highest to lowest, in left to right order) in which JES2 attempts to match them.
4. Specifying a minus sign (-) before a criterion causes that criterion to be removed from the list.

**Note:** An invalid operand message (\$HASP003) is issued if an error is found in the WS operand, that is, if you try to remove a criterion that is not there. For example: If you enter \$toff1.st,ws=(-jobname) and jobname is not in the current work selection list for off1.st, you get the \$HASP003 message.

5. Specifying a criterion that is not currently specified in the list adds it to the end of the list either before or after the slash, depending on the placement of the slash in the command. If the slash is omitted from the command, JES2 assumes that the slash is at the end of the command.
6. Specifying a criterion currently in the list causes that criterion to be moved to the end of the list, thereby decreasing its priority. To correct a WS list that was erroneously changed by an incorrect operator command, remove any criterion that should not be in the list (specify a minus sign (-) before the criterion). If necessary, reorder the remaining criterion.
7. The LIMit subparameter has no effect as a work selection value for files received from a node that does not provide a page count for its files. For more information, refer to the sending node's reference documentation.
8. In general, the smaller the work selection list the less the placement of certain criteria within the list affects the work selection.
9. For both line and page mode devices, the LIM= and PLIM= values must be satisfied.

## Authority Required

This command requires **system** authority. The description of the \$T RDRnn command explains how to ensure that the authority of the appropriate MVS system command group is assigned.

This command requires **control** security access authority. For a description of assigning command input authority, see *z/OS JES2 Initialization and Tuning Guide*.

## Processing Considerations

- If you specify a null value for a characteristic, make sure that characteristic is not specified as an exact match criterion in the work selection list. If the characteristic is specified as an exact match criterion, this device does not select any output.

## \$T OFF(n).ST

- If you are uncertain of the characteristics in effect, enter the \$D or \$D U command for the particular offload SYSOUT transmitter.

### Scope

**Single member.** The values supplied for this command will be in effect for this member only.

Depending on your installation's setup, however, you might want this command to be applied to all members of the MAS (to ensure a consistent environment across the MAS). If so, you can use the MVS ROUTE \*ALL command to issue this command to all active members (if the JES2 command character is the same on all members). See *z/OS MVS System Commands* for more information on using the ROUTE \*ALL command.

### Messages

The \$HASP886 message displays the current settings of all the parameters on the OFF(n).ST initialization statement.

### Example

```
1 $t off1.st,outdisp=(write,keep),ws=(outdisp),queue=a
```

```
$HASP886 OFF1.ST STATUS=STARTABLE,CREATOR=,DISP=DELETE,
          OUTDISP=(WRITE,KEEP),HOLD=,JOBNAME=,
          NOTIFY=YES,RANGE=(J1,32767),ROUTECD=(),
          START=YES,VOLUME=(,,),WS=(Q,OUTD/),BURST=,
          FCB=,FLASH=,FORMS=(,,,,),LIMIT=(0,*),PLIM=(0,*),
          PRMODE=(),QUEUE=A,UCS=,WRITER=
```

Offload SYSOUT transmitter 1 offloads ready output in class a.

Table 63. Offload SYSOUT Transmitter Work Selection Criteria

CRITERION	BEFORE SLASH (/)	AFTER SLASH (/)
Burst	The burst specification of the output group must match the burst (Burst=) specification of this device. Otherwise, the output group is not selected.	It is preferred but not necessary that the burst specification of the output group match the burst (Burst=) specification of this device.
CRreator	The output group's CRreator specification must match the CRreator (CRreator=) specification of this device. Otherwise, the output group is not selected.	It is not required that the creator specification of the output group match the creator (CRreator=) specification of this device.
{FCB C}	The output group's FCB image or carriage control tape must match the current FCB or carriage control tape of this device. Otherwise, the output group is not selected.	It is not required that the FCB or carriage control tape of the output group match the current FCB or carriage control tape of this device.
{FLash O}	The output group's FLASH or forms overlay must match the current FLASH (FLash=) specification for this device. Otherwise, the output group is not selected.	It is not required the FLASH or forms overlay of the output group match the current FLASH (FLash=) specification for this device.
Forms	The output group's form specification must match the current forms (Forms=) specification for this device. Otherwise, the output group is not selected.	It is not required that the forms specification of the output group match the current forms (Forms=) specification for this device.

Table 63. Offload SYSOUT Transmitter Work Selection Criteria (continued)

CRITERION	BEFORE SLASH (/)	AFTER SLASH (/)
Hold	The hold specification of the job associated with the output group must match the hold specification of this device.	It is not required that the hold specification of the job associated with the output group match the hold specification of this device.
JOBname	The jobname of the output group must match the jobname specified (JOBname=) for this device.	It is not required that the job name of the output group match the job name (JOBname=) specified for this device. JES2 attempts to consecutively select all eligible output for a particular job.
LIMit	The amount of output generated by an output group must fall within the limits set for this device. Otherwise, the output group is not selected. For both line and page mode devices, JES2 checks the LIM= and PLIM= values.  This subparameter has no effect as a work selection value for files received from a node that does not provide a page count for its files. For more information, refer to the sending node's reference documentation.	It is not required that the amount of output generated by the output group fall within the limits set for this device.  This subparameter has no effect as a work selection value for files received from a node that does not provide a page count for its files. For more information, refer to the sending node's reference documentation.
OUTDisp	The output group's output disposition must match the output disposition specified (OUTDISP=) for this device.	It is not required that the output group's output disposition matches the output disposition (OUTDISP=) specified for this device; however, JES2 attempts to match dispositions. That match has top priority.
Priority	The output group's priority is to be considered. Whether specified before or after the slash, higher priority output groups are preferred. Placement of 'P' in the WS list gives priority importance in the work selection process. There is no 'matching' done for priority.	Same as before slash.
{PRMode   PMD}	The process mode of the output group must match one of the process modes (PRMode=) specified for this device. Otherwise, the output group is not selected. If there are multiple PRModes, the list is considered to be in left to right priority sequence.	The output group's process mode must match the process mode (PRMode=) specified for this device, but if there are multiple PRModes, the list is not in priority sequence.
Queue	The output group's class must match one of the classes specified for this device. If multiple classes are specified, the list is in left to right priority sequence.	The class of the output group must match one of the classes specified for this device, but if multiple classes are specified, the list is not in priority order.
RANGE	The job number of the output group must be within the range (RANGE=) specified for this device.	It is not required that the job number specified for the output group be within the range (RANGE=) specified for this device.
Routecde	The destination of the output group must match the route code (Routecde=) specified for this device, otherwise the output group is not considered selectable. If there are multiple route codes specified for the device, the list is considered to be in left to right priority sequence.	The destination of the output group must match the route code (Routecde=) specified for this device, but if there are multiple route codes, the list is not considered to be in priority sequence.

## \$T OFF(n).ST

Table 63. Offload SYSOUT Transmitter Work Selection Criteria (continued)

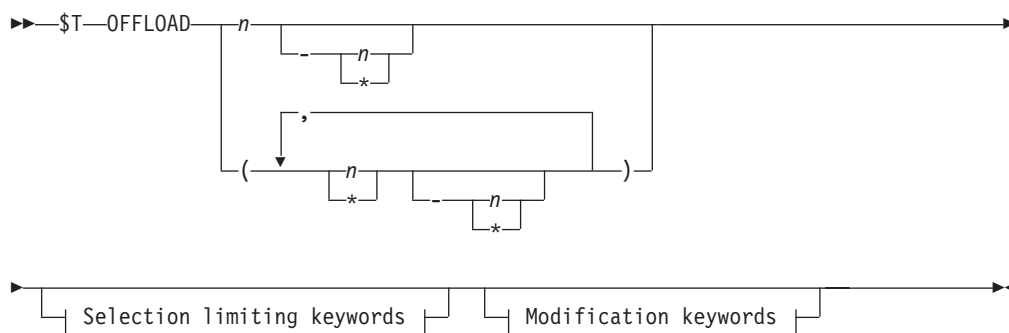
CRITERION	BEFORE SLASH (/)	AFTER SLASH (/)
{UCS T}	The output group's universal character set must match the universal character set (UCS=) specified for this device. Otherwise, the output group is not selected.	It is preferred but not necessary that the universal character set of the output group match the universal character set specified for this device.
Volume	The volume used by the output group must match the volume (Volume=) specified for this device. If there are multiple volumes specified, the list is considered to be in left to right priority sequence.	The volume used by the output group must match the volume (Volume=) specified for this device, but if there are multiple volumes specified, the list is not in priority sequence.
Writer	The writer name specified for the output group must match the writer name specified (Writer=) for this device. Otherwise, the output group is not selected.	It is not required that the writer name of the output group match the writer name (Writer=) specified for this device.

## \$T OFFLOAD(n) - Set offload device characteristics

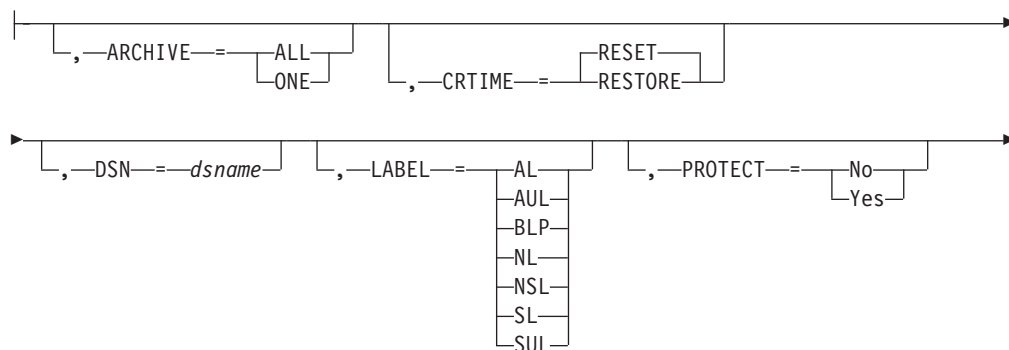
### Function

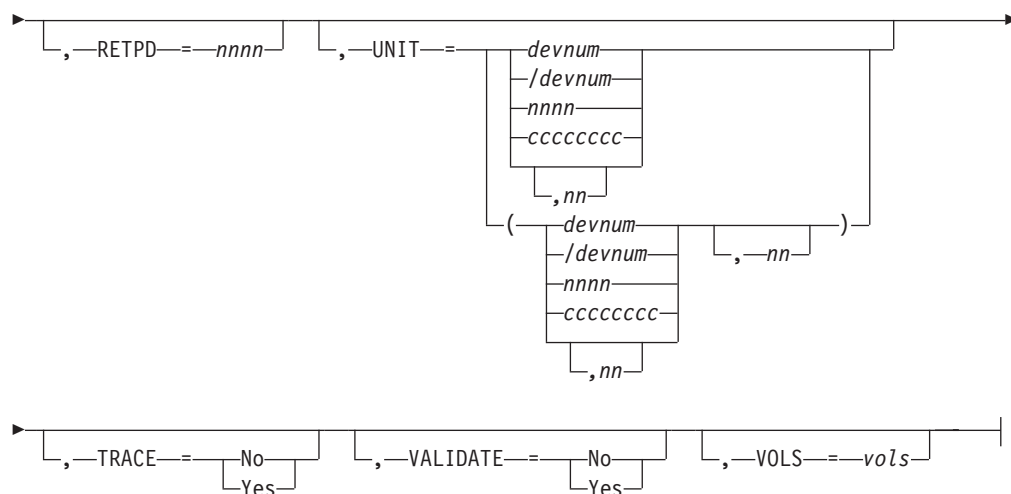
To specify the characteristics of one or more indicated logical offload devices.

### Syntax

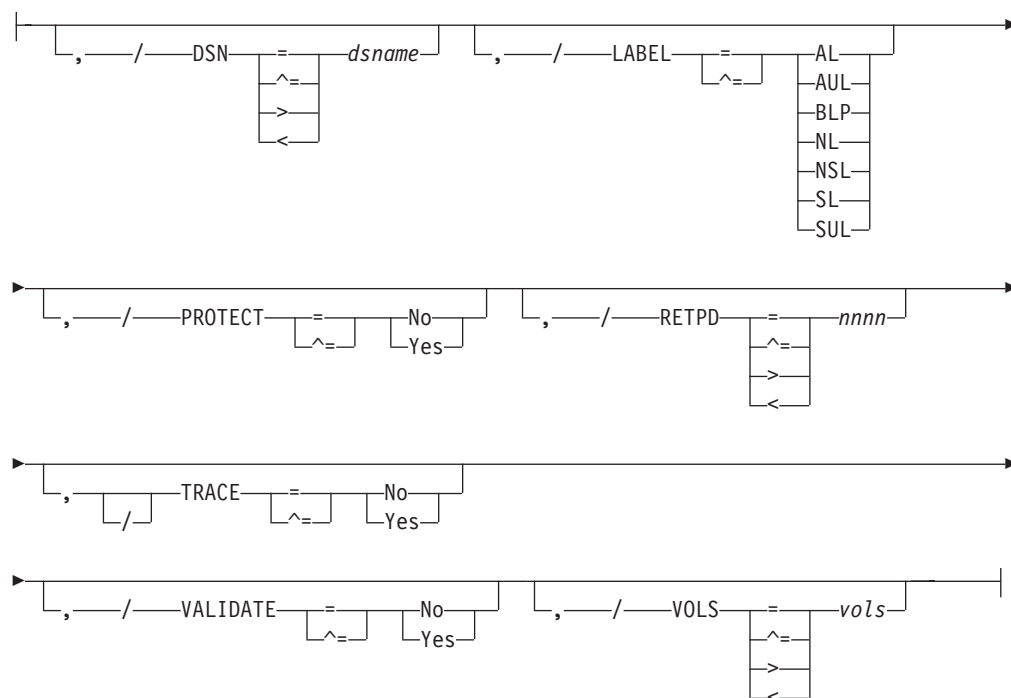


### Modification keywords:





**Selection limiting keywords:**



**Parameters**

(n)

The subscript defining the logical offload device(s) affected by this command. The subscript can specify a numeric value (1-8) or a range of values for offload devices defined by an OFFLOAD(n) initialization statement. For information about specifying a range for this subscript, see "Command syntax conventions" on page 97.

**ARCHIVE={ALL|ONE}**

Specifies whether to allow the offload device to select a job whose disposition is KEEP or HOLD.

## \$T OFFLOAD(n)

If you specify ARCHIVE=ONE, that offload device will not reselect a job whose disposition is KEEP or HOLD; if you specify ARCHIVE=ALL, all offload devices are prevented from re-selecting the job.

### **CRTIME={RESET|RESTORE}**

Specifies the creation time to be associated with jobs and output on reload.

#### **RESET**

Indicates that the time to be assigned is the time of the reload.

#### **RESTORE**

Indicates that the time to be assigned is the original creation time (before the data was offloaded).

### **DSN=dsname**

The 1 to 44 character offload data set and member name. The use of a generation data set (GDG) or a Partitioned Data Set (PDS) is not supported for this parameter.

### **LABEL = {AL|AUL|BLP|NL|NSL|SL|SUL}**

The type of label processing required for the tape that is allocated for a non-cataloged spool offload data set. The valid types and their meanings are:

#### **Type    Meaning**

**AL**    American National Standard label

**AUL**   American National Standard label and American National Standard user-defined label

**BLP**   Bypass label processing

**NL**    No label

**NSL**   Non-standard label

**SL**    IBM standard label

**SUL**   IBM standard label and user-defined label

### **PROTECT={No|Yes}**

Specifies whether (Y) or not (N) the spool offload data set requires System Authorization Facility (SAF) protection.

### **RETPD=nnnn**

The period (0-9999), in days, for which this offload data set is retained.

### **UNIT=({devnum|/devnum|nnnn|ccccccc} [,nn])**

#### **devnum|/devnum**

Specifies a 3-digit or 4-digit hexadecimal device number. A slash (/) must precede a 4-digit device number.

#### **nnnn**

Specifies a device type.

#### **ccccccc**

Specifies a one to eight character group name assigned to the device or group of devices that are to receive non-cataloged spool offload data sets.

**nn** Specifies a number, one to 59, that are allocated to mount the volumes containing the offload data set.

**TRACE={No|Yes}**

Specifies whether trace records are to be cut for data read or written by this offload device. See specific trace IDs for more information.

**VALIDATE={No|Yes}**

Specifies whether JES2 should validate the logical record length of the first (header) record read from the offload data set.

- If YES is specified, JES2 will validate the logical record length of the first record.
- If NO is specified, JES2 will not validate the logical record length of the first record. Specifying NO allows the offload device to continue to read the offload data set, even if the first record is not valid or missing.

**VOLS=vol**

Specifies the volume count (1-255) to be used for the offload data set.

**Authority Required**

This command requires **system** authority. The description of the \$T RDRnn command explains how to ensure that the authority of the appropriate MVS system command group is assigned.

This command requires **control** security access authority. For a description of assigning command input authority, see *z/OS JES2 Initialization and Tuning Guide*.

**Processing Considerations**

- This command is valid only if the indicated offload device is drained.
- If you are uncertain of the characteristics in effect, enter the \$D or \$D U command for the offload device in question.

**Scope**

**Single member.** This command will be in effect for this member only. There is no need to have this command issued to all members of the MAS.

**Messages**

The \$HASP882 message displays the current settings of all the parameters on the OFFLOAD(n) initialization statement.

**Examples**

**1** \$t offload1,dsn=off.dump1,label=sl,unit=/c045

```
$HASP882 OFFLOAD1 DSN=OFF.DUMP1,STATUS=DRAINED,ARCHIVE=ONE,
$HASP882          CRTIME=RESET,LABEL=SL,PROTECT=NO,RETPD=30,
$HASP882          TRACE=NO,UNIT=(/C045,1),VALIDATE=YES,VOLS=255
```

The offload data set for OFFLOAD1 is named OFF.DUMP1. The tape allocated for this data set requires IBM standard label (SL) processing.

**2** \$t offload3,protect=yes,retpd=40

```
$HASP882 OFFLOAD3 DSN=OFF.DUMP3,STATUS=DRAINED,ARCHIVE=ONE,
$HASP882          CRTIME=RESET,LABEL=SL,PROTECT=YES,RETPD=40,
$HASP882          TRACE=NO,UNIT=(,1),VALIDATE=YES,VOLS=255
```

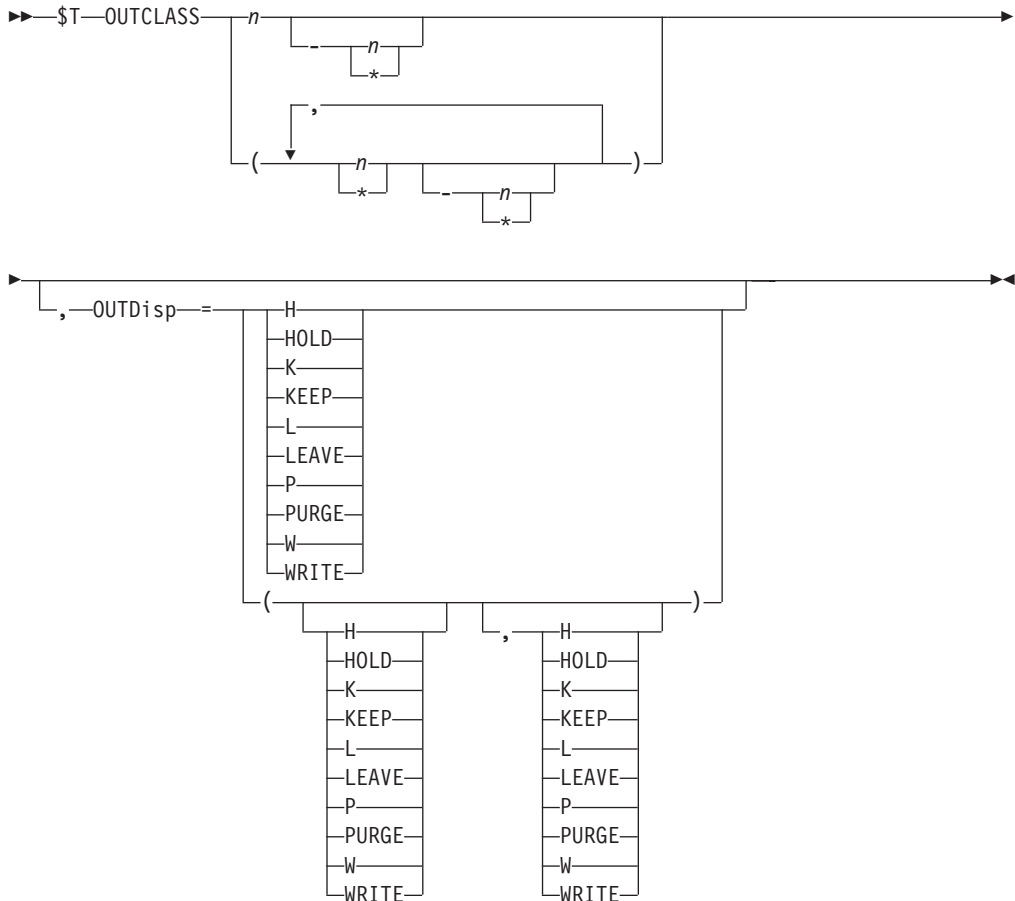
The offload data set named OFF.DUMP3 requires SAF protection. JES retains this data set for 40 days.

## \$T OUTCLASS(n) - Set SYSOUT class characteristics

### Function

To specify the default disposition of the SYSOUT data sets in one or more specified output classes.

### Syntax



### Parameters

(n)

The subscript defining the output class(es) (A-Z, 0-9) that are affected. The subscript may specify a single class (for example B) or a range of classes. For information about specifying a range for this subscript, see "Command syntax conventions" on page 97.

#### OUTDisp

Specifies the default disposition of the SYSOUT data sets in the specified output class(es).

(normal)

Specifies the output disposition if the job ends successfully. Specify one of the output dispositions below.



**(abnormal)**

Specifies the output disposition if the job ends unsuccessfully. Specify one of the output dispositions below.

**Note:** A job is considered to have ended abnormally if:

1. The job abended,
2. The job has a JCL error
3. Completed unsuccessfully with a condition code (COND=...) specified on the JOB statement
4. The job fails during input processing
5. The job fails during conversion processing.

**Valid output dispositions:****H|HOLD**

Hold the output. JES2 does not process the output until you either change the disposition to WRITE or KEEP, or release the output. When the output is released, the disposition changes to WRITE.

**K|KEEP**

Process the output and then keep a copy of it on spool. After processing, the disposition of this output becomes LEAVE.

**L|LEAVE**

JES2 does not process the output until you change the disposition to WRITE or KEEP, or release the output. Once the output is released, the disposition changes to KEEP.

**P|PURGE**

Purge the output immediately.

**W|WRITE**

Process the output then purge it.

See *z/OS JES2 Initialization and Tuning Guide* for more information about specifying output disposition and how JES2 determines output disposition defaults.

**Authority Required**

This command requires **system** authority. The description of the \$T RDRnn command explains how to ensure that the authority of the appropriate MVS system command group is assigned.

This command requires **control** security access authority. For a description of assigning command input authority, see *z/OS JES2 Initialization and Tuning Guide*.

**Scope**

**Single member.** This command will be in effect for this member only.

Depending on your installation's setup, however, you might want this command to be applied to all members of the MAS (to ensure a consistent environment across the MAS). If so, you can use the MVS ROUTE \*ALL command to issue this command to all active members (if the JES2 command character is the same on all members). See *z/OS MVS System Commands* for more information on using the ROUTE \*ALL command.

## \$T OUTCLASS(n)

### Messages

The \$HASP842 message displays the current values of all the parameters on the OUTCLASS initialization statement.

### Example

```
❶ $t outclass(2),outdisp=(purge,write)
```

```
$HASP842 OUTCLASS(2),OUTPUT=PRINT,BLNKTRNC=YES,  
          OUTDISP=(PURGE,WRITE),TRKCELL=YES
```

If a job, that has not yet entered output processing and has output in outclass(2), ends normally, JES2 purges its output in outclass(2). Otherwise the output is printed or punched normally.

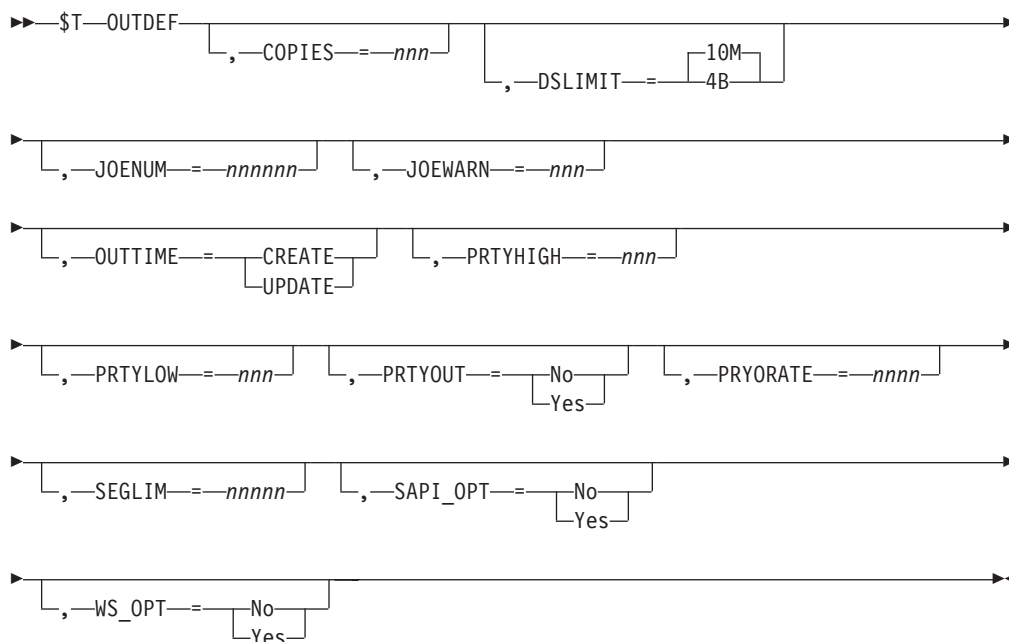
---

## \$T OUTDEF - Set job output characteristics

### Function

To specify the job output characteristics of JES2.

### Syntax



### Parameters

#### COPIES=nnn

The maximum number (1-255) of job output copies that may be requested in the accounting field of your JOB statement or on a /\*JOBPARM control statement. If the number of copies requested is greater than the COPIES= value, JES2 automatically reduces the requested number to the COPIES= value.

#### Note:

1. The specified COPIES= value does not affect those jobs that are already on the hardcopy queue.

2. Specifying this parameter does not affect requests for multiple copies of data sets made with a OUTPUT JCL statement or a /\*OUTPUT control statement.

**Scope: Single Member.**

**DSLIMIT=10M|4B**

DSLIMIT=10M specifies that any job on the system is limited to 10 Million (9999999) SPOOL data sets over the entire lifetime of the job. After this limit is reached, attempts to create additional SPOOL data sets will fail. DSLIMIT=4B specifies that jobs are allowed to continue to create additional SPOOL data sets—up to 4 Billion (4294967296) data sets.

**Note:** The DSLIMIT setting does not have any effect on the first 10M (9,999,999) SPOOL data sets that are created by a job.

**Scope: MAS-Wide.**

**JOENUM=nnnnnn**

Specifies the number (10-1000000) of output elements (JOEs) to exist in the JES2 system. This number can be increased or decreased by operator command. If JOENUM is increased, JES2 may assign a larger value to BERTNUM to reduce the chance of a shortage of BERTs. However, installations should monitor BERT usage (using \$D CKPTSPACE,BERTUSE and the \$HASP050 message) to ensure they do not run out of BERTs.

**JOEWARN=nnn**

The percentage (0-100) of job output elements used at which the \$HASP050 message alerts the operator of a shortage of job output elements. JES2 deletes this message from the console when the resource shortage is relieved (either by a decrease in resource use or an increase in the threshold).

**Note:**

1. If you specify 0, no alert is given.
2. The specified value is applied only to those jobs that have not yet been selected for execution.

**Scope: MAS-Wide.**

**OUTTIME={CREATE|UPDATE}**

Specifies whether JES2 maintains the timestamp marking the creation time of an output's JOE, or whether it saves the time the JOE was last modified.

**CREATE**

JES2 fills in the JOE time only when the job creates the output.

**UPDATE**

JES2 updates the JOE time whenever the JOE is modified.

**Scope: Single Member.**

**PRTYHIGH=nnn**

The upper priority limit (0-255) to be associated with the JES2 job output priority aging feature. JES2 does not priority-age a job output element if its priority is (or becomes) equal to or greater than the PRTYHIGH value. JES2 does not priority-age a job output element unless its initial priority is equal to or greater than the PRTYLOW value.

**Note:**

1. If zero is specified, no priority aging is performed.

2. The PRTYRATE parameter on the OUTDEF statement specifies the number (0-1440) of time periods into which a 24-hour period is to be divided for use in increasing a job output element's priority by the JES2 priority aging feature. For example, if PRTYRATE=4 is specified, JES2 increases a job output element's priority by one for every 6 hours it remains in the system.

**Scope: MAS-Wide.**

**PRTYLOW=nnn**

The lower priority limit (0-255) to be associated with the JES2 job output priority aging feature. JES2 priority-ages a job output element only if its initial priority is equal to or greater than the value of PRTYLOW. JES2 does not priority-age a job output element above the PRTYHIGH value.

**Note:** The specified value is applied only to those jobs that have not yet been selected for execution.

**Scope: MAS-Wide.**

**PRTYOUT={No|Yes}**

Specifies whether the priority specification (PRTY=) on the JCL OUTPUT statement is to be supported (Y) or ignored (N).

**Note:** The specified value is applied only to those jobs that have not yet entered the system.

**Scope: Single Member.**

**PRYORATE=nnnn**

Specifies the number (0-1440) of time periods into which a 24-hour day is to be divided for use in increasing a job's output priority by the JES2 output priority-aging feature. For example, if 3 is specified, a job's output priority will be increased by one for every 8 hours it remains in the system. However, a job's output priority will not be increased unless it is at least equal to the value specified in the PRTYLOW parameter; nor will a job's output priority be increased above the value specified in the PRTYHIGH parameter. If 0 is specified, the values specified in the PRTYLOW and PRTYHIGH parameters are ignored.

**Scope: MAS-Wide.**

**SAPI\_OPT={No|Yes}**

Enables (Yes) or disables (No) SAPI POST work selection optimization. For details see *z/OS JES2 Initialization and Tuning Guide*.

**No** Disables SAPI POST work selection optimization. POST code reverts to the z/OS version 1.13 level of JES2 work selection processing.

**Yes** Enables SAPI POST work selection optimization.

**Scope: Single Member.**

**SEGLIM=nnnnn**

Specifies the maximum number of output segments (1-99999) JES2 creates for a given SYSOUT data set. When the number of segments exceeds the value SEGLIM, JES2 no longer segments the SYSOUT. The SEGLIM parameter has a range from 1 to 99999. The extreme values produce the following results:

**SEGLIM=1**

Prohibits output segmentation

**SEGLIM=99999**

Allows practically unlimited output segmentation

**Scope: Single member.**

**WS\_OPT={No|Yes}**

Enables (Yes) or disables (No) SAPI GET JOE Index work selection optimization on this member. For details see *z/OS JES2 Initialization and Tuning Guide*.

**No** Disables SAPI GET JOE Index work selection optimization. The GET code reverts to the z/OS version 1.13 level of JES2 work selection processing.

**Yes** Enables SAPI GET JOE Index work selection optimization.

**Note:** Enablement happens asynchronously to the command and could take several minutes. The \$HASP144 message signals the start of the asynchronous enablement process for the \$TOUTDEF,WS\_OPT=YES command. The \$HASP145 message is issued when this asynchronous enablement process is complete. During enablement, the GET code uses the z/OS version 1.13 level of JES2 work selection processing.

**Scope: MAS-Wide.**

## Authority Required

This command requires **system** authority. The description of the \$T RDRnn command explains how to ensure that the authority of the appropriate MVS system command group is assigned.

This command requires **control** security access authority. For a description of assigning command input authority, see *z/OS JES2 Initialization and Tuning Guide*.

## Processing Considerations

See the individual operand descriptions to determine the effect this command has on jobs in different phases of execution.

**Note:** The BRODCAST parameter is obsolete. JES2 OUTDEF processing always processes as if BRODCAST=YES is in effect.

## Scope

The scope of this command varies by parameter. See the description of each parameter for its scope.

The values supplied for some parameters on this command will be in effect across the entire MAS while the values supplied for other parameters will be in effect for this member only.

Depending on your installation's setup, you might want the parameters for this command to be applied to all members of the MAS (to ensure a consistent environment across the MAS). If so, you can use the MVS ROUTE \*ALL command to issue this command to all active members (if the JES2 command character is the same on all members). See *z/OS MVS System Commands* for more information on using the ROUTE \*ALL command.

## \$T OUTDEF

### Messages

The \$HASP836 message displays the current values of all the parameters on the OUTDEF initialization statement.

### Examples

```
1 $t outdef,prtylow=10,prtyhigh=150
$HASP836 OUTDEF
$HASP836 OUTDEF COPIES=255,DMNDSET=NO,JOENUM=200,JOEFREE=200,
$HASP836 JOEWARN=80,OUTTIME=CREATE,PRTYLOW=10,
$HASP836 PRTYHIGH=150,PRTYOUT=NO,PRYORATE=0,SEGLIM=100,
$HASP836 STDFORM=STD,USERSET=NO,JOERBLDQ=NONE,
$HASP836 DSLIMIT=10M,E58ALL=NO

2 $toutdef,SAPI_OPT=yes
$HASP836 OUTDEF
$HASP836 OUTDEF COPIES=255,DMNDSET=NO,JOENUM=200,JOEFREE=191,
$HASP836 JOEWARN=80,OUTTIME=CREATE,PRTYLOW=0,
$HASP836 PRTYHIGH=255,PRTYOUT=NO,PRYORATE=0,SEGLIM=100,
$HASP836 STDFORM=STD,USERSET=NO,JOERBLDQ=NONE,
$HASP836 DSLIMIT=10M,SAPI_OPT=YES,WS_OPT=NO,E58ALL=NO
```

SAPI POST work selection optimization has been enabled.

```
3 $toutdef,WS_OPT=yes
$HASP836 OUTDEF
$HASP144 JOE Index build initiated
$HASP836 OUTDEF
$HASP836 OUTDEF COPIES=255,DMNDSET=NO,JOENUM=200,JOEFREE=191,
$HASP836 JOEWARN=80,OUTTIME=CREATE,PRTYLOW=0,
$HASP836 PRTYHIGH=255,PRTYOUT=NO,PRYORATE=0,SEGLIM=100,
$HASP836 STDFORM=STD,USERSET=NO,JOERBLDQ=NONE,
$HASP836 DSLIMIT=10M,SAPI_OPT=YES,
$HASP836 WS_OPT=YES-IN-PROGRESS,E58ALL=NO
$HASP145 JOE Index build complete
```

SAPI GET JOE Index work selection optimization has been enabled.

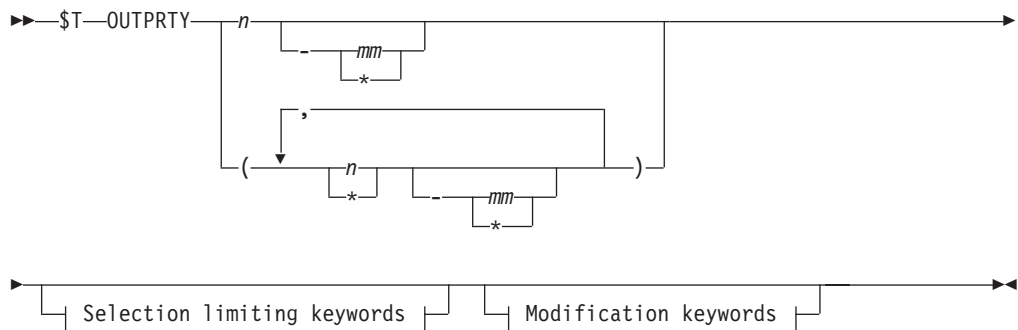
---

## \$T OUTPRTY(n) - Set output scheduling priorities

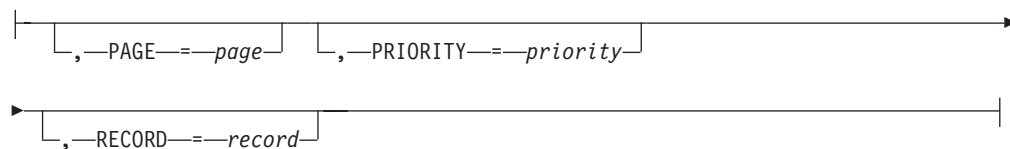
### Function

To specify the output scheduling priorities with relation to the quantity (records or pages) of output.

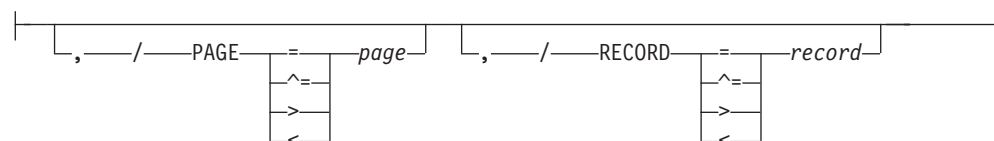
### Syntax



**Modification keywords:**



**Selection limiting keywords:**



**Parameters**

**n** The entry (1-9) being referenced in the OUTPRTY table.

**PAGE=page**

The output page count for stream mode data sets (1-16777215) that is associated with the PRIORITY= value. The actual page count of a data set is determined by JES2 when writing the output data set to spool.

**PRIORITY=priority**

The output selection priority (0-255) of a job output element (JOE) for the output interval specified by the RECORD or PAGE parameter. When JES2 builds job output elements (JOEs) for a job, it assigns a priority to each JOE based on the total number of output lines, cards, or pages represented by the JOE.

**Note:** JOEs are selected in a high to low priority order. For example, a JOE with priority of 150 is selected before a JOE with priority of 140.

**RECORD=record**

The output record count (1-16777215) that is associated with the PRIORITY= value. The actual record count of a data set is determined by JES2 when writing the output data set to spool.

**Authority Required**

This command requires **system** authority. The description of the \$T RDRnn command explains how to ensure that the authority of the appropriate MVS system command group is assigned.

This command requires **control** security access authority. For a description of assigning command input authority, see *z/OS JES2 Initialization and Tuning Guide*.

**Processing Considerations**

- This command does not affect post-execution jobs.
- The OUTPRTY values do not affect an output data set if the PRTY= parameter was specified on the data set's JCL OUTPUT statement and PRTYOUT=YES was specified on the OUTDEF initialization statement.

## \$T OUTPRTY(n)

- Before changing the specifications of OUTPRTY(n), make sure the values you want assigned fit into the defined OUTPRTY table. See *z/OS JES2 Initialization and Tuning Reference* for further information about the size of the OUTPRTY(n) table.

### Scope

**Single member.** This command will be in effect for this member only.

Depending on your installation's setup, however, you might want this command to be applied to all members of the MAS (to ensure a consistent environment across the MAS). If so, you can use the MVS ROUTE \*ALL command to issue this command to all active members (if the JES2 command character is the same on all members). See *z/OS MVS System Commands* for more information on using the ROUTE \*ALL command.

### Messages

The \$HASP848 message displays the current values of all the parameters on the OUTPRTY(n) initialization statement.

### Example

```
1 $t outprty(8),page=300,record=15000,priority=120
```

```
$HASP848 OUTPRTY(8) PRIORITY=120,RECORD=15000,PAGE=300
```

JES2 assigns a priority of 120 to any data set that contains at least 15,000 output records and/or 300 output pages.

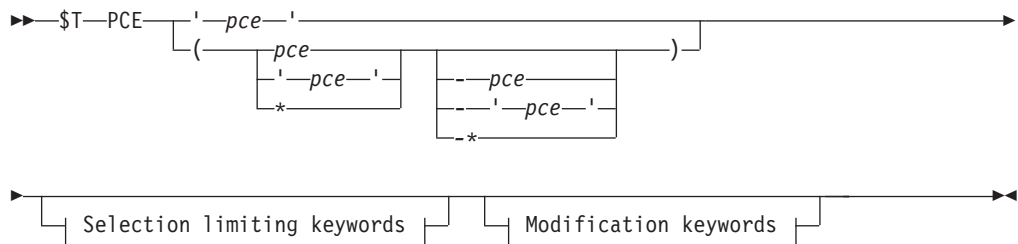
---

## \$T PCE - Control JES2 processors

### Function

To start or stop tracing for all JES2 processors of a given type, including non-device oriented JES2 processors.

### Syntax

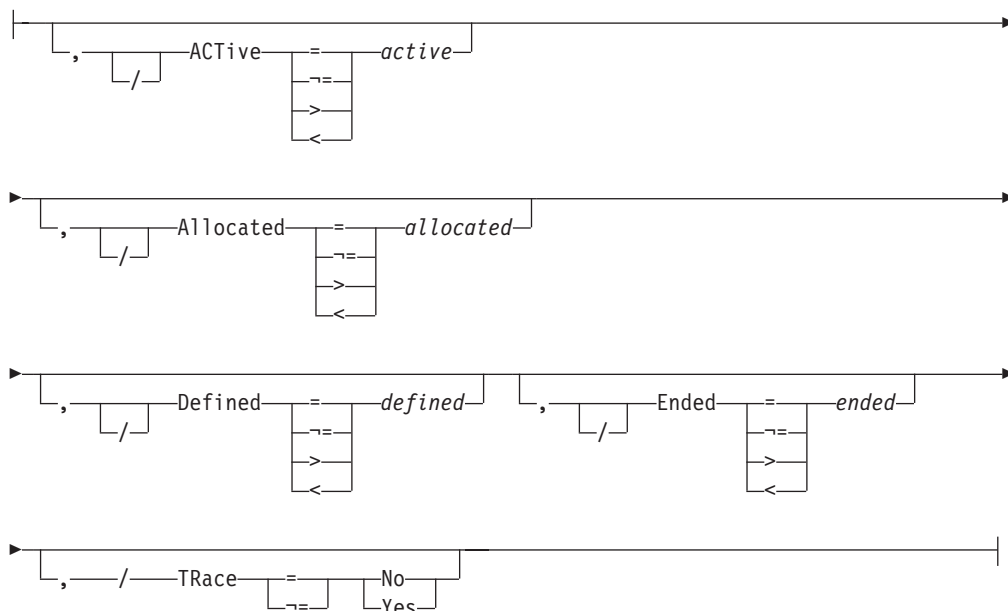


### Modification keywords:





**Selection limiting keywords:**



**Parameters**

*pce*

The processors for which tracing is activated or deactivated. The following processor-type values may be specified.

**Command Input**

**Processor(s)**

**ALICE**

Acquire lock and initiate cleanup executor

**ASync**

ASync I/O Processor

**BERTLOCK**

BERT Lock Post Processor

**CKPT** Checkpoint Processor

**CNVT** JCL Converter

**COMM**

Command Processor

**DAWN**

Distributed Available Work Notification

**ENF** ENF Listen Processor

**EOM** End of memory processor

**EVTL** Event Trace Log

**EXEC** Execution Services

**FCLEANUP**

FSS Cleanup at EOM

**HOPE** Output Processor

**IRCLEAN**  
Internal Reader Cleanup

**JCMD** MAS Command Processor

**JQRP** JQE Request Processor

**MCON**  
Remote Console Processor

**MISC** Miscellaneous processor

**MLLM**  
Line Manager

**NET.JR**  
NJE Job Receiver

**NET.JT**  
NJE Job Transmitter

**NET.SR**  
NJE SYSOUT Receiver

**NET.ST**  
NJE SYSOUT Transmitter

**NET.RR**  
Job Route Receiver

**NET.RT**  
Job Route Transmitter

**NPM** Network Path Manager

**NRM** Network Resource Monitor

**OFF.JR**  
Offload Job Receiver

**OFF.JT**  
Offload Job Transmitter

**OFF.SR**  
Offload SYSOUT Receiver

**OFF.ST**  
Offload SYSOUT Transmitter

**PRT** Printer

**PRTYO**  
Output Priority Aging

**PRTY** Job Priority Aging

**PSO** Process SYSOUT Processor

**PUN** Punch

**PURGE**  
Purge Processor

**RDR** Reader

**RESOURCE**  
Resource Monitor

**RESTART**  
ARM Support Processor

**RMT.RDR**  
RJE Reader

**RMT.PRT**  
RJE Printer

**RMT.PUN**  
RJE Punch

**SJFSERV**  
SWB Modify Processor

**SNF** Spool Garbage Collector

**SOM** Spool Offload I/O Manager

**SPI** SYSOUT API

**SPIN** Spin Processor

**SPOOL**  
Spool Command Manager

**STAC** SSI Status/Cancel Services

**TIME** Elapsed Time Monitor

**TIMER**  
STIMER/TTIMER Processor

**WARM**  
Warm Start Processor

**XCF** JESXCF Interface

**XCFMND**  
JESXCF Request Processor

See "PCE List" in *z/OS JES2 Messages* for a list of PCEs and a description of their functions.

**ACTive=active**

The \$ACTIVE count.

**Allocated=allocated**

Number of defined PCEs that have been created.

**Defined=defined**

Number of PCEs of this type defined to JES2.

**Ended=ended**

Number of allocated PCEs that have ABENDED and are now ended.

**TRace={No|Yes}**

Specifies whether tracing is to be activated or deactivated for these processors.

**Yes**

Tracing is activated if trace IDs 11 and 12 are currently enabled. This command causes tracing of program linkage (\$SAVE and \$RETURN macros) performed under control of the specified group of processors.

**Note:**

1. Trace IDs 11 and 12 may be enabled either at initialization on the TRACE(n) statement or using the \$\$ TRACE(n) command.

## \$T PCE

2. Not all processors that are eligible for tracing use the \$SAVE and \$RETURN macros (for example, the STIMER/TTIMER processor).

**No** Tracing is disabled.

### Authority Required

This command requires **system** authority. The description of the \$T RDRnn command explains how to ensure that the authority of the appropriate MVS system command group is assigned.

This command requires **control** security access authority. For a description of assigning command input authority, see *z/OS JES2 Initialization and Tuning Guide*.

### Processing Considerations

For some device processors, tracing may have been set individually using other commands (for example, \$TRDR1,TR=Y). This command sets tracing for **ALL** processors of the given type. Subsequent \$T commands for individual devices can be issued to change the setting for just selected processors.

### Scope

**Single member.** This command will be in effect for this member only.

However, you might want this command to be applied to all members of the MAS (to ensure a consistent environment across the MAS). If so, you can use the MVS ROUTE \*ALL command to issue this command to all active members (if the JES2 command character is the same on all members). See *z/OS MVS System Commands* for more information on using the ROUTE \*ALL command.

### Messages

The \$HASP653 message displays the current processor tracing status and the PCE counts for the processor type specified.

### Examples

**1** \$t pce(evt1),trace=yes

```
$HASP653 PCE(EVTL)    COUNT=(1,1,0),ACTIVE=0,TRACE=YES
```

JES2 activates tracing for the event trace log processors.

**2** \$TPCE(CKPT),TRACE=YES

```
$HASP653 PCE(CKPT)    COUNT=(1,1,0),ACTIVE=0,TRACE=YES
```

Activate tracing for checkpoint type PCEs.

**3** \$TPCE(NET\*),TRACE=YES

```
$HASP653 PCE(NET.JT)    COUNT=(30,30,0),ACTIVE=0,TRACE=YES
$HASP653 PCE(NET.JR)    COUNT=(10,10,0),ACTIVE=0,TRACE=YES
$HASP653 PCE(NET.ST)    COUNT=(30,30,0),ACTIVE=0,TRACE=YES
$HASP653 PCE(NET.SR)    COUNT=(40,40,0),ACTIVE=0,TRACE=YES
$HASP653 PCE(NET.RR)    COUNT=(1,1,0),ACTIVE=0,TRACE=YES
$HASP653 PCE(NET.RT)    COUNT=(1,1,0),ACTIVE=0,TRACE=YES
```

Activate tracing for all PCE types that start with NET.

**4** \$TPCE(\*),ACTIVE>0,TRACE=YES

```
$HASP653 PCE(PRT)    COUNT=(11,11,0),ACTIVE=1,TRACE=YES
```

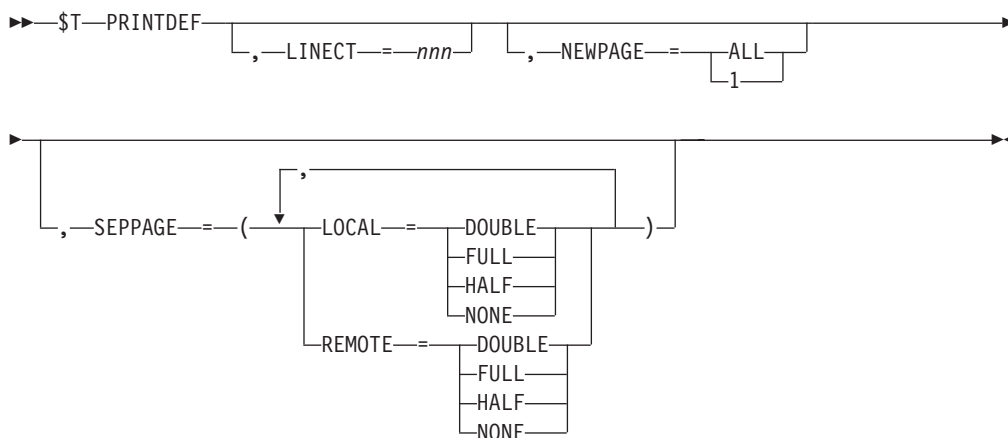
Activate tracing for all PCE types that have an active count of 1 or more.

## \$T PRINTDEF - Control the JES2 print environment

### Function

To specify the characteristics of the JES2 print environment.

### Syntax



### Parameters

#### LINECT=nnn

The maximum number (0-254) of lines to be printed per page on job output. If you specify LINECT=0, automatic page overflow (normally standard in JES2) is suppressed.

- **For MODE=JES printers:** Table 64 shows the interaction and overriding order that JES2 uses when determining the number of lines it will use when writing a checkpoint record for printers set to MODE=JES (that is, non-FSS-mode printers).

Table 64. Interaction of PRINTDEF and PRT(n) parameters that JES2 uses to calculate the output checkpoint interval

PRINTDEF LINECT=	and PRT(n) CKPTLINE=	"Lines" Setting JES2 Uses to Calculate Checkpoint
> 0	0 (or defaulted)	PRINTDEF LINECT= value
> 0	> LINECT=	PRINTDEF LINECT= value <sup>1</sup>
	< LINECT=	PRT(n) CKPTLINE= value <sup>1</sup>
0	>0	PRT(n) CKPTLINE= value

<sup>1</sup>and if CKPTPAGE=>0, then JES2 calculates total checkpoint lines to be the product of this value times the CKPTPAGE= value

- **For MODE=FSS printers:**

- If you set CKPTMODE= on PRT(nnnnn), JES2 uses that value to determine if checkpoints are taken based on page count or time.
- If you set CKPTSEC= on PRT(nnnnn) or allow the default of 0, and CKPTMODE=SEC, this value sets the number of seconds before taking an output checkpoint.

## \$T PRINTDEF

### Note:

1. A 3800 printer does not print more than 60 lines per 11-inch page at 6 lines per inch or 80 lines per 11-inch page at 8 lines per inch.
2. The LINECT= parameter does not affect a job if a line count was specified:
  - In the accounting field of the JOB statement
  - On a /\*JOBPARM control statement
  - On the /\*OUTPUT control statement
  - On the JCL OUTPUT statement.
3. Changing LINECT= does not affect jobs that have been previously submitted.

### NEWPAGE={ALL|1}

Specifies when a 'skip to channel' is counted as a new page. The method selected on this parameter is used for all printers that do not explicitly specify NEWPAGE=, or for printers that have the NEWPAGE=DEFAULT parameter specified. You can override this parameter for a specific printer by specifying the NEWPAGE= parameter on a PRT or R(nnnn).PR(m) initialization statement. You can specify one of the following:

#### ALL

Specifies that JES2 will treat skip-to-any-channel as a new page.

- 1 Specifies that JES2 will treat only skip-to-channel-one as a new page.

### SEPPAGE=([LOCAL=pagetype] [,REMOTE=pagetype])

Specifies the type of separator page JES2 produces on local and remote printers. Changing SEPPAGE affects jobs that have been submitted but have not yet printed. The value of the SEPPAGE parameter that is in effect at the time an output group starts to print, controls the production of both header and trailer separator pages. You can assign one of the following values for SEPPAGE:

#### DOUBLE

Requests the production of two full separator pages including jobname and jobid in block letters. Having two separator pages guarantees an outward facing page. DOUBLE is the default for LOCAL printers.

**FULL** Indicates that a complete separator page including jobname and jobid is produced.

**HALF** Specifies a separator page containing only detail separator information. Jobname and jobid do not appear in block letters. HALF is the default for REMOTE printers.

#### NONE

Inhibits separator page generation.

## Authority Required

This command requires **system** authority. The description of the \$T RDRnn command explains how to ensure that the authority of the appropriate MVS system command group is assigned.

This command requires **control** security access authority. For a description of assigning command input authority, see *z/OS JES2 Initialization and Tuning Guide*.

## Processing Considerations

This command affects only those jobs that have not yet printed.

### Scope

**Single member.** This command will be in effect for this member only.

Depending on your installation's setup, however, you might want this command to be applied to all members of the MAS (to ensure a consistent environment across the MAS). If so, you can use the MVS ROUTE \*ALL command to issue this command to all active members (if the JES2 command character is the same on all members). See *z/OS MVS System Commands* for more information on using the ROUTE \*ALL command.

### Messages

The \$HASP833 message displays the current values of all the parameters on the PRINTDEF initialization statement.

### Example

```
$t printdef,linect=80,seppage=(local=full,remote=half)
```

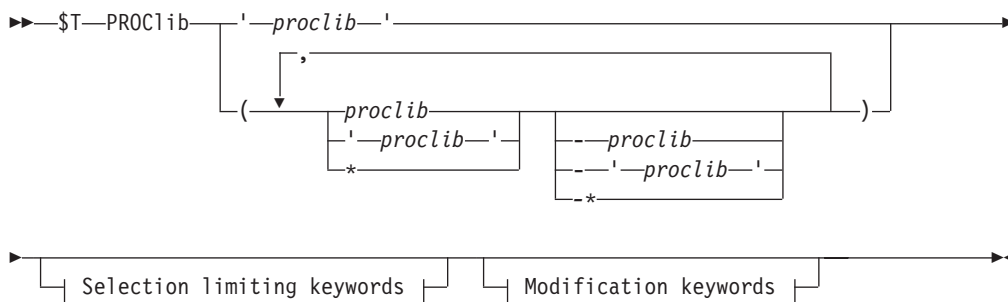
```
$HASP833 PRINTDEF CCWNUM=49,LINECT=80,NIFCB=STD3,
NIFLASH=****,NIUCS=GT10,FCB=6,TRANS=NO,
UCS=0,DBLBUFR=YES,RDBLBUFR=NO,
SEPPAGE=(LOCAL=FULL,REMOTE=HALF)
```

## \$T PROCLIB(xxxxxxxx) - Modify an existing dynamic PROCLIB concatenation

### Function

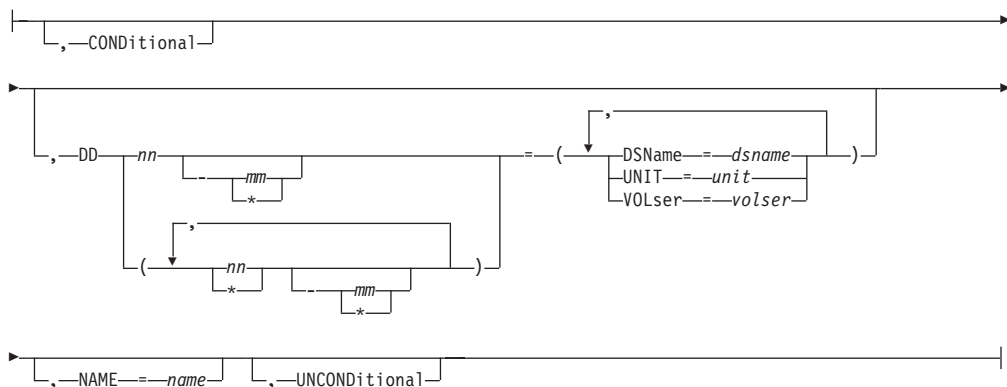
To modify an existing PROCLIB concatenation. Using this command, new data sets can be added to a concatenation, or existing data sets updated or deleted from the concatenation. If a \$T PROCLIB command is entered with no operands, then concatenation will be reallocated. This is useful to retry a previously failed allocation or to pick up updates to an existing data set (for example, a data set cataloged on a new volume) including static PROCLIB concatenation from the JES2 PROC. PROCxx DDs in the JES2 start PROC can be altered using this command. The actual static allocation cannot be altered, but it can effectively be replaced with a logical concatenation specified by this command.

### Syntax

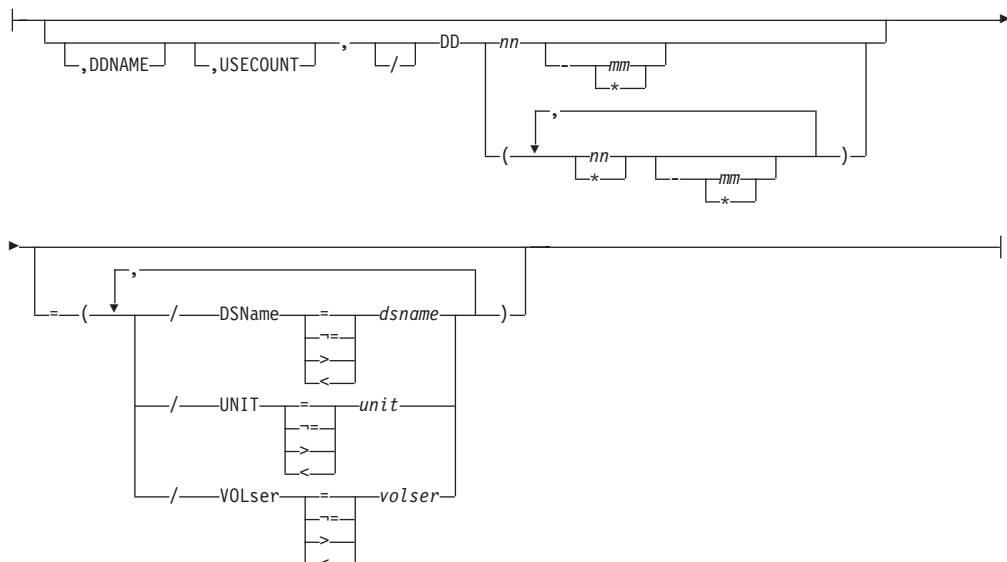


## \$T PROCLIB(xxxxxxxx)

### Modification keywords:



### Selection limiting keywords:



## Parameters

### (xxxxxxxx)

Specifies the 1- to 8-character PROCLIB DD name being modified. If a dynamic PROCLIB does not exist with this name, the command will fail. You can also specify wild cards on this parameter. See "Using wildcards" on page 108 for additional information.

### DD(nnn)=

Specifies up to 255 data sets that are part of the concatenated for this PROCLIB DD name. Existing data sets can be altered or removed as well as adding data sets to the concatenation. Data sets in this list are compacted after the \$T command is processed. If you add a new DD(100) to an existing concatenation of 2 data sets, the resulting concatenation will have DD(1), DD(2) and DD(3). If you then set the data set name for DD(2) to null, it will be removed from the concatenation leaving just DD(1) and DD(2) where DD(2) has the old DD(3) data set specification. Though up to 255 data sets can be specified, MVS rules



limit any data set concatenation to 255 extents. If any data set has more than one extent, then the total number of data sets that can be supported will be reduced.

**DDNAME**

Specifies the real DDNAME to be associated with the PROCLIB concatenation.

**DSName=jxxx...x**

Specifies a 1- to 44 character data set name which JES2 will include in this PROCLIB concatenation. This must specify a partitioned data set (PDS). If this value is coded as null (no operand specified) then the DD(nnn) will be deleted from the concatenation.

**UNIT=hhh|/hhh|nnnn|ccccccc**

If the PROCLIB data set to be used is not cataloged, then the unit information for the device containing the data set must be specified in one of the following ways:

**hhh | /hhh**

specifies a 3- or 4-digit hexadecimal device number. Device numbers can be specified by any of the following formats:

- UNIT=hhh
- UNIT=/hhh
- UNIT=/hhhh

where hhh and hhhh represent the device numbers. A slash (/) must precede a 4 digit device number.

**nnnn**

Specifies a device name.

**ccccccc**

Specifies a 1- to 8-character group name assigned to the device or group of devices that contained the non-cataloged PROCLIB data set to be used.

**USECOUNT**

Specifies the use count for a PROCLIB concatenation. A PROCLIB is considered in use if a conversion processor currently has the data set open.

**VOLser=xxxxxx**

If the PROCLIB data set to be used is not cataloged, then this specifies a 1 to 6 character volume serial number on which the data set resides.

**UNCONDitional|CONDitional**

Specifies what action should be taken if one of the data sets cannot be allocated. If CONDitional is specified then if any data set in the concatenation cannot be allocated (even ones that were not updated), the \$T command is failed. If UNCONDitional is specified, then an error allocating a single data set is ignored. The data set is not added to the concatenation but it remains assigned to the DD(nnn). When the concatenation is displayed, failed DD(nnn) will display the text 'ALLOCATION FAILED' before the data set name. If all the data sets in a concatenation fail to allocate, then the \$T command fails regardless of whether UNCONDitional was specified.

**NAME=xxxxxxx**

Allows the name of an existing PROCLIB concatenation to be changed. Specifying PROC(TEST01) NAME=PROC01 will rename the TEST01 PROCLIB concatenation to PROC01. If there is an existing PROC01 concatenation, it is replaced by the current TEST01 concatenation. This is useful for testing new concatenations before putting them into production.

## \$T PROCLIB(xxxxxxxx)

### Authority Required

This command requires **system** authority. The description of the \$T RDRnn command explains how to ensure that the authority of the appropriate MVS system command group is assigned.

This command requires **control** security access authority. For a description of assigning command input authority, see *z/OS JES2 Initialization and Tuning Guide*.

### Scope

**Single member.** The values supplied for this command will be in effect for this member only.

You may want to use this command to get information about all members in the MAS. To do so, you can use the MVS ROUTE \*ALL command to issue this command to all active members (if the JES2 command character is the same on all members). See *z/OS MVS System Commands* for more information on using the ROUTE \*ALL command.

See *z/OS JES2 Initialization and Tuning Guide* for more information on scratching a PSDE in the dynamic PROCLIB concatenation.

### Messages

The \$HASP319 message displays the current PROCLIB concatenation.

The \$HASP003 RC=52 indicates that you are trying to modify a PROCLIB concatenation that does not exist.

The \$HASP003 RC=91 indicates that the command failed because there was an allocation failure. In this case, additional IKJ message will be issued to describe the allocation error.

### Examples

**1**

```
$tproclib(proc01),dd(3)=(dsn=tso.proclib,vol=j2shr2,unit=3380)
$HASP319 PROCLIB(PROC01) DD(1)=(DSNAME=SYS1.PROCLIB),
$HASP319 DD(2)=(DSNAME=TEST.PROCLIB),
$HASP319 DD(3)=(DSNAME=TSO.PROCLIB,
$HASP319 VOLSER=J2SHR2,UNIT=3380)
```

Add a new data set, TSO.PROCLIB to an existing concatenation

**2**

```
$tproclib(proc01),dd(2)=(dsn=)
$HASP319 PROCLIB(PROC01) DD(1)=(DSNAME=SYS1.PROCLIB),
$HASP319 DD(2)=(DSNAME=TSO.PROCLIB,
$HASP319 VOLSER=J2SHR2,UNIT=3380)
```

Remove the TEST,PROCLIB from an existing concatenation

**3**

```
$tproclib(test01),name=proc01
$HASP319 PROCLIB(PROC01)
$HASP319 PROCLIB(PROC01) DD(1)=(DSNAME=SYS1.PROCLIB),
$HASP319 DD(2)=(DSNAME=TSO.PROCLIB,
$HASP319 VOLSER=J2SHR2,UNIT=3380)
```

Rename the TEST01 concatenation PROC02

```

4
$tproclib(*),dd(*)=(/dsn=tso.proclib,dsn=test.proclib,unit=,vol=)
$HASP319 PROCLIB(PROC01) DD(1)=(DSNAME=SYS1.PROCLIB),
$HASP319 DD(2)=(DSNAME=TEST.PROCLIB)
$HASP319 PROCLIB(PROC02) DD(1)=(DSNAME=SYS1.PROCLIB),
$HASP319 DD(2)=(DSNAME=TEST.PROCLIB)
    
```

Change all PROCLIBs that have a data set name of TSO.PROCLIB to TEST.PROCLIB with no VOLSER= and no UNIT= specified

## \$T PRT(nnnnn) and \$T R(nnnnn).PR(m) - Control a printer

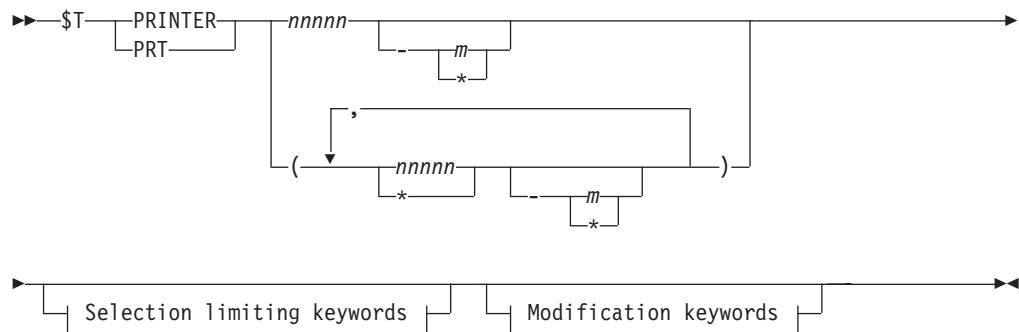
### Function

To perform the following functions:

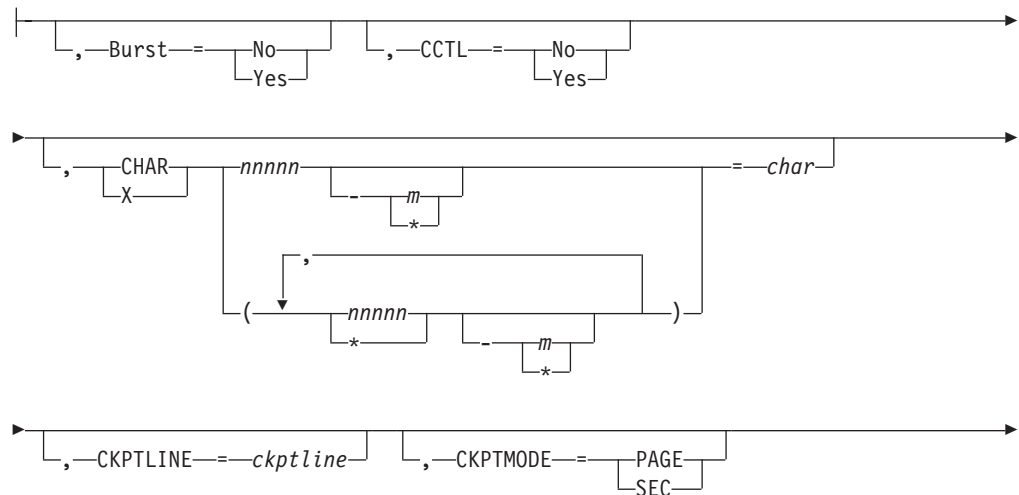
- Specify printer work selection and processing characteristics.
- Override a system request for a setup you are unable to fulfill.
- Start or stop tracing of the JES2 processor associated with the specified printer.

One or more parameters on this command accepts wild cards. Parameter descriptions will note that.

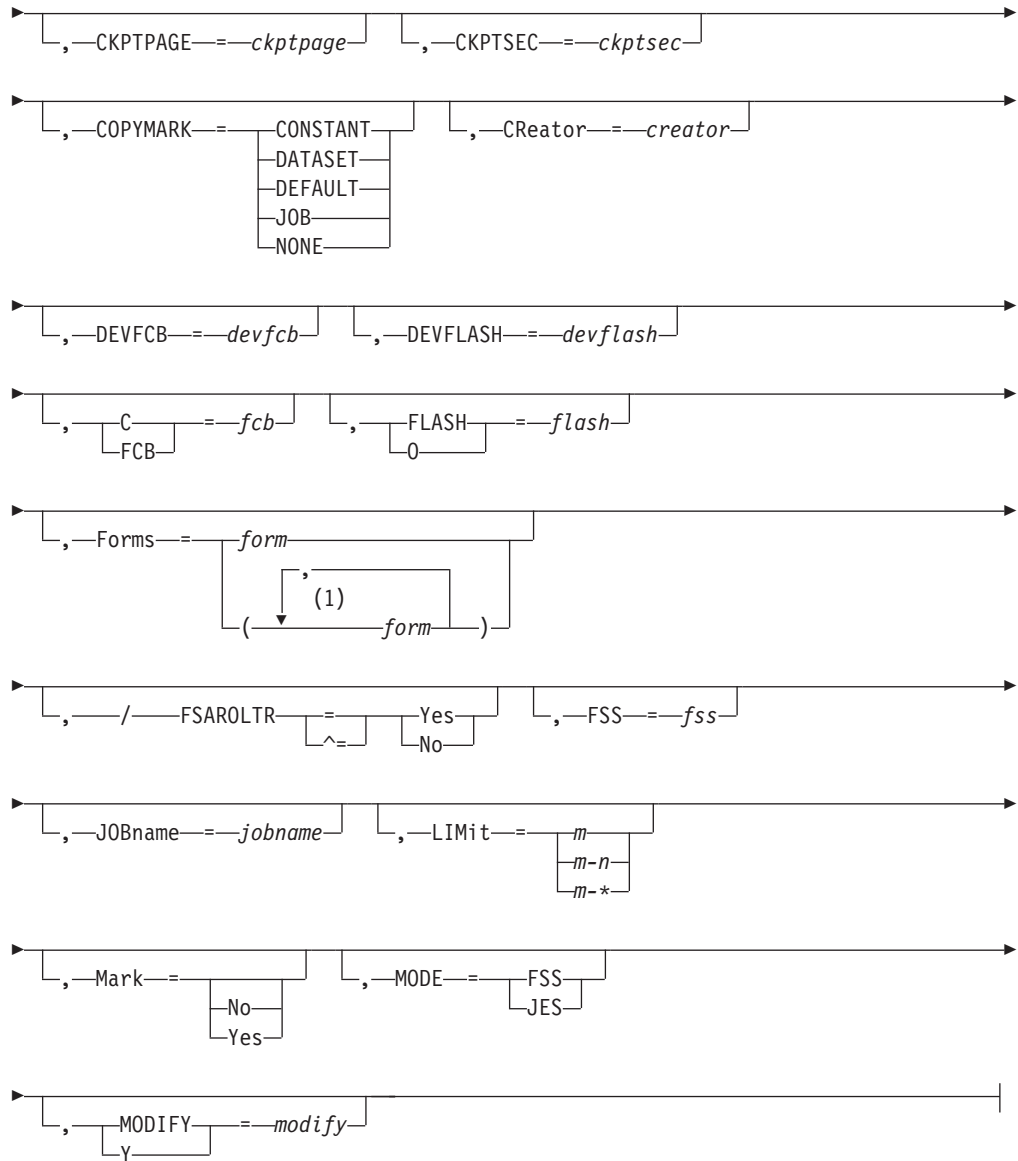
### Syntax



### Modification keywords:

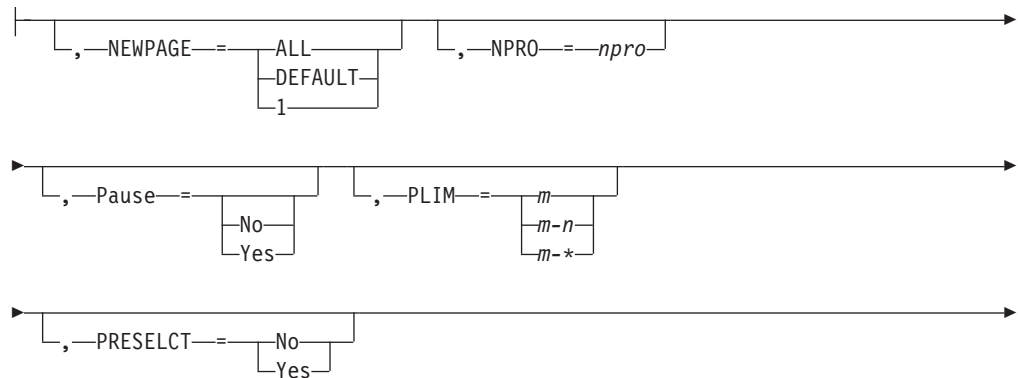


## \$T PRT(nnnnn) and \$T R(nnnnn).PR(m)

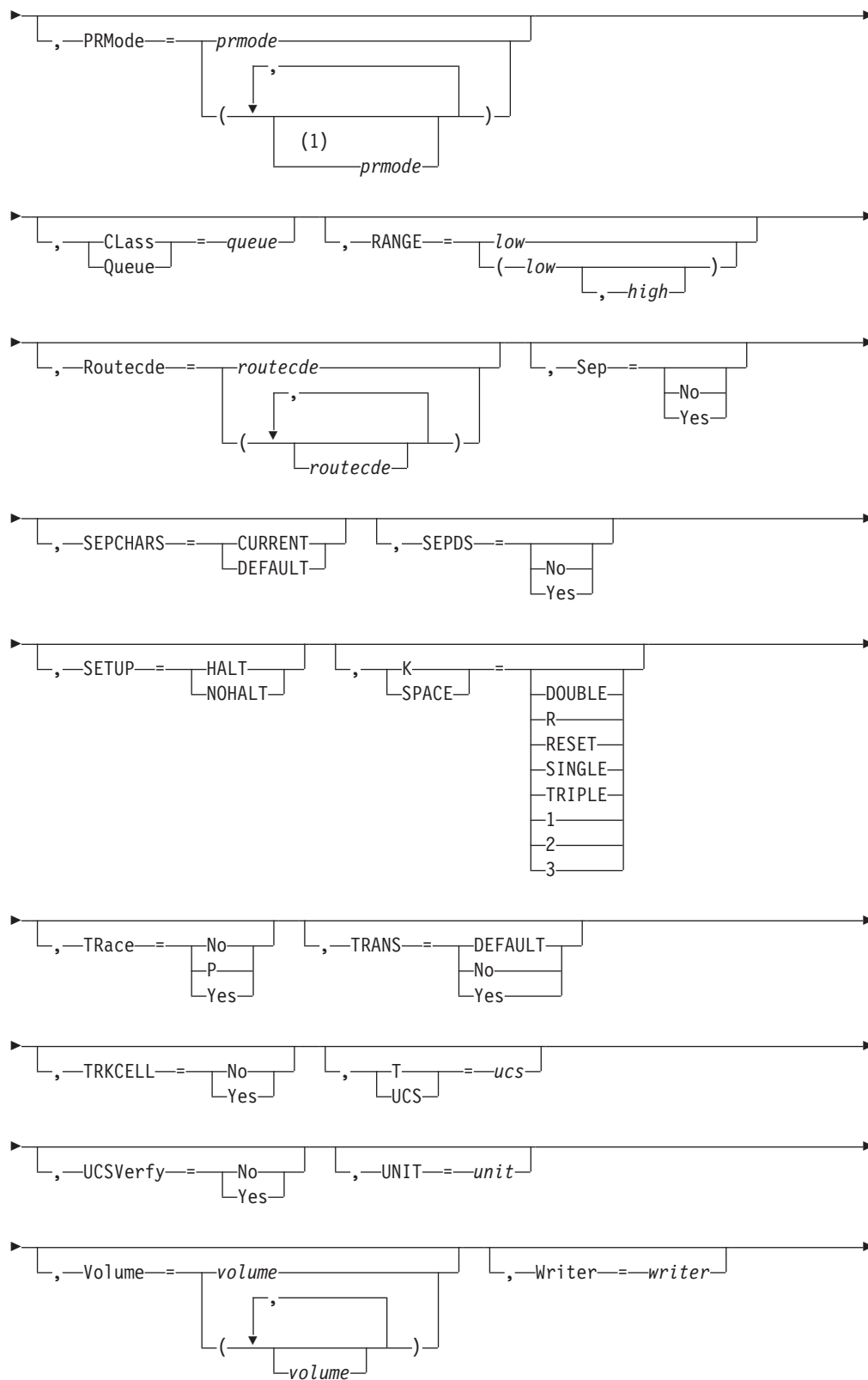


### Notes:

1 *form* can be coded up to 8 times



## \$T PRT(nnnnn) and \$T R(nnnnn).PR(m)



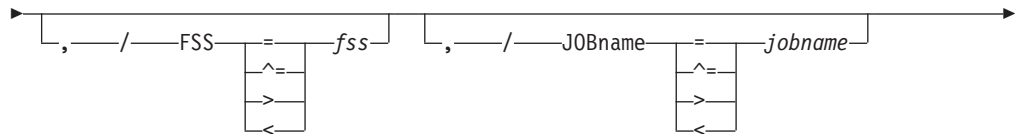
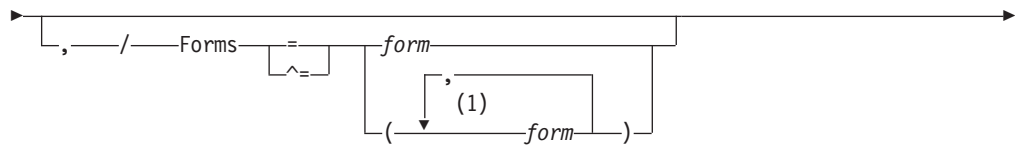
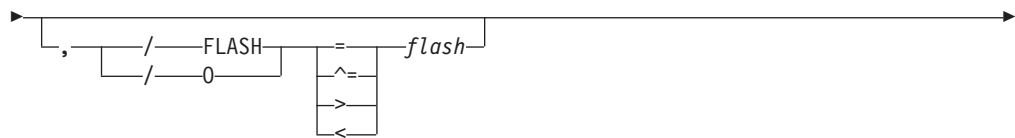
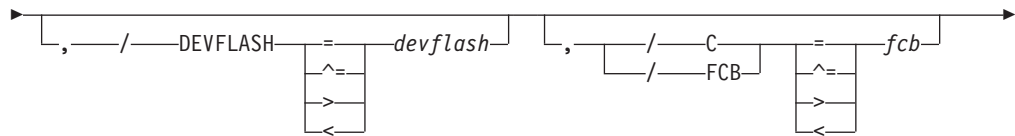
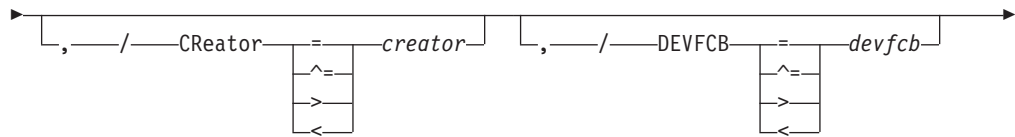
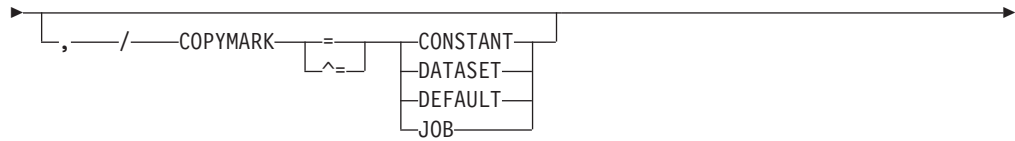
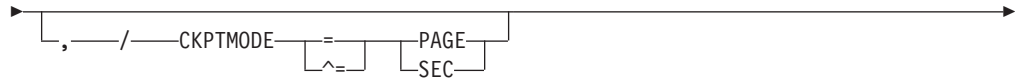
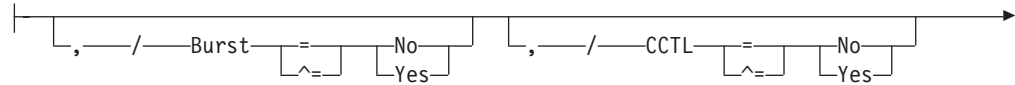
## \$T PRT(nnnnn) and \$T R(nnnnn).PR(m)



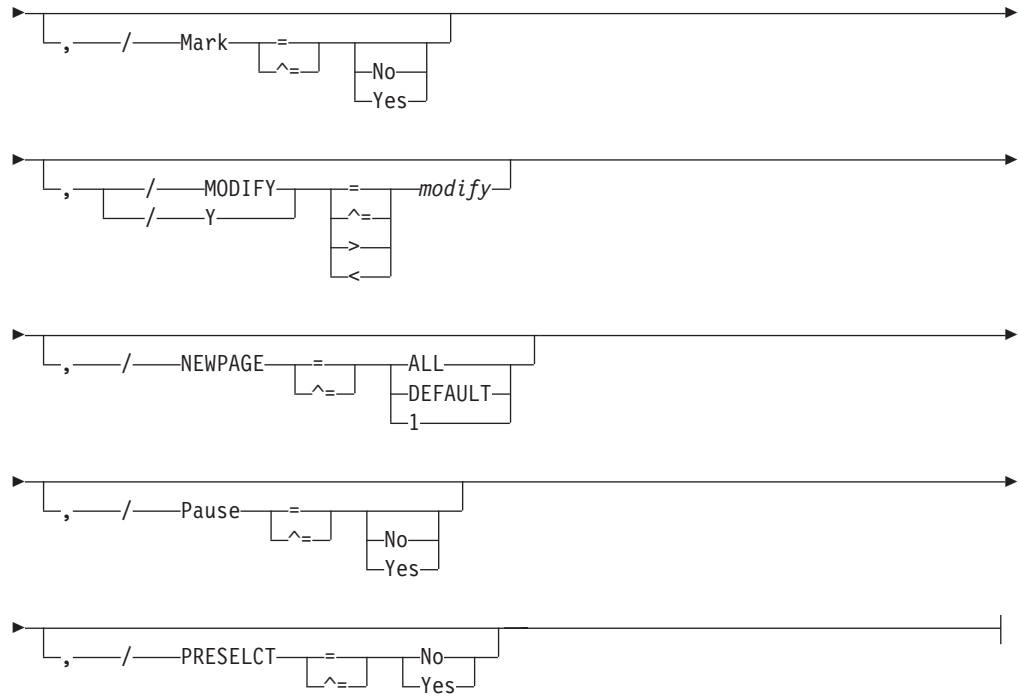
### Notes:

- 1 *prmode* can be coded up to 8 times

### Selection limiting keywords:

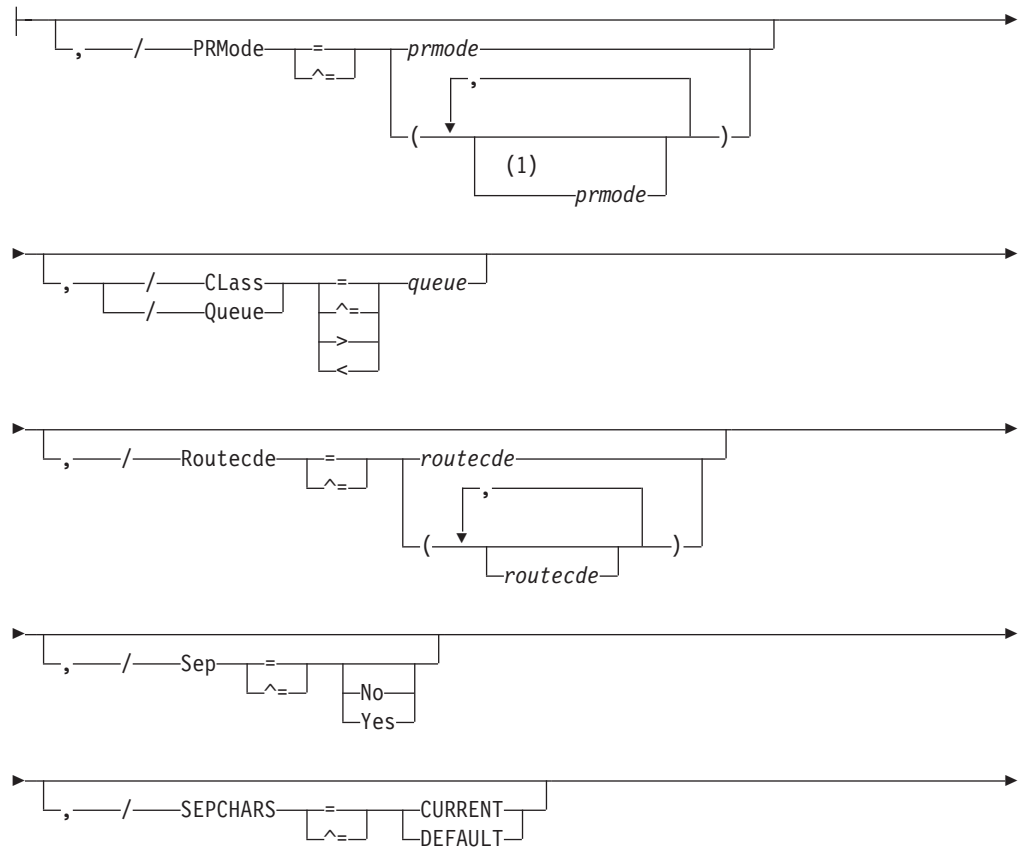


## \$T PRT(nnnnn) and \$T R(nnnnn).PR(m)

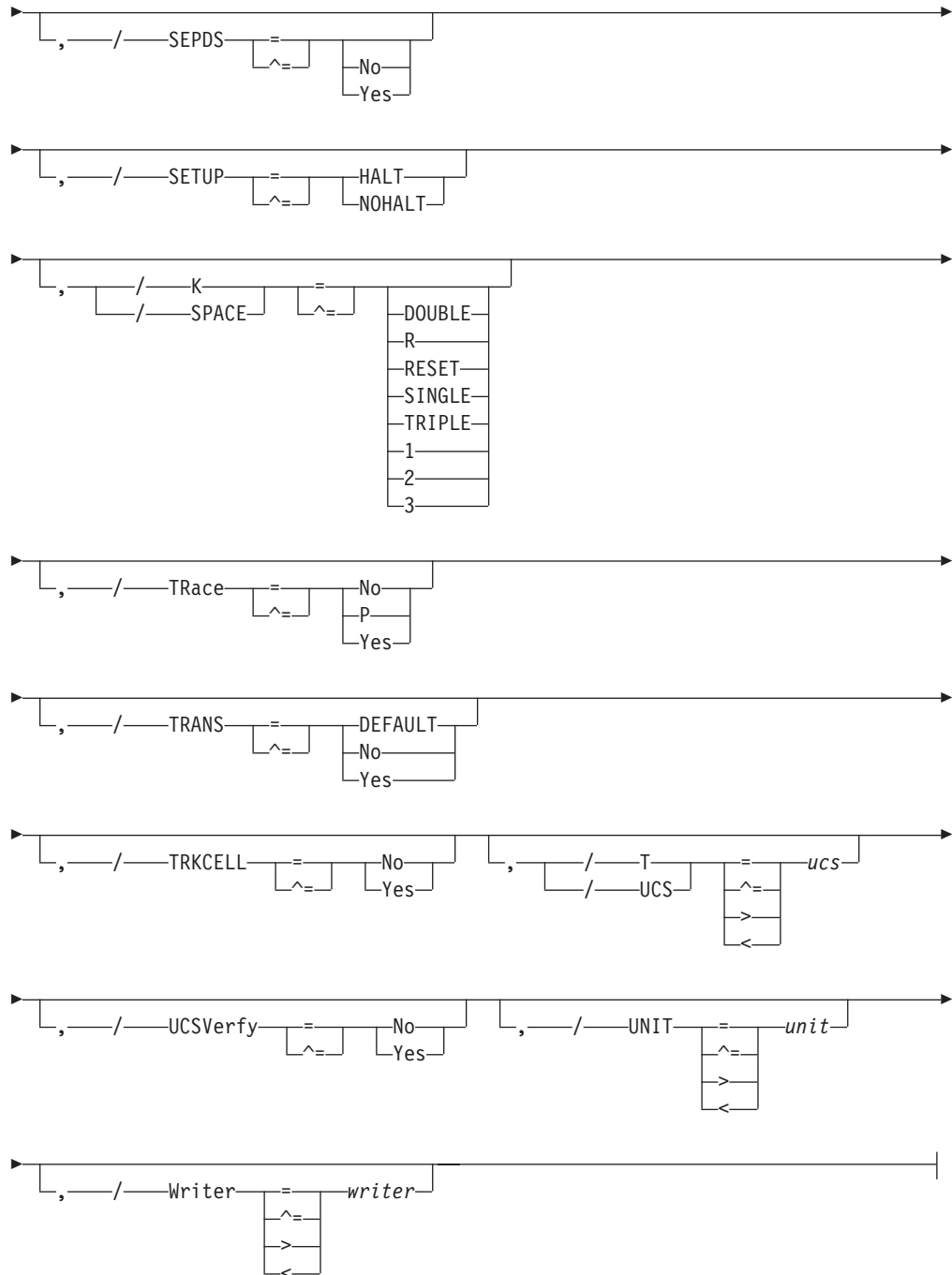


### Notes:

- 1 *form* can be coded up to 8 times



## \$T PRT(nnnnn) and \$T R(nnnnn).PR(m)



### Notes:

- 1 *prmode* can be coded up to 8 times

### Parameters

*nnnnn*

For **PRT**, the identifier of the local printer (1-32767) to control. For **R**, the identifier of the remote workstation (1-32767) that is attached to printer *m* (1-7).

- m* The identifier of the printer (1-7) that is attached to the remote workstation **Rnnnnn** (1-32767).



**ASIS={Y|N}**

Specifies whether JES2 will send the print data to the remote printer without suppressing extraneous ejects and adding an eject at the end of a data set. This parameter should be specified as NO if the installation wants to continue to suppress ejects and receive ejects at the end of each print data set.

**Note:** This keyword applies only to remote printers.

**Burst=[No|Yes]**

Specifies whether the printed output from the indicated 3800 printer is to be burst into separate sheets (Y) or is to be in continuous fanfold form (N).

**CCTL**

CCTL={YES | NO}

Displays whether (YES) or not (NO) JES2 places carriage control characters in the output stream transmitted to this remote printer. If you specify CCTL=NO, JES2 neither compresses (COMPRESS=NO) nor compacts (COMPACT=NO) data, and standard character string (SCS) control characters are not placed in the output string.

**Note:** The CCTL= parameter applies to remote printer and SNA devices only.

**C|FCB={xxxx|RESET}****xxxx**

The identifier (1- to 4-alphanumeric or special character (\$ # @)) of the carriage control tape for a printer without a forms control buffer (FCB) feature, or the FCB image for a printer having the FCB feature. If you specify an FCB image, it must be available in SYS1.IMAGELIB. If loading is required for Rnnnn.PRm, it must be done by the operator at the JES2 RJE workstation, unless the workstation has FCB-loading capability.

**RESET**

Specifies that a 3800 printer or a printer running under the control of a functional subsystem (FSS mode) is to construct a 6 lines per inch FCB based on the forms loaded in the printer. For a 3800 (and other printers) in FSS mode, JES2 uses the FCB specified in the PROC that starts the FSS. RESET can be used to correct the problem indicated by the \$HASP180 load error message.

**Note:**

1. When you explicitly set the C= parameter for the 3800 printer, the specified value is used as the installation's default FCB image for SYSOUT data sets which do not specify the FCB= parameter through JCL.
2. If you have received the \$HASP180 load error message indicating an FCB image error, specify the C= parameter to correct the problem.

**CKPTLINE=ckptline**

Specifies the maximum number of lines (0-32767) in a logical page. JES2 uses this value, the CKPTPAGE= parameter, and the LINECT= parameter on PRINTDEF, to determine when to take output checkpoints as follows:

JES2 compares the "line count values" you specified on the PRINTDEF LINECT= and PRT(n) CKPTLINE= parameters and then always uses the lesser value.

Checkpoint Interval = *line count* \* CKPTPAGE (if non-zero)

where *line count* is either:

## \$T PRT(nnnnn) and \$T R(nnnnn).PR(m)

- CKPTLINE if CKPTLINE < LINECT  
hence **Checkpoint Interval** =  
CKPTLINE \* CKPTPAGE (if non-zero)
- LINECT if CKPTLINE > LINECT  
hence **Checkpoint Interval** =  
LINECT \* CKPTPAGE (if non-zero)

The size of a logical page is also defined as the number of lines printed until:

- A channel skip is encountered
- The line count specified by the LINECT= parameter on the PRINTDEF statement, the /\*JOBPARM control statement, the JCL OUTPUT statement, or the JOB statement accounting field has been exceeded.

**Note:** This operand is ignored if specified for a printer under the control of a functional subsystem. The functional subsystem does its own physical and logical pages checkpoint based on the CKPTPAGE and CKPTSEC values passed to it from JES2.

### CKPTMODE={PAGE|SEC}

Specifies whether the functional subsystem is to take checkpoints based on page count or elapsed time.

**Note:** This operand is valid for printers under the control of a functional subsystem only, not those under the control of JES2.

#### PAGE

The functional subsystem uses the checkpointing interval specified by the CKPTPAGE operand.

#### SEC

The functional subsystem uses the checkpointing interval specified by the CKPTSEC operand.

**Note:** The installation should set the values for CKPTSEC and CKPTPAGE so they are best for the printer; then control which checkpoint method to use, either SEC or PAGE, by changing the CKPTMODE parameter.

### CKPTPAGE=ckptpage

The number (1-32767) of logical pages for non-page mode printers and physical pages for page-mode printers to be printed before each output checkpoint is taken. This parameter and CKPTLINE control the amount of checkpoint activity to spool.

#### Note:

1. When you use the K=(1|2|3|R) operand for a data set that is printing on a 3800-3 printer operating in FSS mode, the forced spacing is reset either at the end of that data set, or when you issue a \$T PRTnnnn,CKPTPAGE=nnnnn command while this data set is printing. If you issue the \$T PRTnnnn,CKPTPAGE command and forced spacing is still desired, you must include the K=(1|2|3|R) operand.
2. The CKPTPAGE parameter should be set to a low value for slow printers and a high value for faster printers such as the 3800 to prevent the occurrence of excessive checkpoint cycles for faster devices.

**CKPTSEC=ckptsec**

The number (0-32767) of seconds to elapse before each output checkpoint is taken. This parameter is valid only for a printer under control of a functional subsystem.

**COMPCT=[YES|NO]**

**For SNA RJE workstations only**, specifies whether (YES) or not (NO) this remote printer has compaction capabilities. If it does and the corresponding RJE workstation definition (RMT(nnnn) ) specifies COMPACT=YES, JES2 forces this remote printer to use compaction.

If you specify COMPCT=YES, JES2 forces compression of the data (COMPRESS=YES). If you specify COMPCT=NO, JES2 turns off compaction, even if it is specified on the RJE workstation definition.

Note that the COMPCT= parameter:

- Applies only to remote printers
- Can be changed only when the printer is inactive
- Must be specified as NO if CCTL=NO

**COMPACT|Z=compact**

Specifies the compaction table number or the 1 to 8 character compaction table name that must be defined through a COMPACT initialization statement.

**Note:** The COMPACT= parameter can be changed only when the printer is inactive.

**COMPRESS=[No|Yes}**

Specifies whether (YES) or not (NO) this remote printer has compression/expansion capabilities.

If you specify COMPRESS=YES and the corresponding RJE workstation and LINE(nnnn) initialization statements specify COMPRESS=YES, JES2 forces this remote SNA printer to use compression. If you specify COMPRESS=NO, JES2 turns off compression, even if the corresponding RJE workstation specifies COMPRESS=YES.

Note that the COMPRESS= parameter:

- Applies only to remote printers
- Can be changed only when the printer is inactive

**For SNA RJE workstations only:**

- Must be specified as NO if CCTL=NO
- Sets on the corresponding bit setting in the RJE BIND if COMPRESS=YES.

**COPYMARK={CONSTANT|DATASET|DEFAULT|JOB}**

Specifying DATASET or JOB causes copy marks (SYSOUT separation indicator markings) to be incremented on a data set level or on a JOE level, respectively. Copy marks are not incremented when you specify CONSTANT.

**Note:** The COPYMARK parameter applies to FSS-controlled devices only.

**CREATOR=jcccccc**

Specifies the 1– through 8–character userid that creates the SYSOUT data sets to be processed. You can also specify wild cards on this parameter. See “Using wildcards” on page 108 for additional information.

**j** An alphabetic character (A-Z) or any of the special characters (\$, #, or @).

## \$T PRT(nnnnn) and \$T R(nnnnn).PR(m)

cccccc

Any combination of EBCDIC characters except a comma, a right parenthesis, or an equal sign.

### **DEVFCB=devfcb**

Specifies the default FCB attribute JES2 uses when FCB= is not coded in the job's JCL. (JES2 does not validate the existence of the FCB name in SYS1.IMAGELIB.) Specifying RESET sets the default FCB attribute to null.

**Note:** 3800 printers use the FCB specified on the PRT initialization statement.

### **DEVFLASH={xxxx|NONE}**

Specifies the name of the device default forms FLASH ID.

**xxxx**

The identifier (1 to 4 alphanumeric or special (\$ # @) characters) of the forms FLASH ID for the specified 3800 printer. This forms FLASH ID is used for jobs selected by this printer that do not have FLASH= explicitly coded in the job's JCL.

**NONE**

The forms FLASH ID is unspecified (the value is set to asterisks).

**Note:** The printer **must** be drained before the DEVFLASH parameter can be used to modify the default forms FLASH ID.

### **EJECT=Yes | No**

Specifies whether JES2 sends a page eject to a remote printer on the printer's first use following the start of an RJE session, depending upon the assumed position of the printer. JES2 assumes that the remote printer is not positioned at the top of a page on the first use after JES2 is started, restarted, or after an RJE session fails and the remote printer is not at the top of a page.

EJECT=Yes causes JES2 to send a page eject when the remote printer is not assumed to currently be at the top of a page. Use this parameter value when the output is destined for a physical printer.

EJECT=No ensures that a print stream never begins with a page eject. Workstations that write SYSOUT to media other than paper can use this parameter to create files that do not contain page ejects in the first line.

You can change this parameter after initialization using a \$T command; however, the change takes effect at the beginning of the next RJE session, regardless of whether printing has begun.

### **FCBLOAD={YES|NO}**

Specifies whether (YES) or not (NO) JES2 provides the forms control buffer (FCB) for this printer.

This parameter works only for SNA printers or a 3211 printer attached to a multileaving workstation with the text-transparency (TRANSPAR=YES on both the LINE(nnnn) and the RJE workstation definitions) feature.

For an SNA RJE workstation, the FCBLOAD= parameter uses only one stop for each channel, for a maximum of 12 stops.

Note that the FCBLOAD= parameter:

- Applies to remote printers only
- Can be changed only when the printer is inactive
- Is forced to NO if SETUP=PDIR on the corresponding RJE workstation.

- Is limited to the line length specified by the PRWIDTH= parameter minus 2 for this printer.

**FLASH|O={xxxx|RESET|NONE}**

Specifies the name of the active (current) forms FLASH ID.

**xxxx**

The identifier (1– to 4–alphanumeric or special (\$ # @) characters) of the forms FLASH ID for the specified 3800 printer. This forms FLASH ID is used for jobs selected by this printer only when the job has explicitly coded the identical forms FLASH ID in the job's JCL, or if the FLASH ID is the same as the DEVFLASH ID on the DEVFLASH parameter.

**RESET**

The current forms FLASH ID is unspecified (the value is set to asterisks).

**NONE**

The current forms FLASH ID is unspecified (the value is set to asterisks).

**Forms=form**

The 1– to 8–alphanumeric or special (\$ # @) character name of the forms that are loaded into this printer. You can also specify wild cards on this parameter. See “Using wildcards” on page 108 for additional information.

**Note:** You can specify 1 through 8 forms for local printers.

F=(STD1,STD2)

**FSAROLTR ={YES|NO}**

Specifies whether the internal rolling trace for an FSS printer is activated or deactivated.

**FSS=accccc**

Specifies a 1– to 8–character functional subsystem name that supports a page-mode printer. If an FSSNAME is not defined on an FSS initialization statement, the functional subsystem name assigned on this statement will cause the generation of a default FSS initialization statement. The FSS statement then defines (by default) the FSSNAME and PROCname specified here.

**Note:**

1. This parameter must be specified if MODE=FSS is specified for this PRT(nnnn) command.
2. You must also specify UNIT= if this PRT(nnnn) command defines a 3827 or 3835 printer.

**HONORTRC{YES|NO}**

Specifies whether the TRC=Yes/No parameter specified on the job's OUTPUT JCL statement will be honored or not honored for a given JES mode printer.

**JOBname=jobname**

The 1– to 8–character name of jobs whose output is to be selected by this printer. you can also specify wild cards on this parameter. See “Using wildcards” on page 108 for additional information. A null parameter of (JOBNAME=) specifies that jobname is not a criterion for output selection.

**K|SPACE=[DOUBLE|R|RESET|SINGLE|TRIPLE|1|2|3]**

Specifies the spacing for printed output.

**{1|2|3|SINGLE|DOUBLE|TRIPLE}**

The printer is to single (1), double (2), or triple (3) space the printed output, regardless of the problem program specifications. When the end of

## \$T PRT(nnnnn) and \$T R(nnnnn).PR(m)

the data set is encountered or when a \$T PRTnnnn, K=R command is entered, the printer reverts to problem program specifications.

### R|RESET

The printer is to be reset to the problem program-specified spacing.

**Note:** When you specify the K=(1|2|3|R) parameter for a data set that is being processed on a printer operating in FSS mode, the forced spacing is reset either at the end of that data set, or when you issue a \$T PRTnnnn,CKPTPAGE=nnnnn command while that data set is printing. If you issue the \$T PRTnnnn,CKPTPAGE command and forced spacing is still desired, you must include the K=(1|2|3|R) operand.

### LIMit={m|m-n|m-\*}

Specifies the lower and upper limits (in records) for the size of output that is to be selected by this printer.

For both variables *m* and *n*, you can specify a range of values 0-4294967295. *m* and *n* can be equal. If they are not equal, *n* must be larger than *m*.

If you code only *m*, that value becomes both the lower and upper limit. If *m*-\* is specified, the upper limit is set to the default value of 4294967295.

**Note:** If the printing of an output group is interrupted, JES2 compares the original size of the output (the number of lines prior to any printing rather than the lines remaining) with the LIM= specifications.

### LRECL=nnn

**For SNA RJE workstations only**, specifies the logical record length (1-255) of data transmitted to this remote printer. Do not include carriage control characters (CCTL) when calculating the value of LRECL. The LRECL value cannot exceed the printer width specified during RMT generation through the &PRTSIZE RMT generation statement for this RJE workstation.

Note that the LRECL= parameter:

- Applies to remote printers only
- Can be changed only when the printer is inactive
- Can be used in place of the PRWIDTH= parameter to specify record sizes for records destined for remote printers.

### Mark=[No|Yes]

Specifies for the 3800 printer, whether the edge of the separator page is to be marked.

**Note:** If the printer is under control of a functional subsystem, specifying N suppresses marking on the separator page, but produces a unique mark on the carrier strip (that is, the punched, perforated page edge).

### MODE={FSS|JES}

Specifies whether the printer is under control of a functional subsystem (FSS) or JES2.

### Note:

1. When a change of control mode is desired for a printer that is active (that is, output is being printed), you must enter a \$P PRTnnnn command for the printer and wait for it to drain before entering this command. The \$HASP097 message indicates when the draining process is complete. If the printer is not drained before entering this command, JES2 ignores the command.

2. JES2 ignores the MODE specification if the printer was not defined as a functional subsystem device (using the FSS= parameter) on the PRTnnnn initialization statement. (If a device was mistakenly defined as being a functional subsystem device, JES2 honors the MODE specification, but incorrect output results.)
3. The MODE specification is not supported for remote printers.

**MODIFY | Y=modify**

Specifies the 1 to 4 character identifier of the copy modification module for the specified 3800 printer.

**NEWPAGE={1|ALL|DEFAULT}**

Specifies how a 'skip to channel' is counted as a new page.

- 1 Specifies that JES2 will treat only skip-to-channel-one as a new page.

**ALL**

Specifies that JES2 will treat skip-to-any-channel as a new page.

**DEFAULT**

Specifies that the NEWPAGE specification on the PRINTDEF initialization statement will be used.

**NPRO=npro**

The non-process runout (NPRO) time interval, in seconds (0-3600). This time interval is used to control the amount of time that an FSS-controlled printer is idle with output in the paper path but not at the stacker. When the time interval expires, the functional subsystem directs the printer to force the output to the stacker. NPRO=0 specifies that a timer-based NPRO is not used.

**Note:** The NPRO parameter has no effect on cut-sheet page printers (for example, the 3820).

**Pause=[No|Yes]**

Specifies whether the local printer is to pause between data sets. If you specify Y, you can restart the device by changing it from a not-ready to a ready state or by entering a \$\$ PRTnnnn command.

**Note:** This operand has no effect for a printer under control of a functional subsystem.

**PLIM={m|m-n|m-\*}**

Specifies the lower and upper limits (in pages) for the size of output that is to be selected by this printer.

For both variables *m* and *n*, you can specify a range of values 0-4294967295. *m* and *n* can be equal. If they are not equal, *n* must be larger than *m*.

If you code only *m*, that value becomes both the lower and upper limit. If *m*-\* is specified, the upper limit is set to the default value of 4294967295.

**Note:**

1. Normally the PLIM should only be used with functional subsystem printers capable of printing page mode data.
2. If the printing of an output group is interrupted, JES2 compares the original size of the output (the number of pages prior to any printing rather than the pages remaining) with the PLIM= specifications.
3. When PLIM is specified (non-zero value) for r(nnnn).pr(m) PRMODE of PAGE will be of significance for remote printers and WS criteria for remote printers.

## **\$T PRT(nnnnn) and \$T R(nnnnn).PR(m)**

### **PRESELECT={Yes|No}**

Specifies whether JES2 preselects an output group for a device. Specifying PRESELECT=N makes output groups selectable by any device. Y is the default.

#### **Note:**

1. The PRESELECT operand is valid only when the printer is under control of a functional subsystem.
2. When PRESELECT=YES is specified, a printer that is busy printing one output group may preselect another large output group. The operator will be unable to change the destination of the second output group to another printer once the output group is preselected.

### **PRMode=(mode1[,...mode8])**

The SYSOUT mode(s) (1 to 8 alphanumeric characters) to be processed by this printer. You can specify up to 8 SYSOUT modes for a single printer. You can also specify wild cards on this parameter. See "Using wildcards" on page 108 for additional information. Multiple entries must be separated by commas and the list must be enclosed in parentheses. If all processing modes are selectable by this printer, specify a null parameter of PRMODE=(). You must specify the empty parentheses.

**Note:** For a list of valid process-mode values, see your system programmer.

### **PRTnnnnn**

The identifier of the local printer (1-32767) that is controlled.

### **PRWIDTH=nnn**

Specifies the number (1-255) of characters printed on one line. The PRWIDTH value cannot exceed the printer width specified during RMT generation through either the &PRTSIZE or the &PRFOTLW RMT generation statements for this RJE workstation.

Note that the PRWIDTH= parameter:

- Applies to remote printers only
- Can be changed only when the printer is inactive.
- Should not exceed 120 for printers attached to a BSC terminal defined as a 2770 without the buffer-expansion feature.

### **Class|Queue=c1[...c36]**

The output class(es) (A-Z, 0-9) the printer is to process. You can specify up to 36 output classes.

### **Routecde=routecde**

Specifies up to four internal route codes to be assigned to this printer. If more than one route code is specified, enclose the list in parentheses. You can also specify wild cards on this parameter, but wildcard specifications are allowed on this parameter for userids only. See "Using wildcards" on page 108 for additional information. For specification requirements, see "Route codes" on page 107.

#### **Note:**

1. JES2 does not allow remote printers to change Routecde= to another destination or to delete Routecde from the work selection list.
2. NODENAME=REQUIRED on the DESTDEF initialization statement will cause JES2 to require that a userid be prefixed with a node name.

If destid is specified alone, it refers to both the node and the remote.



**Ummmm**

Indicates that output for special local routing is selected. The special routing numbers range from 1 to 32767.

Routing to a remote device can be specified in any of the following ways:

- LOCAL|ANYLOCAL
- Rnnnn
- destid
- userid

**LOCAL|ANYLOCAL**

Indicates routing to a local device.

**Rnnnn**

Indicates routing to the specified remote device. Rnnnn can also be specified as RMnnnn or RMTnnnn. The value specified for nnnn can range from 1 to 32767.

**destid** Indicates routing to a destination at the local node.

**userid** Indicates routing to a valid TSO userid. Generic userids are also valid. A generic userid is a userid that ends in an asterisk (\*), and refers to all userids that begin with the characters preceding the \*. Note that the \* can only be specified in the last position of the userid.

**Note:** This command accepts Nnnnn or an installation-defined name as the value of the R= parameter; however, the resulting internal route code must be for the local node.

**Rnnnnn.PRm**

The identifier of the remote printer (1-32767) that is controlled.

**RANGE={Jnnnnn|Snnnnn|Tnnnnn} [-nnnn]**

Specifies the range (1-65534) of batch jobs (J), started tasks (S), or time sharing users (T) whose output is to be selected by this printer. If you code this parameter, you can specify one or two values:

- If you specify one value, that value becomes both the low and the high end of the range.
- If you specify two values, the first value is the low end of the range and the second value the high end. The two values can be equal. If they are not equal, the second value must be larger than the first value.

**SELECT={PRINTnn|EXCHnn|BASICnn}**

Specifies the device type (PRINT, EXCH, or BASIC) and the device subaddress (0 - 14) to which JES2 sends output for this remote device.

The SELECT= options:

**PRINTnn**

Sends output to the remote printer.

**EXCHnn**

Sends output to an exchange diskette service.

**BASICnn**

Sends output to a basic exchange diskette service.

The value *nn* specifies the device number (1 to 15; subaddress 0 to 14). If you do not specify the *nn* value, JES2 provides a default of any available device of the type specified (subaddress=15).

## **\$T PRT(nnnnn) and \$T R(nnnnn).PR(m)**

Note that the SELECT= parameter:

- Applies to remote printers only
- Can be changed only when the printer is inactive
- Is ignored for BSC devices
- Should specify a BASIC type only if CCTL=NO and the LRECL= value does not exceed 128.

### **Sep=[No|Yes]**

Specifies whether JES2-supplied separator pages are to be placed between output groups. If you specify N, the JESNEWS data set is not printed. If this is a remote printer, specifying N also suppresses the transmission of operator messages to the RJE workstation, with the exception of the \$HASP190 setup message.

**Note:** If you specify Sep=Y, but SEPPAGE=(LOCAL=NONE) (for local printers) or SEPPAGE=(REMOTE=NONE) (for remote printers) was specified on the PRINTDEF initialization statement or using the \$T PRINTDEF command, default JES2 separator pages are not produced. If you specify Sep=N, a user created separator page (made in Exit 1) is not suppressed.

### **SEPCHARS={CURRENT|DEFAULT}**

Specifies the character arrangement table to use for separator pages printed on the 3800 printer. The NUICS parameter on the PRINTDEF initialization statement defines this value at system initialization.

#### **CURRENT**

Specifies use of the character arrangement table loaded in the 3800. The first character arrangement table is used if the installation default is not loaded.

#### **DEFAULT**

Specifies use of the installation default character arrangement table. If not already loaded, this parameter specifies that this table be loaded before printing the separator pages.

### **SEPDS=[No|Yes]**

Specifies whether a header separator page is to be produced for each copy of each data set within an output group. If the printer is running under JES2, specifying Y causes JES2 to invoke EXIT 15 (output data set/copy separators), if enabled, to generate separator pages. For printers under control of a functional subsystem, SEPDS is supported with a default separator page.

### **SETUP={HALT|NOHALT}**

Specifies whether JES2 is to halt the printer and issue the \$HASP190 message requesting the operator to verify the output control specifications when the output requirements for a particular job differ from the output characteristics specified for the printer. (If halted, the printer must be restarted using the \$S command.)

### **SUSPEND=[No|Yes]**

Specifies whether a remote printer can (No) or cannot (Yes) use the printer-interrupt feature which allows the remote operator to interrupt printing for the transmitting of jobs or JES2 commands to this JES2 system.

#### **Note:**

1. Applies only to printers connected to BSC hardware terminals.
2. This parameter can only be changed when the printer is inactive.

**T|UCS=ucs**

For impact printers, T= specifies the identifier (1 to 4 alphanumeric or special (\$ # @) characters) of the print train character set that is mounted on the specified printer. The identifier must be available in SYS1.IMAGELIB and the indicated printer must have the universal character set (UCS) feature. If loading is required for Rnnnn.PRm, it must be done by the operator at the JES2 RJE workstation.

For 3800 printers, T= specifies both the identifier (1 to 4 alphanumeric characters) of the print train character set that is mounted on the printer and the installation's default character set for SYSOUT data sets that do not specify the UCS= parameter through JCL. This identifier must be available in SYS1.IMAGELIB.

**Note:**

1. If you specify an invalid identifier, JES2 bypasses the UCS loading procedure and issues the \$HASP190 setup message so the operator can specify a valid image.
2. If you specify T=0 or a zero value was specified for the UCS parameter on the PRINTDEF initialization statement, JES2 does not load the UCS buffer.  
You would want to nullify the UCS operand when running a printer in FSS mode if you wish to use the default character set specified in the FSS procedure used to start the printer.
3. This parameter is only valid for a 1403 printer that has the UCS feature.

**TRKCELL={No|Yes}**

Specifies whether data sets that belong to a SYSOUT class with the track-cell characteristic are read from the spool in one operation. The TRKCELL parameter on the SPOOLDEF initialization statement specifies the number of records in the track cell. If you specify NO, one record is read from the spool for each despooling operation.

**TRace={No|Yes|P}**

Specifies whether tracing is to be activated or deactivated for this print processor. This operand requires system authority.

**No** Tracing is disabled.

**P|Yes**

Tracing is activated if trace IDs 11, 12, 14, and 15 are currently enabled.

**Note:** Trace IDs 11, 12, 14, and 15 may be enabled either at initialization on the TRACE(n) statement or using the \$S TRACE(n) command.

**TRANS={Yes|No}**

IF MODE=JES, the TRANS= parameter on this statement affects data translation:

- If TRANS=YES, JES2 translates each line of output sent to the device regardless of the device type or the setting of the TRANS= parameter of the PRINTDEF initialization statement.
- If TRANS=NO, JES2 does not translate output sent to the device regardless of the device type or the setting of the TRANS= parameter on the PRINTDEF initialization statement.
- If TRANS= is omitted and the PRINTDEF initialization statement specifies TRANS=YES, and the device is either a local 1403 or a remote printer, JES2 translates each line of output sent to the device. Otherwise, JES2 does not translate output sent to the device.

## \$T PRT(nnnnn) and \$T R(nnnnn).PR(m)

### UCSVerify={No|Yes}

Specifies whether (YES) or not (NO) UCS verification processing is performed when a UCS image is loaded for 4245 and 4248 printers. UCS images are loaded on these printers only when required for print processing, not in response to a \$T PRT command that specifies a change in UCS setup. This parameter can be modified through a JES2 warm start.

**YES** Provides UCS verification and causes the band image to be displayed to the 4245 and 4248 printers.

**NO** Suppresses the image display.

### UNIT={devnum|/devnum}

Specifies no value or a 3-digit or 4-digit hexadecimal device number. Device numbers can be specified by any of the following formats:

```
UNIT=          (to specify a null value)
UNIT=ddd
UNIT=dddd
UNIT=/ddd
UNIT=/dddd
```

where ddd and dddd represent the device numbers.

A slash (/) can optionally precede the device number (for compatibility with other commands that require a slash to denote a 4-digit device number).

**Note:** You cannot use \$T PRTnnn to remove the UNIT specification for a JES mode printer.

### VOLUME=(v1[,...v4])

The volume serial (5-6 characters) of a volume containing a spool data set. Only the output of jobs which reside on one or more of the specified volume(s) are to be selected by this printer. You can specify up to 4 volumes. Multiple entries must be separated by commas and the list must be enclosed in parentheses. A null parameter of VOLUME=() specifies that volume is not a criterion for output selection. You must specify the empty parentheses.

### Writer=xxxxxxx

The 1 to 8 alphanumeric or special (\$ # @) character writer name assigned to this printer. You can also specify wild cards on this parameter. See "Using wildcards" on page 108 for additional information. A null parameter of (W=) specifies that no writer name is assigned to this printer.

**Note:** If you do not assign a writer name to the printer, and Writer is specified as an exact match criteria in the work selection (WS) list, the printer selects only output groups without a writer name.

### WS=ws

Specifies the work selection criteria for this printer. Using any combination of user and JES2-defined criteria, you may specify a maximum of 19 criteria in the WS= list. Criteria that are not specified are not considered during output selection although JES2 does use them to determine setup requirements. Multiple entries must be separated by commas and the list must always be enclosed in parentheses (even if only one criterion is specified).

The general rules for specifying a printer work selection list are:

1. One slash (/) can precede or follow one of the selection criterion. Criteria placed before the slash must be matched exactly if the work is to be selected. Criteria placed after the slash do not have to match exactly except in the following cases:

Queue  
 Routecde  
 PRMode  
 Volume

Table 65 on page 884 defines each criterion when placed either before or after the slash.

2. Queue, Routecde, PRMode, and Volume can be specified as multiple values on the output device statements. Placing these criteria before the slash in the WS= list, indicates a left to right priority order of multiple values, if multiple values have been specified. Placing these criteria after the slash indicates no priority order of multiple values, but a match is still required.
3. The order of those criteria specified after the slash indicates the priority (highest to lowest, in left to right order) in which JES2 attempts to match them.
4. Specifying a minus sign (-) before a criterion causes that criterion to be removed from the list.

**Note:** An invalid operand message (\$HASP650) is issued if an error is found in the WS operand, that is, if you try to remove a criterion that is not there. For example, if you enter \$tprt1,ws=(-o), you get the \$HASP650 message because 'o' (forms overlay) is not in the current work selection list for printer1.

5. Specifying a criterion that is not currently specified in the list adds it to the end of the list either before or after the slash, depending on the placement of the slash in the command. If the slash is omitted from the command, JES2 assumes that the slash is at the end of the command.
6. For all exact match criteria, if the output matches the device for a specific criterion, but the output specifies demand (DMND) setup, the match is not considered an exact match and the output is not selected because demand setup indicates that the characteristics do not remain the same throughout the output group.

To print demand (DMND) setup output, the work selection criteria specified for the printer that is referenced by DMND must be removed from the list.

7. If the device is a remote printer, route code (R=) must be specified in the work selection list.
8. The LIMit subparameter has no effect as a work selection value for files received from a node that does not provide a page count for its files. For more information, refer to the sending node's reference documentation.
9. In general, the smaller the work selection list the less the placement of certain criteria within the list affects the work selection. Job output elements are queued to the class queues by route code, then priority. This information should be used to tune the work selection list to optimize performance.

#### **X|CHAR=id**

The identifier(s), 1 to 4 alphanumeric characters, available in SYS1.IMAGELIB, for the first through fourth character arrangement tables, respectively, to be used in the specified 3800 printer.

**Note:** You should specify this operand only if you have received an error message indicating that a character arrangement table was not found.

## \$T PRT(nnnnn) and \$T R(nnnnn).PR(m)

### Authority Required

This command requires **device** and **system** authority. The description of the \$T RDRnn command explains how to ensure that the authority of the appropriate MVS system command group is assigned.

This command requires **update** security access authority. For a description of assigning command input authority, see *z/OS JES2 Initialization and Tuning Guide*.

### Processing Considerations

- The setting of forms, trains, carriage controls, or FCB image is valid only when the specified device is inactive, pausing, or awaiting operator action (halted).
- You should either issue a \$P PRTnnnnn command and wait for the device to drain before entering the \$T command, or issue the \$T command while the system is waiting for forms to be loaded. Because JES2 does not issue a setup message for a printer that does not require operator intervention to change the carriage control, the requested image cannot be overridden unless there is an error.
- If you are uncertain of the controls in effect, enter the \$D PRT command or the \$D U command for the printer in question.

### Scope

**Single member.** This command will be in effect for this member only. There is no need to have this command issued to all members of the MAS.

### Messages

The \$HASP603 message displays the status of the specified printer and its current characteristics.

The \$HASP003 rc=65 message indicates that the device type specified through the UNIT= parameter does not match the defined JES2 device information.

The \$HASP003 rc=66 message indicates that the device type specified through the UNIT= parameter does not exist.

### Examples

*Because of the number of examples presented and the length of the resulting message, \$HASP603 is shown only for the first example.*

```
1 $t prt101,unit=0b08,fss=psf1,mode=fss
$HASP603 PRT101 UNIT=0B08,STATUS=DRAINED,BURST=NO,CKPTLINE=0,
$HASP603 CKPTMODE=PAGE,CKPTPAGE=100,CKPTSEC=0,
$HASP603 CREATOR=,DEVFCB=,DEVFLASH=****,FCB=6080,
$HASP603 FORMS=(STD,,,,),FSS=PSF1,HONORTRC=YES,
$HASP603 JOBNAME=,LASTFORM=STD,LIMIT=(0-*),
$HASP603 COPYMARK=DATASET,MARK=YES,MODE=FSS,
$HASP603 NEWPAGE=DEFAULT,NPRO=5,PAUSE=NO,PLIM=(0-*),
$HASP603 PRESELECT=YES,PRMODE=(LINE,PAGE),QUEUE=V,
$HASP603 RANGE=(J1,999999),ROUTECD=(LOCAL),SEP=YES,
$HASP603 SEPCHARS=DEFAULT,SEPDS=NO,SETUP=HALT,SPACE=,
$HASP603 TRACE=NO,TRANS=DEFAULT,TRKCELL=YES,UCS=GB12,
$HASP603 UCSVERIFY=NO,VOLUME=(,,),WRITER=,
$HASP603 WS=(W,Q,R,PRM,LIM,UCS,FCB/F,P),FSAROLTR=NO
```

JES2 loads FSS line-mode printer 101 at address 0B08 of the local installation.

**2 \$t r1.pr1,select=basic8,cct1=yes,lrec1=128**

JES2 sends SYSOUT destined for this remote printer to a basic exchange diskette service and places carriage control characters in the SYSOUT stream transmitted to remote printer 1.

**3 \$t prt2,f=228,prmode=page,t=pn**

JES2 loads the forms numbered 228 and a PN train into local printer 2. Printer 2 now selects only those data sets that specify forms 228 and a PRMODE of PAGE.

**4 \$t prt6,k=r,mark=y,y=cm01,x1=gf10,x2=fm15**

JES2 resets local printer 6 to the program-specified spacing. Printer 6 now uses:

- Edge marking for separator pages
- Copy modification module CM01
- Character arrangement tables GF10 and FM15.

**5 \$t prt3,q=acb,r=1,ws=(q,r/),sep=y,pause=y,setup=nohalt**

Printer 3 prints all output in classes A, C, B, (in that order) that was to be routed to the local device with routing set to 1. As part of its processing, printer 3 pauses between data sets and places separator pages between output groups. SETUP=NOHALT specifies that printer 3 does not halt and issue the \$HASP190 message if a job's output specifications do not match those of the printer.

**6 \$t r8.pr2,tr=y**

JES2 traces the logic of the JES2 processor associated with remote printer 2 at workstation 8.

**7 \$t r2.pr1,r=(r7,r8,r9,r10),devfcb=wxyz**

If Routecde is specified in the work selection list, remote printer 1 at RJE workstation 2 processes only the output that was destined for RJE workstations 7, 8, 9, or 10. JES2 uses "wxyz" as the default FCB attribute if C=wxyz has also been specified. In contrast with the second line of the \$HASP603 message shown in the first example:

**C=STD1,STD**

the \$HASP603 message now displays:

**C=wxyz,DEFAULT**

Note that DEFAULT does not appear in the message if the current FCB is not the specified default FCB (devfcb=wxyz, in this example). For a complete description of the resulting message depending on the C= and DEVFCB= settings, see \$HASP603 in *z/OS JES2 Messages*.

**8** The current work selection list for printer1 is:**WS=(w,q,r,pmd,l im/f,t,c,p)**

To remove **w** from the list, enter: **\$tprt1,ws=(-w)** and the result is:

**WS=(q,r, pmd,l im/f,t,c,p)**

To remove **w** from the list and add burst **b** as an exact match criterion, enter:

**\$tprt1,ws=(-w,b)** and the result is:

## \$T PRT(nnnnn) and \$T R(nnnnn).PR(m)

WS=(q,r,pmd,lim,b/f,t,c,p)

To move pmd after the slash and switch the positions of q and r, enter:

\$tprt1,ws=(r,q,lim/pmd) and the result is:

WS=(w,r,q,lim/f,t,c,p,pmd)

Table 65. Printer Work Selection Criteria

CRITERION	BEFORE SLASH (/)	AFTER SLASH (/)
Burst	The output's B= specification must match the Burst specification of the printer. Otherwise this output group is not selected.	It is not required that the B= specification of the output group match the Burst specification of the printer. However, JES2 issues the \$HASP190 setup message if a difference exists.
CREator	The output group's CREator specification must match the CREator specification of the printer. Otherwise, this output group is not considered selectable.	It is not required that the CREator= specification of the output group match the CREator= specification of the printer. However, JES2 issues the \$HASP190 setup message if a difference exists.
{FCB C}	The output group's FCB image or carriage control tape must match the current FCB or carriage control tape of the output device. Otherwise, this output group is not selected.	It is not required that the output group match the FCB or carriage control tape specification of the printer. However, if differences exist in both the FCB and FORMS specifications, JES2 issues the \$HASP190 setup message.
{FLash O}	The output group's FLASH or forms overlay must match the current FLASH (O=) specification for the output device. Otherwise the output group is not selected.	It is not required that the output group match the FLASH (O=) specification for the printer. However, JES2 issues the \$HASP190 setup message if a difference exists.
Forms	The output group's forms specification must match one of the forms specified for the output device. Otherwise the output group is not selected. If there are multiple forms, the forms have equal priority.	It is not required that the forms of the output group match the current forms setup of the device. However, JES2 issues the \$HASP190 setup message if a difference exists. In this case it is preferred that the forms of the output group match one of the forms specified for the device.
JOBname	The output group's jobname must match the jobname specified (JOBNAME=) for this device.	It is not required that the job name of the output group match the job name specified (JOBNAME) for this device. JES2 attempts to consecutively select all eligible output for a particular job.
LIMit	The amount of output generated by an output group must fall within the limits set for this device, otherwise the output group is not considered selectable. Page limits are checked if the data set is in page mode. Record limits are checked if the data set is in line mode. If the page data set contains some line mode data, then both page limits and record limits are checked.	It is not required that the amount of output generated by the output group fall within the limits.  This subparameter has no effect as a work selection value for files received from a node that does not provide a page count for its files. For more information, refer to the sending node's reference documentation.



Table 65. Printer Work Selection Criteria (continued)

CRITERION	BEFORE SLASH (/)	AFTER SLASH (/)
{PMD} {PRMode}	The output group's process mode must match one of the process modes (PRMODE=) specified for the output device. Otherwise the output group is not selected. If there are multiple PRMODEs, the list is considered to be in priority sequence with the highest priority given to the first PRMODE in the list.	The process mode of the output group must match the process mode (PRMODE=) specified for the output device, but if there are multiple PRMODEs the list is not in priority sequence.
Priority	The priority of the output group is to be considered. Whether specified before or after the slash, higher priority output groups are preferred. Placement of 'P' in the WS list gives priority importance in the work selection process. There is no 'matching' done for priority. <i>Note:</i>  Output groups are added to the class queues in priority order, and the class queues are scanned in the device's class list order. The output groups are not scanned by priority order across class queues. Thus, if all other work selection criteria for the output groups are equal, all of the output groups for the first class in the device's class list are selected in priority order before the output groups for the second class in the list. This is the selection order even if higher priority output groups exist on the class queue for the second class in the device's list.	Same as before slash.
Queue	When Queue is specified in the WS list, only those output classes specified for this device are searched for work. Otherwise all classes (A-Z and 0-9) are searched. It is therefore suggested that 'Q' always be included in the WS list. The sequence of the list is the order of search.	The output classes specified for this device are not in priority sequence. All classes are equally preferred. Output groups in the first class in the list are selected first if they meet all other requirements.
RANGE	The job number of the job associated with the output group must be within the range (RANGE=) specified for this device.	It is not required that the job number of the job associated with the output group be within the specified range (RANGE=).
Routecde	The output group's destination must match the route code (R=) specified for this device. Otherwise the output group is not selected. If there are multiple route codes specified for the device, the list is considered to be in priority sequence and a match with the first route code is preferred.	The destination of the output group must match the route code (R=) specified for this device, but if there are multiple route codes the list is not considered to be in priority sequence.
{UCS T}	The output group's universal character set must match the universal character set (UCS=) specified for this device. Otherwise the work is not selected.	It is not required that the universal character set of the output group match the universal character set specified for this device. However, JES2 issues the \$HASP190 setup message if a difference exists.

## \$T PRT(nnnnn) and \$T R(nnnnn).PR(m)

Table 65. Printer Work Selection Criteria (continued)

CRITERION	BEFORE SLASH (/)	AFTER SLASH (/)
Volume	The volume of the job associated with this output group must match the volume (VOLUME=) specified for this device. If there are multiple volumes specified, the list is considered to be in priority sequence with the leftmost volume having the highest priority.	The volume of the job associated with this output group must match the volume (VOLUME=) specified for this device but if there are multiple volumes specified, the list is not considered to be in priority sequence.
Writer	The writer name specified for the output group must match the writer name specified (W=) for this device, otherwise the output group is not considered selectable.	It is not required that the writer name of the output group match the writer name (W=) specified for the device.

## \$T PUN(nn) and \$T R(nnnnn).PU(m) - Control a punch

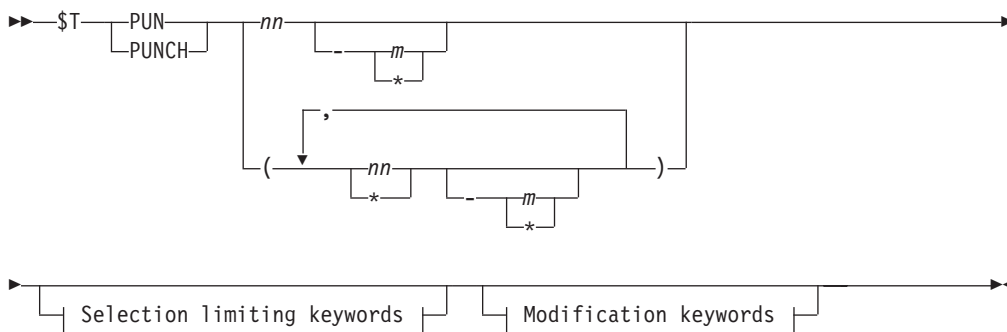
### Function

To perform the following functions:

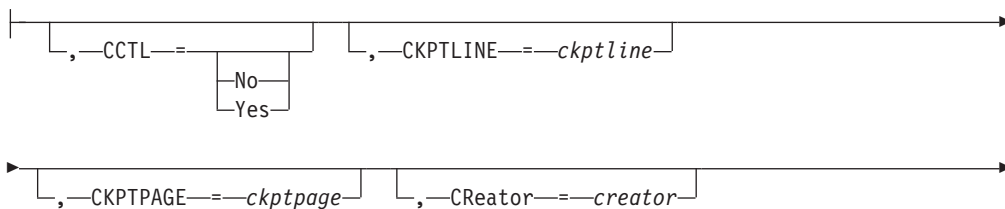
- Specify punch work selection and processing characteristics.
- Override a system request for a setup you are unable to fulfill.
- Start or stop tracing of the JES2 processor associated with the specified punch.

One or more parameters on this command accepts wild cards. Parameter descriptions will note that.

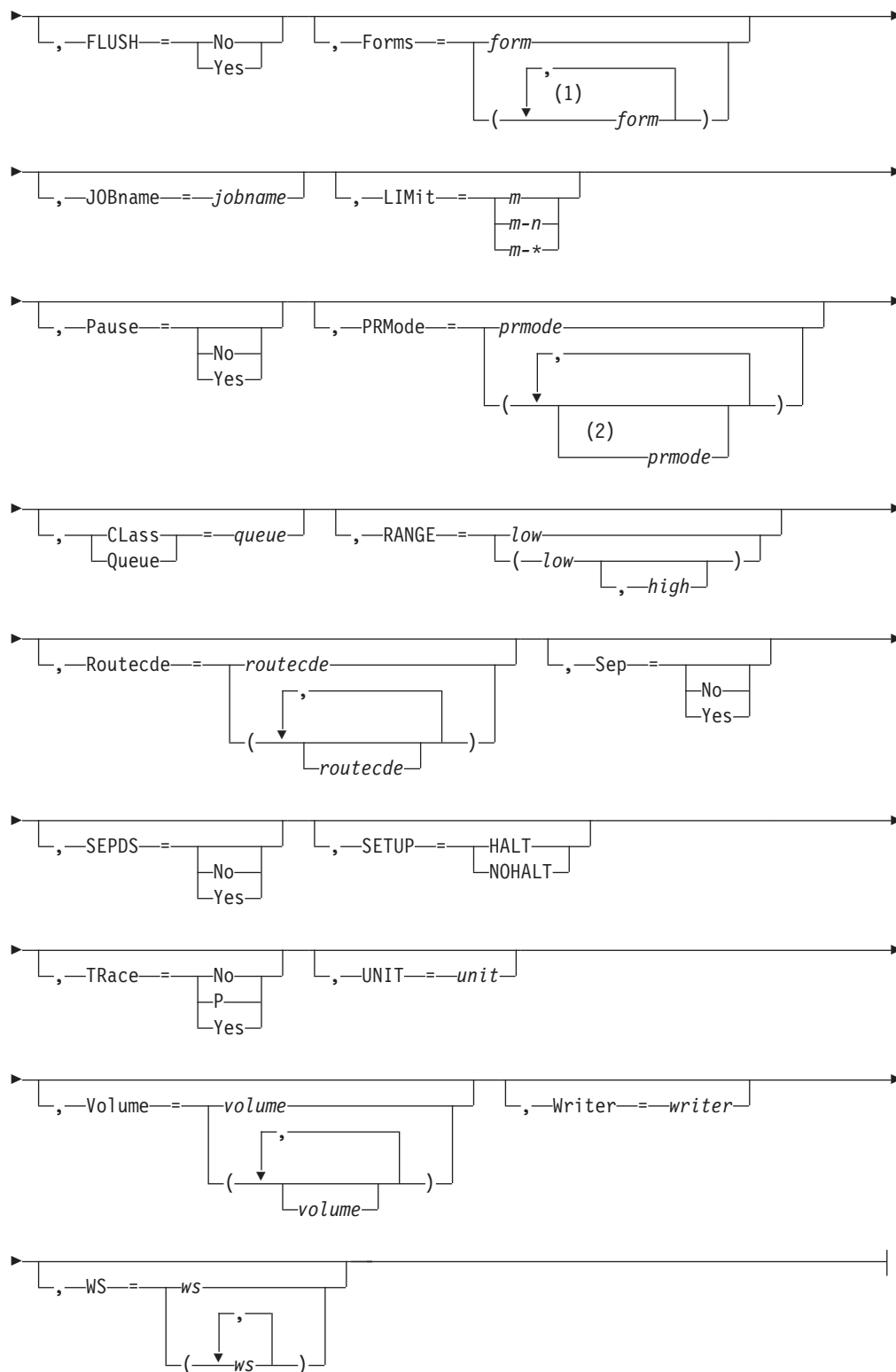
### Syntax



### Modification keywords:



## \$T PUN(nnnnn) and \$T R(nnnnn).PU(m)

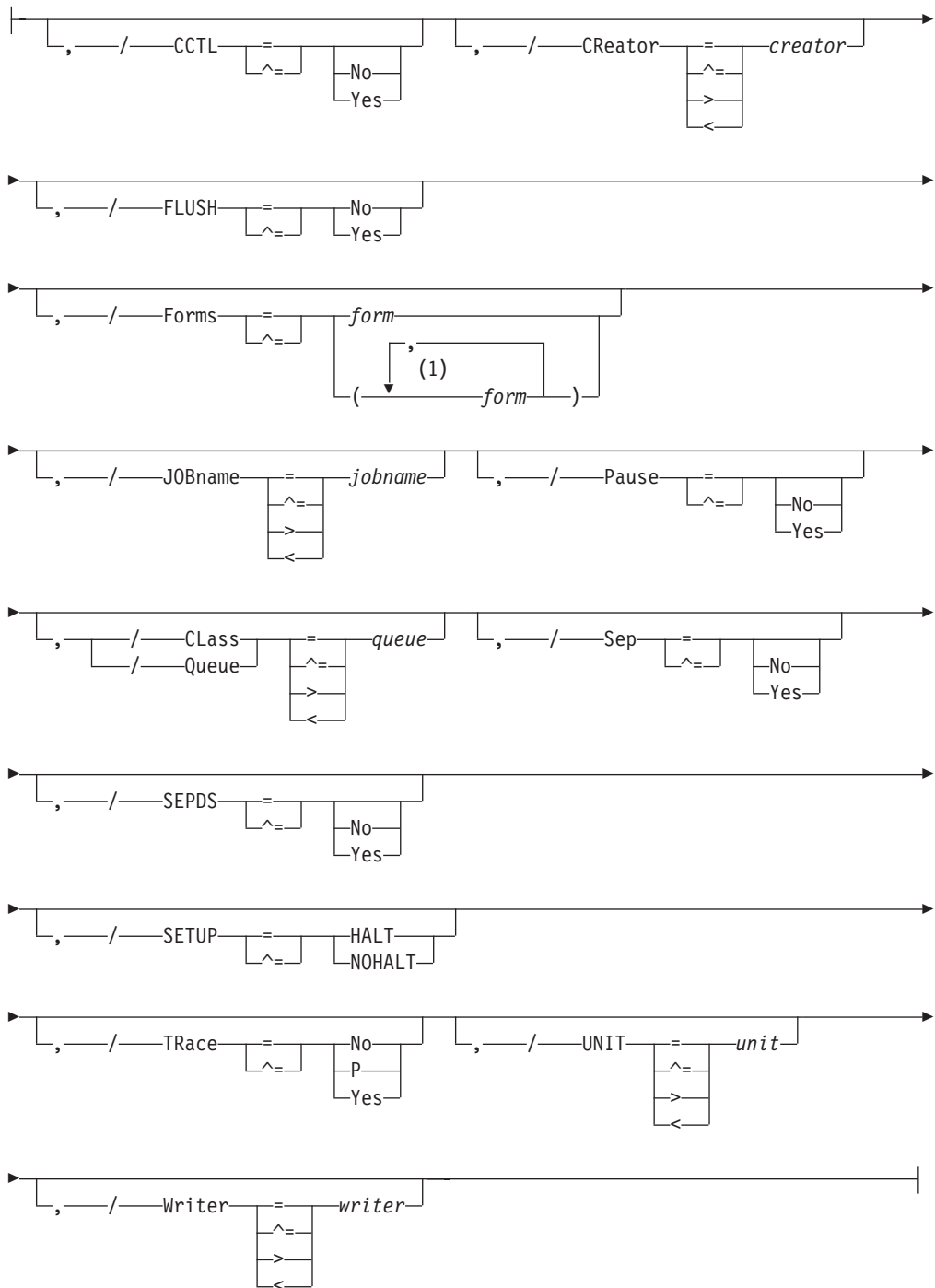


### Notes:

- 1 `form` can be coded up to 8 times
- 2 `prmode` can be coded up to 8 times

# \$T PUN(nnnnn) and \$T R(nnnnn).PU(m)

## Selection Keywords:



## Notes:

1 *form* can be coded up to 8 times

## Parameters

*nn* The identifier of the local punch (1-99) to control.

*nnnnn*

The identifier of the remote workstation **R** (1-32767) that is attached to punch *m* (1-7).

*m* The identifier of the punch (1-7) that is attached to the remote workstation **Rnnnnn** (1-32767).

**CCTL={YES|NO}**

Specifies whether (YES) or not (NO) JES2 places carriage control characters in the output stream transmitted to this remote punch. If you specify CCTL=NO, JES2 neither compresses (COMPRESS=NO) nor compacts (COMPACT=NO) data, and standard character string (SCS) control characters are not placed in the output string.

Note that the CCTL= parameter:

- Must be specified as CCTL=NO if you also specify SELECT=BASICnn
- Applies to remote punches only
- Can be changed only when the punch is inactive
- Can be used with SNA devices only.

**CKPTLINE=nnnnn**

The maximum number of lines (range 0-32767) in a logical page. JES2 uses this value, with the CKPTPAGE value, to determine when to take output checkpoints.

**Note:** CKPTLINE is the only value used to define a logical page for punch devices.

**CKPTPAGE=nnnnn**

The number (1-32767) of logical pages to be punched before each output checkpoint is taken by JES2. This parameter and CKPTLINE control the amount of checkpoint activity to spool.

**COMPCT={YES|NO}**

Specifies whether (YES) or not (NO) this remote SNA punch has compaction capabilities. If it does and the corresponding RJE workstation definition (RMTnnnn initialization statement) specifies COMPACT=YES, JES2 forces this remote punch to use compaction.

If you specify COMPCT=YES, JES2 forces compression of the data (COMPRESS=YES). If you specify COMPCT=NO, JES2 turns off compaction, even if it is specified on the RJE workstation definition.

Note that the COMPCT= parameter:

- Is ignored for BSC devices
- Applies to remote punches only
- Can be changed only when the punch is inactive
- Must be COMPCT=NO if CCTL=NO

**COMPACT|Z={nn|ccccccc}**

Specifies the compact table number or the 1 to 8 character compact table name that must be defined through a COMPACT initialization statement.

Note that the COMPACT= parameter:

- Applies to SNA remote punches only
- Can be changed only when the punch is inactive.

## \$T PUN(nnnnn) and \$T R(nnnnn).PU(m)

### COMPRESS={YES|NO}

Specifies whether (YES) or not (NO) this remote SNA punch has compression/expansion capabilities.

If you specify COMPRESS=YES and the corresponding RJE workstation and LINE(nnnn) initialization statement specify COMPRESS=YES, JES2 forces this remote SNA punch to use compression. If you specify COMPRESS=NO, JES2 turns off compression, even if the corresponding RJE workstation specifies COMPRESS=YES.

Note that the COMPRESS= parameter:

- Is ignored for BSC devices
- Applies to remote punches only
- Can be changed only when the punch is inactive

#### For SNA RJE workstations only:

- COMPRESS=NO must be specified if you also specify CCTL=NO
- Sets on the corresponding bit setting in the RJE BIND if COMPRESS=YES.

### CRreator=jcccccc

Specifies the 1 through 8 character userid that creates the SYSOUT data sets to be processed. You can also specify wild cards on this parameter. See "Using wildcards" on page 108 for additional information.

**j** An alphabetic character (A-Z) or any of the special characters (\$, #, or @).

**cccccc**

Any combination of EBCDIC characters except a comma, a right parenthesis, or an equal sign.

### Forms=form

The 1 to 8 alphanumeric or special characters (\$ # @) character name of the forms that are loaded into this punch. You can also specify wild cards on this parameter. See "Using wildcards" on page 108 for additional information. You may specify up to 8 forms.

### FLUSH={Yes|No}

Specifies whether JES2 punches a blank card following each data set or data set copy processed by this device.

#### Note:

1. Applies only to remote punches.
2. This parameter can only be changed when the session is inactive.

### JOBname=jobname

The 1 to 8 character name of jobs whose output is to be selected by this punch.

You can also specify wild cards on this parameter. See "Using wildcards" on page 108 for additional information. A null parameter of (JOBNAME=) specifies that jobname is not a criterion for output selection.

### LIMit=m|m-n|m-\*

Specifies the lower and upper limits (in records) for the size of output that is to be selected by this punch.

For both variables *m* and *n*, you can specify a range of values 0-4294967295. *m* and *n* can be equal. If they are not equal, *n* must be larger than *m*.

If you code only *m*, that value becomes both the lower and upper limit. If *m*-\* is specified, the upper limit is set to the default value of 4294967295.

## \$T PUN(nnnnn) and \$T R(nnnnn).PU(m)

**Note:** If the punching of an output group is interrupted, JES2 compares the original size of the output (the number of cards prior to any punching rather than the cards remaining) with the LIM= specifications.

### **LRECL=nnn**

**For SNA RJE workstations only,** specifies the logical record length (1-255) of data transmitted to this remote punch.

**Note:** You can change the value of LRECL= only when this remote punch is inactive.

### **Pause=[No|Yes]**

Specifies whether the local punch is to pause between data sets. If you specify Y, the punch can be restarted by changing it from a not-ready to a ready state or by entering a \$\$ command.

### **PRMode=(mode1[,...mode8])**

The SYSOUT mode(s) (1 to 8 alphanumeric characters) to be processed by this punch. You can specify up to 8 SYSOUT modes for a single punch. You can also specify wild cards on this parameter. See "Using wildcards" on page 108 for additional information. Multiple entries must be separated by commas and the list must be enclosed in parentheses. If all processing modes are selectable by this punch, specify a null parameter of PRMODE=(). You must specify the empty parentheses.

**Note:** For a list of valid process-mode values, see your system programmer.

### **Class|Queue=c1[...c15]**

The output class(es) (A-Z, 0-9) this punch is to process. You can specify up to 15 output classes.

### **R|Routecde=routecde**

Specifies up to four internal route codes to be assigned to this card punch. A route code indicates that this card punch is to be eligible for punch routing. The value for all routing numbers can range from 1 to 9999. You can also specify wild cards on this parameter. See "Using wildcards" on page 108 for additional information.

#### **Note:**

1. JES2 does not allow remote punches to change Routecde= to another destination or to delete Routecde from the work selection list. For specification requirements, see "Route codes" on page 107.
2. NODENAME=REQUIRED on the DESTDEF initialization statement will cause JES2 to require that a userid be prefixed with a node name.

If destid is specified alone, it refers to both the node and the remote.

### **Ummmm**

Indicates that output for special local routing is selected. Wild cards are not supported.

Routing to a remote device can be specified in any of the following ways:

- LOCAL|ANYLOCAL
- Rnnnn
- destid
- userid

### **LOCAL|ANYLOCAL**

Indicates routing to a local device.

## \$T PUN(nnnnn) and \$T R(nnnnn).PU(m)

**Rnn** Indicates routing to the specified remote device. Rnn can also be specified as RMnn or RMTnn.

**destid** Indicates routing to a destination at the local node.

**userid** Indicates routing to a valid TSO userid. Generic userids are also valid. A generic userid is a userid that ends in an asterisk (\*), and refers to all userids that begin with the characters preceding the \*. Note that the \* can only be specified in the last position of the userid.

To specify a null route code, use Routecde=() to cause this punch to select no work if Routecde is also specified in the WS list. Use the Unnnn form to specify this punch as a special local punch.

**Note:** Route codes for local devices should be used cautiously. Once a card punch has been assigned a route code or route codes, it is considered available only for a job that requests punched output through the DEST keyword on the /\*OUTPUT control statement or JCL OUTPUT statement, or through the /\*ROUTE control statement or through operator command.

**Default:** LOCAL

**RANGE={Jnnnnn|Snnnnn|Tnnnnn} [-nnnnn]**

Specifies the range (1-65534) of batch jobs (J), started tasks (S), or time sharing users (T) whose output is to be selected by this punch. If you code this parameter, you can specify one or two values:

- If you specify one value, that value becomes both the low and the high end of the range.
- If you specify two values, the first value is the low end of the range and the second value the high end. The two values can be equal. If they are not equal, the second value must be larger than the first value.

**SELECT={PUNCHnn|EXCHnn|BASICnn}**

Specifies the device type (PUNCH, EXCH, or BASIC) and the device subaddress (0 - 14) to which JES2 sends output for this remote device.

The SELECT= options:

**PUNCHnn**

Sends output to the remote punch (card format).

**EXCHnn**

Sends output to an exchange diskette device.

**BASICnn**

Sends output to a basic exchange diskette device.

The value *nn* specifies the device number (1-15; subaddress 0-14). If you do not specify the *nn* value, JES2 provides a default of any available device of the type specified (subaddress=15).

If this is the only punch defined and you do not specify SELECT=PUNCH, JES2 changes the media byte presentation service portion of the RJE BIN to reflect a non-card format.

Note that the SELECT= parameter:

- Applies to remote punches only
- Can be changed only when the punch is inactive
- Is ignored for BSC devices



- Should specify a BASIC type only if CCTL=NO and the LRECL= value does not exceed 128.

**Sep=[No|Yes]**

Specifies whether (Y) or not (N) separator cards are to be placed between output groups.

**SEPDS=[No|Yes]**

Specifies whether (Y) or not (N) a header separator card is to be produced for each copy of each data set within an output group. Although JES2 does not actually generate separator cards, it does invoke EXIT 15 (Output Data Set/Copy Separators), if enabled, to generate separator cards.

**SETUP={HALT|NOHALT}**

Specifies whether JES2 is to halt the punch and issue the \$HASP190 message requesting the operator to verify the output control specifications when the output requirements for a particular job differ from the output characteristics specified for the punch. (If halted, the punch must be restarted using the \$S command.)

**SUSPEND={Yes|No}**

Specifies whether a remote punch can (No) or cannot (Yes) use the punch-interrupt feature which allows the remote operator to interrupt punching for the transmitting of jobs or JES2 commands to this JES2 system.

**Note:**

1. Applies only to punches connected to BSC hardware terminals.
2. This parameter can only be changed when the punch is inactive.

**TRace={No|P|Yes}**

Specifies whether tracing is to be activated or deactivated for this punch processor. This operand requires system authority.

**No** Tracing is disabled.

**P|Yes**

Tracing is activated if trace IDs 11 and 12 are currently enabled.

**Note:** Trace IDs 11 and 12 may be enabled either at initialization on the TRACE(n) statement or using the \$S TRACE(n) command.

**UNIT={devnum|/devnum}**

Specifies a 3-digit or 4-digit hexadecimal device number. Device numbers can be specified by any of the following formats:

```
UNIT=ddd  
UNIT=dddd  
UNIT=/ddd  
UNIT=/dddd
```

where ddd and dddd represent the device numbers.

A slash (/) can optionally precede the device number (for compatibility with other commands that require a slash to denote a 4-digit device number).

**VOLUME=vo1ume**

The volume serial (5-6 characters) of a volume containing a spool data set. Only the output of jobs which reside on one or more of the specified volume(s) are to be selected by this punch. You can specify up to 4 volumes. Multiple entries must be separated by commas and the list must be enclosed in

## \$T PUN(nnnnn) and \$T R(nnnnn).PU(m)

parentheses. A null parameter of VOLUME=( ) specifies that volume is not a criterion for output selection. You must specify the empty parentheses.

### Writer=xxxxxxx

The 1 to 8 alphanumeric or special (\$ # @) character writer name assigned to this punch. You can also specify wild cards on this parameter. See "Using wildcards" on page 108 for additional information. A null parameter of (W=) specifies that no writer name is assigned to this punch.

**Note:** If you do not assign a writer name to the punch, and Writer is specified as an exact match criteria in the work selection (WS) list, the punch selects only output groups without a writer name.

### WS=ws

Specifies the work selection criteria for this punch. Using any combination of user and JES2- defined criteria, you may specify a maximum of 19 criteria in the WS= list. Criteria which are not specified are not considered during output selection although JES2 does use them to determine setup requirements. Multiple entries must be separated by commas and the list must always be enclosed in parentheses (even if only one criterion is specified). The general rules for specifying a punch work selection list are:

1. One slash (/) can precede or follow one of the selection criterion. Criteria placed before the slash must be matched exactly if the work is to be selected. Criteria placed after the slash do not have to be matched exactly except in the following cases:

- Queue
- Routecde
- PRMode
- Volume

Table 66 on page 896 defines each criterion when placed either before or after the slash.

2. Queue, Routecde, PRMode, and Volume can be specified as multiple values on the output device statements. Placing these criteria before the slash in the WS= list, indicates a left to right priority order of multiple values, if multiple values have been specified. Placing these criteria after the slash indicates no priority order of multiple values, but a match is still required.
3. The order of those criteria specified after the slash indicates the priority (highest to lowest, in left to right order) in which JES2 attempts to match them.
4. Specifying a minus sign (-) before a criterion causes that criterion to be removed from the list.

**Note:** An invalid operand message (\$HASP650) is issued if an error is found in the WS operand, that is, if you try to remove a criterion that is not there. For example, if you enter \$tpun1,ws=(-f), you get the \$HASP650 message because 'f' (forms) is not in the current work selection list for punch1.

5. Specifying a criterion that is not currently specified in the list adds it to the end of the list either before or after the slash, depending on the placement of the slash in the command. If the slash is omitted from the command, JES2 assumes that the slash is at the end of the command.
6. For all exact match criteria, if the output matches the device for a specific criterion, but the output specifies demand (DMND) setup, the match is not

considered an exact match and the output is not selected because demand setup indicates that the characteristics do not remain the same throughout the output group.

To print demand (DMND) setup output, the work selection criteria specified for the punch that is referenced by DMND must be removed from the list.

7. If the device is a remote punch, route code (R=) must be in the work selection list.
8. In general, the smaller the work selection list the less the placement of certain criteria within the list affects the work selection. Job output elements are queued to the class queues by route code, then priority. This information should be used to tune the work selection list to optimize performance.

### Authority Required

This command requires **device** and **system** authority. The description of the \$T RDRnn command explains how to ensure that the authority of the appropriate MVS system command group is assigned.

This command requires **update** security access authority. For a description of assigning command input authority, see *z/OS JES2 Initialization and Tuning Guide*.

### Processing Considerations

- This command is valid only when the specified punch is inactive. If the punch is active, enter a \$P PUNnnnnn command and wait for it to become inactive before entering the \$T command.
- If you are uncertain of the controls in effect, enter the \$D U command for the punch in question.

### Scope

**Single member.** This command will be in effect for this member only. There is no need to have this command issued to all members of the MAS.

### Messages

The \$HASP603 message displays the status of the specified punch and its current characteristics. In particular,

The \$HASP003 rc=65 message indicates that the device type specified through the UNIT= parameter does not match the defined JES2 device information.

The \$HASP003 rc=66 message indicates that the device type specified through the UNIT= parameter does not exist.

### Examples

*Because of the number of examples presented and the length of the resulting message, \$HASP603 is shown only for the first example.*

```
1 $t pun1,f=12345678,prmode=line,lim=2000-3000,ws=(f,pmd,lim)
```

```
$HASP603 PUN1          UNIT=000D,STATUS=DRAINED,CKPTLINE=1,  
$HASP603              CKPTPAGE=100,CREATOR=,FORMS=12345678,  
$HASP603              JOBNAME=,LIMIT=(2000,3000),PAUSE=NO,
```

## \$T PUN(nnnnn) and \$T R(nnnnn).PU(m)

```

$HASP603          PRMODE=(LINE),QUEUE=BK,RANGE=(J1,32767),
$HASP603          ROUTECDE=(LOCAL),SEP=YES,SEPDS=NO,SETUP=HALT,
$HASP603          TRACE=NO,VOLUME=(,,),WRITER=,
$HASP603          WS=(W,Q,R,F,PRM,LIM/)

```

JES2 loads the forms numbered 12345678 into punch 1. Punch 1 now selects only those data sets that require forms numbered 12345678, specify a PRMODE of LINES, and have at least 2000 records (but no more than 3000 records).

**2** The current work selection list for punch 1 is:

```
WS=(w,q,r,pmd,l im/f,p)
```

To remove **w** from the list, enter: **\$t pun1,ws=(-w)** and the result is:

```
WS=(q,r,pmd,l im/f,p)
```

To move **pmd** after the slash and switch the positions of **q** and **r**, enter:

**\$t pun1,ws=(r,q,lim/pmd)** and the result is:

```
WS=(w,r,q,l im/f,p,pmd)
```

**3** **\$t pun4,q=akz,r=(u1,r4),ws=(q,r/)**

Punch 4 processes all output in classes A, K, Z, (in that order) that was to be routed to either the local device with routing set to 1 or RJE workstation 4.

**4** **\$t pun4,ckptline=80,ckptpage=100,setup=nohalt**

JES2 takes output checkpoints on punch 4 every 100 logical pages, each page consisting of 80 lines. SETUP=NOHALT specifies that punch 4 does not halt and issue the \$HASP190 message if a job's output specifications do not match those of punch 4.

**5** **\$t pun3,sepds=y,p=y,writer=write3**

JES2 assigns a writer name of WRITE3 to punch 3. This punch places separator cards between each data set within an output group and pauses between each output group.

**6** **\$t r8.pu2,tr=y**

JES2 traces the logic of the JES2 processor associated with remote punch 2 at RJE workstation 8.

**7** **\$t r3.pu1,comp=y**

JES2 provides compression and expansion capabilities for data transmitted to remote punch 1 at RJE workstation 3.

Table 66. Punch Work Selection Criteria

CRITERION	BEFORE SLASH (/)	AFTER SLASH (/)
CReator	The output group's CReator specification must match the CReator specification of the printer. Otherwise, this output group is not considered selectable.	It is not required that the CReator= specification of the output group match the CReator= specification of the printer. However, JES2 issues the \$HASP190 setup message if a difference exists.
Forms	The output group's FORMS specification must match the current FORMS (F=) specification for the output device. Otherwise the output group is not selected.	It is not required that the output group match the FORMS (F=) specification for the output device. However, JES2 issues the \$HASP setup message if a difference exists.

Table 66. Punch Work Selection Criteria (continued)

CRITERION	BEFORE SLASH (/)	AFTER SLASH (/)
JOBname	The output group's jobname must match the jobname specified (JOBNAME=) for this device.	It is not required that the job name of the output group match the job name specified (JOBNAME=) for this device. JES2 attempts to consecutively select all eligible output for a particular job.
LIMit	The amount of output generated by an output group must fall within the limits (LIM=) set for this device. Otherwise, the output is not selected.	It is not required that the amount of output generated by the output group fall within the limits (LIM=).
{PMD PRMode} (process mode)	The output group's process mode must match one of the process modes (PRMODE=) specified for the output device. Otherwise the output group is not selected. If there are multiple PRMODEs, the list is considered to be in priority sequence with the highest priority given to the first PRMODE in the list.	The process mode of the output group must match the process mode (PRMODE=) specified for the output device, but if there are multiple PRMODEs, the list is not in priority sequence.
Priority	<p>The priority of the output group is considered. Whether specified before or after the slash, higher priority output groups are preferred. Placement of 'P' in the WS list gives priority importance in the work selection process. There is no 'matching' done for priority.</p> <p><b>Note:</b> Output groups are added to the class queues in priority order, and the class queues are scanned in the device's class list order. The output groups are not scanned by priority order across class queues. Thus if all other work selection criteria for the output groups are equal, all of the output groups for the first class in the device's class list are selected in priority order before the output groups for the second class in the list. This is the selection order even if higher priority output groups exist on the class queue for the second class in the device's list.</p>	Same as before slash.
Queue	When Queue is specified in the WS list, only those output classes specified for this device are searched for work. Otherwise all classes (A-Z and 0-9) are searched. It is therefore suggested that 'Q' always be included in the WS list. The sequence of the list is the order of search.	The output classes specified for this device are not in priority sequence. All classes are equally preferred. Output groups in the first class in the list are selected first if they meet all other requirements.
Routecde	The output group's destination must match the route code (R=) specified for this device. Otherwise the output group is not selected. If there are multiple route codes specified for the device, the list is considered to be in priority sequence and a match with the first route code is preferred.	The destination of the output group must match the route code (R=) specified for this device, but if there are multiple route codes, the list is not considered to be in priority sequence.
RANGE	The job number of the job associated with the output group must be within the range (RANGE=) specified for this device.	It is not required that the job number of the job associated with the output group be within the specified range (RANGE=).

## \$T PUN(nnnnn) and \$T R(nnnnn).PU(m)

Table 66. Punch Work Selection Criteria (continued)

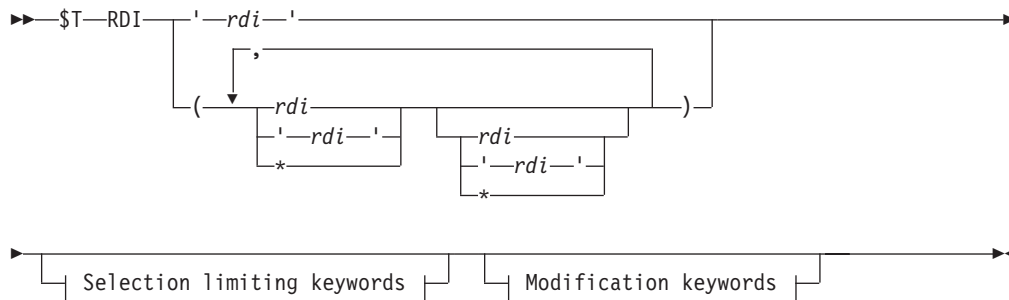
CRITERION	BEFORE SLASH (/)	AFTER SLASH (/)
Volume	The volume of the job associated with this output group must match the volume (VOLUME=) specified for this device. If there are multiple volumes specified, the list is considered to be in priority sequence with the leftmost volume having the highest priority.	The volume of the job associated with this output group must match the volume (VOLUME=) specified for this device but if there are multiple volumes specified, the list is not considered to be in priority sequence.
Writer	The writer name specified for the output group must match the writer name specified (W=) for this device, otherwise the output group is not selected.	It is not required that the writer name of the output group match the writer name (W=) specified for the device.

## \$T RDI - Control an internal reader

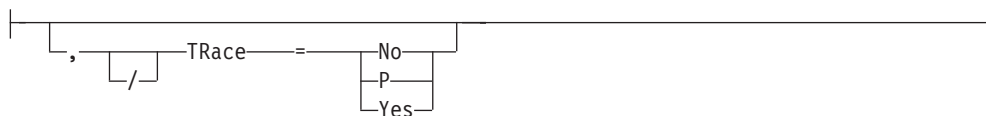
### Function

To control tracing for an individual internal reader.

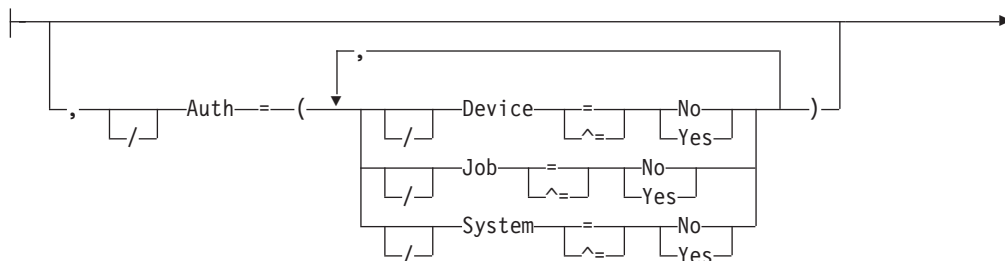
### Syntax

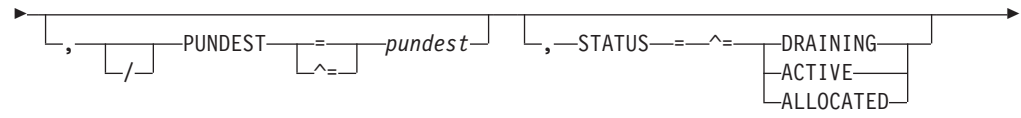
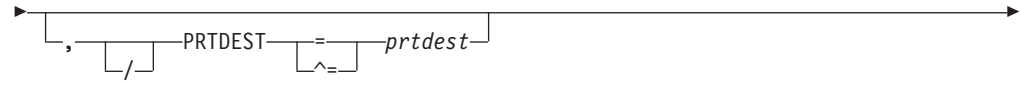
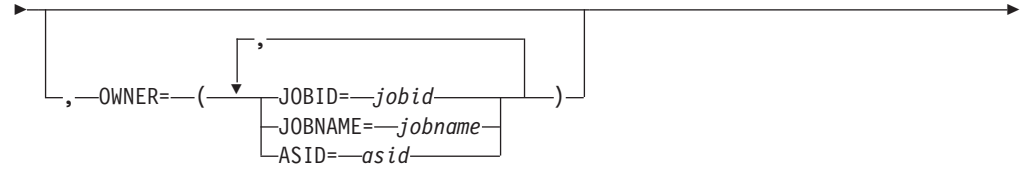
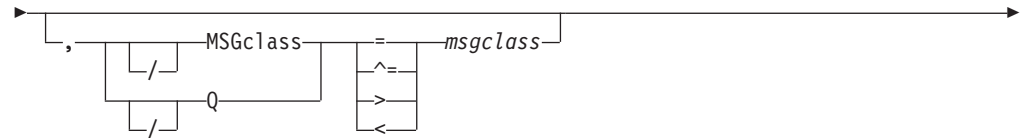
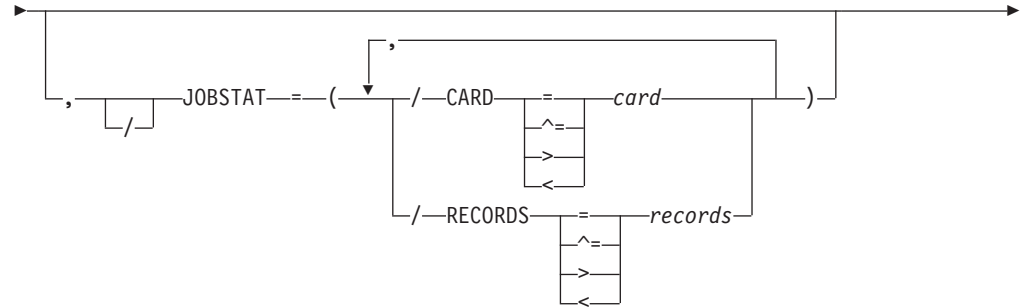
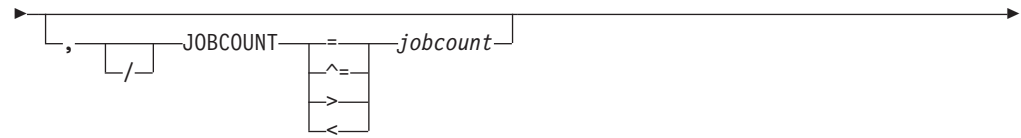
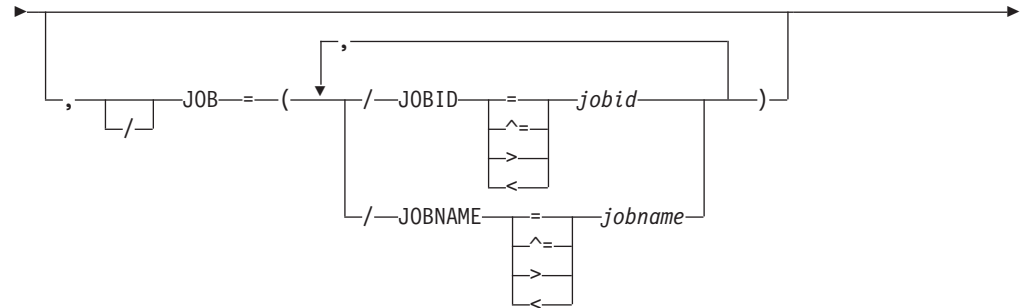
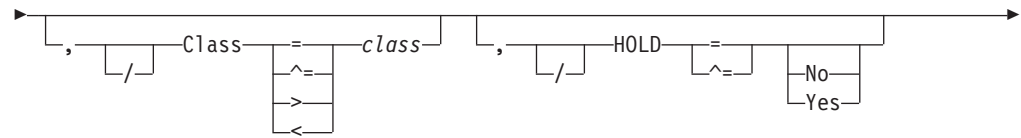


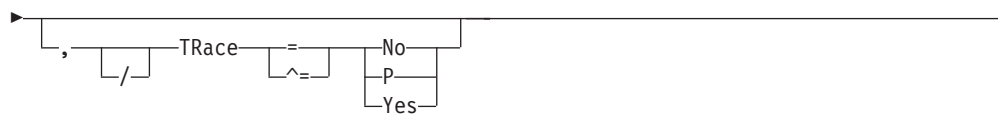
### Modification keywords:



### Selection limiting keywords:







## Parameters

### Auth

Displays whether (YES) or not (NO) the indicated reader has the specified authority to issue commands to the internal reader.

### Class=class

Displays the default execution class for all jobs entered at this internal reader that do not have a job class specified on the JOB statement.

### HOLD={No|Yes}

Displays whether (YES) or not (NO) all jobs read by the specified are held after JCL conversion.

### MSGclass|Q=msgclass

Displays the default message class assigned to jobs entered at this internal reader that do not have a MSGCLASS specified on the JOB statement.

### OWNER=(JOBID=jobid,JOBNAME=jobname,ASID=asid)

JES2 displays information on internal readers owned by the *jobid*, *jobname*, or *asid* specified. All the three support generic filters.

### PRTDEST=prtdest

Displays the default destination for the print output from all jobs that are read by the internal reader and that do not have a /\*ROUTE statement or DEST parameter. The value for all routing numbers can range from 1 to 32767.

### PUNDEST

Displays the default destination for the punch output from all jobs that are read by the internal reader and that do not have a /\*ROUTE statement or DEST parameter.

### TRace={Yes|P|No}

Specifies whether tracing is to be activated or deactivated for the indicated internal reader. This parameter requires system authority.

#### P|Yes

Tracing is activated if trace IDs 11 and 12 are currently enabled.

**Note:** Trace IDs 11 and 12 may be enabled either at initialization on the TRACE(n) statement or using the \$S TRACE(n) command.

**No** Tracing is disabled.

## Authority Required

This command requires **device** and **system** authority. See the description of **AUTH=** parameter for information about assigning the authority of the appropriate MVS system command group. The \$T INTRDR command sets the command authority for internal readers. The \$T NODE(nnnn) command sets the command authority for a node.

This command requires **update** security access authority. For a description of assigning command input authority, see *z/OS JES2 Initialization and Tuning Guide*.



## Scope

**Single member.** This command will be in effect for this member only. There is no need to have this command issued to all members of the MAS.

## Messages

The \$HASP603 message displays the status of the specified internal reader and its current characteristics.

## Examples

**1** \$trdi (\*), trace=yes

```
$HASP603 RDI(INTRDR)
$HASP603 RDI(INTRDR) STATUS=ALLOCATED, AUTH=(DEVICE=NO,
$HASP603 JOB=YES, SYSTEM=NO), CLASS=A, HOLD=NO,
$HASP603 MSGCLASS=, OWNER=(JOB00010, INTRDACB,
$HASP603 ASID=0023), PRDEST=LOCAL, PUNDEST=LOCAL,
$HASP603 SYSAFF=(ANY), TRACE=YES
```

**2** \$trdi (\*), owner=(asid=0023), trace=yes

```
$HASP603 RDI(INTRDR)
$HASP603 RDI(INTRDR) STATUS=ALLOCATED, AUTH=(DEVICE=NO,
$HASP603 JOB=YES, SYSTEM=NO), CLASS=A, HOLD=NO,
$HASP603 MSGCLASS=, OWNER=(JOB00010, INTRDACB,
$HASP603 ASID=0023), PRDEST=LOCAL, PUNDEST=LOCAL,
$HASP603 SYSAFF=(ANY), TRACE=YES
```

---

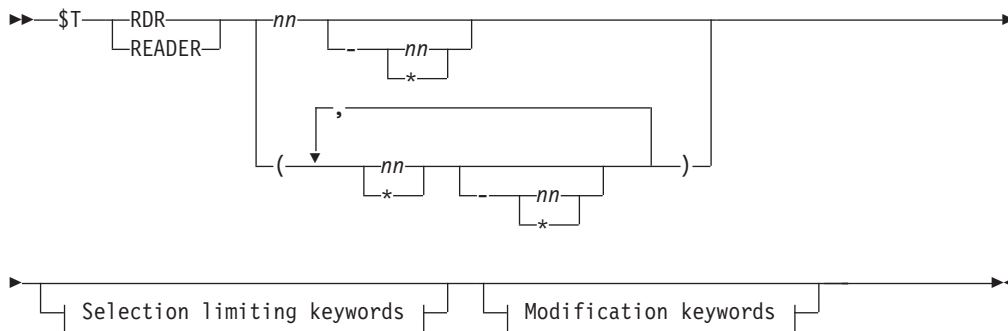
## \$T RDRnn and \$T Rnnnn.RDm - Control a reader

### Function

To perform the following functions:

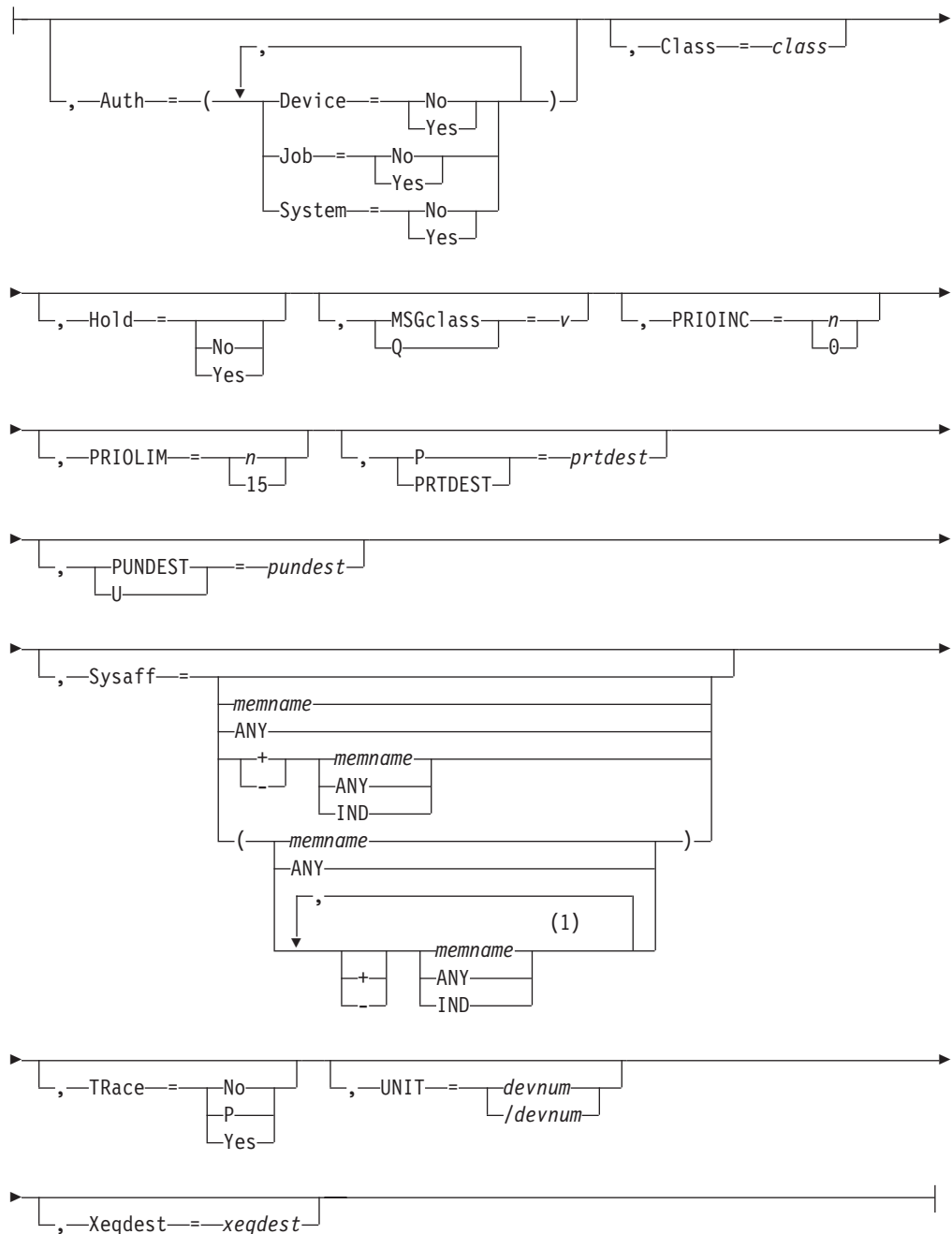
- Assign command authority for the specified reader.
- Specify default routing, affinities, job and message classes for jobs read by the specified reader.
- Hold all jobs read by the specified reader.
- Start or stop tracing of the JES2 processor associated with the specified reader.

### Syntax



### Modification keywords:

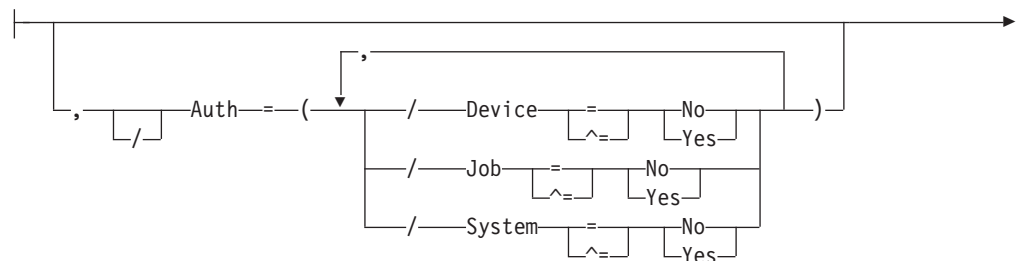
## \$T RDRnn and \$T Rnnnn.RDm

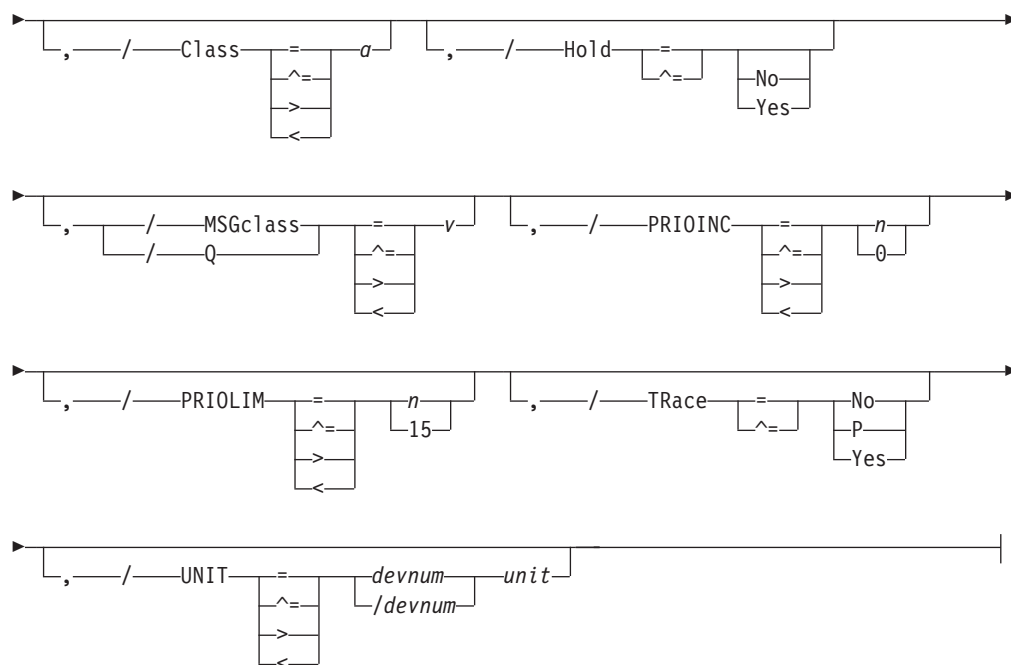


### Notes:

- 1 Multiple *Sysaff* values can be coded up to 33 times

### Selection limiting keywords:





## Parameters

### Auth=

Specifies the authority assigned to commands issued through the indicated reader.

### Device={No|Yes}

If Device=Y, the reader has authority to issue device commands to the local reader.

If Device=N is specified, the reader does not have device command authority.

### Job={No|Yes}

If Job=Y, the reader has authority to issue job-related commands to the local reader.

If Device=N is specified, the reader does not have job command authority.

### System={No|Yes}

If System=Y, the reader has authority to issue system commands to the local reader.

If System=N is specified, the reader does not have system command authority.

This parameter affects JES2 command statements only. Use the AUTH parameter of the JOBCLASS initialization statement to specify the authorization for JCL command statements. JES2 command statements begin with /\* in columns 1 and 2. JCL command statements begin with // in columns 1 and 2.

### Note:

1. **DISPLAY** authority results when you specify N for every AUTH= subparameter. By setting each AUTH= subparameter to N, the indicated

## \$T RDRnn and \$T Rnnnn.RDm

reader has no specific command authority, and the indicated reader honors only those few commands requiring no authority (for example, display commands).

2. Network authority requires having system, job, or device authority *in addition to* network authority to have system, job, or device commands take effect at another reader.
3. This parameter is not valid for remote readers.

### **Class=class**

The default execution class for jobs that are read by the specified reader and that do not have a job class specified on the JOB statement. If you specify this parameter, the command requires device authority.

### **HOLD=[No|Yes]**

Specifies whether all jobs read by the specified reader are to be held after JCL conversion. You can release these jobs on an individual basis using the \$A command.

**Note:** In an NJE environment, if a job contains a /\*ROUTE XEQ or /\*XEQ JES2 control statement specifying another node for execution, the job is not held at the entry node, but at the execution node (that is, the node which performs the JCL conversion).

### **MSGclass|Q=v**

The 1 character job execution class (A-Z,0-9) for jobs submitted through the specified reader with no specified job execution class.

### **PRIOINC={0|n}**

Specifies a number (0-15) to be added to the selection priority of each job entered at this card number.

### **PRIOLIM={15|n}**

Specifies the maximum priority level (0-15) that can be assigned to jobs entered at this card reader. Any job's priority that exceeds this level will be reduced to it.

### **P|PRTDEST=prtdest**

Specifies the default destination for the print output from all jobs that are read by the specified reader and that do not have a /\*ROUTE statement or DEST parameter. The value for all routing numbers can range from 1 to 32767. For specification requirements, see "Route codes" on page 107.

**Note:** NODENAME=REQUIRED on the DESTDEF initialization statement will cause JES2 to require that a userid be prefixed with a node name.

The valid destinations are:

#### **LOCAL|ANYLOCAL**

Indicates that jobs are to be run at the local node.

#### **Nnnnn|nodename**

Indicates that jobs are to be run at the specified node(s). You can specify a node using the decimal node identifier or an EBCDIC nodename.

**destid** Indicates that jobs are to be run at the specified node(s). You can specify this location by an alias for the name of a node. If destid is specified alone, it refers to both the node and the remote.

**NnnnnRmmmm | node.remote | node.userid**

Indicates routing to the remote Rmmmm at the node Nnnnn. Rmmmm can also be specified as RMmmmm or RMTmmmm.

**Ummmm**

Indicates special local routing.

**node.destid**

Indicates a destination at the specified node. The destid refers to both the node and the remote. The node specified in the destid must be the same as the node portion of the route code. If the number of the remote is reassigned, you can use the destid to send to this node.

**remote**

Indicates routing to a remote. Remote can be specified in any of the following ways:

**LOCAL | ANYLOCAL**

Indicates that jobs are to be run at the local node.

**Rmmmm**

Indicates routing to the specified remote. Rmmmm can also be specified as RMmmmm or RMTmmmm. The value specified for mmmmm can range from 1 to 32767.

**destid** Indicates routing to a destid referring to a remote.

**PUNDEST | U=pundest**

Specifies the default destination for the punch output from all jobs that are read by the specified reader and that do not have a /\*ROUTE statement or DEST parameter.

**Note:** NODENAME=REQUIRED on the DESTDEF initialization statement will cause JES2 to require that a userid be prefixed with a node name.

**Sysaff**

Changes the system affinity of the job. Up to 33 entries can be coded by using a combination of the following values:

**memname | \***

Specifies the identifier (1 to 4 alphanumeric characters) of a member in the JES2 multi-access spool configuration that has affinity for the job. Use an asterisk to specify the member that executes the command.

**ANY** Specifies jobs that are eligible to run on any member in the JES2 multi-access spool configuration. If you specify ANY followed by the IND parameter, they must be separated by a comma and the list must be enclosed in parentheses, for example, (ANY,IND).

**+|-** The subsequent memnames, ANY, and IND, are to be added to (+) or deleted from (-) the current list of affinities that are associated with this job. If neither + nor - qualifier is specified anywhere in the SYSAFF parameter, the affinity of the job is set explicitly to the affinity entries that are specified in the SYSAFF parameter. If a + or - qualifier is specified on the first entry in a list of entries, the current affinity list of this job is affected. A + or - qualifier on an entry will add (+) or delete (-) that entry from the current affinity list of this job. If the first entry in a list of entries has no + or - qualifier, the current affinity list of this job will be replaced with the affinities that are determined by processing the SYSAFF parameter. A + or - qualifier on a subsequent entry will add (+) or delete (-) that entry from the replacement list.

## \$T RDRnn and \$T Rnnnn.RDm

When a + or - qualifier is encountered in the SYSAFF parameter, the qualifier becomes the active qualifier that is applied to each of the following entries in the list until a different qualifier, or the keyword ANY is encountered in the list.

**Note:** If you specify IND without any member names (*memname*), you must specify + or - qualifier.

**IND** Specifies the job that must be executed on a processor operating in independent mode. IND cannot be specified by itself.

**Note:** The processing of the SYSAFF parameter must result in at least one member that is eligible to execute this job. Otherwise, the command will be rejected.

### TRace={No|P|Yes}

Specifies whether tracing is to be activated or deactivated for the JES2 processor associated with the indicated reader. This parameter requires system authority.

**No** Tracing is disabled.

### P|Yes

Tracing is activated if trace IDs 11 and 12 are currently enabled.

**Note:** Trace IDs 11 and 12 may be enabled either at initialization on the TRACE(n) statement or using the \$S TRACE(n) command.

### RDRnn

The local reader that is affected by this command.

### Rnnnn.RDm

The remote reader that is affected by this command.

### Note:

1. This parameter is not valid for remote readers.
2. A reader may not be used to set the command authority for any local reader device. The \$T RDRnn,AUTH= command can be issued only by a console with device and system authority.
3. The command authorities that are set only operate on JES2 commands; they do not apply to MVS commands.

### UNIT={devnum|/devnum}

Specifies a 3-digit or 4-digit hexadecimal device number. Device numbers can be specified by any of the following formats:

```
UNIT=ddd  
UNIT=dddd  
UNIT=/ddd  
UNIT=/dddd
```

where ddd and dddd represent the device numbers.

A slash (/) can optionally precede the device number (for compatibility with other commands that require a slash to denote a 4-digit device number).

**Note:** This parameter is not valid for remote devices.

**Xeqdest={LOCAL|name|Nnnnn}**

Specifies the default execution node for all jobs that are read by the specified reader and that do not specify a /\*XEQ statement. The valid node specifications are:

**LOCAL**

The node to which the reader is attached.

**name**

A node identified by an installation-defined name.

**Nnnnn**

A specific node whose number is nnnn.

### Authority Required

This command requires **device** and **system** authority. See the description of **AUTH=** parameter for information about assigning the authority of the appropriate MVS system command group. The \$T INTRDR command sets the command authority for internal readers. The \$T NODE(nnnn) command sets the command authority for a node.

This command requires **update** security access authority. For a description of assigning command input authority, see *z/OS JES2 Initialization and Tuning Guide*.

### Scope

**Single member.** This command will be in effect for this member only. There is no need to have this command issued to all members of the MAS.

### Messages

The \$HASP603 message displays the status of the specified reader and its current characteristics.

The \$HASP003 rc=65 message indicates that the device type specified through the UNIT= parameter does not match the defined JES2 device information.

The \$HASP003 rc=66 message indicates that the device type specified through the UNIT= parameter does not exist.

### Examples

**1** \$t rdr3,auth=(d=y,j=y),h=y,tr=y

```
$HASP603 RDR3      UNIT=0012,STATUS=DRAINED,AUTH=(DEVICE=YES,
$HASP603          JOB=YES,SYSTEM=NO),CLASS=A,HOLD=YES,
$HASP603          MSGCLASS=A,PRIOINC=0,PRIOLIM=15,
$HASP603          PRTDEST=LOCAL,PUNDEST=LOCAL,SYSAFF=(ANY),
$HASP603          TRACE=YES,XEQDEST=LOCAL
```

JES2 assigns device and job command authority to reader 3 and activates tracing of the JES2 processor associated with reader 3. All jobs that are submitted through this reader are placed in hold status after JCL conversion until the operator releases them for execution.

**2** \$t rdr1,s=(ind,sysa)

```
$HASP603 RDR3      UNIT=000E,STATUS=DRAINED,AUTH=(DEVICE=YES,
$HASP603          JOB=YES,SYSTEM=NO),CLASS=A,HOLD=YES,
```

## \$T RDRnn and \$T Rnnnn.RDm

```
$HASP603      MSGCLASS=A,PRIOINC=0,PRIOLIM=15,  
$HASP603      PRTDEST=LOCAL,PUNDEST=LOCAL,SYSAFF=(IND,  
$HASP603      SYSA),TRACE=YES,XEQDEST=LOCAL
```

All jobs read by reader 1 are eligible to run only on SYSA, but only if SYSA is operating in an independent mode.

**3** \$t rdr2,c=d,q=a,s=+sysa

```
$HASP603 RDR3  UNIT=0012,STATUS=DRAINED,AUTH=(DEVICE=YES,  
$HASP603      JOB=YES,SYSTEM=NO),CLASS=D,HOLD=YES,  
$HASP603      MSGCLASS=A,PRIOINC=0,PRIOLIM=15,  
$HASP603      PRTDEST=LOCAL,PUNDEST=LOCAL,SYSAFF=(SYSA,  
$HASP603      SYSB,SYSC),TRACE=YES,XEQDEST=LOCAL
```

JES2 assigns execution class D and/or message output class A to all jobs that are processed by reader 2 and that do not specify a job and/or message output class in their JCL. SYSA is added to the lists of systems that are eligible to process jobs read by reader 2.

**4** \$t r1.rd1,prtdest=local,pundest=r3,xeqdest=n4

```
$HASP603 R1.RD1 STATUS=DRAINED,CLASS=B,HOLD=NO,MSGCLASS=2,  
$HASP603      PRIOINC=0,PRIOLIM=15,PRTDEST=LOCAL,  
$HASP603      PUNDEST=R3,SYSAFF=(ANY),TRACE=NO,  
$HASP603      XEQDEST=N4
```

All jobs read at RJE workstation 1 reader 1 that do not specify a /\*XEQ statement are routed by default to node 3 for execution. The print output of these jobs is routed by default to local devices and the punch output is routed to RJE workstation 3 off the local node.

---

## \$T RECVOpts - Set JES2 recovery options

### Function

- For subtask and disastrous errors:

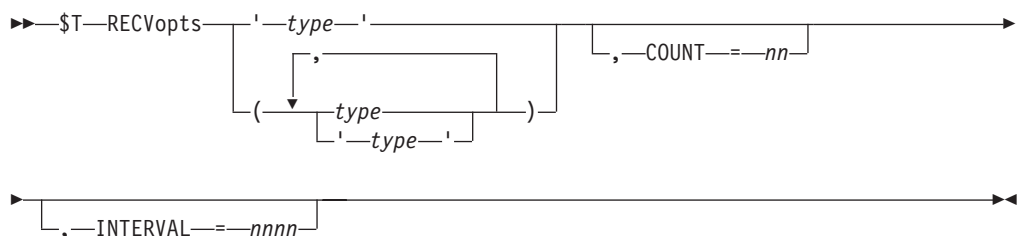
To specify the error rate threshold below which automatic SVC dumps are issued.

- For JES2 main task errors:

To specify the error rate threshold below which the operator is not involved in the recovery process.

One or more parameters on this command accepts wild cards. Parameter descriptions will note that.

### Syntax





## Parameters

### {type|\*}

Specifies the type of recovery errors for which the operator does not receive the \$HASP070 message.

You also can specify wild cards for the recovery error type. See “Using wildcards” on page 108 for additional information.

If you specify (\*), JES2 suppresses the \$HASP070 message for **all** types of recovery errors. The valid **types** and their meanings are:

#### ALLOCATE

Allocation subtask errors

**CBIO** CBIMPLxx disastrous errors

#### CKPTVRNS

APPLCOPY/CKPTVRNS subtask errors

#### CKPTONCF

Checkpoint on CF subtask errors

**CKPT** Checkpoint errors

#### CONVERT

JCL conversion subtask errors

#### DISTERR

Disastrous errors

#### GENERAL

Generalized subtask recovery errors

#### IMAGE

Image subtask errors

**MAIN** JES2 main task errors (catastrophic and abends)

#### OFFLOAD

Offload subtask errors

**PQE** Print/punch queue error

**SMF** SMF subtask errors

#### SPOOL

Spool subtask errors

#### VTAM

VTAM subtask errors

**WTO** WTO subtask errors

### COUNT=nn

If the **type** is MAIN, COUNT= specifies the number (1-99) of errors permitted to occur within the specified time interval at which the operator becomes involved in the recovery process. For example, COUNT=2 indicates that the operator becomes involved in the recovery process when the second error occurs.

For other error types, COUNT= specifies the number of errors permitted to occur in the specified time interval at which automatic SVC dumps are no longer issued. For example, if a single automatic dump is desired, specify COUNT=2.

## \$T RECVOpts

### INTERVAL=nnnn

The time interval, in hours (1-9999), in which JES2 counts errors of the specified type. If a number is not specified, INTERVAL defaults to 24.

**Note:** If you change the value of this parameter, JES2 resets the cumulative error counter used for recovery/diagnostic processing to zero.

### Authority Required

This command requires **system** authority. The description of the \$T RDRnn command explains how to ensure that the authority of the appropriate MVS system command group is assigned.

This command requires **control** security access authority. For a description of assigning command input authority, see *z/OS JES2 Initialization and Tuning Guide*.

### Scope

**Single member.** This command will be in effect for this member only.

Depending on your installation's setup, however, you might want this command to be applied to all members of the MAS (to ensure a consistent environment across the MAS). If so, you can use the MVS ROUTE \*ALL command to issue this command to all active members (if the JES2 command character is the same on all members). See *z/OS MVS System Commands* for more information on using the ROUTE \*ALL command.

### Messages

The \$HASP846 message displays the current values of all the parameters on the RECVOPTS initialization statement.

### Examples

```
1 $t recvopts(main),count=3,interval=24
```

```
$HASP846 RECVOPTS(MAIN) COUNT=3,INTERVAL=24
```

If three JES2 main task errors occur within a 24 hour time period, the operator becomes involved in the recovery process at the time of the third error.

```
2 $t recvopts(disterr),count=2,interval=48
```

```
$HASP846 RECVOPTS(DISTERR) COUNT=2,INTERVAL=48
```

JES2 issues an automatic SVC dump only for the first disastrous error that occurs in a 48 hour time period. The \$HASP096 message indicates the csect in which the error occurred. For subsequent errors, JES2 issues the \$HASP096 message but does not issue a dump.

---

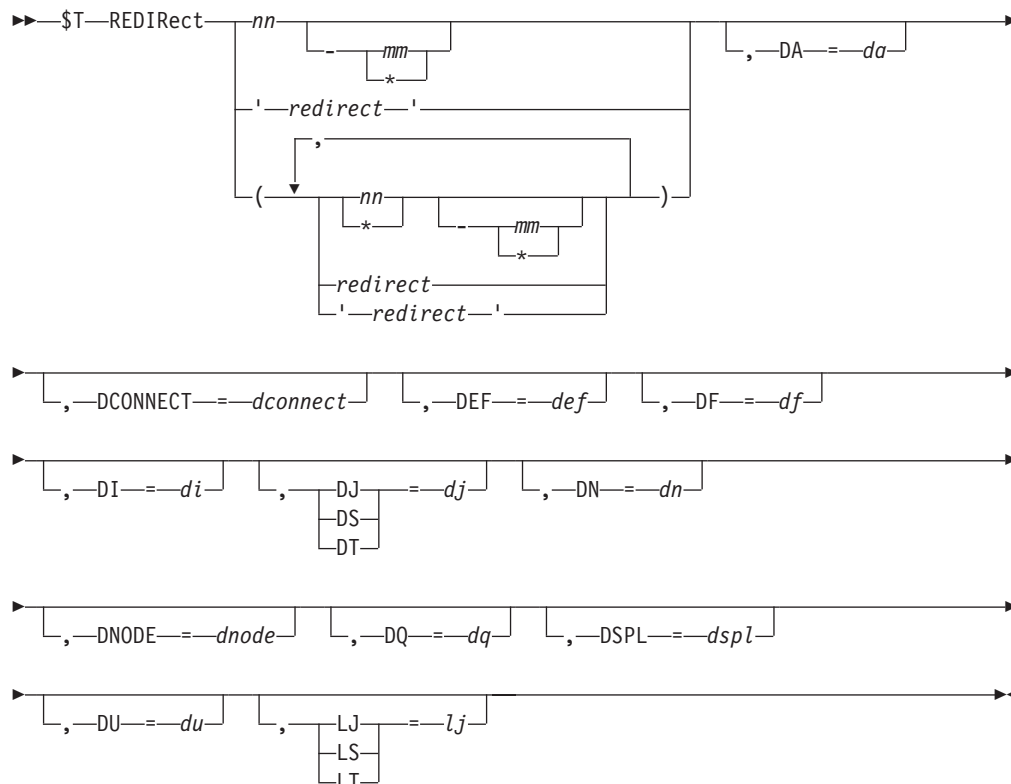
## \$T REDIRect - Redirect command responses

### Function

To change redirection for commands entered at the entry console. The operator should use \$T REDIRect if redirection was specified already through the redirect initialization statement or a previous \$ADD REDIRect for this console.

In a sysplex, if a JES2 subsystem has SCOPE=SYSTEM on its CONDEF initialization statement, redirection will not be in effect for that subsystem. To have that subsystem take part in the redirection, issue the \$T or \$ADD REDIRect command on that JES2 subsystem.

### Syntax



### Parameters

- \* Specifies all entry consoles that have been added or redirected at initialization as the active MCS console. This parameter resets the response locations for the indicated command groups.

**DA=da**  
Display active job.

**DCONNECT=dconnect**  
Display JES2 network connections.

**DEF=def**  
Display JES2 parameter definitions.

**DF=df**  
Display forms queue.

**DI=di**  
Display initiators.

**DJ|DS|DT=dj**  
Display JOB, STC, TSU information.

**DN=dn**  
Display queued jobs.

## \$T REDirect

**DNODE=dnode**

Display NJE nodes.

**DQ=dq**

Display number of queued jobs.

**DSPL=dsp1**

Display spool volumes.

**DU=du**

Display units.

**LJ|LS|LT=1j**

List JOB, STC, TSU output.

**redirect**

Specifies the active MCS console at which the specified output appears. If you only specify an area, the output appears in the indicated area of the entering console. If area is omitted, then the default area defined on the CONDEF RDIRAREA= operand is used. This parameter is required. Define the redirect area/console as one of the following:

**a** An output area ID

**name** A console name

**name-a**

A console name and output area

### Authority Required

This command requires **system** authority. The description of the \$T RDRnn command explains how to ensure that the authority of the appropriate MVS system command group is assigned.

This command requires **control** security access authority. For a description of assigning command input authority, see *z/OS JES2 Initialization and Tuning Guide*.

### Scope

**Single member.** This command will be in effect for this member only. There is no need to have this command issued to all members of the MAS.

### Messages

The \$HASP818 message is issued in response to this command. The \$HASP003 rc=52 message is issued if a \$T REDIRECT is entered for this console before an initial redirection is specified for this console. The \$HASP003 rc=62 message is issued if a \$T REDIRECT is entered to set redirection to an invalid console.

### Examples

**1** \$t redir(cn3e0),du=cn320

Sets up redirection for the \$du command so that when you issue a \$du on console CN3E0, the response is displayed on console CN320.

**2** \$t redir(cn320),du=cn3e0-a

Sets up redirection for the \$du command so that when this command is issued on console CN320, the response is displayed in the out-of-line area A of console CN3E0.

**3** \$t redir(cn3e0),di=a,du=a

Sets up redirection for the \$di and the \$du commands. When you issue these commands on console CN3E0, the responses are displayed in the out-of-line area A of console CN3E0.

## \$T RMT(nnnnn) - Change an RJE workstation

### Function

To specify characteristics for one or more RJE workstations.

This command can be used to add BSC and SNA RJE workstations.

Not all parameters are applicable to each type of workstation. The parameter descriptions indicate applicability to each type and differences as appropriate. Parameters applicable to BSC-only and SNA-only workstations are listed here.

#### Parameters applicable to BSC RJE workstations only:

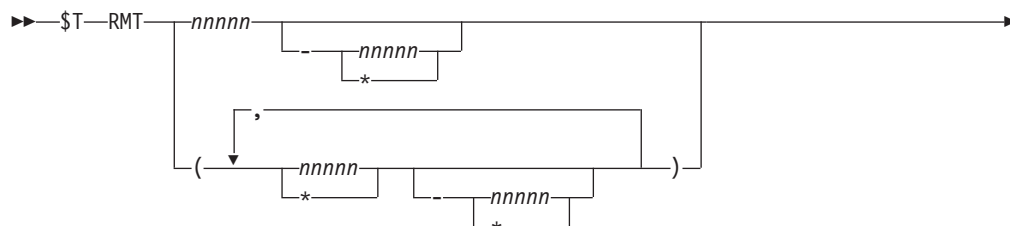
- BLOCK=
- BUFEXPAN=
- HTABS=
- MFORM=
- MRF2780=
- MULTILV=
- RECFM=
- SHARABLE=
- TRANSPAR=

#### Parameters applicable to SNA RJE workstations only:

- Autolog=
- COMPACT=
- LUNAME=
- SETUP=

Most of the parameter specifications that can be changed on this command require that the RJE workstation be inactive. Issue the \$D ACTRMT(nnnnn) command to obtain status of active RJE workstations before issuing the \$T RMT(nnnnn) command.

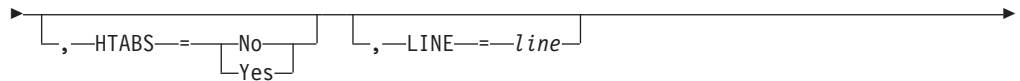
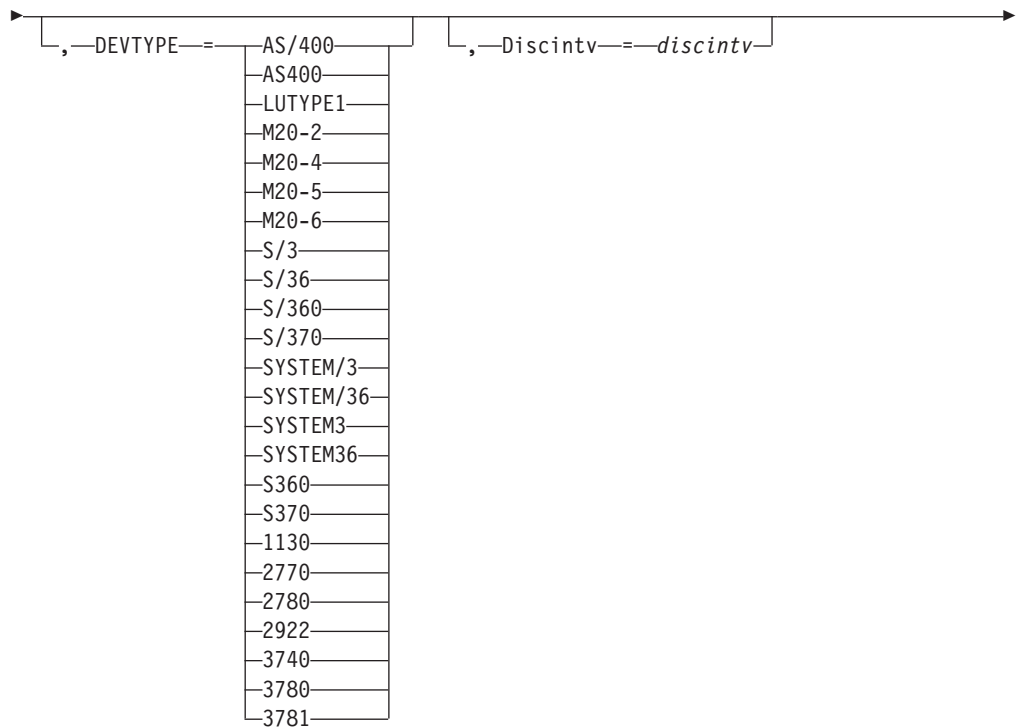
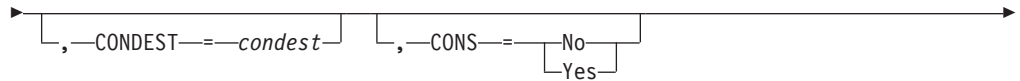
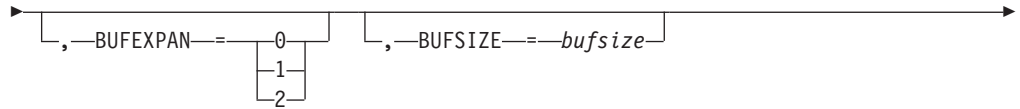
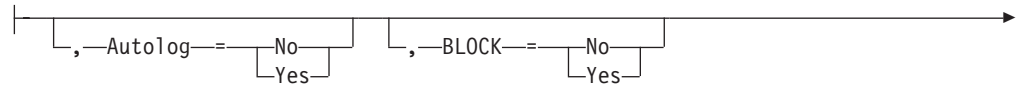
### Syntax

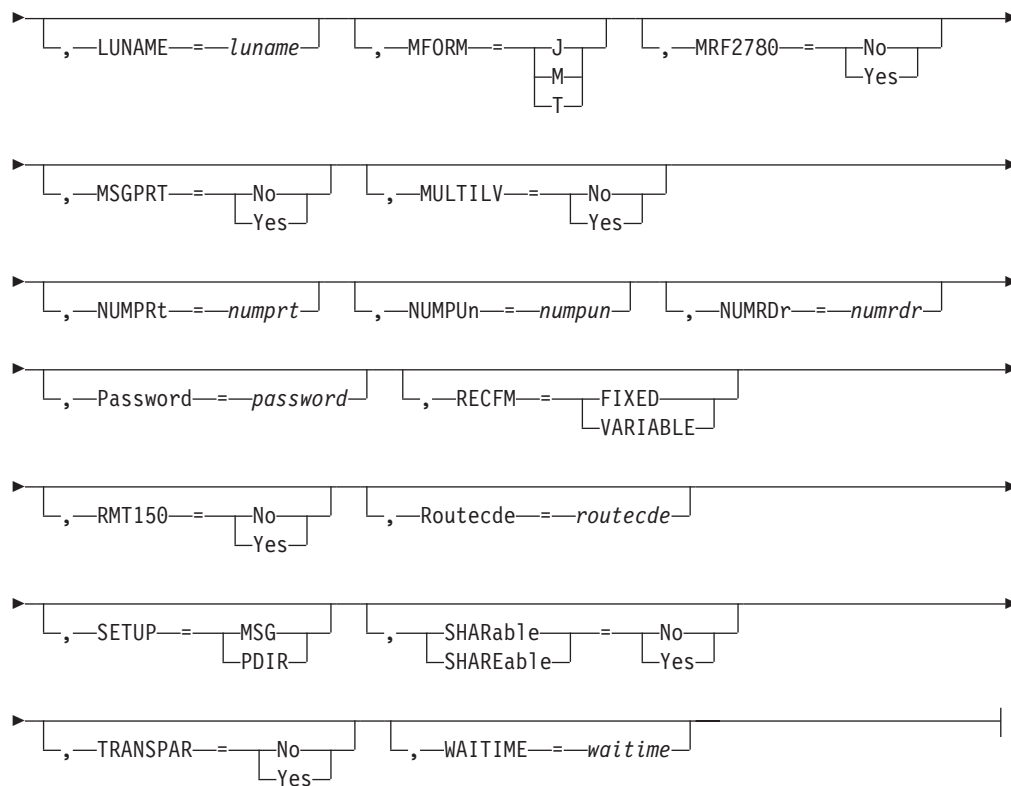


# \$T RMT(nnnnn)

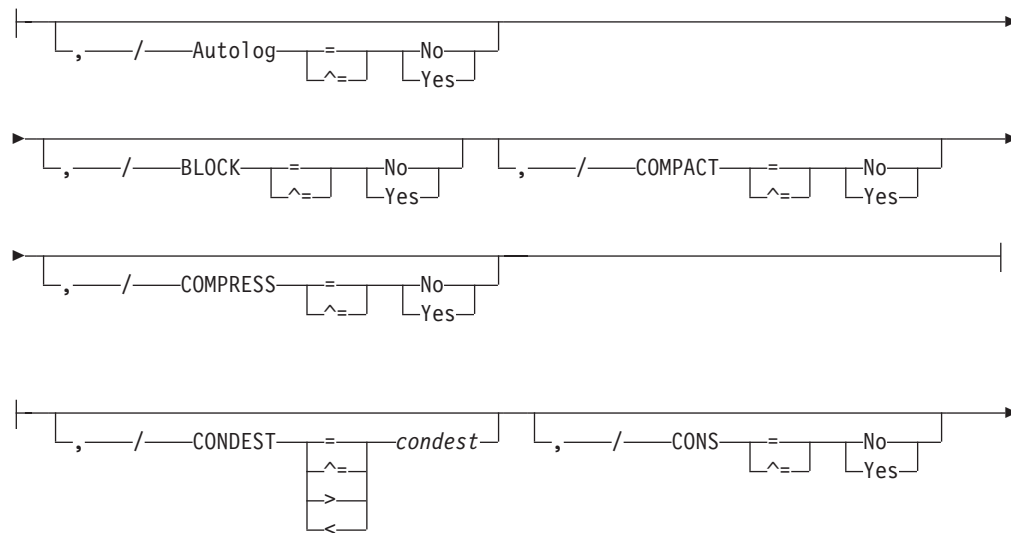


## Modification keywords:

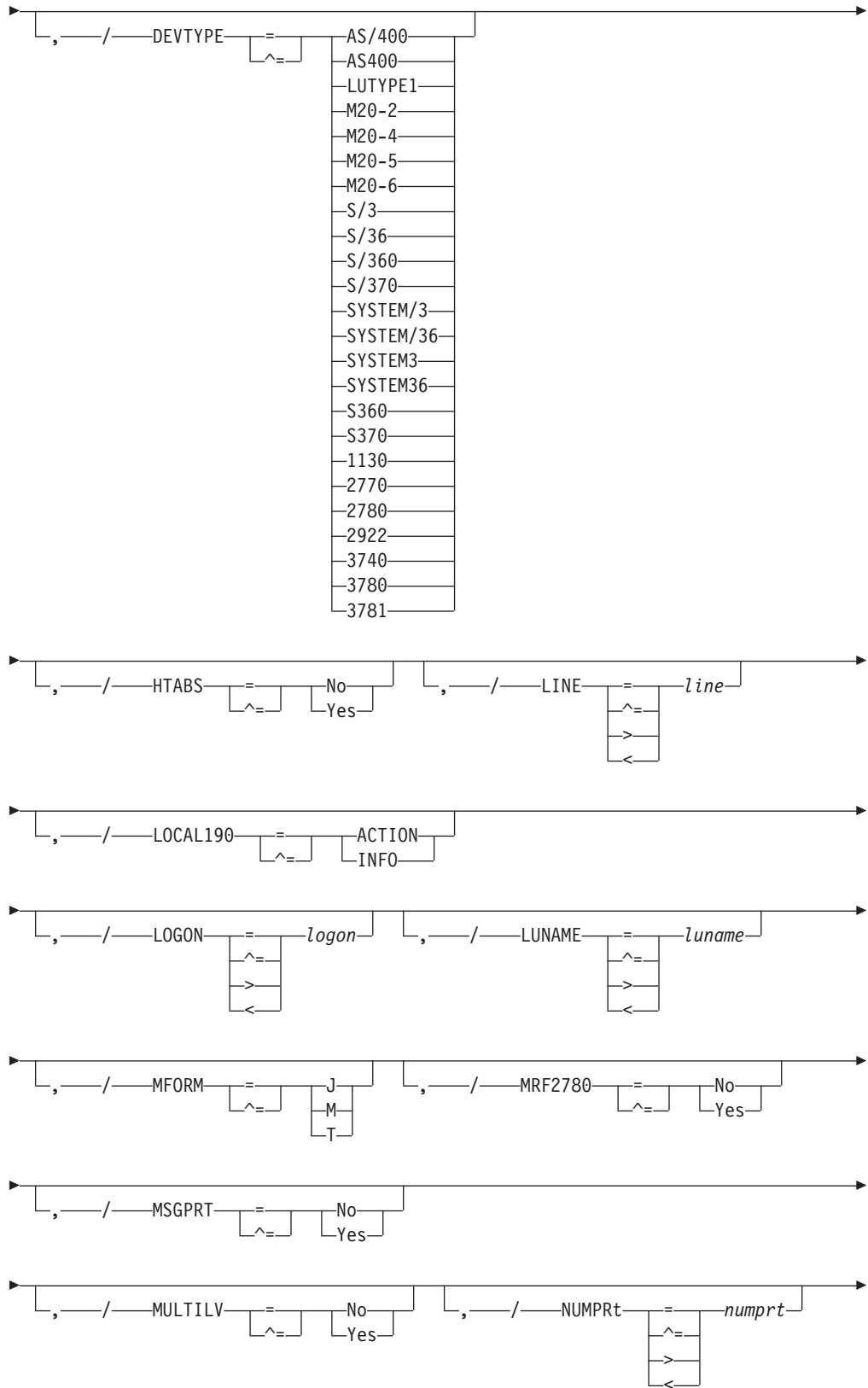




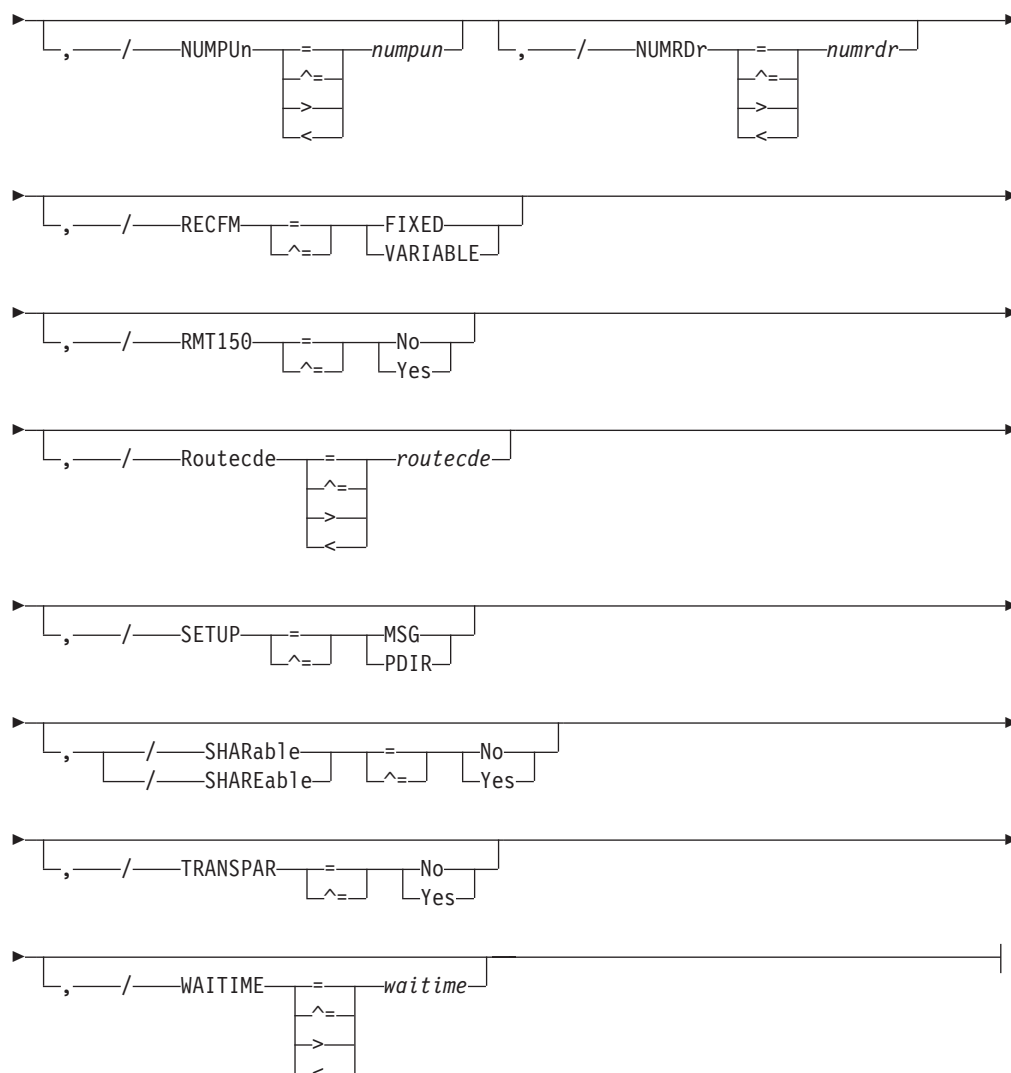
**Selection limiting keywords:**



# \$T RMT(nnnnn)







## Parameters

### nnnnn

The subscript defining the RJE workstations affected by this command. The subscript may specify a 1- to 5-digit RJE workstation identifier or a range of identifiers as defined by an RMT(nnnnn) initialization statement. For information about specifying a range for this subscript, see “Command syntax conventions” on page 97.

### AutoLog={No|Yes}

**For SNA RJE workstations only**, specifies whether the SNA RJE workstation can be automatically connected (logged on) when output (print/punch) or messages are queued for transmission to the RJE workstation. The RJE workstation is allowed to log on only if:

- This command also specifies a logical unit name through the LUNAME= parameter on the corresponding RMTnn initialization statement.
- A JES2 line has been started and is available.
- The maximum number of sessions specified at initialization (with the SESSIONS parameter on the TPDEF statement) has not been exceeded.

## \$T RMT(nnnnn)

### BLOCK={No|Yes}

For **BSC RJE workstations only**, specifies whether this workstation has a blocked (YES) or unblocked (NO) data record format.

**Note:** You can change the value of this parameter only when the RJE workstation is inactive.

### BUFEXPAN= {0|1|2}

For **BSC 2770 RJE workstations only** specifies whether this 2770 terminal has a buffer-expansion feature.

- 0 This terminal does not have the buffer-expansion feature.
- 1 This terminal has the buffer-expansion feature and implies an RJE workstation buffer of 264 bytes.
- 2 This terminal has the additional buffer-expansion feature and implies an RJE workstation buffer of 520 bytes.

#### **Note:**

1. You can change the value of this parameter only when the RJE workstation is inactive.
2. If an attached printer has a PRWIDTH= parameter greater than 120 bytes, specify BUFEXPAN=1 or 2.

### BUFSIZE=bufsize

For **BSC RJE workstations**, specifies the largest buffer (127 to the BELOWBUF=(SIZE=) parameter value on the TPDEF initialization statement) that can be either sent from or received by this workstation.

BUFSIZE= enforces minimum buffer size specification based on device type for BSC RJE workstations.

For **SNA RJE workstations**, specifies the largest buffer (256 to the EXTBUF=(SIZE=) parameter value on the TPDEF initialization statement) that can be either sent from or received by this SNA RJE workstation.

The following table provides the minimum buffer size requirements for various RJE workstation types. If you specify a value less than that listed here, JES2 increases BUFSIZE= to this minimum value.

Table 67. JES2 BUFSIZE Minimum Buffer Size Requirements for RJE Workstations

Workstation	Type	BUFSIZE Value
SNA	N/A	256
Multileaving Terminals and Systems	N/A	MBUFSIZE= value on TPDEF statement
Hardware Terminal	2770 without buffer expansion (BUFEXPAN=0)	127
Hardware Terminal	2770 with buffer expansion (BUFEXPAN=1)	264

Table 67. JES2 BUFSIZE Minimum Buffer Size Requirements for RJE Workstations (continued)

Workstation	Type	BUFSIZE Value
Hardware Terminal	2770 with additional buffer expansion (BUFEXPAN=2)	520
Hardware Terminal	2780	400
Hardware Terminal	3780	520
Hardware Terminal	3781	520

**Note:** You can change the value of this parameter only when the RJE workstation is inactive.

**COMPACT={No|Yes}**

**For SNA RJE workstations only,** specifies whether (YES) or not (NO) this RJE workstation or terminal allows JES2 to send a compaction table for use with a printer or punch data set.

Use the COMPACT initialization statement to define compaction tables. If more than one session is active and COMPACT=YES, all sessions are eligible to receive a compaction table.

**Note:** You can change the value of this parameter only when the RJE workstation is inactive.

**COMPRESS={No|Yes}**

Specifies whether (YES) or not (NO) this RJE workstation uses the compression/expansion feature.

**For BSC RJE (2770 and 3780) workstations,** if COMPRESS=YES is specified on both the LINE(nn) initialization statement and the remote device (print, punch, and reader) initialization statement (R(nn).XXm), the COMPRESS= parameter on this command determines whether JES2 uses the compression/expansion feature. If you specify COMPRESS=YES, JES2 forces HTABS=NO.

If COMPRESS=NO on the LINE(nn) statement, JES2 ignores this parameter.

**For SNA RJE workstations,** if COMPACT=YES is specified, JES2 forces compression.

**Note:** You can change the value of this parameter only when the RJE workstation is inactive.

**CONDEST=condest**

The route code (1 to the value of RMTNUM= on the TPDEF initialization statement) that is used for responses to commands entered from this RJE workstation. The value specified should be the number of a defined RJE workstation.

**CONS={No|Yes}**

Specifies whether (YES) or not (NO) this RJE workstation has an operator console or is simulating an operator console through the &PRTCONS RMT generation statement.

**For SNA RJE workstations,** you should specify this parameter only if the RJE workstation has an operator console.

## \$T RMT(nnnnn)

If JES2 determines that this RJE workstation cannot have a console, it forces CONS=NO.

**Note:** You can change the value of this parameter only when the RJE workstation is inactive.

### **DEVTYPE={type}**

Specifies the type of processor at this RJE workstation.

The following types apply:

#### **LUTYPE1**

**For SNA RJE workstations**, specifies that the workstation can be accessed only through a logical line. If DEVTYPE= is changed to a valid value other than LUTYPE1, this SNA remote workstation will be changed to a BSC remote workstations.

#### **2770|2780|3780|3781**

**For BSC RJE workstations**, specifies a hardware terminal.

#### **2922|M20-2|M20-4|M20-5|M20-6**

**For BSC RJE workstations**, specifies a multileaving workstation.

#### **AS/400®|S/36|S/360|S/370|S/3**

**For BSC RJE workstations**, specifies a system.

#### **Note:**

1. If you define a workstation that is not explicitly supported by JES2 but does emulate one of the types listed above, consult the documentation for that terminal so you set characteristics (such as buffer sizes) appropriately.
2. To ensure that punch output is directed to the proper device, specify '3781' to define remote 3780 terminals that contain punches.
3. You can change the value of this parameter only when the RJE workstation is inactive.
4. Changing this parameter to a different type (particularly between BSC and SNA types) causes certain restrictions on other parameters (such as BUFSIZE=). Review carefully all parameters to ensure that this command is valid. For further information concerning parameter requirements for the RMT(nn) statement, refer to *z/OS JES2 Initialization and Tuning Reference*.

### **Discintv=discintv**

**For BSC RJE workstations**, specifies the time interval in seconds (0 to 8160) after which, if there has been no successful text transmission in either direction, JES2 disconnects this RJE workstation from the processing unit.

**For SNA RJE workstations**, specifies the *maximum* interval in seconds (0 to 8160) after which, if there has been no successful text transmission in either direction, JES2 ends the session between the SNA RJE workstation and the processing unit.

- JES2 rounds this value to the next highest multiple of 32.
- 0 indicates that this terminal is not to be disconnected
- Error recovery tries and idle time do not count as successful text transmission.
- If automatic disconnect is not specified, the remote terminal remains connected until the operator signs it off.

**HTABS={No|Yes}**

For **BSC RJE workstations only**, specifies whether (YES) or not (NO) this 2770 or 2780 terminal has the horizontal format-control feature.

If you specify COMPRESS=YES, this parameter is forced to HTABS=NO.

**Note:** You can change the value of this parameter only when the RJE workstation is inactive.

**LINE=line**

Specifies the number (0-65535) of the teleprocessing (BSC) or logical (SNA) line that are both connected and **dedicated** to this terminal.

For **BSC RJE workstations**, if you specify LINE=0, JES2 provides a **nondedicated** RJE workstation, which can use any **nondedicated** BSC line that requires a /\*SIGNON JCL statement to start.

For **SNA RJE workstations**, if you specify LINE=0, JES2 provides a **nondedicated** RJE workstation, which can use any **nondedicated** SNA line. If you specify LINE= as a value other than 0, you must also specify the UNIT=SNA parameter on the LINE(nn) initialization statement.

**Note:** You can change the value of this parameter only when the RJE workstation is inactive.

**LOCAL190={ACTION|INFO}**

Specifies the type of operator setup messages (\$HASP190) that JES2 issues at the local processor console for this RJE workstation. If you do not specify this parameter, JES2 provides a default of ACTION.

**ACTION**

Specifies that operator setup messages issued at the local console for this remote device are **action messages** (messages that require an operator action to delete them from the console).

**INFO**

Specifies operator setup messages issued at the local console for this remote device as **information messages** (messages that do not require an operator action to delete them from the console).

**LOGON=logon**

Specifies the number (1-999) of the local LOGON DCT which should be used when specifying connections to the application. The default value of 0 indicates that the LOGON DCT defined with the lowest number is to be used.

**LUNAME=luname**

For **SNA RJE workstations only**, specifies the logical unit name of this RJE workstation or terminal. If you specify this parameter, it must match the name defined to VTAM at system initialization in SYS1.VTAMLST.

If you use the automatic logon capability (Autolog=YES), you must specify an LUNAME= value. If the logical unit associated with the logical unit name is not the first of the terminal's logical units to logon to JES2, the LUNAME associated with the session comes from the name pointed to by the parameter list that VTAM passes to the JES2 logon exit.

**Note:** You can change the value of this parameter only when the RJE workstation is inactive.

## \$T RMT(nnnnn)

### MFORM={J|M|T}

For **BSC RJE workstations only**, specifies the amount of information to be displayed in JES2 remote console messages for this RJE workstation.

- J JES2 job-related messages including the jobname and job ID of the issuer.
- M JES2 job-related message text only.
- T JES2 job-related messages including a time stamp, the jobname, and job ID of the issuer.

### MRF2780={No|Yes}

For **BSC RJE workstations only**, specifies whether (YES) or not (NO) this 2780 terminal has the multiple-record feature.

**Note:** You can change the value of this parameter only when the RJE workstation is inactive.

### MSGPRT={No|Yes}

For BSC remotes, specifies whether (YES) or not (NO) JES2 prints messages routed to a printer attached to the console of an RJE workstation.

**NO** Specifies that JES2 discards messages if the RJE workstation console is not available.

Specify **NO** if you would rather discard messages instead of printing them on the first available printer at the remote.

For **BSC RJE workstations**, this parameter only has meaning for an RJE workstation that does **not** have a console.

**YES** Specifies that JES2 prints messages if the remote console is unavailable. For example, the remote console might not exist, be signed on, or have enough messages queued to it to exceed the RMTMSG= parameter on the TPDEF initialization statement.

For **BSC RJE workstations**, note that once a message is spooled for an RJE workstation, that message can only be printed; it cannot be displayed on an RJE workstation console.

### MULTILV={No|Yes}

For **BSC RJE workstations only**, specifies whether (YES) or not (NO) this RJE workstation uses the BSC multileaving interfaces. If MULTILV=YES, you must specify a multileaving workstation. MULTILV=NO defines this RJE workstation as a BSC hardware terminal.

**Note:** You can change the value of this parameter only when the RJE workstation is inactive.

### NUMPrt=numprt

Specifies the number (0-7) of printers (BSC) or logical printers (SNA) at this RJE workstation. JES2 provides the defaults specified on the R(nn).PR(m) initialization statement for new printers if NUMPRT= is increased.

Use the \$T R(nn).PR(m) command to change any characteristics of each printer.

For **BSC RJE workstations**, JES2 can use values greater than 1 only when you specify MULTILV=YES. If you specify MULTILV=NO, JES2 uses a value of NUMPRT=1. A maximum total of eight printers and punches can be defined.

**Note:** If you specify this parameter as 0, JES2 resets it to 1.

**For SNA RJE workstations**, a maximum total of eight printers, punches, and a console can be specified. The maximum value for NUMPRT= is 6 if you also specify CONS=YES.

Specify NUMPRT=0 if you want no printers on this SNA RJE workstation.

**Note:**

1. You can change the value of this parameter only when the RJE workstation is inactive.
2. You must specify at least one device (printer, punch, reader, or SNA console) on the RMT definition.

**NUMPUn=umpun**

Specifies the number (0-7) of card punches (BSC) or logical card punches (SNA) at this RJE workstation or terminal. You must specify at least one device (printer, punch, reader, or SNA console) on the remote definition. JES2 provides the defaults specified on the R(nn).PU(m) initialization statement for new punches if NUMPUN= is increased. Then you can use the \$T R(nn).PU(m) command to change any characteristics of each punch.

**For BSC RJE workstations**, a maximum total of eight printers and punches can be defined. If you specify MULTILV=NO and this parameter is specified greater than 1, JES2 uses only 1.

**For SNA RJE workstations**, a maximum total of eight printers, punches, and a console can be defined. SNA RJE workstations can support as many as seven punch data streams.

**Note:** You can change the value of this parameter only when the RJE workstation is inactive.

**NUMRDr=numrdr**

Specifies the number (0-7) of card readers (BSC) or logical card readers (SNA) at this RJE workstation or terminal. SNA RJE workstations can support as many as seven reader data streams. You must specify at least one device (printer, punch, reader, or SNA console) on the remote definition. JES2 provides the defaults specified on the R(nn).RD(m) initialization statement for new readers if NUMRDR= is increased. Then you can use the \$T R(nn).RD(m) command to change any characteristics of each reader.

**For BSC workstations**, if you specify MULTILV=NO, this parameter is set to 1. If you set this parameter to 0, JES2 resets it to 1.

**Note:** You can change the value of this parameter only when the RJE workstation is inactive.

**Password=password**

The 1- to 8-character security password used to prevent unauthorized RJE workstation users from using the resources of this RJE workstation.

If you do not specify this parameter, JES2 provides no password. If you specify a null password (P=), JES2 deletes the previously assigned password.

**Note:** Be certain to make a note of those passwords assigned because there is no facility for displaying the passwords in effect.

**RECFM={FIXED|VARIABLE}**

**For BSC RJE workstations only**, specifies whether the data record for this terminal is fixed-length (FIXED) or variable-length (VARIABLE).

## \$T RMT(nnnnn)

**Note:** You can change the value of this parameter only when the RJE workstation is inactive.

### RMT150={No|Yes}

Specifies \$HASP150 message routing as follows:

**No** The \$HASP150 message is sent only to the local operator.

#### **Yes**

If this RJE workstation has a console, the \$HASP150 message is first sent to this console and then to the local operator.

#### **Note:**

1. For SYSTEM36 (S/36) terminals, if you specify CONS=YES, MULTILV=YES, and RMT150=YES, the remote printer pauses to ensure that the \$HASP150 message arrives at the console before the data sets begin to print.
2. For SNA RJE workstations, this parameter is valid only if CONS=YES.
3. This parameter is not valid for hardware terminals.

### Routecde=routecde

Specifies the route code (1 to 32767) assigned to this terminal and its associated printers, punches and readers. (However, you can specify one route code for the RJE workstation and different ones for the printers and punches to meet unique installation requirements.) If you do not assign a Routecde= value, JES2 assigns the number of this terminal (RMT(nn)) as its route code.

#### **Note:**

1. You can change the value of this parameter only when the RJE workstation is inactive.
2. If you are changing the value of this parameter to a value not equivalent to *nn* of RMT(*nn*), you must first complete the following steps:
  - Change the routing for all work from the previous RJE workstation routing to the new RJE workstation routing.
  - Determine if you need to change the Routecde= parameter for this RJE workstation's associated remote devices (printers, punches, readers, or console).

### SETUP={MSG|PDIR}

**For SNA RJE workstations only**, specifies setup information as follows:

#### **MSG**

Specifies that JES2 must inform the remote operator of any setup requirements through the \$HASP190 message. After setup is complete, the operator must enter a \$S command to start JES2 transmission.

#### **PDIR**

Specifies that JES2 constructs and sends a peripheral data information record (PDIR) to the RJE workstation. The RJE workstation must process the data set header and generate any required messages. This setting allows spooling of data and generation of multiple copies of a data set at the RJE workstation.

**Note:** You can change the value of this parameter only when the RJE workstation is inactive.



**SHARable|SHAREable={No|YES}**

For **BSC RJE workstations only**, specifies whether (YES) or not (NO) JES2 allows the LINE= parameter value to be used by other RJE workstations. (If LINE=0, JES2 ignores this parameter.)

**NO** Indicates that no other RJE workstations can specify and use the LINE= value and no /\*SIGNON JCL statement is needed to start the remote.

**YES**

Indicates that multiple RMT definitions can also specify and use (share) the line specified on LINE= and a /\*SIGNON JCL statement is required to start one of these RJE workstations.

**Note:**

1. You can change the value of this parameter only when the RJE workstation is inactive.
2. If you change the LINE= parameter specification and you do not specify this parameter, JES2 sets this parameter to SHARABLE=YES.

**TRANSPAR={No|Yes}**

For **BSC RJE workstations only**, specifies whether (YES) or not (NO) this RJE workstation has the text-transparency feature. To use this feature, you must also specify TRANSPAR=YES on the LINE(nn) initialization statement.

**Note:** You can change the value of this parameter only when the RJE workstation is inactive.

**WAITIME=waitime**

The length of time in seconds (0-30), that the RJE workstation access method (RTAM) should wait after completing the processing of any input stream, printed output stream, or punched output stream to allow the operator to enter an input stream at this RJE workstation.

For **SNA RJE workstations**, if WAITIME= is set too low (note the default of 1 second), contention might occur during SNA logon processing, which results in \$HASP094 messages and the termination of the SNA session. Increase this parameter to allow the RJE workstation adequate time to respond during logon processing so that proper LU type 1 protocol is followed.

**Authority Required**

This command requires **device** authority. The description of the \$T RDRnn command explains how to ensure that the authority of the appropriate MVS system command group is assigned.

This command requires **update** security access authority. For a description of assigning command input authority, see *z/OS JES2 Initialization and Tuning Guide*.

**Scope**

**Single member.** The values supplied for this command will be in effect for this member only.

Depending on your installation's setup, however, you might want this command to be applied to all members of the MAS (to ensure a consistent environment across the MAS). If so, you can use the MVS ROUTE \*ALL command to issue this command to all active members (if the JES2 command character is the same on all

## \$T RMT(nnnnn)

members). See *z/OS MVS System Commands* for more information on using the ROUTE \*ALL command.

### Messages

The \$HASP879 message displays the status of the specified remote device and its current characteristics.

### Examples

**1** \$trmt1,d=8000,password=newpas,msgprt=n

```
$HASP879 RMT(1)  DEVTYPE=S/360,STATUS=INACTIVE,BUFSIZE=400,  
$HASP879          CONDEST=1,CONS=YES,DISCINTV=8000,LINE=0,  
$HASP879          LOCAL190=ACTION,MFORM=T,MSGPRT=NO,MULTILV=YES,  
$HASP879          NUMPRT=2,NUMPUN=1,NUMRDR=1,PASSWORD=(SET),  
$HASP879          RMT150=NO,ROUTECD=1,TRANSPAR=NO,WAITIME=1
```

JES2 sets RJE workstation 1 to automatic connect/disconnect mode. If no session activity takes place for 8000 consecutive seconds, JES2 automatically disconnects the RJE workstation. The password (NEWPAS) does not appear in the \$HASP879 message. MSGPRT=NO specifies that JES2 is to discard remote console messages spooled for later display at a remote printer.

**2** \$t rmt141,local190=action,mform=m,waitime=15

```
$HASP879 RMT(141) DEVTYPE=S/360,STATUS=INACTIVE,BUFSIZE=400,  
$HASP879          CONDEST=1,CONS=YES,DISCINTV=8000,LINE=0,  
$HASP879          LOCAL190=ACTION,MFORM=M,MSGPRT=NO,MULTILV=YES,  
$HASP879          NUMPRT=2,NUMPUN=1,NUMRDR=1,PASSWORD=(SET),  
$HASP879          RMT150=NO,ROUTECD=1,TRANSPAR=NO,WAITIME=15
```

The results of this command are:

- JES2 displays only the message text when job related messages are sent to BSC RJE workstation 141.
- The operator setup messages issued at the local console for this remote device are flagged as action messages (messages that require an operator action to delete them from the console).
- RTAM waits 15 seconds after completing the processing of any input stream or output stream, to allow the operator to enter an input stream at this RJE workstation.

**3** \$t rmt6,luname=lu3770pc

```
$HASP879 RMT(6)  DEVTYPE=LUTYPE1,STATUS=INACTIVE,AUTOLOG=NO,  
$HASP879          BUFSIZE=256,COMPACT=NO,COMPRESS=YES,CONDEST=6,  
$HASP879          CONS=NO,DISCINTV=0,LINE=0,LOCAL190=ACTION,  
$HASP879          LUNAME=LU3770PC,MFORM=T,MSGPRT=YES,NUMPRT=1,  
$HASP879          NUMPUN=0,NUMRDR=1,PASSWORD=(NOTSET),RMT150=NO,  
$HASP879          ROUTECD=6,SETUP=MSG,START=NO,WAITIME=1
```

JES2 sets the logical unit name of SNA RJE workstation 6 to 'lu3770pc'.

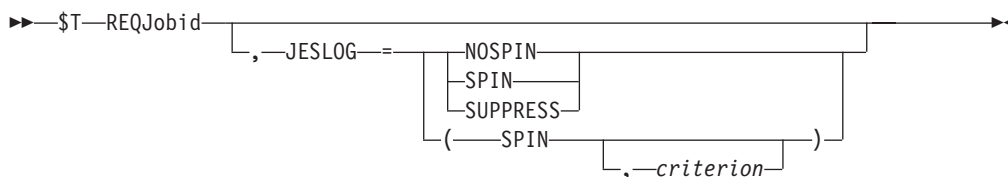
---

## \$T REQJOBID - Set JOBID attributes

### Function

To specify or modify the JOBID address spaces.

## Syntax



## Parameters

### JESLOG=SPIN|NOSPIN|SUPPRESS

Sets the default processing for the JESLOG data sets for Request JOBID jobs.

#### SPIN

JESLOG is spin-eligible. There is an optional second operand for SPIN:

- JESLOG=(SPIN, hh:mm)  
JESLOG will be spun at time hh:mm each 24 hour period.
- JESLOG=(SPIN, +hh:mm)  
JESLOG will be spun every hh:mm time interval.
- JESLOG=(SPIN, n)  
JESLOG will be spun when either data set has 'n' lines.

where 'hh' is hours and has a range of 0 through 23. 'mm' is minutes and has a range of 00 through 59. 'n' is the number of lines in the data set and has a range of 1 through 999. 'n' is specified as nnn, nnnK or nnnM, where 'K' is thousands and 'M' is millions. The minimum number of lines that can be specified is 500.

**Note:** The order of precedence for Request Jobid address spaces from most dominant to least dominant is:

1. The specifications in the IEFSSRR SSOB extension (supplied by the application).
2. Specifications supplied by installation exits.
3. The REQJOBID statement.

#### NOSPIN

JESLOG will not be spun.

#### SUPPRESS

JESLOG will be suppressed.

## Authority Required

This command requires **system** authority. The description of the \$T RDRnn command explains how to ensure that the authority of the appropriate MVS system command group is assigned.

This command requires **control** security access authority. For a description of assigning command input authority, see *z/OS JES2 Initialization and Tuning Guide*.

## Processing Considerations

None.



This command requires **control** security access authority. For a description of assigning command input authority, see *z/OS JES2 Initialization and Tuning Guide*.

### Scope

**Single member.** This command will be in effect for this member only.

Depending on your installation's setup, however, you might want this command to be applied to all members of the MAS (to ensure a consistent environment across the MAS). If so, you can use the MVS ROUTE \*ALL command to issue this command to all active members (if the JES2 command character is the same on all members). See *z/OS MVS System Commands* for more information on using the ROUTE \*ALL command.

### Messages

The \$HASP841 message displays the current values of all the parameters on the SMFDEF initialization statement.

### Example

```
$t smfdef,bufwarn=85
```

```
$HASP841 SMFDEF BUFNUM=50,BUFFREE=50,BUFWARN=85
```

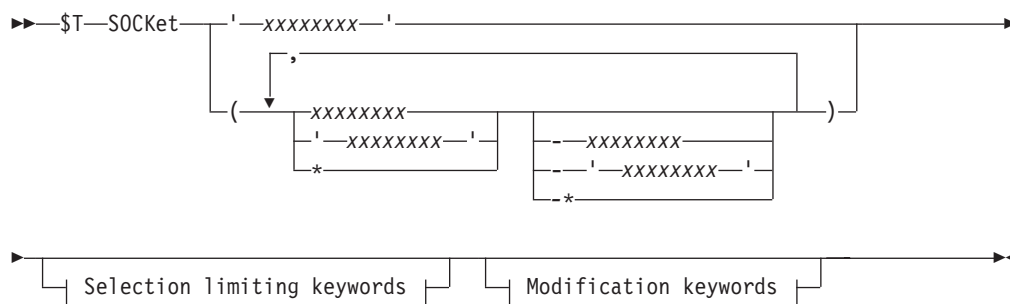
When 85 percent of the SMF buffers are being used, JES2 issues the \$HASP050 message to alert the operator of a SMF buffer shortage.

## \$T SOCKET (xxxxxxx) - Control a socket

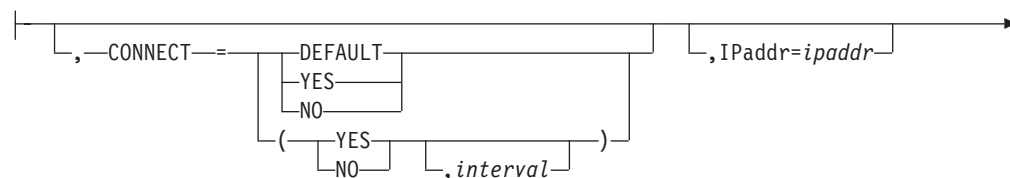
### Function

To modify the characteristics of a SOCKET used for NJE over TCP/IP.

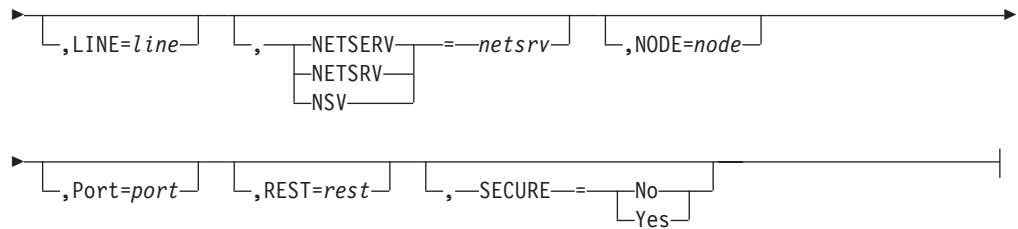
### Syntax



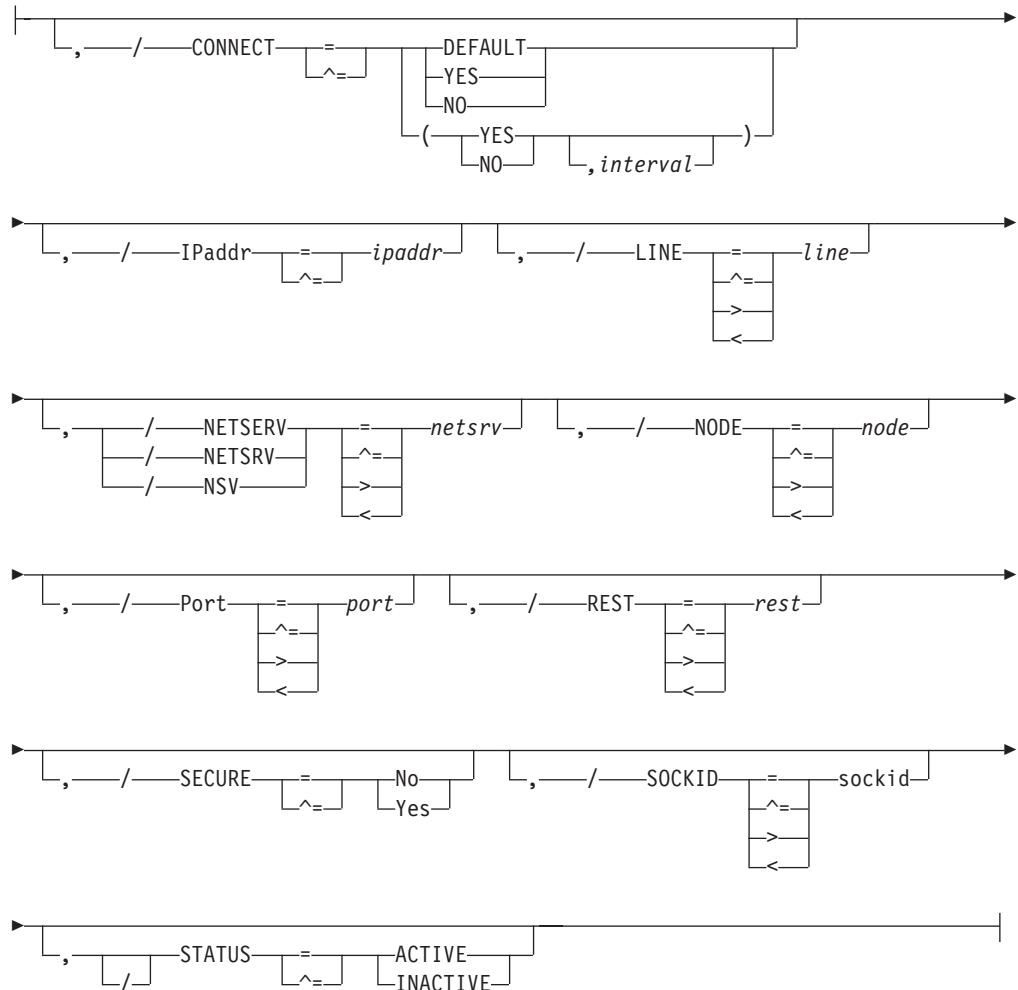
### Modification keywords:



## \$T SOCKET



### Selection limiting keywords:



### Parameters

XXXXXXXX

Specifies the 1 to 8 character name of this socket. Installations can assign any name to a SOCKET. You can only use it in \$SN commands and on NETSERV statements.

**CONNECT=(Yes|No|DEFAULT, interval)**

Specifies whether an NJE connection is automatically attempted for this socket. If DEFAULT is specified, processing uses the CONNECT=(YES|NO) value that is specified on the associated NODE statement. The *interval* is the time (in

minutes) between attempted connections. The valid range for *interval* is 0 to 1440. A value of 0 indicates that the default interval (from NJEDEF CONNECT=) is used.

**IPADDR=**

Specifies the TCP/IP address or hostname associated with this socket. The default value, \*LOCAL, indicates all IP addresses available at the start netserver time are to be considered.

**PORT=**

Specifies the port number associated with this socket. The default is the value associated with VMNET (typically 175) if SECURE=NO, and the value associated with NJENET-SSL (typically 2252) if SECURE=YES. The range is 0-32767.

**LINE=**

Specifies a TCP/IP line which is to be dedicated to this socket.

**NODE=**

Specifies the NJE node associated with this socket.

**NETSRV=**

Specifies the device number of the NETSRV to be used when connecting to this remote socket.

**REST=**

Specifies the resistance associated with the socket.

**SECURE=YES|NO**

Specifies whether (YES) or not (NO) SSL/TLS is to be used when communicating with this socket

**SOCKID=**

Displays the socket id assigned by IAZNJTCP (display only).

**STATUS=ACTIVE|INACTIVE**

Specifies the current status of the socket.

## Authority Required

This command requires **system** authority. The description of the \$T RDRnn command explains how to ensure that the authority of the appropriate MVS system command group is assigned.

This command requires **control** security access authority. For a description of assigning command input authority, see *z/OS JES2 Initialization and Tuning Guide*.

## Scope

**Single member.** The values supplied for this command will be in effect for this member only.

## Messages

\$HASP897.

## \$T SOCKET

### Examples

#### 1 \$tsocket (s3), ipaddr=9.57.2.174

```
$HASP897 SOCKET(s3) IPADDR=9.57.2.174,PORTNAME=VMNET,
$HASP897          SECURE=NO,LINE=0,NODE=2,REST=0,
$HASP897          NETSRV=1
```

#### 2 \$tsocket (node4), connect=(yes,2)

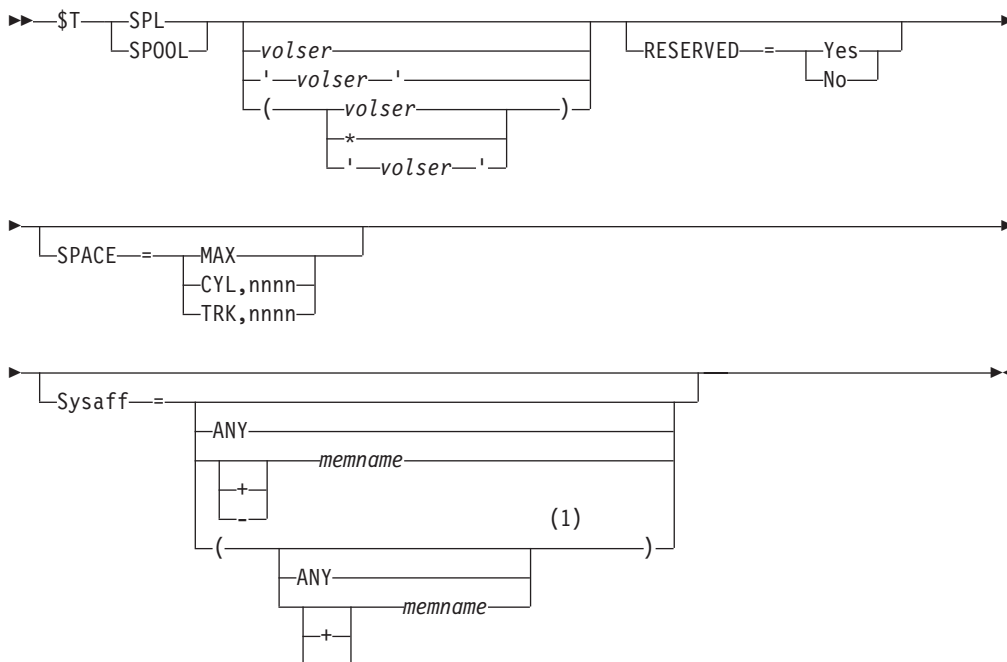
```
$HASP897 SOCKET(NODE4)
$HASP897 SOCKET(NODE4)          STATUS=INACTIVE,IPADDR=9.117.0.0,
$HASP897          PORTNAME=VMNET,CONNECT=(YES,2),
$HASP897          SECURE=NO,LINE=0,NODE=4,REST=0,
$HASP897          NETSRV=0
```

## \$T SPOOL - Modify a spool volume

### Function

To modify a spool volume.

### Syntax



### Notes:

- Multiple *Sysaff* values can be coded up to 32 times

### Parameters

#### *volser*

The volume serial number of the spool volume. The first 4 or 5 characters must be identical to the 4-5 character prefix specified by the VOLUME= parameter on the SPOOLDEF initialization statement.

#### RESERVED=Yes | No

**RESERVED=Yes** marks the spool volume as reserved for special processing; no new allocations will be allowed. **RESERVED=No** clears the reserved attribute.



**SPACE= (MAX | CYL,*nnnn* | TRK,*nnnn*)**

Extends the existing spool volume data set on the specified volser. Free space must exist adjacent to the spool extent that is being extended. If you specify the **SPACE** parameter, one of the following operands must be specified:

**MAX** Extends the spool volume data set to the largest size permitted by the free space adjacent to the current spool extent and by JES2 architecture limits.

**CYL,*nnnn***

Extends the spool data set to the specified *nnnn* number of cylinders. Note that *nnnn* is the new, total size that is being requested for the SPOOL data set extent.

**TRK,*nnnn***

Extends the spool data set to the specified *nnnn* number of tracks. Note that *nnnn* is the new, total size that is being requested for the SPOOL data set extent.

**Note:** Use a VTOC reporting utility, such as IEHLIST, to determine the layout and size of data sets on the volume in relation to the JES2 SPOOL data set extent.

**Sysaff**

JES2 associates the spool volume with the specified member(s). A member list can be a combination of the following keywords separated by commas.

**ANY**

This volume is associated with all members in the JES2 multi-access spool configuration.

**+|-memname|\***

The memnames (1 to 4 characters) to be added to (+) or deleted from (-) the current list of members that this volume is associated with. If neither + nor - is specified, the affinity of the volume is explicitly to the specified members. '\*' specifies the member the command was issued on.

If affinity is not a criterion for job selection, you may specify a null parameter of (Sysaff=()). You must specify the empty parentheses.

**Related Commands**

To display jobs with more than a specified amount of spool space or space on specific spool volumes, use the \$D JOBQ,SPOOL= command.

See also the \$DSPL, \$MSPL, \$T SPOOL, \$S SPOOL and \$T SPOOLDEF commands.

**Authority Required**

This command requires **system** authority. The description of the \$T RDRnn command explains how to ensure that the authority of the appropriate MVS system command group is assigned.

This command requires **control** security access authority. For a description of assigning command input authority, see *z/OS JES2 Initialization and Tuning Guide*.

**Scope**

**MAS-wide.** This command has an effect across the entire MAS.

## Context

HASCSCAN, HASPSTAB, HASPSXIT, and HASPSPOL.

## Messages

The \$HASP003 message indicates a syntax error.

The \$HASP443 message indicates that specified spool volume has not been allocated.

The \$HASP646 message displays the percentage of total spool space in the MAS that is in use.

The \$HASP740 message indicates successful completion of the extension.

The \$HASP741 message indicates an unsuccessful extend, and returns an error code.

The \$HASP742 message indicates the data set could not be extended because the SPOOL volume is inactive.

The \$HASP743 message indicates the data set could not be extended because the SPOOL volume is a MAPPED volume.

The \$HASP744 message indicates the data set could not be extended because the SPOOL volume is in the wrong format.

The \$HASP745 message indicates the data set could not be extended due to an internal error, and indicates a diagnostic code.

The \$HASP893 message indicates that the command was accepted.

## Examples

1.

```
1 $tspl(spool1),sysaff=-psu1
```

```
$HASP893 VOLUME(SPOOL1) $HASP893 VOLUME(SPOOL1)  
STATUS=ACTIVE,SYSAFF=(),TGNUM=525, $HASP893  
TGINUSE=142,TRKPERTGB=1,PERCENT=27  
$HASP646 43.3986 PERCENT SPOOL UTILIZATION
```

PSU1 will be removed from the list of members that this spool volume is associated with (if PSU1 was in the list).

2.

```
2 $tspl(spool3),sysaff=(ibm1,nih1)
```

```
$HASP893 VOLUME(SPOOL3) $HASP893 VOLUME(SPOOL3)  
STATUS=ACTIVE,SYSAFF=(IBM1,NIH1), $HASP893  
TGNUM=60,TGINUSE=50,TRKPERTGB=1, $HASP893 PERCENT=83  
$HASP646 43.3986 PERCENT SPOOL UTILIZATION
```

IBM1 and NIH1 will be added to the list of members that this spool volume is associated with.

3.



## Parameters

### FENCE=

The FENCE parameter displays how track groups for jobs will be assigned across spool volumes.

### ACTIVE=YES|NO

Determines whether (YES) or not (NO) any fencing is active at the time.

### VOLUMES=nnn

Is the number of volumes a job will be fenced to.

**Scope: MAS-Wide.**

### CYL\_MANAGED

Specifies whether MAS members can handle spool and checkpoint data set allocation on EAV cylinder managed storage. This allocation covers both new and old disposition. The default value is FAIL.

### FAIL

By specifying **CYL\_MANAGED=FAIL**, neither spool nor checkpoint data sets will be allocated in EAV cylinder managed space. FAIL will not be allowed if either:

- A spool or checkpoint data set currently resides in EAV storage, or
- A start spool command is pending.

### ALLOWED

Specifying **CYL\_MANAGED=ALLOWED** enables both spool and checkpoint data sets to be allocated in EAV cylinder managed space. Two preconditions must be met for ALLOWED:

1. All MAS members must be at JES2 z/OS v1R12.
2. LARGEDS must be set to allowed or always, not fail.

**Note:** Once **CYL\_MANAGED=ALLOWED** is set, any MAS members at a release prior to JES2 z/OS V1R12 are not allowed to join the MAS. Even if **CYL\_MANAGED=FAIL** is later set, members prior to JES2 z/OS v1R12 are not allowed. **CYL\_MANAGED=ALLOWED** triggers additional exploitation of MQTRs, which are only compatible with JES2 z/OS V1R12.

**Scope: MAS-Wide.**

### DSNMASK

Displays the 1-44 characters data set mask name, including generic characters. If the **DSNAME** parameter is specified with the **\$S SPOOL** command, the **DSNAME** value must match either the **\$T SPOOLDEF DSNAME** value or the **\$T SPOOLDEF DSNMASK** value. If the **\$T SPOOLDEF DSNMASK** value is null, the **DSNAME** value must match the **\$T SPOOL DSNAME** value.

**Scope: MAS-Wide.**

### LARGEDS=ALLOWED | ALWAYS | FAIL

Specifies whether large SPOOL data sets (greater than 65,535 tracks) can be started or not. Also indicates when to use the new format SPOOL record addresses (MTTRs).

### ALLOWED

Allows SPOOL data sets up to the current size limit (1,048,575 tracks). New format SPOOL addresses are used when starting a new volume that contains a large (greater than 65,535 tracks) SPOOL data set.

**ALWAYS**

Specifies the same processing is the same as the ALLOWED operand, except that new format SPOOL addresses are used when stating any volume, regardless of data set size. This setting is intended for testing applications that use SPOOL addresses to access records on SPOOL when an actual large data set is not available.

**FAIL**

Fails any attempt to start a SPOOL data set with more than 65,535 tracks. The FAIL operand can only be specified if there are no large spool data sets defined in JES2. This setting is not valid in z11 mode. The FAIL operand cannot be specified if CYL\_MANAGED=ALLOWED is specified.

**Note:**

- Once LARGEDS is set to ALLOWED or ALWAYS, pre-z/OS release 7 JES2 members can never join the MAS until a COLD start is performed. IBM recommends not setting LARGEDS to ALLOWED or ALWAYS until all MAS members have stabilized on a z/OS release 7 level of JES2 or later.
- Even if LARGEDS is set to ALLOWED or ALWAYS, SPOOL volumes with more than 15 records per track (for example, when using buffer sizes less than 2943 on a 3390) cannot use the new format for SPOOL record addresses, thus do not support data sets larger than 65,535 tracks.

**Scope: MAS-Wide.**

**GCRATE=NORMAL | FAST**

Specifies the rate for a JES2 spool garbage collection cycle. During a cycle, JES2 examines the signature records for every allocated track group on non-inactive spool volumes. JES2 recovers track groups for jobs no longer in the system and writes a symptom record.

You can only set this parameter using a \$T command.

**Note:** Using GCRATE=FAST will not ease most SPOOL-full situations when the SPOOL space is legitimately owned by existing jobs.

**NORMAL**

Specifies to pace the examination of track group so that JES2 completes a spool garbage collection cycle in about seven days

**FAST**

Specifies an accelerated cycle. JES2 does not perform pacing and does not wait between examining track groups. and NORMAL pace processing resumes after a FAST cycle completes.

**Scope: MAS-Wide.**

**SPOOLNUM=nnn | 32**

Specifies the maximum number (1-253, rounded up to a multiple of 32 or 253) of spool volumes which can be defined at any one time to a multi-access spool complex. Spool volumes are defined by either use of the VOLUME= parameter on the initialization statement during a JES2 cold start, or they can be defined by using the \$S SPL (start spool) operator command.

See *z/OS JES2 Initialization and Tuning Reference* for further information.

**TGFSIZE=nnnn**

The default number (1-255) of JES2 buffers to be contained in a track group. JES2 uses this parameter to determine the size of a track group on a new spool volume being added to the complex.

## \$T SPOOLDEF

### Note:

1. Changing this parameter does not affect those volumes previously defined.
2. If TGSIZE is not the same on all members of the complex, the TGSIZE value that is used when starting a spool volume cannot be predicted.

### Scope: Single Member.

#### TGSPACE=(MAX=nnnnnnnn) | (WARN=nn)

MAX= specifies the maximum number (1-16,581,184) of track groups allowed. This number can only be increased by operator command. WARN= specifies the percentage threshold of track group usage that triggers message \$HASP050 JES2 RESOURCE SHORTAGE. The WARN= percentage is calculated only from spool volumes that are active and can have space allocated (ACTIVE and RESERVED=NO).

### Scope: MAS-wide.

#### VOLUME=(*volume* | \*)

If no generic characters are specified, *volume* specifies a 4 or 5-character prefix to be assigned to JES2 spool volumes; *volume* must be the first 4 or 5 characters of the existing prefix. If generic characters are specified, then all new spool volumes must match this 1-6 character pattern. The asterisk character (\*) prefix permits any volume to be used for SPOOL.

### Scope: MAS-Wide.

## Authority Required

This command requires **system** authority. The description of the \$T RDRnn command explains how to ensure that the authority of the appropriate MVS system command group is assigned.

This command requires **control** security access authority. For a description of assigning command input authority, see *z/OS JES2 Initialization and Tuning Guide*.

## Processing Considerations

The \$T SPOOLDEF command supports generic JES2 spool volume prefixes. Once altered from the current prefix format, a down-level member will not be able to start new SPOOL volumes. Volumes that are started on a z/OS 1.13 JES2 member are usable on the down-level member.

## Scope

The scope of this command varies by parameter. See the description of each parameter for its scope.

The values supplied for some parameters on this command will be in effect across the entire MAS, while the values supplied for other parameters will be in effect for this member only.

Depending on your installation's setup, you might want the parameters for this command to be applied to all members of the MAS (to ensure a consistent environment across the MAS). If so, you can use the MVS ROUTE \*ALL command to issue this command to all active members (if the JES2 command character is the same on all members). See *z/OS MVS System Commands* for more information on using the ROUTE \*ALL command.

## Related Commands

\$\$ SPOOL

## Context

HASCSCAN, HASPSTAB, HASPSXIT, and HASPSPOL.

## Messages

The \$HASP844 message displays the current values of all the parameters on the SPOOLDEF initialization statement.

## Examples

1.

```
1 $T SPOOLDEF, TGSPACE=(WARN=70), TGSIZE=20
```

```
$HASP844 SPOOLDEF
$HASP844 SPOOLDEF BUFSIZE=3992, DSNAME=SYS1.HASPACE,
$HASP844 FENCE=(ACTIVE=NO, VOLUMES=1), GCRATE=NORMAL,
$HASP844 LASTSVAL=(2005.082, 03:57:33), LARGEDS=FAIL,
$HASP844 SPOOLNUM=32, TGSIZE=20, TGSPACE=(MAX=16288,
$HASP844 DEFINED=1125, ACTIVE=1125, PERCENT=1.5111,
$HASP844 FREE=1108, WARN=70), TRKCELL=3, VOLUME=SPOOL
```

Twenty JES2 buffers are used to determine the default size of a track group on a new spool volume. When 70 percent of the allocated track groups are in use, the \$HASP050 message alerts the operator of a possible track group shortage.

2.

```
2 $tspooldef, fence=(active=yes, volumes=3)
```

```
$HASP844 SPOOLDEF
$HASP844 SPOOLDEF BUFSIZE=3992, DSNAME=SYS1.HASPACE,
$HASP844 FENCE=(ACTIVE=YES, VOLUMES=3), GCRATE=NORMAL,
$HASP844 LASTSVAL=(2005.082, 03:57:33), LARGEDS=FAIL,
$HASP844 SPOOLNUM=32, TGSIZE=20, TGSPACE=(MAX=16288,
$HASP844 DEFINED=1125, ACTIVE=1125, PERCENT=1.5111,
$HASP844 FREE=1108, WARN=70), TRKCELL=3, VOLUME=SPOOL
```

Allows each job to use up to three SPOOL volumes and then fence the job to those three volumes.

3.

```
3 $t spooldef, cyl_managed=allowed
```

```
$HASP844 SPOOLDEF
$HASP844 SPOOLDEF BUFSIZE=3768, DSNAME=SYS1.HASPACE,
$HASP844 FENCE=(ACTIVE=NO, VOLUMES=1), GCRATE=NORMAL,
$HASP844 LASTSVAL=(2009.024, 18:58:49), LARGEDS=ALWAYS,
$HASP844 SPOOLNUM=128, TGSIZE=6, TGSPACE=(MAX=16288,
$HASP844 DEFINED=525, ACTIVE=525, PERCENT=2.8571,
$HASP844 FREE=510, WARN=80), CYL_MANAGED=ALLOWED
```

Allows both JES2 spool and checkpoint data sets to be allocated in EAV cylinder managed space.

4.

```
4 $T SPOOLDEF, VOLUME=SP*
```

```
$HASP844 SPOOLDEF
$HASP844 SPOOLDEF BUFSIZE=3992, DSNAME=SYS1.HASPACE,
$HASP844 FENCE=(ACTIVE=NO, VOLUMES=1), GCRATE=NORMAL,
```

## \$T SPOOLDEF

```
$HASP844 LASTSVAL=(2005.082,03:57:33),LARGEDS=FAIL,  
$HASP844 SPOOLNUM=32,TGFSIZE=20,TGSPACE=(MAX=16288,  
$HASP844 DEFINED=1125,ACTIVE=1125,PERCENT=1.5111,  
$HASP844 FREE=1108,WARN=70),TRKCELL=3,VOLUME=SP*
```

Sets SP\* as the spool volume prefix.

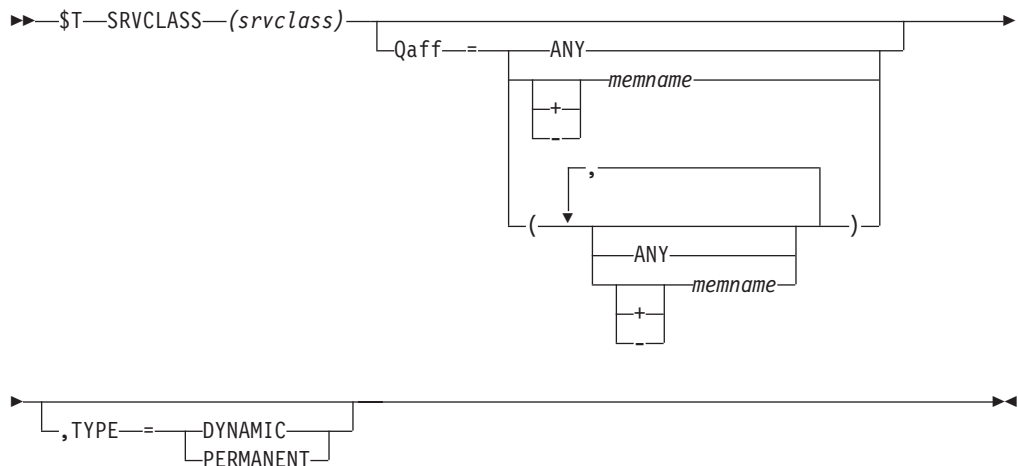
---

## \$T SRVCLASS(name) - Modify JES2 information for the specified service class

### Function

To modify an existing permanent or dynamic JES2 service class element.

### Syntax



### Parameters

**Qaff=ANY | memname**

Specifies which members a particular service class is active on. A member list can be a combination of the following keywords separated by commas. The default value of this parameter is ANY, which specifies that the service class is active on all members.

#### ANY

This service class is active on all members in the JES2 multi-access spool configuration.

**+ | - memname | \***

The *memnames* (one to four characters) to be added (+) or deleted from (-) the current list of members that this service class is active on. If neither + nor - is specified, the affinities of the service class are set explicitly to the specified members. '\*' specifies the member the command was issued on.

**TYPE=DYNAMIC | PERMANENT**

Specifies whether the JES2 service class element is dynamic or permanent.

#### DYNAMIC

Indicates the service class is dynamic. DYNAMIC is only valid if QAFF=(ANY). Otherwise, the command fails. JES2 deletes dynamic service class elements when there are no longer any pre-output phase jobs queued to it and a JES2 define time period passes.



**PERMANENT**

Indicates the service class is permanent. You can make any existing service class permanent at any time. JES2 doesn't delete permanent JES2 service classes automatically.

**Authority Required**

This command requires **system** authority. The description of the \$T RDRnn command explains how to ensure that the authority of the appropriate MVS system command group is assigned.

This command requires **control** security access authority. For a description of assigning command input authority, see *z/OS JES2 Initialization and Tuning Guide*.

**Scope**

**MAS-wide.** This command displays information about the entire MAS.

**Messages**

\$HASP889

**Examples**

**1** **\$T srvclass(discretn),qaff=-nih1**  
 SRVCLASS(DISCRETN) QAFF=(PSU1,IBM1,BCG1,WFB1,M012,  
 M018,M023,M027,M031),  
 TYPE=PERMANENT,MASCOUNT=(INITS=1,  
 ACTIVE=1)

After this command is executed, member NIH1 will not select any jobs in service class DISCRETN.

**2** **\$T srvclass(discretn),qaff=(+nih1,-psu1)**  
 SRVCLASS(DISCRETN) QAFF=(IBM1,NIH1,BCG1,WFB1,M012,  
 M018,M023,M027,M031),  
 TYPE=PERMANENT,MASCOUNT=(INITS=1,  
 ACTIVE=1)

After this command is executed, member NIH1 will resume selecting work from service class DISCRETN, and member PSU1 will no longer select work from service class DISCRETN.

**3** **\$T srvclass(discretn),qaff=any,type=dynamic**  
 SRVCLASS(DISCRETN) QAFF=(ANY),TYPE=DYNAMIC,  
 MASCOUNT=(INITS=1,ACTIVE=1)

After this command, all members will select from service class DISCRETN and the service class has become DYNAMIC.

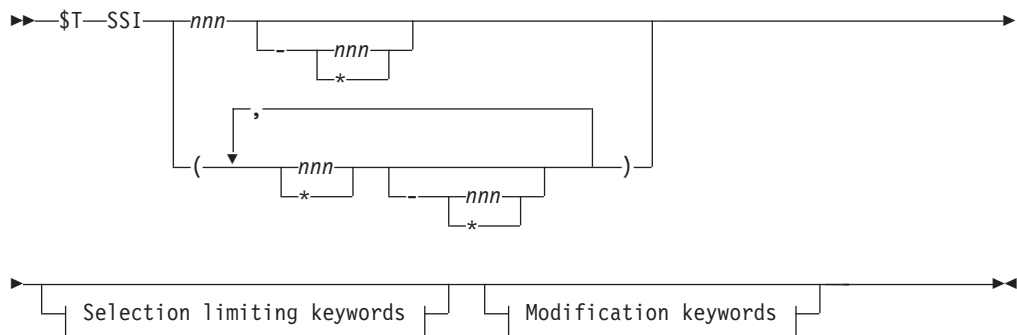
---

**\$T SSI(nnn) - Control the subsystem interface definition****Function**

To start or stop tracing for the specified subsystem interface (SSI) function.

To determine which SSI functions have been defined and to display information about an SSI function (such as the address, description, the assembly module containing the SSI function routine, and whether tracing is active), use the \$D SSI command.

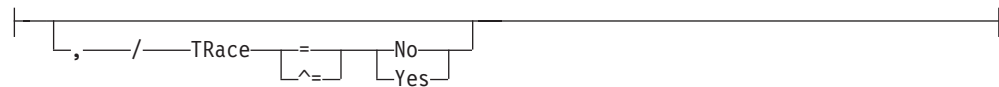
### Syntax



### Modification keywords:



### Selection limiting keywords:



### Parameters

#### SSI({nnn|\*})

The SSI function number (1-256). Specify the number to start or stop tracing for a specific function or specify an asterisk (\*) to start or stop tracing for all SSI functions.

#### TRace={No|Yes}

Specifies whether (Y) or not (N) tracing is to be activated for the indicated SSI function.

**Note:** In order to activate tracing for any of the SSI functions using the \$T SSI(nnn),TR=Y command, you must first issue the \$S TRACE(11) and/or the \$S TRACE(12) commands, which enable processor, device, or SSI function \$SAVE/\$RETURN tracing.

No trace data will be generated for function code 54, though 54 can be specified.

### Authority Required

This command requires **system** authority. The description of the \$T RDRnn command explains how to ensure that the authority of the appropriate MVS system command group is assigned.

This command requires **control** security access authority. For a description of assigning command input authority, see *z/OS JES2 Initialization and Tuning Guide*.

## Scope

**Single member.** This command will be in effect for this member only.

Depending on your installation's setup, however, you might want this command to be applied to all members of the MAS (to ensure a consistent environment across the MAS). If so, you can use the MVS ROUTE \*ALL command to issue this command to all active members (if the JES2 command character is the same on all members). See *z/OS MVS System Commands* for more information on using the ROUTE \*ALL command.

## Messages

The \$HASP648 message displays the current value of the TRACE= parameter on the SSI(nnn) initialization statement.

## Example

```
$t ssi(1),tr=y
```

```
$HASP648 SSI(1) TRACE=YES
```

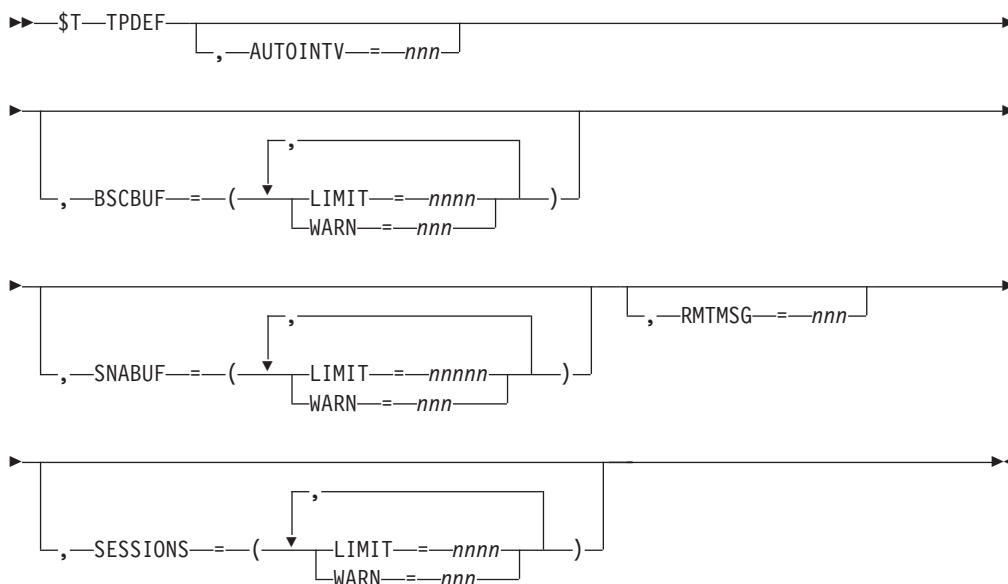
JES2 activates tracing for SSI function number 1.

## \$T TPDEF - Set JES2 teleprocessing characteristics

### Function

To specify characteristics of the JES2 teleprocessing environment.

### Syntax



### Parameters

#### AUTOINTV=nnn

The interval (10-600 seconds) between autologon scans; that is, the time

between JES2 attempts to search the output queue for work for a particular remote. The default is 32 seconds between scans.

The timer is necessary only when a previous logon attempt has failed or when messages are queued for a remote, and the normal events that drive the autologon scan have not occurred. Proper specification of this parameter decreases the number of unnecessary output searches.

### **BSCBUF=**

Defines the specifications for the BSC teleprocessing buffers. These buffers reside below 16 megabytes of virtual storage.

#### **LIMIT=nnnn**

The maximum number (1-9999) of the specified teleprocessing buffers which JES2 allows for RJE and NJE. The teleprocessing buffers are dynamically allocated up to this user specified maximum. To ensure that an error in JES2 does not cause a total depletion of JES2 private storage, the installation should limit the number of teleprocessing buffers obtained. Once this number of buffers is reached, all requestors of buffers must wait until a buffer is freed. You can only increase the limit using this command.

#### **WARN=nnn**

Specifies the percentage (0-100) of I/O buffer use. If the buffer use is at or above this percentage, the operator is alerted by message \$HASP050.

**Note:** Use this parameter to increase the limit for the JNUM resource that is reported on the HASP050 message.

### **SNABUF=**

Defines the specifications for the SNA (VTAM) teleprocessing buffers. These extended buffers reside above 16 megabytes of virtual storage.

#### **LIMIT=nnnnn**

The maximum number (1-32512) of the specified teleprocessing buffers which JES2 allows for RJE and NJE. The teleprocessing buffers are dynamically allocated up to this user specified maximum. To ensure that an error in JES2 does not cause a total depletion of JES2 private storage, the installation should limit the number of teleprocessing buffers obtained. Once this number of buffers is reached, all requestors of buffers must wait until a buffer is freed. You can only increase the limit using this command.

#### **WARN=nnn**

Specifies the percentage (0-100) of I/O buffer use. If the buffer use is at or above this percentage, the operator is alerted by message \$HASP050.

**Note:** Use this parameter to increase the limit for the JNUM resource that is reported on the HASP050 message.

### **RMTMSG=nnn**

The maximum number of messages (0-255) that may be queued to a remote console. When this count is exceeded, JES2 spools the messages until the message backlog for that remote console returns to zero.

### **SESSIONS=**

Defines the specifications for VTAM sessions.

**LIMIT=nnnn**

Specifies the maximum number (1-9999) of VTAM sessions that can be active at any one time. Terminals or SNA NJE nodes attempting to log on when *nnnn* sessions are already active are not allowed to log on. You can only increase the limit using this command.

**WARN=nnn**

Specifies the percentage (0-100) of session utilization. If the session usage is above this percentage, the operator is alerted by message \$HASP050.

**Authority Required**

This command requires **system** authority. The description of the \$T RDRnn command explains how to ensure that the authority of the appropriate MVS system command group is assigned.

This command requires **control** security access authority. For a description of assigning command input authority, see *z/OS JES2 Initialization and Tuning Guide*.

**Scope**

The scope of this command varies by parameter.

The value supplied for the RMTMSG parameter will be in effect for this member only. Depending on your installation's setup, however, you might want this parameter to be applied to all members of the MAS (to ensure a consistent environment across the MAS). If so, you can use the MVS ROUTE \*ALL command to issue this command to all active members (if the JES2 command character is the same on all members).

All other parameters will be in effect for this member only, and there is no need to have these parameters issued to all members of the MAS.

See *z/OS MVS System Commands* for more information on using the ROUTE \*ALL command.

**Messages**

The \$HASP839 message displays the current values of all the parameters on the TPDEF initialization statement.

**Example**

**1** \$t tpdef,bscbuf=(warn=75)

```
$HASP839 TPDEF AUTOINTV=32,AUTONUM=2,BSCBUF=(LIMIT=42,
$HASP839 WARN=75,FREE=42,SIZE=520),MBUFSIZE=400,
$HASP839 RMTMSG=200,RMTNUM=51,SESSIONS=(LIMIT=102,
$HASP839 WARN=80,FREE=102,FROZEN=0),SNABUF=(LIMIT=18,
$HASP839 WARN=80,FREE=18,SIZE=400)
```

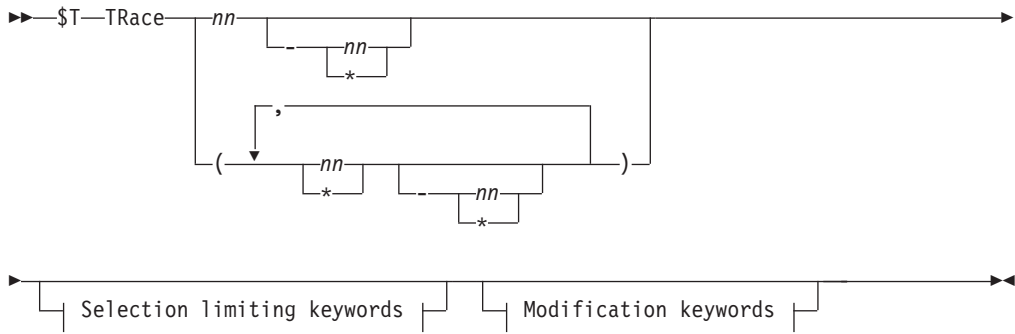
---

**\$T TRACE(nn) - Modify a trace ID**

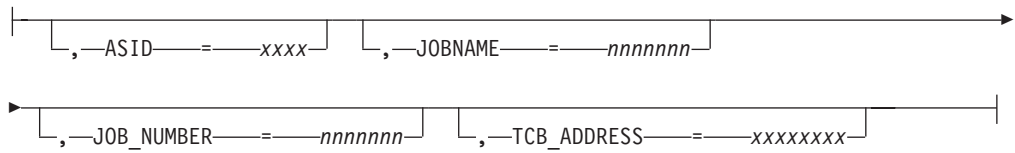
**Function**

To modify the specified trace identifiers.

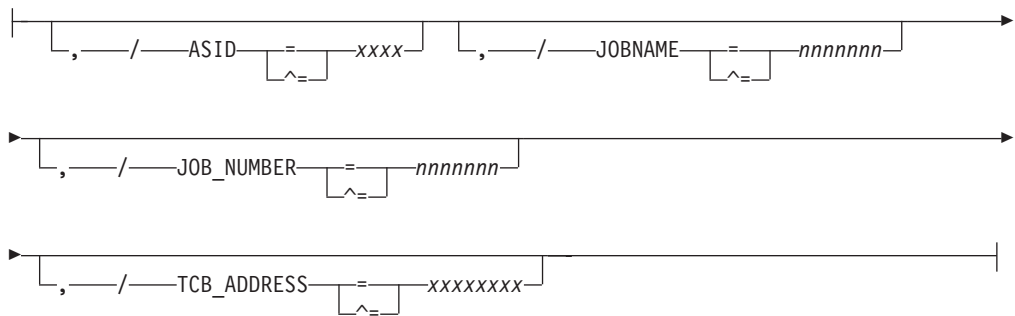
**Syntax**



**Modification keywords:**



**Selection limiting keywords:**



**Parameters**

**nn** The subscript that defines the trace IDs to modify. The subscript might specify a specific trace ID or a range of trace IDs. The range of trace IDs reserved by IBM is 1 to 47. Trace IDs 48 to 255 are available for customer use. For more information about specific identifier meanings, see *z/OS JES2 Diagnosis*.

**ASID= xxxx**  
Specifies the ASID used when filtering this JES2 trace point.

**JOBNAME=nnnnnnn**  
Specifies the jobname used when filtering this JES2 trace point.

**JOB\_NUMBER=nnnnnnn**  
Specifies the job number used when filtering this JES2 trace point.

**Note:** If more than one of ASID=, JOBNAME=, and JOB\_NUMBER= are specified for a specific trace ID, only one of the conditions must match the trace to be taken. In the JES2 address space, the values specified refer to the job that is being processed by JES2. For example, never specify the JES2 address space as ASID= because JES2 is never processing requests on the behalf of

JES2. Outside the JES2 address space, these filters refer to the address space where the trace is being taken. For jobs being submitted through the internal reader, it is the job name, number, and ASID of the submitter of a job that are compared to the filters, not the values of the job being submitted. The same is true for FSS or SAPI devices. The filters refer to the SAPI or FSS address space, not the job that the FSS or SAPI application is processing.

**TCB\_ADDRESS=xxxxxxx**

Specifies the further limit tracing to the specified TCB. This is in addition to any filtering that is applied. This operand is ignored if ASID=, JOBNAME=, and JOB\_NUMBER= are not specified. The TCB address must match even in the JES2 address space.

**Authority Required**

This command requires **system** authority. The description of the \$T RDRnn command explains how to ensure that the authority of the appropriate MVS system command group is assigned.

This command requires **control** security access authority. For a description of assigning command input authority, see *z/OS JES2 Initialization and Tuning Guide*.

**Processing Considerations**

- Each trace ID may be started independent of the overall trace facility. However, no tracing is done unless the trace facility is also started. See the description of the TRACE facility and the TRACEDF initialization statement in *z/OS JES2 Initialization and Tuning Reference* for information about starting the trace facility.
- The trace table entries are added to JES2 trace tables as they are generated. These tables are reused if trace logging is not in effect. If trace logging is enabled, then full trace tables are formatted and added to the JES2 event trace log.

**Scope**

**Single member.** This command will be in effect for this member only.

However, you might want this command to be applied to all members of the MAS (to ensure a consistent environment across the MAS). If so, you can use the MVS ROUTE \*ALL command to issue this command to all active members (if the JES2 command character is the same on all members). See *z/OS MVS System Commands* for more information on using the ROUTE \*ALL command.

**Messages**

The \$HASP667 message displays the current status of the specified trace IDs.

**Example**

```

1 $ttrace19,asid=77,jobname=fred,job_number=1234
    $HASP667 TRACE(19)
    $HASP667 TRACE(19)   START=NO,ASID=0077,JOBNAME=FRED,
    $HASP667             JOB_NUMBER=1234
  
```

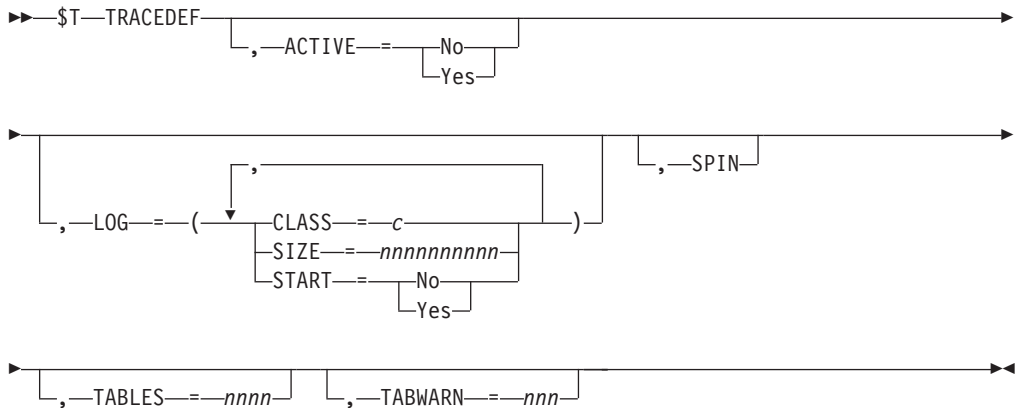
JES2 changes ASID, JOBNAME, and JOB\_NUMBER parameters.

## \$T TRACEDEF - Control the trace facility

### Function

To specify the JES2 trace environment characteristics.

### Syntax



### Parameters

#### ACTIVE={No|Yes}

Specifies whether JES2 is to start the trace facility.

#### LOG=

Specifies the characteristics for the trace facility log processor.

#### CLASS=c

The output class (A-Z, 0-9) of the trace log data set.

#### SIZE=nnnnnnnnnn

The maximum size, in bytes (100-2147483647), of the trace log data set. When this value is reached, JES2 queues the trace log for printing.

#### START={No|Yes}

Specifies whether the trace log information is to be formatted and periodically added to the trace log data set. Y further specifies that when the size of the trace log data set exceeds the amount specified by the SIZE parameter, JES2 spins off the data set and queues it for printing.

#### SPIN

Specifies that the trace log data set is to be spun off and queued for printing. A new data set is then opened for the trace log and entries on the trace log work queue are formatted and put to the new data set. If you do not specify SPIN, no action is taken.

**Note:** The SPIN parameter is valid only if logging is active (for example, if LOG=(START=Y)).

#### TABLES=nnnn

The number (0-2500) of trace tables (PAGES x 4K bytes) that JES2 is to obtain at any one time.

If you change the number of tables requested, JES2 immediately attempts to adjust the number of trace tables by either getting trace tables (if above the old number) or releasing tables (if below the old number). If JES2 cannot lower the



number of trace tables sufficiently, the normal trace logging process makes the adjustment as trace tables are formatted and written.

**TABWARN=nnn**

Specifies the percentage of trace tables used at which the \$HASP050 message alerts the operator of a trace table shortage.

**Authority Required**

This command requires **system** authority. The description of the \$T RDRnn command explains how to ensure that the authority of the appropriate MVS system command group is assigned.

This command requires **control** security access authority. For a description of assigning command input authority, see *z/OS JES2 Initialization and Tuning Guide*.

**Scope**

**Single member.** This command will be in effect for this member only.

Depending on your installation's setup, however, you might want this command to be applied to all members of the MAS (to ensure a consistent environment across the MAS). If so, you can use the MVS ROUTE \*ALL command to issue this command to all active members (if the JES2 command character is the same on all members). See *z/OS MVS System Commands* for more information on using the ROUTE \*ALL command.

**Messages**

The \$HASP698 message displays the current values of all the parameters on the TRACEDEF initialization statement.

**Example**

```
$t tracedef,active=y,log=(class=b,start=y)
```

```
$HASP698 ACTIVE=Y, TABLES=3, PAGES=,
          TABWARN=80,
          TABFREE=3, LOG=(CLASS=B, START=YES,
          SIZE=500), STATS=(TOTDISC=0, DISCARDS=0,
          IDS=(NONE))
```

JES2 starts the trace facility. The trace information obtained is formatted and added to the trace log data set periodically. The output class of the trace log data set is B.

**\$VS - Enter MVS system commands through JES2****Function**

To enter an MVS system command in a job stream, through an automatic JES2 command, or within the JES2 initialization data set.

**Syntax**

```
▶▶—$VS—, 'command—(—'command'—)—...—▶▶
```

## Parameters

### 'command'

The MVS system command(s) that are submitted through JES2. You must use double quotation marks in any MVS command that uses single quotation marks. For example, to issue an MVS SEND command, you would enter:

```
$VS,'SEND "message text",USER=(userid)'
```

## Authority Required

This command requires **system** authority. The description of the \$T RDRnn command explains how to ensure that the authority of the appropriate MVS system command group is assigned.

This command requires **control** security access authority. For a description of assigning command input authority, see *z/OS JES2 Initialization and Tuning Guide*.

## Processing Considerations

The \$VS command is valid only as an automatic command or in a job stream. If you wish to issue an MVS command from the console for immediate execution, enter the MVS command directly; \$VS will not be accepted for this purpose.

The \$VS command is normally entered from a local JES2 card reader that has system authority. The responses to the MVS command(s) entered with the \$VS command appear at the console with master level authority on the issuing system.

## Scope

**Single member.** This command will be in effect for this member only. There is no need to have this command issued to all members of the MAS.

## Messages

Entering an MVS command using \$VS does not generate any JES2 messages. For information about any MVS messages, see *z/OS MVS System Messages, Vol 1 (ABA-AOM)*

## Example

```
❶ $vs, 'v (234,235,236),offline','d a'
```

JES2 submits the MVS VARY and DISPLAY commands to the MVS system for processing if the commands were issued in a job stream or as automatic commands.

---

## \$Z A - Halt automatic command processing

### Function

To halt automatic command processing.

### Syntax

▶▶—\$Z A——,ALL——▶▶

## Parameters

### ALL

JES2 suspends all automatic command processing.

## Authority Required

This command requires **system** authority. The description of the \$T RDRnn command explains how to ensure that the authority of the appropriate MVS system command group is assigned.

This command requires **control** security access authority. For a description of assigning command input authority, see *z/OS JES2 Initialization and Tuning Guide*.

## Processing Considerations

- JES2 automatically issues a \$Z A command when:
  1. A backlog exists which prevents JES2 from issuing an automatic command for 5 minutes because it is out of CMBs.
  2. The operator alters the time forward by more than 24 hours or backward by any time period.
  3. Automatic command processing is halted for more than 24 hours (that is, a \$Z A has been in effect for more than 24 hours), and then a \$A command is entered.
- To restart automatic command processing, enter the \$S A command.
- Automatic commands with time specified must be reentered whenever the elapsed time between a \$Z A command and the next \$S A command exceeds 24 hours.

## Scope

**Single member.** This command will be in effect for this member only.

Depending on your installation's setup, however, you might want this command to be applied to all members of the MAS (to ensure a consistent environment across the MAS). If so, you can use the MVS ROUTE \*ALL command to issue this command to all active members (if the JES2 command character is the same on all members). See *z/OS MVS System Commands* for more information on using the ROUTE \*ALL command.

## Messages

The \$HASP000 message indicates the command was accepted.

### Note:

1. If you enter \$TA,ALL (to display the automatic commands) after you issue the \$ZA,ALL, you see the display of all of the automatic commands (\$HASP604 for each), followed by \$HASP601 AUTOMATIC COMMANDS HALTED BY OPERATOR.
2. JES2 highlights the \$HASP601 AUTOMATIC COMMAND HALTED BY SYSTEM message if JES2 halts automatic command processing. If you then

## \$Z A

issue \$TA,ALL, you will receive the \$HASP604 message for each automatic command, followed by \$HASP601 AUTOMATIC COMMANDS HALTED BY SYSTEM.

### Example

```
1 $z a,a11
```

```
$HASP000 OK
```

JES2 suspends all automatic command processing.

---

## \$ZAPJOB - Remove job structure from job queue

### Function

To remove all traces of a job structure from the JES2 job queue.

**WARNING:** If improperly used, the ZAPJOB command can cause JES2 ABENDs, including ABENDs on multiple systems. Be sure to review the entire documentation before you use this command.

ZAPJOB can be used to remove all traces of a job structure from the JES2 job queue. It is intended to be used in situations where a job cannot be removed using normal JES2 commands or by a JES2 restart. You must take special care to ensure that the job and any output it may have created are not active in any JES2 process and not active on a device. Zapping a job that is active can lead to ABENDs and the loss of a PCE until JES2 is restarted. ZAPJOB will not correct queue errors. If the JOB or output queue has an error, a JES2 restart is needed to rebuild the job queue.

When specifying a job to zap, IBM recommends that you specify as many operands as are known for the job being zapped. This reduces the possibility of accidentally zapping the wrong job because of a typing error.

### Syntax

```
▶▶ $ZAPJOB [ ,—JOBID—=—JOBnnnnn—J0nnnnn ] [ ,—JOBKEY—=—xxxxxxxxxx ]
▶ [ ,—JOBNAME—=—ccccccc ] [ ,—JQEINDEX—=—xxxx ]
▶ [ ,—JQEOFF—=—xxxxxx ]
```

### Parameters

#### JOBID=

The JES2 JOBID of the job to be zapped. This can be specified in any of the valid formats for a JES2 JOBID, such as J12345, JOB12345, S12345, STC12345, T12345, TSU12345. JOBID= is an optional keyword.

#### JOBKEY=

The hexadecimal job key that is associated with the job. This value is normally obtained from a dump. If JOBKEY=0 is specified, then JOBID=, JQEINDEX= or JQEOFF= must also be specified. JOBKEY= is an optional keyword.

**JOBNAME=**

The name of the job to be zapped. JOBNAME cannot be specified by itself. JOBID=, JOBKEY=, JQEINDEX, or JQEINDEX= must also be specified. JOBNAME= is an optional keyword.

**JQEINDEX=**

The index (in hexadecimal) of the JQE to be zapped. JQEINDEX is normally obtained from a dump. JQEINDEX= is an optional keyword.

**JQEOFF=**

The offset (in hexadecimal) of the JQE to be zapped. JQEOFF is normally obtained from a dump. JQEOFF= is an optional keyword.

**Messages**

The command response is a \$HASP000 message. The \$HASP250 message is issued when the job is zapped and indicates that the job was removed from the job queue structure (the job was zapped).

**Note:**

1. One of JOBID=, JOBKEY=, JQEINDEX=, or JQEOFF= must be specified on ZAPJOB.
2. If a job has a job key of zero (job has not had a job key assigned or has partially purged), you must specify JOBKEY=0, JQEINDEX=, or JQEOFF= to zap the job.
3. A \$ZAPJOB statement can be placed in the initialization deck. This is not the same as using the ZAPJOB initialization statement. A \$ZAPJOB command in the initialization deck is processed after JES2 initialization has completed. A ZAPJOB initialization statement removes the job before verifying the job queue. Because of the risk of forgetting to remove it, IBM recommends that you do not place \$ZAPJOB commands in the initialization deck.

**Example****1**

```
.zapjob,jobname=spin01,jobid=j8
```

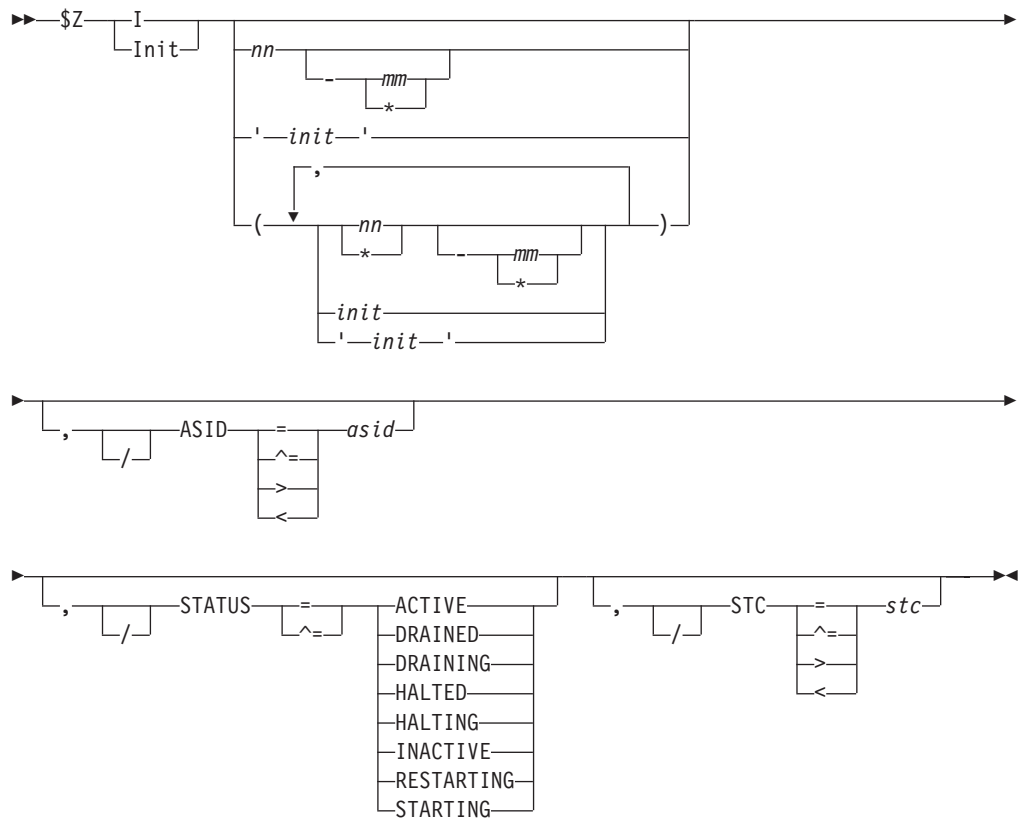
```
JOB00008 .HASP250 SPIN01 ZAPPED -- (JOB KEY WAS B379D031)
.HASP000 OK
```

---

**\$Z I[vvvv] - Halt initiator activity****Function**

To temporarily halt initiator processing.

**Syntax**



## Parameters

### I [nnmm[-nnmm]]

Specifies the subscript (1-9999) of the initiator(s) that are halted after completing their current activity. If you do not specify an initiator identifier (nnmm), JES2 halts all initiators.

**Note:** JES2 commands do not recognize JES2-controlled initiators that are numbered (with subscripts) greater than the PARTNUM= specification on the INITDEF initialization statement.

For information about naming initiators, see *z/OS JES2 Initialization and Tuning Reference*.

### ASID=asid

Specifies the ASID of the initiator to be halted.

### STATUS={ACTIVE | DRAINED | DRAINING | HALTED | HALTING | INACTIVE | RESTARTING | STARTING}

Displays the current state of the initiator.

#### Type Meaning

##### ACTIVE

A job is active on the initiator.

##### DRAINED

The initiator is drained.

##### DRAINING

The initiator is transitioning to a DRAINED state.

**HALTED**

The initiator has been halted by a \$Z I command.

**HALTING**

The initiator is transitioning to a HALTED state.

**INACTIVE**

The initiator has been started but has not selected a job.

**RESTARTING**

The initiator has terminated abnormally and is in the process of restarting automatically.

**STARTING**

The device has been started but has not fully initialized yet. Applies to FSS-owned devices only.

**STC=stc**

Displays the job id of the initiator to be halted.

**Authority Required**

This command requires **system** authority. The description of the \$T RDRnn command explains how to ensure that the authority of the appropriate MVS system command group is assigned.

This command requires **control** security access authority. For a description of assigning command input authority, see *z/OS JES2 Initialization and Tuning Guide*.

**Scope**

**Single member.** This command will be in effect for this member only. There is no need to have this command issued to all members of the MAS.

**Messages**

The \$HASP000 message indicates the command was accepted.

**Example**

```
1 $z i1-2
```

```
$HASP892 INIT(1) STATUS=HALTED,CLASS=A,NAME=1
$HASP892 INIT(2) STATUS=HALTED,CLASS=AB,NAME=2
```

JES2 halts initiators 1 and 2 after they complete their current activity.

---

## \$Z NETWORK - Halt automatic network connection and device processing and drain NJE devices

**Function**

To halt automatic network connection and device processing and drain NJE devices.

**Syntax**

```
▶▶—$Z NETWORK—◀◀
```

## Parameters

None.

## Authority Required

This command requires **system** authority. The description of the \$T RDRnn command explains how to ensure that the authority of the appropriate MVS system command group is assigned. You can use \$T NODE(nnnn) command to set the command authority.

This command requires **control** security access authority. For a description of assigning command input authority, see *z/OS JES2 Initialization and Tuning Guide*.

## Scope

**Single system.** The values supplied for this command will be in effect for this member only.

## Messages

\$HASP899 command response.

## Example

**1** \$znet

```
          $HASP899 $ZNET
$HASP899 ACTIVE NETWORKING DEVICES
$HASP899 NAME                               STATUS
$HASP899 -----
$HASP899 LINE15                             DRAINING/POK
$HASP899 LOGON1                             DRAINING
```

---

## \$Z OFFLOADn - Halt offload activity

### Function

To temporarily halt offload device activity so that the operator can reset the work selection criteria for the associated transmitters and/or receivers.

### Syntax

▶▶ \$Z—OFFLOADn—┌,OFFLOADn└▶▶

### Parameters

**n** The number (1-8) of the offload device that is halted.

### Authority Required

This command requires **device** authority. The description of the \$T RDRnn command explains how to ensure that the authority of the appropriate MVS system command group is assigned.



This command requires **update** security access authority. For a description of assigning command input authority, see *z/OS JES2 Initialization and Tuning Guide*.

### Processing Considerations

- This command does not cause the offload data set to be deallocated.
- If you issue the \$Z command during the transmit operation, any active transmitter(s) will finish processing their current work before JES2 halts the selection process.  
If you issue the \$Z command during the receive operation, JES2 immediately halts any active receivers in the middle of the jobs being processed. When you restart the receive operation, the offload device will begin to read the offload data set at the point where it was halted.
- To restart the selection process, issue the \$S OFFLOADn command for the type of operation (transmit or receive) that has been halted.

### Scope

**Single member.** This command will be in effect for this member only. There is no need to have this command issued to all members of the MAS.

### Messages

The \$HASP000 message indicates the command was accepted.

### Example

```
1 $z offload3,offload6
```

```
$HASP000 OK
```

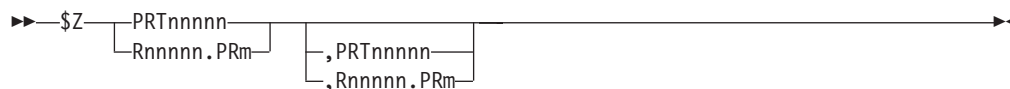
JES2 temporarily halts activity for offload devices 3 and 6.

## \$Z PRT(nnnnn) and \$Z R(nnnnn).PR(m) - Halt printer activity

### Function

To temporarily halt local or remote printer activity.

### Syntax



### Parameters

*nnnnn*

For **PRT**, the identifier of the local printer (1-32767) to halt. For **R**, the identifier of the remote workstation (1-32767) that is attached to printer *m* (1-7).

*m* The identifier of the printer (1-7) that is attached to the remote workstation **Rnnnnnn** (1-32767).

## \$Z PRT(nnnnn) and \$Z R(nnnnn).PR(m)

### Authority Required

This command requires **device** authority. The description of the \$T RDRnn command explains how to ensure that the authority of the appropriate MVS system command group is assigned.

This command requires **update** security access authority. For a description of assigning command input authority, see *z/OS JES2 Initialization and Tuning Guide*.

### Scope

**Single member.** This command will be in effect for this member only. There is no need to have this command issued to all members of the MAS.

### Messages

The \$HASP000 message indicates the command was accepted.

### Example

```
❶ $z prt3,prt5
```

```
$HASP000 OK
```

Printers 3 and 5 immediately stop printing. When you issue a \$S command for these printers, printing is resumed at the point where it was halted.

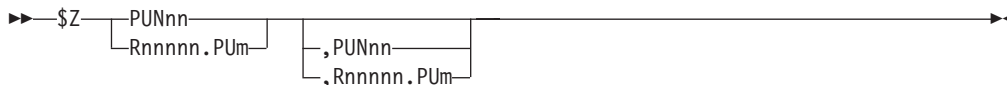
---

## \$Z PUN(nn) and \$Z R(nnnnn).PU(m) - Halt punch activity

### Function

To halt local or remote punch activity.

### Syntax



### Parameters

*nn* The identifier of the local punch (1-99) to halt.

*nnnnn*

The identifier of the remote workstation **R** (1-32767) that is attached to punch *m* (1-7).

*m* The identifier of the punch (1-7) that is attached to the remote workstation **Rnnnnnn** (1-32767).

### Authority Required

This command requires **device** authority. The description of the \$T RDRnn command explains how to ensure that the authority of the appropriate MVS system command group is assigned.

This command requires **update** security access authority. For a description of assigning command input authority, see *z/OS JES2 Initialization and Tuning Guide*.

## Scope

**Single member.** This command will be in effect for this member only. There is no need to have this command issued to all members of the MAS.

## Messages

The \$HASP000 message indicates the command was accepted.

## Example

```
❶ $z pun5,pun6
    $HASP000 OK
```

Punches 5 and 6 immediately stop punching. When you issue a \$\$ command for these punches, processing is resumed at the point where it was halted.

---

## \$Z RDRnn - Halt reader activity

### Function

To temporarily halt local reader activity.

### Syntax

```
➤—$Z—RDRnn—┐,RDRnn┘—➤
```

### Parameters

**RDRnn**  
The local reader that is halted.

### Authority Required

This command requires **device** authority. The description of the \$T RDRnn command explains how to ensure that the authority of the appropriate MVS system command group is assigned. The \$T RDI sets the command authority for internal readers.

This command requires **update** security access authority. For a description of assigning command input authority, see *z/OS JES2 Initialization and Tuning Guide*.

### Scope

**Single member.** This command will be in effect for this member only. There is no need to have this command issued to all members of the MAS.

### Messages

The \$HASP000 message indicates the command was accepted.

### Example

```
❶ $z rdr1,rdr2
    $HASP000 OK
```

JES2 immediately halts local readers 1 and 2. When you issue a \$S command for these readers, processing is resumed at the point where it was halted.

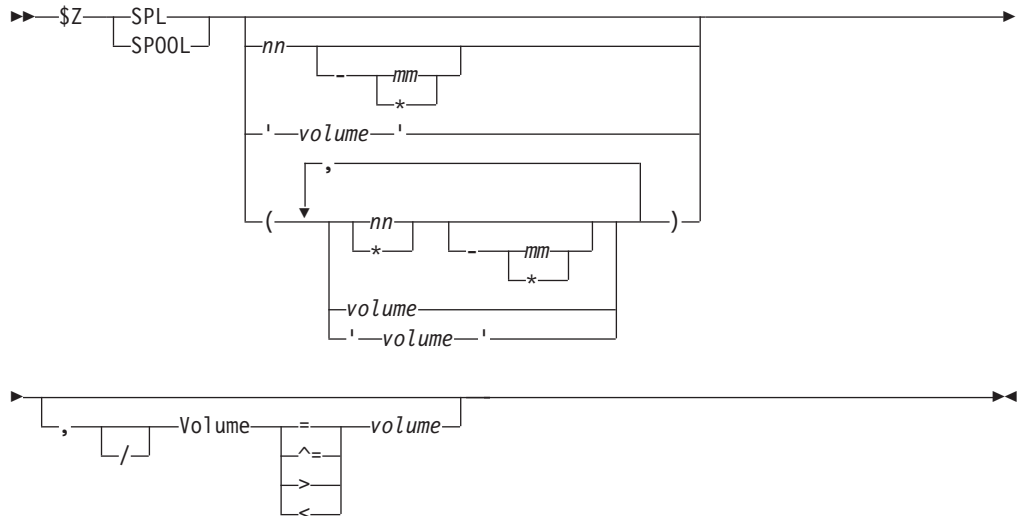
---

## \$Z SPOOL - Halt a spool volume

### Function

To deallocate a spool volume after active work completes its current phase of processing (executing, printing, or punching).

### Syntax



### Parameters

#### Volume=volume

The volume serial number of the spool volume.

### Authority Required

This command requires **system** authority. The description of the \$T RDRnn command explains how to ensure that the authority of the appropriate MVS system command group is assigned. The \$T RDI sets the command authority for internal readers.

This command requires **control** security access authority. For a description of assigning command input authority, see *z/OS JES2 Initialization and Tuning Guide*.

### Processing Considerations

When you issue the \$Z command, no new work is allowed to start and no new space on the volume is allocated. Any currently allocated space remains intact and the volume can be removed without loss of work. The volume status is HALTING until all currently active jobs which have space allocated on the volume are completed. After all active jobs have completed, the volume status is INACTIVE. To bring the volume back into the JES2 environment, issue a \$S SPOOL command. When the active work has completed the volume is unallocated, and the \$HASP893 message is issued.

If a spool failure occurs, the operator should be instructed to issue a \$Z SPL command for each volume that is in error. This will prevent JES2 from trying to allocate more space from that volume, and from being selected for work (i.e. conversion, execution, and printing). For more information on how to recover from a spool volume failure, see *z/OS JES2 Initialization and Tuning Guide*.

If an all-member warm start is done without the volumes that had errors on them, then JES2 message \$HASP424, VOLUME NOT MOUNTED, will be issued followed by JES2 message \$HASP853, REPLY GO, QUIT, or PURGE. If the volume is thought to be recoverable at some time, reply GO. This will cause the volume to come up in an inactive state. The jobs that have space allocated from this volume will not be available for work. JES2 will not attempt to use any space from the volume until a \$\$ SPL command is issued.

If the volume is permanently damaged, reply PURGE to this message. Reply PURGE only if you are absolutely certain that the volume cannot be recovered. Replying PURGE will cause all jobs with space allocated from that volume to be purged. No messages or warnings will be issued indicating that this happened.

You can use the FENCE parameter on the SPOOLDEF initialization statement to define the spooling environment by controlling the partitioning of the spool volumes. This can be a safeguard against spool failure. You use the FENCE parameter to tell JES2 how to partition spool volumes when performing I/O operations. If fencing is turned off then jobs that have already obtained some spool space when fencing was active will not be fenced. The syntax of the FENCE= keyword is changed to FENCE=(ACTIVE=YES,VOLUMES=nnn) to indicate that all space that a job requires will be allocated from "nnn" volumes. (FENCE=(ACTIVE=YES,VOLUMES=1) is equivalent to FENCE=YES in prior releases.) These volumes are determined by JES2 as the first available volume from which this job can allocate space.

Although, FENCE=(ACTIVE=YES,VOLUMES=nnn) indicates that JES2 will fence to nnn volumes in most cases. However, more than nnn volumes may be used in certain situations (when spool volumes fill or if the job obtains spool space on different systems as it goes through different phases.) JES2 will allocate space from a subsequent volume(s) when, and if, the "nnn" becomes full. Refer to the FENCE= parameter on the SPOOLDEF statement in *z/OS JES2 Initialization and Tuning Reference* for how to use this parameter. You may also set the FENCE= parameter using the \$T SPOOLDEF command.

JES2 exits 11 and 12 can be used as an alternative method for limiting the volumes from which a job may allocate space.

## Scope

**MAS-wide.** This command has an effect across the entire MAS.

## Messages

The \$HASP000 message indicates the command was accepted.

## Example

```
1 $z spl,v=spool1
```

```
$HASP000 OK
```

## **\$Z SPOOL**

JES2 halts SPOOL1 (which is currently active, starting, or draining).

---

## Appendix A. Notes about the publication index

The index to this publication is designed to allow you to easily find what parameters apply to individual commands. Each "level 1" index entry identifies a parameter that you can specify on a JES2 command. Each "level 2" entry below the "level 1" entry identifies a JES2 command in which this parameter can be specified.

The only "level 1" entry that is an exception to this is the entry of "Function". Listed under the level 1 index entry of "Function" are the various activities and actions you can take to display JES2 processing status or affect JES2 operations. By following the index page number, you will find the JES2 command that performs the function.





---

## Appendix B. Accessibility

Accessible publications for this product are offered through the z/OS Information Center, which is available at [www.ibm.com/systems/z/os/zos/bkserv/](http://www.ibm.com/systems/z/os/zos/bkserv/).

If you experience difficulty with the accessibility of any z/OS information, please send a detailed message to [mhvrcfs@us.ibm.com](mailto:mhvrcfs@us.ibm.com) or to the following mailing address:

IBM Corporation  
Attention: MHVRCFS Reader Comments  
Department H6MA, Building 707  
2455 South Road  
Poughkeepsie, NY 12601-5400  
USA

---

### Accessibility features

Accessibility features help a user who has a physical disability, such as restricted mobility or limited vision, to use software products successfully. The major accessibility features in z/OS enable users to:

- Use assistive technologies such as screen readers and screen magnifier software
- Operate specific or equivalent features using only the keyboard
- Customize display attributes such as color, contrast, and font size.

---

### Using assistive technologies

Assistive technology products, such as screen readers, function with the user interfaces found in z/OS. Consult the assistive technology documentation for specific information when using such products to access z/OS interfaces.

---

### Keyboard navigation of the user interface

Users can access z/OS user interfaces using TSO/E or ISPF. Refer to *z/OS TSO/E Primer*, *z/OS TSO/E User's Guide*, and *z/OS ISPF User's Guide Vol I* for information about accessing TSO/E and ISPF interfaces. These guides describe how to use TSO/E and ISPF, including the use of keyboard shortcuts or function keys (PF keys). Each guide includes the default settings for the PF keys and explains how to modify their functions.

---

### Dotted decimal syntax diagrams

Syntax diagrams are provided in dotted decimal format for users accessing the z/OS Information Center using a screen reader. In dotted decimal format, each syntax element is written on a separate line. If two or more syntax elements are always present together (or always absent together), they can appear on the same line, because they can be considered as a single compound syntax element.

Each line starts with a dotted decimal number; for example, 3 or 3.1 or 3.1.1. To hear these numbers correctly, make sure that your screen reader is set to read out punctuation. All the syntax elements that have the same dotted decimal number (for example, all the syntax elements that have the number 3.1) are mutually

exclusive alternatives. If you hear the lines 3.1 USERID and 3.1 SYSTEMID, you know that your syntax can include either USERID or SYSTEMID, but not both.

The dotted decimal numbering level denotes the level of nesting. For example, if a syntax element with dotted decimal number 3 is followed by a series of syntax elements with dotted decimal number 3.1, all the syntax elements numbered 3.1 are subordinate to the syntax element numbered 3.

Certain words and symbols are used next to the dotted decimal numbers to add information about the syntax elements. Occasionally, these words and symbols might occur at the beginning of the element itself. For ease of identification, if the word or symbol is a part of the syntax element, it is preceded by the backslash (\) character. The \* symbol can be used next to a dotted decimal number to indicate that the syntax element repeats. For example, syntax element \*FILE with dotted decimal number 3 is given the format 3 \\* FILE. Format 3\* FILE indicates that syntax element FILE repeats. Format 3\* \\* FILE indicates that syntax element \* FILE repeats.

Characters such as commas, which are used to separate a string of syntax elements, are shown in the syntax just before the items they separate. These characters can appear on the same line as each item, or on a separate line with the same dotted decimal number as the relevant items. The line can also show another symbol giving information about the syntax elements. For example, the lines 5.1\*, 5.1 LASTRUN, and 5.1 DELETE mean that if you use more than one of the LASTRUN and DELETE syntax elements, the elements must be separated by a comma. If no separator is given, assume that you use a blank to separate each syntax element.

If a syntax element is preceded by the % symbol, this indicates a reference that is defined elsewhere. The string following the % symbol is the name of a syntax fragment rather than a literal. For example, the line 2.1 %OP1 means that you should refer to separate syntax fragment OP1.

The following words and symbols are used next to the dotted decimal numbers:

- ? means an optional syntax element. A dotted decimal number followed by the ? symbol indicates that all the syntax elements with a corresponding dotted decimal number, and any subordinate syntax elements, are optional. If there is only one syntax element with a dotted decimal number, the ? symbol is displayed on the same line as the syntax element, (for example 5? NOTIFY). If there is more than one syntax element with a dotted decimal number, the ? symbol is displayed on a line by itself, followed by the syntax elements that are optional. For example, if you hear the lines 5 ?, 5 NOTIFY, and 5 UPDATE, you know that syntax elements NOTIFY and UPDATE are optional; that is, you can choose one or none of them. The ? symbol is equivalent to a bypass line in a railroad diagram.
- ! means a default syntax element. A dotted decimal number followed by the ! symbol and a syntax element indicates that the syntax element is the default option for all syntax elements that share the same dotted decimal number. Only one of the syntax elements that share the same dotted decimal number can specify a ! symbol. For example, if you hear the lines 2? FILE, 2.1! (KEEP), and 2.1 (DELETE), you know that (KEEP) is the default option for the FILE keyword. In this example, if you include the FILE keyword but do not specify an option, default option KEEP will be applied. A default option also applies to the next higher dotted decimal number. In this example, if the FILE keyword is omitted, default FILE(KEEP) is used. However, if you hear the lines 2? FILE, 2.1, 2.1.1!

(KEEP), and 2.1.1 (DELETE), the default option KEEP only applies to the next higher dotted decimal number, 2.1 (which does not have an associated keyword), and does not apply to 2? FILE. Nothing is used if the keyword FILE is omitted.

- \* means a syntax element that can be repeated 0 or more times. A dotted decimal number followed by the \* symbol indicates that this syntax element can be used zero or more times; that is, it is optional and can be repeated. For example, if you hear the line 5.1\* data area, you know that you can include one data area, more than one data area, or no data area. If you hear the lines 3\*, 3 HOST, and 3 STATE, you know that you can include HOST, STATE, both together, or nothing.

**Note:**

1. If a dotted decimal number has an asterisk (\*) next to it and there is only one item with that dotted decimal number, you can repeat that same item more than once.
  2. If a dotted decimal number has an asterisk next to it and several items have that dotted decimal number, you can use more than one item from the list, but you cannot use the items more than once each. In the previous example, you could write HOST STATE, but you could not write HOST HOST.
  3. The \* symbol is equivalent to a loop-back line in a railroad syntax diagram.
- + means a syntax element that must be included one or more times. A dotted decimal number followed by the + symbol indicates that this syntax element must be included one or more times; that is, it must be included at least once and can be repeated. For example, if you hear the line 6.1+ data area, you must include at least one data area. If you hear the lines 2+, 2 HOST, and 2 STATE, you know that you must include HOST, STATE, or both. Similar to the \* symbol, the + symbol can only repeat a particular item if it is the only item with that dotted decimal number. The + symbol, like the \* symbol, is equivalent to a loop-back line in a railroad syntax diagram.



---

## Notices

This information was developed for products and services offered in the U.S.A. or elsewhere.

IBM may not offer the products, services, or features discussed in this document in other countries. Consult your local IBM representative for information on the products and services currently available in your area. Any reference to an IBM product, program, or service is not intended to state or imply that only that IBM product, program, or service may be used. Any functionally equivalent product, program, or service that does not infringe any IBM intellectual property right may be used instead. However, it is the user's responsibility to evaluate and verify the operation of any non-IBM product, program, or service.

IBM may have patents or pending patent applications covering subject matter described in this document. The furnishing of this document does not give you any license to these patents. You can send license inquiries, in writing, to:

IBM Director of Licensing  
IBM Corporation  
North Castle Drive  
Armonk, NY 10504-1785  
U.S.A

For license inquiries regarding double-byte character set (DBCS) information, contact the IBM Intellectual Property Department in your country or send inquiries, in writing, to:

Intellectual Property Licensing  
Legal and Intellectual Property Law  
IBM Japan, Ltd.  
19-21, Nihonbashi-Hakozakicho, Chuo-ku  
Tokyo 103-8510, Japan

The following paragraph does not apply to the United Kingdom or any other country where such provisions are inconsistent with local law: INTERNATIONAL BUSINESS MACHINES CORPORATION PROVIDES THIS PUBLICATION "AS IS" WITHOUT WARRANTY OF ANY KIND, EITHER EXPRESS OR IMPLIED, INCLUDING, BUT NOT LIMITED TO, THE IMPLIED WARRANTIES OF NON-INFRINGEMENT, MERCHANTABILITY OR FITNESS FOR A PARTICULAR PURPOSE. Some states do not allow disclaimer of express or implied warranties in certain transactions, therefore, this statement may not apply to you.

This information could include technical inaccuracies or typographical errors. Changes are periodically made to the information herein; these changes will be incorporated in new editions of the publication. IBM may make improvements and/or changes in the product(s) and/or the program(s) described in this publication at any time without notice.

Any references in this information to non-IBM Web sites are provided for convenience only and do not in any manner serve as an endorsement of those Web sites. The materials at those Web sites are not part of the materials for this IBM product and use of those Web sites is at your own risk.

IBM may use or distribute any of the information you supply in any way it believes appropriate without incurring any obligation to you.

Licensees of this program who wish to have information about it for the purpose of enabling: (i) the exchange of information between independently created programs and other programs (including this one) and (ii) the mutual use of the information which has been exchanged, should contact:

Site Counsel  
IBM Corporation  
2455 South Road  
Poughkeepsie, NY 12601-5400  
USA

Such information may be available, subject to appropriate terms and conditions, including in some cases, payment of a fee.

The licensed program described in this information and all licensed material available for it are provided by IBM under terms of the IBM Customer Agreement, IBM International Program License Agreement, or any equivalent agreement between us.

Information concerning non-IBM products was obtained from the suppliers of those products, their published announcements or other publicly available sources. IBM has not tested those products and cannot confirm the accuracy of performance, compatibility or any other claims related to non-IBM products. Questions on the capabilities of non-IBM products should be addressed to the suppliers of those products.

All statements regarding IBM's future direction or intent are subject to change or withdrawal without notice, and represent goals and objectives only.

If you are viewing this information softcopy, the photographs and color illustrations may not appear.

#### COPYRIGHT LICENSE:

This information might contain sample application programs in source language, which illustrate programming techniques on various operating platforms. You may copy, modify, and distribute these sample programs in any form without payment to IBM, for the purposes of developing, using, marketing or distributing application programs conforming to the application programming interface for the operating platform for which the sample programs are written. These examples have not been thoroughly tested under all conditions. IBM, therefore, cannot guarantee or imply reliability, serviceability, or function of these programs. The sample programs are provided "AS IS", without warranty of any kind. IBM shall not be liable for any damages arising out of your use of the sample programs.

---

## Policy for unsupported hardware

Various z/OS elements, such as DFSMS, HCD, JES2, JES3, and MVS, contain code that supports specific hardware servers or devices. In some cases, this device-related element support remains in the product even after the hardware devices pass their announced End of Service date. z/OS may continue to service element code; however, it will not provide service related to unsupported hardware devices. Software problems related to these devices will not be accepted

for service, and current service activity will cease if a problem is determined to be associated with out-of-support devices. In such cases, fixes will not be issued.

---

## Minimum supported hardware

The minimum supported hardware for z/OS releases identified in z/OS announcements can subsequently change when service for particular servers or devices is withdrawn. Likewise, the levels of other software products supported on a particular release of z/OS are subject to the service support lifecycle of those products. Therefore, z/OS and its product publications (for example, panels, samples, messages, and product documentation) can include references to hardware and software that is no longer supported.

- For information about software support lifecycle, see: IBM Lifecycle Support for z/OS (<http://www.ibm.com/software/support/systemsz/lifecycle/>)
  - For information about currently-supported IBM hardware, contact your IBM representative.
- 

## Programming Interface Information

This publication documents information that is NOT intended to be used as programming Interfaces of JES2.

---

## Policy for unsupported hardware

Various z/OS elements, such as DFSMS, HCD, JES2, JES3, and MVS, contain code that supports specific hardware servers or devices. In some cases, this device-related element support remains in the product even after the hardware devices pass their announced End of Service date. z/OS may continue to service element code; however, it will not provide service related to unsupported hardware devices. Software problems related to these devices will not be accepted for service, and current service activity will cease if a problem is determined to be associated with out-of-support devices. In such cases, fixes will not be issued.

---

## Trademarks

IBM, the IBM logo, and [ibm.com](http://www.ibm.com) are trademarks or registered trademarks of International Business Machines Corp., registered in many jurisdictions worldwide. Other product and service names might be trademarks of IBM or other companies. A current list of IBM trademarks is available on the Web at "Copyright and trademark information" at [www.ibm.com/legal/copytrade.shtml](http://www.ibm.com/legal/copytrade.shtml) (<http://www.ibm.com/legal/copytrade.shtml>).





# Index

## Special characters

(\*)  
\$D L(nnnn),JR(n) 306  
(abnormal)  
\$T OUTCLASS(n) 845  
(n)  
\$T L(nn),JT(nn) 752  
\$T L(nnnn).ST(n) 755  
\$T OFFLOAD 841  
\$T OUTCLASS 844  
(nn-mm)  
\$D OUTCLASS 406  
(nn)  
\$T L(nn),JT(nn) 752  
(nnnn)  
\$T L(nnnn).ST(n) 755  
(nnnnn)  
\$T RMT 917  
(normal)  
\$T OUTCLASS(n) 844  
\$ADD JOBCLASS(*jobclass*) 140  
\$D DEBUG 250  
\$D INITINFO 271  
\$DEL JOBCLASS(*jobclass*) 502  
\$MSPL 572  
\$T DEBUG 693  
\$T Init(nmmm) 714  
\*  
\$D NODE 363  
\$D OFF.JR(n-\*) 380  
\$D OFF.JT(n-\*) 384  
\$D OFF.SR(n-\*) 389  
\$D OFF.ST(n-\*) 397  
\$D PATH 413  
\$P LOGON 607  
\$P RMT 625  
\$P TRACE 630  
\$S LINE(nnnn) 646  
\$S LOGON 647  
\$T FSS 713  
\$T MEMBER 775  
\$T NODE 787  
\$T OFF.JR(n-\*) 810  
\$T OFF.JT(n-\*) 817  
\$T OFF.SR(n-\*) 827  
\$T OFF.ST(n-\*) 832  
\$T RECVOpts 909  
\$T REDIRect 911  
'command'  
\$M 571  
\$N  
    commands through network 577  
\$T A 672  
\$VS 950  
'job'  
\$D 283  
'job'  
\$A job 123  
\$C job 204  
\$E job 512  
\$H job 549

'job' (*continued*)  
\$L 569  
\$P job 600  
'jobname'  
\$G A 533  
\$G C 534  
\$G D 536  
\$G H 538  
\$G R,OUT 541  
\$G R,XEQ 544  
\$R 634  
'output'  
\$O 585  
\$PO 616  
\$TO 799  
%  
\$H job 550  
'job'  
\$S 643  
\$T 727  
'output'  
\$CO 216  
\$DO Job 371  
  
**A**  
A  
\$A 119  
\$H 546  
\$S N LINEnnnn  
    SNA node communications 651  
aaaaaaa  
\$T APPL 677  
ABEND  
\$P JES2 592  
About this document xv  
ABSTR  
\$D SPOOL 472  
ac  
\$T FSS 713  
accccc  
\$T FSS 713  
accessibility 965  
    contact IBM 965  
    features 965  
ACCTFLD  
\$D JOBDEF 302  
\$T JOBDEF 746  
ACTCLASS  
\$D I 273  
\$D Init 273  
ACTive  
\$D pce 419  
\$T PCE 855  
ACTIVE  
\$D TRACEDEF 492  
\$T TRACEDEF 948  
DEtails  
\$D pce 419  
ADDRESS  
\$D LOADMOD(jxxxxxxx) 324

ADDRESS (*continued*)  
\$D MODULE(jxxxxxxx) 343  
\$D SSI(nnn) 484  
ADJACENT  
\$T NODE(jnnnnnnn) 788  
Age  
\$A job 121  
\$C job 201  
\$CO 212  
\$D job 284  
\$DO Job 371  
\$E Job 511  
\$H job 548  
\$O Job 583  
\$P job 597  
\$PO job 612  
\$T job 724  
\$TO JOB 800  
AJOBMASK  
\$H job 549  
ALL  
\$A 119  
\$C A 198  
\$CO 212  
\$D A job 224  
\$D N 349  
\$D Q 446  
\$D SPOOL 472  
\$D U 494  
\$DO Job 371  
\$H A 546  
\$O Job 583  
\$R 633  
\$S A 640  
\$T A 671  
\$TO JOB 612, 800  
\$Z A 951  
Allocated  
\$D pce 419  
\$T PCE 855  
ANY  
\$D N 349  
\$D Q 446  
appl  
\$ADD APPL 129  
Applid  
\$D LGN 327  
\$D LOGON 327  
\$T LOGON(nnn) 769  
APPLID  
\$ADD LGN 158  
\$ADD LOGON 158  
ARCHIVE  
\$D OFFLOAD 402  
\$T OFFLOAD(n) 841  
ARM\_element  
\$D job 284  
ARMRESTART  
\$C job 201  
ASID  
\$D 357

ASID (continued)  
 \$D FSS 269  
 \$D FSSDef 269  
 \$D PRTnnnnn 434  
 \$D Rnnnnn.PRm 434  
 \$D I 273  
 \$D Init 273  
 \$E 524  
 \$P 609  
 \$P Inn 590  
 \$P Inn-mm 590  
 \$T 780  
 \$Z Inittvvvv 954  
 \$Z Ivvvv 954

ASIS  
 \$T PRINTERnnn 869  
 \$T PRTnnn 869  
 \$T Rnnnn.PRm 869

ASSEMBLY  
 \$D MODULE(jxxxxxx) 343

assistive technologies 965

asterisk  
 range  
 asterisk 106  
 JES2 interpretation 106  
 upper limit 106

Auth  
 \$D INTRDR 277  
 \$D R(nn).RD(mm) 457, 458  
 \$D RDI 453  
 \$D RDR(nn) 457, 458  
 \$T INTRDR 719  
 \$T RDI 900  
 \$T RDRnn 903  
 \$T Rnnnnn.RDm 903

AUTH  
 \$D NODE 364  
 \$T NODE(jnnnnnnn) 788

authority  
 reader 898, 901

AUTOCMD  
 \$D CONDEF 244

AUTODISC  
 \$ADD LINE 152  
 \$ADD LNE 152  
 \$D LINE(nnnnn) 318  
 \$T LINE(nnnnn) 761

AUTOEMEM  
 \$D MASDEF 333  
 \$T MASDEF 771

AUTOEMEM option  
 make job eligible for restart 771  
 reset the checkpoint lock 771

AUTOINTV  
 \$D TPDEF 488  
 \$T TPDEF 943

Autolog  
 \$T RMTnn 917

AUTOstop  
 \$ADD FSS 139  
 \$ADD FSSDef 139  
 \$D FSS 269  
 \$D FSSDef 269  
 \$T FSS 713

AUTOSYS  
 \$T MASDEF 771

AWAITING  
 \$D SPOOL 472

**B**

B  
 \$TO JOB 800  
 BAD\_JOBNAME\_CHAR  
 \$D JOBDEF 302  
 \$T JOBDEF 746

BASE  
 \$T NUM 795

BATCH  
 \$D INTRDR 277

BELOWBUF  
 \$D BUFDEF 234  
 \$T BUFDEF 679

BERT  
 \$D DEBUG 250  
 \$T DEBUG 694

BERTFREE  
 \$D CKPTSPACE 240

BERTNUM  
 \$D CKPTSPACE 240  
 \$T CKPTSPACE 687

BERTUSE  
 \$D CKPTSPACE 240

BERTWARN  
 \$D CKPTSPACE 240  
 \$T CKPTSPACE 687

BLNKTrnc  
 \$D OUTCLASS 406

BLOCK  
 \$T RMTnn 918

BOSS  
 \$D MEMBER 338

BSCBUF  
 \$D TPDEF 488  
 \$T TPDEF 944

BUFEXPAN  
 \$T RMTnn 918

BUFFREE  
 \$D CONDEF 244  
 \$D SMFDEF 465

BUFNUM  
 \$D CONDEF 244  
 \$D SMFDEF 466  
 \$T CONDEF 688

BUFSIZE  
 \$D SPOOLDEF 478  
 \$T RMTnn 918

BUFWARN  
 \$D CONDEF 244  
 \$D SMFDEF 466  
 \$T CONDEF 688  
 \$T SMFDEF 928

Burst  
 \$ADD PRINTER 166  
 \$ADD PRT 166  
 \$CO Job 212  
 \$D OFF(n).ST 389, 397  
 \$D PRTnnnnn 433  
 \$D Rnnnn.PRm 433  
 \$DO Job 371  
 \$O Job 583  
 \$PO Job 612  
 \$T OFF(n).SR 827

Burst (continued)  
 \$T OFF(n).ST 833  
 \$T PRINTERnnn 869  
 \$T PRTnnn 869  
 \$T Rnnnn.PRm 869

BURST  
 \$TO JOB 800

BUSY  
 \$A job 122  
 \$C job 201  
 \$H job 548  
 \$P job 597  
 \$T job 724

**C**

C  
 \$ADD PRINTER 166  
 \$ADD PRT 166  
 \$B PRTnnnnn 194  
 \$B PUNnn 196  
 \$B Rnnnnn.PRm 194  
 \$CO Job 213  
 \$D OFF(n).ST 389, 397  
 \$D PRTnnnnn 434  
 \$D Rnnnnn.PRm 434  
 \$DO Job 372  
 \$F PRTnnnn 529  
 \$F Rnnnn.PRm 529  
 \$O Job 584  
 \$PO Job 613  
 \$Rnnnn.PUm 196  
 \$T OFF(n).SR 827  
 \$T OFF(n).ST 833  
 \$T PRINTERnnn 869  
 \$T PRTnnn 869  
 \$T Rnnnn.PRm 869  
 \$TO JOB 801

Cancel  
 \$E Job 511  
 \$P SPOOL 627  
 \$S SPL 664  
 \$S SPOOL 664

CANcel  
 \$O Job 583

CANCEL  
 \$D job 284

CARDS  
 \$A job 122  
 \$C job 201  
 \$D job 284  
 \$H job 548  
 \$P job 597  
 \$T job 724

CC  
 \$C job 201  
 \$CO job 212  
 \$D job 284  
 \$DO job 371  
 \$O job 583  
 \$P job 597  
 \$PO job 612  
 \$T job 724  
 \$TO job 800

cccc  
 \$C A 198  
 \$T A 671

CCTL  
   \$T PUNnn 889  
   \$T Rnnnn.PUm 889  
 CCWNUM  
   \$D PRINTDEF 423  
   \$D PUNCHDEF 439  
 CES  
   \$D CONNECT 247  
 CHAR  
   \$T PRINTERnnn 881  
   \$T PRTnnn 881  
   \$T Rnnnn.PRm 881  
 CHAR(1-4)  
   \$D PRTnnnnn 433  
   \$D Rnnnnn.PRm 433  
 CHARS  
   \$D COMPACT 243  
 checkpoint  
   \$T CKPTDEF command 680  
   reconfiguration 680  
 CKPT  
   \$D DEBUG 250  
   \$T DEBUG 694  
 CKPT1 start option  
   specifying RECONFIG 7  
 CKPTLINE  
   \$ADD PRINTER 167  
   \$ADD PRT 167  
   \$D PRTnnnnn 433  
   \$D PUNnn 442  
   \$D Rnnnnn.PRm 433  
   \$T PRINTERnnn 869  
   \$T PRTnnn 869  
   \$T PUNnn 889  
   \$T Rnnnn.PRm 869  
   \$T Rnnnn.PUm 889  
   Rnnnn.PUm 442  
 CKPTLOCK  
   \$D MASDEF 333  
   \$E 509  
 CKPTMODE  
   \$ADD PRINTER 167  
   \$ADD PRT 167  
   \$D PRTnnnnn 433  
   \$D Rnnnnn.PRm 433  
   \$T PRINTERnnn 870  
   \$T PRTnnn 870  
   \$T Rnnnn.PRm 870  
 CKPTn  
   \$D CKPTDEF 236  
 CKPTPAGE  
   \$ADD PRINTER 167  
   \$ADD PRT 167  
   \$D PRTnnnnn 433  
   \$D PUNnn 442  
   \$D Rnnnnn.PRm 433  
   \$T PRINTERnnn 870  
   \$T PRTnnn 870  
   \$T PUNnn 889  
   \$T Rnnnn.PRm 870  
   \$T Rnnnn.PUm 889  
   Rnnnn.PUm 442  
 CKPTSEC  
   \$ADD PRINTER 168  
   \$ADD PRT 168  
   \$D PRTnnnnn 433  
   \$D Rnnnnn.PRm 433  
 CKPTSEC (continued)  
   \$T PRINTERnnn 871  
   \$T PRTnnn 871  
   \$T Rnnnn.PRm 871  
 Class  
   \$A job 122  
   \$C job 202  
   \$D INTRDR 277  
   \$D job 285  
   \$D PRTnnnnn 434  
   \$D PUNnn 442  
   \$D R(nn).RD(mm) 457  
   \$D RDI 453  
   \$D RDR(nn) 457  
   \$D Rnnnnn.PRm 434  
   \$D I 273  
   \$D Init 273  
   \$E job 511  
   \$H job 548  
   \$P job 597  
   \$T INIT 715  
   \$T job 725  
   \$T PRINTERnnn 876  
   \$T PRTnnn 876  
   \$T PUNnn 891  
   \$T RDI 900  
   \$T RDRnn 904  
   \$T Rnnnn.PRm 876  
   \$T Rnnnn.PUm 891  
   \$T Rnnnnn.RDm 904  
   Rnnnn.PUm 442  
 Class  
   \$ADD PRINTER 168  
   \$ADD PRT 168  
   \$D OFFJR(n) 380  
   \$D OFFJT(n) 384  
   \$T OFFJR(n) 810, 811, 817  
 CLASS  
   \$T INTRDR 719  
   \$T TRACEDEF 948  
 cmd  
   \$D REDIRECT 463  
 CMDauth  
   \$A job 122  
   \$C job 202  
   \$CO 213  
   \$D job 285  
   \$DO Job 372  
   \$E Job 511  
   \$H job 548  
   \$L job 568  
   \$O Job 584  
   \$P job 597  
   \$PO Job 613  
   \$T job 725  
 CMDNUM  
   \$D CONDEF 244  
   \$T CONDEF 688  
 CMPCT  
   \$T PRINTERnnn 871  
   \$T PRTnnn 871  
   \$T PUNnn 889  
   \$T Rnnnn.PRm 871  
   \$T Rnnnn.PUm 889  
 CNVT\_END  
   \$T JOBDEF 746  
 CNVT\_ENQ  
   \$D JOBDEF 302  
 CNVTNUM  
   \$D PCEDEF 422  
 CODE  
   \$ADD LINE 152  
   \$ADD LNE 152  
   \$D LINE(nnnnn) 318  
   \$T LINE(nnnnn) 761  
 COLD start option  
   specifying NOREQ 7  
 COLDTIME  
   \$D MASDEF 333  
 COLDVRSN  
   \$D MASDEF 333  
 command  
   authority 898, 901  
   range  
     asterisk 106  
     JES2 interpretation 106  
     upper limit 106  
   reader  
     \$T RDI command 898  
     \$T RDRnn command 901  
   syntax diagrams 116  
 COMMAND  
   \$D MEMBER 338  
   \$D SPOOL 472  
 command authority  
   set node 788  
 COMPACT  
   \$ADD APPL 130  
   \$D APPL 232  
   \$D NODE 364  
   \$T APPL 677  
   \$T NODE(jnnnnnnn) 789  
   \$T PRINTERnnn 871  
   \$T PRTnnn 871  
   \$T RMTnn 919  
   \$T Rnnnn.PRm 871  
 compaction  
   table number 129  
 COMPRESS  
   \$ADD LINE 152  
   \$ADD LNE 152  
   \$D LINE(nnnnn) 318  
   \$T LINE(nnnnn) 761  
   \$T PRINTERnnn 871  
   \$T PRTnnn 871  
   \$T PUNnn 890  
   \$T RMTnn 919  
   \$T Rnnnn.PRm 871  
   \$T Rnnnn.PUm 890  
 con\_spec  
   \$ADD REDIRect 179  
 CONCHAR  
   \$D CONDEF 244  
   \$T CONDEF 689  
 CONDEST  
   \$T RMTnn 919  
 CONDitional parameter  
   on PROCLIB statement 861  
 CONNECT  
   \$ADD APPL 130  
   \$ADD LINE 152  
   \$ADD LNE 152  
   \$ADD SOCKET 191

CONNECT (continued)  
 \$D APPL 232  
 \$D LINE(nnnnn) 318  
 \$D NJEDEF 359  
 \$D NODE 364  
 \$E LINE 518  
 \$T APPL 677  
 \$T LINE(nnnnn) 762  
 \$T NJEDEF 781  
 \$T NODE(jnnnnnnn) 788

CONS  
 \$T RMTnn 919

CONSOLE start option  
 specifying NONE 7

COPIES  
 \$D OUTDEF 407  
 \$T OUTDEF 846

COPYMARK  
 \$ADD PRINTER 168  
 \$ADD PRT 168  
 \$D PRTnnnnn 434  
 \$D Rnnnnn.PRm 434  
 \$T PRINTERnnn 871  
 \$T PRTnnn 871  
 \$T Rnnnn.PRm 871

COUNT  
 \$D pce 419  
 \$D RECVOpts(\*) 461  
 \$D RECVOpts(type) 461  
 \$T RECVOpts 909

COUNTS  
 \$D 483

CReator  
 \$ADD PRINTER 168  
 \$ADD PRT 168  
 \$D OFF(n).JR 380  
 \$D OFF(n).JT 380, 384  
 \$D OFF(n).SR 380  
 \$D OFF(n).ST 380, 389, 397  
 \$D PRTnnnnn 434  
 \$D PUNnn 443  
 \$D Rnnnnn.PRm 434  
 \$T OFF.JR(n) 810  
 \$T OFF.JT(n) 817  
 \$T OFF(n).SR 827  
 \$T OFF(n).ST 833  
 \$T PRINTERnnn 871  
 \$T PRTnnn 871  
 \$T PUNnn 890  
 \$T Rnnnn.PRm 871  
 \$T Rnnnn.PUm 890  
 Rnnnn.PUm 443

CRTIME  
 \$DO Job 372

CURJOB  
 DETails  
 \$D pce 419

CYL\_MANAGED  
 \$D SPOOLDEF 479  
 \$T SPOOLDEF 936

## D

D  
 \$B PRTnnnnn 194  
 \$B PUNnn 196  
 \$B Rnnnnn.PRm 194

D (continued)  
 \$C job 203  
 \$D A.job 224  
 \$D M 330  
 \$F PRTnnnn 529  
 \$F PUNnn 531  
 \$F Rnnnn.PUm 531  
 \$G R,OUT 540  
 \$G R,XEQ 543  
 \$N 'command'  
 commands through network 578  
 \$R 635  
 \$R XEQ 637  
 \$Rnn.PUm 196

DA  
 \$ADD REDIRect 179  
 \$T REDIRect 911

Days  
 \$C job 201

DAys  
 \$A job 121  
 \$CO 212  
 \$D job 284  
 \$DO Job 371  
 \$E Job 511  
 \$H job 548  
 \$O Job 583  
 \$P job 597  
 \$PO job 612  
 \$T job 724  
 \$TO JOB 800

DBLBUFR  
 \$D PRINTDEF 423  
 \$D PUNCHDEF 439

DCONNECT  
 \$ADD REDIRect 179  
 \$T REDIRect 911

DDNAME parameter  
 on PROCLIB statement 861

DEBUG  
 \$D 250  
 \$T 694

DEF  
 \$ADD REDIRect 179  
 \$T REDIRect 911

Defined  
 \$D pce 419  
 \$T PCE 855

DELAY  
 \$C job 202  
 \$D job 285  
 \$D JOBDEF 303  
 \$D NJEDEF 359  
 \$P job 598  
 \$T job 726  
 \$T NJEDEF 781

DESC  
 \$D pce 419  
 \$D SSI(nnn) 484

Dest  
 \$CO 213  
 \$DO Job 372  
 \$O Job 584  
 \$PO job 613  
 \$TO JOB 801

DEST  
 \$ADD DESTid 135

DEST (continued)  
 \$D DESTid 254  
 \$T DESTid(vvvvvvvv) 698

destid  
 \$G A 533  
 \$G C 535  
 \$G D 536  
 \$G H 539  
 \$G R,XEQ 544

DEV  
 \$D A job 224

DEVFCB  
 \$ADD PRINTER 168  
 \$ADD PRT 168  
 \$D PRTnnnnn 434  
 \$D Rnnnnn.PRm 434  
 \$T PRINTERnnn 872  
 \$T PRTnnn 872  
 \$T Rnnnn.PRm 872

DEVFLASH  
 \$ADD PRINTER 168  
 \$ADD PRT 168  
 \$D PRTnnnnn 434  
 \$D Rnnnnn.PRm 434  
 \$T PRINTERnnn 872  
 \$T PRTnnn 872  
 \$T Rnnnn.PRm 872

Device  
 \$T RDRnn 903  
 \$T Rnnnnn.RDm 903

DEVICE  
 \$T INTRDR 719

DF  
 \$ADD REDIRect 179  
 \$T REDIRect 911

DI  
 \$ADD REDIRect 179  
 \$T REDIRect 911

DIRECT  
 \$T NODE(jnnnnnnn) 789

Discintv  
 \$T RMTnn 920

Discon  
 \$D LINE(nnnnn) 318  
 \$T LINE(nnnnn) 762

DISP  
 \$D OFF(n).JT 384  
 \$D OFF(n).ST 397  
 \$T OFF.JT(n) 817  
 \$T OFF(n).ST 833

display  
 initialization statement 260

Display initialization information 271

DISPLEN  
 \$D CONDEF 244  
 \$T CONDEF 689

DISPMAX  
 \$D CONDEF 245  
 \$T CONDEF 689

DJ  
 \$ADD REDIRect 179  
 \$T REDIRect 911

DMNDSET  
 \$D OUTDEF 407

DN  
 \$ADD REDIRect 180  
 \$T REDIRect 911

DNODE  
   \$ADD REDIRECT 180  
   \$T REDIRECT 912  
 DORMANCY  
   \$D MASDEF 334  
   \$T MASDEF 772  
 DQ  
   \$ADD REDIRECT 180  
   \$T REDIRECT 912  
 DRAIN  
   \$\$ SPL 665  
   \$\$ SPOOL 665  
 DS  
   \$ADD REDIRECT 179  
   \$T REDIRECT 911  
 DSLIMIT  
   \$D OUTDEF 407  
   \$T OUTDEF 847  
 DSN  
   \$D OFFLOAD 403  
   \$T OFFLOAD(n) 842  
 DSName  
   \$T CKPTDEF 683  
 DSNNAME  
   \$D SPOOLDEF 479  
 DSName parameter  
   on PROCLIB statement 861  
 DSNMASK  
   \$D SPOOLDEF 479  
   \$T SPOOLDEF 936  
 DSPL  
   \$ADD REDIRECT 180  
   \$T REDIRECT 912  
 DT  
   \$ADD REDIRECT 179  
   \$T REDIRECT 911  
 DU  
   \$ADD REDIRECT 180  
   \$T REDIRECT 912  
 Dump  
   \$C job 203  
   \$G C 534  
 DUPL\_JOB  
   \$D JOBDEF 303  
   \$T JOBDEF 747  
 DUPLEX  
   \$ADD LINE 152  
   \$ADD LNE 152  
   \$D CKPTDEF 237  
   \$D LINE(nnnnn) 318  
   \$T CKPTDEF 681  
   \$T LINE(nnnnn) 762  
 DYNAMIC  
   \$D LOADMOD(jxxxxxxx) 324

## E

EJECT  
   \$D PRTnnnnn 434  
   \$D Rnnnnn.PRm 434  
 Ended  
   \$D pce 420  
   \$T PCE 855  
 ENDED  
   DEtails  
   \$D pce 419

ENDNODE  
   \$D NODE 364  
   \$T NODE(jnnnnnnn) 789  
 entry\_console  
   \$ADD REDIRECT 180  
   \$D REDIRECT 462  
 ENViron  
   \$D EXIT 262  
   \$D MODULE(jxxxxxxx) 343  
 EXIT  
   DEtails  
   \$D pce 419  
 EXIT(\*)  
   \$D 262  
 EXIT(nnn)  
   \$D 262  
 EXITPTS  
   \$D MODULE(jxxxxxxx) 344  
 EXTBUF  
   \$D BUFDEF 234  
   \$T BUFDEF 679

## F

F  
   \$TO JOB 802  
 FCB  
   \$ADD PRINTER 166  
   \$ADD PRT 166  
   \$CO Job 213  
   \$D OFF(n).ST 389, 397  
   \$D PRINTDEF 423  
   \$D PRTnnnnn 434  
   \$D Rnnnnn.PRm 434  
   \$DO Job 372  
   \$O Job 584  
   \$PO Job 613  
   \$T OFF(n).SR 827, 828  
   \$T OFF(n).ST 833  
   \$T PRINTERnnn 869  
   \$T PRTnnn 869  
   \$T Rnnnnn.PRm 869  
   \$TO JOB 801  
 FCBLOAD  
   \$T PRINTERnnn 872  
   \$T PRTnnn 872  
   \$T Rnnnnn.PRm 872  
 FENCE  
   \$D SPOOLDEF 479  
   \$T SPOOLDEF 936  
 Flash  
   \$D OFF(n).ST 398  
   \$T OFF(n).ST 833  
 FLash  
   \$D OFF(n).ST 389  
   \$T OFF(n).SR 827  
 FLASH  
   \$ADD PRINTER 168  
   \$ADD PRT 168  
   \$CO Job 214  
   \$D PRTnnnnn 434  
   \$D Rnnnnn.PRm 434  
   \$DO Job 375  
   \$O Job 584  
   \$PO Job 614  
   \$T PRINTERnnn 873  
   \$T PRTnnn 873  
 FLASH (continued)  
   \$T Rnnnnn.PRm 873  
 FLUSH  
   \$D PUNnn 443  
   \$T PUNnn 890  
   \$T Rnnnnn.PUm 890  
   Rnnnnn.PUm 443  
 FMID  
   \$D MODULE(jxxxxxxx) 344  
 FORCE  
   \$P JES2 592  
 Format  
   \$\$ SPL 665  
   \$\$ SPOOL 665  
 FORMAT start option  
   specifying COLD 7  
 Forms  
   \$ADD PRINTER 168  
   \$ADD PRT 168  
   \$CO Job 214  
   \$D OFF(n).ST 390, 398  
   \$D PRTnnnnn 434  
   \$D PUNnn 443  
   \$D Rnnnnn.PRm 434  
   \$DO Job 374  
   \$O Job 584  
   \$PO Job 615  
   \$T OFF(n).SR 827, 828  
   \$T OFF(n).ST 833  
   \$T PRINTERnnn 873  
   \$T PRTnnn 873  
   \$T PUNnn 890  
   \$T Rnnnnn.PRm 873  
   \$T Rnnnnn.PUm 890  
   \$TO JOB 802  
   Rnnnnn.PUm 443  
 FREE  
   \$D BUFDEF 234  
 FSAROLTR  
   \$D PRTnnnnn 434  
   \$D Rnnnnn.PRm 434  
   \$T PRINTERnnn 873  
   \$T PRTnnn 873  
   \$T Rnnnnn.PRm 873  
 FSS  
   \$ADD PRINTER 168  
   \$ADD PRT 168  
   \$D PRTnnnnn 434  
   \$D Rnnnnn.PRm 434  
   \$T PRINTERnnn 873  
   \$T PRTnnn 873  
   \$T Rnnnnn.PRm 873  
 FSSDef  
   \$D FSS 269  
   \$D FSSDef 269  
 FSSINFO  
   \$D PRTnnnnn 434  
   \$D Rnnnnn.PRm 434  
 FSSLENG  
   \$D FSSDef 269  
 FSSMADDR  
   \$D FSS 269  
   \$D FSSDef 269  
   \$D PRTnnnnn 435  
   \$D Rnnnnn.PRm 435  
 FSSMAPAR  
   \$D FSS 269

FSSMAPAR (continued)

- \$D FSSDef 269
- \$D PRTnnnnn 435
- \$D Rnnnnn.PRm 435

FSSMLENG

- \$D FSS 269
- \$D PRTnnnnn 435
- \$D Rnnnnn.PRm 435

FSSMPTF

- \$D FSS 269
- \$D FSSDef 269
- \$D PRTnnnnn 435
- \$D Rnnnnn.PRm 435

function

- display
  - device 494
  - line 494
  - logon 494
  - offload device 494
  - printer status 494
  - punch 494
  - reader 494
  - remote device 494
- establishing
  - jobid meaning 99
  - sysid meaning 99

Function

- #D M command 95
- activate
  - JES2 checkpoint level 127
- activate/deactivate trace identifier
  - \$S TRACE command 20
  - \$T Trace command 20
- add
  - job class 140
  - line 150
  - logon device 157
  - network connections 131
  - RJE workstation 181
- adding
  - application 92
  - comments to commands 104
- advance
  - printer output 528
  - punch output 531
- allow
  - JES2-controlled initiators to select work 670
  - WLM-controlled initiators to select work 670
- assign
  - jobid 44
  - LOGON ID 768
  - LOGON password 768
- assigning
  - JES2/VTAM password 91
  - line password 93
  - NJE line password 93
- backspace
  - printer output 193
  - punch output 196
- cancel
  - automatic commands 197
  - held output groups 581
  - job at another node 534
  - job output 71
  - jobs on a spool volume 71

Function (continued)

- cancel (continued)
  - NJE device 208
  - output 210
  - reader activity 222
- cancel job 199
- cancel printer
  - output 220
- cancel punch
  - output 221
- cancel spool offload
  - receiver 219
  - transmitter 219
- change
  - initialization 17
  - job affinity 71
  - job's affinity 722
  - job's class 722
  - job's scheduling priority 722
  - member's operational mode 774
  - RJE workstation 913
  - static network connections 691
  - with \$T command 17
- change destination ID
  - \$T DESTid command 697
- changing
  - application 92
  - applications 83
  - job characteristics 71
  - job execution priority 68
  - NJE symbolic destination 86
  - TCP/IP sockets 83
- checkpoint
  - DUAL mode 17
  - DUPLEX mode 17
  - use \$T MASDEF command mode 17
- command control JES2
  - command list 1
- conditionally purge
  - output 75
- connect
  - remote terminal 662
- considering
  - SNA RJE 47
- control
  - \$C A command 19
  - \$MSPL command 26
  - \$P SPOOL command 23, 24
  - \$S SPOOL command 23
  - \$T A command 19
  - \$T SPOOLDEF command 24
  - \$Z A command 19
  - \$Z SPOOL command 23, 24
  - Addressing Mode 24
  - automatic commands 19
  - default spool utilization per job 702
  - draining 24
  - execution time 703
  - functional subsystem (FSS) 712
  - initiators 714
  - internal readers 717
  - JES2 applications 676
  - JES2 network environment 780
  - JES2 spooling 23, 24, 26
  - JES2 symbolic destination 697

Function (continued)

- control (continued)
  - JES2 symbolic destination displays 695
  - job execution 67
  - line 758
  - local buffers 679
  - MAS environment 771
  - migrating 26
  - print environment 857
  - printer characteristics 863
  - printer output 45
  - punch characteristics 886
  - punch output 45
  - reader 898, 901
  - SMF buffers 928
  - SPOOLDEF initialization statement 24
  - subsystem interface definition 941
  - trace facility 948
  - VTAM interface 768
- control automatic command
  - list 2
- control diagnostic command
  - list 3
- control MVS/JES2 command
  - list 4
- control spool command
  - list 4
- controlling
  - \$S LOGON(n) command 91
  - \$S NETSRV (n) command 92
  - \$T CONDEF command 41
  - device environment 33, 41
  - FSS (functional subsystem) 33
  - initiators 67
  - internal readers 43
  - JCL OUTPUT statement 73
  - JES2-TCP/IP interfaces 83
  - JES2/VTAM interface 47
  - JES2/VTAM interfaces 82
  - job execution 61
  - job output 73
  - job output characteristics 73
  - job output priority 73
  - jobs at another node 62, 72
  - network 81
  - networks 81
  - NJE devices 84
  - NJE environment 85
  - NJE lines 83, 92
  - NJE static connections 84
  - offload devices 39
  - offload transmitters/receivers 56
  - output 63
  - output groups 78
  - printers 34
  - punches 36
  - readers 33
  - remote job entry 46
  - remote terminal characteristics 47
  - RJE line 47
  - RJE lines 38
  - RJE workstations 38, 47
  - TCP/IP interface 92
  - transmitting/receiving devices 94
  - VTAM interface 37

Function *(continued)*

- controlling *(continued)*
  - VTAM interface for SNA NJE 91
  - WLM initiators 69
- Controlling MAS environment
  - command list 1
- controlling NJE static connection 94
- define
  - FSS 138
  - local printer 164
  - symbolic destination 134
  - VTAM application 129
- define FSS
  - \$T FSS command 42
  - using \$ADD FSS 42
  - with \$ADD FSS command 42
- defining
  - \$T DESTid command 699
  - application 92
  - applications 83
  - TCP/IP sockets 83
  - two-level destids 699
- delete
  - installation load module 504
  - job class 502
  - network connections 499
- deleting
  - symbolic destinations 501
- describing
  - device list and abbreviations 40
  - device states 41
  - initiator states 41
  - overview of devices 40
- describing device
  - active 41
  - drained 41
  - halted 41
  - inactive 41
  - paused 41
- determining
  - job class priority 68
  - spool status classifications 25
- diagnose
  - JES2/VTAM interface 91
- diagnose JES2
  - \$D LOADMOD command 23
  - \$D MODULE command 23
  - \$D SSI command 23
  - \$T DEBUG command 23
  - \$T SSI command 20
  - \$T TRACEDEF command 20
  - \$T RECVopts command 20
  - display module information 23
  - recovery processing 20
  - start stop 23
  - start/stop trace 20
- disable
  - JES2 exit points 709
- disconnect
  - line 315
- display
  - \$D CLASSGRP 241
  - \$D L(nnnn).SR(n) 310
  - \$D R(nn).RD(mm) 455
  - \$D RDR command 42
  - \$D RDR(nn) 455
  - \$D U,RDRs command 42

Function *(continued)*

- display *(continued)*
  - \$D L(nnnn).JR(n) 306
  - \$D L(nnnn).JT(n) 308
  - \$D REBLD command 459
  - # of bytes for job 256
  - active job information 66
  - active jobs 223
  - active RJE workstations 229
  - adapter code (BSC) 315
  - another node job information 536
  - assembled module info. 341
  - automatic commands 671
  - buffer definitions 234
  - characteristics assigned to
    - jobs 302
  - checkpoint definition 235
  - checkpoint spaces 240
  - connection resistance rate 248
  - console communications 244
  - current job priority
    - characteristics 305
  - device status 452
  - exit point characteristics 261
  - forms queue 265
  - FSS characteristics 268
  - initialization settings 490
  - initialization statement 461
  - initiator info. 272
  - input reader device 42
  - input reader numerical id 42
  - internal reader status 452
  - INTRDR initialization statement
    - characteristics 276
  - JES2 278
  - JES2 checkpoint level 226
  - JES2 processor tracing status 414
  - JES2 status 10
  - job information 65, 280
  - job log send message 329
  - job output forms queue 265
  - job output priority 411
  - job queue info. 348
  - job receiver status 306
  - job transmitter status 308
  - jobs using spool 469
  - line characteristics 315
  - line receiver 310
  - lines of job output 257
  - load module information 322
  - LOGON interfaces 326
  - MAS member 336
  - MAS readiness for z11
    - activation 226
  - MAS spool definition 332
  - MAS tuning parameters 332
  - message to node 329
  - MVS DISPLAY command 10
  - network account numbers 353
  - network connections 246
  - network environment 358
  - NJE node attributes 87
  - node characteristics 361
  - node paths 412
  - number of jobs queued 445
  - number of logical initiators 270
  - OFF(n).JR 379

Function *(continued)*

- display *(continued)*
  - OFF(n).SR 379
  - offload devices 401
  - offload job receiver 379
  - offload job transmitter 383
  - offload SYSOUT receiver 386
  - offload SYSOUT transmitter 395
  - output characteristics 367
  - output classes 405
  - output definition options 407
  - output pages set for jobs 258
  - partitioning of spool 485
  - PCE definitions 422
  - printer characteristics 428
  - printer initialization settings 423
  - punch characteristics 440
  - punch initialization settings 439
  - reader status 452
  - rebuild queue information 459
  - redirection 462
  - remote device control
    - authority 455
  - SNA NJE applications 231, 242
  - spool partitioning 478
  - spool states 25
  - spool status 469
  - spool usage 445
  - spool volume state 25
  - SSI 483
  - SSI information 941
  - start options 404
  - status of SMF buffers 465
  - status of trace ids 490
  - subnet connections 486
  - subsystems 10
  - symbolic destination 254
  - symbolic destinations 252
  - SYSOUT receiver 310
  - SYSOUT transmitter 312
  - SYSOUT transmitter status 313
  - system symbols 100
  - teleprocessing characteristics 487
  - time set for jobs 260
  - trace characteristics 492
  - track spool volumes 478
- display control authority
  - remote console 450
- display delay interval
  - node communications 358
  - transmission 358
- display job information
  - list of commands 59
- display NJE
  - job 96
- display node paths
  - \$D PATH command 412
- display remote console
  - \$D R(n).CON(m) command 450
  - control authority 450
- display setting
  - punch pages for jobs 259
- display SYSOUT transmitter
  - \$D L(nnnn).ST(n) 313
  - status 313
- displaying
  - \$D command 16

## Function (continued)

- displaying (continued)
  - \$D MASDEF command 15
  - \$D MEMBER command 15
  - \$D PATH command 87
  - \$D SUBNET command 86
  - anytime 16
  - MAS 15
  - MAS member status 15
  - NJE node connections 86
  - NJE path resistance 87
  - node information 87
- drain
  - job output 609
  - offload receiver 620
  - spool volume 626
- enable
  - JES2 exit points 709
- enter
  - MVS system commands 949
- entering
  - multiple commands on a line 102
- expanding the command scope
  - in a MAS 17
  - JES2 commands 17
  - MVS ROUTE \*ALL command 17
- format start 10
- grouping
  - SYSOUT 43
- halt
  - automatic command processing 950
  - HALT EOD command 14
  - initiator activity 953
  - offload activity 956
  - printer activity 957
  - punch activity 958
  - reader activity 959
  - spool volume 960
- HALT EOD command 593
- handling
  - cross network activity 86
  - excessive NJE looping 86
- hold
  - all jobs 545
  - job at another node 538
  - specific jobs 547
- holding and releasing
  - job queues 71, 72
  - jobs 61
- hot start 11
- identifying
  - JOE identifier 79
- initiate
  - batch job into execution 642
  - checkpoint reconfiguration dialog 680
- interrupt
  - printer activity 553
  - punch activity 554
- job option warm start
  - hold 12
  - queue 12
  - restart 12
- list
  - job output information 567

## Function (continued)

- load
  - installation load module 156
- modify
  - automatic commands 671
  - checkpoint definition 680
  - job characteristics 732
  - started task characteristics (STC) 732
  - time-sharing user characteristics (TSU) 732
  - Trace ID 945
- modify/add
  - spool volume 932
- modifying
  - NJE transmission delay 86
- monitor
  - VTAM interface 768
- monitoring
  - \$T BUFDEF command 14
  - \$T SMFDEF command 15
  - buffers 14
  - SMF buffers 15
- offload/reload
  - spool device 55
- operator request
  - D R command 16
  - display commands 16
  - display JES2 request 16
- prevent
  - JES2-controlled initiators from selecting work 632
  - WLM-controlled initiators from selecting work 632
- processing
  - output 43
- purge
  - a job 595
  - job output 609
  - jobs on a spool volume 71
- purging
  - jobs 71
- quick start 10, 11
- recognizing
  - NJE lockout condition 86
- redirect
  - \$ADD REDIRECT command 16
  - \$D REDIRECT command 16
  - \$T REDIRECT command 16
  - \$T REDIRECT 910
  - command responses 910
  - commands 178
  - job output 16
- referencing
  - two-level destids 136
- referencing destinations
  - \$T DESTID command 135
  - second-level destination 135
- refresh
  - installation load module 766
- release
  - all jobs 119, 859
  - held jobs 120
  - held output groups 581
  - job to another node 532
- release/cancel
  - job output 77

## Function (continued)

- removing
  - \$DEL DESTID command 86
  - NJE symbolic destination 86
- repeat
  - printer output 579
  - punch output 580
- request
  - route job output by another node 540
- request another node
  - route job execution 543
- reset
  - \$T NUM command 70
  - checkpoint lock 18, 508
  - job number 70
- restart
  - \$E command 18
  - checkpoint lock 18
  - JES2 18
  - JES2/VTAM interface 519
  - job 510
  - jobs on failed member 520
  - line activity 517
  - NJE device activity 516
  - printer activity 526
  - punch activity 527
  - spool offload transmitter 525
  - sysplex member 18
- restart JES2 10
- restart JES2 by command 12
- restarting
  - jobs 71
- restricting
  - NJE operations 48
  - RJE operations 48
- route
  - job output 633
  - job to another node 67, 70
  - jobs for execution 637
- routing
  - \$R command 78
  - job output 78
- send
  - \$D M command 67
  - commands through network 577
  - message to another node 67
  - message to job log 67
  - to Other MAS Members 571
- sending
  - messages/commands through the network 95
- sending commands
  - \$N n command 95
  - in a JES2 MAS 17
  - MVS ROUTE \*ALL command 17
  - through the network 85
  - using the console character 17
- sending messages
  - through the network 85
- set
  - \$T SMFDEF command 928
  - checkpoint space 687
  - connection resistance rate 130, 133
  - console communication characteristics 688



## Function (continued)

## set (continued)

default data set disposition 844  
 error rate 908  
 internal reader authority 903  
 JES2 DEBUG option 693  
 JES2 internal job numbers 795  
 job class characteristics 732  
 job output characteristics 846  
 job processing characteristics 745  
 job scheduling characteristics 750  
 line count 704  
 node characteristics 784  
 offload device characteristics 840  
 offload job receiver  
   characteristics 808  
 offload job transmitter  
   characteristics 815  
 offload SYSOUT receiver  
   characteristics 823  
 offload SYSOUT transmitter  
   characteristics 831  
 output characteristics 796  
 output scheduling priorities 850  
 page count 706  
 punch estimate 707  
 recovery options 908  
 resistance rate 692  
 SMF buffers 928  
 spool volume track group 485  
 spooling environment 935  
 SYSOUT class characteristics 844  
 teleprocessing characteristics 943  
 set node  
   command authority 96  
 setting  
   (\$) identifier 98  
   command authority 88  
   command identifier 98  
   explicit destination identifier 107  
   explicit route codes 107  
   internal reader command  
     authority 903  
   job execution characteristics 60  
   maximum command length 99  
   node authority 88  
   node password 88  
   offload characteristics 56  
   second-level destination 698  
 setting output  
   \$T PRT command 45  
   characteristics 45  
 setting RJE workstation  
   automatic connect/disconnect 48  
 specify  
   \$T CKPTDEF command 18  
   \$T ESTPAGE command 77  
   \$T EXIT command 14  
   \$T JOBCLASS(n) 75  
   \$T OUTCLASS(n) 75  
   \$T SPOOLDEF command 935  
   automatic commands 671  
   checkpoint definition 18  
   default page count 77  
   disable 14  
   enable 14  
   exit points 14

## Function (continued)

## specify (continued)

JES2 applications 676  
 job execution time 70  
 job priority 70  
 output disposition 75  
 spool partitioning 935  
 SYSOUT network job transmitter  
   characteristics 752  
 SYSOUT transmitter  
   characteristics 754  
 trace 14  
 specify XBM  
   \$T JOBCLASS command 736  
   cataloged procedure 736  
 specifying  
   \$ADD DESTid command 86  
   initiator parameters 60  
   job characteristics 70  
   job output characteristics 62  
   NJE symbolic destination 86  
   NJE TOD range 86  
   node characteristics 81  
   output line count 77  
   output scheduling priority 76  
   output spool space 76  
   punch card count 77  
 spooling  
   messages to remote 48  
 start  
   \$S LINE command 646  
   automatic command  
     processing 639  
   batch job into execution 642  
   BSC line node  
     communication 648  
   initiator 640  
   JES2 DEBUG option 693  
   JES2/VTAM interface 647  
   line 646  
   NJE BSC line 88  
   NJE device 645  
   offload device 658  
   offload transmitter/receiver 657  
   printer 659  
   punch 660  
   reader 661  
   SNA line node  
     communication 651  
   SNA NJE line 90  
   SYS1.PROCLIB JCL 13  
   system activity 639  
   TCP/IP line node  
     communication 653  
   TCP/IP NJE line 90  
   Trace ID 669  
 start printer  
   \$S PRT command 44  
 start SNA/VTAM  
   node communications 89  
 start TCP/IP  
   node communications 90  
 start VTAM 89  
 start work selection  
   \$S XEQ 670  
 start/add  
   spool volume 664

## Function (continued)

## starting

BSC node communications 82  
 SNA node communications 82  
 TCP/IP node communications 82  
 starting BSC line  
   communications 88  
 starting SNA  
   application-to-application  
     session 89  
 stop  
   \$Z SPOOL 960  
   a line 604  
   initiator 589  
   JES2 588, 591  
   JES2/VTAM interface 606  
   job output 609  
   NJE device 603  
   offload device 621  
   offload transmitter 620  
   printer 622  
   punch 623  
   reader 624  
   spool volume 960  
   trace id 630  
 stop JES2  
   \$P command 13  
 stopping  
   jobs 71  
 terminate  
   remote connection 625  
 trace  
   \$T SSI command 941  
   all JES2 processors 852  
   exit points 14  
   line 315  
   SSI information 941  
 use  
   \$T LOGON(nnn) command 768  
   \$T OFFST command 831  
   \$T RMT command 913  
   \$T LINE command 758  
   \$T MEMBER command 774  
   \$T NJEDEF command 780  
   \$T NODE command 784  
   \$T NUM command 795  
   \$T O command 796  
   \$T OFFLOAD command 840  
   \$T OUTCLASS(n) command 844  
   \$T OUTDEF command 846  
   \$T OUTPRTY command 850  
   \$T PCE command 852  
   \$T PRINTDEF command 857  
   \$T PRT command 863  
   \$T PUNnnnnn command 886  
   \$T RECVOpts command 908  
   \$T TPDEF command 943  
   \$T TRACE command 945  
   \$T TRACEDEF command 948  
   \$VS command 949  
   \$Z OFFLOADn command 956  
   \$Z A command 950  
   \$Z PRT command 957  
   \$Z PUNnnnnn command 958  
   halt \$Z Ivvvv command 953  
 using  
   \$T MEMBER command 15

Function *(continued)*  
 using *(continued)*  
 \$T O command 73  
 command identifier rules 99  
 command syntax 97  
 command syntax rules 99  
 execution batch monitor 69  
 independent mode 15  
 JES2 command filtering techniques 114  
 JOE (job output element) 73  
 limiting information 114  
 MAXHOP parameter 86  
 maximum number of operands 100  
 MVS REPLY command 6  
 MVS ROUTE command 16  
 parameter ranges 105  
 SDSF (spool display and search facility) 73  
 selection criteria 114  
 syntax conventions 97  
 system symbols 100  
 system symbols, rules and recommendations 100  
 wildcards in commands 108  
 using NJE  
 global commands 96  
 warm start 10  
 withdraw  
 JES2 591  
 withdraw JES2  
 network jobs 592  
 Function initialization  
 display  
 initialization settings 461  
 Function JES2  
 start  
 option 5  
 Function output  
 displaying  
 \$T PRINTDEF 78  
 job output 78

## G

GCRATE  
 \$D SPOOLDEF 479  
 \$T SPOOLDEF 937  
 GSUBNUM  
 \$D SUBTDEF 485

## H

H  
 \$O Job 585  
 \$P job 599  
 \$T INTRDR 719  
 \$T job 727  
 \$T OUTCLASS(n) 845  
 \$TO JOB 802  
 HALT  
 \$\$ SPL 665  
 \$\$ SPOOL 665  
 HASPFSSM  
 \$ADD FSS 139

HASPFSSM *(continued)*  
 \$D FSS 269  
 \$D FSSDef 269  
 \$D PRInnnnn 435  
 \$D Rnnnn.PRm 435  
 \$T FSS 713  
 HASPPARM  
 \$D INITINFO 271  
 \$D OPTSDEF 404  
 HASPPARM=ddname start option  
 specifying CONSOLE 7  
 HDRBUF  
 \$D NJEDEF 359  
 \$T NJEDEF 781  
 Health Monitor  
 JDDetails 555  
 JDHISTORY 558  
 JDJES 562  
 JDMONITOR 563  
 JDSTATUS 565  
 JSTOP 566  
 Held  
 \$L job 569  
 HELD  
 \$CO 214  
 \$DO Job 374  
 \$L 569  
 \$PO job 615  
 \$TO JOB 802  
 HELDBY  
 \$E CKPTLOCK 509  
 Hold  
 \$D INTRDR 277  
 \$D OFF(n).JR 380  
 \$D OFF(n).JT 380, 384  
 \$D OFF(n).SR 380  
 \$D OFF(n).ST 380, 390, 398  
 \$D R(nn).RD(mm) 458  
 \$D RDR(nn) 458  
 \$T INTRDR 719  
 \$T OFF.JR(n) 811  
 \$T OFF.JT(n) 817  
 \$T OFF(n).SR 828  
 \$T OFF(n).ST 834  
 HOLD  
 \$C job 203  
 \$CO job 214  
 \$D job 287  
 \$D L(nnnn).JR(n) 307  
 \$D MASDEF 334  
 \$D NODE 364  
 \$D RDI 453  
 \$DO Job 374  
 \$P job 599  
 \$PO job 615  
 \$T job 727  
 \$T MASDEF 772  
 \$T NODE(jnnnnnn) 789  
 \$T OUTCLASS(n) 845  
 \$T RDI 900  
 \$T RDRnn 904  
 \$T Rnnnnn.RDm 904  
 \$TO JOB 802  
 HOLDRC  
 \$CO job 214  
 \$DO Job 374  
 \$PO job 615

HOLDRC *(continued)*  
 \$TO JOB 803  
 HONOR  
 \$T INTRDR 719  
 HONORlim  
 \$D INTRDR 277  
 Hours  
 \$A job 122  
 \$C job 203  
 \$CO 214  
 \$D job 287  
 \$DO Job 374  
 \$E Job 512  
 \$H job 549  
 \$O Job 585  
 \$P job 599  
 \$PO job 615  
 \$T job 727  
 \$TO JOB 802  
 HTABS  
 \$T RMTnn 921

## I

I  
 \$D I 273  
 \$\$ 641  
 \$T 715  
 \$T A 672  
 I/O  
 DETails  
 \$D pce 419  
 I(nnnm)  
 \$T 715  
 I(vvvv)  
 \$\$ 641  
 IBMJES2  
 \$D MODULE(jxxxxxxx) 344  
 IND  
 \$D MEMBER 338  
 \$D N 349  
 \$D Q 446  
 \$T MEMBER 776  
 init  
 \$\$ 641  
 \$T 715  
 Init  
 \$D Init 273  
 INIT(nnnm)  
 \$T 715  
 init(vvvv)  
 \$\$ 641  
 INITASID  
 \$D job 287  
 initialization statement  
 range  
 asterisk 106  
 JES2 interpretation 106  
 upper limit 106  
 Inn  
 \$P 590  
 Inn-mm  
 \$P 590  
 Innmm  
 \$Z 954  
 INT  
 \$D ESTBYTE 256

INT (continued)  
 \$D ESTIME 260  
 \$D ESTLNCT 257  
 \$D ESTPAGE 258  
 \$D ESTPUN 259  
 \$T ESTBYTE 702  
 \$T ESTIME 703  
 \$T ESTLNCT 705  
 \$T ESTPAGE 706  
 \$T ESTPUN 708

INTERFAC  
 \$ADD LINE 152  
 \$ADD LNE 152  
 \$D LINE(nnnnn) 318  
 \$T LINE(nnnnn) 762

INTERVAL  
 \$D RECVopts(\*) 461  
 \$D RECVopts(type) 461  
 \$T RECVopts 910

INTRDR  
 \$T 718

IPADDR  
 \$ADD SOCKET 191

## J

J  
 \$D A job 223  
 \$D F 267  
 \$G A 533  
 \$G C 534  
 \$G D 536  
 \$G H 538  
 \$G R,OUT 541  
 \$G R,XEQ 544  
 \$R 633, 634  
 \$R XEQ 637

JACCT  
 \$D NETACCT 354

JES2  
 \$P 592

JM  
 \$A job 122  
 \$C job 204  
 \$CO 214  
 \$D job 287  
 \$DO Job 374  
 \$E Job 512  
 \$H job 549  
 \$L job 569  
 \$O Job 585  
 \$P job 599  
 \$PO job 615  
 \$T job 727  
 \$TO JOB 803

JNUMBASE  
 \$D JOBDEF 303

JNUMFREE  
 \$D JOBDEF 303

JNUMWARN  
 \$D JOBDEF 303  
 \$T JOBDEF 748

job  
 \$A job 123, 124  
 \$C job 204  
 \$D 283  
 \$E job 512

job (continued)  
 \$H job 549  
 \$L 569  
 \$P job 600  
 \$\$ 643  
 \$T 727  
 route for execution  
 at another node 637  
 transmitter  
 network 153, 763

Job  
 \$A job 123  
 \$DO 371  
 \$E job 512  
 \$L 569  
 \$O 585  
 \$P job 600  
 \$PO 615  
 \$T 727  
 \$T INTRDR 719  
 \$T NODE(jnnnnnn) 788  
 \$T RDRnn 903  
 \$T Rnnnnn.RDm 903  
 \$TO 800

JOB  
 \$D A job 223  
 \$G H 538  
 \$G R,OUT 541

job\_id  
 \$D M 329

JOBCORR parameter 64

JOBDEF  
 \$D 302

JOBFREE  
 \$D JOBDEF 303

JOBID  
 \$D I 274  
 \$D Init 274

JOBID=  
 \$ZAPJOB 952

JOBKEY=  
 \$ZAPJOB 952

JOBMASK  
 \$A job 122  
 \$C job 204  
 \$CO 214  
 \$D job 287  
 \$DO Job 374  
 \$E Job 512  
 \$L job 569  
 \$O Job 585  
 \$P job 599  
 \$PO job 615  
 \$T job 727  
 \$TO JOB 803

JOBn  
 \$G C 534  
 \$G D 536  
 \$G R,XEQ 544  
 \$R 634

JOBn  
 \$G A 533

JOBname  
 \$ADD PRINTER 169  
 \$ADD PRT 169  
 \$D OFF(n).JR 381  
 \$D OFF(n).JT 381, 385

JOBname (continued)  
 \$D OFF(n).SR 381  
 \$D OFF(n).ST 381, 390, 398  
 \$D PRTnnnnn 435  
 \$D PUNnn 443  
 \$D Rnnnnn.PRm 435  
 \$T OFF.JR(n) 811  
 \$T OFF.JT(n) 818  
 \$T OFF(n).SR 828  
 \$T OFF(n).ST 834  
 \$T PRINTERnnn 873  
 \$T PRTnnn 873  
 \$T PUNnn 890  
 \$T Rnnnn.PRm 873  
 \$T Rnnnn.PUm 890  
 Rnnnn.PUm 443

JOBNAME  
 \$D I 274  
 \$D Init 274

JOBNAME=  
 \$ZAPJOB 953

JOBNUM  
 \$D JOBDEF 304  
 \$T JOBDEF 747

JOBPRTY(n)  
 \$D 305

JOBQ  
 \$A job 123  
 \$C job 204  
 \$CO 215  
 \$D 284  
 \$DO 371  
 \$E job 512  
 \$H job 549  
 \$L 569  
 \$O 585  
 \$P job 600  
 \$PO 615  
 \$T 727  
 \$TO 800

JOBRBLDQ  
 \$D JOBDEF 304

JOBWARN  
 \$D JOBDEF 304  
 \$T JOBDEF 748

JOEFREE  
 \$D OUTDEF 408

JOENUM  
 \$D OUTDEF 408  
 \$T OUTDEF 847

JOERBLDQ  
 \$D OUTDEF 408

JOEUSE  
 \$D OUTDEF 408

JOEWARN  
 \$D OUTDEF 408  
 \$T OUTDEF 847

JQ  
 \$C job 204  
 \$CO 215  
 \$D 284  
 \$DO 371  
 \$E job 512  
 \$H job 549  
 \$L 569  
 \$O 585  
 \$P job 600

JQ (continued)  
 \$PO 615  
 \$T 727  
 \$TO 800  
 JQEINDEX=  
 \$ZAPJOB 953  
 JQEOFF=  
 \$ZAPJOB 953  
 JRNUM  
 \$D LINE(nnnnn) 319  
 \$D NJEDEF 359  
 JTHRU  
 \$D NETACCT 354  
 JTNUM  
 \$D LINE(nnnnn) 319  
 \$D NJEDEF 359  
 initialization parameter 153, 763

## K

K  
 \$D PRTnnnnn 436  
 \$D Rnnnnn.PRm 436  
 \$T OUTCLASS(n) 845  
 \$T PRINTERnnn 873  
 \$T PRTnnn 873  
 \$T Rnnnn.PRm 873  
 KEEP  
 \$T OUTCLASS(n) 845  
 keyboard  
 navigation 965  
 PF keys 965  
 shortcut keys 965  
 Keyword  
 Display limiting 118  
 Modification limiting 118  
 Selection limiting 118

## L

L  
 \$D PRTnnnnn 438  
 \$D R(nn).RD(mm) 458  
 \$D RDR(nn) 458  
 \$D Rnnnnn.PRm 438  
 \$T A 673  
 \$T OUTCLASS(n) 845  
 LABEL  
 \$D OFFLOAD 403  
 \$T OFFLOAD(n) 842  
 LARGEDS  
 \$D SPOOLDEF 480  
 \$T SPOOLDEF 936  
 LASTapar  
 \$D MODULE(jxxxxxxx) 344  
 LASTART  
 \$D MEMBER 338  
 LASTPTF  
 \$D MODULE(jxxxxxxx) 345  
 LASTSVAL  
 \$D SPOOLDEF 480  
 LEAVE  
 \$T OUTCLASS(n) 845  
 LENgth  
 \$D LOADMOD(jxxxxxxx) 324  
 \$D MODULE(jxxxxxxx) 345

LGN  
 \$D 327  
 LGNn  
 \$D U 495  
 LGNS  
 \$D U 495  
 LIMit  
 \$ADD PRINTER 169  
 \$ADD PRT 169  
 \$D L(nnnm).JT(nnm) 309  
 \$D L(nnnn).ST(n) 313  
 \$D OFF(n).JT 385  
 \$D OFF(n).ST 398  
 \$D PRTnnnnn 435  
 \$D PUNnn 443  
 \$D Rnnnnn.PRm 435  
 \$T L(nn).JT(nn) 752  
 \$T L(nnnn).ST(n) 755  
 \$T OFF.JT(n) 818  
 \$T OFF(n).ST 834  
 \$T PRINTERnnn 874  
 \$T PRTnnn 874  
 \$T PUNnn 890  
 \$T Rnnnnn.PRm 874  
 \$T Rnnnn.PUm 890  
 Rnnnn.PUm 443  
 LIMIT  
 \$D BUFDEF 234  
 \$T BUFDEF 679  
 \$T NJEDEF 781  
 \$T TPDEF 944, 945  
 line  
 network job transmitter 153, 763  
 set characteristic 758  
 LINE  
 \$ADD APPL 130  
 \$ADD SOCKET 191  
 \$D APPL 232  
 \$D NODE 364  
 \$T APPL 677  
 \$T NODE(jnnnnnnn) 789  
 \$T RMTnn 921  
 line limit  
 changing for SYSOUT  
 transmitters 752, 755  
 displaying for SYSOUT  
 transmitters 313  
 LINECCHR  
 \$D LINE(nnnnn) 319  
 \$T LINE(nnnnn) 763  
 LINECT  
 \$D PRINTDEF 423  
 \$T PRINTDEF 857  
 LINEn  
 \$D U 495  
 LINEnnn  
 \$S  
 BSC line node  
 communication 649  
 SNA node communications 651  
 TCP/IP node  
 communications 653  
 LINENUM  
 \$D NJEDEF 359  
 LJ  
 \$ADD REDIRect 180  
 \$T REDIRect 912

LINEn  
 \$D U 495  
 LNES  
 \$D U 495  
 Lnnnn.JRn  
 \$C 208  
 \$E 516  
 \$P 604  
 \$S 645  
 Lnnnn.JTn  
 \$C 209  
 \$E 516  
 \$P 604  
 \$S 645  
 Lnnnn.SRn  
 \$C 209  
 \$E 516  
 \$P 604  
 \$S 645  
 Lnnnn.STn  
 \$C 209  
 \$E 516  
 \$P 604  
 \$S 645  
 LOADmod  
 \$D 324  
 \$D MODULE(jxxxxxxx) 345  
 LOADTIME  
 \$D LOADMOD(jxxxxxxx) 324  
 LOCAL190  
 \$T RMTnn 921  
 LOCALNUM  
 \$D DESTDEF 252  
 LOCKOUT  
 \$D MASDEF 334  
 \$T MASDEF 772  
 LOG  
 \$ADD LGN 158  
 \$ADD LINE 153  
 \$ADD LNE 153  
 \$ADD LOGON 158  
 \$D LGN 327  
 \$D LINE(nnnnn) 319  
 \$D LOGON 327  
 \$D TRACEDEF 493  
 \$T LINE(nnnnn) 763  
 \$T LOGON(nnn) 770  
 \$T TRACEDEF 948  
 LOGMODE  
 \$ADD APPL 130  
 \$D APPL 232  
 \$D NODE 365  
 \$T APPL 677  
 \$T NODE(jnnnnnnn) 789  
 LOGMSG  
 \$D JOBDEF 304  
 \$T JOBDEF 748  
 LOGON  
 \$ADD APPL 130  
 \$D 327  
 \$D APPL 232  
 \$D NODE 365  
 \$T APPL 677  
 \$T NODE(jnnnnnnn) 790  
 \$T RMTnn 921  
 LOGONn  
 \$D U 495

LOGSIZE  
 \$D CKPTDEF 237  
 Long  
 \$D SPOOL 472  
 \$D I 274  
 \$D Init 274  
 LONG  
 \$D 357, 483  
 \$D FSS 269  
 \$D FSSDef 269  
 \$D job 288  
 \$D LOADMOD(jxxxxxxx) 324  
 \$D MODULE(jxxxxxxx) 345  
 \$D NODE 365  
 \$D pce 420  
 \$D PRTnnnnn 435  
 \$D RDI 453  
 \$D Rnnnnn.PRm 435  
 \$L 569  
 LRECL  
 \$D PUNnn 443  
 \$T PRINTERnnn 874  
 \$T PRTnnn 874  
 \$T PUNnn 891  
 \$T Rnnnn.PRm 874  
 \$T Rnnnn.PUm 891  
 Rnnnn.PUm 443  
 LS  
 \$ADD REDIRect 180  
 \$T REDIRect 912  
 LT  
 \$ADD REDIRect 180  
 \$T REDIRect 912  
 LUNAME  
 \$T RMTnn 921

## M

m  
 \$B 196  
 \$C 220, 221  
 \$D 442  
 \$D OFF.JR(n-m) 380  
 \$D OFF.JT(n-m) 384  
 \$D OFF.SR(n-m) 389  
 \$D OFF.ST(n-m) 397  
 \$F 531  
 \$I 553, 554  
 \$N 579, 580  
 \$P 622, 624  
 \$S 527, 660, 661  
 \$T 868, 889  
 \$T OFF.JR(n-m) 810  
 \$T OFF.JT(n-m) 817  
 \$T OFF.SR(n-m) 827  
 \$T OFF.ST(n-m) 832  
 \$Z 957, 958  
 M  
 \$D 329  
 MA  
 \$ADD CONNect 132  
 \$DEL CONNect 500  
 \$T CONNECT 691  
 MACLevel  
 \$D MODULE(jxxxxxxx) 345  
 MAILMSG  
 \$D NJEDEF 359

MAILMSG (continued)  
 \$T NJEDEF 781  
 Mark  
 \$ADD PRINTER 169  
 \$ADD PRT 169  
 \$D PRTnnnnn 435  
 \$D Rnnnnn.PRm 435  
 \$T PRINTERnnn 874  
 \$T PRTnnn 874  
 \$T Rnnnn.PRm 874  
 MAS  
 spool migration 28  
 MASCOUNT  
 \$D 483  
 MASMSG  
 \$D CONDEF 245  
 \$T CONDEF 689  
 MAXHOP  
 \$D NJEDEF 359  
 \$T NJEDEF 781  
 MB  
 \$ADD CONNect 132  
 \$DEL CONNect 500  
 \$T CONNECT 692  
 MBUFSIZE  
 \$D TPDEF 489  
 MEMB  
 \$DEL CONNect 500  
 MEMBA  
 \$ADD CONNect 132  
 \$D CONNECT 247  
 \$DEL CONNect 500  
 \$T CONNECT 691  
 MEMBB  
 \$ADD CONNect 132  
 \$D CONNECT 248  
 \$T CONNECT 692  
 member  
 \$D MEMBER 338  
 \$E MEMBer 521  
 MEMBer  
 \$E 521  
 MEMBER  
 \$D ACTRMT 230  
 MEMBER=memname |  
 PARMLIB\_MEMBER= memname start  
 option  
 specifying HASPPARM=ddname 7  
 MemberA  
 \$T CONNECT 691  
 MEMBERA  
 \$ADD CONNect 132  
 \$D CONNect 247  
 \$DEL CONNect 500  
 MemberB  
 \$T CONNECT 692  
 MEMBERB  
 \$ADD CONNect 132  
 \$D CONNect 248  
 \$DEL CONNect 500  
 memname  
 \$D A job 224  
 \$D N 349  
 \$D Q 446  
 \$H A 546  
 \$T MEMBER 775

MFORM  
 \$T RMTnn 922  
 migration  
 spool volumes 572  
 MISC  
 \$D DEBUG 251  
 \$T DEBUG 694  
 mm  
 \$E MEMBer 521  
 \$P LOGON 607  
 MOD  
 \$D OFF(n).JR 381  
 \$D OFF(n).JT 381  
 \$D OFF(n).SR 381  
 \$D OFF(n).ST 381, 390  
 \$T OFF.JR(n) 811  
 \$T OFF(n).SR 828  
 DETails  
 \$D pce 419  
 MODE  
 \$ADD PRINTER 169  
 \$ADD PRT 169  
 \$D CKPTDEF 237  
 \$D PRTnnnnn 435  
 \$D Rnnnn.PRm 435  
 \$T PRINTERnnn 874  
 \$T PRTnnn 874  
 \$T Rnnnn.PRm 874  
 MODIFY  
 \$D PRTnnnnn 435  
 \$D Rnnnnn.PRm 435  
 module  
 \$D MODULE(jxxxxxxx) 343  
 MODULE  
 \$D SSI(nnn) 484  
 MPRO  
 \$ADD PRT 170  
 MRF2780  
 \$T RMTnn 922  
 MSGclass  
 \$D R(nn).RD(mm) 458  
 \$D RDI 453  
 \$D RDR(nn) 458  
 \$T RDI 900  
 \$T RDRnn 904  
 \$T Rnnnnn.RDm 904  
 MSGPRT  
 \$T RMTnn 922  
 MULTILV  
 \$T RMTnn 922  
 MVS commands  
 DISPLAY example 950  
 VARY example 950  
 N  
 n  
 \$D L(nmmm).JT(n) 309  
 \$D L(nnnn).ST(n) 313  
 \$D OFF.JR(n) 380  
 \$D OFF.JT(n) 384  
 \$D OFF.SR(n) 389  
 \$D OFF.ST(n) 397  
 \$D PATH 413  
 \$D L(nnnn).SR(n) 311  
 \$E OFF.JR 525  
 \$P OFF.JR 620

n (continued)  
 \$\$ OFF.JR 657  
 \$T JOBPRTY 751  
 \$T MEMBER 775  
 \$T OFF.JR(n) 810  
 \$T OFF.JT(n) 817  
 \$T OFF.SR(n) 827  
 \$T OFF.ST(n) 832  
 \$T OUTPRTY 851  
 \$Z OFFLOAD 956

N  
 \$D 349  
 \$\$  
 BSC line node  
 communication 648  
 SNA node communications 651  
 TCP/IP node  
 communications 653  
 \$\$ LINEnnnn  
 BSC line node  
 communication 649  
 \$\$ N LINEnnnn  
 SNA node communications 651

n-n  
 \$T MEMBER 775

NA  
 \$ADD CONNect 132  
 \$D CONNECT 248  
 \$DEL CONNect 500  
 \$T CONNECT 692

NACCT  
 \$D NETACCT 354

name  
 \$G A 533  
 \$G C 535  
 \$G D 536  
 \$G H 539  
 \$G R,XEQ 544  
 DETails  
 \$D pce 419

NAME  
 \$D 357  
 \$D COMPACT 243  
 \$D MEMBER 338  
 \$D NODE 365  
 \$D PRTnnnnn 435  
 \$D Rnnnnn.PRm 435  
 \$E 524  
 \$P 609  
 \$T 780  
 \$T INIT 715  
 \$T NODE(jnnnnnnn) 790

NAME parameter  
 on PROCLIB statement 861

navigation  
 keyboard 965

NB  
 \$ADD CONNect 133  
 \$D CONNECT 248  
 \$DEL CONNect 500  
 \$T CONNECT 692

Ndest  
 \$D DESTDEF 252

Net  
 \$T NODE(jnnnnnnn) 788

NETACCT  
 \$D 354

NETSRV  
 \$ADD 159  
 \$ADD SOCKET 191  
 \$D 355  
 \$E 523  
 \$P 608  
 \$\$ 654  
 \$T 778  
 \$T NODE(jnnnnnnn) 791

network  
 job transmitter quantity 153, 763  
 SYSOUT transmitter quantity 154,  
 764

NETWORK  
 \$D 357  
 \$E 524  
 \$P 619  
 \$\$ 656  
 \$Z 955

NEWCKPTn  
 \$D CKPTDEF 237  
 \$T CKPTDEF 683

NEWPAGE  
 \$ADD PRINTER 169  
 \$ADD PRT 169  
 \$D PRINTDEF 423  
 \$D PRTnnnnn 435  
 \$D Rnnnnn.PRm 435  
 \$T PRINTDEF 858  
 \$T PRINTERnnn 875  
 \$T PRTnnn 875  
 \$T Rnnnn.PRm 875

NIFCB  
 \$D PRINTDEF 423

NIFLASH  
 \$D PRINTDEF 424

NIUCS  
 \$D PRINTDEF 424

NJE (network job entry)  
 error  
 recovery 23

nn  
 \$B 196, 527  
 \$C 221  
 \$D 442  
 \$D MEMBER 338  
 \$E LOGON 519  
 \$F 531  
 \$I 554  
 \$M 'command' 572  
 \$N 580  
 \$P 624  
 \$P LOGON 607  
 \$P TRACE 630  
 \$\$ 643, 661  
 \$\$ LGN 647  
 \$\$ LOGON 647  
 \$\$ TRACE 669  
 \$T 888  
 \$T TRACE 946  
 \$Z 958

nnmm  
 \$D L(nnmm).JT(n) 309  
 \$D L(nnmm).JR(n) 306  
 \$D L(nnmm).ST(n) 313  
 \$D L(nnmm).SR(n) 311

nnn  
 \$T EXIT(nnn) 710  
 \$T LOGON 769

nnnn  
 \$D NODE 363  
 \$F PUNnn 531  
 \$F Rnnnn.PUm 531  
 \$\$ LINE(nnnn) 646  
 \$T LINE(nnnn) 152

nnnn,C  
 \$F PUNnn 531  
 \$F Rnnnn.PUm 531

nnnnn  
 \$ADD 166  
 \$B 196, 527  
 \$C 220, 221, 529  
 \$D 442  
 \$D ACTRMT 230  
 \$D LINE(nnnnn) 318  
 \$E 526  
 \$E LINE 518  
 \$E LNE 518  
 \$F 531  
 \$I 553, 554  
 \$N 579, 580  
 \$P 622, 624  
 \$P LINE 605  
 \$P RMT 625  
 \$\$ 659, 661  
 \$\$ RMT 663  
 \$T 868, 889  
 \$T LINE(nnnnn) 761  
 \$T NODE 787  
 \$Z 957, 958

Nnnnn  
 \$G A 533  
 \$G C 535  
 \$G D 536  
 \$G H 539  
 \$G R,XEQ 544

node  
 command authority 788  
 set authority 788

NODE  
 \$ADD APPL 130  
 \$ADD SOCKET 191  
 \$D APPL 233  
 \$D LINE(nnnnn) 319  
 \$T APPL 677  
 \$T LINE(nnnnn) 763

node name  
 \$D PATH 413

NODEA  
 \$ADD CONNect 132  
 \$D CONNECT 248  
 \$DEL CONNect 500  
 \$T CONNECT 692

NODEB  
 \$ADD CONNect 133  
 \$D CONNECT 248  
 \$DEL CONNect 500  
 \$T CONNECT 692

NODELAY  
 \$D JOBDEF 303

nodename  
 TCP/IP node communication 653

NODENAME  
   \$D DESTDEF 252  
 NODENUM  
   \$D NJEDEF 359  
   \$T NJEDEF 782  
 NOLIST start option  
   specifying NOLOG 7  
 NOLOG start option  
   specifying SPOOL=VALIDATE 7  
 NONE start option  
   specifying UNACT 7  
 NOREQ start option  
   specifying NOLIST 7  
 Notices 969  
 NOTify  
   \$D OFF(n).JT 385  
   \$D OFF(n).SR 381  
   \$D OFF(n).ST 381, 391, 398  
   \$T OFF.JR(n) 812  
   \$T OFF.JT(n) 818  
   \$T OFF(n).SR 828  
   \$T OFF(n).ST 834  
 NOTIFY  
   \$D OFF(n).JR 381, 382  
   \$D OFF(n).JT 381, 382  
 NPRO  
   \$ADD PRINTER 170  
   \$D PRTnnnnn 435  
   \$D Rnnnnn.PRm 435  
   \$T PRINTERnnn 875  
   \$T PRTnnn 875  
   \$T Rnnnn.PRm 875  
 NSVn | NETSRVn  
   \$D U 495  
 NSVS  
   \$D U 495  
 NTHRU  
   \$D NETACCT 354  
 NUM  
   \$D ESTBYTE 256  
   \$D ESTIME 260  
   \$D ESTLNCT 257  
   \$D ESTPAGE 258  
   \$D ESTPUN 259  
   \$T ESTBYTE 702  
   \$T ESTIME 703  
   \$T ESTLNCT 705  
   \$T ESTPAGE 706  
   \$T ESTPUN 708  
 NUMBER  
   \$D COMPACT 243  
 NUMPRt  
   \$T RMTnn 922  
 NUMPUn  
   \$T RMTnn 923  
 NUMRDr  
   \$T RMTnn 923

## O

O

\$CO Job 214  
 \$D OFF(n).ST 389, 398  
 \$D PRTnnnnn 434  
 \$D Rnnnn.PRm 434  
 \$DO Job 375  
 \$G A 533

O (continued)  
 \$G C 535  
 \$G D 537  
 \$G H 539  
 \$G R,OUT 541  
 \$G R,XEQ 544  
 \$O Job 584  
 \$PO Job 614  
 \$T OFF(n).SR 827  
 \$T OFF(n).ST 833  
 OFFLOADn  
   \$P 621  
   \$S 658  
 OFFn.JR  
   \$C 219  
   \$P 620  
   \$S 657  
 OFFn.JT  
   \$C 219  
   \$E 525  
   \$P 620  
   \$S 657  
 OFFn.SR  
   \$C 219  
   \$P 620  
   \$S 657  
 OFFn.ST  
   \$C 219  
   \$E 525  
   \$P 620  
   \$S 657  
 OFFS  
   \$A job 123  
   \$C job 204  
   \$D job 288  
   \$D U 495  
   \$DO Job 375  
   \$E job 512  
   \$H job 549  
   \$P job 600  
   \$T job 727  
   \$TO JOB 804  
 OPT  
   \$D ESTBYTE 256  
   \$D ESTIME 260  
   \$D ESTLNCT 257  
   \$D ESTPAGE 258  
   \$D ESTPUN 259  
   \$T ESTBYTE 702  
   \$T ESTIME 703  
   \$T ESTLNCT 705  
   \$T ESTPAGE 706  
   \$T ESTPUN 708  
 OPVERIFY  
   \$D CKPTDEF 238  
   \$T CKPTDEF 683  
 OUT  
   \$G R 542  
 OUTDisp  
   \$D L(nnnn).ST(n) 313  
   \$D OFF(n).ST 390, 391, 398  
   \$D OUTCLASS 406  
   \$R 635  
   \$T OFF(n).SR 829  
   \$T OUTCLASS(n) 844  
 OUTDISP  
   \$CO Job 215

OUTDISP (continued)  
   \$DO Job 375  
   \$PO Job 615  
   \$T L(nnnn).ST(n) 756  
   \$T OFF(n).ST 834  
   \$TO JOB 803  
 OUTGrp  
   \$CO 216  
   \$DO Job 375  
   \$O Job 585  
   \$PO job 616  
   \$TO JOB 803  
 OUTGRPS  
   \$L 570  
 OUTNUM  
   \$D PCEDEF 422  
 output  
   \$CO 216  
   \$DO Job 371  
   \$O 585  
   \$PO 616  
   \$TO 799  
   conditional purge  
     \$D JOBCLASS command 293  
 OUTPUT  
   \$D OUTCLASS 406  
 OUTTIME  
   \$D OUTDEF 408  
   \$T OUTDEF 847  
 OWNER  
   \$D RDI 453  
   \$T RDI 900  
 OWNMEMB  
   \$D MASDEF 334  
 OWNNAME  
   \$D NJEDEF 360  
 OWNNODE  
   \$D NJEDEF 360  
   \$T NODE(jnnnnnnn) 791  
 OWNSID  
   \$D MASDEF 334

## P

P

\$D R(nn).RD(mm) 458  
 \$D RDR(nn) 458  
 \$S LINEnnnn  
   BSC line node  
   communication 649  
 \$S SPL 665  
 \$S SPOOL 665  
 \$T OUTCLASS(n) 845  
 \$T RDRnn 904  
 \$T Rnnnnn.RDm 904  
 \$TO JOB 804  
 PAGE  
   \$D OUTPRTY 412  
   \$T OUTPRTY(n) 851  
 page limit  
   changing for SYSOUT  
   transmitters 756  
   displaying for SYSOUT  
   transmitters 313  
 pages  
   \$F PRTnnnn 529

PAGEs  
  \$DO Job 375  
  \$TO JOB 804

PAGES  
  \$CO 216  
  \$D TRACEDEF 493  
  \$L job 569  
  \$O Job 586  
  \$PO job 616

parameter  
  JES2 initialization  
    JTNUM on LINE(nnnnn) 153, 763  
    STNUM on LINE(nnnnn) 154,  
    764

parameters  
  JOB CORR 64

PARTNUM  
  \$D INITDEF 270

Password  
  \$ADD LGN 158  
  \$ADD LINE 153  
  \$ADD LNE 153  
  \$ADD LOGON 158  
  \$D LGN 327  
  \$D LINE(nnnnn) 319  
  \$D LOGON 327  
  \$D NODE 365  
  \$T LINE(nnnnn) 763  
  \$T LOGON(nnn) 770  
  \$T NODE(jnnnnnnn) 791  
  \$T RMTnn 923

PATH  
  \$D 413  
  \$D NJEDEF 360

PATHMGR  
  \$D CONNECT 248  
  \$D NODE 365  
  \$T CONNECT 692  
  \$T NODE(jnnnnnnn) 792

Pause  
  \$ADD PRINTER 170  
  \$ADD PRT 170  
  \$D PRTnnnnn 435  
  \$D PUNnn 443  
  \$D Rnnnnn.PRm 435  
  \$T PUNnn 891  
  \$T Rnnnnn.PUm 891  
  Rnnnn.PUm 443

pce  
  \$D 416  
  \$T 853

pcetype  
  DEtails  
  \$D pce 419

PENCRYPT  
  \$D NODE 365  
  \$T NODE(jnnnnnnn) 792

Percent  
  \$H job 550

PERCENT  
  \$D SPOOL 472

PLIM  
  \$ADD PRINTER 170  
  \$ADD PRT 170  
  \$D OFF(n).ST 398  
  \$D PRTnnnnn 436  
  \$D Rnnnnn.PRm 436

PLIM (continued)  
  \$T L(nnnn).ST(n) 756  
  \$T OFF(n).ST 834  
  \$T PRINTERnnn 875  
  \$T PRTnnn 875  
  \$T Rnnnn.PRm 875

PORT  
  \$ADD SOCKET 191

PRESELECT  
  \$ADD PRINTER 170  
  \$ADD PRT 170  
  \$D PRTnnnnn 436  
  \$D Rnnnnn.PRm 436  
  \$T PRINTERnnn 876  
  \$T PRTnnn 876  
  \$T Rnnnn.PRm 876

PRIMARY  
  \$ADD DESTid 137  
  \$D DESTid 254  
  \$T DESTid(vvvvvvvv) 700

PRINTDEF  
  \$D 423

printer  
  WS criteria 884

PRIOINC  
  \$D R(nn).RD(mm) 458  
  \$D RDR(nn) 458  
  \$T RDRnn 904  
  \$T Rnnnnn.RDm 904

PRIO LIM  
  \$D R(nn).RD(mm) 458  
  \$D RDR(nn) 458  
  \$T RDRnn 904  
  \$T Rnnnnn.RDm 904

Priority  
  \$A job 123  
  \$D job 288  
  \$E job 513  
  \$H job 549  
  \$T job 728

PRIORITY  
  \$CO Job 216  
  \$D JOBPRTY(n) 305  
  \$D OUTPRTY 412  
  \$DO Job 375  
  \$O Job 586  
  \$PO Job 616  
  \$T JOBPRTY(n) 751  
  \$T OUTPRTY(n) 851  
  \$TO JOB 804

PRIVATE  
  \$D CONNECT 248  
  \$D NODE 365  
  \$T NODE(jnnnnnnn) 792

PRmode  
  \$CO Job 216  
  \$DO Job 375  
  \$O Job 586  
  \$PO Job 616

PRMode  
  \$ADD PRINTER 170  
  \$ADD PRT 170  
  \$D OFF(n).ST 391, 392, 398  
  \$D PRTnnnnn 436  
  \$D PUNnn 443  
  \$D Rnnnnn.PRm 436  
  \$T OFF(n).SR 829

PRMode (continued)  
  \$T OFF(n).ST 834  
  \$T PRINTERnnn 876  
  \$T PRTnnn 876  
  \$T PUNnn 891  
  \$T Rnnnn.PRm 876  
  \$T Rnnnn.PUm 891  
  \$TO JOB 804  
  Rnnnn.PUm 443

PROC  
  \$ADD FSS 139  
  \$D FSS 269  
  \$D FSSDef 269  
  \$D PRTnnnnn 435  
  \$D Rnnnnn.PRm 435  
  \$T FSS 713

processor  
  trace  
  \$T PCE command 852

PROTECT  
  \$D OFFLOAD 403  
  \$T OFFLOAD(n) 842

PROTECTED  
  \$C job 204  
  \$CO 216  
  \$O Job 586  
  \$P job 600  
  \$PO job 616

PRT  
  \$R 633

PRTDEST  
  \$D R(nn).RD(mm) 458  
  \$D RDI 454  
  \$D RDR(nn) 458  
  \$T RDI 900  
  \$T RDRnn 904  
  \$T Rnnnnn.RDm 904

PRTnnnnn  
  \$B 194  
  \$C 433  
  \$D PRTnnnnn 436  
  \$D Rnnnnn.PRm 436  
  \$S 876

PRTS  
  \$D U 495

PRTYHIGH  
  \$D JOBDEF 304  
  \$D OUTDEF 408  
  \$T JOBDEF 748  
  \$T OUTDEF 847

PRTYINC  
  \$D INTRDR 278  
  \$T INTRDR 719

PRTYJECL  
  \$D JOBDEF 304  
  \$T JOBDEF 748

PRTYJOB  
  \$D JOBDEF 304  
  \$T JOBDEF 748

PRTYLIM  
  \$D INTRDR 278  
  \$T INTRDR 720

PRTYLOW  
  \$D JOBDEF 304  
  \$D OUTDEF 408  
  \$T JOBDEF 749  
  \$T OUTDEF 848



PRTYOUT  
   \$D OUTDEF 408  
   \$T OUTDEF 848  
 PRTYRATE  
   \$D JOBDEF 304  
   \$T JOBDEF 749  
 PRWIDTH  
   \$T PRINTERnnn 876  
   \$T PRTnnn 876  
   \$T Rnnnn.PRm 876  
 PRYORATE  
   \$D OUTDEF 409  
   \$T OUTDEF 848  
 PSONUM  
   \$D PCEDEF 422  
 PUN  
   \$R 633  
 punch  
   WS criteria 894  
 PUNDEST  
   \$D R(nn).RD(mm) 458  
   \$D RDI 454  
   \$D RDR(nn) 458  
   \$T RDI 900  
   \$T RDRnn 905  
   \$T Rnnnnn.RDm 905  
 PUNnn  
   \$F 531  
 PUNS  
   \$D U 495  
 Purge  
   \$C job 204  
 PURGE  
   \$D job 288  
   \$T OUTCLASS(n) 845  
 PURGENUM  
   \$D PCEDEF 422

## Q

Q  
   \$D 446  
   \$D R(nn).RD(mm) 458  
   \$D RDI 453  
   \$D RDR(nn) 458  
   \$R 633  
   \$T RDI 900  
   \$T RDRnn 904  
   \$T Rnnnnn.RDm 904  
   \$TO JOB 804  
 Q=CNV  
   \$D N 351  
   \$D Q 448  
 Q=HOLD  
   \$D N 352  
   \$D Q 448  
 Q=OUT  
   \$D N 351  
   \$D Q 448  
 Q=PPU  
   \$D N 351  
   \$D Q 448  
 Q=XEQ  
   \$D N 351  
   \$D Q 448  
 Q=XMT  
   \$D N 352

Q=XMT (continued)  
   \$D Q 448  
 Qaff  
   \$ADD 193  
 QAFF  
   \$D 483  
   \$T 940  
 QREBUILD  
   \$D MASDEF 334  
 QUESHELD  
   \$D MASDEF 334  
 Queue  
   \$A job 123  
   \$ADD PRINTER 168  
   \$ADD PRT 168  
   \$C job 204  
   \$CO 217  
   \$D job 288  
   \$D OFF(n).ST 391, 392, 398  
   \$D PRTnnnnn 434  
   \$D PUNnn 442  
   \$D Rnnnnn.PRm 434  
   \$H job 549  
   \$O Job 586  
   \$P job 600  
   \$PO job 616  
   \$T job 728  
   \$T OFF(n).SR 829  
   \$T OFF(n).ST 835  
   \$T PRINTERnnn 876  
   \$T PRTnnn 876  
   \$T PUNnn 891  
   \$T Rnnnn.PRm 876  
   \$T Rnnnn.PUm 891  
   Rnnnn.PUm 442  
 QUEUE  
   \$DO Job 375  
   \$TO JOB 804  
 QUICK  
   \$P JES2 592

## R

R  
   \$D F 265  
   \$D M 331  
   \$D N 349  
   \$D Q 446  
   \$G R,OUT 542  
   \$R 634  
   \$R XEQ 638  
   \$T PRINTERnnn 874  
   \$T PRTnnn 874  
   \$T PUNnn 891  
   \$T Rnnnn.PRm 874  
   \$T Rnnnn.PUm 891  
 RANGE  
   \$ADD PRINTER 170  
   \$ADD PRT 170  
   \$D JOBDEF 304  
   \$D OFF(n).JR 381  
   \$D OFF(n).JT 381, 385  
   \$D OFF(n).SR 381  
   \$D OFF(n).ST 381, 392, 398  
   \$D PRTnnnnn 436  
   \$D PUNnn 443  
   \$D Rnnnnn.PRm 436

RANGE (continued)  
   \$T JOBDEF 749  
   \$T OFF.JR(n) 812  
   \$T OFF.JT(n) 818  
   \$T OFF(n).ST 835  
   \$T PRINTERnnn 877  
   \$T PRTnnn 877  
   \$T PUNnn 892  
   \$T Rnnnn.PRm 877  
   \$T Rnnnn.PUm 892  
   Rnnnn.PUm 443  
 RASSIGN  
   \$D JOBDEF 304  
   \$T JOBDEF 750  
 RDBLBUFR  
   \$D PRINTDEF 424  
   \$D PUNCHDEF 439  
 Rdest  
   \$D DESTDEF 252  
 RDIRAREA  
   \$D CONDEF 245  
   \$T CONDEF 689  
 RDRCHAR  
   \$D CONDEF 245  
   \$T CONDEF 689  
 RDRnn  
   \$C 222  
   \$D 457  
   \$P 624  
   \$S 662  
   \$T 906  
   \$Z 959  
 RDRS  
   \$D U 495  
 reader  
   command authority  
     \$T RDI command 898  
     \$T RDRnn command 901  
   halt \$Z RDRnn 959  
 Ready  
   \$L job 570  
 READY  
   \$CO 217  
   \$DO Job 375  
   \$L 570  
   \$PO job 617  
   \$TO JOB 804  
 REBUILD  
   \$A job 123  
   \$CO 217  
   \$D job 288  
   \$DO Job 375  
   \$E Job 513  
   \$H job 550  
   \$O Job 586  
   \$P job 601  
   \$PO job 617  
   \$T job 728  
   \$TO JOB 804  
 RECeive  
   \$D NODE 365  
   \$T NODE(jnnnnnnn) 792  
 RECEIVE  
   \$S OFFLOADn 658  
 RECFM  
   \$T RMTnn 923

RECONFIG  
 \$D CKPTDEF 238  
 \$T CKPTDEF 684  
 RECONFIG start option  
 specifying MEMBER=membrname |  
 PARMLIB\_MEMBER=  
 membrname 7  
 RECORD  
 \$D OUTPRTY 412  
 \$T OUTPRTY(n) 851  
 RECORDS  
 \$CO 217  
 \$CO Job 217  
 \$DO Job 375  
 \$L job 570  
 \$O Job 586  
 \$PO job 617  
 \$TO JOB 804  
 RECVopts(\*)  
 \$D 461  
 RECVopts(type)  
 \$D 461  
 redirect  
 \$T REDIRect 912  
 REL  
 \$TO JOB 804  
 RELease  
 \$TO JOB 804  
 RESET  
 \$D CONNECT 248  
 \$T PRINTERnnn 874  
 \$T PRTnnn 874  
 \$T Rnnnn.PRm 874  
 RESETBY  
 \$D MEMBER 338  
 REST  
 \$ADD APPL 130  
 \$ADD LINE 153  
 \$ADD LNE 153  
 \$ADD SOCKET 191  
 \$D APPL 233  
 \$D CONNECT 248  
 \$D LINE(nnnnn) 319  
 \$D NODE 366  
 \$T APPL 678  
 \$T CONNECT 692  
 \$T LINE(nnnnn) 764  
 \$T NODE(jnnnnnnn) 793  
 RESTART  
 \$ADD 160  
 \$ADD LGN 158  
 \$ADD LINE 154  
 \$ADD LNE 154  
 \$ADD LOGON 158  
 \$D 356  
 \$D LGN 327  
 \$D LINE(nnnnn) 319  
 \$D LOGON 327  
 \$D MASDEF 334  
 \$P LINE 605  
 \$P LOGON 607  
 \$T 779  
 \$T LINE(nnnnn) 764  
 \$T LOGON(nnn) 770  
 \$T MASDEF 772  
 RESTMAX  
 \$D NJEDEF 360

RESTMAX (continued)  
 \$T NJEDEF 782  
 RESTNODE  
 \$D NJEDEF 360  
 \$T NJEDEF 782  
 RESTTOL  
 \$D NJEDEF 360  
 \$T NJEDEF 782  
 RETPD  
 \$D OFFLOAD 403  
 \$T OFFLOAD(n) 842  
 RJE (remote job entry)  
 error  
 recovery 22  
 RMdest  
 \$D DESTDEF 252  
 RMODE  
 \$D LOADMOD(jxxxxxxx) 324  
 RMT  
 \$D U 495  
 RMT150  
 \$T RMTnn 924  
 RMTdest  
 \$D DESTDEF 253  
 RMTMSG  
 \$D TPDEF 489  
 \$T TPDEF 944  
 RMTn\*  
 \$D U 495  
 RMTn-n  
 \$D U 495  
 RMTNUM  
 \$D TPDEF 489  
 RMTS  
 \$D U 495  
 RMTSHARE  
 \$D LINE(nnnnn) 319  
 Rnn.CONmm  
 \$D 450  
 Rnn.RDmm  
 \$D 457  
 Rnnnn  
 \$C job 202  
 Rnnnn.PUm  
 \$F 531  
 Rnnnn.RDm  
 \$C 222  
 \$P 624  
 \$S 662  
 \$T 906  
 Rnnnnn.PRm  
 \$S 877  
 Route  
 \$TO JOB 801  
 Routecde  
 \$ADD PRINTER 171  
 \$ADD PRT 171  
 \$CO 213  
 \$D OFF(n).JR 381  
 \$D OFF(n).JT 381, 385  
 \$D OFF(n).SR 381  
 \$D OFF(n).ST 381, 391, 392, 399  
 \$D PRTnnnnn 436  
 \$D PUNnn 443  
 \$D Rnnnnn.PRm 436  
 \$DO Job 372  
 \$O Job 584

Routecde (continued)  
 \$PO job 613  
 \$T OFFJR(n) 811, 812  
 \$T OFFJT(n) 818  
 \$T OFF(n).SR 829  
 \$T OFF(n).ST 835  
 \$T PRINTERnnn 876  
 \$T PRTnnn 876  
 \$T PUNnn 891  
 \$T RMTnn 924  
 \$T Rnnnn.PRm 876  
 \$T Rnnnn.PUm 891  
 Rnnnn.PUm 443  
 ROUtines  
 \$D EXIT 263  
 \$D LOADMOD(jxxxxxxx) 324  
 \$D MODULE(jxxxxxxx) 345  
 RSVHELD  
 \$D MASDEF 334

## S

S  
 \$D A job 223  
 \$G A 533  
 \$G C 534  
 \$G D 536  
 \$G H 538  
 \$G R,OUT 541  
 \$R 634  
 SAPI\_OPT  
 \$T OUTDEF 409, 848  
 SCHENV  
 \$A job 124  
 \$C job 205  
 \$D job 289  
 \$D OFF(n).JT 385  
 \$E job 513  
 \$H job 550  
 \$P job 601  
 \$T job 729  
 \$T OFF(n).JR 812, 818  
 \$T OFF(n).JT 812, 818  
 SCHENV\_AFF  
 \$A job 124  
 \$C job 205  
 \$D job 289  
 \$E job 513  
 \$H job 550  
 \$P job 601  
 \$T job 729  
 SECLABEL  
 \$A job 124  
 \$C job 205  
 \$CO Job 217  
 \$D job 289  
 \$DO Job 375  
 \$E job 513  
 \$H job 550  
 \$O Job 586  
 \$P job 601  
 \$PO Job 617  
 \$T job 729  
 \$TO JOB 804  
 SECURITY  
 \$D DEBUG 251  
 \$T DEBUG 694

SEGLIM  
  \$D OUTDEF 409  
  \$T OUTDEF 848

SELECT  
  \$T PRINTERnnn 877  
  \$T PRTnnn 877  
  \$T PUNnn 892  
  \$T Rnnnn.PRm 877  
  \$T Rnnnn.PUm 892

SENTREST  
  \$D NODE 366  
  \$T NODE(jnnnnnnn) 793

Sep  
  \$ADD PRINTER 171  
  \$ADD PRT 171  
  \$D PRTnnnnn 436  
  \$D PUNnn 443  
  \$D Rnnnnn.PRm 436  
  \$T PRINTERnnn 878  
  \$T PRTnnn 878  
  \$T PUNnn 893  
  \$T Rnnnn.PRm 878  
  \$T Rnnnn.PUm 893  
  Rnnnn.PUm 443

SEPCHARS  
  \$ADD PRINTER 171  
  \$ADD PRT 171  
  \$D PRTnnnnn 436  
  \$D Rnnnnn.PRm 436  
  \$T PRINTERnnn 878  
  \$T PRTnnn 878  
  \$T Rnnnn.PRm 878

SEPDS  
  \$ADD PRINTER 172  
  \$ADD PRT 172  
  \$D PRTnnnnn 436  
  \$D PUNnn 443  
  \$D Rnnnnn.PRm 436  
  \$T PRINTERnnn 878  
  \$T PRTnnn 878  
  \$T PUNnn 893  
  \$T Rnnnn.PRm 878  
  \$T Rnnnn.PUm 893  
  Rnnnn.PUm 443

SEPPAGE  
  \$D PRINTDEF 424  
  \$T PRINTDEF 858

SEQ  
  DEtails  
  \$D pce 419

SESsions  
  \$D LGN 327  
  \$D LINE(nnnnn) 320  
  \$D LOGON 327

SESSIONS  
  \$D 357  
  \$D TPDEF 489  
  \$T TPDEF 944

SETUP  
  \$ADD PRINTER 172  
  \$ADD PRT 172  
  \$D PRTnnnnn 436  
  \$D PUNnn 443  
  \$D Rnnnnn.PRm 436  
  \$T PRINTERnnn 878  
  \$T PRTnnn 878  
  \$T PUNnn 893

SETUP (continued)  
  \$T RMTnn 924  
  \$T Rnnnn.PRm 878  
  \$T Rnnnn.PUm 893  
  Rnnnn.PUm 443

SHARable  
  \$T RMTnn 925

SHARED  
  \$D MASDEF 335  
  \$T MASDEF 773

shortcut keys 965

SHOWUSER  
  \$D DESTDEF 253  
  \$T DESTDEF 696

SIGNON  
  \$D NODE 366  
  \$T NODE(jnnnnnnn) 793

SIZE  
  \$T TRACEDEF 948

SLEVEL  
  \$D MEMBER 339  
  \$E MEMBer 521  
  \$T MEMBER 776

SNA NJE  
  LINE parameter 677

SNABUF  
  \$D TPDEF 488  
  \$T TPDEF 944

SOCKET  
  \$ADD 160  
  VTAM application 190  
  \$D 356  
  VTAM application 466  
  \$E 523  
  \$P 609  
  \$S 655  
  \$T 779  
  VTAM application 929

SECURE  
  \$ADD SOCKET 190  
  TCP/IP node communication 653

SPACE  
  \$D PRTnnnnn 436  
  \$D Rnnnnn.PRm 436  
  \$S SPL 665  
  \$S SPOOL 665  
  \$T PRINTERnnn 873  
  \$T PRTnnn 873  
  \$T Rnnnn.PRm 873

SPEED  
  \$ADD LINE 154  
  \$ADD LNE 154  
  \$D LINE(nnnnn) 320  
  \$T LINE(nnnnn) 764

SPIN  
  \$T JOB 729  
  \$T TRACEDEF 948

SPINNABLE  
  \$D job 289

SPINNUM  
  \$D PCEDEF 422

SPL  
  \$A job 124  
  \$C job 205  
  \$D job 289  
  \$E Job 513  
  \$H job 550

SPL (continued)  
  \$P job 601  
  \$T job 729  
  \$Z 960

SPLevel  
  \$D LOADMOD(jxxxxxxx) 325  
  \$D MODULE(jxxxxxxx) 345

SPLEVEL  
  \$D EXIT 263

SPOOL  
  \$A job 124  
  \$C job 205  
  \$D job 289  
  \$D OPTSDEF 404  
  \$E Job 513  
  \$H job 550  
  \$P job 601  
  \$T job 729  
  \$Z 960

spool migration 26  
  allocating tracks 31  
  calculating tracks 30  
  MAS restrictions 28  
  merge migration 28  
  move migration 28  
  phases 27  
  terms 26

spool volumes  
  migrating 572

SPOOL=VALIDATE start option  
  specifying CKPT1 7

SPOOLNUM  
  \$D SPOOLDEF 480  
  \$T SPOOLDEF 937

SRNUM  
  \$D LINE(nnnnn) 320  
  \$D NJEDEF 360  
  \$T LINE(nnnnn) 764

SRVCLASS  
  \$A job 124  
  \$ADD 192  
  \$C job 205  
  \$D 482  
  \$D job 289  
  \$D OFF(n).JT 385  
  \$E job 513  
  \$H job 550  
  \$P 629  
  \$P job 601  
  \$S 668  
  \$T 940  
  \$T job 729  
  \$T OFF(n).JR 812, 818  
  \$T OFF(n).JT 812, 818

SSI(\*)  
  \$D 484  
  \$T 942

SSI(nnn)  
  \$D 484  
  \$T 942

SSNAME  
  \$D MEMBER 339

STACK  
  \$ADD 160  
  \$D 357  
  \$E 523  
  \$P 609

STACK (continued)  
 \$\$ 655  
 \$T 779  
 STACNUM  
 \$D PCEDEF 422  
 START  
 \$D OFF(n).JR 382  
 \$D OFF(n).JT 382, 385  
 \$D OFF(n).SR 382  
 \$D OFF(n).ST 382, 394, 400  
 \$D TRACE(nnn) 491  
 \$T TRACEDEF 948  
 start option  
 specifying 5  
 specifying \$P JES2 7  
 specifying CKPT1 7  
 specifying COLD 7  
 specifying CONSOLE 7  
 specifying FORMAT 7  
 specifying HASPPARM=ddname 7  
 specifying MEMBER=memname |  
 PARM LIB\_MEMBER=  
 memname 7  
 specifying NOLIST 7  
 specifying NOLOG 7  
 specifying NONE 7  
 specifying NOREQ 7  
 specifying RECONFIG 7  
 specifying SPOOL=VALIDATE 7  
 specifying UNACT 7  
 STARTCMD  
 \$D INITINFO 271  
 STARTIME  
 \$D MEMBER 338  
 STARTopt  
 \$D OPTSDEF 404  
 STARTYPE  
 \$D MEMBER 338  
 \$D OPTSDEF 404  
 STATE  
 \$D CONNECT 249  
 STATIC  
 \$D CONNECT 248  
 STATS  
 \$D TRACEDEF 493  
 STATUS  
 \$D 357  
 \$D APPL 233  
 \$D CONNECT 248  
 \$D DESTid 255  
 \$D EXIT 263  
 \$D L(nnnm).JT(n) 309  
 \$D L(nnnn).JR(n) 307  
 \$D L(nnnn).ST(n) 314  
 \$D LGN 328  
 \$D LINE(nnnnn) 320  
 \$D LOGON 328  
 \$D MEMBER 339  
 \$D NODE 366  
 \$D OFF(n).JR 382  
 \$D OFF(n).JT 382, 386  
 \$D OFF(n).SR 382  
 \$D OFF(n).ST 382, 394, 400  
 \$D OFFLOAD 403  
 \$D PRTnnnnn 436  
 \$D PUNnn 443  
 \$D R(nn).RD(mm) 458

STATUS (continued)  
 \$D RDR(nn) 458  
 \$D Rnn.CONMm 451  
 \$D Rnnnnn.PRm 436  
 \$D SPOOL 473  
 \$D I 274  
 \$D Init 274  
 \$D L(nnnn).SR(n) 311  
 \$E MEMBer 521  
 \$P Inn 590  
 \$P Inn-mm 590  
 \$S I(vvvv) 641  
 \$S init(vvvv) 641  
 \$T APPL 678  
 \$T EXIT(nnn) 711  
 \$T INIT 715  
 \$T MEMBER 776  
 \$Z Initvvvv 954  
 \$Z Ivvvv 954  
 Rnnnn.PUm 443  
 Stc  
 \$A job 124  
 \$C job 206  
 \$CO 217  
 \$D 284  
 \$DO 371  
 \$H job 551  
 \$L 570  
 \$O 586  
 \$P job 601  
 \$PO 617  
 \$T 729  
 \$TO 800  
 STC  
 \$D A job 223  
 \$D I 274  
 \$D Init 274  
 \$G H 538  
 \$G R,OUT 541  
 \$P I 590  
 \$S I(vvvv) 642  
 \$S init(vvvv) 642  
 \$T INIT 716  
 \$Z Initvvvv 955  
 \$Z Ivvvv 955  
 STCn  
 \$G A 533  
 \$G C 534  
 \$G D 536  
 \$R 634  
 STDFORM  
 \$D OUTDEF 409  
 STEPLIB  
 \$D INITINFO 271  
 STNUM  
 \$D LINE(nnnnn) 320  
 \$D NJEDEF 360  
 initialization parameter 154, 764  
 STORage  
 \$ADD LOADmod(name) 156  
 \$D LOADMOD(jxxxxxx) 325  
 STORAGE  
 \$D DEBUG 251  
 \$T DEBUG 694  
 STRname  
 \$T CKPTDEF 683

SUBnet  
 \$D NODE 366  
 \$T NODE(jnnnnnnn) 793  
 subnetname  
 \$D 486  
 Summary of changes xvii  
 SUSPEND  
 \$D PRTnnnnn 436  
 \$D Rnnnnn.PRm 436  
 \$T PRINTERnnn 878  
 \$T PRTnnn 878  
 \$T PUNnn 893  
 \$T Rnnnn.PRm 878  
 \$T Rnnnn.PUm 893  
 SYMREC  
 \$D DEBUG 251  
 \$T DEBUG 694  
 SYNCTOL  
 \$D MASDEF 335  
 \$T MASDEF 773  
 syntax diagrams  
 how to read 116  
 Sysaff  
 \$A job 124  
 \$C job 206  
 \$D INTRDR 278  
 \$D job 289  
 \$D R(nn).RD(mm) 458  
 \$D RDI 454  
 \$D RDR(nn) 458  
 \$E job 514  
 \$H job 551  
 \$P job 601  
 \$S SPL 665  
 \$S SPOOL 665  
 \$T INTRDR 720  
 \$T job 729  
 \$T RDRnn 905  
 \$T Rnnnnn.RDm 905  
 SYSaff  
 \$D OFF(n).JR 382  
 \$D OFF(n).JT 382, 386  
 \$D OFF(n).SR 382  
 \$D OFF(n).ST 382  
 \$T OFF.JR(n) 812, 813  
 \$T OFF.JT(n) 819  
 \$T SPL 933  
 \$T SPOOL 933  
 SYSAFF  
 \$D SPOOL 474  
 SYSNAME  
 \$D MEMBER 340  
 \$E MEMBer 521  
 \$T MEMBER 777  
 System  
 \$T INTRDR 719  
 \$T NODE(jnnnnnnn) 788  
 \$T RDRnn 903  
 \$T Rnnnnn.RDm 903  
 T  
 T  
 \$ADD PRINTER 172  
 \$ADD PRT 172  
 \$CO Job 217  
 \$D OFF(n).ST 391, 394, 400

T (continued)

- \$D PRTnnnnn 437
- \$D Rnnnnn.PRm 437
- \$DO Job 375
- \$G A 533
- \$G C 534
- \$G D 536
- \$G H 538
- \$G R,OUT 541
- \$O Job 586
- \$PO Job 617
- \$R 634
- \$T A 672
- \$T OFF(n).SR 830
- \$T OFF(n).ST 836
- \$T PRINTERnnn 879
- \$T PRTnnn 879
- \$T Rnnnn.PRm 879
- \$TO JOB 804
- TABFREE
  - \$D TRACEDEF 493
- TABLES
  - \$D TRACEDEF 493
  - \$T TRACEDEF 948
- TABWARN
  - \$D TRACEDEF 493
  - \$T TRACEDEF 949
- TERM
  - \$P JES2 592
- TGINUSE
  - \$D SPOOL 474
- TGNUM
  - \$D SPOOL 474
- Tgs
  - \$H job 550
- TGSIZE
  - \$D SPOOLDEF 480
  - \$T SPOOLDEF 937
- TGSPACE
  - \$D SPOOLDEF 480
  - \$T SPOOLDEF 938
- TIME
  - \$D CONNECT 249
  - \$D JOBPRTY(n) 305
  - \$D MEMBER 340
  - \$T JOBPRTY(n) 751
  - \$T NJEDEF 782
  - DEtails
    - \$D pce 419
- TIMEtol
  - \$D NJEDEF 360
- TP
  - \$D U 495
- TPDEF
  - \$D 488
- TPJOBID
  - \$CO Job 217
  - \$DO Job 375
  - \$O Job 586
  - \$PO job 617
  - \$TO JOB 804
- TPJOBN
  - \$CO Job 217
  - \$DO Job 376
  - \$O Job 586
  - \$PO job 617
  - \$TO JOB 804
- TR
  - \$T EXIT(nnn) 711
  - \$T INTRDR 720
- Trace
  - \$T PCE 855
- TRace
  - \$ADD PRINTER 173
  - \$ADD PRT 173
  - \$D EXIT 263
  - \$D INTRDR 278
  - \$D NODE 366
  - \$D pce 420
  - \$D PRTnnnnn 437
  - \$D PUNnn 444
  - \$D R(nn).RD(mm) 458
  - \$D RDI 454
  - \$D RDR(nn) 458
  - \$D Rnnnnn.PRm 437
  - \$D SSI(nnn) 484
  - \$T NODE(jnnnnnnn) 793
  - \$T PRINTERnnn 879
  - \$T PRTnnn 879
  - \$T PUNnn 893
  - \$T RDI 900
  - \$T RDRnn 906
  - \$T Rnnnn.PRm 879
  - \$T Rnnnn.PUm 893
  - \$T Rnnnnn.RDm 906
  - \$T SSI(\*) 942
  - \$T SSI(nnn) 942
  - Rnnnn.PUm 444
- trace identifier
  - identifier 631
- TRace(nnn)
  - \$D 491
- Traceio
  - \$ADD LGN 158
  - \$ADD LOGON 158
- TRaceio
  - \$ADD 160
  - \$D 356
  - \$D LGN 328
  - \$D LINE(nnnn) 154
  - \$D LINE(nnnnn) 320, 764
  - \$D LOGON 328
  - \$S 655
  - \$T 779
  - \$T LOGON(nnn) 770
- track group
  - spool volume
    - \$T SPOOLDEF command 935
- trademarks 971
- TRANS
  - \$ADD PRINTER 173
  - \$ADD PRT 173
  - \$D PRINTDEF 424
  - \$D PRTnnnnn 437
  - \$D Rnnnnn.PRm 437
  - \$T PRINTERnnn 879
  - \$T PRTnnn 879
  - \$T Rnnnn.PRm 879
- TRANsmit
  - \$D NODE 366
  - \$T NODE(jnnnnnnn) 794
- TRANSMIT
  - \$S OFFLOADn 658
- TRANSPAR
  - \$ADD LINE 155
  - \$ADD LNE 155
  - \$D LINE(nnnnn) 321
  - \$T LINE(nnnnn) 765
  - \$T RMTnn 925
- TRKCELL
  - \$ADD PRINTER 173
  - \$ADD PRT 173
  - \$D OUTCLASS 406
  - \$D PRTnnnnn 437
  - \$D Rnnnnn.PRm 437
  - \$D SPOOLDEF 481
  - \$T PRINTERnnn 879
  - \$T PRTnnn 879
  - \$T Rnnnn.PRm 879
- TRKPERTGB
  - \$D SPOOL 474
- TSOavail
  - \$DO Job 376
  - \$TO JOB 804
- Tsu
  - \$C job 206
  - \$CO 217
  - \$D 284
  - \$DO 371
  - \$H job 551
  - \$L 570
  - \$O 586
  - \$P job 601
  - \$PO 617
  - \$T 730
  - \$TO 800
- TSU
  - \$G H 538
  - \$G R,OUT 541
- TSUn
  - \$G A 533
  - \$G C 534
  - \$G D 536
  - \$R 634
- type
  - \$T RECvopts 909
- TYPE
  - \$A job 124
  - \$C job 206
  - \$D 483
  - \$D job 289
  - \$D NETACCT 354
  - \$D OFFLOAD 403
  - \$H job 551
  - \$P job 602
  - \$S OFFLOADn 658
  - \$T 940
  - \$T job 730
- U**
- U
  - \$D 494
  - \$D R(nn).RD(mm) 458
  - \$D RDR(nn) 458
  - \$T RDRnn 905
  - \$T Rnnnnn.RDm 905
- UCS
  - \$ADD PRINTER 172
  - \$ADD PRT 172

UCS (continued)  
 \$CO Job 217  
 \$D OFF(n).ST 391, 394, 400  
 \$D PRINTDEF 424  
 \$D PRTnnnnn 437  
 \$D Rnnnnn.PRm 437  
 \$DO Job 375  
 \$O Job 586  
 \$PO Job 617  
 \$T OFF(n).SR 830  
 \$T OFF(n).ST 836  
 \$T PRINTERnnn 879  
 \$T PRTnnn 879  
 \$T Rnnnnn.PRm 879  
 \$TO JOB 804

UCSVerify  
 \$ADD PRINTER 173  
 \$ADD PRT 173  
 \$D PRTnnnnn 437  
 \$D Rnnnnn.PRm 437  
 \$T PRINTERnnn 880  
 \$T PRTnnn 880  
 \$T Rnnnnn.PRm 880

Udest  
 \$D DESTDEF 253

UNACT start option  
 specifying \$P JES2 7

UNACTivate  
 \$D OPTSDEF 404

UNCONDitional parameter  
 on PROCLIB statement 861

UNIT  
 \$ADD LINE 155  
 \$ADD LNE 155  
 \$ADD PRINTER 173  
 \$ADD PRT 173  
 \$D L(nnnm).JT(n) 309  
 \$D L(nnnn).JR(n) 307  
 \$D L(nnnn).ST(n) 314  
 \$D LINE(nnnnn) 321  
 \$D PRTnnnnn 438  
 \$D PUNnn 444  
 \$D Rnnnnn.PRm 438  
 \$D L(nnnn).SR(n) 312  
 \$T LINE(nnnnn) 765  
 \$T OFFLOAD(n) 842  
 \$T PRINTERnnn 880  
 \$T PRTnnn 880  
 \$T PUNnn 893  
 \$T RDRnn 906  
 \$T Rnnnn.PRm 880  
 \$T Rnnnn.PUm 893  
 \$T Rnnnn.RDm 906  
 Rnnnn.PUm 444

UNIT parameter  
 on PROCLIB statement 861

UNITDATA  
 \$D SPOOL 474

USECOUNT  
 \$D EXIT 263

USECOUNT parameter  
 on PROCLIB statement 861

user interface  
 ISPF 965  
 TSO/E 965

USERID  
 \$A job 124

USERID (continued)  
 \$C job 206  
 \$CO Job 217  
 \$D job 289  
 \$DO Job 376  
 \$E job 514  
 \$H job 551  
 \$O Job 587  
 \$P job 602  
 \$PO Job 617  
 \$T job 730  
 \$TO JOB 804

USERSET  
 \$D OUTDEF 409

UVERSION  
 \$D MODULE(jxxxxxx) 346

## V

V  
 \$D A job 224  
 \$D N 349  
 \$D Q 446

VALIDATE  
 \$D OFFLOAD 403  
 \$T OFFLOAD(n) 843

VERSION  
 \$D MEMBER 340  
 \$D MODULE(jxxxxxx) 346  
 \$E MEMBer 522  
 \$T MEMBER 777

VERSIONS  
 \$D CKPTDEF 238  
 \$T CKPTDEF 685

VOLATILE  
 \$D CKPTDEF 238  
 \$T CKPTDEF 685

VOLS  
 \$D OFFLOAD 403  
 \$T OFFLOAD(n) 843

volser  
 \$\$ SPL 665  
 \$\$ SPOOL 665  
 \$T SPL 932  
 \$T SPOOL 932

VOLser  
 \$T CKPTDEF 683

VOLser parameter  
 on PROCLIB statement 861

Volume  
 \$ADD PRINTER 174  
 \$ADD PRT 174  
 \$D OFF(n).JT 386  
 \$D OFF(n).ST 400  
 \$D PRTnnnnn 438  
 \$D PUNnn 444  
 \$D Rnnnnn.PRm 438  
 \$D SPOOL 474  
 \$D SPOOLDEF 481  
 \$P SPOOL 627  
 \$T OFF.JT(n) 819  
 \$T OFF(n).ST 836  
 \$Z SPL 960  
 \$Z SPOOL 960  
 Rnnnn.PUm 444

VOLUME  
 \$T PRINTERnnn 880

VOLUME (continued)  
 \$T PRTnnn 880  
 \$T PUNnn 893  
 \$T Rnnnn.PRm 880  
 \$T Rnnnn.PUm 893  
 \$T SPOOLDEF 938

Volumes  
 \$H job 550

## W

W  
 \$T OUTCLASS(n) 845

WAITIME  
 \$T RMTnn 925

WARMTIME  
 \$D MASDEF 335

WARN  
 \$D BUFDEF 234  
 \$T BUFDEF 679  
 \$T NJEDEF 781  
 \$T TPDEF 944, 945

WRITE  
 \$T OUTCLASS(n) 845

Writer  
 \$ADD PRINTER 174  
 \$ADD PRT 174  
 \$CO Job 217  
 \$D OFF(n).ST 391, 394, 400  
 \$D PRTnnnnn 438  
 \$D PUNnn 444  
 \$D Rnnnnn.PRm 438  
 \$DO Job 376  
 \$O Job 587  
 \$PO Job 617  
 \$T OFF(n).SR 830  
 \$T OFF(n).ST 836  
 \$T PRINTERnnn 880  
 \$T PRTnnn 880  
 \$T PUNnn 894  
 \$T Rnnnn.PRm 880  
 \$T Rnnnn.PUm 894  
 Rnnnn.PUm 444

WS  
 \$ADD PRINTER 174  
 \$ADD PRT 174  
 \$D L(nnnm).JT(n) 310  
 \$D OFF(n).JR 382  
 \$D OFF(n).JT 382, 386  
 \$D OFF(n).SR 382  
 \$D OFF(n).ST 382, 394, 400  
 \$D PRTnnnnn 438  
 \$D PUNnn 444  
 \$D Rnnnnn.PRm 438  
 \$T L(nn).JT(nn) 753  
 \$T L(nnnn).ST(n) 756  
 \$T OFF.JR(n) 813  
 \$T OFF.JT(n) 819  
 \$T OFF(n).ST 836  
 \$T PRINTERnnn 880  
 \$T PRTnnn 880  
 \$T PUNnn 894  
 \$T Rnnnn.PRm 880  
 \$T Rnnnn.PUm 894  
 display remote punch 444  
 Rnnnn.PUm 444

WS criteria  
  off.jr 813  
  off.jt 819  
  off.st 753, 756, 836  
  punch 894  
  remote printer 438  
  set printer 884  
WS\_OPT  
  \$T OUTDEF 849

## X

X  
  \$D A job 224  
  \$T PRINTERnnn 881  
  \$T PRTnnn 881  
  \$T Rnnnn.PRm 881  
X1-4  
  \$D PRTnnnnn 433  
  \$D Rnnnnn.PRm 433  
XCFGPRNM  
  \$D MASDEF 335  
XEQ  
  \$D A job 224  
  \$G R 543  
  \$P 632  
  \$R 638  
Xequest  
  \$D R(nn).RD(mm) 458  
  \$D RDR(nn) 458  
  \$T RDRnn 907  
  \$T Rnnnn.RDm 907  
XEQNode  
  \$A job 125  
  \$C job 206  
  \$H job 551  
  \$P job 602  
  \$T job 730  
XEQNODE  
  \$D job 289  
xx\*  
  \$T NODE 787  
xxxxxxx  
  \$D DESTid 254  
xxxxxxx  
  \$D NODE 363  
  \$DEL DESTid 501  
  \$T DESTid 698  
  \$T NODE 787

## Y

Y  
  \$D PRTnnnnn 435  
  \$D Rnnnnn.PRm 435

## Z

Z  
  \$\$ SPL 665  
  \$\$ SPOOL 665









Product Number: 5650-ZOS

Printed in USA

SA32-0990-00

