

IBM Z NetView
Version 6 Release 3

Messages and Codes
Volume 1 (AAU-DSI)



Note

Before using this information and the product it supports, read the information in [“Notices” on page 779.](#)

This edition applies to version 6, release 3 of IBM Z NetView (product number 5697-NV6) and to all subsequent versions, releases, and modifications until otherwise indicated in new editions.

This edition replaces GC27-2856-06.

© **Copyright International Business Machines Corporation 1997, 2019.**

US Government Users Restricted Rights – Use, duplication or disclosure restricted by GSA ADP Schedule Contract with IBM Corp.

Contents

About this publication.....	V
Intended audience.....	v
Publications.....	v
IBM Z NetView library.....	v
Related publications	vii
Terminology in this Library.....	vii
Using IBM Z NetView online help.....	vii
Accessing publications online.....	viii
Ordering publications	viii
Accessibility	viii
Tivoli user groups.....	viii
Support information.....	viii
Conventions used in this publication.....	ix
Typeface conventions	ix
Operating system-dependent variables and paths.....	ix
Syntax diagrams.....	ix
Chapter 1. AAU Prefix Messages.....	1
Chapter 2. AQN Prefix Messages.....	77
Chapter 3. BNH Prefix Messages.....	115
Chapter 4. BNJ Prefix Messages.....	347
Chapter 5. CNM Prefix Messages.....	463
Chapter 6. CNMPP Prefix Messages.....	587
Chapter 7. DSI Prefix Messages.....	593
Appendix A. Codes.....	761
NetView Abend Codes.....	761
Alias Sense Codes.....	774
Global Sense Codes.....	774
Specific-Request Sense Codes.....	774
LUC Conversation Request Service Return Codes and Sense Codes.....	775
Generic Alert Code Points.....	776
Code Point Format.....	776
Resource Types (X'05').....	776
Recommended Actions (X'81').....	777
Detail Data (X'82').....	777
Detail Data (X'85').....	777
Actual Actions (X'86').....	777
Generic Alert Data/Resolution Data (X'92').....	777
Probable Causes (X'93').....	778
User Causes (X'94').....	778
Install Causes (X'95').....	778
Failure Causes (X'96').....	778

Notices.....	779
Programming Interfaces.....	780
Trademarks.....	780
Privacy policy considerations.....	780

About this publication

The IBM Z® NetView® product provides advanced capabilities that you can use to maintain the highest degree of availability of your complex, multi-platform, multi-vendor networks and systems from a single point of control. This publication, *IBM Z NetView Messages and Codes Volume 1 (AAU-DSI)*, lists the messages produced by the NetView program. Many of the messages described in this publication can be used in NetView automation. See the *IBM Z NetView Automation Guide* for more information about NetView automation. Messages that are new or changed for this release are listed in the *IBM Z NetView Installation: Migration Guide*. You can display the descriptions for SNA or VTAM® sense codes that you encounter in a NetView message by using the SENSE command list. For more information, see the *Systems Network Architecture Formats* manual or the appropriate VTAM manual.

Intended audience

This publication is for system programmers and operators who need explanations of and responses to the messages produced by the NetView program.

Publications

This section lists publications in the IBM Z NetView library and related documents. It also describes how to access NetView publications online and how to order NetView publications.

IBM Z NetView library

The following documents are available in the IBM Z NetView library:

- *Administration Reference*, SC27-2869, describes the NetView program definition statements required for system administration.
- *Application Programmer's Guide*, SC27-2870, describes the NetView program-to-program interface (PPI) and how to use the NetView application programming interfaces (APIs).
- *Automation Guide*, SC27-2846, describes how to use automated operations to improve system and network efficiency and operator productivity.
- *Command Reference Volume 1 (A-N)*, SC27-2847, and *Command Reference Volume 2 (O-Z)*, SC27-2848, describe the NetView commands, which can be used for network and system operation and in command lists and command procedures.
- *Installation: Configuring Additional Components*, GC27-2851, describes how to configure NetView functions beyond the base functions.
- *Installation: Configuring the NetView Enterprise Management Agent*, GC27-2853, describes how to install and configure the IBM Z NetView Enterprise Management Agent.
- *Installation: Getting Started*, GI11-9443, describes how to install and configure the base NetView program.
- *Installation: Migration Guide*, GC27-2854, describes the new functions that are provided by the current release of the NetView product and the migration of the base functions from a previous release.
- *IP Management*, SC27-2855, describes how to use the NetView product to manage IP networks.
- *Messages and Codes Volume 1 (AAU-DSI)*, GC27-2856, and *Messages and Codes Volume 2 (DUI-IHS)*, GC27-2857, describe the messages for the NetView product, the NetView abend codes, the sense codes that are included in NetView messages, and generic alert code points.
- *Programming: Pipes*, SC27-2859, describes how to use the NetView pipelines to customize a NetView installation.

- *Programming: REXX and the NetView Command List Language*, SC27-2861, describes how to write command lists for the NetView product using the Restructured Extended Executor language (REXX) or the NetView command list language.
- *Security Reference*, SC27-2863, describes how to implement authorization checking for the NetView environment.
- *Troubleshooting Guide*, GC27-2865, provides information about documenting, diagnosing, and solving problems that occur in the NetView product.
- *Tuning Guide*, SC27-2874, provides tuning information to help achieve certain performance goals for the NetView product and the network environment.
- *User's Guide: Automated Operations Network*, SC27-2866, describes how to use the NetView Automated Operations Network (AON) component, which provides event-driven network automation, to improve system and network efficiency. It also describes how to tailor and extend the automated operations capabilities of the AON component.
- *User's Guide: NetView*, SC27-2867, describes how to use the NetView product to manage complex, multivendor networks and systems from a single point.
- *User's Guide: NetView Enterprise Management Agent*, SC27-2876, describes how to use the NetView Enterprise Management Agent.
- *Using Tivoli System Automation for GDPS/PPRC HyperSwap Manager with NetView*, GI11-4704, provides information about the Tivoli® System Automation for GDPS®/PPRC HyperSwap® Manager with NetView feature, which supports the GDPS and Peer-to-Peer Remote Copy (PPRC) HyperSwap Manager services offering.
- *Licensed Program Specifications*, GC31-8848, provides the license information for the NetView product.
- *Program Directory for IBM Z NetView US English*, GI11-9444, contains information about the material and procedures that are associated with installing the NetView product.
- *Program Directory for IBM Z NetView Japanese*, GI11-9445, contains information about the material and procedures that are associated with installing the NetView product.
- *Program Directory for IBM Z NetView Enterprise Management Agent*, GI11-9446, contains information about the material and procedures that are associated with installing the IBM Z NetView Enterprise Management Agent.

The following books are archived:

- *Customization Guide*, SC27-2849, describes how to customize the NetView product and points to sources of related information.
- *Data Model Reference*, SC27-2850, provides information about the Graphic Monitor Facility host subsystem (GMFHS), SNA topology manager, and MultiSystem Manager data models.
- *Installation: Configuring Graphical Components*, GC27-2852, describes how to install and configure the NetView graphics components.
- *Programming: Assembler*, SC27-2858, describes how to write exit routines, command processors, and subtasks for the NetView product using assembler language.
- *Programming: PL/I and C*, SC27-2860, describes how to write command processors and installation exit routines for the NetView product using PL/I or C.
- *Resource Object Data Manager and GMFHS Programmer's Guide*, SC27-2862, describes the NetView Resource Object Data Manager (RODM), including how to define your non-SNA network to RODM and use RODM for network automation and for application programming.
- *SNA Topology Manager Implementation Guide*, SC27-2864, describes planning for and implementing the NetView SNA topology manager, which can be used to manage subarea, Advanced Peer-to-Peer Networking, and TN3270 resources.
- *User's Guide: NetView Management Console*, SC27-2868, provides information about the NetView management console interface of the NetView product.

Related publications

You can find additional product information on the IBM Z NetView web site at <https://www.ibm.com/us-en/marketplace/ibm-tivoli-netview-for-zos>.

For information about the NetView Bridge function, see *Tivoli NetView for OS/390 Bridge Implementation*, SC31-8238-03 (available only in the V1R4 library).

Terminology in this Library

The following terms are used in this library:

CNMCMC

For the CNMCMC member and the members that are included in it using the %INCLUDE statement

CNMSTYLE

For the CNMSTYLE member and the members that are included in it using the %INCLUDE statement

DSIOPF

For the DSIOPF member and the members that are included in it using the %INCLUDE statement

IBM® Tivoli Netcool®/OMNIbus

For either of these products:

- IBM Tivoli Netcool/OMNIbus
- IBM Tivoli OMNIbus and Network Manager

MVS™

For z/OS® operating systems

MVS element

For the base control program (BCP) element of the z/OS operating system

NetView

For the following products:

- IBM Z NetView version 6 release 3
- IBM Tivoli NetView for z/OS version 6 release 2 modification 1
- NetView releases that are no longer supported

PARMLIB

For SYS1.PARMLIB and other data sets in the concatenation sequence

VTAM

For Communications Server - SNA Services

Unless otherwise indicated, topics to programs indicate the latest version and release of the programs. If only a version is indicated, the topic is to all releases within that version.

When a topic is made about using a personal computer or workstation, any programmable workstation can be used.

Using IBM Z NetView online help

The following types of IBM Z NetView mainframe online help are available, depending on your installation and configuration:

- General help and component information
- Command help
- Message help
- Sense code information
- Recommended actions

Accessing publications online

IBM posts publications for this and all other products, as they become available and whenever they are updated, to the IBM Knowledge Center at <https://www.ibm.com/support/knowledgecenter>. You can find IBM Z NetView documentation on [IBM Z NetView Knowledge Center](#).

Note: If you print PDF documents on other than letter-sized paper, set the option in the **Print** window that enables Adobe Reader to print letter-sized pages on your local paper.

Ordering publications

You can order many Tivoli publications online at <http://www.ibm.com/e-business/linkweb/publications/servlet/pbi.wss>

You can also order by telephone by calling one of these numbers:

- In the United States: 800-426-4968
- In Canada: 800-879-2755

In other countries, contact your software account representative to order Tivoli publications. To locate the telephone number of your local representative, perform the following steps:

1. Go to <http://www.ibm.com/e-business/linkweb/publications/servlet/pbi.wss>.
2. Select your country from the list and click the grey arrow button beside the list.
3. Click **About this site** to see an information page that includes the telephone number of your local representative.

Accessibility

Accessibility features help users with a physical disability, such as restricted mobility or limited vision, to use software products successfully. Standard shortcut and accelerator keys are used by the product and are documented by the operating system. Refer to the documentation provided by your operating system for more information.

For additional information, see the Accessibility appendix in the *User's Guide: NetView*.

Tivoli user groups

Tivoli user groups are independent, user-run membership organizations that provide Tivoli users with information to assist them in the implementation of Tivoli Software solutions. Through these groups, members can share information and learn from the knowledge and experience of other Tivoli users.

Support information

If you have a problem with your IBM software, you want to resolve it quickly. IBM provides the following ways for you to obtain the support you need:

Online

Please follow the instructions located in the support guide entry: <https://www.ibm.com/support/home/pages/support-guide/?product=4429363>.

Troubleshooting information

For more information about resolving problems with the IBM Z NetView product, see the *IBM Z NetView Troubleshooting Guide*. You can also discuss technical issues about the IBM Z NetView product through the NetView user group located at <https://groups.io/g/NetView>. This user group is for IBM Z NetView customers only, and registration is required. This forum is also monitored by interested parties within IBM who answer questions and provide guidance about the NetView

product. When a problem with the code is found, you are asked to open an official case to obtain resolution.

Conventions used in this publication

This section describes the conventions that are used in this publication.

Typeface conventions

This publication uses the following typeface conventions:

Bold

- Lowercase commands and mixed case commands that are otherwise difficult to distinguish from surrounding text
- Interface controls (check boxes, push buttons, radio buttons, spin buttons, fields, folders, icons, list boxes, items inside list boxes, multicolumn lists, containers, menu choices, menu names, tabs, property sheets), labels (such as **Tip:**, and **Operating system considerations:**)
- Keywords and parameters in text

Italic

- Citations (examples: titles of publications, diskettes, and CDs)
- Words defined in text (example: a nonswitched line is called a *point-to-point line*)
- Emphasis of words and letters (words as words example: "Use the word *that* to introduce a restrictive clause."; letters as letters example: "The LUN address must start with the letter *L*.")
- New terms in text (except in a definition list): a *view* is a frame in a workspace that contains data.
- Variables and values you must provide: ... where *myname* represents...

Monospace

- Examples and code examples
- File names, programming keywords, and other elements that are difficult to distinguish from surrounding text
- Message text and prompts addressed to the user
- Text that the user must type
- Values for arguments or command options

Operating system-dependent variables and paths

For workstation components, this publication uses the UNIX convention for specifying environment variables and for directory notation.

When using the Windows command line, replace **\$variable** with **%variable%** for environment variables and replace each forward slash (/) with a backslash (\) in directory paths. The names of environment variables are not always the same in the Windows and UNIX environments. For example, %TEMP% in Windows environments is equivalent to \$TMPDIR in UNIX environments.

Note: If you are using the bash shell on a Windows system, you can use the UNIX conventions.

Syntax diagrams

The following syntax elements are shown in syntax diagrams. Read syntax diagrams from left-to-right, top-to-bottom, following the horizontal line (the main path).

- [“Symbols” on page x](#)
- [“Parameters” on page x](#)
- [“Punctuation and parentheses” on page x](#)

- [“Abbreviations” on page xi](#)

For examples of syntax, see [“Syntax examples” on page xi](#).

Symbols

The following symbols are used in syntax diagrams:



Marks the beginning of the command syntax.



Marks the end of the command syntax.



Indicates that the command syntax is continued on the next line.



Indicates that a statement is continued from the previous line.



Marks the beginning and end of a fragment or part of the command syntax.

Parameters

The following types of parameters are used in syntax diagrams:

Required

Required parameters are shown on the main path.

Optional

Optional parameters are shown below the main path.

Default

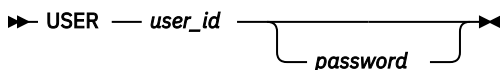
Default parameters are shown above the main path. In parameter descriptions, default parameters are underlined.

Syntax diagrams do not rely on highlighting, brackets, or braces. In syntax diagrams, the position of the elements relative to the main syntax line indicates whether an element is required, optional, or the default value.

When you issue a command, spaces are required between the parameters unless a different separator, such as a comma, is specified in the syntax.

Parameters are classified as keywords or variables. Keywords are shown in uppercase letters. Variables, which represent names or values that you supply, are shown in lowercase letters and are either italicized or, in NetView help, displayed in a differentiating color.

In the following example, the `USER` command is a keyword, the `user_id` parameter is a required variable, and the `password` parameter is an optional variable.



Punctuation and parentheses

You must include all punctuation that is shown in the syntax diagram, such as colons, semicolons, commas, minus signs, and both single and double quotation marks.

When an operand can have more than one value, the values are typically enclosed in parentheses and separated by commas. For a single value, the parentheses typically can be omitted. For more information, see [“Multiple operands or values” on page xii](#).

If a command requires positional commas to separate keywords and variables, the commas are shown before the keywords or variables.

When examples of commands are shown, commas are also used to indicate the absence of a positional operand. For example, the second comma indicates that an optional operand is not being used:

```
COMMAND_NAME opt_variable_1,,opt_variable_3
```

You do not need to specify the trailing positional commas. Trailing positional and non-positional commas either are ignored or cause a command to be rejected. Restrictions for each command state whether trailing commas cause the command to be rejected.

Abbreviations

Command and keyword abbreviations are listed in synonym tables after each command description.

Syntax examples

The following examples show the different uses of syntax elements:

- [“Required syntax elements” on page xi](#)
- [“Optional syntax elements” on page xi](#)
- [“Default keywords and values” on page xi](#)
- [“Multiple operands or values” on page xii](#)
- [“Syntax that is longer than one line” on page xii](#)
- [“Syntax fragments” on page xii](#)

Required syntax elements

Required keywords and variables are shown on the main syntax line. You must code required keywords and variables.

►► REQUIRED_KEYWORD — *required_variable* ◄◄

A required choice (two or more items) is shown in a vertical stack on the main path. The items are shown in alphanumeric order.

►► — REQUIRED_OPERAND_OR_VALUE_1 — ◄◄
— REQUIRED_OPERAND_OR_VALUE_2 — ◄◄

Optional syntax elements

Optional keywords and variables are shown below the main syntax line. You can choose not to code optional keywords and variables.

►► — OPTIONAL_OPERAND — ◄◄

A required choice (two or more items) is shown in a vertical stack below the main path. The items are shown in alphanumeric order.

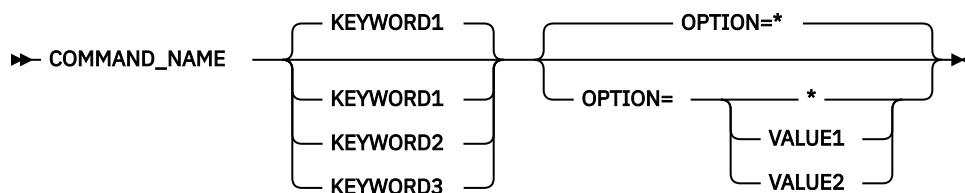
►► — OPTIONAL_OPERAND_OR_VALUE_1 — ◄◄
— OPTIONAL_OPERAND_OR_VALUE_2 — ◄◄

Default keywords and values

Default keywords and values are shown above the main syntax line in one of the following ways:

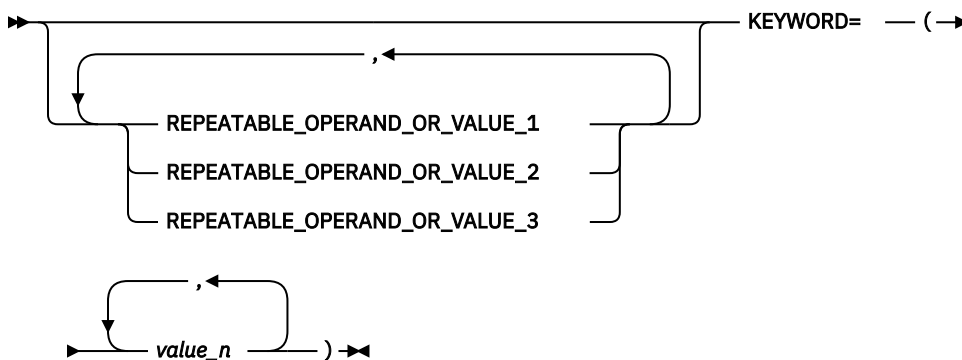
- A default keyword is shown only above the main syntax line. You can specify this keyword or allow it to default. The following syntax example shows the default keyword KEYWORD1 above the main syntax line and the rest of the optional keywords below the main syntax line.

- If an operand has a default value, the operand is shown both above and below the main syntax line. A value below the main syntax line indicates that if you specify the operand, you must also specify either the default value or another value shown. If you do not specify the operand, the default value above the main syntax line is used. The following syntax example shows the default values for operand OPTION=* above and below the main syntax line.



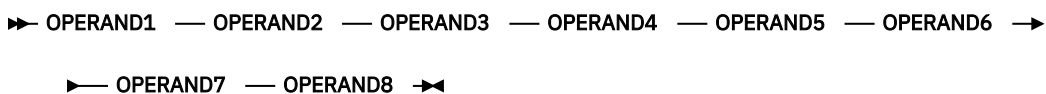
Multiple operands or values

An arrow returning to the left above a group of operands or values indicates that more than one can be selected or that a single one can be repeated.



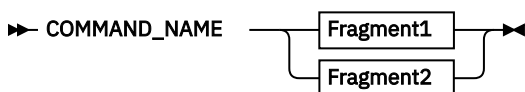
Syntax that is longer than one line

If a diagram is longer than one line, each line that is to be continued ends with a single arrowhead and the following line begins with a single arrowhead.



Syntax fragments

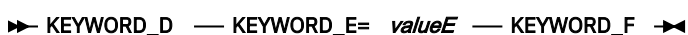
Some syntax diagrams contain syntax fragments, which are used for lengthy, complex, or repeated sections of syntax. Syntax fragments follow the main diagram. Each syntax fragment name is mixed case and is shown in the main diagram and in the heading of the fragment. The following syntax example shows a syntax diagram with two fragments that are identified as Fragment1 and Fragment2.



Fragment1



Fragment2



Chapter 1. AAU Prefix Messages

This chapter lists the AAU prefix messages.

Note: All return codes displayed in AAU messages are in decimal format.

AAU000I **MESSAGE NUMBER *nnn* NOT IN
MESSAGE CSECT *module***

Explanation

During a data services command processor (DSCP) request for a message from the specified message table, the message in field *nnn* is either zero or a value not found in the message control section (CSECT).

Message Variables

nnn

The message number

module

The message table AAUAMDMA, AAUNMDMA, or AAUZMDMA

System action

The data services command processor continues processing.

Operator response

Notify the system programmer.

System programmer response

Determine whether the message number is in the named control section and then contact IBM Software Support.

AAU009I **INVALID RESPONSE/SELECTION
NUMBER**

Explanation

You responded incorrectly to a request for a command entry on the session monitor panel. You incorrectly spaced the command options or, when prompted for a selection number, did not enter a number or entered a number that was not on the panel that is displayed.

System action

The NetView program ignores the request and processing continues.

Operator response

Enter a valid selection number or enter a valid NetView command. See the NetView online help.

AAU010I **INVALID FUNCTION SELECTED**

Explanation

You responded incorrectly to a request for a command entry on the session monitor panel. You entered a function command that was not valid when you were prompted to enter either a selection number or a selection number followed by a function command.

System action

The NetView program ignores the request and processing continues.

Operator response

Enter a valid request or enter a valid NetView command. See the NetView online help.

AAU015I **PORT ADDRESS: X'*address*'
NCPNAME: *name* NCP RESOURCE
NAME: *station***

Explanation

You entered the LINEMAP command. This message provides the port address for the specified station.

Message Variables

address

The hexadecimal network control program (NCP) line port address of the named station attached to the named network control program. For stations where a port address is not applicable, N/A is displayed.

name

The name of the network control program specified in the LINEMAP command.

station

The name of the station specified in the LINEMAP command.

System action

Processing continues.

AAU016I EXPLICIT ROUTE DATA (ER) NOT AVAILABLE**Explanation**

You selected explicit route (ER) from the session configuration panel. Your network is either not authorized to view the explicit route data for the network being displayed, or VTAM does not supply the route data.

System action

The NetView program ignores the request and processing continues.

Operator response

Enter an appropriate selection or a valid NetView command.

AAU017I CONNECTIVITY TEST TIMEOUT**Explanation**

You selected the connectivity test (CT) request from the session list panel and timed out before the request was processed.

System action

The request for connectivity test stops and processing continues.

Operator response

Notify the system programmer.

System programmer response

Contact IBM Software Support.

AAU018I NO CONNECTIVITY TEST - NO ROUTE DATA**Explanation**

You selected the connectivity test (CT) request from the session list panel. The access method did not provide local route data. This message is displayed if any access method in the route does not support the connectivity test. A connectivity test cannot be run without route data.

System action

The request for connectivity test stops and processing continues.

AAU019I CONNECTIVITY EXISTS BETWEEN *name1 name2***Explanation**

You selected the connectivity test (CT) request from the session list panel. The connectivity test between the specified session partners (real network names are used for cross-network sessions) was successful.

Message Variables***name1***

The primary session partner

name2

The secondary session partner

System action

Processing continues.

AAU020I *module locid operatorid* VSAM I/O REQUEST FAILED TO START: DSIZVSMS R/C - MAJOR = *majcode* MINOR = *mincode*, VSAM DATASET = *ddname*, KEY '*keyval*'**Explanation**

DSIZVSMS detected an error in the I/O request and gave nonzero return codes *majcode* and *mincode*. If the return codes are both 9999, the DSIZVSMS macro is not issued because the parameters passed by module *module* were not valid.

Message Variables***module***

The control section (CSECT) name where an error condition was detected.

locid

The location within the named CSECT where an error condition was detected.

operatorid

The NetView terminal operator identifier. If no operator is defined, this value is blank.

majcode

The DSIZVSMS REG15 code. The code is in decimal.

mincode

The DSIZVSMS FDBK code. The code is in decimal.

ddname

The name of the VSAM data set that encountered the error. If the *ddname* cannot be determined, this value is UNKNOWN.

keyval

The key used for the VSAM request.

System action

The NetView program stops processing for this VSAM database record. If this message is a result of an

operator request, message AAU050I is sent to the NetView terminal operator who issued the request.

Operator response

Enter the command again that failed. If the same condition occurs, notify the system programmer.

System programmer response

Refer to *IBM Z NetView Programming: Assembler* for information about the specific error.

AAU021I ***module locid operatorid* LOGICAL RECORD BLOCKING ERROR DETECTED**

Explanation

The service routine cannot insert the logical temporary record into the physical temporary record. Either there was not enough space in the physical record or you specified an incorrect physical or logical record size.

Message Variables

module

The control section (CSECT) name where an error condition was detected.

locid

The location within the named CSECT where an error condition was detected.

operatorid

The NetView terminal operator identifier. If no operator is defined, this value is blank.

System action

If this message is a result of an operator request, message AAU050I is sent to the NetView terminal operator who issued the request. Processing stops for the logical temporary record.

Operator response

Notify the system programmer.

System programmer response

Ensure that VSAM data sets AAUVSPL and AAUVSSL used the correct VSAM definitions. If so, contact IBM Software Support.

AAU022I ***module locid operatorid* VSAM I/O COMPLETION FAILURE: VSAM R/C - MAJOR = *majcode* MINOR = *mincode*, DDNAME = *ddname*, KEY '*keyval*'**

Explanation

The module requested a *keyval* using the VSAM macro to initiate a VSAM I/O request. The request did not complete successfully.

Message Variables

module

The control section (CSECT) name where an error condition was detected.

locid

The location within the CSECT where an error condition was detected.

operatorid

The NetView terminal operator identifier. If no operator is defined, this value is blank.

majcode

The VSAM REG15 code. The code is in decimal.

mincode

The VSAM FDBK code. The code is in decimal.

ddname

The name of the VSAM data set that encountered the error. If the DDNAME cannot be determined, this value is UNKNOWN.

keyval

The key used for the VSAM request.

System action

Processing stops for this VSAM database record.

Operator response

Notify the system programmer.

System programmer response

Refer to the appropriate VSAM manual to determine the type of error indicated by the major and minor (REG15 and FDBK) codes that are returned. The following descriptions are some of the common minor codes associated with a major code of 8:

4

The end of the data set was encountered.

8

You attempted to store a record with a duplicate key, or there is a duplicate record for an alternate index with the unique key option.

16

The record is not found in the database. When such an indication is associated with the session monitor, it is usually part of regular operation and can be ignored.

24

A record resides on a volume that cannot be mounted.

28

The data set is full and cannot be extended. You can run the DBAUTO command to perform database maintenance. You can also use the DBINIT command (called by the CNMSTYLE member when the NetView program starts) to set global variables and to perform periodic database maintenance.

40

There is insufficient virtual storage in the address space to complete the request.

44

The work area is not large enough for the data record or for the buffer.

64

There is insufficient storage available to add another string dynamically. For a DFSMS Transactional VSAM Services (DFSMSStvs) or VSAM Record Level Sharing (RLS) application control block (ACB), the limit of 1024 outstanding requests for this ACB has been exceeded.

96

An attempt was made to change the prime key or key of reference while making an update.

108

The RECLEN is incorrect.

112

The specified KEYLEN is too large or equal to zero.

190

There is a partial EOVS error.

192

The relative record number is not valid.

AAU023I **module locid operatorid DSIGET FAILURE DETECTED**

Explanation

The NetView storage allocation routine indicated that storage is unavailable for a storage request.

Message Variables

module

The control section (CSECT) name where an error condition was detected.

locid

The location within the CSECT where an error condition was detected.

operatorid

The NetView terminal operator identifier. If no operator is defined, this value is blank.

System action

Data services command processor (DSCP) processing stops.

Operator response

Determine whether you received message BNH16I, which means the task has reached its storage limit. If so, notify your system programmer.

System programmer response

Refer to the *IBM Z NetView Troubleshooting Guide* for possible causes of the storage shortage. If necessary, refer to the *IBM Z NetView Tuning Guide* for more storage calculation information.

AAU024I **module locid TRACE BUFFER SEQUENCE ERROR: nnn DATA BUFFER(S) LOST**

Explanation

The path information unit (PIU) buffer header sequence number does not match the expected path information unit buffer sequence number. The number of data buffers specified by *nnn* are skipped.

Message Variables

module

The control section (CSECT) name where an error condition was detected

locid

The location within the CSECT where an error condition was detected

nnn

The number of data buffers

System action

Processing continues.

Operator response

Reduce the number of sessions being traced. If this message persists, notify the system programmer.

System programmer response

Adjust the access method buffer size and the number of buffers. Refer to the *IBM Z NetView Installation: Configuring Additional Components* for more information.

AAU025I **module locid operatorid PARAMETER ERROR DETECTED**

Explanation

You specified a LIST type that was not valid. The NetView program detected the error while processing your LIST command.

Message Variables

module

The control section (CSECT) name where an error condition was detected.

locid

The location within the CSECT where an error condition was detected.

operatorid

The NetView terminal operator identifier. If no operator is defined, this value is blank.

System action

Processing of the request stops.

Operator response

Refer to the online help to determine valid parameters and enter the LIST command again.

AAU027I *module locid operatorid* **CROSS DOMAIN IMMEDIATE FAILURE. RETURN CODE = *retcode***

Explanation

You receive this message when you issue a cross-domain request. During initialization, this message indicates that the NetView program you are trying to reach might not be active.

Message Variables

module

The control section (CSECT) name where an error condition was detected.

locid

The location within the CSECT where an error condition was detected.

operatorid

The NetView terminal operator identifier. If no operator is defined, this value is blank.

retcode

The internal NetView return code has one of the following values:

00

Successful completion.

04

The NetView domain is not on the LUC control queue.

08

The conversation is already allocated or allocation is pending.

12

The conversation was not allocated, deallocation completion is pending, or a deallocation request is pending.

16

Request type not valid.

20

PARML is less than or equal to zero.

24

A nonzero immediate return code was received from the command facility component.

28

LUC service cannot get the required storage.

32

The NetView domain is not valid.

System action

Processing continues.

Operator response

Use the panel NLDM.LIST.DOM to check the status of the conversation as listed in the online help. If the message persists, notify the system programmer.

System programmer response

Verify that cross-domain names are defined properly in the NetView member DSILUCTD.

AAU028I **PRIMARY GATEWAY TRACE DATA NOT AVAILABLE FROM THIS DOMAIN**

Explanation

You requested primary gateway trace data that is not available.

System action

Processing of request stops.

Operator response

Set the domain to the remote network SSCP and request gateway trace data. However, if gateway trace has timed out in the remote network during initialization, gateway trace data is not available in the remote network.

AAU029I **SECONDARY GATEWAY TRACE DATA NOT AVAILABLE FROM THIS DOMAIN**

Explanation

You requested secondary gateway trace data that is not available.

System action

Processing of request stops.

Operator response

Set the domain to the remote network SSCP, if possible, and request gateway trace data. However, if gateway trace has timed out in the remote network during initialization, gateway trace data is not available in the remote network.

AAU030I VIRTUAL ROUTE DATA NOT AVAILABLE FOR INACTIVE SESSION

Explanation

This message is issued in response to a user selecting virtual route (VR) from a configuration panel for a session that is inactive. Active virtual route data cannot be displayed for an inactive session.

System action

The request for virtual route status data ends and processing continues.

Operator response

Enter an appropriate selection or a valid NetView command.

AAU031I ROUTE FAILURE IN NETWORK *netid*, NODEID *resource*, REASON *reason*

Explanation

You selected the connectivity test (CT) request from the session list panel. The connectivity test failed at the indicated network element. NODEID is not displayed when it is prohibited by the NetView security parameter in the identified network.

Message Variables

netid

The network where the failure occurred

resource

The name of the network control program (NCP) where the failure occurred

reason

The VTAM return code indicating the reason for the routing failure

System action

Processing of the request stops.

Operator response

Notify the system programmer.

System programmer response

For the meaning of the reason code, see byte 4 of the NC-ER-TEST-REPLY in the appropriate VTAM manual, or in the appropriate Systems Network Architecture manual.

AAU032I SESSION INACTIVE - NO CONNECTIVITY TEST

Explanation

You selected the connectivity test (CT) request from the session list panel. The session is either inactive or it passes through a node that is running the session monitor on a VTAM without warm start capability. No connectivity testing is done.

System action

Processing of the request stops.

Operator response

When the session becomes active, enter the command again.

AAU033I *module locid* INSUFFICIENT STORAGE EXISTS FOR TIMER REQUEST

Explanation

There was a DSIGET failure when the timer service routine was called.

Message Variables

module

The control section (CSECT) name where an error condition was detected

locid

The location within the CSECT where an error condition was detected

System action

The timer request is ignored.

Operator response

Determine whether the task you are running is under storage constraint. If the storage is constrained, notify the system programmer.

System programmer response

Refer to the *IBM Z NetView Troubleshooting Guide* for possible causes of the storage shortage. If necessary, refer to the *IBM Z NetView Tuning Guide* for more storage calculation information.

AAU034I NETWORK NAME SUPPLIED BY VTAM *netid1* DOES NOT MATCH USER SUPPLIED NETWORK NAME *netid2* *netid1* IS USED

Explanation

The value of the VTAM NETID start option is different from the value specified by the NETID INITMOD statement in AAUPRMLP.

Message Variables

netid1

The network ID specified in the VTAM NETID start option

netid2

The network ID specified by the NETID INITMOD statement in AAUPRMLP

System action

Processing continues.

System programmer response

Either remove the NetView NETID INITMOD statement from AAUPRMLP or change the value to equal that supplied by the VTAM start option. For more information about the INITMOD statement, refer to the *IBM Z NetView Administration Reference*.

AAU035I ENABLE COMMAND NOT SUPPORTED BY CURRENTLY INSTALLED ACCESS METHOD

Explanation

Because this VTAM level does not support the warm start capability, the ENABLE command is not valid.

System action

The NetView program ignores the command.

AAU036I *module locid operatorid* INVALID RECORD TYPE ENCOUNTERED

Explanation

The data services command processor (DSCP) encountered a record that was not valid. The command processor cannot retrieve the data you requested.

Message Variables

module

The control section (CSECT) name where an error condition was detected.

locid

The location within the CSECT where an error condition was detected.

operatorid

The NetView terminal operator identifier. If no operator is defined, this value is blank.

System action

Processing of this request stops.

Operator response

Notify the system programmer.

System programmer response

Contact IBM Software Support.

AAU037I *module locid* INVALID SAW RECORD: BUFFER SEQUENCE NUMBER= X'*bufseqno*' OFFSET= X'*offset*'

Explanation

The session awareness (SAW) data buffer contains a record that is not valid.

Message Variables

module

The control section (CSECT) name where an error condition was detected

locid

The location within the CSECT where an error condition was detected

bufseqno

The hexadecimal sequence number of the SAW buffer containing the SAW record that is not valid

offset

The hexadecimal offset within the SAW buffer to the SAW record that is not valid

System action

No processing of the session awareness buffer is attempted.

Operator response

Notify the system programmer.

System programmer response

Contact IBM Software Support.

AAU038I *module locid* **INVALID SAW
BUFFER RECEIVED**

Explanation

The session awareness (SAW) processor received a buffer that does not contain session awareness data.

Message Variables**module**

The control section (CSECT) name where an error condition was detected

locid

The location within the CSECT where an error condition was detected

System action

No processing of the received buffer is attempted.

Operator response

Notify the system programmer.

System programmer response

Contact IBM Software Support.

AAU039I **SESSION AWARENESS ALREADY
ACTIVE. ENABLE COMMAND IS
IGNORED**

Explanation

You made a request to activate session awareness, but session awareness is already activated.

System action

The NetView program ignores the request.

AAU040I **REQUIRED PARAMETER(S)
MISSING FOR EXPLICIT
COMMAND**

Explanation

One or more required parameters is missing.

System action

The NetView program ignores the request.

Operator response

See the NetView online help to determine the correct parameters and enter the explicit command again.

AAU041I **INVALID RESOURCE NAME
SPECIFIED**

Explanation

You entered an incorrect resource name in a command.

System action

The NetView program ignores the request.

Operator response

Determine the correct resource name and enter the command again.

AAU042I **TOO MANY PARAMETERS
SPECIFIED**

Explanation

You entered one or more extraneous parameters.

System action

The NetView program ignores the request.

Operator response

See the NetView online help to determine the correct parameters and enter the explicit command again.

AAU043I **INVALID LIST TYPE SPECIFIED**

Explanation

The LIST command function you requested was not valid. Only LU, PLU, SLU, PU, SSCP, ER, VR, ALL, HISTORY, CP, and DOMAIN are valid.

System action

The NetView program ignores the request.

Operator response

See the NetView online help to determine the correct parameters and enter the LIST command again.

AAU044I **INVALID 'KEEP' FUNCTION
SELECTED**

Explanation

The KEEP command function you requested was not valid. You entered an incorrect parameter.

System action

The NetView program ignores the request.

Operator response

See the NetView online help to determine the correct parameters and enter the KEEP command again.

**AAU045I INVALID 'DISKEEP' FUNCTION
 SELECTED**

Explanation

The DISKEEP command function you requested was not valid. You entered an incorrect parameter.

System action

The NetView program ignores the request.

Operator response

See the NetView online help to determine the correct parameters and enter the DISKEEP command again.

**AAU046I NON-NUMERIC KEEP COUNT
 SPECIFIED**

Explanation

You specified a KEEP count value that was non-numeric.

System action

The NetView program ignores the request.

Operator response

See the NetView online help for more information about the COUNT parameter and enter the KEEP command again.

**AAU047I SPECIFIED KEEP COUNT OUT OF
 RANGE**

Explanation

The count of items to be retained in the KEEP command was out of range. The range is 1-999.

System action

The NetView program ignores the request.

Operator response

See the NetView online help to determine the correct parameters and enter the KEEP command again.

**AAU048I INVALID 'TRACE' FUNCTION
 SPECIFIED**

Explanation

The TRACE command function you requested was not valid. Only START, STOP, or DISP are valid.

System action

The NetView program ignores the request.

Operator response

See the NetView online help to determine the correct parameters and enter the TRACE command again.

**AAU049I INVALID DOMAIN NAME
 SPECIFIED**

Explanation

You specified an incorrect domain name as a parameter on the TRACE command.

System action

The NetView program ignores the request.

Operator response

Enter the command again with a valid domain name. For a list of possible valid domain names, use the LIST DOMAIN command. See the NetView online help to determine the correct command syntax.

**AAU050I DATA SERVICES FAILURE IN
 PROCESSING LAST COMMAND**

Explanation

While processing your request, an error occurred under the data services task. The authorized message receiver might get an additional message indicating the specific error that was encountered, unless message suppression is in effect. The VSAM database might be full, causing some VSAM I/O messages to be suppressed.

System action

The request or command you entered is not processed.

Operator response

Enter the request again or enter a new command. The NLDM SMDR QUERY command shows the status of VSAM session recording. If the status is inactive, check the log for message AAU272I. If the problem recurs, notify the system programmer.

System programmer response

See the related messages sent to the authorized message receiver.

AAU051I *module locid* **ER-TESTED RU HAS BEEN TRUNCATED BY NETVIEW**

Explanation

System capabilities have been exceeded. The explicit route-tested request/response unit (ER-TESTED RU) contains data for each node in an explicit route. Because of many nodes in an explicit route, the NetView program has received an ER-TESTED RU that exceeds the allowable length.

Message Variables

module

The control section (CSECT) name where an error condition was detected

locid

The location within the CSECT where an error condition was detected

System action

The ER-TESTED RU is not processed. The NetView program continues to function, but route data for any sessions using this route is not available.

AAU052I **DATA SERVICES FAILURE IN DOMAIN *domainid* IN NETWORK *netid***

Explanation

Data services failed while running a NetView command in the domain and network you specified. The authorized message receiver in the domain specified gets an additional error message.

Message Variables

domainid

The domain where data services failed

netid

The network where data services failed

System action

The command you entered is ignored.

Operator response

Enter the request again or enter a new command. If the problem recurs, notify the system programmer.

System programmer response

See the related messages sent to the authorized message receiver.

AAU053I **COMMAND BEING PROCESSED**

Explanation

The NetView program is processing the command that was entered.

System action

Processing continues.

AAU054I **TIME EXPIRED IN NETWORK *netid***

Explanation

You requested data that had to be retrieved from your network or from another network. Because of high activity on the network, or because the data you requested was not available, the amount of time allowed for the command expired before you were able to receive the data.

Message Variables

netid

The name of the network from which the data is being retrieved

System action

Processing of the command stops.

Operator response

Retry the request later.

AAU055I **SENSE CODE X'*hhhh*' NOT RECOGNIZED BY LINEMAP COMMAND**

Explanation

You issued the LINEMAP command and the returned sense code was not recognized.

Message Variables

hhhh

The hexadecimal sense code

System action

The NetView program ignores the command and processing continues.

System programmer response

Use the sense code to find out why the network control program (NCP) cannot complete the NetView LINEMAP request. For sense code information, refer to *Systems Network Architecture Formats*.

AAU056I **CONNECTIVITY TEST CANNOT BE RUN FOR LOCALLY ATTACHED RESOURCE**

Explanation

You selected the connectivity test (CT) request from the session list panel for a session involving a locally attached resource. The locally attached resources are not supported for connectivity test requests.

System action

The request is ignored.

AAU057I **ADJACENT NET DATA NOT AVAILABLE AT THIS TIME**

Explanation

When building a configuration panel for a cross-network session, the data services command processor (DSCP) cannot resolve either the adjacent network name or the domain name for one side of the panel.

System action

The NetView program ignores the request.

Operator response

Return to the NLDM session panel and enter your selection again. If the domain name or adjacent network name are the only fields not available, notify the system programmer.

System programmer response

Contact IBM Software Support.

AAU058I ***module locid* SAW INVALID FOR SESSION STATE: BUFFER SEQUENCE= X'*bufseqno*' OFFSET= X'*offset*' PCID= X'*pcid*'**

Explanation

The session awareness processor encountered a record that was not valid for its current session state.

Message Variables

module

The control section (CSECT) name where an error condition was detected

locid

The location within the CSECT where an error condition was detected

bufseqno

The hexadecimal sequence number of the SAW buffer containing the SAW record that is not valid

offset

The hexadecimal offset within the SAW buffer to the SAW record that is not valid

pcid

The procedure correlation identifier found in the SAW record that is not valid

System action

No processing of the session awareness (SAW) buffer is attempted.

Operator response

Notify the system programmer.

System programmer response

Contact IBM Software Support.

AAU059I **ERROR WHILE PROCESSING PIU TRACE BUFFER - SOME DATA MAY BE LOST**

Explanation

The trace buffer processor detected an error condition. This indicates that the buffer contains a path information unit (PIU) that is not valid or a complete PIU that is too large for the specified buffer size. The PIU buffer header (48 bytes) and the first 64 bytes of the PIU data are logged in the NetView log following this message. To prevent filling the NetView log, the AAU059I message is sent only approximately once an hour if the complete PIU truncation problem occurs repeatedly.

System action

Detection of an invalid PIU results in an end to further processing of this trace buffer. A complete PIU that exceeds the buffer size is truncated and retained.

Operator response

Notify the system programmer.

System programmer response

If tracing the complete PIU (CPIU), increase the NLDM PIU buffer size (NLDM.PIUTSIZE in the CNMSTYLE member) to accept complete PIUs in their entirety (the maximum allowable PIU size is 32K). You can find the PIU size by locating the 64 BYES of PIU Data string after the AAU059I message. The PIU size is at offset X'20' of the PIU data. If you are not tracing complete PIUs, contact IBM Software Support and provide the PIU BUFFER HEADER DATA and the PIU DATA.

AAU060I SPECIFIED SESSION(S) NOT FOUND – KEEP COMMAND CANCELLED

Explanation

No sessions were found for the given resource names.

System action

The NetView program ignores the request.

Operator response

Determine the correct resource names and enter the command again.

AAU061I INSUFFICIENT STORAGE TO EXPAND KEEP COUNT(S) TO SPECIFIED VALUE

Explanation

The amount of storage required to retain the number of items you specified by the KEEP command is not available.

System action

The NetView program ignores the request.

Operator response

Enter the command again. If this message recurs, decrease the KEEP count and enter the command again. If unsuccessful, notify the system programmer.

System programmer response

If storage is constrained, refer to the *IBM Z NetView Troubleshooting Guide*. If necessary, refer to the *IBM Z NetView Tuning Guide* for storage calculation information.

AAU062I KEEP PROCESSING HAS COMPLETED SUCCESSFULLY

Explanation

The NetView program successfully processed the KEEP command.

System action

Processing continues.

AAU063I SPECIFIED SESSION(S) NOT FOUND: FORCE COMMAND CANCELLED

Explanation

You specified one or more session names in the FORCE command that cannot be found.

System action

The NetView program ignores the request.

Operator response

Determine the correct session names and enter the command again.

AAU064I INSUFFICIENT STORAGE AVAILABLE TO FORCE SPECIFIED SESSION(S)

Explanation

The amount of virtual storage required to force the sessions you specified is not available. If you used a single name in the FORCE command, some sessions might have been forced, but not all.

System action

Processing continues.

Operator response

Use the SESS command to verify that actual session forcing was completed. If incomplete, enter the command again with specific session pairs. If unsuccessful, notify the system programmer.

System programmer response

If storage is constrained, refer to the *IBM Z NetView Troubleshooting Guide*. If necessary, refer to the *IBM Z NetView Tuning Guide* for storage calculation information.

AAU065I SPECIFIED SESSION(S) HAVE BEEN FORCED TO DATA BASE

Explanation

The NetView program sent the FORCE request to the data services task (AAUTSKLP) for processing. AAUTSKLP processes the FORCE request as soon as possible. If the FORCE request cannot be processed (for example, the VSAM data set is full), then an error indicating the problem is, or has been, sent to the authorized receiver. If the AAU272I message is sent to the authorized receiver and the AAU273I message was not sent, then VSAM message suppression is active. In this case, no further VSAM error messages are sent to the authorized receiver until the error condition is corrected and the AAU273I message is sent.

System action

Processing continues.

AAU066I SESSION AWARENESS DATA HAS BEEN DISABLED

Explanation

The NetView program successfully processed the DISABLE command.

System action

Processing continues.

AAU067I SESSION AWARENESS CANNOT BE DISABLED WHILE TRACE OR ACCOUNTING ACTIVE

Explanation

You entered a DISABLE command while the trace or accounting function was active.

System action

The NetView program ignores the request.

Operator response

If trace is active and accounting is not active, enter a TRACE STOP ALL command to stop the active trace. Then enter the DISABLE command again. If accounting is active (regardless of trace), the DISABLE command cannot be processed.

AAU068I TRACE COMMAND CANNOT BE PROCESSED — SESSION AWARENESS IS INACTIVE

Explanation

You entered a TRACE command while session awareness was not active.

System action

The NetView program ignores the request.

Operator response

To activate session awareness, enter the ENABLE command. Then enter the TRACE command again.

AAU069I SESSION AWARENESS IS NOT ENABLED: A DISABLE COMMAND WAS ENTERED EARLIER

Explanation

This message is issued to the command facility terminal operator. An ENABLE command was entered but cannot be processed because session awareness was stopped by a DISABLE command.

System action

The NetView program ignores the request.

Operator response

Enter STOPCNM NLDM. Then enter STARTCNM NLDM and enter the ENABLE command again.

AAU070I TRACE IS NOT ACTIVE FOR SPECIFIED RESOURCE

Explanation

You issued a PT or ST option for a session, but trace is not active for either resource.

System action

The NetView program ignores the request.

AAU071I PROCEDURE NOT SUPPORTED: SENSE CODE = X'hhhh'

Explanation

An error condition was detected while processing a LINEMAP command or an ST request.

Message Variables

hhhh

The hexadecimal sense code returned to the NetView program from VTAM

System action

The NetView program ignores the request. The authorized message receiver gets message AAU082I if ST was entered.

Operator response

Notify the system programmer.

System programmer response

The problem might be because of the network control program (NCP) level.

For information about sense codes, enter the HELP SENSE command or refer to *Systems Network Architecture Formats*.

**AAU072I SPECIFIED SESSION IS NO
LONGER ACTIVE**

Explanation

Between the time the most recent panel was displayed and the time of the new request, the specified session became inactive.

System action

The NetView program ignores the request.

Operator response

Enter the SESS command, then repeat the command for the inactive session.

**AAU073I RESOURCE NOT AVAILABLE OR
UNKNOWN: SENSE CODE =
X'hhhh'**

Explanation

The resource name you specified on a LINEMAP or TRACE command was not recognized.

Message Variables

hhhh

The hexadecimal sense code returned to the NetView program from VTAM

System action

The NetView program ignores the request.

Operator response

Enter the command again with a valid resource name.

For information about sense codes, enter the HELP SENSE command or refer to *Systems Network Architecture Formats*.

**AAU074I REQUESTED TRACE FUNCTION IS
ALREADY IN EFFECT**

Explanation

The TRACE START or TRACE STOP is already in effect for the resource you requested.

System action

The NetView program ignores the request.

Operator response

Use the TRACE DISP command to display active traces. Use the HELP command for an explanation of the correct command syntax.

**AAU075I REQUESTED TRACE FUNCTION
HAS BEEN PROCESSED**

Explanation

The NetView program successfully processed the TRACE command.

System action

Processing continues.

**AAU076I COMMAND PROCESSED FOR
resource IN DOMAIN domain1,
NOT IN domain2**

Explanation

You entered a TRACE command for a specific resource which is defined as an LU in this network, but is not defined in the domain from which the TRACE command was issued.

Message Variables

resource

The resource name specified on the TRACE command being processed

domain1

The domain in which the TRACE command was processed

domain2

The domain in which the specified resource is defined as an LU

System action

Processing continues. Local domain trace has been started or stopped for the specified resource.

Operator response

Verify that the resource is in the desired TRACE state in the domain in which it is defined as an LU. Use the DOMAIN keyword on the TRACE command to route the command to the proper domain. You might also use

the SDOMAIN command to set the current domain to the domain in which the specified resource exists in order to use the TRACE command for that resource. The NetView program must be active in both domains.

**AAU077I SECONDARY TRACE NOT
STARTED. RESOURCE IS IN
CROSS DOMAIN SESSION**

Explanation

The secondary trace was not started because its beginning resides in one domain and its end resides in a different domain.

System action

Processing continues. Local domain trace has been started.

Operator response

Enter the NetView SDOMAIN command for the domain in which the secondary resource resides. Enter the same TRACE command while operating in the secondary domain. The NetView program must be active in both domains.

**AAU078I ENABLE PROCESS HAS BEEN
STARTED**

Explanation

The NetView program has started collecting session awareness data.

System action

Processing continues.

**AAU079I RESOURCE *resource* CURRENTLY
UNDEFINED—TRACE REQUEST
QUEUED**

Explanation

The NetView program queued the TRACE command. As soon as the resource is activated, trace data is collected for it.

Message Variables

resource

The name of the resource for which the trace was requested

System action

Processing continues.

**AAU080I *module locid* UNMATCHED
SESSION END NOTIFICATION
RECEIVED**

Explanation

The access method issued a session end notification for a session that was not started.

Message Variables

module

The control section (CSECT) name where an error condition was detected

locid

The location within the CSECT where an error condition was detected

System action

No processing of the session end notification is attempted.

**AAU081I *module locid* NO FREE SLOTS
AVAILABLE IN *table***

Explanation

An attempt to make an entry in the table or queue *tablename* was unsuccessful because no free slots were available.

Message Variables

module

The control section (CSECT) name where an error condition was detected

locid

The location within the CSECT where an error condition was detected

table

The name of the table or queue

System action

Processing continues.

Operator response

Notify the system programmer.

System programmer response

Provide more free slots by increasing either the MAXEND parameter value in the NetView parameter library member or in file AAUPRMLP.

**AAU082I *module locid* NETWORK REQUEST
FAILURE DETECTED: SENSE=
*X'hhhh'***

Explanation

A network request was issued and the NetView program received sense data that is not valid.

Message Variables

module

The control section (CSECT) name where an error condition was detected

locid

The location within the CSECT where an error condition was detected

hhhh

The hexadecimal sense code returned to the NetView program

System action

Processing of the request stops.

Operator response

Notify the system programmer.

System programmer response

For information about sense codes, enter the HELP SENSE command or refer to *Systems Network Architecture Formats*.

AAU083I *module locid operatorid* LOAD
MODULE *module* NOT FOUND

Explanation

The NetView program cannot find the specified module.

Message Variables

module

The control section (CSECT) name where an error condition was detected.

locid

The location within the CSECT where an error condition was detected.

operatorid

The NetView terminal operator identifier. If no operator is defined, this value is blank.

module

The load module that cannot be found.

System action

The NetView program stops processing the request.

Operator response

Notify the system programmer.

System programmer response

Verify that the load module is in the NetView library.

AAU084I *module locid* LU TASK REQUEST
FAILURE DETECTED: TYPE=*type*,
FLAG=*flag*, LUIRBRC=*retcode*

Explanation

The logical unit (LU) task request failed for the LU-LU session between the NetView program and VTAM.

Message Variables

module

The control section (CSECT) name where an error condition was detected.

locid

The location within the CSECT where an error condition was detected.

type

The request type. This variable has one of the following values:

01

LU task start request

02

LU task receive request

03

LU task stop request

flag

The reason request generated. This request has one of the following values:

00

Successful

08

Purge generated request

10

Receive failure generated request

20

TPEND generated request

40

LOSTERM generated request

80

NSEXIT generated request

retcode

The NetView return code. This return code has one of the following values:

04

LU request not valid

08

Insufficient storage

12

API request failed

- 16**
GENCB failed
- 20**
For TYPE = 01, the session is already active with the named LU.
For TYPE = 02 or 03, the LU session was ended or is inactive.
- 24**
Incorrect buffer length on receive request
- 28**
Task not valid
- 32**
Session does not exist
- 36**
Session parameters not valid
- 40**
ACB not open

System action

Session trace or session awareness data collection is not activated.

Operator response

Notify the system programmer.

System programmer response

See the NetView return code to determine the cause of the logical unit task failure.

AAU085I ***module locid* LU SESSION WITH AM LOST: PIU TRACING AND/OR SAW HAS BEEN TERMINATED**

Explanation

The logical unit (LU-LU) session between the NetView program and the access method (AM) ended. Path information unit (PIU) tracing or session awareness data collection is no longer active.

Message Variables

module

The control section (CSECT) name where an error condition was detected

locid

The location within the CSECT where an error condition was detected

System action

Session trace is not started.

Operator response

Start all traces for resources. If failure recurs, notify the system programmer.

System programmer response

Determine the cause of the LU-LU session end using other console messages from VTAM or the NetView program.

AAU086I ***module locid* INSUFFICIENT STORAGE TO BUILD LU INTERFACE BUFFER**

Explanation

The amount of NetView storage space required to receive the path information unit (PIU) or the session awareness (SAW) buffer is not available.

Message Variables

module

The control section (CSECT) name where an error condition was detected

locid

The location within the CSECT where an error condition was detected

System action

Session trace is not started.

Operator response

Determine whether you received message BNH16I, which means the task has reached its storage limit. If so, notify your system programmer.

System programmer response

Refer to the *IBM Z NetView Troubleshooting Guide* for possible causes of the storage shortage. If necessary, refer to the *IBM Z NetView Tuning Guide* for storage calculation information.

AAU087I **SESSION AWARENESS DISABLED BY OPERATOR *operatorid***

Explanation

You entered a DISABLE command. Session awareness is disabled.

Message Variables

operatorid

The NetView terminal operator identifier. If no operator is defined, this value is blank.

System action

Processing continues.

AAU088I *module locid* **MQS FAILURE
DETECTED WHILE PROCESSING
queue**

Explanation

While attempting to send data, the NetView message queueing service (MQS) indicated that the message failed.

Message Variables**module**

The control section (CSECT) name where an error condition was detected.

locid

The location within the CSECT where an error condition was detected.

queue

The queue being processed. This insert has one of the following values:

BPQ

Buffer pend queue

DRQ

Data recording queue

DRQF

Data recording queue (FORCE)

OPQ

Operator pend queue

SESSTATS

Session statistics queue

TPQ

Timer pend queue

System action

The data services command processor (DSCP) stops.

Operator response

Notify the system programmer.

System programmer response

See related messages for message queuing service (MQS) error.

AAU089I *module locid* **MODULE POINTER
CONTAINS BINARY ZEROS**

Explanation

The module pointer for an entry being processed in the buffer-pending queue contains binary zeros. The binary zeros represent an address that is not valid.

Message Variables**module**

The control section (CSECT) name where an error condition was detected

locid

The location within the CSECT where an error condition was detected

System action

The data services command processor (DSCP) stops.

Operator response

Notify the system programmer.

System programmer response

Contact IBM Software Support.

AAU090I *module locid* **MAXRU SIZE/BUFFER
SIZE INCONSISTENT**

Explanation

A request for allocation of a path information unit (PIU) trace buffer failed. The buffer size you requested is inconsistent with the access method buffer size.

Message Variables**module**

The control section (CSECT) name where an error condition was detected

locid

The location within the CSECT where an error condition was detected

System action

The session trace is not started.

Operator response

Notify the system programmer.

System programmer response

This is an installation error. Refer to the *IBM Z NetView Installation: Configuring Additional Components* for more information.

AAU091I *module locid* **INSUFFICIENT
STORAGE IN ACCESS METHOD
FOR PIU TRACE BUFFER**

Explanation

The amount of storage required in the access method for the path information unit (PIU) buffer was not available during NetView initialization.

Message Variables

module

The control section (CSECT) name where an error condition was detected

locid

The location within the CSECT where an error condition was detected

System action

The session trace is not started.

Operator response

Notify the system programmer.

System programmer response

Determine the storage requirements for VTAM and the size of the path information unit buffer (refer to either the BUFSIZE parameter value in the NetView parameter library member or file AAUPRMLP). Refer to *IBM Z NetView Tuning Guide* for storage calculation information.

AAU092I *module locid* UNABLE TO ALLOCATE TRACE BUFFER

Explanation

A trace buffer was temporarily unavailable and the maximum number of 'free buffer' requests was entered.

Message Variables

module

The control section (CSECT) name where an error condition was detected

locid

The location within the CSECT where an error condition was detected

System action

Processing stops.

Operator response

Notify the system programmer.

System programmer response

Increase VTAM's virtual storage size. If problem still occurs, contact IBM Software Support.

AAU093I *module locid* ERROR DURING INITIALIZATION. TRACING INACTIVE

Explanation

A severe error condition during NetView initialization caused tracing to stop.

Message Variables

module

The control section (CSECT) name where an error condition was detected

locid

The location within the CSECT where an error condition was detected

System action

Processing stops. A diagnostic message is sent to the authorized message receiver that provides information about the specific error condition.

Operator response

Notify the system programmer.

System programmer response

Use the accompanying diagnostic message to determine the appropriate action.

AAU094I *module locid* ERROR DURING INITIALIZATION. SESSION DATA INACTIVE

Explanation

A request to activate session awareness was entered during NetView initialization. The request failed. (This message follows message AAU082I.)

Message Variables

module

The control section (CSECT) name where an error condition was detected

locid

The location within the CSECT where an error condition was detected

System action

Processing stops.

Operator response

Notify the system programmer.

System programmer response

For information about sense codes, enter the HELP SENSE command, or refer to *Systems Network Architecture Formats*.

AAU095I **module locid INVALID
INITIALIZATION PARAMETER
KEYWORD: keyword**

Explanation

You specified an incorrect parameter keyword in the data services command processor (DSCP) initialization statement. If *keyword* is blank, then the keyword that is specified on the initialization statement is longer than eight characters.

Message Variables

module

The control section (CSECT) name where an error condition was detected

locid

The location within the CSECT where an error condition was detected

keyword

The keyword that is specified in the INITMOD statement

System action

The NetView program ignores the statement that is not valid and uses the default.

Operator response

Notify the system programmer.

System programmer response

Correct the parameter keyword that is not valid and try again. For coding requirements for INITMOD, refer to the *IBM Z NetView Administration Reference*.

AAU096I **module locid PARAMETER VALUE
MISSING/INVALID:
KEYWORD=keyword**

Explanation

A parameter value was either missing or not valid in the data services command processor (DSCP) initialization statement. If the *keyword* is blank in the message, the keyword was also missing.

Message Variables

module

The control section (CSECT) name where an error condition was detected

locid

The location within the CSECT where an error condition was detected

keyword

The keyword in the INITMOD statement that has a value that is not valid

System action

The NetView program ignores the statement that is not valid and uses the default.

Operator response

Notify the system programmer.

System programmer response

Correct the parameter keyword that is not valid and try again. For coding requirements for INITMOD, refer to the *IBM Z NetView Administration Reference*.

AAU097I **module locid PARAMETER VALUE
OUT OF RANGE: keyword**

Explanation

The parameter value for *keyword* is not within the acceptable range in the data services command processor (DSCP) initialization statement.

Message Variables

module

The control section (CSECT) name where an error condition was detected

locid

The location within the CSECT where an error condition was detected

keyword

The keyword in the INITMOD statement that has a value that is too large or too small

System action

The statement that is not valid is ignored and the default is used.

Operator response

Notify the system programmer.

System programmer response

Correct the parameter keyword that is not valid and try again. For coding requirements for INITMOD, refer to the *IBM Z NetView Administration Reference*.

AAU098I **module locid STORAGE NOT
AVAILABLE FOR INITIALIZATION**

Explanation

The amount of storage required to build the NetView data services command processor (DSCP) global table is not available.

Message Variables

module

The control section (CSECT) name where an error condition was detected

locid

The location within the CSECT where an error condition was detected

System action

DSCP global table initialization stops.

Operator response

Determine whether you received message BNH16I, which means the task has reached its storage limit. If so, notify your system programmer.

System programmer response

Refer to the *IBM Z NetView Troubleshooting Guide* for possible causes of the storage shortage. If necessary, refer to the *IBM Z NetView Tuning Guide* for more storage calculation information.

AAU099I ***module locid* INITIALIZATION
MQS FAILED: NLDM IS NOT
ACTIVE**

Explanation

The initialization MQS message was not placed on the message queue successfully.

Message Variables

module

The control section (CSECT) name where an error condition was detected

locid

The location within the CSECT where an error condition was detected

System action

Data services command processor (DSCP) global table initialization stops.

Operator response

Notify the system programmer.

System programmer response

Message AAU832I or AAU833I precedes this message. Determine the cause of the error based on which message you received.

AAU100I ***module locid* UNABLE TO
DEALLOCATE TRACE BUFFER**

Explanation

No path information unit (PIU) trace buffers were being sent to the NetView program. Consequently, the NetView program requested VTAM to free the storage it allocated for these buffers. VTAM was unable to deallocate this storage.

Message Variables

module

The control section (CSECT) name where an error condition was detected

locid

The location within the CSECT where an error condition was detected

System action

Processing continues.

Operator response

Notify the system programmer.

System programmer response

Contact IBM Software Support.

AAU101I ***module locid operatorid* AAUSPOOL
FAILED TO OBTAIN STORAGE**

Explanation

The NetView storage pool manager is unable to obtain the storage required.

Message Variables

module

The control section (CSECT) name where an error condition was detected.

locid

The location within the CSECT where an error condition was detected.

operatorid

The NetView terminal operator identifier. If no operator is defined, this value is blank.

System action

The NetView program stops processing the request.

Operator response

Determine whether you received message BNH16I, which means the task has reached its storage limit. If so, notify your system programmer.

System programmer response

Refer to the *IBM Z NetView Troubleshooting Guide* for possible causes of the storage shortage. If necessary, refer to the *IBM Z NetView Tuning Guide* for storage calculation information.

AAU105I **module locid NOT ALLOWED TO MIX PARAMETERS ON AUTHORIZ DST INITIALIZATION STATEMENT**
parameter

Explanation

Up to 255 AUTHORIZ=XXXXXXXX statements can be entered, but mixing statements is not allowed. For example, you cannot enter a specific name after entering AUTHORIZ=ANY, and you cannot enter AUTHORIZ=ANY after entering a specific name.

Message Variables

module

The control section (CSECT) name where an error condition was detected

locid

The location within the CSECT where an error condition was detected

parameter

The parameter that is not valid

System action

This statement parameter is bypassed and data services command processor (DSCP) initialization continues.

Operator response

Notify the system programmer.

System programmer response

Correct the AUTHORIZ=XXXXXXXX statements so that no mixing takes place. For coding requirements for AUTHORIZ, refer to the *IBM Z NetView Administration Reference*.

AAU106I **module locid OVER 255 AUTHORIZ=XXXXXXXX PARAMETER STATEMENTS HAVE BEEN ENTERED. parameter = 256TH ENTRY**

Explanation

You entered more than the maximum of 255 AUTHORIZ=XXXXXXXX statements.

Message Variables

module

The control section (CSECT) name where an error condition was detected

locid

The location within the CSECT where an error condition was detected

parameter

The parameter value of the AUTHORIZ statement

System action

This statement is bypassed and data services command processor (DSCP) initialization continues.

Operator response

Notify the system programmer.

System programmer response

Reduce the number of AUTHORIZ statements to 255. For coding requirements for AUTHORIZ, refer to the *IBM Z NetView Administration Reference*.

AAU107I **module locid DUPLICATE AUTHORIZ=XXXXXXXX ARE NOT ALLOWED. parameter = SECOND OCCURRENCE OF THIS ENTRY**

Explanation

You entered duplicate AUTHORIZ=XXXXXXXX statements.

Message Variables

module

The control section (CSECT) name where an error condition was detected

locid

The location within the CSECT where an error condition was detected

parameter

The parameter value of the second occurrence of the AUTHORIZ statement

System action

This statement is bypassed and data services command processor (DSCP) initialization continues.

Operator response

Notify the system programmer.

System programmer response

Remove any duplicate AUTHORIZ statements. For coding requirements for AUTHORIZ, refer to the *IBM Z NetView Administration Reference*.

AAU108I *module locid* **DOMAIN
INFORMATION TABLE NOT FOUND**

Explanation

During initialization or sometime after the domain information table was initialized, an error occurred while processing a domain INIT RU.

Message Variables

module

The control section (CSECT) name where an error condition was detected

locid

The location within the CSECT where an error condition was detected

System action

The NetView program continues to function, but no cross-domain NetView-NetView communications can be established.

Operator response

Notify the system programmer only if data services task (DST) initialization has finished. If the NetView program is just being initialized, the table might not have been created and this error is not to be regarded as a problem. When initialization has completed, the request/response units from the other NetView programs are reprocessed.

System programmer response

If NetView data/device services task initialization has finished, restart the NetView program. This message is preceded by message AAU023I indicating there is a storage shortage.

AAU109I *module locid* **INVALID buftype
PARAMETERS HAVE BEEN
ENTERED**

Explanation

A combination of buffer type parameters that are not valid has been detected. The parameters cannot be processed.

Message Variables

module

The control section (CSECT) name where an error condition was detected

locid

The location within the CSECT where an error condition was detected

buftype

The buffer type

System action

This parameter statement is bypassed and data services command processor (DSCP) initialization continues with default parameters.

Operator response

Notify the system programmer.

System programmer response

Use the AAUPRMLP member shipped with the NetView product.

AAU110I *module locid* **INPUT RU CANNOT
FIND A MATCH IN THE DOMAIN
INFORMATION TABLE. RU
DOMAIN NAME = domainid**

Explanation

The NetView program received a domain INIT RU (information about the foreign domain from a foreign domain request/response unit). This NetView program used the values from cross-domain resource manager (CDRM) definition statements to initialize the domain information table. CDRMDEFs must be updated to contain all NetView programs known to this NetView program.

Message Variables

module

The control section (CSECT) name where an error condition was detected

locid

The location within the CSECT where an error condition was detected

domainid

The name of the domain from which the request/response unit (RU) was sent

System action

This domain INIT RU cannot be processed. The NetView program continues to function, but cross-domain data cannot be stored.

Operator response

Notify the system programmer.

System programmer response

Refer to the *IBM Z NetView Administration Reference* and update the CDRMDEF statements table (NetView parameter library member or file DSIAMLTD) to hold all NetView programs known to this NetView program. Restart the NetView program.

AAU111I **COULD NOT ROUTE REQUEST
BEYOND DOMAIN *domainid* IN
NETWORK *netid*.**

Explanation

The NetView program cannot get routing information to satisfy the request. Inactive session data can be in route to the VSAM database or it can be wrapped out. The authorized message receiver might have more information.

Message Variables

domainid

The name of the domain in which the request failed

netid

The name of the network in which the request failed

System action

The NetView program ignores the request.

Operator response

Check the authorized message receiver or system console for additional messages. If no messages are there, enter the command again. If message recurs, check the route beyond the given domain.

AAU112I **ROUTE DATA NOT AVAILABLE FOR
NETWORK *netid***

Explanation

If you entered connectivity test (), route data is not available in a network other than the one in which the connectivity test was requested. If you entered LIST ER or LIST VR, explicit route data was not found for the network specified by the operator.

Message Variables

netid

The network name

System action

The NetView program ignores the request.

Operator response

Notify the system programmer of the network in which the route data is not available. If you entered a LIST ER or LIST VR command, verify that a valid network name for your installation was specified.

System programmer response

Determine the reason for the route failure.

AAU113I **INVALID NETWORK NAME
SPECIFIED**

Explanation

You entered the LIST command with a network name that is not valid.

System action

The NetView program ignores the request.

Operator response

Determine the correct network name and enter the command again.

AAU114I ***module locid* CNMI REQUEST
TIMED OUT. REQUEST TYPE=*type*,
TARGET=*target***

Explanation

The CNMI request indicated by *target* has timed out, and no reply was returned. This message is sent to the authorized operator.

Message Variables

module

The control section (CSECT) name that issued the CNMI request

locid

The location within the CSECT where the CNMI request was issued

type

The type of request that timed out: ER TEST, LINEMAP CMD, QUERY PSID, GW TRACE, BOUNDARY NCP TRACE, RTM INIT, RTM COLLECT, CONN TEST, VR STATUS, TRACE CMD

target

The target or destination of the request (for example, a NETWORK CONTROL PROGRAM or a RESPONSE TIME MONITOR-CAPABLE DEVICE)

System action

The session monitor continues processing with no CNMI reply.

Operator response

For CNMI timeouts caused by operator commands, the command can be entered again. In any case, notify the system programmer.

System programmer response

Verify in DSICTMOD that the timeout value (the amount of time required to send and receive a response from the target source) specified for the requested function is reasonable, based on your systems utilization. If so, contact IBM Software Support.

AAU115I **SESSION AWARENESS ALREADY DISABLED. DISABLE COMMAND IS IGNORED.**

Explanation

You entered a DISABLE command after session awareness had been stopped by a DISABLE command. DISABLE can be entered only once. Use STOP and START commands to recycle the NetView program, then use the DISABLE or ENABLE commands.

System action

The NetView program ignores the request.

AAU128I **DOMAIN *domain* DID NOT RECEIVE APPN ROUTE DATA VIA SESSION AWARENESS**

Explanation

The APPN route data you requested is unavailable to the requested NetView domain. A possible cause of this condition is that the NetView session monitor at that domain was started after this session started. When session monitor starts, it requests already active session awareness (SAW) information from its VTAM, and the APPN route information might no longer be known by VTAM at that time. Also, APPN route data is generally unavailable for certain session types, for example CP-CP.

Message Variables

domain

Domain where the problem occurred.

System action

The NetView program stops processing your request for APPN session route data.

Operator response

You might be able to get the information you require from the session configuration panel (NLDM.CON), or you might be able to issue NLDM SDOMAIN to other NetView systems in the session path to get the required session configuration or APPN route information. If you have logged past sessions between the same partners, the APPN route information for those inactive sessions can also be helpful.

AAU129I ***module locid* RTM DISABLED FOR *puname* BECAUSE OF BOUNDS MISMATCH**

Explanation

The 3174 or 3274 response time monitor boundaries did not match the response time monitor boundaries at the host.

Message Variables

module

The name of the control section where an error was detected

locid

The location in the control section where an error was detected

puname

The name of the PU replying with response time monitor boundaries that are not valid

System action

The NetView program turns off the RTM capabilities for the PU.

Operator response

Notify the system programmer.

System programmer response

Reset the response time monitor boundaries in the NetView program, in the 3174, or in the 3274.

AAU130I **REQUESTED TRACE FUNCTION IS PENDING GTF START WITH USR OR USRP OPTION**

Explanation

You requested that SAW or PIU data buffers be traced. The MVS generalized trace facility (GTF) is either not active or was not activated with the USR or USRP option specified. If the GTF is active and the USRP option was specified, then none of the event identifiers specified match the event identifier for the SAW (X'5F4') or PIU (X'5F5') events. If you display the

status of the traces using the NLDM TRACE DISP command, the status of the specified trace is pending (PND). If you start the GTF with the USR option, tracing begins. If you start the GTF with the USRP option and specify the event identifier for the SAW, the PIU, or both the SAW and the PIU, tracing begins.

System action

The request is processed. No tracing is done until the GTF is started with the appropriate option as described.

Operator response

Start GTF with the USR or USRP option. If the USRP option is used, specify the event identifier for the SAW (X'5F4'), the PIU (X'5F5'), or both the SAW and the PIU.

AAU131I *type* **DEBUG TRACING ERROR - GTF INACTIVE**

Explanation

The generalized trace facility (GTF) was stopped while the specified debug tracing was active. The debug tracing will continue when GTF becomes active. This message is issued only once per debug trace invocation.

Message Variables

type
The type of debug tracing.

AAU132I *module locid* **SEVERE GTF ERROR ENCOUNTERED, RC = *retcode***

Explanation

The NetView program received an unexpected error code from the generalized trace facility (GTF) while tracing or attempting to start tracing. This message is issued only once per debug trace invocation.

Message Variables

module
The control section (CSECT) where the error condition was detected. If *module* is AAUDPRSA, some SAW trace data buffers might be lost. If *module* is AAUDPIUA, some PIU trace data buffers might be lost. If *module* is AAUDXTRA, a TRACE START request was being processed when the error occurred.

locid
The location within the CSECT where the error condition was detected.

retcode
The error code returned from the GTRACE system macro.

System action

Tracing continues, but no data is recorded until the GTF error condition is corrected.

Operator response

Notify the system programmer.

System programmer response

Note the message text and the values of the message variables, and contact IBM Software Support.

AAU136I **SESSION STAT FUNCTIONS IS NOW ACTIVE**

Explanation

This message is displayed when session statistics initialization is complete.

Operator response

Enter the session monitor RECORD SESSTATS command.

AAU137I *modname locid* **LUCOUNT IN SESSION MONITOR INITIALIZATION MEMBER MAY BE TOO LOW FOR BEST PERFORMANCE.**

Explanation

The number of active LUs being monitored by the session monitor has exceeded twice the value specified on the NLDM.LUCOUNT=*nnnn* statement in the CNMSTYLE member. The LUCOUNT value is used to calculate optimal table sizes for session monitor retention and retrieval of session data. System performance might be degraded.

Message Variables

modname
The control section (CSECT) name where an error condition was detected

locid
The location within the CSECT where an error condition was detected

System action

Processing continues.

Operator response

Notify the system programmer.

System programmer response

Verify that the value that is specified on the NLDM.LUCOUNT=*nnnn* statement in the CNMSTYLE member is the intended value based on an estimate of the total number of LUs being monitored. If necessary, copy the NLDM.LUCOUNT statement to the CNMSTUSR or CxxSTGEN member and modify it.

AAU140I **APPN SESSION ROUTE DATA IS NOT AVAILABLE**

Explanation

The APPN session route data you requested does not exist.

System action

The NetView program stops processing your request for APPN session route data.

Operator response

Enter another selection or a NetView command.

AAU144I **locid FLOW CONTROL DATA IS NOT AVAILABLE**

Explanation

The flow control data you requested does not exist. There are two possible reasons for this:

- The session does not traverse a T2.1 connection
- VTAM or NCP has not supplied the flow control data to the NetView program

Message Variables

locid

The code location where this condition was detected

System action

The NetView program stops processing your request for flow control data.

Operator response

Enter another selection or a NetView command.

AAU145I **FLOW CONTROL DATA IS NOT AVAILABLE FOR INACTIVE SESSIONS**

Explanation

You have requested flow control data for a session that is inactive. The NetView program cannot display active flow control data for an inactive session.

This message is also displayed for active sessions after an SSCP Takeover or Giveback has been issued. Because of the limited route data for sessions taken over, the previous owner might be solicited for flow control data. In some cases, the previous owner is no longer aware of the session and believes that it is inactive. If so, this message is displayed for active sessions.

System action

The NetView program stops processing your request for flow control data.

Operator response

Enter another selection or a NetView command.

AAU148I **FORMATTED RU NOT AVAILABLE**

Explanation

Formatting is not available for the response unit (RU) you selected.

Operator response

Select the correct RU, or select the RU without "F" to view it in dump format.

AAU160I **DATA SERVICES FAILURE, TRACE COMMAND PROCESSED**

Explanation

An error occurred under the data services task while the NetView program was processing the NLDM TRACE command. The error occurred while the NetView program was trying to send the trace request to NCP. The authorized message receiver might get an additional message indicating the specific error that occurred.

System action

The request might be partially processed.

Operator response

Use the TRACE DISP command to display resource trace status. Notify the system programmer if PIU data is not received or if you think the trace request to the NCP should have been successful.

System programmer response

See any related messages sent to the authorized message receiver for help in correcting the problem.

AAU200I **module locid UNABLE TO ACCESS THE DSIPARM DATA SET**

Explanation

You receive this message at initialization when the NetView program is unable to access the NetView parameter library or initialization files.

Message Variables

module

The control section (CSECT) name where an error condition was detected

locid

The location within the CSECT where an error condition was detected

System action

Processing continues, but the performance class definitions are ignored. The NetView program uses default values to initialize the response time monitor (RTM) feature.

Operator response

Notify the system programmer.

System programmer response

Ensure that the data set is accessible to the system.

AAU201I **module locid UNABLE TO FIND MEMBER *member* OF THE DSIPARM DATA SET**

Explanation

You receive this message at initialization when the NetView program cannot find the member specified on the PERFMEM or KEEPMEM definition statement or when a RELOAD command is entered.

Message Variables

module

The control section (CSECT) name where an error condition was detected

locid

The location within the CSECT where an error condition was detected

member

The data set member that the NetView program cannot find

System action

Processing continues, but the definition statements are ignored. The NetView program uses the default values to initialize the response time monitor (RTM).

Operator response

If you entered the RELOAD command, verify that you used the correct member name and enter the command again. If this does not correct the problem, or if you did not enter a RELOAD command, notify the system programmer.

System programmer response

Verify that the name on the PERFMEM or KEEPMEM statement matches the name of the member in the NetView library that contains the definition statement. Refer to the *IBM Z NetView Administration Reference* for more information about definition statements. If the two names match, a system error occurred.

AAU202I **module locid REQUIRED LABEL NOT FOUND ON *keyword* STATEMENT**

Explanation

A 1- to 8-character label (name) is required (beginning in column 1) on every PCLASS and KCLASS definition statement.

Message Variables

module

The control section (CSECT) name where an error condition was detected.

locid

The location within the CSECT where an error condition was detected.

keyword

The keyword in the initialization statement that is missing a label. The value of the keyword is either KCLASS or PCLASS.

System action

If this message is issued during NetView initialization for session monitor, the NetView program loads the keep class or performance class table but ignores the PCLASS or KCLASS statement that is not valid. If this message is issued as the result of a RELOAD command, message AAU234I is issued and the keep class or performance class table is not reloaded (the currently active table is not replaced).

Operator response

Notify the system programmer.

System programmer response

Ensure each PCLASS and KCLASS statement has a label. Refer to the *IBM Z NetView Administration Reference*.

AAU203I *module locid* **DUPLICATE keyword**
DEFINITION ENCOUNTERED: label

Explanation

The label or identifier on this type of statement must be unique.

Message Variables

module

The control section (CSECT) name where an error condition was detected.

locid

The location within the CSECT where an error condition was detected.

keyword

The related keyword.

label

The label that was duplicated.

System action

If this message is issued during session monitor initialization, the NetView program loads the keep class or performance class table but ignores the PCLASS or KCLASS statement with a duplicate label. If this message is issued as the result of a RELOAD command, message AAU234I is issued and the keep class or performance class table is not reloaded (the currently active table is not replaced). Otherwise the duplicate definition is ignored.

Operator response

Notify the system programmer.

System programmer response

Ensure that each statement has a unique label. Refer to the *IBM Z NetView Administration Reference* for more information.

AAU204I *module locid keyword member* **HAS**
NOT BEEN DEFINED

Explanation

When this message is issued in response to a TCPCONN or PKTS command, no TCP/IP stacks have been defined. Refer to the online help for more information about TCPCONN DEFINE or PKTS DEFINE. Otherwise, a MAPSESS statement referred to a

performance or keep class that is not defined; that is, no PCLASS or KCLASS statement was encountered.

Message Variables

module

The control section (CSECT) name where an error condition was detected.

locid

The location within the CSECT where an error condition was detected.

keyword

The related keyword.

member

The name of the item that was not defined.

System action

If this message is issued during session monitor initialization, the NetView program loads the keep class or performance class table and assigns default values for the undefined PCLASS or KCLASS statement. If this message is issued as the result of a RELOAD command, message AAU234I is issued and the keep class or performance class table is not reloaded (the currently active table is not replaced). Otherwise the command or definition is ignored.

Operator response

Notify the system programmer.

System programmer response

For session monitor, ensure the performance or keep class referred to is defined with a PCLASS or KCLASS statement. Confirm that this statement precedes any MAPSESS statements that refer to the given performance or keep class. Refer to the *IBM Z NetView Administration Reference*. Otherwise issue one or more TCPCONN or PKTS DEFINE commands to define the needed stacks.

AAU205I *module locid* **THE LABEL 'label'**
HAS BEEN TRUNCATED TO 8
CHARACTERS

Explanation

A label (name) on a PCLASS, KCLASS or MAPSESS statement is longer than 8 characters.

Message Variables

module

The control section (CSECT) name where an error condition was detected

locid

The location within the CSECT where an error condition was detected

label

The first 8 characters of the label given to the PCLASS, KCLASS, or MAPSESS statement

System action

The PCLASS, KCLASS or MAPSESS statement is accepted but the NetView program truncates the label to the first 8 characters.

Operator response

Notify the system programmer.

System programmer response

Shorten the label on the PCLASS, KCLASS or MAPSESS statement. Refer to the *IBM Z NetView Administration Reference*.

AAU206I **module locid PARAMETER VALUE MISSING/INVALID: LABEL=label VERB=verb KEYWORD=keyword**

Explanation

An error was found while processing a PCLASS, KCLASS, or MAPSESS statement.

Message Variables**module**

The control section (CSECT) name where an error condition was detected

locid

The location within the CSECT where an error condition was detected

label

The label specified in the initialization statement

verb

The verb that identifies the initialization statement as PCLASS, KCLASS, or MAPSESS

keyword

The keyword in the initialization statement

System action

If this message is issued during NetView initialization for the session monitor, the NetView program loads the table of keep classes or performance classes and assigns a default value to the incorrect parameter if possible. If this message is issued as the result of a RELOAD command, message AAU234I is issued and the keep class or performance class table is not reloaded (the currently active table is not replaced).

Operator response

Notify the system programmer.

System programmer response

Correct the keyword value on the specified statement. Also verify that if the keyword is AVAIL for the verb KCLASS, the value of SESSTATS on an INITMOD statement is set to YES or NO. Refer to the *IBM Z NetView Administration Reference* for further details.

AAU207I **module locid INITIALIZATION STATEMENT IN ERROR: LABEL=label VERB=verb**

Explanation

An error was found while processing a MAPSESS, PCLASS, or KCLASS statement.

Message Variables**module**

The control section (CSECT) name where an error condition was detected

locid

The location within the CSECT where an error condition was detected

label

The label specified on the initialization statement

verb

The verb that identifies the initialization statement as KCLASS, PCLASS, or MAPSESS

System action

If this message is issued during NetView initialization for session monitor, the NetView program loads the keep class or performance class table and assigns default values for the incorrect statement if possible. If this message is issued as the result of a RELOAD command, message AAU234I is issued and the keep class or performance class table is not reloaded (the currently active table is not replaced).

Operator response

Notify the system programmer.

System programmer response

Correct the error on the specified statement. Refer to the *IBM Z NetView Administration Reference*.

AAU208I **INVALID DATE/TIME PARAMETER SPECIFIED**

Explanation

An RTREND, RTSUM or PURGEDB command contains a parameter with a date or time that is not valid.

System action

The NetView program ignores the command.

Operator response

Enter the command again with valid date and time parameters. To determine the valid parameters, see the RTREND, RTSUM, or PURGEDB command in the NetView online help.

**AAU209I TOO FEW DATE/TIME
 PARAMETERS SPECIFIED**

Explanation

The RTREND or RTSUM command you entered requires more date and time parameters than you specified.

System action

The NetView program ignores the command.

Operator response

Enter the command again with valid date and time parameters. To determine the valid parameters, see the RTREND or RTSUM command in the NetView online help.

**AAU210I TOO MANY DATE/TIME
 PARAMETERS SPECIFIED**

Explanation

You specified too many date and time parameters in an RTREND or RTSUM command.

System action

The NetView program ignores the command.

Operator response

Enter the command again with valid date and time parameters. To determine the valid parameters, see the RTREND or RTSUM command in the NetView online help.

AAU211I INVALID PARAMETER SPECIFIED

Explanation

A command contains a parameter that is not valid.

System action

The NetView program ignores the command.

Operator response

Enter the command again with valid parameters. To determine the valid parameters, see the syntax for the specific command in the NetView online help.

AAU212I INVALID TIME RANGE SPECIFIED

Explanation

You entered an RTREND command with either an incorrect or one time only parameter specified. If you want a time range, it must include both a beginning and ending time or date and time.

System action

The NetView program ignores the command.

Operator response

Enter the command again with valid parameters. To determine the valid parameters, see the RTREND command in the NetView online help.

**AAU214I INVALID RECORD FUNCTION
 SPECIFIED**

Explanation

You specified a data type that was not valid on a RECORD command. The first parameter of RECORD command must be SESSTATS or STRGDATA.

System action

The NetView program ignores the command.

Operator response

Enter the RECORD command again with a valid data type. If the NetView program enters the command by a command list, stop and correct the command list. To determine the valid parameters, see the RECORD command in the NetView online help.

**AAU215I INVALID COLLECT FUNCTION
 SPECIFIED**

Explanation

You specified an incorrect collection data type on a COLLECT command. The first parameter must be RTM.

System action

The NetView program ignores the command.

Operator response

Enter the COLLECT command again with a valid data type. To determine the valid parameters, see the COLLECT command in the NetView online help.

AAU216I **NOT ENOUGH PARAMETERS SPECIFIED**

Explanation

The command you entered requires more parameters than you specified.

System action

The NetView program ignores the command.

Operator response

Enter the command again with the required number of parameters. To determine the valid parameters, see the specific command syntax in the NetView online help.

AAU217I **NOT AUTHORIZED TO ISSUE COMMAND** *command*

Explanation

You selected an option that causes the *command* to be issued, but you are not authorized to enter that command.

Message Variables

command

The name of the command that was issued

System action

The NetView program ignores the command and processing continues.

Operator response

Notify the system programmer.

System programmer response

Evaluate the requirements of the operator and add appropriate security access if required.

AAU218I **INVALID TIME RANGE: BEGIN TIME IS AFTER END TIME**

Explanation

You specified a time range that is not valid. The beginning time was after the ending time.

System action

The NetView program ignores the command.

Operator response

Enter the command again with a valid time range. To determine the valid parameters, see the NetView online help.

AAU219I **INVALID DATE/TIME PARAMETER: DATE ENTERED WITHOUT A TIME**

Explanation

An RTREND or RTSUM command requires corresponding time and date parameters.

System action

The NetView program ignores the command.

Operator response

Enter the command again with a valid time range (a time corresponding to each date). To determine the valid parameters, the RTREND or RTSUM command in the NetView online help.

AAU220I ***module locid* INCORRECT NUMBER OF VALUES SPECIFIED FOR THE BOUNDS KEYWORD: LABEL=*label* VERB=*verb***

Explanation

You incorrectly specified the bounds keyword on a PCLASS statement with a number of values that was not valid. Valid values are 1-4.

Message Variables

module

The control section (CSECT) name where an error condition was detected

locid

The location within the CSECT where an error condition was detected

label

The label specified in the PCLASS statement

verb

The verb that indicates that the error is within the PCLASS definition statement

System action

The NetView program ignores the bounds values and uses the default values.

Operator response

Notify the system programmer.

System programmer response

Correct the number of bounds values on the specified statement. Refer to the *IBM Z NetView Administration Reference*.

AAU221I MISSING PARAMETER AFTER KEYWORD

Explanation

You entered a LIST ER command without specifying a parameter to follow the keyword NET.

System action

The NetView program ignores the command.

Operator response

Enter the command again. To determine the valid parameters, see the LIST command in the NetView online help.

AAU222I DUPLICATE KEYWORD SPECIFIED

Explanation

You specified keyword NET twice when you entered a LIST ER command.

System action

The NetView program ignores the command.

Operator response

Enter the command again. To determine the valid parameters, see the LIST command in the NetView online help.

AAU223I OPTIONAL KEYWORD 'TO' OR 'FROM' SPECIFIED INCORRECTLY

Explanation

You specified the position of the keywords 'TO' and 'FROM' incorrectly in the LIST ER command. 'FROM' comes before the first resource name, and 'TO' comes before the second resource name.

System action

The NetView program ignores the command.

Operator response

Enter the command again. To determine the valid parameters, see the LIST command in the NetView online help.

AAU225I MAXIMUM RESPONSE TIME FOR GRAPH IS GREATER THAN 1800 SECONDS

Explanation

You entered an RTREND command with a response time too large for the graph. The Response Time Trend panel (NLDM.RTREND) can display response times of 30 minutes (1800 seconds) or less.

System action

The NetView program ignores the command.

Operator response

Enter the command again with a valid maximum response time for the graph (not greater than 1800 seconds). To determine the valid parameters, see the RTREND command in the NetView online help.

AAU226I INVALID INITIALIZATION STATEMENT VERB: verb

Explanation

The NetView program found a statement verb other than MAPSESS, PCLASS, or KCLASS in the DSIPARM data set member or file that contains the initialization statements.

Message Variables

verb

The verb in the MAPSESS, PCLASS, or KCLASS initialization statement that is not valid

System action

The NetView program ignores the incorrect statement.

Operator response

Notify the system programmer.

System programmer response

Ensure the statements in the NetView parameter library (DSIPARM) member or file were entered correctly. Refer to the *IBM Z NetView Administration Reference*.

AAU227I module locid VALUES FOR KEYWORDS, LOG AND SESSTATS, ARE IN CONFLICT

Explanation

The NetView program is unable to activate accounting and session statistics function because of the conflict in keyword settings.

Message Variables

module

The control section (CSECT) name where an error condition was detected

locid

The location within the CSECT where an error condition was detected

System action

The NetView program does not activate the accounting and session statistics function.

Operator response

Notify the system programmer.

System programmer response

Correct the setting values of the LOG and SESSTATS keywords in the NetView initialization parameters in member or file AAUPRMLP. Refer to the *IBM Z NetView Administration Reference*.

AAU228I *module locid* SESSION STAT FUNCTION IS NOT ACTIVE

Explanation

The accounting and session statistics function is not active and a RECORD SESSTATS command is sent to the NetView program.

Message Variables

module

The control section (CSECT) name where an error condition was detected

locid

The location within the CSECT where an error condition was detected

System action

The NetView program ignores the command.

Operator response

Notify the system programmer.

System programmer response

If activation of the accounting and session statistics function had been specified at initialization time, this

message indicates that the activation failed. See the related message at system startup.

The RECORD command was either called by a command list or was issued by a NetView operator.

Verify that the value of SESSTATS on an INITMOD statement is not set to NO.

AAU229I *module locid* FAILURE IN RECORDING SESS STAT DATA

Explanation

The accounting and session statistics function failed to record data to the external log.

Message Variables

module

The control section (CSECT) name where an error condition was detected

locid

The location within the CSECT where an error condition was detected

System action

The NetView program keeps the data until the next recording process starts.

Operator response

Notify the system programmer.

System programmer response

See the associated messages issued by AAUDBLRA for the cause of the failure.

AAU230I *module locid n* RECORD/RECORDS SCHEDULED FOR LOGGING

Explanation

The accounting and session statistics function scheduled a number of records to be written to the external log.

Message Variables

module

The control section (CSECT) name where an error condition was detected

locid

The location within the CSECT where an error condition was detected

n

The number of records

System action

Records are written to the external log.

AAU231I *module locid* **NO RECORD
SCHEDULED FOR LOGGING**

Explanation

You entered a RECORD command but the accounting and session statistics function did not find any session match for the session partners you gave.

Message Variables

module

The control section (CSECT) name where an error condition was detected

locid

The location within the CSECT where an error condition was detected

System action

The NetView program ignores the command.

Operator response

If a NetView operator entered the command, correct the session partner names that are not valid.

If a NetView command list initiated the command, notify the system programmer.

System programmer response

Correct the command list and restart it.

AAU232I **INVALID MEMBERNAME
SPECIFIED**

Explanation

You entered a RELOAD command with a member name that is not valid.

System action

The NetView program ignores the request.

Operator response

Enter the command again specifying a valid member name.

AAU233I *table* **HAS BEEN RELOADED**

Explanation

The NetView program completed the reload of the PERFMEM or KEEPMEM definition statement, or other table as indicated by the *table* variable.

Message Variables

table

The name of the table to be reloaded.

AAU234I *table* **HAS NOT BEEN RELOADED,
nnn ERRORS FOUND**

Explanation

Because errors were found, the NetView program did not reload the PERFMEM or KEEPMEM definition statements, or other table as indicated by the *table* variable. If the *table* variable is PERFMEM or KEEPMEM, the definition statement does not exist or encountered I/O errors. The authorized message receiver in the domain where the RELOAD command processes receives a more descriptive message.

Message Variables

table

The name of the table to be reloaded.

nnn

The number of errors or I/O if the statement does not exist.

System action

The NetView program ignores the request.

Operator response

Correct the errors and enter the command again.

AAU240I *module locid* **RESPONSE TIME
INITIALIZATION FOR *resource*
FAILED: RC=*retcode***

Explanation

The NetView program was unable to send a response time initialization request.

Message Variables

module

The control section (CSECT) name where an error condition was detected

locid

The location within the CSECT where an error condition was detected

resource

The name of the PU for which RTM initialization has failed

retcode

The return code:

4

The maximum number of requests is outstanding

8

The control table not found or the MQS failure detected

System action

The NetView program assumes that the device does not support RTM.

Operator response

Notify the system programmer.

System programmer response

Verify that the tasks AAUTCNMI and AAUTSKLP are active. If they are, contact IBM Software Support.

AAU241I **RTM DATA IS NOT AVAILABLE:
DEVICE IS BUSY**

Explanation

You requested a response time data display that involved retrieving data from a device with the RTM feature. The device sent back a busy response.

System action

The NetView program ignores the request.

Operator response

Enter the command again. If the device is still busy, notify the system programmer.

System programmer response

Ensure that the device is RTM-capable. If it is, notify the appropriate hardware support personnel.

AAU242I **module locid FAILURE TO SEND
RESPONSE TIME SOLICITATION
REQUEST FOR resource:
RC=retcode**

Explanation

The NetView program cannot send the network request to collect RTM data for the indicated resource.

Message Variables

module

The control section (CSECT) name where an error condition was detected

locid

The location within the CSECT where an error condition was detected

resource

The PU resource name

retcode

The return code:

4

The maximum number of requests is outstanding

8

The control table is not located or MQS failure detected

System action

The response time data is not solicited for the resource.

Operator response

Notify the system programmer.

System programmer response

Verify that the AAUTSKLP and AAUTCNMI tasks are active. If they are, contact IBM Software Support.

AAU243I **RTM DATA COLLECTION STARTED**

Explanation

The NetView program processed a COLLECT RTM command and the requested data collection is in progress.

System action

Processing continues.

AAU244I **RESOURCE name IS NOT ACTIVE**

Explanation

A COLLECT command requested data from a resource that was not active.

Message Variables

name

The name of the resource

System action

The NetView program ignores the request.

Operator response

Ensure that the resource name on the COLLECT command is correct and that the resource is active.

AAU245I **RTM DATA COLLECTION STARTED,
LOG OPTION IGNORED**

Explanation

The NetView program processed a COLLECT RTM command and the requested data collection is in progress. However, the LOG option is ignored because LOG=YES was not coded in the initialization statements.

System action

Processing continues.

Operator response

Notify the system programmer.

System programmer response

If you require logging, include an NLDM.LOG=YES statement in the CNMSTUSR member.

AAU246I *module locid* **RESPONSE TIME DATA IS NOT AVAILABLE FOR RESOURCE *resource***

Explanation

A COLLECT RTM command was entered. The NetView program was unable to send the network request over the CNM interface task to collect the RTM data, or a device with the RTM feature has sent back a busy response when it received the request for data.

Message Variables

module

The control section (CSECT) name where an error condition was detected

locid

The location within the CSECT where an error condition was detected

resource

The resource name

System action

The NetView program does not collect response time data for the resource.

Operator response

If message AAU242I was also received, the NetView program was unable to send the request. If not, a busy response was received. Enter the command again. If the device is still busy, notify the system programmer.

System programmer response

If message AAU242I was also received, see that message for more information. If it was not, see if the error was caused by many requests being sent to the

device simultaneously. If that is not the problem, notify the appropriate hardware support personnel.

AAU247I **FAILURE TO PROCESS RESPONSE TIME DATA COLLECTION REQUEST.**

Explanation

The NetView program was unable to process a COLLECT command.

System action

The NetView program does not collect response time data for the resource.

Operator response

Notify the system programmer.

System programmer response

Determine the reason for the failure from message AAU249I or AAU250I. If neither message is displayed, COLLECT was not processed because RTM to the device is not allowed or the LU is not RTM-capable.

AAU248I **RESPONSE TIME DATA IS NOT AVAILABLE FROM RESOURCE *resource***

Explanation

You requested response time data for *resource* but it was unable to process the request, or *resource* is not a valid resource. If *resource* is *, no RTM-capable devices are attached.

Message Variables

resource

The resource name

System action

The NetView program ignores the request.

Operator response

Notify the system programmer.

System programmer response

Determine whether the *resource* is RTM-capable. If it is, then specify to use RTM in the definition statement. If you entered COLLECT RTM * to receive this message, it is possible that none of your resources are RTM-capable.

AAU249I *module locid* **MQS FAILURE IN RTM DATA COLLECTION PROCESS**

Explanation

An error occurred while attempting to send a message between tasks. This error is caused by the task not being active.

Message Variables

module

The control section (CSECT) name where an error condition was detected

locid

The location within the CSECT where an error condition was detected

System action

The NetView program does not collect response time data for the resource.

Operator response

Ensure all the required tasks are active. If they are not, notify the system programmer.

System programmer response

Determine the reason for the task or initialization failure from the error message. Verify that the tasks AAUTCNMI and AAUTSKLP are active.

AAU250I	<i>module locid</i> INSUFFICIENT STORAGE EXISTS FOR RESPONSE TIME REQUEST
----------------	--

Explanation

There is not enough storage to process the RTM request.

Message Variables

module

The control section (CSECT) name where an error condition was detected

locid

The location within the CSECT where an error condition was detected

System action

Processing might continue or stop depending on where the failure is detected.

Operator response

Determine whether you received message BNH16I, which means the task has reached its storage limit. If so, notify your system programmer.

System programmer response

Refer to the *IBM Z NetView Troubleshooting Guide* for possible causes of the storage shortage. If necessary, refer to the *IBM Z NetView Tuning Guide* for storage calculation information.

AAU251I	<i>module locid</i> UNEXPECTED SENSE CODE X'<i>hhhh</i>' ENCOUNTERED, TARGET=<i>target</i>
----------------	---

Explanation

The NetView program found an unknown sense code from either an RTM initialization request or an RTM data collection request.

Message Variables

module

The control section (CSECT) name where an error condition was detected

locid

The location within the CSECT where an error condition was detected

hhhh

The hexadecimal sense code

target

The name of the target

System action

If the sense code received was from a PU initialization request, the PU is marked RTM NONCAPABLE. If it was received from a data collection request, the NetView program ignores the request.

Operator response

Notify the system programmer.

System programmer response

Check the sense code returned. For sense code X'0835', ensure that SSCP-LU and LU-LU session awareness data is being kept for LUs attached to the control unit. Refer to the KCLASS statement in the *IBM Z NetView Administration Reference*. For information about sense codes, enter the HELP SENSE command, or refer to *Systems Network Architecture Formats*.

AAU252I	<i>module locid</i> RESOURCE <i>resource</i> DOES NOT SUPPORT RTM
----------------	--

Explanation

You entered a COLLECT RTM command which specifies a resource that does not have the RTM feature.

Message Variables

module

The control section (CSECT) name where an error condition was detected

locid

The location within the CSECT where an error condition was detected

resource

The resource name

System action

The NetView program does not collect response time data for the resource.

Operator response

Verify that the resource name specified on the COLLECT command is correct.

AAU253I **module locid UNABLE TO RECORD DATA ON EXTERNAL LOG, RC=retcode**

Explanation

The NetView macro DSIWLS (Write Log Service) failed.

Message Variables**module**

The control section (CSECT) name where an error condition was detected.

locid

The location within the CSECT where an error condition was detected.

retcode

The system return code. This return code has one of the following values:

24

A NetView CMDDEF statement is missing or in error.

28

DSIMQS failure was detected.

System action

Data cannot be recorded on the external log.

Operator response

Notify the system programmer.

System programmer response

For RC=24, check the CMDDEF statements, specifically the definition for DSIELDAT. For RC=28, verify that the DSIELTSK, AAUTCNMI, and AAUTSKLP tasks are active.

AAU254I

module locid INVALID RTM REPLY RU RECEIVED FROM RESOURCE resource, RC = retcode

Explanation

The NetView program received a reply RU that is not valid from a device when it expected RTM data.

Message Variables**module**

The control section (CSECT) name where an error condition was detected.

locid

The location within the CSECT where an error condition was detected.

resource

The name of the resource sending RTM data that is not valid.

retcode

The return code. This return code has one of the following values:

04

RU length error

08

Insufficient data

12

Incompatible data

System action

The NetView program ignores the RU.

Operator response

Notify the system programmer.

System programmer response

Notify hardware support.

AAU255I

module VTAM REQUEST FAILURE: EXTERNAL LOG RECORD REFLECTS ONLY SESSION MONITOR SAW FILTER COUNTS, [RETURN CODE] SENSE CODE]= X'retcode'

Explanation

The SMF log does not reflect any SAW data from VTAM.

Message Variables**module**

The module name and location

retcode

The hexadecimal value of the return code or sense code

System action

The NetView program logs the record to the SMF log.

Operator response

Notify the system programmer.

System programmer response

Refer to the appropriate VTAM manual to determine the meaning of the return code or sense code.

AAU256I module locid MQS FAILURE WHILE PROCESSING TIMER REQUEST

Explanation

The attempt to send a message to the timer task, AAUATIMA, failed.

Message Variables**module**

The control section (CSECT) name where an error condition was detected

locid

The location within the CSECT where an error condition was detected

System action

The process continues without timer service.

Operator response

Notify the system programmer.

System programmer response

Determine whether the timer task, AAUATIMA, is active. If it is, contact IBM Software Support. Also, see the command facility LIST task name command in the NetView online help.

AAU257I module locid RESOURCE resource IS NO LONGER RTM CAPABLE DUE TO A SUBSEQUENT LU INIT FAILURE

Explanation

A controller was RTM-capable and now is being classified as RTM NONCAPABLE because a terminal LU attached to this device cannot be initialized.

Message Variables**module**

The control section (CSECT) name where an error condition was detected

locid

The location within the CSECT where an error condition was detected

resource

The name of the controller

System action

The NetView program does not collect response time data for any of the terminal LUs attached to this controller.

Operator response

Check the state of the terminal LUs attached to the controller.

AAU258I module locid RTM DATA IS NOT AVAILABLE FOR resource1 BECAUSE RESOURCE resource2 DOES NOT SUPPORT RTM

Explanation

An RTM data collection for an LU was not possible. The PU to which it was attached does not support RTM.

Message Variables**module**

The control section (CSECT) name where an error condition was detected

locid

The location within the CSECT where an error condition was detected

resource1

The name of the LU

resource2

The name of the PU that is not RTM-capable

System action

The NetView program does not collect response time data for the LU.

Operator response

Verify the spelling of the LU name.

AAU260I ROUTE DATA IS NOT AVAILABLE FOR COMMAND SPECIFIED

Explanation

The route data is unavailable.

System action

The NetView program stops processing the request.

AAU261I **NO DATA EXISTS FOR COMMAND SPECIFIED**

Explanation

There is no data on the VSAM database or in storage for the NetView command you specified.

System action

The NetView program ignores the command.

Operator response

Verify the resource name and enter the command again. If the problem recurs, notify the system programmer.

System programmer response

Perform network problem determination to determine why no data exists.

AAU262I **INCOMPATIBLE VALUE:
LABEL=*label* VERB=*verb*
KEYWORD=*keyword***

Explanation

You specified incompatible or conflicting keyword values for the initialization statement identified by this message.

Message Variables***label***

The label of the incorrect statement

verb

The initialization verb of the incorrect statement

keyword

The keyword that had the incompatible value

System action

The NetView program ignores the initialization statement.

Operator response

Notify the system programmer.

System programmer response

Resolve the conflicting values for the identified keyword. For example, verify that YES and NO are not both specified for the same KCLASS statement. Refer to the *IBM Z NetView Administration Reference*.

AAU265I **VIRTUAL ROUTE DATA (VR) NOT AVAILABLE**

Explanation

You requested VR data where no such data exists. (Either the session does not traverse a virtual route, your network is not authorized to view the virtual route data for the network being displayed, or VTAM has not supplied the route data.)

System action

The NetView program rejects the request and processing continues.

Operator response

Enter a valid selection or NLDM command.

AAU266I ***module locid* UNABLE TO PUSH
LOGOFF EXIT ROUTINE:
RC=*retcode***

Explanation

NLDM was unable to establish (push) the AAUTSKLP logoff routine because of a DSIPUSH failure. This failure is identified by return code (RC=) in this message.

Message Variables***module***

The control section (CSECT) name where an error condition was detected

locid

The location within the CSECT where an error condition was detected

retcode

The return code that resulted from the DSIPUSH of the AAUTSKLP logoff routine

System action

Initialization continues. No logoff routine is established.

Operator response

Notify the system programmer.

System programmer response

If RC=4, not enough storage was available to perform the DSIPUSH; increase the region size. If RC=28, add a CMDDEF statement for AAUSLGEX. Otherwise, contact IBM Software Support.

AAU267I ***locid* PURGE COMPLETED FOR
datatype DATA. *nn datatype*
name1 name2 PURGED**

Explanation

This message is sent to the authorized message receiver. Session or route data for the session monitor has been purged.

Message Variables

locid

The location within the CSECT (control section) where an error condition was detected

datatype

SESSION or ROUTE data, depending on the type of session monitor data being purged

nn

The number of sessions purged (if a SESSION purge) or the number of routes purged (if a ROUTE purge)

datatype

SESSIONS or ROUTES data, depending on the type of session monitor data being purged

name1

The resource name of first resource specified in purge command (if SESSION purge), or * (if ROUTE purge)

name2

The resource name of second resource specified in purge command (if SESSION purge), or * (if ROUTE purge)

System action

The session monitor database purge has completed.

AAU268I ***command ext* COMMAND NO
LONGER SUPPORTED**

Explanation

This message is issued to the session monitor terminal operator. The specified session monitor command is not supported in the NetView program Version 1 Release 2 or greater.

Message Variables

command

The command name

ext

The extension to the command name, if applicable

System action

The system waits for the next session monitor request.

Operator response

See the NetView online help for the valid session monitor commands.

AAU269I **DATABASE PURGE STARTED**

Explanation

The session monitor database purge has been started as a result of the purge command. This message is displayed on the session monitor panel or the common facility panel.

System action

The NetView component where the command was issued resumes processing and awaits further input.

AAU270I **SYNTAX ERROR INVOLVING
BEFORE PHRASE OR PEXLST
PARAMETER**

Explanation

The syntax for the NLDM PURGE command is incorrect:

- The BEFORE phrase is not specified or is in the wrong position.
- The optional PEXLST parameter is incorrect or is in the wrong position.

System action

The NLDM PURGE command is not processed.

Operator response

Refer to the NetView online help for the NLDM PURGE command.

AAU271I **INVALID PURGE TYPE (MUST BE
SESSION, ROUTE OR ALL)**

Explanation

This message is issued to the session monitor terminal operator. The only valid purge types are SESSION, ROUTE, or ALL.

System action

The system waits for the next session monitor request. The PURGE command is not processed.

Operator response

See the NetView online help for the valid session monitor PURGE command.

AAU272I *origin locid operatorid* VSAM
SESSION RECORDING NOW
BEING SUPPRESSED, VSAM R/C -
MAJOR = *major* MINOR = *minor*

Explanation

Session monitor VSAM recording was suspended because of an error condition, or TCPCONN VSAM recording was suspended because of a TCPCONN SUSDASD command.

Message Variables

origin

The control section (CSECT) name where an error condition was detected, or TCPCONN if TCPCONN SUSDASD was issued.

locid

The location within the CSECT where an error condition was detected. If *locid* is 99, then no active database exists. If *origin* is TCPCONN, this value is blank.

operatorid

The NetView terminal operator identifier. If no operator is defined, this value is blank. If *origin* is TCPCONN, this value is blank.

major

The VSAM major error code. If *major* is 99, then no active database exists. If *origin* is TCPCONN, this value is 0.

minor

The VSAM minor error code. If *minor* is 99, then no active database exists. If *origin* is TCPCONN, this value is 0.

System action

Session monitor or TCPCONN database recording stops.

Operator response

For session monitor, notify the system programmer. For TCPCONN, issue TCPCONN RESDASD when recording to DASD is to resume.

System programmer response

For session monitor, determine the reason for the suppression and take appropriate action. Verify that the VSAM database is active. If the database is active, determine whether the VSAM database is full. You might want to reorganize or scratch and reallocate the data set. After fixing the problem, enter the SMDR START command to restart the data recording, or recycle the session monitor task.

AAU273I *origin locid operatorid* NORMAL
VSAM SESSION RECORDING HAS
RESUMED, *number* SESSIONS
WERE SUPPRESSED.

Explanation

Session or connection recording to VSAM has resumed because either the VSAM error condition was alleviated or the TCPCONN RESDASD command was issued.

Message Variables

origin

The control section (CSECT) name where an error condition was detected, or TCPCONN if TCPCONN SUSDASD was issued.

locid

The location within the CSECT where an error condition was detected. If *origin* is TCPCONN, this value is blank.

operatorid

The NetView terminal operator identifier. If no operator is defined, this value is blank. If *origin* is TCPCONN, this value is blank.

number

The number of sessions or connections which were not recorded while VSAM database recording was suspended.

System action

VSAM session or connection recording continues normally.

AAU274I VSAM SESSION RECORDING IS
status

Explanation

The status of the VSAM session recording is indicated by this message.

Message Variables

status

The status of VSAM session recording. The insert has one of the following values:

- ACTIVE - Indicates that data recording is currently active in response to the SMDR QUERY command.
- ALREADY ACTIVE - Indicates that data recording is already active in response to the SMDR START command.
- ALREADY INACTIVE - Indicates that data recording is already inactive in response to the SMDR STOP command.

- INACTIVE - Indicates that data recording is currently inactive in response to the SMDR QUERY command.
- NOW STOPPED - Indicates that data recording has been stopped in response to the SMDR STOP command.
- STARTED - Indicates that data recording has been started in response to the SMDR START command.
- UNAVAILABLE: NO DATABASE - Indicates that no active database exists.

System action

Session monitor continues to perform as indicated by the *status* insert.

AAU275I PURGE REQUEST DENIED - PURGE ALREADY IN PROGRESS

Explanation

You requested a session monitor purge when a purge is already in progress.

System action

The NetView program does not process the new purge request, but continues processing the original purge request.

Operator response

Do not attempt another session monitor purge request until message AAU267I is received by the authorized receiver.

AAU276I *module locid* KEYWORD AVAIL VALID ONLY WHEN SESSTATS=AVAIL. VALUE OF AVAIL ON KCLASS STATEMENT IGNORED.

Explanation

The keyword AVAIL was used on a KCLASS statement, but SESSTATS was not set to the value of AVAIL.

Message Variables

module

The control section (CSECT) name where an error condition was detected

locid

The location within the CSECT where an error condition was detected

System action

The default for AVAIL is used. The default corresponds to the value of SESSTATS on an INITMOD statement.

If

SESSTATS	=	Then AVAIL	This means that
AVAIL		Defaults to YES	Only availability data is logged
YES		Is ignored	Both availability and accounting data are logged
NO		Is ignored	Neither availability nor accounting data is logged

Operator response

Notify the system programmer.

System programmer response

Change the SESSTATS value to AVAIL if only availability data is desired.

AAU284I *module locid* THE DGROUP KEYWORD *keyword* FOR KCLASS STATEMENT *name* MUST BE EITHER 'RENAME' OR NULL

Explanation

You specified a value other than RENAME or null and it is incorrect. The second optional keyword for the DGROUP parameter in a KCLASS statement must be either RENAME or null.

Message Variables

module

The control section (CSECT) name where an error condition was detected

locid

The location within the CSECT where an error condition was detected

keyword

The incorrect keyword

name

The KCLASS statement label

System action

Session monitor initialization continues processing the KCLASS statement. The default of null is used for the second DGROUP keyword.

Operator response

Notify the system programmer.

System programmer response

Modify the second value of the DGROUP parameter to be either RENAME or null.

AAU285I *module locid* THE DGROUP
KEYWORD *keyword* FOR KCLASS
STATEMENT *name* MUST BE
EITHER 'PRI', 'SEC', OR NULL

Explanation

You specified a value other than PRI, SEC, or null. The third optional keyword for the DGROUP parameter in a KCLASS statement must be either PRI, SEC, or null.

Message Variables

module

The control section (CSECT) name where an error condition was detected

locid

The location within the CSECT where an error condition was detected

keyword

The incorrect keyword

name

The KCLASS statement label

System action

Session monitor initialization continues processing the KCLASS statement. The default of PRI is used for the third DGROUP keyword.

Operator response

Notify the system programmer.

System programmer response

Modify the third keyword of the DGROUP parameter to be either PRI, SEC, or null.

AAU286I *module locid* THE DGROUP
KEYWORD *keyword1* FOR KCLASS
STATEMENT *name* REQUIRES THE
keyword2 KEYWORD

Explanation

You specified the first optional DGROUP keyword in a KCLASS statement, but did not specify the required DGROUP keyword *keyword2*.

Message Variables

module

The control section (CSECT) name where an error condition was detected

locid

The location within the CSECT where an error condition was detected

keyword1

The optional keyword

name

The KCLASS statement label

keyword2

The required keyword

System action

Session monitor initialization continues processing the KCLASS statement. The default keyword values are used as if *keyword1* was not specified.

Operator response

Notify the system programmer.

System programmer response

Either add keyword *keyword2* to the DGROUP parameter, or remove keyword *keyword1* from the DGROUP parameter.

AAU287I *module locid* THE DGROUP
PARAMETER FOR KCLASS
STATEMENT *name* REQUIRES THE
GROUP NAME

Explanation

You specified the DGROUP parameter in KCLASS statement *name*, but did not specify the required group name.

Message Variables

module

The control section (CSECT) name where an error condition was detected

locid

The location within the CSECT where an error condition was detected

name

The KCLASS statement label

System action

Session monitor initialization continues processing the KCLASS statement. The default keyword values are used as if the DGROUP parameter had not been specified.

Operator response

Notify the system programmer.

System programmer response

Either add the group name to the DGROUP parameter, or remove the DGROUP parameter from the KCLASS statement.

**AAU288I GLOBAL DASD SESSION KEEP
COUNT=*newcount*, WAS *oldcount***

Explanation

The global DASD session keep count has been changed by operator request. The new session keep count and the old session keep count are displayed in the message.

Message Variables

newcount

The new (changed) DASD session keep count

oldcount

The old (previous) DASD session keep count

System action

This is an informational message in response to an operator request. When issued, this message indicates the operator request was processed successfully.

**AAU289I GLOBAL DASD SESSION KEEP
COUNT=*curcount***

Explanation

The current global DASD session keep count is displayed by operator request.

Message Variables

curcount

The current DASD session keep count

System action

This is an informational message in response to an operator request. When issued, this message indicates the operator request was processed successfully.

**AAU290I *module locid* NO OTHER DGROUP
PARAMETER VALUES (*value*) FOR
DEFERRED DGROUP NAME *name*
FOR KCLASS STATEMENT *label*
ARE ALLOWED**

Explanation

You supplied too many values on the DGROUP keyword when you also specified deferred DGROUP name *PRI or *SEC.

Message Variables

module

The control section (CSECT) name where an error condition was detected

locid

The location within the CSECT where an error condition was detected

value

The extra value that was specified on the DGROUP keyword

name

The deferred DGROUP name, either *PRI or *SEC

label

The label specified in the KCLASS statement

System action

If this message is issued during NetView initialization for the session monitor, the NetView program loads the table of keep classes and ignores the extra value. If this message is issued as the result of a RELOAD command, message AAU234I is issued and the keep class or performance class table is not reloaded (the currently active table is not replaced).

Operator response

Notify the system programmer.

System programmer response

Correct the keyword value on the specified statement. Refer to the *IBM Z NetView Administration Reference* for additional details.

**AAU300I *module locid* INSUFFICIENT
STORAGE EXISTS FOR VSAM
BLOCK BUFFER**

Explanation

There is not enough storage to create the VSAM block buffer for a database request.

Message Variables

module

The control section (CSECT) name where an error condition was detected

locid

The location within the CSECT where an error condition was detected

System action

The database request is ignored.

Operator response

Determine whether you received message BNH160I, which means the task has reached its storage limit. If so, notify your system programmer.

System programmer response

Refer to the *IBM Z NetView Troubleshooting Guide* for possible causes of the storage shortage. If necessary, refer to the *IBM Z NetView Tuning Guide* for more storage calculation information.

AAU301I **module locid INSUFFICIENT STORAGE EXISTS FOR LOGICAL RECORD BUFFER BLOCK**

Explanation

There is not enough storage to create the logical record buffer block for a database request.

Message Variables

module

The control section (CSECT) name where an error condition was detected

locid

The location within the CSECT where an error condition was detected

System action

The database request is ignored.

Operator response

Determine whether you received message BNH16I, which means the task has reached its storage limit. If so, notify your system programmer.

System programmer response

Refer to the *IBM Z NetView Troubleshooting Guide* for possible causes of the storage shortage. If necessary, refer to the *IBM Z NetView Tuning Guide* for more storage calculation information.

AAU302I **module locid DUPLICATE DATABASE TABLE ENTRY**

Explanation

There is a duplicate table error at database initialization. The table entry is ignored.

Message Variables

module

The control section (CSECT) name where an error condition was detected

locid

The location within the CSECT where an error condition was detected

System action

The new table entry is not added.

Operator response

Notify the system programmer.

System programmer response

Contact IBM Software Support.

AAU303I **module locid INTERNAL PROGRAM ERROR: logicnn HAS OCCURRED**

Explanation

There is an internal program error that represents a should-not-occur condition.

Message Variables

module

The control section (CSECT) name where an error condition was detected.

locid

The location within the CSECT where an error condition was detected.

logicnn

The internal program error number. If *nn*=16 and this message was preceded by DSI124I and DSI125I, the session monitor encountered an out-of-storage condition and tried to delete control blocks that cannot be built because of the out-of-storage condition.

System action

The operation fails.

Operator response

Notify the system programmer.

System programmer response

If *nn*=16 for the *logicnn* insert, re-evaluate the storage estimates or increase the region size specified in the startup procedure for the NetView program. All other logic errors are defined internally and represent various should-not-occur conditions. If you receive any other logic errors, contact IBM Software Support.

AAU304I *module locid* **UNSOLICITED DATA REJECTED, RC=*retcode*****Explanation**

An unsolicited data RU was received but was rejected because of truncation of the RU message because of insufficient buffer space.

Message Variables***module***

The control section (CSECT) name where an error condition was detected

locid

The location within the CSECT where an error condition was detected

retcode

The actual return code from the DSRB control block

System action

Processing continues. The NetView program ignores the RU message.

Operator response

Notify the system programmer.

System programmer response

Contact IBM Software Support.

AAU305I *module locid* **UNSOLICITED DATA REJECTED, SUBSTITUTED TYPE NOT RECOGNIZED****Explanation**

An unsolicited data RU was received but was rejected because the type of substituted message was not known.

Message Variables***module***

The control section (CSECT) name where an error condition was detected

locid

The location within the CSECT where an error condition was detected

System action

Processing continues. The NetView program ignores the RU message.

Operator response

Notify the system programmer.

System programmer response

If necessary, check the installation exit routine that performed message substitution.

AAU306I *ctrname* **IS OVER *percent* OF MAXIMUM VALUE. PRIMARY: *name1* SECONDARY: *name2*****Explanation**

The named counter has exceeded the indicated percentage of the maximum value it can hold for a session between the named resources.

Message Variables***ctrname***

The counter name for the external log record of the session monitor.

percent

A percentage

name1

The primary resource name

name2

The secondary resource name

System action

Processing continues.

Operator response

Consider issuing a RECORD SESSTATS command for the given session partner names. Otherwise, it is possible that the counter wraps and no longer be valid.

AAU801I *module locid operatorid* **NAMED STORAGE AREA *storearea* NOT FOUND****Explanation**

You requested *storearea* but it cannot be found by a NetView routine.

Message Variables***module***

The control section (CSECT) name where an error condition was detected.

locid

The location within the CSECT where an error condition was detected.

operatorid

The NetView terminal operator identifier. If no operator is defined, this value is blank.

storearea

The named storage area.

System action

An abend might be entered and processing stops.

Operator response

Notify the system programmer.

System programmer response

Ensure that the storage area is specified correctly. If it is, contact IBM Software Support.

AAU802I *module locid name1 name2*
**INSUFFICIENT STORAGE EXISTS
TO INITIATE requestype REQUEST**

Explanation

The storage required is not available to process an allocate request, a send request, or a deallocate request.

Message Variables

module

The control section (CSECT) name where an error condition was detected

locid

The location within the CSECT where an error condition was detected

name1

The CNM data transfer task in the domain in which the request is entered

name2

The name of the CNM data transfer task in the domain to which the request is directed

requestype

The request type that can be either ALLOCATE, SEND, or DEALLOC

System action

The NetView program stops processing the request.

Operator response

Determine whether you received message BNH16I, which means the task has reached its storage limit. If so, notify your system programmer.

System programmer response

Refer to the *IBM Z NetView Troubleshooting Guide* for possible causes of the storage shortage. If necessary, refer to the *IBM Z NetView Tuning Guide* for more storage calculation information.

AAU803I *module locid name1 name2* CNM
**DATA TRANSFER TASK NOT
AVAILABLE FOR requestype**

Explanation

The NetView program cannot process your allocate, send, or deallocate request. The CNM data transfer task in domain *name1* is not active.

Message Variables

module

The control section (CSECT) name where an error condition was detected

locid

The location within the CSECT where an error condition was detected

name1

The CNM data transfer task in the domain in which the request is entered

name2

The CNM data transfer task in the domain to which the request is directed

requestype

The request type that can be either ALLOCATE, SEND, or DEALLOC

System action

The NetView program stops processing the request.

Operator response

Start the CNM data transfer task. If the task cannot be started, notify the system programmer.

System programmer response

Refer to *IBM Z NetView Installation: Configuring Additional Components* for the definition of the NetView CNM data transfer task and the coding requirements for DSILUCTD.

AAU804I *module locid name1 name2*
**COMMAND PROCESSOR
AAUDCPEX SPECIFIED TO BE
SCHEDULED ON COMPLETION OF
requestype DOES NOT EXIST**

Explanation

No CMDDEF statement for AAUDCPEX exists in the NetView parameter library member or file CNMCMD.

Message Variables

module

The control section (CSECT) name where an error condition was detected

locid

The location within the CSECT where an error condition was detected

name1

The CNM data transfer task in the domain in which the request is entered

name2

The CNM data transfer task in the domain to which the request is directed

requestype

The request type that can be either ALLOCATE, SEND, or DEALLOC

System action

The NetView program stops processing the request.

Operator response

Notify the system programmer.

System programmer response

Add a CMDDEF statement to DSIPARM member CNMCMD for AAUDCPEX. Refer to the coding requirements for CMDDEF statements in the *IBM Z NetView Administration Reference*.

AAU805I

**module locid name1 name2
CONVERSATION IS BEING
DEALLOCATED**

Explanation

The conversation with the NetView program in the domain associated with *name2* is being deallocated. This message can follow message AAU808I.

Message Variables**module**

The control section (CSECT) name where an error condition was detected

locid

The location within the CSECT where an error condition was detected

name1

The CNM data transfer task in the domain in which the request is entered

name2

The name of the CNM data transfer task in the domain to which the request is directed

System action

The conversation is deallocated.

AAU806I

**module locid name1 name2 SEND
QUEUE HAS BEEN FLUSHED FOR
CONVERSATION**

Explanation

Any requests to send data to the NetView program in the domain associated with *name2* were flushed and the corresponding application completion routines were driven. Message AAU817I follows this message.

Message Variables**module**

The control section (CSECT) name where an error condition was detected

locid

The location within the CSECT where an error condition was detected

name1

The CNM data transfer task in the domain in which the request is entered

name2

The name of the CNM data transfer task in the domain to which the request is directed

System action

The NetView program ignores the request and processing continues.

System programmer response

See the description for message AAU817I.

AAU807I

**module locid name1 name2
STORAGE FOR SEND QUEUE
ELEMENT NOT AVAILABLE**

Explanation

Completion of a previous request to send data on the conversation with the NetView program in the domain associated with *name2* is pending. Storage is not available to add the current request to the send pend queue to be run later.

Message Variables**module**

The control section (CSECT) name where an error condition was detected

locid

The location within the CSECT where an error condition was detected

name1

The CNM data transfer task in the domain in which the request is entered

name2

The name of the CNM data transfer task in the domain to which the request is directed

System action

The NetView program ignores the request and processing continues.

Operator response

Determine whether you received message BNH16I, which means the task has reached its storage limit. If so, notify your system programmer.

System programmer response

Refer to the *IBM Z NetView Troubleshooting Guide* for possible causes of the storage shortage. If necessary, refer to the *IBM Z NetView Tuning Guide* for more storage calculation information.

AAU808I *module locid name1 name2* CDT
REQUEST SERVICE FAILURE
REQ=requestype RC= X'retcode'
SENSE= X'sensecode'

Explanation

The request issued by the CNM data transfer task failed. If *requestype* is sent, the conversation is deallocated and the send pend queue is flushed.

Message Variables**module**

The control section (CSECT) name where an error condition was detected

locid

The location within the CSECT where an error condition was detected

name1

The CNM data transfer task in the domain in which the request is entered

name2

The name of the CNM data transfer task in the domain to which the request is directed

requestype

The request type that can be either ALLOCATE, SEND, or DEALLOC

retcode

The internal NetView return code. Contact IBM Software Support if assistance is required.

sensecode

The sense code value

System action

The NetView program stops processing the request.

Operator response

Notify the system programmer.

System programmer response

For REQ=ALLOCATE, use NetView message AAU817I to determine the appropriate action; otherwise no action is required.

If the REQ field was ALLOCATE or SEND, then it might take up to 10 minutes for the cross-domain sessions to reinitialize. If the ALLOCATE to reinitialize the sessions fails, then a VTAM message, IST663I followed by IST664I, is received. If these VTAM messages are received, it might take an additional 10 minutes from that time for the cross-domain sessions to reinitialize.

For information about sense codes, enter the HELP SENSE command, or see *Systems Network Architecture Formats*.

AAU809I *module locid operatorid* INVALID
REQUEST TYPE: XTMCODE = nnnn,
APPLID = applid

Explanation

The cross-task message code entered by the specific application *applid* is not valid.

Message Variables**module**

The control section (CSECT) name where an error condition was detected.

locid

The location within the CSECT where an error condition was detected.

operatorid

The NetView terminal operator identifier. If no operator is defined, this value is blank.

nnnn

The cross-task message code internal to the NetView program.

applid

The ID of the application that entered XTMCODE.

System action

Processing continues.

Operator response

Notify the system programmer.

System programmer response

Contact IBM Software Support.

AAU811I *module locid name1 name2*
**INSUFFICIENT STORAGE EXISTS
FOR A RECEIVE BUFFER**

Explanation

The data to be received exceeds the size of the default receive buffer and the request for storage for a secondary receive buffer failed. The size of the default buffer is 1024 bytes.

Message Variables

module

The control section (CSECT) name where an error condition was detected

locid

The location within the CSECT where an error condition was detected

name1

The CNM data transfer task in the domain in which the request is entered

name2

The name of the CNM data transfer task in the domain to which the request is directed

System action

The NetView program ignores the request.

Operator response

Determine whether you received message BNH16I, which means the task has reached its storage limit. If so, notify your system programmer.

System programmer response

Refer to the *IBM Z NetView Troubleshooting Guide* for possible causes of the storage shortage. If necessary, refer to the *IBM Z NetView Tuning Guide* for more storage calculation information.

AAU812I *module locid* **INSUFFICIENT
STORAGE EXISTS TO ADD TPN
DEFINITION**

Explanation

There is not enough storage to add definition of the transaction processor name.

Message Variables

module

The control section (CSECT) name where an error condition was detected

locid

The location within the CSECT where an error condition was detected

System action

The NetView program ignores the request.

Operator response

Determine whether you received message BNH16I, which means the task has reached its storage limit. If so, notify your system programmer.

System programmer response

Refer to the *IBM Z NetView Troubleshooting Guide* for possible causes of the storage shortage. If necessary, refer to the *IBM Z NetView Tuning Guide* for more storage calculation information.

AAU813I *module locid* **REQUESTING TASK
NOT DST**

Explanation

The transaction processor name being defined is not a data services task.

Message Variables

module

The control section (CSECT) name where an error condition was detected

locid

The location within the CSECT where an error condition was detected

System action

The NetView program ignores the request.

Operator response

Notify the system programmer.

System programmer response

Ensure that the definition for AAUDCPEX in the DSIPARM member CNMCMD is defined as TYPE=RD. If this is true, contact IBM Software Support.

AAU814I *module locid* **TPN NOT UNIQUE
FOR THIS DOMAIN**

Explanation

During initialization of the application DST, *module* tried to define the transaction processor name AAUTSKLP and the command verb name AAUDCPEX to the CNM data transfer task. The definition already

existed. The application DST was active previously and is being restarted.

Message Variables

module

The control section (CSECT) name where an error condition was detected

locid

The location within the CSECT where an error condition was detected

System action

The NetView program ignores the request.

Operator response

If you were restarting an AAUTSKLP task, this message is for information only. If this message occurs during NetView initial startup, notify the system programmer.

System programmer response

If this message occurs during the NetView program initial startup, contact IBM Software Support.

AAU815I *module name1 name2 NCCF
PASSED BACK AN UNKNOWN
RETURN CODE FOR requestype
REQUEST*

Explanation

The return code from a CNM data transfer task interface macro is not recognized.

Message Variables

module

The control section (CSECT) name where an error condition was detected

name1

The CNM data transfer task in the domain in which the request is entered

name2

The name of the CNM data transfer task in the domain to which the request is directed

requestype

The request type that can be either ALLOCATE, SEND, or DEALLOC

System action

The NetView program ignores the request.

Operator response

Notify the system programmer.

System programmer response

Contact IBM Software Support.

AAU816I *module locid MQS FAILED FOR
CROSS DOMAIN INITIALIZATION*

Explanation

A DSIMQS macro failed during session monitor initialization.

Message Variables

module

The control section (CSECT) name where an error condition was detected

locid

The location within the CSECT where an error condition was detected

System action

Processing continues. The NetView application cannot have a conversation with its counterpart in another domain.

Operator response

Notify the system programmer.

System programmer response

Message AAU832I or AAU833I precede this message. Keep this information and follow the appropriate action based on the message you have received. Contact IBM Software Support.

AAU817I *module locid name1 name2 RPL
RTNCD/FDBK= X'hhhhhhhh', RPL
SENSE CODE= X'hhhhhhhh'*

Explanation

This message follows message AAU808I.

Message Variables

module

The control section (CSECT) name where an error condition was detected

locid

The location within the CSECT where an error condition was detected

name1

The name of the CNM data transfer task in the domain in which the request is entered

name2

The CNM data transfer task in the domain to which the request is directed

hhhhhhh

The codes for problem determination

System action

The NetView program stops processing the request.

Operator response

Notify the system programmer.

System programmer response

Use the RCFB and SENSE command lists to determine the meaning of the return, feedback, and sense codes. See the device-specific documentation for the meaning of the user sense data.

AAU830I *module locid type FAILURE: OPID
operatorid TASKID taskid RC
retcode*

Explanation

There is a DSIGET or DSIMQS failure.

Message Variables

module

The control section (CSECT) name where an error condition was detected.

locid

The location within the CSECT where an error condition was detected.

type

The type of failure that can be either DSIGET or DSIMQS.

operatorid

The NetView terminal operator identifier. If no operator is defined, this value is blank.

taskid

The task identifier.

retcode

The return code from DSIGET or DSIMQS.

System action

If it is a DSIGET failure, the request entry on the time pend queue is requeued and reprocessed. If it is a DSIMQS failure, the request entry on the time pend queue is deleted.

Operator response

Notify the system programmer.

System programmer response

If the failure is because of insufficient storage (DSIGET failure or DSIMQS failure with a return code of 12), increase the region size for the NetView program and restart. If the failure is because the task ID cannot be found (DSIMQS failure with a return code of 8), determine the status of the task. If the task is active, contact IBM Software Support. If the task is inactive, restart the task.

AAU832I *module locid operatorid DSIGET
PASSED BACK A RETURN CODE OF
retcode*

Explanation

The NetView storage allocation routine indicated storage is unavailable for a work area.

Message Variables

module

The control section (CSECT) name where an error condition was detected.

locid

The location within the CSECT where an error condition was detected.

operatorid

The NetView terminal operator identifier. If no operator is defined, this value is blank.

retcode

The return code from DSIGET.

System action

Data services command processor (DSCP) processing stops.

Operator response

Determine whether you received message BNH16I, which means the task has reached its storage limit. If so, notify your system programmer.

System programmer response

Refer to the *IBM Z NetView Troubleshooting Guide* for possible causes of the storage shortage. If necessary, refer to the DSIGET macro in *IBM Z NetView Programming: Assembler* for information about the specific error.

AAU833I *module locid operatorid DSIMQS/
DSILUS PASSED BACK A RETURN
CODE OF retcode, DESTINATION:
taskid*

Explanation

While attempting to send data to *taskid*, the NetView message queuing routine indicated that the message was not sent successfully.

Message Variables

module

The control section (CSECT) name where an error condition was detected.

locid

The location within the CSECT where an error condition was detected.

operatorid

The NetView terminal operator identifier. If no operator is defined, this value is blank.

retcode

The return code from DSIMQS or DSILUS.

taskid

The task name.

System action

Data services command processor (DSCP) processing stops.

Operator response

Notify the system programmer.

System programmer response

If the return code is 8 and the task ID is supplied by the NetView program, use the START TASK command to start the task and retry your request. If this fails, contact IBM Software Support.

AAU834I	<i>module1 locid operatorid</i> THE LOGIC RESUME POINTER (ADXRESMP) CONTAINS ZEROS. ADXRESMS CONTAINS <i>module2</i>
----------------	---

Explanation

A functional service routine was unable to return control to the data-capturing routine that called it. The data-capturing routine address is in ADXRESMP.

Message Variables

module1

The control section (CSECT) name where an error condition was detected.

locid

The location within the CSECT where an error condition was detected.

operatorid

The NetView terminal operator identifier. If no operator is defined, this value is blank.

module2

The module that last updated field ADXRESMP.

System action

Processing stops.

Operator response

Notify the system programmer.

System programmer response

Determine which panel the operator last used and which command the operator last entered. Contact IBM Software Support.

AAU835I	<i>module locid operatorid</i> INVALID KEY SIZE
----------------	--

Explanation

The NetView program detected a key length less than or greater than the valid key length.

Message Variables

module

The control section (CSECT) name where an error condition was detected.

locid

The location within the CSECT where an error condition was detected.

operatorid

The NetView terminal operator identifier. If no operator is defined, this value is blank.

System action

Data services command processor (DSCP) processing stops.

Operator response

Notify the system programmer.

System programmer response

Determine which panel the operator last used and which command the operator last entered. Contact IBM Software Support.

AAU842I	<i>operatorid</i> AAUALTPA LOGICAL RECORD SIZE IS TOO LARGE
----------------	--

Explanation

AAUALTPA service routine input parameters are set up incorrectly.

Message Variables

operatorid

The NetView terminal operator identifier. If no operator is defined, this value is blank.

System action

Data services command processor (DSCP) processing stops.

Operator response

Notify the system programmer.

System programmer response

Determine which panel the operator last used and which command the operator last entered. Contact IBM Software Support.

AAU843I *operatorid* AAUALTPA PHYSICAL
RECORD SIZE IS TOO SMALL

Explanation

AAUALTPA service routine input parameters were set up incorrectly.

Message Variables

operatorid

The NetView terminal operator identifier. If no operator is defined, this value is blank.

System action

Data services command processor (DSCP) processing stops.

Operator response

Notify the system programmer.

System programmer response

Determine which panel the operator last used and which command the operator last entered. Contact IBM Software Support.

AAU844I *operatorid* AAUALTPA PHYSICAL
RECORD SIZE IS TOO LARGE

Explanation

AAUALTPA service routine input parameters were set up incorrectly.

Message Variables

operatorid

The NetView terminal operator identifier. If no operator is defined, this value is blank.

System action

Data services command processor (DSCP) processing stops.

Operator response

Notify the system programmer.

System programmer response

Determine which panel the operator last used and which command the operator last entered. Contact IBM Software Support.

AAU854I *module1 locid operatorid* THE I/O
RESUME POINTER (ADXIORSP)
CONTAINS ZEROS. ADXIORSS
CONTAINS '*module2*'

Explanation

The module *module1* requested the solicited data and is now receiving it. The ADXIORSP should be set during the request to indicate what module processes the solicited data. The ADXIORSP field identifies the last module *module2* that initialized ADXIORSP.

Message Variables

module1

The module making the request.

locid

The location within the control section (CSECT) where an error condition was detected.

operatorid

The NetView terminal operator identifier. If no operator is defined, this value is blank.

module2

The module that last initialized ADXIORSP.

System action

Processing stops.

Operator response

Notify the system programmer.

System programmer response

Determine which panel the operator last used and which command the operator last entered. Contact IBM Software Support.

AAU855I ***module1 locid operatorid* DATA RECEIVED FROM THE VSAM DATABASE WITH NO ACTIVE RESUME POINTER. ADXIORSS CONTAINS '*module2*'**

Explanation

The module *module1* entered a VSAM GET for data and the NetView program is now receiving it. The ADXIORSP field should be set during the request to indicate what module processes the record. The ADXIORSS field identifies the last module *module2* that initialized ADXIORSP.

Message Variables

module1

The module making the request.

locid

The location within the control section (CSECT) where an error condition was detected.

operatorid

The NetView terminal operator identifier. If no operator is defined, this value is blank.

module2

The module that last initialized ADXIORSP.

System action

Processing stops.

Operator response

Notify the system programmer.

System programmer response

Determine which panel the operator last used and which command the operator last entered. Contact IBM Software Support.

AAU856I ***module locid* UNRECOGNIZABLE REQUEST CODE: DSRBFNCD = *fcode***

Explanation

The NetView DST was driven with a DSRB function indicator code that is not valid for the NetView program. DSRBFNCD is internal to the NetView program.

Message Variables

module

The control section (CSECT) name where an error condition was detected

locid

The location within the CSECT where an error condition was detected

fcode

The DSRBFNCD function code

System action

Processing stops.

Operator response

Notify the system programmer.

System programmer response

Refer to *IBM Z NetView Programming: Assembler* for control block DSRB and look up DSRBFNCD for function code interpretation.

AAU859I ***module locid operatorid* DSIGET FAILURE: RETURN CODE = *retcode*, STORAGE SIZE = *mmmm***

Explanation

The module requested *mmmm* bytes of storage using the DSIGET macro instruction.

Message Variables

module

The control section (CSECT) name where an error condition was detected.

locid

The location within the CSECT where an error condition was detected.

operatorid

The NetView terminal operator identifier. If no operator is defined, this value is blank.

retcode

The return code from DSIGET in register 15.

mmmm

The requested number of bytes of storage.

System action

Processing stops.

Operator response

Notify the system programmer.

System programmer response

See the DSIGET macro documentation in *IBM Z NetView Programming: Assembler* for information about the specific error.

AAU860I *module locid operatorid* **DSIZCSMS**
MACRO FAILURE: MAJOR CODE =
majcode*, MINOR CODE = *mincode

Explanation

The module entered the DSIZCSMS macro and the return codes *majcode* and *mincode* indicate an error.

Message Variables

module

The control section (CSECT) name where an error condition was detected.

locid

The location within the CSECT where an error condition was detected.

operatorid

The NetView terminal operator identifier. If no operator is defined, this value is blank.

majcode

The code for problem determination in register 15.

mincode

The code for problem determination in register 0.

System action

Processing stops.

Operator response

Notify the system programmer.

System programmer response

Refer to the DSIZCSMS macro documentation in *IBM Z NetView Programming: Assembler* for information about the specific error.

AAU861I *module1 locid operatorid*
SOLICITED DATA RESPONSE
CODE INVALID: DSRBRCMI =
nnnn*, ADXSNAME = *module2

Explanation

The data services task (DST) is sending solicited data to the data services command processor (DSCP). The DST stores a code in the DSRB field to indicate if the solicited data is being received or if a negative response is being sent. The value *nnnn* in the DSRBRCMI indicates neither condition occurred.

Message Variables

module1

The control section (CSECT) name where an error condition was detected.

locid

The location within the CSECT where an error condition was detected.

operatorid

The NetView terminal operator identifier. If no operator is defined, this value is blank.

nnnn

The minor return code value.

module2

The module that called the solicitation module.

System action

Processing stops.

Operator response

Notify the system programmer.

System programmer response

Refer to the DSIZCSMS documentation in *IBM Z NetView Programming: Assembler* for information about the specific error and an explanation of DSRBRCMI.

AAU862I *module locid operatorid*
FUNCTIONAL ERASE MODULE
FAILURE

Explanation

The functional erase service routine AAUAFERA detected a VSAM error while attempting to erase VSAM records. When the routine calls the module, it passes a return code of 16.

Message Variables

module

The control section (CSECT) name where an error condition was detected.

locid

The location within the CSECT where an error condition was detected.

operatorid

The NetView terminal operator identifier. If no operator is defined, this value is blank.

System action

Processing continues.

Operator response

Notify the system programmer.

System programmer response

Check to see if the VSAM data set is active. If the data set is not active, activate it. If the data set is active, contact IBM Software Support.

AAU869I **module locid operatorid LOAD
MODULE modname DOES NOT
EXIST**

Explanation

The NetView program cannot find the module *modname*.

Message Variables

module

The control section (CSECT) name where an error condition was detected.

locid

The location within the CSECT where an error condition was detected.

operatorid

The NetView terminal operator identifier. If no operator is defined, this value is blank.

modname

The module that was not found.

System action

Processing stops.

Operator response

Record the module name *modname* and notify the system programmer.

System programmer response

Verify that the module is in the NetView library. If it is, contact IBM Software Support.

AAU870I **module locid NOT ALLOWED TO
MIX PARAMETERS ON AUTHDOM
INITIALIZATION STATEMENT
parameter**

Explanation

Mixing statements is not allowed. For example, a specific name cannot be entered after entering AUTHDOM=ANY and AUTHDOM=ANY cannot be entered after entering a specific name.

Message Variables

module

The control section (CSECT) name where an error condition was detected

locid

The location within the CSECT where an error condition was detected

parameter

The parameter that is not valid

System action

The NetView program bypasses the parameter statement that is not valid. Presentation services command processor (PSCP) initialization continues.

Operator response

Notify the system programmer.

System programmer response

Correct the AUTHDOM=*parameter* statements so that no mixing takes place. Refer to the coding requirements for AAUPRMLP in the *IBM Z NetView Administration Reference*.

AAU871I **module locid DUPLICATE
AUTHDOM=XXXXXXXX ARE NOT
ALLOWED. parameter = SECOND
OCCURRENCE OF THIS ENTRY**

Explanation

Duplicate AUTHDOM statements are not allowed.

Message Variables

module

The control section (CSECT) name where an error condition was detected

locid

The location within the CSECT where an error condition was detected

parameter

The parameter value of the second occurrence of the AUTHDOM statement

System action

The NetView program skips the parameter statement that is not valid. Presentation Services Command Processor (PSCP) initialization continues.

Operator response

Notify the system programmer.

System programmer response

Remove any duplicate AUTHDOM parameter statements. Refer to the coding requirements for AAUPRMLP in the *IBM Z NetView Administration Reference*.

AAU890I ***module locid* CPEX CONTROL
STORAGE NOT DEFINED**

Explanation

The address of the CPEX control table was not found.

Message Variables

module

The control section (CSECT) name where an error condition was detected

locid

The location within the CSECT where an error condition was detected

System action

Processing stops.

Operator response

Notify the system programmer.

System programmer response

Contact IBM Software Support.

AAU891I **THE NUMBER OF OUTSTANDING
NETVIEW NETWORK REQUESTS
EXCEEDS THE SOLICITATION
TABLE SIZE**

Explanation

The number of outstanding NetView network requests exceeds the solicitation table size.

System action

Excess NetView network requests are not processed.

Operator response

Notify the system programmer.

System programmer response

Contact IBM Software Support.

AAU892I ***module locid* DSIAMLU TASK
RECEIVED DATA WITHOUT
ROUTING INFORMATION**

Explanation

The NetView program's DSIAMLU task was unable to process data received from the LU-LU session between the NetView program and VTAM. The LU name was not found in the CPEX routing table.

Message Variables

module

The control section (CSECT) name where an error condition was detected

locid

The location within the CSECT where an error condition was detected

System action

Processing stops.

Operator response

Notify the system programmer.

System programmer response

Contact IBM Software Support.

AAU893I ***module locid* ERROR DETECTED
WHEN ISSUING AAUMBNS**

Explanation

A build named storage macro failed to get storage for the CPEX control area.

Message Variables

module

The control section (CSECT) name where an error condition was detected

locid

The location within the CSECT where an error condition was detected

System action

The CPEX data services command processor (DSCP) control table initialization stops.

Operator response

Notify the system programmer.

System programmer response

Contact IBM Software Support.

AAU895I ***module locid* INVALID
INITIALIZATION PARAMETER
KEYWORD: '*keyword*'**

Explanation

A parameter keyword is missing or not valid for the data services command processor (DSCP) initialization statement.

Message Variables

module

The control section (CSECT) name where an error condition was detected.

locid

The location within the CSECT where an error condition was detected.

keyword

The keyword that is not valid. If this value is blank, the keyword is longer than 8 characters.

System action

The CPEX data services command processor (DSCP) control table initialization stops.

Operator response

Notify the system programmer.

System programmer response

Correct the parameter keyword that is not valid and retry. Refer to the coding requirements for AAUPRMLP in the *IBM Z NetView Administration Reference*.

AAU896I **module locid PARAMETER VALUE MISSING: FILE NAME= 'member',KEYWORD= 'keyword'**

Explanation

A parameter value in the specified data set member is missing in the data services command processor (DSCP) initialization statement. If no keyword is specified in the message, the keyword was missing also.

Message Variables**module**

The control section (CSECT) name where an error condition was detected

locid

The location within the CSECT where an error condition was detected

member

The name of the member in the data set that is missing the parameter value

keyword

The keyword of the statement within the member that has the missing parameter value

System action

The initialization of the task requiring the specified parameter stops.

Operator response

Notify the system programmer.

System programmer response

Correct the incorrect or missing parameter value and retry. Refer to the coding requirements for AAUPRMLP in the *IBM Z NetView Administration Reference*.

AAU897I **module locid PARAMETER VALUE OUT OF RANGE: FILE NAME= 'member', KEYWORD= 'keyword'**

Explanation

A parameter value in the specified data set member was not within the acceptable range in the data services command processor (DSCP) initialization statement.

Message Variables**module**

The control section (CSECT) name where an error condition was detected

locid

The location within the CSECT where an error condition was detected

member

The name of the member in the data set that contains the incorrect parameter value

keyword

The keyword of the statement within the member or file having the out-of-range parameter value

System action

The initialization of the task requiring the specified parameter stops.

Operator response

Notify the system programmer.

System programmer response

Correct the unacceptable parameter value and retry initialization of the task.

AAU901I **COMMAND NOT PROCESSED: FAILED TO LOAD MODULE module**

Explanation

The NetView program failed to load the module to process your command.

Message Variables

module

The name of the module that was not loaded

System action

Processing for the command stops.

Operator response

Notify the system programmer.

System programmer response

If the module is in the NetView library, contact IBM Software Support.

AAU902I **LOAD FAILURE ON MODULE**
module1: OPID operatorid, FROM
module2, DSILOD R/C = retcode

Explanation

The NetView program failed to load the specified module.

Message Variables**module1**

The module that the NetView program cannot load.

operatorid

The NetView terminal operator identifier. If no operator is defined, this value is blank.

module2

The module initiating the call to load a module.

retcode

The code used for problem determination.

System action

Processing of the command stops.

Operator response

Notify the system programmer.

System programmer response

Verify that the module is in the library. See the DSILOD register 15 documentation in *IBM Z NetView Programming: Assembler* for specific information on the error.

AAU904I **UNRECOGNIZED COMMAND**
ENTERED

Explanation

You entered a command that is not recognized by the NetView program or is not valid from the session monitor.

System action

Processing of the command stops.

Operator response

Ensure the command entered is a valid NetView command. See the NetView online help.

System programmer response

If the command entered is a valid NetView command, contact IBM Software Support.

AAU905I **INVALID SYNTAX OR**
INSUFFICIENT OPERANDS
SPECIFIED

Explanation

The command requires a minimum number of operands to run correctly. You specified too few or specified them incorrectly.

System action

Processing of the command stops.

Operator response

See the NetView online help to determine the correct operands and syntax. Then enter the command again.

AAU906I **CMD FACILITY ROUTE CMD**
DETECTED BY SESSION MONITOR
– COMMAND REJECTED

Explanation

Session monitor detected a command facility ROUTE command that is attempting to process a session monitor command in a remote domain. This is not a valid procedure under the NetView program.

System action

Processing of the command stops.

System programmer response

Issue a session monitor SDOMAIN command to the remote domain. Then enter the session monitor command.

AAU907I **INSUFFICIENT STORAGE TO**
ALLOCATE ACT

Explanation

The NetView terminal operator cannot access the session monitor unless sufficient storage can be obtained for the presentation services command processor application control table (ACT).

System action

Processing of the command stops.

Operator response

Determine whether you received message BNH16I, which means the task has reached its storage limit. If so, notify your system programmer.

System programmer response

Refer to the *IBM Z NetView Troubleshooting Guide* for possible causes of the storage shortage.

AAU908I **NET KEYWORD IS NOT
SUPPORTED BY INSTALLED VTAM
RELEASE LEVEL**

Explanation

You issued the TRACE command with the NET keyword. The VTAM level does not support the TRACE command with the NET keyword.

System action

The request is ignored.

Operator response

Notify the system programmer.

System programmer response

Determine whether the NET keyword is required to identify the resource. If it is not required, enter the TRACE command again without the NET keyword and keyword parameter. If the NET is required, the TRACE command cannot be used to control the resource with the installed VTAM.

AAU909I **TOO MANY PARAMETERS
SPECIFIED FOR SDOMAIN
COMMAND**

Explanation

You entered an incorrect SDOMAIN command.

System action

Processing of the command stops.

Operator response

See the NetView online help to determine the correct parameters and syntax. Then enter the command again.

AAU910I **NO DOMAIN NAME SPECIFIED
FOR SDOMAIN COMMAND**

Explanation

You entered an SDOMAIN command without the required domain identifier.

System action

The NetView program ignores the request.

Operator response

Enter the command again with the proper domain identifier. See SDOMAIN command in the NetView online help.

AAU911I **CURRENT DOMAIN NOW
domainid1, WAS *domainid2***

Explanation

You entered an SDOMAIN command. This message indicates the result.

Message Variables

domainid1

The newly set domain

domainid2

The old domain

System action

Processing continues.

AAU912I **RELEASE LEVELS NOT
COMPATIBLE BETWEEN DOMAINS
domainid1 AND *domainid2***

Explanation

The session monitor release level in *domainid1* is not the same as in *domainid2*. Cross-domain functions cannot be processed at the remote domain.

Message Variables

domainid1

The name of the current domain

domainid2

The name of the remote domain

System action

The NetView program ignores the request.

Operator response

Notify the system programmer.

System programmer response

Determine the session monitor release level at both domains and take the appropriate action.

AAU913I SESSION MONITOR WAITING FOR DATA, ENTER 'NLDM END' TO CANCEL REQUEST.

Explanation

The NetView program has not completed data retrieval activity for a previous command.

System action

The NetView program rejects the current command and processing continues.

Operator response

Enter the current command again when data services (DSM) for the previous command have completed.

AAU917I INVALID INVOCATION OF AAUPCPEX

Explanation

The NetView program cannot find the application program initialization data. The NetView load module AAUPCPEX was not called properly.

System action

Session monitor processing stops.

Operator response

Activate session monitor by entering NLDM. If this message recurs, notify the system programmer.

System programmer response

Verify that the CMDDEF statements are correct and ensure that no other commands are set up to activate the NetView load module AAUPCPEX. Refer to the coding requirements for CNMCMD in the *IBM Z NetView Administration Reference*.

AAU918I MAXIMUM APPLICATION COUNT REACHED

Explanation

The number of active commands to be run exceeds the limit of the application control table.

System action

Processing stops.

Operator response

Notify the system programmer.

System programmer response

Contact IBM Software Support.

AAU919I INSUFFICIENT STORAGE TO ALLOCATE ATX

Explanation

You cannot access the session monitor unless sufficient storage can be obtained for the Application Table Extension (ATX).

System action

NetView processing stops.

Operator response

Determine whether you received message BNH16I, which means the task has reached its storage limit. If so, notify your system programmer.

System programmer response

Refer to the *IBM Z NetView Troubleshooting Guide* for possible causes of the storage shortage. If necessary, refer to the *IBM Z NetView Tuning Guide* for more storage calculation information.

AAU920I INVALID RESPONSE/SELECTION NUMBER

Explanation

You responded incorrectly to a request to enter a command. You entered the command option with incorrect spacing, entered an alphabetic character when prompted for a selection number, or entered a number not displayed on the panel.

System action

The NetView program ignores the request.

Operator response

Enter a valid response (function, selection number, or command).

AAU921I *component ENDED*

Explanation

The application has completed as a result of the END command.

Message Variables

component

The NetView component name, which is session monitor in this case

System action

The NetView panel is displayed.

AAU922I **INITIALIZATION FAILED**

Explanation

Storage is not available to complete initialization of the NetView program.

System action

Processing stops.

Operator response

Determine whether you received message BNH16I, which means the task has reached its storage limit. If so, notify your system programmer.

System programmer response

Refer to the *IBM Z NetView Troubleshooting Guide* for possible causes of the storage shortage. If necessary, refer to the *IBM Z NetView Tuning Guide* for more storage calculation information.

AAU923I **DATA SERVICES TASK IS NOT ACTIVE: TASKID *taskid***

Explanation

The specified task was not activated or failed to initialize.

Message Variables

taskid

The name of the inactive task

System action

Processing of this command stops.

Operator response

Determine all inactive session monitor tasks using the command facility LIST command. Then start all inactive session monitor tasks using STARTCNM NLDM.

AAU925I **NO DATA EXISTS FOR COMMAND SPECIFIED *pqual***

Explanation

There is no data on the VSAM database or in storage for the NetView command specified. The resource name might not be valid or there might not be any data for that resource. This might be the result of KEEP CLASS processing.

Message Variables

pqual

The SESSC command might add the following qualifiers:

(SESS)

No NLDM.SECS screen was available for the resource or resource pair.

(SEL#)

For a given selection on the NLDM.SECS screen, no NLDM.CON screen was available.

(PCID)

No selection on the NLDM.SECS screen matched the given PCID.

(ER)

No NLDM.ER screen was available. This might be typical and appears only in the log.

(AR)

No NLDM.AR screen was available. This might be typical and appears only in the log.

System action

The NetView program ignores the command.

Operator response

Verify the resource name or other parameters and enter the command again. If the problem persists, notify the system programmer.

System programmer response

Determine why no data exists. Ensure that session awareness is enabled and that the required NetView tasks are active.

AAU926I **SDOMAIN FAILED FOR *domid* - CURRENT DOMAIN IS UNCHANGED**

Explanation

The session monitor in your domain cannot communicate with the session monitor you specified in the SDOMAIN command.

Message Variables

domid

The NetView domain

System action

The NetView program ignores the command and processing continues.

Operator response

- Ensure that the domain identifier you specified in the SDOMAIN command is correct.
- Verify that the session monitor is active in the specified domain.
- Verify that a conversation exists between the two domains by viewing the LIST.DOM and LIST.SSCP panels.
- If the conversation is not active with the requested domain, allow time for the two domains to establish contact and retry the SDOMAIN command.
- If the SDOMAIN command continues to fail, and you have verified that it is not because of the previously listed causes of failure, notify the system programmer.

System programmer response

Check for error messages and process accordingly.

AAU927I *modid locid* INVALID PURGE
EXCEPTION LIST *xx*

Explanation

This message is sent to the authorized message receiver. A missing or incorrect PURGE exception list was specified on the NLDM PURGE command.

Message Variables

modid

The session monitor module where the error condition occurred.

locid

The location within the module where the error condition occurred. Possible values include:

01

Common global variable CNMSTYLE.NLDM.PEXLSTxx.0 (number of entries for this list) cannot be accessed.

02

Common global variable CNMSTYLE.NLDM.PEXLSTxx.0 (number of entries for this list) does not have a numeric value.

03

Common global variable CNMSTYLE.NLDM.PEXLSTxx.n (one of the entries for this list) cannot be accessed.

04

An entry is not valid (for example, the first token exceeds nine characters or is not found at position 1).

05

Duplicate or excessive session type entries (for example, SSCP-SSCP) are defined.

06

A session type entry (for example SSCP-SSCP) contains an extraneous value.

07

An entry is not valid (for example, there are not two resource specifications, or one entry has an incorrect length).

xx

The last two characters of the PEXLSTxx parameter that was specified on the NLDM PURGE command. The xx corresponds to the exception list statement that is defined in the CNMSTYLE member (NLDM.PEXLSTxx).

System action

If you specified the SESSION keyword on the NLDM PURGE command, the command was not processed. If you specified the ALL keyword, routes might have been purged from the session monitor database, but sessions were not.

Operator response

Ensure that you specified the correct PURGE exception list.

System programmer response

Verify that the specified PURGE exception list is correct. Check the corresponding definitions in the CNMSTYLE member (NLDM.PEXLSTxx).

AAU930I *applid* APPLICATION action:
PRESS ENTER TO CONTINUE

Explanation

The application has either started or resumed as indicated by the action.

Message Variables

applid

The application name

action

The action, either STARTED or RESUMED

System action

Processing continues when the operator presses the Enter key.

Operator response

Press the Enter key.

**AAU931I SCREEN HAS BEEN LOGGED BUT
 NOT PRINTED**

Explanation

You entered the COPY command, but no hardcopy device is available for printing.

System action

Output from the COPY command is sent to the network log.

Operator response

Provide a hardcopy device for printing and enter the COPY command again, or print the network log.

AAU933I SCREEN HAS BEEN PRINTED

Explanation

The COPY command processed successfully.

System action

Processing continues.

**AAU934I COPY COMMAND FAILURE
 DETECTED - SCREEN NOT
 PRINTED**

Explanation

The COPY command failed.

System action

Processing stops.

Operator response

Enter the COPY command again. If the command fails again, notify the system programmer.

System programmer response

See the *IBM Z NetView Troubleshooting Guide*.

**AAU935I NOT AUTHORIZED TO CONNECT
 TO REQUESTED DOMAIN**

Explanation

The command you entered specified a domain to which you are not authorized to connect.

System action

Processing continues.

Operator response

Notify the system programmer.

System programmer response

To be authorized to connect to the domain, the domain name of the operator must be included on an NLDM.AUTHDOM definition statement for that domain in CNMSTYLE or one of its included members. For the NLDM.AUTHDOM definition coding requirements, refer to the CNMSTYLE Initialization Statements in the *IBM Z NetView Administration Reference*.

**AAU936I INVALID INVOCATION OF
 COMMAND**

Explanation

You entered a NetView command while in a mode that is not valid for that command.

System action

The NetView program ignores the command and processing continues.

Operator response

Ensure that you entered the NetView command in the correct mode: line, panel, or multiple (panel or line). See the NetView online help. Enter the command again.

**AAU937I COMMAND ENTERED IS NOT AN
 EXPLICIT COMMAND**

Explanation

You entered a command in line mode that is not a valid line mode command.

System action

The NetView program ignores the command and processing continues.

Operator response

Enter a valid NetView command or switch to panel mode and enter the command again.

AAU938I **NOT AUTHORIZED TO ISSUE
SPECIFIED COMMAND**

Explanation

You entered a command in line mode but you are not authorized to enter that command.

System action

The NetView program ignores the command and processing continues.

AAU939I **I/O error type ERROR, RETURN
CODE *retcode*, - TO RESUME
ENTER *applid***

Explanation

The NetView program detected an error while trying to send data to or receive data from the terminal.

Message Variables

errortype

The error type that can be either SEND or RECEIVE

retcode

The DSIPSS macro return code

applid

The application name

System action

The NetView program returns you to the NetView panel.

Operator response

Enter application name *applid* to return to the application. If the I/O errors continue, notify the system programmer.

System programmer response

To determine the cause of the error, refer to the return codes for the DSIPSS macro in the *IBM Z NetView Programming: Assembler*.

For I/O SEND errors, reference DSIPSS with Type=ASYPANEL. For I/O RECEIVE errors, reference DSIPSS with Type=PSSWAIT.

AAU940I **THE CROSS DOMAIN DST
REQUEST FAILED**

Explanation

An attempt was made to send to another domain for data but the conversation with that domain is not active.

System action

The NetView program ignores the request.

Operator response

Use the LIST DOMAIN command to verify the correct spelling of the domain name and whether the domain is active. See the LIST command in the NetView online help. If all seems correct, notify the system programmer.

System programmer response

Check the authorized message receiver messages for problems in establishing conversations, such as indicated by message AAU808I.

AAU945I **TOO MANY PARAMETERS
SPECIFIED**

Explanation

You entered more than the allowed number of parameters for a command.

System action

Processing stops.

Operator response

See the NetView online help to determine the correct operands. Then enter the command again.

AAU947I **TIME EXPIRED BEFORE DATA
WAS RECEIVED**

Explanation

An attempt was made to retrieve data from another domain. The data was not received within the time allowed.

System action

Processing stops.

Operator response

Enter the command again. If the message persists, investigate network degradation.

AAU948I **STORAGE NOT AVAILABLE FOR
IMPLICIT CROSS-DOMAIN
REQUEST**

Explanation

Storage was not available for the data areas needed.

System action

Processing stops.

Operator response

Determine whether you received message BNH16I, which means the task has reached its storage limit. If so, notify your system programmer.

System programmer response

Refer to the *IBM Z NetView Troubleshooting Guide* for possible causes of the storage shortage. If necessary, refer to the *IBM Z NetView Tuning Guide* for storage calculation information.

AAU949I SET TIMER REQUEST FAILED FOR IMPLICIT CROSS-DOMAIN REQUEST

Explanation

For an implicit cross-domain request, the set timer request failed.

System action

Processing stops.

Operator response

Enter the command again later. If the problem persists, notify the system programmer.

System programmer response

Verify that the DSIPPT task is active. If it is active, contact IBM Software Support.

AAU950I HEX MODE IS SET TO 'ON'

Explanation

You requested that the hexadecimal mode be changed to ON but the current panel is not one that uses hexadecimal display mode.

System action

Processing of the SET HEX command is completed.

AAU951I HEX MODE IS SET TO 'OFF'

Explanation

You requested that the hexadecimal mode be changed to OFF but the current panel is not one that uses hexadecimal display mode.

System action

Processing of the SET HEX command is completed.

AAU952I PARAMETER MORE THAN 8 CHARACTERS LONG

Explanation

You entered a parameter on the command input line that is more than eight characters long.

System action

The NetView program ignores the request.

Operator response

See the NetView online help to determine the correct parameters. Then enter the command again.

AAU953I INVALID DATE/TIME PARAMETER SPECIFIED

Explanation

You entered a SET RANGE command that contains a parameter with a date or time that is not valid.

System action

The NetView program ignores the command.

Operator response

Enter the command again with valid date and time parameters. See the SET RANGE command in the NetView online help to determine the correct parameters.

AAU954I NOT ENOUGH DATE/TIME PARAMETERS SPECIFIED

Explanation

You entered a SET RANGE command that requires more date and time parameters than you specified.

System action

The NetView program ignores the command.

Operator response

Enter the command again with valid date and time parameters. See the SET RANGE command in the

NetView online help to determine the correct parameters.

**AAU955I TOO MANY DATE/TIME
PARAMETERS SPECIFIED**

Explanation

You entered a SET RANGE command that does not allow as many date and time parameters as you specified.

System action

The NetView program ignores the command.

Operator response

Enter the command again with valid date and time parameters. See the SET RANGE command in the NetView online help to determine the correct parameters.

AAU956I NO TIME RANGE SPECIFIED

Explanation

You entered a SET RANGE command without a required time range specified.

System action

The NetView program ignores the command.

Operator response

Enter the command again with a valid time range. See the SET RANGE command in the NetView online help to determine the correct parameters.

AAU957I SET RANGE COMPLETE

Explanation

The NetView program processed a SET RANGE command successfully.

System action

The system is ready to process additional commands.

**AAU958I INVALID TIME RANGE: BEGIN
TIME IS AFTER END TIME**

Explanation

You specified a SET RANGE command in which the beginning time is greater than the ending time.

System action

The NetView program ignores the command.

Operator response

Enter the command again with a valid time range (begin time less than end time). See the SET RANGE command in the NetView online help to determine the correct parameters.

**AAU959I INVALID DATE/TIME PARAMETER:
DATE ENTERED WITHOUT A TIME**

Explanation

You entered a SET RANGE command that requires a time parameter corresponding to each date specified.

System action

The NetView program ignores the command.

Operator response

Enter the command again with a valid time range, a time corresponding to each date. See the SET RANGE command in the NetView online help to determine the correct parameters.

AAU960I RANGE SET FROM *time1* TO *time2*

Explanation

This is the response to a QUERY RANGE command, showing the beginning and the ending date and time.

Message Variables

time1

The beginning time. The time format is controlled by the setting of the time operands of the DEFAULTS and OVERRIDE commands.

time2

The ending time. The time format is controlled by the setting of the time operands of the DEFAULTS and OVERRIDE commands.

System action

The system is ready to process addition commands.

**AAU961I UNABLE TO ACCESS *dataset* DATA
SET**

Explanation

An attempt to obtain access to *dataset* failed in module AAUZTRMA.

Message Variables

dataset

The name of the data set that cannot be accessed

System action

Processing continues. The *dataset* variable is not read because it cannot be accessed.

Operator response

Notify the system programmer.

System programmer response

Determine the disposition of the concatenated *dataset* data sets and correct problems.

AAU962I **UNABLE TO FIND MEMBER**
 member OF THE *ddname* DATA SET

Explanation

Data set *ddname* cannot be found. This message is displayed when the main menu of the session monitor is requested but cannot be loaded. If the current session monitor panel is being displayed, this message appears there; otherwise, it is displayed on the command facility console.

Message Variables

member

The name of the member within the specified data set

ddname

The name of the DD statement in the JCL of the procedure that started the NetView program

System action

If there is an active panel for the session monitor, the message appears on that panel and the session monitor retains control. Otherwise, the message is displayed on the command facility console and the command facility retains control.

Operator response

Notify the system programmer.

System programmer response

Add the session monitor main menu panel to the specified data set and restart the NetView program.

AAU963I **UNABLE TO SEND COMMAND**

Explanation

You did not enter a session monitor command from a session monitor panel and the DSIMQS returned a bad return code.

System action

The command is ignored.

Operator response

Enter the command again from a session monitor panel. If the error continues to occur, notify the system programmer.

System programmer response

Contact IBM Software Support.

AAU964I **CANNOT ISSUE PANEL**
 GENERATING COMMANDS UNDER
 A PPT OR AN AUTOMATED OST

Explanation

A session monitor (NLDM) command which causes a session monitor panel to be displayed cannot be entered under a PPT or an automated operator station task (OST).

System action

The command is ignored.

Operator response

Avoid entering session monitor panel mode commands under PPT (for example, the AT command with the PPT parameter) or automated OST. See the NetView online help for a list of session monitor panel mode commands.

System programmer response

Verify that no command lists are issuing session monitor panel mode commands under the PPT or automated OST.

AAU965I **INVALID 'QUERY' PARAMETER**
 ENTERED: *parameter*

Explanation

You entered a QUERY parameter that is not valid.

Message Variables

parameter

The incorrect parameter following the QUERY command

System action

The command is ignored.

Operator response

Ensure the parameter following the QUERY command is valid.

AAU966I **INVALID 'SET' PARAMETER
ENTERED: *parameter***

Explanation

You entered a SET parameter that is not valid.

Message Variables

parameter

The incorrect parameter following the SET command

System action

The command is ignored.

Operator response

Ensure the parameter following the SET command is valid.

AAU967I **SCREEN PRINTED BUT NOT
LOGGED**

Explanation

You attempted to use the session monitor COPY command. The NetView hardcopy task is active, but the DSILOG subtask is not active.

System action

Processing continues.

Operator response

If you require a softcopy of the screen, use the NetView START TASK command for DSILOG and enter the COPY command again to write a copy of the screen to a file.

AAU968I **SCREEN NEITHER LOGGED OR
PRINTED. NO HARDCOPY OR LOG
TASK ACTIVE**

Explanation

You attempted to use the session monitor COPY command but the NetView DSILOG subtask and the hardcopy task are not active.

System action

Processing continues.

Operator response

To get a hardcopy of the screen, notify the system programmer to set up the hardcopy task to start at logon. For a softcopy of the screen, use the NetView START TASK command to start DSILOG then enter the COPY command again.

System programmer response

Verify the setup of the DSILOG task and the hardcopy task.

AAU969I **UNSOLICITED DATA SERVICES
MESSAGE RECEIVED –
DISCARDED**

Explanation

A message was received by session monitor data services for which no request was outstanding. This message is the result of a terminal operator entering a session monitor request, logging off immediately after the request, then logging on again.

System action

Processing continues. The unsolicited message is discarded.

AAU970I ***module locid* DSIPSS PERMANENT
I/O ERROR, RPL
FDBWD=*fdbkword***

Explanation

A permanent I/O error has occurred during the invocation of the DSIPSS. The VTAM RPL feedback word describes the error condition in detail.

Message Variables

module

The control section (CSECT) name where an error condition was detected

locid

The location within the CSECT where an error condition was detected

fdbkword

The VTAM RPL feedback word describing the error condition

System action

Processing continues. The OST might abend as a result of the error. A memory dump is not generated if the abend occurs.

Operator response

Notify the system programmer

System programmer response

Determine the source of the error by examining the RPL feedback word. Refer to the appropriate VTAM manual for information about interpreting the feedback word.

AAU974I **UNKNOWN CP NAME *cpname***

Explanation

A session monitor process attempted to use a CP or SSCP name that is unknown to the session monitor.

Message Variables

cpname

The name of the unknown CP or SSCP.

System action

The related session monitor process ends.

Operator response

Retry with the correct *cpname*. If the name is correct but the failure persists, contact your system programmer.

System programmer response

Review your definitions relating to session monitor to session monitor communications, especially CDRMDEF statements in member DSIAMLTID on each related NetView system.

AAU975I ***domainid***

Explanation

This message is the *domainid* of the NLDM that you requested information from using a SESMGET request.

Message Variables

domainid

The domain ID of the NLDM

System action

The AAU975I message is returned as a successful response to the SESMGET command.

AAU976I ***priname pritype pridom pritakg
secname sectype secdom sectakg
starttim endtim pcid sensecd
reasoncd xrftype dlurs applrecv
epchg***

Explanation

This message is the response to a SESMGET command. The information in this message is column-dependent.

Message Variables

priname

The network-qualified name of primary endpoint is in columns 9–25.

pritype

The primary endpoint type is in columns 26–29.

pridom

The NetView domain associated with the primary endpoint, or other possibilities, including X-NET, NNNA, C-C, N/A or blanks is in columns 30–34. For more information, enter HELP NLDM 'DOM'.

pritakg

Primary takeover/giveback information is in columns 35–37:

- TOV indicates that the resource has been taken over.
- GTK indicates that the resource was previously given back and has now been taken over.
- GBK indicates the resource has been given back.
- TGV indicates the resource was previously taken over and has now been given back.

secname

The network-qualified name of secondary endpoint is in columns 38–54.

sectype

The secondary endpoint type is in columns 55–58.

secdom

The NetView domain associated with the secondary endpoint, or other possibilities, including X-NET, NNNA, C-C, N/A or blanks is in columns 59–63. For more information, enter HELP NLDM 'DOM'.

sectakg

Secondary takeover/giveback information is in columns 64–66.

- TOV indicates that the resource has been taken over.
- GTK indicates that the resource was previously given back and has now been taken over.
- GBK indicates the resource has been given back.
- TGV indicates the resource was previously taken over and has now been given back.

starttim

The date and time the session was started in the format *yyyymmddhhmmss* (year, month, day, hour, minute, second) is in columns 67–80.

endtim

The date and time the session ended in the format `yyyymmddhhmmss` (year, month, day, hour, minute, second), or other possibilities such as `ACTIVE`, `CONTACTED`, `FORCED`, `BINDF`, or `INITF` is in columns 81–94.

pcid

The fully qualified procedure correlation identifier (PCID) of the session is in columns 95–128.

sensecd

The sense code associated with session termination is in columns 129–136. For more information, enter `HELP NLDM 'SENSE'` or `NLDM SENSE code`.

reasoncd

The reason code associated with session terminal in columns 137–138. For more information, enter `HELP NLDM 'REASON CODE'`.

xrftype

The extended recovery facility session type in columns 139–146. For more information, enter `HELP NLDM 'XRF'`.

dlurs

A D in this column indicates that this session traverses a DLUS-DLUR pipe which resides in column 147. For more information, enter `HELP NLDM 'DLUS-DLUR PIPE'`.

applrcv

The application LU recovery in column 148:

- P indicates that application LU recovery is pending.
- I indicates that application LU recovery is in progress.
- C indicates that application LU recovery is complete.

epchg

The endpoint change indication in columns 149–151:

- PRI indicates that the (control point) CP at the primary endpoint has changed since the session started.
- SEC indicates that the CP at the secondary endpoint has changed since the session started.
- P/S indicates that the CPs at both the primary and secondary endpoints have changed since the session started.

Note: Several fields in this message might be blank if not applicable to the associated session.

AAU977I
senstext
Explanation

This message is a multiline message which results from a `SENSE` command that creates message output. The lines in this message are identical to the data lines on the corresponding `NLDM.SENS` panel, except for the `AAU977I` message-id, which is inserted at the start of the first data line.

Message Variables**senstext**

The text of the first data line of the corresponding `NLDM.SENS` panel, which is then followed by subsequent lines

System action

The `AAU977I` message is returned as a successful response to a `SENSE` command.

AAU978I
SESSION CONFIGURATION:
Explanation

This is a multiline message, which is a successful response to an `SESSC` command. The message is designed to be parsed by a program. The message is created by doing full-screen automation of most `NLDM` configuration information. The message consists of a base section, followed by conditional `ER`, and `AR` sections.

The base section consists of the message-ID line, followed by these three lines:

1. Primary name, primary subarea, primary element address, and primary domain are followed by the primary resource hierarchy, as defined by the left side of the `NLDM.CON` screen. The first four of the previous fields named are always present and are always put into columns as shown in the following example. The resources, if present in the hierarchy, begin in column 63 and are delimited by commas.
2. Secondary name, secondary subarea element address, and secondary domain are followed by the secondary resource hierarchy, as defined by the right side of the `NLDM.CON` screen. The first four of the previous fields named are always present and are always put into columns as shown in the following example. The resources, if present in the hierarchy, begin in column 63 and are delimited by commas.
3. PCID followed by these fields gathered from the `NLDM.CON` screen: `APPN TP`, `SUBA TP`, `ER`, `VR`, `RER`, `INOP`, `APPNCOS`, `SUBACOS`, `LOGMODE`, `PADJ CP` and `SADJ CP`. These fields are delimited by commas and are included only if they are not blank.

The `ER` (explicit route) section is included if the `ER` prompt from `NLDM.CON` brings up an `NLDM.ER`

screen. If so, the next line is 'ER CONFIGURATION:' which is followed by a variable number of lines formatted as follows, each corresponding to one box on the NLDM.ER screen, from top to bottom.

```
NAME:netname SA:subarea SSCP:sscpname
TG:tgnum
```

These fields always begin in the same column. The last line does not have a **tgnum** or label following **sscpname**.

The AR (APPN route) section is included if the AR prompt from NLDM.CON brings up an NLDM.AR screen. If so, the next line is 'APPN CONFIGURATION': which is followed by a variable number of lines formatted as follows, each corresponding to one box on the NLDM.AR screen, from top to bottom.

```
cptype cpname tgnum descriptors
```

These fields always begin in the same column. The last line does not have a **tgnum** or **descriptors** following **cpname**.

Example message:

```
AAU978I SESSION CONFIGURATION:
PRIMARY:  NAME RESOURCA
           SA 0001
           EL 00002222
           DOMAIN NTVAA SUBAREA
           PU ISTPUPD4(0000),
           LINK LINKPD4,
           PU PUPRID4 (7777),
           ILU RESOURCA(2222)
SECONDARY: NAME RESOURCB
```

```
SA 0001
EL 00003333
DOMAIN NTVAA SUBAREA
PU ISTPUSD4(0000),
LINK LINKSD4,
PU PUSECD4 (1111),
ILU RESOURCB(3333)
PCID NETA.CPNAME01.F1F2F3F4F5F6F7F8,
APPN TP 01,
APPNCOS COSAPPN1,
SUBACOS COSSUBA1,
LOGMODE LOGMODE1,
PADJ CP N/A,
SADJ CPN/A
ER CONFIGURATION:
NAME: N/A SA: 0000007E SSCP: N/A
TG: TG001
NAME: N/A SA: 000000FE SSCP: N/A
TG: TG001
NAME: NTAAVTAM SA: 000000AA
SSCP: NTAAMVS
APPN CONFIGURATION:
CP(ICN) APPNCN1 TG001
HPR-1234567890123450
CP APPNCP2 TG002 PRI-SA: 0004
SEC-SA: 0003
HPR-1234567890123450
CP(CN) APPNCN3 VR-TG
CP APPNCP4
```

Note: The PRIMARY, SECONDARY, and PCID lines are not split as shown, but are continuous with one space after each comma. The data shown is for illustration only. Most of the labels come from NLDM, and help for the terms is available through the HELP NLDM 'term' command. See HELP in the online help facility.

System action

The AAU978I message is a successful response to a SESSC command.

Chapter 2. AQN Prefix Messages

This section lists the AQN prefix messages.

AQN001I **NO SOCKET PATH NAMES FOUND FOR DATA SOURCE**
subtower_name DOMAIN domain

Explanation

This message can be issued for replication data collection or as a response to the ACTVREPL command.

If the message is issued for replication data collection, no configured or dynamic socket path names were found for the specified replication subtower for the specified domain. The domain is the local NetView domain.

If the message is received as a response to an ACTVREPL command, no configured socket path names were found for the specified replication subtower for the specified domain. The domain is a remote NetView domain.

A configured socket path name is one defined to the NetView program in a user-defined CNMSTGEN or CNMSTUSR member. A dynamic socket path name is one that the NetView program determines only through message automation when a replication server starts. A dynamic socket path name is not also configured.

Message Variables

subtower_name

For the ACTIVEACTIVE REPLICATION subtower:

- DB2®
- IMS
- VSAM

domain

The NetView domain.

System action

If the message is issued for replication data collection, then data collection is stopped for the specified subtower.

If the message is issued as a response to the ACTVREPL command, the command fails for the specified subtower.

System programmer response

Verify that replication data collection is enabled for the specified subtower. If it is not enabled, comment out the subtower name in the user-defined CNMSTGEN or CNMSTUSR member, and then recycle the NetView program.

Verify that the socket path names are configured for the specified replication subtower. If you update the socket path names, issue the RESTYLE ACTACT command.

AQN002I **DATA COLLECTION FAILED FOR DATA SOURCE** *subtower_name*,
SOCKET PATH NAME *path*

Explanation

The NetView program attempted to connect to the specified socket path name for the specified subtower, and the connection failed.

Message Variables

subtower_name

For the ACTIVEACTIVE REPLICATION subtower:

- DB2
- IMS
- VSAM

path

The configured or dynamic socket path name

A configured socket path name is defined to the NetView product in a user-defined CNMSTGEN or CNMSTUSR member. A dynamic socket path name is determined by the NetView product through message automation when a replication server starts. A dynamic socket path name is not also configured.

System action

If all socket path names fail for a subtower, data collection for that subtower is stopped. If a RESTYLE ACTACT is issued or a message from a replication server is received with an active socket path name, data collection is restarted.

Operator response

If the replication server is not started, this message can be ignored.

After the replication server is started, verify that data collection started for the specified socket path name by using the ACTVCTL LISTINFO command.

System programmer response

Verify that the socket path name is configured correctly for the specified replication subtower, and issue a RESTYLE ACTACT command. The updated socket path name is read at the next data collection interval.

AQN003I LOCAL DOMAIN *domain_name*
NOW ENTERPRISE MASTER FOR
ACTIVEACTIVE

Explanation

This message is issued when the NetView program becomes an enterprise master and its enterprise master configuration that is specified on the ENT.TYPE statement includes ACTIVEACTIVE.

Message Variables

domain_name
Name of the local NetView domain

AQN004E ENT.ACTIVEACTIVE.ROLE
STATEMENT REQUIRED IF
ACTIVEACTIVE SPECIFIED ON
ENT.TYPE

Explanation

This message is issued when a required ENT.ACTIVEACTIVE.ROLE statement is not coded in the CNMSTYLE member. If you specify ACTIVEACTIVE as the type of enterprise master NetView program on the ENT.TYPE statement, then you must also specify the ENT.ACTIVEACTIVE.ROLE statement.

When the AQN004I message is issued, processing of ENT.SYSTEMS statements ends. The NetView program does not become an enterprise master.

Operator response:

Notify the system programmer.

System programmer response

Review and update the ENT.TYPE and ENT.ACTIVEACTIVE.ROLE statements in the CNMSTYLE member.

AQN006I DUPLICATE *subtower_name*,
SOCKET PATH NAME *path*
IGNORED

Explanation

A duplicate socket path name for the specified subtower was specified and is ignored.

For data collection, the duplicate paths are ignored in order to prevent duplicate data collection.

For the ACTVREPL command, no production system path configuration information is forwarded to the controller system for the particular data source (DB2, IMS, or VSAM) and function (capture or apply).

Message Variables

subtower_name
For the ACTIVEACTIVE REPLICATION subtower:

- DB2
- IMS
- VSAM

path

The configured socket path name

A configured socket path name is defined to the NetView program in a user-defined CNMSTGEN or CNMSTUSR member.

System action

For data collection, one connection will be attempted for the specified socket path name.

For ACTVREPL, the command will fail for the NetView domain for the specified data source (DB2, IMS, or VSAM) and function (capture or apply).

Operator response

Notify the system programmer of the duplicate socket path name.

System programmer response

Change the duplicate socket path name in the CNMSTGEN or CNMSTUSR sample.

AQN007I DISPLAY ACTIVE/ACTIVE DATA
COLLECTION INFORMATION

Explanation

This message is received when the ACTVCTL LISTINFO command is issued. The information provided is based on the value specified for the LISTINFO keyword. There can be multiple entries for the replication subtowers because there can be multiple replication servers for each data source (DB2, IMS, VSAM) on each z/OS image.

The AQN007I message lists the following information:

Tower name

Specifies the Active/Active tower or subtower descriptive name

Status

Indicates whether data collection is active or inactive. If multiple replication servers are configured for each data source, and a connection to at least one data source is successful, the status is `Active`. The sampling interval is the same for all replication servers for each data source.

Path

Specifies the socket path name on which data collection occurs.

Task information

Specifies the virtual OST (VOST) and the associated attach name of the VOST on which data collection runs. Data collection control (sampling interval) is done at the configured autotask, but the actual data collection is done on a VOST.

Average time

Specifies the average amount of time incurred for data collection across intervals. This value resets if data collection is stopped and restarted.

Maximum time

Specifies the maximum amount of time for a single data collection across one sampling interval. This value resets if data collection is stopped and restarted. If this value is larger than your sampling interval, consider increasing the sampling interval.

Number of iterations

Specifies the number of times data collection occurred since it was started. This value resets if data collection is stopped and restarted.

Operator response

Contact your system programmer if a data collection is inactive for a specified socket path name, and if it should be active.

System programmer response

Use the information in this message to set an optimal data collection interval. You can also use this message for diagnostic purposes.

Usage Note: If there are multiple socket path names for a replication data source, and data collection failed for a particular socket path name, Task Information fields display `N/A`, and the statistics display zero (0).

AQN008I **REPLICATION SERVER
SITUATION OR POLICY NAME IS
name**

Explanation

This is the first line of a multiline message for displaying information related to replication server situations. This message is issued as a notification for automation by the GDPS solution. The data lines for this message provide keyword and value pairs that provide detailed attribute information related to the situation.

Message Variables**name**

The message variable is an abbreviated version of the situation or policy name:

APPSERVERSTATUS

Indicates that the
NAS_AA_RS_AppServerStatus situation fired

CAPSERVERSTATUS

Indicates that the
NAS_AA_RS_CapServerStatus situation fired

DB2WORKLOADSTATE

Indicates that the
NAS_AA_RS_DB2WorkloadState situation fired

IMSWORKLOADSTATE

Indicates that the
NAS_AA_RS_IMSWorkloadState situation fired

LATENCYEXCEEDED

Indicates that the
NAS_AA_RS_LatencyExceeded situation fired

LATENCYRESET

Indicates that the
NAS_AA_RS_LatencyExceeded situation was
resolved as defined in the
NAP_AA_RS_LatencyReset policy

VSAMWORKLOADSTATE

Indicates that the
NAS_AA_RS_VSAMWorkloadState situation
fired

For more information about the situations and the attributes related to the situations, refer to the Z NetView Enterprise Management Agent online help or the *IBM Z NetView User's Guide: NetView Enterprise Management Agent*.

AQN009I **DATA COLLECTION FOR
subtower_name RESTARTED**

Explanation

Data collection for the specified subtower was stopped and restarted. This action occurs when data collection is already started for a replication server for the specified subtower, and another replication server for the specified subtower is started. The data collection stop and start allows data from the new

server to be immediately available without waiting for the next sampling interval.

Message Variables

subtower_name

For the ACTIVEACTIVE REPLICATION subtower:

- DB2
- IMS
- VSAM

AQN010I **DATA COLLECTION FOR
subtower_name ALREADY
STARTED**

Explanation

Data collection for the specified subtower was already started. The command is not processed.

Message Variables

subtower_name

For the ACTIVEACTIVE subtower:

- DB2
- IMS
- LIFELINE
- VSAM

Operator response

Use the ACTVCTL LISTINFO command to display information about Active/Active data collection.

AQN011I **DATA COLLECTION FOR
subtower_name ALREADY
STOPPED**

Explanation

Data collection for the specified subtower was already stopped. The command is not processed.

Message Variables

subtower_name

For the ACTIVEACTIVE tower:

- DB2
- IMS
- LIFELINE
- VSAM

Operator response

Use the ACTVCTL LISTINFO command to display information about Active/Active data collection.

AQN012I ***cmd* COMMAND NOT PROCESSED.
CURRENT VALUE *interval* FOR**

***subtower_name* MATCHES
CHANGE VALUE.**

Explanation

An ACTVCTL RESET command was issued with the same interval value that is currently being used for data collection for the specified subtower. The command ends with no changes.

Message Variables

cmd

The command that was issued

interval

The data collection sampling interval for the specified subtower

subtower_name

For the ACTIVEACTIVE subtower:

- DB2
- IMS
- LIFELINE
- VSAM

Operator response

Specify a different interval value.

AQN013I **DATA COLLECTION INTERVAL FOR
subtower_name SET TO *interval***

Explanation

The data collection sampling interval was changed for the specified subtower using the ACTVCTL RESET command.

Message Variables

subtower_name

For the ACTIVEACTIVE subtower:

- DB2
- IMS
- LIFELINE
- VSAM

interval

The data collection sampling interval for the specified subtower

System action

When data collection is active for the specified subtower and the sampling interval is changed, data collection is stopped and then immediately restarted. When data collection is inactive for the specified subtower and the sampling interval is changed, the new interval is used when data collection is started.

**AQN014E ACTIVEACTIVE.LIFELINE
SUBTOWER REQUIRES A VALUE
OF ACTIVEACTIVE ON THE
ENT.TYPE STATEMENT****Explanation**

This message is issued during enterprise master processing on an Active/Active controller system. This error occurs when an ACTIVEACTIVE.LIFELINE subtower is enabled and an ENT . TYPE statement is not found in CNMSTYLE processing or the value for the ENT . TYPE statement does not include ACTIVEACTIVE.

System action

Enterprise master processing is ended.

Operator response

Contact your system programmer.

System programmer response

For Active/Active controller systems, you must code an ENT . TYPE statement that includes ACTIVEACTIVE.

**AQN015E ACTIVEACTIVE ENTERPRISE
MASTER PROCESSING FAILED****Explanation**

This message is issued during enterprise master processing on an Active/Active controller system. This error occurs for the following configuration errors:

- Errors in CNMSTYLE configuration, such as the following:
 - The ENT.TYPE statement specifies ACTIVEACTIVE, but the ACTIVEACTIVE.LIFELINE tower is not enabled.
 - The ACTIVEACTIVE.LIFELINE tower is enabled, but no ENT.TYPE statement is present.
 - No valid types are specified by the ENT.TYPE statement.
 - The ENT.TYPE statement is present, but no ENT.SYSTEMS statements are present.
 - The ENT.ACTIVEACTIVE.ROLE statement specifies a value that is not valid.
 - The ENT.TYPE statement specifies ACTIVEACTIVE, but no ENT.ACTIVEACTIVE.ROLE statement is present.
- The NetView program is not in the master role in its XCF group.
- Another NetView program is the Active/Active enterprise master NetView program.

System action

Enterprise master processing is ended.

Operator response

Contact your system programmer.

System programmer response

Review the NetView log for additional error messages that might identify the cause of the problem.

**AQN016A Reply Yes if Tivoli Enterprise
Monitoring Server is inactive on
system system. Otherwise, reply
No.****Explanation**

This message is issued when the value for the ACTACT.BKTEMS.Enable statement in the CNMSTYLE member is Yes. For more information about when this message is issued, see the description for the ACTACT.BKTEMS.Enable statement in the CNMSTLIF include member.

Message Variables**system**

The z/OS image name of the primary controller system on which the hub Tivoli Enterprise Monitoring Server (monitoring server) resides. The system is defined to the NetView program on the ACTACT.PriCont.System statement in the CNMSTYLE member.

System action

If the reply is Yes, the monitoring server is started using the startup procedure that is specified on the ACTACT.BKTEMS.procStr statement in the CNMSTYLE member.

Operator response

Respond as follows:

1. If any of the following conditions are true, reply Yes:
 - The monitoring server on the specified system is not active or will be stopped in the immediate future.
 - The specified system is not available.
 - The Tivoli Enterprise Portal Server (portal server) lost contact with the monitoring server on the specified system.

When you reply YES, the monitoring server is started using the startup procedure that is specified on the ACTACT.BKTEMS.procStr

CNMSTYLE statement. If the portal server is still communicating with the monitoring server on the specified system, it does not connect to this monitoring server, and there is no data from this Active/Active enterprise master NetView program in the portal server.

2. If the monitoring server on the specified system is still active and communicating with the portal server, reply No.
3. Contact your system programmer.

System programmer response

Determine the cause of the outage.

AQN017I **domain ON system IS ALREADY AN ACTIVEACTIVE ENTERPRISE MASTER NETVIEW**

Explanation

The NetView program on which an ACTVCTL TAKEOVER command was issued is already an Active/Active enterprise master NetView program.

Message Variables

domain

The NetView domain

system

The z/OS image name of the system on which this NetView program resides

System action

The ACTVCTL TAKEOVER command fails.

Operator response

Do not issue the ACTVCTL TAKEOVER command unless directed to do so by your system programmer. Issuing the ACTVCTL TAKEOVER command can cause unintended results from the Active/Active solution standpoint. Refer to the section "Switching solution components on controller systems" in the *IBM Z NetView for Continuous Availability Configuring and Using the GDPS Continuous Availability Solution* for more information.

AQN018I **Tivoli Enterprise Monitoring Server *procstr* is already active. Results may be unpredictable.**

Explanation

The Tivoli Enterprise Monitoring Server (monitoring server) is already active on the backup controller. If the monitoring server is active on both the primary and backup controller z/OS images, you can have

unpredictable results in your NetView Active/Active Sites workspaces on the Tivoli Enterprise Portal.

Message Variables

procstr

The startup procedure that is specified on the ACTACT.BKTEMS.procStr statement in the CNMSTYLE member.

System programmer response

Make sure that the monitoring server is only started on one controller system at a time. Except for an outage, the hub monitoring server must run on the primary controller.

AQN019E **CONNECTION FAILURE TO server ON SOCKET PATH *path*. REPORTING MODULE=*module_name*. RC: *return_code* REASON: *reason***

Explanation

This message is a result of a failure to establish or maintain a data collection connection on an Active/Active server.

Message Variables

server

The type of server (DB2, IMS, LIFELINE, or VSAM)

path

The UNIX path that was used

module_name

The control section (CSECT) name where an error condition was detected

return_code

The return code

reason

Description of the return code:

- Attach command failure
- Command authorization failure
- Connection already started
- Connection already stopped
- Could not connect socket
- Initialization subroutine failure
- Invalid action parameter value
- Invalid socket path name
- Invalid tower/subtower configuration
- Invalid type parameter value
- LRCE storage not found
- No text available
- Should not occur condition encountered

- Unable to obtain storage
- Unable to push LRCE storage
- Unable to obtain UNIX socket
- UNIX socket closed
- Unspecified command syntax error

AQN020I DISPLAY OF LIFELINE ADVISORS

Explanation

This multiline message is issued in response to the ACTVLIFE ADVISORS command. It consists of one header line, three label lines, and one or more data lines, with each data line providing information about a Lifeline Advisor.

Each data line includes the following information:

Columns Description

1-8

The name of the z/OS operating system where the Multi-site Workload Lifeline Advisor resides.

12-26

The IPv4 address of the Multi-site Workload Lifeline Advisor.

30-74

The IPv6 address of the Multi-site Workload Lifeline Advisor.

78-86

The role of the Multi-site Workload Lifeline Advisor. The following values are valid:

- PRIMARY
- SECONDARY

90-94

The number of active load balancers that are registered with the Multi-site Workload Lifeline Advisor. This attribute is not applicable for secondary Multi-site Workload Lifeline Advisors.

102-111

The number of Multi-site Workload Lifeline Agents that are connected to the Multi-site Workload Lifeline Advisor. This attribute is not applicable for secondary Multi-site Workload Lifeline Advisors.

System action

The ACTVLIFE ADVISORS command processing is complete.

AQN021I DISPLAY OF LIFELINE AGENTS

Explanation

This multiline message is issued in response to the ACTVLIFE AGENTS command. It consists of one

header line, three label lines, and one or more data lines, with each data line providing information about a Lifeline Agent.

Each data line includes the following information:

Columns Description

1-45

The IP address of the Multi-site Workload Lifeline Agent.

49-56

The image name where the Multi-site Workload Lifeline Agent resides.

60-67

The name of the site as it is known to the Multi-site Workload Lifeline Agent.

- If the *site_name* parameter is configured for the Multi-site Workload Lifeline Agent, the site name is the name specified for the parameter.
 - The *site_name* parameter is required for a Linux on z Systems® Management Agent and is optional for a z/OS Agent.
- If the *site_name* parameter is not configured for the z/OS Agent, the site name is the name of the sysplex as it is known to the z/OS operating system.

71-80

The number of server applications that are being monitored by this Multi-site Workload Lifeline Agent.

84-91

The state of the Multi-site Workload Lifeline Agent. The following values are valid:

- ACTIVE
- INACTIVE

95-134

The type of the Multi-site Workload Lifeline Agent. The following values are valid:

- z/OS
- Linux on z Systems Management Guest

138-146

The name of the site (i.e. the sysplex name), as it is known to the z/OS operating system, where the Multi-site Workload Lifeline Agent resides.

For a Linux on z Systems Management Guest agent, the value is N/A.

System action

The ACTVLIFE AGENTS command processing is complete.

**AQN022I DISPLAY OF LOAD BALANCER
GROUPS FOR LOAD BALANCER AT
IP ADDRESS *ipaddress*****Explanation**

This multiline message is issued in response to the ACTVLIFE LBGROUPS command. It consists of one header line, three label lines, and one or more data lines, with each data line providing information about a load balancer group.

Each data line includes the following information:

**Columns
Description****1-45**

The IP address for a server application that is registered for the group.

49-53

The port number for a server application that is registered for the group.

57-311

The name of the group that is registered to the load balancer. For internal load balancers, this attribute does not apply.

Message Variables***ipaddress***

The IPv4 or IPv6 address of the load balancer.

System action

The ACTVLIFE LBGROUPS command processing is complete.

AQN023I DISPLAY OF LOAD BALANCERS**Explanation**

This multiline message is issued in response to the ACTVLIFE LBS command. It consists of one header line, three label lines, and one or more data lines, with each data line providing information about a load balancer.

Each data line includes the following information:

**Columns
Description****1-45**

The IP address of the load balancer.

49-60

The role of the load balancer. The following values are valid:

1st TIER

This load balancer is responsible for routing workloads between sites.

2nd TIER

This load balancer is responsible for routing workloads within a site.

UNKNOWN

This load balancer is unclassified.

INTERMED

This load balancer is an intermediary node that is responsible for routing workloads within a site.

Note: The 1st TIER and 2nd TIER values do not pertain to the TIER1 and TIER2 keywords that are provided by the z/OS Communications Server VIPADYNAMIC statement.

64-71

The status of the load balancer. The following values are valid:

- ACTIVE
- INACTIVE

75-93

The type of load balancer. The following values are valid:

EXTERNAL

The IP address for this load balancer is for an external appliance.

INTERNAL

The IP address for this load balancer:

- For a second tier load balancer, this is the IP address for a sysplex distributor within a site.
- For an intermediary node, this is the IP address that is defined on an internal system within a site.

97-102

The number of groups that are registered by the load balancer. For internal load balancers (sysplex distributors), or load balancers that are intermediary nodes, this attribute does not apply.

System action

The ACTVLIFE LBS command processing is complete.

**AQN024I DISPLAY OF LOAD BALANCER
WORKLOADS FOR LOAD
BALANCER AT IP ADDRESS
*ipaddress*****Explanation**

This multiline message is issued in response to the ACTVLIFE LBWRKLD command. It consists of one header line, three label lines, and one or more data lines, with each data line providing information about a load balancer workload.

Each data line includes the following information:

Columns
Description

1-64

The name of the workload.

68-70

An indication of whether the server applications on the active site are available and if these server applications are able to handle additional requests for this workload.

The following values are valid:

- Yes: The server applications for this workload are available and able to handle new workload requests.
- No: The server applications for this workload are either not available or not able to handle new workload requests.

83-127

The IP address for a server application that is registered for the group.

131-135

The port number for a server application that is registered for the group.

Message Variables

ipaddress

The IPv4 or IPv6 address of the load balancer.

System action

The ACTVLIFE LBWRK LDS command processing is complete.

AQN025I **DISPLAY OF z/OS WORKLOAD
SERVERS FOR WORKLOAD NAME
*workload_name***

Explanation

This multiline message is issued in response to the ACTVLIFE SERVERS command. It consists of one header line, three label lines, and one or more data lines, with each data line providing information about a workload server.

Each data line includes the following information:

Columns
Description

1-8

The MVS job name of the server application.

12-56

The IPv4 or IPv6 address of a server application that is defined for the workload.

60-64

The number of the port on which the server application listens.

68-75

The z/OS image name where the server application resides.

79-86

The name of the site as it is known to the Multi-site Workload Lifeline Agent.

- If the *site_name* parameter is configured for the Multi-site Workload Lifeline Agent, the site name is the name specified for the parameter.
 - The *site_name* parameter is required for a Linux on z Systems Management Agent and is optional for a z/OS Agent.
- If the *site_name* parameter is not configured for the z/OS Agent, the site name is the name of the sysplex as it is known to the z/OS operating system.

90-97

The state of the server application. The following values are valid:

- ACTIVE
- INACTIVE

101-102

The net weight for this server application relative to other server instances that are defined for this workload on the same site. This value is calculated by applying the Communications Server health as a percentage of the WLM weight for this server. It is then normalized against the other server instances (active on this same site) that are defined for this workload. If the value for this field is blank, look in the NetView log for the AQN029I message to see if the value is out of range.

110-111

The Workload Manager (WLM) weight value for the server application. This value is a measure of how well the server application is implementing the WLM policies of the server application. It represents the amount of displaceable processor capacity based on the importance of the server application as compared to other server instances (active on this same site) that are defined for this workload. The WLM weight is a composite weight and includes the sum of the CP, zAAP, and zIIP weights. If the value for this field is blank, look in the NetView log for the AQN029I message to see if the value is out of range.

119-122

The rate of abnormal transaction completions per 1000 transactions for this server application. This value is optionally supplied by server applications

to the Workload Manager, which uses it to adjust the reported WLM weight. If the value for this field is blank, look in the NetView log for the AQN029I message to see if the value is out of range.

134-137

The health indicator of the server application. This indicator is available only for servers that provide this information to Workload Manager. For servers that are healthy or are not reporting this information, a value of 100 is returned. This value is treated as a percentage and is used to adjust the reported WLM weight. If the value for this field is blank, look in the NetView log for the AQN029I message to see if the value is out of range.

143-144

The CPU factor in the WLM weight. This is the amount of displaceable general CPU capacity based on the importance of the server application as compared to other server instances (active on the same site) that are defined for this workload and modified by the proportion of general CPU capacity that is used by this server, as compared to zAAP and zIIP processors. If the value for this field is blank, look in the NetView log for the AQN029I message to see if the value is out of range.

152-153

The zAAP factor in the WLM weight. This is the amount of displaceable zAAP capacity based on the importance of the server application as compared to other server instances (active on this same site) that are defined for this workload and modified by the proportion of zAAP capacity that is used by this server, as compared to general CPU and zIIP processors. If the value for this field is blank, look in the NetView log for the AQN029I message to see if the value is out of range.

161-162

The zIIP factor in the WLM weight. This is the amount of displaceable zIIP capacity based on the importance of the server application as compared to other server instances (active on this same site) that are defined for this workload and modified by the proportion of zIIP capacity that is used by this server, as compared to general CPU and zAAP processors. If the value for this field is blank, look in the NetView log for the AQN029I message to see if the value is out of range.

170-173

The health of the server application as determined by z/OS Communications Server. The value is calculated based on how well the server keeps up with new connection requests on the backlog of the server, how well the server establishes new connections, and whether the server drops connections. This value is treated as a percentage and is used to adjust the net weight. If the value

for this field is blank, look in the NetView log for the AQN029I message to see if the value is out of range.

187-194

The name of the site (i.e. the sysplex name), as it is known to the z/OS operating system, where the z/OS server application resides.

Message Variables

workload_name

The name of the workload as specified for the WORKLOAD keyword. A value of * indicates that the WORKLOAD keyword is not specified or that WORKLOAD=* is specified.

System action

The ACTVLIFE SERVERS command processing is complete.

AQN026I

DISPLAY OF WORKLOAD SITES FOR WORKLOAD *workload_name*

Explanation

This multiline message is issued in response to the ACTVLIFE SITES command. It consists of one header line, three label lines, and one or more data lines, with each data line providing information about a workload site.

Each data line includes the following information:

Columns

Description

1-8

The name of the site where the workload can be distributed.

12-23

The routing state of the workload on this site. The following values are valid:

ACTIVE

If the workload is active on this site, this is the active site.

QUIESCED

If the workload is quiesced on this site, this is the standby site.

Note: If the workload is quiesced on both sites, the workload on the active site might not be activated yet.

DEACTIVATED

For an Active/Standby workload, this is the standby site for the workload. Any connections for the Active/Standby workload on this site are reset. For an Active/Query workload, this is the site where the workload is currently

quiesced. Any connections for the Active/Query workload on this site are reset.

27-28

The routing weight of the workload on this site. For an Active/Standby workload, the workload routing weight is 0 for the standby site or 1 for the active site. For an Active/Query workload, the workload routing weight is in the range 0 - 64, which corresponds to the current routing distribution to this site

38-40

An indication of whether the site is preferred when the Role attribute value is ACTIVE/QUERY and the workload routing type, as defined to the Multi-site Lifeline Workload product, is DYNAMIC. Otherwise this value does not apply and is set to N/A. The following values are valid:

- Yes
- No
- N/A

50-63

The role of the workload. The following values are valid:

- ACTIVE/STANDBY
- ACTIVE/QUERY

Message Variables

workload_name

The workload name for which the site information is displayed.

System action

The ACTVLIFE SITES command processing is complete.

AQN027I **DISPLAY OF *role* WORKLOADS
FOR WORKLOAD NAME
*workload_name***

Explanation

This multiline message is issued in response to the ACTVLIFE WRKLOADS command. It consists of one header line, three label lines, and one or more data lines, with each data line providing information about a workload.

Each data line includes the following information:

Columns

Description

1-64

The name of the workload.

68-81

The overall status of the workload. This value is calculated from the workload status that is reported by the Multi-site Workload Lifeline product and the workload status that is reported by the replication server that is associated with the workload. The following values are valid:

- SATISFACTORY: Both statuses are satisfactory.
- UNSATISFACTORY: At least one of the statuses is unsatisfactory.

85-96

The monitoring component that detected a failure when the Workload Status attribute value is UNSATISFACTORY. The following values are valid:

- BOTH
- REPLICATION
- ROUTING

The value of NONE is specified when the Workload Status attribute value is SATISFACTORY.

100-113

The role of the workload. The following values are valid:

- ACTIVE/QUERY
- ACTIVE/STANDBY

117-122

The number of servers that make up the workload.

130-145

The failure state of the workload as reported by the Multi-site Workload Lifeline product when the Workload Status attribute value is UNSATISFACTORY and the Detected Failure attribute value is either BOTH or ROUTING. The following values are valid:

- QUIESCED: The Multi-site Workload Lifeline product is reporting an unsatisfactory workload status because either the Active/Standby workload or the Active/Query workload is quiesced on both sites.
- SITE FAILURE: The Multi-site Workload Lifeline product is reporting an unsatisfactory workload status because the site where the workload is active failed.
 - For Active/Standby workloads, the Active site failed.
 - For Active/Query workloads, the site or sites where the workload is active failed.
- SITE NOT OPTIMAL: The Multi-site Workload Lifeline product is reporting an unsatisfactory workload status because an Active/Query workload with a workload routing type of STATIC is being routed to a site that is not optimal.

- One of the sites had a workload or site failure but connections for the workload are still being routed to that site.
- The maximum replication latency threshold was exceeded for the workload but connections for the workload are still being routed to the Standby site.
- WORKLOAD FAILURE: The Multi-site Workload Lifeline product is reporting an unsatisfactory workload status because no server applications are available for the workload.
 - For Active/Standby workloads, no servers are available on the site where the workload connections are being routed.
 - For Active/Query workloads, no servers are available on the site or sites where the workload connections are being routed.

A value of N/A is displayed when either of the following conditions is true:

- The Workload Status attribute value is SATISFACTORY.
- The Workload Status attribute value is UNSATISFACTORY and the Detected Failure attribute value is REPLICATION.

149-164

The routing type of the workload when the Role attribute value is ACTIVE/QUERY. Otherwise this value does not apply and is set to N/A. The following values are valid:

- STATIC: Indicates that query transactions are routed to each of the sites based on the configured percentages.
- DYNAMIC: Indicates that query transactions are routed based on the health of the server applications, the available capacity of the systems that make up the site, and the average replication latency of the associated Active/Standby workload.

168-183

The latency state of the workload when the Role attribute value is ACTIVE/QUERY. Otherwise this value does not apply and is set to N/A. The following values are valid:

- ACUTE
- CONSTRAINED
- CRITICAL
- NORMAL
- UNKNOWN

187-191

The number of Active/Query workloads that are associated with this Active/Standby workload

when the Role attribute value is ACTIVE/STANDBY. Otherwise this value does not apply and is set to N/A. The number of Active/Query workloads that can be associated with an Active/Standby workload is 0, 1, or 2.

202-265

The name of the Active/Standby workload that is associated with this Active/Query workload when the Role attribute value is ACTIVE/QUERY. Otherwise this value does not apply and is set to N/A.

Message Variables

role

The role of the workload. The following values are valid:

- ALL: Indicates that the ROLE keyword is not specified or that ROLE=* is specified.
- Active/Standby: Indicates that ROLE=STANDBY is specified.
- Active/Query: Indicates that ROLE=QUERY is specified.

workload_name

The name of the workload as specified for the WORKLOAD keyword. A value of * indicates that the WORKLOAD keyword is not specified or that WORKLOAD=* is specified.

System action

The ACTVLIFE WRKLOADS command processing is complete.

AQN028I SOCKET PATH NAME *path* NOT CONFIGURED FOR *subtower_name*

Explanation

A message was received from IMS or VSAM replication indicating that an interface for data collection was started, but the socket path name in the message is not configured to the NetView program. The socket path name must be configured to the NetView program for data collection to start.

Message Variables

path

The socket path name.

subtower_name

For the ACTIVEACTIVE tower, IMS/VSAM

System programmer response

Configure the specified socket path name to the NetView program and then issue the RESTYLE ACTACT command.

AQN029I **UNEXPECTED VALUE *value***
RECEIVED FOR *fieldname* FOR
DATA SOURCE *subtower_name*

Explanation

This message is written to the NetView log for the following conditions:

- As a response to an **ACTVLIFE** or **ACTVREPL** command when the data value for the specified field is out of range.

A message is issued for each field in the message output for which the data value is invalid.

- As a response to invalid information in a subvector 31, subfield 30, that is generated from an Event Integration Facility (EIF) event that is sent from a replication product

Message Variables

value

The data value that is out of range.

fieldname

The field name for which the data value is out of range.

subtower_name

For the ACTIVEACTIVE tower:

- DB2
- IMS
- LIFELINE
- VSAM

If a value of unknown is specified, the NetView program encountered an EIF event that had a data source attribute missing or processing of an alert ended before the data source was known.

System programmer response

If the message is issued as a result of issuing an **ACTVLIFE** or **ACTVREPL** command, contact IBM Software Support with the information in the message.

If the message is issued with Subfield_30 for the field name, contact IBM Software Support for the specified replication product.

AQN030I **DISPLAY OF REPLICATION**
SERVER WORKLOADS
***workload_name* FOR DATA**
SOURCE *type*

Explanation

This multiline message is issued in response to the following commands:

- ACTVREPL SERVER=* | *server_job_name*
VIEW=COMMON

Replication server workload information for the specified server or servers is displayed.

- ACTVREPL WORKLOAD=* | *workload_name*
VIEW=COMMON

Replication server workload information for the specified workload or workloads is displayed.

It consists of one header line, three label lines, and one or more data lines, with each data line providing information about a replication server workload.

Each data line includes the following information:

Columns
Description

1-64

The name of the workload.

68-75

The type of workload. The following values are valid:

- DB2
- IMS
- VSAM

79-88

The average latency is the average elapsed time in milliseconds between the time that transactions were committed to the source table or database and the time that transactions were committed to the target table or database. This average includes only the transactions that were processed during the last sampling interval.

92-108

The date and time that the NetView program received the data from the capture server for this workload.

112-131

The state of the workload as determined by the capture server.

When the value of Workload Type is DB2, the following values are valid:

- INACTIVE
- REPLICATE CONTINUOUS

When the value of Workload Type is IMS or VSAM, the following values are valid:

- DESCRIBE
- ENDING CONTROLLED
- ENDING IMMEDIATELY
- ERROR
- INACTIVE

- REPLICATE CONTINUOUS
- STARTING

135-142

The job name of the capture server.

149-152

The address space ID of the capture server. This is a four-digit hexadecimal number.

163-170

The status of the NetView data collection connection to the capture server. The following values are valid:

- ACTIVE
- INACTIVE

179-185

The z/OS image name of the capture server.

192-199

The name of the capture site (sysplex).

204-223

The cumulative total number of bytes that were sent to the target server.

227-246

The cumulative total number of transactions that were sent to the target server.

250-269

The cumulative total number of rows that were sent to the target server.

273-282

The average capture latency is the average elapsed time in milliseconds between the time that transactions were committed to the source table or database and the time that transactions were sent to the target server. This average includes only the transactions that were processed during the last sampling interval.

When the value of Workload Type is DB2, average capture latency is the average elapsed time in milliseconds between the time that transactions were committed to the source table and the time that the Q Capture program puts the last message for the transactions on the send queue.

When the value of Workload Type is IMS, average capture latency is the average elapsed time in milliseconds between the time that a transaction was committed to the source database and the time that the transaction was sent to the target server.

291-300

The average network latency is the average elapsed time in milliseconds between the time that transactions were sent to the target server and the time that the target server received them.

This average includes only the transactions that were processed during the last sampling interval.

When the value of Workload Type is DB2, average network latency is the average elapsed time in milliseconds between the time that the Q Capture program put messages on the send queue and the time that the Q Apply program got them from the receive queue.

When the value of Workload Type is IMS, average network latency is the average elapsed time in milliseconds between the time that a transaction was sent to the target server and the time that the transaction was received by the target server.

309-325

The date and time that the NetView program received the data from the apply server for this workload.

329-348

The state of the workload as determined by the apply server.

When the value of Workload Type is DB2, the following values are valid:

- INACTIVE
- REPLICATE CONTINUOUS

When the value of Workload Type is IMS or VSAM, the following values are valid:

- DESCRIBE
- ENDING CONTROLLED
- ENDING IMMEDIATELY
- ERROR
- INACTIVE
- REPLICATE CONTINUOUS
- STARTING

352-359

The job name of the apply server.

366-369

The address space ID of the apply server. This is a four-digit hexadecimal number.

380-387

The status of the NetView connection to the apply server. The following values are valid:

- ACTIVE
- INACTIVE

396-403

The z/OS image name of the apply server.

409-416

The name of the apply site (sysplex).

421-440

The cumulative total number of bytes that were received by the target server.

444-463

The cumulative total number of transactions that were received by the target server.

467-486

The cumulative total number of rows that were received by the target server.

490-506

A time stamp that represents the point in time at which all transactions have been applied to the target without gaps that might result from parallel apply.

510-529

The average apply latency is the average elapsed time in milliseconds between the time that transactions were received by the target server and the time that transactions were committed to the target data source. This average includes only the transactions that were processed during the last sampling interval.

When the value of Workload Type is DB2, average apply latency is the average elapsed time in milliseconds between the time that the Q Apply program read transactions from the receive queue and the time that they were committed to the target.

When the value of Workload Type is IMS, average apply latency is the average elapsed time in milliseconds between the time that a transaction was received by the target server and the time that the processing of the transaction was completed by the database management system (DBMS).

533-537

The number of consistency groups that make up the workload as defined by the replication product.

554-617

The name of the consistency group. A consistency group is a single capture and apply server pair for a workload.

621-628

The name of the source site. The source site is where the database or file system logs that are used by replication are written.

When a proxy database or file system configuration reads the source site logs from mirrored disks, and the data is then replicated using software replication, the source site and capture site are different.

When the source site and capture site are the same, the value of this attribute is N/A.

633-652

The average elapsed milliseconds between the time that the first change for the replicated transaction was issued at the target database and the time that the transaction was committed at the target database.

Message Variables***workload_name***

The name or asterisk (*) as specified on the ACTVREPL WORKLOAD command. An asterisk indicates that the WORKLOAD keyword was not specified or that WORKLOAD=* was specified.

type

The data source for which replication server workload information is displayed. The following values are valid:

- * (indicates that the TYPE keyword was not specified or that TYPE=* was specified)
- DB2
- IMS
- VSAM

System action

The ACTVREPL SERVER and ACTVREPL WORKLOAD command processing is complete.

AQN031I

**DISPLAY OF *type* CAPTURE
WORKLOAD DETAILS FOR
WORKLOAD *workload_name***
Explanation

This multiline message is issued in response to the following commands:

- ACTVREPL SERVER=* | *server_job_name* TYPE=*type*
VIEW=DETAILS

Detailed workload information for all workloads on the specified capture server or servers is displayed.

- ACTVREPL WORKLOAD=* | *workload_name* TYPE=* |
type VIEW=DETAILS

Detailed workload information for the specified workload or workloads on all IMS or VSAM (or both) capture server or servers is displayed.

It consists of one header line, three label lines, and one or more data lines. Each data line provides detailed IMS or VSAM workload information for the workloads that are running on the specified IMS or VSAM replication capture server or servers.

Each data line includes the following information:

Columns**Description**

1-20

The state of the workload as determined by the capture server. The following values are valid:

- DESCRIBE
- ENDING CONTROLLED
- ENDING IMMEDIATELY
- ERROR
- INACTIVE
- REPLICATE CONTINUOUS
- STARTING

24-31

For a Capture Workload State attribute value of ERROR, the error identification is shown as a hexadecimal code. Otherwise, the value does not apply and is set to N/A. For more information about error codes, see the IMS or VSAM replication documentation.

37-53

A time stamp that represents when the value of the Capture Workload State attribute was last changed.

57-76

The cumulative total number of bytes that were received by the source server.

80-99

The cumulative total number of rows that were received by the source server.

103-122

The cumulative total number of commit messages that were received by the source server. The number of commits reflects the number of transactions.

126-145

The cumulative total number of insert messages that were sent to the target server.

149-168

The cumulative total number of update messages that were sent to the target server.

172-191

The cumulative total number of delete messages that were sent to the target server.

195-214

The cumulative number of rollbacks that were processed.

218-221

The percentage of the source (capture) cache that is in use (queue depth), computed as (Current® Cache Size/Maximum Cache Size)*100 and rounded down to the nearest whole integer. If the value for this field is blank, look in the NetView log for the AQN029I message to see if the value is out of range.

233-252

The maximum size of the source (capture) cache in bytes.

256-272

The current size of the source (capture) cache in bytes.

279-286

The job name of the capture server

290-353

The name of the workload.

Message Variables**type**

The type of the workload. The following values are valid:

- IMS
- VSAM
- * (IMS and VSAM)

workload_name

The name of the workload for which data is displayed. If an asterisk (*) is specified for the workload name, the display is for all IMS or VSAM (or both) workloads on the specified capture server or servers.

System action

The ACTVREPL SERVER and ACTVREPL WORKLOAD command processing is complete.

AQN032I

**DISPLAY OF *type* APPLY
WORKLOAD DETAILS FOR
WORKLOAD *workload_name***

Explanation

This multiline message is issued in response to the following commands:

- ACTVREPL SERVER=* | *server_job_name* TYPE=*type* VIEW=DETAILS
- ACTVREPL WORKLOAD=* | *workload_name* TYPE=* | *type* VIEW=DETAILS

Detailed workload information for all workloads on the specified apply server or servers is displayed.

Detailed workload information for the specified workload or workloads on all IMS or VSAM (or both) apply server or servers is displayed.

It consists of one header line, three label lines, and one or more data lines. Each data line provides detailed IMS or VSAM workload information for the workloads that are running on the specified IMS or VSAM replication apply server or servers.

Each data line includes the following information:

Columns

Description

1-20

The state of the workload as determined by the apply server. The following values are valid:

- DESCRIBE
- ENDING CONTROLLED
- ENDING IMMEDIATELY
- ERROR
- INACTIVE
- REPLICATE CONTINUOUS
- STARTING

24-31

For an Apply Workload State attribute value of ERROR, the error identification is shown as a hexadecimal code. Otherwise, the value does not apply and is set to N/A.

For more information about error codes, see the IMS or VSAM replication documentation.

37-53

A time stamp that represents when the value of the Apply Workload State attribute was last changed.

57-76

The cumulative total number of bytes that were applied.

80-99

The cumulative total number of rows that were applied.

103-122

The cumulative total number of commit messages that were applied. The number of commits reflects the number of transactions.

126-145

The cumulative total number of insert messages that were applied.

149-168

The cumulative total number of update messages that were applied.

172-191

The cumulative total number of delete messages that were applied.

195-214

The cumulative total number of rollbacks that were processed.

218-221

The percentage of the target (apply) cache in use (queue depth), computed as (Current Cache Size/Maximum Cache Size)*100 and rounded down to the nearest whole integer. If the value for this field

is blank, look in the NetView log for the AQN029I message to see if the value is out of range.

233-252

The maximum size of the target (apply) cache in bytes.

256-275

The current number of bytes that are in use in the target (apply) cache.

279-286

The job name of the apply server.

290-353

The name of the workload.

357-364

Apply exits perform special target apply processing for subscriptions during replication.

IBM-supplied apply exits are named with the product prefix of the related component.

For example, the apply exit provided by the z/OS Integrated Cryptographic Service Facility (ICSF) is named CSFMIAAX because the prefix for the ICSF component is CSF.

For workload type VSAM, the exit name is displayed if one is being used. Otherwise, the value is blank.

For workload type IMS, the value is N/A.

For workload type *:

- If the workload type is IMS, then the value is N/A.
- If the workload type is VSAM, the exit name is displayed if one is being used. Otherwise, the value is blank.

Message Variables

type

The type of the workload. The following values are valid:

- IMS
- VSAM
- * (IMS and VSAM)

workload_name

The name of the workload for which data is displayed. If an asterisk (*) is specified for the workload name, the display is for all IMS or VSAM (or both) workloads on the specified apply server or servers.

System action

The ACTVREPL SERVER and ACTVREPL WORKLOAD command processing is complete.

**AQN033I DISPLAY OF Q REPLICATION
DATA FOR SEND QUEUE
send_queue WORKLOAD
workload_name**

Explanation

This multiline message is issued in response to the following commands:

- ACTVREPL SENDQ=* | *send_queue*
Send queue information for the specified SENDQ name or names and the associated workload or workloads is displayed.
- ACTVREPL WORKLOAD=* | *workload_name* TYPE=* | DB2 VIEW=DETAILS

Information for the send queue or queues for the specified workload or workloads is displayed.

It consists of one header line, three label lines, and one or more data lines, with each data line providing information about the Q replication send queue or queues for one or more workloads.

Each data line includes the following information:

Columns
Description

1-20

The state of the workload as determined by the capture server. The following values are valid:

- INACTIVE
- REPLICATE CONTINUOUS

24-33

The number of rows (individual insert, update, or delete operations) that the Q Capture program put on this send queue.

37-46

The number of transactions that the Q Capture program put on this send queue.

52-61

The number of messages that were put on the send queue during the collection interval.

68-77

The number of bytes that were put on the send queue during the collection interval, including data from the source table and the message header.

81-104

The most recent logical log sequence number in the recovery log that the Q Capture program read for this send queue.

For DB2 for z/OS Version 10 or earlier, this value is set to the current log sequence number and, for DB2 for z/OS Version 11, it is set to N/A.

108-131

The logical log sequence number from which the Q Capture program starts putting messages on this send queue during a warm restart. This value represents the earliest log sequence number that the Q Capture program found that did not have a commit or abort record.

For DB2 for z/OS Version 10 or earlier, this value is set to the restart log sequence number and, for DB2 for z/OS Version 11, it is set to N/A.

135-144

The number of times that the Q Capture program retried putting messages (MQPUT) on this send queue.

149-158

The number of changed rows that were not put on this send queue because the changes were to columns that are not part of a Q subscription or publication. The ALL_CHANGED_ROWS parameter in the IBMDB2_SUBS table was set to the default value of No.

164-173

The number of delete row operations that were not put on this send queue because the Q subscription or publication was created with the option to suppress replication of delete operations.

178-187

The number of rows that the Q Capture program did not transmit to this send queue because they did not meet the search condition that is defined in the Q subscription or publication.

191-238

The name of the send queue.

242-305

The name of the workload.

309-372

The name of the consistency group. A consistency group, which is also known as a queue map, is a single send queue and receive queue pair. A workload is made up of one or more consistency groups.

376-423

The name of the WebSphere® MQ queue manager that the Q Capture program works with.

427-490

The most recent logical log sequence number in the recovery log that the Q Capture program read for this send queue.

For DB2 for z/OS Version 11, this value is set to the current log sequence number, and, for DB2 for z/OS Version 10 or earlier, it is set to N/A.

494-557

The logical log sequence number from which the Q Capture program starts putting messages on this send queue during a warm restart. This value represents the earliest log sequence number that the Q Capture program found that did not have a commit or abort record.

For DB2 for z/OS Version 11, this value is set to the restart log sequence number, and, for DB2 for z/OS Version 10 or earlier, it is set to N/A.

561-580

The number of milliseconds that the Q Capture program spent putting messages on this send queue during the collection interval.

Message Variables***send_queue***

The name of the send queue on the capture server for which data is displayed. If *workload_name*=*, all send queues are displayed.

workload_name

The name of the workload for which data is displayed. If *workload_name*=*, all send queues are displayed.

System action

The ACTVREPL SENDQ and ACTVREPL WORKLOAD command processing is complete.

**AQN034I DISPLAY OF Q REPLICATION
DATA FOR RECEIVE QUEUE
receive_queue WORKLOAD
*workload_name***

Explanation

This multiline message is issued in response to the following commands:

- ACTVREPL RCVQ=* | *receive_queue*
Receive queue information for the specified receive queue or queues and the associated workload or workloads is displayed.
- ACTVREPL WORKLOAD=* | *workload_name* TYPE=* | DB2 VIEW=DETAILS

Information for the receive queue or queues for the specified workload or workloads is displayed.

It consists of one header line, three label lines, and one or more data lines, with each data line providing information about the Q replication receive queue or queues for one or more workloads.

Each data line includes the following information:

Columns	Description
---------	-------------

1-20

The state of the workload as determined by the apply server. The following value is valid:

- INACTIVE
- REPLICATE CONTINUOUS

24-33

The number of insert, update, and delete operations from this receive queue that the Q Apply program applied to the target.

37-46

The number of transactions from this receive queue that the Q Apply program committed to the target.

52-61

The number of transactions that conflicted with another transaction, because of either a row conflict or a referential integrity conflict. In these cases, the Q Apply program suspends parallel processing and applies the row changes within the transaction in the order that they were committed at the source.

67-70

The fullness of the queue as a percentage. If the value for this field is blank, look in the NetView log for the AQN029I message to see if the value is out of range.

82-91

The number of seconds that the Q Apply program was unable to build transactions from this receive queue because its agents were using all the available memory to apply transactions.

95-104

The number of transactions that exceeded the memory limit for the receive queue that was set in the IBMDB2_RECVQUEUES table.

110-119

The number of times that the Q Apply program reapplied row changes because of lock timeouts and deadlocks.

123-132

The number of Q Apply agents.

136-145

The number of milliseconds that Q Apply agents for this receive queue were idle while waiting for work.

149-158

The amount of memory in bytes that the Q Apply browser thread used for reading transactions from this queue.

162-171

The number of messages on the queue.

175-191

The time stamp at the Q Apply server when the receive queue was started.

195-204

The number of bytes that were read from this receive queue.

208-217

The number of transactions that were read from this receive queue.

223-232

The number of rows that were read from this receive queue.

236-245

The number of rows that were applied but might not yet be committed to the target.

249-258

The number of rows that were unable to be applied and were entered in the IBMDB2_EXCEPTIONS table.

262-271

The total number of replication key constraints that were detected, forcing transactions to be serialized.

277-286

The total number of referential integrity (RI) conflicts that were detected, forcing transactions to be serialized.

292-301

The total number of unique index constraints that were detected, forcing transactions to be serialized.

307-316

The number of transactions that are delayed because of job name dependencies.

322-331

The number of times that the Q Apply program had to reapply row changes because of referential integrity (RI) conflicts when the transactions that they were part of were executed in parallel.

335-344

The number of times that the Q Apply program tried to reapply rows that were not applied in parallel because of unique index constraints.

348-357

The number of rows that the Q Apply program sent to temporary spill queues while targets were being loaded or while Q subscriptions were placed into a spill state by the *spillsub* parameter of the MODIFY or *asnqacmd* command.

361-370

The number of spilled rows that were applied to the target.

376-395

A time stamp that represents the source commit time of the oldest currently in-flight transaction. An in-flight transaction was not fully applied and committed at the target.

399-422

The commit log sequence number (LSN) from the source recovery log that corresponds to the oldest transaction that was applied.

For DB2 for z/OS Version 10 or earlier, this value is set to the oldest commit LSN, and, for DB2 for z/OS Version 11, it is set to N/A.

426-449

An internal log marker that corresponds to the oldest transaction that was applied.

For DB2 for z/OS Version 10 or earlier, this value is set to the oldest commit sequence number, and, for DB2 for z/OS Version 11, it is set to N/A.

453-462

The number of row changes that caused an SQL error that is defined as acceptable in the OKSQLSTATES field of the IBMQREP_TARGETS table. The Q Apply program ignores these errors.

466-475

The heartbeat latency is the average elapsed milliseconds between the time that heartbeat messages were sent by the Q Capture program and the time that they were received by the Q Apply program.

479-526

The name of the receive queue.

530-593

The name of the workload.

597-660

The name of the consistency group. A consistency group, which is also known as a queue map, is a single send queue and receive queue pair. A workload is made up of one or more consistency groups.

664-673

The number of transactions that are currently being processed by the apply server, but have not yet been applied.

679-698

A time stamp that represents the highest source transaction commit time of the transactions that have been read for all consistency groups for this workload.

702-721

A time stamp that represents the highest common source transaction commit time across all transactions that have been read for all consistency groups for this workload.

725-744

A time stamp that represents the next stop point for this consistency group. Only transactions with a source transaction commit time up to the value of this time stamp are applied. Transactions are not applied if the source transaction commit time is later than the value of this time stamp.

748-779

The synchronization state of the consistency group. The following values are valid:

- ACTIVE
- INACTIVE

783-830

The name of the WebSphere MQ queue manager that the Q Apply program uses.

834-897

The commit log sequence number (LSN) from the source recovery log that corresponds to the oldest transaction that was applied.

For DB2 for z/OS Version 11, this value is set to the oldest commit LSN, and, for DB2 for z/OS Version 10 or earlier, it is set to N/A.

901-964

An internal log marker that corresponds to the oldest transaction that was applied.

For DB2 for z/OS Version 11, this value is set to the oldest commit sequence number, and, for DB2 for z/OS Version 10 or earlier, it is set to N/A.

Message Variables***receive_queue***

The name of the receive queue on the apply server for which data is displayed. If *workload_name=**, all receive queues are displayed.

workload_name

The name of the workload for which data is displayed. If *workload_name=**, all receive queues are displayed.

System action

The ACTVREPL RCVQ and ACTVREPL WORKLOAD commands are complete.

**AQN035I DISPLAY OF Q REPLICATION
 CAPTURE SERVER
 server_job_name DATA ON SITE
 *server_site***

Explanation

This multiline message is issued in response to the following command:

- ACTVREPL SERVER=*server_job_name* TYPE=DB2 VIEW=DETAILS

Capture server information for the specified server is displayed.

It consists of one header line, three label lines, and one or more data lines, with each data line providing information about a Q Replication capture server.

Each data line includes the following information:

Columns	Description
----------------	--------------------

1-8

The status of the NetView connection to the capture server. The following values are valid:

- ACTIVE
- INACTIVE

12-19

The DB2 subsystem or the DB2 group attach name.

23-32

The number of rows (individual insert, update, or delete operations) that the Q Capture program read from the log.

36-45

The number of transactions that the Q Capture program processed.

51-74

The most recent logical log sequence number in the recovery log that the Q Capture program read.

For DB2 for z/OS Version 10 or earlier, this value is set to the current log sequence number, and, for DB2 for z/OS Version 11, it is set to N/A.

78-101

The logical log sequence number in the recovery log at which the Q Capture program starts during a warm restart. This value represents the earliest log sequence number that the Q Capture program found that did not have a commit or abort record.

For DB2 for z/OS Version 10 or earlier, this value is set to the restart log sequence number, and, for DB2 for z/OS Version 11, it is set to N/A.

105-121

The time stamp at the Q Capture server of the latest database commit that was seen by the Q Capture log reader.

125-134

The number of transactions (containing changed rows) that were not put on queues because the changes were to columns that are not part of a Q subscription or publication, for example, the ALL_CHANGED_ROWS parameter in the IBMDB2_SUBS table was set to NO.

140-149

The number of transactions that the Q Capture program spilled to a file after exceeding the MEMORY_LIMIT threshold.

155-164

The memory that the Q Capture program used to construct transactions from the log.

169-178

The largest transaction, in bytes, that the Q Capture program processed.

188-204

The time stamp at the Q Capture control server when the Q Capture program reached the end of the log.

208-224

The number of milliseconds that the Q Capture program spent using the DB2 log read application programming interface (API) to retrieve log records

228-237

The number of log read API calls that the Q Capture program made.

241-250

The number of times that the Q Capture program reached the end of the log.

254-263

The number of seconds that the Q Capture log reader thread slept because there were no changes to capture or because the Q Capture program is operating at its memory limit.

267-330

The most recent logical log sequence number in the recovery log that the Q Capture program read.

For DB2 for z/OS Version 11, this value is set to the current log sequence number, and, for DB2 for z/OS Version 10 or earlier, it is set to N/A.

334-397

The logical log sequence number in the recovery log at which the Q Capture program starts during a warm restart. This value represents the earliest log sequence number that the Q Capture program found that did not have a commit or abort record.

For DB2 for z/OS Version 11, this value is set to the restart log sequence number, and, for DB2 for z/OS Version 10 or earlier, it is set to N/A.

401-420

The number of times that the Q Capture program issued warning messages after encountering transactions that are larger than the threshold that is set by the Q Capture **warntxsz** parameter.

424-443

The number of times that the Q Capture program waited for the DB2 for z/OS instrumentation facility

interface (IFI) to return log records than the threshold set by the Q Capture **warnlogapi** parameter.

447-456

The number of consecutive calls to the DB2 for z/OS instrumentation facility interface (IFI) that return reason code 0x00E60813 without any increase in the end-of-scope log position. A non-zero value can indicate an issue with replication of DB2 logs when running in DB2 proxy remote log read mode.

470-479

The number of times that the Q Capture program tried to read the log, and the DB2 for z/OS instrumentation facility interface (IFI) failed with a bad return code.

484-503

The number of milliseconds that the Q Capture program spent committing messages on all send queues monitoring during the collection interval.

Message Variables**server_job_name**

The specified capture server job name.

server_site

The site (sysplex) on which the server is running.

System action

The ACTVREPL SERVER command processing is complete.

AQN036I

**DISPLAY OF Q REPLICATION
APPLY SERVER *server_job_name*
DATA ON SITE *server_site***

Explanation

This multiline message is issued in response to the following command:

- ACTVREPL SERVER=*server_job_name* TYPE=DB2 VIEW=DETAILS

Apply server information for the specified server is displayed.

It consists of one header line, three label lines, and one or more data lines, with each data line providing information about a Q Replication apply server.

Each data line includes the following information:

Columns**Description****1-8**

The status of the NetView connection to the apply server. The following values are valid:

- ACTIVE

- INACTIVE

12-19

The DB2 subsystem or the DB2 group attach name.

23-39

A time stamp that represents when the Q Apply task was started.

43-52

The total count of active subscriptions across all active queues.

Message Variables

server_job_name

The specified apply server job name.

server_site

The site (sysplex) on which the server is running.

System action

The ACTVREPL SERVER command processing is complete.

AQN037I **DOMAIN *domain* IS NOT PARTICIPATING IN AN XCF GROUP**

Explanation

This message can be issued in response to the ACTVCTL TAKEOVER command or the ACTVREPL command.

For the ACTVCTL TAKEOVER command, the NetView program on which the command is issued is not participating in an XCF group.

For the ACTVREPL command, the target domain on the production system is not participating in an XCF group or it is not part of the purview for this Active/Active enterprise master.

Participating in an XCF group is a prerequisite for the GDPS Continuous Availability solution.

Message Variables

domain

The NetView domain

Operator response

Notify the system programmer.

System programmer response

Verify that the XCF.RANK statement in the CNMSTYLE member is not set to -1 for the specified NetView domain. If it is -1, set an appropriate XCF rank so that the specified NetView domain can participate in an XCF group.

If the command that is issued is ACTVREPL, verify that the specified domain is in a sysplex targeted by an ENT.SYSTEMS.name CNMSTYLE member statement.

AQN038I **DOMAIN NOT FOUND FOR *server_type* SITE *sysplex* SYSTEM *system***

Explanation

This message is issued as a response to the ACTVREPL command when the CAPSITE or APPSITE and CAPSYS or APPSYS keywords are specified.

The Active/Active enterprise master NetView does not have the specified NetView domain for the specified site and system in its XCF group.

Message Variables

server_type

The requested server type, capture or apply, for the site and system.

sysplex

The sysplex name.

system

The z/OS image name.

Operator response

Verify that the correct site and system names were entered on the command.

System programmer response

Verify that the ENT.SYSTEMS.name CNMSTYLE statements are configured properly.

AQN039I **TOWER *ACTIVEACTIVE.REPLICATION.sub* *twr* NOT ENABLED FOR DOMAIN *domain***

Explanation

An ACTVREPL command was issued, and the specified replication subtower is not enabled for the specified domain. The subtower corresponds to the TYPE keyword on the ACTVREPL command.

Message Variables

subtwr

The replication subtower for the ACTIVEACTIVE tower:

- DB2
- IMS
- VSAM

domain

The NetView domain

Operator response

Verify that the appropriate values are specified on the command, and reissue it.

System programmer response

Verify that the replication subtower is enabled for the specified domain. If it is not enabled, uncomment the subtower name in the user-defined CNMSTGEN or CNMSTUSR member, and then recycle the NetView program.

AQN040I **COMMON GLOBAL VARIABLE variable IS NOT DEFINED FOR DOMAIN *domain***

Explanation

The ACTVREPL command could not find the specified common global variable for the specified NetView domain. The variables represent:

- Status of the replication subtower on the production system.
- Number of replication capture and apply socket path names defined on the production system.
- Replication capture and apply socket path names defined on the production system.

These variables are derived from information sent from the production system for the following situations:

- Activation of a replication autotask.
- Establishment of an enterprise master NetView program.
- Issuance of the RESTYLE ACTACT command.

Note:

1. The AQN001I message is issued if no paths are found for the specified domain.
2. The AQN041I message is issued if the socket path definition is not sequential.
3. The AQN006I message is issued if the socket path definition is a duplicate.
4. See automation sample member AQNSACTA for more information about messages used to send replication information from the production systems to the controller system.

Message Variables

variable

The common global variable name

domain

The NetView domain

System action

The command fails.

Operator response

Verify the following:

- That the correct destination information was specified on the ACTVREPL command.
- That the specified domain is in the LIST STATUS=XCFGRPS command output.
- That there are no messages in the NetView log for the specified domain that indicate that there are problems with the socket path definition statements.

System programmer response

Verify the configuration on the production system with the specified domain:

- Enable the replication subtower, if necessary, and recycle NetView.
- Configure or change socket path names for the replication subtower, if necessary, and issue the RESTYLE ACTACT command.

Verify that automation for ACTVREPL (sample automation member AQNSACTA) is enabled on both production systems and controller systems.

AQN041I **SOCKET PATH DEFINITION statement IS NOT SEQUENTIAL**

Explanation

The path number for an ACTACT socket path definition statement is not sequential. Socket path name information is not forwarded to the enterprise master NetView program. The CNMSTYLE member statements are:

- ACTACT.DB2PATH.CAPx
- ACTACT.DB2PATH.APPx
- ACTACT.IMSPATH.CAPx
- ACTACT.IMSPATH.APPx
- ACTACT.VSAMPATH.CAPx
- ACTACT.VSAMPATH.APPx

The value for x must start with 1 and increase sequentially up to a maximum of 50 for each of these statements. If a non-sequential definition is found, no socket path name information for the particular data source and server type is forwarded to the controller system. The ACTVREPL command fails if the destination is for this particular set of socket path definitions.

Message Variables

statement

The CNMSTYLE statement that is not sequential

System programmer response

Correct the CNMSTYLE member statements and issue the RESTYLE ACTACT command.

AQN042I **MAXIMUM NUMBER OF
subtower_name server_type
SOCKET PATH DEFINITIONS
EXCEEDED**

Explanation

More than 50 socket path definitions were defined for Q replication capture servers, Q replication apply servers, IMS replication capture servers, or IMS replication apply servers.

This message can be issued on the production system or on the controller system. If it is issued on the controller system, the cumulative total of each server type for the data source is over 50.

Message Variables**subtower_name**

For the ACTIVEACTIVE tower:

- DB2
- IMS
- VSAM

server_type

The server type, capture or apply, on the socket path definition.

System programmer response

Verify that the socket path definitions are correct on the production systems. Make any necessary changes, and issue the RESTYLE ACTACT command.

If more path definitions are required for your environment, contact IBM Software Support.

AQN043I **AQN043I NO subtower_name
server_type SOCKET PATH
INFORMATION FORWARDED TO
CONTROLLER, REASON 'reason'**

Explanation

The specified socket path definition is not configured correctly for one of the following reasons:

DUPLICATE PATH NAME

The same socket path name was specified more than once on different CNMSTYLE member statements.

INVALID PATH NAME

The socket path name did not start with a leading forward slash (/).

If an incorrect definition is found, no socket path information for the specified subtower and replication server type is forwarded to the controller system. The ACTVREPL command fails if the destination is for this particular set of socket path definitions.

The CNMSTYLE member statements are:

- ACTACT.DB2PATH.CAPx
- ACTACT.DB2PATH.APPx
- ACTACT.IMSPATH.CAPx
- ACTACT.IMSPATH.APPx

Message Variables**subtower_name**

For the ACTIVEACTIVE tower:

- DB2
- IMS
- VSAM

server_type

APPLY or CAPTURE

reason

One of the following reasons, including the socket path name in error:

- DUPLICATE PATH NAME
- INVALID PATH NAME

System action

No production system path configuration information is forwarded to the controller system for the specified data source (DB2, IMS, or VSAM) and function (APPLY or CAPTURE).

System programmer response

Verify that the socket path definitions are correct on the production systems. Make any necessary changes, and issue the RESTYLE ACTACT command.

AQN044I **ATTRIBUTE attribute_name IS
MISSING FOR data_source
REPLICATION EVENT class_name**

Explanation

This message is written to the NetView log when a required attribute in an Event Integration Facility (EIF) event that is sent by a replication product is not present in the alert. The alert is generated by the NetView Event/Automation Facility (E/AS) Event Receiver.

If the missing attribute is one that impacts the routing of workloads by the GDPS Continuous Availability solution, the AQN047I message is also issued indicating that no information is forwarded. This means that event information is not sent to the Lifeline Advisor component of the Multi-site Workload Lifeline product or to the GDPS Continuous Availability component.

The attribute might be missing for one of the following reasons:

- The specified replication product did not send the attribute in the EIF event.
- The NetView E/AS Event Receiver Class Definition Statement (CDS) member for the GDPS Continuous Availability solution was modified.

Notes:

1. The AQN044I message is issued one time for the specified event. If more than one attribute value is missing, the following order is used to determine the attribute name that is specified in the AQN044I message:
 - The first *major attribute* that is found to be missing. A major attribute is required by the Lifeline Advisor for routing.
 - The first *minor attribute* that is found to be missing. A minor attribute is not required by the Lifeline Advisor for routing.
2. EIF event information is sent to the Lifeline Advisor for Active/Query workloads.
3. EIF event information is sent to the GDPS Continuous Availability component for both Active/Standby and Active/Query workloads.

For more information, see the help for the AQN047I message.

Message Variables

attribute_name

The attribute name specified in the EIF event.

The following example represents an attribute-value pair in an EIF event:

```
workload_name=TELNET23Q;
```

data_source

The value specified in the `data_source` attribute in the EIF event:

- DB2
- IMS
- VSAM
- unknown_data_source

The `unknown_data_source` value is specified by the NetView program when the `data_source` attribute is missing or processing of the alert ends before the data source is known.

class_name

The EIF event class name.

System action

If the AQN047I message is issued with the AQN044I message, processing stops. If the AQN044I message is issued by itself, the EIF event information is forwarded to the Lifeline Advisor and the GDPS Continuous Availability component.

Operator response

Look for the AQN047I message in the NetView log. Contact your system programmer with all messages and the NPDA alert information for this event.

System programmer response

Verify that the E/AS Event Receiver CDS member (or an included member) was not modified to prevent this attribute from being generated in the NPDA alert. If it was modified, correct the statements. Otherwise, contact IBM Software Support for the specified replication product.

AQN045I

**INVALID VALUE RECEIVED FOR
data_source REPLICATION EVENT
class_name, ATTRIBUTE
*attribute_name***

Explanation

This message is written to the NetView log when the value for a required attribute in an Event Integration Facility (EIF) event that is sent by a replication product is invalid in the alert. The alert is generated by the NetView Event/Automation Facility (E/AS) Event Receiver.

If the attribute is one that impacts the routing of workloads by the GDPS Continuous Availability solution, the AQN047I message is also issued indicating that no information is forwarded. This means that event information is not sent to the Lifeline Advisor component of the Multi-site Workload Lifeline product or to the GDPS Continuous Availability component.

The attribute might be invalid for one of the following reasons:

- The specified replication product did not send the correct attribute value in the EIF event.

- The NetView E/AS Event Receiver Class Definition Statement (CDS) member for the GDPS Continuous Availability solution was modified.
- The length of the attribute value might be incorrect.
- The attribute value was an unexpected value.
- The attribute value did not end with a semicolon (;).
- The attribute value was not present.

Notes:

1. The AQN045I message is issued one time for the specified event. If more than one attribute value is invalid, the following order is used to determine the attribute name that is specified in the AQN045I message:
 - The first *major attribute* that is found to be invalid. A major attribute is required by the Lifeline Advisor for routing.
 - The first *minor attribute* that is found to be invalid. A minor attribute is not required by the Lifeline Advisor for routing.
2. EIF event information is sent to the Lifeline Advisor for Active/Query workloads.
3. EIF event information is sent to GDPS Continuous Availability component for both Active/Standby and Active/Query workloads.

For more information, see the help for the AQN047I message.

Message Variables

data_source

The value that is specified in the *data_source* attribute in the EIF event:

- DB2
- IMS
- VSAM
- unknown_data_source

The *unknown_data_source* value is specified by the NetView program when the *data_source* attribute is missing or processing of the alert ends before the data source is known.

class_name

The EIF event class name.

attribute_name

The attribute name specified in the EIF event.

The following example represents an attribute-value pair in an EIF event:

```
workload_name=TELNET23Q;
```

System action

If the AQN047I message is issued with the AQN045I message, processing stops. If the AQN045I message is issued by itself, the EIF event information is forwarded to the Lifeline Advisor and the GDPS Continuous Availability component.

Operator response

Look for the AQN047I message in the NetView log. Contact your system programmer with all messages and the NPDA alert information for this event.

System programmer response

Verify that the E/AS Event Receiver CDS member (or an included member) was not modified to prevent this attribute value from being generated correctly in the NPDA alert.

If the CDS member was modified, correct the statements. Otherwise contact IBM Software Support for the specified replication product.

AQN046I REPLICATION EVENT *class_name* IS NOT RECOGNIZED

Explanation

This message is written to the NetView log when the class name in an alert is not recognized in an Event Integration Facility (EIF) event that is sent by a replication product. The alert is generated by the NetView Event/Automation Facility (E/AS) Event Receiver.

The event class name might not be recognized for one of the following reasons:

- The replication product did not send the correct class name in the EIF event.
- The NetView E/AS Event Receiver Class Definition Statement (CDS) member was modified.

An AQN047I message is also issued because no information for this event is forwarded to the Lifeline Advisor component of the Multi-site Workload Lifeline product or to the GDPS Continuous Availability component.

The replication EIF event class names for the GDPS Continuous Availability solution are as follows:

- AA_replication_reset_average_latency_me t
- AA_replication_constrained_average_late ncy_exceeded
- AA_replication_critical_average_latency _exceeded

- AA_replication_max_average_latency_exceeded
- AA_replication_discrete_latency_exceeded AA_replication_heartbeat
- AA_replication_workload_down AA_replication_workload_up

For more information, see the help for the AQN047I message.

Message Variables

class_name

The EIF event class name.

System action

Processing stops.

Operator response

Contact your system programmer with the information in the NPDA alert that matches this event class name.

System programmer response

Verify that the E/AS Event Receiver CDS member (or an included member) was not modified to change the event name that is generated in the NPDA alert.

If the CDS member was modified, correct the statements. Otherwise contact IBM Software Support for the specified replication product.

AQN047I *data_source* **REPLICATION EVENT**
class_name **NOT FORWARDED.**
RETURN CODE: *return_code*

Explanation

This message is issued when the NetView program does not forward information about an Event Integration Facility (EIF) event to the Lifeline Advisor component of the Multi-site Workload Lifeline product or the GDPS Continuous Availability component.

See the return code to determine the reason why information was not forwarded.

Message Variables

data_source

The value that is specified in the *data_source* attribute in the EIF event:

- DB2
- IMS
- VSAM
- unknown_data_source

The *unknown_data_source* value is specified by the NetView program when the *data_source*

attribute is missing or processing of the alert ends before the data source is known.

class_name

The EIF event class name.

return_code

The return code has one of the following values:

8

An attribute value for a major attribute is invalid.

12

A major attribute is missing. The major attributes are as follows:

- *sysplex_name*
- *workload_name*
- *consistency_group_name*
- *consistency_group_total*
- *latency_state* with one of the following values:
 - Normal
 - Constrained
 - Critical
 - Acute

16

EIF event class name is not supported by the GDPS Continuous Availability solution.

20

Information is not forwarded to the Lifeline Advisor because it is not active in primary role. Because the information is not forwarded to the Lifeline Advisor, it is also not forwarded to the GDPS Continuous Availability component.

AQN048I *data_source* **REPLICATION EVENT**
VERSION *replication_version* DOES
NOT MATCH NETVIEW EVENT
VERSION *netview_version*

Explanation

This message is issued when a replication Event Integration Facility (EIF) event is sent with a version attribute value that does not match the version that the NetView program supports. There is a function mismatch, and results are unpredictable.

This message is issued only once for each data source for the current instance of the NetView program. If other problems are found with the EIF event that is sent by the replication product, this message is not issued.

Message Variables

data_source

The value specified in the data source attribute in the EIF event:

- DB2
- IMS
- VSAM

replication_version

The value for the version attribute sent in the EIF event for the specified data source

netview_version

The value that the NetView program currently supports

Operator response

Contact your system programmer.

System programmer response

Apply maintenance for the NetView program or the replication product that is identified by the data source. If all current maintenance is applied, contact IBM Software Support.

**AQN049I DISPLAY OF REPLICATION
 WORKLOADS**

Explanation

This multiline message is issued in response to the following command:

- ACTVREPL WORKLOAD=* | workload_name VIEW=SUMMARY

Summary information for the specified replication workload or workloads is displayed.

It consists of one header line, three label lines, and one or more data lines, with each data line providing information about a replication workload.

Each data line includes the following information:

Columns	Description
----------------	--------------------

1-64	The name of the workload. A workload is made up of one or more consistency groups.
-------------	--

68-75	The name of the capture site.
--------------	-------------------------------

80-87	The name of the apply site.
--------------	-----------------------------

92-96	The number of consistency groups that make up the workload as defined by the replication product.
--------------	---

113-117

The number of consistency groups for a workload for which the NetView program has data, which is to be used for aggregation.

134-143

The highest average latency of all of the consistency groups for this workload.

Average latency is the average elapsed time in milliseconds between the time that transactions were committed to the source table or database and the time that transactions were committed to the target table or database. This average includes only the transactions that were processed during the last polling interval.

147-156

The number of transactions that are currently being processed by the apply server but have not yet been applied.

162-181

A time stamp that represents the highest source transaction commit time of the transactions that have been read for all consistency groups for this workload.

185-204

A time stamp that represents the highest common source transaction commit time across all transactions that have been read for all consistency groups for this workload.

208-239

The state of the replication workload as determined by the state of all of the capture and apply servers for the workload. If the state of any of the capture and apply servers for the workload is INACTIVE, then the value of Replication Workload State is INACTIVE.

The following values are valid:

- INACTIVE
- REPLICATE CONTINUOUS

243-262

The aggregate of the cumulative total number of bytes that were sent to the target server for all of the consistency groups for this workload.

266-285

The aggregate of the cumulative total number of transactions that were sent to the target server for all of the consistency groups for this workload.

289-308

The aggregate of the cumulative total number of rows that were sent to the target server for all of the consistency groups for this workload.

312-331

The aggregate of the cumulative total number of bytes that were received by the target server for all of the consistency groups for this workload.

335-354

The aggregate of the cumulative total number of transactions that were received by the target server for all of the consistency groups for this workload.

358-377

The aggregate of the cumulative total number of rows that were received by the target server for all of the consistency groups for this workload.

381-397

A time stamp that represents the point in time at which all transactions have been applied to the target without gaps that might result from parallel apply, across all consistency groups in the workload. The time stamp comes from the source DBMS log and is expressed in GMT. This time stamp provides the age of the oldest data for the workload. For example, if the current GMT time is 5:00:01.10 and point-in-time consistency is 5:00:01.08, then no data on the target database is any older than 2 seconds in relation to the source database for this workload.

401-416

An indication of the amount of replication information that has been received for a workload, as determined by the NetView program that is running on the controller system. The following values are valid:

- **SATISFACTORY:** All capture and apply data has been received for the workload and is being used for aggregation.
- **UNSATISFACTORY:** Incomplete capture or apply data has been received for the workload. Data has been aggregated using the available replication data, but the missing data might lead to inaccurate results.

420-435

An explanation for the aggregation status value, as determined by the NetView program that is running on the controller systems. The following values are valid:

- **COMPLETE DATA:** All capture and apply data has been received for the workload.
- **PARTIAL DATA:** Not all of the capture and apply data is received for the workload.
- **STALE DATA:** All of the capture and apply data for the workload is not received within a calculated window, which is based on the sampling interval as defined on the production system. The window value is the sampling

interval plus the value of the ACTACT.MASTER.DELAY CNMSTYLE statement, which defaults to 3 seconds. For information about the ACTACT.MASTER.DELAY statement, see the *IBM Z NetView Administration Reference*.

439-446

The name of the source site. The source site is where the database or file system logs that are used by replication are written.

When a proxy database or file system configuration reads the source site logs from mirrored disks, and the data is then replicated using software replication, the source site and capture site are different.

When the source site and capture site are the same, the value of this attribute is N/A.

451-470

The highest average transaction response time of all of the consistency groups for this workload.

The average elapsed milliseconds between the time that the first change for the replicated transaction was issued at the target database and the time that the transaction was committed at the target database.

474-493

The highest average transaction dependency delay time of all of the consistency groups for this workload.

The average time, in milliseconds, that transactions waited to be applied because of dependencies with other transactions.

System action

The ACTVREPL SERVER and ACTVREPL WORKLOAD command processing is complete.

AQN050I**DISPLAY OF Q REPLICATION CAPTURE SERVERS DATA****Explanation**

This multiline message is issued in response to the following command:

- ACTVREPL SERVER=* TYPE=DB2 VIEW=DETAILS

Capture server information for one or more Q Replication servers is displayed.

It consists of one header line, three label lines, and one or more data lines, with each data line providing information about a Q Replication capture server.

Each data line includes the following information:

Columns**Description**

1-8

The status of the NetView connection to the capture server. The following values are valid:

- ACTIVE
- INACTIVE

12-19

The DB2 subsystem or the DB2 group attach name.

23-32

The number of rows (individual insert, update, or delete operations) that the Q Capture program read from the log.

36-45

The number of transactions that the Q Capture program processed.

51-74

The most recent logical log sequence number in the recovery log that the Q Capture program read.

For DB2 for z/OS Version 10 or earlier, this value is set to the current log sequence number, and, for DB2 for z/OS Version 11, it is set to N/A.

78-101

The logical log sequence number in the recovery log at which the Q Capture program starts during a warm restart. This value represents the earliest log sequence number that the Q Capture program found that did not have a commit or abort record.

For DB2 for z/OS Version 10 or earlier, this value is set to the restart log sequence number, and, for DB2 for z/OS Version 11, it is set to N/A.

105-121

The time stamp at the Q Capture server of the latest database commit that was seen by the Q Capture log reader.

125-134

The number of transactions (containing changed rows) that were not put on queues because the changes were to columns that are not part of a Q subscription or publication, for example, the ALL_CHANGED_ROWS parameter in the IBMDB2_SUBS table was set to NO.

140-149

The number of transactions that the Q Capture program spilled to a file after exceeding the MEMORY_LIMIT threshold.

155-164

The memory that the Q Capture program used to construct transactions from the log.

169-178

The largest transaction, in bytes, that the Q Capture program processed.

188-204

The time stamp at the Q Capture control server when the Q Capture program reached the end of the log.

208-224

The number of milliseconds that the Q Capture program spent using the DB2 log read application programming interface (API) to retrieve log records

228-237

The number of log read API calls that the Q Capture program made.

241-250

The number of times that the Q Capture program reached the end of the log.

254-263

The number of seconds that the Q Capture log reader thread slept because there were no changes to capture or because the Q Capture program is operating at its memory limit.

267-274

The job name of the capture server.

281-288

The name of the capture site.

293-356

The most recent logical log sequence number in the recovery log that the Q Capture program read.

For DB2 for z/OS Version 11, this value is set to the current log sequence number, and, for DB2 for z/OS Version 10 or earlier, it is set to N/A.

360-423

The logical log sequence number in the recovery log at which the Q Capture program starts during a warm restart. This value represents the earliest log sequence number that the Q Capture program found that did not have a commit or abort record.

For DB2 for z/OS Version 11, this value is set to the restart log sequence number, and, for DB2 for z/OS Version 10 or earlier, it is set to N/A.

427-446

The number of times that the Q Capture program issued warning messages after encountering transactions that are larger than the threshold that is set by the Q Capture **warn txsz** parameter.

450-469

The number of times that the Q Capture program waited for the DB2 for z/OS instrumentation facility interface (IFI) to return log records than the threshold set by the Q Capture **warnlogapi** parameter.

473-482

The number of consecutive calls to the DB2 for z/OS instrumentation facility interface (IFI) that

return reason code 0x00E60813 without any increase in the end-of-scope log position. A non-zero value can indicate an issue with replication of DB2 logs when running in DB2 proxy remote log read mode.

496-505

The number of times that the Q Capture program tried to read the log, and the DB2 for z/OS instrumentation facility interface (IFI) failed with a bad return code.

510-529

The number of milliseconds that the Q Capture program spent committing messages on all send queues monitoring during the collection interval.

System action

The ACTVREPL SERVER command processing is complete.

**AQN051I DISPLAY OF Q REPLICATION
 APPLY SERVERS DATA**

Explanation

This multiline message is issued in response to the following command:

- ACTVREPL SERVER=* TYPE=DB2 VIEW=DETAILS
 Apply server information for one or more Q Replication servers is displayed.

It consists of one header line, three label lines, and one or more data lines, with each data line providing information about a Q Replication apply server.

Each data line includes the following information:

Columns

Description

1-8

The status of the NetView connection to the apply server. The following values are valid:

- ACTIVE
- INACTIVE

12-19

The DB2 subsystem or the DB2 group attach name.

23-39

A time stamp that represents when the Q Apply task was started.

43-52

The total count of active subscriptions across all active queues.

59-66

The job name of the apply server.

73-80

The name of the apply site.

System action

The ACTVREPL SERVER command processing is complete.

**AQN052I ENT.SYN.prisec.site.domain FOR
 DOMAIN domain_id SPECIFIES
 SNA**

Explanation

This message is issued during ACTVCTL CONNECT processing when the RMTSYN value that is specified on an ENT.SYN statement specifies to use SNA RMTCMD communications.

Message Variables

prisec

Specifies the primary or secondary ENT.SYN statement:

ENT.SYN.PRI.site.domain

Primary IP addresses for the NetView domain. *.site.domain* identifies the domain and the site in which it resides.

ENT.SYN.SEC.site.domain

Secondary IP addresses for the NetView domain. *.site.domain* identifies the domain and the site in which it resides.

domain_id

Specifies the remote NetView domain.

System action

Processing continues, but the ENT.SYN statement is ignored and a RMTALIAS statement is not generated. This might cause connectivity problems to systems that are specified on ENT.SYSTEMS statements that use the RMTALIAS statement.

Operator response

Contact the system programmer responsible for adding ENT.SYN CNMSTYLE statements.

System programmer response

Update the ENT.SYN statement to use an IP address. The ACTVCTL CONNECT command supports only IP addressing.

**AQN053I command FAILED. Reason: reason.
 Reason Code: reason_code**

Explanation

This message is issued when a NetView command for the GDPS Continuous Availability solution fails. The reason and reason code provide more information about why the command failed.

Message Variables

command

The command that failed, namely, the ACTVREPL command, which is issued from a GDPS Continuous Availability solution controller system. The ACTVREPL command uses stored socket path name information to identify the GDPS Continuous Availability solution production systems from which to retrieve replication information.

reason

The possible reasons for the command failure are as follows:

- Replication server information is not available

No replication information for any production system is available (or was previously available) to the NetView program on the controller system, which can occur for the following reasons:

- The NetView program is not an enterprise master NetView program.
- No production systems had communicated information to the controller system when the command was issued, which can be caused by the following circumstances:
 - The NetView program or one or more of the replication products are not initialized on any production system.
 - Communication between the NetView program on the controller system and all production systems has failed.

- No replication information is available from production system NetView domains

The NetView program that is running on the controller system does not have any replication configuration information from any production system NetView program. The replication configuration information is required to collect information for the ACTVREPL command. This situation can occur when the NetView program that is running on the controller system previously had information from production system NetView domains, but all of the production system NetView programs are currently inactive.

- No replication subtowers are enabled

The NetView program on the controller system has information about production systems, but

no replication subtowers are enabled on the production systems.

- No socket path definitions are defined

The NetView program on the controller system has information about production systems and replication subtowers are enabled, but no socket paths definitions are defined.

reason_code

The following reason codes are valid:

16

Replication server information is not available.

12

No replication information is available from production system NetView domains.

10

No replication subtowers are enabled.

8

No socket path definitions are defined.

System action:

Processing stops.

Operator response

If the reason is either that replication server information is not available or that no replication information is available from production system NetView domains, verify the following items:

- The NetView program on which the command is issued is the enterprise master NetView program.
- The NetView programs in the production system domains are active and successfully communicating with the enterprise master NetView program.
- The production system NetView log contains no errors that are related to replication configuration.

Note:

1. On the controller system, issue the LIST STATUS=XCFGRPS command to determine whether the NetView program is the enterprise master NetView program.
2. On the production systems, issue the RMTCMD QUERY LCLAUTOS command. In the command output, look in the RMTCMD AUTOTASK column for an entry with the name of the autotask that is defined by the function.autotask.ACTDATA statement; AUTOADAT is the default name for this autotask.

Otherwise, contact the system programmer.

System programmer response

Verify the replication configuration on the production systems:

- Appropriate towers and subtowers are enabled.
- Socket paths are defined for enabled replication subtowers.

Verify the network connectivity between the enterprise master NetView program and the NetView programs on the production systems.

Review the ENT.SYSTEMS.name statements in the CNMSTYLE member to ensure that the enterprise master NetView program is contacting all the necessary production systems.

**AQN054I REQUIRED
ENT.ALT.CONTROLLERS
STATEMENT MISSING**

Explanation:

During processing of ENT.SYN statements as a result of ACTVCTL CONNECT or RESTYLE ENT commands, no ENT.ALT.CONTROLLER statement was found for an ACTIVEACTIVE enterprise master.

System action:

ENT.SYN statement processing ends. No RMTALIAS statements are generated from ENT.SYN statements.

Operator response:

Notify the system programmer.

System programmer response:

Add the required ENT.ALT.CONTROLLER CNMSTYLE statement.

**AQN055D tower_name tower not enabled.
Required software not installed.**

Explanation

The specified tower is not enabled because additional software must be installed to provide the function that is represented by the tower.

Message Variables

tower_name

The tower name that is specified on the CNMSTYLE TOWER statement or the MODIFY TOWER statement:

- ACTIVEACTIVE
- AMI
- AON
- DISCOVERY
- DVIPA
- GRAPHICS
- IPMGT
- MSM
- NLDM
- NPDA

- NVSOA
- TCPIPCOLLECT
- TEMA

System action

NetView initialization continues, but the tower is not enabled. Any conditional includes or REXX TOWER functions that check for the specified tower fail.

For the ACTIVEACTIVE tower, no GDPS Continuous Availability solution functions are enabled on this NetView program. This includes IBM Z NetView, IBM Z System Automation, and GDPS component functions that are dependent on the NetView ACTIVEACTIVE tower.

Towers of the IBM Z NetView product, when specified in the following products, cause this message to be issued:

- IBM Automation Control for z/OS
- IBM Tivoli System Automation for GDPS/PPRC HyperSwap Manager with NetView

Operator response:

Notify the system programmer.

System programmer response

Install required software or remove the TOWER or MODIFY.TOWER statement from your CNMSTYLE user member.

Z NetView must be installed for functional support for all of the listed towers.

Z NetView for Continuous Availability is also required when specifying the ACTIVEACTIVE tower in order to have GDPS Continuous Availability solution functionally.

**AQN056I DISPLAY OF Linux on z Systems
WORKLOAD SERVERS FOR
WORKLOAD NAME workload_name**

Explanation

This multiline message is issued in response to the ACTVLIFE SERVERS command. It consists of one header line, three label lines, and one or more data lines, with each data line providing information about a workload server.

Each data line includes the following information:

Columns

Description

1-45

The IPv4 or IPv6 address of a server application that is defined for the workload.

49-53

The number of the port on which the server application listens.

57-64

The name of the Linux on z Systems guest where the workload server application resides.

70-77

The name of the Linux on z Systems guest where the Lifeline Management Agent, monitoring the server application, resides.

83-90

The z/VM[®] system ID where the Server Guest and Agent Guest are active.

94-101

The name of the site as it is known to the Multi-site Workload Lifeline Agent.

- If the *site_name* parameter is configured for the Multi-site Workload Lifeline Agent, the site name is the name specified for the parameter.
 - The *site_name* parameter is required for a Linux on z Systems Management Agent and is optional for a z/OS Agent.
- If the *site_name* parameter is not configured for the z/OS Agent, the site name is the name of the sysplex as it is known to the z/OS operating system.

105-112

The state of the server application. The following values are valid:

- ACTIVE
- INACTIVE

116-117

The net weight for this server application relative to other server instances that are defined for this workload on the same site. This value is determined by assigning a 1 for active server instances and a 0 for inactive server instances.

Message Variables***workload_name***

The name of the workload as specified for the WORKLOAD keyword. A value of * indicates that the WORKLOAD keyword is not specified or that WORKLOAD=* is specified.

System action

The ACTVLIFE SERVERS command processing is complete.

AQN057I

**DISPLAY OF SNA WORKLOAD
SERVERS FOR WORKLOAD NAME
*workload_name***

Explanation

This multiline message is issued in response to the ACTVLIFE SERVERS command. It consists of one header line, three label lines, and one or more data lines, with each data line providing information about a workload server.

Each data line includes the following information:

Columns	Description
----------------	--------------------

1-8

The MVS job name of the server application.

12-19

The name of the SNA application.

27-34

The name of the network where the application resides.

38-45

The image name where the server application resides.

49-56

The name of the site as it is known to the Multi-site Workload Lifeline Agent.

- If the *site_name* parameter is configured for the Multi-site Workload Lifeline Agent, the site name is the name specified for the parameter.
 - The *site_name* parameter is required for a Linux on z Systems Management Agent and is optional for a z/OS Agent.
- If the *site_name* parameter is not configured for the z/OS Agent, the site name is the name of the sysplex as it is known to the z/OS operating system.

60-67

The state of the server application. The following values are valid:

- ACTIVE
- INACTIVE

71-72

The net weight for this SNA application relative to other SNA application instances that are defined for this workload on the same site. This value is determined by using the WLM weight for this system. It is then normalized against the other SNA application instances (active on this same site) that are defined for this workload.

80-87

The name of the site (i.e. the sysplex name), as it is known to the z/OS operating system, where the SNA application server resides.

Message Variables

workload_name

The name of the workload as specified for the WORKLOAD keyword. A value of * indicates that the WORKLOAD keyword is not specified or that WORKLOAD=* is specified.

System action

The ACTVLIFE SERVERS command processing is complete.

AQN058I	SOURCE SYSPLEX STATEMENT MISSING FOR PROXY DATABASE OR FILE SYSTEM FOR SYSPLEX sysplex. DEFAULT VALUE OF AQNPLEX WILL BE USED.
----------------	---

Explanation

The NetView program cannot find an ACTACT . SPLEX definition statement for the specified sysplex. For usability purposes, the definition provides NetView the source database or file system sysplex name when running in a database or file system proxy configuration. This sysplex name is displayed in the **Source Site Name** field in the Tivoli Enterprise Portal and ACTVREPL command output. If the statement is omitted, a default value of AQNPLEX is used. The message is only issued the first time NetView processes data from the replication server to avoid redundant messages in the NetView log.

Message Variable:

sysplex

The sysplex name where the capture server is running.

System action

The **Source Site Name** field will be set to its default value of AQNPLEX on data that is sent to the Tivoli Enterprise Portal or is returned on the ACTVREPL command.

Operator response

Notify the system programmer.

System programmer response

Supply the missing definition statement on the controller NetView and issue the RESTYLE ACTACT command.

AQN059I	DISPLAY OF MQ WORKLOAD CLUSTERS FOR WORKLOAD NAME workload_name
----------------	--

Explanation

This multiline message is issued in response to the **ACTVLIFE SERVERS** command. It consists of one header line, three label lines, and one or more data lines, with each data line providing information about a workload server.

Each data line includes the following information:

Columns

Description

1-48

The name of the WebSphere MQ cluster name for the workload.

52-55

The name of the WebSphere MQ queue manager that hosts the specified cluster.

67-74

The MVS job name of the MQ queue manager.

78-122

The IPv4 or IPv6 address of the MQ queue manager listener that is defined for the workload.

126-130

The number of the port on which the MQ queue manager listens.

134-141

The name of the z/OS image where the MQ queue manager resides.

145-152

The name of the site as it is known to the Multi-site Workload Lifeline Agent.

- If the *site_name* parameter is configured for the Multi-site Workload Lifeline Agent, the site name is the name specified for the parameter.
 - The *site_name* parameter is required for a Linux on z Systems Management Agent and is optional for a z/OS Agent.
- If the *site_name* parameter is not configured for the z/OS Agent, the site name is the name of the sysplex as it is known to the z/OS operating system.

156-158

The availability of the MQ queue manager for the specified MQ cluster name. The following values are valid:

- Yes: The queue manager is available for the workload when the queues configured to the Multi-Site Workload Lifeline Advisor are also defined to the MQ Queue manager and can have messages queued to them.
- No: The queue manager is not available for the workload when one or more of the queues configured to the Multi-Site Workload Lifeline

Advisor are not defined to the MQ Queue manager or cannot have messages queued to them.

172-173

The net weight for this MQ cluster queue manager relative to other MQ cluster queue managers that are defined for this workload on the same site. This value is determined by using the WLM weight for this system. It is then normalized against the other MQ cluster queue managers (active on the same site) that are defined for this workload.

181-182

The Workload Manager (WLM) weight value for the MQ queue manager. This value is a measure of how well the MQ queue manager is meeting the configured WLM goals. It represents the amount of displaceable processor capacity based on the importance of this MQ queue manager as compared to other MQ queue manager instances (active on this same site) that are defined for this

workload. The WLM weight is a composite weight and comprises the sum of the CP, zAAP, and zIIP weights.

190-197

The name of the site (i.e. the sysplex name), as it is known to the z/OS operating system, where the MQ queue manager resides.

Message Variables

workload_name

The name of the workload as specified for the WORKLOAD keyword. A value of * indicates that the WORKLOAD keyword is not specified or that WORKLOAD=* is specified.

System action

The **ACTVLIFE SERVERS** command processing is complete.

Chapter 3. BNH Prefix Messages

This chapter lists the BNH prefix messages.

The following messages are sent to the NetView terminal operator or the authorized message receiver. If an authorized message receiver is not defined in the system, or is not logged on, the messages destined for the authorized message receiver are sent to the system console operator.

BNH000I **COMMAND FACILITY MESSAGE**
***msgid* ISSUED BUT DOES NOT**
EXIST IN MESSAGE TABLE
DSIMDMH - CALL IGNORED

Explanation

The specified message number does not exist in the message table.

Message Variables

msgid

The message number

System action

The NetView program ignores the message call and continues processing.

Operator response

Notify the system programmer.

System programmer response

Contact IBM Software Support.

BNH001I **ENTRY POINT SPHERE OF**
CONTROL ENTRY POINT

Explanation

This message is a column header for the FOCALPT DISPSOC command. The columns contain:

ENTRY POINT NAME

The entry point name

SPHERE OF CONTROL TYPE

Indicates whether the sphere of control is implicit or explicit

ENTRY POINT STATE

Indicates whether the entry point is unknown, active, inactive, delete pending, add pending, delete add pending, or inactive retry

System action

Message BNH002I follows this message.

BNH002I **NAME TYPE STATE**

Explanation

This message is the second-column header line for the FOCALPT DISPSOC command. The columns contain:

ENTRY POINT NAME

The entry point name

SPHERE OF CONTROL TYPE

Indicates whether the sphere of control is implicit or explicit

ENTRY POINT STATE

Indicates whether the entry point is unknown, active, inactive, delete pending, add pending, delete add pending, or inactive retry

System action

FOCALPT DISPSOC data follows these messages.

BNH003I ***ep_name* IMPLICIT UNKNOWN**

Explanation

The operator issued a FOCALPT DISPSOC command. This message is one of a series of messages containing entry point data. They are displayed after the header messages, BNH001I and BNH002I, are issued.

Message Variables

ep_name

Entry point name

System action

This message contains entry point data.

BNH004I ***ep_name* IMPLICIT ACTIVE**

Explanation

The operator issued a FOCALPT DISPSOC command. This message is one of a series of messages containing entry point data. They are displayed after the header messages, BNH001I and BNH002I, are issued.

Message Variables

ep_name

Entry point name

System action

This message contains entry point data.

BNH005I *ep_name* **IMPLICIT DELETE
PENDING**

Explanation

The operator issued a FOCALPT DISPSOC command. This message is one of a series of messages containing entry point data. They are displayed after the header messages, BNH001I and BNH002I, are issued.

Message Variables

ep_name
Entry point name

System action

This message contains entry point data.

BNH006I *ep_name* **IMPLICIT INACTIVE**

Explanation

The operator issued a FOCALPT DISPSOC command. This message is one of a series of messages containing entry point data. They are displayed after the header messages, BNH001I and BNH002I, are issued.

Message Variables

ep_name
Entry point name

System action

This message contains entry point data.

BNH007I *ep_name* **EXPLICIT ADD PENDING**

Explanation

The operator issued a FOCALPT DISPSOC command. This message is one of a series of messages containing entry point data. They are displayed after the header messages, BNH001I and BNH002I, are issued.

Message Variables

ep_name
Entry point name

System action

This message contains entry point data.

BNH008I *ep_name* **EXPLICIT ACTIVE**

Explanation

The operator issued a FOCALPT DISPSOC command. This message is one of a series of messages containing entry point data. They are displayed after the header messages, BNH001I and BNH002I, are issued.

Message Variables

ep_name
Entry point name

System action

This message contains entry point data.

BNH009I *ep_name* **EXPLICIT DELETE
PENDING**

Explanation

The operator issued a FOCALPT DISPSOC command. This message is one of a series of messages containing entry point data. They are displayed after the header messages, BNH001I and BNH002I, are issued.

Message Variables

ep_name
Entry point name

System action

This message contains entry point data.

BNH010I *ep_name* **EXPLICIT DELETE ADD
PENDING**

Explanation

The operator issued a FOCALPT DISPSOC command. This message is one of a series of messages containing entry point data. They are displayed after the header messages, BNH001I and BNH002I, are issued.

Message Variables

ep_name
Entry point name

System action

This message contains entry point data.

BNH011I *ep_name* **EXPLICIT INACTIVE**

Explanation

The operator issued a FOCALPT DISPSOC command. This message is one of a series of messages containing entry point data. They are displayed after the header messages, BNH001I and BNH002I, are issued.

Message Variables

ep_name
Entry point name

System action

This message contains entry point data.

BNH012I **ep_name EXPLICIT INACTIVE
RETRY**

Explanation

The operator issued a FOCALPT DISPSOC command. This message is one of a series of messages containing entry point data. They are displayed after the header messages, BNH001I and BNH002I, are issued.

Message Variables

ep_name
Entry point name

System action

This message contains entry point data.

BNH013I **END OF SPHERE OF CONTROL
INFORMATION**

Explanation

The FOCALPT DISPSOC command has completed.

BNH014E **NO ENTRY POINT NAME FOR
CATEGORY *fpcat* QUALIFIES FOR
TARGET: *target***

Explanation

FOCALPT DELETE command was issued. However, there are no entry points in the sphere of control for the specified category whose name matched the specified target.

Message Variables

fpcat
Focal point category name

target
Specified target name for user.

System action

The command is ignored.

Operator response

Enter the FOCALPT DELETE command again with a valid wildcard string for the TARGET parameter.

BNH015E **THERE ARE NO ENTRY POINTS IN
THE SPHERE OF CONTROL FOR
CATEGORY *fpcat* WHICH QUALIFY**

FOR ANY OF THE TARGETS SPECIFIED IN THE TARGET LIST

Explanation

A FOCALPT DELETE command was specified with the TARGLIST parameter. However, there were no entry points in the specified category that matched any of the targets specified in the target list.

Message Variables

fpcat
Focal point category name

System action

The command is ignored.

Operator response

Enter the command again with a valid entry point name.

BNH016E **NO ENTRY POINTS QUALIFY FOR
TARGET: *target_parameter*,
STATE: *state***

Explanation

The operator issued a FOCALPT DISPSOC command, but there were no entry points in the sphere of control that matched the target and state parameters.

Message Variables

target_parameter
Target parameter input

state
State parameter input

System action

The command completed successfully.

BNH017I **FOCALPT *delete* SUCCESSFUL.
num1 ENTRY POINTS REMOVED
FROM THE SPHERE OF CONTROL
AND *num2* ENTRY POINTS SET TO
A DELETE STATE FOR CATEGORY
*fpcat***

Explanation

The operator issued a FOCALPT DELETE command that completed successfully. This message tells how many entry points were affected by the command and the name of the sphere of control category of the entry points.

Message Variables

num1

Number of entry points removed from the sphere of control

num2

Number of entry points set to a delete state

fpcat

Focal point category name

System action

The command completed successfully.

BNH018E **SPHERE OF CONTROL IS UNABLE TO ALLOCATE STORAGE FOR ENTRY POINT *ep_name* FOR CATEGORY *fpcat*. THE ENTRY POINT IS LOST FROM THE SPHERE OF CONTROL**

Explanation

SOC_MGR cannot allocate storage for an entry point. There is possible loss of sphere of control information.

Message Variables***ep_name***

Name of the entry point

fpcat

Focal point category name

System action

An entry point is lost from the sphere of control.

System programmer response

Allocate more storage for the DSI6DST task. If necessary, see the *IBM Z NetView Troubleshooting Guide* for possible causes of the storage shortage.

BNH019I **SPHERE OF CONTROL ENVIRONMENT UPDATED FROM RECOVERY DATA**

Explanation

During initialization, the SOC_MGR restored the sphere of control environment from recovery data in the VSAM Save/Restore database.

System action

The sphere of control environment is restored.

BNH020I **DSI6SCF PROCESSED SUCCESSFULLY. *number* ENTRY POINTS WERE ADDED TO THE SPHERE OF CONTROL**

Explanation

During initialization, the SOC_MGR cannot find any recovery data. Therefore, the sphere of control environment was updated from the DSI6SCF file.

Message Variables***number***

The number of entry points added to the sphere of control

System action

The sphere of control environment is updated

BNH021I ***ep_name* HAS BEEN REMOVED FROM THE SPHERE OF CONTROL FOR CATEGORY *fpcat***

Explanation

An event caused an entry point to be removed from the sphere of control; there is no longer a focal point-entry point relationship with the entry point.

Message Variables***ep_name***

Name of the entry point

fpcat

Focal point category name

System action

The focal point-entry point relationship is lost.

Operator response

Depending on the circumstances, the operator might want to issue a FOCALPT CHANGE command to obtain the entry point into the sphere of control again.

BNH022I ***ep_name* HAS BEEN SET INACTIVE FOR CATEGORY *fpcat***

Explanation

An event caused an entry point to be set to the inactive state; there is no longer a focal point-entry point relationship with the entry point.

Message Variables***ep_name***

Name of the entry point

fpcat

Focal point category name

System action

The focal point-entry point relationship is lost.

Operator response

Depending on the circumstances, the operator might want to issue a FOCALPT CHANGE command to set the entry point back to the ACTIVE state.

BNH023I DSI6SCF NOT FOUND. SPHERE OF CONTROL IS NOT UPDATED

Explanation

During initialization, the SOC_MGR cannot find any recovery data and was unable to find the DSI6SCF file or the DSI6SCF file was empty. The sphere of control environment is not updated.

System action

The sphere of control environment is not updated.

BNH024I SPHERE OF CONTROL CONTINUES TO RETRY ESTABLISHING THE RELATIONSHIP WITH *ep_name* FOR CATEGORY *fpcat* EVERY *num1* SECONDS

Explanation

A NetView operator issued a FOCALPT CHANGE or FOCALPT REFRESH command or, during initialization, SOC_MGR attempted to obtain an entry point specified in the DSI6SCF file and the command or SOC_MGR attempt failed.

Message Variables

ep_name

Name of the entry point

fpcat

Focal point category name

num1

Time interval in seconds

System action

SOC_MGR continues trying to obtain the entry point at the specified interval. This interval can be adjusted using the DEFAULTS command.

Operator response

If you do not want SOC_MGR to continue trying to obtain the entry point, the operator can issue a FOCALPT DELETE command. This removes the entry point from the sphere of control and cancels subsequent attempts to obtain the entry point.

BNH025I SAVE/RESTORE DATA CONTAINED A DUPLICATE ENTRY POINT, *ep_name*, FOR CATEGORY *fpcat*. THE ENTRY POINT IS

REMOVED FROM SAVE/RESTORE DATA

Explanation

During initialization, SOC_MGR encountered duplicate entry points in the VSAM Save/Restore database.

Message Variables

ep_name

Name of the entry point

fpcat

Focal point category name

System action

SOC_MGR deletes the duplicate entry point from the VSAM Save/Restore database.

BNH026E I/O ERROR OCCURRED FOR RECORD *num1* IN DSI6SCF. REASON CODE = *num2*

Explanation

While SOC_MGR was reading the DSI6SCF file an I/O error occurred.

Message Variables

num1

The number of the record where the error occurred.

num2

I/O error reason code:

8

I/O error.

12

FIND: Data set specified has not been opened.

12

READ: READING PROHIBITED - Find flag not on.

16

No I/O area address supplied.

20

DSB control block ID not valid.

24

Request code is not FIND or READ.

28

Syntax error in INCLUDE card.

36

Member name on INCLUDE card not valid.

40

Embed member not valid (can cause deadlock; member embeds itself).

- 44** System error (unrecoverable internal error).
- 48** Incorrect use of embed with TTR function.

System action

SOC_MGR continues to read the DSI6SCF file.

System programmer response

Contact IBM Software Support.

BNH027E **RECORD *num1* IN DSI6SCF IS INCORRECTLY FORMATTED. REASON CODE = *num2***

Explanation

While SOC_MGR was reading the DSI6SCF file, it encountered an incorrectly formatted record.

Message Variables

num1

The number of the record where the error occurred.

num2

Reason code:

4

The record contains extraneous data.

8

The record contains an incorrect backup focal point name.

12

The record contains an incorrect primary focal point name.

16

The record contains an incorrect category name.

20

The record contains an incorrect entry point name.

24

The entry point name and the primary focal point name are the same.

28

The entry point name and the backup focal point name are the same.

28

The primary focal point name and the backup focal point name are the same.

32

The entry point name and the backup focal point name are the same.

System action

SOC_MGR continues to read the DSI6SCF file.

Operator response

Correct the record and enter the FOCALPT REFRESH command again.

BNH028E **UNABLE TO OBTAIN *ep_name* INTO THE SPHERE OF CONTROL FOR CATEGORY *fpcat*. THERE IS NO REGISTERED FOCAL POINT**

Explanation

SOC_MGR was unable to obtain an entry point specified in the DSI6SCF file because the category is not a registered focal point.

Message Variables

ep_name

Name of the entry point

fpcat

Focal point category name

System action

The SOC_MGR ignores the entry.

Operator response

Register the category as a focal point.

BNH029I **FOCAL POINT CATEGORY: *fpcat***

Explanation

Displays the name of the registered focal point whose information is displayed.

Message Variables

fpcat

Focal point category name

System action

Sphere of control data follows.

BNH030E **NO REGISTERED FOCAL POINT APPLICATION NAME QUALIFIES FOR NAME: *fpcat***

Explanation

An operator issued a FOCALPT command. However, there were no category names that matched the specified category name.

Message Variables

fpcat

Focal point category name

System action

The command is ignored.

Operator response

Enter the command again with a valid category name.

BNH031I NETVIEW GLOBAL VARIABLE INFORMATION
Explanation

This message is the title line message of the multiline write-to-operator (MLWTO) that is generated by the QRYGLOBL command. This MLWTO might contain the following additional messages in subsequent lines:

- BNH032I COMMON GLOBAL VARIABLES
- BNH036I GLOBAL VARIABLE NAME: GLOBAL VARIABLE VALUE:
- BNH033I TASK GLOBAL VARIABLES FOR *task*
- BNH034I EXPECTED NUMBER OF VARIABLES: *exp*
- BNH035I NUMBER OF VARIABLES FOUND: *found*
- BNH037I NETVIEW GLOBAL VARIABLE INFORMATION COMPLETE
- BNH039I *globalvarname globalvarvalue*

Note: Additional blank lines and dividing lines might be included in the MLWTO for readability.

BNH032I COMMON GLOBAL VARIABLES
Explanation

This message follows message BNH031I. It indicates that the immediately following lines contain information about common global variables.

BNH033I TASK GLOBAL VARIABLES FOR *task*
Explanation

This message follows message BNH031I. It indicates that the immediately following lines contain information about task global variables.

Message Variables***task***

The task for which the QRYGLOBL command was issued

BNH034I EXPECTED NUMBER OF VARIABLES: *exp*
Explanation

This message contains the expected number of common or task global variables as defined in the NetView Constants module. The expected number of variables is an indication to the NetView program of the expected size of the global variable dictionaries. With these values, the NetView program can improve the performance of global variable retrievals. This message is part of the BNH031I multiline write-to-operator (MLWTO) and refers to common or task global variables, depending upon whether it follows BNH032I or BNH033I. **Message Variables**

exp

The expected number of common or task global variables as defined in the NetView Constants module (DSICTMOD)

BNH035I NUMBER OF VARIABLES FOUND: *found*
Explanation

The number of common or task global variables. When the VARS keyword is specified, this is the number of variables that match the search word. When VARS is omitted, this is the number of variables that exist in the dictionary.

This message is part of the BNH031I multiline write-to-operator (MLWTO) and refers to common or task global variables, depending upon whether it follows BNH032I or BNH033I.

Message Variables***found***

The number of common or task global variables

BNH036I GLOBAL VARIABLE NAME: GLOBAL VARIABLE VALUE:
Explanation

This message is part of the BNH031I multiline write-to-operator and contains the header for the list of global variable names and values which follow in the BNH039I messages.

BNH037I NETVIEW GLOBAL VARIABLE INFORMATION COMPLETE
Explanation

This message indicates that the QRYGLOBL command has completed successfully. If the QRYGLOBL output was directed to the operator, this is the last line in the BNH031I multiline write-to-operator. If the QRYGLOBL output was directed to an output file, this message is sent to the operator to indicate successful completion of the command.

BNH038E **NETVIEW GLOBAL VARIABLE
INFORMATION OUTPUT HALTED
DUE TO SEVERE ERROR****Explanation**

This message indicates that there was a severe error while trying to write the QRYGLOBL output to the specified file.

System action

The output is not written to the output file and the QRYGLOBL command ends.

Operator response

Notify the system programmer.

System programmer response

Determine the reason why the QRYGLOBL command failed. It can fail for any of the following reasons:

- The first line of an output file specified with the REPLACE option might not have the correct key that indicates the output file is for QRYGLOBL. The QRYGLOBL output key is **&*** (ampersand asterisk). If the REPLACE option is specified, ensure that **&*** is all that exists on the first line of the output file.
- DSILIST might not be correctly specified in your NetView program. Ensure that the DSILIST DD is correctly specified in your NetView startup procedure.
- An I/O error might have occurred while attempting to write to DASD. Ensure that there are no problems with the output device.

BNH039I *globalvarname globalvarvalue***Explanation**

This message is part of the BNH031I multiline write-to-operator and contains a variable name and the variable value. The variable contained in this message is a common or task global variable, depending upon whether it follows BNH032I or BNH033I. Lines with displayed values that exceed 255 characters are displayed in turquoise - all others are displayed in green.

Message Variables***globalvarname***

The global variable name. If the LONGVAR attribute was specified, the entire name is shown. Otherwise, names longer than 31 characters are truncated, as indicated by the final 2 >> characters.

globalvarvalue

The value associated with the global variable name. This value begins in column 45, unless the LONGVAR attribute was specified. If the LONGVAR attribute was specified, the *globalvarvalue* value begins after *globalvarname* and one blank space. The *globalvarvalue* value is truncated after 255 characters, unless the LONGVAR attribute was specified.

BNH040I *envtype* **PREINITIALIZED
ENVIRONMENT STATISTICS****Explanation**

This is the title line of a multiline write-to-operator (MLWTO) message that is generated by the HLEENV command. The MLWTO message lists preinitialized environment statistics for *envtype*.

Message Variables***envtype***

The preinitialized environment type specified with the TYPE keyword of the HLEENV command. IBMHLPLI is the only possible value for *envtype*.

System action

The statistics for *envtype* are displayed in the BNH040I MLWTO message.

Operator response

Record the statistics for your system programmer.

System programmer response

Analyze the statistics provided in the MLWTO message and your system requirements. Use this information to optimize performance for the *envtype* preinitialized environment using the HLEENV command and HLLOPTS HLL runtime options.

For information about using the HLEENV command, see the online help. For information about HLLOPTS, see *IBM Z NetView Programming: PL/I and C*. For more information about tuning your preinitialized environments, see the *IBM Z NetView Tuning Guide*.

BNH041I **STATISTICS RESET AT: mm/dd/yy
hh:mm:ss****Explanation**

This is the second line of a multiline write-to-operator (MLWTO) message that is generated by the HLEENV command. The MLWTO message lists preinitialized environment statistics for the environment type specified on the HLEENV command.

Message Variables

mm/dd/yy

The date when the statistics were reset. The date format depends on the TRANSMSG member, when in effect, and on the date operands of the DEFAULTS and OVERRIDE commands.

hh:mm:ss

The time when the statistics were reset. The time format depends on the TRANSMSG member, when in effect, and on the time operands of the DEFAULTS and OVERRIDE commands.

System action

The statistics for the preinitialized environment type are displayed in the BNH040I MLWTO message.

Operator response

Record the statistics for your system programmer.

System programmer response

Analyze the statistics provided in the MLWTO message and your system requirements. Use this information to optimize performance for the preinitialized environment type using the HLEENV command and HLLOPTS HLL runtime options.

For information about using the HLEENV command, see the online help. For information about HLLOPTS, see *IBM Z NetView Programming: PL/I and C*. For more information about tuning preinitialized environments, see the *IBM Z NetView Tuning Guide*.

BNH042I **PISA: pisa PHEAP: pheap**
DEFAULT: def_val

Explanation

This is the third line of a multiline write-to-operator (MLWTO) message that is generated by the HLEENV command. The MLWTO message lists preinitialized environment statistics for the environment type specified on the HLEENV command.

Message Variables**pisa**

The initial storage allocated (ISA) value for the preinitialized environments. This value can be set using the PISA keyword on the HLEENV command and is used when allocating preinitialized environments.

pheap

The HEAP value for the preinitialized environments. This value is set using the PHEAP keyword on the HLEENV command and is used when allocating preinitialized environments.

def_val

Has a value of either NOTPREINIT or PREINIT.

NOTPREINIT indicates that the NetView program does not run PL/I programs linked with DSIEXPLP in a preinitialized environment unless bit 3 in HLLOPTS is set to 1.

PREINIT indicates that the NetView program does run PL/I programs linked with DSIEXPLP in a preinitialized environment unless bit 2 in HLLOPTS is set to 1.

System action

The statistics for the preinitialized environment type are displayed in the BNH040I MLWTO message.

Operator response

Record the statistics for your system programmer.

System programmer response

Analyze the statistics provided in the MLWTO message and your system requirements. Use this information to optimize performance for the preinitialized environment type using the HLEENV command and HLLOPTS HLL runtime options.

For information about using the HLEENV command, see the online help. For information about HLLOPTS, see *IBM Z NetView Programming: PL/I and C*. For more information about tuning your preinitialized environments, see the *IBM Z NetView Tuning Guide*.

BNH043I **NUMBER REQUESTED. REGENVS:**
reg_env CRITENVS: crit_env

Explanation

This is the 4th line of a multiline write-to-operator (MLWTO) message that is generated by the HLEENV command. The MLWTO message lists preinitialized environment statistics for the environment type specified on the HLEENV command.

Message Variables**reg_env**

The number of preinitialized environments allocated with the REGENVS keyword on the HLEENV command. These preinitialized environments are allocated immediately and can be used by PL/I programs that you define to run in a preinitialized environment.

crit_env

The maximum number of preinitialized environments that can be allocated exclusively for PL/I programs with bit 4 set in HLLOPTS. These

environments are defined with the CRITENV keyword on the HLLENV command.

System action

The statistics for the preinitialized environment type are displayed in the BNH040I MLWTO message.

Operator response

Record the statistics for your system programmer.

System programmer response

Analyze the statistics provided in the MLWTO message and your system requirements. Use this information to optimize performance for the preinitialized environment type using the HLLENV command and HLLOPTS HLL runtime options.

For information about using the HLLENV command, see the online help. For information about HLLOPTS, see *IBM Z NetView Programming: PL/I and C*. For more information about tuning preinitialized environments, see the *IBM Z NetView Tuning Guide*.

BNH044I **PREINITIALIZED. REGENVS: reg_alloc CRITENVVS: crit_alloc**

Explanation

This is the fifth line of a multiline write-to-operator (MLWTO) message that is generated as a result of the HLLENV command. The MLWTO message lists preinitialized environment statistics for the environment type specified on the HLLENV command.

Message Variables

reg_alloc

The number of preinitialized environments currently allocated with the REGENVS keyword of the HLLENV command. These preinitialized environments are allocated immediately and can be used by PL/I programs that you define to run in a preinitialized environment.

crit_alloc

The number of preinitialized environments currently allocated exclusively for PL/I programs with bit 4 set in HLLOPTS. The maximum number of environments that can be allocated for PL/I programs with bit 4 set in HLLOPTS is specified using the CRITENV keyword of the HLLENV command.

System action

The statistics for the preinitialized environment type are displayed in the BNH040I MLWTO message.

Operator response

Record the statistics for your system programmer.

System programmer response

Analyze the statistics provided in the MLWTO message and your system requirements. Use this information to optimize performance for the preinitialized environment type using the HLLENV command and HLLOPTS HLL runtime options.

For information about using the HLLENV command, see the online help. For information about HLLOPTS, see *IBM Z NetView Programming: PL/I and C*. For more information about tuning preinitialized environments, see the *IBM Z NetView Tuning Guide*.

BNH045I **IN USE. REGENVS: reg_inuse CRITENVVS: crit_inuse**

Explanation

This is the sixth line of a multiline write-to-operator (MLWTO) message that is generated as a result of the HLLENV command. The MLWTO message lists preinitialized environment statistics for the environment type specified on the HLLENV command.

Message Variables

reg_inuse

The number of preinitialized environments in use from the pool of environments allocated with the REGENVS keyword of the HLLENV command

crit_inuse

The number of preinitialized environments in use from the pool of environments allocated exclusively for PL/I programs with bit 4 set in HLLOPTS

System action

The statistics for the preinitialized environment type are displayed in the BNH040I MLWTO message.

Operator response

Record the statistics for your system programmer.

System programmer response

Analyze the statistics provided in the MLWTO message and your system requirements. Use this information to optimize performance for the preinitialized environment type using the HLLENV command and HLLOPTS HLL runtime options.

For information about using the HLLENV command, see the online help. For information about HLLOPTS, see *IBM Z NetView Programming: PL/I and C*. For more

information about tuning preinitialized environments, see the *IBM Z NetView Tuning Guide*.

BNH046I **MOST NEEDED. REGENVS:**
reg_most **CRITENVS: crit_most**

Explanation

This is the seventh line of a multiline write-to-operator (MLWTO) message that is generated as a result of the HLEENV command. The MLWTO message lists preinitialized environment statistics for the environment type specified on the HLEENV command.

Message Variables

reg_most

The maximum number of preinitialized environments in use at any one time from the pool of environments allocated with the REGENVS keyword of the HLEENV command

crit_most

The maximum number of preinitialized environments in use at any one time from the pool of environments allocated exclusively for PL/I programs with bit 4 set in HLLOPTS

System action

The statistics for the preinitialized environment type are displayed in the BNH040I MLWTO message.

Operator response

Record the statistics for your system programmer.

System programmer response

Analyze the statistics provided in the MLWTO message and your system requirements. Use this information to optimize performance for the preinitialized environment type using the HLEENV command and HLLOPTS HLL runtime options.

For information about using the HLEENV command, see the online help. For information about HLLOPTS, see *IBM Z NetView Programming: PL/I and C*. For more information about tuning preinitialized environments, see the *IBM Z NetView Tuning Guide*.

BNH047I **TIMES USED. REGENVS: *reg_used***
CRITENVS: *crit_used*

Explanation

This is the eighth line of a multiline write-to-operator (MLWTO) message that is generated as a result of the HLEENV command. The MLWTO message lists preinitialized environment statistics for the environment type specified on the HLEENV command.

Message Variables

reg_used

The total number of times that PL/I programs defined to run in a preinitialized environment actually use an environment from the pool allocated with the REGENVS keyword of the HLEENV command.

crit_used

The total number of times that PL/I programs defined to run in a preinitialized environment actually use an environment from the pool allocated exclusively for programs with bit 4 set in HLLOPTS.

System action

The statistics for the preinitialized environment type are displayed in the BNH040I MLWTO message.

Operator response

Record the statistics for your system programmer.

System programmer response

Analyze the statistics provided in the MLWTO message and your system requirements. Use this information to optimize performance for the preinitialized environment type using the HLEENV command and HLLOPTS HLL runtime options. For information about using the HLEENV command, see the online help.

For more information about tuning preinitialized environments, see the *IBM Z NetView Tuning Guide*.

BNH048I **TIMES UNAVAILABLE. REGENVS:**
reg_unavl **CRITENVS: *crit_unavl***

Explanation

This is the ninth line of a multiline write-to-operator (MLWTO) message that is generated as a result of the HLEENV command. The MLWTO message lists preinitialized environment statistics for the environment type specified on the HLEENV command.

Message Variables

reg_unavl

The number of times all preinitialized environments allocated with the REGENVS keyword are unavailable to a PL/I program defined to run in a preinitialized environment. These programs have bit 4 set to (zero) in HLLOPTS.

crit_unavl

The number of times all preinitialized environments are unavailable to a PL/I program with bit 4 set to 1 in HLLOPTS.

For information about HLLOPTS, see *IBM Z NetView Programming: PL/I and C*.

System action

The statistics for the preinitialized environment type are displayed in the BNH040I MLWTO message.

Operator response

Record the statistics for your system programmer.

System programmer response

Analyze the statistics provided in the MLWTO message and your system requirements. Use this information to optimize performance for the preinitialized environment type using the HLEENV command and HLLOPTS HLL runtime options.

For information about using the HLEENV command, see the online help. For information about HLLOPTS, see *IBM Z NetView Programming: PL/I and C*. For more information about tuning preinitialized environments, see the *IBM Z NetView Tuning Guide*.

BNH049I **AVERAGE NEEDED. REGENVS: x.xx**
 CRITENVS: y.yy

Explanation

This is the tenth and last line of a multiline write-to-operator (MLWTO) message that is generated as a result of the HLEENV command. The MLWTO message lists preinitialized environment statistics for the environment type specified on the HLEENV command.

Message Variables

x.xx

The average number of preinitialized environments needed by a PL/I program from the pool of environments set up with the REGENVS keyword of the HLEENV command. The average is calculated:

- Each time a PL/I program with bit 4 set to 0 in HLLOPTS and actually runs in a preinitialized environment tries to run in an environment allocated with REGENVS keyword of the HLEENV command, whether it finds a preinitialized environment.
- Each time a PL/I program with bit 4 set to 1 in HLLOPTS runs in a preinitialized environment allocated with the REGENVS keyword of the HLEENV command.

y.yy

The average number of preinitialized environments needed by a PL/I program with bit 4 set to 1 in HLLOPTS. The average is calculated:

- Each time a PL/I program tries to run in a preinitialized environment allocated exclusively for programs with bit 4 set in HLLOPTS, whether it finds a preinitialized environment.

System action

The statistics for the preinitialized environment type are displayed in the BNH040I MLWTO message.

Operator response

Record the statistics for your system programmer.

System programmer response

Analyze the statistics provided in the MLWTO message and your system requirements. Use this information to optimize performance for the preinitialized environment type using the HLEENV command and HLLOPTS HLL runtime options.

For information about using the HLEENV command, see the online help. For information about HLLOPTS, see *IBM Z NetView Programming: PL/I and C*. For more information about tuning preinitialized environments, see the *IBM Z NetView Tuning Guide*.

BNH050I **envtype PREINITIALIZED**
 ENVIRONMENT ALLOCATION

Explanation

This is the first line of a multiline write-to-operator (MLWTO) message that is generated as a result of the HLEENV command. The MLWTO message lists preinitialized environment allocation information. You also receive one or more BNH051I messages or one BNH056I message in the MLWTO.

Message Variables

envtype

The preinitialized environment type specified with the TYPE keyword of the HLEENV command. IBMHLPLI is the only possible value for *envtype*.

System action

The allocation information for the preinitialized environment type is displayed in the BNH050I MLWTO message.

Operator response

Record the information for your system programmer.

System programmer response

Analyze the information provided in the MLWTO message to determine what NetView subtasks are

using preinitialized environments. For information about using the HLEENV command, see the online help.

BNH051I **TASK: *taskname* ENVIRONMENTS
IN USE: *number***

Explanation

One or more of these might follow BNH050I in a multiline write-to-operator (MLWTO). It is generated by the HLEENV command. The MLWTO message lists preinitialized environment allocation information.

Message Variables

taskname

The NetView subtask where the HLL command processor is executing in a preinitialized environment. OPER1 and AUTO1 are examples of subtasks.

number

The number of environments in use.

System action

The allocation information for the preinitialized environment type is displayed in the BNH050I MLWTO message.

Operator response

Record the information for your system programmer.

System programmer response

Analyze the information provided in the MLWTO message to determine what NetView subtasks are using preinitialized environments. For information about using the HLEENV command, see the NetView online help.

BNH052I ***envtype* ENVIRONMENT KEYWORD
keyword HAS BEEN CHANGED
FROM *oldval* TO *newval***

Explanation

This message is displayed to verify a change made by the HLEENV command.

Message Variables

envtype

The preinitialized environment type specified with the TYPE keyword of the HLEENV command. IBMHLPLI is the only possible value for *envtype*.

keyword

The keyword changed with the HLEENV command for a specified type. *keyword* can have a value of REGENVS, CRITENVS, PISA, PHEAP, and DEFAULT.

oldval

The value for *keyword* before issuing the HLEENV command with the CHANGE keyword.

newval

The value for *keyword* after issuing the HLEENV command with the CHANGE keyword.

System action

If the value of REGENVS or CRITENVS is changed, preinitialized environments not in use are allocated or freed as requested. If PISA or PHEAP are changed, preinitialized environments not in use are freed immediately and reallocated with the new PISA or PHEAP value.

Any preinitialized environments in use when REGENVS, CRITENVS, PISA, or PHEAP are changed, are not affected until the program running in the environment completes processing.

The value for DEFAULT changes if no preinitialized environments are allocated.

BNH053I ***envtype* ENVIRONMENT
STATISTICS RESET**

Explanation

Indicates that preinitialized environment statistics have been reset for the specified environment type.

Message Variables

envtype

The preinitialized environment type specified with the TYPE keyword of the HLEENV command. IBMHLPLI is the only possible value for *envtype*.

System action

The following preinitialization statistics are reset:

- The date and time that the statistics were last reset.
- The maximum number of environments that were in use at any time.
- The number of times PL/I programs used a preinitialized environment.
- The number of times a PL/I program tried to get a preinitialized environment but none were available.
- The average number of environments needed.

BNH054I **PLEASE WAIT. PROCESSING
YOUR REQUEST...**

Explanation

Your request is being processed and is not yet complete.

Operator response

Wait for your request to be completed.

BNH055E *envtype* ENVIRONMENT REQUEST IGNORED. CHANGING THE *keyword* KEYWORD VALUE IS NOT ALLOWED WHILE ENVIRONMENTS ARE ALLOCATED

Explanation

You attempted to change a preinitialized environment value for the specified type while environments of that type were allocated.

Message Variables

envtype

The preinitialized environment type specified with the TYPE keyword of the HLEENV command. IBMHLPLI is the only possible value for *envtype*.

keyword

The keyword changed with the HLEENV command for a specified type. *keyword* can have a value of DEFAULT.

System action

The change request is ignored.

Operator response

Notify the system programmer of the *envtype* and *keyword* that caused the message.

System programmer response

Issue the HLEENV command with REGENVS=0 and CRITENVS=0. This frees all preinitialized environments when all programs running in those environments complete processing. You can then issue the HLEENV command again and change the values for DEFAULT.

BNH056I NO ENVIRONMENTS CURRENTLY ALLOCATED

Explanation

This is the second and last message of a multiline write-to-operator (MLWTO) message and follows the BNH050I message. The MLWTO is generated by the HLEENV command.

This message indicates that you attempted to list the preinitialized environment allocation information but no environments were in use.

System action

No preinitialized environment allocation information is displayed.

BNH057E *cmd* COMMAND IS NOT A VALID OPERATOR COMMAND

Explanation

You tried to issue a command that is not valid or that you are not authorized to use.

Message Variables

cmd

The command you tried to issue

System action

The command is not processed.

BNH058I THE SPECIFIED WRAP COUNT OF *WrapCnt* EXCEEDS THE MAXIMUM ALLOWABLE VALUE OF *MaxWrapCnt*. *MaxWrapCnt* IS USED INSTEAD.

Explanation

You previously issued an NPDA SDOMAIN command from a previous release of the NetView program and established a session with IBM Z NetView. You later entered an SWRAP EV|ST *WrapCnt* N *resname* command to change an Event or Statistic wrap count at the target NetView system. The *WrapCnt* value you specified is greater than the *MaxWrapCnt* value allowed by the target NetView system. The maximum allowable value was used instead. For the EV (Event) or ST (Stat) data types, the maximum wrap count value that is valid for a NetView system is 450, and the maximum valid value for a prior release of a NetView program is 999.

Message Variables

WrapCnt

The specified wrap count

MaxWrapCnt

The maximum allowable wrap count

System action

Processing continues.

Operator response

The wrap count is set to *MaxWrapCnt*. To change the wrap count, reenter the command with a smaller value.

BNH059I YOUR HOST NETVIEW IS DOWN-LEVEL WITH RESPECT TO THE REMOTE NETVIEW WITH WHICH YOU ARE IN SESSION, AND CANNOT DISPLAY THE CORRECT

**ALERT WRAP COUNT. THE
CORRECT ALERT WRAP COUNT IS
WrapCnt.**

Explanation

You previously issued an NPDA SDOMAIN command, and established a session with IBM Z NetView. Your host NetView program is a prior release. You later entered an NPDA DWRAP AL command. The alert wrap count of the target NetView program is greater than 999, and your prior-release NetView program displays only the last (rightmost) three digits of the wrap count sent from the target NetView program. The actual alert wrap count is *WrapCnt*.

Message Variables

WrapCnt

The wrap count

System action

Processing continues.

BNH060I RMTCMD QUERY INFORMATION

Explanation

This is the first line of a multiline response to the RMTCMD QUERY command. Additional lines of the multiline response contain the RMTCMD QUERY information requested.

BNH061I separator

Explanation

This is a separator line used for readability of multiple multiline messages.

Message Variables

separator

A separator character string used for readability of multiple multiline messages

**BNH062I taskid ON netid.domainid IS NOT A
DISTRIBUTED AUTOTASK**

Explanation

This message is generated as a result of the RMTCMD QUERY command. The *taskid* specification on the RMTCMD QUERY command was not a distributed autotask. Because it is not a distributed autotask, there is no additional information to display.

Message Variables

taskid

The task specification on the RMTCMD QUERY command

netid

The network identifier of the NetView program for *taskid*

domainid

The domain identifier of the NetView program for *taskid*

System action

The RMTCMD QUERY command is complete.

Operator response

To query all active distributed autotasks on your NetView program, issue the RMTCMD QUERY LCLAUTOS command with a *taskid* specification of ALL.

**BNH063I NO RMTCMD QUERY
INFORMATION EXISTS FOR
REQUEST**

Explanation

A RMTCMD QUERY request was issued for which there is no corresponding query information available.

**BNH064I DISTRIBUTED ORIGIN ORIGIN
ORIGIN**

Explanation

This is the first header line of a multiline message used in the output of the RMTCMD QUERY LCLAUTOS command. The columns contain:

DISTRIBUTED AUTOTASK

The name of the distributed autotask.

ORIGIN NETVIEW

The NetView program that issued the RMTCMD command to start the autotask.

ORIGIN OPERATOR

The operator that issued the RMTCMD command to start the autotask.

ORIGIN VERSION

The version and release of the NetView program that issued the RMTCMD command to start the autotask.

System action

Message BNH065I follows this message.

**BNH065I AUTOTASK NETVIEW OPERATOR
VERSION TRANSPORT**

Explanation

This is the second header line of a multiline message used in the output of the RMTCMD QUERY LCLAUTOS command. The columns contain:

DISTRIBUTED AUTOTASK

The name of the distributed autotask.

ORIGIN NETVIEW

The NetView program that issued the RMTCMD command to start the autotask.

ORIGIN OPERATOR

The operator that issued the RMTCMD command to start the autotask.

ORIGIN VERSION

The version and release of the NetView program that issued the RMTCMD command to start the autotask.

TRANSPORT

Indicates the communication mode used to start the remote operator listed on this line.

System action

The remainder of the multiline message contains the information generated by the RMTCMD QUERY LCLAUTOS command.

BNH066I *taskid o_netview o_opid version*
 N/A transport

Explanation

This is a data line of a multiline message used in the output of the RMTCMD QUERY LCLAUTOS command with the expedite option set to N/A.

Message Variables

taskid

The distributed autotask being displayed.

o_netview

The NetView program that issued the RMTCMD command that caused *taskid* to be started.

o_opid

The operator who issued the RMTCMD command that caused *taskid* to be started. The *o_opid* task resides on the *o_netview* NetView program.

version

The version and release of the NetView program (VxRy or VxRyMz).

transport

Indicates the communication mode used to start the remote operator being listed on this line.

BNH067I *scope MASTER IN GROUP*
 group_name SET TO new_master.
 PREVIOUS

MASTER=previous_master,
REASON=reason_code

Explanation

This message is issued for the following reasons:

- When the master NetView program changes in a sysplex or enterprise. This message identifies the new and previous master NetView programs and includes a reason code indicating why the new master program was established.
- When the sysplex master NetView program becomes active.

Message Variables

scope

ENTERPRISE or SYSPLEX

group_name

Group name of the local NetView program

new_master

The master NetView domain name

previous_master

This is either the previous master NetView domain name, or N/A if this message is issued when the first master comes up at initialization or if the message scope is ENTERPRISE.

reason_code

The reason code that is returned. The following codes can be received:

0

The NetView program is established as the master NetView program because the XCF.RANK statement in the CNMSTYLE member is set to 250.

This reason code is also used for enterprise master NetView program changes.

1

The master-capable NetView program is taking over because the master failed.

2

The PLEXCTL command caused the master-capable NetView program to take over.

3

The master-capable NetView program is taking over because the master did not initialize.

Operator response

Check the reason code for the appropriate action.

BNH068I **REMOTE NETVIEW VERSION**
 TRANSPORT

Explanation

This is a header line of a multiline message that is used in the output of the RMTCMD QUERY RMTLUS command or the RMTCMD QUERY RMTDOMS command.

System action

The remainder of the multiline message contains the results of the RMTCMD QUERY RMTLUS command or the RMTCMD QUERY RMTDOMS command.

BNH069I *netid.domainid version transport*

Explanation

This is a data line of a multiline message that is used in the output of the RMTCMD QUERY RMTLUS command or the RMTCMD QUERY RMTDOMS command. This message is repeated in the message for each remote NetView program where an operator has started a distributed autotask.

This message does not imply that the requesting operator currently has an active distributed autotask at *netid.luname*. It indicates there was an active distributed autotask at *netid.luname* at one point and that no sense codes have been received indicating communication failure with *netid.luname*.

Message Variables

netid.domainid

The network identifier of the NetView program where the operator has started a distributed autotask

version

The version and release of the NetView program (VxRy or VxRyMz).

transport

Indicates the communication mode used to start the remote operator being listed on this line.

BNH070I *taskid*

Explanation

This is a data line of a multiline message used in the output of the RMTCMD QUERY RMTAUTOS command.

When more than one BNH070I message is in the multiline message, the first BNH070I message indicates the operator used when OPERID=* is used for sending RMTCMD commands.

Message Variables

taskid

The distributed autotask that is displayed as a result of the RMTCMD QUERY RMTAUTOS command

BNH071I **AUTOTASK *autotask* CANNOT BE DELETED FROM THE GROUP OF VALID NETVIEW OPERATORS BECAUSE IT IS CURRENTLY ASSOCIATED WITH AN MVS CONSOLE**

Explanation

This message is displayed after a REFRESH OPERS command is processed. The autotask *autotask* deleted in DSIOPF is associated with an MVS console and cannot be deleted from the group of valid NetView operators at this time.

Message Variables

autotask

The name of the NetView autotask

System action

The autotask is still defined as a valid NetView operator.

System programmer response

If the autotask is to be deleted, issue the AUTOTASK command to drop the console association from this autotask and then issue the REFRESH OPERS command.

BNH072I **RMTCMD QUERY INFORMATION FROM *netid.domainid***

Explanation

This is the first line of a multiline response from a RMTCMD QUERY command. Additional lines of the multiline response contain the RMTCMD QUERY information requested.

Message Variables

netid

The network identifier of the NetView program that responded with the RMTCMD QUERY information.

domainid

The domain identifier of the NetView program that responded with the RMTCMD QUERY information.

BNH073W **THE REFRESH COMMAND CANNOT BE PROCESSED BECAUSE THERE ARE NO VALID OPERATOR DEFINITIONS IN DSIOPF**

Explanation

This message is displayed after a REFRESH OPERS command is issued. Either DSIOPF contains no valid operator definitions or there was an error processing

DSIOPF or one of its INCLUDE members. The group of valid NetView operators remains unchanged.

System action

The operators that are defined to the NetView program are not changed. If this error occurred during initialization, some operators might not be able to logon until DSIOPF has been corrected.

System programmer response

Update DSIOPF to include at least one valid operator definition and reissue the REFRESH command. If message DSI297E or DSI086I was issued with this message, the NetView program might need to be recycled before the REFRESH OPERS command can work.

BNH074I *command keyword NOT VALID IN A PIPE*

Explanation

The NetView program issues this message when *command keyword* is issued in a pipeline. The *keyword* cannot be used in a pipeline even if the PIPE command is issued from a NetView command list.

Message Variables

command

The name of the command issued

keyword

The keyword that is not valid in a pipeline

System action

The NetView program stops processing the command.

Operator response

Notify the system programmer of the PIPE command that tried to issue *command keyword*. If the PIPE command was issued from a NetView command list, provide the name of the command list.

System programmer response

Remove the keyword from the PIPE command or NetView command list. See *IBM Z NetView Programming: Pipes* for more information about using *keyword* in a pipeline.

BNH075I **MVS COMMAND WAS NOT PROCESSED. COMMAND TEXT MUST BE LESS THAN *max_len* CHARACTERS**

Explanation

The MVS command text exceeded the allowable limit.

Message Variables

max_len

The maximum command length allowed

System action

The command is not sent to MVS for processing.

Operator response

Enter the command again with fewer characters than the maximum allowed.

BNH076I **NETVIEW MVS COMMAND MANAGEMENT RECEIVER ID=*receiver_id* IS ALREADY ACTIVE**

Explanation

NetView MVS Command Management Receiver DSIMCAT is already active. If more than one NetView program is active on z/OS, DSIMCAT can be started only on 1 NetView program.

Message Variables

receiver_id

The NetView MVS Command Management Receiver ID, DSIMCAT

System action

The NetView Optional Task, DSIMCAT, ends.

BNH077I *ep_name* **EXPLICIT UNKNOWN**

Explanation

The operator issued a FOCALPT DISPSOC command. This message is displayed after the header messages are issued. This message is a data item for the FOCALPT DISPSOC command.

Message Variables

ep_name

The name of the entry point

System action

Sphere-of-control data is included in this message.

BNH078I **REMOTE *command* FOR *netid.luname* TERMINATED BECAUSE OF A COMMUNICATION FAILURE**

Explanation

The remote *command* request ended because it was not able to communicate with the remote NetView program.

Message Variables

command

The remote request that failed

netid.luname

The network identifier of the NetView program with which the *command* was unable to communicate

System action

The *command* being processed ended because of the communication failure.

Operator response

Ensure the parameters to *command* were specified correctly. Contact the system programmer.

System programmer response

Determine the cause of the communications problem and correct the error. Messages in the network log can help to determine more specifically what the error might be.

BNH079I **REMOTE *command* FOR *netid.luname* TERMINATED. MESSAGE *msgid* FOLLOWS WITH ADDITIONAL INFORMATION**

Explanation

A remote *command* request ended and caused this message to be issued. To determine why the request ended, see *msgid* which is issued after message BNH079.

Message Variables

command

The remote request for which the message is being issued.

netid.luname

The network identifier of the NetView program for which the message is being issued.

msgid

This message is issued after message BNH079 and contains additional information about why the remote *command* request ended.

System action

The *command* being processed ends because of the condition being reported in *msgid*.

Operator response

Ensure the parameters to *command* were specified correctly. See *msgid* for additional information and contact the system programmer if the error cannot be corrected.

System programmer response

Determine the cause of the condition being reported in this message and correct the problem.

BNH080I ***target* FROM *netid.luname* USING OPERID *autoid***

Explanation

A remote browse request is identified with this message. It indicates which remote NetView program and distributed autotask was used to satisfy the remote browse request.

Message Variables

target

The remote browse target. When you are browsing a remote member, this field contains the remote member name - it might be a member name for which the requested name is a command synonym. When you are browsing a remote network log, this field is set to NETLOG.

netid.luname

The network identifier of the NetView program where the *target* resides.

autoid

The distributed autotask that was used to satisfy the remote browse request.

BNH081I ***command* WAITING FOR DATA FROM *netid.luname***

Explanation

A remote *command* request was issued and the application is waiting for a response from the remote NetView program.

Message Variables

command

The request that is waiting for the remote NetView program to reply

netid.luname

The network identifier of the remote NetView program, that is processing the remote *command* request

System action

The *command* being processed is pending until the remote NetView program responds with the data.

Operator response

While the request being processed is pending, you might ROLL to another application or issue other NetView commands. When the remote NetView program responds, this message goes away. If you END or RETURN from the application before the remote NetView response to the request, the application is considered complete and any response is ignored. If the application takes too long to respond, contact the system programmer. You can also exit the application and issue the command again to determine if communication is still possible.

System programmer response

Determine the cause of the delayed response and correct any problem that might exist. When you are browsing a large member, significant data transfer can cause a slow response time. The RMTMAXL setting for the DEFAULTS and OVERRIDE commands can be used to limit the amount of data which is transferred for a remote member browse request.

BNH082I ***synname* IS A COMMAND
SYNONYM FOR *cmdname***

Explanation

The user requested to browse a member name that is a command synonym of a member with a different name, as defined in CNMCMD.

Note: For a remote member browse request, any command synonym information is displayed in message BNH080I.

Message Variables

synname

The member name requested that is a command synonym

cmdname

The name of the member for which the requested name is a synonym

BNH083I **REMOTE DISTRIBUTED REMOTE**

Explanation

This is the first header line of a multiline message used in the output of the RMTSESS command. This message is followed by message BNH084I. The columns contain:

REMOTE NETVIEW

The name of the remote NetView program where the autotask was started

DISTRIBUTED AUTOTASK

The name of the distributed autotask

REMOTE VERSION

The version and release of the remote NetView program

System action

The data lines of this multiline message contain the information generated by the RMTSESS command.

BNH084I **NETVIEW AUTOTASK VERSION**

Explanation

This is the second header line of a multiline message used in the output of the RMTSESS command. This message follows message BNH083I. The columns contain:

REMOTE NETVIEW

The name of the remote NetView program where the autotask was started

DISTRIBUTED AUTOTASK

The name of the distributed autotask

REMOTE VERSION

The version and release of the remote NetView program

System action

The data lines of this multiline message contain the information generated by the RMTSESS command.

BNH085I ***netview autotask version***

Explanation

This is a data line of a multiline message used in the output of the RMTSESS command.

Message Variables

netview

The remote NetView program where you have started the distributed autotask.

autotask

The distributed autotask with which you have an active association. The *autotask* distributed autotask resides on the *netview* NetView program.

version

The version and release of the remote NetView program *netview*.

BNH086I **DEFINING *verbname*.**

Explanation

Subsequent messages pertaining to the command characteristics definition of the *verbname* specified. When issued in response to a query, the actual stages that determine the characteristics to follow.

Otherwise, any messages that follow report an error encountered during definition of *verbname*.

Message Variables

verbname

The command verb being defined

System action

Processing continues.

BNH087I **NETVIEW COMMAND CHARACTERISTICS TABLE NOT FOUND**

Explanation

This message is issued in response to a CCDEF QUERY, stating that no command has been successfully defined, and that no NetView Command Characteristics (CCDEF) table exists. The CCDEF table defines when to stop waiting for responses to asynchronous commands. Host commands from NMC and several NetView command lists use this information to ensure that you see your responses without excessive waits.

This message might also be issued when a PIPE command with the CORRCMD stage is running. The CORRCMD stage accesses the CCDEF table to build timer and termination conditions in the pipeline until the CCDEF table is loaded, using the CCDEF command, the CORRCMD stage uses a long default timer value to allow messages time to return to the pipeline.

System action

Processing continues.

Operator response

Issue CCDEF, specifying an appropriate member, if wanted.

BNH088I **RODM QUERY FAILED, RETURN CODE = *retcode*, REASON CODE = *reascode***

Explanation

A RODM query failed.

Message Variables

retcode

The return code from the RODM query

reascode

The reason code from the RODM query

System action

No RODM query information is available.

Operator response

Notify the system programmer.

System programmer response

Determine the cause of the RODM query failure from the return code and reason code provided. Correct the problem and enter the command again.

BNH089E **ACCESS OF LOCAL VARIABLES NOT ALLOWED BY *name***

Explanation

A command list cannot access the local variables defined by another command list. The command list, *name*, has tried to issue a command which is attempting to access local variables of another command list. If the command list, *name*, is started from a command list, *name* might be trying to use the variables defined by the starting command list.

Message Variables

name

The command list that is trying to access the variables

System action

Processing ends.

Operator response

Change the command, and issue the command list again. If the command issued was a PIPE command with a STEM or VAR stage, change the PIPE command to use the SAFE stage that allows access to command list messages.

BNH090I **BUFFER TYPE = INDEX**

Explanation

This is a secondary label line for the VSAMPOOL command. It identifies that the following statistics see the INDEX LSR buffer pools.

System action

The VSAMPOOL command continues.

BNH091I **BUFFER TYPE = DATA**

Explanation

This is a secondary label line for the VSAMPOOL command. It identifies that the following statistics see the DATA LSR buffer pools.

System action

The VSAMPOOL command continues.

**BNH092I ALERT WAS FORWARDED FROM
 NODE *netid.nau* VIA® SNA-MDS.**

Explanation

The alert you selected was forwarded from the indicated entry point node using the SNA-MDS LU 6.2 alert forwarding protocol. The sending product in the entry point node might be a NetView program or non-NetView product, such as an AS/400.

Message Variables

netid.nau

The name of the entry point node that forwarded the alert.

When the NetView program cannot determine the NetID name of the entry point name, an * (asterisk) is displayed, for example **.nau*.

When the NetView program can determine the node name, but cannot determine if the node name is the node name of the entry point (the node name might be that of an intermediate focal point node), the node name is preceded by an * (asterisk), for example **netid.nau* is displayed.

System action

Processing continues.

BNH093I * *protocol1* FOCAL POINT
 DISALLOWED DUE TO "ALERTFWD
 protocol2" IN *member***

Explanation

This message is one line of the multiline write-to-operator (MLWTO) message output from the FOCALPT QUERY command for the ALERT category. The ALERTFWD statement in member *member* defines the alert forwarding protocol for your node, either explicitly or by default. The defined alert forwarding protocol for your node is *protocol2*. The message line preceding this message line in the FOCALPT QUERY output is a title line for alert forwarding by the *protocol1* protocol. This message is sent because your node is not permitted to forward alerts by the *protocol1* protocol.

Note: If your node alert forwarding protocol is NV-UNIQ, your node is permitted to be a local alert focal point using the SNA-MDS protocol. However, your node is not permitted to have a remote focal point where alerts are forwarded using SNA-MDS.

Message Variables

protocol1

The alert forwarding protocol that is not permitted

protocol2

The alert forwarding protocol defined for your node in the ALERTFWD statement

member

The member that contains the ALERTFWD statement

System action

Processing continues.

**BNH094I MDS ERROR MESSAGE RECEIVED
 BY APPLICATION *loc_appl* FROM
 APPLICATION *sending_appl* IN
 NODE *netid.nau*. SNA SENSE CODE
 IS X'*sensecod*'.**

Explanation

The local MS (Management Services) application *loc_appl* received an MDS error message from an MS application *sending_appl* in node *netid.nau*. The SNA sense code present in the MDS error message is displayed.

If *loc_appl* is ALERT, the problem might be that the NetView program forwarded an unarchitected alert to a non-NetView program alert focal point. Non-NetView program alert focal points, such as AS/400, cannot process all the types of unarchitected alerts that the NetView program forwards. You might consider restructuring your focal points so that your NetView node has a NetView alert focal point.

If *loc_appl* is HMON_OST, either an NPDA SDOMAIN command failed because of an LU 6.2 transport failure when the hardware monitor attempted to establish a cross-domain session. Or, the SDOMAIN command completed successfully but a subsequent hardware monitor command failed because of an LU 6.2 transport failure. If the *sensecod* is X'08A80003' or X'08A8000A' the target domain specified on the SDOMAIN command might be a NetView Version 2 or earlier release.

If *loc_appl* is HMON_DST, the hardware monitor attempted to send response data to an operator in another node but the send failed because of an LU 6.2 transport failure.

Message Variables

loc_appl

The local MS application that received the MDS error message. If you receive this information in character format, see the REGISTER command in the NetView online help to see the corresponding hexadecimal format.

sending_appl

The MS application that sent the MDS error message. If you receive this information in character format, see the REGISTER command in the NetView online help to see the corresponding hexadecimal format. If the value of this field is UNKNOWN, the NetView program cannot determine the name of the MS application.

netid.nau

The node where *sending_appl* resides. If the value of this field is UNKNOWN, the NetView program cannot determine the node name where the sending program resides. If the value of the *netid* is *, the NetView program can determine the *nau* name, but not the *netid* name.

sensecod

The sense code present in the MDS error message.

System action

Processing continues.

Operator response

Notify the system programmer.

System programmer response

Check the sense code in *Systems network Architecture network Product Formats* or issue the SENSE command and take corrective action. If necessary, contact IBM Software Support.

BNH095I APPLICATION ERROR MESSAGE RECEIVED BY APPLICATION *loc_appl* FROM APPLICATION *sending_appl* IN NODE *netid.nau*. SNA SENSE CODE IS X'*sensecod*'.

Explanation

Local MS Application *loc_appl* received an application error message from MS Application *sending_appl* in node *netid.nau*. The SNA sense code present in the application error message is displayed.

If *loc_appl* is ALERT, the problem might be that the NetView program forwarded an unarchitected alert to a non-NetView program alert focal point. Non-NetView alert focal points, such as AS/400, cannot process all types of unarchitected alerts that the NetView program forwards. You might consider restructuring

your focal points so that your NetView node has a NetView alert focal point.

Message Variables**loc_appl**

The local MS application that received the application error message. If you receive this information in character format, see the REGISTER command in the NetView online help to see the corresponding hexadecimal format.

sending_appl

The MS application that sent the application error message. If you receive this information in character format, see the REGISTER command in the NetView online help to see the corresponding hexadecimal format. If the value of this field is UNKNOWN, the NetView program cannot determine the name of the sending MS application.

netid.nau

The node where *sending_appl* resides. If the value of this field is UNKNOWN, the NetView program cannot determine the node where the sending program resides. If the value of the *netid* is *, the NetView program can determine the *nau* name, but not the *netid* name.

sensecod

The sense code present in the application error message.

System action

Processing continues.

Operator response

Notify the system programmer.

System programmer response

Check the sense code in *Systems network Architecture network Product Formats* or else issue the SENSE command and take corrective action. If necessary, contact IBM Software Support.

BNH096I DEFFOCPT STATEMENT IN *member1* FOR ALERT FORWARDING PROTOCOL *protocol1* IS IGNORED DUE TO "ALERTFWD *protocol2*" STATEMENT IN *member2*.

Explanation

The ALERTFWD statement in member *member2* defines the alert forwarding protocol *protocol2* for your node, either explicitly or by default. The DEFFOCPT statement for category ALERT in member *member1* defines an alert focal point for the alert forwarding

protocol *protocol1*. The DEFFOCPT statement is ignored.

For example, if your CNMSTYLE member specifies a value for NPDA.ALERTFWD that begins with SNA-MDS, your node is defined to forward alerts using the SNA-MDS LU 6.2 alert forwarding protocol. However, if you also include a DEFFOCPT statement for category alert in member DSICRTTD that defines an NV-UNIQ alert focal point, the DEFFOCPT statement is ignored and this message is issued.

Message Variables

member1

The member that contains the DEFFOCPT statement for category ALERT

protocol1

The alert forwarding protocol that has been overridden by the ALERTFWD statement

protocol2

The alert forwarding protocol defined by the ALERTFWD statement

member2

The member that contains the ALERTFWD statement

System action

Processing continues.

Operator response

Notify the system programmer.

System programmer response

Determine whether your alert forwarding protocol is defined. If so, delete the DEFFOCPT statement in *member1*. If not, change the *protocol2* setting on the ALERTFWD statement in *member2*.

**BNH097I COMMAND FAILED. A DATA
 TRANSPORT FAILURE OCCURRED.**

Explanation

You entered a command that required data to be sent or received using a data transport, such as the LU 6.2 transport. During processing of the command, a data transport failure occurred, causing the processing of the command to end.

If the failing command is a hardware monitor command, you also receive either message BNH094I or BNJ923I on the command facility screen, giving the reason for the data transport failure.

If message BNH097I is a result of using the alerts dynamic panel to request an alert from a hardware

monitor in another domain, no further alerts are displayed on the alerts dynamic panel.

System action

Processing continues.

Operator response

Notify the system programmer.

System programmer response

If either message BNH094I or BNJ923I is present, respond with its corrective action. Otherwise contact IBM Software Support.

**BNH098I RESPONSE FAILED. A DATA
 TRANSPORT FAILURE OCCURRED.**

Explanation

The NetView program attempted to send response data back to a requestor using a data transport, such as the LU 6.2 transport, when a failure occurred. This inability to send response data back to the requestor eventually causes the requestor to timeout.

If the source of this message is the BNJDSERV task, the requestor is an operator in another domain. This message is accompanied by either message BNH094I or DSI295I which describes the reason for the data transport failure. Furthermore, if the data being sent is a new alert to an operator viewing the alerts dynamic panel in another domain, the alerts dynamic panel receive no further alerts.

System action

Processing continues.

Operator response

Notify the system programmer.

System programmer response

Take corrective action as specified by message BNH094I or DSI295I, if present. Otherwise, contact IBM Software Support.

**BNH099I ALERT WAS NOT FORWARDED VIA
 SNA-MDS. IS LOCAL OR
 FORWARDED VIA NV-UNIQ.**

Explanation

The alert you selected is either a local alert or an alert that was forwarded from a NetView program in a remote domain using the NetView-unique LUC alert forwarding protocol.

System action

Processing continues.

BNH100I **IMPROPER MSU RECEIVED BY APPLICATION *loc_appl* FROM APPLICATION *sending_appl* IN NODE *netid.nau*. SNA SENSE CODE IS X'*sensecod*'.**

Explanation

Local MS application *loc_appl* received an improper MSU from MS application *sending_appl* in node *netid.nau*. The SNA sense code indicates why the local MS application rejected the MSU.

If *loc_appl* is ALERT, the NetView Alert_Netop MS application received the improper MSU. This message is followed by other messages, such as BNJ052I, BNJ049I, and BNJ050I, which provide further information concerning the improper MSU.

Message Variables

loc_appl

The local MS application that received the improper MSU. If you receive this information in character format, see the REGISTER command in the NetView online help to see the corresponding hexadecimal format.

sending_appl

The MS application that sent the improper MSU. If you receive this information in character format, see the REGISTER command in the NetView online help to see the corresponding hexadecimal format. If the value of this field is UNKNOWN, the NetView program cannot determine the name of the sending MS application.

netid.nau

The node where *sending_appl* resides. If the value of this field is UNKNOWN, the NetView program cannot determine the node where the sending program resides. If the value of *netid* is *, the NetView program can determine the *nau* name, but not the *netid* name.

sensecod

The sense code that indicates why the local MS application rejected the MSU.

System action

Processing continues.

Operator response

Notify the system programmer.

System programmer response

If the sending MS application is an application that is supplied by IBM, contact IBM Software Support. Otherwise, check the sense code in *Systems network Architecture network Product Formats* or issue the SENSE command and take corrective action.

BNH101I **** USE THE "FOCALPT QUERY" COMMAND TO DISPLAY THE *category* FOCAL POINT ****

Explanation

The LIST FOCPT command no longer supports displaying the focal point for category *category*. Use the FOCALPT QUERY command to display the focal point for this category of data.

Message Variables

category

The category of data for which focal point information is to be displayed

System action

Processing continues.

Operator response

Use the FOCALPT QUERY command to display the focal point for this category.

BNH102I **IMPROPER MSU RECEIVED BY NETVIEW. SNA SENSE CODE IS X'*sensecod*'.**

Explanation

The NetView program received an MSU record that failed a parse check. The SNA Sense Code indicates why this failed. Message BNH102I might be accompanied with other messages, such as BNH116I, BNJ052I, BNJ049I, and BNJ050I. These messages provide more information concerning the improper MSU.

Message Variables

sensecod

The sense code that indicates why the MSU failed a parse check

System action

Processing continues.

Operator response

Notify the system programmer.

System programmer response

Check the sense code in *Systems network Architecture Formats* and take corrective action.

BNH103I **COMMAND ISSUED AT: *mm/dd/yy*
*hh:mm:ss***

Explanation

This message is a line in a multiline write-to-operator message (MLWTO). It shows the time the command was issued, which caused the MLWTO to be created.

Message Variables

mm/dd/yy

The date when the command was issued. The date format depends on the TRANSMSG member, when in effect, and on the date operands of the DEFAULTS and OVERRIDE commands.

hh:mm:ss

The time when the command was issued. The time format depends on the TRANSMSG member, when in effect, and on the time operands of the DEFAULTS and OVERRIDE commands.

BNH104I **THE DBAUTO MAINTENANCE
ACTIONS HAVE BEEN STOPPED
FOR *component***

Explanation

The VSAM database has run out of space twice in a certain period, which is defined by default in DSITBL01 as 15 minutes. The action taken after the first time has not been attempted again.

Message Variables

component

Specifies the VSAM component, for example HARDWARE MONITOR or TCPCONN.

System action

None.

System programmer response

Either allocate additional space for the VSAM database or implement filtering.

BNH105I **THE DOMAIN '*domain*' DOES NOT
SUPPORT APPLICATION
applname.**

Explanation

The application routed a request for data to the domain named. That domain cannot properly respond to the request.

Message Variables

domain

The name of the domain

applname

The name of the application

System action

The request is rejected.

Operator response

See the help facility for the named application for possible circumvention. If the application is WINDOW and the remote domain is a NetView V2R3 domain, you can often circumvent the problem by issuing your command in a pipeline. If your command is asynchronous, appropriate CORRWAIT and TOSTRING stages must be added.

Example:

```
WINDOW PIPE NETVIEW your-cmd-here
| COLLECT
| CONSOLE ONLY
```

System programmer response

Consider applying the latest release of the NetView code to the named domain.

BNH106I **COS GATEWAY COMMAND
REQUEST FAILED FOR SERVICE
POINT *sp***

Explanation

A COS Gateway driven RUNCMD has failed for the indicated service point. Check the NetView log for further information regarding the failure.

Message Variables

sp

Service point

Operator response

Check the NetView log for further messages regarding the service point specified in message. If unresolvable contact your system programmer.

System programmer response

Check the NetView log for further information. See message DUI394E for possible causes of the failed command.

BNH107I **STATMON HAS BEEN BROUGHT
UP AS A SECONDARY STATUS
MONITOR. RESOURCE STATUS**

**WILL NOT BE AVAILABLE
THROUGH STATMON**

Explanation

For this NetView program, STATMON has been started as a secondary status STATMON. STATMON shows all statuses in the NEVACT state. No status information is available through STATMON.

System action

STATMON processing continues to enable browse.

Operator response

Contact your system programmer.

System programmer response

If the status monitor on this system is the one receiving status information, ensure that the O SECSTAT statement in DSICNM is commented out. If the O SECSTAT statement is already commented out, determine if another status monitor on this system is receiving the status updates. Only one STATMON per system can receive status information.

**BNH108I HARDWARE MONITOR MESSAGES
 ARE PRESENT. ENTER "NCCF" TO
 VIEW THEM.**

Explanation

BNJDSERV, the DST task of the Hardware Monitor, encountered a failure while performing processing for you.

System action

Processing continues.

Operator response

Enter the NCCF command to view the Hardware Monitor-related messages, for example, the BNJ137I or BNH109I messages. If you are viewing the Alerts Dynamic panel when the BNH108I message is received, this panel might not be updated when new alerts are received until you enter the NCCF command and then later enter the NPDA command to return to the Alerts Dynamic panel.

**BNH109I DATA SERVICES FAILURE
 ENCOUNTERED DURING ALERT
 RETRIEVAL PROCESSING.**

Explanation

The Hardware Monitor attempted to retrieve an alert from the Hardware Monitor database when a failure occurred. Error messages have been issued to the authorized message receiver.

This alert retrieval processing is performed so that an alert can be retrieved and then sent from the BNJDSERV DST task to your operator's task, where it then is displayed as the newest alert at the top of the Alerts Dynamic panel. This processing occurs even though you might be viewing a panel other than the Alerts Dynamic panel.

System action

Processing continues.

Operator response

Notify the system programmer.

System programmer response

Inspect the network log or syslog for messages that explain the failure, for example, the BNJ020I, BNJ021I, or BNJ022I messages.

The BNH109I message might be received because the NetView program receives a burst of alerts where the number of alerts received is larger than the alert wrap count. One symptom of this is a BNJ022I message with a major code of 8 and a minor code of 16. To correct this, either increase the size of the alert wrap count, or in DSIPARM member BNJMBDST specify ALCACHE WRAPCNT.

**BNH110I STOP TASK RECEIVED: TASK
 taskname MUST STAY ACTIVE**

Explanation

A STOP command was issued for a task that is required to be active.

Message Variables

taskname

The task name for which STOP TASK or STOP FORCE was issued

System action

The task responded to the STOP command. The task is necessary for the operation of the NetView program. The task is apparently running because the message was issued by the task in response to the STOP command. The task continues to operate or waits for work.

Operator response

None. The operator must not attempt to stop a task if it is running normally.

BNH111I **NETVIEW LOGON SCREEN
BYPASS IS NOW ENABLED**

Explanation

A LOGONPW ENABLE or LOGONPW QUERY command was issued.

System action

The screen bypass function is enabled.

Operator response

You can bypass the logon screen when you log on to the NetView program.

BNH112I **NETVIEW LOGON SCREEN
BYPASS IS NOW DISABLED**

Explanation

A LOGONPW DISABLE or LOGONPW QUERY command was issued.

System action

The screen bypass function is disabled.

Operator response

You cannot bypass the NetView logon screen when you log on to the NetView program.

BNH113W **FULL SCREEN DISPLAYS ARE NOT
SUPPORTED IN THIS
ENVIRONMENT.**

Explanation

A request for a full screen display is issued while the current operator task environment has its output directed away from the NetView operator console. Full screen display requests can be honored only while output is displayed on the NetView console. Examples of processes that direct their output away from the NetView console are NetView pipelines and NMC command response displays.

System action

The request is rejected.

Operator response

Enter the command that caused the error directly from the NetView operator console.

BNH114I **TARGET NETVIEW VERSION 2
RETURNS 18 LINES AT A TIME**

Explanation

You are browsing a remote network log that is not at a late enough release level to provide more than 18 lines at a time. This message is displayed by the browse facility to explain why the number of lines is less than if you were browsing the local log, or if the target NetView system was at a later release level. There is no problem. When translating this message, the length is limited to 71 characters.

BNH115A **SPECIAL SECURITY IN EFFECT
FOR BROWSE AND READSEC.**

Explanation

The NetView program detected possible security lapses during initialization. There might not be a CMDDEF statement for the READSEC command.

BROWSE and other commands that might display sensitive data derive their security from READSEC. To compensate for the possible security exposure, READSEC treats all data that might be sensitive as being fully protected.

This message is issued as each operator logs on, or as each autotask is started, for as long as the condition remains in effect. The first such message is marked as primary as if it had been routed as a result of the ASSIGN command with the PRI keyword. All subsequent copies are marked as secondary.

System action

BROWSE and other requests to display disk resident data fail. Message DSI213I might be displayed.

Operator response

Report the error to the system programmer or security administrator.

System programmer response

Review security procedures for READSEC in the *IBM Z NetView Security Reference*. Issue the REFRESH command with the CMDAUTH keyword to establish the appropriate security.

BNH116I **IMPROPER MSU RECEIVED BY
NETVIEW. OFFSET TO BYTE
WHERE THE PARSE FAILURE WAS
DETECTED IS *offset*.**

Explanation

The NetView program received an MSU record that failed a parse check. The *offset* indicates the approximate location in the MSU where the parse failure was detected. Message BNH116I might be accompanied by other messages, such as BNH102I, BNJ052I, BNJ049I, and BNJ050I. These messages provide more information concerning the improper MSU. One or more BNJ049I messages display the improper MSU record. Use the *offset* with the BNJ049I messages to determine the approximate location of where the parse failure was detected in the MSU record. Because of the nature of parsing MSUs, the portion of the MSU that is in error can either precede or follow the byte indicated by the *offset*. Therefore, the *offset* indicates an approximate location rather than the exact location in the MSU.

Message Variables

offset

A zero-origin offset to a byte in the MSU record. The parse failure was detected at approximately the location of this byte. When it has a value of 0, the parse failure might be because of a required subvector not being present in a major vector.

System action

Processing continues.

Operator response

Notify the system programmer.

System programmer response

Determine the portion of the MSU record that is in error, and take corrective action.

**BNH117I HARDWARE MONITOR DETECTED
 INCOMPATIBLE DATA BASE
 DataBaseName.**

Explanation

The hardware monitor database *DataBaseName* is not compatible with the release level of your NetView program.

Message Variables

DataBaseName

The name of the incompatible database

System action

Processing continues.

Operator response

Notify the system programmer.

System programmer response

Determine whether your release of the NetView program requires the hardware monitor database to be erased and reallocated. If so, perform the reallocation and recycle the hardware monitor BNJDSERV task. If a database reallocation is not required, or this message is issued after a reallocation is complete, contact IBM Software Support.

**BNH118E DATA SET ORGANIZATION *orgtype*
 OF *dsn* IS NOT SUPPORTED.**

Explanation

The data set organization of the data being read is incorrect. If the command is PIPE QSAM, then the specified data set must be either physical sequential (PS) or partitioned organization (PO) in order to be read.

Message Variables

orgtype

The data set organization of the data set specified with the command

dsn

The name of the data set that failed to be processed

System action

Processing stops.

Operator response

The data must be read by some other method (such as a special purpose DST) or the data must be reorganized (possibly by IDCAMS).

BNH119E NO MEMBER SPECIFIED.

Explanation

The command entered or the data set specified requires a member name in order to be read. If the command is PIPE QSAM, the specified data set is a PDS and a member must be specified for the data to be read.

System action

Processing stops.

Operator response

Specify the necessary member name.

BNH120E DSIPRF DD IS NOT AVAILABLE**Explanation**

To run the SECMIGR command, the DSIPRF DD must be allocated and must contain operator logon profiles.

System action

The SECMIGR command fails.

Operator response

Contact your system programmer.

System programmer response

If SECMIGR is needed by the operator, use the NetView program ALLOCATE command to define the DSIPRF DD. For information about the ALLOCATE command, see the NetView online help. For future use of SECMIGR consider adding the DSIPRF DD to the NetView startup procedure.

BNH121E DEFAULT OUTPUT MEMBER NAME WAS OVERRIDDEN BUT NO MEMBER NAME WAS SUPPLIED**Explanation**

The SECMIGR command default output member name was overridden but no replacement was supplied.

System action

The SECMIGR command fails.

Operator response

Reissue the SECMIGR command using the default member name or supply a new member name for the output.

BNH122E OUTPUT MEMBER NAME *membername* IS INVALID**Explanation**

The *membername* specified for output is too long.

Message Variables***membername***

The specified output member name

System action

The SECMIGR command fails.

Operator response

Reissue the SECMIGR command using a valid member name of 8 or fewer characters.

BNH123E OUTPUT MEMBER *membername* IN DATASET *dsname* CANNOT BE REPLACED BY THE SECMIGR COMMAND**Explanation**

The output *membername* in *dsname* cannot be replaced. This condition occurs when a member exists but does not contain the write protect key written by the SECMIGR command. Only SECMIGR output members can be replaced.

Message Variables***membername***

Output member name that cannot be replaced

dsname

Data set name containing the subject member

System action

The SECMIGR command fails.

Operator response

Reissue the SECMIGR command using a different output member name or contact your system programmer.

System programmer response

Check the NetView log for additional information related to the error. Determine if the output member name specified must be deleted so SECMIGR can use it for output. Reissue the SECMIGR command when an available output member is identified.

BNH124E SECMIGR TEMPORARY MEMBER *membername* IN DATASET *dsname* CANNOT BE REPLACED BY THE SECMIGR COMMAND**Explanation**

SECMIGR uses a scratch file or temporary member when converting from scope of commands security to RACF® definitions (SCP2RACF). The *membername* exists but does not contain the write protect key written by the SECMIGR command. Only SECMIGR output members can be replaced by SECMIGR.

Message Variables***membername***

Output member name that cannot be replaced

dsname

Data set name containing the subject member

System action

The SECMIGR command fails.

Operator response

Contact your system programmer.

System programmer response

Determine whether the output member name specified must be deleted so SECMIGR can use it as a scratch file. If the member cannot be deleted update the SECMIGR source code variable DEF_TMP_OUT with an available member name.

**BNH125E ONLY ONE CONVERSION OPTION
 CAN BE SELECTED****Explanation**

Only one conversion option can be processed by SECMIGR for each invocation.

System action

The SECMIGR command fails.

Operator response

Select a single SECMIGR conversion option from the panel and press enter.

**BNH126E NO CONVERSION OPTION WAS
 SELECTED, SELECT AN OPTION OR
 REQUEST HELP****Explanation**

None of the SECMIGR conversion options were selected.

System action

The SECMIGR command fails.

Operator response

Select one conversion option by placing a character next to it on the SECMIGR main panel. If you need additional information enter HELP or HELP SECMIGR from the SECMIGR main panel.

**BNH127E OPERSEC SETTING '*opersec*'
 SPECIFIED IS INVALID****Explanation**

The *opersec* setting specified is not a valid value.

Message Variables***opersec***

The OPERSEC setting

System action

The SECMIGR command fails.

Operator response

Reissue the SECMIGR command with SAFPW, SAFCHECK, or SAFDEF specified for the OPERSEC setting.

**BNH128E DEFAULT *parmtype* DEFINITION
 DD WAS OVERRIDDEN BUT NO
 REPLACEMENT WAS SUPPLIED****Explanation**

The SECMIGR default DD name was overridden, but no replacement was specified.

Message Variables***parmtype***

The DD statement where the input parameters for *parmtype* is to be located. Possible values are:

OPERATOR

Corresponds to the DD statement where the member containing OPERATOR statements is located (typically the member used is DSIOPF)

COMMAND

Corresponds to the DD statement where the member containing CMDDEF statements is located (typically the member used is CNMCMD)

SECTABLE

Corresponds to the DD statement where the member containing the temporary command authorization table is located

System action

The SECMIGR command fails.

Operator response

Reissue the SECMIGR command using the default DD name or specify a new DD name for input.

**BNH129E DEFAULT *parmtype* DEFINITION
 MEMBER WAS OVERRIDDEN BUT
 NO REPLACEMENT WAS
 SUPPLIED**

Explanation

The SECMIGR default input member name was overridden, but no replacement was specified.

Message Variables

parmtype

The input member name to be used for *parmtype* parameters. Possible values are:

OPERATOR

Corresponds to the DD statement where the member containing OPERATOR statements is located (typically the member used is DSIOPF)

COMMAND

Corresponds to the DD statement where the member containing CMDMDL statements is located (typically the member used is DSICMD)

SECTABLE

Corresponds to the DD statement where the member containing the command authorization table is located

System action

The SECMIGR command fails.

Operator response

Reissue the SECMIGR command using the default member name or specify a new member name for input.

BNH130I	SECMIGR <i>option</i> CONVERSION COMPLETE. SEE OUTPUT MEMBER <i>member</i>
----------------	---

Explanation

The SECMIGR conversion *option* completed and output *member* has been generated.

Message Variables

option

The specified SECMIGR conversion option. Possible values are:

OPS2RACF

Operators to RACF

SPN2RACF

Spans to RACF

SCP2TBL

Scope to NetView Security Table

TBL2RACF

NetView Security Table to RACF

SCP2RACF

Scope to RACF

member

The requested output member name.

BNH131E	ERROR ALLOCATING SECMIGR OUTPUT FILE. ALLOCATE RC <i>retcode</i>
----------------	---

Explanation

The SECMIGR command was unable to allocate the output member. This message might be followed by another message that contains additional information.

Message Variables

retcode

The return code issued by the ALLOCATE command

System action

The SECMIGR command fails.

Operator response

Record the output member name and data set you selected and contact your system programmer.

System programmer response

Check the NetView log for additional information related to the error. Verify that the output member and data set is available to the operator and the data set is not full. Update the data set or provide an alternate data set for the operator to use as needed. See the NetView online help for descriptions of the ALLOCATE return codes.

BNH132E	SECMIGR DETECTED AN ERROR WHILE READING <i>file</i>
----------------	--

Explanation

The SECMIGR command detected an error while trying to read the *file*. This message might be followed by another message which contains additional information.

Message Variables

file

The file that cannot be accessed can be displayed in 2 forms. If a '/' is present, the file is of the format DD_Name/member. If a '()' is present, the file is of the format Data_Set_Name(member).

System action

The SECMIGR command fails.

Operator response

Record the file name displayed and contact your system programmer.

System programmer response

See the NetView log for additional information related to the error. Verify that the file exists and the operator has access to it. If present, use the information in subsequent messages to resolve the problem.

BNH133E THE NETVIEW COMMAND AUTHORIZATION TABLE *tblname* FAILED REFRESH TEST

Explanation

SECMIGR uses the TEST keyword of the REFRESH command to validate the command authorization table before converting it. The command authorization table contains errors.

Message Variables

tblname

The NetView command authorization table that contains the errors

System action

The SECMIGR command fails.

Operator response

Record the command authorization table name displayed and contact your system programmer.

System programmer response

Correct the NetView command authorization table before converting it. It is possible that the NetView command authorization table that has failed the REFRESH TEST is the current table. Tables load at NetView initialization even if they contain errors, but SECMIGR requires a table that contains no syntax errors.

BNH134E THE OUTPUT MEMBER SELECTED COULD NOT BE WRITTEN TO OR CLOSED

Explanation

The SECMIGR command was unable to write to or close your selected output member.

System action

The SECMIGR command fails.

Operator response

Record the output data set and member name you specified. Contact your system programmer.

System programmer response

Verify that the operator has write access to the output data set and that enough space exists in the data set.

BNH135E THE TEMPORARY COMMAND AUTHORIZATION TABLE DD *ddname* IS NOT VALID

Explanation

The temporary command authorization table DD specified is not valid. A value of DSILIST or DSIPARM must be specified.

Message Variables

ddname

The specified DD name

System action

The SECMIGR command fails.

Operator response

Reissue the SECMIGR command with DSILIST or DSIPARM specified for the temporary table DD. If DSIPARM is used, the table is checked for syntax errors before the conversion to RACF statements.

BNH137I *nnnn* NetView commands listed.

Explanation

This message is issued when at least one command matched the selection criteria specified on the DSILCMD command.

Message Variables

nnnn

The number of NetView commands included in the list.

Label Line:

CMD_NAME DATE TIME OPER_ID USAGE_CNT
MOD_NAME MOD_SZ D TY R E P SE ILS F
(CMD_SYNS)...(PARMS(SYNS))

The label line is displayed on a single line, followed by the data lines. The output list can be viewed by scrolling left and right if the command is issued with the NetView program LISTCMD or WINDOW commands.

Data Line:

*cmdname dateadded timeadded operid usagecnt
modname modsize deleted type res echo parse sec
ignrlsup foldup (cmdsyns) (parmsyns)*

Data Line Variables:

**Col/Variable
Explanation**

1/cmdname

The name of the listed command.

10/dateadded

The date the command was added to the NetView program since the NetView program was last started.

19/timeadded

The time the command was added to the NetView program since the NetView program was last started.

28/operid

The ID of the operator who added the command to the NetView program. If this is an internal (permanent) command, the operator ID is SYSOP. If this is a command added by a CMDDEF statement during NetView initialization, the operator ID is the PPT operator ID.

37/usagecnt

The number of times this command was started since it was added.

48/modname

The module name of the command processor.

57/modsize

The module size of the command processor or zero if the command processor cannot be found.

64/deleted

If an asterisk (*), the command cannot be deleted. If N or *, the command entry is active. If Y, the command entry has been deleted but the storage has not been freed. Issue DELCMD and specify FREE=Y to free the command storage. Permanent commands added during NetView initialization cannot be deleted.

66/type

The type of NetView command as defined by the TYPE parameter on the ADDCMD command.

69/res

If N, the command is not resident. If Y, the command is resident.

71/echo

If N, the command string is not echoed to screen of the issuing operator. If Y, the command string is echoed.

73/parse

If N, the command is not parsed before execution. If Y, the command is parsed.

75/sec

Indicates whether to perform security verification on the command as defined by the SEC parameter on the ADDCMD command.

78/ignrlsup

Indicates whether suppression characters appended to the beginning of the command are ignored for command logging purposes. A period (.) in column 80 indicates that there is no IGNRLSUP specification for the listed command.

See the ADDCMD command in the NetView online help for more information.

82/foldup

Indicates whether the command is changed to uppercase. If N, the command is not converted to uppercase. If Y, the command is converted to uppercase.

84/(cmdsyns)

The list of command synonyms defined for this command listed within the parentheses and separated by blanks, for example (*cmdsyn1 cmdsyn2 ...*). If there are no command synonyms, only the parentheses are returned.

+/(parmsyns)

The list of command parameters and associated synonyms listed within the parentheses and separated by blanks. The synonyms are enclosed in parentheses following the associated parameter and are also separated by blanks, for example (*parm1(syn1 syn2 ...) parm2(syna synb ...) ...*). If there are no parameter synonyms, only the parentheses are returned. The starting column cannot be determined because of the varying nature of the command synonyms.

System action

Command processing continues.

BNH138I

No NetView command meets the selection criteria.

Explanation

This message is issued when there are no commands matching the selection criteria specified on the DSILCMD command.

System action

Command processing continues.

BNH139E **Unexpected SAF error extracting
segname segment data from operid
SAF user profile.**

Explanation

The NetView program was unable to perform a RACROUTE EXTRACT of the named segment for the named operator in the SAF USER class.

Message Variables

operid

The ID of the requested SAF USER class operator

segname

The name of the requested SAF USER class segment

System action

The command ends with a non-zero return code.

Operator response

Verify that there are no misspellings. If any misspellings are found, correct them and reissue the command. Otherwise, notify the system programmer.

System programmer response

Check message BNH270E to determine the cause of the error and make the necessary corrections as indicated.

BNH140I **WorkLoad Management service
WLM_service failed for task
task_ID**

Explanation

The identified OS/390® or z/OS workload management service failed.

Message Variables

WLM_service

The name of the WLM service

task_ID

The name of the NetView subtask experiencing the WLM service failure

System action

The NetView program continues processing.

Operator response

Notify your system programmer.

System programmer response

For serious errors, message DWO050E might also be sent to the NetView log. Check the NetView log for additional messages and make any necessary corrections.

BNH141E **PPI REQUEST ISSUED FROM
NETVIEW MVS COMMAND EXIT
FAILED. TYPE=regtype, RC=rc**

Explanation

NetView MVS Command Exit module, DSIMCAEX issues a PPI request to the NetView program that fails.

Message Variables

regtype

The PPI request type, 0014

rc

The return code from the PPI request

System action

The MVS command is not sent to the NetView program.

Operator response

If the return code is 24, the PPI is not active, make sure that the PPI program is started. If the return code is 4 (PPI receiver is not active), 26 (the PPI receiver is not defined) or 35 (the buffer queue of the PPI receiver is full), make sure NetView program is active and the NetView optional task DSIMCAT is started. See the *IBM Z NetView Application Programmer's Guide* for an explanation of all PPI request and return codes.

BNH142I **MVS COMMAND MANAGEMENT IS
SET TO mode**

Explanation

NetView MVS Command Management is set ON, OFF, or to TEST as a result of the 'SET CNMCAUT=xx' command.

Message Variables

mode

can be ON, OFF, or TEST

Operator response

None

BNH143I **MVS COMMAND SENT TO
NETVIEW: command**

Explanation

The MVS command is sent to the NetView program for automation testing. This message is sent only when CNMCAUT is set to TEST.

Message Variables

command

The first 30 characters of the MVS command

Operator response

None

BNH144I	MVS COMMAND IGNORED BY NETVIEW. REASON: <i>reason</i>. COMMAND: <i>command</i>
----------------	---

Explanation

The MVS command is not sent to the NetView program for processing. This message is sent only when CNMCAUT is set to TEST

Message Variables

reason

The reason code, can be one of the following:

BUILT-IN COMMAND IGNORED

The command entered is one of the built-in commands that are not processed by the NetView program.

CONSOLE EXCLUDED

The console name is excluded by the CONSOLE EXCLUSION LIST

CONSOLE NOT INCLUDED

The console name is not included in the CONSOLE INCLUSION LIST

COMMAND EXCLUDED

The command is excluded by the COMMAND EXCLUSION LIST

COMMAND NOT INCLUDED

The command is not included in the COMMAND EXCLUSION LIST

COMMAND TEXT TOO LONG

The command text that was entered is too long

command

The first 30 characters of the MVS command

BNH145E	KEYWORD 'CNMCAUT' HAS INVALID SUFFIX OR VALUE: <i>value</i>
----------------	--

Explanation

A 'SET CNMCAUT=*value*' command is entered but the suffix or the value is incorrect.

Message Variables

value

The value entered

System action

The NetView program ignores the 'SET CNMCAUT=*value*' command.

Operator response

Enter the correct command.

BNH146I	NETVIEW MVS COMMAND EXIT AND PARAMETER LIST ARE INCOMPATIBLE
----------------	---

Explanation

The NetView MVS command exit, DSIMCAEX, is driven by MVS, but the version indicator in the parameter list has an unsupported version.

System action

The MVS release is not supported by this function, the command is not executed.

BNH147I	<i>username</i> DEFINED AS UID = <i>unn</i>, GID = <i>gnn</i>, HOME = '<i>homepath</i>', PROFILE = '<i>profname</i>'
----------------	---

Explanation

Information regarding an Open Edition (UNIX) user's name is returned.

Message Variables

username

The UNIX name for the user

unn

The numeric value associated with the user name

gnn

The numeric value for the user group to which the user is assigned

homepath

The initial directory for the user

profname

The profile command for the user

BNH148E	UNIX SERVICE ERROR FOR '<i>service</i>', RETURN CODE = '<i>retcode</i>'X, REASON CODE = '<i>rescode</i>'X.
----------------	---

Explanation

A failure has occurred in an Open Edition service call.

Message Variables

service

The UNIX service name that failed

retcode

The hexadecimal value of the return code from the service

rescode

The hexadecimal value of the reason code from the service

System action

The request fails.

Operator response

Notify the system programmer.

System programmer response

See the appropriate manual in the Open Edition MVS library for more information regarding the error.

**BNH149I RESET REQUESTED FOR
 'command'**
Explanation

A request was issued to end the named command.

Message Variables**command**

The name of the command

System action

Processing depends upon the command processing to recognize the request.

Operator response

If the command named does not end promptly, you might want to consider a stronger action, such as RESET IMMED or a repeated STOP FORCE.

**BNH150I *format/action* OUTPUT FOR
 '*application*' RECEIVED FROM
 attachname.**
Explanation

This is the first line of a multiline message issued in response to PIPE VET. The data following the message line is from the virtual screen presented on the virtual OST (VOST) *attachname*.

For details on the data returned after this message is issued, see *IBM Z NetView Programming: Pipes*.

Message Variables**format**

The formatting option specified on the VET request. Valid values are ROWS and FIELDS.

action

The action option specified on the VET request. Valid values are CURRENT and NEXT.

application

The name of the application or component created by the command. If the value for *application* is specified, the application allows dynamic remapping of PF and PA keys using the NCCF SET command. PF and PA keys can be used only on a VET subsequent stage or command when these keys cannot be remapped. The *Application* is null (") if the application does not allow dynamic remapping of PF and PA keys.

attachname

The name of the virtual screen being read. This is the name specified on the ATTACH command creating the VOST, or the command verb, if no name was specified on the ATTACH command.

Operator response

No action is required. This message is to be handled by a full-screen automation procedure.

**BNH151E TOO MANY *direction* STREAMS
 WERE DEFINED.**
Explanation

More data streams than the maximum number supported by the PIPE stage were defined. The data stream direction is indicated by *direction*.

Message Variables**direction**

Can be either INPUT or OUTPUT

System action

The pipeline ends before processing any data.

Operator response

This message results from a PIPE application programming error. Notify the system programmer.

System programmer response

Check the PIPE or stage syntax and correct the number of streams.

**BNH152E INSUFFICIENT *direction* DATA
 STREAMS PROVIDED.**

Explanation

The PIPE stage reporting the error requires more data than was provided in the direction specified by *direction*.

Message Variables

direction

Can be either INPUT or OUTPUT

System action

The pipeline ends before processing any data.

Operator response

This message results from a PIPE application programming error. Notify the system programmer.

System programmer response

Check the PIPE syntax and correct the number of streams.

BNH153E **'label' IS AN UNDEFINED LABEL.**

Explanation

The *label* is used as a connector, but has not previously been defined within the PIPE.

Message Variables

label

The label used in the PIPE specification as a connection that has not previously been defined within that PIPE

System action

The pipeline ends before processing any data.

Operator response

This message results from a PIPE application programming error. Notify the system programmer.

System programmer response

Check the coding of your PIPE statement and correct the usage of the label shown in *label*.

BNH154E **'label' IS A DUPLICATE LABEL.**

Explanation

The *label* has been defined more than once within the PIPE.

Message Variables

label

The label used in the PIPE specification as a connection that has been defined more than once within that PIPE

System action

The pipeline ends before processing any data.

Operator response

This message results from a PIPE application programming error. Notify the system programmer.

System programmer response

Check the coding of your PIPE statement and correct the usage of the label shown in *label*.

BNH155E **PIPELINE '*name*' IS CLOGGED.**

Explanation

Pipeline processing halted because of a deadlock. 2 or more stages are waiting on each other to produce or accept messages. Further information about the deadlock can be obtained by using PIPE command option DEBUG 2.

Message Variables

name

The name of the pipeline that is obstructed

System action

The pipeline ends prematurely. Partial results might have been output.

Operator response

Inform the system programmer.

System programmer response

Check the coding of your pipeline specification and correct the error.

BNH156E **KEYWORD *keyword* CAN ONLY BE USED WITHIN A PHRASE.**

Explanation

The keyword named is either an output order or a conversion order. You must begin a phrase with an input order before you can use these types of orders.

Message Variables

keyword

The keyword in error

System action

Processing ends.

Operator response

Inform your system programmer.

System programmer response

Correct the edit script by adding an appropriate input order for the phrase.

BNH157E **KEYWORD *keyword* CANNOT BE USED WITHIN A PHRASE.**

Explanation

An edit phrase has been started with an input order. The keyword specified was encountered after the input order and is either a global or input order. An output order must end the phrase before the global or input order.

Message Variables

keyword

The keyword in error

System action

Processing ends.

Operator response

Inform your system programmer.

System programmer response

Correct the edit script by either adding an appropriate output order to end the existing phrase or by moving a global order before the input order.

BNH158E ***order* ORDER MISSING.**

Explanation

An edit phrase ended before an order of the type *order* was encountered.

Message Variables

order

The order in error

System action

Processing ends.

Operator response

Inform your system programmer.

System programmer response

Correct the edit script by adding an appropriate order to the edit phrase.

BNH159I ***opername taskname curcpu
sesscpu maxcpu limcpu curget
maxget limget slowget curmqi
sessmqi maxmqi limmqi curmqo
sessmqo maxmqo limmqo curi/o
sessi/o maxi/o limi/o curpen
sesspen pendpen totpen getkbm
getsess g24kbm g24sess frekbm
fresess f24kbm f24sess pentime
pentask***

Explanation

This message is the output of the DSITSTAT command. This message lists tasks with their CPU, storage, I/O and message queueing statistics, and defined limits. All numbers are expressed in decimals with no punctuation. All data is aligned in columns to aid in parsing the data using REXX procedures. Other than the *opername* and the *taskname* columns, no column is left blank. Use the SUBSTR() function when you parse the data.

Message Variables

opername

The operator name or task ID (TVBOPID) of an active task. This is in columns 9 - 16 of the message with a blank in column 17.

taskname

The LU name or task ID (TVBLUNAM) of an active task. This is in column 18 - 25 of the message with a blank in column 26.

curcpu

The current task utilization in 0.01% units. The range is 0 - 9999. This is in columns 27 - 30 of the message with a blank in column 31.

sesscpu

The task utilization for the entire session in 0.01% units. The range is 0 - 9999. This is in columns 32 - 35 of the message with a blank in column 36.

maxcpu

The highest task utilization for the entire session in 0.01% in units. The range is 0 - 9999. This is in columns 37 - 40 of the message with a blank in column 41.

limcpu

The applicable CPU limit (from OVERRIDE or DEFAULTS command), in 0.01% units. The range is 0 - 9999. This is in columns 42-45 of the message with a blank in column 46.

curget

The current DSIGET storage utilization in KB. The range is 0 - 999999. This is in columns 47 - 52 of the message with a blank in column 53.

maxget

The maximum storage limit for this task in KB. The range is 0 - 999999. This is in columns 54 - 59 of the message with a blank in column 60.

limget

The applicable maximum storage limit for this task in KB. The range is 0 - 999999. This is in columns 61 - 66 of the message with a blank in column 67.

slowget

The applicable storage slowdown limit for this task in KB. The range is 0 - 999999. This is in columns 68 - 73 of the message with a blank in column 74.

curmqi

The current rate of message traffic from other tasks to this task in KB per minute. The range is 0 - 999999999. This is in columns 65 - 83 of the message with a blank in column 84.

sessmqi

The overall session rate of message traffic from other tasks to this task in KB per minute. The range is 0 - 999999999. This is in columns 85-93 of the message with a blank in column 94.

maxmqi

The maximum measured limit for the rate of message traffic from other tasks to this task in KB per minute. The range is 0 - 999999999. This is in columns 95-103 of the message with a blank in column 104.

limmqi

The applicable set limit for the rate of message traffic from other tasks to this task in KB per minute. The range is 0 - 999999999. This is in columns 105 - 113 of the message with a blank in column 114.

curmqo

The current rate of message traffic from this task to other tasks in KB per minute. The range is 0 - 999999999. This is in columns 115 - 123 of the message with a blank in column 124.

sessmqo

The overall session rate of message traffic from this task to other task in KB per minute. The range is 0 - 999999999. This is in columns 125 - 133 of the message with a blank in column 134.

maxmqo

The maximum measured limit for the rate of message traffic from this task to other tasks in KB per minute. The range is 0 - 999999999. This is in columns 135 - 143 of the message with a blank in column 144.

limmqo

The applicable set limit for the rate of message traffic from this task to other tasks in KB per minute. The range is 0 - 999999999. This is in columns 145 - 153 of the message with a blank in column 154.

curi/o

The current number of I/Os per minute for this task. The range is 0 - 999999999. This is in columns 155 - 163 of the message with a blank in column 164.

sessi/o

The number of I/Os per minute recorded for this task. The range is 0 - 999999999. This is in columns 165 - 173 of the message with a blank in column 174.

maxi/o

The maximum number of I/Os per minute recorded for this task. The range is 0 - 999999999. This is in columns 175 - 183 of the message with a blank in column 184.

limi/o

The applicable limit for the number of I/Os per minute for this task. The range is 0 - 999999999. This is in columns 185 - 193 of the message with a blank in column 194.

curpen

The current penalty time ratio in 0.01%. The range is 0 - 9999. This is in columns 195 - 198 of the message with a blank in column 199.

sesspen

The session penalty time ration in 0.01%. The range is 0 - 9999. This is in columns 200 - 203 of the message with a blank in column 204.

pendpen

The current task delay time in 0.01 seconds. The range is 0 - 999999999. This is in columns 205 - 213 of the message with a blank in column 214.

totpen

The total time spent in penalty wait in 0.01 seconds. The range is 0 - 999999999. This is in columns 215 - 223 of the message with a blank in column 224.

getkbm

The current rate of DSIGET activity in KB per minute. The range is 0 - 999999999. This is in columns 225 - 233 of the message with a blank in column 234.

getsess

The session rate of DSIGET activity in KB per minute. The range is 0 - 999999999. This is in columns 235 - 243 of the message with a blank in column 244.

g24kbm

The current rate of DSIGET activity in KB per minute for only the storage in the 24-bit address area. The range is 0 - 999999999. This is in columns 245-253 of the message with a blank in column 254.

g24sess

The session rate of DSIGET activity in KB per minute for only the storage in the 24-bit address area. The range is 0 - 999999999. This is in columns 255-263 of the message with a blank in column 264.

frekbm

The current rate of DSIFRE activity in KB per minute. The range is 0 - 999999999. This is in columns 265 - 273 of the message with a blank in column 274.

fresess

The session rate of DSIFRE activity in kilobytes per minute. The range is 0 - 999999999. This is in columns 275 - 283 of the message with a blank in column 284.

f24kbm

The current rate of DSIFRE activity in KB per minute for only the storage in the 24-bit address area. The range is 0 - 999999999. This is in columns 285 - 293 of the message with a blank in column 294.

f24sess

The session rate of DSIFRE activity in KB per minute for only the storage in the 24-bit address area. The range is 0 - 999999999. This is in columns 295 - 303 of the message.

pentime

The number of penalty seconds that this task has caused other tasks because of its MAXMQIN limit. The range is 0 - 999999999. This is in columns 305 - 313 of the message.

pentask

The first 8 bytes contain the name of the task that caused this task to slow down because of a MAXMQIN limit. The rightmost byte contains an indicator as follows:

+

Indicates that the task is currently causing a penalty.

-

Indicates that the task is not currently causing a penalty, but was the last task to do so.

This is in columns 315 - 323 of the message.

System action

This message is issued when the DSITSTAT command runs.

Operator response

None. The NetView VIEW or WINDOW commands can be used in REXX procedures to format and display this data. You can use the TASKMON command instead of the DSITSTAT command to view task resource data formatted for display.

System programmer response

Use this data to monitor and display NetView resource utilization. You can also use the TASKMON command.

BNH160I *taskid* LEFT *nnnn* BYTES OF
STORAGE, TOTAL= *mmmm*

Explanation

This message is issued when a task ends without having freed the global storage it had. This message reports the amount of unaccounted storage and the total accumulated amount for the life of the address space.

Note: This message can appear with additional lines for diagnostic purposes.

Message Variables***taskid***

The operator name or task ID of the ending task

nnnn

The decimal number of bytes of unaccounted storage for this task

mmmm

The decimal total accumulated unaccounted storage in bytes

System action

This message is issued when a task ends and its global storage counter is not zero. The count is added to the total amount of unaccounted storage.

Operator response

Notify the system programmer if the message appears frequently or the amount of storage loss is significant. If you use RESET IMMED, STOP FORCE, or a task ABENDs for whatever reason, a storage loss might result. This message is held on the screen by default. You can remove this message from the screen manually.

System programmer response

If the storage loss is caused by user-written programs or the amount of storage loss appears excessive, consult the *IBM Z NetView Troubleshooting Guide*. For additional help, contact IBM Software Support. If you have programs written in Assembler that acquire storage on a global basis, use the MAINTSK(YES) parameter on the DSIGET macro to inform the NetView program that the storage is permanent.

BNH161I 'keyword' = 'value' LIMIT
REACHED FOR TASK 'opid'
'luname'

Explanation

This message is issued when a task exceeds a resource limit set by the DEFAULTS or OVERRIDE command.

You might receive BNH161I with the keyword AVLSLOW even if there is no SLOWSTG limit set for the task, or before the specified SLOWSTG limit is exceeded. In this case, the message indicates that the NetView region is nearing depletion and the amount of free space is small compared to how much storage the task is using. This slowdown provides a method for prioritizing storage requests when storage is depleted. The NetView program delays storage requests on behalf of requestors to try to ride out the surge.

You might receive BNH161I with the keyword AVLMAX even if there is no MAXSTG limit set for the task or before the specified MAXSTG limit is exceeded. In this case, the message indicates that the NetView region is nearing depletion, and the amount of free space is small compared to how much storage the task is using. This task has incurred DSIGET failures. This isolates storage failures to the tasks that are the most severely impacted, while allowing the rest of the tasks to function.

Message Variables

keyword

The name of the limit that was reached. This is the same name as the non-synonym keywords used on the DEFAULTS and OVERRIDE commands.

value

The decimal number value for the limit that was reached for this task.

opid

The operator ID or task name of the affected task.

luname

The LU name or task name of the affected task.

System action

This message is issued when the specific limit is reached or exceeded. This message is held on the NetView screen by default. The NetView program acts to slow down tasks or reject storage requests to keep the task within the stated limits. This message is deleted by the NetView program when the condition being monitored stays below the established limits for approximately one minute or if a new higher limit applies after using the DEFAULTS and OVERRIDE command.

Operator response

Monitor the affected tasks to assess whether a problem exists. A high limit value, when exceeded, might indicate a system stress or loop condition. A low limit value, when exceeded, might indicate that load-balancing is behaving normally.

Use the DEFAULTS and OVERRIDE commands to adjust limits for tasks. You can remove this message from the screen manually.

System programmer response

You might prefer to automate the message either to correct a situation, or to suppress the message if it is the result of a normal load-balancing policy.

To avoid receiving message BNH161 with keywords AVLMAX or AVLSLOW, run the NetView program in a larger region or reduce the storage usage by stopping any unneeded tasks. Run the NetView program with as large a region size as practical based upon your system paging capacity.

BNH162I THE *domainid* BELOW 16M
STORAGE IS *nn*% USED, *mmmK* IS
LEFT

Explanation

This message is issued when the NetView address space has used 80% or more of the storage below the 16M boundary. This message is issued again at 85%, 90%, 95%, and 100%.

Message Variables

domainid

The name of the domain ID

nn

The percentage of storage below 16M that is in use

mmmK

The decimal number of K- bytes left below 16M

System action

This message is issued when the specific limit is reached or exceeded. This message is held on the NetView screen by default. This message is deleted by the NetView program when the condition being monitored stays below the established limits by at least 10% for approximately one minute. You can manually remove the message from the screen.

Operator response

Decrease NetView activity to minimize the amount of storage used. Use the RESOURCE command to determine the current storage usage. 2 new lines of output for the TASKMON command tell you what the NetView region sizes are for the storage below and above the 16M boundary.

System programmer response

Ensure the NetView procedure has sufficient region space defined on the EXEC JCL statement.

BNH163I **THE *domainid* ABOVE 16M
STORAGE IS *nn*% USED, *mmmK* IS
LEFT**

Explanation

This message is issued when the NetView address space has used 80% or more of the storage above the 16M boundary. This message is issued again at 85%, 90%, 95%, and 100%.

Message Variables

domainid

The name of the domain ID

nn

The percentage of storage above 16M that is in use

mmmK

The decimal number of K bytes left above 16M

System action

This message is issued when the specific limit is reached or exceeded, and is held on the NetView screen by default. The message is deleted by the NetView program when the storage usage is reduced to at least 10 percent below *nn* and remains below that level for one minute.

Operator response

Remember to act to reduce NetView activity to bring the storage usage down. Use the TASKMON command to determine the current storage usage. 2 new lines of output for the RESOURCE command indicate the

NetView region sizes for the storage below and above the 16M boundary.

System programmer response

Ensure the NetView procedure has sufficient region space defined on the EXEC JCL statement.

BNH164I **'*object*' CANNOT BE USED WITH
'*function*'**

Explanation

You attempted to perform a function on a data set or other object that cannot be done. Some reasons include:

- You attempted to use DSIVSAM to access the DSITRACE task. The request is not allowed because the trace data requires high data integrity.
- You attempted to USE DSIVSAM to PUT or DELETE DSILOG data.

The DSILOG data set can be updated using only other NetView services such as DSIWLS or MSG LOG.
- You attempted to use DSIVSMX to access a non-VSAM data set. The DDNAME might be misspelled.
- You attempted to use DSIVSMX to access a VSAM data set that is not a key-sequenced file.

Message Variables

object

The DDNAME, data set name, task name, or other object that cannot be processed

function

The command name (for example, DSIVSAM or DSIVSMX), command subfunction (for example, PUT or DEL), or other function that cannot access the specific object

System action

The request is not processed.

Operator response

Notify the system programmer.

System programmer response

Review the use of the specified function. Determine whether a spelling error or variable substitution error caused the problem. Correct the command, and try again.

BNH165I **'*taskname*' LEFT *nnn* BYTES OF
STORAGE ON MESSAGE QUEUES**

Explanation

This message is issued when a task ends with messages on its message queues.

Message Variables

taskname

The name of the task that ended with messages on its message queues

nnn

The number of bytes of messages left on the queues

System action

The NetView program leaves the messages on the queue. The messages are processed when a task starts that has those messages on its queues. This can in some cases be a task unrelated to the task that left the messages on its queue.

Operator response

Contact your system programmer.

System programmer response

Determine if a user-written task caused the problem. Review the program to determine if it frees messages from its message queues before ending. If an IBM task is involved, contact IBM Software Support.

BNH166I

Explanation

This message is used internally by the NetView program and should not be displayed on NetView consoles.

BNH167I **TASK '*taskname*' MACRO
'*macroname*' FUNCTION '*fname*'
ERROR CODE '*code*'**

Explanation

This message is issued when a task has an error return code from a system or NetView macro service.

Message Variables

taskname

The name of the task with the error

macroname

The name of the macro with the error

fname

For multifunction macros, the name of the function that failed

code

The macro return code in decimal

System action

The NetView recovery action can vary depending on whether the macro can be retried. If the message repeats after a specific period, The NetView program assumes that the error is recoverable. For MACRO EZASMI, FUNCTION BIND, ERROR CODE 48, the NetView program retries the macro.

Operator response

Determine whether the problem is the result of inactivating some other program or other resource. For macro EZASMI for the DSITCPIP or DSIWBTSK task, the error might indicate that TCP/IP is not active in the system or that the DSITCPIP or DSIWBTSK task definition member has an incorrect procedure name, socket number, or other error.

System programmer response

Determine if the error is caused by a definition problem or a programming error. Error numbers for EZASMI and their meanings are:

61

The requested connection was refused by the remote host. Verify that the server application is active and monitoring the specified port.

156

A z/OS UNIX System Services process initialization failure occurred. This is usually an indication that the appropriate OMVS RACF segment is not defined for the user ID associated with the application. The RACF OMVS segment might not be defined or it might contain errors, such as an improper HOME() directory specification. To resolve the problem, the tasks identified in the BNH167I message have an OMVS segment defined.

1036

TCP/IP is not installed or is not active. DSITCPIP taskname attempts to reconnect once per minute.

10110

For macro INITAPI, this code indicates that an attempt was made to initialize the TCP/IP API using a release of TCP/IP before V3R2.

10218

The TCP/IP named by the INITAPI macro is not active. DSITCPIP taskname attempts to reconnect once per minute.

others

The connection was broken or there is a programming error. If your other TCP/IP connections appear to be working, you might have a definition error (DSITCPCF member for DSITCPIP or DSIWBMEM for DSIWBTSK), or the TCPIP

profile member must have statements coded to reserve port number 512 and 514 for NetView procedure name for RSH, REXEC, and IPLOG commands.

BNH168I LOGON REJECTED, ALL SOCKETS IN USE.

Explanation

This message is issued when you attempt to log on to the NetView program and all the defined sockets are in use.

System action

The logon attempt is rejected.

Operator response

Try again later. If the problem persists, have the system programmer increase the number of sockets for DSITCPIP.

System programmer response

Update the DSITPCPF member to enable more operators to log on.

BNH169I APPEND OPTION CHANGED TO IGNORE IN numcmd SET COMMANDS.

Explanation

The APPEND option was not valid for at least one specified key setting and was changed to IGNORE. It is possible that APPEND was specified for a PA key. See message DSI614I in the NetView online help.

Message Variables**numcmd**

The number of SET commands affected

System action

The NetView program substitutes IGNORE for the affected definitions.

System programmer response

Check the use of APPEND in the file referenced by the PFKDEF command list.

BNH170I CONFLICTING VALUES SPECIFIED FOR CTL AND NGMFVSPN ATTRIBUTES FOR OPERATOR 'operid'. VIEWS WILL NOT BE SPAN RESTRICTED FOR THE OPERATOR

Explanation

The CTL attribute for the operator is specified as GLOBAL and conflicts with any value other than 'N' (none) for the *span_level* setting in the first position of the NGMFVSPN attribute. The specified NGMFVSPN value is ignored and no span authority checking is performed on NMC views for the operator.

Message Variables**operid**

The operator that logged on with conflicting attributes

System action

A setting of CTL=GLOBAL means that the operator is authorized to display all views and all resources in views. The operator is not restricted from displaying any NMC views.

Operator response

Notify the system programmer.

System programmer response

When CTL=GLOBAL is specified for an operator ID, span checking does not need to be performed. If the operator authority is global, keep the CTL=GLOBAL setting and change the first position in the NGMFVSPN attribute to N.

If any restrictions are needed for this operator ID, change the CTL setting to CTL=SPECIFIC or CTL=GENERAL and specify the spans for which the operator is authorized. Then make sure that the NGMFVSPN setting is compatible with the CTL setting.

The CTL and NGMFVSPN settings are defined in the NetView operator profile or in the NETVIEW segment of an SAF product. For more information, see the *IBM Z NetView Security Reference*.

BNH171I SPAN RESTRICTION OF VIEWS IS NOT ENABLED FOR THIS SYSTEM

Explanation

The NGMFVSPN attribute is not supported in the release of the SAF product that you are using. The NGMFVSPN attribute is defined in the NETVIEW segment of an SAF product. Span-checking for NMC views is not available for operators who log on with operator attributes defined in a release of an SAF product that does not support the NGMFVSPN attribute.

System action

Because the NGMFVSPN attribute is not supported in the NETVIEW segment of the SAF product, a default of no span checking is used. Any operator logging on while operator attributes are specified in the SAF product is able to display all views and resources in views.

Operator response

Notify the system programmer.

System programmer response

To enable the NGMFVSPN attribute, one of the following must be done:

- Upgrade the SAF product or apply a PTF to bring the SAF product to a level that contains support for the NGMFVSPN field in the NETVIEW segment. See the *IBM Z NetView Security Reference* to determine the release number or PTF necessary for your SAF product.
- Define operator attributes in a NetView profile member in DSIPARM and issue the REFRESH command to dynamically refresh the NetView product to use operator attributes from the NetView profiles instead of from the SAF product. See the *IBM Z NetView Administration Reference* for an explanation of possible values for the OPERSEC setting on the OPTIONS statement.

BNH172I **INCORRECT VALUE 'value' FOUND IN THE *position* POSITION OF THE NGMFVSPN FIELD FOR OPERATOR operator. THE DEFAULT VALUE OF 'default_value' WILL BE USED**

Explanation

The NGMFVSPN setting specified for the operator contains an incorrect value. The default value for this position of the NGMFVSPN field is used for the operator.

Message Variables

value

The incorrect value found in the NGMFVSPN field

position

The position where the incorrect value was found

operator

The operator that logged on with an incorrect value specified in the NGMFVSPN field

default_value

The default value for the position in the NGMFVSPN field

System action

The operator is allowed to log on, but the default value is substituted for the incorrect value in the NGMFVSPN field.

Operator response

Notify the system programmer.

System programmer response

Correct the NGMFVSPN value specified for the operator in the operator profile or in the NETVIEW segment of an SAF product. See the *IBM Z NetView Security Reference* for information about how to code the NGMFVSPN field.

BNH174I **THIS TASK IS IDLE, ENTER A COMMAND.**

Explanation

The NetView program issues this message in a panel for TCP/IP-connected operators. This message is issued because the command or component that was running in this window has ended and the window has no task to perform. The window has an input area where you can enter a command.

Operator response

You can enter a command. If you want the NetView full screen window task to end, enter the LOGOFF command from this window.

BNH175I **The *seg_name* segment was not found in the *oper_id* SAF user profile.**

Explanation

The NetView program was unable to perform a RACROUTE EXTRACT of the named segment for the named operator in the SAF USER class. Either the requested SAF operator is not defined in the SAF USER class or the segment is not defined in the profile of the SAF operator.

Message Variables

oper_id

The ID of the requested SAF USER class operator

seg_name

The name of the requested SAF USER class segment

System action

The command ends with a non-zero return code.

Operator response

Verify that there are no misspellings. If any misspellings are found, correct them and reissue the command. Otherwise, notify the system programmer.

System programmer response

Determine if the operator is defined in the SAF USER class. If not, define the operator and the segment. If the operator is defined in the SAF USER class, determine if the SAF segment data is defined for the requested operator. If not, define the SAF operator's segment data as needed.

BNH176I **Display of *opid* SAF NETVIEW segment data.**

Explanation

This is the header line of an MLWTO message, which is produced by the LIST SAFOP command and contains the NetView segment data. Each data line is indented, labeled with the SAF ADDUSER or ALTUSER keyword parameter used to set the displayed value, and appended with a colon. The values follow the colon and are separated by blanks. Blanks follow the colon if the value was not set. The output is displayed with the colons in the same column.

Message Variables

opid

The ID of the requested SAF USER class operator.

System action

Command processing continues.

BNH177I **Display of *opid* SAF BASE segment data.**

Explanation

This is the header line of an MLWTO message, which is produced by the LIST SAFOP command and contains the RACF base segment data. Each data line is indented, labeled with the SAF ADDUSER, ALTUSER, CONNECT keyword parameter used to set the displayed value, and appended with a colon. The values follow the colon and are separated by blanks. Blanks follow the colon if the value was not set. The output for non-group data is displayed with the colons in the same column. The output for group data is displayed with the colons in the same column, but indented 2 columns from the non-group data. Each set of group data is separated by a blank line from other sets of group data or non-group data.

Message Variables

opid

The ID of the requested SAF USER class operator

System action

Command processing continues.

BNH178I **Display of *opid* SAF OMVS segment data.**

Explanation

This is the header line of an MLWTO message, which is produced by the LIST SAFOP command and contains the SAF OMVS segment data. Each data line is indented, labeled with the SAF ADDUSER or ALTUSER keyword parameter used to set the displayed value, and appended with a colon. The values follow the colon and are separated by blanks. Blanks follow the colon if the value was not set. The output is displayed with the colons in the same column.

Message Variables

opid

The ID of the requested SAF USER class operator

System action

Command processing continues.

BNH179I **Display of *opid* SAF LANGUAGE segment data.**

Explanation

This is the header line of an MLWTO message, which is produced by the LIST SAFOP command and contains the SAF LANGUAGE segment data. Each data line is indented, labeled with the SAF ADDUSER or ALTUSER keyword parameter used to set the displayed value, and appended with a colon. The values follow the colon and are separated by blanks. Blanks follow the colon if the value was not set. The output is displayed with the colons in the same column.

Message Variables

opid

The ID of the requested SAF USER class operator.

System action

Command processing continues.

BNH180I **INTRUSION DETECTION MESSAGE RECEIVED.**

Explanation

An Intrusion Detection Services (IDS) message has been forwarded from the UNIX System Services

syslog. This message is the first line of an ML2 message. The next line of the message contains the complete text of the syslog message, including the syslog header. This message is used by NetView automation.

System action

Command processing continues.

BNH182E **RACROUTE RC = X'*racroute_rc*',
REQUEST TYPE = '*request*',
SECURITY PRODUCT RC =
X'*security_rc*' AND REASON =
X'*security_rsn*'**

Explanation

The specified RACROUTE request failed with the specified return code and reason code. This message is preceded by another message that describes the problem that caused the failure.

Message Variables

racroute_rc

The return code from the RACROUTE macro

request

The request type specified on the RACROUTE macro

security_rc

The return code from the security product

security_rsn

The reason code from the security product

System action

None.

Operator response

Notify the person in your organization responsible for security.

System programmer response

If you specified REQUEST TYPE=LIST and this message is accompanied by message BNH209, a value of zero for all of the return and reason codes can signify that the GLOBAL=YES facility of the RACROUTE REQUEST=LIST function is not available.

BNH183I **CURRENT SCROLL VALUE IS *val***

Explanation

In Browse (when running without scroll fields) or WINDOW, this message indicates the current scroll value. Whenever this message is visible and a scroll command (FORWARD, BACK, LEFT, or RIGHT) is

issued, this value is used unless the operator has typed a different value on the command line.

To eliminate this message and return to the default scroll amount, press the ENTER key or issue any nonscroll command.

Message Variables

val

The scroll value

BNH184E **CONFLICTING PROTECT AND
EXEMPT STATEMENTS FOUND IN
COMMAND AUTHORIZATION
TABLE MEMBER *member_name* AT
SEQUENCE NUMBER *seq_number*
FOR THE COMMAND IDENTIFIER
*cmd_id***

Explanation

A command identifier was used on both a PROTECT statement and an EXEMPT statement in the command authorization table. This is a conflict because these 2 statements have different meanings. A command identifier cannot be protected from unauthorized use and also exempted from command authorization checking.

Message Variables

member_name

The member name where the conflicting command authorization table statement was found.

seq_number

The sequence number within the specified member or file. If there is no sequence number for this statement, the value '(NO SEQ)' is returned in the message.

cmd_id

The command identifier that was specified on the PROTECT and EXEMPT statements.

System action

This table load statement is ignored and processing of the remaining table load statement continues.

If this message was issued during NetView initialization, the first of the 2 conflicting statements is in effect, and the one identified in this message is not in effect.

If this message was issued in response to a REFRESH command, the command authorization table is not loaded.

Operator response

Notify the system programmer or person in charge of writing the command authorization table load statements.

System programmer response

Edit your set of command authorization table load statements. Decide whether the command identifier must be protected from unauthorized use or exempted from command authorization. Then delete the conflicting statement. The conflicting statements might exist in different members if %INCLUDE was used.

If this message was received at NetView initialization and was truncated, you can issue a REFRESH command with the TEST keyword to get a complete copy of the error message.

BNH185E **AN INTERNAL ERROR OCCURRED DURING PROCESSING OF THE QOS COMMAND FOR THE OPID 'operator_id'**

Explanation

An internal error occurred preventing the QOS command from being completed.

Message Variables

operator_id

The operator ID that is being checked

System action

The QOS command fails.

Operator response

Notify the system programmer.

System programmer response

See the NetView log for message DWO050E, which contains additional information about the location of the problem. Contact IBM Software Support with this information.

BNH186E **THE SECURITY ENVIRONMENT FOR THE NETVIEW MAIN TASK DOES NOT EXIST**

Explanation

The pointer to the security environment for the NetView main task does not exist.

System action

If this message is issued during NetView initialization, then initialization fails. If this message is issued in response to a REFRESH command, the REFRESH command fails.

Note: Other problems might be encountered in the NetView product as a result of the security environment not existing.

Operator response

Notify the system programmer.

System programmer response

Recycle the NetView program when the problem is resolved. If you want to reduce the number of calls made to the security product until the problem is resolved, you can specify the following options on the REFRESH command:

- OPERSEC=NETVPW for operator authorization checking
- OPSPAN=NETV for span security
- CMDAUTH=TABLE,TBLNAME='table_name' for command security

For additional information about the REFRESH command, see the NetView online help.

You can also specify the following statements in the CNMSTUSR member:

- SECOPTS.OPERSEC = NETVPW for operator authorization checking
- SECOPTS.OPSPAN = NETV for span security
- SECOPTS.CMDAUTH = TABLE.*table_name* for command security

Examine the system log to determine whether problems occurred in the system that might cause the security environment not to exist. If the problem persists, contact IBM Software Support.

BNH187E **THE BACKUP COMMAND AUTHORIZATION TABLE OR THE SAFNODEC SETTING WILL BE USED FOR COMMAND AUTHORITY DECISIONS DUE TO A PROBLEM WITH THE DATASPACE FOR THE NETCMDS CLASS**

Explanation

When the NetView program attempted to make a command authorization call to the security product, a return code was received from the security product indicating that the dataspace for the NETCMDS was

not accessible. The dataspace for the NETCMDS class might have been deleted.

System action

If a backup command authorization table exists, it is used for command authority decisions until the dataspace problem has been resolved. If a backup command authorization table does not exist, the SAFNODEC setting is used for command authorization decisions until the dataspace problem has been resolved.

Message BNH189 is issued following this message to give the security product return codes. When the problem with the dataspace for the NETCMDS class is resolved, message BNH188 is issued and command authorization checks in the NETCMDS class are resumed.

Operator response

Notify the system programmer or security administrator.

System programmer response

Check to see if the dataspace for the NETCMDS class was deleted.

For RACF, you can issue a 'SETR LIST' command from an authorized TSO operator to determine if the NETCMDS class is RACLISTed. If the NETCMDS class does not appear under one of the 2 RACLISTed output lines, the dataspace was deleted.

It is possible that someone issued a SETR NORACLIST(NETCMDS), which caused the dataspace to be deleted. This can be corrected by issuing a SETR RACLIST(NETCMDS) command from an authorized TSO operator or by recycling the NetView program.

If someone is authorized to use the NetView REFRESH command, you also have the option of changing your command security setting. For example, you might want to temporarily use another command authorization table until the problem in the security product is corrected.

BNH188I **COMMAND AUTHORIZATION
USING THE NETCMDS CLASS HAS
RESUMED**

Explanation

There was previously a problem with the dataspace for the NETCMDS class, detailed by message BNH187, but is resolved.

System action

The NETCMDS class of the security product is used for NetView command security.

System programmer response

See message BNH187 for additional information.

BNH189E **RETURN CODE FROM THE
RACROUTE *request_type* REQUEST
IS X'*racroute_return*', THE
SECURITY PRODUCT RETURN
CODE IS X'*security_return*', AND
THE SECURITY PRODUCT REASON
CODE IS X'*security_reason*'**

Explanation

This message is used to display the security product return codes after an error has been detected. This message might follow other messages, such as BNH187, which describe the specific error.

Message Variables

request_type

Request type that was used on the RACROUTE macro invocation

racroute_return

The RACROUTE macro return code

security_return

The security product return code

security_reason

The security product reason code

System action

The system action is dependent on the error that caused this message to be issued.

System programmer response

See previous error messages that apply to the data in this message.

BNH190E **VALUE *value* WAS CHOSEN FOR
KEYWORD *keyword* BUT THE SAF
PRODUCT IS NOT ACTIVE**

Explanation

The *keyword* and *value* caused a status request to be issued against the SAF product, but the SAF product did not return an active status.

Message Variables

value

The value of the keyword

keyword

The specified keyword

System action

The REFRESH command fails.

Operator response

Notify the system programmer.

System programmer response

Activate the SAF product, then issue the REFRESH command again to obtain the settings that are wanted.

BNH191E **Policy autotask is different from AON autoTask. This configuration is not supported.**

Explanation

function.autotask.Policy and function.autotask.AON are incorrectly defined in the CNMSTYLE statements.

Operator response

Notify the system programmer.

System programmer response

Correct one or both CNMSTYLE statements. For more information, see instructions in CNMSTYLE sample.

BNH192E **DSIEX19 HAS DENIED ACCESS TO THE SERVICE POINT '*sp_name*' AND APPLICATION '*appl_name*' WITH RETURN CODE *rc* FOR THE COMMAND '*cmd_name*'**

Explanation

Installation exit DSIEX19 is being used to do security checking on service point commands issued through the RUNCMD command. The exit encountered a service point command that the user of the RUNCMD did not have access to or the exit encountered an error.

Message Variables***sp_name***

The service point name for this RUNCMD command that was entered with the SP keyword.

appl_name

The application name for this RUNCMD command that was entered with the APPL keyword.

rc

The return code from DSIEX19. See your copy of DSIEX19 for the meaning of the non-zero return code.

cmd_name

The service point command that was specified within this RUNCMD command.

System action

The RUNCMD ends.

Operator response

Notify the system programmer if you need access to the specific service point command.

System programmer response

Examine the meaning of the non-zero return code from DSIEX19. If the non-zero return code is because of security definitions, authorize the operator to the protected command, if required. If you are using CMDAUTH=TABLE or CMDAUTH=SAF for command security, you can look for a BNH233E message in the log for the same operator, which in some cases can help you identify the command identifier that requires authorization.

For other non-zero return codes, examine the DSIEX19 source code for possible errors.

BNH193I **ERROR MONITORING SYSLOG '*filename*'**

Explanation

The NetView program has encountered an error attempting to receive updates from the specified USS syslog file. Possible problems fall into these general areas: problems with the NetView UNIX pipe stage, problems with the OMVS tail command, or problems with the format of a syslog record. Additional messages accompany message BNH193 that further identify the problem.

Message Variables***filename***

The fully qualified name of the USS syslog file that is being monitored for updates.

System action

For UNIX pipe stage or tail command errors, the NetView program stops monitoring the file. For record format errors, processing continues, but the incorrect syslog entry is ignored and logged.

Operator response

Notify the system programmer.

System programmer response

Examine the additional messages that accompany BNH193 to determine the cause of the problem.

BNH194E KEYWORD *keywd* IS MISSING

Explanation

A required keyword is missing from a command or definition.

Message Variables

keywd

The missing keyword.

System action

The command or definition fails, subject to other accompanying messages.

Operator response

See the applicable command help or contact the system programmer.

System programmer response

Correct the associated definition.

**BNH195E AN INCORRECT AUDIT
SPECIFICATION WAS FOUND IN
THE COMMAND AUTHORIZATION
TABLE**

Explanation

The audit specification format was incorrect. The correct format of the AUDIT specification is one of the following:

- PROTECT (AUDIT=*value*) *command_identifier*
- EXEMPT (AUDIT=*value*) *command_identifier*

where *value* for PROTECT can be FAILURES, ALL, or NONE, and *value* for EXEMPT can be ALL, or NONE. Up to 255 bytes of the table load statement in error are included in message BNH256I, which follows this message.

System action

This table load statement is ignored; processing of the remaining table load statements continues.

Operator response

Notify the system programmer or the person in charge of writing the command authorization table load statements.

System programmer response

Edit the set of table load statements identified in the message. Correct the syntax error that was identified.

**BNH196E UNABLE TO WRITE TO EXTERNAL
LOG, DSIELTSK IS NOT ACTIVE**

Explanation

The NetView program tried to write a record to the external log, but the write failed because the external log task DSIELTSK is not active. This can occur if you are auditing a command authorization table and the external log has not been properly set up.

System action

Processing continues with no record being written to the external log.

Operator response

Start the external log task DSIELTSK.

System programmer response

Verify that the external log task DSIELTSK is active.

**BNH197E UNABLE TO WRITE TO EXTERNAL
LOG, CMDDEF STATEMENT
DSIELDAT IS MISSING**

Explanation

The NetView program tried to write a record to the external log, but the write failed because the DSIELDAT CMDDEF statement is not specified in CNMCMD for the external log function. This can occur if you are auditing a command authorization table, but the appropriate setup has not been performed for the external log.

System action

Processing continues with no record being written to the external log.

Operator response

Check for the external log CMDDEF statement DSIELDAT in CNMCMD.

System programmer response

Include the external log CMDDEF statement DSIELDAT in CNMCMD. If you add a CMDDEF statement, recycle the NetView program for the statement to take effect. Or, use ADDCMD to dynamically add the DSIELDAT command. See the online help for more information about ADDCMD. External logging resumes when the DSIELTSK task is restarted.

**BNH198I TEST OF COMMAND
AUTHORIZATION TABLE *tblname*
COMPLETED WITH ERRORS**

Explanation

This message is displayed after the TEST option of the REFRESH CMDAUTH=TABLE command completes. Errors were encountered while testing the table.

Message Variables

tblname

The name of the table being tested

System action

The command completes with errors.

**BNH199E AN INTERNAL ERROR OCCURRED
WHILE SCANNING THE COMMAND
AUTHORIZATION TABLE FOR THE
COMMAND '*command_name*' AND
THE USER ID '*userid*'**

Explanation

An internal error occurred, preventing the command authority check from being completed.

Message Variables

command_name

The name of the command being checked in the command authorization table. If a keyword authorization was in process at the time of the error, the keyword name and value name are also shown. *Command_name* can be in any of the following forms:

- *command*
- *command.keyword*
- *command.keyword.value*

The command, keyword, and value that are shown have already undergone translation for the special reserved characters. For example, any asterisks (*) have been changed to plus signs (+).

userid

The user ID that is being checked in the command authorization table. If AUTHCHK=SOURCEID is in effect, this user ID can be different from the user

ID of the task that is running the command. For information about AUTHCHK=SOURCEID, see the REFRESH command.

System action

Because a command authority check cannot be completed, the authority to issue the command is not granted.

Operator response

Notify the system programmer.

System programmer response

Look for a series of DWO050 messages in the NetView log that provides more information about the location of the problem. Contact IBM Software Support with this information.

See the *IBM Z NetView Administration Reference* for more information about which characters are reserved and translated.

**BNH200E VALUE *value1* FOR KEYWORD
keyword IS IGNORED. DEFAULT
VALUE *value2* IS USED.**

Explanation

The command or statement has conflicting keywords or keyword values that are not valid. The specified *value1* for the *keyword* is ignored and the default value is used.

Message Variables

value1

The ignored value

keyword

The ignored keyword

value2

The default value being used

System action

The command fails or the statement uses the default value.

Operator response

Verify that the default values are acceptable. If not, notify the system programmer.

System programmer response

Update the appropriate command or statement.

**BNH202E UNIX SYSTEM SERVICE *service*
FAILED. SOCKET CLOSED.**

Explanation

A failure has occurred in a UNIX system service call. This message follows message BNH148E.

Message Variables

service

The UNIX service name that failed.

System action

The request fails.

Operator response

Notify the system programmer.

System programmer response

See the appropriate manual in the Open Edition MVS library for more information regarding the error.

**BNH203E VALUE *value* FOR KEYWORD
 keyword IS INCORRECT**

Explanation

An incorrect definition was encountered during processing.

Message Variables

value

The keyword value

keyword

The incorrect keyword

System action

The command or NetView initialization fails.

Operator response

Notify the system programmer.

System programmer response

Correct the definition.

**BNH207E VALUE *value1* FOR KEYWORD
 keyword1 CONFLICTS WITH
 VALUE *value2* FOR KEYWORD
 *keyword2***

Explanation

The command or statement has conflicting keywords or keyword values that are not valid. If this message results from a TCPCONN command, the command fails. Otherwise, the specified value for the keyword is ignored and the default value is used.

Message Variables

value1

The value of the first keyword

keyword1

The first keyword

value2

The value of the second keyword

keyword2

The second keyword

System action

The command fails or the statement uses the default value.

Operator response

Check the values for the keywords and enter the command again.

System programmer response

Evaluate the combination of values for the keywords and change values as needed.

**BNH208E VALUE *value* WAS CHOSEN FOR
 KEYWORD *keyword* BUT THE
 classname SECURITY CLASS OF
 THE SAF PRODUCT CANNOT BE
 ACCESSED**

Explanation

The specified *keyword* and *value* caused a status request to be issued against the SAF product for the given *classname*, but the SAF product did not return a status.

Message Variables

value

The value of the keyword

keyword

The specified keyword

classname

The name of the class (NETCMD5, NETSPAN, or APPL)

System action

If this message is issued during NetView initialization, initialization fails. Otherwise, the REFRESH command fails.

Operator response

Notify the system programmer.

System programmer response

Check that you have RACF 2.1 or an equivalent SAF product installed and that the given class is active.

BNH209E **THE *cmdclass* SECURITY CLASS
COULD NOT BE LOADED INTO
STORAGE**

Explanation

During a REFRESH command, the NetView program issued a RACROUTE REQUEST=LIST,GLOBAL=YES to load the specified security class into storage, but the load failed. This message is accompanied by message BNH182.

Message Variables

cmdclass

The name of the class (NETCMDS)

System action

The command fails.

Operator response

Notify the system programmer.

System programmer response

Verify that the GLOBAL=YES option is available and active for the security product for the specified class.

BNH210I **COMMAND AUTHORIZATION
TABLE *tblname* HAS BEEN
INITIALIZED**

Explanation

A command authorization table has been initialized during NetView initialization or REFRESH command processing.

Message Variables

tblname

The name of the command authorization table

System action

The command completes successfully.

BNH211I **BACKUP COMMAND
AUTHORIZATION TABLE *backtbl*
HAS BEEN INITIALIZED**

Explanation

A backup command authorization table has been initialized during NetView initialization or REFRESH command processing.

Message Variables

backtbl

The name of the backup table

System action

The command completes successfully.

BNH212E **COMMAND AUTHORIZATION
TABLE *tblname* INITIALIZATION
FAILURE**

Explanation

The command authorization table that is specified on the SECOPTS.COMDAUTH statement in the CNMSTYLE member, or on the REFRESH command, fails to initialize.

Message Variables

tblname

The name of the table

System action

If this message is issued during NetView initialization, then initialization fails. If this message is issued in response to a REFRESH command, the REFRESH command fails.

Operator response

Check the value that was specified for *tblname* on the REFRESH command. If this error occurs during initialization, notify the system programmer.

System programmer response

Ensure that the table name specified is in the DSIPARM concatenation. If this error occurs during NetView initialization, ensure that the table name is entered correctly on the SECOPTS.COMDAUTH statement in the CNMSTYLE member. See the messages that were issued previously to determine the exact cause of the error.

BNH213E **BACKUP COMMAND
AUTHORIZATION TABLE *tblname*
INITIALIZATION FAILURE**

Explanation

A backup command authorization table that is specified on the REFRESH command failed to initialize.

Message Variables

tblname

The name of the backup table

System action

The REFRESH command fails.

Operator response

Check the value that is specified for BACKTBL on the REFRESH command.

System programmer response

Ensure that the backup table name specified is in the DSIPARM concatenation. See messages that were issued previously to determine the exact cause of the error.

BNH214E **KEYWORD *keyword1* CONFLICTS WITH VALUE *value2* FOR KEYWORD *keyword2***

Explanation

The command or statement has conflicting keywords or keyword values that are not valid. The specified value for the keyword is ignored and the default value is used.

Message Variables

keyword1

The first keyword

value2

The value of the second keyword

keyword2

The second keyword

System action

The command fails or the statement uses the default value.

Operator response

Check the keywords and enter the command again.

System programmer response

Evaluate the keyword and value combination and change the keywords or values as necessary.

BNH215E **VALUE *value1* FOR KEYWORD *keyword1* CONFLICTS WITH CURRENT VALUE *value2* FOR *option***

Explanation

The value for the specified *keyword1* conflicts with the current setting of the specified option.

Message Variables

value1

The value of the keyword

keyword1

The keyword

value2

The current value of the conflicting option

option

The name of the option.

System action

The command ends, and the operation is not performed.

Operator response

Check the value for the *keyword1*, and enter the command again.

System programmer response

Check that the value entered and the current setting for the *option*. If the message is a response to a REFRESH command, you can use the LIST SECOPTS command to display the current setting. If the message is a response to a DEFAULTS or OVERRIDE command, check the value that is given for the option in the CNMSTYLE member, or list the current default value. Either change the value of the *keyword1* or change the value for the *option*.

BNH217E **REFRESH OPERS COMMAND HAS NO EFFECT WHEN USING THE SAFDEF OPTION**

Explanation

A REFRESH OPERS command was entered while the current option for operator security is SAFDEF.

System action

The command ends with no action taken.

BNH218I **TEST OF COMMAND AUTHORIZATION TABLE *tblname* COMPLETED SUCCESSFULLY**

Explanation

This message is displayed after the TEST option of the REFRESH CMDAUTH=TABLE command completes.

Message Variables

tblname

The name of the table being tested

System action

The command completes successfully.

BNH219E *command* **COMMAND FAILED. dd NOT ALLOCATED.**

Explanation

An attempt was made to open the data set associated with the specified DD, but the DD is not allocated. For the REFRESH command, DSIPRF is needed for profile information when operators are defined through the NetView program.

Message Variables

command

The command that failed

dd

The DD that is not allocated

System action

The command ends.

Operator response

Determine whether you entered the command correctly. If the command is entered correctly, allocate the specified data set. If the data set cannot be allocated, notify the system programmer.

System programmer response

Allocate the data set.

BNH220E **UNEXPECTED DATA VALUE ENCOUNTERED FOR KEYWORD *keyword* IN THE NETVIEW SEGMENT OF THE SECURITY PRODUCT FOR OPERATOR *opid*. THE DEFAULT VALUE OF *value* IS USED**

Explanation

During logon processing, a keyword with an incorrect value was found in the NetView segment of the security software product.

Message Variables

keyword

The keyword from the NetView segment

opid

The operator ID

value

The default value being used

System action

Logon processing continues with the default value being used.

See the *IBM Z NetView Security Reference* for an explanation of the default values used for each attribute.

Operator response

Verify the value and notify the system programmer if it is not an allowable value.

System programmer response

Check the NetView segment of the security software product to see if the value for the specified keyword must be corrected in the segment.

BNH221E **USER IS NOT AUTHORIZED TO *domain_name* IN THE SECURITY SOFTWARE APPL CLASS**

Explanation

The operator trying to log on has not been permitted to access the profile in the security product APPL class for this NetView domain name.

Message Variables

domain_name

The name of this domain

System action

The attempted logon is rejected.

Operator response

Contact your security administrator in order to be permitted to access the profile in the APPL class that protects this NetView system.

System programmer response

Permit the user ID of the operator to access the profile protecting the NetView system in the security software APPL class.

BNH222I **PROFILES ARE NOT USED WHEN OPERATOR SECURITY IS SET TO 'MINIMAL'**

Explanation

An attempt was made to display a list of profile names for this domain, but the profiles are not available, because SECOPTS.OPERSEC is set to MINIMAL in the CNMSTYLE member.

BNH223E **SPAN *spanname* CANNOT BE
ACTIVATED FOR *operid*****Explanation**

The specified span cannot be activated for the named operator because of one of the following reasons:

- The operator has not been authorized to start the span in the NETSPAN class of the security product.
- The operator has CTL=GLOBAL specified, and starting the span is not necessary and is not allowed.
- The span is not defined in the NETSPAN class of the security product.
- The NETSPAN class of the security product is not active.

The CTL=GLOBAL setting is specified either in the DSIPRF profile of the operator or in the NETVIEW segment of the security product. IF OPERSEC=SAFDEF was in effect when the operator logged on, the CTL setting was obtained from the NETVIEW segment of the security product. For more information about OPERSEC, see the REFRESH command.

Message Variables***spanname***

The name of the span

operid

The operator identifier

System action

The command ends and the span is not activated.

Operator response

If the specified span must be activated, see the system programmer.

System programmer response

Add the span to the NETSPAN class, if necessary, and ensure the operator has access to the span.

BNH224I ***operid* IS ALLOWED ACCESS TO
resource AT ACCESS LEVEL
*accesslvl*****Explanation**

This message is displayed after an operator issues a QRS command. The *operid* can access the *resource* at the specified access level. When running span of control for resources, the following conditions apply:

- The operator has SPECIFIC specified for that CTL logon attribute (the default) and the resource is

defined in one of the active spans at the specified access level for the operator.

- The operator has GLOBAL specified for the CTL logon attribute.
- The operator has GENERAL specified for the CTL logon attribute and this resource is defined in one of the active spans at the specified access level for the operator, or this resource is not in any defined span.

Message Variables***operid***

The NetView operator ID

resource

The resource name queried

accesslvl

The requested access level of the resource

BNH225I ***operid* IS NOT ALLOWED ACCESS
TO *resource* AT ACCESS LEVEL
*accesslvl*****Explanation**

This message is displayed when an operator issues a QRS command. The *operid* is denied access to the resource at the specified access level. When running span-of-control for resource, the *resource* is not defined in one of the active spans at that *operid* access level.

Message Variables***operid***

The NetView operator ID

resource

The queried resource name

accesslvl

The requested access level to the resource.

BNH226I **PROFILES ARE NOT USED WHEN
OPERATORS ARE DEFINED
THROUGH SAF****Explanation**

An attempt was made to either list the contents of a profile or to provide a list of profile names. Profiles are not used when OPERSEC=SAFDEF.

System action

Profiles are not displayed.

BNH227I **SCOPE INFORMATION IS NOT
AVAILABLE. COMMAND
AUTHORITY CHECKING IS BEING
DONE THROUGH *option*.**

Explanation

An attempt was made to list the commands available to an operator using the SCOPE option, but this method of command authority verification is no longer supported.

Message Variables

option

The option being used for command authority verification, such as TABLE or SAF

System action

The command ends and no action is taken.

BNH228I	OPTION VALUE LAST UPDATED UPDATE ID
----------------	--

Explanation

This message contains column headings for the LIST SECOPTS command. This message is part of a multiline write-to-operator (MLWTO) with messages BNH229I and BNH230I following.

System action

LIST SECOPTS data follows this message.

BNH229I	<i>option value mm/dd/yy hh:mm:ss updateid</i>
----------------	---

Explanation

The operator issued the LIST SECOPTS command. This message is part of a multiline write-to-operator (MLWTO) and is displayed after the header message BNH228I. This message contains either the security options and information about the options or a separator line. This message is followed by message BNH230I.

Message Variables

option

The eight-character field containing the name of the security option, for example, AUTHCHK.

value

The eight-character field containing the value of the security option.

mm/dd/yy hh:mm:ss

The 17-character date and time of the last update to the security option. The date and time formats depend on the TRANSMG member, when in effect, and on the date and time operands of the DEFAULTS and OVERRIDE commands.

updateid

The ID of the last task to update the security option or INITIALIZATION if the option has not been changed by any task.

System action

Security options data is displayed.

BNH230I	END OF LIST SECOPTS INFORMATION
----------------	--

Explanation

This message is part of a multiline write-to-operator (MLWTO) message. It is displayed after messages BNH228I and BNH229I.

System action

The LIST SECOPTS command completes.

BNH231E	TASK <i>taskname</i> COULD NOT OBTAIN EXTENDED CONSOLE <i>console_name</i>. CONSOLE NAME IS NOT VALID.
----------------	---

Explanation

A NetView task attempted to obtain an extended console, but the console name used does not comply with the rules for EMCS console names.

Message Variables

taskname

The task that attempted to obtain the console

console_name

The console name specified

System action

If the command entered was GETCONID, no console is obtained. If an MVS command was entered, a console is not obtained and the MVS command is not issued.

Operator response

Use the GETCONID with the CONSOLE= keyword to specify a valid console name.

System programmer response

An incorrect extended console name was detected. This console name was either:

- Specified on the CONSOLE= parameter of the GETCONID command
- The default console when GETCONID did not include a CONSOLE= parameter

- The default console when the MVS command was issued

The default console name is either:

- The name specified on the SETCONID command.
- The name determined from the value of ConsMask in the CNMSTYLE member, when that value is not an asterisk (*). For more information about the ConsMask statement, see the CNMSTYLE member.
- The name defined with the CONSNAME keyword in the NetView segment of the SAF product.
- The name defined with the CONSNAME keyword in the NetView operator profile.
- The task name if no other name was assigned.

Correct the console name. The name must be 2 - 8 characters, as required by MVS. Valid characters for console names are A-Z, 0-9, @, #, or \$. The first character of the console name must be alphabetic (A-Z) or one of the following special characters: @, #, or \$.

Note: If the console name defaulted to the task name, the task name might not be a valid console name. In this case, consider using the GETCONID or SETCONID command with the CONSOLE= keyword in this operator's initial command list. If the console name contains one or more asterisks, it is likely that the value that is chosen for the ConsMask statement in the CNMSTYLE member is incorrect. In this case, reset the common global variable CNMSTYLE.CONSMASK to a valid mask value as described in the CNMSTYLE member. Then, the problem is resolved on a given task after the next logon or after a new console name is specified using the GETCONID or SETCONID command. See *IBM Z NetView Installation: Getting Started* for information about updating the CNMSTYLE member.

BNH232E **'userid' IS NOT AUTHORIZED TO ISSUE COMMAND 'command'**

Explanation

The *userid* does not have the necessary authorization to issue *command*.

Message Variables

userid

The user ID attempting to issue the command. If AUTHCHK=SOURCEID is in effect, this user ID can be different from the user ID of the task that is running the command.

command

The command as defined in the CMDDEF statement. This is inserted even if a synonym for the command was issued by the user. The insert might contain 2 question marks, '??', if a

suppression character was used when the command was issued.

System action

The command is rejected.

Operator response

Notify the person in your organization who is responsible for security administration that you are unable to issue the command.

For information about AUTHCHK=SOURCEID, see the REFRESH command or the *IBM Z NetView Security Reference*.

System programmer response

If the user is required to issue the command as part of their duties, modify the security definitions to allow access to the command. Message BNH233E is also displayed to identify the command ID that prevented the user ID from issuing the command.

BNH233E **THE COMMAND '*command*' IS PROTECTED BY COMMAND IDENTIFIER '*commandid*' IN '*auth_method*'**

Explanation

A user ID is not authorized to issue *command* protected by *commandid*.

Message Variables

command

The command as defined in the CMDDEF statement. This is inserted even if a synonym for the command was issued by the user. The insert might contain 2 question marks, '??', if a suppression character was used when the command was issued.

commandid

The command identifier that prevented the user from issuing the command. If the command identifier is not known, the value '-NOT AVAILABLE-' is inserted in its place. If a suppression character was used, the value '??' might be inserted for the command identifier.

auth_method

The method of command authorization in effect when the failure occurred.

System action

The command issued by the user ID is rejected.

Operator response

Notify the person in your organization who is responsible for security administration that you are unable to issue the command.

System programmer response

If the user is required to issue the command as part of their duties, modify the security definitions in use to allow access to the command identifier. The BNH232E message is issued before this message to identify the command that is issued and the user ID that is not authorized to issue the command.

BNH234E **'userid' IS NOT AUTHORIZED TO USE KEYWORD 'keyword'**

Explanation

The *userid* does not have the necessary authorization to use the specified *keyword*.

Message Variables

userid

The user ID attempting to issue the command. If AUTHCHK=SOURCEID is in effect, this user ID can be different from the user ID of the task that is running the command.

keyword

The keyword as specified by the command processor. This is inserted even if a synonym for the keyword was issued by the user. The insert might contain 2 question marks, '??', if a suppression character was used when the command was issued.

System action

The command is rejected.

Operator response

Notify the person in your organization who is responsible for security administration that you were unable to issue the command with the keyword specified.

For information about AUTHCHK=SOURCEID, see the REFRESH command or the *IBM Z NetView Security Reference*.

System programmer response

If the user is required to issue the keyword as part of their duties, modify the security definitions in use to allow them to access the command identifier. Message BNH235E is issued to identify the command ID that prevented the user ID from issuing the keyword.

BNH235E **THE KEYWORD 'keyword' IS PROTECTED BY COMMAND IDENTIFIER 'commandid' IN 'auth_method'**

Explanation

A user ID is not authorized to issue a command with the specified *keyword* because it is protected by the *commandid* specified.

Message Variables

keyword

The keyword as specified by the command processor. This is inserted even if a synonym for the keyword was issued by the user. The insert might contain 2 question marks, '??', if a suppression character was used when the command was issued.

commandid

The command ID that prevented the user from issuing a command with the keyword. If the command ID is not known, the value '-NOT AVAILABLE-' is inserted. If a suppression character was used, the value '??' might be inserted for the command identifier.

auth_method

The method of command authorization in effect when the failure occurred.

System action

The command is rejected.

Operator response

Notify the person who is responsible for security in your organization that you are unable to issue the command with the keyword.

System programmer response

If the user is required to issue the command and keyword as part of their duties, modify the security definitions in use to access the command identifier. The BNH234E message, which is issued before this message, identifies the keyword that was issued and the user ID that was not authorized to issue the command with the keyword.

BNH236E **'userid' IS NOT AUTHORIZED TO USE THE KEYWORD 'keyword' AND VALUE 'value' COMBINATION**

Explanation

The *userid* does not have the necessary authorization to use the specified *keyword* and *value* combination.

Message Variables

userid

The user ID attempting to issue the command. If AUTHCHK=SOURCEID is in effect, this user ID can be different from the user ID of the task that is running the command.

keyword

The keyword as specified by the command processor. This is inserted even if a synonym for the keyword was issued by the user. The insert might contain 2 question marks, '??', if a suppression character was used when the command was issued.

value

The value specified for the keyword by the user or the value as defined in the CMDDEF statement. The insert might contain 2 question marks, '??', if a suppression character was used when the command was issued.

System action

The command is rejected.

Operator response

Notify the person in your organization who is responsible for security administration that you were unable to issue the command with the keyword and value that you specified.

For information about AUTHCHK=SOURCEID, see the REFRESH command or the *IBM Z NetView Security Reference*.

System programmer response

If the user is required to issue the keyword and value as part of their duties, modify the security definitions in use to allow them to access the command ID. Message BNH237E is issued to identify the command ID which prevented the user ID from issuing the keyword and value combination.

BNH237E THE KEYWORD '*keyword*' AND VALUE '*value*' ARE PROTECTED BY COMMAND IDENTIFIER '*commandid*' IN '*auth_method*'

Explanation

A user ID is not authorized to issue a command with the specified *keyword* and *value* combination because it is protected by the *commandid* specified.

Message Variables

keyword

The keyword as specified by the command processor. This is inserted even if a synonym for the keyword was issued by the user. The insert might contain 2 question marks, '??', if a suppression character was used when the command was issued.

value

The value specified for the keyword by the user or the value as defined in the CMDDEF statement. The insert might contain 2 question marks, '??', if a suppression character was used when the command was issued.

commandid

The command ID that prevented the user from issuing a command with the keyword and value combination. If the command ID is not known, the value '-NOT AVAILABLE-' is inserted. If a suppression character was used, the value '??' might be inserted for the command identifier.

auth_method

The method of command authorization in effect when the failure occurred.

System action

The command is rejected.

Operator response

Notify the person in your organization who is responsible for security administration that you are unable to issue the command with the keyword and value.

System programmer response

If the user is required to issue the command with the keyword and value as part of their duties, modify the security definitions in use to permit them to the command identifier. Message BNH236E is issued prior to this message to identify the keyword and value that was issued and the user ID that is not authorized to issue the command with the keyword and value combination.

BNH238E UNEXPECTED RETURN CODE FROM THE SYSTEM AUTHORIZATION FACILITY. RACROUTE MACRO RC IS *X'racroute_rc'*, REQUEST TYPE IS '*request*', SECURITY PRODUCT RC IS *X'security_rc'*, SECURITY PRODUCT REASON CODE IS *X'security_rsn'*, COMMAND IDENTIFIER IS '*identifier*'

Explanation

An unexpected return code was received from the SAF program.

Message Variables

racroute_rc

The RACROUTE macro return code.

request

The type of request that was passed to the security product.

security_rc

The return code from the security product.

security_rsn

The reason code from the security product.

identifier

The command identifier passed to the system authorization facility. The command identifier consists of the netid, luname, command, keyword (if present), and value (if present) concatenated with a period as the separator between fields. When a command identifier is not required for the request type, N/A is inserted. If a suppression character was used, the value '??' might be inserted for the command identifier.

System action

If a backup command authorization table is available, the command authority is determined by searching the backup table. If a backup command authorization table is not available, a command authority check cannot be completed, and the authority to issue the command is not granted.

Operator response

Notify the system programmer or the person in your organization responsible for the security of the command issued, the return code, and the request type.

BNH239E THE SECURITY ENVIRONMENT FOR *userid* CANNOT BE ESTABLISHED FOR THE OPERSEC VALUE OF '*opersec*'. THE RACROUTE MACRO RETURN CODE IS '*macro_rc*' FOR '*request_type*' AND '*environment*'. THE SECURITY PRODUCT RETURN CODE IS '*rc*' AND THE REASON CODE IS '*rsncode*'

Explanation

The NetView program cannot update the security environment for the user. This failure can occur if the

user is not defined to the security product or if the security product is not active.

Message Variables

userid

The user ID attempting to establish a security environment

opersec

The OPERSEC setting when the message was issued, or 'SUBMIT', if the error is related to the SUBMIT command processing

macro_rc

The return code from the RACROUTE macro

request_type

The type of request specified on the RACROUTE macro

environment

The function specified on the RACROUTE macro

rc

The return code from the security product

rsncode

The reason code from the security product

System action

If this message is issued because of the reconciling of security environments after a REFRESH of the OPERSEC setting (the value of '*opersec*' is not 'SUBMIT'):

- An attempt to establish the security environment is made each time a command is issued.
- Message BNH273I is issued when the security environment is successfully updated.
- If CMDAUTH is set to TABLE or SAF and a backup table is specified, command processing continues. If CMDAUTH is set to SAF and no backup table is specified, all commands to be verified by the SAF product are rejected until the security environment is established.

Operator response

Notify the system programmer or the person in your organization responsible for security. Provide the complete message text to help with the resolution of the problem.

System programmer response

Make any necessary changes to the security product based on the information provided with this message. Examine the RACROUTE macro return code and the security product return and reason codes for the request type and environment. An attempt to establish the security environment is made each time a

command is issued. Message BNH273I is issued when the security environment is established.

BNH240E THE COMMAND AUTHORIZATION TABLE *tblname* DOES NOT EXIST

Explanation

The command authorization table that is specified on the SECOPTS.COMDAUTH statement in the CNMSTYLE member, or on the REFRESH command, does not exist and cannot be initialized.

Message Variables

tblname

The name of the table

System action

If this message was issued during NetView initialization, initialization fails. If this message is issued in response to a REFRESH command, the REFRESH command fails.

Operator response

Check the value specified for *tblname* on the REFRESH command. If the error occurred during initialization, notify the system programmer.

System programmer response

Ensure that the table name that is specified is available through the DSIPARM data set concatenation. If the error occurred during NetView initialization, ensure that the table name is specified correctly on the SECOPTS.COMDAUTH statement in the CNMSTYLE member.

BNH241I THE COMMAND AUTHORIZATION TABLE *tblname* CONTAINS NO VALID STATEMENTS

Explanation

The command authorization table contains no valid statements.

Message Variables

tblname

The name of the table

System action

Because there are no valid statements in the table, no command authorization is performed.

Operator response

If your intent was not to bypass command authorization processing, check the value specified for *tblname* on the REFRESH command.

System programmer response

If you want command authorization to be performed, use the REFRESH command to specify a different command authorization table or to specify another method of command authorization processing.

BNH242E A COMMAND IDENTIFIER HAS A LENGTH ERROR IN THE COMMAND AUTHORIZATION TABLE

Explanation

A command identifier in the command authorization table has either a total length that is not valid or a field length that is incorrect. Up to 255 bytes of the table load statement in error are included in message BNH256I.

System action

This table load statement is ignored, and processing of the remaining table load statements continues.

Operator response

Notify the system programmer or person in charge of writing the command authorization table load statements.

System programmer response

Locate the incorrect table load statement. The total length of the command identifier must be less than or equal to 246 characters. Also, each field of the command identifier must contain 1 or more characters. If table variables are being used, ensure that the variable values that are substituted into the command identifier do not cause the total length of the command identifier to exceed 246 characters.

BNH243E AN UNDEFINED VARIABLE *varname* WAS FOUND IN THE COMMAND AUTHORIZATION TABLE

Explanation

An undefined table variable is used in a command authorization table load statement. Up to 255 bytes of the table load statement in error are included in message BNH256I.

Message Variables

varname

The name of the table variable

System action

The table load statement is ignored, and processing of the remaining table load statements continues.

Operator response

Notify the system programmer or person in charge of writing the command authorization table load statements.

System programmer response

Examine the table load statements and ensure that the table variable that is identified in the message is defined before being used.

BNH244E AN INCORRECT NUMBER OF FIELDS WAS FOUND FOR A COMMAND IDENTIFIER IN THE COMMAND AUTHORIZATION TABLE

Explanation

A command identifier in a table load statement has either too many or too few fields. Up to 255 bytes of the table load statement in error are included in message BNH256I.

System action

The table load statement is ignored, and processing of the remaining table load statements continues.

Operator response

Notify the system programmer or person in charge of writing the command authorization table load statements.

System programmer response

Examine table load statements and ensure that the command identifier has the appropriate format. This message might also be displayed when other syntax errors exist and the NetView program is attempting to process some other part of your table as a command identifier.

BNH245E AN UNRECOGNIZED STATEMENT TYPE *stmt_type* WAS FOUND IN THE COMMAND AUTHORIZATION TABLE

Explanation

A command authorization table load statement contains an unrecognized statement type. Up to 255 bytes of the table load statement in error are included in message BNH256I.

Message Variables***stmt_type***

The statement type in error

System action

The table load statement is ignored, and processing of the remaining table load statements continues.

Operator response

Notify the system programmer or the person in charge of writing the command authorization table load statements.

System programmer response

Examine the table load statements identified to find and correct the statement type in error. This message can also be displayed when other syntax errors exist, and the NetView program is attempting to process some other part of your table as a statement type.

BNH246E AN UNMATCHED '<BEGIN>' OR '<END>' LABEL WAS FOUND IN THE COMMAND AUTHORIZATION TABLE

Explanation

A <BEGIN> or <END> label is incorrect in the command authorization table. Up to 255 bytes of the table containing the error are included in message BNH256I.

System action

If 2 <BEGIN> labels are encountered without an intervening <END> label, information that exists between the first and second <BEGIN> labels is discarded, and the second <BEGIN> label starts a new table statement.

Operator response

Notify the system programmer or person in charge of writing the command authorization table load statements.

System programmer response

Examine the set of table load statements to find and correct the usage of <BEGIN> and <END> labels.

Ensure that each <BEGIN> label has a corresponding <END> label and that each <END> label has a corresponding <BEGIN> label. Errors in <BEGIN> and <END> labels can cause other errors to be noted in surrounding statements. You might receive this message if an error is found in a different <BEGIN> or <END> label, causing a <BEGIN> and <END> label mismatch. If this is the cause, correcting the error in the label resolves the label mismatch. You might also receive this message if there are too many records coded between a <BEGIN> and the matching <END>. If so, there is a preceding BNH247E message.

BNH247E THE MAXIMUM LENGTH FOR A TABLE LOAD STATEMENT WAS EXCEEDED IN THE COMMAND AUTHORIZATION TABLE

Explanation

A table load statement exceeds the maximum allowable length of 4096 bytes. Up to 255 bytes of the table load statement in error are included in message BNH256I.

System action

The table load statement is ignored and processing of the remaining table load statements continues.

Operator response

Notify the system programmer or person in charge of writing the command authorization table load statements.

System programmer response

Ensure that the table load statements do not exceed the maximum length.

BNH248E THE VARIABLE NAME *varname* USED IN THE COMMAND AUTHORIZATION TABLE EXCEEDED THE MAXIMUM ALLOWABLE LENGTH

Explanation

A command authorization table contains a table variable that is not valid. The variable name must be 1-32 characters in length. Up to 255 bytes of the table load statement in error are included in message BNH256I.

Message Variables

varname
The variable name

System action

The table load statement is ignored, and processing of the remaining table load statements continues.

Operator response

Notify the system programmer or person in charge of writing the command authorization table load statements.

System programmer response

Examine the table load statements to ensure that the table variable names are 1-32 characters in length.

BNH249E AN INCORRECT TABLE VARIABLE USAGE WAS FOUND IN THE COMMAND AUTHORIZATION TABLE

Explanation

A table variable is used incorrectly in a command identifier. Up to 255 bytes of the table load statement in error are included in message BNH256I.

System action

The table load statement is ignored, and processing of the remaining table load statements continues.

Operator response

Notify the system programmer or person in charge of writing the command authorization table load statements.

System programmer response

Examine the table load statements to ensure that the table variables are used only to replace entire fields of the command identifier.

BNH250E AN INCOMPLETE '*stmttype*' DEFINITION WAS FOUND IN THE COMMAND AUTHORIZATION TABLE

Explanation

An incomplete statement was found in the command authorization table. For example, a PROTECT statement type was found without a corresponding command identifier. Up to 255 bytes of the table load statement in error are included in message BNH256I.

Message Variables

stmttype
The type of the statement in error (PROTECT, EXEMPT, PERMIT, GROUP, or SETVAR)

System action

The table load statement is ignored, and processing of the remaining table load statements continues.

Operator response

Notify the system programmer or person in charge of writing the command authorization table load statements.

System programmer response

Examine the set of table load statements identified in the message and correct the problem.

BNH251E A DUPLICATE 'SETVAR' DEFINITION WAS FOUND IN THE COMMAND AUTHORIZATION TABLE

Explanation

More than one SETVAR statement is used for the same table variable. Up to 255 bytes of the table load statement in error are included in message BNH256I.

System action

The table load statement is ignored, and processing of the remaining table load statements continues.

Operator response

Notify the system programmer or person in charge of writing the command authorization table load statements.

System programmer response

Examine the set of table load statements identified in the message. Ensure that all table variable names are unique.

BNH252E A COMMAND IDENTIFIER HAS AN INCORRECT USE OF A GENERIC CHARACTER IN THE COMMAND AUTHORIZATION TABLE

Explanation

A PROTECT, PERMIT, or EXEMPT statement in the command authorization table contains a command identifier that uses a generic character improperly. Up to 255 bytes of the table load statement containing the error are included in message BNH256I.

System action

The table load statement is ignored, and processing of the remaining table load statements continues.

Operator response

Notify the system programmer or person in charge of writing the command authorization table load statements.

System programmer response

Examine the set of table load statements identified in the message. Ensure that the generic character (*) is used only as a field replacement or as a trailing character in a field. For example, NETA.CNM*.* and NETA.CNM01.ABC* are valid, but NETA.CNM01.A*BC is not. Another example is PROTECT *.*.* that fails because the * is followed by a space on the same record, which is not the end of the command.

BNH253E THE GROUP NAME OR USERID *name* USED IN THE COMMAND AUTHORIZATION TABLE EXCEEDED THE MAXIMUM ALLOWABLE LENGTH

Explanation

A group name or user ID used in the command authorization table is not valid. Up to 255 bytes of the table load statement in error are included in message BNH256I.

Message Variables

grpname

The group name or user ID in error

System action

The table load statement is ignored, and processing of the remaining table load statements continues.

Operator response

Notify the system programmer or person in charge of writing the command authorization table load statements.

System programmer response

Examine the set of table load statements identified in the message. Ensure that all group names and user IDs are entered correctly. Group names and user IDs can be 1-8 alphanumeric characters.

BNH254I OPERSEC VALUE HAS CHANGED. LOGON PANEL REFRESHED.

Explanation

The operator entered information about a logon panel displayed while OPERSEC=SAFDEF was in effect. The value of OPERSEC has changed, and the logon panel

has been refreshed to allow the operator to enter information in the PROFILE field of the logon panel.

System action

The logon panel is refreshed.

Operator response

Enter the appropriate password or password phrase and a profile name if wanted.

BNH255E **AN INCORRECT SPECIFICATION OF A COMMAND IDENTIFIER WAS FOUND IN THE COMMAND AUTHORIZATION TABLE**

Explanation

A command identifier was specified incorrectly. For example, a command identifier delimiter, such as a period, was found at the end of a command identifier with nothing following it, or a blank was found in the middle of a command identifier field or between command identifier fields specified on the same record in the command authorization table. Up to 255 bytes of the table load statement in error are included in message BNH256I.

System action

The table load statement is ignored, and processing of the remaining table load statements continues.

Operator response

Notify the system programmer or person in charge of writing the command authorization table load statements.

System programmer response

Examine the set of table load statements identified in the message. Correct the syntax error.

BNH256I *member_name* :
 sequence_number : *load_statement*

Explanation

This message includes up to 255 bytes of a table load statement in error. A previous message identifies the error found in this table load statement.

Message Variables

member_name

The member name containing the incorrect table load statement.

sequence_number

The sequence number within the specified member name. If there are no sequence numbers in the member, the value '(NO SEQ)' is specified.

load_statement

The statement in error. READSEC authority checking is performed before this message is issued. If the operator is not authorized to access the table member in DSIPARM, *load_statement* is replaced by suppressed.

System action

See the previous message indicating the error.

BNH257I **TO SEE YOUR KEY SETTINGS, ENTER 'DISPFK'**

Explanation

This message is displayed (without message ID) by some NetView applications in the immediate message area. When this message is translated it is limited to 79 characters.

Operator response

This message is informational only; no response is required.

BNH258E **SPAN *spanname* CANNOT BE DEACTIVATED FOR *operid***

Explanation

The *spanname* cannot be deactivated for *operid* because the operator is not authorized to the inactive span, the span name is unknown, or the span name is already inactive.

Message Variables

spanname

The name of the span

operid

The operator identifier

System action

The command ends.

Operator response

Contact the system programmer if access to this span is required.

System programmer response

Add the span to the NETSPAN class, if necessary, and authorize the operator access to the span.

BNH259I **SPAN *spanname* ACTIVATED FOR
operid AT ACCESS LEVEL *accesslvl*****Explanation**

This message is displayed when the *spanname* is activated.

Message Variables***spanname***

The name of the span

operid

The operator identifier

accesslvl

The access level for the started span

System action

The command ends.

BNH261E **UNEXPECTED DATA VALUE
ENCOUNTERED FOR KEYWORD
keyword IN THE NETVIEW
SEGMENT OF THE SECURITY
PRODUCT FOR OPERATOR *opid*.
THE DATA IS IGNORED****Explanation**

The user profile in the NetView segment contains unexpected data. The data is ignored.

Message Variables***keyword***

The keyword in the NetView segment

opid

The operator identifier

System action

The data is ignored and logon continues.

Operator response

Notify the system programmer or the security administrator.

System programmer response

Check the NetView segment of the security software product to determine whether the value for the specified keyword must be corrected in the segment.

BNH262E **AN EXPECTED USERID IS
MISSING IN THE COMMAND
AUTHORIZATION TABLE****Explanation**

A delimiter in the GROUP statement in the command authorization table indicates that a user ID might have been omitted from the list. For example:

```
GROUP G1 OPER1,  
GROUP G2 OPER2, ,OPER3
```

This error message is for both G1 and G2 groups. For G1, the trailing comma (,) indicates that a user ID follows. For G2, the 2 trailing commas (,,) indicate that a user ID has been omitted between the delimiters. Up to 255 bytes of the table load statement in error are included in message BNH256I.

System action

The table load statement is ignored, and processing of the remaining table load statements continues.

Operator response

Notify the system programmer or person in charge of writing the command authorization table load statements.

System programmer response

Examine the table load statements identified in the message. Correct the GROUP statement, adding user IDs that belong to the group.

BNH263E ***name* WAS USED AS BOTH A
USERID AND GROUP NAME IN THE
COMMAND AUTHORIZATION
TABLE****Explanation**

The specified user ID has already been used as a group name in the command authorization table, or the group name has already been used as a user ID in the command authorization table. Up to 255 bytes of the table load statement in error are included in message BNH256I.

Message Variables***name***

The duplicate user ID and group name

System action

The table load statement is ignored, and processing of the remaining table load statements continues.

Operator response

Notify the system programmer or person in charge of writing the command authorization table load statements.

System programmer response

Examine the table load statements identified in the message. Ensure that the group names are unique in the command authorization table.

BNH264E **AN INCORRECT CHARACTER
character WAS FOUND IN THE
COMMAND AUTHORIZATION
TABLE**

Explanation

A character that is not valid has been found in the load statement of the command authorization table. Up to 255 bytes of the table load statement in error are included in message BNH256I.

Message Variables

character

The character that is not valid

System action

The table load statement is ignored, and processing of the remaining table load statements continues.

Operator response

Notify the system programmer or person in charge of writing the command authorization table load statements.

System programmer response

Examine the table load statements identified in the message. Correct the character in error.

Variable names cannot contain periods, ampersands, dashes, asterisks, or percent signs. Variable values cannot contain periods, ampersands, or dashes. Also, variable values can use only the asterisk as the last or only character of the value.

Group names and user IDs cannot contain ampersands, asterisks, or percent signs.

BNH265E **AN EXPECTED VARIABLE VALUE
IS MISSING IN THE COMMAND
AUTHORIZATION TABLE**

Explanation

A delimiter in the SETVAR statement in the command authorization table indicates a value might have been omitted from the list. For example:

```
SETVAR V1 VALUE1,  
SETVAR V2 VALUE2, ,VALUE3
```

This error message is for both of these cases. For V1, the trailing comma (,) indicates a value must have

followed. For V2, the 2 trailing commas (,,) indicate a value was omitted between the delimiters. Up to 255 bytes of the table load statement in error are included in message BNH256I.

System action

This table load statement is ignored, and processing of the remaining table load statements continues.

Operator response

Notify the system programmer or person in charge of writing the command authorization table load statements.

System programmer response

Examine the table load statements identified in the message. Add variable values for the variable that is being defined.

BNH266E **AN INCORRECT VARIABLE VALUE
value WAS FOUND IN THE
COMMAND AUTHORIZATION
TABLE**

Explanation

A value was specified for a variable within a SETVAR statement that exceeds the maximum allowable length of 242 characters. Up to 255 bytes of the table load statement in error are included in message BNH256I.

Message Variables

value

The value in error

System action

This table load statement is ignored, and processing of the remaining table load statements continues.

Operator response

Notify the system programmer or person in charge of writing the command authorization table load statements.

System programmer response

Examine the table load statements identified in the message. Ensure that variable values do not exceed 242 characters. Multiple variable values must be separated by commas.

BNH267E **EXTRANEIOUS DATA WAS FOUND
FOLLOWING A '<BEGIN>' OR**

'<END>' LABEL IN THE COMMAND AUTHORIZATION TABLE

Explanation

A <BEGIN> or <END> label that is used to indicate that a table statement spans more than one line, is incorrect. Up to 255 bytes of the table load statement in error are included in message BNH256I.

System action

This table load statement is ignored, and processing of the remaining table load statements continues. If the <BEGIN> label is coded incorrectly, each line of the table following the <BEGIN> and preceding the corresponding <END> is treated as an individual statement instead of one multiline statement. As a result these individual statements produces other errors. Also when a <BEGIN> or <END> label is ignored the corresponding unmatched label produces a BNH246E message.

Operator response

Notify the system programmer or person in charge of writing the command authorization table load statements.

System programmer response

Examine the table load statements identified in the message. Ensure that each <BEGIN> and <END> label appears on a line by itself.

BNH268A UNABLE TO EXTRACT PROFILE INFORMATION FROM THE NETVIEW SEGMENT

Explanation

Profile information for the operator cannot be extracted from the NetView segment.

System action

Logon ends.

Operator response

Notify the system programmer or the system security administrator.

System programmer response

Find the corresponding BNH270E message in the NetView log, and use the return codes to determine the exact cause of failure.

BNH269E

AN INCORRECT USERID *userid* WAS FOUND IN THE COMMAND AUTHORIZATION TABLE

Explanation

An incorrect *userid* was found while processing a GROUP statement in the command authorization table. This message might be issued if the GROUP statement contains multiple user IDs that are not separated by commas or the *userid* exceeded eight characters. Up to 255 bytes of the table load statement in error are included in message BNH256I.

Message Variables

userid

The user ID in error

System action

This table load statement is ignored, and processing of the remaining table load statements continues.

Operator response

Notify the system programmer or person in charge of writing the command authorization table load statements.

System programmer response

Examine the table load statements identified in the message. Ensure that the user IDs are specified correctly. Multiple user IDs must be separated by commas.

BNH270E

A CALL TO THE SYSTEM AUTHORIZATION FACILITY FAILED FOR TASK *task*. TYPE IS *type*, RACROUTE MACRO RC IS X'*racroute_rc*', SECURITY PRODUCT RC IS X'*security_rc*', SECURITY PRODUCT REASON CODE IS X'*security_rsn*'

Explanation

A call to the System Authorization Facility failed for the specified *task*. The return codes are provided to help with problem diagnosis.

See the *IBM Z NetView Security Reference* for information about the security product return and reason codes.

Message Variables

task

The task being verified

type

The type of request that was passed to the security product

racroute_rc

The RACROUTE MACRO return code

security_rc

The security product return code

security_rsn

The security product reason code

System action

Processing stops.

Operator response

Notify the system programmer or system security administrator. Provide the command entered and the complete message text to help determine the problem.

System programmer response

Determine the cause of the SAF failure from the return codes and take appropriate action to correct the problem.

BNH271I	THE OPERSEC VALUE IS SET TO SAFDEF. THE PROFILE NAME ENTERED ON THE LOGON PANEL IS IGNORED AND PROFILE INFORMATION FROM THE NETVIEW SEGMENT WILL BE USED
----------------	---

Explanation

You are logging on to a NetView system where OPERSEC is SAFDEF. For an OST logon, the operator entered a profile name on a logon panel that was displayed before the OPERSEC value was changed to SAFDEF. For an NNT logon, the standard logon panel is displayed. The operator enters a profile name on the logon panel. The profile name that was entered is ignored and profile attributes from the NetView segment are used.

System action

Logon continues.

BNH272I	THE OPERSEC VALUE IS SET TO SAFDEF. THE HARDCOPY FIELD WAS LEFT BLANK ON THE LOGON PANEL AND THE DEFAULT OF NO HARDCOPY LOG WILL BE USED.
----------------	--

Explanation

You are logging on to a NetView system where OPERSEC is SAFDEF. For an OST logon, the operator left the hardcopy field blank on a logon panel that was displayed before the OPERSEC value was changed to SAFDEF. For an NNT logon, the standard logon panel is always displayed. The hardcopy field remains blank on the logon panel. A hardcopy log is not started.

System action

Logon continues.

Operator response

If a hardcopy log is needed, start the hardcopy log.

BNH273I	THE SECURITY ENVIRONMENT FOR <i>userid</i> IS NOW CORRECTED AND MATCHES THE OPERSEC VALUE OF '<i>opersec</i>'
----------------	--

Explanation

The security environment has been correctly established for the specified user. This message indicates that the problem identified in a prior BNH239E message for this *userid* is now resolved.

Message Variables**userid**

The user attempting to establish a security environment

opersec

The setting of OPERSEC when the message is issued

System action

Processing continues.

BNH274E	A COMMAND AUTHORIZATION DECISION COULD NOT BE MADE BY THE SECURITY PRODUCT. RACROUTE MACRO RC IS X'<i>racroute_rc</i>', REQUEST TYPE IS '<i>request</i>', SECURITY PRODUCT RC IS X'<i>security_rc</i>', SECURITY PRODUCT REASON CODE IS X'<i>security_rsn</i>', COMMAND IDENTIFIER IS '<i>identifier</i>'
----------------	--

Explanation

The security product is unable to decide on the authority of the user to issue a command.

Message Variables

racroute_rc

The return code from the RACROUTE macro.

request

The request type specified on the RACROUTE macro.

security_rc

The return code from the security product.

security_rsn

The reason code from the security product.

identifier

The command identifier passed to the system authorization facility. The command identifier consists of the net ID, LU name, command, keyword (if present), and value (if present) concatenated with a period as the separator between fields. When a command identifier is not required for the request type, N/A is inserted. If a suppression character was used, the value ?? can be used for the command identifier.

System action

Processing continues.

Operator response

Notify the person in your organization who is responsible for security. Provide the command entered and the complete message text to help with problem resolution.

System programmer response

This message is only issued when SAFNODEC=FAIL and the command was not authorized or denied by the SAF product. Take the appropriate actions. For undefined resources, this message can be avoided by defining a generic resource in the NETCMDS class. For more information, see the *IBM Z NetView Security Reference*.

BNH275E **KEYWORD *keyword2* CONFLICTS WITH KEYWORD *keyword1*. KEYWORD *keyword2* IS IGNORED.****Explanation**

The command or statement has conflicting keywords or keyword values that are not valid. The specified value for the keyword is ignored and the default value is used.

Message Variables***keyword1***

The keyword that was entered first

keyword2

The keyword that is in conflict

System action

The command fails or the statement uses the default value.

Operator response

Verify that *keyword1* is the setting that is wanted. If not, notify the system programmer.

System programmer response

Eliminate the inappropriate keyword.

BNH276W **THE PROFILE STATEMENT
CONSNAME OPERAND IS
INCORRECT****Explanation**

The CONSNAME operand on the PROFILE statement specifies an incorrect value.

System action

If this message is issued during NetView initialization, then initialization continues. If this message was issued during logon, this logon ends. You are prompted for the LOGON command.

Operator response

Notify the system programmer to have the PROFILE statement corrected.

System programmer response

Correct the PROFILE definition statement for the CONSNAME operand. See the *IBM Z NetView Security Reference* for more information.

BNH277I **THE SOURCE ID FOR THE
'*cmd_name*' COMMAND CANNOT
BE DETERMINED. THE COMMAND
IS REJECTED****Explanation**

A command has been received without an indication of its origin. An authorization check cannot be made.

Message Variables***cmd_name***

The command as defined in the CMDDEF statement. This is inserted even if a synonym for the command was issued by the user. The insert might contain 2 question marks, if a suppression character was used when the command was issued.

System action

The command is rejected. NetView processing continues.

Operator response

Notify the system programmer.

System programmer response

Look for message DWO050 in the NetView log, which provides more information about the location of the problem. Determine whether the problem with the source ID was caused by an error in a call made by non-NetView code. The source ID can be set incorrectly when using the PPI command receiver or using the DSIMQS service in assembler code. If the problem is the result of an error in NetView code, contact IBM Software Support.

BNH278E AN INTERNAL ERROR OCCURRED WHILE BUILDING THE COMMAND AUTHORIZATION TABLE

Explanation

An internal error occurred. The command authorization table that was specified on the SECOPTS.COMDAUTH statement in the CNMSTYLE member, or on the REFRESH command, cannot be built.

System action

If this message is issued during NetView initialization, then initialization fails. If this message is issued in response to a REFRESH command, the REFRESH command fails.

Operator response

Notify the system programmer.

System programmer response

Look for a series of DWO050 messages in the NetView log that detail the location of the problem. Contact IBM Software Support and provide the log information.

BNH279E THE PERMIT STATEMENT IN MEMBER *memname* AT SEQUENCE NUMBER *seqnum* IS IGNORED BECAUSE THE COMMAND IDENTIFIER *identifier* IS NOT PROTECTED IN THE COMMAND AUTHORIZATION TABLE

Explanation

A PERMIT statement is coded for a command identifier that is not protected with a PROTECT statement.

Message Variables

memname

The name of the member or file that contains the incorrect PERMIT statement.

seqnum

The sequence number within the specified member or file. If there is no sequence number for this PERMIT statement, the value '(NO SEQ)' is returned in the message.

identifier

The command identifier from the incorrect PERMIT statement.

System action

This table load statement is ignored and processing of the remaining table load statements continues.

Operator response

Notify the system programmer or person in charge of writing the command authorization table load statements.

System programmer response

Edit the set of table load statements identified in the message. Ensure that the command identifier in the PERMIT statement has a corresponding PROTECT statement.

If this message was received at NetView initialization and was truncated, you can issue a REFRESH command with the TEST keyword to get a complete copy of the error message.

BNH280I *applid* IS AN INVALID OR NONEXISTENT APPLICATION ID FOR THIS REQUEST

Explanation

This application ID is either incorrect or does not exist, in the context of this request.

Message Variables

applid

The application ID that is incorrect or nonexistent

Operator response

Correct the application ID and retry.

BNH281A ERROR PROCESSING JCL EXEC STATEMENT PARAMETER *insert1*

Explanation

This message indicates that either a syntax error or an incorrect or extraneous NetView parameter value was found while processing the NetView parameters passed from the JCL EXEC statement in the PARM parameter.

Message Variables

insert1

The positional parameter of the JCL EXEC statement in the PARM parameter that is in error

System action

The NetView program ends following issuance of this message.

Operator response

If any supplied parameters on the MVS start procedure command are substituted in the JCL EXEC statement in the PARM parameter, check for misspellings or incorrect use of commas. Correct and reissue the MVS start procedure command. If no parameters were supplied, report the problem to your system programmer.

System programmer response

Check the JCL listing in the MVS-produced NetView job log resulting from the failed attempt to start the NetView program. If the MVS system symbolics were not substituted, it might be because they were not defined, were misspelled, or the MVS system symbolics are not supported by the level of the MVS system on which the NetView JCL procedure was run.

If the MVS system symbolics were substituted with unexpected values, check the MVS system symbolic definition values. Also, look for local symbolics defined in the NetView JCL procedure that have the same name as the MVS system symbolics. The local symbolics override the MVS system symbolics. Check for misplaced commas and extraneous parameters in the JCL EXEC statement PARM field. Correct the NetView initialization procedure JCL or the MVS system symbolic definition in error.

BNH282A **ARM REGISTRATION FAILED WITH RETURN CODE *insert1*, REASON CODE *insert2***

Explanation

This message indicates that the NetView program or NetView Subsystem Interface (SSI) attempted to register with the MVS automatic restart manager (ARM) but failed with the inserted return code and reason code. This might be caused by an incorrect

ARM name on the NetView startup procedure or by an incorrect or unsupported ARM environment.

Message Variables

insert1

The return code returned by the MVS IXCARM macro at the time of the error

insert2

The reason code returned by the MVS IXCARM macro at the time of the error

System action

The NetView program continues following issuance of this message without the requested ARM support.

Operator response

If the operator specified the ARM parameter on the MVS start procedure command that was substituted in the JCL EXEC statement PARM parameter, check for misspellings or incorrect use of commas and reissue the MVS start procedure command. If the operator did not specify any parameters, report the problem to your system programmer.

System programmer response

See the *z/OS MVS Programming Sysplex Services Reference* for the IXCARM macro that describes the return code and reason code in this message. Make the changes specified, and start the NetView program again. If the problem persists, contact IBM Software Support for assistance.

BNH283I **MAKE A SELECTION USING CURSOR OR SELECTION CODE AND PRESS ENTER.**

Explanation

To continue to the next panel, type a selection code or move the cursor to your selection and press enter.

Operator response

Select a valid option.

BNH284E ***command* REQUEST IGNORED. *function* SUPPORT IS NOT INSTALLED.**

Explanation

The request cannot be processed because the function was not installed.

For example, this message is displayed if you try to execute an HLLENV command to set up PL/I

preinitialized environments without having NetView support for PL/I installed.

Message Variables

command

The command request that cannot be processed.

function

The function that your current installation does not support.

System action

The command request is ignored.

Operator response

If appropriate, verify that the command was entered correctly, then correct and reenter the command request.

If the command is BPX1SDD, then the UNIX System Services Set Default request that is issued by the NetView program during its initialization failed when attempting to specify the options indicated by *function*.

If support for the function is available, contact your system programmer and indicate that the specified function has not been installed.

System programmer response

Verify whether the function should be installed. If so, see the NetView program directory for the installation steps required.

BNH285I	THE <i>original</i> COMMAND ENCOUNTERED AN ERROR WHEN PROCESSING THE <i>embedded</i> COMMAND. MESSAGE <i>msgid</i> FOLLOWS WITH ADDITIONAL INFORMATION
----------------	---

Explanation

This message indicates that while trying to process the *original* command, another command (*embedded* command) failed. For more information about the embedded command's failure, see *msgid*.

Message Variables

original

The command that encountered the error while processing the *embedded* command.

embedded

The command that failed. The *msgid* that follows provides more information about the reason for the failure.

msgid

The message that provides additional information about the failure of the *embedded* command.

System action

The *original* command ended.

Operator response

Review message *msgid*, and correct the error. Contact your system programmer, if necessary.

System programmer response

Review message *msgid*, and correct the error. When corrected, the *original* command can be reissued.

BNH286E	IMPROPER DATE OR TIME TEMPLATE '<i>template</i>'. REASON CODE IS <i>reason_code</i>.
----------------	---

Explanation

An unsupported date or time template was specified, for example, in a DEFAULTS LONGDATE=*template* command. The *reason_code* indicates the error that was detected in the template. Message BNH286E is sometimes followed by other messages that help pinpoint the location of the error.

Message Variables

template

The unsupported date or time template

reason_code

The error detected in the template

The following are reason code values and their meanings:

1

Multiple tokens are present such as YY.

A date or time token, such as YY, can appear only once in a template. For example, the following templates are incorrect: HH:MM:HH (multiple HHs), YYDDYY, YDDY, and so on.

2

Too many delimiters are present.

A maximum of 3 delimiters can separate tokens. For example, YY/MM/DD has 2 slash delimiters, "YY.DDD" has three delimiters, 2 double quotations and one period. The input template incorrectly had 4 or more delimiters, for example, "YY/MM/" and -YY--MM-.

3

The template was not recognized as a date or a time template.

- The template was not recognized as a data or a time template. For example, the following templates are incorrect: ABC, EE/FF/GG. Date templates must contain a YY or DD token; time templates must contain an HH or SS token.
- 4** The template is ambiguous; it contains both date and time tokens.
The template was recognized as both a date and a time template, which is incorrect. For example, templates HH:MM:DD and YY/MM/SS are incorrect. A valid template can contain only one token type.
 - 5** The YY (year) token contains an incorrect number of Ys. Valid numbers are 0, 2 (YY), and 4 (YYYY). For example, templates Y/MM/DD and YYYYY.DD are incorrect.
 - 6** The MM (month) token contains an incorrect number of Ms.
Valid numbers are 0, 2 (MM), and 3 (MMM). For example, templates YY/MMMM and YY/M/DD are incorrect.
 - 7** The DD (day token) contains an incorrect number of Ds. Valid numbers are 0, 2 (DD), and 3 (DDD). For example, templates MM/DDDD and YY/MM/D are incorrect.
 - 8** The HH (hour token) contains an incorrect number of Hs. Valid numbers are 0 and 2 (HH). For example, templates HHH:MM and H:MM:SS are incorrect.
 - 9** The MM (minute token) contains an incorrect number of Ms. Valid numbers are 0 and 2 (MM). For example, templates HH:MMM and HH:M:SS are incorrect.
 - 10** The SS (second token) contains an incorrect number of Ss. Valid numbers are 0 and 2 (SS). For example, templates MM:SSS and HH:MM:S are incorrect.
 - 11** The year token is required in the long format date template. Specify the YY or YYYY (year) token in the long format date template. For example, "DEFAULTS LONGDATE=MM/DD" is incorrect.
 - 12** The date token is required in the long format date template. Specify the DD or DDD (date token) in the long format date template. For example, "DEFAULTS SHORTDAT=YY/MM" is incorrect.
 - 13** The month token is required in the long format date template. Specify the MM or MMM (month token) in the long format date template. For example, "DEFAULTS LONGDATE=YY/DD" is incorrect. However, the DDD Julian date is valid for both the DD and MM tokens, for example, "DEFAULTS DATEFMT FORMAT=YYYY.DDD."
 - 14** The HH (hours) token is required in the long or short format time template. For example, "DEFAULTS SHORTTIM=MM:SS" is incorrect. Specify the HH (hour token) in the long format date template.
 - 15** The MM (minutes token) is required in the long or short format time template. For example, "DEFAULTS SHORTTIM=HH:SS" is incorrect. Specify the MM (minute token) in the long format date template.
 - 16** The SS (seconds) token is required in the long format time template. For example, "OVERRIDE LONGTIME=HH:MM" is incorrect. Specify the SS (second token) in the long format date template.
 - 17** The template is too long.
The template is too long. The maximum length for a long date or time template is eight characters, for example, DEFAULTS LONGDATE=YY/MM/DD or LONGTIME='HH:MM:SS'. Enclosing quotations, when present, are not counted in the template length. The maximum length for a short date or time template is five characters, for example, SHORTDAT=MM/DD or SHORTTIM=HH:MM.
 - 18** The template conflicts with the Date or Time keyword in the command.
For example, in "DEFAULTS LONGTIME=YY/MM/DD" the keyword is LONGTIME, but the template is a date template. The keyword and the template must both specify either a date or a time.
 - 19** The template is too short. The minimum length for a template is 2 characters, for example, YY. The template is enclosed in quotation

marks, the quotations are not counted in the 2-character minimum length.

20

No template was specified between the quotation marks. The template contains back-to-back quotations with no template present between the quotations, for example, DEFAULTS LONGDATE=".

21

The template is missing an end quotation mark. For example, DEFAULTS LONGDATE='MM/DD/YY.

22

The template is missing a beginning quotation mark, For example, DEFAULTS LONGDATE=MM/DD/YY'.

23

The template contains only spaces. For example, DEFAULTS LONGDATE='bbbbbbbb' (where *b* represents a space).

24

The template contains an improper delimiter. For example, alphanumeric characters such as A-Z cannot be used. Note the following date and time template delimiters conditions:

- Always printable EBCDIC characters such as slash (/) and colon (:).
- Alphanumeric characters, blanks, single quotations, asterisks, left and right parentheses, commas, equals, underscores, and national characters, such as @, #, and \$, are not valid.

System action

The DEFAULTS/OVERRIDE date or time command is ignored.

Operator response

Correct the template. If necessary, see online help for the DEFAULTS or OVERRIDE commands. Reissue the command.

BNH287E DATA BASE '*DataBaseName*'
DETECTED BY '*ComponentName*'
COMPONENT

Explanation

A damaged database was detected by NetView component *ComponentName*.

When the *ComponentName* is HMON, the hardware monitor detected the damaged VSAM database during either SWITCH command or START TASK=BNJDSERV command processing. The command cannot

successfully complete because of the damaged database. You must erase and reallocate hardware monitor database *DataBaseName* to correct the problem.

Message Variables

DataBaseName

The name of the damaged database

ComponentName

The NetView component that detected the damaged database

System action

Processing continues.

Operator response

Perform the actions listed for each component. If the problem persists, contact IBM Software Support.

BNH288E PIPE OR CLIST COULD NOT SEND
ALERT TO ALERT ADAPTER DUE
TO MISSING 'TECROUTE'.

Explanation

A PIPE or CLIST was invoked from the automation table and attempted to send an alert to the Event/Automation Service Alert Adapter. The attempt failed because the PIPE or CLIST command in the automation table was not preceded by the TECROUTE designation. See samples CNMSIHSA and CNMEALUS for more information.

Note: Even though the PIPE or CLIST cannot send the alert to the alert adapter, the alert is sent to the alert adapter by the Hardware Monitor if the alert passes the TECROUTE and AREC filters.

System action

Processing continues.

Operator response

Notify the system programmer to correct the PIPE or CLIST command.

System programmer response

Inspect the automation table, and add TECROUTE to the beginning of the PIPE or CLIST command.

BNH293I NETVIEW CNMCAUT MODE IS
mode, PARMLIB MEMBER LOADED
is *member*

Explanation

This message is sent as a result of the DISPLAY CNMCAUT or D CNMCAUT command.

Message Variables

mode

The CNMCAUT setting. It can be ON, OFF, or TEST.

member

The CNMCAUaa PARMLIB that is currently active. If member is NONE, no CNMCAUaa member is active.

**BNH294I NETVIEW MVS COMMAND EXIT IS
LOADING PARMLIB MEMBER:
 *member***

Explanation

As a result of processing the 'SET CNMCAUT=*value*' command, the NetView MVS Command Exit is loading the PARMLIB member.

Message Variables

member

The PARMLIB member name: CNMCAUxx

System action

Processing continues.

BNH295I TOP OF LOG ENCOUNTERED

Explanation

While browsing the NetView log, a browse request resulted in the top of the log being encountered. The result is that the top of the log is displayed.

BNH296I BOTTOM OF LOG ENCOUNTERED

Explanation

While browsing the NetView log, a browse request resulted in the bottom of the log being encountered.

When issued as a result of the LOCATE log browse subcommand, the date/time or sequence number requested was beyond the bottom of the log. The result is that the bottom of the log is displayed.

When issued as a result of the ALL log browse subcommand, the ALL search did not find any records forward from the starting line through the end of the log. The result is that the search was then performed from the starting line in a backwards manner. The matching records are displayed along with this message.

**BNH297I OUTSTANDING REQUEST HAS
BEEN CANCELLED**

Explanation

While you were browsing the NetView log, a request was in progress and you canceled the outstanding request. For example, you might have pressed Enter alone on a log browse panel that had a request in progress (as indicated by message DSI360I). Your browse screen remains as it was before the canceled request being issued.

**BNH298I TARGET NETVIEW PRIOR TO
ver_rel DOES NOT SUPPORT THE
command REQUEST**

Explanation

The *command* request was issued for a target NetView system that does not support the command. The target NetView system must be at least at the version and release indicated by *ver_rel*.

Message Variables

ver_rel

The version and release.

command

The command that is not supported.

**BNH299I *svc_name* caching for '*pattern*' is
disabled.**

Explanation

Caching for members matching '*pattern*' by service *svc_name* is now disabled.

If you issued a MEMSTOUT command and requested the UNLOAD option, then all members with a name matching '*pattern*' are no longer cached by the MEMSTORE automated caching service.

Message Variables

svc_name

The name of the service that cached the members matching the specified pattern.

pattern

A pattern identifying one or more members. DSIPARM.CNMSTYLE or *.CNMSTYLE or DSIPARM.* are examples.

System action

Processing continues.

**BNH300E THE MAXIMUM LENGTH OF A
STATEMENT WAS EXCEEDED IN
THE NETVIEW SPAN TABLE**

Explanation

The NetView program detected a statement in the NetView span table that exceeded 455 lines.

System action

The NetView span table is not loaded. Up to 255 bytes of the NetView span table statement in error are included in message BNH311I.

Operator response

Notify the system programmer to correct the statement.

System programmer response

Decrease the number of statement lines until they do not exceed 455. Ensure that each logical statement ends with a semicolon.

BNH301E **AN UNRECOGNIZED STATEMENT TYPE *type* WAS FOUND IN THE NETVIEW SPAN TABLE**

Explanation

The NetView program did not recognize a statement in the NetView span table.

Message Variables

type

The unknown statement type

System action

The NetView span table is not loaded. Up to 255 bytes of the NetView span table statement in error are included in message BNH311I.

Operator response

Notify the system programmer to correct the statement.

System programmer response

Specify a valid statement type and end the statement with a semicolon.

BNH302E **A 'SPANDEF' STATEMENT FORMAT IN THE NETVIEW SPAN TABLE IS NOT VALID.**

Explanation

The NetView program detected a syntax error, in a SPANDEF statement, in the NetView span table.

System action

The NetView span table is not loaded. Up to 255 bytes of the NetView span table statement in error are included in message BNH311I.

Operator response

Notify the system programmer to correct the statement.

System programmer response

Create the SPANDEF statement in the form:

```
SPANDEF SPAN = (span_list),
          RESOURCE = (resource_list),
          VIEW = (view_list);
```

BNH303E **A 'SPANSYN' STATEMENT FORMAT IN THE NETVIEW SPAN TABLE IS NOT VALID.**

Explanation

The NetView program detected a syntax error in a SPANSYN statement in the NetView span table.

System action

The NetView span table is not loaded. Up to 255 bytes of the NetView span table statement in error are included in message BNH311I.

Operator response

Notify the system programmer to correct the statement.

System programmer response

Create the SPANSYN statement in the form:

```
SPANSYN %name% = value ;
```

BNH304E **THE LAST STATEMENT IN THE NETVIEW SPAN TABLE DOES NOT END WITH A SEMICOLON**

Explanation

The last statement in the NetView span table does not end with a semicolon.

System action

The NetView span table is not loaded.

Operator response

Notify the system programmer to correct the statement.

System programmer response

End the last statement in the NetView span table with a semicolon.

BNH305E A GENERIC SPECIFICATION WAS USED INCORRECTLY IN THE NETVIEW SPAN TABLE

Explanation

The NetView program detected a statement in the NetView span table that contains an incorrect generic specification. For example, double asterisks must be located at the beginning or end of a resource or view identifier; generic characters are not allowed within specified span names.

System action

The NetView span table is not loaded. Up to 255 bytes of the NetView span table statement in error are included in message BNH311I.

Operator response

Notify the system programmer to correct the statement.

System programmer response

Correct the statement.

BNH306E THE NETVIEW SPAN TABLE CONTAINS NO VALID STATEMENTS

Explanation

The NetView program did not find any valid statements in the NetView span table being loaded.

System action

The NetView span table is not loaded.

Operator response

Notify the system programmer to correct the statements.

System programmer response

Correct the table statements.

BNH307E THE NETVIEW SPAN TABLE *tablename* DOES NOT EXIST

Explanation

The NetView program was unable to find the specified NetView span table.

Message Variables

tablename

The NetView span table

System action

None.

Operator response

Notify the system programmer to determine the correct table name.

BNH308E THE RESOURCE NAME *resource_name* SPECIFIED IN THE NETVIEW SPAN TABLE HAS AN INCORRECT LENGTH

Explanation

While loading a NetView span table, the NetView program detected a resource name that was null or exceeded 255 characters in length.

Message Variables

resource_name

The resource name in error. If a null resource name is specified, *resource_name* is displayed as a blank.

System action

The NetView span table is not loaded. Up to 255 bytes of the NetView span table statement in error are included in message BNH311I.

Operator response

Notify the system programmer to correct the statement.

System programmer response

Specify a valid resource name.

BNH309E THE SPAN NAME *span_name* SPECIFIED IN THE NETVIEW SPAN TABLE HAS AN INCORRECT LENGTH

Explanation

While loading a NetView span table, the NetView program detected a span name that was null or exceeded 8 characters in length.

Message Variables

span_name

The span name in error

System action

The NetView span table is not loaded. Up to 255 bytes of the NetView span table statement in error are included in message BNH311I.

Operator response

Notify the system programmer to correct the statement.

System programmer response

Specify a valid span name.

BNH310E **THE VIEW NAME *view_name*
SPECIFIED IN THE NETVIEW
SPAN TABLE HAS AN INCORRECT
LENGTH**

Explanation

While loading a NetView span table, the NetView program detected a view name that was null or exceeded 32 characters in length.

Message Variables

view_name

The view name in error. If a null view name is specified, *view_name* is displayed as a blank.

System action

The NetView span table is not loaded. Up to 255 bytes of the NetView span table statement in error are included in message BNH311I.

Operator response

Notify the system programmer to correct the statement.

System programmer response

Specify a valid view name.

BNH311I *member_name* :
sequence_number :
statement_in_error

Explanation

This message includes up to 255 bytes of a NetView span table statement in error. A previous message identifies the error found in this NetView span table statement.

Message Variables

member_name

NetView span table member name.

sequence_number

The sequence number of the statement in error, if present. The sequence number is located in column 73-80.

statement_in_error

The span table statement in error.

System action

The NetView span table is not loaded.

Operator response

Notify the system programmer.

System programmer response

Correct any statements in error.

BNH312E **REQUIRED KEYWORD MISSING
FROM A 'SPANDEF' STATEMENT
IN THE NETVIEW SPAN TABLE**

Explanation

The NetView program detected a SPANDEF statement that is missing a SPAN keyword, or that has a SPAN keyword and does not have a RESOURCE or VIEW keyword.

System action

The NetView span table is not loaded. Up to 255 bytes of the NetView span table statement in error are included in message BNH311I.

Operator response

Notify the system programmer to correct the statement.

System programmer response

Each SPANDEF statement in the NetView span table requires a SPAN keyword as the first keyword, followed by either a RESOURCE or VIEW keyword, or both.

BNH313E **AN UNRECOGNIZED KEYWORD
keyword WAS FOUND ON A
'SPANDEF' STATEMENT IN THE
NETVIEW SPAN TABLE**

Explanation

The NetView program detected a keyword other than SPAN, RESOURCE, or VIEW on a SPANDEF statement.

Message Variables

keyword

The unrecognized keyword

System action

The NetView span table is not loaded. Up to 255 bytes of the NetView span table statement in error are included in message BNH311I.

Operator response

Notify the system programmer to correct the statement.

System programmer response

Correct the SPANDEF statement.

BNH314E AN INCORRECT SYNONYM USAGE OF '*synonym_name*' WAS FOUND IN THE NETVIEW SPAN TABLE

Explanation

The NetView program detected an incorrect use of a NetView span table synonym. This can be caused by:

- Attempting to substitute a synonym that was not defined
- Attempting to substitute a synonym that had an error on its defining SPANSYN statement

Message Variables

synonym_name

The synonym in error

System action

The NetView span table is not loaded. Up to 255 bytes of the NetView span table statement in error are included in message BNH311I.

Operator response

Notify the system programmer to correct the statement.

System programmer response

Correct the statement and reload the table.

BNH315E SYNONYM SUBSTITUTION CHARACTER '%' FOUND WITHOUT MATCHING END CHARACTER IN THE NETVIEW SPAN TABLE

Explanation

The NetView program detected a synonym substitution indicator character (a percent sign '%'), but did not detect a second percent sign to indicate the end of the synonym name. This can be caused by:

- Using a percent sign in a resource name or view name without intending for it to be taken for a synonym. Percent signs are reserved characters in the NetView span table.
- Using a percent sign to indicate the beginning of a synonym name without a matching ending percent sign.

System action

The NetView span table is not loaded. Up to 255 bytes of the NetView span table statement in error are included in message BNH311I.

Operator response

Notify the system programmer to correct the statement.

System programmer response

Correct the statement and reload the table. If the view name or the resource name contains a percent sign, it must be preceded by the escape character (").

BNH316E THE SYNONYM NAME ON A SPANSYN STATEMENT IN THE NETVIEW SPAN TABLE IS TOO LONG

Explanation

A SPANSYN statement defines a synonym with a name longer than the maximum allowable length. A synonym name is limited to 32 characters.

System action

The NetView span table is not loaded. Up to 255 bytes of the NetView span table statement in error are included in message BNH311I.

Operator response

Notify the system programmer to correct the statement.

System programmer response

Correct the statement and reload the table.

BNH317E THE SYNONYM '*synonym_name*' WAS ALREADY DEFINED IN THE NETVIEW SPAN TABLE

Explanation

A SPANSYN statement defines a synonym that was already defined earlier in the NetView span table.

Message Variables

synonym_name

The synonym name that is already defined

System action

The NetView span table is not loaded. Up to 255 bytes of the NetView span table statement in error are included in message BNH311I.

Operator response

Notify the system programmer to correct the statement.

System programmer response

Correct the statement and reload the table.

BNH318I **SPAN *spanname* IS NOT DEFINED TO NETVIEW IN *tablename***

Explanation

The *spanname* entered in the LIST SPAN=*spanname* command is not defined to NetView in a span definition; therefore, it has no resources or views. A wrong *spanname* might have been entered, or the *spanname* is defined in operator profiles, but not associated with any resources or views in the NetView span table.

Message Variables

spanname

The span name entered in the LIST command

tablename

The span table name or SPANTBL, if no table is in use.

BNH319E **AN OMIT LIST WAS SPECIFIED INCORRECTLY IN THE NETVIEW SPAN TABLE**

Explanation

A SPANDEF statement contained an incorrect specification for a list of resources or view names that are to be omitted. It is possible that:

- Either the less than (<) or greater than (>) symbol was used in a resource view name. These 2 symbols are reserved characters in the NetView span table.
- Either the less than (<) or greater than (>) symbol was missing.

- The name to be omitted was specified as a null string (<>).

System action

The NetView span table is not loaded. Up to 255 bytes of the NetView span table statement in error are included in message BNH311I.

Operator response

Notify the system programmer to correct the statement.

System programmer response

Correct the statement and reload the table. If the resource or the view name contains a less than (<) or greater than (>) symbol, it must be preceded by the escape character (“).

BNH321I **NETVIEW SPAN TABLE *tblname* HAS BEEN INITIALIZED**

Explanation

A NetView span table has been initialized during NetView initialization or REFRESH command processing.

Message Variables

tblname

The name of the NetView span table

System action

The command completes successfully.

BNH322E **NETVIEW SPAN TABLE *tblname* INITIALIZATION FAILURE**

Explanation

The NetView span table that is specified on the REFRESH command fails to initialize.

Message Variables

tblname

The name of the NetView span table

System action

The REFRESH command fails.

Operator response

Check the value that was specified for *tblname* on the REFRESH command. If this error occurs during initialization, notify the system programmer.

System programmer response

Ensure that the table name specified is in the DSIPARM concatenation. See any messages that were issued previously to determine the exact cause of the error.

BNH323I **TEST OF NETVIEW SPAN TABLE
tblname COMPLETED WITH
ERRORS**

Explanation

This message is displayed after the TEST option of the REFRESH SPANAUTH=TABLE command completes. Errors were encountered while testing the table.

Message Variables

tblname

The name of the table being tested

System action

The command completes with errors.

BNH324I **TEST OF NETVIEW SPAN TABLE
tblname COMPLETED
SUCCESSFULLY**

Explanation

This message is displayed after the TEST option of the REFRESH SPANAUTH=TABLE command completes.

Message Variables

tblname

The name of the table being tested

System action

The command completes successfully.

BNH325I **Table loaded by *opid* at *date time***

Explanation

This is the label line for a multiline line table. It lists the date and time when the table was created.

Message Variables

opid

The operator ID where the table load occurred

date

The date the table was created

time

The time the table was created

BNH326E **AN ESCAPE CHARACTER (") WAS
FOUND IN THE NETVIEW SPAN**

TABLE WITHOUT A SUBSEQUENT RESERVED CHARACTER

Explanation

The NetView program detected an escape character without a subsequent character.

System action

The NetView span table is not loaded. Up to 255 bytes of the NetView span table statement in error are included in message BNH311I.

Operator response

Notify the system programmer to correct the statement.

System programmer response

Correct the statement and reload the table.

BNH327E **A DUPLICATE KEYWORD '*keyword*'
WAS SPECIFIED IN THE NETVIEW
SPAN TABLE**

Explanation

A keyword on a SPANDEF statement in the NetView span table was specified more than once. Each keyword can be specified only once per statement; the keyword might contain multiple values.

System action

The NetView span table is not loaded. Up to 255 bytes of the NetView span table statement in error are included in message BNH311I.

Operator response

Notify the system programmer to correct the statement.

System programmer response

Correct the statement and reload the table.

BNH328E **MISMATCHED SHIFT-IN OR
SHIFT-OUT DBCS CHARACTERS
WERE FOUND IN THE NETVIEW
SPAN TABLE**

Explanation

The NetView program detected an error in a DBCS string. This can be caused by:

- Mismatched shift-in character and shift-out characters

- A line containing a shift-out character with no following shift-in character

Although NetView span table statements can span multiple lines of text, each line must contain complete DBCS strings.

System action

The NetView span table is not loaded. Up to 255 bytes of the NetView span table statement in error are included in message BNH311I.

Operator response

Notify the system programmer to correct the statement.

System programmer response

Correct the statement and reload the table.

BNH329E AN ODD NUMBER OF DOUBLE-BYTE CHARACTERS WERE SPECIFIED IN THE NETVIEW SPAN TABLE

Explanation

A record in the NetView span table contains an odd number of double-byte (DBCS) characters. An even number of bytes must be specified between the shift-out and shift-in characters on a record.

System action

The NetView span table is not loaded. Up to 255 bytes of the NetView span table statement in error are included in message BNH311I.

Operator response

Notify the system programmer to correct the statement.

System programmer response

Correct the statement and reload the table.

BNH330I NO SAF *operid* USER FOUND.

Explanation

The NetView program was unable to perform a RACROUTE EXTRACT for the operator, *operid*, in the SAF USE class.

Message Variables

operid

The operator issuing the command

System action

The command ends with a non-zero return code.

Operator response

Verify that there are no misspellings. If any misspellings are found, correct them and reissue the command. Otherwise, notify the system programmer.

System programmer response

Determine if the user is defined in the SAF USER class. If not, define the user as needed.

BNH331E A SPAN NAME CONTAINS AN INCORRECT CHARACTER IN THE NETVIEW SPAN TABLE

Explanation

Span names defined in the NetView span table cannot contain the following reserved characters:

Character	Hexadecimal value	Description
	X'0E' and X'0F'	DBCS Shift-in and Shift-out
*	X'5C'	Asterisk
?	X'6F'	Question mark
"	X'7F'	Quotation mark

System action

The NetView span table is not loaded. Up to 255 bytes of the NetView span table statement in error are included in message BNH311I.

Operator response

Notify the system programmer to correct the statement.

System programmer response

Correct the statement and reload the table.

BNH332I For *ssiName* there are *nn* revision variables.

Explanation

This is the first line of a multiline message that is issued in response to a SETRVAR QUERY command. Subsequent data lines in this message list the variable name with its value in character format and corresponding hexadecimal format.

Message Variables

ssiName

The 4-character name of the NetView Subsystem Interface (SSI) holding the variables.

nn

The number of data lines (one for each variable) that follow this message.

BNH333E THE OMIT NAME '*omit_name*' IS NOT A POSSIBLE SUBSET OF THE *type* NAME '*name*' IN THE NETVIEW SPAN TABLE

Explanation

A SPANDEF statement contained an incorrect specification for a resource or view name that is to be omitted. It is possible that:

- The resource or view name for which the omit string was specified did not contain wildcard characters.
- The resource or view name for which the omit string was specified is identical to the omit string.
- The omit string is not an appropriate subset of the resource or view name for which it was specified.

Message Variables***omit_name***

The omit specification on the SPANDEF statement

type

The type of name (RESOURCE or VIEW)

name

The resource or view name for which the "omit" was specified

System action

The NetView span table is not loaded. Up to 255 bytes of the NetView span table statement in error are included in message BNH311I.

Operator response

Notify the system programmer to correct the statement.

System programmer response

Correct the statement and reload the table.

BNH334I REQUESTED ACCESS to *name* DENIED FOR *operid*. RETURN CODE = *rc*

Explanation

The operator issued the QRS command to determine access for the specified *name*. Access was denied

because of the reason specified by the given return code.

Message Variables***name***

Either a resource, view, or RODM object ID

operid

The operator issuing the command

rc

The return code from the request. These are possible return codes:

- 128 - Operator specified in the QRS command is not logged on.
- 160 - No span authorization definition is defined in the NetView program.
- 200 - No span table is loaded.
- 204 - A View was requested, but a required Dynamic Span table is not loaded.

System action

The command fails.

Operator response

If the command was entered incorrectly, reenter the command. Otherwise, notify the system programmer.

System programmer response

Load the appropriate span table.

BNH335I A SPAN TABLE DOES NOT EXIST

Explanation

An attempt was made to display the list of resources associated with a specified span on the LIST SPAN=*spanname* command, but no span table is in use.

System action

The command fails.

Operator response

If spans were to be used, notify the system programmer.

System programmer response

If spans are to be used, the REFRESH command can be used to create a NetView span table from a member in DSIPARM.

BNH336I ***ddname* MEMBER *mem* IS BEING
USED FOR NETVIEW
AUTOMATION TABLE TESTING****Explanation**

The specified member in either DSIPARM or DSIASRC DD statement (*ddname*) contains the automation statements being tested.

Message Variables***ddname***

The data set containing the automation table member under test. Possible values are DSIPARM and DSIASRC.

mem

The name of the automation table member under test.

System action

The automation table test can begin. Testing starts when the AUTOTEST SOURCE command is issued.

BNH337I **NO TEST AUTOMATION TABLE IS
LOADED****Explanation**

The test automation table is not loaded.

BNH338I **TEST AUTOMATION TABLE
tblname HAS BEEN COMPILED
AND LOADED AT *time* BY *operid*****Explanation**

The test automation table is active.

Message Variables***tblname***

Member name in the format
DDname.Membername

time

Date-time when the table was activated

operid

Operator ID or task name that activated the table

BNH339I **TEST AUTOMATION TABLE
LISTING = *membername*****Explanation**

The specified member in DSILIST contains the test automation table listing.

Message Variables***membername***

The member in DSILIST that contains the automation table listing produced by the AUTOTEST command

BNH340I **AUTOMATION TABLE TESTING IS
ACTIVATED AT *time* BY *operid*****Explanation**

Automation table testing has started.

Message Variables***time***

Date-time when the automation table testing started

operid

Operator ID or task that initiated the automation table test

BNH341I **AUTOMATION TABLE TESTING
SOURCE = *tblsource* , REPORT =
reportmember , TASK = *taskname*****Explanation**

This message usually accompanies message BNH340I and provides additional details about active automation table testing.

Message Variables***tblsource***

The source of the messages and MSUs for the automation table under test. Possible values are PARALLEL or the name of a member in DSIASRC containing previously recorded messages and MSUs.

reportmember

The name of the member in DSIARPT that contains the report created by the AUTOTEST command.

taskname

The name of the task under which automation table testing is being run. NONE indicates that no task was specified, and automation testing for each given message or MSU occurs on whatever task normally automates that message or MSU.

BNH342I **AUTOMATION RECORDING
STOPPED, MEMBER=*membername*****Explanation**

Automation recording has been stopped.

Message Variables***membername***

The member specified by the RECORD keyword

BNH343I **AUTOMATION RECORDING IS
ALREADY ACTIVE,
MEMBER=*membername***

Explanation

A request was made to record messages and MSUs as they flow into the active automation table analysis process, but recording was already active.

Message Variables

membername

The member specified by the previous RECORD keyword

System action

The command is ignored.

BNH344I **AUTOMATION TABLE TESTING IS
NOT ACTIVE**

Explanation

A request was made to end automation table testing, but testing was not active.

System action

The command is ignored.

BNH345I **AUTOMATION RECORDING TO
MEMBER *membername* IS
ACTIVATED AT *time* BY *operid***

Explanation

Automation table recording has started.

Message Variables

membername

The member specified by the RECORD keyword

time

Date-time when the automation table recording started

operid

Operator ID or task that initiated the automation table recording

System action

Recording of the automation table testing begins.

BNH346I **AUTOMATION RECORDING IS NOT
ACTIVE**

Explanation

The automation table recording of messages and MSUs is not active.

System action

The command is ignored.

BNH347I **TEST AUTOMATION TABLE
LISTING *membername*
SUCCESSFULLY GENERATED**

Explanation

An AUTOTEST command was issued with the LISTING keyword. The listing has been successfully created.

Message Variables

membername

The name of the member in the DSILIST data set containing the listing

BNH348I **TEST AUTOMATION TABLE
LISTING *membername*
GENERATION FAILED**

Explanation

An AUTOTEST command was issued with the LISTING keyword. An error occurred while creating the listing.

Message Variables

membername

The name of the member in the DSILIST data set on which the AUTOTEST command was issued

System action

The listing is not created.

Operator response

Notify the system programmer.

System programmer response

Determine the reason for the failure. One possible explanation is that the DSILIST data set or its volume is full. Correct the problem, and reissue the AUTOTEST command to create an automation table listing.

BNH349I **TEST AUTOMATION TABLE
COUNTERS RESET BY *operid* AT
*time***

Explanation

The test automation table usage counters were reset to zero.

Message Variables

operid

The operator ID or task that issued the AUTOCNT command

time

The date-time when the AUTOCNT RESET command was issued

System action

The automation table counters are reset.

BNH350E **NETVIEW HIGH-LEVEL LANGUAGE SUPPORT HAS BEEN SUCCESSFULLY INITIALIZED WITH *env* LIBRARIES**

Explanation

The NetView High-Level Language function has been successfully initialized with the specified runtime environment.

Message Variables***env***

Indicates the specific runtime support with which the NetView program is installed. This value is either LE/370 or non-LE/370.

System action

NetView high-level language function has been initialized and is ready to process command processors and preinitialization requests.

BNH351I **HEARTBEAT *slot_values***

Explanation

This message is used to carry slot values for the heartbeat event. It is intended to be converted to a heartbeat event and routed to a topology server.

Message Variables***slot_values***

The values to be built into the heartbeat event.

BNH352I **THRESHOLD *slot_values***

Explanation

This message is used to carry slot values for the threshold event for component monitors. It is intended to be converted to a threshold event and routed to a topology server.

Message Variables***slot_values***

The values to be built into the threshold event

BNH353I **REL THRESHOLD *slot_values***

Explanation

This message is used to carry slot values for the threshold event for relationship monitors. It is intended to be converted to a threshold event and routed to a topology server.

Message Variables***slot_values***

The values to be built into the threshold event

BNH354I **CONN CHANGE *slot_values***

Explanation

This message is used to carry slot values for the connection change event. It is intended to be converted to a connection change event and routed to a topology server.

Message Variables***slot_values***

The values to be built into the connection change event

BNH355E ***command* COMMAND ENDED DUE TO REXX NOVALUE ERROR FOR VARIABLE *variable* IN LINE *line_number* OF MODULE *module_name*. RETURN CODE = *retcode*.**

Explanation

A REXX NOVALUE error occurred for the listed variable at the specified line of the specified module.

Message Variables***command***

The name of the command

variable

The name of the variable

line_number

The number of the line in which the error occurred

module_name

The name of the module in which the error occurred

retcode

The return code for the module

System action

The command is canceled.

Operator response

Notify the system programmer.

System programmer response

Contact IBM Software Support, and provide the information from this message.

BNH356E *command* **COMMAND ENDED DUE TO REXX SYNTAX ERROR IN LINE *line_number* OF MODULE *module_name*. RETURN CODE = *retcode*.**

Explanation

A REXX syntax error was encountered at the specified line of the specified module.

Message Variables

command

The name of the command

line_number

The number of the line in which the error occurred

module_name

The name of the module in which the error occurred.

retcode

The REXX return code

System action

The command is canceled.

Operator response

Notify the system programmer.

System programmer response

Contact IBM Software Support, and provide the information from this message.

BNH357E **TIMER COMMAND FAILED TO START. TYPE: *type* ID: *id* TASK: *task* MQSRC: *mqsrc* INTERVAL: *int1 int2* CONTINUE: *cont* CMD: *cmd***

Explanation

A timed command cannot be queued to a task to be executed. If you specified the EVERY command, the timer might not continue to be queued, depending on the EVERYCON option that was in effect for that EVERY command on the task that issued it.

Message Variables

type

The command that specified this timed command (AFTER, AT, or EVERY).

id

The identifier associated with this timer.

task

The task or group name to which the timed command cannot be queued.

mqsrc

The non-zero return code from the internal DSIMQS macro.

int1

The interval of days specified on the EVERY command. If no days were specified, this field is N/A.

Note: This field is the same as the output from LIST TIMER.

int2

The interval of hours specified on the EVERY command. If no hours were specified, this field is N/A.

Note: This field is the same as the output from LIST TIMER.

cont

The EVERYCON setting for an EVERY timer (YES or NO). This is always NO for AT and AFTER timers.

cmd

The text of the command which cannot be run. The text can be up to 255 characters.

Operator response

See *IBM Z NetView Programming: Assembler* for more information about the DSIMQS macro.

BNH358I **CI CHANGE *slot_values*.**

Explanation

This message carries slot values for the component information change event. The slot values are converted to APM_CI_CHANGE events and routed to a topology server.

Message Variables

slot_values

The values to be built into the component information change event

BNH359I **SYS MONITOR *slot_values*.**

Explanation

This message carries slot values for the system monitor event. The slot values are converted to APM_SYS_MONITOR events and routed to a topology server.

Message Variables

slot_values

The values to be built into the system monitor event

BNH360I *req* **REQUEST COMPLETED FOR DSIPARM MEMBER *mem* AT LOCATION *loc* WITHIN THE LIST OF AUTOMATION TABLES**

Explanation

The request to INSERT, SWAP, or REMOVE a table within the list of automation tables was processed successfully. For an INSERT or SWAP request, the new automation table was inserted at the indicated location within the list of automation tables. For a REMOVE request, the table at the specified location was removed from the list of automation tables.

Message Variables

req

The type of request:

- INSERT
- SWAP
- REMOVE

mem

The member name specified with the INSERT and SWAP requests or the table name specified with the REMOVE request

loc

The numeric location of the automation table being affected within the list of automation tables

System action

The request to INSERT, SWAP, or REMOVE an automation table was processed successfully.

BNH361I **THE AUTOMATION TABLE CONSISTS OF THE FOLLOWING LIST OF MEMBERS**

Explanation

This message is the title of a multiline write-to-operator (MLWTO) message that is generated by the AUTOTBL STATUS command. The MLWTO is followed by BNH362I messages that describe the status of the tables that contain the list of automation tables.

This message indicates that automation might consist of a series of automation tables and that users and applications must maintain the order of the automation tables. If you are replacing the entire sequence of automation tables, use the INSERT keyword with the AUTOTBL MEMBER command.

Note: For readability, BNH362I message numbers are suppressed within the MLWTO.

BNH362I *oper* **COMPLETED *act* FOR TABLE #*num*: *tbl* AT *date* *time* *lock_indicator***

Explanation

Instances of this message contain the status information related to MLWTO message BNH361I, generated by the AUTOTBL STATUS command. This message indicates the status and tracking information for an individual automation table within the list of active automation tables.

Message Variables

oper

The operator whose action resulted in the status.

act

The action that indicates the status of the individual automation table. Possible values are:

- INSERT
- DISABLE
- ENABLE

For automation table processing, INSERT and ENABLE are synonyms. ENABLE can be used for problem determination if a table was temporarily disabled.

tbl

The table name of the individual automation table for which status is displayed.

num

The numeric location of the table within the list of automation tables.

date

The date that the action resulting in the current status was performed.

time

The time that the action resulting in the current status was performed.

lock_indicator

This insert indicates whether the table is designated as the first or last table within the list of automation tables. Possible values are:

- FIRST
- LAST
- omitted

If a table is locked as the first or last table, it must be removed from the list before another table can replace it with the FIRST or LAST keyword, unless SWAP is used with the NAME keyword.

If SWAP NAME is specified and the member specified matches the table specified with the NAME keyword, the FIRST or LAST table can be swapped and the *lock_indicator* value is retained.

**BNH363I THE AUTOMATION TABLE
CONTAINS THE FOLLOWING
DISABLED STATEMENTS:**

Explanation

This message is the title of a multiline write-to-operator (MLWTO) message that is generated by the AUTOTBL STATUS command. The MLWTO is followed by BNH364I messages that describe any statements or groups of statements that are disabled within the list of automation tables.

Note: For readability, BNH364I message numbers are suppressed within the MLWTO.

**BNH364I TABLE: *tbl* INCLUDE: *incl* keyword:
*label***

Explanation

Instances of this message contain the status information related to MLWTO message BNH363I, generated by the AUTOTBL STATUS command. This message indicates the statements or groups of statements that are disabled within the automation tables.

Message Variables

tbl

The table in which the indicated statements are located.

incl

The INCLUDE member in which the statement or statements indicated by the *label* are located. This variable applies only if the member is not the high-level member for an automation table within the list of tables. Otherwise, this variable can be ignored and is identified as not applicable (n/a).

keyword

The keyword that describes how the disabled statement or statements are indicated. A colon (:) is added to the keyword for readability. This variable can be one of the following values:

- SEQUENCE:
- LABEL:
- ENDLABEL:
- BLOCK:
- GROUP:

Note: If an entire table or INCLUDE member is disabled, this variable is suppressed.

label

The *label* in combination with the keyword, indicates the statement or statements that are disabled within the specified member.

Note: If an entire table or INCLUDE member is disabled, this variable is suppressed.

**BNH365E AUTOTBL MEMBER SPECIFIED IS
NOT UNIQUE WITHIN THE LIST OF
ACTIVE AUTOMATION TABLES**

Explanation

The member specified with the AUTOTBL command is already a table within the list of automation tables. The AUTOTBL command must specify a member that does not match one that is already in the list of automation tables.

System action

The AUTOTBL command is ignored. No action is taken.

Operator response

Do one of the following:

- Enter the AUTOTBL command again and specify a member that is not already in the list of automation tables.
- Use the AUTOTBL SWAP command to replace the automation table with the matching name.

**BNH366I AUTOTBL *req* REQUEST
COMPLETED FOR NAME: *table*
*keyword value***

Explanation

The request to ENABLE or DISABLE a statement or statements within the specified table processed successfully. The statement or statements identified by the *table*, *keyword*, and *value* inserts have been enabled or disabled.

Message Variables

req

The type of request:

- ENABLE
- DISABLE

table

The name of the table within which the statements to be enabled or disabled are found.

keyword

The keyword that identifies the manner in which the statements to be enabled or disabled are specified. A colon (:) is added to the keyword for

readability. The keyword might be one of the following values:

SEQUENCE:

The statement to be enabled or disabled is identified by a sequence number from the statement in the original automation table source member.

LABEL:

The statement to be enabled or disabled is identified by a label name from the LABEL syntax on the statement in the original automation table source member.

ENDLABEL:

The statement to be enabled or disabled is identified by a label name from the ENDLABEL syntax on the statement in the original automation table source member.

BLOCK:

The statements to be enabled or disabled are identified by a label name from a LABEL/ ENDLABEL pair within the syntax of the statements in the original automation table source member.

GROUP:

The statements to be enabled or disabled are identified by a label name from the GROUP syntax on the statements in the original automation table source member.

Note: The sequence numbers and label names from the original automation table source members can be found in the AUTOCNT report.

value

The identifying sequence number or label name that describes the statements or group of statements to be enabled or disabled.

System action

The request to enable or disable the specified statement or statements was successfully completed.

BNH367E **UNABLE TO COMPLETE AUTOTBL**
req REQUEST. REASON CODE:
reason_code

Explanation

The specified request cannot be completed successfully. The reason code describes the reason for the unsuccessful request.

Message Variables

req

The type of request that resulted in the failure:

- INSERT

- SWAP
- DISABLE
- ENABLE
- MEMBER

reason_code

The reason code that indicates why the request was not able to be processed.

The reason code can contain one of the following values:

INSERT Reason Codes:

104

A request to establish a table as the first table within the list of automation tables failed because another table is already established as the locked first table. The table must be removed before similar attempts are successful. See the description of the AUTOTBL command for more information about the FIRST keyword.

108

A request to establish a table as the last table within the list of automation tables failed because another table is already established as the locked last table. The table must be removed before similar attempts are successful. See the description of the AUTOTBL command for more information about the LAST keyword.

SWAP Reason Codes:

204

A request to replace the first table within the list of automation tables failed because the table is established as the locked first table. The table must be removed before a swap attempt is successful. See the description of the AUTOTBL command for more information about the FIRST keyword.

208

A request to replace the last table within the list of automation tables failed because the table is established as the locked last table. The table must be removed before a swap attempt is successful. See the description of the AUTOTBL command for more information about the LAST keyword.

212

A request to replace a table within the list of automation tables failed because the table to replace was not found.

DISABLE Reason Codes:

- 304** A disable request failed because it matches a disable request which is already applied.
- 500** The request failed because the name specified was not found as a table or include member within the list of active automation tables.
- 502** The request failed because the member specified was found more than once within the list of automation tables.
- 504** The request failed because the statement or statements indicated are already affected by another active disable request.
- 506** The request failed because one or more statements in the group are already disabled because of another request.
- 510** The request failed because the sequence number specified is not found in the indicated member.
- 512** The request failed because the sequence number specified is not unique within the indicated member.
- 520** The request failed because there is no statement within the specified member that matches the indicated label name specified using the LABEL syntax.
- 530** The request failed because there is no statement within the specified automation table with the indicated label name specified using the ENDLABEL syntax.
- 540** The request failed because a pair of LABEL and ENDLABEL statements matching the indicated label name cannot be found in the specified automation table. A LABEL and its corresponding ENDLABEL must be located at the same nesting level of BEGIN blocks.
- 542** The request failed because the specified BLOCK includes statements that are also contained in another BLOCK that has been disabled. When statements are contained in more than one BLOCK, only one BLOCK can be disabled at a time.

- 550** The request failed because a statement with the specified GROUP name is not found in the specified automation table.
- 552** The request failed because the specified name is not found as a table within the list of automation tables.
- ENABLE Reason Codes:
- 404** An enable request failed because there are no disable requests active.
- 408** An enable request failed because it does not match any of the active disable requests.
- 6XX** Any reason codes in the range of 600-699 must not occur and must be reported to IBM Software Support.
- MEMBER Reason Code:
- 704** A MEMBER request failed because the SWAP or INSERT keyword was not specified. The SWAP or INSERT keyword is required if there is a chain of automation tables or if there is a single table loaded as the FIRST or LAST table.

System action

The AUTOTBL command is ignored. No action is taken.

Operator response

Correct the problems that resulted in the failure, and reissue the command.

BNH368I NO ORIGINATING OPERATOR IS DEFINED IN NETVIEW FOR VTAM COMMAND WHEN SPANCHK=SOURCEID.

Explanation

This message is issued when a VTAM command is entered and SPANCHK=SOURCEID is in effect, but the original operator ID is not defined to the NetView program.

Operator response

Contact IBM Software Support.

BNH369I VTAM COMMAND ORIGINATING OPERATOR *operid* IS NOT LOGGED ON WHEN SPANCHK=SOURCEID.

Explanation

This message is issued when a VTAM command is entered and the originating operator is not logged on.

Message Variables

operid

The operator ID

System action

The command is ignored.

Operator response

Set SPANCHK equal to the TARGETID or ensure that the originating operator is logged on.

BNH370I *disposition condition table member statement tracetag*

Explanation

Message BNH370I displays detailed trace information for each part of each automation table statement that analyzes an AIFR.

Message Variables

disposition

Disposition indicating whether the conditional test was successful (PASS) or not (FAIL).

condition

Condition being evaluated.

table

Name of the automation table.

member

Name of the automation table member.

statement

Label or sequence number of the automation table statement. If neither a label nor a sequence number is present, N/A is specified.

tracetag

Trace identifier.

BNH371E **LOADING OF PARMLIB MEMBER member FAILED**

Explanation

CNMCAUxx member failed to load. The member is not processed.

Message Variables

member

The member name CNMCAUxx

System action

The CNMCAUxx member is not processed.

Operator response

Correct the error, and re-enter the command.

BNH372E **PARMLIB MEMBER member NOT FOUND**

Explanation

A 'SET CNMCAUT=xx' command is entered, but IEFPRMLB cannot locate the CNMCAUxx member in PARMLIB.

Message Variables

member

The PARMLIB member name: CNMCAUxx

System action

PARMLIB member is not processed.

Operator response

Make sure CNMCAUxx is in PARMLIB, and reenter the command.

BNH373E **I/O ERROR ENCOUNTERED WHILE READING PARMLIB**

Explanation

A 'SET CNMCAUT=value' command is entered, but IEFPRMLB cannot read the PARMLIB member because of an I/O error.

System action

CNMCAUxx is not processed.

Operator response

Correct the error, and re-enter the command.

BNH374E **ERROR ENCOUNTERED WHILE OPENING PARMLIB**

Explanation

A 'SET CNMCAUT=xx' command is entered, but IEFPRMLB cannot open the PARMLIB member.

System action

CNMCAUxx is not processed.

Operator response

Correct the error, and re-enter the command.

BNH375I **DDNAME MEMNAME HITS LOADTASK STORAGE DATE TIME DP**

Explanation

This multiline message is a successful response to the LIST MEMSTAT command. Each data line describes a member that was added to the table either because it was accessed on disk, or loaded by the INSTORE pipeline stage. Members whose hit count has become 0.00 and are not loaded are listed only if they are not yet overwritten. CNME1054 (MEMSTORE) uses this message to manage which members must be loaded based on their hit counts.

Message Variables

Definitions of column labels:

DDNAME

The DDNAME associated with this member.

MEMNAME

The name of this member.

HITS

The number of hits weighted by time. The NetView program internally weighs hits according to age. Hits in the last minute have full weight, hits over an hour old have zero weight, and hits in between have partial weight depending on their age. For example, a value of 1.00 is equivalent to one hit in the last minute or 2 hits with an average age of 30 minutes.

Note: Any reference to a member which causes it to be read, such as executing, browsing or being specified as a command on an EXEC automation table statement, causes an increase in the hit count.

LOADTASK

The task which loaded this member (blank if not loaded).

STORAGE

The size in bytes (blank if not loaded).

DATE

The date of the loaded member (blank if not loaded).

TIME

The time of the loaded member (blank if not loaded).

DP

If a delete is pending, an asterisk appears in this field (blank if no delete pending). This occurs when a member has been unloaded by the INSTORE stage command, but a process is still reading that data. When all such processes complete, the storage is freed. No process can start reading this data after the unload request.

BNH376I	OPID TSOSERV MEMBER PPI NAME STATUS STARTER
----------------	--

Explanation

This multiline message is a successful response to the LIST STATUS=TSOSERV command. Each data line describes a TSO server which has either been defined as a global server or associated with a particular NetView operator. See the START TSOSERV command in the NetView online help.

Message Variables

Definitions of column labels:

OPID

The NetView operator task associated with this server. NONE indicates a global server.

TSOSERV

The TSO user ID associated with this server.

MEMBER

The DSIPARM member containing the JCL used to start this server. With TSO NAME, this uniquely identifies a server.

PPI NAME

The PPI receiver name associated with this server by the NetView program.

STATUS

The PPI status of the server, which is ACTIVE, INACTIVE, or UNDEFINED. ACTIVE is typically expected. INACTIVE might indicate that a server was active and then was cancelled, but it is still known to PPI. See the DISPPI command in the NetView online help for more information. It might be deleted by the PIPE PPI stage, which redefines and then deletes this receiver name. UNDEFINED might indicate a server which failed to start, but is still defined to the NetView program. It might be deleted with the STOP TSOSERV command.

STARTER

The NetView operator who started this server.

BNH377E	ALLOCATION OF A LOGICAL PARMLIB DATA SET FAILED
----------------	--

Explanation

A 'SET CNMCAUT=xx' command is entered, but IEFPRMLB cannot allocate the PARMLIB data set.

System action

CNMCAUxx is not processed.

Operator response

Correct the error, and re-enter the command.

BNH378E	LOGICAL PARMLIB DATA SET CONCATENATION FAILED
----------------	--

Explanation

A 'SET CNMCAUT=xx' command is entered, but IEFPRMLB cannot locate the PARMLIB data set.

System action

CNMCAUxx is not processed.

Operator response

Correct the error, and re-enter the command.

**BNH379E LOAD OF THE PARMLIB READ
 ROUTINE FAILED**

Explanation

A 'SET CNMCAUT=xx' command is entered, but IEFPRMLB cannot read the PARMLIB member.

System action

CNMCAUxx is not processed.

Operator response

Correct the error, and re-enter the command.

**BNH380I AUTOMATION TABLE TESTING
 AND/OR RECORDING STOPPED
 DUE TO ERROR**

Explanation

Automation table testing or recording stopped because of an error. This message is followed by a message explaining the cause of the error.

System action

Automation table testing or recording stops.

Operator response

Notify the system programmer.

System programmer response

Correct the error, and restart testing or recording.

**BNH381I AUTOMATION TABLE TESTING IS
 IN PROGRESS, THE AUTOMATION
 TABLE CANNOT BE CHANGED**

Explanation

An AUTOTEST command was issued with the MEMBER keyword while automation table testing was active.

System action

The command is ignored.

**BNH382I AUTOMATION TABLE TESTING
 STOPPED, SOURCE=membername**

Explanation

Automation table testing has reached the end of the member containing prerecorded messages and MSUs, or automation table testing was stopped.

Message Variables

membername

The name of the member specified by the SOURCE keyword when automation table testing started

System action

Automation table testing completes.

**BNH383I AUTOMATION TABLE TESTING IS
 ALREADY ACTIVE,
 SOURCE=membername**

Explanation

An AUTOTEST command was issued with the SOURCE keyword while automation table testing was active.

Message Variables

membername

The member name containing prerecorded messages and MSUs that are currently being used by the automation table under test

System action

The command is ignored.

**BNH384I AUTOMATION TABLE TESTING
 AND/OR RECORDING FAILED.
 FAILING COMPONENT:
 component, RC: returncode,
 MEMBER NAME: membername**

Explanation

An internal error has occurred during automation table testing.

Message Variables

component

The failing component

returncode

The return code encountered by the failing component

membername

The automation table member that was being tested when the failure occurred

Note: The message inserts are included to help IBM Software Support diagnose the problem.

System action

Automation table testing stops.

Operator response

Check for accompanying error messages (for example, CNM255 or DWO029) for additional information and suggested responses. If you cannot find any related messages, browse the network log. If the AUTOTEST command continues to fail, notify the system programmer.

System programmer response

If BNH384 recurs without accompanying error messages, browse the network log to try to locate related error messages. If found, take any necessary corrective actions. If you do not find related error messages, recycle the DSIATOPT task using STOP TASK=DSIATOPT. If the error persists, notify IBM Software Support.

BNH385I *ddname* MEMBER *membername* IS CLOSED. RETURN CODE=*retcode*

Explanation

The specified member in *ddname* is closed because DSIATOPT ends.

Message Variables**ddname**

The data set containing *membername*. Possible values are DSIASRC and DSIARPT.

membername

The member in *ddname* where recording or reporting was being written.

System action

Automation table testing completes.

BNH386E INCORRECT KEY STRING IN MEMBER *membername* IN DATA SET *ddname*

Explanation

An AUTOTEST command was issued with the SOURCE keyword, and the member specified as the source did not contain the correct key string as the first record.

This key string is created when a member is written by the AUTOTEST command with the RECORD keyword.

Message Variables**membername**

The member name specified by the SOURCE keyword.

ddname

The data set containing the source member. Possible values are DSIASRC or DSIPARM.

System action

Automation table testing does not start.

BNH387E DSIGET FAILURE INITIALIZING DATA SET OBJECT FOR DATA SET *dsname*, MEMBER *membername*

Explanation

A failure occurred while obtaining storage for automation table testing or recording.

Message Variables**dsname**

The data set containing the automation table member

memname

The member name of the automation table specified on the AUTOTEST command

System action

Automation table testing or recording does not start.

Operator response

Notify the system programmer.

System programmer response

Determine the reason for the failed storage request. NetView storage might need to be increased if no abnormal storage utilization is found.

BNH388E PARMLIB READER UNABLE TO ACCESS LOGICAL PARMLIB

Explanation

A SET CNMCAUT=*value* command is entered, but IEFPRMLB cannot access the logical PARMLIB.

System action

CNMCAUxx is not processed.

Operator response

Correct the error, and re-enter the command.

BNH389E **NETVIEW MVS COMMAND EXIT
ENCOUNTERED ERROR ISSUING
IEFPRMLB**

Explanation

NetView MVS Command Processing encountered an error while issuing IEFPRML. This message is followed by another message with the IEFPRMLB error.

Operator response

Correct the error, and re-enter the SET CNMCAUT=*value* command.

BNH390I **PARMLIB READ BUFFER BEING
MADE LARGER**

Explanation

A SET CNMCAUT=*value* command is entered, and a larger storage size is needed to process the PARMLIB member.

BNH391E **PARMLIB DID NOT CLOSE**

Explanation

IEFPRMLB fails to close the PARMLIB.

System action

The NetView program ignores the message call and continues processing.

Operator response

None

BNH392E **PARMLIB DID NOT UNALLOCATE**

Explanation

IEFPRMLB fails to unallocate the PARMLIB.

System action

The NetView program ignores the message call and continues processing.

Operator response

None

BNH393E **SYNTAX ERROR IN CONSOLE
EXCLUSION OR INCLUSION LIST
STATEMENT**

Explanation

An error is detected in a CONSOLE EXCLUSION LIST or INCLUSION LIST. Only one console name can be specified on each line, and the console name can be 1 to 8 characters long.

System action

CNMCAUxx is not processed.

Operator response

Correct the error, and re-enter the SET CNMCAUT=*value* command.

BNH394I ***type1 type2* REQUESTED**

Explanation

A CONSOLE EXCLUSION LIST, a CONSOLE INCLUSION LIST, a COMMAND EXCLUSION LIST, or a COMMAND INCLUSION LIST is processed.

Message Variables

type1

CONSOLE or COMMAND

type2

EXCLUSION or INCLUSION

BNH395I **'statement'**

Explanation

This message follows an error message and echoes the statement that is in error.

System action

CNMCAUxx is not processed.

Operator response

Correct the error, and re-enter the command.

BNH396E ***type* EXCLUSION AND INCLUSION
LISTS ARE MUTUALLY EXCLUSIVE**

Explanation

Both an EXCLUSION LIST and an INCLUSION LIST are found in the CNMCAUxx member. Use either an EXCLUSION LIST or an INCLUSION LIST, but not both.

Message Variables

type

CONSOLE or COMMAND

System action

CNMCAUxx is not processed.

Operator response

Correct the error, and re-enter the command.

BNH397E STATEMENT TYPE NOT RECOGNIZED

Explanation

A statement in the CNMCAUxx member is not recognized and is not processed. Message BNH395I follows this message.

The following are some of the common errors:

- Column 1 is not an asterisk or a blank.
- Column 2 is blank and the line is not a continuation line or a comment.
- COMMAND INCLUSION LIST, COMMAND EXCLUSION LIST, CONSOLE INCLUSION LIST, and CONSOLE EXCLUSION LIST must start on column 2.

System action

CNMCAUxx is not processed.

Operator response

Correct the statement in error, and reenter the command.

BNH398I NO VALID CONSOLE OR COMMAND STATEMENTS FOUND IN PARMLIB MEMBER *member*

Explanation

The CNMCAUxx member does not have any valid statements.

Message Variables

member

The name of the PARMLIB member: CNMCAUxx

System action

CNMCAUxx is not processed.

Operator response

Correct the error, and re-enter the command.

BNH399E EXCLUDED/INCLUDED COMMAND TEXT IS TOO LONG

Explanation

The command in the CNMCAUxx member is too long. The maximum length of the command is 122 characters.

System action

CNMCAUxx is not processed.

Operator response

Correct the error in CNMCAUxx, and re-issue the command.

BNH400E VTAM APPCCMD TIME-OUT. REQUEST= *macro* TIME= *mm/dd/yy hh:mm:ss* LU= *dest* TASK= *task*

Explanation

VTAM is not completing an asynchronous APPCCMD macro issued by the NetView program. The NetView program is trying to send data to a partner LU over an LU 6.2 session. VTAM must complete its macro processing before data can be sent to the destination. All send requests to this destination are canceled. Future send requests to this destination will fail with this message until the macro completes. The send requests can be generated by NetView commands, such as RMTCMD, or by user-written applications that use the Management services or High Performance send APIs available in the NetView program. The task name in the message indicates whether the problem has been encountered by an MS application or an HP application. HP application requests are processed by task DSIHPDST, while MS application requests are processed by task DSI6DST.

Message Variables

macro

The type of APPCCMD macro VTAM is processing

dest

The partner LU to which the NetView program is attempting to send data

mm/dd/yy hh:mm:ss

The date and time when the macro was issued. The date and time formats depend on the TRANSMMSG member, when in effect, and on the date and time operands of the DEFAULTS and OVERRIDE commands.

task

The NetView LU 6.2 task that issued the request

System action

Send requests to the destination are canceled and error notifications are returned to the applications that issued the requests. Further error processing is application-dependent.

Operator response

Notify the system programmer.

System programmer response

Try to determine why the VTAM macro is failing to complete. Check for VTAM error messages and verify VTAM connectivity to the destination. VTAM operator commands, such as VARY TERM, might make it possible to cancel the outstanding macro and retry the request. Recycling DSI6DST or DSIHPDST might also stop the error condition.

BNH401E **LOAD FAILED FOR DB2 INTERFACE
MODULE '*module_name*' WITH
ABEND CODE = X'*abend_code*' AND
REASON CODE = X'*reason_code*'**

Explanation

The NetView program cannot load the DB2 interface modules when the NetView program is started.

Message Variables

module_name

The name of the module that cannot be loaded

abend_code

The hexadecimal abend code generated by the MVS LOAD macro and returned in register 1

reason_code

The hexadecimal reason code generated by the MVS LOAD macro and returned in register 15

System action

The NetView program ignores the error and processing continues. The PIPE SQL stage might fail.

Operator response

Notify the system programmer.

System programmer response

Verify that the DB2 load module library can be accessed by the NetView program. You might need to add a STEPLIB DD statement to the NetView JCL. The DB2SEC statement in the CNMSTYLE member specifies whether the NetView program loads the RRS interface modules, the CAF interface modules, or neither. When this message is generated, the NetView initialization processing continues.

BNH410I **SEQUENT NAMES FOUND: *num***

Explanation

This is the first line of a multi-line message in response to a SEQUENT LIST command. If no matching names

are found based on the specified parameters, *num* will be 0, and the response will be this message as a single line message.

Message Variables

num

The number of SEQUENT resource names found, the details of which are displayed in subsequent messages.

System action

Processing continues.

BNH411I **SEQUENT NAME STATE TASK
DATE TIME DURATION**

Explanation

This is the second line of a multi-line message in response to a SEQUENT LIST command. It provides the label line for subsequent BNH412I lines that contain the information represented by the column headings.

System action

Processing continues.

BNH412I ***sequent_name state taskname date
time duration***

Explanation

Third and subsequent lines of a multi-line message in response to a SEQUENT LIST command. These provide information about SEQUENT names satisfying the filters specified on the command.

Message Variables

sequent_name

1 - 16 character name of the SEQUENT resource being listed. If the line represents the same SEQUENT name as the line above it, *sequent_name* is blank.

state

The state of the SEQUENT resource. It will be one of the following states:

HELD/X

The task shown in *taskname* is holding the SEQUENT resource exclusively, and has been for the amount of time shown.

HELD/S

The task shown in *taskname* is holding the SEQUENT resource as shared, and has been for the amount of time shown.

WAIT/X

The task shown in *taskname* is waiting for the SEQUENT resource to be released, to be obtained exclusively, and has been for the amount of time shown. This state does not necessarily mean that the SEQUENT resource is currently owned, and cannot be obtained yet. If the first BNH412I for the *sequent_name* indicates HELD/X or HELD/S, it is currently owned. If the first BNH412I indicates AVAIL, the task is not yet in a state that can obtain the SEQUENT resource (such as a high priority command or a ROLL command interrupted the program that issued the SEQUENT OBTAINEX).

WAIT/S

The task shown in *taskname* is waiting for the SEQUENT resource to be released, to be obtained as shared, and has been for the amount of time shown. This state does not necessarily mean that the SEQUENT resource is currently owned. If the first BNH412I for the *sequent_name* indicates HELD/X, it is currently owned exclusively, and cannot be obtained yet. If the first BNH412I indicates HELD/S, an exclusive request might be queued before this one, which would have priority to obtain the resource. If the first BNH412I indicates AVAIL, the task is not yet in a state that can obtain the SEQUENT resource (such as a high priority command or a ROLL command interrupted the program that issued the SEQUENT OBTAINSH).

AVAIL

The displayed SEQUENT resource is available for obtaining by a program, and has been for the amount of time shown.

taskname

The name of the task that is holding or waiting for the displayed SEQUENT resource. If state is AVAIL, *taskname* is blank.

date

The date on which the displayed SEQUENT resource was obtained (for HELD/X or HELD/S), requested to be obtained (for WAIT/X or WAIT/S), or became available (for AVAIL).

time

The time at which the displayed SEQUENT resource was obtained (for HELD/X or HELD/S), requested to be obtained (for WAIT/X or WAIT/S), or became available (for AVAIL).

duration

The amount of time that the displayed state has been true. That is, the difference between the current time and the displayed date and time. If the amount of time is less than a day, the format of

duration is hh:mm:ss. If the amount of time is at least a day, the format is ddd.hh:mm:ss.

System action

Processing continues. Note that the order of the lines for a particular SEQUENT name does not necessarily imply the order in which obtain requests were or will be satisfied.

BNH413I **COMMAND *cmd* UNDER TASK**
***taskname* OBTAINED SEQUENT**
sequent_name* AS *type

Explanation

A single line message issued when a SEQUENT resource is obtained or converted from shared to exclusive and the SEQUENT name is being monitored. The message is logged and automatable. It is also displayed on an operator console if the MONOPER keyword specified an operator that is currently logged on.

Message Variables

cmd

The command name that issued a SEQUENT OBTAINEX or SEQUENT OBTAINSH command that was satisfied.

taskname

The task name under which the SEQUENT resource was obtained.

sequent_name

The 1 - 16 character name of the SEQUENT resource that was obtained.

type

The type of obtain request, which is either EXCLUSIVE or SHARED.

System action

The requesting command group resumes processing.

BNH414I **COMMAND *cmd* UNDER TASK**
***taskname* RELEASE SEQUENT**
sequent_name

Explanation

A single line message issued when a SEQUENT resource is released and the SEQUENT name is being monitored. The message is logged and automatable. It is also displayed on an operator console if the MONOPER keyword specified an operator that is currently logged on.

Message Variables

cmd

The command name that issued a SEQUENT RELEASE command that was satisfied.

taskname

The task name under which the SEQUENT resource was released.

sequent_name

The 1 - 16 character name of the SEQUENT resource that was released.

System action

Processing continues.

BNH415I **COMMAND *cmd* UNDER TASK *taskname* WAITING TO OBTAIN SEQUENT *sequent_name* AS *type***

Explanation

A single line message issued when a SEQUENT resource is requested to be obtained, but is currently held by another task and the SEQUENT name is being monitored. The message is logged and automatable. It is also displayed on an operator console if the MONOPER keyword specified an operator that is currently logged on.

Message Variables**cmd**

The command name that issued a SEQUENT OBTAINEX or OBTAINSH command that has not yet been satisfied.

taskname

The task name under which the SEQUENT OBTAINEX or OBTAINSH was issued.

sequent_name

The 1 - 16 character name of the SEQUENT resource that was requested.

type

The type of obtain request, which is either EXCLUSIVE or SHARED.

System action

The requesting command group is suspended until the resource is available.

BNH416I ***num* SEQUENT FILTERS BEING MONITORED BY *opid***

Explanation

The first line of a multi-line message (or the only line if there are no names being monitored) issued in response to a SEQUENT MONLIST command or a SEQUENT MONITOR command.

Message Variables**num**

The number of SEQUENT MONITOR filters in effect. If there are no filters in effect, *num* is 0 and this message is a single line message. If there are any names being monitored, *num* is 1 or greater and subsequent lines in the multi-line message list the filters, separated by blanks, with each line containing as many filters as can fit on the line.

opid

The operator ID specified by the MONOPER keyword that is being sent monitoring messages, or N/A if no monitor filters are in effect.

System action

Processing continues.

BNH417W **SEQUENT *sequent_name* FORCIBLY RELEASED UNDER TASK *taskname* - CODE *code***

Explanation

A warning message issued when a SEQUENT resource that was held had to be released due to a situation represented by the given code. The program that had obtained the SEQUENT resource did not explicitly release it, resulting in a situation that could lead to problems.

Message Variables**sequent_name**

The 1 - 16 character SEQUENT name that had been held, but is being forcibly released.

taskname

The task name that had held the identified SEQUENT name.

code

The numeric code indicating the situation causing the SEQUENT resource to be released. *code* can be one of the following values:

1

The command group which held the SEQUENT resource terminated normally before issuing the corresponding SEQUENT RELEASE.

2

The command group which held the SEQUENT resource terminated abnormally, possibly because of a RESET, before issuing the corresponding SEQUENT RELEASE.

3

The operator task logged off while the SEQUENT resource was held.

4

The operator task ABENDED while the SEQUENT resource was held.

System action

Processing continues.

BNH418W **MORE THAN *num* SEQUENT NAMES DEFINED - PERFORMANCE ISSUES MIGHT ARISE**

Explanation

A warning message issued when the number of defined SEQUENT names has exceeded the current limit imposed by the NetView program that allows for reasonable performance. As more SEQUENT names are defined after this message is issued, the chances of performance concerns increase.

Message Variables

num

The number of SEQUENT names that have been defined that is the reasonable limit of names, considering performance concerns. If many more SEQUENT names than this number are required, contact IBM support to request that this number be increased. This number is currently 27340.

BNH450I **THRESHOLDS SET FOR COMPONENT *component_id* MONITOR *monitor_name***

Explanation

Threshold specifications have been established defining the conditions under which threshold events are issued to the topology server.

Message Variables

component_id

The identifier for this application management interface component

monitor_name

The name of the monitor

System action

When the current value of the monitor matches a threshold specification, a threshold event is issued.

BNH451E **ERROR SETTING THRESHOLDS FOR COMPONENT *component_id* MONITOR *monitor_name*, RC=*retcode***

Explanation

An error was encountered while establishing threshold specifications defining the conditions under which threshold events are issued to the topology server.

Message Variables

component_id

The identifier for this application management interface component

monitor_name

The name of the monitor

retcode

An error code indicating the condition

System action

Threshold specifications are not established.

BNH452I **POLLING INTERVAL SET TO *interval* FOR COMPONENT *component_id* MONITOR *monitor_name***

Explanation

The interval between the times that the current value of the monitor is checked against the threshold specifications has been set.

Message Variables

interval

The time interval

component_id

The identifier for this application management interface component

monitor_name

The name of the monitor

System action

The value of the monitor is checked each time the time interval expires. If a threshold specification is matched, a threshold event is sent to the topology server.

BNH453E **ERROR SETTING POLLING INTERVAL FOR COMPONENT *component_id* MONITOR *monitor_name*, RC=*retcode***

Explanation

An error occurred setting the interval between the times that the current value of the monitor is checked against the threshold specifications.

Message Variables

component_id

The identifier for this application management interface component

monitor_name

The name of the monitor

retcode

An error code indicating the condition

System action

The value of the monitor is not periodically checked.

BNH454I VALUE FOR COMPONENT *component_id* MONITOR *monitor_name* IS *value*

Explanation

The current value of the monitor is displayed.

Message Variables**component_id**

The identifier for this application management interface component

monitor_name

The name of the monitor

value

The current value of the monitor

BNH455E ERROR QUERYING VALUE FOR COMPONENT *component_id* MONITOR *monitor_name*, RC=*retcode*

Explanation

An error was encountered querying the current value of the monitor.

Message Variables**component_id**

The identifier for this application management interface component

monitor_name

The name of the monitor

retcode

An error code indicating the condition

BNH456I COMPONENT *component_id* MONITOR *monitor_name* SEVERITY LEVEL IS *level*, VALUE IS *value*

Explanation

The current severity level of the monitor is displayed.

Message Variables**component_id**

The identifier for this application management interface component

monitor_name

The name of the monitor

level

The current severity level of the monitor

value

The current value of the monitor

BNH457E ERROR QUERYING SEVERITY LEVEL FOR COMPONENT *component_id* MONITOR *monitor_name*, RC=*retcode*

Explanation

An error was encountered querying the current severity level of the monitor.

Message Variables**component_id**

The identifier for this application management interface component

monitor_name

The name of the monitor

retcode

An error code indicating the condition

BNH458I HEARTBEAT INTERVAL SET TO *interval* FOR COMPONENT *component_id*

Explanation

The interval between the time that the component is queried for UP/DOWN state is set.

Message Variables**interval**

The time interval in seconds

component_id

The identifier for this application management interface component

System action

The monitor value routine (passed to GEMREG) is started periodically to check the state of the component. If the state is UP, a heartbeat event is issued to the topology server.

BNH459E ERROR QUERYING HEARTBEAT INTERVAL FOR COMPONENT *component_id* RC=*retcode*

Explanation

An error occurred while setting the interval between the time that the component is queried for UP/DOWN state.

Message Variables

component_id

The identifier for this application management interface component

retcode

An error code indicating the condition

System action

The state of the component is not periodically checked.

BNH460I **THRESHOLD SETTINGS FOR COMPONENT *component_id* MONITOR *monitor_name***

Explanation

This message is the first in a series of messages that display the threshold specifications for a monitor.

Message Variables

component_id

The identifier for this application management interface component

monitor_name

The name of the monitor

System action

Message BNH461I is issued for each threshold specification.

BNH461I **SEVERITY LEVEL = *severity*, OPERATOR = *operator*, VALUE = *value***

Explanation

Threshold specifications are displayed for the monitor listed in message BNH460I.

Message Variables

severity

The severity of the threshold event to be issued if a match occurs

operator

The operator used in comparing the current value of the monitor to the value of this threshold specification

value

The value compared with the current value of the monitor

BNH462E **ERROR QUERYING THRESHOLD SETTINGS FOR COMPONENT *component_id* MONITOR *monitor_name*, RC=*retcode***

Explanation

An error was encountered querying the threshold settings of the monitor.

Message Variables

component_id

The identifier for this application management interface component

monitor_name

The name of the monitor

retcode

An error code indicating the condition

BNH463I **POLLING INTERVAL FOR COMPONENT *component_id* MONITOR *monitor_name* IS *interval***

Explanation

The interval between the times that the current value of the monitor is checked against the threshold specifications is displayed.

Message Variables

component_id

The identifier for this application management interface component

monitor_name

The name of the monitor

interval

The time interval in seconds

BNH464E **ERROR QUERYING POLLING INTERVAL FOR COMPONENT *component_id* MONITOR *monitor_name*, RC=*retcode***

Explanation

An error occurred querying the interval between the times that the current value of a monitor is checked against the threshold specifications.

Message Variables

component_id

The identifier for this application management interface component

monitor_name

The name of the monitor

retcode

An error code indicating the condition

BNH465I **EVENT/AUTOMATION SERVICE**
ADAPTER *adapter_name* IS *state*

Explanation

The UP/DOWN state of the Event/Automation Service adapter is displayed.

Message Variables***adapter_name***

The name of the adapter in the form:

```
procname.adapter_name
```

The *procname* is the name of the Event/Automation Service procedure started, or the alias name, if used. The *adapter_name* is either MESSAGEA, ALERTA, or EVENTRCV.

state

The state is either UP or DOWN.

BNH466I **TERMAMI COMMAND COMPLETE.**
ALL AMI COMPONENTS
DEREGISTERED

Explanation

The TERMAMI command has deregistered all components, purged all timers, and cleaned up all global variables.

BNH467I ***routine_type* ROUTINE**
***routine_name* NOT FOUND BY**
command

Explanation

An INIT or TERM routine was not found by either the INITAMI command or the TERMAMI command.

Message Variables***routine_type***

The type of routine:

- 'INIT', if the INITAMI command was issued and an INIT= routine that was not valid was coded in DSIAMII
- 'TERM', if the TERMAMI command was issued and a TERM= routine that was not valid was coded in DSIAMII

routine_name

The name of the routine as coded in DSIAMII

command

Either the INITAMI or TERMAMI command

Operator response

Notify the system programmer.

System programmer response

Ensure that the initialization or termination routine is in a data set listed in the DSICLD DD.

BNH475I **VTAM ACB MONITOR ACTIVATION**
IN PROGRESS.

Explanation

The VTAM ACB Monitor was activated by the INITAMON command. The ACB status updates the flow from the VTAM of the focal point NetView program and all entry point NetView programs when the state of an ACB changes. ACB data is stored in DB2 and made available to ACB monitoring.

BNH476I **VTAM ACB MONITOR ENTRY**
POINT *entry_point* ACTIVATION IN
PROGRESS.

Explanation

The ACB Monitor on the specified domain is being activated by the INITAMON command. The entry point NetView name has either been specified on the INITAMON command or it has been specified on the AMONLU keyword in the DSIAMII configuration file.

Message Variables***entry_point***

The NetView domain name of the ACB Monitor entry point

BNH477I **VTAM ACB MONITOR ACTIVATED**
ON DOMAIN *domain*.

Explanation

The ACB Monitor on the specified domain has been activated by the INITAMON command. The domain name has either been specified on the INITAMON command or it has been specified on the AMONLU keyword in the DSIAMII configuration file.

Message Variables***domain***

The NetView domain name of the ACB Monitor focal point or entry point

BNH478I **VTAM ACB MONITOR INITIAL**
REPORTING COMPLETE FOR CP
***cpname*.**

Explanation

A VTAM ACB Monitor focal point or entry point has completed initial reporting of all its applications, and the VTAM ACB Monitor function in the NetView program has loaded all data into DB2.

Message Variables

cpname

The VTAM domain name of the ACB Monitor focal point or entry point

BNH479E **VTAM ACB MONITOR *command***
ERROR, REASON= *reason_code*.

Explanation

An error has occurred during processing of the INITAMON or TERMAMON command.

Message Variables

command

INITAMON or TERMAMON

reason_code

For INITAMON:

- 1=Already active
- 2=Activation in progress
- 3=Termination in progress
- 4=SQL error
- 5=DB2 not initialized
- 6=Internal error

For TERMAMON:

- 101=Already inactive
- 102=Not issued on focal point
- 103=Entry point not active

System programmer response

If this is an SQL error or the DB2 is not initialized, correct the problem. If this is an internal error, contact IBM Software Support.

BNH480E **ERROR ACTIVATING VTAM ACB**
MONITOR ENTRY POINT
***entry_point*, REASON=**
***reason_code*.**

Explanation

An error has occurred activating a VTAM ACB monitor entry point.

Message Variables

entry_point

The NetView domain name of the ACB Monitor entry point

reason_code

- 1= RMTCMD connectivity failure
- 2= Autotask start failure
- 3= VTAM exit activation failure
- 4= Invalid entry point name
- 5= Entry point already active
- 6= Focal point not active

System programmer response

If there is RMTCMD connectivity failure, ensure that SNA connectivity exists between the focal point and entry point NetView programs. If there is an autotask start failure, ensure that the AUTOVTAC autotask is defined on the entry point. If there is a VTAM exit activation failure, ensure that the exit is installed correctly and the STATMON exit is not active on the entry point.

BNH481E **INVALID VALUE value FOR VTAM**
ACB MONITOR CONFIGURATION
KEYWORD keyword.

Explanation

A value that is not valid has been parsed in configuration file DSIAMII for the VTAM ACB Monitor.

Message Variables

value

The value that is not valid

keyword

The DSIAMII keyword

Operator response

Correct the keyword, and reissue the INITAMON command.

BNH482I **VTAM ACB MONITOR**
TERMINATION IN PROGRESS FOR
DOMAIN *domain*.

Explanation

Termination processing has started for a VTAM ACB Monitor focal point or entry point.

Message Variables

domain

The NetView domain name of the ACB Monitor focal point or entry point

BNH483I **VTAM ACB MONITOR**
TERMINATION COMPLETE FOR
DOMAIN *domain*.

Explanation

The termination processing has completed for a VTAM ACB Monitor focal point or entry point. If termination is being performed for the entire VTAM ACB Monitor (as opposed to a single entry point), this message is issued for the focal point domain and not the entry point domains.

Message Variables

domain

The NetView domain name of the ACB Monitor focal point or entry point

BNH484W **DUPLICATE VTAM APPL *appl*
DISCOVERED ON CP *cpname*.**

Explanation

A VTAM application has been discovered by the VTAM ACB Monitor with the same name as an application already discovered on a different VTAM. This might indicate either an error in the VTAMLST definitions or a VTAMLST definition being activated on an incorrect VTAM.

Message Variables

appl

The name of the duplicate application

cpname

The VTAM domain name where the duplicate application was discovered

System programmer response

Investigate VTAMLST definitions to determine if an error exists.

BNH485I **VTAM ACB MONITOR STATUS
UPDATE DATA.**

Explanation

This message carries VTAM ACB Monitor status update buffers from an ACB Monitor entry point to the ACB Monitor focal point. The buffer is hexadecimal data and is carried as the second line of this message.

BNH486I **VTAM ACB MONITOR REPORTING
SET TO MONITOR= *monitor_value*
SESCT= *sesct_value* FOR
RESOURCE *resource_name* ON CP
cpname.**

Explanation

Termination processing has completed for a VTAM ACB Monitor focal point or entry point. If termination is being performed for the entire VTAM ACB Monitor (as opposed to a single entry point), this message is

issued for the focal point domain and not the entry point domains.

Message Variables

monitor_value

Specifies whether VTAM is sending status updates to the VTAM ACB Monitor. Valid values are yes or no.

sesct_value

Specifies whether VTAM is sending session count status updates to the VTAM ACB Monitor. Valid values are yes or no.

resource_name

The name of the VTAM resource for which reporting has been modified. This is an application name, model name, or generic resource name.

cpname

The VTAM domain on which that resource resides.

BNH487I **AMONRPT COMMAND COMPLETE.**

Explanation

Processing of an AMONRPT command is complete. Monitoring has been modified for all VTAM resources matching the specified application, model, or generic resource.

BNH488E **SPECIFY APPL, GNAME, OR
MODEL KEYWORD.**

Explanation

An AMONRPT command cannot be processed because either the APPL (application), GNAME, or MODEL keyword must be specified.

Operator response

Retry the AMONRPT command specifying VTAM resources for which monitoring is to be modified.

BNH489E **MODIFY RESOURCE COMMAND
FAILED FOR *resource_name* ON CP
cpname.**

Explanation

The VTAM modify resource command failed.

Message Variables

resource_name

The name of the VTAM resource for which reporting is to be modified. This is an application name, model name, or generic resource name.

cpname

The VTAM domain on which that resource resides.

Operator response

Attempt to issue the VTAM modify resource command on the appropriate VTAMs.

System programmer response

Ensure VTAM resources are defined correctly.

BNH491E **MONITOR=NO AND SESCT=YES
COMBINATION IS INVALID.**

Explanation

Setting session count reporting to YES and overall monitoring to NO is not valid.

Operator response

If session count reporting is wanted, set MONITOR to YES.

BNH492I **TN3270E CLIENT APPL *applname*
IP ADDRSS *ipaddress* IPPORT
ipport HOSTNAME *hostname* ON
CP *cpname* TCP STACK *jobname***

Explanation

A Telnet client has been located which matches search criteria given in the Locate Client Local or Locate Client Global Telnet server instrumentation tasks.

Message Variables

applname

The VTAM application name (*applname*) of the Telnet client

ipaddress

The IP address of the Telnet client

ipport

The IP port of the Telnet client

hostname

The IP host name of the Telnet client

cpname

The VTAM cp name (*cpname*) where the application name (*applname*) resides

jobname

The job name of the Telnet server (the TCP stack)

BNH493I **LOCATE TN3270E CLIENTS
COMPLETE.**

Explanation

All Telnet clients that match search criteria given in the Locate Client Local or Locate Client Global Telnet server instrumentation tasks have been located.

BNH494I **NO MATCHING TN3270E CLIENTS
FOUND, REASON= *reason_code*.**

Explanation

No Telnet clients that match search criteria given in the Locate Client Local or Locate Client Global Telnet server instrumentation tasks have been located.

Message Variables

reason_code

- 1= No matches for search criteria
- 2= SQL error
- 3= IP address required when port specified
- 4= Parameter that is not valid

Operator response

If an IP address is required when the port is specified, specify the IP address or prefix in addition to the port.

System programmer response

If there is an SQL error, verify that the DB2 is functional.

BNH495I **NUMBER OF NETVIEW
APPLICATIONS: *numnvapp***

Explanation

This is a multiline message written in response to the NVSTAT command. This message consists of one header line followed by a variable number of data lines, each describing the configuration and status of NetView applications. This message is intended for parsing by REXX processing. A REXX sample, CNMSNVST, is provided to format the information from this message for readability.

Each data line includes the following information:

Columns

Description

1-9

Reserved field.

10-17

The NetView domain name.

19-34

The role of this NetView program. Valid values are network, SA, GDPS, or a user-defined description.

36-41

The sysplex role for this NetView program. The following values are valid:

- BASIC: Basic NetView program.
- EBASIC: Basic NetView program in a sysplex with an enterprise master NetView program.

- EMASER: Enterprise master NetView program.
- EMCAP: Master-capable NetView program in a sysplex with an enterprise master NetView program.
- MASTER: Master NetView program.
- MCAP: Master-capable NetView program.
- RBASIC: Basic NetView program outside the sysplex that is forwarding data to the enterprise master program.
- RMASTER: Master NetView program outside the sysplex that is forwarding data to the enterprise master program.
- RMCAP: Master-capable NetView program outside the sysplex that is forwarding data to the enterprise master program.

43-46

The sysplex rank for this NetView program. The following values are valid:

- -1: Not participating in the sysplex group
- 0: Basic NetView program
- 1-249: Master-capable NetView program
- 250: Master NetView program

48-76

A list of XCF groups of which this NetView program is a member. The length of this field includes the parentheses enclosing the group information.

78-83

The current NetView CPU percentage. This is the sum of processor utilization percentages for NetView tasks reported by the TASKMON * CPU command.

85-94

The current NetView storage utilization in kilobytes. This is the sum of storage utilization values for active NetView tasks reported by the TASKMON * STG command. Note that only storage obtained by the NetView program's DSIGET macro is included in the total.

96-103

The name of the z/OS image.

105-112

The status of this NetView program. The following values are valid:

- ACTIVE: The NetView program is running.
- INACTIVE: The NetView program is not running.
- LEAVING: The z/OS system on which the NetView program is running is leaving the sysplex.

- UNKNOWN: The NetView program is no longer an active member of the XCF sysplex group of which it is a member.

114-121

The VTAM network ID.

123-168

The IPv4 or IPv6 address that is used for RMTCMD. The address might be a DVIPA.

170-174

The port number that is used for RMTCMD.

176-179

The version of the NetView program.

Usage: Beginning with NetView Version 6 Release 2 Modification 1, the version columns contain the release data in the format *Vvrm*, where *v* is the version, *r* is the release, and *m* is the modification level. The V6R2M1 format is V621. Any version without a modification level uses a zero for *m*, such as V610 for Version 6, Release 1.

181-188

The name of the sysplex.

190-193

The SMF system ID.

Message Variables

numnvapp

The total number of NetView applications known to this NetView program.

System action

The NVSTAT command processing is completed.

BNH496I

NUMBER OF TELNET SERVERS:

numsvrs

Explanation

This is a multiline message written in response to the TELNSTAT command. This message consists of one header line followed by a variable number of data lines, each describing Telnet server configuration and status. This message is intended for parsing by REXX processing. A REXX sample, CNMSTNST, is provided to format the information from this message for readability.

Each data line includes the following information:

Columns

Description

1-9

Reserved field.

10-17

The Telnet server job name.

19-22

The MVS address space ID of the address space that opened the socket.

24-33

The number of configured ports that are associated with the Telnet server job.

35-44

The number of active ports that are associated with the Telnet server job.

46-77

The status of the Telnet server.

79-86

The z/OS image name.

Message Variables**numsvrs**

The total number of Telnet servers known to this NetView program.

System action

The TELNSTAT command processing is completed.

BNH497I **NUMBER OF TELNET SERVER PORTS: numports**

Explanation

This is a multiline message written in response to the TNPTSTAT command. This message consists of one header line followed by a variable number of data lines, each describing Telnet server port configuration and status. This message is intended for parsing by REXX processing. A REXX sample, CNMSTPST, is provided to format the information from this message for readability.

When a single Telnet port is listened to by multiple TCP/IP stacks, there is one message for each listener.

Each data line includes the following information:

Columns**Description****1-9**

Reserved field.

10-17

The Telnet server job name.

19-22

The MVS address space ID of the address space that opened the socket.

24-31

The text identification of the resource. This value represents the user who opened the socket. It is updated during bind processing.

33-64

The status of the Telnet server.

66-70

The Telnet server port.

72-79

The status of the Telnet server port.

81-88

The name of the TCP/IP job to which this Telnet server port is connected.

90-99

The current number of connections. When the port is quiesced, this value is 0, even if connections are active. When the port is resumed, only new connections on this port are displayed. This information is retrieved from the z/OS Communications Server network management interface by using an active TCP listeners request. To see all the connections for this port, issue the z/OS Communications Server DISPLAY TCP/IP,tproc,TELNET command. For more information, see *z/OS Communications Server IP System Administrator's Commands*.

101-110

The total number of connections that are dropped by this listener because the backlog was exceeded. This attribute applies only to listener entries.

112-119

The name of the TCP/IP stack job with which this Telnet server has an affinity.

121-128

The name of the sysplex.

130-137

The z/OS image name.

139-143

The release level of the z/OS operating system.

145-152

The address of the TCB in the address space that opened the connection. If the port status is QUIESCED, this attribute has no value.

154-157

The SMF system ID.

159-166

The name of the LPAR.

Message Variables**numports**

The total number of Telnet server ports known to this NetView program.

System action

The TNPTSTAT command processing is completed.

BNH498I **NUMBER OF INTERFACES: numintf**

Explanation

This is a multiline message written in response to the IFSTAT command. This message consists of one header line followed by a variable number of data lines, each describing an IP interface. This message is intended for parsing by REXX processing. A REXX sample, CNMSIFST, is provided to format the information from this message for readability.

Each data line includes the following information:

Columns

Description

1-9

Reserved field.

10-17

The TCP/IP job name where the interface was found.

19-34

The interface name.

36-41

The interface index number.

43-45

The numeric representation of the Interface type from the `ibmMvsIfType` object in the `ibmTcpiMvsIfTable` interface table.

47-47

The `IfOperStatus` value.

50-50

The `IfAdminStatus` value.

53-56

The `ifVlanId` value.

58-59

The `ifChpid` value.

61-105

The IP address of the interface.

108-115

The name of the sysplex.

117-124

The z/OS image name.

Message Variables

numintf

The total number of active interfaces known to this NetView program.

System action

The INFTSTAT command processing is completed.

BNH500E **ERROR *number* FROM SQL, DETECTED IN *module***

Explanation

A negative return code was received from SQL.

Message Variables

number

The SQL return code

module

The name of the module

System action

The stage ends. The BNH501I, BNH502I, and BNH514I messages are also issued to help describe the error.

Operator response

See the SQL documentation for descriptions of SQL codes.

BNH501I **RDS: *number* DBSS: *number*; *number* ROWS DONE; *string***

Explanation

This message follows the BNH500E message to display additional information from the SQL communications area.

Message Variables

number

The numbers that are obtained from the SQL communications area.

string

Displays the flags. The blanks have been changed to minus signs for alignment purposes.

BNH502I **MESSAGE PARAMETER *string***

Explanation

The SQL communication area has a parameter string with one or more items in it; each is listed in a separate message.

Message Variables

string

The parameter string from the SQL communications area. Each string can contain more than one item; the items are listed in separate messages.

BNH503E **SQL RC -934: UNABLE TO FIND MODULE *module***

Explanation

SQL is unable to initialize.

Message Variables

module

The name of the module

System action

The stage ends.

Operator response

The NetView JOB might refer to the SQL interface modules that are not in link libraries.

BNH504E **SQL RC -805: ACCESS MODULE
name NOT FOUND; REFER TO
INSTALLATION INSTRUCTIONS
AND THE CNMSJSQL SAMPLE TO
GENERATE THE ACCESS MODULE**

Explanation

The access module is not generated.

Message Variables**name**

The name of the access module

System action

The stage ends.

Operator response

Contact your system programmer.

System programmer response

An access module must be generated before the SQL stage command can access SQL. See the SQL information about generating an access module.

BNH505E **OBJECT EXISTS ALREADY**

Explanation

SQL return code -601 is received, indicating that the object you attempted to create is already known to SQL.

System action

The stage ends.

BNH506E **TABLE *table* DOES NOT EXIST**

Explanation

SQL return code -204 is received, indicating that SQL is unable to locate the table in its catalogs.

Message Variables**table**

The name of the table

System action

The stage ends.

BNH507I **SQL PROCESSING: *string***

Explanation

An error occurred in a SQL statement.

Message Variables**string**

The statement that contains the error

BNH508E **DESCRIBE FOLLOWED BY "*word*";
MUST BE "SELECT"**

Explanation

You must provide the select statement that you want described.

Message Variables**word**

The operand you had specified

System action

The stage ends.

Operator response

Use the SELECT operand to designate the beginning of the query.

BNH509E **SQL RC -205: COLUMN *colname*
NOT FOUND IN *creator.table***

Explanation

SQL indicates that *colname* was not located within the specified table.

Message Variables**colname**

The name of the column not found in the table.

creator.table

The name of the table.

System action

The stage ends.

BNH510E **UNABLE TO OBTAIN HELP FROM
SQL (RETURN CODE *number*)**

Explanation

A nonzero return code is obtained when reading the index to the SQL return code information in SQLDBA.SYSTEXT1.

Message Variables

number

The SQL return code

System action

The stage ends.

Operator response

The error reported is typically -934 or -806, which indicate that the DB2 subsystem is not known or that the access module for the SQL stage command has not been generated. If additional messages are received, see the NetView online help for those messages.

BNH511E **SQL HAS NO INFORMATION ABOUT *topic***

Explanation

The help function tried to process a help request for the SQL *topic*. The tables were successfully selected, but the query result is null. This indicates that there is no help information available for this topic.

Message Variables

topic

The information for which you requested help.

System action

The stage ends.

Operator response

Ensure that the values provided in the query are correctly stated.

BNH512E **TOO FEW INPUT STREAMS**

Explanation

EXECUTE is used to perform SQL commands. The primary input stream has more SQLINSERT statements without values than there are additional input streams defined.

System action

The stage ends.

Operator response

Provide the input for the first INSERT on the secondary input stream. The primary input stream is read for additional statements; it is not available for data.

BNH513E **USE "SQL CONNECT TO" TO IDENTIFY THE SUBSYSTEM (REASON *hex*)**

Explanation

The SQL stage received return code 12 from DSNALI or DSNRLI. Typically, either the database is not the default DSN or you are not authorized to use the plan DSISQLnn with the resource to which you are connected.

Message Variables

hex

The hexadecimal reason code.

System action

The stage ends.

Operator response

Use SQL CONNECT TO to specify the subsystem name to which you want to connect. This specification remains in effect until the PIPE command ends.

BNH514E **10 SQL STAGES ALREADY ACTIVE**

Explanation

There are already 10 active SQL stages.

System action

The stage ends.

Operator response

Change the pipeline topology so that some SQL stages complete before you start others.

BNH515I **SQL STATEMENT PREPARED: *string***

Explanation

An error is reported by SQL while it is processing a dynamically prepared statement. The statement is substituted.

BNH516E **CURSOR HAS BEEN CLOSED**

Explanation

SQL return code -504 is received while a cursor is used to read a line of a query or insert a line. Typically,

another SQL stage command has committed the unit of work or rolled it back.

System action

The stage ends.

Operator response

Ensure that all concurrent SQL stages specify NOCOMMIT. To ensure that a query is processed correctly before the result is processed further, direct the result to a stemmed array. It can then be referenced by a second pipeline when the return code for the first one is tested and found to be valid.

BNH517E TASK *taskname* IS NOT STARTED

Explanation

The NetView *taskname* is needed for the request.

Message Variables

taskname

The name of the NetView task

System action

The stage ends.

Operator response

Issue the START TASK=*task* command to start the task.

BNH518E DB2 NOT PRESENT IN SYSTEM

Explanation

On MVS, the module DSNALI or DSNRLI cannot be loaded. This indicates that DB2 libraries are not part of the NetView procedure STEPLIB.

System action

The stage ends.

Operator response

Contact your system programmer.

System programmer response

Ensure that DB2 is installed and available.

BNH519E DB2 CONNECTION USING PLAN *word* ALREADY ACTIVE

Explanation

The option PLAN is specified, but a different plan is already in use.

Message Variables

word

The name of the subsystem already in use.

System action

The stage ends.

BNH520E DB2 ALREADY CONNECTED TO SUBSYSTEM *subsystem*

Explanation

The SQL stage tried to access the subsystem named by the SSID operand coded on the SQL stage, but the subsystem named in the BNH520E message is already in use.

Message Variables

subsystem

The name of the subsystem already in use

System action

The SQL stage ends with an error.

System programmer response

Ensure procedures that specify the SSID in the SQL pipe stage close the plan properly. This message can result from using the NOCLOSE option that is not followed by a PIPE to close the plan. You cannot access 2 different subsystems from a single task at the same time. A PIPE SQL EXECUTE COMMIT WORK command can be added to ensure that the plan is closed.

BNH521E ERROR *number* REASON *hex* ON CALL TO *interface fn*

Explanation

The return code (register 15) and reason code (register 0) substituted are received in response to a call to CAF or RRS for *interface fn*.

Message Variables

number

The error number

hex

The hexadecimal reason code.

interface fn

The value is DSNALI for CAF, and DSNRLI for RRS.

System action

The stage ends.

BNH522E **SUBSYSTEM *subsystem* IS NOT DEFINED**

Explanation

The subsystem identification specified on the SQL pipe stage is not valid or not defined.

Message Variables***subsystem***

The name of the subsystem

System action

The PIPE ends.

Operator response

Contact your database administrator to determine the subsystem ID to specify, or contact your system programmer to generate the correct subsystem value for the SQL pipe stage.

System programmer response

Define the correct subsystem to the SQL pipe stage.

BNH523E **PLAN *word* IS NOT AUTHORIZED**

Explanation

DSNALI or DSNRLI returns reason code X'00F30034', which indicates that the user is not authorized for the substituted plan name.

Message Variables***word***

The name of the substituted plan

System action

The stage ends.

BNH524E **SUBSYSTEM *name* IS NOT UP**

Explanation

DSNALI or DSNRL1 returns reason code X'00F30002', X'00F30011', or X'00F30012' to indicate that the DB2 system is not up.

Message Variables***name***

The name of the subsystem

System action

The stage ends.

BNH525E **LEFT PARENTHESIS MISSING**

Explanation

A left parenthesis is expected for a list of items, but was not found.

System action

The PIPE command or stage ends.

BNH526E **RIGHT PARENTHESIS MISSING**

Explanation

A left parenthesis for a list of items was encountered, but the right parenthesis was not found.

System action

The command ends.

Operator response

Issue the command again with the closing parenthesis.

BNH527E **NOTHING SPECIFIED BETWEEN PARENTHESES**

Explanation

Only blank characters were found between the opening and closing parentheses.

System action

The PIPE command or stage ends.

BNH528I **DB2 *subsystem* TERMINATED CODE *termcode***

Explanation

The connection to DB2 *subsystem* ended because of *termcode*.

Message Variables***subsystem***

The name of the DB2 subsystem

termcode

The termination code that caused DB2 to end.

System action

The connection is reestablished automatically when DB2 is fully reinitialized.

Operator response

Restart the DB2 subsystem.

BNH529I DB2 subsystem NOT ACTIVE

Explanation

The DB2 *subsystem* is not active or is in the process of being started. The connection is established automatically when DB2 is fully initialized.

Message Variables

subsystem

The name of the DB2 subsystem.

System action

The DSIDB2MT task waits for notification from DB2 when initialization has completed.

BNH530I Interface LEVEL DOES NOT MATCH DB2 subsystem

Explanation

The DB2 *subsystem* is at a different level than the *interface* loaded by DSIDB2MT. NetView cannot use the DB2.

Message Variables

subsystem

The name of the DB2 subsystem.

interface

The name of the interface loaded by DSIDB2MT.

System action

The DSIDB2MT task ends.

Operator response

Contact your system programmer.

System programmer response

Change the NetView JCL to reference the correct level of DB2 libraries. The DSNALI or DSNRLI module did not match the level of DB2 for the named DB2 subsystem.

BNH531I INCORRECT HANDLE *number* ON CALL TO DSISQLRQ

Explanation

An internal processing error occurred.

Message Variables

number

The handle number.

System action

Processing of the SQL request ends.

Operator response

Contact your system programmer.

System programmer response

Contact IBM Software Support.

BNH533I *data*

Explanation

This message is displayed when the NRMCTL LISTMON command is issued and contains the standard text presentation form of an IPv6 address for a monitored NetView domain.

The BNH533I message follows the BNH684I message when that message indicates that the communication mode is IPV6. The BNH533I message displays the entire IPv6 address.

Message Variables

data

The IPv6 address of a host with a NetView domain being monitored by this NetView program. Leading blanks are added to the insert so that the address is aligned with the IP ADDRESS column in the NRMCTL LISTMON display.

System action

Processing continues.

BNH535A *nnnn* MESSAGES NOW RETAINED BY *taskname*

Explanation

The CNMCSIR task has a queued backlog of messages consisting of action and non-action messages marked with the DOMACTION(DELMSG) or DOMACTION(AUTOMATE) automation action, and that backlog has exceeded the MAXCSSIR limit defined by the DEFAULTS command. These are messages which have not been removed by an MVS delete operator message (DOM) signal. These messages might also be queued in the Action Message Retention Facility (AMRF) in MVS.

Message Variables

nnnn

The number of messages in the queue (the current threshold value).

taskname

The CNMCSIR task whose queue is exceeded.

System action

This message is issued when CNMCSSIR detects that the action-message queue threshold value (DEFAULTS MAXCSSIR=*nnnn*) has been reached.

Operator response

Browse the NetView log to see if sample CNME1103 ran. This sample is meant to run when BNH535A is issued. It is defined in the DSITBL01 (CNMS1015), the sample automation table. CNME1103 issues message BNH539I to the NetView log for each message it deletes. Notify your system programmer about the messages reported by BNH539I.

If CNME1103 is not being issued, notify your system programmer.

System programmer response

If there are many BNH539I messages logged, determine whether an application is issuing action messages, or non-action messages marked with the DOMACTION(DELMMSG) or DOMACTION(AUTOMATE) automation action, without issuing a DOM; this can be an application programming error.

If CNME1103 is not issuing message BNH539I, change the automation table to include automation for BNH535A. For example, see sample DSITBL01.

BNH536I **MG=umsg_num CD=cmd_num**
DM=sgn_rcvd_num
RT=sgn_rtd_num
QH=rtd_msg_num

Explanation

This message contains the CNMCSSIR MVS message and command statistics.

Message Variables

umsg_num

Number of unsolicited messages received by the CNMCSSIR task

cmd_num

Number of commands received by the CNMCSSIR task

sgn_rcvd_num

Number of DOM signals received by the CNMCSSIR task

sgn_rtd_num

Number of DOM signals routed by the CNMCSSIR task because there were matching held messages.

rtd_msg_num

Number of retained messages awaiting delete operator message (DOM) signals on the CNMCSSIR queues.

System action

Message BNH536I is issued by the DSILSSIR STATS command.

BNH537I **taskname MG=umsg_num**
CD=cmd_num DM=sgn_rcvd_num
RT=sgn_rtd_num
QH=rtd_msg_num

Explanation

This message contains the MVS message and command statistics by task.

Message Variables

taskname

Name of the task that has extended console data traffic statistics

umsg_num

Number of unsolicited messages received by the task

cmd_num

Number of commands received by the task

sgn_rcvd_num

Number of delete operator message (DOM) signals received by the task

sgn_rtd_num

Number of DOM signals routed by the task because there were matching held messages.

rtd_msg_num

Number of retained messages awaiting DOM signals in the task's queue.

System action

Message BNH537I is issued by the DSILSSIR ALLSTATS command.

BNH538I **systemid jobname jobnumber**
addspace_id wtoseq msg_type
nvdel_id msg_text

Explanation

The messages listed in message BNH538I are waiting for delete operator message (DOM) signals from the MVS system to delete them.

Message Variables

systemid

MVS system name

jobname

MVS job name

jobnumber

MVS job number

addspace_id

MVS address space identifier in hexadecimal

wtoseq

MVS WTO sequence number, as used by the DOM macro

msg_type

Message types are as follows:

A

Action message, or non-action message marked with the DOMACTION(DELMSG) or DOMACTION(AUTOMATE) automation action.

M

Multiple line message for which no end line was received

T

Solicited message that has not been automated. If no DOM is received for this message within approximately 11 seconds after being issued, this message is deleted. If this message is automated before being deleted, it is either deleted (if no DOM is expected) or converted to a msg_type of A.

W

Write-to-operator with reply

nvdel_id

Identifier that you can use with the NetView DOM command to delete the message from the NetView program without removing it from MVS

msg_text

Text of the message that was retained

System action

Message BNH538I is issued by the DSILSSIR SHOWMSG command and lists the messages in the CNMCCSIR action-message queue.

BNH539I	CNME1103 DELETED <i>bnh538i_message_text</i>
----------------	--

Explanation

This message is issued by CNME1103 to the NetView log to identify messages that have been purged from the system because of the MAXCSSIR threshold being reached.

Message Variables**bnh538i_message_text**

The BNH538I message containing a description of the message that was deleted. CNME1103 uses command DSILSSIR to generate this text.

System action

Message BNH539I is written to the NetView log for each message deleted by CNME1103.

Operator response

Notify your system programmer when you receive multiple BNH539I messages.

System programmer response

Investigate these messages to determine which application is creating the backlog. Use information in the BNH538I message to identify the job, address space, and message text involved in the problem.

BNH541I	lcldate lcltime (gmtdate gmttime) LOCAL TIME ADJUSTMENT STARTED
----------------	--

Explanation

The NetView program has recognized that the local system time has changed. That is, the offset from GMT has changed. As a result, all timers specified as LOCAL are adjusted so that they run at the same local time that they had before the time change. In addition, session monitor tasks DSIAMLUT, AAUTCNMI, and AAUTSKLP, if they are active, are stopped and restarted to account for the time change.

Note: The local date *lcldate* and local time *lcltime* represent the values that the NetView program was using before the time change.

Message Variables**lcldate**

The local date of when the time adjustment started.

lcltime

The local time of when the time adjustment started.

gmtdate

The GMT date of when the time adjustment started.

gmttime

The GMT time of when the time adjustment started.

BNH542I	lcldate lcltime (gmtdate gmttime) LOCAL TIME ADJUSTMENT ENDED
----------------	--

Explanation

The NetView program has completed adjusting timers that had been specified as LOCAL and has requested that DSIAMLUT, AAUTCNMI, and AAUTSKLP be recycled.

Message Variables

lcldate

The local date of when the time adjustment started.

lcltime

The local time of when the time adjustment started.

gmtdate

The GMT date of when the time adjustment started.

gmttime

The GMT time of when the time adjustment started.

BNH543E **UNEXPECTED CPF ERROR CODE=
return_code REASON= reason_code**

Explanation

The CPF macro attempt failed. The return code has no recommended action in the description of the CPF macro.

Message Variables

return_code

The register 15 return code value from the CPF MVS system macro.

reason_code

The register 0 reason code value from the CPF MVS system macro.

Operator response

Notify your system administrator. Keep a record of the error code and reason code. The NetView program can start without a command designator. See the MVSPARM.Cmd.Designator statement in CNMSTYLE, described in *IBM Z NetView Administration Reference*.

System programmer response

Contact IBM Software Support.

BNH544E **THE PREFIX CHARACTERS ARE
NOT VALID**

Explanation

The value supplied on the style statement MVSPARM.Cmd.Designator in the CNMSTYLE member is incorrect. The MVS system requires 1 - 8 characters in the range of X'41' to X'FE'.

Operator response

Report the problem to the system programmer.

System programmer response

Change the value that is specified in the MVSPARM.Cmd.Designator style statement. You can enable the new value by entering

```
RESTYLE MVSPARM
```

The new value becomes active when the NetView program is recycled.

BNH545E **PREFIX '*prefix_value*' IS A
DUPLICATE**

Explanation

The prefix value is already registered to another subsystem.

Message Variables

prefix_value

The value that is specified on the MVSPARM.Cmd.Designator statement in the CNMSTYLE member.

System programmer response

Change the value that is specified in the MVSPARM.Cmd.Designator style statement. You can enable the new value by entering

```
RESTYLE MVSPARM
```

The new value becomes active when the NetView program is recycled.

BNH546E **PREFIX '*prefix_value*' IS A SUBSET
OF ANOTHER**

Explanation

The prefix value conflicts with a value that is already registered to another subsystem. The specified prefix is the abbreviation of another prefix in the subsystem. In MVS, prefix values must be unique.

Message Variables

prefix_value

The value that is specified on the MVSPARM.Cmd.Designator statement in the CNMSTYLE member.

System programmer response

Change the MVSPARM.Cmd.Designator statement to provide a valid designator.

BNH547E **PREFIX '*prefix_value*' IS A
SUPERSET OF ANOTHER**

Explanation

The prefix value conflicts with a value that is already registered to another subsystem. Another prefix in the subsystem is an abbreviation of the specified prefix value. In MVS, the prefix must be unique.

Message Variables

prefix_value

The value specified on the MVSPARM.Cmd.Designator statement in the CNMSTYLE member.

System programmer response

Change the MVSPARM.Cmd.Designator statement to provide a valid designator.

BNH548I **'function' IS NOT ACTIVE FOR 'object'**

Explanation

The request was not performed for the specified *object*.

- If this message is listed for the LOGTSTAT command, SMF recording was not active for the specified task.
- If this message is listed for the STOP XCFGROUP command, then command processing failed. The *function* and *object* inserts describe the reason for the failure, either an invalid XCF group name or member name.

Message Variables

function

The name of the service that was not performed, such as SMF for the LOGTSTAT command.

For the STOP XCFGROUP command, if the NetView program has not joined the specified XCF group, then the *function* variable is the name of the specified XCF group. If the XCF group is valid but the member name that is specified on MEM operand is not in the group, then the *function* variable is the member name.

object

The name of the object affected.

For the STOP XCFGROUP command, if the NetView program has not joined the specified XCF group, then the *object* variable is the NetView domain name. If the XCF group is valid but the member name that is specified on the MEM operand is not in the group, then the *object* variable is the XCF group name.

Operator response

Determine whether you want the *function* performed for any of the listed *objects*.

For the LOGTSTAT command, to activate SMF logging for the specified task, enter one of the following commands:

```
DEFAULTS LOGTSTAT=YES
```

or

```
OVERRIDE TASK=object, LOGTSTAT=YES
```

Note: It is possible that SMF recording is not active because of MVS user exits that are in effect or MVS commands that were issued. Ask your system programmer to determine the SMF settings for the MVS program.

For the TCPCONN or PKTS command, the specified stack is not defined. For more information, see the command help for **TCPCONN DEFINE** or **PKTS DEFINE**.

System programmer response

For the LOGTSTAT command, adjust the SMF settings as needed to activate SMF recording.

BNH549I **CHRON NOTIFY= *eventname* BY= *issueoper* ID= *timerid* ROUTE= *runoper* COMMAND= 'text'**

Explanation

This message is issued when a timer event occurs for a CHRON command that had the NOTIFY option specified. It provides auditing of RUN, REMOVE, IGNORE, and PURGE events.

Message Variables

eventname

The *eventname* can be one of the following:

REMOVE

Signifies that the timer was run and was removed because it was either specified to run only once, or the time specified by the REMOVE operand had been reached.

PURGE

Signifies that the CHRON command was deleted using the PURGE command, or because the AUTOLGN recovery option used an operator name that is not defined to the NetView program.

IGNORE

Signifies that the CHRON command was not run because RECOVERY=IGNORE was

specified and the operator or task was not active when the time was reached.

RUN

Signifies that the command was successfully sent to the task.

SKIP

Signifies that one or more occurrences of the command for timerid were not run because the local time changed, which caused the timer to be skipped. The timer is scheduled to run at the next interval specified by the EVERY keyword.

issueoper

The name of the operator or task that issued the CHRON command.

timerid

The specified user or the system-generated timer ID.

runoper

The name of the operator or task on which the command runs.

CHRONtext

The entire text of the original CHRON command, with the following keywords appended:

PGMAT

Specifies the date and time the command runs in programmer format.

PGMINTVL

Specifies the interval time in programmer format.

PGMFOR

Specifies the FOR interval in programmer format.

PGMOFF

Specifies the date and time corresponding to the OFF time in programmer format.

PGMREMOV

Specifies the REMOVE date and time in programmer format.

System action

The message is sent to the operators specified with NOTIFY after the CHRON event is processed.

Operator response

If undesirable or unexpected results were received, notify the system programmer.

System programmer response

If undesirable or unexpected results were received, review automation procedures and automation tables.

BNH550E

REMOVE TIME IS LESS THAN OR EQUAL TO RUN TIME

Explanation

The time specified by the REMOVE operand on the CHRON command is earlier or the same time as the scheduled command run time.

System action

The NetView program ignores the CHRON command.

Operator response

Specify a remove time that is later than the time the command is run.

System programmer response

If the CHRON command was issued by a procedure, update the procedure to specify a valid value for the REMOVE time.

BNH551I

DB2 SSID CURRENTLY HAS NO DEFAULT

Explanation

The SSID operand was omitted on the SQL pipe stage and there is no default subsystem name for the request.

System action

The NetView program ignores the PIPE.

Operator response

Start the DSIDB2MT task to establish a default, or specify the SSID operand on the SQL pipe stage.

System programmer response

If the SQL stage was issued by a procedure, update the procedure to specify a valid value for the SSID operand, or make sure the DSIDB2MT task is started.

BNH552I

DB2 INTERFACES WERE NEVER LOADED

Explanation

The NetView program did not load the DB2 interface modules when it was started.

System action

The NetView program cannot access DB2.

Operator response

Contact your system programmer.

System programmer response

If DB2 access is needed and the DB2SEC CNMSTYLE statement is set to *NONE*, copy the DB2SEC statement from the CNMSTYLE member to the CNMSTUSR or CxxSTGEN member and choose another value before restarting the NetView program. Otherwise, review related messages that occurred during NetView initialization. Verify that the DB2 load module library can be accessed by the NetView program. You might need to add a STEPLIB DD statement to the NetView JCL.

BNH553I CHRON DEBUG OUTPUT

Explanation

This message identifies the debugging output of the CHRON command.

System action

The NetView program ignores the PIPE.

System programmer response

Forward the output to the IBM Software Support representative who requested the information.

BNH554E CHRON 'AT' TIME IS IN THE PAST.

Explanation

You entered a CHRON command specifying an AT time that is earlier than the current time, and no EVERY operand was specified. This message might also appear if there was a syntax error in the EVERY operand.

System action

The CHRON command is not scheduled.

Operator response

Change the time and date, or add or fix the EVERY operand.

System programmer response

Correct the procedure if the CHRON command was part of automation programming.

BNH555I *taskname* ABEND DEFERRED FOR '*reason*'

Explanation

Task *taskname* cannot be stopped because of '*reason*'. Possible causes are as follows:

MVS CONSOLE RELEASE

The task is releasing an MVS console. The release can take more time if there are many consoles allocated or released at the same time.

number

This message was issued incorrectly. The number should have been translated to a reason by the NetView program. Contact IBM Software Support.

This message is sent to the NetView authorized receiver once a minute during the delay in task termination.

System action

The NetView program only defers issuing System Abend 0EC4 for tasks whose termination exceeds a one minute criteria, until '*reason*' processing is completed. Other abends are not prevented during this process. For example, a STOP FORCE command can cause an (untimed) System Abend 0EC4. BNH555I is issued when the following occurs:

1. A normal logoff of the task has been scheduled.
2. The task has taken more than 1 minute to end.
3. The abend must not occur because of '*reason*'.

Operator response

Monitor the task. If the task does not end, and the '*reason*' is 'MVS CONSOLE RELEASE', the MVS extended console might not be usable until the NetView program is stopped, especially if the task is forced to end by using additional STOP commands. Notify the system programmer to consider writing an automated response to BNH555I.

System programmer response

Consider writing an automated procedure to process BNH555I. Depending on the typical response time for your system, you might need to time the task termination and issue additional STOP commands only if the task does not stop within the time period wanted. If the NetView program prints multiple BNH555I messages for a task, generate an MVS memory dump. This memory dump might be needed to resolve an MVS console problem.

BNH556I '*taskname1*' IS WAITING FOR '*taskname2*' TO CLOSE '*resource*'

Explanation

Task *taskname1* cannot be stopped because *taskname2* is using *resource*. Task *taskname2* must use CLOSE on the *resource* to enable *taskname1* to stop. When *taskname1* is the name of the DSIDB2MT task and the resource is a DB2 subsystem name, then *taskname2* used the PIPE SQL stage with the NOCLOSE option and never released the plan. *Taskname2* can complete the DB2 transactions by using PIPE SQL EXECUTE COMMIT WORK, or any other PIPE SQL request that does not specify NOCLOSE.

This message is sent once a minute during the delay in termination for each task preventing *taskname1* from stopping.

System action

The NetView program defers stopping *taskname1* until *taskname2* is finished with the resource.

Operator response

Verify *taskname2* finishes using the resource. For DB2, the plan is closed when the task ends, if action was not taken earlier.

System programmer response

Review the use of SQL on *taskname2*. There might be a procedure using PIPE SQL NOCLOSE that does not issue PIPE SQL EXECUTE COMMIT WORK before exiting.

BNH557E **MISMATCH DETECTED BETWEEN
var1 AND var2 ENTRIES IN var3.**

Explanation

The data required by the command is not paired properly.

Message Variables

var1, var2

The data that is mismatched.

var3

The location of the data definitions.

System action

The command does not continue.

Operator response

Notify the system programmer.

System programmer response

Correct the data definitions where appropriate.

BNH558E **UNABLE TO CONTACT *name*
USING *aliases***

Explanation

This message is issued when the enterprise master NetView program has used all the aliases defined on an ENT.SYSTEMS statement in the CNMSTYLE member and cannot contact the specified system.

Message Variables

name

The *name* section of an ENT.SYSTEMS.*name* statement in the CNMSTYLE member. The alias or aliases on the statement can be NetView programs that are part of a sysplex XCF group with multiple NetView programs or a NetView program in a stand-alone XCF configuration, for example a monoplex system. The *name* can be 1 - 8 alphanumeric characters including any of these special characters:

```
# @ $
```

aliases

The aliases that were used.

System action

Processing for the ENT.SYSTEMS.*name* statement is complete. Additional ENT.SYSTEMS or ENT.INT statements are processed, if present.

BNH559E **COMMAND *cmd* FAILED.
REASON=*reason_code***

Explanation

The indicated command failed during processing.

Message Variables

cmd

The name of the command that failed.

reason_code

The reason code that is returned.

For the PLEXCTL command:

1

Command is redundant. For example, PLEXCTL RANK=250 is specified on a system that is already a master, or PLEXCTL TAKEOVER=DISALLOW is issued when takeovers are already disallowed.

2

The NetView program is not a member of the DSIPLXnn group.

- 3** The requesting member is not a master NetView program (TAKEOVER).
- 4** Internal error encountered during processing.
- For the RESTYLE ENT command:
- 11** The requesting member is not a sysplex master.
- 12** ENTERPRISE definitions were not found and previous ENTERPRISE definitions are not in effect.
- 13** Unable to contact any SYSTEMS aliases.
- 14** The RESTYLE ENT command timed out waiting for responses to ENT.SYSTEMS statement processing. At least one ENT.SYSTEMS statement was processed successfully. Processing for other statements might complete successfully after the timeout.
- 15** The RESTYLE ENT command timed out waiting for responses to ENT.SYSTEMS statement processing. No ENT.SYSTEMS statement had processed successfully before the timeout. Processing for other statements might complete successfully after the timeout.
- 16** ENT.GROUP statements were updated. The requesting member is not a sysplex master.
- For DVIPA-related commands:
- 21** The command as it was entered must be issued from a master NetView program.

System action

Command processing stops.

Operator response

Check the reason code for the appropriate action.

BNH560I **KEEP Status for *taskname***

Explanation

This is a multiline message written in response to the QRYKEEP command. This message consists of a header line followed by a variable number of data lines, each describing the KEEP class (global or local), number of associated messages, total storage used, timeout seconds, and the KEEP identifier.

Message Variables

taskname

The task name under which the QRYKEEP command was issued.

System action

The QRYKEEP command processing has completed.

BNH561E **IEFPRMLB ALLOCATE ISSUED BY NETVIEW MVS COMMAND EXIT FAILED. RC=*rc*, REASON CODE=*reason***

Explanation

IEFPRMLB request is issued from the NetView MVS Command Exit (DSIMCAEX) as a result of the SET CNMCAUT=*xx* command. IEFPRMLB failed to allocate the PARMLIB.

Message Variables

rc

The return code returned by IEFPRMLB in register 15.

reason

The reason code returned by IEFPRMLB in register 0.

System action

CNMCAU*xx* is not processed.

Operator response

Correct the error and re-enter the command.

BNH562E **IEFPRMLB FREE ISSUED BY NETVIEW MVS COMMAND EXIT FAILED. RC=*rc*, REASON CODE=*reason***

Explanation

IEFPRMLB failed to free the PARMLIB.

Message Variables

rc

The return code returned by IEFPRMLB in register 15.

reason

The reason code returned by IEFPRMLB in register 0.

Operator response

Correct the error and re-enter the command.

BNH563I **NETVIEW CNMCAUT PARMLIB
PROCESSING IS BUSY. PLEASE
TRY AGAIN LATER.**

Explanation

NetView MVS COMMAND MANAGEMENT is processing a PARMLIB member.

System action

CNMCAUxx is not processed.

Operator response

Re-enter the command at a later time.

BNH564E **CONTINUATION LINE MISSING
FOR COMMAND**

Explanation

Continuation column (column 72) for command specified in command exclusion or inclusion list is not blank but no continuation line is found.

System action

CNMCAUxx is not processed.

Operator response

Correct the statement in error and enter the SET CNMCAUT=*value* command again.

BNH565E **NETVIEW MVS COMMAND EXIT
INTERNAL ERROR. PLEASE
CONTACT TIVOLI.**

Explanation

An internal logic error is detected in NetView MVS COMMAND MANAGEMENT.

System action

The NetView program ignores the message call and continues processing.

System programmer response

Contact IBM Software Support.

BNH566E **WILDCARD CHARACTERS
CANNOT BE SPECIFIED AT BOTH
ENDS OF A COMMAND OR
CONSOLE STATEMENT**

Explanation

Wildcard character (*) is found at both the beginning and the end of a statement. Message BNH395I follows this message.

System action

CNMCAUaa member is not processed.

Operator response

Correct the error and enter the command again.

BNH567I **NetView MVS command exit
termination requested for
*module_name***

Explanation

The MVS program ended the indicated NetView MVS command exit. The exit might have also been reloaded, if the message is in response to an MVS SET MPF command. You can check the status of the NetView command processing exits by using the MVS D MPF command.

Message Variables

module_name

The name of the exit that ended. The following are possible values for *module_name*:

DSIMCAEX

This exit is associated with MVS COMMAND MGT.

DSIRVCEX

This exit is associated with MVS COMMAND REVISION.

Operator response

If the NetView MVS Command Management is needed, enter the SET MPF=xx command again.

BNH568I **NETVIEW MVS COMMAND
MANAGEMENT PARMLIB MEMBER
member IS DELETED**

Explanation

A SET CNMCAUT=DELETE command is issued and the PARMLIB member *member* is now deleted

Message Variables

member

The PARMLIB member name, CNMCAUaa.

BNH569E **NO NETVIEW MVS COMMAND
MANAGEMENT PARMLIB MEMBER
IS ACTIVE**

Explanation

A SET CNMCAUT=DELETE command is issued but no PARMLIB member is being used.

System action

The command is ignored.

BNH571I **F5=TOP F6=BOT F9=UP1**
 F10=DOWN1 F12=DONE

Explanation

This is an NLS translatable line generated for the DSIZKNYJ command that edits the DSITCPRF file when cryptography exit DSIEX21 is active.

Note: The translated text must fit in 79 single character positions to keep the screen format correct.

Operator response

Read the information about the DSIZKNYJ edit screen.

BNH572I **You change displayed lines by**
 typing on them.

Explanation

This is an NLS translatable line generated for the DSIZKNYJ command that edits the DSITCPRF file when cryptography exit DSIEX21 is active.

Note: The translated text must fit in 79 single character positions to keep the screen format correct.

Operator response

Read the information about the DSIZKNYJ edit screen.

BNH573I **To add more data, type on the +++**
 +-> line, and then press <ENTER>.

Explanation

This is an NLS translatable line generated for the DSIZKNYJ command that edits the DSITCPRF file when cryptography exit DSIEX21 is active.

Note: The translated text must fit in 79 single character positions to keep the screen format correct.

Operator response

Read the information about the DSIZKNYJ edit screen.

BNH574I **YOU ARE EDITING 'DSITCPRF' IN**
 'DSIPRF'.

Explanation

This is an NLS translatable line generated for the DSIZKNYJ command that edits the DSITCPRF file when cryptography exit DSIEX21 is active.

Note: The translated text must fit in 79 single character positions to keep the screen format correct.

Operator response

Read the information about the DSIZKNYJ edit screen.

BNH575E **SCREEN DATA ERROR, PLEASE**
 TRY AGAIN.

Explanation

The input data from the screen cannot be read by DSIZKNYJ.

Note: The translated text must fit in 79 single character positions to keep the screen format correct.

System action

The input is ignored and the screen is rewritten.

Operator response

Try the input again.

System programmer response

Report the problem to IBM Software Support if the problem was not caused by pressing the wrong keys.

BNH576I **YOU DELETE A LINE BY ERASING**
 THE DATA ON THAT LINE.

Explanation

This is an NLS translatable line generated for the DSIZKNYJ command that edits the DSITCPRF file when cryptography exit DSIEX21 is active.

Note: The translated text must fit in 79 single character positions to keep the screen format correct.

Operator response

Read the information about the DSIZKNYJ edit screen.

BNH577I **Enter DSITCPRF edit password**
 (twice).

Explanation

The DSITCPRF editor prompts you for the password when writing the file to disk or reading it back in.

Note: The translated text must fit in 79 single character positions to keep the screen format correct.

System action

The NetView program waits for the operator response.

Operator response

Enter the password, or use PF3 to exit the editor without changing the file.

BNH578I **F3=QUIT (NO SAVE) F12/
ENTER=PROCESS**

Explanation

This is an NLS translatable line generated for the DSIZKNYJ command that edits the DSITCPRF file when cryptography exit DSIEX21 is active.

Note: The translated text must fit in 79 single character positions to keep the screen format correct.

Operator response

Read the information about the DSIZKNYJ edit screen.

BNH579I **PASSWORD validation error.
Please try again.**

Explanation

Either both passwords or password phrases did not match each other, or the password or password phrase is incorrect for the file being edited.

Note: The translated text must fit in 79 single character positions to keep the screen format correct.

System action

The program prompts again for input.

Operator response

Enter the correct password or password phrase, or press F3 to exit without modifying the file.

BNH580I **'DSITCPRF' IS ALREADY BEING
EDITED.**

Explanation

DSIZKNYJ cannot access the DSITCPRF because the file was being edited elsewhere, or was being re-encrypted automatically by the NetView program.

System action

The editor exits.

BNH581W **'DSITCPRF' IS NOT ENCRYPTED.**

Explanation

This message is issued when the NetView program detects an unencrypted DSITCPRF member and a DSIEX21 user exit is active. This serves as a security audit trail of the DSITCPRF member.

System action

The NetView program attempts to encrypt the file.

System programmer response

If this message repeats, it might indicate that someone is replacing the encrypted DSITCPRF member with a plain text copy.

BNH582W **'DSITCPRF' NEEDS RE-
ENCRYPTION.**

Explanation

The NetView program detects that the file can be encrypted using the second key supplied by DSIEX21 and not the first one.

System action

The NetView program encrypts the file again with the new key.

System programmer response

This message indicates that a key-update is in process. Make sure that you expect these results.

BNH583W **'DSITCPRF' ENCRYPTION
COMPLETED.**

Explanation

This message is issued when the NetView program writes the newly encrypted DSITCPRF to disk.

System action

The NetView program continues processing with the newly encrypted DSITCPRF member.

System programmer response

Use this message for auditing the DSITCPRF change process.

BNH584E **'DSITCPRF' DECRYPTION
UNSUCCESSFUL.**

Explanation

The DSITCPRF processing cannot be decrypted and was not detected to be in plain text format. The DSITCPRF file is unusable.

System action

The NetView program processes as if there are no definitions in DSITCPRF.

Operator response

Notify the system programmer.

System programmer response

Recreate the DSITCPRF file. You might need to erase the damaged copy of DSITCPRF to enable access. Stop and restart the CNMTAMEL task to allow access to the new DSITCPRF file. If you create a new plain text version of DSITCPRF, place it in the first DD in the DSIPRFDD concatenation. Otherwise the plain text copy remains accessible and is not replaced. The encrypted version is filed in the first data set in the list of DDs and is used by the NetView program, even if a plain text copy exists elsewhere.

BNH585E ENCRYPTION CAPABILITY IS NOT AVAILABLE.

Explanation

You tried to use DSIZKNYJ without having an active DSIEX21.

System action

The request is ignored.

System programmer response

Implement a DSIEX21 to enable DSIZKNYJ.

BNH586I SYNTAX ERROR ON LINE *nnnnnn*

Explanation

DSIZKNYJ detected a syntax error on the line noted. The line in error is displayed on the screen. This message appears when you press F12 during an edit session. The first error in the file reported. Typical syntax errors are:

- Missing colon after operator ID.
- Less than 2 keys were specified.

Note: The translated text must fit in 79 single character positions to keep the screen format correct.

Message Variables

nnnnnn

The line number in error.

Operator response

Correct the error. Press F12 again to find the next error until the password prompt appears.

**BNH587I *scope* MASTER *master_name*
ACTIVE IN GROUP *group_name*.
TAKEOVER NOT ALLOWED.**

Explanation

This message is issued when a system-defined master NetView program (rank of 250) initializes and there is already a master in the sysplex that is not allowing takeovers. This message can also be issued because of processing initiated by the PLEXCTL command.

Message Variables

scope

The scope, which is SYSPLEX

master_name

The name of the master NetView program

group_name

The name of the sysplex group

Operator response

When this situation occurs, the NetView program attempting to become the master sets its status to master capable. If you want this NetView program to be the master NetView program, allow takeovers of the current master using the PLEXCTL command.

**BNH588I WAITING FOR *scope* MASTER IN
GROUP *group_name* TO BECOME
ACTIVE.**

Explanation

This message is issued when a master-capable NetView program cannot find a master NetView program in the sysplex when it initializes.

Message Variables

scope

The scope, which is SYSPLEX

group_name

The name of the XCF group

System action

The master-capable program waits the number of minutes specified in the XCF.TAKEOVER.INITWAIT statement for a master to become active. If no master becomes active, the master-capable assumes the role of the master NetView program.

**BNH589I GROUP *group_name* MEMBER
member_name STATUS CHANGE.**

**NEW STATUS=*status* PREVIOUS
STATUS=*status***

Explanation

This message is issued when a status change is detected for a member in the group.

Message Variables

group_name

The name of the group

member_name

The name of the member

status

The status can be one of the following defined XCF states:

- ACTIVE
- CREATED
- FAILED
- NOT-DEFINED
- QUIESCED

**BNH590I XCF MESSAGE RECEIVED FROM
member_name IN GROUP
*group_name message***

Explanation

This is the first message in a multiline message that is issued when an XCF message is received. If an XCFMSG receive stage is outstanding for the group, the messages are sent to the XCFMSG stage. Otherwise, the message is sent to the authorized receiver.

Message Variables

member_name

The name of the member

group_name

The name of the group

message

The second line of the message containing the text of the received message.

BNH591I *name* CONTACTED USING *alias*

Explanation

This message is issued when an enterprise master NetView program successfully processes an ENT.SYSTEMS statement and establishes a connection to another NetView program using one of the aliases on the ENT.SYSTEMS statement.

Message Variables

name

The *name* section of an ENT.SYSTEMS.*name* statement in the CNMSTYLE member. The alias or aliases on the statement can be NetView programs that are part of a sysplex XCF group with multiple NetView programs or a NetView program in a stand-alone XCF configuration, for example a monoplex system. The *name* can be 1 - 8 alphanumeric characters including any of these special characters:

```
# @ $
```

alias

The alias or domain name that is specified on the ENT.SYSTEMS statement. If the alias is for a NetView program in a sysplex XCF group with multiple NetView programs, the alias NetView program forwards information about all the NetView programs in its XCF group when it is contacted because of ENT.SYSTEMS processing.

**BNH592I MEMBER *member_name* HAS
JOINED GROUP *group_name*.**

Explanation

This message is issued when a new member is added to a group. This message is sent to the authorized receiver.

Message Variables

member_name

The name of the new member

group_name

The name of the group

**BNH593I MEMBER *member_name* HAS LEFT
GROUP *group_name*.**

Explanation

This message is issued when a member leaves a group. This message is sent to the authorized receiver.

This message is also issued at the enterprise master NetView program when a member leaves an XCF group.

Message Variables

member_name

The name of the former member

group_name

The name of the group

**BNH594I PLEXNAME GROUP MEMBER
SYSTEM STATUS ROLE RANK DUR
FLGS VER TIMESTMP TOKEN**

Explanation

This message is a header message that is issued in response to a LIST STATUS=XCFGRPS, GROUP=*groupname* | DSIPLX*xx* | DSIPLX* command.

The displayed information includes:

- Sysplex name
- Group name
- Member name
- System on which it is run
- XCF status of the member
- Role that the NetView program has in the group:
 - B - Basic
 - C - Master-capable
 - M - Master
- Current numeric rank of the member
- Value of the XCF.DURATION statement for that NetView program
- Bit flags
- Version and release of the NetView program
- Timestamp when the member became a master (if it is a master)
- XCF token for the member

The bit flags value contains 4 hexadecimal digits representing the following bits:

B'x...'

A value of 1 indicates that takeovers have been disallowed using the PLEXCTL command.

B'.xxx'

Three bits indicating why this NetView program has assumed the master role (if it is a master). The following values can be displayed:

000

Not a master NetView program

001

A backup NetView program has taken over as master because another NetView program did not assume the master role during the interval specified on the XCF.TAKEOVER.INITWAIT statement for this NetView program.

010

Defined as a master NetView program with the XCF.RANK statement

100

A backup NetView program that has taken over as master

110

A NetView program that used the PLEXCTL command to become the master.

B'.... x... yy..'

A value of 1 in the x position indicates that this master NetView program is an enterprise master. If it is an enterprise master, the values in yy indicate the enterprise data that they manage:

10

DISCOVERY data

01

ACTIVEACTIVE data

11

Both DISCOVERY data and ACTIVEACTIVE data

B'.... .xxx ..xx xxxx'

Reserved.

Following the header message are formatted lines containing the information corresponding to the header columns.

Usage:

1. If the group is a non-DSIPLX group, the character string 'N/A' (not applicable) is inserted for user field columns.
2. The timestamp field for master NetView programs contains the date (*mm/dd/yy*) and time (*hh:mm:ss*).
3. The ROLE field is different in an environment that includes an enterprise master NetView program. The enterprise master is differentiated from the sysplex master in the message output, and systems that are not in the sysplex are identified.

When a group member is contacted by an enterprise master, an entry is added to the XCF table with a ROLE field of EM, indicating enterprise master. When the command is issued at the sysplex containing the enterprise master, the ROLE field values are prefixed with E for local sysplex members or R for members outside the sysplex.
4. Beginning with NetView Version 6 Release 2 Modification 1, the version columns contain the release data in the format *vrm*, where *v* is the version, *r* is the release, and *m* is the modification level. The V6R2M1 format is 621. Any version without a modification level uses a zero for *m*, such as 610 for Version 6, Release 1.

BNH596E

**SRB EXIT *exit* ABENDED WITH
CODE *abend_code***

Explanation

This message is issued to the authorized receiver when an XCF SRB exit ends abnormally. Additional debugging information is written to the NetView log. This information includes the Program Status Word, the base register, the completion code, and the first 256 bytes of the System Diagnostic Work Area.

Message Variables

exit

The name of the exit module

abend_code

The abend code returned

BNH597I **NUMBER OF OSA PORTS: numosa**

Explanation

This multiline message is written in response to the OSAPORT command. It consists of one header line followed by a variable number of data lines, each describing an OSA port. This message is intended for parsing by a REXX process. For readability, the CNMSOSAP REXX sample is provided to format the information from this message.

Each data line includes the following information:

Columns

Description

1-4

The channel number. The channel path identifier (CHPID) that corresponds to this device.

6

The channel hardware level. The hardware model of the channel. This data is valid only when collected using OSA Express® Direct SNMP. The following values are valid:

- unavailable (0) - The hardware level is unavailable. This is the value if the OSA Express SNMP subagent is running.
- unknown (1) - The hardware level is unknown.
- osaExp150 (2) - The hardware level is 1.50, which indicates the OSA-Express feature.
- osaExp175 (3) - The hardware level is 1.75, which indicates the OSA-Express feature.
- osaExp300 (4) - The hardware level is 3.00, which indicates the OSA-Express2 feature.
- osaExp400 (5) - The hardware level is 4.00, which indicates the OSA-Express3 feature.
- osaExp500 (6) - The hardware level is 5.00, which indicates the OSA-Express4S feature.
- osaExp600 (7) - The hardware level is 6.00, which indicates the OSA-Express5S feature.
- osaExp6 (8) - The hardware level is 6, which indicates the OSA-Express6S feature.

8-11

The subtype. The type of OSA feature present. The following values are valid:

- 65 - gigabitEthernet
- 81 - fastEthernet

- 97 - oneThousandBaseTEthernet
- 145 - tenGigabitEthernet
- 161 - osaexp3gigabitEthernet
- 177 - osaexp3oneThousandBaseTEthernet
- 193 - osaexp3tenGigabitEthernet
- 195 - osaexp5gigabitEthernet
- 196 - osaexp5oneThousandBaseTEthernet
- 197 - osaexp5tenGigabitEthernet

13-44

The port name. The name of the port as specified by the VTAM Transport Resource List Entry (TRLE).

46-49

The port number. The physical port number for this port.

51-54

The port type. The physical port type. The following values are valid:

- 65 - gigabitEthernet
- 81 - fastEthernet
- 97 - oneThousandBaseTEthernet
- 145 - tenGigabitEthernet
- 161 - osaexp3gigabitEthernet
- 177 - osaexp3oneThousandBaseTEthernet
- 193 - osaexp3tenGigabitEthernet
- 195 - osaexp5SgigabitEthernet
- 196 - osaexp5SoneThousandBaseTEthernet
- 197 - osaexp5StenGigabitEthernet

56-67

The active MAC address. A 6-byte octet string that contains the current MAC address in use on the OSA. The values are in canonical format. The format is a 12-digit hexadecimal string.

69-80

The burned-in MAC address. A 6-byte octet string that contains the burned-in MAC address on the OSA. The values are in canonical format. The format is a 12-digit hexadecimal string.

82

The LAN traffic state. The LAN state, expressed as a value of 0 - 8. A value of disabled (5) is further explained in the Disabled Status attribute. The following values can be received:

- 0 - undefined
- 1 - unavailable
- 2 - enabling
- 3 - disabling
- 4 - enabled

- 5 - disabled
- 6 - linkMonitor
- 7 - definitionError
- 8 - configuredOffline

For more information about these values, see the [Open Systems Adapter-Express Customer's Guide and Reference](#).

84

The service mode. An indicator of whether the processor is in service mode. Valid values are No (0) and Yes (1).

86-87

The disabled status. A more detailed explanation for the disabled state when the value of the LAN Traffic State attribute is 5 (disabled). When the value of `ibmOsaExp10GigEthLanTrafficState` is not disabled (the LAN Traffic State attribute has a value other than 5), the value is stored as zero and displayed as zeros. This value is displayed as a 4-digit hexadecimal number mapped by the following bit settings:

- 0 - reserved0
- 1 - internalPortFailure
- 2 - reserved2
- 3 - reserved3
- 4 - reserved4
- 5 - reserved5
- 6 - portTemporarilyDisabled
- 7 - reserved7
- 8 - reserved8
- 9 - serviceProcessorRequest
- 10 - networkRequest
- 11 - osasfRequest
- 12 - configurationChange
- 13 - linkFailureThresholdExceeded
- 14 - reserved14
- 15 - reserved15

The value can be a combination of the bits. For more information about these values, see the [Open Systems Adapter-Express Customer's Guide and Reference](#).

89-90

The configuration speed mode. The configured port speed. This attribute indicates the speed that was configured by the user for the OSA-Express Fast Ethernet feature. For OSA-Express Gigabit or 10 Gigabit Ethernet features, it is not used and returns -1. The following values can be received:

- -1 - notValidGigabit

- 0 - autoNegotiate
- 1 - tenMbHalfDuplex
- 2 - tenMbFullDuplex
- 3 - oneHundredMbHalfDuplex
- 4 - oneHundredMbFullDuplex
- 6 - oneThousandMbFullDuplex
- 8 - tenGigabitFullDuplex

92

The active speed mode. The speed and mode in which the OSA data is running. The values are based on the type of OSA data, and a value of 1 indicates a different active speed mode depending on the type of OSA data.

- For the OSA-Express 10 Gigabit Ethernet feature, the following values can be received:
 - 1 - unknown
 - 8 - tenGigabitFullDuplex
- For OSA-Express3, OSA-Express4S, OSA-Express5S, and OSA-Express6S, the following values can be received:
 - 0 - unknown
 - 1 - tenMegabits
 - 2 - tenMbFullDuplex
 - 3 - oneHundredMbHalfDuplex
 - 4 - oneHundredMbFullDuplex
 - 6 - oneThousandMbFullDuplex
 - 8 - tenGigabitFullDuplex
- For OSA-Express, the following values can be received:
 - 0 - unknown
 - 1 - tenMbHalfDuplex
 - 2 - tenMbFullDuplex
 - 3 - oneHundredMbHalfDuplex
 - 4 - oneHundredMbFullDuplex
 - 6 - oneThousandMbFullDuplex

94-101

CPC name. The name of the central processor complex (CPC) on which the OSA resides.

103-106

System ID. The SMF system ID.

108-111

Channel type. The following values are valid:

- `osaExpress` (16)
- `osaDirectExpress` (17)

- `osaIntraensembleData` (48): This value is available with z/OS V1R12 Communications Server or later.
- `osaIntraensembleManage` (49): This value is available with z/OS V1R12 Communications Server or later.

Message Variables

numosa

The number of OSA ports displayed in this message.

System action

The OSAPORT command processing is completed.

BNH598I **NUMBER OF HIPERSOCKETS INTERFACES: *numhiper***

Explanation

This multiline message is written in response to the HIPERSOC command. It consists of one header line followed by a variable number of data lines, each describing HiperSockets interface and configuration and status information. This message is intended for parsing by a REXX process. For readability, the CNMSHIPR REXX sample is provided to format the information from this message.

Each data line includes the following information:

Columns

Description

1-16

The interface name. The textual name of the interface.

18-19

The HiperSockets channel path identifier (CHPID).

21-24

IQD network ID. An internal system-generated identifier that represents the internal logical network. The IQD (Internal QDIO) network ID is associated with the IQD channel path ID (CHPID) and can span the entire central processor complex (CPC), based on the system configuration of the IQD CHPID. Operating systems running on this CPC that are connected to the same IQD network ID use the same internal logical network and therefore have network connectivity. The ID can change during system initial machine load (IML) or with dynamic I/O updates for the IQD CHPID.

26-29

IP protocol. The IPv4 or IPv6 protocol for the HiperSockets interface.

31-34

The VLAN ID. A decimal number that indicates the virtual LAN identifier that is to be assigned to a HiperSockets interface.

36

Interface operational status. The current operational state of the interface. This value is stored as an integer but displayed as a string. The following values are valid:

- 1 - up
- 2 - down
- 3 - testing
- 4 - unknown
- 5 - dormant
- 6 - notPresent
- 7 - lowerLayerDown

38

Interface administration status. The preferred state of the interface. This value is stored as an integer but displayed as a string. The following values are valid:

- 1 - up
- 2 - down
- 3 - testing

40

IQDIO routing enabled. An indication of whether the IQDIOROUTING parameter is specified in the IPCONFIG profile statement. When this routing function is enabled, inbound packets that are to be forwarded by this TCP/IP stack are eligible to be routed directly between a HiperSockets device and an OSA-Express device in QDIO mode without needing to be sent to this TCP/IP stack for forwarding. This type of routing over a HiperSockets device (iQDIO) is called HiperSockets Accelerator.

42

QDIO accelerator enabled. An indication of whether the QDIOACCELERATOR parameter, which enables the QDIO accelerator function, is specified in the IPCONFIG profile statement.

44

QDIO priority. An indication of which QDIO outbound priority level is to be used. For traffic that is routed using HiperSockets Accelerator and that is received over a HiperSockets device and routed to an OSA-Express in QDIO mode, the data is sent using the priority level, which can be 1 - 4 with a default value of 1. For information about OSA-Express, see the *z/OS Communications Server: SNA network Implementation Guide*. The IQDIO Routing and QDIO Accelerator functions are

mutually exclusive. You can specify a QDIO priority value with whichever function that you specify. If neither function is specified, the QDIO priority field is zero.

46

Multiple write enabled. An indication that the IQDMULTIWRITE parameter is specified in the GLOBALCONFIG profile statement. When multiple write is enabled, HiperSockets interfaces are configured to use HiperSockets multiple write support when this function is supported by the IBM System z® environment.

48

zIIP multiple write enabled. An indication that the IQDIOMULTIWRITE subparameter for the ZIIP parameter is specified in the GLOBALCONFIG profile statement. When zIIP multiple write is enabled, the stack is configured to displace CPU cycles for HiperSockets multiple write workload onto a zIIP.

50-57

The name of the central processor complex (CPC) on which the HiperSockets interface resides.

59-66

TCP/IP job name.

68-75

System name. The name of the z/OS image.

77-80

The SMF system ID.

Message Variables

numhiper

The number of HiperSockets that are displayed in this message.

System action

The HIPERSOC command processing is completed.

BNH600I **SOCKET INTERFACE INITIALIZED WITH 'nnn' SOCKETS ON TCP/IP 'tcpname'**

Explanation

The socket interface for a NetView task has successfully completed initialization on the selected TCP/IP stack.

Message Variables

nnn

The maximum number of sockets available to the NetView task in the socket interface.

tcpname

The job identifier for the TCP/IP stack being used by the socket interface.

System action

The NetView task waits for the next event, which might now include a TCP/IP request on the socket interface.

BNH601I **'requestname' REQUEST ON SOCKET 'nnn' ENDED DUE TO SOCKET INTERFACE TERMINATION**

Explanation

A socket-specific, asynchronous TCP/IP request made by the socket interface ended, because the socket interface was ended on the NetView task.

Message Variables

requestname

The name of the asynchronous TCP/IP request.

nnn

The descriptor number for the socket whose request ended.

System action

Processing continues.

Operator response

If desired, restart the socket interface.

BNH602I **'requestname' REQUEST ENDED DUE TO SOCKET INTERFACE TERMINATION**

Explanation

An asynchronous TCP/IP request made by the socket interface ended because the socket interface was ended on the NetView task. This TCP/IP request was not socket-specific.

Message Variables

requestname

The name of the asynchronous TCP/IP request or the command that issues the TCP/IP request.

System action

Processing continues.

Operator response

Restart the socket interface.

BNH603I **CLIENT IDENTIFIER: NAME 'jobname', TASK 'taskname'**

Explanation

This is a reply to the GETCLIENTID request on the socket interface. It is the client identification of the socket interface for the chosen TCP/IP stack on the NetView task.

Message Variables

jobname

The NetView job identifier.

taskname

The TCP/IP subtask identifier.

System action

Processing continues.

BNH604I 'requestname' REQUEST FAILED, ERRNO = 'nnn'

Explanation

This message indicates that a TCP/IP request failed. The error number indicates the reason for the failure.

The socket interface issues this message for a TCP/IP request that is not socket-specific. The DSIUDST task logs this message when a request fails while attempting a TCP/IP-based remote operation. An SNMP trap automation task issues this message when a z/OS UNIX C socket function fails.

Message Variables

requestname

The name of the TCP/IP request.

nnn

The error number returned by TCP/IP.

System action

Processing continues.

Operator response

If the error was because of the entry of erroneous information, correct the error and reissue the command. Otherwise, notify the system programmer.

System programmer response

Take the appropriate action based on the error:

- Incorrect TCP/IP definition - correct the error, restart TCP/IP, and reinitialize the socket interface on the appropriate NetView task.
- Definition error in the DSIUDST initialization member (sample name DSIUINIT) - correct the error and recycle the DSIUDST task.

- SNMP trap automation task configuration error - correct the error and restart the SNMP trap automation task.
- The error number is 47 (EAFNOSUPPORT when using the z/OS Communications EZASMI macro) or 1114 (EAFNOSUPPORT when using z/OS UNIX C sockets) and the name of the TCP/IP request is SOCKET - the function might have requested a socket in the AF_INET6 address family and that address family is not enabled on this host. If the AF_INET6 address family (IPv6 networking) cannot be used with this NetView host, set IPv6Env to NONE in the CNMSTYLE member. If you want to use IPv6 networking, set IPv6Env to MIXED or ONLY in the CNMSTYLE member and enable the AF_INET6 address family in z/OS UNIX System Services.

For information about enabling the AF_INET6 address family (domain) in the BPXPRMxx PARMLIB member, see *z/OS MVS Initialization and Tuning Reference*.

BNH605I SOCKET INTERFACE HAS TERMINATED

Explanation

This message is produced in response to a TERM request on the socket interface.

System action

Processing continues without the functions of the socket interface on the NetView task.

BNH606I 'requestname' REQUEST COMPLETED SUCCESSFULLY. SOCKET 'nnn' HAS BEEN ALLOCATED.

Explanation

A TCP/IP request made by the socket interface succeeded and resulted in the allocation of a socket. This message might be issued for the SOCKET, ACCEPT, and TAKESOCKET requests.

Message Variables

requestname

The name of the TCP/IP request.

nnn

The descriptor number for the socket allocated.

System action

Processing continues.

Operator response

Depending upon the type of socket and TCP/IP request causing the allocation of the socket, the socket might now be ready for communications. If the socket is not yet ready for communications, socket interface requests which prepare the socket for communications might be issued.

BNH607I **UNEXPECTED ERROR WHILE PROCESSING THE 'requestname' REQUEST. THE SOCKET INTERFACE WILL BE TERMINATED.**

Explanation

When a TCP/IP request made by the socket interface was being processed, an error condition that compromised the ability to manage sockets occurred. As a result, some serviceability information was written to the network log, and the socket interface was ended.

Message Variables

requestname
The name of the TCP/IP request.

System action

Processing continues on the NetView task without the socket interface.

Operator response

Notify the system programmer.

System programmer response

Perform problem determination procedures and contact IBM Software Support.

BNH608I **'requestname' REQUEST COMPLETED SUCCESSFULLY**

Explanation

A request completed successfully.

The request might be a TCP/IP request made by the socket interface that returned no specific information and was not socket-specific.

Message Variables

requestname
The name of the request.

System action

Processing continues.

BNH609I **'requestname' REQUEST HAS TIMED OUT**

Explanation

A TCP/IP request made by the socket interface timed out. An example is a SELECT request made with the TIMEOUT parameter.

Message Variables

requestname
The name of the TCP/IP request.

System action

Processing continues.

BNH610I **SOCKET *nnn* READY FOR 'eventname'**

Explanation

A TCP/IP SELECT request made by the socket interface completed and the socket shown was ready for the event indicated. When the SELECT request completes, there is one line for each socket that was ready for at least one event.

Message Variables

nnn
The descriptor number for a socket.

eventname
One or more of READ, WRITE, and EXCEPTION, separated by a blank when more than one occur.

System action

Processing continues.

Operator response

Issue the next socket interface request for processing the event for which the socket is ready.

BNH611I **SOCKET *nnn* CONNECTED TO *address* PORT *mmm***

Explanation

A TCP/IP CONNECT request made by the socket interface completed and the socket shown has a connection with the indicated address and port.

Message Variables

nnn
The descriptor number for a socket.

address
The IP address to which the connection was made.

mmm

The number of the port to which the connection was made.

System action

Processing continues.

Operator response

Issue the next socket interface request for communicating using the newly established connection.

BNH612I **SOCKET *nnn* ACCEPTED CONNECTION FROM *address* PORT *mmm*. SOCKET *lll* HAS BEEN ALLOCATED**

Explanation

A TCP/IP ACCEPT request made by the socket interface completed and the connection has been assigned to the newly allocated socket shown.

Message Variables**nnn**

The descriptor number for the passive socket that accepted the connection request.

address

The IP address from which the connection request originated.

mmm

The number of the port from which the connection request originated.

lll

The descriptor number for the newly allocated socket to which the accepted connection was assigned.

System action

Processing continues.

Operator response

Issue the next socket interface request for communicating using the newly established connection.

BNH613I **'*requestname*' REQUEST ON SOCKET '*nnn*' FAILED, ERRNO = '*mmm*'**

Explanation

This message indicates that a TCP/IP request made by the socket interface failed and provides the error number, which indicates the reason for the failure.

This message is for TCP/IP requests that are socket-specific.

Message Variables**requestname**

The name of the TCP/IP request.

nnn

The descriptor number for the socket on which the TCP/IP request was made.

mmm

The error number returned by TCP/IP.

System action

Processing continues.

Operator response

If the error was because of the entry of erroneous information, correct the error and reissue the command. Otherwise, notify the system programmer.

System programmer response

If the error was because of an incorrect TCP/IP definition, correct the error, restart TCP/IP, and reinitialize the socket interface on the appropriate NetView task.

BNH614I **'*requestname*' REQUEST ON SOCKET '*nnn*' COMPLETED SUCCESSFULLY**

Explanation

A TCP/IP request made by the socket interface, one which returned no specific information and was socket-specific, succeeded.

Message Variables**requestname**

The name of the TCP/IP request.

nnn

The descriptor number for the socket on which the TCP/IP request was made.

System action

Processing continues.

BNH615I **SOCKET INTERFACE TERMINATING BECAUSE TCP/IP '*tcpname*' HAS ENDED**

Explanation

This is an unsolicited message on a NetView task using the socket interface that indicates the TCP/IP stack

has ended and caused the termination of the socket interface.

Message Variables

tcpname

The job identifier of the TCP/IP stack chosen when the socket interface was initialized.

System action

Processing continues.

Operator response

Notify the system programmer.

System programmer response

Perform problem determination procedures, if necessary, and restart TCP/IP.

**BNH616I SOCKET INTERFACE
 TERMINATING DUE TO
 UNEXPECTED ERROR**

Explanation

This is an unsolicited message on a NetView task using the socket interface that indicates the socket interface is terminating because of a should-not-occur condition. Additional information regarding the condition might have been written to the network log.

System action

Processing continues on the NetView task without the socket interface.

Operator response

Notify the system programmer.

System programmer response

Perform problem determination procedures and contact IBM Software Support.

**BNH617I SOCKET 'nnn' SENT 'mmm' BYTES
 OF DATA**

Explanation

This message is issued as the result of a successful TCP/IP send request (SEND or SENDTO) made by the socket interface.

Message Variables

nnn

The descriptor number of the socket on which the send request was made

mmm

The number of bytes which were sent.

System action

Processing continues.

Operator response

If not all bytes of data were sent, issue the next socket interface request to send the data that was not sent previously.

**BNH618I 'requestname' REQUEST ON
 SOCKET 'nnn' FAILED.
 CONNECTION CLOSED**

Explanation

This message is issued as the result of a TCP/IP receive request (RECV or RECVFROM) made by the socket interface. The receive request failed, because the socket connection was closed.

An SNMP trap automation task also issues this message if an incomplete protocol data unit has been buffered at the time the connection was closed.

Message Variables

requestname

The name of the receive request that failed.

nnn

The descriptor number of the socket on which the receive request was issued.

System action

Processing continues.

**BNH619I SOCKET nnn RECEIVED mmm
 BYTES OF DATA FROM address
 PORT lll**

Explanation

This message is received as the result of a successful TCP/IP RECVFROM request made by the socket interface. It shows how many bytes of data were received and from where they came. If the socket is an INET6 socket and the origin address is of link-local scope, then message BNH795I is received. One or more BNH621I messages with the data are then issued.

Message Variables

nnn

The descriptor number of the socket on which the RECVFROM request was issued.

mmm

The number of bytes of data received.

address

The IP address of the origin of the data.

lll

The originating port for the data.

System action

Processing continues.

BNH620I **SOCKET 'nnn' RECEIVED 'mmm'**
BYTES OF DATA**Explanation**

This message is issued as the result of a successful TCP/IP RECV request made by the socket interface. It shows how many bytes of data were received. One or more BNH621I messages follow with the data.

Message Variables**nnn**

The descriptor number of the socket on which the RECV request was issued.

mmm

The number of bytes of data received.

System action

Processing continues.

BNH621I **'data'****Explanation**

One or more of these messages appears when the NetView program shows data. When issued by the socket interface, this message shows data that satisfied a TCP/IP receive request (RECV or RECVFROM). Up to 240 bytes of data follow the message identifier. This message can appear as many times as necessary to present all of the received data. The socket interface does no conversion of the received data.

Message Variables**data**

Some or all of the data to be displayed.

System action

In the socket interface, processing continues.

BNH622I **SOCKET INTERFACE IS NOT**
INITIALIZED**Explanation**

The socket interface was asked to process a request before initialization of the interface.

System action

Processing continues.

Operator response

Request initialization of the socket interface, then re-enter the original request.

BNH623I **SOCKET INTERFACE HAS**
ALREADY BEEN INITIALIZED ON
TCP/IP 'tcpname'**Explanation**

A NetView task requested initialization of the socket interface, and initialization had already been done.

Message Variables**tcpname**

The job identifier for the TCP/IP stack on which the socket interface had previously initialized.

System action

Processing continues.

BNH624I **SOCKET 'nnn' HAS NOT BEEN**
ALLOCATED**Explanation**

A socket-specific TCP/IP request was made using the socket interface, and the descriptor number for the socket was valid but for a socket that had not yet been allocated.

Message Variables**nnn**

The descriptor number of the socket for which the TCP/IP request was made.

System action

Processing continues.

BNH625I **'requestname' REQUEST FAILED**
BECAUSE THE SOCKET
INTERFACE IS TERMINATING**Explanation**

A TCP/IP request was made using the socket interface, and the socket interface was in the process of terminating.

Message Variables

requestname

The name of the TCP/IP request.

System action

The request fails and socket interface termination continues.

Operator response

Notify the system programmer.

System programmer response

The socket interface is probably terminating because of a should-not-occur condition. Perform problem determination procedures and contact IBM Software Support.

BNH626I **'requestname' REQUEST ON SOCKET 'nnn' FAILED BECAUSE THERE WERE NOT BETWEEN 1-1048576 BYTES TO BE SENT**

Explanation

A TCP/IP send request (SEND or SENDTO) was made using the socket interface, and the user attempted to send more than the supported maximum number of bytes of data, 1048576 (1M).

Message Variables**requestname**

The name of the TCP/IP request.

nnn

The descriptor number of the socket on which the TCP/IP send request was issued.

System action

Processing continues.

Operator response

Correct the number of bytes of data to be sent and reissue the request.

BNH627I **SOCKET 'nnn' IS BUSY WITH THE 'requestname' REQUEST**

Explanation

A socket-specific TCP/IP request was made and the socket still had a previous request outstanding.

Message Variables**nnn**

The descriptor number of the socket for which the request was issued.

requestname

The name of the TCP/IP request.

System action

Processing continues.

Operator response

Wait until the previous request completes on the socket and reissue the request.

BNH628I **SOCKET INTERFACE IS BUSY WITH THE 'requestname' REQUEST**

Explanation

The socket interface was still processing a prior TCP/IP request which was not socket-specific.

Message Variables**requestname**

The name of the TCP/IP request.

System action

Processing continues.

Operator response

Wait until the previous request completes and reissue the request.

BNH629I **SOCKET 'nnn' IS NOT VALID**

Explanation

A socket descriptor number provided on a TCP/IP request was outside the range of descriptor numbers allowed, based upon the number of sockets requested when the socket interface was initialized on the NetView task.

Message Variables**nnn**

The descriptor number of the socket provided on a TCP/IP request.

System action

Processing continues.

Operator response

Correct the descriptor number and reissue the request.

BNH630I **SOCKET 'nnn' HAS 'mmm' READABLE BYTES**

Explanation

This message is issued in response to an IOCTL TCP/IP request made by the socket interface with the FIONREAD option name.

Message Variables

nnn

The descriptor number of the socket to which the information applies.

mmm

The number of bytes of readable data available on the socket.

System action

Processing continues.

BNH631I **SOCKET *nnn* '*status*' AT OUT-OF-BAND DATA**

Explanation

This message is issued in response to an IOCTL TCP/IP request made by the socket interface with the SIOCATMARK option name.

Message Variables

nnn

The descriptor number of the socket to which the information applies.

status

Indicates whether the current location in data input is pointing at out-of-band data. This variable has the value of IS or IS NOT.

System action

Processing continues.

BNH632I **SOCKET *nnn* '*optionname*' STATUS IS *status***

Explanation

This message is issued in response to a GETSOCKOPT TCP/IP request made by the socket interface. It shows whether the indicated option is enabled or disabled on the socket.

Message Variables

nnn

The descriptor number of the socket to which the information applies.

optionname

Socket characteristic whose status is requested. The option name can be one of the following, and the corresponding GETSOCKOPT TCP/IP option

(which does not appear in the message) is shown in parentheses.

- BROADCAST (SO_BROADCAST)
- KEEP-ALIVE (SO_KEEPALIVE)
- LINGER (SO_LINGER)
- IN-LINE OUT-OF-BAND DATA (SO_OOBLINE)
- LOCAL ADDRESS REUSABILITY (SO_REUSEADDR)
- IP MULTICAST DATAGRAM LOOP-BACK (IP_MULTICAST_LOOP)
- IPV6 MULTICAST DATAGRAM LOOP-BACK (IPV6_MULTICAST_LOOP)
- IPV6-ONLY PACKET RESTRICTION (IPV6_V6ONLY)
- SMALL PACKET SEND WITHOUT WAIT (TCP_NODELAY)

status

Status of the socket option. Has the value ENABLED or DISABLED.

System action

Processing continues.

BNH633I **SOCKET *nnn* '*optionname*' STATUS IS *status*, TIME= *mmm* SECONDS**

Explanation

This message is issued in response to a GETSOCKOPT TCP/IP request made by the socket interface, and it is only issued when the requested socket option name is SO_LINGER and SO_LINGER is enabled.

Message Variables

nnn

The descriptor number of the socket to which the information applies.

optionname

Has the value LINGER to indicate the SO_LINGER socket option.

status

Has the value ENABLED to show that the linger socket option is enabled.

mmm

Linger time, in seconds.

System action

Processing continues.

BNH634I **SOCKET *nnn* '*optionname*' IS *setting***

Explanation

This message is issued in response to a GETSOCKOPT TCP/IP request made by the socket interface, and it is issued for those socket options not covered by the BNH632I message and the BNH633I message.

Message Variables

nnn

The descriptor number of the socket to which the information applies.

optionname

Socket characteristic whose status is requested. The option name can be one of the following, and the corresponding GETSOCKOPT TCP/IP option (which does not appear in the message) is shown in parentheses.

- IP MULTICAST INTERFACE ADDRESS (IP_MULTICAST_IF)
- IP MULTICAST TIME TO LIVE (IP_MULTICAST_TTL)
- IPV6 MULTICAST HOP COUNT (IPV6_MULTICAST_HOPS)
- IPV6 MULTICAST INTERFACE INDEX (IPV6_MULTICAST_IF)
- IPV6 UNICAST HOP COUNT (IPV6_UNICAST_HOPS)
- PENDING ERRNO (SO_ERROR)
- RECEIVE BUFFER DATA SIZE (SO_RCVBUF)
- SEND BUFFER DATA SIZE (SO_SNDBUF)
- TYPE (SO_TYPE)

setting

For each option above, the value has a different meaning, summarized for the options as follows.

- IP MULTICAST INTERFACE ADDRESS: interface address for outbound multicast datagrams
- IP MULTICAST TIME TO LIVE: outbound multicast datagram time to live, in decimal
- IPV6 MULTICAST HOP COUNT: hop limit, in decimal, for outbound IPv6 multicast datagrams
- IPV6 MULTICAST INTERFACE INDEX: index, in decimal, of the IPv6 interface used to send outbound multicast datagrams
- IPV6 UNICAST HOP COUNT: hop limit, in decimal, for outbound IPv6 unicast packets
- PENDING ERRNO: pending error number on the socket, whose status is then cleared
- RECEIVE BUFFER DATA SIZE: size, in bytes, of the data portion of the TCP/IP receive buffer
- SEND BUFFER DATA SIZE: size, in bytes, of the data portion of the TCP/IP send buffer

- TYPE: socket type, can be STREAM, DATAGRAM, or RAW

System action

Processing continues.

BNH635I **SOCKET *nnn* IS BOUND TO *address*
PORT *mmm***

Explanation

This message is issued in response to a GETSOCKNAME TCP/IP request made by the socket interface and describes the address and port to which the specified socket is bound.

Message Variables

nnn

The descriptor number of the socket.

address

The IP address to which the socket is bound.

mmm

The port number to which the socket is bound.

System action

Processing continues.

BNH636I **SOCKET *nnn* PEER IS *address*
PORT *mmm***

Explanation

This message is issued in response to a GETPEERNAME TCP/IP request made by the socket interface and shows the address and port number of the connection partner of the requested socket.

Message Variables

nnn

The descriptor number of the socket.

address

The IP address of the connection partner of the socket.

mmm

The port number of the connection partner of the socket.

System action

Processing continues.

BNH637I **HOST IDENTIFIER IS *address***

Explanation

This message is issued in response to a GETHOSTID TCP/IP request made by the socket interface and shows the IP address of the host.

Message Variables

address

The internet address of the host.

System action

Processing continues.

BNH638I **'requestname' REQUEST FAILED,
RETURN CODE 'nnn'**

Explanation

This message indicates that a request failed and provides the return code.

If the *requestname* is AUTBYPAS or DSIAUTBS, an authorization bypass request failed with a return code of *nnn*.

The following are examples of other requests for which the message displays:

- GETHOSTBYNAME and GETHOSTBYADDR requests made by the socket interface
- GETHOSTID requests made by the socket interface or DSIUDST task
- TCP/IP API or other requests made by an SNMP trap automation task

Note: An error number is not returned for a GETHOSTBYADDR request, a GETHOSTBYNAME request, or a GETHOSTID request.

If the *requestname* is WRITE TO NETVIEW ENTERPRISE MANAGEMENT AGENT DATA SPACE, data targeted for display at the Tivoli Enterprise Portal could not be stored in the agent data space.

Message Variables

requestname

Either AUTBYPAS, DSIAUTBS, the name of the TCP/IP request, or a data space write failure.

nnn

The return code indicating that the request failed.

System action

Processing continues.

If the *requestname* is WRITE TO NETVIEW ENTERPRISE MANAGEMENT AGENT DATA SPACE, the information was not written successfully to the data space, and is not in the Tivoli Enterprise Portal.

Operator response

If the return code is the result of incorrect information, correct it and enter the request again. Otherwise, contact your system programmer.

If the *requestname* is WRITE TO NETVIEW ENTERPRISE MANAGEMENT AGENT DATA SPACE and the return code is 808, verify that the agent is started. If the return code is other than 808, contact the system programmer.

System programmer response

The return code can be caused by set-up problems in the internet network or in TCP/IP. If the problem is a definition problem in TCP/IP, correct the error and restart TCP/IP.

If the *requestname* is AUTBYPAS or DSIAUTBS, see the *IBM Z NetView Security Reference*. Take the appropriate action as indicated by the return code.

If the *requestname* is WRITE TO NETVIEW ENTERPRISE MANAGEMENT AGENT DATA SPACE and the return code is other than 808, contact IBM Software Support.

BNH639I **HOST NAME IS '*hostname*'**

Explanation

This message is issued in response to any socket interface request that might return the name of a host. Such a request occurs when the value of the TYPE keyword of the SOCKET command is one of the following.

- GETADDRINFO
- GETHOSTBYADDR
- GETHOSTBYNAME
- GETHOSTNAME
- GETNAMEINFO

Message Variables

hostname

The name of a host in the IP network. Depending upon the socket interface request, this might contain an IP address instead of a host name.

System action

Processing continues.

BNH640I **ALIAS NAME IS '*aliasname*'**

Explanation

One or more copies of this message might be issued in response to a GETHOSTBYNAME or GETHOSTBYADDR

TCP/IP request made by the socket interface. It contains an alias name definition for a TCP/IP host.

Message Variables

aliasname

An alias name for a TCP/IP host.

System action

Processing continues.

BNH641I HOST ADDRESS IS *address*

Explanation

One or more copies of this message, containing an IP address, might be issued in response to host name or IP address resolution request by the socket interface. The host name or IP address resolution request occurs when the SOCKET command is used and its TYPE keyword has one of the following values.

- GETADDRINFO
- GETHOSTBYADDR
- GETHOSTBYNAME

Message Variables

address

An IP address of a host.

System action

Processing continues.

**BNH642I *requestname* DISPLAY
TERMINATED DUE TO
UNEXPECTED ERROR**

Explanation

This message is issued when an error is found in the information returned by TCP/IP in response to a host name or IP address resolution request made by the socket interface. Additional serviceability information might be written to the network log. The host name or IP address resolution request occurs when the SOCKET command is used and its TYPE keyword has one of the following values.

- GETADDRINFO
- GETHOSTBYADDR
- GETHOSTBYNAME
- GETNAMEINFO

Message Variables

requestname

The name of the resolution request.

System action

The display of returned host information ends.

Operator response

Notify the system programmer.

System programmer response

Perform problem determination procedures and contact IBM Software Support.

**BNH643I SOCKET '*nnn*' HAS ALREADY BEEN
ALLOCATED**

Explanation

A specific socket descriptor number was requested on a SOCKET, ACCEPT, or TAKESOCKET socket interface request, and that socket descriptor number was already allocated by a previous request.

Message Variables

nnn

The descriptor number for a socket.

System action

The SOCKET, ACCEPT, or TAKESOCKET socket command interface request fails and processing continues.

Operator response

Choose a socket descriptor number within the range of valid socket descriptor numbers for the socket interface on the NetView task and re-enter the request. As an alternative, re-enter the request without a specific socket descriptor number and allow TCP/IP to select the next available socket descriptor number, if there is one.

**BNH644I SOCKET INTERFACE
TERMINATING BECAUSE TCP/IP
'*tcpname*' HAS TERMINATED THE
API CONNECTION**

Explanation

This is an unsolicited message issued on a NetView task when TCP/IP has ended the API connection between TCP/IP and the socket interface.

Message Variables

tcpname

The job identifier for the TCP/IP stack on which the socket interface had previously initialized.

System action

Any outstanding requests on the socket interface are ended and message BNH601I or BNH602I is issued as a response to the outstanding request. The socket interface ends.

Operator response

Notify the system programmer.

System programmer response

Determine the reason for the loss of the API connection. If necessary, perform problem determination procedures and contact IBM Software Support.

BNH645I **SOCKET 'nnn' DOES NOT HAVE AN ACTIVE REQUEST**

Explanation

A socket interface CANCEL request was issued for an asynchronous socket-specific request, and no request was outstanding on the chosen socket.

Message Variables

nnn

The descriptor number for a socket.

System action

Processing continues.

BNH646I **SOCKET INTERFACE DOES NOT HAVE AN ACTIVE REQUEST**

Explanation

A socket interface CANCEL request was issued for an asynchronous request that was not specific to a socket, and no such request was outstanding.

System action

Processing continues.

BNH647I **PRIORITY LEVEL: *prilevel***

Explanation

This is the priority level of the message assignment described by message DSI636I or DSI173I.

Message Variables

prilevel

A priority level from 1 to 5, with 1 being the highest and 5 the lowest.

System action

Command processing continues.

BNH648I **'*member_id*' removed from cache by '*action*'**

Explanation

The member identified by *member_id* was removed from the cache by the action identified by *action*.

If the action is MEMSTOUT UNLOAD or MEMSTOUT REFRESH, then *member_id* was removed from the cache as a result of the MEMSTOUT command having been issued with one of these options. MEMSTOUT operates only on members stored in the cache by the MEMSTORE automated caching service.

Message Variables

member_id

A string identifying a member found in the cache. The format of the string is DDName.memberName.

action

The name of the command and possibly also the name of the option that removed the member from the cache. If the action is identified by a command, then only a command name is shown. If the action is identified by a command name and option name, then both the command name and option name (such as MEMSTOUT UNLOAD) are shown

System action

Processing continues.

BNH649I **No members cached by *svrc_name* found to *action_name*.**

Explanation

No members added to the cache by *svrc_name* were found on which action *svrc_name* can be performed.

If *svrc_name* is MEMSTORE, then this message is being issued in response to a user having started the MEMSTOUT command. MEMSTOUT operates only on members cached by the MEMSTORE automated caching service. No members that matched the member name specified on the MEMSTOUT command were found that had been cached by MEMSTORE and therefore none were removed from the cache.

Message Variables

svrc_name

The name of the service that cached the members to be acted upon.

action_name

If *svrc_name* is MEMSTORE, the possible actions are UNLOAD and REFRESH.

System action

Processing continues.

Operator response

If *svc_name* is MEMSTORE, then the MEMSTOUT command might have been started to operate on members not cached by the MEMSTORE service. The MEMSTAT option of the LIST command can be used to find out what members are cached and what task cached them. The PIPE INSTORE state can be used to remove members from the name of the command and possibly also the name of the option that removed the member from the cache.

BNH650I DUPLICATE VALUE SPECIFIED FOR KEYWORD *keyword*

Explanation

One or more values are the same for the named keyword. Each value must be unique when more than one value is specified.

Message Variables

keyword

The keyword in error.

System action

The command fails.

Operator response

Check for duplicate values. Change the value that is a duplicate or do not specify it a second time.

BNH651I INVALID VALUE OF 0 SPECIFIED WHEN MULTIPLE VALUES ENTERED FOR KEYWORD *keyword*

Explanation

A value of 0 was specified when multiple values were specified for the named keyword. If multiple values are specified, they must all be non-zero. A value of 0 effectively turns off the action for the named keyword.

Message Variables

keyword

The keyword in error.

System action

The command fails.

Operator response

Specify 0 as the only value or change the 0 value to a non-zero value.

BNH652I NETVIEW RESOURCE MANAGER IS TERMINATING DUE TO '*reason*'

Explanation

NetView Resource Manager is terminating for one of the following reasons.

Message Variables

reason

The reason for termination.

OPERATOR REQUEST

The operator requested that NetView Resource Manager end.

INTERNAL ERROR

An internal error occurred that prevents NetView Resource Manager from continuing. See the associated error message.

INCORRECT PARAMETER VALUE

A value for a parameter that is necessary for processing to continue is incorrect. See the associated error message.

AUTHORIZATION FAILURE

NetView Resource Manager cannot complete initialization because it is unable to issue certain commands that need security authorization. See the associated error message.

System action

NetView Resource Manager ends.

Operator response

If the *reason* is INVALID PARAMETER VALUE, determine why the parameter value is incorrect and correct it.

System programmer response

If the *reason* is INTERNAL ERROR, report the error to IBM Software Support.

BNH653I NETVIEW RESOURCE MANAGER HAS ASSIGNED THE DEFAULT VALUE OF *default* FOR KEYWORD *keyword*

Explanation

A keyword has a missing value or a value that is not valid. The default value has been assigned so that processing can continue.

Message Variables

default

The default value for the named keyword.

keyword

The keyword for which the default value has been assigned.

System action

NetView Resource Manager processing continues.

Operator response

If the default value is not acceptable, the user must stop NetView Resource Manager (SUSPNRM) and restart it (INITNRM).

BNH654I **COMMON GLOBAL VARIABLE
variable HAS AN INVALID VALUE:
value**

Explanation

A value for the named common global variable is incorrect for the current process.

Message Variables**variable**

The name of the common global variable.

value

The value considered to be in error by the current process.

System action

Processing continues, if possible.

Operator response

If the command is INITNRM, check for other messages that explain what action was taken regarding the incorrect value.

System programmer response

If this message is received because an NRM.CMODE.x statement specifies a value IPV6, verify that the IPV6Env statement specifies a value of MIXED or ONLY. To support communication in an IPv6 network, the IPV6Env cannot be set to NONE.

If the global variable is CNMSTYLE.NACMD.SUBNODE, the coded name must be 1-32 characters in length, using the character set A-Z, a-z, 0-9, \$. _ - : @ # and must not use * . or # as the first character. Correct the value, use the RESTYLE NACMD command and use the STOPNA and NACMD commands to stop and restart the connection to the NetView EMA agent to have the change take effect.

BNH655I **DISPLAY OF NETVIEW RESOURCE
MANAGER INFORMATION**

Explanation

This is the first line of a multiline display of information for the NetView Resource Manager (NRM).

BNH656I **END OF NETVIEW RESOURCE
MANAGER DISPLAY**

Explanation

This is the final line of a multiline display of information for the NetView Resource Manager (NRM).

BNH657I **NETVIEW RESOURCE MANAGER
IS INACTIVE**

Explanation

The NetView Resource Manager (NRM) either has not been started, or it has been stopped.

Operator response

Start the NetView Resource Manager if the function is to be used.

BNH658I **NETVIEW RESOURCE MANAGER
WAS INITIALIZED ON *date* AT
*time***

Explanation

As part of a multiline information display for the NetView Resource Manager (NRM), this line indicates the local date and time at which the NetView Resource Manager was started.

Message Variables**date**

The date on which the NetView Resource Manager was started.

time

The time at which the NetView Resource Manager was started.

BNH659I **TYPE: *nrmtype***

Explanation

As part of a multiline information display for the NetView Resource Manager (NRM), this line indicates the type of NetView Resource Manager that was started.

Message Variables**nrmtype**

The type of NetView Resource Manager, MGR, or AGENT.

BNH660I **RODM NAME: *rodmname***

Explanation

As part of a multiline information display for the NetView Resource Manager (NRM), when NRM is started with TYPE=MGR, this line indicates the name of the RODM used to store the resource information.

Message Variables

rodmname

The name of the RODM which stored the resource information.

BNH661I **HEARTBEAT INTERVAL: *time***

Explanation

As part of a multiline information display for the NetView Resource Manager. When it is started with TYPE=MGR, this line indicates the time interval, in seconds, between attempts to contact the NetView Resource Managers that are performing agent functions in order to gauge connectivity and, therefore, the validity of status sent by the agent.

Message Variables

time

The time, in seconds, between contact attempts.

System action

If a reply to the contact is received in a time interval calculated based on the heart beat setting, then processing continues. If such a reply is not received in time, this is considered a loss of contact. Information for the NetView domain represented by that agent is not considered valid and the information stored in RODM is updated accordingly.

Operator response

If contact is considered lost, perform problem determination procedures.

BNH662I **SAMPLING RATE: *time***

Explanation

As part of a multiline display of NetView Resource Manager information, this line shows the time interval, in seconds, between attempts to sample NetView resource data. A zero value indicates that sampling is not active.

Message Variables

time

The time, in seconds, between attempts; or 0 (zero) if sampling is not active.

System action

Processing continues.

BNH663I **COMMUNICATION RETRY COUNT: *count***

Explanation

As part of a multiline display of NetView Resource Manager information, this message shows the number of attempts that are made to establish contact with a host to which NetView resource data is to be forwarded following an initial failure to establish contact.

Message Variables

count

The number of retry attempts, in decimal form.

System action

Processing continues.

BNH664I **COMMUNICATION RETRY INTERVAL: *interval***

Explanation

As part of a multiline display of NetView Resource Manager information, this message shows the time, in seconds, between attempts to contact a host to which NetView resource data is to be forwarded.

Message Variables

interval

The time, in seconds, between contact attempts.

System action

Processing continues.

BNH665I **HOST DESTINATION(S)**

Explanation

As part of a multiline display of NetView Resource Manager information, this line is a sub-header introducing a list of one or more host destinations to which NetView resource data is forwarded.

System action

Processing continues.

BNH666I **NAME MODE PORT ADDRESS**

Explanation

As part of a multiline display of NetView Resource Manager information, this line is a sub-header line that

labels columns of information for the list of one or more host destinations that follow.

System action

Processing continues.

BNH667I *desthost mode port ipaddress*

Explanation

As part of a multiline display of NetView Resource Manager information, this line contains information for a host to which NetView resource data is forwarded. This line is repeated, as necessary, when there are multiple host destinations.

Message Variables

desthost

The host name, host IP address, or domain name of a NetView Resource Manager to which NetView resource data is forwarded.

mode

The communication mode used to contact the destination host and forward NetView resource data. The value is either SNA or IP.

port

If the communication mode is IP or IPV6, then this part of the message contains the port number, in decimal form, of the destination host to which the NetView Resource Manager sends data to establish contact for forwarding NetView resource data. This port number is to have been bound by the DSIRTTR task in the NetView program at the destination host. If the communication mode is SNA, then this insert remains blank.

ipaddress

If the communication mode is IP or IPV6 and the host name and IP address for the destination host become known, then this part of the message displays the IP address. If the communication mode is SNA, then this insert remains blank.

System action

Processing continues.

BNH668I **START TYPE:** *starttype*

Explanation

As part of a multiline display of NetView Resource Manager information, this line shows how exclusion lists were built and used.

Message Variables

starttype

Description of how the NetView Resource Manager is instructed to build and use exclusion lists, either CTL or VARS.

CTL

Use exclusion list information set up by either or both of a prior instance of the NetView Resource Manager or the NRMCTL command.

VARS

Build exclusion list information entirely from information that is supplied in the CNMSTYLE member and input on the INITNRM command.

System action

Processing continues.

BNH669I **TASK TYPE EXCLUSION LIST:**

Explanation

As part of a multiline display of NetView Resource Manager information, this line is a sub-header introducing a list of task types to be excluded from NetView resource monitoring.

System action

Processing continues.

BNH670I *exclusionlistentry*

Explanation

As part of a multiline display of NetView Resource Manager information, this line contains one excluded item, which can be a task type, task name (with wild cards), or a domain name (with wild cards). This line is repeated, as necessary, when there are multiple excluded items.

Message Variables

exclusionlistentry

An entry indicating one or more items to be excluded. When this entry is for a task name or domain name, it can contain wildcard characters.

System action

Processing continues.

BNH671I **TASK NAME EXCLUSION LIST:**

Explanation

As part of a multiline display of NetView Resource Manager information, this line is a sub-header introducing the list of task name exclusion list entries.

System action

Processing continues.

BNH672I DOMAIN EXCLUSION LIST:

Explanation

As part of a multiline display of NetView Resource Manager information, this line is a sub-header introducing the list of domain name exclusion list entries.

System action

Processing continues.

**BNH673I NETVIEW DOMAINS ARE NOT
MONITORED BY A NETVIEW
RESOURCE AGENT**

Explanation

A request to list monitored NetView domains was issued on a NetView resource agent. Only NetView resource managers can monitor other NetView domains.

System action

Processing continues.

**BNH674I NO NETVIEW DOMAINS ARE
BEING MONITORED**

Explanation

This message indicates that the NetView Resource Manager was started with TYPE=MGR, but has not yet received NetView resource data from any agents.

System action

Processing continues.

**BNH677I INTERNAL ERROR OCCURRED FOR
NETVIEW RESOURCE MANAGER.
RESULTS MAY BE
UNPREDICTABLE.**

Explanation

An internal error occurred for NetView Resource Manager. Processing continues, but the results might be unpredictable.

System action

Processing continues.

Operator response

Check for additional messages. Take appropriate action as indicated by other messages.

System programmer response

Notify IBM Software Support.

**BNH678I INCORRECT NUMBER OF
KEYWORD *keyword* VALUES
SPECIFIED**

Explanation

The number of CMODE or PORT values specified does not match the number of values specified for HOSTDEST.

Message Variables***keyword***

The keyword that had an incorrect number of values.

System action

NetView Resource Manager ends.

Operator response

Specify the correct number of CMODE or PORT values. Specify either one value or the same number of values that you specified for HOSTDEST.

**BNH679I NETVIEW RESOURCE MANAGER
INITIALIZATION IS *action***

Explanation

NetView Resource Manager is initializing. There might be a significant amount of time between when initialization starts and completes because of the time involved in resolving TCP/IP host names and addresses. A message is issued when initialization starts and another message is issued when it completes.

Message Variables***action***

The *action* is either STARTING or COMPLETE.

**BNH680I DISPLAY OF MONITORED
NETVIEW DOMAINS**

Explanation

This is the control line of a multiline display for listing NetView domains monitored by a NetView Resource Manager.

System action

Processing continues.

**BNH681I DOMAIN TASK COMMUNICATION
 IP HOST**

Explanation

This is the first label line of a multiline display for listing NetView domains monitored by a NetView Resource Manager.

System action

Processing continues.

**BNH682I NAME NAME MODE ADDRESS
 NAME**

Explanation

This is the second label line of a multiline display for listing NetView domains monitored by a NetView Resource Manager.

System action

Processing continues.

**BNH683I -----
 -----**

Explanation

This is the last label line of a multiline display for listing NetView domains monitored by a NetView Resource Manager. It denotes the end of column headings.

System action

Processing continues.

**BNH684I *domain taskname mode ipaddress*
 *hostname***

Explanation

A data line of a multiline display for listing NetView domains monitored by a NetView Resource Manager. This line is repeated, as necessary, when there are multiple NetView domains in the list.

Message Variables***domain***

The name of the NetView domain monitored by the NetView Resource Manager.

taskname

The name of the NetView autotask used for NetView Resource Manager processing. The default is AUTONRM.

mode

The communication mode (SNA, IP, or IPV6) used when NetView resource data is sent to the NetView Resource Manager. If this line is for the NetView domain of the NetView Resource Manager, then this part of the message displays N/A.

ipaddress

When the communication mode is IP, this displays the IP address of the monitored NetView domain; otherwise, it is left blank.

If the communication mode is IPV6, the IP address of the monitored NetView domain is displayed in the BNH533I message that immediately follows this message.

hostname

When the communication mode is IP or IPV6 and the host name is known, this displays the host name of the monitored NetView domain; otherwise, it is left blank.

System action

Processing continues.

**BNH685I END OF MONITORED NETVIEW
 DOMAINS DISPLAY**

Explanation

This is the end line of a multiline display for listing NetView domains monitored by a NetView Resource Manager.

System action

Processing continues.

**BNH686I NETVIEW RESOURCE AGENT
 domain CANNOT SEND STATUS TO
 MANAGER *hostdest***

Explanation

Communication between the NetView Resource Agent host and the NetView Resource Manager host cannot be established. All retry attempts have failed.

Message Variables***domain***

The NetView domain of the NetView Resource Agent host.

hostdest

The NetView Resource Manager host with which the agent is trying to communicate. This is specified with the HOSTDEST keyword on the INITNRM command, or the NRM.HOSTDEST.x=*hostdest* statement in the CNMSTYLE member.

System action

NetView Resource Agent will not be monitored by the manager specified.

Operator response

Ensure that the following are active and restart NetView Resource Manager:

- On Manager host destination:
 - Hardware Monitor
 - DSIRTR if the CMODE for the failing host destination is IP or IPV6
 - DSICRTR if the CMODE for the failing host destination is SNA
 - DSIHPDST if the CMODE for the failing host destination is SNA
 - DSIUDST
 - DSI6DST
- On Agent host:
 - DSIUDST
 - DSIHPDST if the CMODE for the failing host destination is SNA
 - DSI6DST

System programmer response

If the BNH699I message is received with this message, then NetView Resource Manager cannot obtain the necessary TCP/IP information it needs to communicate with the Manager host destination. Determine the cause for the BNH699I message and restart NetView Resource Manager.

BNH687I **NETVIEW RESOURCE AGENT
domain IS SUCCESSFULLY
COMMUNICATING WITH
MANAGER *hostdest***

Explanation

Communication between the NetView Resource Agent host and the NetView Resource Manager host has been established. The NetView Resource Manager host now receives NetView Resource Manager data from the specified agent.

Message Variables

domain

The NetView domain of the NetView Resource Agent host.

hostdest

The NetView Resource Manager host that the agent with which the agent is communicating.

System action

NetView Resource Agent forwards NetView Resource Manager data to the specified Manager.

BNH688I **KEYWORD *keyword1* IS IGNORED
WHEN KEYWORD *keyword2* IS
NOT SPECIFIED**

Explanation

Because a value was not assigned for keyword2, the value assigned for keyword2 is ignored.

Message Variables

keyword1

Keyword that has been assigned a value which is ignored.

keyword2

Keyword that was specified.

System action

Processing continues.

Operator response

If the command is INITNRM, the PORT and CMODE keywords are not used if the HOSTDEST keyword has not been assigned a value. Verify if keyword2 must be specified.

BNH689I **HOST DESTINATION *destdomain*
IS INVALID FOR NETVIEW
RESOURCE AGENT *agentdomain***

Explanation

The domain of the NetView Resource Agent is the same as the domain of the Manager host destination.

Message Variables

destdomain

The NetView Resource Manager host destination NetView domain name.

agentdomain

The domain name of the NetView Resource agent host.

System action

NetView Resource Manager does not establish communication between these hosts.

Operator response

Correct the HOSTDEST parameter in the CNMSTYLE member or on the INITNRM command.

BNH690I **IP ADDRESS: *ipaddress* PORT: *portnumber***

Explanation

This message is part of a multiline display in response to one of the following commands:

- RMTCMD QUERY,RMTDOMS
- RMTCMD QUERY,IP,RMTAUTOS
- RMTCMD QUERY,IPV6,RMTAUTOS

It contains the internet address and port number for a remote NetView operations server task (DSIUDST) to which the local DSIUDST task is connected by way of TCP/IP. This line is not present for remote NetView operations using SNA LU6.2.

When this message is issued in response to a RMTCMD QUERY,IP,RMTAUTOS command or a RMTCMD QUERY,IPV6,RMTAUTOS command, the IP address contained in the message is the IPv4 address returned for a GETHOSTID request in the remote NetView domain.

Message Variables

ipaddress

The IP address.

portnumber

The port number.

System action

Processing continues.

BNH691I **REMOTE OPERATIONS USING TCP/IP *tcpname* TERMINATED DUE TO *reason***

Explanation

TCP/IP-based remote operations which used the identified TCP/IP stack were ended for the reason indicated. Additional messages might be logged to provide more details regarding the failure.

Message Variables

tcpname

The name of the TCP/IP stack.

reason

The reason for termination of TCP/IP-based remote operations, which can be one of the following:

- TCP/IP TERMINATION
- API CONNECTION TERMINATION
- AN UNEXPECTED ERROR

System action

TCP/IP-based remote operations cease and remote operators that were started for TCP/IP-based remote operations requests are ended.

Operator response

If TCP/IP-based remote operations ended because TCP/IP was stopped, restart TCP/IP; otherwise, perform problem determination procedures.

BNH692I **UNABLE TO RESOLVE HOST NAME, RETURN CODE *returncode***

Explanation

A host name was supplied for a RMTCMD SEND command or as a host destination for NetView Resource Manager data, and the host name cannot be resolved.

Message Variables

returncode

Return code from internal host name resolution services.

System action

No attempt to contact the host is made.

Operator response

If the return code shown is 8, ensure that task DUIDGHB is active. The most likely cause for the other return codes is that there is insufficient virtual storage for processing the request.

System programmer response

If necessary to prevent virtual storage shortages, restart the NetView program with a larger region size.

BNH693I **REMOTE OPERATIONS USING TCP/IP ARE NOT ENABLED**

Explanation

A TCP/IP-based remote operations command was issued, but TCP/IP-based remote operations have not been enabled in the DSIUDST initialization member.

The sample DSIUDST initialization member is DSIUINIT assigned so processing can continue.

System action

The TCP/IP-based remote operations command fails.

Operator response

Restart DSIUDST when definitions enabling TCP/IP-based remote operations are in place.

System programmer response

If you want to run TCP/IP-based remote operations, enable them in the initialization member of the DSIUDST task.

BNH694I **CONNECTION WITH *netid.domainid* DOES NOT EXIST OR IS IN PROCESS OF TERMINATION**

Explanation

A TCP/IP-based remote operations command that requires an existing connection with the target domain, such as RMTCMD QUERY or ENDTASK, cannot be completed because the connection either does not exist or is in the process of terminating.

Message Variables

netid

The network identifier of the target NetView program.

domainid

The domain identifier of the target NetView program.

System action

The remote operations request fails.

Operator response

If the identification for the target NetView program is incorrect, correct it and reenter the command.

BNH695I **REMOTE OPERATIONS REQUEST FOR *netid.domainid* TERMINATED DUE TO *reason***

Explanation

A TCP/IP-based remote operations command for the target NetView program failed for the indicated reason.

Message Variables

netid

The network identifier of the target NetView program.

domainid

The domain identifier of the target NetView program.

reason

The reason for remote operations request termination, which can be one of the following:

- TCP/IP API TERMINATION
- TCP/IP REQUEST FAILURE
- CONNECTION TERMINATION
- CONNECTION TIME-OUT
- TRANSPORT DETECTED ERROR

The first three reasons can indicate the loss of a required system or network component. The 4th reason can indicate a performance problem in a system or network component. The last reason indicates that incorrect data was sent on the connection between NetView domains. The network log contains messages with additional details, in any case.

System action

The remote operations request fails.

Operator response

If the failure was because of loss of a required system or network component, such as TCP/IP, restart the component and retry the request.

BNH696I **ADDRESS *ipaddress1* CONFLICTS WITH IP ADDRESS *ipaddress2* FOR *netid.domainid***

Explanation

A RMTCMD SEND request for the target NetView program that is shown specified (or had a host name resolved to) an IP address that did not match the IP address known for that target NetView domain.

Message Variables

ipaddress1

The IP address specified by the user or found when a host name specified by the user has been resolved.

ipaddress2

The IP address known for the target NetView program.

netid

The network identifier of the target NetView program.

domainid

The domain identifier of the target NetView program.

System action

The RMTCMD SEND request fails.

Operator response

Correct the information in error and reenter the RMTCMD SEND command.

**BNH697I REMOTE OPERATIONS TCP/IP
 SERVER SET-UP FAILED**

Explanation

The DSIUDST task cannot enable TCP/IP-based remote operations as requested in the initialization member. The network log contains at least one other message that provides additional information for the failure. The most common reasons include the following:

- TCP/IP is inactive.
- The incorrect TCP/IP stack name is provided in the initialization member of the DSIUDST task.
- DSIUDST cannot bind to the port specified in the initialization member because it is in use or restricted.

System action

DSIUDST tries to enable TCP/IP-based remote operations every minute until successful or the task is stopped.

Operator response

If TCP/IP is inactive or became inactive during DSIUDST initialization, start TCP/IP.

System programmer response

If the messages indicate TCP/IP stack or port specification problems, correct the definitions and restart the applicable components. If the messages indicate some other problem, contact IBM Software Support.

**BNH698I netid1.domainid1 REQUESTED AT
 IP ADDRESS ipaddress, PORT
 portnumber, BUT netid2.domainid2
 WAS FOUND THERE**

Explanation

A TCP/IP-based RMTCMD SEND request for the indicated target NetView program was issued, but

when the connection was made, the indicated NetView domain was found to be there.

Message Variables**netid1**

The IP address specified by the user or found when a host name specified by the user has been resolved.

domainid1

The domain identifier of the target NetView program that is expected to be at the IP address and port number shown.

ipaddress

The IP address of the host at which the target NetView program is to be located.

portnumber

The port number on the host at which the target NetView program is to be located.

netid2

The network identifier of the NetView program that is found at the IP address and port number shown.

domainid2

The domain identifier of the NetView program that is found at the IP address and port number shown.

System action

The RMTCMD SEND request fails.

**BNH699I NETVIEW RESOURCE MANAGER
 COMMUNICATION FAILURE:
 reason**

Explanation

The NetView Resource Agent cannot communicate via TCP/IP because of incomplete information.

Message Variables**reason**

- LOCAL TCP/IP HOST IS UNKNOWN
- REMOTE TCP/IP HOST IS UNKNOWN

System action

If the reason is LOCAL TCP/IP HOST IS UNKNOWN, then this NetView Resource Agent does not forward status to a Manager host. If the reason is REMOTE TCP/IP HOST IS UNKNOWN, then this NetView Resource Agent does not forward status to a particular host.

Operator response

Make sure that TCP/IP is active. To determine which remote host information is missing, issue the NRMCTL

LISTPARM command. If either NAME or ADDRESS is blank under the HOST DESTINATION(S) field in the NRMCTL display, and CMODE is set to either IP or IPV6, then that is the remote host information that cannot be resolved.

System programmer response

If remote host information is missing, determine why the resolver was unable to resolve a host name or IP address.

BNH700E **INVALID NUMBER OF PARAMETERS ON REGIP COMMAND.**

Explanation

A REGIP command was issued without parameters, or more than 2.

System action

The REGIP command ends.

Operator response

Reissue the command with the appropriate number of parameters.

BNH701E **INVALID FUNCTION *function* ON REGIP COMMAND.**

Explanation

A function other than ADD, DELETE, or LIST was specified on the REGIP command.

Message Variables

function

The name of the incorrect function that was specified.

System action

The REGIP command is ended.

Operator response

Reissue the command with a valid function.

BNH702I **REGISTERED IP ADDRESSES/ HOSTS**

Explanation

This is the first line of a MWLTO that displays the hosts currently registered with the REGIP command. Registered hosts are displayed on subsequent lines in an *ipaddress : hostname* format, one host per line.

BNH703I **SYSLOGD MESSAGE RECEIVED. FACILITY= *facility*. PRIORITY= *priority*. ORIGIN= *origin*.**

Explanation

This is the first line of a MWLTO that is generated when the NetView program receives a syslog message from a registered host. The text of the syslog message is displayed in the subsequent lines of the MWLTO.

Message Variables

facility

The component that originated the message. See the IPLOG command for a listing of the valid facilities.

priority

The message priority. See the IPLOG command for a listing of the valid priorities.

origin

The IP address from which the message was sent.

System action

The message is run through the automation table. It is not displayed unless action is taken in the automation table to do so. If not suppressed, the message is logged by default.

BNH704E **INVALID FACILITY *facility* SPECIFIED.**

Explanation

An incorrect facility value *facility* was specified on the IPLOG command or the IPLOG pipe stage.

Message Variables

facility

The incorrect value that was specified. See the IPLOG command description for a list of valid facilities.

System action

Command processing ends.

Operator response

Correct the error and reissue the command.

System programmer response

If issued by a pipe stage, correct the pipe.

BNH705E **INVALID PRIORITY *priority* SPECIFIED.**

Explanation

An incorrect priority value *priority* was specified on the IPLOG command or the IPLOG pipe stage.

Message Variables**priority**

The incorrect value that was specified. See the IPLOG command description for a list of valid priorities.

System action

Command processing ends.

Operator response

Correct the error and reissue the command.

System programmer response

If issued from a pipe stage, correct the pipe.

BNH706E NO SYSLOG MESSAGE SUPPLIED

Explanation

An IPLOG command or pipe stage was issued without supplying a message to log.

System action

Command processing ends.

Operator response

Correct the command and re-enter it.

System programmer response

If issued from a pipe stage, correct the pipe.

BNH707E OPTION *opt* HAS INVALID VALUE *value*.

Explanation

This message was received because an option on IPLOG, REXEC, RSH, TN3270, or on the NetView 3270 logon screen was specified with an incorrect value. For example, the takeover option on the NetView logon screen contains a priority or facility that is incorrect.

Message Variables**opt**

The name of the option specified or retrieved.

value

The incorrect value that was specified.

System action

Command processing ends.

Operator response

Correct the command and enter it again.

BNH708E REQUIRED HOSTNAME MISSING OR INVALID

Explanation

The required positional parameter *hostname* on IPLOG, REXEC, RSH, or TN3270 is missing or contains an incorrect value.

System action

Command processing ends.

Operator response

Correct the error and re-enter the command.

BNH709E INVALID NUMBER OF PARAMETERS FOR LOG STAGE.

Explanation

The IPLOG pipe stage was started with an incorrect number of positional parameters.

System action

Processing for the pipe stage ends.

System programmer response

Correct the incorrect pipe stage.

BNH710I SYSLOGD MESSAGE RECEIVED FROM UNREGISTERED HOST *host*

Explanation

The NetView program received a syslog message from a host that has not been registered with the REGIP command.

Message Variables**host**

The IP address of the host sending the message.

System action

The message is discarded and the IP connection to the host ends.

BNH711I ENTER PASSWORD FOR REMOTE USER.

Explanation

This is an NLS translatable line generated for the REXEC command when displaying a password prompt panel.

System action

Processing continues.

Operator response

Enter the password or password phrase.

BNH712I F3=QUIT ENTER=PROCESS

Explanation

This is an NLS translatable line generated for the REXEC command when displaying a password prompt panel.

System action

Processing continues.

Operator response

Press PF3 to exit the command. Press Enter to process the password or password phrase.

BNH713E NO USER ID SPECIFIED FOR REXEC.

Explanation

This message is issued when REXEC is started from a CLIST without supplying a remote user ID.

System action

Command processing ends.

System programmer response

Correct the CLIST.

BNH714E NO PASSWORD SPECIFIED FOR REXEC.

Explanation

The REXEC command was issued from a CLIST without supplying a password. If REXEC is driven from an environment in which interactive panels might cause problems, such as a CLIST or automated environment, the *remuser* field must be specified as *remuser/password*.

System action

Command processing ends.

System programmer response

Correct the CLIST.

BNH715E UNABLE TO CREATE RHOSTS TABLE.

Explanation

During startup processing for the DSIRSH task, errors were encountered that made it impossible to construct an RHOSTS table.

System action

The task ends.

System programmer response

Correct any errors reported in the DSIRHOST member of DSIPARM.

BNH716W INCORRECT ENTRY entry IN DSIRHOST MEMBER.

Explanation

The entry in the DSIRHOST member of DSIPARM contains errors.

Message Variables

entry

The entry in the DSIRHOST member of DSIPARM that contains errors.

System action

Processing of the DSIRHOST file continues, but the erroneous entry is discarded.

System programmer response

Correct the errors in DSIRHOST and stop and restart DSIRSH.

BNH717W Conflicting ENTRY entry IN DSIRHOST MEMBER.

Explanation

An entry in the DSIRHOST member of DSIPARM contains a host name or user name specifying an access level that conflicts with an earlier entry for the same host name or user name.

Message Variables

entry

The entry in the DSIRHOST member of DSIPARM that contains the conflicting user name or host name.

System action

The entry is discarded and processing of the DSIRHOST member continues.

System programmer response

Correct the errors in DSIRHOST and stop and restart DSIRSH.

**BNH718W UNABLE TO CREATE RHOST
 ENTRY FOR *host*.**

Explanation

An entry in the DSIRHOST member of DSIPARM cannot be processed because of an internal failure, such as a storage failure or the failure of the TCP/IP GETHOSTBYNAME service.

Message Variables

host

The host for which the RHOST ENTRY was not created

System action

DSIRHOST processing continues, but the entry is discarded.

**BNH719E UNABLE TO CONNECT TO REMOTE
 HOST.**

Explanation

One of the IP commands such as REXEC or RSH cannot establish a TCP/IP connection to a remote host. A BNH167I message might also be issued giving more information about the failure. This error can be caused by a server such as an RSH server not being active on the remote host.

System action

Command processing ends.

System programmer response

If the error persists, determine why the TCP/IP connection cannot be established.

**BNH720E REMOTE ACCESS DENIED BY
 server SERVER.**

Explanation

The NetView program encountered a security error while processing an REXEC or RSH request from a remote host. An entry cannot be found in the RHOSTS table validating the user (RSH request), or the password or password phrase sent with the REXEC

request was incorrect. This message is sent to the requesting host in addition to being issued in the NetView program.

Message Variables

server

The name of the server, either REXEC or RSH.

System action

The IP connection ends.

**BNH721E UNABLE TO ATTACH *task* TASK.
 ERROR CODE IS *code*.**

Explanation

The NetView program was unable to start the operator ID requested by a remote host on an REXEC or RSH request. Existing messages are issued for incorrect or already-active tasks. This indicates some type of internal error.

Message Variables

task

The requested operator task.

code

The return code from the internal DSUIATTS service.

System action

Processing continues.

System programmer response

Contact IBM Software Support.

**BNH722W UNABLE TO OBTAIN *bytes* BYTES
 OF STORAGE FOR SYSLOGD
 MESSAGE FROM *host*. MESSAGE
 WILL BE TRUNCATED.**

Explanation

The syslog server in the NetView program was able to obtain storage to receive an entire syslog message sent from a remote host. The requested storage would have been used to replace an existing receive buffer with a larger one.

Message Variables

bytes

The amount of storage that was requested.

host

The IP address of the remote host that sent the message.

System action

The syslog server uses the existing buffer to receive as much of the message as it can. The remainder is discarded.

BNH723W **UNABLE TO OBTAIN *bytes* BYTES OF STORAGE TO RECEIVE *command* FROM *host*. RESPONSE WILL BE TRUNCATED.**

Explanation

The RSH or REXEC server in the NetView program is unable to obtain storage to receive a response to a command sent to a remote host. The requested storage would have been used to replace an existing receive buffer with a larger one.

Message Variables

bytes

The amount of storage that was requested.

command

The command type, either RSH or REXEC.

host

The IP address of the remote host that sent the message.

System action

The server uses the existing buffer to receive as much of the response as it can. The remainder is discarded.

BNH724E **TCP/IP INITIALIZATION FAILED.**

Explanation

A NetView command was unable to initialize a TCP/IP environment. This might be accompanied by BNH167 messages. If the message was a result of the REGIP command, the DSIIIPLOG task might have to be stopped and restarted.

System action

The command ends.

Operator response

Notify the system programmer.

System programmer response

Determine the reason for the TCP/IP failure. If necessary, perform problem determination procedures and contact IBM Software Support.

BNH725I **F3=QUIT PF6=ROLL
ENTER=PROCESS COMMAND**

Explanation

This is an NLS translatable message generated by the RSH command when it displays a full-screen panel for command responses.

System action

Processing continues.

Operator response

PF3 exists the command. PF6 rolls out to the next NetView component on the roll stack. Enter sends another command to the remote server or process additional input waiting for the screen to be cleared.

BNH726I **REMOTE SHELL TERMINATED.
PF3=EXIT**

Explanation

This is an NLS translatable message generated by the RSH command when displaying a full-screen panel for command responses. It indicates that the remote server has ended the TCP/IP connection.

System action

Processing continues.

Operator response

PF3 exists the panel.

BNH727E **TCP ADDRESS SPACE NAME NOT
AVAILABLE.**

Explanation

One of the IP applications RSH, REXEC, IPLOG or TN3270 attempted to initialize a TCP/IP environment but the TCP address space name was not available.

System action

The command ends.

Operator response

Issue the NetView DEFAULTS command to set the TCPNAME default to the correct value.

BNH728E **COMMAND NOT ALLOWED IN
TCP/IP ENVIRONMENT**

Explanation

An IP command was issued under a task that is already executing an IP command, or is a task processing an RSH or REXEC request.

System action

The command ends.

BNH729E INTERNAL FAILURE IN TELNET CLIENT.

Explanation

The TN3270 command encountered an internal error, such as a storage request failure.

System action

The command ends.

BNH730I TELNET SESSION TERMINATED BY REMOTE HOST.

Explanation

The telnet connection established by the TN3270 command has been ended by the remote host. This might happen because of an error condition or in response to a user request, such as logoff.

System action

The command ends.

BNH731E MQS FAILED TO IP LOG TASK.

Explanation

A REGIP request failed because the DSIIIPLOG task is inactive.

System action

The command ends.

Operator response

Start the DSIIIPLOG task and retry the command.

BNH732E HOST VALUE NOT ALLOWED ON LIST.

Explanation

A REGIP LIST command was issued with a host name as the second parameter. The LIST format of the REGIP command accepts only an "*" as the second parameter.

System action

The command ends.

Operator response

Reissue the command as "REGIP * LIST"

BNH733I NO HOSTS REGISTERED.

Explanation

This message is issued in response to a REGIP LIST request when no remote hosts are registered.

System action

Processing continues.

BNH734I SYSLOG MESSAGE ACCEPTED BY TCP/IP.

Explanation

The IPLOG command has completed successfully and the supplied syslog message has been accepted by TCP/IP to send out over the network.

System action

Processing continues.

BNH735E COMMAND TERMINATED DUE TO ERROR ON REMOTE SERVER

Explanation

An RSH or REXEC command was ended because of an error on the remote host.

System action

The command ends.

BNH736I No Workload Management NetView Service Class Matches Selection Criteria

Explanation

The specified WLM NetView service class was not found.

System action

Command continues processing.

Operator response

Check the spelling of the requested WLM NetView service class name and correct it if in error.

BNH737I *statement*

Explanation

As a result of a D CNMCAUT=TABLE command, the contents of PARMLIB member CNMCAUxx are listed.

Message Variables

statement

A console name of command text in CNMCAUxx.

**BNH738E COMMAND NOT PROCESSED --
PPI SEND FAILURE**

Explanation

You entered a command (such as SET CNMCAUT=xx) that is to be processed by the NetView MVS command exit. That command cannot be processed in the current environment (such as the CONSOLE address space) and must be forwarded to the NetView address space to be processed. However, the command cannot be forwarded at this time because the command exit found that the PPI connection to the command receiver is not active, or found that some other send failure occurred.

System action

The command is not processed.

Operator response

Ensure that the PPI address space is started and that NetView task DSIMCAT is active. Reenter the command when the PPI connection DSIMCAT has been restored. If the PPI address space has recently been recycled, wait until task DSIMCAT issues message DSI530I before reentering the command. You can also enter the command from another environment, such as from the NetView program or from TSO.

**BNH740I REMOTE OPERATIONS USING
TCP/IP *tcpname* ARE NOW
ENABLED**

Explanation

The DSIUDST task sends this message to the authorized receiver to show that TCP/IP-based remote operations are enabled using the indicated TCP/IP stack.

Message Variables***tcpname***

The identifier of the TCP/IP stack

Operator response

Perform TCP/IP-based remote operations, as needed.

**BNH741I REMOTE OPERATIONS FOR
netid.domainid TERMINATED**

Explanation

This message informs the authorized receiver that the connection between the remote NetView domain and the current NetView domain has been lost. If the connection was ended by an ENDTASK request, the operator issuing ENDTASK also gets this message.

Message Variables***netid***

The network identifier for the remote NetView program.

domainid

The domain identifier for the remote NetView program.

System action

Remote operators logged on for TCP/IP-based remote operations using the connection are logged off.

Operator response

If remote operations are to continue on the remote NetView domain, enter the next RMTCMD SEND. Presuming the previous connection ended successfully, a new connection is established and the remote operator is logged on to run the command.

**BNH742I REMOTE OPERATIONS REQUEST
FROM *netid.domainid* REJECTED
DUE TO *reason***

Explanation

This message notifies the authorized receiver that either incorrect data was sent on an existing remote operations connection or there was a disallowed remote operations connection attempt.

Message Variables***netid***

The network identifier of the NetView program that was the source of the request, or "*" (asterisk) if unknown.

domainid

The domain identifier of the NetView program that was the source of the request, or "*" (asterisk) if unknown.

reason

The reason the request was rejected, which can be one of the following:

- TRANSPORT DATA ERROR
- DUPLICATED ORIGIN DOMAIN

The first reason indicates that incorrect data was sent on the connection. This can mean that the source of the connection request was not a

NetView domain. The second reason indicates that an attempt was made for a second connection from a NetView domain. This can indicate connection attempts from 2 different NetView programs with the same network and domain identifiers.

System action

The connection is ended.

System programmer response

Restrict the ability of others to connect to the remote operations server (DSIUDST task) and ensure that the NetView domain ID is unique in each network.

**BNH743I REMOTE OPERATIONS FROM
 netid.domainid TERMINATED**

Explanation

This message informs the authorized receiver that the connection between another NetView domain and the current NetView domain has been lost. The connection to which this message applies is one in which the current NetView domain was the target of a RMTCMD SEND request from another NetView domain.

Message Variables

netid

The network identifier for the NetView program that was the origin of remote operations over TCP/IP.

domainid

The domain identifier for the NetView program that was the origin of remote operations over TCP/IP.

System action

Remote operators logged on for TCP/IP-based remote operations using the connection are logged off.

Operator response

If remote operations are to continue between the NetView domain that originated them and the current NetView domain, an operator in the origin NetView domain can enter the next RMTCMD SEND. Presuming the previous connection ended successfully, a new connection is established and the remote operator is logged on to run the commands.

**BNH744I NETVIEW RESOURCE '*type*'
 '*domain*' HAS LOST
 COMMUNICATION WITH '*type*'
 '*domain*'**

Explanation

The message is issued when:

- A NetView Resource Manager has lost connectivity with a NetView Resource Agent.
- A NetView Resource Agent has lost connectivity with a NetView Resource Manager.

Message Variables

type

The type of NetView Resource Manager host. The value is MANAGER or AGENT.

domain

The NetView domain for the NetView Resource Manager or Agent.

System action

If a NetView Resource Manager has lost connectivity with an Agent NetView, then the resources for the Agent NetView are put in UNKNOWN status. The Agent is also deleted from the list of NetView programs being monitored by that Manager. If a NetView Resource Agent has lost connectivity with a Manager NetView program, then it attempts to reconnect with the Manager NetView program.

Operator response

Determine why the NetView programs have lost communication and take appropriate action.

**BNH745I NO '*keyword*' LIMIT REACHED FOR
 TASK '*opid*' '*luname*'**

Explanation

This message is issued when a task drops below any specified threshold limits set by the DEFAULTS or OVERRIDE command. This message must only be seen when a BNH161I message for the same resource limit has previously been issued.

Message Variables

keyword

The name of the limit that was reached. This is the same name as the non-synonym keywords used on the DEFAULTS and OVERRIDE commands.

opid

The LU name or task name of the affected task.

luname

The operator ID or task name of the affected task.

System action

This message is issued when the resource limit for the task is in an acceptable range, as defined by the user. Status on NMC for this object returns to "Satisfactory."

BNH747I **COMMAND NOT PROCESSED FOR RESOURCE *resource*. NETVIEW RESOURCE MANAGER AGENT *domain* IS NOT MONITORED****Explanation**

A command was issued against an NRM resource from the NetView management console. The domain where the resource resides is not currently being monitored. The command is not run.

Message Variables***resource***

The resource against which the command has been issued

domain

The domain of the NetView Resource Agent

System action

The command is not executed.

Operator response

Determine why the agent is not being monitored (for example, a SUSPNRM was issued to the agent, or the agent lost communication with the manager). Take appropriate action to get the agent back in communication with the manager.

BNH748I ***domainID* NETVIEW SUCCESSFULLY CONNECTED TO WLM****Explanation**

The NetView WLM.SubSystemName statement was uncommented causing the NetView program to attempt to connect to the system work load manager (WLM). The attempt was successful.

Message Variables***domainID***

The domain ID of the NetView program connected to WLM

System action

NetView initialization continues.

BNH749I **A SECURITY VIOLATION HAS CAUSED SOCKET *nnn* TO BE SUSPENDED****Explanation**

A socket, allocated for a connection that was disallowed by security, has been placed in a

suspended status. "Suspended status" means that while a connection still exists between this socket and the origin of the connection request, no communication requests involving the socket, other than SOCKET TYPE=CLOSE, is allowed.

Message Variables***nnn***

The descriptor number for the socket

System action

The socket remains connected and suspended. Only a SOCKET TYPE=CLOSE command can be issued for that socket.

Operator response

Issue SOCKET TYPE=CLOSE for the suspended socket.

BNH750I ***member_id* was cached by *task_name*****Explanation**

A member identified by *member_id* was found in the cache and it was stored in the cache by *task_name*.

A MEMSTOUT UNLOAD or REFRESH might have been issued for a member that was not stored in the cache by the MEMSTORE automated caching service. The message identifies the task that stored the member in the cache. MEMSTOUT operates only on members cached by the MEMSTORE automated caching service.

Message Variables***member_id***

A string identifying a member found in the cache. The format of the string is DDName.memberName.

task_name

Name of task that cached the member.

System action

Processing continues.

Operator response

The PIPE INSTORE stage can be used to remove the member from the cache. If a MEMSTOUT UNLOAD was issued, even though no member was removed from the cache, caching for members matching the *member_id* pattern specified is now disabled. See additional help for the MEMSTOUT command to determine how to reenble caching for the member.

BNH751I ***operator* LOGOFF OR DISCONNECT FROM NETVIEW. PLEASE SHUT DOWN YOUR BROWSER TO**

**PROTECT SENSITIVE
INFORMATION.**

Explanation

The operator logged off or disconnected from the NetView program.

Message Variables

operator

The operator ID that logged off or disconnected from the NetView program.

System action

The session between the NetView program and the browser ends.

Operator response

To protect sensitive information, verify that all NetView browser windows are closed.

**BNH752I NETVIEW INTERNAL ERROR,
PLEASE TRY AGAIN LATER.**

Explanation

The NetView program incurred an internal error.

System action

The command is not processed.

Operator response

Enter the command again. If the problem persists, notify your system programmer.

System programmer response

If the problem persists, recycle the DSIWBTSK task. Verify that the priority of the DSIWBTSK task in CNMSTASK is 3 or higher.

**BNH753I REQUEST NOT PROCESSED -
AUTHORIZATION REQUIRED.**

Explanation

The operator ID is not authorized to run the command.

System action

The command is not processed.

Operator response

When prompted, enter your NetView operator ID and password or password phrase again.

**BNH754I GROUP *group_name* MEMBER
member_name HAS UPDATED
STATE FIELD. PREVIOUS VALUE=
previous_value . NEW
VALUE=*new_value***

Explanation

This message is issued when a group user exit is driven because an XCF member in a group in which the NetView program participates has changed its user state field. The new and previous value of the field is indicated in the message. This message is sent to the authorized receiver.

Message Variables

group_name

The name of the group

member_name

The name of the member

previous_value

The previous 32-byte value of the field

new_value

The current 32-byte value of the field

**BNH755I COMMAND FORMAT NOT
RECOGNIZED OR METHOD NOT
SUPPORTED.**

Explanation

The DSIWBTSK task received data that it did not recognize.

System action

The data received by the DSIWBTSK task is ignored.

Operator response

Enter the command again. If the problem persists, notify your system programmer.

System programmer response

Recycle the DSIWBTSK task. If the problem persists, contact IBM Software Support.

**BNH756I *operator* IS NOT AUTHORIZED TO
ACCESS NETVIEW FROM A WEB
BROWSER.**

Explanation

The operator ID is not authorized to enter NetView commands from a web browser.

Message Variables

operator

The operator ID that entered the NetView command.

System action

The command is ignored by the NetView program.

Operator response

Notify your system programmer.

System programmer response

Verify that the operator ID is allowed to enter NetView commands from the web browser. Examine the NetView command authorization table to ensure that the operator ID is permitted to enter the WEBCMD command. For more information about web Browser security, see the *IBM Z NetView Security Reference*.

BNH757E **The SAFNODEC setting will be used for surrogate decisions due to a problem with the dataspace for the SURROGAT class.**

Explanation

When the NetView program attempted to make a surrogate authorization call to the security product, a return code was received from the security product indicating that the dataspace for the SURROGAT class was not accessible. The dataspace for the SURROGAT class might have been deleted.

System action

The SAFNODEC setting is used for surrogate authorization decisions until after the dataspace problem is resolved.

Message BNH189 is issued following this message to give the security product return codes. When the problem with the dataspace for the SURROGAT class is resolved, message BNH758 is issued and surrogate checks in the SURROGAT class are resumed.

Operator response

Notify the system programmer or security administrator.

System programmer response

Look to see if the dataspace for the SURROGAT class was deleted.

For RACF, you can issue a 'SETR LIST' command from an authorized TSO operator to determine if the SURROGAT class is RACLISTed. If the SURROGAT

class does not appear under one of the 2 RACLISTed output lines, the dataspace was deleted.

It is possible that someone issued a SETR NORACLIST(SURROGAT), which caused the dataspace to be deleted. This can be corrected by issuing a SETR RACLIST(SURROGAT) command from an authorized TSO operator or by recycling the NetView program.

BNH758I **Surrogate authorization using the SURROGAT class has resumed.**

Explanation

There was previously a problem with the dataspace for the SURROGAT class, detailed by message BNH757, but the problem is resolved.

System action

The SURROGAT class of the security product is used for NetView surrogate security.

System programmer response

See message BNH757 for additional information.

BNH759E **clist1 INVOKED AS clist2 CAUSED THE AUTOBYPAS parm LIMIT TO BE EXCEEDED**

Explanation

A command procedure started the AUTOBYPAS function in a manner that exceeded the limits of a parameter. This message might be generated as a result of subroutine and function calls because each of these calls is included in the suspend and resume counts. The count is incremented when the subroutine or function is started and decremented when the subroutine or function returns to its invoker.

Message Variables**clist1**

The command procedure that issued the AUTOBYPAS function in error

clist2

The verb used to start the command procedure

parm

The AUTOBYPAS parameter that caused the limit to be exceeded. For SUSPEND, the limit is 254 for each command procedure. For RESUME, the limit is zero.

System action

The AUTOBYPAS call is ignored and security settings are not changed.

If this message is issued as the result of a REXX subroutine or function call, the call results in a REXX incorrect subroutine or function invocation message, and the subroutine or function is not called.

Operator response

Notify your system programmer.

System programmer response

If this is a command procedure provided with the NetView program, contact IBM Software Support.

If this is a user-written command procedure, review your use of SUSPEND and RESUME to ensure that you have not exceeded 254 suspends or that you have not issued a RESUME for which a SUSPEND was not outstanding.

BNH760I *name does not have a CMDDEF statement or it is not a command procedure.*

Explanation

An entry was found in DSIPARM member DSIAUTB or DSIAUTBU that is not a command procedure or does not have a defined CMDDEF statement.

Message Variables

name

The entry in DSIAUTB or DSIAUTBU

System action

The entry is ignored.

Operator response

Notify your system programmer.

System programmer response

If this is an entry provided with the NetView program, contact IBM Software Support. If this is a user-written command procedure, ensure that you have defined the entry correctly and that a CMDDEF statement exists.

BNH761E **Attempt to initialize socket interface on *ipStack* failed**

Explanation

An attempt to initialize a raw socket on the IP stack with name *ipStack* failed.

Message Variables

ipStack

Either the default IP stack name or the IP stack specified by the -s or TCPNAME operand

System action

Socket initialization ends.

Operator response

Verify IP connectivity or specify an available IP stack name.

BNH763E **No IP address or hostname specified for *command***

Explanation

An IP address or host name is required but was not specified for the indicated command. If the command is FKXEDVPC, then the host name and IP address are missing from the TCP390 stack definition data. This can indicate problems with the stack or with the resource discovery function.

System action

The command ends.

Operator response

Specify a valid IP host name or address and reissue the command. If the indicated command is FKXEDVPC, notify the system programmer.

System programmer response

Investigate why the resource discovery function is not working if it is being used. You might need to add either a host name or an IP address to the TCP390 statement in the CNMPOLCY file.

BNH764W **Host name resolution timed out**

Explanation

This message is issued when a timeout (exceeding the CNMIP.DNSTimeout provided time interval) occurs for either of the following types of resolver requests:

- Determine an IP address given a host name
- Determine a host name given an IP address

System action

Processing continues.

Operator response

Verify network connectivity and domain name server availability, or re-issue the command with the host name or IP address the resolver was asked to determine, if it is known.

If the host name or IP address the resolver was asked to determine is not known, then contact the system programmer.

System programmer response

Ensure that the configuration of the resolver and applicable domain name server(s) allow a specified host name or IP address to be resolved.

BNH765I **Pinging *ipHostname* at *ipAddress* with *count* packets of length *length* bytes**

Explanation

The specified IP host is being pinged with a finite number of echo requests (pings).

Message Variables

ipHostname

The name of the IP host being pinged

ipAddress

The address of the IP host being pinged

count

The number of pings being sent

length

The length (size) of the ping packets being sent

System action

Processing continues

BNH766I **Pinging *ipHostname* at *ipAddress* indefinitely with packets of length *length* bytes**

Explanation

The specified IP host is being pinged with an indefinite number of echo requests (pings).

Message Variables

ipHostname

The name of the IP host being pinged

ipAddress

The address of the IP host being pinged

length

The length (size) of the ping packets being sent

System action

The PING command continues until it ends, either manually or otherwise.

Operator response

Enter the NCCF RESET command to end the command and generate a summary report of pings sent, received, and packet loss calculated.

BNH767I ***numBytes* bytes received from *ipAddress*: seq=*number* in *time* ms**

Explanation

A valid echo reply to an echo request (ping) was received

Message Variables

numBytes

The number of bytes in the echo reply

ipAddress

The origin (IP address) of the echo reply

number

The sequence number of the original echo request (ping) for which this is the reply

time

The round-trip time of the echo request (ping) and reply

System action

Processing continues

BNH768I **Ping timed out**

Explanation

No valid echo reply to an echo request (ping) was received in the time allowed

System action

Processing continues with the subsequent echo request

BNH769I ***ping* packets sent, *echo* packets received, *percent*% packet loss**

Explanation

This is the first of the 2 summary messages generated at the conclusion of PING processing.

Message Variables

ping

The total number of echo requests (pings) sent

echo

The total number of echo replies received

percent

The calculated percentage of echo requests for which valid echo replies were not received

System action

Processing continues

BNH770I **Round trip times from *min* to *max*
ms, averaging *avg* ms**

Explanation

This is the second of the 2 summary messages generated at the conclusion of PING processing.

Message Variables

min

The minimum round-trip time in milliseconds of any echo request for which a valid echo reply was received

max

The maximum round-trip time in milliseconds of any echo request for which a valid echo reply was received

avg

The average round-trip time for all echo requests sent for which valid echo replies were received

System action

Processing ends.

BNH771I **Pinging of *ipHostname* at
ipAddress result**

Explanation

This message is generated, at the conclusion of processing, when a PING command is issued with the -q or QUICK option.

Message Variables

ipHostname

The name of the IP host being pinged

ipAddress

The address of the IP host being pinged

result

The status of the ping. Values are SUCCEEDED or FAILED

BNH772I **NUMBER OF CONNECTIONS:
numcon, MISSED BUFFERS:
*missbuf***

Explanation

This is a multiline message written in response to the TCPCONN QUERY command. It consists of one header line followed by a variable number of data lines, each describing a TCP/IP connection. The number of connections returned is determined by the MAXRECS operand on the TCPCONN QUERY command. This

message is designed for parsing by REXX and not for reading by a person. A REXX sample, CNMSTCPC, is provided to format the BNH772I information for readability.

Note: TCPCONN QUERY displays all of the available data, but some error conditions can delete data. See any preceding error messages for possible explanations for missing data.

Each data line includes the following information:

Columns

Description

1-8

The TCP/IP name.

10-72

The local IP address. If LADDR in the TCPCONN QUERY was specified in colon hexadecimal format, this address is output in the form hhhh: hhhh: hhhh: hhhh: hhhh: hhhh: hhh h, where each hhhh is a 0-to-4 character hexadecimal value. If LADDR was specified in dotted decimal format, this address is output in the form ddd . ddd . ddd . ddd if it is an IPv4 address, or the form ddd . ddd . ddd . ddd . ddd . ddd . ddd . ddd . ddd . d . ddd . ddd . ddd . ddd . ddd . ddd if it is an IPv6 address. In either case, ddd is a decimal number from 0 to 255. Otherwise, this address is output in the form ddd . ddd . ddd . ddd if it is an IPv4 address, or the form hhhh: hhhh: hhhh: hhhh: hhhh: hhhh: hhh h if it is an IPv6 address. Leading zeros are stripped from output IPv4 addresses but not IPv6 addresses. Unused columns on the right are blank.

74-78

The local port number (right-aligned with leading zeros omitted).

80-142

The remote IP address, with formatting handled in the same way as the local IP address.

144-148

The remote port number (right-aligned with leading zeros omitted).

150-157

The date and time the connection started, formatted as an eight-character binary store-clock value. This value can be converted into a printable format using the PIPE EDIT command.

—

The following columns are included only for inactive connections.

159-166

The date and time the connection ended, formatted as an eight-character binary store-clock

value. This value can be converted into a printable format using the PIPE EDIT command.

168-175

The socket resource name (the name of the address space that established the connection).

177-184

The eight-digit hexadecimal representation of the TCB address of the local owner task.

186-201

The 16-digit hexadecimal representation of the TCP/IP socket resource ID.

203-224

The number of bytes received over the connection (right-aligned, with leading zeros omitted).

226-247

The number of bytes sent over the connection (right-aligned, with leading zeros omitted).

249-256

The maximum send window size (right-aligned, with leading zeros omitted).

258-262

The retransmit count (right-aligned, with leading zeros omitted).

264-271

The protocol indicator (LINEMODE, TN3270, TN3270E, or N/A).

273-280

The LU name, if reported by the z/OS Communications Server.

282-289

The target application name, if reported by the z/OS Communications Server.

291-298

The logmode name, if reported by the z/OS Communications Server.

Note: For help with the meanings of the values for the following fields, see the CNMSTCPC sample: TTLS connection status, TTLS policy status, termination code, and status flags.

300-301

The 2-digit hexadecimal representation of the TTLS connection status.

303-304

The 2-digit hexadecimal representation of the TTLS policy status.

306-307

The 2-digit hexadecimal representation of the TCP connection termination code.

309-310

The 2-digit hexadecimal representation of the status flags.

312-313

The 2-digit hexadecimal representation of the type of service (ToS).

Message Variables

numcon

The total number of connections matching the input criteria. If this number exceeds MAXRECS, the COUNT=YES operand must be specified on the TCPCONN QUERY command for this value to be displayed. Otherwise, *numcon* is N/A.

missbuf

The number of missing data buffers. An increased value of *missbuf* indicates reduced accuracy of the QUERY results.

System action

The TCPCONN QUERY is complete.

BNH773I

**NUMBER OF PACKETS: *nump*,
MISSED BUFFERS: *missbuf*,
TCPNAME: *tname***

Explanation

This is a multiline message written in response to the PKTS QUERY command. It consists of one header line followed by a variable number of data lines, each describing a traced packet. The number of packets returned is determined by the MAXRECS operand on the PKTS QUERY command.

Note: PKTS QUERY displays all of the available data, but some error conditions can cause some data to be missing. See any preceding error messages for possible explanations for missing data.

Each data line includes the following information in binary form:

Columns

Description

1-16

The Communications Server Component Trace Element (CTE) header. The first 2 bytes are the record length.

17-nn

The Communications Server Packet Trace Header (PTH) and data. The first 2 bytes are the PTH length, followed by the packet data, starting with the IP header.

The binary data can be converted into a printable form using the PIPE EDIT command or the FMTPACKT pipe stage.

Message Variables

nump

The number of matching traced data packets. If COUNT=YES was specified on the PKTS QUERY command, this is the number of matching packets. If COUNT=YES was not specified, the value of *nump* is the number of matching packets if less than the value of the MAXRECS keyword, and N/A if not.

missbuf

The number of missing data buffers. An increased value of *missbuf* indicates reduced accuracy of the QUERY results.

tname

The TCP name specified on the command. If no TCP name is specified, the default TCP name is used.

System action

The PKTS QUERY is complete.

BNH774I **PURGE COMPLETED. *nump*
RECORD(S) OF TYPE *ptype* WERE
PURGED FOR TCPNAME *tname*.**

Explanation

This message is returned in response to the TCPCONN PURGE or PKTS PURGE command and indicates that the specified number of records have been purged from storage or DASD. If both active and inactive connections have been purged, 2 BNH774I messages appear, one for active and one for inactive connections.

Message Variables**nump**

The number of records that have been purged.

ptype

The type of records that have been purged:

- ACTIVE-CONN (active connection records)
- INACTIVE-CONN (inactive connection records)
- PACKET (packet trace records)

tname

The TCP/IP name of the stack. For inactive connection records, the TCP/IP name can be an asterisk (*).

BNH775I **NUMBER OF CONNECTIONS:
*numcon***

Explanation

This is a multiline message written in response to the TCPCONN QUERYACT command. It consists of one header line followed by a variable number of data lines, each describing an active TCP/IP connection.

The number of connections returned can be limited by the MAXRECS operand on the command, depending on the actual number of connections that match the criteria operands. This message is designed for parsing by REXX and not for reading by a person. A REXX sample, CNMSTCPC, is provided to format the BNH775I information for readability.

Note: TCPCONN QUERYACT displays all of the available data, but some error conditions can cause incomplete data. See any preceding error messages for possible explanations for incomplete data.

Each data line includes the following information:

Columns	Description
---------	-------------

1-8

The TCP/IP job name for which a connection endpoint is found.

10-72

The local IP address. If LADDR in the TCPCONN QUERY was specified in colon hexadecimal format, this address is output in the form
hhhh: hhhh: hhhh: hhhh: hhhh: hhhh: hhh
h, where each hhhh is a 0-to-4 character hexadecimal value. If LADDR was specified in dotted decimal format, this address is output in the form
ddd . ddd . ddd . ddd if it is an IPv4 address, or the form
ddd . ddd . ddd . ddd . ddd . ddd . ddd . ddd . ddd . ddd . ddd . ddd if it is an IPv6 address. In either case, ddd is a decimal number from 0 to 255. Otherwise, this address is output in the form
ddd . ddd . ddd . ddd if it is an IPv4 address, or the form
hhhh: hhhh: hhhh: hhhh: hhhh: hhhh: hhhh: hhh
h if it is an IPv6 address. Leading zeros are stripped from output IPv4 addresses but not IPv6 addresses. Unused columns on the right are blank.

74-78

The local port number (right-aligned with leading zeros omitted).

80-142

The remote IP address, with formatting handled in the same way as the local IP address.

144-148

The remote port number (right-aligned with leading zeros omitted).

150-157

The date and time the connection started, formatted as an eight-character binary store-clock value. This value can be converted into a printable format using the PIPE EDIT command.

159-166

The date and time of the last activity on this connection, formatted as an eight-character binary

store-clock value. This value can be converted into a printable format using the PIPE EDIT command.

168-175

The job name of the address space that opened the socket.

177-184

The eight-digit hexadecimal representation of the TCP/IP resource (connection) identifier.

186-205

The total number of bytes received over the connection (right-aligned, with leading zeros omitted).

207-226

The total number of bytes sent over the connection (right-aligned, with leading zeros omitted).

228-232

The number of retransmitted segments (right-aligned, with leading zeros omitted).

234-253

The total number of segments received over the connection (right-aligned, with leading zeros omitted).

255-274

The total number of segments sent over the connection (right-aligned, with leading zeros omitted).

276-279

The connection state (right-aligned, with leading zeros omitted). The meanings are as follows (the first 11 are defined by TCP/IP; in the last case, z/OS Communications Server is in the process of deleting and cleaning up the TCB):

- 1** CLOSED
- 2** LISTENING
- 3** SYN_SENT
- 4** SYN_RECEIVED
- 5** ESTABLISHED
- 6** FIN_WAIT_1
- 7** FIN_WAIT_2
- 8** CLOSE_WAIT
- 9** LAST_ACK

10 CLOSING

11 TIME_WAIT

12 DELETE_TCB

281-290

The most recent timestamp value, in milliseconds, received from the remote side of the connection.

292-301

The time, in milliseconds, when the previous field was updated.

303-310

The maximum send window size (right-aligned, with leading zeros omitted).

312-319

The current send window size (right-aligned, with leading zeros omitted).

321-325

The number of duplicate acknowledgments (right-aligned, with leading zeros omitted).

327-327

Whether the local or remote end connected.

0 Remote end issued connect

1 Local end issued connect

329-344

The interface name.

346-408

The TCP/IP host name that was discovered for the TCP/IP job name.

410-417

The z/OS image name for which TCP/IP connection information is requested.

419-422

The 4-digit hexadecimal identification of the address space (ASID) that established the connection.

424-431

The eight-digit hexadecimal representation of the local owner task's TCB address.

433-438

The six-digit hexadecimal representation of the three consecutive options bytes defined by the z/OS Communications Server EZBNMRHC header file.

440-447

The TN3270 target application name.

449-456

The TN3270 LU name.

458-465

The TN3270 user client name.

467-474

The TN3270 logmode name.

476-483

The protocol indicator (LINEMODE, TN3270, TN3270E, or N/A).

485-487

The AT-TLS policy status (right-aligned, with leading zeros omitted). The meanings, defined by the z/OS Communications Server, are as follows:

0

unknown

1

off

2

no matching rule was found

3

matching rule indicates that AT-TLS is not used

4

AT-TLS is enabled for this connection, but application control has not been granted

5

AT-TLS is enabled and is application-controllable

489-491

The AT-TLS connection status (right-aligned, with leading zeros omitted). The meanings, defined by the z/OS Communications Server, are as follows:

1

connection does not have a secure session established

2

connection initial handshake in progress

3

connection has a secure session

493-496

The hexadecimal AT-TLS SSL protocol. The meanings, defined by the z/OS Communications Server, are as follows:

0000

connection does not have a secure session established

0200

SSL version 2 is in use

0300

SSL version 3 is in use

0301

TLS version 1 is in use

498-501

The 4-digit hexadecimal representation of the AT-TLS negotiated cipher.

503-505

The AT-TLS security type (right-aligned, with leading zeros omitted). The meanings, defined by the z/OS Communications Server, are as follows:

0

Connection does not have a secure session established

1

Client

2

Server

3

Server with client authentication - client authentication type is PassThru

4

Server with client authentication - client authentication type is Full

5

Server with client authentication - client authentication type is Required

6

Server with client authentication - client authentication type is SAFCheck

507-514

The AT-TLS partner user ID.

Message Variables***numcon***

The total number of connections matching the input criteria. If this number exceeds MAXRECS, the COUNT=YES operand must be specified on the TCPCONN QUERYACT command for this value to be displayed. Otherwise, *numcon* is N/A.

System action

The TCPCONN QUERYACT is complete.

BNH776I

P/M stack ident subtype sdata

Explanation

BNH776I is a multiline message that returns a data record that was collected through the network Management Interface (NMI), either through the EZBNMIFR interface or the SYSTCPSM interface. If the data record was collected through the SYSTCPSM interface, then that data record is a type 119 SMF record. If the data record was collected through the EZBNMIFR interface, then the data resembles, but is not, a type 119 SMF record. The P/M indicator, the *ident* field, and the *subtype* field inform the user of the

format of the data record. The *sdata* field contains a series of blank delimited numbers specific to the type of data record that has been returned. This message is used internally by the NetView program.

Message Variables

P/M

P

The data was returned through the EZNMI PIPE stage, which collects data from the EZBNMIFR interface.

M

The data is from the SYSTCPSM socket interface.

stack

The TCP/IP stack name.

ident

Identifier for the data:

119

A type 119 SMF record

N/A

Data is not a type 119 SMF record

subtype

If this is a type 119 SMF record, then subtype is the subtype of the record. If this field is N/A, then the data is not a type 119 SMF record.

sdata

Formatted data specific to the type of record. For example, for a subtype 4 SMF 119 profile record, there are 22 blank delimited numbers, where each number corresponds to the number of entries in the given section of the type 119 SMF record.

BNH780I UNABLE TO SEND EVENT TO CORRELATION ENGINE.

Explanation

This indicates a TCP/IP failure when trying to send an event to the correlation engine. It is accompanied by a message from one or more NetView send modules or receive modules indicating the nature of the failure. This message occurs only when the correlation engine code has not been started or has been stopped on the UNIX system services side. If this occurs, the event and its corresponding message are added to a retry queue that is serviced by a timer.

BNH781I CORRELATION ENGINE MESSAGE RECEIVED.

Explanation

This indicates that an unsolicited message has been received from the correlation engine. These are

generally sent when an error occurs on the correlation side, such as a Java™ exception.

The received message follows the BNH781I message as the second line of an MLWTO.

BNH782I NO MESSAGE/MSU FOUND FOR CORRELATION EVENT *event*.

Explanation

The event identified by *event* has been correlated and returned to the NetView program, but its corresponding message or Management Service Unit (MSU) cannot be found. This can occur if an operator has flushed the store of messages or MSUs waiting to be correlated, or if the length of time the messages or MSUs were held exceeded a timeout value. The NetView program handles this condition by constructing a message or alert from the data contained in the event. However, the resulting message or alert contains only a subset of the original and might be missing information, such as color information for a message.

BNH783I *number* CORRELATION MESSAGES/MSUS PURGED.

Explanation

The value *number* indicates the number of waiting messages or Management Service Units (MSUs) purged in response to the PURGE option of the CORRSERV command or the TASK=DSICORSV option on the STOP command.

BNH784I CORRSERV COMMAND ACCEPTED.

Explanation

If you use an option that sends this command to UNIX system services, this message means that the command has been accepted by the correlation engine. Failures are reported by message BNH781I.

BNH785I CORRELATION FAILED. MQS FAILED TO DSICORSV. RC = *rc*.

Explanation

This message is issued if automation fails to send the event using the message queuing service (MQS) to the DSICORSV task. The return code *rc* contains the return code from DSIMQS. The most likely cause of failure is that DSICORSV is inactive.

BNH786I EVENT THRESHOLD *nn* REACHED.

Explanation

This message is issued if automation sends the event using the message queuing service (MQS) to the DSICORSV task, but connectivity to the correlation server has been lost and the threshold value of *nn* specified in the CNMSTYLE member has been reached for the retry queue. The message or Management Service Unit (MSU) is marked as a correlation failure and returned to the task that sent it.

BNH787I **CORRSERV STATUS command response data**

Explanation

This message is issued in response to the CORRSERV STATUS command. If the command can be forwarded to UNIX system services, the message has the following data:

Connected SRV_RETRYQ	MessageQ	Correlated	NV_RETRYQ	
-----	-----	-----	-----	-----
YES	NW	NC	0	EW

where *NW* is the number of messages and Management Service Units (MSUs) waiting for a response from the correlation server, to be either sent back through automation or discarded. The value *NC* is a count from the correlation server of the number of messages that caused a rule to trigger. If there is connectivity to the server, *NV_RETRYQ* must be 0. The value for *SRV_RETRYQ* is probably 0. This column is a count of the number of events that the server received from the NetView program, but placed on a retry queue because of an internal failure on the server side.

If the NetView program cannot forward the command to UNIX system services, the message is similar to the following:

Connected SRV_RETRYQ	MessageQ	Correlated	NV_RETRYQ	
-----	-----	-----	-----	-----
NO	NW	N/A	RE	N/A

where *N/A* means that the information from the server is not available. If connectivity has been lost, the value *RE* contains the number of events on the retry queue waiting to be sent to the other side.

BNH788I **COMMAND RESPONSE TO command RECEIVED**

Explanation

This message is issued when a response to the CORRSERV command is received from the correlation engine. The response text follows this message as subsequent lines in an MLWTO.

Note: The response to CORRSERV STATUS is handled by message BNH787I.

BNH789I **CORRELATION LOOP DETECTED. MESSAGE/MSU REJECTED.**

Explanation

A message or MSU has been submitted for correlation after already having completed the correlation process. This indicates that there was an error in coding the automation table. When an error condition is detected in the pipe stage, the original input message is still copied to the primary output stream, but no MQS to DSICORSV occurs.

BNH790I **NetView Resource Agent domain is down-level. Processing continues.**

Explanation

The specified NetView Resource Agent domain is not running the NetView program level that supports customizing the autotask name for NetView Resource manager. Autotask AUTONRM is used for NetView Resource Manager processing on the specified domain.

System action

Processing continues.

System programmer response

Upgrade the NetView program level on the host specified by *domain*.

BNH791I **ADDRESS FAMILY IS *family***

Explanation

This message shows the address family applicable to an IP address shown in a previous BNH641I message issued in response to a GETADDRINFO request made by the socket interface. The address family name shown can be used as the value of the FAMILY keyword of the SOCKET command.

Message Variables

family

The address family, INET or INET6.

System action

Processing continues.

BNH792I **PORT NUMBER IS *nnn***

Explanation

This message shows the port number applicable to an IP address shown in a previous BNH641I message issued in response to a GETADDRINFO request made by the socket interface. It shows the port number assigned to a TCP/IP service whose name was included on the GETADDRINFO request; otherwise, the port number is zero.

Message Variables

nnn

The port number assigned to a TCP/IP service or zero.

System action

Processing continues.

BNH793I **SOCKET TYPE IS *socktype***

Explanation

This message displays the type of socket that is used to communicate with a service whose IP address is shown in a preceding BNH641I message. This message is part of a set of messages returned by the socket interface for a TCP/IP GETADDRINFO request. If the socket type cannot be determined during this host information retrieval process, then the socket type shown is STREAM.

Message Variables

socktype

The socket type, which is STREAM, DATAGRAM, or RAW.

System action

Processing continues.

BNH794I **PROTOCOL NUMBER IS *nnn***

Explanation

This message displays the protocol number that must be assigned to a raw socket that must be used to communicate with a service whose IP address is shown in a preceding BNH641I message. This message is part of a set of messages returned by the socket interface for a TCP/IP GETADDRINFO request and is only received if the socket type shown in the immediately preceding BNH792I message is RAW.

Message Variables

nnn

The protocol number. To associate the protocol number with a protocol name, check the TCP/IP protocol definitions.

System action

Processing continues.

BNH795I **SCOPE ID IS *scopeid***

Explanation

This message displays the scope identifier (also known as a zone identifier) associated with an IP address that appears in a preceding message. This message is received only if the IP address in the preceding message is an IPv6 address of link-local scope.

Message Variables

scopeid

The scope (zone) identifier. This identifier can be used as the value of the SCOPEID keyword of the SOCKET command when attempting to communicate with the host at that IP address.

System action

Processing continues.

BNH796I **SERVICE NAME IS *service***

Explanation

This message displays a service name as part of the information returned for a TCP/IP GETNAMEINFO request made by the socket interface. This message is received only if TCP/IP returned a service name.

Message Variables

service

The name of a service. This might instead contain a port number, depending upon other information supplied with the SOCKET TYPE=GETNAMEINFO command.

System action

Processing continues.

BNH797I **CONVERSION FAILED FOR IP ADDRESS *ipaddress* WITH RC *retcode*. COMMAND PROCESSING TERMINATED.**

Explanation

The IP address passed to an address translation routine cannot be converted as requested. Either the IP address is incorrect or the parameters passed to the address translation routine are incorrect.

Message Variables

ipaddress

The IP address that cannot be converted.

retcode

The return code from the address translation routine.

System action

The command fails.

Operator response

Take appropriate action depending on the value of *retcode*.

retcode = 0

Conversion was successful.

retcode = 4 through retcode = 16

The address translation routine failed because of an internal error. Contact IBM Software Support.

retcode = 20 or higher (unless retcode = 300)

The IP address is incorrect. Enter the command again with a valid IP address.

retcode = 300

The IP address does not meet the specification for the DEFAULTS.IPV6Env statement in the CNMSTYLE member. For example, an IPv6 address is entered with the VTAM command when DEFAULTS.IPV6Env=NONE is specified, or an IPv4 address is entered when DEFAULTS.IPV6Env=ONLY is specified. Enter the command again with a valid IP address.

BNH798I NO INTERFACES WERE RETURNED**Explanation**

This message indicates that a TCP/IP IOCTL request made by the socket interface completed and returned no network interface information. It might appear when OPTNAME=SIOCGHOMEIF6 or OPTNAME=SIOCGIFCONF is used with SOCKET TYPE=IOCTL.

System action

Processing continues.

BNH799I INTERFACE NAME IS name**Explanation**

This message shows the name assigned to a TCP/IP network interface. It might be issued in response to a TCP/IP IOCTL request made by the socket interface (SOCKET TYPE=IOCTL) using OPTNAME=SIOCGIFCONF or OPTNAME=SIOCGIFNAMEINDEX.

Message Variables**name**

A 1 - 16 character network interface name.

System action

Processing continues.

BNH800I INTERFACE ADDRESS IS address**Explanation**

This message shows the IP address of a TCP/IP network interface. It might be issued in response to a TCP/IP GETSOCKOPT request made by the socket interface (SOCKET TYPE=GETSOCKOPT) with OPTNAME=IP_MULTICAST_IF. It might also be issued in response to a TCP/IP IOCTL request made by the socket interface (SOCKET TYPE=IOCTL) with the value of OPTNAME being one of the following.

- SIOCGHOMEIF6
- SIOCGIFADDR
- SIOCGIFBRDADDR
- SIOCGIFCONF
- SIOCGIFDSTADDR

Message Variables**address**

IP address assigned to the TCP/IP interface.

System action

Processing continues.

BNH801I INTERFACE INDEX IS nnn**Explanation**

This message shows the interface index assigned to a TCP/IP IPv6 interface. It might be issued in response to a TCP/IP IOCTL request made by the socket interface (SOCKET TYPE=IOCTL) using OPTNAME=SIOCGIFNAMEINDEX.

Message Variables**nnn**

An index assigned by TCP/IP for an IPv6 interface.

System action

Processing continues.

BNH802I SOCKET nnn ADDRESS FAMILY IS INCOMPATIBLE WITH IP ADDRESS address

Explanation

This message indicates that a TCP/IP request was made using an IP address that is incompatible with the address family in which a socket was allocated. An example of this is the use of an IP version 6 (IPv6) address for a request on a socket allocated using FAMILY=INET on the SOCKET command.

Message Variables

nnn

If the command was SOCKET, this is the descriptor number for the socket on which the TCP/IP request was made.

If the command was RMTCMD, this is the address family of the sockets being used by the DSIUDST task.

address

The IP address that was given on the command.

System action

Processing continues.

Operator response

Reenter the command, specifying an appropriate IP address. For the SOCKET command, allocate a socket, specifying FAMILY=INET6, then try the request again with the original IP address. For RMTCMD, ensure that the DSIUDST task can obtain sockets in the address family appropriate for the IP address being used.

BNH803I **VALUE *value1* FOR KEYWORD *keyword1* CONFLICTS WITH VALUE *value2* FOR KEYWORD *keyword2***

Explanation

A command failed because the value of one valid keyword was not compatible with the value of another valid keyword. The keyword could be a CNMSTYLE statement.

Message Variables

value1

The value causing the conflict.

keyword1

The keyword whose value is causing the conflict.

value2

The other value with which the conflict occurs.

keyword2

The other keyword whose value is in conflict.

System action

Processing continues.

Operator response

Correct the command specification and reenter the command. See the NetView online help for the syntax of the command involved.

System programmer response

Correct the specified CNMSTYLE statement and ask the operator to reenter the command.

BNH804I **'*intfc_name*' '*intfc_qual*'
INTERFACE INITIALIZATION IS
*action***

Explanation

When the *action* is STARTING, the indicated interface is initializing. When the *action* is COMPLETE, the initialization process completed.

For the Z NetView Enterprise Management Agent, a Program to Program Interface (PPI) connection is established with the NetView program.

For the ACTIVEACTIVE, DISCOVERY, DVIPA, or TEMA tower, data collection for the specified subtower is starting.

Message Variables

intfc_name

This can be one of the following:

- Z NetView Enterprise Management Agent
- ACTIVEACTIVE, DISCOVERY, DVIPA, or TEMA tower

intfc_qual

For the Z NetView Enterprise Management Agent interface, this is the PPI receiver name for the agent.

For the ACTIVEACTIVE, DISCOVERY, DVIPA, or TEMA tower, this is a subtower.

action

The action is either STARTING or COMPLETE

BNH805I **'*intfc_name*' '*intfc_qual*'
INTERFACE HAS TERMINATED
DUE TO '*reason*'**

Explanation

The specified interface has terminated because of the indicated reason.

Message Variables

intfc_name

The interface name.

intfc_qual

Qualifying information for the interface name. For the IBM Z NetView Enterprise Management Agent interface, this is the PPI receiver name for the agent. For the ACTIVEACTIVE, DISCOVERY, DVIPA or TEMA tower, this is a subtower.

reason

The reason the interface ended, which can be one of the following reasons:

CNME8202 FAILED

The CNME8202 command list was ended by a halt request.

DATA COLLECTION TASK TERMINATION

A data collector autotask is no longer active for the specified subtower.

DATA SPACE WRITE ERROR

A failure occurred when trying to access the Z NetView Enterprise Management Agent data space. See the corresponding DWO050E message and reason code in the NetView log.

HALT REQUEST

The NACMD command was canceled.

INTERNAL ERROR

This is a condition that must not occur within NACMD command processing.

INVALID SYNTAX

A syntax error occurred when the NACMD command was issued. Either information was provided that was not valid or required information was missing.

NACMD ALREADY ACTIVE

An NACMD command has already been issued for this NetView program.

NETVIEW ENTERPRISE MANAGEMENT AGENT TERMINATION

The Z NetView Enterprise Management Agent has ended, which causes all data collection for TEMA subtowers to stop.

NETVIEW ENTERPRISE MANAGEMENT INTERNAL ERROR

The Z NetView Enterprise Management Agent has ended with an internal error, which causes all data collection for TEMA subtowers to stop.

OPERATOR REQUEST

The operator requested one of the following actions:

- Stop the PPI connectivity between the NetView program and the Z NetView Enterprise Management Agent.
- Stop data collection for a subtower.

- Stop the Z NetView Enterprise Management Agent using the NetView STOPNA command or the z/OS STOP command. In this case, the message includes a reason code of 00000012.

PPI REGISTRATION FAILURE

An NACMD command failed to register a subnode to the Z NetView Enterprise Management Agent.

PPI SESSION ENDING

A PPI session to the Z NetView Enterprise Management Agent ended. Look for the corresponding DWO050E message and the reason code in the NetView log. See the DWO050E message help for the appropriate action to take based on the specified reason codes.

REXX FAILURE SIGNAL

A REXX failure occurred with the NACMD command.

REXX NOVALUE ERROR

A REXX no value error occurred with the NACMD command.

REXX SYNTAX ERROR

A REXX syntax error occurred with the NACMD command.

TEMA TOWER NOT ACTIVE

An NACMD command was issued, but the TEMA tower is not enabled in the CNMSTYLE member.

rc

Optional reason code.

System action

The NACMD command ends and the connection to the agent is disconnected or data collection has been suspended for a TEMA, DVIPA, or DISCOVERY subtower.

Operator response

Reissue the NACMD command if the HALT REQUEST or OPERATOR REQUEST reason is received. If the problem persists, contact the system programmer.

System programmer response

Take the appropriate action based on the reason received:

CNME8202 FAILED

Browse the NetView log for additional error messages. Contact IBM Software Support.

DATA COLLECTION TASK TERMINATION

Start the autotask associated with the specified ACTIVEACTIVE, DISCOVERY, DVIPA, or TEMA subtower again.

DATA SPACE WRITE ERROR

The DWO050E message is written to the NetView log when this reason is specified. Look for the reason code in the DWO050E message and take the appropriate action.

104

Internal Error.

Contact IBM Software Support.

120

Internal Error.

Contact IBM Software Support.

124

NetView storage failure.

Determine which task is using an excessive amount of storage and take action as appropriate.

128-132

Internal Error.

Contact IBM Software Support.

204

One or more of the following conditions has occurred:

- The Z NetView Enterprise Management Agent is inactive.
- The agent is active, but the NACMD command was not issued.

Verify that the agent is active and the NACMD was issued successfully.

400[®]+

The Z NetView Enterprise Management Agent data space could not be created. Look for the CNM273I message in the NetView log or in the RKLVLLOG log of the agent to determine the reason for the failure. Contact IBM Software Support.

INTERNAL ERROR

Contact IBM Software Support.

INVALID SYNTAX

Verify that the NACMD parameters are correct in the CNMSTYLE member.

NACMD ALREADY ACTIVE

An NACMD command was already issued for this NetView program. If you want to issue the command with different parameters, stop the current NACMD command by using the STOPNA command. Then issue the NACMD command again.

NETVIEW ENTERPRISE MANAGEMENT AGENT INTERNAL ERROR

Contact IBM Software Support.

NETVIEW ENTERPRISE MANAGEMENT AGENT TERMINATION

If the Z NetView Enterprise Management Agent was stopped by an operator request, start the agent again. If the Z NetView Enterprise Management Agent ended abnormally, look for error messages in syslog or RKLVLLOG to determine the reason for the failure. If you cannot resolve the problem, contact IBM Software Support.

PPI REGISTRATION FAILURE

Take the appropriate action as indicated by the reason code. If the reason code is not included with this message, look for the reason code in the DWO050E message that is written to the NetView log.

00000004

The Z NetView Enterprise Management Agent PPI receiver is not active. Verify that the NetView subsystem interface (SSI) and the agent are active.

00000022

Internal Error.

Contact IBM Software Support.

00000023

Internal Error.

Contact IBM Software Support.

00000024

The PPI is not available. Verify that the NetView subsystem interface (SSI) is active.

00000026

The DESTPPI receiver is not defined or is not yet active. Verify that the Z NetView Enterprise Management Agent is active.

00000028

The NetView subsystem interface (SSI) is active, but the PPI option is not enabled. Restart the SSI with the PPI option enabled.

00000032

A NetView storage failure occurred. Determine which task is using an excessive amount of storage and take action as appropriate.

00000033

Internal Error.

Contact IBM Software Support.

00000035

Internal Error.

Contact IBM Software Support.

00000040

Internal Error.

Contact IBM Software Support.

00000090

Internal Error.

Contact IBM Software Support.

PPI SESSION ENDING

The DWO050E message is written to the NetView log when this reason is specified. Look for the reason code in the DWO050E message and take the appropriate action.

00000001

The local PPI is not available. The NetView subsystem interface (SSI) might be down. Start the SSI and try again.

00000003

The local PPI receiver failed. Start the Z NetView Enterprise Management Agent again and reissue the NACMD command.

00000006

The NACMD command or the data received by the command is not valid. Stop the current NACMD command and reissue it. If the problem persists, contact IBM Software Support.

00000008

Unknown data was received on the local PPI sender (LCLPPIRV). Stop the current NACMD command and reissue it. If the problem persists, contact IBM Software Support.

00000010

The Z NetView Enterprise Management Agent subnode for this NetView program ended. Verify that the agent is active and has not encountered an abend.

00000201

The primary Z NetView Enterprise Management Agent PPI session is not available. Verify that the NetView subsystem interface (SSI) is active with the PPI option enabled. If the SSI is inactive, start it.

00000203

A receive failure occurred for the PPI receiver for the Z NetView Enterprise Management Agent. Contact IBM Software Support. Restarting the agent and reissuing the NACMD command might resolve the problem.

00000204

The primary PPI session received an unknown initial command. Contact IBM Software Support. Stop the current NACMD and reissue it.

00000207

A duplicate node name was found. Verify that the NetView programs issuing the NACMD command have unique domain names.

00000209

The PPI name was already defined. Restart the Z NetView Enterprise Management Agent with a unique name.

REXX FAILURE SIGNAL

Contact IBM Software Support.

REXX NOVALUE ERROR

Contact IBM Software Support.

REXX SYNTAX ERROR

Contact IBM Software Support.

TEMA TOWER NOT ACTIVE

The NACMD command was issued, but the TEMA tower is not enabled in the CNMSTYLE member. Enable the TEMA tower statement and recycle the NetView program.

BNH806I**TAKE ACTION COMMAND**

**'command' RECEIVED FOR TASK
task_name**

Explanation

The NetView program received a Take Action command from one of the following sources:

- Z NetView Enterprise Management Agent
- The z/OS product which uses the Tivoli Management Services infrastructure

This message provides an audit trail of commands received by the NetView program.

Message Variables**command**

The take action command that was received from one of the sources listed in the explanation. If the indicated command contains a sequence number within parentheses, the command came from a z/OS product that uses the Tivoli Management Services infrastructure. For example:

```
BNH806I TAKE ACTION COMMAND 'MVS D T  
(00000001)' RECEIVED FOR TASK SYSADMIN
```

The sequence number can be used to identify a particular transaction.

task_name

The task name on which the command is run.

BNH807I

**TAKE ACTION RESPONSE SENT
FOR COMMAND 'command' TASK
task_name**

Explanation

The NetView program sent a response to the Z NetView Enterprise Management Agent for a Take Action command:

Message Variables

command

The Take Action command for which the response was sent.

task_name

The task name on which the command was run.

BNH808I **TAKE ACTION COMMAND**
'command' FAILED FOR TASK
task_name

Explanation

The Take Action command failed to complete. The reasons for the failure are:

- A command response was not received in the specified time. The time to wait on the command response is specified in the following order:
 1. The WAITSECS value on the NACMD, if not nulls.
 2. The CNMSTYLE.NACMD.WAITSECS variable.
 3. The default value of 90 seconds.
- The command returned no output.

Message Variables

command

The Take Action command that failed.

task_name

The task name on which the command was run.

Operator response

If you continue to receive BNH808I messages for IBM Z NetView Take Action commands, you might have issued an earlier command that is taking a long time to complete. Issue a RESET command to free up the operator task on which the time-consuming command is running. If that does not work, issue a RESET IMMED command to free up the operator task. If that does not work, contact your system programmer.

System programmer response

Take appropriate actions to stop the time-consuming command on the operator task. Stop the operator task itself, if necessary. Consider increasing the WAITSECS value for the NACMD command.

BNH809I **DVIPA DATA IS NOT AVAILABLE**
FOR DOMAIN domain

Explanation

A command requesting DVIPA data has been issued, but no DVIPA data exists for the indicated domain. This typically occurs when the DVIPA tower has not been enabled in the CNMSTYLE member.

Message Variables

domain

The name of the domain that does not contain DVIPA data.

System action

The NetView program ignores the command.

Operator response

Verify that the DVIPA tower has been enabled for the indicated domain by using the TOWER function or by modifying the CNMSTYLE member. Issue the command again. See *IBM Z NetView Installation: Getting Started* for information about modifying the CNMSTYLE member.

BNH810I **Tracing IP route to target max**
hops hops

Explanation

A command to perform an IP trace route has been entered. This is the first line of output indicating the target host of the route being traced and the maximum number of hops that are allowed in tracing that route.

Message Variables

target

The IP address and the host name, if known and requested, of the target to which the route is being traced.

hops

The maximum number of hops over which the route is to be traced.

System action

The command continues. Output after the completion of each hop is displayed in turn.

BNH811I **hop: addr (name) t1ms t2ms**
t3ms...tnms

Explanation

A command to perform an IP trace route has been entered and a hop has completed. The IP host found is reported along with the turnaround times on each of the probes sent during the hop. Substitutes for turnaround times are as follows:

Message Variables

- *** Probe timed out.
- !A** Administratively prohibited (IPv6 only).
- !B** Destination is beyond scope of source address (IPv6 only).
- !F** The packet must be fragmented.
- !H** The destination host is unreachable.
- !N** The destination network is unreachable (IPv4 only).
- !P** The destination protocol is unreachable (IPv4 only).
- !Q** The destination host is reachable, but cannot accept the packet because the queue is full (IPv4 only).
- !R** No route to destination (IPv6 only).
- !S** The route supplied for the message was incorrect (IPv4 only).
- !U** Address is unreachable (IPv6 only).

System action

The command continues unless the target has been reported, in which case the command ends.

BNH812I *command ISSUED FOR task_name COMPLETED WITH STATUS code*

Explanation

The specified command was issued for a task. This message includes the completion status of the command execution.

Message Variables

command

The command that was issued.

task_name

The name of the task for which the command was issued.

- For the ACTVCTL, NACTL, and COLLECTL commands, the task name is a subtower name.

- For the SOACTL command, the task name is the Web Services server name.
- For the STOPNA command, the task name is either an operator ID or ALL.

code

The status code received from the command. The possible status codes are:

0

The command was successful.

1

A timer is scheduled to run the command at a later time.

4

The command was not successful.

- If the command issued is STOPNA, the task specified on the command was not running the NACMD command.

8

The command was not successful.

If the command that is issued is STOPNA, the destination PPI receiver (DESTPPI) specified on the NACMD command is not active.

System action

If the command is STOPNA, the NACMD command running on the specified task or tasks ends.

BNH813I **NUMBER OF DISTRIBUTED DVIPA TARGETS: numtargs**

Explanation

This is a multiline message written in response to the DVIPTARG command. This message consists of one header line followed by a variable number of data lines, each describing a distributed DVIPA target. This message is intended for parsing by a REXX process. A REXX sample, CNMSTARG, is provided to format the information from this message for readability.

Each data line includes the following information:

Columns

Description

1-45

The dynamic virtual IP address (DVIPA).

47-51

The distributed DVIPA port.

53-60

The job name of the application server.

62-69

The name of the z/OS image.

71-133

The TCP/IP host name of the target stack.

135-179

The dynamic XCF IP address of the target stack.

181-190

The number of servers ready at the port on the target stack to service the connection requests.

192-201

The total number of connections for the dynamic virtual IP address and port that have been distributed to the target stack.

203-212

The current number of active connections for the DVIPA and port that have been distributed to the target stack.

214-214

Indicates whether the distributed DVIPA port was dynamically added to distribution or explicitly specified on a VIPADISTRIBUTE profile statement. The following values can be specified:

1

Indicates that the port was dynamically added (TRUE).

2

Indicates that the port was explicitly defined (FALSE).

216-217

The value of this object indicates certain attributes of the distribution function for the DVIPA and port. The port function value is presented as a 1-byte hexadecimal number (representing 8 bits) where the bits are assigned the following meanings and bit 0 is the leftmost bit:

Bit 0 (distBaseWlm)

Corresponds to the DISTMETHOD BASEWLM parameter on the VIPADISTRIBUTE profile statement

Bit 1 (distRoundRobin)

Corresponds to the DISTMETHOD ROUNDROBIN parameter on the VIPADISTRIBUTE profile statement

Bit 2 (targetpathInactive)

Indicates that the distributor cannot send data packets to the target stack because there is no path to the target stack

Bit 3 (distServerWlm)

Corresponds to the DISTMETHOD SERVERWLM parameter on the VIPADISTRIBUTE profile statement

Bit 4 (local)

Indicates that the local target stack can be used for outbound connections unless the local target stack cannot process the connection

Bit 5 (distWeightedActive)

Corresponds to the DISTMETHOD WEIGHTEDACTIVE parameter on the VIPADISTRIBUTE profile statement.

Bit 6 (distTargetControlled)

Corresponds to the DISTMETHOD TARGCONTROLLED parameter on the VIPADISTRIBUTE profile statement. This distribution method can be used only with tier 1 targets that are not z/OS, such as DataPower® appliances.

Example: The hexadecimal value X'A0' (B'10100000') indicates that the distBaseWlm and targetpathInactive bits are set.

219-226

The XCF name used by this TCP/IP stack when joining the sysplex.

228-235

The TCP/IP job name.

237-240

The MVS address space ID of the address space that opened the socket. This is a 4-digit hexadecimal number.

242-249

The name of the sysplex.

251-254

The SMF system ID.

256-256

Hot standby server type. The server type when the distribution method is HOTSTANDBY. The following values are valid:

- Backup (2): Specifies that this server is a backup target. A backup target is initially a hot-standby target. Connections are not distributed to hot-standby targets. If the active target becomes unavailable, the distributor switches targets and one of the hot-standby targets becomes the active target.
- Preferred (1): Specifies that this server is the preferred target. If AUTOSWITCHBACK is configured, the preferred target is the active target if it is available and has had no health problems. If the active target becomes unavailable, the distributor switches to a hot-standby target, the active target becomes a hot-standby target, and the selected hot-standby target becomes the active target.

This data is available with z/OS V1R12 Communications Server or later.

258-258

Hot standby server status. The server status when the distribution method is HOTSTANDBY. The following values are valid:

- Backup (0): Specifies that this is currently a backup (hot-standby) server.
- Active (1): Specifies that this is currently the active server.

This data is available with z/OS V1R12 Communications Server or later.

260-262

Hot standby rank. When the distribution method is HOTSTANDBY, an indication of the backup target that is selected if the preferred target becomes unavailable. The backup target with the highest rank is used. Valid values are in the range 1-254; the default value is 1. This data is available with z/OS V1R12 Communications Server or later.

Note: For the preferred server, this value has no meaning.

Message Variables

numtargs

The total number of distributed DVIPA targets that are displayed in this message.

System action

The DVIPTARG command processing is completed.

BNH814I	NUMBER OF APPLICATION SERVERS: <i>numserv</i>
----------------	--

Explanation

This is a multiline message written in response to the DVIPHLTH command. This message consists of one header line followed by a variable number of data lines, each describing an application server that resides on a distributed DVIPA target stack. This message is intended for parsing by a REXX process. A REXX sample, CNMSDVPH, is provided to format the information from this message for readability.

Columns

Description

1-8

The job name of the application server.

10-54

The dynamic virtual IP address (DVIPA).

56-60

The DVIPA port.

62-106

The dynamic XCF IP address of the target stack.

108-115

The name of the z/OS image on which the target stack resides.

117-119

The health indicator of the server application on the target port. If several server applications share the port, it is the average of the individual values for all the server applications sharing the port. Any value less than 100 percent indicates that one or more of the servers has problems.

121-130

The Workload Manager weight value for either the MVS system on which the target stack is located, or for the specific server on the target stack.

132-134

The percent of abnormal transaction completions for the server application on the target port or the average of the individual values for all the server applications sharing the port.

136-138

The target server responsiveness rate for the target server. The sysplex distributor monitors the ability of a target server to process new connections. At each interval of approximately one minute, the sysplex distributor generates a target server responsiveness fraction percentage to indicate how well the server is accepting new TCP connection setup requests. This value is not a measure of how well the server is servicing the connections.

140-142

Target Connectivity Success Rate. This value is a measure of the percentage of connection setup requests routed from the distributor that are successfully received by the target for this server. It is displayed as a percentage.

144-146

The Server Accept Efficiency Fraction. This value is a measure, calculated at intervals of approximately one minute, that indicates the efficiency of the server application in accepting new connection requests and managing the backlog queue. This value is displayed as a percentage.

148-150

The Connection Establishment Rate. This value is a measure of the percentage of the connection setup requests received at the target that achieve completion with the client, that is, arrive at the connection established state. It is displayed as a percentage.

152-154

The raw composite weight for this application server. The composite weight is based on the General CPU, zAAP, and zIIP processor utilization of the application.

156-158

The raw WLM general CP weight for this application server.

160-162

The raw WLM zAAP weight for this application server.

164-166

The raw WLM zIIP weight for this application server.

168-170

The raw CP value modified by the proportion of CP capacity that is currently being consumed by the workload of the application as compared to the other processors (zAAP and zIIP).

172-174

The raw zAAP value modified by the proportion of zAAP capacity that is currently being consumed by the workload of the application as compared to the other processors (CP and zIIP).

176-178

The raw zIIP value modified by the proportion of zIIP capacity that is currently being consumed by the workload of the application as compared to the other processors (CP and zAAP).

180-189

When the distribution method is weightedActive, this is the weight used by the distributor to determine the proportion of active connections on this target.

191-198

The TCP/IP job name.

200-207

The name of the sysplex.

209-212

The SMF system ID.

Message Variables**numserv**

The number of application servers residing on distributed DVIPA target stacks that are displayed in this message.

System action

The DVIPHLTH command processing is completed.

BNH8151 **NUMBER OF DISTRIBUTED DVIPA CONNECTION ROUTES: *numroutes***

Explanation

This is a multiline message written in response to the DVIPDDCR command. This message consists of one header line followed by a variable number of data lines, each describing a distributed DVIPA connection

route. This message is intended for parsing by a REXX process. A REXX sample, CNMSDDCR, is provided to format the information from this message for readability.

Columns
Description**1-45**

The IP address of the source TCP/IP stack.

47-51

The port number of the source TCP/IP stack (right-aligned with leading zeros omitted).

53-97

The IP address of the target TCP/IP stack.

99-103

The port number of the target TCP/IP stack (right-aligned with leading zeros omitted).

105-149

The dynamic XCF IP address of the target TCP/IP stack.

151-154

The configured timed affinity. The affinity value that is defined in the TIMEDAFFINITY parameter on the VIPADISTRIBUTE TCP/IP profile statement. The TIMEDAFFINITY parameter indicates to the sysplex distributor that connections to a particular distributed DVIPA from the same client, as identified by the IP address, must be routed to the same server instance, even when multiple server instances are on a single target stack.

156-159

The remaining timed affinity (in seconds).

161-170

The number of currently established connections associated with the Configured Time Affinity attribute.

172-187

The name of the IPv4 or IPv6 interface associated with the IP address.

189-233

The gateway IP address.

235-236

An indication of whether the VIPAROUTE parameter is being used to route packets to the target stack for this connection. The value is a 1-byte hexadecimal number where bit 0 is the leftmost bit and the bits have the following values:

- Bit 0 (Yes): Indicates that the best available route, based on the VIPAROUTE parameters, is being used to distribute packets to the target stack.
- Bit 1 (No): Indicates that the dynamic XCF interface is being used to distribute packets to the target stack.

- Bit 2 (Unavailable): Indicates that the TCP/IP stack attempted to use the route based on the VIPAROUTE parameters but, because an error was detected during VIPAROUTE statement validation, the dynamic XCF interface is being used to distribute packets to the target stack.
- Bit >2: If bits greater than 2 are set, see z/OS Communications Server documentation for more information.

238-241

The SMF system ID.

Message Variables

numroutes

The number of distributed DVIPA connection routes displayed in this message.

System action

The DVIPDDCR command processing is completed.

BNH820E **INVALID IP ADDRESS *ipaddr* SPECIFIED**

Explanation

The IP address *ipaddr* that was provided is not a valid IPv4 address.

Message Variables

ipaddr

The IP address that was provided.

System action

The operation fails.

Operator response

Enter a valid IPv4 address.

BNH821I **AT-TLS CONNECTION STATUS: *X'connection-status'***

Explanation

The Application Transparent Transport Layer Security (AT-TLS) connection status value is displayed. See the *z/OS Communications Server IP Programmer's Guide and Reference* for more information about AT-TLS.

Message Variables

connection-status

The following can be the status:

X'01'

Connection not secure

X'02'

Handshake in progress

X'03'

Connection is secure

System action

The command successfully completed.

BNH822I **AT-TLS POLICY STATUS: *X'policy-status'***

Explanation

The Application Transparent Transport Layer Security (AT-TLS) policy status value is displayed. See the *z/OS Communications Server IP Programmer's Guide and Reference* for more information about AT-TLS.

Message Variables

policy-status

The following can be the status:

X'01'

AT-TLS not active

X'02'

AT-TLS policy not found

X'03'

AT-TLS policy not enabled

X'04'

AT-TLS policy enabled

X'05'

AT-TLS is enabled and application-controllable

System action

The command successfully completed.

BNH823I **AT-TLS ENCRYPTION PROTOCOL: *X'protocol'***

Explanation

The Application Transparent Transport Layer Security (AT-TLS) encryption value in use by this connection is displayed. See the *z/OS Communications Server IP Programmer's Guide and Reference* for more information about AT-TLS.

Message Variables

protocol

The following can be the type of encryption used by this connection:

X'0000'

Unknown

X'0200'

SSLv2

X'0300'

SSLv3

X'0301'
TLSv1

System action

The command successfully completed.

BNH824I **NUMBER OF VIPA ROUTES:**
 numvipa

Explanation

This is a multiline message written in response to the VIPAROUT command. This message consists of one header line followed by a variable number of data lines, each describing a VIPA route and its status. This message is intended for parsing by a REXX process. For readability, the CNMSVPRT REXX sample is provided to format the information from this message.

Each data line includes the following information:

Columns

Description

1-45

The dynamic XCF IP address of the target TCP/IP stack.

47-91

The IP address of the target TCP/IP stack.

93-95

The VIPAROUTE status.

- 1: Defined
- 2: Unavailable
- 3: Active
- 4: Inactive
- >4: If bits greater than 4 are set, see z/OS Communications Server documentation for more information.

97-100

The SMF system ID of the system where the DVIPA is configured.

Message Variables

numvipa

The number of VIPA routes that are displayed in this message.

System action

The VIPAROUT command processing is completed.

BNH825I **THE AT-TLS SECURITY TYPE IS**
 X'security_type'.

Explanation

The Application Transparent Transport Layer Security (AT-TLS) policy security type value is displayed. For more information about AT-TLS, see the *z/OS Communications Server: IP Programmer's Guide and Reference*.

Message Variables

security_type

The type of security, as follows:

01

Client

02

Server

03

Server with client authentication,
ClientAuthType=PassThru

04

Server with client authentication,
ClientAuthType=Full

05

Server with client authentication,
ClientAuthType=Required

06

Server with client authentication,
ClientAuthType=SAFCheck

System action

The command completed successfully.

BNH829E **AT-TLS POLICY X'policy-status'**
 NOT SUPPORTED

Explanation

The Application Transparent Transport Layer Security (AT-TLS) connection was established using encryption, but the policy is not supported by the NetView program. The supported policy status values are in the range X'01' to X'04'.

Message Variables

policy-status

The type of policy that is unsupported.

System action

The connection was not successfully established.

Operator response

Contact the system programmer.

System programmer response

Check the AT-TLS policy definitions. Policy Status codes are found in the z/OS SEZANMAC data set. See the *z/OS Communications Server IP Programmer's Guide and Reference* for more information about SIOCTLSCCTL.

BNH830I **ONE OR MORE SPECIFIED
OUTPUT ORDERS ARE NOT
SUPPORTED IN THIS
ENVIRONMENT**

Explanation

An output order other than NEXT, NEX2RD, or a numeric character position was specified in an environment that supports only text strings. Such environments include WHEN statements in message or command revision tables, and WTO statements in command revision tables. REVISE statements in command revision tables contain a limited number of non-text output orders.

System action

The command fails.

Operator response

Correct the indicated statement.

BNH834I *insert1 insert2 insert3 insert4
insert5 insert6 insert7*

Explanation

This message is a data line of a multiline display.

Message Variables

If the NACTL LISTCONN command was issued, the following values are displayed in this message:

insert1

The name of the NetView operator task on which the NACMD command was issued.

If the SOACTL LSTSRVRS command was issued, this is the name of the Web Services server.

insert2

The status of the Program to Program Interface (PPI) connection to the Z NetView Enterprise Management Agent.

If the SOACTL LSTSRVRS command was issued, this is the status of the Web Services server.

insert3

The system leaf name for your NetView program that is displayed in the Tivoli Enterprise Portal Navigator tree under the NetView product leaf.

This defaults to the NetView domain. If the NACMD.SUBNODE statement in CNMSTYLE or an included member has been coded, this value is used. Only the first eight characters of the value are displayed.

insert4

The PPI receiver name of the Z NetView Enterprise Management Agent.

insert5

The PPI receiver name on which the NACMD command receives Take Action commands and data from the Z NetView Enterprise Management Agent.

Note: Dashes appear in this message as inserts.

BNH835I **DISPLAY OF MAPPED TIVOLI
ENTERPRISE PORTAL USER IDS**

Explanation

This is the first line of a multiline message which lists the mapping of Tivoli Enterprise Portal user IDs to NetView operator IDs. The mapping is defined in the CNMSTYLE member with the NACMD.OPID statement.

BNH836I **TIVOLI ENTERPRISE PORTAL
USER ID NETVIEW OPERATOR ID**

Explanation

This is the second line of a multiline message which lists the mapping of Tivoli Enterprise Portal user IDs to NetView operator IDs.

BNH837I *insert1 insert2*

Explanation

This message is a data line of a multiline display.

Message Variables

If the NACTL LISTOPID command was issued, the following values are displayed in this message:

insert1

This the Tivoli Enterprise Portal user ID that is mapped to a NetView operator ID.

insert2

This is the mapped NetView operator ID.

Note: Dashes appear in this message as inserts.

BNH838W **PORT *portnum* ON HOST *host* IS
NOT RESPONDING**

Explanation

This message is issued when the TESTPORT command cannot open a connection to the specified host and

port. If TESTPORT was issued from a timer, the timer is reset to the next interval.

Message Variables

portnum

The port that is monitored.

host

The host device that is monitored.

System programmer response

Investigate to see whether the port must be recycled.

BNH839I **PORT *portnum* ON HOST *host* IS ACTIVE**

Explanation

This message is issued when the TESTPORT command successfully connects to a port. If TESTPORT was issued from a timer, the timer is reset to the next interval.

Message Variables

portnum

The port that is monitored.

host

The host device that is monitored.

BNH840W **SOCKET ERROR OCCURRED DURING IPPORTMON PROCESSING**

Explanation

This message is issued when the TESTPORT command encounters an internal socket command failure. If TESTPORT was issued from a timer, the timer is reset to the next interval.

System programmer response

Check the logs for error messages, determine the reason for the failure, and take any corrective actions.

BNH841E ***parm* PARAMETER MISSING FROM IPPORTMON DEFINITIONS**

Explanation

The indicated parameter is missing.

Message Variables

parm

The parameter to be processed.

System action

The TESTPORT command continues and processes all complete definitions.

System programmer response

Add the missing parameter and then reissue the TESTPORT command for the host or port definition that was in error.

BNH842I **NO IPPORTMON DEFINITIONS FOUND**

Explanation

The TESTPORT command was issued with no input parameters and no variables were found to process.

System programmer response

Update the CNMSTYLE member with the appropriate variables or reissue the TESTPORT command with input parameters. See *IBM Z NetView Installation: Getting Started* for information about updating the CNMSTYLE member.

BNH843I **NO DUPLICATE ENTRIES FOUND IN FILE *file***

Explanation

The indicated policy file does not contain duplicate entries.

BNH844W **FILE *file* HAS DUPLICATE ENTRIES**

Explanation

The indicated policy file contains duplicate entries.

BNH845I **NUMBER OF STACKS: *numstack***

Explanation

This is a multiline message written in response to the STACSTAT command. This message consists of one header line followed by a variable number of data lines, each describing stack configuration and status. This message is intended for parsing by a REXX process. A REXX sample, CNMSSTAC, is provided to format the information from this message for readability.

Each data line includes the following information:

Columns Description

1-9

Blanks (because of the removal of an obsolete field).

10-17

The TCP/IP job name.

19-81

The TCP/IP short host name.

83-114

The status of the stack as reported by the z/OS Communications Server.

116-123

The name of the sysplex in which the stack is active.

125-132

The XCF group name used by the stack when joining the sysplex.

134-141

The z/OS image name by which it knows itself.

143-158

The primary interface. The link name that is designated as the default local host for use by the GETHOSTID() function. This value applies only to IPv4 links.

160-160

IPv6 Enabled indicator. A value of 1 indicates that the stack is IPv6 enabled. A value of 2 indicates the stack is not IPv6 enabled.

162-162

IPSec Enabled indicator. A value of 1 indicates that the stack has an IP security policy defined and active. A value of 2 indicates that the stack does not have an IP security policy defined and enabled.

164-164

AT-TLS Enabled indicator. A value of 1 indicates that the stack has a policy defined and active for the application transparent transport layer security (AT-TLS) protocol. A value of 2 indicates that the stack does not have a policy defined and enabled for the AT-TLS protocol.

166-170

The z/OS version and release level in the form: VxRy

172-175

The SMF system ID.

177-184

The LPAR name.

186-193

The VTAM XCF group name.

195-239

The IP address.

241-241

Source VIPA Enabled indicator. An indication that SOURCEVIPA support is enabled. When this support is enabled, TCP/IP uses the TCPSTACKSOURCEVIPA address (if specified) or the corresponding virtual IP address in the HOME list as the source IP address for outbound data grams that do not have an explicit source address. A value of 1 indicates that this indicator is enabled for this stack.

243-243

Source VIPAV6 Enabled indicator. An indication that SOURCEVIPAV6 support is enabled for IPv6. A value of 1 indicates that this indicator is enabled for IPV6 for this stack.

245-245

Specifies whether TCP/IP uses a stack-level IPv4 address as the source address for outbound TCP connections.

247-247

Specifies whether TCP/IP uses a stack-level IPv6 address as the source address for outbound TCP connections.

249-249

An indication that SEGMENTATIONOFFLOAD support is enabled. When this support is enabled, the stack offloads TCP segmentation to OSA-Express features. Valid values are Yes and No.

251-251

An indication that ZIIP IPSECURITY support is enabled. When this support is enabled, CPU cycles for IPsec workload to a zIIP should be displaced when possible. Valid values are Yes and No.

253-255

The amount of time, in seconds, that determines how quickly the sysplex distributor and the target servers of the sysplex distributor poll WLM for new weight values. A non-zero value indicates that SYSPLEXWLM POLL support is enabled. A short time results in quicker reactions to target status changes. A valid value is 1 - 180 seconds. The default value is 60.

257-257

IPSecV6 Enabled indicator. An indication that the stack can have an IPv6 security policy defined and active. A value of 1 indicates that this indicator is enabled for IPv6.

Message Variables***numstack***

The total number of TCP/IP stacks known to this NetView program.

System action

The STACSTAT command processing is completed.

BNH846I**NUMBER OF DVIPA DEFINITIONS:**

numdvipa

Explanation

This is a multiline message written in response to the DVIPSTAT command, for an application instance, and stack defined DVIPA. This message consists of one header line followed by a variable number of data

lines, each describing DVIPA definition and status information for all DVIPAs, application instance DVIPAs, or stack-defined DVIPAs for the system. This message is intended for parsing by a REXX process. A REXX sample, CNMSDVIP, is provided to format the information from this message for readability.

Each data line includes the following information.

Note: Any field that has a value of - - - does not apply to the DISPLAY option that was specified on the DVIPSTAT command.

Columns	Description
---------	-------------

1-45

The dynamic virtual IP address (DVIPA).

47-54

The name of the sysplex in which the DVIPA is active.

56-63

The XCF group name used by the stack when joining the sysplex.

65-72

The z/OS image name by which it knows itself.

74-136

The TCP/IP short host name.

138-145

The TCP/IP job name.

147-149

An indication of how the DVIPA was configured to the TCP/IP stack. The following values are valid:

- unknown (1): An error occurred.
- backup (2): The VIPADYNAMIC VIPABACKUP TCP/IP profile statement was used to configure the given TCP/IP stack as a backup for the DVIPA.
- define (3): The VIPADYNAMIC VIPADEFINE TCP/IP profile statement was used to configure the given TCP/IP stack as the owner of the DVIPA.
- rangeBind (4): The DVIPA was dynamically defined when an application issued a BIND function call.
- rangeIoctl (5): The DVIPA was dynamically defined when an application issued the SIOCSVIPA IOCTL function call.
- target (6): The DVIPA was dynamically defined on the stack because this stack is a target stack for the sysplex distributor function.
- >6: See z/OS Communications Server documentation for more information.

151-153

The status of the DVIPA on the given TCP/IP stack. The following values are valid:

- unknown (1): An error occurred.
- active (2): The DVIPA is active.
- backup (3): The given TCP/IP stack is currently a backup owner for the DVIPA.
- moving (4): The DVIPA was active for the TCP/IP stack but the ownership transferred to another TCP/IP stack (for example, because of a takeover).
- quiescing (5): The DVIPA is no longer a target but still has connections. When all existing connections are closed, the status changes to "deactivated"
- deactivated (6): The VARY,,TCPIP,SYSPLEX,DEACTIVATE command was run for this DVIPA. The DVIPA remains deactivated until a VARY,,TCPIP,SYSPLEX,REACTIVATE command is run for this DVIPA.
- deactLeavegroup (7): The VARY,,TCPIP,SYSPLEX,DEACTIVATE command was run for this DVIPA. and the VARY,,TCPIP,SYSPLEX,LEAVEGROUP command was run for this stack. If the stack rejoins the sysplex group before a VARY,,TCPIP,SYSPLEX,REACTIVATE command is run for this DVIPA, this DVIPA remains deactivated and the DVIPA status changes to deactivated.
- deactAutonomics (8): The VARY,,TCPIP,SYSPLEX,DEACTIVATE command was run for this DVIPA and the stack left the sysplex group because of an error condition detected by the sysplex autonomics function. If the stack rejoins the sysplex group before a VARY,,TCPIP,SYSPLEX,REACTIVATE command is run for this DVIPA, this DVIPA remains deactivated and the DVIPA status changes to deactivated.
- inactLeavegroup (9): The VARY,,TCPIP,SYSPLEX,LEAVEGROUP command was run for this stack, and the DVIPA is currently inactive. The DVIPA is reactivated if a VARY,,TCPIP,SYSPLEX,JOININGROUP command is run for this stack.
- inactAutonomics (10): The stack left the sysplex group because of an error condition detected by the sysplex autonomics function.
- >10: See z/OS Communications Server documentation for more information.

155-164

The rank of this stack in the chain of backup stacks for a given DVIPA.

Note: For entries whose Origin value is not backup(2) or define(3), this value is set to -1.

166-168

An indication of how a DVIPA can be moved to another TCP/IP stack. The following values are valid:

- none (1): Moveable status does not apply to the DVIPA. This value is used for entries where backup is specified for the Origin and Status fields.
- immediate (2): This DVIPA can be moved to another stack as soon as the other stack requests ownership.
- whenIdle (3): This DVIPA can be moved to another stack when it has no connections on the current stack.
- nonDisruptive (4): This DVIPA can be moved to another stack as soon as the other stack requests ownership. Existing connections are maintained by the new stack until they are closed, and new connection requests are directed to the new stack.
- disruptive (5): Either this DVIPA is not moved to another stack, or it is moved and the existing connections are broken.
- >5: See z/OS Communications Server documentation for more information.

170-172

The status of the DVIPA on the given TCP/IP stack in relation to the sysplex distributor function. The following values are valid:

- none (1): The DVIPA is not participating in a sysplex distributor function.
- distributor (2): The stack is a sysplex distributor for the DVIPA.
- target (3): The stack is a target stack for the DVIPA.
- distributorAndTarget (4): The stack is both a sysplex distributor and a target stack for the DVIPA.
- >4: See z/OS Communications Server documentation for more information.

174-176

The status of this DVIPA on the stack in relation to the Service Manager function. The following values are valid:

1

Indicates that the DVIPA is participating in the Service Manager function (TRUE)

2

Indicates that the DVIPA is not participating in the Service Manager function (FALSE)

178-193

The name of the IPv4 or IPv6 interface.

195-198

The SMF system ID.

200-207

The LPAR name.

209-216

The NetView domain that reported the DVIPA.

218-225

The date and time that the DVIPA was activated, formatted as an eight-character binary store-clock value. This value can be converted into a printable format using the PIPE EDIT command.

227-234

The job name of the application server, if this is an application instance DVIPA.

Message Variables***numdvipa***

The total number of DVIPA definitions known to this NetView program.

System action

The DVIPSTAT command processing is completed.

BNH847I**NUMBER OF DVIPA SYSPLEX DISTRIBUTORS: *numdist*****Explanation**

This is a multiline message written in response to the DVIPPLEX command. This message consists of one header line followed by a variable number of data lines, each describing a sysplex distributor. This message is intended for parsing by a REXX process. A REXX sample, CNMSPLEX, is provided to format the information from this message for readability.

Each data line includes the following information:

Columns**Description****1-45**

The distributed dynamic virtual IP address (DVIPA).

47-51

The distributed DVIPA port.

53-60

The name of the sysplex in which the distributed DVIPA is active.

62-69

The XCF group name used by the stack when joining the sysplex.

71-78

The z/OS image name by which it knows itself.

80-142

The TCP/IP short host name.

144-151

The TCP/IP job name.

153-162

The number of target stacks with servers ready to service connection requests (right-aligned- with leading zeros omitted).

164-173

The number of servers ready across all the target stacks to service connection requests (right-aligned- with leading zeros omitted).

175-219

The dynamic XCF IP address of the local stack. If DESTIP ALL was specified on the VIPADISTRIBUTE profile statement, this field is set to blanks.

221-223

The method of distribution used for incoming connection requests. The following values are valid:

- baseWlm (1): Workload Manager (WLM) and policy information are used to determine the distribution.
- roundRobin (2): WLM and policy information are ignored and requests are distributed in a round-robin fashion among the existing server instances.
- serverWlm (3): Server-specific WLM and policy information is used to determine distribution.
- weightedActive (4): WLM and policy information are not used to determine how to route future incoming connection requests for this distributed DVIPA. Instead, distribution of incoming TCP connection requests is balanced across the targets such that the number of active connections on each target is proportionally equivalent to a configured active connection weight for each target (specified on the DESTIP parameter of each target).
- targetControlled (5): Incoming connection requests are distributed using weights provided by the Tier 1 targets. This distribution method can be used only with tier 1 targets, such as DataPower appliances, that are not z/OS tier 1 targets.

- hotStandby(6): One preferred target and at least one hot-standby target are configured. This distribution method is available with z/OS V1R12 Communications Server or later.
- >6: See z/OS Communications Server documentation for more information.

225-228

The duration in seconds for which the Sysplex Distributor function maintains an affinity between connections from a specific client (as identified by source IP address) and a server instance on a target stack.

230-230

Indicates whether sysplex-wide ephemeral port assignment is enabled for the distributed DVIPA. Following are the values:

1

Indicates that the function is enabled (TRUE)

2

Indicates that the function is disabled (FALSE)

232-234

Indicates whether TCP/IP target stacks should bypass sending connection requests for this distributed DVIPA to the Sysplex Distributor stack when a server application is available on the target stack. A value of -1 indicates that the target stack should send the connection request to the Sysplex Distributor stack. This value corresponds to the NOOPTLOCAL parameter on the VIPADISTRIBUTE profile statement. A value of 0 to 16 indicates that the target stack should bypass sending the connection request to the Sysplex Distributor stack, if possible, and influences the decision process of the target stack.

236-239

The SMF system ID.

241-248

The LPAR name.

250-252

The status of the DVIPA on the given TCP/IP stack. The following values are valid:

- unknown (1): An error occurred.
- active (2): The DVIPA is active.
- backup (3): The given TCP/IP stack is currently a backup owner for the DVIPA.
- moving (4): The DVIPA was active for the TCP/IP stack but the ownership transferred to another TCP/IP stack (for example, because of a takeover).
- quiescing (5): The DVIPA is no longer a target but still has connections. When all existing

connections are closed, the status changes to "deactivated"..

- deactivated (6): The VARY,,TCPIP,SYSPLEX,DEACTIVATE command was run for this DVIPA. The DVIPA remains deactivated until a VARY,,TCPIP,SYSPLEX,REACTIVATE command is run for this DVIPA.
- deactLeavegroup (7): The VARY,,TCPIP,SYSPLEX,DEACTIVATE command was run for this DVIPA. and the VARY,,TCPIP,SYSPLEX,LEAVEGROUP command was run for this stack. If the stack rejoins the sysplex group before a VARY,,TCPIP,SYSPLEX,REACTIVATE command is run for this DVIPA, this DVIPA remains deactivated and the DVIPA status changes to deactivated.
- deactAutonomics (8): The VARY,,TCPIP,SYSPLEX,DEACTIVATE command was run for this DVIPA and the stack left the sysplex group because of an error condition detected by the sysplex autonomics function. If the stack rejoins the sysplex group before a VARY,,TCPIP,SYSPLEX,REACTIVATE command is run for this DVIPA, this DVIPA remains deactivated and the DVIPA status changes to deactivated.
- inactLeavegroup (9): The VARY,,TCPIP,SYSPLEX,LEAVEGROUP command was run for this stack, and the DVIPA is currently inactive. The DVIPA is reactivated if a VARY,,TCPIP,SYSPLEX,JOINGROUP command is run for this stack.
- inactAutonomics (10): The stack left the sysplex group because of an error condition detected by the sysplex autonomics function.
- >10: See z/OS Communications Server documentation for more information.

254-263

The rank of this stack in the chain of backup stacks for a given DVIPA.

For entries whose Origin value is not backup (2) or define (3), this value is set to -1.

265-267

An indication of how a DVIPA can be moved to another TCP/IP stack. The following values are valid:

- none (1): Moveable status does not apply to the DVIPA. This value is used for entries where backup is specified for the Origin and Status fields.

- immediate (2): This DVIPA can be moved to another stack as soon as the other stack requests ownership.
- whenIdle (3): This DVIPA can be moved to another stack when it has no connections on the current stack.
- nonDisruptive (4): This DVIPA can be moved to another stack as soon as the other stack requests ownership. Existing connections are maintained by the new stack until they are closed, and new connection requests are directed to the new stack.
- disruptive (5): Either this DVIPA is not moved to another stack, or it is moved and the existing connections are broken.
- >5: See z/OS Communications Server documentation for more information.

269-278

The number of configured target TCP/IP stacks. The number is right-aligned with leading zeros omitted. For distributors with DESTIP=ALL defined, this value does not apply and is set to N/A (not applicable).

280-280

An indication of whether the DESTIP ALL parameter is specified on the VIPADISTRIBUTE statement. The following values are valid:

0

Indicates that the DESTIP ALL parameter is not specified (FALSE)

1

Indicates that the DESTIP ALL parameter is specified (TRUE)

282-284

When baseWlm is specified as the method of distribution, this specifies the proportion of the workload that is expected to use conventional processors.

286-288

When baseWlm is specified as the method of distribution, this specifies the proportion of the workload that is expected to use zAAP processors.

290-292

When baseWlm is specified as the method of distribution, this specifies the proportion of the workload that is expected to use zIIP processors.

294-296

When serverWlm is specified as the method of distribution, this specifies the crossover cost of running the targeted zAAP workload on a conventional processor instead of the zAAP processor.

298-300

When serverWlm is specified as the method of distribution, this specifies the crossover cost of running the targeted zAAP workload on a conventional processor instead of the zIIP processor.

302-304

When serverWlm is specified as the method of distribution, this specifies the weighting factor used by z/OS Workload Manager (WLM) when comparing displaceable capacity at different importance levels. This factors into the SERVERWLM recommendation for each system. The following values are valid:

0

Indicates WLM ignores importance levels

1

Indicates WLM uses a weighting factor that grows proportionally to the square root of the importance level plus one

2

Indicates WLM uses a weighting factor that grows proportionally to the importance level plus one

3

Indicates WLM uses a weighting factor that grows proportionally to the square of the importance level plus one

>3

See z/OS Communications Server documentation for more information.

306-321

The name of the IPv4 or IPv6 interface.

323-327

The z/OS release level.

329-329

Auto switch back. An indication of whether the AUTOSWITCHBACK or NOAUTOSWITCHBACK option for the HOTSTANDBY distribution method is specified on the VIPADISTRIBUTE statement. The following values are valid:

- No (0): Specifies that the distributor does not switch back to the preferred target when it becomes available.
- Yes (1): Specifies that the distributor automatically switches distribution back to the preferred target when the preferred target becomes available.

331-331

Health switch. An indication of whether the HEALTHSWITCH or NOHEALTHSWITCH option for the HOTSTANDBY distribution method is specified

on the VIPADISTRIBUTE statement. The following values are valid:

- No (0): Specifies that the distributor ignores health metrics and switches from the active target only if the target is not ready or if the distributor does not have an active route to the target.
- Yes (1): Specifies that the distributor automatically switches from the active target if the target is not healthy.

Message Variables**numdist**

The total number of distributed DVIPA distributors known to this NetView program.

System action

The DVIPPLEX command processing is completed.

BNH849I

NUMBER OF DVIPA CONNECTIONS: numconns

Explanation

This message is a multiline message written in response to the DVIPCONN command. This message consists of one header line followed by a variable number of data lines, each describing a DVIPA connection. This message is intended for parsing by a REXX process. A REXX sample, CNMSDVPC, is provided to format the information from this message for readability.

Each data line includes the following information:

Columns**Description****1-45**

The dynamic virtual IP address (DVIPA).

47-51

The DVIPA port.

53-97

The remote IP address for this connection.

99-103

The remote port for this connection.

105-124

The number of bytes received over this connection since the connection started.

126-145

The number of bytes sent over this connection since the connection started.

147-166

The total number of bytes sent and received over this connection since the connection started.

168-175

The hexadecimal representation of the Connection ID.

177-184

The text identification of this resource. It represents the user who opened the socket and is updated again during the bind processing.

186-248

The TCP/IP host name that was discovered for the TCP/IP job name.

250-257

For connections underlying TN3270 sessions, this is the SNA application name.

259-266

For connections underlying TN3270 sessions, this is the LU name.

268-271

The SMF ID.

273-280

The date and time that the connection started, formatted as an 8-character binary store-clock value. This value can be converted into a printable format using the PIPE EDIT command.

282-289

The TCP/IP job name for which a connection endpoint is found.

291-298

The date and time of the last activity on this connection, formatted as an 8-character binary store-clock value. This value can be converted into a printable format using the PIPE EDIT command.

300-304

The total number of segments retransmitted over this connection since the connection started (right-aligned, with leading zeros omitted).

306-308

The percent of TCP segments that were retransmitted over this connection since the connection started (right-aligned, with leading zeros omitted).

310-329

The total number of segments that were received over this connection since the connection started (right-aligned, with leading zeros omitted).

331-350

The total number of segments that were sent over this connection since the connection started (right-aligned, with leading zeros omitted).

352-371

The total number of segments that were sent and received over this connection since the connection started (right-aligned, with leading zeros omitted).

373-376

The connection state (right-aligned, with leading zeros omitted). The meanings are as follows. The first 11 are defined by TCP/IP; in the last case, z/OS Communications Server is in the process of deleting and cleaning up the TCB.

- 1** CLOSED
- 2** LISTENING
- 3** SYN_SENT
- 4** SYN_RECEIVED
- 5** ESTABLISHED
- 6** FIN_WAIT_1
- 7** FIN_WAIT_2
- 8** CLOSE_WAIT
- 9** LAST_ACK
- 10** CLOSING
- 11** TIME_WAIT
- 12** DELETE_TCB

378-387

The most recent timestamp value, in milliseconds, received from the remote side of the connection.

389-398

The time, in milliseconds, when the previous field was updated.

400-407

The maximum send window size (right-aligned, with leading zeros omitted).

409-416

The current send window size (right-aligned, with leading zeros omitted).

418-422

The number of duplicate acknowledgments (right-aligned, with leading zeros omitted).

424-424

Whether the local or remote end connected. The following values are valid:

- 0** Remote end issued connect

1

Local end issued connect

426-441

The interface name.

443-450

The z/OS image name.

452-455

The 4-digit hexadecimal identification of the address space (ASID) that established the connection.

457-464

The 8-digit hexadecimal representation of the TCB address of the local owner task.

466-473

The TN3270 user client name.

475-482

The TN3270 logmode name.

484-491

The protocol indicator (LINEMODE, TN3270, TN3270E, or N/A).

493-495

The AT-TLS policy status (right-aligned, with leading zeros omitted). The meanings, defined by the z/OS Communications Server, are as follows:

0

Unknown

1

Off

2

No matching rule was found

3

Matching rule indicates that AT-TLS is not used

4

AT-TLS is enabled for this connection, but application control has not been granted

5

AT-TLS is enabled and is application-controllable

497-499

The AT-TLS connection status (right-aligned, with leading zeros omitted). The meanings, defined by the z/OS Communications Server, are as follows:

1

Connection does not have a secure session established

2

Connection initial handshake in progress

3

Connection has a secure session

501-504

The hexadecimal AT-TLS SSL protocol. The meanings, defined by the z/OS Communications Server, are as follows:

0000

Connection does not have a secure session established

0200

SSL version 2 is in use

0300

SSL version 3 is in use

0301

TLS version 1 is in use

506-509

The 4-digit hexadecimal representation of the AT-TLS negotiated cipher.

511-513

The AT-TLS security type (right-aligned, with leading zeros omitted). The meanings, defined by the z/OS Communications Server, are as follows:

0

Connection does not have a secure session established

1

Client

2

Server

3

Server with client authentication - client authentication type is PassThru

4

Server with client authentication - client authentication type is Full

5

Server with client authentication - client authentication type is Required

6

Server with client authentication - client authentication type is SAFCheck

515-522

The AT-TLS partner user ID.

524-531

The name of the sysplex.

533-537

The z/OS release level.

Message Variables

numconns

The total number of DVIPA connections known to this NetView program.

System action

The DVIPCONN command processing is completed.

BNH851I **SUBNODE *subnode* HAS NO HEARTBEAT. DEREGISTERING SUBNODE**

Explanation

The Z NetView Enterprise Management Agent was unable to communicate with the indicated subnode.

Message Variables***subnode***

The subnode which missed its heartbeat.

System action

The subnode is deregistered.

BNH852I **COMMAND OPERAND MISSING**

Explanation

This message is received because a command issued to the Z NetView Enterprise Management Agent is missing a required operand.

System action

The command fails.

Operator response

Issue the command with the required operand.

BNH853I **COMMAND UNKNOWN: *command***

Explanation

This message is received because an unknown command was issued to the Z NetView Enterprise Management Agent.

Message Variables***command***

The name of the command that was issued.

Operator response

Issue the correct command.

BNH854I **NETVIEW ENTERPRISE MANAGEMENT AGENT SHUTDOWN OR STOP REQUESTED**

Explanation

The Z NetView Enterprise Management Agent received a shutdown or stop request.

BNH855E **ERROR INITIALIZING THE NETVIEW ENTERPRISE MANAGEMENT AGENT**

Explanation

The Z NetView Enterprise Management Agent did not properly initialize.

Operator response

Stop the agent and contact the system programmer.

System programmer response

Check the Z NetView Enterprise Management Agent RKLVLG log file for error messages. See the *IBM Z NetView Troubleshooting Guide* for information about locating the log file. Correct the problem and start the agent again.

BNH856I **NETVIEW ENTERPRISE MANAGEMENT AGENT INITIALIZED SUCCESSFULLY.**

Explanation

The Z NetView Enterprise Management Agent started and the Program to Program Interface (PPI) receiver can accept data from the NetView program.

Operator response

You can now issue the NACMD command to start communication between the NetView program and the Z NetView Enterprise Management Agent.

BNH857I **PROGRAM TO PROGRAM INTERFACE *ppi_type ppi_name***

Explanation

A modify command was issued to display the Program to Program Interface (PPI) information. This message displays either the PPI receiver name or the PPI sender name.

Message Variables***ppi_type***

The type of PPI name, which is SENDER or RECEIVER.

ppi_name

The name of the PPI sender or receiver.

BNH858I **NETVIEW ENTERPRISE MANAGEMENT AGENT PROGRAM TO PROGRAM INTERFACE IS *status***

Explanation

A modify command was issued to display the Program to Program Interface (PPI) status between the agent and the NetView program.

Message Variables

status

The status of the PPI, which is active or inactive.

BNH859I **NETVIEW ENTERPRISE
MANAGEMENT AGENT
COMMUNICATION LAYER
CURRENTLY TRACING: *trace_types***

Explanation

This message is received when the Z NetView Enterprise Management Agent communication layer trace has been enabled successfully. The message lists the selected trace types.

Message Variables

trace_types

The trace type can be one or more of the following values:

BFR

Writes trace entries that display PPI send and receiver buffer information exchanged between the NetView program and the Z NetView Enterprise Management Agent.

MOD

Writes trace entries for module and function entry and exit.

DEBUG

Writes internal diagnostic entries for use by IBM Software Support.

ALL

Writes trace entries for all of the previous types of tracing.

BNH860W **NETVIEW ENTERPRISE
MANAGEMENT AGENT FAILED TO
INITIALIZE PPI RECEIVER:
*receiver, RC: return_code***

Explanation

The Z NetView Enterprise Management Agent was unable to initialize the specified PPI receiver. The PPI receiver is defined in the configuration tool on the Specify Configuration Parameters panel.

Message Variables

receiver

The PPI receiver name that failed to initialize.

return_code

The return code from the PPI request.

BNH861I **DISTRIBUTED DVIPA
STATISTICAL LOGGING
INFORMATION**

Explanation

This is the first line of a multiline message for displaying information related to distributed DVIPA statistical logging. The data lines for this message provide keyword and value pairs for information provided on the DVIPALOG command, and information provided in the NetView CNMSTYLE member.

BNH862I *object* **FOUND IN *location***

Explanation

This message is issued when an object that was previously missing or not found is now available for processing.

Message Variables

object

Member name

location

The location of the object. For example, an in-storage member found in a data set.

BNH863I **DISPLAY OF NETVIEW WEB
SERVICES INFORMATION**

Explanation

This message is displayed when the SOACTL command is issued with either the LISTINFO or LSTSRVRS operand.

System action

The command ends and information is displayed, depending on the operand that was specified.

If the SOACTL LSTSRVRS command was specified, a list of Web Services server names and their status is displayed.

If the SOACTL LISTINFO command was specified, the following information is displayed for the specified Web Services server:

- Owner task
- Address family
- Port address
- SLL enablement
- Number of connection threads
- Wait time for command response
- Server initialization files location (PDS name)
- Trace levels

- Input queue count
- Output queue count
- Command queue count

If the server is not active, the BNH864I message is displayed.

Operator response

Use this information to find the status of the Web Services servers. Report any problems to the system programmer.

System programmer response

Use the information to correct problems with the Web Services server.

BNH864I WEB SERVICES SERVER
'soap_server' NOT FOUND

Explanation

This message is displayed when the SOACTL LSTSRVRS command is issued and no active server is found.

Message Variables

soap_server
Web Services server name

System action

The command ends.

Operator response

Use this information to determine the status of the Web Services servers.

System programmer response

Use this information to correct problems with a Web Services server.

BNH865I SERVER FAULT

Explanation

There is an error building the command.

Operator response

Contact the system programmer.

System programmer response

This is a SOAP message. Review the fault string and details, then do what is suggested.

Bad response from command, Hlbrc=102

Command Error. Contact IBM Software Support.

Command timed out, Hlbrc=103

Command Error. This indicates that the input command timed-out before the response was received. Adjust the wait time value by updating the NVSP.svrname.WAIT statement in the CNMSTYLE member.

Error building command

Command Error. Contact IBM Software Support.

XSLT Parsing failed

Detailed message from the parser about specific failure. This indicates that there is an error with parsing the command. Verify that the input command uses valid XML code. If you are using the ampersand symbol (&), greater than symbol (>), or the less than symbol (<), verify that you also used the escape character of semicolon (for example, &), or that you used the CDATA tag. The IBM-037 and UTF-8 code pages are used for conversion between the host and distributed environments. If you are using special characters, verify that they are printable in both code pages.

BNH866I CLIENT FAULT

Explanation

The SOAP request or command is not valid.

Operator response

Contact the system programmer.

System programmer response

This is a SOAP message. Review the fault string and details, then do what is suggested.

Authentication failed, Hlbrc=101

Command Error. Verify that the user ID and password or password phrase are correct. NetView SAF or RACF services are used to authenticate the password or password phrase. The IBM-037 and UTF-8 code pages are used for conversion between the host and distributed environments. If you are using a password phrase, ensure that only characters that are printable in both code pages are used.

Bad SOAP message

The SOAP request was not valid. Verify that the SOAP input is formatted correctly and contains valid XML coding. If the input has special characters, enclose them in a CDATA tag.

Blank Command, Hlbrc=105

Command Error. Provide non-blank command input.

Invalid Method or URL

The request method is other than a GET or POST method or the URL specified is not valid.

Invalid Protocol, Expecting HTTP/1.1

An HTTP/HTTPS request was made with a protocol other than HTTP/1.1. Change the request to use the HTTP/1.1 protocol.

Resource not found

The resource requested is not available. Verify that you have the correct authority to request this resource. Also ensure that the location of the resource matches the target location of the request.

XSLT Parsing failed, StreamTransform Error: SAXParseException

The XSLT parsing failed. An expected end of the indicated tag was not found. See the line number indicated in this message and add the missing end tag.

BNH867I **NUMBER OF DISTRIBUTED DVIPA
STATISTICAL RECORDS:
numrecords**

Explanation

This is a multiline message written to display distributed DVIPA statistical records. This message is issued in response to the CNMSDVST command sample. It is also used to forward distributed DVIPA statistical records to the master NetView program, in which case the data is formatted in the same manner as the CNMDVIPP and CNMDVIPS data set record layout rather than the CNMSDVST command sample format.

See the DVIPA.STATS.Logto statement in the CNMSTYLE member for more information about logging distributed DVIPA statistical records at the master NetView program. This message consists of one header line followed by a variable number of data lines, each describing distributed DVIPA statistics that were gathered between data collections. The first CNMSDVST data line provides headings for the data records.

Note: If the value specified for the DVIPALOG.PriNumRecs or DVIPALOG.SecNumRecs statement is equal to the maximum value that is specified on the DVIPA.STATS.PRI.MAXR or DVIPA.STATS.SEC.MAXR statement in the CNMSTYLE member, it can indicate that an I/O error occurred for the data set and data loss might have occurred. If this happens, a DW0970I message is written to the NetView log.

Each data record contains the following information:

Field

Description

#

Ascending sequence number

Date

Date of the distributed DVIPA data collection

Time

Time of the distributed DVIPA data collection

LocalSys

Local z/OS image name

LclStack

Local TCPIP job name

DDVIPA

Distributed DVIPA

Port

Distributed DVIPA port

TargSys

Distributed DVIPA target z/OS image name

TargStak

Distributed DVIPA target TCPIP job name

DistribMethod

Distribution method used for incoming connection requests. The values include BaseWLM, Round-robin, ServerWLM, WeightedActive, TargetControlled, HotStandby, and Unknown. If the distribution method is not BaseWLM or ServerWLM, you do not see values for WLM Weight and Percentage of WLM Weight. For more information about the distribution methods, see *z/OS Communications Server IP Configuration Reference*.

TotalConns

Number of connections for the DVIPA and port that were distributed to the target stack

DeltaConns

Number of connections for the DVIPA and port that were distributed to the target stack in the most recent data collection

WLMweight

Workload manager (WLM) weight value for either the z/OS images on which the target TCP/IP stack is located or the specific server on the target stack

SD%

Sysplex distributor percentage of new connections for this distributed target in a data collection period

WLM%

Percentage WLM weight value indicating the percentage of new connections that each distributed target receives in an interval from WLM

BNH868I **command RECEIVED AN ERROR
FROM THE network MANAGEMENT**

**INTERFACE: *return_code*
*reason_code stack_name***

Explanation

A NetView command received an error from a z/OS Communications Server network Management Interface (NMI). The return code, reason code, and stack name are provided. If the command is collecting data from multiple stacks, data is returned from all stacks that do not receive an error.

Message Variables

command

The NetView command running when the error occurred

return_code

The return code from the z/OS Communications Server NMI

reason_code

The reason code from the z/OS Communications Server NMI

stack_name

The stack to which the NMI request was issued

Operator response

Refer to the *z/OS Communications Server: IP Programmer's Guide and Reference* manual for more information.

BNH869W THE CONNECTION TO THE NETVIEW WEB SERVICES SERVER '*srvrname*' WAS REJECTED BECAUSE AT-TLS IS NOT CONFIGURED OR ACTIVE FOR THIS SERVER.

Explanation

An attempt was made to connect to the NetView Web Services server. The connection was rejected because the NVSP.*srvrname*.SECURE statement is set to YES, but AT-TLS is not configured or active for the port on which this Web Services server is listening.

Message Variables

srvrname

The name of the Web Services server.

Operator response

Notify the system programmer.

System programmer response

Check the NetView log for the BNH822I and BNH825I messages. Review the NVSP.*srvrname*.SECURE

statement in the CNMSTYLE member and the configuration of the TCP/IP stack and the policies that are defined to the z/OS Communications Server Policy Agent.

BNH874I SMF RECORD RECEIVED: *sdata*

Explanation

This is a 2-line message created by the CNMSMF3R sample when an SMF 30 record is received. It is intended for automation. The first line of this message contains specific data fields from the SMF 30 record as described by the *sdata* field. The second line of this message consists of the binary SMF 30 record (truncated at 32000 characters) and is available to automation but is not displayed or logged.

Message Variables

sdata

Contains formatted data taken from the SMF 30 record. The data is presented in column format, where the first column of the *sdata* field corresponds to column 30 of the message (originated from the beginning of the message). All fields are left-aligned unless otherwise noted, and are blank if not present. The field descriptions include the SMF 30 field name. Note that the ASID field is not in the SMF 30 record. It is the ASID of the address space that originated the SMF 30 record.

Columns

Description

30-33

SMF30RTY: record type in decimal, right-aligned (the default value is 30)

35-37

SMF30STP: record subtype in decimal, right-aligned

- 4 - Step total

- 5 - Job ended or end of other work unit

39-42

SMF30WID: work type indicator (for example: STC for started tasks and system address spaces, TSO for TSO/E users, and so on)

44-48

SMF30DTE: date that the record was moved to the SMF buffer, in the form *yyddd* (local time)

50-56

SMF30TME: time since midnight that the record was moved to the SMF buffer, in hundredths of a second (decimal), right-aligned

58-61

ASID: Source address space identifier

- 63-65**
SMF30TYP: subtype identification, right-aligned
- 1 - Job start or start of other work unit
 - 2 - Activity since the previous interval ended
 - 3 - Activity for the last interval before the step ended
 - 4 - Step total
 - 5 - Job ended or end of other work unit
 - 6 - System address space
- 67-74**
SMF30PNM: subsystem or product name, for example SMF
- 76-83**
SMF30SYN: system name
- 85-92**
SMF30SYP: sysplex name
- 94-101**
SMF30JBN: job or session name
- 103-110**
SMF30PGM: program name
- 112-119**
SMF30STM: step name
- 121-128**
SMF30UIF: user-defined identification field
- 130-137**
SMF30JNM: JES job identifier
- 139-141**
SMF30CLS: job class in decimal, right-aligned
- 143-162**
SMF30USR: programmer name
- 164-171**
SMF30GRP: RACF group ID
- 173-180**
SMF30RUD: RACF user ID
- 182-189**
SMF30PSN: name of the step that issued the procedure
- 191-194**
SMF30SCC: step completion code, in hexadecimal format
- 196-199**
SMF30STI: step or job termination indicator, in hexadecimal format
- 201-208**
SMF30ARC: abend reason code, in hexadecimal format
- 210-217**
SMF30WLM: workload name

- 219-226**
SMF30SCN: service class name
- 228-235**
SMF30GRN: resource group name

**BNH877I NETVIEW ENTERPRISE
MANAGEMENT AGENT INTERFACE
IS READY FOR WORK**

Explanation

The Program to Program Interface (PPI) receiver used by the Z NetView Enterprise Management Agent has successfully been defined and is waiting for communication from NetView hosts.

Operator response

An NACMD command can now be issued to the Z NetView Enterprise Management Agent to establish communication between the NetView program and the agent.

**BNH878I NETVIEW ENTERPRISE
MANAGEMENT AGENT INTERFACE
HAS TERMINATED**

Explanation

The Program to Program Interface (PPI) receiver used by the Z NetView Enterprise Management Agent is no longer active. This can occur for one of the following reasons:

- The NetView subsystem interface (SSI) was stopped.
- The Z NetView Enterprise Management Agent was stopped.
- An unexpected error occurred.

System action

The NACMD command ends and NetView data is no longer available in the Tivoli Enterprise Portal for the host on which this agent resides.

Operator response

Verify that the SSI is active with the PPI option enabled and that the agent is active. If both are active, contact the system programmer.

System programmer response

Check the system log and the agent RKLVLLOG log for messages pertaining to the failure. Contact IBM Software Support if the problem cannot be resolved.

**BNH879I NETVIEW ENTERPRISE
MANAGEMENT AGENT *subnode*
SUBNODE IS ACTIVE**

Explanation

An NACMD command was successfully issued from the NetView program to the Z NetView Enterprise Management Agent. The agent has registered the subnode and data is now viewable for the designated NetView subnode in the Tivoli Enterprise Portal.

Message Variables

subnode

The subnode name seen in the Tivoli Enterprise Portal. This defaults to the NetView domain where the NACMD command was issued, but can be set using the NACMD.SUBNODE initialization statement.

BNH880I **NETVIEW ENTERPRISE
MANAGEMENT AGENT *subnode*
SUBNODE IS INACTIVE**

Explanation

The NACMD command has been stopped for one of the following reasons and the data for the designated NetView subnode is no longer available in the Tivoli Enterprise Portal:

- Operator intervention
- The Z NetView Enterprise Management Agent has been stopped
- The NetView program has been stopped
- An unexpected error occurred in the Program to Program Interface (PPI) communication layer between the NetView program and the Z NetView Enterprise Management Agent.

Message Variables

subnode

The subnode name seen in the Tivoli Enterprise Portal. This defaults to the NetView domain where the NACMD command was issued, but can be set using the NACMD.SUBNODE initialization statement.

Operator response

Verify that the NACMD command is active, the NetView program is active, and that the agent is active. If all are active, contact the system programmer.

System programmer response

Check the system log, the NetView log, and the agent RKLVLLOG log for messages pertaining to the failure. Contact IBM Software Support if the problem cannot be resolved.

BNH881I **DATA COLLECTION FAILED FOR
SUBTOWER *subtower_name*,
REASON '*reason*'**

Explanation

The data collection command failed for one of the following reasons:

ADVISOR NOT AVAILABLE OR ROLE NOT PRIMARY

The connection for NetView data collection for the specified subtower was not attempted because there was no listening socket available for the Lifeline Advisor component of the Multi-site workload Lifeline product. The Lifeline Advisor component was either not started or not started in the primary role.

COMMAND FAILED

The NetView data collection command for the specified subtower failed. This can occur for the following reasons:

- Data collection is started on a task other than the one for which it was designated in the CNMSTYLE member.
- Data collection for the designated subtower is not supported on the current level of the z/OS program.
- The underlying data collection command fails.

INACTIVE NACMD

The NACMD command is not active. When the command ends, it stops all data collectors. This reason code indicates that there might be a time delay in stopping data collection after the NACMD ends.

INTERNAL ERROR

An internal error occurred in the NetView program. This can occur when any of the underlying NetView services encounter problems such as insufficient NetView storage or a task abnormally ending.

TEMA TOWER NOT ENABLED

The NetView data collection command for the specified subtower was not attempted because the TEMA tower was not enabled. If support for the monitoring agent is not wanted, you can ignore this message.

Message Variables

subtower_name

The name of the subtower for which data is being collected.

The following TEMA subtowers have data collection that is managed through the NACTL command:

- HEALTH

- CONNACT
- CONINACT
- SESSACT

The following subtowers have data collection that is managed through the COLLCTL command:

- DVIPA subtowers:
 - DVTAD
 - DVCONN
 - DVROUT
- DISCOVERY subtowers:
 - INTERFACES
 - TELNET

Other possible values:

- DVDEF (equivalent to DVIPA tower data collection)
- APPL (equivalent to NetView application data collection under the DISCOVERY tower)

The following ACTIVEACTIVE subtowers have data collection that is managed through the ACTVCTL command:

- DB2
- IMS
- LIFELINE
- VSAM

reason

The reason for the failure. The values are:

- ADVISOR NOT AVAILABLE OR ROLE NOT PRIMARY
- COMMAND FAILED
- INACTIVE NACMD
- INTERNAL ERROR
- TEMA TOWER NOT ENABLED.

System action

Data collection for the designated subtower is stopped.

Operator response

Take action based on the reason code received.

For the COMMAND FAILED reason, review the NetView log for additional messages. If necessary, contact your system programmer.

System programmer response

For an internal error, see the NetView log for a series of DWO050I messages that provide more information about the problem.

If the command failed, correct the autotask definitions in the CNMSTYLE member. If the problem persists, contact IBM Software Support with the information from the NetView log.

BNH882I DATA TRUNCATED FOR WORKSPACE *workspace*, MAXIMUM ROW SIZE EXCEEDED

Explanation

A NetView command failed to write data to the z/OS data space because the data size exceeds the maximum number of rows that are defined for the workspace. The maximum number of rows is defined with the NACMD.ROWSxxx statement in the CNMSTYLE member.

Message Variables

workspace

The name of the workspace for which data is being collected.

System action

The data is truncated.

Operator response

Contact the system programmer with this information.

System programmer response

Make sure the correct row size is defined in the CNMSTYLE member for that workspace.

BNH888I DISPLAY OF NETVIEW ENTERPRISE MANAGEMENT AGENT CONNECTIONS

Explanation

This is the first line of a multiline message for listing Z NetView Enterprise Management Agent connections.

BNH889I TASK STATUS SOURCE DEST PPI LCL PPI

Explanation

This is the second line of a multiline message for listing Program to Program Interface (PPI) receivers used by the NetView program and the Z NetView Enterprise Management Agent.

BNH890I NAME NAME RECEIVER RECEIVER

Explanation

This is the third line of a multiline message for listing Program to Program Interface (PPI) receivers used by the NetView program and the Z NetView Enterprise Management Agent.

BNH891I **DATA COLLECTION INTERVAL**
***interval_name* DEFAULTED TO**
interval

Explanation

This message is received when the data collection interval that is defined in one of the following CNMSTYLE statements contains a value that is not numeric or is out of range:

- NACMD.INTxxx
- DVIPA.INTxxx
- DISCOVERY.INTxxx

Message Variables

interval_name

This is the name of the CNMSTYLE data collector interval variable. The possible intervals are:

- NACMD.INTHEALTH
- NACMD.INTCONNECT
- NACMD.INTCONINACT
- NACMD.INTSESSACT
- DVIPA.INTDVDEF
- DVIPA.INTDVTAD
- DVIPA.INTDVCONN
- DVIPA.INTDVROUT
- DISCOVERY.INTINTERFACE
- DISCOVERY.INTTELNET
- DISCOVERY.INTAPPL

interval

This is the default interval in seconds. See the shipped CNMSTYLE member for the default values.

Operator response

Contact your system programmer.

System programmer response

See the provided CNMSTYLE member for possible values. You can use the NACTL LISTINFO command or the COLLECT LISTINFO command to select an optimal interval.

BNH892I **DISPLAY DATA COLLECTION**
STATISTICS

Explanation

This message is received when one of the following commands is issued:

- COLLECT LISTINFO
- NACTL LISTINFO

This message displays the average and maximum time it takes for a data collector to complete a data collection cycle. This information assists users in choosing an optimal data collection interval in the CNMSTYLE member. Each data collector has its own data collection interval. This message also displays the number of iterations used to calculate average values.

For the NACTL LISTINFO command, statistics are collected for the following Z NetView Enterprise Management Agent subtowers:

- CONINACT
- CONNACT
- HEALTH
- SESSACT

For the COLLECT LISTINFO command, statistics are collected for the following NetView subtowers:

- For the DVIPA tower:
 - DVTAD
 - DVCONN
 - DVROUT
 - DVDEF (DVIPA tower)
- For the DISCOVERY tower:
 - INTERFACES
 - TELNET
 - APPL

Operator response

Contact your system programmer if a data collector is inactive or the collection time is too slow.

System programmer response

You can use the information in this message to set an optimal data collection interval.

BNH893I **NETVIEW WEB SERVICES**
'*svr_name*' STARTING ON VOST
vost_name

Explanation

This message is issued when a Web Services server starts.

Message Variables

svr_name

Name of the Web Services server

vost_name

Virtual OST (VOST) on which the Web Services server is started

BNH894I NETVIEW WEB SERVICES
svr_name function status

Explanation

This message is issued during Web Services server initialization and indicates the status of the SSL and CLIENTAUTH functions.

Message Variables**svr_name**

Name of the Web Services server

function

The type of function:

- CLIENTAUTH
- SSL

status

Status of the Web Services server:

- Enabled
- Disabled
- Active
- Inactive

BNH895I NETVIEW WEB SERVICES
svr_name READY FOR WORK,
LISTENING ON PORT:
port_number

Explanation

This message is issued when the Web Services server initialization is completed.

Message Variables**svr_name**

Name of the Web Services server

port_number

Port on which the Web Services server is listening

BNH897I NETVIEW WEB SERVICES SERVER
svr_name ENDED

Explanation

This message is issued when a Web Services server stops.

Message Variables**svr_name**

Name of the Web Services server

Operator response

If the Web Services server ends abnormally, additional error messages might be generated. See the message help for these messages for further information.

System programmer response

If the Web Services server ends abnormally, see the message help for any additional error messages that are generated.

BNH898E WEB SERVICES SERVER
'svr_name' INITIALIZATION
FAILED DUE TO reason_text RC=rc

Explanation

This message is issued when the Web Services server encounters errors during initialization.

Message Variables**svr_name**

The name of the Web Services server

reason_text

The reason for the failure:

- BAD PARM VALUE
- BIND FAILURE
- INITIALIZATION FAILED DUE TO MISSING OR INVALID INITIALIZATION FILES
- LISTEN FAILURE
- NVSOA TOWER NOT ENABLED
- OPEN SOCKET FAILURE
- PTHREAD CREATE ERROR
- PTHREAD INIT ERROR
- SETTING OF TRAP FAILED

rc

The return code of the failure

Operator response

Report the failure to the system programmer.

System programmer response

Review the *reason_text* and take the corrective action:

PTHREAD INIT ERROR

Verify that the correct level of the Language Environment® libraries is installed.

PTHREAD CREATE ERROR

Verify that the correct level of the Language Environment libraries is installed.

SETTING OF TRAP FAILED

Verify that the SOASERV command is started properly using the SOACTL command.

For more information, see the DW0050 message in the NetView log.

BNH899I SERVER NAME STATUS

Explanation

This is the second line of a multiline message that lists Web Services server status when the SOACTL LSTSRVRS command is run.

BNH900I ENTERPRISE MASTER FOR TYPE *data_type* ESTABLISHED

Explanation

This message is issued on systems that have been contacted by an enterprise master NetView program and is forwarding management data to the enterprise master NetView program.

The BNH900I message is the first message in a group of messages that can include the BNH901I, BNH902I, and BNH903I messages.

Message Variables

data_type

Type of management data being forwarded. These are the types:

- ACTIVEACTIVE
- DISCOVERY

BNH901I NEW MASTER: *domain* ON *system* IN XCF GROUP *xcf_group* IN SYSPLEX *sysplex*

Explanation

This message identifies the new enterprise master NetView program.

Message Variables

domain

NetView domain name

system

z/OS image name

xcf_group

XCF group of the enterprise master NetView program

sysplex

Name of the sysplex, or the sysplex name used for a stand-alone system, where the enterprise master NetView program resides

BNH902I OLD MASTER: *domain* ON *system* IN SYSPLEX *sysplex*

Explanation

This message identifies the old enterprise master NetView program. This message is not issued if there is no existing enterprise master NetView program when a new enterprise master takes over.

Message Variables

domain

NetView domain name

system

z/OS image name

sysplex

Name of the sysplex, or the sysplex name used for a stand-alone system where the enterprise master NetView program resides

BNH903I Reason: *reason_code*

Explanation

This message specifies the reason that the enterprise master NetView program assumed control.

Message Variables

reason_code

Indicates one of the following reasons:

- 0: Initialization processing of ENT statements
- 1: Restyle processing of ENT statements
- 2: Connectivity check driven by an internal heartbeat timer
- 3: ACTVCTL TAKEOVER command processing

BNH904I ENTERPRISE MASTER SWITCH FOR TYPE *data_type* IN XCF GROUP *xcf_group* IN SYSPLEX *sysplex*

Explanation

This message is issued on a system that is being acquired when it has an existing enterprise master NetView program. This message is not issued if there is no existing enterprise master NetView program when a new enterprise master takes over.

The BNH904I message is the first message in a group of messages that can include the BNH901I and BNH903I messages.

Message Variables

data_type

Type of data:

- ACTIVEACTIVE

- DISCOVERY

xcf_group

XCF group of the master NetView program

sysplex

Name of the sysplex, or the sysplex name used for a stand-alone system where the managed NetView program resides

**BNH905I ENTERPRISE MASTER
 PROCESSING FINISHED.
 SYSTEMS FORWARDING DATA:**

Explanation

This message is issued at an enterprise master NetView program following completion of ENT.SYSTEMS statement processing. It is followed by a BNH906I message that includes a list of the systems that were taken over.

**BNH906I DOMAIN SYSTEM SYSPLEX
 GROUP TYPES *domain*
 image_name sysplex xcf_group
 *data_type***

Explanation

This message accompanies a BNH905I message and contains a heading, followed by a list of managed systems.

Message Variables

domain

NetView domain name.

image_name

z/OS image name.

sysplex

Name of the sysplex, or the sysplex name used for a stand-alone system where the managed NetView program resides

xcf_group

XCF group

data_type

One or more types of data:

- ACTIVEACTIVE
- DISCOVERY

**BNH907I ENTERPRISE MASTER REQUEST
 REJECTED FOR GROUP *xcf_group*
 IN SYSPLEX *sysplex* FOR TYPE
 data_type. EXISTING MASTER IS
 system ON *image_name* IN
 SYSPLEX *master_sysplex_id*.
 REASON=*reason_code***

Explanation

The enterprise master request is rejected because another NetView system is already an enterprise master for this type of data. ENT.SYSTEMS processing initiated by NetView initialization, RESTYLE processing, or internal retry timers does not cause the NetView system to take over as enterprise master when another NetView system is already in that role.

Message Variables

xcf_group

XCF group.

sysplex

Name of the sysplex, or the sysplex name used for a stand-alone system

data_type

Type of data:

- ACTIVEACTIVE
- DISCOVERY

domain

NetView domain name

system

z/OS image name

master_sysplex_id

Name of the sysplex, or the sysplex name used for a stand-alone system where the enterprise master NetView program resides

reason_code

Indicates why the existing enterprise master assumed that role:

- 0 - Initialization processing of ENT statements
- 1 - Restyle processing of ENT statements
- 2 - Connectivity check driven by an internal heartbeat timer
- 3 - ACTVCTL command processing

**BNH908I DOMAIN *domain_name* ON
 SYSTEM *image_name* IN SYSPLEX
 sysplex SUPPORTS ONLY THE
 DISCOVERY ENTERPRISE DATA
 TYPE**

Explanation

This message is issued at a master NetView program when it encounters a system that does not support the ACTIVEACTIVE category of data. Depending on the configuration, the master NetView program might take over as master for DISCOVERY data.

Message Variables

domain_name

NetView domain name

image_name

z/OS image name.

sysplex

Name of the sysplex, or the sysplex name used for a stand-alone system where the managed NetView program resides

BNH909I **ERROR ENCOUNTERED IN ENTERPRISE PROCESSING FOR TYPE *data_type* AT *domain_name* ON *image_name* IN SYSPLEX *sysplex***

Explanation

This message is issued to the log when an enterprise master NetView program encounters an error in takeover processing on the NetView domain identified in the message. The error identified by the message applies only to the *data_type*, such as DISCOVERY, specified in the message. It might be able to take over for other types of data, such as ACTIVEACTIVE. The errors are frequently due to configuration errors at the remote system, such as a required tower not being enabled. The *data_type* specifies the type of enterprise.

This message can accompany a DSI416I message that identifies the CNMEXCON DISCONNECT command as failing and also identifies the root error message.

Message Variables**data_type**

Type of data:

- ACTIVEACTIVE
- DISCOVERY

domain_name

NetView domain name

image_name

z/OS system image

sysplex

Name of the sysplex

System action

The *data_type* data is not forwarded to the enterprise master from the remote system. Other types of data can be forwarded if the enterprise master is configured for more than one type.

BNH910I **NO SYSTEMS FORWARDING DATA FOR TYPE *data_type***

Explanation

This message is issued when the NetView program is unable to acquire any systems for the *data_type*

specified. BNH909 messages in the log might indicate why it was unable to do so.

This message can accompany a BNH909I message.

Message Variables**data_type**

Type of data:

- ACTIVEACTIVE
- DISCOVERY

BNH911I ***request* : No data found for '*subject*'**

Explanation

No data is available for the specified request. This might be normal. Possible causes are as follows:

- No resources are configured or available.
- The command is for a domain that is not in the sysplex.
- Other system failures, such as SNMP, have occurred.
- For the ACTVLIFE and ACTVREPL commands:
 - There is no data for the specified request. This could be for one of the following reasons:
 - The command and its values are correct, and there is no data.
 - A value specified in the command is for a resource that does not exist.
 - For the ACTVLIFE command, the Load Balancer might not be active.
 - A failure occurred collecting the requested information.

Message Variables**request**

The function for which no data was found.

subject

The requested data.

System action

Processing for the request ends.

Operator response

Verify the format and spelling of the specified operands. If the command uses a domain name, ensure that the correct domain is specified. If the format, spelling, and domain are correct, notify the system programmer.

For the ACTVLIFE and ACTVREPL commands:

- Verify that the command is issued correctly.

- Look in the NetView log for errors related to the command. Contact the system programmer, if necessary, to resolve the error.

System programmer response

Verify that the following conditions are true:

- The local system, or the specified system (using the NetView domain), has the specified data.
- The specified NetView domain is known to the master NetView program in a sysplex or the enterprise.
 - The enterprise master NetView program does not have DVIPA data.
 - Use the LIST STATUS=XCFGRPS command to determine acceptable domains from a master NetView program.
- Related functions, such as SNMP, are active. See *IBM Z NetView Installation: Configuring Additional Components* for configuration information about the specified subject. Also, check the NetView log for other messages that are related to this request.

For the ACTVLIFE and ACTVREPL commands:

- Verify that the ACTIVEACTIVE towers and subtowers are enabled on the correct systems.
- For the ACTVLIFE command, verify that the Multi-Site workload Lifeline product is active on the system where the command is issued.
- For the ACTVREPL command, verify that the Q replication, IMS replication, or VSAM replication product is active on the production system or systems.

BNH912I *FiltType* **FILTER** *FiltName*
ALREADY EXISTS

Explanation

This message is issued when you issue a SAVE command for an existing Canzlog filter.

Message Variables

FiltType

Type of filter:

- COMMON
- TASK

FiltName

Filter name entered on the CANZLOG command

System action

Processing for the request ends.

Operator response

If you are saving a new filter, use a different filter name. If you are changing an existing filter, use the REPLACE command.

BNH913I **IP ADDRESS INFORMATION NOT AVAILABLE FOR DOMAIN *domain* IN SYSPLEX *plex***

Explanation

This message is issued when the NetView program is not able to retrieve information about its IP addresses. It is issued on the system named in the message, and at other NetViews that belong to the same XCF group. This condition is probably caused by TCP/IP being inactive when NetView is initialized. When TCP/IP becomes active, NetView automation attempts to repair the problem.

Message Variables

domain

plex

System action

Other members in the NetView's XCF group, and any enterprise masters attempting to contact this NetView system attempts SNA communications. Depending on network configuration, this might fail, which can cause problems with data forwarding.

BNH914I **LONG MESSAGE TRUNCATED BY *numtrunc* LINES - USE SHOWTEXT**

Explanation

A multiline message was truncated for display by *numtrunc* lines. This can happen with verbose MVS messages or other long messages.

The full text of the original message can be searched while browsing the Canzlog log. The text of the BNH914 message is not treated as part of the message and cannot be searched.

Message Variables

numtrunc

The number of lines by which the message was truncated.

Operator response:

To see the complete message, issue the SHOWTEXT command with the cursor on the truncated message, or use the PF key defined for this function (the default is PF2).

BNH915I **NO MORE MESSAGES LEFT TO BE PROCESSED BY *module***

Explanation

This message indicates that a NetView module that was processing Canzlog messages has no more messages to process. If *module* is DSI4LCUI, this indicates that NetView was processing messages that occurred before the NetView subsystem was initialized, but encountered a vacant plot.

Message Variables**module**

The name of the NetView module that was processing Canzlog messages.

System action:

The vacant plot is left vacant in the active Canzlog data space. This does not affect Canzlog browsing.

BNH916I THIS IS AN INCOMPLETE MULTILINE MESSAGE

Explanation:

This message indicates that the associated message is an incomplete multiline write-to-operator (MLWTO) message, and it is marked as incomplete in the Canzlog log. This happens if all lines of a MLWTO are not received within 40 seconds.

System action:

The Canzlog log checks for incomplete MLWTOs every 11 seconds.

Operator response:

Notify the system programmer.

System programmer response:

Contact IBM support to determine the reason for not receiving the complete MLWTO within the allowed time span.

BNH917I The following *gtype* global variables are too long for the requested function:

Explanation

This message indicates that one or more global variables are too long for the request. See the Restrictions information for the associated command for the maximum supported length (for example, GLOBALV SAVE).

This is a multiline message. The label line shown is followed by the global variables that are too long, one per line. Each data line consists of the variable name followed by one blank space and the value.

Message Variables***gtype***

COMMON (if common global variable), or task name (if task global).

System action:

The indicated variables were bypassed by the requested function.

Operator response:

Notify the system programmer.

System programmer response:

Consider whether the indicated variables require their lengths. If they do, this message can be automated. Sample CNMS8053 shows how message BNH917I can be automated to cause long variables and their values to be written to a sequential data set. Sample CNMS8054 shows how the file can then be read to restore the saved long variables.

BNH918I Data has been truncated: *qual1* *qual2*

Explanation

This log only message indicates that data has been truncated. The only *qual1* value currently is DSIVARS, which indicates that the DSIVARS assembler service retrieved a global variable on a GET request that was truncated to 255 or more characters. This message is intended for migration to a NetView release that supports values longer than 255 characters. The message can indicate that a preexisting program that was precluded from truncation should now be examined.

Message Variables***qual1***

DSIVARS (global and local variable service)

qual2

Global variable name

Operator response:

Notify the system programmer.

System programmer response:

Consider whether the indicated variables require their lengths, and whether an assembler program should be updated.

BNH919I command : STATUS INFORMATION

Explanation

This message is in response to the specified status request command. If the command is **CMDMON LIST=STATUS**, status pertaining to the Command Statistics function is displayed.

Message Variables***command***

The name of the command for which the status is requested.

System action:

Processing continues.

Explanation

This multiline message is issued in response to the **CMDMON DISPLAY** command. It consists of one header line, 3 label lines, and one or more data lines. The data lines contain statistical information about primary and subordinate commands that run in the NetView address space.

Each data line contains the following information:

Column Number	Description
----------------------	--------------------

1-8**Command Name**

The Command Name is one of the following values:

- The name of the command as defined in a command definition (CMDDEF) statement
- The name of a REXX or CLIST that is not defined using a command definition (CMDDEF) statement
- The name of the command specified on the ADDCMD NAME parameter
- The name of the PIPE specified on the PIPE NAME operand
 - If the PIPE NAME operand is not specified, the command name is PIPE.

10-17**Alternate Name**

The Alternate Name is one of the following values:

- PIPE if the command was PIPE
- The command synonym invoked for the specified Command Name as defined on a command synonym (CMDSYN) statement
- The first command synonym name defined for the specified Command Name, if one is specified on a command synonym (CMDSYN) statement or on the ADDCMD CMDSYN parameter
- N/A if no command synonyms are defined for the specified Command Name

20-27**Parent Name**

The Parent Name is one of the following values:

- N/A if this is the primary command

- A primary command is a command that is invoked directly by a NetView task, the automation table, or a timer.

- The name of the primary command if this is a subordinate command

- A subordinate command is a command that is invoked from within another command.

29-36**Task Name**

The name of the task under which the command is run.

38-54**Start Time**

The date and time that the specified command started.

56-72**End Time**

The date and time that the specified command completed.

74-93**CPU Time**

The total CPU time, in centiseconds, that is used for the specified command.

- The CPU for primary commands, as seen in the **Parent Name** column, is the cumulative total for all commands invoked by the primary command.
- The CPU for subordinate commands is the individual total for the specified subordinate command.

95-104**Maximum Storage**

The highest amount of storage, in kilobytes, that is used by the specified command at any time during command execution.

- The maximum storage for primary commands, as seen in the **Parent Name** column, is the cumulative total for all commands invoked by the primary command.
- The maximum storage for subordinate commands is the individual total for the specified subordinate command.

106-115**I/O Count**

The total number of I/O operations that the specified command performed.

- The I/O count for primary commands, as seen in the **Parent Name** column, is the cumulative total for all commands invoked by the primary command.
- The I/O count for subordinate commands is the individual total for the specified subordinate command.

117-124

Authorized User

The name of the authorizing task for the specified command.

Note:

- Label commands (EXCMD, RMTCMD) end with a colon and are treated as follows:
 - If the command starts with a forward slash, the Command Name is EXCMD and the Alternate Name is the actual label command.
 - If the command does not start with a forward slash, the Command Name is RMTCMD and the Alternate Name is N/A, the RMTSYN value, or the RMTALIAS value.
- The output of the CMDMON DISPLAY command is sorted by the END TIME store clock (STCK) value. To change the order in which the output is displayed, see the Command Statistics Data Formatter (CNMSCSFM) sample.

Message Variables

count

The number of displayed records.

System action:

Processing continues.

BNH921I **INVALID DELIMITER FOUND FOR
REGULAR EXPRESSION '*pattern*'**

Explanation

An invalid start delimiter for a regular expression was encountered. This message accompanies message DSI167E which identifies the text position of the error.

Message Variables

pattern

The regular expression in error.

System action

The NetView program stops processing the regular expression.

Operator response

If the message appeared as a result of the command you entered, correct the regular expression in error, and reissue the command. For more details about writing a regular expression, see the IBM Z NetView Application Programmer's Guide.

If the message did not appear as a result of the command you entered, notify the system programmer.

System programmer response

Correct the regular expression in error. For more details about writing a regular expression, see the IBM Z NetView Application Programmer's Guide.

BNH922I **NO ENDING DELIMITER FOUND
FOR REGULAR EXPRESSION
'*pattern*'**

Explanation

The specified regular expression has a valid start delimiter, but no matching end delimiter.

Message Variables

pattern

The regular expression in error.

System action

The NetView program stops processing the regular expression.

Operator response

If the message appeared as a result of the command you entered, correct the regular expression in error, and reissue the command. For more details about writing a regular expression, see the IBM Z NetView Application Programmer's Guide.

If the message did not appear as a result of the command you entered, notify the system programmer.

System programmer response

Correct the regular expression in error. For more details about writing a regular expression, see the IBM Z NetView Application Programmer's Guide.

BNH923I **UNMATCHED '*symbol*'
CHARACTER IN REGULAR
EXPRESSION '*pattern*'**

Explanation

A regular expression with an unmatched grouping symbol, for example, an unescaped left parenthesis

without a corresponding unescaped right parenthesis, was encountered.

Message Variables

symbol

The unmatched grouping symbol.

pattern

The regular expression in error.

System action

The NetView program stops processing the regular expression.

Operator response

If the message appeared as a result of the command you entered, correct the regular expression in error, and reissue the command. For more details about writing a regular expression, see the IBM Z NetView Application Programmer's Guide.

If the message did not appear as a result of the command you entered, notify the system programmer.

System programmer response

Correct the regular expression in error. For more details about writing a regular expression, see the IBM Z NetView Application Programmer's Guide.

BNH924I MISPLACED QUANTIFIER IN REGULAR EXPRESSION '*pattern*'

Explanation

A regular expression contains a quantifier that does not correspond to a valid token. This message accompanies message DSI167E which identifies the text position of the error.

Message Variables

pattern

The regular expression in error.

System action

The NetView program stops processing the regular expression.

Operator response

If the message appeared as a result of the command you entered, correct the regular expression in error, and reissue the command. For more details about writing a regular expression, see the IBM Z NetView Application Programmer's Guide.

If the message did not appear as a result of the command you entered, notify the system programmer.

System programmer response

Correct the regular expression in error. For more details about writing a regular expression, see the IBM Z NetView Application Programmer's Guide.

BNH925I INVALID QUANTIFIER IN REGULAR EXPRESSION '*pattern*'

Explanation

A regular expression with an invalid quantifier was encountered. This message accompanies message DSI167E which identifies the text position of the error.

Message Variables

pattern

The regular expression in error.

System action

The NetView program stops processing the regular expression.

Operator response

If the message appeared as a result of the command you entered, correct the regular expression in error, and reissue the command. For more details about writing a regular expression, see the IBM Z NetView Application Programmer's Guide.

If the message did not appear as a result of the command you entered, notify the system programmer.

System programmer response

Correct the regular expression in error. For more details about writing a regular expression, see the IBM Z NetView Application Programmer's Guide.

BNH926I MISPLACED BEGINNING OF STRING ANCHOR IN REGULAR EXPRESSION '*pattern*'

Explanation

A regular expression with a misplaced unescaped "beginning of string" (^) anchor was encountered. This message accompanies message DSI167E which identifies the text position of the error.

Message Variables

pattern

The regular expression in error.

System action

The NetView program stops processing the regular expression.

Operator response

If the message appeared as a result of the command you entered, correct the regular expression in error, and reissue the command. For more details about writing a regular expression, see the IBM Z NetView Application Programmer's Guide.

If the message did not appear as a result of the command you entered, notify the system programmer.

System programmer response

Correct the regular expression in error. For more details about writing a regular expression, see the IBM Z NetView Application Programmer's Guide.

**BNH927I MISPLACED END OF STRING
ANCHOR IN REGULAR
EXPRESSION '*pattern*'**

Explanation

A regular expression with a misplaced unescaped "end of string" (\$) anchor was encountered. This message accompanies message DSI167E which identifies the text position of the error.

Message Variables

pattern

The regular expression in error.

System action

The NetView program stops processing the regular expression.

Operator response

If the message appeared as a result of the command you entered, correct the regular expression in error, and reissue the command. For more details about writing a regular expression, see the IBM Z NetView Application Programmer's Guide.

If the message did not appear as a result of the command you entered, notify the system programmer.

System programmer response

Correct the regular expression in error. For more details about writing a regular expression, see the IBM Z NetView Application Programmer's Guide.

**BNH928I INVALID OPTION '*option*'
FOLLOWS REGULAR EXPRESSION
'*pattern*'**

Explanation

A regular expression with an invalid option was encountered. This message accompanies message DSI167E which identifies the text position of the error.

Message Variables

option

The invalid option.

pattern

The regular expression in error.

System action

The NetView program stops processing the regular expression.

Operator response

If the message appeared as a result of the command you entered, correct the regular expression in error, and reissue the command. For more details about writing a regular expression, see the IBM Z NetView Application Programmer's Guide.

If the message did not appear as a result of the command you entered, notify the system programmer.

System programmer response

Correct the regular expression in error. For more details about writing a regular expression, see the IBM Z NetView Application Programmer's Guide.

**BNH929I UNSUPPORTED CHARACTER IN
REGULAR EXPRESSION '*pattern*'**

Explanation

A regular expression with an unescaped, unsupported character was found. This message accompanies message DSI167E which identifies the text position of the error.

Message Variables

pattern

The regular expression in error.

System action

The NetView program stops processing the regular expression.

Operator response

If the message appeared as a result of the command you entered, correct the regular expression in error, and reissue the command. For more details about writing a regular expression, see the IBM Z NetView Application Programmer's Guide.

If the message did not appear as a result of the command you entered, notify the system programmer.

System programmer response

Correct the regular expression in error. For more details about writing a regular expression, see the IBM Z NetView Application Programmer's Guide.

BNH930I **INVALID HEXADECIMAL
CHARACTER IN REGULAR
EXPRESSION 'pattern'**

Explanation

A regular expression with an invalid hexadecimal character (following the \x escape sequence) was encountered. This message accompanies message DSI167E which identifies the text position of the error.

Message Variables

pattern

The regular expression in error.

System action

The NetView program stops processing the regular expression.

Operator response

If the message appeared as a result of the command you entered, correct the regular expression in error, and reissue the command. For more details about writing a regular expression, see the IBM Z NetView Application Programmer's Guide.

If the message did not appear as a result of the command you entered, notify the system programmer.

System programmer response

Correct the regular expression in error. For more details about writing a regular expression, see the IBM Z NetView Application Programmer's Guide.

BNH931W **COMMAND STATISTICS SMF DATA
SPACE RECORDING IS
SUSPENDED**

Explanation

The Command Statistics System Management Facility (SMF) data space, CNMCMSMF, has reached its maximum storage capacity for new records. No additional Command Statistics records are written to the data space until the next z/OS SMF interval has elapsed.

All commands that are being monitored by the Command Statistics function from the time this

message is issued until the SMF records are written are lost.

System action

When the Command Statistics SMF interval elapses, the records in the data space are written into one or more SMF records, and writing to the data space will be resumed.

Message BNH934I will be issued once records are being written to the data space again.

Operator response

Contact the system programmer.

System programmer response

Review how often this message and BNH934I occur.

If the messages occur frequently, consider taking one or more of the following actions:

- Increasing the value on the CMDMON.INIT.SMFDSSIZE statement in your CNMSTYLE user member.
 - If you choose this option, issue the following commands for the new data space size to take effect:
 - RESTYLE CMDMON
 - CMDMON LOGSMF=NO
 - CMDMON LOGSMF=YES
- Excluding more commands in the Command Statistics Inclusion/Exclusion sample, CNMSCSIE.
 - If you choose this option, you will need to issue the following commands for the new inclusion/exclusion list to take effect:
 - RESTYLE CMDMON
 - If the CMDMON.INIT.STATS CNMSTYLE statement value is not OFF, then monitoring of commands will resume after the RESTYLE CMDMON command. Otherwise, issue the following command to restart command monitoring:
 - CMDMON STATS=[ALL|PRIONLY]

BNH932I **SECURITY DETAILS FOR *count*
CONNECTIONS. MISSED
BUFFERS: *missecount***

Explanation

This is a multiline message written in response to the CONNSEC QUERY command. It consists of one header line followed by a variable number of data lines, each describing security information for a TCP/IP

connection. The number of connections returned is determined by the MAXRECS operand on the CONNSEC QUERY command. This message is designed for parsing by REXX and not for reading by a person. Columns in the data lines that do not contain data, such as, columns for protocol information for a protocol not being used on the session, will be blank.

Note: CONNSEC QUERY displays all of the available data, but some error conditions can prevent data from being returned. See any preceding error messages for possible explanations for missing data.

Each data line includes the following information:

Columns	Description
----------------	--------------------

1-8	The TCP/IP name
------------	-----------------

10-72	The local IP address. If LADDR in the TCPCONN QUERY was specified in colon hexadecimal format, this address is output in the form hhhh:hhhh:hhhh:hhhh:hhhh:hhhh:hhhh:hhhh, where each hhhh is a 0 to 4 character hexadecimal value. If LADDR was specified in dotted decimal format, this address is output in the form ddd.ddd.ddd.ddd if it is an IPv4 address, or the form ddd.ddd.ddd.ddd.ddd.ddd.ddd.ddd.ddd.ddd.ddd.dd.ddd.ddd.ddd.ddd if it is an IPv6 address. In either case, ddd is a decimal number from 0 to 255. Otherwise, this address is output in the form ddd.ddd.ddd.ddd if it is an IPv4 address, or the form hhhh:hhhh:hhhh:hhhh:hhhh:hhhh:hhhh:hhhh if it is an IPv6 address. Leading zeros are stripped from output IPv4 addresses but not IPv6 addresses. Unused columns on the right are blank.
--------------	--

74-78	The local port number (right-aligned with leading zeros omitted).
--------------	---

80-87	The jobname associated with the local socket application.
--------------	---

89-96	The z/OS userid associated with the local socket application.
--------------	---

98-100	The security protocols being used for the connection. This is a 3-character field containing Y or N characters for the security protocols in use on the session. From left to right, the flags are for TLS, SSH and IPsec. Examples: TSL only: YNN; SSH only: NYN; IPsec only: NNY; TSL and IPsec: YNY; no encryption: NNN
---------------	--

102-164	The remote IP address, with formatting handled in the same way as the local IP address.
----------------	---

166-170	The remote port number (right-aligned with leading zeros omitted).
----------------	--

172-179	The date and time the connection started, formatted as an 8-character binary store-clock value. This value can be converted into a printable format using the PIPE EDIT command.
----------------	--

181-188	The 8-digit hexadecimal representation of the TCP/IP resource (connection) identifier.
----------------	--

190-190	A 1-digit decimal digit indicating the status of IP filtering for outbound traffic on the connection. Possible values are:
----------------	--

- 0 – No associated outbound filter rule
- 1 – Outbound traffic permitted in the clear
- 2 – Outbound traffic permitted with IPsec protection
- 3 – Outbound traffic blocked

192-231	Outbound traffic IP filter rule name (blank if no outbound filter rule associated with connection)
----------------	--

233-240	Outbound traffic IP filter rule name extension (blank if no associated rule or rule name does not have an extension).
----------------	---

242-242	A 1-digit number indicating the status of IP filtering for inbound traffic on the connection. Possible values are:
----------------	--

- 0 – No associated inbound filter rule
- 1 – Inbound traffic permitted in the clear
- 2 – Inbound traffic permitted with IPsec protection
- 3 – Inbound traffic blocked

244-283	Inbound traffic IP filter rule name (blank if no outbound filter rule associated with connection)
----------------	---

285-292	Inbound traffic IP filter rule name extension (blank if no associated rule or rule name does not have an extension).
----------------	--

294-297	TLS/SSL protocol version. This is a 4-digit hexadecimal value indicating the TLS/SSL version. Possible values are:
----------------	--

- 0000: Unknown version
- 0200: SSLv2
- 0300: SSLv3
- 0301: TLSv1.0
- 0302: TLSv1.1
- 0303: TLSv1.2

299-299

A 1-digit number set to 1 to indicate that AT-TLS cryptographic data protection operations are bypassed for this connection as part of a stack optimization for intra-host connections. Only ATTLS peer authentication operations are executed in this case.

301-301

A 1-digit number indicating the source of the TLS information being displayed. Possible values are:

- 1: Stream observation
- 2: Cryptographic protocol provider

303-303

A 1-digit number indicating the TLS handshake type. Possible values are:

- 1: Full handshake
- 2: Abbreviated handshake

305-305

A 1-digit number indicating the TLS local handshake role. Possible values are:

- 0: Unknown
- 1: Client
- 2: Server
- 3: Server with client authentication

307-370

Up to 64 hexadecimal digits representing the 32-byte binary TLS session ID. Shorter session IDs will be left-justified and padded with blanks.

372-377

6 hexadecimal digits representing the negotiated TLS cipher suite identifier. If the TLS version is SSLv3 or higher, this is a 4-character value in the first 4 bytes of this field, padded with trailing blanks. See the TLS Cipher Suite registry at <http://www.iana.org/assignments/tlsparameters/tls-parameters.xhtml> for a complete list of the 4-hexadecimal-character values.

If the TLS version is SSLv2, then all 6 digits are used:

- 010080: 128-bit RC4 with MD5
- 020080: 40-bit RC4 with MD5
- 030080: 128-bit RC2 with MD5

- 040080: 40-bit RC2 with MD5
- 050080: 128-bit IDEA with MD5
- 060040: DES with MD5
- 0700C0: 3DES with MD5

379-382

4 hexadecimal digits representing the symmetric encryption algorithm used by the TLS cipher suite. Possible values are:

- 0000: Unknown
- 0001: None
- 0002: DES
- 0003: DES 40
- 0004: 3DES
- 0005: RC2 40
- 0006: RC2 128
- 0007: RC2
- 0008: RC4 40
- 0009: RC4 128
- 000A: RC4 256
- 000B: RC4
- 000C: AES CBC 128
- 000D: AES CBC 192
- 000E: AES CBC 256
- 000F: AES CTR 128
- 0010: AES CTR 192
- 0011: AES CTR 256
- 0012: AES GCM 128
- 0013: AES GCM 256
- 0014: AES CCM 128
- 0015: AES CCM 256
- 0016: AES CCM8 128
- 0017: AES CCM8 256
- 0018: AES 256
- 0019: Blowfish
- 001A: Blowfish CBC
- 001B: CAST 128 CBC
- 001C: ARC4 128
- 001D: ARC4 256
- 001E: ARC4
- 001F: Rijndael CBC
- 0020: ACSS
- 0021: ARIA 128 CBC
- 0022: ARIA 256 CBC
- 0023: ARIA 128 GCM

- 0024: ARIA 256 GCM
- 0025: Camellia 128 CBC
- 0026: Camellia 256 CBC
- 0027: Camellia 128 GCM
- 0028: Camellia 256 GCM
- 0029: ChaCha20 Poly1305
- 002A: IDEA CBC
- 002B: SEED CBC
- 002C: Fortezza
- 002D: GOST28147
- 002E: 2Fish CBC 256
- 002F: 2Fish CBC
- 0030: 2Fish CBC 192
- 0031: 2Fish CBC 128
- 0032: Serpent CBC 256
- 0033: Serpent CBC 192
- 0034: Serpent CBC 128

384-387

4 hexadecimal digits representing the message authentication algorithm used by the TLS cipher suite. Possible values are:

- 0000: Unknown
- 0001: No message authentication, or uses authenticated encryption algorithm like AESGCM
- 0002: MD2
- 0003: HMAC-MD5
- 0004: HMAC-SHA1
- 0005: HMAC-SHA2-224
- 0006: HMAC-SHA2-256
- 0007: HMAC-SHA2-384
- 0008: HMAC-SHA2-512
- 0009: AES-GMAC-128
- 000A: AES-GMAC-256
- 000B: AES-128-XCBC-96
- 000C: HMAC-SHA2-256-128
- 000D: HMAC-SHA2-384-192
- 000E: HMAC-SHA2-512-256
- 000F: HMAC-MD5-96
- 0010: HMAC-SHA1-96
- 0011: UMAC-64
- 0012: UMAC-128
- 0013: RIPEMD-160

389-392

4 hexadecimal digits key exchange algorithm used by the TLS cipher suite. Possible values are:

- 0000: Unknown
- 0001: None
- 0002: RSA
- 0003: RSA_EXPORT
- 0004: RSA_PSK
- 0005: DH_RSA
- 0006: DH_RSA_EXPORT
- 0007: DH_DSS
- 0008: DH_ANON
- 0009: DH_ANON_EXPORT
- 000A: DH_DSS_EXPORT
- 000B: DHE_RSA
- 000C: DHE_RSA_EXPORT
- 000D: DHE_DSS
- 000E: DHE_DSS_EXPORT
- 000F: DHE_PSK
- 0010: ECDH_ECDSA
- 0011: ECDH_RSA
- 0012: ECDH_ANON
- 0013: ECDHE_ECDSA
- 0014: ECDHE_RSA
- 0015: ECDHE_PSK
- 0016: KRB5
- 0017: KRB5_EXPORT
- 0018: PSK
- 0019: SRP_SHA_RSA
- 001A: SRP_SHA_DSS
- 001B: SRP_SHA

394-394

1-digit number indicating the FIPS140 mode of the TLS provider. Possible values are:

- 0: Not in FIPS 140 mode
- 1: FIPS 140 mode is enabled (80-bit strength enforced)
- 2: FIPS 140 mode is enabled at level 1 (synonymous with X'01')
- 3: FIPS 140 mode is enabled at level 2 (112-bit strength enforced when creating new keys or performing digital signature generation and encryption type operations. Digital signature verification, decryption using 3DES and RSA decryption with 80-bit key lengths allowed when processing already protected information).

- 4: FIPS 140 mode is enabled at level 3 (112 bit or higher strength enforced as defined in NIST SP800-131A.)

396-397

2 hexadecimal digits indicating cryptographic operations. Possible values are:

- 80: Encrypt-then-MAC processing is used

399-399

One character (Y or N) representing the presence of server certificate information for the connection

401-401

One character (Y or N) representing the presence of client certificate information for the connection

403-413

The letter K followed by up to 10 decimal digits, left-justified and padded with blanks, representing the IPsec IKE tunnel identifier for the connection.

415-415

One decimal digit representing IPsec IKE major version.

417-417

One decimal digit representing IPsec IKE minor version.

419-466

IPsec IKE key exchange rule for the tunnel, left-justified and padded with blanks.

468-530

Local IP address for the IPsec IKE tunnel endpoint. It is in the same format as the IP address for the connection.

532-594

Remote IP address for the IPsec IKE tunnel endpoint. It is in the same format the IP address for the connection.

596-597

2 hexadecimal digits representing the authentication method for the IPsec IKE local endpoint. One of the following values:

- 00: Unknown or manual tunnel
- 01: None
- 02: RSA signature
- 03: Preshared key
- 04: ECDSA-256 signature
- 05: ECDSA-384 signature
- 06: ECDSA-521 signature
- 07: Digital signature

599-600

2 hexadecimal digits representing the authentication method for the IPsec IKE remote

endpoint. Same set of values as the local IPsec IKE endpoint authentication.

602-605

4 hexadecimal digits representing the IPsec IKE tunnel authentication algorithm. Same set of values as the TLS message authentication algorithm (columns 384-387)

607-610

4 hexadecimal digits representing the IPsec IKE tunnel encryption algorithm. Same set of values as the TLS encryption algorithm (columns 379-382).

612-613

2 hexadecimal digits representing the IPsec IKE Diffie-Hellman group used to generate the keying material for this IKE tunnel. One of the following values:

- 00: Unknown or manual tunnel
- 01: Group 1
- 02: Group 2
- 05: Group 5
- 0E: Group 14
- 13: Group 19
- 14: Group 20
- 15: Group 21
- 18: Group 24
- FF: No DH group used

615-616

2 hexadecimal digits representing the IPsec IKE pseudo-random function used for seeding keying material. One of the following values:

- 00: Unknown or manual tunnel
- 01: None
- 02: HMAC-SHA2-256
- 03: HMAC-SHA2-384
- 04: HMAC-SHA2-512
- 05: AES-128-XCBC
- 06: HMAC-MD5
- 07: HMAC-SHA1

618-627

Decimal number, left-justified and padded with blanks, representing the IPsec IKE tunnel lifetimes. If not 0, this value indicates the lifetimes limit for the tunnel, in Kbytes. Otherwise (value is 0), no lifetimes enforced.

629-638

Decimal number, left-justified and padded with blanks, representing the IPsec IKE tunnel lifetime. This value indicates the total number of minutes the tunnel remains active.

640-649

Decimal number, left-justified and padded with blanks, representing the IPsec IKE reauthentication interval. Indicates the number of minutes between reauthentication operations.

651-661

The letter M or Y (for manual or dynamic) followed by up to 10 decimal digits representing the IPsec tunnel identifier assigned by the system.

663-663

One decimal digit for the IPsec FIPS140 indicator. If set to 1, cryptographic operations for this tunnel are performed using cryptographic algorithms and modules that are designed to meet the FIPS 140 requirements. If set to 0, cryptographic algorithms and modules that do not meet the FIPS 140 requirements might be used.

665-665

A decimal digit representing the type of IPsec tunnel. Possible values are:

- 1: Manual IPsec tunnel
- 2: Dynamic IPsec tunnel
- 3: Shadow tunnel

667-667

A decimal digit representing the IPsec tunnel state. Possible values are:

- 1: Manual or dynamic tunnel is active
- 2: Manual tunnel is inactive

669-669

A decimal digit representing the IPsec encapsulation mode. Possible values are:

- 1: Tunnel mode
- 2: Transport mode

671-672

2 hexadecimal digits representing the protocol used for message authentication. One of the following:

- 32: Encapsulating Security Payload (ESP)
- 33: Authentication Header (AH)

674-677

4 hexadecimal digits representing the IPsec tunnel authentication algorithm. These are the same values as the TLS message authentication algorithm (columns 384-387)

679-682

4 hexadecimal digits representing the IPsec tunnel encryption algorithm. These are the same values as the TLS encryption algorithm (columns 379-382).

684-685

2 hexadecimal digits representing the Diffie-Hellman group used for IPsec perfect forward secrecy. Same set of values as IPsec IKE Diffie-Hellman group used to generate the keying material

687-696

Decimal number, left-justified and padded with blanks, representing the IPsec security association lifetime in KBytes. Zero if IPsec tunnel type is manual.

698-707

Decimal number, left-justified and padded with blanks, representing the IPsec security association lifetime in minutes. Zero if IPsec tunnel type is manual.

709-718

Decimal number, left-justified and padded with blanks, representing the IPsec tunnel VPN lifetime in minutes (length of time after which the tunnel family ceases to be refreshed). Zero indicates no VPN lifetime limit is enforced.

720-720

One character (Y or N) representing the presence of local certificate information for the connection

722-722

One character (Y or N) representing the presence of peer certificate information for the connection

724-724

A 1-digit number indicating the SSH protocol version. Possible values are:

- 1: Version 1
- 2: Version 2

726-726

A 1-digit number indicating the source of the SSH information being displayed. Possible values are:

- 1: Stream observation
- 2: Cryptographic protocol provider

728-728

1-digit number indicating the FIPS140 mode of the SSH provider. Same set of possible values as the TLS FIPS140 mode indicators.

730-731

2 hexadecimal digits representing SSH cryptographic operations flags:

- 80: Encrypt-then-MAC processing is used for inbound traffic
- 40: Encrypt-then-MAC processing is used for outbound traffic

733-740

8 characters representing the SSH subcomponent (-padded with trailing blanks):

- 'SFTPS': sftp server
- 'SFTPC': sftp client
- 'SCPS ' : scp server
- 'SCPC' : scp client
- 'SSH' : ssh client
- 'SSHD' : sshd daemon

742-745

4 hexadecimal digits representing the first or only peer authentication method used for this SSH connection:

- 0000: Unknown
- 0001: None
- 0002: Password
- 0003: Public key
- 0004: Host-based
- 0005: Rhosts
- 0006: RhostsRSA
- 0007: RSA
- 0008: Keyboard-interactive
- 0009: Challenge-response
- 000A: Control socket 1
- 000B: GSSAPI with MIC
- 000C: GSSAPI Key exchange

747-750

If not 0, the last of multiple authentication methods used for this SSH connection. Same set of possible values as the first peer authentication method used for the connection.

752-755

4 hexadecimal digits representing the encryption algorithm for SSH inbound traffic. Same set of possible values as the TLS encryption algorithm (columns 379-382)

757-760

4 hexadecimal digits representing the message authentication algorithm for SSH inbound traffic. Same set of possible values as the TLS authentication algorithm (columns 384-387)

762-765

4 hexadecimal digits representing the key exchange method for the SSH connection:

- 0000: Unknown
- 0001: None
- 0002: Diffie-Hellman-group-exchangeSHA256

- 0003: Diffie-Hellman-group-exchangeSHA1
- 0004: Diffie-Hellman-group14-SHA1
- 0005: Diffie-Hellman-group1-SHA1
- 0006: ECDH-SHA2-NISTP256
- 0007: ECDH-SHA2-NISTP384
- 0008: ECDH-SHA2-NISTP521
- 0009: GSS-GROUP1-SHA1
- 000A: GSS-GROUP14-SHA1
- 000B: GSS-GEX-SHA1
- 000C: ECMQV-SHA2
- 000D: GSS-*
- 000E: RSA1024-SHA1
- 000F: RSA2048-SHA256

767-770

4 hexadecimal digits representing the encryption algorithm for SSH outbound traffic. Same set of possible values as the TLS encryption algorithm (columns 389-392)

772-775

4 hexadecimal digits representing the message authentication algorithm for SSH outbound traffic. Same set of possible values as the TLS authentication algorithm (columns 384-387)

777-780

4 hexadecimal digits representing the type of raw server key for the SSH connection:

- 0000: Unknown
- 0001: None
- 0002: RSA
- 0003: DSA
- 0004: Diffie-Hellman (DH)
- 0005: Elliptic Curve Cryptography (ECC)
- 0006: RSA1 (SSHV1 only)
- 0007: RSA_CERT (from OpenSSH certificate)
- 0008: DSA_CERT (from OpenSSH certificate)
- 0009: ECDSA_CERT (from OpenSSH certificate)

782-786

Length of raw server key for the SSH connection in bits, left-justified and padded with blanks.

788-791

4 hexadecimal digits representing the type of raw client key for the SSH connection. Same set of possible values as the server key type.

793-797

Length of raw client key for the SSH connection in bits, left-justified and padded with blanks.

799-803

Length (in bytes) of the server public key fingerprint for the SSH connection. If no server public key is used, then this length is set to zero.

805-809

Length (in bytes) of the client public key fingerprint for the SSH connection. If no client public key is used, then this length is set to zero.

811-938

The server public key fingerprint (a hash of the public key used to identify that key) for the SSH connection, left-justified and padded on the right with X'00'.

940-1067

The server public key fingerprint (a hash of the public key used to identify that key) for the SSH connection, left-justified and padded on the right with X'00'.

1069-1069

One character (Y or N) representing the presence of SSH server certificate information for the connection

1071-1071

One character (Y or N) representing the presence of SSH client certificate information for the connection

1073-1076

4 hexadecimal digits representing the TLS server certificate signature method. Possible values are:

- X'0000': Unknown
- X'0001': None
- X'0002': RSA with MD2
- X'0003': RSA with MD5
- X'0004': RSA with SHA1
- X'0005': DSA with SHA1
- X'0006': RSA with SHA-224
- X'0007': RSA with SHA-256
- X'0008': RSA with SHA-384
- X'0009': RSA with SHA-512
- X'000A': ECDSA with SHA1
- X'000B': ECDSA with SHA-224
- X'000C': ECDSA with SHA-256
- X'000D': ECDSA with SHA-384
- X'000E': ECDSA with SHA-512
- X'000F': DSA with SHA-224
- X'0010': DSA with SHA-256

1078-1081

4 hexadecimal digits representing the TLS server certificate encryption method. Possible values are:

- 0000: Unknown
- 0001: None
- 0002: RSA
- 0003: DSA
- 0004: ECDSA

1083-1086

4 hexadecimal digits representing the TLS server certificate digest algorithm. Possible values are:

- 0000: Unknown
- 0001: None
- 0002: MD2
- 0003: MD5
- 0004: SHA1
- 0005: SHA-224
- 0006: SHA-256
- 0007: SHA-384
- 0008: SHA-512

1088-1127

Up to 40 hexadecimal digits representing the TLS server certificate serial number. Shorter serial numbers are left-justified and padded with blanks.

1129-1145

TLS server certificate expiration date in the form MM/DD/YY HH:MM:SS

1147-1150

4 hexadecimal digits representing the TLS server certificate key type. Possible values are:

- 0000: Unknown
- 0001: None
- 0002: RSA
- 0003: DSA
- 0004: Diffie-Hellman (DH)
- 0005: Elliptic Curve Cryptography (ECC)

1152-1156

A decimal number, left-justified and padded with blanks, representing the TLS server certificate key length

1158-1357

The first 200 bytes of the the TLS server certificate subject distinguished names field, leftjustified and padded with blanks.

1359-1558

The first 200 bytes of the TLS server certificate issuer distinguished names field, left-justified and padded with blanks.

1560-1563

4 hexadecimal digits representing the TLS client certificate signature method. Set of possible

values are the same as the TLS server certificate signature method.

1565-1568

4 hexadecimal digits representing the TLS client certificate encryption method. Set of possible values are the same as the TLS server certificate encryption method.

1570-1573

4 hexadecimal digits representing the TLS client certificate digest algorithm. Set of possible values are the same as the TLS server certification digest algorithm.

1575-1614

Up to 40 hexadecimal digits representing the TLS client certificate serial number. Shorter serial numbers are left-justified and padded with blanks.

1616-1632

TLS client certificate expiration date in the form MM/DD/YY HH:MM:SS

1634-1637

4 hexadecimal digits representing the TLS client certificate key type. Set of possible values are the same as the TLS server certification key type.

1639-1643

A decimal number, left-justified and padded with blanks, representing the TLS client certificate key length

1645-1844

The first 200 bytes of the TLS client certificate subject distinguished names field, left-justified and padded with blanks.

1846-2045

The first 200 bytes of the TLS client issuer distinguished names field, left-justified and padded with blanks.

2047-2050

4 hexadecimal digits representing the IPsec IKE local certificate signature method. Set of possible values are the same as the TLS server certificate signature method.

2052-2055

4 hexadecimal digits representing the IPsec IKE local certificate encryption method. Set of possible values are the same as the TLS server certificate encryption method.

2057-2060

4 hexadecimal digits representing the IPsec IKE local certificate digest algorithm. Set of possible values are the same as the TLS server certification digest algorithm.

2062-2101

Up to 40 hexadecimal digits representing the IPsec IKE local certificate serial number. Shorter

serial numbers are left-justified and padded with blanks.

2103-2119

IPsec IKE local certificate expiration date in the form MM/DD/YY HH:MM:SS

2121-2124

4 hexadecimal digits representing the IPsec IKE local certificate key type. Possible values are the same as the TLS server certification key type.

2126-2130

A decimal number, left-justified and padded with blanks, representing the IPsec IKE local certificate key length

2132-2331

The first 200 bytes of the IPsec IKE local certificate subject distinguished names field, left-justified and padded with blanks.

2333-2532

The first 200 bytes of the IPsec IKE local certificate issuer distinguished names field, left-justified and padded with blanks.

2534-2537

4 hexadecimal digits representing the IPsec IKE peer certificate signature method. Same set of possible values are the same as the TLS server certificate signature method.

2539-2542

4 hexadecimal digits representing the IPsec IKE peer certificate encryption method. Same set of possible values as the TLS server certificate encryption method.

2544-2547

4 hexadecimal digits representing the IPsec IKE peer certificate digest algorithm. Same set of possible values as the TLS server certification digest algorithm.

2549-2588

Up to 40 hexadecimal digits representing the IPsec IKE peer certificate serial number. Shorter serial numbers are left-justified and padded with blanks.

2590-2606

IPsec IKE peer certificate expiration date in the form MM/DD/YY HH:MM:SS

2608-2611

4 hexadecimal digits representing the IPsec IKE peer certificate key type. Same set of possible values as the TLS server certificate key type.

2613-2617

A decimal number, left-justified and padded with blanks, representing the IPsec IKE peer certificate key length

2619-2818

The first 200 bytes of the IPsec IKE peer certificate subject distinguished names field, left-justified and padded with blanks.

2820-3019

The first 200 bytes of the IPsec IKE peer certificate issuer distinguished names field, left-justified and padded with blanks.

3021-3024

4 hexadecimal digits representing the SSH server certificate signature method. Set of possible values are the same as the TLS server certificate signature method.

3026-3029

4 hexadecimal digits representing the SSH server certificate encryption method. Set of possible values are the same as the TLS server certificate encryption method.

3031-3034

4 hexadecimal digits representing the SSH server certificate digest algorithm. Set of possible values are the same as the TLS server certification digest algorithm.

3036-3075

Up to 40 hexadecimal digits representing the SSH server certificate serial number. Shorter serial numbers are left-justified and padded with blanks.

3077-3093

SSH server certificate expiration date in the form MM/DD/YY HH:MM:SS

3095-3098

4 hexadecimal digits representing the SSH server certificate key type. Possible values are the same as the TLS server certification key type.

3100-3104

A decimal number, left-justified and padded with blanks, representing the SSH server certificate key length

3106-3305

The first 200 bytes of the SSH server certificate subject distinguished names field, left-justified and padded with blanks.

3307-3506

The first 200 bytes of the SSH server certificate issuer distinguished names field, left-justified and padded with blanks.

3508-3511

4 hexadecimal digits representing the SSH client certificate signature method. Set of possible values are the same as the TLS server certificate signature method.

3513-3516

4 hexadecimal digits representing the SSH client certificate encryption method. Set of possible

values are the same as the TLS server certificate encryption method.

3518-3521

4 hexadecimal digits representing the SSH client certificate digest algorithm. Set of possible values are the same as the TLS server certification digest algorithm.

3523-3562

Up to 40 hexadecimal digits representing the SSH client certificate serial number. Shorter serial numbers are left-justified and padded with blanks.

3564-3580

SSH client certificate expiration date in the form MM/DD/YY HH:MM:SS

3582-3585

4 hexadecimal digits representing the SSH client certificate key type. Possible values are the same as the TLS server certification key type.

3587-3591

A decimal number, left-justified and padded with blanks, representing the SSH client certificate key length

3593-3792

The first 200 bytes of the SSH client certificate subject distinguished names field, left-justified and padded with blanks.

3794-3993

The first 200 bytes of the SSH client certificate issuer distinguished names field, left-justified and padded with blanks.

Message Variables**Count**

The total number of connections matching the input criteria. If this number exceeds MAXRECS, the COUNT=YES operand must be specified on the CONNSEC QUERY command for this value to be displayed. Otherwise, *numcon* is N/A.

missedcount

The number of missing data buffers. An increased value of *missedcount* indicates reduced accuracy of the QUERY results.

A REXX sample, CNMSZERT, is provided to format the BNH932I information for readability.

System action

The CONNSEC QUERY is complete.

BNH933I

TESTING COMPLETED. TOTAL MATCHES: *matchCount*, TOTAL COMPARISONS: *compareCount*

Explanation

Automation table testing has completed.

Message Variables

matchCount

The total number of matches between the messages in the recording and the statements in the automation table.

compareCount

The total number of comparisons between the messages in the recording and the statements in the automation table.

BNH934I **COMMAND STATISTICS SMF DATA
SPACE RECORDING IS RESUMED.
number RECORDS LOST**

Explanation

Writing records to the Command Statistics System Management Facility (SMF) data space, CNMCMSMF, has resumed. This occurs after a z/OS SMF interval has elapsed, and the current records in the data space are written into SMF records.

This message is seen after the BNH931W message is issued.

Message Variables

number

The number of Command Statistics records that are not written to SMF records.

Operator response

Contact the system programmer.

System programmer response

Review how often this message and BNH931W occur.

If the messages occur frequently, consider taking one or more of the following actions:

- Increasing the value on the CMDMON.INIT.SMFDSIZE statement in your CNMSTYLE user member.
 - If you choose this option, issue the following commands for the new data space size to take effect:
 - RESTYLE CMDMON
 - CMDMON LOGSMF=NO

- CMDMON LOGSMF=YES

- Excluding more commands in the Command Statistics Inclusion/Exclusion sample, CNMSCSIE.

- If you choose this option, you will need to issue the following commands for the new inclusion/exclusion list to take effect:

- RESTYLE CMDMON

- If the CMDMON.INIT.STATS CNMSTYLE statement value is not OFF, then monitoring of commands will resume after the RESTYLE CMDMON command. Otherwise, issue the following command to restart command monitoring:

- CMDMON STATS=[ALL|PRIONLY]

BNH935I **COMMAND STATISTICS SMF
LOGGING ENDED DUE TO *task*
TASK TERMINATION. REASON:
*reason***

Explanation

The Command Statistics System Management Facility (SMF) function stops writing z/OS SMF records because the autotask that performs this function is no longer active.

Message Variables

task

The autotask that is no longer active.

reason

The reason that the task is no longer active:

- LOGOFF
- ABEND

System action

The Command Statistics SMF function continues to write records to the data space, but no z/OS SMF records are written.

Operator response

1. Restart the specified autotask using the AUTOTASK OPID=*task* command.
2. Issue the following commands:
 - CMDMON LOGSMF=NO
 - CMDMON LOGSMF=YES

Chapter 4. BNJ Prefix Messages

This chapter lists the BNJ prefix messages.

The following messages are sent to the NetView terminal operator or the authorized message receiver. If an authorized message receiver is not defined in the system or is not logged on, the messages destined for the authorized message receiver are sent to the system console operator.

BNJ000I **MESSAGE NUMBER *nnn* NOT
FOUND IN MESSAGE TABLE *msgtbl***

System action

Processing continues.

Explanation

During either a data services command processor (DSCP) request for a message from the message table or the processing of NetView initialization statements during installation (shown as either BNJAPAMA or as *msgtbl*), the message identifier field is zero or is a value not found in the message CSECT or in BNJAPAMA.

Message Variables

nnn

The message number

msgtbl

The message table name

System action

DSCP processing or initialization processing continues.

Operator response

Give the message number to the system programmer.

System programmer response

You request messages in the message CSECT *msgtbl* and BNJAPAMA by message number. Verify that the message number specified is correct and that the identified message table or BNJAPAMA contains a message with that number.

BNJ001I **BNJ76MPF RECEIVED A RETURN
CODE OF *retcode* FROM *macro*
MACRO**

Explanation

The specified macro failed to run.

Message Variables

retcode

The macro return code

macro

DSIGET, DSIMQS, or DSIFRE

Operator response

Notify the system programmer.

System programmer response

Determine the cause of the macro failure. See *IBM Z NetView Programming: Assembler* for the meaning of the return code.

BNJ002I **EP/LOCAL RECORDING IS
DEACTIVATED. ABEND ADDRESS:
abaddress COMPLETION CODE:
*ccc***

Explanation

MVS only. System SVC 76 (IFBSVC76) detected an abend and notified BNJSVC76 to inactivate channel-attached and EP link-attached error recording.

Message Variables

abaddress

The address where the abend occurred

ccc

The NetView completion code

System action

The hardware monitor will continue to process SNA data. Recording of channel-attached or EP link-attached error data is ended.

Operator response

Notify the system programmer.

System programmer response

Record the abend address and completion code and contact IBM Software Support.

BNJ003A **NPDA IS ALREADY ACTIVE. REPLY
'A' TO ABORT OR 'C' TO CONTINUE**

Explanation

The hardware monitor has been started and initialized.

System action

The NetView program stops the attempt to reinitialize hardware monitor (reply A) or retries the initiation attempt (reply C).

Operator response

Enter the appropriate response after consulting with the system programmer.

System programmer response

The hardware monitor might still be active. This condition can be caused by trying to initiate two hardware monitors or by a system failure that prevents the hardware monitor from ending normally. Verify that there is no NetView job in the system before having the operator respond.

**BNJ004I NPDA LOGGER BUFFERS FULL.
RECORD(S) OVERLAID**

Explanation

The NetView logger (mapper) received records for processing, but the buffers are filled with records not yet processed. The NetView program overlays the oldest records in the buffer with the newly received records.

System action

Processing continues but the overlaid records are not processed.

Operator response

Notify the system programmer.

System programmer response

For information about the lost record, interrogate the SYS1.LOGREC data set by means of the environmental recording, editing, and printing program (EREP). To correct this condition, increase the BUFSIZE parameter in the NetView procedure.

**BNJ006I module locid THE FOLLOWING
DELIVER RU HAS BEEN REJECTED**

Explanation

The module *module* detected that the buffer containing the deliver RU is not valid, the buffer containing the deliver RU is smaller than the deliver RU plus the deliver RU trailer length, or the deliver trailer

is not valid. Messages BNJ049I and BNJ050I follow this message.

Message Variables

module

The name of the NetView module that detected the error

locid

The location within the NetView module that detected the error

System action

Processing on this error record ends.

Operator response

Notify the system programmer.

System programmer response

Determine the problem from the *locid*. This value will be one of the following:

01

The buffer containing the deliver RU is not valid. HDRMLENG plus HDRTDISP is greater than HDRBLENG. Contact IBM Software Support.

02

The deliver RU header, plus the embedded RU are longer than HDRMLENG. Determine whether the deliver RU or the buffer is not correct. If the deliver RU is not valid, determine who generated it and have it corrected. If the buffer is not valid, contact IBM Software Support.

03

HDRMLENG ended before the end of the deliver RU trailer was found. Determine whether the deliver RU or the buffer is not correct. If the deliver RU is not valid, determine who generated it and have it corrected. If the buffer is not valid, contact IBM Software Support.

**BNJ007I NCCF NOT STARTED BY
INITIALIZER. NPDA LOGGING
NOT AVAILABLE**

Explanation

The command facility was not started by the hardware monitor initializes and the logging (mapping) of channel-attached and EP link-attached data cannot occur.

System action

The hardware monitor recording request is ignored.

Operator response

Notify the system programmer.

System programmer response

Initiate command facility with or using the hardware monitor procedure. This procedure loads the initializer load module that, in turn, passes control to the command facility.

BNJ008A **REPLY 'A' TO ABORT OR 'C' TO CONTINUE**

Explanation

Your reply to message BNJ003A is not valid.

System action

Processing stops.

Operator response

Enter A or C after consulting with the system programmer.

System programmer response

Determine the appropriate response.

BNJ009I ***module locid* THE FOLLOWING MSU RECORD HAS AN INVALID OR MISSING *vector* SUBVECTOR**

Explanation

The MSU record being processed by module *module* does not contain the required *vector* subvector, or the *vector* subvector is in an incorrect format.

Message Variables

module

The name of the NetView module that detected the error

locid

The location within the NetView module that detected the error

vector

The subvector that was missing or not valid

System action

The current record being processed is not written to the database.

Operator response

Notify the system programmer.

System programmer response

Investigate the MSU to determine the subvector that is missing or not valid.

BNJ010I ***module locid* THE FOLLOWING MSU RECORD HAS AN INVALID SUBVECTOR LENGTH AT OFF-SET *off*: *record***

Explanation

The module *module* detected that the length of the subvector specified at offset *off* is not correct.

Message Variables

module

The name of the NetView module that detected the error

locid

The location within the NetView module that detected the error

off

The offset from the beginning of the DELIVER header

record

The record that is not valid

System action

If possible, processing of the record continues.

Operator response

Notify the system programmer.

System programmer response

Determine which device is generating the MSU record and contact IBM Software Support.

BNJ011I ***module locid* THE FOLLOWING MSU RECORD HAS AN INVALID SUBFIELD LENGTH AT OFF-SET *off*: *record***

Explanation

Module *module* detected that the length of the subfield specified at offset *off* is not correct.

Message Variables

module

The name of the NetView module that detected the error

locid

The location within the NetView module that detected the error

off

The offset from the beginning of the DELIVER header

record

The record that is not valid

System action

If possible, processing of the record continues.

Operator response

Notify the system programmer.

System programmer response

Determine which device is generating the MSU record and contact IBM Software Support.

BNJ012I BNJLNPDA TASK ALREADY ACTIVE

Explanation

You entered a command that requires data services, but the data services task, BNJLNPDA, is already active.

System action

Hardware monitor processing continues.

BNJ014I NPDA LOGGER IS ACTIVE

Explanation

The logger (mapper) task has been successfully initialized.

System action

Processing continues.

BNJ015I NPDA LOGGER TERMINATED

Explanation

The NetView program has ended the logger (mapper) as requested and recording of channel-attached and EP link-attached data cannot occur. SNA data recording continues.

System action

Processing continues for SNA data.

BNJ016I DSIGET FAILED. NPDA LOGGER IS TERMINATING

Explanation

The recording task issued a DSIGET macro (a GETMAIN request) to obtain storage for initialization. The DSIGET macro return code of 04 indicates that the requested storage is not available.

System action

NetView processing continues but the recording of channel-attached and EP link-attached data stops. The recording of SNA data continues.

Operator response

Notify the system programmer.

System programmer response

Increase the region size for the command facility and hardware monitor in the hardware monitor procedure and rerun the procedure.

BNJ019I INVALID INITIALIZATION CARD record USING DEFAULT OF x FOR threshtype

Explanation

You specified the line-quality threshold (LQTHRESH) or the impulse hits threshold (IHTHRESH) incorrectly in the hardware monitor initialization table, BNJMBDST. A default value will be used.

Message Variables**record**

The initialization statement in error

x

The default value that will be used for the threshold

threshtype

The threshold type, either LQTHRESH or IHTHRESH

System action

Processing continues with default value.

Operator response

Notify the system programmer.

System programmer response

Correct the incorrect value in BNJMBDST.

BNJ020I operatorid module locid VSAM I/O REQUEST FAILED TO START: DSIZVSMS R/C - MAJOR = majcode

MINOR = *mincode*, VSAM DATASET = *ddname*, KEY '*keyval*'

Explanation

DSIZVSMS detected an error in the I/O request and sent nonzero return codes *majcode* and *mincode*. If the return codes are both 9999, the DSIZVSMS macro is not issued because the parameters passed by module *module* were not valid.

Message Variables

operatorid

The NetView terminal operator identifier. If no operator is defined, this value is blank.

module

The control section (CSECT) name where an error condition was detected.

locid

The location within the named CSECT where an error condition was detected.

majcode

The DSIZVSMS REG15 return code. The code is in decimal.

mincode

The DSIZVSMS FDBK return code. The code is in decimal.

ddname

The name of the VSAM data set that encountered the error. If you cannot determine the *ddname*, this value is UNKNOWN.

keyval

The VSAM key used for the request.

System action

Data services command processor (DSCP) processing ends for the particular database record.

Operator response

Enter the command again that failed. If the same condition occurs, notify the system programmer.

System programmer response

See *IBM Z NetView Programming: Assembler* for information on the specific error and take the appropriate corrective action.

BNJ021I ***operatorid module locid* THE SERVICE ROUTINE THAT INSERTS THE LOGICAL RECORD INTO THE PHYSICAL RECORD RETURNED A NON-ZERO RETURN CODE. RETURN CODE IS *retcode***

Explanation

The service routine cannot successfully insert the logical temporary record into the physical temporary record. Either there is not enough space in the physical record or the physical or logical record size is specified incorrectly.

Message Variables

operatorid

The terminal operator identifier. If no operator is defined, this value is NONE.

module

The name of the NetView module that detected the error.

locid

The location within the NetView module that detected the error.

retcode

The return code returned by the service routine.

System action

No further processing is attempted for the logical temporary record. Data services command processor (DSCP) processing ends. Error message BNJ250I or BNJ950I is sent to the presentation services command processor (PSCP) for issuing to the NetView terminal operator to indicate a failure in service.

Operator response

Check for authorized receiver messages from BNJALTPA and notify the system programmer.

System programmer response

Check the following BNJALTPA return codes:

4

Insufficient space in physical record

8

Physical or logical record size that is not valid

BNJ022I ***operatorid module locid* VSAM I/O COMPLETION FAILURE: VSAM R/C - MAJOR = *majcode* MINOR = *mincode*, VSAM DATASET = *ddname*, KEY '*keyval*'**

Explanation

The module requested a key *keyval* using the VSAM macro to initiate a VSAM I/O request. It did not complete successfully.

Message Variables

operatorid

The terminal operator identifier. If no operator is defined, this value is NONE.

module

The name of the NetView module that detected the error.

locid

The location within the NetView module that detected the error.

majcode

The VSAM completion code (REG15), in decimal.

mincode

The VSAM completion code (FDBK), in decimal.

ddname

The name of the VSAM data set that encountered the error. If you cannot determine the *ddname*, this value = UNKNOWN.

keyval

The VSAM key used for the request.

System action

No further processing is attempted for this error record.

Operator response

Notify the system programmer to determine the type of error indicated by the major and minor (REG15 and FDBK) codes returned.

If the *module* is BNJAPUGR, *locid* is 01, the *majcode* is 8, and the *mincode* is 16, then there is a problem with the hardware monitor database. Reinitialize the hardware monitor EVENT or STATISTICAL database.

If the *module* name starts with DSIVSMX or DSIVSAM, the *majcode* is 8, and the *mincode* is 44, then the logical record size is larger than 32000, which is the maximum size allowed by the NetView DSIVSMX GET and DSIVSAM GET commands.

BNJ023I *operatorid module locid VSAM KEY keyval HAS AN INVALID FORMAT*

Explanation

The module requested a key *keyval*. The key that was returned contains information that cannot be recognized by the module.

Message Variables**operatorid**

The terminal operator identifier. If no operator is defined, this value is NONE.

module

The name of the NetView module that detected the error.

locid

The location within the NetView module that detected the error.

keyval

The VSAM key value that is not valid.

System action

Processing continues but the NetView program ignores the key and data.

Operator response

Notify the system programmer.

System programmer response

Damage might be done to the VSAM database. Inspect the database by printing it, then save the database and re-create it. See *IBM Z NetView Installation: Getting Started* for information on recreating the database.

BNJ024I *operatorid module locid THE SERVICE ROUTINE THAT GETS MULTIPLE VSAM KEYS PUT AN IMPROPER VALUE IN DSXKBLST. DSXKBLST=value1, DSXKBMAX=value2*

Explanation

The functional get keys service routine BNJAFGKA fills a buffer with multiple VSAM keys. The value *value1* must be greater than 0 and less than or equal to *value2*.

Message Variables**operatorid**

The terminal operator identifier. If no operator is defined, this value is NONE.

module

The name of the NetView module that detected the error.

locid

The location within the NetView module that detected the error.

value1

The number of keys in the buffer.

value2

The maximum number of keys allowed in the buffer.

System action

No further processing is attempted on the keys in the buffer, but error information might be displayed using keys received in a previous buffer operation.

Operator response

Notify the system programmer.

System programmer response

Check the indicated module for an error in requesting the service routine. If this fails, check the service routine for an error.

BNJ025I *operatorid module locid* **THE SERVICE ROUTINE THAT GETS MULTIPLE VSAM KEYS RETURNED A RETURN CODE OF 16**

Explanation

An error condition was detected in *module* at the functional get keys routine, BNJAFGKA, giving a return code of 16, which indicates a processing failure.

Message Variables

operatorid

The terminal operator identifier. If no operator is defined, this value is NONE.

module

The name of the NetView module that detected the error.

locid

The location within the NetView module that detected the error.

System action

Processing stops on the keys in the buffer but error data might be displayed using key data from a previous buffer operation.

Operator response

Check for previous error messages and notify the system programmer.

System programmer response

Check the return code from BNJAFGKA. This return code can mean an error return on basic input/output operation from BNJAIORA, parameter, or a key length that is not valid.

BNJ026I *operatorid module locid* **THE SERVICE ROUTINE THAT EXTRACTS COUNTS FROM ERROR**

RECORDS RETURNED A RETURN CODE OF *retcode*

Explanation

BNJAXPRA cannot identify the error record passed to it.

Message Variables

operatorid

The terminal operator identifier. If no operator is defined, this value is NONE.

module

The name of the NetView module that detected the error.

locid

The location within the NetView module that detected the error.

retcode

The BNJAXPRA return code.

System action

Processing stops and the record is not written to the database.

Operator response

Notify the system programmer.

System programmer response

Check the following return codes given for BNJAXPRA:

- 4** Input option type not valid.
- 8** RECFMS record type not valid.
- 12** RECMS record type not valid.

BNJ028I *operatorid module locid* **INVALID RESOURCE *name/type resource/restype* IN RECORD**

Explanation

The module *module* detected unprintable characters in a resource name or a resource type. Messages BNJ049I and BNJ050I follow this message.

Message Variables

operatorid

The terminal operator identifier. If no operator is defined, this value is NONE.

module

The name of the NetView module that detected the error.

locid

The location within the NetView module that detected the error.

name/type

The resource name or resource type that was not valid.

resource/restype

The resource name or resource type that was not valid and that was taken from the record displayed by BNJ049I.

System action

Processing stops and the record is not written to the database.

Operator response

Notify the system programmer.

System programmer response

Determine the resource that generated the record, obtain a copy of the associated BNJ049I message from the network log, and contact IBM Software Support.

BNJ029I *operatorid module locid*
UNEXPECTED VSAM KEY *keyval*
FOUND

Explanation

The specified key of the returned VSAM record is not valid. The database is damaged.

Message Variables**operatorid**

The ID of the terminal operator. If no operator is defined, the value is NONE.

module

The name of the NetView module that detected the error.

locid

The location within the NetView module where the error was detected.

keyval

The VSAM key that is not valid.

System action

System processing ends. Data services command processor (DSCP) processing ends. Error message BNJ137I is issued to indicate a failure in service.

Operator response

Notify the system programmer.

System programmer response

Perform the following procedures:

1. Print the database and inspect it.
2. Save the database.
3. Re-create the database.

See *IBM Z NetView Installation: Getting Started* for more information.

BNJ030I *mm/dd hh:mm type* **ALERT**
RECEIVED FROM THE FOLLOWING
RESOURCE: *resource*

Explanation

An alert was generated by threshold analysis or by the NetView program.

Message Variables**mm/dd hh:mm**

The date and time the alert was issued. The date and time formats depend on the TRANSMMSG member, when in effect, and on the date and time operands of the DEFAULTS and OVERRIDE commands.

type

The type of alert that was issued.

resource

The resource name.

System action

Processing continues.

Operator response

Take appropriate action according to the information shown in the alert.

BNJ031I *operatorid module locid* **VSAM**
DETAIL RECORDS FOR KEY *keyval*
ARE NOT FOUND ON THE DATA
BASE

Explanation

When the module *module* finds multiple detail records for the key specified, it uses a VSAM PUT operation to write the temporary record. After the PUT operation is complete, the module attempts to get the remaining detail records. You receive this message when the module cannot find the remaining detail records.

Message Variables**operatorid**

The terminal operator identifier. If no operator is defined, this value is NONE.

module

The name of the NetView module that detected the error.

locid

The location within the NetView module that detected the error.

keyval

The VSAM key value.

System action

Processing stops for the specific terminal controller.

Operator response

Notify the system programmer.

System programmer response

Check the identified module for a calling error. Check the database for missing records or records that are not valid.

BNJ032I *operatorid module locid* **DSIGET
PASSED BACK A RETURN CODE OF
retcode**

Explanation

The storage allocation routine indicated main storage is unavailable for a work area.

Message Variables**operatorid**

The terminal operator identifier. If no operator is defined, this value is NONE.

module

The name of the NetView module that detected the error.

locid

The location within the NetView module that detected the error.

retcode

The NetView return code.

System action

Data services command processor (DSCP) processing stops.

Operator response

Notify the system programmer.

System programmer response

Increase the region size for the command facility and restart the hardware monitor procedure. See *IBM Z*

NetView Programming: Assembler for the meaning of the return code.

BNJ033I *operatorid module locid* **DSIMQS
PASSED BACK A RETURN CODE OF
retcode**

Explanation

While attempting to send data to the Presentation Services Command Processor (PSCP), the NetView message queuing routine indicated that the message was not sent successfully.

Message Variables**operatorid**

The terminal operator identifier. If no operator is defined, this value is NONE.

module

The name of the NetView module that detected the error.

locid

The location within the NetView module that detected the error.

retcode

The NetView return code.

System action

Data services command processor (DSCP) processing stops.

Operator response

Notify the system programmer.

System programmer response

Check the return code for DSIMQS in *IBM Z NetView Programming: Assembler* for the specific type of error.

BNJ034I *operatorid module1 locid* **THE
LOGIC RESUME POINTER
(DSXRESMP) CONTAINS ZEROS.
DSXRESMS CONTAINS module2**

Explanation

A functional service routine was unable to return control to the data capturing routine that called it. The data capturing routine address should be in DSXRESMP.

Message Variables**operatorid**

The terminal operator identifier. If no operator is defined, this value is NONE.

module1

The name of the NetView module that detected the error.

locid

The location within the NetView module that detected the error.

module2

The name of the module that last updated the DSXRESMP field.

System action

No further processing is attempted for the outstanding request.

Operator response

Notify the system programmer.

System programmer response

Determine whether the DSXRESMS field contains a valid module name and contact IBM Software Support.

BNJ035I *operatorid module locid INVALID KEY SIZE*

Explanation

The indicated length of the key for the requested record was either less than 1 or greater than the allowed maximum.

Message Variables**operatorid**

The terminal operator identifier. If no operator is defined, this value is NONE.

module

The name of the NetView module that detected the error.

locid

The location within the NetView module that detected the error.

System action

Data services command processor (DSCP) processing stops.

Operator response

Notify the system programmer.

System programmer response

Determine the user request and the panel from which it was made and contact IBM Software Support.

BNJ036I *operatorid module locid INVALID INDEX NUMBER nnn DETECTED. THE INDEX NUMBER IS NOT WITHIN THE RANGE OF THE MAPPING TABLE.*

Explanation

The record displayed by BNJ049I caused the processing to set the index number *nnn*. The value of *nnn* depends on the system incident reported. This assigned index number was not within the range of an internal table (BNJCMTBA) used by the NetView program. Messages BNJ049I and BNJ050I follow this message.

Message Variables**operatorid**

The terminal operator identifier. If no operator is defined, this value is NONE.

module

The name of the NetView module that detected the error.

locid

The location within the NetView module that detected the error.

nnn

The index number.

System action

Processing stops.

Operator response

Record the available information and notify the system programmer.

System programmer response

Determine the user request and the panel from which it was made, obtain a copy of the associated BNJ049I message from the network log, and contact IBM Software Support.

BNJ037I *operatorid module locid NO MAPPING DATA AVAILABLE FOR THE ERROR RECORD THAT FOLLOWS*

Explanation

The record displayed by BNJ049I was found to contain data not defined in the mapping table. The assigned index number is within the range of the table but the contents are hexadecimal zeros. Messages BNJ049I and BNJ050I follow this message.

Message Variables

operatorid

The terminal operator identifier. If no operator is defined, this value is NONE.

module

The name of the NetView module that detected the error.

locid

The location within the NetView module that detected the error.

System action

Processing stops.

Operator response

Record the record displayed in BNJ049I and notify the system programmer.

System programmer response

Determine the user request and the panel from which it was made and contact IBM Software Support.

BNJ038I **operatorid module locid LOAD FAILED FOR ERROR MAPPING TABLE *table* ERROR RECORD THAT FOLLOWS WAS NOT RECORDED ON THE DATA BASE**

Explanation

A DSILOD macro returned a nonzero return code for module *table*. Messages BNJ049I and BNJ050I follow this message.

Message Variables**operatorid**

The terminal operator identifier. If no operator is defined, this value is NONE.

module

The name of the NetView module that detected the error.

locid

The location within the NetView module that detected the error.

table

The mapping table needed to interpret the data record.

System action

Processing stops.

Operator response

Record the information and notify the system programmer.

System programmer response

Determine whether the module *table* exists in the NetView load library. Obtain a copy of the associated BNJ049I message from the network log, and contact IBM Software Support.

BNJ039I **operatorid module locid XTMREQTY HAS INVALID CODE *code*, REQUEST WAS FROM APPLICATION *applid***

Explanation

A return code that is not valid was found in XTMREQTY.

Message Variables**operatorid**

The terminal operator identifier. If no operator is defined, this value is NONE.

module

The name of the NetView module that detected the error.

locid

The location within the NetView module that detected the error.

code

The code that is not valid.

applid

The application initiating the request.

System action

Processing continues.

Operator response

Record the information available and notify the system programmer.

System programmer response

Determine the user request and the panel from which it was made and contact IBM Software Support.

BNJ040I **MESSAGES FOR INVALID ALERTS ARE BEING SUPPRESSED. POSSIBLE STREAMING CONDITION**

Explanation

The rate of alerts that are not valid being received by the hardware monitor has exceeded the thresholds set on the ERR_RATE statement in the initialization member for the BNJDSERV task. The high rate can indicate that a device is streaming alerts, or that the hardware monitor has no active database. See the *IBM*

Z NetView Administration Reference for more information about the ERR_RATE statement.

System action

Suppression of messages associated with alerts that are not valid, or with the hardware monitor having no active database continues as long as the number of messages exceeds the threshold. This message is issued every time a specified number of messages has been suppressed.

If a device in the network is streaming alerts, network or system performance can be degraded, depending upon the number of alerts issued and the duration of the streaming condition.

Operator response

Browse the network log, looking for message BNJ199I or BNJ049I. BNJ199I indicates the hardware monitor has no active database. BNJ049I indicates an alert was rejected by the hardware monitor, so a device in the network might be streaming improper alerts. If you cannot find message BNJ040I in the network log, look for the following message numbers:

BNJ006	BNJ009	BNJ010
BNJ011	BNJ028	BNJ036
BNJ037	BNJ038	BNJ051
BNJ052	BNJ063	BNJ111
BNJ112	BNJ113	BNJ120
BNJ124	BNJ125	BNJ145
BNJ174	BNJ175	BNJ176
BNJ177	BNJ178	BNJ179
BNJ180		

Isolate the source of the messages using the information in the messages. The product-set identification (PSID) and resource hierarchy are usually helpful in determining the source of the messages.

Notify the system programmer.

System programmer response

If message BNJ199I is present, the hardware monitor has no active database. Use the SWITCH command to activate either the primary or secondary database. Otherwise identify and fix the device or program causing the streaming alert condition.

BNJ041I *operatorid* BNJALTPA LOGICAL
RECORD SIZE IS TOO SMALL

Explanation

The BNJALTPA service routine input parameters were set up incorrectly.

Message Variables

operatorid

The terminal operator identifier. If no operator is defined, this value is NONE.

System action

Data services command processor (DSCP) processing stops.

Operator response

Notify the system programmer.

System programmer response

Determine the user request and the panel from which it was made and contact IBM Software Support.

BNJ042I *operatorid* BNJALTPA LOGICAL
RECORD SIZE IS TOO LARGE

Explanation

The BNJALTPA service routine input parameters were set up incorrectly.

Message Variables

operatorid

The terminal operator identifier. If no operator is defined, this value is NONE.

System action

Data services command processor (DSCP) processing stops.

Operator response

Notify the system programmer.

System programmer response

Determine the user request and the panel from which it was made and contact IBM Software Support.

BNJ043I *operatorid* BNJALTPA PHYSICAL
RECORD SIZE IS TOO SMALL

Explanation

The BNJALTPA service routine input parameters were set up incorrectly.

Message Variables

operatorid

The terminal operator identifier. If no operator is defined, this value is NONE.

System action

Data services command processor (DSCP) processing stops.

Operator response

Notify the system programmer.

System programmer response

Determine the user request and the panel from which it was made and contact IBM Software Support.

BNJ044I *operatorid* **BNJALTPA PHYSICAL RECORD SIZE IS TOO LARGE**

Explanation

The BNJALTPA service routine input parameters were set up incorrectly.

Message Variables**operatorid**

The terminal operator identifier. If no operator is defined, this value is NONE.

System action

Data services command processor (DSCP) processing stops.

Operator response

Notify the system programmer.

System programmer response

Determine the user request and the panel from which it was made and contact IBM Software Support.

BNJ045I **EXCESSIVE RECORDING DETECTED. BLOCK SET FOR QUALIFIED RESOURCE: *name1 name2 name3 name4 name5***

Explanation

Excessive hardware monitor event logging rate has been detected and stopped.

Message Variables***name1...name5***

The qualified resource name that was used to set the rate recording filter.

System action

Processing continues.

Operator response

Notify the system programmer.

System programmer response

Determine the cause of the excessive events. Delete the filter entry after the problem has been resolved.

BNJ046I ***record* IS AN INVALID INITIALIZATION CARD. IT HAS BEEN IGNORED**

Explanation

A value that is not valid was detected on an initialization statement.

Message Variables***record***

The initialization statement that is not valid

System action

Processing continues. The initialization statement is ignored.

Operator response

Notify the system programmer.

System programmer response

Correct the initialization statement and enter the job again.

BNJ047I ***operatorid module locid* NPDA [PURGE|PRGATT] TERMINATED ABNORMALLY**

Explanation

You entered a PURGE or PRGATT command that ended abnormally.

Message Variables***operatorid***

The terminal operator identifier if it is defined

module

The name of the NetView module that detected the error

locid

The location within the NetView module that detected the error

System action

Processing of the PURGE or PRGATT command ends.

Operator response

Notify the system programmer.

System programmer response

The database might need to be reinitialized.

If *locid* is 01, message BNJ020I or BNJ022I will also be sent to the authorized receiver. Read the message for further assistance.

If *locid* is 02, message BNJ055I will also be sent to the authorized receiver. Read the message for further assistance.

If *locid* is 03, an internal error has occurred. Contact IBM Software Support.

BNJ048I	FILTER ENTRY DOES NOT EXIST FOR COMMAND: <i>command</i>
----------------	--

Explanation

You entered an SRF/SRFILTER command to delete a filter, but no entry was found in the filter table to match the request.

Message Variables

command

A rebuilt version of the SRF/SRFILTER command that failed

System action

The NetView program ignores the command and processing continues.

Operator response

Verify that a filter entry exists in the filter table.

BNJ049I	<i>record</i>
----------------	---------------

Explanation

This message follows a hardware monitor message. The preceding message indicates why the hardware monitor rejected an RU. BNJ049I contains the RU that was rejected. If the RU had a deliver header and deliver trailer, these are also displayed. Multiple BNJ049I messages can be used to display the entire RU. The message can be longer than the width of the console, so use the network log to view the entire RU. The last BNJ049I message is followed by BNJ050I.

Message Variables

record

The record that was rejected by the hardware monitor

Operator response

See the message that preceded this message.

BNJ050I	END
----------------	------------

Explanation

This message indicates the end of a multiline message.

BNJ051I	UNRECOGNIZED RECMS FROM: <i>name/type[,...]</i>.
----------------	---

Explanation

The hardware monitor did not recognize the data in the record maintenance statistics (RECMS). for more information on RECMS. Messages BNJ049I and BNJ050I follow this message.

Message Variables

name/type[,...]

A hierarchy of zero to five name/type pairs, indicating the source of the error record

System action

No further processing is done on this error record.

Operator response

Notify the system programmer.

System programmer response

Record the information in messages BNJ051I and BNJ049I and contact IBM Software Support.

BNJ052I	<i>module locid</i> ERROR RECORD THAT FOLLOWS IS NOT ACCEPTED BY THIS MODULE
----------------	---

Explanation

Module *module* detected an error that prevents the error record displayed in BNJ049I from being mapped. The error record being examined is not recognized. See the *IBM Z NetView Troubleshooting Guide* for more information on the record that cannot be mapped. Messages BNJ049I and BNJ050I follow this message.

Message Variables

module

The name of the NetView module that detected the error

locid

The location within the NetView module that detected the error

System action

No further processing is done on this error record.

Operator response

Notify the system programmer.

System programmer response

Contact IBM Software Support.

BNJ053I ***module locid* ERROR RECORD THAT FOLLOWS IS ACCEPTED BY NETVIEW**

Explanation

Module *module* detected an error in the record displayed in BNJ049I. However, the error does not prevent the NetView program from processing the record. BNJ053I might be accompanied with other messages, such as BNH100I, which assist in determining the error. See the *IBM Z NetView Troubleshooting Guide* for more information on the record containing the error. Messages BNJ049I and BNJ050I follow this message.

Message Variables***module***

The name of the NetView module that detected the error

locid

The location within the NetView module that detected the error

System action

Processing continues for this record.

Operator response

Notify the system programmer.

System programmer response

Contact IBM Software Support.

BNJ054I ***operatorid module1 locid* SOLICITED DATA WAS RECEIVED BUT THE I/O RESUME POINTER (DSXIORSP) CONTAINS ZEROS. DSXIORSS CONTAINS *module2***

Explanation

Module *module1* requested solicited data and the NetView program is receiving it. During the request, the DSXIORSP should be set to indicate the module that processes the solicited data. The pointer is zero.

operatorid

The terminal operator identifier. If no operator is defined, this value is NONE.

module1

The name of the NetView module that detected the error.

locid

The location within the NetView module that detected the error.

module2

The last module to initialize DSXIORSP.

System action

Processing stops for the solicited data.

Operator response

Notify the system programmer.

System programmer response

Determine whether the DSXIORSS field contains a valid module name and contact IBM Software Support.

BNJ055I ***operatorid module1 locid* DATA FROM THE VSAM DATA BASE WAS RECEIVED BUT THE I/O RESUME POINTER (DSXIORSP) CONTAINS ZEROS. DSXIORSS CONTAINS *module2***

Explanation

Module *module1* issued a VSAM GET for data and the NetView program is receiving it. During the request, the DSXIORSP field should be set to indicate the module that processes the record. The pointer is zero.

Message Variables***operatorid***

The terminal operator identifier. If no operator is defined, this value is NONE.

module1

The name of the NetView module that detected the error.

locid

The location within the NetView module that detected the error.

module2

The last module to initialize DSXIORSP.

System action

Processing stops for the record.

Operator response

Notify the system programmer.

System programmer response

Determine whether the DSXIORSS field contains a valid module name and contact IBM Software Support.

BNJ056I *operatorid module locid* **DSCP IS BEING DRIVEN BY DST BUT DOES NOT RECOGNIZE THE REQUEST CODE. DSRBFNCD CONTAINS *fcode***

Explanation

The data services task (DST) drives the data services command processor (DSCP) for one of four valid requests. The DSRBFNCD field contains the code *fcode* (in hexadecimal) that identifies which request the data services command processor (DSCP) performs. The value in DSRBFNCD is not one of the four valid codes.

Message Variables

operatorid

The terminal operator identifier. If no operator is defined, this value is NONE.

module

The name of the NetView module that detected the error.

locid

The location within the NetView module that detected the error.

fcode

The unrecognized request code.

System action

The data services command processor (DSCP) returns control to the NetView DST without taking action on the request.

Operator response

Notify the system programmer.

System programmer response

Verify that the DST is setting the correct request code for the DSCP. If it is not, contact IBM Software Support.

BNJ057I *operatorid module1 locid* **RETURN CODE PASSED BACK TO DSCP**

CONTROL IS INVALID. RETURN CODE IS *retcode*. DSXIORSS CONTAINS *module2*. DSXRESMS CONTAINS *module3*.

Explanation

An internal failure has occurred in data services processing.

Message Variables

operatorid

The terminal operator identifier. If no operator is defined, this value is NONE.

module1

The name of the NetView module that detected the error.

locid

The location within the NetView module that detected the error.

retcode

The NetView return code.

module2

The module issuing the I/O.

module3

The return module.

System action

Processing continues.

Operator response

Record the information available and notify the system programmer.

System programmer response

Determine the user request and the panel from which it was made and contact IBM Software Support.

BNJ058I *operatorid module1 locid* **MODULE CANNOT SOLICIT ERROR RECORD BECAUSE RECORD TYPE *typid* IS INVALID. DSXRESMS CONTAINS *module2***

Explanation

Module *module2* solicited data using the NetView REQMS command from secondary terminal controllers. The record type *typid* passed to this module is not a valid record type.

Message Variables

operatorid

The terminal operator identifier. If no operator is defined, this value is NONE.

module1

The name of the NetView module that detected the error.

locid

The location within the NetView module that detected the error.

typid

The record type that is not valid.

module2

The module that passed the record type that is not valid.

System action

No solicitation is attempted.

Operator response

Notify the system programmer.

System programmer response

Determine the user request and the panel from which it was made and contact IBM Software Support.

BNJ059I	<i>operatorid module locid</i> MODULE CANNOT GET REQUESTED STORAGE. REGISTER 15 CONTAINS <i>retcode</i>. THE SIZE OF STORAGE REQUESTED WAS <i>nnnn</i>
----------------	---

Explanation

The module requested *nnnn* bytes of storage using the DSIGET macro instruction. Register 15 contains the return code from DSIGET.

Message Variables***operatorid***

The terminal operator identifier. If no operator is defined, this value is NONE.

module

The name of the NetView module that detected the error.

locid

The location within the NetView module that detected the error.

retcode

The NetView macro return code (REG15).

nnnn

The number of storage bytes.

System action

The solicitation is not performed. Processing continues.

Operator response

Notify the system programmer.

System programmer response

See the DSIGET macro documentation in *IBM Z NetView Programming: Assembler* for information on the specific error.

BNJ060I	<i>operatorid module1 locid</i> DSIZCSMS MACRO RETURNED THE ERROR RETURN CODES OF MAJOR CODE <i>majcode</i> AND MINOR CODE <i>mincode</i>. DSXSNAME CONTAINS <i>module2</i>
----------------	--

Explanation

Module *module1* issued the DSIZCSMS macro. The return codes *majcode* and *mincode* indicate an error. Major code and minor code are also known as REG15 and FDBK, respectively.

Message Variables***operatorid***

The terminal operator identifier. If no operator is defined, this value is NONE.

module1

The name of the NetView module that detected the error.

locid

The location within the NetView module that detected the error.

majcode

The NetView return code (REG15).

mincode

The NetView return code (FDBK).

module2

The module that called the solicitation modules.

System action

Solicitation is not attempted.

Operator response

Notify the system programmer.

System programmer response

See the DSIZCSMS documentation in *IBM Z NetView Programming: Assembler* for information on the specific error. You can use the DSXRESMS to identify the module that called the solicitation modules if the error is an interface problem.

BNJ061I *operatorid module1 locid*
**SOLICITED DATA WAS RECEIVED
BUT THE RESPONSE CODE IS
INVALID. DSRBRCMI CONTAINS
value1. DSXSNAME CONTAINS
module2.**

Explanation

Solicited data is being sent from the DST to the data services command processor (DSCP). The DST stores a code in the DSRBRCMI field to indicate if the solicited data requested is being received or if a negative response is being sent.

Message Variables

operatorid

The terminal operator identifier. If no operator is defined, this value is NONE.

module1

The name of the NetView module that detected the error.

locid

The location within the NetView module that detected the error.

value1

The response code that is not valid.

module2

The module that called the solicitation modules.

System action

The solicited data is not recorded on the SNA database. No other attempt for solicitation is made for this request.

Operator response

Notify the system programmer.

System programmer response

See the DSIZCSMS documentation in *IBM Z NetView Programming: Assembler* for information on the specific error. You can use the DSXRESMS to identify the module that called the solicitation modules if the error is an interface problem.

BNJ062I *operatorid module locid* **THE VSAM
FUNCTIONAL ERASE MODULE
PASSED BACK A COMPLETION
CODE OF 16**

Explanation

The functional erase service routine BNJAFERA detected a VSAM error while attempting to erase

VSAM records. When it calls this module, it passes a completion code of 16.

Message Variables

operatorid

The terminal operator identifier. If no operator is defined, this value is NONE.

module

The name of the NetView module that detected the error.

locid

The location within the NetView module that detected the error.

System action

Processing continues for this request.

Operator response

Notify the system programmer.

System programmer response

Check the return code for BNJAFERA. A return code of 16 indicates an error return on basic input/output operation from BNJAIORA. It can also indicate an incorrect input parameter.

BNJ063I *module locid* **THE MSU RECORD
THAT FOLLOWS IS NOT ACCEPTED
BY NPDA**

Explanation

The MSU record being processed by module *module* is not acceptable to the hardware monitor.

Message Variables

module

The name of the NetView module that detected the error.

locid

The location within the NetView module that detected the error.

System action

No further processing is done on the current MSU record.

Operator response

Notify the system programmer.

System programmer response

Investigate the MSU to determine why it is being rejected.

BNJ065I *operatorid module1 locid*
**SOLICITATION RESULTED IN A
SNA NEGATIVE RESPONSE BUT
THE SENSE CODE IS INVALID.
TIDCBSNS CONTAINS *aaa*.
DSXRESMS CONTAINS *module2***

Explanation

You issued a solicitation that resulted in an SNA negative response. The NetView program does not recognize the sense code that indicated the reason for the negative response.

Message Variables

operatorid

The terminal operator identifier. If no operator is defined, this value is NONE.

module1

The name of the NetView module that detected the error.

locid

The location within the NetView module that detected the error.

aaa

The contents of TIDCBSNS.

module2

The module that called the solicitation module.

System action

Processing continues.

Operator response

Notify the system programmer.

System programmer response

Contact IBM Software Support.

BNJ066I *record IS IGNORED. AN
IMPROPER DATA TYPE WAS
DETECTED*

Explanation

A wrap count initialization statement contains an improper or missing data type. Examples of valid data types are EV and AL. See the W (Wrap) statement definition in *IBM Z NetView Programming: Assembler* for more information.

Message Variables

record

The initialization statement that is not valid

System action

Processing continues.

Operator response

Notify the system programmer.

System programmer response

Correct the initialization statement and recycle the BNJDSEV task.

BNJ068I *record IS INVALID. RTYPE
PARAMETER IS REQUIRED FOR EV
AND ST OPTIONS OF THE W
(WRAP) STATEMENT*

Explanation

The resource type (RTYPE) parameter is missing from an EV or ST wrap count initialization statement.

Message Variables

record

The initialization statement that is not valid

System action

The initialization statement is ignored and processing continues.

Operator response

Notify the system programmer.

System programmer response

Correct the error and resubmit the job.

BNJ069I *operatorid module1 locid MODULE
NAMED IN PSCP REQUEST
module2 COULDN'T BE FOUND*

Explanation

The NetView program cannot find the module *module2*.

Message Variables

operatorid

The terminal operator identifier. If no operator is defined, this value is NONE.

module1

The name of the NetView module that detected the error.

locid

The location within the NetView module that detected the error.

module2

The module the NetView program cannot find.

System action

Processing of the presentation services command processor (PSCP) request stops.

Operator response

Notify the system programmer after recording both module names.

System programmer response

Ensure the module is in the proper library. If the name is not in the list of NetView data capture modules, contact IBM Software Support.

BNJ070I	RESOURCE NAME <i>puname</i> IN REQMS COMMAND IS INVALID
----------------	--

Explanation

The *puname* specified in the REQMS command is missing or is syntactically incorrect.

Message Variables

puname

The physical unit name

System action

The NetView program ignores the command and processing continues.

Operator response

Supply or correct the *puname* and enter the command again.

BNJ071I	<i>record</i> IS AN INVALID CTL CARD. WRAP/RATIO CARD COUNT IS NON-NUMERIC OR NOT PRECISELY THREE DIGITS. ALL HARDWARE MONITOR WRAP/RATIO INITIALIZATION CARDS WILL BE IGNORED
----------------	---

Explanation

The first input statement to BNJAPAMA in the initialization file was not recognized as the control statement.

Message Variables

record

The initialization statement that is not valid

System action

The remaining initialization statements are ignored.

Operator response

Notify the system programmer.

System programmer response

Correct the error and restart the task.

BNJ072I	<i>record</i> MUST HAVE A DATA TYPE OF AL, EV, OR ST
----------------	---

Explanation

A data type of other than AL, EV, or ST was found on a wrap count initialization statement.

Message Variables

record

The initialization statement that is not valid

System action

Processing continues.

Operator response

Notify the system programmer.

System programmer response

Correct the error and enter the job again.

BNJ073I	<i>record</i> IS INVALID. W OR R OR REPORTS NOT GIVEN AS FIRST PARAMETER
----------------	---

Explanation

The first parameter of a reports, wrap, or ratio statement was not REPORTS or a W or an R.

Message Variables

record

The initialization statement that is not valid

System action

The statement is ignored and processing continues.

Operator response

Notify the system programmer. If you need reports generation logging and the error was in the REPORTS statement, enter the REPORTS ON command from the hardware monitor console as soon as the NetView program is active.

System programmer response

Correct the error and enter the job again.

BNJ074I ***record* MUST HAVE A RESOURCE TYPE OF LINE, CTRL, LCTL, LDEV, LINK_ATT OR CHAN_ATT.**

Explanation

A resource type other than LINE, CTRL, LCTL, LDEV, LINK_ATT, or CHAN_ATT was specified on an error-to-traffic ratio initialization statement.

Message Variables

record
The initialization statement that is not valid

System action

Processing continues.

Operator response

Notify the system programmer.

System programmer response

Correct the error and enter the job again.

BNJ075I ***record* IS INVALID. THE COUNT IS NOT NUMERIC OR IS GREATER THAN 3 DIGITS**

Explanation

A wrap count was either not specified or the specified value is not valid on an initialization statement.

Message Variables

record
The initialization statement that is not valid

System action

Processing continues.

Operator response

Notify the system programmer.

System programmer response

Correct the error and enter the job again.

BNJ076I ***record* IS INVALID. THE RATIO IS GREATER THAN 250.**

Explanation

An error-to-traffic ratio value that is not valid was specified on an initialization statement.

Message Variables

record
The initialization statement that is not valid

System action

Processing continues.

Operator response

Notify the system programmer.

System programmer response

Correct the error and enter the job again.

BNJ077I ***record* CONTAINS EXTRANEOUS PARAMETERS. THE CARD HAS BEEN PROCESSED AND EXTRANEOUS PARAMETERS HAVE BEEN IGNORED.**

Explanation

There is an unnecessary parameter on an initialization statement in the hardware monitor initialization table, BNJMBDST.

Message Variables

record
The initialization statement on which the unnecessary parameter appears.

System action

The NetView program ignores the unnecessary parameter and processing continues.

Operator response

Notify the system programmer.

System programmer response

Correct the error next time you update BNJMBDST.

BNJ078I **NPDA INITIALIZATION CARDS ARE NOT IN PROPER SEQUENCE. *record* WAS ENCOUNTERED BEFORE THE CONTROL CARD**

Explanation

The initialization statements specifying wrap count values were out of sequence.

Message Variables

record
The initialization statement which is out of position.

System action

The initialization statements are ignored.

Operator response

Notify the system programmer.

System programmer response

Correct the error and enter the job again.

BNJ079I **record HAS BEEN IGNORED.
MULTIPLE CARDS HAVE BEEN
ENCOUNTERED.**

Explanation

There is a duplicate initialization statement in the hardware monitor initialization table, BNJMBDST.

Message Variables

record

The duplicate initialization statement.

System action

The NetView program ignores the duplicate statement and processing continues.

Operator response

Notify the system programmer.

System programmer response

Correct the error next time you update BNJMBDST.

BNJ080I **module - BUFFER SIZE=bb, SLOT
SIZE=sss**

Explanation

When the hardware monitor procedure is started, the initializer module *module* issues this message to identify the value used for the buffer size and the slot size. The buffer size can be 8K, 12K, 16K, 20K, or 24K. The slot size can be 200 or 300 bytes. These parameters are entered in the PARM field of the EXEC statement in the hardware monitor procedure.

Message Variables

module

The initializer module.

bb

The buffer size.

sss

The slot size.

System action

Initialization continues and uses the buffer size and slot size listed in the message.

BNJ081I **module - pos PARAMETER
INVALID; USING DEFAULT**

Explanation

This message is for MVS only. When the hardware monitor procedure is started, the initialization *module* issues this message in the *pos* parameter (either FIRST or SECOND). The buffer size can be 8K, 12K, 16K, 20K, or 24K. The slot size can be 200, 250, or 300 bytes. These parameters are entered in the PARM field of the EXEC statement in the hardware monitor procedure.

Message Variables

module

The initialization module.

pos

The position of the incorrect parameter, either FIRST or SECOND.

System action

Initialization continues using the defaults (8K buffer size and 300-byte slot size).

Operator response

Correct the PARM field in the EXEC statement of the hardware monitor procedure and rerun the procedure.

BNJ082I **BNJLINTB - NO INPUT PARMS,
USING DEFAULTS**

Explanation

The parameter field is missing. The initializer module BNJLINTB issues this message to the system operator; it is for MVS only.

System action

Initialization continues, using defaults of an 8K buffer size and a 300-byte slot size.

Operator response

Include the parameter field in the exec statement of the hardware monitor procedure and rerun the procedure. The buffer size can be 8K, 12K, 16K, 20K, or 24K; the slot size can be 200 or 300 bytes.

BNJ083I **BNJLINTB - STORAGE FOR
GLOBAL BUFFER NOT AVAILABLE**

Explanation

The initializer module detected an error while attempting to allocate storage in subpool 231 using a GETMAIN macro.

System action

Control is returned to the operating system.

Operator response

Notify the system programmer.

System programmer response

Contact IBM Software Support.

BNJ084I *xxxxxxx* **ACTUAL WRAP/RATIO
CARDS SUBMITTED ARE GREATER
THAN SPECIFIED ON CTL CARD**

Explanation

This message is for MVS only. The actual number of W or R statements submitted to the NetView initializer exceeds the values defined in the CTL statement. This message appears for each extra W and R statement.

Message Variables

xxxxxxx

The contents of the extra statement.

System action

Processing returns to the operating system.

Operator response

Notify the system programmer.

System programmer response

Correct the value defined in the CTL statement to match the actual number of W or R statements and enter the job again.

BNJ085I *record* **IS INVALID. LOGGING FOR
REPORT GENERATION IS
DISABLED**

Explanation

The NetView program found an error in the REPORTS statement.

Message Variables

record

The initialization statement that is not valid

System action

The statement that is not valid is ignored, the reports generation logging facility is turned OFF, and processing continues.

Operator response

Notify the system programmer. If you need reports generation logging, enter the REPORTS ON command from the hardware monitor master console as soon as the NetView program is active.

System programmer response

Correct the error and enter the job again, if necessary.

BNJ086I *record* **CONTAINS AN
EXTRANEIOUS PARAMETER.
LOGGING FOR REPORTS
GENERATION IS DISABLED**

Explanation

The NetView program found an unnecessary parameter in the REPORTS statement.

Message Variables

record

The initialization statement that is not valid

System action

The statement that is not valid is ignored, the reports generation logging facility is turned OFF, and processing continues.

Operator response

Notify the system programmer. If you need reports generation logging, enter the REPORTS ON command from the hardware monitor master console as soon as the NetView program is active.

System programmer response

Correct the error and enter the job again, if necessary.

BNJ087I **HARDWARE MONITOR DEFAULT
RESOURCE TYPES USED. INVALID
HEX CODE: *code***

Explanation

A nonhexadecimal value was found while reading the member BNJRESTY from the data set BNJPNL2.

Message Variables

code

The hexadecimal code that is not valid.

System action

The resource types are not taken from BNJRESTY, but instead are read from an internal table.

Operator response

Notify the system programmer.

System programmer response

Edit BNJRESTY and correct the nonhexadecimal value in question. Ensure that all remaining codes consist of hexadecimal characters. To pick up the resource types, enter the RTTBL command.

BNJ088I *operatorid module locid* **MODULE NAMED IN PSCP REQUEST *aaa* COULDN'T BE FOUND**

Explanation

The presentation services command processor (PSCP) cannot find the requested module.

Message Variables

operatorid

The terminal operator identifier (if no operator is defined, this value is NONE).

module

The name of the NetView module that detected the error.

locid

The location within the NetView module that detected the error.

aaa

The PSCP request.

System action

Processing continues.

Operator response

Record the information available and notify the system programmer.

System programmer response

Determine the user request and the panel from which it was made and contact IBM Software Support.

BNJ089I *operatorid module locid* **MODULE NAMED IN PSCP REQUEST *aaa* COULDN'T BE FOUND**

Explanation

The presentation services command processor (PSCP) cannot find the requested module.

Message Variables

operatorid

The terminal operator identifier (if no operator is defined, this value is NONE).

module

The name of the NetView module that detected the error.

locid

The location within the NetView module that detected the error.

aaa

The PSCP request.

System action

Processing continues.

Operator response

Record the information available and notify the system programmer.

System programmer response

Determine the user request and the panel from which it was made and contact IBM Software Support.

BNJ091I **HARDWARE MONITOR DEFAULT RESOURCE TYPES USED. *macro* RC= *retcode***

Explanation

A nonzero return code was received while attempting to read the hardware monitor resource types from member BNJRESTY in data set BNJPNL2.

Message Variables

macro

The macro from which the nonzero return code was received.

retcode

The return code.

System action

The resource types are not taken from BNJRESTY, but instead are read from an internal table.

Operator response

Notify the system programmer.

System programmer response

See *IBM Z NetView Programming: Assembler* to locate the return codes for the macro that failed. To pick up the resource types, enter the RTTBL command.

BNJ092I *operatorid* **command** **COMMAND REJECTED - SECONDS INVALID IN CONSTANT TABLE, secs**

Explanation

The number of seconds placed in the NetView program's constants module is not valid. The number of seconds placed in the constants module is the maximum time that the NetView program will keep a solicitation command outstanding, waiting for a reply to the command.

Message Variables

operatorid

The terminal operator identifier.

command

The solicitation command that was issued by the terminal operator.

secs

The actual number of seconds in the constant table.

System action

Command processing stops.

Operator response

Notify the system programmer.

System programmer response

Correct the number of seconds in the constants module, DSICTMOD.

BNJ093I *operatorid* **command** **COMMAND CANCELED. NO RESPONSE FROM resource**

Explanation

The maximum amount of time that the NetView program will wait for a reply to the solicitation command has been exceeded. The amount of time to wait for the reply is specified in the NetView constants module, DSICTMOD.

Message Variables

operatorid

The terminal operator identifier.

command

The solicitation command that was issued by the terminal operator.

resource

The resource names to which the command was issued.

System action

The NetView program canceled the command. Command processing stops.

Operator response

Notify the system programmer.

System programmer response

Determine why the resource did not send a reply to the NetView program, or increase the amount of time in the NetView constants module to wait for a reply.

BNJ094I **BNJLINTV - LOADING OF BNJVMA76 FAILED. LOCAL SUPPORT NOT ACTIVATED.**

Explanation

A LOAD was issued for BNJVMA76, but the module cannot be loaded. The NetView hardware monitor local support is not available.

System action

Initialization continues, but the NetView hardware monitor local device support will not be available.

Operator response

Notify the system programmer.

System programmer response

Verify that the hardware monitor LOADLIB is within the LOADLIB concatenation in the NETSTRT command list. Check the hardware monitor LOADLIB to verify that BNJVMA76 is not link-edited. If not, link edit BNJVMA76 into the hardware monitor LOADLIB.

BNJ095I **BNJLINTV - UNABLE TO ESTABLISH IUCV CONNECTION: ppp RC retcode**

Explanation

BNJLINTV was unable to establish an IUCV set or connection. The NetView hardware monitor local device support will not be available.

Message Variables

ppp

The IUCV command issued.

retcode

The return code.

System action

Initialization continues, but the NetView hardware monitor local device support will not be available.

Operator response

Notify the system programmer.

BNJ096I BNJLINTV - LOCAL SUPPORT NOT ACTIVATED

Explanation

BNJLINTV was unable to establish an IUCV *LOGREC. The NetView hardware monitor local device support will not be available. Verify that the NetView directory contains an IUCV *LOGREC entry.

System action

Initialization continues, but the NetView hardware monitor local device support will not be available.

Operator response

Notify the system programmer.

BNJ097I BNJLINTV - LOCAL SUPPORT HAS BEEN TERMINATED

Explanation

BNJLINTV was not connected because the NetView hardware monitor local device support has been ended.

System action

Initialization continues.

BNJ098I BNJLINTV - IUCV INITIALIZATION HAS COMPLETED

Explanation

BNJLINTV was able to establish an IUCV *LOGREC path.

System action

Initialization continues.

BNJ101I REQUEST TO RESOURCE *name* HAS BEEN SENT

Explanation

The solicitation for data from the specified resource was successful.

Message Variables***name***

The resource name.

System action

Processing continues.

BNJ102I SOLICITED RESOURCE *name* IS NOT AVAILABLE

Explanation

The specified resource is not connected or otherwise available for error solicitation.

Message Variables***name***

The resource name.

System action

Processing continues.

Operator response

Determine the status of the resource and enter the command again, if appropriate.

BNJ103I SOLICITED RESOURCE *name* IS NOT RECOGNIZED BY THE ACCESS METHOD

Explanation

The resource is not recognized by the access method.

Message Variables***name***

The resource name.

System action

Processing continues.

Operator response

Notify the system programmer.

System programmer response

Determine from the configuration tables whether the correct resource name was specified.

BNJ104I SOLICITED RESOURCE *name* DOES NOT SUPPORT SOLICITATION

Explanation

The access method or the specified resource does not support solicitation.

Message Variables

name

The resource name.

System action

Processing continues.

BNJ105I **INSUFFICIENT RESOURCE
DETECTED DURING
SOLICITATION OF RESOURCE**
name

Explanation

The specified resource is unable to respond to the solicitation. It is busy or has insufficient buffer space to make a response.

Message Variables

name

The resource name.

System action

Processing continues.

Operator response

Enter the command again.

BNJ106I **SOLICITED RESOURCE *name* IS IN
FUNCTION ACTIVE STATE**

Explanation

The specified resource is unable to respond to the solicitation because it is in an active state.

Message Variables

name

The resource name.

System action

Processing continues.

Operator response

Enter the command again.

BNJ107I **SOLICITATION FOR RESOURCE
name IS NOT SUCCESSFUL**

Explanation

The solicitation of the specified resource did not complete successfully.

Message Variables

name

The resource name.

System action

Processing continues.

Operator response

Look for a BNJ-prefix message issued to the authorized message receiver that explains the failure. Correct the situation explained in the message.

BNJ108I ***operatorid module locid*
REQUESTED SOLICITATION WITH
VARIABLE DATA WITH LENGTH OF
datalen, LENGTH MUST BE 247 OR
LESS**

Explanation

An internal error occurred while the NetView program was building an REQMS record for solicitation.

Message Variables

operatorid

The terminal operator identifier (if no operator is defined, this value is NONE).

module

The name of the NetView module that detected the error.

locid

The location within the NetView module that detected the error.

datalen

The incorrect data length.

System action

Solicitation is ignored and processing continues.

Operator response

Notify the system programmer.

System programmer response

Note the attempted request and contact IBM Software Support.

BNJ109I ***operatorid module locid* XTMCODE
HAS INVALID CODE *code*,
REQUEST WAS FROM
APPLICATION *applid***

Explanation

The cross-task message code issued by the specified application is not valid.

Message Variables

operatorid

The terminal operator identifier (if no operator is defined, this value is NONE).

module

The name of the NetView module that detected the error.

locid

The location within the NetView module that detected the error.

code

The code that is not valid

applid

The application making the request.

System action

Processing continues.

Operator response

Notify the system programmer.

System programmer response

Contact IBM Software Support.

BNJ110I **MESSAGE OPTION PARAMETER c IN REQMS COMMAND IS INVALID**

Explanation

You entered a message option parameter that was not valid. The message option parameters allowed with the REQMS command are Y or N.

Message Variables

c

The parameter that is not valid.

System action

The REQMS command is ignored.

Operator response

Enter the command again using the correct message option. See the NetView online help for an explanation of the command.

BNJ111I **module locid THE FOLLOWING MSU RECORD HAS AN INVALID OR MISSING PRODUCT SET ID SUBVECTOR**

Explanation

Module *module* has a table of valid network management vector transport (NMVT) subvector types. The error record being examined has a missing product set ID subvector or one that is not valid. See *Systems Network Architecture Formats* for more information on NMVT records. Messages BNJ049I and BNJ050I follow this message.

Message Variables

module

The name of the NetView module that detected the error.

locid

The location within the NetView module that detected the error.

System action

No further processing is done on this error record.

Operator response

Notify the system programmer.

System programmer response

Determine the device generating the NMVT record, obtain a copy of the associated BNJ049I message from the network log, and contact IBM Software Support.

BNJ112I **module locid THE FOLLOWING MSU RECORD IS INVALID. IT HAS NO VALID STATISTICAL COUNTER SUBVECTOR**

Explanation

Module *module* has a table of valid management services unit (MSU) subvector types. The error record being examined has a missing statistical counter subvector. See *Systems Network Architecture Formats* for more information on MSU records. Messages BNJ049I and BNJ050I follow this message.

Message Variables

module

The name of the NetView module that detected the error.

locid

The location within the NetView module that detected the error.

System action

No further processing is done on this error record.

Operator response

Notify the system programmer.

System programmer response

Determine the device generating the MSU record, obtain a copy of the associated BNJ049I message from the network log, and contact IBM Software Support.

BNJ113I ***module locid* THE FOLLOWING MSU RECORD IS INVALID. IT HAS NO BASIC ALERT VECTOR**

Explanation

Module *module* has a table of valid management services unit (MSU) subvector types. The error record being examined has a missing basic alert subvector. See *Systems Network Architecture Formats* for more information on MSU records. Messages BNJ049I and BNJ050I follow this message.

Message Variables

module

The name of the NetView module that detected the error.

locid

The location within the NetView module that detected the error.

System action

No further processing is done on this error record.

Operator response

Notify the system programmer.

System programmer response

Determine the device generating the MSU record, obtain a copy of the associated BNJ049I message from the network log, and contact IBM Software Support.

BNJ114I ***operatorid BNJABLEA locid* REPORTS GENERATION LOGGING TERMINATED BECAUSE NO STORAGE IS AVAILABLE**

Explanation

An error condition was detected in module BNJABLEA. An attempt to write a NetView reports record failed because of insufficient storage.

Message Variables

operatorid

The terminal operator identifier (if no operator is defined, this value is NONE).

locid

The location within the NetView module that detected the error.

System action

Processing continues but the NetView reports generation logging facility is turned OFF.

Operator response

Notify the system programmer.

System programmer response

Increase the storage available for the NetView program.

BNJ115I ***operatorid BNJABLEA locid* REPORTS GENERATION LOGGING FAILURE. RC = 24**

Explanation

An error condition was detected in module BNJABLEA. The NetView macro DSIWLS (reports generation logging interface) detected an identifier (parameter) that is not valid. See *IBM Z NetView Programming: Assembler* for more information on this NetView macro.

Message Variables

operatorid

The terminal operator identifier (if no operator is defined, this value is NONE).

locid

The location within the NetView module that detected the error.

System action

Processing continues but this report generation record was not logged. The NetView reports generation facility remains ON. This message is not repeated for consecutive occurrences of the same error. It repeats only after finding a different error, logging a record, or issuing the command REPORTS ON.

Operator response

Notify the system programmer.

System programmer response

Determine the cause of macro failure.

BNJ116I *operatorid* BNJABLEA *locid*
**REPORTS GENERATION LOGGING
FAILURE. RC=28**

Explanation

While attempting to send data to the reports generation logging task, the NetView message queuing routine (DSIMQS) indicated that the message was not sent successfully. The most common reason for this failure is that the NetView logging task is not active. This can be the logging task provided by NetView, or it can be a user-supplied logging task. See *IBM Z NetView Programming: Assembler* for more information on DSIMQS. See the non-zero DSIMQS return codes for all the possible reasons that DSIMQS cannot successfully send the message.

Message Variables

operatorid

The terminal operator identifier (if no operator is defined, this value is NONE).

locid

The location within the NetView module that detected the error.

System action

Processing continues but this report generation record was not logged. The NetView reports generation facility remains ON. This message does not repeat for consecutive occurrences of the same error. It repeats only after finding a different error, logging a record, or issuing the command REPORTS ON.

Operator response

Notify the system programmer.

System programmer response

Determine the cause of the error.

BNJ117I *operatorid* BNJABLEA *locid*
**REPORTS GENERATION LOGGING
FAILURE. RC=*retcode***

Explanation

An error condition was detected in module BNJABLEA while attempting to use the reports generation logging interface (DSIWLS).

Message Variables

operatorid

The terminal operator identifier (if no operator is defined, this value is NONE).

locid

The location within the NetView module that detected the error.

retcode

The NetView macro return code.

System action

Processing continues but this reports generation record was not logged. The reports generation facility remains ON. This message does not repeat for consecutive occurrences of the same error. It repeats only after finding a different error, logging a record, or issuing the command REPORTS ON.

Operator response

Note the return code and notify the system programmer.

System programmer response

See *IBM Z NetView Programming: Assembler* for the meaning of the DSIWLS return code.

BNJ118I *operatorid* BNJAGEVA *locid* **LOAD
FAILURE ATTEMPTING TO LOAD
BNJCEVTA**

Explanation

An error condition was detected in module BNJAGEVA. NetView macro DSILOD returned a nonzero return code when attempting to load module BNJCEVTA during reports generation logging.

Message Variables

operatorid

The terminal operator identifier (if no operator is defined, this value is NONE).

locid

The location within the NetView module that detected the error.

System action

Processing continues and this reports generation record is logged. The alert or event description returned to module BNJABLEA is (GENERAL hh;SPECIFIC hh), where hh is the hexadecimal representation of the general and specific codes.

Operator response

Notify the system programmer.

System programmer response

Determine the cause of the DSILOD failure. See *IBM Z NetView Programming: Assembler* for the meaning of the return code.

BNJ119I *operatorid* **BNJABLEA** *locid*
UNABLE TO LOAD BNJALM01
FROM BNJABLEA

Explanation

The NetView program detected an error condition in module BNJABLEA. NetView macro DSILOD issued a nonzero return code when attempting to load module BNJALM01 during reports generation logging processing.

Message Variables

operatorid

The terminal operator identifier (if no operator is defined, this value is NONE).

locid

The location within the NetView module that detected the error.

System action

Processing continues and the reports generation record is logged. However, the field BRFFAIL (failure cause) is set to N/A (X'00').

Operator response

Notify the system programmer.

System programmer response

Determine the cause of the DSILOD failure.

BNJ120I *module locid* **THE FOLLOWING**
RECORD IS NOT RECOGNIZED BY
NPDA

Explanation

Module *module* received a record type that is not supported by the NetView program. Messages BNJ049I and BNJ050I follow this message.

Message Variables

module

The name of the NetView module that detected the error.

locid

The location within the NetView module that detected the error.

System action

No further processing is done on this error record.

Operator response

Notify the system programmer.

System programmer response

Determine the device generating the record, obtain a copy of the associated BNJ049I message from the network log, and contact IBM Software Support.

BNJ121I *operatorid module locid* **SOLICITED**
DATA WAS RECEIVED WITH A
NEGATIVE REPLY CODE BUT THE
CODE IS INVALID. THE SENSE
CODE CONTAINS *aaa*. DSXRESMS
CONTAINS *module2*

Explanation

Solicitation was successful but a negative reply code was returned because an exception occurred while running the command. The hardware monitor cannot recognize the reply code.

Message Variables

operatorid

The terminal operator identifier (if no operator is defined, this value is NONE).

module1

The name of the NetView module that detected the error.

locid

The location within the NetView module that detected the error.

aaa

The contents of the negative reply sense code.

module2

The name of the NetView module that called the solicitation modules.

System action

Processing continues.

Operator response

Notify the system programmer.

System programmer response

Contact IBM Software Support.

BNJ122I *operatorid module locid*
SOLICITATION WAS SUCCESSFUL
BUT THE SUBVECTOR

CONTAINING RESPONSE DATA IS MISSING

Explanation

Solicitation was successful, but X'50' subvector that contains response data is missing.

Message Variables

operatorid

The terminal operator identifier (if no operator is defined, this value is NONE).

module

The name of the NetView module that detected the error.

locid

The location within the NetView module that detected the error.

System action

Processing continues.

Operator response

Notify the system programmer.

System programmer response

Contact IBM Software Support.

BNJ124I **module locid THE FOLLOWING NMVT RECORD IS INVALID. IT HAS NO VALID LINK CONFIGURATION SUBVECTOR**

Explanation

The module has a table of network management vector transport (NMVT) subvector types that are not valid. The error record displayed by BNJ049I has a missing subvector type (X'52') that is required for the NMVT record to be complete. Messages BNJ049I and BNJ050I follow this message.

Message Variables

module

The name of the NetView module that detected the error.

locid

The location within the NetView module that detected the error.

System action

No further processing is done on this error record.

Operator response

Notify the system programmer.

System programmer response

Determine the device generating the NMVT record, obtain a copy of the associated BNJ049I message from the network log, and contact IBM Software Support.

BNJ125I **module locid THE FOLLOWING NMVT RECORD IS INVALID, IT HAS NO VALID LINK EVENT STATUS SUBVECTOR**

Explanation

The module has a table of network management vector transport (NMVT) subvector types that are not valid. The error record displayed by BNJ049I has a missing subvector type (X'8A') that is required for the NMVT record to be complete. Messages BNJ049I and BNJ050I follow this message.

Message Variables

module

The name of the NetView module that detected the error.

locid

The location within the NetView module that detected the error.

System action

No further processing is done on this error record.

Operator response

Notify the system programmer.

System programmer response

Determine the device generating the NMVT record, obtain a copy of the associated BNJ049I message from the network log, and contact IBM Software Support.

BNJ127I **MULTIPLE ENTRIES EXIST FOR SPECIFIED RESOURCE; PURGE NOT PROCESSED. RETRY NPDA PURGE COMMAND FROM AN NPDA SCREEN, THEN MAKE SELECTION FROM RESULTING MULTIPLE ENTRIES SCREEN 70A**

Explanation

A timer-initiated PURGE command failed because a multiple-entries condition exists.

System action

The PURGE command is ignored.

Operator response

Enter the PURGE command again from a hardware monitor screen, and make a selection from multiple-entries screen 70A.

BNJ128I **MULTIPLE ENTRIES EXIST FOR SPECIFIED RESOURCE - PRGATT NOT PROCESSED. RETRY NPDA PRGATT COMMAND FROM AN NPDA SCREEN, THEN MAKE SELECTION FROM RESULTING MULTIPLE ENTRIES SCREEN 70A**

Explanation

A timer-initiated purge attached (PRGATT) command failed because a multiple-entries condition exists.

System action

The PRGATT command is ignored.

Operator response

Enter the PRGATT command again from a hardware monitor screen, then make a selection from multiple-entries screen 70A.

BNJ129I **MULTIPLE ENTRIES EXIST FOR SPECIFIED RESOURCE - SWRAP NOT PROCESSED. RETRY NPDA SWRAP COMMAND FROM AN NPDA SCREEN, THEN MAKE SELECTION FROM RESULTING MULTIPLE ENTRIES SCREEN 70A**

Explanation

A set wrap (SWRAP) command was issued from a command list and a multiple-entries condition exists.

System action

The SWRAP command is ignored.

Operator response

Enter the SWRAP command again from a hardware monitor screen, then make a selection from multiple-entries screen 70A.

BNJ130I **MULTIPLE ENTRIES EXIST FOR SPECIFIED RESOURCE - SRATIO NOT PROCESSED. RETRY NPDA SRATIO COMMAND FROM AN NPDA SCREEN, THEN MAKE**

SELECTION FROM RESULTING MULTIPLE ENTRIES SCREEN 70A**Explanation**

A set ratio (SRATIO) command was issued from a command list and a multiple-entries condition exists.

System action

The SRATIO command is ignored.

Operator response

Enter SRATIO command again from a hardware monitor screen, then make a selection from multiple-entries screen 70A.

BNJ131I **MULTIPLE ENTRIES EXIST FOR SPECIFIED RESOURCE - REQUEST NOT PROCESSED. RETRY NPDA COMMAND FROM AN NPDA SCREEN, THEN MAKE SELECTION FROM RESULTING MULTIPLE ENTRIES SCREEN 70A**

Explanation

A hardware monitor command was issued from a command list and a multiple-entries condition exists.

System action

The command is ignored.

Operator response

Enter the command again from a hardware monitor screen, then make a selection from multiple-entries screen 70A.

BNJ132I **NO DATA EXISTS FOR RESOURCE SPECIFIED IN PURGE COMMAND**

Explanation

The resource name is not valid or there is no data for the specified resource. This message is also issued if a resource type of CBUS was specified as an option for the PURGE command. The adapter address (A) option is not valid with a resource type of CBUS.

System action

The PURGE command is ignored.

Operator response

Verify database contents and enter the request again with a valid resource name.

BNJ133I NO DATA EXISTS FOR RESOURCE SPECIFIED IN PRGATT COMMAND

Explanation

The resource name is not valid or there is no data for the specified resource.

System action

The purge attached (PRGATT) command is ignored.

Operator response

Verify database contents and enter the request again with a valid resource name.

BNJ134I NO DATA EXISTS FOR SPECIFIED SWRAP COMMAND

Explanation

You issued a set wrap (SWRAP) command from a command list. The specified resource name is not valid or there is no data for the command specified.

System action

The SWRAP command is ignored.

Operator response

Verify database contents and enter the request again, if applicable.

BNJ135I NO DATA EXISTS FOR RESOURCE SPECIFIED IN SRATIO COMMAND

Explanation

You issued a set ratio (SRATIO) command from a command list. The specified resource name is not valid or there is no data for the specified resource.

System action

The SRATIO command is ignored.

Operator response

Verify database contents and enter the request again with a valid resource name.

BNJ136I NO DATA EXISTS FOR COMMAND SPECIFIED

Explanation

This message is issued when hardware monitor commands are issued from within command lists, by the PPT, or from within sessions with other NetView

components. This message acts as a substitute for message BNJ925I when there is no suitable hardware monitor screen on which to display the message or when the message is for a command that does not result in a hardware monitor screen display.

System action

The request is ignored.

BNJ137I DATA SERVICES FAILURE IN PROCESSING LAST COMMAND

Explanation

This message is issued when certain hardware monitor commands are issued from within command lists, by the PPT, or from within sessions with other NetView components. This message acts as a substitute for message BNJ950I when there is no suitable hardware monitor screen on which to display the message or when the message is for a command that does not result in a hardware monitor screen panel. Your last request for information from the database failed. Error messages have been issued to the authorized message receiver.

System action

The request is ignored.

System programmer response

Inspect the network log or syslog for a message explaining the failure; for example, message BNJ022I.

BNJ138I PURGE OF NPDA DATA BASE IN PROGRESS

Explanation

The PURGE/PRGATT command was entered correctly and the purge of the hardware monitor database is in progress. Any other hardware monitor command can be entered after this message is issued.

System action

The database is being purged as specified.

BNJ139I PURGE OF 2ND/4TH LEVEL 'ST' RESOURCE WITH TYPE 'LINE' IS INVALID

Explanation

The specified resource has a count reflecting the level 3 or level 5 attached resources. These counts are inaccurate if a purge is performed on this resource, so purge is not allowed.

System action

The request is ignored.

BNJ140I **NO RECORDS TO PURGE FOR
DATA AND DATE SPECIFIED IN
THIS PURGE COMMAND**

Explanation

The PURGE, PRGATT or PURGEDB command was successfully completed but nothing has been purged from the hardware monitor database.

System action

The request is ignored.

BNJ141I **PURGE OF NPDA DATA BASE
COMPLETED.**

Explanation

The PURGE command was successfully completed.

System action

Processing continues.

BNJ142I **THERE ARE NO RECORDS ON THE
NPDA DATA BASE PRIOR TO DATE
ENTERED**

Explanation

The date entered with the PURGE command was earlier than the hardware monitor database initialization date.

System action

Processing for the command ends.

Operator response

Verify dates and retry.

BNJ143I **PURGE/PRGATT FAILED BECAUSE
ANOTHER PURGE IS IN
PROGRESS**

Explanation

Your last PURGE or PRGATT command failed because a PURGE or PRGATT command is currently in progress.

System action

The NetView program ignores this command and processing continues.

Operator response

Wait for completion of the current PURGE or PRGATT command and reenter the new PURGE command.

BNJ144I ***operatorid module locid* DSIFRE
PASSED BACK A RETURN CODE OF
*retcode***

Explanation

Storage cannot be freed.

Message Variables***operatorid***

The terminal operator identifier. If no operator is defined, this value is NONE.

module

The name of the NetView module that detected the error.

locid

The location in the NetView module that detected the error.

retcode

The DSIFRE return code.

System action

Processing continues.

BNJ145I ***module locid* MSU ERROR RECORD
THAT FOLLOWS IS NOT ACCEPTED
BY THIS MODULE**

Explanation

Module *module* has detected a list of resource names, resource types, or both, that is not valid, from an MSU. Messages BNJ049I and BNJ050I follow this message.

Message Variables***module***

The name of the NetView module that detected the error.

locid

The location within the NetView module that detected the error.

System action

No further processing is done on this error record.

Operator response

Notify the system programmer.

System programmer response

Obtain a copy of the associated BNJ049I message from the network log and contact IBM Software Support.

BNJ146I *mm/dd hh:mm G TYPE=aaaa
DESC=bbbb ALID=cccccccc
PSID=dddddddd
PC=eeee,eeee,eeee
ACTS=ffff, ... ,ffff
USER=ggggg, ... ,ggggg;ggggg, ... ,ggggg
FAIL=hhhh, ... ,hhhh;hhhh, ... ,hhh
h INST=iii, ... ,iii;iii, ... ,iii TEXT=
'jjjjjj...jjj'
HIER=kkkkkkkk,kkkk,kkkkkkkk,kk
kk, kkkkkkkk,kkkk,kkkkkkkk,
kkkk,kkkkkkkk,kkkk DOMID=llll -
or - mm/dd hh:mm N TYPE=aaaa
PSID=dddddddd MAJ=nn MIN=oo
ACT=pp QUAL= 'qqq','qqq','qqq'
TEXT= 'jjjjjj...jjj'
HIER=kkkkkkkk,kkkk,kkkkkkkk,kk
kk, kkkkkkkk,kkkk,kkkkkkkk,
kkkk,kkkkkkkk,kkkk DOMID=llll
mm/dd hh:mm R BKID=rrr ACT=pp
MIN=oo MAJ=nn TEXT= 'jjjjjj...jjj'
HIER=kkkkkkkk,kkkk,kkkkkkkk,kk
kk, kkkkkkkk,kkkk,kkkkkkkk,
kkkk,kkkkkkkk,kkkk DOMID=llll*

Explanation

The first message is the generic (G) format of BNJ146I. The second message is the nongeneric (N) format of BNJ146I. The third message is the non-NMVT (R) format of BNJ146I. This is an informational message displayed whenever an NMVT alert (or non-NMVT alert for type R) is logged to the hardware monitor database and the OPER filter is set to pass the specific alert. The individual terms in the message are the same as those used in the GENALERT command. For more information on these terms, See the NetView online help. For more information on the values in the alert, see *SNA Formats*. If you are using this message for automation, consider automating the alert directly rather than by using this message. See the *IBM Z NetView Automation Guide* for more information on automating alerts.

Note: The keyword order might change depending on the alert content.

Message Variables

aaaa

Alert type.

bbbb

Alert description.

ccccccc

Alert ID.

dddddddd

Product set ID.

eeee

Probable causes.

ffff

Actions.

ggggg

User causes/actions.

hhhh

Failure causes/actions.

iii

Install causes/actions.

jjj

Product unique text.

kkkkkkkk,kkkk

Hierarchy name/type pairs.

llll

The domain ID of the host that generated this message and not necessarily of the host that originally recorded the record. For alerts forwarded through LUC, the domain ID of the host that recorded the record is displayed. For records forwarded through message forwarding, the first resource type in HIER= has a type of DOM and the resource name is the domain ID.

mm/dd hh:mm

The date and time of the alert. The date and time formats depend on the TRANSMMSG member, when in effect, and on the date and time operands of the DEFAULTS and OVERRIDE commands.

nn

Major cause code.

oo

Minor cause code.

pp

Action cause code.

qqq,qqq,qqq

Product unique qualifiers.

rrr

Block ID.

BNJ147I

***operatorid module locid NO DATA
EXISTS FOR REQUESTED KEY***

Explanation

A LAN XREF record without a corresponding network name XREF record was found.

Message Variables

operatorid

The terminal operator identifier. If no operator is defined, this value is NONE.

module

The name of the NetView module that detected the error.

locid

The location in the NetView module that detected the error.

System action

Processing continues.

System programmer response

Examine the database and determine why the problem has occurred.

BNJ149I *operatorid module locid*
HARDWARE MONITOR COULD NOT OBTAIN STORAGE FOR ITS MAIN DST CONTROL BLOCK. DSIGET RETURN CODE WAS *retcode*. UNSOLICITED DATA WAS LOST DUE TO THE STORAGE FAILURE.

Explanation

The hardware monitor cannot continue processing because it cannot obtain storage.

Message Variables**operatorid**

The terminal operator identifier (if no operator is defined, this value is NONE).

module

The name of the NetView module that detected the error.

locid

The location within the NetView module that detected the error.

retcode

The NetView return code.

System action

Processing stops for the current unsolicited record.

System programmer response

If the message persists, see the *IBM Z NetView Troubleshooting Guide* for possible causes of the storage shortage.

BNJ150I *operatorid module locid*
HARDWARE MONITOR COULD NOT OBTAIN STORAGE FOR ITS MAIN

DST CONTROL BLOCK. DSIGET RETURN CODE WAS *retcode*. THE COMMAND ENTERED COULD NOT BE PROCESSED DUE TO THE STORAGE FAILURE.

Explanation

The hardware monitor cannot continue processing because it cannot obtain storage.

Message Variables**operatorid**

The terminal operator identifier (if no operator is defined, this value is NONE).

module

The name of the NetView module that detected the error.

locid

The location within the NetView module that detected the error.

retcode

The NetView return code.

System action

Processing stops for the current command.

System programmer response

See the *IBM Z NetView Troubleshooting Guide* for possible causes of the storage shortage.

BNJ151I *operatorid module locid*
HARDWARE MONITOR'S MQS BUFFER IS TOO SHORT. A LARGER BUFFER WILL BE OBTAINED.

Explanation

The hardware monitor requires a larger buffer than is present to continue processing. An attempt will be made to obtain the larger buffer.

Message Variables**operatorid**

The terminal operator identifier (if no operator is defined, this value is NONE).

module

The name of the NetView module that detected the error.

locid

The location within the NetView module that detected the error.

System action

Processing continues.

BNJ152I **HARDWARE MONITOR
ENCOUNTERED A STORAGE
FAILURE. IF A COMMAND WAS
ENTERED, WAIT AND RE-ENTER.**

Explanation

The hardware monitor cannot continue processing because it cannot obtain storage.

System action

Processing stops for the current command or alert.

Operator response

If the message occurred as a result of entering a command, wait 30 seconds and enter the command again.

System programmer response

See the *IBM Z NetView Troubleshooting Guide* for possible causes of the storage shortage.

BNJ153I *operatorid module locid*
**HARDWARE MONITOR COULD NOT
OBTAIN STORAGE FOR ITS MQS
BUFFER. DSIGET RETURN CODE
WAS *retcode*. THE PROCESSING
OF AN ALERT OR AN OPERATOR-
ENTERED COMMAND WAS
UNABLE TO COMPLETE BECAUSE
OF THE STORAGE FAILURE**

Explanation

The hardware monitor cannot continue processing because it cannot obtain storage for its MQS buffer.

Message Variables

operatorid

The terminal operator identifier (if no operator is defined, this value is NONE).

module

The name of the NetView module that detected the error.

locid

The location within the NetView module that detected the error.

retcode

The NetView return code.

System action

Processing stops for the current operator-entered command or alert.

System programmer response

See the *IBM Z NetView Troubleshooting Guide* for possible causes of the storage shortage.

BNJ154I *operatorid module locid*
**HARDWARE MONITOR COULD NOT
OBTAIN STORAGE FOR ITS MAIN
DST CONTROL BLOCK. DSIGET
RETURN CODE WAS *retcode*. AN
INCOMING ALERT, IF PRESENT,
COULD NOT BE IMMEDIATELY
DISPLAYED ON THE ALERTS
DYNAMIC SCREEN**

Explanation

The hardware monitor was attempting to build the Alerts-Dynamic display. An incoming alert, if present, might be temporarily missing from the display because storage cannot be obtained.

Message Variables

operatorid

The terminal operator identifier (If no operator is defined, this value is NONE)

module

The name of the NetView module that detected the error

locid

The location within the NetView module that detected the error

retcode

The NetView return code

System action

Processing continues.

System programmer response

See the *IBM Z NetView Troubleshooting Guide* for possible causes of the storage shortage.

BNJ156I *operatorid module locid* **UNABLE
TO LOAD *program* TO ANALYZE
UNSOLICITED DATA**

Explanation

Module *module* received a nonzero return code from DSILOD while attempting to load *program* during link event processing.

Message Variables

operatorid

The terminal operator identifier (if no operator is defined, this value is NONE).

module

The name of the NetView module that detected the error.

locid

The location within the NetView module that detected the error.

program

Name of the analysis program that the NetView program attempted to load.

System action

Processing continues, but the DCE data will not be analyzed.

Operator response

Notify the system programmer.

System programmer response

See *IBM Z NetView Programming: Assembler* to determine the cause of the DSILOD failure.

BNJ169I **module locid IMMEDIATE DSICNMFS FAILURE. ATTEMPTED TO FORWARD AN ALERT FROM DOMAIN *domain1* TO FOCAL POINT DOMAIN *domain2*, BUT WAS UNSUCCESSFUL. DSICNMFS RETURN CODE INDICATES AN OUT OF STORAGE CONDITION**

Explanation

The hardware monitor in *domain1* attempted to use command facility macro DSICNMFS to forward an alert to its focal point domain of *domain2*, but cannot because of a lack of storage.

Message Variables**module**

The name of the NetView module that detected the error.

locid

The location in the NetView module that detected the error.

domain1

The name of the local domain.

domain2

The name of the focal point domain to which the hardware monitor in *domain1* attempted to forward an alert.

System action

The alert record will not be received by the focal point domain. Normal processing continues for the record in its local domain.

Operator response

Determine whether you received message BNH16I, which means the task has reached its storage limit. If so, notify your system programmer.

System programmer response

See the *IBM Z NetView Troubleshooting Guide* for possible causes of the storage shortage.

BNJ170I **module locid IMMEDIATE DSICNMFS FAILURE. ATTEMPTED TO FORWARD AN ALERT FROM DOMAIN *domain1* TO FOCAL POINT DOMAIN *domain2*, BUT WAS UNSUCCESSFUL. DSICNMFS RETURN CODE INDICATES THAT THE DCNM ROUTER TASK IS INACTIVE**

Explanation

The hardware monitor in *domain1* attempted to use the command facility macro DSICNMFS to forward an alert to its focal point domain of *domain2*, but cannot because of the DCNM router task being inactive.

Message Variables**module**

The name of the NetView module that detected the error.

locid

The location in the NetView module that detected the error.

domain1

The name of the local domain.

domain2

The name of the focal point domain to which the hardware monitor in *domain1* attempted to forward an alert.

System action

The alert record is not received by the focal point domain. Normal processing continues for the record in its local domain.

Operator response

Notify the system programmer.

System programmer response

Start the DCNM router task in the focal point domain. See *IBM Z NetView Installation: Configuring Additional Components* for information on forwarding alerts.

BNJ171I **module locid IMMEDIATE DSICNMFS FAILURE. ATTEMPTED TO FORWARD AN ALERT FROM DOMAIN *domain1* TO FOCAL POINT DOMAIN *domain2*, BUT WAS UNSUCCESSFUL. DSICNMFS RETURN CODE INDICATES THAT DSIFSOLP IS NOT DEFINED**

Explanation

The hardware monitor in *domain1* attempted to use command facility macro DSICNMFS to forward an alert to its focal point domain of *domain2*, but cannot because of DSIFSOLP not being defined.

Message Variables

module

The name of the NetView module that detected the error.

locid

The location in the NetView module that detected the error.

domain1

The name of the local domain.

domain2

The name of the focal point domain that the hardware monitor in *domain1* attempted to forward an alert.

System action

The alert record will not be received by the focal point domain. Normal processing continues for the record in its local domain.

Operator response

Notify the system programmer.

System programmer response

Add the DSIFSOLP statement to your CNMCMD data set. See the samples on the distribution tape for NetView definitions.

BNJ172I **module locid IMMEDIATE DSICNMFS FAILURE. ATTEMPTED TO FORWARD AN ALERT FROM DOMAIN *domain1* TO FOCAL POINT DOMAIN *domain2*, BUT WAS UNSUCCESSFUL. DSICNMFS RETURN CODE INDICATES THAT**

THE REPLYCP PARAMETER OF *replycp* IS NOT INSTALLED

Explanation

The hardware monitor in *domain1* attempted to use command facility macro DSICNMFS to forward an alert to its focal point domain of *domain2*, but cannot because of the command processor name *replycp* not being installed.

Message Variables

module

The name of the NetView module that detected the error.

locid

The location in the NetView module that detected the error.

domain1

The name of the local domain.

domain2

The name of the focal point domain that the hardware monitor in *domain1* attempted to forward an alert.

replycp

The name of the command processor specified in the REPLYCP parameter of DSICNMFS.

System action

The alert record will not be received by the focal point domain. Normal processing continues for the record in its local domain.

Operator response

Notify the system programmer.

System programmer response

Add the CMDDEF statement for *replycp* to your CNMCMD data set. See the samples on the distribution tape for NetView definitions.

BNJ173I **module locid IMMEDIATE DSICNMFS FAILURE. ATTEMPTED TO FORWARD AN ALERT FROM DOMAIN *domain1* TO FOCAL POINT DOMAIN *domain2*, BUT WAS UNSUCCESSFUL. DSICNMFS RETURN CODE IS "*retcode*"**

Explanation

The hardware monitor in *domain1* attempted to use command facility macro DSICNMFS to forward an alert to its focal point domain of *domain2*. The attempt was

unsuccessful. The return code of *retcode* indicates the type of problem encountered.

Message Variables

module

The name of the NetView module that detected the error.

locid

The location in the NetView module that detected the error.

domain1

The name of the local domain.

domain2

The name of the focal point domain that the hardware monitor in *domain1* attempted to forward an alert.

retcode

The return code. The return code is hexadecimal and will have one of the following values:

4

No DSRB under DST or DSRB. not valid

8

DSIFSRCT not valid.

12

No CP specification under OST.

16

NMVT too large.

36

Time out value not valid.

System action

The alert record will not be received by the focal point domain. Normal processing continues for the record in its local domain.

Operator response

Notify the system programmer.

System programmer response

Contact IBM Software Support.

BNJ174I ***module locid* THE FOLLOWING MSU RECORD IS INVALID, THE X'yyyy' MAJOR VECTOR DOES NOT FOLLOW THE X'xxxx' MAJOR VECTOR.**

Explanation

The MSU record being processed by module *module* does not contain the two NMVTs X'xxxx' and X'yyyy'.

Message Variables

module

The name of the NetView module that detected the error.

locid

The location within the NetView module that detected the error.

xxxx

The first NMVT expected in the double major vector.

yyyy

The second NMVT expected in the double major vector.

System action

No further processing is done on the current MSU record.

Operator response

Notify the system programmer.

System programmer response

Investigate the MSU to determine why it is being rejected.

BNJ175I ***module locid* THE FOLLOWING MSU RECORD IS INVALID, THE X'130F' MAJOR VECTOR DOES NOT CONTAIN AN EVENT REPORT WITH VALID COUNTER DATA: *record***

Explanation

The module *module* detected an MSU that was received with a second major vector identifier of X'130F'. The X'130F' major vector is expected to contain an event report with counter data. The counter data was either missing or not valid.

Message Variables

module

The name of the NetView module that detected the error.

locid

The location within the NetView module that detected the error.

record

The record that was not valid.

System action

No further processing is done on this record.

Operator response

Notify the system programmer.

System programmer response

Determine which device is generating the MSU record and contact IBM Software Support.

BNJ176I *module locid* **THE FOLLOWING MSU RECORD HAS AN INVALID LENGTH FIELD IN THE X'130F' MAJOR VECTOR AT OFF-SET *off*: record**

Explanation

The module *module* detected an MSU that was received with a second major vector identifier of X'130F'. A length field that is not valid was detected in the X'130F' major vector at offset *off*.

Message Variables

module

The name of the NetView module that detected the error.

locid

The location within the NetView module that detected the error.

off

The offset from the beginning of the DELIVER header.

record

The record that was not valid.

System action

No further processing is done on this record.

Operator response

Notify the system programmer.

System programmer response

Determine which device is generating the MSU record and contact IBM Software Support.

BNJ177I *module locid* **THE FOLLOWING MSU RECORD IS INVALID, IT DOES NOT CONTAIN A VALID EVENT REPORT.**

Explanation

The MSU record being processed by module *module* does not contain a valid open systems interconnection (OSI) event report.

Message Variables

module

The name of the NetView module that detected the error.

locid

The location within the NetView module that detected the error.

System action

No further processing is done on the current MSU record.

Operator response

Notify the system programmer.

System programmer response

Investigate the MSU to determine why it is being rejected.

BNJ178I *module locid* **INVALID NMVT RU LENGTH.**

Explanation

The length of the NMVT being processed by module *locid* does not match the length contained in the NMVT.

Message Variables

module

The name of the NetView module that detected the error.

locid

The location within the NetView module that detected the error.

System action

No further processing is done on the current MSU record.

Operator response

Notify the system programmer.

System programmer response

Investigate the MSU to determine why it is being rejected.

BNJ179I *module locid* **UNRECOGNIZED/ UNSUPPORTED EVENT TYPE**

Explanation

The current open systems interconnection (OSI) NMVT being processed by the specified *module* contains an unrecognizable or unsupported OSI event report.

Message Variables

module

The name of the NetView module that detected the error.

locid

The location within the NetView module that detected the error.

System action

No further processing is done on the current MSU record.

Operator response

Notify the system programmer.

System programmer response

Investigate the MSU to determine why it is being rejected.

BNJ180I *module locid* **UNABLE TO MAP THE NMVT 1330/132F DMV**

Explanation

Module *module* cannot map the 1330/132F double major vector into a corresponding generic alert NMVT.

Message Variables

module

The name of the NetView module that detected the error.

locid

The location within the NetView module that detected the error.

System action

No further processing is done on the current MSU record.

Operator response

Notify the system programmer.

System programmer response

Investigate the MSU to determine why it is being rejected.

BNJ181I *module locid* **MANDATORY IBM ALARM PARAMETER NOT FOUND**

Explanation

Module *module* cannot find an expected mandatory IBM alarm parameter in the open systems interconnection (OSI) NMVT that is being processed.

Message Variables

module

The name of the NetView module that detected the error.

locid

The location within the NetView module that detected the error.

System action

No further processing is done on the current MSU record.

Operator response

Notify the system programmer.

System programmer response

Investigate the MSU to determine why it is being rejected.

BNJ182I *module locid* **BNJCBERP REPORTS A PROBLEM, RC = *retcode***

Explanation

Module *module* reports that an error was detected by BNJCBERP when processing the open systems interconnection (OSI) information in the MSU being processed.

Message Variables

module

The name of the NetView module that detected the error.

locid

The location within the NetView module that detected the error.

retcode

The code returned by BNJCBERP. Values are:

Code

Meaning

04

End of data for a sequence of data within the OSI NMVT.

08

Not found (error condition).

21

Navigation table is not present.

- 22** OSI parameter identifier is out of range.
- 23** A function that is not valid was requested.
- 24** Maximum thread level was reached for Get Next Function.
- 25** Conversion request lacks conversion area.
- 26** Get Next Function does not have a matching thread.
- 27** Convert only has mismatched tags.
- 28** No Get Type was called before a conversion request.
- 29** Unsupported length was encountered in OSI data.
- 30** A combination of Primitive Form and Indefinite Length that is not valid was used in BER data.
- 41** A conversion indicator that is not valid is in the navigation table.
- 42** Object identification conversion table pointer is missing.
- 43** OSI integer length is greater than the supported range.
- 44** Output field is not the correct size.
- 45** Object identifier name code point is not recognized by BNJCOBID.
- 46** OSI nesting level was exceeded.
- 48** Error was returned by BNJCHTEA.
- 49** Hex field to convert is too large.
- 50** Object description field has been filled.

System action

No further processing is done on the current portion of the MSU record. The MSU record might be rejected, depending on error severity.

Operator response

Notify the system programmer.

System programmer response

Investigate the MSU to determine the cause of the error.

BNJ183I **DATABASE *database* IS FULL**

Explanation

The hardware monitor database *database* is full. This message is issued only once when the user defined threshold (DBFULL) is reached.

Message Variables

database

The name of the database that is full.

System action

Processing continues, but records might not be recorded until additional space is made available.

Operator response

To make space available, you can switch to another database or issue a PURGE or PRGATT command.

BNJ184I ***module locid* INVALID DATATYPE, REQUEST TYPE, OR COMBINATION**

Explanation

Module *module* has received a data capture request with a data type that was not valid, a request type that was not valid, or combination of the two.

Message Variables

module

The name of the NetView module that detected the error.

locid

The location within the NetView module that detected the error.

System action

The data capture request ends and returns control to the Presentation Services Command Processor (PSCP) module making the request.

Operator response

Notify the system programmer.

System programmer response

Investigate the record on the database to determine the error.

BNJ185I *module locid* INVALID RESOURCE
CORRELATION REQUEST

Explanation

Module *module* received a data capture request for a resource correlation that is not valid.

Message Variables

module

The name of the NetView module that detected the error.

locid

The location within the NetView module that detected the error.

System action

The data capture request ends and returns control to the Presentation Services Command Processor (PSCP) module making the request.

Operator response

Notify the system programmer.

System programmer response

Investigate the record on the database to determine the error.

BNJ186I *module locid* NO CORRELATION
EXISTS

Explanation

Module *module* has received a data capture request for correlation, but no matching correlation records were found on the database.

Message Variables

module

The name of the NetView module that detected the error.

locid

The location within the NetView module that detected the error.

System action

The data capture request ends and returns control to the Presentation Services Command Processor (PSCP) module making the request.

Operator response

Notify the system programmer.

System programmer response

Investigate the record on the database to determine the error.

BNJ187I *module locid* INVALID CROSS
TASK MESSAGE SEGMENTS(S)
RECEIVED

Explanation

Module *module* has received a cross-task message segment out of sequence.

Message Variables

module

The name of the NetView module that detected the error.

locid

The location within the NetView module that detected the error.

System action

The cross-task message request is discarded and a reply is sent to the Presentation Services Command Processor (PSCP) module making the request.

Operator response

Notify the system programmer.

System programmer response

Investigate the request to determine why the segments are arriving out of sequence.

BNJ188I *module locid* SYSTEM SERVICE
ROUTINE FAILED. CROSS TASK
MESSAGE SEGMENTS NOT SAVED.

Explanation

Module *module* has received a bad return code from a system service routine (for example, GET STORAGE).

Message Variables

module

The name of the NetView module that detected the error.

locid

The location within the NetView module that detected the error.

System action

The cross-task message request is discarded and a reply is sent to the Presentation Services Command Processor (PSCP) module making the request.

Operator response

Notify the system programmer.

System programmer response

Investigate the bad return code from the system service routine to determine why the error occurred.

BNJ189I *module locid* **INVALID RECORD TYPE**

Explanation

Module *module* has detected a record on the database being purged that is not an alert or event.

Message Variables

module

The name of the NetView module that detected the error.

locid

The location within the NetView module that detected the error.

System action

The message is displayed and the purge process continues with the next record in the database.

Operator response

Notify the system programmer.

System programmer response

Investigate the database to determine the record that is not valid and make the appropriate corrections.

BNJ190I *module locid* **PROCESSING ERROR - STORAGE CORRUPTION**

Explanation

Module *module* did not find an expected subvector or subfield in storage. Storage has been corrupted.

Message Variables

module

The name of the NetView module that detected the error.

locid

The location within the NetView module that detected the error.

System action

The message is displayed and the purge process ends for the current set correlation. Purging continues with the next correlation or event record.

Operator response

Notify the system programmer.

System programmer response

Investigate the database to determine the record that is not valid and make the appropriate corrections.

BNJ191I *record* **IS INVALID. RESOURCE NAME OF DEFAULT RATIO CARD MUST BE '*'.**

Explanation

A resource name that is not valid was specified on the error-to-traffic default ratio card. The resource name must be '*' on this type of card.

Message Variables

record

The initialization statement that is not valid.

System action

Processing continues.

Operator response

Notify the system programmer.

System programmer response

Correct the error and enter the job again.

BNJ192I **CODE POINT TEXT MAY HAVE BEEN CHANGED - CONSIDER RESTARTING YOUR NPDA SESSION IF YOU HAVE NOT DONE SO**

Explanation

You had an active NPDA session at the time a code point table was updated through the CPTBL command. The NPDA session, depending on what panels are displayed and what code points were changed, might display outdated text. You might get this message when you enter an explicit NPDA command when you already have an active NPDA session. Some NPDA commands, such as MENU, actually do reset your NPDA session, while other commands do not.

Operator response

To assure that NPDA will not display outdated code point text, enter NPDA MENU or NPDA END. You can then enter NPDA commands again.

BNJ193I **INTERNAL FAILURE ACCESSING A
CODE POINT TABLE**

Explanation

NPDA experienced a failure while accessing a code point table.

System action

Request cannot be completed.

Operator response

Contact system programmer and try again.

System programmer response

Contact IBM Software Support if the condition persists.

BNJ199I **HARDWARE MONITOR DOES NOT
HAVE AN ACTIVE DATABASE.
DATA CANNOT BE WRITTEN TO
THE HARDWARE MONITOR
DATABASE.**

Explanation

The hardware monitor received data and attempted to write it to a hardware monitor database, but none are active. Operator commands such as NPDA TOT EV also fail because of the hardware monitor not having an active database.

System action

Processing continues.

Operator response

Use the SWITCH command to activate the primary or secondary hardware monitor database.

BNJ209I **INVALID RESPONSE/SELECTION
NUMBER**

Explanation

You responded incorrectly to a request for a command entry. You entered the command options with incorrect spacing or, when prompted for a selection number, entered a letter instead of a number or a number not on the display.

System action

The system waits for a valid request.

Operator response

Enter a valid request or enter another command.

BNJ211I **NEW WRAP COUNT HAS BEEN SET**

Explanation

This message, sent in response to an SWRAP command, indicates that a new wrap count value has been set for a resource.

System action

Processing continues.

BNJ212I **INVALID PU ID FORMAT/NO PU ID**

Explanation

The PU ID in the command is not in the correct format (8 hexadecimal digits) or is missing.

System action

The data request is ignored.

Operator response

Enter a valid 8-character hexadecimal PU ID.

BNJ215I **INVALID OR INSUFFICIENT
OPERANDS SPECIFIED**

Explanation

You did not specify enough operands or you specified them incorrectly.

System action

The NetView program ignores the command and processing continues.

Operator response

See the NetView online help to determine the correct number of operands and enter the command again.

BNJ218I ***operatorid* INSUFFICIENT MAIN
STORAGE FOR NPDA PSCP
INITIALIZATION**

Explanation

The NetView presentation services command processor (PSCP) cannot allocate enough main storage to initialize a work area.

Message Variables

operatorid

The terminal operator identifier (if no operator is defined, this value is NONE).

System action

The hardware monitor stops abnormally for this user. Command facility processing continues.

Operator response

Determine whether you received message BNH16I, which means the task has reached its storage limit. If so, notify your system programmer.

System programmer response

See the *IBM Z NetView Troubleshooting Guide* for possible causes of the storage shortage. If necessary, see the *IBM Z NetView Tuning Guide* for storage calculation information.

BNJ219I	PROBLEM NOT FILED. LINK TO INFORMATION/MANAGEMENT NOT AVAILABLE
----------------	--

Explanation

This message is issued to the hardware monitor terminal user. An attempt to log on to Information/Management has failed because of a load failure.

System action

The record is not logged to Information/Management and processing continues.

Operator response

Notify the system programmer.

System programmer response

Determine whether the Information/Management load module BLGGDBWI is present in one of the concatenated libraries.

BNJ224I	INVALID CTRL REQUEST
----------------	-----------------------------

Explanation

You entered a CTRL command with a control unit id that is not valid.

System action

The NetView program ignores the command and processing continues.

Operator response

Enter the command with the correct parameter.

BNJ225I	INVALID LINE REQUEST
----------------	-----------------------------

Explanation

You entered a LINE command with a line name that is not valid.

System action

The NetView program ignores the command and processing continues.

Operator response

Enter the command with the correct line name.

BNJ226I	INVALID REQUEST
----------------	------------------------

Explanation

You entered a command with a parameter that is not valid.

System action

The NetView program ignores the command and processing continues.

Operator response

Enter the command with the correct parameter.

BNJ227I	TASK BNJDSERV IS NOT ACTIVE
----------------	------------------------------------

Explanation

You entered a command that requires data services, but the data services task, BNJDSERV, is not active.

System action

Hardware monitor processing continues but error data cannot be accessed from the database.

Operator response

Notify the system programmer.

System programmer response

Restart the data services task using the STARTCNM command. See the NetView online help for more information on the STARTCNM command.

BNJ230I	INVALID ADDRESS SPECIFIED FOR NPDA RESOURCE TYPE
----------------	---

Explanation

You did not enter the EP/Local addresses as hexadecimal characters.

System action

The NetView program ignores the command and processing continues.

Operator response

Verify address and enter the command with correct characters.

**BNJ231I NPDA COMMAND PROCESSOR
INITIALIZING**

Explanation

You entered a command from a non-hardware monitor panel that will not cause a hardware monitor panel to be displayed. The hardware monitor command processor has not been initialized by a previous hardware monitor command.

Note: Do not suppress this message. If the message is suppressed, the hardware monitor command entered might not run.

System action

Processing continues.

Operator response

Wait for a hardware monitor response to the command entered.

**BNJ232I RESOURCE RESIDES IN DOMAIN
domainid**

Explanation

This message is issued in response to a DDOMAIN command.

Message Variables

domainid

The domain where the resource resides.

System action

Processing continues.

**BNJ233I RESOURCE NOT KNOWN TO NCCF
OR FUNCTION NOT SUPPORTED**

Explanation

You entered a resource name that is not valid.

System action

The NetView program ignores the command and processing continues.

Operator response

Enter a valid resource name. See the system programmer for the correct names to enter.

System programmer response

Determine the correct resource name.

**BNJ239I WRAP COUNT FOR RESOURCE
name IS NOW nnn**

Explanation

This message is sent in response to the SWRAP command and indicates that the resource's wrap count value changed to *nnn*.

Message Variables

name

The resource name.

nnn

The new wrap count value.

System action

Processing continues.

**BNJ240I COMMAND FAILED FOR
HIERARCHY resname**

Explanation

The current database contains no records that match the resource *resname* that you entered for the specified SWRAP, SRATIO, DWRAP, or DRATIO command. If no resource *resname* is displayed then this message has been issued from within the Hardware Monitor for a SWRAP, SRATIO, DWRAP, or DRATIO command or for a selection from the Multiple Entires panel for a SWRAP, SRATIO, DWRAP, or DRATIO command.

Message Variables

resname

The fully qualified resource name for which the command failed.

System action

Processing continues for other fully qualified resource names that match the specified resource name.

Operator response

Verify the database contents, correct the parameters, and enter the command again, if applicable.

**BNJ241I INVALID SYNTAX FOR DWRAP/
DRATIO COMMAND**

Explanation

You entered the DWRAP or DRATIO command incorrectly.

System action

The NetView program ignores the command and processing continues.

Operator response

See the NetView online help for the correct command syntax. Enter the command again.

**BNJ243I CROSS DOMAIN RECORD
TRANSMISSION ERROR**

Explanation

The records being accessed from a remote domain were returned out of sequence.

System action

The hardware monitor ends abnormally.

Operator response

Restart the domain and the hardware monitor and then enter the command again.

**BNJ244I NO ERROR RECORDS FOUND FOR
SPECIFIED RESOURCE**

Explanation

No records were found for the specified resource during the database purge.

System action

No records were purged and processing continues.

BNJ245I *explanation SENSE= X'sense'*

Explanation

The NetView program cannot process a solicited test command, for the reason stated in the message.

Message Variables***explanation***

The reason for the failure, accompanied by a system sense code.

sense

The possible codes are:

X'080C0005'

A major vector key specified in an RU is not supported.

X'080C0006'

The major vector that contains the command is not recognized or is not supported.

X'080C0007'

The request for a function is supported but the resource identified in that function is not supported.

X'08120000'

The receiver cannot act on the request because of a temporary lack of resources.

X'08170001'

The link is inactive.

X'08170003'

The switched link connection is inactive.

X'08170005'

The service link is inactive. No activate line was done, or a forced deactivate is in progress, for the service link on which IBM LPDA-2 commands are processed for other channelized lines defined on this physical line.

X'0818000A'

An online terminal test is in progress.

X'0818000B'

An SDLC link, level 2 test is in progress.

X'0818000C'

An LPDA test for a modem is in progress.

X'08180005'

The link problem determination test is in progress.

X'08180006'

An online terminal test is in progress.

X'08180007'

The SDLC link test is in progress.

X'08180009'

A modem panel test is in progress.

X'081C0003'

Modem check or line disabled.

X'081C00B1'

The SDLC ABORT signal (eight 1 bits) was received during link problem determination for a modem.

X'081C00B2'

A modem failure has occurred during link problem determination.

X'081C00B3'

The TIMEOUT THRESHOLD was reached for a link problem determination response from a modem.

X'081C00B4'

The data transmission is too slow or too fast in the node using the link connection during link problem determination for a modem.

X'081C00B5'

The link problem determination response from a modem contained a frame check sequence (FCS) that is not valid.

X'081C00B6'

A format exception occurred for a link problem determination response from the modem.

X'081C00B7'

An IBM LPDA-2 modem test was attempted but a communication controller failed.

X'081C00B8'

A modem or line error has occurred on the service link.

X'08400012'

Resource mismatch. The service link is defined as secondary, or has no active station that supports IBM LPDA-2.

X'086A81nn'

The key *nn* in subvector X'81' is not valid in the condition under which it was processed.

X'086C0400'

Subvector X'04' is missing from the receiver list of subvectors.

X'086Fnn03'

The sum of the subfield lengths in subvector *nn* is incompatible with the subvector length.

X'086Fnn05'

Subvector *nn* has a length that is not valid.

X'086Fnn06'

A subfield within subvector *nn* has a length that is not valid.

X'0870'

A value in an unformatted NMVT subvector or in an unformatted portion of a partially formatted NMVT subvector is not valid.

X'08770007'

The line is defined as SECONDARY (SDLC only).

X'08770009'

No active station supporting IBM LPDA-2 was found on an SDLC line.

X'08F0002'

The sum of the subvector lengths is not compatible with the major vector length.

System action

The NetView program ignores the request and processing continues.

Operator response

Notify the system programmer.

System programmer response

Check the service link definition.

BNJ250I**DATA SERVICES FAILURE IN PROCESSING LAST COMMAND****Explanation**

Your last request for information from the database failed. Error messages were issued to the authorized message receiver.

System action

The request is not processed. The COMMAND LIST panel is displayed.

Operator response

Enter the request again. Notify the system programmer if the problem persists.

System programmer response

Determine the user request and the panel from which it was made and contact IBM Software Support.

BNJ252I**DST NOT ACTIVE - TASK ID IS BNJDSERV****Explanation**

You entered an REQMS command. The correct task is not active.

System action

The NetView program ignores the command.

Operator response

Notify the system programmer.

System programmer response

Start the BNJDSERV task.

BNJ261I NO DATA EXISTS FOR COMMAND SPECIFIED

Explanation

There is no data on the database for the command you specified. The resource ID might not be valid or there might not be any data for that resource.

System action

The NetView program ignores the command and processing continues.

Operator response

Verify database contents and enter the command again with a valid resource ID.

BNJ263I NO DATA EXISTS FOR EP LINE ADDRESS SPECIFIED

Explanation

No data for the specified EP line address is recorded in the database.

System action

The NetView program ignores the command and processing continues.

Operator response

Enter a command with a valid line address.

BNJ264I PROSE TOO LONG FOR ALLOWED BUFFER. TRUNCATION HAS OCCURRED

Explanation

A user-altered action message is longer than the space allowed for the original data.

System action

The displayed action message is reduced in size.

Operator response

Notify the system programmer.

System programmer response

Alter the user-specified message in the appropriate CSECT to match the original size. See *IBM Z NetView Programming: Assembler* for instructions.

BNJ267I SOLICITATION FUNCTION NOT SUPPORTED BY ACCESS METHOD OR BY THIS DEVICE

Explanation

An attempt was made to solicit data from a non-SDLC device.

Operator response

Determine that the station name is specified correctly and retry the request.

BNJ271I NO STATISTICAL DATA RECORDED BY LINE

Explanation

You issued a request for statistical data for a resource of type LINE. The hardware monitor does not record statistical data for type LINE.

System action

Processing continues.

BNJ276I PROBLEM FILED BY INFORMATION/MANAGEMENT, ID IS *id*

Explanation

This message indicates that the specified error event information is filed as *id*.

Message Variables***id***

The ID used to file the error event information. The *id* variable can be as many as 8 digits.

System action

Processing continues.

BNJ277I ERROR IN PARAMETER LIST FROM NPDA. REASON CODE IS *reason*

Explanation

Information/Management detected an error situation and the specified event cannot be recorded.

Message Variables***reason***

The reason code. See Information/Management manuals for reason code descriptions.

System action

Processing continues.

Operator response

Record the reason code, and notify the system programmer.

System programmer response

Take the appropriate action indicated by the reason code.

BNJ278I **ERROR DURING PROCESSING BY INFO/MANAGEMENT. REASON CODE IS *reason***

Explanation

The NetView program is unable to establish a link to Information/Management and the specified error event is not recorded. Processing by Information/Management occurred during customer, interface, or environment error.

Message Variables

reason

The reason code. See Information/Management manuals for reason code descriptions. When the reason code is enclosed in an X and quotation marks, for example X'365', then the reason code is an Information/Management abend code.

System action

Processing continues.

Operator response

Record the reason code and notify the system programmer.

System programmer response

Take the appropriate action indicated by the reason code.

BNJ280I **THIS OPERATOR NOT AUTHORIZED TO ISSUE PURGE COMMAND**

Explanation

You must be authorized to use a PURGE command.

System action

Processing for the command stops.

Operator response

See the system programmer for authorization.

System programmer response

See the *IBM Z NetView Administration Reference* for information on authorizing operators.

BNJ281I **INVALID DATE SPECIFIED FOR NPDA PURGE COMMAND**

Explanation

You entered the purge date incorrectly or entered a date later than today's date.

System action

The NetView program ignores the command and processing continues.

Operator response

Verify date values and enter the command with the correct format.

BNJ282I **THERE ARE NO RECORDS ON THE NPDA DATA BASE PRIOR TO DATE ENTERED**

Explanation

The date you entered with the PURGE command is earlier than the database initialization date.

System action

Processing for the command stops.

Operator response

Verify the dates and retry.

BNJ284I **PURGE OF NPDA DATA BASE COMPLETED**

Explanation

The PURGE command completed successfully.

System action

Processing continues.

BNJ285I **PURGE OF NPDA DATA BASE IN PROGRESS**

Explanation

The PURGE/PRGATT command was entered correctly and database purging is in progress. Any other hardware monitor command can be entered after this message is issued.

System action

The database is being purged as specified.

BNJ288I PURGE FOR 2ND/4TH LEVEL 'ST' RESOURCE WITH TYPE 'LINE' IS INVALID

Explanation

The resource you specified has counts reflecting the level 3 or level 5 attached resources. These counts become inaccurate if you perform a purge on this resource. The purge is not valid.

System action

The request is ignored.

BNJ289I PURGE DATE IS LATER THAN TODAY'S DATE

Explanation

You entered a purge date later than today's date.

System action

The PURGE command is ignored and processing continues.

Operator response

Enter the command again with a date equal to or earlier than today's date.

BNJ290I PURGE DATE IS EARLIER THAN OR EQUAL TO DATA BASE INITIALIZATION DATE

Explanation

The date entered on the PURGE command is earlier than or the same as the date the database was initialized.

System action

The PURGE command is ignored.

Operator response

Enter the PURGE command again using a date later than the initialization date.

BNJ295I FUNCTION NOT SUPPORTED FOR THIS OPERATING SYSTEM ENVIRONMENT

Explanation

The function that you entered is not supported for the existing operating system.

System action

The NetView program ignores the command and processing continues.

Operator response

Enter a supported function.

BNJ296I ALERT FOR RESOURCE(S) SET ON

Explanation

You entered the SRATIO command. Events from the specified resource will be recorded on the database as alerts.

System action

Processing continues.

BNJ297I ALERT FOR RESOURCE(S) SET OFF

Explanation

You entered the SRATIO command. Events from the specified resource will no longer be recorded on the database as alerts.

System action

Processing continues.

BNJ298I NO RESOURCE FOUND FOR THE ALERT REQUEST

Explanation

You entered the SRATIO command for a resource name not known to the NetView program.

System action

The NetView program ignores the command and processing continues.

Operator response

Use the hardware monitor to determine whether any records exist for the specified resource. Alerts cannot be issued for resources that have no data recorded in the hardware monitor database.

BNJ299I THIS DEVICE NAME IS NOT CURRENTLY DEFINED IN THE NETWORK CONFIGURATION

Explanation

The access method does not recognize the symbolic name for the device.

System action

The NetView program ignores the command.

Operator response

Notify the system programmer.

System programmer response

Determine from the configuration tables whether the correct resource name is specified.

BNJ300I	INVALID COMMAND: EXTRANEIOUS PARAMETERS SPECIFIED
----------------	--

Explanation

You entered a command with more parameters than necessary.

System action

The NetView program ignores the command.

Operator response

See the NetView online help for the correct number of parameters.

BNJ321I	EVENT DESCRIPTION CANNOT BE RETRIEVED, LOAD FAILED FOR CSECT <i>module</i>
----------------	---

Explanation

The NetView program failed to load the specified *module* to retrieve event descriptions.

Message Variables

module

The CSECT that the NetView program failed to load.

System action

Processing continues.

Operator response

Notify the system programmer.

System programmer response

Determine whether the load module containing the NetView *module* is in the library.

BNJ322I	BNJCGEVA HAD RC=<i>retcode</i> FROM DSIMBS TRYING TO RETRIEVE EVENT DESCRIPTION <i>aaa</i> FROM CSECT <i>module</i>
----------------	--

Explanation

A return code of *retcode* was received when the hardware monitor attempted to retrieve an error description *aaa* from CSECT *module*.

Message Variables

retcode

The NetView return code.

aaa

The error description.

module

The CSECT from which NetView was trying to retrieve the event description.

System action

Processing continues.

Operator response

Record the information and notify the system programmer.

System programmer response

Determine the user request and the panel from which it was made and contact IBM Software Support. See *IBM Z NetView Programming: Assembler* for the meaning of the return code.

BNJ323I	THRESHOLD VALUE = <i>nnn</i> AND STATUS = <i>status</i> FOR SPECIFIED RESNAME <i>resname</i>
----------------	---

Explanation

This message is issued in response to a DR/DRATIO or SR/SRATIO command. The threshold value has been set to *nnn* and the alert enable status is *status* for the specified resource *resname*. If no resource *resname* is displayed, this message was issued from within hardware monitor for either a DR/DRATIO or SR/SRATIO command, or from a Multiple Entries panel for either a DR/DRATIO or SR/SRATIO command.

Message Variables

nnn

The resource threshold value.

status

The alert enable status.

resname

The fully qualified resource name for which the command successfully completed.

System action

Processing continues.

BNJ325I WRAP dtype IS nnn FOR resource

Explanation

This message is issued in response to a DWRAP or SWRAP command for EV or ST type data. A wrap count value of *nnn* is now current for *dtype* data for the resource *name*.

Message Variables**dtype**

The data type.

nnn

The wrap count value.

resource

The resource name.

System action

Processing continues.

BNJ326I WRAP AL COUNT IS nnn

Explanation

This message is issued in response to a DWRAP or SWRAP command for AL type data. A wrap count value of *nnn* is now current for all alert data.

Message Variables**nnn**

The wrap count value.

System action

Processing continues.

BNJ336I DSIGET FAILED - MAIN STORAGE NOT AVAILABLE

Explanation

This message is issued in response to the DSIGET macro. The requested storage is not available.

System action

Processing continues.

Operator response

Determine whether you received message BNH16I, which means the task has reached its storage limit. If so, notify your system programmer.

System programmer response

See the *IBM Z NetView Troubleshooting Guide* for possible causes of the storage shortage.

BNJ339I DATA BLOCKED BY FILTERS

Explanation

The viewing filter is set to block all data on the requested display.

System action

Processing continues.

Operator response

Display the viewing filter and delete the appropriate entries to allow data to display.

BNJ343I NODE NAME NOT IN TABLE

Explanation

While processing the last command, the node name for that command was not found in the node table.

System action

Processing stops.

Operator response

Record the parameters you entered and notify the system programmer.

System programmer response

Determine the user request and the panel from which it was made and contact IBM Software Support.

BNJ344I TEMPORARY RECORD SPACE NOT FREED

Explanation

An internal NetView failure occurred.

System action

Processing continues.

Operator response

Notify the system programmer.

System programmer response

Determine the user request and the panel from which it was made and contact IBM Software Support.

BNJ345I HIERARCHY TABLE FULL

Explanation

An internal NetView failure occurred.

System action

Processing continues.

Operator response

Notify the system programmer.

System programmer response

Determine the user request and the panel from which it was made and contact IBM Software Support.

**BNJ346I INVALID CONTROL RECORD
 FOUND**

Explanation

An internal NetView failure occurred.

System action

Processing continues.

Operator response

Notify the system programmer.

System programmer response

Determine the user request and the panel from which it was made and contact IBM Software Support.

**BNJ347I NO CORE AVAILABLE FOR PAGE
 TABLE EXTENSION**

Explanation

An internal NetView failure occurred.

System action

Processing continues.

Operator response

Notify the system programmer.

System programmer response

Determine the user request and the panel from which it was made and contact IBM Software Support.

**BNJ348I NO CORE AVAILABLE FOR
 TEMPORARY RECORD**

Explanation

An internal NetView failure occurred.

System action

Processing continues.

Operator response

Notify the system programmer.

System programmer response

Determine the user request and the panel from which it was made and contact IBM Software Support.

**BNJ349I INVALID CALL TO BNJCGTDA - NO
 MORE RECORDS TO PROCESS**

Explanation

An internal NetView failure occurred.

System action

Processing continues.

Operator response

Notify the system programmer.

System programmer response

Determine the user request and the panel from which it was made and contact IBM Software Support.

BNJ350I INVALID NODE ENTRY

Explanation

An internal NetView failure occurred.

System action

Processing continues.

Operator response

Notify the system programmer.

System programmer response

Determine the user request and the panel from which it was made and contact IBM Software Support.

BNJ364I ALERT FOR SEL# *nn* IS DELETED

Explanation

The alert specified for deletion on either the Alerts-Static or the Alerts-History panel was deleted successfully.

Message Variables

nn

The selection number on the Alerts-Static or Alerts-History panel corresponding to the alert deleted.

System action

Processing continues.

**BNJ365I ALERT FOR SEL# *nn* IS NOT IN
ALERT DATA BASE**

Explanation

The alert specified for deletion does not exist on the database. It might have been deleted earlier.

Message Variables

nn

The selection number on the Alerts-Static or Alerts-History panel corresponding to the alert deleted.

System action

The alert continues to be displayed.

Operator response

Enter a hardware monitor-explicit command or return to the hardware monitor main menu.

**BNJ367I INVALID LOGICAL RECORD
FOUND**

Explanation

An internal NetView failure occurred.

System action

Processing continues.

Operator response

Record the current screen and request. Notify the system programmer.

System programmer response

Determine the user request and the panel from which it was made and contact IBM Software Support.

**BNJ378I SELECTION *nn* FILTER CODE;
PRODUCT ID *psi* ALERT ID *aic***

Explanation

You tried to determine a product set ID and an alert ID code for an alert or most recent event display. This message is the normal response to such a request.

Message Variables

nn

The selection number.

psi

The product set ID for the alert or event.

aic

The alert ID code for the alert or event.

Note: The alert ID for all resolutions (both alert and event) will be 00000000.

System action

Processing continues.

Operator response

Record the code value for future use in an SRFILTER or SVFILTER command.

**BNJ609I INVALID RESPONSE/SELECTION
NUMBER**

Explanation

You responded incorrectly to a request for a command entry. You entered the command options with incorrect spacing or, when prompted for a selection number, entered a letter instead of a number or a number not on the display.

System action

The system waits for your request.

Operator response

Enter a valid request or enter another command.

BNJ610I INVALID FUNCTION SELECTED

Explanation

The NetView program does not recognize the function you specified.

System action

The NetView program ignores the request and processing continues.

Operator response

See the NetView online help for the correct syntax of the command and enter the request again.

BNJ611I **SELECTED FUNCTION INVALID
FOR THE SELECTED RESOURCE**

Explanation

You entered a request for a function that is not valid for the resource named in the request.

System action

The NetView program ignores the request and processing continues.

Operator response

See the NetView online help for the correct syntax of the command and enter the request again.

BNJ612I **INVALID SET FUNCTION
SPECIFIED**

Explanation

You entered an option that is not valid for a SET command. The valid options are WRAP, PARM, or THRESH.

System action

The NetView program ignores the request and processing continues.

Operator response

See the NetView online help for the correct syntax of the SET command and enter the command again.

BNJ613I **INVALID DISPLAY FUNCTION
SPECIFIED**

Explanation

You entered an option that is not valid for a DISPLAY command. The valid options are WRAP and THRESH.

System action

The NetView program ignores the request and processing continues.

Operator response

See the NetView online help for the correct syntax of the DISPLAY command and enter the command again.

BNJ614I **operatorid BNJD105B BAD VSAM
RECORD RETRIEVED key**

Explanation

The module BNJD105B detected the retrieval of a loop error VSAM record whose extended statistical counter count value does not match the number of counter data fields in the record.

Message Variables

operatorid

The terminal operator identifier. If no operator is defined, this value is NONE.

key

The 76-byte key that precedes the record.

System action

No further processing is attempted for this error record.

Operator response

Notify the system programmer.

System programmer response

Refer to the VSAM library for more information.

BNJ615I **BNJALTPA BLOCK SIZE TOO
SMALL**

Explanation

The physical block size is insufficient to contain the information required to build the display. The BNJALTPA service routine input parameters were set up incorrectly.

System action

Data services command processor (DSCP) processing stops.

Operator response

Notify the system programmer.

System programmer response

Determine the user request and the panel from which it was made and contact IBM Software Support.

BNJ616I **INVALID LOOP DISPLAY
FUNCTION SPECIFIED**

Explanation

You entered an option for a LOOP command that is not valid. The valid options are STAT and ERROR.

System action

The NetView program ignores the request and processing continues.

Operator response

See the NetView online help for the correct syntax of the LOOP command and enter the command again.

**BNJ618I SPECIFIED WRAP VALUE
INVALID/OUT OF RANGE**

Explanation

The wrap count specified in a DST initialization parameter statement is either not numeric or exceeds 999.

System action

The parameter statement is ignored.

Operator response

Notify the system programmer.

System programmer response

Check the syntax of the parameter statements in the initialization file.

BNJ619I INVALID WRAP TYPE SPECIFIED

Explanation

The wrap type specified in a DST initialization statement is unknown.

System action

The parameter statement is ignored.

Operator response

Notify the system programmer.

System programmer response

Check the syntax of the parameter statements in the initialization file.

**BNJ620I NO CONTROLLER NAME WAS
SPECIFIED**

Explanation

You entered a command that requires a controller name.

System action

The NetView program ignores the command and processing continues.

Operator response

Enter the command again with a controller name.

**BNJ621I CONTROLLER NAME *ctrlname* IS
INVALID**

Explanation

You entered a controller name that started with a character that is not valid. Names must start with an alphabetic or national character.

Message Variables***ctrlname***

The controller name that is not valid.

System action

The NetView program ignores the command and processing continues.

Operator response

Enter the command again after verifying the controller name.

**BNJ622I SOLICIT COMMAND OPTION *opt* IS
INVALID**

Explanation

You entered a SOLICIT command option *opt* that is not valid. Valid command options are NOTIFY or NONOTIFY.

Message Variables***opt***

The command option that is not valid.

System action

The NetView program ignores the command and processing continues.

Operator response

See the NetView online help for the correct syntax of the SOLICIT command and enter the command again.

BNJ623I NPDA DST IS INACTIVE

Explanation

The command facility subtask does not have an active data services task that contains a communications network management (CNM) interface.

System action

Processing for the command is stopped.

Operator response

Initiate the BNJDSERV task or notify the command facility operator to activate the hardware monitor, depending on established procedures.

BNJ624I SPECIFIED CONTROLLER NAME IS TOO LONG

Explanation

You entered a controller name that exceeded 8 characters.

System action

The NetView program ignores the command and processing continues.

Operator response

Enter the SOLICIT or SYSMON command again after determining the correct controller name.

BNJ625I SOLICIT FUNCTION *function* IS INVALID

Explanation

You entered a solicit command function *function* that is not valid. The valid functions are ERROR, RESP, ALL, or BATCH.

Message Variables

function

The command function that is not valid.

System action

The NetView program ignores the command and processing continues.

Operator response

See the NetView online help for the correct syntax of the SOLICIT command and enter the command again.

BNJ628I MESSAGE HAS BEEN TRUNCATED

Explanation

The NetView program found a user-altered message longer than 120 bytes.

System action

The displayed message is reduced in size.

Operator response

Notify the system programmer.

System programmer response

Alter the user-specified message in the appropriate CSECT to be 120 bytes or less. See *IBM Z NetView Programming: Assembler* for instructions.

BNJ630I *module* DETECTED INVALID FUNCTION REQUEST *function*

Explanation

The NetView program detected an unrecognizable function request shown as *function* in *module*.

Message Variables

module

The name of the NetView module that detected the error.

function

The unrecognized function request.

System action

Data services command processor (DSCP) processing stops.

Operator response

Notify the system programmer.

System programmer response

Determine the user request and the panel from which it was made and contact IBM Software Support.

BNJ631I *module* RECEIVED NON-ZERO RETURN CODE FROM DSICES

Explanation

The module *module* detected a processing error while attempting to determine the data services command processor (DSCP) verb name.

Message Variables

module

The name of the NetView module that detected the error.

System action

Processing is stopped for the command.

Operator response

Notify the system programmer.

System programmer response

Verify that the DSCP verb used in *module* matches the verb defined in the command definition statements (CMDDEFS).

BNJ634I **TIMER VALUE *nnn* IS OUT OF RANGE**

Explanation

The NetView program found a threshold analysis response time interval timer value that is not valid.

Message Variables***nnn***

The threshold analysis response time interval timer value.

System action

Data services command processor (DSCP) processing stops.

Operator response

Notify the system programmer.

System programmer response

Determine the user request and the panel from which it was made and contact IBM Software Support after initiating a system trace.

BNJ639I ***module* HEX/EBCDIC DATA CONVERSION FAILED**

Explanation

The module *module* detected an error while converting hexadecimal data to EBCDIC.

Message Variables***module***

The name of the NetView module that detected the error.

System action

Processing stops.

Operator response

Notify the system programmer.

System programmer response

Determine the user request and the panel from which it was made and contact IBM Software Support.

BNJ640I **NO PARAMETERS SPECIFIED FOR EXPLICIT COMMAND**

Explanation

You entered a command that requires additional parameters.

System action

The NetView program ignores the command and processing continues.

Operator response

See the NetView online help for the correct syntax of the command and enter it again.

BNJ641I **INVALID CONTROLLER NAME SPECIFIED**

Explanation

You entered a controller name that started with a character that is not valid. Names must start with an alphabetical, #, \$, or @ character.

System action

The NetView program ignores the command and processing continues.

Operator response

Enter the command again after verifying the controller name.

BNJ642I **TOO MANY PARAMETERS SPECIFIED**

Explanation

You entered a command that contains more parameters than required.

System action

The NetView program ignores the command and processing continues.

Operator response

See the NetView online help for the correct syntax of the command and enter it again.

BNJ643I INVALID WORKSTATION NAME SPECIFIED
Explanation

You entered a workstation name that was not valid. Valid workstation names fall within a range of from WS02 to WS31.

System action

The NetView program ignores the command and processing continues.

Operator response

Enter the command again after determining the correct workstation name.

BNJ644I INVALID LOOP NAME SPECIFIED
Explanation

You entered a loop name that is not valid. Valid loop names fall within a range of from LP01 to LP08.

System action

The NetView program ignores the command and processing continues.

Operator response

Enter the command again after determining the correct loop name.

BNJ645I INVALID THRESHOLD TYPE SPECIFIED
Explanation

You entered a threshold type that is not valid. Valid threshold types are BASIC2, EXTEND, and RESP.

System action

The NetView program ignores the command and processing continues.

Operator response

Enter the command again after determining the correct threshold type.

BNJ646I RESOURCE NAME DOESN'T CONTAIN LOOP OR WORKSTATION NAME
Explanation

You entered a controller name without a subresource. Subresources include loops and workstations.

System action

The NetView program ignores the command and processing continues.

Operator response

Enter the command again with the appropriate loop or workstation names.

BNJ647I INVALID WRAP AREA TYPE SPECIFIED
Explanation

You entered a wrap area type that is unknown. Valid wrap area types are STATUS, ERROR, or RESP.

System action

The NetView program ignores the command and processing continues.

Operator response

See the NetView online help for the valid wrap-area types of the SET command and enter the command again.

BNJ649I SPECIFIED THRESHOLD VALUE OUT OF RANGE
Explanation

You entered a threshold value that does not fall within the range from 0 to 9999.

System action

The NetView program ignores the command and processing continues.

Operator response

Enter the command again after determining the correct threshold value.

BNJ650I NO MESSAGE TEXT SPECIFIED
Explanation

You entered a message switching request but did not specify any message text.

System action

Processing continues.

Operator response

Enter the command again with message text.

BNJ653I STATUS CHECK INTERVAL OUT OF RANGE

Explanation

You entered a status check interval value that exceeds 9999.

System action

The NetView program ignores the command and processing continues.

Operator response

Enter the command again after determining the correct interval value.

BNJ654I INVALID PARAMETER TYPE SPECIFIED

Explanation

You entered a parameter type that is not valid. Valid parameter types are TIMER or INTERVAL.

System action

The NetView program ignores the command and processing continues.

Operator response

Enter the command again after verifying the parameter type value.

BNJ655I NO RESOURCE NAME SPECIFIED

Explanation

You entered a command that requires a resource name.

System action

The NetView program ignores the command and processing continues.

Operator response

Enter the command again with a resource name.

BNJ656I NON-NUMERIC WRAP VALUE ENTERED

Explanation

You entered a wrap count value that is not numeric.

System action

The NetView program ignores the command and processing continues.

Operator response

Enter the command again with the correct wrap count value.

BNJ657I WRAP VALUE OUT OF RANGE

Explanation

The wrap count value you entered exceeds 999.

System action

The wrap value remains unchanged and processing continues.

Operator response

Enter the command again with the correct wrap value.

BNJ658I NON-NUMERIC THRESHOLD VALUE ENTERED

Explanation

The threshold value you entered is not numeric.

System action

The threshold value remains unchanged and processing continues.

Operator response

Enter the command again with the correct threshold value.

BNJ659I NO THRESHOLD VALUE ENTERED

Explanation

You entered the SET THRESH command without a threshold value.

System action

The threshold value remains unchanged and processing continues.

Operator response

Enter the SET THRESH command again with a threshold value.

BNJ660I INTERVAL VALUE MISSING

Explanation

You entered a SET INTERVAL command without a status check interval specified.

System action

The interval value remains unchanged and processing continues.

Operator response

Enter the SET INTERVAL command again with a check interval value.

BNJ661I NO TIMER NAME SPECIFIED

Explanation

You entered a SET PARM command with no timer name specified.

System action

The timer value remains unchanged and processing continues.

Operator response

Enter the SET PARM command again with a timer name.

BNJ662I SPECIFIED INTERVAL NON-NUMERIC

Explanation

You entered a status check interval that is not numeric.

System action

The status check interval value remains unchanged and processing continues.

Operator response

Enter the command again with the correct status check interval.

BNJ663I NO WRAP VALUE SPECIFIED

Explanation

You entered a SET WRAP command and failed to enter a wrap count.

System action

The NetView program ignores the command and processing continues.

Operator response

Enter the command again with a correct wrap count value.

BNJ673I INVALID THRESHOLD PARAMETER NAME DETECTED

Explanation

The NetView program detected a threshold parameter name that is not valid while processing an initialization statement.

System action

The NetView program ignores the parameter statement.

Operator response

Notify the system programmer.

System programmer response

Check the syntax of parameter statements in the initialization file. See the *IBM Z NetView Administration Reference* for more information.

BNJ674I THRESHOLD PARAMETER TYPE MISSING

Explanation

The NetView program did not find a threshold parameter type while processing an initialization statement.

System action

The NetView program ignores the parameter statement.

Operator response

Notify the system programmer.

System programmer response

Check the syntax of parameter statements in the initialization file. See the *IBM Z NetView Administration Reference* for more information.

BNJ675I INVALID THRESHOLD PARAMETER TYPE DETECTED

Explanation

An incorrect threshold parameter type was selected while processing an initialization statement.

System action

The NetView program ignores the parameter statement.

Operator response

Notify the system programmer.

System programmer response

Check the syntax of parameter statements in the initialization file. See the *IBM Z NetView Administration Reference* for more information.

**BNJ676I INVALID TIMER NUMBER
 DETECTED**

Explanation

The NetView program detected an interval timer number not within the range of 1 to 15 while processing an initialization statement.

System action

The NetView program ignores the parameter statement.

Operator response

Notify the system programmer.

System programmer response

Check the syntax of parameter statements in the initialization file.

BNJ677I INVALID TIMER ID DETECTED

Explanation

The NetView program found a timer identifier of more than 8 characters while processing an initialization statement.

System action

The NetView program ignores the parameter statement.

Operator response

Notify the system programmer.

System programmer response

Check the syntax of parameter statements in the initialization file. See the *IBM Z NetView Administration Reference* for more information.

**BNJ678I REQUIRED THRESHOLD
 PARAMETER(S) MISSING**

Explanation

The NetView program did not find required threshold data while processing an initialization statement.

System action

The NetView program ignores the parameter statement.

Operator response

Notify the system programmer.

System programmer response

Check the syntax of parameter statements in the initialization file. See the *IBM Z NetView Administration Reference* for more information.

**BNJ679I INVALID THRESHOLD VALUE
 DETECTED - nnnn**

Explanation

The NetView program detected a value that is not numeric or a value greater than 9999 while processing an initialization statement.

Message Variables**nnnn**

The threshold value that is not valid.

System action

The NetView program ignores the parameter statement.

Operator response

Notify the system programmer.

System programmer response

Check the syntax of parameter statements in the initialization file. See the *IBM Z NetView Administration Reference* for more information.

**BNJ684I EITHER CONTROLLER *ctrlname*
 DOES NOT SUPPORT REMOTE
 SYSTEM MONITOR ACCESS OR
 THE TYPE OF COMMAND ENTERED
 MAY ONLY BE ENTERED LOCALLY**

Explanation

One of two problems has occurred. Either the controller *ctrlname* does not support remote system

monitor access (the controller diskette might have been improperly generated). Or, a system monitor command was entered remotely from the NetView program but the command was of a type that might be entered only locally.

Message Variables

ctrlname

The controller name.

System action

The controller rejects the command and processing continues.

Operator response

Enter the command again if the name was specified incorrectly. If the message is repeated, notify the system programmer.

System programmer response

If the command can be entered remotely, then re-create the controller diskette, specifying communication network management controller support (CNM/CS) in the CPGEN.

**BNJ685I INSUFFICIENT RESOURCE
DETECTED DURING REMOTE
SYSTEM MONITOR ACCESS TO
CONTROLLER *ctrlname***

Explanation

The remote device *ctrlname* was unable to respond to monitor access because it was busy or had insufficient buffer space to construct a response.

Message Variables

ctrlname

The remote device name.

System action

Processing continues.

Operator response

Enter the command again.

**BNJ686I INVALID ALERT FROM
THRESHOLD ANALYSIS
INSTALLATION EXIT *nnn***

Explanation

Your exit returned a return code that is not valid.

Message Variables

nnn

The return code that is not valid.

System action

Processing continues.

Operator response

Notify the system programmer.

System programmer response

Correct the installation exit.

**BNJ687I SOLICITATION OF CONTROLLER
ctrlname WAS NOT SUCCESSFUL**

Explanation

Solicitation of the controller named did not complete successfully.

Message Variables

ctrlname

The controller name.

System action

Processing continues.

Operator response

Enter the command again and notify the system programmer if the message repeats.

System programmer response

Contact IBM Software Support.

**BNJ688I LOAD FAILED FOR MODULE
*module***

Explanation

The NetView program did not find the initialization module specified.

Message Variables

module

The name of the module that the NetView program was trying to load.

System action

The NetView program ignores the parameter statement.

Operator response

Notify the system programmer.

System programmer response

Check the syntax of parameter statements in the initialization routine. See the *IBM Z NetView Administration Reference* for more information.

**BNJ689I INSUFFICIENT PARAMETERS
 SPECIFIED FOR INITIALIZATION**

Explanation

The initialization exit routine found a null parameter statement in the initialization routine.

System action

The NetView program ignores the parameter statement.

Operator response

Notify the system programmer.

System programmer response

Check the syntax of parameter statements in the initialization routine. See the *IBM Z NetView Administration Reference* for more information.

**BNJ691I SOLICITATION OF CONTROLLER
 ctrlname WAS SUCCESSFUL**

Explanation

The solicitation for data from the specified controller is successful.

Message Variables

ctrlname

The controller name.

System action

Processing continues.

**BNJ692I CONTROLLER *ctrlname* IS NOT
 AVAILABLE**

Explanation

The specified controller *ctrlname* is not connected or is otherwise unavailable for error solicitation.

Message Variables

ctrlname

The controller name.

System action

Processing continues.

Operator response

Determine the status of the controller and enter the command again.

**BNJ693I CONTROLLER *ctrlname* IS NOT
 RECOGNIZED BY THE ACCESS
 METHOD**

Explanation

The symbolic name *ctrlname* is not recognized by the access method.

Message Variables

ctrlname

The controller name.

System action

Processing continues.

Operator response

Notify the system programmer.

System programmer response

Determine from the configuration tables whether the correct resource name was specified.

**BNJ694I CONTROLLER *ctrlname* DOES NOT
 SUPPORT SOLICITATION**

Explanation

The specified controller *ctrlname* is not a device that supports solicitation.

Message Variables

ctrlname

The controller name.

System action

Processing continues.

**BNJ695I INSUFFICIENT RESOURCE
 DETECTED DURING
 SOLICITATION OF CONTROLLER
 *ctrlname***

Explanation

The device *ctrlname* is unable to respond to the solicitation because it is busy or has insufficient buffer space to construct a response.

Message Variables

ctrlname

The controller name.

System action

Processing continues.

Operator response

Enter the command again.

**BNJ696I CONTROLLER *ctrlname* IS IN
FUNCTION ACTIVE STATE**

Explanation

The controller *ctrlname* is unable to respond because it is in active state.

Message Variables***ctrlname***

The controller name.

System action

Processing continues.

Operator response

Enter the command again.

**BNJ697I SYSTEM MONITOR ACCESS OF
CONTROLLER *ctrlname* WAS NOT
SUCCESSFUL**

Explanation

The access to controller *ctrlname* did not complete successfully.

Message Variables***ctrlname***

The controller name.

System action

Processing continues.

Operator response

Enter the command again and notify the system programmer if the message repeats.

System programmer response

Contact IBM Software Support.

**BNJ698I BNJSWRPA DETECTED INVALID
ERASE REQUEST**

Explanation

An internal request was generated to erase VSAM records that are not valid. The request is not valid.

System action

The request stops.

Operator response

Notify the system programmer.

System programmer response

Determine the user request and the panel from which it was made and contact IBM Software Support.

**BNJ699I CONTROLLER *ctrlname* DOES NOT
SUPPORT REQUESTED FUNCTION**

Explanation

The specified controller *ctrlname* does not support the function you requested.

Message Variables***ctrlname***

The controller name.

System action

The NetView program ignores the command and processing continues.

Operator response

Enter the command for the proper function or controller.

**BNJ700I IMMEDIATE DSICNMFS FAILURE -
OUT OF STORAGE**

Explanation

The hardware monitor attempted to send an OST request for data to a DST in another domain through command facility macro DSICNMFS. DSICNMFS cannot send the OST request because of a lack of storage.

You might also receive this message if you enter a command that uses Distributed Data Base Retrieval to retrieve data from another domain. The NetView program cannot establish a cross domain LUC session because of the presence of intermediate nodes between your node and the remote domain from which you are retrieving data.

System action

The request is ignored.

Operator response

If the failure is caused by the inability to establish a cross domain LUC session, you can issue the SDOMAIN command to establish a session using the LU 6.2 or LU0 transport. If the SDOMAIN command is successful, issue the command again to retrieve the data from another domain. Otherwise, notify the system programmer.

System programmer response

If the message persists, check the NetView storage and adjust if necessary. See the *IBM Z NetView Troubleshooting Guide* for more information.

BNJ701I IMMEDIATE DSICNMFS FAILURE - DCNM ROUTER TASK IS INACTIVE

Explanation

The hardware monitor attempted to send an OST request for data to a DST in another domain through command facility macro DSICNMFS. DSICNMFS cannot send the OST request because of the DCNM router task being inactive.

You might also receive this message if you enter a command that uses Distributed Data Base Retrieval to retrieve data from another domain. The NetView program cannot establish a cross domain LUC session because of the presence of intermediate nodes between your node and the remote domain from which you are retrieving data.

System action

The request is ignored.

Operator response

If the failure is caused by the inability to establish a cross domain LUC session, you can issue the SDOMAIN command to establish a session using the LU 6.2 or LU0 transport. If the SDOMAIN command is successful, issue the command again to retrieve the data from another domain. Otherwise, notify the system programmer.

System programmer response

Restart the DCNM router task.

BNJ702I IMMEDIATE DSICNMFS FAILURE - DSIFSOLP NOT DEFINED

Explanation

The hardware monitor attempted to send an OST request for data to a DST in another domain through command facility macro DSICNMFS. DSICNMFS

cannot send the OST request because DSIFSOLP is not defined.

You might also receive this message if you enter a command that uses Distributed Data Base Retrieval to retrieve data from another domain. The NetView program cannot establish a cross domain LUC session because of the presence of intermediate nodes between your node and the remote domain from which you are retrieving data.

System action

The request is ignored.

Operator response

If the failure is caused by the inability to establish a cross domain LUC session, you can issue the SDOMAIN command to establish a session using the LU 6.2 or LU0 transport. If the SDOMAIN command is successful, issue the command again to retrieve the data from another domain. Otherwise, notify the system programmer.

System programmer response

Add the DSIFSOLP statement to your CNMCMDS data set. See the samples on the distribution tape for a list of NetView definitions.

BNJ703I IMMEDIATE DSICNMFS FAILURE - DSICNMFS REPLYCP PARM OF replycp NOT PRESENT

Explanation

The hardware monitor attempted to send an OST request for data to a DST in another domain through command facility macro DSICNMFS. DSICNMFS cannot send the OST request because the command processor *replycp* is not installed.

Message Variables

replycp

The name of the command processor specified in the REPLYCP parameter of the DSICNMFS macro.

You might also receive this message if you enter a command that uses Distributed Data Base Retrieval to retrieve data from another domain. The NetView program cannot establish a cross domain LUC session because of the presence of intermediate nodes between your node and the remote domain from which you are retrieving data.

System action

The request is ignored.

Operator response

If the failure is caused by the inability to establish a cross domain LUC session, you can issue the SDOMAIN command to establish a session using the LU 6.2 or LU0 transport. If the SDOMAIN command is successful, issue the command again to retrieve the data from another domain. Otherwise, notify the system programmer.

System programmer response

Add the CMDDEF statement to your CNMCMD data set. See the samples on the distribution tape for a list of NetView definitions.

BNJ704I IMMEDIATE *macro* FAILURE - RETURN CODE IS *retcode*

Explanation

The hardware monitor attempted to send an OST request for data to a DST in another domain through command facility macro *macro*. The macro was unable to send the OST request. The return code of *retcode* indicates the type of problem encountered.

Message Variables

macro

The macro that was unable to send the OST request.

retcode

The return code received from the command facility macro. The value will be one of the following:

20

The CMDDEF statement is missing or incorrect for DSIFSOLP in CNMCMD.

24

DSICRTR is inactive.

28

Insufficient storage.

32

The CMDDEF statement is missing or incorrect for DSICHRSP in CNMCMD.

36

The time-out value exceeds the maximum allowed (86,400 seconds) in DSICTMOD. The time value used is for FOCALPT or CHANGEFP command.

Others

NetView internal program error.

You might also receive this message if you enter a command that uses Distributed Data Base Retrieval to retrieve data from another domain. The NetView program cannot establish a cross domain LUC session

because of the presence of intermediate nodes between your node and the remote domain from which you are retrieving data.

System action

The request is ignored.

Operator response

If the failure is caused by the inability to establish a cross domain LUC session, you can issue the SDOMAIN command to establish a session using the LU 6.2 or LU0 transport. If the SDOMAIN command is successful, issue the command again to retrieve the data from another domain. Otherwise, notify the system programmer.

System programmer response

Use the return code information to correct the problem. If the error is an internal error, contact IBM Software Support.

BNJ705I NON-IMMEDIATE DSICNMFS FAILURE - OUT OF STORAGE

Explanation

The hardware monitor attempted to send an OST request for data to a DST in another domain through command facility macro DSICNMFS. DSICNMFS cannot send the OST request because of a lack of storage.

You might also receive this message if you enter a command that uses Distributed Data Base Retrieval to retrieve data from another domain. The NetView program cannot establish a cross domain LUC session because of the presence of intermediate nodes between your node and the remote domain from which you are retrieving data.

System action

The request is ignored.

Operator response

If the failure is caused by the inability to establish a cross domain LUC session, you can issue the SDOMAIN command to establish a session using the LU 6.2 or LU0 transport. If the SDOMAIN command is successful, issue the command again to retrieve the data from another domain. Otherwise, notify the system programmer.

System programmer response

See the *IBM Z NetView Troubleshooting Guide* for possible causes of the storage shortage.

BNJ706I **NON-IMMEDIATE DSICNMFS
FAILURE - DCNM ROUTER TASK IS
INACTIVE**

Explanation

The hardware monitor attempted to send an OST request for data to a DST in another domain. The request failed because of the inactive DCNM router task (DSICRTR).

You might also receive this message if you enter a command that uses Distributed Data Base Retrieval to retrieve data from another domain. The NetView program cannot establish a cross domain LUC session because of the presence of intermediate nodes between your node and the remote domain from which you are retrieving data.

System action

The request is ignored.

Operator response

If the failure is caused by the inability to establish a cross domain LUC session, you can issue the SDOMAIN command to establish a session using the LU 6.2 or LU0 transport. If the SDOMAIN command is successful, issue the command again to retrieve the data from another domain. Otherwise, notify the system programmer.

System programmer response

Restart the DCNM router task (DSICRTR) using STARTCNM NPDA.

BNJ707I **NON-IMMEDIATE DSICNMFS
FAILURE - TIME-OUT OCCURRED**

Explanation

The hardware monitor attempted to send an OST request to a DST in another domain. A response was not received within the allotted amount of time, and a time-out condition occurred.

You might also receive this message if you enter a command that uses Distributed Data Base Retrieval to retrieve data from another domain. The NetView program cannot establish a cross domain LUC session because of the presence of intermediate nodes between your node and the remote domain from which you are retrieving data.

System action

The request is ignored.

Operator response

If the failure is caused by the inability to establish a cross domain LUC session, you can issue the SDOMAIN command to establish a session using the LU 6.2 or LU0 transport. If the SDOMAIN command is successful, issue the command again to retrieve the data from another domain. Otherwise, notify the system programmer.

System programmer response

Increase the time-out value for hardware monitor data retrieval (currently set to 120 seconds) in DSICTMOD, or determine why this timeout occurred.

BNJ708I **NON-IMMED DSICNMFS FAILURE -
IFRFRTRCD='retcode'X, SNA SENSE
CODE='sensecode'X**

Explanation

The hardware monitor attempted to send an OST request to a DST in another domain and the request failed. The *retcode* and *sensecode* indicate the type of problem encountered.

Message Variables

retcode

The return code. The return code is hexadecimal and will have one of the following values:

02

The LUC task at the distributed host is not available.

04

A session is not available.

06

Resources or storage are unavailable.

34

Allocation error.

36

TPN not available, retry allowed.

F0

System error.

Others

Problem with the NetView program.

sensecode

The SNA sense code.

You might also receive this message if you enter a command that uses Distributed Data Base Retrieval to retrieve data from another domain. The NetView program cannot establish a cross domain LUC session

because of the presence of intermediate nodes between your node and the remote domain from which you are retrieving data.

System action

The request is ignored.

Operator response

If the failure is caused by the inability to establish a cross domain LUC session, you can issue the SDOMAIN command to establish a session using the LU 6.2 or LU0 transport. If the SDOMAIN command is successful, issue the command again to retrieve the data from another domain. Otherwise, notify the system programmer.

If the sense code is 084B6031 or 084C0000, try to activate the router task (DSICRTR) in the other domain with which you are trying to communicate. If the sense code is 10086021, most likely the NetView program in the other domain is an earlier release.

Otherwise, notify the system programmer.

System programmer response

If the return code is 02, ensure the LUC task is active.

If the return code is 04, retry at a later time. Consider changing MAXSESS operand on the CNMAUTH definition statement to allow more sessions.

If the return code is 06, increase the available resources or storage.

If the return code is F0, ensure VTAM and the LUC task are active at both domains. Also, ensure communication can be established between the two domains.

For other return codes, see *Systems Network Architecture Formats* for information on the sense code. If needed, contact IBM Software Support.

BNJ709I	NON-IMMEDIATE DSICNMFS FAILURE - IFRFIMRC= X'<i>retcode</i>'
----------------	---

Explanation

The hardware monitor attempted to send an OST request to a DST in another domain and the request failed. The IFRFIMRC value of *retcode* indicates the type of problem encountered.

Message Variables

retcode

The return code. The return code is hexadecimal:

04 or 84

No storage available.

0C

The LUC task is not active.

Others

Problem with the NetView program.

You might also receive this message if you enter a command that uses Distributed Data Base Retrieval to retrieve data from another domain. The NetView program cannot establish a cross domain LUC session because of the presence of intermediate nodes between your node and the remote domain from which you are retrieving data.

System action

The request is ignored.

Operator response

If the failure is caused by the inability to establish a cross domain LUC session, you can issue the SDOMAIN command to establish a session using the LU 6.2 or LU0 transport. If the SDOMAIN command is successful, issue the command again to retrieve the data from another domain. Otherwise, notify the system programmer.

System programmer response

If the return code is 04 or 84, increase the available storage. If the return code is 0C, ensure the LUC task is active. For other return codes, contact IBM Software Support.

BNJ711I	SD/SDOMAIN OPERAND <i>domain</i> IS TOO LONG, GREATER THAN FIVE CHARACTERS
----------------	---

Explanation

You entered the SDOMAIN command with a domain name that is longer than five characters. Domain names must be from one to five characters long.

Message Variables

domain

The domain name, entered on the SDOMAIN command, that is not valid.

System action

The NetView program ignores the command and processing continues.

Operator response

Enter the SDOMAIN command again with a valid domain name.

**BNJ800I SET WRAP COMMAND HAS FAILED
- SPECIFIED RESOURCE(S) NOT
FOUND****Explanation**

The SET WRAP command was not completed because the resource name you specified is not in the VSAM file.

System action

The NetView program ignores the command and processing continues.

Operator response

Enter the SET WRAP command again after verifying the resource name.

**BNJ801I SET WRAP COMMAND HAS
COMPLETED SUCCESSFULLY****Explanation**

The SET WRAP command completed successfully.

System action

Wrap count values have been changed and processing continues.

**BNJ802I SET THRESHOLD HAS FAILED -
SPECIFIED RESOURCE(S) NOT
FOUND****Explanation**

The SET THRESHOLD command was not successful because the resources do not exist.

System action

The NetView program ignores the command and processing continues.

Operator response

Enter the command again after verifying the resource names.

**BNJ803I SET THRESHOLD COMMAND HAS
COMPLETED SUCCESSFULLY****Explanation**

The SET THRESHOLD command completed successfully.

System action

Threshold values have been changed and processing continues.

**BNJ804I SET PARAMETER HAS FAILED -
SPECIFIED CONTROLLER NOT
ACTIVE****Explanation**

The controller specified on the SET PARAMETER command is currently unavailable.

System action

The NetView program ignores the command and processing continues.

Operator response

Enter the command again after verifying that the controller name is correct and that the controller is active.

**BNJ805I SET PARAMETER COMMAND HAS
COMPLETED SUCCESSFULLY****Explanation**

The SET PARAMETER command completed successfully.

System action

Parameter values have been changed and processing continues.

**BNJ806I INVALID TIMER NAME WAS
SPECIFIED****Explanation**

You entered a timer name that does not exist in the timer name table.

System action

The NetView program ignores the command and processing continues.

Operator response

Enter the command again after verifying the timer name.

**BNJ807I SET PARAMETER COMMAND
TERMINATED, NPDA DST IS
INACTIVE**

Explanation

The NetView task BNJDSEV is not active.

System action

Processing of the hardware monitor stops.

Operator response

Notify the authorized message receiver to activate the data services task (BNJDSEV).

BNJ811I REQUEST TO CONTROLLER WAS NOT SUCCESSFUL

Explanation

Your request to the controller was not successful.

System action

Processing continues.

Operator response

Enter the command again and notify the system programmer if the message repeats.

System programmer response

Contact IBM Software Support.

BNJ812I SPECIFIED CONTROLLER NOT AVAILABLE

Explanation

The controller is not connected or is otherwise unavailable for solicitation.

System action

Processing continues.

Operator response

Determine the status of the controller and enter the command again.

BNJ813I SPECIFIED CONTROLLER NOT RECOGNIZED BY THE ACCESS METHOD

Explanation

The controller name is not recognized by the access method.

System action

Processing continues.

Operator response

Notify the system programmer.

System programmer response

Determine from the configuration tables whether the correct resource name was specified.

BNJ814I SPECIFIED CONTROLLER IS IN FUNCTION ACTIVE STATE

Explanation

The controller is unable to respond because it is in function active state.

System action

Processing continues.

Operator response

Enter the command again.

BNJ815I KEYWORD FOLLOWING AL/EV DESCRIPTION MUST BE 'N' or 'A'

Explanation

You entered an SRFILTER command. The keyword following the AL/EV description code is not N or A.

System action

The NetView program ignores the command and processing continues.

Operator response

Enter the command correctly.

BNJ816I INVALID ALERT/EVENT DESCRIPTION ENTERED

Explanation

You entered the SRFILTER or an SVFILTER command. The block ID or action code portion of the alert/event description is not valid.

System action

The NetView program ignores the command and processing continues.

Operator response

Enter the command correctly.

BNJ817I THE UPDATE PROBLEM ID IS INVALID

Explanation

You tried to update the problem management database. The problem identification is not valid.

System action

The NetView program ignores the command and processing continues.

Operator response

Enter the command again after verifying the problem identification number.

BNJ818I **CURRENT SOLICITATION FAILED
NO DATA EXISTS FOR THIS
DEVICE**

Explanation

The remote device failed to respond to a solicitation for data and no data exists from a previous solicitation.

System action

The NetView program ignores the command and processing continues.

Operator response

Notify the system programmer.

System programmer response

Determine the status of the addressed device.

BNJ819I **CURRENT SOLICITATION
COMMAND FAILED**

Explanation

The remote device failed to respond to a data solicitation.

System action

The NetView program ignores the command and processing continues.

Operator response

Notify the system programmer.

System programmer response

Determine the status of the addressed device.

BNJ821I **WARNING: LINK LEVEL 2 TEST
HAS NOT BEEN SUCCESSFULLY
RUN**

Explanation

If the hardware monitor CTRL command with LINK option is processed before a successful LINK LEVEL 2 test (NetView LL2 command list), the CTRL command with LINK option results show 0 transmits and 0 receives.

Operator response

Run the LINK LEVEL 2 test (NetView LL2 command list) and perform the CTRL command with the LINK option to retrieve the results.

BNJ822I **command COMMAND FAILED DUE
TO IMPROPER NODE NAME
netid.nau.**

Explanation

The command failed because either the *netid* name or the *nau* name specified is not valid. If only the *nau* name is specified, then an "*" is displayed as the *netid* in this message. The "*" indicates that you want VTAM to determine the netid for you.

Message Variables

command

The name of the failing command.

netid.nau

The improper node name.

System action

Processing continues.

Operator response

Enter the command again with a valid node name.

BNJ900I **NPDA MESSAGE NUMBER *nnn* NOT
FOUND IN MESSAGE TABLE
BNJZMDMA**

Explanation

During a request for a message from the message table BNJZMDMA, the message ID field is 0 or a value not found in the message CSECT.

Message Variables

nnn

The message identifier field.

System action

Processing continues.

Operator response

Give the message number to the system programmer for checking an internal error.

System programmer response

Messages in message CSECT BNJZMDMA are requested by message number. Verify that the message number specified is correct and that the identified message table contains a message with that number.

BNJ901I **COMMAND NOT PROCESSED:
FAILED TO LOAD MODULE *module***

Explanation

The NetView program failed to load the module *module* to run your command.

Message Variables

module

The module that the NetView program was trying to load.

System action

Processing for the command stops.

Operator response

Notify the system programmer.

System programmer response

Verify that the requested load module is present in the library.

BNJ902I **LOAD FAILURE ON MODULE
module1. OPERATOR ID *operatorid*
CALLING FROM *module2*.
BNJCLODB/DSILOD RETCODE
*retcode***

Explanation

The module *module2* failed to load the specified module *module1*.

Message Variables

module1

The module that the NetView program was trying to load.

operatorid

The terminal operator identifier. If no operator is defined, this value is NONE.

module2

The module that tried to load *module1*.

retcode

The NetView macro return code.

System action

The NetView program ignores the command.

Operator response

Notify the system programmer.

System programmer response

See *IBM Z NetView Programming: Assembler* for the meaning of the return code. Verify that the module is present in the library and check the reason using the return code.

BNJ903I **INSUFFICIENT STORAGE
AVAILABLE TO PROCESS A CROSS
DOMAIN REQUEST AT THIS TIME**

Explanation

The NetView storage assignment for cross-domain operation is not sufficient.

System action

Processing for command stops.

Operator response

Determine whether you received the BNH16I message, which means the task has reached its storage limit. If so, notify your system programmer. If you did not receive a BNH16I message and if you had issued a START DOMAIN command, the BNJ903I message indicates that the table that is allocated for your cross-domain sessions reached its limit. You can stop an active cross-domain session by issuing a STOP DOMAIN=*domainid* command, and issue the failed START DOMAIN=*domainid* command again. If this problem persists, notify your system programmer.

System programmer response

If the BNJ903I message is issued as the result of a START DOMAIN command, increase the numeric value on the RRD.*=*nn* statement in the CNMSTYLE member to allow more concurrent active cross-domain sessions. For all other commands, see the *IBM Z NetView Troubleshooting Guide* for possible causes of the storage shortage.

BNJ904I **DST NOT ACTIVE IN THE
REQUESTED REMOTE DOMAIN**

Explanation

The domain you specified in the SDOMAIN command does not have an active data services task (DST).

System action

Processing for the command stops.

Operator response

Verify that the correct domain name is specified. If the name is correct, notify the system programmer.

System programmer response

Initiate BNJDSERV in foreign domain by means of ROUTE command or notify the command facility operator of the foreign domain to activate the hardware monitor depending on established procedures.

BNJ905I	INVALID COMMAND ENTERED OR INCORRECT OPERANDS SPECIFIED
----------------	--

Explanation

You entered an unrecognized command, incorrect operands, or operands that were not valid for a command.

System action

The NetView program ignores the command and processing continues.

Operator response

See the NetView online help or use the COMMAND LIST display to determine the correct number of operands and enter the command again.

BNJ906I	CMD FACILITY ROUTE CMD DETECTED BY HARDWARE MONITOR - COMMAND WAS REJECTED
----------------	---

Explanation

The NetView program detected a ROUTE command attempting to process a hardware monitor command in a remote domain. This is not a valid procedure under the NetView program.

System action

Processing stops for the command.

Operator response

Issue a hardware monitor SDOMAIN command to the remote domain. Then enter the desired hardware monitor command.

BNJ907I	MAIN STORAGE CANNOT BE OBTAINED FOR THE APPLICATION CONTROL TABLE
----------------	--

Explanation

You cannot initialize the NetView program unless there is sufficient storage for the presentation services command processor (PSCP).

System action

Processing stops.

Operator response

Determine whether you received message BNH16I, which means the task has reached its storage limit. If so, notify your system programmer.

System programmer response

See the *IBM Z NetView Troubleshooting Guide* for possible causes of the storage shortage.

BNJ908I	DATA SERVICES ERROR IN PROCESSING CROSS DOMAIN REQUEST
----------------	---

Explanation

The data services command processor (DSCP) in the foreign domain found an error condition.

System action

Processing stops for the command.

Operator response

Enter the command again. Notify the system programmer if unsuccessful.

System programmer response

Determine the error from the command and remote domain error messages.

BNJ910I	NO DOMAIN NAME SPECIFIED FOR SD/SDOMAIN COMMAND
----------------	--

Explanation

You entered an SDOMAIN command without a domain ID.

System action

The NetView program ignores the command and processing continues.

Operator response

Enter the command again with a valid domain ID.

BNJ911I **SESSION DOMAIN NOW**
netid1.nau1, WAS netid2.nau2

Explanation

This message is issued when the SDOMAIN command completes successfully. When *netid1.nau1* differs from your host node name, the hardware monitor in your host node has established a cross domain session with the hardware monitor in the remote node *netid1.nau1*. When *netid1.nau1* is the same as your host node name, there is no hardware monitor cross domain session and your current node is the local node. You can issue the DDOMAIN command to display your host node name.

Message Variables

netid1.nau1

The node with which your hardware monitor has established a session. When this node matches your host node, your host node is not in a cross-domain session with a remote node. Otherwise, the hardware monitor in your node is in a cross-domain session with this *netid1.nau1* node. If *netid1* is an *, the cross domain session is using either the LUC transport or LU0 transport. Otherwise, the cross domain session is using the LU 6.2 transport.

netid2.nau2

The previous node with which your hardware monitor has established a session. If *netid2* is an *, the cross domain session is using either the LUC transport or LU0 transport.

System action

Processing continues.

BNJ912I **RELEASE LVLS INCOMPATIBLE**
BETWEEN DOMAINS *domain1* AND
domain2

Explanation

The hardware monitor release level in *domain1* is not the same as in *domain2*. Cross-domain functions cannot be processed at the foreign domain.

Message Variables

domain1, domain2

The two domains between which you are trying to establish cross-domain operation.

System action

The session domain is restored to the previous level and processing continues.

Operator response

Notify the system programmer.

System programmer response

Determine the hardware monitor release levels at both domains and take appropriate action.

BNJ913I **HARDWARE MONITOR WAITING**
FOR DATA, ENTER "NPDA END" TO
CANCEL REQUEST.

Explanation

Data retrieval activity for a previous command did not complete.

System action

The second command is rejected and processing continues.

Operator response

Enter the command again when data services for previous request have completed.

BNJ914I **SESSION DOMAIN IS *netid1.nau1*,**
HOST DOMAIN IS *netid2.nau2*

Explanation

This message is issued when the DDOMAIN command is issued. When *netid1.nau1* differs from *netid2.nau2*, the hardware monitor in your host node has established a cross domain session with the hardware monitor in the remote node *netid1.nau1*. When *netid1.nau1* is the same as *netid2.nau2*, there is no hardware monitor cross domain session and your current node is the local node.

Message Variables

netid1.nau1

The node with which your hardware monitor has established a session. When this node matches your host node, your host node is not in a cross-domain session with a remote node. Otherwise, the hardware monitor in your node is in a cross-domain session with this *netid1.nau1* node. If *netid1* is an *, the cross domain session is using

either the LUC transport or LU0 transport.
Otherwise, the cross domain session is using the
LU 6.2 transport.

netid2.nau2

The name of your host node.

System action

Processing continues.

BNJ915I	RESOURCE RESIDES IN DOMAIN <i>domain</i>
----------------	---

Explanation

The resource resides in the domain identified by
domain. This message is issued in response to a
DDOMAIN command.

Message Variables

domain

The domain containing the resource.

System action

Processing continues.

BNJ916I	RESOURCE NOT KNOWN TO NCCF
----------------	-----------------------------------

Explanation

You entered a resource name that is not valid.

System action

The NetView program ignores the command and
processing continues.

Operator response

Enter a valid resource name. See the system
programmer for the correct names to enter.

System programmer response

Determine the correct resource name.

BNJ917I	APPLICATION <i>applid</i> INITIALIZATION FAILED
----------------	--

Explanation

Application *applid* cannot be initialized because of
insufficient storage.

Message Variables

applid

The application you are trying to initialize.

System action

Processing stops.

Operator response

Notify the system programmer.

System programmer response

Allocate sufficient storage for the application.

BNJ918I	NO AVAILABLE ENTRY IN THE APPLICATION CONTROL TABLE
----------------	--

Explanation

The number of active commands to be run exceeds the
size of the application control table. You are limited to
five concurrent applications.

System action

Processing stops for the command.

Operator response

End one of the active commands and retry the failing
command.

BNJ920I	INVALID RESPONSE / SELECTION NUMBER
----------------	--

Explanation

You responded incorrectly to a request for a command
entry. You entered the command options with
incorrect spacing or, when prompted for a selection
number, entered a letter rather than a number or a
number not on the display.

System action

The system waits for a response.

Operator response

Enter a valid response or enter another command.

BNJ921I	<i>applid</i> ENDED
----------------	----------------------------

Explanation

Application *applid* successfully completed processing.

Message Variables

applid

The application name.

System action

Processing continues.

BNJ922I INITIALIZATION FAILED

Explanation

The NetView application cannot be initialized.

System action

Processing stops.

Operator response

Notify the system programmer.

System programmer response

Allocate sufficient storage for the NetView program.

BNJ923I TASK *task* IS NOT ACTIVE

Explanation

The specified task *task* has not been activated.

Message Variables***task***

The name of the task that was not activated.

System action

Processing stops for the command.

Operator response

Notify the system programmer.

System programmer response

Activate the specified task with the START command.

BNJ924I CANNOT SEND TO SPECIFIED DOMAIN

Explanation

While accessing error data from a remote domain, the NetView program cannot send request messages to the specified domain because no session is established between you and the remote domain.

System action

The NetView program ignores the command and processing continues.

Operator response

Enter the START DOMAIN command for the specified domain. See the NetView online help for the syntax and usage of the START DOMAIN command.

BNJ925I NO DATA EXISTS FOR COMMAND SPECIFIED

Explanation

The resource name is not valid, or there is no data for that resource. This message is also issued if a resource type of CBUS was specified as an option for the PURGE command. The adapter address (A) option is not valid with a resource type of CBUS. If you are viewing statistics, the next resource level has no data and this statistical tracking sequence is complete.

System action

The NetView program ignores the request.

Operator response

Verify the database contents and enter the request again.

BNJ926I SD/SDOMAIN COMMAND FAILED. SESSION DOMAIN IS UNCHANGED

Explanation

The NetView program cannot communicate with the domain you specified in the SDOMAIN command.

System action

The NetView program ignores the command and processing continues.

Operator response

Be sure the domain ID you specified in the SDOMAIN command is correct. If so, enter the START DOMAIN command for the specified domain, then enter the SDOMAIN command again. If the SDOMAIN command still fails, notify the system programmer.

System programmer response

The SDOMAIN command attempts to establish a cross-domain session in the following sequence: LU 6.2 transport, LUC transport, and LU0 transport. All attempts failed. Enter HELP SDOMAIN for information on the messages issued when each attempt fails, and suggested corrective actions.

When your network configuration is such that you have alerts that are forwarded from entry point NetView nodes through one or more intermediate nodes to a NetView focalpoint, the NetView focal point might not be able to establish a cross-domain session with the entry point NetView program. This scenario might occur when one of the intermediate nodes is using the

NetView-unique LUC alert-forwarding protocol while the entry point and remaining intermediate nodes are using the SNA-MDS LU 6.2 alert-forwarding protocol. You can attempt to resolve this problem by migrating the NV-UNIQ-forwarding intermediate node to SNA-MDS-forwarding.

**BNJ927I CURRENT SOLICITATION
 FAILED/NO DATA EXISTS FOR
 THIS DEVICE**

Explanation

The remote device failed to respond to a solicitation for data and no data exists from a previous solicitation.

System action

The NetView program ignores the command and processing continues.

Operator response

Verify that the device exists and that you entered its name correctly. If so, notify the system programmer.

System programmer response

Determine the status of the addressed device.

**BNJ928I INVALID COLOR ATTRIBUTE
 FOUND FOR A PROMPT TOKEN IN
 BNJ928I. THE COLOR
 ATTRIBUTE FOUND WAS *color* FOR
 PROMPT TOKEN *nnn*. THIS TOKEN
 WILL NOT BE COLORED OR
 HIGHLIGHTED IN ANY PROMPT
 LINE**

Explanation

When the hardware monitor's operator station task is initializing, tokens are read in from partitioned data set (PDS) member BNJ928I. This is a list of tokens that will be colored or highlighted in all prompt messages. This message was issued because a color that is not valid, *color*, was found for a token, *nnn*.

Message Variables

color

The color attribute that is not valid

nnn

The prompt line token in BNJ928I

System action

The hardware monitor will continue processing; however, this token will not be colored or highlighted in any prompt message.

System programmer response

Correct the color selection for the specified token in PDS member BNJ928I.

BNJ932I INVALID INVOCATION OF NPDA

Explanation

You tried to call the NetView display function by means other than described in the NetView online help. The command facility task under which the hardware monitor runs must be either the operator station task (OST) or the NetView-NetView task (NNT). The hardware monitor cannot run under an automated OST.

System action

Returns to the command facility environment.

Operator response

Notify the system programmer.

System programmer response

Determine which command facility task was in control when the attempt to invoke the hardware monitor was made and correct the procedure to call the hardware monitor through the OST or NNT tasks.

**BNJ933I STORAGE FAILURE
 ENCOUNTERED. IF COMMAND
 ENTERED, WAIT AND REENTER.**

Explanation

The hardware monitor cannot continue processing because it cannot obtain storage.

System action

Processing stops for the current command or alert.

Operator response

If the message occurred as a result of entering a command, wait 30 seconds and enter the command again. Determine whether you received message BNH16I, which means the task has reached its storage limit. If so, notify your system programmer.

System programmer response

See the *IBM Z NetView Troubleshooting Guide* for possible causes of the storage shortage.

**BNJ934I *operatorid module locid*
 HARDWARE MONITOR COULD NOT
 OBTAIN STORAGE FOR ITS MQS**

BUFFER. DSIGET RETURN CODE WAS *retcode*. THE PROCESSING OF AN ALERT OR AN OPERATOR-ENTERED COMMAND WAS UNABLE TO COMPLETE BECAUSE OF THE STORAGE FAILURE.

Explanation

The hardware monitor cannot continue processing because it cannot obtain storage.

Message Variables

operatorid

The terminal operator identifier (if no operator is defined, this value is NONE).

module

The name of the NetView module that detected the error.

locid

The location within the NetView module that detected the error.

retcode

The NetView return code.

System action

Processing stops for the current operator-entered command or alert.

System programmer response

See the *IBM Z NetView Troubleshooting Guide* for possible causes of the storage shortage.

BNJ935I STORAGE FAILURE WHEN PROCESSING REQMS COMMAND - WAIT AND REENTER COMMAND.

Explanation

The hardware monitor cannot continue processing the REQMS command because it cannot obtain storage.

System action

Processing stops for the current REQMS command.

Operator response

Wait 30 seconds and enter the command again. Determine whether you received message BNH16I, which means the task has reached its storage limit. If so, notify your system programmer.

System programmer response

See the *IBM Z NetView Troubleshooting Guide* for possible causes of the storage shortage.

BNJ950I DATA SERVICES FAILURE IN PROCESSING LAST COMMAND

Explanation

Your last request for information from the database failed. Error messages have been issued to the authorized message receiver.

System action

The NetView program does not process the request. If you made the request from the hardware monitor, you are moved to the beginning of the hardware monitor tracking sequence and the COMMAND LIST display is shown.

Operator response

Enter the request again or enter a new command.

BNJ960I TEXT FOR *cccc* IS *edpctext*

Explanation

This message is in response to the DFILTER *cccc* command. It verifies that the error description or probable cause code and text are those retrieved for eventual use in an SRFILTER command.

Message Variables

cccc

The error description code or the probable cause code.

edpctext

The error description or the probable cause text associated with code *cccc*.

System action

Processing continues.

Operator response

If text for the specified code does not match the expected text, enter the code retrieval request again as described in the NetView online help. If the error persists, notify the system programmer.

System programmer response

Determine the user request and the display from which it was made and contact IBM Software Support.

BNJ961I AL/EV DESCRIPTION CODE *cccc* DOES NOT EXIST OR IS NOT SUPPORTED

Explanation

You tried to use an error description or probable cause code and failed.

Message Variables

cccc

The error description code or the probable cause code.

System action

Processing continues.

Operator response

Enter the request for the code again *cccc* and retry the SRFILTER command. If the retry fails, record the screens, code values, and commands and notify the system programmer.

System programmer response

Determine the user request and the display from which it was made and contact IBM Software Support.

BNJ962I **AL/EV DESCRIPTION CODE FOR SELECTION *nn* IS *cccc***

Explanation

You tried to determine an event (alert) description or probable cause identifying code for an alert or most recent display. This message is the normal response to such a request.

Message Variables

nn

The selection number.

cccc

The error description code or the probable cause code.

System action

Processing continues.

Operator response

Record the code value for future use in an SRFILTER command.

BNJ963I **ALERT REQUESTED DOES NOT EXIST**

Explanation

You tried to access a recommended action screen for an alert that was previously deleted. Rebuild the alert

screen from the database to access the recommended screen.

System action

Processing continues.

Operator response

Enter another NetView command.

BNJ965I **END COMMAND HAS BEEN ISSUED, SESSION WILL BE TERMINATED**

Explanation

The data services task (DST) ended or was never activated. A hardware monitor END command was issued.

System action

The NetView program issues a hardware monitor END command.

Operator response

Start a new session with the hardware monitor after you restart the appropriate data services task (DST).

System programmer response

Start the data services task (DST) for the hardware monitor.

BNJ968I **THE NCCF COMMAND '*command*' IS NOT AUTHORIZED**

Explanation

You are not permitted to issue the command because of security definitions that are in effect. The command entered, which was to be routed to other NetView components, was not recognized by the hardware monitor.

Message Variables

command

The command name.

System action

The NetView program ignores the request.

Operator response

If you need to enter the command, notify the system programmer.

System programmer response

Evaluate the operator's requirements and add the appropriate security access if required.

BNJ969I **UNABLE TO INVOKE *command*
COMMAND DUE TO INSUFFICIENT
STORAGE**

Explanation

You entered a command that was not recognized by the hardware monitor and that was to be routed to other NetView components. However, the command routing failed because of a storage shortage.

Message Variables

command

The command name.

System action

The NetView program ignores the request.

Operator response

Enter the command again. (Some storage can be regained by ending sessions with currently active NetView components using the END command.)

System programmer response

Verify NetView procedure region size.

BNJ970I **UNABLE TO ROUTE *command*
COMMAND TO NCCF, RC=*retcode*
FROM MACRO *macro***

Explanation

You entered a command that was not recognized by the hardware monitor and that was to be routed to other NetView components. However, the command routing failed because of an internal problem. The macro and return code listed here will aid in software problem determination.

Message Variables

command

The name of the command you entered.

retcode

The return code.

macro

The macro through which the hardware monitor attempted to route the command to the command facility.

System action

The NetView program ignores the request.

Operator response

Notify the system programmer.

System programmer response

Contact IBM Software Support.

BNJ974I **SCREEN HAS BEEN PRINTED**

Explanation

You printed the hardware monitor panel on the hardcopy task.

System action

Message is printed and processing continues.

BNJ975I **SCREEN LOGGED BUT NOT
PRINTED**

Explanation

You copied the hardware monitor panel to the disk log. The hardcopy task was not active so the panel did not print there.

System action

Processing continues.

Operator response

If a hardcopy task print is desired, you must set one up through the command facility.

BNJ976I **STORAGE NOT AVAILABLE TO
COPY USER INPUT BUFFER.
RC=04**

Explanation

You attempted to copy the hardware monitor panel to the disk log. The command facility task did not have enough working storage to allow this.

System action

Processing continues.

Operator response

Notify the system programmer.

System programmer response

Perform procedures for out-of-storage conditions.

BNJ977I **AN INVALID EXTERNAL LOG TYPE
WAS SPECIFIED. RC=24**

Explanation

You attempted to copy the hardware monitor display to the disk log. No command definition statement (CMDDEF) was found for DSIELSMF in CNMCMD.

System action

Processing continues.

Operator response

Notify the system programmer.

System programmer response

Place a CMDDEF in the CNMCMD file for module DSIELSMF.

BNJ978I **DSIMQS FAILED WHEN
ATTEMPTING TO SEND RECORD
TO EXTERNAL TASK. RC=28**

Explanation

You attempted to copy the hardware monitor panel to the disk log. The DSIMQS failed while the NetView program attempted to send the log record to the disk log task.

System action

Processing continues.

Operator response

Notify the system programmer.

System programmer response

Contact IBM Software Support.

BNJ979I **DSIWLS FAILED. RC=*retcode***

Explanation

You attempted to copy the hardware monitor panel to the disk log. The copy failed and the reason code is represented by *retcode*.

Message Variables

retcode

The code for problem determination.

System action

Processing continues.

Operator response

Notify the system programmer.

System programmer response

See DSIWLS in *IBM Z NetView Programming: Assembler* for an explanation of the return code.

BNJ980I **SELECTION *nn* USER DATA: *uuuuuu***

Explanation

You asked for the user data for an alert on the Alerts-Static or Alerts-History panels, or an event on the Most Recent Events panel.

Message Variables

nn

The selection number.

uuuuuu

The user data associated with the alert or event. This value represents the first five characters of user data from the X'33' subvector. The first five characters can be used for filtering. If the alert or event does not have any user data, N/A is returned. For a generic alert, the entire user data field is displayed on the Event-Detail panel.

System action

Processing continues.

Operator response

Record the *uuuuuu* value for future use in an SRFILTER or SVFILTER command.

BNJ982I **ERROR OCCURRED READING
MEMBER *member***

Explanation

The DSIDKS macro returned an undefined error return code after attempting to FIND or READ the indicated member *member*.

Message Variables

member

The name of the member where the error occurred.

System action

Processing continues.

Operator response

Notify the system programmer.

System programmer response

Contact IBM Software Support.

BNJ983I **ERROR OCCURRED READING MEMBER *member*. I/O ERROR. RC=8.**

Explanation

The DSIDKS macro returned a return code of 8 because of an I/O error. DSIDKS was issued with either the FIND or READ option.

Message Variables

member

The name of the member where the error occurred.

System action

Processing continues.

Operator response

Notify the system programmer.

System programmer response

Check the hardware/software path of the I/O operation.

BNJ984I **ERROR OCCURRED READING MEMBER *member*. NCCF DEFINITION NAME NOT OPEN**

Explanation

DSIDKS returned a return code of 12. The DSIDKS macro was issued with the FIND option before the CONNECT option was issued for the data set containing member *member*.

Message Variables

member

The name of the member where the error occurred.

System action

Processing continues.

Operator response

Notify the system programmer.

System programmer response

Add BNJPNL1 and BNJPNL2 data sets to the NetView startup procedure for MVS.

BNJ985I **ERROR OCCURRED READING MEMBER *member*. END OF DATA REACHED. RC=4**

Explanation

DSIDKS returned a return code of 4. The DSIDKS macro was issued with the READ option to read the next line of member *member* but end of data was reached.

Message Variables

member

The name of the member where the error occurred.

System action

Processing continues.

Operator response

Notify the system programmer.

System programmer response

Edit *member* in data set BNJPNL1 and BNJPNL2. Check for missing lines or valid lines that must not be marked with an asterisk.

BNJ986I **ERROR OCCURRED READING MEMBER *member*. DSIDKS FIND OPTION NOT ISSUED**

Explanation

The DSIDKS macro returned a return code of 12. The DSIDKS macro was issued with the READ option before the FIND option was issued for member *member*.

Message Variables

member

The name of the member where the error occurred.

System action

Processing continues.

Operator response

Notify the system programmer.

System programmer response

Contact IBM Software Support.

BNJ987I **ERROR OCCURRED READING MEMBER *member*. MEMBER NOT FOUND. RC=4**

Explanation

An error return code of 4 has been received from DSIDKS. The DSIDKS macro was issued with the FIND option and member *member* was not found.

Message Variables

member

The name of the member where the error occurred.

System action

Processing continues.

Operator response

Notify the system programmer.

System programmer response

Data set BNJPNL1 or BNJPNL2 is missing member *member*. Contact IBM Software Support.

BNJ988I	MAXIMUM NUMBER OF PROMPT TOKENS ALLOWED IN BNJPROMP HAS BEEN EXCEEDED. TOKEN 'nnn' WILL NOT BE COLORED OR HIGHLIGHTED IN ANY PROMPT LINE.
----------------	--

Explanation

When the hardware monitor was reading the tokens in partitioned data set (PDS) member BNJPROMP to determine which tokens in prompt messages to color or highlight, too many tokens were encountered. A limit of 25 tokens can be specified.

Message Variables

nnn

The name of the token that will not be highlighted.

System action

The hardware monitor continues processing; however, the extra tokens will not be colored or highlighted in any prompt messages.

System programmer response

Condense the list of tokens in PDS member BNJPROMP to 25.

BNJ989I	SCREEN NEITHER LOGGED NOR PRINTED. NO HARDCOPY OR LOG TASK ACTIVE
----------------	--

Explanation

You attempted to use the hardware monitor COPY command but the NetView DSILOG subtask and the hardcopy task are not activated.

System action

Processing continues.

Operator response

To get hard copy of the panel, notify the system programmer to set up the hardcopy task to start at logon. For a soft copy of the panel, use the NetView START TASK command to start DSILOG then enter the COPY command again.

System programmer response

See the *IBM Z NetView Security Reference* for information on how to set up the hardcopy task.

BNJ990I	SCREEN PRINTED, BUT NOT LOGGED
----------------	---------------------------------------

Explanation

You attempted to use the hardware monitor COPY command. The NetView hardcopy task is activated, but the DSILOG subtask is not active.

System action

Processing continues.

Operator response

If you require a soft copy of the panel, use the NetView START TASK command for DSILOG and enter the COPY command again to write a copy of the panel to a file.

BNJ991I	command COMMAND REJECTED. SECONDS INVALID IN CONSTANT TABLE
----------------	--

Explanation

The number of seconds that was placed in the NetView program's constants table is not valid. The number of seconds in the NetView program's constants table is the maximum amount of time that the NetView program will keep a solicitation command outstanding, waiting on a reply to the command.

Message Variables

command

The solicitation command that was issued by the terminal operator.

System action

Command processing stops.

System programmer response

Correct the number of seconds in the constants module, DSICTMOD.

BNJ992I *command* **COMMAND CANCELED.
NO RESPONSE FROM resource**

Explanation

The maximum amount of time that the NetView program will wait for a reply to the solicitation command has been exceeded. The amount of time to wait for the reply is specified in the NetView constants module, DSICTMOD.

Message Variables

command

The solicitation command that was issued by the terminal operator.

resource

The resource names that the command was issued to.

System action

The NetView program canceled the command. Command processing stops.

System programmer response

Determine why the resource did not send a reply to the NetView program or increase the amount of time in the NetView constants module to wait for a reply.

BNJ993I **INVALID NUMBER OF ENTRIES,
ins, FOUND IN FIRST LINE OF PDS
MEMBER BNJDNUMB**

Explanation

This message is displayed when the hardware monitor component's OST is being initialized. The first line of the partitioned data set (PDS) member, BNJDNUMB, contains the number of entries in the remainder of this PDS member. A number that is not valid was found in the first line.

Message Variables

ins

The three characters representing the number of entries remaining in the PDS member.

System action

The hardware monitor continues to initialize.

Operator response

Notify the system programmer.

System programmer response

Correct the first entry in the PDS member, BNJDNUMB, to contain three valid numeric digits. Have the operator issue the hardware monitor END command and then issue NPDA to return to the hardware monitor. This will ensure BNJDNUMB is read into memory at OST initialization. See the *IBM Z NetView Customization Guide* for more information.

BNJ994I **DSIMQS FAILED - DSICRTR
INACTIVE**

Explanation

The hardware monitor received an NMVT event from a locally attached resource. DSIMQS attempted to queue the event to the DSICRTR task but DSICRTR was inactive.

System action

The event is not logged. Processing continues.

Operator response

Start the DSICRTR task.

BNJ998I **BNJDSERV TERMINATED. ALL
FILTERS ARE LOST, PANEL IS NO
LONGER UPDATED**

Explanation

The Alerts-Dynamic panel is not receiving any new alerts because the BNJDSERV task ended. All recording filters and viewing filters are lost.

System action

Processing continues.

Operator response

Start the BNJDSERV task. If necessary, reset any recording or viewing filters using the hardware monitor SRFILTER or SVFILTER commands. Issue the hardware monitor ALERTSD command again, and the panel is updated as alerts are received.

BNJ999I **HARDWARE MONITOR DATABASE
HAS CHANGED. NEW DATABASE
IS: database**

Explanation

The hardware monitor has processed a SWITCH command that has changed its database *database* from primary to secondary or vice versa. You receive this message if you are viewing the hardware monitor Alerts-Dynamic or Alerts-Static panels.

Message Variables

database

The name of the new hardware monitor database.

System action

Processing continues.

Note: If you are viewing the Alerts-Dynamic panel and the SWITCH command is processed at the same time that the hardware monitor is recording alerts to the database that was active before the SWITCH command was issued, your Alerts-Dynamic panel might not be updated for those alerts that were in the process of being recorded to that database.

BNJ1001I **NO VALID COMBINATION OF
SUBVECTORS WAS FOUND IN THE
NMVT.**

Explanation

A combination of subvectors or subfields that is not valid was encountered in the NMVT of the record currently being processed for display.

System action

The message is displayed and the process ends for the current portion of the panel. The displayed panel might have missing information.

Operator response

Notify the system programmer.

System programmer response

Investigate the database to determine the record that is not valid and make the appropriate corrections.

BNJ1002I **NO CORRELATION WAS FOUND**

Explanation

No correlation information was found on the database for the correlation request entered.

This message is displayed on a number of different panels for the following reasons:

- If this message is displayed on the Alerts-Static, Alerts-History, Most Recent Events, Event Detail, or Correlated Events panels and the domain of the

record against which the correlation request was made is the same as the session domain, either only one matching correlated event record was found on the database of the session domain or no matching records were found.

- If this message is displayed on the Alerts-Static or Alerts-History panels and the domain of the record against which the correlation request was made is not the same as the session domain, no matching correlated event was found on the database of the other domain.
- If this message is displayed on the Multiple Entries Correlated Events panel and the domain that was selected is a remote domain, no matching correlated event record was found on the database of the remote domain.

There might be no correlated records if the MSU or resource correlation wrap counts are set to zero. These wrap counts are defined in BNJMBDST, the BNJDSESV task initialization member, with the W (Wrap) statement (for example, W MSU_CORR 25).

System action

The message is displayed and the correlation request for the current record ends.

BNJ1003I ***module locid* BNJCBERP REPORTS
A PROBLEM, RC = *retcode***

Explanation

Module *module* reports that an error was detected by BNJCBERP when processing the open systems interconnection (OSI) information in the NMVT of the record selected.

Message Variables

module

The name of the NetView module that detected the error.

locid

The location within the NetView module that detected the error.

retcode

The code returned by BNJCBERP. Values are:

Code

Meaning

04

End of data for a sequence of data within the OSI NMVT.

08

Not found (error condition).

21

Navigation table is not present.

- 22** OSI parameter identifier is out of range.
- 23** A function that is not valid was requested.
- 24** Maximum thread level was reached for Get Next Function.
- 25** Conversion request lacks conversion area.
- 26** Get Next Function does not have a matching thread.
- 27** Convert only has mismatched tags.
- 28** No Get Type was called before a conversion request.
- 29** Unsupported length was encountered in OSI data.
- 41** A conversion indicator that is not valid is in the navigation table.
- 42** Object identification conversion table pointer is missing.
- 43** OSI integer length is greater than the supported range.
- 44** Output field is not the correct size.
- 45** Object identifier name code point was not recognized by BNJCOBID.
- 46** OSI nesting level was exceeded.
- 48** Error was returned by BNJCHTEA.
- 49** Hex field to convert is too large.
- 50** Object description field has been filled.

System action

Processing stops for the current portion of the NMVT record. This might result in a panel with missing information.

Operator response

Notify the system programmer.

System programmer response

Investigate the database to determine the record that is not valid and make the appropriate corrections.

BNJ1068I ENTER SEL# (FULLY QUALIFIED RESOURCE) OR ALL (FOR SPECIFIED RESOURCE ZZZZZZZZ)

Explanation

This is a prompt message for panel NPDA-70A.

BNJ1300I INVALID COMMAND: EXTRANEIOUS PARAMETERS SPECIFIED

Explanation

You entered a command with more parameters than necessary.

System action

The NetView program ignores the command.

Operator response

See the NetView online help for the correct number of parameters.

BNJ1301I INVALID RESOURCE NAME *resname* ENTERED (MUST BE LEVEL 3, 4 OR 5)

Explanation

You specified a resource *resname* for a DR/DRATIO command that has no statistical records on the database at resource level 3, 4, or 5. If no resource *resname* is displayed, this message was issued from within the hardware monitor for a DR/DRATIO command or from a Multiple Entries panel for a DR/DRATIO command.

Message Variables

resname
The fully qualified resource name.

System action

The NetView program ignores the command.

Operator response

Verify the resource name and see the NetView online help for more information on the uses and limitations of the DRATIO command.

**BNJ1302I SPECIFIED COMMAND
DISALLOWED WHILE VIEWING
MULTIPLE ENTRIES DISPLAY****Explanation**

The command you entered cannot be processed from a multiple-entries display.

System action

The NetView program ignores the command.

Operator response

See the NetView online help for those commands allowed on the multiple-entries display.

**BNJ1303I USER NOT AUTHORIZED TO ISSUE
COMMAND****Explanation**

You are not authorized to issue the command because of security definitions that are in effect.

System action

The NetView program ignores the command.

Operator response

Contact the system programmer for a listing of commands authorized for your user ID.

System programmer response

Determine the commands allowed for this operator.

**BNJ1304I INVALID SELECTION LETTER
SPECIFIED****Explanation**

The alphabetical character selected is not valid for this display.

System action

The NetView program ignores the request and processing continues.

Operator response

Enter the selection number again using one of the characters shown in the prompting line of the current display.

**BNJ1305I KEYWORD FOR DATA TYPE IS
INVALID - SHOULD BE 'EV' OR 'ST'****Explanation**

You entered an incorrect data type. You can use in addition to EV or ST keyword for data type you can also use EVSTGMF or GMFALERT.

System action

The NetView program ignores the command.

Operator response

Enter the command again using the correct data type.

**BNJ1306I 'N' (FOR RESOURCE NAMES) MUST
BE USED WITH THIS COMMAND****Explanation**

You entered the MRECENT command without the N parameter.

System action

The NetView program ignores the command.

Operator response

See the NetView online help for the correct syntax of the MRECENT command and enter it again.

**BNJ1307I MINIMUM NUMBER OF
KEYWORDS NOT SPECIFIED****Explanation**

You entered a command with an insufficient number of parameters.

System action

The NetView program ignores the command.

Operator response

See the NetView online help for the correct syntax of the command and enter it again.

**BNJ1308I INVALID SELECTION NUMBER
SPECIFIED****Explanation**

You entered a selection number that is either not numeric or is not within the range of those shown on the current display.

System action

The NetView program ignores the request and processing continues.

Operator response

Enter the command again using the correct selection number.

BNJ1309I **INVALID SELECTION - NO DATA EXISTS FOR ATTACHED RESOURCES**

Explanation

There is no data on the database for the resources attached to the selected device.

System action

The NetView program ignores the request and processing continues.

BNJ1310I **INVALID SELECTION - MOST RECENT DATA DOES NOT EXIST FOR THIS RESOURCE**

Explanation

You entered a selection number for a resource that does not have any most recent data.

System action

The NetView program ignores the request and processing continues.

BNJ1311I **PURGE COMMAND ACCEPTED**

Explanation

You entered the PURGE command correctly and the database purge is in progress.

System action

The database is purged.

BNJ1312I **INVALID OPTION SPECIFIED IN HELP COMMAND**

Explanation

You entered the HELP command improperly.

System action

The NetView program ignores the request and processing continues.

BNJ1313I **INVALID SYNTAX - MAX NUMBER OF RESOURCE QUALIFIERS FOR THIS CMND IS 4**

Explanation

You entered too many names for the fully qualified resource name in the command.

System action

The NetView program ignores the command.

Operator response

See the NetView online help for the correct syntax of the command and enter it again.

BNJ1314I **INVALID SYNTAX - PARMS ARE INVALID AFTER AN '*' FOLLOWING A QUALIFIER**

Explanation

The hardware monitor syntax for fully qualified names does not allow parameters to follow trailing asterisks in any command.

System action

The NetView program ignores the command.

Operator response

See the NetView online help for the correct use of asterisks as command qualifiers and enter the command again.

BNJ1315I **INVALID SYNTAX - QUALIFIERS FOR RES-TYPE CANNOT BE LONGER THAN 4 CHARS**

Explanation

You entered an incorrect resource type. Some valid resource types are CHAN, COMC, CPU, CTRL, DEV, IOCU, LCTL, LDEV, LINE, LOOP, SCU, TCU, WKST, or product defined.

System action

The NetView program ignores the command.

Operator response

Enter the command again using the correct resource type.

BNJ1316I **INVALID SYNTAX - '*' MUST EITHER PRECEDE OR TERMINATE THE QUALIFIERS**

Explanation

Asterisks used in fully qualified names cannot appear both before and after resource names.

System action

The NetView program ignores the command.

Operator response

See the NetView online help for the correct use of asterisks as command qualifiers and enter the command again.

BNJ1317I **INVALID SYNTAX - MAX NUMBER OF RESOURCE QUALIFIERS FOR THIS CMND IS 5**

Explanation

You entered a command that indicated that data was to be retrieved for a resource level that is not valid.

System action

The command is ignored.

Operator response

See the NetView online help for the correct command syntax and enter the command again.

BNJ1318I **INVALID SYNTAX - VALID KEYWORDS SIGNIFYING TYPE/ NAME ARE 'T' OR 'N'**

Explanation

A 'T' or 'N' was not found in the type or name position of the keyword.

System action

The command is ignored.

Operator response

Enter the command correctly.

BNJ1319I **INVALID SYNTAX - ALL ASTERISKS FOR RESOURCE QUALIFIERS ARE NOT ALLOWED**

Explanation

You entered a command using all asterisks as resource names.

System action

The command is ignored.

Operator response

See the NetView online help for the correct use of asterisks while specifying resource names and enter the command again.

BNJ1320I **INVALID SYNTAX - RESOURCE TYPE(S) OR NAME(S) REQUIRED BUT NOT PRESENT**

Explanation

You entered an explicit command whose syntax requires resource names or types. The command as you entered it does not contain a resource name or type.

System action

The command is ignored and processing continues.

Operator response

Enter the command again using resource names or types.

BNJ1324I **INVALID RESOURCE NAME *resname* ENTERED (MUST BE LEVEL 2, 3, 4 OR 5)**

Explanation

You specified a resource *resname* for a DR/SRATIO command that has no statistical records on the database at resource level 3, 4, or 5. If no resource *resname* is displayed, this message was issued from within the hardware monitor for a SR/SRATIO command or from a Multiple Entries panel for a SR/SRATIO command.

Message Variables

resname

The fully qualified resource name for which the command failed.

System action

The command is ignored.

Operator response

Verify the resource name and see the NetView online help for more information on the uses and limitations of the SRATIO command.

BNJ1327I **DISPLAY ID NOT AUTHORIZED**

Explanation

An internal NetView failure occurred.

System action

Processing continues.

Operator response

Record the current display and request issued. Notify the system programmer.

System programmer response

Determine the user request and the display from which it was made. Contact IBM Software Support.

**BNJ1328I CANNED TEXT LOAD MODULE
 CANNOT BE LOADED - MUST BE
 ADDED TO SYSTEM**

Explanation

An internal NetView failure occurred because a load module is not in the system.

System action

Processing continues.

Operator response

Record the current display and request issued. Notify the system programmer.

System programmer response

Determine which load module was requested and whether it is in the library.

**BNJ1329I REQUIRED PARAMETER(S)
 MISSING IN COMMAND**

Explanation

You entered a command that does not contain the required parameters.

System action

The command is ignored.

Operator response

See the NetView online help for the correct syntax and enter the command again.

**BNJ1330I INVALID THRESHOLD VALUE
 SPECIFIED**

Explanation

You entered a threshold value that is either not numeric or is greater than the maximum allowed.

System action

The command is ignored.

Operator response

See the NetView online help for the correct threshold values and enter the command again.

**BNJ1331I INVALID WRAP COUNT
 SPECIFIED**

Explanation

You entered a wrap count value that is either not numeric or is greater than the maximum value allowed for the data type. For the EV (Event) or ST (Stat) data types, the maximum value allowed for IBM Z NetView is 450, and the maximum value allowed for a prior release of NetView is 999.

System action

The command is ignored.

Operator response

See the NetView online help for the correct wrap count value, then enter the command again.

BNJ1332I INVALID DATA TYPE SPECIFIED

Explanation

You entered a command that does not contain the correct data type. Valid data types are AL, EV, and ST.

System action

The command is ignored.

Operator response

Enter the command again with the correct data type.

**BNJ1333I INVALID RESOURCE NAME
 INDICATOR SPECIFIED**

Explanation

You entered a name that is not valid.

System action

The command is ignored and processing continues.

Operator response

Enter the command again after determining the correct resource name.

BNJ1334I LOAD FAILED FOR RECOMMENDED ACTION PANEL**Explanation**

A request for a recommended action display cannot be filled because of a load failure.

System action

The request is ignored and processing continues.

Operator response

Record the current display and request. Notify the system programmer.

System programmer response

Determine the module containing the requested recommended action display and determine if it is present in the library.

BNJ1335I COULD NOT SEND FULL SCREEN DUE TO DSIPSS ERROR RC=retcode**Explanation**

An error occurred while attempting to write a hardware monitor message to a terminal.

Message Variables**retcode**

The code used for problem determination.

System action

Processing continues.

Operator response

Notify the system programmer.

System programmer response

See *IBM Z NetView Programming: Assembler* for an explanation of the return code and correct the error.

BNJ1336I DSIGET FAILED - MAIN STORAGE NOT AVAILABLE**Explanation**

An internal NetView failure occurred.

System action

Processing continues.

Operator response

Record information and notify the system programmer.

System programmer response

Determine the user request and the terminal where it was entered. Contact IBM Software Support.

BNJ1337I SRFILTER CMD REQUIRES ESREC/AREC/OPER/ROUTE/TECROUTE/COLOR**Explanation**

You specified an incorrect recording filter type in an SRFILTER command.

System action

The command is ignored.

Operator response

Enter the command again using one of the recording filter types shown in the message.

BNJ1338I SRF/SRFILTER NOT EXECUTED, DELETE/PASS/BLOCK/CLEAR MUST BE SPECIFIED**Explanation**

You specified an incorrect action type in an SRFILTER command.

System action

The command is ignored.

Operator response

Enter the command again using one of the action types shown in the message.

BNJ1340I INVALID ETYPE FOUND FOLLOWING 'E' PARAMETER OF SRF/SRFILTER COMMAND**Explanation**

You specified an incorrect event type in an SRFILTER command. Valid event types are AVAL, BYPS, CUST, DLRC, ENV, HELD, IMPD, IMR, INST, INTV, NTFY, PAFF, PERF, PERM, PROC, REDL, RSLV, RSNT, SCUR, SNA, TEMP, UNKN, and USER.

System action

The command is ignored.

Operator response

Enter the command correctly.

**BNJ1341I SRF/SRFILTER COMMAND
 ACCEPTED**

Explanation

You entered an SRFILTER command correctly.

System action

Processing continues.

**BNJ1342I DATA SERVICES FAILURE WHILE
 PROCESSING SRF/SRFILTER
 COMMAND**

Explanation

A failure occurred while processing an SRFILTER command.

System action

The command is ignored.

Operator response

Record the parameters you entered in the SRFILTER command and notify the system programmer.

System programmer response

Contact IBM Software Support.

**BNJ1343I 'DM' IS NOT VALID FOR THIS
 RECORD**

Explanation

The detail menu (DM) is not valid because the selected record is not an NMVT or CP-MSU.

System action

The NetView program ignores the command.

**BNJ1344I 'SEL# M ALL' IS NOT SUPPORTED
 AT THE FOREIGN DOMAIN**

Explanation

The selected alert was forwarded from a NetView release that does not support the ALL option of the MRECENT (M) command.

System action

The NetView program ignores the command.

Operator response

Enter the command without the ALL option.

**BNJ1345I 'SEL# M ALL' IS NOT VALID FOR
 THIS ALERT**

Explanation

The selected alert was first logged at a NetView release that does not support the ALL option of the MRECENT (M) command.

System action

The NetView program ignores the command.

Operator response

Enter the command without the ALL option.

**BNJ1351I INVALID NUMBER OF PARMS
 FOUND IN SVF/SVFILTER
 COMMAND**

Explanation

You entered the SVFILTER command incorrectly.

System action

The command is ignored.

Operator response

See the NetView online help for the correct syntax of the SVFILTER command and enter it again.

**BNJ1352I PASS/BLOCK/CLEAR - NOT
 SPECIFIED IN SVF/SVFILTER
 COMMAND**

Explanation

You did not specify the correct action types in an SVFILTER command.

System action

The command is ignored.

Operator response

Enter the SVFILTER command again using one of the action types shown in the message.

**BNJ1353I INVALID ETYPE AFTER 'E'
 PARAMETER OF SVF/SVFILTER
 COMMAND**

Explanation

You specified an incorrect event type in an SVFILTER command. Valid event types are: AVAL, BYPS, CUST, DLRC, ENV, HELD, IMPD, IMR, INST, INTV, NTFY, PAFF, PERF, PERM, PROC, REDL, RSLV, RSNT, SCUR, SNA, TEMP, UNKN, and USER.

System action

The command is ignored.

Operator response

Enter the command correctly.

**BNJ1354I TIME PARAMETER INVALID WHEN
 USED WITH BLOCK KEYWORD**

Explanation

You cannot specify a time parameter for blocking action in an SVFILTER command.

System action

The command is ignored.

Operator response

See the NetView online help for the correct syntax of the SVFILTER command and enter it again.

**BNJ1355I SVF/SVFILTER COMMAND
 ACCEPTED**

Explanation

You entered an SVFILTER command correctly.

System action

Processing continues.

**BNJ1356I FILTER ENTRY SUCCESSFULLY
 DELETED**

Explanation

You entered the delete function for the specified filter correctly.

System action

Processing continues.

**BNJ1357I FILTER ENTRY DELETE FAILED;
 FILTER ENTRY HAS BEEN
 PREVIOUSLY DELETED**

Explanation

You tried to delete a filter element that has already been deleted.

System action

The request is ignored and processing continues.

Operator response

Redisplay the filter status and determine if the entry still exists.

**BNJ1358I INVALID FILTER TYPE SPECIFIED
 IN DF/FILTER COMMAND**

Explanation

The filter type you specified in the DFILTER command is not valid. Valid filter types are AREC, C CODE, ESREC, OPER, ROUTE, and VIEW.

System action

The command is ignored and processing continues.

Operator response

Enter the command correctly.

**BNJ1359I GLOSSARY LOOK-UP IS INVALID
 WITH NPDA INACTIVE**

Explanation

The glossary look-up function is not valid when the hardware monitor is inactive.

System action

The hardware monitor is activated and the command is ignored.

Operator response

Enter the glossary look-up command again.

Note: Only common terms located on the screen from which the look-up command is run will be displayed.

BNJ1360I INVALID CTRL COMMAND OPTION

Explanation

You specified the CTRL command with an incorrect option. Valid options are LINK, LVL, and SEC.

System action

The NetView program ignores the command.

Operator response

Enter the command correctly.

**BNJ1361I INVALID SYNTAX GIVEN FOR
 CTRL COMMAND**

Explanation

You entered the CTRL command incorrectly.

System action

The NetView program ignores the command.

Operator response

See the NetView online help for the correct syntax of CTRL and enter the command again.

**BNJ1362I KEYWORD FOLLOWING PASS/
 BLOCK MUST BE C/E/N/T/NREF/
 TREF**

Explanation

The characters following the action type in the filter command are incorrect.

System action

The NetView program ignores the command.

Operator response

Enter the command again specifying one of the characters shown in the message.

**BNJ1363I INVALID KEYWORD FOLLOWING
 ETYPE**

Explanation

This message is issued when an incorrect keyword follows the event type.

System action

The NetView program ignores the command.

Operator response

Enter the command again specifying a valid keyword. See the NetView online help for a list of valid keywords for the command.

**BNJ1366I RECORD OTHER THAN A LOCAL OR
 PRIMARY OBR INVOKED BY
 BNJEOPRA**

Explanation

An internal NetView failure occurred.

System action

Processing continues.

Operator response

Notify the system programmer.

System programmer response

Determine the user request and the display from which it was made and contact IBM Software Support.

BNJ1368I INVALID COMMAND ISSUED

Explanation

The NetView program does not recognize the command you entered.

System action

The NetView program ignores the command.

Operator response

See the NetView online help for the correct spelling and syntax and enter the command again.

**BNJ1369I KEYWORD FOLLOWING PASS
 MUST BE C/P/E/N/T/NREF/TREF/
 TIME/U**

Explanation

You used an incorrect keyword in a filter command.

System action

The NetView program ignores the command.

Operator response

Enter the command again specifying one of the keywords shown in the message.

**BNJ1370I KEYWORD FOLLOWING BLOCK
 MUST BE C/P/E/N/T/NREF/TREF/
 DOMAIN/U**

Explanation

You used an incorrect keyword in a filter command.

System action

The NetView program ignores the command.

Operator response

Enter the command again specifying one of the keywords shown in the message.

BNJ1371I **DR/DRATIO COMMAND INVALID FOR TYPE/LEVEL OF SPECIFIED RESOURCE NAME *resname***

Explanation

The resource *resname* you specified is associated with a resource type/hierarchy level combination that is not supported for exceeding the error-to-traffic thresholds. Ratio commands are not valid for this resource. If no resource *resname* is displayed, this message was issued from within the hardware monitor for a DR/DRATIO command or from a Multiple Entries panel for a DR/DRATIO command.

Message Variables

resname

The fully qualified resource name for which the command failed.

System action

The NetView program ignores the command.

Operator response

Ensure you entered the intended resource name correctly. See the NetView online help to find the resource types and levels that can be specified in the DRATIO command.

BNJ1372I **INVALID TIME PARAMETER SPECIFIED IN SVF/SVFILTER COMMAND**

Explanation

You used a colon incorrectly or the number of digits you specified in the minutes parameter is less than required.

System action

The NetView program ignores the command.

Operator response

Enter the command correctly.

BNJ1373I **INVALID NON-NUMERIC CHARACTER(S) SPECIFIED IN TIME PARAMETER**

Explanation

You specified time parameter characters in a command that are not valid.

System action

The NetView program ignores the command.

Operator response

See the NetView online help for the correct characters to use and enter the command again.

BNJ1374I **TOO MANY DIGITS SPECIFIED IN HH/MM FIELD OF TIME PARAMETER**

Explanation

The number of digits you specified for hours alone, hours with minutes, or minutes alone exceeds the maximum allowable number of digits.

System action

The NetView program ignores the command.

Operator response

See the NetView online help for the correct syntax of time specifications and enter the command again.

BNJ1375I **MINUTES SPECIFIED WITH HOURS IN TIME PARAMETER CANNOT EXCEED 59**

Explanation

The value for minutes you specified for hours with minutes exceeds 59.

System action

The NetView program ignores the command.

Operator response

See the NetView online help for the correct syntax of time specifications and enter the command again.

BNJ1376I **SET WRAP/RATIO COMMAND ACCEPTED**

Explanation

A SET WRAP or SET RATIO command completed successfully.

System action

The values are changed and processing continues.

BNJ1377I INVALID RESPONSE**Explanation**

You entered a screen control command on a hardware monitor help panel that is not valid.

System action

The NetView program ignores the request and processing continues.

Operator response

See the NetView online help for the correct function response and enter the command again.

BNJ1379I INVALID REPLY - SEL# MUST BE FOLLOWED BY 'DEL' (DELETE)**Explanation**

A selection number must be followed by DEL to delete a filter element. You entered a selection number but did not follow it with DEL.

System action

The NetView program ignores the request and processing continues.

Operator response

Enter the request again specifying the keyword shown in the message.

BNJ1380I DFILTER CMD REQUIRES ESREC/ AREC/OPER/ROUTE/ TECROUTE/ COLOR/VIEW/C CODE**Explanation**

You entered a DF/DFILTER command to display the current filter settings. You did not specify a valid filter.

System action

The NetView program ignores the command.

Operator response

Enter the command again specifying one of the keywords shown in the message.

BNJ1381I NO MOST RECENT STATISTICAL DATA EXISTS FOR THIS RESOURCE**Explanation**

You tried to view statistical data but none exists on the database for this resource.

System action

The NetView program ignores the request.

BNJ1382I INVALID SYNTAX - 'TREF'/'NREF' NOT VALID WITH THIS COMMAND**Explanation**

You entered an explicit command that included TREF or NREF as one of the parameters. These parameters are not valid with the explicit command you entered.

System action

The NetView program ignores the request.

Operator response

See the NetView online help for more information and enter the command again.

BNJ1383I '*' AND '%' ARE NOT VALID WITH 'TREF'/'NREF'/'R'**Explanation**

You entered an explicit command that uses either an asterisk (*) or a percent sign (%) with the TREF, NREF, or R keywords. The asterisk and percent sign are not valid parameters.

System action

The NetView program ignores the request.

Operator response

See the NetView online help and enter the command again.

BNJ1384I INVALID SYNTAX - VALID TYPE/ NAME KEYWORDS ARE 'T' 'N' 'TREF' 'NREF'**Explanation**

You entered an explicit command that calls for the name or type keyword and a name or type keyword that is not valid was used.

System action

The NetView program ignores the request.

Operator response

See the NetView online help and enter the command again.

**BNJ1385I 'EV' COMMAND IS INVALID FROM
TOTAL EVENT DISPLAY**

Explanation

You entered EV from the Total Events display. This is not valid because the Total Events is already displayed.

System action

The NetView program ignores the request.

Operator response

See the NetView online help and enter the command again.

**BNJ1386I 'ST' COMMAND IS INVALID FROM
TOTAL STATISTICAL DISPLAY**

Explanation

You entered ST from the Total Statistics display. This is not valid because you are already in the Total Statistics display.

System action

The NetView program ignores the request.

Operator response

See the NetView online help and enter the command again.

**BNJ1388I SR/SRATIO COMMAND INVALID
FOR TYPE/LEVEL OF SPECIFIED
RESOURCE NAME *resname***

Explanation

The resource *resname* you specified is associated with a resource type/hierarchy level combination that is not supported for exceeding the error-to-traffic thresholds. Ratio commands are not valid for this resource. If no resource *resname* is displayed, this message was issued from within the hardware monitor for a SR/SRATIO command or from a Multiple Entries panel for a SR/SRATIO command.

Message Variables***resname***

The fully qualified resource name for which the command failed.

System action

The NetView program ignores the command.

Operator response

Verify that you entered the intended resource name correctly. See the NetView online help to find the resource types and levels that can be specified in the SRATIO command.

**BNJ1389I INVALID RESOURCE TYPE IN
RECORD**

Explanation

A resource sent a data record that has a resource type that is not valid.

System action

Processing continues.

Operator response

Record the current display and request issued and notify the system programmer.

System programmer response

Dump the database to determine which resource type is not valid. Contact IBM Software Support.

**BNJ1538I * = POTENTIAL MISSING
RESOURCE LEVELS DUE TO A
COMPLEX LINK**

Explanation

This is an informational message that notifies you that there might be resource levels that do not appear in the list of resource names at the top of the NetView display since the resource is attached through a complex link. This message can appear on all displays that contain a list of resource names except the ALERT, TOTAL EVENT, or TOTAL STATISTICAL displays.

System action

Processing continues.

Operator response

Use a system schematic to determine the complete configuration of the resource when this message appears.

**BNJ1540I SEQUENTIAL LOGGING FOR
REPORT GENERATION IS
ENABLED**

Explanation

A REPORTS ON or REPORTS XLO command was entered. Report generation is now enabled.

Note: This message is not related to the NetView sequential logging function.

System action

Processing continues.

**BNJ1541I SEQUENTIAL LOGGING FOR
REPORT GENERATION IS
DISABLED**

Explanation

A REPORTS OFF command was entered. Report generation is now disabled.

Note: This message is not related to the NetView sequential logging function.

System action

Processing continues.

**BNJ1542I KEYWORD FOLLOWING REPORTS
MUST BE ON OR OFF OR XLO**

Explanation

The keyword parameter following the REPORTS command must be either ON, OFF, or XLO.

System action

Processing continues but the state of reports is unchanged.

Operator response

Enter the command again with a valid keyword.

**BNJ1543I INVALID COMMAND: FOREIGN
DOMAIN IS DOWN LEVEL FROM
THE HOST**

Explanation

The hardware monitor is in a cross-domain session with a foreign domain. However, the foreign domain is an earlier release of the NetView program and does not support the command entered.

System action

The command entered is ignored.

**BNJ1550I NO DATA EXISTS FOR SELECTION
SPECIFIED**

Explanation

You selected a menu item for which no data exists.

System action

Processing continues.

Operator response

Save the menu on which this selection appeared and the data record. Notify the system programmer.

System programmer response

Determine the device generating the data record and contact IBM Software Support.

**BNJ1571I NO STORAGE AVAILABLE FOR
PAGE TABLE EXTENSION**

Explanation

An internal failure has occurred.

System action

Processing continues.

Operator response

Notify the system programmer.

System programmer response

Determine the user request and the panel from which it was made. Contact IBM Software Support.

**BNJ1572I PURGE COMMAND ENTERED
FROM COMMAND LIST**

Explanation

A command list issued the PURGE/PRGATT command.

System action

Processing continues.

**BNJ1573I ADDRESSABILITY TO A COLOR
MAP SEGMENT WAS LOST**

Explanation

While processing a hardware monitor display, one of the map segments cannot be accessed.

System action

Processing continues with a default map instead of the map applicable to the display that was called.

Operator response

Enter NPDA END. Then enter the command again that you entered when the message was generated. If the problem continues, notify the system programmer.

System programmer response

Check for an out-of-storage condition. If there is one, follow the normal procedures for that particular installation. If there is no out-of-storage condition and the problem continues, contact IBM Software Support.

**BNJ1574I NUMBER OF PAGES SPECIFIED
 WAS INVALID**

Explanation

The *nnn* number on a FORWARD *nnn* or BACK *nnn* command is not valid. *nnn* must be an unsigned integer from 0 to 999.

System action

The NetView program ignores the request.

Operator response

Enter the FORWARD or BACK command with a valid number.

**BNJ1575I OPTION *ALL NOT ALLOWED
 WITH PRGATT COMMAND**

Explanation

You entered *ALL as the final parameter on the PRGATT command instead of a resource name.

System action

The PRGATT command is ignored.

Operator response

Check the PRGATT command syntax in the NetView online help or enter the HELP command. Enter the PRGATT command again.

**BNJ1576I COULD NOT SEND MESSAGE TO
 SCREEN DUE TO DSIPSS ERROR
 RC=*retcode***

Explanation

An error occurred while attempting to write a hardware monitor message to a terminal.

Message Variables

retcode

The DSIPSS return code.

System action

Processing continues.

Operator response

Notify the system programmer.

System programmer response

See DSIPSS in *IBM Z NetView Programming: Assembler* for the meaning of the return code and correct the error.

**BNJ1577I COULD NOT CLASSIFY NODE *node*.
 INTERNAL ERROR**

Explanation

A hardware monitor internal failure occurred. The hardware monitor is unable to identify the method for presenting a new page or other display related to the current display.

Message Variables

node

The name of the node.

System action

The NetView program ignores the request.

Operator response

Notify the system programmer.

System programmer response

Determine the user request and the screen from which it was made and contact IBM Software Support.

**BNJ1579I NPDA COULD NOT CONNECT TO
 COLOR MAP PDS BNJPNL2**

Explanation

While initializing an operator station task session for the hardware monitor, a connection cannot be made to the color map PDS, BNJPNL2. The result will be that a default coloration or highlighting will be used for all of the hardware monitor displays.

System action

Processing continues with a default map being used instead of the map applicable to the display that was just called.

Operator response

Enter the hardware monitor END command. This will end the hardware monitor. Then enter the command again that was previously entered when the message was generated. If the problem continues, notify the system programmer.

System programmer response

Check the procedure that is used to start the hardware monitor to verify that there is a DD statement for BNJPNL2. If there is no such DD statement, include one. If there is a DD statement, check for an out-of-storage condition. If this condition exists, follow the normal procedures for your installation. If there is no out-of-storage condition and there is a DD statement for BNJPNL2 and the problem continues, contact IBM Software Support.

BNJ1593I SNA PROBLEM NOT FILED (ENTER SEL# FROM ABOVE PLUS P)

Explanation

You tried to file a problem to Information/Management from the Event Summary screen, which is not allowed.

System action

The Event Detail screen is displayed.

Operator response

Log the problem to Information/Management from the Event Detail screen.

BNJ1594I NO STORAGE AVAILABLE FOR THE NPDA COLORMAP TABLE

Explanation

An attempt to get storage for the color map table failed.

System action

Processing stops.

Operator response

Determine whether you received message BNH16I, which means the task has reached its storage limit. If so, notify your system programmer.

System programmer response

See the *IBM Z NetView Troubleshooting Guide* for possible causes of the storage shortage. If the condition persists and the message is repeated, contact IBM Software Support.

BNJ1620I INVALID REPLY - SEL# MUST BE FOLLOWED BY 'D' (DETAIL)

Explanation

You entered a selection number that did not have the required D following it.

System action

The NetView program ignores the command.

Operator response

Enter the command again with the D following it.

BNJ1624I ERROR OCCURRED READING MEMBER *member*

Explanation

The DSIDKS macro returned an undefined error return code after attempting to FIND or READ the indicated member *member*.

Message Variables

member

The name of the member where the error occurred.

System action

Processing continues.

Operator response

Notify the system programmer.

System programmer response

Contact IBM Software Support.

BNJ1627I ERROR OCCURRED READING MEMBER *member*. I/O ERROR. RC=8

Explanation

The DSIDKS macro returned a return code of 8 because of an I/O error. DSIDKS was issued with either the FIND or READ option.

Message Variables

member

The name of the member where the error occurred.

System action

Processing continues.

Operator response

Notify the system programmer.

System programmer response

Check the hardware and software path of the I/O operation.

BNJ1628I	ERROR OCCURRED READING MEMBER <i>member</i>. NCCF DEFINITION NAME NOT OPEN
-----------------	---

Explanation

DSIDKS returned a return code of 12. The DSIDKS macro was issued with the FIND option before the CONNECT option was issued for the data set containing member *member*.

Message Variables

member

The name of the member where the error occurred.

System action

Processing continues.

Operator response

Notify the system programmer.

System programmer response

Add BNJPNL1 and BNJPNL2 data sets to the NetView startup procedure.

BNJ1629I	ERROR OCCURRED READING MEMBER <i>member</i>. END OF DATA REACHED. RC=4
-----------------	---

Explanation

DSIDKS returned a return code of 4. The DSIDKS macro was issued with the READ option to read the next line of member *member* but end of data was reached.

Message Variables

member

The name of the member where the error occurred.

System action

Processing continues.

Operator response

Notify the system programmer.

System programmer response

Edit *member* in data set BNJPNL1 or BNJPNL2.

BNJ1630I	ERROR OCCURRED READING MEMBER <i>member</i>. DSIDKS FIND OPTION NOT ISSUED
-----------------	---

Explanation

The DSIDKS macro returned a return code of 12. The DSIDKS macro was issued with the READ option before the FIND option was issued for member *member*.

Message Variables

member

The name of the member where the error occurred.

System action

Processing continues.

Operator response

Notify the system programmer.

System programmer response

Contact IBM Software Support.

BNJ1633I	ERROR OCCURRED READING MEMBER <i>member</i>. MEMBER NOT FOUND. RC=4.
-----------------	---

Explanation

An error return code of 4 has been received from DSIDKS. The DSIDKS macro was issued with the FIND option and member *member* was not found.

Message Variables

member

The name of the member where the error occurred.

System action

Processing continues.

Operator response

Notify the system programmer.

System programmer response

Data set BNJPNL1 or BNJPNL2 is missing member *member*. Contact IBM Software Support.

BNJ1636I **INVALID CTRL KEYWORD, ENTER 'HELP CTRL' FOR CORRECT KEYWORDS**

Explanation

You entered an unrecognizable CTRL command syntax.

System action

The NetView program ignores the command.

Operator response

Enter HELP CTRL to see the correct syntax. Then enter the CTRL command again.

BNJ1640I *command* **COMMAND IS NOT ALLOWED FROM THE ALERTS DYNAMIC DISPLAY**

Explanation

You entered a command from the Alerts-Dynamic panel (NPDA-30A) that is not valid.

Message Variables

command

The command that is not valid.

System action

No action is taken on the command.

Operator response

Go to the Alerts-Static panel (NPDA-30B) to enter the command.

BNJ1641I *command* **IS NOT ALLOWED WHILE THE ALERTS DYNAMIC DISPLAY IS ACTIVE**

Explanation

You entered a hardware monitor command that cannot be processed because the Hardware Monitor Alerts-Dynamic display is currently active.

Message Variables

command

The command that is not allowed.

System action

No action is taken on the command.

Operator response

ROLL back to the Alerts-Dynamic display and then go to the Alerts-Static panel (NPDA-30B) to enter the command.

BNJ1651I **CURRENT HELP SCREEN PAGE'S NAME IS INVALID**

Explanation

A paging command was issued from a glossary or help screen but the internal name for that screen contained characters that are not valid. The current page number cannot be calculated.

The NetView program ignores the command.

Operator response

Notify the system programmer.

System programmer response

Contact IBM Software Support.

BNJ1652I **THE MAXIMUM PAGE FIELD ON CURRENT HELP SCREEN PAGE IS UNREADABLE**

Explanation

A paging command was issued from a glossary or help panel but the maximum page value contained characters that are not valid. The maximum page cannot be determined on "Page 1 of xx", where xx is the maximum page.

System action

The NetView program ignores the command.

Operator response

Notify the system programmer.

System programmer response

Changing the hardware monitor help panels, while they are in use at the time of error, can cause this problem. If no changes were made, or if the changes were correct, contact IBM Software Support.

BNJ1653I **FOREIGN DOMAIN IS DOWN LEVEL, PRGATT IS NOT SUPPORTED**

Explanation

A purge attached (PRGATT) command was issued in a cross-domain environment for the previous release.

The PRGATT command is not supported for previous releases of the NetView program.

System action

The purge attached (PRGATT) command is ignored.

BNJ1657I REQUESTED HELP FACILITY IS NOT AVAILABLE

Explanation

You tried to call the NetView help facility from the hardware monitor and it is not available.

System action

Processing continues.

Operator response

Notify the system programmer. NetView help is probably not installed.

System programmer response

Ensure the NetView help facility is installed. If it is, contact IBM Software Support.

BNJ1902I 'A' (ADAPTER ADDRESS) NOT VALID WITH THIS COMMAND

Explanation

This message is issued to the hardware monitor terminal user. The adapter address for TOTAL and MRECENT commands is a valid parameter only when using the EV option.

System action

The command is ignored.

Operator response

Enter the command correctly.

BNJ1903I INVALID ADAPTER ADDRESS ENTERED

Explanation

An adapter address that is not valid was entered with the SRF command.

System action

The command is ignored.

Operator response

Enter the command correctly.

BNJ1904I KEYWORD FOLLOWING PASS/BLOCK/COLOR MUST BE A/C/P/E/N/T/NREF/TREF/U

Explanation

If the command that you entered was SRFILTER for ESREC/AREC/OPER/ROUTE, the characters following the action type in the filter command are incorrect.

If a COLOR recording filter was entered, then the characters following the color parameters in the filter command are incorrect.

System action

The NetView program ignores the command.

Operator response

Enter the command again specifying one of the characters shown in the message.

BNJ1905I FOREIGN DOMAIN IS DOWN LEVEL. PURGE BY ADAPTER ADDRESS IS NOT SUPPORTED

Explanation

A purge by adapter address command was issued in a cross-domain environment for the previous release. The purge by adapter address command is not supported for previous releases.

System action

The command is ignored.

BNJ1906I EV IS ONLY VALID DATA TYPE WHEN PURGING BY ADAPTER ADDRESS

Explanation

A purge by adapter address command was issued with a data type other than EV.

System action

The command is ignored.

Operator response

Enter the command again using the correct data type.

BNJ1907I PURGE BY ADAPTER ADDRESS NOT ALLOWED WITH PRGATT COMMAND

Explanation

A PRGATT command was issued with a keyword of 'A' signifying adapter address.

System action

The command is ignored.

Operator response

Check the PRGATT command syntax in the NetView online help. Enter the PRGATT command again.

**BNJ1908I OPTION *ALL NOT ALLOWED
WHEN PURGING BY ADAPTER
ADDRESS**

Explanation

When the purge command by adapter address was issued, *ALL was used instead of an adapter address.

System action

The NetView program ignores the command.

Operator response

Check the PRGATT command syntax in the NetView online help. Enter the PRGATT command again.

**BNJ1909I NUMBER OF DETAIL RECORDS
PURGED EXCEEDS DETAIL
RECORD COUNT**

Explanation

The hardware monitor maintains a count of the number of detail records associated with a given resource. The number of detail records purged from the database has exceeded this count.

System action

Processing continues.

**BNJ1910I PURGE/PRGATT/SWRAP FAILED
BECAUSE ANOTHER PURGE/
PRGATT/SWRAP IS IN PROGRESS**

Explanation

Your last PURGE, PRGATT, or SWRAP command failed because a PURGE, PRGATT, or SWRAP command is currently in progress.

System action

The NetView program ignores this command and processing continues.

Operator response

Wait for completion of the current PURGE, PRGATT or SWRAP command and reenter the command.

**BNJ1913I INVALID COMMAND: FOREIGN
DOMAIN IS DOWN LEVEL FROM
THE HOST**

Explanation

The hardware monitor is in a cross-domain session with a foreign domain. However, the foreign domain is an earlier release and does not support the command entered.

System action

The command is ignored; it is not supported in previous releases.

**BNJ1914I INVALID SYNTAX - VALID
KEYWORDS ARE 'T,' 'N,' or 'A'**

Explanation

A 'T,' 'N,' or 'A' was not found in the type/name/adapter address position of the keyword.

System action

The NetView program ignores the command.

Operator response

Enter the command correctly.

**BNJ1915I KEYWORD 'A' MUST BE
FOLLOWED BY AN ADAPTER
ADDRESS 'A'**

Explanation

The keyword 'A' must be followed by an adapter address. A valid adapter address is considered to be 12 hexadecimal characters.

System action

The NetView program ignores the command.

Operator response

Enter the command correctly.

**BNJ1916I INVALID PRODUCT ID/ALERT ID
ENTERED**

Explanation

Either the product ID or the alert ID was not valid. The product ID must consist of either 4, 5, 7, or 9

characters and the alert ID must consist of 1 to 8 hexadecimal digits.

System action

The NetView program ignores the command.

Operator response

Enter the command again specifying the correct product ID and alert ID.

**BNJ1918I KEYWORD FOLLOWING PRODUCT
 ID/ALERT ID MUST BE 'N' OR 'A'**

Explanation

The characters following the product ID/alert ID combination in the filter command are incorrect.

System action

The NetView program ignores the command.

Operator response

Enter the command again specifying one of the characters shown in the message.

**BNJ1919I 'N' (RES), 'A' (ADPT) OR 'ALL N'
 (RES) MUST BE USED WITH THIS
 COMMAND**

Explanation

You entered an incorrect MRECENT EV command.

System action

The NetView program ignores the command.

Operator response

Enter the command correctly.

**BNJ1920I RECORD(S) INCONSISTENT -
 CANNOT BE DISPLAYED ON THIS
 SCREEN**

Explanation

Only one Most Recent Statistics panel can be displayed for a command entered. There are records present on the database that cause panels (for example, 51A and 51G) to be displayed.

System action

The panel corresponding to the most recent record is displayed.

**BNJ1921I INVALID SYNTAX - RESOURCE
 NAMES/TYPES MUST PRECEDE
 AND NOT FOLLOW A '%'**

Explanation

You have attempted to issue an SRFILTER (set recording filter) or SVFILTER (set viewing filter) command with an N or T keyword followed by a percent sign (%). One or more resource names or resource types must precede the '%' sign, and no resource names or resource types can follow the '%' sign.

System action

The NetView program ignores the command.

Operator response

Enter the SRFILTER or SVFILTER command again with at least one resource name or resource type preceding the '%' sign, and no resource name or resource type following the '%' sign.

**BNJ1936I INVALID SYNTAX - RESOURCE
 NAMES CANNOT HAVE
 CHARACTERS FOLLOWING AN ***

Explanation

You have attempted to issue an SRFILTER (set recording filter) or SVFILTER (set viewing filter) command with an N or NREF keyword that specifies a resource name, and one or more of the resource names has an asterisk (*) followed by additional characters. For example, CNM*01 is not a valid use of the asterisk, but CNM* is valid.

System action

The NetView program ignores the command.

Operator response

Enter the command again without using an asterisk followed by additional characters.

**BNJ1937I SEL# ADPT NOT VALID FROM
 TOTAL EVENTS BY ADAPTER**

Explanation

You have entered SEL# ADPT from the Total Events panel for an adapter address. This command cannot be entered from the Total Events panel by adapter address or from the Most Recent Events panel by adapter address.

System action

The NetView program ignores the command.

Operator response

Enter the command again from the appropriate panel.
Rerun the job.

BNJ1938I **SEL# ADPT NOT VALID FROM
MOST RECENT EVENTS BY
ADAPTER**

Explanation

You have entered SEL# ADPT from the Most Recent Events panel for an adapter address. This command cannot be entered from the Total Events panel by adapter address or from the Most Recent Events panel by adapter address.

System action

The NetView program ignores the command.

Operator response

Enter the command again from the appropriate panel.

BNJ1941I **NO RESPONSE HAS BEEN
RECEIVED FROM REMOTE *device***

Explanation

A TEST solicitation was successful but the local device did not receive a response from the specified remote device. A response data field is available for the specified local device.

Message Variables

device
DSU/CSU or ACD.

System action

The LPDA-2 data panel is displayed with local device data only.

Operator response

Notify the system programmer.

System programmer response

Contact IBM Software Support.

BNJ1942I **LOCAL *device* RECEIVED
RESPONSE WITH A BAD FCS**

Explanation

A TEST solicitation was successful but the local *device* received a response from the remote device with a bad frame check sequence (FCS). A response data field is available for the local *device*.

Message Variables

device
DSU/CSU or ACD.

System action

The LPDA-2 data panel is displayed with local *device* data only.

Operator response

Notify the system programmer.

System programmer response

Contact IBM Software Support.

BNJ1943I **LOCAL *device* RECEIVED
RESPONSE WITH INVALID
FORMAT**

Explanation

The local *device* received a response with a correct frame check, but a format that is not valid from the remote device. A response data field is available for the local *device*.

Message Variables

device
DSU/CSU or ACD.

System action

The LPDA-2 data panel is displayed with local *device* data only.

Operator response

Notify the system programmer.

System programmer response

Contact IBM Software Support.

BNJ1945I **MACHINE '*mtype*' WITH
UNSUPPORTED LPDA-2 FAMILY ID
FOUND IN SUBVECTOR 50**

Explanation

While trying to decode the 50 subvector that contains the data circuit-terminating equipment (DCE) data in

order to present an LPDA-2 data panel, an unrecognized local DCE machine type was found.

Message Variables

mtype

The DCE machine type in the 50 subvector.

System action

Panel NPDA-10AA is presented.

Operator response

Notify the system programmer

System programmer response

Determine the DCE that is generating this 50 subvector and contact IBM Software Support.

BNJ1947I	INVALID SYNTAX - VALID KEYWORDS ARE 'T' OR 'N'
-----------------	---

Explanation

You entered an explicit command that calls for a type or name keyword, and an type or name keyword that was not valid was used.

System action

The NetView program ignores the request.

Operator response

See the NetView online help for the correct syntax and enter the command again.

BNJ1948I	'R' PARAMETER ONLY VALID WITH 'ESREC DELETE' PARAMETERS
-----------------	--

Explanation

You entered an SRF/SRFILTER command with the R parameter, but without the ESREC DELETE parameters. You cannot use R without ESREC DELETE.

System action

The NetView program ignores the command and processing continues.

Operator response

Enter the command correctly.

BNJ1949I	KEYWORD FOLLOWING DELETE MUST BE R/A/C/P/E/N/T/NREF/TREF/U
-----------------	---

Explanation

You entered an SRFILTER command with the incorrect characters following the action type.

System action

The NetView program ignores the command and processing continues.

Operator response

Enter the command again using one of the characters shown in the message.

BNJ1950I	THE SOURCE RECORD IS FLAWED, THE OUTPUT MAY BE INCOMPLETE
-----------------	--

Explanation

One or more errors were encountered while processing the statistical record. Processing continues if possible, but the resulting display might not contain all the expected data.

System action

Some data is not displayed.

Operator response

Notify the system programmer.

System programmer response

Determine the device that is generating the NMVT record and contact IBM Software Support.

BNJ1951I	NO CORRELATION IS PRESENT
-----------------	----------------------------------

Explanation

Subvector X'47' (MSU correlation) cannot be found in the current record for which the correlation was selected.

System action

The message is displayed and the request for correlation for the current record ends.

Operator response

Notify the system programmer.

System programmer response

Investigate the database to determine which record is not valid and make the appropriate corrections.

**BNJ1952I CORRELATOR RESOURCE NAME
 EXCEEDS 56 CHARACTERS****Explanation**

You entered an MRECENT EV ALL N command with a resource name that is not valid.

System action

The NetView program ignores the command.

Operator response

Enter the command again with a valid resource name.

**BNJ1953I 'A'(ACTION), SEL# (CORRELATED
 EVENTS)****Explanation**

This is a prompt message for panel NPDA-43S.

**BNJ1954I 'A'(ACTION), SEL# (CORRELATED
 EVENTS) OR 'DM'(DETAIL MENU)****Explanation**

This is a prompt message for panel NPDA-43S.

**BNJ1955I 'A'(ACTION), SEL# OR CE
 (CORRELATED EVENTS)****Explanation**

This is a prompt message for panel NPDA-43S.

**BNJ1956I 'A'(ACTION), SEL# OR CE
 (CORRELATED EVENTS) OR 'DM'
 (DETAIL MENU)****Explanation**

This is a prompt message for panel NPDA-43S.

**BNJ1957I SEL# OR 'A'(ACTION) OR CE
 (CORRELATED EVENTS)****Explanation**

This is a prompt message for panel NPDA-43R.

**BNJ1958I ENTER SEL# FOR CORRELATED
 EVENTS****Explanation**

This is a prompt message for panel NPDA-70B.

**BNJ1962E OSI DATA NOT DISPLAYED DUE
 TO CONVERSION TABLES NOT
 BEING LOADED.****Explanation**

You cannot display OSI data contained in an event record or counter set report statistical record on the current panel because the necessary OSI data conversion tables cannot be loaded into storage.

System action

The panel displays all available data. An associated message is issued to the authorized operator and placed in the network log.

Operator response

Notify the system programmer.

System programmer response

See the associated message BNJ901I or BNJ902I in the network log and follow the documented response.

**BNJ1963I COMMAND NOT PROCESSED.
 MULTIPLE ENTRIES
 ENCOUNTERED****Explanation**

A command has been issued against a resource name for which multiple entries exist. The command was issued from an environment other than a hardware monitor panel (NetView command list, autotask, PPT or NCCF console). The ALL keyword was not specified on the command invocation so the command is rejected.

System action

The command is not processed.

Operator response

To issue the command against all fully qualified resource names matching the supplied resource name, code the ALL keyword on the command invocation. To issue the command against a single resource, use the fully qualified resource name.

**BNJ1965I KEYWORD '*keyword*' IS NOT
 ALLOWED WITH THE PRGATT
 COMMAND.****Explanation**

A PRGATT command was issued with the specified keyword.

Message Variables***keyword***

The specified keyword.

System action

The command is ignored.

Operator response

See the NetView online help for the correct syntax, then enter the PRGATT command again.

BNJ1966I DOWN-LEVEL TARGET NETVIEW DOES NOT CONTAIN A GMFALERT DATABASE.

Explanation

You previously issued an NPDA SDOMAIN command and established a session with a prior release of the target NetView program. You later issued a PURGE GMFALERT command that cannot be processed in a prior NetView release.

System action

The command is ignored.

BNJ2001I MORE THAN SIX DOMAIN NAMES SPECIFIED ON THE SVF/SVFILTER COMMAND

Explanation

You have attempted to issue an SVFILTER (set viewing filter) command with more than six variable domain name operands. Six variable domain name operands is the maximum number allowed for this command.

Operator response

Enter the SVFILTER command with a DOMAIN keyword with six or fewer variable domain name operands.

BNJ2002I DOMAIN PARAMETER INVALID WHEN USED WITH PASS KEYWORD

Explanation

You have attempted to issue an SVFILTER (set viewing filter) command with a DOMAIN keyword, using a PASS action. The DOMAIN keyword can only be specified with a BLOCK action.

Operator response

Enter the SVFILTER command with a DOMAIN keyword using a BLOCK action, specifying which domains are to be filtered from view.

BNJ2003I INVALID SYNTAX - DOMAIN NAME CANNOT HAVE CHARACTERS FOLLOWING AN *.

Explanation

You have attempted to issue an SVFILTER (set viewing filter) command with a DOMAIN keyword that specifies a domain name that either contains an asterisk (*) followed by additional characters or consists only of an asterisk.

System action

The NetView program ignores the command.

Operator response

Enter the command again with domain names that do not have characters following an asterisk or domain names which do not consist only of an asterisk.

BNJ2004I NO COLOR PARAMETERS SPECIFIED FOLLOWING THE COLOR KEYWORD

Explanation

If an SVFILTER command was entered, then the COLOR keyword was not followed by a valid color parameter. If an SRFILTER command was entered, then the recording filter type, COLOR, was not followed by a valid color parameter. Valid color parameters are:

- ALM or NOALM
- HIG
- BLI, REV, or UND
- RED, TUR, BLU, YEL, WHI, PIN, or GRE.

Up to four color parameters can be specified, by only one parameter from each of the four groups can be used.

System action

The NetView program ignores the command.

Operator response

Enter the command again specifying at least one of the color parameters.

BNJ2005I MULTIPLE COLORS SPECIFIED WITH THE COLOR KEYWORD

Explanation

If an SVFILTER command was entered, then multiple colors followed the COLOR keyword. If an SRFILTER

command was entered, then the recording filter type, COLOR, was followed by more than one color. Only one color can be specified on a command. The color choices are: RED, TUR, BLU, YEL, WHI, PIN, or GRE.

System action

The NetView program ignores the command.

Operator response

Enter the command again specifying only one color.

**BNJ2006I MULTIPLE HIGHLIGHT
PARAMETERS SPECIFIED WITH
COLOR KEYWORD**

Explanation

An SVFILTER command was entered with the COLOR keyword followed by more than one highlighting parameter, or an SRFILTER command was entered with the recording filter type, COLOR, followed by more than one highlighting parameter. Only one highlighting parameter can be specified on a command. The highlighting choices are: BLINK, REVERSE, or UNDRSCOR.

System action

The NetView program ignores the command.

Operator response

Enter the command again specifying only one highlighting parameter.

**BNJ2007I MULTIPLE ALARM PARAMETERS
SPECIFIED WITH COLOR
KEYWORD**

Explanation

An SVFILTER command was entered with the COLOR keyword followed by more than one alarm parameter, or an SRFILTER command was entered with the recording filter type, COLOR, followed by more than one alarm parameter. Only one alarm parameter can be specified on a command. The alarm choices are: ALARM or NOALARM.

System action

The NetView program ignores the command.

Operator response

Enter the command again specifying only one alarm parameter.

**BNJ2008I PASS/BLOCK ARE NOT VALID
ACTIONS FOR THE COLOR FILTER**

Explanation

A PASS or BLOCK action was used while a COLOR filter was being set. PASS and BLOCK are not valid actions with the color filter. The recording filter type COLOR can be followed by: CLEAR or one or more color parameters.

System action

The NetView program ignores the command.

Operator response

Enter the command again specifying the correct parameters after the recording filter type COLOR.

**BNJ2009I DELETE IS NOT A VALID ACTION
WHEN SETTING A DEFAULT**

Explanation

While trying to set the recording filter default action, you specified the default action DELETE. Valid default actions are:

- For ESREC, AREC, OPER, ROUTE
 - PASS
 - BLOCK
- For COLOR
 - One or more valid color parameters

System action

The NetView program ignores the command.

Operator response

Enter the command again with a valid default for the specified recording filter.

**BNJ2010I THE BLOCK ACTION CANNOT BE
USED WHEN SPECIFYING COLOR**

Explanation

COLOR can only be specified when setting up a viewing filter with an action of PASS.

System action

The NetView program ignores the command.

Operator response

Enter the command again without the COLOR keyword.

BNJ2011I COLOR CANNOT BE SPECIFIED WITH THE TIME KEYWORD.

Explanation

COLOR cannot be used when filtering on TIME. The TIME filter is used for event and statistical total displays, and the COLOR keyword is used for the coloring of alerts on the alert displays.

System action

The NetView program ignores the command.

Operator response

Enter the command again without the COLOR keyword and color parameters.

BNJ2012I KEYWORD FOLLOWING AL/EV DESCRIPTION MUST BE 'N'

Explanation

You entered an SVFILTER command. The keyword following the AL/EV description code is not N.

System action

The NetView program ignores the command and processing continues.

Operator response

Enter the command correctly.

BNJ2015I THE "U" KEYWORD USER DATA MUST BE 1 TO 5 CHARACTERS

Explanation

The user data following the U keyword cannot be longer than 5 characters.

System action

The NetView program ignores the command.

Operator response

Enter the command again with a user data field that is 1 to 5 characters.

BNJ2016I THE KEYWORD FOLLOWING USER DATA MUST BE A/E/N/T/NREF/TREF

Explanation

You entered an incorrect keyword after the user data.

System action

The NetView program ignores the command.

Operator response

Enter the command again using one of the keywords shown in the message.

BNJ2017I THE KEYWORD FOLLOWING USER DATA MUST BE E/N/T/NREF/TREF

Explanation

You entered an incorrect keyword after the user data.

System action

The NetView program ignores the command.

Operator response

Enter the command again using one of the keywords shown in the message.

Chapter 5. CNM Prefix Messages

This chapter lists the CNM prefix messages.

These messages are sent to the NetView terminal operator or the authorized message receiver. If an authorized message receiver is not defined in the system or is not logged on, the messages destined for the authorized message receiver are sent to the system console operator.

**CNM000I MESSAGE *msgno* IS NOT IN
MESSAGE CSECT *file*****Explanation**

A NetView module issued a CNM prefix message that was not defined in the specified message definition module.

Message Variables***msgno***

The message number

file

The message definition module where the message should reside

Operator response

Notify the system programmer.

System programmer response

Contact IBM Software Support.

**CNM001I THERE IS INSUFFICIENT VIRTUAL
STORAGE****Explanation**

Status monitor is temporarily unable to obtain any virtual storage.

System action

A request was not processed.

Operator response

Determine whether you received message BNH16I, which means the task has reached its storage limit. If so, notify your system programmer.

System programmer response

See the *IBM Z NetView Troubleshooting Guide* for possible causes of the storage shortage.

**CNM002I "*command*" FUNCTION IS
COMPLETE****Explanation**

The specified function has completed successfully.

Message Variables***command***

The name of a function or command

**CNM003I INVALID SYNTAX ON FILTER
(TYPE "F") CONTINUATION
RECORD****Explanation**

The previous F filter statement in DSICNM ended with a comma, so the next record should have been a continuation record.

System action

The record is ignored and processing continues.

Operator response

Notify the system programmer.

System programmer response

Correct the F statement. See the *IBM Z NetView Administration Reference* for more information.

**CNM004I "*msgind*" IS AN INVALID
MESSAGE INDICATOR****Explanation**

The message indicator on an F statement in DSICNM member must be 1, 2, 3, or 4 and must be in column 5.

Message Variables***msgind***

The message indicator that is not valid

System action

The record is ignored and processing continues.

Operator response

Notify the system programmer.

System programmer response

Code the 1, 2, 3, or 4 in column 5. See the *IBM Z NetView Administration Reference*.

CNM005I *normal_SNMP_output*

Explanation

This is a multiline message for the output of an SNMP request.

Message Variables***normal_SNMP_output***

The output generated from the SNMP request

System action

The SNMP command runs successfully.

CNM006E *SNMP_error*

Explanation

An error occurred during SNMP request or SNMP trap automation processing.

Message Variables***SNMP_error***

The returned string explaining the failure.

System action

SNMP command processing ends.

Operator response

Correct and reissue the command. If the command is correct but still fails, contact your system programmer.

System programmer response

Depends upon the value of *SNMP_error*. Correct the failing condition, as appropriate.

If the error was in the configuration of an SNMP trap automation task, correct the error and restart the SNMP trap automation task.

CNM007I *SNMP request request PDU sent successfully*

Explanation

The SNMP request did not result in any output and no errors were detected.

Message Variables***request***

The SNMP request specified on the command that was entered

System action

SNMP command processing ends normally.

CNM008W *SNMP request command encountered errors*

Explanation

Errors were reported during the SNMP request processing.

Message Variables***request***

The SNMP request PDU that was sent and processed

System action

SNMP command processing completes.

Operator response

If the output is not expected, correct the command and issue it again. If the command is correct but still results in unexpected errors, contact your system programmer.

System programmer response

Correct the failing condition, as appropriate.

CNM009I **STATUS MONITOR FULL SCREEN SESSION WAS ABNORMALLY TERMINATED**

Explanation

You entered a STOP FORCE, STOP TASK, or VARY INACT command which caused the session to fail.

System action

Any full-screen status monitor sessions will be ended.

Operator response

Restart the status monitor.

CNM010I **RESOURCE *resource* IS NOT KNOWN TO STATUS MONITOR**

Explanation

The resource name you entered on the STATMON command is not known to status monitor.

Message Variables***resource***

The resource name

System action

The STATMON command is not processed, and the full-screen component of status monitor is not displayed.

Operator response

Ensure you spelled the resource name correctly. If so, notify the system programmer.

System programmer response

Ensure the resource is defined in VTAMLST and does not have the STATOPT=OMIT keyword defined next to it in VTAMLST.

CNM012I *type* Revision table *table_name*, loaded by *task_name*, has examined *count* objects since being loaded, *date time*

Explanation

This message is issued in response to a REVISE or REVISMSG command that specifies the STATUS keyword.

Message Variables

table_name

The name of the member from which the current revision table was compiled.

task_name

The operator ID or task name of the task that performed the revision table load.

count

The total number of objects that are submitted during the time the table is active.

date time

The date and time that the table was activated.

CNM013I *task HAS NOT INITIALIZED*

Explanation

This message is issued in response to the operator entering STATMON, PARSE, MONIT, CLRSTATS, or BROWSE commands. Browsing the network log requires the log browse task to be active; all the other commands require the status monitor to be initialized. Each of these tasks are initialized when the authorized message receiver gets message CNM112I for that task.

Message Variables

task

The name of the task that has not been started; either the status monitor or the log browse task.

Operator response

Wait for these tasks to initialize. Then enter the command again.

CNM014I **REVISION TABLE REPORT FOLLOWS:**

Explanation

This message is issued in response to a REVISE or REVISMSG command that specifies the REPORT keyword.

CNM015I **TOTAL HITS FOR THE FOLLOWING UPON OR UPON-GROUP: *number***

Explanation

This message is issued in response to a REVISE or REVISMSG command that specifies the REPORT keyword.

Message Variables

number

The total number of UPON or UPON-group statements found.

CNM016W **Transmission by *trname* was unsuccessful. See '*logfile*' for additional information.**

Explanation

There was a problem and the indicated transmission attempt failed. There might be additional messages to further describe the failure.

Message Variables

trname

The type of transmission being attempted. For example FTP, RMTCMD.

logfile

The name or type of the log file where messages are written to assist in debugging the problem.

Operator response

In some cases, the log file must be deleted prior to attempting the action again. If the failure was associated with a command, review the help for that command.

System programmer response

In some cases, the log file must be deleted prior to attempting the action again. If the failure was associated with a command, review the help for that command.

CNM017E **Command *cmd* completed without action '*missingAction*'****Explanation**

The specified command ends without performing the specified action. The command might have ended abnormally.

Message Variables***cmd***

The command that was issued.

missingAction

The command action, for example REISSUE, that was not performed.

CNM018I **'*function*' is in exclusive use by '*owner*'.****Explanation**

The specified *function* is prohibited from multiple use in its scope of operation. For example, the 'CMD REVISION' function can be loaded into only one NetView Subsystem Interface (SSI) in each Logical Partition (LPAR).

Message Variables***function***

Identifies the action or resource that is restricted.

owner

An SSI name, a task name, or a command, depending on the scope of operation of the resource name.

CNM019I **'*function*' has changed '*type*' data:****Explanation**

This message is issued as a result of a REISSUE command, following a NETONLY action by the Command Revision Table. The CNM019I message is issued only when the TESTMODE=YES option was used when loading the Command Revision Table.

This is the first line of a multiline message. The second and third lines show the command before and after the changed made by the REXX procedure named in the message.

If you specified TESTMODE=YES, this example shows the 3 lines of messages:

```
CNM019I 'Cmd Revision' has changed 'COMMAND'  
data:  
DO  
AXE  
d t
```

If you specified TESTMODE=NO, you receive a DWO295I message, an example of which is contained

in the description of that message in *IBM Z NetView Messages and Codes Volume 2 (DUI-IHS)*.

Message Variables***name_of_REXX***

The name of the REXX procedure that caused a change.

System action

None

Operator response

None

CNM024I **DSIMQS FAILED SENDING REFRESH BUFFER, DATA MAY BE LOST****Explanation**

The status monitor is not able to refresh the Domain Status Summary panel; therefore, data might be lost.

System action

The refresh request is not processed.

System programmer response

If you continue to get this message, determine the reason for DSIMQS failure.

CNM025I **THERE IS A SYNTAX ERROR IN YOUR REQUEST. ENTER HELP *command*****Explanation**

The command and any arguments were entered incorrectly. See command help.

Message Variables***command***

The name of the command whose syntax is not valid.

System action

The command is not processed.

Operator response

Look at the help panel for the command and try again with correct syntax.

CNM026I **"MONIT" NOT ALLOWED SINCE "O MONIT" RECORD NOT CODED IN DSICNM**

Explanation

You entered either the MONIT START or MONIT STOP command but monitoring was not enabled by the system programmer.

System action

The MONIT command is not processed.

Operator response

Notify the system programmer.

System programmer response

The O MONIT run option must be coded in DSICNM member of DSIPARM data set for status monitor to be able to monitor inactive nodes. Code either the O MONIT record in DSICNM or tell the operators that they cannot monitor network resources.

**CNM027I YOUR REQUEST WAS IGNORED:
 MONITORING IS ALREADY
 STARTED**

Explanation

For the MONIT command: you tried to start global monitoring, but global monitoring is already started.

For the CMDMON command: you tried to start command statistics monitoring, but monitoring is already started.

System action

The respective command is ignored, and monitoring remains active.

**CNM028I YOUR REQUEST WAS IGNORED:
 MONITORING IS ALREADY
 STOPPED**

Explanation

For the MONIT command: you tried to stop global monitoring, but global monitoring is already stopped.

For the CMDMON command: you tried to stop command statistics monitoring, but monitoring is already stopped.

System action

The respective command is ignored, and monitoring remains inactive.

**CNM029I YOUR REQUEST WAS IGNORED:
 GLOBAL MONITORING MUST BE
 ON**

Explanation

You tried to start or stop monitoring for a specific resource but global monitoring is stopped.

System action

The MONIT command is ignored.

Operator response

Ask the lead operator to start global monitoring if you are to do monitoring.

**CNM030I YOUR REQUEST WAS IGNORED:
 NOMONIT OPTION IS ON FOR
 resource**

Explanation

You tried to start or stop monitoring for a resource that is defined with the NOMONIT option in VTAMLST.

Message Variables

resource

The resource name issued on MONIT command.

System action

The MONIT command is ignored.

Operator response

Notify the system programmer.

System programmer response

Remove either the NOMONIT keyword in VTAMLST for the resource or tell the operators that they cannot monitor that resource.

**CNM031I YOUR REQUEST WAS IGNORED:
 resource IS UNKNOWN TO STATUS
 MONITOR**

Explanation

You specified a resource name on the MONIT command's ID= parameter that is not known to status monitor.

Message Variables

resource

The resource name issued on MONIT command.

System action

The MONIT command is ignored.

Operator response

Ensure you spell the resource name correctly. If the problem recurs, ask the system programmer for a list of valid resource names.

System programmer response

Define the resource with a STATOPT statement to use status monitor functions. See the *IBM Z NetView Administration Reference* for more information.

**CNM032I YOUR REQUEST WAS IGNORED:
resource IS ALREADY BEING
MONITORED**

Explanation

You tried to start monitoring for a resource that is already being monitored. All of the following conditions are true:

- You are running with global monitoring on (O MONIT is coded in DSICNM and user has issued MONIT START,ALL).
- The node does not have NOMONIT option coded in VTAMLST.
- The node's higher node is active or being monitored.

Message Variables

resource

The resource name issued on the MONIT command.

System action

The MONIT command is ignored but the resource is still being monitored.

**CNM033I YOUR REQUEST WAS IGNORED:
resource IS NOT BEING
MONITORED**

Explanation

You attempted to stop monitoring for a resource that is not being monitored.

Message Variables

resource

The resource name issued on MONIT command.

System action

The MONIT command is ignored but monitoring remains off for that node.

**CNM034I YOUR REQUEST WAS IGNORED:
resource IS NOT INACTIVE**

Explanation

You tried to start or stop monitoring for a resource that is not INACT (inactive) or not NEVACT (never active). One of the following is true:

- You are running with global monitoring on.
- The node does not have NOMONIT option coded in VTAMLST.

Message Variables

resource

The resource name issued on MONIT command

System action

The MONIT command is ignored.

**CNM035I REQUEST IGNORED: HIGHER
RESOURCE IS NOT ACTIVE AND
NOT BEING MONITORED**

Explanation

The resource you specified cannot be monitored until the higher node is active or is being monitored.

System action

The MONIT command is ignored.

Operator response

Monitor the higher resource.

**CNM036I resource CANNOT BE MONITORED
BECAUSE IT IS A MAJOR NODE**

Explanation

You attempted to start or stop monitoring a major node. Major nodes cannot be monitored by status monitor.

Message Variables

resource

The name of the resource specified on the MONIT command

System action

The MONIT command is ignored.

**CNM037I MONITORING CANNOT BE
TURNED ON OR OFF FOR AN
APPLICATION NODE**

Explanation

You attempted to start or stop monitoring an application node. Applications cannot be monitored.

System action

The MONIT command is ignored.

Operator response

If you want to activate the node, use VTAM's VARY ACT command.

**CNM038I MONITORING CANNOT BE
 TURNED ON OR OFF FOR A CROSS
 DOMAIN RESOURCE (CDRSC)**

Explanation

You attempted to start or stop monitoring for a cross-domain resource. Cross-domain resources cannot be monitored.

System action

MONIT command is ignored.

Operator response

If you want to activate the node, use VTAM's VARY ACT command.

**CNM039I AN IMPORTANT MESSAGE HAS
 BEEN LOGGED - PLEASE BROWSE
 THE NETVIEW LOG**

Explanation

An important message indicator has been highlighted by an incoming message.

Operator response

Select the appropriate message indicator at the top of any status monitor panel or the browse netlog panel to view the message.

**CNM045I INITIALIZATION IS IMPOSSIBLE:
 OPEN HAS FAILED FOR DSINDEF**

Explanation

Macro DSIDKS TYPE[CONN] failed with a nonzero return code.

System action

The status monitor is not initialized.

Operator response

Notify the system programmer.

System programmer response

Determine why DSINDEF did not open and correct the problem.

**CNM046I INITIALIZATION IS IMPOSSIBLE:
 DSINDEF IS INVALID**

Explanation

The DSINDEF member is not valid for one of the following reasons:

- The DSINDEF member is empty
- The DSINDEF member contains only comment records
- One or more lines in the DSINDEF member contains incorrect syntax

Operator response

Notify the system programmer.

System programmer response

Determine why the DSINDEF member is not valid and correct the problem. A valid resource definition and activity table must be included in the DSINDEF member for the status monitor to function. Ensure that the DSINDEF member does not contain any symbolics. Run the CNMSJM12 sample job against VTAMLST before running the CNMDEF status monitor preprocessor if necessary.

CNM047I FIND FAILED FOR DSINDEF

Explanation

Macro DSIDKS TYPE[FIND] failed.

Operator response

Notify the system programmer.

System programmer response

The DSINDEF file is missing.

**CNM048E BACKLEVEL DSINDEF - STATUS
 MONITOR MAIN TASK IS
 TERMINATING**

Explanation

The status monitor task failed to initialize because the level of the NetView program you are running requires that a network identifier list be contained at the end of your DSINDEF. DSINDEF is created by running the status monitor preprocessor.

System action

The status monitor task ends.

Operator response

Run the status monitor preprocessor to create a current-level DSINDEF. Restart the status monitor task.

System programmer response

Verify that the DSINDEF created by running the status monitor preprocessor is now at the correct level by ensuring that the network identifier list is appended at the end.

CNM049I STATUS FORWARDING RECORD IN DSINDEF IS IGNORED

Explanation

The DSIPARM member DSINDEF used by STATMON contains an unsupported record.

```
*M**STATUS MONITOR ENABLED FOR STATUS FOCAL  
POINT OPERATION**  
**NOTE: THE ABOVE RECORD IS REQUIRED FOR  
STATUS FORWARDING*
```

This record is generated by the status monitor preprocessor when a GRAPHOPT statement is found in any of the ATCCONxx members. The level of the NetView program you are running no longer generates this record; you are running with a downlevel DSINDEF member. Status forwarding was available in previous releases of NetView for resources created by the View Preprocessor and displayed by NGMF. This function is no longer supported and has been replaced by SNATM, RODM, GMFHS and NMC.

System action

The unsupported record is ignored and does not affect the initialization of the status monitor task.

Operator response

Notify the system programmer.

System programmer response

Remove the GRAPHOPT statemnet from any ATCCONxx members (CNMS0003, CNMS0004, CNM0005, CNM0102). The next time the status monition preprocessor is run, a current-level DSINDEF will be created that does not contain the status forwarding records. For instructions about running the status monitor preprocessor, see the NetView online help or the *IBM Z NetView Installation: Configuring Additional Components*.

CNM051I ACB OPEN *errtype* FAILURE. SHOWCB ERROR FIELD= *fieldno*

Explanation

Open access control block (ACB) failed.

Message Variables

errtype

Either SOFT or HARD.

fieldno

The decimal value of VTAM SHOWCB macro ERROR field.

Operator response

Notify the system programmer.

System programmer response

See the section on open/close errors and special conditions in the appropriate VTAM manual.

CNM052I ACB OPEN FAILURE. DDNAME=*ddname*, RC=*vtamrkd*, FC=*vtamfb*

Explanation

An open access control block (ACB) failed.

Message Variables

ddname

The DDNAME of the file.

vtamrkd

The VTAM internal return code.

vtamfb

The VTAM internal feedback code.

Operator response

Notify the system programmer.

System programmer response

Use the return and feedback codes to identify the problem. See the appropriate VTAM manual for more information.

CNM075I DSICNM WAS NOT OPENED: DEFAULTS USED

Explanation

OPEN failed for DSICNM member of DSIPARM.

System action

Status monitor will initialize and not use any information in DSICNM.

Operator response

Notify the system programmer.

System programmer response

Determine why the OPEN failed and correct the problem.

CNM076I **M MAXREACT LIMIT REACHED
FOR "resource"**

Explanation

The status monitor MONIT function attempted to reactivate the resource for the number of times specified by M MAXREACT. The status monitor will not reactivate this resource.

Message Variables

"resource"

The resource for which the maximum reactivation limit has been reached

System action

The resource will not be reactivated by the status monitor again until the status monitor is cycled.

Operator response

Activate the resource manually if required.

System programmer response

If appropriate, determine the cause of the resource's inactivations, and verify that the value specified on the M MAXREACT statement in the DSIPARM member DSICNM is correct.

CNM077I **TOO MANY CLISTS WERE
DEFINED IN DSICNM**

Explanation

A maximum of 16 command lists can be defined on C statements. Command lists after the 16th command list in DSICNM are not displayed on the status monitor detail panels when SCLIST is selected to list the command lists.

System action

The first 16 command lists are displayed.

Operator response

Notify the system programmer.

System programmer response

Code only 16 C statements in DSICNM. See the *IBM Z NetView Administration Reference* for more information.

CNM078I **"timertype" IS AN INVALID TIMER
TYPE ON TYPE T OR TYPE M
STATEMENT.**

Explanation

The system programmer coded a type that is not valid in columns 3-16 of the T PENDING, T APPLS, M MAXREACT, or M REACTINT statement. The type must be PENDING, APPLS, MAXREACT, or REACTINT.

Message Variables

"timertype"

The timer type that is not valid

System action

The statement is ignored and processing continues.

Operator response

Notify the system programmer.

System programmer response

Correct the type T or type M record that is not valid and is in DSICNM. The previous CNM090I message contains the statement that is not valid in DSICNM.

CNM079I **"nn" IS AN INVALID TWO-DIGIT
TIMER INTERVAL FOR THE
"statement" STATEMENT.**

Explanation

The system programmer coded a timer interval that is not valid in columns 18 and 19 of the T PENDING, T APPLS, M MAXREACT, or M REACTINT statement. See the *IBM Z NetView Administration Reference* for instructions on coding the timer interval. The status shown by the status monitor for one or more resources might be incorrect because status solicitation (D NET,APPLS or D NET,PENDING) or MONIT reactivation attempts will not be issued at correct intervals.

Message Variables

"nn"

The 2-digit time interval that is not valid

"statement"

The type of statement

System action

The statement is ignored and processing continues.
The interval will default to 00.

Operator response

Notify the system programmer.

System programmer response

Correct the type T or type M record in DSICNM. The previous CNM090I message contains a statement that is not valid.

**CNM080I MESSAGE INDICATOR NUMBER IS
 INVALID: RECORD WAS IGNORED**

Explanation

The only valid message indicator numbers are 1, 2, 3, and 4.

System action

The statement is ignored and processing continues.

Operator response

Notify the system programmer.

System programmer response

The previous CNM090I message contains the statement that is not valid in DSICNM. Correct the A statement in DSICNM. See the *IBM Z NetView Administration Reference* for more information.

**CNM081I COLOR CODE IS INVALID AND
 WAS IGNORED**

Explanation

The color indicator must be B, G, P, R, T, W, Y, or blank.

System action

The statement is ignored and processing continues.

Operator response

Notify the system programmer.

System programmer response

The previous CNM090I message contains the statement that is not valid in DSICNM. Correct the color code in DSICNM. See the *IBM Z NetView Administration Reference* for more information.

**CNM082I AUTO ALERT INDICATOR WAS
 IGNORED: CODE "Y", "N", OR
 BLANK**

Explanation

The auto-alert indicator must be Y, N, or blank.

System action

The statement is ignored and processing continues.

Operator response

Notify the system programmer.

System programmer response

The previous CNM090I message contains the statement that is not valid in DSICNM. Correct the auto-alert indicator in DSICNM. See the *IBM Z NetView Administration Reference* for more information.

**CNM083I HIGHLIGHT INDICATOR WAS
 IGNORED: CODE "B", "R", "U", OR
 BLANK**

Explanation

The auto-alert highlight indicator must be B, R, U, or blank.

System action

The statement is ignored and processing continues.

Operator response

Notify the system programmer.

System programmer response

The previous CNM090I message contains the statement that is not valid in DSICNM. Correct the auto-alert highlight indicator in DSICNM. See the *IBM Z NetView Administration Reference* for more information.

**CNM084I HIGHLIGHT CODE WAS IGNORED:
 CODE "Y" FOR AUTO ALERT
 INDICATOR**

Explanation

The auto-alert indicator must be Y to use a non-blank value for auto-alert highlight.

System action

The statement is ignored and processing continues.

Operator response

Notify the system programmer.

System programmer response

The previous CNM090I message contains the statement that is not valid in DSICNM. Correct the auto-alert indicator or auto-alert highlight indicator in DSICNM. See the *IBM Z NetView Administration Reference* for more information.

CNM085I **SIGNAL INDICATOR WAS
IGNORED: CODE "Y", "N", OR
BLANK**

Explanation

The auto-alert sound alarm indicator must be Y, N, or blank.

System action

The statement is ignored and processing continues.

Operator response

Notify the system programmer.

System programmer response

The previous CNM090I message contains the statement that is not valid in DSICNM. Correct the auto-alert sound alarm indicator in DSICNM. See the *IBM Z NetView Administration Reference* for more information.

CNM086I **SIGNAL INDICATOR WAS
IGNORED: CODE "Y" FOR AUTO
ALERT INDICATOR**

Explanation

The auto-alert indicator must be Y to use a non-blank value in auto-alert sound alarm indicator.

System action

The statement is ignored and processing continues.

Operator response

Notify the system programmer.

System programmer response

The previous CNM090I message contains the statement that is not valid in DSICNM. Correct the auto-alert sound alarm indicator or the auto-alert indicator in DSICNM. See the *IBM Z NetView Administration Reference* for more information.

CNM087I **SYSTEM CONSOLE INDICATOR
WAS IGNORED: CODE "Y", "N", OR
BLANK**

Explanation

The system console indicator must be Y, N, or blank.

System action

The statement is ignored and processing continues.

Operator response

Notify the system programmer.

System programmer response

The previous CNM090I message contains the statement that is not valid in DSICNM. Correct the system console indicator in DSICNM. See the *IBM Z NetView Administration Reference* for more information.

CNM089I ***** WARNING *** ERRORS IN
RUN PARAMETERS**

Explanation

There are errors in DSICNM. A detailed message precedes this message.

System action

The statement is ignored and processing continues.

Operator response

Notify the system programmer.

System programmer response

Correct the errors in DSICNM.

CNM090I *record*

Explanation

CNM090I is an echo of a DSICNM statement that contains an error. It is followed by a message that explains the error.

Message Variables

record

The record in DSICNM that is not valid.

System action

The statement is ignored and processing continues.

Operator response

Notify the system programmer.

System programmer response

Correct the statement in DSICNM.

CNM091I DSICNM WAS NOT FOUND
Explanation

The DSICNM member of DSIPARM cannot be found.

System action

The status monitor ends.

Operator response

Notify the system programmer.

System programmer response

Ensure DSICNM is a member of DSIPARM. Ensure the JCL is defined correctly for DSIPARM in the NetView procedure. If you need further help, contact IBM Software Support.

CNM092I DSICNM CODE "*code*" IS INVALID
Explanation

The code found in column 1 in DSICNM is not valid.

Message Variables***code***

The name of the code that is not valid.

System action

The statement is ignored and processing continues.

Operator response

Notify the system programmer.

System programmer response

Locate the error in DSICNM and correct it. See the *IBM Z NetView Administration Reference* for more information.

**CNM093I "*optcode*" IS AN INVALID OPTION
ON TYPE "O" RECORD IN DSICNM**
Explanation

There is an O statement in DSICNM that is not valid.

Message Variables***optcode***

The option code.

System action

The statement is ignored and processing continues.

Operator response

Notify the system programmer.

System programmer response

The only valid O statements are O MONIT and O SECSTAT. Check the O statement in DSICNM.

**CNM094I STATUS UPDATE FOR RESOURCE
= *resource* IN NETWORK = *network*
FROM DOMAIN = *domainid*
STATUS = *status* OLD STATUS =
oldstatus CATEGORY = *category***
Explanation

A resource known to the status monitor has changed status. This message is presented for automation purposes.

Message Variables***resource***

The name of the resource as defined in VTAM and NCP definitions.

network

The network name of the resource as known by the NetView program.

domainid

The domain name of the resource as known by the NetView program.

status

The status of the resource reported by the status monitor.

oldstatus

The previous status of the resource as reported by the status monitor.

category

The type of resource as categorized by the status monitor.

System action

The message is sent to the authorized receiver.

System programmer response

Use this message to automate the recovery of resources.

CNM095I **"text" IS AN INCORRECT OPTION
ON THE SENDMSG RECORD IN
DSICMN**

Explanation

An incorrect type was entered on the SENDMSG record.

Message Variables

text

The incorrect type entered on the SENDMSG record.

System action

The SENDMSG record is ignored and processing continues.

Operator response

Notify the system programmer.

System programmer response

Correct the type on the SENDMSG record field and recycle the status monitor task.

CNM096E **A SHIFT-IN WAS FOUND BEFORE
A SHIFT-OUT FOR *msgid* IN
TRANSLATION MEMBER *member***

Explanation

The message translation statement for the specified message identifier in the specified translation member contains a shift-in before a shift-out.

Message Variables

msgid

The message identifier in the message translation table.

member

The name of the translation member containing the message translations.

System action

The command continues syntax checking with the message translation in the member. No message translation table is loaded into the NetView program. The NetView program continues to display all messages in English.

Operator response

Notify the system programmer.

System programmer response

Correct the syntax error in the message translation statement in the specified translation member. Reload the member using the TRANSMMSG command. See the NetView online help or the *IBM Z NetView Installation: Configuring Additional Components* for the correct syntax.

CNM099I **NO RESPONSE FROM *number*
NODES. TYPE *command* FOR
MORE INFORMATION.**

Explanation

This message indicates that one or more NetView domains included in a multi-domain Canzlog request has become unresponsive.

Message Variables

number

The number of domains that failed to respond to the current Canzlog request.

command

The command to enter to see status information about all of the domains that are included in the current Canzlog request.

System action:

Inactive domains are excluded from subsequent Canzlog requests.

Operator response:

Use the REFRESH command in the TARGET panel to refresh the status information for all included domains. If the affected domains become active again, you can then include them in Canzlog requests. If the affected domains are still inactive, notify the system programmer.

System programmer response:

Make sure remote operations are functioning properly on any domains shown as inactive.

CNM100I **THE LIST OF *description* STORED
AT *name***

Explanation

This message results from the QRYGROUP command and shows information about groups that are available for multi-domain Canzlog browsing. The information appended to the message is either a list of available groups or a list of the members of a specified group, depending on the query that was issued. For more information, see the online help for the QRYGROUP command.

Message Variables

description

A description of the list that was requested.

name

The name of the location where the list members are stored.

CNM102I **CANZLOG PRINT FROM DOMAIN**
domain AT date&time FILTER:
filterspec PREFIXES: prefixes
DETAIL FOR MVS MESSAGE:
detail_id_list DETAIL FOR
NETVIEW MESSAGE: detail_id_list

Explanation

This message is printed as a header before the PRINT command prints any other Canzlog messages.

Message Variables**domain**

The domain name of the host.

date&time

The date and time when the PRINT command was issued.

filterspec

The filter specification that the PRINT command used.

prefixes

The message prefixes that the PRINT command used.

detail_id_list

The MVS or NetView message details that the PRINT command used.

CNM103I **STATUS MONITOR HAS STOPPED**
MONITORING RESOURCE resource
reason

Explanation

The status monitor has stopped monitoring a node for one of the following reasons:

- Constant (because of MONIT STOP,ALL command)
- Constant (because of MONIT STOP,ID= or VARY command)
- Constant (because of MONIT STOP,ID= or VARY command on higher node)
- Constant (because the higher node was not monitored)
- An operator has issued a MONIT STOP,ID=*resource* for the node that was previously monitored.

Message Variables**resource**

The resource name.

reason

The reason the status monitor stopped monitoring a node.

System action

resource is no longer being monitored.

CNM104I **STATUS MONITOR HAS STARTED**
MONITORING RESOURCE resource

Explanation

The node has failed or the operator has issued a MONIT START,ID=*resource* for an inactive node.

Message Variables**resource**

The resource name.

System action

A VARY ACT,ID=*resource* is being issued once a minute until the resource leaves the inactive state.

CNM106I **STATUS MONITOR HAS**
REACTIVATED RESOURCE
resource

Explanation

Status monitor has successfully reactivated node *resource*.

Message Variables**resource**

The resource name.

CNM107I **STATUS MONITOR IS NOT**
MONITORING resource DUE TO
NOMONIT OPTION

Explanation

Status monitor is not monitoring resource *resource* because the NOMONIT parameter has been specified on the node definition in VTAMLST for the *resource*.

Message Variables**resource**

The resource name.

Operator response

Notify the system programmer.

System programmer response

If you want to monitor the node, remove the NOMONIT keyword in VTAMLST for that resource.

CNM108I **STATUS MONITOR IS NOT**
MONITORING resource; GLOBAL
MONITORING IS OFF

Explanation

Status monitor cannot monitor resource *resource* because the operator has switched off node monitoring.

Message Variables

resource

The resource name.

System action

The MONIT command is ignored.

**CNM109I OPERATOR SUSPENDED
MONITORING. BROWSE CNM103I
MESSAGES IN LOG IF YOU NEED
TO KNOW WHAT NODES WERE
AFFECTED.**

Explanation

Node monitoring is switched off by operator.

System action

The MONIT STOP,ALL command was successful.

**CNM110I OPERATOR STARTED
MONITORING**

Explanation

Node monitoring is switched on by operator.

System action

The MONIT START,ALL command was successful.

**CNM112I *task* INITIALIZATION IS
COMPLETE**

Explanation

The status monitor main task or status monitor browse task has completed initialization. If the insert is STATUS MONITOR MAIN TASK, then you can now enter any status monitor command.

Message Variables

task

The status monitor main task or log browse task.

**CNM113I THERE IS NOT AN ACTIVE LOG AT
THIS TIME**

Explanation

The command BROWSE NETLOGA was entered but all logs defined are inactive.

Operator response

Issue the command BROWSE NETLOGP or BROWSE NETLOGS to browse the primary or secondary log. Alternatively, make one of the logs active by issuing a START TASK command on DSILOG or, if DSILOG is already active, by issuing a SWITCH DSILOG,P or SWITCH DSILOG,S command.

System programmer response

Issue the LIST DSILOG command to determine the state of the logger task. If the task is active but no logs are active, then either an operator has issued the SWITCH DSILOG,T command or there has been an error writing to or opening the log. Errors in VSAM processing might have been displayed in message DSI556I.

**CNM114I MODCB FAILED: RETURN CODE =
4, ERROR CODE = *errcode***

Explanation

A return code of 4 was received after issuing the VSAM macro MODCB. The error code is in register 0.

Message Variables

errcode

The contents of register 0 after entering MODCB VSAM macro. The code is in decimal.

Operator response

Notify the system programmer.

System programmer response

Use the error code information to identify the VSAM problem.

**CNM115I GENCB FOR READ LOG RPL
FAILED**

Explanation

The VSAM macro GENCB for the RPL control block returned a code other than 0.

Operator response

Notify the system programmer.

System programmer response

Use the VSAM manuals to correct the problem.

**CNM116I POINT FAILED: RETURN CODE =
12, FEEDBACK CODE = *vsamfb***

Explanation

The VSAM POINT macro returned a return code of 12.

Message Variables***vsamfb***

The VSAM internal feedback code. The code is in decimal.

Operator response

Notify the system programmer.

System programmer response

Use the RCFB command list for a description of the return codes and feedback codes. Use the feedback information to identify the VSAM problem.

CNM117I BOTH LOGS ARE INACTIVE

Explanation

The command BROWSE NETLOGI was entered but both logs are inactive.

Operator response

Enter the command BROWSE NETLOGP or NETLOGS to browse the primary or secondary log.

**CNM118I POINT FAILED: RETURN CODE = 8,
FEEDBACK CODE = *vsamfb***

Explanation

The VSAM POINT macro returned a return code of 8.

Message Variables***vsamfb***

The VSAM internal feedback code. The code is in decimal.

Operator response

Notify the system programmer.

System programmer response

Use the RCFB command list for a description of the return codes and feedback codes. Use the feedback information to identify the VSAM problem.

CNM120I THE *log* LOG IS EMPTY

Explanation

The log you requested to browse is empty.

Message Variables***log***

ACTIVE or INACTIVE or PRIMARY or SECONDARY.

CNM121I POINT FAILED. RETURN CODE = 4

Explanation

The VSAM POINT macro returned a return code of 4.

Operator response

Notify the system programmer.

System programmer response

Use the return code information to identify the VSAM problem.

**CNM122I THE SECONDARY LOG IS NOT
DEFINED**

Explanation

A BROWSE NETLOGS command was entered but a secondary log is not defined.

Operator response

You might want to browse the primary log data set.

**CNM123I GET FAILED. RETURN CODE =
*retcode***

Explanation

The VSAM macro GET returned a return code of *retcode*.

Message Variables***retcode***

The return code. The code is in decimal.

Operator response

Notify the system programmer.

System programmer response

Use the return code information to identify the VSAM problem.

**CNM124I GET FAILED. RETURN CODE =
vsamrc, FEEDBACK CODE =
*vsamfb***

Explanation

The VSAM macro GET returned the return code *vsamrc* and the feedback code *vsamfb*.

Message Variables

vsamrc

The VSAM return code. The code is in decimal.

vsamfb

The VSAM feedback code. The code is in decimal.

Operator response

Notify the system programmer.

System programmer response

Use the RCFB command list for a description of the return codes and feedback codes. Use the information to identify the VSAM problem.

**CNM126I LOG BROWSE TASK WAS POSTED
 TO TERMINATE BY NCCF**

Explanation

The termination ECB for the log browse task has been posted because of a STOP or CLOSE command.

Operator response

Enter a START command to restart the task.

**CNM127I LOG BROWSE TASK WAS POSTED
 WITH NO DATA**

Explanation

A buffer was sent to the log browse task that did not contain a browse request.

System action

The buffer is ignored and processing continues.

Operator response

Notify the system programmer.

System programmer response

Determine which application sent the buffer. If it was a user application, correct the DSIMQS macro invocation. Otherwise, contact IBM Software Support.

**CNM128I LOG BROWSE task ACB IS NOT
 OPEN**

Explanation

The access control block (ACB) for the log browse task was closed in order to switch the logs and has not been reopened.

Message Variables

task

The primary or secondary log browse task.

Operator response

Notify the system programmer.

System programmer response

Use information from error messages issued when the DSILOG tried to open the ACB to identify the problem.

**CNM129I MODCB FAILED. RETURN CODE =
 vsamrcd, FEEDBACK CODE =
 vsamfb**

Explanation

The VSAM macro MODCB returned the return code *vsamrc* and the feedback code *vsamfb*.

Message Variables

vsamrcd

The VSAM return code. The code is in decimal.

vsamfb

The VSAM feedback code. The code is in decimal.

Operator response

Notify the system programmer.

System programmer response

Use the RCFB command list for a description of the return codes and feedback codes. Use the information to identify the VSAM problem.

**CNM130I THE DATA SET THAT WAS BEING
 BROWSED HAS BEEN EMPTIED OR
 OTHER BROWSE PROBLEM
 OCCURRED**

Explanation

The log task has switched to the data set that was being browsed. In order to write to the data set, it was emptied. Another condition in which this message can occur is the browse task restarted while an operator was browsing the network log.

CNM131I ELEMENT TEXT DELIMITER

Explanation

These are headings for the responses to the PARSE command. This message will be followed by CNM132I and CNM133I.

CNM132I -----

Explanation

This is the separator line that appears immediately after CNM131I.

CNM133I *element text delimiter***Explanation**

This statement is the parsed element as a result of the PARSE command. One or more occurrences of CNM133I follows the CNM132I separator line.

Message Variables**element**

The contents for ELEMENTS.

text

The contents for TEXT.

delimiter

The contents for DELIMITER.

CNM134I **END OF PARSE DISPLAY****Explanation**

This follows the CNM133I messages to mark the end of the output from the PARSE command.

CNM135I **THERE IS AN INVALID CHARACTER IN THE MODULE NAME****Explanation**

The character in column 16 of an F statement is not alphabetical or an &.

System action

The filter statement is ignored.

Operator response

Notify the system programmer.

System programmer response

Locate the error in DSICNM and correct it. See the *IBM Z NetView Administration Reference* for more information.

CNM136I **MESSAGE NUMBER OR FILTER PARAMETER NEEDED: STATEMENT IGNORED****Explanation**

You did not enter the required fields following the process number (class) on the F (filter) statement.

System action

The F statement is ignored.

Operator response

Notify the system programmer.

System programmer response

Locate the error in the F statement in the DSICNM member of DSIPARM and correct the syntax. Specify the message number (beginning in column 7) and the filter parameter (beginning in column 16). See the *IBM Z NetView Administration Reference* for more information on F statement.

CNM137I **PARAMETER NUMBER IS INVALID****Explanation**

The parameter number must be a decimal number.

System action

The filter statement is ignored.

Operator response

Notify the system programmer.

System programmer response

Locate the error in DSICNM and correct it. See the *IBM Z NetView Administration Reference* for more information.

CNM138I **A SUBSTRING LIMIT IS NOT NUMERIC****Explanation**

The substring limit must be a numeric value.

System action

The filter statement is ignored.

Operator response

Notify the system programmer.

System programmer response

Locate the error in DSICNM and correct it. See the *IBM Z NetView Administration Reference* for more information.

CNM139I **"(", "¬", OR "=" WAS EXPECTED****Explanation**

One of the filter message parameters is missing the (, ¬, or = character, depending on the type of the parameters.

System action

The filter statement is ignored.

Operator response

Notify the system programmer.

System programmer response

Locate the error in DSICNM and correct it. See the *IBM Z NetView Administration Reference* for more information.

**CNM140I A COLON OR CLOSE PARENTHESIS
 WAS EXPECTED**
Explanation

A colon was expected to separate substring values or a close parenthesis was expected to close a value.

System action

The filter statement is ignored.

Operator response

Notify the system programmer.

System programmer response

Locate the error in DSICNM and correct it. See the *IBM Z NetView Administration Reference* for more information.

**CNM141I A CLOSE PARENTHESIS WAS
 EXPECTED**
Explanation

A close parenthesis was expected in order to close a substring.

System action

The filter statement is ignored.

Operator response

Notify the system programmer.

System programmer response

Locate the error in DSICNM and correct it. See the *IBM Z NetView Administration Reference* for more information.

CNM142I "=", "<", OR ">" WAS EXPECTED
Explanation

A logical operator has been left out of one of the filter message parameters.

System action

The filter statement is ignored.

Operator response

Notify the system programmer.

System programmer response

Locate the error in DSICNM and correct it. See the *IBM Z NetView Administration Reference* for more information.

**CNM143I A QUOTATION MARK WAS
 EXPECTED**
Explanation

A quotation mark was expected following the logical operator and preceding the value.

System action

The filter statement is ignored.

Operator response

Notify the system programmer.

System programmer response

Locate the error in DSICNM and correct it. See the *IBM Z NetView Administration Reference* for more information.

**CNM144I A COMPARATOR VALUE WAS
 EXPECTED**
Explanation

No comparison string value was found following the logical operator.

System action

The filter statement is ignored.

Operator response

Notify the system programmer.

System programmer response

Locate the error in DSICNM and correct it. See the *IBM Z NetView Administration Reference* for more information.

CNM145I AN OPEN PARENTHESIS WAS EXPECTED

Explanation

An open parenthesis following the module name was expected.

System action

The filter statement is ignored.

Operator response

Notify the system programmer.

System programmer response

Locate the error in DSICNM and correct it. See the *IBM Z NetView Administration Reference* for more information.

CNM146I AN AMPERSAND WAS EXPECTED

Explanation

An & was expected to follow the open bracket.

System action

The filter statement is ignored.

Operator response

Notify the system programmer.

System programmer response

Locate the error in DSICNM and correct it. See the *IBM Z NetView Administration Reference* for more information.

CNM147I A COMMA WAS EXPECTED

Explanation

Filter parameters are separated by a comma or by a space. Apparently two parameters were given and were not separated by either method.

System action

The filter statement is ignored.

Operator response

Notify the system programmer.

System programmer response

Locate problem area in DSICNM and insert a ',' or '' between the two parameters.

CNM148I MAKE THE STRING AND COMPARATOR LENGTH EQUAL

Explanation

The string being compared and the comparator string length are not equal.

System action

The filter statement is ignored.

Operator response

Notify the system programmer.

System programmer response

Locate the error in DSICNM and correct it. See the *IBM Z NetView Administration Reference* for more information.

CNM149I RECORD IGNORED: INVALID FILTER MESSAGE NUMBER

Explanation

The filter message number must be left aligned and start in column 7. A filter message number might have been coded in column 8.

System action

The filter statement is ignored.

Operator response

Notify the system programmer.

System programmer response

Locate the error in DSICNM and insert the correct message number starting in column 7.

CNM150I ELEMENT TYPE NEEDS TO BE "T", "D", "O", "M", OR NUMERIC

Explanation

The only valid element types in DSICNM are numeric, T, D, O, or M.

System action

The filter statement is ignored.

Operator response

Notify the system programmer.

System programmer response

Correct the element type parameter in column 16 in DSICNM.

**CNM151I MODULE NAME CANNOT BE
 LONGER THAN 8 CHARACTERS**

Explanation

The module name has more than 8 characters.

System action

The filter statement is ignored.

Operator response

Notify the system programmer.

System programmer response

Locate the module name that is longer than 8 characters and correct it.

**CNM152I EOF REACHED BEFORE
 CONTINUATION RECORD FOUND**

Explanation

The last valid filter statement in DSICNM ends in a comma, indicating that a continuation statement is needed. The end of file was reached before the continuation record was found.

System action

The record is ignored.

System programmer response

Add the missing continuation record to DSICNM.

CNM153I message

Explanation

This is a message that is sent to the authorized message receiver.

Message Variables

message

The message to the authorized message receiver.

**CNM154I HOURLY OPERATOR MESSAGE
 INDICATOR STATISTICS**

Explanation

This is the first line of the hourly message indicator statistics display in the log.

**CNM155I MI #1 MI #2 MI #3 MI #4
 LOGTOTAL**

Explanation

This is the header line for the hourly message indicator display.

CNM156I mi1 mi2 mi3 mi4 mi5

Explanation

This message gives the number of message indicators that were triggered in the last hour by message indicator number.

Message Variables

mi1

The number of times message indicator 1 was matched in the past hour.

mi2

The number of times message indicator 2 was matched in the past hour.

mi3

The number of times message indicator 3 was matched in the past hour.

mi4

The number of times message indicator 4 was matched in the past hour.

mi5

The number of times message indicators 1, 2, 3, and 4 were matched in the past hour.

**CNM161I THERE IS A MAPPING ERROR FOR
 MESSAGE vtammsg**

Explanation

The VTAM skeleton for *vtammsg* is different from the message format of *vtammsg* expected by status monitor.

mj

Message Variables

vtammsg

The VTAM message.

Operator response

Notify the system programmer.

System programmer response

Ensure the levels of the NetView program and VTAM are compatible. Ensure your installation has not modified this message. If you need further help, contact IBM Software Support.

CNM162E *mprocess* BUFFERING IS CRITICAL. MESSAGES LOST IN APPROXIMATELY *dtime* SECONDS.

Explanation

Loss of automation of messages is possible in the near future.

Message Variables

mprocess

The type of buffering that is in danger. At the current time, the only value that can appear is *AUTOMATION*.

dtime

The estimated amount of time before automation of messages is lost.

Operator response

Notify the system programmer.

System programmer response

Look for processes using excessive CPU or message rates. Consider using message flood automation. Raise the priority of NetView or CNMCSIR task.

CNM163I DATA BUFFERING STORAGE HAS INCREASED TO *newsiz* MEGABYTES FOR THE *czstate* CANZLOG DATA SPACE(S).

Explanation

The usable portion of the Canzlog data space is increased by 8 MB.

Message Variables

newsiz

The new size of the Canzlog data space buffering storage

czstate

- ACTIVE - The active Canzlog data space
- ARCHIVE - The archive Canzlog data space(s)

System programmer response:

Ensure that enough auxiliary storage exists to support the virtual storage used by the Canzlog data space.

CNM164A *mprocess* FELL BEHIND. *Ltype* MESSAGE LOSS. FROM *timestampOne* TO *timestampTwo*.

Explanation

The rate of automation of messages was much slower than the rate of logging messages. As a result, automation of some messages did not occur.

Message Variables

Ltype

The type of message loss that occurred. The value can be either *UNEXPECTED* or *EXPECTED*.

Unexpected message loss means a stress level of 5 was reached. Expected message loss means a lower SkipLevel was specified and the skip occurred before a critical situation could occur.

mprocess

The type of buffering that is in danger. At the current time, the only value that can appear is *AUTOMATION*.

timestampOne

Beginning date and time of message loss

timestampTwo

End date and time of message loss

Operator response

Notify the system programmer.

System programmer response

Investigate system activity around the time indicated by *timestampOne* to determine the cause of the message processing hang. Check for the integrity of the system. Verify the status of all active jobs and jobs that should be active. If messages are lost, this situation may affect automation as the actual automation resource status (IBM Z System Automation) may no longer be accurate, and any actions triggered by those lost messages will not be seen. To fix the resource status is such a situation, the operator might issue a RESYNC SUBSYSTEM command.

CNM165I DATA BUFFERING USAGE IS AT MAXIMUM FOR THE *czstate* CANZLOG DATA SPACE(S).

Explanation

The usable storage in the Canzlog data space(s) has expanded enough times so that the maximum possible storage has been used. If it is the active Canzlog data space, the maximum possible storage is either 512 MB or 2 GB. If it is the archive data space(s), the maximum

value is defined on the CNMSTYLE statement ARCHIVE.BROWSE.DATASPACES or ARCHIVE.BROWSE.MAXDSPSIZE.

Message Variables

czstate

- ACTIVE - The active Canzlog data space
- ARCHIVE - The archive Canzlog data space(s)

System programmer response

If the active Canzlog data space had been defined with a maximum size of 512 MB by using the TINYDS initialization parameter in an IEFSSNxx PARMLIB member, consider defining the data space with a maximum of the full 2 GB of storage by using or defaulting the FULLDS initialization parameter.

If the set of archive Canzlog data spaces has reached its maximum size, consider increasing the size of the Canzlog data space(s) defined on the CNMSTYLE statement ARCHIVE.BROWSE.DATASPACES or ARCHIVE.BROWSE.MAXDSPSIZE.

CNM166I *number* **MESSAGES PRINTED SUCCESSFULLY TO *datasetname* WITH FILTER *filterspec*.**

Explanation

This message is issued when the PRINT command is successful.

Note: If no messages match the PRINT command criteria, message CNM214I is issued.

Message Variables

number

The total number of messages printed.

datasetname

The data set, data set name with member, or DD name.

filterspec

The filter specification used.

CNM167I **INVALID VALUE *value* IS SPECIFIED FOR *object*. VALUE *newvalue* IS USED INSTEAD.**

Explanation

An invalid value was specified on a definition statement, command, or other object.

Message Variables

value

The invalid value.

object

The keyword, statement, or other value that was given an invalid value.

newvalue

The value that is replacing the invalid value.

System action

The NetView program uses the replacement value for the specified object. Processing continues.

CNM200I **NO TASKS WITH THE MATCHING TYPE, *type*, ARE CURRENTLY ACTIVE**

Explanation

A trace was requested with a certain task type, but no tasks of that type are active. Any tasks of the specified type will be traced when they become active.

Message Variables

type

A task type can be HCT, NNT, OPT, OST, PPT, or MNT.

System action

The trace request is accepted.

CNM201I ***task*: *statement* STATEMENT CAN ONLY BE SPECIFIED FOR TASKS USING SEQUENTIAL LOGGING SERVICES (NON-VSAM)**

Explanation

The *statement* statement was specified in the initialization member of the *task* task. The task defined logging services so that VSAM logging was defined (DSTINIT PDDNM) for a task other than DSITRACE or DSILOG.

Message Variables

task

The name of the task.

statement

The type of initialization statement in error.

System action

Logging starts as if the statement in error was not specified.

Operator response

Notify the system programmer.

System programmer response

Either remove the initialization statement that is in error, or change the logging data sets to sequential (DSTINIT PBSDN).

**CNM204I FUNCTION REQUESTED IS NOT
 VALID FOR BROWSE NETLOG**

Explanation

The function you requested while browsing the network log is not valid.

**CNM206I BROWSE DATA WAS TRUNCATED
 AT LINE *truncline* OF *totline***

Explanation

You issued a cross-domain member browse request and the number of lines in the remote member exceeded your RMTMAXL setting for DEFAULTS and OVERRIDE.

Message Variables

truncline

The number of lines transferred from the remote NetView program. This number reflects your RMTMAXL setting for DEFAULTS and OVERRIDE and is not the total number of lines in the remote member.

totline

The total number of lines in the remote member. Of *totline* total lines, only *truncline* lines were transferred.

System action

The browse command continues. There are *truncline* lines in this browse session.

Operator response

Contact your system programmer. You can also logon directly to the remote NetView program and issue the BROWSE command.

System programmer response

Determine if your installation's setting for RMTMAXL is appropriate. The DEFAULTS command can be used to change the installation default for RMTMAXL and the OVERRIDE command can be used to define the RMTMAXL setting per operator.

Note: A large RMTMAXL setting allows operators to browse large members cross-domain and can cause LU6.2 RMTCMD communication delays because of excessive or inadvertent data transfer.

**CNM207I INPUT MUST BE NUMERIC AND
 >=1000 OR "*" FOR UNLIMITED
 SEARCH**

Explanation

You entered a non-numeric value other than * (the asterisk means an unlimited search) in the search maximum field.

Operator response

Enter a numeric value or * in the search maximum field and retry the search.

**CNM208I INCORRECT OPERAND: *keyword*.
 PLEASE RETRY**

Explanation

You entered parameters for message search or filtering that were not recognized. See help for BROWSE or FIND to see valid keywords.

Message Variables

keyword

The keyword that is not valid.

Operator response

See the NetView online help for the correct syntax and enter the command again.

**CNM209I No log entries for this date/time
 range**

Explanation

You browsed the Canzlog log or the network log with a time range specified. No records satisfying your filters were logged during this time range.

**CNM210I INCORRECT TIME OPERAND
 '*invalid_time*'. PLEASE RETRY**

Explanation

You browsed the network log with a time range that is not valid.

Message Variables

invalid_time

The time entered was not recognized as a valid time.

Operator response

Issue the command with the correct time specified.

**CNM211I INCORRECT DATE OPERAND
 '*invalid_date*'. PLEASE RETRY**

Explanation

You browsed the network log with a date range that is not valid.

Message Variables

invalid_date

The date entered was not recognized as a valid date.

Operator response

Issue the command with the correct date specified.

**CNM212I INCORRECT DATE/TIME RANGE.
PLEASE RETRY**

Explanation

You browsed the network log with an incorrect time or date range specified.

Operator response

Issue the command with the correct time or date range specified.

**CNM213I Loss of data occurred for panel
being viewed. Please issue new
request.**

Explanation

The records being viewed can no longer be found in the data base. This could be due to (1) data overwritten in a Canzlog data space without archiving or (2) a switch occurring for the netlog or (3) netlog browse being restarted.

Operator response

Issue the browse request again.

System programmer response

If Canzlog data is not being archived, consider enabling Canzlog archiving by changing archive statements in CNMSTYLE.

**CNM214I All records have been filtered; no
matching records found**

Explanation

The log browse or print request has resulted in all records being filtered. No records matched the filter specifications that are in effect. CANZLOG or BLOG filtering might be the cause.

If you are doing a NETLOGx browse, installation exit EXIT18 and other log browse requests can also be used to filter records.

If you are doing a Canzlog browse, a second line which describes the filters may be added.

Operator response

Issue the log browse or print request with different filters. Use the CANZLOG or BLOG input panel to specify fewer filters.

**CNM216I dataset DEALLOCATED BUT
POSSIBLE ERROR OCCURRED ID =
ic**

Explanation

You issued the FREE command to deallocate the specified data set. The deallocation was successful, but a possible error during subsequent processing was detected. This might be because of the disposition (for example, KEEP or DELETE) that was specified on the FREE command.

Message Variables

dataset

The name of the data set or *ddname* that was deallocated.

ic

The information code from the DYNALLOC macro indicating the possible failure.

System action

The specified data set is deallocated but subsequent actions (for example, deleting the data set) might not have been performed, depending on the information code (IC).

Operator response

Notify the system programmer.

System programmer response

See the appropriate OS/VS2 manual for a description of the DYNALLOC information codes to determine if any further action needs to be taken.

**CNM217I NetView Program to Program
Interface is inactive**

Explanation

The NetView program-to-program interface (PPI) is inactive.

System action

One of the following actions occurs, depending on the function for which the message is received:

- The alert processing task CNMICALRT waits until the PPI becomes active.
- Z NetView Enterprise Management Agent remains active but cannot complete initialization until the PPI becomes active. The agent will complete initialization when the PPI becomes active.

Operator response

Start the PPI.

**CNM218I READ ERROR OCCURRED ON
 DSICNM**

Explanation

The NetView program cannot read the data set or file named DSICNM.

System action

The status monitor ends.

Operator response

Notify the system programmer.

System programmer response

Locate the error in DSICNM and correct it. See the *IBM Z NetView Administration Reference* for more information.

**CNM220I command : ACTIVE SESSIONS =
 'num1', SESSION REQUESTS =
 'num2'**

Explanation

This message is issued by command list APPLSPEN when the request is successful. It displays the number of active sessions and the number of session requests for a particular application program.

Message Variables

command

The name of the command list invoked.

num1

The number of active sessions for the application program.

num2

The number of pending or queued logon requests to the application program.

**CNM221I command : NAME = 'node', STATUS
 = 'status', DESIRED STATE = 'state'**

Explanation

This message is issued by command list APPLSPEN when the request is successful. It displays the status and state for a particular application program.

Message Variables

command

The name of the command list invoked.

node

The name of the node being displayed.

status

The current status of the node as known to VTAM.

state

The node state as known to VTAM.

**CNM222I command : ENTER SENSE 'sense'
 FOR EXPLANATION OF FAILURE**

Explanation

The command list failed because of the reason indicated by the SNA sense code.

Message Variables

command

The name of the command list invoked.

sense

The sense code of the failure.

System action

The specified command list ends.

Operator response

Enter SENSE followed by the sense code to get an explanation of the failure. Notify the system programmer if necessary.

System programmer response

Identify the problem by finding the SNA sense code in *Systems Network Architecture Formats*. Take the necessary corrective action.

**CNM223I command : UNABLE TO VARY
 'node' ACTIVE**

Explanation

The command list cannot vary the node to active.

Message Variables

command

The name of the command list invoked.

node

The name of the node being recycled.

System action

The specified command list ends.

Operator response

Issue the command again. If the command list fails again, notify the system programmer.

System programmer response

Ensure that the system response time is acceptable. Also, ensure that VTAM is properly installed and currently active, and that the NetView program is receiving messages from VTAM.

CNM225I *command* : **COMMAND FAILED,
BNJDSERV NOT ACTIVE**

Explanation

Task BNJDSERV is not active.

Message Variables

command

The name of the command list invoked.

System action

The specified command list ends.

Operator response

Issue STARTCNM NPDA to start the hardware monitor. Then issue the command again. If the command list fails again, notify the system programmer.

System programmer response

Take any necessary corrective action.

CNM226I **NetView Program to Program
Interface initialization is
completed**

Explanation

The program-to-program interface has been initialized successfully and is now available for use.

System action

Processing continues.

CNM227I **NETView program to program
interface is not initialized**

Explanation

The program-to-program interface has not been initialized because either it was not requested or it is

already active on another NetView subsystem address space.

System action

Processing continues.

Operator response

Notify the system programmer.

System programmer response

If the program-to-program interface is required, check the startup job control language for the NetView subsystem address space to ensure that the program-to-program interface option was specified correctly. If the program-to-program interface option was correctly specified, ensure that the program-to-program interface is not already active on another NetView subsystem address space. The MVS MODIFY command for the NetView subsystem address space can be used to display the program-to-program interface status.

CNM228I *command* : **REXX INTERPRETER
INSTALLED AND AVAILABLE.**

Explanation

This is a successful completion for the QREXX command.

Message Variables

command

The name of the command list invoked.

CNM229I *command* : **REXX INTERPRETER
NOT AVAILABLE.**

Explanation

The REXX interpreter might not be installed or it might not be accessible through a JOBLIB, STEPLIB, LINKLIB, or LPA.

Message Variables

command

The name of the command list invoked.

Operator response

Notify the system programmer.

System programmer response

If the REXX interpreter is not installed, install TSO/E REXX interpreter, or add a STEPLIB to the NetView job control language (JCL) pointing to the library containing the REXX interpreter code.

**CNM230I THE LEVEL OF THE ISTIECCE
LOAD MODULE IS INCOMPATIBLE
WITH THE NETVIEW RELEASE.
STATUS MONITOR WILL
TERMINATE.**

Explanation

The copy of the module CNMIECCE, which is contained in the ISTIECCE load module, is not compatible with the release of the NetView program.

System action

The status monitor ends.

Operator response

Notify the system programmer.

System programmer response

Ensure that the library containing the CNMIECCE module is included in the VTAM concatenation string. A compatible level of the module CNMIECCE must be link-edited onto your system. Then restart the status monitor.

**CNM231I UNABLE TO LOAD MODULE
module1 FROM MODULE *module2*
FOR TASK *task***

Explanation

A NetView module cannot be loaded.

Message Variables

module1

The name of the module that cannot be loaded.

module2

The name of the module that tried to load *module1*.

task

The name of the task.

System action

The status monitor module cannot load the necessary module for further processing. The status monitor ends.

Operator response

Notify the system programmer.

System programmer response

Verify that the indicated module is link-edited correctly on your system, and that the library

containing the module is included in the concatenation string.

**CNM232I UNABLE TO OBTAIN INTERNAL
LOCK**

Explanation

The status monitor was unable to obtain an internal lock.

System action

The status monitor ends.

Operator response

Notify the system programmer.

System programmer response

Contact IBM Software Support.

**CNM233I VTAM WAS UNABLE TO LOAD
MODULE ISTIECCE FOR TASK *task***

Explanation

VTAM cannot load module ISTIECCE for *task*.

Message Variables

task

The name of the task.

System action

The status monitor ends.

Operator response

Notify the system programmer.

System programmer response

Verify that the module ISTIECCE is link-edited correctly on your system, and that the library containing the module ISTIECCE is included in VTAM's concatenation string.

**CNM234I VTAM WAS UNABLE TO ACTIVATE
STATUS MONITOR RETURN CODE
= *X'retcode'***

Explanation

VTAM was not able to activate the status monitor.

Message Variables

retcode

The VTAM return code.

System action

The status monitor ends.

Operator response

Notify the system programmer.

System programmer response

For more information, refer to the z/OS Communications Server library or contact IBM Software Support.

CNM235I **VTAM HAS INSUFFICIENT STORAGE TO ACTIVATE STATUS MONITOR**

Explanation

VTAM cannot activate the status monitor because of insufficient storage.

System action

The status monitor ends.

Operator response

Try again. Some storage space might have been freed. If you continue to get this message, notify the system programmer.

System programmer response

Allocate more storage space for VTAM.

CNM236I *commandname* : *functionname*
FAILED WITH RETURN CODE
returncode

Explanation

The NetView procedure *commandname* attempted the function *functionname*, it failed with a return code *returncode*.

Message Variables

commandname

The name of the procedure invoked.

functionname

The name of a programming interface that returned the error code in the command procedure. This can be:

- a command name such as GETMLINE or GETMSIZE
- an indirectly called command name, such as PRINT in NVINFO, which is invoked by using the NETV PIPE stage.

- the name of a macro such as DSIPSS
- the QSAM (WRITE) PIPE stage

returncode

The return code of the *functionname* that failed.

System action

The specified procedure ends.

Operator response

Notify the system programmer.

System programmer response

Take the necessary corrective action. Identify the problem by finding the return code for GETMSIZE, GETMLINE, or PRINT in *IBM Z NetView Programming: REXX and the NetView Command List Language*. When a macro name is returned in the message text, the command's attempt to use the macro failed. See *IBM Z NetView Programming: Assembler* to determine the problem.

CNM237I ***command* : "MESSAGE" OR "ALERT" ARE THE ONLY VALID KEYWORDS**

Explanation

Something other than MESSAGE or ALERT was entered as an input keyword for the command list. MESSAGE and ALERT are the only valid input keywords.

Message Variables

command

The name of the command list invoked.

System action

The specified command list ends.

Operator response

Issue the command with the valid keywords.

CNM238I **STATUS MONITOR ACTIVATION/ INACTIVATION IN PROGRESS**

Explanation

Processing for status monitor activation/inactivation continues.

System action

Processing for status monitor activation/inactivation continues.

**CNM239I STATUS MONITOR ACTIVATION/
INACTIVATION IS CONTINUING****Explanation**

Processing for status monitor activation/inactivation continues.

System action

Processing for status monitor activation/inactivation continues.

**CNM240I WARNING : DUPLICATE
ADDRESSES MAY BE REMOVED****Explanation**

If you are trying to remove an adapter on a PC network, any other adapter with the same address is removed as well.

System action

If you CANCEL the action, no adapters are removed.

Operator response

You can use CANCEL to cancel the action, or GO to proceed.

**CNM243I INVALID INPUT. PLEASE ENTER
'GO FOR' OR 'GO END'****Explanation**

You entered something other than GO FOR or GO END.

System action

Processing continues when the response is entered correctly.

Operator response

Enter GO FOR or GO END.

CNM246I OPERATION CANCELLED.**Explanation**

This message is issued in response to a GO END to cancel the command.

**CNM247I UNABLE TO ISSUE IDCAMS.
SYSLST IS UNASSIGNED.****Explanation**

The SYSLST LU is unassigned. IDCAMS cannot execute.

System action

IDCAMS command fails.

Operator response

Issue the command again when SYSLST is assigned.

System programmer response

Assign the SYSLST LU in NetView startup JCL.

**CNM248I MEMBER *member* OF MEMBER
TYPE B NOT FOUND IN ANY
SUBLIBRARY DEFINED TO THE
LIBDEF SEARCH STRING.****Explanation**

The file you specified was not found in any sublibrary defined to this procedure as a member type B.

Message Variables***member***

The name of the member.

System action

The command is ignored.

Operator response

Enter the command using a valid member.

**CNM249E *request* : NO DATA FOUND FOR
'*subject*'****Explanation**

There is no data available for the request you issued.

Message Variables***request***

The function that encountered the error.

subject

The requested data.

System action

Processing for the request ends.

Operator response

Check the format and spelling of the operands you entered. If the format and spelling are correct, notify the system programmer.

System programmer response

If message DSI724 accompanies this message, find the missing member and move it to the correct data

set. If the request was HELP, determine whether the proper entry is in the HELPMAP sample.

CNM251I **TRANSLATION ALREADY IN EFFECT. *command* COMMAND IGNORED**

Explanation

You entered a command to load a table of National Language message translations, but a message translation table has previously been loaded and is currently in use. The command can be issued successfully once for each NetView initialization.

Message Variables

command

The name of the command entered.

System action

The command is rejected.

CNM252E **MESSAGE SKELETON IS TOO LONG FOR *msgid* IN TRANSLATION MEMBER *member***

Explanation

The message translation statement for the specified message identifier in the specified translation member contains a message skeleton that is too long for the buffer.

Message Variables

msgid

The message identifier in the message translation table.

member

The name of the translation member containing the message translations.

System action

The command continues syntax checking with the message translation in the member. No message translation table is loaded into the NetView program. The NetView program continues to display all messages in English.

Operator response

Notify the system programmer.

System programmer response

Correct the syntax error in the message translation statement in the specified translation member. Reload the member using the TRANSMMSG command. See the NetView online help or the *IBM Z NetView Installation*:

Configuring Additional Components for the correct syntax.

CNM253I **NO VALID MESSAGE TRANSLATIONS IN DSIMSG MEMBER *member***

Explanation

The specified member contains no valid message translations.

Message Variables

member

The name of the DSIMSG member being processed.

System action

No message translation table has been loaded into the NetView program. The NetView program continues to display all messages in English.

Operator response

Check that you specified the correct member name. If you did, notify the system programmer.

System programmer response

Correct the message translations in the specified DSIMSG member. Issue the TRANSMMSG command again to load the message translation table. See the NetView online help or the *IBM Z NetView Installation: Configuring Additional Components* for more information.

CNM255I **MEMBER '*member*' NOT FOUND IN DATA SET *dataset***

Explanation

The specified member was not found in the specified data set.

Message Variables

member

The name of the member not found

dataset

The name of a NetView data set

System action

The command containing the member name that was not found is rejected.

Operator response

Check that you specified the correct member name. If you did, notify the system programmer.

System programmer response

Check that the specified member is a member of one of the data sets in the concatenation string for the specified data set in your NetView startup procedure. Issue the command again.

CNM256I **MESSAGE TRANSLATIONS HAVE NOT BEEN LOADED DUE TO ERROR(S) DURING PROCESSING**

Explanation

An error occurred while a command to load a table of National Language message translations was being processed. A message explaining the error was issued previously. The NetView program did not load a message translation table into storage.

System action

The NetView program continues to display all messages in English.

Operator response

See the previously issued message for the appropriate action.

System programmer response

See the previously issued message for the appropriate action.

CNM257I **MESSAGE TRANSLATIONS HAVE BEEN LOADED FROM DSIMSG MEMBER *member***

Explanation

The command to load a table of National Language message translations from the specified member of DSIMSG has completed successfully.

Message Variables

member

The name of the DSIMSG member containing the message translations.

System action

The NetView program continues processing, displaying the translated version of those messages for which the specified DSIMSG member contained message translations.

CNM258I **LSR BUFFERS NOT DEFINED**

Explanation

You entered a VSAMPOOL command, but no LSR buffers have been defined.

System action

The command is not processed.

Operator response

Notify the system programmer.

System programmer response

Verify that the BLDVRP definitions in DSIZVLSR are correct. Ensure that tasks using LSR/DFR are able to initialize correctly.

CNM259I **TASK *task* DOES NOT HAVE AN OPEN VSAM DATA BASE**

Explanation

A command required access to a VSAM file, but the VSAM file was not open. This message is issued:

- By the LISTCAT command when the data services task does not have a VSAM file open.
- By the DSIVSMX command to indicate that a VSAM file is not open on the task that ran the DSIVSMX command.
- By the DSIVSAM command to indicate that a VSAM file is not open at the data services task used by the command.

Message Variables

task

The name of the NetView task attempting access to the VSAM file

System action

The command is not processed.

Operator response

Notify the system programmer.

System programmer response

Ensure that the task has an open VSAM database.

- Use the NetView SWITCH command to make a VSAM file active on a data services task.
- Use the ALLOC command to make a VSAM file available to DSIVSMX.

CNM260I **VSAM LSR/DFR RESOURCE POOL STATISTICS**

Explanation

This is the title line generated for the VSAMPOOL command.

System action

The VSAMPOOL command continues.

CNM261I *cinv bufno bfrfnd bufrds nuw uiw
erct*

Explanation

This is an information line generated by the VSAMPOOL command. It displays the VSAM statistics for an LSR buffer pool.

Message Variables

cinv

The control interval size of the buffer pool.

bufno

The number of buffers in the buffer pool.

bfrfnd

The number of retrieve requests where the record was found in a buffer and did not require an I/O.

bufrds

The number of retrieve requests where the record was not found in a buffer and did require an I/O.

nuw

The number of write requests that VSAM had to perform because there were no buffers available to do a read.

uiw

The number of write requests that were not deferred.

erct

The number of write errors.

System action

The VSAMPOOL command continues.

CNM262I **END OF DISPLAY**

Explanation

This is a trailer line generated by the VSAMPOOL command telling you that the VSAMPOOL command has ended.

System action

The VSAMPOOL command ends.

CNM263I *module length csect yy.ddd ptf epa
amode attributes*

Explanation

This is the detail line generated by the DISPMOD command. It displays NetView load module information.

Message Variables

module

The name of the load module.

length

The length of the load module.

csect

The name of the control section (CSECT) in the load module.

yy.ddd

The compile date of the control section. The date format depends on the TRANSMMSG member, when in effect, and on the date operands of the DEFAULTS and OVERRIDE commands.

ptf

The current program temporary fix applied to this control section.

epa

The entry point address of the module (or control section if control section was specified).

amode

The addressing mode of the load module (24 or 31).

attributes

The linkage editor attributes of the load module (REUS, RENT, AUTH).

System action

The DISPMOD command continues.

CNM264I **TOTAL MODULE STORAGE IN USE:**
storage BYTES

Explanation

This line is generated by a DISPMOD ALL or DISPMOD ALL ALL command. It displays the total amount of storage currently in use by the NetView load modules.

Message Variables

storage

The amount of storage being used in bytes

System action

The DISPMOD command continues.

CNM265I **END OF DISPLAY**

Explanation

This is the trailer line generated by the DISPMOD command telling you that the DISPMOD command has ended.

System action

The DISPMOD command ends.

CNM266I **MODULE: *module* CSECT: *csect***
NOT FOUND

Explanation

You entered a DISPMOD command and the specified control section in the specified module was not found.

Message Variables***module***

The name of the module

csect

The name of the control section (CSECT) in the load module

System action

The command is not processed.

Operator response

Verify that the control section name was spelled correctly. If so, notify the system programmer.

System programmer response

Verify that the control section is in the load module.

CNM267I **MODULE: *module* NOT FOUND**

Explanation

You entered a DISPMOD command and the module name you entered was not found.

Message Variables***module***

The name of the module

System action

The command is not processed.

Operator response

Verify that the module name was spelled correctly. If so, notify the system programmer.

System programmer response

Verify that the module is a NetView module.

CNM268I **TASK *task* IS NOT A DATA SERVICES TASK**

Explanation

You entered a command with the name of a task that is not a NetView data services task.

Message Variables***task***

The name of the task you entered on the command.

System action

The command is not processed.

Operator response

Verify that the task is a data services task and was spelled correctly on the command. If so, notify the system programmer.

System programmer response

Verify that the task is a valid NetView data services task.

CNM269I **DSIPSS FAILED. REGISTER 15=
X'*retcode*' ECB POST CODE= X'*eee*'**

Explanation

An error occurred trying to write to the NetView terminal.

Message Variables***retcode***

The return code from the DSIPSS macro

eee

The post code from the DSIPSS macro

System action

The command is not processed.

Operator response

Notify the system programmer.

System programmer response

Identify the cause of the DSIPSS macro failure by looking up the return code and ECB post code in *IBM Z NetView Programming: Assembler*.

CNM270I **ACCESS METHOD SERVICES
ENDED WITH A RETURN CODE
*retcode***

Explanation

You entered a IDCAMS command and the access method services utility ended.

Message Variables**retcode**

The return code returned from the access method services utility.

System action

The command ends.

CNM271I ddname DD STATEMENT MISSING**Explanation**

The specified DDNAME was incorrect or is not defined in the NetView cataloged procedure, or allocated by the ALLOC command.

Message Variables**ddname**

The DDNAME you specified.

System action

The command is not processed.

Operator response

Verify that the DDNAME was spelled correctly. If so, notify the system programmer.

System programmer response

Verify that a DD statement with the *ddname* was coded in the NetView cataloged procedure or that this DD name has been allocated to the NetView program. A SYSPRINT DD statement must also be coded in the NetView step of the NetView cataloged procedure.

CNM272I name IS NOW [ALLOCATED | DEALLOCATED]**Explanation**

An ALLOCATE or FREE command has completed successfully.

Message Variables**name**

The DD name or data set name that was allocated or deallocated.

System action

The command ends and processing continues.

CNM273I 'macro' MACRO FAILED FOR member, RETURN CODE = X'retcode'**Explanation**

You entered a command and the specified operating system macro failed.

Message Variables**macro**

The name of the operating system macro that failed.

member

Member can be one of the following names:

- The member or file name being processed when the error occurred.
- The name of the data space if this message is issued for the Z NetView Enterprise Management Agent.

retcode

The return code from the macro that failed. This return code is in the format of *xxx-yy*. If the OPEN macro or the CLOSE macro fails, the return code can contain a system abend code, where *xxx* is the abend code and *yy* is the abend reason code. If an abend reason code is not available at the time of the abend, *yy* will appear as 00. If *retcode* contains a system abend code, you might also see system messages associated with the abend. For any other macro failure or for an OPEN macro failure or CLOSE macro failure that is not because of an abend, *retcode* is the macro return code. WRITE macro failures can have a return code of zero (0).

System action

The command is not processed.

Operator response

Notify the system programmer.

System programmer response

See the appropriate operating system manual for the meaning of the macro return code or abend code. Examine the specified member or file to determine why the macro failed.

The return code for the WRITE macro can be zero (0). The WRITE macro failure might be because of an attempt to write to a read-only disk or it might be because of a hardware failure.

CNM274I FIND FAILED FOR MEMBER member

Explanation

You entered a SUBMIT or VPDALL command and the specified member was not found or a FILEDEF for the member is already in progress.

Message Variables

member

The name of the member that cannot be found.

System action

The command is not processed.

Operator response

Verify that you entered the correct member name. If so, a FILEDEF for the member might already be in progress. Retry the command. If you continue to receive this message, notify the system programmer.

System programmer response

Verify that the specified member name is correct. If so, examine the member to determine the cause of the problem.

CNM275I INVALID JOB STATEMENT

Explanation

You entered a SUBMIT command for a data set that contains a JCL JOB statement that is not valid.

System action

The command is not processed.

Operator response

Verify that the data set to be submitted contains a valid batch job. If so, notify the system programmer.

System programmer response

Examine the data set containing the job to be submitted.

CNM276I DYNALLOC MACRO FAILED TO [ALLOCATE| DEALLOCATE] *dataset* RC=*retcode* IC=*ic*

Explanation

An ALLOCATE, AUTOCNT, AUTOTBL, AUTOTEST, QRYGLOBL, or SUBMIT command was unable to allocate the specified data set, or a FREE command was unable to deallocate the specified data set.

Message Variables

dataset

The name of the data set to be allocated, the name of the data set containing the job to be submitted, or the name of the data set to be deallocated

retcode

The return code from the DYNALLOC macro indicating the failure

ic

The information code from the DYNALLOC macro indicating the failure

System action

The command is not processed.

Operator response

Verify that the data set specified is correct. If so, notify the system programmer.

System programmer response

See the appropriate MVS/ESA manual for a description of the DYNALLOC return codes and information codes to determine why the data set was not allocated, the job was not submitted, or the data set was not deallocated.

CNM277I DATA SET *dataset* NOT FOUND

Explanation

An ALLOCATE or SUBMIT command cannot find the specified data set.

Message Variables

dataset

The name of the data set to be allocated or the name of the data set containing the job to be submitted.

System action

The command is not processed.

Operator response

Verify that the data set name was correctly specified. If so, notify the system programmer.

System programmer response

Verify that the specified data set is correct and that the data set is cataloged.

CNM278I DATA SET *dataset* UNAVAILABLE

Explanation

An ALLOCATE or SUBMIT command was unable to allocate the specified data set because it was already allocated to another job.

Message Variables

dataset

The name of the data set to be allocated or the name of the data set containing the job to be submitted.

System action

The command is not processed.

Operator response

Wait and retry the ALLOCATE or SUBMIT command. If the failure continues, notify the system programmer.

System programmer response

Examine the data set to be allocated or the data set containing the job to be submitted. Investigate the job using the data set.

CNM279I *job(jobid)* SUBMITTED

Explanation

The SUBMIT command was successful.

Message Variables

job

The name of the job you submitted.

jobid

The job entry subsystem number assigned by JES to the job.

System action

The SUBMIT command ends.

CNM280I **PRESENTATION ERROR AT STATION** *operatorid*, **DSIPSS RC =** *retcode*, **MSGID =** *msgid*

Explanation

The NetView program encountered an error while attempting to display a message to the specified operator. The message which was to be displayed follows this message.

Note: Although the message might be truncated on the screen, the entire message is present in the network log. This message can occur intermittently because of random events. For example, an operator turned off the terminal in the middle of a NetView session.

Message Variables

operatorid

The ID of the specified operator.

retcode

The return code from the DSIPSS macro.

msgid

The ID of the message that was to be displayed.

Operator response

If this message is displayed repeatedly, notify the system programmer.

System programmer response

If this message is displayed repeatedly for a particular operator, there might be a hardware problem with the terminal used by that operator. Try to determine the cause of the error. If necessary, contact IBM Software Support.

CNM281I **NETVIEW ALERT RECEIVER ID=** *receiverid* **IS ALREADY ACTIVE**

Explanation

You attempted to establish a second NetView alert receiver with the receiver ID that is already active. The NetView task ID for the alert receiver task is used as the program-to-program interface receiver ID with one exception. The receiver ID is NETVALRT if the NetView task ID is CNMCALRT. This message is issued from the NetView alert receiver task. You can start multiple NetView alert receivers when using different task IDs or receiver IDs.

Message Variables

receiverid

The receiver ID that is being used.

System action

The NetView alert receiver ends.

Operator response

Notify the system programmer.

System programmer response

Ensure that the receiver ID is not being used by another alert receiver task or program. You can use the NetView DISBQL command processor to find out which program-to-program interface receiver IDs are currently active.

CNM282I **DUPLICATE KEY VALUES FOUND**

Explanation

You specified a value twice where only one was expected. For example, you might have done one of the following:

- Specified duplicate tasks on the TASK keyword of a TRACE command.
- Specified duplicate SAFA request types on either the SAFA or SAFF keyword of a TRACE command.
- Specified or defaulted the same value for different special characters in a PIPE options statement.

System action

The command is rejected.

Operator response

Enter the command without the duplicate values.

CNM299I *ddname dataset member disp*

Explanation

This multi-line message lists the DDNAME, the data set name, and the file that is allocated to the NetView program. It also lists the status and disposition for the data set.

The first line contains the message ID only. The next two lines contain non-data message headers. Subsequent lines are message text lines and have the format *ddname dataset member disp*.

Message Variables

ddname

The data definition name of the file.

dataset

The name of the data set, or the text '(INSTORE-COMMON)' which denotes a member loaded by the INSTORE stage.

member

The name of the file.

disp

The status, disposition, and error information of the data set in the form of *status, disposition, error information*, where *status* can be:

- NEW - Data set is new.
- OLD - Data set is old.
- MOD - Additions are to be made to the data set.
- SHR - The data set exists but exclusive control is not required.

The *disposition* can be:

- SYSOUT - Data set is a system output data set.
- KEEP - Data set is to be kept when freed.

- DELETE - Data set is to be deleted when freed.

And the *error information* can be:

- *ERROR* - The data set cannot be read.

Note: The text '(OPER-DS)' indicates an "operator data set" defined by the OVERRIDE command.

System action

Processing continues.

CNM300I *command : ENTER 'HELP
command' FOR HELP*

Explanation

See the help panel for assistance in using the command list.

Message Variables

command

The name of the command list invoked.

System action

The specified command list ends.

Operator response

See the command list help panel for syntax and usage.

CNM301E *command : 'parm' SHOULD BE ONE
OF optionlist*

Explanation

The parameter value does not match one of the valid options listed.

Message Variables

command

The name of the command list invoked.

parm

The parameter with the incorrect value.

optionlist

The list of valid options for the parameter.

System action

The specified command list ends.

Operator response

Select a valid option for the parameter.

CNM302E *command : parm CANNOT BE
SPECIFIED TWICE*

Explanation

The command list parameter *parm* was specified more than once while invoking the command list.

Message Variables

command

The name of the command list invoked.

parm

The command list parameter that was specified more than once.

System action

The specified command list ends.

Operator response

Specify this parameter only once in the command list invocation.

CNM303E *command* : '*parm1*' CANNOT BE SPECIFIED WITH '*parm2*'.

Explanation

The values *parm1* and *parm2* are mutually exclusive.

Message Variables

command

The name of the command list invoked.

parm1

The parameter value.

parm2

The parameter value.

System action

The specified command list ends.

Operator response

Review the syntax of the command and issue the command again.

CNM304E *command* : '*options*' CAN ONLY BE SPECIFIED WITH *parm*

Explanation

Only parameter options *options* can be used with the parameter *parm*.

Message Variables

command

The name of the command list invoked.

options

The list of valid parameter options.

parm

The parameter specified in the command list.

System action

The specified command list ends.

Operator response

Use one of valid options listed.

CNM305E *command* : *value* NAMES MUST BE ENTERED FOR '*command*'

Explanation

The number of path names specified is out of the valid range for *command*.

Message Variables

command

The name of the command list invoked.

value

The number or range of valid path names to be specified.

System action

The specified command list ends.

Operator response

Enter the correct number of path names.

CNM306E *command* : INVALID PARAMETER(S) *parmlist*

Explanation

The parameters listed are not valid for the command list invoked, or not valid for your NetView environment.

Message Variables

command

The name of the command list invoked

parmlist

The list of incorrect parameters passed to the command list

System action

The specified command list ends.

Operator response

Check the valid parameters for the command list or NetView environment and issue the command again.

CNM310E *command* : EXACTLY *value*
PARAMETERS ARE REQUIRED
WHEN INVOKING *command*

Explanation

The number of parameters specified when invoking the command list is not correct.

Message Variables

command

The name of the command list invoked.

value

The number of parameters required for the command list.

System action

The specified command list ends.

Operator response

Use the correct number of parameters when invoking command list.

CNM311I *command* : NAME STATUS
SESSION ID

Explanation

This is a header message for a table that is to follow. CNM313I normally follows and is the data for the table.

Message Variables

command

The name of the command list invoked.

CNM312I *command* : *value* SESSION(S) IN
THE *state* STATE FOR *appl*

Explanation

This message lists the number of sessions with the specified status for the specified application.

Message Variables

command

The name of the command list invoked.

value

The number of sessions with the specified status.

state

The session status (active, pending, and so forth).

appl

The application specified.

CNM314I *command* : NO RESPONSE FOR
time *timeunit* - CLIST ENDING

Explanation

The command list timed out while waiting for a response.

Message Variables

command

The name of the command list invoked.

time

The amount of time for a response.

timeunit

The unit of time.

System action

The command list ends.

Operator response

Issue the command again. If command list times out again, notify the system programmer.

System programmer response

Verify that the system response time is acceptable. Verify that VTAM and the CNMI interface are properly installed and currently active.

CNM315E *command* : '*resource*' IS NOT A
VALID RESOURCE NAME

Explanation

The resource name specified is not a valid name or was not found.

Message Variables

command

The name of the command list invoked.

resource

The resource name specified.

System action

The command list ends.

Operator response

Check spelling of resource name.

CNM316E *command* : '*resource*' IS NOT A
CROSS-DOMAIN RESOURCE
MANAGER

Explanation

The resource specified is not a cross-domain resource manager.

Message Variables

command

The name of the command list invoked.

resource

The resource name specified.

System action

The command list ends.

Operator response

Check the spelling of the resource name and its function in the network.

CNM317I *command* : 'command' CANCELED BY OPERATOR

Explanation

The operator canceled the command list while it was in the pending state.

Message Variables**command**

The name of the command list invoked.

System action

The specified command list is canceled.

CNM318I *command* : command FINISHED, LAST RESOURCE PROCESSED

Explanation

The command list has processed the resources and ended normally.

Message Variables**command**

The name of the command list invoked.

System action

The specified command list ends normally.

CNM319I *command* : DETERMINING DYNAMIC CDRSC TERMINALS

Explanation

The command list invocation syntax is correct and the command list is starting the terminal name search.

Message Variables**command**

The name of the command list invoked.

CNM320E *command* : TWO PARAMETERS ENTERED, FIRST PARAMETER NOT A SCOPE PARM

Explanation

The second parameter must be null when the first parameter is NETID.

Message Variables**command**

The name of the command list invoked.

System action

The specified command list ends.

Operator response

Check the syntax and issue the command again.

CNM321I *command* : START DELAY FOR COMMAND cmdlist

Explanation

The commands listed is delayed the number of seconds specified in the DELAY command.

Message Variables**command**

The name of the command list invoked.

cmdlist

The list of commands to be delayed in execution.

System action

The commands listed is delayed the number of seconds specified in the DELAY command.

CNM322E *command* : PARAMETER ERROR, PARMS DO NOT FIT ANY POSSIBILITY

Explanation

The command list cannot parse the invocation parameters into a valid option.

Message Variables**command**

The name of the command list invoked.

System action

The specified command list ends.

Operator response

Check the syntax and issue the command again.

CNM323I *command* : THE DISG CLIST IS AVAILABLE TO OST TASKS ONLY. YOU TRIED TO INVOKE DISG FROM A NON-OST TASK.

Explanation

DISG is available only from operator station command lists.

Message Variables**command**

The name of the command list invoked.

System action

DISG ends.

Operator response

Do not attempt to run DISG from a non-OST.

CNM324I **command : X"hexvalue" = decvalue**

Explanation

The decimal equivalent of the value entered in hexadecimal is displayed.

Message Variables**command**

The name of the command list invoked.

hexvalue

The value entered in hexadecimal.

decvalue

The decimal equivalent of the value entered in hexadecimal.

CNM325E **command : 'value' IS LONGER THAN length CHARACTERS**

Explanation

The value entered is larger than the algorithm can process.

Message Variables**command**

The name of the command list invoked.

value

The value entered.

length

The maximum valid length of the input value.

System action

The command list ends.

Operator response

Restrict the hexadecimal values to the specified length.

CNM326E **command : 'value' MUST BE BETWEEN lowvalue AND hivalue**

Explanation

The value entered is out of the valid range.

Message Variables**command**

The name of the command list invoked.

value

The value of the number entered.

lowvalue

The lowest valid value.

hivalue

The highest valid value.

System action

The specified command list ends.

Operator response

The value specified must be within the range given.

CNM327E **command : AN ADDRESS MUST BE ENTERED**

Explanation

A starting address was not specified in the command list invocation.

Message Variables**command**

The name of the command list invoked.

System action

The specified command list ends.

Operator response

Specify a starting address in the command list invocation.

CNM328E **command : MORE THAN value PARAMETER(S) WERE ENTERED**

Explanation

The number of parameters entered exceeded the maximum number valid.

Message Variables**command**

The name of the command list invoked.

value

The maximum number of valid parameters.

System action

The specified command list ends.

Operator response

Check the syntax and issue the command with the correct number of parameters.

CNM329E *command* : 'retcode' MUST BE A
value DIGIT CODE

Explanation

The return codes and feedback codes must be either one or two digits long.

Message Variables**command**

The name of the command list invoked.

retcode

The value of return code or feedback code.

value

The valid values for return code or feedback code.

System action

The specified command list ends.

Operator response

Specify a return code or feedback code within the valid range.

CNM330E *command* : parm PARAMETER
MISSING OR INVALID

Explanation

A required parameter was not specified or was specified incorrectly.

Message Variables**command**

The name of the command invoked.

parm

The name of the missing or incorrect parameter.

System action

The specified command ends.

Operator response

Specify the command correctly. Issue the HELP command if necessary.

CNM331E *command* : THERE IS NO HELP
PANEL FOR RETURN CODE/

FEEDBACK CODE COMBINATION

'retcode, fdbkcode'

Explanation

The return code or feedback code specified does not have a help panel or explanation available.

Message Variables**command**

The name of the command list invoked.

retcode

The return code entered.

fdbkcode

The feedback code entered.

System action

The specified command list ends.

Operator response

Verify that the codes entered are correct.

CNM332I *command* : NETWORK NODE *node*

Explanation

The network node specified is being recycled.

Message Variables**command**

The name of the command list invoked.

node

The name of node being recycled.

CNM333I *command* : node HAS BEEN *action*

Explanation

The specified action has been taken on the node specified.

Message Variables**command**

The name of the command list invoked.

node

The node name.

action

The action taken on the node.

CNM334I *command* : WHEN A SECOND
PARAMETER IS NOT GIVEN, THE
TIME MUST BE IN SECONDS AND
CANNOT CONTAIN A ':'

Explanation

The default unit of time for the DELAY command must be in seconds and cannot contain a colon (:).

Message Variables

command

The name of the command list invoked.

System action

The specified command list ends.

Operator response

Check the syntax and issue the command again.

CNM335I *command* : CODE 4 - '*member*'
WAS NOT FOUND

Explanation

The requested *member* does not exist in any of the data sets searched, or an I/O error occurred. To understand which data sets are searched for the BROWSE command, enter HELP BROWSE. The VIEW command searches CNMPNL1 for the member.

Message Variables

command

The command list, SHOWCODE, that issues messages for VIEW.

member

The name of the member which was not found.

Operator response

Correct the member name or notify the system programmer.

System programmer response

Add the member name to the correct data set or correct the reference to the member name.

CNM336I *command* : CODE 8 - PANEL '*panel*'
HAS A DEFINITION ERROR. THE
PANEL DEFINITION CONTAINS
COMMENT LINES ONLY.

Explanation

Panel definitions must contain lines other than comments. No non-comment lines were found for this panel.

Message Variables

command

The command list, SHOWCODE, that issues messages for VIEW.

panel

The name of the panel containing the error.

Operator response

Notify the system programmer.

System programmer response

Correct the panel, *panel*, to ensure that lines other than comments are defined in the panel.

CNM337I **SHOWCODE : CODE 12 - YOU ARE
NOT AUTHORIZED TO BROWSE
'*member*'. THE DSIKVS MACRO
RESULTED IN A NONZERO
RETURN CODE.**

Explanation

Security checks failed for the *member* specified by the message in the data definition in which it was found.

Message Variables

member

The member name you requested to browse, which is prohibited.

System action

BROWSE command processing stops.

Operator response

If you believe the failure should not have occurred, consult your security administrator or system programmer.

System programmer response

Review the security for the READSEC command. Further information about the security failure can be obtained by having the operator issue READSEC for the member and the DD name where the member was expected to be found.

CNM338I *command* : CODE 16 - VIEW
COMMAND PROCESSOR INVOKED
WITH INVALID PARAMETERS.

Explanation

The parameters used in the VIEW command processor invocation do not meet the requirements specified in the message.

Message Variables

command

The name of the command invoked.

System action

The specified command ends.

Operator response

Review the syntax and issue the command again.

CNM340I **command : CODE 24 - INVALID INVOCATION OF THE VIEW COMMAND PROCESSOR. YOU TRIED TO INVOKE VIEW FROM A NON-OST TASK OR AUTOMATED OST.**

Explanation

The invocation of the view command processor failed because it was not invoked from an operator station task.

Message Variables**command**

The name of the command list invoked.

System action

The invocation fails.

Operator response

Invoke the view command processor only from an OST task.

CNM341I **command : CODE 28 - THE RECORD FORMAT OF THE PANEL OR FILE 'panel' WAS NOT 80 BYTES**

Explanation

The specified panel does not have the required record length of 80 bytes.

Message Variables**panel**

The name of the incorrectly-defined panel.

command

The name of the command list invoked

System action

The command ends.

Operator response

Verify that the correct panel was specified. If it was, notify the system programmer.

System programmer response

Correct the related data set definition.

CNM342I **command : CODE 32 - AN UNRECOVERABLE ERROR RESULTED FROM A MACRO INVOCATION IN THE VIEW COMMAND PROCESSOR.**

Explanation

A macro invocation failed.

Message Variables**command**

The name of the command invoked.

System action

The specified command ends.

Operator response

Contact the system programmer.

System programmer response

Determine which macro invocation failed and eliminate the error. You can determine which macro failed by inspecting the DWO050 message that appears in the log; this DWO050 message contains additional information about the error.

CNM343I **command : CODE 36 - AN UNRECOVERABLE INTERNAL PROGRAMMING ERROR OCCURRED IN THE VIEW COMMAND PROCESSOR**

Explanation

An internal programming error caused the failure you observed.

Message Variables**command**

The name of the command list invoked.

System action

The view command processor fails.

Operator response

Contact the system programmer.

System programmer response

Contact IBM Software Support.

CNM345I **command : 'msgno' IS AN INVALID ERROR MESSAGE NUMBER FROM 'command'**

Explanation

The message number is not a valid error message number for the command list invoked.

Message Variables

command

The name of the command list invoked.

msgno

The message number.

System action

The specified command list ends.

Operator response

Contact the system programmer.

System programmer response

Check that the error message number in the calling command list did not change from the original installation, and that the message was not removed from the MESSAGES command list (CNME1028).

CNM346I **command : 'cmd' IS NOT SUPPORTED UNDER THE *opsys* OPERATING SYSTEM**

Explanation

A command was entered that is not supported under this operating system.

Message Variables

command

The name of the command list invoked.

cmd

The command entered.

opsys

The operating system under which the command was entered.

System action

The command is ignored.

Operator response

Use only commands supported by the operating system under which the NetView program is executing.

CNM351E **command : YOU MAY NOT USE THE 'operand1' OPERAND WITH 'operand2' OPERAND**

Explanation

The operands specified are mutually exclusive.

Message Variables

command

The name of the command list invoked.

operand1

The operand specified as a parameter to the command list.

operand2

The operand specified as a parameter to the command list.

System action

The specified command list ends.

Operator response

Review the syntax and issue the command again.

CNM352E **command : 'value' IS NOT A VALID VALUE FOR THE 'operand' OPERAND**

Explanation

The value entered for the operand is out of the valid range.

Message Variables

command

The name of the command list invoked.

value

The value specified for the operand.

operand

The name of the operand.

System action

The specified command list ends.

Operator response

Check the syntax for the valid operand range and issue the command again.

CNM353I **command : variable = value**

Explanation

The value or values are displayed for the specified variable.

Message Variables

command

The name of the command list invoked.

variable

The system variable, local variable, function or data type that describes the displayed value.

value

The current value or values of the variable. If more than one value is displayed, the message might be in the form of a multiline message, where each line contains one or more values. In this case, the value on the first line might be a heading indication (not a value), such as, "As follows:".

CNM354I **command : COMMAND COMPLETE**

Explanation

The command entered has completed.

Message Variables

command

The name of the command list invoked.

CNM355I **command : PF KEYS ARE ONLY
VALID FOR OST (LOCAL
OPERATOR TASK)**

Explanation

The PF keys can only be used for an operator station task, not for a PPT, NNT, or automated OST.

Message Variables

command

The name of the command list invoked.

System action

The PF keys are not set.

CNM357I **command : PF KEY SETTINGS
NOW ESTABLISHED. 'DISPFK' TO
SEE YOUR PF KEY SETTINGS**

Explanation

PF key initialization is complete and the command DISPFK can be used to display the current PF key settings.

Message Variables

command

The name of the command list invoked.

CNM359I **command : TIME = hh:mm DATE =
mm/dd/yy**

Explanation

The system time and date are displayed.

Message Variables

command

The name of the command list invoked.

hh:mm

The current time of day. The time format depends on the TRANSMMSG member, when in effect, and on the time operands of the DEFAULTS and OVERRIDE commands.

mm/dd/yy

The current date. The date format depends on the TRANSMMSG member, when in effect, and on the date operands of the DEFAULTS and OVERRIDE commands.

CNM360E **command : REQUIRED
PARAMETER MISSING: command
parm value**

Explanation

A required parameter is missing from the command list invocation.

Message Variables

command

The name of the command list invoked.

parm

The name of the missing parameter.

value

The valid value or values of the missing parameter.

System action

The specified command list ends.

Operator response

Check the syntax and issue the command again.

CNM361E **command : INVALID RETURN
CODE 'retcode' FROM VIEW
COMMAND PROCESSOR**

Explanation

The return code entered in the SHOWCODE command list was not valid.

Message Variables

command

The name of the command list invoked.

retcode

The return code entered.

System action

The SHOWCODE command list ends.

Operator response

Check that the correct value for the return code was entered.

CNM362E *command* : A RESOURCE ID IS REQUIRED FOR '*command*'

Explanation

A resource ID must be specified as a parameter when invoking this command list.

Message Variables*command*

The name of the command list invoked.

System action

The specified command list ends.

Operator response

Specify a resource ID and issue the command again.

CNM363E *command* : ACTION CODE MUST BEGIN WITH 'D', 'E', 'I', or 'R' FOLLOWED BY 3 DIGITS

Explanation

The action code specified does not have the correct format.

Message Variables*command*

The name of the command list invoked.

System action

The ACTION command list ends.

Operator response

Use correct action code syntax.

CNM364I *command* : '*cmd*' IS NOT A VALID COMMAND IN THE *component* COMPONENT.

Explanation

The command entered is not recognized in the component specified.

Message Variables*command*

The name of the command list invoked.

cmd

The name of the command that was entered.

component

A NetView component such as the command facility or hardware monitor.

System action

The command is not executed.

Operator response

Use a command recognized in the specified component.

CNM365I *command* : THERE IS NO PICTORIAL DISPLAY AVAILABLE FOR '*resource*'

Explanation

There is no display panel available for the resource specified.

Message Variables*command*

The name of the command list invoked.

resource

The resource name specified.

System action

The DISG command list ends.

Operator response

See the NetView online help for the resource types supported by DISG.

CNM366I *command* : A PROCESSING ERROR HAS OCCURRED IN CLIST '*command*'

Explanation

An error occurred in the command list while attempting to collect the requested data.

Message Variables*command*

The name of the command list invoked.

System action

The specified command list ends.

Operator response

Contact the system programmer.

System programmer response

Verify that VTAM and the CNMI interface are properly installed and currently active.

CNM367I *command* : GATHERING LU
DATA ... PLEASE WAIT

Explanation

The system is in the process of gathering the desired LU data.

Message Variables

command

The name of the command list invoked.

CNM368I *command* : GATHERING PU
DATA ... PLEASE WAIT

Explanation

The system is in the process of gathering the desired PU data.

Message Variables

command

The name of the command list invoked.

CNM369I *command* : GATHERING LINE
DATA ... PLEASE WAIT

Explanation

The system is in the process of gathering the desired line data.

Message Variables

command

The name of the command list invoked.

CNM370I *command* : GATHERING LOCAL
3270 MAJOR NODE DATA ...
PLEASE WAIT

Explanation

The system is in the process of gathering the desired local 3270 major node data.

Message Variables

command

The name of the command list invoked.

CNM371I *command* : GATHERING LOCAL
SNA MAJOR NODE DATA ...
PLEASE WAIT

Explanation

The system is in the process of gathering the desired local SNA major node data.

Message Variables

command

The name of the command list invoked.

CNM372I *command* : GATHERING
SWITCHED SNA MAJOR NODE
DATA ... PLEASE WAIT

Explanation

The system is in the process of gathering the desired switched SNA major node data.

Message Variables

command

The name of the command list invoked.

CNM373I *command* : GATHERING NCP/
HOST DATA .. PLEASE WAIT

Explanation

The system is in the process of gathering the desired NCP or host data.

Message Variables

command

The name of the command list invoked.

CNM374I *command* : 'node' IS NOT A VALID
NODE NAME

Explanation

The node name specified is not valid or does not exist.

Message Variables

command

The name of the command list invoked.

node

The node name specified in command list invocation.

System action

The specified command list ends.

Operator response

Issue the command again using the correct node name.

CNM375E *command* : TWO PARAMETERS
(RETURN CODE AND FEEDBACK
CODE) ARE REQUIRED

Explanation

A return code and a feedback code must be specified for RCFB.

Message Variables**command**

The name of the command list invoked.

System action

RCFB ends.

Operator response

Specify both the return code and the feedback code and issue the command again.

CNM377I **command : INPUT ACCEPTED AND BEING PROCESSED ... PLEASE WAIT**

Explanation

The input is currently being processed.

Message Variables**command**

The name of the command list invoked.

CNM378E **command : SYNTAX ERROR: ENTER 'HELP command' FOR HELP**

Explanation

The syntax entered for the command list is not correct.

Message Variables**command**

The name of the command list invoked.

System action

The specified command list ends.

Operator response

Check the syntax and issue the command again.

CNM379I **command : YOU CAN'T START A TRACE IN YOUR OWN DOMAIN**

Explanation

The cross-domain resource specified belongs to the domain from which the command was issued. CDRM traces can be performed only on resources that are not owned by the requesting operator's domain.

Message Variables**command**

The name of the command list invoked.

System action

The specified command list ends.

Operator response

Issue again the trace for a cross-domain resource not owned by your domain.

CNM380E **command : TOO MANY PARAMETERS WERE ENTERED**

Explanation

There were more parameters specified for the command list than were used.

Message Variables**command**

The name of the command list invoked.

System action

The specified command list ends.

Operator response

Check the syntax and issue the command again with the correct number of parameters.

CNM381E **command : HOST NOT SET UP CORRECTLY FOR MSG FOCAL POINT**

Explanation

The target host specified is not set up to act as a message focal point.

command

The name of the command list invoked.

System action

The specified command list ends.

Operator response

Verify that the target host specified is correct. If target host must be a focal point, but is not, contact the system programmer.

System programmer response

Perform the focal point setup.

CNM382I **command : SPECIFIED DOMAIN 'domain' NOT ACTIVE**

Explanation

The specified domain or application program is not active.

Message Variables**command**

The name of the command list invoked.

domain

The name of the domain or application program.

System action

The specified command list ends.

Operator response

Activate the specified domain or application program.

CNM383I NO ALTERNATE KEY DEFINITION FOUND.

Explanation

There is no PF or PA key currently defined in an alternate set. Such key definitions are dependent on the application from which queries are made.

System action

Processing ends.

Operator response

You can define a PF key to the PFKDEF command and repeat the query or use the BROWSE or WINDOW commands to see key definitions in any member.

CNM384I command : count PF OR PA KEY(S) WERE NOT SET BECAUSE ERRORS WERE ENCOUNTERED.

Explanation

Some PF keys or PA keys cannot be set.

Message Variables**command**

The command that was attempting to issue the SET command.

count

The number of keys that were not set.

System action

The setting of the other keys continues. There is no effect on the keys that had errors.

Operator response

Notify the system programmer.

System programmer response

Issue LIST KEY=ALL to determine which keys are not set. Browse the command named in the message to determine how the keys are to be set. Issue the SET command individually for these keys to obtain more specific information on the errors.

CNM385I command : VTAM NOT ACTIVE: COMMAND command CAN NOT BE INVOKED

Explanation

The command list cannot be invoked when VTAM is not active.

Message Variables**command**

The name of the command list invoked.

System action

The specified command list ends.

Operator response

Start VTAM and issue the command again.

CNM386I command : VTAM IS NOT ACTIVE AT THIS TIME

Explanation

VTAM is not active.

Message Variables**command**

The name of the command list invoked.

System action

The specified command list ends normally.

Operator response

If VTAM must be active, contact the system programmer.

System programmer response

Start VTAM.

CNM387I Command code rc. Command interrupted by trapped messages.

Explanation

The command was suspended by trapped messages. Trapped messages cause the suspension to allow the invoking procedure to process the messages.

Message Variables

command

The name of the command invoked.

rc

The return code indicating trapped message suspension.

System action

The specified command is suspended.

Operator response

Notify the system programmer.

System programmer response

The calling procedure must process or dispose of the trapped messages. After the trapped messages have either been processed or disposed of, use the RESUME command to continue.

CNM388I **command : CODE 81 - PANEL 'panel' HAS A DEFINITION ERROR. THERE IS NO TEXT INDICATOR LINE (**), OR MORE THAN 49 OPTION DEFINITIONS WERE FOUND.**

Explanation

One of the following panel definition errors has occurred:

- There was not a text indicator line.
- More than 49 option definitions were found.
- An attempt was made to display a member that is not a panel.

Message Variables

command

The command list that issues messages for VIEW.

panel

The name of the panel containing the error.

Operator response

Notify the system programmer.

System programmer response

Verify that the *panel* panel exists. If the panel exists, perform one or both of the following steps:

1. Correct the definition error.
2. Add an entry for *panel* to the HELPMAP member and correct the corresponding panel name.

CNM390I **command : CODE 83 - PANEL 'panel' HAS A DEFINITION ERROR. THE COMMENT LINES APPEAR WITHIN THE PANEL DEFINITION.**

Explanation

Comment lines are not permitted within the definition of a panel. Comment lines were found in the definition of this panel.

Message Variables

command

The command list, SHOWCODE, that issues messages for VIEW.

panel

The name of the panel containing the error.

Operator response

Notify the system programmer.

System programmer response

Correct the panel, *panel*, to ensure that there are no comment lines in the panel definition.

CNM394I **command : cmd COMMAND FAILED: NO FORWARD IDS AVAILABLE**

Explanation

No FORWARD operator IDs are available for alert and message forwarding.

Message Variables

command

The name of the command list that issued this message.

cmd

The name of the command that failed.

System action

If the NetView program was attempting to forward an alert or message to the primary focal point host, then an attempt will be made to forward this information to the backup focal point host. If the NetView program was attempting to forward the information to the backup focal point host, then the information is not forwarded.

Operator response

Notify the system programmer.

System programmer response

Check the network log of the domain specified in the *command* to determine why FORWARD operator IDs are not available. If the problem persists, increase the number of FORWARD IDs.

CNM395E *command : fptype* **FOCAL POINT CANNOT BE THE SAME AS THE TARGET DOMAIN**

Explanation

The primary focal point is the name of the domain in which the command was entered. The backup focal point is the second parameter on the CHANGEFP command. The target domain is the first parameter on the CHANGEFP command. The focal point (primary or backup) must be a domain other than the target domain.

Message Variables

command

The name of the command list that issued this message.

fptype

The focal point type (PRIMARY or BACKUP).

System action

The CHANGEFP command is ended.

Operator response

See the NetView online help for more information on the CHANGEFP command. Then issue the command again from the appropriate host with the correct parameters.

CNM396I *command : MESSAGE msgnum* **TRUNCATED BEFORE BEING SENT CROSS DOMAIN**

Explanation

A forwarded message was truncated because it was more than 228 characters long.

Message Variables

command

The name of the command list that issued this message.

msgnum

The number of the message that was truncated.

CNM397I *command : REQUEST TO CHANGE* **FOCAL POINT SENT TO *targetname***

Explanation

The request to change the focal point has been sent to the target domain or to the alert and message forwarding automated operator.

Message Variables

command

The name of the command list that issued this message.

targetname

The alert and message forwarding automated operator or the name of the domain for which the focal point is being changed.

System action

Change focal point processing continues.

CNM398E *command : cmd* **COMMAND FAILED. [*timeout* - WAIT TIME EXPIRED | *msg*]**

Explanation

The *command* command list was unable to process the *cmd* command because an error occurred or because the command timed out.

Message Variables

command

The name of the command list that issued this message.

cmd

The name of the command that failed.

timeout

The timeout value in seconds.

msg

The message or messages resulting from the *cmd* command. Each message consists of an optional message ID and the message text.

System action

No further processing is done for this command list.

Operator response

Notify the system programmer.

System programmer response

Examine the *command* command list to determine why the *cmd* command failed. If a timeout has occurred, increase the timeout value defined in the

NetView initial command list. If *msg* is given, see the appropriate NetView message or refer to the appropriate VTAM manual to determine the cause of the error, and then, if appropriate, change the definition in the alert and message forwarding automated operator initial command list or the NetView initial command list.

CNM399E **command : THE command
COMMAND IS NOT AVAILABLE TO
opertask**

Explanation

The specified command list is reserved for use by the alert and message forwarding automated operator, or must be run under a specific task.

Message Variables

command

The name of the command list that cannot run.

opertask

The name of the task or operator that is not valid to issue the command list.

System action

The command is ignored.

Operator response

Notify the system programmer.

System programmer response

The specified command list must be run under a certain task, or is reserved for use by the alert and message forwarding automated operator. If *opertask* is the name of a task, run the command list under the appropriate NetView task. If *opertask* is the name of an operator, ensure that the operator is defined as the alert and message forwarding automated operator.

CNM401I **COMMAND LIST *cmdlist* -
INSUFFICIENT STORAGE**

Explanation

A GETMAIN request for storage failed during command list processing.

Message Variables

cmdlist

The name of the command list.

System action

The GETMAIN request is ignored and the command list processing continues.

Operator response

Determine whether you received message BNH16I, which means the task has reached its storage limit. If so, notify your system programmer.

System programmer response

See the *IBM Z NetView Troubleshooting Guide* for possible causes of the storage shortage.

CNM402I **TRACE START ACCEPTED**

Explanation

The NetView program will start tracing REXX executable code.

CNM403I **TRACE START NOT ACCEPTED**

Explanation

The TS (trace start) command was not successful in starting the TRACE.

Operator response

Enter the TS command again.

CNM404I **TRACE END ACCEPTED**

Explanation

The NetView program stops tracing REXX executable code.

CNM405I **TRACE END NOT ACCEPTED**

Explanation

The TE (trace end) command was not successful in ending the TRACE.

Operator response

Enter the TE command again.

CNM406I **COMMAND LIST *cmdlist* LOADED**

Explanation

The referenced command list has been loaded in main storage.

Message Variables

cmdlist

The name of the command list.

CNM407I **COMMAND LIST *cmdlist* - NESTED
COMMAND LISTS EXCEEDED
LIMIT**

Explanation

The specified command list is nested more levels than valid.

Message Variables***cmdlist***

The name of the command list.

System action

The "signal on failure" condition becomes true and a -1 return code is set. The command list processing continues.

Operator response

Notify the system programmer.

System programmer response

Correct the command list.

CNM408I	COMMAND LIST <i>cmdlist</i> ALREADY LOADED - REPLACE NOT SPECIFIED
----------------	---

Explanation

The referenced command list is already loaded in main storage and the replace option was not specified on the LOADCL command.

Message Variables***cmdlist***

The name of the command list.

System action

The command list is not replaced.

Operator response

Issue the command again with the replace option if a new copy of the command list must be loaded in main storage.

CNM409I	I/O FAILURE - COMMAND LIST <i>cmdlist</i> NOT LOADED
----------------	---

Explanation

An I/O error occurred during an attempt to load the command list in main storage.

Message Variables***cmdlist***

The name of the command list.

System action

Processing of the LOADCL command continues.

Operator response

Notify the system programmer.

System programmer response

Determine the origin of the I/O error.

CNM410E	COMMAND LIST <i>cmdlist</i> - EXECIO '<i>operation</i>' ERROR FOR DD '<i>ddname</i>' - ABEND CODE X'<i>code</i>'
----------------	---

Explanation

The last EXECIO command to reference the specified file encountered an error performing the specified operation, which might have resulted in an ABEND.

Message Variables***cmdlist***

The name of the command list that contains the EXECIO command.

operation

The code that identifies the operation that was being performed on behalf of the EXECIO command.

ddname

The DDNAME of the file that the EXECIO command was using.

code

This is the 8-character ABEND code from the TCBCMP field at the time of the error, which might be related to the error. The first two characters can be ignored. The next three characters are nonzero for a SYSTEM ABEND. The last three characters are nonzero for a USER ABEND.

System action

If the command list with the EXECIO command has SIGNAL ON HALT coded, control is passed to the HALT label. Otherwise, the command list ends.

Operator response

Notify the system programmer.

System programmer response

Correct the error. The system operator's console might contain more detailed messages as to what caused the error.

CNM411I	COMMAND LIST <i>cmdlist</i> DROPPED
----------------	--

Explanation

The referenced command list has been dropped from main storage.

Message Variables

cmdlist

The name of the command list.

CNM412I	COMMAND LIST <i>cmdlist</i> NOT DROPPED - COMMAND LIST NOT FOUND
----------------	---

Explanation

The referenced command list appeared on a DROPCL command, but it is not loaded in main storage.

Message Variables

cmdlist

The name of the command list.

Operator response

Correct and issue the DROPCL command again.

CNM413I	REXX INTERPRETER NOT INSTALLED
----------------	---------------------------------------

Explanation

REXX is not installed on your system.

Operator response

Notify the system programmer.

System programmer response

Verify that REXX is correctly installed on your system.

CNM414I	COMMAND LIST <i>cmdlist</i> NOT LOADED - NOT A VALID COMMAND LIST
----------------	--

Explanation

A LOADCL command was issued for a command list which is not REXX or bilingual.

Message Variables

cmdlist

The name of the command list.

System action

Processing of the LOADCL command continues.

Operator response

Correct the command list and issue the LOADCL command again.

CNM415I	LOAD FAILED FOR REXX INTERPRETER MODULE <i>module</i>
----------------	--

Explanation

REXX did not load successfully.

Message Variables

module

The name of the REXX module that did not load successfully.

System action

Processing of the REXX command list is ended.

Operator response

Notify the system programmer.

System programmer response

Ensure that the correct level of TSO/E is installed on your system and that sufficient storage is available.

CNM416I	REXX INTERPRETER ENVIRONMENT INITIALIZATION FAILED FOR TASK <i>task</i>, RETURN CODE = <i>retcode</i>, REASON CODE = <i>reason</i>
----------------	---

Explanation

A task was unable to initialize REXX.

Message Variables

task

The name of the task.

retcode

The return code from the REXX interpreter.

reason

The reason code from the REXX interpreter or the NetView program.

Operator response

Notify the system programmer.

System programmer response

See the *TSO/E REXX Reference* for a list of the return and reason codes. The most common return/reason codes are as follows:

20/21

Processing was unsuccessful. A TSO/E REXX module cannot be loaded into storage

The most likely reason is that the TSO/E REXX interpreter library was not included in your LPA library or your NetView STEPLIB.

20/24

Processing was unsuccessful. The maximum number of environments was initialized in the address space.

The most likely reason is that the number of entries in the IRXANCHR table is insufficient for your NetView environment. Obtain a copy of the IRXANCHR table from your TSO/E administrator. This table is stored in the IRXTSMPE member of the SYS1.SAMPLIB data set. See the *TSO/E REXX Reference* for an explanation about increasing the number of entries in the IRXANCHR table. To determine the number of IRXANCHR entries needed, see the *IBM Z NetView Tuning Guide*. A setting of CMD=HIGH in the CNMSTYLE member can also result in command lists to stack, which can eventually result in the maximum number of environments to be exceeded. Run the LIST STATUS=TASKS RXENVCNT=YES command to see how REXX environments are used by each task and to see how many are available to the NetView program and are used by the NetView program at the time this command is run.

20/10024

Processing was unsuccessful. The maximum number of environments allowed for this task by the DEFAULTS/OVERRIDE command was reached. Check the DEFAULTS/OVERRIDE REXXENVL settings for this task and change them as needed.

Verify that REXX is correctly installed on your system.

CNM417I **COMMAND LIST *cmdlist* NOT LOADED - COMMAND LIST NOT FOUND**

Explanation

A command list name on the LOADCL command was not found as a member of the DSICLD data set.

Message Variables

cmdlist

The name of the command list.

System action

Processing of the LOADCL command continues.

Operator response

Correct the command list name on the LOADCL command, and issue the command again for that command list.

CNM418I **COMMAND LIST *cmdlist* - REXX TRACE START FAILED**

Explanation

The TS (trace start) command was unable to start the trace.

Message Variables

cmdlist

The name of the command list that is running.

Operator response

Enter the TS command again.

CNM419I **NO ACTION TAKEN ON ASSIGN COMMAND: VALUE FOR *listname* LIST IS INCORRECT.**

Explanation

You entered the DELETE keyword but an operator name entered was not found in the assignment. If a valid operator name is entered twice, it will not be found the second time.

Message Variables

listname

PRI, COPY, or OP.

System action

Processing for the ASSIGN command stops.

Operator response

Check the syntax of the command you entered and enter it again.

CNM420I **COMMAND LIST *cmdlist* - COMMAND TEXT TOO LONG**

Explanation

You entered a command that was longer than 32000 characters or a command operand that was longer than 255 characters.

Message Variables

cmdlist

The name of the command list.

System action

The NetView program ignores the command.

Operator response

Correct the operand or command that is not valid and enter the command again.

CNM421I **COMMAND LIST *cmdlist* - INVALID
COMMAND *command*
ENCOUNTERED**

Explanation

The NetView program found a command that is not valid while processing the specified command list.

Message Variables

cmdlist

The name of the command list with the command that is not valid.

command

The command that is not valid.

System action

The NetView program displays the incorrect command list statement of the command list.

Operator response

Notify the system programmer.

System programmer response

Correct the command list statement that is in error.

CNM422E ***cmdproc* ISSUED WAIT CONTINUE
WITHOUT PREVIOUS WAIT**

Explanation

A high level language (HLL) or a REXX command procedure issued a WAIT CONTINUE command without first issuing a valid WAIT command.

Message Variables

cmdproc

The name of the HLL command procedure or REXX command list that issued the WAIT CONTINUE command.

System action

The WAIT CONTINUE command is ignored.

Operator response

Notify the system programmer.

System programmer response

Correct the HLL command procedure or REXX command list so that it issues a valid WAIT command before the WAIT CONTINUE command.

CNM423I **COMMAND LIST *cmdlist* - INVALID
SYNTAX**

Explanation

A NetView REXX function detected a syntax error in its invocation. This error can result from extra operands specified or expected operands missing.

Message Variables

cmdlist

The name of the command list containing the error.

System action

If the command list does not have an active SIGNAL ON SYNTAX, the statement in error is echoed, a REXX error message is issued, and the command list ends.

Operator response

Notify the system programmer that there are errors in the named command list.

System programmer response

Correct the statement in the command list.

CNM424I **COMMAND LIST *cmdlist* - ACCESS
TO COMMAND IS NOT
AUTHORIZED**

Explanation

You are not permitted to issue the command found in the command list.

Message Variables

cmdlist

The name of the command list.

System action

A -3 return code is set in the special REXX RC variable. If a REXX SIGNAL ON ERROR was active at the time of the error, the error routine will be driven. The command in error might be displayed, depending on the current TRACE statement setting.

Operator response

Notify the system programmer.

System programmer response

Make certain that the command is spelled correctly in the command list. If it is spelled correctly, evaluate the operator's requirements and add appropriate security access if required.

CNM425I **DROP PENDING FOR COMMAND LIST *cmdlist***

Explanation

This message is issued if you enter a DROPCL command for a command list that is currently in use or a command list that is already pending drop. The named command list will be dropped as soon as it is no longer in use.

Message Variables

cmdlist

The name of the command list.

CNM426I **COMMAND LIST *cmdlist* - NULL OPERAND INVALID FOR GLOBALV STATEMENTS**

Explanation

A GLOBALV statement in *cmdlist* contains a null operand. You cannot code null operands on GLOBALV statements.

Message Variables

cmdlist

The name of the REXX command list.

Operator response

Enter the REXX command list with a valid operand. If errors persist, notify the system programmer.

System programmer response

Correct the GLOBALV statement. There can be only one blank or comma between operands. Delete extra blanks or commas.

CNM427I **NO COMMAND LISTS HAVE BEEN LOADED**

Explanation

No command lists have been loaded with the LOADCL command.

System action

Processing of the DROPCL or MAPCL command is ended.

Operator response

Ensure that command lists have been loaded using LOADCL before attempting to use the DROPCL or MAPCL command.

CNM428I **COMMAND LIST *cmdlist* - TERMINAL INPUT NOT valid FOR TASK TYPE *tasktype***

Explanation

When running under the specified task, no input from a terminal is valid.

Message Variables

cmdlist

The name of the command list.

tasktype

The task type.

System action

The NetView program continues to process the command list, but ignores the PARSE statement. In the case of an interactive trace, the trace continues but no terminal input is valid.

Operator response

Notify the system programmer.

System programmer response

Do not run under the specified task.

CNM429I **MAPCL DISPLAY**

Explanation

This message is a response to the MAPCL command. It precedes the MAPCL display. See the NetView online help for details on the MAPCL display.

System action

The MAPCL display follows this message.

CNM430I **COLUMN MISMATCH IN MAPCL DISPLAY**

Explanation

An unexpected number of columns was found for the MAPCL display.

System action

The MAPCL display ends.

Operator response

Notify the system programmer.

System programmer response

Contact IBM Software Support.

CNM431I **REXX INTERACTIVE TRACE.
ENTER 'GO TRACE OFF' TO END
TRACE, ENTER 'GO' TO CONTINUE.**

Explanation

You are tracing a REXX command list, and a trace point has been reached.

System action

The command list stops processing until you enter a response.

Operator response

Enter GO to continue or enter GO TRACE OFF to end the trace. Also, after receiving this message, you can enter GO followed by a command or instruction you want to execute at the point in the command list where processing stopped. For example, to set a variable to a certain value at that point in the command list you can enter:

```
GO X=5
```

Or, to display the current value of a variable you can enter:

```
GO SAY 'VAR1 CURRENTLY IS 'VAR1
```

CNM432I **COMMAND LIST *cmdlist* - INVALID
OPERAND: *operand***

Explanation

An operand of a NetView REXX function was not correctly specified.

Message Variables

cmdlist

The name of the command list containing the error.

operand

The operand containing the error.

System action

If the command list does not have an active SIGNAL ON SYNTAX, the statement in error is echoed, a REXX error message is issued, and the command list ends.

Operator response

Notify the system programmer that there are errors in the specified command list.

System programmer response

Correct the statement in the command list.

CNM433I **COMMAND LIST *cmdlist* -
COMMAND LIST FUNCTION
function INVALID FOR TASK TYPE:
[PPT | OST | NNT]**

Explanation

The specified NetView REXX function is not supported under the stated subtask type.

Message Variables

cmdlist

The name of the command list containing the error.

function

The name of the unsupported function.

System action

If the command list does not have an active SIGNAL ON SYNTAX, the statement in error is echoed, a REXX error message is issued, and the command list ends.

Operator response

Notify the system programmer that there are errors in the named command list.

System programmer response

Correct the statement in the command list. For a description of the restrictions on commands under various tasks, see *IBM Z NetView Programming: REXX and the NetView Command List Language*.

CNM435I **VTAM COMMUNICATION FAILURE.
STATUS INFORMATION HAS BEEN
LOST.**

Explanation

A VTAM communication failure occurred.

System action

The status communication between the status monitor and VTAM is ended.

Operator response

Determine whether you received message BNH16I, which means the task has reached its storage limit. If so, notify your system programmer.

System programmer response

See the *IBM Z NetView Troubleshooting Guide* for possible causes of the storage shortage. If necessary, see the *IBM Z NetView Tuning Guide* for more information.

CNM436I **command: YOUR BUFFER NOW CONTAINS ONE ASSISTED COMMAND.**

Explanation

An assisted command has been received from the NetView program-to-program interface. It has been stored in a buffer awaiting operator action.

Message Variables

command

The command that saved the assisted command.

Operator response

Use ASSISCMD to process the assisted command.

CNM437W **command: YOUR BUFFER IS ALMOST FULL. ENTER THE ASSISCMD BEFORE THE MAXIMUM VALUE IS EXCEEDED.**

Explanation

The assisted command buffer is almost full.

Message Variables

command

The command that saved the assisted command.

Operator response

Use ASSISCMD to process the assisted commands in the buffer. If the buffer becomes full, future assisted commands will be discarded.

CNM438E **command: YOUR BUFFER IS FULL. THE ASSISTED COMMAND HAS BEEN DISCARDED.**

Explanation

The assisted command buffer is full. Another assisted command was received from the program-to-program interface but it cannot be saved.

Message Variables

command

The command that attempted to save the assisted command.

System action

The assisted command has been discarded.

Operator response

Notify the system programmer.

System programmer response

If the buffer for assisted commands is too small, increase the size of the buffer in SAVECMD.

CNM439I **VTAM HAS ENCOUNTERED AN ABEND DURING A PROGRAM CALL TO THE NETVIEW ADDRESS SPACE WHICH HAS TERMINATED**

Explanation

VTAM has encountered an abend during a program call to the NetView address space which has ended.

System action

Processing for the program call ends. No dump will be issued.

System programmer response

Restart NetView program.

CNM450I **INVALID KEYWORD "*keyword*" SPECIFIED FOR *command* COMMAND**

Explanation

An incorrect keyword was specified for the indicated command.

Message Variables

keyword

The incorrect keyword that was specified.

command

The name of the command specified.

System action

The command specified is not executed.

Operator response

Notify the system programmer if the error occurred in a command list. Otherwise, correct the keyword in error and enter the command again.

System programmer response

Edit the command list and correct the keyword in error.

CNM451I **INVALID KEYWORD DELIMITER**
'keyworddelimiter' SPECIFIED FOR
command COMMAND. EQUAL(=) IS
THE ONLY VALID KEYWORD
DELIMITER

Explanation

An incorrect keyword delimiter was specified for the indicated command.

Message Variables

keyworddelimiter

The keyword delimiter that is not valid.

command

The name of the command specified.

System action

The command specified is not executed.

Operator response

Notify the system programmer if the error occurred in a command list. Otherwise, correct the keyword delimiter in error and enter the command again.

System programmer response

Edit the command list and correct the keyword delimiter in error.

CNM452I **REQUIRED KEYWORDS MISSING**
FOR *format* FORMAT OF THE
***command* COMMAND**

Explanation

The required keywords were not specified for the indicated command.

Message Variables

format

The format that was specified.

command

The name of the command.

System action

The command specified is not executed.

Operator response

Notify the system programmer if the error occurred in a command list. Otherwise, add the required keywords and enter the command again.

System programmer response

Edit the command list and add the required keywords.

CNM453I **INVALID FORMAT "*format*"**
SPECIFIED FOR *command*
COMMAND

Explanation

The format entered for the indicated command is not valid.

Message Variables

format

The format that is not valid.

command

The name of the command specified.

System action

The command specified is not executed.

Operator response

Notify the system programmer if the error occurred in a command list. Otherwise, enter the command again with a valid format.

System programmer response

Edit the command list and correct the format in error.

CNM454I **INVALID KEYWORD "*keyword*"**
SPECIFIED FOR *format* FORMAT
OF THE *command* COMMAND

Explanation

An incorrect keyword was specified for the format of the indicated command.

Message Variables

keyword

The incorrect keyword specified.

format

The name of the format specified.

command

The name of the command specified.

System action

The command is not executed.

Operator response

Notify the system programmer if the error occurred in a command list. Otherwise, correct the keyword in error and enter the command again.

System programmer response

Edit the command list and correct the keyword in error.

CNM455I **INVALID DATA DELIMITER
'*datadelimiter*' SPECIFIED FOR
KEYWORD "*keyword*" IN *command*
COMMAND**

Explanation

A data delimiter other than comma (,) and semicolon (;) was specified in the indicated command. Commas are used to separate multiple data fields associated with any given keyword. The semicolon is only valid with keywords USER, FAIL, and INST and is used to separate action data values from cause data values.

Message Variables

datadelimiter

The data delimiter that is not valid.

keyword

The name of the keyword specified.

command

The name of the command specified.

System action

The command is not executed.

Operator response

Notify the system programmer if the error occurred in a command list. Otherwise, correct the data delimiter error and enter the command again.

System programmer response

Edit the command list and correct the data delimiter in error.

CNM456I **INVALID DATA "*datavalue*"
SPECIFIED FOR KEYWORD
"*keyword*" IN *command*
COMMAND**

Explanation

A data value that is not valid was entered for the specified keyword in the indicated command.

Message Variables

datavalue

The incorrect data value.

keyword

The name of the keyword specified.

command

The name of the command specified.

System action

The command is not executed.

Operator response

Notify the system programmer if the error occurred in a command list. Otherwise, correct the data value in error and enter the command again.

System programmer response

Edit the command list and correct the data values in error.

CNM457I **INVALID FORMAT DELIMITER
'*formatdelimiter*' SPECIFIED FOR
command COMMAND. BLANK IS
THE ONLY VALID FORMAT
DELIMITER**

Explanation

A format delimiter that is not valid was specified in the indicated command.

Message Variables

formatdelimiter

The format delimiter that is not valid.

command

The name of the command specified.

System action

The command is not executed.

Operator response

Notify the system programmer if the error occurred in a command list. Otherwise, enter the command again with a valid format delimiter.

System programmer response

Edit the command list and correct the format delimiter in error.

CNM458I **NO DATA OR INCOMPLETE DATA
SPECIFIED FOR KEYWORD
"*keyword*" IN *command*
COMMAND**

Explanation

The data entered for the specified keyword is either missing or incomplete.

Message Variables**keyword**

The keyword that is not valid.

command

The name of the command specified.

System action

The command is not executed.

Operator response

Notify the system programmer if the error occurred in a command list. Otherwise, enter the command again with valid data.

System programmer response

Edit the command list and correct the data in error.

**CNM459I NUMBER OF DATA VALUES
SPECIFIED FOR KEYWORD
"keyword" IN command
COMMAND EXCEEDS MAXIMUM**

Explanation

The number of data values entered for the specified keyword exceeds the maximum number of data values accepted for that keyword.

Message Variables**keyword**

The keyword that is not valid.

command

The name of the command specified.

System action

The command is not executed.

Operator response

Notify the system programmer if the error occurred in a command list. Otherwise, enter the command again with a valid number of data values.

System programmer response

Edit the command list and specify a valid number of data values for this keyword.

**CNM460I ALERT RECORD CANNOT BE
LOGGED VIA command**

COMMAND. CNM ROUTER IS NOT ACTIVE**Explanation**

There was an attempt to log an alert record when the CNM router was not active.

Message Variables**command**

The name of the command specified.

System action

The command is not executed.

Operator response

Notify the system programmer.

System programmer response

Start the CNM router task DSICRTR and resend the alert.

**CNM461I CONFLICTING KEYWORDS
SPECIFIED IN cmd COMMAND**

Explanation

Mutually exclusive keywords have been entered in the indicated command.

Message Variables**cmd**

The name of the command specified.

System action

The command is not run.

Operator response

Notify the system programmer if the error occurred in a command list. Otherwise, resolve the keyword conflict and enter the command again.

System programmer response

Edit the command list and resolve the keyword conflict.

**CNM462I INVALID SYNTAX - UNBALANCED
OR MISSING DELIMITERS FOR
command COMMAND**

Explanation

The command cannot be parsed because the delimiters are unbalanced or missing.

Note: For the REVISE or REVISMSG command, the CNM462I message is accompanied by the DSI417I message which identifies the line. Syntax checking continues without this line. Therefore, subsequent error messages might be reported which relate to the CNM462I message.

Message Variables

command

The name of the command specified.

System action

The command is not executed.

Operator response

Notify the system programmer if the error occurred in a command list. Otherwise, resolve the syntax error and enter the command again.

System programmer response

Edit the command list and resolve the syntax error.

CNM464I **INVALID INPUT FOR *command* COMMAND**

Explanation

The input was not valid for the given command.

Message Variables

command

The name of the command specified.

System action

If this message is issued from a pipeline stage command, the pipeline continues. Otherwise, the command is not executed.

Operator response

Notify the system programmer if the error occurred in a command list. Otherwise, resolve the input that is not valid and enter the command again.

System programmer response

Edit the command list and resolve the error.

CNM465I **TIMER EVENT CANNOT BE RESTORED - *reason***

Explanation

This message is issued to the requesting operator to indicate that the timer event displayed cannot be restored. This message contains a multiline display of

the timer event that cannot be restored. You can write an automation routine to determine whether the timer event must be executed immediately or rescheduled based on the contents of this message.

Message Variables

reason

The detailed reason for failure.

System action

The timer event is discarded and deleted from the Save/Restore database.

Operator response

Determine if the timer event is necessary. If so, issue the scheduled command from the timer event that was rejected.

CNM466I **RESTORE OF *type* ALREADY IN PROGRESS**

Explanation

This message is issued to the requesting operator to indicate that the RESTORE command has not been accepted. A previous RESTORE request has not completed and only one outstanding RESTORE can be active at a time. This message is also issued if a RESTORE and a RESTORE DELETE command are both active at the same time.

Message Variables

type

The type of RESTORE request.

System action

The command is not executed.

Operator response

Notify the system programmer.

System programmer response

Determine if the rejected RESTORE command still needs to be executed. If it does, enter the rejected RESTORE command again after the previous RESTORE request has completed. The completion of a RESTORE request is indicated by the receipt of message CNM468I.

CNM467I ***function* OF *type* STARTED**

Explanation

This message is issued to the requesting operator to indicate that the RESTORE command has been started

for a timer request. A *function* of DELETE indicates that a RESTORE DELETE has started.

Message Variables

function

This function can be RESTORE or RESTORE DELETE.

type

The type of TIMER request.

CNM468I ***function* OF *type* COMPLETED.
RETURN CODE *retcode***

Explanation

This message is issued for a RESTORE command for a timer request to the requesting operator to indicate that the RESTORE command has completed. A *function* of DELETE indicates that a RESTORE DELETE has completed.

Message Variables

function

The function can be RESTORE or RESTORE DELETE.

type

The type of TIMER request.

retcode

The return code from the RESTORE command. The possible return codes are:

- 0** RESTORE command completed successfully.
- 8** RESTORE command failed because of VSAM errors.
- 12** No records were found.
- 32** RESTORE command failed because of timeout condition.

System action

If the return code from the RESTORE command is 8, message DWO191I or DWO192I, and message DWO168I are issued before this message. If the return code from the RESTORE command is 32, message DWO191I or DWO192I, and message DWO398I are issued before this message.

CNM470I ***task: command* COMMAND NOT
PERFORMED. OPEN FAILED FOR
*ddname***

Explanation

You have requested a SWITCH of the active data set used by the sequential log function. The SWITCH failed.

Message Variables

task

The name of the task that issued the message.

command

SWITCH or synonym you defined.

ddname

The DDNAME of the data set that failed to open.

System action

No change occurs to the active data set if the switch was because of an operator command. If the switch was because of the active data set running out of space, then no data set will be active and message CNM472I will be displayed.

Operator response

Notify the system programmer.

System programmer response

See the accompanying system message to determine the reason for the open failure.

CNM471I ***task: command* COMMAND NOT
PERFORMED. NO SECONDARY
DATA SET EXISTS**

Explanation

The SWITCH that you requested failed because the secondary data set does not exist.

Message Variables

task

The name of the task that issued the message.

command

SWITCH or synonym that you defined.

System action

No change occurs to the active data set.

Operator response

Notify the system programmer if a secondary data set should exist.

System programmer response

Determine if the NetView task definition for *task* defines a secondary data set. A secondary data set is

defined by the SBSDN operand on the DSTINIT statement.

CNM472I **task: NO DATA SET(S) ARE NOW ACTIVE**

Explanation

This is an informational message to indicate that the specified task does not have a data set open for output.

Message Variables

task

The name of the task that issued the message.

System action

All DSIWLS requests for the task to perform sequential logging will fail.

Operator response

Determine if a data set can be switched to so that sequential logging can continue.

CNM473I **task: PRIMARY DATA SET IS NOW INACTIVE**

Explanation

This message is issued to the authorized receiver when an event has occurred to cause the primary sequential data set to be inactive.

Message Variables

task

The name of the task that issued the message.

System action

The primary sequential log is now being used for output.

CNM474I **task: exit INSTALLATION EXIT PROVIDED INVALID RETURN CODE**

Explanation

This message is issued to the authorized receiver to indicate the specified installation exit for *task* is not coded correctly.

Message Variables

task

The name of the task that issued the message.

exit

The name of the installation exit (XITBN or XITBO).

System action

The task is activated as if the specified installation exit was never driven.

Operator response

Notify the system programmer.

System programmer response

See *IBM Z NetView Programming: Assembler* for valid return codes from the specified installation exit.

CNM476I **SAVE REQUEST FOR type id IS SUCCESSFUL**

Explanation

This message reports the successful completion of a SAVE request.

Message Variables

type

The type of SAVE request.

id

The timer event identification.

CNM478I **task: SEQUENTIAL LOG BLOCKSIZE(S) ARE INCORRECT**

Explanation

This message was issued because the blocksize is less than 150 bytes, or because the blocksize of the primary and secondary files are not equal.

Message Variables

task

The name of the task that issued the message.

System action

The sequential log task ends.

Operator response

Correct the blocksize in the startup procedure and then issue the startup procedure again.

CNM479I **task: DASD WRITE ERROR. count ERROR(S) HAVE OCCURRED THUS FAR**

Explanation

An unrecoverable error occurred when writing records to DASD.

Message Variables

task

The name of the task that issued the message.

count

The cumulative number of DASD write errors since the sequential log task started.

System action

The sequential log task is not ended, but the log might not reflect all of the records to be logged.

Operator response

Verify the severity of the problem and change the DASD unit if required.

CNM480I **task: SEQUENTIAL LOG REQUIRES 'FUNCT=OTHER' TO BE CODED**

Explanation

The sequential log task that you requested cannot be started because of a definition statement that is not valid.

Message Variables**task**

The name of the task that issued the message.

System action

The sequential log task ends.

Operator response

Notify the system programmer.

System programmer response

Determine if the NetView task definition for *task* is coded correctly.

CNM481I **task: 'PBSDN' IS REQUIRED FOR SEQUENTIAL LOG TASKS**

Explanation

The sequential log task that you requested cannot be started because of a missing definition statement.

Message Variables**task**

The name of the task that issued the message.

System action

The sequential log task ends.

Operator response

Notify the system programmer.

System programmer response

Code a primary sequential data set to be used for sequential logging.

CNM482I **task: PRIMARY DATA SET IS NOW ACTIVE**

Explanation

For the sequential logging task, an automatic switch (out of space condition on the active data set) or a manual switch (SWITCH command) occurred to the primary data set.

For the distributed DVIPA statistics autotask, the defined record limit for the secondary data set (DDNAME CNMDVIPS) was reached, and logging moved to the primary data set.

Message Variables**task**

The name of the task that issued the message.

System action

The task begins writing to the primary data set. This can occur for the sequential logging task or the distributed DVIPA statistics autotask.

CNM483I **task: SECONDARY DATA SET IS NOW ACTIVE**

Explanation

For the sequential logging task, an automatic switch (out of space condition on the active data set) or a manual switch (SWITCH command) occurred to the secondary data set.

For the distributed DVIPA statistics autotask, the defined record limit for the primary data set (DDNAME CNMDVIPP) was reached, and logging moved to the secondary data set.

Message Variables**task**

The name of the task that issued the message.

System action

The task begins writing to the secondary data set. This can occur for the sequential logging task or the distributed DVIPA statistics autotask.

CNM484I **task: SEQUENTIAL LOG RECORD HAS BEEN TRUNCATED**

Explanation

A request to sequentially log a record that is larger than the block size of the sequential log data set has caused the sequential log function to truncate the record.

Message Variables

task

The name of the task that issued the message.

System action

A truncated record is written to the sequential log data set.

Operator response

Notify the system programmer.

System programmer response

Check the BLKSIZE of the sequential log data sets and adjust appropriately.

CNM485I *task: AUTOMATIC SWITCH NOT PERFORMED. AUTOFLIP IS OFF*

Explanation

The secondary sequential log data set ran out of space and an automatic switch cannot occur because AUTOFLIP=NO was coded for the task definition.

Message Variables

task

The name of the task that issued the message.

System action

All sequential logging has stopped.

CNM486I *task: command COMMAND NOT PERFORMED. NO DATA SETS ARE ACTIVE.*

Explanation

The SWITCH that you requested of the active data set used by the sequential log function has failed.

Message Variables

task

The name of the task that issued the message.

command

The SWITCH or synonym you defined.

CNM487I *task: command COMMAND NOT PERFORMED. DATA SET ALREADY ACCESSIBLE*

Explanation

The SWITCH command you requested was not performed because the desired data set was already active.

Message Variables

task

The name of the task that issued the message.

command

SWITCH or synonym you defined.

System action

No change occurs to the active data set.

CNM488I *task: SEQ LOG DATA SET ddname FAILED TO OPEN - PROCESSING FAILS*

Explanation

The data set identified by *ddname* failed to open.

Message Variables

task

The name of the task that issued the message.

ddname

The name of the data set that failed to open.

System action

The sequential log task is ended.

Operator response

Notify the system programmer.

System programmer response

See the accompanying operating system message that gives more information about the problem.

CNM489I *task locid: SEQ LOG STORAGE REQUEST FAILED - PROCESSING FAILS*

Explanation

Insufficient storage space is available to perform the sequential log initialization.

Message Variables

task

The name of the task that issued the message.

locid

The location in the module that caused the failure.

System action

The sequential log task is ended.

Operator response

Determine whether you received message BNH16I, which means the task has reached its storage limit. If so, notify your system programmer.

System programmer response

See the *IBM Z NetView Troubleshooting Guide* for possible causes of the storage shortage.

**CNM490I NO ACTION TAKEN ON ASSIGN
COMMAND: SEC LIST NOT FOUND**

Explanation

You entered the keyword DELETE with the keyword SEC, but a SEC list was not found in the assignment.

System action

Processing for the ASSIGN command stops.

Operator response

Check the syntax of the command and enter it again.

**CNM491I ALL OPERATORS DELETED FROM
listname LIST: ASSIGNMENT
DROPPED**

Explanation

All operators assigned to the *listname* list have been deleted, therefore the message or group ID that was assigned has been dropped.

Message Variables

listname

PRI, COPY, or OP.

**CNM492I OPERATOR ID CONSOLE ID
CONSOLE NAME operatorid console
auto consolename END DISPLAY**

Explanation

Each insert line in the display of this message represents an MVS console that was obtained by a NetView task, or an MVS console that is associated with a NetView autotask. MVS consoles obtained using the MVS command or GETCONID command are used to enter MVS commands from the NetView program. Consoles associated with an autotask by the AUTOTASK command allow NetView commands to be issued from MVS.

Message Variables

operatorid

The name of the NetView task that obtained the console or the NetView autotask that is associated with an MVS console.

console

This variable contains one of the following:

- The word EXTENDED to indicate that the assigned or associated console is an EMCS console
- The word INACTIVE to indicate that the assigned or associated EMCS console is not available
- The word UNKNOWN to indicate that the EMCS console has never been active in the MVS system or sysplex.

auto

If the console ID is associated with an autotask, an asterisk (*) appears in this variable. Otherwise, the variable is blank.

consolename

The MVS console name.

System action

Processing continues.

**CNM493I member : seqnum : labgrp :
commandtext**

Explanation

This message logs the entry of a command to the NetView program from NetView's automation processing. The *member* of the NetView automation statement that generated the command is shown in the message. This is followed by the *seqnum* and *labgrp* of the automation table statement and the command generated by the EXEC action of that statement with variable values completely substituted.

Note:

1. The domain ID of the CNM493I message indicates the origin of the message or the MSU that was being automated.
2. If the command string begins with TECROUTE, the command was forwarded to the hardware monitor and queued for execution if the associated event was passed by the TECROUTE or TRAPROUT recording filter of the hardware monitor.

Message Variables

member

The name of the member that contains the automation statement.

seqnum

The 8-character sequence number field of the first record of the automation statement that generated this command.

Note: If this message is displayed for a statement that was added without sequence numbers, then *seqnum* will be the line number where the statement was found in the automation table member. The number will be in the format #nnnnnnn.

labgrp

One of the following values:

1. The LABEL, ENDLABEL or GROUP name specified on the statement. If none was specified, then:
2. (AUTOMATED MSU) if an MSU was automated rather than a message with readable text, or:
3. The message ID of the automated message following MSGID= , or:
4. (NO MSGID) if none of the previous values apply.

commandtext

The command text, with variable substitution done, that was produced by the EXEC action of the indicated NetView automation statement.

System action

This message is written to the network log under the task where the NetView automation processing is taking place.

System programmer response

The message is written to the network log for your information in verifying that your NetView automation statements are producing the expected results.

CNM494E AUTOMATION STATEMENT SPANS TOO MANY RECORDS

Explanation

The automation statement in error spans too many records. Do one of the following:

- Rewrite your automation statement so that it uses fewer records.
- Separate your automation statement into two separate automation statements.

System action

The command processing continues with the next automation statement. The automation table will not be loaded.

Operator response

Notify the system programmer that there are errors in the statements in the specified NetView automation member.

System programmer response

Correct the automation statement in error and enter the command again.

CNM495E NUMBER OF CONDITIONAL FUNCTIONS EXCEEDS THE LIMIT

Explanation

The conditional part of the automation statement in error contains a number of Boolean functions that are too complicated to evaluate.

System action

The command processing continues with the next automation statement. The automation table will not be loaded.

Operator response

Notify the system programmer that there are errors in the statements in the specified NetView automation member.

System programmer response

Correct the automation statement in error by doing one of the following:

- Simplify the conditional part of the statement to avoid the excessive number of functions expressed.
- If using the OR Boolean operator, separate the statement into two separate automation statements with the same action list.

Enter the command again.

CNM496E VARIABLE NAME "*variable*" IS TOO LONG

Explanation

The length of the variable name exceeds the maximum length valid.

Message Variables

variable

The variable name that is not valid

System action

The command processing continues with the next automation statement. The automation table will not be loaded.

Operator response

Notify the system programmer that there are errors in the statements in the specified NetView automation member.

System programmer response

Correct the automation statement in error and enter the command again.

CNM497E	NUMBER OF VARIABLES USED IN CONDITIONAL EXCEEDS THE MAXIMUM
----------------	--

Explanation

The total number of variable names used in the conditions of an IF-THEN automation statement exceeds the maximum allowed.

System action

The command processing continues with the next automation statement. The automation table will not be loaded.

Operator response

Notify the system programmer that there are errors in the statements in the specified NetView automation member.

System programmer response

Correct the automation statement in error and enter the command again.

CNM498E	INDICATOR VALUE SPECIFIED IN NETLOG ACTION IS INVALID
----------------	--

Explanation

The status monitor indicator value specified in the NETLOG action in a NetView automation statement is not 1, 2, 3, or 4.

System action

The command processing continues with the next automation statement. The automation table will not be loaded.

Operator response

Notify the system programmer that there are errors in the statements in the specified NetView automation member.

System programmer response

Correct the automation statement in error and enter the command again.

CNM499E	ROUTE LIST VALUE SPECIFIED IN NETLOG ACTION IS INVALID
----------------	---

Explanation

A value specified in the route list in the NETLOG action of a NetView automation statement is not a valid operator ID (defined in DSIOFP) not a valid group ID (assigned with the ASSIGN command), or not an *.

System action

The command processing continues with the next automation statement. If the message occurs because an operator ID is not currently defined, the automation table will be loaded. If the message occurs for any other reason, the automation table will not be loaded.

Operator response

Notify the system programmer that there are errors in the statements in the specified NetView automation member.

System programmer response

If this error prevented the automation table from loading, or the operator ID was in error, correct the NETLOG action and issue the command again. If the operator ID is not yet defined to the NetView program, update DSIOFP, and issue the REFRESH OPERS command.

CNM500E	<i>keyword1</i> KEYWORD CAN ONLY BE SPECIFIED WITH <i>keyword2</i> KEYWORD
----------------	---

Explanation

The *keyword1* keyword of the AUTOCNT, AUTOTBL, or AUTOTEST command can be specified only with the *keyword2* keyword.

Message Variables

keyword1

The keyword that was specified

keyword2

The keyword that must be specified with *keyword1*

System action

The command processing ends.

Operator response

Enter the command again with proper syntax. For specific information on the command syntax, see the online help.

**CNM501I TEST OF NETVIEW AUTOMATION
FILE "*member*" WAS SUCCESSFUL**

Explanation

A test of a NetView automation member has completed successfully.

Message Variables

member

The name of the automation member.

**CNM502E AUTOMATION STATEMENT DOES
NOT BEGIN WITH VALID
KEYWORD**

Explanation

Each automation statement must begin with a valid keyword or be a valid INCLUDE card. For AUTOTBL, these keywords include IF, ALWAYS, END, and SYN. For the REVISE or REVISMSG command, entries must begin with UPON.

System action

The command processing continues syntax checking. The automation table will not be loaded.

Operator response

Notify the system programmer that there are errors in the statements in the specified NetView automation member.

System programmer response

Correct the automation statement in error and enter the command again.

**CNM503E INVALID SYMBOL '*symbol*'
SPECIFIED IN CONDITIONAL**

Explanation

A non-alphanumeric symbol was detected in the conditional. This symbol is not valid in an automation statement.

Message Variables

symbol

The symbol that is not valid

System action

The command processing continues with the next automation statement. The automation table will not be loaded.

Operator response

Notify the system programmer that there are errors in the statements in the specified NetView automation member.

System programmer response

Correct the automation statement in error and enter the command again.

**CNM504E INVALID CHARACTER STRING
'*string*' FOUND IN CONDITIONAL**

Explanation

The indicated character string was found inside a conditional. It is possible that you forgot to specify a Boolean operator, or you incorrectly typed a parenthesis.

Message Variables

string

The character string in error

System action

The command processing continues with the next automation statement. The automation table will not be loaded.

Operator response

Notify the system programmer that there are errors in the statements in the specified NetView automation member.

System programmer response

Correct the automation statement in error and enter the command again.

**CNM505E INVALID FUNCTION NAME
"*function*" SPECIFIED IN
CONDITIONAL**

Explanation

A function name that is not valid was specified in the automation statement.

Message Variables

function

The function name that is not valid

System action

The command processing continues with the next automation statement. The automation table will not be loaded.

Operator response

Notify the system programmer that there are errors in the statements in the specified NetView automation member.

System programmer response

Correct the automation statement in error and enter the command again.

**CNM506E INVALID VALUE 'value' SPECIFIED
FOR "function" FUNCTION**

Explanation

A value that is not valid was specified as a parameter for the named function.

Note: If the function is LABEL, ENDLABEL, or GROUP, the value might be multiply defined or not paired properly. See the *IBM Z NetView Automation Guide* for information on syntax rules for the IF-THEN statement.

Message Variables**value**

The value that is not valid

function

The function for which the value was specified

System action

The command processing continues with the next automation statement. The automation table will not be loaded.

Operator response

Notify the system programmer that there are errors in the statements in the specified NetView automation member.

System programmer response

Correct the automation statement in error and enter the command again.

**CNM507E PARAMETER VALUE 'value'
SPECIFIED FOR "function"
FUNCTION IS INVALID**

Explanation

The value specified as a parameter for the named function is not valid.

Message Variables**value**

The value specified

function

The function for which the number was specified

System action

The command processing continues with the next automation statement. The automation table will not be loaded.

Operator response

Notify the system programmer that there are errors in the statements in the specified NetView automation member.

System programmer response

Correct the automation statement in error and enter the command again.

**CNM508E INVALID SYMBOL 'symbol'
SPECIFIED AS PARAMETER OF
"function" FUNCTION**

Explanation

A non-alphanumeric symbol was detected as a parameter of the named function in the conditional. This symbol is not valid in an automation statement.

Message Variables**symbol**

The symbol that is not valid

function

The function named in the conditional

System action

The command processing continues with the next automation statement. The automation table will not be loaded.

Operator response

Notify the system programmer that there are errors in the statements in the specified NetView automation member.

System programmer response

Correct the automation statement in error and enter the command again.

CNM509E THE COMPARISON OPERATOR FOLLOWING "*function*" FUNCTION SPECIFICATION IS NOT VALID

Explanation

Each function name must be followed by one of the valid comparison operators for the specified function:

- = Equal
- ≠ Not equal
- < Less than
- <= Less than or equal
- =< Equal to or less than
- > Greater than
- >= Greater than or equal
- => Equal to or greater than

Note: Not all operators are valid for every function.

Message Variables

function
The function name

System action

The command processing continues with the next automation statement. The automation table will not be loaded.

Operator response

Notify the system programmer that there are errors in the statements in the specified NetView automation member.

System programmer response

Correct the automation statement in error and enter the command again.

CNM510E QUOTES MUST BE SPECIFIED FOR VALUE OF "*function*" FUNCTION

Explanation

The value specified for the named function did not begin or end with quotation marks. A valid string (such as a bit string) is required for this function.

Message Variables

function
The function or parameter name

System action

The command processing continues. If this message is issued as a result of an automation table statement, the automation table is not loaded. If this message is issued as a result of a command being executed, the command does not perform its intended function.

Operator response

If this message is issued as a result of an automation table statement, notify the system programmer that there are errors in the statements in the specified NetView automation member. Otherwise, correct the command and try again.

System programmer response

Correct the error and enter the command again.

CNM511E TOO MANY PARAMETERS SPECIFIED FOR "*function*" FUNCTION

Explanation

The named function had more parameters specified than required for that function.

Message Variables

function
The function name

System action

The command processing continues with the next automation statement. The automation table will not be loaded.

Operator response

Notify the system programmer that there are errors in the statements in the specified NetView automation member.

System programmer response

Correct the automation statement in error and enter the command again.

CNM512E NO PARAMETER VALUE SPECIFIED FOR "*function*" FUNCTION

Explanation

A null value was specified as a parameter of the named function. If the default is desired, do not specify the parentheses after the function name.

Message Variables

function

The function name

System action

The command processing continues with the next automation statement. The automation table will not be loaded.

Operator response

Notify the system programmer that there are errors in the statements in the specified NetView automation member.

System programmer response

Correct the automation statement in error and enter the command again.

CNM513E INVALID SYMBOL '*symbol*' FOLLOWING "*function*" FUNCTION

Explanation

For an automation table, a nonalphanumeric symbol was detected following the named function in the conditional. This symbol is not valid in an automation statement. For other commands, this message more generally indicates a string which is not valid following another string. The two strings may not be adjacent.

Message Variables

symbol

The symbol that is not valid

function

The function name

System action

The command processing continues with the next automation statement. The table will not be loaded.

Operator response

Notify the system programmer that there are errors in the statements in the specified NetView automation member.

System programmer response

Correct the automation statement in error and enter the command again.

CNM514E INVALID SYMBOL '*symbol*' USED IN PARSE TEMPLATE OF "*function*" FUNCTION

Explanation

A non-alphanumeric symbol or a variable name beginning with a numeric character was detected while processing a parse template. This symbol or variable is not valid in a parse template.

Message Variables

symbol

The symbol that is not valid

function

The function name

System action

The command processing continues with the next automation statement. The automation table will not be loaded.

Operator response

Notify the system programmer that there are errors in the statements in the specified NetView automation member.

System programmer response

Correct the automation statement in error and enter the command again.

CNM515E NO VALUE SPECIFIED FOR "*function*" FUNCTION

Explanation

No compare value was specified for the named function. A valid parse template or bit string must be specified following the '=' or '≠'.

Alternatively, the value is an indication of "no value", such as "/NONE" being specified for TSONAME or UNIXNAME prior to a TSO or UNIX command being issued. A valid value must be specified for TSONAME or UNIXNAME before issuing a TSO or UNIX command.

Message Variables

function

The function name

System action

If you are using the ASSIGN, AUTOTBL, or AUTOTEST commands, the command processing continues with the next automation statement. The automation table will not be loaded.

If you are using the TSO or UNIX PIPE stages, these stages end.

Operator response

If you are using the ASSIGN, AUTOTBL, or AUTOTEST commands, notify the system programmer that there are errors in the statements in the specified NetView automation member.

If you are using the TSO or UNIX PIPE stages, specify a valid TSONAME or UNIXNAME.

System programmer response

Correct the automation statement in error and enter the command again, or select a value for the function.

CNM516E VALUE SPECIFIED FOR "*name*"
type IS TOO LONG IN *ddname*
MEMBER *member_name*

Explanation

The value specified exceeds the maximum length allowed.

Message Variables

name

The name of the function, action, or keyword that is in error.

type

Can be one of the following:

- FUNCTION - a function in an automation table
- ACTION - an action in an automation table
- KEYWORD - a keyword in the CNMSTYLE member or other DSIPARM member where *keyword=value* pairs are allowed

ddname

The DD name where the specified member resides.

member_name

The name of the data set member in which the error occurred.

System action

- If the error is in an automation table, command processing continues with the next automation statement. The automation table is not loaded.
- If the error is in another type of member, this message may be followed by a subsequent message containing the value in error. If the error occurs during NetView initialization, the NetView program continues to initialize.

Operator response

Notify the system programmer that there are errors in the statements of the specified member. If the error occurs in the CxxSTYLE member or another member read during NetView initialization, look for another message issued to the system console or network log that contains the value in error.

System programmer response

Correct the statement in error. If the error was issued for an automation table statement, reenter the automation table command. If the error was found during NetView initialization, restart NetView or use the RESTYLE command, if applicable, to use the corrected statement.

CNM517E INVALID BIT STRING CHARACTER
'*character*' SPECIFIED FOR
"*function*" FUNCTION

Explanation

A bit string character that is not valid was specified. Bit string characters can only be 0, 1, or X.

Message Variables

character

The character in error

function

The function name in error

System action

The command processing continues with the next automation statement. The automation table will not be loaded.

Operator response

Notify the system programmer that there are errors in the statements in the specified NetView automation member.

System programmer response

Correct the automation statement in error and enter the command again.

CNM518E AN INVALID NULL QUOTED
STRING WAS SPECIFIED FOR
"*name*" *type*

Explanation

A null quoted string that is not valid was specified for a function or keyword.

Message Variables

name

The name of the function or keyword

type

Can be one of the following:

- FUNCTION - a function in an automation table
- KEYWORD - an action keyword in an automation table

Operator response

Notify the system programmer that there are errors in the statements in the specified NetView automation member.

System programmer response

Correct the automation statement in error and reenter the command.

CNM519E CONDITIONAL CONTAINS MORE LEFT PARENTHESES THAN RIGHT PARENTHESES

Explanation

A case of unbalanced parentheses was detected for the conditional.

System action

The command processing continues with the next automation statement. The automation table will not be loaded.

Operator response

Notify the system programmer that there are errors in the statements in the specified NetView automation member.

System programmer response

Correct the automation statement in error and enter the command again.

CNM520E CONDITIONAL CONTAINS MORE RIGHT PARENTHESES THAN LEFT PARENTHESES

Explanation

A case of unbalanced parentheses was detected for the conditional.

System action

The command processing continues with the next automation statement. The automation table will not be loaded.

Operator response

Notify the system programmer that there are errors in the statements in the specified NetView automation member.

System programmer response

Correct the automation statement in error and enter the command again.

CNM521E INVALID ACTION NAME "*action*"

Explanation

The action name specified is not a valid action.

Message Variables***action***

The name of the action that is not valid

System action

The command processing continues with the next automation statement. The automation table will not be loaded.

Operator response

Notify the system programmer that there are errors in the statements in the specified NetView automation member.

System programmer response

Correct the automation statement in error and enter the command again.

CNM522E PARAMETER SPECIFIED FOR "*action*" ACTION IS INVALID

Explanation

An incorrect parameter was specified for the named action. It is possible that:

- There were no parameters specified for the requested action. If the default value was requested for the named action, do not include that action in the action list.
- The parameter was not correctly enclosed in parentheses.

Message Variables***action***

The name of the action that is not valid

System action

The command processing continues with the next automation statement. The automation table will not be loaded.

Operator response

Notify the system programmer that there are errors in the statements in the specified NetView automation member.

System programmer response

Correct the automation statement in error and enter the command again.

CNM523E	NO VALUE SPECIFIED FOR PARAMETER OF "action" ACTION
----------------	--

Explanation

No value was found within the parentheses for the parameter of the named action. If the default value is requested for a particular action, do not include that action in the action list.

Message Variables

action

The action name

System action

The command processing continues with the next automation statement. The automation table will not be loaded.

Operator response

Notify the system programmer that there are errors in the statements in the specified NetView automation member.

System programmer response

Correct the automation statement in error and enter the command again.

CNM524E	INVALID SYMBOL '<i>symbol</i>' SPECIFIED IN ACTION LIST
----------------	--

Explanation

A nonalphanumeric symbol was detected in the action list. This symbol is not valid in an automation statement.

Message Variables

symbol

The symbol in error

System action

The command processing continues with the next automation statement. The automation table will not be loaded.

Operator response

Notify the system programmer that there are errors in the statements in the specified NetView automation member.

System programmer response

Correct the automation statement in error and enter the command again.

CNM525E	NO VALUE SPECIFIED FOR "keyword" KEYWORD OF EXEC ACTION
----------------	--

Explanation

A null value was specified for the named keyword. If it was the CMD keyword, you must specify something to execute. If it was the ROUTE keyword and you wanted the default route situation, do not include the ROUTE keyword for the EXEC action.

Message Variables

keyword

The keyword name

System action

The command processing continues with the next automation statement. The automation table will not be loaded.

Operator response

Notify the system programmer that there are errors in the statements in the specified NetView automation member.

System programmer response

Correct the automation statement in error and enter the command again.

CNM526E	PARAMETER VALUE SPECIFIED FOR "action" ACTION IS NOT VALID
----------------	---

Explanation

The parameter for the specified *action* is not valid. Valid parameters are as follows:

Action

Parameter value

CONTINUE

YES, Y, NO, N, STOP, or S

AUTOMATED

YES, Y, NO, N, IGNORE, or I

TRACE

1-16 character quoted string without blanks

any other action

YES, Y, NO, N

Note: All parameters must be uppercase.

Message Variables**action**

The action name in error

System action

The command processing continues with the next automation statement. The automation table will not be loaded.

Operator response

Notify the system programmer that there are errors in the statements in the specified NetView automation member.

System programmer response

Correct the automation statement in error and enter the command again.

CNM527E **INVALID KEYWORD "*keyword*" SPECIFIED IN EXEC ACTION**

Explanation

An incorrect keyword was specified for the EXEC action.

Message Variables**keyword**

The keyword in error

System action

The command processing continues with the next automation statement. The automation table will not be loaded.

Operator response

Notify the system programmer that there are errors in the statements in the specified NetView automation member.

System programmer response

Correct the automation statement in error and enter the command again.

CNM528E **INVALID SPECIFICATION FOR VALUE OF "*keyword*" KEYWORD**

Explanation

A value was incorrectly specified for a keyword.

Message Variables**keyword**

The named keyword

System action

The command processing continues with the next automation statement. The automation table will not be loaded.

Operator response

Notify the system programmer that there are errors in the statements in the specified NetView automation member.

System programmer response

Correct the automation statement in error and enter the command again.

CNM529E **COMMAND OR COMMAND LIST NAME SPECIFIED FOR "CMD" IS NOT A LITERAL**

Explanation

The command or command list named for all instances of the EXEC action is not a literal.

System action

The command processing continues with the next automation statement. The automation table will not be loaded.

Operator response

Notify the system programmer that there are errors in the statements in the specified NetView automation member.

System programmer response

Correct the automation statement in error and enter the command again.

CNM530E **"keyword" KEYWORD SPECIFIED
MORE THAN ONCE IN EXEC
ACTION**

Explanation

The CMD or ROUTE keyword can be specified only once in an EXEC action. Additional EXEC actions might be required for this automation statement.

Message Variables

keyword

The duplicated keyword

System action

The command processing continues with the next automation statement. The automation table will not be loaded.

Operator response

Notify the system programmer that there are errors in the statements in the specified NetView automation member.

System programmer response

Correct the automation statement in error and enter the command again.

CNM531E **INVALID SYMBOL '*symbol*'
SPECIFIED WITHIN "*action*"
ACTION**

Explanation

A non-alphanumeric symbol was detected in the *action* specified. This symbol is not valid in an automation statement.

Message Variables

symbol

The symbol in error

action

The action name

System action

The command processing continues with the next automation statement. The automation table will not be loaded.

Operator response

Notify the system programmer that there are errors in the statements in the specified NetView automation member.

System programmer response

Correct the automation statement in error and enter the command again.

CNM532E **INVALID SYMBOL '*symbol*'
SPECIFIED FOR "*keyword*"
KEYWORD OF EXEC ACTION**

Explanation

A non-alphanumeric symbol was detected within the named keyword specification for the EXEC action. This symbol is not valid in an automation statement.

Message Variables

symbol

The symbol that is not valid

keyword

The keyword in error

System action

The command processing continues with the next automation statement. The automation table will not be loaded.

Operator response

Notify the system programmer that there are errors in the statements in the specified NetView automation member.

System programmer response

Correct the automation statement in error and enter the command again.

CNM533E **FIRST VALUE FOR ROUTE
KEYWORD IS INVALID**

Explanation

The first value within the specification for the ROUTE keyword must be either ALL or ONE.

System action

The command processing continues with the next automation statement. The automation table will not be loaded.

Operator response

Notify the system programmer that there are errors in the statements in the specified NetView automation member.

System programmer response

Correct the automation statement in error and enter the command again.

CNM534E **NO ROUTE VALUES WERE SPECIFIED AFTER "value" FOR ROUTE KEYWORD**

Explanation

There must be at least one operand specified following the ALL or ONE string. An operand can be an operator ID, a group name, *, or PPT.

Message Variables

value

Either ALL or ONE

System action

The command processing continues with the next automation statement. The automation table will not be loaded.

Operator response

Notify the system programmer that there are errors in the statements in the specified NetView automation member.

System programmer response

Correct the automation statement in error and enter the command again.

CNM535E ***id* ID SPECIFIED FOR ROUTE KEYWORD IS INVALID**

Explanation

While loading the NetView automation table, the operator or group ID in the ROUTE keyword was found to be not valid.

Message Variables

id

The operator ID or group ID that is not valid

System action

The command processing continues with the next automation statement. The automation table will not be loaded.

Operator response

Notify the system programmer that there are errors in the statements in the specified NetView automation member.

System programmer response

Correct the automation statement in error and enter the command again.

CNM536W **OPERATOR ID "*id*" SPECIFIED FOR *keyword* KEYWORD IS UNKNOWN**

Explanation

The operator ID specified on the ROUTE or NETLOG keyword is not defined as a NetView operator.

Message Variables

id

The undefined operator ID that is the target of the ROUTE or NETLOG.

keyword

The keyword that displays the operator ID.

System action

The command continues.

Operator response

Determine if the operator must be defined. If so, notify the system programmer.

System programmer response

Determine why the operator ID is not defined. Make the appropriate corrections and issue the command again. If NetView operators are defined in DSIOPF, issue the REFRESH OPERS command after updating DSIOPF. If NetView operators are defined in an SAF product (such as RACF), add the operator definition to the SAF product. If the problem is with an operator group, see the NCCF LIST command (ASSIGN=GROUP option).

CNM537E **INCOMPLETE AUTOMATION STATEMENT SPECIFIED**

Explanation

The automation statement being processed is incomplete. It is possible that:

- A semicolon was detected before the end of the automation statement was read.
- A semicolon to indicate the end of a statement is missing.
- An ending quotation mark is missing.
- Two consecutive quotation marks (") were found in the automation table function condition item.

System action

The command processing continues with the next automation statement. The automation table will not be loaded.

Operator response

Notify the system programmer that there are errors in the statements in the specified NetView automation member.

System programmer response

If the statement in error contains a semicolon within quotation marks, recode this statement so that the semicolon is not the last non-blank character on the line. Correct the automation statement in error and enter the command again.

CNM538I	<i>keyword</i> SPECIFIED BUT <i>id</i> NOT ASSIGNED: ASSIGN COMMAND SUCCESSFUL
----------------	---

Explanation

You entered one of the following keywords ADDFIRST, ADDLAST, or REPLACE but the message ID or group ID was not assigned. The ASSIGN command was processed successfully.

Message Variables

keyword

ADDFIRST, ADDLAST, or REPLACE.

id

The message ID or group ID.

CNM539E	CONDITIONAL NESTING DEPTH HAS EXCEEDED THE LIMIT
----------------	---

Explanation

The conditional of the automation statement in error contains nested functions that have exceeded the limit and are too complicated to evaluate.

System action

The command processing continues with the next automation statement. The automation table will not be loaded.

Operator response

Notify the system programmer that there are errors in the statements in the specified NetView automation member.

System programmer response

Restate the conditional more simply to avoid excessive nesting. Correct the automation statement in error and enter the command again.

If you are using the `or` Boolean operator, separate your conditional into two automation statements with the same action list or use the BEGIN/END sections.

CNM540E	INVALID COMMAND NAME "<i>command</i>" SPECIFIED FOR CMD KEYWORD OF EXEC ACTION
----------------	---

Explanation

The *command* name specified for the CMD keyword is not valid. This message can be caused by:

- A syntax error specifying the CMD keyword
- Specifying a command or command list name that is too long
- Specifying a command or command list name that does not exist
- Specifying a command or command list name that is misspelled

Message Variables

command

The name of the command that is not valid.

System action

The command processing continues with the next automation statement. The automation table is not loaded unless all of the following are true:

- A field in the NetView constants module (DSICTMOD) is changed to indicate that missing commands or command lists do not prevent the automation table from loading successfully.
- This error is in fact caused by a missing or incorrectly spelled command or command list name and not by some other error.
- There are no additional errors in the automation table, and the TEST keyword was not specified on the AUTOTBL command.

Operator response

Notify the system programmer that there are errors in the statements in the specified NetView automation member.

System programmer response

Be sure that the command name is enclosed in single quotation marks (') and that a blank is included to separate the command name from any text that might

follow it. Correct the automation statement in error and enter the command again.

CNM541I NetView subsystem *ssi_name* is fully functional

Explanation

The NetView subsystem address space has initialized, thereby providing resources for Message Revision, Command Revision, and optionally, the program-to-program interface (PPI).

Message Variables***ssi_name***

The 4-character SSI name that is defined in the IEFSSNxx member of your SYS1.PARMLIB data set.

System programmer response

No response is required, but you are now able to load the Message Revision table or Command Revision table.

CNM542I Input parameters missing or invalid

Explanation

The input parameters passed to the NetView subsystem initialization module (CNMINIT) are missing or not valid.

System action

The NetView subsystem initialization is ended.

Operator response

Notify the system programmer.

System programmer response

Correct the parameters on the EXEC statement in the JCL.

CNM543I Unable to find NetView subsystem communications table for *subsystem_name*

Explanation

During subsystem initialization, the system was unable to locate the subsystem communications vector table (SSCVT) with the subsystem name indicated.

Message Variables***ssi_name***

The 4-character subsystem name that is used in IEFSSNxx definitions or with SETSSI commands.

Operator response

Notify the system programmer.

System programmer response

Ensure that the first 4 characters in the name of the NetView application job and the NetView subsystem job are the same as the name of the NetView subsystem in the IEFSSNXX member of SYS1.PARMLIB. To activate the subsystem, you can use the SETSSI system command. For more information, see *IBM Z NetView Installation: Getting Started* and *IBM Z NetView Installation: Migration Guide*.

CNM544I Unable to obtain storage for NetView subsystem table(SST)

Explanation

A GETMAIN command for the NetView subsystem table (SST) in the MVS common service area (CSA) failed.

System action

The NetView subsystem initialization ends.

Operator response

Notify the system programmer.

System programmer response

Determine why CSA storage was unavailable.

CNM545I Unable to obtain storage for cross memory routines

Explanation

The NetView subsystem initialization module (CNMINIT) was unable to obtain main storage in the common service area (CSA) using the GETMAIN command. The storage area was to be used as autodata area for the cross-memory routines.

System action

The NetView subsystem initialization is ended.

Operator response

Notify the system programmer.

System programmer response

Determine why CSA storage was unavailable.

CNM546I **UNABLE TO OBTAIN STORAGE FOR MESSAGE AND COMMAND BUFFER QUEUES****Explanation**

The NetView subsystem initialization module (CNMINIT) was unable to GETMAIN storage for the command buffer queues defined by the MSGBUF and CMDBUF parameters in the EXEC statement in the JCL.

System action

The NetView subsystem initialization is ended.

Operator response

Determine whether you received message BNH16I, which means the task has reached its storage limit. If so, notify your system programmer.

System programmer response

See the *IBM Z NetView Troubleshooting Guide* for possible causes of the storage shortage.

CNM547I **Unable to obtain storage for IEFJSVEC and IEAVG700 calls****Explanation**

NetView module CNMCSSVT was unable to GETMAIN 24-bit addressable storage necessary to call the subsystem vector table service routine (IEFJSVEC) and the subsystem console service routine (IEAVG700).

System action

The NetView subsystem initialization is ended.

Operator response

Determine whether you received message BNH16I, which means the task has reached its storage limit. If so, notify your system programmer.

System programmer response

See the *IBM Z NetView Troubleshooting Guide* for possible causes of the storage shortage.

CNM548I **unable to build NetView subsystem vector table(SSVT)****Explanation**

The subsystem vector table service routine (IEFJSVEC) was unable to build the NetView subsystem vector table (SSVT) because of the indicated system condition code:

04

Identifier in IEFVTSPL or IEFJSBVT that is not valid.

08

Incorrect input (subsystem name was specified incorrectly).

12

GETMAIN for the vector table failed.

16

Logic error.

20

Load for a function routine abended.

24

Bit setting in request flags that is not valid.

28

Unable to process the create request (SSVT already exists).

36

Insufficient SSVT space for additional function routine addresses.

System action

The NetView subsystem initialization is ended.

Operator response

Notify the system programmer.

System programmer response

Do one of the following:

- For reason codes 04, 08, 16, 24, 28, and 36, contact IBM Software Support
- For reason code 12, determine why space for the system queue area (SQA) was not available
- For reason code 20, verify that NetView modules CNMCSSIC, CNMCSSIM, and CNMCSSIE are in global common service area (CSA) storage.

CNM549I **Subsystem console services failure during broadcast****Explanation**

The subsystem console service routine (IEAVG700) was unable to execute BROADCAST function because of the indicated reason code.

System action

The NetView subsystem initialization is ended.

Operator response

Notify the system programmer.

System programmer response

Contact IBM Software Support.

**CNM550I Cross memory entry table
 initialization failure**
Explanation

The NetView subsystem initialization module (CNMINIT) was unable to connect the entry table to the system linkage table index.

System action

The NetView subsystem initialization is ended.

Operator response

Notify the system programmer.

System programmer response

Contact IBM Software Support.

**CNM551I NetView subsystem is already
 active**
Explanation

A NetView subsystem by the job name specified in the START command is already active. Each NetView subsystem has a unique 4-character name that is defined in the IEFSSNXX member of SYS1.PARMLIB. The 4-character name must be used as the first 4 characters of the job names used to start the NetView subsystem and its corresponding application.

System action

The NetView subsystem initialization is ended.

Operator response

Notify the system programmer.

System programmer response

If having an additional NetView subsystem active is necessary, start another NetView subsystem with a unique 4-character name (defined in the IEFSSNXX member of SYS1.PARMLIB).

**CNM552I NO MVS CONSOLE ASSIGNED TO
 THIS OPERATOR**
Explanation

An MVS console was not released because the operator had no MVS console assigned.

System action

No MVS console is released.

**CNM553E DSIPUSH PROCESSING FAILED.
 RC = *retcode***
Explanation

NetView received an error code from the DSIPUSH macro while specifying the ABEND and LOGOFF routine for a task that was obtaining an MVS console. *retcode* is the return code from the DSIPUSH macro.

Message Variables***retcode***

A return code with the following definition:

04

Storage is not available for specified request.

xx

Specifies other return codes from the DSIPUSH macro

System action

Command processing is ended.

Operator response

Try the command again later. If the problem persists, notify the system programmer.

System programmer response

For return code 04, determine why space is not available. For other return codes, see the DSIPUSH macro in *IBM Z NetView Programming: Assembler*.

**CNM554I NETVIEW SUBSYSTEM ROUTER
 FOR *subsystem* IS ALREADY
 ACTIVE**
Explanation

The NetView subsystem router task for *subsystem* is already active.

Message Variables***subsystem***

The 4-character NetView subsystem name.

System action

The duplicate NetView subsystem router task is ended.

Operator response

Notify the system programmer.

System programmer response

Change the job name or the procedure (PROC) name, and restart the NetView program. The first 4 characters of the job name or PROC name used to bring up the NetView address space are used as the NetView subsystem name. You cannot start a second NetView program with the same subsystem name.

CNM555I Invalid subsystem table (SST) found in subsystem communications vector table (SSCVT).

Explanation

During initialization of the NetView subsystem, an SSCVT was found for this NetView subsystem name. However, the SST address obtained from this SSCVT is not a valid SST for the NetView program. This might have been caused by using the same subsystem name to start different subsystem programs.

System action

Initialization of the NetView subsystem continues, but a new SST is created. The pointer for the SST found in the SSCVT is cleared and the storage for this control block (possibly in common service area (CSA) storage) is not freed until the next system IPL. Although initialization for the NetView subsystem continues, this situation is probably the result of a user error and might cause unpredictable results.

Operator response

Notify the system programmer.

System programmer response

If more than one subsystem was started with the same name, change the subsystem start procedures so that each defined subsystem name can be used for only one subsystem. If duplicate subsystem names did not cause this message to be displayed, contact IBM Software Support.

CNM558I The NetView subsystem router for ssi_name is not active.

Explanation

The CNMCCSIR NetView subsystem router task is not active for the named subsystem. Commands, messages, and command revision specifying NETVONLY which come from the MVS subsystem interface are not processed for automation until the router task becomes active.

Message Variables

ssi_name

The 4-character SSI name defined in IEFSSNxx.

Operator response

Start the NetView subsystem router task. If NETVONLY routing is required, you might also need to start the ? MVSCmdRevision autotask.

CNM559I The NetView subsystem router for ssi_name is now active. NetView message automation has resumed.

Explanation

The CNMCCSIR NetView subsystem router task has resumed for the named subsystem. Commands, messages, and command revision specifying NETVONLY which come from the MVS subsystem interface can now be processed for automation.

Message Variables

ssi_name

The four-character SSI name defined in IEFSSNxx.

CNM562I NETVIEW NOT DEFINED AS A SUBSYSTEM

Explanation

The NetView program is not defined as a subsystem in the first four characters of the job name.

System action

The processing is ended if the NetView program has not been defined as a subsystem.

Operator response

Notify the system programmer.

System programmer response

Add the first four characters of the NetView job name to the list of subsystems in the IEFSSNXX member of SYS1.PARMLIB.

CNM563I NETVIEW SUBSYSTEM PROCEDURE IS NOT ACTIVE

Explanation

NetView subsystem procedure is not active.

System action

Some NetView functions will not work until the procedure is started. These functions might include the program-to-program interface (PPI), message revision, and command revision.

Operator response

Start the NetView subsystem procedure.

CNM564I MVS COMMAND SYNTAX ERROR OR OPERAND IS MISSING

Explanation

An MVS command was not entered properly or the text of an MVS command was more than 126 characters in length.

System action

The MVS command is not sent to MVS for processing.

Operator response

Enter the command again with proper syntax.

CNM567I NO MVS CONSOLE AVAILABLE- TRY AGAIN LATER

Explanation

You were unable to obtain an MVS console.

System action

If all MVS consoles are in use, the operator cannot issue any MVS commands until a console becomes available.

Operator response

Use the DISCONID command to determine which other operators have consoles assigned to them. Determine if one of these operators can release their console. If so, the operator can release a console using the RELCONID command. If no consoles are available to be released, notify your system programmer.

System programmer response

There is an insufficient number of MVS consoles defined to support the number of operators issuing MVS commands. You need to define more MVS consoles or some of the operators have to release some consoles.

CNM568I COMMAND KEYWORD IS MISSING OR NOT AUTHORIZED

Explanation

Authorization failed for an MVS command. The operator did not specify a keyword, or the operator is not authorized to use the password or password phrase that was specified.

System action

The command does not run.

Operator response

Check with your system programmer or security administrator for access authorization.

System programmer response

If the operator is to be allowed access to the MVS command that was issued, update the security definitions that are being used. If you are using the NETCMDS class for command authorization or a command authorization table, you can determine exactly security definition blocked the operator from issuing the command by looking for the BNH237E message in the log.

CNM569I MVS CONSOLE RELEASED

Explanation

The MVS console for this operator has been released. This can occur as a result of a NetView command, an MVS command, or an MVS condition.

CNM570I STARTING AUTOMATION TASK *operatorid*

Explanation

An AUTOTASK command has started an automation task named *operatorid*.

Message Variables

operatorid

The automation task that was started.

System action

Processing continues and the automation task starts logon processing.

CNM571I 'value' IS NOT A VALID VALUE FOR *keyword*

Explanation

You entered an AUTOTASK command with a `CONSOLE=value` and at least one of the following was true:

- *value* was not a valid console name
- *value* was a reserved or restricted console name

Message Variables

value

The console name you attempted to assign.

keyword

The keyword that was used to assign the console.

System action

Processing continues and the command request is not executed.

Operator response

Enter the AUTOTASK command again with a valid console name. If the console name was a reserved or restricted console name, such as value=INTERNAL, then specifying CONSOLE=*ANY* might be appropriate.

System programmer response

Verify that the console value being used is valid for your installation.

CNM572I **CONSOLE *console* IS IN USE BY *operatorid***

Explanation

You entered an AUTOTASK command with a CONSOLE=*console* value where the console was already assigned to a different NetView automation task.

Message Variables***console***

The MVS console name you attempted to assign.

operatorid

The NetView automation task that is using that system console.

System action

Processing continues and the command request is not executed.

Operator response

Do one of the following:

- Choose a different MVS console.
- Use AUTOTASK OPID=*operatorid*, DROP to drop the console, and then retry the original command. This sequence moves the console from one automation task to another.

CNM573I **CONSOLE *console* HAS BEEN RELEASED FROM *operatorid***

Explanation

A console has been released as a result of an AUTOTASK command.

Message Variables***console***

The MVS console name that was released.

operatorid

The NetView automation task for which the console was released.

System action

The console is made available for other automation tasks.

CNM574I **CONSOLE *console* HAS BEEN ASSIGNED TO *operatorid***

Explanation

An MVS console has been associated with an automation task as a result of your AUTOTASK command.

Message Variables***console***

The MVS console name that is associated with the autotask.

operatorid

The name of the autotask that processes NetView commands entered from *console*.

System action

Processing continues.

CNM575I ***operatorid* DOES NOT HAVE A CONSOLE ASSIGNED**

Explanation

You entered an AUTOTASK command with the DROP operand when the automation task did not have a console currently assigned.

Message Variables***operatorid***

The NetView automation task that was specified.

System action

Processing continues and the command request is not executed.

Operator response

Do one of the following:

- Choose a different operator ID
- Ignore the error, because the specified operator did not have a console to drop.

**CNM576I ENTER "RESET" TO CANCEL
COMMAND WAIT****Explanation**

You entered an AUTOTASK command with a CONSOLE=nn value while the NetView subsystem (memory) was inactive.

System action

The command waits until the subsystem starts or the RESET command is entered.

Operator response

Do one of the following:

- Wait until the NetView subsystem is active and the command completes before entering more commands
- Use the RESET command to cause the AUTOTASK command to end without processing.

**CNM577I CONSOLE *consname* DOES NOT
HAVE ACCESS TO NETVIEW****Explanation**

There is no AUTOTASK assigned to your console to process the NetView command or command list.

Message Variables***consname***

The console name that does not have an associated autotask.

System action

The NetView command or command list is ignored.

Operator response

Notify the system programmer.

System programmer response

Include an AUTOTASK command in the NetView startup procedure to define the MVS system console access to the NetView program. The AUTOTASK command can also be entered from an authorized NetView operator terminal. If the console name was a reserved or restricted console name, such as value=INTERNAL, then specifying CONSOLE=*INTERN* or CONSOLE=*ANY* might be appropriate.

CNM578E MLWTO ENDED IN ERROR**Explanation**

The NetView program attempted to write another message to a system console assigned to an automation task while a multiple line write to operator (MLWTO) was still being processed.

System action

Processing continues. The MLWTO processing is stopped and the other message is processed.

Operator response

Determine whether you received message BNH161I, which means the task has reached its storage limit. If so, notify your system programmer.

System programmer response

See the *IBM Z NetView Troubleshooting Guide* for possible causes of the storage shortage.

**CNM579I AUTOMATION TASK NOT
STARTED, STORAGE NOT
AVAILABLE****Explanation**

The automation task cannot be started because of unavailable work storage space. The NetView command or command list will not be processed.

System action

The NetView command or command list is ignored.

Operator response

Determine whether you received message BNH16I, which means the task has reached its storage limit. If so, notify your system programmer.

System programmer response

See the *IBM Z NetView Troubleshooting Guide* for possible causes of the storage shortage.

**CNM580I NetView subsystem address space
is terminating****Explanation**

You issued an MVS STOP command for the NetView subsystem address space.

System action

The NetView subsystem address space will end.

**CNM581I NetView subsystem modify
command input is invalid**

Explanation

The input parameters are either missing or not valid on the NetView subsystem MODIFY command.

System action

The MODIFY command is rejected.

Operator response

Verify the syntax of the MODIFY command to ensure that it was entered correctly.

CNM582E CONFLICTING MESSAGE/MSU SPECIFICATION

Explanation

Conditionals and actions specific to message processing cannot be combined with conditionals and actions specific to MSU processing in one entry. This error can be related to specifications in a containing BEGIN entry, as well as within the same statement.

System action

The command processing continues with the next automation statement. The automation table will not be loaded.

Operator response

Notify the system programmer that there are errors in the statements in the specified automation member.

System programmer response

Correct the automation statement in error and enter the command again.

CNM583E INVALID SYNONYM DEFINITION

Explanation

The syntax for a SYN statement was not valid. The format of the automation SYN statement is:

```
SYN %name% = 'value';
```

This message is issued to report the following errors in the SYN format:

- A required part of the SYN statement is missing (such as a percent sign, equal sign, quotation mark or synonym name)
- A synonym name longer than 256 characters.
- A synonym name contains a percent sign or semicolon.
- A synonym value contains a semicolon.

- Something follows the semicolon.

System action

The command processing continues with the next automation statement. The automation table will not be loaded.

Operator response

Notify the system programmer that there are errors in the statements in the specified automation member.

System programmer response

Correct the automation statement in error and enter the command again.

CNM584E [SYNONYM | VARIABLE] 'name' ALREADY DEFINED

Explanation

For synonyms: The specified synonym name was previously defined in the automation table. Synonyms cannot be redefined using the same synonym name.

For variables: The specified variable name was previously defined in this entry. You cannot assign the same variable name twice in the same entry. Additionally, you cannot specify the VALUE(*var*) function to use the value of a variable within the same parse template which previously set the variable.

Message Variables

name

The synonym name or variable name in error.

System action

The command processing continues with the next automation statement. The automation table will not be loaded.

Operator response

Notify the system programmer that there are errors in the statements in the specified automation member.

System programmer response

Correct the automation statement in error and enter the command again.

CNM585E INVALID SYNONYM USAGE FOR 'synname'

Explanation

A synonym reference was not valid or an attempt was made to invoke a synonym that is not defined. This message is issued to report errors such as:

- Attempting to substitute a synonym that was not defined
- Attempting to substitute a synonym that had an error on its SYN statement
- Attempting to substitute a synonym that has a semicolon in its name
- A percent sign that is not valid in an entry

Message Variables

synname

The synonym name in error

System action

The command processing continues with the next automation statement. The automation table will not be loaded.

Operator response

Notify the system programmer that there are errors in the statements in the specified automation member.

System programmer response

Correct the automation statement in error and enter the command again.

If there is a previous CNM583E message invalidating the synonym definition, correcting the associated synonym definition can resolve this error.

**CNM586E "END" ENCOUNTERED WHICH
 CANNOT BE MATCHED**

Explanation

An END statement without a corresponding BEGIN statement was encountered. This error can be caused by an error invalidating a previous entry containing the matching BEGIN for this END.

System action

The command processing continues with the next automation statement. the automation table will not be loaded.

Operator response

Notify the system programmer that there are errors in the statements in the specified automation member.

System programmer response

Correct the BEGIN and END statements in error and enter the command again.

**CNM587E EXPECTED "END"(S) NOT FOUND
 BEFORE THE END OF THE TABLE**

Explanation

For an automation table, at least one BEGIN statement was encountered without a valid corresponding END statement. This error can be caused by either missing END statements or one or more END statements that are not valid. If caused by END statements that are not valid, there will be one or more CNM591E messages preceding this message reporting an END that is not valid.

For a revision table, the end was encountered while something further was expected.

System action

The table is not loaded.

Operator response

Notify the system programmer that there are errors in the statements in the specified member.

System programmer response

Correct the table as required and enter the command again.

**CNM588E RETURN CODE *retcode* FROM ATF
 '*pgmname*' AT *filename* : *seqnum***

Explanation

A return code greater than 8 was returned in register 15 by *pgmname*.

Message Variables

retcode

A return code greater than 8

pgmname

The ATF program name

filename

The name of the member containing the ATF

seqnum

The sequence number of the entry's first record

System action

The referenced conditional is forced to FALSE and automation processing continues.

Operator response

Notify the system programmer.

System programmer response

Determine why the ATF is returning this code and correct the problem.

CNM589E **INVALID INCLUDE CARD IN MEMBER 'member'. REASON CODE 'reason'**

Explanation

A %INCLUDE statement that is not valid was specified in a member.

Message Variables

member

The name of the member containing the %INCLUDE statement that is not valid.

reason

The return code from the DSIDKS macro.

System action

The %INCLUDE statement in error is ignored. If the error occurred while processing an ASSIGN, AUTOTBL, AUTOTEST, REVISE, or REVISMSG command, processing continues with the next statement, but the table is not loaded. If it occurred while processing a CPTBL command, processing ends and the table is not replaced. If it occurred during initialization, no code point table is loaded.

Operator response

Notify the system programmer that there are errors in the statements in the specified member.

System programmer response

Correct the %INCLUDE statement or statements in error and enter or reenter the associated command. See *IBM Z NetView Programming: Assembler* for information on the DSIDKS macro.

CNM590E **REQUIRED PARAMETER FOR "function" FUNCTION MISSING**

Explanation

You must specify a parameter for this function. This error can be caused by such things as:

- A missing parameter specification
- A missing or misplaced left parenthesis

Message Variables

function

The name of the function in error

System action

The command processing continues with the next automation statement. The automation table will not be loaded.

Operator response

Notify the system programmer that there are errors in the statements in the specified automation member.

System programmer response

Correct the automation statement in error and enter the command again.

CNM591E **INVALID SPECIFICATION OF "keyword"**

Explanation

There is an error in the specification of the reported keyword. This error can be caused by:

- A BEGIN or END keyword that is followed by something other than a semicolon
- An ALWAYS keyword that is followed by something other than an action or a BEGIN
- Something between a THEN keyword and a BEGIN keyword other than blanks

Message Variables

keyword

The name of the keyword in error

System action

The command processing continues with the next automation statement. The automation table will not be loaded.

Operator response

Notify the system programmer that there are errors in the statements in the specified automation member.

System programmer response

Correct the automation statement in error and enter the command again.

CNM592E **VARIABLE "variable" NOT DEFINED WITHIN THE SCOPE OF THIS ENTRY**

Explanation

An error occurred because of the variable used in the EXEC action of the automation table statement. This variable must be defined in the conditional portion of the statement or in a prior BEGIN/END block definition line that contains the current entry. This error can be a result of an error in a previous entry containing a BEGIN that was supposed to give a value to the variable specified by this message.

Message Variables

variable

The name of the variable in error.

System action

The command processing continues with the next statement. The automation table will not be loaded.

Operator response

Notify the system programmer that there are errors in the statements in the specified automation member.

System programmer response

Correct the automation statement in error and enter the command again.

CNM593I STORAGE AND ATFS ASSOCIATED WITH AUTOMATION ARE RELEASED

Explanation

Automation is no longer active and all processes using automation tables that were previously active have ended. The storage associated with these automation tables is freed, and any ATFs associated with these automation tables are deleted.

Note: STOP FORCE and RESET IMMED invocations during ASSIGN, AUTOTBL, or AUTOTEST command processing can cause this message to be false. Consider the use of these commands against the PPT, or any task currently processing the command, only for emergencies. These are usual clean-up actions.

System programmer response

This message usually indicates that regular cleanup actions have occurred. There can be times when you wait for this message to occur. For example, if an ATF must be replaced without changing its name, wait for this message to ensure that a new ASSIGN, AUTOTBL, or AUTOTEST invocation will load the new ATF rather than picking up the previously loaded version.

CNM594I NO MATCH WAS FOUND. LBFINDMX WAS EXCEEDED. ENTER RFIND TO CONTINUE.

Explanation

No match for the specified string was found before the maximum number of lines was searched. This limit was specified by the most recent DEFAULTS LBFINDMX command, and can be viewed by entering LIST DEFAULTS. The log was advanced approximately this number of lines.

Operator response

If you want to continue the search from this point, enter RFIND (RF5 by default).

CNM597I MAXIMUM ERROR COUNT EXCEEDED

Explanation

A process that involves toleration of errors it considers to be minor has been ended because of excessive minor errors.

System action

The process ends.

Operator response

See associated error messages and fix those problems or else report them to the system programmer.

System programmer response

Fix the problems described by the associated error messages.

CNM598W Subsystem is not active for *ssi_name*

Explanation

The named subsystem cannot process system messages or designated commands. This can be the result of a SETSSI DEACTIVATE command, a missing INITRTN parameter, or an inactive CNMPSSI (SSI procedure).

Message Variables

ssi_name

The 4-character subsystem name that is used in IEFSSNxx definitions or with SETSSI commands.

Operator response

Notify the system programmer.

System programmer response

Check the IEFSSNxx member of SYS1.PARMLIB for the *ssi_name* reported. Add an INITRTN statement specifying DSI4LSIT. If you are migrating from an earlier version of the NetView program, consult *Installation: Migration Guide*. If a SETSSI system command deactivated the named subsystem, you can reactivate it by starting or restarting the NetView SSI procedure. If a CNM543 message is displayed, consult the help for that message.

CNM599E **COMMAND "command" INVALID
AS CMD KEYWORD OF EXEC
ACTION**

Explanation

The command you stated is not valid as an execute action command.

Message Variables

command

The command that has DSIOCMD coded as the MOD name in CNMCMD.

System action

The command processing continues with the next statement. The automation table is not loaded.

Operator response

Notify the system programmer that there are errors in the statements in the specified automation member.

System programmer response

Remove or correct the execute-action command indicated and enter the command again.

CNM600I *object status: object_status*

Explanation

The NetView consolidated audit, NetView, and z/OS log (Canzlog) has the reported status. If the status is *Active*, CNM600I is the label line of a multiline message. The lines following the message provide this information:

- The total number of messages that are captured by the Canzlog function since the IPL.
- The approximate message rate over the last minute.
- The date from which data is available for browsing.
- The name of the subsystem at which archiving is ongoing for the local LPAR that is named. If no archiving is being done, that name is ***none***.

- The maximum possible storage size of the Canzlog data space.
- The current storage size of the Canzlog data space.
- The current stress level of message automation.

The stress level includes the following options:

- **5. Critical** - message insertion is in the same plot as automation. The loss of message automation is imminent.
 - **4. Severe** - no clear plots between insertion and automation. This only occurs when the TINYDS or FULLDS ceiling has been reached.
 - **3. Constrained** - only one clear plot between message insertion and message automation. Expansion is impossible as the TINYDS or FULLDS ceiling has been reached.
 - **2. Stressed** - only one clear plot between message insertion and message automation. Expansion of the Canzlog data space is imminent.
 - **1. Mild** - message automation is behind by a whole plot (~32,000 messages).
 - **0. None** - none of the above. The rate of automating messages is as fast as message insertion, so there is currently no danger of missing automation of messages.
- The user specified skip level and skip gap for this NetView program.

Message Variables

object

The NetView function whose status is being reported. At the current time, the only function using this message is Canzlog. "Canzlog" is the only value for the message variable at this time.

object_status

Active or Inactive

CNM601I **ONE OR MORE MESSAGE
INDICATORS HAVE BEEN POSTED**

Explanation

You received a message defined as being in an indicator class (1, 2, 3, or 4) that specifies the alarm sounds when messages in the class are received.

System action

No processing is done. You remain on the same status monitor panel on which you made your entry or entries.

Operator response

You might want to browse the network log to see the important messages.

CNM603I **YOU SELECTED TOO MANY
RESOURCE IDS: CHOOSE ONLY
ONE**

Explanation

You selected DISPLAY THIS NODE or DISPLAY HIGHER NODE. Either more than one node ID under node ID columns or the higher node (on 3rd line) and at least one node ID (under node ID column) was selected.

System action

No processing is done. You remain on the same status monitor panel on which you made your entry or entries.

Operator response

Enter the command correctly.

CNM604I **SELECT 1 RESOURCE NAME FOR
THE DISPLAY COMMAND ON
MENU**

Explanation

With the MENU on the left side, you selected a verb under Display. A resource name must be selected with the verb.

System action

No processing is done. You remain on the same status monitor panel on which you made your entry or entries.

Operator response

Enter the command correctly.

CNM605I **SELECT ACTIVITY AND ZERO OR
ONE NODE ID UNDER NODE ID
COLUMN**

Explanation

On a status monitor detail panel, you selected an activity and something other than a node name. When activity is selected, you can select one node name only.

System action

No processing is done. You remain on the same status monitor panel on which you made your entry or entries.

Operator response

Enter the command correctly.

CNM606I **NOTHING SELECTED;PANEL
REFRESHED. ENTER "HELP
STATMON SCREENS" FOR HELP**

Explanation

You pressed ENTER without making a light pen or cursor selection.

System action

The panel is refreshed. You remain on the same status monitor panel on which you made your entry or entries.

CNM607I **"status" COUNT IS THE ONLY
COUNT THAT CAN BE SELECTED
WITH A COMMAND**

Explanation

Only the total for the detailed node IDs that are displayed on the panel can be selected with a command list or VTAM command. For example, if ACTIVE lines were selected to get to the current detail panel, only the ACTIVE count on the summary line can be selected.

Message Variables

status

The label for the total of the detailed node IDs, for example, ACTIVE.

System action

No processing is done. You remain on the same status monitor panel on which you made your entry or entries.

Operator response

Enter the command correctly.

CNM608I **ONE OR MORE RESOURCES MUST
BE SELECTED WITH DISPLAY OR
VARY COMMAND**

Explanation

You selected a VTAM VARY or DISPLAY command on a status monitor detail panel. One or more resources must be selected with the VTAM command chosen.

System action

No processing is done. You remain on the same status monitor panel on which you made your entry or entries.

Operator response

Enter the command correctly.

**CNM609I THERE IS MORE THAN ONE NODE
 WITH THE NAME YOU SELECTED**

Explanation

An inconsistency occurred with duplicate node names. This occurs only with a terminal and switched LUs. This code is to prevent you from displaying or varying the wrong node. For example, if you are looking at the never-active switched LUs, and for some reason you vary one of these inactive, and there is a terminal with the same name that is active, the terminal is inactivated by mistake.

System action

No processing is done. You remain on the same status monitor panel on which you made your entry or entries.

Operator response

Notify the system programmer.

System programmer response

Remove the duplicate name from VTAMLST files.

**CNM610I SELECT A COMMAND IN THE
 COMMAND INTERFACE AREA
 SHOWN TO YOUR LEFT**

Explanation

You selected an option for a command without selecting the command itself.

System action

No processing is done. You remain on the same status monitor panel on which you made your entry or entries.

**CNM611I THERE IS NO SUMMARY OR
 DETAIL FOR THIS LOWEST-LEVEL
 NODE**

Explanation

You selected THIS NODE SUMMARY or THIS NODE DETAIL from a status monitor detail panel. The

selected node has nothing defined below it in the hierarchy. For example, an LU has nothing below it.

System action

No processing is done. You remain on the same status monitor panel on which you made your entry or entries.

**CNM612I TOO MANY SELECTIONS WERE
 MADE**

Explanation

You made too many selections on the current panel.

System action

No processing is done. You remain on the same status monitor panel on which you made your entry or entries.

Operator response

Enter the command correctly.

**CNM613I PANEL REFRESHED. YOU MAY
 SELECT A TOTAL, HIGHER NODE
 OR MSG INDICATOR**

Explanation

You did not make a selection and there was nothing on the command line when you pressed ENTER.

System action

No processing is done. You remain on the same status monitor panel on which you made your entry or entries.

**CNM614I YOU ENTERED AN INVALID VTAM
 OR NETVIEW COMMAND**

Explanation

The command you entered is not a valid NetView or VTAM command. Valid NetView commands are defined on CMDDEF statements in CNMCMD. Also, some NetView components support their own commands, such as FIND.

System action

No processing is done. You remain on the same panel.

Operator response

Enter a valid command.

**CNM615I PANEL REFRESHED. YOU MAY
SELECT A TOTAL OR MESSAGE
INDICATOR AND ENTER**

Explanation

You did not make a selection and there was nothing on the command line when you pressed ENTER.

System action

No processing is done. You remain on the same status monitor panel on which you made your entry or entries.

**CNM616I YOU MAY SELECT ONLY ONE
CLIST**

Explanation

On a status monitor detail panel, you selected more than one command list.

System action

No processing is done. You remain on the same status monitor panel on which you made your entry or entries.

Operator response

Enter the command correctly.

**CNM617I NetView subsystem *ssi_name*
initialized successfully**

Explanation

The NetView subsystem address space initialized, thereby providing resources for Message Revision, Command Revision, and optionally, the program-to-program interface (PPI).

Message Variables***ssi_name***

The 4-character SSI name that is defined in the IEFSSNxx member of your SYS1.PARMLIB data set.

System programmer response

No response is needed, but you can now load the Message Revision Table or the Command Revision Table.

**CNM618A NetView subsystem *ssi_name* has
not been initialized.**

Explanation

The specified NetView subsystem was not initialized. The name was not found in an IEFSSNxx member during IPL, and no SETSSI ADD command was issued for the subsystem.

Message Variables***ssi_name***

Subsystem name for which initialization failed.

System action

No automation of MVS messages is possible. Access to the Canzlog log from this NetView instance is not allowed.

System programmer response

If neither of the disabled functions is required, no action is necessary.

If you do not require automation of MVS messages, make sure that the MVSPARM.Msg.Automation statement is set to NO in your CNMSTYLE definitions. If you make a change to the MVSPARM statement, issue the RESTYLE MVSPARM command for the change to take effect.

To correct the problem, you can issue the MVS SETSSI ADD command. For additional information about the SETSSI command, see *IBM Z NetView Installation: Getting Started*.

**CNM619I REQUEST WAS IGNORED: THE
LEFT MARGIN OF THE LOG IS
ALREADY DISPLAYED**

Explanation

The log is scrolled as far to the left as possible.

System action

No processing is done. You remain on the same status monitor panel on which you made your entry or entries.

**CNM620I REQUEST WAS IGNORED: THE
RIGHT MARGIN OF THE LOG IS
ALREADY DISPLAYED**

Explanation

The log is scrolled as far to the right as possible.

System action

No processing is done. You remain on the same status monitor panel on which you made your entry or entries.

CNM623I BROWSE TASK NOT ACTIVE**Explanation**

You requested a BROWSE SCREEN for a task that is not active.

System action

The request is ignored.

Operator response

You must start both the log task and the browse task to browse the network log. To start tasks, use the START or STARTCNM command; see the NetView online help for more information.

**CNM626I NO SELECTIONS ARE ALLOWED
WHEN A COMMAND IS TYPED ON
THE COMMAND LINE****Explanation**

You tried to make selections with the cursor or light pen and on the command line.

System action

No processing is done. You remain on the same status monitor panel on which you made your entry or entries.

Operator response

Either make selections or enter a command.

**CNM628I NO COMMAND, SELECTION, OR PF
KEYS ARE ALLOWED WITH A
MESSAGE INDICATOR****Explanation**

You tried to select a message indicator and a node or command.

System action

No processing is done. You remain on the same status monitor panel on which you made your entry or entries.

Operator response

Either select a message indicator or select nodes or commands.

**CNM630I The NetView subsystem interface
is partially initialized by *ssi_name*.****Explanation**

The NetView subsystem interface that initialized during system IPL is not able to support the program-to-program interface (PPI), Message Revision, or Command Revision because the procedure supporting these functions has not been started. Message automation is not affected.

Message Variables***ssi_name***

The 4-character SSI name defined in IEFSSNXX.

System action

Processing continues.

Operator response

Notify the system programmer.

System programmer response

If the program-to-program interface (PPI), Message Revision, or Command Revision is needed for the subsystem named, then the CNMPSSI process must be started.

**CNM631I NetView Program to Program
Interface is active on *xxxx*****Explanation**

The program-to-program interface is active and available on the NetView subsystem address space with the first four characters of the procedure or job name equal to *xxxx*.

Message Variables***xxxx***

The first four characters of the NetView subsystem address space procedure or job name.

System action

Processing continues.

**CNM632I NetView Program to Program
Interface is being terminated****Explanation**

The program-to-program interface ended because the NetView subsystem address space ended.

System action

The program-to-program interface and NetView subsystem address space end.

**CNM634I YOUR REQUEST WAS IGNORED:
SMF LOGGING IS ALREADY
STARTED**

Explanation

This message is issued when a user requests to start SMF logging for Command Statistics function, but the SMF logging for Command Statistics function has been running already.

System action

The respective command is ignored, and the setting of SMF logging for Command Statistics is intact.

**CNM635I YOUR REQUEST WAS IGNORED:
SMF LOGGING IS ALREADY
STOPPED**

Explanation

This message is issued when a user requests to stop SMF logging for Command Statistics function, but the SMF logging for Command Statistics function has not been running yet.

System action

The respective command is ignored, and the setting of SMF recording of Command Statistics is intact.

**CNM681I UNABLE TO ESTABLISH ERROR
RECOVERY ENVIRONMENT
DURING STATMON
INITIALIZATION**

Explanation

An error was encountered while attempting to establish an error recovery environment for the status monitor.

System action

The status monitor initialization is halted.

Operator response

Notify the system programmer. Recycle the status monitor.

System programmer response

Determine the type of error during the error recovery environment initialization and restart the status monitor.

**CNM682I STATUS MONITOR HAS
SUSPENDED STATUS TRACKING
FOR "resource" DUE TO NCP**

**ACTIVATION/RECOVERY (VTAM
MESSAGE *msg*)**

Explanation

A 10-minute timer was started during which many status monitor display commands were suppressed for this network control program (NCP) and its lower nodes.

Message Variables

resource

The name of the network control program resource.

msg

The VTAM message.

System action

After 10 minutes, the status monitor assumes that the network control program has recovered, and normal processing for these nodes resumes.

**CNM684I STATUS MONITOR HAS RESUMED
NORMAL STATUS TRACKING FOR
"resource"**

Explanation

The ten-minute timer for network control program (NCP) recovery has expired, and normal status monitor processing resumes for the indicated network control program and its lower nodes.

Message Variables

resource

The name of the network control program resource.

**CNM724I *cmdlist* : TIMEOUT OCCURRED
WHILE WAITING FOR TASK *task*
TO TERMINATE OR RESTART**

Explanation

The command list specified did not end within the allotted time.

Message Variables

cmdlist

The name of the command list invoked.

task

The name of the task that is ending or restarting.

System action

The specified command list ends.

Operator response

Contact the system programmer.

System programmer response

Determine whether the timeout was because of command list hanging or to excessive system loading.

CNM725E ABBREVIATED ENTRY REQUIRED FOR CODE POINT *codepoint*

Explanation

An entry for this code point was found, in table number 92 or 93, whose text was within the maximum length, but was long enough to require an abbreviated entry. For table number 92, the entry exceeded 25 characters. For table number 93, the entry exceeded 20 characters. No abbreviated entry was found directly following the regular entry.

Message Variables

codepoint

The code point which requires an abbreviated entry.

System action

If the error occurred while processing a CPTBL command, the code point table is not replaced. If it occurred during initialization, the code point entry is ignored.

Operator response

Contact the system programmer.

System programmer response

Add or correct the abbreviated entry and invoke CPTBL. Be sure the abbreviated entry directly follows the regular entry whenever the regular entry's text exceeds 25 characters (for table 92) or 20 characters (for table 93). Syntax for code point tables is described in the *IBM Z NetView Customization Guide*.

CNM726I DUPLICATE CODE POINT ENCOUNTERED - '*entry*'

Explanation

More than one regular entry was encountered for the same code point in this table. Only one is allowed.

Message Variables

entry

The entry which contains the duplicate code point.

System action

The entry is ignored. The first entry for this code point was processed.

Operator response

Contact the system programmer.

System programmer response

Eliminate or renumber one of the duplicate entries and invoke CPTBL.

CNM727E TABLE 82 USES A TWO CHARACTER CODE POINT. THE FINAL TWO CHARACTERS SHOULD BE '00'

Explanation

Code point table 82 uses a two-digit code point. The final two digits must be 00. For example, the code point 12 must be entered in the table as 1200.

System action

If the error occurred while processing a CPTBL command, code point table 82 is not replaced. If it occurred during initialization, the code point entries are ignored.

Operator response

Contact the system programmer.

System programmer response

Correct the code point in error and invoke CPTBL. Syntax for code point tables is described in the *IBM Z NetView Customization Guide*.

CNM728E TABLE NUMBER *number* INVALID FOR *member* | *embedmember*

Explanation

The number on the control entry of the member/file is not valid. Valid numbers are 92-96, 81, 82, 85 or 86. For initialization, the control entry number must match the number implied by the member name (for example, it must be 92 for BNJ92TBL).

Message Variables

number

The value specified on the control entry.

member

The name of the member/file being processed.

embedmember

The name of an embedded member appears if this error occurred in a member included (%INCLUDE statement) in *member*. If multiple levels of embedding occurred within *member*, only the level where the error occurred is specified.

System action

The code point table is not initialized or replaced.

Operator response

Contact the system programmer.

System programmer response

Correct the code point in error and invoke CPTBL. Syntax for code point tables is described in the *IBM Z NetView Customization Guide*.

CNM729E MAXIMUM LENGTH EXCEEDED FOR *codepoint*. THE MAXIMUM LENGTH FOR THIS TABLE IS *length*

Explanation

The length of the text for this code point is greater than that allowed for the table being built.

Message Variables***codepoint***

The code point for which the text was found to be too long.

length

The maximum length of the text allowed for the table being built.

System action

If the error occurred while processing a CPTBL command, the code point table is not replaced. If it occurred during initialization, the code point entries are ignored.

Operator response

Contact the system programmer.

System programmer response

Correct the code point in error and invoke CPTBL. Syntax for code point tables is described in the *IBM Z NetView Customization Guide*.

CNM731E INVALID LINE CONTINUATION FOR *codepoint*. CONTINUED LINES MUST HAVE A BLANK IN COLUMN ONE AND END IN A SEMICOLON

Explanation

A semicolon was not found at the end of the text or an incorrect continuation line was encountered.

Message Variables***codepoint***

The code point with a missing semicolon or a continuation line.

System action

If the error occurred while processing a CPTBL command, the code point table is not replaced. If it occurred during initialization, the code point entries are ignored. If a missing semicolon causes it to be mistaken for a continuation line, this error might also cause the next code point in the table to be ignored.

Operator response

Contact the system programmer.

System programmer response

Correct the code point entry in error and invoke CPTBL. If a semicolon was left out, enter it. If a second line is needed, be sure it starts in column 2. Syntax for code point tables is described in the *IBM Z NetView Customization Guide*.

CNM732E INVALID CODE POINT *codepoint* ENTERED. CODE POINTS MUST CONSIST OF HEXADECIMAL CHARACTERS (0-9 OR A-F)

Explanation

A value found in the code point was not hexadecimal.

Message Variables***codepoint***

The code point that was not valid.

System action

If the error occurred while processing a CPTBL command, the code point table is not replaced. If it occurred during initialization, the code point entries are ignored.

Operator response

Contact the system programmer.

System programmer response

Correct the code point entry in error and invoke CPTBL. Be sure that the code point consists only of

hexadecimal values. Syntax for code point tables is described in the *IBM Z NetView Customization Guide*.

CNM733E UNEXPECTED END OF DATA

Explanation

End of file was encountered and no valid code point entries were found.

System action

The code point table is not initialized or replaced.

Operator response

Contact the system programmer.

System programmer response

Correct the code point table in error and invoke CPTBL. Syntax for code point tables is described in the *IBM Z NetView Customization Guide*.

CNM734E MEMBER *member* NOT FOUND IN BNJPNL1

Explanation

The NetView program cannot locate the specified member or the member was empty.

Message Variables***member***

The name of the data set member.

System action

Processing continues without the information from the missing member.

Operator response

Contact the system programmer.

System programmer response

Ensure the specified member is loaded and named correctly.

CNM735I THE FOLLOWING ERRORS ENCOUNTERED IN PROCESSING MEMBER *member*

Explanation

This is the header line for the error messages encountered while processing a code point table.

Message Variables***member***

The name of the member with errors.

Operator response

Contact the system programmer.

System programmer response

Correct the statements in error, which are described in subsequent messages.

CNM736I TEST OF CODE POINT MEMBER *member* WAS SUCCESSFUL

Explanation

A test of a NetView code point member has completed. All statements in the table are syntactically correct.

Message Variables***member***

The name of the member specified by CPTBL.

CNM737I TEST OF CODE POINT MEMBER *member* WAS UNSUCCESSFUL

Explanation

A test of a NetView code point member has completed. Additional messages indicate incorrect statements.

Message Variables***member***

The name of the member specified by CPTBL.

CNM739E NUMBER OF CODE POINT ENTRIES EXCEEDS TABLE *number* MAXIMUM

Explanation

There are more than 65535 code points defined for this table.

Message Variables***number***

The value specified on the control entry.

System action

If the error occurred while processing a CPTBL command, the code point table is not replaced. If it occurred during initialization, only the first 65535 entries are used.

Operator response

Contact the system programmer.

System programmer response

Correct the code point table and invoke CPTBL.

CNM741E **INTERNAL FAILURE
ENCOUNTERED IN PROCESSING
cmdname COMMAND**

Explanation

The NetView program has experienced an internal failure while processing this command.

Message Variables

cmdname

The name of the failing command.

System action

The command ends.

Operator response

Contact the system programmer.

System programmer response

Contact IBM Software Support.

CNM742I **NO CANZLOG ARCHIVE BROWSE
DATA SPACES CREATED**

Explanation

The log browse task (DSILOGMT) tried to allocate the number of Canzlog archive browse data spaces specified on the CNMSTYLE statement ARCHIVE.BROWSE.DATASPACEs, but was unable to allocate any. As a result, browsing of archived messages is not possible. Possible causes are:

- The region size specified in the START job control language (JCL) is too small.
- Virtual storage is not sufficient.
- You have an IEFUSI installation exit in use on your system, and this exit is limiting the number of data spaces that the NetView program can create.

System action

None

Operator response

Notify the system programmer.

System programmer response

Look for error messages issued by DSILOGMT that indicate data space creation failures. Correct the cause of the failure and restart the NetView program.

CNM743I **SOME MESSAGES THAT WERE
ISSUED BEFORE THE NETVIEW
SUBSYSTEM WAS INITIALIZED
WERE NOT LOGGED**

Explanation

The NetView program tried to copy the messages that were logged in the system log (syslog) before NetView subsystem was initialized into the Canzlog data space. Because of the large number of messages, some of the messages might not be copied into the Canzlog data space.

System action

Processing continues.

Operator response

Contact the system programmer.

System programmer response

Reduce the number of messages that are issued before the NetView subsystem is initialized.

CNM744E **THE ALESERV TOKEN WAS NOT
DELETED: RETURN CODE =
return_code REASON CODE =
*reason_code***

Explanation

The NetView program failed to release the access list entry token (ALET) that was used to capture the IPL messages.

Message Variables

return_code

The return code

reason_code

The reason code

System action

Processing continues.

Operator response

Contact the system programmer.

System programmer response

Contact IBM Software Support.

CNM745E **THE DSPSERV TOKEN WAS NOT
DELETED: RETURN CODE =
return_code REASON CODE =
*reason_code***

Explanation

The NetView program failed to release the data space that was used to capture the IPL messages.

Message Variables***return_code***

The return code

reason_code

The reason code

System action

Processing continues.

Operator response

Contact the system programmer.

System programmer response

Contact IBM Software Support.

CNM746I	THE <i>user_module</i> MODULE WAS NOT DELETED FROM THE SYSLOG EXIT
----------------	---

Explanation

The NetView program tried to remove the specified module from syslog user exit, but it failed. The NetView program uses this module to capture the messages that are logged before the NetView subsystem is initialized.

Message Variables***user_module***

The user module (DSI4LCUI)

System action

Processing continues.

Operator response

Contact the system programmer.

System programmer response

Contact IBM Software Support.

CNM747I	THE REQUIRED NUMBER OF PLOTS IN THE CANZLOG DATA SPACE ARE NOT AVAILABLE. SOME MESSAGES MIGHT BE MISSING
----------------	---

Explanation

The number of plots that are required to move the IPL data to the active Canzlog data space are not available.

Depending upon the shortage, some messages might not be logged.

System action

Processing continues.

Operator response

Contact the system programmer.

System programmer response

Increase the size of the active Canzlog data space.

CNM748I	THE <i>user_module</i> MODULE WAS DELETED FROM THE SYSLOG EXIT
----------------	---

Explanation

The module that is used to capture the messages that are logged before the NetView subsystem is initialized was successfully removed from the syslog exit.

Message Variables***user_module***

The user module (DSI4LCUI)

System action

Processing continues.

Operator response

None

System programmer response

None

CNM749A	Incompatible NetView program or subsystem is defined for subsystem <i>subsystem</i>.
----------------	---

Explanation

The code for the specified subsystem is at a different support level from that of the NetView program issuing the message.

Message Variables***subsystem***

The subsystem name of the incompatible NetView component.

Operator response:

Notify the system programmer.

System programmer response:

Shut down and deactivate the specified subsystem and all associated instances of the NetView program. Apply the appropriate maintenance, and then follow

the instructions included in that maintenance for restarting all instances of the NetView program.

CNM880I *parameter* **PARAMETER IS
INVALID ON *command* COMMAND**

Explanation

An unrecognized or unexpected parameter was encountered on the command you entered.

Message Variables

parameter

The parameter that was not valid.

command

The command that was entered.

System action

The command is ignored.

Operator response

Try the command again with the proper input.

CNM881I *command* **COMMAND SYNTAX
ERROR**

Explanation

The command you entered did not have the proper syntax.

Message Variables

command

The name of the command entered

System action

The command is ignored.

Operator response

Try the command again with the proper syntax. See the NetView online help for information on the command syntax

CNM882I *receiverid limit number*

Explanation

Used to build the multiline message display for the display program-to-program interface receiver buffer queue limit command, DISBQL.

Message Variables

receiverid

The receiver ID. An asterisk (*) by this field indicates that the program-to-program interface is

active. If the asterisk is not present, the receiver is not active.

limit

The buffer limit.

number

The number of buffers on the queue.

CNM883I *command* **COMMAND COMPLETE**

Explanation

This message verifies that the previously entered command has completed.

Message Variables

command

The name of the command that was entered.

CNM884I *receiver* **RECEIVER NOT FOUND**

Explanation

The target receiver queue does not exist in the program-to-program interface.

Message Variables

receiver

The target receiver for the current command.

System action

If you issued the SETBQL command, the buffer queue limit is not reset. If you issued the DISBQL command or the DISPPI command, no receiver buffer queue information is displayed.

Operator response

Use the DISBQL command or DISPPI command to display the valid program-to-program interface receiver application names.

CNM885E **PPI ERROR OCCURRED FOR
FUNCTION *request*, RETURN CODE
= *rc***

Explanation

The Program-to-Program Interface (PPI) was invoked for the specified *request*. The request failed with return code *rc*. The request may have occurred when attempting to start the TSO or UNIX server or when a PIPE TSO or PIPE UNIX stage is used to communicate with the TSO or UNIX server via the PPI.

Message Variables

request

The type of request issued to the PPI. The following table correlates the possible requests with the request code (DTRREQT) that was used.

QRYPPPI	1
QRYRCVR	2
GETCBS	3
INITRCVR	4
TERMRCVR	9
DELRCVR	10
SENDALRT	12
SENDDATA	14
RECVDATA	22
PURGE	23
WAIT	24

rc

The return code from the request. If this is less than 1000, then this is the actual return code from the program-to-program interface (PPI). Otherwise, it represents an internal error code. The PPI return codes can be located in Appendix B of the *IBM Z NetView Application Programmer's Guide*.

System action

The command fails.

Operator response

Review the return code described above. If you cannot determine the problem, report the failure to the IBM Support Center.

CNM901I THE RECORD FORMAT OF *panelname* IS INVALID: IT MUST BE 80 CHARACTERS

Explanation

The online help facility driver can display only panels that have an 80-character format.

Message Variables***panelname***

The panel name.

Operator response

Notify the system programmer.

System programmer response

Alter the data set or file so that the statement format is 80 characters.

CNM902I THERE IS NO HELP PANEL FOR THIS SCREEN

Explanation

There is no valid HELP statement in the definition of the panel currently being displayed.

Operator response

There is no help panel available. If you feel one is necessary, contact your system programmer.

System programmer response

A help panel was not defined or was defined incorrectly. See the *IBM Z NetView Customization Guide* for information on correctly coding a help panel definition.

CNM905I *panelname* WAS NOT FOUND

Explanation

You selected a valid option but the panel cannot be found in the CNMPNL1 data sets.

Message Variables***panelname***

The panel name.

Operator response

Notify the system programmer. Be sure to note which PF key or option selection resulted in this message, the name of the panel from the upper left corner of the panel, and the name of the panel in the message.

System programmer response

Check the panel definition for the panel currently being displayed. Either the panel name that corresponds to the operator's action is typed incorrectly or the panel is not in CNMPNL1.

CNM910I '*command*' REQUEST ACCEPTED

Explanation

The specified request was accepted.

Message Variables***command***

The name of a function or command.

Operator response

If the indicated command begins with BPX1SDD, then the UNIX System Services Set Dub Defaults request succeeded with the indicated options. One or more instances of the BNH284E message might have been issued. If no previous BNH284E message was issued, then all the latest UNIX System Services dub defaults functions are installed.

**CNM911I INPUT IS NOT RECOGNIZED AS A
VALID OPTION OR AS A VALID
NETVIEW COMMAND**

Explanation

An option selection is the only type of command that is recognized by the help facility driver. A valid option consists of a single character that is defined to display a panel. If the input was not identified as a valid option selection, the DSICES macro is issued to determine whether the command line contains a valid regular command. If the DSICES macro results in a return code greater than 8, this message is issued.

Operator response

If you typed an option or command that is valid from the current panel, notify the system programmer. Be sure to note what you typed and the name of the current panel (displayed in the upper left corner of the panel).

System programmer response

Check the panel definition. If an option selection was typed correctly, then it was omitted or incorrectly coded in the definition of the current panel. See the *IBM Z NetView Customization Guide* for information on coding option definitions.

**CNM912I *panelname* CANNOT BE
DISPLAYED: IT HAS A
DEFINITION ERROR**

Explanation

A panel format that is not valid has been detected in the definition for the next panel to be displayed. The panel contained comment lines only, or the panel length exceeded 24 lines, or there was no text indicator line (***) in the panel definition, or comment lines were coded in addition to the first consecutive lines of the panel definition, or more than one input field was defined, or more than one cursor position was defined, or there were more than 49 option definition statements in the panel definition.

Message Variables

panelname

The panel name.

Operator response

Notify the system programmer noting the panel named in the message.

System programmer response

Check panel definition for errors. See the *IBM Z NetView Customization Guide* for complete information on coding panel definitions.

**CNM913I INTERNAL STACK IS FULL: GO
BACK TO A MENU AND MAKE
ANOTHER SELECTION**

Explanation

The internal stack that records your selections and the path you took through the panel hierarchy has reached its limit of 100 panels.

Operator response

Notify the system programmer, noting panel name in upper left corner. You might continue viewing panels by going back to a previous menu and selecting a different option to take another path through the hierarchy of panels.

System programmer response

Shorten the path length through the panel hierarchy to prevent the problem from recurring.

**CNM914I THERE IS NO CONTINUATION
PANEL**

Explanation

The current panel does not have a blank option defined, therefore it is the last panel in the current path.

Operator response

Select an option or an active PF key. If the current panel should have had a continuation page, note the panel name in the upper left corner and notify the system programmer.

System programmer response

Check the panel definition. See the *IBM Z NetView Customization Guide* for information on coding continuation panels.

**CNM915I THE CURRENT PANEL IS THE
BOTTOM OF THE PATH**

Explanation

The current panel does not have a blank option defined so it is the last panel in the current path through the hierarchy.

Operator response

Select an option or an active function key.

CNM916I	THE BOTTOM OF PATH CANNOT BE REACHED: <i>panelname</i> HAS A DEFINITION ERROR
----------------	--

Explanation

A panel format that is not valid has been detected in the definition of the named panel, or the panel definition contained blank line statements that resulted in an undefined continuation panel. Because this panel was in the path for which a request for the BOTTOM panel was requested, the last panel cannot be reached for one of the following reasons:

- The panel contained comment lines only
- The panel length exceeded 24 lines
- There was no text indicator line (***) in the panel definition
- Comment lines were coded in addition to the first consecutive lines of the panel definition
- More than one input field was defined
- More than one cursor position was defined
- There were more than 49 option definition statements in the panel definition.

Message Variables

panelname

The panel name.

Operator response

Notify the system programmer noting the panel named in the message.

System programmer response

Check panel definition for errors. See the *IBM Z NetView Customization Guide* for information on coding continuation panels.

CNM917I	THE BOTTOM OF THE PATH CANNOT BE REACHED: INTERNAL STACK IS FULL
----------------	---

Explanation

In attempting to reach the last panel in the path, the internal stack, which records your selections and the

path you took through the panel hierarchy, has reached its limit.

Operator response

Notify the system programmer, noting the panel name in the upper left corner. You can continue viewing panels by going back to a previous menu and selecting a different option to take another path through the hierarchy of panels, or you can advance one panel at a time until the message is displayed again.

System programmer response

Shorten the path length through the panel hierarchy to prevent the problem from recurring.

CNM918I	THE CURRENT PANEL IS THE FIRST PANEL IN SELECTION
----------------	--

Explanation

The panel currently displayed is the first panel in the current path. Or, the current panel was the first panel displayed when you entered the help facility so it is considered to be the top of the path.

Operator response

Select an option or an active function key.

CNM919I	THE CURRENT PANEL IS THE ENTRY POINT
----------------	---

Explanation

The panel currently displayed is the first panel that was displayed when you entered the online help facility so it is the entry point.

Operator response

Select an option or an active function key.

CNM920I	REPEAT FIND WILL NOT WORK UNTIL YOU HAVE ISSUED A FIND COMMAND
----------------	---

Explanation

A REPEAT command was issued before issuing a FIND command. There is no string for which a FIND can be repeated.

Operator response

Enter a valid FIND command, and then enter the REPEAT command again.

CNM921I	USE P OR N TO SPECIFY SEARCH DIRECTION
----------------	---

Explanation

A letter other than P or N or a parameter other than NEXT or PREV was entered in the FIND command where search direction is to be specified.

Operator response

Enter a valid FIND command.

CNM922I NO TARGET WAS FOUND FOR THE REQUESTED SEARCH ARGUMENT

Explanation

No match for the specified string was found in the file or in the remainder of the file.

Operator response

If using FIND or REPEAT, enter a REPEAT request to start the search again from the beginning of the file. Otherwise, correct the string and try again.

CNM923I YOUR INPUT IS INVALID: ISSUE A FIND COMMAND OR A VALID NETVIEW COMMAND

Explanation

You did not enter a valid command.

Operator response

Check the spelling of the command you entered. If you think your input was valid, notify the system programmer.

System programmer response

If this is not a valid subcommand for this component, such as FIND, check the definition in CNMCMD. If the command should invoke a command list, check the command list definition in DSICLD.

CNM924I NO MATCH WAS FOUND - LBFINDMX WAS EXCEEDED - ENTER RFIND TO CONTINUE

Explanation

You moved within the log by approximately the number of records specified by LBFINDMX without finding the specified target. For more information on LBFINDMX, see the help for the DEFAULTS command in *IBM Z NetView Command Reference Volume 1 (A-N)*.

Operator response

Check the FIND target for correctness. To continue searching, enter RFIND (PF5 by default).

CNM926I ENTER WHAT YOU WANT TO FIND ENCLOSED IN QUOTES AFTER "FIND" COMMAND

Explanation

You entered a FIND command without a search argument.

Operator response

Enter the FIND command followed by a search argument.

CNM927I ENTER "HALF", "MAX", "PAGE", "CSR", OR A NUMBER IN THE SCROLL INPUT FIELD

Explanation

The value you entered in the scroll input field did not contain a valid value.

Operator response

Correct the value in the scroll input field and retry the command or PF key.

CNM928I SEARCH ARGUMENT ERROR: INVALID PARAMETER SPECIFIED OR MISSING QUOTES

Explanation

You entered the FIND command followed by a string of characters with imbedded blanks but the string was not enclosed in quotation marks or you specified the 'P', 'N', 'LLL', or 'RRR' parameter on your search argument, but you are not browsing the log.

Operator response

Put a single quotation mark (') before the phrase you want to find and another quotation mark after the phrase you want to find. If you are not browsing the log, do not specify any parameters with the search argument.

CNM929I YOUR INPUT IS INVALID DUE TO NONBLANK CHARACTERS AFTER SECOND QUOTE

Explanation

You entered the FIND command followed by a string of characters enclosed in quotation marks but there were non-blank characters following the second quotation mark.

Operator response

If your search argument contains a quotation mark, type two single quotation marks in the search argument.

CNM931I THE TOP OF DATA IS ALREADY DISPLAYED ON THE SCREEN

Explanation

You requested TOP or BACK, but the first line is already displayed.

Operator response

Enter a valid command or press an active PF key.

CNM932I THE LAST LINE IS ALREADY DISPLAYED ON THE SCREEN

Explanation

You requested BOTTOM or FORWARD, but the last line is already displayed.

Operator response

Enter a valid command or press an active PF key.

CNM933I SEARCH LIMITS ARE INVALID

Explanation

You entered a command with column search limits that are not correct.

Operator response

Enter the command with valid column search limits.

CNM934I INVALID DELIMITED STRING ENCOUNTERED

Explanation

You entered a delimited string that was not valid. The problem might be in your last command, or it might be that the current VIEW panel was specified incorrectly.

Operator response

If you typed a command incorrectly, please try again. If you made a selection from a panel, that panel needs to be corrected.

CNM935I LOG BROWSE TASK INITIALIZATION STARTED, WAITING FOR STATUS MONITOR MAIN TASK TO ACTIVATE

Explanation

Initialization for the log browse task started, but the system is waiting for the status monitor main task to activate.

Operator response

Start the status monitor task.

CNM936I SECONDARY LOG IS NOT DEFINED TO LOG BROWSE TASK

Explanation

There are two network logs defined but the secondary log was not defined to the log browse task. Either there was an error in opening the ACB (a DSI message might also be issued) or the DSILOG task was re-initialized to add a secondary log, but the log browse task was not re-initialized.

Operator response

Re-initialize the log browse task.

CNM937I [BROWSE | STATMON] REQUEST ALREADY IN PROGRESS

Explanation

You entered a browse or status monitor request and then a message interrupted the screen. Then you entered another command before the first one had finished.

Operator response

Issue a ROLL or RETURN to go back to the original activity.

CNM938I VTAM command FAILED. POSSIBLE DATA LOSS. RETURN CODES FROM VTAM: R15= *reg15*, R0= *reg0*.

Explanation

A VTAM macro failed. CNMTARCA sends this message in four events:

- The VTAM RCVCMD macro gave a bad return code.
- The VTAM CHECK macro following the RCVCMD macro gave a bad return code.
- The VTAM SNDCMD macro gave a bad return code.
- The VTAM CHECK following the SNDCMD macro gave a bad return code.

Message Variables

command

The name of the VTAM command that failed.

reg15

Register 15 from command.

reg0

Register 0 from command.

System action

Processing continues. If there are five consecutive failures of SNDCMD or RCVCMD, the status monitor ends.

Operator response

Notify the system programmer.

System programmer response

Investigate the cause of the macro failures from the VTAM return codes. See VTAM programming publications.

**CNM939I PROCESSING STOPPED AFTER
999999 RESOURCES. FURTHER
DEFINITIONS WILL BE UNKNOWN
TO STATMON**

Explanation

You defined too many VTAM resources to the status monitor.

Operator response

Notify the system programmer.

System programmer response

Reduce the VTAM resources defined to the status monitor through STATOPT=OMIT statements or use an alternate VTAMLST.

**CNM940I TOO MANY OPERANDS. PLEASE
RETRY.**

Explanation

You entered too many operands.

Operator response

Retry with correct syntax.

CNM941I task IS TERMINATING

Explanation

The task you specified is ending.

Message Variables**task**

The name of the task that is ending.

**CNM942I SCREEN-WRITE ERROR. BROWSE
TERMINATED**

Explanation

The view command processor failed while attempting to write a screen.

System action

The BROWSE function was removed from your LRC stack.

Operator response

Notify the system programmer.

System programmer response

Determine the cause of the write failure (for example, terminal not capable).

**CNM943I LSR OPTION SPECIFIED FOR
NETLOG. BROWSE CAN NOT
ACCESS THE NETLOG.**

Explanation

The log browse cannot access the NETLOG when the NETLOG VSAM data sets are using the LSR or the DFR options. The NETLOG can only be used with the NSR option.

System action

BROWSE does not initialize and the request is ended.

Operator response

Notify the system programmer.

System programmer response

Determine whether the DSILOGP and the DSILOGS VSAM data sets were correctly defined.

**CNM945I STATUS MONITOR WAS NOT ABLE
TO SEND MESSAGE TO STATUS
FOCAL POINT. RC = *retcode*.
RECOVERY IN PROCESS.**

Explanation

The status monitor cannot send a message to the status focal point because an MQS failure occurred.

Message Variables

retcode

The return code issued by the DSIMQS macro (hexadecimal).

System action

The status monitor attempts to recover from the error.

Operator response

Start the CNMTAMEL task if it is not active. If the problem persists, notify the system programmer.

System programmer response

Use the return code provided in the message to determine the cause of the MQS failure. See *IBM Z NetView Programming: Assembler* for information on the return code.

CNM946E STATUS MONITOR WAS NOT ABLE TO FREE A CROSS TASK BUFFER. RC = *retcode*. THIS BUFFER WILL BE FREED WHEN NETVIEW ENDS.

Explanation

The status monitor cannot free a piece of storage it received.

Message Variables**retcode**

The return code issued by the DSIFRE macro (hexadecimal).

System action

The buffer is not freed until the NetView program ends.

Operator response

Notify the system programmer.

System programmer response

Use the return code provided to determine the cause of the DSIFRE macro failure. See *IBM Z NetView Programming: Assembler* for information on the return code.

**CNM948I CINV BUFNO BFRFND BUFRDS
 NUIW UIW ERCT**

Explanation

This is the label line generated by the VSAMPOOL command. It identifies the statistics displayed by the command.

System action

The VSAMPOOL command continues.

CNM949I *obj* IS TOO LONG

Explanation

An object is too long for the function that uses it.

Message Variables***obj***

The object that is too long.

If the object is an automation table, it might exceed the product environment's limit of 3000 characters other than comments and blanks.

System action

The function using the specified object does not run.

Operator response

Contact the system programmer or shorten the object and retry the function.

CNM951E INSERT NUMBER *insert* MUST BE 1 TO 3 CHARS LONG FOR *msgid* IN TRANSLATION MEMBER *member*

Explanation

The message translation statement for the specified message identifier in the specified translation member contains an insert number that is not valid. The length of the insert must be 1 to 3 characters.

Message Variables***insert***

The insert number whose length is not valid.

msgid

The message identifier in the message translation table.

member

The name of the translation member containing the message translations.

System action

The command continues syntax checking with the message translation in the member. No message translation table is loaded into the NetView program. The NetView program continues to display all messages in English.

Operator response

Notify the system programmer.

System programmer response

Correct the syntax error in the message translation statement in the specified translation member. Reload the member using the TRANSMMSG command. See the NetView online help or the *IBM Z NetView Installation: Configuring Additional Components* for the correct syntax.

CNM952E **INSERT NUMBER *insert* CANNOT BE CONVERTED FROM EBCDIC TO BINARY FOR *msgid* IN TRANSLATION MEMBER *member***

Explanation

The message translation statement for the specified message identifier in the specified translation member contains an insert number that is not valid. The insert number specified cannot be converted from EBCDIC to binary.

Message Variables

insert

The insert number that cannot be converted.

msgid

The message identifier in the message translation table.

member

The name of the translation member containing the message translations.

System action

The command continues syntax checking with the message translation in the member. No message translation table is loaded into the NetView program. The NetView program continues to display all messages in English.

Operator response

Notify the system programmer.

System programmer response

Correct the syntax error in the message translation statement in the specified translation member. Reload the member using the TRANSMMSG command. See the NetView online help or the *IBM Z NetView Installation: Configuring Additional Components* for the correct syntax.

CNM953E **INSERT NUMBER *insert* RANGE MUST BE 1 TO 128 FOR *msgid* IN TRANSLATION MEMBER *member***

Explanation

The message translation statement for the specified message identifier in the specified translation member contains an insert number that is not valid. The valid range of the insert number is 1-128.

Message Variables

insert

The insert number that has a range that is not valid.

msgid

The message identifier in the message translation table.

member

The name of the translation member containing the message translations.

System action

The command continues syntax checking with the message translation in the member. No message translation table is loaded into the NetView program. The NetView program continues to display all messages in English.

Operator response

Notify the system programmer.

System programmer response

Correct the syntax error in the message translation statement in the specified translation member. Reload the member using the TRANSMMSG command. See the NetView online help or the *IBM Z NetView Installation: Configuring Additional Components* for the correct syntax.

CNM954E **INSERT LENGTH SPECIFICATION MUST BE 1 OR 2 CHARS LONG FOR *msgid* IN TRANSLATION MEMBER *member***

Explanation

The message translation statement for the specified message identifier in the specified translation member contains an insert length that is not valid. The insert length specified must be 1 or 2 characters.

Message Variables

msgid

The message identifier in the message translation table.

member

The name of the translation member containing the message translations.

System action

The command continues syntax checking with the message translation in the member. No message translation table is loaded into the NetView program. The NetView program continues to display all messages in English.

Operator response

Notify the system programmer.

System programmer response

Correct the syntax error in the message translation statement in the specified translation member. Reload the member using the TRANSMMSG command. See the NetView online help or the *IBM Z NetView Installation: Configuring Additional Components* for the correct syntax.

CNM955E	INSERT LENGTH CANNOT BE CONVERTED FROM EBCDIC TO BINARY FOR <i>msgid</i> IN TRANSLATION MEMBER <i>member</i>
----------------	---

Explanation

The message translation statement for the specified message identifier in the specified translation member contains an insert length that is not valid. The insert length cannot be converted from EBCDIC to binary.

Message Variables

msgid

The message identifier in the message translation table.

member

The name of the translation member containing the message translations.

System action

The command continues syntax checking with the message translation in the member. No message translation table is loaded into the NetView program. The NetView program continues to display all messages in English.

Operator response

Notify the system programmer.

System programmer response

Correct the syntax error in the message translation statement in the specified translation member. Reload the member using the TRANSMMSG command. See the NetView online help or the *IBM Z NetView Installation:*

Configuring Additional Components for the correct syntax.

CNM956E	INSERT LENGTH SPECIFICATION RANGE MUST BE 1 TO 99 FOR <i>msgid</i> IN TRANSLATION MEMBER <i>member</i>
----------------	---

Explanation

The message translation statement for the specified message identifier in the specified translation member contains an insert length that is not valid. The valid range of the insert length is 1-99.

Message Variables

msgid

The message identifier in the message translation table.

member

The name of the translation member containing the message translations.

System action

The command continues syntax checking with the message translation in the member. No message translation table is loaded into the NetView program. The NetView program continues to display all messages in English.

Operator response

Notify the system programmer.

System programmer response

Correct the syntax error in the message translation statement in the specified translation member. Reload the member using the TRANSMMSG command. See the NetView online help or the *IBM Z NetView Installation: Configuring Additional Components* for the correct syntax.

CNM957E	CHARACTER <i>character</i> WAS FOUND WHERE A DELIMITER WAS EXPECTED FOR <i>msgid</i> IN TRANSLATION MEMBER <i>member</i>
----------------	---

Explanation

The message translation statement for the specified message identifier in the specified translation member contains a delimiter that is not valid. A period, asterisk, or a blank was expected.

Message Variables

character

The unexpected character.

msgid

The message identifier in the message translation table.

member

The name of the translation member containing the message translations.

System action

The command continues syntax checking with the message translation in the member. No message translation table is loaded into the NetView program. The NetView program continues to display all messages in English.

Operator response

Notify the system programmer.

System programmer response

Correct the syntax error in the message translation statement in the specified translation member. Reload the member using the TRANSMMSG command. See the NetView online help or the *IBM Z NetView Installation: Configuring Additional Components* for the correct syntax.

CNM958E AN ODD NUMBER OF BYTES WAS FOUND BETWEEN A SHIFT-OUT/SHIFT-IN PAIR FOR *msgid* IN TRANSLATION MEMBER *member*

Explanation

The message translation statement for the specified message identifier in the specified translation member contains an odd number of bytes between a shift-out/shift-in pair.

Message Variables**msgid**

The message identifier in the message translation table.

member

The name of the translation member containing the message translations.

System action

The command continues syntax checking with the message translation in the member. No message translation table is loaded into the NetView program. The NetView program continues to display all messages in English.

Operator response

Notify the system programmer.

System programmer response

Correct the syntax error in the message translation statement in the specified translation member. Reload the member using the TRANSMMSG command.

CNM959E NO SHIFT-IN WAS FOUND FOR A MATCHING SHIFT-OUT FOR *msgid* IN TRANSLATION MEMBER *member*

Explanation

The message translation statement for the specified message identifier in the specified translation member contains a shift-out without a matching shift-in.

Message Variables**msgid**

The message identifier in the message translation table.

member

The name of the translation member containing the message translations.

System action

The command continues syntax checking with the message translation in the member. No message translation table is loaded into the NetView program. The NetView program continues to display all messages in English.

Operator response

Notify the system programmer.

System programmer response

Correct the syntax error in the message translation statement in the specified translation member. Reload the member using the TRANSMMSG command.

CNM960I QSAM OPEN FAILURE. DDNAME=*ddname*

Explanation

Open DCB failed.

Message Variables**ddname**

The DDNAME that cannot be opened.

System action

The utility is ended.

Operator response

Notify the system programmer.

System programmer response

Check the DD or FILEDEF statement that is in error.

CNM961I GENCB FAILED

Explanation

An error occurred while generating an ACB or RPL.

System action

The utility is ended.

Operator response

Notify the system programmer.

System programmer response

Contact IBM Software Support.

**CNM962I EXPANSION SUCCESSFUL - END
 OF JOB**

Explanation

The expansion of a VSAM help panel was successful.

**CNM963I NO PANELS FOUND IN SPECIFIED
 RANGE. reason**

Explanation

There are no panels in the range that you specified.

Message Variables**reason**

The reason that no panels were found.

System action

The error message is written to the output file generated by the message print job.

Operator response

Enter again the panels to be printed using a valid range.

**CNM964I PUT FAILED DDNAME=*ddname*,
 RC=*vtamr*cd,FC=*vtam*fb**

Explanation

The VSAM macro PUT returned the return code *vtamr*cd and the feedback code *vtam*fb.

Message Variables***ddname***

The DDNAME.

***vtamr*cd**

The VTAM internal return code.

***vtam*fb**

The VTAM internal feedback code.

System action

The utility is ended.

Operator response

Notify the system programmer.

System programmer response

Use the RCFB command list to determine the meaning of the return/feedback codes.

**CNM965I COMPRESSION SUCCESSFUL -
 END OF JOB**

Explanation

The compression of a VSAM help panel was successful.

**CNM966I GET FAILED DDNAME=*ddname*,
 RC=*vtamr*cd,FC=*vtam*fb**

Explanation

The VSAM macro GET returned and issued a return code and feedback code.

Message Variables***ddname***

The DDNAME.

***vtamr*cd**

The VTAM internal return code.

***vtam*fb**

The VTAM internal feedback code.

System action

The utility is ended.

Operator response

Notify the system programmer.

System programmer response

Use the RCFB command list to determine the meaning of the return/feedback codes.

CNM967I END OF JOB - CNMCFPRT

Explanation

CNMCFPRT has completed processing.

CNM968I PARAMETER INVALID - IGNORED
Explanation

An incorrect parameter was specified for CNMCFPRT. The parameter is ignored.

System programmer response

Check the parameter and correct. It must be LC=*nnn*, where *nnn* is the number of lines per page.

**CNM969I ERROR COMPRESSING/
EXPANDING HELP PANEL. *reason***
Explanation

An internal error occurred while attempting to compress or expand a help panel.

Message Variables***reason***

The reason for the error.

System action

The utility is ended.

Operator response

Notify the system programmer.

System programmer response

Contact IBM Software Support.

**CNM970I CONTROL STATEMENT MISSING
OR INVALID. *reason***
Explanation

A utility control statement is missing or not valid.

Message Variables***reason***

The reason a control statement is missing or not valid.

System action

The utility is ended.

Operator response

Correct the control statement and rerun the utility.

For the print utility (CNMCFPRT), you must enter message IDs in columns 1 to 72 of the control

statement. Enter as many control statements as you need. You can enter part of an ID followed by an asterisk (*). The partial ID and asterisk indicate that you want to print the help for all messages with an ID that begins with the same characters as the partial ID. Enter an asterisk by itself to print the entire message help file. Separate each ID or range of IDs with a comma (.). For example, AAU000-AAU999, DSI001, CNM001-CNM1*.

For expand (CNMCFEXP) utility, you can enter only one panel ID. Any information after the panel ID is treated as a comment.

The help panels for a message consist of a primary panel and optionally, continuation panels. The ID of the primary panel is the message ID without the suffix. The ID of a continuation panel is the same as the ID of the primary panel with a one letter suffix added on. The suffixes begin with A and continue in ascending alphabetical order. For the compress utility, the panel ID you specify must follow these rules:

- The ID must be from 6 to 8 characters.
- Characters 1 to 3 must be letters.
- Characters 4 to 7 can be letters or numbers.
- The last character must be a number for a primary panel or a letter for a continuation panel.

**CNM971I INPUT PANEL CONTAINS TOO
MANY LINES**
Explanation

The input panel contains more than 87 input lines.

System action

The function is ended.

Operator response

Notify the system programmer.

System programmer response

Change the input panel so that it has 87 lines or less.

**CNM972I VSAM CLOSE FAILURE.
DDNAME=*ddname*,
RC=*vtamr*cd,FC=*vtamf*b**
Explanation

The VSAM CLOSE failed.

Message Variables***ddname***

The DDNAME.

vtamrcd

The VTAM internal return code.

vtamfb

The VTAM internal feedback code.

Operator response

Notify the system programmer.

System programmer response

Use the RCFB command list to determine the meaning of the return/feedback codes. If this message is issued by CNMFCMP, then an IDCAMS VERIFY must be done against the message data set before it can be successfully used again.

CNM973I **QSAM CLOSE FAILURE.**
DDNAME=ddname

Explanation

A close DCB failed.

Message Variables**ddname**

The DDNAME that cannot be closed.

Operator response

Notify the system programmer.

System programmer response

Check the DD or FILEDEF statement that is in error.

CNM981E **COMMAND PROCEDURE *cmdproc***
ATTEMPTED UNAUTHORIZED
MULTITASKING

Explanation

The specified high level language (HLL) command procedure attempted multitasking but is not authorized to do so.

Message Variables**cmdproc**

The name of the HLL command procedure that attempted multitasking.

System action

The multitasking request is ignored. The command procedure is ended.

Operator response

Notify the system programmer.

System programmer response

Correct the HLL command procedure so that it does not attempt multitasking.

CNM982E **COMMAND PROCEDURE *cmdproc***
CANCELED BY OPERATOR
REQUEST

Explanation

The specified high level language (HLL) command procedure was canceled at the request of an operator.

Message Variables**cmdproc**

The name of the HLL command procedure that was canceled.

System action

The command procedure is canceled.

CNM983E ***offset word1 word2 word3 word4***
char

Explanation

This message contains minidump information. It is displayed when a high level language (HLL) command procedure encounters an abnormal end or logoff condition.

Message Variables**offset**

The relative offset of this line of the minidump.

word1

The first word of the minidump.

word2

The second word of the minidump.

word3

The third word of the minidump.

word4

The fourth word of the minidump.

char

The character equivalent of *word1*, *word2*, *word3*, and *word4*.

System action

The HLL command procedure ends with an abnormal end or logoff condition.

Operator response

Notify the system programmer.

System programmer response

Use the minidump information to correct the command procedure.

CNM984E **command ATTEMPTED TO WAIT FOR MESSAGES WITHOUT ACTIVE TRAP**

Explanation

The specified high level language (HLL) or REXX command procedure issued a WAIT command without first issuing a TRAP command.

Message Variables

command

The name of the HLL or REXX command procedure that issued the WAIT command.

System action

The WAIT command is ignored.

Operator response

Notify the system programmer.

System programmer response

Correct the HLL or REXX command procedure so that it issues a TRAP command before the WAIT command.

CNM985E **RID ALREADY IN USE FOR TASK task BY OPERATOR operatorid**

Explanation

A remote interactive debug (RID) command was entered while RID was already in use for the task and operator specified in the message.

Message Variables

task

The name of the task that RID is currently monitoring.

operatorid

The ID of the operator currently using RID to monitor the specified task.

System action

The RID command is ignored.

Operator response

Enter a RID END command from the operator ID currently using RID and enter the RID command again from your operator ID.

CNM986I **RID FUNCTION 'STEP | RUN | CONTINUE | END' COMPLETED FOR TASK task**

Explanation

A remote interactive debug (RID) command has completed.

Message Variables

task

The name of the task specified for the completed RID command.

System action

Processing continues.

CNM987I **TASK task MOD module TYPE type ID id SEQ seqnum**

Explanation

This message contains output from a remote interactive debug (RID) command.

Message Variables

task

The name of the task that RID is monitoring.

module

The name of the module that RID is monitoring.

type

The type of debug point.

id

The unique identifier of the debug point.

seqnum

The debug sequence number.

System action

Processing continues.

CNM988I **MVT mvtaddr TVB tvbaddr TIB tibaddr TRB trbaddr R13 r13addr status**

Explanation

This message contains output from a remote interactive debug (RID) command.

Message Variables

mvtaddr

Address of main vector table (MVT).

tvbaddr

Address of task vector block (TVB).

tibaddr

Address of task information block (TIB).

trbaddr

Address of transaction request block (TRB).

r13addr

Address of register 13.

status

Status of the RID command (R if running; S if stopped).

System action

Processing continues.

**CNM989E NO COMMAND PROCEDURE
ACTIVE WHICH ACCEPTS QUEUED
INPUT**

Explanation

A command or a pipe stage has been invoked which requires a procedure able to receive queued messages. No such procedure can be found. If this message results from a QUEUE command, then there is not a high level language (HLL) command procedure running that accepts queued input.

System action

The command or pipe stage fails.

Operator response

Notify the system programmer.

System programmer response

See *IBM Z NetView Programming: PL/I and C* or to *IBM Z NetView Programming: Pipes* for information on the command that failed. For QUEUE command problems, review setting the HLLOPTS control block so a command procedure can accept queued input.

**CNM991E ERROR BUILDING LANGUAGE
DEPENDENT ENVIRONMENT -
RC=retcode**

Explanation

The command procedure that builds the language dependent environment returned a nonzero return code.

Message Variables**retcode**

The nonzero return code. The return code can be:

4

Insufficient storage for the ISA run-time option.

8

Insufficient storage for the HEAP run-time option.

999

Language specified not valid.

System action

The command procedure ends.

Operator response

Notify the system programmer.

System programmer response

For return code 4 and 8, increase the storage available or decrease the storage requested for the ISA or HEAP run-time options. For return code 999, ensure that the command processor is link-edited properly.

**CNM992E ERROR BUILDING LANGUAGE
INDEPENDENT ENVIRONMENT -
RC=retcode**

Explanation

An error occurred while building the language independent environment.

Message Variables**retcode**

The return code.

System action

The command procedure ends.

Operator response

Notify the system programmer.

System programmer response

Note the return code in the message and contact IBM Software Support.

**CNM994E command COMMAND MUST BE
INVOKED FROM HLL/REXX
ENVIRONMENT**

Explanation

The command specified in the message was entered from something other than a high level language (HLL) or REXX command procedure.

Message Variables**command**

The name of the command.

System action

The command is ignored.

Operator response

Notify the system programmer.

System programmer response

Remove the specified command from anything other than HLL or REXX command procedures.

CNM996E	COMMAND PROCEDURE <i>cmdproc</i> TERMINATED, ERROR IN NESTED COMMAND
----------------	---

Explanation

The specified high level language (HLL) command procedure ended because of an error in a nested command.

Message Variables

cmdproc

The name of the HLL command procedure that ended.

System action

The command procedure ends.

Operator response

Notify the system programmer.

System programmer response

Determine the cause of the error.

CNM997E	MISSING EVENT TYPE SPECIFICATION ON TRAP COMMAND IN <i>cmdproc</i>
----------------	---

Explanation

A high-level language (HLL) or REXX command procedure issued a TRAP command that did not specify MESSAGES as the event to trap.

Message Variables

cmdproc

The name of the HLL or REXX command procedure that issued the TRAP command.

System action

The TRAP command is ignored.

Operator response

Notify the system programmer.

System programmer response

Correct the HLL or REXX command procedure so that the TRAP command specifies MESSAGES as the event to trap.

CNM998E	ABEND/LOGOFF WHILE RUNNING COMMAND PROCEDURE <i>cmdproc</i> EP=<i>entryaddr</i>
----------------	--

Explanation

The specified high level language (HLL) command procedure encountered an abnormal end or logoff condition.

Message Variables

cmdproc

The name of the HLL command procedure that encountered the abnormal end or logoff condition.

entryaddr

The entry point address of the command procedure.

System action

The HLL command procedure ends with an abnormal end or logoff condition. This message is followed by minidump information in message CNM983E and trace entries in message CNM999E.

Operator response

Notify the system programmer.

System programmer response

Use the minidump and trace entries to correct the command procedure.

CNM999E	<i>id1 val1 id2 val2 id3 val3 id4 val4</i>
----------------	---

Explanation

This message contains trace entries. It is displayed when a high-level language (HLL) command procedure encounters an abnormal end or logoff condition.

Message Variables

id1, id2, id3, id4

The first failure data capture (FFDC) trace ID entries.

val1, val2, val3, val4

The FFDC trace value entries.

System action

The HLL command procedure ends with an abnormal end or logoff condition.

Operator response

Notify the system programmer.

System programmer response

Use the trace entries to correct the command procedure.

Chapter 6. CNMPP Prefix Messages

The CNMPP messages are directed toward system programmers running the status monitor preprocessor. Because operators do not receive these messages, an operator response is not required.

CNMPP01I ERROR DETECTED IN PARAMETER LIST

Explanation

One of the parameters given is either misspelled or not valid. See *IBM Z NetView Installation: Configuring Additional Components* for syntax.

System action

Execution of the preprocessor stops. Status monitor functions will not work.

System programmer response

See the message that follows this one and correct the parameter list.

CNMPP02I INITIAL OPTIONS MUST BE WARM OR COLD

Explanation

The initial option for the start of the procedure must be either warm or cold. Anything else is not valid.

System action

Execution of the preprocessor stops. Status monitor functions will not work.

System programmer response

Correct the parameter list.

CNMPP03I ALLOWABLE KEYWORDS ARE: LIST, CONFIG, CNMCON, HOSTSA, or HOSTPU

Explanation

The parameter list did not contain a valid keyword or you might have specified a valid keyword with an operand that is not valid.

System action

Execution of the preprocessor stops. Status monitor functions will not work.

System programmer response

Correct keyword, operand, or both.

CNMPP04I BLDL FAILED FOR *member*. MEMBER MISSING

Explanation

The BLDL failed for one of the following reasons:

- The node given was not in VTAMLST.
- A permanent I/O error occurred.
- Insufficient virtual storage is available
- The member was found but was empty.
- & symbolics are not supported.

A description of the network structure cannot be built.

Message Variables***member***

The name of the VTAMLST file that the preprocessor was searching for. If the member was empty, this will be blank.

System action

Execution of the preprocessor stops. Status monitor functions will not work.

System programmer response

Supply the specified VTAMLST file and verify that it is not empty.

CNMPP05I FIND FAILED FOR *member*. MEMBER MISSING

Explanation

The node given was not in VTAMLST, a permanent I/O error occurred, or insufficient virtual storage is available. A description of the network structure cannot be built.

Message Variables***member***

The name of the missing file

System action

Execution of the preprocessor stops. Status monitor functions will not work.

System programmer response

Supply the specified VTAMLST file.

CNMPP06I **OPEN FAILED FOR *member***

Explanation

The OPEN macro was issued to determine if a file exists in a library. The DCBOFOPN flag turned off in the DCB indicates the OPEN failed and the file did not exist.

Message Variables

member

The name of the missing file.

System action

Execution of the preprocessor stops. Status monitor functions do not work.

System programmer response

Define the specified file.

CNMPP07I **PREPROCESSING COMPLETED**

Explanation

VTAMLST has been successfully read and DSINDEF has been built. Status monitor will now know about only the nodes listed in DSINDEF.

CNMPP08I **SYNTAX ERROR DETECTED IN
STATOPT STATEMENT, LINE
*line_number statement***

Explanation

A STATOPT statement does not conform to the syntax described in the *IBM Z NetView Administration Reference*.

Message Variables

line_number

The line number where an error was detected.

statement

The statement in error.

System action

The STATOPT statement is ignored and processing continues.

System programmer response

Correct the STATOPT statement. See the *IBM Z NetView Administration Reference* for more information.

CNMPP09I **PROCESSING MAJOR NODE *node***

Explanation

This message is provided as a checkpoint to let you know how far along the preprocessor is.

Message Variables

node

The name of the node being processed.

System action

Processing continues.

CNMPP10I **MAJOR NODE *node* OMITTED BY
OMIT OPTION**

Explanation

The node given in the message has the option STATOPT=OMIT in the VTAMLST.

Message Variables

node

The name of the node that was omitted.

System action

Processing continues.

CNMPP11I **MAJOR NODE *node* OMITTED. NOT
APPLICABLE**

Explanation

The major node is a type that is not valid for the status monitor. This major node will not be known to the status monitor.

Message Variables

node

The name of the node that is not applicable.

System action

Processing continues.

CNMPP12I **FILEDEF FAILED FOR *member*
MEMBER MISSING**

Explanation

CMS FILEDEF command was issued to link the DCB to the corresponding CMS file. A nonzero return code

from CMDSI macro issued to invoke the FILEDEF command indicates that the file did not exist.

Message Variables

member

The name of the missing file.

System action

Execution of the preprocessor stops. Status monitor functions will not work.

System programmer response

Define the specified file.

**CNMPP13I OPEN FAILED FOR CNMNDEF.
ANALYSIS IMPOSSIBLE**

Explanation

An I/O error has occurred causing CNMNDEF not to open.

System action

Execution of the preprocessor stops. Status monitor functions will not work.

System programmer response

Determine why CNMNDEF did not reopen.

**CNMPP16I MINOR NODE *node* OMITTED BY
OMIT OPTION**

Explanation

The node given in the message has the option STATOPT=OMIT in the VTAMLST.

Message Variables

node

The name of the node that was omitted.

System action

Processing continues.

**CNMPP17I CNMNDEF DATA SET EMPTY-
ANALYSIS IMPOSSIBLE**

Explanation

No major nodes of a type applicable to the status monitor were found in VTAMLST.

System action

Execution of the preprocessor stops. Status monitor functions will not function.

System programmer response

Examine the VTAMLST major node definitions. See *IBM Z NetView Installation: Configuring Additional Components* for more information.

**CNMPP23I GROUP *group* OMITTED BY OMIT
OPTION**

Explanation

The group given in the message has the option STATOPT=OMIT in the VTAMLST.

Message Variables

group

The name of the group that was omitted.

System action

Processing continues.

**CNMPP24I LIMIT REACHED - PROCESSING
STOPPED AFTER 999999
RESOURCES**

Explanation

More than 999999 resources were defined in the VTAMLST. Note that, because the host is included, a total of only 999998 resources appear on the Domain Status Summary panels. Duplicate name checking cannot be completed.

System action

When the limit is reached, the NetView program ignores any resources that have not been processed. These resources are not included in DSINDEF.

System programmer response

Reduce the VTAM resources defined to the status monitor through STATOPT=OMIT statements or use another VTAMLST.

**CNMPP25I * WARNING * STORAGE
UNAVAILABLE**

Explanation

The total area of virtual storage requested exceeds the length available. Insufficient storage can prevent the duplicate node names from being checked or cause the GRAPHOPT statements to process incorrectly. DSINDEF is created, but rerun the CNMNDEF procedure with sufficient storage.

System action

Processing continues.

Operator response

Determine whether you received message BNH16I, which means the task has reached its storage limit. If so, notify your system programmer.

System programmer response

See the *IBM Z NetView Troubleshooting Guide* for possible causes of the storage shortage.

CNMPP26I NO ILLEGAL DUPLICATE NAMES WERE FOUND

Explanation

In reading through DSINDEF, no illegal duplicate node names were found.

System action

Processing continues.

CNMPP27I * WARNING * *node1* IN MAJOR NODE *node2* IS AN ILLEGAL DUPLICATE NAME PREVIOUSLY USED IN MAJOR NODE *node3*

Explanation

A minor node name must be unique to each major node. If it is defined by two or more major nodes, then this warning message will be displayed.

Message Variables

node1

The minor node defined to two major nodes

node2

The major node name for which the minor node was illegally defined

node3

The major node name for which the minor node was first defined

System action

Processing continues.

System programmer response

Make note of the warning and do one of the following:

- Code a STATOPT statement to OMIT this minor node
- Remove the code in VTAMLST that defines this node
- Remove the definition from DSINDEF

Note: & symbolics are not supported.

For more information about duplicate node names, see *IBM Z NetView Installation: Configuring Additional Components*.

CNMPP28I NODE OMITTED - MORE THAN 8 CHARACTERS FOR NODE *node*

Explanation

A major node name with more than eight characters was specified. Eight characters is the maximum for VTAMLST.

Message Variables

node

The name of the node with greater than eight characters.

System action

Processing continues.

System programmer response

Rename the node to a valid eight-character name, or delete the node name altogether.

CNMPP29I I/O ERROR READING VTAM LIST

Explanation

A disk I/O error occurred.

System action

Execution of the preprocessor stops. The status monitor functions will not work.

System programmer response

Correct the I/O device error and retry.

CNMPP30I INVALID OPERAND '*operand*' SPECIFIED IN THE GRAPHOPT STATEMENT

Explanation

An incorrect operand was specified on the GRAPHOPT statement.

Message Variables

operand

The incorrect operand.

System action

The GRAPHOPT statement is ignored.

Operator response

Notify the system programmer.

System programmer response

Specify the correct GRAPHOPT statement so that the status monitor can provide status forwarding for the NetView program. For information about the GRAPHOPT statement, see the *IBM Z NetView Administration Reference*.

CNMPP31I **TOO MANY MAJOR NODES. MAXIMUM ALLOWED IS 2000. ALL SUBSEQUENT MAJOR NODES ARE IGNORED.**

Explanation

More than 2000 major nodes are defined in your ATCCONxx and CNMCONxx members. If a major node is defined more than once, each definition counts toward the maximum of 2000.

System action

All major nodes specified after the maximum of 2000 are ignored.

Operator response

Notify the system programmer.

System programmer response

Place important major nodes at the beginning of the list to ensure that they are processed.

CNMPP32I **GRAPHOPT STATEMENT SYNTAX IS NOT VALID. RESOURCE NAME HAS MORE THAN 8 CHARACTERS. THE STATEMENT IS IGNORED.**

Explanation

The resource name in the GRAPHOPT statement is more than 8 characters long.

System action

The GRAPHOPT statement is ignored.

Operator response

Notify the system programmer.

System programmer response

Specify a valid resource name on the correct GRAPHOPT statement so that the status monitor can provide status forwarding for the NetView program. For information about the GRAPHOPT statement, see the *IBM Z NetView Administration Reference*.

CNMPP33I **GRAPHOPT STATEMENT WITH NAME/TYPE OPTION MUST HAVE EXACTLY 4 OPERANDS. THE STATEMENT IS IGNORED.**

Explanation

The GRAPHOPT statement with the NAME/TYPE option has less than or more than four operands in it.

System action

The GRAPHOPT statement is ignored.

Operator response

Notify the system programmer.

System programmer response

Specify the correct GRAPHOPT statement so that the status monitor can provide status forwarding for the NetView program. For information about the GRAPHOPT statement, see the *IBM Z NetView Administration Reference*.

CNMPP34I **INCORRECT USE OF * IN RESOURCE NAME. *resname1* TRUNCATED TO *resname2*.**

Explanation

The GRAPHOPT statement with the NAME option cannot have an asterisk in a resource name, except as the last character in the string.

Message Variables

resname1

The resource name as it was entered.

resname2

The resource name after truncation.

System action

The GRAPHOPT statement uses the truncated resource name *resname2* instead of the specified resource name *resname1*.

Operator response

Notify the system programmer.

System programmer response

Specify the correct GRAPHOPT statement so that the status monitor can provide status forwarding for the NetView program. For information about the GRAPHOPT statement, see the *IBM Z NetView Administration Reference*.

CNMPP35I **SYNTAX OF THE GRAPHOPT
STATEMENT IS NOT VALID. A
BLANK MUST FOLLOW THE
GRAPHOPT KEYWORD.**

Explanation

The GRAPHOPT keyword must be followed by at least one blank.

System action

The GRAPHOPT statement is ignored.

Operator response

Notify the system programmer.

System programmer response

Specify the correct GRAPHOPT statement so that the status monitor can provide status forwarding for the NetView program. For information about the GRAPHOPT statement, see *IBM Z NetView Installation: Configuring Additional Components*.

Chapter 7. DSI Prefix Messages

This chapter lists the DSI prefix messages from the NetView program.

The following messages are sent to the NetView terminal operator or the authorized message receiver. If an authorized message receiver is not defined in the system or is not logged on, the messages destined for the authorized message receiver are sent to the system console operator.

Messages DSI900 through DSI999 (which are not included in this book) are reserved for use with user-written command processors, installation exit routines, and subtasks (see *IBM Z NetView Programming: Assembler*). Certain messages described in this section appear only on the NetView log and are intended to help the system programmer with debugging.

DSI000I **NCCF MESSAGE *msgid* ISSUED
BUT DOES NOT EXIST IN
MESSAGE TABLE *msgtable* - CALL
IGNORED**

Explanation

The NetView program found a storage shortage, an I/O error, or the message number specified does not exist in the message definition module.

This message is truncated when the assigned length of the original message is less than the length of message DSI000I, or if it appears in the immediate message area.

Message Variables

msgid

The message number.

msgtable

The message definition module.

System action

The NetView program ignores the message call and continues processing.

Operator response

Notify the system programmer.

System programmer response

If *msgid* is a user-coded message, have it added to the indicated message definition module. Otherwise, contact IBM Software Support.

DSI001I **MESSAGE SENT TO *target***

Explanation

A message or a NetView internal request was successfully sent to the specified destination.

Message Variables

target:

LOG

The network log.

SYSOP

The system operator.

ALL

Indicates that the message is sent to all active operators and autotasks in the domain, all operators and autotasks in other domains that have established a cross-domain (NNT) session to the domain, and the system console.

operatorid

The operator or task name.

System action

The NetView program sends the message or the internal request.

DSI002I **INVALID COMMAND: '*command*'**

Explanation

One of the following problems occurred:

- The NetView program does not recognize the command.
- The command was entered incorrectly.
- The command is incompatible with the task that is running.
- The command list is defined as a TYPE=B or TYPE=I command in CNMCMD.
- The command has a CMDDEF statement with TYPE=D.
- An I/O error might be present.

Message Variables

command

The name of the command that is not valid. For command names longer than 8 characters (none of which are valid), the message variable can show

up to 16 characters to assist in problem determination.

System action

The NetView program ignores the command.

System programmer response

Check the CMDDEF definition for the command. If the command is a command list, the type must be coded as TYPE=R, or left to default.

DSI003I DESTINATION OPERAND MISSING OR INVALID

Explanation

For a MSG or ROUTE command, you omitted the routing indicator or it was not taken from the list of valid options. If this message results from a VET command or stage, the destination virtual OST (VOST) cannot be found.

System action

The NetView program ignores the entire command entry.

Operator response

Check the command syntax in the NetView online help. For a MSG or ROUTE command, select an operand from the list of valid options. Enter the entire command again. If this message resulted from a VET command or stage, check the specification of the destination in the VET command and correct as appropriate.

DSI004I TEXT OPERAND MISSING OR INVALID

Explanation

You omitted the text of the command, or you did not enter it correctly.

System action

The NetView program ignores the entire command entry.

Operator response

Check the command syntax in the NetView online help and enter the command again.

DSI005I LOG DATA SET UNAVAILABLE

Explanation

An attempt to open the DSILOG data set or file has failed. No disk logging occurs.

System action

The NetView program does not log any activity.

Operator response

Notify the system programmer.

System programmer response

Correct the problem with the DSILOG data set.

DSI006I PERMANENT I/O ERROR ON LOG DATA SET

Explanation

I/O errors occurred on the network disk log. You have reached the I/O error limit for logging.

System action

The NetView program closes the log data set and ends logging.

Operator response

Notify the system programmer.

System programmer response

Correct the problem with the network disk log.

DSI007I HARDCOPY UNABLE TO ACQUIRE PRINTER. macro FAILED - RTNCD = X'vtamrkd' FDBK2 = X'vtamfb' SENSE = X'vtamsens'. HARDCOPY STOPPED

Explanation

The access method cannot allocate the device to the NetView program (RTNCD=X'10',FDBK2=X'00') or the NetView hardcopy task is not authorized to acquire devices on the APPL statement (RTNCD=X'14', FDBK2=X'55'). The hardcopy task stops.

Message Variables

macro

The name of the failing macro.

vtamrkd

The VTAM internal return code.

vtamfb

The VTAM internal feedback code.

vtamsens

The VTAM internal sense code.

System action

The NetView program enters a STOP command for the hardcopy task.

Operator response

Notify the system programmer to correct the condition. Enter the START command again for the hardcopy task.

System programmer response

Make the printer available or authorize the NetView program to use the printer. Use the RCFB and SENSE command lists to determine the meaning of the return, feedback, and sense codes. See the device specific documentation for the meaning of the user sense data.

DSI008I 'object' NOT ACTIVE

Explanation

A command was entered, but the object specified in that command is not active. Because the object specified in the command is not active, it cannot respond.

If the command entered was an MSG command to send a message to a group name, no operator in the group was active to receive the message.

Message Variables**object**

The object or resource named in the command.

System action

One of the following actions occurs:

- For the REVISE command, tables are loaded as reported, but are not active or are not fully capable.
- For the TRACE command, the NetView program continues to process to the next specified task.
- For all other commands, the NetView program ignores the command.

Operator response

Consider the following responses:

- Check the spelling of the object specified in the command. If it is incorrect, correct it and enter the command again.
- If the object is an autotask, use the AUTOTASK command to start the task.

- To activate the DSIRVCEX exit, see the *IBM Z NetView Installation: Configuring Additional Components*.

DSI010I COMMAND VERB TOO LONG

Explanation

You used more than eight characters for the command verb.

System action

The NetView program ignores the command.

System programmer response

Check the spelling of the verb and enter the command again.

DSI011I EXTRANEIOUS INFORMATION IN OPERAND FIELD

Explanation

The NetView program found information not pertinent to the command in the operand field.

System action

The NetView program ignores the command.

Operator response

Correct and enter the command again.

DSI012W 'action1' rejected. Task taskid is engaged in 'action2'

Explanation

The task named cannot perform the function named as 'action1' because all its resources are needed for 'action2'.

Message Variables**action1**

The function that cannot be performed

taskid

The operator or task where the functions are to be performed.

action2

The function that the task is already doing.

System action

The NetView program ignores the command.

Operator response

Define a new task for the *action1* function.

DSI013I **COMMAND LIST *cmdlist*
COMPLETE**

Explanation

The command list you entered has finished.

Message Variables

cmdlist

The name of the command list.

System action

The task is ready to process the next command.

DSI014I **INVALID OPERAND**

Explanation

You entered an unrecognized operand with the command.

System action

The NetView program ignores the command.

Operator response

Check for syntax errors or spelling and enter the command again.

DSI015A **COMMAND NOT PROCESSED,
REENTER**

Explanation

You entered a command before NetView initialization or logon processing was complete, or you entered the AUTOTBL or AUTOTEST command while a large number of messages were being automated.

This message is also issued when a command fails to be processed for other resources. Check the messages that are sent to the NetView system operator for more information on the cause of the failure.

System action

The NetView program ignores the command. The command might be retrievable. If there is more than one panel of interrupt messages, the =X= indicator is displayed in the response area.

Operator response

If NetView initialization or logon processing is not complete, wait for it to complete and enter the command again. If there is more than one panel of

interrupt messages, you can enter only the following commands:

- AUTOWRAP
- CLEAR
- ENTER
- RETRIEVE

If the command failed for other reasons, notify the system programmer.

System programmer response

Check the messages that are sent to the NetView system operator and take the recommended actions.

DSI016I **NOT IN PAUSE OR WAIT STATUS**

Explanation

There are two reasons for receiving this message. First, you might have entered a GO or STACK command, but the command list for which it was entered is not in the PAUSE or WAIT state. Second, you might have entered the GO or STACK command while no command list was being processed.

System action

The NetView program ignores the command.

Operator response

If a W or a P appears in the upper right corner of the screen, the wait or pause might be occurring at a stacked level. If this occurs, enter the UNSTACK command and then enter the GO or STACK command again.

DSI017I **CLOSE COMMAND ACCEPTED**

Explanation

This message confirms that the NetView program ends in response to a CLOSE command.

System action

Information messages are sent to all active stations and no new logons are accepted. The job step ends after the last logoff.

Operator response

Prepare to finish your session.

DSI018A **SHUTDOWN IN PROGRESS**

Explanation

The NetView program is closing down in response to a CLOSE command.

System action

No new logons are accepted. The job step ends after the last logoff.

Operator response

Prepare to finish your session.

DSI019I **MAXIMUM NUMBER OF LOGON
RETRIES HAS BEEN EXCEEDED**

Explanation

The maximum number of permitted logon attempts (MAXLOGON) for this operator station was exceeded. No more logon attempts are accepted.

System action

The message is sent to the operator station whose log on attempts were rejected and to the NetView authorized receiver.

DSI020I **OPERATOR *operatorid* LOGGED ON
FROM TERMINAL *terminal* USING
PROFILE (*profile*), HCL (*hclname*)**

Explanation

The specified operator started a NetView session from the named terminal using the specified profile and hardcopy log. Blanks are displayed after PROFILE if the current value of OPERSEC is MINIMAL or SAFDEF. Blanks are displayed after HCL if there is no hardcopy log or if the current value of OPERSEC is MINIMAL.

Message Variables

operatorid

The operator identifier.

terminal

The terminal identifier. This variable can indicate either a logged-on terminal or an automated OST. The value for a logged-on terminal is the terminal name or LU name. The values for an automated OST can be NONE, if an autotask does not have an assigned console, or the console name.

profile

The name of the profile statement.

hclname

The name of the hardcopy log device.

System action

The NetView program updates tables to reflect the new operator station.

DSI021A **INVALID OPERATOR
IDENTIFICATION, REENTER**

Explanation

The NetView program has rejected your logon attempt because it does not recognize your operator ID.

Note: You cannot use operator IDs that begin with the characters DSI#. This is reserved for Virtual OSTs (VOSTs). Also, you cannot use the name of an existing task as an operator ID.

If the current value of OPERSEC is SAFDEF, this message can also mean that the operator ID is not defined to the security product. You can use the LIST SECOPTS command to determine the operator security (OPERSEC) value.

System action

The NetView program rejects the logon.

Operator response

Enter the logon again with the correct operands, or enter LOGOFF in the operator ID field.

DSI022A **INVALID PASSWORD, REENTER**

Explanation

The NetView program has rejected your logon attempt because you entered a password or password phrase that is not valid for your operator ID.

System action

The NetView program rejects the logon.

Operator response

Enter the logon again with the correct password or password phrase.

Note: If you are entering a mixed-case password or password phrase, check with the System Programmer to ensure that your system supports mixed-case passwords or password phrases.

System programmer response

The case in which the password or password phrase was entered can be significant. Check the SECOPT.OPERSEC statement, described in the *IBM Z NetView Administration Reference* to determine whether password or password phrase checking is

being performed by the NetView product or by an SAF security product, such as the RACF product. If password or password phrase checking is being performed by an SAF security product, a mixed-case password or password phrase can be valid; if password or password phrase checking is being performed by the NetView product, a mixed-case password or password phrase is not valid.

**DSI023A INVALID PROFILE
IDENTIFICATION, REENTER**

Explanation

The NetView program has rejected your logon attempt because you entered a profile identification that was not recognized.

System action

The NetView program rejects the logon.

Operator response

Enter the logon again with the correct profile operand.

**DSI024A INVALID HARDCOPY LOG DEVICE,
REENTER**

Explanation

The NetView program rejected a logon attempt. The hardcopy log device operand is not recognized.

System action

The NetView program rejects the logon.

Operator response

Enter the logon again with the correct hardcopy operand.

**DSI025I Please wait for NetView
initialization to complete.**

Explanation

The NetView program cannot process the command that you entered until initialization is completed.

System action

The NetView program rejects the command. The command is saved on the retrieve stack for later retrieval.

Operator response

Wait until NetView initialization is completed and re-enter the command. If initialization does not complete in a timely fashion, enter the CLOSE command.

**DSI026I *session* SESSION ENDING. *macro*
FAILED - RTNCD = X'*vtamrcd*'
FDBK2 = X'*vtamfb*' SENSE =
X'*vtamsens*'**

Explanation

This message is sent when the SENDSESS command fails or when you reach the retry count for the macro. Your session is over because the macro you used failed.

Message Variables

session

The name of the session.

macro

The name of the failing macro.

vtamrcd

The VTAM internal return code.

vtamfb

The VTAM internal feedback code.

vtamsens

The VTAM internal sense code.

System action

The NetView program ends the session.

Operator response

Notify the system programmer.

System programmer response

Use the RCFB and SENSE command lists to determine the meaning of the return/feedback and sense codes. See the device-specific documentation for the meaning of the user sense data.

**DSI027I SESSION BETWEEN *domainid* AND
operatorid COULD NOT BE
ESTABLISHED**

Explanation

A cross-domain session cannot be established between the indicated operator and domain. The NetView network services installation exit routine was issued and sent this message.

Message Variables

domainid

The name of the domain.

operatorid

The operator identifier.

System action

The session is not established. The NetView program ignores the request.

Operator response

Notify the system programmer.

System programmer response

Check the LOGMODE session parameters. You might be out of storage, or the domain might be inactive. The domain might not have any NetView-NetView sessions (NNTs) defined on CDMNSESS statements. This message can also be received if an operator attempts to start an NNT session with a standalone NetView program as either the target or the originating session.

DSI028I EXPECTED OPERAND MISSING

Explanation

You entered a command without the required operand.

System action

The NetView program ignores the command.

Operator response

Check the syntax of the command in the NetView online help. Enter the command again with the proper operands.

**DSI029I INVALID LOGON ATTEMPT FROM
 TERMINAL *terminal*, ERROR IN
 THE 'n' FIELD**

Explanation

Someone attempted to log on or connect to the NetView Web server and was rejected. This message is sent to the log and to the terminal that is designated to receive authorization messages.

Message Variables***terminal***

The name of the terminal or the client's IP address.

n

The name of logon data field that is in error.

System action

The NetView program rejects the logon.

DSI030I I/O ERROR READING *object*

Explanation

An I/O error occurred while the NetView program was reading the command list, the named file, the specified NetView automation member, the NetView automation table listing, or the NetView automation table usage report. The error might have occurred because the NetView program tried to access a member that is not defined with a logical record length of 80.

Message Variables***object***

Any of the following:

- The name of the command list that cannot be read.
- The name of the profile definition that cannot be read.
- The name of the DSIPARM, DSILIST, DSIARPT, DSIASRC, or BNJPNL1 member that cannot be read.
- The name of an embedded member appears if the error indicated by the message occurred in a member included (%INCLUDE card) in *member*. If multiple levels of embedding occurred within *member*, only the level where the error occurred is specified.

System action

Processing ends.

Operator response

Specify another member, if appropriate, and notify the system programmer.

System programmer response

Determine the cause of the error. If you edited the data set since the NetView program was initialized, the data set might need to be compressed.

DSI031I SPECIFIED NAME '*name*' INVALID

Explanation

One of the following conditions might have occurred:

- The name you entered might not exist.
- The name is not valid for the specified use. For example, you might have issued the STOP TASK command for one of the following tasks: DSIATFMT, DSIBRWMT, DSIDCBMT, DSILOGMT. The NetView program automatically restarts these tasks.

- The name is not in your span of control.
- The name is that of a command list that is defined in CNMCMD, but the member defined on the CMDDEF statement cannot be found.
- An attempt was made to delete the specified command name, but it cannot be deleted either because it is not defined or because it is an internal command and therefore cannot be deleted.
- The name is that of an operator that is currently in use or has been deleted from the NetView program.
- The name is that of an operator that is currently not permitted in the APPL class of the SAF product to log on to this NetView program.
- The name is reserved for use as the name of a virtual OST (VOST) to be created with the ATTACH command.
- The Tivoli Enterprise Portal Logonid value is too long or contains characters that are not supported in common global variable names.
- The mapped Tivoli Enterprise Portal Logonid does not meet the operator ID criteria for the NetView program.
- The name is an autotask operator name that has been revoked by the SAF product.
- The socket path name for the Q replication, IMS replication, or VSAM replication product does not start with a forward slash (/), which is required.

For data collection, the invalid path is ignored, and there is no connection attempt.

Additionally, no production system path configuration information will be forwarded to the controller system for the particular data source (DB2, IMS, or VSAM) and function (capture or apply). This might impact the execution of the ACTVREPL command.

- ENT.GROUP definition processing identified a group that is not valid. A group might be including itself as a member or specifying an invalid group as a member.

Message Variables

name

The incorrect name specified or implied by default in the command.

System action

The command stops processing.

Operator response

Verify that the name is an operator already in use. Check that the operator is a valid NetView operator ID. See the NetView online help for the correct command

syntax. Enter the command again if you had syntax errors.

DSI032I THE CONSTANT FOR THE CLIST STORAGE CONSERVATION OPTION IS OTHER THAN ONE OR ZERO. CONSTANT IS ASSUMED TO BE ONE.

Explanation

The constant for the CLIST Storage Conservation Option can be a one (for active), or a zero (for inactive). If you specify something other than one or zero for this option in DSICTMOD, then the constant is assumed to be one.

System action

Processing continues with the option active.

Operator response

Notify the system programmer.

System programmer response

Change the CLIST Storage Conservation Option constant in DSICTMOD to a one or zero before recycling the NetView program.

DSI033I *session* SESSION STARTING FOR *operatorid*

Explanation

You entered a START command to establish a session for the specified operator.

Message Variables

session

Any of the following:

- A terminal name
- A domain name
- A hardcopy log device name

operatorid

The operator identifier.

System action

Internal tables are adjusted to reflect the new session.

DSI034I COMMAND SCHEDULED BY AT/ EVERY/AFTER COMMAND - '*commandtext*'

Explanation

You entered an AT, EVERY, or AFTER command. The command displayed in the message is the command that the NetView program will attempt to run when the timer expires.

Message Variables

commandtext

The command to be run.

Operator response

If the command displayed in the message is not the command you wish to run, use the PURGE command to delete this command from the timer.

DSI035I **SPAN *span* ACTIVATED FOR *affectedid***

Explanation

The span of control defined by *span* is activated for your terminal.

Message Variables

span

The name of the span list.

affectedid

The operator ID for which the span is activated.

System action

The span is started for the *affectedid*.

DSI036I ***object* ALREADY ACTIVE**

Explanation

The object named by the entered command is already active.

Message Variables

object

If the message results from the START command, the *object* is the name of the span list.

If the message results from the ATTACH command, the *object* is the attach name of the virtual OST (VOST).

If the message results from the INITNRM command, the *object* is NetView Resource Manager.

If the message results from CNMESTMN processing of the (TEMA)EMAAUTO.TEMS.procStr statement, the *object* is the value that is specified on this CNMSTYLE member statement (the Tivoli Enterprise Monitoring Server startup procedure).

System action

The NetView program ignores the command. If the *object* is the Tivoli Enterprise Monitoring Server startup procedure name, the Z NetView Enterprise Management Agent automation is driven.

DSI037I **Process *process_id* spawned for *unix_command***

Explanation

A process has been created to act on a request from NetView program. This message is always logged immediately as the process is created. The *process_id* returned can be used to end the spawned process, if desired.

Message Variables

process_id

The decimal value of the UNIX process ID

unix_command

The command being invoked

Note: When a command issued from a NetView command or command list includes a community name, the community name is replaced by ***** for security purposes. The community name is always replaced by ***** , regardless of the original length of the community name.

System action

Processing continues.

DSI038I **operator ID reconnected**

Explanation

This message indicates that you have been reconnected. This message is issued when a logon establishes a connection to an existing task instead of starting a new task.

Note: If the operator specified Profile, Hardcopy, or the Run Initial command, these values are ignored. The insert operator ID is your operator ID.

System action

Processing continues.

DSI039I **MSG FROM *id* : *text***

Explanation

The message designated by *text* is sent to your terminal from the operator identified by *operatorid*. This message can also be the result of an initial NetView command at system startup.

Message Variables

id

The operator identifier or domain name originating the message.

text

The text of the message.

System action

The MSG command completed.

DSI040I *session* **SESSION RESTARTING FOR operatorid**

Explanation

The session is starting.

Message Variables**session**

Any of the following:

- A terminal name.
- A domain name.
- A hardcopy log device name.

operatorid

The operator identifier.

System action

The session restarts.

DSI041I *object* **ALREADY ACTIVE OR IN PROCESS OF BECOMING ACTIVE**

Explanation

You tried to start a session with a terminal or a NetView program that is already in session. The NetView program rejected your request because it was already busy.

Message Variables**object**

Any of the following:

- A terminal name.
- A domain name.
- A hardcopy log device name.
- A task name.
- An operator identifier.

System action

The NetView program rejects the START command.

DSI042I *object* **RESOURCE NOT AVAILABLE**

Explanation

The operator, hardcopy log, domain, terminal, task, or MVS console cannot be allocated. For VTAM resources, the path to the indicated resource might be broken. For example, for a terminal, the unit might be turned off.

A NetView task might not be available because it is dependent on a system function (for example, VTAM) that is disabled.

If this message appears as a result of the GETCONID command, the EMCS console cannot be allocated. Message DSI445I might provide diagnostic information.

If this message appears as a result of the AUTOTASK command, the MVS console with that name is not currently defined to MVS, or else the name of the console is reserved. Reserved names include INTERNAL, HC, INSTREAM, HARDCOPY, and UNKNOWN. Because the NetView program and TSO can dynamically allocate EMCS consoles, the NetView program allows the association of the name to the autotask and issues WTOs to that console when it is activated. This provides the capability to associate an autotask to an EMCS console that becomes active after the autotask starts.

Message Variables**object**

Any of the following:

- A terminal name
- A domain name
- A hardcopy log device name
- A task name
- An operator identifier
- The MVS console

System action

The NetView program rejects the START and GETCONID commands. The NetView program attempts to write WTOs to the console specified in the accepted AUTOTASK command.

Operator response

Determine why the resource is unavailable. Take the appropriate action to make the source available before entering the command again.

If you made a spelling or typing error, enter the command again. If the name is correct, activate the MVS console.

System programmer response

Determine if related MVS, VTAM, or NetView definitions are correct. Review any other messages that are issued when the command fails.

DSI043I **SPAN '*span*' CANNOT BE
ACTIVATED FOR *operatorid***

Explanation

The specified *span* cannot be activated for the named operator identifier because:

- The *span* is not in the operator's profile if span security is being done through the NetView product when the operator logged on. NetView span security is specified by the SECOPTS.OPSPAN=NETV statement in the CNMSTYLE member, or by using the REFRESH command.
- SECOPTS.OPERSEC was specified as MINIMAL in the CNMSTYLE member for operator security.
- Span security was done through an SAF product when the operator was logged on, but is currently being done through the NetView product.
- Spans are not used because the operator had CTL=GLOBAL specified at logon.

Message Variables

span

The name of the span list.

operatorid

The operator identifier.

System action

The command ends.

Operator response

If the *span* needs to be activated and it is not in the operator profile or operator security is set to MINIMAL, see the system programmer. If the *span* is in the operator profile and operator security is not MINIMAL, log off and log back on again to gain access.

System programmer response

Add the *span* to the operator profile if necessary.

DSI044I **UNABLE TO RESTART SESSION
FOR *object*. SIMLOGON FAILED -
RTNCD = X'*vtamr*cd' FDBK2 =
X'*vtamf*b' SENSE = X'*vtams*ens'**

Explanation

Your session with a hardcopy log, a terminal, a domain, or an operator cannot be restarted. The return codes associated with the attempt are shown.

Message Variables

object

Any of the following:

- A terminal name.
- A domain name.
- A hardcopy log device name.
- An operator identifier.

*vtamr*cd

The VTAM internal return code.

*vtamf*b

The VTAM internal feedback code.

*vtams*ens

The VTAM internal sense code.

System action

The NetView program does not restart the session.

Operator response

Notify the system programmer.

System programmer response

Use the RCFB and SENSE command lists to determine the meaning of the return/feedback and sense codes. See the device-specific documentation for the meaning of the user sense data.

DSI045I **RECONNECT BLOCKED. TRY
AGAIN.**

Explanation

You were attempting to reconnect or takeover an existing Operator Station Task (OST). That OST was unable to participate in the takeover, probably because it is blocked or suspended.

Operator response

Retry the command. The OST might now be free. If the target OST remains inaccessible and you log on to NetView via VTAM, you can specify FORCE as the takeover option. When FORCE is used, NetView always tries to take over the existing OST without causing an abend. If that fails, NetView will issue a user abend X'101' for the OST and then take over the session. If that also fails, NetView will issue a STOP FORCE against the OST and log the operator on again. The STOP FORCE causes the OST to abend with abend

code X'EC4'. Storage and other resources might be lost; data sets can be corrupted.

If you want to use the FORCE takeover option, or if you log on to NetView from NMC, ask a lead operator to issue a STOP FORCE or STOP TASK for the OST.

DSI046I **UNABLE TO START SESSION FOR
object. macro FAILED - RTNCD =
X'vtamrcd' FDBK2 = X'vtamfb'
SENSE = X'vtamsens'**

Explanation

The session with the indicated device cannot be started. The return codes associated with the attempt are shown.

Message Variables

object

A domain name or a hardcopy log device name.

macro

The name of the failing macro.

vtamrcd

The VTAM internal return code.

vtamfb

The VTAM internal feedback code.

vtamsens

The VTAM internal sense code.

System action

The NetView program does not restart the session.

Operator response

Notify the system programmer.

System programmer response

Use the RCFB and SENSE command lists to determine the meaning of the return, feedback, and sense codes. See the device-specific documentation for the meaning of the user sense data.

DSI047E **operation failed: tower not
enabled.**

Explanation

The requested operation failed because the required supporting tower was not enabled.

Message Variables

operation

The requested command, function, operation, or service.

tower

The name of the tower or fully qualified subtower that is not enabled.

System action

The operation ended.

Operator response

Notify the system programmer.

System programmer response

Enable the required tower in the CNMSTYLE member.

DSI048A **OPERATOR STATEMENT IS
INVALID IN object**

Explanation

The password or password phrase that you entered differs from the password or password phrase on the definition statement.

Message Variables

object

The member containing the error or the name of an embedded member is displayed if the error indicated by the message occurred in a member included (%INCLUDE statement) in *member*. If multiple levels of embedding occurred within *member*, only the level where the error occurred is specified.

System action

Logon processing ends. You are prompted for the LOGON command.

Operator response

Enter the password or password phrase again. If this fails, try another operator ID and notify the system programmer.

System programmer response

Correct the password or password phrase definition statement. See the *IBM Z NetView Security Reference* for more information.

DSI049A **PROFILEN STATEMENT IS
INVALID IN object**

Explanation

The PROFILEN definition statement you specified at system definition has syntax errors.

Message Variables

object

The member containing the error or the name of an embedded member is displayed if the error indicated by the message occurred in a member included (%INCLUDE statement) in *member*. If multiple levels of embedding occurred within *member*, only the level where the error occurred is specified.

System action

Logon processing ends. You are prompted for the logon command.

Operator response

Notify the system programmer to have the statement corrected.

System programmer response

Replace the PROFILE statement that is not valid. See the *IBM Z NetView Security Reference* for more information.

DSI050A **PROFILE STATEMENT NAME
FIELD INVALID - MEMBER *member***

Explanation

The PROFILE statement name field specified is missing or in error.

Message Variables

member

The name of a data set member

System action

If this message is issued during initialization, NetView initialization continues. However, the specified profile is not valid during logon. If this message is issued during logon, the logon ends. You are prompted for the LOGON command.

Operator response

Notify the system programmer to have the statement corrected.

System programmer response

Correct the PROFILE statement. The profile statement label must be the member name.

DSI051A **PROFILE NAME MISMATCH -
MEMBER *member***

Explanation

The name specified on the PROFILE statement does not match the PROFILE member name.

Message Variables

member

The name of a data set member

System action

If issued during initialization, initialization continues. However, the specified profile is not valid during logon. If issued during logon, this logon ends. You are prompted for the logon command.

Operator response

Notify the system programmer to correct the statement.

System programmer response

Ensure that the profile is filed in the proper member. If the profile is filed correctly, but the name is wrong, change the PROFILE statement name field.

DSI052I ***command* COMMAND SELF-
TERMINATED BY OPERATOR
REQUEST**

Explanation

There are two situations that return this message:

- You entered a RESET command while another command was processing.
- You entered a CANCEL command while a command list was running or was in a pause or wait state.

In either case, the command is accepted and the original command or command list stops.

Message Variables

command

The name of the command that ended.

System action

Processing for the indicated command stops, allowing the next command to be accepted.

DSI053I **NCCF CANNOT TERMINATE
SESSION *session*. macro FAILED -
RTNCD = X'*vtamrcd*' FDBK2 =
X'*vtamfb*' SENSE = X'*vtamsens*'**

Explanation

You have reached the retry threshold.

Message Variables

session

The name of a specific NetView session.

macro

The name of the failing macro.

vtamrctd

The VTAM internal return code.

vtamfb

The VTAM internal feedback code.

vtamsens

The VTAM internal sense code.

System action

The NetView program removes the remaining session control information from the internal tables. The tables are reset to allow subsequent START commands to be attempted.

Operator response

Notify the system programmer.

System programmer response

Use the RCFB and SENSE command lists to determine the meaning of the return/feedback and sense codes. See the device-specific documentation for the meaning of the user sense data.

DSI054I **DSID = datasetid MEMBER = member REQUEST = requesttype**

Explanation

The system detected an I/O error. The NetView program sends this message as a debugging aid.

This condition can occur if a data set with a smaller BLKSIZE is concatenated before a data set with a larger BLKSIZE. It can also occur if attempting to read data from a data set extent that is created after the NetView program was started.

This message is followed by the SYNADAF I/O error message with the following positional values:

- Jobname
- Stepname
- Unit address
- Device type (UR for unit record, TA for magnetic tape, DA for direct access)
- DDNAME
- Operation (type of operation attempted)
- Error description
- Address (for UR, relative block number; for TA, track address; and for DA, block number)

Message Variables**datasetid**

The name of the data set in error

member

The name of a data set member

requesttype

The type of operation being performed on the data set

System action

The NetView program writes this message to the network log only. The NetView program prohibits further reading of the specified member for this request.

Operator response

Notify the system programmer.

System programmer response

Determine the cause of the error from this message and from the messages following this one on the screen or in the network log.

DSI055I **SESSION BETWEEN domainid AND operatorid IS LOST**

Explanation

The cross-domain session between the indicated domain and the operator is lost. The NetView network services installation exit routine was issued and it sent this message.

Message Variables**domainid**

The name of the domain.

operatorid

The operator identifier.

System action

Session cleanup begins.

Operator response

Try to reinstate the session. If that does not work, notify the system programmer.

System programmer response

Determine why the session was lost.

DSI056I **object SESSION STOPPING FOR operatorid**

Explanation

This is a normal response to a STOP command entered for the indicated device.

Message Variables**object**

The name of the domain or the name of the hardcopy log device.

operatorid

The operator identifier.

System action

The session between the specified device and operator ends.

**DSI057A INVALID PROFILE STATEMENT
 OPERAND**

Explanation

The only valid operands for the PROFILE statement are HCL=, CONSNAME=, and IC=. Some other operand was specified.

System action

If issued during initialization, initialization continues. If issued during logon, this logon ends. You are prompted for the logon command.

Operator response

Notify the system programmer.

System programmer response

Correct the operands on the statement. See the *IBM Z NetView Security Reference* for more information.

**DSI058I SPAN *span* DEACTIVATED FOR
 *affectedid***

Explanation

The span of control defined by the specified *span* is inactivated for the *affectedid* operator ID.

Message Variables***span***

The name of the span list.

affectedid

The operator ID for which the span is deactivated.

System action

The span is deactivated.

**DSI059A THE PROFILE STATEMENT
 HARDCOPY OPERAND IS INVALID**

Explanation

The HCL operand on the PROFILE statement specifies something other than the logical unit name of a NetView hardcopy device.

System action

If issued during initialization, initialization continues. If issued during logon, this logon ends. You are prompted for the logon command.

Operator response

Specify a valid HCL operand at the operator station or notify the system programmer to have the PROFILE statement corrected. Log off.

System programmer response

Correct the PROFILE definition statement HCL operand, or the HARDCOPY statement in the CNMSTYLE member, or both. See the *IBM Z NetView Security Reference* for more information.

**DSI060A STATEMENT SEQUENCE ERROR IN
 PROFILE *profile***

Explanation

The PROFILE statement is not the first non-comment statement in the profile definition file.

Message Variables***profile***

The name of the profile definition.

System action

If issued during initialization, initialization continues. If issued during logon, this logon ends. You are prompted for the logon command.

Operator response

Notify the system programmer to have the definition statements reordered or log on with a different profile.

System programmer response

The profile definition statements must be reordered so that the PROFILE statement is the first noncomment statement to appear. See the *IBM Z NetView Security Reference* for more information.

DSI061A **ERROR IN PROFILE MEMBER**
member STATEMENT NUMBER
number**Explanation**

There is a system-definition error in the member whose name is given in the message. The error occurs in the indicated statement and results from the entry of a verb that is unknown to the NetView program.

Message Variables**member**

The name of a data set member

number

The number of the statement in error

System action

This logon ends. You are prompted for the logon command.

Operator response

Notify the system programmer to have the statement corrected.

System programmer response

Correct the specified statement before the operator proceeds. See the *IBM Z NetView Administration Reference* for more information.

DSI062I **INADEQUATE SPACE TO BUILD A**
PROFILE**Explanation**

A GETMAIN macro failed.

System action

This logon ends. You are prompted for the logon command.

Operator response

Notify the system programmer. Try to log on later.

System programmer response

Evaluate the storage allocated to the NetView program again, the MAXLOGON system definition statement, or both.

DSI063A **SETLOGON FAILED. RTNCD =**
X'vtamrcd' FDBK2 = X'vtamfb'
SENSE = X'vtamsens' APPLID =
applid LUNAME = luname**Explanation**

During subtask initialization, a SETLOGON failed. The return codes from RPLRTNCD and RPLFDBK2 are given for the system programmer's use in correcting the problem.

Message Variables**vtamrcd**

The VTAM internal return code.

vtamfb

The VTAM internal feedback code.

vtamsens

The VTAM internal sense code.

applid

The application for which SETLOGON failed.

luname

The name of the logical unit.

System action

The logon stops.

Operator response

Report the problem and return codes to the system programmer.

System programmer response

Use the RCFB and SENSE command lists to determine the meaning of the return/feedback and sense codes. See the device-specific documentation for the meaning of the user sense data.

DSI064A **OPENACB FAILED, ACBOFLG =**
X'code', ACBERROR = X'code',
APPLID = applid, LUNAME =
luname**Explanation**

The VTAM OPEN ACB macro failed for the indicated reason. This prevents establishment of the session between *applid* and *luname*.

Message Variables**code**

The code used for problem analysis.

applid

The application identifier.

luname

The name of the logical unit.

System action

If *luname* is the name of a terminal, the logon ends.

If *luname* is the name of a NetView task, the following occurs:

- For VTAM-SESSION OSTs and NNTS: the task ends.
- FOR IP-SESSION OSTs, AUTOTASKS, VOSTS and OPTIONAL TASKS: the task does not end.

If this message is issued because VTAM is inactive, NetView will retry when VTAM start is recognized.

Operator response

Inform the system programmer.

System programmer response

Determine the reason for the failure. After you correct the problem, NetView can wait up to one minute to open the ACB. Check your MPF table to ensure that VTAM message IST020I is available for automation. If the ACB does not open automatically for an autotask, try causing the autotask to invoke a DISPLAY command. Optional tasks might have to be recycled.

DSI065I **GENCB FAILED, REGISTER 15 = X'code', REGISTER 0 = X'code'**
APPLID = applid, LUNAME = luname

Explanation

The VTAM GENCB macro failed for the indicated reasons. This prevents the session between *applid* and *luname*.

Message Variables

code

The code used for problem analysis.

applid

The application identifier.

luname

The name of the logical unit.

System action

If *luname* is the name of a terminal, the logon ends. If *luname* is SSCP, the DST is unable to open the CNMI interface.

Operator response

Notify the system programmer.

System programmer response

Analyze the return codes to determine the reason for the error.

DSI066I **COMMAND NOT RUN DUE TO ENTRY OF RESET COMMAND**

Explanation

Before an entered command can run, you entered a RESET NORMAL command. The RESET command with the NORMAL operand ends any running command.

System action

The entered command does not run.

Operator response

Enter the original command again, if desired. If the command was AUTOTASK, it was probably waiting for the NetView subsystem initialization job to become active.

DSI067I **HALT NET,NORMAL HAS BEEN RECEIVED**

Explanation

The normal HALT command requested that all active users log off as soon as possible.

System action

The NetView program continues processing. Active user sessions are allowed to continue, but no further logons are accepted.

Operator response

Enter a LOGOFF command as soon as it becomes convenient.

DSI068I **USER operatorid ALREADY LOGGED ON**

Explanation

You entered an operator ID that is already logged on to another terminal.

If you are using the Web browser with this operator ID, the operator might already be started as an autotask. If so, when you sign on to the NetView program using the 3270 interface, specify YES in the **Takeover session** field on the logon panel.

Message Variables

operatorid

The operator identifier.

System action

This logon ends. You are prompted for the logon command.

Operator response

Log on with a different operator identifier, enter LOGOFF in the operator identifier field, or specify YES in the **Takeover session** field.

DSI069I SYNTAX ERROR

Explanation

You entered the command incorrectly.

System action

The command does not run.

Operator response

For the syntax of the command, see the NetView online help, *IBM Z NetView Command Reference Volume 1 (A-N)*, or *IBM Z NetView Command Reference Volume 2 (O-Z)*.

DSI070A NO AUTHORIZATION FOR resource

Explanation

The resource name specified on a VTAM command cannot be routed because the specified name is not in your span of control.

Message Variables

resource

The name of the resource.

System action

The command does not run.

Operator response

If the resource name is not in error, check if there is an active span table. This can be checked by issuing the LIST SECOPTS command. If the output from this command shows that SPANAUTH has a value of NONE, then there is no active span table. If your operator profile has CTL=SPECIFIC on the AUTH statement and there is no active span table, you will need to activate a span table or else change the operator profile. If there is an active span table, you might need to start an additional span for this operator.

DSI071I INVALID VTAM COMMAND

Explanation

The command was routed to VTAM as entered, but VTAM does not recognize the command verb.

System action

The command does not run.

Operator response

Ensure that the command entered is a valid VTAM command or an accepted VTAM abbreviation. Correct the command and enter it again.

DSI072A *command* COMMAND ABORTED. *macro* RETURN CODE = *retcode*

Explanation

The specified system or NetView service macro (DSIxxx) cannot provide the expected service, for the reason specified by the return code.

Message Variables

command

The name of the command that failed.

macro

The name of the failing macro.

retcode

The code used for problem analysis.

System action

The command stops running.

Operator response

Retry the command. If the problem persists, notify the system programmer.

System programmer response

See *IBM Z NetView Programming: Assembler* to determine the cause of the problem. If the macro is PPI, see *IBM Z NetView Application Programmer's Guide*.

DSI073A COMMAND PROCESSOR UNABLE TO BUILD RESPONSE MESSAGE

Explanation

The command processor cannot get the necessary storage to build a buffer. The buffer is required for further processing or for sending a response message to the operator station.

System action

The NetView program discards the message.

Operator response

Retry the command.

DSI074A **MESSAGE NOT SENT TO
operatorid. DSIMQS RETURN CODE
= retcode**

Explanation

The message cannot be delivered to the intended receiver using the DSIMQS macro.

Message Variables

operatorid

The operator identifier.

retcode

The return code used for problem analysis.

System action

If the destination is an operator station, no further action is taken. If the destination is all stations, the program continues processing until no more receivers are found.

Operator response

If the return code is 12, try to enter the command again. Otherwise, notify the system programmer.

System programmer response

Check the return code for DSIMQS in *IBM Z NetView Programming: Assembler* for the specific type of error.

DSI075I **COMMAND LIST cmdlist
TERMINATED - NESTED
COMMAND LISTS EXCEEDED
LIMIT**

Explanation

The specified command list has nested more levels than the NetView program allows. The maximum number that can be nested must not exceed the limit of 250.

Message Variables

cmdlist

The name of the command list.

System action

The specified command list stops.

Operator response

Notify the system programmer.

System programmer response

Correct the command lists.

DSI076I **COMMAND TEXT TOO LONG**

Explanation

You entered one of the following:

- NetView command that was longer than 32000 characters
- VTAM command that was longer than 126 characters, not including resource network qualifiers
- Command operand that was longer than 255 characters
- A RUNCMD that is longer than 253 characters
- Command and parameters longer than 15200 characters to be transported to a NetView domain by RMTCMD

System action

The NetView program ignores the command.

Operator response

Correct the operand or command that is not valid and enter the command again.

DSI077A **'operatorid' STATION NAME
UNKNOWN**

Explanation

The indicated operator identifier is not defined.

Message Variables

operatorid

The operator identifier.

System action

The command ends.

Operator response

Check the syntax of the command as entered and enter the command again with the proper station name.

DSI078A **INVALID 'initial command'
OPTION - ENTER YES OR NO**

Explanation

The initial command option of the logon panel can be YES or NO. You entered something else.

System action

This logon ends. You are prompted for the logon command.

Operator response

Enter YES or NO.

DSI079I **COMMAND MODULE *name* NOT IN
NCCF COMMAND TABLE**

Explanation

The command modules for the START and STOP commands (DSISRP and DSISTP) are required for a logon.

Message Variables

name

The command module names, DSISRP or DSISTP.

System action

The requested function cannot complete. A hardcopy device cannot start or stop, or a reply cannot be made.

Operator response

Notify the system programmer.

System programmer response

Add command definition statements for DSISRP or DSISTP to CNMCMD.

DSI081I **OPERATOR *operatorid*, LOGOFF
PROCEEDING:
TERMINAL=*terminal***

Explanation

The operator at *terminal* logged off.

Message Variables

operatorid

The operator identifier.

terminal

The terminal identifier. This variable can indicate either a logged-on terminal or an automated OST. The value for a logged-on terminal is the terminal name or LU name. The values for an automated OST can be NONE if an autotask does not have an assigned console, or the console name.

System action

The logoff completes.

DSI082I **AUTOWRAP STARTED**

Explanation

This message is sent when the AUTOWRAP command specifies the YES, FULL, or *nnn* option.

System action

The AUTOWRAP facility is in effect. An A appears in the upper-right corner of the terminal operator's screen.

DSI083I **AUTOWRAP STOPPED**

Explanation

This message is sent when the AUTOWRAP command specifies the NO option.

System action

The AUTOWRAP facility stops.

DSI084I **OPEN FAILED FOR NCCF DATA SET
*name***

Explanation

An I/O error occurred on the specified data set. The data set might not be defined or might not be loaded.

Message Variables

name

The name of the data set. If the command is PIPE QSAM, this is the data definition name or fully qualified data set name of the data for which the read was attempted.

System action

If this is a DST, the DST subtask stops. If the message is issued during initialization and *name* is not DSIVTAM, then initialization stops. If *name* is DSIVTAM, initialization continues. If *name* is DSIPRF and this message is issued during a REFRESH command, the REFRESH command ends. If the command is PIPE QSAM, the pipeline ends. A system message, typically IEC141I, might also be issued.

Operator response

Notify the system programmer. If the command is PIPE QSAM, the problem might be that the specified member does not exist.

System programmer response

Ensure that the data set is properly defined. If the command is PIPE QSAM, look for a system message issued in conjunction with this failure. The system message will contain additional information about the failure.

DSI085I **READ ERROR OCCURRED ON NCCF
DATA SET *name***

Explanation

The NetView program cannot read the specified data set.

Message Variables

name

The name of the data set

System action

If this is a DST, the DST subtask stops. If the message is issued as the result of a SUBMIT command, no batch job is submitted. Otherwise, NetView initialization ends.

Operator response

If the message was issued as the result of a SUBMIT command, enter the command again with a valid data set. Otherwise, notify the system programmer.

System programmer response

Check for a possible I/O error. The DSIDKS macro tries to log information about the failure.

DSI086I NCCF MEMBER '*member*' NOT FOUND ON DSIPARM

Explanation

The NetView program cannot locate the specified member, or the member was empty.

Note: If *member* begins with a question mark (?), the input is being received from a PIPE message stream instead of from a DSIPARM data set member.

Message Variables

member

The name of the member

System action

If *member* is CNMCMMD or DSIOPF, then initialization stops. Otherwise, if initialization is in progress, initialization continues without the information from the missing member. Otherwise, the command ends.

Operator response

Enter the command again with a correct member name. If this message was not the result of an operator command, notify the system programmer.

System programmer response

Ensure the specified member is loaded and named correctly.

DSI087I NCCF PROFILE MEMBER *member* NOT FOUND

Explanation

The specified user-named profile data set was misnamed or cannot be located.

Message Variables

member

The name of the data set member

System action

Processing continues.

Operator response

Notify the system programmer.

System programmer response

Check the names of the data sets on PROFILEN statements.

DSI089I INVALID STATEMENT IN NCCF MEMBER *member*

Explanation

The NetView program found a statement that is not valid.

Message Variables

member

The name of the data set member

System action

The NetView program ignores the statement that is not valid and displays the statement following this message. For some cases, initialization might end. The associated stack is not changed for a TCPCONN filter statement.

Note: If the statement begins with "%INCLUDE", the included member might not exist or might have a problem with an associated message in the NetView log.

Operator response

Notify the system programmer.

System programmer response

Check the statement and correct the error.

DSI090I LOAD FAILED FOR NCCF MODULE *module*

Explanation

The specified module cannot be loaded. This message might be issued as each operator logs on, or as each autotask is started. The first such identical message is marked as primary as if it had been routed as a result of the ASSIGN command with the PRI keyword. All subsequent copies are considered secondary.

This message can also be issued as the result of the execution of some NetView commands.

Message Variables

module

The name of the module

System action

If *module* refers to an installation exit (DSIEX01-DSIEX20), a default exit is used. For command processors defined on CMDDEF statements, the verb is not valid. In these cases, NetView initialization continues. In other cases, for example, translation-table load failure, initialization ends. If *module* was referenced in an automation table entry through the ATF keyword, the AUTOTBL or AUTOTEST command fails and the current automation specification is unchanged. If *module* refers to the value for the MOD keyword on the START TASK command, the named task is not started.

This message can also be issued by the ADDCMD or DSILCMD command during NetView operation. ADDCMD ends with an error and the command is not added. DSILCMD ignores the error and continues. However, module length information for the failing module will not be provided in the output.

Operator response

Notify the system programmer.

System programmer response

Ensure that the module is correctly named.

DSI091I INSUFFICIENT SPACE FOR NCCF CONFIGURATION

Explanation

During initialization, the NetView program sends a GETMAIN or GETVIS access method command to obtain storage for building control blocks. There is not enough storage available to support the configuration specified.

System action

NetView initialization ends.

Operator response

Notify the system programmer.

System programmer response

Specify additional storage or a smaller NetView configuration.

DSI092I INVALID VALUE SPECIFIED IN *object* - DEFAULT IN USE

Explanation

You specified an incorrect value for a system parameter during NetView initialization. The statement that contains the incorrect value is printed following this message.

Message Variables

object

The member containing the error or the name of an embedded member if the error indicated by the message occurred in a member included (%INCLUDE statement) in *member*. If multiple levels of embedding occurred within *member*, only the level where the error occurred is specified.

For the INITNRM command, the common global variable in error appears as the object.

System action

The default value is used and NetView initialization continues.

Operator response

Notify the system programmer.

System programmer response

Check the value specified in the statement against the allowable values. For the INITNRM command, check the value of the common global variable in error. The allowed values are listed in the comments of the CNMSTYLE member.

DSI093I OPERATOR STATEMENT WITH NO PROFILE STATEMENTS ON *object*

Explanation

An operator identification was specified on a statement for NetView operator definitions, but no profile information was supplied for that operator. A PROFILEN statement is required for each operator identified to the NetView program.

Message Variables

object

The member containing the error or the name of an embedded member if the error indicated by the message occurred in a member included (%INCLUDE statement) in *member*. If multiple levels of embedding occurred within *member*, only the level where the error occurred is specified.

System action

If this message occurred during initialization, NetView initialization continues. If the message occurred after the REFRESH command, the REFRESH command completes. However, the operator ID with the missing PROFILEN statement cannot log on to the system.

Operator response

Notify the system programmer.

System programmer response

Delete the operator identification, or supply a PROFILEN statement.

DSI094I PROFILE STATEMENT WITH NO PRECEDING OPERATOR STATEMENT ON *object*

Explanation

A profile statement was supplied before the operator was identified during NetView initialization or REFRESH command processing. This is probably a sequence error, such as a PROFILEN statement that appears before its associated OPERATOR statement.

Message Variables

object

The member containing the error or the name of an embedded member if the error indicated by the message occurred in a member included (%INCLUDE statement) in *member*. If multiple levels of embedding occurred within *member*, only the level where the error occurred is specified.

System action

If this message occurred during initialization, NetView initialization continues. If it occurred after a REFRESH command, the REFRESH command completes.

Operator response

Notify the system programmer.

System programmer response

Check the order of the statements, and correct if necessary.

DSI095I INVALID LENGTH FOUND ON A SPECIFIED FIELD IN *object*

Explanation

A field on the specified statement has the incorrect length or is missing altogether. The statement containing the error is printed after this message.

Message Variables

object

The member containing the error or the name of an embedded member if the error indicated by the message occurred in a member included (%INCLUDE statement) in *member*. If multiple levels of embedding occurred within *member*, only the level where the error occurred is specified.

System action

NetView initialization continues; however, processing for the statement is unpredictable.

Operator response

Notify the system programmer.

System programmer response

Check the length values in the statement against the allowable values.

DSI096I CMDMDL NOT FIRST STATEMENT IN *object*

Explanation

This is a probable sequence error. The CMDMDL statement must be the first statement that is not a comment statement in DSICMD (the command definition file).

Message Variables

object

The member containing the error or the name of an embedded member if the error indicated by the message occurred in a member included (%INCLUDE statement) in *member*. If multiple levels of embedding occurred within *member*, only the level where the error occurred is specified.

System action

NetView initialization continues.

Operator response

Notify the system programmer.

System programmer response

Check the sequence of statements, and correct if necessary.

DSI097I **CLOSING PARENTHESIS MISSING FOR SPAN OPERAND IN *object***

Explanation

In defining DSIVTAM, the specification of the SPAN operand (used with various operations, such as LU and APPL) did not have the required closing parenthesis.

Message Variables

object

The name of a data set member

System action

NetView initialization continues.

Operator response

Notify the system programmer.

System programmer response

The statement given after the message is the statement following the missing closing parenthesis. Supply the missing parenthesis and enter it again.

DSI098I **INVALID SPAN PARAMETER ENCOUNTERED IN *object***

Explanation

The specified member contains a span name with a syntax error, a span that has not been defined, or a span name that has been changed.

Message Variables

object

The name of a data set member

System action

If the message is received during logon, the operator cannot log on using the specified profile. Otherwise, the statement in error is issued after the message and NetView initialization continues.

Operator response

Notify the system programmer.

System programmer response

Check the syntax in the member against the syntax in the *IBM Z NetView Administration Reference*.

DSI099I **MAXIMUM NUMBER OF SPANS EXCEEDED FOR ONE RESOURCE IN *object***

Explanation

The statement that appears after this message exceeded the allowable number of spans for a VTAM resource.

Message Variables

object

The name of a data set member

System action

NetView initialization continues.

Operator response

Notify the system programmer.

System programmer response

Redefine the number of spans for the resource.

DSI100I **NO OPERATOR IDS SPECIFIED IN DSIOPF - NCCF TERMINATED**

Explanation

There are no operator identifications defined for the operator data set.

System action

NetView initialization ends.

Operator response

Notify the system programmer.

System programmer response

Submit the required operator identifications to define the member.

DSI101I **DOMAINID REQUIRED AND NOT SPECIFIED TO NCCF IN *object***

Explanation

To initialize the NetView program, specify the domain identification for the domain in which the NetView program is to reside. The DOMAIN statement in the CNMSTYLE member was missing or had a syntax error.

Message Variables

object

The member containing the error, or the name of an embedded member if the error indicated by the

message occurred in a member included (%INCLUDE statement) in *member*. If multiple levels of embedding occurred within *member*, only the level where the error occurred is specified.

System action

NetView initialization ends.

Operator response

Notify the system programmer.

System programmer response

Supply the missing statement or correct the syntax error.

DSI102I **INVALID PASSWORD OR NO
PASSWORD SPECIFIED ON
OPERATOR STATEMENT IN *object***

Explanation

Each operator identification defined during NetView initialization must have a corresponding password or password phrase. The password or password phrase parameter is missing or contains a syntax error.

Message Variables

object

The member containing the error or the name of an embedded member if the error indicated by the message occurred in a member included (%INCLUDE statement) in *member*. If multiple levels of embedding occurred within *member*, only the level where the error occurred is specified.

System action

NetView initialization continues; however, the defined operator cannot log on unless SECOPTS.OPERSEC = MINIMAL is coded in the CNMSTYLE member.

Operator response

Notify the system programmer.

System programmer response

Supply the password or password phrase or correct the syntax error.

DSI103I **AUTH STATEMENT OPERAND IS
INVALID IN MEMBER *member***

Explanation

An AUTH statement with an operand that is not valid, or was duplicated, was found in the PROFILE member.

Message Variables

member

The name of a data set member

System action

NetView initialization continues; however, an operator is not able to log on with the specified profile.

Operator response

Notify the system programmer.

System programmer response

Correct the operand and retry.

DSI104I ******* END OF NCCF HARDCOPY
LOG *******

Explanation

The hardcopy log task has finished printing all log records.

DSI105I **NCCF INITIALIZATION FAILED**

Explanation

The NetView initialization module (DSISIM) failed and returned a nonzero return code to the NetView main task (DSIMNT). This message comes after a message from the initialization routine, explaining the reason for the failure.

System action

The NetView program abnormally ends with a user code of 1.

Operator response

See the response for the message sent by the initialization routine.

DSI107I **SHOWCB FOR CONTROL BLOCK
LENGTHS FAILED - RTNCD =
X'*code*' REGISTER 15 = X'*code*'**

Explanation

The main task cannot determine the lengths of the required NetView control blocks by using a SHOWCB. The SHOWCB return code is *code*.

Message Variables

code

The code used for problem analysis

System action

The NetView program abnormally ends with a user code of 3.

Operator response

Notify the system programmer.

System programmer response

Use the return code information in register 15 to correct the problem. Refer to the appropriate VTAM manual for further information.

DSI108I	STORAGE UNAVAILABLE FOR MAIN TASK APPLID SUFFIX TABLE
----------------	--

Explanation

You tried to start the NetView program in a partition or region that was too small.

System action

The NetView program abnormally ends with a user code of 4.

Operator response

Notify the system programmer.

System programmer response

Increase the partition or region size, and restart the NetView program.

DSI110I	SETLOGON START TO ACCEPT LOGONS FAILED - RTNCD = X'vtamrcd' FDBK2 = X'vtamfb' SENSE = X'vtamsens'
----------------	--

Explanation

The NetView main task failed in its attempt to notify VTAM that the NetView program is ready to accept logons.

Message Variables

vtamrcd

The VTAM internal return code.

vtamfb

The VTAM internal feedback code.

vtamsens

The VTAM internal sense code.

System action

The NetView program abnormally ends with a user code of 6.

Operator response

Notify the system programmer.

System programmer response

Refer to the VTAM documentation for the return/feedback codes and the sense code. See the device-specific documentation for the meaning of the user sense data.

DSI111I	NCCF ABNORMALLY TERMINATING - <i>close</i> REQUESTED BY <i>operatorid</i>
----------------	--

Explanation

This message is in response to the NetView terminal operator's reply to a WTOR message from the NetView main task or in response to entry of CLOSE IMMED or CLOSE DUMP from a NetView operator station.

Message Variables

close

The CLOSE IMMED or CLOSE DUMP command

operatorid

The operator or SYSOP identifier

System action

The NetView program abnormally ends with a user code 20 if CLOSE DUMP was specified.

DSI112I	<i>domain</i> READY FOR LOGONS AND SYSTEM OPERATOR COMMANDS
----------------	--

Explanation

The NetView program is initialized and ready to accept logons. The NetView terminal operator can enter any appropriate commands at this point. See the online help.

Message Variables

domain

The NetView domain name

System action

Message DSI802A is sent. The NetView program awaits logons and NetView terminal operator commands.

Operator response

Enter a valid command.

DSI113D **No VTAM Application ID available,
taskName unable to open ACB**

Explanation

The NetView program has tried every VTAM application ID (APPLID) at least once and is unable to find a name to use for the task *taskName*.

Message Variables

taskName

The name of the task

System action

If an ACB is required for the task (as with normal VTAM logon), the task will end. Otherwise, the task remains active and a value of notInit! is used for the APPLID of the task.

Operator response

Retry the failing operation. If the error persists, notify the system programmer.

System programmer response

If the error occurs frequently, increase the number of APPL definition statements for NetView program. NetView allows a maximum of 4096 ACBs to be defined.

DSI114I **node NOT ACCEPTABLE AS
HARDCOPY DEVICE**

Explanation

The LU name specified on a HARDCOPY statement is not a device that the NetView program supports for hardcopy logging.

Message Variables

node

The name of the logical unit or terminal

System action

This hardcopy task remains active until the NetView program ends.

Operator response

Notify the system programmer.

System programmer response

Correct the HARDCOPY statement for the next NetView run.

DSI115I **node NOT DEFINED FOR LOGON
TO NCCF. LOGON REJECTED**

Explanation

The terminal *node* was not specified on a POS statement. An attempt was made by the NetView program to log on the terminal *node* not previously defined by a POS statement.

Message Variables

node

The name of the logical unit or terminal

System action

The NetView program rejects the logon.

Operator response

Notify the system programmer.

System programmer response

If logon is desired from the terminal *node* as a defined POS, submit a POS statement with the terminal's LU name. You might also want to check for an out-of-storage problem.

DSI116I **node NOT SUPPORTED AS NCCF
OPERATOR STATION TERMINAL.
LOGON REJECTED**

Explanation

If *node* is the name of a terminal, the device is the wrong type or model for a NetView operator terminal.

If *node* is the application identifier of an external domain operator station task, the maximum number of operator station tasks in session with this NetView program is exceeded.

Message Variables

node

The name of the logical unit or terminal

System action

The NetView program rejects the logon.

Operator response

Notify the system programmer.

System programmer response

If *node* is the name of a terminal and a POS statement was submitted for this terminal, replace the POS statement with one that contains the LU name of a supported device.

If *node* is the name of a terminal and a POS statement was not submitted for this terminal, you can take no further action. The device is the wrong type or model for a NetView terminal.

If *node* is the application identifier of an external domain operator station task, increase the value on the CDMNSESS statement on the levels of NetView previous to V5R1..

DSI117I **LOSTERM EXIT ENTERED FOR
node - REASON CODE = X'*reason*'**

Explanation

You entered the NetView main task lost-terminal installation exit routine for the specified terminal. The reason for entry is shown by *reason*. Refer to the appropriate VTAM manual for more information.

Message Variables

node

The name of the logical unit or terminal

reason

The reason code used for problem analysis

System action

The NetView program ends the session with the terminal and returns it to VTAM.

Operator response

Notify the system programmer.

System programmer response

If required, reactivate the terminal. Refer to the appropriate VTAM manual for more information.

DSI118I **TPEND EXIT SCHEDULED**

Explanation

The NetView program is closing down normally in response to the system operator's entering a VTAM HALT command.

System action

The NetView main task remains active until all subtasks have finished. No further logons are accepted.

DSI119I **OPNDST FAILED FOR *node* -
RTNCD = X'*vtamr*cd' FDBK2 =
X'*vtamf*b' SENSE = X'*vtams*ens'.
LOGON ABORTED**

Explanation

A terminal trying to log on cannot be connected. The terminal might be unavailable.

Message Variables

node

The name of the logical unit or terminal.

*vtamr*cd

The VTAM internal return code.

*vtamf*b

The VTAM internal feedback code.

*vtams*ens

The VTAM internal sense code.

System action

Logon stops.

Operator response

Notify the system programmer.

System programmer response

Use the RCFB and SENSE command lists to determine the meaning of the return/feedback and sense codes. See the device-specific documentation for the meaning of the user sense data. If the terminal is inactive, activate it and try to log on again.

DSI120I **INQUIRE TERMS FAILED FOR *node* -
RTNCD = X'*vtamr*cd' FDBK2 =
X'*vtamf*b' SENSE = X'*vtams*ens'.
LOGON ABORTED**

Explanation

A node identification block (NIB) cannot be built for the specified logical unit or terminal.

Message Variables

node

The name of the logical unit or terminal.

*vtamr*cd

The VTAM internal return code.

*vtamf*b

The VTAM internal feedback code.

*vtams*ens

The VTAM internal sense code.

System action

Logon stops.

Operator response

Notify the system programmer.

System programmer response

Use the RCFB and SENSE command lists to determine the meaning of the return/feedback and sense codes. See the device-specific documentation for the meaning of the user sense data.

DSI121I **CLSDST RELEASE FAILED FOR**
node - RTNCD = X'vtamrcd' FDBK2
= X'vtamfb' SENSE = X'vtamsens'

Explanation

The logon you entered was stopped or rejected, and the NetView main task tried to break connection. The attempt failed. The OPNDST was unsuccessful, and the CLSDST failed.

Message Variables

node

The name of the logical unit or terminal.

vtamrcd

The VTAM internal return code.

vtamfb

The VTAM internal feedback code.

vtamsens

The VTAM internal sense code.

System action

The terminal remains in SIMLOGON state.

Operator response

Notify the system programmer.

System programmer response

Use the RCFB and SENSE command lists to determine the meaning of the return/feedback and sense codes. See the device-specific documentation for the meaning of the user sense data.

DSI122I **NCCF IN SHUTDOWN MODE -**
CLOSE NORMAL REQUESTED BY
operatorid

Explanation

You sent a CLOSE NORMAL from a NetView operator station or from the system console.

Message Variables

operatorid

The operator or SYSOP identifier

System action

No further logons (except for autotasks and distributed autotasks) are allowed. If you requested CLOSE, the NetView program allows you to enter CLOSE IMMED.

Operator response

If you entered CLOSE, enter CLOSE IMMED, if desired.

DSI123I **INQUIRE SESSPARM FAILED FOR**
node - RTNCD = X'vtamrcd' FDBK2
= X'vtamfb' SENSE = X'vtamsens'
LOGON ABORTED

Explanation

On VTAM systems only, the bind parameters for an LU logging on to the NetView program cannot be examined.

Message Variables

node

The name of the logical unit or terminal.

vtamrcd

The VTAM internal return code.

vtamfb

The VTAM internal feedback code.

vtamsens

The VTAM internal sense code.

System action

Logon fails.

Operator response

Notify the system programmer.

System programmer response

Use the RCFB and SENSE command lists to determine the meaning of the return/feedback and sense codes. See the device-specific documentation for the meaning of the user sense data.

DSI124I **STORAGE REQUEST FAILED FOR**
NCCF *domain_name*

Explanation

A GETMAIN failed for NetView storage. This message is sent to the NetView system operator whenever a storage request within a NetView region fails.

Message Variables

domain_name

The domain ID of the NetView that has the problem

System action

If processing a command, the command stops running. If issued during initialization, then initialization ends. Functions which require storage might be delayed or might end prematurely because of the storage shortage.

Operator response

Notify the system programmer. Use the DEFAULTS or OVERRIDE command to set storage limits on a task basis.

System programmer response

Check the NetView storage, and adjust if necessary. Implement storage slowdown limits on a task basis using the DEFAULTS or OVERRIDE command.

DSI125I **CRITICAL STORAGE SHORTAGE
FOR NCCF *domain_name***

Explanation

The NetView system operator receives this message after the 50th failure of a storage request for the NetView program.

Message Variables

domain_name

The domain ID of the NetView that has the problem

System action

None, although response time was probably considerably slower before this message was issued. Functions that require storage might be delayed or end prematurely because of the storage shortage.

Operator response

Notify the system programmer. Use the DEFAULTS or OVERRIDE commands to set storage limits on a task basis.

System programmer response

Increase the partition or address space for the NetView program. Implement storage slowdown limits on a task basis using the DEFAULTS or OVERRIDE commands.

DSI126I **RESOURCE *resource* ACTIVATED**

Explanation

A resource entry is marked active using the START command.

Message Variables

resource

The name of the resource

DSI127I **RESOURCE *resource* INACTIVATED**

Explanation

A resource entry is marked inactive using the STOP command. Further commands involving this resource can affect other domains if the resource is defined in the domain qualification table (DSIDQT).

Message Variables

resource

The name of the resource

DSI128I **GENCB FOR TASK *cblock* FAILED -
REGISTER 0 = X'*code*' REGISTER
15 = X'*code*'. *action* ABORTED FOR
*tasktype node***

Explanation

The NetView program cannot create the indicated control block (ACB, RPL, NIB, or EXLST) for the task. If *tasktype* is PPT or NCCF, *node* is blank.

Message Variables

cblock

The ACB, EXLST, NIB, or RPL control block

code

The codes used for problem analysis

action

ATTACH or INITIALIZATION

tasktype

OST, NNT, HCT, or PPT for a NetView subtask, NCCF for the NetView main task

node

The name of the logical unit or terminal

System action

If *tasktype* is a NetView subtask, the NetView program continues to run without the indicated subtask. If *tasktype* is the NetView main task, the NetView program ends abnormally with a user code of 11 (X'00B').

Operator response

Notify the system programmer. If *tasktype* is OST, try to log on later. If *tasktype* is HCT, enter a START command for the task later. No recovery is possible for

NNT or PPT. If *tasktype* is PPT, the system tries to enter a CLOSE command for the NetView program. If *tasktype* is NCCF, increase the partition or region size and restart the NetView program.

System programmer response

Determine whether the values for registers 0 and 15 are acceptable. Refer to the appropriate VTAM manual for more information.

DSI129I STORAGE UNAVAILABLE FOR TASK CONTROL BLOCKS. action ABORTED FOR *tasktype* node

Explanation

Not enough storage is available for the required NetView control blocks. If *tasktype* is OPT, PPT, or NCCF, *node* is blank.

Message Variables

action

ATTACH or INITIALIZATION

tasktype

OPT, OST, NNT, HCT, or PPT for a NetView subtask, NCCF for the NetView main task

node

The name of the logical unit or terminal

System action

The NetView program continues to run without the indicated subtask. If *tasktype* is the NetView main task, the NetView program ends abnormally with a user code of 11 (X'00B').

Operator response

Notify the system programmer. If *tasktype* is OST, try to log on later. If *tasktype* is HCT or OPT, send a START command for the hardcopy or optional task later. No recovery is possible for NNT or PPT. If *tasktype* is PPT, it might be advisable to send a CLOSE command for the NetView program. If *tasktype* is NCCF, increase the partition or region size and restart the NetView program.

System programmer response

Examine the storage size and increase it, if necessary.

DSI130I ATTACH OF SUBTASK FAILED FOR *subtasktype* node

Explanation

The required control blocks were built for a subtask attempting to log on to the NetView program, but the subtask cannot be attached.

Message Variables

subtasktype

OST, NNT, PPT, or an optional task.

node

The name of the logical unit or terminal. The field is blank if the subtask type is a PPT.

System action

The NetView program continues to run without the indicated subtask.

Operator response

Notify the system programmer.

System programmer response

If the subtask is an OST, try to log on later. No recovery is possible for an NNT or PPT. If the subtask is a PPT, send CLOSE for the NetView program. If the MOD keyword of the START command was used, check that the module name was spelled correctly and that the module can be loaded.

DSI131I COMMANDS ABENDED BY RESET COMMAND. STATION HAS BEEN RESET

Explanation

You entered RESET to cancel a command or commands.

System action

Commands are canceled and processing continues.

Operator response

Continue the session.

DSI132I INTERVENTION REQUIRED ON HARDCOPY *hclname* - RTNCD = X'*vtamr*cd' FDBK2 = X'*vtam*fb' SENSE = X'*vtam*sens'

Explanation

The hardcopy device is turned off, out of paper, or in some other condition that requires your intervention.

Message Variables

hclname

The name of the hardcopy log device.

vtamrcd

The VTAM internal return code.

vtamfb

The VTAM internal feedback code.

vtamsens

The VTAM internal sense code.

System action

No logging is performed. The print queue is purged, and data might be lost.

Operator response

Use the RCFB and SENSE command lists to determine the meaning of the return/feedback and sense codes. See the device-specific documentation for the meaning of the user sense data.

DSI133I **CLSDST TO PASS *luname* TO *tasktype* SUBTASK *applid* FAILED - RTNCD = X'*vtamrcd*' FDBK2 = X'*vtamfb*' SENSE = X'*vtamsens*'. SESSION TERMINATED**

Explanation

The NetView main task cannot pass the indicated node to the subtask, for the reasons shown. The subtask ends normally.

Message Variables***luname***

The name of the logical unit.

tasktype

OST, NNT, HCT, or PPT for a NetView subtask, NCCF for the NetView main task.

applid

The application identifier.

vtamrcd

The VTAM internal return code.

vtamfb

The VTAM internal feedback code.

vtamsens

The VTAM internal sense code.

System action

The NetView program posts the subtask to end normally.

Operator response

Try to log on again. Use the RCFB and SENSE command lists to determine the meaning of the

return/feedback and sense codes. See the device-specific documentation for the meaning of the user sense data.

DSI134I **SIMLOGON OF *terminal* PASSED TO *tasktype* SUBTASK *applid* FAILED - RTNCD = X'*vtamrcd*' FDBK2 = X'*vtamfb*' SENSE = X'*vtamsens*'**

Explanation

The NetView main task tried to send the SIMLOGON command for a terminal. The attempt was unsuccessful. If the subtask ended abnormally, automatic reinstatement is not possible.

Message Variables***terminal***

The name of the terminal.

tasktype

OST, NNT, HCT, or PPT for an NetView subtask, NCCF for the NetView main task.

applid

The application identifier.

vtamrcd

The VTAM internal return code.

vtamfb

The VTAM internal feedback code.

vtamsens

The VTAM internal sense code.

System action

The terminal is returned to VTAM when the subtask ends.

Operator response

Try to log on the terminal again.

System programmer response

Try to log on again. Use the RCFB and SENSE command lists to determine the meaning of the return/feedback and sense codes. See the device-specific documentation for the meaning of the user sense data.

DSI135I **NetView termination complete**

Explanation

The NetView program ended successfully.

DSI136I **LOGON FROM *luname* ABORTED AT USER REQUEST**

Explanation

The NetView program formatted the display screen for logon. You entered LOGOFF. This situation might result, for example, if you are logged on at terminal A under user identification XYZ and someone else tries to log on to terminal B using the XYZ identification. In this case the operator at terminal B cannot log on, so LOGOFF is entered, producing this message.

You might also receive this message if during logon processing the user logon exit (EXIT12) returns a nonzero return code that indicates logon processing is to be ended.

Message Variables

luname

The name of the logical unit

System action

The logon ends.

DSI137I **start luname FAILED. NCCF IN SHUTDOWN MODE**

Explanation

CLOSE was sent for the NetView program before you entered START for the specified *luname*.

Message Variables

luname

The name of the logical unit

System action

The request is ignored.

DSI138I **OPEN FOR domain ACB FAILED - ACBERFLG = X'code'**

Explanation

The NetView main cannot open a VTAM access control block (ACB) for the NetView program.

Message Variables

domain

The NetView domain that issued the message

code

The code used for problem analysis

System action

Processing is dependent upon the ACB failure code. These codes are as follows:

A

15-second retry with no message for the following codes:

- X'14' - Temporary storage shortage.
- X'52' - VTAM has been halted.
- X'5C' - VTAM is inactive.
- X'70' - CLOSE in process for this application name.

B

1-minute retry with error message for the following codes:

- X'24' - The password is not correct.
- X'58' - The application is already active.
- X'5A' - The application is not defined to VTAM.
- X'68' - The AUTH=PPO application is already active.

C

Error message with no retry. The task ends if it has a mandatory dependency on VTAM. This action is taken for all codes not previously listed.

Operator response

If you see this message at 1-minute intervals (case B), take action to either stop the task or make changes in the VTAM definitions (for example, VARY NET,ACT,...).

For case C, restart the NetView program or the task after correcting the problem. Refer to the appropriate VTAM manual for more information.

System programmer response

Cases B or C might require changes to your VTAM or NetView definitions or to your operating procedures.

Note: Code X'5A' can occur during a VTAM restart if the NetView program is already active. VTAM can issue return code X'5A' if the NetView program attempts to open the ACB while VTAM is initializing. If this occurs, no action is needed because the OPEN is retried after 1 minute.

DSI140I **REPLY TEXT LIMITED TO number CHARACTERS. REENTER REPLY**

Explanation

The reply text is too long.

Message Variables

number

The maximum number of characters that can be used in the reply

System action

The reply is not passed to VTAM.

Operator response

Enter the reply again, limiting it to the length specified in the message.

DSI141I **macro FAILED. REGISTER 15 = X'code', REGISTER 0 = X'code', LUNAME = luname extra extra**

Explanation

The named macro failed. If the name starts with a NetView prefix, such as DSI, see the *IBM Z NetView Programming: Assembler* manual for more information. Otherwise, refer to the z/OS Communications Server library.

Message Variables

macro

The name of the failing macro instruction

code

The codes used for problem analysis

luname

The name of the logical unit

extra

Optional extra tokens that can aid problem analysis

System action

Processing ends.

Operator response

Record the values in the message and notify the system programmer.

System programmer response

Take action based on the descriptions in the appropriate manual.

DSI142I **STOP INITIATED FOR luname operatorid. STATION REMOVED FROM ERROR STATUS**

Explanation

The NetView main task initiated a STOP for subtask cleanup of a task in error status. This condition begins when the last active operator station task (OST) enters error status. All remaining OSTs in error status are then cleaned up. Message DSI142I is sent for each such OST and is sent to the log, to the receiver of authorization messages, and to the NetView terminal operator.

Message Variables

luname

The name of the logical unit

operatorid

The operator identifier

System action

The NetView program ends the subtask normally after storage cleanup.

Operator response

Notify the system programmer.

System programmer response

Any *operatorid* identified in the message is available to the NetView program. You might now log on to the NetView program.

DSI144I **NSEXIT ENTERED FOR action RU. SESSION TERMINATED BETWEEN primaryappl AND secondaryappl**

Explanation

For network services procedure error (NSPE), the NetView main task tried to enter the SIMLOGON or DST PASS commands. For CLEANUP, you entered VARY NET, INACT while the NetView program was in session with the terminal.

Message Variables

action

CLEANUP or NSPE

primaryappl

The primary or main application identification

secondaryappl

The secondary application identification

System action

The NetView program ends the session between the terminal and the NetView main task.

Operator response

Notify the system programmer.

System programmer response

For NSPE RU, if *primaryappl* is not the NetView main task APPLID, you can log on again. To clean up the RU you can log on again, regardless of the APPLIDs. In any case, there is no required response.

DSI145I **SESSION WITH luname TERMINATED**

Explanation

The session ended between the terminal that receives this message and the logical unit. The ending can be asynchronous or requested.

Message Variables

luname

The name of the logical unit

System action

The NetView program cleans up the session.

Operator response

The session can be reinstated later.

DSI146I **STOP FORCE ISSUED FOR *task* BY *operatorid***

Explanation

The NetView program has accepted and is processing the STOP FORCE command for the identified *task*.

Message Variables

task

The name of the task

operatorid

The operator identifier

System action

The named task is stopped immediately.

Operator response

Notify the system programmer.

System programmer response

Determine the cause of the failure that prompted the operator to enter STOP FORCE.

DSI148I **SEVERE ERROR - INVALID VALUE SPECIFIED FOR KEYWORD *keyword***

Explanation

The value specified for the indicated keyword on the ACCESS statement is not valid. Therefore, the statement is not valid.

Message Variables

keyword

METHOD or SVC

System action

The incorrect statement is displayed after this message, and the NetView program ends.

Operator response

Notify the system programmer.

System programmer response

Correct the error, and restart the NetView program.

DSI150I **WARNING - TPROC OR SVC KEYWORD ON ACCESS STMT IN *object* IGNORED FOR ACCESS METHOD VTAM**

Explanation

The TPROC and SVC keywords coded on the ACCESS statement are TCAM-dependent and are not supported by the NetView program.

Message Variables

object

The member containing the error or the name of an embedded member if the error indicated by the message occurred in a member included (%INCLUDE statement) in *member*. If multiple levels of embedding occurred within *member*, only the level where the error occurred is specified.

System action

NetView initialization continues. The keywords that are not valid are ignored.

Operator response

Notify the system programmer.

System programmer response

The NetView program does not support TCAM. Remove the keywords.

DSI151I **MORE HELD MESSAGES EXIST AND ARE NOT SHOWN**

Explanation

There are more held and action messages than can be displayed. The additional messages are displayed when the messages on the screen are removed.

System action

The additional messages are stored until screen space is available.

Note: This message is subject to NLS translation, not automation.

Operator response

Reply to WTOR messages. Take action to resolve action message requests (for example, mounting tapes or setting switches).

DSI152I **MOD = *module* ON CMDMDL STMT
INVALID FOR ACCESS METHOD IN
*filename***

Explanation

The module named on the CMDMDL statement that follows this message is incompatible with the level of access method in use.

Message Variables

module

The module name

filename

The file where the CMDMDL statement is coded

System action

The NetView program does not load the module specified by *module* and does not recognize the command associated with the CMDMDL statement in error. The CMDMDL statement in error is displayed following the message.

Operator response

Notify the system programmer.

System programmer response

Correct the error.

DSI154I **WARNING - TASK STMT
KEYWORD *keyword* IN ERROR IN
object, TASK WILL NOT BE
ATTACHED**

Explanation

A keyword specified on the TASK statement is in error.

Message Variables

keyword

The keyword specified.

object

The member containing the error or the name of an embedded member if the error indicated by the message occurred in a member included (%INCLUDE statement) in *member*. If multiple

levels of embedding occurred within *member*, only the level where the error occurred is specified.

System action

The task associated with the TASK statement is not attached. The TASK statement in error is displayed after this message. NetView initialization continues.

Operator response

Notify the system programmer.

System programmer response

Determine whether the specified task is critical to NetView processing. If it is, correct the TASK statement and restart the NetView program.

DSI156I **WARNING - TASK STMT
KEYWORD *keyword* IN ERROR IN
object, DEFAULT VALUE IN USE**

Explanation

You specified an incorrect keyword value on the TASK statement.

Message Variables

keyword

The keyword specified.

object

The member containing the error or the name of an embedded member if the error indicated by the message occurred in a member included (%INCLUDE statement) in *member*. If multiple levels of embedding occurred within *member*, only the level where the error occurred is specified.

System action

The TASK statement in error is displayed after this message. NetView initialization continues. The NetView program uses the default value (if any) for the keyword in error.

Operator response

Notify the system programmer.

System programmer response

Determine whether the default keyword value is usable by the NetView program. If not, correct the TASK statement in error and restart the NetView program.

DSI157I **INVALID KEYWORD *keyword*
ENCOUNTERED ON THE
FOLLOWING STMT IN *object***

Explanation

You specified an incorrect keyword on a NetView definition statement.

Message Variables

keyword

The keyword specified.

object

The member containing the error or the name of an embedded member if the error indicated by the message occurred in a member included (%INCLUDE statement) in *member*. If multiple levels of embedding occurred within *member*, only the level where the error occurred is specified.

System action

The definition statement in error is displayed following this message. NetView initialization continues.

Operator response

Notify the system programmer.

System programmer response

Determine whether the error is critical to NetView operation. If it is, correct the definition statement in error and restart the NetView program.

DSI160I **COMMAND LIST *cmdlist* WARNING
- INVALID SYNTAX**

Explanation

A command list statement contains a syntax error.

Message Variables

cmdlist

The name of the command list

System action

The command list statement in error displays along with this message. The command list continues with default options.

Operator response

Notify the system programmer.

System programmer response

Correct the command list statement.

DSI162I **UNAUTHORIZED RESOURCE
resource SENT DATA TO LUNAME
*luname***

Explanation

A resource that is not defined to the NetView program sent data to a logical unit in session with the NetView program. No cross-domain session was active for that operator.

Message Variables

resource

The name of the resource

luname

The name of the logical unit

System action

The NetView program ignores the data. This message is sent to the authorized message receiver; it informs the operator of a possible security exposure.

Operator response

Investigate the terminal indicated in *resource* to determine the origin of the data. This message originates in domains that operate in the TCAM environment.

DSI163I ***function* FUNCTION NOT
SUPPORTED FOR *entity***

Explanation

A function run by or for the specified entity was not supported for that entity.

Message Variables

function

The name of the function that was called or invoked

entity

The name of an entity (for example, an operator ID) that tried to run the function, or the name of the entity upon which a function attempted to act

System action

The NetView program continues processing.

Operator response

If the entity is an operator ID, enter only commands for the system or task type that you are using.

DSI164I **PROFILE *profile* SPECIFIES
FEATURES NOT SUPPORTED -
PARAMETERS IGNORED**

Explanation

The profile you used specifies features not supported in the current system environment.

Message Variables

profile

The name of the profile definition

System action

The unsupported feature parameters are ignored. Processing continues.

Operator response

Notify the system programmer.

System programmer response

Change the operator profile.

DSI165I **RECEIVE ANY FOR LU *luname* HAS FAILED - RTNCD = X'*vtamrcd*' FDBK2 = X'*vtamfb*' SENSE = X'*vtamsens*'**

Explanation

RECEIVE ANY for cross-domain logon in VTAM failed.

Message Variables

luname

The name of the logical unit.

vtamrcd

The VTAM internal return code.

vtamfb

The VTAM internal feedback code.

vtamsens

The VTAM internal sense code.

System action

If you can retry the command, the NetView program enters the RECEIVE ANY command again. If you cannot try the command again, the NetView program sends a CLSDST command for the failing LU before it enters RECEIVE ANY again.

System programmer response

Use the RCFB and SENSE command lists to determine the meaning of the return/feedback and sense codes. See the device-specific documentation for the meaning of the user sense data. If the condition persists, contact IBM Software Support regarding the LU in error.

DSI166I ***task* IS ACTIVATED BY *operatorid***

Explanation

A NetView optional task (for example, the DST) is activated.

Message Variables

task

The name of the task

operatorid

The operator identifier

DSI167E **ERROR OCCURRED SCANNING AT POSITION *position*, PREVIOUS TEXT: '*text*'.**

Explanation

An error was encountered while processing a command, stage specification, or pipeline specification.

This message indicates where the error occurred. It is issued with another message describing the error.

Message Variables

position

The numeric offset where the error was found. The error might be at the indicated *position* or the character after *position*.

Position in a pipeline specification will be counted from the beginning of the specification. *Position* in a stage specification will be counted from the beginning the stage specification. In the case of an error in a stage specification, message DWO362E will follow DSI167E.

text

A few characters of the specification prior to the error to assist in locating the error.

System action

See the system action for the messages accompanying this message. The pipeline or command ends before processing any data.

Operator response

See the operator response for messages accompanying this message for additional information.

System programmer response

See the programmer response for messages accompanying this message for additional information.

DSI168I **ATTACH OF SUBTASK FOR *luname* FAILED. NCCF IN SHUTDOWN MODE**

Explanation

The authorized message receiver receives this message. It indicates that *luname* cannot be attached because CLOSE was entered.

Message Variables

luname

The name of the logical unit

System action

The subtask is not attached.

DSI169I ***command* FUNCTION CANNOT BE PERFORMED. ANOTHER COMMAND HAS BEEN ISSUED AGAINST *resource***

Explanation

You entered the command indicated by *command* to perform an action on *resource*. A command that affects the same resource is being processed.

Message Variables

command

The name of the command

resource

The name of the resource or task

System action

The NetView program ignores the command.

Operator response

Try the command later.

DSI170I ***task* : NON-ZERO RETURN CODE FROM SMF : REGISTER 15 = *code***

Explanation

While trying to write to the system management facilities (SMF) log, the NetView program sent a nonzero return code. To avoid sending the operator redundant messages, the NetView program does not issue this message if subsequent requests generate the same return code.

Message Variables

task

The name of the task

code

The code used for problem analysis

System action

The command facility's action depends on the return code. If the return code is 98, a record type that is not valid was found, or the length was bad. If the return code is 99, an SMF request that is not valid was found. In either case, the record is not written to the log. For all other return codes, see the SMF documentation for further information.

Operator response

Notify the system programmer.

System programmer response

Check the return code and take appropriate action.

DSI171A **RECEIVED BIND IMAGE FOR *luname* INVALID**

Explanation

The NetView program received a BIND image for *luname* that is not acceptable. The parameters specified on the MODEENT macro (VTAM) are incorrect.

Message Variables

luname

The name of the logical unit

System action

The logon is stopped.

Operator response

Notify the system programmer.

System programmer response

Correct the parameters on the macro and retry the logon.

DSI172I **SUBTASK '*subtask*' ABENDED WITH CODE X'*code*'**

Explanation

The indicated subtask ended abnormally with the indicated ABEND code. If the subtask is an operator station task (OST), this message appears on the display screen when the task is reinstated. For any other type of task, this message is queued to the authorized receiver. The left three characters of *code* are a system completion code, and the right three characters are the application program (the NetView program, IBM-written, or user-written) completion code. See the online help for information on the application program completion code, and see the

system code manual for your operating system for system abend code information.

Message Variables

subtask

Identifiers of the task that abended. This value is in the form xxx/yyy where

xxx

the value contained in TVBLUNAM of the TVB for the task that abended. It can reflect one of these values:

- The VTAM LU name if there is one associated with the task that abended
- The operator ID of the task that abended
- Null, if TVBLUNAM is blanks or nulls
- Some other value that is stored in TVBLUNAM

yyy

the value contained in TVBOPID or TVBAPID of the TVB for the task that abended. It can reflect one of these values:

- The operator ID of the task that abended
- The operator ID of the task that started the task that abended
- Null, if there is currently no operator ID defined for the task that abended
- Some other value that is stored in TVBOPID or TVBAPID

code

The code used for problem analysis

System action

Processing continues.

Operator response

Continue with reinstated session.

DSI173I AUTH MEMBER STRING: '*member*'

Explanation

This is message produced by the LIST ASSIGN=AUTH command. The NetView program found the member you requested. If the first character of the member name is an '*', this means the data was constructed from a PIPE command and not a data set.

Message Variables

member

The member name

System action

LIST command processing continues.

DSI174I COPY MEMBER STRING: '*member*'

Explanation

This is a message produced by the LIST ASSIGN=COPY command. The NetView program found the member you requested. If the first character of the member name is an '*', this means the data was constructed from a PIPE command and not a data set.

Message Variables

member

The member name

System action

LIST command processing continues.

DSI180I GROUP ID: *group*

Explanation

This is a header line produced by the LIST ASSIGN=GROUP command. The NetView program displayed all assigned group IDs.

Message Variables

group

The assigned group ID

DSI184I INVALID COMMAND NAME SPECIFIED

Explanation

This message was received for one of the following reasons:

- A command was specified that is not valid.
- A command that is not valid was specified on the IF-THEN statement.

System action

The command is ignored and processing continues. The LIST command stops. The IF-THEN statement command continues.

Operator response

Notify the system programmer.

System programmer response

If this message was received in response to an issued command or the LIST command, correct the command name, as necessary.

If this message was received in response to a command that is not valid on the IF-THEN statement, correct the command.

DSI185I *statement* STMT OUT OF SEQUENCE IN *list*

Explanation

The statement you specified was found at a point in DSIJCMDS where a required predecessor is not present.

Message Variables

statement

Any of the following:

- PARMSYN
- CMDSYN

list

DSIJCMDS

System action

The statement causing the error is displayed following this message. The NetView program ignores the statement.

Operator response

Notify the system programmer.

System programmer response

Correct the statement sequence in the DSIJCMDS file.

DSI186I **COMMAND LIST *cmdlist***
TERMINATED - EXTRANEOUS
OPERAND: *operand*

Explanation

The NetView program found extra operands on a command list statement.

Message Variables

cmdlist

The name of the command list

operand

The extra operand

System action

The command list ends. The incorrect statement might be displayed along with this message. If the command list is part of a nested chain, the error is passed to the command list's predecessor in the chain.

Operator response

Notify the system programmer.

System programmer response

Correct the command list statement that is in error.

DSI187I **COMMAND LIST *cmdlist***
TERMINATED - INVALID SYNTAX

Explanation

A command list statement contains a syntax error.

Message Variables

cmdlist

The name of the command list

System action

The NetView program displays the incorrect command list statement along with this message and ends the command list. If the command list is part of a nested chain, the error is passed to the command list's predecessor in the chain.

Operator response

Notify the system programmer.

System programmer response

Correct the command list statement that is in error.

DSI188I **COMMAND LIST *cmdlist***
TERMINATED - INVALID
OPERAND: *operand*

Explanation

During command list processing, the NetView program found an operand that is not valid. Because the NetView program cannot use a default value for this operand, processing cannot continue.

Message Variables

cmdlist

The name of the command list.

operand

The operand that is not valid

System action

The NetView program displays the incorrect command list statement along with this message and ends the command list. If the command list is part of a nested chain, the error is passed to the command list's predecessor in the chain.

Operator response

Notify the system programmer.

System programmer response

Correct the command list statement that is in error.

DSI189I **COMMAND LIST *cmdlist***
TERMINATED - INSUFFICIENT
STORAGE

Explanation

A GETMAIN request for storage failed during command list processing.

Message Variables

cmdlist

The name of the command list

System action

The NetView program ends the command list. If the command list is part of a nested chain, the error is passed to the command list's predecessor in the chain.

Operator response

Determine whether you received message BNH16I, which means the task has reached its storage limit. If so, notify your system programmer.

System programmer response

See the *IBM Z NetView Troubleshooting Guide* for possible causes of the storage shortage.

DSI190I **COMMAND LIST *cmdlist***
TERMINATED - EXPECTED
OPERAND MISSING: *operand*

Explanation

During command list processing, an expected operand was missing on a command list statement. Because the NetView program cannot use a default value for this operand, processing cannot continue.

Message Variables

cmdlist

The name of the command list

operand

The missing operand

System action

The NetView program displays the incorrect command list statement along with this message and ends the

command list. If the command list is part of a nested chain, the error is passed to the command list's predecessor in the chain.

Operator response

Notify the system programmer.

System programmer response

Correct the command list statement that is in error.

DSI191I **COMMAND LIST *cmdlist* WARNING**
- EXPECTED OPERAND MISSING:
operand

Explanation

During command list processing, an expected operand was missing on a command list statement. The NetView program uses the default operand.

Message Variables

cmdlist

The name of the command list

operand

The missing operand

System action

The NetView program displays the incorrect command list statement along with this message. The command list processing continues with default options.

Operator response

Notify the system programmer.

System programmer response

Correct the command list statement that is in error.

DSI192I **COMMAND LIST *cmdlist* WARNING**
- INVALID OPERAND: *operand*

Explanation

During command list processing, the NetView program found an operand that is not valid. The NetView program uses a default operand.

Message Variables

cmdlist

The name of the command list

operand

The operand that is not valid

System action

The NetView program displays the incorrect command list statement along with this message. The command list processing continues with default options.

Operator response

Notify the system programmer.

System programmer response

Correct the command list statement that is in error.

DSI193I **COMMAND LIST *cmdlist* WARNING**
- EXTRANEIOUS OPERAND:
operand

Explanation

During command list processing, the NetView program found an extra operand.

Message Variables

cmdlist

The name of the command list

operand

The extra operand

System action

The NetView program displays the incorrect command list statement along with this message. The NetView program ignores the extraneous operand, and the command list processing continues.

Operator response

Notify the system programmer.

System programmer response

Correct the command list statement that is in error.

DSI194I **COMMAND LIST *cmdlist* WARNING**
- LAST *nn* OPERAND(S) IGNORED

Explanation

During command list processing, the NetView program found unexpected operands.

Message Variables

cmdlist

The name of the command list.

nn

The number of unexpected operands.

System action

The NetView program displays the incorrect command list statement along with this message. The NetView program ignores the unexpected operands and the command list processing continues.

Operator response

Notify the system programmer.

System programmer response

Correct the command list statement that is in error.

DSI195I **COMMAND LIST *cmdlist* WARNING**
- *command* STATEMENT NOT
VALID FOR TASK TYPE: *type*

Explanation

The specified command is not supported under the stated subtask type.

Message Variables

cmdlist

The name of the command list

command

The name of the command

type

NNT, OST, or PPT

System action

The NetView program displays the incorrect command list statement before this message. The NetView program ignores the statement and the command list processing continues.

Operator response

Notify the system programmer.

System programmer response

Correct the command list statement that is in error. For a description of restrictions on commands under various tasks, see *IBM Z NetView Programming: REXX and the NetView Command List Language*.

DSI196I **COMMAND LIST *cmdlist***
TERMINATED - INVALID LABEL:
label

Explanation

During command list processing, the NetView program found a label that is not valid. Labels are coded as a dash (-) followed by 1 to 11 alphanumeric characters (A-Z, 0-9, #, @, \$). Any command statement, except a

comment line, can have a label. Each label must be unique.

For more information on command list labels, see *IBM Z NetView Programming: REXX and the NetView Command List Language*.

Message Variables

cmdlist

The name of the command list

label

The command list label

System action

The NetView program displays the command list statement containing the incorrect label along with this message. The NetView program ends the command list. If the command list is part of a nested chain, the error is passed to the command list's predecessor in the chain.

Operator response

Notify the system programmer.

System programmer response

Correct the command list statement that is in error.

DSI197I **COMMAND LIST *cmdlist* SELF - TERMINATED**

Explanation

The specified command list set the return code to -1 (negative one) on an &EXIT command list control statement.

Message Variables

cmdlist

The name of the command list

System action

The NetView program displays the last statement processed along with this message. The NetView program ends the command list. If the command list is part of a nested chain, the error is passed to the command list's predecessor in the chain.

DSI198I **'*command*' COMMAND NOT ALLOWED TO RUN UNDER *task* TASK**

Explanation

The *command* command or command processor cannot run under the specified task or the task's current environment (for example, an autotask or

distributed task). If this message was issued in response to a READSEC command or a QSAM PIPE stage, the command is allowed but the specified DD name cannot be resolved in this environment.

Message Variables

command

The name of a command

task

One of the following:

- A primary program operator interface task (PPT)
- A NetView-NetView task (NNT)
- The name of the task.

System action

Processing stops, and the command is ignored.

Operator response

Notify the system programmer.

System programmer response

Determine the source of the command and correct the error. Possible sources are AT, EVERY, or AFTER commands, or command lists running under the PPT or the NNT.

DSI199I **COMMAND LIST *cmdlist* TERMINATED - DUE TO ARITHMETIC OVERFLOW**

Explanation

During command list processing, an arithmetic expression on a command list statement caused an arithmetic overflow.

Message Variables

cmdlist

The name of the command list

System action

The statement that produced the error is displayed along with this message. The NetView program ends the command list. If the command list is part of a nested chain, the error is passed to the command list's predecessor in the chain.

Operator response

Notify the system programmer.

System programmer response

Correct the statement in error.

DSI200I TASK *task* HAS TERMINATED**Explanation**

The named task completed the ending process. If it was caused by a STOP command, the operator who issued the command receives this message when ending completes. If it was not caused by a STOP command, the message goes to the authorized receiver. If the START command was issued to dynamically start a task and the load module specified on the START command does not exist, the operator who issued the command receives this message when ending completes.

Note:

1. If *task* is DSITACCD, the VOST associated with a previous TCPCONN START request has ended unexpectedly.
2. If *task* is DSITAPCD, the VOST associated with a previous TCPCONN PKTS request has ended unexpectedly.

Message Variables***task***

The name of the task that ended

System action

Processing continues.

Operator response

The named task can be restarted.

DSI201I TIMER REQUEST SCHEDULED FOR EXECUTION ID='name'**Explanation**

A timer request (AT, EVERY, or AFTER command) is now scheduled. The ID operand is displayed. If you did not specify an ID operand on the AT, EVERY or AFTER command, the NetView-generated identifier is shown.

Message Variables***name***

The name of the timer request that is scheduled for execution

System action

The specified timer request runs when you ask for it. If the times are equal, the last one entered is the first to run.

DSI202I TIMER REQUEST FAILED TO BE SCHEDULED FOR EXECUTION 'name'**Explanation**

A timer request (AT, EVERY, or AFTER command) cannot be scheduled for this operator.

Message Variables***name***

If you specified an ID operand on the timer request, it is displayed in this insert.

System action

The command remains on the screen so you can correct and resubmit it.

Operator response

Determine the reason for rejection on the basis of the error messages that came before this message. Correct the command and resubmit it.

DSI203I DATE OR TIME VALUE IS OMITTED OR NOT VALID**Explanation**

The time parameter is missing or not valid. In some instances, the time parameter might be correct and the date parameter might be missing or not valid, and in some instances, both the time parameter and the date parameter might be missing or not valid. For a description of valid time values, see the NetView online help.

System action

The command is ignored.

Operator response

Enter the command again, specifying a valid time value.

DSI204I TIMER REQUEST ID NOT UNIQUE ID = 'name'**Explanation**

You entered a timer request and specified the name of an already existing request on the ID=name operand.

Message Variables***name***

The name of the timer request to be run

System action

The NetView program ignores the timer request.

Operator response

Enter the command again, specifying a unique identifier.

DSI205I *number* **TIMER ELEMENTS
PURGED OP = 'operatorid'**

Explanation

This is a multiline message. This message lists the number of timer queue elements that were purged for the specified operator. Following this information is the list of purged timer IDs.

Message Variables

number

The number of requests purged.

operatorid

The operator identifier.

System action

The purge was successful.

DSI206I **COMMAND LIST *cmdlist*
TERMINATED - COMMAND LIST
FUNCTION *function* INVALID FOR
TASK TYPE: *type***

Explanation

During command list processing, the NetView program found a command list statement type that is not supported under the specified task.

Message Variables

cmdlist

The name of the command list.

function

The name of the function that is not valid.

type

NNT, OST, or PPT.

System action

The statement containing the error is displayed along with this message. The NetView program ends the command list. If the command list is part of a nested chain, the error is passed to the command list's predecessor in the chain.

Operator response

Notify the system programmer.

System programmer response

Correct the statement in error. For a description of restrictions on commands under various tasks, see *IBM Z NetView Programming: REXX and the NetView Command List Language*.

DSI207I **COMMAND LIST *cmdlist*
TERMINATED - LABEL MULTIPLY
DEFINED: *label***

Explanation

During command list processing, the NetView program tried to use a previously defined label a second time.

Message Variables

cmdlist

The name of the command list.

label

The previously defined command list label.

System action

The NetView program ends the command list. If the command list is part of a nested chain, the error is passed to the command list's predecessor in the chain.

Operator response

Notify the system programmer.

System programmer response

Correct the statement in error.

DSI208I **TIME EXPIRATION - ID = '*name*' -
CMD= '*command*'**

Explanation

The timer-initiated command indicated in the message is about to run.

Message Variables

name

The name of the timer request.

command

The name of the command.

System action

If the command is valid, it will run.

DSI209I **COMMAND LIST *cmdlist* WARNING
- INVALID COMMAND
ENCOUNTERED - COMMAND
IGNORED**

Explanation

The NetView program does not recognize the command, or the command is not allowed in a command list.

Message Variables

cmdlist

The name of the command list.

System action

The command list statement in error is displayed along with this message. The command is ignored and the command list continues.

Operator response

Notify the system programmer.

System programmer response

Correct the command list statement in error.

**DSI210I COMMAND LIST *cmdlist* WARNING
 - ACCESS TO COMMAND IS NOT
 AUTHORIZED - COMMAND
 IGNORED**

Explanation

You are not permitted to issue the command in the command list because of security definitions in effect.

Message Variables

cmdlist

The name of the command list.

System action

The NetView program ignores the command. The command that is not authorized is displayed following this message. The command list continues.

Operator response

Notify the system programmer.

System programmer response

Evaluate the operator's requirements and add appropriate security access if required.

**DSI213I ACCESS TO '*object*' IS NOT
 AUTHORIZED**

Explanation

You are not permitted to issue the command because of security definitions that are in effect.

If this message is issued in response to the READSEC command, DSIVSMX command, LISTA command, or the QSAM PIPE stage, you are not allowed read access to the specified DD name or data set name.

If this message is issued in response to the LIST SAFOP command, your operator ID is not authorized to access the SAF segment of the specified ID.

Message Variables

object

A specified keyword or value, or the name of a command

Note: The insert might contain the value of a command, keyword, or value as defined in the CMDDEF statement instead of a command synonym or parameter synonym that might have been entered. The insert might contain two question marks (??) if a suppression character was used when the command was issued. If this message is generated by the QSAM PIPE stage, it might also contain the resolved data set name rather than the DD name that was input. The object might be 'CLSDST PASS'. See the System Programmer's Response below for more information.

System action

For the READSEC or LIST SAFOP command, the command ends, indicating access is not allowed. Otherwise, the NetView program rejects the command.

Operator response

Ensure that the command, DD name, or data set name is spelled correctly. If it is spelled correctly, notify the system programmer.

System programmer response

Evaluate the operator's requirements and add appropriate security access if required. If the object specified is 'CLSDST PASS', the LU from which the logon was attempted did not have "PASS" authority coded in your VTAM APPL definitions. See sample CNMS0013 for example APPL statements.

**DSI214I *task* : I/O ERROR OCCURRED ON
 VSAM DATA SET, DDNAME =
 ddname, RETURN CODE = X'*code*',
 RPLFDBK = X'*code*'**

Explanation

On a write to the specified VSAM file, an I/O error occurred.

Message Variables

task

The name of the task.

ddname

The name of the VSAM data set.

code

The codes used for problem analysis.

System action

The NetView program does not perform the output operation.

Operator response

If the error is apparent from the return code and feedback code, take corrective action. Otherwise, notify the system programmer.

System programmer response

Check the return code and feedback code, and correct the error.

DSI215I **COMMAND LIST *cmdlist*
TERMINATED - INVALID NUMBER
OF POSITIONAL PARAMETERS**

Explanation

The number of positional parameters you entered on the command list call is more than the maximum of 31.

Message Variables***cmdlist***

The name of the command list.

System action

The command list stops.

Operator response

Enter the command list again with the proper number of parameters.

DSI216I **COMMAND LIST *cmdlist* WARNING
- *cmdlistfunc* VALUE TRUNCATED
TO 255 CHARACTERS**

Explanation

The length of the value returned by built-in command list function *cmdlistfunc* is greater than 255 characters. The resulting value is truncated to the first 255 characters.

Message Variables***cmdlist***

The name of the command list.

cmdlistfunc

The name of the built-in command list function that returned the truncated value.

System action

The command list continues.

Operator response

Notify the system programmer that there are errors in the named command list.

System programmer response

Correct the statement in the command list so that truncation is not required.

DSI217I **MAXIMUM INPUT LINES ALLOWED
IS 3**

Explanation

A request to alter the input area of the screen exceeded the maximum value of three lines. You cannot have more than three input lines.

System action

The NetView program ignores the command. The input area remains at its current size.

Operator response

Enter the command again with the number of lines (one to three) to alter.

DSI219I **COMMAND LIST *cmdlist* -
STATEMENT ECHO SUPPRESSED**

Explanation

The command list indicated by *cmdlist* contains a statement with a suppression character.

Message Variables***cmdlist***

The name of the command list.

System action

The command list statement is not written to the terminal or the network logs.

DSI220I **INVALID VALUE SPECIFIED FOR
keyword IN *object* - DEFAULT
VALUE *value* USED**

Explanation

The parameter value you specified is not valid for the specified keyword.

Message Variables**keyword**

The keyword specified.

object

The member containing the error or the name of an embedded member if the error indicated by the message occurred in a member included (%INCLUDE statement) in *member*. If multiple levels of embedding occurred within *member*, only the level where the error occurred is specified.

value

The default value of the keyword.

System action

The NetView program initialization continues using the default value. The statement in error is displayed along with this message.

Operator response

Notify the system programmer. If the default value is not desired, you might want to stop processing.

System programmer response

Correct the statement in error.

DSI221I **COMMAND LIST *cmdlist*
TERMINATED-SECOND WAIT
FUNCTION ISSUED**

Explanation

You entered a second &WAIT statement in the command list.

Message Variables***cmdlist***

The name of the command list.

System action

The command list ends because a second &WAIT is issued while a previous &WAIT was still active.

Operator response

Notify the system programmer.

System programmer response

Correct the command list.

DSI222I **COMMAND LIST *cmdlist*
TERMINATED - NO PRIOR WAIT
FUNCTION. CONTINUE OPERAND
INVALID**

Explanation

The NetView program found an &WAIT statement with the CONTINUE operand with no previous &WAIT statement active.

Message Variables***cmdlist***

The name of the command list.

System action

The command list ends.

Operator response

Notify the system programmer.

System programmer response

Correct the command list.

DSI223I **NOT IN WAIT STATUS - ENDWAIT
KEYWORD INVALID**

Explanation

The NetView program found an ENDWAIT statement with no previous &WAIT.

System action

The command list ends.

Operator response

Notify the system programmer.

System programmer response

Correct the command list.

DSI224I **COMMAND LIST *cmdlist* NOT IN
WAIT STATE**

Explanation

You issued a command to stop a command list from waiting. The command list was not waiting.

Message Variables***cmdlist***

The name of the command list.

System action

The command ends.

Operator response

Evaluate the situation with the command list and enter a RESET or CANCEL command.

DSI225I **COMMAND LIST *cmdlist* WARNING
- DUPLICATE OR CONFLICTING
KEYWORDS. *keyword* IS USED**

Explanation

You have conflicting or duplicate keywords in your command list.

Message Variables

cmdlist

The name of the command list.

keyword

The keyword specified.

System action

The command list continues. The NetView program uses the last keyword specified.

Operator response

Notify the system programmer.

System programmer response

Correct the command list.

DSI226I **COMMAND LIST *cmdlist*
TERMINATED - UNEXPECTED END
OF COMMAND LIST**

Explanation

A command list statement indicated continuation of a statement, but no subsequent command list statement was found.

Message Variables

cmdlist

The name of the command list.

System action

The NetView program ends the command list. If the command list is part of a nested chain, the error is passed to the command list's predecessor in the chain.

Operator response

Notify the system programmer.

System programmer response

Correct the command list and enter the command again.

DSI227I **LOGON FAILURE. TRANSLATION
TABLES NOT IN LOAD LIST FOR
'*luname*'**

Explanation

Session parameters indicate that alternate code was selected for a logical unit, but supporting translate tables are not included in the main task load list.

Message Variables

luname

The name of the logical unit.

System action

The session is not started for the indicated device. The NetView program continues.

Operator response

Notify the system programmer.

System programmer response

Include the required translate table CSECT.

DSI229I **INVALID VALUE ON DEFINITION
STATEMENT IN *object* -
STATEMENT IGNORED**

Explanation

You specified a value that is not valid for a given definition statement. The NetView program displays the incorrect statement.

Message Variables

object

The member containing the error or the name of an embedded member if the error indicated by the message occurred in a member included (%INCLUDE statement) in *member*. If multiple levels of embedding occurred within *member*, only the level where the error occurred is specified.

If the member is CNMSCSIE (Command Statistics Include/Exclude List), an invalid list item is encountered. Ensure that each list item conforms to the following rules:

- Appear on its own line.
- Be no more than 8 characters in length.

- Contain no blanks in the middle of the item, for example, AUTO CNT vs. AUTOCNT, but leading and trailing blanks are accepted.

System action

The NetView program ignores the incorrect statement and continues processing.

Operator response

Notify the system programmer.

System programmer response

Correct the statement in error.

DSI230I STACK STARTED

Explanation

You entered the STACK command.

System action

The active command list is suspended by the STACK command. The PAUSE or WAIT state of the command list is also suspended and is restored when you enter the UNSTACK command. Messages that satisfy the WAIT or TRAP conditions while the command list is suspended are queued for processing until you enter UNSTACK. Any commands or command procedures that were queued while you were in command list PAUSE or command list WAIT, before you ran STACK, can run now.

Operator response

You can enter commands and command lists normally. You can enter UNSTACK to resume the suspended command list. End any command lists or long-running commands (LRCs) you started while a STACK was active before you enter UNSTACK. If you do not, the system issues message DSI233I.

DSI231I NO *element* IS ACTIVE

Explanation

No components were found for the requested action. If you issued an UNSTACK command, you must first issue a STACK command

Message Variables

element

The name of the item required by the issued command.

DSI233I STACK IS NOT ACTIVE AT THIS LEVEL

Explanation

You entered the UNSTACK command. A STACK command is active but a long-running command (LRC) or command list that you entered after the STACK command has not ended.

System action

The NetView program ignores the request.

Operator response

End all command lists or LRCs that you entered after the STACK command. Then enter the UNSTACK command.

**DSI234I DUPLICATE COMMAND
'*commandname*' DETECTED**

Explanation

The command, *commandname*, is defined more than once. This message is issued once during ADDCMD command processing when the first duplicate command or command synonym name is detected.

During NetView initialization, ADDCMD commands are generated from the CMDDEF statements in CNMCMD. When these ADDCMD commands are generated, statements of the form CMDDEF.*commandname*.MOD=*modulename* that have the same *commandname* are defined as duplicates. Message DSI234I is issued for the first occurrences of these duplicates. The last occurrence is used to define the command to NetView program. When these ADDCMD commands are run, CMDDEFs that attempt to define commands with the same *commandname* as permanent NetView commands will cause DSI234I to be issued. In this case, the permanent NetView command is kept and the CMDDEF command is not added. If the message DSI234I is issued during NetView initialization, a reconstituted CMDDEF statement follows the message. This reconstituted CMDDEF, although it might not be a true representation of the original CMDDEF, has sufficient information to find the original CMDDEF in error.

During NetView operation, the ADDCMD command might detect a duplicate command or command synonym name of either an internal NetView command or a command defined in CNMCMD.

Message Variables

commandname

The name of the command or command synonym that is defined more than once

System action

This message is sent to the system console during NetView initialization. NetView will continue to initialize. The ADDCMD ends with an error and the *commandname* is not added.

Operator response

Notify the system programmer.

System programmer response

Delete the duplicate CMDDEF statement for the command to avoid this message, or remove the duplicate ADDCMD command from your CLIST or procedures.

Note: NetView defines internal commands which are not modifiable by the user.

DSI235I **command FAILED. DSIPUSH
MACRO - RETURN CODE = X'code'**

Explanation

A command or task issued a DSIPUSH macro and received an error as indicated in register 15.

Message Variables

command

The name of the command or DSIWBTSK task that failed.

code

The error identification code in register 15.

System action

Processing continues.

System programmer response

If the command is DSIWBTSK, ensure DSIWBEND is defined. Take the appropriate action indicated for the following Register 15 errors:

- X'4'
 - Try later when the NetView program is not so busy.
 - Increase the region size for the NetView job if the problem persists.
 - Check for a possible internal NetView error.
- X'8'
 - There is a NetView internal error.
- X'C' or X'10'
 - Be sure the STACK CMDDEF statement in CNMCMD has TYPE=B (both).

- Be sure the STACK command was not issued by user-written code under any task other than OST or NNT.
- Check for a possible NetView internal error.
- X'14' or X'18' or X'1C'
 - There is a possible NetView internal error.
- X'20'
 - There is a NetView internal error.

DSI236I **NCCF TRACE ACTIVATION FAILED:
value NOT AVAILABLE**

Explanation

The NetView trace cannot be activated.

Message Variables

value

The logging method that is not available:

VSAM

Neither the primary nor the secondary data sets are available for logging.

GTF

The generalized trace facility (GTF) is not active.

System action

The NetView trace remains inactive.

Operator response

If you entered TRACE MODE=EXT, activate the DSITRACE task and enter the command again. If you entered TRACE MODE=GTF, start GTF and enter the command again.

DSI237I **COMMAND LIST *cmdlist*
TERMINATED - NULL OPERAND
INVALID FOR GLOBAL COMMAND
LIST STATEMENTS**

Explanation

You cannot code null operands on global command list statements.

Message Variables

cmdlist

The name of the command list.

System action

The NetView program ends the command list. If the command list is part of a nested chain, the error is passed to the command list's predecessor in the chain.

Operator response

Enter the command list with a valid operand. If errors persist, notify the system programmer.

System programmer response

Correct the global command list statements. There can be only one blank or comma between operands. Delete any extra blanks or commas.

DSI238I **command** **COMMAND FAILED,**
INVALID PARAMETER: parameter

Explanation

The command failed because of an incorrect parameter.

Message Variables

command

The command that failed.

parameter

The parameter that is not valid.

System action

The NetView program stops processing the command.

Operator response

Verify that you entered the parameter correctly. If so, notify the system programmer.

System programmer response

Verify that the parameter is valid and that it was entered correctly.

Note: If the parameter is *autotask_name* (from the CNMSTYLE member), it is likely that a function.autotask.xxxxdbMaint definition was removed from the CNMSTYLE member (xxxx is the related component, such as HMON, SMON or SAVE). Until it can be restored, and the NetView program recycled, consider entering the related timer command. For more information, see the CNME2009 command list.

DSI239I **SCREEN SIZES FROM QUERY**
REPLY AND BIND DATA ARE
INCOMPATIBLE. SIZE FROM
QUERY REPLY WILL BE USED

Explanation

The screen size (row and column values) is defined in Query Reply data, but the BIND data does not indicate the 0x0 screen size, which is required when the NetView program uses Query to determine the screen size.

System action

The NetView program initialization continues, using the screen size defined in the Query Reply.

Operator response

Notify the system programmer. If you do not want to use the screen size specified in Query Reply, stop processing until the system programmer resolves the conflict.

System programmer response

Correct the LOGMODE entry that is used for logon so the desired screen size is specified. Bytes 13-20 must be (zero) when the NetView program uses Query to determine the screen size.

DSI240I **task : LOG logtype IS NOW ACTIVE**

Explanation

The network log or trace log has been started and logging begins.

Message Variables

task

The name of the task.

logtype

The network or trace log.

System action

Log recording begins.

DSI241I **NCCF TRACE INACTIVE**

Explanation

The NCCF TRACE is not active. No tracing is being performed. If the NetView program was performing MODE=INT tracing, the NetView program frees the storage for the trace table.

System action

Normal processing continues.

DSI242I **NCCF TRACE ACTIVATION FAILED:**
MACRO macro FAILED WITH
RETURN CODE code

Explanation

The NCCF trace cannot be activated. Note the name of the macro and the return code in order to determine why the trace activation failed.

Message Variables

macro

This can be one of the following:

DSIGET

NetView macro that allocates storage for internal control blocks.

TCBTOKEN

MVS macro to retrieve the TTOKEN for the jobstep task.

DSPSERV

MVS macro that creates the trace data space.

ALESERV

MVS macro that accesses the trace data space.

DSIDYNRS

NetView macro that allows tracking of the trace table usage.

code

This is the return code from one of the macros listed above.

System action

The TRACE command with MODE=INT remains inactive.

Operator response

If the macro name is DSPSERV, the activation might have failed if TRACE END has been issued recently and trace data space is still in use. Wait for a brief interval and then enter the TRACE command again.

For any other failure, notify the system programmer.

System programmer response

Note macro name and the return code. See the following to determine the error:

DSIGET

Dump of NetView address space to determine storage failure.

TCBTOKEN

See *MVS Programming Authorized Assembler Services Reference Volume 4*.

DSPSERV

See the Operator Response. If the operator was not able to successfully start the trace, see *MVS Programming Authorized Assembler Services Reference Volume 1*.

ALESERV

See *MVS Programming Authorized Assembler Services Reference Volume 1*.

DSIDYNRS

Dump of NetView address space to determine failure.

DSI243I

NETVIEW TRACE IS NOW OFF

Explanation

This message is issued one when one or more TRACE options are turned off. If all trace options are turned off, then TRACE becomes inactive.

System action

The trace is turned off.

DSI244I

**NETVIEW TRACE ACTIVE FOR
TASK = *task_list* : MODE =
mode_list, SIZE = *nnn* WITH
OPTIONS = *option_list*, SAF TRACE
= *trace_type* FOR REQUEST TYPES
= *type_list***

Explanation

This message tells you which options and System Authorization Facility (SAF) request types are now active for the specified tasks.

Message Variables

task_list

This value is either ALL, or a list of one or more task names or task types, where the task types are HCT, NNT, OPT, OST, PPT, or MNT. The list is enclosed in parentheses when it contains more than one element.

mode_list

INT, EXT, or GTF.

nnn

The size of the internal storage area in pages. When you log to the external NetView trace log or to GTF, *nnn* is 0.

option_list

A list of the options that are active. The options are separated by blanks. Possible options are:

Option	Meaning
--------	---------

QUE	Intertask queuing of buffers using DSIMQS.
PSS	Presentation services that involve input from and output to the terminal screen using DSIPSS.
DISP	Dispatching of tasks including waiting (DSIWAT), posting (DSIPOS), and dispatching from a wait (resumption of processing from DSIWAT).
STOR	Getting and freeing storage.

UEXIT

Installation exit calls for DSIEX01 through DSIEX19 plus CNM interface input exit, CNM interface output exit, DST INIT exit, VSAM INIT exit, VSAM INPUT exit, and VSAM OUTPUT exit.

MOD

Module entry and exit trace of a subset of the NetView modules.

SAF

Calls made to an SAF product.

TCP

IP related services.

NONE

No options are currently active.

trace_type

ALL, FAILURES, or NONE.

type_list

A list of the SAF request types that are active. The request types are separated by blanks. Possible types are:

Type**Meaning****AUTH**

Check authority to access a resource.

EXTRACT

Retrieve or replace specified fields for RACF profile.

FASTAUTH

Check authority to access a resource.

LIST

Build in-storage profiles for RACF-defined resources.

NONE

No SAF request types are active.

STAT

Determine if RACF is active.

TOKENMAP

Decode or encode a UTOKEN to or from user-readable format.

TOKENXTR

Extract a UTOKEN from the current address space or caller-specified ACEE.

VERIFY

Identify and verify a user at logon.

System action

The NetView trace runs with the indicated options and the indicated SAF request types for the specified tasks.

DSI245I

TRACE COMMAND NOT PROCESSED: PRIOR TRACE

COMMAND COMPLETING FOR

target

Explanation

You issued a second TRACE command before the first one completed processing. You cannot process a second TRACE command while the first one is in progress.

Message Variables**target**

The operator identifier, or the identification of the access method task.

System action

The NetView program does not process this TRACE command.

Operator response

Wait for the first TRACE command to complete, then enter this TRACE command again. If it fails again with the same *task* indicated, notify the system programmer.

System programmer response

Determine why the first TRACE command did not complete.

DSI246I

**NCCF TRACE IS ALREADY ACTIVE:
keyword IS IGNORED**

Explanation

The indicated keyword is only valid for an initial TRACE command.

Message Variables**keyword**

The keyword specified.

System action

The TRACE command ignores the keyword and continues processing.

DSI247I

**NCCF TRACE ACTIVATION FAILED:
DSITRACE TASK NOT ACTIVE**

Explanation

The NetView program does not start the trace because the DSITRACE is not active.

System action

The NetView program does not process the command.

Operator response

Start the DSITRACE task and then enter the TRACE command again. Otherwise, start the TRACE command with MODE=INT.

DSI248I **NCCF STAE/ESTAE FAILED: VSAM FILES MAY NOT BE CLOSED IF ABEND OCCURS**

Explanation

During the initialization of a data services task (DST), the STAE/ESTAE macro failed. VSAM data can be lost if this task abends.

System action

Task initialization continues.

Operator response

Notify the system programmer.

System programmer response

If a user-defined task is involved, ensure that the macro parameter list is defined properly. If a task that is provided by the NetView program is involved, contact IBM Software Support.

DSI249I **NCCF CLOSE OF VSAM FILE=*file* FAILED**

Explanation

The DST task cannot close the indicated VSAM file during a NetView ABEND.

Message Variables

file

The name of the VSAM file that was not closed.

System action

Processing continues.

Operator response

Notify the system programmer.

System programmer response

Ensure that the VSAM file is properly defined.

DSI250I **UNABLE TO START SESSION FOR ACF/VTAM APPLICATION = *applid* OF NCCF IN A FOREIGN DOMAIN**

Explanation

The NetView-NetView authorization table cannot find the application identifier in the BIND parameter.

Message Variables

applid

The application identification

System action

The NetView program does not start the session.

Operator response

Notify the system programmer.

System programmer response

Check the definition of the VTAM application identifier of the NetView program in a foreign domain to ensure it is correct. See *IBM Z NetView Installation: Getting Started*.

DSI251I ***taskid*: DUPLICATE CDRMNAME | NCCFID: *name* FOUND IN THE CDRMNAME-TO-NCCFID TABLE**

Explanation

A CDRMNAME definition statement is repeated.

Message Variables

taskid

The identification of the access method task.

name

The duplicated name.

System action

Processing continues.

Operator response

Notify the system programmer.

System programmer response

Correct the table.

DSI252I ***taskid* : INVALID RECEIVE TYPE FROM ACCESS METHOD RECEIVE REQUEST - CID = *cid*, DATA TYPE = *type***

Explanation

You received information other than data from the access method receive request. The data type (SESSA or TRACE) identifies a session which receives SESSA (session awareness) or TRACE information.

Message Variables

taskid

The identification of the access method task.

cid

The communications identifier provided by VTAM.

type

SESSA or TRACE.

Operator response

Display VTAM session status information to verify that the session for the given CID is valid.

DSI253I *taskid* : INVALID DATA RECEIVED
FROM ACCESS METHOD RECEIVE
REQUEST - CID = *cid*, DATA TYPE =
type

Explanation

You received data type information with no defined destination from the access method receive request. The data type (SESSA or TRACE) identifies a session that receives SESSA (session awareness) or TRACE information.

Message Variables

taskid

The identification of the access method task.

cid

The communications identifier provided by VTAM.

type

SESSA or TRACE.

Operator response

Notify the system programmer.

System programmer response

Verify that the CNM application has defined the CNM data type. The CNM data type can be, for example, session awareness or trace.

DSI254I *taskid* : SHOWCB FOR CONTROL
BLOCK LENGTHS FAILED -
REGISTER 15 = X'*code*' REGISTER
0 = X'*code*'

Explanation

A SHOWCB macro was issued, but failed for the reasons noted by registers 0 and 15 error codes.

Message Variables

taskid

The identification of the access method task.

code

The codes used for problem analysis.

System action

The NetView program ends abnormally with a user code of 3.

Operator response

Notify the system programmer.

System programmer response

Use the error code information to correct the problem. Refer to the appropriate VTAM or VSAM manual for more information.

DSI255I *taskid* : GENCB FAILED FOR *cblock*
- REGISTER 15 = X'*code*'
REGISTER 0 = X'*code*'

Explanation

A GENCB macro was issued for the indicated control block, but failed for the reasons noted by register 0 and 15 error codes.

Message Variables

taskid

The identification of the access method task.

cblock

The following control blocks:

- ACB
- EXLST
- NIB
- RPL

code

The codes used for problem analysis.

System action

If the task type is a NetView subtask, the NetView program continues to run without the indicated subtask. If the task type is the NetView main task, the NetView program ends abnormally with a user code of 11 (X'00B').

Operator response

Notify the system programmer.

System programmer response

Use the error code information to correct the problem. Refer to the appropriate VTAM manual for further information.

DSI256I **taskid: OPEN ACB FAILED - REGISTER 15 = X'code' ACBERROR = X'code'**

Explanation

An OPEN ACB macro was issued, but failed for the reason noted by the error codes.

Message Variables

taskid

The identification of the access method task

code

The codes used for problem analysis

System action

The indicated subtask ends. The NetView program continues to run without the subtask. For VSAM requests the task is not ended.

Operator response

Notify the system programmer.

System programmer response

Use the error code information to correct the problem. Refer to the appropriate VTAM or VSAM manual for more information.

DSI258I **CHANGE FOCAL POINT COMMAND HAS BEEN SENT TO THE *nodeid* FOR *type* DATA**

Explanation

The focal point sent a request to the specified node requesting that the node change its focal point for the specified type of data.

Message Variables

nodeid

The name of the node.

type

The type of data for which the focal point is being changed.

System action

The focal point NetView program sends the request to the node.

DSI259E **CHANGE FOCAL POINT COMMAND FOR *nodeid* FAILED - THE *task* TASK IS NOT ACTIVE**

Explanation

The change focal point command was not sent to the specified distributed host because the *task* task is not active.

Message Variables

nodeid

The name of the distributed host

task

The task that is not active

System action

The change focal point command is not processed.

Operator response

Start the task.

DSI260I **CHANGE FOCAL POINT COMMAND FOR DISTRIBUTED HOST *nodeid* FAILED OUT OF STORAGE**

Explanation

The change focal point command was not sent to the specified distributed host because a request for storage failed.

Message Variables

nodeid

The name of the distributed host

System action

The change focal point command is not processed.

Operator response

Notify the system programmer.

System programmer response

Check the NetView storage and adjust if necessary.

DSI261I **COMMAND *command* (TAG = *tagid*) CANCELED BY *operatorid***

Explanation

You canceled the command. The *tagid* shows which command the operator canceled.

Message Variables

command

The name of the canceled command.

tagid

The tag identifier used in the command.

operatorid

The operator that issued the command.

System action

The NetView program cancels the command.

DSI262I **COMMAND *command* (TAG = *tagid*)
CANCELED BY *operatorid*.
REQUEST ALREADY IN PROGRESS
IN THE NETWORK**

Explanation

You canceled the command. The *tagid* tells you which command was in progress.

Message Variables**command**

The name of the command being canceled.

tagid

The tag identifier used in the command.

operatorid

Identifies the operator that issued the command.

System action

The NetView program issues this message when the network activity for the canceled command is already started. The NetView program ignores any responses for the canceled command.

Operator response

The network command might have caused changes to the device with which it was communicating. Verify any changes made to the device and, if necessary, reset the device using the VTAM command to restart the communications flow.

DSI263I **command FAILED. SYSTEM ERROR
- DSIFIND RETURN CODE = X'*nn*'**

Explanation

The DSIFIND service macro cannot locate a long running command element (LRCE) needed to resume internal processing of a CCP load sequence. Processing cannot proceed without it.

Message Variables**command**

The name of the command that failed

nn

The hexadecimal code for problem analysis.

System action

The command gives a return code of 4 and stops processing.

Operator response

Enter the command again list. If the problem persists, notify the system programmer.

System programmer response

Ensure the command list was not modified since the time CCP generated it. Ensure that you follow the correct sequence of CCPLOADI, CCPLOADT, and CCPLOADF commands. See *IBM Z NetView Programming: Assembler* for more information about the meaning of the DSIFIND return code values.

DSI264I **command FAILED FOR device -
RTNCD = X'*vtamr*cd', FDBK2 =
X'*vtamf*b', SYSTEM SENSE =
X'*vtams*ens', USER SENSE =
X'*code*'**

Explanation

The NetView program issues this message when the command cannot complete successfully because of the error response received on the communications network management interface. The message contains error codes to help the system programmer determine the cause of the problem.

Message Variables**command**

The name of the command that failed.

device

The name of the network device that was specified.

vtamrcd

The VTAM internal return code.

vtamfb

The VTAM internal feedback code.

vtamsens

The VTAM internal sense code.

code

The code used for problem analysis.

System action

NetView processing is ended for the command.

Operator response

Notify the system programmer.

System programmer response

Use the RCFB and SENSE command lists to determine the meaning of the return, feedback, and sense codes. Refer to device-specific documentation for the meaning of the user sense data.

DSI265I *parameter* **PARAMETER INVALID ON command COMMAND**

Explanation

The parameter is missing or not valid on a CCPLOADI, CCPLOADT, CCPLOADF, or CCPDR command. This indicates a user error or an error in a CCP generated command list.

Message Variables

parameter

The name of the incorrect or missing parameter.

command

One of the following commands:

- CCPDR
- CCPLOADF
- CCPLOADI
- CCPLOADT

System action

The command gives a return code of 4 and stops processing.

Operator response

The NetView program allows the command only from a command list. Notify the system programmer that this command list failed and report the exact text of the message.

System programmer response

Ensure that the command list has not been modified since the last time the CCP generated it.

See the NetView online help for an explanation of the parameter requirements for this command. The NetView program allows no optional parameters for these commands. The NetView program requires all defined operands and allows only a certain length for the data parameter. Use a syntactically correct network node name. Allow enough space in the data length for the command.

This message does not show whether the node is defined in the network, or whether the data itself is valid. It is concerned only with how the node, the network, and the data are specified as parameters of the command.

DSI266I **INVALID NUMBER OF PARAMETERS ON *command* COMMAND**

Explanation

There are too many or too few parameters on a CCPLOADI, CCPLOADT, CCPLOADF or CCPDR command. An error occurred when you entered the parameters to a CCP command list, or there is an error in a CCP generated command list.

Message Variables

command

The following commands:

- CCPDR
- CCPLOADF
- CCPLOADI
- CCPLOADT

System action

The command gives a return code of 4 and stops processing.

Operator response

The NetView program allows this command only from a command list. Notify the system programmer that this command list failed and report the exact text of this message.

System programmer response

Ensure that the command list was not modified since the last time it was generated by CCP.

See the NetView online help for an explanation of the parameter requirements for this command. The NetView program allows no optional parameters for these commands. The NetView program requires all defined operands and allows only a certain length for the data parameter. Use a syntactically correct network node name. Allow enough space in the data length for the command.

This message does not show whether the node is defined in the network, or whether the data itself is valid. It is concerned only with how the node, the network, and the data are specified as parameters of the command.

DSI267I **TOO MUCH DATA IN CCPDR SEQUENCE**

Explanation

The CCPDR command has a missing or incorrect parameter. An error occurred when you entered the

parameters, or there is an error in a CCP generated command list.

System action

The command gives a return code of 4 and stops processing.

Operator response

The NetView program allows this command only from a command list. Notify the system programmer that this command list failed and report the exact text of this message.

System programmer response

Ensure the command list was not modified since the last time it was generated by CCP.

See the NetView online help for an explanation of the parameter requirements for this command. The NetView program allows no optional parameters for these commands. The NetView program requires all defined operands and allows only a certain length for the data parameter. Use a syntactically correct network node name. Allow enough space in the data length for the command.

This message does not show whether the node is defined in the network, or whether the data itself is valid. It is concerned only with how the node, the network, and the data are specified as parameters of the command.

DSI268I *command* COMPLETE

Explanation

The NetView program issues this message when the command ends and needs no further processing.

Note: This message tells you that the NetView program has completed the processing and forwarding of a command. This message might mean that the command has executed successfully and achieved the desired result. For example, if you use the MDMCNTL command to change the speed for all remote modems (MODEM=ALLRMT) and the command is accepted by the NetView program, you receive this message only. This message tells you that the command has been forwarded to the remote modems. This message does not confirm that you have changed the speed of the modems.

Message Variables

command

The name of the command.

System action

NetView processing of the command is complete.

DSI269I *command* FAILED. INSTALLATION ERROR

Explanation

The NetView program issues this message when a DSICES or DSIPUSH macro fails under a command processor, or when a REXX error occurs. For example, this message is displayed if one of the commands has RES=Y and the other command has RES=N.

If the procedure for the NetView SSI is specified, then the command cannot be started because the Canzlog data space has not been initialized. Look for message CNM598W for further information.

Message Variables

command

The name of the command that failed

System action

The NetView program ignores the command.

Operator response

Notify the system programmer.

System programmer response

Check for possible errors on the CMDDEF statements for the commands listed and for the internal command DSICYCLF. Ensure that the CMDDEF statement for DSIYOMRP is coded in CNMCMD. Correct all NetView system definition errors.

DSI270I *OUTSTANDING COMMANDS* DISPLAY

Explanation

This is the title line for the response to the DISPCMD command.

System action

Processing continues to produce the requested display.

DSI271I *COMMAND OPERATOR ID/SP TAG*

Explanation

This is the label line for the DISPCMD command.

DSI272I *command operatorid device tagid*

Explanation

This is the data line for DISPCMD output.

Message Variables

command

The name of the command.

operatorid

The operator that issued the command.

device

The keyword value from the command.

tagid

The NetView-assigned identifier for the command.

DSI273I **END OF OUTSTANDING
COMMANDS DISPLAY**

Explanation

This is the end of the response to the DISPCMD command.

DSI274I **COMMANDS FOR 'device' NOT
CANCELED - NONE FOUND**

Explanation

The NetView program generates this message in response to a CANCEMD issued with the ID keyword. It indicates that no outstanding commands were found for the node specified with the keyword.

Message Variables

device

The keyword value from the CANCEMD command.

System action

NetView processing for the command is complete.

DSI275I **DSIGDS DST IS NOT ACTIVE**

Explanation

The NetView program did not start the indicated task or you did not define it properly. A command function that the operator requested requires this task.

System action

The NetView program ignores the related command.

Operator response

Start the task again. If it does not start successfully, notify the system programmer.

System programmer response

Check and modify the task definition. Start the task.

DSI277I **COMMAND WITH TAG = tagid NOT
CANCELED - NOT FOUND**

Explanation

The NetView program generates this message in response to a CANCEMD issued with the TAG keyword. It indicates that the NetView program found no outstanding command with a tag equal to the tag you specified with the TAG keyword.

Message Variables

tagid

The TAG keyword value from the CANCEMD command.

System action

NetView processing for the command is complete.

Operator response

Ensure you specified a valid tag.

System programmer response

Enter DISPCMD to display outstanding commands with their unique identifying tags.

DSI278I **VSE COMMAND 'command' NOT
ALLOWED**

Explanation

The VSE command entered by the OCCF operator was rejected. The OCCF operator cannot issue the MSG NetView-Partition command. It is limited to the system console.

Message Variables

command

The command text that is not valid.

System action

The VSE command is not passed to VSE/OCCF for execution.

DSI279I **command FOR device REJECTED:
ACCESS IS NOT AUTHORIZED**

Explanation

You are not permitted to issue the command because of security definitions that are in effect. You cannot issue a CCPLOADI, CCPLOADT, CCPLOADF, or CCPDR command. The NetView program might issue this message during a CCP-generated command list.

Message Variables

command

The command as it was entered from the command list.

device

The network name specified in the command.

System action

The NetView program gives a return code of 4 and stops processing.

Operator response

If you need to perform the function that failed, notify the system programmer.

System programmer response

Evaluate the operator's requirements and add appropriate security access if required.

DSI280I **command FOR DEVICE device NOT PRECEDED BY A CCPLOADI COMMAND**

Explanation

The NetView program issued a CCPLOADT or CCPLOADF command and did not precede it by a CCPLOADI command. The NetView program issues this command from a CCP-generated command list.

Message Variables

command

The CCPLOADF or CCPLOADT command.

device

The device given on the CCPLOADT or CCPLOADF command.

System action

The NetView program ends the processing of the load sequence and gives a return code of 4.

Operator response

Notify the system programmer that the command list you called failed with this message.

System programmer response

Ensure that the command list has not been modified since the time it was generated by CCP. Ensure that the command list uses the proper sequence of commands.

DSI289I **LOAD SEQUENCE FROM operator1 FOR device INTERRUPTED. LOAD**

SEQUENCE FROM operator2 COMPLETED

Explanation

The first operator's load sequence was interrupted. The second operator's load sequence completed. Several load sequences can process while the first operator's load sequence is interrupted.

Message Variables

operator1

The identification of the operator whose load sequence was interrupted.

device

The name of the device.

operator2

The identification of the operator whose load sequence processed most recently.

System action

The NetView program stops processing and gives a return code of 4.

Operator response

Contact the other NetView operators and coordinate loading the device.

DSI290I **INVALID INVOCATION OF COMMAND command BY OPERATOR/TASK task**

Explanation

You issued a command outside its intended environment. For example, you issued a command that is for NetView internal use, or you issued a command that is not supported by a virtual OST (VOST). The command might be designed for the following purposes:

- To be issued only as an internal function request
- To be issued only from a command list
- Only browser subcommands are permitted if you are browsing the log from the NetView Web interface. You can re-enter your command on the resulting panel or by selecting the Command Line link under NetView Support in the portfolio.
- To serve only as a place-holder entry in CNMCMD to allow for command authorization checking (for example, RUNCMD service point commands)

Message Variables

command

The name of the command processor

task

The operator or task that called the command

System action

The command is not processed.

Operator response

Notify the system programmer.

System programmer response

Ensure that the command name was a correct operator command. Correct the error in the user command list, installation exit routine, or command processor that is queuing the command.

**DSI291I SYSTEM ERROR DURING
COMMAND PROCESSOR
TERMINATION**
Explanation

A logoff or abend routine associated with a long running command element cannot issue a successful DSIFIND command against a data element critical to the requested processing. The NetView program issues this message for failures which cannot relate to a specific command or circumstance identifiable with a message insert.

System action

The NetView program cannot end the processing. This can result in a failure to delete load module DSIYOCMN.

Operator response

Notify the system programmer.

System programmer response

Ensure none of the installation's user-written command processors specify DSIYOTP as the name of a logoff or abend routine.

**DSI292I CHANGE FOCAL POINT COMMAND
FOR DISTRIBUTED HOST *nodeid*
FAILED RETURN CODE X'*retcode*'**
Explanation

The request to change a focal point cannot be sent to the specified distributed node because of the problem specified by the *retcode*.

Message Variables**nodeid**

The name of the distributed node.

retcode

The return code for problem analysis, in hexadecimal form. The value is one of the following:

X'14'

The CMDDEF statement is missing or incorrect for DSIFSOLP in CNMCMD.

X'18'

DSICRTR is inactive.

X'1C'

Insufficient storage.

X'20'

The CMDDEF statement is missing or incorrect for DSICHRSP in CNMCMD.

X'24'

The time-out value exceeds the maximum allowed (86,400 seconds) in DSICTMOD. The time value used is for FOCALPT or CHANGEFP command.

X'28'

The command cannot be issued under a PPT.

Others

NetView internal program error.

System action

The command is not processed and the focal point remains unchanged at the distributed node.

Operator response

Start the DSICRTR task if the return code is X'18', indicating that DSICRTR is not active. If you receive other return codes, notify the system programmer.

System programmer response

Use the return code information to correct the problem. If the error is an internal error, contact IBM Software Support.

**DSI293I FOCAL POINT AUTHORIZATION
FOR *type* DATA HAS BEEN
ACCEPTED BY *nodeid***
Explanation

The specified node has accepted the local NetView program as its focal point for the type of data specified in the message.

Message Variables

type

The type of data for which the focal point is being changed.

nodeid

The name of the node.

System action

Processing continues.

DSI294I **domainid DOES NOT SUPPORT THE REQUESTED TYPE reqtype**

Explanation

The specified distributed host does not support the requested type.

If *reqtype* is ALERT and you entered either a CHANGEFP or FOCALPT CHANGE command to send an NV-UNIQ request to the target node, the target node can be defined to support only the SNA-MDS LU 6.2 alert forwarding protocol. If this is true, the target node rejects the NV-UNIQ request that caused this message to be issued.

Message Variables

domainid

The domain ID of the distributed host.

reqtype

The requested type in CHANGEFP command.

System action

Processing continues and the focal point for the distributed node remains unchanged.

DSI295I **OPTIONAL DATA SERVICE TASK task IS NOT ACTIVE - reporttask**

Explanation

You did not start the task, or you did not define it properly. A command function that you requested requires this task.

Message Variables

task

The name of the needed task.

- reporttask

The name of the task that reports this condition. However, this information might not always be available.

System action

The related command function ends. If the reporting task information is available and it is the CNMICALRT

task, CNMICALRT waits until the required task (DSICRTR, for example) becomes active.

Operator response

Start the indicated task. If it does not start successfully, notify the system programmer.

System programmer response

Ensure the operator properly defined and started the task.

DSI296I **command FAILED. INVALID DATA RECEIVED FROM nodeid**

Explanation

The command failed because the device sent insufficient data or data that was not valid. As a result, the NetView program cannot perform the requested command function.

Message Variables

command

The name of the command.

nodeid

The name of the network device.

System action

The NetView program stops processing for the command.

Operator response

Ensure you specified the *nodeid* correctly.

System programmer response

Ensure the command was used properly. Also ensure you defined the *nodeid* to the network correctly.

DSI297E **INVALID INCLUDE CARD IN MEMBER object. RC = reason**

Explanation

An error occurred while processing a %INCLUDE statement in the specified member. This message can occur during initialization or as a result of the REFRESH command. This message is the first line of a multiline message. The second line is the %INCLUDE statement in error.

Message Variables

object

The name of the member, or the name of an embedded member appears if the error indicated by the message occurred in a member included in

member with a %INCLUDE statement. If multiple levels of embedding occurred within *member*, only the level where the error occurred is specified.

reason

The reason code returned from disk services.

System action

The NetView program ignores the %INCLUDE statement and continues processing if possible.

Operator response

Note the reason code that is displayed and the action that caused the message to be displayed. Contact the system programmer.

System programmer response

If the %INCLUDE statement is not valid, correct it. If the %INCLUDE statement is valid, use the reason code returned by DSIDKS to determine the problem and correct it.

See *IBM Z NetView Programming: Assembler* for an explanation of the DSIDKS reason code.

DSI300I **command CANNOT RUN AS AN IMMEDIATE COMMAND PROCESSOR**

Explanation

You defined the command as TYPE=I or TYPE=B on its CMDDEF statement or on an ADDCMD command. Redefine it as TYPE=R.

Message Variables

command

The name of the command.

System action

The NetView program ignores the command.

Operator response

Notify the system programmer.

System programmer response

Redefine the command as TYPE=R.

DSI301I **command ENDED DUE TO TERMINATION OF TASK *task***

Explanation

This command was in progress when its related data services task ended. The NetView program issues this

message to notify you that the command processing is incomplete.

Message Variables

command

The name of the command being ended.

task

The data services task name.

System action

The command ends.

DSI302I **LOAD SEQUENCE FROM *operator1* WAS REPLACED BY LOAD SEQUENCE FROM *operator2* FOR *device***

Explanation

The NetView program took a load configuration sequence out of the queue and replaced it with a new one entered by your command list for the node.

Message Variables

operator1

The operator that issued the replaced sequence.

operator2

The operator whose sequence replaces the other.

device

The network name of the device being loaded.

System action

The NetView program processes the new load sequence.

DSI303I **command FAILED. INVALID USE OF THE CNMI INTERFACE. MAJOR CODE = *nn* MINOR CODE = *nn***

Explanation

When the DSIZCSMS macro was issued, it produced the indicated return codes. The request that was being processed ends.

Message Variables

command

The name of the failing command.

nn

Decimal codes for problem determination.

System action

The NetView program stops processing the command.

System programmer response

See *IBM Z NetView Programming: Assembler* for an explanation of DSIZCSMS macro return codes. If this request failed because of a user-written command, rewrite the command.

DSI304I **LOAD SEQUENCE COMPLETE FOR DEVICE *device***

Explanation

A CCP-generated load sequence successfully completed.

Message Variables

device

The name of the device that was loaded.

System action

Load sequence processing is complete.

DSI305I **DYNAMIC RECONFIGURATION SEQUENCE COMPLETE FOR DEVICE *device***

Explanation

A dynamic reconfiguration sequence in a CCP-generated command list successfully completed.

Message Variables

device

The name of the device that was loaded.

System action

Processing for the CCPDR sequence is complete.

DSI306I **INVALID INVOCATION OF COMMAND LOGOFF OR ABEND PROCESSOR**

Explanation

The NetView program issues this message if you called the logoff or abend routine incorrectly.

System action

The processing ends.

Operator response

Notify the system programmer.

System programmer response

Ensure that none of the installation's user-written command processors specify DSIYOTP or DSIYCTRM

as logoff or abend routines using the DSIPUSH macro. Also ensure that DSIYOTP and DSIYCTRM are not called as command processors or as resume routines.

DSI307I **NO COMMANDS OUTSTANDING TO DISPLAY**

Explanation

The NetView program generates this message in response to the DISPCMD command. You have no outstanding commands.

System action

The processing of DISPCMD is complete.

DSI308I **NO COMMANDS OUTSTANDING FOR OPERATOR '*operatorid*'**

Explanation

The NetView program generates this message in response to the DISPCMD command. There are no outstanding commands for the specified operator.

Message Variables

operatorid

The operator identifier given in the DISPCMD command.

System action

The processing of DISPCMD is complete.

DSI309I **NO COMMANDS OUTSTANDING FOR '*deviceid*'**

Explanation

The NetView program generates this message in response to the DISPCMD command. There are no outstanding commands for this device.

Message Variables

deviceid

The device named on the DISPCMD command.

System action

The processing of DISPCMD ends.

DSI310I **CCPDR TYPE *type* FOR DEVICE *device* NOT PRECEDED BY A CCPDR TYPE F**

Explanation

The NetView program issued a CCPDR command with the M or L parameter that was not preceded by a

CCPDR with the F parameter. This message might be the result of a CCP-generated command list.

Message Variables

type

The M or L parameter.

device

The name of the device specified on the CCPDR command.

System action

The CCPDR command stops processing and gives a return code of 4.

Operator response

Notify the system programmer.

System programmer response

Ensure the command list has not been modified since it was generated by CCP. Ensure the command list uses the proper sequence of commands. See the NetView online help for the proper sequence of these commands.

DSI331I **command COMPLETE. nn
COMMAND(S) WERE CANCELED**

Explanation

After the referenced command completed, the indicated number of queued commands were canceled.

Message Variables

command

The name of the command.

nn

The number of commands that were canceled.

System action

The system action is determined by the referenced command:

CANCMD

The command completed. The count includes commands canceled both before and after they are sent to the device.

KEEP

A global KEEP timed out. The task indicated by the endcmd.AutoTask statement in the CNMSTYLE member was not available to process commands defined by the ENDCMD parameter.

CLOSE

Command processing during the time indicated by the endcmd.close.leeway statement in the CNMSTYLE member was abruptly ended. This can occur because the time expired or because a second CLOSE command was issued during the leeway period.

DSI335I **command CHANGE FOR ID =
name1 FAILED. VALUE value
INVALID FOR target = name2,
SENSE CODES = X'codes'**

Explanation

The NetView program uses this message to display error feedback from a request to alter or query a line or station attribute. The value indicated is not valid for the line or station named.

Message Variables

command

The name of the command.

name1

The name of the destination network node.

value

The value used on the command.

target

LINE or STATION.

name2

The line or station attached to the network node.

codes

The system sense codes.

System action

Processing of the command ends.

Operator response

Correct the value and enter the command again.

DSI336I **LOAD FAILED FOR NCCF MODULE
module IN object**

Explanation

An attempt to load the NCCF module failed.

Message Variables

module

The NCCF module for which the load failed.

object

The member containing the error, or the name of an embedded member if the error indicated by the message occurred in a member included (%INCLUDE statement) in *member*. If multiple

levels of embedding occurred within *member*, only the level where the error occurred is specified.

DSI337A **YOUR RUNNING COPY OF NETVIEW CONSTANTS MODULE DSICTMOD HAS NOT BEEN UPDATED TO THE CURRENT MAINTENANCE LEVEL.**

Explanation

NetView initialization has detected that your running copy of the NetView constants module (DSICTMOD) does not have the correct length. Your NetView program has undergone maintenance that increased the length of DSICTMOD, but a copy of CNMS0055 has not been updated and run with the new fields to produce the correct level of DSICTMOD.

System action

Initialization stops.

Operator response

Notify the system programmer.

System programmer response

Perform the following steps:

1. Update your customized copy of CNMS0055 from the copy supplied with the NetView program.
2. Assemble a new copy of DSICTMOD.

DSI341I ***command* FAILED FOR ID = *name1*. INVALID *target* = '*name2*', SENSE CODES = X'*codes*'**

Explanation

The command failed because you used a line or station name that is not valid.

Message Variables

command

The name of the command.

name1

The name of the destination network node.

target

LINE or STATION.

name2

The line or station attached to the network node.

codes

The system sense codes.

System action

Processing of the command ends.

Operator response

Notify the system programmer and enter the command again using the correct name.

DSI342I **DEVICE NAME *name1* ON *command* DIFFERENT FROM DEVICE NAME *name2* ON PRECEDING CCPLOADI**

Explanation

The NetView program issues this message when it tries to process a CCPLOADT or CCPLOADF command with a name that is different from the name of the preceding CCPLOADI command. The NetView program might issue this message in response to a CCP-generated command list.

Message Variables

name1

The network name specified on the CCPLOADT or CCPLOADF.

command

CCPLOADT or CCPLOADF.

name2

The network name specified on the CCPLOADI.

System action

The NetView program ends the processing of the load sequence and gives a return code of 4.

Operator response

Notify the system programmer that the command list you used failed with this message.

System programmer response

Ensure the command list was not modified since it was generated by CCP. Ensure that the command list uses the proper sequence of commands and the proper parameters.

DSI343I **DEVICE NAME *name1* ON CCPDR TYPE *type* DIFFERENT FROM DEVICE NAME *name2* ON PRECEDING CCPDR TYPE F**

Explanation

The NetView program issues this message when it calls a CCPDR type M or type L command with a *name* parameter that is different from the preceding CCPDR type F command. The NetView program can issue this message in response to a CCP-generated command list.

Message Variables

name1

The network name specified on the CCPDR type M or L.

type

M or L.

name2

The network name specified on the CCPDR type F.

System action

The NetView program ends the processing of the DR sequence and gives a return code of 4.

Operator response

Notify the system programmer that the command list you used failed with this message.

System programmer response

Ensure that the command list was not modified since it was generated by CCP. Ensure the command list uses the proper sequence of commands and the proper parameters.

DSI345I TEST RESULT RETURNED HAS NO CORRESPONDING EXPLANATION

Explanation

The NetView program issues this message when the device returns a test result code which it cannot identify as one supported by the NetView program.

System action

The NetView program ends processing.

Operator response

Notify the system programmer.

DSI357I command keyword RESTRICTED TO COMMAND LIST USAGE

Explanation

The NetView program issues this message in response to a command that used a keyword restricted to command lists.

Message Variables**command**

The name of the command.

keyword

The keyword in question.

System action

The NetView program stops processing the command.

Operator response

If you need to enter this command, notify the system programmer.

System programmer response

Tell the operator the name of the command list needed to call this command.

DSI358I command FAILED. ID 'nodename' IS status, SENSE CODES = X'sensecode'

Explanation

This message is issued in response to a command whose destination is not valid, is unknown, or not activated.

Message Variables**command**

The name of the command.

nodename

The name of the node entered with the keyword ID. If the message is output from a LAN command, *nodename* is the name of the node entered with the keyword SP.

status

INVALID indicates that the node definition is missing. INACTIVE indicates that the node has not been activated.

sensecode

The system sense code returned with the response.

System action

The NetView program discontinues processing the command.

Operator response

Ensure the resources you specified on the command are correct. If so, notify the system programmer.

System programmer response

Check the resource definition.

DSI359I command SCREEN FORMATTING ERROR: text

Explanation

The NetView program is unable to properly format the panel using the data provided by the data supplier. For example:

- The panel title, wording for the PF keys, data to be placed on the message line, or data to be placed on the command line is too long.
- You requested too many PF key definitions.
- You specified a PF key number that is not valid.

Message Variables

command

The name of the NetView command that established the given session with a remote device.

text

The reason the screen cannot be formatted as specified by the remote device.

System action

The central site control facility reformats the data that is in error according to established procedures. The modified panel is then displayed and processing continues.

Operator response

Purge the *command* VSAM database. If the problem continues, notify the system programmer.

System programmer response

Document the circumstances of the error and contact IBM Software Support.

DSI360I *command* REQUEST IN PROGRESS

Explanation

The *command* request is being processed by the system.

Message Variables

command

The name of the NetView command that established the given session with a target application.

Operator response

Wait until the *command* request completes, or enter NetView commands while waiting.

DSI361I *command* REQUEST CURRENTLY OUTSTANDING FOR SESSION -- REQUEST REJECTED

Explanation

A *command* request is in progress. Another *command* request for the session cannot be entered at this time.

Message Variables

command

The name of the NetView command that established the given session with a target application.

System action

The request is ignored and the original *command* processing continues.

Operator response

You can do one of the following:

- Wait until the first request completes.
- Enter NetView commands while waiting.
- If a panel is currently displayed, press the END PF key to end the *command* session.

DSI362I *command* PANEL TEMPLATE DATA BASE IS FULL

Explanation

The *command* VSAM panel template database is full, and *command* is unable to add any more records.

Message Variables

command

The name of the NetView command that established the given session with a remote device.

System action

Processing continues, although performance might be degraded. The *command* variable cannot store any newly received panel templates in the database, and must request them of the remote device each time they are needed.

Operator response

You can run a PURGE command to remove unwanted panel template data records.

DSI363I *command* ERROR DETECTED BY source. MAJOR CODE = *majcode* MINOR CODE = *mincode*

Explanation

An error related to the central site control facility processing occurred.

Message Variables

command

The name of the NetView command that established the given session with a remote device.

source

The component that detected the problem. This can be the CSCF, PU, or VSAM.

majcode

The major sense code data.

mincode

The minor sense code data.

System action

If the error was detected by the central site control facility (CSCF) or PU, the CSCF ends. If the error was detected by VSAM, the central site control facility continues processing, although performance might be degraded.

System programmer response

Determine the cause of the error based on the major and minor return codes. See the DSIZCSMS return codes in *IBM Z NetView Programming: Assembler*, or refer to the appropriate PU or VSAM manuals for codes for those products.

System errors refer principally to internal CSCF or VSAM errors. If a system error occurred, collect the error documentation and contact IBM Software Support.

Network errors are indicated by SNA sense data from the PU or VTAM. If a network error occurred, correct it and invoke the central site control facility again. This message can be accompanied by message DSI364I, DSI366I, or both.

DSI364I **EXCEPTION DATA FOR MSG**
msgnum. dataname = X'data'

Explanation

This message is written to the network log in conjunction with other messages. It provides further information about the error.

Message Variables

msgnum

The message to which the DSI364I message applies.

dataname

The pertinent identifier to which the exception data applies.

data

The hexadecimal exception data that gives specific information about the error.

Operator response

Notify the system programmer.

System programmer response

System errors refer principally to internal NetView command processor errors or VSAM errors. If a system error occurred, collect the error documentation and contact IBM Software Support.

Network errors are indicated by SNA sense data from the remote device or VTAM. If a network error occurred, correct it and issue the command again.

DSI365I **WARNING: INVALID DATA**
STREAM RECEIVED

Explanation

A data stream that is not valid was received by NetView program.

System action

This message can appear on an operator's screen and in the network log. Either message DSI364I or message BNH621I can accompany this message in order to provide additional information about the error.

Operator response

Notify the system programmer.

System programmer response

Collect the error documentation and contact IBM Software Support.

DSI366I **ADDITIONAL INFORMATION FOR**
MSG DSI416 remotefilename

Explanation

This message always occurs in conjunction with the DWI416I message. The *remotefilename* variable indicates the correct name for the DLA output file defined in the DLA.xml_filename parmin CNMSTYLE.

Message Variables

msgnum

The message number that is associated with this DSI366I message.

description

Additional information.

If this message was issued for the DLA component, the description specifies the xml file name that is required by the Common Data Model.

System action

This message is written to the network log only. It is not displayed on the operator's screen.

Operator response

Notify the system programmer.

System programmer response

If a system error occurred, collect the error documentation and contact IBM Software Support. If a network error occurred, correct it and invoke the central site control facility again.

DSI367I *command* **PANEL ID MISMATCH**

Explanation

The panel ID for the panel template sent from the remote device is not the one expected; it does not match the panel ID sent with the data to be displayed.

Message Variables

command

The name of the NetView command that established the given session with a remote device.

System action

In addition to being displayed on the operator's screen, this message is written to the network log. When it is written to the log, message DSI366I can also be written to provide further information about the error. If a panel is currently displayed, the message is displayed on that panel. If not, *command* ends, and the message is displayed on the command facility screen.

Operator response

Notify the system programmer.

System programmer response

Collect the error documentation and contact IBM Software Support.

DSI368I **AN IMPORTANT MESSAGE HAS BEEN WRITTEN TO THE NETVIEW LOG**

Explanation

An important message was written to the network log to provide information about the error.

System action

Previous messages have been written to the network log.

Operator response

Check the log for the important message. If necessary, notify the system programmer.

System programmer response

Collect the error documentation and contact IBM Software Support.

DSI370I **ALLOCATE COMMAND FAILED, 'ddname' IS ALREADY IN USE**

Explanation

You tried to allocate a file with a DDNAME that is already allocated to the NetView program.

Message Variables

ddname

The DDNAME you specified on the ALLOCATE command.

System action

The NetView program stops processing the command.

Operator response

Verify that you entered the DDNAME correctly. If so, use the LISTA command to display the file currently allocated with the DDNAME.

If the LISTA command shows that the file you are trying to allocate is already allocated, you do not need to issue another ALLOCATE command. If a different file is allocated with the DDNAME you are trying to allocate your file with, either use the FREE command to deallocate the other file, or allocate your file with a different DDNAME.

You can issue the ALLOCATE command without a DDNAME, and the NetView program assigns the file a unique DDNAME. The NetView program issues a message telling you the DDNAME it assigns.

If you are unable to resolve the problem, notify the system programmer.

System programmer response

Verify that the DDNAME is valid and was entered correctly. If the DDNAME conflicts with a required allocation, then allocate the file with a different DDNAME.

DSI371I **ALLOCATE COMMAND FAILED,
MUTUALLY EXCLUSIVE
OPERANDS ENTERED**

Explanation

You entered an ALLOCATE command with operands that cannot be used on the same command. They are mutually exclusive.

System action

The NetView program stops processing the command.

Operator response

Determine which operands are mutually exclusive and enter the command again correctly. If you are unable to resolve the problem, notify the system programmer.

System programmer response

Determine which operands are mutually exclusive.

DSI372I **FREE COMMAND FAILED, 'file' IS
NOT ALLOCATED**

Explanation

You tried to deallocate a file that was not allocated.

Message Variables

file

The DDNAME or data set name specified on the FREE command.

System action

The NetView program stops processing the command.

Operator response

Verify that you entered the DDNAME or data set name correctly. If the file that is not allocated should have been, notify the system programmer.

System programmer response

Determine why the file was not allocated. Possibly, the file was previously deallocated. If the file was allocated with the FREE parameter, it is automatically deallocated when it is closed.

DSI373I **FREE COMMAND FAILED, FILE IS
OPEN**

Explanation

You tried to use the FREE command to free a file that is currently open to the NetView program.

System action

The NetView program stops processing the command.

Operator response

Some NetView files cannot be freed by the FREE command. These files are:

STEPLIB
CNMPNL1
BNJPNL1
BNJPNL2
DSIARPT
DSIASRC
DSICLD
DSILIST
DSILOG
DSIMSG
DSIOPEN
DSIPARM
DSIPRF
DSIVTAM

Other files allocated to the NetView program can be freed before they are opened or after they are closed. Notify the system programmer.

System programmer response

Determine what the file was being used for when the message was issued. Look for a situation where the file is being used by multiple tasks and synchronization is a problem.

DSI374A **THRESHOLD REACHED, *number*
BUFFERS ON MESSAGE QUEUE OF
*task***

Explanation

The threshold for the buffers on the message queue of the specified task was reached or exceeded. The task is receiving messages but not processing them. If the specified task is an OST, the operator might have AUTOWRAP off, might be in a full-screen session, or might have a device problem. If the specified task is a hardcopy task, the printer might require intervention. For other tasks, the task might have had a sudden surge of messages.

Message Variables

number

The number of buffers on the specified task's message queue

task

The name of the task that is not processing its message queue

System action

The NetView program continues normal processing. The specified task's message queue continues to build up.

Operator response

If the specified task is an OST, roll to the command facility panel and turn on AUTOWRAP to allow the messages to be processed. If the specified task is a hardcopy task, take any necessary steps to return the printer to operating order so that processing can continue. For other tasks, monitor the task for more DSI374A messages. If any message queue continues to build, you might want to issue a STOP FORCE command for the task to keep the NetView program from running out of storage.

Notify the system programmer.

System programmer response

The number of messages that can build up on a message queue without causing storage constraints on all NetView processing varies, depending on how much storage beyond the NetView program's normal usage is in the NetView region. You might need to change the default thresholds accordingly. The defaults for the task message queue thresholds are defined in DSICTMOD, which assembles and link-edits the NetView constants module.

Note: Consider routing this message to more than one operator to reduce the risk of the message not being displayed. Route the message using the ASSIGN command or NetView automation.

DSI375I **command FAILED, REQUEST DENIED BY INSTALLATION VALIDATION EXIT**

Explanation

Your ALLOCATE or FREE command was canceled by a user-written, dynamic-allocation, installation-validation exit.

Message Variables

command

ALLOCATE or FREE.

System action

The NetView program stops processing the command.

Operator response

Notify the system programmer.

System programmer response

Determine why the command was rejected by your installation exit.

DSI376I **SUBMIT COMMAND FAILED, RACF AUTHORIZATION FAILED FOR DATASET *dataset***

Explanation

Your SUBMIT command failed because your RACF profile does not allow you to access the data set you are trying to submit.

Message Variables

data set

The name of the data set containing the job or jobs you are submitting.

System action

The NetView program stops processing the command.

Operator response

Notify the system programmer.

System programmer response

Determine whether the user can be allowed to submit the data set. If they can, give the user RACF access to the data set.

DSI377I **LISTCAT OF ACTIVE VSAM DATA BASE FOR *task***

Explanation

This message is the header line for a multiline response to a LISTCAT command entered from an autotask, NetView-NetView session, or the PPT task. VSAM performance and tuning statistics for the data services task specified on the LISTCAT command follow this message.

Message Variables

task

The name of the data services task specified on the LISTCAT command.

System action

Processing continues.

**DSI378I SESSION MONITOR SESSION AND
STORAGE INFORMATION**
Explanation

This message is the header line for a multiline response to a SESSMDIS command entered from an autotask or a NetView-NetView session. Information on network session counts and traffic rate, and session monitor storage usage follows this message.

System action

Processing continues.

**DSI379I DATA SERVICES REQUEST BLOCK
FOR *task***
Explanation

This message is the header line for a multiline response to a DSRBS command entered from an autotask, NetView-NetView session, or the PPT task. Information on data services request block usage for the data services task specified on the DSRBS command follows this message.

Message Variables***task***

The name of the data services task specified on the DSRBS command.

System action

Processing continues.

DSI380I PMX HAS STARTED
Explanation

The PROP/NCCF message exchange (PMX) has started.

System action

PMX starts.

**DSI381I STORAGE FAILURE FOR DSICRTR,
ALERTS WILL NOT BE
FORWARDED**
Explanation

Because of the storage failure, alerts cannot be forwarded to the focal point.

System action

Processing continues without alerts being forwarded.

Operator response

Notify the system programmer.

System programmer response

Determine the cause of the storage failure for DSICRTR.

**DSI382I UNABLE TO SEND DATA TO
focalpt, *n* ALERTS NOT
FORWARDED**
Explanation

The NetView program is unable to forward alerts to the focal point.

When using the SNA-MDS LU 6.2 alert forwarding protocol, and communication has been lost with the alert focal point, the hardware monitor attempts to keep alerts in an alert cache until they can be sent to the focal point. If no cache is defined or if alerts roll off the alert cache before communication with an alert focal point is established, alerts can be lost. When communication is re-established with an alert focal point, these lost alerts cannot be forwarded and this message is issued. Furthermore, if 10 000 alerts are lost, this message is issued and the counter is reset to 0.

Message Variables***focalpt***

The name of the primary or backup target focal point to which alerts cannot be forwarded. When using SNA-MDS alert forwarding and a current alert focal point exists, the name of the focal point is displayed as *netid.nau*. When no focal point exists, ALERTFP is displayed.

n

The number of alerts that have not been forwarded.

System action

Processing continues without alerts being forwarded.

Operator response

Notify the system programmer.

System programmer response

Determine the reason why the alerts cannot be forwarded.

**DSI383I UNABLE TO SEND DATA TO
focalpt1, ALERTS ARE BEING
FORWARDED TO *focalpt2***

Explanation

The NetView program is unable to forward alerts to the target focal point. Alerts are being forwarded to the new primary or backup focal point.

Message Variables

focalpt1

The name of the target focal point to which alerts cannot be forwarded.

focalpt2

The name of the new primary or backup focal point to which alerts are being forwarded.

System action

Processing continues, with alerts being forwarded to the new focal point.

**DSI384I UNABLE TO SEND DATA TO TASK
 task, TASK NOT ACTIVE**

Explanation

An attempt to use the message queuing service (MQS) to queue a buffer from a foreign domain or a NetView subtask to the specified task failed because the task was not active.

Message Variables

task

The name of the task to which the data was being sent

System action

The buffer storage is freed.

Operator response

Determine why the task is not active and if possible, restart it.

**DSI385I ASSIGN COMMAND
 UNSUCCESSFUL - MAXIMUM OF
 255 OPERATORS REACHED**

Explanation

You attempted to assign operators to a message routing group that has reached the maximum size of 255 operators.

System action

If you specified only one operator name on the ASSIGN command, that operator was not added to the message routing group. If you specified more than one operator name, some of the operators might have

been added to the group before the 255 maximum was reached.

Operator response

Notify the system programmer.

System programmer response

If more than one operator name was specified on the ASSIGN command, issue a LIST ASSIGN=GROUP command to determine which operators were not added to the message routing group. In addition, use the LIST command to determine if there are any operator names in the group that can be deleted to free up space for other names you want to add.

**DSI386I NETVIEW RESOURCE
 UTILIZATION hh:mm:ss**

Explanation

This message is a response to a RESOURCE command entered from an autotask, NetView-to-NetView session, or an OST task. The message is the header of a multiline message that displays total complex CPU utilization, NetView CPU utilization, and NetView storage. See the NetView online help for more information about the RESOURCE command.

Message Variables

hh:mm:ss

The current time in hours, minutes, and seconds. The time format depends on the TRANSMSG member, when in effect, and on the time operands of the DEFAULTS and OVERRIDE commands.

System action

Processing continues.

**DSI387I DATA BASE ALLOCATED TO
 'ddname' HAS BEEN CLEARED**

Explanation

RESETDB successfully cleared the VSAM database specified by *ddname*.

Message Variables

ddname

The DDNAME of the VSAM file.

System action

The RESETDB command cleared the VSAM database.

DSI390I PMX IS NOT STARTED

Explanation

The PROP/NCCF message exchange (PMX) was not started.

System action

The related command is rejected.

Operator response

Start PMX and issue the related command again.

DSI391E **AUTHNAME FOR *segname* FAILED**
R15 = *retcode*

Explanation

This message is for VM systems only. The specified segment name was not installed correctly. The NetView program cannot load this module as a discontinuous shared segment under GCS.

Message Variables

segname

The name of the segment that cannot be initialized.

retcode

The register 15 return code from the AUTHNAME GCS service:

- 00000004 indicates that there is already a copy of the shared segment module loaded. Multiple NetView systems share the same copy. This is an informational message only.
- FFFFFFFD indicates the NetView virtual machine is not an authorized GCS machine.
- FFFFFFF8 and 00000008 indicate that *segname* was not installed as a shared segment.
- Other codes indicate possible NetView program errors.

System action

The NetView program ignores the condition and continues processing with limited STOP FORCE and CLOSE IMMED capabilities. The NetView program issues message DSI392E to the authorized message receiver to indicate that a STOP FORCE or CLOSE IMMED command has not completed successfully.

Operator response

Notify the system programmer.

System programmer response

If the register 15 return code is FFFFFFFD, add an AUTHUSER statement to the GCS GROUP definition file and regenerate GCS.

For other register 15 return codes, review the installation procedures for *segname* as a discontinuous shared segment. Verify that the DMKSNT ASSEMBLE file was updated for *segname*. Verify that the GCS GROUP has *segname* defined as a shared segment. For VM, verify that the G5664204 EXEC did not generate error messages for *segname*. Verify that both the CP nucleus and GCS nucleus were regenerated to include the DMKSNT update and GCS group changes. Use the CP DISPLAY command to verify that the SEGNAME shared segment is loaded at the absolute address used when it was loaded during the installation.

If needed, contact IBM Software Support.

DSI392E **UNABLE TO SCHEDULE ABEND**
257 FOR *task*

Explanation

This message is sent to the authorized message receiver. The NetView program was unable to complete processing of a CLOSE IMMED or STOP FORCE command.

Message Variables

task

The name of the task that cannot be ended.

System action

The NetView program ignores the condition and continues processing. This message is issued each time a STOP FORCE is attempted for a task that cannot be stopped.

Operator response

Notify the system programmer.

System programmer response

If message DSI391E was issued when the NetView program was started, see the description of DSI391E for further assistance (enter HELP DSI391). If message DSI391E was not issued when the NetView program was started, there is the possibility of a NetView program error. Check for storage shortage error messages or other indications of damage. It might be necessary to issue a CLOSE DUMP command to diagnose the problem. If needed, contact IBM Software Support.

DSI393I LOCAL OPTION IGNORED, NOT SUPPORTED WITH INSTALLED VERSION OF VM/SP

Explanation

The LOCAL option on the GCS NETVIEW START command does not work on the version of the VM operating system that you have installed.

System action

Processing continues without support of local errors.

Operator response

Notify the system programmer.

System programmer response

Do not specify the LOCAL option on the command.

DSI394I INVALID OPTION(S) SPECIFIED

Explanation

You specified an option on the GCS NETVIEW START command that is not valid.

System action

The NetView program rejects the command.

Operator response

Notify the system programmer.

System programmer response

Correct the command and enter it again.

DSI395I SYSTEM ERROR, PMX START FAIL

Explanation

You tried to start the PROP/NCCF message exchange (PMX) and it failed to start.

System action

The NetView program rejects the command.

Operator response

Notify the system programmer.

System programmer response

Determine the reason for the START command failure.

DSI396I SYSTEM ERROR, NETVIEW START FAIL

Explanation

You tried to start the NetView program and it failed to start.

System action

The NetView program rejects the command.

Operator response

Notify the system programmer.

System programmer response

Determine the reason for the START command failure.

DSI397I INVALID OR MISSING PARAMETERS

Explanation

You entered a NetView command using incorrect parameters.

System action

The NetView program rejects the command.

Operator response

Correct the parameters and enter the command again.

DSI398I APPLICATION PMX PREVIOUSLY STARTED, REQUEST FAILED

Explanation

You tried to start the NetView program or PROP/NCCF message exchange (PMX) while PMX was running.

System action

The NetView program rejects this command and continues to run PMX.

DSI399I APPLICATION NETVIEW PREVIOUSLY STARTED, REQUEST FAILED

Explanation

You tried to start the NetView program or PROP/NCCF message exchange (PMX) while the NetView program was running.

System action

The NetView program rejects this command and continues to run.

DSI400A SECURITY SOFTWARE USER IDENTIFICATION CANNOT BE FOUND, REENTER**Explanation**

The security software rejected your attempt to log on for an operator task. The operator identification entered is not defined to the security software. For other tasks (for example PPT and CNMCSSIR), the task name was not defined to the security software.

System action

The logon is rejected.

Operator response

If you are trying to log on to an operator task, enter the LOGON command again with the correct operator identification, or enter LOGOFF in the operator ID field. If you are trying to log on to the PPT, notify the system programmer.

System programmer response

Add the operator identifier to the security software data set. Verify that the PPT name has been added to the security software data set.

DSI401A SECURITY SOFTWARE PASSWORD IS NOT AUTHORIZED, REENTER**Explanation**

The security software rejected your attempt to log on. The password or password phrase that you entered was not recognized.

System action

The NetView program rejects your logon.

Operator response

Enter the LOGON command again with the correct password or password phrase, or enter LOGOFF in the operator ID field.

Note: If you entered your operator identification correctly, ask the system programmer to correct the security software data set.

System programmer response

Verify the identification and correct the security software data set if necessary.

DSI402I SECURITY SOFTWARE PASSWORD HAS EXPIRED**Explanation**

The security software rejected your attempt to log on. The password or password phrase you entered was recognized, but it has expired.

System action

The logon is rejected.

Operator response

If only one password field is displayed on your logon panel, press the ENTER key to change the password or password phrase. Enter the expired password or password phrase in the PASSWORD field and a new password or password phrase in each of the two NEW PASSWORD fields. The passwords or password phrases that you type into both the NEW PASSWORD fields must be identical. Log on again.

DSI403I SECURITY SOFTWARE FUNCTION REJECTED BY INSTALLATION EXIT**Explanation**

For an operator task, one of the security software installation exits rejected your attempt to log on. For other tasks (for example PPT and CNMCSSIR), the security software installation exit rejected an attempt to create the security environment for this task.

System action

The logon or environment creation attempt is rejected.

Operator response

For an operator task, enter LOGOFF in the operator ID field. Notify the system programmer of the condition.

System programmer response

Correct the condition that caused the installation exit to reject the logon or environment creation attempt.

DSI404I SECURITY SOFTWARE IS NOT ACTIVE**Explanation**

The NetView program rejected your logon, or an attempt to create the security environment with other tasks (for example PPT and CNMCSSIR) failed, because the security software is not active even though you previously indicated security software logon authorization. The security software either has not been activated or has been stopped.

System action

The NetView program rejects your logon or environment creation attempt.

Operator response

Enter LOGOFF in the operator ID field. Notify the NetView operator to activate the security software.

System programmer response

Activate the security software or change the value of SECOPTS.OPERSEC in the CNMSTYLE member, or by using the REFRESH command to specify a value that does not require security software. See *IBM Z NetView Installation: Getting Started* for information about making changes to the CNMSTYLE member.

DSI405I	UNEXPECTED ERROR - REGISTER 15= X'code' SECURITY RC= X'code1'
----------------	--

Explanation

An attempt to log on or for other tasks such as the PPT and CNMCSSIR, an attempt to create the security environment for this task was rejected by the security software. A condition occurred that the NetView program was not prepared to handle with an explicit error message.

Message Variables

code

The return code from the RACROUTE macro.

code1

The return code from the security software.

System action

The NetView program rejects your logon or environment creation attempt.

Operator response

For an operator task, enter LOGOFF in the operator ID field. Notify the system programmer of the code returned in register 15 and of the security software return code.

System programmer response

Refer to the appropriate MVS manual for more information about the RACROUTE and security software return codes.

DSI406I	task : AUTOFLIP=YES INVALID, SECONDARY DATASET NOT ACCESSIBLE
----------------	--

Explanation

AUTOFLIP=YES requires a secondary data set. Either there is no secondary data set or it cannot be opened.

Message Variables

task

The name of the task.

System action

Logging starts as if AUTOFLIP=NO was coded.

Operator response

Notify the system programmer.

System programmer response

Fix the secondary data set if necessary. Otherwise, do not code AUTOFLIP=YES on the LOGINIT statement.

DSI407I	task : SEQUENCE ERROR: 'stmt1' INCORRECTLY PRECEDES 'stmt2'
----------------	--

Explanation

You have entered two control statements in incorrect order.

Message Variables

task

The name of the task.

stmt1

The first control statement.

stmt2

The second control statement.

System action

The NetView program processes the second control statement you entered. The NetView program then processes the first control statement you entered, but the program uses the default parameter values instead of the values you specified.

Operator response

Notify the system programmer.

System programmer response

Correct the order of the control statements.

DSI408I	NCCF MESSAGE <i>msgnum</i> ISSUED WITH STRING INSERT <i>insnum</i> WHICH IS NOT DEFINED
----------------	--

Explanation

The NetView program issues the message and specifies an insert to be defined, but that insert was not found.

Message Variables

msgnum

The number of the message.

insnum

The number of the insert that is not defined.

System action

The NetView program displays this message with &*n* as the insert number, where *n* is in the range of 1–9.

Operator response

Notify the system programmer.

System programmer response

Check the definition in DSIMSG.

DSI409I **TASK DSIPRT COMPLETED
SUCCESSFULLY**

Explanation

The disk log has printed successfully.

DSI410I **DSIPARM MEMBER *member* BEING
USED FOR NETVIEW
AUTOMATION**

Explanation

You receive this message upon completion of the AUTOTBL command or in response to an AUTOTBL STATUS command. The automation table is reloaded when this message is received in response to any AUTOTBL MEMBER= command.

Message Variables

member

The name of the member specified by the AUTOTBL command.

DSI411I **NETVIEW AUTOMATION
INACTIVE**

Explanation

You receive this message in response to an AUTOTBL command or an AUTOCNT command. The NetView automation table function is not being used.

System action

Incoming messages/MSUs are not automated. This does not mean that all processes that began while automation was active have completed, or that storage and ATFs associated with old automation tables have been released.

DSI412I **THE FOLLOWING ERRORS
ENCOUNTERED IN PROCESSING
DSIPARM MEMBER *member***

Explanation

This is the header line for the automation control statement error messages encountered while processing an ASSIGN, AUTOTBL, or AUTOTEST command.

Note: If *member* begins with a question mark (?), the input is being received from a PIPE message stream instead of a DSIPARM data set member.

Message Variables

member

The name of the member specified with the command

System action

The command continues.

Operator response

Notify the system programmer that there are errors in the specified NetView automation member.

System programmer response

Correct the automation statements in error and enter the command again.

DSI415I **END OF *object* ERROR DISPLAY**

Explanation

This is the trailer line telling you that the display of related error messages has ended.

Message Variables

object

The name of the member or file with errors

System action

The command, or the initialization of this code point table, ends.

DSI416I **PROCESSING FAILED FOR
'*command*' COMMAND**

Explanation

The command processing did not complete successfully. There might be additional messages to further describe the failure.

Message Variables

command

The command you entered.

- For the ASSIGN, AUTOTBL, AUTOTEST, or CPTBL command, the previous automation or code point table still resides in storage. Associated messages might indicate the reason for the failure. However, if the command is ASSIGN, AUTOTBL, AUTOTEST, or CPTBL and the table specified in *command* contains no entries, this is the only message you receive.
- For the AUTOTBL command, see the DSI410I or DSI411I message that follows to see the current status.
- For the AUTOTEST command, see the BNH336I or BNH337I message that follows to see the current status.
- For the CNMFTP command, see the DSI366I message that follows for the name of the xml file that is required by the Common Data Model.
- For the TCPCONN or PKTS command, the problem can be that the z/OS Communications Server is not at a high enough level, or is not configured to support these functions.
- For the TASKUTIL command, there was an error in the data collected for the available processors on the system, which persisted for the maximum number of data collection attempts. See the DWO050E message the TASKUTIL command also logged for data from the last collection attempt.
- For the RESOURCE command, there was an error in the data collection that persisted for the maximum number of data collection attempts. See the DWO050E message the RESOURCE command also logged for data from the last collection attempt.

Operator response

Notify the system programmer of the problem.

- For the AUTOTBL command, if the current automation status is unacceptable, reenter the command with another file name or the OFF operand.
- For the AUTOTEST command, use the STATUS operand to find out the status of automation table testing or recording.

- For the TASKUTIL command, reenter the command with a larger value for the DURATION keyword.
- For the RESOURCE command, reenter the command. If the problem persists, the TASKUTIL command and the z/OS Resource Measurement Facility (RMF) may be able to provide much of the information that could not be collected successfully with the RESOURCE command.

System programmer response

Correct the problem indicated by the associated messages. If this message occurs by itself, it can indicate an empty or missing file.

DSI417I *file : seqnum : text*

Explanation

This message displays an automation control statement containing a syntax error. It follows immediately after the message giving the type of syntax error. If the statement is greater than 256 characters, it is truncated.

Message Variables

file

The name of the file that contains the entry in error.

seqnum

For an automation table, this is the 8-character sequence number field of the first record of the automation statement that generated this error. For a message revision table, this is the line number within the file where the error was detected.

text

The control statement containing a syntax error. READSEC authority checking is performed before this message is issued. If the operator is not authorized to access the automation table member in DSIPARM, *text* is replaced by 'suppressed'.

Note: For a message revision table, this text might include information from multiple lines.

System action

The command continues.

Operator response

Notify the system programmer.

System programmer response

Correct the automation control statement containing the error.

DSI418I **TOO MANY *exittype* EXITS
DEFINED. EXTRA EXIT
DEFINITIONS IGNORED****Explanation**

Too many exits of the specified type are defined. You can define a maximum of 10 exits for a specific exit type for each task.

Message Variables***exittype***

The type of exit.

System action

Only the first 10 exits of the specified type are defined. The NetView program ignores the additional exits.

Operator response

Notify the system programmer.

System programmer response

Define only 10 exits of the specified type.

DSI421I ***command* FAILED FOR ID = *node*,
STATION = *device*****Explanation**

The command has failed for the device owned by the specified node. Message DSI422I or DSI428I follows with error text which gives the reason for the failure.

Message Variables***command***

The name of the command as it was entered.

node

The name of the node that issues the command to the station.

device

The PU name of the end-use device associated with the modem pair.

System action

Processing continues and the command request is not run.

Operator response

Respond according to the associated message DSI422I or DSI428I.

DSI422I ***codetype* CODE = X'*code*' REASON
= *errortext*****Explanation**

This is the failing reason code and text for the command specified in the associated message DSI421I.

Message Variables***codetype***

SENSE or RETURN.

code

The sense or return code received in the modem response.

errortext

A brief explanation of the failure.

System action

Processing continues and the NetView program ignores the command.

Operator response

A corresponding recovery message, DSI423I, follows if more information is available.

DSI423I **RESPONSE = *responsemsg*****Explanation**

This is the message associated with the error recovery action. It is preceded by DSI421I and DSI422I which explain the error.

Message Variables***responsemsg***

A brief explanation of recovery procedures.

System action

Processing continues and the NetView program ignores the request.

Operator response

See the *responsemsg* to determine the response to the failure.

DSI424I ***command* DISPLAY FOR ID = *node*,
STATION = *device*****Explanation**

This is the initial message for the command display message.

Message Variables***command***

The name of the command as it was entered.

node

The name of the node that issues the command to the station.

device

The PU name of the end-use device associated with the modem pair.

System action

Processing continues. The NetView program supplies additional messages with specific information about the command request.

DSI428I **SENSE = X'codes' REASON =
errortext**

Explanation

This is the failing sense code and text for the command specified in the associated message DSI421I. This indicates that the request failed because the using node detected an error specified by the sense code.

Message Variables**codes**

The system sense and modifier sense returned in the error reply subvector or negative response.

errortext

A brief explanation of the failure.

System action

Processing continues and the NetView program ignores the request.

Operator response

Notify the system programmer.

System programmer response

Refer to the appropriate VTAM manual for the explanation of the system sense and modifier sense codes.

DSI430I **field1 INCOMPATIBLE WITH field2
field3**

Explanation

The request failed because you entered an incompatible value in the field. This message is displayed on the change screen with the incompatible field highlighted. The modem configuration does not change.

Message Variables**field1**

The value you entered for *field1*.

field2

The value you entered for *field2*.

field3

The value you entered for *field3*.

System action

Processing continues and the NetView program ignores the command.

Operator response

Check that the correct values are in the change fields. If they are correct, notify the system programmer.

System programmer response

Determine the correct values.

DSI431I **INVALID FIELD HIGHLIGHTED,
CONFIGURATION NOT UPDATED**

Explanation

The request failed because you entered a value that is not valid in a field. This message displays on the change screen with only the field that is not valid highlighted. The modem configuration does not change.

System action

Processing continues and the NetView program ignores the command.

Operator response

Check that the correct values are in the changed fields. If they are correct, notify the system programmer.

System programmer response

Determine the correct values.

DSI432I **MODEM CONFIGURATION
disposition**

Explanation

This message indicates whether the request was successful.

Message Variables**disposition**

The state of the configuration.

UPDATED

The configuration was updated.

NOT UPDATED

The configuration was not updated.

DSI433I INVALID PANEL COMMAND

Explanation

The request failed because you entered a value that is not valid in the command field. This message displays on the change screen with only the field that is not valid highlighted. The modem configuration does not change. The only valid command for this screen is CANCEL.

System action

Processing continues and the NetView program ignores the request.

Operator response

Check that the correct command is in the command field. If it is correct, notify the system programmer.

System programmer response

Determine the error and correct the command.

**DSI434I DEFAULT VALUES RETURNED BY
MODEM FOR UNRELIABLE FIELDS**

Explanation

The modem found unreliable data in the RAM when retrieving information that was to be returned for the read configuration command. Rather than return this information, the modem uses the default values found in the ROM.

System action

Processing continues.

Operator response

If this is a change configuration command, update the fields and send them back to the modem.

**DSI435I *command* COMMAND ENDED DUE
TO *stringinsert***

Explanation

The command ended because of the reason given in the string insert.

Message Variables***command***

The name of the failing command.

stringinsert

The reason for the failure.

System action

Processing stops.

Operator response

If another *command* is in progress, wait until it ends and enter the command again. If there is not another *command* in progress, enter the command again. If the second attempt fails, notify the system programmer.

System programmer response

If this is a change configuration command, the fields can still be updated and sent back to the modem. Collect the problem determination data and contact IBM Software Support.

**DSI436I INFORMATION DISPLAYED MAY
NOT BE FROM REQUESTED
MODEM**

Explanation

The NetView program is unable to determine whether the returned information came from the request modem. It might have come from a modem on a link segment level before the requested level.

System action

Processing continues.

Operator response

Check the same modem (local or remote) on the link segment level before this one. If it is idle, configure that modem first. If it is running, go back to the original modem and configure it in spite of the message.

System programmer response

If the second modem is idle, define configuration for that modem.

**DSI437I MODEM COMMAND INTERCEPTED
BY WRONG MODEM**

Explanation

The modem command that the NetView program sent out was intercepted by another modem on the link. That modem does not know its own address and assumes that any command it receives is meant for itself.

System action

The processing of this command stops.

Operator response

If the modem you requested is local, level 2, configure the remote, level 1 modem first. If it is remote, level 1, configure the local level 1 modem first. If it is remote, level 2, the modem you need to configure is either the local, level 1 modem or the local, level 2 modem.

System programmer response

Define configuration for the modem that needs an address.

DSI439I **TOO MANY DIGITS IN PHONE NUMBER(S)**

Explanation

The phone numbers that you entered are too long for the modem to use. The maximum number of digits a modem can handle is 33 when you enter one phone number. If you specify two numbers, the range is 16 to 32, depending on how many digits of the prefix are identical. The more digits of the prefix that are the same, the longer the number can be. The combination of the prefix and extensions must be less than 33.

System action

Processing continues and the command is ignored.

Operator response

Ensure you have entered the correct phone numbers. If the phone numbers are correct, notify the system programmer that the modem cannot accept the phone numbers.

System programmer response

If the phone numbers are correct, change them so that the modems can communicate over the switched lines.

DSI443I **COMMAND REJECTED - TOO MANY OPERANDS**

Explanation

You specified too many operands on the command.

System action

The NetView program ignores the command.

Operator response

Enter the command again with the correct number of operands. For command descriptions, see the NetView online help.

DSI444I **SESSION BETWEEN APPLID=*applid* AND SRCLU=*srclu*, SESSID=*sessionid*, COULD NOT BE ENDED**

Explanation

The previously entered BGNSESS command did not complete for the specified terminal access facility operator-control session.

Message Variables

applid

The application identifier.

srclu

The name of the logical unit.

sessionid

The session identifier.

System action

The NetView program ignores the command and processing continues.

Operator response

Wait for session establishment processing to complete, then enter the command again.

DSI445I ***macro* FAILED. REGISTER 15 = X'xxxxxxxx' REGISTER 0 = X'yyyyyyyy'**

Explanation

This error can be caused by either of the following:

- The VTAM *macro* macro failed while a terminal access facility session was starting.
- The MVS *macro* macro failed during a GETCONID, MVS, or RELCONID command.

Message Variables

macro

The name of the macro that failed.

xxxxxxxx

The return code from register 15.

yyyyyyyy

The reason code from register 0.

System action

The session does not start and the command does not continue.

Operator response

Notify the system programmer.

System programmer response

For the meanings of the return codes, refer to the appropriate VTAM and MVS manuals.

DSI446I **INCOMPATIBLE OPTION: 'option' SPECIFIED WITH 'keyword' KEYWORD**

Explanation

On a BGNSESS command, you entered an option that is incompatible with the session type, such as D or INT. These options, for example, are not valid for an operator-control session. Or you specified the DEFER option with the TEXT operand on a BGNSESS command for a full-screen session.

Message Variables

option

A choice of keyword or parameter.

keyword

The keyword specified.

System action

The NetView program ignores the command.

Operator response

Enter the command correctly. For a description of the command keywords, see the NetView online help.

DSI447I **NO *sesstype* SESSIONS ARE ACTIVE**

Explanation

You tried one of the following:

- To end operator-control or full-screen terminal access facility sessions, but none were active
- To display operator-control, full-screen, or all terminal access facility sessions, but none were active.

Note: If you enter the LISTSESS command with no operands and no sessions are active, the message received is NO TAF SESSIONS ARE ACTIVE.

Message Variables

sesstype

The type of session, which is:

- OPCTL for operator-control
- FLSCN for full-screen
- TAF if no sessions are active.

System action

Processing continues.

DSI448I **COMMAND REJECTED - REQUIRED KEYWORD OR OPERAND MISSING**

Explanation

A required keyword or operand was missing on a terminal access facility command.

System action

The NetView program ignores the command.

Operator response

Enter the command correctly. For a description of the command, see the NetView online help.

DSI449I **ALL *sesstype* SESSIONS ENDING**

Explanation

You entered an ENDSSESS command to end all terminal access facility sessions for operator control (ENDSESS OPCTL,ALL) or full-screen (ENDSESS FLSCN,ALL).

Message Variables

sesstype

The type of session:

- OPCTL for operator-control
- FLSCN for full-screen.

System action

The specified sessions are in the process of ending. Message DSI496I is sent for each session that is successfully ended.

DSI450I **DUPLICATE KEYWORD '*keyword*'**

Explanation

You entered the specified keyword twice in the same command.

Note: For the BGNSESS command, VIGIL and interrupt (INT) call the same function. Therefore, if you coded both of these keywords, remove INT.

Message Variables

keyword

The keyword specified.

System action

The NetView program ignores the command.

Operator response

Correct the error and enter the command again.

DSI451I **INCORRECT LENGTH OF OPERAND**
'operand' - COMMAND IGNORED

Explanation

The *operand* you specified on a command is too short or too long.

Message Variables**operand**

The name of the operand.

System action

The NetView program ignores the command.

Operator response

Check the *operand* and enter the command again.

DSI453I **COMMAND REJECTED -**
TERMINATION IN PROGRESS FOR
SESSION BETWEEN
APPLID=*applid* AND SRCLU=*srclu*

Explanation

You entered a BGNSSESS command to begin a session between the specified application and logical unit when the specified session was in the process of ending.

Message Variables**applid**

The application identifier.

srclu

The name of the logical unit.

System action

The NetView program ignores the BGNSSESS command.

Operator response

If you need to restart the session, wait until the existing session ends and you receive message DSI496I.

DSI454I

***object=identifier* SPECIFIED FOR**
***command* COMMAND IS NOT**
AUTHORIZED FOR THIS
OPERATOR

Explanation

You are not authorized to access the specified application or logical unit.

Message Variables**object**

APPLID or SRCLU.

identifier

The application identifier, or the name of the logical unit.

command

The name of the command.

System action

The NetView program ignores the command.

Operator response

If you need to enter the command, notify the system programmer.

System programmer response

Evaluate the operator's requirements and add appropriate security access if required.

DSI455I **SESSION BETWEEN**
APPLID=*applid* AND SRCLU=*srclu*
HAS BEEN DEFERRED

Explanation

The establishment of the specified terminal access facility session is deferred until the destination system chooses to initiate the session. This is the expected response.

Message Variables**applid**

The application identifier.

srclu

The name of the logical unit.

System action

Processing continues. The session is established when initiated by the destination system.

DSI456I **RESUMING SESSION FOR APPLID**
= '*applid*', REDUNDANT '*keyword*'
IGNORED

Explanation

You specified one of the keywords LOGMODE, TEXT, or DEFER on a BGNSESS command for a session that is already active.

Message Variables

applid

The application identifier.

keyword

LOGMODE, TEXT, or DEFER.

System action

The session resumes, but the value specified for *keyword* is ignored.

DSI457I **SESSION BETWEEN
APPLID=*applid* AND SRCLU=*srclu*
COULD NOT BE ENDED**

Explanation

The previously entered BGNSESS command did not complete for the specified terminal access facility full-screen session.

Message Variables

applid

The application identifier.

srclu

The name of the logical unit.

System action

The command is ignored and processing continues.

Operator response

Wait for session establishment processing to complete, then enter the command again.

DSI458I **STORAGE REQUEST FAILED FOR
NCCF**

Explanation

There is not enough storage for the terminal access facility to start a new session, to keep the current session active, or to perform the requested function.

System action

The session does not start or end, or the session continues without the requested function being processed.

Operator response

If the session is ended, restart the session at a later time. If you receive this message again, notify the system programmer.

System programmer response

Check the NetView storage, and increase it if necessary.

DSI459I **-RTNCD= X'*vtamrcd*' -FDBK2=
X'*vtamfb*'-SENSE= X'*vtamsens*'**

Explanation

This message follows messages DSI467I, DSI487I, DSI497I, and DSI499I. It contains RPL error codes to help the system programmer determine the cause of the problem.

Message Variables

vtamrcd

The VTAM internal return code.

vtamfb

The VTAM internal feedback code.

vtamsens

The VTAM internal sense code.

Operator response

Notify the system programmer.

System programmer response

Use the RCFB and SENSE command lists to determine the meaning of the return/feedback and sense codes. See the device-specific documentation for the meaning of the user sense data.

DSI460I **CANNOT SEND DATA TO
APPLID=*applid* - AWAITING
OUTPUT ON THAT SESSION**

Explanation

You tried to send full-screen data to the destination logical unit when the destination logical unit was not ready.

Message Variables

applid

The application identifier.

System action

The NetView program ignores the data.

Operator response

Try sending the full-screen data again. If you continue to receive this message, notify the system programmer.

System programmer response

Determine why the destination logical unit is not ready, and correct the problem.

DSI461A **SRCLU = *srclu* UNABLE TO ACCEPT A SESSION FROM APPLID = *applid*, SENSE = X'sense'**

Explanation

An application attempted to start a session between the specified application and logical unit. The application is not known to the terminal access facility (TAF) because an unsupported alias was used on the BGNSESS command or because the session start-up was not initiated by a BGNSESS command.

Message Variables

srclu

The name of the logical unit.

applid

The application identifier.

sense

The sense code TAF used to reject the bind.

System action

The NetView program ignores the request.

Operator response

Use the LISTSESS command to display your TAF sessions. Use the ENDSSESS command to end sessions listed as STATUS INACT. Notify the system programmer.

System programmer response

Determine the cause of the problem by looking up the meaning of the sense code and by checking the APPL definition statements for the SCRLU. If the sense code is X'080F', the minor node names defined for the TSO application might not be a derivative of the major node name that you used to define the TSO application. See the *IBM Z NetView Installation: Configuring Additional Components* for more information.

DSI462I **UNABLE TO START SESSION FOR APPLID=*applid* DUE TO INVALID BIND PARAMETERS**

Explanation

The specified application sent BIND parameters that are not valid to the source logical unit specified by SRCLU in the BGNSESS command.

Message Variables

applid

The application identifier.

System action

The session does not start.

Operator response

Ensure that the logmode name specified in the BGNSESS command is correct. If it is correct, notify the system programmer.

System programmer response

Check that the logmode name specified in the BGNSESS command is the correct logmode entry. Also check the APPL definition for *applid*. Be sure that, for a full-screen session, an LU type-2 SRCLU is specified; and that for an operator-control session, an LU type-1 SRCLU is specified. An SRCLU cannot be used simultaneously for OPCTL and FLSCN sessions.

DSI463I **A SESSION HAS BEEN STARTED TO APPLID=*applid* FROM SRCLU=*srclu***

Explanation

You entered the BGNSESS command, and a session was successfully started between the specified application and logical unit.

Message Variables

applid

The application identifier.

srclu

The name of the logical unit.

System action

The session is established.

Operator response

For an operator control session (BGNSESS OPCTL), enter the desired SENDSESS commands for the specified application.

DSI464I **CANNOT SEND DATA TO SESSID=*sessionid* - AWAITING OUTPUT ON THAT SESSION**

Explanation

You entered a second SENDSESS command for the same session before the response was received from the first SENDSESS command.

Message Variables

sessionid

The session identifier.

System action

The NetView program ignores the second SENDSESS command.

Operator response

Wait until you receive a response to the first SENDSESS command, and then enter the second SENDSESS command again. If you do not receive a response, enter SENDSESS *sessionid*, * to send an attention to the subsystem.

DSI465I **SESSION NOT STARTED - TOO
MANY SESSIONS FOR
SRCLU=*srclu***

Explanation

A source logical unit (SRCLU) can have a maximum of 30 operator-control sessions, and 1500 full-screen sessions. You entered a BGNSESS command that exceeds this limit.

Message Variables

srclu

The name of the logical unit.

System action

The NetView program ignores the BGNSESS command.

Operator response

For a full-screen session, enter an ENDSSESS command to end some of the existing sessions if you require a new session. For operator-control sessions, enter the BGNSESS command again, specifying a new SRCLU.

DSI466I **COMMAND REJECTED - FLSCN
SESSIONS CANNOT BE STARTED
IN THIS WAY**

Explanation

You entered a BGNSESS FLSCN command from a task other than an operator station task (OST). One of the following has occurred:

- You tried to route the BGNSESS command to another domain.
- You used the AT, EVERY, or AFTER command to schedule BGNSESS under the primary POI task (PPT).
- A command list containing BGNSESS was running under the PPT.

System action

The NetView program ignores the BGNSESS command.

Operator response

Enter the BGNSESS command in the correct manner. If you continue to receive this message, notify the system programmer.

System programmer response

Remove any BGNSESS FLSCN commands from command lists that run under the PPT.

DSI467I **ALL SESSIONS ORIGINATING
FROM SRCLU=*srclu* ARE LOST,
RECEIVE FAILED**

Explanation

The SYNAD installation exit routine detected an error on a session that is associated with the specified logical unit. Message DSI459I follows this message and contains RPL and sense information.

Message Variables

srclu

The name of the logical unit.

System action

All sessions to the specified *srclu* are stopped.

Operator response

Notify the system programmer.

System programmer response

Refer to the appropriate VTAM manual to interpret the sense and RPL codes from message DSI459I.

DSI468I **SESSION TO APPLID=*applid* NOT
ACTIVE**

Explanation

You entered a RTRNSESS command for an inactive full-screen session.

Message Variables

applid

The application identifier.

System action

The NetView program ignores the request.

Operator response

Use the BGNSESS FLSCN command to start the session and then enter the command again. If you have already entered the BGNSESS command to start this session and the subsystem sends a "good morning" message, wait until you receive message DSI493A before entering full-screen commands. If the subsystem does not send a "good morning" message, then enter the RTRNSESS command again after you have received message DSI463I.

DSI469I ALL SESSIONS ORIGINATING FROM SRCLU=*srclu* ARE LOST, SRCLU VARIED INACTIVE

Explanation

The network operator inactivated the specified logical unit.

Message Variables

srclu

The name of the logical unit.

System action

All sessions to the specified logical unit end.

DSI470I TEXT MISSING OR INVALID

Explanation

You entered a SENDSESS command without any text, with text longer than 255 characters, or with text that is not valid.

System action

The NetView program ignores the SENDSESS command.

Operator response

Enter the SENDSESS command again, including the text to be sent to the subsystem.

DSI471I SESSION SESSID=*sessionid* NOT ACTIVE

Explanation

You tried to send data to an operator-control session that is not active or is in the process of beginning or ending.

Message Variables

sessionid

The session identifier.

System action

The NetView program ignores the command.

Operator response

Use the BGNSESS OPCTL command to start the session and then enter the command again. If you have already entered the BGNSESS command to start this session, wait until you receive message DSI463I before sending commands to the session. If you have entered the ENDSSESS command and now wish to send more data, wait until you receive message DSI496I stating that the session has ended completely. Enter the BGNSESS and SENDSESS commands again.

DSI472I OPEN ACB FAILED. SRCLU=*srclu* IS ALREADY IN USE

Explanation

The session cannot be started because another operator is using this logical unit.

Message Variables

srclu

The name of the logical unit

System action

The session does not start.

Operator response

Enter the BGNSESS command again, specifying another SRCLU. If no other SRCLU is available, notify the system programmer.

System programmer response

If necessary, define another SRCLU to VTAM.

DSI473I SPECIFIED NAME SESSID = '*sessionid*' INVALID

Explanation

You entered a SENDSESS command for an session that is not valid. That is, the specified *sessionid* might be more than eight characters.

Message Variables

sessionid

The session identifier.

System action

The NetView program ignores the SENDSESS command.

Operator response

Check the session identifier you specified and enter the SENDSESS command again, specifying a valid session.

DSI474I **command COMMAND SELF-TERMINATED BY RESET COMMAND**

Explanation

You entered a RESET command while a terminal access facility command was being processed. The terminal access facility command ended processing.

Message Variables

command

The name of the command.

System action

The command stops itself, allowing the next command to run.

DSI475I **OPEN ACB FAILED. ACBERFLG = X'code' APPLID = 'applid', LU = 'luname'**

Explanation

The ACB for the specified logical unit cannot be opened. A session cannot be started to the specified application. The reason for the failure is specified by ACBERFLG. Following are two of the most common ACBERFLG settings:

Setting

Meaning

X'5A'

SRCLU is not defined to VTAM or the major node is inactive.

X'5C'

SRCLU is inactive.

Message Variables

code

The code used for problem analysis.

applid

The application identifier.

luname

The name of the logical unit.

System action

The NetView program does not start the session.

Operator response

Notify the system programmer.

System programmer response

If ACBERFLG is X'5A', define the logical unit to VTAM or activate the major node. If ACBERFLG is X'5C', activate the logical unit. If ACBERFLG is not one of the codes shown above, refer to the appropriate VTAM manual for the code meaning.

DSI476I **macro FAILED. REGISTER 15= X'code' REGISTER 0= X'code' APPLID=applid, SRCLU=srclu**

Explanation

The specified access method macro or the NetView DSIPSS macro failed on a session between the specified application and logical unit. The return codes in registers 0 and 15 are shown. For DSIPSS, only the return code in register 15 is meaningful.

Message Variables

macro

The name of the failing macro instruction.

code

The codes used for problem analysis.

applid

The application identifier.

srclu

The name of the logical unit.

System action

The session ends.

Operator response

Notify the system programmer.

System programmer response

For the meaning of the access method return codes, refer to the appropriate VTAM manual, depending on which system you use for your installation.

For the meaning of the register 15 return code for DSIPSS, see *IBM Z NetView Programming: Assembler*.

DSI477I **SYNTAX ERROR**

Explanation

You entered a terminal access facility command incorrectly.

System action

The NetView program ignores the command.

Operator response

Correct the command and enter it again. For the correct command syntax, see the NetView online help.

DSI478I	CANNOT END SESSION <i>object=identifier</i> - TERMSESS NOT SCHEDULED - REGISTER 15= X'<i>code</i>' REGISTER 0= X'<i>code</i>'
----------------	--

Explanation

You entered the VTAM TERMSESS macro for a session and were not successful. The return codes in registers 0 and 15 are shown.

Message Variables

object

APPLID or SESSID.

identifier

The application or session identifier.

code

The codes used for problem analysis.

System action

The NetView program removes the remaining session control information from its internal tables. The tables are reset to allow subsequent BGNSESS commands to be attempted.

Operator response

Notify the system programmer.

System programmer response

Refer to the appropriate VTAM manual for the meaning of the return codes. It might be possible to restart the session.

DSI479I	DATA RECEIVED ON FULL SCREEN SESSION FROM APPLID=<i>applid</i>
----------------	---

Explanation

Data was received from the specified application on a disconnected full-screen session.

Message Variables

applid

The application identifier.

System action

The NetView program saves the data for you.

Operator response

If you wish to see the data that was sent, enter a RTRNSESS command to reconnect the session.

DSI481I	COMMAND REJECTED - A SESSION USING SESSID=<i>sessionid</i> ALREADY EXISTS
----------------	--

Explanation

You entered a BGNSESS OPCTL command using a session identifier that is already in use.

Message Variables

sessionid

The session identifier.

System action

The NetView program ignores the BGNSESS command.

Operator response

Enter the BGNSESS command again with another SESSID, or enter the ENDESS command to end the previous session and enter the command again.

DSI482I	CMDMDL STATEMENT IS MISSING OR IN ERROR FOR INTERNAL COMMAND <i>command</i>
----------------	--

Explanation

The CMDMDL for the specified command is in error or was not coded.

Message Variables

command

The name of the internal command.

System action

Processing stops.

Operator response

Notify the system programmer.

System programmer response

Ensure the CMDMDL statement for the specified command is coded correctly. See the *IBM Z NetView Administration Reference* for information on coding the CMDMDL statement.

DSI483I **NO SESSION EXISTS TO *object* = '*identifier*'**

Explanation

You entered a LISTSESS command, but the specified session is not active.

Message Variables

object

APPLID or SRCLU.

identifier

The application identifier, or the name of the logical unit.

System action

The NetView program ignores the command.

Operator response

Check that you specified the correct application or logical unit and enter the command again.

DSI484I **NO *sesstype* SESSION ACTIVE TO *object* = '*identifier*'**

Explanation

You entered the ENDSSESS or SENDSESS command for an inactive or nonexistent session.

Message Variables

sesstype

The type of session:

- OPCTL for operator-control
- FLSCN for full-screen.

object

APPLID or SESSID.

identifier

The application or session identifier.

System action

The NetView program ignores the command.

Operator response

Check the APPLID or SESSID value that you specified on the command and enter the command again using the correct value.

DSI485I **COMMAND REJECTED - NO SESSIONS ARE ACTIVE**

Explanation

You entered the SENDSESS command, but no sessions are active.

System action

The NetView program ignores the command.

Operator response

Start the session using the BGNSSESS command. For information on the BGNSSESS command, see the NetView online help.

DSI486I **INVALID OPERAND OR KEYWORD '*value*'**

Explanation

The specified operand or keyword is not valid.

Message Variables

value

The value specified

System action

The NetView program ignores the command.

Operator response

Correct the error and enter the command again.

DSI487I **SESSION APPLID=*applid* SRCLU=*srclu* SESSID=*sessionid* ENDING. *macro* FAILED**

Explanation

The specified access method *macro* failed and session *sessionid* ends. Additional error information is contained in message DSI459I, which follows this message.

Message Variables

applid

The application identifier.

srclu

The name of the logical unit.

sessionid

The session identifier.

macro

The name of the failing macro instruction.

System action

The specified session ends.

Operator response

Try to restart the session. If you are unsuccessful, notify the system programmer.

System programmer response

Refer to the appropriate VTAM manual to interpret the RPL and sense information displayed in message DSI459I.

DSI488I **SESSION BETWEEN
APPLID=*applid* AND SRCLU=*srclu*
COULD NOT BE ESTABLISHED**

Explanation

The specified session cannot be established. The terminal access facility network services installation exit routine was entered and sent this message.

Message Variables

applid

The application identifier

srclu

The name of the logical unit

System action

The NetView program does not establish a session and begins to free the control blocks and storage.

Operator response

Start the session again. If it fails a second time, notify the system programmer.

System programmer response

Check the logmode session parameters. The application ran out of storage, or the application specified with the *applid* keyword is not active.

DSI489I **EXPECTED OPERAND OR
KEYWORD '*value*' MISSING**

Explanation

You did not include a required operand or keyword in a command.

Message Variables

value

The specified value

System action

The NetView program ignores the command.

Operator response

Enter the command again with the required operand or keyword.

DSI490I **SESSION STARTING TO
APPLID=*applid* FROM
SRCLU=*srclu* SESSID=*sessionid***

Explanation

You entered a BGNSESS command for an operator-control session.

Message Variables

applid

The application identifier

srclu

The name of the logical unit

sessionid

The session identifier

System action

The BGNSESS command is in progress. If this command is successful, message DSI463I is displayed.

DSI491I **SYSTEM ERROR - INVALID
INTERNAL COMMAND *command*
RECEIVED**

Explanation

An internal command processor is designed to receive control only through an internal DSIMQS macro instruction. It received control from another source, such as from a terminal.

Message Variables

command

The name of the command

System action

The NetView program ignores the command.

Operator response

Do not enter the CNMCMQMS, CNMXNLTU, or DSI809A command. These are NetView internal commands.

DSI492I **COMMAND REJECTED - A
SESSION BETWEEN
APPLID=*applid* AND SRCLU=*srclu*
ALREADY EXISTS**

Explanation

You entered a BGNSESS command to establish a session between *applid* and *srclu*, but you have already started the session.

Message Variables

applid

The application identifier.

srclu

The name of the logical unit.

System action

The NetView program ignores the command.

Operator response

Use the existing session or start another session with a different SRCLU (for operator control sessions).

DSI494I	SESSION BETWEEN APPLID=<i>applid</i> AND SRCLU=<i>srclu</i> ENDED
----------------	--

Explanation

The access method notified the NetView program that the session between the specified logical unit and the application ended.

Message Variables

applid

The application identifier

srclu

The name of the logical unit

System action

The session ends.

Operator response

If you need this session, start it again using the BGNSESS command. If you cannot start the session, notify the system programmer.

System programmer response

Determine the cause of the error and take the appropriate actions.

DSI495I	<i>sesstype</i> SESSION(S) FOR <i>object=identifier</i> ENDING
----------------	---

Explanation

You entered an ENDSSESS command to end the indicated terminal access facility session.

Message Variables

sesstype

The type of session:

- OPCTL for operator-control
- FLSCN for full-screen

object

APPLID or SESSID.

identifier

The application or session identifier

System action

The specified session ends. If the ENDSSESS command is successful, message DSI496I is sent.

DSI496I	<i>sesstype</i> SESSION BETWEEN APPLID=<i>applid</i> AND SRCLU=<i>srclu</i> ENDED
----------------	--

Explanation

The indicated session was successfully ended by an ENDSSESS command, or the access method has notified the NetView program that the session between the specified logical unit and application has ended.

Message Variables

sesstype

The type of session:

- OPCTL for operator-control
- FLSCN for full-screen

applid

The application identifier

srclu

The name of the logical unit

System action

The indicated session ends.

Operator response

If you need this session, restart it using the BGNSESS command. If you cannot start the session, notify the system programmer.

System programmer response

Determine the cause of the error and take the appropriate action.

DSI497I	NCCF CANNOT TERMINATE SESSION SESSID=<i>sessionid</i>. TERMSESS FAILED
----------------	---

Explanation

The NetView program cannot end the specified session because the TERMSESS macro failed. Message DSI459I follows this message and contains RPL and sense information.

Message Variables

sessionid

The session identifier

System action

The NetView program removes the remaining session control information from its internal tables. The tables are reset so that you can start a session again with the BGNSESS command.

Operator response

Notify the system programmer.

System programmer response

Refer to the appropriate VTAM manual to interpret the sense and RPL codes from message DSI459I.

DSI498I **SRCLU HAS BEEN DEFAULTED TO
SRCLU=*srclu* FOR FLSCN SESSION
TO APPLID=*applid***

Explanation

BGNSESS has chosen a SRCLU for you, either because you allowed the value to default or because you previously used a different value

Message Variables

srclu

The name of the logical unit

applid

The application identifier

System action

BGNSESS continues processing using the SRCLU value named in the message.

DSI499I **UNABLE TO START SESSION TO
APPLID = '*applid*' FROM SRCLU =
'*srclu*' - *macro* FAILED**

Explanation

The specified access method *macro* failed. The error codes are given in message DSI459I, which follows this message.

Message Variables

applid

The application identifier

srclu

The name of the logical unit

macro

The name of the failing macro instruction

System action

The session does not start.

Operator response

Notify the system programmer.

System programmer response

Refer to the appropriate VTAM manual to interpret the sense and RPL codes from message DSI459I.

DSI500I ***object* restarted.**

Explanation

The entity identified as *object* was started. This message also indicates that the entity identified as *object* has previously been active.

Message Variables

object

The entity that was started.

System action

Processing continues.

Operator response

The entity identified as *object* can now be used.

System programmer response

None

DSI501I ***task*: CNMI HAS BEEN CLOSED
DUE TO ERROR - RTNCD = X'*code*'
FDBK2 = X'*code*'**

Explanation

The access method CNM interface was closed because of an unrecoverable error on the interface. Use the RCFB command list for a description of the return/feedback codes.

Message Variables

task

The name of the task

code

The code used for problem analysis

System action

The data services task (DST) remains active for any further VSAM data set processing, but the CNM interface is unavailable until the DST is stopped and started again after any corrective action is taken on the error.

Operator response

Notify the system programmer.

System programmer response

If you are unable to determine the cause of the error, contact IBM Software Support.

DSI502I *task: CNMI ERROR DURING CLOSE PROCESSING RC = code, ACBOFLAG = value, ACBERROR = value*

Explanation

During the CNM interface close processing, the CLOSE ACB macro failed for the reason indicated. Refer to the appropriate VTAM manual for more information.

Message Variables**task**

The name of the task

code

The code used for problem analysis

value

The flag or error value

System action

The data services task (DST) proceeds as if the CNM interface closed successfully.

Operator response

It might be possible to restart the DST if desired. Notify the system programmer.

System programmer response

When ACBERROR equals X'42', the problem is with VTAM.

When ACBERROR equals X'50', VTAM is no longer active; an operator probably stopped VTAM.

For other codes, refer to the appropriate VTAM manual for information. If you are unable to resolve the problem, contact IBM Software Support.

DSI503I**RETRIEVE COMMAND ONLY VALID FOR OST TASK****Explanation**

Only a NetView operator can issue the RETRIEVE command. That operator must be running the NetView program under the OST task.

System action

The NetView program ignores the command and continues.

Operator response

Do not use the RETRIEVE command.

DSI504I**RETRIEVED COMMAND IS LONGER THAN INPUT AREA****Explanation**

You retrieved a command that is longer than the current definition of the input area size.

System action

The NetView program truncates part of the original command and displays only that portion of the command that fits into the current input area.

Operator response

Enter INPUT 2 (or 3) to increase the size of the current input area. Then enter the RETRIEVE command again until the NetView program displays the desired command in the input area.

DSI505I**COMMAND LIST *cmdlist* WARNING - UNBALANCED QUOTES MAY CAUSE UNPREDICTABLE RESULTS - PROCESSING CONTINUES****Explanation**

During command list statement processing, the NetView program encountered a blank-quotation mark or comma-quotation mark sequence that denotes special character string processing. The matching blank-quotation mark or comma-quotation mark was missing.

Message Variables***cmdlist***

The name of the command list.

System action

The command list continues.

Operator response

Notify the system programmer.

System programmer response

See *IBM Z NetView Programming: REXX and the NetView Command List Language* to determine how the NetView program analyzes a command list statement and how to code special characters.

DSI506I **COMMAND LIST *cmdlist* WARNING
- SUBSTITUTION STRING
TRUNCATED TO 255 CHARACTERS**

Explanation

The NetView program found a string longer than 255 characters. The NetView program truncates everything after 255 characters. The NetView program follows this message with two copies of the command list statement which is in error. The first copy shows the statement up to and including the variable that caused the overflow. The second copy shows the variable after substitution.

Message Variables

cmdlist

The name of the command list.

System action

The command list continues.

Operator response

Notify the system programmer.

System programmer response

Correct the command list so the truncation is not required.

DSI507I **NOT ENOUGH STORAGE FOR
RECORD THAT INITIALIZES
EMPTY VSAM DATASET**

Explanation

There is not enough storage to contain the record that is used to initialize the empty VSAM data set.

System action

The data service task (DST) ends.

Operator response

Determine whether you received message BNH16I, which means the task has reached its storage limit. If so, notify your system programmer.

System programmer response

See the *IBM Z NetView Troubleshooting Guide* for possible causes of the storage shortage.

DSI508I **COMMAND LIST *cmdlist* WARNING
- UNBALANCED SHIFT CODES -
STATEMENT IGNORED**

Explanation

During command list statement processing, the NetView program found mismatched shift-in and shift-out codes. These codes enclose double-byte character set (DBCS) data.

Message Variables

cmdlist

The name of the command list.

System action

The command list continues. The statement with the unbalanced shift codes displays after this message.

Operator response

You might need to stop the command list if the error is in a required statement. Notify the system programmer.

System programmer response

See *IBM Z NetView Programming: REXX and the NetView Command List Language* to determine how the NetView program analyzes a command list statement and how to code shift-in and shift-out codes.

DSI509I **WARNING: IMPORTANT MESSAGE
messageid WAS NOT WRITTEN TO
DSILOG**

Explanation

The indicated message was not written in the network log and the important message (IM) fields of the Log Browse panel were not updated.

Message Variables

messageid

The message ID of the IM message.

System action

Processing continues.

Operator response

Notify the system programmer.

System programmer response

Contact IBM Software Support.

DSI510I *dstname: nnn REQUESTS PURGED*

Explanation

In response to a PURGE DST command, the DST purged the stated number of active requests.

Message Variables

dstname

The name of the data services task.

nnn

The number of requests purged.

System action

The NetView program purges the request.

DSI511I *dstname: OP=operatorid,
REQ=xxxx, STEP=yyy, LAST=zzzz
aaaaaaaa*

Explanation

This message shows the status of a DST request.

Message Variables

dstname

The name of the data services task.

operatorid

Identifies the operator that initiated the request.

xxxx

A 4-digit request number from 0001 to 9999 that is assigned to each DST request when it starts. After 9999, the request numbers begin again at 0000.

yyy

A 3-digit step-sequence number that increases every time a command facility CNM interface (DSIZCSMS) or a VSAM (DSIZVSMS) macro instruction is entered. The step-sequence number is used to indicate that a request is suspended. If the step number does not increase, a PURGE DST command might be required.

zzzz aaaaaaaaa

Shows the status of the last DST request.

The zzzz can be VSAM, CNMI, or NONE.

The aaaaaaaaa is the last macro entered: GET, UT, POINT, ERASE, ENDREQ, VERIFY, FORWARD, or blank.

Operator response

If the request is hung, enter the PURGE DST command specifying xxxx for the REQ number.

DSI512I *dstname: NO REQUESTS FOUND*

Explanation

You entered a LIST DST command, but there are no active requests that fit the parameters of the command.

Message Variables

dstname

The name of the data services task.

DSI515I *PORT=portnumber*

Explanation

You receive this message when a logical unit residing on an 8-port line adapter configuration is displayed.

Message Variables

portnumber

The number in the format of 01AA to 15DD that is translated from the allowable range of port numbers supported (1–30 and 33–62).

System action

Processing continues.

DSI516I *CLOSE NORMAL ALREADY IN
PROGRESS, COMMAND IGNORED*

Explanation

You issued a CLOSE NORMAL command while a prior CLOSE NORMAL was already in progress.

System action

The NetView program ignores the second CLOSE NORMAL command.

Operator response

Wait for the original CLOSE NORMAL to complete or issue a CLOSE IMMED command.

DSI517I *command IGNORED, NO OTHER
APPLICATION IS ACTIVE*

Explanation

You issued a ROLL or RETURN command while no application was active.

Message Variables

command

ROLL or RETURN.

DSI518I **UNASSIGNED PF/PA KEY
ENTERED: VALID KEYS ARE
DISPLAYED BELOW**

Explanation

You pressed an unassigned PF/PA key.

Operator response

Press only valid PF/PA keys.

DSI520I **task : INSUFFICIENT STORAGE
FOR *subtask* CONFIGURATION**

Explanation

Not enough storage is available for the type of subtask specified by *subtask*.

Message Variables

task

The name of the task

subtask

The name of the subtask

System action

The data services task (DST) ends.

Operator response

Determine whether you received message BNH16I, which means the task has reached its storage limit. If so, notify your system programmer.

System programmer response

See the *IBM Z NetView Troubleshooting Guide* for possible causes of the storage shortage.

DSI521I **task : PROCESSOR FOR
UNSOLICITED DATA
INCORRECTLY SPECIFIED**

Explanation

There are two situations that return this message. A DSTINIT initialization statement might have incorrectly specified the CNMI unsolicited command processor (through the UNSOL keyword), or the CMDDEF statement for the specified command processor might contain an error.

Message Variables

task

The name of the incorrect DST (data services task).

System action

Initialization for the data services task ends.

Operator response

Notify the system programmer.

System programmer response

Determine which initialization statement is at fault (either the DSTINIT or the corresponding CMDDEF statement), and correct it.

DSI522I **task : PRIMARY VSAM DATASET
NOT SPECIFIED**

Explanation

An initialization statement omitted or incorrectly specified the name of the primary VSAM data set.

Message Variables

task

The name of the task.

System action

The data services task (DST) ends.

Operator response

Notify the system programmer.

System programmer response

Correct the initialization statement.

DSI523I **task : 0 DSRBS HAVE BEEN
SPECIFIED**

Explanation

An initialization statement specified both DSRBU=0 and DSRBO=0.

Message Variables

task

The name of the task.

System action

The data services task (DST) ends.

Operator response

Notify the system programmer.

System programmer response

Correct the initialization statement.

DSI524I **task : DST TERMINATING DUE TO INCOMPLETE INITIALIZATION****Explanation**

The initialization statements are incomplete or incorrect.

Message Variables**task**

The name of the task.

System action

The data services task (DST) ends.

Operator response

Notify the system programmer.

System programmer response

Correct the initialization statements.

DSI525I **task : SYNTAX: 'statement'****Explanation**

There is a length or a delimiter error in the label or in the verb on an initialization statement.

Message Variables**task**

The name of the task

statement

The command or control statement in error

Operator response

Notify the system programmer.

System programmer response

Remove the incorrect statement from the initialization data set. The error might be within the member specified on the MEM= operand of the task statement. See the *IBM Z NetView Administration Reference* for more information.

DSI526I **task : VERB 'verb' IN 'statement'****Explanation**

The indicated initialization statement contains a command verb other than DSTINIT.

Message Variables**task**

The name of the task.

verb

A command verb.

statement

The command or control statement in error.

System action

The NetView program does not process the statement.

Operator response

Notify the system programmer.

System programmer response

Correct the statement.

DSI527I **task : SYNTAX ERROR: 'object' INVALID IN 'statement'****Explanation**

There is a syntax error in the indicated keyword or parameter.

Message Variables**task**

The name of the task.

object

The keyword or parameter specified.

statement

The command or control statement in error.

System action

The NetView program assigns a default value to the keyword or parameter causing the error and continues.

Operator response

Notify the system programmer.

System programmer response

Correct the keyword or parameter causing the error.

DSI528I **task : UNIDENTIFIED VERB 'verb' PASSED TO DST****Explanation**

A command queued to the NetView data services task (DST) contains a command verb that cannot be identified or that is incompatible with the task type.

Message Variables**task**

The name of the task.

verb

A command verb.

System action

The command is not processed.

Operator response

Notify the system programmer.

System programmer response

Correct the error in the installation exit routine or in the data services command processor (DSCP) that is queuing the command. Ensure the CMDDEF statement for the command is correct.

DSI529I ***task* : IMPROPER COMMAND
BUFFER PASSED TO DST**

Explanation

A command queued to the NetView data services task (DST) contains a command that cannot be identified or that is incompatible with the task type.

Message Variables***task***

The name of the task.

System action

The command is not processed.

Operator response

Notify the system programmer.

System programmer response

Correct the error in the installation exit routine or in the command processor that is queuing the command.

DSI530I ***'task' : 'tasktype' IS READY AND
WAITING FOR WORK***

Explanation

The NetView subtask indicated by *tasktype* is initialized and ready to accept input. If this message is issued in response to a STOP command, STOP processing determined that the task being stopped appeared to be able to process normally. See the NetView online help for more information on the STOP command.

Message Variables***task***

The name of the task.

tasktype

OST, DST, NNT, HCT, PPT, or SUBSYSTEM ROUTER for a NetView subtask, or NCCF for the NetView main task.

System action

Awaits input.

DSI531I ***'task' : 'tasktype' IS TERMINATING***

Explanation

The NetView subtask indicated by *task* is closing down.

Message Variables***task***

The name of the task.

tasktype

OST, DST, NNT, HCT, PPT, OPT, or SUBSYSTEM ROUTER for a NetView subtask, or NCCF for the NetView main task.

System action

The NetView program closes the subtask.

DSI532I ***subtask : DURING SUBTASK
INITIALIZATION DUPLICATE
TASK NAME WAS FOUND***

Explanation

The NetView program already has a subtask name identical with that of the subtask currently being initialized. An attempt was made to start an optional task by the same name as a currently logged-on operator.

Message Variables***subtask***

The name of the task.

System action

Subtask initialization ends.

Operator response

Notify the system programmer.

System programmer response

Find the duplicate subtask name (TVBOPID) and assign a unique value to one of the duplicates. Start the optional task with a different task name.

DSI537A **WARNING: UNSOLICITED CNM
DATA WILL NOT BE RECEIVED —
aaa INACTIVE**

Explanation

The communication network management (CNM) router subtask either was not successfully activated or has been ended. Unsolicited CNM data is not received if this NetView subtask has been specified in the VTAM global routing table as the unsolicited data receiver.

Message Variables

aaa

The name of the NetView CNM router subtask.

System action

Processing continues.

Operator response

After the system programmer corrects the cause of the failure, use the START TASK command to start the CNM router subtask.

System programmer response

Determine and correct the cause of the failure.

DSI538I **task: CNMI ERROR DURING action
PROCESSING - RTNCD =
X'vtamrcd' FDBK2 = X'vtamfb'
SENSE = X'vtamsens'**

Explanation

A CNM interface send or receive failed with the indicated error codes. Use the RCFB command list for a description of the return code and feedback code. Use the SENSE command list for a description of the sense code.

Message Variables

task

The name of the task

action

SEND or RECEIVE

vtamrcd

The VTAM internal return code

vtamfb

The VTAM internal feedback code.

vtamsens

The VTAM internal sense code.

System action

Depending on the type of error, the DST might remain active for further CNMI processing.

Operator response

Notify the system programmer.

System programmer response

Use the RCFB and SENSE command lists to determine the meaning of the return, feedback, or sense codes. See the device-specific documentation for the meaning of the user sense data. If you are unable to determine the cause of the error, contact IBM Software Support.

DSI540I **task: command NOT PERFORMED.
NO FILES ACTIVE**

Explanation

The insert *command* is SWITCH or its user-defined synonym. No files were active.

Message Variables

task

The name of the task.

command

The name of the command.

DSI541I **task: command COULD NOT BE
PERFORMED. REENTER**

Explanation

You entered the SWITCH command or its synonym for a data set or file that is already being switched.

Message Variables

task

The name of the task.

command

The name of the command.

Operator response

Enter the command again.

DSI542I **task: command COMMAND NOT
PERFORMED. FILE ALREADY
ACCESSIBLE**

Explanation

You entered a command for a file or data set that is already open.

Message Variables

task

The name of the task

command

The name of the command

DSI543I *task: command* **COMMAND NOT PERFORMED. OPEN FAILED**

Explanation

You entered the SWITCH command or its synonym for a file or data set that cannot be opened.

Message Variables**task**

The name of the task.

command

The name of the command.

Operator response

If you receive this message because the open failed for DSILOG or DSITRACE, check to see if another job is using DSILOG or DSITRACE. If so, wait for the other job to complete and enter the command again. Otherwise, notify the system programmer.

System programmer response

See the messages that follow on the screen or log for more information.

DSI544I *task: command* **NOT PERFORMED. NO SECONDARY FILE EXISTS**

Explanation

You entered the SWITCH command or the synonym to switch activity to a secondary file or data set which was not defined.

Message Variables**task**

The name of the task.

command

The name of the command.

Operator response

Notify the system programmer.

System programmer response

If a secondary file is needed, define one. Otherwise, do not use the SWITCH command for a secondary data set.

DSI545I *task: NO VSAM DATASET(S) NOW ACTIVE*

Explanation

You used the SWITCH command to make both primary and secondary VSAM data sets or files unavailable.

Note: If this message is specified as HOLD(Y) in the automation table, it is automatically removed from the screen when no longer applicable.

Message Variables**task**

The name of the task.

DSI546I *task: PRIMARY VSAM DATASET IS NOW ACTIVE*

Explanation

This message notifies you that logging has begun in the PRIMARY VSAM file.

Note: If this message is specified as HOLD(Y) in the automation table, it is automatically removed from the screen when no longer applicable.

Message Variables**task**

The name of the task.

System action

Logging begins in the PRIMARY VSAM file.

Operator response

If you want a copy of the other VSAM log file, take that copy now.

DSI547I *task: SECONDARY VSAM DATA SET IS NOW ACTIVE*

Explanation

This message notifies you that logging has begun in the SECONDARY VSAM file.

Note: If this message is specified as HOLD(Y) in the automation table, it is automatically removed from the screen when no longer applicable.

Message Variables**task**

The name of the task.

System action

Logging begins in the SECONDARY VSAM file.

Operator response

If you want a copy of the other VSAM log file, take that copy now.

DSI548I IMMEDIATE COMMANDS MAY NOT BE ISSUED FROM A FULL SCREEN**Explanation**

You tried to issue an immediate command from a full screen.

System action

The command is not executed and the screen remains full.

Operator response

Exit the full screen before entering an immediate command.

DSI549I INSUFFICIENT STORAGE AVAILABLE TO EXECUTE COMMAND ENTERED**Explanation**

You entered a command from a full screen; there was not enough storage available to execute the command.

System action

The command is not executed and the screen remains full.

Operator response

Determine whether you received message BNH16I, which means the task has reached its storage limit. If so, notify your system programmer.

System programmer response

See the *IBM Z NetView Troubleshooting Guide* for possible causes of the storage shortage.

DSI550I command FAILED: INSUFFICIENT STORAGE OBTAINED IN module**Explanation**

A module began filling a full-screen buffer and ran out of buffer space.

Message Variables**command**

The name of the command that failed

module

The name of the module with insufficient storage space

System action

The command is canceled.

Operator response

Determine whether you received message BNH16I, which means the task has reached its storage limit. If so, notify your system programmer.

System programmer response

See the *IBM Z NetView Troubleshooting Guide* for possible causes of the storage shortage.

DSI551I task: WARNING - ACB COULD NOT BE GENERATED FOR A SECONDARY VSAM DATASET**Explanation**

During initialization, a VSAM ACB cannot be successfully generated for a secondary VSAM data set or file.

Message Variables**task**

The name of the task.

System action

Processing continues.

Operator response

Notify the system programmer.

System programmer response

See error message DSI555I to determine the cause of GENCB macro failure.

DSI552I task: REQUIRED VSAM INITIALIZATION RECORD NOT PROVIDED BY INSTALLATION EXIT**Explanation**

The installation exit routine did not provide a substitution record that is required for initialization of the empty VSAM data set or file.

Message Variables**task**

The name of the task.

System action

The data set or file is not opened.

Operator response

Notify the system programmer.

System programmer response

Provide the initialization record through the installation exit interface or initialize the data set using access method services (AMS).

DSI553I *task*: **ERROR OCCURRED DURING VSAM 'action' PROCESSING IN 'object'**

Explanation

VSAM OPEN or VERIFY processing found an error.

Message Variables

task

The name of the task.

action

VERIFY or OPEN.

object

PRIMARY or SECONDARY.

Operator response

Notify the system programmer.

System programmer response

See the previous error message to determine the reason for the failure.

DSI554I *task*: **DST VSAM SERVICES INITIALIZATION HAS FAILED**

Explanation

Because of severe errors during DST initialization, the DST cannot be initialized.

Message Variables

task

The name of the task.

System action

Processing continues.

Operator response

Notify the system programmer.

System programmer response

See message DSI555I to determine the cause of the macro failure. If VSAM is required for this NetView

program, correct the error and enter the START TASK command.

DSI555I *task*: **VSAM 'action' MACRO ERROR RETURN CODE = X'code' ERRCODE = X'code'**

Explanation

A VSAM macro error occurred. The VSAM hexadecimal return codes are supplied as part of the message.

Message Variables

task

The name of the task.

action

The following macros:

- BLDVRP
- GENCB
- OPEN
- CLOSE
- PUT
- MODCB
- SHOWCB
- VERIFY

code

The code used for problem analysis.

System action

If the failing macro is BLDVRP, initialization ends. For all other macros, processing continues.

Operator response

Notify the system programmer.

System programmer response

Refer to the appropriate VSAM manual for an explanation of the return codes.

DSI556I *task*: **VSAM DATASET 'opncls' COMPLETED, DDNAME = 'ddname' RETURN CODE = X'retcode', ACB ERROR FIELD = X'errcode'**

Explanation

OPEN or CLOSE was completed for the VSAM data set or file indicated by *ddname*.

Message Variables

task

The name of the task.

opncls

OPEN or CLOSE.

ddname

The name of the VSAM data set.

retcode

The return code used for problem analysis.

errcode

The error code used for problem analysis.

System action

Processing continues. See the NetView online help for more information on messages issued by the SWITCH command.

Operator response

If the *retcode* or *errcode* are not zero, notify the system programmer.

System programmer response

If the *retcode* and *errcode* are zero, the OPEN or CLOSE completed successfully; otherwise, refer to the appropriate VSAM manual for OPEN and CLOSE return codes and ACB error fields.

DSI557I **task: ERROR HAS OCCURRED DURING VSAM EMPTY DATASET PROCESSING**

Explanation

The NetView program issues this message following message DSI507I, DSI520I, DSI552I, or DSI555I.

Message Variables**task**

The name of the task.

System action

The system action depends on the preceding message:

Message**System Action****DSI507I**

The data services task (DST) ends.

DSI520I

The DST ends.

DSI552I

The data set or file is not opened.

DSI555I

If the failing macro is BLDVRP, initialization ends. For all other macros, processing continues.

Operator response

Notify the system programmer.

System programmer response

Provide an initialization record through the installation exit interface or initialize the data set using access method services.

DSI558I **task: TASK ABENDING DUE TO I/O ERROR DURING VSAM VERIFY MACRO PROCESSING. DDNAME = 'ddname', RC= X'code'**

Explanation

VSAM encountered an I/O error during VERIFY processing. VSAM updated the RBA in its control blocks to indicate that the I/O error occurred at the end of the data set or file. User 1025 ABEND is sent to prevent VSAM from closing the data set or file. Closing the data set or file incorrectly updates the catalog to reflect the end of the data set or file and possibly causes a loss of a part of the data set or file.

Message Variables**task**

The name of the task.

ddname

The name of the VSAM data set.

code

The code used for problem analysis.

System action

The data services task (DST) is detached. The data sets or files are not accessible.

Operator response

Notify the system programmer.

System programmer response

Take the data set or file offline and audit it to ensure integrity. Refer to the appropriate VSAM manual for return code information.

DSI559I **task: CNM NOT AVAILABLE. INITIALIZATION CONTINUES**

Explanation

The CNM interface failed to open.

Message Variables**task**

The name of the task.

System action

Initialization continues.

Operator response

Notify the system programmer.

System programmer response

If you desire the CNM interface, check to ensure that the APPLID name for the DST used to open the ACB is defined to VTAM.

DSI560I I/O ERROR ON MESSAGE DATASET

Explanation

An I/O error occurred while the NetView program was reading the NetView message data set.

System action

The NetView program cannot locate the message because of the I/O error. It substitutes NetView message DSI000I.

Operator response

Notify the system programmer.

System programmer response

Check the network log to determine the cause of the error.

DSI561I INVALID UNSOLICITED DATA RECEIVED FROM *spname*

Explanation

The service point named in the message sent data that was not valid and solicited to network product support (NPS®).

Message Variables***spname***

The name of the service point that sent the data.

System action

Processing continues and the data is ignored.

DSI562I UNSOLICITED DATA RECEIVED BY taskname NOT RECOGNIZED: DATA = X'bbbb'

Explanation

The CNM router received unsolicited data. Because the data type was not recognized, it cannot be routed. Or,

DSIATOPT received an unsolicited message buffer that was not valid.

The entire RU or buffer will be sent in a message as a MLWTO.

Message Variables***taskname***

The NetView task that detected the error.

bbbb

The incorrect RU or buffer

System action

Processing continues and the error message is sent to the network log or to the authorized receiver if *taskname* is DSICRTR.

System programmer response

Determine the cause of the routing failure.

DSI563I DSIAMLU T DID NOT INITIALIZE IN ESA MODE

Explanation

This message is only issued under NetView MVS/ESA. It occurs when the DSIAMLU T task is brought up and cannot use MVS/ESA functions to receive SAW and PIU data.

System action

Data transfer from VTAM to session monitor will function correctly using the LU0 interface.

Operator response

Notify the system programmer.

System programmer response

Examine the system log to determine why VTAM cannot use the MVS/ESA functions for the SAW and PIU data transfer. If you cannot determine the reason, contact IBM Software Support.

DSI565I WARNING: VSAM FILE '*dataset*' UNAVAILABLE TO LOG BROWSE TASK BECAUSE OF '*function*' ERROR: RETURN CODE = X'*retcode*' ERRCODE = '*errcode*'

Explanation

An unsuccessful attempt was made to perform the function for the *data set* log data set. Therefore, the browse task cannot browse this data set.

Message Variables

dataset

DD name of the primary or secondary network log data set.

function

GENCB, SHOWCB, OPEN, CLOSE, or GETMAIN.

retcode

The return code from the request.

errcode

The error code from the request, if any. If there is none, this field is filled in with two asterisks.

System action

The specified data set is no longer available to be browsed by the log browse task.

Operator response

Notify the system programmer.

System programmer response

Determine the cause of the error from the return and error codes listed in the message, and take the appropriate action to correct the problem.

DSI566I **command FAILED. NO SERVICE POINT COMMAND GIVEN ON THE COMMAND**

Explanation

You did not specify a service point command in the command syntax.

Message Variables**command**

The name of the command that failed.

System action

The command is not processed.

Operator response

Enter the command again with the proper syntax.

DSI568I **command FAILED FOR 'SP_spkey=SP_spname, APPL_applkey=APPL_applname' : TRANSPORT ERROR, SENSE CODE= X'code'**

Explanation

You entered an SPCS command for a specified service point and application. The command failed and a transport error occurred.

Message Variables**command**

The command that failed.

spkey

The service point keyword. This is the actual keyword used on the command to specify the service point. It is SP or a synonym for SP.

spname

The service point name.

applkey

The application keyword equals APPL or a synonym for APPL.

applname

The application name.

code

The sense code number.

System action

Processing continues.

Operator response

Notify the system programmer.

System programmer response

Determine the meanings of the error codes and system sense data. See the device-specific documentation for the meaning of the user sense data.

DSI569I **command FAILED FOR SP_spkey=SP_spname, APPL_applkey=APPL_applname: INVALID RU SYNTAX, SENSE CODE= X'code'**

Explanation

You entered an SPCS command for a specified service point and application. The response unit (RU) syntax was not valid and the command failed.

Message Variables**command**

The command that failed.

spkey

The service point keyword. This is the actual keyword used on the command to specify the service point. It is SP or a synonym for SP.

spname

The service point name.

applkey

The application keyword equals APPL or a synonym for APPL.

applname

The application name.

code

The sense code number.

System action

Processing continues.

Operator response

Notify the system programmer.

System programmer response

Determine the meanings of the error codes and system sense data. See the device-specific documentation for the meaning of the user sense data.

DSI570I **command FAILED FOR
SP_spkey=SP_spname,
APPL_applkey=APPL_applname:
NOT SUPPORTED BY SP_spkey,
SENSE CODE= X'code'**

Explanation

You entered an SPCS command for a specified service point and application, and the command failed. That particular service point is not supported by the specified service point.

Message Variables**command**

The command that failed.

spkey

The service point keyword. This is the actual keyword used on the command to specify the service point. It is SP or a synonym for SP.

spname

The service point name.

applkey

The application keyword equals APPL or a synonym for APPL.

applname

The application name.

code

The sense code number.

System action

Processing continues.

Operator response

Notify the system programmer.

System programmer response

Determine the meanings of the error codes and system sense data. See the device-specific documentation for the meaning of the user sense data.

DSI571I **command FAILED FOR
SP_spkey=SP_spname,
APPL_applkey=APPL_applname:
FUNCTION NOT SUPPORTED BY
APPL_applkey, SENSE CODE=
X'code'**

Explanation

You entered an SPCS command for a specified service point and application, and the command failed. The requested function is not supported by the specified application.

Message Variables**command**

The command that failed.

spkey

The service point keyword. This is the actual keyword used on the command to specify the service point. It is SP or a synonym for SP.

spname

The service point name.

applkey

The application keyword equals APPL or a synonym for APPL.

applname

The application name.

code

The sense code number.

System action

Processing continues.

Operator response

Specify an application that supports the function you are using.

System programmer response

Determine the meanings of the error codes and system sense data. See the device-specific documentation for the meaning of the user sense data.

DSI572I **command FAILED FOR
SP_spkey=SP_spname,
APPL_applkey MISSING, SENSE
CODE= X'code'**

Explanation

You entered a LINK command for a specified service point and application, and the command failed. The selected application is missing.

Message Variables

command

The command that failed.

spkey

The service point keyword. This is the actual keyword used on the command to specify the service point. It is SP or a synonym for SP.

spname

The service point name.

applkey

The application keyword equals APPL or a synonym for APPL.

code

The sense code number.

System action

Processing continues.

Operator response

Notify the system programmer.

System programmer response

Determine the meanings of the error codes and system sense data. See the device-specific documentation for the meaning of the user sense data.

DSI573I	command FAILED FOR SP_spkey=SP_spname, APPL_applkey=APPL_applname: APPL_applkey NOT RECOGNIZED, SENSE CODE= X'code'
----------------	--

Explanation

You entered an SPCS command for a specified service point and application, and the command failed. The selected application is not recognized.

Message Variables

command

The command that failed.

spkey

The service point keyword. This is the actual keyword used on the command to specify the service point. It is SP or a synonym for SP.

spname

The service point name.

applkey

The application keyword equals APPL or a synonym for APPL.

applname

The application name.

code

The sense code number.

System action

Processing continues.

Operator response

Specify a valid application.

System programmer response

Determine the meanings of the error codes and system sense data. See the device-specific documentation for the meaning of the user sense data.

DSI574I	command FAILED FOR 'SP_spkey=SP_spname, APPL_applkey=APPL_applname' : APPL_applkey BUSY OR NOT AVAILABLE, SENSE CODE= X'code'
----------------	--

Explanation

You entered an SPCS command for a specified service point and application, and the command failed. The selected application is not available.

Message Variables

command

The command that failed.

spkey

The service point keyword. This is the actual keyword used on the command to specify the service point. It is SP or a synonym for SP.

spname

The service point name.

applkey

The application keyword equals APPL or a synonym for APPL.

applname

The application name.

code

The sense code number.

System action

Processing continues.

Operator response

Enter the command again later. The application is already processing another command.

System programmer response

Determine the meanings of the error codes and system sense data. See the device-specific documentation for the meaning of the user sense data.

DSI575I *command FAILED FOR 'SP_spkey=SP_spname, APPL_applkey=APPL_applname' : TEST NOT SUPPORTED BY APPL_applkey, SENSE CODE= X'code'*

Explanation

You entered an SPCS command for a specified service point and application, and the command failed. The selected test was not supported by the requested application.

Message Variables

command

The command that failed.

spkey

The service point keyword. This is the actual keyword used on the command to specify the service point. It is SP or a synonym for SP.

spname

The service point name.

applkey

The application keyword equals APPL or a synonym for APPL.

applname

The application name.

code

The sense code number.

System action

Processing continues.

Operator response

Specify a valid application.

System programmer response

Determine the meanings of the error codes and system sense data. See the device-specific documentation for the meaning of the user sense data.

DSI576I *command FAILED FOR SP_spkey=SP_spname,*

*APPL_applkey=APPL_applname:
LCC UNKNOWN, SENSE CODE=
X'code'*

Explanation

You entered an SPCS command for a specified service point and application, and the command failed. The specified link connection component is unknown.

Message Variables

command

The command that failed.

spkey

The service point keyword. This is the actual keyword used on the command to specify the service point. It is SP or a synonym for SP.

spname

The service point name.

applkey

The application keyword equals APPL or a synonym for APPL.

applname

The application name.

code

The sense code number.

System action

Processing continues.

Operator response

Specify the correct LCC name.

System programmer response

Determine the meanings of the error codes and system sense data. See the device-specific documentation for the meaning of the user sense data.

DSI578I *command FAILED FOR 'SP_spkey=SP_spname, APPL_applkey=APPL_applname' : selfkeyword=selfvalue INVALID FOR APPL_applkey, SENSE CODE= X'code'*

Explanation

You entered a LINK command for a specified service point and application, and the command failed. The self-count name you selected is not valid for the specified application.

Message Variables

command

The command that failed.

spkey

The service point keyword. This is the actual keyword used on the command to specify the service point. It is SP or a synonym for SP.

spname

The service point name.

applkey

The application keyword equals APPL or a synonym for APPL.

applname

The application name.

selfkeyword

The self count keyword you selected.

selfvalue

The number of tests specified.

code

The sense code number.

System action

Processing continues.

Operator response

Specify a different self count keyword or a different application.

System programmer response

Determine the meanings of the error codes and system sense data. See the device-specific documentation for the meaning of the user sense data.

DSI579I **command FAILED FOR**
SP_spkey=SP_spname,
APPL_applkey=APPL_applname:
LCC NOT RECOGNIZED BY
APPL_applkey, SENSE CODE=
X'code'

Explanation

You entered a LINK command for a specified service point and application, and the command failed. The selected application did not recognize the link connection component you selected.

Message Variables**command**

The command that failed.

spkey

The service point keyword. This is the actual keyword used on the command to specify the service point. It is SP or a synonym for SP.

spname

The service point name.

applkey

The application keyword equals APPL or a synonym for APPL.

applname

The application name.

code

The sense code number.

System action

Processing continues.

Operator response

Specify the proper LCC name.

System programmer response

Determine the meanings of the error codes and system sense data. See the device-specific documentation for the meaning of the user sense data.

DSI580I **command FAILED FOR**
'SP_spkey=SP_spname,
APPL_applkey=APPL_applname' :
EXECUTION ERROR, SENSE
CODE= X'code'

Explanation

You entered a LINK command for a specified service point and application. An execution error occurred and the command failed.

Message Variables**command**

The command that failed.

spkey

The service point keyword. This is the actual keyword used on the command to specify the service point. It is SP or a synonym for SP.

spname

The service point name.

applkey

The application keyword equals APPL or a synonym for APPL.

applname

The application name.

code

The sense code number.

System action

Processing continues.

Operator response

Notify the system programmer.

System programmer response

Determine the meanings of the error codes and system sense data. See the device-specific documentation for the meaning of the user sense data, or enter SENSE *code*, where *code* is the sense code returned in hexadecimal. For more information on the SENSE command, see the NetView online help.

DSI582I **FAILURE DETECTED. FAILING RESOURCE CODE IS *resource*. ERROR CODE IS *error***

Explanation

When associated with START, this message indicates a failure to start either the UNIX command server or the indicated TSO command server.

Message Variables

resource

'START-*server*' where *server* is the command server name.

error

For START, one of the following error codes:

16

Failed to obtain PPI name because of multiple concurrent START TSOSERV or START UNIXSERV commands

104

SUBMIT failed, see accompanying message

108

Protocol failure between NetView and the command server

Any other codes returned are PPI error codes.

System action

Processing continues.

Operator response

Notify the system programmer.

System programmer response

Correct the indicated error condition. PPI error codes are described in the *IBM Z NetView Application Programmer's Guide*.

DSI585I **INFORMATION MARKED BY '>' EXCEEDS DISPLAY LENGTH AND HAS BEEN TRUNCATED**

Explanation

Data has been received that is too long to display on a full-screen panel.

System action

The system truncates the data and continues processing.

Operator response

Read the truncated data by invoking the command through the command list.

System programmer response

Determine the reason for the long message reply; check your NetView/PC applications.

DSI586I **COMMAND PROCEDURE *cmdproc* IS RESUMED**

Explanation

The specified command procedure has resumed processing.

Message Variables

cmdproc

The name of the command procedure (including HLL, REXX, and NetView command list language command lists).

System action

Processing continues.

DSI587I ***returncmd* IGNORED, COMMAND PROCEDURE *cmdproc* IS *status***

Explanation

You entered a RETURN command to return to a full-screen processor (such as session monitor or hardware monitor), but the command fails because a command procedure is currently running.

Message Variables

returncmd

The command name of the return command.

cmdproc

The name of the command procedure.

status

The status of the command procedure, which includes ACTIVE, PAUSED, STACKED, or WAITING.

Operator response

Let the command procedure finish before issuing the RETURN command. If the command procedure is paused or waiting, issue GO or CANCEL so the command procedure can finish.

DSI588I **COMMAND PROCEDURE *cmdproc*
STACKED, ISSUE 'UNSTACK' TO
RESUME**

Explanation

The operator has entered a RETURN or ROLL command to return to the command facility from a full-screen processor (such as session monitor or hardware monitor), and a paused or waiting command procedure has been stacked.

Message Variables

cmdproc

The name of the command procedure.

Operator response

Issue UNSTACK to let the command procedure run, or issue any other valid command.

DSI589I **INPUT COMMANDS WAITING ON
STACK, ISSUE 'STACK' TO
EXECUTE**

Explanation

You entered one or more commands that were not immediately executed because of an active command list (running, waiting, or paused). These commands are still waiting for execution. This message is issued upon resumption of the command list after any interruption.

System action

The command list continues in its current state.

Operator response

If you take no action, the stacked commands will continue to wait until your command list finishes. If you want to run the stacked commands sooner, issue the STACK command. You cannot inquire which commands are pending or cancel them (except by logging off).

DSI590I **CMDDEF STATEMENTS MAY BE
MISSING FOR *module***

Explanation

One or more of the modules specified requires a CMDDEF statement.

Message Variables

module

The name of the module or modules lacking the CMDDEF statement in CNMCMD.

System action

The command list does not run.

Operator response

Notify the system programmer.

System programmer response

If the CMDDEF statement is missing from any of the mentioned modules, add it to CNMCMD. If not missing, then contact IBM Software Support.

DSI592I **COMMAND LIST *cmdlist* WARNING
- COMMAND TEXT TRUNCATED**

Explanation

The length of the command text is greater than 32000 characters or a command operand is longer than 255 characters. The NetView program truncates everything after 32000 characters or after the last valid length operand.

Message Variables

cmdlist

The name of the command list.

System action

The command list continues.

Operator response

Notify the system programmer.

System programmer response

Correct the command list so the truncation is not required.

DSI593A ***nnn* MESSAGE(S) NOT DISPLAYED.
OF THESE, *hhh* WERE HELD
MESSAGES.**

Explanation

The NetView program suppresses the display of messages at certain times. *nnn* suppressed messages have arrived since a message was last displayed. Of the *nnn* suppressed messages, *hhh* were "held" messages. A held message is one defined by your programmer to be kept on your screen until you remove it. The held messages are now being displayed

or will be displayed when there is enough room to display them.

Message Variables

nnn

The number of suppressed messages written to the log, including *hhh*.

hhh

The number of suppressed messages that are defined as held messages.

System action

Processing continues.

Operator response

Browse the log.

DSI594A	COMMAND PROCEDURE <i>cmdproc</i> WARNING – <i>type</i> STATE ENTERED
----------------	---

Explanation

While a full-screen command processor was running, a command procedure went into a state which prevented the full-screen command processor from accepting input.

Message Variables

cmdproc

The name of the command procedure that contains the statement.

type

The type of state that the command procedure entered.

System action

The command facility screen is displayed. Input here is accepted.

Operator response

If the command procedure is waiting for an operator response, enter the necessary information. Ensure that a WAIT or &WAIT is satisfied before rolling to other components.

DSI596I	WAITING TO DISPLAY A PANEL, COMMAND NOT PROCESSED. HIT ENTER
----------------	---

Explanation

You entered a command while your operator station was waiting to present or return to a full-screen display.

System action

The NetView program ignores the command and holds the screen (as if a HOLD command had been issued).

Operator response

You can go to the full-screen display and enter the command again, or you can enter a HOLD, RESET, CLEAR, or LOGOFF command from the held screen. To go to the full-screen display, press ENTER. From the full-screen display, you can enter the command again on the command line if one is present, or you can roll to the command facility and enter the command again.

DSI597I	TERMINATION OR STOP FORCE ALREADY IN PROGRESS. COMMAND IGNORED
----------------	---

Explanation

A START, STOP, or STOP FORCE command was issued by the NetView operator while a previous STOP FORCE command or termination is still active.

System action

The termination or STOP FORCE continues and the command is ignored.

DSI598I	<i>command</i> FAILED FOR 'SP_ <i>spkey</i>=SP_ <i>spname</i>, APPL_ <i>applkey</i>=APPL_ <i>applname</i>' : INVALID SYNTAX DUPLICATE LCC NAMES. SENSE CODE= X'<i>code</i>'
----------------	--

Explanation

You entered an SPCS command for a specified service point and application, and the command failed because of incorrect syntax. Duplicate link connection component names cannot be used.

Message Variables

command

The command that failed.

spkey

The service point keyword. This is the actual keyword used on the command to specify the service point. It is SP or a synonym for SP.

spname

The service point name.

applkey

The application keyword equals APPL or a synonym for APPL.

applname

The application name.

code

The sense code number.

System action

Processing continues.

Operator response

Do not specify duplicate LCC names.

DSI599I **command FAILED FOR**
'SP_spkey=SP_spname,
APPL_applkey=APPL_applname' :
NO ENTRY EXISTS IN THE ACTIVE
CONFIGURATION. SENSE CODE=
X'code'

Explanation

You entered an SPCS command for a specified service point and application, and the command failed. No entry exists in the active configuration as specified.

Message Variables**command**

The command that failed.

spkey

The service point keyword. This is the actual keyword used on the command to specify the service point. It is SP or a synonym for SP.

spname

The service point name.

applkey

The application keyword equals APPL or a synonym for APPL.

applname

The application name.

code

The sense code number.

System action

Processing continues.

Operator response

Notify the system programmer.

System programmer response

Determine why there is no configuration data in the service point.

DSI600I **commandtext**

Explanation

This message is a continuation of message DSI608I, the display of PF or PA key settings.

Message Variables**commandtext**

The text of a command.

System action

The LIST command continues.

DSI602I **INVALID IFR CODE = code**
RECEIVED FROM operatorid

Explanation

The NetView program has encountered an internal function request (IFR) code that is not valid on its message queue.

Message Variables**code**

The code used for problem analysis

operatorid

The operator identifier

System action

Processing continues.

Operator response

Notify the system programmer.

System programmer response

Check user-written command processors and user-written exit routines that use the NetView DSIMQS service macro for communication to the TCT. The NetView program does not support TCAM; therefore, rewrite these programs to use IFR codes 4, 5, 6, and 7 only.

DSI603I **command COMMAND ISSUED FOR**
NON-OST TASK. COMMAND
REJECTED

Explanation

The *command* was not entered by a NetView terminal operator. For example, the SET KEY command can only be entered by a NetView terminal operator.

Message Variables**command**

The name of the command.

DSI604I **OPERAND 'object' INVALID**

Explanation

One of the following occurred:

- The key you specified is not PA1 through PA3, or PF1 through PF24.
- The command you entered is a command list that is not defined in CNMCMD with a CMDDEF statement.
- The command you entered is not valid.
- An operand on the command you entered is not valid.

Message Variables

object

Any of the following:

- A PF or PA key.
- The name of a command.
- An operand that is not valid.

System action

The NetView program ignores the command.

Operator response

Correct and enter the command again.

**DSI606I DISPLAY OF PF/PA KEY SETTINGS
 FOR *applid***

Explanation

This is a major header line produced by the LIST KEY command.

Message Variables

applid

The full screen application for which this key or set of keys is set.

System action

The LIST command continues.

**DSI607I KEY ----TYPE-----
 COMMAND----- SET-APPL**

Explanation

This is a title line produced by the LIST KEY command. It identifies the fields in the message DSI608I that follows.

System action

The LIST command continues.

**DSI608I *key keyno keyact, action
 commandtext setappl***

Explanation

This is a line produced by the LIST KEY command. It identifies a PF or PA key and its respective command.

Message Variables

key

PF or PA key.

keyno

The number of the PA key (1–3) or PF key (1–24).

keyact

IMMED or DELAY.

action

APPEND or IGNORE.

commandtext

The text of the command or command list.

setappl

The applid for which this key was set.

System action

The LIST command continues.

DSI611I *pfkey* NOT SET FOR *applid*

Explanation

This key is not set for the given application.

Message Variables

applid

The name of the full screen application.

pfkey

The name of a PF or PA key.

**DSI612I INVALID VERB FOR DSIPFK
 COMMAND PROCESSOR**

Explanation

The verb used to define the PF or PA key command processor, DSIPFK, is not a PF or a PA key.

System action

The NetView program rejects the command.

Operator response

Do not enter this command. Use a PA or PF key. Notify the system programmer.

System programmer response

Remove the CMDDEF definition statement for the incorrect verb from the CNMCMD definition file.

DSI613I PF/PA KEY NOT SET FOR *applid*

Explanation

The PA or PF key that you pressed is not defined with the SET command.

Message Variables***applid***

The name of the full screen application.

System action

The command is rejected.

Operator response

Enter a SET command for the desired PA or PF key, or enter LIST KEY=ALL to find the PF or PA key that you have already set.

DSI614I **PA KEY AND APPEND OPTION ARE INCOMPATIBLE. CHANGED TO IGNORE**

Explanation

APPEND cannot be used as a SET option when setting PA keys. APPEND requires data to be sent to the host. PA keys do not send data to the host.

System action

The NetView program substitutes IGNORE and APPEND in the SET command.

Operator response

If the key being defined by the SET command must have the APPEND option, enter the SET command again defining a PF key instead of a PA key.

DSI616I **key NOT SET YET**

Explanation

This key can be set, but has not yet been set.

Message Variables***key***

The key that is not set.

Operator response

Set the key if it was the correct choice, or enter the correct key. You can enter LIST KEY=ALL to list the current key settings.

DSI617I **MAXIMUM NUMBER OF CMD SYN'S FOR *command* EXCEEDED IN *object***

Explanation

The maximum number of command synonyms defined in a CMD SYN statement in CNMCMD is 255. The maximum was exceeded.

Message Variables***command***

The command name.

object

The member in which the error was found, or the name of an embedded member appears if the error indicated by the message occurred in a member included (%INCLUDE statement) in *object*. If multiple levels of embedding occurred within *object*, only the level where the error occurred is specified.

System action

The NetView program ignores the statement.

System programmer response

Remove the statement in error or another statement to ensure there are no more than 255.

DSI619I **IMPROPER COMMAND BUFFER PASSED TO PPT**

Explanation

A buffer queued to the PPT had either an incorrect format or an incorrect buffer type indicator in the buffer head.

System action

Processing continues and the command request does not run.

Operator response

Notify the system programmer.

System programmer response

Contact IBM Software Support.

DSI620I **PF KEY USE INVALID FROM MODEM CONFIGURATION PANEL**

Explanation

You pressed a PF or PA key on the modem configuration panel.

DSI621I **REXX INTERPRETER UNAVAILABLE TO NETVIEW**

Explanation

The release of VM that you are using does not support NetView REXX.

System action

The NetView program continues processing.

Operator response

Notify the system programmer.

System programmer response

To use NetView REXX on a VM system, have VM Release 6 REXX Enhancements SPE or a later release of VM installed.

DSI622I DUPLICATE LCC NAMES NOT ALLOWED

Explanation

The NetView program does not allow duplication between the entries in the command subfield.

System action

The NetView program ignores the entire command entry.

Operator response

Enter the command correctly. For a description of the command subfields, see the NetView online help.

DSI623I LOAD FAILED FOR REXX MODULE *module*

Explanation

The specified module cannot be loaded.

Message Variables***module***

The name of the module.

System action

The *module* refers to a REXX exit. REXX initialization continues.

Operator response

Notify the system programmer.

System programmer response

Ensure that the module is correctly installed and then call IBM Software Support.

DSI624I INCONSISTENT PARAMETER USAGE, A NON-PERSISTENT SESSION WAS DEFINED, BUT THE INACTIVITY INTERVAL IS ZERO

Explanation

You have specified PERSIST=NO on a DSTINIT or CNMTARG definition statement, but you have not set the nonpersistent sessions time-out field in DSICTMOD.

System action

The NetView program defaults the session to persistent. The PERSIST=NO option is ignored.

Operator response

Notify the system programmer.

System programmer response

Set the nonpersistent sessions timeout interval in DSICTMOD to the number of seconds of inactivity that the NetView program waits before bringing down its LUC sessions. Assemble and link-edit DSICTMOD and recycle the NetView program.

DSI625I UNEXPECTED SYNAD OR LERAD ERROR FOR *taskid(source lu)*, *macro* FAILED - RTNCD = *X'vtamrca'* FDBK2 = *X'vtamfb'* SYSTEM/USER SENSE = *X'vtamsens'* SNOCODE = *snocode*

Explanation

An unexpected SYNAD or LERAD error occurred during VTAM processing. Use the RCFB command list for a description of the return code and feedback code. Use the SENSE command list for a description of the sense code.

Message Variables***taskid(source lu)***

The name of the failed task or source LU (TAF).

macro

The name of the failed macro.

vtamrca

The VTAM internal return code.

vtamfb

The VTAM internal feedback code.

vtamsens

The VTAM internal sense code.

snocode

The “should not occur” code as follows. Codes 2, 6, and 7 indicate logic errors. Codes 3, 4, 5, 8, and 9 indicate physical errors.

2

Unexpected RPLREQ request is out of range or is not supported by NetView program.

3

Unexpected VTAM return code or feedback code for this request.

4

Unexpected system sense value.

5

Unexpected user sense value for BSC 3270 (non-TAF environment only).

6

RPL not found in DSINAT table (non-TAF environment only).

7

Communication identifier (CID) is not valid.

8

Operator check on BSC remote (non-TAF environment only).

9

Sense is 0 for nonlocal 3270 (non-TAF environment only).

System action

- In a non-TAF environment, the NetView program ends with abend 258 (X'102') with dump for logic errors (LERAD) or with abend 268 (X'10C') with no dump for physical errors (SYNAD).
- In a TAF environment, the NetView program ends with abend 269 (X'10D') with a dump for logic errors (LERAD) or the TAF session abends for physical errors (SYNAD).

Operator response

Notify the system programmer.

System programmer response

Use the RCFB and SENSE command lists to determine the meaning of the return/feedback and sense codes. See the device-specific documentation for the meaning of the user sense data.

DSI626I **LOAD FAILED FOR *module*, LOGON ABORTED**

Explanation

The appropriate logon authorization module (DSILAN, DSILAM or DSILAR) cannot be loaded. The NetView program did not accept your logon request.

Message Variables

module

DSILAN, DSILAM, or DSILAR.

Operator response

Notify the system programmer.

System programmer response

Determine why the load failed and correct the error.

DSI627I **LOAD FAILED FOR *module*, COMMAND ABORTED**

Explanation

The appropriate module for the command cannot be loaded. The command does not run.

Message Variables

module

The name of the module.

Operator response

Notify the system programmer.

System programmer response

Determine the reason for the load failure and correct the error.

DSI628I ***keyword=value* IS NOT VALID FOR *module* IN *object*. *keyword2=value2* IS ASSUMED**

Explanation

RES=N is not a valid keyword in this case. If you enter a command whose type is IMMEDIATE or BOTH, or the module is one of the required listed RES=Y NetView commands, then RES=Y is assumed.

Message Variables

keyword=value

The keyword/value pair that violates the command definition restrictions.

module

The name of the module.

object

The member in which the error, or the name of an embedded member if the error indicated by the message occurred in a member included

(%INCLUDE statement) in *object*. If multiple levels of embedding occurred within *object*, only the level where the error occurred is specified. If the ADDCMD command issued this message, *object* is ADDCMD.

keyword2=value2

The keyword/value pair that is assumed.

System action

The NetView program uses the assumed keyword and value.

Operator response

Notify the system programmer.

System programmer response

Modify the keyword/value pair on the CMDDEF statement or the ADDCMD command to conform to the usage restrictions. See the online help for more information.

DSI630I PF/PA KEY VALUE TRUNCATED

Explanation

The complete PF or PA key value you previously defined in a SET command does not fit in the current command input area.

System action

The input area is filled and the rest of the PF or PA key value is truncated.

Operator response

Enter the INPUT command to increase the input area size and retry the PF or PA key.

DSI631I command NOT ALLOWED IN command COMMAND

Explanation

The specified command is not valid when used in SET.

Message Variables

command

The name of the command.

System action

The NetView program ignores the command.

Operator response

Enter the command again using a valid command or command list name. See the NetView online help.

DSI632I task : DUPLICATE KEYWORD 'keyword' IGNORED ON 'stmt' STMT/CMD, FIRST VALUE USED

Explanation

You specified a duplicate keyword on the control statement or command.

Message Variables

task

The name of the task.

keyword

The duplicate keyword specified.

stmt

The control statement or command where the duplicate keyword appears.

System action

The NetView program uses the first value specified for the keyword causing the error.

Operator response

Notify the system programmer.

System programmer response

Determine whether the first keyword value is correct for your environment. If the first value is not correct, correct the statement or command causing the error.

DSI633I command COMMAND SUCCESSFULLY COMPLETED

Explanation

You entered the *command* and it completed successfully.

Message Variables

command

The name of the command

DSI634I "WARNING" - MORE THAN ONE VALID DEFFOCPT STATEMENT WITH TYPE = type HAS BEEN ENCOUNTERED. THE LAST STATEMENT WILL BE ACCEPTED

Explanation

You defined more than one DEFFOCPT definition statement with the same focal point type. This

message is issued for each DEFFOCPT definition statement encountered after the first one of the same type is processed.

Message Variables

type

The focal point type (ALERT, STATUS, or OPS_MGMT).

System action

Processing continues. The system uses the name specified on the last DEFFOCPT statement as the focal point.

Operator response

Notify the system programmer.

System programmer response

The system issues message DSI667I or DWO551I after this message. You can tell by the focal point name in these messages if the system is using the correct focal point name.

If the focal point name is not correct, correct the DEFFOCPT definition statements that reside in the DSICRTD member if *type* is ALERT or STATUS. Correct the statements in the DSI6INIT member if *type* is OPS_MGMT. Then, recycle subtask DSICRTR or DSI6DST.

Remove any DEFFOCPT definition statements that are not needed, whether the assumed focal point name is correct or not. See the *IBM Z NetView Administration Reference* for more information on the DEFFOCPT definition statement.

DSI636I **AUTH MESSAGE STRING:**
 '*message*'

Explanation

This is a header line produced by the LIST MSG=AUTH or LIST ASSIGN=AUTH command. The NetView program found the message you requested.

Message Variables

message

The messages or commands.

System action

LIST command processing continues.

DSI637I **COPY MESSAGE STRING:**
 '*message*'

Explanation

This is a header line produced by the LIST MSG=COPY or LIST ASSIGN=COPY command. The NetView program found the message you requested.

Message Variables

message

The messages or commands.

System action

Command processing continues.

DSI638I **PRI(1ST): operatoridn**

Explanation

This is the list of up to five primary operators assigned to be primary receivers by message DSI173I or DSI636I.

Message Variables

operatoridn

An operator identifier, where *n* is 1 through 5.

System action

Command processing continues.

DSI639I **SEC(ALL): operatoridn**

Explanation

This is a list of up to five operators assigned to be secondary receivers specified by message DSI173I or DSI636I.

Message Variables

operatoridn

An operator identifier, where *n* is 1 through 5.

System action

Command processing continues.

DSI640I **OP(ALL): operatorid1 operatorid2**
 operatorid3 operatorid4
 operatorid5

Explanation

This message shows either a list of up to five operators assigned to receive copies of the messages given by a specific string in message DSI174I, DSI637I or a list of up to five operators assigned to a specific group ID given in message DSI180I.

Message Variables

operatoridn

An operator identifier, where *n* is 1 through 5.

System action

Command processing continues.

DSI641I *operatorids*

Explanation

This message is a continuation of a list of operators that begins in message DSI638, DSI639, or DSI640.

Message Variables***operatorids***

Additional operator identifiers.

System action

Command processing continues.

DSI642I **END OF ASSIGN DISPLAY**

System action

Command processing continues.

DSI643I **NO MESSAGE STRINGS/GROUP
IDS ARE ASSIGNED**

Explanation

No message strings or group IDs are assigned for the requested function.

DSI644I **MESSAGE STRING/GROUP ID
'string' NOT ASSIGNED**

Explanation

The message string or group ID is not assigned or there are no operators in the group.

Message Variables***string***

The message string or group ID you entered.

Operator response

If you receive this message for an ASSIGN command specifying the DROP operand, enter a LIST command to determine which messages or groups are assigned.

DSI645I **MESSAGE STRING/GROUP ID
'string' DROPPED**

Explanation

The message string or group ID was dropped from the assignment lists. If ALL is specified, then all of the specified message or group assignments are dropped.

Message Variables***string***

The message string, group ID, or ALL.

System action

The assignment is dropped.

DSI646I **KEYWORD '*keyword*' IS INVALID**

Explanation

The keyword you used is not recognized. You might have entered it incorrectly.

If the DSI646I message is issued during NetView initialization, an internally generated CMDDEF statement or CNMSTYLE keyword follows the message. This statement might not be a true representation of the original statement, but has sufficient information that you can use to find the original statement in error.

Message Variables***keyword***

The keyword specified.

System action

If this message is the result of an operator entered command, the command ends. If it is the result of an error in a task initialization member, the task can be ended.

Operator response

Correct the command specification and reenter the command. Correct the initialization member and restart the task or notify the system programmer.

System programmer response

Correct the initialization member and restart the task.

DSI647I **DUPLICATE KEYWORD *keyword***

Explanation

You entered the keyword more than once.

Message Variables***keyword***

The keyword specified.

System action

If this message is the result of an operator entered command, the command ends. If it is the result of an error in a task initialization member, the task can be ended.

Operator response

Correct the command specification and reenter the command. Correct the initialization member and restart the task or notify the system programmer.

System programmer response

Correct the initialization member and restart the task.

DSI648I **KEYWORD CONFLICT BETWEEN**
keyword1 AND keyword2

Explanation

The keywords (*keyword1* and *keyword2*) cannot be specified on the same occurrence of the command or on the same statement in the initialization member.

Message Variables

keyword1

The first keyword specified.

keyword2

The second keyword specified.

System action

If this message is the result of an operator entered command, the command ends. If it is the result of an error in a task initialization member, the task can be ended.

Operator response

Correct the command specification and reenter the command. Correct the initialization member and restart the task or notify the system programmer.

System programmer response

Correct the initialization member and restart the task.

DSI649I **KEYWORD *keyword* HAS INVALID**
VALUE: '*value*'

Explanation

You specified a value that is not valid for the keyword.

If the message DSI649I is issued during NetView initialization, a reconstituted CMDDEF statement follows the message. This reconstituted CMDDEF, although it might not be a true representation of the original CMDDEF, has sufficient information to find the original CMDDEF in error.

The following information applies to the REGISTER command only: If *keyword* is COMMAND, then *value* is not a valid NetView command. If *keyword* is APPL, then *value* is either an architected application name with improper syntax or a restricted application name.

Some of the architected MS application names now have character constants that can be used in place of the hexadecimal values that are currently supported. The MS applications that have these constants are:

Arch Name/Char Value

Arch Value

Alert_Netop/ALERT

X'23F0F3F1'

Ops_Mgmt_Netop/OPS_MGMT

X'23F0F1F7'

Ep_Ops_Mgmt/EP_OPS

X'23F0F1F6'

Ms_Caps/MS_CAPS

X'23F0F1F1'

If *keyword* is FPCAT, then *value* is an application name with improper syntax.

Message Variables

keyword

The keyword specified.

value

The value specified.

System action

If this message is the result of an operator entered command, the command ends. If it is the result of an error in a task initialization member, the task can be ended. For the TRACE command and for the PRIMARY keyword, the BACKUP keyword, or both, the NetView program continues to process to the next *keyword* and *value* specified (if any).

Operator response

Correct the keyword *value* and reenter the command. Correct the initialization member and restart the task or notify the system programmer. Notify the system programmer for the PRIMARY keyword, the BACKUP keyword, or both.

System programmer response

Correct the PRIMARY keyword, the BACKUP keyword, or both in the DEFFOCPT definition statement in the appropriate subtask initialization member, DSI6INIT or DSICRTD member. Recycle the appropriate subtask, DSI6DST or DSICRTR for the changes to take effect.

DSI650I **INVALID SYNTAX: '*operand*'**

Explanation

You entered a command incorrectly or coded a definition statement incorrectly.

If the message DSI650I is issued during NetView initialization, a reconstituted statement either follows the message or is contained in the message. This reconstituted definition, although it might not be a true representation of the original definition, has sufficient information to find the original definition in error.

Message Variables

operand

The operand in which the error was found. Other error responses can be:

- UNBALANCED QUOTES
- PARENTHESES INCORRECT
- INVALID DELIMITER
- DELIMITER MISSING
- INCORRECT CONSECUTIVE DELIMITERS

It is possible that a value was omitted or an extra delimiter was incorrectly included.

System action

The command ends or the definition statement is not processed.

Operator response

If the message is issued because of an error in a command, correct the syntax of the command and enter it again. If the message is issued because of an error in a definition statement, either correct the syntax of the definition statement or notify the system programmer.

System programmer response

If the message is issued because of an error in a definition statement, correct the syntax of the definition statement.

DSI651I **KEYWORD MISSING - ONE OF FOLLOWING REQUIRED: *keywords***

Explanation

Specify one of the keywords for the associated command.

If one of the keywords given below is present in the message, consult the command's help panels for a complete explanation of the format of the required keyword.

- INTEGER STRING
- POSITION.LENGTH STRING
- DELIMITED STRING
- DDNAME.MEMBER STRING

- TOKEN STRING
- MORE-TOKENS STRING

If the message DSI651I is issued during NetView initialization, a reconstituted CMDDEF statement follows the message. This reconstituted CMDDEF statement, although it is not be a true representation of the original CMDDEF, has sufficient information to find the original CMDDEF in error.

Message Variables

keywords

A set of keywords, at least one of which is required for the associated command.

System action

If this message is the result of an operator entered command, the command ends. If it is the result of an error in a task initialization member, the task can be ended.

Operator response

Correct the command specification and enter the command again. Correct the initialization member and restart the task or notify the system programmer.

DSI652I **MESSAGE STRING/GROUP ID '*string1*' INVALID: '*string2*' ALREADY ASSIGNED**

Explanation

The assignment for *string1* is not allowed because *string2* is already defined.

Message Variables

string1

The string of characters from the ASSIGN command.

string2

The string of characters from a previous ASSIGN command.

System action

The NetView program rejects the assignment.

Operator response

Enter a LIST MSG or LIST ASSIGN command to determine if the desired message or group ID is assigned. If so, issue the ASSIGN command again with appropriate options. For more information, see the description of the ASSIGN command in the NetView online help.

DSI653I **VALUE MISSING FOR KEYWORD
'keyword'****Explanation**

You did not specify a value for the given keyword.

Message Variables**keyword**

The keyword requiring a value.

System action

- If this message occurs during NetView initialization, the NetView program continues to initialize.
- If this message occurs when a NetView command was issued, the NetView program stops processing the command.

Operator response

- If this message was issued during NetView initialization, correct the statement in error and restart NetView or use the RESTYLE command, if applicable, to use the corrected statement.
- If this message was issued when a NetView command was issued, reenter the corrected command.

DSI654I **KEYWORD 'keyword' CANNOT
HAVE A VALUE****Explanation**

You gave the keyword shown in the message a value, but it cannot have a value.

Message Variables**keyword**

The keyword in error.

System action

If this message is the result of an operator entered command, the command ends. If it is the result of an error in a task initialization member, the task can be ended.

Operator response

Correct the command specification and enter the command again. Correct the initialization member and restart the task or notify the system programmer.

System programmer response

Correct the initialization member and restart the task.

DSI655I **CONFLICT BETWEEN KEYWORD
'keyword1' AND VALUE 'value' FOR
KEYWORD 'keyword2'****Explanation**

The command failed because of a conflict between a keyword and a value for the second keyword.

Note: To use the CONNECT and DISCONN keywords, MODEM must equal LOCAL. To use the CONTACT keyword, MODEM can equal LOCAL or REMOTE only. To use the SPEED keyword, LEVEL must equal 1.

Message Variables**keyword1**

The keyword causing the conflict.

value

The value causing the conflict.

keyword2

The keyword associated with *value*.

System action

If this message is the result of an operator entered command, the command ends. If it is the result of an error in a task initialization member, the task can be ended.

Operator response

Correct the command specification and enter the command again. Correct the initialization member and restart the task or notify the system programmer. See the NetView online help for the correct syntax.

DSI657I **THE SAME TELEPHONE NUMBER
ENTERED TWICE****Explanation**

The command failed because you specified the same telephone number twice on the CONNECT keyword.

System action

Processing continues and the NetView program ignores the request.

Operator response

Determine the phone numbers you need. Ensure each number is unique.

DSI660I **STOP TASK ISSUED FOR *task* BY
*operatorid***

Explanation

You entered a STOP TASK command for *task*. The command has been accepted and is being processed.

Message Variables

task

The name of the DST or OPT (user-written) task

operatorid

The operator identifier

System action

The named task ends.

DSI661I **STOP TASK ISSUED FOR *task* BY *operatorid***

Explanation

An operator issued a STOP TASK command. This message is received by the operator who most recently started the named task. If the operator has logged off, the message goes to the authorized receiver.

Message Variables

task

The name of the task being stopped

operatorid

The ID of the operator who issued the STOP command.

System action

Processing continues. Any further messages issued by the task named in the message go to the operator named in this message.

DSI662I **SCREEN HELD**

Explanation

You entered the command to hold the autowrap function.

System action

The autowrap function is held.

DSI663I **ERRORS FOUND IN LOGMODE *logmode* - CODE(S) *codes***

Explanation

You entered the START DOMAIN command for a domain with a logmode that had errors in the BIND parameters.

Message Variables

logmode

The logmode definition.

codes

The code used for problem analysis will be one of the following:

- 1** TS profile is not valid.
- 2** FM profile is not valid.
- 3** LU type is not valid.
- 4** PLU protocols are not valid.
- 5** SLU protocols are not valid.
- 6** Common protocols are not valid.

System action

If you received error codes 1, 2, or 3, the NetView program denies the request for connection. If you received error codes 4, 5, or 6, the NetView program enforces the required values and the request for connection continues.

Operator response

Choose a logmode name with the correct BIND parameters. Notify the system programmer.

System programmer response

Ensure that the BIND parameters in the logmode table for the secondary logical unit are correct.

DSI664I **HARDCOPY *hclname* ALREADY ACTIVE USING *logmode* LOGMODE**

Explanation

You entered START HCL for a named hard copy printer with a logmode already in use.

Message Variables

hclname

The name of the hard-copy log device.

logmode

The logmode definition, or DEFAULT.

System action

The printer is connected to the task but the logmode you asked for is not used.

Operator response

To use the requested logmode, enter STOP HCL and then START HCL for another printer using that logmode or a printer not in use. Or, enter:

```
STOP HCL=hc1name,OP=ALL
```

When the printer has finished printing, and you receive message DSI104I, enter START HCL for the required logmode name.

DSI665I **KEYWORD CONFLICT BETWEEN
keyword1 AND keyword2.
KEYWORD keyword2 IGNORED**

Explanation

Keywords *keyword1* and *keyword2* can not be specified in the same invocation of the command.

Message Variables

keyword1

The first keyword specified.

keyword2

The second keyword specified.

System action

The NetView program ignores *keyword2*. *Keyword1* is processed normally.

DSI666I **INVALID FOCAL POINT
DEFINITION : TYPE *type***

Explanation

An unknown focal point type was defined on a DEFFOCPT definition statement.

Message Variables

type

The unknown focal point type.

System action

The system ignores the statement and processing continues.

Operator response

Notify the system programmer.

System programmer response

Correct the DEFFOCPT definition statement with the unknown focal point type. DEFFOCPT statements are in member DSICRTTD or member DSI6INIT. Then, recycle subtask DSICRTR or DSI6DST. See the *IBM Z*

NetView Administration Reference for more information on the DEFFOCPT definition statement.

DSI667I ***type* FOCAL POINT: PRIMARY
'netid1.fpname' BACKUP
'netid2.backup'**

Explanation

This message is the response to a LIST FOCPT command. It can also occur when the NetView program processes a DEFFOCPT definition statement.

Message Variables

type

The type of data for which focal point information is being given.

netid1

The name of the network in which *fpname* resides. If this variable is not present, then *fpname* resides in the local network.

fpname

The name of the remote node that is the primary focal point for the specified type.

netid2

The name of the network in which *backup* resides. This variable is not present if *backup* resides in the local network or if *backup* is NONE.

backup

The name of the remote node that is the backup focal point for the specified type. If no backup is present, this variable is NONE.

System action

Processing continues.

DSI669I **NO FOCAL POINTS DEFINED :
TYPE *type***

Explanation

This message is the response to a LIST FOCPT command if a focal point node is not defined for the hardware monitor, or if the router task (DSICRTR) is not active.

Message Variables

type

ALERT or STATUS.

System action

Processing continues.

Operator response

Notify the system programmer.

System programmer response

Check the network configuration and if necessary, define the focal points.

DSI670I **NOT ENOUGH STORAGE TO
PROCESS COMMAND *command*,
COMMAND NOT PROCESSED**

Explanation

There is an out of storage condition. The NetView program has encountered a processing error.

Message Variables

command
DEFFOCPT or LIST

System action

Processing continues.

Operator response

Determine whether you received message BNH16I, which means the task has reached its storage limit. If so, notify your system programmer.

System programmer response

See the *IBM Z NetView Troubleshooting Guide* for possible causes of the storage shortage. If necessary, see the *IBM Z NetView Tuning Guide* for more storage calculation information.

DSI671I **UNABLE TO ROUTE DCNM DATA
BETWEEN DOMAIN *domain* AND
*luname***

Explanation

An LU 0 SEND request failed.

Message Variables

domain
The name of the domain trying to send the distributed communications network management (DCNM) data.

luname
The name of the LU to which the DCNM data cannot be routed. The LU can be a focal point or an LU in a foreign domain.

System action

Processing continues.

Operator response

Notify the system programmer.

System programmer response

Investigate the reason why the SEND failed and make corrections, if necessary. The network log might contain information on why the SEND failed.

If this message is received after you enter the CHANGEFP command for type ALERT, check the network log to see if the DWO130I SNA sense code message precedes the DSI671I message. If it does, then the NetView program attempted to send the CHANGEFP command to its specified target through one transport method (corresponding to message DWO130I) and then another (corresponding to message DSI671I), but both failed.

DSI672I **UNABLE TO RECEIVE DCNM
CROSS-DOMAIN DATA**

Explanation

This message is issued when an LU 0 RECEIVE fails.

System action

Processing continues.

Operator response

Notify the system programmer.

System programmer response

Check definitions, restart appropriate devices or tasks.

DSI676I ***descriptor* OPERATOR ID
SPECIFIED ON OPERATOR
STATEMENT IN *object***

Explanation

An OPERATOR statement in DSIOPF contains an error in the OPID (label) field.

Message Variables

descriptor
The type of syntax problem. DUPLICATE implies that this OPID has already been defined. INVALID implies that the OPID is prohibited, for example, SYSOP or LOG, or that a character that is not valid was found in OPID. A-Z, 0-9, #, @, and \$ are the only characters allowed.

object
The member in which the error was found, or the name of an embedded member. If multiple levels of embedding occurred within *object*, only the level where the error occurred is specified.

System action

The OPERATOR statement is ignored. Message DSI813A might be generated during the NetView initialization. If message DSI813A is generated, NetView waits for a response.

Operator response

Notify the system programmer.

System programmer response

Correct the OPERATOR statement that is not valid. For more information, see the *IBM Z NetView Administration Reference*.

DSI677I **PORT SPECIFIED MUST BE CONFIGURED**

Explanation

The port specified as the “PORT USED FOR EXTERNAL CLOCK” must be a configured port. You specified a port that is not configured.

System action

The NetView program ignores the command and highlights the names of ports that are not configured.

Operator response

Replace each highlighted field with the name of a port which is configured, or configure the port. To configure a port, fill in the fields in the corresponding column.

DSI678I **COMMAND PROCEDURE *cmdproc* TERMINATED - ERROR IN PRIOR NESTED COMMAND PROCEDURE.**

Explanation

The specified command procedure is the last one in a nested chain to end because of an error in one of the other command procedures in the nested chain.

Message Variables

cmdproc

The name of the command procedure.

System action

The NetView program ends the command procedure.

Operator response

Notify the system programmer.

System programmer response

Correct the error in the prior nested command procedure.

DSI679I ***operator* ON TERMINAL *terminal* REVOKED BY SECURITY SOFTWARE**

Explanation

The security software has rejected your attempt to log on because you exceeded the maximum number of attempts to log on with a password or password phrase that is not valid.

Message Variables

operator

The name of the operator attempting to log on.

terminal

The name of the terminal from which an operator attempted to log on. The terminal name can be one of the following:

- An LU identifier (for example, YOURLU)
- An IP address (for example, 146.84.144.121)

System action

The LOGON command is rejected.

Operator response

Notify the system programmer.

System programmer response

Verify the operator ID and password or password phrase. Correct the security software data set if necessary.

DSI680I **PORT SPECIFIED MUST BE SYNCHRONOUS**

Explanation

The port specified as the PORT USED FOR EXTERNAL CLOCK must be defined as having a synchronous transmission mode. You specified a port that is not so defined.

System action

The NetView program ignores the command and highlights the names of ports that are not defined as having a synchronous transmission mode.

Operator response

Replace each highlighted field with the name of a synchronous port, or define the port to have a synchronous transmission mode.

DSI681I **CHANNEL NUMBER FOR PORT
CAUSES INVALID CHANNEL
NUMBER COMBINATION**

Explanation

The highlighted channel number is not a valid option because of the channel numbers already assigned to lower ports. A *lower* port is listed to the left of a given port on the DMPX change panel. For example, port A is a lower port than port C.

System action

The NetView program ignores the command and highlights the channel numbers that are not valid.

Operator response

Replace the highlighted channel number with a valid number. If more than one channel number is highlighted, resolve them from left to right -- starting with port A and continuing to port D. In selecting the channel numbers for the ports, remember that:

- The channel number for port A must be 1.
- Each channel number for ports B, C, or D cannot be more than one more than the largest channel number to its left.
- Any channel number might be reused to indicate fan-in or fan-out ports.

DSI682I **ALL ASYNCHRONOUS FIELDS
MUST BE FILLED IN FOR
ASYNCHRONOUS PORTS**

Explanation

You left one or more asynchronous fields blank for ports that you have defined as asynchronous.

System action

The NetView program ignores the command and places a highlighted question mark in each blank field.

Operator response

Replace each highlighted question mark with a valid value.

DSI683I **ALL SYNCHRONOUS FIELDS MUST
BE FILLED IN FOR SYNCHRONOUS
PORTS**

Explanation

You left one or more synchronous fields blank for ports that you have defined as synchronous.

System action

The NetView program ignores the command and places a highlighted question mark in each blank field.

Operator response

Replace each highlighted question mark with a valid value.

DSI684I **IF A PORT IS NOT BEING USED,
ITS COLUMN MUST CONTAIN
BLANKS**

Explanation

It appears that you did not intend to use one of the ports, because certain key fields in its column are blank, but there are some nonblank values in the column. If you do not intend to use a port, its column can only contain blanks.

System action

The NetView program ignores the command and highlights the nonblank values.

Operator response

If you do not intend to use the port, blank out the highlighted fields in the corresponding column.

If you do intend to use the port, fill in transmission mode, channel, and other appropriate fields in the column.

DSI686I **ALL ASYNCHRONOUS FIELDS
MUST BE BLANK FOR
SYNCHRONOUS PORTS**

Explanation

You filled in one or more "asynchronous" fields for a port that is defined as synchronous. These fields must be left blank.

System action

The NetView program ignores the command and highlights the fields.

Operator response

Replace each highlighted field with blanks.

DSI687I ALL SYNCHRONOUS FIELDS MUST BE BLANK FOR ASYNCHRONOUS PORTS**Explanation**

You filled in one or more “synchronous” fields for a port that is defined as asynchronous. These fields must be left blank.

System action

The NetView program ignores the command and highlights the fields.

Operator response

Replace each highlighted field with blanks.

DSI688I THE SUM OF CHANNEL FULL SPEEDS MUST ADD UP TO THE MODEM FULL SPEED**Explanation**

The sum of the individual channel full speeds you specified does not equal the full speed of the modem.

For a channel used by an asynchronous port, the speed used to calculate the aggregate full speed is either 2.4 KBPS or the speed you specified for the asynchronous port, whichever is greater.

For a channel used by one or more synchronous ports, the speed used to calculate the aggregate full speed is the full speed you specified for each of the synchronous channels.

System action

The NetView program ignores the command. It highlights the full speed of all synchronous ports and the speed of all asynchronous ports.

Operator response

Ensure the individual full speeds of the channels used by the synchronous ports, and the individual speeds of the channels used by the asynchronous ports, add up to the aggregate full speed of the modem.

Remember to use 2.4 KBPS for the speed of a channel used by an asynchronous port, even if you specified a slower speed, because the port actually uses this amount of bandwidth. The full speed of a channel used by more than one port is the full speed of any of its ports. The aggregate full speed of the modem appears on the right side of the screen, on the same line as the “FULL SPEED” fields. For example, if you see (2.4->19.2 KBPS), then the aggregate full speed is 19.2 KBPS.

DSI689I THE SUM OF CHANNEL BACKUP SPEEDS MUST ADD UP TO MODEM BACKUP SPEED**Explanation**

The sum of the individual channel backup speeds you specified does not equal the backup speed of the modem.

For a channel used by an asynchronous port, the speed used to calculate the aggregate backup speed is either 2.4 KBPS or the speed you specified for the asynchronous port, whichever is greater.

For a channel used by one or more synchronous ports, the speed used to calculate the aggregate backup speed is the backup speed you specified for each of the synchronous channels.

System action

The NetView program ignores the command. It highlights the backup speed of all synchronous ports and the speed of all asynchronous ports.

Operator response

Ensure the individual backup speeds of the channels used by the synchronous ports, and the individual speeds of the channels used by the asynchronous ports, add up to the aggregate backup speed for the modem.

Remember to use 2.4 KBPS for the speed of a channel used by an asynchronous port, even if you specified a slower speed, because the port actually uses this amount of bandwidth. The backup speed of a channel used by more than one port is the backup speed of any of the ports.

Note that, for every channel but one, the backup speed must be equal to the full speed. One channel must have a backup speed that is exactly 2.4 KBPS less than its full speed. The aggregate backup speed of the modem appears on the right side of the screen, on the same line as the “BACKUP SPEED” fields. For example, if you see (0.0->16.8 KBPS), then the aggregate backup speed is 16.8 KBPS.

DSI690I BACKUP SPEED OF PORT MUST BE LESS THAN OR EQUAL TO ITS FULL SPEED**Explanation**

One or more backup speeds are incorrect because a port's backup speed cannot be greater than its full speed.

System action

The NetView program ignores the command and highlights the backup speeds that are incorrect.

Operator response

Change the highlighted backup speeds so they are less than or equal to the corresponding full speeds.

DSI691I CHANNEL NUMBER IS NOT ALLOWED FOR THIS PORT
Explanation

The highlighted channel numbers are not valid.

System action

The NetView program ignores the command and highlights the channel numbers that are not valid.

Operator response

Replace the highlighted fields with valid channel numbers.

In selecting the channel numbers for the ports, remember that:

- The channel number for Port A must be 1.
- Each channel number for ports B, C or D cannot be more than one greater than the largest channel number to its left.
- Any channel number might be reused to indicate fan-in or fan-out ports.

Thus, for example, the valid values for port C are 1, 2, 3, and blank; the valid values for port D are 1, 2, 3, 4, and blank.

DSI692I FAN-IN PORTS MUST HAVE EQUAL FULL SPEEDS
Explanation

You have specified different full speeds for one or more fan-in ports that share the same channel. All fan-in ports that share a channel must operate at the same full speed.

System action

The NetView program ignores the command and highlights the full-speed fields that do not match.

Operator response

Select a single full speed for each port sharing a specific channel, and replace the highlighted speeds with that value.

DSI693I FAN-OUT PORTS MUST HAVE EQUAL FULL SPEEDS
Explanation

You have specified different full speeds for one or more fan-out ports that share the same channel. All fan-out ports that share a channel must operate at the same full speed.

System action

The NetView program ignores the command and highlights the backup speed fields that do not match.

Operator response

Select a single backup speed for each port sharing a specific channel, and replace the highlighted speeds with that value.

DSI694I FAN-IN PORTS MUST HAVE EQUAL BACKUP SPEEDS
Explanation

You have specified different backup speeds for one or more fan-in ports that share the same channel. All fan-in ports that share a channel must operate at the same backup speed.

System action

The NetView program ignores the command and highlights the backup speed fields that do not match.

Operator response

Select a single backup speed for each port sharing a specific channel, and replace the highlighted speeds with that value.

DSI695I FAN-OUT PORTS MUST HAVE EQUAL BACKUP SPEEDS
Explanation

You have specified different backup speeds for one or more fan-out ports that share the same channel. All fan-out ports that share a channel must operate at the same backup speed.

System action

The NetView program ignores the command and highlights the backup speed fields that do not match.

Operator response

Select a single backup speed for each port sharing a specific channel, and replace the highlighted speeds with that value.

DSI696I **PORT CANNOT BE CONFIGURED AS ASYNCHRONOUS**

Explanation

You attempted to configure port A or C as asynchronous; however, only ports B and D can be configured as asynchronous.

System action

The NetView program ignores the command and highlights the transmission mode settings that are not valid.

Operator response

Change the highlighted values to either synchronous or blank (for an unused port).

DSI697I **AN ASYNCHRONOUS PORT CANNOT SHARE A CHANNEL WITH ANY OTHER PORT**

Explanation

You attempted to define an asynchronous port with the same channel as another port. An asynchronous port cannot share a channel with any other port.

System action

The NetView program ignores the command and highlights the channel numbers that are not valid.

Operator response

Verify that the channel specified for this asynchronous port is correct. If it is correct, ensure that no other port is using the same channel.

DSI698I **A SYNCHRONOUS PORT CANNOT SHARE A CHANNEL WITH AN ASYNCHRONOUS PORT**

Explanation

You attempted to define a synchronous port with the same channel as an asynchronous port. A synchronous port cannot share a channel with an asynchronous port.

System action

The NetView program ignores the command and highlights the channel numbers that are not valid.

Operator response

Verify that the channel specified for this synchronous port is correct. If it is correct, specify a different channel number for the corresponding asynchronous port.

DSI700I **task: ALIAS INITIALIZATION COMPLETE. RECORD COUNTS ARE: ORIGNET = recordcount, LU = recordcount, COS = recordcount, MODE = recordcount**

Explanation

DST initialization is complete. The translation tables are now built. You can enter AINQ and AUPD commands.

Message Variables

task

The name of the task

recordcount

The number of records of each type (ORIGNET, LU, COS, MODE) read and processed successfully during initialization

DSI701I **task: DST INITIALIZATION FAILED FOR THE ALIAS APPLICATION - INSUFFICIENT STORAGE**

Explanation

When the NetView program built the base control blocks, insufficient storage was available to process the records from the DSIPARM alias files.

Message Variables

task

The name of the task

Operator response

Notify the system programmer.

System programmer response

Determine the amount of additional storage you need for the alias application DST and the associated tables. Add this amount to the NetView region or partition size. Then restart the NetView program.

DSI702I **task: DST ABENDING FOR THE ALIAS APPLICATION - CNMI**

**FAILURE MAJOR CODE=*nn* MINOR
CODE =*retcode***

Explanation

You have a logic error when the alias application tries to send a reply to the access method.

Message Variables

task

The name of the task.

nn

The return code for the failing CNM interface request.

retcode

The return codes for the failing CNM interface request.

Operator response

Notify the system programmer.

System programmer response

See the DSIZCSMS return codes listed in *IBM Z NetView Programming: Assembler* to determine the problem. If you have a system type error, collect your error documentation and contact IBM Software Support. If you have a network type failure or system definition type error, correct it and restart the alias application.

DSI703I ***task: DST ABENDING FOR THE ALIAS APPLICATION - LOGIC ERROR***

Explanation

A logic error occurred in the alias application processing. The alias tables are no longer usable.

Message Variables

task

The name of the task.

Operator response

Notify the system programmer.

System programmer response

You have an internal alias application logic error caused by a mismatch in the translation tables. Collect the problem determination data and contact IBM Software Support.

DSI704I ***task: DST ABENDING FOR THE ALIAS APPLICATION - UNABLE TO LOAD module***

Explanation

The NetView program cannot find one of the alias application load modules, or the load itself encountered an I/O error.

Message Variables

task

The name of the task.

module

The name of the module that cannot be loaded.

Operator response

Notify the system programmer.

System programmer response

Ensure the load module is on the appropriate library, then restart the alias application.

DSI705I ***task: DST ABENDING FOR THE ALIAS APPLICATION - COMMAND PROCESSOR UNDEFINED - NAME = cmdproc***

Explanation

The NetView program does not recognize a command processor needed to run the DST.

Message Variables

task

The name of the task.

cmdproc

The name of the command processor.

Operator response

Notify the system programmer.

System programmer response

Define the command processor name on a CMDDEF statement, then restart the NetView program.

DSI706I ***hclname SESSIONS HAVE BEEN STOPPED FOR ALL OPERATORS***

Explanation

This is a normal response to a STOP HCL=*hclname*,OP=ALL command entered for the indicated *hclname*.

Message Variables

hclname

The name of the hard-copy log device.

System action

Sessions end between the specified hard-copy log device and all operators.

DSI707I **INVALID ALIASMEM STATEMENT
NOT PROCESSED. EXTRA
CHARACTERS AFTER ALIASMEM -
'word', LABEL = 'label'**

Explanation

At least one extra character followed the ALIASMEM keyword without an intervening blank.

Message Variables

word

ALIASMEMx. The x stands for an extra character, possibly followed by additional characters in the actual statement.

label

The statement label. This is blank if no label is present.

System action

Processing continues. However, the NetView program ignores the incorrect statement.

Operator response

Notify the system programmer.

System programmer response

Correct the statement that is in error.

DSI708I **task: ALIAS TABLE BUILD FAILED
FOR CONNECT TO DSIPARM.
DSIDKS RETURN CODE = *retcode***

Explanation

An error occurred when an alias application tried to connect to the DSIPARM data set. The DSIDKS return code, *nn*, is displayed.

Message Variables

task

The name of the task.

retcode

The DSIDKS return code.

System action

Alias application continues, but no records from DSIPARM are read into the tables.

Operator response

Notify the system programmer.

System programmer response

Ensure the DSIPARM data set is available. If a fix was made, have the operator enter the AUPD command to process the data set.

DSI709I **task: ALIAS TABLE BUILD FAILED
FOR *object=name* - LOAD FAILED
FOR MODULE=*module*.**

Explanation

An error occurred when the NetView program tried to load one of the alias application modules required for the table build process.

Message Variables

task

The name of the task

object

MEMBER

name

The name of an MVS member

module

The name of the module

System action

No updates are made to the alias tables for the specified member. Alias application processing continues.

Operator response

Notify the system programmer.

System programmer response

Ensure the load module is on the appropriate library. If the error is fixed, have the operator enter an AUPD command.

DSI710I **task: ALIAS TABLE BUILD FAILED
FOR *object=name*, I/O ERROR ON
ALIAS FILE**

Explanation

An I/O error occurred while the NetView program was trying to read records from the specified member. The remaining records were not affected.

Message Variables

task

The name of the task

object

MEMBER

name

The name of a member

System action

The alias tables might be partially updated with any records read before the error occurred. A message follows that provides the number of records processed successfully. Alias application processing continues.

Operator response

Notify the system programmer.

System programmer response

Check the I/O device to correct the I/O problem. When you have corrected the error, have the operator enter an AUPD command ADD for the member name.

DSI711I

task: ALIAS TABLE BUILD FAILED FOR *object*=*name*, INSUFFICIENT STORAGE

Explanation

The NetView program did not have enough storage to build the base control blocks for the specified member. The remaining records are not affected.

Message Variables**task**

The name of the task.

object

MEMBER

name

The name of a member

System action

The alias tables might be partially updated with any records read before the error occurred. A message follows that provides the number of records processed successfully. Alias application processing continues.

Operator response

To provide more virtual storage, stop any unnecessary NetView tasks or operators. If you are successful, enter an AUPD command ADD for the member name. If not, inform the system programmer.

System programmer response

Determine new virtual storage requirements and update NetView region or partition size. Restart the

NetView program when the additional virtual storage is available.

DSI712I

task: ALIAS TABLE BUILD FAILED FOR RECORD TYPE = *type*, LABEL = *recordlabel*, FROM *object* = *name* - INVALID SEQUENCE

Explanation

An ORIGNET record did not precede the LU, COS, or MODE record definitions on the specified member. The record is not added to the alias tables.

Message Variables**task**

The name of the task

type

Any of the following:

- A logical unit
- The class of service
- The type of operation

recordlabel

The definition statement label

object

MEMBER

name

The name of a data set member

System action

Alias application processing continues. The NetView program ignores any further LU, CO, and MODE records not preceded by an ORIGNET record. Message DSI700I follows indicating the number of records processed successfully.

Operator response

Notify the system programmer.

System programmer response

Fix the sequence error on the specified alias member. Have the operator enter an AUPD command to process the record.

DSI713I

task: ALIAS TABLE BUILD FAILED FOR RECORD TYPE = *type*, LABEL = *recordlabel*, FROM *object* = *name* - INSUFFICIENT STORAGE

Explanation

The NetView program does not have enough storage to build additional translation tables for the specified

record. The record cannot be added to the existing tables.

Message Variables

task

The name of the task

type

Any of the following:

- A logical unit
- The class of service
- The type of operation

recordlabel

The definition statement label

object

MEMBER

name

The name of a data set member

System action

The alias tables might be partially updated with any records read before the error occurred. A message follows that provides the number of records processed successfully. Alias application processing continues.

Operator response

Stop any unnecessary NetView tasks or operators to provide more virtual storage. If you are successful, enter an AUPD command ADD for the member name and record type. If you do not have enough storage, notify the system programmer.

System programmer response

Determine new virtual storage requirements and update NetView region or partition size. Restart the NetView program if additional virtual storage is available to be allocated.

DSI714I **task: ALIAS TABLE BUILD FAILED FOR RECORD TYPE = *type*, LABEL = *recordlabel*, FROM *object* = *name* - DUPLICATE ENTRY**

Explanation

The NetView program found a duplicate alias name for an origin network, or a duplicate real name for an origin or destination network pair. The record is not added to the alias tables.

Message Variables

task

The name of the task

type

Any of the following:

- A logical unit
- The class of service
- The type of operation

recordlabel

The definition statement label

object

MEMBER

name

The name of a data set member

System action

The NetView program ignores the duplicate record. Alias application processing continues.

Operator response

Notify the system programmer.

System programmer response

Resolve the alias definition files. Have the operator enter an AUPD command for new or changed members.

DSI715I **object NOT PROCESSED. task: ALIAS *object* NAME INVALID, LABEL = '*recordlabel*'**

Explanation

A member name specified on the ALIASMEM statement is not valid because it does not contain 1– 8 characters.

Message Variables

object

MEMBER

task

The name of the task

recordlabel

The definition statement label

System action

The alias tables are updated with the valid member names. The NetView program ignores the names that are not valid and processing continues.

Operator response

Notify the system programmer.

System programmer response

Fix the ALIASMEM statement. Have the operator enter an AUPD command for new members if necessary.

DSI716I *task: INVALID DELIMITER ON ALIAS DEFINITION STATEMENT. LABEL = recordlabel, TYPE = type*

Explanation

You used a character other than a comma or a blank between parameters on the alias definition statement.

Message Variables

task

The name of the task

recordlabel

The definition statement label

type

ORIGNET, LU, COS, or MODE

System action

The parameter that appears before the incorrect delimiter, and any parameters that follow, are ignored. The NetView program continues reading and processing with the next sequential record.

Operator response

Notify the system programmer.

System programmer response

Correct the record definition statement. Have the operator enter an AUPD command for corrected members if necessary.

DSI717I *task: INVALID ALIAS RECORD - UNBALANCED QUOTES. LABEL = 'recordlabel'*

Explanation

There are unmatched quotation marks in the alias record.

Message Variables

task

The name of the task

recordlabel

The definition statement label

System action

The NetView program ignores the alias record. Processing continues with the next record.

Operator response

Notify the system programmer.

System programmer response

Correct the record definition statement. Have the operator enter the AUPD command if necessary.

DSI718I *task: EXTRA PARAMETERS ON ALIAS RECORD IGNORED - LABEL = recordlabel*

Explanation

The NetView program found extra parameters on the alias record.

Message Variables

task

The name of the task

recordlabel

The definition statement label

System action

The NetView program ignores the extra parameters.

Operator response

Notify the system programmer.

System programmer response

To correct the record definition, eliminate the extra parameters.

DSI719I *task: REQUIRED PARAMETER MISSING. RECORD TYPE = type, LABEL = recordlabel, object = name*

Explanation

A required parameter on the ALIAS definition statement is missing.

Message Variables

task

The name of the task

type

ORIGNET, LU, COS, or MODE

recordlabel

The definition statement label

object

MEMBER

name

The name of a data set member

System action

The NetView program ignores the record that is not valid and continues reading and processing alias records.

Operator response

Notify the system programmer.

System programmer response

Correct the record definition statement. Have the operator enter the AUPD command if necessary.

DSI720I **task: ALIAS RECORD TYPE NOT
RECOGNIZED IN object = name,
LABEL = recordlabel**

Explanation

The record type read from the specified DSIPARM member was not equal to ORIGNET, LU, COS, or MODE.

Message Variables

task

The name of the task

object

MEMBER

name

The name of a data set member

recordlabel

The definition statement label

System action

The NetView program continues reading and processing with the next sequential record.

Operator response

Notify the system programmer.

System programmer response

Correct the record definition statement. Have the operator enter an AUPD command for new members if necessary.

DSI721I **task: ALIAS RECORD CONTAINS
INVALID DATA. LABEL =
recordlabel, PARAMETER = parm,
object = name**

Explanation

One of the parameters on your input statement had data that is not valid.

Message Variables

task

The name of the task

recordlabel

The definition statement label

parm

The parameter in error

object

MEMBER

name

The name of a data set member

System action

The NetView program continues reading and processing with the next sequential record.

Operator response

Notify the system programmer.

System programmer response

Correct the record definition statement. Have the operator enter an AUPD command for new members if necessary.

DSI722I **task: ALIAS TABLE BUILD FAILED
FOR object = 'name', NOT FOUND**

Explanation

The specified member name on the ALIASMEM statement cannot be found in the DSIPARM data set.

Message Variables

task

The name of the task.

object

MEMBER

name

The name of a data set member

System action

The alias tables are updated with the valid members. The NetView program ignores the members that are not valid.

Operator response

Notify the system programmer.

System programmer response

Ensure that the member name is valid. Have the operator enter an AUPD command for new members if necessary.

DSI723I **task: ALIAS TABLE BUILD FAILED (INSUFFICIENT STORAGE) WHILE PROCESSING *object = name OF NETWORK=networkid***

Explanation

You do not have enough storage to build tables for the specified network identifier.

Message Variables

task

The name of the task.

object

MEMBER

name

The name of a data set member

networkid

The identification of the network.

System action

No tables are built for the specified network. The NetView program ignores the command.

Operator response

Stop any unnecessary NetView tasks or operators to free up virtual storage. If you are successful, enter an AUPD ADD command for the member name and network identifier. If there is still not enough storage, notify the system programmer.

System programmer response

Determine new virtual storage requirements and update the NetView region or partition. Restart the NetView program if more virtual storage can be allocated.

DSI724I **NCCF MEMBER *member* NOT FOUND ON *ddname***

Explanation

The NetView program cannot locate the specified member or the member was empty.

Message Variables

member

The name of a data set member

ddname

The data set name

System action

The NetView program ends the command.

Operator response

Notify the system programmer.

System programmer response

Ensure the specified member is loaded or named correctly.

DSI725I **THIS MODEM IS CURRENTLY OPERATING IN FAN IN/FAN OUT MODE**

Explanation

This modem is currently operating in fan-in or fan-out mode. This means that all ports are sharing a single channel; only one channel is defined and all ports are defined to share this channel. This message is for your information.

DSI726I **THIS MODEM IS CURRENTLY OPERATING IN PURE DMPX MODE**

Explanation

The modem is currently operating in pure DMPX mode. This means that all ports are using unique channels; no channel is being used by more than one port. If you want some of the ports to be inactive, the modem defines them with their own channels and a speed of 0.0 KBPS.

DSI727I **THIS MODEM IS CURRENTLY OPERATING IN MIXED MODE**

Explanation

The modem is currently operating in mixed mode. This means that more than one channel is being used, and that at least one of these channels is being shared by more than one port. Note that, if only one active channel is defined, but you want some of the ports to be inactive, the modem defines the ports with their own channels and a speed of 0.0 KBPS. Thus the modem appears to be in fan-in or fan-out mode to the host program, but more than one channel has been defined. This message is for your information.

DSI728I **BACKUP SPEED FOR PORT CANNOT BE 0 KBPS**

Explanation

You specified a backup speed of 0 KBPS for either port A or the port specified for the external clock. This is not a valid value.

System action

The NetView program ignores the command and highlights the field that is not valid.

Operator response

If the backup speed field for port A is highlighted, select a valid backup speed.

If the "PORT USED FOR EXTERNAL CLOCK" field is highlighted, select a valid backup speed for the highlighted port or specify a different port.

For synchronous ports, valid backup speed values are 2.4, 4.8, 7.2, 9.6, 12.0, 14.4, and 16.8 KBPS.

DSI729I PORT MUST BE SPECIFIED

Explanation

You specified N as the port used for external clock. When the transmit clock is external, specify a valid port name. N is not a valid value.

System action

The NetView program ignores the command and highlights the field that is not valid.

Operator response

Replace the highlighted field with a valid port name.

DSI730I CMDDEF STATEMENT MISSING FOR ALIAS DATA SERVICES *name* COMMAND PROCESSOR

Explanation

A CMDDEF statement required for alias command processing was missing from the CNMCMD member of DSIPARM.

Message Variables

name

The identifying name of the command processor.

System action

The NetView program does not run the requested command (AINQ or AUPD).

Operator response

Notify the system programmer.

System programmer response

Correct the CMDDEF definition statements in CNMCMD. Have the operator restart the NetView program.

DSI731I *action* REQUEST UNSUCCESSFUL. ALIAS DATA SERVICES TASK *task* NOT ACTIVE

Explanation

The alias command (AINQ or AUPD) request failed. The alias task is not active.

Message Variables

action

INQUIRY or UPDATE.

task

The name of the task.

System action

The NetView program does not run the requested command (AINQ or AUPD).

Operator response

Start the alias application if necessary, then enter the command again.

DSI732I *action* REQUEST UNSUCCESSFUL. INSUFFICIENT STORAGE - NAME / *object*. = *name*

Explanation

The alias command (AINQ or AUPD) request failed. The return code from the alias data services task indicated the NetView program did not have enough storage to complete the request.

Message Variables

action

INQUIRY or UPDATE

object

MEMBERNAME

name

One of the following:

- The member name specified on an AUPD command, or the network name specified on an AINQ request
- The name of a data set member

System action

The command ends. No updates are made to the alias tables.

Operator response

Determine whether you received message BNH16I, which means the task has reached its storage limit. If so, notify your system programmer.

System programmer response

See the *IBM Z NetView Troubleshooting Guide* for possible causes of the storage shortage. If necessary, see the *IBM Z NetView Tuning Guide* for more storage calculation information.

DSI733I **action REQUEST UNSUCCESSFUL - INTERNAL ERROR. SENSE = X'code', NAME/object=name**

Explanation

The alias command (AINQ or AUPD) request failed. The command was not processed because of an internal logic error in the alias application. The sense code values define the specific reason for the failure.

Message Variables

action

INQUIRY or UPDATE.

code

The code used for problem analysis.

object

MEMBERNAME

name

One of the following:

- The member name specified on an AUPD command, or the network name specified on an AINQ request.
- The name of a data set member.

System action

The command ends.

Operator response

Notify the system programmer.

System programmer response

Collect the necessary problem data and contact IBM Software Support.

DSI734I **INQUIRY REQUEST UNSUCCESSFUL. ORIGNET = networkid NOT DEFINED - NAME = name**

Explanation

The command was not processed. The ORIGNET value specified on request was not found in your alias file.

Message Variables

networkid

The network ID specified for the ORIGNET parameter on the AINQ command, or UNKNOWN.

name

One of the following:

- The network resource name specified on the AINQ command.
- The name of the data set member.

System action

The command ends.

Operator response

Correct the ORIGNET value on the command and enter it again.

DSI735I **INQUIRY REQUEST UNSUCCESSFUL. NAME = resource NOT FOUND FOR ORIGNET = networkid TARGNET = networkid**

Explanation

The ORIGNET and TARGNET parameters are not processed. The NAME value you specified on the request was not found in the alias tables.

Message Variables

resource

The name value specified on the AINQ command.

networkid

The networks specified on the AINQ command.

System action

The NetView program rejects the command.

Operator response

Correct the NAME value on the command and enter it again.

DSI736I **command COMMAND FAILED. SENSE CODE = X'code'.**

Explanation

Your command failed and the indicated sense code was returned to the NetView program.

Message Variables

command

The name of the command that failed.

code

The sense code number.

System action

The command is not processed.

Operator response

Notify the system programmer.

System programmer response

To obtain an explanation of the sense code, enter the HELP SENSE command, or see *Systems Network Architecture Formats* and take action based on the explanation.

DSI737I	UPDATE REQUEST UNSUCCESSFUL. NETWORK ID = 'networkid' NOT FOUND FOR object = name
----------------	--

Explanation

The NetView program did not find the network identifier on the AUPD command for the member you specified on the AUPD command. You specified an incorrect member for the given network, or an incorrect network identifier for the given member was specified, or both.

Message Variables

networkid

The network identifier on the AUPD command.

object

MEMBER

name

The name of a data set member

System action

The NetView program rejects the command.

Operator response

Correct the AUPD command so that the network identifier specified does exist for the member specified.

DSI738I	COUNT OF RECORDS DELETED FOR UPDATE OF object = name - LU = nn, COS = nn, MODE = nn
----------------	--

Explanation

You have output from an AUPD command. The number of records deleted for the AUPD command is displayed by record type. If you specified the ADD option, message DSI751I follows this message which gives the number of records added. The count of ORIGNET records is not shown in the message because the

network identifier is not deleted. Only the translation records defined by the specified member are deleted.

Message Variables

object

MEMBER

name

The name of a data set member

nn

The number of records

DSI739I	UPDATE REQUEST UNSUCCESSFUL FOR object = name, I/O ERROR
----------------	---

Explanation

This message is output from an AUPD command. An I/O error occurred on the file and the update cannot be completed. The tables can be updated while messages DSI738I and DSI1751I display the record counts.

Message Variables

object

MEMBER

name

The name of a data set member

System action

The alias tables are partially updated.

Operator response

Notify the system programmer.

System programmer response

Check the I/O device to correct the I/O problem. When you have corrected the error, have the operator enter an AUPD ADD command for the specified member.

DSI740I	UPDATE REQUEST UNSUCCESSFUL FOR object = name, NOT FOUND
----------------	---

Explanation

The specified member was not found in DSIPARM. Your request cannot process.

Message Variables

object

MEMBER

name

The name of a data set member

System action

No updates have occurred.

Operator response

Enter the command again with the correct member name.

DSI741I **UPDATE REQUEST
UNSUCCESSFUL FOR *object* =
*name***

Explanation

You have output from the AUPD command. It is not possible to process your request because of a storage shortage.

Message Variables

object

MEMBER

name

The name of a data set member

System action

The tables are partially updated and the messages DSI738I and DSI751I display the updated record counts.

Operator response

Determine whether you received message BNH16I, which means the task has reached its storage limit. If so, notify your system programmer.

System programmer response

See the *IBM Z NetView Troubleshooting Guide* for possible causes of the storage shortage. If necessary, see the *IBM Z NetView Tuning Guide* for more storage calculation information.

DSI742I **UPDATE REQUEST
UNSUCCESSFUL FOR *object* =
name, LOAD FAILURE FOR
DSIATBLD**

Explanation

The AUPD command cannot load DSIATBLD, the required module.

Message Variables

object

MEMBER

name

The name of a data set member

System action

The command ends.

Operator response

Notify the system programmer.

System programmer response

Ensure the library that contains DSIATBLD is available. Have the operator enter the AUPD command again when the load failure situation is corrected.

DSI743I **INQUIRY DATA - *name* = *resource*,
ORIGNET = *networkid*, TYPE = *type*
TARGNET = *networkid***

Explanation

This message is sent by the alias inquiry reply processor to return inquiry data back to you. It includes the input name to be translated, the type and the class of the name, and the source and the target network identifiers specified on the AINQ command.

Message Variables

name

ORIGNAME or TARGNAME.

resource

The name of the resource.

networkid

The name of the network.

type

LU, COS, or MODE.

DSI744I **INQUIRY RESULT - *name* =
translatedname, TARGNET =
networkid CDRM = *cdrmname***

Explanation

The translated name is the name of the resource as it is known in the target network. This message is sent by the alias inquiry reply processor to return inquiry results back to you.

Message Variables

name

ORIGNAME or TARGNAME.

translatedname

The name resulting from the inquiry request

networkid

The name of the network

cdrmname

The ID of the SSCP that owns the network resource (optional)

DSI745I **action REQUEST UNSUCCESSFUL.
DUPLICATE KEYWORD
ENCOUNTERED - keyword**

Explanation

The alias command (AINQ or AUPD) request failed. The NetView program found a duplicate keyword on an AINQ or AUPD command.

Message Variables

action

INQUIRY or UPDATE.

keyword

The keyword specified.

System action

The request ends.

Operator response

Correct the command and enter it again.

DSI746I **action REQUEST UNSUCCESSFUL.
INVALID KEYWORD
ENCOUNTERED - 'keyword'**

Explanation

The alias command (AINQ or AUPD) request failed. The NetView program found an incorrect keyword on an AINQ or AUPD command.

Message Variables

action

INQUIRY or UPDATE.

keyword

The keyword specified.

System action

The request ends.

Operator response

Correct the command and enter it again.

DSI747I **action REQUEST UNSUCCESSFUL.
EXPECTED OPERAND OR VALUE
MISSING - 'operand'**

Explanation

The alias command (AINQ or AUPD) request failed. The NetView program did not find a required operand on an AINQ or AUPD command, or the value for the given operand is missing.

Message Variables

action

INQUIRY or UPDATE.

operand

The name of the missing operand or the operand whose value is missing.

System action

The request ends.

Operator response

Correct the command and enter it again.

DSI748I **action REQUEST UNSUCCESSFUL.
SYNTAX ERROR - operand**

Explanation

The alias command (AINQ or AUPD) request failed. The syntax of your command is incorrect. The reason for the syntax error, or the incorrect operand or operand value, if specified, is displayed. If you did not specify an operand or operand value, the operand field is blank.

Message Variables

action

INQUIRY or UPDATE.

operand

The name of the operand. Other possible responses are DUPLICATE DELIMITER or UNBALANCED QUOTES.

System action

The request ends.

Operator response

Correct the command and enter it again.

DSI749I **ILLOGICAL SOURCE OF REQUEST**

Explanation

The alias command processors (DSIAOIRP or DSIAOURP) received a reply that did not originate from the alias application DST.

System action

The NetView program ignores the reply.

Operator response

Notify the system programmer.

System programmer response

This is an internal logic error. Collect the necessary problem determination data and contact IBM Software Support.

DSI750I **action REQUEST UNSUCCESSFUL.
INVALID KEYWORD VALUE
ENCOUNTERED - 'value'**

Explanation

The alias command (AINQ or AUPD) request failed. You specified an incorrect value on a keyword parameter.

Message Variables

action

INQUIRY or UPDATE.

value

The value specified.

System action

The request ends.

Operator response

Correct the keyword and enter the command again.

DSI751I **COUNT OF RECORDS ADDED FOR
UPDATE OF *object* = *name*, -
ORIGNET = *nn*, LU = *nn*, COS = *nn*,
MODE = *nn***

Explanation

This message is the output from AUPD command. The number of records you added for the UPDATE command is displayed by record type. If the records have also been deleted by the UPDATE command, this message follows message DSI738I, which gives the number of records deleted.

Message Variables

object

MEMBER

name

The name of a data set member

nn

The number of records.

DSI752I **action REQUEST UNSUCCESSFUL.
CONFLICTING KEYWORDS
ENCOUNTERED - *keyword1*,
*keyword2***

Explanation

The alias command (AINQ or AUPD) request failed. You specified a conflicting pair of keywords on the command.

Message Variables

action

INQUIRY or UPDATE.

keyword1

The first character string portion of the command.

keyword2

The second character string portion of the command.

System action

The request ends.

Operator response

Correct the command and enter it again.

DSI753I **NEW PASSWORDS DO NOT MATCH**

Explanation

You did not enter identical passwords or password phrases in the NEW PASSWORD fields.

System action

The PASSWORD field and both NEW PASSWORD fields are erased and the logon screen is refreshed with the other logon data intact. If the DSI809A prompt or the cross-domain logon screen was issued for logon, it is issued again with no logon data saved.

Operator response

If you do not want to change your password or password phrase from the logon screen, type your current password or password phrase in the PASSWORD field and press ENTER. If you want to change your password or password phrase, type your current password or password phrase in the PASSWORD field, and enter identical new passwords or password phrases in each NEW PASSWORD field.

If a password or password phrase change is not required from the DSI809A prompt, enter the command again, leaving the NEW PASSWORD fields blank. If you want to change your password or password phrase, enter the command again using identical passwords or password phrases in the NEW PASSWORD fields.

DSI754I **NEW PASSWORD NOT ACCEPTED
BY THE SECURITY SOFTWARE**

Explanation

The new password or password phrase that you entered was rejected by security software.

System action

Both NEW PASSWORD fields are erased and the logon screen is refreshed with the other logon data intact. If the DSI809A prompt was issued for logon, it is issued again with no logon data saved.

Operator response

If you do not want to change your password or password phrase from the logon screen, press ENTER to continue logon. If you want to change your password or password phrase, enter another password or password phrase in both NEW PASSWORD fields. Notify the system programmer if failures continue.

If a password or password phrase change is not required from the DSI809A prompt, retype the command leaving the NEW PASSWORD fields blank. If you want to change your password or password phrase, retype the command using another password or password phrase in the NEW PASSWORD fields. Notify the system programmer if failures continue.

If you do not want to change your password or password phrase from the cross-domain logon screen, retype the logon data leaving the NEW PASSWORD fields blank. If you want to change the password or password phrase, enter another password in both NEW PASSWORD fields. Notify the system programmer if failures continue.

Note: The SAF product might not allow a mix of passwords and password phrases in the existing password and new password fields.

System programmer response

Ensure that new passwords or password phrases are being entered in accordance with your installation's security software password or password phrase requirements.

DSI755I **OPERATOR *userid* IS NOT AUTHORIZED TO USE TERMINAL (*terminal*)**

Explanation

The user is not authorized by security software to log on to this terminal.

Message Variables

userid

The name of the operator attempting to log on.

terminal

The name of the terminal from which an operator attempted to log on. The terminal name can be one of the following:

- An LU identifier (for example, YOURLU)
- An IP address (for example, 146.84.144.121)

System action

Logoff is forced.

Operator response

Notify the system programmer.

System programmer response

Ensure that:

- The operator is not authorized access to the system on this day.
- The operator is not authorized access to the system at this time of day.
- The terminal is not authorized access to the system on this day.
- The terminal is not authorized access to the system at this time of day.

DSI756I **PASSWORDS CANNOT BE CHANGED AT LOGON IN THIS INSTALLATION**

Explanation

This message is issued when you enter data in the NEW PASSWORD fields but no security product is being used for logon verification.

System action

Both NEW PASSWORD fields are erased and the logon screen is refreshed with the other logon data intact. If the DSI809A prompt or the cross domain logon screen was issued for logon, it is issued again with no logon data saved.

Operator response

From the logon panel, press Enter to continue logon.

From the DSI809A prompt, retype the command leaving the NEW PASSWORD fields blank. From the cross domain logon screen, retype the logon data leaving the NEW PASSWORD fields blank.

DSI757I **PASSWORD HAS BEEN CHANGED FOR *userid***

Explanation

This message is issued after a successful logon and password or password phrase change. The message is issued with the successful logon message DSI020I.

Message Variables

userid

The name of the operator that logged on.

System action

The message is sent to the appropriate operator.

DSI758I **THE *number* NEW PASSWORD IS MORE THAN 8 CHARACTERS LONG**

Explanation

The operator or a command list attempted to enter a new password that is more than eight characters long. Eight characters is the maximum length of a new password entered from the DSI809A prompt or from a command list.

Message Variables

number

FIRST or SECOND.

System action

The NetView program rejects the new password. If the new password was entered from the DSI809A prompt, the NetView program issues the DSI809A prompt again.

Operator response

If the new password was entered from the DSI809A prompt, enter again all data requested by the prompt. Enter a value of eight characters or less in the NEW PASSWORD fields.

If the new password was entered from a command list, notify the system programmer.

System programmer response

Change the command list to issue a new password of eight characters or less.

DSI759I **DATA TYPE = *type***

Explanation

This message shows the configuration data type that contains the error described in the associated message DSI422.

Message Variables

type

The configuration data type.

System action

Processing continues and the NetView program ignores the command.

Operator response

A corresponding recovery message, DSI423, follows.

DSI760E **No valid license certificate was found for this NetView program. NetView is terminating.**

Explanation

During NetView initialization, a check was made to determine if a license existed for this NetView, but no valid license was found.

System action

NetView initialization stops and NetView ends.

Operator response

Notify the system programmer.

System programmer response

Ensure that a valid license certificate for NetView exists in the IBM License Management database. If a valid license certificate exists and the error continues, contact IBM Software Support.

DSI761I **NetView is terminating - IBM License Management call returned the following values: Return code: *retcode* Status code: *status*.**

Explanation

During NetView initialization, a check was made to determine if a license existed for this NetView using the z/OS ILMBREQ function. An error occurred and a correct license certificate was not found. A combination of return code and status code can be used to determine the cause.

Message Variables

retcode

The return code from the license request service

status

The status code from the license request service

Note: For more information about the value of return code and status code of the z/OS ILMBREQ function,

see *z/OS IBM License Manager Programming*, publication SH19-4529.

System action

NetView initialization stops and NetView ends.

Operator response

Notify the system programmer.

System programmer response

Ensure that a valid license certificate for NetView exists in the IBM License Management database or otherwise correct the problem that is specified. If a valid license certificate exists and the error continues, contact IBM Software Support.

DSI768I *domainid subcomponent APPCCMD CONTROL = event FAILED - REG15 = X'r15', REG0 = X'r0', RTNCD = X'vtamrcd', FDBK2 = X'vtamfb'*

Explanation

An APPCCMD request failed. The APPCCMD might have been issued by the NMC, the MS transport, or the high performance transport. The return codes associated with the attempt are shown. Use the RCFB command list for a description of the return codes and feedback codes.

Message Variables

domainid

The name of the NetView domain from which the message is issued

subcomponent

The name of the command facility LU 6.2 subcomponent that issued the message (ATTN Exit or RPL Exit)

event

The CONTROL keyword value on the APPCCMD that initiated the request

r15

The value in register 15 (used for problem analysis)

r0

The value in register 0 (used for problem analysis)

vtamrcd

The VTAM internal return code

vtamfb

The VTAM internal feedback code

System action

Processing continues.

Operator response

Notify the system programmer.

System programmer response

Use the RCFB command list to interpret the return code and feedback codes and make the appropriate changes.

DSI769I *domainid subcomponent APPCCMD event FAILED, LUNAME=luname, QUALIFY=X'qualify', FEEDBACK=(X'code1', X'code2', X'code3')*

Explanation

An APPCCMD request failed. The APPCCMD might have been issued by the NMC, the management services (MS) transport, or the high performance transport. The return codes associated with the attempt are shown.

Message Variables

domainid

The name of the NetView domain from which the message is issued.

subcomponent

The name of the command facility APPC subcomponent that issued the message (ATTN Exit or RPL Exit).

event

The CONTROL keyword value on the APPCCMD that initiated the request.

luname

The partner LU name.

qualify

The VTAM qualify option. See the description of the constant values for the RPL6QUAL field in the ISTRPL6X DSECT in the z/OS Communications Server library.

code1

The primary return code used for problem analysis.

code2

The secondary return code used for problem analysis.

code3

The RPL sense code used for problem analysis.

System action

Processing continues.

Operator response

Notify the system programmer.

System programmer response

For more information about the return codes, refer to the z/OS Communications Server library. If you are unable to resolve the problem, contact IBM Software Support.

DSI770I *domainid subcomponent APPCCMD CONTROL = event FAILED - REG15 = X'r15', REG0 = X'r0'*

Explanation

An APPCCMD request issued by the NMC failed. The return codes associated with the attempt are shown.

Message Variables

domainid

The name of the NetView domain from which the message is issued.

subcomponent

The name of the command facility LU 6.2 subcomponent that issued the message (ATTN Exit or RPL Exit).

event

The CONTROL keyword value on the APPCCMD that initiated the request

r15

The value in register 15 (used for problem analysis).

r0

The value in register 0 (used for problem analysis).

System action

Processing continues.

Operator response

Notify the system programmer.

System programmer response

Contact IBM Software Support.

DSI771I *domainid subcomponent DSIMQS TO event COMMAND PROCESSOR cmdproc IN SUBTASK subname FAILED, TRANSACTION PROGRAM = tpname, RC = X'retcode'*

Explanation

The application program supplied a command processor to process the completion of the *event* request. The attempt to drive the command processor failed.

Message Variables

domainid

The name of the NetView domain from which the message is issued.

subcomponent

The name of the command facility LU 6.2 subcomponent that issued the message (ATTN Exit or RPL Exit).

event

The CONTROL keyword value on the APPCCMD that initiated the request (ALLOC, RESETRCV, DEALLOC, OPRCNTL, PREPRCV, RECEIVE, REJECT, or SEND), or the exit or subexit that was driven (FMH5 or TPEND).

cmdproc

The name of the command processor that was to be driven.

subname

The name of the subtask under which the command processor was to be driven.

tpname

The name of the transaction program (in hexadecimal).

retcode

The DSIMQS return code.

System action

Processing continues.

Operator response

Verify that the subtask is active by using the LIST command.

If the subtask is not active, start the subtask using the START command.

If the subtask is active, notify the system programmer.

System programmer response

See *IBM Z NetView Programming: Assembler* for information on the return code. If necessary, contact IBM Software Support.

DSI772I *domainid subcomponent NO COMMAND PROCESSOR DEFINED FOR THE keyword EVENT REQUESTED BY TRANSACTION PROGRAM tpname*

Explanation

The application program made an LU 6.2 request to VTAM. There is no command processor defined to process the requested event.

Message Variables

domainid

The name of the NetView domain from which the message is issued.

subcomponent

The name of the command facility LU 6.2 subcomponent that issued the message (ATTN Exit or RPL Exit).

keyword

The CONTROL keyword value on the APPCCMD that initiated the request (ALLOC, RESETRCV, DEALLOC, OPRCNTL, PREPRCV, RECEIVE, REJECT, SEND or FMH-5).

tpname

The name of the application program that issued the APPCCMD (in hexadecimal).

System action

For an FMH-5 event, NetView processing continues. For all other events, the subtask is ended.

Operator response

Notify the system programmer.

System programmer response

If *tpname* is a program that is supplied by IBM, contact IBM Software Support.

If the *tpname* is a customer-written program, define a command processor to be driven for the event.

DSI773I **domainid subcomponent TARGET TRANSACTION PROGRAM *tpname* NOT FOUND**

Explanation

The application program issued a request to start a conversation with a remote transaction program. The remote transaction program cannot be found.

Message Variables**domainid**

The name of the NetView domain from which the message is issued.

subcomponent

The name of the command facility LU 6.2 subcomponent that issued the message (ATTN Exit).

tpname

The name of the transaction program specified in the FMH-5 (in hexadecimal).

System action

If the *tpname* in the message specifies a transaction program associated with the NMC, processing continues. If the *tpname* in the message is either X'23F0F0F1' or X'23F0F0F2', the NetView program rejects the conversation request it received. These hexadecimal values indicate that either the DSI6DST or DSIHPDST data services task is not active.

Operator response

If the *tpname* is X'23F0F0F1' or X'23F0F0F2', you can try to start DSI6DST or DSIHPDST. For other transaction programs, notify the system programmer.

System programmer response

If the *tpname* is a transaction program, contact IBM Software Support.

If the *tpname* is a customer-written program, define a command processor to be driven for the event.

DSI774I **FIELD MUST BE FILLED IN IF PORT IS BEING USED**

Explanation

Both the transmission mode field and the channel field are required when defining a port. You left at least one of these fields blank.

System action

The NetView program ignores the command and places a highlighted question mark in each blank field.

Operator response

Replace each highlighted question mark with a valid value or blank out the entire column for a particular port to show that it is not to be used.

DSI775I **task: CNMAUTH = SPECIFIC WAS SPECIFIED WITHOUT A CNMTARG STATEMENT**

Explanation

You attempted to start CNM data transfer task *task*, but did not provide CNMTARG names. Communication with any NetView cross-domain CNM data transfer task is not possible.

Message Variables**task**

The name of the task.

System action

The CNM data transfer task (DST) ends.

Operator response

Notify the system programmer.

System programmer response

Correct the statements on DSIPARM and have the operator restart the CNM DST. Provide CNMTARG statements or change to CNMAUTH = GLOBAL.

DSI776I *task: AUTHORIZATION IS GLOBAL AND CNMTARG STATEMENT IS SPECIFIED*

Explanation

Because the *task* you used indicated global authorization, the NetView program ignores the specific CNMTARG logical unit names that you provided.

Message Variables

task

The name of the task.

System action

CNM data transfer task (DST) continues and ignores the specific CNMTARG logical unit names that you provided.

Operator response

Notify the system programmer.

System programmer response

If specific authorization is required, correct the CNM DST statements on DSIPARM. Then stop and restart the DST.

DSI777I *task: WARNING - UNABLE TO DEALLOCATE LUC RESOURCES FOR THIS TERMINATING TASK - TASK TERMINATION CONTINUES*

Explanation

The task specified in the message is ending but is unable to schedule cleanup of the LUC session control blocks for any LUC sessions established for this task at the time of termination. Errors can occur during LUC session establishment when this task is started again. Status of the sessions related to the unfreed control blocks is unpredictable.

Message Variables

task

If the task is a DST, this is the LU name of the task. If the task is an OST, this is the operator ID of the operator.

System action

Task termination continues but this task's LUC session control blocks are not freed.

Operator response

Notify the system programmer.

System programmer response

If this message is issued when AAUTSKLP ends and LUC session establishment errors occur when AAUTSKLP is restarted, the session monitor must be stopped (STOPCNM NLDM) and restarted.

DSI778I *task: LU SESSION WITH PARTNER = 'luname' TERMINATING, CID = 'cid', REASON = X'reason', QUAL CODE = X'qual'*

Explanation

The session ends because of an error, or if the failing reason code is X'08'. If the session is allocated, the owning TPN (partner name) in this domain will be notified of the failure. The partner name is blank if the LU name is not available. The LU name might not be available if the initiator of this conversation has not transmitted its name to the partner.

Note: This message is extended to message DSI795I, if the session is allocated, and message DSI793I, if the failing reason code is X'05', X'08', or X'09'.

Message Variables

task

The name of the task.

luname

The session partner LU name.

cid

The communications identifier.

reason

The failing reason code:

Code

Meaning

X'01'

LOSTTERM exit driven.

X'02'

TPEND exit driven.

X'03'

NSEXIT exit driven.

X'04'

DFC state error.

X'05'Error response received from access method doing function specified by *qual*.**X'06'**

Response received was not valid.

X'07'

Insufficient resources.

X'08'

UNBIND received.

X'09'

BIND response rejected.

X'0A'

System error.

qual

The qualified reason code:

Code**Meaning****X'01'**

SEND failure.

X'02'

RECEIVE failure.

X'03'

OPNDST failure.

X'04'

OPNSEC failure.

Note: For further information concerning the function specified by the qualified reason code, refer to the appropriate VTAM manual.

System action

The LU session ends.

Note: If the partner LU name specified in the message is a distributed host, then it is possible that alerts were not transmitted from the distributed host during the session termination.

Operator response

Notify the system programmer.

System programmer response

Access method traces might be required to determine the sequence of events leading up to this session end.

DSI779I

**task : WARNING - UNABLE TO
TERMINATE SESSION WITH
PARTNER = 'luname', CID = 'cid'**

Explanation

This is a severe error. The NetView program cannot end the session because of an access method failure. The NetView program cannot reuse the session, but it can deallocate the associated conversation. If the LU name is not available, the partner name might be blank. An asynchronous error condition caused the information to be deleted.

Message Variables**task**

The name of the task.

luname

The partner LU name.

cid

The communications identifier.

Operator response

Notify the system programmer.

System programmer response

If the reason for the failure is not a physical error, contact IBM Software Support. The NetView program also issues message DSI783I with information about the failing access method macro.

DSI780I

**task: CNM DATA TRANSFER TASK
COMMAND ROUTER SCHEDULED
UNDER INVALID TASK taskid**

Explanation

A request using DSILCRTR as the command verb was queued to a task other than the CNM data transfer task. DSILCRTR rejects the request.

Message Variables**task**

The name of the task.

taskid

The requesting task identifier.

Operator response

Notify the system programmer.

System programmer response

Gather information to determine what command processor calls for DSILCRTR to run under a task other than the CNM data services task. Contact IBM Software Support.

DSI781I

**task: UNABLE TO ALLOCATE
SESSION FOR 'luname',
PROCESSING TERMINATED**

Explanation

The allocation of a new session for the target logical unit failed. The target logical unit name might be blank if the LU name is not available because the initiator of this conversation has not transmitted his name to the partner. This message might be issued by itself, or it might follow message DSI782I, DSI783I, or DSI784I.

Message Variables

task

The name of the task.

luname

The name of the target logical unit.

System action

The allocation process ends.

Operator response

Notify the system programmer.

System programmer response

If this message follows DSI782I, DSI783I, or DSI784I, examine the information in the accompanying message for assistance.

The message might be issued by itself because *luname* is not defined in DSILUCTD. If you require NetView-to-NetView data transfer with *luname*, add a definition for *luname* to DSILUCTD the next time the NetView program is brought down. When the NetView program is brought back up, data transfer with *luname* will be possible.

If the NetView storage shortage message (DSI124I) precedes this message, examine the DSINLDM logmode table entry, which controls the session parameters that were used in the session setup attempt. A missing or erroneous RUSIZES keyword value can cause this error.

DSI782I *task: macro FAILED FOR cblock - REGISTER 15 = X'code' REGISTER 0 = X'code'*

Explanation

A GENCB or MODCB macro issued during the allocation process failed. The reason is indicated by the register 15 and register 0 error codes. Refer to the appropriate VTAM manual for more information. The target logical unit name is given in message DSI781I which always follows message DSI782I.

Message Variables

task

The name of the task.

macro

GENCB or MODCB.

cblock

The NIB or RPL control block.

code

The codes used for problem analysis.

System action

The allocation process ends.

Operator response

Notify the system programmer.

System programmer response

The NetView program provides this message to help determine the logic error problem. Find the explanation for the register return codes in the appropriate VTAM manual.

DSI783I *task : action FAILED FOR 'luname' RPL RTNCD/FDBK = X'vtamrkd', RPL SENSE CODE = X'vtamsens'*

Explanation

Message DSI781I gives the target logical unit name for INQUIRE and OPNDST failures. Message DSI779I gives the target logical unit name for CLSDST and TERMSESS failures. RTNCD/FDBK and SENSE values note the macro request failure code. Refer to the appropriate VTAM manual for further information. If the LU name is not available, the target logical unit name might be blank. An asynchronous error condition deleted the information.

Use the RCFB command list for a description of the return code or feedback code. Use the SENSE command list for a description of the sense code.

Message Variables

task

The name of the task.

action

INQUIRE, OPNDST, CLSDST, or TERMSESS.

luname

The name of the logical unit.

vtamrkd

The VTAM internal return code or feedback code.

vtamsens

The VTAM internal sense code.

Operator response

Notify the system programmer.

System programmer response

Use the RCFB and SENSE command lists to determine the meaning of the return/feedback and sense codes. See the device-specific documentation for the meaning of the user sense data. If the problem is a physical error (such as path error or NCP failure), correct the error. If it is a logic error, contact IBM Software Support.

DSI784I *task: MAXIMUM SESSION COUNT
nn REACHED FOR luname*

Explanation

The maximum number of sessions that this NetView program is allowed to have active with the named NetView LU has been reached. The target logical unit name is given in message DSI781I which always follows this message. The target logical unit name might be blank if the LU name is not available. The LU name might be unavailable if the initiator of this conversation has not transmitted its name to the partner.

Message Variables

task

The name of the task.

nn

The maximum number of active sessions allowed.

luname

The name of the target logical unit.

System action

The allocation request which prompted the start session request fails.

Operator response

Notify the system programmer.

System programmer response

Increase the MAXSESS parameter of the CNMAUTH definition statement if more parallel sessions are needed. Restart the CNM data transfer task when there are no more current users in order to implement the increase.

DSI785I *task : -- LUNAME CID NAME NAME*

Explanation

This is the header line that is displayed in response to the LIST STATUS = CNMSESS command.

Note: This message is an extension of message DSI794I.

Message Variables

task

The name of the task.

DSI786I *task : --- luname cid local remote*

Explanation

This is the message information which is received on the reply messages to LIST STATUS=CNMSESS.

Message Variables

task

The name of the task.

luname

The name of the target logical unit.

cid

The communication identifier.

local

The local TPN name (not blank if the session is allocated).

remote

The remote TPN name (if available).

DSI787I *task : --- ACTSESS: nn*

Explanation

This is the message information received in reply to the LIST STATUS=CNMSESS or AMLUSESS command.

Message Variables

task

The name of the task.

nn

The number of active sessions with the CNM or AMLUSESS data services task.

DSI788I *task : --- END OF CNM SESSION
STATUS DISPLAY*

Explanation

This is the trailer line received in response to LIST STATUS=CNMSESS.

Message Variables

task

The name of the task.

DSI789I *task : --- LUNAME CID DATA TYPE*

Explanation

This is the heading you get when you enter the LIST STATUS=AMLUSESS command.

Message Variables

task

The name of the task.

DSI790I *task* : --- *luname cid datatype*

Explanation

This is the information you get when you enter the LIST STATUS=AMLUSESS command.

Message Variables**task**

The name of the task.

luname

The name of the logical unit.

cid

The communication identifier.

datatype

The type of data for which the session was established.

DSI791I *task* : --- **END OF ACCESS METHOD
LU SESSION STATUS DISPLAY**

Explanation

This is the last line you see after you enter the LIST STATUS=AMLUSESS command.

Message Variables**task**

The name of the task.

DSI792I *task* : --- **CNM SESSION FUNCTION
NOT SUPPORTED BY ACCESS
METHOD**

Explanation

The version and release level of the access method do not support establishing the CNM data transfer task sessions.

Message Variables**task**

The name of the task.

System action

Severe error. NetView CNM data transfer task initialization process ends.

Operator response

Notify the system programmer.

System programmer response

Obtain VTAM V3 R1.1 or a later release.

DSI793I **FAILING API REQUEST = *action*
RPL RTNCD/FDBK = X'*vtamrccd*',
RPL SENSE CODE = X'*vtamsens*'**

Explanation

The session ends because of an error, or if the failing API request field is RECEIVE, the session might end because the session is nonpersistent and the sender is ending it. If the session is allocated, the owning TPN (partner name) in this domain is notified of the failure condition. If the failing API request field is blank, the session did not end because of an access method error. Refer to the appropriate VTAM manual for further information.

Use the RCFB command list for a description of the return code or feedback code. Use the SENSE command list for a description of the sense code.

Note: This is an extension of message DSI778I.

Message Variables**action**

SEND, RECEIVE, OPNDST, or OPNSEC.

vtamrccd

The VTAM internal return code or feedback code.

vtamsens

The VTAM internal sense code.

Operator response

Notify the system programmer.

System programmer response

Use the RCFB and SENSE command lists to determine the meaning of the return/feedback and sense codes. See the device-specific documentation for the meaning of the user sense data.

DSI794I *task* : --- **LOCAL TPN REMOTE TPN**

Explanation

This is the header line which is displayed in response to LIST STATUS=CNMSESS command.

Note: This message is extended to message DSI785I.

Message Variables**task**

The name of the task.

DSI795I **OWNING TPN = '*tpname*', OPID =
'*id*', REMOTE TPN = '*tpname*'**

Explanation

The session ends because of an error. If the session is allocated, the owning TPN (partner name) in this domain is notified of the failure condition. The partner name might be blank if the LU name is not available because the initiator of this conversation has not transmitted his name to the partner.

Message Variables

tpname

The TPN name (local or remote), if available.

id

The TVBOPID of local TPN.

Note: This message is an extension of message DSI778I and is extended to message DSI793I.

Operator response

Notify the system programmer.

System programmer response

Access method traces might be required to determine the sequence of events leading up to this session end.

DSI799I *message module*

Explanation

IBM Software Support requested further information on an error message you are receiving. This message is used by IBM Software Support for problem diagnosis. The message is written to the network log after certain other error messages are issued and if you have entered MSGMODID=YES on a DEFAULTS command.

Message Variables

message

The message identifier of the previous message that was issued.

module

The name of the module that issued the previous message and a number that identifies the location within the module where the message was issued.

System action

This message is not displayed, it is written to the network log only.

System programmer response

Provide the information contained in the message to IBM Software Support as requested.

Note: You cannot process this message with NetView automation.

DSI802A

***domainid* REPLY WITH VALID
NCCF SYSTEM OPERATOR
COMMAND**

Explanation

This message appears on the system console. It initially follows message DSI112I, which indicates that the NetView program is ready to accept logons or NetView system operator commands. It also appears on the system console after the CLOSE command has been issued.

Message Variables

domainid

The name of the domain.

System action

The NetView program awaits your response.

Operator response

Enter the appropriate CLOSE command or MSG.

DSI803A

***domainid* REPLY INVALID. REPLY
WITH VALID NCCF TERMINAL
OPERATOR COMMAND**

Explanation

This message follows an incorrect reply to message DSI802A.

Message Variables

domainid

The name of the domain.

System action

The NetView program awaits a correct response.

Operator response

Enter one of the correct responses as shown in message DSI802A.

DSI806A

***domainid* NCCF IS ABOUT TO
ABEND - IF DUMP IS DESIRED,
REPLY 'Y' - OTHERWISE, REPLY
'N'**

Explanation

This message is sent if the NetView program fails during initialization.

Message Variables

domainid

The name of the domain.

System action

The NetView program awaits your response.

Operator response

Enter the desired reply.

DSI809A	PLEASE ROUTE OPID,PSWD,PROFILE, HARDCOPY, INITIAL CMD (optional: ,NEW PSWD, NEW PSWD) – or – PLEASE ROUTE OPID,PASSWORD,PROFILE, HARDCOPY,INITIAL CMD
----------------	--

Explanation

The first message is DSI809A. If you are not using full-screen mode when logging on to the NetView program, you receive this message as a logon prompt.

The NetView program also uses an internal version of this message. The internal version of DSI809A contains the name of a NetView domain that was successfully started.

System action

How the NetView program responds to the receipt of the internal DSI809A message depends on how you defined your installation options. You can define the NetView program to respond by displaying the cross-domain logon panel or by calling a cross-domain logon command list.

If you do not specify use of the cross-domain panel or a cross-domain command list, the NetView program responds by sending the logon prompt version of DSI809A to the operator. The NetView program then waits for a response to the prompt.

Operator response

Respond to the prompt by entering the requested information:

- Your operator ID.
- Your password.
- The name of your profile. When the value of OPERSEC is SAFDEF on the target domain, you can use a comma (,) as a placeholder, or you can use a dummy profile name, which will be ignored.
- The name of the hardcopy log device you want to start or NO if you do not want to start a hardcopy log device.
- YES if you want to run the initial command, NO if you do not want to run the initial command.

- If you are on an MVS or VM system with security software installed and you want to change your password, two occurrences of a new password. (Do not enter the new passwords with parentheses or “optional:”).

If you receive the internal version of the message, notify the system programmer.

System programmer response

If the operator receives the internal version of the message, check the cross-domain logon procedures for the installation, and change them as necessary. For more information, see *IBM Z NetView Installation: Getting Started*.

DSI812A	domainid REPLY INVALID. REPLY 'Y' FOR DUMP OR 'N' FOR NO DUMP
----------------	--

Explanation

This message is sent in response to a reply that is not valid to message DSI806A.

Message Variables

domainid

The name of the domain.

System action

The NetView program waits for the operator's response.

Operator response

Enter one of the correct responses.

DSI813A	domainid ERROR(S) HAVE OCCURRED IN INITIALIZATION. REPLY 'YES' TO CONTINUE OR 'NO' TO TERMINATE
----------------	--

Explanation

Errors have occurred in NetView initialization processing. The error might affect NetView operation or security.

Message Variables

domainid

The name of the domain

System action

The NetView program waits for your response.

Operator response

Notify the system programmer.

System programmer response

This message follows a series of NetView initialization messages. See the system console for the messages received prior to message DSI813A or browse the system log if needed. Review these messages and decide whether to continue processing.

DSI814A *domainid* REPLY INVALID. REPLY
'YES' OR 'NO'

Explanation

You entered a reply that is not valid for message DSI813A.

Message Variables

domainid

The name of the domain.

System action

The NetView program waits for a valid reply.

Operator response

Enter a valid response.

DSI819I **NETVIEW IS DUMPING FOR TASK**
task. COMPLETION CODE=
X'hhhhhh', DOMAIN=*domainid*.

Explanation

An abend occurred. The NetView ESTAE/ESTAI exit gets control and performs an SVC dump.

Message Variables

task

The name of the task for which the NetView ESTAE/ESTAI exit (DSIMSX) is driven:

- For NetView main task, it is SYSOP.
- For an operator station task (OST), it is the logged-on operator's ID.
- For a data services task (DST), it is the task name defined in the CNMSTYLE member.
- For a task name that cannot be determined, UNKNOWN is used.

hhhhhh

Hexadecimal completion code. The first three digits are the system completion code and the last three are the user completion code.

domainid

The domain ID of the system taking the SVC dump.

System action

An SVC dump is taken. Message DSI820 is sent after the SVC dump is taken.

Operator response

Notify the system programmer.

System programmer response

Once the SVC dump has completed, format the dump for printing. Investigate the reason for the abend.

DSI820I **SVC DUMP WAS ATTEMPTED,**
RETURN CODE FROM SVC DUMP=
X'*retcode*', REASON CODE=
X'*reason*'

Explanation

An abend occurred.

Message Variables

retcode

The hexadecimal return code from SDUMP

reason

The hexadecimal reason code from SDUMP

Refer to the z/OS MVS Programming library for more information.

System action

The NetView ESTAE/ESTAI exit gets control and performs an SVC dump.

Operator response

Notify the system programmer.

System programmer response

Once the SVC dump is complete, investigate the reason for the dump.

DSI821I ***domainid* NCCF MAIN TASK**
FAILED. RETURN CODE= X'*retcode*'
FROM ISSUE OF *macro* MACRO.
***domainid* NCCF IN SHUTDOWN**
MODE

Explanation

The NetView main task issues an ESTAE macro and the macro returns a nonzero return code.

Message Variables

domainid

The domain where the NetView program resides.

retcode

The return code from ESTAE macro.

macro

The name of the ESTAE macro.

System action

The NetView main task abends with the user abend code X'01', and asks you to specify whether or not a system dump is desired.

Operator response

If required, request a system dump.

System programmer response

Investigate ESTAE macro failure.

DSI822I **DSIPSS TYPE=PANEL
INVOCATION NEEDS TO BE
REPLACED**

Explanation

You invoked an application which uses DSIPSS TYPE=PANEL, an obsolete assembler interface. This message appears, at most, once per NetView logon.

System action

The NetView DSIPSS service fails and issues a return code of 8.

Operator response

Notify the system programmer.

System programmer response

Upgrade all applications which use DSIPSS TYPE=PANEL. Two NetView services which might be of use are DSIPSS TYPE=ASYPANEL and the VIEW command. For additional information, see the *IBM Z NetView Programming: Assembler* and *IBM Z NetView Customization Guide*.

DSI823I **member HAS A MISSING OR
INCORRECT SIGNATURE**

Explanation

A process within the IBM Automation Control for z/OS product encountered a member with a missing or incorrect signature. The process requires that a member on which it operates includes an encrypted signature that matches the rest of its contents. Such members must not be changed by users because such processes cannot use unsigned members.

Message Variables**member**

The member with a missing or incorrect signature.

System action

The process completes unsuccessfully.

Operator response

Notify the system programmer.

System programmer response

If the member was changed, restore its original contents.

DSI824I **COMMAND ENTERED IS NOT
SUPPORTED ON THIS LEVEL OF
NETVIEW**

Explanation

You entered a command that is either not valid or is not supported on the level of the NetView program that you are running.

System action

The command is not processed.

DSI891I **USING DEFAULT MEMBER –
member**

Explanation

member is the default member being used.

Message Variables**member**

The default member name

System action

The NetView program is using the default member.

Operator response

Notify the system programmer.

System programmer response

Determine whether the member being used is correct for your environment.

DSI892I **keyword KEYWORD USING
DEFAULT VALUE OF value**

Explanation

The *keyword* keyword that was specified has a default value of *value*.

Message Variables

keyword

The keyword specified

value

The default value for the specified keyword.

System action

The NetView program uses the default value for the keyword.

Operator response

Notify the system programmer.

System programmer response

Determine whether the default value is correct for your environment.

DSI893E *cmd_name* **COMMAND FAILED
WITH A RC = rc : command**

Explanation

A command issued by the REXX command procedure failed with the specified return code.

Message Variables

cmd_name

The name of the command that failed.

rc

The return code of the command that failed.

command

The syntax of the command that failed, without variable substitution.

System action

Depending on the severity of the error, the command procedure might continue processing.

Operator response

Review the output of the command procedure for related error messages. If the return code is 4 or less, the command procedure might continue processing.

System programmer response

Determine why the command failed. Usually this is because of a problem with a data set.

DSI894E **UNMATCHED COMMENT
DELIMITER IN MEMBER
member_name**

Explanation

While processing comments in a data set member, an unmatched comment delimiter was found. Either an opening delimiter was found without a corresponding closing delimiter, or a closing delimiter was found without an opening one.

Message Variables

membername

The data set member with the unmatched delimiter.

System action

The command procedure stops processing.

Operator response

Notify the system programmer.

System programmer response

Review the *member_name* and correct the problem with the comments. After correcting the problem, rerun the command procedure.

DSI895E **UNMATCHED QUOTE IN MEMBER
member_name ON LINE line_no**

Explanation

While processing a data set member, an unmatched quotation mark was found on the specified line number. Either an opening quotation mark was found without a corresponding closing quotation mark, or a closing quotation mark was found without an opening one.

Message Variables

member_name

The data set member with the unmatched quotation mark.

line_no

The line number in the command procedure where the syntax error occurred.

System action

The command procedure stops processing.

Operator response

Notify the system programmer.

System programmer response

Review the *member_name* and correct the problem with the quotation marks. After correcting the problem, rerun the command procedure.

DSI896E *utility* **COMPLETED WITH RC = rc****Explanation**

The utility completed processing. If the return code is not zero (0), review the output for error messages and take appropriate action.

Message Variables**utility**

Utility name:

- CNMSTYLE Report Generator
- CNMSTYLE Migration Tool

rc

The utility return code:

0

Successful completion.

4

The utility completed; review messages in the output.

8

The utility did not complete; review messages in the output.

System action

Processing ended.

Operator response

If the return code is not 0, notify the system programmer.

System programmer response

If the return code is not 0, review the output and correct any errors listed. After correcting the problem, rerun the utility.

DSI897E **COULD NOT FIND ANY DATA SETS FOR DDNAME *ddname*****Explanation**

There are no data sets defined for the specified DDNAME.

Message Variables**ddname**

DDNAME with no defined data sets.

System action

Processing ends.

Operator response

Notify the system programmer.

System programmer response

Review the JCL to determine which data sets are defined for the specified DDNAME. Ensure that the data sets exist. If a data set is an output data set, verify that the Exec has write-authority for it.

DSI898E **COULD NOT FIND MEMBER *member_name* IN DDNAME *ddname*****Explanation**

The specified member was not found in the data set concatenation for the listed DDNAME.

Message Variables**member_name**

The data set member that cannot be found.

ddname

DDNAME for the specified member.

System action

An error message is issued. Depending on the type of processing being done, the Exec might continue. Otherwise, processing ends.

Operator response

Notify the system programmer.

System programmer response

Determine if the specified member is required for correct processing. The missing member might be an included member. If the specified member is required, correct the problem and rerun the Exec.

DSI899I *msgid text***Explanation**

A previous message was sent to an MVS console, but it was too long to fit on one line and was truncated at 120 characters. More of the message text for that message appears as *text*.

Message Variables**msgid**

The message identifier whose text is being continued

text

The continuation text from the indicated message ID

Operator response

Use the text from this message to read the entire text intended for the indicated message.

Appendix A. Codes

This appendix provides information about the following abend and sense codes:

- NetView program abend codes, including:
 - GMFHS abend codes
 - RODM abend codes
 - SNA topology manager abend codes
- Alias sense codes
- LUC conversation request service return codes and sense codes
- Generic alert code points

NetView Abend Codes

An abend code is generated for an unrecoverable error. This completion code is issued when a logic error occurs or a serious problem is detected. The code is presented on the abend dump listing as user code Uxxxx, where xxxx is the decimal code as described in this section.

The system action for all codes is for the abending task to stop running.

This section contains abend codes issued by:

- AAU module
- Alias name translation facility
- BNJ module
- CNM module
- Command list function
- DSIOST and DSINNT
- DSIPPT
- DSIZDST
- DUI module
- DWO module
- GMFHS
- RODM
- SNA topology manager

Table 1. NetView Abend Codes

Decimal Code	Hex Code	Explanation of the Abend
001	X'001'	NetView initialization failed. See the system log for any error messages that indicate the reason for the failure.
002	X'002'	OPEN failed for the NetView main task ACB.
003	X'003'	SHOWCB failed for VTAM API control blocks.
004	X'004'	DSIGET failed for the NetView main task APPLID suffix table.
006	X'006'	SETLOGON START to accept logons failed.

Table 1. NetView Abend Codes (continued)

Decimal Code	Hex Code	Explanation of the Abend
009	X'009'	The NetView main task cannot load the NetView message definition modules DSIMDM or DSIMDMV. Verify that the required modules, panels, or tables are properly installed. Also, verify that the modules, panels, or tables can be accessed by the NetView application.
010	X'00A'	The primary POI task ended abnormally because the maximum retry count for this view was exceeded. Note: A message might have preceded this abend.
011	X'00B'	Control blocks cannot be built for the NetView main task.
012	X'00C'	An installation exit that runs in 24-bit addressing mode needs to address a data area that resides in 31-bit storage. The data area is at least one of the following: the CNM input buffer, VSAM user data area, or VSAM key.
013	X'00D'	The NetView program encountered an unsupported internal command request code.
015	X'00F'	NPS DST initialization failed.
016	X'010'	The count fields of the control blocks DSIRAL and DSILAL or DSISAL are not equal. This causes errors when calling NetView service routines.
017	X'011'	The DSIRNK table is not large enough to hold the keywords of the command it is processing. This abend only occurs if more keywords are defined for a command, and the DSIRNK table in DSIYOSR is not updated to reflect the change.
018	X'012'	Storage does not belong to the caller, or the length of the data record exceeds the limit.
019	X'013'	The NetView main task uses this code in response to a CLOSE ABEND command.
020	X'014'	The NetView main task uses this code in response to a CLOSE DUMP command.
021	X'015'	STACK is exceeded because of EXIT interrupts.
023	X'017'	DSIGMN or DSIFMN is indicating that the issuing module cannot obtain a working storage area because all working storage areas are in use.
024	X'018'	LERAD/SYNAD stack was exceeded because of exit interrupts.
025	X'019'	The interface to the high-level language (MVS only) environment (DSIHLINK) was invoked for reasons other than initialization, resume, abend, logoff, or termination.
026	X'01A'	The user attempted to use DSIHLLAR to perform illegal multitasking from a task control block (TCB).
027	X'01B'	The matching RPL is not found in the queue of waiting request blocks. Issued by VPDTASK.
029	X'01D'	The DSICES macro gives a return code that is not 0 or 20. The CNMTAMEL DSCP verb name (DUIADISP) cannot be found. Abend issued from module DUIATIMR. DUMP(NO).
030	X'01E'	Resume issued for an ADX that was not suspended. Abend issued from module DUIARES. DUMP(YES).
031	X'01F'	Logic error. Abend issued from module DUISHMQA. DUMP (YES).

Table 1. NetView Abend Codes (continued)

Decimal Code	Hex Code	Explanation of the Abend
032	X'020'	The DSILOD macro failed to load message table DUIAMSGS or service module table DUIISVCT. Verify that these modules are properly installed. Also, verify that the modules can be accessed by the NetView program. Abend issued from module DUIINITA. DUMP(NO).
033	X'021'	Cannot get storage during CNMTAMEL task initialization. Abend issued from module DUIINITA. DUMP(YES).
034	X'022'	Logic error. Abend issued from module DUISHQMA. DUMP(YES).
035	X'023'	The DSILOD macro failed to load service modules. Verify that the NetView program is properly installed and that all NetView modules can be accessed. Abend issued from modules DUIDLOAD and DUIALOAD. DUMP(YES).
036	X'024'	The DSIGET macro failed. Abend issued from module DUIMENTR. DUMP(YES).
037	X'025'	Logic error. Abend issued from module DUISHMQA. DUMP(YES).
038	X'026'	The LU 6.2 command processor definition macro DSIL6DFS failed. Abend issued from module DUIINITA. DUMP(NO).
039	X'027'	Cannot obtain required ADX control blocks. Abend issued from module DUIINITA. DUMP(NO).
040	X'028'	There is not enough available storage to build and initialize the resource status collector list with the user-specified MAXSCCOUNT number. Abend issued from module DUIDIMDP. DUMP(YES).
043	X'02B'	There is not enough available storage to build the resource status collector list. Abend issued from module DUIDITTP. DUMP(YES).
044	X'02C'	VTAM APPCCMD macro not accepted or bad command verb. Abend issued from modules DUIACNOS and DUIAAPP. DUMP(YES).
045	X'02D'	Call to module DUIACMIO is not valid. Abend issued from module DUIACNOS. DUMP(YES).
046	X'02E'	CNOS APPCCMD not accepted. Abend issued from module DUIACNOS. DUMP(YES).
047	X'02F'	APPCCMD completed with return code ABEND. Abend issued from module DUIADETE. DUMP(YES).
048	X'030'	ADX pool value is not valid. Abend issued from module DUIAADXM. DUMP(YES).
049	X'031'	Incorrect task when buffer origin is DSICRTR. Abend issued from module DUISHQMA. DUMP(YES).
050	X'032'	Incorrect buffer origin. Abend issued from module DUISHQMA. DUMP(YES).
051	X'033'	Status sent by resource status collector in either a REPLY SYNCH or an UPDATE vector is not valid. Abend issued from modules DUIDGADE and DUIDGUPE. DUMP(YES).
053	X'035'	Logic error. Abend issued from module DUIDIMRP. DUMP(YES).
054	X'036'	Logic error. Abend issued from module DSIFRCFP. DUMP(YES).
055	X'037'	Logic error. Abend issued from module DSIFRCFP. DUMP(YES).
056	X'038'	Logic error. Abend issued from module DUISHMQA. DUMP(YES).

Table 1. NetView Abend Codes (continued)

Decimal Code	Hex Code	Explanation of the Abend
057	X'039'	The DSILOD macro failed to load module DUIALOAD. Verify that this module is properly installed and that it can be accessed by the NetView program. Abend issued from module DUIINITA. DUMP(NO).
058	X'03A'	The DSILOD macro failed to load module DUIDINIT. Verify that this module is installed and that it can be accessed by the NetView program. Abend issued from module DUIINITA. DUMP(NO).
059	X'03B'	Logic error. Abend issued from module DSICSND. DUMP(YES).
060	X'03C'	Call to DUIADISP is not valid. Abend issued from module DUIADISP. DUMP(YES).
061	X'03D'	Logic error. Abend issued from module DUISHSNA. DUMP(YES).
063	X'03F'	NETTYPE control block not found. Abend issued from module DUIDSSEG. DUMP(YES).
064	X'040'	Logic error. Abend issued from module DUIADISP. DUMP(YES).
065	X'041'	Logic error. Abend issued from module DUIADISP. DUMP(YES).
066	X'042'	Logic error. Abend issued from module DUIADISP. DUMP(YES).
067	X'043'	Error in hashing function. Abend issued from module DUIDFPUR. DUMP(YES).
068	X'044'	CNMTAMEL task initialization failed. Abend issued from module DUISDISP. DUMP(NO).
069	X'045'	A buffer was queued that was not valid. Abend issued from module DUIADISP. DUMP(YES).
070	X'046'	Logic error. Abend issued from module DUISHDEA. DUMP(YES).
071	X'047'	Logic error. Abend issued from module DUIADISP. DUMP(YES).
072	X'048'	Logic error. Abend issued from module DUIDHSHS. DUMP(YES).
073	X'049'	Logic error. Abend issued from module DUIDHSHS. DUMP(YES).
074	X'04A'	Logic error. Abend issued from module DUIDHSHS. DUMP(YES).
075	X'04B'	Logic error. Abend issued from module DUIDIMNP. DUMP(YES).
076	X'04C'	Logic error. Abend issued from module DUIDIMDP. DUMP(YES).
077	X'04D'	Logic error. Abend issued from module DUIDIDCP. DUMP(YES).
078	X'04E'	Logic error. Abend issued from module DUIATRPR. DUMP(YES).
079	X'04F'	Logic error. Abend issued from module DUIDMQRY. DUMP(YES).
080	X'050'	CSCF attempted to acquire storage using DSIGET. The attempt failed.
081	X'051'	This code is used by the operator station task (OST) when an incorrect data stream is received from a hardware device.
082	X'052'	Used for stack overflow or underflow.
083	X'053'	The NetView program detected an overlay of the DSICWB control block possibly caused by the abending task's misuse of the CWBADATD field. This abend might be accompanied by user abend 2304 (X'900') or other abends that indicate a storage overlay.

Table 1. NetView Abend Codes (continued)

Decimal Code	Hex Code	Explanation of the Abend
085	X'055'	The initialization routine cannot obtain storage for the primary anchor control block whose address is returned in the bhlbptr parameter of CNMETIN (CNMETINIT). Initialization of the server support API failed.
086	X'056'	The initialization routine cannot load either of the required NetView load modules DSIEHLAR, DSIEHL24, or both. Initialization of the server support API failed.
087	X'057'	This abend code can be issued as follows: <ul style="list-style-type: none"> • The MDS-RECEIVE cannot be defined. • The PUSH of the logoff routine failed. • A terminating error was encountered by the other initialization modules for the transport. • Bad syntax on the PARTNER statement. • Failure in operations management or focal point initialization. • Failure when attempting to issue a timer services request during task initialization. • Failure when attempting to push a logoff routine from the task being initialized. This can be caused by a missing CMDDEF statement. • Failure when attempting to define to the command facility one of the LU 6.2 transaction programs that the transport uses.
089	X'059'	Unexpected error occurred in automation table processing. DUMP (YES).
090	X'05A'	A return code that is not valid was received during GLOBALV processing.
091	X'05B'	Should not occur: severe error returns from the NetView Bridge dispatcher.
092	X'05C'	Logic error. Abend issued from module DUIDUPRQ. DUMP(YES).
093	X'05D'	Logic error. Abend issued from module DUIDMCFV. DUMP(YES).
094	X'05E'	Logic error. Abend issued from module DUIDMLUV. DUMP(YES).
095	X'05F'	Logic error. Abend issued from module DUIDICDP. DUMP(YES).
096	X'060'	Logic error. Abend issued from module DSIIBMHL. DUMP(YES).
097	X'061'	DSIWAT time-out. A limit set in the DSIMVT control block was reached while task message queues were blocked. See DSIMVT macro label MVTCPAWT for details.
098	X'062'	Unrecoverable SELECT error. Abend issued from DUIASELE. DUMP(YES).
112	X'070'	A Graphic Monitor Facility host subsystem (GMFHS) method detected an out-of-storage condition. The Resource Object Data Manager (RODM) generates a log record type 7 containing this abend code. The user application program triggering the abending method receives a return code 12 with reason code 194.
113	X'071'	The security software initialization for the primary POI task has failed.
115	X'073'	The DSIPUSH macro failed. Abend issued from BNJAPAMA.
257	X'101'	RESET IMMED or RESET DUMP command was issued. The error recovery routine of some system services can generate a dump. See the STOP command in NetView online help for more information.
258	X'102'	Unexpected LERAD error under non-TAF environment.

Table 1. NetView Abend Codes (continued)

Decimal Code	Hex Code	Explanation of the Abend
259	X'103'	An installation exit returned a return code that is not valid or USERSWAP is selected, but the buffer is too small to hold the new record. Register 5 contains an installation exit number, and register 6 contains a return code from the installation exit.
261	X'105'	Unexpected LOSTERM entry.
262	X'106'	An installation exit returned a return code that is not valid or USERSWAP is selected, but the buffer is too small to hold the new record. Register 5 contains an installation exit number, and register 6 contains a return code from the installation exit.
263	X'107'	Installation exit DSIEX01 returned a code that is not valid or USERSWAP is selected, but the buffer is too small to hold the new record. Register 3 contains the installation exit return code.
264	X'108'	The internal function request code is not valid.
266	X'10A'	Terminal session was lost while a command was running in DSIRCV.
267	X'10B'	Terminal session was lost while a command was running in DSIPS14.
268	X'10C'	Unexpected SYNAD error. Hardware type error, see message DSI625I.
269	X'10D'	Unexpected LERAD error under TAF environment.
270	X'10E'	Unexpected DSIGET failure while processing a RMTCMD or ENDTASK command. See NetView online help for information about the RMTCMD and ENDTASK commands.
271	X'10F'	A NetView function called another function (such as a SAF product) and the maximum amount of time allowed for that call was exceeded. The task experienced this abend to interrupt the request that was taking too long. If the function called was an SAF product, the maximum time that is allowed is 10 seconds.
320	X'140'	Unexpected return code from DSIDKS macro in module DSICCGO.
321	X'141'	Unexpected function type returned by dictionary services in module DSICCFCN.
322	X'142'	Unexpected return code from dictionary services in the DSICCSUB module and the DSIRXFCR module.
323	X'143'	Unexpected return code from the ISGLPRG service routine in the DSILPRGI module.
336	X'150'	Should not occur: either an unknown or unexpected return code was returned from the REXX interpreter, or the requested storage length is a negative value or zero.
337	X'151'	REXX obtained storage is not freed. DSIFRE was invoked to free storage on behalf of REXX. Storage was not freed, but a dump was taken.
384	X'180'	Unexpected return code from DSIKVS macro in module DSISTP.
385	X'181'	Unexpected return code from DSIKVS macro in module DSISWCP.
386	X'182'	Unexpected return code from DSIKVS macro in module DSISRP.
387	X'183'	Unexpected return code from DSIKVS macro in module DSIEVP.
388	X'184'	Unexpected return code from DSIKVS macro in module DSIATP.

Table 1. NetView Abend Codes (continued)

Decimal Code	Hex Code	Explanation of the Abend
389	X'185'	This abend occurs only when the ABEND_AND_DUMP parameter in the FLBSYSD initialization file is set to YES and the SNA topology manager detects a severe problem with RODM.
390	X'186'	This abend occurs only when the ABEND_AND_DUMP parameter in the FLBSYSD initialization file is set to YES and the SNA topology manager detects a storage overlay condition.
391	X'187'	This abend occurs only when the ABEND_AND_DUMP parameter in the FLBSYSD initialization file is set to YES and the SNA topology manager detects an internal error.
518	X'206'	An installation exit returned a code that is not valid or USERSWAP is selected, but the buffer is too small to hold the new record. Register 5 contains the installation exit number, and register 6 contains the return code from the installation exit.
520	X'208'	A function type that is not valid was received.
550	X'226'	DSIITM has detected a BUFHDR that is not valid in a buffer being traced for either the PSS, QUE, or UEXIT trace option. Contact IBM Software Support for programming assistance.
600	X'258'	Logic error occurred in the NetView program. Contact IBM Software Support for programming assistance.
666	X'29A'	Logic error occurred in the NetView program. Contact IBM Software Support for programming assistance.
668	X'29C'	A reference to a freed CCV has been detected by the NetView program.
1024	X'400'	I/O error during VSAM VERIFY macro processing.
1025	X'401'	DSIGET failed to obtain storage.
1026	X'402'	Subtask cannot complete initialization.
1027	X'403'	Unable to send reply request unit to VTAM by the communication network management interface.
1028	X'404'	Logic error in alias application. Index value in control block is wrong.
1029	X'405'	Unrecoverable error during alias initialization. Preceded by a description message.
1030	X'406'	Unexpected return code following a DSIDKS macro.
1031	X'407'	The VSAM POINT macro failed on the event log database in the database server VSAM I/O initiate routine.
1032	X'408'	The VSAM GET macro failed on the event log database in the database server VSAM I/O initiate routine.
1033	X'409'	The VSAM POINT macro failed in the COMPUTE INITIAL DATABASE STATUS MODULE READ FIRST RECORD routine.
1034	X'40A'	The VSAM GET macro failed in the COMPUTE INITIAL DATABASE STATUS MODULE READ FIRST RECORD routine.
1035	X'40B'	The VSAM POINT macro failed in the COMPUTE INITIAL DATABASE STATUS MODULE READ MIDDLE RECORD routine.
1036	X'40C'	The VSAM GET macro failed in the COMPUTE INITIAL DATABASE STATUS MODULE READ MIDDLE RECORD routine.

Abend Codes

Table 1. NetView Abend Codes (continued)

Decimal Code	Hex Code	Explanation of the Abend
1037	X'40D'	Logic error. The first record in a logical wrap database is a seed record but the last is not a seed.
1038	X'40E'	Logic error. The binary search to locate the absolute low and high bounds of a logical wrap database failed.
1039	X'40F'	Logic error. A record returned from the VSAM GET macro did not match the requested database ID.
1040	X'410'	The VSAM GET macro failed in the COMPUTE INITIAL DATABASE STATUS MODULE READ FIRST RECORD routine.
1041	X'411'	The VSAM POINT macro failed in the COMPUTE INITIAL DATABASE STATUS MODULE SEQUENTIAL READ RECORD routine.
1042	X'412'	The VSAM GET macro failed in the COMPUTE INITIAL DATABASE STATUS MODULE SEQUENTIAL READ RECORD routine.
1043	X'413'	The VSAM GET macro failed in the GET FIRST RECORD FORWARD routine.
1044	X'414'	The VSAM POINT macro failed in the READ PREVIOUS routine.
1045	X'415'	The VSAM GET macro failed in the READ PREVIOUS routine.
1046	X'416'	The VSAM GET macro failed in the READ LOGICAL WRAP RECORD routine.
1048	X'418'	Logic error. Address of the positioning keys pointer in the READ LOGICAL WRAP RECORD routine was zero.
1281	X'501'	NetView issues this abend to cause task recovery. Indications are that this task took an abend in NetView code running in an asynchronous exit while the task mainline code was processing a REXX command procedure. The asynchronous exit abend was intercepted by a REXX ESTAE routine that cleared REXX, then returned control to this NetView task. The REXX intercept of the asynchronous task abend did not allow NetView to correctly recover from the abend. NetView issues abend 1281 to achieve drive NetView task abend recovery. Check your system log for information pertaining to the asynchronous exit abend. A dump is taken by this abend in case it is needed to determine the cause of the asynchronous exit abend.
2000	X'7D0'	Reserved for IBM Software Support
2001	X'7D1'	Reserved for IBM Software Support
2002	X'7D2'	Reserved for IBM Software Support
2003	X'7D3'	Reserved for IBM Software Support
2004	X'7D4'	Reserved for IBM Software Support
2005	X'7D5'	Reserved for IBM Software Support
2006	X'7D6'	Reserved for IBM Software Support
2007	X'7D7'	Reserved for IBM Software Support
2008	X'7D8'	Reserved for IBM Software Support
2009	X'7D9'	Reserved for IBM Software Support
2304	X'900'	Module requires a larger work area than found, for successful entry linkage.
2305	X'901'	Status monitor did not initialize successfully.

Table 1. NetView Abend Codes (continued)

Decimal Code	Hex Code	Explanation of the Abend
2306	X'902'	Nonzero return code received from DSILOD of any status monitor module. Verify that the required modules, panels, or tables are properly installed. Also, verify that the modules, panels, or tables can be accessed by the NetView application.
2307	X'903'	Status monitor internal error.
2308	X'904'	Status monitor internal error.
2309	X'905'	Status monitor internal error.
2310	X'906'	Five consecutive SNDCMD or RVCMD failures occurred in CNMTARCA.
2311	X'907'	The module called by CNMTFLTR to process message text has returned a result larger than expected. Storage might have been overwritten.
2312	X'908'	Status monitor initialization failed. Verify that the module ISTIECCE is available to VTAM as outlined in <i>IBM Z NetView Installation: Configuring Additional Components</i> .
2320	X'910'	A DROP = YES condition was encountered while in a full-screen panel. The session was dropped.
2501	X'9C5'	Note: This is a system abend code. With Reason Code 0: RODM has cancelled the transaction based on the reply to message EKG1326D. Message EKG1326D is issued when there are transactions still running in RODM during RODM checkpoint or RODM termination. With Reason Code 33: A RODM internal error has occurred; contact IBM Software Support for programming assistance.
2816	X'B00'	NetView subsystem detected a PC call to PPI service routine that is not valid.
2977	X'BA1'	Session monitor detected a connectivity chain that is not valid. Contact IBM Software Support for programming assistance.
2978	X'BA2'	Session monitor detected a connectivity chain that is not valid. Contact IBM Software Support for programming assistance.
2979	X'BA3'	Session monitor detected a connectivity chain that is not valid. Contact IBM Software Support for programming assistance.
2980	X'BA4'	Session monitor detected a connectivity chain that is not valid. Contact IBM Software Support for programming assistance.
2981	X'BA5'	Session monitor detected a connectivity chain that is not valid. Contact IBM Software Support for programming assistance.
2982	X'BA6'	The session monitor detected a connectivity chain that is not valid. Contact IBM Software Support for programming assistance.
2983	X'BA7'	The session monitor detected a connectivity chain that is not valid. Contact IBM Software Support for programming assistance.
2989	X'BAD'	NetView has detected that a VTAM send has not completed. Either the send was issued more than 3 minutes ago or the data queues are overloaded. Presentation services output queues overload is defined as exceeding twice the value of NORMQMAX as specified in the operators SCRNFMT. This is probably either an operator terminal or VTAM problem.
3002	X'BBA'	There is no page number table primary segment address in the hierarchy table.

Abend Codes

Table 1. NetView Abend Codes (continued)

Decimal Code	Hex Code	Explanation of the Abend
3008	X'BC0'	The NetView display panel size (PDXDVSIZ) is less than 21 lines, but it must be at least 21 (24 minus 3) lines.
3010	X'BC2'	The DSIPSS macro gives a nonzero return code. The FIRST, MIDDLE, and LAST operands are not specified in the correct order, or too many DSIPSS macros have been issued for the display panel size.
3083	X'C0B'	The DSIGET macro is unable to obtain enough storage for the DSIMQS buffer.
3085	X'C0D'	The DSIGET macro is unable to obtain enough storage for the DSIMAS buffer.
3086	X'C0E'	The DSICES macro gives a nonzero return code. The routine failed to successfully transfer control because it cannot find the task ID or the verb associated with it.
3089	X'C11'	The DSIMBS macro gives a return code not equal to 0 or 12. The NetView program cannot retrieve a message and message BNJ322I has been issued.
3339	X'D0B'	The DSIGET macro gives a nonzero return code. A GETMAIN was unsuccessful.
3341	X'D0D'	An unknown task ID was found in the CNMTAMEL request block.
3342	X'D0E'	Incorrect receiver state of receiving session found.
3345	X'D11'	Attempt to send a NetView message to authorized receiver using DSIMQS failed.
3346	X'D12'	A call to DSILCS macro to free the allocated SWB was not successful.
3347	X'D13'	Attempt to get the message size using DSIMBS failed.
3348	X'D14'	A call to DUIFSMSG was not successful.
3349	X'D15'	Testing of DSIDELAY flag is on.
3351	X'D17'	Incorrect parameters passed to service routine DUIFEXPP.
3357	X'D1D'	The MSU within an AIFR has garbled data that prevents it from being sent to the GMFHS address space.
3358	X'D1E'	Incorrect parameters passed to service routine DUIFEXPP.
3376	X'D30'	Storage overlay has occurred. The storage suffix of the area to be freed is not valid.
3377	X'D31'	Logic error in the GET QUEUE routine. A queue element in the queue map indicated as free contains data.
3378	X'D32'	Logic error in the FREE QUEUE routine. A queue entry to be freed was not found in the queue map.
3380	X'D34'	Logic error in the FREE MCB routine. The MCB entry to be freed was not found in the MCB map.
3381	X'D35'	A subtask within GMFHS did not end within 1 minute of the request to end the address space. The subtask was abnormally ended.
3399	X'D47'	An internal error in GMFHS has been detected. Contact IBM Software Support for programming assistance.
3500	X'DAC'	The DSIGET macro gives a nonzero return code. The routine was unable to load the message buffer.
3501	X'DAD'	The DSICES macro gives a return code that is not 0 or 20. The DSCP verb name cannot be found.

Table 1. NetView Abend Codes (continued)

Decimal Code	Hex Code	Explanation of the Abend
3502	X'DAE'	The DSIMQS macro gives a nonzero return code. A message to the NetView authorized operator failed.
3601	X'E11'	Neither screen buffer was flagged as active.
3602	X'E12'	BNJCGTDA returned with a nonzero return code.
3603	X'E13'	A data record that is not valid was detected.
3604	X'E14'	BNJCRHTA returned a nonzero return code.
3605	X'E15'	BNJCHUPA returned a nonzero return code.
3606	X'E16'	BNJCSNDA returned a nonzero return code.
3607	X'E17'	DSIGET failure detected.
3608	X'E18'	Unknown parameter data detected by BNJP109A or BNJP110A.
3609	X'E19'	The NetView DSCP verb is not defined in CNMCMD.
3610	X'E1A'	An attempt to send a message using DSIMQS to the authorized operator failed.
3611	X'E1B'	Internal processing error detected by BNJP101A.
3780	X'EC4'	<p>This is a system abend code. This abend is not an error; it is a normal result. If a system recovery routine is in control (for example, for the consoles component) a dump might be produced. These are some of the situations that can result in a X'EC4' abend:</p> <ul style="list-style-type: none"> • OMVS was not started. • VOST timeouts (for example, SNMP timeouts during resolver calls, or agent not responding). • NetView operator logoff hangs. • The STOP FORCE command was issued against a task in the NetView address space (MVS) to force the target task to stop. • As the final step of NetView CLOSE IMMED processing, the abend was issued against remaining tasks. <p>Note: CLOSE STOP is the recommended method to end the NetView program.</p>
3994	X'F9A'	The DSIMQS macro gives a nonzero return code. A message to the authorized NetView operator failed.
3995	X'F9B'	The DSIMBS macro gives a return code not equal to 0, 4, or 12. The NetView program cannot construct a message.
3997	X'F9D'	The DSIGET macro failed to obtain storage for the DSX.
3998	X'F9E'	The DSIMQS macro gives a nonzero return code. A message to the NetView authorized operator failed.
3999	X'F9F'	The DSILCS macro failed for service work block (SWB).
4000	X'FA0'	A format error was detected while deblocking the logical records within a temporary database physical record.
4001	X'FA1'	AAUCLODA cannot find the current panel hierarchy entry name in the node table, and issued a return code of 4.

Table 1. NetView Abend Codes (continued)

Decimal Code	Hex Code	Explanation of the Abend
4002	X'FA2'	There is no primary segment address in the page number table of the hierarchy table.
4003	X'FA3'	DSIGET was unable to obtain storage for a temporary record buffer.
4004	X'FA4'	DSIGET was unable to obtain storage for a temporary record buffer.
4005	X'FA5'	Module AAUSPOOL did not find the page identifier PGBN when attempting to free storage. This might be caused by a bad pointer passed to AAUSPOOL.
4006	X'FA6'	DSIMQS failed.
4007	X'FA7'	DSIGET was unable to obtain storage for the NetView control block ADX.
4008	X'FA8'	The NetView display panel size (PDXDVSIZ) is less than 21 lines, or NetView termination was in progress while attempting to enter the session monitor. The display panel size for the NetView program must be at least 21 (24 minus 3) lines.
4009	X'FA9'	DSIGET was unable to obtain storage for a send or default receive control queue element, or for a default send or receive buffer.
4010	X'FAA'	An unrecoverable full-screen panel failure occurred. One possible cause for this is entering NLDM X at a terminal that does not have extended data support.
4011	X'FAB'	DSIGET was unable to obtain enough storage for a temporary buffer.
4012	X'FAC'	DSICES was unable to obtain temporary work storage.
4013	X'FAD'	AAUCGTDA cannot get a record and issued a return code greater than 4.
4015	X'FAF'	The page number was not found in the buffer.
4017	X'FB1'	No NetView control block SWB was provided by NetView macro DSILCS.
4018	X'FB2'	Abend caused by any one of the following: <ul style="list-style-type: none"> • Because of an incorrect SYSGEN, a PIU that is too large is sent to the terminal. • NLDM X is entered from a terminal that does not have extended data support. Use NLDM instead of NLDM X. • A permanent I/O error. No dump is provided for this abend.
4019	X'FB3'	AAUMHTM cannot create a required session monitor hash table during initialization. The most probable cause is insufficient memory.
4020	X'FB4'	DSIGET was unable to obtain storage for the AAUTDIB pool.
4021	X'FB5'	Both screen buffers are active.
4022	X'FB6'	AAUCGTDA cannot get a record and issued a return code greater than 4.
4023	X'FB7'	AAUMGTD failed while trying to get the next logical data record because a bad record identification was retrieved.
4024	X'FB8'	AAUCRHTA failed to reset the hierarchy table and issued a nonzero return code.
4025	X'FB9'	AAUCHUPA failed to update the hierarchy table and issued a nonzero return code.
4026	X'FBA'	AAUCSND A issued a nonzero return code because of a DSIMQS failure.
4027	X'FBB'	DSIGET was unable to obtain storage for a temporary record buffer.

Table 1. NetView Abend Codes (continued)

Decimal Code	Hex Code	Explanation of the Abend
4031	X'FBF'	There is a slot in the output buffer that is not valid.
4033	X'FC1'	A named storage area was not found.
4036	X'FC4'	The address of the presentation services module to receive control is unresolved in the node table.
4047	X'FCF'	AAUCMBSA cannot retrieve a message and issued a nonzero return code.
4048	X'FD0'	AAUCHUPA failed to update the hierarchy table and issued a nonzero return code.
4050	X'FD2'	There is no space in the NetView SCT control block for a verb.
4051	X'FD3'	DSIGET failed during PSCP initialization.
4052	X'FD4'	AAUPCPEX failed to load.
4053	X'FD5'	A named storage area was not found.
4064	X'FE0'	Session monitor control block corruption detected. Contact IBM Software Support for programming assistance.
4065	X'FE1'	DSILOD failed to load module AAUDMMTA, AAUDBRPA, AAUDBINA, or the failing load module name is in message AAU083I. Verify that the required modules, panels, or tables are properly installed. Also, verify that the modules, panels, or tables can be accessed by the NetView application.
4066	X'FE2'	DSIGET cannot obtain storage for AAUTNDB.
4067	X'FE3'	This abend is issued from AAUACMPA under one of the following conditions: <ul style="list-style-type: none"> • A VSAM record type cannot be found in the table of valid record types. • The calculated target address of a record expansion operation exceeds the limit of the buffer. <p>This abend can be caused by a record on the session monitor VSAM database that is not valid (or corrupt) or, less likely, a storage overlay of the in-storage record type table. A dump (IDCAMS print) of the session monitor VSAM database is required to diagnose this abend (in addition to the abend dump of the NetView address space.)</p>
4068	X'FE4'	Session monitor detected an active session control block chain that is not valid. Contact IBM Software Support for programming assistance.
4070	X'FE6'	A named storage area was not found.
4071	X'FE7'	No free ADX control blocks are available.
4072	X'FE8'	A function that is not valid was requested for internal queue processing.
4073	X'FE9'	Module AAUAHNDA issues this abend when: <ul style="list-style-type: none"> • It is driven with a DSRB containing zeroes in both the DSRBUSER and DSRBUBUF fields. • An ADX is found with both the ADXLCFLG and ADXVFLG flags set.
4082	X'FF2'	AAUZDSPA is not driven under OST or PPT.
4083	X'FF3'	The DSIGET macro is unable to obtain enough storage for the DSIMQS buffer.
4085	X'FF5'	The DSIMQS macro is unable to obtain enough storage for the DSIMQS buffer or the format of the buffer is not valid.

Table 1. NetView Abend Codes (continued)

Decimal Code	Hex Code	Explanation of the Abend
4086	X'FF6'	The DSICES macro failed to transfer control because it cannot find the task identification or the verb associated with it. DSICES issued a nonzero return code.
4087	X'FF7'	The DSIFRE service routine cannot free storage that was obtained using the DSIGET macro. DSIFRE issued a nonzero return code.
4088	X'FF8'	The control flag of the logical record cannot be found.
4092	X'FFC'	The DSIGET macro is unable to obtain enough storage.
4093	X'FFD'	DSIGET was unable to obtain storage for NetView control block SCT.
4094	X'FFE'	DSIGET was unable to obtain storage for NetView control block ADX.
4095	X'FFF'	The DSICES macro cannot find a required session monitor command processor. DSICES issues a nonzero return code.

Alias Sense Codes

This section lists the global and alias request sense codes.

Global Sense Codes

Table 2. Global Sense Codes

Sense Code	Description of Global Sense Code
0000	Request processed successfully.
1002	Inconsistent length fields in RU or too many specific requests in a single RU.
1003	A request code that is not valid is in network services (NS) header.
0812	Insufficient resources to process request.
FFFF	Internal system failure.

Specific-Request Sense Codes

Table 3. Specific-Request Sense Codes

Sense Code	Description of Sense Code
0000	Request processed successfully.
0004	Associated network ID for name to be translated is not specified or is not valid.
0008	Name type specified in request is not valid.
000C	Name length specified in request is not valid.
0014	No table exists for the origin network ID for the name.
0018	No table entry exists within the origin network table for specified name.
001C	No table entry exists within the origin network table for combination of input name and destination network ID.

Table 3. Specific-Request Sense Codes (continued)

Sense Code	Description of Sense Code
0020	No table exists for the destination of name network ID.
0024	Specific request entry length is too small.

LUC Conversation Request Service Return Codes and Sense Codes

Table 4 on page 775 lists and describes LUC conversation request service return codes displayed in messages DUI170E, DUI172E, DUI173E, DUI175E, and DUI176E.

Table 4. LUC Conversation Request Service Return Codes

Return Code	Description of Return Code
X'02'	CNM DATA TASK IS NOT AVAILABLE
X'04'	SESSION IS NOT AVAILABLE
X'06'	RESOURCES/STORAGE UNAVAIL
X'08'	RESOURCE ID INCORRECT
X'0C'	PENDING REQUEST NOT COMPLETE
X'10'	DEALLOCATE NORMAL
X'14'	DEALLOCATE ABEND: MAPPING OF INBOUND FMH7 SENSE CODES 08640000, 08640001, AND 08640002
X'18'	DEALLOCATE PENDING
X'1C'	CONVERSATION STATE ERROR
X'20'	INCOMPLETE LL SENT
X'24'	TPN DEFINED-NO TRUNCATION: MAPPING OF INBOUND FMH7 SENSE CODE 08890000
X'28'	TPN DEFINED-NO TRUNCATION: MAPPING OF INBOUND FMH7 SENSE CODE 08890001
X'2C'	SVC DEFINED-NO TRUNCATION: MAPPING OF INBOUND FMH7 SENSE CODE 08890100
X'30'	SVC DEFINED-TRUNCATION: MAPPING OF INBOUND FMH7 SENSE CODE 08890101
X'34'	ALLOCATION ERROR: MAPPING OF INBOUND FMH7 SENSE CODES 10086021, 10086031, 10086032, 10086034, 10086041, 10086042, 10086043, 084C0000, 080F6051, 10086044
X'36'	TPNAME NOT AVAIL - RETRY REQUEST: MAPPING OF INBOUND FMH7 SENSE CODE 084B6031
X'FO'	SYSTEM ERROR
X'FF'	REQUEST NOT VALID

Use the SENSE command to obtain descriptions of the sense codes listed in Table 4 on page 775. See NetView online help for information about the SENSE command.

Table 5 on page 776 lists and describes LUC macro failure return codes displayed in messages DUI171E, DUI172E, and DUI174E.

Table 5. LUC Macro Failure Return Codes

Return Code	Description of Return Code
X'04'	INSUFFICIENT STORAGE
X'08'	REPLPRC IS NOT VALID
X'0C'	LUC FUNCTION NOT AVAILABLE
X'10'	SEND DATA BUFFER LENGTH < = 0
X'14'	RECEIVE DATA BUFFER LENGTH < = 0

Use the SENSE command to obtain descriptions of the sense codes listed in [Table 5 on page 776](#). See NetView online help for information about the SENSE command.

Generic Alert Code Points

This section contains a list of the generic alert code points that the NetView program provides. The code points are divided according to the subvector or subfield that carries the code point.

If you want information	Refer to
On the code points provided by the NetView program and the generic alert architecture	<i>Systems Network Architecture Formats</i>
On defining your own NetView code points	<i>IBM Z NetView Customization Guide</i>

Code Point Format

Some code points have qualifier or product set identifier information embedded within the code point text. The position of the qualifier or product set identifier is marked by a \$ within the text.

Explanation of Code Point Formats

These alerts are formatted as code points and text. The code point is a 1- or 2-byte hexadecimal value, unique to each text. The text is the message displayed on the panel.

Resource Types (X'05')

The X'05' common subvector flows in management services units (MSUs) to communicate resource names between MS components in nodes. When flowing in an MSU to a focal point, the Hierarchy/Resource List (HRL) includes the names of the resources of the domain hierarchy for the affected resource. The HRL containing the complete domain hierarchy is built from configuration knowledge in the control point, the transmission header, and, if present in the NMVT for which this CP-MSU is being sent, data from the HRL (containing a partial domain hierarchy) or the SNA address list (X'04') subvector, or both.

The HRL subvector also carries the hierarchy of control points that received, processed, and forwarded a CP-MSU, and, in some cases, the names of one or more resources; for example, session partners logically associated with the reported hierarchy.

To view a listing of both the displayed text for the code point (1–4 characters) and the actual meaning of the abbreviation, access member BNJRESTY in data set BNJPNL2.

If you want information	Refer to
On the format of code point 05	<i>Systems Network Architecture Formats</i>

Recommended Actions (X'81')

The X'81' subfield has unique recommended action codes. This subfield contains code points for stored text describing recommended actions to be taken to rectify an alert condition.

Some code points have qualifier or product set identifier information embedded within the code point text. To view a listing of Recommended Actions (X'81'), access member BNJ81TBL in data set BNJPNL1.

If you want information	Refer to
On customizing recommended action panels	<i>IBM Z NetView Customization Guide</i>
On the format of the X'81' subfield	<i>Systems Network Architecture Formats</i>

Detail Data (X'82')

The X'82' subfield contains product-specific detailed data to be displayed at an alert receiver. To view Detail Data (X'82'), access member BNJ82TBL in data set BNJPNL1.

If you want information	Refer to
On the format of the X'82' subfield	<i>Systems Network Architecture Formats</i>

Detail Data (X'85')

The X'85' subfield contains product-specific detailed data to be displayed at an alert receiver. To view Detail Data (X'85'), access member BNJ85TBL in data set BNJPNL1.

If you want information	Refer to
On the format of the X'85' subfield	<i>Systems Network Architecture Formats</i>

Actual Actions (X'86')

The X'86' subfield contains actual actions data. These major vectors are logged to the hardware monitor database. To view Actual Actions (X'86'), access member BNJ86TBL in data set BNJPNL1.

If you want information	Refer to
On the format of the X'86' subfield	<i>Systems Network Architecture Formats</i>

Generic Alert Data/Resolution Data (X'92')

The X'92' subvector transports alert information in the form of code points that correspond to strings of text stored at the alert receiver. It also transports an alert ID number that uniquely identifies a particular alert.

The X'92' subvector can have two versions of message text as follows:

- Full version message text
- Abbreviated version message text

The abbreviated version of message text appears on the Alerts panel. The full version of the message text appears on the Detail panel. To view Generic Alert Data/Resolution Data (X'92'), access member BNJ92TBL in data set BNJPNL1.

If you want information	Refer to
On the format of the X'92' subvector	<i>Systems Network Architecture Formats</i>

Probable Causes (X'93')

The X'93' subvector contains one or more code points denoting probable causes of the alert condition. The probable causes appear in order of decreasing probability.

The X'93' subvector can have two versions of message text as follows:

- Full version message text
- Abbreviated version message text

The abbreviated version of message text appears on the Alerts panel. The full version of the message text appears on the Detail panel. To view listing of Probable Causes (X'93'), access member BNJ93TBL in data set BNJPNL1.

If you want information**Refer to**

On the format of the X'93' subvector

Systems Network Architecture Formats

User Causes (X'94')

The X'94' subvector transports code points for stored text detailing the probable user causes for the alert condition and the recommended actions to be taken in connection with these causes. This subvector can also transport additional detailed data to be inserted into the text, or indexed by the user cause or the recommended action code points, or both.

Some code points have qualifier or product set identifier information embedded within the code point text. To view a listing of User Causes (X'94'), access member BNJ94TBL in data set BNJPNL1.

If you want information**Refer to**

On the format of the X'94' subvector

Systems Network Architecture Formats

Install Causes (X'95')

The X'95' subvector transports code points for stored text detailing the probable install causes for the alert condition and the recommended actions to be taken in connection with these causes. This subvector can also transport additional detailed data to be inserted into the text, or indexed by the install cause or the recommended action code points, or both. An install cause is a condition that results from the initial installation or setup of some equipment.

To view a listing of Install Causes (X'95'), access member BNJ95TBL in data set BNJPNL1.

If you want information**Refer to**

On the format of the X'95' subvector

Systems Network Architecture Formats

Failure Causes (X'96')

The X'96' subvector transports code points for stored text detailing the probable failure causes for the alert condition and the recommended actions to be taken in connection with these causes. This subvector can also transport additional detailed data to be inserted into the text, or indexed by the failure cause or the recommended action code points, or both.

Some code points have qualifier or product set identifier information embedded within the code point text. To view a listing of Failure Causes (X'96'), access member BNJ96TBL in data set BNJPNL1.

If you want information**Refer to**

On the format of the X'96' subvector

Systems Network Architecture Formats

Notices

This information was developed for products and services offered in the U.S.A.

IBM may not offer the products, services, or features discussed in this document in other countries. Consult your local IBM representative for information on the products and services currently available in your area. Any reference to an IBM product, program, or service is not intended to state or imply that only that IBM product, program, or service may be used. Any functionally equivalent product, program, or service that does not infringe any IBM intellectual property right may be used instead. However, it is the user's responsibility to evaluate and verify the operation of any non-IBM product, program, or service.

IBM may have patents or pending patent applications covering subject matter described in this document. The furnishing of this document does not give you any license to these patents. You can send license inquiries, in writing, to:

IBM Director of Licensing
IBM Corporation
North Castle Drive
Armonk, NY 10504-1785
U.S.A.

For license inquiries regarding double-byte (DBCS) information, contact the IBM Intellectual Property Department in your country or send inquiries, in writing, to:

Intellectual Property Licensing
Legal and Intellectual Property Law
IBM Japan, Ltd.
19-21, Nihonbashi-Hakozakicho, Chuo-ku
Tokyo 103-8510, Japan

The following paragraph does not apply to the United Kingdom or any other country where such provisions are inconsistent with local law:

INTERNATIONAL BUSINESS MACHINES CORPORATION PROVIDES THIS PUBLICATION "AS IS" WITHOUT WARRANTY OF ANY KIND, EITHER EXPRESS OR IMPLIED, INCLUDING, BUT NOT LIMITED TO, THE IMPLIED WARRANTIES OF NON-INFRINGEMENT, MERCHANTABILITY OR FITNESS FOR A PARTICULAR PURPOSE.

Some states do not allow disclaimer of express or implied warranties in certain transactions, therefore, this statement might not apply to you.

This information could include technical inaccuracies or typographical errors. Changes are periodically made to the information herein; these changes will be incorporated in new editions of the publication. IBM may make improvements and/or changes in the product(s) and/or the program(s) described in this publication at any time without notice.

Any references in this information to non-IBM Web sites are provided for convenience only and do not in any manner serve as an endorsement of those Web sites. The materials at those Web sites are not part of the materials for this IBM product and use of those Web sites is at your own risk.

IBM may use or distribute any of the information you supply in any way it believes appropriate without incurring any obligation to you.

Licensees of this program who wish to have information about it for the purpose of enabling: (i) the exchange of information between independently created programs and other programs (including this one) and (ii) the mutual use of the information which has been exchanged, should contact:

IBM Corporation
224A/101
11400 Burnet Road

Austin, TX 78758
U.S.A.

Such information may be available, subject to appropriate terms and conditions, including in some cases payment of a fee.

The licensed program described in this document and all licensed material available for it are provided by IBM under terms of the IBM Customer Agreement, IBM International Program License Agreement or any equivalent agreement between us.

Information concerning non-IBM products was obtained from the suppliers of those products, their published announcements or other publicly available sources. IBM has not tested those products and cannot confirm the accuracy of performance, compatibility or any other claims related to non-IBM products. Questions on the capabilities of non-IBM products should be addressed to the suppliers of those products.

Programming Interfaces

This publication documents information that is NOT intended to be used as Programming Interfaces of IBM Z NetView.

Trademarks

IBM, the IBM logo, and [ibm.com](http://www.ibm.com)[®] are trademarks or registered trademarks of International Business Machines Corp., registered in many jurisdictions worldwide. Other product and service names might be trademarks of IBM or other companies. A current list of IBM trademarks is available on the Web at "Copyright and trademark information" at <http://www.ibm.com/legal/copytrade.shtml>.

Adobe is a trademark of Adobe Systems Incorporated in the United States, and/or other countries.

Java and all Java-based trademarks and logos are trademarks or registered trademarks of Oracle and/or its affiliates.

Linux is a registered trademark of Linus Torvalds in the United States, other countries, or both.

Microsoft and Windows are trademarks of Microsoft Corporation in the United States, other countries, or both.

UNIX is a registered trademark of The Open Group in the United States and other countries.

Other product and service names might be trademarks of IBM or other companies.

Privacy policy considerations

IBM Software products, including software as a service solutions, ("Software Offerings") may use cookies or other technologies to collect product usage information, to help improve the end user experience, to tailor interactions with the end user or for other purposes. In many cases no personally identifiable information is collected by the Software Offerings. Some of our Software Offerings can help enable you to collect personally identifiable information. If this Software Offering uses cookies to collect personally identifiable information, specific information about this offering's use of cookies is set forth below.

This Software Offering does not use cookies or other technologies to collect personally identifiable information.

If the configurations deployed for this Software Offering provide you as customer the ability to collect personally identifiable information from end users via cookies and other technologies, you should seek your own legal advice about any laws applicable to such data collection, including any requirements for notice and consent.

For more information about the use of various technologies, including cookies, for these purposes, See IBM's Privacy Policy at <http://www.ibm.com/privacy> and IBM's Online Privacy Statement at <http://www.ibm.com/privacy/details> the section entitled "Cookies, Web Beacons and Other Technologies" and the "IBM Software Products and Software-as-a-Service Privacy Statement" at <http://www.ibm.com/software/info/product-privacy>.



GC27-2856-08

