

Quick Start Guide

This guide gets you started with a single-server installation for IBM Netcool Network Management.

Product overview

IBM Netcool® Network Management provides network discovery and event and network management, including identification and resolution of root-causes, system, network and service failures, and configuration management capabilities for network devices. Inventory and connectivity data is integrated with IBM Tivoli Netcool/OMNIbus event data. Network management staff can visualize and understand the layout of complex networks, and the impact of network events and failures. They can work with events to locate, diagnose, and solve network problems in real time.

1 Step 1: Access your software and documentation



IBM Netcool Network Management V9.2 is available on DVD or for download from IBM Passport Advantage®, at <http://www-01.ibm.com/software/howtobuy/passportadvantage> q. Place all installation packages on the same server. For the packages that are included in this offering, see http://publib.boulder.ibm.com/infocenter/tivihelp/v8r1/topic/com.ibm.omnmip.doc_9.2.0/omn_nmip/concept/omn_nmip_ovr_solutionoverview.html

IBM Netcool Network Management V9.2 can be installed on a single server, or on multiple servers. This Quick Start Guide describes a single-server installation. For complete documentation, including more complex multiserver installation information, see the IBM Tivoli Network Management Information Center at: <http://publib.boulder.ibm.com/infocenter/tivihelp/v8r1/index.jsp>.

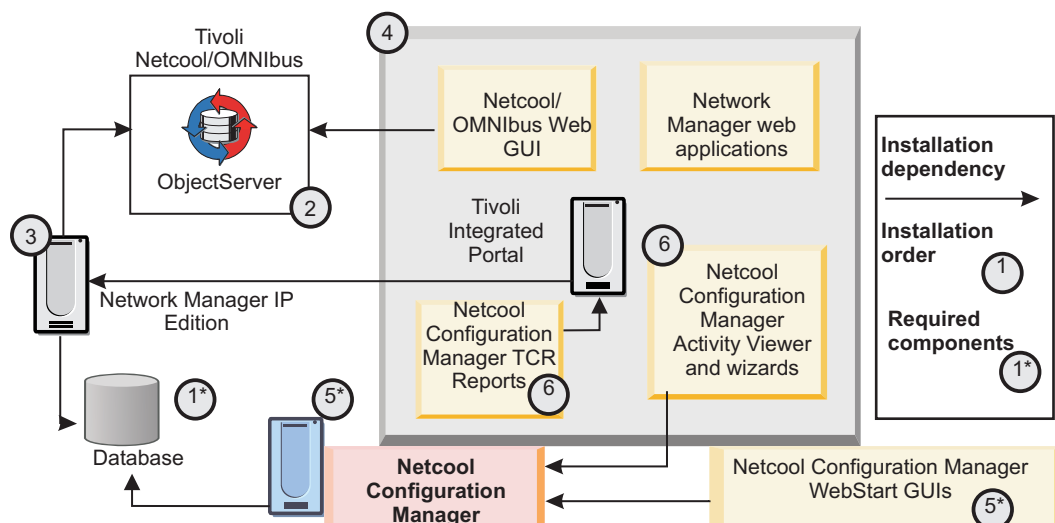
2 Step 2: Evaluate your hardware and system configuration



For system requirements see http://publib.boulder.ibm.com/infocenter/tivihelp/v8r1/topic/com.ibm.omnmip.doc_9.2.0/omn_nmip/reference/omn_nmip_pln_systemreqs.html.

3 Step 3: Review the base architecture

The following diagram shows the single-server installation order and dependencies for the components of IBM Netcool Network Management V9.2.



4 Step 4: Install your topology database



Informix® Growth Edition V11.7 is supplied with Network Manager IP Edition and is used by default to store network data. If you intend to use this default Network Manager IP Edition database as your topology database, proceed to the next step. For alternative databases, see http://publib.boulder.ibm.com/infocenter/tivihelp/v8r1/topic/com.ibm.networkmanagerip.doc_3.9/itnm/ip/wip/install/reference/nmip_ins_ncimreq.html.

5 Step 5: Install and integrate the products



To install Tivoli Netcool/OMNIBus, Network Manager IP Edition, and Tivoli® Netcool Configuration Manager on a single server, run the installers for each product. See the installation instructions at http://publib.boulder.ibm.com/infocenter/tivihelp/v8r1/topic/com.ibm.omnmip.doc_9.2.0/omn_nmip/task/omn_nmip_ins_installing.html.

6 Step 6: Install additional probe and gateway components



During the installation of Tivoli Netcool/OMNIBus and Network Manager IP Edition, some probe and gateway components are installed. You can download and install additional probe and gateway components. For further information, see the README file that is included in the download package for each probe and gateway. See also http://publib.boulder.ibm.com/infocenter/tivihelp/v8r1/topic/com.ibm.netcool_OMNIBus.doc_7.4.0/omnibus/wip/install/task/omn_ins_unixinstallingprobesgtwys.html and http://publib.boulder.ibm.com/infocenter/tivihelp/v8r1/topic/com.ibm.netcool_OMNIBus.doc_7.4.0/omnibus/wip/install/task/omn_ins_wininstallingprobesgtwys.html.

7 Step 7: Configure your installation



For complete documentation for the post-installation configuration of Tivoli Netcool/OMNIBus, Network Manager IP Edition, and Tivoli Netcool Configuration Manager, see http://publib.boulder.ibm.com/infocenter/tivihelp/v8r1/topic/com.ibm.omnmip.doc_9.2.0/omn_nmip/task/omn_nmip_ins_whattodone.html.

More information



For additional technical resources, follow the links to the support Web sites listed on the Community and Support tab at http://publib.boulder.ibm.com/infocenter/tivihelp/v8r1/topic/com.ibm.omnmip.doc_9.2.0/omn_nmip/welcome.html.

