



IBM Systems



Quick start guide for p5 520 (9131-52A)

1

Before you begin

This Quick start guide contains an abbreviated set of setup instructions designed to help you quickly unpack and set up a standard system. Users unfamiliar with this IBM® hardware should use the fully detailed, setup instructions that you can find in the IBM Systems Hardware Information Center. For details about how to access the information center, see task 9 *Finish your system setup*.



The exclamation mark surrounded by a gray triangle denotes caution. A CAUTION notice indicates the presence of a hazard that has the potential of causing moderate or minor personal injury. Before doing a step that contains a caution icon, read and understand the caution statement that accompanies it.



Rack-mounted devices are not to be used as a shelf or workspace. Do not place any object on top of rack-mounted devices.

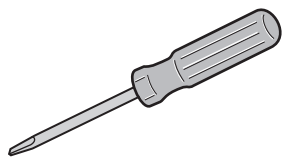


Use safe practices when lifting.



CAUTION: The weight of this part or unit is between 32 and 55 kg (70.5 and 121.2 lb). It takes three persons to safely lift this part or unit. (C010)

Tools needed (Rack installation only)



Flat-blade screwdriver

2

Inventory

2.1

Complete an inventory of the external parts.

Locate the kitting report (inventory list) in the bag that contains the information center CD (SK3T-8159). Make sure you received all of the parts that you ordered. Your order information should be located in an envelope adhered to the outside of your system box. You can also obtain order information from your marketing representative or IBM Business Partner.




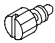


If you have incorrect, missing, or damaged parts, consult any of the following resources:

- Your IBM reseller
- IBM Rochester manufacturing automated information line at 1-800-300-8751 (United States only)
- Directory of worldwide contacts at www.ibm.com/planetwide. Select your location to view the service and support contact information.

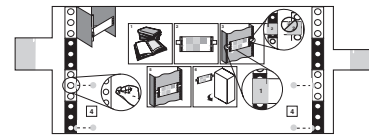
2.2

If you are not installing your server into a rack, skip to task 7 *Cable the HMC and the server.*

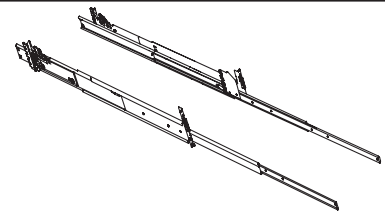
If you are installing your server into a rack, you will need the following parts:

Rack-mounting hardware kit		
	4	Blue knobs
	6	System-to-slide-rail screws
	4	Rack-retaining screws
	2	Blue thumb screws
	2	Latch brackets
	2	Latch-bracket screws

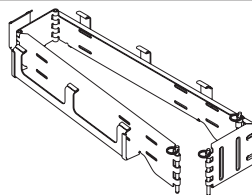
Rack-mounting template



Slide rail assemblies



Cable-management arm



3

Prepare the rack for installation

3.1

If you are installing your server into a new rack, ensure that you have completed the unpacking instructions that were provided with the rack.

If your server is already installed in a rack, skip to task 7 *Cable the HMC and the server*.

3.2

Place the rack in the location of the installation.

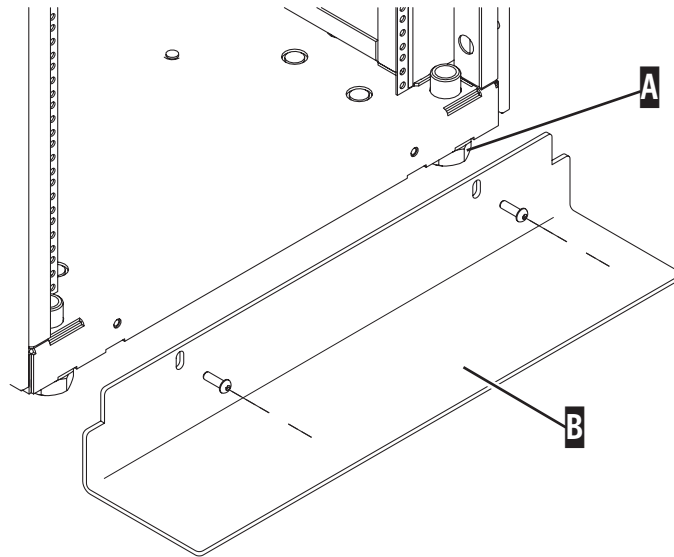
3.3

Use the wrench that was provided with your rack to level the rack by raising or lowering the front and back leveling feet **A**.

3.4

Install the stabilizer bracket **B** on the front of the rack.

Tip: If necessary, remove any trim kit pieces that were previously installed on the rack. Removing the trim kit pieces allows you to read the EIA units on the rack.



4

Install the slide rail assemblies

If you do not have enough space around your rack to open the front and back doors completely, remove the doors before starting this task to allow adequate access.

4.1

Locate the rack-mounting template, the rack-mounting hardware kit, and the slide rail assemblies that were included with your server.

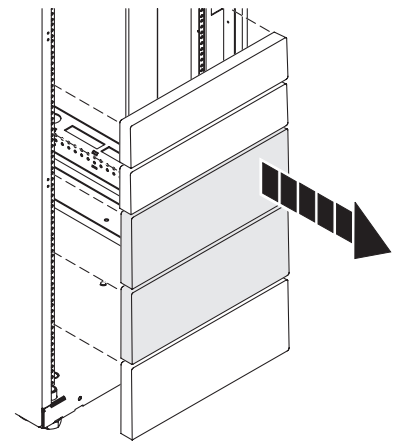
4.2

Use the rack-mounting template to determine where in the rack to place the server. Remove any filler panels necessary to allow adequate access to the location where you will install your server.

Note: Install units into the lower part of the rack first. Place larger and heavier units in the lower part of the rack.

4.3

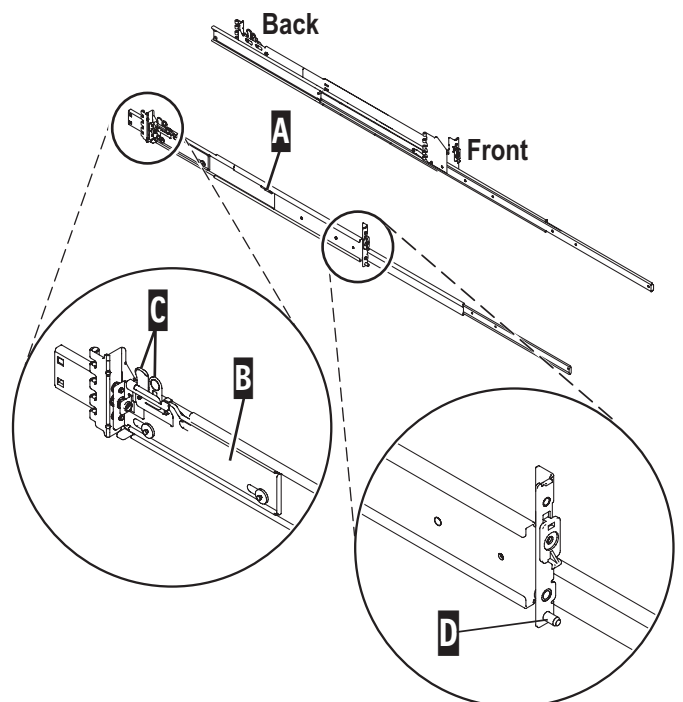
Follow the rack-mounting template to mark the location on the rack where you will place the server. Use the self-adhesive placement dots found on the rack-mounting template.



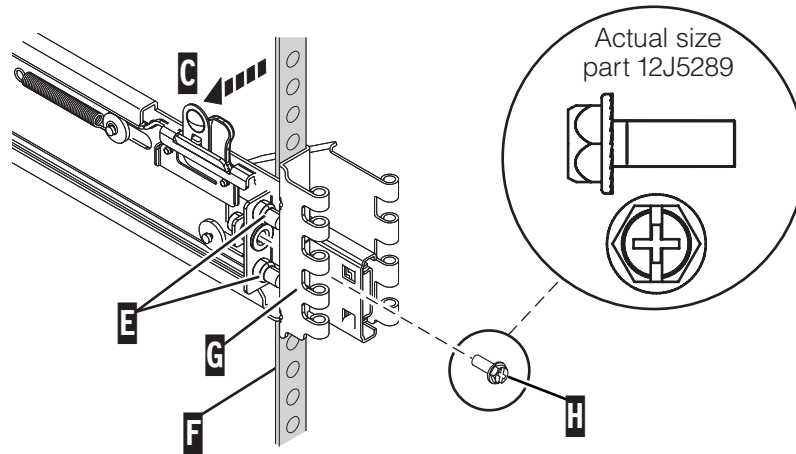
4.4

Install the slide rail assemblies **A**.

1. Pull the back latch-assembly release tabs **C** to the retracted position and lock the latch assembly **B**. Make sure the alignment pins **D** that are located on the back of the slide rail are fully retracted.
2. From the back of the rack, insert the front alignment pin **D** into the hole in the front of the rack, as identified by the self-adhesive placement dot.



3. Align the retracted back pins **E** with the holes as identified by the self-adhesive placement dot. Place the rack flange **F** between the slide-rail flange **G** and the retracted alignment pins **E**.
4. Press the back latch-assembly-release tab **C** to extend the back alignment pins into the back of the rack.



4.5

From the back, finger-tighten one of the rack-retaining screws **H** in the hole that is located between the two back alignment pins **E**.

4.6

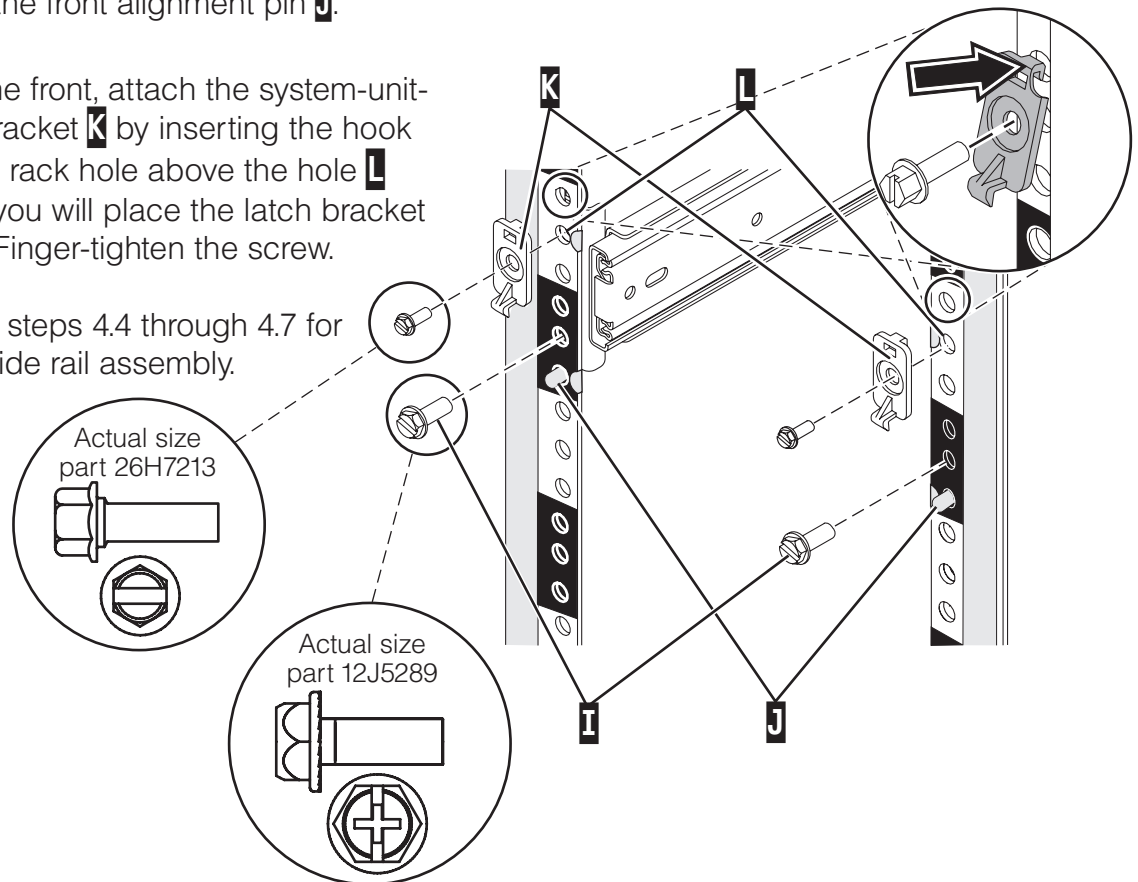
From the front, finger-tighten one of the rack-retaining screws **I** in the first hole above the front alignment pin **J**.

4.7

From the front, attach the system-unit-latch bracket **K** by inserting the hook into the rack hole above the hole **L** where you will place the latch bracket screw. Finger-tighten the screw.

4.8

Repeat steps 4.4 through 4.7 for each slide rail assembly.



5

Install the server onto the slide rail assembly



Before installing the server onto the slide rail assembly, ensure that the leveling feet are extended and that the stabilizer bracket is correctly installed to prevent the rack from falling forward.

Before you begin: Read this entire task before completing any individual steps.

5.1

Attach the four blue knobs **B** to the server **A**. The blue knobs are used temporarily to rest the server on the slide rails for installation. These knobs will be removed after the server is secured to the slide rails.

5.2

Fully extend both slide rails.



Use safe practices when lifting.



5.3

Lift the server using the handles **C** on each side, and position the server on the extended slide rails. Align the three holes of the inner slide rails **D** with the three holes on each side of the server.

5.4

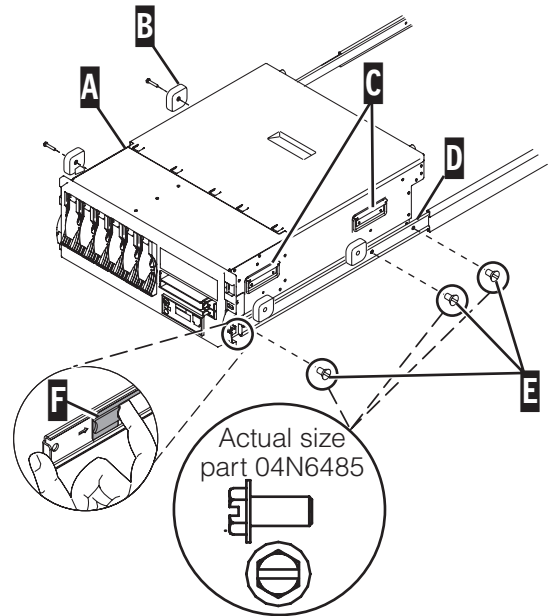
Using a screwdriver, attach the inner slide of the slide rails **D** to each side of the server by using the system-to-slide-rail screws **E**. Use a screwdriver to tighten each of the screws.

5.5

Remove the four blue knobs **B**.

5.6

Simultaneously release the blue safety latches **F** located near the front of each slide rail assembly, and slowly push the server back into the rack.



Tip: Pull the server back out and push it in again to make sure that the slide rails are aligned correctly and that it glides smoothly.

5.7

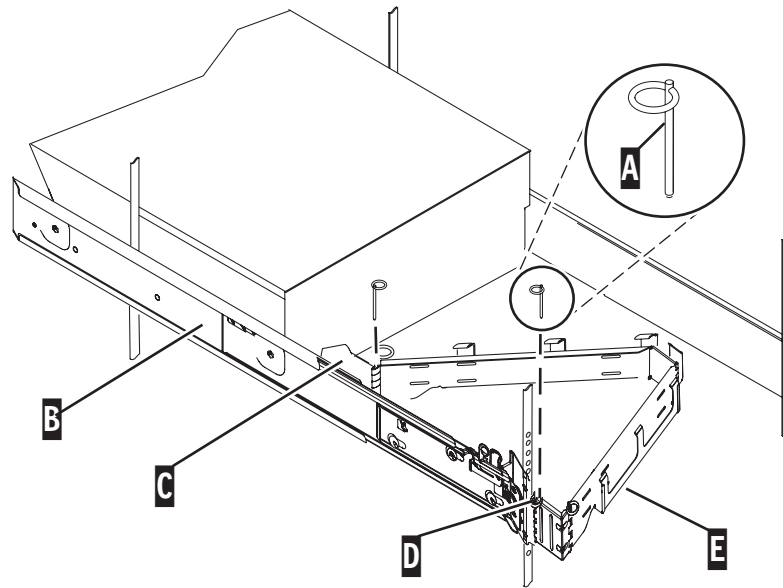
Using a screwdriver, tighten the two rack-retaining screws to secure the slide rails to the back of the rack.

5.8

Slide the server part of the way out of the rack. Using a screwdriver, tighten the front two rack-retaining screws and the two latch-bracket screws on the front of the rack to secure the slide rails.

6

Install the cable-management arm



6.1

Locate the cable-management arm **E** and the two pins **A**.

Tip: If space is limited inside the rack, slide the server out part of the way to install the cable-management arm.

6.2

From the back of the rack, use the pin **A** to affix the cable-management arm **E** to the left slide-rail-management arm flange that is attached to the rack frame **D**.

6.3

Use the second pin **A** to affix the other end of the cable-management arm **E** to the flange **C** that is attached to the sliding portion of the left slide rail assembly **B**.

7

Cable the HMC and the server

A Hardware Management Console (HMC) is a system that connects to the server and manages it through a network.

If you are not using an HMC to manage your server, you can use the Integrated Virtualization Manager (IVM), a graphics terminal, or an ASCII terminal. If you plan to use IVM, which allows you to create and manage partitions, skip to task 8 *Cable the server and access the Integrated Virtualization Manager*. For information about the other console options, go to the IBM Systems Hardware Information Center. For details about how to access the information center, see task 9 *Finish your system setup*.

If you are using a rack-mounted HMC, these steps assume it is already installed in the rack.

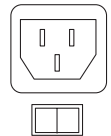
If you need to install the HMC into the rack, follow the instructions in the IBM Systems Hardware Information Center, and return to this guide when you are ready to begin cabling your HMC. For details about how to access the information center, see task 9 *Finish your system setup*.

7.1

If you are using any optional adapters for the HMC, connect the cables to the appropriate adapter connectors in the PCI slots of your server and HMC.

7.2

Route the power cords through the rings or clamps, if available, on the back of the server, and connect to the server, monitor, and HMC. **Do not connect the power cords to a power source until instructed to do so.**



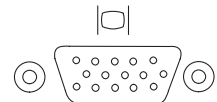
Important: Ensure that if there is a voltage switch next to the power connector on the monitor, it is in the appropriate position for the voltage used in your geography.

7.3

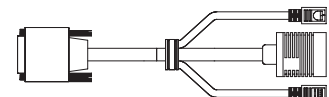
Connect the mouse and keyboard cables to the appropriate ports on the back of the HMC. If your mouse and keyboard use Universal Serial Bus (USB) cables, you can connect these to the ports on the front of the HMC.

7.4

Attach the monitor cable to the monitor connector on the HMC and tighten the screws.



Tip: If you are using the rack-mounted LCD monitor and keyboard (7316-TF3), use the C2T-to-KVM adapter breakout cable to attach to the HMC.



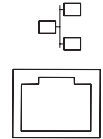
7.5

If you are not using a modem, skip to step 7.6.

If you are using the integrated HMC modem, connect the telephone cable to the modem and to the analog jack on the wall. If you are using an external modem, connect the modem data cable to the external modem and to a serial port on the HMC. Then connect the telephone cable to the external modem and to the analog jack on the wall.

7.6

Connect the Ethernet cable to the Ethernet port on the HMC and to the Ethernet port labeled HMC1 on the server.



For a stand-alone HMC, use the integrated Ethernet port. For the 7310-CR2 rack-mounted HMC, use the bottom-right Ethernet port. For the 7310-CR3 rack-mounted HMC, use the left port of the two planar board Ethernet ports.

7.7

If using an external modem, plug the power cord into the modem.



CAUTION: This product is equipped with a 3-wire (two conductor and a ground) power cable and plug. Use this power cable with a properly grounded electrical outlet to avoid electrical shock. (C018)

7.8

Plug the power cords for the monitor, HMC, and external modem into a power source. Do not connect the server to a power source until instructed to do so.

7.9

Route the cables through the cable-management arm on the server and secure the cables with the straps provided.

7.10

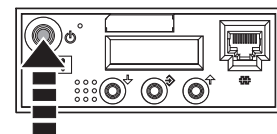
Start and configure the HMC, which includes the Guided Setup Wizard. You can find the instructions for configuring the HMC in the IBM Systems Hardware Information Center. For details about how to access the information center, see task 9 *Finish your system setup*.

7.11

Connect the server to a power source and wait for the control panel on the front of the server to display 01. This might take several minutes.

7.12

Press the white Power On button on the control panel.



You have completed the basic setup. Go to task 9 *Finish your system setup*.

8

Cable the server and access the Integrated Virtualization Manager

8.1

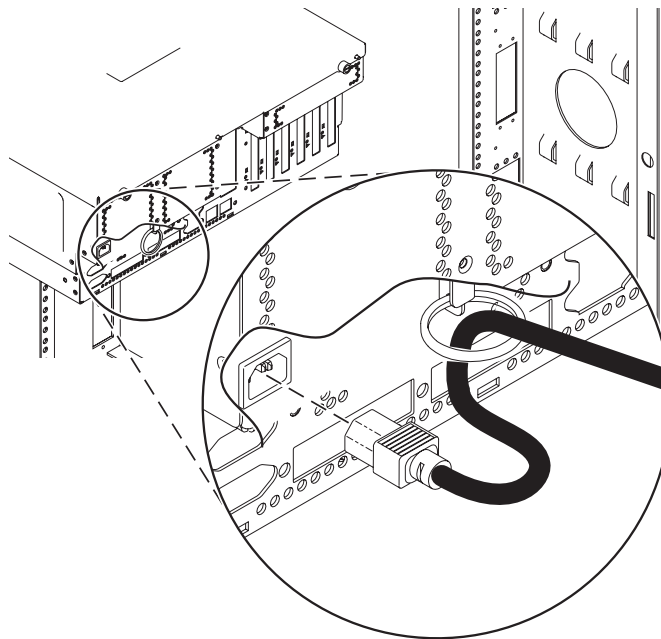
Connect one end of a serial cable to the system port on your server, and the other end to a serial port on a PC that has Microsoft® Internet Explorer 6.0, Netscape 7.1, or Opera 7.23 installed.



CAUTION: This product is equipped with a 3-wire (two conductors and a ground) power cable and plug. Use this power cable with a properly grounded electrical outlet to avoid electrical shock. (C018)

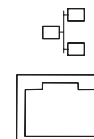
8.2

Route the power cords through the rings or clamps, if available, on the back of the server, and connect the server to a power source. Wait for the control panel on the front of the server to display 01. This might take several minutes.



8.3

Connect an Ethernet cable from the PC to the port labeled HMC1 on the back of the server. If HMC1 is occupied, use the port labeled HMC2.



8.4

If you are using any optional adapters, connect the cables to the appropriate adapter connectors in the PCI slots of your server and PC.

8.5

If this server is installed in a rack, route the cables through the cable-management arm and secure the cables to the cable-management arm.

8.6

Configure the Ethernet interface on the PC to an IP address and subnet mask within the same subnet as the server. This is the IP address for the service processor.

Note: If you do not know how to do this, see the instructions in the IBM Systems Hardware Information Center. For details about how to access the information center, see task 9 *Finish your system setup*.

Possible values:

Server connector	Subnet mask	IP address
HMC1	255.255.255.0	192.168.2.147
HMC2	255.255.255.0	192.168.3.147

For example, if you connected your PC to HMC1, the IP address for your service processor might be 192.168.2.1 and the subnet mask would be 255.255.255.0. Set the gateway IP address to the same IP address as that of the PC.

8.7

Using a Web browser, enter the IP address into the **Address** field that corresponds to the port to which your PC is connected. For example, enter <https://192.168.2.147>.

8.8

At the login prompt, enter the following default user ID and password:

User ID	Password
admin	admin

8.9

When you are prompted, change the default password.

8.10

Change the state of the system server firmware.

1. In the navigation area, expand **Power/Restart Control**.
2. Click **Power On/Off System**.
3. Select **Standby** in the Boot to system server firmware field.
4. Click **Save settings and power on**.

8.11

After the system has reached the firmware standby state, enter the activation code for the Virtualization Engine™ technologies.

1. In the navigation area, expand **On Demand Utilities**.
2. Click **CoD Activation**.
3. Enter the activation key into the field. This key was included with the printed material inside your system box.
4. Click **Continue**. The Advanced POWER Virtualization feature is enabled.

8.12

Change the partition mode.

1. In the navigation area, expand **Power/Restart Control**.
2. Click **Power On/Off System**.
3. Select **Boot to SMS menu** in the AIX/Linux partition mode boot field.
4. Select **Running** in the Boot to system server firmware field.
5. Click **Save settings and continue system server firmware boot**.

8.13

Open a terminal session on the PC, using an application such as HyperTerminal, and wait for the SM's menu to appear. Be sure the line speed is set to 19,200 bits per second to communicate with the system.

8.14

Change the partition mode back so that the server continues to load the operating system during startup.

1. In the ASMI navigation area, expand **Power/Restart Control**.
2. Click **Power On/Off System**.
3. Select **Continue to operating system** in the AIX/Linux partition mode boot field.
4. Click **Save settings**.

8.15

Insert the Virtual I/O Server CD into the optical drive of the system.

8.16

When the system management services (SMS) menu is displayed in the terminal session over the connection that you set up in step 8.1, choose **Select Boot Options** and follow the menu options to set the optical drive as the initial boot device.

8.17

Install the Virtual I/O Server.

1. Select the console, and press Enter.
2. Select a language for the BOS menus, and press Enter.
3. Select **Start Install Now with Default Settings**.
4. Select **Continue with Install**. The managed system restarts after the installation is complete, and the login prompt is displayed on the ASCII terminal.

Tip: Additional Information about the Virtual I/O Server, such as how to check for updates, configure network connections, and configure partitions, is located in the IBM Systems Hardware Information Center.

You have completed the basic setup. Continue to task 9 *Finish your system setup*.

9

Finish your system setup

You have completed the basic tasks to set up your server.

You can now access the IBM Systems Hardware Information Center. Follow these steps to create a customized checklist that helps configure your server and console, install software, apply fixes, and establish connections with your service provider:

9.1

Using a Web browser, go to www.ibm.com/systems/infocenter/hardware or go to the preinstalled version on the HMC.

9.2

From the navigation bar, click **Systems Hardware information > System p information > Initial server setup > Create a customized initial server setup checklist.**

9.3

Answer the questions in the interactive interview, and follow the procedures in the resulting checklist.

If you cannot access the online version of the information center, it is also provided on a CD with your system (SK3T-8159).



© International Business Machines Corporation 2005, 2007

Printed in USA
September 2007
All Rights Reserved

Mail comments to:
IBM Corporation
Attention Department DDR
3605 Highway 52 North
Rochester, MN U.S.A. 55901-7829

Fax comments to:
1-800-937-3430 (U.S. or Canada)
1-507-253-5192 (outside the U.S. or Canada)
Internet URL: <http://www.ibm.com/systems/infocenter/hardware>

References in this publication to IBM products or services do not imply that IBM intends to make them available in every country or region.

IBM, the IBM logo, and System p are trademarks of International Business Machines Corporation in the United States, other countries or both.

Microsoft, Windows, Windows NT, and the Windows logo are trademarks of Microsoft Corporation in the United States, other countries, or both.

Other company, product, and service names may be trademarks or service marks of others.



29R1713



SA41-5166-04