

Expand your z/OS ecosystem with zCX

Running MQ Client Concentrator on zCX



Linux® environment not needed



Co-locate target queue manager and concentrator

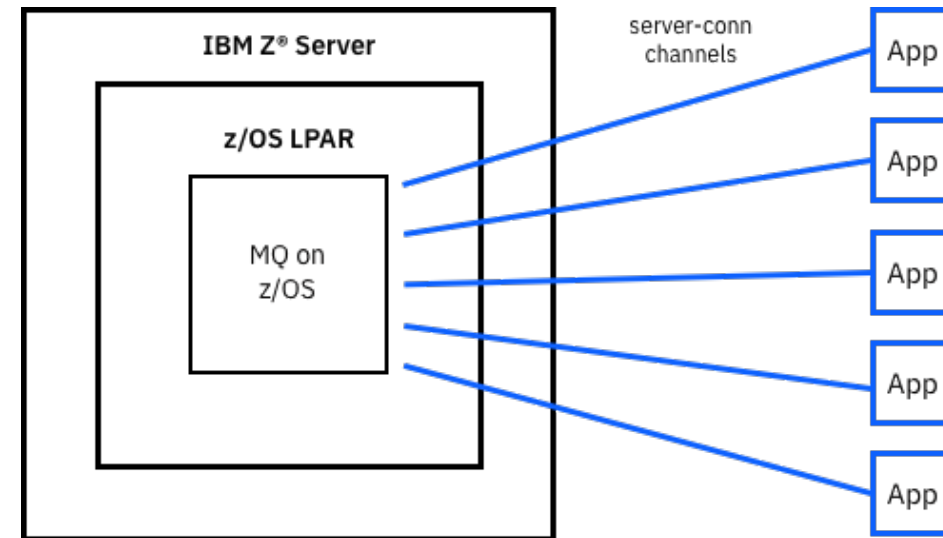


Improve application efficiency

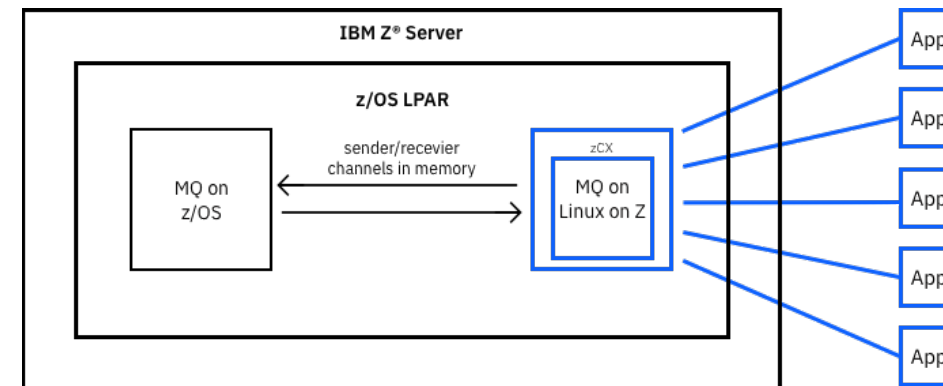
MQ client applications may connect and disconnect frequently, driving large amounts of CPU use by the MQ channel initiator.

By using a client concentrator, client connections are made to a proxy distributed queue manager. The proxy then routes messages to one or more z/OS® queue managers over sender and receiver channels, significantly lowering the CPU overhead of z/OS MQ.

Without zCX



With zCX



Learn More

Visit the zCX Content Solution: <https://ibm.biz/BdzMs3>

Read a blog on running MQ in zCX: <https://ibm.biz/BdqQmg>

Read a blog on using client concentrators with MQ in zCX: <https://ibm.biz/BdqQmf>