

# IBM Power System S822LC for High Performance Computing (HPC)



---

## Highlights

- Breakthrough performance for your GPU accelerated applications – to help realise faster time to insight
  - Two POWER8 CPUs and 4 Tesla P100 with NVLink GPUs in a versatile 2U Linux server
  - Unlock new possibilities with POWER8 with NVLink – the only architecture with NVIDIA NVLink Technology from CPU to GPU
  - Designed for accelerated workloads in HPC, the enterprise datacentre (DC) and accelerated cloud deployments.
- 

*Tackle new problems with NVIDIA Tesla P100 on the only architecture with central processing unit (CPU):graphics processing unit (GPU) NVLink*

End users across domains consistently require increased system and application performance. GPU computing has delivered game-changing performance to address these needs – dramatic acceleration for a variety of HPC and enterprise applications.

System end-users, developers and administrators need advancements in GPU performance, programmability and in the ability to feed data to GPUs to unlock the next wave of accelerated computing.

IBM® Power System S822LC for HPC pairs the strengths of the POWER8 CPU with 4 NVIDIA Tesla P100 GPUs. These best-in-class processors are tightly bound with NVIDIA NVLink Technology from CPU:GPU – to advance the performance, programmability and accessibility of accelerated computing and resolve the peripheral component interconnect Express (PCI-E) bottleneck.

This differentiated combination, with the only architecture delivering CPU:GPU NVLink, unlocks new potential for GPUs across industries.

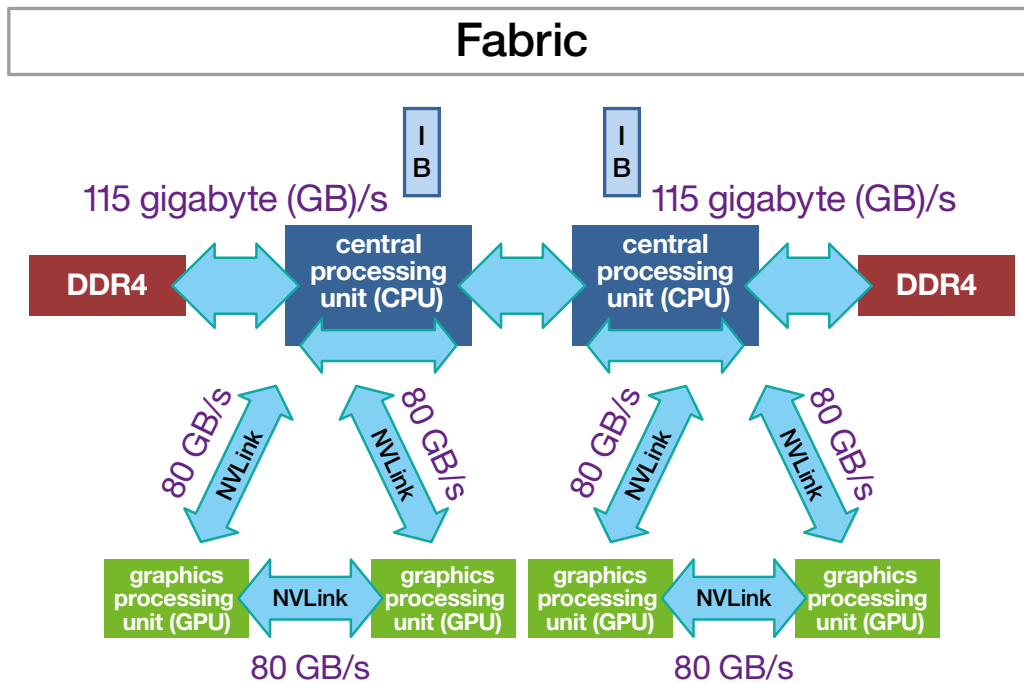


## IBM Power Systems LC Servers

IBM Power Systems, with POWER8 technology, is a family of systems built innovatively to transform the power of big data & analytics, into competitive advantages in ways never before possible. Our new Linux scale-out systems embrace acceleration for the next generation of DC computing and provide differentiated performance, scalability and low acquisition cost. The IBM Power System S822LC for HPC provides:

- 2x POWER8 CPUs, with 32 dual inline memory module (DIMM) sockets delivered by 8 memory daughter cards for up 1 terabyte (TB) of memory
- A differentiated platform for GPU acceleration and superb Input/Output (I/O) with coherent accelerator processor interface (CAPI)

- POWER8 with NVLink Technology interconnecting the CPU to the GPU: faster link (80 GB/sec) to each of the 4 NVIDIA Tesla P100 GPUs delivering 2.8 times more bandwidth than PCI-E based GPUs<sup>1</sup>
- Incredible GPU:GPU communication: 2.5 times faster link (80 GB/sec) between adjacent Tesla P100 GPUs on the same socket
- Optional NVMe storage for exceptionally fast storage I/O
- The robust features of a POWER8 server platform.





The combination of NVLink and NVIDIA Tesla P100 GPUs delivers unprecedented performance across multiple workloads compared to x86 with Tesla K80 GPUs:

- 2.5 times more queries per hour running Kinetica ‘Filter by geographic area’ queries<sup>2</sup>
- 1.9 times more GFLOPS based on running LatticeQCD<sup>3</sup>
- 2 times more ‘Base Pairs Aligned’ per Second running SOAP3-dp with 2 instances per device.<sup>4</sup>
- 2.3 times better performance (57 percent reduction in execution time) running CPMD<sup>5</sup>
- 1.7 times better performance running the High Performance Conjugate Gradients (HPCG) Benchmark.<sup>6</sup>

---

**IBM Power System S822LC for HPC at a glance**

---

**System configurations (8335-GTB)**

Microprocessors	Two 8-core 3.25 gigahertz (GHz) POWER8 processor cards or two 10-core 2.86 GHz POWER8 processor cards
Level 2 (L2) cache	512 kilobytes (KB) L2 cache per core
Level 3 (L3) cache	8 megabytes (MB) L3 cache per core
Level 4 (L4) cache	Up to 64 MB per socket
Memory Min/Max	4 gigabytes (GB), 8 GB, 16 GB, 32 GB DDR4 modules, 128 GB to 1 TB total memory
Processor to Memory Bandwidth	115 GB/sec per socket, 230 GB/sec per system (Max sustained memory bandwidth to L4 cache from Single Chip Module (SCM)) 170 GB/sec per socket, 340 GB/sec per system (Max peak memory bandwidth to DIMMs from L4 cache)

**IBM Systems**  
**Data Sheet**

---

**IBM Power System S822LC for HPC at a glance**

---

**Storage and input/output (I/O)**

Standard backplane	2 small form factor (SFF) bays for hard disk drive (HDD) or solid-state disk (SSD)
Media Bays	N/A
RAID Option	Software RAID
Adapter Slots	Three PCIe Gen3 slots: Two x16 plus one x8 PCIe Gen3; all CAPI enabled
I/O Bandwidth	64 gigabytes per second (GBps)
GPU Accelerators	Up to 4 NVIDIA Tesla P100 with NVLink GPUs

**Power, RAS, system software and physical characteristics and warranty**

Power Supply	200 V to 240 V
Reliability, availability and serviceability (RAS) Features	Processor instruction retry Selective dynamic firmware updates Chip kill memory ECC L2 cache, L3 cache Service processor with fault monitoring Hot-swappable disk bays Hot-plug and redundant power supplies and cooling fans (no power redundancy with GPU(s) installed)
Operating systems (OS)*	Linux on POWER
System dimensions	441.5 W x 86 H x 822 D mm
Warranty	3 year limited warranty; customer replaceable unit (CRU) for all other units (varies by country), next business day 9am to 5pm (excluding holidays), warranty service upgrades and maintenance are available.

## Why IBM?

Architecting superb HPC clusters requires a holistic approach that responds to performance at every level of the deployment.

IBM HPC solutions, built with IBM Power Systems, IBM Spectrum Computing, IBM Spectrum Storage and IBM Software technologies, provide an integrated platform to optimise your HPC workflows.

Only IBM provides a total HPC solution, including optimised, best-of-breed components at all levels of the stack.

Comprehensive solutions ensure:

- Rapid deployment
- Clusters that deliver value immediately after acceptance.

These clusters are built upon data-centric computing designs. Data-centric HPC minimises data motion, enables compute capabilities across the system stack and provides a modular, scalable architecture optimised for HPC.

## For more information

To learn more about the IBM Power System S822LC for HPC please contact your IBM representative or IBM Business Partner (BP), or visit the following website:

[ibm.com/systems/power/hardware/s822lc-hpc/](https://ibm.com/systems/power/hardware/s822lc-hpc/)

Additionally, IBM Global Financing provides numerous payment options to help you acquire the technology you need to grow your business. We provide full lifecycle management of IT products and services, from acquisition to disposition.

For more information, visit: [ibm.com/financing](https://ibm.com/financing)



#### IBM United Kingdom Limited

PO Box 41  
North Harbour  
Portsmouth  
Hampshire  
PO6 3AU  
United Kingdom

#### IBM Ireland Limited

Oldbrook House  
24-32 Pembroke Road  
Dublin 4

IBM Ireland Limited registered in Ireland under company number 16226.  
The IBM home page can be found at [ibm.com](http://ibm.com)

IBM, the IBM logo, [ibm.com](http://ibm.com), IBM Spectrum, IBM Spectrum Storage, Power, Power Systems and POWER8 are trademarks or registered trademarks of International Business Machines Corporation in the United States, other countries, or both. If these and other IBM trademarked terms are marked on their first occurrence in this information with a trademark symbol (® or ™), these symbols indicate U.S. registered or common law trademarks owned by IBM at the time this information was published. Such trademarks may also be registered or common law trademarks in other countries.

A current list of IBM trademarks is available on the Web at 'Copyright and trademark information' at [ibm.com/legal/copytrade.shtml](http://ibm.com/legal/copytrade.shtml)

Linux is a registered trademark of Linus Torvalds in the United States, other countries, or both.

Other company, product and service names may be trademarks, or service marks of others.

References in this publication to IBM products, programs or services do not imply that IBM intends to make these available in all countries in which IBM operates.

Any reference to an IBM product, program or service is not intended to imply that only IBM products, programs or services may be used. Any functionally equivalent product, program or service may be used instead.

IBM hardware products are manufactured from new parts, or new and used parts. In some cases, the hardware product may not be new and may have been previously installed. Regardless, IBM warranty terms apply.

This publication is for general guidance only.  
Information is subject to change without notice. Please contact your local IBM sales office or reseller for latest information on IBM products and services.

This publication contains non-IBM Internet addresses. IBM is not responsible for information found at these Web sites.

IBM does not provide legal, accounting or audit advice or represent or warrant that its products or services ensure compliance with laws. Clients are responsible for compliance with applicable securities laws and regulations, including national laws and regulations.

Photographs may show design models.

© Copyright IBM Corporation 2017



Please Recycle

\* See facts and features document for detailed OS level support.  
<http://www.ibm.com/systems/power/hardware/reports/factsfeatures.html>

<sup>1</sup> POWER8 with NVLink systems feature 80GB/sec of bidirectional bandwidth (40GB unidirectional) from CPU:GPU  
<https://www.ibm.com/blogs/systems/ibm-power8-cpu-and-nvidia-pascal-gpu-speed-ahead-with-nvlink/>  
PCI-E x16. 3.0 bandwidth [http://pcisig.com/aq?field\\_category\\_value\[\]=pci\\_express\\_3.0&keys=bit+rate](http://pcisig.com/aq?field_category_value[]=pci_express_3.0&keys=bit+rate)

<sup>2</sup> All results running Kinetica 'Filter by geographic area' queries on data set of 280 million simulated Tweets with 1 up to 80 concurrent query streams each with 0 think time. Systems: Power System S822LC for HPC; 20 cores (2 x 10c chips)/160t, POWER8 with NVLink; 2.86 GHz, 256 GB memory, 2 x 1TB SATA 7.2K rpm HDD, 2-port 10 GbEth, 4xTesla P100 GPU; Ubuntu 16.04. Competitive stack: 2xE5-2640 v4; 20 cores (2 x 10 chips)/40 threads; Xeon E5-2640 v4; 2.4 GHz; 256 GB memory, 1 x 2TB SATA 7.2K rpm HDD, 2-port 10 GbEth, 4x Tesla K80 GPU, Ubuntu 16.04.

<sup>3</sup> All results are based on running LatticeQCD and reported in GFLOPS. Power System S822LC for HPC; 20 cores (2 x 10c chips)/160 threads, POWER8 with NVLink; 2.86 GHz, 256 GB memory, 2 x 1TB SATA 7.2K rpm HDD, 2-port 10 GbEth, 4x Tesla P100 GPU; Ubuntu 16.04. Competitive stack: 2xE5-2640 v4; 20 cores (2 x 10 chips)/40 threads; Xeon E5-2640 v4; 2.4 GHz; 256 GB memory, 1 x 2TB SATA 7.2K rpm HDD, 2-port 10 GbEth, 4xTesla K80 GPU, Ubuntu 16.04.

<sup>4</sup> All results based on running SOAP3-dp and reported in Millions of Base Pairs Aligned per Sec with 2 instances per device. Power System S822LC for HPC; 20 cores (2 x 10c chips)/160t, POWER8 with NVLink; 2.86 GHz, 256 GB memory, 2 x 1TB SATA 7.2K rpm HDD, 2-port 10 GbEth, 4x Tesla P100 GPU; Ubuntu 16.04. Competitive stack: 2xE5-2640 v4; 20 cores (2 x 10 chips)/40 threads; Xeon E5-2640 v4; 2.4 GHz; 256 GB memory, 1 x 2TB SATA 7.2K rpm HDD, 2-port 10 GbEth, 4x Tesla K80 GPU, Ubuntu 16.04.

<sup>5</sup> All results are based on running CPMD, a parallelised plane wave/pseudopotential implementation of Density Functional Theory. A Hybrid version of CPMD (e.g. MPI + OPENMP + GPU + streams) was implemented with runs are made for 128-Water Box, RANDOM initialisation. Results are reported in Execution Time (seconds). Power System S822LC for HPC; 20 cores (2 x 10c chips) / 160t, POWER8 with NVLink; 2.86 GHz, 256 GB memory, 2 x 1TB SATA 7.2K rpm HDD, 2-port 10 GbEth, 2x Tesla P100 GPU; Ubuntu 16.04. Competitive stack: 2xE5-2640 v4; 20 cores (2 x 10 chips)/40 threads; Xeon E5-2640 v4; 2.4 GHz; 256 GB memory, 1 x 2TB SATA 7.2K rpm HDD, 2-port 10 GbEth, 2x Tesla K80 GPU, Ubuntu 16.04

<sup>6</sup> All results are based on running High Performance Conjugate Gradients (HPCG) Benchmark, details at <http://www.hpcg-benchmark.org/>. Power System S822LC for HPC; 20 cores (2 x 10c chips)/160 threads, POWER8; 2.86 GHz, 256 GB memory, 2 x 1TB SATA 7.2K rpm HDD, 2-port 10 GbEth, 4x Tesla P100 GPU; Ubuntu 16.04. Competitive stack: 2xE5-2640 v4; 20 cores (2 x 10 chips)/40 threads; Xeon E5-2640 v4; 2.4 GHz; 256 GB memory, 1 x 2TB SATA 7.2K rpm HDD, 2-port 10 GbEth, 4xTesla K80 GPU, Ubuntu 16.04