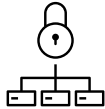


Secure your z/OS ecosystem with zCX

Running IBM Security Guardium Key Lifecycle Manager (GKLM) on zCX



Minimize costs by leveraging existing crypto hardware



Support more storage devices via key serving protocols like KMIP and IPP

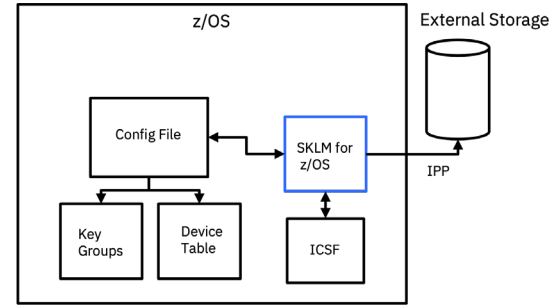


Reduce installation time and effort

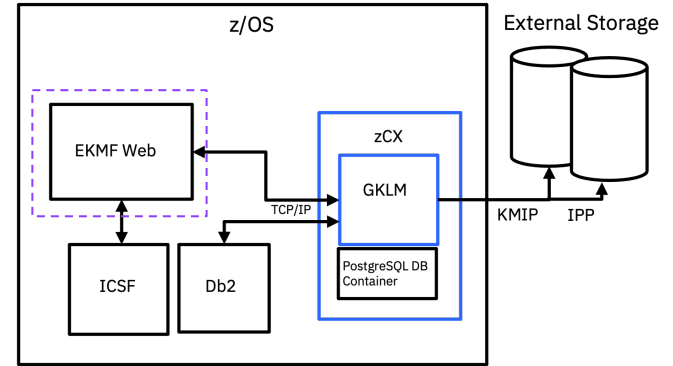
GKLM can now be deployed on z/OS® Container Extensions and offers key storage, key serving, and key lifecycle management for self-encrypting storage and applications using the KMIP, IPP, and REST protocols.

By deploying on zCX, you have the option to store GKLM data keys in either Db2® or in a PostgreSQL DB container. Leverage existing ICSF and Crypto Express infrastructure via an optional EKMF Web integration.

Without zCX:



With zCX:



Learn More:

Visit the zCX Content Solution: <https://ibm.biz/BdzMs3>

Get the GKLM Docker Image: <https://ibm.biz/Bdft3A>