

IBM z/OS Debugger
17.0.4.1

Customization Guide



Note!

Before using this information and the product it supports, be sure to read the general information under [“Notices” on page 255](#).

Tenth Edition (March 2026)

This edition applies to IBM® z/OS® Debugger, 17.0.4.1 (Program Number 5724-T07 with the PTF for PH70683), which supports the following compilers:

- Open Enterprise SDK for Go 1.21, 1.22, 1.23, 1.24 and 1.25 (Program Number 5655-GOZ)
- Open XL C/C++ Version 1.1, 2.1, and 2.2 for z/OS (Program Number 5650-ZOS)
- z/OS XL C/C++ Version 2 (Program Number 5650-ZOS)
- C/C++ feature of z/OS Version 1 (Program Number 5694-A01)
- C/C++ feature of OS/390® (Program Number 5647-A01)
- C/C++ for MVS/ESA Version 3 (Program Number 5655-121)
- AD/Cycle C/370 Version 1 Release 2 (Program Number 5688-216)
- Enterprise COBOL for z/OS 6.1, 6.2, 6.3, 6.4, and 6.5 (Program Number 5655-EC6)
- Enterprise COBOL for z/OS Version 5 (Program Number 5655-W32)
- Enterprise COBOL for z/OS Version 4 (Program Number 5655-S71)
- Enterprise COBOL for z/OS and OS/390 Version 3 (Program Number 5655-G53)
- COBOL for OS/390 & VM Version 2 (Program Number 5648-A25)
- COBOL for MVS & VM Version 1 Release 2 (Program Number 5688-197)
- COBOL/370 Version 1 Release 1 (Program Number 5688-197)
- VS COBOL II Version 1 Release 3 and Version 1 Release 4 (Program Numbers 5668-958, 5688-023) - with limitations
- OS/VS COBOL, Version 1 Release 2.4 (5740-CB1) - with limitations
- High Level Assembler for MVS & VM & VSE Version 1 Release 4, Version 1 Release 5, Version 1 Release 6 (Program Number 5696-234)
- Enterprise PL/I for z/OS 6.1 and 6.2 (Program Number 5655-PL6)
- Enterprise PL/I for z/OS Version 5 Release 1, Release 2, and Release 3 (Program Number 5655-PL5)
- Enterprise PL/I for z/OS Version 4 (Program Number 5655-W67)
- Enterprise PL/I for z/OS and OS/390 Version 3 (Program Number 5655-H31)
- VisualAge® PL/I for OS/390 Version 2 Release 2 (Program Number 5655-B22)
- PL/I for MVS & VM Version 1 Release 1 (Program Number 5688-235)
- OS PL/I Version 2 Release 1, Version 2 Release 2, Version 2 Release 3 (Program Numbers 5668-909, 5668-910) - with limitations

This edition also applies to all subsequent releases and modifications until otherwise indicated in new editions or technical newsletters.

You can find out more about IBM z/OS Debugger by visiting the following IBM Web sites:

- IBM Debug for z/OS: <https://www.ibm.com/products/debug-for-zos>
- IBM Developer for z/OS: <https://www.ibm.com/products/developer-for-zos>

© **Copyright International Business Machines Corporation 1992, 2026.**

US Government Users Restricted Rights – Use, duplication or disclosure restricted by GSA ADP Schedule Contract with IBM Corp.

Contents

About this document.....	ix
Who might use this document.....	ix
Accessing z/OS licensed documents on the Internet.....	ix
How this document is organized.....	x
Terms used in this document.....	x
How to read syntax diagrams.....	xii
Symbols.....	xii
Syntax items.....	xii
Syntax examples.....	xii
How to provide your comments.....	xiv
What's new in IBM z/OS Debugger.....	xv
What's removed from IBM z/OS Debugger.....	xix
Overview of IBM z/OS Debugger.....	xxi
Chapter 1. Customizing z/OS Debugger: checklist.....	1
Requisite products.....	5
Chapter 2. Product Registration.....	7
Registering z/OS Debugger.....	7
Removing old registrations.....	8
Chapter 3. Installing the z/OS Debugger SVCs.....	9
Verifying the installation of the SVCs.....	10
Checking the level of the z/OS Debugger SVCs.....	10
Running the installation verification programs for SVCs.....	10
Using the Authorized Debug facility for protected programs.....	11
Chapter 4. Setting up the APF-authorized system link list data set (SEQABMOD)...	13
Chapter 5. Setting up the link list data set (SEQAMOD).....	15
Chapter 6. Enabling debugging in full-screen mode using the Terminal Interface Manager.....	17
How users start a full-screen mode debug session with the Terminal Interface Manager.....	17
Enabling full-screen mode using the Terminal Interface Manager.....	19
Defining the VTAM EQAMVnnn APPL definition statements.....	19
Defining the Terminal Interface Manager APPL definition statements.....	20
Starting the Terminal Interface Manager.....	21
Verifying the enablement of full-screen mode using the Terminal Interface Manager.....	22
Example: Defining the VTAM EQAMVnnn and Terminal Interface Manager APPL definition statements when z/OS Debugger runs on four LPARs.....	23
Chapter 7. Adding support for remote debug users.....	25
Activating the TCP/IP Socket Interface for CICS.....	26
RSED integration.....	26
rse.env, the z/OS Explorer configuration file.....	26
eqa.env, the environment configuration file.....	27

Enabling communication with Debug Manager.....	28
Debug Manager configuration.....	28
Debug Manager configuration reference.....	36
Adding support for Remote Debug Service.....	54
Installing Remote Debug Service.....	55
Customizing with the sample job EQARMTSU.....	55
Generating secure keystore passwords for Remote Debug Service.....	58
Customizing the system PROCLIB.....	59
Remote Debug Service security definitions.....	60
Updating PARMLIB to start Remote Debug Service during IPL.....	62
Starting and stopping Remote Debug Service dynamically.....	62
Adding support for Debug Profile Service.....	62
Installing Debug Profile Service.....	64
Customizing with the sample job EQAPRFSU.....	64
Configuring the server.....	64
Adding support for Debug Profile Service API.....	86
Adding support for IMS Transaction Isolation Service API.....	97
Adding support for Authentication Service API.....	98
Adding Support for Data Collector Rest Service API.....	102
Adding Support for Swagger UI.....	102
Starting and stopping the server.....	103
Managing profiles with z/OS Debugger Profile Management.....	105
Debug Profile Service diagnostics.....	106
Adding support for Data Collector and Data Collector Service.....	107
Installing Data Collector.....	108
Customizing with the sample job EQADCLSU.....	108
Using Data Collector with batch applications.....	111
Generating secure passwords for use with Data Collector.....	111
Customizing the system PROCLIB.....	113
Data Collector security definitions.....	114
Updating PARMLIB to start Data collector during IPL.....	116
Starting and stopping Data Collector dynamically.....	116
Configuring Data Collector Service.....	116
Running Headless Code Coverage Collector as a started task.....	116
Customizing with the sample job EQAHCCSU.....	117
Customizing the system PROCLIB.....	117
Defining the Headless Code Coverage Collector started task.....	118
Starting and stopping Headless Code Coverage Collector dynamically.....	118
Updating PARMLIB to start Headless Code Coverage Collector during IPL.....	119
Enabling secure communication between z/OS Debugger and the remote debugger for incoming debug sessions.....	119
Enabling authentication for incoming TCP/IP connections.....	121

Chapter 8. Specifying the TEST runtime options through the Language

Environment user exit.....	123
Editing the source code of CEEBXITA.....	124
Modifying the naming pattern.....	124
Modifying the message display level.....	125
Modifying the call back routine registration.....	126
Activate the cross reference function and modifying the cross reference table data set name.....	126
Comparing the two methods of linking CEEBXITA.....	126
Linking the CEEBXITA user exit into a private copy of a Language Environment runtime module.....	127
Creating and managing the TEST runtime options data set.....	127

Chapter 9. Installing the browse mode RACF facility..... 129

Choose and install appropriate RACF facility.....	129
Set up user access to facility.....	130

Chapter 10. IBM z/OS Debugger Authorization.....	131
Chapter 11. Customizing IBM z/OS Debugger Utilities.....	133
Choosing a method to start IBM z/OS Debugger Utilities.....	134
Customizing the data set names in EQASTART.....	135
Adding IBM z/OS Debugger Utilities to the ISPF menu.....	135
Customizing z/OS Debugger Setup Utility.....	136
Customizing for JCL for Batch Debugging utility.....	136
Parameters you can set.....	137
Customizing JCL for Batch Debugging for multiple systems.....	138
Customizing for Other IBM Application Delivery Foundation for z/OS tools.....	138
Parameters you can set.....	138
Customizing Other IBM Application Delivery Foundation for z/OS tools for multiple systems.....	139
Customizing Program Preparation.....	139
Parameters you can set.....	140
Customizing Program Preparation for multiple systems.....	142
Configuring for IMSplex users.....	142
Customizing z/OS Debugger User Exit Data Set.....	142
Customizing IMS BTS Debugging.....	143
Customizing Delay Debug Profile.....	145
Customizing IMS Transaction and User ID Cross Reference Table	146
Customizing Non-CICS Debug Session Start and Stop Message Viewer	147
Installing and customizing z/OS Debugger JCL Wizard.....	148
Chapter 12. Preparing your environment to debug Db2 stored procedures.....	149
Chapter 13. Adding support for debugging under CICS.....	151
Activating CICS non-Language Environment exits.....	155
Storing DTCN debug profiles in a VSAM file.....	156
Migrating a debug profiles VSAM file from an earlier release.....	156
Sharing DTCN debug profile repository among CICS systems.....	156
Deleting or deactivating debug profiles stored in a VSAM data set.....	159
Deleting DTCN profiles with the DTCN LINK service.....	160
Requiring users to specify resource types.....	161
Direct QSAM access through a CICS task-related user exit.....	161
Running multiple debuggers in a CICS region.....	161
Running the installation verification programs in a CICS region.....	162
Configuring z/OS Debugger to run in a CICSplex environment.....	162
Terminal connects to an AOR that runs the application.....	162
Terminal connects to a TOR which routes the application to an AOR; debugging profiles managed by DTCN.....	163
Terminal connects to an AOR that runs an application that does not use a terminal.....	164
Screen control mode terminal connects to a TOR and application runs in an AOR.....	164
Separate terminal mode terminal connects to a TOR and application runs in an AOR.....	165
Authorizing DTST transaction to modify storage.....	166
Authorizing DTCD and DTCI transactions to delete or deactivate debug profiles.....	167
Chapter 14. Adding support for debugging under IMS.....	169
Scenario A: Running IMS and managing TEST runtime options with a user exit.....	170
Scenario B: Running IMS and managing TEST runtime options with CEEUOPT or CEEROPT.....	170
Scenario C: Running assembler program without Language Environment in IMS TM and managing TEST runtime options with EQASET.....	171
Scenario D: Running IMSplex environment.....	171
Scenario F: Enabling the Transaction Isolation Facility.....	172
Sample customization of the IMS Transaction Isolation Facility.....	176
Batch interface for the IMS Transaction Isolation Facility.....	181

Configuring the IMS Transaction Isolation Service API for Debug Profile Service.....	183
Chapter 15. Enabling the EQAUEDAT user exit.....	185
Chapter 16. Using EQACUIDF to specify values for NATLANG, LOCALE, and LINECOUNT.....	187
Changing the default and allowable values in EQACUIDF.....	187
Enabling additional languages for some z/OS Debugger components through EQACUIDF.....	188
Chapter 17. EQAOPTS commands.....	189
Format of the EQAOPTS command.....	195
EQAOPTS commands that have equivalent z/OS Debugger commands.....	196
Providing EQAOPTS commands at run time.....	196
Creating EQAOPTS load module.....	197
Descriptions of EQAOPTS commands.....	197
ALTDISP.....	197
BROWSE.....	198
CACHENUM.....	198
CCSOURCEPATHFIRST.....	198
CEEREACTAFTERQDBG.....	199
CICSASMPGMND.....	199
CODEPAGE.....	200
COMMANDSDSN.....	202
DEFAULTVIEW.....	203
DISABLERLIM.....	203
DLAYDBG.....	203
DTCNDELETEDEADPROF.....	207
DTCNFORCExxxx.....	207
DYNDEBUG.....	208
EQAQPP.....	208
EXPLICITDEBUG.....	209
GPFDSN.....	209
HOSTPORTS.....	210
IGNOREEODOLIMIT.....	210
IMSIISOORIGPSB.....	211
LDDAUTOLANGX.....	211
LOGDSN.....	212
LOGDSNALLOC.....	213
MAXTRANUSER.....	214
MDBG.....	214
MULTIPROCESS.....	215
NAMES.....	216
NODISPLAY.....	216
PREFERENCESDSN.....	217
SAVEBPDSN, SAVESETDSN.....	218
SAVESETDSNALLOC, SAVEBPDSNALLOC.....	218
SESSIONTIMEOUT.....	220
STARTSTOPMSG.....	220
SUBSYS.....	222
SVCSCREEN.....	222
TCPIPDATAADS.....	225
THREADTERMCOND.....	226
TIMACB.....	226
END.....	227
Appendix A. SMP/E USERMODs.....	229

Appendix B. Enabling debugging in full-screen mode using a dedicated terminal. 231

- How z/OS Debugger uses full-screen mode using a dedicated terminal..... 231
- Enabling full-screen mode using a dedicated terminal..... 232
 - Defining the VTAM EQAMVnnn APPL definition statements..... 232
 - Defining terminal LUs used by z/OS Debugger..... 234
 - Configuring the TN3270 Telnet Server to access the terminal LUs..... 235
- Example: Activating full-screen mode using a dedicated terminal when using TCP/IP TN3270
 - Telnet Server..... 236
 - Defining z/OS Debugger to VTAM..... 237
 - Defining the terminals used by z/OS Debugger..... 237
 - Configuring the TN3270 Telnet Server..... 237
- Verifying the customization of the facility to debug full-screen mode using a dedicated terminal..... 239
- Using z/OS Debugger Terminal Interface Manager as a dedicated terminal..... 240
 - Example: a debugging session using the z/OS Debugger Terminal Interface Manager..... 240
 - Enabling full-screen mode using a dedicated terminal with z/OS Debugger Terminal Interface Manager..... 241
 - Defining the Terminal Interface Manager APPL definition statements..... 242
 - Starting the z/OS Debugger Terminal Interface Manager as a dedicated terminal..... 242
 - Configuring the TN3270 Telnet Server to access the Terminal Interface Manager..... 243
 - Example: Connecting a VTAM network with multiple LPARs with one Terminal Interface Manager..... 244
 - Running the Terminal Interface Manager on more than one LPAR on the same VTAM network..... 244
 - Configuring Terminal Interface Manager as an IBM Session Manager application..... 245
 - Verifying the customization of the Terminal Interface Manager..... 246

Appendix C. Applying maintenance..... 247

- Applying Service APAR or PTF..... 247
 - What you receive..... 247
 - Checklist for applying an APAR or PTF..... 247

Appendix D. Support resources and problem solving information..... 249

- Accessing the IBM Support portal..... 249
- Getting fixes..... 249
- Subscribing to support updates..... 249
- Contacting IBM Support..... 250
 - Determine the business impact of your problem..... 250
 - Gather diagnostic information..... 250
 - Submit the problem to IBM Support..... 251

Appendix E. Accessibility..... 253

- Using assistive technologies 253
- Keyboard navigation of the user interface..... 253
- Accessibility of this document..... 253

Notices..... 255

- Trademarks and service marks..... 255

Glossary..... 257

IBM z/OS Debugger publications..... 261

Index..... 263

About this document

z/OS Debugger combines the richness of the z/OS environment with the power of Language Environment® to provide a debugger for programmers to isolate and fix their program bugs and test their applications. z/OS Debugger gives you the capability of testing programs in batch, using a nonprogrammable terminal in full-screen mode, or using a workstation interface to remotely debug your programs.

This document describes the tasks you must do to customize z/OS Debugger. You can use [IBM Host Configuration Assistant for Z Development](#) to generate a customized checklist for z/OS Debugger, and then refer to this guide for more details. [IBM Host Configuration Assistant for Z Development](#) is an interactive wizard that is designed to simplify planning and configuring of Z development products. Besides z/OS Debugger, you can also find the configuration information for other host components like z/OS Explorer and z/OS Source Code Analysis. Only the latest product releases are supported.

Who might use this document

This document is intended for system programmers who need to customize z/OS Debugger.

z/OS Debugger runs on the z/OS operating system and supports the following subsystems:

- CICS®
- Db2®
- IMS
- JES batch
- TSO
- UNIX System Services in remote debug mode or full-screen mode using the Terminal Interface Manager only

Accessing z/OS licensed documents on the Internet

z/OS licensed documentation is available on the Internet in PDF format at the IBM Resource Link® Web site at:

<http://www.ibm.com/servers/resourcelink>

Licensed documents are available only to customers with a z/OS license. Access to these documents requires an IBM Resource Link user ID and password, and a key code. With your z/OS order you received a Memo to Licensees, (GI10-8928), that includes this key code.

To obtain your IBM Resource Link user ID and password, log on to:

<http://www.ibm.com/servers/resourcelink>

To register for access to the z/OS licensed documents:

1. Sign in to Resource Link using your Resource Link user ID and password.
2. Select **User Profiles** located on the left-hand navigation bar.

Note: You cannot access the z/OS licensed documents unless you have registered for access to them and received an e-mail confirmation informing you that your request has been processed.

Printed licensed documents are not available from IBM.

You can use the PDF format on either **z/OS Licensed Product Library CD-ROM** or IBM Resource Link to print licensed documents.

How this document is organized

Note: Chapter 4, 6, 10, 15, and Appendix B are not applicable to IBM Developer for z/OS (non-Enterprise Edition).

This document is divided into areas of similar information for easy retrieval of appropriate information.

- Chapter 1. Customizing z/OS Debugger: checklist
- Chapter 2. Product Registration
- Chapter 3. Installing the z/OS Debugger SVCs
- Chapter 4. Setting up the APF-authorized system link list data set (SEQABMOD)
- Chapter 5. Setting up the link list data set (SEQAMOD)
- Chapter 6. Enabling debugging in full-screen mode using the Terminal Interface Manager
- Chapter 7. Adding support for remote debug users
- Chapter 8. Specifying the TEST runtime options through the Language Environment user exit
- Chapter 9. Installing the browse mode RACF[®] facility
- Chapter 10. Customizing IBM z/OS Debugger Utilities
- Chapter 11. Preparing your environment to debug Db2 stored procedures
- Chapter 12. Adding support for debugging under CICS
- Chapter 13. Adding support for debugging under IMS
- Chapter 14. Enabling the EQAUEDAT user exit
- Chapter 15. Using EQACUIDF to specify values for NATLANG, LOCALE, and LINECOUNT
- Chapter 16. EQAOPTS commands
- Appendix A. SMP/E USERMODs
- Appendix B. Enabling debugging in full-screen mode using a dedicated terminal
- Appendix C. Applying maintenance
- Appendix D. Support resources and problem solving information
- Appendix E. Accessibility

The last several topics list notices, bibliography, and glossary of terms.

Terms used in this document

Because of differing terminology among the various programming languages supported by z/OS Debugger, as well as differing terminology between platforms, a group of common terms is established. The following table lists these terms and their equivalency in each language.

z/OS Debugger term	C and C++ equivalent	COBOL or LangX COBOL equivalent	PL/I equivalent	assembler
Compile unit	C and C++ source file	Program	<ul style="list-style-type: none">• Program• PL/I source file for Enterprise PL/I• A package statement or the name of the main procedure for Enterprise PL/I¹	CSECT

z/OS Debugger term	C and C++ equivalent	COBOL or LangX COBOL equivalent	PL/I equivalent	assembler
Block	Function or compound statement	Program, nested program, method, or PERFORM group of statements	Block	CSECT
Label	Label	Paragraph name or section name	Label	Label

Note:

1. The PL/I program must be compiled with and run in one of the following environments:
 - Compiled with Enterprise PL/I for z/OS, Version 3.6 or later
 - Compiled with Enterprise PL/I for z/OS, Version 3.5, with the PTFs for APARs PK35230 and PK35489 applied

z/OS Debugger provides facilities that apply only to programs compiled with specific levels of compilers. Because of this, this document uses the following terms:

assembler

Refers to assembler programs with debug information assembled by using the High Level Assembler (HLASM).

COBOL

Refers to the all COBOL compilers supported by z/OS Debugger except the COBOL compilers described in the term *LangX COBOL*.

Disassembly or disassembled

Refers to high-level language programs compiled without debug information or assembler programs without debug information. The debugging support z/OS Debugger provides for these programs is through the disassembly view.

Enterprise PL/I

Refers to the Enterprise PL/I for z/OS and OS/390 and the VisualAge PL/I for OS/390 compilers.

LangX COBOL

Refers to any of the following COBOL programs that are supported through use of the EQALANGX debug file:

- Programs compiled using the IBM OS/VS COBOL compiler.
- Programs compiled using the VS COBOL II compiler with the NOTEST compiler option.
- Programs compiled using the Enterprise COBOL for z/OS V3 and V4 compiler with the NOTEST compiler option.

When you read through the information in this document, remember that OS/VS COBOL programs are non-Language Environment programs, even though you might have used Language Environment libraries to link and run your program.

VS COBOL II programs are non-Language Environment programs when you link them with the non-Language Environment library. VS COBOL II programs are Language Environment programs when you link them with the Language Environment library.

Enterprise COBOL programs are always Language Environment programs. Note that COBOL DLL's cannot be debugged as LangX COBOL programs.

Read the information regarding non-Language Environment programs for instructions on how to start z/OS Debugger and debug non-Language Environment COBOL programs, unless information specific to LangX COBOL is provided.

PL/I

Refers to all levels of PL/I compilers. Exceptions will be noted in the text that describe which specific PL/I compiler is being referenced.

How to read syntax diagrams

This section describes how to read syntax diagrams. It defines syntax diagram symbols, items that may be contained within the diagrams (keywords, variables, delimiters, operators, fragment references, operands) and provides syntax examples that contain these items.

Syntax diagrams pictorially display the order and parts (options and arguments) that comprise a command statement. They are read from left to right and from top to bottom, following the main path of the horizontal line.

Symbols

The following symbols may be displayed in syntax diagrams:

Symbol	Definition
--------	------------



Indicates the beginning of the syntax diagram.



Indicates that the syntax diagram is continued to the next line.



Indicates that the syntax is continued from the previous line.



Indicates the end of the syntax diagram.

Syntax items

Syntax diagrams contain many different items. Syntax items include:

- Keywords - a command name or any other literal information.
- Variables - variables are italicized, appear in lowercase and represent the name of values you can supply.
- Delimiters - delimiters indicate the start or end of keywords, variables, or operators. For example, a left parenthesis is a delimiter.
- Operators - operators include add (+), subtract (-), multiply (*), divide (/), equal (=), and other mathematical operations that may need to be performed.
- Fragment references - a part of a syntax diagram, separated from the diagram to show greater detail.
- Separators - a separator separates keywords, variables or operators. For example, a comma (,) is a separator.

Keywords, variables, and operators may be displayed as required, optional, or default. Fragments, separators, and delimiters may be displayed as required or optional.

Item type	Definition
-----------	------------

Required	Required items are displayed on the main path of the horizontal line.
-----------------	---

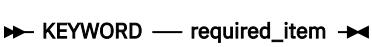
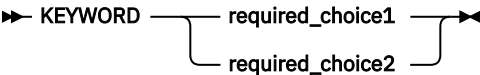
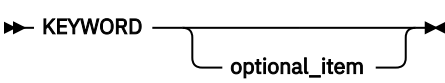
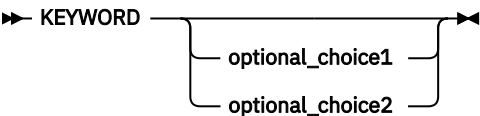
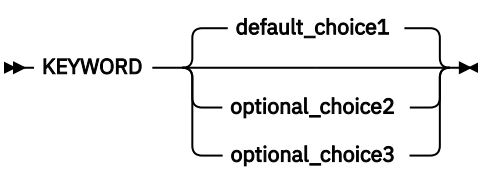
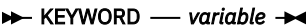
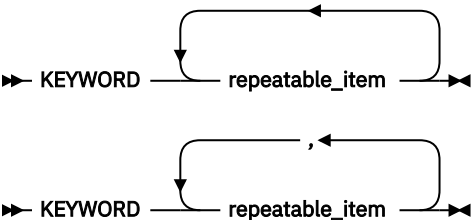
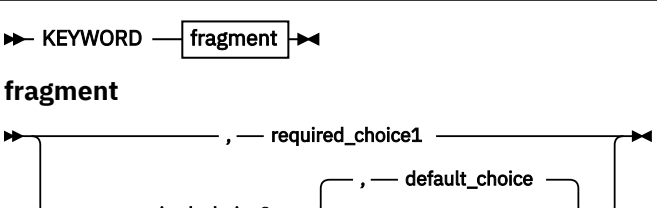
Optional	Optional items are displayed below the main path of the horizontal line.
-----------------	--

Default	Default items are displayed above the main path of the horizontal line.
----------------	---

Syntax examples

The following table provides syntax examples.

Table 1. Syntax examples

Item	Syntax example
<p>Required item.</p> <p>Required items appear on the main path of the horizontal line. You must specify these items.</p>	
<p>Required choice.</p> <p>A required choice (two or more items) appears in a vertical stack on the main path of the horizontal line. You must choose one of the items in the stack.</p>	
<p>Optional item.</p> <p>Optional items appear below the main path of the horizontal line.</p>	
<p>Optional choice.</p> <p>An optional choice (two or more items) appears in a vertical stack below the main path of the horizontal line. You may choose one of the items in the stack.</p>	
<p>Default.</p> <p>Default items appear above the main path of the horizontal line. The remaining items (required or optional) appear on (required) or below (optional) the main path of the horizontal line. The following example displays a default with optional items.</p>	
<p>Variable.</p> <p>Variables appear in lowercase italics. They represent names or values.</p>	
<p>Repeatable item.</p> <p>An arrow returning to the left above the main path of the horizontal line indicates an item that can be repeated.</p> <p>A character within the arrow means you must separate repeated items with that character.</p> <p>An arrow returning to the left above a group of repeatable items indicates that one of the items can be selected, or a single item can be repeated.</p>	
<p>Fragment.</p> <p>The — fragment — symbol indicates that a labelled group is described below the main syntax diagram. Syntax is occasionally broken into fragments if the inclusion of the fragment would overly complicate the main syntax diagram.</p>	

How to provide your comments

Your feedback is important in helping us to provide accurate, high-quality information. If you have comments about this document or any other z/OS Debugger documentation, you can leave a comment in [IBM Documentation](#):

- IBM Developer for z/OS and IBM Developer for z/OS Enterprise Edition: <https://www.ibm.com/docs/developer-for-zos>
- IBM Debug for z/OS: <https://www.ibm.com/docs/debug-for-zos>

When you send information to IBM, you grant IBM a nonexclusive right to use or distribute the information in any way it believes appropriate without incurring any obligation to you.

What's new in IBM z/OS Debugger

17.0.4.1

Debug Profile Service

- Support is added to monitor user access to product components for audit and compliance purposes. This z/OS native implementation uses z/OS SAF/RACF profiles to perform access control checks and retrieves user identity information from the **WORKATTR** segment of the SAF/RACF user profile. For more information, see [“Define user access to product components” on page 83](#). This support is reflected in the following API versions:
 - **DPS API** version 2.3
 - **INFO API** version 1.2

17.0.4

Compiler Support

- Additional support for IBM Open XL C/C++ 2.2 for z/OS split DWARF feature. You can now move two files or members and specify the new location. For more information, see [How does z/OS Debugger locate source, listing, or separate debug files?](#)

z/OS Debugger Profiles view

- IMS Isolation Debug Profiles now supports setting the user ID when you configure a routing pattern. For more details on routing patterns, see [Creating a debug profile for an IMS application using IMS Isolation with an Eclipse IDE](#).

Code Coverage

- Support is added for C/C++ . Now you can use new EQAXOPT to choose priority for searching source file when locate source file for Code Coverage. For more information, see [How does z/OS Debugger locate COBOL source during code coverage](#).

IBM Compiled Code Coverage

- You can now delete or rename a code coverage result. For more information, see [Delete Code Coverage Results](#) and [Rename a Code Coverage Result](#).

17.0.3.2

IBM Compiled Code Coverage

- IBM z/OS Compiled Code Coverage is now available for use with VS Code. It is an interface used to view Code Coverage results for z/OS COBOL, PL/I, and assembler applications in the VS Code IDE. Combined with IBM Z Open Debug and z/OS Debugger, it can be used to collect Code Coverage. For more information, see [Determining Code Coverage on z/OS and IBM Compiled Code Coverage for VS Code](#).

17.0.3.1

Debug Profile Service

- As a system programmer, you can use the new **CICS XCFGROUP** option in the *dtcn.ports* configuration file to define the CICS EXCI connections. For more information, see [dtcn.ports](#), the Debug Profile Service CICS DTCN configuration file.

17.0.3

New support

- Support is added for z/OS 3.2.
- Support is added for CICS Transaction Server for z/OS 6.3. This requires additional setup because of the security changes. For more information about setting the SECURETCPIP parameter, see [Defining the CICS TCPIP SERVICE resource](#). For more information about additional setup for separate terminal mode, see [Choosing a debugging mode](#).
- IBM Debug for z/OS now supports installation through IBM Installation Manager. For installation instructions, see [Installing the IBM Debug for z/OS Eclipse IDE with IBM Installation Manager](#).

Code Coverage

- You can now start Headless Code Coverage Collector as a started task. For more information, see [Running Headless Code Coverage Collector as a started task](#).
- The new code coverage parameter `root` defines the root location of the source files included in the code coverage. For more information, see [Starting and stopping the headless code coverage collector](#), [Specifying code coverage options in the startup key](#), and [Merging and exporting code coverage results from z/OS](#).
 - You can also define the root location using the new **Root** field in the Coverage Result Export dialog and Code Coverage tab in the Compiled Code Coverage Configurations dialog. For more information, see [Exporting code coverage results](#) and [Code Coverage Tab](#).
- The code coverage parameter `view` now supports character abbreviation to minimize the length of its value. For more information, see [Starting and stopping the headless code coverage collector](#).
- The code coverage parameter `zunit` now supports a new format for defining a CSECT name. For more information, see [Starting and stopping the headless code coverage collector](#).

Debug Profile Service

- As a system programmer, you can use the new **CICS APPLID** option in the `dtcn.ports` configuration file to define the CICS EXCI connections. For more information, see [dtcn.ports](#), the Debug Profile Service CICS DTCN configuration file.
- As a system programmer, you can now use the **PKCS#12** sample file to create new **PKCS#12** keystores. For more information, see [Enabling secure communication](#).

Debug Authorization

- IBM z/OS Debugger now supports authorization on compilation unit level. It checks SAF profiles to prevent debugging certain compilation units. For more information, see [IBM z/OS Debugger Authorization](#).

Compiler Support

- Support is added for IBM Open XL C/C++ 2.2 for z/OS. This includes split DWARF support.
- Support is added for IBM Open Enterprise SDK for Go 1.25

17.0.2.2

Documentation updates

- Updated content for sections that includes Data Collector, CRRDG messages and security definitions.

17.0.2.1

Debug Profile Service

- As a system programmer, you can now override the server name used by Swagger UI. For more information, see [“Adding Support for Swagger UI” on page 102](#).

- Debug Profile Service no longer supports Java 8. The runtime environment requires 64-bit Java version 11 or higher.
- As a system programmer, you can now encrypt keystore passwords. For more information, see [“Enabling secure communication” on page 72.](#)
- As a system programmer, you can now configure which users are allowed to impersonate other users. For more information, see [“Allow users to impersonate other users” on page 81.](#)

Data Collector and Data Collector Service

- You can now automatically collect data with the dynamic test engine feature of z/OS Debugger, used with Test Accelerator for Z, using Data Collector. For more information, see [“Adding support for Data Collector and Data Collector Service” on page 107.](#)

17.0.2

New support

- Support is added for z17.
- Support is added for IBM Open Enterprise SDK for Go 1.24.
- Support is added for Automatic Binary Optimizer for z/OS 2.3.

Debug Profile Service

- As a system programmer, you can now access API documentation in your browser to streamline API-level diagnostics through a user-friendly Swagger interface. This endpoint is enabled by default and is available for immediate use.

To find the complete URL, refer to the job output stream with the Liberty log message **CWWKT0016I**. The endpoint will end with **/explorer**.

- As a user, you can now specify a certificate file for TCP/IP authentication, if required, by the debugger engine.

The new **sesscert** parameter is supported by both DTCN (CICS) and DSTP (non-CICS) profile endpoints.

z/OS Debugger Profiles view

You can now specify a certificate file in the Debug Profile Editor for TCP/IP authentication.

- For CICS profiles, see [Creating a debug profile for a CICS application with an Eclipse IDE.](#)
- For non-CICS profiles, see [Creating a debug profile for a non-CICS application with an Eclipse IDE.](#)
- For IMS Isolation profiles, see [Creating a debug profile for an IMS application using IMS Isolation with an Eclipse IDE.](#)

IBM Z Open Debug 5.0

- Z Open Debug now supports code completion to edit JCL programs. This makes it easier to add test runtime options or code coverage options to the startup key. For more details, see [Syntax of the TEST runtime option](#) or [Specifying code coverage options in the startup key](#). For more information about code completion, see [Making JCL code changes](#).

Compiler Support

- Support is added for Enterprise COBOL for z/OS 6.5.
Note: LangX COBOL support for this requires the PTF for APAR PH66484 for ADFzCC.
- Support is added for Enterprise PL/I for z/OS 6.2.

TCP/IP authentication

- TCP/IP authentication is now supported for CICS, IMS and Delay Debug. For more information, see [“Enabling authentication for incoming TCP/IP connections” on page 121.](#)

17.0.1

Code Coverage

- z/OS Debugger Keystore Password File Generator is now included with IBM Debug for z/OS. Use the z/OS Debugger Keystore Password File Generator to secure KeyStore passwords for running code coverage in secure mode. For more information, see [Generating secure keystore passwords for code coverage](#).
- Code coverage report now includes the option to hide or show items with zero executable lines in both the table and tree views. For more information, see [View coverage information in the tree view](#) or [View coverage information in the table view](#).
- Headless Code Coverage has additional security options. For more information on the new parameters and how to start headless code coverage with the new options, see [Starting and stopping the headless code coverage collector](#). For more security information, see [Security options for the Headless Code Coverage Collector](#).

Remote Debug Service

- z/OS Debugger Keystore Password File Generator is now included with IBM Debug for z/OS. Use the z/OS Debugger Keystore Password File Generator to secure KeyStore passwords for Remote Debug Service. For more information, see [“Generating secure keystore passwords for Remote Debug Service”](#) on page 58.
- z/OS Debugger now allows to send a debug session to any user with Remote Debug Service using RDS%user_id suboption. For more information see, [Syntax of the TEST runtime option](#).

Eclipse Debugger

- The monitors view now allows you to expand all monitored values to a specified level, configurable through preferences. For more information see [Working with variables, expressions, or registers in the Monitors view](#).

Debug Profile Service

- Debug Profile Service can now be used with Java 21.

17.0.0

Code Coverage

- Headless code coverage has new authentication modes to support multi-factor authentication. For more information, see [Starting and stopping the headless code coverage collector](#) on how to start headless code coverage with the new authentication modes.

Remote Debug Service

- Remote Debug Service now supports token-based authentication, including multi-factor authentication. For more information, see [“Customizing with the sample job EQARMTSU”](#) on page 55 and [“Enabling secure communication”](#) on page 61.

IBM Z Open Debug 5.0

- Z Open Debug now supports token-based authentication. It includes multi-factor authentication, when used in conjunction with Debug Profile Service and Remote Debug Service instances that have been configured to support token-based connections. For more information, see [Setting up for IBM Z Open Debug](#).
- The minimum prerequisite version of the Zowe Explorer extension is v3.

Debug Profile Service

- On the IBM z/OS Debugger **Preferences** page, you can now choose whether to use token-based authentication when communicating with Debug Profile Service. For more information, see [Setting debug preferences](#).

- As a system programmer, you can now enable IBM Z Multi-Factor Authentication by setting up the API to generate and authenticate SAF IDT in the form of JWT (JSON Web Token). For more information, see [“Adding support for Authentication Service API”](#) on page 98

RSED integration

- From 17.0 on, z/OS Debugger must register itself with RSED, the z/OS Explorer started task, for Eclipse clients to use the RSE-related features of z/OS Debugger. For more information, see [“RSED integration”](#) on page 26.

Eclipse Debugger

- You can now run z/OS batch applications by using a local JCL. For more information, see [Launching a debug session for z/OS batch applications using existing JCL](#).

Compiler Support

- Support is added for IBM Open XL C/C++ for z/OS 2.1.

TCP/IP authentication

- Remote connections that use TCPIP keyword now support authentication by using a keystore and certificate pair. For more information, see [“Enabling authentication for incoming TCP/IP connections”](#) on page 121.

Debug Authorization

- IBM z/OS Debugger now supports authorization and it checks SAF profiles to prevent debugging certain load modules or debugging programs that run by certain surrogate IDs. For more information, see [Chapter 10, “IBM z/OS Debugger Authorization,”](#) on page 131.

What's removed from IBM z/OS Debugger

Deprecation announcement

The following features are superseded by newer features and will be removed in a future release.

- Headless code coverage collector for Windows and Linux: Use the Headless code coverage collector for z/OS.

17.0.1

- TEST runtime suboption TCPIP& is not supported to connect to Remote Debug Service. Use RDS suboption instead.

17.0.0

- z/OS Debugger Code Coverage: You can collect code coverage with the headless code coverage collector or the Eclipse IDE.
- TEST runtime suboption VADSCPnnnnn: Use EQAXOPT CODEPAGE for a code page other than 037.
- DTCN API and ADFzCC server support: DTCN profiles are supported by Debug Profile Service, and developers can use Debug Profile Service REST API to manage debug profiles.
- IMS Isolation ADFzCC server support: IMS Isolation debug profiles in the Eclipse IDE are now supported by Debug Profile Service, which provides more IMS Isolation features.
- Support for IBM Z and Cloud Modernization Stack 2023, program number 5900-A8N.

Overview of IBM z/OS Debugger

IBM z/OS Debugger is the next iteration of IBM debug technology on IBM Z and consolidates the IBM Integrated Debugger and IBM Debug Tool engines into one unified technology.

IBM z/OS Debugger is a host component that supports various debug interfaces, like the Eclipse and Visual Studio Code IDEs. z/OS Debugger and the supported debug interfaces are provided with the following products:

IBM Developer for z/OS Enterprise Edition

This product is included in [IBM Application Delivery Foundation for z/OS](#). IBM Developer for z/OS Enterprise Edition provides all the debug features.

IBM Developer for z/OS Enterprise Edition currently provides debug functions in the following integrated development environments (IDEs):

- IBM Developer for z/OS on VS Code, through IBM Z Open Debug
- IBM Developer for z/OS on Eclipse

IBM Developer for z/OS Select

This product is a software bundle that contain a subset of IBM Developer for z/OS Enterprise Edition capabilities. It includes debug functions in the following integrated development environments (IDEs) except for the features noted in Table 1.

- IBM Developer for z/OS on VS Code, through IBM Z Open Debug
- IBM Developer for z/OS on Eclipse

IBM Developer for z/OS

IBM Developer for z/OS is a subset of IBM Developer for z/OS Enterprise Edition. IBM Developer for z/OS, previously known as IBM Developer for z Systems or IBM Rational® Developer for z Systems®, is an Eclipse-based integrated development environment for creating and maintaining z/OS applications efficiently.

IBM Developer for z/OS includes all enhancements in IBM Developer for z/OS Enterprise Edition except for the debug features noted in [Table 2 on page xxi](#).

IBM Debug for z/OS

IBM Debug for z/OS is a subset of IBM Developer for z/OS Enterprise Edition. IBM Debug for z/OS focuses on debugging solutions for z/OS application developers. See [Table 2 on page xxi](#) for the debug features supported.

IBM Debug for z/OS does not provide advanced developer features that are available in IBM Developer for z/OS Enterprise Edition.

For information about how to install the IBM Debug for z/OS Eclipse IDE, see [Installing the IBM Debug for z/OS Eclipse IDE](#).

Table 2 on page xxi maps out the features that differ in products. Not all the available features are listed. To find the features available in different remote IDEs, see [Table 3 on page xxiii](#).

	IBM Debug for z/OS	IBM Developer for z/OS	IBM Developer for z/OS Select	IBM Developer for z/OS Enterprise Edition
Main features				
3270 interface, including z/OS Debugger Utilities	√			√

Table 2. Debug feature comparison (continued)

	IBM Debug for z/OS	IBM Developer for z/OS	IBM Developer for z/OS Select	IBM Developer for z/OS Enterprise Edition
Eclipse IDE, see Table 3 on page xxiii for feature details. ¹	√	√	√	√
IBM Z Open Debug provided with the IBM Developer for z/OS on VS Code IDE, see Table 3 on page xxiii for feature details. ¹			√	√
Code Coverage features				
Compiled Language Code Coverage ²	√	√ ³	√	√
Headless Code Coverage	√	√	√	√
3270 features				
z/OS Debugger full screen, batch or line mode	√			√
IMS Isolation support	√			√
Compiler support features				
Assembler support: Create EQALANGX files	√	√	√	√
Assembler support: Debugging “4” on page xxiii	√	√	√	√
LangX COBOL support ⁵	√	√	√	√
Support for Automatic Binary Optimizer (ABO)	√	√	√	√

Notes:

1. The following features are supported only in remote debug mode:

- Support for 64-bit COBOL feature of z/OS for COBOL v6.3 and later
- Support for 64-bit Enterprise PL/I for z/OS Version 5 and later
- Support for 64-bit C/C++ feature of z/OS
- Support for Open Enterprise SDK for Go 1.21, 1.22, 1.23, 1.24 and 1.25.

- Support for Open XL C/C++ v1.1 for z/OS
2. Code coverage does not support Go programs.
 3. IBM Developer for z/OS includes z/OS Debugger remote debug and compiled code coverage Eclipse interface.
 4. Debugging assembler requires that you have EQALANGX files that have been created via ADFz Common Components or a product that ships the ADFz Common Components.
 5. LangX COBOL refers to any of the following programs:
 - A program compiled with the IBM OS/VS COBOL compiler.
 - A program compiled with the IBM VS COBOL II compiler with the NOTEST compiler option.
 - A program compiled with the IBM Enterprise COBOL for z/OS 3, 4, or 6 compiler with the NOTEST compiler option.

Feature	Eclipse-based debug interface	IBM Z Open Debug ^{1,6}
Integration with Language Editors ⁶	<ul style="list-style-type: none"> • COBOL Editor² • PL/I Editor² • Remote C/C++ Editor² • System z LPEX Editor² 	<ul style="list-style-type: none"> • Z Open Editor
Visual Debug	√ ^{2,6}	
Debug profile management	√ ⁶	√
IMS Isolation UI	√ ³	
Integration with CICS Explorer views	√ ²	
Integration with property groups	√ ^{2,6}	
Integrated launch ⁶	<ul style="list-style-type: none"> • z/OS UNIX Application launch configuration • z/OS Batch Application using existing JCL • z/OS Batch Application using a property group 	
Modules	√	
Memory	√	
Program navigation		
Step over/Next	√	√
Step into/Step in	√	√
Step return/Step out	√	√
Jump to location	√ ⁶	
Run to location/Run to cursor	√ ⁶	√
Resume/Continue	√	√
Terminate	√	√
Animated step	√	

Table 3. Remote IDE debug feature comparison (continued)

Feature	Eclipse-based debug interface	IBM Z Open Debug ^{1,6}
Playback	√ ⁶	
Breakpoints		
Statement breakpoints	√	√
Entry breakpoints	√	
Source entry breakpoints	√ ⁶	
Event breakpoint	√ ⁶	
Address breakpoint	√ ⁶	
Watch breakpoint	√ ⁶	
Variables & Registers		
Variables	√	√
Registers	√	√ ⁴ on page xxiv
Modifying variable and register values	√	√
Setting variable filter	√ ⁵ on page xxiv	
Changing variable representation	√	
Displaying in memory view	√	
Monitors		
Displaying monitor	√	√
Modifying monitor value	√	
Changing variable representation	√	
Debug Console		
Evaluating variables and expressions		√
z/OS Debugger commands	√ ⁶ on page xxiv	

Notes:

1. IBM Z Open Debug is provided with IBM Developer for z/OS on VS Code.
2. This feature is not available in IBM Debug for z/OS.
3. This feature is only available in IBM Developer for z/OS Enterprise Edition.
4. Registers are available in the **Variables** view.
5. The automonitor filters do not support programs compiled with Open Enterprise SDK for Go or Open XL C/C++ for z/OS.
6. Programs compiled with IBM Open Enterprise SDK for Go are not supported.

Chapter 1. Customizing z/OS Debugger: checklist

Note: You can also use [IBM Host Configuration Assistant for Z Development](https://zdev-hca.ibm.com) (<https://zdev-hca.ibm.com>) to generate a customized checklist for z/OS Debugger. [Host Configuration Assistant for Z Development](https://zdev-hca.ibm.com) is an interactive wizard that is designed to simplify planning and configuring of Z development products. Besides z/OS Debugger, you can also find the configuration information for other host components like z/OS Explorer and z/OS Source Code Analysis. Only the latest product releases are supported.

This topic helps you identify which customization tasks you must do. Begin by reviewing the topic "Planning your debug session" in the *IBM z/OS Debugger User's Guide* with your application programmers and library system administrator. Reviewing that topic helps you gather the following information, which you need to identify which customization tasks you must do:

- Which version of compilers you are using
- Whether you are debugging Db2, Db2 stored procedures, CICS, and IMS programs
- Whether you are using full-screen mode, full-screen mode using the Terminal Interface Manager, batch mode, or remote debug mode
- How your programs will call z/OS Debugger
- Whether you will be using IBM z/OS Debugger Utilities, ADFz Common Components, or Application Delivery Foundation for z/OS tools
- Whether you will need to modify some behaviors of the debugger

After you gather this information, review the following checklists. As you read each item on the checklist, you use the information you gathered to determine if you need to do that customization task. If the task is not applicable to your site, you can skip that task.

You must do all of the following compulsory customization tasks:

- [Chapter 2, "Product Registration," on page 7](#)
- [Chapter 3, "Installing the z/OS Debugger SVCs," on page 9.](#)
- [Chapter 4, "Setting up the APF-authorized system link list data set \(SEQABMOD\)," on page 13](#)
- [Chapter 5, "Setting up the link list data set \(SEQAMOD\)," on page 15](#)
- [Chapter 6, "Enabling debugging in full-screen mode using the Terminal Interface Manager," on page 17.](#)
- If your application programmers debug in remote debug mode, review [Chapter 7, "Adding support for remote debug users," on page 25.](#)
- Read [Chapter 8, "Specifying the TEST runtime options through the Language Environment user exit," on page 123](#) and review with your users to see if they need you to do this customization.

If you previously installed any of these Language Environment user exits: EQADDCXT, EQADICXT, EQADBCXT, switch to the EQAD3CXT user exit.

If you previously installed the Language Environment user exit EQAD3CXT, rebuild this exit. z/OS Debugger has updated the sample assembler user exits and the load modules.

- Read [Chapter 9, "Installing the browse mode RACF facility," on page 129](#) if you want to control which users have access to z/OS Debugger, or control which users can access z/OS Debugger only through browse mode.

Note: If you have defined a generic Facility class profile (for example, **), you might have to install the browse mode RACF facilities, even if neither of the previous considerations applies. For example, if you have a generic Facility class profile of ** with UACC(NONE) and you do not install the browse mode RACF facilities, no users would be allowed to use z/OS Debugger.

If you are using IBM z/OS Debugger Utilities, you must do the required customization tasks described in the following topics:

- [“Choosing a method to start IBM z/OS Debugger Utilities” on page 134.](#)
- [“Customizing the data set names in EQASTART” on page 135.](#)
- [“Adding IBM z/OS Debugger Utilities to the ISPF menu” on page 135.](#)
- For the JCL for Batch Debugging utility, you must specify default values for the yb1dtmod and yb1dtbin parameters. See [“Customizing for JCL for Batch Debugging utility” on page 136.](#)

If you are using any of the following utilities in IBM z/OS Debugger Utilities, you must do an additional customization task:

- If you are using z/OS Debugger Setup Utility, see [“Customizing z/OS Debugger Setup Utility” on page 136.](#)
- If you are using other IBM Application Delivery Foundation for z/OS tools, such as File Manager for z/OS, see [“Customizing Other IBM Application Delivery Foundation for z/OS tools for multiple systems” on page 139.](#)
- If you are using Program Preparation, see [“Customizing Program Preparation” on page 139.](#)
- For the IMS BTS Debugging option, you must specify default values for yb2* parameters. See [“Customizing IMS BTS Debugging” on page 143.](#)

If you are debugging Db2 stored procedures, CICS program, or IMS programs, you must do the following required customization tasks:

- If your site debugs Db2 stored procedures, see [Chapter 12, “Preparing your environment to debug Db2 stored procedures,” on page 149.](#)
- If your site debugs CICS programs, see [Chapter 13, “Adding support for debugging under CICS,” on page 151.](#)
- If your site debugs IMS programs, see [Chapter 14, “Adding support for debugging under IMS,” on page 169](#) and implement scenario A.
- If your site debugs non-Language Environment IMS programs, see [Chapter 14, “Adding support for debugging under IMS,” on page 169](#) and implement scenario C.

In Debug Tool Version 13.1, the EQALANGP and EQALANGX modules were moved from Debug Tool's EQAW.SEQAMOD library to Common Component's IPV.SIPVMODA library, where they will be aliases of IPVLANGP and IPVLANGX respectively. This removes duplication between the two tools. If you have library build processes or other tools that reference either of these routines, and IPV.SIPVMODA is not in link list, then you will need to update your processes to point to the new location for these routines. See *Preparing a LangX COBOL program* and *Preparing an assembler program* in the *IBM z/OS Debugger Customization Guide* for more information about EQALANGX.

Note: Debug Tool for z/OS is now named as z/OS Debugger, and Problem Determination Tools for z/OS Common Component is now named IBM Application Delivery Foundation for z/OS Common Components.

As you review the rest of the checklist, if you need to do an item that requires that you specify an EQAOPTS command, you can print a copy of the checklist and use it to record the commands you need to specify and the values for any options. When you are done reviewing the checklist, you can specify all the EQAOPTS commands at one time as described in [“Creating EQAOPTS load module” on page 197.](#)

For any of the following situations, see [“CODEPAGE” on page 200:](#)

- Application programmers are debugging in remote debug mode and the source or compiler use a code page other than 037. If your C/C++ source contains square brackets or other special characters, you might need to specify an EQAOPTS CODEPAGE command to override the z/OS Debugger default code page (037). Check the code page specified when you compiled your source. The C/C++ compiler uses a default code page of 1047 if you do not explicitly specify one. If the code page used is 1047 or a code page other than 037, you need to specify an EQAOPTS CODEPAGE command specifying that code page.
- Application programmers are debugging in full screen mode and encounter one of the following situations:
 - They use the STORAGE command to update COBOL NATIONAL variables.

- Application programmers use the XML (CODEPAGE(ccsid)) parameter on a LIST CONTAINER or LIST STORAGE command to specify an alternate code page.

Do the customization tasks in the following list only if your site needs the features described:

- These EQAOPTS commands enable certain z/OS Debugger functions:
 - [“ALTDISP” on page 197](#)
You want z/OS Debugger to display the at sign (@) in the prefix area of a line to indicate that the line contains a breakpoint, instead of using a colored line.
 - [“BROWSE” on page 198](#)
You want to restrict access to z/OS Debugger or control which users¹ must debug in browse mode.
 - [“DLAYDBG” on page 203](#)
You want to allow users to use the delay debug mode.
 - [“EQAQPP” on page 208](#)
Your site needs to debug Q++ programs.
 - [“IGNOREODOLIMIT” on page 210](#)
You want to tell z/OS Debugger to display COBOL table items even when an ODO value is out of range.
 - [“LOGDSNALLOC” on page 213](#)
You want z/OS Debugger to automatically create a LOG data set for each user.
 - [“MDBG” on page 214](#)
Your site uses z/OS XL C/C++, Version 1.10, or later, and you want z/OS Debugger to retrieve source and debug information from .mdbg files.
 - [“SAVESETDSNALLOC, SAVEBPDSNALLOC” on page 218](#)
You want z/OS Debugger to automatically create either of the following data sets:
 - A data set to save and restore settings
 - A data set to save and restore breakpoints, monitor values and LOADDEBUGDATA (LDD) specifications
 - [“STARTSTOPMSG” on page 220](#)
You want z/OS Debugger to issue a message when each debugging session is initiated or terminated.
 - [“SUBSYS” on page 222](#)
If your site uses a library system that uses the SUBSYS allocation parameter and your application programmers debug C, C++, or Enterprise PL/I programs, review this command to determine if you need to change the SUBSYS parameter.
 - [“SVCSCREEN” on page 222](#)
You need to debug non-Language Environment programs that start under Language Environment, Language Environment programs that use the MVS LINK, LOAD or DELETE services, LangX COBOL programs, or your site has any host products that might use SVC screening when z/OS Debugger is started.
- If your site uses any of the following functions in a Japanese or Korean environment, see [“Enabling additional languages for some z/OS Debugger components through EQACUIDF” on page 188](#):
 - IBM z/OS Debugger Utilities ISPF panels
 - z/OS Debugger Code Coverage
 - EQANMDBG (non-CICS non-Language Environment support)

Do the customization tasks in the following list only if you want to modify the behavior described:

- These EQAOPTS commands modify the behavior of certain z/OS Debugger functions:
 - [“CACHENUM” on page 198](#)

¹ If you want to enforce browse mode restrictions, you must use the RACF Facility Class Profile as described in Chapter 9, [“Installing the browse mode RACF facility,” on page 129](#). You can learn how the EQAOPTS BROWSE command works with the RACF profiles by reviewing the table in the topic "Controlling browse mode" of the *IBM z/OS Debugger User's Guide*.

- You want to reduce z/OS Debugger's CPU consumption in certain cases.
- [“CEEREAFTERAFTERQDBG” on page 199](#)
You want to restart z/OS Debugger with CEETEST after you use QUIT DEBUG.
 - [“COMMANDSDSN” on page 202](#)
You want to change the default data set name for the user's commands file.
 - [“DEFAULTVIEW” on page 203](#)
You want to change the default setting for SET DEFAULT VIEW so that assembler macro-generated statements are not displayed in the Source window.
 - [“DLAYDBGCOND” on page 204](#)
You want to change the default delay debug setting for monitoring condition events.
 - [“DLAYDBGDSN” on page 204](#)
You want to change the default name of the delay debug profile data set.
 - [“DLAYDBGTRC” on page 205](#)
You want to change the default delay debug pattern match trace message level.
 - [“DLAYDBGXRF” on page 205](#)
You want to instruct delay debug to use the cross reference file to find the user ID when it constructs the delay debug profile data set name.
 - [“DTCNDELETEDEADPROF” on page 207](#)
You want to change the default setting for controlling the deletion of dead DTCN profiles.
 - [“DTCNFORCExxxx” on page 207](#)
You want to change the default DTCN behavior for certain resource types.
 - [“DYNDEBUG” on page 208](#)
You want to change the initial or default value of SET DYNDEBUG.
 - [“GPFDSN” on page 209](#)
Your site wants to control the appearance or settings, through z/OS Debugger commands, of all debugging sessions, create a global preferences file. The global preferences file is a file that is processed at the beginning of every debugging session and contains z/OS Debugger commands. See this command for instructions on how to create a global preferences file.
 - [“HOSTPORTS” on page 210](#)
Your users are using the remote debugger and you need to specify a host port or range of ports for a TCP/IP connection from the host to the workstation.
 - [“LOGDSN” on page 212](#)
You want to change the default data set name for the LOG data set.
 - [“MAXTRANUSER” on page 214](#)
You want to use the IMS Transaction Isolation Facility described in [Chapter 14, “Adding support for debugging under IMS,” on page 169](#), and you need to set the maximum number of transactions that a single user can debug to something less than 15.
 - [“MULTIPROCESS” on page 215](#)
You want to change the default behavior of z/OS Debugger when a new POSIX process is created by a fork() or exec() function.
 - [“NAMES” on page 216](#)
Your site needs to issue a NAMES command for the initial load module or any of its compile units.
 - [“NODISPLAY” on page 216](#)
To modify the debugger's behavior when a full-screen mode using the Terminal Interface Manager or a remote debugger is not available.
 - [“PREFERENCESDSN” on page 217](#)
You want to change the default data set name for the user's preferences file.
 - [“SAVEBPDSN, SAVESETDSN” on page 218](#)
Your site wants to change the default names, which are *userid*.DBGTOOL.SAVESETS and *userid*.DBGTOOL.SAVEBPS, of the data sets that store settings, breakpoints, and monitor values.
 - [“SESSIONTIMEOUT” on page 220](#)

- You want to specify an idle session timeout for users who are using the Terminal Interface Manager.
- [“STARTSTOPMSGDSN” on page 221](#)
You want z/OS Debugger to write information to a log data set when each non-CICS debugging session is initiated or terminated.
- [“TCPIPDATAADSN” on page 225](#)
Your users are using the remote debugger and your host TCP/IP does not have a specification for GLOBALTCPIPDATA.
- [“THREADTERMCOND” on page 226](#)
Your site wants z/OS Debugger to suppress the prompt that Language Environment displays every time when the statements like STOP RUN, GOBACK, or EXEC CICS RETURN are run. These statements can occur frequently in an application program, creating unnecessary interruptions for a user trying to debug the application program.
- [“TIMACB” on page 226](#)
You want to change the default ACB name for the Terminal Interface Monitor.
- If your site is using the EQAUEDAT user exit to direct z/OS Debugger to the location of source, listing, or separate debug files, see [Chapter 15, “Enabling the EQAUEDAT user exit,” on page 185](#).
- If your site needs to change the defaults for NATLANG, LOCALE, or LINECOUNT, see [“Changing the default and allowable values in EQACUIDF” on page 187](#).

Data at Rest

z/OS Debugger does not provide means to encrypt any of its configuration or data files. For more secure environments, consider encryption at the operating system, disk or file system level. For a possible z/OS configuration, see [Using the z/OS data set encryption enhancements](#).

Requisite products

z/OS Debugger has a list of prerequisite software that must be installed and operational before it works. There is also a list of corequisite software to support specific features of the product. These requisites must be installed and operational at run time for the corresponding features to work as designed.

For a complete listing of the software requirements including prerequisites and co-requisites for a product, see the Software Product Compatibility Reports (SPCR) tool (<https://www.ibm.com/software/reports/compatibility/clarity/index.html>). Search for the product that you acquired z/OS Debugger with.

The key requisites for a basic setup are:

- The Debug Profile Service API is hosted on the IBM z/OS Liberty Embedded application server and is compatible with the default IBM z/OS Liberty Embedded installation on your z/OS system. You do not need to install or modify the existing IBM z/OS Liberty Embedded application server to accommodate the Debug Profile Service API, but you need to refresh the [eqaprof.env](#) to include environment variable `liberty_dir`.
- z/OS Explorer
- Java:
 - Java 17 or 21 is required for [Remote Debug Service](#) or [Headless code coverage](#).
 - Java 11, 17 or 21 (with IBM z/OS Liberty Embedded 23.0.0.12 or later) is required for [Debug Profile Service](#).

After installation, you need to [configure z/OS to run Java applications](#).

- [Remote Debug Service](#) and the [headless code coverage collector](#) are built on [Eclipse](#) and [Java](#) technology. Configuration options for Eclipse and Java might affect the behavior of [Remote Debug Service](#) and [headless code coverage collector](#).

Chapter 2. Product Registration

You must set up product registration for z/OS Debugger.

Registering z/OS Debugger

z/OS Debugger is available as a component of multiple products. Different functions of z/OS Debugger are enabled according to the product you purchased.

- IBM Developer for z/OS Enterprise Edition 17.0, program number 5755-AB5 (Shopz orderable)
 - IBM Developer for z/OS Enterprise Edition is one of the products included in IBM Application Delivery Foundation for z/OS 5.0, program number 5755-AB1 (Shopz orderable).
- IBM Debug for z/OS 17.0, program number 5755-AB6 (Shopz orderable)
- IBM Developer for z/OS Select 1.0, program number 5900-BVB (web download)
- IBM Developer for z/OS 17.0, program number 5724-T07 (web download)

You must set up z/OS product registration for z/OS Debugger to enable its functions. Products to be enabled on z/OS are defined in the IFAPRDxx parmlib member that is used for IPL.

If you already defined the product using FEATURENAME(' * ') for another component of the product, you do not need to repeat the definition. Otherwise, you must specify **one** of the following IFAPRDxx entries, depending on how you purchased z/OS Debugger:

- If you acquired z/OS Debugger as a part of IBM Application Delivery Foundation for z/OS (product code 5755-AB1), specify the following definition in IFAPRDxx. Sample member EQAWIFAA, which contains the next statements, is provided in the SEQASAMP sample library.

```
PRODUCT OWNER(' IBM CORP' )
        NAME(' IBM APP DLIV FND' )
        ID(5755-AB1)
        VERSION(*) RELEASE(*) MOD(*)
        FEATURENAME(*)
        STATE(ENABLED)
```

- If you acquired z/OS Debugger as a part of IBM Developer for z/OS Enterprise Edition (product code 5755-AB5), specify the following definition in IFAPRDxx. Sample member EQAWIFAE, which contains the next statements, is provided in the SEQASAMP sample library.

```
PRODUCT OWNER(' IBM CORP' )
        NAME(' IBM IDz EE' )
        ID(5755-AB5)
        VERSION(*) RELEASE(*) MOD(*)
        FEATURENAME(*)
        STATE(ENABLED)
```

- If you acquired z/OS Debugger as a part of IBM Debug for z/OS (product code 5755-AB6), specify the following definition in IFAPRDxx. Sample member EQAWIFAD, which contains the next statements, is provided in the SEQASAMP sample library.

```
PRODUCT OWNER(' IBM CORP' )
        NAME(' IBM Debug for z' )
        ID(5755-AB6)
        VERSION(*) RELEASE(*) MOD(*)
        FEATURENAME(*)
        STATE(ENABLED)
```

- If you acquired z/OS Debugger as a part of IBM Developer for z/OS Select (product code 5900-BVB), specify the following definition in IFAPRDxx. Sample member EQAWIFAS, which contains the next statements, is provided in the SEQASAMP sample library.

```
PRODUCT OWNER(' IBM CORP' )
        NAME(' IBM IDz Select' )
```

```
ID(5900-BVB)
VERSION(*) RELEASE(*) MOD(*)
FEATURENAME(*)
STATE(ENABLED)
```

- If you acquired z/OS Debugger as a part of IBM Developer for z/OS (product code 5724-T07), specify the following definition in IFAPRDxx. Sample member EQAWIFAZ, which contains the next statements, is provided in the SEQASAMP sample library.

```
PRODUCT OWNER('IBM CORP')
NAME('IBM IDz')
ID(5724-T07)
VERSION(*) RELEASE(*) MOD(*)
FEATURENAME(*)
STATE(ENABLED)
```

Notes:

- These sample definitions enable all features of the selected product. To register each feature individually, create a PRODUCT block for each feature and specify FEATURENAME('IDz-DEBUGGER') to register the z/OS Debugger feature.
- If you do not register any of the listed products in the IFAPRDxx parmlib member, z/OS Debugger will assume that you purchased IBM Developer for z/OS (product code 5724-T07) and enable only the related functions.
- No matter which product you bought and registered, any Copyright statement at z/OS Debugger startup always shows 5724-T07 for the product ID. The same is true for "CALL %VER", as well as Copyright statements in samples, ISPF parts, program objects or load modules.

After you update IFAPRDxx, issue the **SET PROD=xx** operator command to dynamically activate the definitions. z/OS Debugger will then be enabled in your z/OS environment.

IBM advises against defining IFAPRDxx entries that have NAME(*) or ID(*) fields, as this will result in all z/OS applications that utilize product registration to find a match on the first test, and adhere to the related STATE() definition. For z/OS Debugger with STATE(ENABLED), this means that the application will register as Application Delivery Foundation for z/OS (product code 5755-AB5).

If your site has coded a generic entry in IFAPRDxx, complete the following steps:

1. Code an entry for each item that you did not purchase STATE(NOTDEFINED).
2. Code an entry for the item you did purchase as shown in the previous text.
3. Issue a **SET PROD=xx** operator command.

Removing old registrations

Remove all old registration entries that belonged to z/OS Debugger. Older versions of z/OS Debugger were known as Debug Tool, or Debug Tool Utilities and Advanced Functions.

To remove old registration entries, complete the following steps:

1. Change the STATE(ENABLED) parameter for the old entries in the IFAPRDxx parmlib member to STATE(NOTDEFINED).
2. Issue a **SET PROD=xx** operator command to activate your changes.
3. Remove the old entries from IFAPRDxx. This update will become active at next IPL.

Chapter 3. Installing the z/OS Debugger SVCs

z/OS Debugger requires the installation of the z/OS Debugger SVC programs EQA00SVC (IGC0014E) and EQA01SVC (IGX00051):

- EQA00SVC is a type 3 SVC with a reserved number of 145 (x'91').
- EQA01SVC is a type 3 using SVC number 109 (X'6D') with function code 51.

The z/OS Debugger SVCs are compatible with z/OS Debugger Version 14, 15, and 16 (Program Number 5724-T07), Debug Tool Version 13 Release 1 (Program Number 5655-Q10), and Version 12 Release 1 (Program Number 5655-W70).

The z/OS Debugger SVCs support the Dynamic Debug facility and other necessary z/OS Debugger functions.

To install the SVCs, do the following steps on each of the LPARs that z/OS Debugger will be used on:

1. For a new installation, complete both [step a](#) (for using the debugger after the next IPL) and [step b](#) (for immediate usage of the new debugger). For a service update (a PTF installation), the work that was done in [step a](#) in the first installation will pick up the new service at the next IPL, and doing [step b](#) will provide the new service immediately to the users.
 - a. Install the SVCs through a system IPL. The SMP/E APPLY operation, which you run when you install z/OS Debugger or apply a PTF, updates the library *hlq*.SEQALPA with the SVCs. To place *hlq*.SEQALPA in the LPA list, add it to an LPALSTxx member of parmlib that is used for IPL. If you have earlier releases of z/OS Debugger installed at your site, remove any other SEQALPA data sets. The next time you IPL your system, the SVCs are automatically installed.

Check the other data sets in LPA list for old copies of these members. If you find them, remove them.²

- EQA00SVC
- EQA01SVC
- IGC0014E (ALIAS of EQA00SVC)
- IGX00051 (ALIAS of EQA01SVC)

These members might have been placed there by previous installations of z/OS Debugger.

- b. Install the SVCs without a system IPL for immediate usage (dynamic installation). The SMP/E APPLY operation, which you run when you install z/OS Debugger or apply a PTF, updates the library *hlq*.SEQAAUTH with the SVCs and the dynamic SVC installer.
 - i) Mark the *hlq*.SEQAAUTH data set as APF-authorized. This data set contains SVC installation programs; therefore, access to it must be limited to system programmers.
 - ii) Update both places in the SVC dynamic install job EQAWISVC (shipped as a member of the data set *hlq*.SEQASAMP) with the fully qualified name for the z/OS Debugger *hlq*.SEQAAUTH data set. Eye-catchers (<<<<<) in the job highlight the statements that require changing. You might also need to update the job card.
 - iii) Submit the job. The job installs both SVCs. After the job is completed, verify that the return code is 00 (RC=00).
 - iv) Any CICS or IMS regions that are running when these SVCs are installed, and that may have had z/OS Debugger sessions, should be stopped and restarted.

² You can either browse each data set in LPA list directly or refer to [Finding out what dataset a module resides in](#).

³ To APF-authorize a data set, add an APF ADD statement for the data set to a PROGxx member of parmlib that is used for IPL. To immediately APF-authorize the data set, use the SETPROG APF MVS command.

- If your users need to use the Dynamic Debug facility to debug programs that are loaded into protected storage (located in subpool 251 or 252), follow the instructions in [“Using the Authorized Debug facility for protected programs”](#) on page 11. Most CICS installations need to do this.

Verifying the installation of the SVCs

To verify the installation of the SVCs, you need to check the level of the z/OS Debugger SVCs, then run the installation verification programs.

Checking the level of the z/OS Debugger SVCs

Display the level of the z/OS Debugger SVCs installed by entering the following command:

```
EXEC 'h1q.SEQAEEXEC(EQADTSVC)'
```

Information about EQA00SVC that is similar to the following is displayed. Verify that the version and compile date that are displayed are the same or higher than what is shown here.

Note: The string Debug Tool in the output of EQADTSVC is expected. The string was preserved for downward compatibility with Debug Tool. The 5724-T07 denotes that the SVC is from z/OS Debugger.

```
...EQA00SVC 2024.278Licensed Materials - Property of IBM 5724-T07 Debug Tool Version 05
EQA00SVC-r88942Copyright Copyright IBM Corp. US Government Users
***> EQA00SVC is Version 05 with compile date 4 Oct 2024
```

Information about EQA01SVC that is similar to the following is displayed. Verify that the version and compile date that are displayed are the same or higher than what is shown here.

```
...EQA01SVC 2025.113Licensed Materials - Property of IBM 5724-T07 Debug Tool Version 21
EQA01SVC-r94718Copyright Copyright IBM Corp. US Government Users
***> EQA01SVC is Version 21 with compile date 23 Apr 2025
```

```
...EQA01SV2 2024.278Licensed Materials - Property of IBM 5724-T07 Debug Tool Version 05
EQA01SV2-r88233Copyright Copyright IBM Corp. US Government Users
***> EQA01SV2 is Version 05 with compile date 4 Oct 2024
```

```
...EQA01TSR 2024.278Licensed Materials - Property of IBM 5724-T07 Debug Tool Version 00
EQA01TSR-f8730eCopyright Copyright IBM Corp. US Government Users
***> EQA01TSR is Version 00 with compile date 4 Oct 2024
```

Running the installation verification programs for SVCs

To help you verify the installation of the z/OS Debugger SVCs (that the SVCs are installed and working correctly), the `h1q.SEQASAMP` data set contains installation verification programs (IVPs) in the following members. Run the IVPs that are appropriate for the tasks that your users will be performing. Before you run any IVP, customize it for your installation as described in the member.

<i>Table 4. Name of the installation verification program and the programming language corresponding to that installation verification program.</i>	
IVP	Task
EQAWIVP4	COBOL TEST (NONE, SYM) or TEST (NOHOOK)
EQAWIVPF	PL/I TEST (ALL, SYM, NOHOOK)
EQAWIVPI	Enterprise PL/I TEST (ALL, SYM, NOHOOK, SEPARATE)
EQAWIVPJ	LangX Enterprise COBOL
EQAWIVPP	COBOL TEST (NONE, SYM, SEPARATE) or TEST (NOHOOK, SEPARATE)
EQAWIVPT	Enterprise COBOL for z/OS Version 5 and later TEST
EQAWIVPS	disassembly

Table 4. Name of the installation verification program and the programming language corresponding to that installation verification program. (continued)

IVP	Task
EQAWIVPA	Language Environment assembler
EQAWIVPB ⁴	Language Environment assembler - interactive
EQAWIVPC	non-Language Environment assembler
EQAWIVPV	OS/VS COBOL
EQAWIVPX	non-Language Environment VS COBOL II

Using the Authorized Debug facility for protected programs

Important: Before you do this task, you must have installed and verified the SVCs.

If your users need to use the Dynamic Debug facility to debug programs that are loaded into protected storage (located in subpool 251 or 252), your security administrator must authorize those users to use the Authorized Debug facility. Examples of reentrant programs that are loaded into protected storage are:

- Re-entrant programs loaded from an APF authorized library by MVS
- Programs loaded by CICS into RDSA or ERDSA because RENTPGM=PROTECT (the default).

Note: Most CICS programs are re-entrant. This task is required if your CICS regions use the SIT parameter RENTPGM=PROTECT (the default).

To authorize users to use the Authorized Debug facility:

1. Establish a profile for the Authorized Debug Facility in the FACILITY class by entering the RDEFINE command:

```
RDEFINE FACILITY EQADTOOL.AUTHDEBUG UACC(NONE)
```

2. Verify that generic profile checking is in effect for the class FACILITY by entering the following command:

```
SETROPTS GENERIC(FACILITY)
```

3. Give a user permission to use the Authorized Debug Facility by entering the following command, where *DUSER1* is the name of a RACF-defined user or group profile:

```
PERMIT EQADTOOL.AUTHDEBUG CLASS(FACILITY) ID(DUSER1) ACCESS(READ)
```

Instead of connecting individual users, the security administrator can specify *DUSER1* to be a RACF group profile and then connect authorized users to the group.

In CICS, z/OS Debugger checks that the region user ID is authorized instead of an individual CICS user ID.

4. If the FACILITY class is not active, activate the class by entering the SETROPTS command:

```
SETROPTS CLASSACT(FACILITY)
```

Issue the SETROPTS LIST command to verify that FACILITY class is active.

⁴ This IVP is provided for customers that purchased z/OS Debugger via IBM Developer for z/OS - non-Enterprise Edition. In this case, z/OS Debugger only runs with the IBM Developer for z/OS IDE. This IVP has instructions that describe how to run the IVP with the IBM Developer for z/OS IDE. The other IVPs in this table do not.

5. Refresh the FACILITY class by issuing the SETROPTS RACLIST command:

```
SETROPTS RACLIST(FACILITY) REFRESH
```

Chapter 4. Setting up the APF-authorized system link list data set (SEQABMOD)

Note: This chapter is not applicable to IBM Developer for z/OS (non-Enterprise Edition).

You must make certain z/OS Debugger load modules available in an APF-authorized data set that is in the system link list concatenation. You can do this in one of the following ways, depending on your site policy:

- Mark and add the load modules by doing the following steps:
 1. Mark the *hlq*.SEQABMOD data set as APF-authorized.
 2. Add the data set to the system link list concatenation.⁵
 3. If you have earlier releases of z/OS Debugger installed, remove any other SEQABMOD data sets.
 4. Do an LLA refresh to make the members in *hlq*.SEQABMOD available to z/OS Debugger.
- Copy the load modules and refresh the members by doing the following steps:
 1. Copy⁶ all the members of the *hlq*.SEQABMOD data set into an existing APF-authorized system link list data set.
 2. Do an LLA refresh to make these members available to z/OS Debugger.

⁵ To add a data set to the link list, add a LNKLIST ADD statement for the data set to a PROGxx member of parmlib that is used for IPL. To immediately add a data set to the link list, use the SETPROG LNKLIST MVS command. Then, if the link list data set is managed by LLA, enter a F LLA, REFRESH MVS command to refresh the Library Lookaside Directories.

⁶ If you do this copy, you must repeat this copy after you apply any service to z/OS Debugger. SMP/E does not do this copy for you.

Chapter 5. Setting up the link list data set (SEQAMOD)

The *hlq*.SEQAMOD data set must be in the load module search path whenever you debug a program with z/OS Debugger. Except for two cases, it will be convenient for your users if you put *hlq*.SEQAMOD in the system link list concatenation. The exceptions are:

- CICS, where *hlq*.SEQAMOD must be placed in the DFHRPL concatenation. See [Chapter 13, “Adding support for debugging under CICS,”](#) on page 151.
- When the z/OS Debugger Setup Utility component of the IBM z/OS Debugger Utilities ISPF function is used to start the debugging session (where DTSU accesses *hlq*.SEQAMOD for you).

In all other cases, unless you put *hlq*.SEQAMOD in the system link list concatenation, the user will have to alter the execution environment of any program being debugged so that *hlq*.SEQAMOD is in the load module search path (such as placing it in JOBLIB, STEPLIB, ISPLLIB or via use of TSOLIB). Therefore, it is recommended that you add the *hlq*.SEQAMOD data set to the system link list concatenation⁵. For CICS, you also need to mark *hlq*.SEQAMOD as APF-authorized.

Unless you put *hlq*.SEQAMOD in the system link list concatenation, the user will have to alter the execution environment of any program being debugged so that *hlq*.SEQAMOD is in the load module search path (such as placing it in JOBLIB, STEPLIB, ISPLLIB or via use of TSOLIB). Therefore, it is recommended that you add the *hlq*.SEQAMOD data set to the system link list concatenation⁵.

hlq.SEQAMOD must be placed before any other library in the load module search path that contains CEEEVDBG for z/OS Debugger to get control of a debug session.

Chapter 6. Enabling debugging in full-screen mode using the Terminal Interface Manager

Note: This chapter is not applicable to IBM Developer for z/OS (non-Enterprise Edition).

To enable users to debug the following types of programs while using a 3270-type terminal, you need to enable full-screen mode using the Terminal Interface Manager:

- Batch programs
- TSO programs (using a separate terminal for debugging)
- Programs running under UNIX System Services
- Db2 stored procedures
- IMS programs

This topic focuses on setting up the Terminal Interface Manager to enable a terminal session that can be used to debug these types of programs in full-screen mode. To set up a dedicated terminal without using Terminal Interface Manager, see [Appendix B, “Enabling debugging in full-screen mode using a dedicated terminal,”](#) on page 231.

To understand how a user and z/OS Debugger interact with the Terminal Interface Manager, see [“How users start a full-screen mode debug session with the Terminal Interface Manager”](#) on page 17.

To enable debugging in full-screen mode using the Terminal Interface Manager, see [“Enabling full-screen mode using the Terminal Interface Manager”](#) on page 19. If you are running the Terminal Interface Manager on a VTAM® network with multiple LPARs, see [“Example: Defining the VTAM EQAMVnnn and Terminal Interface Manager APPL definition statements when z/OS Debugger runs on four LPARs”](#) on page 23 for variations on the instructions.

How users start a full-screen mode debug session with the Terminal Interface Manager

The following steps describe how a user would start a full-screen mode debugging session for a batch job with the Terminal Interface Manager. Study these steps to understand how z/OS Debugger uses the Terminal Interface Manager to display a full-screen mode debugging session and to understand why you need to do the configuration steps described in [“Enabling full-screen mode using the Terminal Interface Manager”](#) on page 19.

1. Start two terminal sessions. These sessions can be either of the following situations:
 - Two separate terminal emulator sessions.
 - If you use a session manager, two sessions selected from the session manager menu.In either situation, ensure that the second session connects to the Terminal Interface Manager.
2. On the first terminal session, log on to TSO.
3. On the second terminal session, provide your login credentials to the Terminal Interface Manager and press Enter. The login credentials can be your TSO user ID and password, PassTicket, password phrase, or MFA token.

Notes:

- a. You are not logging on TSO. You are indicating that you want your user ID associated with this terminal LU.
- b. When the number of characters entered into the password field, including blanks, exceeds 8, the input is passed to the security system as a password phrase.

- c. To use PassTickets with Terminal Interface Manager, define the PTKTDATA profile by following the rules for MVS batch jobs. For more information, see [Defining profiles in the PTKTDATA class in the z/OS documentation](#).

A panel similar to the following panel is then displayed on the second terminal session:

```
z/OS Debugger Terminal Interface
Manager
EQAY001I Terminal TRMLU001 connected for user USER1
EQAY001I Ready for z/OS Debugger

PF3=EXIT PF10=Edit LE options data set
PF12=LOGOFF
```

The terminal is now ready to receive a full-screen mode debugging session.

4. Edit the PARM string of your batch job so that you specify the TEST runtime parameter as follows:

```
TEST(,,,VTAM%userid:*)
```

5. Submit the batch job. The following tasks are done:
 - a. z/OS Debugger allocates a VTAM ACB (EQAMVnnn) for its end of a VTAM session.
 - b. z/OS Debugger communicates with the Terminal Interface Manager to request a session with the terminal LU on which it is running.
 - c. The Terminal Interface Manager releases the terminal LU and passes control of it to z/OS Debugger.
6. On the second terminal session, a full-screen mode debugging session is displayed. Interact with it the same way you would with any other full-screen mode debugging session.
7. After you exit z/OS Debugger, the second terminal session displays the panel and messages you saw in step “3” on page 17. This indicates that z/OS Debugger can use this session again. (This happens each time you exit z/OS Debugger.)
8. If you want to start another debugging session, return to step “5” on page 18. If you are finished debugging, you can do one of the following tasks:
 - Close the second terminal session.
 - Exit the Terminal Interface Manager by choosing one of the following options:
 - Press PF12 to display the Terminal Interface Manager logon panel. You can log in with the same ID or a different user ID.
 - Press PF3 to exit the Terminal Interface Manager.

This technique requires you to define and configure a number of items in the z/OS Communications Server. Section “[Enabling full-screen mode using the Terminal Interface Manager](#)” on page 19 describes these definitions and configuration.

Enabling full-screen mode using the Terminal Interface Manager

To enable full-screen mode using the Terminal Interface Manager, do the following steps:

1. Define the VTAM APPL definition statements that z/OS Debugger uses for its end of the session, as described in [“Defining the VTAM EQAMVnnn APPL definition statements”](#) on page 19.
2. Define the VTAM APPL definition statements that the Terminal Interface Manager uses, as described in [“Defining the Terminal Interface Manager APPL definition statements”](#) on page 20.
3. Start the Terminal Interface Manager, as described in [“Starting the Terminal Interface Manager”](#) on page 21.
4. Verify that full-screen mode using the Terminal Interface Manager is enabled, as described in [“Verifying the enablement of full-screen mode using the Terminal Interface Manager”](#) on page 22.

Defining the VTAM EQAMVnnn APPL definition statements

You must define the APPL definition statements that z/OS Debugger uses for its end of the VTAM session with the terminal LU. You can define up to 999 APPLs for z/OS Debugger. You can define an APPL by using one of the following naming conventions:

- Define each APPL with the following naming convention: the first five characters of the APPL name must be EQAMV and the last three characters must be consecutive three digit numbers, starting with 001. Do not code an ACBNAME operand on the APPL definition statements for this method.
- Define each APPL name with the naming convention you use at your site. Code an ACBNAME operand on the APPL definition statement that uses EQAMV as the first five characters, and three numeric digits (starting with 001) as the last three characters.

The number of APPL names you define must be sufficient to allow for the maximum number of concurrent z/OS Debugger full-screen mode using the Terminal Interface Manager sessions. (z/OS Debugger uses one of these APPL names for its end of each VTAM session that is initiated with a terminal LU.)

The descriptions and examples used in this book assume you defined APPL names by using the EQAMVnnn naming convention. z/OS Debugger uses the EQAMVnnn names for internal processing.

The EQAWAPPL member in the *hlq*.SEQASAMP data set predefines 50 APPL names, EQAMV001 to EQAMV050. You can do one of the following tasks to add this member to the VTAM definitions library (VTAMLST).

- Copy EQAWAPPL into a new member:
 1. Create a new member in the VTAM definitions library (VTAMLST). The VTAM definitions library is often stored in the data set SYS1.VTAMLST.
 2. Copy the contents of the EQAWAPPL member into the new member.
 3. Add the new member's name to the VTAM start options configuration file, ATCCONxx, so that VTAM activates the z/OS Debugger APPL definitions at initialization.
- Copy EQAWAPPL into an existing member that is already defined in VTAMLST:
 1. Select a member in the VTAM definitions library (VTAMLST) that contains the major node definitions.
 2. Copy the APPL definition statements for z/OS Debugger from the EQAWAPPL member into the selected member.

Tip: The existing member has the VBUILD TYPE=APPL statement, so do not copy this statement from EQAWAPPL.

If you are running VTAM in a multi-domain environment and you require the ability to debug full-screen mode using the Terminal Interface Manager on more than one host, edit the copy of EQAWAPPL on each system to make the names for z/OS Debugger major and minor nodes unique for each system.

For example, if you have hosts SYSA, SYSB, and SYSC, and need to provide definitions for up to 50 concurrent users debugging programs in full-screen mode using the Terminal Interface Manager on each system, you can code the following entries:

- SYSA VTAMLST EQAWAPPL entry:

```
EQAAPPLA VBUILD TYPE=APPL
EQAMV001 APPL AUTH=(PASS,ACQ),PARSESS=NO
EQAMV002 APPL AUTH=(PASS,ACQ),PARSESS=NO
...
EQAMV050 APPL AUTH=(PASS,ACQ),PARSESS=NO
```

- SYSB VTAMLST EQAWAPPL entry:

```
EQAAPPLB VBUILD TYPE=APPL
EQAMV051 APPL AUTH=(PASS,ACQ),PARSESS=NO
EQAMV052 APPL AUTH=(PASS,ACQ),PARSESS=NO
...
EQAMV100 APPL AUTH=(PASS,ACQ),PARSESS=NO
```

- SYSC VTAMLST EQAWAPPL entry:

```
EQAAPPLC VBUILD TYPE=APPL
EQAMV101 APPL AUTH=(PASS,ACQ),PARSESS=NO
EQAMV102 APPL AUTH=(PASS,ACQ),PARSESS=NO
...
EQAMV150 APPL AUTH=(PASS,ACQ),PARSESS=NO
```

You can have up to 999 unique APPL names for full-screen mode using the Terminal Interface Manager spread across your network. For an example on how to configure many APPL names in a network with multiple LPARs, see [“Example: Defining the VTAM EQAMVnnn and Terminal Interface Manager APPL definition statements when z/OS Debugger runs on four LPARs”](#) on page 23.

As an alternative to coding each minor node name, you can use the Model Application Names function. With this function, VTAM dynamically creates the minor nodes. Use one of the following ways (alter these examples, if needed, to maintain unique names per system as discussed in [“Defining the VTAM EQAMVnnn APPL definition statements”](#) on page 19):

- EQAMV??? APPL AUTH=(PASS,ACQ),PARSESS=NO
- ABCDE??? APPL AUTH=(PASS,ACQ),PARSESS=NO,ACBNAME=EQAMV???

Activating the VTAM EQAMVnnn APPLs

Activate the VTAM APPLs by entering the following command from the console, where *member-name* is the member name in the VTAM library (VTAMLST):

```
VARY NET,ACT,ID=member-name
```

Defining the Terminal Interface Manager APPL definition statements

You must define the APPL definition statements that the Terminal Interface Manager will use for its sessions. To define the APPL definition statements, do the following steps:

1. Define the APPL definition statements as shown in the EQAWSESS member in the *hlq.SEQASAMP* data set by doing one of the following tasks:
 - Copy EQAWSESS into a new member:
 - a. Create a new member in the VTAM definitions library (VTAMLST). The VTAM definitions library is often stored in the data set SYS1.VTAMLST.
 - b. Copy the contents of the EQAWSESS member into the new member.
 - c. Add the new member's name to the VTAM start options configuration file, ATCCONxxx.
 - Copy EQAWSESS into an existing member:
 - a. Select a member in the VTAM definitions library (VTAMLST) that contains the major node definitions.

- b. Copy the APPL definition statements for z/OS Debugger from the EQAWSESS member into the selected member.

To activate the new definitions, enter the following command from the console:

```
VARY NET,ACT,ID=member-name
```

member-name is the member name in the VTAM definitions library.

Starting the Terminal Interface Manager

The Terminal Interface Manager is a VTAM application that must be started (following the start of VTAM itself) before users can access it. Follow these steps to start it:

1. Copy the EQAYSESM member of the data set *hlq*.SEQASAMP to the SYS1.PROCLIB data set, making any changes required by your installation.
2. Make sure that the Terminal Interface Manager load modules, EQAYSESM and EQAYTRMM, reside in an APF authorized library (these module can be found in the *hlq*.SEQAAUTH data set). This is required to allow access to functions to validate users by login credentials.
3. Start the Terminal Interface Manager using the START command from the console. The START command can be added to the COMMNDxx member of SYS1.PARMLIB to start the Terminal Interface Manager when the system is IPLed.

The user ID associated with the STARTED class entry in RACF for the Terminal Interface Manager started task must have an OMVS segment defined. This enables the started task to use the POSIX thread functions.

The Terminal Interface Manager load module accepts six parameters, which you can provide by using the OPTS substitution variable on the START command or in the EQAYSESM PROC definition. You can code the parameters in any sequence and all of them are optional. The following list describes the parameters:

-a *acbname*

Specifies an alternate VTAM ACB name for the Terminal Interface Manager to open. For more information about this parameter, see [“Example: Defining the VTAM EQAMVnnn and Terminal Interface Manager APPL definition statements when z/OS Debugger runs on four LPARs” on page 23.](#)

-m

Instructs the Terminal Interface Manager not to fold passwords to upper case. If your security product is set up to use mixed-case passwords, and Terminal Interface Manager does not accept them, code this parameter.

-p *pattern-string*

Specifies a naming pattern for the TEST runtime options data set. You can use this parameter to override the default naming pattern. *pattern-string* must contain the string &USERID for substitution purposes. Otherwise, an error will be recognized and the default naming pattern &USERID.DBGTOOL.EQAUOPTS will be used.

-s

Instructs the Terminal Interface Manager to provide an entry field on each Terminal Interface Manager panel, in which the user can enter a session manager escape sequence.

+T

Display detailed trace messages for the Terminal Interface Manager. Do not use this parameter unless instructed by IBM support personnel.

-r

Start Terminal Interface Manager in repository mode. This enables users to register to debug IMS transactions or DB/2 stored procedures that are started by a generic user ID.

See [“DLAYDBGXRF” on page 205](#) for additional customization required when using this option.

The following example starts the Terminal Interface Manager for alternate ACB EQASESS2 and instructs it to provide an extra entry field for use with a session manager:

```
START EQAYSESM,OPTS='-a EQASESS2 -s'
```

Using the MODIFY operator command to display a list of Terminal Interface Manager users

Console operators can list the users who are currently logged on to the Terminal Interface Manager by using the z/OS MVS system MODIFY command. The list of users contains the user ID, the terminal LU that each user requests, and the job information if the user is currently in a z/OS Debugger session.

The syntax of the MODIFY command is:

```
►► MODIFY — tim-stc-name — , — APPL=LIST —
```

ALL
SESS
IMS

The following list describes the parameters of the MODIFY APPL=LIST command:

tim-stc-name

Is the name of the started task or job that is running the Terminal Interface Manager.

ALL

Lists all users who are logged on to the Terminal Interface Manager.

SESS

Only lists users who are logged on to the Terminal Interface Manager and are currently in a z/OS Debugger session.

IMS

Only lists users who are logged on to the Terminal Interface Manager and are currently in a z/OS Debugger session for an IMS message processing program.

Example

```
MODIFY EQAYSESM,APPL=LIST ALL
```

Example output

```
EQA9896I z/OS Debugger TIM USERS
USER ID   FLAGS   TERMINAL  JOBNAME
-----
USRT002   I       TRMLU006  MPRCI10X
USRT001   B       T1302     USRT001A
USRT003   L       TRMLU004  **NONE**
-----
L=LOGGED ON, NOT IN SESSION
I=IN SESSION; IMS JOB
B=IN SESSION; BATCH OR DB/2 JOB
```

Verifying the enablement of full-screen mode using the Terminal Interface Manager

To help you verify the enablement of full-screen mode using the Terminal Interface Manager, do the following steps:

1. Select which of the following installation verification jobs you want to run:
 - EQAWIVP5 (COBOL)
 - EQAWIVP6 (C)
 - EQAWIVP7 (PL/I)

- EQAWIVP9 (Enterprise PL/I)
 - EQAWIVPB (Language Environment assembler)
 - EQAWIVPD (non-Language Environment assembler)
 - EQAWIVPK (LangX Enterprise COBOL)
 - EQAWIVPW (OS/VS COBOL)
 - EQAWIVPY (non-Language Environment VS COBOL II)
2. Copy the job from the *hlq*.SEQASAMP data set to your own private data set and customize it for your installation as described in the sample.
 3. Connect a terminal session to the Terminal Interface Manager and log on to the Terminal Interface Manager with your TSO user ID.
 4. Run the customized installation verification jobs.

Example: Defining the VTAM EQAMVnnn and Terminal Interface Manager APPL definition statements when z/OS Debugger runs on four LPARs

The instructions in Chapter 6, “Enabling debugging in full-screen mode using the Terminal Interface Manager,” on page 17 assume that you create all the definitions and start the Terminal Interface Manager on one LPAR. This example describes the connections that need to be made in a VTAM network that has four LPARs that run z/OS Debugger jobs with one of the LPARs managing the terminals.

- LPAR 1 runs a TN3270E server and the Terminal Interface Manager with the default ACB name. Its VTAM also owns all the terminal LUs. Users connect their TN3270E emulator to this LPAR for the Terminal Interface Manager session. Users use the Terminal Interface Manager to create the connection between z/OS Debugger and the terminal LU used for their full-screen mode using the Terminal Interface Manager debugging session.
- VTAM on LPAR 1 defines the terminal LU APPL definition statements and the EQASESSM APPL definition statement for the Terminal Interface Manager.
- VTAM on LPAR 1 needs visibility to the EQAMVnnn APPL definition statements on LPARs 2, 3 and 4. This enables communication between the Terminal Interface Manager and z/OS Debugger.
- Each VTAM on LPAR 1, 2, 3 and 4 has a unique set of EQAMVnnn APPL definition statements. For example, LPAR 1 has APPL definition statements 001-050, LPAR 2 has APPL definition statements 051-100, LPAR 3 has APPL definition statements 101-150, and LPAR 4 has APPL definition statements 151-200.
- Each VTAM on LPAR 2, 3 and 4 needs visibility to the EQASESSM APPL definition statement on LPAR 1. This enables communication between z/OS Debugger and the Terminal Interface Manager.
- Each VTAM on LPAR 2, 3 and 4 needs visibility to the terminal LU APPL definition statements on LPAR 1.

Chapter 7. Adding support for remote debug users

Remote debug is a general term that covers multiple client scenarios. Each scenario has its own setup steps.

- Eclipse client using the TEST(, , , DBMDT) parameter to start a debug session. Here the program-under-test and the Eclipse client communicate with each using the Debug Manager, avoiding the need for outgoing TCP/IP connections from z/OS. Debug Manager is the recommended way to start a remote debug session.
- Eclipse clients using the TEST(, , , TCP/IP) parameter to start a debug session. Here the program-under-test on the z/OS host connects to a server running in the Eclipse client.
- Other clients, such as Visual Studio Code (VS Code), utilizing the Remote Debug Service.
- Other products, such as IBM Test Accelerator for Z, using an Eclipse client to drive services offered by z/OS Debugger.

Note: EQAOPTS commands are commands that alter some of the basic behavior of z/OS Debugger. They can be specified dynamically by the user or in a customized version of the EQAOPTS load module. For more information, see [EQAOPTS commands](#).

If you have users running z/OS Debugger in remote debug mode, review the following list and complete the applicable tasks:

- Create an OMVS segment for each user ID that uses the remote debugger.
- If your TCP/IP stack name is not TCP/IP, you can use the TCPIP DATASNS EQAOPTS command to instruct z/OS Debugger to dynamically allocate the correct SYSTCPD DD.
- If the source or compiler uses a code page other than 037, see the [“CODEPAGE” on page 200 EQAOPTS command](#).
- If you want z/OS Debugger to switch to full-screen mode or batch mode if the remote debugger is not available, see the [“NODISPLAY” on page 216 EQAOPTS command](#).
- For your CICS users, see [“Activating the TCP/IP Socket Interface for CICS” on page 26](#).
- Eclipse clients communicate with the host using the RSED started task of z/OS Explorer, FMID HALGxxx. z/OS Debugger must make itself known to RSED for its services to become available. For more information, see [RSED integration](#).
- With Debug Manager, remote Eclipse users do not need to open an outgoing port for the debug daemon on the z/OS system, or supply an IP address and port for debugging. For the differences between using Debug Manager and Debug Daemon port 8001, see [“TCP/IP ports” on page 44](#). For more information, see [“Enabling communication with Debug Manager” on page 28](#) and [“Understanding Debug Manager” on page 36](#).
- To enable interactive debugging in IBM Z Open Debug, see [“Adding support for Remote Debug Service” on page 54](#).
- If your users create and manage debug profiles in the **z/OS Debugger Profiles** view, see [“Adding support for Debug Profile Service” on page 62](#). For your CICS users, you can set up Debug Profile Service to use external CICS interface (EXCI) or add support for the DTCN profiles API.
- To enable secure communication for incoming debug and code coverage sessions in the remote Eclipse IDE, see [“Enabling secure communication between z/OS Debugger and the remote debugger for incoming debug sessions” on page 119](#).
- To enable authentication for incoming debug sessions in the remote Eclipse IDE, see [Enabling authentication for incoming TCP/IP connections](#).

Related references

"Remote debug mode" in the *IBM z/OS Debugger User's Guide*

Activating the TCP/IP Socket Interface for CICS

You need to activate the appropriate TCP/IP socket interface to manage communication between your CICS region and the remote debugger. z/OS Debugger supports only the TCP/IP Socket Interface for CICS.

Activate the TCP/IP Socket Interface for CICS to enable the following functions:

- Communication between your CICS region and the remote debugger.
- Use of the IPv6 protocol in remote debug mode.

For instructions on activating the TCP/IP Socket Interface for CICS, see the *z/OS Communications Server IP CICS Sockets Guide*.

Use the following transactions to verify that the CICS Sockets Interface is initialized.

- EZA0, INQUIRE, CICS
- EZA0, INQUIRE, LISTENER

RSED integration

Eclipse clients communicate with the host by using the RSED started task of z/OS Explorer, FMID HALGxxx. z/OS Debugger must make itself known to RSED for its services to become available.

Note:

For z/OS Debugger 16.0 and older releases, the z/OS Debugger features documented here were provided by IBM z/OS Explorer Extensions 16.0 and older, FMID HHOPxxx, in combination with IBM Explorer for z/OS 3.3 and older, FMID HALGxxx.

rse.env, the z/OS Explorer configuration file

The z/OS Explorer RSE server processes (RSE daemon, RSE thread pool, and RSE server) must know that they are extended by z/OS Debugger. Depending on where z/OS Debugger was installed, this detection is automatic, or done through an environment variable in `rse.env`.

If z/OS Debugger was installed in the `plugin/` directory of z/OS Explorer, default `/usr/lpp/IBM/zexpl/plugin/`, then z/OS Explorer automatically detects the presence of z/OS Debugger on the next restart of the RSED started task, and no further action is required.

If z/OS Debugger was installed in another directory (the default is `/usr/lpp/IBM/debug/`), then variable `RSE_PLUGIN_PATH` must be updated in `rse.env` to specify the install location of z/OS Debugger.

`rse.env` is located in `/etc/zexpl/`, unless you specified a different location when you customized and submitted the z/OS Explorer FEK.SFEKSAMP (FEKSETUP) job. You can edit the file with the TSO/E **EDIT** command. The syntax of the file follows standard z/OS UNIX shell syntax rules. For example, comments start with a number sign (#) when using a US code page, and spaces around the equal sign (=) are not supported.

Note: For your changes to take effect, the z/OS Explorer RSED started task must be restarted.

```
#RSE_PLUGIN_PATH=
```

RSE_PLUGIN_PATH

Reference to plugin products that are not installed in the `plugin/` directory. The default is an empty string. Uncomment and change to match the installation paths of products that extend z/OS Explorer. Multiple paths are separated by a colon (:).

Products that are installed in the z/OS Explorer `plugin/` sub-directory are detected automatically and do not need to be added to `RSE_PLUGIN_PATH`.

For example: `RSE_PLUGIN_PATH=/usr/lpp/IBM/debug/rse`

eqa.env, the environment configuration file

The z/OS Explorer RSE server processes (RSE daemon, RSE thread pool, and RSE server) use the definitions in `eqa.env` to learn about z/OS Debugger environment variables.

`eqa.env` must reside in the same directory as `rse.env`, the z/OS Explorer configuration file, for it to be found. `rse.env` is located in `/etc/zexpl/`, unless you specified a different location when you customized and submitted the z/OS Explorer FEK.SFEKSAMP (FEKSETUP) job.

Copy `eqa.env` from the `rse/samples/` directory, default `/usr/lpp/IBM/debug/rse/samples/`, to `/etc/zexpl/` and customize as needed. You can edit the file with the TSO/E **EDIT** command.

Default values are provided for all variables that are not explicitly specified. The syntax of the file follows standard z/OS UNIX shell syntax rules. For example, comments start with a number sign (#) when using a US code page, and spaces around the equal sign (=) are not supported.

Note: For your changes to take effect, the z/OS Explorer RSED started task must be restarted.

```
#EQA_HLQ=${ELAXF_EQA:-EQAW}

#AZU_JES_PROCLIB=SYS1.PROCLIB

#_RSE_JAVAOPTS="$_RSE_JAVAOPTS -DDISABLE_DBM_INTEGRATION=false"
#_RSE_JAVAOPTS="$_RSE_JAVAOPTS -Ddebug.miner.autoreconnect=0"
#_RSE_JAVAOPTS="$_RSE_JAVAOPTS -Ddebug.miner.localhost=localhost"
```

EQA_HLQ

The high-level qualifier used to install z/OS Debugger. The default is EQAW. Uncomment and change to match the location of your z/OS Debugger data sets.

Note: If z/OS Explorer Extensions, FMID HHOPxxx, is also extending the same RSED started task as z/OS Debugger, then z/OS Debugger will use environment variable ELAXF_EQA, if defined, as default value for EQA_HLQ. z/OS Explorer Extensions creates this variable while processing the ELAXF JCL INCLUDE member.

AZU_JES_PROCLIB

Define where cataloged procedures are stored so Early Development Testing (EDT) can analyze them when adding recording parameters to JCL using a cataloged procedure. The default is SYS1.PROCLIB. Uncomment and specify a colon (:) separated list of data sets.

_RSE_JAVAOPTS="\$_RSE_JAVAOPTS -DDISABLE_DBM_INTEGRATION=false"

Disable integration with Debug Manager, an optional started task of z/OS Debugger. The default is false, which implies that Debug Miner will attempt to connect at least once to Debug Manager. Uncomment and specify true to prevent any attempt to connect to Debug Manager.

_RSE_JAVAOPTS="\$_RSE_JAVAOPTS -Ddebug.miner.autoreconnect=0"

Automatic reconnect to Debug Manager, an optional started task of z/OS Debugger. The default is 0, which implies that, when a connection with the Debug Manager server is not established or lost, the Debug Miner will attempt every minute to reconnect to the Debug Manager. Uncomment and specify a different value to limit how often the Debug Miner will attempt to connect to the Debug Manager.

Table 5. Automatic reconnect to Debug Manager

debug.miner.autoreconnect
-1
0 (default)
1-86400

_RSE_JAVAOPTS="\$_RSE_JAVAOPTS -Ddebug.miner.localhost=localhost"

Alternative for the localhost TCP/IP definition. Debug Miner will attempt to connect to the Debug Manager, an optional started task of z/OS Debugger, using the localhost specification. This will

fail if localhost does not resolve to the local loopback address (127.0.0.1 for IPv4, ::1 for IPv6). Uncomment and specify the local loopback address when required.

Enabling communication with Debug Manager

Debug Manager (DBGMGR) provides communication-related services to z/OS Debugger and the remote Eclipse client.

To use Debug Manager, apart from the host debugger, you also need to install the following components or products:

- IBM z/OS Explorer host.
- An Eclipse client of the following products:
 - IBM Debug for z/OS
 - IBM Developer for z/OS

Specifically, if the DBMDT TEST runtime parameters are used, Debug Manager is used with z/OS Explorer's Remote System Explorer daemon (RSED) to allow z/OS Debugger to resolve the client's workstation address.

This chapter describes how to set up the Debug Manager's started task, encryption, and security definitions.

To learn more about Debug Manager, see [“Understanding Debug Manager”](#) on page 36. For the differences between using Debug Manager and Debug Daemon port 8001, see [“TCP/IP ports”](#) on page 44.

Debug Manager configuration

PARMLIB changes

Adding the started task to COMMNDxx

Add a start command for the Debug Manager server to SYS1.PARMLIB(COMMNDxx) to start it automatically at the next system IPL. Define CMD=xx in the IEASYSxx parmlib member to specify the COMMNDxx parmlib member that is used during IPL.

After the server is defined and configured, it can be started dynamically (until the next IPL) with the following console command:

```
S DBGMGR
```

Note: There is no specific startup order for the server. The only requirement is that the server is up and running before the first user tries to connect. Note that the Debug Manager server depends on the z/OS Explorer's Remote System Explorer daemon server (RSED) to also be running.

APF authorization in PROGxx

For Debug Manager to work, the modules in the EQAW.SEQAAUTH load library must be APF-authorized.

APF authorizations are defined in SYS1.PARMLIB(PROGxx) by default. Define PROG=xx in the IEASYSxx parmlib member to specify the PROGxx parmlib member that is used during IPL.

APF authorization can be set dynamically (until the next IPL) with the following console command, where volser is the volume on which the data set resides if it is not SMS-managed:

- SETPROG APF,ADD,DSN=EQAW.SEQAAUTH,SMS
- SETPROG APF,ADD,DSN=EQAW.SEQAAUTH,VOL=volser

Note: Some of the prerequisite and co-requisite products, such as z/OS Explorer, also require APF authorization. For more information, see the related product customization guides.

Running Debug Manager as a started task or user job

You can add the Debug Manager started task to the system PROCLIB to run it as a started task, or you can define a RACF profile to run it as a user job.

Running Debug Manager as a started task by using command line parameters

You can add the Debug Manager started task to the system PROCLIB to run it as a started task by using command-line parameters.

Customize the EQAW.SEQASAMP (EQAZPCM) sample started task member, as described within the member, and copy it to SYS1.PROCLIB as member DBGMGR. As shown in the following code sample, provide the following information:

- The time-zone offset, default EST5DST
- The port used for external (client-host) communication, default 5335
- The port used for internal (host-confined) communication, default 5336
- The high-level qualifier of the load library, default EQAW

```
//*
//* z/OS Debugger Debug Manager
//*
//DBGMGR   PROC PRM=,                * PRM=DEBUG TO START TRACING
//          LEPRM='RPTOPTS(ON)',
//          TZ='EST5EDT',
//          CLIENT=5335,
//          HOST=5336,
//          HLQ=EQAW
//*
//DBGMGR   EXEC PGM=EQAZPCM,REGION=0M,TIME=NOLIMIT,
//          PARM=('&LEPRM ENVAR("TZ=&TZ")/&HOST &CLIENT &PRM')
//STEPLIB DD DISP=SHR,DSN=&HLQ..SEQAAUTH
//SYSPRINT DD SYSOUT=*
//SYSOUT DD SYSOUT=*
//          PEND
//*
```

Figure 1. DBGMGR: Debug Manager started task by using command-line parameters

Notes:

- This started task is optional. It is used by z/OS Debugger if the DBMDT TEST runtime parameter is used.
- For the recommended Workload Manager (WLM) goals for this task, see [“WLM considerations”](#) on page 50.

Running Debug Manager as a started task with a configuration file

You can start Debug Manager with a configuration file, especially when the length of the command line with all necessary options exceeds the 100 characters limit, for example, in the sysplex environment.

The configuration file is a z/OS UNIX file that is passed to Debug Manager as a command-line parameter.

```
//*
//* z/OS Debugger Debug Manager
//*
//DBGMGR   PROC PRM=,                * PRM=DEBUG TO START TRACING
//          LEPRM='RPTOPTS(ON)',
//          HLQ=EQAW
//*
//DBGMGR   EXEC PGM=EQAZPCM,REGION=0M,TIME=NOLIMIT,
//          PARM=('&LEPRM /CONFIG=/u/ibmuser/dbm.cfg')
//STEPLIB DD DISP=SHR,DSN=&HLQ..SEQAAUTH
//SYSPRINT DD SYSOUT=*
//SYSOUT DD SYSOUT=*
//          PEND
//*
```

Figure 2. DBGMGR: Debug Manager started task with a configuration file

Figure 3 on page 30 shows the example configuration file dbm.cfg called in Figure 2 on page 29.

```
#required parameters
INTERNALPORT = 5336
EXTERNALPORT = 5335
#optional parameters
TRACELEVEL = DEBUG
SAFCLASS = FACILITY
HUBIP = 1.2.3.4
HUBPORT = 5337
HUBKEY = passphrase
VIPA = OFF
#environment vars
TZ=EST5EDT
```

Figure 3. Debug Manager configuration file

The configuration file is not case-sensitive and consists of lines in the key=value format. A line can also start with # and is considered a comment in this case.

The following parameter keys can be specified in the configuration file:

INTERNALPORT

Port for local communication

EXTERNALPORT

Port for client-host communication

TRACELEVEL

Trace level for DBM output. The following values are valid:

- ERROR
- INFO
- DEBUG
- VERBOSE

TRUSTEDTCP

- ON: Trusted TCP authentication is enabled. This is the default value. You also need to give access to trusted TCP to the user that the Debug Manager task is started under. For more information, see “Trusted TCP authentication for sysplex connections” on page 36.
- OFF: Trusted TCP authentication is disabled.

SAFCLASS

RACF SAF class for the case where DBM is started as a user job. The default value is FACILITY.

HUBIP

IPv4 or IPv6 IP address for the primary node in the sysplex. All DBM instances must use the same IP address.

HUBPORT

Port for inter-sysplex communication

HUBKEY

Key used to authenticate secondary nodes. The maximum length is 32 characters.

VIPA

- OFF: LPARs are accessible externally by their IP addresses. This is the default value.
- ON: The client uses a single IP address to connect to sysplex. LPARs must use unique EXTERNALPORT values so that the client can connect to the LPAR with a debug session.

Any other key is set as an environment variable, for example, TZ as in Figure 3 on page 30.

Running Debug Manager as a started task by using environment variables

Starting from z/OS Debugger 16.0.4, Debug Manager supports passing parameters through environment variables.

During its startup, Debug Manager checks whether any environment variable has the same name as its parameter, such as INTERNALPORT, EXTERNALPORT. This approach allows passing parameters by using XL C/C++ `_CEE_ENVFILE` parameter as follows.

```
...
// *
//DBGMGR EXEC PGM=EQAZPCM,REGION=0M,TIME=NOLIMIT,
// PARM=('&LEPRM,ENVAR("_CEE_ENVFILE=DD:ENVARS")/')
//ENVARS DD *
INTERNALPORT=5336
EXTERNALPORT=5335
TRACELEVEL=DEBUG
SAFCLASS=FACILITY
HUBIP=1.2.3.4
HUBPORT=5337
VIPA=OFF
TZ=EST5EDT
...
```

Figure 4. DBGMGR: Debug Manager started task by using environment variables

Starting Debug Manager as a user job

When not run as a started task, Debug Manager queries your security product for explicit permission to start.

Table 6. Debug Manager batch startup profile	
Security profile	Required access
EQADTOOL.START.BATCH.jobname.port	READ

Table 7. Substitutions	
Name	Substitution
jobname	Name of the job
port	port number (the port used for internal communication)

The security class where this profile resides can be specified with SAFCLASS command line parameter, and is defined as FACILITY by default. Use SAFCLASS=CLASS_NAME command line option to modify the default name. When the profile is not defined or the class is not active, permission is denied and batch startup fails.

Use the following sample RACF commands to allow user ID IBMUSER to start Debug Manager in batch with job name EQADB and port 5336:

- RDEFINE FACILITY EQADTOOL.START.BATCH.EQADB.5336 UACC(NONE) DATA('start DBM in batch')
- PERMIT EQADTOOL.START.BATCH.EQADB.5336 CLASS(FACILITY) ACCESS(READ) ID(IBMUSER)
- SETROPTS RACLIST(FACILITY) REFRESH

Network configuration

Debug Manager TCP/IP updates

The Debug Manager uses the following TCP/IP ports:

- Port for client-host communication (default 5335). Communication on this port can be encrypted.
- Port for host-confined communication (default 5336).
- Port for inter-sysplex communication (default 5337), when the sysplex support is enabled.

Encrypted communication

If the debug client uses encryption to communicate with the Remote System Explorer (RSE) daemon, by default, the client also uses encryption to communicate with the host-based Debug Manager.

The following table shows whether a debug session can be started successfully with encrypted communication disabled or enabled for RSE and Debug Manager.

	DBGMGR encrypted communication enabled ¹	DBGMGR encrypted communication disabled
RSE encrypted communication enabled	The debug session starts in secured mode. ²	Ask the user to confirm unsecured connection and then proceed as normal.
RSE encrypted communication disabled	The debug session cannot be started.	The debug session starts in unsecured mode.

Notes:

1. Unlike RSE daemon, Debug Manager does not have native support for encrypted communication. To enable encryption, [create an AT-TLS policy for the port used by Debug Manager](#).
2. Users can start debug sessions without prompts only when the same certificates as RSE, or different chained certificates of the same CA root are used for Debug Manager. Certificates of different CA roots are considered as untrusted, and users need to take actions before they establish debug connection.

Creating an AT-TLS policy for the port used by Debug Manager

The Debug Manager relies on a TCP/IP service called Application Transparent Transport Layer Security (AT-TLS) for encrypted communication. For a step-by-step setup guide, see [“Setting up AT-TLS” on page 37](#).

To enable encryption, create an AT-TLS policy for the port used by Debug Manager for external communication, by default 5335. See the following sample policy.

```

TTLSRule                                zOS_Debugger_Debug_Manager
{
  LocalPortRange                        5335
  Direction                              Inbound
  TTLSGroupActionRef                    grp_Production
  TTLSEnvironmentActionRef              act_zOS_Debugger_Debug_Manager
}
TTLSEnvironmentAction                   act_zOS_Debugger_Debug_Manager
{
  HandshakeRole Server
  TTLSKeyRingParms
  {
    Keyring dbgmgr.racf                # Keyring must be owned by the Debug Manager
  }
}
TTLSGroupAction                          grp_Production
{
  TTLSEnabled                           On
  Trace                                  2
}

```

Debug Manager security definitions

The following list is an overview of the actions that are required to complete the basic security setup of Debug Manager. As documented in the following sections, different methods can be used to fulfill these requirements, depending on the required security level.

For more information about the sample RACF commands, see *RACF Command Language Reference* (SA22-7687).

Activating the security settings and classes

Debug Manager uses a variety of security mechanisms to ensure a secure and controlled host system environment for the client. To do so, several classes and security settings must be active, as shown with the following sample RACF commands:

- Display current settings
 - SETROPTS LIST
- Activate facility class for Debug Manager
 - SETROPTS GENERIC(FACILITY)
 - SETROPTS CLASSACT(FACILITY) RACLIST(FACILITY)
- Activate started task definitions for Debug Manager
 - SETROPTS GENERIC(STARTED)
 - RDEFINE STARTED ** STDATA(USER(=MEMBER) GROUP(STCGROUP) TRACE(YES))
 - SETROPTS CLASSACT(STARTED) RACLIST(STARTED)

Defining the Debug Manager started task

The following sample RACF commands create the DBGMGR started task, with protected user ID (STCDBM) and the STCGROUP group assigned to it.

- ```
ADDGROUP STCGROUP OMVS(AUTOUID)
DATA('GROUP WITH OMVS SEGMENT FOR STARTED TASKS')
```
- ```
ADDUSER STCDBM DFLTGRP(STCGROUP) NOPASSWORD NAME('DEBUG MANAGER')
OMVS(AUTOUID HOME(/tmp) PROGRAM(/bin/sh) )
DATA('IBM z/OS Debugger')
```
- ```
RDEFINE STARTED DBGMGR.* DATA('DEBUG MANAGER')
STDATA(USER(STCDBM) GROUP(STCGROUP) TRUSTED(NO))
```
- ```
SETROPTS RACLIST(STARTED) REFRESH
```

Note:

- Ensure that the started task user ID is protected by specifying the NOPASSWORD keyword.
- The Debug Manager started task (DBGMGR) is used only by z/OS Debugger when the DBMDT TEST runtime parameter is used.

Defining Debug Manager as a secure z/OS UNIX server

Debug Manager requires UPDATE access to the BPX.SERVER profile to create or delete the security environment for the debug thread.

Note: Using UID(0) to bypass this requirement is not supported.

This permit is required only when the Debug Manager feature is used.

- ```
RDEFINE FACILITY BPX.SERVER UACC(NONE)
```
- ```
PERMIT BPX.SERVER CLASS(FACILITY) ACCESS(UPDATE) ID(STCDBM)
```

- SETROPTS RACLIST(FACILITY) REFRESH



Attention: Defining the BPX.SERVER profile makes z/OS UNIX as a whole switch from UNIX level security to z/OS UNIX level security, which is more secure. This switch might impact other z/OS UNIX applications and operations. Test the security before activating it on a production system. For more information about the different security levels, see *UNIX System Services Planning* (GA22-7800).

Defining the MVS program controlled libraries for Debug Manager

Servers with authority to BPX.SERVER must run in a clean, program-controlled environment. This requirement implies that all programs called by Debug Manager must also be program controlled. For MVS load libraries, program control is managed by your security software.

Debug Manager uses system libraries, Language Environment's runtime, and the z/OS Debugger (EQAW.SEQAAUTH) load library.

- RALTER PROGRAM ** UACC(READ) ADDMEM('SYS1.LINKLIB'//NOPADCHK)
- RALTER PROGRAM ** UACC(READ) ADDMEM('SYS1.CSSLIB'//NOPADCHK)
- RALTER PROGRAM ** UACC(READ) ADDMEM('CEE.SCEERUN'//NOPADCHK)
- RALTER PROGRAM ** UACC(READ) ADDMEM('CEE.SCEERUN2'//NOPADCHK)
- RALTER PROGRAM ** UACC(READ) ADDMEM('EQAW.SEQAAUTH'//NOPADCHK)
- SETROPTS WHEN(PROGRAM) REFRESH

Note: Do not use the ** profile if you already have a * profile in the PROGRAM class. The profile obscures and complicates the search path used by your security software. In this case, you must merge the existing * and the new ** definitions. Use the ** profile, as documented in *Security Server RACF Security Administrator's Guide* (SA22-7683).

Verifying the security settings

- Security setting and classes
 - SETROPTS LIST
- Started tasks
 - LISTGRP STCGROUP OMVS
 - LISTUSER STCDBM OMVS
 - RLIST STARTED DBGMGR.* ALL STDATA
- Debug Manager as a secure z/OS UNIX server
 - RLIST FACILITY BPX.SERVER ALL
- MVS program controlled libraries for Debug Manager
 - RLIST PROGRAM ** ALL

Verifying the DBGMGR started task

Start the DBGMGR started task or user job. The server issues the following console message upon successful startup, where `clientport` is the number of the port used for external (client-host) communication, and `hostport` is the port number used for internal (host-confined) communication.

```
EQACM001I Debug Manager startup complete (clientport/hostport)
```

If the job ends with return code 66, then EQAW.SEQAAUTH is not APF-authorized.

Running the installation verification programs for Debug Manager

The following installation verification programs are available for Debug Manager:

- Batch. For more information, see [“Running the installation verification programs for SVCs”](#) on page 10.
- CICS. For more information, see [“Running the installation verification programs in a CICS region”](#) on page 162.

Enabling sysplex support

With the sysplex support enabled, Debug Manager can establish communication between the client and the debugger if the LPAR that the client is connected to via RSE and the LPAR with a started debug session are different.

To enable sysplex support, complete the following steps:

1. Ensure that Debug Manager is configured in all LPARs that the debugger runs on or that the user connects to via RSE.
2. Start Debug Manager instances on all LPARs with HUBIP and HUBPORT parameters equal to the IP address and port number of one of the LPARS. That LPAR will become a primary node and the others will connect to it and act as secondary nodes. Any instance that fails to bind or connect will continue to work stand-alone on its LPAR, periodically trying to connect to the hub. If you want to change the primary node assignment when Debug Manager is running, you can use the [Debug Manager console command H](#). For more information on how to start Debug Manager with a configuration file, see [“Running Debug Manager as a started task with a configuration file”](#) on page 29. For more information on how to start Debug Manager by using environment variables, see [Running Debug Manager as a started task by using environment variables](#).

Below is how it works after sysplex support is enabled:

1. Secondary nodes connect to the primary node.
2. The primary instance is notified when a debug session is started in an LPAR but no RSE connection can be found.
3. The primary node finds the LPAR with an active RSE connection and connect it to the LPAR where the debug session is waiting.

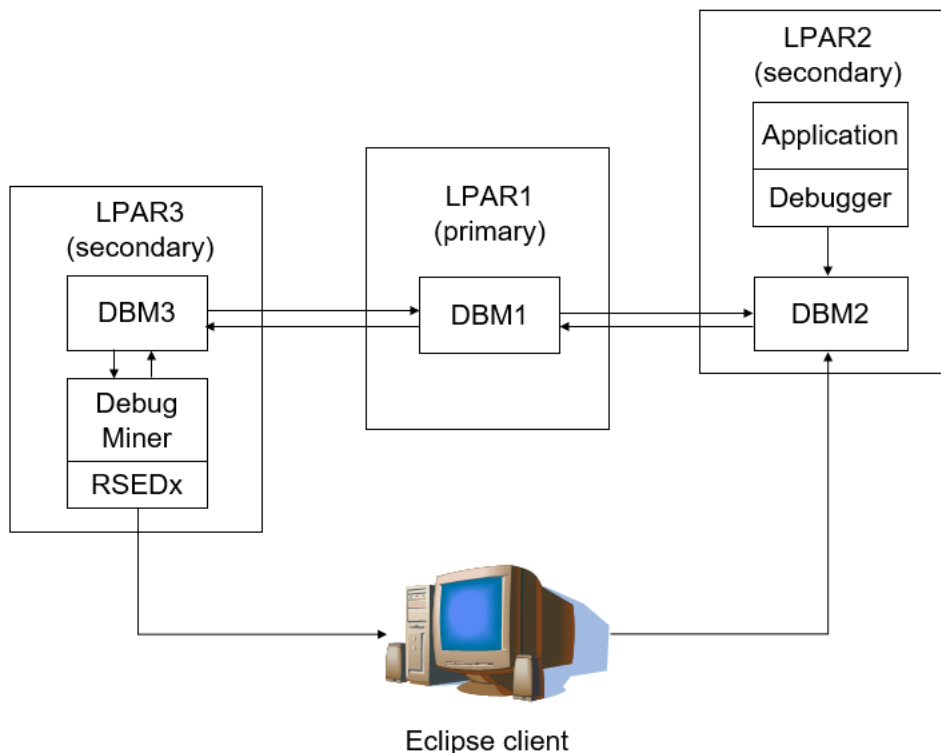


Figure 5. Debug Manager instances in a sysplex environment.

Trusted TCP authentication for sysplex connections

Starting from 16.0.4, Debug Manager supports authentication of other Debug Manager instances connecting to its hub port by using [Trusted TCP](#). To enable it in Debug Manager, set the **TRUSTEDTCP** parameter to ON and enter the following RACF commands or their equivalents in other security products:

```
RDEFINE SERVAUTH EZB.IOCTL.sysname.tcpprocname.PARTNERINFO UACC(NONE)
PERMIT EZB.IOCTL.sysname.tcpprocname.PARTNERINFO CLASS(SERVAUTH) ID(dbgmgrSTCUser) ACCESS(READ)
SETROPTS RACLIST(SERVAUTH) REFRESH
RDEFINE SERVAUTH EZBDOMAIN APPLDATA('EQAZPCMDOMAIN')
SETROPTS RACLIST(SERVAUTH) REFRESH
```

You can use wildcards in the values for *sysname* and *tcpprocname*.

For more information about these commands, see [Steps for retrieving partner security credentials](#).

Note: Debug Manager instances on all LPARS must be started under the same user ID.

Debug Manager configuration reference

Understanding Debug Manager

Debug Manager provides communication-related services to z/OS Debugger and the remote Eclipse client. It circumvents the need to open outbound ports from z/OS and for users to track their IP address. For differences between usages with and without Debug Manager, see the figures in [“TCP/IP ports”](#) on page 44.

Figure 6 on page 36 shows a schematic overview of how an Eclipse client uses Debug Manager when you debug an application. In a Sysplex environment, Debug Manager instances on different LPARs also maintain a communication with each other to establish connection even in the case when the LPAR that a user is logged on and the LPAR where a debug session has started are different. For more information, see [“Enabling sysplex support”](#) on page 35.

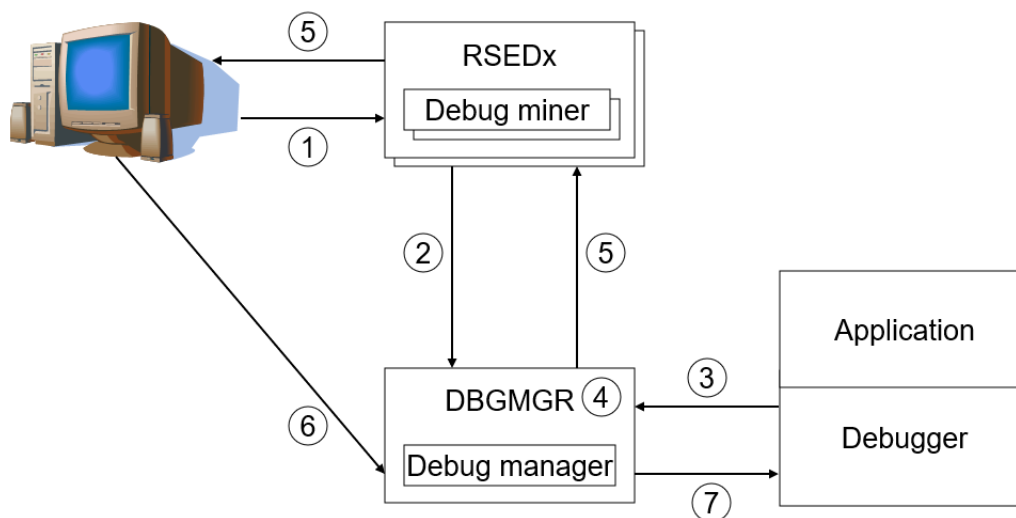


Figure 6. Debug Manager

1. The client connects to the host by using a z/OS connection in the **Remote Systems** view.
2. As part of the logon, Debug Miner registers the user with Debug Manager, which is active within the DBGMGR started task.
3. When the program to be debugged starts, z/OS Debugger sends the debug request to Debug Manager.

4. Debug Manager checks whether the debug session user is registered. If the user is not registered at this moment, the debug session goes dormant. z/OS Debugger will wait up to two times of *\$VALUE*. If the user still has not signed on to the z/OS connection in the **Remote Systems** view and is not registered with Debug Manager, the debug session will time out.
5. If the user is registered, Debug Manager notifies the Eclipse client that a new debug session is available.
6. The Eclipse client makes a TCPIP connection to the external Debug Manager port.
7. Debug Manager passes the TCPIP connection to z/OS Debugger, which allows the user to control the debug session.

For more information about TCPIP and DBMDT options and the *user_id* option for DBM/DBMDT, see "Syntax of the TEST runtime option" in *IBM z/OS Debugger Reference and Messages*.

Setting up AT-TLS

This section is provided to assist you with some common problems that you might encounter when setting up Application Transparent Transport Layer Security (AT-TLS), or during checking or modifying an existing setup.

The Transport Layer Security (TLS) protocol defined in RFC 2246 provides communications privacy over the internet. Similar to its predecessor Secure Socket Layer (SSL), the protocol enables client and server applications to communicate in a way that is designed to prevent eavesdropping, tampering, and message forgery. Application Transparent Transport Layer Security (AT-TLS) consolidates TLS implementation for z/OS-based applications in one location, allowing all applications to support TLS-based encryption without knowledge of the TLS protocol. For more information on AT-TLS, See *Communications Server IP Configuration Guide* (SC31-8775).

The information in this section shows how to set up the TCP/IP Policy Agent that manages AT-TLS and define a policy for usage by DBGMR on a z/OS 1.13 system, with support for TLS v1.2.

1. ["Setting up syslogd" on page 37](#)
2. ["AT-TLS configuration in PROFILE.TCPIP" on page 38](#)
3. ["Policy Agent started task" on page 38](#)
4. ["Policy Agent configuration" on page 39](#)
5. ["AT-TLS policy" on page 39](#)
6. ["AT-TLS security updates" on page 41](#)
7. ["AT-TLS policy activation" on page 44](#)

Throughout this section, a uniform naming convention is used:

- Debug Manager port for external communication: 5335
- Debug Manager user ID: stcdbm
- Policy agent user ID: pagent
- Certificate: dbgmgr
- Key and certificate storage: dbgmgr.racf

Some tasks described in the following sections expect you to be active in z/OS UNIX. This can be done by issuing the TSO command **OMVS**. Use the **oedit** command to edit files in z/OS UNIX. Use the **exit** command to return to TSO.

Setting up syslogd

The TCP/IP documentation recommends writing Policy Agent messages to the z/OS UNIX syslog instead of using the default log file. AT-TLS always writes messages to the z/OS UNIX syslog.

In order to do so, the z/OS UNIX syslog daemon, `syslogd`, must be configured and active. You also need a mechanism to control the size of the log files created by `syslogd`.

The following sample configuration file updates can be used to configure and start syslogd, with a simple log file management mechanism (erase existing logs when z/OS UNIX starts and create new ones upon syslogd startup).

- /etc/services

```
syslog          514/udp
```

- /etc/syslog.conf

```
# /etc/syslog.conf - control output of syslogd
# 1. all files with will be printed to /tmp/syslog.auth.log
auth.*          /tmp/syslog.auth.log
# 2. all error messages printed to /tmp/syslog.error.log
*.err          /tmp/syslog.error.log
# 3. all debug and above messages printed to /tmp/syslog.debug.log
*.debug        /tmp/syslog.debug.log
# The files named must exist before the syslog daemon is started,
# unless -c startup option is used
```

- /etc/rc

```
# Start the SYSLOGD daemon for logging
# (clean up old logs)
sed -n '/^#/#!s/. * \(. *\) \|1/p' /etc/syslog.conf | xargs -i rm {}
# (create new logs and add userid of message sender)
_BPX_JOBNAME='SYSLOGD' /usr/sbin/syslogd -cuf /etc/syslog.conf &
sleep 5
```

AT-TLS configuration in PROFILE.TCPIP

AT-TLS support is activated by the TTLS parameter on the TCPCONFIG statement in the PROFILE.TCPIP data set. AT-TLS is managed by the Policy Agent, which must be active to be able to enforce the AT-TLS policy. Since the Policy Agent must wait for TCP/IP to be active, the AUTOSTART statement in PROFILE.TCPIP is a good place to trigger startup of this server.

These requirements result in the following changes to PROFILE.TCPIP, often named TCPIP.TCPPARMS(TCPPROF).

```
TCPCONFIG TTLS          ; Required for AT-TLS
AUTOLOG
  PAGENT                ; POLICY AGENT, required for AT-TLS
ENDAUTOLOG
```

Policy Agent started task

As mentioned in the previous text, AT-TLS is managed by the Policy Agent, which can be started as a started task. Use the following JCL to create SYS1.PROCLIB(PAGENT), using the default configuration file and the recommended log location (SYSLOGD). The necessary definitions in your security software are covered later.

```
//PAGENT  PROC PRM='-L SYSLOGD'                * '' or '-L SYSLOGD'
//*
//* TCP/IP POLICY AGENT
//*                                     (PARM) (envar)
//* default cfg file: /etc/pagent.conf      (-C) (PAGENT_CONFIG_FILE)
//* default log file: /tmp/pagent.log       (-L) (PAGENT_LOG_FILE)
//* default log size: 300,3 (3x 300KB files) (PAGENT_LOG_FILE_CONTROL)
//*
//PAGENT  EXEC PGM=PAGENT,REGION=0M,TIME=NOLIMIT,
//        PARM='ENVAR("TZ=EST5DST")/&PRM'
//SYSPRINT DD SYSOUT=*
//SYSOUT  DD SYSOUT=*
//*
```

Policy Agent configuration

The Policy Agent enforces TCP/IP related policies created by the TCP/IP administrator. It manages policies for AT-TLS, called TTLS, but also for other services such as IPSec. The Policy Agent uses a configuration file to know which policies must be enforced, and where they can be found. The default configuration file is `/etc/pagent.conf`, but a different location can be specified in the Policy Agent started task JCL.

```
#
# TCP/IP Policy Agent configuration information.
#
TTLSConfig /etc/pagent.ttls.conf
# Specifies the path of a TTLS policy file holding stack specific
# statements.
#
#TcpImage TCPIP /etc/pagent.conf
# If no TcpImage statement is specified, all policies will be installed
# to the default TCP/IP stack.
#
#LogLevel 31
# The sum of the following values that represent log levels:
# LOGL_SYSERR      1
# LOGL_OBJERR      2
# LOGL_PROTERR     4
# LOGL_WARNING     8
# LOGL_EVENT       16
# LOGL_ACTION      32
# LOGL_INFO        64
# LOGL_ACNTING    128
# LOGL_TRACE       256
# Log Level 31 is the default log loglevel.
#
#Codepage IBM-1047
# Specify the EBCDIC code page to be used for reading all configuration
# files and policy definition files. IBM-1047 is the default code page.
```

This sample configuration file specifies where the Policy Agent can find the TTLS policy. It uses Policy Agent default values for other statements.

AT-TLS policy

A TTLS policy describes the desired AT-TLS rules. As defined in the Policy Agent configuration file, the TTLS policy is located in `/etc/pagent.ttls.conf`. The necessary definitions in your security software are covered later.

This example shows a fairly simple, two-rule policy that disables SSL v3 and enables TLS v1, TLS v1.1, and TLS v1.2 support for both communication paths supported by the z/OS RSE connection, Debug Manager, and Debug Engine-Client. As defined in the Policy Agent configuration file, the TTLS policy is located in `/etc/pagent.ttls.conf`.

```
###
### TCP/IP Policy Agent AT-TLS configuration information.
###
###-----
TTLSRule                                zOS_Debugger_Debug_Manager
{
  LocalPortRange                        5335
  Direction                             Inbound
  TTLSGroupActionRef                    grp_Production
  TTLSEnvironmentActionRef              act_zOS_Debugger_Debug_Manager
}
###-----
TTLSEnvironmentAction                    act_zOS_Debugger_Debug_Manager
{
  HandshakeRole Server
  TTLSKeyRingParms
  {
    Keyring dbgmgr.racf                 # Keyring must be owned by the Debug Manager
  }
}
TTLSEnvironmentAdvancedParms
{
  ApplicationControlled Off
  TLsv1.2 On
  # TLsv1 & TLsv1.1 are on by default
```

```

SSLV3 Off
# disable SSLv30
}
}
###-----
TTLSTGroupAction          grp_Production
{
  TTLSEnabled              On
  Trace                    3      # Log Errors to syslogd & IP joblog
#Trace                    254    # Log everything to syslogd
}

```

A TTLS policy allows for a wide range of filters to specify when a rule applies.

Debug Manager is a server that listens on port 5335 for incoming connections from Debug Engine. This information is captured in the `zOS_Debugger_Debug_Manager` rule.

Since encrypted communication requires the usage of a server certificate, you specify that the Policy Manager must use the certificates on the `dbgmgr.racf` key ring, which is owned by the Debug Manager started task user ID. By default, TLS v1.2 support is disabled, so this policy explicitly enables it. SSLv3.0 is explicitly disabled due to known vulnerabilities in this protocol.

Note: For more complex policies, you should use the IBM Configuration Assistant for z/OS Communications Server. This is a GUI-based tool that provides a guided interface for configuring TCP/IP policy-based networking functions and is available as a task in IBM z/OS Management Facility (z/OSMF), and as a stand-alone workstation application.

AT-TLS policy in the sysplex environment

Similar to AT-TLS rules for configuring the communication between Debug Manager and the client via the external port, communication between Debug Manager instances running on different LPARs in the sysplex environment can also be configured with AT-TLS policies.

The primary node can use a configuration identical to the example above. A secondary node is acting as a client that connects to `primary_node_ip:5337` in this communication. The example below shows outbound policy that disables SSL v3 and enables TLS v1, TLS v1.1, and TLS v1.2 support. The group action reference `grp_Production` is identical to the one above and thus not shown here.

```

###
### TCP/IP Policy Agent AT-TLS configuration information.
###
###-----
TTLSTRule                  zOS_Debugger_DBM_SN
{
  RemoteAddr               primary_node_ip
  RemotePortRange          5337
  Direction                 Outbound
  TTLSGroupActionRef       grp_Production
  TTLSEnvironmentActionRef act_zOS_Debugger_DBM_SN
}

###-----
TTLSEnvironmentAction      act_zOS_Debugger_DBM_SN
{
  HandshakeRole Client
  TTLSKeyRingParms
  {
    Keyring dbgmgr.racf      # Keyring must be owned by the Debug Manager
  }
  TTLSEnvironmentAdvancedParms
  {
    ApplicationControlled Off
    TTLSV1.2 On
    # TTLSv1 & TTLSv1.1 are on by default
    SSLV3 Off
    # disable SSLv3
  }
}
}

```

AT-TLS security updates

Several updates are required to your security setup for AT-TLS to work properly. Use sample RACF commands in this topic to do the required setup.

Started task setup

As mentioned in “Policy Agent started task” on page 38, you use a started task to run the Policy Agent. This requires the definition of a started task user ID and a profile in the STARTED class.

```
# define started task user ID
# BPX.DAEMON permit is required for non-zero UID
ADDUSER PAGENT DFLTGRP(SYS1) OMVS(UID(0) SHARED HOME('/')) +
  NAME('TCP/IP POLICY AGENT') NOPASSWORD

# define started task
RDEFINE STARTED PAGENT.* STDATA(USER(PAGENT) GROUP(SYS1)) +
  DATA('TCP/IP POLICY AGENT')

# refresh to make the changes visible
SETROPTS RACLIST(STARTED) REFRESH
```

Policy Agent startup permission

Define a profile named MVS.SERV MGR.PAGENT in the OPERCMDS class and give user ID PAGENT CONTROL access to it. The profile restricts who can start the Policy Agent. If the profile is not defined, and access to it is prevented through a generic profile, PAGENT will not be able to start the Policy Agent, which will prevent TCP/IP stack initialization.

```
# restrict startup of policy agent
RDEFINE OPERCMDS MVS.SERV MGR.PAGENT UACC(NONE) +
  DATA('restrict startup of policy agent')
PERMIT MVS.SERV MGR.PAGENT CLASS(OPERCMDS) ACCESS(CONTROL) ID(PAGENT)

# refresh to make the changes visible
SETROPTS RACLIST(OPERCMDS) REFRESH
```

INITSTACK protection

As mentioned in “AT-TLS configuration in PROFILE.TCPIP” on page 38, the Policy Agent is started after TCP/IP is initialized. This means that there is a (small) window where applications can use the TCP/IP stack without the TTLS policy being enforced. Define the EZB.INITSTACK.** profile in the SERVAUTH class to prevent access to the stack during this time window, except for applications with READ access to the profile. You must permit a limited set of administrative applications to the profile to ensure full initialization of the stack, as documented in “TCP/IP stack initialization access control” in *Communications Server IP Configuration Guide (SC31-8775)*.

Note: The Policy Agent issues message EZD1586I when all policies are active.

```
# block stack access between stack and AT-TLS availability
# SETROPTS GENERIC(SERVAUTH)
# SETROPTS CLASSACT(SERVAUTH) RACLIST(SERVAUTH)
RDEFINE SERVAUTH EZB.INITSTACK.** UACC(NONE)
# Policy Agent
PERMIT EZB.INITSTACK.** CLASS(SERVAUTH) ACCESS(READ) ID(PAGENT)
# OMROUTE daemon
PERMIT EZB.INITSTACK.** CLASS(SERVAUTH) ACCESS(READ) ID(OMROUTE)
# SNMP agent and subagents
PERMIT EZB.INITSTACK.** CLASS(SERVAUTH) ACCESS(READ) ID(OSNMPD)
PERMIT EZB.INITSTACK.** CLASS(SERVAUTH) ACCESS(READ) ID(IOBSNMP)
# NAME daemon
PERMIT EZB.INITSTACK.** CLASS(SERVAUTH) ACCESS(READ) ID(NAMED)

# refresh to make the changes visible
SETROPTS RACLIST(SERVAUTH) REFRESH
```

Optional: pasearch protection

The z/OS UNIX pasearch command displays active policy definitions. Define profile EZB.PAGENT.** in the SERVAUTH class to restrict access to the pasearch command.

```
# restrict access to pasearch command
# RDEFINE SERVAUTH EZB.PAGENT.** UACC(NONE) +
# DATA('restrict access to pasearch command')
# PERMIT EZB.PAGENT.** CLASS(SERVAUTH) ACCESS(READ) ID(tcpadmin)

# refresh to make the changes visible
# SETROPTS RACLIST(SERVAUTH) REFRESH
```

Certificate setup

As mentioned in [“AT-TLS policy”](#) on page 39, Debug Manager needs a certificate so that AT-TLS can set up encrypted communication on Debug Manager’s behalf. These sample commands create a new certificate that is labeled dbgmgr, which is stored in a RACF key ring named dbgmgr.racf. Both the certificate and the key ring are owned by STCDBM, the Debug Manager started task user ID.

```
# activate class holding profiles that control certificate access
SETROPTS CLASSACT(RDATALIB) RACLIST(RDATALIB)

# define profiles that control certificate access
RDEFINE RDATALIB STCDBM.DBGMGR.RACF.LST UACC(NONE)

# permit server user ID to access key ring and related private keys
PERMIT STCDBM.DBGMGR.RACF.LST CLASS(RDATALIB) ACCESS(CONTROL) ID(stcdbm)

# refresh to dynamically activate the changes
SETROPTS RACLIST(RDATALIB) REFRESH

# ALTERNATIVE to using RDATALIB profiles
# # define profiles that control certificate access
# RDEFINE FACILITY IRR.DIGTCERT.LIST UACC(NONE)
# RDEFINE FACILITY IRR.DIGTCERT.LISTRING UACC(NONE)
# # permit server user ID to access certificates
# PERMIT IRR.DIGTCERT.LIST CLASS(FACILITY) ACCESS(READ) ID(stcdbm)
# PERMIT IRR.DIGTCERT.LISTRING CLASS(FACILITY) ACCESS(READ) ID(stcdbm)
# # refresh to dynamically activate the changes
# SETROPTS RACLIST(FACILITY) REFRESH

# create self-signed certificate
RACDCERT ID(stcdbm) GENCERT SUBJECTSDN(CN('Debug Manager') +
OU('RTP labs') O('IBM') L('Raleigh') SP('NC') C('US')) SIZE(2048) +
NOTAFTER(DATE(2015-12-31)) KEYUSAGE(HANDSHAKE) WITHLABEL('dbgmgr')

# create key ring
RACDCERT ID(stcdbm) ADDRING(dbgmgr.racf)

# add certificate to key ring
RACDCERT ID(stcdbm) CONNECT(LABEL('dbgmgr') RING(dbgmgr.racf) +
DEFAULT USAGE(PERSONAL))

# refresh to make the changes visible
SETROPTS RACLIST(DIGTCERT) REFRESH
```

(Optional) If you sign the server certificate with a trusted certificate authority (CA), the client trusts the signed certificate directly. Use the following commands to convert your self-signed certificate to a CA-signed one. These sample commands place the signing request in sequential data set &SYSUID..EQACERT.REQ, and assume that the signed certificate is staged in sequential VB84 data set &SYSUID..EAQCERT.CER. Sequential VB84 data set &SYSUID..CACERT.CER is used as input staging data set if you must add the public CA certificate that matches the private key used by the CA to sign your request.

```
# create a signing request for the self-signed certificate
# Do NOT delete the self-signed certificate before replacing it.
# If you do, you lose the private key that goes with the
# certificate, which makes the certificate useless.
RACDCERT ID(stcdbm) GENREQ (LABEL('dbgmgr')) +
DSN(EQACERT.REQ)
```

```

# send the signing request to your CA of choice

# ensure the CA is known and trusted by RACF
# list all CA certificates defined in the database
RACDCERT CERTAUTH LIST
# mark the CA certificate used to sign your certificate as trusted
RACDCERT CERTAUTH ALTER(LABEL('CA cert')) TRUST
# or add the CA certificate used to sign yours to the database
RACDCERT CERTAUTH ADD(CACERT.CER) WITHLABEL('CA cert') TRUST

# add the CA certificate to the key ring
RACDCERT ID(stcdbm) CONNECT(CERTAUTH LABEL('CA cert') +
RING(dbgmgr.racf))

# add the signed certificate to the database;
# this will replace the self-signed one
RACDCERT ID(stcdbm) ADD(EQACERT.CER) +
WITHLABEL('dbgmgr') TRUST

# refresh to dynamically activate the changes
SETROPTS RACLIST(DIGTCERT) REFRESH

```

The result can be verified with the following `list` and `listring` options:

```

RACDCERT ID(stcdbm) LIST
Digital certificate information for user STCDBM:

Label: dbgmgr
Certificate ID: 2QjW10Xi0sXZ1aaEqZmihUBA
Status: TRUST
Start Date: 2007/05/24 00:00:00
End Date: 2015/12/31 23:59:59
Serial Number:
  >00<
Issuer's Name:
  >CN=CA cert.OU=CA.0=IBM.L=Raleigh.SP=NC.C=US<
Subject's Name:
  >CN=Debug Manager.OU=zexpl.0=IBM.L=Raleigh.SP=NC.C=US<
Private Key Type: Non-ICSF
Private Key Size: 2048
Ring Associations:
  Ring Owner: STCDBM
  Ring:
    >dbgmgr.racf<

RACDCERT ID(stcdbm) LISTRING(dbgmgr.racf)
Digital ring information for user STCDBM:

Ring:
  >dbgmgr.racf<

```

Certificate Label Name	Cert Owner	USAGE	DEFAULT
dbgmgr	ID(STCDBM)	PERSONAL	YES
CA cert	CERTAUTH	CERTAUTH	NO

Verification

Use the following commands to verify your setup:

```

# verify started task setup
LISTGRP SYS1 OMVS
LISTUSER PAGENT OMVS
RLIST STARTED PAGENT.* ALL STDATA

# verify Policy Agent startup permission
RLIST OPERCMDS MVS.SERVMMGR.PAGENT ALL

# verify initstack protection
RLIST SERVAUTH EZB.INITSTACK.** ALL

# verify pasearch protection
RLIST SERVAUTH EZB.PAGENT.** ALL

# verify certificate setup
RACDCERT CERTAUTH LIST(LABEL('CA cert'))

```

```
RACDCERT ID(stcdbm) LIST(LABEL('dbgmgr'))
RACDCERT ID(stcdbm) LISTRING(dbgmgr.racf)
```

AT-TLS policy activation

AT-TLS setup is now complete, and the policy will be activated at next IPL of the system. Follow these steps to start using the policy without an IPL:

1. Activate AT-TLS support in the TCP/IP stack.

- Create a TCP/IP obey file, for example, TCPIP.TCPPARMS(OBEY), with the following content:

```
TCPCONFIG TTLS
```

- Activate it with this operator command:

```
V TCPIP,,OBEY,TCPIP.TCPPARMS(OBEY)
```

- Verify the result by checking for this console message:

```
EZZ4249I stackname INSTALLED TTLS POLICY HAS NO RULES
```

2. Start the Policy Agent.

- Issue operator command:

```
S PAGENT
```

- Verify the result by checking for console message:

```
EZD1586I PAGENT HAS INSTALLED ALL LOCAL POLICIES FOR stackname
```

3. Restart Debug Manager.

- Issue operator commands:

```
P DBGMGR
S DBBMGR
```

Note: Restarting Debug Manager interrupts all active debug sessions that are in pass-thru mode.

Debug Manager authentication

Client authentication is done by RSE daemon as part of the client's connection request. After the user is authenticated, self-generated PassTickets are used for all future authentication requests, including the automatic logon to Debug Manager.

In order for Debug Manager to validate the user ID and PassTicket presented by RSE, Debug Manager must be allowed to evaluate the PassTicket. This implies that load module EQAZPCM, by default located in load library EQAW.SEQAAUTH, must be APF-authorized.

When an Eclipse Debug UI connects to the Debug Manager, it must present a valid security token for authentication.

TCP/IP considerations

TCP/IP ports

Figure 7 on page 45 shows the TCP/IP ports that can be used by z/OS Explorer, z/OS Debugger and if installed, IBM Developer for z/OS. The arrows show the party that does the bind (arrowhead side) and the one that connects.

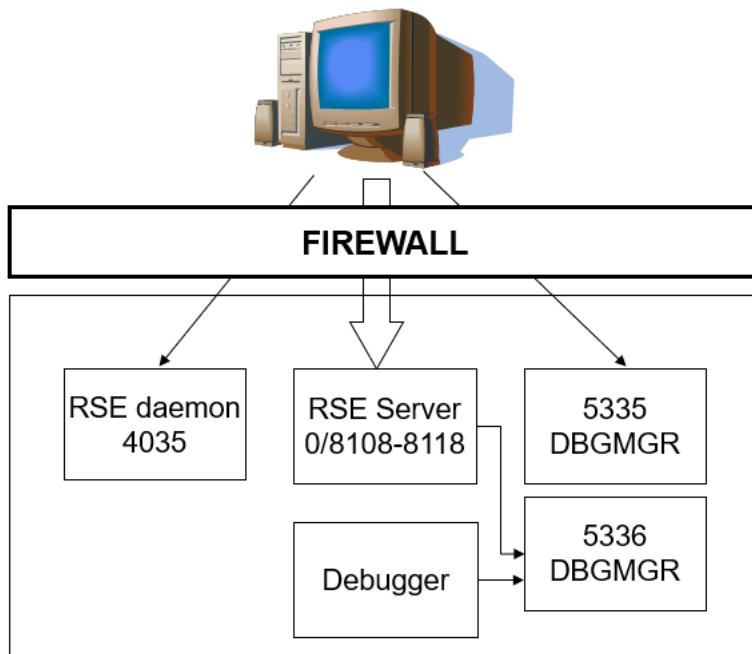


Figure 7. TCP/IP ports for the usage of z/OS Debugger with Debug Manager

Figure 8 on page 45 shows how the TCP/IP port works without Debug Manager.

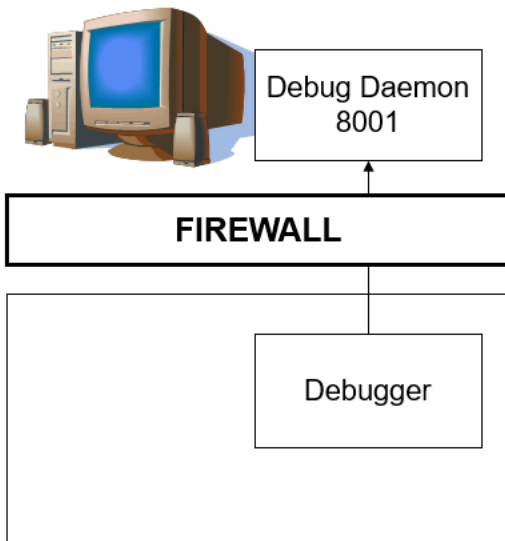


Figure 8. TCP/IP port for the usage of z/OS Debugger without Debug Manager

For more information on RSE ports, see the "External Communication" topic in the *IBM Developer for z/OS Host Configuration Reference*.

External communication

Define the following ports to your firewall that protect the z/OS host, as they are used for client-host communication (using the tcp protocol):

- Debug manager services, default port 5335. The port can be set in the DBGMGR started task JCL. Communication on this port can be encrypted.
- When z/OS Debugger is started with Language Environment (LE) option TEST(, , TCPIP&&ipaddress%8001:*) or TEST(, , DIRECT&&ipaddress%8001:*), it is instructed

not to use Debug Manager but contact the Eclipse client directly at port 8001. This implies, from a TCP/IP perspective, that z/OS Debugger is a client that contacts a server (the Debug UI) in the Eclipse IDE.

Internal communication

Several z/OS Debugger host services run in separate threads or address spaces and are using TCP/IP sockets as communication mechanism, using your system's loopback address, making their data stream confined to the host only. For some services any available port will be used, for others the system programmer can choose the port or port range that will be used:

- (Optional) Debug Manager for debug related services, default port 5336. The port can be set in the DBGMR started task JCL.

TCP/IP port reservation

If you use the PORT or PORTRANGE statement in PROFILE.TCPIP to reserve the ports used by z/OS Explorer, z/OS Debugger, and optionally IBM Developer for z/OS, note that many binds are done by threads active in an RSE thread pool. The job name of the RSE thread pool is RSEdx, where RSEd is the name of the RSE started task, and x is a random single digit number, so wildcards are required in the definition.

```
PORT      5335      TCP DBGMR ; z/OS Debugger - debug manager
PORT      5336      TCP DBGMR ; z/OS Debugger - debug manager
```

Loopback localhost

IBM Developer for z/OS and z/OS Debugger use the TCP/IP loopback and TCP/IP localhost definitions. Communication will fail if these definitions are set up using different TCP/IP addresses.

To avoid address resolution issues, define one of the following lines in the local host table, as described in section "Configuring the local host table" of the *Communications Server: IP Configuration Guide* (SC31-8775).

- 127.0.0.1 loopback localhost # for IPv4 only
- ::1 loopback localhost # for IPv6 only

Note: Ensure that the definition is valid for both the MVS and z/OS UNIX search orders.

Refer to *Communications Server: IP Configuration Guide* (SC31-8775) and *Communications Server: IP Configuration Reference* (SC31-8776) for additional information on TCP/IP configuration. The *IBM Explorer for z/OS Host Reference Guide* (SC27-8438) also provides related information in the "Setting up TCP/IP" chapter.

Multi-stack (CINET)

z/OS Communication Server allows you to have multiple TCP/IP stacks concurrently active on a single system. This is referred to as a CINET setup.

When multiple TCP/IP stacks are active on a host system, it is important that Debug Manager and Debug Engine are using the same TCP/IP stack in order for them to communicate. Eclipse Debug UI (on the client) must also be able to communicate with Debug Manager. By default, Debug Manager binds to every stack available on the host to simplify matching Debug Engine and Debug UI setup.

If this is not desired, then stack affinity can be used to instruct Debug Manager to bind to a single specified TCP/IP stack. Stack affinity is set with the `_BPXK_SETIBMOPT_TRANSPORT` environment variable, which must be passed on to Language Environment. You can set stack affinity by adjusting the startup command in the started task JCL:

```
//DBGMR  PROC PRM=,
//*      LEPRM='RPTOPTS(ON)',
//      LEPRM='RPTOPTS(ON) ENVAR("_BPXK_SETIBMOPT_TRANSPORT=TCPIP)",
//      TZ='EST5EDT',
//      CLIENT=5335,
//      HOST=5336,
//      HLQ=EQAW
```

Notes:

- BPXK_SETIBMOPT_TRANSPORT specifies the name of the TCP/IP stack to be used, as defined in the TCPIPJOBNAME statement in the related TCPIP.DATA.
- Coding a SYSTCPD DD statement does not set the requested stack affinity.

Distributed Dynamic VIPA

With Dynamic Virtual IP Addressing (DVIPA), you can concurrently run identical setups on different systems in your sysplex, and have TCP/IP, optionally with the help of WLM, distribute the client connections among these systems.

As Debug Manager works together with IBM Explorer for z/OS to allow remote debugging from Eclipse clients, the distributed DVIPA supported by z/OS Explorer is also available with Debug Manager, but with the following considerations:

- Debug Manager only communicates with z/OS Explorer's Remote System Explorer daemon (RSED) started task that is active on the same system. This implies that a Debug Manager started task (DBGMGR) must be active on each system of your sysplex where RSED is active.
- Unlike in z/OS Explorer where TCP/IP can choose which system a user will connect to, the client connection to Debug Manager must be sent to the system that the debug session has started. To achieve this, each Debug Manager must use a unique external port (the CLIENT variable in the started task).
- Each of the unique Debug Manager ports must be defined to TCP/IP in the VIPADISTRIBUTE PORT statement.

Unique external ports

When a remote debug session is started, Debug Manager informs the Eclipse client about the port that it is listening at. In a distributed DVIPA scenario, this port must be unique in the sysplex so that the Sysplex Distributor can use this to send the client connection to the correct system.

You can use a started task JCL per system, and use a unique port number in each JCL to ensure that each Debug Manager has a unique external port. A system symbol that holds the unique port number for that system can be used if you want to share the started task JCL across the systems.

- If you already have a system symbol with a numeric value that is unique per system, for example, &SYSCONE, you can make it part of the CLIENT port number definition in the started task JCL like in the following example:

```
//DBGMGR  PROC PRM=,  
//          LEPRM=' RPTOPTS(ON) ',  
//          TZ=' EST5EDT ',  
//          CLIENT=53&SYSCONE,  
//          HOST=5336,  
//          HLQ=EQAW
```

- Or you can use sample JCL SEQASAMP (EQADVIPA) to create system symbol EQADBAM that holds the unique port number, and then reference EQADBAM in the started task JCL:

```
//DBGMGR  PROC PRM=,  
//          LEPRM=' RPTOPTS(ON) ',  
//          TZ=' EST5EDT ',  
//          CLIENT=&EQADBAM,  
//          HOST=5336,  
//          HLQ=EQAW
```

Note: The EQADBAM system symbol must exist before the Debug Manager started task (DBGMGR) is started. For example, you can define EQADVIPA as started task to start it early in your IPL sequence.

Sample setup

In this example, the TCP/IP definitions for an existing z/OS Explorer distributed DVIPA setup are extended with Debug Manager ports 5334 and 5335 added to the definition. For more information about the original setup, see the “Distributed Dynamic VIPA” section in the “TCP/IP considerations” chapter of the *IBM Explorer for z/OS Host Configuration Reference Guide*.

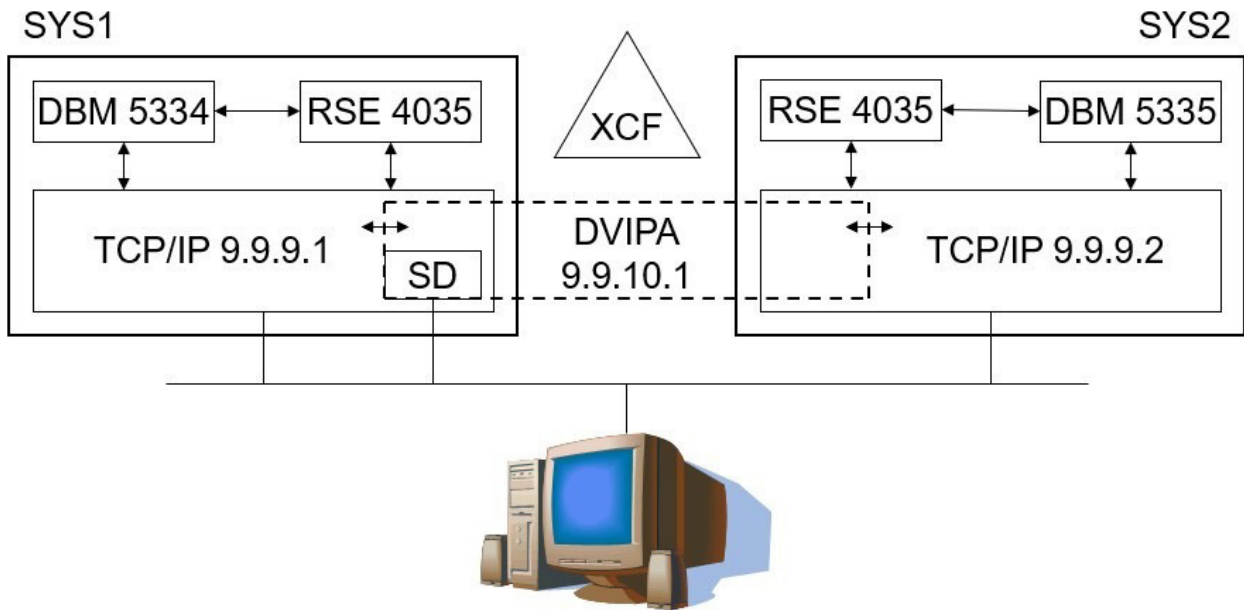


Figure 9. Distributed Dynamic VIPA sample

```

IPCONFIG
; SYSPLXROUTING is required as this stack needs sysplex communication
  SYSPLXRouting
; DYNAMICXCF defines device/link with home address 9.9.9.1 as needed
  DYNAMICXCF 9.9.9.1 255.255.255.0 1
  IGNORERedirect

VIPADYNAMIC
; VIPADEFINE defines 9.9.10.1 as DVIPA, with this system as main controller
  VIPADEFINE 255.255.255.0 9.9.10.1
; VIPADISTRIBUTE makes 9.9.10.1 a distributed DVIPA, must match SYS2
  VIPADISTRIBUTE DEFINE
    SYSPLXEXPORTS          ; prereq, must be in first VIPADISTRIBUTE
    DISTMETHOD BASEWLM     ; BASEWLM
    9.9.10.1                ; DVIPA address used by z/OS Explorer clients
    PORT 4035 5334 5335     ; zExpl & DBM ports used by zExpl clients
    DESTIP 9.9.9.1 9.9.9.2 ; z/OS Explorer active on SYS1 and SYS2
  ENDVIPADYNAMIC
  
```

Figure 10. System SYS1 – TCP/IP profile

```

IPCONFIG
; SYSPLEXROUTING is required as this stack needs sysplex communication
SYSPLEXRouting
; DYNAMICXCF defines device/link with home address 9.9.9.2 as needed
DYNAMICXCF 9.9.9.2 255.255.255.0 1
IGNORERedirect

VIPADYNAMIC
; VIPABACKUP defines 9.9.10.1 as DVIPA, with this system as backup controller
VIPABACKUP 255.255.255.0 9.9.10.1
; VIPADISTRIBUTE makes 9.9.10.1 a distributed DVIPA, must match SYS1
VIPADISTRIBUTE DEFINE
  SYSPLEXPORTS ; prereq, must be in first VIPADISTRIBUTE
  DISTMETHOD BASEWLM ; BASEWLM
  9.9.10.1 ; DVIPA address used by z/OS Explorer clients
  PORT 4035 5334 5335 ; zExpl & DBM ports used by zExpl clients
  DESTIP 9.9.9.1 9.9.9.2 ; z/OS Explorer active on SYS1 and SYS2
ENDVIPADYNAMIC

```

Figure 11. System SYS2 – TCP/IP profile

Communication example

Figure 12 on page 49 shows an overview of how an Eclipse client connects and communicates to the host in a DVIPA environment with two LPARs. Debug Manager instances on those LPARs are listening to external ports 5334 and 5335 respectively.

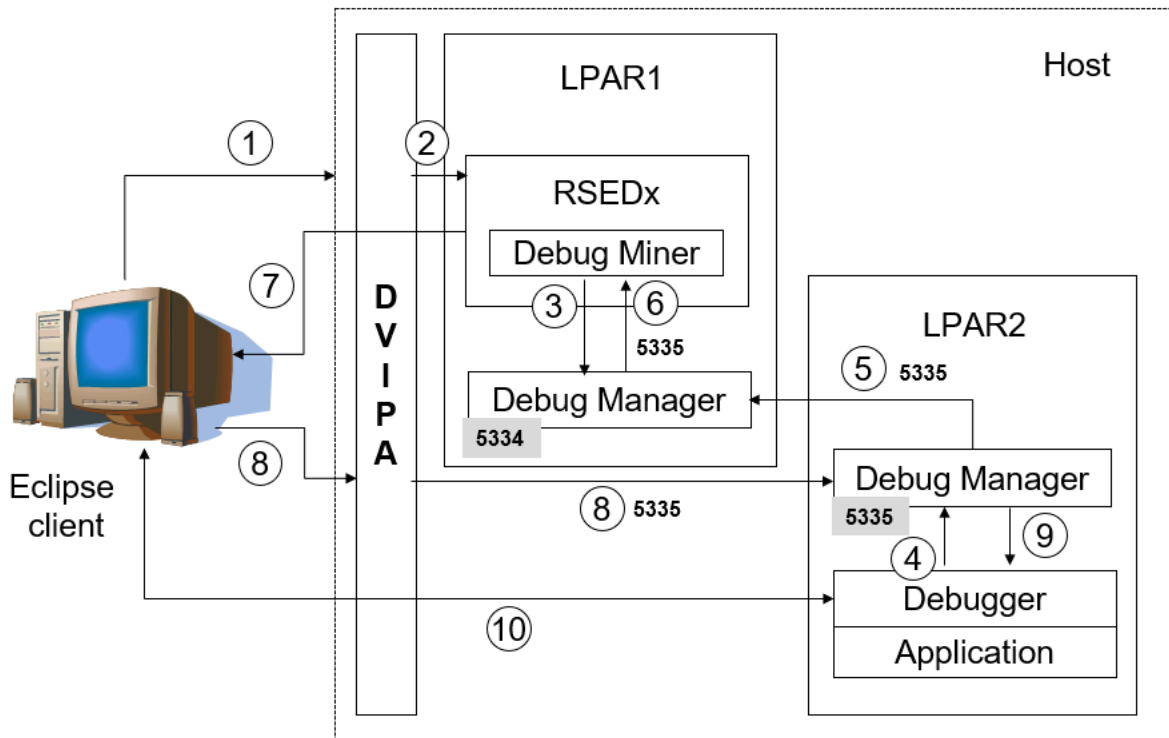


Figure 12. Debug Manager communication example in the DVIPA environment

1. When a user tries to log in to the host from an Eclipse client, Remote System Explorer (RSE) on the client connects to the RSE daemon on the host by using the virtual IP address and RSED port.
2. DVIPA picks an LPAR to connect to. In this example, LPAR1 is selected.
3. Debug Miner, a component of the RSE daemon finds out the DBM name-token pair in the system, reads the DBM internal port, connects to DBM, and notifies it that the user *username* is logged on to the system.

4. The user starts a job with TEST runtime option DBMDT%*username*. In this example, the job goes to LPAR2. The debugger finds out the host port of DBM in LPAR2 by reading its name-token pair and notifies DBM that a debug session for user *username* is waiting for a workstation to connect.
5. As the DBM on LPAR2 does not have *username* logged on, it contacts other DBM instances in the sysplex, notifying that a debug session is waiting and adding its external port number 5335 to the request. For more information, see [“Enabling sysplex support”](#) on page 35.
6. The DBM on LPAR1 has *username* logged on, so it picks up the request and notifies Debug Miner that there is a debug session for user *username* on port 5335.
7. The RSE daemon notifies the Eclipse client about the debug session and passes the port to connect to.
8. The remote debugger in the Eclipse client uses port 5335 to connect to DBM. As the connection IP address is a DVIPA address, a unique port is available, which only allows DVIPA to forward the request to the correct DBM instance in the sysplex.
9. DBM links the workstation connection to the debugger.
10. The debugger and the Eclipse client can now communicate directly to each other by using the established connection.

WLM considerations

Setting goals

z/OS Explorer, z/OS Debugger, and IBM Developer for z/OS create different types of workloads on your system. These different tasks communicate with each other, which implies that the actual elapse time becomes important to avoid time-out issues for the connections between the tasks. As a result, these tasks should be placed in high-performance service classes, or in moderate-performance service classes with a high priority.

A revision, and possibly an update, of your current WLM goals is therefore advised. This is especially true for traditional MVS shops new to time-critical OMVS workloads.

Note:

- The goal information in this section is deliberately kept at a descriptive level, because actual performance goals are very site-specific.
- To help understand the impact of a specific task on your system, terms like minimal, moderate, and substantial resource usage are used. These are all relative to the total resource usage of IBM Developer for z/OS or z/OS Debugger, not the whole system.

All z/OS Debugger started tasks are servicing real-time client requests.

<i>Table 9. WLM workloads - STC</i>		
Description	Task name	Workload
Debug Manager	DBGMGR	STC

- Debug Manager

Debug Manager provides services to connect programs being debugged to clients debugging them. You should specify a high-performance, one-period velocity goal, because the task does not report individual transactions to WLM. Resource usage depends heavily on user actions, and will therefore fluctuate, but is expected to be minimal.

Tuning considerations

Debug Manager resource usage

Use the information in this section to estimate the normal and maximum resource usage by Debug Manager, so you can plan your system configuration accordingly.

- “Overview” on page 51
- “Address space count” on page 51
- “Process count” on page 51
- “Thread count” on page 51

For more information about resource usage, see the topic about resource usage in *IBM Explorer for z/OS Host Configuration Reference Guide* (SC27-8438).

Overview

Table 10 on page 51 gives an overview of the number of address spaces, processes, and threads used by DBGMGR.

Started task	Address spaces	Processes	Threads
DBGMGR	1	1	4

For more information about the number of address spaces, processes, and threads used by z/OS Explorer, see the overview topic in *IBM Explorer for z/OS Host Configuration Reference Guide* (SC27-8438).

Address space count

Table 11 on page 51 lists the address spaces that are used by Debug Manager.

Count	Description	Task name	Shared	Ends after
1	Debug Manager	DBGMGR	Yes	Never

For more information about the address spaces that are used by z/OS Explorer, see the topic about address space count in *IBM Explorer for z/OS Host Configuration Reference Guide* (SC27-8438).

Process count

Table 12 on page 51 lists the number of processes per address space that is used by Debug Manager.

Processes	Address spaces	Description	User ID
1	1	Debug Manager	STCDBM

For more information about the number of processes per address space that is used by z/OS Explorer, see the topic about process count in *IBM Explorer for z/OS Host Configuration Reference Guide* (SC27-8438).

Thread count

Table 13 on page 52 lists the number of threads used by Debug Manager. The thread count is listed per process, as limits are set at this level.

- RSEDx: These threads are created in the RSE thread pool, which is shared by multiple clients. All threads ending up in the same thread pool must be added together to get the total count.
- Active: These threads are part of the process that actually does the requested function. Each process is a stand-alone unit, so there is no need to sum the thread counts, even if they are assigned to same user ID, unless noted otherwise.
- Bootstrap: Bootstrap processes are needed to start the actual process. Each has 1 thread, and there can be multiple consecutive bootstraps. There is no need to sum the thread counts.

Table 13. Thread count

Threads			User ID	Description
RSEdx	Active	Bootstrap		
-	4 or 5 ¹	-	STCDBM	Debug Manager

Notes:

1. In the sysplex mode, an extra thread for inter-sysplex communication is started.

For more information about the number of threads, see *IBM Explorer for z/OS Host Configuration Reference Guide* (SC27-8438).

Running multiple instances

- The Debug Manager started task is backwards compatible, and thus the most recent version can be shared across releases .
- Only one Debug Manager (DBM) is allowed on a given LPAR.

Compatibility Considerations

Debug Manager 17.0.0+ is protocol-level compatible with IDz 17.0.0+, IDz 16.0.1+ and IDz 15.0.9+ and not compatible with older versions of IDz.

Troubleshooting configuration problems

Debug Manager logging

• **SYSPRINT DD**

Trace logging and logging of normal operations. The default value in the sample JCL EQAW.SEQASAMP (EQAZPCM) is SYSOUT=*

Debug Manager tracing

Debug Manager tracing is controlled by the system operator, as described in [“Operator commands”](#) on page 52.

- Starting the DBGMGR started task with the PRM=DEBUG parameter activates tracing.
- The **modify loglevel** operator command let you select the desired detail level for log messages.

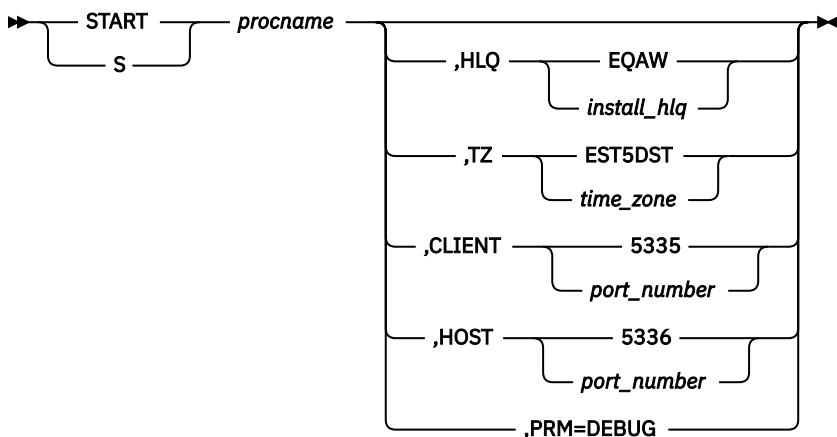
Operator commands

The following operator or console commands are available for Debug Manager.

Start (S)

Use the **START** command to dynamically start a started task (STC). The abbreviated version of the command is the letter S.

START DBGMGR operator command



procname

The name of the member in a procedure library that is used to start the server. The default name used during the host system configuration is DBGMGR.

HLQ=install_hlq

High-level qualifier used to install z/OS Debugger. The default is EQAW.

TZ=time_zone

Time zone offset. The default is EST5DST.

CLIENT=port_number

The port used for external (client-host) communication, default 5335.

HOST=port_number

The port used for internal (host-confined) communication, default 5336.

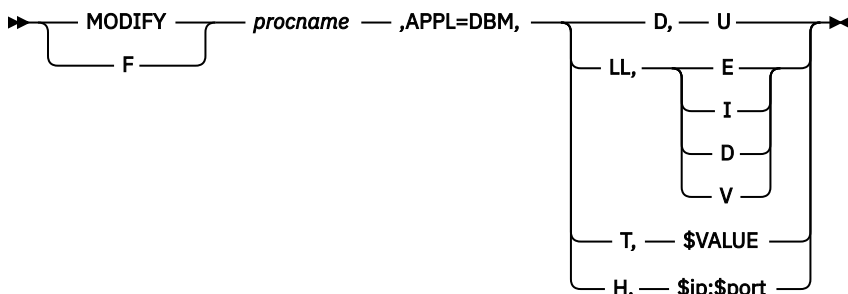
PRM=DEBUG

Enable verbose (trace) mode. Tracing will cause performance degradations and should only be done under the direction of the IBM support center.

Modify (F)

The **MODIFY** command can be used to dynamically query and change the characteristics of an active task. The abbreviated version of the command is the letter F.

MODIFY DBGMGR operator command



Note: The comma is the only delimiter. There is no space before or after a comma.

procname

The name of the member in a procedure library that is used to start the server. The default name used during the host system configuration is DBGMGR.

D, U

Display the active users with a single, multi-line, EQACM104I console message. Message EQACM103I is issued if there are no active users. The user list shows the state of that user in the server.

```
EQACM104I
User:IBMUSER RegisterSocket(2)
User:IBMUSR2 18354752 ProbeSocket(3) waits for register connection
User:IBMUSR3 25387329 ProbeSocket(5) waits for engine connection
User:IBMUSR4 24113603 Engine(4) connected to Probe(8)
Module(EQATST)
EQACM103I There is no active user
```

The first message (for IBMUSER) indicates that the user is registered, but there is no debug activity. The second message (for IBMUSR2) indicates that a debug session is waiting for the user to register. The third message (for IBMUSR3) indicates that a debug session is being set up. The fourth message (for IBMUSR4) shows an active debug session for module EQATST.

LL,{E | I | D | V}

Control the detail level of the Debug Manager message log (DD SYSPRINT). The default is E. A message "LOGLEVEL command processed normally" is written to the console with message ID EQACM101I.

Value	Description
E	Error messages only (default)
I	Error and informational messages
D	Error, informational, and debug/dump messages
V	Debug level and hex value of all packets of interest

Detailed tracing will cause performance degradations and should only be done under the direction of the IBM support center.

T,\$VALUE

The DBM check cycle value. The observed timeout is between \$VALUE and two times of \$VALUE. The value can be in the range 15 - 150 seconds and is integer only. The default value is 15.

This setting applies to pending debugging requests only. Established sessions that are already shown on the UI are not affected.

H,\$ip:\$port

Change the primary node in sysplex. \$ip is the IP address of the new node and \$port is its port number. IP address can either be IPv4 or IPv6 IP address. The IPv6 IP address that you use must be enclosed in brackets, [], for example, H, [::1234:5678] :5337.

Stop (P)

Use the **STOP** command to stop an active task. The abbreviated version of the command is the letter P.

STOP operator command

➤ — STOP — procname ➤
 P

procname

The name of the member in a procedure library that was used to start the server. The default name used during the host system configuration is DBGMR for Debug Manager.

Adding support for Remote Debug Service

Remote Debug Service acts as a proxy between the Debug Engine and Debug Adapter Protocol (DAP) clients, like the Visual Studio Code (VS Code) extensions. Remote Debug Service enables interactive

debugging of COBOL and PL/I applications in these remote debuggers. Remote Debug Service can also be configured to collect headless code coverage.

Notes:

- Remote Debug Service is only available with IBM Developer for z/OS Enterprise Edition.
- Remote Debug Service requires Java 17 or 21. After installation, you need to [configure z/OS to run Java applications](#).
- Remote Debug Service and the headless code coverage collector are built on Eclipse and Java technology. Configuration options for Eclipse and Java might affect the behavior of Remote Debug Service and headless code coverage collector.

Installing Remote Debug Service

Remote Debug Service is an Eclipse Rich Client Platform (RCP) application. The files are installed as z/OS UNIX files in the default location `/usr/lpp/IBM/debug` by using SMP/E during product installation. You can change the installation location to a directory of your choice.

Note: The user ID used for the SMP/E installation must be UID 0, or have at least READ access to the `BPX.SUPERUSER` profile in the FACILITY class. In addition, if the `BPX.FILEATTR.APF` or `BPX.FILEATTR.PROGCTL` profiles are defined in the FACILITY class, the user ID must have READ access to those profiles.

Customizing with the sample job EQARMTSU

You need to create directories in z/OS UNIX and copy sample configuration files from the installation directory to these directories for customization. The sample job `EQAW.SEQASAMP (EQARMTSU)` is provided to help you complete these tasks.

Follow the instructions within the EQARMTSU member and submit the job to customize your installation. The job performs the following tasks:

- Create `/etc/debug/*` and populate it with sample configuration files.
- Create `/var/debug/*` as work directories required to run the service.
- Set the proper z/OS UNIX file permissions on the files and directories.

The `eqarmtd.env` and `eqahcc.env` sample files are copied to `/etc/debug` by the sample job. Edit these files under `/etc/debug` and customize them to match your system environment:

eqarmtd.env

Environment variables that control, for example:

- Which internal and external ports to use for the service.
- Where to locate the security keystore file for SSL encryption. You can use the sample keystore file from Debug Profile Service located in the `/etc/debug` directory.
- Whether to allow headless code coverage collection, and how many requests per second as well as how many concurrent requests Code Coverage Service allows.

The following environment variables are available for Remote Debug Service:

java_dir="java_directory"

Home directory of the 64-bit Java SDK. For example: `java_dir="/usr/lpp/java/J17.0_64"`

port_internal="port_number"

Port number the service listens to for internal debug backend connections from the local z/OS machine. Secure this port with AT-TLS if encryption of *localhost-localhost* connections is desired.

This port is mandatory.

allow_unsecured_remote_connections="true"

Allow the internal port number to also listen for unsecured incoming requests from remote debug clients.

Uncomment this line to enable listening for unsecured remote connections on **port_internal**.

port_external="port_number"

Port number the service listens to for incoming requests from remote debug clients.

AT-TLS can be used to secure this port. This option is mutually-exclusive with **port_external_secure**.

You must specify either **port_external** or **port_external_secure**, but you cannot specify both.

port_external_secure="port_number"

Port number the service listens to for secured incoming requests from remote debug clients. This port is encrypted by Java. Do not use AT-TLS to secure this port.

You must specify either **port_external** or **port_external_secure**, but you cannot specify both.

Values for TLS keystore and password must be specified when **port_external_secure** is specified.

keystoreFile="keystore_file"

The fully-qualified path name of the keystore file where the Remote Debug Service TLS server certificate is stored. This keystore can also contain self-signed or internal signing CA certificates that should be trusted when the Remote Debug Service makes authentication calls to the Debug Profile Service.

keystorePass="password"

Password to access the server certificate from the keystore file.

keystorePassFile="keystore_password_file"

Path name of the encrypted keystore password file generated using the z/OS Debugger Password File Generator tool. For more details on this tool, see [“Generating secure keystore passwords for Remote Debug Service”](#) on page 58.

Note:

- Only specify either **keystorePass** or **keystorePassFile**. If both variables are specified, Remote Debug Service will use the encrypted password defined inside the keystore password file.
- Specifying **keystorePassFile** is recommended over **keystorePass** to prevent storing a password in plaintext.

basic Auth="true"

Allow users to connect using basic authentication (userid + password).

bearer Auth="true"

Allow users to connect using Bearer/Token authentication (JWT, including MFA).

debugProfileServiceBaseURI="https://localhost:8143/api/v1"

The base URL of the Debug Profile Service instance that will be used to validate JWT tokens used when Bearer/Token authentication is enabled. If the Debug Profile Service is secured and uses self-signed certificates or internal signing CAs, these certificates should be placed in the keystore used by the Remote Debug Service to indicate that they are trusted (see `keystoreFile`)

You can comment or uncomment the following parameters:

- Diagnostic tracing of service and debug connections:

```
eqarmtd_logdir="$EQARMTD_WRK_DIR/logs"
trace=true
```

- Low level tracing of Remote Debug Service application and debug connections:

```
detailedTraceOptions="$EQARMTD_CFG_DIR/trace.options"
detailedTrace=true
```

- File permissions in umask format used when you create files or directories

```
umask="u+rwx,go-rx"
```

- Headless code coverage and Code Coverage Service options:

```
headless_cc=true
headless_cc_config=SharedServiceFiles/samples/eqahcc.env
ccs_maxRequestsPerSec=25
ccs_maxConcurRequests=20
ccs_blockIPAccess=true
```

headless_cc=true

Allows RDS to also collect Code Coverage in the same manner as the headless code coverage collector.

headless_cc_config=SharedServiceFiles/samples/eqahcc.env

Indicates where to find the headless code coverage collector startup options.

ccs_maxRequestsPerSec=25

If the headless collector options include starting Code Coverage Service, this option configures the maximum number of requests supported by CCS per second.

ccs_maxConcurRequests=20

If the headless collector options include starting Code Coverage Service, this option configures the maximum number of concurrent requests supported by CCS.

ccs_blockIPAccess=true

Indicates whether CCS blocks access via the IP address (vs name).

eqahcc.env

Environment variables that control, for example:

- Whether to start Code Coverage Service. To start Code Coverage Service, configure a port for it. Code Coverage Service automatically uses the same keystore information as Remote Debug Service for SSL encryption.

Code Coverage Service provides a simpler way for users to access the code coverage results that they generate, and eliminates the need for granting access at the file and directory levels.

- Where code coverage results are stored. By default, the results are output to *\$HOME/CC/user_ID*, where *\$HOME* is the home directory of the user running Remote Debug Service. You can specify a different root location than *\$HOME/CC/*. Ensure that the code coverage users know the path to this directory to access results and have the following authority:

- A minimum of read access to the parent directory to read their user ID subdirectory *root_location/user_ID*, where *root_location* is one of the following:

- The value for the output property specified in *eqahcc.env*
- *\$HOME/CC*, where *\$HOME* is the home directory of the user that is running Remote Debug Service

The subdirectory and the results within inherit the permissions of the parent directory. You can add user access through group or public permissions. This is not required if users access results using Code Coverage Service.

- Enough authority to change the ownership of z/OS UNIX files. Remote Debug Service changes the owner of both the subdirectory and code coverage results to the user ID. When users do not have authority, results can still be created, but users can only manage any results based on file permissions. This is not required if users access results using Code Coverage Service.

- Whether to support only connections from the local host.

For more details on headless code coverage options, see the "Starting and stopping the headless code coverage daemon" topic in [IBM Documentation](#). Not all options for headless code coverage are supported in Remote Debug Service. The *eqahcc.env* file provides all the supported options.

You can run the sample job EQARMTSU more than once. If a file exists in the configuration directory, a backup is created for the existing file before a new one is copied over.

Generating secure keystore passwords for Remote Debug Service

To prevent storing plain text passwords, run z/OS Debugger Password File Generator to generate a keystore password properties file with an encrypted password.

About this task

z/OS Debugger Password File Generator generates a keystore password properties file with an encrypted password. Run this tool from the command line before starting the Remote Debug Service. For more information, see [Starting and stopping the headless code coverage collector](#).

Procedure

1. Start the z/OS Debugger Password File Generator with the following command line options.

```
> genpassword -tool=rds -filename=<path>
```

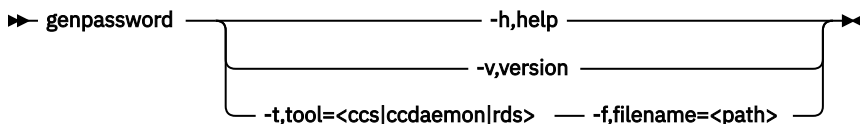
Note:

- z/OS Debugger Password File Generator cannot run in the Remote Shell. If you are running the tool on Windows or Linux, the executable files are in the **headless-cc** subdirectory where you installed the product.
 - If you are running the tool on z/OS®, execute the genpassword.sh script in `/usr/lpp/IBM/debug/headless-code-coverage/bin/`.
2. If the provided path and file name is valid, it prompts the user to enter a password. Type your keystore password and press Enter. The password will not be displayed on the console.
 3. If genpassword runs successfully, it prints the CRRDG9412I and CRRDG9415W messages on the console.
 4. Ensure that your file is both readable and writable by the user who runs the Remote Debug Service to enable successful decryption of the password. The application does not modify the file. Run the following commands to set correct ownership and permissions:

```
chown <user ID>:<user group> <path to the generated file>  
chmod 600 <path to the generated file>
```

Note: Different encryption and decryption methods are supported depending on the Java version. You must use the same version of Java that runs the genpassword when you run the headless code coverage.

The syntax diagram for the **genpassword** command is shown here. You can use either the single letter parameter or the complete one for each option. All parameters and values are case-sensitive.



Options list

Format: `genpassword [options]`

-t, tool=<ccs | ccdaemon | rds>

Specify a tool where you use the keystore properties file.

Note: genpassword can also be used to generate encrypted passwords that can be used with headless code coverage. See [Generating secure keystore passwords for code coverage](#).

-f, filename=<path>

Specify a path to a properties file that is generated with keystore password properties. If the file already exists, a new properties file with a timestamp appended to the file name is generated.

Note: The generated keystore properties file is stored in UTF-8 regardless of the provided file's encoding. The encoding must remain in UTF-8 when passed into the Remote Debug Service.

-v, version

Prints the product version.

-h, help

Prints the help screen.

Customizing the system PROCLIB

Customize the EQAW.SEQASAMP (EQARMTD) sample started task member, as described within the member, and copy it to SYS1.PROCLIB.

As shown in the code sample, provide the following information:

- The home directory where Remote Debug Service is installed. The default directory is /usr/lpp/IBM/debug.
- The location of the configuration files. The default location is /etc/debug.
- The name of the environment configuration file. The default name is eqarmtd.env.

Figure 13. Remote Debug Service started task

```

//*****
//* Licensed Materials - Property of IBM
//*
//* 5724-T07: IBM z/OS Debugger
//* Copyright IBM Corp. 2019, 2024 All Rights Reserved
//*
//* US Government Users Restricted Rights - Use, duplication or
//* disclosure restricted by GSA ADP Schedule Contract with IBM Corp.
//*
//*
//* This JCL procedure is used to start the Debug Profile Service.
//*
//* You will have to make the following modifications:
//*
//* 1) If you installed the product in a different directory than
//* the default /usr/lpp/IBM/debug, change SVRPATH to refer to
//* the correct directory.
//*
//* 2) If you customized the configuration files in a different
//* directory than the default /etc/debug, change CFGDIR to
//* refer to the correct directory.
//*
//* 3) If you want the server to use a different work directory
//* then the default /var/debug, change WRKDIR to refer to the
//* desired directory.
//*
//* 4) If you customized the environment variables file in CFGDIR
//* to a different file name than the default eqaprof.env, change
//* ENVFILE to refer to the correct name.
//*
//* 5) Change EQAHLQ to meet your installation requirements for
//* SEQAMOD.
//*
//* 6) Change DFHHLQ to meet your installation requirements for
//* SDFHEXCI.
//*
//* 7) If you customized the environment variables file in CFGDIR
//* to a different file name than the default eqadrest.env, change
//* DATAFILE to refer to the correct name.
//*
//* Note(s):
//*
//* 1. This procedure contains case sensitive path statements.
//*
//* 2. Add a job card on line 1 and '//EQAPROF EXEC EQAPROF' at the
//* bottom to submit this procedure as a user job.
//*
//*****
//*
//* Debug Profile Service
//*
//EQAPROF PROC SVRPATH='/usr/lpp/IBM/debug',
//          CFGDIR='/etc/debug',
//          WRKDIR='/var/debug',
//          ENVFILE='eqaprof.env',

```

```

//          DATAFILE='eqadrest.env',
//          EQAHLQ='EQA',
//          DFHHLQ='DFH.CICS',
//          TZ='EST5EDT'
//          SET QUOTE='''
//EXPORTS  EXPORT SYMLIST=*
//          SET SVRPATH=&QUOTE&SVRPATH&QUOTE
//          SET CFGDIR=&QUOTE&CFGDIR&QUOTE
//          SET WRKDIR=&QUOTE&WRKDIR&QUOTE
//          SET ENVFILE=&QUOTE&ENVFILE&QUOTE
//          SET DATAFILE=&QUOTE&DATAFILE&QUOTE
//          SET TZ=&QUOTE&TZ&QUOTE
//*-----
//* Start the Debug Profile Service
//*-----
//EQAProf EXEC PGM=BPXBATCH,REGION=0M,TIME=NOLIMIT,MEMLIMIT=2G,
//  PARM='PGM /bin/sh &SVRPATH/servers/eqaProfile/bin/start.sh'
//STEPLIB DD DSN=&EQAHLQ..SEQAMOD,DISP=SHR
//        DD DSN=&DFHHLQ..SDFHEXCI,DISP=SHR
//STDOUT  DD SYSOUT=*
//STDERR  DD SYSOUT=*
//STDENV  DD *,SYMBOLS=JCLONLY
TZ=&TZ
EQAProf_CFG_DIR=&CFGDIR
EQAProf_WRK_DIR=&WRKDIR
EQAProf_ENVFILE=&CFGDIR/&ENVFILE
EQAProf_DATAFILE=&CFGDIR/&DATAFILE
_BPXX_AUTOCVT=ON
/*
//          PEND
//*

```

Tip: On the STDENV DD card, you can specify the TZ environment variable to control the timestamps used in the default file names of newly created code coverage report files.

Remote Debug Service security definitions

Perform the following tasks to complete the basic security setup to run Remote Debug Service.

Defining the Remote Debug Service started task

The following sample RACF commands create the EQARMTD started task, with protected user ID (STCEQA2) and the STCGROUP group assigned to it:

1.

```
ADDGROUP STCGROUP OMVS(AUTOGID) -
  DATA('GROUP WITH OMVS SEGMENT FOR STARTED TASKS')
```
2.

```
ADDUSER STCEQA2 DFLTGRP(STCGROUP) NOPASSWORD -
  NAME('REMOTE DEBUG SERVICE') -
  OMVS(AUTOUID HOME('/tmp') PROGRAM('/bin/sh'))
  - DATA('IBM z/OS Debugger')
```
3.

```
RDEFINE STARTED EQARMTD.* -
  STDATA(USER(STCEQA2) GROUP(STCGROUP) TRUSTED(NO)) -
  DATA('REMOTE DEBUG SERVICE')
```
4.

```
SETROPTS RACLIST(STARTED) REFRESH
```

Notes:

- Ensure that the started task user ID is protected by specifying the NOPASSWORD keyword.
- Ensure that the home directory exists and is readable, writable, and executable by the started task user. Otherwise, Remote Debug Service will not start.
- If you are enabling Remote Debug Service to collect code coverage without enabling Code Coverage Service, ensure that the started task user ID or related group has enough authority to change the ownership of z/OS UNIX files. For more information on code coverage options with Remote Debug Service, see [“Customizing with the sample job EQARMTSU” on page 55](#). For more information on changing file ownership, see [Steps for authorizing selected users to transfer ownership of any file and Steps for setting up the CHOWN.UNRESTRICTED profile](#).

Enabling secure communication

You can enable Remote Debug Service to communicate via a [Secure Sockets Layer \(SSL\) certificate with a private key and self-signed certificate stored in a keystore file](#) or [AT-TLS](#).

Enabling secure communication with a keystore file

You can enable Remote Debug Service to communicate via Secure Sockets Layer (SSL) with a private key and self-signed certificate stored in a keystore file.

1. Create a JKS keystore file by using the Java runtime utility keytool:

```
keytool -genkey -alias rmtd -keyalg RSA -storetype JKS -keystore keystore.jks
```

2. Edit `/etc/debug/eqarmtd.env` and update the keystore variables to use the new keystore file.
3. To ensure that the keystore file is only readable by the protected user ID STCEQA2, change the owner and permission of the file with:

```
chown STCEQA2:STCGROUP keystore.jks
chmod 640 keystore.jks
```

4. Export the SSL certificate with:

```
keytool -export -keystore keystore.jks -alias rmtd -storetype JKS -file rmtd.cer -rfc
```

The SSL certificate can be distributed to remote users to be imported into the client keystore.

Enabling secure communication with AT-TLS

You can also use the TCP/IP service called Application Transparent Transport Layer Security (AT-TLS) to enable secure communication with Remote Debug Service. For a step-by-step guide to setting up AT-TLS itself, see [“Setting up AT-TLS” on page 37](#).

Create an AT-TLS policy for the port used by Remote Debug Service as specified in the `eqarmtd.env` configuration file. See the following sample policy.

```
TTLSPolicy EQARMTD
{
    LocalPortRange          8002
    Direction Inbound
    TTLSTransportActionRef  EQARMTD_group
    TTLSEnvironmentActionRef EQARMTD_env
    TLSConnectionActionRef EQARMTD_conn
}

TTLSTransportAction EQARMTD_group
{
    TLSSEnabled On
}

TTLSEnvironmentAction EQARMTD_env
{
    HandshakeRole Server
    TLSKeyringParms
    {
        # Keyring must be owned by the user id running the EQARMTD started task
        Keyring EQARMTD.keyring
    }
}

TLSConnectionAction EQARMTD_conn
{
    HandshakeRole Server
    TLSCipherParmsRef EQARMTD_cipherparms
    TLSConnectionAdvancedParmsRef EQARMTD_Conn_adv
    CtraceClearText Off
}

TLSConnectionAdvancedParms EQARMTD_Conn_adv
{
    TLSv1 Off
}
```

```

    TLSv1.1                Off
    TLSv1.2                On
    SSLV3                  Off
    ApplicationControlled  Off
    SecondaryMap           Off
    HandshakeTimeout      20
}

TTLSCipherParms  EQARMTD_cipherparms
{
    V3CipherSuites TLS_ECDHE_ECDSA_WITH_AES_256_GCM_SHA384
    V3CipherSuites TLS_ECDHE_ECDSA_WITH_AES_128_GCM_SHA256
    V3CipherSuites TLS_ECDHE_RSA_WITH_AES_256_GCM_SHA384
    V3CipherSuites TLS_ECDHE_RSA_WITH_AES_128_GCM_SHA256
    V3CipherSuites TLS_DHE_RSA_WITH_AES_256_GCM_SHA384
    V3CipherSuites TLS_DHE_RSA_WITH_AES_128_GCM_SHA256
}

```

Enabling token-based and multi-factor authentications

You can enable Remote Debug Service to authenticate client connections by using either **basicAuth** or **bearerAuth** or both. **basicAuth** requires a user ID and a fixed password whereas **bearerAuth** requires only a token.

Token-based authentication (**bearerAuth**) is a prerequisite for multi-factor authentication. The Remote Debug Service delegates this type of authentication to the Debug Profile Service. For more information on enabling token-based and multi-factor authentication in the Debug Profile Service, see [Adding support for Authentication Service API](#).

Updating PARMLIB to start Remote Debug Service during IPL

Add a start command for Remote Debug Service to SYS1.PARMLIB(COMMNDxx) to start it automatically at the next system IPL. Define CMD=xx in the IEASYSxx parmlib member to specify the COMMNDxx parmlib member that is used during IPL.

Starting and stopping Remote Debug Service dynamically

To start the service, use the following console command:

```
S EQARMTD
```

To stop the service, use the following console command:

```
P EQARMTD
```

Adding support for Debug Profile Service

Debug Profile Service consists of a server and REST APIs that use the HTTP protocol to provide RESTful services to manage debug profiles, IMS Isolation, and user authentication.

The server runs on z/OS, and uses [IBM z/OS Liberty Embedded](#) as the web server.

The following REST APIs are provided with Debug Profile Service:

- [Debug Profile Service API \(DPS API\)](#) is a REST API that runs on z/OS to manage debug profiles in both CICS and non-CICS environments (handles batch, IMS, Db2[®] stored procedure profiles stored in EQAUOPTS data sets).
- [IMS Transaction Isolation Service API \(IMS ISO API\)](#) is a REST API that runs on z/OS that allows users to isolate IMS transactions for debugging. It is similar to the Batch Interface of IMS Transaction Isolation Facility of z/OS Debugger, which invokes the program EQANIPSB to perform IMS Transaction Isolation functions.
- [Authentication Service API \(AUTH API\)](#) is a REST API that runs on z/OS to authenticate mainframe user credentials. The following authentication methods are supported:

- JSON Web Token (JWT) authentication
- Basic Authentication

Internally, all Debug Profile Service REST APIs use the same authentication method to perform authentication functions.

- Data Collector Service API is a REST API that runs on z/OS to allow access to data accumulated by Data Collector to be used with Test Accelerator for Z. For more information, refer to “Adding Support for Data Collector Rest Service API” on page 102 and “Adding support for Data Collector and Data Collector Service” on page 107.

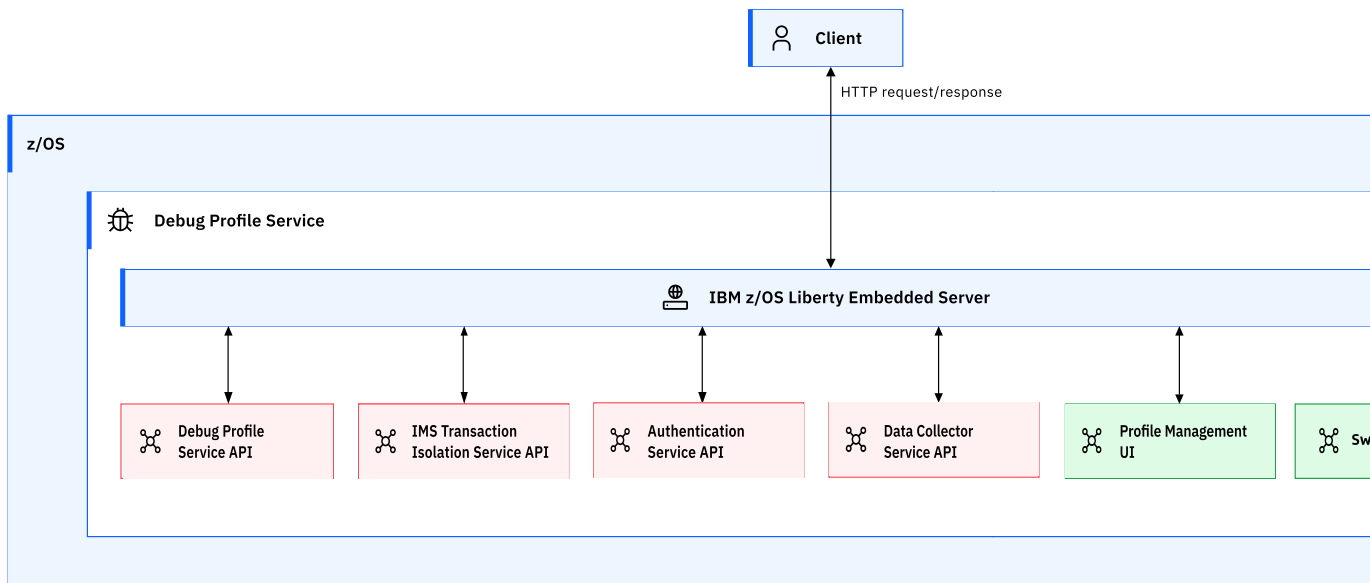


Figure 14. Debug Profile Service

To enable the RESTful services, you need to configure the server and APIs, and then restart the server.

Notes:

- Debug Profile Service requires a 64-bit Java 11, 17 or 21 (with IBM z/OS Liberty Embedded 23.0.0.12 or later). After installation, you need to configure z/OS to run Java applications.
- Debug Profile Service is hosted on the IBM z/OS Liberty Embedded application server and is compatible with the default IBM z/OS Liberty Embedded installation on your z/OS system. You do not need to install or modify the existing IBM z/OS Liberty Embedded application server to accommodate the Debug Profile Service, but you need to refresh the eqaprof.env to include environment variable `liberty_dir`.
- To enable all the features in the **z/OS Debugger Profiles** view within Eclipse, you need to install, configure, and start **z/OS Explorer Daemon (RSED)**, along with the **Debug Profile Service (DPS)**. Eclipse clients use RSED to automatically retrieve the connection details of the active DPS instance.
 - The minimum required version of z/OS Explorer is **3.2.0.13**.
 - For **z/OS Explorer version 3.4 or later**, z/OS Debugger must be registered with RSED. For more information, see the “RSED integration” on page 26. This step is required to allow RSED to automatically detect and retrieve DPS connection details.

Installing Debug Profile Service

The Debug Profile Service files are installed as z/OS UNIX files in the default location `/usr/lpp/IBM/debug` by using SMP/E during product installation. You can change the installation location to a directory of your choice.

Note: The user ID used for the SMP/E installation must be UID 0, or have at least READ access to the BPX.SUPERUSER profile in the FACILITY class. In addition, if the BPX.FILEATTR.APF or BPX.FILEATTR.PROGCTL profiles are defined in the FACILITY class, the user ID must have READ access to those profiles.

Customizing with the sample job EQAPRFSU

After the SMP/E installation, use sample job EQAW.SEQASAMP (EQAPRFSU) to create configuration and work directories in z/OS UNIX, and copy sample configuration files from the installation directory to the configuration directory for customization.

The following directories are created by EQAPRFSU:

- The home directory for the customized configuration files. The default is `/etc/debug`.
- The home directory for the logs and temporary work files generated by IBM z/OS Liberty Embedded. The default is `/var/debug`.

The following files are copied to the configuration directory by EQAPRFSU. Customize these files to match your system environment:

- `eqaprof.env` contains all parameters needed to deploy the server, including the parameters required for Debug Profile Service API and IMS Transaction Isolation Service API.
- `dtn.ports` defines the CICS region names, the associated DTCN ports, and the associated hosts and IP addresses used by the Debug Profile Service API.
- `eqadrest.env` defines the parameters that are required to configure Data Collector Service for Test Accelerator for Z users. `keystore.p12` is a sample keystore file generated by EQAPRFSU. It contains a self-signed SSL certificate that you can specify as the server certificate when the file type is PKCS12. The keystore password for generating the keystore sample file is configurable in EQAPRFSU.

Configuring the Debug Profile Service server

Before you add support for the APIs, ensure that the server is configured.

Debug Profile Service is hosted on the [IBM z/OS Liberty Embedded application server](#).

`eqaprof.env`, the Debug Profile Service deployment configuration file

```
# =====
# Debug Profile Service configurations
# =====
# Changes
#
# APIVersion 1.2:
# - Removed port_http & port_https
# - Added 'port' and 'SECURE' ("Y" for HTTPS, "N" for HTTP)
# APIVersion 1.4:
# - Added IMS ISO API configuration fields
# APIVersion 1.6:
# - Added AUTH API configuration fields
# APIVersion 1.7:
# - Added Liberty configuration shutdown port field
# APIVersion 2.1:
# - Added Liberty Swagger UI server URL override field
# - Added keystorePassFile field
# =====

#-----
# Define the path where Java is installed.
#-----

# Home directory of the 64-bit Java SDK
```

```

# ** COMMONLY CUSTOMIZED **
java_dir="/usr/lpp/java/J11.0_64"

#-----
# Define the path where Liberty is installed.
#-----

# Home directory of IBM z/OS Liberty Embedded web server
# ** COMMONLY CUSTOMIZED **
liberty_dir="/usr/lpp/liberty_zos"

#-----
# Liberty Generic Configurations - Port Settings
#-----

# Define the port number the server listens to for incoming requests
# ** COMMONLY CUSTOMIZED **
port="8143"

# Define ephemeral port to stop the server or issue java dumps.
# If it is not defined, then it is assigned dynamically by z/OS.
# Input:
# - An integer from 1 to 65535 for a fixed port
# - Use -1 to disable the shutdown port
# ** OPTIONAL **
#port_shutdown=""

#-----
# Liberty Generic Configurations - Enable/Disable Secure Communication
#
# You MUST define the SECURE environment variable with one of:
# "N" - Non-secure HTTP
# "AT-TLS" - Secure HTTPS via AT-TLS policy
# "Y" - Secure HTTPS using a keystore
#
# If you set SECURE="Y", you MUST also define the following:
# - keystoreType : One of PKCS12, JCECARCFKS, or JCECCARCFKS
# - keystoreFile : Path to the keystore file or keyring
#
# To provide the keystore password, you must choose
# keystorePass or keystorePassFile:
#
# - keystorePass : The password used to access the keystore.
# This value may be plain text or
# in an encrypted format using Liberty's
# securityUtility (e.g., {aes}...).
#
# - keystorePassFile : The full path to a file containing the
# keystore password. The content of the file
# should be the password only, either in plain
# text or in encrypted format using Liberty's
# securityUtility (e.g., {aes}...).
#
# - keystorePassEncryptionKeyFile (Optional):
# The full path to a file containing the
# encryption key used to encrypt the keystore
# password with Liberty's securityUtility.
# This is required only if a custom key was
# used during encryption. The same key must
# be provided during runtime to enable
# successful decryption. This overrides
# Liberty's default internal key.
#
# Note: When using RACF key rings, the password must be set to
# "password", either in plain text or encrypted. This value is
# required by Liberty but is not actually used because
# RACF key rings are not secured with passwords.
#-----

# For non-secured HTTP protocol
#SECURE="N"

# For secured HTTPS protocol with an AT-TLS policy
#SECURE="AT-TLS"

# For secured HTTPS protocol with PKCS12, JCECARCFKS, or JCECCARCFKS
SECURE="Y"

# [Certificate scenario 1: PKCS12 keystore file]
# Type of certificate storage
keystoreType="PKCS12"
# Pathname of the keystore file

```

```

# ** COMMONLY CUSTOMIZED **
keystoreFile="$EQAPROF_CFG_DIR/keystore.p12"
# Password to access the server certificate from the keystore
# ** COMMONLY CUSTOMIZED **
keystorePass="liberty"
# Password file to access the server certificate from the keystore
# ** COMMONLY CUSTOMIZED **
keystorePassFile="$EQAPROF_CFG_DIR/keystore.password"
# Encryption key file to decrypt the encrypted keystore password
# ** OPTIONAL **
#keystorePassEncryptionKeyFile="$EQAPROF_CFG_DIR/encryption.key"

# [Certificate scenario 2: JCERACFKS (z/OS Keyring) ]
# Type of certificate storage
#keystoreType="JCERACFKS"
# Pathname of the z/OS keyring
# ** COMMONLY CUSTOMIZED **
#keystoreFile="safkeyringjce://STCEQA/EQAPROF.Keyring"
# Password to access the server certificate from the keyring
#keystorePass="password"
# ** COMMONLY CUSTOMIZED **
#keystorePassFile="$EQAPROF_CFG_DIR/keystore.password"
# Encryption key file to decrypt the encrypted keystore password
# ** OPTIONAL **
#keystorePassEncryptionKeyFile="$EQAPROF_CFG_DIR/encryption.key"

# [Certificate scenario 3: JCECCARACFKS (z/OS Keyring) ]
# Type of certificate storage
#keystoreType="JCECCARACFKS"
# Pathname of the z/OS keyring
# ** COMMONLY CUSTOMIZED **
#keystoreFile="safkeyringjcecca://STCEQA/EQAPROF.Keyring"
# Password to access the server certificate from the keyring
#keystorePass="password"
# ** COMMONLY CUSTOMIZED **
#keystorePassFile="$EQAPROF_CFG_DIR/keystore.password"
# Encryption key file to decrypt the encrypted keystore password
# ** OPTIONAL **
#keystorePassEncryptionKeyFile="$EQAPROF_CFG_DIR/encryption.key"

#-----
# Liberty Generic Configurations - URL format
#-----

# Define the context path of the server's URI.
# Full URL format:
# <protocol>://<hostname>:<port><context_path>
# Example:
# https://localhost:8143/api/v1/
context_path="/api/v1"

#-----
# Liberty Generic Configurations - Web Security
#-----

# Protocol Version Fallback
# Allows the server to fallback to HTTP/1.0 from its default HTTP/1.1.
# If this property is not defined, then the default is true
# Input:
# - true (allow fallback) / false (disallow fallback)
# ** OPTIONAL **
#allowProtocolVersionFallback=true

# CORS (Cross-Origin Resource Sharing)
# Specifies the allowed origins for incoming cross-origin requests.
# If this property is not defined, then all origins are allowed.
# Input:
# - Comma-separated list with no spaces:
# <protocol>://<host>:<port>,<protocol>://<host>:<port>
# ** OPTIONAL **
#corAllowedOrigins=https://localhost:8143

# Deny IP Access
# Restricts access to requests made using the server's IP address.
# If this property is not defined, then the default is false
# Input:
# - true (deny IP access) / false (allow IP access)
# ** OPTIONAL **
#denyIPAddress=false

# Host Header Injection Protection
# Protects against host header injection by allowing only

```

```

# trusted hostnames or IPs.
# If this property is not defined, then no host validation is done.
# Input:
#   - Comma-separated list with no spaces:
#     <host>:<port>,<host>:<port>
# ** OPTIONAL **
#trustedHostnames=localhost:8143

# HTTP Keep-Alive
# Enables or disables persistent HTTP connections.
# If this property is not defined, then the default is true
# Input:
#   - true (keep connections open for reuse)
#   - false (close connection after each response)
# ** OPTIONAL **
#enableKeepAlive=true

#-----
# Liberty Generic Configurations - Rate Limiting
#-----

# Enable Rate Limiter
# Controls whether the server limits the number of requests
# per second per client IP.
# If this property is not defined, then the default is true
# Input:
#   - true (enable rate limiting)
#   - false (disable rate limiting)
# ** COMMONLY CUSTOMIZED **
enableRateLimit=true

# Requests Per Second
# Defines the maximum number of requests allowed per second.
# If this property is not defined, then the default is 10.0.
# Eclipse and VSCode clients should default to 1000.0.
# Input:
#   - Decimal value (e.g., 10.0, 1000.0)
# ** COMMONLY CUSTOMIZED **
requestsPerSec=1000.0

#-----
# Liberty Generic Configurations - Attach API
#-----

# Enable Attach API
# Enables or disables the Attach API, used by some monitoring tools
# to connect to a running Java process from an external JVM.
# On UNIX systems, Attach API creates a shared directory under /tmp.
# In z/OS, this can lead to security violations console messages.
# If this property is not defined, then the default is no
# Input:
#   - yes (enable Attach API)
#   - no (disable Attach API)
# ** OPTIONAL **
#enableAttachApi=no

# Attach API Directory
# Defines a custom shared directory for Attach API operations.
# If this property is not defined, then the default is:
#   /tmp/.com_ibm_tools_attach
# Input:
#   - Absolute path to a directory
# ** OPTIONAL **
#attachApiDir=/tmp/.com_ibm_tools_attach

#-----
# Liberty Generic Configurations - Monitor ALL inbound HTTP requests
#-----

# Enable Trace Logging
# Enables or disables logging of ALL inbound HTTP requests
# coming into the server.
# By default, logs are written to:
#   ${WRKDIR}/eqaProfile/logs/trace.log
# Log roll-over interval defaults to once per day.
# If this property is not defined, tracing is disabled
# Input:
#   - true (enable trace logging)
#   - false (disable trace logging)
# ** OPTIONAL **
# enableTraceLog=false

```

```

# Maximum Trace Log Files
# Defines the maximum number of trace log files to retain
# before older files are removed.
# If this property is not defined, the default is 2
# Input:
#   - Integer
# ** OPTIONAL **
# traceLogMaxFiles=2

# Inbound Header to Trace
# Specifies the name of a single inbound HTTP header
# to include in the trace log.
# If not defined or left empty, no inbound headers are traced.
# Input:
#   - HTTP Header name
# ** OPTIONAL **
# traceInboundHeaderName=""

# Outbound Header to Trace
# Specifies the name of a single outbound HTTP header
# to include in the trace log.
# If not defined or left empty, no outbound headers are traced.
# Input:
#   - HTTP Header name
# ** OPTIONAL **
# traceOutboundHeaderName=""

#-----
# Liberty Generic Configurations - Swagger UI explorer
#-----
# Defines a list of servers shown in the Swagger UI explorer endpoint
# to provide connectivity information.
# - Users deploying AT-TLS must set this property to specify the
#   server URL with the correct protocol, since Liberty defaults to
#   HTTP (non-secure) and does not automatically detect
#   AT-TLS SSL encryption.
# - Users who prefer a different hostname must set this property to
#   specify the desired server name.

# If this property is not defined, Liberty dynamically constructs the
# server name.
# Input:
#   - Comma-separated list with no spaces:
#     <protocol>://<host>:<port>,<protocol>://<host>:<port>
# ** OPTIONAL **
#swaggerUIServers=https://localhost:8143,https://vipahost:8143

#-----
# Debug Profile Service Generic - STDOUT Logging
#-----

# Server Logger Level
# Defines the logging level for generic logs (STDOUT).
# If this property is not defined, the default level is INFO
# Input:
#   - OFF, INFO, DEBUG, ERROR, WARN
# ** COMMONLY CUSTOMIZED **
serverLoggerLevel=INFO

#-----
# Debug Profile Service API (DPS API) - CICS and Non-CICS profiles
#-----

# Define the naming pattern for EQUAOPTS data sets
# Notes:
# - DPS API uses the naming pattern to create, read, and delete
#   unique data sets per user.
# - The ampersand (&) is a reserved character in shell scripts and
#   must be escaped with a backslash (\).
# - The pattern \&USERID is replaced dynamically with the user ID.
#   For example, if the user ID is IBMUSER, the resolved name will be:
#   IBMUSER.DLAYDBG.EQUAOPTS
# Input:
#   - String representing the data set naming pattern
# ** COMMONLY CUSTOMIZED **
default_dsname="\&USERID.DLAYDBG.EQUAOPTS"

# Configuration File Path for CICS Region List
# Define the pathname of the configuration file containing
# the list of CICS region
# Input:
#   - Absolute path to the configuration file

```

```

# ** COMMONLY CUSTOMIZED **
dtn_ports="$EQAPROF_CFG_DIR/dtn.ports"

# STDOUT Logging
# Defines the logging level for DPS API logs (STDOUT).
# If this property is not defined, the default level is INFO
# Input:
#   - OFF, INFO, DEBUG, ERROR, WARN
# ** COMMONLY CUSTOMIZED **
dpsApiLoggerLevel=INFO

#-----
# IMS Transaction Isolation API (IMS ISO API)
#-----
# These properties define the DD statements required by the EQANIPSB
# program running on the engine, which provides
# IMS transaction isolation support.
#
# Replace the default z/OS Debugger data set names
# with the data set names installed at your site.
# For example, SEQAMOD, SEQAEXEC, SEQATLIB.
#
# Replace the IMS data set SDFSRESL with the one
# configured in your IMS environment.
#
# Note:
# - The debug profile (EQUAUOPTS) data set used
#   by IMS Isolation Private Region
#   is determined by the "default_dsname" parameter.
#-----

# EQATIPSB DD
# Defines a comma-separated list of load libraries
# used by the EQANBSWT BMP program.
# Note: EQAW.SEQAMOD must be listed and match the library used by
#       the EQAPROF job. As defined in the STEPLIB
#       or the system link list.
# Input:
#   - Comma-separated list of load libraries
# ** COMMONLY CUSTOMIZED **
imsiso_dd_eqatipsb=EQAW.SEQAMOD,IMS.SDFSRESL,CEE.SCEERUN

# SYSPROC DD
# Specifies the REXX libraries used to prepare JCL
# for cloning the MPR job.
# Input:
#   - Comma-separated list of REXX libraries
# ** COMMONLY CUSTOMIZED **
imsiso_dd_sysproc=EQAW.SEQAEXEC

# JCLLIB DD
# Points to the library containing the EQAZPROC member used to analyze
# the JCL of an existing message region.
# Input:
#   - Comma-separated list of JCL libraries
# ** COMMONLY CUSTOMIZED **
imsiso_dd_jcllib=EQAW.SEQATLIB

# SYSLIB DD
# ** COMMONLY CUSTOMIZED **
imsiso_dd_syslib=SYS1.MACLIB

# STDOUT Logging
# Defines the logging level for IMS ISO API logs (STDOUT).
# If this property is not defined, the default level is INFO
# Input:
#   - OFF, INFO, DEBUG, ERROR, WARN
# ** COMMONLY CUSTOMIZED **
imsIsoApiLoggerLevel=INFO

#-----
# Authentication Service API (AUTH API)
#-----
# You can authenticate users using SAF Basic or SAF JWT authentication
#
# - To use Basic authentication:
#   No external setup is required.
#
# - To use JWT authentication (recommended for higher security):
#   External setup is required.
#   You MUST configure RACF Identify Token (IDT) profiles on z/OS
#   outside of this server, which define the APPLID provider.

```

```

#
# If neither property is defined:
# - Basic is disabled by default.
# - JWT is enabled by default.
#
# For backward compatibility, both authentication methods can be
# enabled at the same time.
#-----

# Enable SAF/RACF Basic Authentication
# If not defined, Basic Authentication is disabled by default
# Input:
# - true or false
# ** COMMONLY CUSTOMIZED **
safBasicIsEnabled=false

# Enable SAF/RACF JWT Authentication
# If not defined, JWT Authentication is enabled by default
# Input:
# - true or false
# ** COMMONLY CUSTOMIZED **
safJwtIsEnabled=true

# APPLID used to validate and generate SAF/RACF IDT (JWT token)
# - Eclipse: use FEKAPPL (same as RSE Daemon)
# - VSCode: use FEKAPPL or EQAAPPL
# If not defined, defaults to FEKAPPL
# Input:
# - The APPLID name
# ** COMMONLY CUSTOMIZED **
safJwtAppId=FEKAPPL

# STDOUT Logging - Authentication API
# Defines logging level; defaults to INFO if not defined
# Input:
# - OFF, INFO, DEBUG, ERROR, WARN
# ** COMMONLY CUSTOMIZED **
authApiLoggerLevel=INFO

```

Debug Profile Service logging

Debug Profile Service logging offers a customizable logging service that leverages various log levels and adheres to a standard server log format. Additionally, the server framework of IBM z/OS Liberty Embedded enables further logging capabilities, such as First Failure Data Capture (FFDC) services, which log potential failure events, as well as the HTTP Access Log service for recording and troubleshooting incoming client requests.

In this topic, you can find configuration instructions, and file locations to assist in customizing and locating logs as required.

Application Logging

Debug Profile Service utilizes log4j2 to manage its logging mechanism, where each API has its own designated log service name.

The following log services are available:

- `Server`: Logs prefixed with this name are generic.
- `Debug Profile Service`: Logs prefixed with this name are produced by [Debug Profile Service API](#).
- `IMS Transaction Isolation Service`: Logs prefixed with this name are produced by [IMS Transaction Isolation Service API](#).
- `Authentication Service`: Logs prefixed with this name are produced by [Authentication Service API](#).
- `Data Collector Service`: Logs prefixed with this name are produced by [Data Collector Service API](#).

Each log service supports configurable log levels to control the verbosity of the logs. The following log levels are available:

- `OFF`: Disables logging for the service.

- INFO: Provides informational messages that highlight the progress of the application.
- ERROR: Indicates serious issues that have occurred, often requiring immediate attention.
- DEBUG: Offers detailed information, typically of interest only when diagnosing problems.
- WARN: Flags potentially harmful situations that do not immediately cause an error.

The logs are written to the server's job standard output (STDOUT) and follow a consistent format:

```
<timestamp> <log level> <log service name> - <log message>
```

where,

<timestamp>

The time at which the log entry was created, formatted as yyyy-MM-dd HH:mm:ss.SSS

<log level>

The severity level of the log entry (OFF, INFO, ERROR, DEBUG, WARN)

<log service name>

The name of the log service that generated the log entry.

<log message>

The actual message describing the event or error.

By default, the log level for each service is set to INFO. To configure the log levels for each service, see the [Debug Profile Service Configuration file, eqaprof.env](#), and restart the server for changes to take affect.

First Failure Data Capture (FFDC) Logging

[IBM z/OS Liberty Embedded](#) server unifies logging and tracing with a feature known as First Failure Data Capture (FFDC) services. It collects information about an event that might lead up to a failure. The FFDC logs are written in the work directory: "`${WRKDIR}`" / `eqaProfile/logs/ffdc`, where:

- "`${WRKDIR}`" is defined in `EQAW.SEQASAMP (EQAPROF)`.
- The `eqaProfile/logs` directory is created when the [IBM z/OS Liberty Embedded](#) server is started, if it does not exist.
- The `ffdc` directory is created when an exception occurs, if it does not exist. You can clean log files in the `ffdc` directory if there are too many.

By default, the FFDC logs are always enabled.

HTTP Access Logging

[IBM z/OS Liberty Embedded](#) server provides a method to record all inbound client requests that are handled by HTTP endpoints through a service called HTTP Access Log. The HTTP access logs are written in the work directory: "`${WRKDIR}`" / `eqaProfile/logs/trace.log`.

Use this trace method to complete the following tasks:

- Maintain a record of inbound HTTP requests made to the server.
- Debug whether an HTTP request made is to the server.
- Log inbound or outbound HTTP headers for debugging purposes.

By default, the HTTP access logs are disabled. To enable and configure them, see the [Debug Profile Service Configuration file, eqaprof.env](#). The `trace.log` file will be created when the [IBM z/OS Liberty Embedded](#) server is started, if it does not exist.

Debug Profile Service security definitions

Perform the following tasks to complete the basic RACF security setup to run Debug Profile Service.

For more information about the sample RACF commands, see *RACF Command Language Reference* (SA22-7687).

Activating the security settings and classes

Debug Profile Service uses various security mechanisms to ensure a secure and controlled host system environment for the client. To do so, several classes and security settings must be active, as shown in the following sample RACF commands:

1. Display current settings:
 - a. SETROPTS LIST
2. Activate FACILITY class:
 - a. SETROPTS GENERIC(FACILITY)
 - b. SETROPTS CLASSACT(FACILITY) RACLIST(FACILITY)
3. Activate SURROGAT class:
 - a. SETROPTS GENERIC(SURROGAT)
 - b. SETROPTS CLASSACT(SURROGAT) RACLIST(SURROGAT)
4. Activate started task definitions:
 - a. SETROPTS GENERIC(STARTED)
 - b. RDEFINE STARTED ** STDATA(USER(=MEMBER) GROUP(STCGROUP) TRACE(YES))
 - c. SETROPTS CLASSACT(STARTED) RACLIST(STARTED)

Defining the Debug Profile Service started task

The following sample RACF commands create the EQAPROF started task, with protected user ID (STCEQA) and the STCGROUP group assigned to it:

1.

```
ADDGROUP STCGROUP OMVS(AUTOUID) -  
DATA('GROUP WITH OMVS SEGMENT FOR STARTED TASKS')
```
2.

```
ADDUSER STCEQA DFLTGRP(STCGROUP) NOPASSWORD -  
NAME('DEBUG PROFILE SERVER') -  
OMVS(AUTOUID HOME('/tmp') PROGRAM('/bin/sh') ASSIZEMAX(2147483647) )  
- DATA('IBM z/OS Debugger')
```
3.

```
RDEFINE STARTED EQAPROF.* -  
STDATA(USER(STCEQA) GROUP(STCGROUP) TRUSTED(NO)) -  
DATA('DEBUG PROFILE SERVICE')
```
4.

```
SETROPTS RACLIST(STARTED) REFRESH
```

Note: Ensure that the started task user ID is protected by specifying the NOPASSWORD keyword.

Enabling secure communication

You can enable Debug Profile Service to communicate over a [secure connection using a PKCS#12 keystore](#), a [RACF-managed key ring](#), or [AT-TLS](#). Each of these keystore types can be configured with a CA-signed certificate.

Remote clients such as the z/OS Debugger Profiles view might perform hostname verification when communicating with Debug Profile Service. Make sure that the hostname is defined in the Subject Alternative Name (SAN) extension of the SSL certificate.

Enabling secure communication with a keystore file

This section explains how to create and use a PKCS#12 keystore.

1. Determine whether to use self-signed or CA-signed certificate.

Self-signed certificate

You can enable secure communication using a self-signed certificate by either using the one created during the installation or generating a new one.

Option 1: Using the Default Self-Signed Certificate:

During SMP/E installation, the sample job `EQA.SEQASAMP (EQAPRFSU)` generates a self-signed certificate stored in a PKCS#12 keystore file at the default configuration path:

```
/etc/debug/keystore.p12
```

This certificate can be used without any additional steps.

Option 2: Creating a New Self-Signed Certificate:

If you prefer to generate your own self-signed certificate, the sample job `EQA.SEQASAMP (EQAPKCS2)` can assist you with this by invoking the `eqapkcs2.sh` shell script.

Customize the sample job and run the script with the **-init-self** option to create a new PKCS#12 keystore file (default `keystore.p12`).

```
PGM /bin/sh &SVRPATH/bin/eqapkcs2.sh -init-self
```

CA-signed certificate

To use a certificate signed by a Certificate Authority (CA), you must first generate a Certificate Signing Request (CSR) and then import the signed certificate once it is returned by the CA. The sample job `EQA.SEQASAMP (EQAPKCS2)` can assist with both steps by invoking the `eqapkcs2.sh` shell script.

Step 1: Generate a CSR

Customize the sample job and run the script with the **-init-ca** option to do the following:

- Create a new PKCS#12 keystore file (default `keystore.p12`)
- Create a Certificate Signing Request (CSR) file (default `keystore.csr`)
- Create a placeholder file (default `keystore.signed.cer`) where the CA-signed certificate will be stored.

```
PGM /bin/sh &SVRPATH/bin/eqapkcs2.sh -init-ca
```

Submit the **keystore.csr** file to a Certificate Authority (CA).

Step 2: Import the Signed Certificate

Once you receive the signed certificate from the CA (ensure it is a **PEM format** and includes the complete **X.509** certificate chain: leaf, intermediate, root certificates), copy its contents into the placeholder file created earlier (default `keystore.signed.cer`). Then, run the **-sign-ca** option to complete the trust chain.

```
PGM /bin/sh &SVRPATH/bin/eqapkcs2.sh -sign-ca
```

For example, if the CA provided a binary-encoded PKCS#7 (.p7b) file:

Use the following OpenSSL command in your local host to convert it to a PEM format:

```
openssl pkcs7 -in <filename>.p7b -out certificate_bundle.pem
```

After conversion, you should see:

```
The converted PKCS7 file should start with
"-----BEGIN PKCS7-----" and end with the footer
"-----END PKCS7-----"
```

Now extract the individual X.509 certificates from the PKCS#7 bundle to the CER file (default `keystore.signed.cer`) using:

```
openssl pkcs7 -in certificate_bundle.pem -out keystore.signed.cer
```

After conversion, the CER file will contain X.509 certificates, each wrapped like this. Copy all its contents into the placeholder CER file (default keystore.signed.cer) on z/OS host.

```
The converted leaf certificate should start with
"-----BEGIN CERTIFICATE-----" and end with the footer
"-----END CERTIFICATE-----"
```

```
The converted Intermediate CA certificate should start with
"-----BEGIN CERTIFICATE-----" and end with the footer
"-----END CERTIFICATE-----"
```

```
The converted Root CA certificate should start with
"-----BEGIN CERTIFICATE-----" and end with the footer
"-----END CERTIFICATE-----"
```

2. Edit `/etc/debug/eqaprof.env` and update the keystore variables to use the new keystore file.

```
keystoreFile="$EQAPROF_CFG_DIR/keystore.p12"
keystorePass="liberty"
keystoreType="PKCS12"
```

3. To ensure that the keystore file is only readable by the protected user ID STCEQA, change the owner and permission of the file with:

```
chown STCEQA:STCGROUP keystore.p12
chmod 640 keystore.p12
```

4. If necessary, export the SSL certificate with:

```
keytool -export -keystore keystore.p12 -alias liberty -storetype PKCS12 -file liberty.cer
-rfc
```

The SSL certificate can be distributed to remote users to be imported into the client keystore.

For Eclipse users, manually importing the certificate for z/OS Debugger Profiles view users is not required because you will be prompted to accept the certificate if it is not already in the keystore the first time the view connects to Debug Profile Service.

Z Open Debug users still need to manually import the self-signed certificate. For more information, see [Setting up for IBM Z Open Debug](#).

Enabling secure communication with a RACF managed key ring

Instead of a keystore file, you can use a RACF managed key ring to enable secure communication with Debug Profile Service. To create a RACF key ring and certificates, you must have authorization to issue RACDCERT commands. For more information about the RACDCERT commands and authorizations that are required, see "RACDCERT (Manage RACF digital certificates)" in the *z/OS Security Server RACF Command Language Reference*.

1. Create a RACF key ring for Debug Profile Service to use as its keystore:

```
RACDCERT ADDRING(EQAPROF.Keyring) ID(STCEQA)
```

2. Create a CA certificate and add it to the key ring:

```
RACDCERT GENCERT CERTAUTH SUBJECTSDN(CN('CA for Debugger Services') O('IBM') OU('IBM z/OS
Debugger') C('US')) SIZE(2048) WITHLABEL('zosDebuggerCA') NOTAFTER(DATE(2030-12-31))
RACDCERT CONNECT(CERTAUTH RING(EQAPROF.Keyring) LABEL('zosDebuggerCA')) ID(STCEQA)
```

3. Create a signed personal certificate and add to the key ring:

```
RACDCERT GENCERT SUBJECTSDN(CN('Debug Profile Service') O('IBM') OU('IBM z/OS
Debugger') C('US')) ALTNAME(DOMAIN('dps.hostname.com')) SIZE(2048) SIGNWITH(CERTAUTH
LABEL('zosDebuggerCA')) WITHLABEL('EQAPROF') NOTAFTER(DATE(2030-12-31)) ID(STCEQA)
RACDCERT CONNECT(RING(EQAPROF.Keyring) LABEL('EQAPROF')) ID(STCEQA)
```

4. Confirm that the key ring and certificates were created correctly:

```
RACDCERT LISTRING(EQAPROF.Keyring) ID(STCEQA)
RACDCERT CERTAUTH LIST(LABEL('zosDebuggerCA'))
RACDCERT LIST(LABEL('EQAPROF')) ID(STCEQA)
```

5. Enable the protected user ID STCEQA authority to access the key ring:

```
PERMIT IRR.DIGTCERT.LIST CLASS(FACILITY) ID(STCEQA) ACC(READ)
PERMIT IRR.DIGTCERT.LISTRING CLASS(FACILITY) ID(STCEQA) ACC(READ)
SETROPTS RACLIST(FACILITY) REFRESH
```

6. Edit `/etc/debug/eqaprof.env` and update the keystore variables to use the key ring:

```
keystoreFile="safkeyringjce://STCEQA/EQAPROF.Keyring"
keystorePass="password"
keystoreType="JCERACFKS"
```

Similar to JCERACFKS, a JCECCARACFKS key ring uses RACF with the addition of ICSF to protect certificates and key material. To use a JCECCARACFKS key ring, edit `/etc/debug/eqaprof.env` with the following:

```
keystoreFile="safkeyringjcecca://STCEQA/EQAPROF.Keyring"
keystorePass="password"
keystoreType="JCECCARACFKS"
```

Notes:

- The value for `keystorePass` must be exactly "password" to satisfy the underlying HTTP server, even though SAF key rings do not have a password.
- Access to ICSF is protected by profiles in the CSFSERV security class. The protected user ID STCEQA must have the proper permissions in order to access the key ring. For more information, see the *z/OS Cryptographic Services ICSF Administrator's Guide*.

7. Export the CA certificate that contains the public key to a z/OS sequential file:

```
RACDCERT CERTAUTH EXPORT(LABEL('zosDebuggerCA')) DSN('<sequential data set>') FORMAT(CERTDER)
```

The CA certificate can be distributed to remote users to be imported into the client keystore manually if necessary.

For Eclipse users, manually importing the certificate for **z/OS Debugger Profiles** view users is not required because users will be prompted to accept the certificate if it is not already in the keystore the first time the view connects to Debug Profile Service.

users still need to manually import the self-signed certificate.

Enabling secure communication with AT-TLS

You can also use the TCP/IP service called Application Transparent Transport Layer Security (AT-TLS) to enable secure communication with Debug Profile Service. For a step-by-step guide to setting up AT-TLS itself, see [“Setting up AT-TLS” on page 37](#).

1. In the `eqaprof.env` configuration file, specify `SECURE="AT-TLS"`.
2. Create an AT-TLS policy for the port used by Debug Profile Service as specified in the `eqaprof.env` configuration file. See the following sample policy.

Note: The **Jobname** parameter in the **TTLSRule** statement is optional if you specify the **LocalPortRange**. However, if you choose to define it, set it to the job name shown in the output stream of the **EQAPROF** job. The **EQAPROF** job spawns a secondary process that runs the Liberty server.

For example, the job name should be set to **EQAPROF1**:

```
INFO Eqaprofile - Server running with jobname EQAPROF1 has started, and is listening on
HTTPS (AT-TLS) port=8143
```

You can also run the **TSO NETSTAT** command to verify the server's job name and check which job is listening on port 8143.

```

TTLSRule EQAPROF
{
    LocalPortRange          8143
    Direction Inbound
    TTLSGroupActionRef.    EQAPROF_group
    TTLSEnvironmentActionRef EQAPROF_env
    TTLSConnectionActionRef EQAPROF_conn
}

TTLSGroupAction EQAPROF_group
{
    TTLSEnabled              On
}

TTLSEnvironmentAction EQAPROF_env
{
    HandshakeRole           Server
    TTLSKeyringParms
    {
        # Keyring must be owned by the user id (STCEQA) running the EQAPROF started task
        Keyring              eqaprof.keyring
    }
}

TTLSConnectionAction EQAPROF_conn
{
    HandshakeRole           Server
    TTLSCipherParmsRef     EQAPROF_cipherparms
    TTLSConnectionAdvancedParmsRef. EQAPROF_Conn_adv
    CtraceClearText        Off
}

TTLSConnectionAdvancedParms EQAPROF_Conn_adv
{
    TLSv1                   Off
    TLSv1.1                 Off
    TLSv1.2                 On
    SSLV3                   Off
    ApplicationControlled   Off
    SecondaryMap             Off
    HandshakeTimeout.       20
}

TTLSCipherParms EQAPROF_cipherparms
{
    V3CipherSuites TLS_ECDHE_ECDSA_WITH_AES_256_GCM_SHA384
    V3CipherSuites TLS_ECDHE_ECDSA_WITH_AES_128_GCM_SHA256
    V3CipherSuites TLS_ECDHE_RSA_WITH_AES_256_GCM_SHA384
    V3CipherSuites TLS_ECDHE_RSA_WITH_AES_128_GCM_SHA256
    V3CipherSuites TLS_DHE_RSA_WITH_AES_256_GCM_SHA384
    V3CipherSuites TLS_DHE_RSA_WITH_AES_128_GCM_SHA256
}

```

Securing Keystore and Keyring Passwords

If you choose to use a keystore or RACF key ring, you must specify a password as part of the configuration. While Liberty supports plain text passwords, it is strongly recommended to encrypt them to enhance security.

Password encryption can be done using Liberty's [securityUtility](#) tool. You can choose to encrypt the password using Liberty's default internal key or supply your own custom key. The tool will output the encrypted password as a string:

In the following example, `${liberty_dir}` is the path of your liberty installation, `<password>` is the plain-text keystore or keyring password to encrypt, and `<customkey>` can be a random or pseudo-random string that the encryption tool will use.

Option 1: Using the default encryption key:

```

${liberty_dir}/bin/securityUtility encode --encoding=aes <password>

```

Option 2: Using a custom encryption key:

```
`${liberty_dir}/bin/securityUtility encode --encoding=aes --key=<customkey> <password>
```

After encryption, edit `/etc/debug/eqaprof.env` and update the keystore password variable with the encrypted password in one of the following ways:

Option 1: Use the encrypted password directly:

```
keystorePass="{aes}..."
```

Option 2: Reference an external file containing the encrypted password.

```
keystorePassFile="/etc/debug/keystore.password"
```

If a **custom encryption key** is used to create the encrypted password, you must also reference an external file containing the custom encryption key.

```
keystorePassEncryptionKeyfile="/etc/debug/encryption.key"
```

The `keystore.password` and `encryption.key` files must be manually created and ensure they are only readable by the protected user ID `STCEQA`.

```
chown STCEQA:STCGROUP keystore.password
chown STCEQA:STCGROUP encryption.key
chmod 600 keystore.password
chmod 600 encryption.key
```

Defining Debug Profile Service to switch user context

You must grant the user ID `STCEQA` associated with the `EQAPROF` server started task `UPDATE` access to the `BPX.SERVER` profile in the `FACILITY` class, and `READ` access to the `BPX.SRV.**` profile in the `SURROGAT` class. These access are required to allow the security environment to switch, this enables the server to create or delete the security environment for a client thread.

This configuration is mandatory for all services to ensure that `STCEQA` can switch its security context and issue API requests on behalf of the authenticated user.

`BPX.SERVER` RACF commands:

1. `RDEFINE FACILITY BPX.SERVER UACC(NONE)`
2. `PERMIT BPX.SERVER CLASS(FACILITY) ID(STCEQA) ACCESS(UPDATE)`
3. `SETOPTS RACLIST(FACILITY) REFRESH`
4. `RLIST FACILITY BPX.SERVER ALL`

`BPX.SRV.**` RACF commands:

1. `RDEFINE SURROGAT BPX.SRV.** UACC(NONE)`
2. `PERMIT BPX.SRV.** CLASS(SURROGAT) ID(STCEQA) ACCESS(READ)`
3. `SETOPTS RACLIST(SURROGAT) REFRESH`
4. `RLIST SURROGAT BPX.SRV.** ALL`



Attention: Defining the `BPX.SERVER` resource makes z/OS UNIX as a whole switch from UNIX level security to z/OS UNIX level security, which is more secure. This switch might impact other z/OS UNIX applications and operations. Test the security before activating it on a production system. For more information about the different security levels, see *UNIX System Services Planning* (GA22-7800).

Define the application protection for Debug Profile Service

This section provides a few RACF commands that define the security controls for the application ID (APPLID) `EQAAPPL`. It specifies the users or groups that can access the `EQAAPPL` during SAF JSON Web

Token (JWT) authentications. For more information on the security requirement, see [Adding support for Authentication Service API](#).

You must activate the APPL class:

```
SETROPTS CLASSACT(APPL)
SETROPTS RACLIST(APPL) REFRESH
```

Allow any user to access EQAAPPL

You can allow any user to access EQAAPPL by using the following universal configurations:

- Create a profile in the APPL class:

```
RDEFINE APPL EQAAPPL UACC(READ) DATA('Debug Profile Service')
```

- Implement the APPL changes:

```
SETROPTS RACLIST(APPL) REFRESH
```

- List the details of the resource:

```
RLIST APPL EQAAPPL
```

Restrict access to EQAAPPL

You can restrict any user from accessing EQAAPPL by using the following configurations:

- Create a profile in the APPL class:

```
RDEFINE APPL EQAAPPL UACC(NONE) DATA('Debug Profile Service')
```

- Provide STCEQA READ access:

```
PERMIT EQAAPPL CLASS(APPL) ID(userid or groupname) ACCESS(READ)
```

- Implement the APPL changes:

```
SETROPTS RACLIST(APPL) REFRESH
```

- List the details of the resource:

```
RLIST APPL EQAAPPL
```

Defining SAF JWT support for Debug Profile Service

This section provides a few sample RACF commands that creates a new signed SAF Identify Token (IDT) in the JSON Web Token (JWT) format with application ID (APPLID) EQAAPPL. For more information on the security requirement, see [Adding support for Authentication Service API](#).

Note:

- To configure your z/OS environment for Cryptographic Service Facility (ICSF), see [Cryptographic Services ICSF: System Programmer's Guide](#).
- For ICSF to start, the task ICSF or CSF must be active.
- Create Token Data Set (TKDS) for PKCS#11 support.
- In a Sysplex, you should create RACF database and configure ICSF to share TKDS data sets across member LPARs. For detailed information, see [Running in a Sysplex Environment](#).

1. (Optional) create a CRYPTOZ class profile with the value ** and set UACC to NONE.

```
RDEFINE CRYPTOZ SO.** UACC(NONE)
RDEFINE CRYPTOZ USER.** UACC(NONE)
RDEFINE CRYPTOZ CLEARKEY.** UACC(NONE)
```

This setup ensures that ICSF generates meaningful error messages and simplifies error identification.

2. Create a z/OS PKCS#11 token.

Identify Token Support (ITS) uses confidential data stored in the ICSF PKCS#11 token. Access to the PKCS#11 token within ICSF is regulated by the CRYPTOZ class.

Note: Remember the tokename value as you will need to use it in steps 3 and 4.

a. Activate the CRYPTOZ class.

```
SETROPTS GENERIC(CRYPTOZ)
SETROPTS CLASSACT(CRYPTOZ) RACLIST(CRYPTOZ)
SETROPTS RACLIST(CRYPTOZ) REFRESH
```

b. Replace #crypto with valid user IDs or RACF group names of the cryptographic administrators to create the PKCS#11 token that holds the private key.

c. Replace #tokename with the desired name or default it to JWTTOK.EQAAPPL token name.

```
RDEFINE CRYPTOZ S0.#tokename UACC(NONE) DATA('CREATE PKCS#11 TOKEN')
PERMIT S0.#tokename CLASS(CRYPTOZ) ACCESS(CONTROL) ID(#crypto)
RDEFINE CRYPTOZ CLEARKEY.#tokename UACC(NONE) DATA('CREATE PKCS#11 KEY')
PERMIT CLEARKEY.#tokename CLASS(CRYPTOZ) ACCESS(READ) ID(#crypto)
```

d. Implement the CRYPTOZ changes.

```
SETROPTS RACLIST(CRYPTOZ) REFRESH
```

e. Create PKCS#11 token.

```
RACDCERT ADDTOKEN(#tokename)
```

3. Define a new IDTDATA class profile to define the applications and users that uses Identify Token Support.

For more information, see [Activating and using the IDTA parameter in RACROUTE REQUEST=VERIFY and initACEE](#).

a. Activate the IDTDATA class.

```
SETROPTS GENERIC(IDTDATA)
SETROPTS CLASSACT(IDTDATA) RACLIST(IDTDATA)
SETROPTS RACLIST(IDTDATA) REFRESH
```

b. Create a generic SAF JWT provider by name EQAAPPL.

- The profile format is <Identity Token (IDT) type>.<application ID>.<user ID>.<IDT issuer name> where Identity Token (IDT) is JWT, Application ID is EQAAPPL, User ID is a filter where an asterisk (*) is a pass-through that allows all user IDs to generate and validate a SAF JWT or define a valid user ID to limit the users, and IDT issue name is SAF.
- SIGTOKEN specifies the PKCS#11 token for generating and validating identity token signatures. Replace #tokename with the desired name.
- SIGALG is the type of algorithm used to generates identity token signatures.
- ANYAPPL specifies whether the IDT can be used by any application name.
- IDTTIMEOUT specifies the number of minutes that the identity token is valid.

```
RDEFINE IDTDATA JWT.EQAAPPL.*.SAF IDTPARMS(SIGTOKEN(#tokename) SIGALG(HS512)
ANYAPPL(YES) IDTTIMEOUT(30)) UACC(NONE) DATA('Debug Profile Service')
```

c. Implement the IDTDATA changes.

```
SETROPTS RACLIST(IDTDATA) REFRESH
```

4. Create private key for PKCS#11 token.

Use the sample program EQAW.SEQASAMP (EQAPKCS1) to complete this step. The cryptographic administrator can customize and submit the EQAPKCS1 member.

```
//EQAPKCS1 JOB <job parameters>
/*****
/** Licensed materials - Property of IBM *
/** *
/** 5724-T07: IBM z/OS Debugger *
/** Copyright IBM Corp. 2024, 2024 All Rights Reserved *
/** *
/** US Government Users Restricted Rights - Use, duplication or *
/** disclosure restricted by GSA ADP Schedule Contract with IBM Corp. *
/** *
/** This JCL creates a private key for a PKCS#11 token. *
/** *
/** *
/** CAUTIONS: *
/** A) This job contains case sensitive path statements. *
/** B) This is neither a JCL procedure nor a complete job. *
/** Before using this JCL, you will have to make the following *
/** modifications: *
/** *
/** 1) Add the job parameters to meet your system requirements. *
/** *
/** 2) Provide, in variable BASE, the home directory of the *
/** product install (default is /usr/lpp/IBM/debug). *
/** *
/** 3) Provide, in variable TOKEN, the PKCS#11 token name defined *
/** during security setup (default is JWTTOK.EQAAPPL). *
/** *
/** 4) Provide, in variable KEYTYPE, the type of private key that *
/** must be created. Valid values are CLEAR and SECURE (default *
/** is CLEAR). *
/** *
/** 5) Provide, in variable KEYSIZE, the size of the private key, *
/** in bits. The value must be a multiple of 8 and minimum 128 *
/** (default is 256). *
/** *
/** 6) If hlq.SCSFMODE0 is not in LINKLIST, provide in variable HLQ *
/** the high level qualifier used during the installation of ICSF. *
/** *
/** Note(s): *
/** *
/** 1. THE USER ID THAT RUNS THIS JOB MUST HAVE SUFFICIENT ICSF *
/** AUTHORITY. *
/** *
/** 2. KEYTYPE=SECURE requires that the Crypto Express Coprocessor *
/** is in EP11 mode. *
/** *
/** 3. For security, the KEYSIZE value should be at least half of *
/** the size of the hash used by the signing algorithm defined *
/** during the security setup. For example, if SIGALG(HS512) was *
/** used during security setup, KEYSIZE should be at least 256. *
/** See IDTPARMS SIGALG keyword in RACF PKCS#11 definition. *
/** *
/** 4. This job should complete with a return code 0. *
/** *
/*****
/** EXPORT SYMLIST=*
/** *
/** SET BASE='/usr/lpp/IBM/debug'
/** SET TOKEN=JWTTOK.EQAAPPL
/** SET KEYTYPE=CLEAR
/** SET KEYSIZE=256
/** SET HLQ=CSF
/** *
/**USS EXEC PGM=BPXBATCH,REGION=0M,TIME=NOLIMIT
/**STDPARM DD *,SYMBOLS=JCLONLY
SH &BASE./bin/eqa.csfpkcs1.rex
-NAME=&TOKEN
-SIZE=&KEYSIZE
-TYPE=&KEYTYPE
-DEBUG
/**STDENV DD *,SYMBOLS=JCLONLY
STEPLIB=&HLQ..SCSFMODE0
/**STDOUT DD SYSOUT=*
/**STDERR DD SYSOUT=*
/**
```

5. Verify the security settings:

- RLIST APPL EQAAPPL
- RLIST CRYPTOZ SO.JWTTOK.EQAAPPL ALL
- RLIST CRYPTOZ CLEARKEY.JWTTOK.EQAAPPL ALL
- RACDCERT LISTTOKEN(JWTTOK.EQAAPPL)
- RLIST IDTDATA JWT.EQAAPPL.*.SAF ALL IDTPARMS

Allow users to impersonate other users

Note: User impersonation does not refer to the STC user ID. You must select a regular z/OS user ID that will be authorized to impersonate other z/OS user IDs. This section below explains how to grant the necessary permissions to that user.

Note: This is an optional feature that can be enabled if a client or service requires it. If enabled, this feature does not impact the services. Impersonation only occurs if triggered by the caller.

Note: The Data Collector feature [“Adding support for Data Collector and Data Collector Service” on page 107](#), requires a user to create profiles on behalf other users. To meet this requirement, grant **full impersonation** access to this user.

Debug Profile Service supports a feature called impersonation, which allows an authenticated user to act on behalf of another user. This is similar to context switching, where the server’s protected user ID (such as STCEQA) switches its security context to that of the authenticated user. Impersonation takes this a step further by allowing the authenticated user to switch their security context to a different user entirely.

This concept is similar to the idea of a surrogate, where a user is granted the authority to perform actions on behalf of another. Impersonation is particularly useful in automation scenarios, where a service can authenticate once and then manage resources for multiple users beyond its own identity. It can also be used for management scenarios, where an individual super user can assist with the creation of resources for other users within their security environment. All this requires elevated privileges which can be granted to the authorized user using z/OS RACF profiles.

Authorization Configuration

The security administrator can configure a FACILITY class profile to control which APIs and user IDs can be impersonated. The profile name syntax follows this format:

```
EQADTOOL.IMPERSONATE.<API NAME>.<USER ID>
```

- <API NAME> specifies the supported API that the impersonation applies to.
- <USER ID> identifies the users that can be impersonated.
- Generic characters (*) are allowed in either part of the profile name to grant all access.

<i>Table 14. API NAME values</i>	
API NAME	COMMENT
DTCN	Grants access to manage CICS profiles only.
DS	Grants access to manage non-CICS profiles only.
IMSISO	Grants access to manage IMS Isolation only.
*	Grants access to all supported APIs.

<i>Table 15. USER ID values</i>	
USER ID	COMMENT
IBMUSER	Grants access to impersonate a specific user.

Table 15. USER ID values (continued)	
USER ID	COMMENT
IBM*	Grants access to impersonate any user ID beginning with IBM.
*	Grants access to impersonate all users.

Once the FACILITY class profile is defined, you must grant access to authorized users. The access syntax follows this format:

```
PERMIT EQADTOOL.IMPERSONATE.*.* CLASS(FACILITY) ID(<userid>) ACCESS(<access>)
```

- <userid> specifies the user who is authorized to impersonate others.
- <access> defines the level of access granted.

Table 16. RACF Access Mapping		
RACF Access	HTTP Method	COMMENT
CONTROL	POST	Allows to create, read, and modify the resource.
READ	GET	Allows to read the resource.
ALTER	DELETE	Grants full access, including deletion.
UPDATE	PUT	Allows to read and modify the resource.

Examples:

- The following command grants **full impersonation** access to IBMUSER to impersonate any users for any supported API:

```
RDEFINE FACILITY EQADTOOL.IMPERSONATE.** UACC(NONE) DATA('Debug Profile Service')
PERMIT EQADTOOL.IMPERSONATE.** CLASS(FACILITY) ID(IBMUSER) ACCESS(ALTER)
SETROPTS RACLIST(FACILITY) REFRESH
RLIST FACILITY EQADTOOL.IMPERSONATE.** ALL
```

- The following command grants impersonation access to IBMUSER to impersonate only **user IDs prefixed with USER1** and only for the **DTCN (CICS profiles) API**.

```
RDEFINE FACILITY EQADTOOL.IMPERSONATE.DTCN.USER1* UACC(NONE) DATA('Debug Profile Service')
PERMIT EQADTOOL.IMPERSONATE.DTCN.USER1* CLASS(FACILITY) ID(IBMUSER) ACCESS(ALTER)
SETROPTS RACLIST(FACILITY) REFRESH
RLIST FACILITY EQADTOOL.IMPERSONATE.DTCN.USER1* ALL
```

Trigger Impersonation

To request for impersonation, you must properly configure the RACF authorization and then set the X-Impersonate-User header in the HTTP request. This header specifies the user ID that the server should assume when it process the request.

The client must still authenticate using either JWT token or Base64-encoded credentials. Impersonation will only be granted if the authenticated user has the appropriate RACF permissions to impersonate the specified user for the given API.

For example, the following curl command shows how an authenticated user (via JWT) can attempt to impersonate USER123.To generate curl examples based on your current environment, use the Swagger UI explorer endpoint.

```
curl -X POST "https://<hostname>:<port>/api/v1/<API>..." \
-H "Authorization: Bearer ..." \
-H "X-Impersonate-User: USER123" \
```

```
-H "Content-Type: application/json" \  
-d '{"key": "value"}'
```

Define user access to product components

You can use this feature with the Test Accelerator for Z product to monitor user access for audit and compliance purposes.

Note:

- The existing API endpoints are not affected when you enable this feature.
- Use the Swagger UI explorer endpoint to verify your setup:
 - To verify user access control to a product component, use:

```
GET /info/licenses/{product}/components/{component}/authorized
```

- To retrieve user information, use the following endpoint:

```
GET /info/user
```

- Integration of a non-z/OS identity through z/OS Identity Propagation, coupled with [OpenID/Connect \(OIDC\)](#) protocol on top of [OAuth2](#) authorization protocol, is not supported.

Product component mapping

The valid product component mapping values expected by this feature are defined in the below table. Before you continue, ensure that your installation uses the supported values.

- **TAZ** - Test Accelerator for Z
- **EDT** - Early Development Testing
- **FT** - Functional Testing

Product	Component
TAZ	EDT
TAZ	FT

z/OS Native Implementation

Monitoring user access to product components can be accomplished natively on z/OS by using SAF/RACF profiles for access control and the WORKATTR fields of SAF/RACF user profiles to associate non-z/OS user information with z/OS users. Together, both mechanisms allow the UI client to use z/OS user IDs as the primary identity and to determine whether multiple z/OS users are associated with the same owner.

Usage

Authorization of z/OS users for product components can occur either within a single request or across two requests, depending on the authentication scheme used:

- **Basic scheme:** Authentication and authorization are performed within a single request. The client includes the z/OS username and password in the HTTP Authorization header using the Basic scheme, along with the product and component values, when invoking the product component authorization endpoint.
- **Bearer scheme:** Authentication with the Bearer scheme occurs in two phases. First, the client authenticates the z/OS username and password with SAF/RACF to acquire a SAF/RACF Identity Token (IDT) as a JSON Web Token (JWT). This token may be retrieved from the DPS /login endpoint or from an external API supporting SAF/RACF IDT authentication. Once the token is retrieved, the UI client includes the JWT in the HTTP Authorization header using the Bearer scheme,

along with the product and component values, when invoking the product component authorization endpoint.

The product component authorization endpoint validates the credentials or token against SAF/RACF. If authentication is successful, user authorization is performed by verifying the z/OS user identity, along with the product and component values, against SAF/RACF profiles. Upon successful authorization, the endpoint queries SAF/RACF using the RACROUTE REQUEST=EXTRACT macro to retrieve non-z/OS user information from the WORKATTR segment of the z/OS user profile and include it in the response returned to the client.

Note:

- Defining the WORKATTR segment is optional.
- Debug Profile Service uses the SAF interface (RACROUTE REQUEST=EXTRACT) macro to retrieve work attributes from any z/OS External Security Managers (ESM). However, the SAF interface does not guarantee that all functions are allowed per MVS operating system. The security administrators must verify that their security manager (RACF, Top Secret, ACF2) allows for the retrieval of the work attributes. The following endpoint can be used to directly query SAF for work attributes. You can access it using the Swagger UI explorer:

```
GET /info/user
```

SAF/RACF Authentication

The security administrator must enable the desired authentication scheme on z/OS host. Once configured, users must be informed which scheme to use when setting up their UI clients. For more information, see [“Adding support for Authentication Service API” on page 98](#).

SAF/RACF Authorization

The security administrator must create RACF profiles under the FACILITY class for each product and component name pair that users or groups are authorized to use with READ access in the following format:

```
EQADTOOL.REGISTRATION.<PRODUCT>.<COMPONENT>
```

where

- <PRODUCT> is the name of the product, for example TAZ
- <COMPONENT> is the name of the component, for example, EDT

Examples:

1. The following RACF commands grants users IBMUSER access to the EDT component of the TAZ product:

```
RDEFINE FACILITY EQADTOOL.REGISTRATION.TAZ.EDT UACC(NONE) DATA('Debug Profile Service')
PERMIT EQADTOOL.REGISTRATION.TAZ.EDT CLASS(FACILITY) ID(IBMUSER) ACCESS(READ)
SETROPTS RACLIST(FACILITY) REFRESH
```

2. The following RACF commands grants group TAZEDT access to the EDT component of the TAZ product:

```
ADDGROUP TAZEDTGP
CONNECT IBMUSER GROUP(TAZEDTGP)
RDEFINE FACILITY EQADTOOL.REGISTRATION.TAZ.EDT UACC(NONE) DATA('Debug Profile Service')
PERMIT EQADTOOL.REGISTRATION.TAZ.EDT CLASS(FACILITY) ID(TAZEDTGP) ACCESS(READ)
SETROPTS RACLIST(FACILITY) REFRESH
```

3. The following RACF commands grant all users access to the EDT component of the TAZ product:

```
RDEFINE FACILITY EQADTOOL.REGISTRATION.TAZ.EDT UACC(READ) DATA('Debug Profile Service')
SETROPTS RACLIST(FACILITY) REFRESH
```

4. The following RACF commands grants user IBMUSER access to all components of the TAZ product:

```
RDEFINE FACILITY EQADTOOL.REGISTRATION.TAZ.** UACC(NONE) DATA('Debug Profile Service')
PERMIT EQADTOOL.REGISTRATION.TAZ.** CLASS(FACILITY) ID(IBMUSER) ACCESS(READ)
SETROPTS RACLIST(FACILITY) REFRESH
```

SAF/RACF User Profile – WORKATTR

The security administrator can optionally define work attributes in the WORKATTR segment of the z/OS user profile. These attributes are used to associate non-z/OS user information with z/OS user IDs and to identify when multiple z/OS user IDs belong to the same owner.

The following fields from the WORKATTR segment are accessible through the API. For further details about RACF work attributes, see [The WORKATTR segment in user profiles and ALTUSER \(Alter User Profile\) WORKATTR | NOWORKATTR](#).

- **WAEMAIL:** e-mail address
- **WAACCNT:** Account number

Internally, the API retrieves work attributes by invoking SAF using the RACROUTE REQUEST=EXTRACT macro. For details about the macro and associated error codes, refer to [RACROUTE REQUEST=EXTRACT \(standard form\)](#).

Note:

- The product component authorization endpoint retrieves work attributes from the SAF/RACF database only after the user is successfully authorized to access the product component.
- SAF provides a security layer known as field-level access, which verifies that the current user security environment has the authority to extract the fields specified in the RACROUTE REQUEST=EXTRACT macro. By default, DPS has this setting disabled, which means the field-level access checks are not enforced. As a result, an authenticated user in DPS is allowed to retrieve their own work attributes.
- The WAEMAIL (e-mail) field must be unique and cannot be re-used across different z/OS user IDs.

Examples:

1. The following RACF command **creates** a new user, IBMUSER, with the work attributes WAEMAIL as `ibmuser@ibm.com` and WAACCNT as `74008455383225209`.

```
ADDUSER IBMUSER DFLTGRP(OMVS) PASSWORD(password) WORKATTR( WAACCNT(74008455383225209)
WAEMAIL(ibmuser@ibm.com) ) TSO( ACCTNUM(ACCT#) PROC(GENERAL) ) OMVS( UID(0001) HOME(/u/
ibmuser) PROGRAM(/bin/sh) )
```

2. The following RACF commands **updates** an existing user, IBMUSER, with the work attributes WAEMAIL as `ibmuser@ca.ibm.com` and WAACCNT as `oo29GvnAziTTq0XF2qRvzitYTdsZ2Gm8t89MVcxBz7:`

```
ALTUSER IBMUSER WORKATTR( WAEMAIL(ibmuser@ca.ibm.com) )
ALTUSER IBMUSER WORKATTR( WAACCNT(oo29GvnAziTTq0XF2qRvzitYTdsZ2Gm8t89MVcxBz7) )
```

Debug Profile Service web server security configurations

Perform the following tasks for protecting RESTful APIs at the web server level, ensuring robust access control and safeguarding API interactions from potential threats.

Establishing security against Host Header Injection Attack

Host header injection attack can occur if an attacker sends a crafted HTTP request that alters the Host header, which the server relies on to identify the request's origin. If the server implicitly trusts this value without performing proper validation, an attacker could inject a malicious domain or manipulate routing. This could result in unauthorized re-directions, tampered responses, or compromise critical functions.

To protect against Host Header Injection Attacks and ensure only legitimate values are accepted, configure the server configuration **trustedHostnames** in the `eqaprof.env` file. Identify the hostnames or IP addresses from which you want to trust requests, and explicitly add them as an entry. For example: `trustedHostnames=localhost:8143`.

Establishing security for IP addresses

IP addresses are numerical labels assigned to a device on a network, which are used to access the server. However, automated attacks such as worms scan ranges of IP addresses to exploit the known security flaws. Allowing access to a server through its IP address increases exposure to these attacks. To reduce this risk, the server can be configured to respond to requests made to the FQDN only.

To protect against automated attacks that scan large ranges of IP addresses, update the server configuration of **denyIPAddress** in the `eqaprof.env` file. Specify the value as `true` to deny all IP addresses or `false` to allow all IP addresses. For example, `denyIPAddress=true`.

Establishing security for HTTP protocol version fallback

HTTP downgrading occurs when a server falls back to an older version of the HTTP protocol during communication. This fallback causes vulnerabilities because older protocol versions may lack certain security features that newer versions provide. To reduce this risk, ensure that server consistently uses the configured secure protocol version end to end.

To protect against HTTP protocol version fallback, set the value of **allowProtocolVersionFallback** to `true` for allowing fallback or `false` for not allowing fallback in the `eqaprof.env` file. For example, `allowProtocolVersionFallback=false`.

To know about the current protocol version that the server is using, see EQAPROF JOB log STDOUT.

Establishing security for Cross-Origin Resource Sharing (CORS)

Cross-Origin Resource Sharing (CORS) is a security feature that is implemented by web browsers to restrict cross-origin HTTP requests initiated by the client-side. By default, web browsers enforce a same-origin policy, which means a web application can only make a request to the same origin it was loaded from. However, CORS relaxes this restriction by allowing servers to specify which origins are permitted to access its resource.

To enable CORS for Debug Profile Service, configure the server configuration `corAllowedOrigins` in the `eqaprof.env` file. Identify the origins from which you want to allow requests, and explicitly add them as an entry. For example, `corAllowedOrigins=https://localhost:8143`.

Adding support for Debug Profile Service API

Debug Profile Service API is a REST API that runs on z/OS to manage debug profiles between CICS and non-CICS environments.

Managing Debug Profiles

The Debug Profile Service API handles debug profiles differently depending on whether the environment is CICS or non - CICS.

CICS Environments

In CICS environments, debug profiles are stored in a repository owned by the CICS region. This repository can be either:

- A CICS temporary storage queue (TSQ), or
- A VSAM data set allocated to the DD:EQADPFMB.

To use the Debug Profile Service API with CICS, you must determine how it will interact with the target CICS region. Two integration options are available:

1. CICS TCPIP SERVICE

For this option, you must install a DTCN API instance in each CICS region. The DTCN API is a REST service that interacts with the CICS DTCN Repository Manager to manage debug profiles. To enable it, the CICS system programmers must define and install TCPIP SERVICE and URIMAP definitions and ensure that the z/OS Debugger program library (default EQAW.SEQAMOD) is included in the CICS concatenation. Each region requires its own DTCN API instance configured with a unique TCP/IP port number. Once the CICS setup is complete, Debug Profile Service API can be configured to manage CICS debug profiles by using the DTCN API TCP/IP port number to identify the corresponding CICS region.

2. CICS EXCI

For this option, Debug Profile Service API can be configured to use the EXCI interface to manage debug profiles as if it were the CICS DTCN Repository Manager that runs within each CICS region. CICS system programmers must define and install CONNECTION and SESSIONS definitions and ensure that the z/OS Debugger program library (default EQAW.SEQAMOD) is included in the CICS concatenation. Each region requires the same EXCI definitions, but unique APPLIDs as specified in the CICS system initialization (SIT) parameters. Once the CICS setup is complete, Debug Profile Service API can be configured to manage debug profiles by using the APPLID to identify the corresponding CICS region.

For both configurations, the Debug Profile Service API relies on a configuration file named `dtcn.ports`, the Debug Profile Service CICS DTCN configuration file to identify and communicate with target CICS regions. This file contains a list of CICS region names paired with their corresponding port numbers, serving as a lookup table.

To configure the external components, see [Defining the CICS TCPIP SERVICE resource](#) or [Defining the CICS EXCI CONNECTION and SESSIONS resources](#).

Once Debug Profile Service API is configured as the single point of entry for managing debug profiles, you can grant permission for selected users to use the Profile-Management UI to manage profiles on behalf of other users. For example, this allows them to clean up stale debug profiles or review other user's profiles through a user-friendly interface.

To authorize users to access Profile-Management UI, see [Defining who can create, modify, or delete DTCN profiles](#). For instructions about navigating the Profile-Management UI, see [“Managing profiles with z/OS Debugger Profile Management” on page 105](#).

For the API documentation, use the DTCN Profile (CICS) API via the internal Swagger UI URL to verify your setup. For more information, see [“Debug Profile Service diagnostics” on page 106](#).

Non-CICS Environments

For non-CICS, debug profiles are stored in EQAUOPTS data sets. Debug Profile Service API manipulates (creates, deletes, and reads) the data sets directly based on a pattern defined in the `eqaprof.env` configuration file.

For the API documentation, use the DTSP Profile (non-CICS) API via the internal Swagger UI URL to verify your setup. For more information, see [“Debug Profile Service diagnostics” on page 106](#).

`dtcn.ports`, the Debug Profile Service CICS DTCN configuration file

A sample of `dtcn.ports` is as follows:

```

#*****#
# Licensed Materials - Property of IBM #
# #
# 5724-T07: IBM z/OS Debugger #
# Copyright IBM Corp. 2025, 2025 All Rights Reserved #

```

```

#
# US Government Users Restricted Rights - Use, duplication or
# disclosure restricted by GSA ADP Schedule Contract with IBM Corp.
#
# Background:
#
# The dtcn.ports configuration file is used by the Debug Profile
# Service (DPS) API as a lookup table. It defines the connection
# parameters that tell DPS how to connect to CICS regions in order
# to manage DTCN profiles.
#
# DPS API supports two integration options. Both provide the same
# outcome by establishing internal communication between DPS API and
# CICS regions.
#
# 1) TCPIPService - This option requires the CICS system programmer
# to define and install CICS TCPIPService
# definitions in their CICS regions. These
# definitions are provided by z/OS Debugger. They
# enable the DTCN API, a REST service that manages
# DTCN profiles within the CICS region. Each region
# must have its own DTCN API installed and
# configured with a unique TCP/IP port number. The
# dtcn.ports file is then used to define
# region/port mappings for all regions where the
# DTCN API is installed.
#
# 2) EXCI - This option requires the CICS system programmer
# to define and install CICS EXCI definitions in
# their CICS regions. These definitions are
# provided by z/OS Debugger. The EXCI interface is
# an internal communication mechanism that allows
# non-CICS programs in MVS to call programs running
# in a CICS region. This enables DPS API to manage
# DTCN profiles as if it were the DTCN program in
# the CICS region. Each region must have EXCI
# definitions installed and be configured with a
# unique APPLID, as defined in the system
# initialization (SIT) parameters. The dtcn.ports
# file is then used to define region/APPLID mappings
# for all regions where EXCI is installed.
#
# Both integration options enable DPS API to server as the single
# point of entry for managing DTCN profiles across CICS regions.
#
# Note(s):
#
# 1) For more information on how to set up the CICS TCPIPService or
# EXCI, see "Defining the CICS TCPIPService resource" and
# "Defining the CICS EXCI CONNECTION and SESSIONS resources"
# in the IBM z/OS Debugger Customization Guide (SC27-9583)
#
# FORMAT:
#
# <region>:<port>[,HOST=<hostname>][,APPLID=<applid>][,XCFGROUP=<xcf>]#
#
# <region> : The identifier for the CICS region to be used
# for managing DTCN profiles. This is the name
# that UI clients see when selecting a CICS
# region. It may be an alias or the actual CICS
# region name. DPS API uses this value only as
# a lookup key.
#
# <port> : The TCP/IP port number, or -1 to indicate EXCI.#
#
# [,HOST=<hostname>] : (Optional) The hostname that DPS API uses to
# establish the TCP/IP connection. If omitted,
# it defaults to the local system DNS `hostname`
#
# [,APPLID=<applid>] : (Optional) The CICS APPLID associated with the
# region. If omitted, it defaults to the
# <region> value.
#
# [,XCFGROUP=<xcf>] : (Optional) The CICS XCFGROUP associated with
# the region. If omitted, it defaults to
# DFHIR000 value.
#
# CAUTIONS:
#
# Using TCPIPService:
# - All TCP/IP port numbers must be unique within the z/OS image.
# - Both <region> and <port> must be specified.
#

```

```

# - The HOST option is optional. If not provided, DPS API defaults #
# to DNS `hostname` of the z/OS image where it is running. #
# You can verify the default `hostname` by checking the server #
# output stream (default EQAPPROF:STDOUT) near the top for the #
# 'local host' log entry. #
# - The following options are not applicable when using TCPIP SERVICE #
# and will be ignored: #
# - APPLID #
# - XCFGROUP #
# #
# Using EXCI: #
# - Each CICS APPLID must be unique. #
# - Both <region> and <port> must be specified. For EXCI, the <port> #
# must be set to -1, which directs DPS API to use the EXCI #
# interface. #
# - The APPLID option is optional. If omitted, it defaults to the #
# <region> value. Whether defaulted or specified, the value must #
# match the APPLID defined in the CICS SIT parameters. #
# - The XCFGROUP option is optional. If omitted, it defaults to #
# DFHIR000. Whether defaulted or specified, the value must #
# match the XCFGROUP defined in the CICS SIT parameters. #
# If provided, it must meet the following criteria: #
# - Valid characters: A to Z, 0 to 9, $, #, @. #
# - Must not start with: A to C, E to I, or SYS. #
# - Must not be equal to UNDESIG. #
# - The following options are not applicable when using EXCI #
# and will be ignored: #
# - HOST #
# #
#*****#
#
# For example,
#
# The '#' symbol is used here for comments. When defining actual
# entries in the dtcn.ports file, do NOT include the '#'. Each entry
# must be on its own line. Spaces are optional but not required.
#
# CSYS01:6000
# CSYS02:6001
# CSYS03:6002,HOST=127.1.2.3
# CSYS04:6003,HOST=tempCICShost11.test.ibm.com
# CSYS05:-1
# CSYS06:-1,APPLID=CSYS06
# CSYS07:-1,APPLID=CICS07
# CSYS08:-1,APPLID=CICS08,XCFGROUP=DFHIRS08

```

CICS TCPIP SERVICE

When you use the DTCN API via TCPIP SERVICE, provide the port number where it listens within the CICS region.

Example A

If DTCN API is configured to run on CICS01 and accept HTTP requests on port 8001, the following entry associates region CICS01 with port 8001 on the local host. In this case, local host means DPS API and CICS01 are running on the same LPAR.

```
CICS01:8001
```

Example B

If the local hostname is not desired or not publicly resolvable, override the hostname that Debug Profile Service (DPS) API uses to communicate with DTCN API. For example:

```
CICS01:8001,HOST=newhostname
```

This entry tells DPS API to connect to DTCN API for region CICS01 at port 8001 on host newhostname, which may be located on the same LPAR or a different one.

Example C

You can use an alias instead of the actual CICS region name. The alias serves as an identifier (or key) for the port and host.

```
CICS01X:8001,HOST=newhostname
```

In this case, CICS01X maps to the actual CICS region CICS01.

Example D

If DTCN API is configured to run on CICS regions across separate LPARs, explicitly define the entries that tell DPS API how to connect to each one. For example:

```
CICS0193:8001,HOST=lpar93.hostname
```

```
CICS0194:8001,HOST=lpar94.hostname
```

```
CICSPLX2:8001,HOST=vipa.hostname
```

These entries inform DPS API that a DTCN API instance runs on LPAR93 and LPAR94, each listening for incoming requests on port 8001 within their respective CICS regions, both named CICS01. To differentiate between them, the configuration defines unique aliases (for example, CICS0193, CICS0194) that incorporate the LPAR identifier and corresponding host for each target system. If a VIPA is available to route the connection, a separate alias can be defined using the VIPA hostname (for example, CICSPLX2), which automatically resolves to either LPAR93 or LPAR94 based on routing rules.

CICS EXCI

When you use EXCI to manage DTCN profiles, specify the APPLID as defined in the APPLID system initialization (SIT) parameter of the target CICS region with a port value of -1. This instructs DPS API to use the EXCI interface to connect to the target CICS region.

Example A

If the EXCI interface is configured in a CICS region named CICS01 with APPLID CSYS01, the following entry defines the APPLID with port value of -1. This tells DPS API to use the EXCI interface to connect to the CICS region with APPLID CSYS01:

```
CSYS01: -1
```

Example B

You can use an alias instead of the actual CICS region name. The alias serves as an identifier (or key) for the APPLID.

```
CICS01X: -1, APPLID=CSYS01
```

In this case, CICS01X maps to the CICS region with APPLID CSYS01.

CICS TCPIP SERVICE

To debug programs on CICS, you must first create a DTCN profile (or a CICS profile). Within a profile, you can define all required debug parameters to start a debug session.

Remote users can create, delete or modify profiles in the following ways:

- Use Eclipse UI (also known as the z/OS Debugger Profile view) to create and manage CICS profiles.
- Use VS Code UI to create and manage CICS profiles.
- Use the DTCN transaction UI panels in a 3270 session.

To enable these capabilities, CICS system programmers must first enable DTCN profile support within CICS. You must install the CICS TCPIP SERVICE definitions provided by z/OS Debugger and ensure that each CICS region is assigned a unique TCP/IP port. Once the CICS setup is complete, Debug Profile Service API must be configured to connect to each CICS region using the `dctn.ports` configuration file.

This allows Debug Profile Service API to serve as the main entry point for all DTCN profile REST calls from Eclipse and VS Code UI clients. You can also login directly to CICS and use the DTCN transaction to access the UI panels. All UI methods interact with the same DTCN repository that runs within CICS.

Defining the CICS TCPIP SERVICE resource

Before your users can use the profile view or develop applications that use the APIs, you must define the CICS TCPIP SERVICE resource and add a URIMAP definition for every CICS region that users access.

To aid with the configurations, use IBM z/OS Debugger CICS CSD Resource Definitions EQAW.SEQASAMP(EQACCSD) sample file, and submit sample job EQAW.SEQASAMP(EQAWCCSD) to

create the TCPIP SERVICE and URIMAP definitions for every CICS regions. For more details, see step 1 and step 2 under [Chapter 13, “Adding support for debugging under CICS,” on page 151](#). Debug Profile Service API can start to successfully communicate with the target CICS region once those steps are completed.

For more details, complete the following steps for every region that users access:

1. Define the TCP/IP address and host name for the z/OS system. By default, they are defined in the PROFILE.TCPIP and TCPIP.DATA data sets.
2. Ensure the following CICS System initialization parameter are set for each CICS region:

GRPLIST

The group, defined in the service must be in the startup GRPLIST, so that the listener starts when CICS starts. For example, if EQAW.SEQASAMP(EQACCS) group name is EQA and list name is EQALIST then EQALIST must be appended to GRPLIST=(DFHLIST, TIVLIST, EQALIST).

SEC

Change the SEC=YES for authentication support.

SECURETCPIP

If you use **CICS TS version 6.3 or later** without SSL enabled, ensure that SECURETCPIP=NO is specified.

3. Add a TCP/IP listener to CICS. Use the following CEDA command to define a TCPIP SERVICE in a group:

```
CEDA DEF TCPIP SERVICE(service-name) GROUP(group-name)
```

The following list explains what values to use for some of the key fields:

TCpipservice(*service-name*)

Create a name that is eight characters or less. For example, EQADTCN.

GRoup(*group-name*)

Create a name that is eight characters or less. For example, EQA.

Urm

Specify EQADCAN0.

PORTnumber

Specify an unused port number that Debug Profile Service uses for the API's communication.

To see the active port numbers used by CICS regions, run the following TSO command. Change #cicsname to the desired naming pattern: *TSO NETSTAT CO (CLI #cicsjobname**

Status

Specify Open.

PROtocol

Specify Http.

TRansaction

Specify CWXN.

Backlog

The number of TCP/IP requests that are queued before TCP/IP starts to reject incoming requests. For example, 30.

SOcketclose

Specify No.

Maxdatalen

Specify the maximum size, in bytes, of the body (the XML document) of the HTTP request or response. For example, 032768 represents 32K bytes.

SSI

Specify Yes if you are using SSL encryption with the HTTPS protocol.

Authenticate

- To enable only Basic Authentication, use **Authenticate(Basic)**.
- To enable JWT authentication, or both Basic and JWT, use **Authenticate(No)** and ensure that **CICS TS version 6.x or later** is used. This setting disables CICS based authentication, allowing Debug Profile Service API (EQAPROF) to handle authentication instead.

GRPcritical

Specify No.

4. Add a URIMAP definition to match the URLs of the incoming HTTP requests:

```
CEDA DEF URIMAP(map-name) GROUP(group-name)
```

The following list explains what values to use for the key fields:

URIMAP(*map-name*)

Create a name that is eight characters or less. For example, EQAURIM.

GROUP(*group-name*)

Specify the same *group-name* as used in the TCPIP SERVICE resource definition.

STATUS

Specify Enabled.

USAGE

Specify Server.

SCHEME

Specify HTTP.

HOST

Specify *.

PATH

Specify /dtcn/*.

ANALYZER

Specify Yes.

5. Verify TCPIP SERVICE(*service-name*) and URIMAP(*map-name*) are defined:

```
CEDA DISPLAY GROUP(group-name)
```

6. Verify the associated GRPLIST list-name is defined:

```
CEDA DISPLAY LIST(list-name)
```

7. Enter the following commands to install the TCPIP SERVICE and URIMAP definitions:

```
CEDA INS TCPIP SERVICE(service-name) GROUP(group-name)
```

```
CEDA INS URIMAP(map-name) GROUP(group-name)
```

8. Restart the CICS region for the changes to take effect.
9. Restart Debug Profile Service for the changes to take effect.
 - Ensure that the Debug Profile Service API `dtcn.port` configuration file is updated with the target CICS region name and port number that it is listening to.
10. To verify the installation up to this point - login to the [Profile Management web UI](#). The UI will attempt to query the target CICS region name. If no errors are reported, then Debug Profile Service was successful at querying a debug profile with CICS TCPIP SERVICE.
11. If you encounter problems with the connection from the workstation to the HTTP server in the CICS region, issue the command on the CICS region to verify if your settings match the definitions.

```
CEMT INQUIRE TCPIP SERVICE(service-name)
```

12. Ask your system administrator to provide access to transactions CWBA and CWXN because they are used in the HTTP request processing.

Establishing secure communication between the z/OS Debugger Profiles view and your z/OS system for CICS

Note:

Debug Profile Service API (DPS) API is the preferred method for managing DTCN profiles. If DPS API is not running or is unreachable, Eclipse UI falls back to direct interaction with DTCN API in the target CICS region. This fallback occurs when users are allowed to manually enter the port number for the target DTCN API. Otherwise, when DPS API is available, Eclipse UI queries DPS API to display a list of supported CICS regions to choose from.

Follow the below steps to secure communication between UI and DTCN API without DPS API. To secure DPS API itself, see [“Enabling secure communication”](#) on page 61 section under "Configuring the server" > "Debug Profile Service security definitions.

These steps help you enable secure communication via Secure Sockets Layer (SSL) between the **z/OS Debugger Profiles** view with Eclipse and your z/OS system. The communication between the client and server uses the HTTP protocol. Z Open Debug provided with Wazi for Dev Spaces or Wazi for VS Code does not support the direct communication between the client and the DTCN API.

Server-side setup

To enable SSL communication, do the following tasks for the server side:

- Generate key pair and self-signed certificate.

1. Use the RACF GENCERT command to create a key entry for the CICS region owner. The key entry contains the key pair and self-signed certificate.

Note: The following example shows the RACF commands as they would be coded in a REXX exec. This is recommended because of the length of the commands.

Example (Create a key entry for user USERID with label: USERID-DTCNPLG-CERT):

```
/* generate key entry */
"RACDCERT ID(USERID) GENCERT",
" SUBJECTSDN(CN('your_host_name.com' )",
" T ('USERID-DTCNPLG-CERT' ) ",
" OU('IBM' ) ",
" O ('IBM' ) ",
" L ('San Jose' ) ",
" SP('CA' ) ",
" C ('US' )",
" NOTBEFORE (DATE(2011-02-28) TIME(20:00:00) )",
" NOTAFTER (DATE(2031-12-31) TIME(19:59:59) )",
" WITHLABEL('USERID-DTCNPLG-CERT' )",
" SIZE (1024 )"

```

The common name of the subject DSN must be the host name of the server that the client uses to connect to host.

2. Connect the key entry to a key ring that belongs to the CICS region owner ID.

Example (Connect it to a key ring named USERID):

```
/* connect key entry to key ring */
"RACDCERT ID(USERID)",
"CONNECT( RING(USERID) ",
" LABEL('USERID-DTCNPLG-CERT' ))"

```

3. Export the certificate and store it in a data set using the printable encoding format defined by the internet RFC 1421 standard.

Example (Export the certificate to a data set: USERID.DTCNPLG.CERT):

```
/* export certificate to a data set */
"RACDCERT EXPORT(LABEL('USERID-DTCNPLG-CERT' ) ",
" ID(USERID ) ",
" DSN('USERID.DTCNPLG.CERT' ) ",
" FORMAT(CERTB64 ) "
```

- Update system initialization parameters in CICS region.
 1. Add a KEYRING system initialization parameter to the CICS region job and point it to the key ring created for the region owner ID.
 2. The following example adds KEYRING to the CICS region's system initialization parameters:

```
SIT=6$,
START=INITIAL,
RENTPGM=PROTECT,
...
TRANISO=YES,
KEYRING=key-ring-name,
EDSALIM=132M,
...
```

- Modify the TCPIP SERVICE you defined above to set these two attributes:
 - SSL : Yes Yes | No | Clientauth
 - Certificate : USERID-DTCNPLG-CERT

Client-side setup

To enable SSL communication, do the following tasks for the client side. For the **z/OS Debugger Profiles** view users with Eclipse, the following tasks are not required because users will be prompted to accept or decline any certificates that are not installed when using the view.

- Install client certificate.

Because the server certificate generated is not from an authorized CA, you need to install the certificate into the keystore that IBM Developer for z/OS uses.

1. Get a client certificate by downloading a copy of the exported server certificate (using text mode) that is created in step 3 of Server-side setup above to your workstation.
2. Import the client certificate into the keystore. The following is an example how to import the certificate into keystore using keytool provided by Java™.

For Java version 1.7: `keytool -importcert -alias myprivateroot -keystore`

```
C:\YOUR_WORKSPACE_DIRECTORY\.metadata\.plugins\com.ibm.cics.core.comm\explorer_keystore.jks -file dtcnplg.cer
```

`dtcnplg.cer` is the client certificate. The initial password for the keystore is `changeit`.

Notes:

- For Java version 1.7, the default keystore is:
`C:\YOUR_WORKSPACE_DIRECTORY\.metadata\.plugins\com.ibm.cics.core.comm\explorer_keystore.jks`
- For IBM Developer for z/OS, the keytool utility can be found in this Java installation bin directory,
`C:\DEVELOPER_FOR_Z_SYSTEMS\jdk\jre\bin`.

CICS EXCI

To debug programs on CICS, you must first create a DTCN profile (or CICS profile). Within a profile, you can define all required debug parameters to start a debug session.

Remote users can create, delete or modify profiles in the following ways:

- Use Eclipse UI (also known as the z/OS Debugger Profile view) to create and manage CICS profiles.

- Use VS Code UI to create and manage CICS profiles.
- Use the DTCN transaction UI panels in a 3270 session.

To enable these capabilities, CICS system programmers must first enable DTCN profile support within CICS. They must install the CICS EXCI definitions provided by z/OS Debugger and ensure that each CICS region is assigned a unique APPLID as defined in the CICS system initialization (SIT) parameters. Once the CICS setup is complete, Debug Profile Service API must be configured to connect to each CICS region using the `dtn.ports` configuration file.

This allows Debug Profile Service API to serve as the main entry point for all DTCN profile REST calls from Eclipse and VS Code UI clients. You can also login directly to CICS and use the DTCN transaction to access the UI panels. All UI methods interact with the same DTCN repository that runs within CICS.

Defining the CICS EXCI CONNECTION and SESSIONS resources

Instead of using the DTCN API, Debug Profile Service can be set up to use external CICS interface (EXCI) to manage debug profiles stored in the region's repository. Define a CICS CONNECTION resource and a CICS SESSIONS resource for every CICS region that you want Debug Profile Service to access.

To aid with the configurations, use IBM z/OS Debugger CICS CSD Resource Definitions EQAW.SEQASAMP(EQACCSD) sample file, and submit sample job EQAW.SEQASAMP(EQAWCCSD) to create the CONNECTION and SESSIONS definitions for every CICS regions. For more details, see steps 1 and 2 under [Adding support for debugging under CICS](#). Debug Profile Service API can start to successfully communicate with the target CICS region once those steps are completed.

For more details, complete the following steps for every region that users access:

1. Ensure the following CICS System initialization parameter are set for each CICS region:

GRPLIST

The group, defined in the service must be in the startup GRPLIST, so that the listener starts when CICS starts. For example, if EQAW.SEQASAMP(EQACCSD) group name is EQA and list name is EQALIST then EQALIST must be appended to GRPLIST= (DFHLIST,TIVLIST,EQALIST).

SEC

Change the SEC=YES for authentication support.

2. Use the following CEDA command to define a CONNECTION resource in a group:

```
CEDA DEF CONNECTION(connection-name) GROUP(group-name)
```

The following list explains what values to use for some of the key fields:

Key field	Value
Connection (<i>connection-name</i>)	Name of the connection. Specify a name that is 4 characters or less. For example, DPSC.
Group(<i>group-name</i>)	Name of the group. Specify a name that is 8 characters or less. For example, EQA.
Netname	EQAPROF
ACcessmethod	IRC
PRotocol	EXCI
COntype	SPECIFIC
INservice	YES
ATtachsec	LOCAL

3. Use the following CEDA command to define a SESSIONS resource in a group:

```
CEDA DEF SESSIONS(sessions-name) GROUP(group-name)
```

The following list explains what values to use for some of the key fields:

Key field	Value
Sessions(<i>sessions-name</i>)	Name of the session. Specify a name that is 4 characters or less. For example, DPSC.
Group(<i>group-name</i>)	Name of the group. Use the same group name as in the CONNECTION resource definition. For example, EQA.
COnnection	Name of the connection. Use the same connection name as in the CONNECTION resource definition.
PRotocol	EXCI
RECEIVEPfx	<
RECEIVECount	200

- Verify that CONNECTION(*connection-name*) and SESSIONS(*sessions-name*) are defined:

```
CEDA DISPLAY GROUP(group-name)
```

- Use the following CEDA command to install the CONNECTION and SESSIONS resource definitions in the group:

```
CEDA INS GROUP(group-name)
```

- Restart the CICS region for the changes to take effect.

- Ensure that the Debug Profile Service API `dtcn.port` configuration file is updated with the APPLID that identifies the CICS region and port number of -1, which tells Debug Profile Service API to use CICS EXCI interface.
- Ensure that the high-level qualifier for the CICS EXCI load library SDFHEXCI is defined in [EQAW.SEQASAMP\(EQAPROF\)](#).

- To verify the installation up to this point, login to the Profile Management web UI. The UI will attempt to query the target CICS region name. If no errors are reported, then Debug Profile Service was successful at querying a debug profile with CICS EXCI.

Defining who can create, modify, or delete DTCN profiles

Profile owners can always create, modify or delete their own profiles. However, you can define, through RACF profiles, other users that can delete any profiles. This might be useful, for example, if you want a system administrator to delete unused or obsolete profiles owned by a user that no longer has access to those profiles.

Only the security administrator of the z/OS system can add or remove IDs to the RACF profiles. After you identify the IDs of the users you want to have this access, complete the steps below. Once complete, these users will be able to perform this function through the Profile-Management UI. For more information, see [“Managing profiles with z/OS Debugger Profile Management”](#) on page 105.

- Establish the profile in the FACILITY class by entering the following RDEFINE command:

```
RDEFINE FACILITY EQADT00L.DTCNCHNGEANY UACC(NONE)
```

- Verify that generic profile checking is in effect for the class FACILITY by entering the following command:

```
SETROPTS GENERIC(FACILITY)
```

- Give a user (for example, user DUSER1) permission to modify another user's profiles by entering the following command:

```
PERMIT EQADTOOL.DTCNCHNGEANY CLASS(FACILITY) ID(DUSER1) ACCESS(UPDATE)
```

Instead of connecting individual users, you can specify that DUSER1 be a RACF group profile and then connect authorized users to that group.

4. If the FACILITY class is not active, activate the class by entering the following command:

```
SETROPTS CLASSACT(FACILITY)
```

Enter the SETROPTS LIST command to verify that the FACILITY class is active.

5. Refresh the FACILITY class by entering the following command:

```
SETROPTS RACLIST(FACILITY) REFRESH
```

Adding support for IMS Transaction Isolation Service API

IMS Transaction Isolation Service API is a REST API that runs on z/OS to isolate IMS transactions for debugging.

IMS Transaction Isolation Service API provides POST/GET/ PUT/DELETE methods to handle the following:

- User's registration for a given transaction
- Retrieving in-memory IMS Transaction Isolation table of registered and nonregistered transaction, which includes metadata such as the username, region status, region class ID, and pattern matching data.
- Updating a user's registration such as pattern matching criteria
- Deregistering a user for a specific transaction
- Starting a private region for the specified user
- Stopping a private region for the specified user

To use the IMS Transaction Isolation Service API, complete the following:

- [Configure the IMS Transaction Isolation Service API.](#)
- Configure IMS Transaction Isolation Facility:
 - [“Scenario F: Enabling the Transaction Isolation Facility” on page 172](#)
 - [“Sample customization of the IMS Transaction Isolation Facility” on page 176](#)

IMS Transaction Isolation Service API has a dependency with IMS Transaction Isolation Facility, which must be enabled to operate the API. Both the IMS Transaction Isolation Service API and IMS Transaction Isolation Facility use the same in-memory IMS Transaction Isolation table to perform IMS Isolation functions.

- For Eclipse IDE users to access IMS Isolation for non-CICS with Debug Profile Service, also configure the [Debug Profile Service API](#).
- For the API documentation, use the IMS Isolation Service API via the internal Swagger UI URL to verify your IMS Isolation setup. For more details, see [“Debug Profile Service diagnostics” on page 106](#)

Notes:

- The IMS Transaction Isolation Service API works by calling the EQANIPSB program to support IMS Isolation functions, and to interface with IMS subsystem. Both IMS Transaction Isolation Service API and EQANIPSB programs must be able to locate the same SEQAMOD driver in order to operate successfully. The installation provides a sample job called `EQAW.SEQASAMP(EQAPROF)` that sets SEQAMOD in the STEPLIB of the job. Alternatively, SEQAMOD can be added in the system linked-list. Both options enable IMS Transaction Isolation Service API to locate the current EQANIPSB program. However, SEQAMOD must also be set in the `imso_dd_eqatipsb` property defined in `eqaprof.env`. This enables EQANIPSB to locate the current programs that interface with IMS. A discrepancy between SEQAMODs can cause internal errors.

- A private message processing region (MPR) may transition into a Terminated state if the in-memory IMS Transaction Isolation table expected the private region to be Started, but it discovered that it is Stopped. This can occur if the private MPR is stopped or stops unexpectedly by a process external from IMS Isolation, which causes the in-memory IMS Transaction Isolation table to be out-of-sync with the actual state of the private region. A stop request is required to re-sync the in-memory IMS Transaction Isolation table.
- The debug profile EQUOPTS dataset name given to an IMS Isolation Private Region comes from the parameter **default_dsname** defined in the `eqaprof.env`, the Debug Profile Service deployment configuration file (default location: `/etc/debug/`).

Adding support for Authentication Service API

The Authentication Service API is a REST API that runs on z/OS to authenticate mainframe user credentials. It consists of a suite of authentication services, each equipped with the necessary logic to interface with various authentication providers on z/OS. These services can be enabled or disabled individually or operated simultaneously to support multiple authentication methods concurrently.

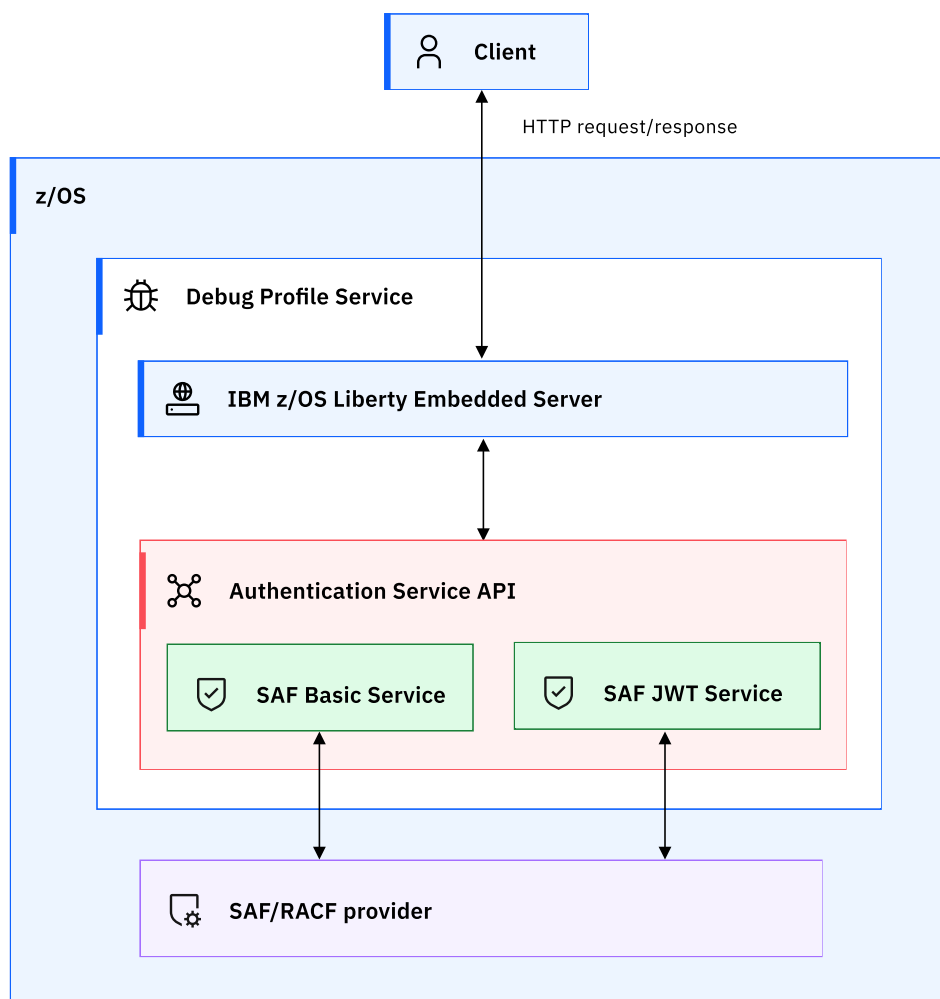


Figure 15. Authentication

The following authentication methods are supported:

- [JSON Web Token \(JWT\) authentication](#)

JWT authentication is important because it supports one-time-use Multi-Factor Authentication (MFA) credentials, that eliminates the need to supply the password multiple times.

- Basic Authentication

<i>Table 18. Authentication methods</i>		
Authentication method	JSON Web Token (JWT) authentication	Basic Authentication
Authorization header	Bearer <token>	Basic <base64_encoded_string>
MFA support	Yes	No
Authentication service	SAF JWT Service	SAF Basic Service

The Authentication Service API provides POST and GET methods to handle the following:

- A login endpoint to authenticate mainframe user credentials in the form of username and password, and return a System Authorization Facility (SAF) JWT authentication token.
- A query endpoint to validate and retrieve information about the associated token or based64-encoded string:
 - SAF JWT authentication tokens
 - SAF Basic Authentication based64-encoded strings
- A logout endpoint that invalidates the SAF JWT tokens generated by the Authentication Service API login endpoint.

Notes:

- **SAF JWT Authentication** offers a more secure method for authenticating users to the server and it is optional. You can continue to use **SAF Basic Authentication**, which has no external dependencies and is available for immediate use. To enable one or both authentication methods, you must configure the **eqaprof.env** file accordingly.
- System Authorization Facility (SAF) is a z/OS interface that drives Resource Access Control Facility (RACF). These two terms might be used interchangeably.
- Support for SAF JWT requires z/OS version 2.4 or later.
- Debug Profile Service API and IMS Transaction Isolation Service API use the same authentication services within Authentication Service API to perform authentication functions.
- The installation provides a sample Debug Profile Service configuration file called eqaprof.env, which defines all configurable parameters used by the Authentication Service API.
- If you manage z/OS CICS DTCN profiles through the TCPIP SERVICE (DTCN API) path, you must specify AUTHENTICATE(NO) and ensure **CICS TS version 6.x** or later is used to support JWT authentication. For more information, see “Defining the CICS TCPIP SERVICE resource” on page 90.

Authenticating with Basic Authentication

Basic Authentication is an authentication scheme built into the HTTP protocol.

The Base64-encoded username and password need to be provided in the Authorization header of each HTTP request. For example, Authorization: Basic VXN1cjpwd2Q=. VXN1cjpwd2Q= is the base-64 encoded string User:pwd.

On Windows PowerShell, encoding and decoding can be tested with the following commands:

- Base64-encode a string:

```
[Convert]::ToBase64String([Text.Encoding]::UTF8.GetBytes('User:pwd'))
```

- Decode a base64-encoded string:

```
[Text.Encoding]::UTF8.GetString([Convert]::FromBase64String('VXN1cjpwd2Q='))
```

The Authentication Service API supports Basic Authentication through a service called SAF Basic Service. This service decodes the base64-encoded string to retrieve the credentials and authenticates users by calling the System Authorization Facility (SAF) OE Service `__passwd()` provider. For more details about this provider and the error return codes it produces, see the following topics:

- `__passwd()`, `__passwd_applid()` — [Verify or change user password in z/OS C/C++ Runtime Library Reference](#)
- [Return Codes \(errno\) in z/OS UNIX System Services Messages and Codes](#)

Internally, the IMS Transaction Isolation Service API and [Debug Profile Service API](#) use the same service to authenticate the Basic Authentication credentials.

To enable or disable SAF Basic Service, specify `safBasicIsEnabled` to `true` or `false` in the `eqaprof.env` file.

Authenticating with JSON Web Tokens (JWT)

JSON Web Token (JWT) are self-contained tokens that carry user information and claims.

The tokens are signed using algorithms to ensure data authenticity. Once issued upon user login, a JWT must be included in the Authorization header of each request. For example, `Authorization: Bearer <token>`.

The Authentication Service API generates, authenticates, and invalidates JWT tokens using SAF JWT Service. Internally, the [IMS Transaction Isolation Service API](#) and [Debug Profile Service API](#) use the same service to authenticate the JWT Authentication tokens.

Authenticating with SAF JSON Web Tokens (JWT)

Authentication Service API uses a service called SAF JWT Service to provide SAF JSON Web Token (SAF JWT) authentication functions through login, query, and logout endpoints.

Internally, the SAF JWT Service interface with the z/OS security software, System Authorization Facility (SAF) provider. It invokes RACROUTE REQUEST=VERIFY authentication, where the application ID (APPLID) is passed as a parameter, to generate and authenticate SAF Identity Token (IDTs) in the form of JWT tokens. The APPLID is defined by z/OS RACF security definitions for SAF IDTs, and must be configured first. This configuration is necessary for RACROUTE process to call the expected APPLID that generates or validates IDT tokens based on z/OS RACF profile definitions.

- For more information about SAF IDT, see "[Activating and using the IDTA parameter in RACROUTE REQUEST=Verify](#)" in the *z/OS Security Server RACROUTE Macro Reference* documentation.
- For more information about the error return codes it produces, see [RACROUTE REQUEST=VERIFY \(Standard Form\)](#) under "z/OS Security Server RACF" > "z/OS Security Server RACROUTE Macro Reference" > "System Macros"

To get started with SAF JWT as an authenticator provider, complete the following steps:

1. Define z/OS RACF security definitions for SAF IDT

Eclipse IDE users

For Eclipse IDE clients, the option "**Enable token authentication to Debug Profile Service**" under **IBM z/OS Debugger Preferences** is enabled by default. When enabled, the IDE authenticates user credentials with RSED to obtain a SAF JWT token. The token is then used as the primary form of authentication for REST calls to the Debug Profile Service running on the z/OS host.

To support this, the SAF JWT Service must be configured with the same RSE Daemon (RSED) application ID (APPLID) named **FEKAPPL**. This ensures that both the Debug Profile Service and RSED running on the z/OS host use the same SAF JWT provider for JWT authentication by Eclipse IDE. Additionally, ensure that users or groups have READ access to the APPLID.

For more details, see the following topics in the "Security Definitions" section in *IBM Explorer for z/OS Host Configuration Guide*:

- [Define the application protection for RSE](#)
- [Define SAF JSON Web Token \(JWT\) support for RSE](#)

VS Code IDE users

For VS Code clients, the zOpenDebug connection Zowe profile supports the **authenticationType** property with either **token** or **Basic**. If **token** is specified, VS Code authenticates user credentials with Debug Profile Service to obtain a SAF JWT token. The token is then used as the primary form of authentication for REST calls to the Debug Profile Service that runs on the z/OS host.

Debug Profile Service provides installation instructions to create a new application ID (APPLID) named **EQAAPPL**. However, if an existing APPLID already exist from a different product, then it is possible to use the existing one. This allows Debug Profile Service to use the same SAF JWT provider during JWT authentications.

For more information about how to create EQAAPPL, see the following topics.

- [Define the application protection for Debug Profile Service](#)
- [Defining SAF JWT support for Debug Profile Service](#)

2. Debug Profile Service configurations for SAF JWT Service

- To enable or disable SAF JWT Service, specify `safJwtIsEnabled` to `true` or `false` in the `eqaprof.env` file.
- To configure application ID (APPLID) for SAF JWT Service, specify `safJwtAppID` with the name of the APPLID in the `eqaprof.env` file.

3. Verify SAF JWT Authentication

- Restart EQAPROF for the changes in `eqaprof.env` to take effect. Verify that the user can retrieve a JWT token, and authenticate with it by calling the Authentication API endpoints as described in [Authentication Service API diagnostics](#) section.

Notes:

- The logout endpoint can only invalidate SAF JWT tokens generated by the Debug Profile Service - Authentication Service API login endpoint.
- SAF JWT invalidation triggered by the logout endpoint will not persist during server restarts.
- SAF JWT invalidation triggered by the logout endpoint are not propagated across LPARs in a sysplex, where each LPAR runs its own instance of the EQAPROF server.
- Application ID (APPLID) is defined in the IDTDATA class `<Identity Token (IDT) type>.<APPLID>.<user ID>.<IDT issuer name>`.
- Support for SAF JWT requires z/OS 2.4 or later.
- Support for SAF JWT for Eclipse users requires z/OS Explorer Host 3.3.6 or later.

Using Multi-Factor Authentication (MFA)

No additional configurations are required to support users configured with Multi-Factor Authentication (MFA), other than enabling the SAF JWT Service for the Debug Profile Service.

The SAF JWT Service invokes `RACROUTE REQUEST=VERIFY`, which consistently treats all passwords as MFA credentials and passes them to the MFA task automatically. If the MFA validation fails or the MFA task is not running, the system reinterprets the input either as a standard password or a password phrase.

MFA is supported through [IBM Z Multi-Factor Authentication](#). This minimum requires IBM Z Multi-Factor Authentication Version 2.0.0 (Program Number 5655-MA1), FMID HMFA200.

Authentication Service API diagnostics

- Authentication Service API uses standard HTTP status codes to indicate the success or failure of the API call. If a failure occurs, the response contains a JSON body with an IBM message ID, which can be used to look up more information about the error in Debug Profile Service messages.

- For the API documentation, use the DTCN Profile (CICS) API via the internal Swagger UI URL to verify your setup. For more information, see [“Debug Profile Service diagnostics” on page 106.](#)

Adding Support for Data Collector Rest Service API

Data Collector Rest Service is an API that supports Test Accelerator for Z. It provides GET methods to retrieve information about data available in the Data Collector, and download that data which can be used in VS Code.

To use Data Collector Rest Service, you must configure one or more Data Collector started tasks to automatically collect data. For more information, see [“Adding support for Data Collector and Data Collector Service” on page 107.](#)

To configure Data Collector Rest Service, update the `eqadrest.env` sample files which are copied to `/etc/debug` by the sample setup job, **EQAPRFSU**, as described in [“Customizing with the sample job EQAPRFSU” on page 64.](#)

```
# =====
# Data Collector Service options
# =====
#
#-----
# Users allowed to access/read data produced by Data Collector
# A comma separated list of user IDs that will be able to access the
# REST API At least one user must be specified. A value of * indicates
# all authenticated users are allowed access
#-----
data_collector_read=*

#-----
# Data Collector directories
# One or more output paths directories being used by Data Collector.
# Paths should be separated by the standard path separator (:)
#-----
data_collector_output=/var/debug/data_collector_output

#-----
# Standard Output (STDOUT) Logging - Data Collector Service API logs
# Use these options to define the logging level
# The supported levels are: OFF, INFO, DEBUG, ERROR, WARN
# If property is not defined, then default level is OFF
#-----
#traceModelLoggerLevel=INFO
#dataCollectorServiceLoggerLevel=INFO
```

For more information, refer to [“Customizing with the sample job EQADCLSU” on page 108.](#)

Adding Support for Swagger UI

Liberty supports interactive API exploration through **Swagger UI**, which allows you to test and verify your environment setup.

Each endpoint includes detailed description of its purpose and parameters, along with sample inputs to help you try out the API promptly.

This feature is enabled by default, and you can access it through the following two endpoints:

- **/explorer** – Renders the Swagger UI and displays all supported API endpoints.
- **/docs** – Returns the OpenAPI definition as a YAML document.

The complete URL for these endpoints are logged in the server's output stream during startup. Look for the following lines near the top of the output. If the endpoints are not logged, then ask your system programmer to update Debug Profile Service to the latest version.

```
[AUDIT ] CWWKT0016I: Web application available (default_host): <explorer endpoint>
[AUDIT ] CWWKT0016I: Web application available (default_host): <docs endpoint>
```

To invoke API endpoints using Swagger UI, you must first authenticate:

1. Click the green **Authorize** button in the top-right corner.

2. An **Available authorization** popup will appear with options for **Basic** or **Bearer (JWT)** authentication.
3. Choose one of the following methods based on your environment:
 - a. **Basic** – Enter your username and password directly.
 - b. **Bearer (JWT)** – First, obtain a JWT token by calling the `/login` endpoint under the *Authentication* section:
 - i) Click the arrow next to `/login` to expand it.
 - ii) Select **Try it out** and enter your username and password.
 - iii) Execute the request to retrieve a JWT token.
 - iv) Copy the token and paste it into the Bearer field in the **Authorize** popup.
4. Click **Authorize**, and then **Close** to save your authentication settings.

To confirm that the authentication is successful, try to invoke the `/query` endpoint under the *Authentication* section:

- If you have used **Basic**, Swagger UI will send credentials using the `Authorization: Basic` header.
- If you have used **Bearer**, Swagger UI will send the token using the `Authorization: Bearer` header.

If the request succeeds, you can proceed to explore and test the other endpoints.

Note:

- If you use **AT-TLS**, you must specifically configure Swagger UI to use **HTTPS** instead of **HTTP**. Liberty is not AT-TLS aware, so it defaults to HTTP when generating the server URL.
- To override the default hostname or protocol used by Swagger UI, set the `swaggerUIServers` property. For configuration details, refer to the `eqaprof.env` file.

Starting and stopping the Debug Profile Service server

You can use the sample job `EQAW.SEQASAMP (EQAPROF)` to deploy the server.

This job calls the `BPX BATCH` program to execute the `EQAPROF` start script. The start script is a shell program that parses the `eqaprof.env` configuration file and sets the properties for the server to use.

After the server properties are set, IBM z/OS Liberty Embedded is called to deploy the server.

Customizing the system PROCLIB

Customize the `EQAW.SEQASAMP (EQAPROF)` sample started task member, as described at the beginning of the member file, and copy it to `SYS1.PROCLIB`. The customization is described here for your reference.

As shown in the code sample, provide the following information:

- The home directory where Debug Profile Service is installed. The default directory is `/usr/lpp/IBM/debug`.
- The location of the configuration files. The default location is `/etc/debug`.
- The name of the environment configuration file. The default name is `eqaprof.env`.
- The high-level qualifier for the z/OS Debugger load library `SEQAMOD`.
- The high-level qualifier for the CICS EXCI load library `SDFHEXCI`.

A sample of `EQAPROF` can be found below:

```

//*****
//* Licensed Materials - Property of IBM *
//* * *
//* 5724-T07: IBM z/OS Debugger *
//* Copyright IBM Corp. 2019, 2024 All Rights Reserved *
//* * *
//* US Government Users Restricted Rights - Use, duplication or *
//* disclosure restricted by GSA ADP Schedule Contract with IBM Corp. *
//* * *
//* *

```

```

//* This JCL procedure is used to start the Debug Profile Service. *
//* * *
//* You will have to make the following modifications: *
//* * *
//* 1) If you installed the product in a different directory than *
//* the default /usr/lpp/IBM/debug, change SVRPATH to refer to *
//* the correct directory. *
//* * *
//* 2) If you customized the configuration files in a different *
//* directory than the default /etc/debug, change CFGDIR to *
//* refer to the correct directory. *
//* * *
//* 3) If you want the server to use a different work directory *
//* then the default /var/debug, change WRKDIR to refer to the *
//* desired directory. *
//* * *
//* 4) If you customized the environment variables file in CFGDIR *
//* to a different file name than the default eqaprof.env, change *
//* ENVFILE to refer to the correct name. *
//* * *
//* 5) Change EQAHLQ to meet your installation requirements for *
//* SEQAMOD. *
//* * *
//* 6) Change DFHHLQ to meet your installation requirements for *
//* SDFHEXCI. *
//* * *
//* 7) If you customized the environment variables file in CFGDIR *
//* to a different file name than the default eqadrest.env, change *
//* DATAFILE to refer to the correct name. *
//* * *
//* Note(s): *
//* * *
//* 1. This procedure contains case sensitive path statements. *
//* * *
//* 2. Add a job card on line 1 and '//EQAPROF EXEC EQAPROF' at the *
//* bottom to submit this procedure as a user job. *
//* * *
//*****
//* Debug Profile Service
//*
//EQAPROF PROC SVRPATH='/usr/lpp/IBM/debug',
//          CFGDIR='/etc/debug',
//          WRKDIR='/var/debug',
//          ENVFILE='eqaprof.env',
//          DATAFILE='eqadrest.env',
//          EQAHLQ='EQAW',
//          DFHHLQ='DFH.CICS',
//          TZ='EST5EDT'
//          SET QUOTE='''
//EXPORTS EXPORT SYMLIST=*
//          SET SVRPATH=&QUOTE&SVRPATH&QUOTE
//          SET CFGDIR=&QUOTE&CFGDIR&QUOTE
//          SET WRKDIR=&QUOTE&WRKDIR&QUOTE
//          SET ENVFILE=&QUOTE&ENVFILE&QUOTE
//          SET DATAFILE=&QUOTE&DATAFILE&QUOTE
//          SET TZ=&QUOTE&TZ&QUOTE
//*-----
//* Start the Debug Profile Service
//*-----
//EQAPROF EXEC PGM=BPXBATCH,REGION=0M,TIME=NOLIMIT,MEMLIMIT=2G,
//          PARM='PGM /bin/sh &SVRPATH/servers/eqaProfile/bin/start.sh'
//STEPLIB DD DSN=&EQAHLQ..SEQAMOD,DISP=SHR
//          DD DSN=&DFHHLQ..SDFHEXCI,DISP=SHR
//STDOUT DD SYSOUT=*
//STDERR DD SYSOUT=*
//STDENV DD *,SYMBOLS=JCLONLY
TZ=&TZ
EQAPROF_CFG_DIR=&CFGDIR
EQAPROF_WRK_DIR=&WRKDIR
EQAPROF_ENVFILE=&CFGDIR/&ENVFILE
EQAPROF_DATAFILE=&CFGDIR/&DATAFILE
_BPXK_AUTOCVT=ON
/*
//          PEND
//*

```

Starting and stopping Debug Profile Service dynamically

To start the server, use the following console command:

```
S EQAPROF
```

To stop the server, use the following console command:

```
P EQAPROF1
```

Updating PARMLIB to start the server during IPL

Add a start command for Debug Profile Service to SYS1.PARMLIB(COMMNDxx) to start it automatically at the next system IPL. Define CMD=xx in the IEASYSxx parmlib member to specify the COMMNDxx parmlib member that is used during IPL.

Managing profiles with z/OS Debugger Profile Management

In z/OS Debugger Profile Management, system administrators can identify and delete profiles that might interfere with z/OS system resources. Currently, only CICS profiles (also known as DTCN profiles) are supported.

Before you can use z/OS Debugger Profile Management, ensure that Debug Profile Service is installed and configured, and that your z/OS user ID has [the authority to manage other users' CICS \(DTCN\) profiles](#).

Accessing z/OS Debugger Profile Management

1. Access z/OS Debugger Profile Management with one of the following methods:

- Go to the website directly with a URL in one of the following formats:
 - `https://{hostname}:{port}/profile-management/?authType={authType}`, if you specify `SECURE="Y"` in `eqaprof.env`.
 - `http://{hostname}:{port}/profile-management/?authType={authType}`, if you specify `SECURE="N"` in `eqaprof.env`.

where:

hostname

The name of your z/OS host.

authType

The authentication type to Debug Profile Service (`basic` or `token`). When you don't specify this option, Profile Management uses token authentication by default. If you disable the token authentication in the Debug Profile Service configurations file, it uses basic authentication.

Note: Token authentication is mandatory when you use a MFA-enabled user ID.

port

The port number defined in `eqaprof.env`.

- In the z/OS Debugger Profiles view, click the view menu (▾) in the view toolbar to display the **Show Profile Management** menu option. When you hover your mouse over **Show Profile Management**, the name of the host that is connected through the **Remote Systems** view is displayed. Ensure that the connection port is set to the RSE port that supports Debug Profile Service. Based on your authentication preference in the **Run/Debug > Compiled Debug > IBM z/OS Debugger Preference** page, one of the following query parameters is appended to the URL:
 - `authType=basic`: Appended to the URL when the **token authentication to Debug Profile Service** option is disabled.
 - `authType=token`: Appended to the URL when the **token authentication to Debug Profile Service** option is enabled.

2. In z/OS Debugger Profile Management, log in with your z/OS user ID with administration privilege to Debug Profile Service.

What is displayed in the table

Search field: Enter the search text to display only the profiles that match your search text.

Region list: Select the CICS region to display all the profiles in this region.

In the table, the following columns are displayed:

Owner

Displays the owner of the profile. Generic profiles that might cause unexpected debug sessions are highlighted with a warning icon (▲) next to the owner name.

State

Indicates that the profile is active or inactive.

Transaction

Displays the transaction to trigger a debug session.

Terminal ID

Displays the terminal ID to trigger a debug session.

Net Name

Displays the name of a CICS terminal or CICS system to trigger a debug session.

You can click any column header to sort the list of profiles based on the contents of that column in default, ascending, or descending order.

Working with the profile data

To evaluate whether a profile is causing problems, you can click the owner to display the profile data in the **Profile Data** window. Generic profiles that might cause unexpected debug sessions are highlighted with a warning icon (▲) next to the owner name.

In this window, you can complete the following tasks:

- View the profile data.
- Copy the profile data with the **Copy to clipboard** icon (□).
- Save the profile data in a .json file.

You can then use the copied profile data or downloaded file to collaborate with others.

To prevent generic profiles, specify DTCNFORCExxxx settings to make some fields mandatory.

Deleting a profile

If necessary, you can delete other users' profiles in the table.

- Select one or more owners.
- Click **Delete**. The profiles under the selected owns are deleted.

Debug Profile Service diagnostics

- Debug Profile Service exposes an internal Swagger API endpoint, which is available and enabled by default. To verify this and obtain the full URL, check the server's JES standard output (STDOUT) stream. Liberty logs the URL with message ID CWWKT0016I, and it ends with /explorer. If the explorer endpoint is not logged, contact your system programmer to ensure Debug Profile Service is the latest version. You can paste this URL into your browser to view a friendly user interface to test the supported API endpoints.
- Liberty is currently configured to bind to all host names (*), which means it will use **all available network interfaces**. If multiple TCP/IP stacks are active, Liberty will bind to **all network interfaces**.

across all active stacks. For diagnostic purposes, Liberty logs only the first hostname it detects. If you want to restrict Liberty to a specific TCP/IP stack, set the following environment variable:

```
_BPXX_SETIBMOPT_TRANSPORT=stack_name
```

To apply this setting, add the environment variable to the job that starts the Liberty server, replacing `stack_name` with the name of the desired TCP/IP stack on your system. You can determine the available TCP/IP stacks by issuing the MVS console command:

```
D TCPIP.
```

For example, you can define the environment variable in EQAW.SEQASAMP(EQAPROF).

- Debug Profile Service uses standard HTTP status codes to indicate the success or failure of the API call. If a failure occurs, the response contains a JSON body with an IBM message ID, which can be used to look-up more information about the error in Debug Profile Service messages in *IBM z/OS Debugger Reference and Messages*.
- The following logging indicators are used to verify whether Debug Profile Service has started or stopped. Logs that are prefixed with CWWKZ are generated by the [IBM z/OS Liberty Embedded](#) server framework.

– Server Started:

- Server’s JES Job Standard Output (STDOUT)

```
Debug Profile Service API started with context path [<context_path>/profile]
IMS Transaction Isolation Service API started with context path [<context_path>/imsiso]
Authentication Service API started with context path [<context_path>/auth]
```

- JES System Log

```
+CWWKZ0001I: Application profile-management started in <time> seconds
+CWWKZ0001I: Application ProfileService started in <time> seconds
```

– Server Stopped:

- JES System Log

```
+CWWKZ00091: The application ProfileService has stopped successfully.
+CWWKZ00091: The application profile-management has stopped successfully.
```

Adding support for Data Collector and Data Collector Service

Data Collector is a z/OS Debugger feature that is used with the Test Accelerator for Z product and requires registration for that product. Data Collector can collect data for CICS, IMS and batch applications which can be later be used with the Early Development Testing on VS Code component.

For product enablement, see [Product enablement in IFAPRDxx](#).

Note:

- Data Collector requires Java 17 or 21. After installation, you must [configure z/OS to run Java applications](#).
- Data Collector is built on [Eclipse](#) and [Java](#) technology. Configuration options for Eclipse and Java might affect its behavior.
- Data Collector requires that Debug Profile Service is configured and running. Refer to [“Adding support for Debug Profile Service”](#) on page 62.

The Data Collector Service is provided as part of Remote Debug Service, and is used by the Early Development Testing on VS Code component of Test Accelerator for Z to access data and to create unit tests. For more information, refer to [“Adding Support for Data Collector Rest Service API”](#) on page 102.

Installing Data Collector

Data Collector is an Eclipse Rich Client Platform (RCP) application. The files are installed as z/OS UNIX files in the default location `/usr/lpp/IBM/debug` by using SMP/E during product installation. You can change the installation location to a directory of your choice.

Note: The user ID that you use for the SMP/E installation must be UID 0, or it must at least have READ access to the BPX.SUPERUSER profile in the FACILITY class. In addition, if the BPX.FILEATTR.APF or BPX.FILEATTR.PROGCTL profiles are defined in the FACILITY class, the user ID must have READ access to those profiles.

Customizing with the sample job EQADCLSU

You must create directories in z/OS UNIX and copy sample configuration files from the installation directory to these directories for customization. The sample job **EQAW.SEQASAMP(EQADCLSU)** is provided to help you complete these tasks.

Follow the instructions within the **EQADCLSU** member and submit the job to update your system. The job performs the following tasks:

- Create `/etc/debug/*` and populate it with sample configuration files.
- Create `/var/debug/*` as work directories required to run the service.
- Set proper z/OS UNIX file permissions on the files and directories.

Customize the provided configuration files to match your system environment:

eqadcol.env

This environment variables controls various aspects including:

- Which ports are used for the collector.
- How to contact Debug Profile Service to create connections.

The following environment variables are available for Data Collector:

port="port_number"

The port number of the collector listens to the z/OS Debugger engine connections. This port is mandatory and each instance of the collector requires its own port. If you want to encrypt the connection, this port can be secured with AT-TLS.

localhostOnly=true

Uncomment this line to restrict collection to incoming requests from localhost only. This option requires that the localhost and local loopback address is defined.

java_dir="java_directory"

Home directory of the 64-bit Java SDK. For example, `java_dir="/usr/lpp/java/J17.0_64"`.

umask="permission"

File permissions to be used when you create new files or directories. Default value is `u+rwx,go=rx`.

data_collector_output=/var/debug/data_collector_output

The directory to save the data files. This option is mandatory. If you start multiple instances, the same output location may be specified. This directory is needed when you configure Data Collector Service.

data_savesource=true

Uncomment this option to save the source files, if available through debug data. This option provides additional information with the data collection, but reduces the performance. Default collection does not save the source.

run_describe=true

Uncomment to run DESCRIBE LOADMOD and DESCRIBE CU as part of the data collection session. This option provides additional information with the data collection but reduces performance. By default it is set to false and not to run the additional debug commands.

data_props="properties_path"

Uncomment to provide a path to a properties file (for example, `dataCollector.properties`) to configure Data Collector. For more details on this properties file, see the last section of [Customizing with the sample job EQADCLSU](#).

data_props_encoding="encoding"

Uncomment to override the default encoding of the properties file. Code page IBM-1047 is the default.

dps_base_URI="url"

The base URL (for example, <https://localhost:8143/api/v1>) of the Debug Profile Service instance that is used to create the profiles for Data Collector. If the Debug Profile Service is secured and uses self-signed certificates or internal signing CAs, these certificates should be placed in the keystore used by the Data Collector to indicate that they are trusted (see 'keystoreFile').

keystore_file="keystore_file_path"

The path name of the PKCS12 or JKS keystore file where the Debug Profile Service TLS server certificate is stored. This keystore can also contain self-signed or internal signing CA certificates.

keystore_pwd_file="keystore_password_file_path"

The fully qualified path of the encrypted keystore password file generated using the z/OS Debugger Password File Generator tool. For more information on generating secure passwords, see [“Generating secure passwords for use with Data Collector”](#) on page 111.

dps_user="user"

The user ID whose encrypted password is stored in `dps_pwd_file`. This user ID must have the necessary RACF permissions to create and delete collection profiles on behalf of other users. To enable this, the system programmer must grant you the access to the `EQADTOOL.IMPERSONATE.*.*` RACF profile with `ALTER` access. For more details on defining this RACF profile, see [“Allow users to impersonate other users”](#) on page 81.

dps_pwd_file="dps_password_file_path"

The fully qualified path of the encrypted password file of the user ID specified in `dps_user`. This file is generated using the z/OS Debugger Password File Generator tool, as described in [“Generating secure passwords for use with Data Collector”](#) on page 111.

bzu_config="data_set_name"

Uncomment to specify fully qualified data set for the BZUCFG file. This is highly recommended when there is no debug data available during data collection. Only version 3 of the recording format is supported.

cics_config="cics_config_file_path"

Uncomment to specify the path of the CICS configuration file (for example, `cicsCollectionProfiles.json`) that contains CICS profile definitions. At least one of either `cics_config` or `ims_config` must be specified.

cics_config_encoding="encoding"

Uncomment to specify the encoding of the configuration file specified in `cics_config`. This option overrides the default encoding of IBM-1047.

overwrite_cics=true

Uncomment to overwrite any existing CICS debug profiles. By default, it is set to false.

ims_config="ims_config_file_path"

Uncomment to specify the fully qualified path of the IMS configuration file (for example, `imsCollectionProfiles.json`) that contains IMS or IMS Isolation profile definitions. At least one of either `cics_config` or `ims_config` must be specified.

ims_config_encoding="encoding"

Uncomment to specify the encoding of the configuration file specified in `ims_config`. This option overrides the default encoding of IBM-1047.

overwrite_IMS=true

Uncomment to overwrite any existing IMS or IMS Isolation debug profiles. By default, it is set to false.

You can comment or uncomment the following parameters:

- Diagnostic tracing of data collection and debug connections:

```
eqadcol_logdir="$EQADCOL_WRK_DIR/logs"
epdc_trace=true
```

- Low level tracing of Data Collector application and debug connections:

```
detailedTraceOptions="$EQADCOL_CFG_DIR/trace.options"
detailedTrace=true
```

cicsCollectionProfiles.json

The **cicsCollectionProfiles.json** configuration file enables the Data Collector to automatically create CICS profiles using Debug Profile Service . These profiles are then used to collect data. The format of the file is json, and the contents is an array of objects with the type (always "cics"), region and the ownerID. The ownerID will own the debug profile and also be the same user that will have data collected.

The following sample shows USER1 configured to collect data in REGION1 and REGION2, while USER2 is only configured to collect data in REGION1.

```
[
  {
    "type": "cics",
    "region": "REGION1",
    "ownerID": "USER1"
  },
  {
    "type": "cics",
    "region": "REGION1",
    "ownerID": "USER2"
  },
  {
    "type": "cics",
    "region": "REGION2",
    "ownerID": "USER1"
  }
]
```

For more information about CICS debug profiles, see [“Adding support for Debug Profile Service API” on page 86](#).

imsCollectionProfiles.json

The **imsCollectionProfiles.json** configuration file enables the Data Collector to automatically create IMS or IMS Isolation profiles using Debug Profile Service . These profiles are then used to collect data. The format of the file is json, and the contents is an array of objects with the type of either "ims" for a DTSP profile, or "ims_iso" for an IMS Isolation profile.

- When you use the type "ims", a user ID and subsystem ID must be specified for the profile.
- When you use the type "ims_iso", an array of transaction IDs must be specified.

The following example shows three IMS profiles, the first two are standard IMS profiles for users USER1 and USER2 with region subsystem ID of IMS1. The third profile is for IMS Isolation for USER3, also for subsystem ID IMS1, and will only collect data when transactions TRAN1 and TRAN2 are encountered.

```
[
  {
    "type": "ims",
    "userID": "USER1",
    "subsystemID": "IMS1"
  },
  {
    "type": "ims",
    "userID": "USER2",
    "subsystemID": "IMS1"
  },
  {
    "type": "ims_iso",
    "userID": "USER3",
    "transactionIDs": [
      "TRAN1",
      "TRAN2"
    ]
  }
]
```

```

    "subsystemID": "IMS1",
    "transactionID": ["TRAN1", "TRAN2"]
  }
]

```

For more information on DTSP profiles, refer to Non-CICS environment section in [“Adding support for Debug Profile Service API”](#) on page 86.

For more information on IMS Isolation profiles, refer to [“Adding support for IMS Transaction Isolation Service API”](#) on page 97.

dataCollector.properties

You can configure Data Collector for each data collection session using the **dataCollector.properties** file. For example, if you have to collect data from two different versions of the application, you must run two separate instances of Data Collector. Each instance must use a distinct **dataCollector.properties** file that specifies the corresponding application version. This ensures that the collected data can be distinguished based on the embedded application version.

You can specify the desired properties in the **dataCollector.properties** file using a key-value pair (**key=value**). The lines can also be commented using a hashtag character (**#**).

Note: If you run multiple instances of Data Collector, it requires each instance to listen on a unique port. You must create a separate **eqadcol.env** file for each instance, each specifying a unique port number.

Using Data Collector with batch applications

Data Collector can be used to collect information on batch applications. To do this, you must manually instrument their JCL with the following:

1. In their CEEOPTS, you must include a TEST runtime option to point to the Data Collector. For example, if Data Collector runs on port 7099:
`TEST(, , , RECORD&localhost%7099:*)`
2. In their CEEOPTS, you must include the following ENVARS to tell the z/OS Debugger to run in Dynamic Test Engine mode with Data Collector:
 - `EQA_DTR_MODE=Y`
 - `EQA_STARTUP_KEY=REC`

The following is a sample excerpt of what needs to be added:

```

TEST(, , , RECORD&localhost%7099:*)
ENVAR("EQA_DTR_MODE=Y", "EQA_STARTUP_KEY=REC")
/*

```

You must specify additional key-value pairs to add additional properties to the data stored by Data Collector in the startup key. In the following example, the property `testid=TBND009-01` is added to the collected data:

```

EQA_STARTUP_KEY=REC,testid=TBND009-01

```

For more information, see [Syntax of the TEST runtime option](#).

Generating secure passwords for use with Data Collector

To prevent storing plain text passwords, run the z/OS Debugger Password File Generator to generate a keystore password properties file with an encrypted password.

About this task

z/OS Debugger Password File Generator generates a keystore password properties file with an encrypted password. You can run this tool from the command line or as part of a script before you start the Data Collector. For more information, see [“Customizing with the sample job EQADCLSU”](#) on page 108.

Customizing the system PROCLIB

Customize the **EQAW.SEQASAMP (EQADCOL)** sample started task member, as described within the member, and copy it to SYS1.PROCLIB.

Provide the following information as shown in the code sample:

- The home directory where the z/OS Debugger is installed. The default directory is /usr/lpp/IBM/debug.
- The location of the configuration files. The default location is /etc/debug.
- The location of the work directories. The default location is /var/debug.
- The name of the environment configuration file. The default name is eqadcol.env.

```
//*****  
//* Licensed Materials - Property of IBM *  
//* * *  
//* 5724-T07: IBM z/OS Debugger *  
//* Copyright IBM Corp. 2025 All Rights Reserved *  
//* * *  
//* US Government Users Restricted Rights - Use, duplication or *  
//* disclosure restricted by GSA ADP Schedule Contract with IBM Corp. *  
//* * *  
//* * *  
//* This JCL procedure is used to start the Data Collector. *  
//* * *  
//* You will have to make the following modifications: *  
//* * *  
//* 1) If you installed the product in a different directory than *  
//* the default /usr/lpp/IBM/debug, change SVRPATH to refer to *  
//* the correct directory. *  
//* * *  
//* 2) If you customized the configuration files in a different *  
//* directory than the default /etc/debug, change CFGDIR to *  
//* refer to the correct directory. *  
//* * *  
//* 3) If you want the collector to use a different work directory *  
//* then the default /var/debug, change WRKDIR to refer to the *  
//* desired directory. *  
//* * *  
//* 4) If you customized the environment variables file in CFGDIR *  
//* to a different file name than the default eqadcol.env, change *  
//* ENVFILE to refer to the correct name. *  
//* * *  
//* Note(s): *  
//* * *  
//* 1. This procedure contains case sensitive path statements. *  
//* * *  
//* 2. Add a job card on line 1 and '///EQADCOL EXEC EQADCOL' at the *  
//* bottom to submit this procedure as a user job. *  
//* * *  
//*****  
//* * *  
//* Data Collector *  
//* * *  
//EQADCOL PROC SVRPATH='/usr/lpp/IBM/debug', *  
// CFGDIR='/etc/debug', *  
// WRKDIR='/var/debug', *  
// ENVFILE='eqadcol.env' *  
// SET QUOTE=' ' *  
//EXPORTS EXPORT SYMLIST=* *  
//EXPORTS EXPORT SYMLIST=* *  
// SET SVRPATH=&QUOTE&SVRPATH&QUOTE *  
// SET CFGDIR=&QUOTE&CFGDIR&QUOTE *  
// SET WRKDIR=&QUOTE&WRKDIR&QUOTE *  
// SET ENVFILE=&QUOTE&ENVFILE&QUOTE *  
// * *  
//-----  
//* Start the Data Collector *  
//-----  
//EQADCOL EXEC PGM=BPXBATSL,REGION=0M,TIME=NOLIMIT, *  
// PARM='PGM /bin/sh &SVRPATH/data-collector/bin/eqadcol.sh' *  
//STDOUT DD SYSOUT=* *  
//STDERR DD SYSOUT=* *  
//STDENV DD *,SYMBOLS=JCLONLY *  
EQADCOL_CFG_DIR=&CFGDIR *  
EQADCOL_WRK_DIR=&WRKDIR *  
EQADCOL_ENVFILE=&CFGDIR/&ENVFILE
```

```
EQADCOL_BASE=&SVRPATH/data-collector
_BPXK_AUTOCVT=ON
/*
//          PEND
//*
```

Tip: On the STDENV DD card, you can specify the TZ environment variable to control the timestamps used in the default file names of newly created data collection files, as well as the timestamp information produced by Data Collector.

Data Collector security definitions

The following tasks are required to complete the basic security setup to run Data Collector. In addition to these options, you can restrict Data Collector to incoming sessions for the current system only. For more information, see [#unique_244](#).

Defining the Data Collector started task

The following sample RACF commands create the EQADCOL started task, with protected user ID (STCEQA2) and the STCGROUP group assigned to it:

1.

```
ADDGROUP STCGROUP OMVS(AUTOUID) -
DATA('GROUP WITH OMVS SEGMENT FOR STARTED TASKS')
```
2.

```
ADDUSER STCEQA2 DFLTGRP(STCGROUP) NOPASSWORD -
NAME('DATA COLLECTOR') -
OMVS(AUTOUID HOME('/tmp') PROGRAM('/bin/sh'))
- DATA('IBM z/OS Debugger')
```
3.

```
RDEFINE STARTED EQADCOL.* -
STDATA(USER(STCEQA2) GROUP(STCGROUP) TRUSTED(NO)) -
DATA('DATA COLLECTOR')
```
4.

```
SETROPTS RACLIST(STARTED) REFRESH
```

Note:

- Ensure that the started task user ID is protected by specifying the **NOPASSWORD** keyword.
- Ensure that the home directory exists and the started task user has read, write, and execute access. Otherwise, Data Collector will not start.
- You have to define multiple started tasks depending on whether different properties needs to be configured for different collection requirements. If you use the profile name EQADCOL*.* as in the example, this profile will cover all started tasks that starts with the name EQADCOL followed by zero or more characters.

Enabling secure communication

You can enable Data Collector to communicate with z/OS Debugger using [Secure Sockets Layer \(SSL\)](#) certificate with a private key and self-signed certificate stored in a keystore file, or [AT-TLS](#).

Enabling secure communication with a keystore file

To ensure secure communication, configure Secure Sockets Layer (SSL) using a keystore that contains a private key and self-signed certificate.

1. Generate a PKCS#12 keystore file that contains either a self-signed or CA-signed certificates, depending on which certificate Debug Profile Service uses. For more information on how to generate a keystore file, refer to [“Enabling secure communication” on page 114](#).
2. Update the value of **keystore_file** variable in `/etc/debug/eqadcol.env` file to point to the keystore file created or selected in Step 1. For more details on customizing the **eqadcol.env** file, see [“Customizing with the sample job EQADCLSU” on page 108](#).

3. To ensure that the keystore file is only readable by the protected user ID STCEQA2, change the owner and permission of the file with:

```
chown STCEQA2:STCGROUP keystore.p12
chmod 640 keystore.p12
```

Enabling secure communication with AT-TLS

You can also use the TCP/IP service called Application Transparent Transport Layer Security (AT-TLS) to enable secure communication with Data Collector. For detailed information about how to set up AT-TLS, refer to [“Setting up AT-TLS” on page 37](#).

Create an AT-TLS policy for the port used by Data Collector as specified in the eqadcol.env configuration file. Refer to the following sample policy:

```
TTLSPolicy EQADCOL
{
  LocalPortRange          8002
  Direction Inbound
  TTLSPolicyGroupRef      EQADCOL_group
  TTLSEnvironmentActionRef EQADCOL_env
  TTLSConnectionActionRef EQADCOL_conn
}

TTLSPolicyGroup EQADCOL_group
{
  TTLSPolicyEnabled On
}

TTLSPolicyEnvironment EQADCOL_env
{
  HandshakeRole          Server
  TTLSKeyringParms
  {
    # Keyring must be owned by the user id running the EQADCOL started task
    Keyring                EQADCOL.keyring
  }
}

TTLSPolicyConnection EQADCOL_conn
{
  HandshakeRole          Server
  TTLSCipherParmsRef     EQADCOL_cipherparms
  TTLSConnectionAdvancedParmsRef EQADCOL_Conn_adv
  CtraceClearText        Off
}

TTLSPolicyConnectionAdvancedParms EQADCOL_Conn_adv
{
  TLSv1                  Off
  TLSv1.1                Off
  TLSv1.2                On
  SSLV3                  Off
  ApplicationControlled  Off
  SecondaryMap            Off
  HandshakeTimeout       20
}

TTLSPolicyCipherParms EQADCOL_cipherparms
{
  V3CipherSuites TLS_ECDHE_ECDSA_WITH_AES_256_GCM_SHA384
  V3CipherSuites TLS_ECDHE_ECDSA_WITH_AES_128_GCM_SHA256
  V3CipherSuites TLS_ECDHE_RSA_WITH_AES_256_GCM_SHA384
  V3CipherSuites TLS_ECDHE_RSA_WITH_AES_128_GCM_SHA256
  V3CipherSuites TLS_DHE_RSA_WITH_AES_256_GCM_SHA384
  V3CipherSuites TLS_DHE_RSA_WITH_AES_128_GCM_SHA256
}
```

Updating PARMLIB to start Data collector during IPL

COMMNDxx

Add the following start command for Data Collector to **SYS1.PARMLIB(COMMNDxx)** to start it automatically at the next system IPL:

```
S EQADCOL
```

Define **CMD=xx** in the **IEASYSxx** parmlib member to specify the **COMMNDxx** parmlib member that is used during IPL.

IFAPRDxx

Data Collector is a z/OS Debugger feature that is used with the Test Accelerator for Z product and requires registration for that product.

For product enablement, refer to topic "Product enablement in IFAPRDxx" in [IBM Test Accelerator for Z](#).

Starting and stopping Data Collector dynamically

To start the service, use the following console command:

```
S EQADCOL
```

To stop the service, use the following console command:

```
P EQADCOL
```

Data Collector waits for any collection sessions to complete before it stops. The following console command can be used before the stop command to force Data Collector to terminate collection sessions:

```
F EQADCOL STOP,FORCE
```

Using this option can cause unpredictable results to any users running transactions or batch jobs that the are being processed by Data Collector.

Configuring Data Collector Service

You must configure Data Collector Service as a part of Debug Profile Service to enable IBM Test Accelerator for Z to retrieve the data obtained by Data Collector. You must specify the output directories used by Data Collector in the `eqadrest.env` file along with the users information who are allowed to access the data.

For more information, see [“Adding Support for Data Collector Rest Service API”](#) on page 102.

Running Headless Code Coverage Collector as a started task

Add the Headless Code Coverage Collector started task to the system PROCLIB to run it as a started task or as a user job. It is recommended to use the collector as a started task when you run a build pipeline, so that the task can be started and stopped whenever you run the pipeline.

Note:

- Headless Code Coverage Collector is built on [Eclipse](#) and [Java](#) technology. Configuration of the Eclipse and Java may affect the behavior of the collector.
- Headless Code Coverage Collector requires Java 17 or 21. After installation you must configure the z/OS to run the Java applications.
- Started task support for Headless Code Coverage Collector is only available in z/OS Debugger version 17.0.3 or later.

Customizing with the sample job EQAHCCSU

You must create directories in z/OS UNIX and copy sample configuration files from the installation directory to these directories for customization. The sample job EQAW.SEQASAMP (EQAHCCSU) is provided to help you complete these tasks.

Follow the instructions within the EQAHCCSU member and submit the job to customize your installation. The job performs the following tasks:

- Create /etc/debug/* and populate it with the sample configuration files.
- Set proper z/OS UNIX file permissions on the files and directories.

The sample job copies the eqahcc.properties sample file to /etc/debug. Edit this file to customize Headless Code Coverage Collector.

eqahcc.properties

The eqahcc.properties file provides all the supported options to configure Headless Code Coverage Collector. For more information about these options, see [Starting and stopping the headless code coverage collector](#).

You can run the sample job EQAHCCSU more than once. If a file exists in the configuration directory, the job creates a backup for the existing file before it copies the new file.

Customizing the system PROCLIB

Customize the EQAW.SEQASAMP (EQAHCC) sample started task member, as described within the member, and copy it to SYS1.PROCLIB.

You must provide the following information as shown in the code sample:

- The home directory where the Headless Code Coverage Collector is installed. The default directory is /usr/lpp/IBM/debug.
- The location of the configuration files. The default location is /etc/debug.
- The name of the Headless Code Coverage Collector configurations properties file. The default name is eqahcc.properties. This file provides all the supported code coverage options to configure the collector. For more information about these options, see [Starting and stopping the headless code coverage collector](#).
- The home directory of the 64-bit Java SDK.

```

//*****
//* Licensed Materials - Property of IBM *
//* * *
//* 5724-T07: IBM z/OS Debugger *
//* Copyright IBM Corp. 2025 All Rights Reserved *
//* * *
//* US Government Users Restricted Rights - Use, duplication or *
//* disclosure restricted by GSA ADP Schedule Contract with IBM Corp. *
//* * *
//* This JCL procedure is used to start Headless CC Collector. *
//* * *
//* You will have to make the following modifications: *
//* * *
//* 1) If you installed the product in a different directory than *
//* the default /usr/lpp/IBM/debug, change SVRPATH to refer to *
//* the correct directory. *
//* * *
//* 2) If you customized the options file in a different *
//* directory than the default /etc/debug, change CFGDIR to *
//* refer to the correct directory. *
//* * *
//* 3) If you customized the properties file in OPTFILE to a *
//* different file name than the default eqahcc.properties, *
//* change OPTFILE to refer to the correct name. *
//* * *
//* 4) Change JAVA to refer to a correct home directory of the *
//* 64-bit Java SDK. *
//* * *
//* Note(s): *

```

```

/*
/* 1. This procedure contains case sensitive path statements.
/*
/* 2. Add a job card on line 1 and '//EQAHC EXEC EQAHC' at the
/* bottom to submit this procedure as a user job.
/*
/******
/*
/* Headless Code Coverage Collector
/*
//EQAHC PROC SVRPATH='/usr/lpp/IBM/debug',
// CFGDIR='/etc/debug',
// OPTFILE='eqahcc.properties',
// JAVA='/usr/lpp/java/J17.0_64'
// SET QUOTE='''
//EXPORTS EXPORT SYMLIST=*
// SET SVRPATH=&QUOTE&SVRPATH&QUOTE
// SET CFGDIR=&QUOTE&CFGDIR&QUOTE
// SET OPTFILE=&QUOTE&OPTFILE&QUOTE
// SET JAVA=&QUOTE&JAVA&QUOTE
// SET BINPATH=&QUOTE&SVRPATH/headless-code-coverage/bin&QUOTE
//*-----
/* Start the headless Code Coverage Collector
/*-----
//EQAHC EXEC PGM=BPXBATSL,REGION=0M,TIME=NOLIMIT,
// PARM='PGM /bin/sh &BINPATH/ccstart.sh'
//STDOUT DD SYSOUT=*
//STDERR DD SYSOUT=*
//STDENV DD *,SYMBOLS=JCLONLY
EQA_CC_HOME=&SVRPATH
JAVA_HOME=&JAVA
HCCOPTS=&CFGDIR/&OPTFILE
_BPXK_AUTOCVT=ON
_BPX_SHAREAS=YES
/*
// PEND
/*

```

Defining the Headless Code Coverage Collector started task

Use the following RACF commands to create the EQAHC started task, secure it with the protected user ID (STCEQA2), and associate it with the STCGROUP group.

1. ADDGROUP STCGROUP OMVS(AUTOUID) -
DATA('GROUP WITH OMVS SEGMENT FOR STARTED TASKS')
2. ADDUSER STCEQA2 DFLTGRP(STCGROUP) NOPASSWORD -
NAME('HEADLESS CC COLLECTOR') -
OMVS(AUTOUID HOME('/tmp') PROGRAM('/bin/sh'))
- DATA('IBM z/OS Debugger')
3. RDEFINE STARTED EQAHC.* -
STDATA(USER(STCEQA2) GROUP(STCGROUP) TRUSTED(NO)) -
DATA('HEADLESS CC COLLECTOR')
4. SETROPTS RACLIST(STARTED) REFRESH

Note:

- Ensure that you protect the started task user ID by specifying the NOPASSWORD keyword.
- Ensure that the home directory exists and is readable, writable, and executable by the started task user. Otherwise, Headless Code Coverage Collector will not start.
- Ensure that the started task user ID or related group has enough authority to change the ownership of z/OS UNIX files. For more information about how to change the file ownership, see [Steps for authorizing selected users to transfer ownership of any file](#) and [Steps for setting up the CHOWN.UNRESTRICTED profile](#).

Starting and stopping Headless Code Coverage Collector dynamically

To start the collector, use the following console command:

```
S EQAHCC
```

To stop the collector, use the following console command:

```
P EQAHCC
```

Headless Code Coverage Collector waits for any collection sessions to complete before it stops. You can use the following console command before the stop command to force the collector to terminate the active sessions:

```
F EQAHCC STOP,FORCE
```

Note: This option can cause corrupted or empty code coverage results.

Updating PARMLIB to start Headless Code Coverage Collector during IPL

COMMNDxx

Add the following start command for the Headless Code Coverage Collector to **SYS1.PARMLIB(COMMNDxx)** to start it automatically at the next system IPL:

```
S EQAHCC
```

Define **CMD=xx** in the **IEASYSxx** parmlib member to specify the **COMMNDxx** parmlib member that is used during IPL.

Enabling secure communication between z/OS Debugger and the remote debugger for incoming debug sessions

This section assists you in setting up a secure communication by using the z/OS Communications Server: IP Application Transparent – Transport Layer Security (AT-TLS) service when you use the TCPIP suboption in the TEST runtime option. By exploiting the Secure Sockets Layer (SSL) functions of AT-TLS, z/OS Debugger provides a secure (encrypted) communication with the remote Eclipse debugger.

The setup assumes that the remote debugger is the TCP/IP server and z/OS Debugger is the TCP/IP client.

Carry out the following steps:

- Add a client certificate.

Export a copy of a client certificate from the keystore that the remote debugger uses. This client certificate is used by AT-TLS to authenticate the TCP/IP server (remote debugger) during SSL handshaking. If the remote debugger does not have a certificate, you can use the following Java runtime utility to create a keystore and certificate and to export a client certificate.

Create a keystore and certificate

```
keytool -genkey
```

Export a client certificate

```
keytool -export
```

Note: Refer to the appropriate Java documentation for the full set of parameters required for the keytool command.

Each Eclipse IDE user must configure the debug daemon to start on a secured port with the location and password of the keystore created previously. These settings can be found on **Preferences > Run/Debug > Debug Daemon** preference page. For more information about the Debug Daemon preference page, see the "Setting debug preferences" topic in [IBM Documentation](#).

Upload the certificate to z/OS in binary mode and store it as a SITE or CERTAUTH certificate in RACF or other equivalent security facility. The following examples use the **RACDCERT** command to add a certificate:

```
RACDCERT SITE
ADD('USERID1.DTPDT.CERT1') WITHLABEL('DTPDT-CERT1') TRUST

RACDCERT CERTAUTH
ADD('USERID1.DTPDT.CERT1') WITHLABEL('DTPDT-CERT1') TRUST
```

where USERID1.DTPDT.CERT1 is a file that contains the uploaded certificate and DTPDT-CERT1 is a label of the certificate in RACF.

The following information is used in the previous examples:

USERID1.DTPDT.CERT1

A file that contains the uploaded certificate.

DTPDT-CERT1

A label of the certificate in RACF.

Note: Both SITE and CERTAUTH certificates work with the key ring ***SITE*/*** parameter in TTLSKeyRingParms definition below. If you use a CERTAUTH certificate, also define the ***AUTH*/*** parameter.

- Add an AT-TLS rule.

The rule allows AT-TLS to enable SSL when z/OS Debugger connects to the remote debugger on a specified port. The following example shows that the remote debugger listens to the secure port 9101. In your development environment, you must determine which secure port the remote debugger listens to and use it in the RemotePortRange statement.

```
TTLSRule DTPDTRL1
{
  RemotePortRange 9101                <=== secure port
  Direction Outbound                  <=== outbound direction
  TTLSGroupActionRef DTPDTRL1GrpAct
  TTLSEnvironmentActionRef DTPDTRL1EnvAct
}
TTLSGroupAction DTPDTRL1GrpAct
{
  TTLSEnabled On                      <=== enable rule
  Trace 30
}
TTLSEnvironmentAction DTPDTRL1EnvAct
{
  TTLSKeyRingParms
  {
    Keyring *SITE*/*                  <=== virtual key ring
  }
  HandShakeRole Client
}
```

AT-TLS currency

A TLS v1.2 protocol is available that uses more secured algorithms during SSL handshake operations. To use the protocol, take the following steps.

For z/OS Version 1 Release 13

1. Two APARs OA39422 and PM62905 are required to enable TLS v1.2 in z/OS v1.13.
2. AT-TLS rule update. The following code is an example for secure port 9102:

```
TTLSRule DTPDTRL2
{
  RemotePortRange 9102
  Direction Outbound
  TTLSGroupActionRef DTPDTRL2GrpAct
  TTLSEnvironmentActionRef DTPDTRL2EnvAct
}
TTLSGroupAction DTPDTRL2GrpAct
{
```

```

TTLSEnabled On
Trace 30
TTLSTGroupAdvancedParms
{
  Envfile /etc/pagent/DTPDT2grp.env <== DTPDT2grp.env contains
  GSK_PROTOCOL_TLSV1_2=ON
}
}
}
}
TTLSEnvironmentAction DTPDT2EnvAct
{
  TTLSTKeyRingParms
  {
    Keyring *SITE*/*
  }
}
HandShakeRole Client
}

```

For z/OS Version 2 Release 1

1. TLS v1.2 support is included in z/OS v2.1 base.
2. AT-TLS rule update. The following code is an example for secure port 9102:

```

TTLSTRule DTPDTRL2
{
  RemotePortRange 9102
  Direction Outbound
  TTLSTGroupActionRef DTPDT2GrpAct
  TTLSEnvironmentActionRef DTPDT2EnvAct
}
TTLSTGroupAction DTPDT2GrpAct
{
  TTLSEnabled On
  Trace 30
}
TTLSEnvironmentAction DTPDT2EnvAct
{
  TTLSTKeyRingParms
  {
    Keyring *SITE*/*
  }
  HandShakeRole Client
  TTLSEnvironmentAdvancedParms
  {
    TLSv1.2 On
  }
}
}

```

Enabling authentication for incoming TCP/IP connections

You can set up an authenticated communication by using a private and public keypair when you use the TCPIP option from the TEST runtime options.

Note: The steps related to generating the certificate and uploading to the host are the same as in [“Enabling secure communication between z/OS Debugger and the remote debugger for incoming debug sessions” on page 119.](#)

Perform the following steps:

1. Add a client certificate by exporting a copy of the client certificate from the keystore that the remote debugger uses.

This client certificate is used by z/OS Debugger TCP/IP server (remote debugger) during Debug Daemon authentication. If the remote debugger has a secure connection setup, this certificate can be reused for authentication. Otherwise, you can use the Java™ runtime utility to create a keystore, certificate, and export a client certificate.

- Create a keystore and a certificate by using the following command:

```
keytool -genkey
```

- Export a client certificate by using the following command:

```
keytool -export
```

Note: Refer to the appropriate Java documentation for the full set of parameters required for the keytool command.

Each Eclipse IDE user must configure the debug daemon to start a port with the location and password of the keystore created previously. To configure the debug daemon, go to **Run/Debug > Debug Daemon preference** page. For more information, see the Debug Daemon preferences section in [Setting debug preferences](#).

2. Upload the certificate to z/OS in binary mode and store it as a z/OS Unix file or a sequential dataset with HLQ as your username. For example, IBMUSER.DEBUG.CERT.
3. Pass the certificate location as a parameter to your debug session by providing a EQACERT DD pointing to the certificate location.

For example:

```
//EQACERT DD *  
IBMUSER.DEBUG.CERT
```

To debug z/OS Unix programs, you can substitute EQACERT DD with an environment variable.

```
export EQACERT=/u/ibmuser/debug.cert
```

You can now specify the certificate location when you create a debug profile from the main DTCN screen or the z/OS Debugger profiles view in the Eclipse IDE.

- For CICS profiles, see [Creating a debug profile for a CICS application with an Eclipse IDE](#).
- For non-CICS profiles, see [Creating a debug profile for a non-CICS application with an Eclipse IDE](#).
- For IMS Isolation profiles, see [Creating a debug profile for an IMS application using IMS Isolation with an Eclipse IDE](#).

Note: TCP/IP authentication support for debug profiles is only available in z/OS Debugger host version 17.0.2 or later.

z/OS debugger v 17.0.x defines a new TEST suboption TCPAUTH&ip_address%port similar to TCPIP& suboption. However, it requires a remote connection to be authenticated.

After the authentication is successful, the HLQ of the certificate dataset or the owner of the certificate Unix file is considered to be the debug user, and the username is verified for access to debugging load modules during the debugger authorization checks. To force authentication on all TCP connections, even when using TCPIP suboptions, a SAF/RACF profile EQAAUTH.TCP must be defined with access NONE in the FACILITY class. If the profile is undefined or defined with READ or above access, the TCPIP option does not require authentication.

Note: Certain security products may return access NONE for undefined profiles thus forcing authenticated TCPIP. If you want to continue using TCPIP without authentication define EQAAUTH.TCP with access READ or above.

Chapter 8. Specifying the TEST runtime options through the Language Environment user exit

z/OS Debugger provides a customized version of the Language Environment user exit (CEEEXITA). The user exit returns a TEST runtime option when called by the Language Environment initialization logic. z/OS Debugger provides a user exit that supports three different environments. This topic is also described in *IBM z/OS Debugger User's Guide* with information specific to application programmers.

The user exit extracts the TEST runtime option from a user controlled data set with a name that is constructed from a naming pattern. The naming pattern can include the following tokens:

&USERID

z/OS Debugger replaces the &USERID token with the user ID of the current user. Each user can specify an individual TEST runtime option when debugging an application. This token is optional.

&PGMNAME

z/OS Debugger replaces the &PGMNAME token with the name of the main program (load module). Each program can have its own TEST runtime options. This token is optional.

z/OS Debugger provides the user exit in two forms:

- A load module. The load modules for the three environments are in the *hlq.SEQAMOD* data set. Use this load module if you want the default naming patterns and message display level. The default naming pattern is &USERID.DBGTOOL.EQAUOPTS and the default message display level is X'00'.
- Sample assembler user exit that you can edit. The assembler user exits for the three environments are in the *hlq.SEQASAMP* data set. You can also merge this source with an existing version of CEEEXITA. Use this source code if you want naming patterns or message display levels that are different than the default values.

z/OS Debugger provides a customized version of the Language Environment user exit named EQAD3CXT. The following table shows the environments in which this user exit can be used. The EQAD3CXT user exit determines the runtime environment internally and can be used in multiple environments.

Environment	User exit name
The following types of Db2 stored procedures that run in WLM-established address spaces: <ul style="list-style-type: none"> • type MAIN¹ • type SUB² 	EQAD3CXT
IMS TM ³ and BTS ⁴	EQAD3CXT
Batch	EQAD3CXT

Note:

1. EQAD3CXT is supported for DB2 version 7 or later. If Db2 RUNOPTS is specified, EQAD3CXT takes precedence over Db2 RUNOPTS.
2. EQAD3CXT supports Db2 stored procedures PROGRAM TYPE=SUB if you set the RRTN_SW flag as x'01'.
3. For IMS TM, if you do not sign on to the IMS terminal, you might need to run the EQASET transaction with the TS0ID option. For instructions on how to run the EQASET transaction, see "Debugging Language Environment IMS MPPs without issuing /SIGN ON" in the *IBM z/OS Debugger User's Guide*.
4. For BTS, you need to specify Environment command (./E) with the user ID of the IO PCB. For example, if the user ID is ECSVT2, then the Environment command is ./E USERID=ECSVT2.

Your users can use the user exit in the following ways:

- The user can link the user exit into his application program.
- The user can link the user exit into a private copy of a Language Environment module (CEEBINIT, CEEPIPI, or both), and then, only for the modules the user might debug, place the SCEERUN data set containing this module in front of the system Language Environment modules in CEE.SCEERUN in the load module search path.

To learn about the advantages and disadvantages of each method, see [“Comparing the two methods of linking CEEBXITA”](#) on page 126.

To prepare your site to use the Language Environment user exit, do the following tasks:

1. [“Editing the source code of CEEBXITA”](#) on page 124.
2. [“Linking the CEEBXITA user exit into a private copy of a Language Environment runtime module”](#) on page 127.

To do the instructions in [“Customizing for JCL for Batch Debugging utility”](#) on page 136, you need the following information:

- If you change the naming pattern of the TEST runtime options data set, you need the new naming pattern you set in [“Modifying the naming pattern”](#) on page 124.
- The name of the *hlq*.BATCH.SCEERUN data set you create when you do the instructions in [“Linking the CEEBXITA user exit into a private copy of a Language Environment runtime module”](#) on page 127.

To do the instructions in [“Customizing z/OS Debugger User Exit Data Set”](#) on page 142, you need the following information:

- If you change the naming pattern of the TEST runtime options data set, you need the new naming pattern you set in [“Modifying the naming pattern”](#) on page 124.

To do the instructions in [“Customizing IMS Transaction and User ID Cross Reference Table ”](#) on page 146, you need the following information:

- If you change the name of the cross reference table data set, you need the data set name you set in [“Activate the cross reference function and modifying the cross reference table data set name”](#) on page 126.

Editing the source code of CEEBXITA

You can edit the sample assembler user exit that is provided in *hlq*.SEQASAMP to customize the naming patterns or message display level by doing one of the following tasks:

- Use SMP/E USERMOD EQAUMODK⁷ to update the copy of the exit in the *hlq*.SEQAMOD data set. The USERMOD is in *hlq*.SEQASAMP.
- Create a private load module for the customized exit. Copy the assembler user exit that has the same name as the user exit from *hlq*.SEQASAMP to a local data set. Edit the patterns or message display level. Customize and run the JCL to generate a load module.

Modifying the naming pattern

The naming pattern of the data set that has the TEST runtime option is in the form of a sequential data set name. You can optionally specify a &USERID token, which z/OS Debugger substitutes with the user ID of the current user. You can also add a &PGMNAME token, which z/OS Debugger substitutes with the name of the main program (load module). However, if users create and manage the TEST runtime option data set with the **DTSP Profile** view in the remote debugger, do not specify the &PGMNAME token because the view does not support that token.

⁷ USERMOD EQAUMODK is provided for updating EQAD3CXT. See "SMP/E USERMODs" in the *IBM z/OS Debugger Customization Guide* for an SMP/E USERMOD for this customization.

In some cases, the first character of a user ID is not valid for a name qualifier. A character can be concatenated before the &USERID token to serve as the prefix character for the user ID. For example, you can prefix the token with the character "P" to form P&USERID, which is a valid name qualifier after the current user ID is substituted for &USERID. For IMS, &USERID token might be substituted with one of the following values:

- IMS user ID, if users sign on to IMS.
- TSO user ID, if users do not sign on to IMS.

The default naming pattern is &USERID.DBGTOOL.EQAUOPTS. This is the pattern that is in the load module provided in *hlq.SEQAMOD*.

The following table shows examples of naming patterns and the corresponding data set names after z/OS Debugger substitutes the token with a value.

Naming pattern	User ID	Program name	Name after user ID substitution
&USERID.DBGTOOL.EQAUOPTS	USERIBM		USERIBM.DBGTOOL.EQAUOPTS
P&USERID.EQAUOPTS	123456		P123456.EQAUOPTS
DT.&USERID.TSTOPT	TESTID		DT.TESTID.TSTOPT
DT.&USERID.&PGMNAME.TSTOPT	TESTID	IVP1	DT.TESTID.IVP1.TSTOPT

To customize the naming pattern of the data set that has TEST runtime option, change the value of the DSNT DC statement in the sample user exit. For example:

```
* Modify the value in DSNT DC field below.
*
* Note: &USERID below has one additional '&', which is an escape
*       character.
*
DSNT_LN      DC A(DSNT_SIZE) Length field of naming pattern
DSNT         DC C'&&USERID.DBGTOOL.EQAUOPTS'
DSNT_SIZE    EQU *-DSNT      Size of data set naming pattern
*
```

Modifying the message display level

You can modify the message display level for CEEBXITA. The following values set WTO message display level:

X'00'

Do not display any messages.

X'01'

Display error and warning messages.

X'02'

Display error, warning, and diagnostic messages.

The default value, which is in the load module in *hlq.SEQAMOD*, is X'00'.

To customize the message display level, change the value of the MSGS_SW DC statement in the sample user exit. For example:

```
* The following switch is to control WTO message display level.
*
* x'00' - no messages
* x'01' - error and warning messages
* x'02' - error, warning, and diagnostic messages
*
MSGS_SW      DC X'00'      message level
*
```

Modifying the call back routine registration

You can register a call back routine to the Language Environment. The Language Environment invokes the call back routine prior to calling a type SUB program using CALL_SUB API in the CEEPIPI environment. The call back routine performs a pattern match to determine if the type SUB program is to be debugged.

To customize the registration, change the value of the RRTN_SW DC statement.

x'00'

No registration of the call back routine.

x'01'

Registration of the call back routine.

Activate the cross reference function and modifying the cross reference table data set name

You can activate the cross reference function of the IMS Transaction and User ID Cross Reference Table and provide a cross reference table data set name. When an IMS transaction is initiated from the web or MQ gateway, it runs with a generic ID. If a user wants to debug the transaction, the cross reference function provides a way to associate the transaction with his or her user ID.

To customize the activation, change the value of the XRDSN_SW DC statement.

x'00'

Cross reference function is not activated.

x'01'

Cross reference function is activated.

To customize the cross reference table data set name, change the value of the XRDSN DC statement. You must provide a fully qualified MVS sequential data set name.

Comparing the two methods of linking CEEBXITA

You can link in the user exit CEEBXITA in the following ways:

- Link it into the application program.

Advantage

The user exit affects only the application program being debugged. This means you can control when z/OS Debugger is started for the application program. You might also not need to make any changes to your JCL to start z/OS Debugger.

Disadvantage

You must remember to remove the user exit for production or, if it isn't part of your normal build process, you must remember to relink it to the application program.

- Link it into a private copy of a Language Environment runtime load module (CEEINIT, CEEPIPI, or both)

Advantage

You do not have to change your application program to use the user exit. In addition, you do not have to link extra modules into your application program.

Disadvantage

You need to take extra steps in preparing and maintaining your runtime environment:

- Make a private copy of one or more Language Environment runtime routines
- Only for the modules you might debug, customize your runtime environment to place the private copies in front of the system Language Environment modules in CEE.SCEERUN in the load module search path
- When you apply maintenance to Language Environment, you might need to relink the routines.
- When you upgrade to a new version of Language Environment, you must relink the routines.

If you link the user exit into the application program and into a private copy of a Language Environment runtime load module, which is in the load module search path of your application execution, the copy of the user exit in the application load module is used.

Linking the CEEBXITA user exit into a private copy of a Language Environment runtime module

The following table shows the Language Environment runtime load module and the user exit needed for each environment.

Table 21. Language Environment runtime module and user exit required for various environments

Environment	User exit name	CEE load module
The following types of Db2 stored procedures that run in WLM-established address spaces: <ul style="list-style-type: none"> • type MAIN • type SUB¹ 	EQAD3CXT	CEEPIPI
IMS TM and BTS	EQAD3CXT	CEEBINIT
Batch	EQAD3CXT	CEEBINIT

Note:

1. EQAD3CXT supports Db2 stored procedures PROGRAM TYPE=SUB if you set the RRTN_SW flag as x'01'.

Edit and run sample *hlq.SEQASAMP(EQAWLCE3)* to create these updated Language Environment runtime modules. The sample creates the following load module data sets:

- *hlq.DB2SP.SCEERUN(CEEPIPI)*
- *hlq.IMSTM.SCEERUN(CEEBINIT)*
- *hlq.BATCH.SCEERUN(CEEBINIT)*

Inform your users that you created these data sets. When you apply service to Language Environment that affects either of these modules (CEEPIPI or CEEBINIT) or you move to a new level of Language Environment, you need to rebuild your private copy of these modules by running the sample again.

Creating and managing the TEST runtime options data set

The TEST runtime options data set is an MVS data set that contains the Language Environment runtime options. The z/OS Debugger Language Environment user exit EQAD3CXT constructs the name of this data set based on a naming pattern described in [“Modifying the naming pattern” on page 124](#) “Modifying the naming pattern” in the *IBM z/OS Debugger Customization Guide*.

If your site does not allow your users to create data sets, you must create the data sets manually with the following requirements:

- Sequential data set (DSORG=PS)
- Record format and length requirements:
 - RECFM(F) or RECFM(FB) and LRECL >=80
 - RECFM(V) or RECFM(VB) and LRECL >=84
- Not an HFS or zFS file
- Name the data set so it follows the naming pattern defined in [“Modifying the naming pattern” on page 124](#).

Your users can then use any of the following ways to create the data set:

- By using Terminal Interface Manager (TIM), as described in "Creating and managing the TEST runtime options data set by using Terminal Interface Manager (TIM) " in the *IBM z/OS Debugger User's Guide*.
- By using IBM z/OS Debugger Utilities option 6, "z/OS Debugger User Exit Data Set", as described in "Creating and managing the TEST runtime options data set by using z/OS Debugger Utilities" in the *IBM z/OS Debugger User's Guide*.
- By using the z/OS Debugger Profiles view in the Eclipse IDE or the z/OS Debugger Profiles view provided with Z Open Debug.
- In the Eclipse IDE, by specifying a non-CICS profile in the z/OS Batch Application with existing JCL launch configuration. For more information, see the "Launching a debug session using existing JCL" topic in [IBM Documentation](#).
- By configuring the **Remote Profile** tab from Remote IMS Application with Isolation debug configurations.

Chapter 9. Installing the browse mode RACF facility

z/OS Debugger browse mode can be controlled by either the browse mode RACF facility, through the EQAOPTS BROWSE command, or both. For an overview of browse mode and how to control it, see "Debugging in browse mode" in the *IBM z/OS Debugger User's Guide*.

If you want to use RACF to enforce one of the following situations, you must install the browse mode RACF facility:

- Debug programs in a production environment (or some other environment) where you want to control whether z/OS Debugger users can modify the contents of storage or alter program flow
- Restrict the use of z/OS Debugger to certain users

Note: If you have defined a generic Facility class profile (for example, *.*), you might have to install the browse mode RACF facilities described below, even if neither of the previous considerations apply. For example, if you have a generic Facility class profile of *.* with UACC (NONE) and you do not install the browse mode RACF facilities described below, no users would be allowed to use z/OS Debugger.

To install the browse mode RACF facility, your security administrator must do the following tasks:

1. Choose one or both RACF facilities associated with the browse mode facility to install, then install the chosen facilities.
2. Set up the default user access to the facility.
3. Authorize those users that need access other than the default access.

Refer to the following topics for more information related to the material discussed in this topic.

Related tasks

["BROWSE" on page 198](#)

Choose and install appropriate RACF facility

The following RACF facilities are associated with the browse mode facility:

- EQADTOOL.BROWSE.MVS
- EQADTOOL.BROWSE.CICS

You can install either or both facilities. The first facility controls browse mode for non-CICS MVS jobs. The second controls browse mode access in CICS regions.

In most cases, if you install the browse mode RACF facility, then specify UACC(READ). However, assigning *fac_uacc* any of the following values creates the corresponding result:

NONE

Only users specifically authorized to the facility (through *usr_acc* of READ or higher) can use z/OS Debugger in any way.

READ

Only users specifically authorized to the facility (through *usr_acc* of UPDATE or higher) can use z/OS Debugger in the normal (non-browse mode) way.

UPDATE

Users specifically authorized to the facility can be limited to using z/OS Debugger in browse mode but all other users can use z/OS Debugger in either the normal (non-browse mode) way or in browse mode, depending on the option specified for the EQAOPTS BROWSE command.

The following instructions use EQADTOOL.BROWSE.xxx to represent either or both of facilities. If you choose to install both, you need to run the steps twice, once with each name.

Do the following steps to install the browse mode facility:

1. Establish a profile for the browse mode facility in the FACILITY class by entering the following RDEFINE command:

```
RDEFINE FACILITY EQADT00L.BROWSE.xxx UACC(fac_uacc)
```

2. Verify that generic profile checking is in effect for the class FACILITY by entering the following command:

```
SETROPTS GENERIC(FACILITY)
```

Set up user access to facility

When you assign *usr_acc* any of the following values to grant access to a specific user, you create the corresponding result:

NONE

The user cannot use z/OS Debugger in any way.

READ

The user can use z/OS Debugger only in browse mode.

UPDATE (or higher)

The user can use z/OS Debugger in the normal (non-browse) mode by default. He can also specify the EQAOPTS BROWSE command to specify that he wants the current invocation of z/OS Debugger to be in browse mode or normal mode.

Do the following steps to give individual users or user groups specific access to the browse mode facility:

1. Give a user permission to use the browse mode facility by entering the following command, where *DUSER1* is the name of a RACF-defined user or group profile:

```
PERMIT EQADT00L.BROWSE.xxx CLASS(FACILITY) ID(DUSER1) ACCESS(usr_acc)
```

Instead of connecting individual users, the security administrator can specify *DUSER1* to be a RACF group profile and then connect authorized users to the group.

2. If the FACILITY class is not active, activate the class by entering the SETROPTS command:

```
SETROPTS CLASSACT(FACILITY)
```

Issue the SETROPTS LIST command to verify that FACILITY class is active.

3. Refresh the FACILITY class by issuing the SETROPTS RACLIST command:

```
SETROPTS RACLIST(FACILITY) REFRESH
```

Chapter 10. IBM z/OS Debugger Authorization

IBM z/OS Debugger v17.0.0 defines certain SAF/RACF profiles and allows system programmers to limit debug access to load modules, compilation units, and programs run by surrogate user ids.

- To restrict debug access to the load module MODULE1, define a profile EQAAUTH.MODULE.MODULE1 of class FACILITY and universal access NONE. To allow a certain user to debug MODULE1, give the user READ access to that profile.
- To restrict debug access to the compilation unit CU1, define a profile EQAAUTH.CU.CU1 of class FACILITY and universal access NONE. To allow a certain user to debug CU1, give the user READ access to that profile. To obtain the list of compilation unit names inside the load module use **DESC LOADMOD** command in the debug console.
- To restrict debug access to the program running under surrogate id STCUSR1 define a profile EQAAUTH.USER.STCUSR1 of class FACILITY and universal access NONE. To allow a certain user to debug such a program, give the user READ access to that profile.

Note: You can debug programs that runs under your own id, user profile check is not done in this case.

In all cases, non-existent profile means debugging is allowed.

Note: Certain security products return access=NONE for undefined profiles, thus a user appears to be unauthorized to debug a program. If you use such a product, define generic profiles EQAAUTH.MODULE.*, EQAAUTH.CU.**, and EQAAUTH.USER.* with universal READ access.

Module-level authorization is supported for MVS modules and not supported for z/OS Unix programs. We recommend you to use CU-level authorization for z/OS Unix programs.

Example: Forbid anyone except IBMUSER to debug MODULE1.

```
RDEFINE FACILITY EQAAUTH.MODULE.MODULE1 UACC(NONE)
```

```
PERMIT EQAAUTH.MODULE.MODULE1 CLASS(FACILITY) ACCESS(READ) ID(IBMUSER)
```

```
SETROPTS RACLIST(FACILITY) REFRESH
```

Chapter 11. Customizing IBM z/OS Debugger Utilities

Note: This chapter is not applicable to IBM Developer for z/OS (non-Enterprise Edition).

IBM z/OS Debugger Utilities is a group of ISPF applications that provide the following tools and functions:

- **Program Preparation** to help application programmers precompile, compile, and link their programs and then start z/OS Debugger. This includes using COBOL and CICS Command Level Conversion Aid (CCCA) to help application programmers convert older COBOL programs to Enterprise COBOL programs.
- **z/OS Debugger Setup File**, which manages setup files. Setup files help application programmers prepare programs to debug them interactively or in batch mode.
- **IMS TM Debugging** to help users edit the TEST runtime options that IMS programs use and to create private message regions for testing.

The functions include the IMS Transaction Isolation facility, which allows users to select IMS transactions to debug in a private message-processing region.

- **z/OS Debugger User Exit Data Set** to create and edit a data set that Language Environment user exits read to obtain the TEST runtime options string.
- **Other IBM Application Delivery Foundation for z/OS tools** to help users start IBM File Manager for z/OS.
- **JCL for Batch Debugging** to help users start a debug session when they run their application in a batch job.
- **IMS BTS Debugging** to help users start a debug session when they run their IMS BTS applications.
- **Delay Debug Profile** to create a delay debug profile data set that the z/OS Debugger delay debug pattern matching uses to start a debug session.
- **IMS Transaction and User ID Cross Reference Table** to create a cross reference table entry that z/OS Debugger uses to associate a user ID to an IMS transaction.
- **Non-CICS Debug Session Start and Stop Message Viewer** to browse debug session start and stop messages.
- **z/OS Debugger Deferred Breakpoints** to create and view a list of breakpoints prior to starting the debug session. It reduces the time spent on the debugging session and also the system resource usage.
- **z/OS Debugger JCL Wizard** is an ISPF edit macro (EQAJCL) that allows you to modify a JCL or procedure member and create statements to invoke z/OS Debugger in various environments.

The instructions in this section describe the following customization tasks:

- Choose a method to start IBM z/OS Debugger Utilities
- Customize the data set names in EQASTART.
- Add IBM z/OS Debugger Utilities to an ISPF menu so that your users can start IBM z/OS Debugger Utilities from an ISPF menu.
- Modify z/OS Debugger Setup Utility so that your users can access procedure libraries.
- Customize the JCL for Batch Debugging interface.
- Customize the Other IBM Application Delivery Foundation for z/OS tools interface.
- Customize Program Preparation so that users access the proper compilers and development utilities.
- If your users use the IMS TM Setup - Manage LE Runtime Options function in IBM z/OS Debugger Utilities, make changes so that users can access this function in an IMSplex environment.
- Customize IMS BTS Debugging with default values for the TEST runtime option and data set names for the z/OS Debugger load module, user exit module, debug information files, IMS subsystem IDs, and base JCLs.
- Customize the z/OS Debugger User Exit Data Set utility.

- Customize the Delay Debug Profile utility.
- Customize the IMS Transaction and User ID Cross Reference Table utility.
- Customize the Non-CICS Debug Session Start and Stop Message Viewer utility.
- Install and customize z/OS Debugger JCL Wizard.

Choosing a method to start IBM z/OS Debugger Utilities

Your users can start IBM z/OS Debugger Utilities by doing one of the following methods:

Method 1: Enter the EXEC 'hlq.SEQAEXEC (EQASTART)' command. This is the default method.

Method 2: Enter the EQASTART command. To use this method, you must do the following steps, which are described in this section:

1. Include or copy the IBM z/OS Debugger Utilities and Common Components data sets to your system's TSO logon data sets. To add the data sets, do one of the following alternatives:
 - Include the data sets listed in [Table 22 on page 134](#), [Table 23 on page 134](#), or [Table 24 on page 135](#) into the DD concatenations specified in the tables.
 - Copy⁶ the members of the data sets listed in [Table 22 on page 134](#), [Table 23 on page 134](#), or [Table 24 on page 135](#) to a data set allocated to the DD concatenation specified in the table.

For either alternative, the data sets you include into the DD concatenations must match the national language you chose in “[Changing the default and allowable values in EQACUIDF](#)” on page 187.

2. Edit the EQASTART⁸ member of the hlq.SEQAEXEC data set and set the *Inst_NATLANG_commonlib* variable to ENU, UEN, JPN, or KOR depending on the national language you chose in “[Changing the default and allowable values in EQACUIDF](#)” on page 187.
3. Inform your users how to specify a language other than the one selected in step “2” on page 134. If your users need to start z/OS Debugger in a language other than the default, they need to add the NATLANG(*xxx*) parameter to the EQASTART command.

Table 22. For English, data sets that need to be included or copied into the specified DD concatenations

DD concatenation	Data set names
SYSEXEC or SYSPROC	hlq.SEQAEXEC
ISPMLIB	hlq.SEQAMENU and hlq.SIPVMENU
ISPLLIB	hlq.SEQAMOD and hlq.SIPVMODA
ISPPLIB	hlq.SEQAPENU and hlq.SIPVPENU
ISPSLIB	hlq.SEQASENU
ISPTLIB	hlq.SEQATLIB and hlq.SIPVTENU

Table 23. For uppercase English, data sets that need to be included or copied into the specified DD concatenations

DD concatenation	Data set names
SYSEXEC or SYSPROC	hlq.SEQAEXEC
ISPMLIB	hlq.SEQAMENP and hlq.SIPVMENU
ISPLLIB	hlq.SEQAMOD and hlq.SIPVMODA
ISPPLIB	hlq.SEQAPENP and hlq.SIPVPENU

⁸ USERMOD EQAUMOD2 is provided for updating EQASTART. See "SMP/E USERMODs" in the *IBM z/OS Debugger Customization Guide* for an SMP/E USERMOD for this customization.

Table 23. For uppercase English, data sets that need to be included or copied into the specified DD concatenations (continued)

DD concatenation	Data set names
ISPSLIB	hlq.SEQASENP
ISPTLIB	hlq.SEQATLIB and hlq.SIPVTENU

Note: ADFz Common Components does not have an upper English set of ISPF data sets.

Table 24. For Japanese, data sets that need to be included or copied into the specified DD concatenations

DD concatenation	Data set names
SYSEXEC or SYSPROC	hlq.SEQAEXEC
ISPMLIB	hlq.SEQAMJPN and hlq.SIPVMJPN
ISPLLIB	hlq.SEQAMOD and hlq.SIPVMODA
ISPPLIB	hlq.SEQAPJPN and hlq.SIPVPJPN
ISPSLIB	hlq.SEQASJPN
ISPTLIB	hlq.SEQATLIB and hlq.SIPVTJPN

Table 25. For Korean, data sets that need to be included or copied into the specified DD concatenations

DD concatenation	Data set names
SYSEXEC or SYSPROC	hlq.SEQAEXEC
ISPMLIB	hlq.SEQAMKOR and hlq.SIPVMKOR
ISPLLIB	hlq.SEQAMOD and hlq.SIPVMODA
ISPPLIB	hlq.SEQAPKOR and hlq.SIPVPKOR
ISPSLIB	hlq.SEQASKOR
ISPTLIB	hlq.SEQATLIB and hlq.SIPVTKOR

Customizing the data set names in EQASTART

You must modify member EQASTART of the hlq.SEQAEXEC data set to specify the data set names that you chose at installation time. Edit the EQASTART⁹ member and follow the directions in the member's prologue for site customization of data set names.

Adding IBM z/OS Debugger Utilities to the ISPF menu

To add IBM z/OS Debugger Utilities to an ISPF panel, add code that calls EQASTART to an existing panel. For example, to add IBM z/OS Debugger Utilities to the ISPF Primary Option Menu panel (ISR@PRIM), insert the additional lines (**←New**) as shown below:

```

)BODY CMD(ZCMD)
)
9 IBM Products IBM program development products
10 SCLM SW Configuration Library Manager
11 Workplace ISPF Object/Action Workplace
F File Manager File Manager for z/OS
D z/OS Debugger JCL

```

⁹ USERMOD EQAUMOD2 is provided for updating EQASTART. See "SMP/E USERMODs" in the *IBM z/OS Debugger Customization Guide* for an SMP/E USERMOD for this customization.

```

Wizard - z/OS Debugger JCL
Wizard Utility functions <New
...
)PROC
...
&ZSEL; = TRANS( TRUNC (&ZCMD;,'.')
...
9,'PANEL(ISRDIIS) ADDPOP'
10,'PGM(ISRSCLM) SCRNAME(SCLM) NOCHECK'
11,'PGM(ISRUDA) PARM(ISRWORK) SCRNAME(WORK)'
F,'PANEL(FMNSTASK) SCRNAME(FILEMGR) NEWAPPL(FMN)' /* File Manager */
D,'CMD(EXEC 'h1q.SEQAEXEC(EQASTART)')' /* z/OS Debugger JCL
Wizard Utilities */ <1
...

```

If you copied IBM z/OS Debugger Utilities to system data sets or concatenated them to existing DD names (as described in [Method 2](#) in “Choosing a method to start IBM z/OS Debugger Utilities” on page 134), then change line **1** to the following:

```

          D,'CMD(%EQASTART)' /* z/OS Debugger JCL
Wizard Utilities */

```

For more information about configuring your ISPF Primary Option Menu panel, see *z/OS ISPF Planning and Customizing*.

Customizing z/OS Debugger Setup Utility

z/OS Debugger Setup Utility provides a command called COPY, which copies a JCL stream into a setup file. The EQAZPROC member of the *h1q.SEQATLIB* data set includes a list of JCL procedure libraries that z/OS Debugger Setup Utility uses as a source for the COPY command. You can add your own procedure libraries to the list by editing EQAZPROC and adding the procedure library names, one name per line and without trailing commas, beginning on column 1. The order in which you list procedure libraries in EQAZPROC must match the order in which you list procedure libraries in the PROCLIB concatenation.

For example, to add the LOCAL.PROCLIB procedure library name, do the following steps:

1. Edit the EQAZPROC¹⁰ member of the *h1q.SEQATLIB* data set.
2. Add the LOCAL.PROCLIB procedure library name. The result looks like the following:

```

LOCAL.PROCLIB
SYS1.PROCLIB

```

3. Save and close the file.

Customizing for JCL for Batch Debugging utility

The JCL for Batch Debugging utility helps your users prepare JCL and start a debug session. You can supply your users with a number of default values.

To set the defaults, do the following steps:

1. Edit the EQAZDFLT¹¹ member of the *h1q.SEQATLIB* data set.
2. Modify the parameter values to match what you use at your site.
3. Add parameters required by your site. You can add parameters by doing one of the following alternatives:
 - Use the INCLUDE 'any.data.set.name'; statement to include statements from a data set that you created.

¹⁰ USERMOD EQAUMOD8 is provided for updating EQAZPROC. See "SMP/E USERMODS" in the *IBM z/OS Debugger Customization Guide* for an SMP/E USERMOD for this customization.

¹¹ USERMOD EQAUMOD5 is provided for updating EQAZDFLT. See "SMP/E USERMODS" in the *IBM z/OS Debugger Customization Guide* for an SMP/E USERMOD for this customization.

- Use the `INCLUDE membername;` statement to include parameters from other members in the data set `hlq.SEQATLIB`.

See the `EQAZDSYS` member of the `hlq.SEQATLIB` data set for the complete list of parameters and the syntax convention for these parameters.

If your users use terminals that cannot display mixed-case English text, enter all parameters in uppercase English.

Parameters you can set

The first 3 characters of each parameter are "yb1". The last five characters correspond to the parameter:

yb1dtmod

z/OS Debugger load module data set (`SEQAMOD`).

yb1dtflg

Flag to include z/OS Debugger load module data set in `STEPLIB`. Y for Yes, N for No.

If it is No, the installer must ensure that `SEQAMOD` can be found in the load module search path.

yb1dtdev

Debug session type: `MFI`, `TIM`, or `GUI`.

MFI

dedicated terminal identified by network and LU names.

TIM

terminal identified by user id.

GUI

Remote debugger identified by IP address.

yb1dtmtd

z/OS Debugger invocation method: `C`, `E` or `A`.

C

`CEEOPTS` DD statement. This requires z/OS Version 1.7 or later.

E

User exit module `EQAD3CXT` in Language Environment `CEEBINIT` module. For instructions on how to implement this method, see Chapter 8, "[Specifying the TEST runtime options through the Language Environment user exit](#)," on page 123.

A

User exit module `EQAD3CXT` in application module.

yb1dtprf

Data set that contains a z/OS Debugger preferences file.

yb1dtcmd

Data set that contains a z/OS Debugger commands file.

yb1dtbin

The name of the Language Environment `SCEERUN(CEEBINIT)` load module data set that contains the z/OS Debugger user exit module `EQAD3CXT`. To make sure you provide the correct name, see Chapter 8, "[Specifying the TEST runtime options through the Language Environment user exit](#)," on page 123.

yb1dtnmp

Naming pattern that identifies the z/OS Debugger user's data set which contains the TEST runtime options and pattern matching information. The naming pattern must be the same as the one coded in the z/OS Debugger user exit module `EQAD3CXT`. To make sure you provide the correct naming pattern, see Chapter 8, "[Specifying the TEST runtime options through the Language Environment user exit](#)," on page 123.

yb1dtdfl

Debug information file. It contains a list of data sets of debug information, source, and listing files.

Customizing JCL for Batch Debugging for multiple systems

You can customize JCL for Batch Debugging utility for multiple systems by doing one of the following alternatives:

- Modify EQASTART¹² to use a fully qualified data set name or member name other than EQAZDFLT to start IBM z/OS Debugger Utilities.
- Instruct your users to enter one of the following commands, depending on the customization they want to use:
 - EXEC 'hlq.SEQAEXEC(EQASTART)' 'PUMEMBER(''data.set.name'')'
 - EXEC 'hlq.SEQAEXEC(EQASTART)' 'PUMEMBER(membername)'

Customizing for Other IBM Application Delivery Foundation for z/OS tools

Other IBM Application Delivery Foundation for z/OS tools allows your users to access other Application Delivery Foundation for z/OS tools. You can supply your users with parameter values needed for accessing the tools.

To give users access to the proper tools:

1. Edit the EQAZDFLT¹³ member of the hlq.SEQATLIB data set.
2. Modify the data set names to match what you use at your site.
3. Add parameters required by your site. You can add parameters by doing one of the following alternatives:
 - Use the INCLUDE 'any.data.set.name'; statement to include statements from a data set that you created.
 - Use the INCLUDE membername; statement to include parameters from other members in the data set hlq.SEQATLIB.

See the EQAZDSYS and EQAZDUSR members of the hlq.SEQATLIB data set for the complete list of parameters and the syntax convention for these parameters.

If your users use terminals that cannot display mixed-case English text, enter all parameters in uppercase English.

Parameters you can set

The first two characters of each parameter are always 'pt'. The third character corresponds to the tool:

1

IBM File Manager parameters

The last five characters correspond to the parameter:

flg1

Base function availability flag: Yes or No.

flg2

Db2 function availability flag: Yes or No.

flg3

IMS function availability flag: Yes or No.

¹² USERMOD EQAUMOD2 is provided for updating EQASTART. See "SMP/E USERMODs" in the *IBM z/OS Debugger Customization Guide* for an SMP/E USERMOD for this customization.

¹³ USERMOD EQAUMOD5 is provided for updating EQAZDFLT. See "SMP/E USERMODs" in the *IBM z/OS Debugger Customization Guide* for an SMP/E USERMOD for this customization.

ttl

Title for the tool.

elib

ISPF EXEC library data set.

mlib

ISPF message library data set.

plib

ISPF panel library data set.

slib

ISPF skeleton library data set.

tlib

ISPF table library data set.

pnl1

ISPF panel name for the base function.

pnl2

ISPF panel name for the Db2 function.

pnl3

ISPF panel name for the IMS function.

Customizing Other IBM Application Delivery Foundation for z/OS tools for multiple systems

You can customize Other IBM Application Delivery Foundation for z/OS tools for multiple systems by doing one of the following alternatives:

- Modify EQASTART¹⁴ to use a fully qualified data set name or member name other than EQAZDFLT to start IBM z/OS Debugger Utilities.
- Instruct your users to enter one of the following commands, depending on the customization they want to use:

```
– EXEC 'hlg.SEQAEXEC(EQASTART)' 'PUMEMBER('data.set.name')'
```

```
– EXEC 'hlg.SEQAEXEC(EQASTART)' 'PUMEMBER(membername)'
```

Customizing Program Preparation

Program Preparation helps your users access the proper compilers and development utilities that are installed at your site. You can supply your users with default values for data set naming patterns, data set allocation parameters, and compiler and utility option strings.

To give users access to the proper compilers and development utilities, do the following steps:

1. Edit the EQAZDFLT¹⁵ member of the hlg.SEQATLIB data set.
2. Modify the data set names to match what you use at your site.
3. Add parameters required by your site. You can add parameters by doing one of the following alternatives:
 - Use the INCLUDE 'any.data.set.name'; statement to include statements from a data set that you created.

¹⁴ USERMOD EQAUMOD2 is provided for updating EQASTART. See "SMP/E USERMODs" in the *IBM z/OS Debugger Customization Guide* for an SMP/E USERMOD for this customization.

¹⁵ USERMOD EQAUMOD5 is provided for updating EQAZDFLT. See "SMP/E USERMODs" in the *IBM z/OS Debugger Customization Guide* for an SMP/E USERMOD for this customization.

- Use the `INCLUDE membername;` statement to include parameters from other members in the data set `hlq.SEQATLIB`.

See the `EQAZDSYS` and `EQAZDUSR` members of the `hlq.SEQATLIB` data set for the complete list of parameters and the syntax convention for these parameters.

If your users use terminals that cannot display mixed-case English text, you must enter all parameters in uppercase English.

If your site uses CCCA and requires that you use the `VOLUMES` parameter when you define private data sets (for example, a cluster is not managed by SMS), you must include the `VOLUMES` parameter when you define private data sets. Modify the following variables to include the `VOLUMES` parameter:

- `yccctla1`
- `ycclcpa1`
- `yccchga1`
- `yccwrka1`
- `ycctkna1`

The following example illustrates how the variable `yccctla1` is modified to include the parameter `VOLUMES(SYS166)`:

```
yccctla1 =          ! CONTROL FILE KSDS
                   RECORDS(10000 1000)
                   FREESPACE(30 30)
                   INDEXED
                   SPEED
                   CISZ(4096)
                   UNIQUE
                   KEYS(15 0)
                   VOLUMES(SYS166)
                   RECORDSIZE(188 188);
```

Parameters you can set

The first two characters of each parameter are always 'yc'. The third character corresponds to the compiler or development utility parameters:

- 1** COBOL compiler parameters
- 3** PL/I compiler parameters
- 4** C and C++ compiler parameters
- 5** Assembler parameters
- 6** Enterprise COBOL for z/OS Version 5 compiler parameters
- L** Link Edit parameters
- c** CCCA parameters
- F** Fault Analyzer parameters
- G** Fault Analyzer listing create parameters

Db2 and CICS parameters

The Db2 precompiler and CICS translator are listed by the compiler you use. You can specify a different Db2 precompiler or CICS translator for each compiler.

The last five characters correspond to the parameter:

ciclb

LINKLIST or load module data set name for CICS translator.

cicmd

Load module name for CICS translator.

cicps

CICS translator options.

clib

LINKLIST or load module data set name for the compiler.

cmod

Load module name for the compiler or utility.

cobv

Enterprise COBOL for z/OS Version 5 or later.

ctovr

TEST compiler option override flag. Use this flag to allow or disallow the TEST or DEBUG compiler option specified in the ctst, ctst1, ctst2, ctst3, ctst4, or ctst5 parameters to be overridden by the settings in the user profile. This parameter is valid for the COBOL compiler, PL/I compiler, and C and C++ compiler.

ctst

Use TEST, NOTEST, DEBUG, or NODEBUG as the main compiler debugging option. This parameter is valid for the COBOL compiler, PL/I compiler, and C and C++ compiler.

ctst1, ctst2, ctst3, ctst4, ctst5

TEST or DEBUG suboptions. These parameters are valid for the COBOL compiler, PL/I compiler, and C and C++ compiler.

cttl

Title for the compiler.

db2lb

LINKLIST or load module data set name for the Db2 precompiler.

db2md

Load module name for Db2 precompiler.

db2ps

Db2 precompiler options.

flg

Enable or disable the compiler or development utility.

lsta1

Parameters of the TSO ALLOCATE command to use when data sets for compiler listings are allocated.

lstat

Data set type for the compiler listing. The type can be one of these values: PDSE, PDS, or SEQ.

lstxx

Pattern to use to create a name for the compiler listing data set. The name is created by using the characters in the pattern. The special characters, which start with a slash (/), are replaced by the following values:

/1, /2, ..., /n

The nth qualifier of the fully qualified data set name that was used as input to the compiler.

/B

The second to (n-1) qualifier of the fully qualified data set name that was used as input to the compiler.

/L

The right-most qualifier of the fully qualified data set name that was used as input to the compiler.

/M

The member name of the data set name that was used as input to the compiler.

/U

Current TSO user ID.

/P

Current TSO profile prefix.

sds1

Shared data set prefix for CCCA.

svs1

Shared VSAM data set prefix for CCCA.

tmpa1

Parameters of the TSO ALLOCATE command to use when temporary data sets are allocated.

Customizing Program Preparation for multiple systems

You can customize Program Preparation for multiple systems by doing one of the following alternatives:

- Modify EQASTART¹⁶ to use a fully qualified data set name or member name other than EQAZDFLT to start IBM z/OS Debugger Utilities.
- Instruct your users to enter one of the following commands, depending on the customization they want to use:

```
- EXEC 'hlq.SEQAEXEC(EQASTART)' 'PUMEMBER('any.data.set.name')'
```

```
- EXEC 'hlq.SEQAEXEC(EQASTART)' 'PUMEMBER(membername)'
```

Configuring for IMSplex users

To determine if you need to do the steps described in this topic, read "Preparing IMS programs" in the *IBM z/OS Debugger User's Guide*. If your users use the **IMS TM Setup - Manage LE Runtime Options** function in z/OS Debugger Utilities, you must do the following tasks:

1. Install and configure IMS Version 8 or later as an IMSplex. See *IMS Version 8: Administration Guide: System* for information about configuring an IMSplex.
2. Include the IMS RESLIB load library, which is located in the *hlq.SDFSRESL* data set, in the standard search path for load modules used by your users. *hlq* is the high level qualifier of IMS installed on your system.

If you do not include the IMS load library in the search path, your users will see one or both of the following messages and they will not be able to use the **IMS TM Setup - Manage LE Runtime Options** function in IBM z/OS Debugger Utilities:

- EQAZ60E REXX IMS SPOC environment is not available. Return Code = nnn
- IKJ56500I COMMAND CSLULXSB NOT FOUND

Customizing z/OS Debugger User Exit Data Set

The z/OS Debugger User Exit Data Set utility creates a user exit data set that is used by the z/OS Debugger Language Environment user exit to start a debug session. You can set the default value of the data set naming pattern for the users by taking the following steps:

1. Review the parameter described in [Table 26 on page 143](#). Verify that you have all the information to specify the value for the parameter. See the EQAZDSYS member of the *hlq.SEQATLIB* data set for the parameter and the syntax convention.

¹⁶ USERMOD EQAUMOD2 is provided for updating EQASTART. See "SMP/E USERMODs" in the *IBM z/OS Debugger Customization Guide* for an SMP/E USERMOD for this customization.

2. Edit the EQAZDSYS¹⁷ member of the *hlq*.SEQATLIB data set. Modify the parameter required by your site. You can add parameters by doing one of the following alternatives:
 - Use the INCLUDE *'any.data.set.name'* ; statement to include statements from a data set that you created.
 - Use the INCLUDE *membername* ; statement to include parameters from other members in the *hlq*.SEQATLIB data set.

If your application programmers use terminals that cannot display text in mixed-case English, enter parameters and their values in uppercase English.

See [Chapter 8, “Specifying the TEST runtime options through the Language Environment user exit,”](#) on page 123 for how the user exit data set is used.

Name of parameter	Description
uepnmp	<p>The naming pattern of the user exit data set.</p> <p>The utility builds a data set name by using the naming pattern that is used when the option is selected for the first time. The data set name and modification (if user modifies it) are consistent across the IBM z/OS Debugger Utilities sessions.</p> <p>The following list describes the rules of using the token:</p> <ul style="list-style-type: none"> • The &USERID token is replaced with the value from the SYSPREF or SYSUID system variable. • The &PGMNAME token is not supported. • If the parameter does not exist, the default naming pattern is used: <div style="background-color: #f0f0f0; padding: 5px; border: 1px solid #ccc;"> &USERID.DBGTOOL.EQAUOPTS </div>

Customizing IMS BTS Debugging

The IMS BTS Debugging utility of IBM z/OS Debugger Utilities helps your users prepare a BTS JCL and start a debug session in the foreground or in batch. You can supply your users with default values for the TEST runtime option and data set names for the z/OS Debugger load module, user exit module, debug information files, IMS subsystem IDs and base JCLs.

To set the defaults, do the following steps:

1. Review the parameters described in [Table 27 on page 144](#). Verify that you have all the information you need to specify values for each parameter. You can also view a complete list of parameters and the syntax convention for these parameters in the EQAZDSYS member of the *hlq*.SEQATLIB data set.
2. Edit the EQAZDSYS¹⁸ member of the *hlq*.SEQATLIB data set. Modify the parameters required by your site. You can add parameters by doing one of the following alternatives:
 - Use the INCLUDE *'any.data.set.name'* ; statement to include statements from a data set that you created.
 - Use the INCLUDE *membername* ; statement to include parameters from other members in the data set *hlq*.SEQATLIB.

¹⁷ USERMOD EQAUMOD6 is provided for updating EQAZDSYS. See "SMP/E USERMODs" in the *IBM z/OS Debugger Customization Guide* for an SMP/E USERMOD for this customization.

¹⁸ USERMOD EQAUMOD6 is provided for updating EQAZDSYS. See "[SMP/E USERMODs](#)" for an SMP/E USERMOD for this customization.

If your application programmers use terminals that cannot display text in mixed-case English, enter all parameters and their values in uppercase English.

<i>Table 27. Parameters you can define for the IMS BTS Debugging option of IBM z/OS Debugger Utilities.</i>	
Name of parameter	Description
yb2dtmod	The name of the data set that contains the z/OS Debugger load modules, SEQAMOD.
yb2dtce1	The name of the data set that contains Language Environment runtime library, SCEERUN1.
yb2dtce2	The name of the data set that contains Language Environment runtime library, SCEERUN2.
yb2dtbin	The name of the data set that contains the CEEBINIT load module.
yb2dtnmp	The naming pattern you stored in EQAD3CXT when you completed the instructions in “Modifying the naming pattern” on page 124. If you modify the naming pattern stored in EQAD3CXT, you must modify this parameter to match.
yb2dtdev	<p>The interface type that application programmers should use to debug IMS BTS programs. You can specify one of the following values:</p> <p>MFI Interact with z/OS Debugger in full-screen mode or full-screen mode using a dedicated terminal without Terminal Interface Manager (TIM). If application programmers are using full-screen mode using a dedicated terminal without Terminal Interface Manager, they identify the terminal by network and LU names, as described in Appendix B, “Enabling debugging in full-screen mode using a dedicated terminal,” on page 231.</p> <p>TIM Interact with z/OS Debugger in full-screen mode or full-screen mode using the Terminal Interface Manager (TIM). The application programmer identifies the terminal by user ID, as described in “How users start a full-screen mode debug session with the Terminal Interface Manager” on page 17. Make sure you complete the instructions in “Enabling full-screen mode using the Terminal Interface Manager” on page 19.</p> <p>GUI Interact with z/OS Debugger in remote debug mode, where the application programmer identifies the remote debugger by IP address.</p>
yb2dtmtd	<p>The method that application programmers should use to start z/OS Debugger. You can specify one of the following values:</p> <p>C The application programmer specifies the CEEOPTS DD statement. You must run z/OS, Version 1.7, or later to use this option.</p> <p>E The application programmer specifies the EQAD3CXT user exit.</p>
yb2dtprf	The name of the data set that contains the preferences file. If your site does not use a preferences files, you can leave this field blank.
yb2dtcmd	The name of the data set that contains the commands file. If your site does not use a commands files, you can leave this field blank.
yb2dtufl	The name of a data set containing a list of data set names to be allocated by EQADEBUG DD statements.
yb2dtued	The name of a data set containing the EQAUEDAT load module.
yb2imsnm	The number of IMS subsystems that the application programmers can use to run or debug IMS applications. The maximum value is 12.

Table 27. Parameters you can define for the IMS BTS Debugging option of IBM z/OS Debugger Utilities. (continued)

Name of parameter	Description
yb2iidn	For each IMS subsystem, create a copy of this parameter and assign <i>n</i> a unique number between 1 and 12. For example, if your site has two IMS subsystems, you create yb2iid1 and yb2iid2 and assign each parameter a unique IMS system name.
yb2bmpn	For each IMS subsystem, create a copy of this parameter and assign <i>n</i> a unique number between 1 and 12 and specify the member name of a JCL that your site uses as a base or template JCL for batch message processing (BMP) programs. Edit the EQABMPSM ¹⁹ member of <i>h1q</i> . SEQATLIB, then copy it to a new name (for example, BMPJCL1). For example, if your site has two IMS subsystems, you create yb2bmp1 and yb2bmp2 and assign each parameter the member name.
yb2dbbn	For each IMS subsystem, create a copy of this parameter and assign <i>n</i> a unique number between 1 and 12 and the member name of a JCL that your site uses as a base or template JCL for Data Language/I (DL/I) programs. Edit the EQADBBSM ²⁰ member of <i>h1q</i> . SEQATLIB, then copy it to a new name (for example, DBBJCL1). For example, if your site has two IMS subsystems, you create yb2dbb1 and yb2dbb2 and assign each parameter the member name.
yb2dlin	For each IMS subsystem, create a copy of this parameter and assign <i>n</i> a unique number between 1 and 12 and the member name of a JCL that your site uses as a base or template JCL for Data Language/I (DL/I) programs. Edit the EQADLISM ²¹ member of <i>h1q</i> . SEQATLIB, then copy it to a new name (for example, DLIJCL1). For example, if your site has two IMS subsystems, you create yb2d1i1 and yb2d1i2 and assign each parameter the member name.

Customizing Delay Debug Profile

The Delay Debug Profile utility creates a delay debug profile data set that is used by the z/OS Debugger delay debug pattern matching to start a debug session. You can set the default value of the data set naming pattern for the users by taking the following steps:

1. Review the parameter described in Table 28 on page 146. Verify that you have all the information to specify the value for the parameter. See the EQAZDSYS member of the *h1q*. SEQATLIB data set for the parameter and the syntax convention.
2. Edit the EQAZDSYS²² member of the *h1q*. SEQATLIB data set. Modify the parameter required by your site. You can add parameters by doing one of the following alternatives:
 - Use the INCLUDE *'any.data.set.name'*; statement to include statements from a data set that you created.
 - Use the INCLUDE *membername*; statement to include parameters from other members in the *h1q*. SEQATLIB data set.

If your application programmers use terminals that cannot display text in mixed-case English, enter parameters and their values in uppercase English.

¹⁹ USERMOD EQAUMODG is provided for updating EQABMPSM. See "SMP/E USERMODs" for an SMP/E USERMOD for this customization.

²⁰ USERMOD EQAUMODH is provided for updating EQADBBSM. See "SMP/E USERMODs" for an SMP/E USERMOD for this customization.

²¹ USERMOD EQAUMODI is provided for updating EQADLISM. See "SMP/E USERMODs" for an SMP/E USERMOD for this customization.

²² USERMOD EQAUMOD6 is provided for updating EQAZDSYS. See "SMP/E USERMODs" in the *IBM z/OS Debugger Customization Guide* for an SMP/E USERMOD for this customization.

See "Using delay debug mode to delay starting of a debug session" in the *IBM z/OS Debugger User's Guide* for how to use the delay debug function.

Table 28. Parameter for the Delay Debug Profile Data Set option of IBM z/OS Debugger Utilities	
Name of parameter	Description
ddpnmp	<p>The naming pattern of the delay debug profile data set.</p> <p>The utility builds a data set name by using the naming pattern that is used when the option is selected for the first time. The data set name and modification (if user modifies it) are consistent across IBM z/OS Debugger Utilities sessions.</p> <p>The following list describes the rules of using the token:</p> <ul style="list-style-type: none"> • The &USERID token is replaced with the value from the SYSPREF or SYSUID system variable. • The &PGMNAME token is not supported. • If the parameter does not exist, the default naming pattern is used: <pre>&USERID.DLAYDBG.EQAUOPTS</pre>

Customizing IMS Transaction and User ID Cross Reference Table

The IMS transaction and user ID cross reference table contains the cross reference information between IMS transactions and user IDs. A web or MQ gateway initiated IMS transaction is run with a generic ID. When a user wants to debug such a transaction, he needs to add an entry in the cross reference table that contains the transaction name and his user ID. z/OS Debugger then uses the table to find the user ID of the user who wants to debug the transaction and to construct the name of the user's debug profile data set. You can set the values of parameters for the users by taking the following steps:

1. Review the parameters described in [Table 29 on page 147](#). Verify that you have all the information to specify the value for the parameters. See the EQAZDSYS member of the *hlq.SEQATLIB* data set for the parameter and the syntax convention.
2. Edit the EQAZDSYS²³ member of the *hlq.SEQATLIB* data set. Modify the parameters that are required by your site. You can add parameters by doing one of the following alternatives:
 - Use the INCLUDE 'any.data.set.name'; statement to include statements from a data set that you created.
 - Use the INCLUDE membername; statement to include parameters from other members in the *hlq.SEQATLIB* data set.

If your application programmers use terminals that cannot display text in mixed-case English, enter parameters and their values in uppercase English.

See [Chapter 8, "Specifying the TEST runtime options through the Language Environment user exit," on page 123](#) for information on how to set this data set name in the exit.

See ["DLAYDBGXRF" on page 205](#) for information on how to specify this data set name for IMS users who are using delay debug mode.

²³ USERMOD EQAUMOD6 is provided for updating EQAZDSYS. See "SMP/E USERMODs" in the *IBM z/OS Debugger Customization Guide* for an SMP/E USERMOD for this customization.

Table 29. Parameters for the IMS Transaction and User ID Cross Reference Table of IBM z/OS Debugger Utilities

Name of parameter	Description
TUXRFDSN	The data set name for the cross reference table in ISPF format. No default is provided. The data set is an MVS sequential data set with FB LRECL 80. It must be pre-allocated and accessible to the users using the utility.
TUGNRCID	One or more generic IDs separated by a blank. No default is provided. A generic ID is an ID that is used to run IMS transactions started using the MQ or web gateway. z/OS Debugger uses the cross reference table to identify the user who wants to debug the transaction.
TUACTPRD	Number of days that a cross reference table entry is retained from the last update date. The default is 30 days.
TUGIDMAX	Maximum number of generic IDs. The default value is 20.
TUENTMAX	Maximum number of cross reference table entries. The default value is 200.

Customizing Non-CICS Debug Session Start and Stop Message Viewer

The Non-CICS Debug Session Start and Stop Messages Viewer utility allows users to browse debug session start and stop messages. It helps you track debug sessions. You can set the value of parameters for the users by taking the following steps:

1. Review the parameters that are described in [Table 30 on page 147](#). Verify that you have all the information to specify the value for the parameters. See the EQAZDSYS member of the *hlq.SEQATLIB* data set for the parameter and the syntax convention.
2. Edit the EQAZDSYS²⁴ member of the *hlq.SEQATLIB* data set. Modify the parameters that are required by your site. You can add parameters by doing one of the following alternatives:
 - Use the INCLUDE 'any.data.set.name'; statement to include statements from a data set that you created.
 - Use the INCLUDE membername; statement to include parameters from other members in the *hlq.SEQATLIB* data set.

If your application programmers use terminals that cannot display text in mixed-case English, enter parameters and their values in uppercase English.

See [“STARTSTOPMSGDSN” on page 221](#) for information on how to specify this data set name for debugger sessions.

Table 30. Parameters for the Non-CICS Debug Session Start and Stop Message Viewer of z/OS Debugger utilities

Name of parameter	Description
SSMSGDSN	The data set name for the debug session start and stop messages. No default is provided. The data set is an MVS sequential data set with FB LRECL 80. It must be pre-allocated and accessible to the users using the utility.

²⁴ USERMOD EQAUMOD6 is provided for updating EQAZDSYS. See "SMP/E USERMODs" in the *IBM z/OS Debugger Customization Guide* for an SMP/E USERMOD for this customization.

Installing and customizing z/OS Debugger JCL Wizard

The z/OS Debugger JCL Wizard is an ISPF edit macro, **EQAJCL**, that can be used by a user to modify a JCL or procedure member to create statements that will invoke z/OS Debugger in various environments.

Prerequisites

The z/OS Debugger library *hlq*.SEQAMOD is assumed to be in the z/OS link list where the batch job will run. If it is not in the link list, do one of the following actions:

- Add the library *hlq*.SEQAMOD to the link list of z/OS LPARs where the modified JCL or procedure will be run.
- Add the library *hlq*.SEQAMOD to the //STEPLIB or //JOB LIB statement of the step or job that will be debugged.

Installation of the EQAJCL ISPF macro and its ISPF panels

The z/OS Debugger JCL Wizard contains an ISPF edit macro and a set of ISPF panels.

Use one of the following methods to install the z/OS Debugger JCL Wizard :

- Installation to libraries allocated to the TSO Logon procedure.

Use one of these two methods:

- Use [Method 2](#) in “[Choosing a method to start IBM z/OS Debugger Utilities](#)” on page 134.
- Use a subset of [Method 2](#) in “[Choosing a method to start IBM z/OS Debugger Utilities](#)” on page 134 where you only include or copy *hlq*.SEQAEXEC into the SYSPROC or SYSEXEC DD.

- Installation by using a local REXX exec to point to the z/OS Debugger libraries.

Select a command name that you do not currently use (for example, DEBUG), and install a REXX exec by that name into an existing data set in your TSO Logon procedure's SYSEXEC or SYSPROC DDs. The REXX exec should look like this (with *hlq* being changed to the high level qualifier that you use for the z/OS Debugger libraries):

```
/* This REXX exec will invoke the z/OS Debugger EQAJCL ISPF macro */
"EXEC 'hlq.SQAEXEC(EQAJCL)'"
EXIT
```

Customizing the data set names and other values in EQAJCL

You must modify member **EQAJCL** of the *hlq*.SEQAEXEC data set to specify the data set names that you chose at installation time. Edit the **EQAJCL**²⁵ member and follow the directions in the member's prologue for site customization of data set names.

²⁵ USERMOD EQAUMODL is provided for updating EQAJCL. See "SMP/E USERMODs" in the *IBM z/OS Debugger Customization Guide* for an SMP/E USERMOD for this customization.

Chapter 12. Preparing your environment to debug Db2 stored procedures

The Db2 administrator must define the address space where the stored procedure runs. This can be a Db2 address space or a workload management (WLM) address space. This address space is assigned a name which is used to define the stored procedure to Db2. In the JCL for the Db2 or WLM address space, verify that the following data sets are defined in the STEPLIB concatenation and have the appropriate RACF Read authorization for programs to access them:

- LOADLIB for the stored procedure
- SEQAMOD²⁶ for z/OS Debugger
- SCEERUN²⁷ for Language Environment

After updating the JCL, the Db2 administrator must refresh the Db2 or WLM address space so that these updates take effect.

Refer to the following topics for more information related to the material discussed in this topic.

Related references

DB2[®] UDB for z/OS Application Programming and SQL Guide

²⁶ Add `h1q.SEQAMOD` to STEPLIB only if it is not already in the system search path (for example, link list). If you create a custom EQAOPTS (as described in [Chapter 17, “EQAOPTS commands,”](#) on page 189) that is not stored in `h1q.SEQAMOD`, then place the data set containing it in STEPLIB (ahead of `h1q.SEQAMOD` if it is in STEPLIB). `h1q.SEQAMOD` must be placed before any other library in the STEPLIB that contains CEEVDBG for z/OS Debugger to get control of a debug session.

²⁷ Add `CEE.SCEERUN` to STEPLIB only if it is not already in the system search path (for example, link list). If you create a private copy of the z/OS Debugger Language Environment user exit for Db2 that is linked into CEEPIPI (as described in [Chapter 8, “Specifying the TEST runtime options through the Language Environment user exit,”](#) on page 123), then place the data set containing it in STEPLIB (ahead of `CEE.SCEERUN` if it is in STEPLIB).

Chapter 13. Adding support for debugging under CICS

To debug applications that run in CICS, z/OS Debugger requires the following:

- Language Environment. Refer to the Language Environment installation and customization information for more information.
- Do the steps described in this chapter.

To add z/OS Debugger support for CICS applications:

1. Verify that the current z/OS Debugger resources are defined in the CICS CSD and installed in the CICS region. The CICS definitions are in the EQACCSO and EQACDCT members of the *h1q*.SEQASAMP data set.

- a. If your site policy is to define the Transient Data queues by using DCT macro definitions, add the definitions in the EQACDCT member to your DCT and reassemble it.

If your site uses COBOL or PL/I separate debug files, follow the instructions in EQACDCT to define the appropriate queues to CICS.

- b. Add the z/OS Debugger definitions to the CICS CSD. The following two members are provided in the *h1q*.SEQASAMP data set:

- EQACCSO, which contains the resource definitions for the group EQA.
- EQAWCCSO, which contains JCL to apply the definitions which are in EQACCSO.

Review the instructions in both members and run the batch job to add the definitions to your CICS CSD.

2. Update the JCL that starts CICS:

- a. Update the DFHRPL concatenation in the CICS region startup JCL to include the following libraries:

<i>Table 31. Libraries to be included in DFHRPL</i>	
Library	Description
<i>h1q</i> .SEQAMOD	z/OS Debugger library In the DFHRPL concatenation, <i>h1q</i> .SEQAMOD must be placed before any other library that also contains CEEVDBG for z/OS Debugger to get control of a debug session. Defining the <i>h1q</i> .SEQAMOD data set as a CICS LIBRARY resource is not supported. It must be included in the DFHRPL concatenation.
SCEECICS	z/OS Language Environment runtime library
SCEERUN	z/OS Language Environment runtime library
SCEERUN2	z/OS Language Environment runtime library Specify this library if it is required by your application.

Table 31. Libraries to be included in DFHRPL (continued)	
Library	Description
MIGLIB SIEAMIGE	z/OS system libraries These libraries are needed to debug routines compiled with: <ul style="list-style-type: none"> • Enterprise COBOL for z/OS 5 and 6.1 TEST • Enterprise COBOL for z/OS 6.2 (and later) TEST or TEST (NOSEPARATE) • Enterprise PL/I for z/OS 6.1 (and later) TEST (SOURCE)

- b. Remove any data sets from the concatenation that refer to old releases of z/OS Debugger.
 - c. Include EQA00DYN, EQA00HFS and EQAAUTH3 from the debugger's *hlq*. SEQAMOD data set in the STEPLIB concatenation by either of the following ways:
 - Use the Authorized Program Facility (APF) to authorize the *hlq*. SEQAMOD data set and add the data set to the STEPLIB concatenation.
 - Copy⁶ the EQA00DYN, EQA00HFS and EQAAUTH3 modules from the *hlq*. SEQAMOD data set to a library that is already in the STEPLIB concatenation.
 - Place *hlq*.SEQAMOD in the system link list and use the Authorized Program Facility (APF) to authorize it. For more information, see [Chapter 5, “Setting up the link list data set \(SEQAMOD\),” on page 15.](#)
 - d. Ensure that the JCL does not include DD statements for CINSPIN, CINSPLS, CINSPOP, IBMDBGIN, or IGZDBGIN.
 - e. See [“Storing DTCN debug profiles in a VSAM file” on page 156](#) to determine if you want to store DTCN debugging profiles in a VSAM data set. If you do, follow the instructions in that topic to add the EQADPFMB DD statement that refers to the VSAM data set.
3. If your CICS region is started with the RENTPGM parameter set to PROTECT (the default), your security administrator needs to complete the steps in [“Using the Authorized Debug facility for protected programs” on page 11.](#)
 4. For any terminal that z/OS Debugger uses to display a debugging session, do the following tasks:
 - Verify that the CICS TYPETERM definition specifies a minimum value of 4096 for the RECEIVESIZE attribute and sets the BUILDCHAIN attribute to YES.
 - Enable either color or highlighting. For best usability, enable both and the ability to query the screen size. To enable these three functions, verify that the CICS TYPETERM definition specifies EXTENDED DS. For more information, refer to the *CICS Transaction Server for z/OS Resource Definition Guide*.
 - Under CICS, z/OS Debugger can use a screen as large as 10922 characters (for example, 68x160 can be used, but not 69x160), and provides automatic switching from the application's screen size to the physical screen size. Larger screens can enhance user productivity. CICS selects the TYPETERM to use from the BIND information given to it from VTAM. Ask your systems programmer to ensure that VTAM passes the screen sizes through to CICS.
 5. Verify that users can run the CDT# transaction without receiving any errors.
If the CDT# transaction runs successfully, no messages are displayed. You might see X-SYSTEM after you press Enter. This disappears when the transaction finishes and the keyboard unlocks.
 6. If you are running your CICS programs in a multi-region CICS environment:
 - a. Define the DTCN transaction name the same across all local and remote systems. If the DTCN transaction name is changed, or if a DTCN transaction is duplicated and given a different name, change the name on all systems.

b. If a debugging session might run in a region that is different from the one where DTCN was used to save the debugging profile, use the PLTPI program EQAOCPLT with the CICS start up parameter INITPARM=(EQAOCPLT='NWP').

c. If you are using DTCN, ensure that the region shares the debug profile repository. See [“Sharing DTCN debug profile repository among CICS systems”](#) on page 156 for more information about defining the region that owns the debug profile repository. The most common multi-region debugging scenario is where the debug profile repository is shared and DTCN runs in the TOR while the application to be debugged is transaction routed to an AOR.

One of two methods must be used in this case to start the debugger's new program support in the AOR. Either use EQAOCPLT to enable this support when the region starts (see step [“10”](#) on page 153 for information about EQAOCPLT), or use the z/OS Debugger DTCP transaction to start or stop this support as needed. In the AOR, enter DTCPO on a clear CICS screen to activate this support and enter DTCPF to deactivate it. You can activate and deactivate this support multiple times.

7. If users need to debug Enterprise PL/I for z/OS, Version 3 Release 4 (or later) applications under CICS, apply the PTF for APAR PK03264. Users can begin a debug session by using DTCN at either of the following points:

- The entry to programs invoked by EXEC CICS LINK or XCTL.
- The entry to any program, even if it is a nested program within a composite load module, invoked as a static or dynamic CALL.

8. If you are planning to debug command-level assembler application programs that do not run under or use Language Environment services, activate the CICS non-Language Environment exits as described in [“Activating CICS non-Language Environment exits”](#) on page 155.

9. If your CICS region is started with the SEC parameter set to YES and the XCMD parameter is set to YES to activate command security, review the access settings for the following resources:

EXITPROGRAM

Do one of the following options:

- Verify that z/OS Debugger users have UPDATE authority to the EXITPROGRAM resource so that they can run EXEC CICS ENABLE PROGRAM EXIT, DISABLE PROGRAM EXIT, and EXTRACT EXIT.
- Activate the debugger's single-terminal mode screen stacking user exits during CICS start up by doing the following:
 - a. Verify that the user ID that runs the CICS region has UPDATE access to the EXITPROGRAM resource.
 - b. Add the program EQAOCPLT to your Program List Table (PLTPI).
 - c. Add INITPARM=(EQAOCPLT='STK') to your CICS startup parameters.

See step [“10”](#) on page 153 for instructions on using EQAOCPLT.

TDQUEUE

Verify that all users have UPDATE authority to the TDQUEUE resource, so that they can run EXEC CICS INQUIRE and EXEC CICS SET TDQUEUE.

PROGRAM

Verify that all users have READ authority to the PROGRAM resource, so that they can run EXEC CICS INQUIRE PROGRAM.

For more information about the CICS security features, see *CICS RACF Security Guide*.

10. (Optional) Set up the CICS PLTPI program called EQAOCPLT:

- a. Add the program EQAOCPLT to your Program List Table (PLTPI). EQAOCPLT initializes parts of z/OS Debugger during CICS startup as indicated by a CICS INITPARM system initialization

parameter. Run EQA0CPLT as a Stage 2 or Stage 3 PLTPI program. IBM recommends that you place EQA0CPLT after other PLT programs. The following sample PLT includes EQA0CPLT:

```
TITLE 'DFHPLTXX - IBM
z/OS Debugger CICS Sample PLT'
DFHPLT TYPE=INITIAL,SUFFIX=XX
*
DFHPLT TYPE=ENTRY,PROGRAM=DFHDELIM
DFHPLT TYPE=ENTRY,PROGRAM=EQA0CPLT
*
DFHPLT TYPE=FINAL END DFHPLTBA
```

- b. Add the INITPARM keyword to the CICS startup parameters. Multiple parameters can be passed to EQA0CPLT in the same INITPARM. The following common parameters can be used:

NLE

Non-Language Environment support. See [“Activating CICS non-Language Environment exits” on page 155.](#)

STK

Screen stack exits. This parameter is required if you are using command security.

NWP

New Program detection. Use this parameter in AOR regions to request that DTCN pattern matching looks in the DTCN repository for profiles that were created in other regions.

STG

This parameter enables the protection of storage that was GETMAINED in the current task by a program that is not the active program. This protection is only provided when the user is using the remote debugger.

DNT

This parameter disables the generation of z/OS Debugger trace entries. By default, these trace entries are generated for IBM Software Support to diagnose problems with z/OS Debugger. You can specify this parameter to disable generation if z/OS Debugger trace entries are not needed.

For example, to activate the non-Language Environment support, screen stack exits, and new program support (multi-region) in a single INITPARM, add the following to your CICS startup parameters:

```
INITPARM=(EQA0CPLT='NLE,STK,NWP')
```

Any combination of these four can be coded on the same INITPARM.

11. If the users use COBOL or PL/I separate debug files, verify that the users specify the following attributes for the PDS or PDSE that contains the separate debug files:

- RECFM=FB
- LRECL=1024
- BLKSIZE set so that the system determines the optimal size

Important: Users must allocate files with the correct attributes to optimize the performance of z/OS Debugger.

12. (Optional) Increase the DSALIM and EDSALIM sizes in your CICS region so that z/OS Debugger functions properly with multiple concurrent users. The amount of increase is based on the current workload in the CICS region.

Recommendation: Increase the sizes of DSALIM and EDSALIM in increments of 5% or 10%. Monitor the storage in the region as z/OS Debugger users are debugging for the highest amount of storage that is used at any one point.

13. To enable users to start debug sessions for Enterprise COBOL or Enterprise PL/I application with DTCN, use one of the following methods:

- Use PLTPI program EQAOCPLT with the CICS start up parameter INITPARM=(EQAOCPLT='NWP'). For more information about EQAOCPLT, see Step “10” on page 153.
- Save a DTCN profile.
- Run DTCPO transaction after the region starts up.

See the *IBM z/OS Debugger User's Guide* for information about how to debug CICS programs.

Activating CICS non-Language Environment exits

To debug non-Language Environment assembler programs or non-Language Environment COBOL programs that run under CICS, you must start the required z/OS Debugger global user exits before you start the programs. z/OS Debugger provides the following global user exits to help you debug non-Language Environment applications: XPCFTCH, XEIIIN, XEIIOUT, XPCTA, and XPCHAIR. The exits can be started by using either the DTCX transaction (provided by z/OS Debugger), or using a PLTPI program that runs during CICS region startup

DTCX: You can turn the exits on and off by using the transaction DTCX. To activate all of the exits, from a clear CICS terminal screen enter DTCXXO. To deactivate all of the exits, enter DTCXXF. You need to activate the exits only once. If you deactivate the exits and then want to debug a non-Language Environment program, you need to enter DTCXXO from a clear CICS terminal screen to activate the exits.

After you enter DTCXXO, a series of messages are displayed on your screen. If all exits are activated successfully, the following messages are displayed:

```
EQA9972I - DT XPCFTCH CICS exit now ON.
EQA9972I - DT XEIIIN exit now ON.
EQA9972I - DT XEIIOUT exit now ON.
EQA9972I - DT XPCTA exit now ON.
EQA9972I - DT XPCHAIR exit now ON.
EQA9970I - CICS exit activation successful.
```

When you enter DTCXXF, the following messages are displayed:

```
EQA9973I - DT XPCFTCH CICS exit now OFF.
EQA9973I - DT XEIIIN exit now OFF.
EQA9973I - DT XEIIOUT exit now OFF.
EQA9973I - DT XPCTA exit now OFF.
EQA9973I - DT XPCHAIR exit now OFF.
EQA9971I - CICS exit deactivation successful.
```

If there is a problem starting or activating one of the exits, an error message like the following is displayed:

```
EQA9974I Error enabling XPCFTCH - EQANCFTC
```

If you see this error message, verify that the CICS CSD is properly updated to include the latest z/OS Debugger resource definitions, and that the z/OS Debugger SEQAMOD data is in the DFHRPL DD concatenation for the CICS region.

You can start the exits during region initialization by using a sequential terminal or any other mechanism that runs transactions during CICS startup. You are not required to shut down the exits before or during a region shutdown.

PLT: The non-Language Environment exits can also be activated during CICS region initialization by using the CICS Program List Table (PLTPI) program EQAOCPLT (supplied by z/OS Debugger). In addition to adding EQAOCPLT to your CICS region PLT, you must specify the CICS startup parameter INITPARM=(EQAOCPLT='NLE'). EQAOCPLT supersedes the function provided earlier by PLTPI program EQANCPLT. See step “10” on page 153 for instructions on using EQAOCPLT. For more information about PLT processing, see the *CICS Resource Definition Guide*.

Storing DTCN debug profiles in a VSAM file

By default, the CICS DTCN transaction stores its debugging profiles into a CICS temporary storage queue (TSQ) called EQADTCN2. Because CICS destroys temporary storage queues at region termination, any profiles stored in EQADTCN2 are deleted when a region is stopped. To save debugging profiles across region termination and restart or after the owning terminal is disconnected, store the profiles into a VSAM data set.

Do the following steps to instruct DTCN to store its debugging profiles in a VSAM data set:

1. Create the VSAM data set by following the instructions in the EQAWCRVS member of the *hlq*.SEQASAMP data set.
2. Modify the CICS region startup JCL so that the EQADPFMB DD statement identifies the VSAM data set you created in step 1.
3. Define the VSAM file to the CICS region by following the instructions in the EQACCS member of the *hlq*.SEQASAMP data set. [“Sharing DTCN debug profile repository among CICS systems”](#) on page 156 also describes examples of CICS resource definitions.

Migrating a debug profiles VSAM file from an earlier release

z/OS Debugger 15.0 increases the record size of the DTCN profile records and adds some new fields.

If you are migrating from an earlier release of Debug Tool or z/OS Debugger, and you use an EQADPFMB VSAM file to store your profiles, you need to create a new file using the JCL sample in member EQAWCRVS in the *hlq*.SEQASAMP data set.

If you want to upgrade the records from an old DTCN VSAM file to the new record format, see the JCL sample in member EQADPCNV in the *hlq*.SEQASAMP data set.

Note: An earlier version of the EQADPCNV utility converted the DTCN VSAM file from its Debug Tool 11.1 record size (1304 bytes) and record format to the record size (2000 bytes) and record format required by Debug Tool 12.0 and later. The utility still supports this upgrade path.

If you want to upgrade from Debug Tool 11.1 or earlier to z/OS Debugger 15.0 or later, you need to first convert the file to a Debug Tool 12.0 file, and then convert the new file to a z/OS Debugger 15.0 file. Converting directly from the Debug Tool 11.1 format to the z/OS Debugger 15.0 format is not supported.

Sharing DTCN debug profile repository among CICS systems

The DTCN debug profile repository is either a CICS temporary storage queue called EQADTCN2 or a VSAM data set identified through the EQADPFMB DD statement. If you want to share the repository among CICS systems (for example, MRO), do one of the following options:

- If you are using a temporary storage queue, do the following steps:
 1. Designate a single CICS region as the *queue-owning region* and note the SYSID of that region. In [Figure 16 on page 157](#), the SYSID of the queue-owning region is P6.
 2. For all other regions that need to access the queue-owning region, create a TSMODEL resource definition and verify that you define the following attributes:
 - For the REMOTESystem attribute, specify the SYSID of the queue-owning region.
 - For PRefix and REMOTEPrefix attribute, specify EQADTCN2.
 - To optimize the performance of z/OS Debugger, define the Location attribute as MAIN.

```

CEDA View TSmode1( DTCN1 )
TSmode1      ==> DTCN1
Group        ==> DTCNREM
Description  ==> TEST DTCN TSQ REMOTE
PPrefix      ==> EQADTCN2
XPrefix      ==>
Location     ==> Main                Auxiliary | Main
RECOVERY ATTRIBUTES
REcovery     ==> No                  No | Yes
SECURITY ATTRIBUTES
Security     ==> No                  No | Yes
SHARED ATTRIBUTES
POolname     ==>
REMOTE ATTRIBUTES
REMOTESystem ==> P6
REMOTEPrefix ==> EQADTCN2
XRemotepfx  ==>
Group        ==>

```

Figure 16. A sample TSMODEL resource definition that gives a region access to the queue-owning region called P6.

For instructions on how to create a TSMODEL resource definition, see *CICS Resource Definition Guide*.

- If you are using a VSAM data set and want to function-ship file operations to a file-owning region (FOR), do the following steps:
 1. Designate a single FOR.
 2. Define the EQADPFMB file as REMOTE in the CICS FILE definition on regions that need to access it remotely. To learn how to define a FILE resource, see *CICS Resource Definition Guide*. [Figure 17 on page 158](#) shows how to define the EQADPFMB file in a region that uses it remotely.
 3. For the region which owns the VSAM data set, omit the REMOTESYSTEM and REMOTENAME values in the EQADPFMB CICS FILE definition.
 4. Start the FOR before starting any AOR that needs to read the EQADPFMB file.

```

CEDA View File( EQADPFMB )
File      : EQADPFMB
Group     : DTCNREM
DEscription : DTCN PROFILE DATASET REMOTE
VSAM PARAMETERS
DSName    :
Password  : PASSWORD NOT SPECIFIED
RLSaccess : No           Yes | No
LSrpoolid : 1           1-8 | None
READInteg : Uncommitted Uncommitted | Consistent | Repeatable
DSNSharing : Allreqs    Allreqs | Modifyreqs
STRings   : 001        1-255
Nsrgroup  :
REMOTE ATTRIBUTES
REMOTESystem : P6
REMOTENAME : EQADPFMB
REMOTE AND CFDATATABLE PARAMETERS
RECORDSize : 1-32767
Keylength  : 1-255 (1-16 For CF Datatable)
INITIAL STATUS
Status     : Enabled    Enabled | Disabled | Unenabled
Opentime   : Firstref   Firstref | Startup
DISposition : Share     Share | Old
BUFFERS
Databuffers : 00002      2-32767
Indexbuffers : 00001      1-32767
DATATABLE PARAMETERS
TABLE      : No         No | CICS | User | CF
Maxnumrecs : Nolimit    Nolimit | 1-99999999
CFDATATABLE PARAMETERS
Cfdtpool   :
TABLEName  :
UPDATEModel : Locking    Contention | Locking
LOad       : No         No | Yes
DATA FORMAT
RECORDFormat : V         V | F
OPERATIONS
Add         ==> No       No | Yes
BRowse     ==> No       No | Yes
DElete     ==> No       No | Yes
READ       ==> Yes      Yes | No
UPDATE     ==> No       No | Yes
AUTO JOURNALLING
JOUrnal    ==> No       No | 1-99
JNLRead    ==> None     None | Updateonly | Readonly | All
JNLSYNCRoad ==> No       No | Yes
JNLUpdate  ==> No       No | Yes
JNLAdd     ==> None     None | Before | After | All
JNLSYNCRwrite ==> Yes    Yes | No
RECOVERY PARAMETERS
RECOVery   ==> None     None | Backoutonly | All
Fwdrecovlog ==> No       No | 1-99
BAckuptype ==> Static    Static | Dynamic
SECURITY
RESsecnum  : 00         0-24 | Public

```

Figure 17. An example of how to define the EQADPFMB file as REMOTE in a CICS FILE definition.

- If you are using a VSAM data set and prefer to define the file locally to all CICS regions that use it, define the file on all such regions using record-level sharing (RLS). The following sample resource definition shows how to define the z/OS Debugger EQADPFMB file using RLS.

```

CEDA View File( EQADPFMB )
File      : EQADPFMB
Group     : DTCNRLS
DEscription : DTCN PROFILE DATASET
VSAM PARAMETERS
DSName    :
Password  : PASSWORD NOT SPECIFIED
RLSaccess : Yes         Yes | No
LSrpoolid : 1           1-8 | None
READInteg : Uncommitted Uncommitted | Consistent | Repeatable
DSNSharing : Allreqs    Allreqs | Modifyreqs
STRings   : 010        1-255
Nsrgroup  :
REMOTE ATTRIBUTES
REMOTESystem :
REMOTENAME :
REMOTE AND CFDATATABLE PARAMETERS

```

```

RECORDSize      : 1-32767
Keylength       : 1-255 (1-16 For CF Datatable)
INITIAL STATUS
STATUS          : Enabled          Enabled | Disabled | Unenabled
Opentime        : Firstref         Firstref | Startup
DISposition     : Share           Share | Old
BUFFERS
Databuffers     : 00011           2-32767
Indexbuffers    : 00010           1-32767
DATATABLE PARAMETERS
TABLE           : No              No | CICS | User | CF
Maxnumrecs      : Nolimit         Nolimit | 1-99999999
CFDATATABLE PARAMETERS
Cfdtpool        :
TABLEName       :
UPDATEModel     : Locking         Contention | Locking
LOAD            : No              No | Yes
DATA FORMAT
RECORDFormat    : V              V | F
OPERATIONS
Add             : Yes             No | Yes
Browse          : Yes             No | Yes
DELETE          : Yes             No | Yes
READ            : Yes             Yes | No
UPDATE          : Yes             No | Yes
AUTO JOURNALLING
Journal         : No              No | 1-99
JNLRead         : None            None | Updateonly | Readonly | All
JNLSYNCRread   : No              No | Yes
JNLUpdate       : No              No | Yes
JNLAdd          : None            None | Before | After | All
JNLSYNCRwrite  : No              Yes | No
RECOVERY PARAMETERS
RECOVry         : None            None | Backoutonly | All
Fwdrecovlog     : No              No | 1-99
BACKuptype      : Static          Static | Dynamic
SECURITY
RESsecnum       : 00              0-24 | Public

```

For details on defining a FILE resource, see *CICS Resource Definition Guide*.

Deleting or deactivating debug profiles stored in a VSAM data set

If you are storing debug profiles in a VSAM data set, as described in “Storing DTCN debug profiles in a VSAM file” on page 156, the number of profiles no longer in use might become large, because the debug profiles persist across region restarts and after the terminal from which a profile was created has been disconnected. z/OS Debugger provides two transactions, DTCD and DTCI, to delete or deactivate debug profiles stored in a region's VSAM data set.

To delete debug profiles in the VSAM data set identified by the EQADPFMB DD statement on your region, use the DTCD transaction. The following diagram describes the syntax of the DTCD transaction:

```

▶▶ DTCD ——— userid ———▶▶
      |
      |
      *

```

userid

Delete the debug profile associated with a specific CICS user ID.

Deletes debug profiles from the VSAM data set. This option requires specific RACF authority; therefore, reserve it for CICS administrators.

To deactivate all debugging profiles in the VSAM data set, use the DTCI transaction. The following diagram describes the syntax of the DTCI transaction:

```

▶▶ DTCI ——— userid ———▶▶
      |
      |
      *

```

The following list describes the parameters:

userid

Deactivate the debug profile associated with a specific CICS user ID.

★

Deactivate debug profiles from the VSAM data set. This option requires specific RACF authority; therefore, reserve it for CICS administrators.

Refer to the following topics for more information related to the material discussed in this topic.

Related tasks

[“Authorizing DTCD and DTCI transactions to delete or deactivate debug profiles” on page 167](#)

Deleting DTCN profiles with the DTCN LINK service

z/OS Debugger provides a service that deletes unowned profiles from the DTCN repository.

If the DTCN repository is stored in CICS Temporary Storage (EQADTCN2), profiles are owned by the terminal that created them. The service scans the repository, looking for profiles that were created in the region running the service. If the service finds a profile owned by a terminal that is no longer defined and active in the region, the service deletes the profile.

If the DTCN repository is stored in VSAM (EQADPFMB), profiles are owned by the user ID that created them. The service scans the repository, looking for profiles that were created in the region running the service. If the service finds a profile owned by a user ID that is no longer active in the region, the service deletes the profile.

Invoke the service with the following command:

```
EXEC CICS LINK PROGRAM('EQADCDEL')
```

The service does not expect a commarea.

Invoke this service during DELETE processing in the program that controls autoinstall of terminals; however, you can invoke it from any EXEC-capable program. Figure 18 on page 160 and Figure 19 on page 160 show how to invoke the service in DFHZATDX, the supplied, user-replaceable autoinstall control program for terminals.

```
*****
* *           D E L E T E   P R O C E S S I N G           * *
* *           -----                                     * *
* *                                                                 * *
*****
DELETE_TERMINAL DS      0H
                    USING DELETE_EXIT_COMMAREA,R2 Address delete commarea
* ==> PUT DELETE CODE HERE
*
          EXEC CICS LINK PROGRAM('EQADCDEL')
*
          B      RETURN                EXIT PROGRAM
```

Figure 18. Example of invoking service in DFHZATDX

```
*****
* Function 8 and 10 - Common delete processing for shipped definitions*
*****
DELETE_SHIPPED_TERMINAL DS 0H                                     @D2A
                    USING DELETE_SHIPPED_COMMAREA,R2 Address commarea @D2A
* ==> PUT DELETE CODE HERE                                     @D2A
*
          EXEC CICS LINK PROGRAM('EQADCDEL') NOHANDLE
*
          B      RETURN                EXIT PROGRAM           @D2A
          DFHEJECT                                     @D2A
```

Figure 19. Example of invoking service in DFHZATDX

Note: To use the the DTCN LINK service, ensure that the DTCNDELETEDEADPROF EQAOPTS command is set to YES.

See “[DTCNDELETEDEADPROF](#)” on page 207 for more information.

Requiring users to specify resource types

If your users use DTCN to specify debugging profiles, you can customize z/OS Debugger to require that your users specify some or all resource types. For example, if your users are debugging a heavily used CICS program, you can require that they specify a Terminal ID and a Transaction ID to avoid having z/OS Debugger started every time that CICS program is run. You can enforce these requirements by specifying the corresponding EQAOPTS DTCNFORCE~~xxxx~~ command, as described in “[DTCNFORCExxxx](#)” on page 207.

Direct QSAM access through a CICS task-related user exit

z/OS Debugger can use two methods to access the following types of files:

- Enterprise COBOL and Enterprise PL/I separate debug files (SYSDEBUG)
- C/C++ separate debug files (.dbg and .mdbg)
- assembler and LangX COBOL EQALANGX files
- listing and source files
- command and preference files
- save settings and save breakpoints and monitor specification files
- log files

The following list describes both access methods:

- CICS Extrapartition Transient Data (default method)
- Direct QSAM access through a CICS task-related user exit

If you want the access method to avoid using CICS SPI and API to access these files, enable the QSAM access method.

To enable the QSAM access method, use the following INITPARM in your CICS start up parameters:

```
INITPARM=(DFHLETRU='USEQSAM')
```

You also need to apply the following PTFs to the appropriate products:

- For CICS Transaction Server for z/OS, Version 3.1, apply the PTF for PK67329
- For CICS Transaction Server for z/OS, Version 3.2, apply the PTF for PK68401
- For Enterprise COBOL compilers, apply the PTF for PK71852 to Language Environment, Version 1.8 through 1.10
- For Enterprise PL/I compilers, apply the PTF for PK93564 to Language Environment, Version 1.8 through 1.11

Running multiple debuggers in a CICS region

Coexistence with other debuggers cannot be guaranteed since situations can occur where multiple debuggers might contend for use of storage, facilities and interfaces which are intended for only one requester.

It is suggested that if you must have multiple debuggers installed in a CICS region, then only one should be active at any given time. When another debugger is used, ensure that the z/OS Debugger CICS non-Language Environment user exits are deactivated and that there are no active DTCN profiles in the region. The user exits can be deactivated by issuing the DTCXXF transaction. To deactivate other debuggers, consult the documentation provided by the vendor of the other debuggers.

Running the installation verification programs in a CICS region

To help you verify that your CICS region has been customized properly for z/OS Debugger, the *h1q*.SEQASAMP data set contains installation verification programs (IVPs) in the following members. Run the IVPs that are appropriate for the tasks that your users will be performing.

Table 32. Full-screen mode

IVP	Task
EQAWIVCI	Dynamic Debug facility and Enterprise PL/I TEST (ALL , SYM , NOHOOK , SEPARATE)
EQAWIVCP	Dynamic Debug facility and COBOL TEST (NONE , SYM , SEPARATE) or TEST (NOHOOK , SEPARATE)
EQAWIVCT	Dynamic Debug facility and Enterprise COBOL for z/OS Version 5 and later TEST
EQAWIVC2	C TEST (ALL)
EQAWIVCG	C DEBUG (FORMAT (DWARF) , HOOK (LINE , NOBLOCK , PATH) , SYMBOL)
EQAWIVC8	Enterprise PL/I TEST (ALL)
EQAWIVCC	Non-Language Environment Assembler
EQAWIVCJ	LangX Enterprise COBOL

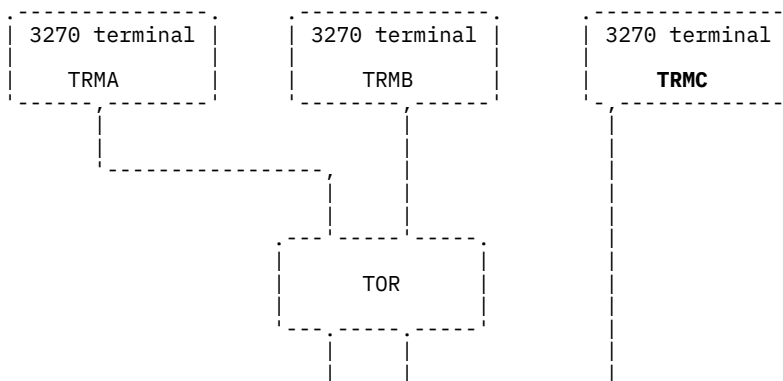
Configuring z/OS Debugger to run in a CICSplex environment

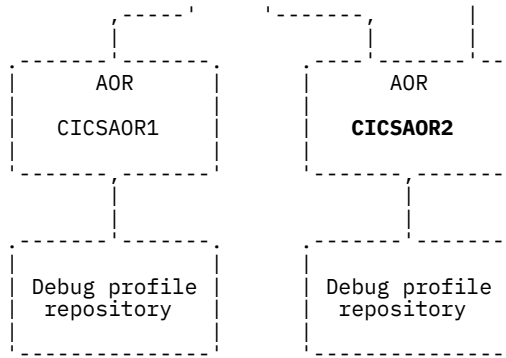
In a CICSplex, the application-owning regions (AORs), terminal-owning regions (TORs), queue-owning regions (QORs), repositories, and terminals can be organized in an infinite number of ways. In the following topics, we explore a finite number of scenarios and let you know what you need to do to configure z/OS Debugger to work in each scenario. For all of these scenarios, we assume you are working in full screen mode.

- [“Terminal connects to an AOR that runs the application” on page 162](#)
- [“Terminal connects to a TOR which routes the application to an AOR; debugging profiles managed by DTCN” on page 163](#)
- [“Terminal connects to an AOR that runs an application that does not use a terminal” on page 164](#)
- [“Screen control mode terminal connects to a TOR and application runs in an AOR” on page 164](#)
- [“Separate terminal mode terminal connects to a TOR and application runs in an AOR” on page 165](#)

Terminal connects to an AOR that runs the application

In this scenario, your terminal (TRMC) connects to an AOR (CICSAOR2) that runs the application you want to debug. The debugging profiles can be managed by either DTCN and they are directly accessible by the AOR.





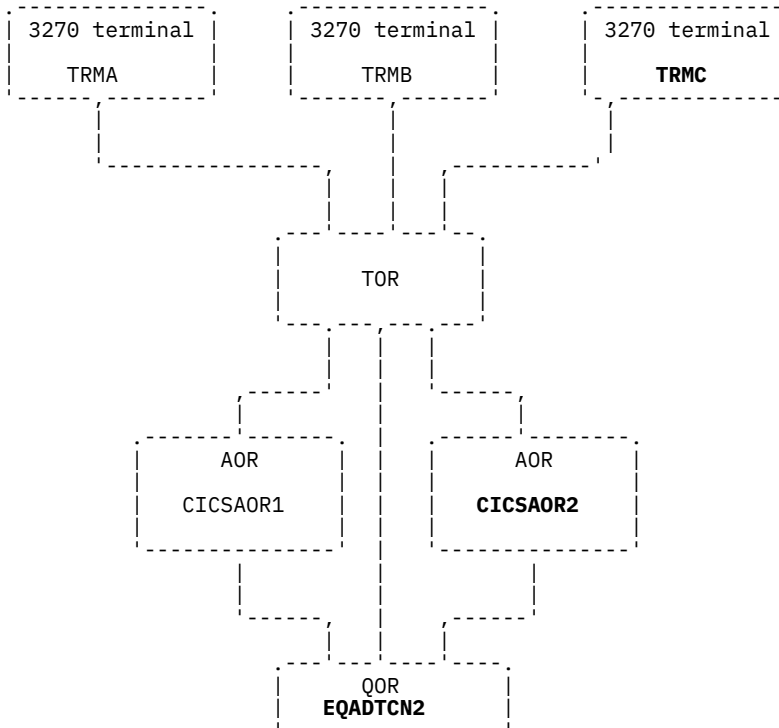
For this scenario to work, the CICS system administrator must complete the following tasks for the region CICSAOR2:

- Define z/OS Debugger resources in the CICS CSD and install them in the CICS region, as described in Chapter 13, “Adding support for debugging under CICS,” on page 151, step 1.
- Provide access to these resources, as described in Chapter 13, “Adding support for debugging under CICS,” on page 151, step “2.a” on page 151.

If you want to debug an application that runs in another AOR region, like CICSAOR1, you must log on to that region and verify that the system administrator completed the above tasks for that region.

Terminal connects to a TOR which routes the application to an AOR; debugging profiles managed by DTCN

In this scenario, your terminal (TRMC) connects to a TOR, which uses a CICS transaction to route the application you want to debug to an AOR. The debugging profiles are managed by DTCN and are stored in a temporary storage queue (EQADTCN2) located in a queue-owning region (QOR). You can run the DTCN transaction in any of the regions.



For this scenario to work, the CICS system administrator must complete the following tasks for both AORs and the TOR:

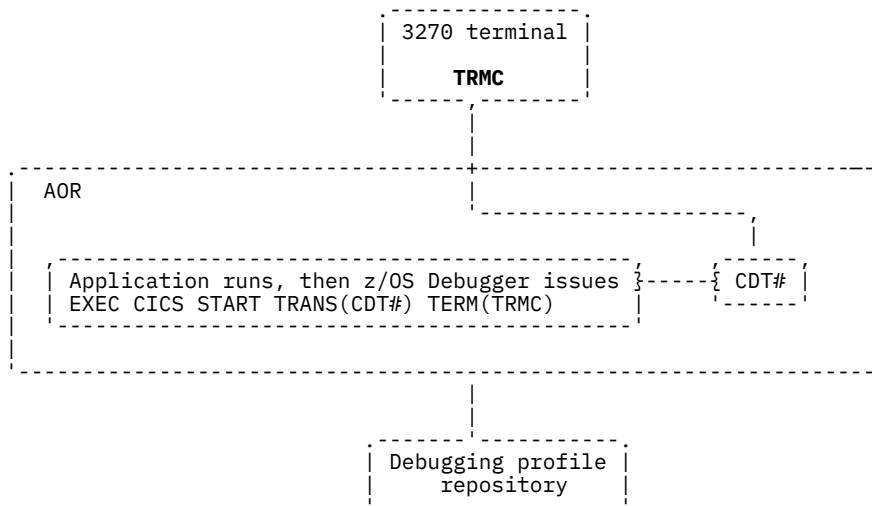
- Define z/OS Debugger resources in the CICS CSD and install them in the CICS region, as described in [Chapter 13, “Adding support for debugging under CICS,” on page 151, step 1.](#)
- Provide access to these resources, as described in [Chapter 13, “Adding support for debugging under CICS,” on page 151, step “2.a” on page 151.](#)
- Designate a single CICS region as the QOR and define the queue accessible remotely, as described in [“Sharing DTCN debug profile repository among CICS systems” on page 156.](#)

Variation on this scenario: The temporary storage queue (EQADTCN2) does not need to be located in a QOR. It can be located in the TOR, any of the AORs, or in the coupling facility. Wherever you put the temporary storage queue, keep the following considerations in mind:

- Place the queue where it can be accessed efficiently when the application programs begin, since it is referenced at that point to determine whether the program should be debugged.
- The temporary storage queue is accessed by Function Shipping, so allocate a sufficient number of connections between the regions to handle READQ requests.

Terminal connects to an AOR that runs an application that does not use a terminal

In this scenario, your terminal (TRMC) connects to an AOR, which you use to set up a debugging profile using DTCN. When the application starts, z/OS Debugger is started and issues an EXEC CICS START of its display transaction (CDT#) on your terminal (TRMC). Your terminal must be connected directly to the AOR. You cannot connect through CRTE because CICS does not support issuing an EXEC CICS START to a terminal connected through CRTE.



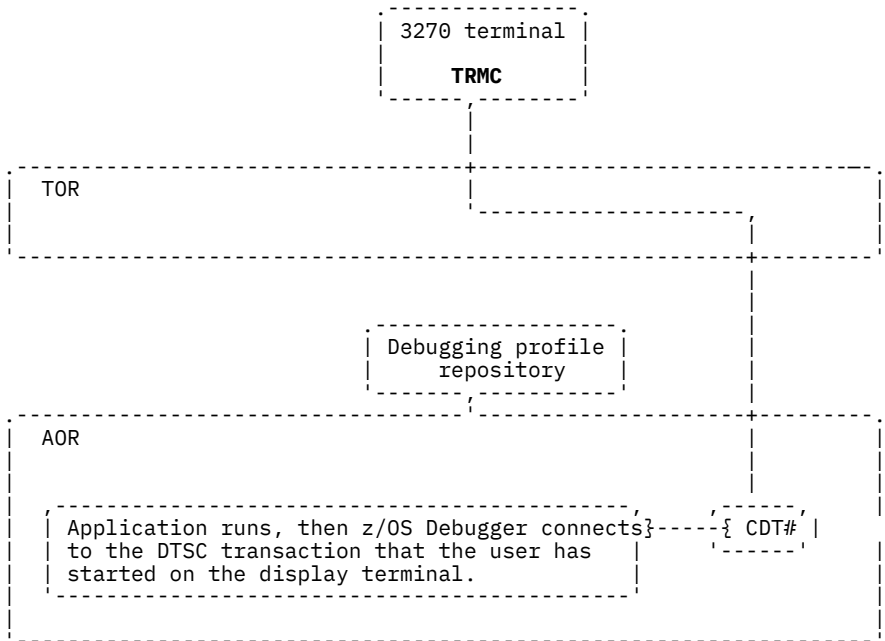
For this scenario to work, the CICS system administrator must complete the following tasks for the AOR:

- Define z/OS Debugger resources in the CICS CSD and install them in the CICS region, as described in [Chapter 13, “Adding support for debugging under CICS,” on page 151, step “1” on page 151.](#)
- Provide access to these resources, as described in [Chapter 13, “Adding support for debugging under CICS,” on page 151, step “2.a” on page 151.](#)

Screen control mode terminal connects to a TOR and application runs in an AOR

In this scenario, the user starts the DTSC transaction on the display terminal to display the debug session. DTSC must run in the same region as the application, but could run in any of the following situations:

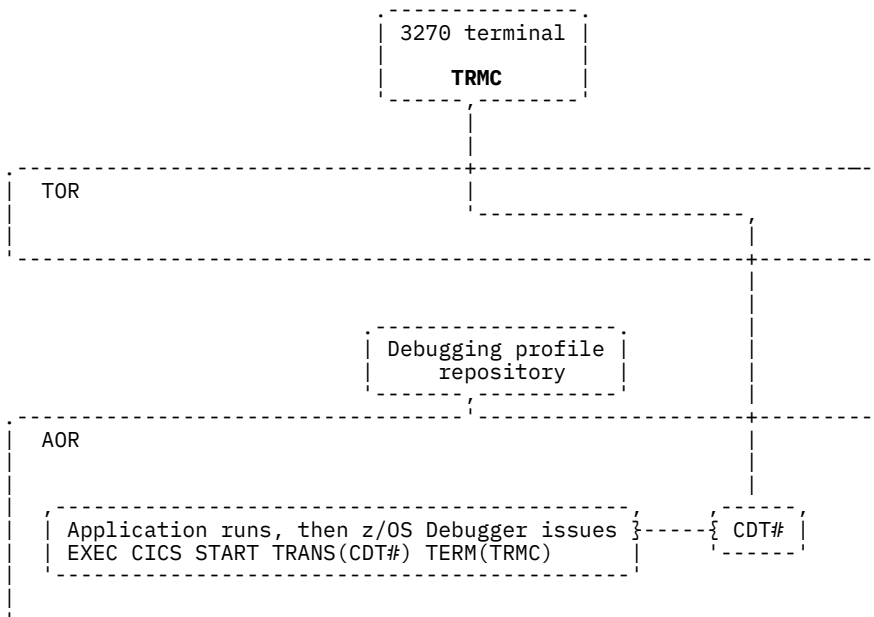
- As a Transaction-Routed transaction
- On a CRTE terminal session which was started on the AOR



Separate terminal mode terminal connects to a TOR and application runs in an AOR

In this scenario, your terminal (TRMC) connects to a TOR and the following sequence of events occurs:

1. You store a debugging profile into a repository using DTCN.
2. The application starts. The profile matches the application so z/OS Debugger is started.
3. z/OS Debugger issues EXEC CICS START of its display transaction (CDT#) on your terminal (TRMC). However, your terminal is not found. XICTENF/XALTENF identifies the TOR as the owner of your terminal (TRMC).
4. CICS routes the START task to the TOR identified by XICTENF/XALTENF.
5. Interval Control in the TOR associates the START task with your terminal (TRMC) and then routes the START task back to the AOR.
6. CDT# establishes the communication between your terminal and the application through the TOR.



For this scenario to work, the CICS system administrator must complete the following tasks for the TOR:

- If you are using DTCN to manage debugging profiles, do the following tasks:
 - Define z/OS Debugger resources in the CICS CSD and install them in the CICS region, as described in [Chapter 13, “Adding support for debugging under CICS,” on page 151, step “1” on page 151.](#)
 - Provide access to these resources, as described in [Chapter 13, “Adding support for debugging under CICS,” on page 151, step “2.a” on page 151.](#)
- Enable routing of the terminal traffic to the correct terminal by configuring the z/OS Debugger transaction CDT# as DYNAMIC(YES).
- If your CICS region has a Temporary Storage Model (TSMODEL) that can make queues with a prefix of "CDT#" recoverable, you must create a TSMODEL that specifies PREFIX(CDT#) and RECOVERY(NO).

For this scenario to work, the CICS system administrator must complete the following tasks for the AOR:

- If you are using DTCN to manage debugging profiles, do the following tasks:
 - Define z/OS Debugger resources in the CICS CSD and install them in the CICS region, as described in [Chapter 13, “Adding support for debugging under CICS,” on page 151, step “1” on page 151.](#)
 - Provide access to these resources, as described in [Chapter 13, “Adding support for debugging under CICS,” on page 151, step “2.a” on page 151.](#)
- To locate the terminal, do the following steps:
 - Code the CICS exits XICTENF and XALTENF so that the TOR is identified as the owner of the display terminal. The *CICS Transaction Server for z/OS Customization Guide* describes these exits.
 - Run a PLT program that enables the CICS exits XICTENF and XALTENF. The *CICS Transaction Server for z/OS Customization Guide* describes how to write and run a PLT.
 - Enable routing of the terminal traffic to the correct terminal by configuring the z/OS Debugger transaction CDT# as DYNAMIC(YES).
 - If your CICS region has a Temporary Storage Model (TSMODEL) that can make queues with a prefix of "CDT#" recoverable, you must create a TSMODEL that specifies PREFIX(CDT#) and RECOVERY(NO).

Authorizing DTST transaction to modify storage

Note: This section is not applicable to IBM Developer for z/OS (non-Enterprise Edition).

This topic describes the steps you must take to authorize the DTST transaction to modify either USER-key storage, CICS-key storage, or both. DTST does not allow users to modify Key-0 storage.

The following resources control DTST authorizations:

- EQADTOOL.DTSTMUSERK, which controls the ability to modify USER-key storage.
- EQADTOOL.DTSTMDCICK, which controls the ability to modify CICS-key storage.

1. Establish profiles in the FACILITY class by entering the following RDEFINE commands:

```
RDEFINE FACILITY EQADTOOL.DTSTMUSERK UACC(NONE)
RDEFINE FACILITY EQADTOOL.DTSTMDCICK UACC(NONE)
```

2. Verify that generic profile checking is in effect for the class FACILITY by entering the following command:

```
SETRPTS GENERIC(FACILITY)
```

3. Give a user permission to modify USER-key, CICS-key storage, or both by entering one or both of the following commands, where DUSER1 is the name of a RACF-defined user or group profile:

```
PERMIT EQADTOOL.DTSTMUSERK CLASS(FACILITY) ID(DUSER1) ACCESS(UPDATE)
PERMIT EQADTOOL.DTSTMDCICK CLASS(FACILITY) ID(DUSER1) ACCESS(UPDATE)
```

Instead of connecting individual users, the security administrator can specify DUSER1 to be a RACF group profile and then connect authorized users to the group.

4. If the FACILITY class is not active, activate the class by entering the following SETROPTS command:

```
SETROPTS CLASSACT(FACILITY)
```

Enter the SETROPTS LIST command to verify that FACILITY class is active.

5. Refresh the FACILITY class by entering the following SETROPTS RACLIST command:

```
SETROPTS RACLIST(FACILITY) REFRESH
```

Authorizing DTCD and DTCI transactions to delete or deactivate debug profiles

This topic describes the steps you must take to authorize the DTCD and DTCI transactions to delete or deactivate debug profiles stored in a VSAM data set.

The EQADTOOL.DTCDELETEALL resource controls DTCD authorizations.

The EQADTOOL.DTCIINACTALL resource controls DTCI authorizations.

To authorize DTCD and DTCI users so they can delete or deactivate debug profiles stored in a VSAM data set, do the following steps:

1. Establish profiles in the FACILITY class by entering the following RDEFINE commands:

```
RDEFINE FACILITY EQADTOOL.DTCDELETEALL UACC(NONE)  
RDEFINE FACILITY EQADTOOL.DTCIINACTALL UACC(NONE)
```

2. Verify that generic profile checking is in effect for the class FACILITY by entering the following command:

```
SETROPTS GENERIC(FACILITY)
```

3. Give a user permission to delete or deactivate debug profiles stored in a VSAM data set by entering the following commands, where DUSER1 is the name of a RACF-defined user or group profile:

```
PERMIT EQADTOOL.DTCDELETEALL CLASS(FACILITY) ID(DUSER1) ACCESS(UPDATE)  
PERMIT EQADTOOL.DTCIINACTALL CLASS(FACILITY) ID(DUSER1) ACCESS(UPDATE)
```

Instead of connecting individual users, the security administrator can specify DUSER1 to be a RACF group profile and then connect authorized users to the group.

4. If the FACILITY class is not active, activate the class by entering the following SETROPTS command:

```
SETROPTS CLASSACT(FACILITY)
```

Enter the SETROPTS LIST command to verify that FACILITY class is active.

5. Refresh the FACILITY class by entering the following SETROPTS RACLIST command:

```
SETROPTS RACLIST(FACILITY) REFRESH
```

Chapter 14. Adding support for debugging under IMS

To add support for debugging applications that run in IMS, you need to do the following steps:

1. Choose one of the following methods for specifying TEST runtime options:
 - Specifying the TEST runtime options in a data set, created by the application programmers, which is then extracted by a customized version of the Language Environment user exit routine CEEBXITA.
 - Specifying the TEST runtime options in one of the following assembler modules:
 - CEEUOPT, which is an assembler module that uses the CEEXOPT macro to set application level defaults, and is link-edited into an application program.
 - CEEROPT, which is an assembler module that uses the CEEXOPT macro to set region level defaults.
 - Specifying the TEST runtime options through the EQASET transaction. The transaction allows application programmers to specify a limited set of TEST runtime options.
 - Specifying the TEST runtime options in a private message region, created by the application programmer using IBM z/OS Debugger Utilities option 4.5, "IMS Transaction Isolation Facility".
2. Choose from the following scenarios that best matches your site's environment:

Scenario A

You run programs in IMS Transaction Manager, BTS, or DB and are managing TEST runtime options with a user exit. Do the steps described in [“Scenario A: Running IMS and managing TEST runtime options with a user exit”](#) on page 170 to enable this scenario.

Scenario B

You run programs in IMS Transaction Manager, BTS, or DB and are managing TEST runtime options with CEEUOPT or CEEROPT. Do the steps described in [“Scenario B: Running IMS and managing TEST runtime options with CEEUOPT or CEEROPT”](#) on page 170 to enable this scenario.

Scenario C

You run assembler programs without Language Environment in IMS Transaction Manager and you specify some TEST runtime options with the EQASET transaction. Do the steps described in [“Scenario C: Running assembler program without Language Environment in IMS TM and managing TEST runtime options with EQASET”](#) on page 171 to enable this scenario.

Scenario D

You run programs in an IMSplex environment and are managing TEST runtime options with either a user exit, CEEUOPT, or CEEROPT. Do the steps described in [“Scenario D: Running IMSplex environment”](#) on page 171 to enable this scenario.

Scenario F

You run Message Processing Programs (MPPs) in IMS Transaction Manager, running in Message Processing Regions (MPRs). You want to isolate application program debugging and to avoid scheduling delays or conflicts with programs which are not being debugged. Do the steps described in [“Scenario F: Enabling the Transaction Isolation Facility”](#) on page 172 to enable this scenario.

You can select more than one scenario. If you select more than one scenario, some steps are repeated. Perform those steps only once.

3. After you have selected the method that your site will use to manage TEST runtime options, notify your application programmers of the chosen method. Ensure that the application programmers follow the directions described in "Preparing an IMS program" in the *IBM z/OS Debugger User's Guide* and choose the correct method for specifying TEST runtime options. If your application programmers are using the EQASET transaction to specify TEST runtime options, ensure that they follow the directions described in "Running the EQASET transaction" in the *IBM z/OS Debugger User's Guide*.

Scenario A: Running IMS and managing TEST runtime options with a user exit

Do the following steps to enable this scenario:

1. Include the z/OS Debugger *h1q*.SEQAMOD²⁸ data set and the Language Environment CEE.SCEERUN²⁹ runtime library in the STEPLIB concatenation of your IMS region.
2. To give IMS users enough time to run and debug their applications, increase the time-out limit in the message-processing region (MPR) region to 1440.
3. If you need to change the naming pattern of the data set containing the user's TEST runtime options, see the following topics for details:

- [Chapter 8, “Specifying the TEST runtime options through the Language Environment user exit,” on page 123](#)
- [“Customizing z/OS Debugger User Exit Data Set” on page 142](#)

The user will use DTU option 'z/OS Debugger User Exit Data Set' to set the TEST runtime options they want.

4. If the IMS transaction is initiated from the web or MQ gateway, it is run with a generic ID. z/OS Debugger supports a cross reference table to tie such a transaction to a user's ID. To set the name of that cross reference table, see the following topics for details:

- [Chapter 8, “Specifying the TEST runtime options through the Language Environment user exit,” on page 123](#)
- [“Customizing IMS Transaction and User ID Cross Reference Table ” on page 146](#)

The user will use DTU option 'IMS Transaction and User ID Cross Reference Table' to specify the transaction name to user ID cross reference.

5. See [Chapter 8, “Specifying the TEST runtime options through the Language Environment user exit,” on page 123](#) and [“Customizing z/OS Debugger User Exit Data Set” on page 142](#) for information about customizing the user exit (if needed).
6. If the IMS transaction is initiated from the web or MQ gateway, it is run with a generic ID. If your site has this situation, see [“Activate the cross reference function and modifying the cross reference table data set name” on page 126](#) for information about customizing the user exit to enable a cross reference table and [“Customizing IMS Transaction and User ID Cross Reference Table ” on page 146](#) for setting up IBM z/OS Debugger Utilities so that the user can access the table.

Scenario B: Running IMS and managing TEST runtime options with CEEUOPT or CEEROPT

Do the following steps to enable this scenario:

1. Include the z/OS Debugger *h1q*.SEQAMOD³⁰ data set and the Language Environment CEE.SCEERUN runtime library in the STEPLIB concatenation of the IMS MPR or MPP region running your program.

²⁸ Add *h1q*.SEQAMOD to STEPLIB only if it is not already in the system search path (for example, link list). If you create a custom EQAOPTS (as described in [Chapter 17, “EQAOPTS commands,” on page 189](#)) that is not stored in *h1q*.SEQAMOD, then place the data set containing it in STEPLIB (ahead of *h1q*.SEQAMOD if it is in STEPLIB). *h1q*.SEQAMOD must be placed before any other library in the STEPLIB that contains CEEVDBG for z/OS Debugger to get control of a debug session.

²⁹ Add CEE.SCEERUN to STEPLIB only if it is not already in the system search path (for example, link list). If you create a private copy of the z/OS Debugger Language Environment user exit for IMS that is linked into CEEBINIT (as described in [Chapter 8, “Specifying the TEST runtime options through the Language Environment user exit,” on page 123](#)), then place the data set containing it in STEPLIB (ahead of CEE.SCEERUN if it is in STEPLIB).

³⁰ Add *h1q*.SEQAMOD to STEPLIB only if it is not already in the system search path (for example, link list). If you create a custom EQAOPTS (as described in [Chapter 17, “EQAOPTS commands,” on page 189](#)) that

- To give IMS users enough time to run and debug their applications, increase the time-out limit in the message-processing region (MPR) region to 1440.

Scenario C: Running assembler program without Language Environment in IMS TM and managing TEST runtime options with EQASET

Do the following steps to enable this scenario:

- Copy the load modules EQANIAFE and EQANISSET from the *hlq*.SEQAMOD data set into the IMS.PGMLIB data set.
- Define the following IMS transaction:

```

APPLCTN  GPSB=EQANISSET,PGMTPY=TP,LANG=ASSEM  HIDAM/OSAM
TRANSACTION CODE=EQASET,MODE=SNGL,           X
          DCLWA=NO,EDIT=UC,INQ=(YES,NORECOV),  X
MSGTYPE=(SNGLSEG,NONRESPONSE,1)

```

- Add the application front end parameter APPLFE=EQANIAFE to the MPR start up job.
- Assign the EQASET transaction to a class served by the MPR that is started with the APPLFE=EQANIAFE parameter.
- Include the z/OS Debugger *hlq*.SEQAMOD³¹ data set in the STEPLIB concatenation of the IMS MPR or MPP region running your program.
- To give IMS users enough time to run and debug their applications, increase the time-out limit in the message-processing region (MPR) region to 1440.

Scenario D: Running IMSplex environment

Do the following steps to enable this scenario:

- Include the z/OS Debugger *hlq*.SEQAMOD³² data set and the Language Environment CEE.SCEERUN runtime library in the STEPLIB concatenation of the IMS MPR or MPP region running your program.
- To give IMS users enough time to run and debug their applications, increase the time-out limit in the message-processing region (MPR) region to 1440.
- If you are using a user exit and you need to change the naming pattern of the data set containing the user's TEST runtime options, see the following topics for details:
 - [Chapter 8, “Specifying the TEST runtime options through the Language Environment user exit,” on page 123](#)
 - [“Customizing z/OS Debugger User Exit Data Set” on page 142](#)

The user can use DTU option 'z/OS Debugger User Exit Data Set' to set the TEST runtime options they want.

is not stored in *hlq*.SEQAMOD, then place the data set containing it in STEPLIB (ahead of *hlq*.SEQAMOD if it is in STEPLIB). *hlq*.SEQAMOD must be placed before any other library in the STEPLIB that contains CEEVDBG for z/OS Debugger to get control of a debug session.

³¹ Add *hlq*.SEQAMOD to STEPLIB only if it is not already in the system search path (for example, link list). If you create a custom EQAOPTS (as described in [Chapter 17, “EQAOPTS commands,” on page 189](#)) that is not stored in *hlq*.SEQAMOD, then place the data set containing it in STEPLIB (ahead of *hlq*.SEQAMOD if it is in STEPLIB). *hlq*.SEQAMOD must be placed before any other library in the STEPLIB that contains CEEVDBG for z/OS Debugger to get control of a debug session.

³² Add *hlq*.SEQAMOD to STEPLIB only if it is not already in the system search path (for example, link list). If you create a custom EQAOPTS (as described in [Chapter 17, “EQAOPTS commands,” on page 189](#)) that is not stored in *hlq*.SEQAMOD, then place the data set containing it in STEPLIB (ahead of *hlq*.SEQAMOD if it is in STEPLIB). *hlq*.SEQAMOD must be placed before any other library in the STEPLIB that contains CEEVDBG for z/OS Debugger to get control of a debug session.

Scenario F: Enabling the Transaction Isolation Facility

The IMS Transaction Isolation Facility of z/OS Debugger allows users to register to debug transactions in any IMS subsystem that is enabled for the facility. Each user may also launch a private message-processing region in which the selected message processing programs will run. The actions in this section will guide you through the setup of this facility.

The IMS Transaction Isolation Facility requires that the following resources be created or reserved for z/OS Debugger users:

1. A set of IMS message classes reserved for the private message-processing regions.
2. For each reserved message class, a set of IMS program resources with the name EQAT $cccn$, where ccc is the three-digit class number, and n is an ordinal number from 1 to the maximum number of transactions a single user can register to debug.

Also, for each reserved message class, a set of IMS transaction resources must be defined. A set of non-conversational transactions with the names EQAT $cccn$ and a set of conversational transactions with the names EQAC $cccn$ must be defined, where ccc is the three-digit class number, and n is an ordinal number from 1 to the maximum number of transactions a single user can register to debug.

Do the following steps to enable this scenario:

1. Customize and run the EQAWTIVS sample member. A VSAM data set is created to be used as a repository to store the IMS Transaction Isolation information when the IMS system is stopped.
2. Customize and run the EQAWTIMS sample member to link-edit the z/OS Debugger exits into an IMS system control region load library data set. Note that this library must be a PDS, not a PDSE. z/OS Debugger implements the following exits for the IMS Transaction Isolation Facility:
 - DFSMSCEO - TM and MSC Message Routing and Control User exit routine, as an alias of EQATIEXT
 - EQATIEDT - Transaction Code (Input) edit routine for EQA* $cccn$ transactions
3. Customize the EQAOPTS sample and create the EQAOPTS load module.

The EQAOPTS sample builds a set of EQAOPTS commands into a data-only load module. For more information, see Chapter 17, “EQAOPTS commands,” on page 189.

The following EQAOPTS command applies to the IMS Transaction Isolation Facility:

MAXTRANUSER

This command specifies the maximum number of transactions that a single user can register to debug. The default value is 15.

4. Modify the IMS system by performing the following actions:
 - a. Ensure that the following load libraries are in the search path for the IMS system control region:
 - The load library with the z/OS Debugger IMS exits link-edited in step 2
 - The library that contains the EQAOPTS load module generated in step 3
 - b. Add the VSAM data set created in step 1 to the IMS system control region by using DD name EQATIVSM.
 - c. If your IMS system uses the DFSMSCEO exit, the following is needed for debugger's DFSMSCEO exit, loaded from STEPLIB, to call your exit from DD EQAIMEXT:
 - i) Remove the load library that contains your DFSMSCEO exit from the STEPLIB or JOBLIB concatenation of the IMS control region.

If you cannot remove the load library, ensure that the load library with the z/OS Debugger version of DFSMSCEO appears before your DFSMSCEO exit in the search path.
 - ii) Add the load library that contains your DFSMSCEO exit to the IMS system control region by using DD name EQAIMEXT.

Note: EQAIMEXT DD is needed only for your site's DFSMSCEO exit. It must not contain the debugger's DFSMSCEO.

If your IMS system uses a facility, such as the generic MSC exit of IMS Tools, to manage multiple DFSMSCE0 exits, use that facility rather than the steps i and ii above to add debugger's DFSMSCE0 exit to your system.

After you complete the actions, start or restart the IMS system.

5. Define the user EQANBSWT to RACF, and permit it READ access to the ASSIGN, DISPLAY, START, and STOP IMS commands:

```
ADDUSER EQANBSWT NOPASSWORD DFLTGRP(SYS1)
PE ASS CLASS(CIMS) ID(EQANBSWT) ACC(READ)
PE DIS CLASS(CIMS) ID(EQANBSWT) ACC(READ)
PE STA CLASS(CIMS) ID(EQANBSWT) ACC(READ)
PE STO CLASS(CIMS) ID(EQANBSWT) ACC(READ)
SETROPTS RACLIST(CIMS) REFRESH
```

6. Give the user ID for each IMS control region authority to modify the VSAM data set created in step 1.
7. If your site restricts access to the following type-1 IMS commands, and you have enabled the IMS Common Service Layer (CSL), you must enable users to issue the QUERY TRAN type-2 IMS command.

```
/DISPLAY PROG ALL
/DISPLAY TRAN *
```

To enable this access, permit the users READ access to the IMS.CSLppppp.QRY.TRAN resource in the OPERCMDS class, where *ppppp* is the name of the IMSplex that the IMS subsystem registers with. For example:

```
PE IMS.CSLPLEX1.QRY.TRAN CLASS(OPERCMDS) ID(RANCAM) ACC(READ)
SETROPTS RACLIST(OPERCMDS) REFRESH
```

8. **Note:** This does not apply to v17.0.1 and later.

In the shared-queue environment, permit the users UPDATE access to the IMS.CSLppppp.UPD.TRAN resource and READ access to the IMS.CSLppppp.QRY.TRAN resource in the OPERCMDS class, where *ppppp* is the name of the IMSplex that the IMS subsystem registers with. For example:

```
PE IMS.CSLPLEX1.QRY.TRAN CLASS(OPERCMDS) ID(RANCAM) ACC(READ)
PE IMS.CSLPLEX1.UPD.TRAN CLASS(OPERCMDS) ID(RANCAM) ACC(UPDATE)
SETROPTS RACLIST(OPERCMDS) REFRESH
```

9. In the shared-queue environment, if you want to allow debug user to stop their regions from remote LPARs, permit users UPDATE access to the IMS.CSLppppp.STO.REGION.

```
PE IMS.CSLPLEX1.STO.REGION CLASS(OPERCMDS) ID(RANCAM) ACC(UPDATE) SETROPTS
RACLIST(OPERCMDS) REFRESH
```

Otherwise, stopping the region must be done from the same LPAR where it was started.

10. Enable administrative users to configure the IMS Transaction Isolation Facility. Users that are authorized for this function use IBM z/OS Debugger Utilities option 4, suboption 6 "Administer IMS Transaction Isolation Environment", to reserve message classes for z/OS Debugger usage, and to generate other artifacts for the IMS Transaction Isolation Facility.

To control access to the Administer IMS Transaction Isolation Environment panel, create RACF FACILITY EQADTOOL.IMSTRANISOADMIN with UACC(NONE). Permit users who might access the panel ACC(READ) to the FACILITY.

11. Use IBM z/OS Debugger Utilities option 4, suboption 6 "Administer IMS Transaction Isolation Environment" to reserve message classes for use by the IMS Transaction Isolation Facility. Ensure that these classes are not in use for other dependent regions in your IMS system.

When multiple versions of IMS subsystems are installed on your system, you can use suboption 6 to provide a specific RESLIB used by this IMS subsystem. If no RESLIB is specified on suboption 6, the one from us5imrsl in EQAZDFLT is used as the default. If your IMSplex uses shared queues, changes to debug classes are broadcasted to other members of the IMSplex.

If you require the IMS Transaction Isolation Facility to use type-2 IMS commands to retrieve the transaction list (see step 7 above) or your IMSplex is configured to use shared queues, supply the IMSplex name on the suboption 6 panel.

12. Customize the *hlq*.SEQASAMP (EQAWICRT) sample job and submit the job to generate one or both of the following resource definitions:

- Stage-1 IMS system definition macros to create the necessary IMS resources for the classes you have selected. The macros are generated to the data set with the DD name EQARESDDS.
- Type-2 IMS commands to create the necessary IMS resources for the classes you have selected. The commands are generated to the data set with the DD name EQATY2DS.

13. Use the resource definitions from step 11 to update the IMS system definition, preferably by using the Type 2 commands to update the system dynamically, if you are using Dynamic Resource Definition (DRD). Otherwise, add the Type 1 commands to the stage 1 input to your system definition process, and regenerate the IMS system definition.

Note: The EDIT parameter in the stage-1 input requires at least a CTLBLKS level of system definition. A MODBLKS definition cannot be used.

Restart the IMS system, if necessary, to pick up the changes.

14. Add any important IMS PROCLIBs to EQAZPROC in *hlq*.SEQATLIB. This action allows IBM z/OS Debugger Utilities to expand any IMS PROCs that are discovered when the execution environment of the selected transaction is cloned.
15. Additional customization parameters are available in member EQAZDFLT of *hlq*.SEQATLIB library. To set the value for any of these parameters, remove the preceding comment character (!) and specify the value, followed by a semicolon (;).

```

!*
! Default job name for dynamic IMS MPR creation
!*
! Up to 7 characters of the user's TSO user ID will be substituted
! for the string &&user&&.
!*
mprdebug =                ! Job name for debugging
    @&&user&& ;           1      ! IMS MPR
!*
! Specify the name of the main IMS RESLIB. This will be the first
! data set in the STEPLIB for the batch job that runs the EQANBSWT
! BMP program.
!*
!us5imrsl = ;             2
!us5dtmod = ;           3
!us5dtce1 = ;           4

!us5trnft = ;           5
!us5trnmx = ;           6

!us5adspc = ;           7      ! Override for JOB parm ADDRSPC
!us5bytes = ;           ! Override for JOB parm BYTES
!us5cards = ;           ! Override for JOB parm CARDS
!us5ccsid = ;           ! Override for JOB parm CCSID
!us5class = ;           ! Override for JOB parm CLASS
!us5cond = ;           ! Override for JOB parm COND
!us5group = ;           ! Override for JOB parm GROUP
!us5jeslg = ;           ! Override for JOB parm JESLOG
!us5lines = ;           ! Override for JOB parm LINES
!us5melim = ;           ! Override for JOB parm MEMLIMIT
!us5msgcl = ;           ! Override for JOB parm MSGCLASS
!us5msglv = ;           ! Override for JOB parm MSGLEVEL
!us5notify = ;          ! Override for JOB parm NOTIFY
!us5pages = ;           ! Override for JOB parm PAGES
!us5passwd = ;          ! Override for JOB parm PASSWORD
!us5perf = ;           ! Override for JOB parm PERFORM
!us5prty = ;           ! Override for JOB parm PRTY
!us5rd = ;             ! Override for JOB parm RD
!us5regn = ;           ! Override for JOB parm REGION
!us5rstrt = ;          ! Override for JOB parm RESTART
!us5seclb = ;          ! Override for JOB parm SECLABEL
!us5schen = ;           ! Override for JOB parm SCHENV
!us5sysaf = ;          8      ! Override for JOB parm SYSAFF
!us5system = ;         ! Override for JOB parm SYSTEM
!us5time = ;           ! Override for JOB parm TIME
!us5typrn = ;          ! Override for JOB parm TYPRUN
!us5user = ;           ! Override for JOB parm USER

```

1 mprdebug

Establishes the pattern that is used to create the job name for any private message regions started by users of the IMS Transaction Isolation Facility. The user's TSO ID is substituted in the string where &&user&& appears.

2 us5imrsl

Identifies the IMS RESLIB to use when tasks are performed for the IMS Transaction Isolation Facility. This parameter is necessary only when the proper IMS RESLIB is not in the link list concatenation.

This setting applies to IMS subsystems where the RESLIB is not specified with IBM z/OS Debugger Utilities option 4.6. If the client needs to use a specific RESLIB for a particular IMS subsystem, specify the RESLIB with option 4.6.

3 us5dtmod

Identifies the z/OS Debugger SEQAMOD library to use when tasks are performed for the IMS Transaction Isolation Facility. This parameter is necessary only when the proper z/OS Debugger SEQAMOD library is not in the link list concatenation.

4 us5dtce1

Identifies the z/OS MVS Language Environment runtime library (CEERUN) to use when tasks are performed for the IMS Transaction Isolation Facility. This parameter is necessary only when the proper Language Environment library is not in the link list concatenation.

5 us5trnft

Defines the default transaction name filter when a new user accesses the EQAPMPSL panel for the first time.

6 us5trnmX

Defines the default maximum number of transactions that is returned to the user on the EQAPMPSL panel. A value of 0 returns the entire list of transactions, which can have a significant performance impact if your IMS system has defined many transactions.

7 JOB parameter overrides

Use these parameters to specify or override any parameters on the JOB statement that is created based on the JOB statement of the “cloned” message region.

8 us5sysaf

User region affinity. In a Sysplex environment with shared JES spool, set this parameter to * to enable local affinity for user regions.

```
us5sysaf = *;
```

For more information about how application programmers use the IMS Transaction Isolation Facility, see the section "Using IMS Transaction Isolation to create a private message-processing region and select transactions to debug" in the *IBM z/OS Debugger User's Guide*.

Sample customization of the IMS Transaction Isolation Facility

Here is an example of the customization of IMS Transaction Isolation Facility at a typical client location. In this example, the system has the following features:

- The IMS sub system name is IMSA.
- The IMS product high-level qualifier is PROD.IMSV14.
- Dynamic Resource Definition (DRD) is active.
- The maximum number of transactions, which is defined by the MAXCLAS parameter of the IMSCTRL system definition macro, is 200.
- Dependent regions currently defined in the system serve classes in the range 21 - 100.
- The IBM z/OS Debugger data sets are installed under the high-level qualifier ZDEBUG.

The IMS administrator decides that 10 region classes are reserved for IMS Isolation users, which means that 10 users can debug in private message regions simultaneously.

As the class range 21 - 100 is used for normal development and test activity, the IMS Isolation classes must be in the range 1 - 20 and 101 - 200. The IMS administrator chooses classes 131-140 to reserve for IMS Isolation users.

Next, the IMS administrator performs the following steps to prepare the IMS control region to run with IMS Isolation:

1. Edit the ZDEBUG.SEQASAMP(EQAWTIVS) member and SUBMIT it to create the VSAM data set PROD.ZDEBUG.EQATITBL.

```

//EQAWTIVS JOB
//*****
//*          DELETE THE EXISTING FILE          *
//*****
//DELETE     EXEC PGM=IDCAMS,REGION=1M
//SYSPRINT DD SYSOUT=*
//SYSIN      DD *
DELETE PROD.ZDEBUG.EQATITBL
SET MAXCC=0
/*
//*****
//*          DEFINE A NEW VSAM DEBUGGING PROFILE DATASET          *
//*****
//DEFINE     EXEC PGM=IDCAMS,REGION=1M
//SYSPRINT DD SYSOUT=*
//SYSIN      DD *
/*          */
/* DEFINE IMS ISOLATION          */
/* TABLE INDEX AND PATH          */
/* DATA SETS          */
/*          */
DEFINE CLUSTER (RECORDS(999) -
NAME (PROD.ZDEBUG.EQATITBL) -
SHAREOPTIONS(2 3) -
LOG(NONE) -
INDEXED) -
DATA -
(RECSZ(200,200) -
NAME (PROD.ZDEBUG.EQATITBL.DATA) -
KEYS(11 0) -
FREESPACE(10 10) -
BUFFERSPACE (20000)) -
INDEX -
(NAME(PROD.ZDEBUG.EQATITBL.INDX))
/*

```

2. Edit the ZDEBUG.SEQASAMP(EQAWTIVS) member and submit it to link-edit the IMS Isolation exits by using the current level of IMS. The exits are placed in PROD.ZDEBUG.IMSISO.LOADLIB.

```

//EQAWTIMS JOB
// SET DTHLQ=ZDEBUG
// SET IMSHLQ=PROD.IMSV14
//*****
/* Link-edit the EQATIEDT user exit (transaction message edit)      *
//*****
//LINK1 EXEC PGM=IEWL,COND=(4,LE),REGION=17M,
// PARM=('OPTIONS=OPTIONS')
//SYSUT1 DD UNIT=SYSVIO,SPACE=(TRK,(10,80))
//SYSPRINT DD SYSOUT=*
//SYSLMOD DD DSN=PROD.ZDEBUG.IMSISO.LOADLIB,DISP=SHR
//SYSLIB DD DSN=&DTHLQ..SEQAMOD,DISP=SHR
// DD DSN=&IMSHLQ..SDFSRESL,DISP=SHR
//OPTIONS DD *
LIST,XREF,LET,MAP
//SYSLIN DD *
MODE AMODE(31),RMODE(ANY)
INCLUDE SYSLIB(DFSCSI00)
REPLACE DFSCSII0
INCLUDE SYSLIB(EQATIEDT)
ENTRY EQATIEDT
NAME EQATIEDT(R)
/*
//*****
/* Link-edit the DFSMSCE0 user exit (transaction routing)          *
//*****
//LINK2 EXEC PGM=IEWL,COND=(4,LE),REGION=17M,
// PARM=('OPTIONS=OPTIONS')
//SYSUT1 DD UNIT=SYSVIO,SPACE=(TRK,(10,80))
//SYSPRINT DD SYSOUT=*
//SYSLMOD DD DSN=PROD.ZDEBUG.IMSISO.LOADLIB,DISP=SHR
//SYSLIB DD DSN=&DTHLQ..SEQAMOD,DISP=SHR
// DD DSN=&IMSHLQ..SDFSRESL,DISP=SHR
//OPTIONS DD *
LIST,XREF,LET,MAP
//SYSLIN DD *
MODE AMODE(31),RMODE(ANY)
INCLUDE SYSLIB(DFSCSI00)
REPLACE DFSCSIF0
INCLUDE SYSLIB(EQATIENT)
ENTRY EQATIENT
ALIAS DFSMSCE0
NAME EQATIENT(R)
/*

```

3. Edit the ZDEBUG.SEQASAMP(EQAOPTS) member and submit it to create the EQAOPTS load module:
 - a. Use Delay Debug in the private IMS message processing regions, with the naming pattern 'USR.<userid>.DLAYDBG.EQAOPTS'.
 - b. Limit each IMS Isolation user to registering for four transactions.

```

//EQAOPTS JOB 5724-T07,MSGLEVEL=(1,1),MSGCLASS=A
/*PROC JCLLIB ORDER=(ASM.SASMSAM1)
// SET GPFLIB=ZDEBUG.SEQASAMP
// SET GPFLMOD=PROD.ZDEBUG.IMSISO.LOADLIB
//*
//ASMGL EXEC ASMACL,REGION=6M,PARM.L='MAP,LET,LIST,XREF,RENT'
//C.SYSLIB DD DSN=&GPFLIB.,DISP=SHR
// DD DSN=SYS1.MACLIB,DISP=SHR
//C.SYSIN DD *
EQAOPTS CSECT ,
EQAOPTS AMODE 31
EQAOPTS RMODE ANY
EQAXOPT DLAYDBGDSN,'USR.&&USERID.DLAYDBG.EQAOPTS'
EQAXOPT MAXTRANUSER,4
EQAXOPT END
END ,
//L.SYSLMOD DD DISP=SHR,DSN=&GPFLMOD.
//L.SYSIN DD *
NAME EQAOPTS(R)
/*

```

4. Place the new data sets in the IMS control region JCL. The following customizations are required:

- a. APF-authorize the customized IMS exit and EQAOPTS load library (PROD.ZDEBUG.IMSISO.LOADLIB).
- b. Add the EQAOPTS load library to the STEPLIB concatenation. Ensure that the library is in the search path before the ZDEBUG.SEQAMOD data set.
- c. Add a new DD card called EQATIVSM for the VSAM data set created in Step 1 (PROD.ZDEBUG.EQATITBL).

```
//IMSACTAM PROC SOUT=A,DPTY='(14,15)',RGN=0M
//IEFPROC EXEC PGM=DFSMVRC0,DPRTY=&DPTY,REGION=&RGN,
// PARM='&CTL,&RGUSUF,&PARM1,&PARM2'
...
//STEPLIB DD DISP=SHR,DSN=PROD.ZDEBUG.IMSISO.LOADLIB b
// DD DISP=SHR,DSN=PROD.ZDEBUG.SEQAMOD
// DD DISP=SHR,DSN=PROD.IMS.LOADLIB
...
//EQATIVSM DD DISP=SHR,DSN=PROD.ZDEBUG.EQATITBL c
...
```

5. As the client uses the DFSMSCEO IMS exit in the development and test environment, one other customization is required to ensure that DFSMSCEO of IBMz/OS Debugger takes the processing of the client exit into account. The client's DFSMSCEO is in PROD.IMSEXIT.LOADLIB.
 - a. Ensure that PROD.IMSEXIT.LOADLIB does not appear in STEPLIB or JOBLIB or that it appears in the search path after the data set containing IBM z/OS Debugger's DFSMSCEO exit, for example, PROD.ZDEBUG.IMSISO.LOADLIB.
 - b. Add a new DD card called EQAIMEXT to identify the client DFSMSCEO exit to IBM z/OS Debugger.

```
//IMSACTAM PROC SOUT=A,DPTY='(14,15)',RGN=0M
//IEFPROC EXEC PGM=DFSMVRC0,DPRTY=&DPTY,REGION=&RGN,
// PARM='&CTL,&RGUSUF,&PARM1,&PARM2'
...
//EQATIVSM DD DISP=SHR,DSN=PROD.ZDEBUG.EQATITBL
//EQAIMEXT DD DISP=SHR,DSN=PROD.IMSEXIT.LOADLIB b
//*
```

6. Start the IMS control region by using the normal process.
7. A RACF administrator uses the following commands to create a new facility for administering IMS Isolation, and gives the IMS administrator, whose ID is ADMINA, READ access:

```
RDEFINE FACILITY EQADTOOL.IMSTRANISOADMIN UACC(NONE)
PERMIT EQADTOOL.IMSTRANISOADMIN CLASS(FACILITY) ID(ADMINA) ACC(READ)
SETROPTS RACLIST(FACILITY) REFRESH
```

Then, the RACF administrator uses the following commands to authorize the EQANBSWT Batch Messaging Program (BMP) to execute the ASSIGN, DISPLAY, START, and STOP IMS commands:

```
ADDUSER EQANBSWT NOPASSWORD DFLTGRP(SYS1)
PERMIT ASS CLASS(CIMS) ID(EQANBSWT) ACC(UPDATE)
PERMIT DIS CLASS(CIMS) ID(EQANBSWT) ACC(UPDATE)
PERMIT STA CLASS(CIMS) ID(EQANBSWT) ACC(UPDATE)
PERMIT STO CLASS(CIMS) ID(EQANBSWT) ACC(UPDATE)
SETROPTS RACLIST(CIMS) REFRESH
```

8. When the control region is started, the IMS administrator needs to access ISPF panel EQAPMPDF by using z/OS Debugger Utilities option 4.6. On this panel, the IMS administrator selects the classes to be reserved for debugging, 131 - 140:

```

+-----+-----+
| IMS debugging preferences                               Row 126 to 150 of 200 |
| Command ==>                                           Scroll ==> PAGE |
|
| IMS system . . . . . IMSA |
|
| Place a / next to the message classes that you would like to |
| reserve for the isolation of debug users in your IMS system. |
|
| Data set name for stage-1 resource definitions: |
|-----|
| Data set name for type-2 commands: |
|-----|
| Data set name for the IMS RESLIB: |
|-----|
|
| Sel Class number |
| - 126 |
| - 127 |
| - 128 |
| - 129 |
| / 130 |
| / 131 |
| / 132 |
| / 133 |
| / 134 |
| / 135 |
| / 136 |
| / 137 |
| / 138 |
| / 139 |
| / 140 |
| - 141 |
| - 142 |
| - 143 |
| - 144 |
| - 145 |
| - 146 |
| - 147 |
| - 148 |
| - 149 |
| - 150 |
|
| F1=Help   F3=Exit   F4=IMSIDlst   F7=Backward   F8=Forward   F12=Cancel |
+-----+-----+

```

- After selecting the classes for debug, the IMS administrator customizes ZDEBUG.SEQASAMP(EQAWICRT) and uses it to generate a data set that contains type-2 commands. These commands can be used to define resources for IMS Isolation.

```

//EQAWICRT JOB
//*
// SET DTHLQ=ZDEBUG
//DELETE EXEC PGM=IDCAMS,REGION=1M
//SYSPRINT DD SYSOUT=*
//SYSIN DD *
DELETE ADMINA.IMSISO.TYPE2
SET MAXCC=0
/*
//CREATE EXEC PGM=EQANICRT,REGION=0M,
// PARM=('READMASK IMSA')
//EQATY2DS DD DSN=ADMINA.IMSISO.TYPE2,
// DISP=(NEW,CATLG,DELETE),
// SPACE=(TRK,(20,20,0),RLSE),
// DCB=(RECFM=FB,LRECL=80,BLKSIZE=0)
//EQATISPT DD SYSOUT=*

```

- Define the following IMS batch message program:

```

APPLCTN  GPSB=EQANBSWT , LANG=ASSEM,PGMTYPE=(BATCH) ,           X
        SCHDTYP=PARALLEL
TRANSACT CODE=(EQANBSWT) ,AOI=TRAN,                             X
        MSGTYPE=(SNGLSEG, NONRESPONSE)

```

- The IMS administrator creates a JCL deck to run the batch IMS SPOC utility (CSLUSPOC) to create the resources needed by IMS Isolation.

```
//SPOCBCH JOB
//BATCH EXEC PGM=CSLUSPOC,PARM='IMSPLEX=PLEX2,F=BYCOL'
//STEPLIB DD DSN=PROD.IMSV14.SDFSRESL,DISP=SHR
//SYSPRINT DD SYSOUT=*
//SYSIN DD DSN=ADMINA.IMSISO.TYPE2,DISP=SHR
```

- The IMS administrator then makes the following ISPF customizations:

- The client keeps all PROCs that are used to create dependent IMS regions in a PROCEDURE library named PROD.IMSV14.PROCLIB. To allow the IMS Isolation Facility to access this library to generate private message regions, the IMS administrator updates ZDEBUG.SEQATLIB(EQAZPROC) to add PROD.IMSV14.PROCLIB:

```
PROD.IMSV14.PROCLIB
SYS1.PROCLIB
```

- The MVS system where IMSA executes has certain rules for jobs submitted to JES. To ensure that private message regions started by IMS Isolation conform to these rules, the IMS administrator updates PROD.ZDEBUG(EQAZDFLT) to specify overrides for various JOB parameters:

```
File Edit Edit_Settings Menu Utilities Compilers Test Help
-----
EDIT          PROD.ZDEBUG(EQAZDFLT)          - 01.06      Columns 000
Command ==>                                     Scroll =
000205 !us5adspc = ;                          ! Override for JOB parm ADDRSPC
000206 !us5bytes = ;                          ! Override for JOB parm BYTES
000207 !us5cards = ;                          ! Override for JOB parm CARDS
000208 !us5ccsid = ;                          ! Override for JOB parm CCSID
000209 !us5class = ;                          ! Override for JOB parm CLASS
000210 !us5cond = ;                           ! Override for JOB parm COND
000211 !us5group = ;                          ! Override for JOB parm GROUP
000212 !us5jeslg = ;                          ! Override for JOB parm JESLOG
000213 !us5lines = ;                          ! Override for JOB parm LINES
000214 !us5melim = ;                          ! Override for JOB parm MEMLIMIT
000215 us5msgcl = A ;                          ! Override for JOB parm MSGCLASS
000216 !us5msglv = ;                          ! Override for JOB parm MSGLEVEL
000217 us5notify = &SYSUID. ;                 ! Override for JOB parm NOTIFY
000218 !us5pages = ;                          ! Override for JOB parm PAGES
000219 !us5paswd = ;                          ! Override for JOB parm PASSWORD
000220 !us5perf = ;                           ! Override for JOB parm PERFORM
000221 !us5prty = ;                           ! Override for JOB parm PRTY
000222 !us5rd = ;                             ! Override for JOB parm RD
000223 !us5regn = ;                           ! Override for JOB parm REGION
000224 !us5rstrt = ;                          ! Override for JOB parm RESTART
000225 !us5seclb = ;                          ! Override for JOB parm SECLABEL
000226 !us5schen = ;                          ! Override for JOB parm SCHENV
000227 !us5sysaf = ;                          ! Override for JOB parm SYSAFF
000228 !us5system = ;                         ! Override for JOB parm SYSTEM
000229 us5time = 1440 ;                       ! Override for JOB parm TIME
000230 !us5typrn = ;                          ! Override for JOB parm TYPRUN
000231 !us5user = ;                           ! Override for JOB parm USER
000232
000233
*****
```

Batch interface for the IMS Transaction Isolation Facility

There is also a batch interface that can be used to perform IMS Transaction Isolation functions. A sample of the batch interface is provided in *hlq.SEQASAMP(EQAWTBCH)*.

The batch interface invokes the program EQANIPSB and passes parameters in the PARM= string on the EXEC JCL statement. The syntax and description of each request is as follows:

CHGLIBS

Set IMS reslib for interface to the target IMS system.

➤ CHGLIBS — ims-id — ims-reslib ➤

CHGMASK

Set the transaction classes that are used for isolation.

➤ CHGMASK — bitmap — ims-id ➤

CHGPLEX

Set the target IMS system's IMSplex name.

➤ CHGPLEX — ims-id — IMSplex-id ➤

REGISTER

Registers a user for a given transaction.

➤ REGISTER — tran-name — psb-name — ims-system — userid — job-name ➤

DEREGISTER

Deregisters a user for a given transaction. This request can also be used to deregister all transactions for the given user ID.

➤ DEREGISTER — tran-name — ims-system — userid —
ALL — ims-system — userid — *

Note: The asterisk (*) is a wild card that matches any user ID. The transactions for all the users are deregistered if the asterisk (*) is used.

START

Register the specified transaction and start a private message region for the specified user. The message region is cloned from a message region that is designated to run the specified transaction.

➤ START — tran-name — psb-name — ims-system — userid — job-name — job-class — profDSN ➤

STOP

Stops a private message region for the specified user. This request can also be used to stop all private message regions for the specified IMS system.

➤ STOP — region-name — ims-system — userid —
ALL — ims-system

FORCE

Stops a private message region for the specified user, even if the region is busy debugging a transaction. The region is marked as stopped in the IMS Isolation table, and is also set to “not busy”.

➤ FORCE — region-name — ims-system — userid ➤

QUERY

Dumps the contents of the in-memory IMS Transaction Isolation table. The classes reserved for IMS Transaction Isolation, the users that are assigned each class, and the transactions the users have registered for each class are displayed.

➤ QUERY — ims-system ➤

TRACE

Dumps the contents of the in-memory IMS Transaction Isolation trace.

➤ TRACE — ims-system ➤

UPDATE MSG

Updates message filtering settings for a transaction.

Configuring the IMS Transaction Isolation Service API for Debug Profile Service

IMS Transaction Isolation Service API is a RESTful API supported by Debug Profile Service.

Before you begin

- Ensure that z/OS Explorer 3.2.0.13 or later and Debug Profile Service are installed and configured, and IMS Transaction Isolation Service API is installed. For more information, see [“Adding support for Debug Profile Service”](#) on page 62.
- IMS Transaction Isolation Service API has a dependency with IMS Transaction Isolation Facility, which must be enabled to operate the API. Both the IMS Transaction Isolation Service API and IMS Transaction Isolation Facility use the same in-memory IMS Transaction Isolation table to perform IMS Isolation functions. Ensure that the IMS Transaction Isolation Facility is enabled:
 - [“Scenario F: Enabling the Transaction Isolation Facility”](#) on page 172
 - [“Sample customization of the IMS Transaction Isolation Facility”](#) on page 176

Notes:

- The IMS Transaction Isolation Service API works by calling the EQANIPSB program to support IMS Isolation functions, and to interface with IMS subsystem. Both IMS Transaction Isolation Service API and EQANIPSB programs must be able to locate the same SEQAMOD driver in order to operate successfully.
The installation provides a sample job called `EQAW.SEQASAMP(EQAPROF)` that sets SEQAMOD in the STEPLIB of the job. Alternatively, SEQAMOD can be added in the system linked-list. Both options enable IMS Transaction Isolation Service API to locate the current EQANIPSB program. However, SEQAMOD must also be set in the `imso_dd_eqatipsb` property defined in `eqaprof.env`. This enables EQANIPSB to locate the current programs that interface with IMS. A discrepancy between SEQAMODs can cause internal errors.
- A private message processing region (MPR) may transition into a Terminated state if the in-memory IMS Transaction Isolation table expected the private region to be Started, but it discovered that it is Stopped. This can occur if the private MPR is stopped or stops unexpectedly by a process external from IMS Isolation, which causes the in-memory IMS Transaction Isolation table to be out-of-sync with the actual state of the private region. A stop request is required to re-sync the in-memory IMS Transaction Isolation table.
- The debug profile `EQAUOPTS` dataset name given to an IMS Isolation Private Region comes from the parameter **default_dsname** defined in the [“eqaprof.env, the Debug Profile Service deployment configuration file”](#) on page 64 (default location: `/etc/debug/`).

Procedure

1. Ensure that the protected user ID (STCEQA) that starts Debug Profile Service (EQAPROF) has READ authority to BPX.DAEMON.HFSCTL:

```
RDEFINE FACILITY BPX.DAEMON.HFSCTL UACC(NONE)
PERMIT BPX.DAEMON.HFSCTL CLASS(FACILITY) ID(STCEQA) ACCESS(READ)
SETROPTS RACLIST(FACILITY) REFRESH
```

2. Customize the following attributes in the [Debug Profile Service configuration file `eqaprof.env`](#):
 - `imsiso_dd_eqatipsb`
 - `imsiso_dd_syslib`
 - `imsiso_dd_sysproc`
 - `imsiso_dd_jcllib`

3. Replace the z/OS Debugger data set names, SEQAMOD, SEQAEXEC, and SEQATLIB with the installed z/OS Debugger data set names, and replace IMS.SDFSRESL with the IMS RESLIB load library for your IMS subsystem.
4. Verify that the `default_dsname` property in the `eqaprof.env` configuration file uses the same dataset profile naming pattern as the [“DLAYDBGDSN” on page 204](#) property defined in the EQAOPTS load module.

Chapter 15. Enabling the EQAUEDAT user exit

The EQAUEDAT user exit enables the library administrator or system programmer to direct z/OS Debugger to the location where source, listing, or separate debug files are stored. If your site policy is to control the location of these files, this user exit supports this policy by allowing your application programmers to debug their programs without knowing where these files are located.

The provided samples are designed to operate only under Language Environment. If you require an exit to run at any time in a non-Language Environment environment, you must write the exit in assembler and replace the CEEENTRY and CEETERM macro invocations with the proper prologue and epilogue code for your environments. If z/OS Debugger detects a Language Environment-enabled EQAUEDAT when Language Environment is not active, the exit will not be started.

z/OS Debugger provides two samples: EQAUEDAT, which is written in Language Environment-enabled assembler, and EQAUEDAC, which is written in Enterprise COBOL for z/OS and OS/390. Both samples generate a load module named EQAUEDAT.

To enable this user exit, do the following steps:

1. Copy either the EQAUEDAT³³ or EQAUEDAC³⁴ member from the *hlq.SEQASAMP* library to a private library.
2. Edit the copy, as instructed in the member. Write the logic required to implement your site policy.

The address of the load library data set name and the length of the load library data set name cannot be provided as input to the EQAUEDAT user exit when the loading service (provider) that loaded the module is LPA, LLA, AOS loader, or an unknown provider because this information is not available when using these loading services.

3. Submit the JCL.
4. Add the private library where the generated EQAUEDAT load module is located to the load module search path for the application that you are debugging and for which you want this site policy enabled, in front of *hlq.SEQAMOD*.

³³ USERMOD EQAUMODF is provided for updating EQAUEDAT. See "SMP/E USERMODs" in the *IBM z/OS Debugger Customization Guide* for an SMP/E USERMOD for this customization.

³⁴ USERMOD EQAUMODJ is provided for updating EQAUEDAC. See "SMP/E USERMODs" in the *IBM z/OS Debugger Customization Guide* for an SMP/E USERMOD for this customization.

Chapter 16. Using EQACUIDF to specify values for NATLANG, LOCALE, and LINECOUNT

Note: This chapter is not applicable to IBM Developer for z/OS (non-Enterprise Edition).

The EQACUIDF member of *hlq*.SEQABMOD contains the default and allowable values for the parameters NATLANG, LOCALE, and LINECOUNT. These values are used by the following z/OS Debugger components:

- IBM z/OS Debugger Utilities ISPF dialogs: NATLANG
- EQANMDBG (non-CICS non-Language Environment support): NATLANG

This topic describes the allowable values for these parameters, how to change the default values, and how to enable additional languages for some z/OS Debugger components.

Changing the default and allowable values in EQACUIDF

The default and allowable values for NATLANG, LOCALE, and LINECOUNT are as follows:

- NATLANG. The national language, which can be one of the following:
 - Mixed-case English (ENU)
 - Uppercase English (UEN)
 - Japanese (JPN)
 - Korean (KOR)

See [“Enabling additional languages for some z/OS Debugger components through EQACUIDF”](#) on page 188 for more information about changing the language for these z/OS Debugger components.

- LOCALE. The format of date, time, and numeric values. You can also create date, time, and numeric formats. The default values are as follows:
 - Date format: MM/DD/YYYY
 - Time format: HH:MM:SS
 - Numeric format: 1,234,567.89
- LINECOUNT. The number of lines (including headings) that print on a page. The default is 66 lines.

If the default values for these parameters are the values that you want to use, you can skip this section.

To change the default values:

1. Copy the EQACUIDF³⁵ member in the *hlq*.SEQASAMP data set into another data set.
2. Follow the instructions that are in the comment sections of the code to modify the copy that you made.
3. Assemble the modified copy by using the IBM High Level Assembler and specifying *hlq*.SEQASAMP as a SYSLIB.
4. Link edit the resulting object into the *private*.SEQABMOD data set.
5. Copy the output load module to *hlq*.SEQABMOD.

Sample JCL is provided in the EQACUIID member of the *hlq*.SEQASAMP data set to perform steps [“3”](#) on page 187 and [“4”](#) on page 187.

The SEQABMOD from this version of z/OS Debugger is compatible with earlier versions of z/OS Debugger. If you have multiple versions of z/OS Debugger installed on your system, you need only the SEQABMOD from this version installed in your system link list concatenation.

³⁵ USERMOD EQAUMOD9 is provided for updating EQACUIDF. See "SMP/E USERMODs" in the *IBM z/OS Debugger Customization Guide* for an SMP/E USERMOD for this customization.

Enabling additional languages for some z/OS Debugger components through EQACUIDF

If you use these components, and have installed either of the additional language features (Japanese or Korean), you must do the following steps to enable the user to specify the additional language feature with the NATLANG parameter.

To change the language to Japanese or Korean:

1. Create a private SEQASAMP data set like *hlq.SEQASAMP*.
2. Create a private SEQABMOD data set like *hlq.SEQABMOD*.
3. Copy members EQACUIDF³⁶, EQACUIDM³⁷, and EQACUIID from *hlq.SEQASAMP* to your private SEQASAMP. Any edits that are described in this section are to be done in the private SEQASAMP copies of these members.
4. Edit the EQACUIDM member and add each additional installed language feature to the line starting with &ValLang(1), using JPN for Japanese, and KOR for Korean. For example, adding Japanese would be done as follows:

```
&ValLang(1) SetC 'ENU','UEN','JPN' Set valid languages
```

5. Edit the EQACUIDF member and add each additional installed language feature after the following line:

```
UEN Language UEN
```

For example:

```
UEN Language UEN  
JPN Language JPN
```

6. If you want to change the default value for NATLANG, edit the EQACUIDF member and change the DfltLang value. For example, making JPN the default for NATLANG would be as follows:

```
EQACUIDF InstDflt DfltLang=JPN, +
```

7. Assemble and link a new copy of EQACUIDF into the private SEQABMOD by editing and submitting the JCL that is supplied in member EQACUIID.
8. Copy the EQACUIDF member from the private SEQABMOD into *hlq.SEQABMOD*.

For more information, see [“Changing the default and allowable values in EQACUIDF” on page 187](#).

³⁶ USERMOD EQAUMOD9 is provided for updating EQACUIDF. See "SMP/E USERMODs" in the *IBM z/OS Debugger Customization Guide* for an SMP/E USERMOD for this customization.

³⁷ USERMOD EQAUMODA is provided for updating EQACUIDM. See "SMP/E USERMODs" in the *IBM z/OS Debugger Customization Guide* for an SMP/E USERMOD for this customization.

Chapter 17. EQAOPTS commands

EQAOPTS commands are commands that alter some of the basic behavior of z/OS Debugger. These commands must be processed before normal z/OS Debugger command processing is available. You can specify most EQAOPTS commands in the following ways:

- Add dynamically at run time, as described in [“Providing EQAOPTS commands at run time”](#) on page 196, a text data set that contains the commands.
- Add to the search sequence, before the copy of EQAOPTS distributed by z/OS Debugger, a customized version of the EQAOPTS load module.

If you want the commands to apply to only a few debugging sessions, it might be easier to supply the EQAOPTS command dynamically at run time. If you want the commands to apply to a group of debugging sessions, it might be better to supply the EQAOPTS commands through the EQAOPTS load module.

Except for commands that can be validly specified more than once (for example, the NAMES commands), if z/OS Debugger finds a command more than once, it uses the first specification of the command. z/OS Debugger processes EQAOPTS commands specified at run time before those specified through the EQAOPTS load module. This means that commands specified at run time override duplicate commands specified in the EQAOPTS load module.

Any or all of the following people can create EQAOPTS specifications:

- The system programmer that installs z/OS Debugger.
- Specific groups in the organization.
- An individual user.

If you are the system programmer or you are creating EQAOPTS specifications for specific groups, you might change the EQAOPTS specifications less frequently, so specifying them by generating a new EQAOPTS load module might be more efficient. If you are an individual user, you might change the EQAOPTS specifications more frequently, so specifying them dynamically at run time might be more efficient.

Table 33 on page 189 summarizes the available EQAOPTS commands and indicates whether a system programmer (S), a specific group (G), or an individual user (U) most commonly uses a command.

Command	Description	Commonly used by
ALTDISP	Controls whether to add a character indicator to the MFI screen to indicate a breakpoint, the current line, or the line with found text.	S, U
BROWSE	Allows users with the authority to use z/OS Debugger in normal mode to restrict their access to Browse Mode.	U
CACHENUM	Controls the size of the z/OS Debugger cache to minimize rereading the debug information.	U, G
CEEREAFTERQDBG	Restarts z/OS Debugger if a CEETEST call is encountered after you use QUIT DEBUG to end a debug session.	S
CICSASMPGMND	Allows users to debug assembler programs on CICS when the language is not defined.	S
CODEPAGE	Controls the codepage used by z/OS Debugger.	U, G, S

Table 33. A brief description of each EQAOPTS command and the type of user most likely to use that command (continued)

Command	Description	Commonly used by
COMMANDSDSN	Specifies the default naming pattern that z/OS Debugger uses to name the user's commands file.	U, G, S
DEFAULTVIEW	Controls the default view of assembler programs.	U, G
DISABLERLIM	Disables Omegamon resource limiting (RLIM) during debug sessions.	S
DLAYDBG	Allows users to use delay debug mode.	U, G, S
DLAYDBGCOND	Specifies monitoring condition events in the delay debug mode.	U, G, S
DLAYDBGDSN	Specifies delay debug profile data set naming pattern.	U, G, S
DLAYDBGTRC	Specifies delay debug pattern match trace message level.	U, G, S
DLAYDBGXRF	Specifies that z/OS Debugger uses a cross reference to find the user ID when z/OS Debugger constructs the delay debug profile data set name. This is used when an IMS transaction or DB/2 stored procedure is initiated from the web or MQ gateway, and thus the transaction is run with a generic ID. z/OS Debugger uses either the cross reference file or the Terminal Interface Manager repository to find the ID of the user who wants to debug the transaction or stored procedure.	U, G, S
DTCNDELETEDEADPROF	Controls the deletion of dead DTCN profiles.	S
DTCNFORCExxxx	Controls whether to require certain fields in DTCN.	S
DYNDEBUG	Controls the initial (default) value of SET DYNDEBUG.	U, G, S
EQAQPP	Enables z/OS Debugger to debug MasterCraft Q++ programs.	U, G, S
EXPLICITDEBUG	Enables explicit debug mode.	U
GPFDSN	Specifies that z/OS Debugger process a global preferences file.	U, G, S
HOSTPORTS	Specifies a host port or range of ports to use for a TCP/IP connection to the workstation for the remote debugger.	S
IGNOREODOLIMIT	Specifies that z/OS Debugger can display COBOL table data items even when an ODO value is out of range.	U, G, S
LDDAUTOLANGX	Controls whether LDD is automatically run on LangX COBOL compile units.	U
LOGDSN	Specifies the default naming pattern that z/OS Debugger uses to name the user's log file.	U, G, S
LOGDSNALLOC	Specifies the allocation parameters that z/OS Debugger uses when it creates the log file.	U, G, S
MAXTRANUSER	Specifies the maximum number of IMS transactions that a single user may register to debug using the IMS Transaction Isolation Facility.	S

Table 33. A brief description of each EQAOPTS command and the type of user most likely to use that command (continued)

Command	Description	Commonly used by
MDBG	Allows users of programs compiled with z/OS XL C/C++ Version 1.10, or later, to indicate whether z/OS Debugger searches for .mdbg files.	U, G
MULTIPROCESS	Controls the behavior of z/OS Debugger when a new POSIX process is created by fork() or exec().	U, G, S
NAMES	Controls whether z/OS Debugger processes or ignores certain load module or compile unit names.	U, G
NODISPLAY	Controls the z/OS Debugger behavior when the display requested by the z/OS Debugger user is not available.	U, G, S
PREFERENCESDSN	Specifies the default naming pattern that z/OS Debugger uses to name the preferences file.	U, G, S
SAVEBPDSN, SAVESETDSN	Specifies the default naming pattern for the data sets used to save and restore the breakpoints and monitors (SAVEBPS) and the settings (SAVESETS).	U, G, S
SAVEBPDSNALLOC, SAVESETDSNALLOC	Specifies the allocation parameters that z/OS Debugger uses when it creates the SAVEBPS and SAVESETS data sets.	U, G, S
SESSIONTIMEOUT	Establishes a timeout for idle z/OS Debugger sessions that use the Terminal Interface Manager. Timed out sessions are canceled after a specified period of no user activity.	S
STARTSTOPMSG	Controls whether to issue a message when each debugging session is initiated or terminated.	S
STARTSTOPMSGDSN	Specifies a message file for start and stop debug session messages.	S
SUBSYS	Specifies a subsystem used by certain library systems.	G, S
SVCSCREEN	Controls whether and how z/OS Debugger uses SVC screening to intercept LOAD and LINK SVC's. This is necessary for debugging non-Language Environment assembler and LangX COBOL programs.	S
TCPIPDATA DSN	Instructs z/OS Debugger to dynamically allocate the specified file-name to the DDNAME SYSTCPD for the TCP/IP connection to the workstation for the remote debugger.	S
THREADTERMCOND	Controls whether z/OS Debugger prompts the user when it encounters a FINISH, enclave termination, or thread termination condition.	U, G
TIMACB	Specifies that the z/OS Debugger Terminal Interface Manager (TIM) use a name other than EQASESSM.	S
END	Specifies the end of a list of EQAOPTS commands. You must specify END.	U, G, S

Use the following list to help you record the commands and value you want to implement:

- EQAXOPT ALTDISP , then select one of the following options:

ON

- OFF
- EQAXOPT BROWSE, then select one of the following options:
 - RACF
 - ON
 - OFF
- EQAXOPT CACHENUM, *number*:_____
- EQAOPTS CEEREACTAFTERQDBG, then select one of the following options:
 - YES
 - NO
- EQAOPTS CICSASMPGMND, then select one of the following options:
 - YES
 - NO
- EQAXOPT CODEPAGE, *code_page_number*:_____
- EQAXOPT COMMANDSDSN, '*file_name_pattern*:_____'
- Append , LOUD if you want z/OS Debugger to display WTO messages, which helps you debug processing done by this command.
- EQAXOPT DEFAULTVIEW, then select one of the following options:
 - STANDARD
 - NOMACGEN
- EQAXOPT DISABLERLIM, then select one of the following options:
 - YES
 - NO
- EQAXOPT DLAYDBG, then select one of the following options:
 - YES
 - NO
- EQAXOPT DLAYDBGCOND, then select one of the following options:
 - YES
 - NO
- EQAXOPT DLAYDBGDSN, '*file_name_pattern*:_____'
- EQAXOPT DLAYDBGTRC, *pattern_match_trace_level*:_____
- EQAXOPT DLAYDBGXRF, then select one of the following options:
 - DSN, '*file_name*:_____'
 - REPOSITORY
- EQAXOPT DTCNDELETEDEADPROF, then select one of the following options:
 - YES
 - NO
- EQAXOPT DTCNFORCECUID, then select one of the following options:
 - YES
 - NO

This option performs the same function as DTCNFORCEPROGID. If you select YES for DTCNFORCEPROGID, you do not need to specify this option.
- EQAXOPT DTCNFORCEIP, then select one of the following options:
 - YES
 - NO

- EQAXOPT DTCNFORCELOADMODID, then select one of the following options:
 - YES
 - NO
- EQAXOPT DTCNFORCENETNAME, then select one of the following options:
 - YES
 - NO
- EQAXOPT DTCNFORCEPROGID, then select one of the following options:
 - YES
 - NO
- EQAXOPT DTCNFORCETERMID, then select one of the following options:
 - YES
 - NO
- EQAXOPT DTCNFORCETRANID, then select one of the following options:
 - YES
 - NO
- EQAXOPT DTCNFORCEUSERID, then select one of the following options:
 - YES
 - NO
- EQAXOPT DYNDEBUG, then select one of the following options:
 - ON
 - OFF
- EQAXOPT EQAQPP, then select one of the following options:
 - ON
 - OFF
- EQAXOPT EXPLICITDEBUG, then select one of the following options:
 - ON
 - OFF
- EQAXOPT GPFDSN, '*file_name*:_____'
- EQAXOPT HOSTPORTS, *range_of_ports*:_____
- EQAXOPT IGNOREODOLIMIT, then select one of the following options:
 - YES
 - NO
- EQAXOPT LDDAUTOLANGX, then select one of the following options:
 - COBOL
 - OFF
- EQAXOPT LOGDSN, '*file_name_pattern*:_____'
- Append , LOUD if you want z/OS Debugger to display WTO messages, which helps you debug processing done by this command.
- EQAXOPT LOGDSNALLOC, *allocation_parameters*:_____
- Append , LOUD if you want z/OS Debugger to display WTO messages, which helps you debug processing done by this command.
- EQAXOPT MAXTRANUSER, *number*:_____
- EQAXOPT MDBG, then select one of the following options:
 - YES

NO

- EQAXOPT MULTIPROCESS, then select one of the following options:

PARENT
CHILD
PROMPT

Select one of the following options to indicate what you want z/OS Debugger to do with a process that executes itself:

EXEC=ANY
EXEC=NONE

- EQAXOPT NAMES, then select one of the following options:

EXCLUDE,LOADMOD,pattern:_____

EXCLUDE,CU,pattern:_____

INCLUDE,LOADMOD,name:_____

INCLUDE,CU,name:_____

- EQAXOPT NODISPLAY, then select one of the following options:

DEFAULT
QUITDEBUG

- EQAXOPT PREFERENCESDSN, 'file_name_pattern:_____'

Append , LOUD if you want z/OS Debugger to display WTO messages, which helps you debug processing done by this command.

- EQAXOPT SAVEBPDSN, 'file_name_pattern:_____'

- EQAXOPT SAVESETDSN, 'file_name_pattern:_____'

- EQAXOPT SAVEBPDSNALLOC, allocation_parameters:_____

Append , LOUD if you want z/OS Debugger to display WTO messages, which helps you debug processing done by this command.

- EQAXOPT SAVESETDSNALLOC, allocation_parameters:_____

Append , LOUD if you want z/OS Debugger to display WTO messages, which helps you debug processing done by this command.

- EQAXOPT SESSIONTIMEOUT, then select one of the following options:

NEVER
QUITDEBUG,hhmmssnn
QUIT,hhmmssnn

- EQAXOPT STARTSTOPMSG, then select one of the following options:

NONE
ALL
CICS
TSO
BATCHTSO
IMS
OTHER

or any of CICS, TSO, BATCHTSO, IMS, and OTHER, or all of them enclosed in parenthesis and separated by commas.

Append , WTO if you want z/OS Debugger to display the messages via WTO.

- EQAXOPT STARTSTOPMSGDSN, 'file_name:_____'

Append , LOUD if you want z/OS Debugger to display WTO messages, which helps you debug processing done by this command.

- EQAXOPT SUBSYS, *subsystem_name*: _____
- EQAXOPT SVCSCREEN, then select one of the following options:
 - ON
 - OFF
 - (OFF, QUIET)

Select one of the following options to indicate what you want z/OS Debugger to do if there is an existing SVC screening environment:

CONFLICT=OVERRIDE
CONFLICT=NOOVERRIDE

Select one of the following options to indicate whether you want z/OS Debugger to temporarily replace the existing SVC screening environment:

NOMERGE
MERGE=(COPE)

- TCPIPDATADSN, *file_name*: _____ '
- EQAXOPT THREADTERMCOND, then select one of the following options:
 - PROMPT
 - NOPROMPT
- EQAXOPT TIMACB, *ACB_name*: _____
- EQAXOPT END Always specify this command.

After you have made all of your selections, define the options as described in [“Creating EQAOPTS load module” on page 197](#).

Format of the EQAOPTS command

When you specify EQAOPTS commands through the EQAOPTS load module, you create them as assembler macro invocations and you must subsequently assemble and link-edit them into the EQAOPTS load module. To provide a consistent format for all forms of EQAOPTS commands, when you specify the EQAOPTS commands at run time, you must use the assembler macro invocation format. The following format rules apply to all EQAOPTS commands:

- EQAOPTS commands must be contained in fixed-length, eighty-byte records.
- The commands must be contained between columns one and seventy-one, with column seventy-two reserved for a continuation indicator. z/OS Debugger ignores columns seventy-three through eighty.
- Specify an asterisk (*) in column one to indicate a comment. z/OS Debugger ignores comments. Column one must be blank for all non-comment statements.
- The op-code for each EQAOPTS statement must be EQAXOPT and must begin in or after column two and followed by at least one blank.
- A list of one or more operands must follow the EQAXOPT op-code. Separate these operands by a comma and do not embed blanks.
- If a command exceeds the length of one line, you can continue the command in one of the following ways:
 - You can end at the comma following an operand and place a non-blank character in column seventy-two.
 - You can use all of the columns through column seventy-one and place a non-blank character in column seventy-two.

In either case, the statement that follows must be blank in columns one through fifteen and begin in column sixteen.

EQAOPTS commands that have equivalent z/OS Debugger commands

Some EQAOPTS commands have equivalent z/OS Debugger commands. [Table 34 on page 196](#) shows a few examples.

EQAOPTS command	z/OS Debugger command
DEFAULTVIEW	SET DEFAULTVIEW
DYNDEBUG	SET DYNDEBUG
EXPLICITDEBUG	SET EXPLICITDEBUG
NAMES	NAMES

For these commands, specifying them as EQAOPTS commands or z/OS Debugger commands produces the same action. The timing (when these commands take effect) differs between EQAOPTS commands and z/OS Debugger commands.

z/OS Debugger processes z/OS Debugger commands after it processes the initial load module and creates the compile units contained in the initial load modules. z/OS Debugger processes EQAOPTS commands during z/OS Debugger initialization, prior to processing the initial load module. This means that when z/OS Debugger processes the initial load module, z/OS Debugger commands like NAMES are not in effect but the corresponding EQAOPTS commands are in effect and are applied to the initial load module.

EQAOPTS commands like DEFAULTVIEW provide a way of specifying a site- or group-wide default for the corresponding z/OS Debugger command. However, a better way to specify a site- or group-wide default for these types of commands is by putting the z/OS Debugger command in a global preferences file.

Providing EQAOPTS commands at run time

You can provide EQAOPTS commands to z/OS Debugger at run time. You must save the commands in a data set with 80-byte, fixed-length records. The following list describes the methods of specifying this data set to z/OS Debugger:

- In CICS, include the EQAOPTS commands through DTCN.
- In UNIX System Services, specify the name of the data set containing the EQAOPTS commands through the EQA_OPTS_DSN environment variable.
- In IMS and Db2, specify the name of the data set containing the EQAOPTS commands in the Language Environment user exit or debug profile by using DTU option 6 or B, Terminal Interface Manager, or the z/OS Debugger Profiles view in the Eclipse IDE or the z/OS Debugger Profiles view provided with Z Open Debug.
- In other environments, specify the name of the data set containing the commands through the EQAOPTS DD statement.

The following example shows what the data set might contain:

```
EQAXOPT MDBG,YES
EQAXOPT NODISPLAY,QUITDEBUG
EQAXOPT NAMES,EXCLUDE,LOADMOD,USERMOD1
EQAXOPT NAMES,EXCLUDE,LOADMOD,USERMOD7
EQAXOPT END
```

The instructions in [“Creating EQAOPTS load module” on page 197](#) contain examples with specifications for CSECT, AMODE, RMODE, and END (without EQAXOPTS) statements. Do not include these specifications if you provide EQAOPTS command at run time.

Example

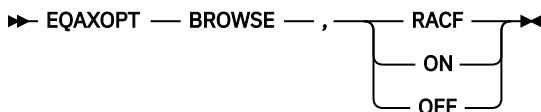
```
EQAXOPT ALTDISP,ON
```

BROWSE

z/OS Debugger browse mode can be controlled by either the browse mode RACF facility, through the EQAOPTS BROWSE command, or both. For a description of how to control browse mode through RACF, see "Debugging in browse mode" in the *IBM z/OS Debugger User's Guide*.

Users who have sufficient RACF authority can specify the EQAOPTS BROWSE command to indicate that the current invocation of z/OS Debugger be in browse mode.

The following diagram describes the syntax of the BROWSE command:



The following list describes the parameters of the EQAOPTS BROWSE command:

RACF

Indicates that you want z/OS Debugger to use the browse mode access as determined by the current user's RACF access to the applicable RACF profile. If you do not specify the BROWSE command, z/OS Debugger defaults to RACF.

ON

Indicates that unless the user's RACF access is NONE, set BROWSE MODE to ON.

OFF

Indicates that if no RACF profile exists or if the user has UPDATE access or higher, set BROWSE MODE to OFF.

Examples

```
EQAXOPT BROWSE,ON  
EQAXOPT BROWSE,RACF
```

CACHENUM

To reduce CPU consumption, z/OS Debugger stores information about the application programs being debugged in a cache. By default, for each debug session, z/OS Debugger stores the information for a maximum of 10 programs. Application programs that do a LINK, LOAD, or XCTL to more than 10 programs can degrade the debugger's CPU performance. You can enhance the debugger's CPU performance for these application programs by specifying an increased CACHENUM value in EQAOPTS. An increased value causes z/OS Debugger to use more storage for each debugging session.

The following diagram describes the syntax of the CACHENUM command:

```
EQAXOPT — CACHENUM — , — cache_value —>
```

cache_value

Specifies the size of the z/OS Debugger cache. It must be no smaller than 10 and no larger than 999.

Example

```
EQAXOPT CACHENUM,40
```

CCSOURCEPATHFIRST

You can specify this command only in Code Coverage.

It describes the search priority for the source. The initial default setting is `CCSOURCEPATHFIRST ON`. If you want to change the initial default setting, use the `CCSOURCEPATHFIRST OFF` command.

The following diagram describes the syntax of the `CCSOURCEPATHFIRST ON/OFF` command.



The following list describes the parameters:

ON

Indicates that the priority for searching source files is defined by the user through z/OS Debugger commands, environment variable or DD name. It overrides the default location.

OFF

Sets the initial default to `CCSOURCEPATHFIRST OFF`.

CEEREACTAFTERQDBG

You can specify this command to restart z/OS Debugger with `CEETEST` after you use `QUIT DEBUG` to end a debug session. You can specify this command only in an `EQAOPTS` load module.

The following diagram describes the syntax of the `CEEREACTAFTERQDBG` command:



The following list describes the parameters of the `EQAOPTS CEEREACTAFTERQDBG` command:

NO

Indicates that you do not want to restart z/OS Debugger if a `CEETEST` call is encountered after you use `QUIT DEBUG` to end a debug session. This parameter is the default setting.

YES

Indicates that you want to restart z/OS Debugger if a `CEETEST` call is encountered after you use `QUIT DEBUG` to end a debug session.

Example

```
EQAXOPT CEEREACTAFTERQDBG,NO
```

```
EQAXOPT CEEREACTAFTERQDBG,YES
```

CICSASMPGMND

You can specify this command only in the `EQAOPTS` load module. It cannot be specified at run time.

Specify the `CICSASMPGMND` command to control whether z/OS Debugger allows debugging assembler programs when the language attribute of the program resource is not defined.

The following diagram describes the syntax:



The following list describes the parameters:

NO

Indicates that you do not want z/OS Debugger to debug assembler programs when the language attribute of the program resource is not defined. This parameter is the default setting.

YES

Indicates that you want z/OS Debugger to debug assembler programs when the language attribute of the program resource is not defined.

Example

```
EQAXOPT CICSASMPGMND,YES
```

```
EQAXOPT CICSASMPGMND,NO
```

CODEPAGE

The default code page used by z/OS Debugger and the remote debuggers is 037. For any of the following situations, you need to use a different code page:

- Application programmers are debugging in remote debug mode and the source or compiler use a code page other than 037.

If your C/C++ source contains square brackets or other special characters, you might need to specify an EQAOPTS CODEPAGE command to override the z/OS Debugger default code page (037). Check the code page specified when you compiled your source. The C/C++ compiler uses a default code page of 1047 if you do not explicitly specify one. If the code page used is 1047 or a code page other than 037, you need to specify an EQAOPTS CODEPAGE command specifying that code page.

- Application programmers are debugging in full screen mode and encounter one of the following situations:

- They use the STORAGE command to update COBOL NATIONAL variables.
- The source is coded in a code page other than 037.

- Application programmers use the XML (CODEPAGE(ccsid)) parameter on a LIST CONTAINER or LIST STORAGE command to specify an alternate code page.

z/OS Debugger uses the z/OS Unicode Services to process characters that need code page conversion.

The following diagram describes the syntax of the CODEPAGE command:

```
➤ EQAXOPT — CODEPAGE — , — nnnn ➤
```

nnnn

A positive integer indicating the code page to use.

After implementing the EQAOPTS CODEPAGE command, if application programmers using full-screen mode still cannot display some characters correctly, have them verify that their emulator's code page matches the code page of the characters they need to display.

You might need to create your own conversion images as described in [“Creating a conversion image for z/OS Debugger”](#) on page 200.

Example

```
EQAXOPT CODEPAGE,121
```

Creating a conversion image for z/OS Debugger

You might need to create a conversion image so that z/OS Debugger can properly transmit characters in a code page other than 037 between the remote debugger and the host. A conversion image contains the following information:

- The conversion table that specifies the source CCSID (Coded Character Set Identifiers) and target CCSID. For z/OS Debugger, specify a pair of conversion images between the host code page and Unicode code page (UTF-8). You can specify the host code page in the CODEPAGE command in the

EQAOPTS data set. The following table shows the images required for CCSIDs 930, 939 (Japanese EBCDIC), 933 (Korean EBCDIC), 1141 (Germany EBCDIC), and 1047 (Latin 1/Open Systems, EBCDIC).

Table 35. Source and target CCSID to specify, depending on the code page command used

CODEPAGE command	Source CCSID	Target CCSID
CODEPAGE,930	1390 ¹	1208 (UTF-8)
	1208	1390 ¹
CODEPAGE,939	1399 ¹	1208 (UTF-8)
	1208	1399 ¹
CODEPAGE,933	933	1208 (UTF-8)
	1208	933
CODEPAGE,1141	1141	1208 (UTF-8)
	1208	1141
CODEPAGE,1047	1047	1208 (UTF-8)
	1208	1047
Note:		
1. For compatibility with earlier versions, 1390 and 1399 are used.		

For each suboption, a pair of conversion images are needed for bidirectional conversion.

- The conversion technique, also called the technique search order. z/OS Debugger uses the technique search order RECLM, which means roundtrip, enforced subset, customized, Language Environment-behavior, and modified language. RECLM is the default technique search order, so you do not have to specify the technique search order in the JCL.

You might need to create a conversion image so that users debugging COBOL programs in full screen or batch mode can modify NATIONAL or UTF-8 variables with the STORAGE command or to properly display C/C++ variables that contain characters in a code page other than 037. To create the conversion image, you need to do the following steps:

1. Ask your system programmer for the host's CCSID.
2. Submit a JCL job that specifies the conversion image between the host CCSID, which you obtained in step “1” on page 201, and CCSID 1200 (UTF-16).

“Example: JCL for generating conversion images” on page 201 describes how one JCL creates the conversion images for both situations.

Example: JCL for generating conversion images

The following JCL generates the conversions images required for z/OS Debugger.

This JCL is a variation of the JCL located at *h1q*. SCUNJCL (CUNJIUTL), which is provided by the Unicode conversion services package.

```
//CUNMIUTL EXEC PGM=CUNMIUTL
//SYSPRINT DD SYSOUT=*
//SYSUDUMP DD SYSOUT=*
//SYSIMG DD DSN=UNI.IMAGES(CUNIMG01),DISP=SHR
//TABIN DD DSN=UNI.SCUNTBLL,DISP=SHR
//SYSIN DD *
/*****
/* Conversion image input for z/OS Debugger in Remote */
/* debug mode */
/*****
CONVERSION 1390,1208; /* IBM-930 to UTF-8,RECLM */
CONVERSION 1208,1390; /* UTF-8 to IBM-930,RECLM */
```

```

CONVERSION 1399,1208; /* IBM-939 to UTF-8,RECLM */
CONVERSION 1208,1399; /* UTF-8 to IBM-939,RECLM */
CONVERSION 933,1208; /* IBM-933 to UTF-8,RECLM */
CONVERSION 1208,933; /* UTF-8 to IBM-933,RECLM */
CONVERSION 1141,1208; /* IBM-1141 to UTF-8,RECLM */
CONVERSION 1208,1141; /* UTF-8 to IBM-1141,RECLM */
CONVERSION 1047,1208; /* IBM-1047 to UTF-8,RECLM */
CONVERSION 1208,1141; /* UTF-8 to IBM-1141,RECLM */
/*****
/* Conversion image input for z/OS Debugger to modify COBOL NATIONAL*/
/* variables with the STORAGE command while in full screen mode */
/*****
CONVERSION 0037,1200; /*IBM-37 to UTF-16,RECLM */
/*

```

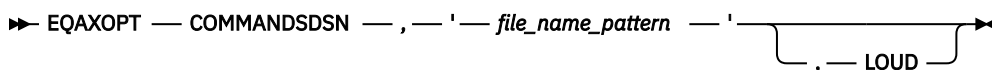
z/OS Debugger uses the character conversion services but not the case conversion or the normalization services of Unicode conversion services. You do not need to include CASE or NORMALIZE control statements unless other applications require them.

COMMANDSDSN

Indicates that you want z/OS Debugger to read a user's commands file (with the name of the data set containing the commands file determined by the specified naming pattern) each time it starts. This works in the following situation:

- You do not specify a data set name or DD name for the user's commands file using any other method; for example, the TEST runtime option.
- You or your site specifies the EQAOPTS COMMANDSDSN command.
- The data set specified by the EQAOPTS COMMANDSDSN command exists and contains a member whose name matches the initial load module name in the first enclave.

The following diagram describes the syntax of the COMMANDSDSN command:



file_name_pattern

Specifies a naming pattern that determines the name of the data set that contains the user's commands file. Follow these guidelines when you create the naming pattern:

- Create a data set name that includes &&USERID. as one of the qualifiers. z/OS Debugger substitutes the user ID of the current user for this qualifier when it determines the name of the data set.
- Specify NULLFILE to indicate you do not want z/OS Debugger to process a commands file.

LOUD

Specifies that z/OS Debugger display WTO messages, which helps you debug processing done by this command. z/OS Debugger normally does not display any messages if it does not find the data set or data set member. If you are trying to determine why z/OS Debugger is not processing a user's commands file, specify LOUD to see if it displays a message that it cannot find the data set or the member.

If you choose to implement this option, users who want to use this function must create the commands file as a PDS or PDSE with the allocation parameters that are described in "Data sets used by z/OS Debugger" in the *IBM z/OS Debugger User's Guide*. Then, users create a member for each program that they want to debug, with the name of the member matching the initial load module name in the first enclave.

Example

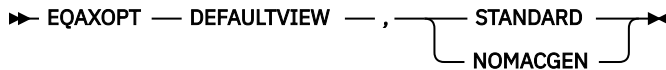
```
EQAXOPT  COMMANDSDSN, '&&USERID.DBGTOOL.COMMANDS'
```

If you log in with user ID USERIBM, z/OS Debugger determines the name of the data set to be USERIBM.DBGTOOL.COMMANDS.

DEFAULTVIEW

A user can control whether to display the statements of an assembler macro in the Source window by entering the SET DEFAULT VIEW command. Every time a LOADDEBUGDATA command is run for an assembler compile unit, z/OS Debugger uses the setting of this command to determine whether to display the macro-generated statements. You can control the initial default for this setting by using the EQAOPTS DEFAULTVIEW command.

The following diagram describes the syntax of the DEFAULTVIEW command:



Each of these fields corresponds to the similar field in the SET DEFAULT VIEW command. If you do not code the EQAOPTS DEFAULTVIEW command, the initial setting for DEFAULTVIEW is STANDARD.

Example

```
EQAXOPT DEFAULTVIEW,NOMACGEN
```

DISABLERLIM

You can specify this command only in the EQAOPTS load module. It cannot be specified at run time.

You can specify this command to control whether or not z/OS Debugger disables Omegamon Resource Limiting (RLIM) during debug sessions in a CICS region.

The following diagram describes the syntax of the DLAYDBG command:



The following list describes the parameters of the DISABLERLIM command:

YES

Indicates that you want z/OS Debugger to disable RLIM processing during debug sessions; this is the default value.

NO

Indicates that you do not want z/OS Debugger to disable RLIM processing.

Example

```
EQAXOPT DISABLERLIM,YES  
EQAXOPT DISABLERLIM,NO
```

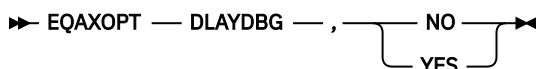
DLAYDBG

You can specify this command only in the EQAOPTS load module. The only exception to this rule is a transaction executing in a private message region under the IMS Transaction Isolation Facility, which accepts this command in EQAOPTS DD as well.

You can specify this command to enable z/OS Debugger to delay the starting of a debug session until z/OS Debugger recognizes a certain program name or C function name (compile unit) (along with an optional load module name).

This command can be used only in the non-CICS environments.

The following diagram describes the syntax of the DLAYDBG command:



The following list describes the parameters of the DLAYDBG command:

NO

Indicates that you do not want delay debug enabled; this is the default value.

YES

Indicates that you want delay debug enabled.

If you choose to implement this option, users who want to use this option must create the delay debug profile as a physical sequential data set by using the option B of the IBM z/OS Debugger Utilities: Delay Debug Profile.

Usage notes

- This command does not support 64-bit programs.

Example

```
EQAXOPT DLAYDBG,NO
EQAXOPT DLAYDBG,YES
```

DLAYDBGEND

You can specify this command only in the EQAOPTS load module. It cannot be specified at run time.

You can use this command to indicate whether you want z/OS Debugger to monitor condition events in the delay debug mode.

This command can be used only in the non-CICS environments.

The following diagram describes the syntax of the DLAYDBGEND command:



The following list describes the parameters of the DLAYDBGEND command:

ALL

Indicates that you want z/OS Debugger to monitor all condition events. This is the default option.

NONE

Indicates that you do not want z/OS Debugger to monitor condition events.

Usage notes

- This command does not support 64-bit programs.

Example

```
EQAXOPT DLAYDBGEND,NONE
```

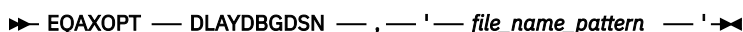
DLAYDBGDSN

You can specify this command only in the EQAOPTS load module. The only exception to this rule is a transaction executing in a private message region under the IMS Transaction Isolation Facility, which accepts this command in EQAOPTS DD as well.

You can specify this command to indicate that you want z/OS Debugger to use the specified naming pattern when it constructs the delay debug profile data set name.

This command can be used only in the non-CICS environments.

The following diagram describes the syntax of the DLAYDBGDSN command:



file_name_pattern

Specifies a naming pattern that determines the name of the data set that contains the delay debug profile. Follow this guideline when you create the naming pattern:

- Create a data set name that includes `&&USERID.` as one of the qualifiers. z/OS Debugger substitutes the user ID of the current user for this qualifier when it determines the name of the data set.

The default naming pattern is `&&USERID.DLAYDBG.EQAUOPTS`.

Usage notes

- This command does not support 64-bit programs.

Example

```
EQAXOPT DLAYDBGDSN, '&&USERID.DLAYDBG.EQAUOPTS' ;
```

DLAYDBGTRC

You can specify this command only in the EQAOPTS load module. The only exception to this rule is a transaction executing in a private message region under the IMS Transaction Isolation Facility, which accepts this command in EQAOPTS DD as well.

You can specify this command to indicate that you want z/OS Debugger to generate trace during the pattern match process in the delay debug mode. z/OS Debugger uses the WTO (write to operator) command to output the trace.

This command can be used only in the non-CICS environments.

The following diagram describes the syntax of the DLAYDBGTRC command:

```
➤ EQAXOPT — DLAYDBGTRC — , — trace_level ➤
```

trace_level

Specifies a trace level that determines the level of traces that z/OS Debugger generates. Valid levels are:

- 0 - no trace message; this is the default value.
- 1 - error and warning messages
- 2 - error, warning, and diagnostic messages
- 3 - error, warning, diagnostic, and internal diagnostic messages

Usage notes

- This command does not support 64-bit programs.

Example

```
EQAXOPT DLAYDBGTRC,2
```

DLAYDBGXRF

You can specify this command only in the EQAOPTS load module. The only exception to this rule is a transaction executing in a private message region under the IMS Transaction Isolation Facility, which accepts this command in EQAOPTS DD as well.

In this section, the term generic ID refers to a user ID that executes a task but is not the ID that debugs the task. Common examples include the user ID associated with a WebSphere® MQ for z/OS trigger monitor, or the user ID that runs a web services-initiated program.

You can use the DLAYDBGXRF command to map a generic ID to a user ID that is obtained from one of the following sources:

DTCNDELETEDEADPROF

You can specify this command only in the EQAOPTS load module. It cannot be specified at run time.

This command controls the deletion of DTCN profiles. A dead profile is a profile whose owner has logged off or disconnected from the CICS region.

DTCN scans its repository for dead profiles from time to time, and on demand when EQADCDEL is called. When a dead profile is found, it deactivates the profile by default. You can specify DTCNDELETEDEADPROF to delete the profile instead. The dead profile is deactivated or deleted by the INACTIVATE or DELETE DTCN function.

The following diagram describes the syntax of the DTCNDELETEDEADPROF command:



NO

Indicates that you want DTCN not to delete the profile. NO is the default option.

YES

Indicates that you want DTCN to delete the profile.

Example

```
EQAXOPT DTCNDELETEDEADPROF ,YES
```

DTCNFORCExxxx

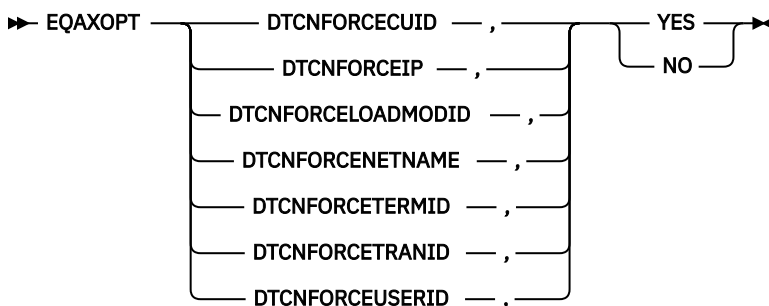
You can specify these commands only in the EQAOPTS load module. You cannot specify them at run time.

If your users create debugging profiles with DTCN, you can use the DTCNFORCExxxx commands to require that certain DTCN fields are not left blank. The following list describes each resource type you can require each user to specify:

- DTCNFORCECUID or DTCNFORCEPROGID, which requires the user to specify the name of a compile unit or compile units.
- DTCNFORCEIP, which requires the user to specify the IP name or address.
- DTCNFORCELOADMODID, which requires the user to specify the name of a load module or load modules.
- DTCNFORCENETNAME, which requires the user to specify the four character name of a CICS terminal or a CICS system.
- DTCNFORCETERMID, which requires the user to specify the CICS terminal.
- DTCNFORCETRANID, which requires the user to specify a transaction ID.
- DTCNFORCEUSERID, which requires the user to specify a user ID.

If any of the statements are not included, the statement defaults to NO.

The following diagram describes the syntax of the DTCNFORCExxxx command:



YES

Indicates that the specified field is required.

NO

Indicates that the specified field is not required.

Examples

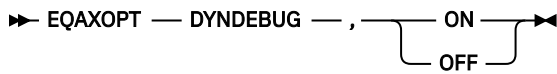
```
EQAXOPT DTCNFORCEUSERID,YES
EQAXOPT DTCNFORCETRANID,NO
```

DYNDEBUG

z/OS Debugger Reference and Messages describes how you use the SET DYNDEBUG command to enable or disable dynamic debug mode in z/OS Debugger.

The initial default setting is DYNDEBUG ON. If you want to change the initial default setting, use the EQAOPTS DYNDEBUG command.

The following diagram describes the syntax of the DYNDEBUG command:

**ON**

Sets the initial default to DYNDEBUG ON.

OFF

Sets the initial default to DYNDEBUG OFF.

Usage notes

- This command does not support 64-bit programs.

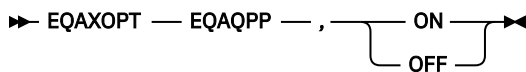
Example

```
EQAXOPT DYNDEBUG,OFF
```

EQAQPP

You must specify this command to enable z/OS Debugger to debug MasterCraft Q++ programs, provided by Tata Consultancy Services Ltd. For more information about how to enable z/OS Debugger to support MasterCraft Q++, contact Tata Consultancy Services Ltd.

The following diagram describes the syntax of the EQAQPP command:

**ON**

Indicates z/OS Debugger supports Q++ debugging.

OFF

Indicates z/OS Debugger does not support Q++ debugging. If you do not specify the EQAQPP command, OFF is the default.

Usage notes

- This command does not support 64-bit programs.

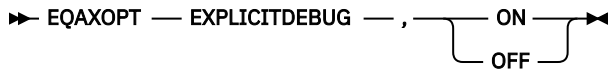
Example

```
EQAXOPT EQAQPP,ON
```

EXPLICITDEBUG

The *IBM z/OS Debugger Reference and Messages* describes how you use the SET EXPLICITDEBUG command to enable explicit debug mode in z/OS Debugger. However, before you can enter the SET EXPLICITDEBUG command, z/OS Debugger has already processed the initial load module and loaded the debug data for the compile units it contains. If you want to enable explicit debug mode prior to processing the initial load module, use the EQAOPTS EXPLICITDEBUG command.

The following diagram describes the syntax of the EXPLICITDEBUG command:



ON

Enables explicit debug mode.

OFF

Disables explicit debug mode. This is the default.

Example

```
EQAXOPT EXPLICITDEBUG,ON
```

GPFDSN

You can create a *global preferences file* that runs a set of z/OS Debugger commands at the start of all z/OS Debugger sessions. For example, a global preferences file can have a command that sets PF keys to specific values. If your site uses the PF6 key as the program exit key, you can specify the SET PF6 "EXIT" = QUIT; command, which assigns the z/OS Debugger QUIT command to the PF6 key, in the global preferences file. (See "Customizing your full-screen session" in the *IBM z/OS Debugger User's Guide* for a description of the interface features you can change.)

Whenever a user starts z/OS Debugger, z/OS Debugger processes the commands in the global preferences file first. The user can also create his or her own preferences file and a commands file. In this situation, z/OS Debugger processes the files in the following order:

1. Global preferences file
2. User preferences file
3. Commands file

To create a global preferences file, do the following steps:

1. Create a preferences file that is stored as a sequential file or a PDS member. Refer to *IBM z/OS Debugger User's Guide* for a description of preferences files.

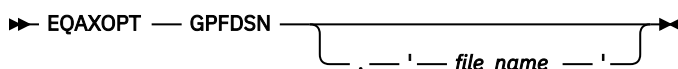
The rules for the preferences file are dependant on the programming language of the first program z/OS Debugger encounters. Because you might not know what programming language z/OS Debugger will encounter first, use the following rules when you create the preferences file:

- Put the commands in columns 8 - 72.
- Do not put line numbers in the file.
- Use COMMENT or /* */ to delimit comments.

2. Specify the GPFDSN command to indicate the name of the global preferences file.

For '*file_name*', specify the name of the data set where the global preferences file will be stored.

The following diagram describes the syntax of the GPFDSN command:



'file_name'

The name of the data set where you stored the global preferences file.

Examples

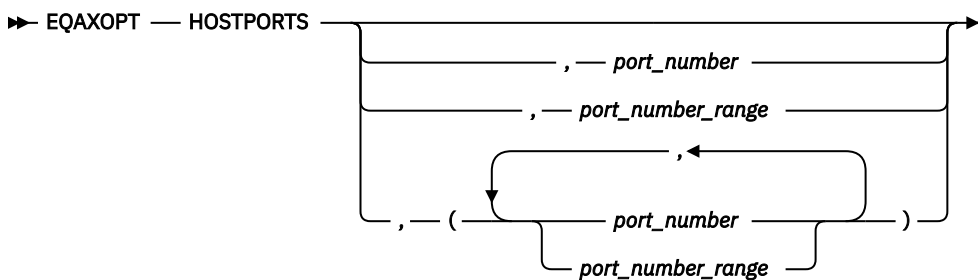
```
EQAXOPT  GPFDNS , 'GROUP1.COMMON.DTOOL.PREFS'  
EQAXOPT  GPFDNS
```

HOSTPORTS

You can specify this command only in the EQAOPTS load module. It cannot be specified at run time. To use this command in the CICS environment, you must be using the TCP/IP Socket Interface for CICS. For instructions on activating the TCP/IP Socket Interface for CICS, see the z/OS Communications Server *IP CICS Sockets Guide*.

You can use this command to specify a host port or range of ports for a TCP/IP connection from the host to a workstation when using remote debug mode.

The following diagram describes the syntax of the HOSTPORTS command:



port_number

A positive integer (1-32767) identifying a TCP/IP port number.

port_number_range

The first and last *port_number* identifying a range of port numbers, separated by a hyphen (-).

Examples

```
EQAXOPT  HOSTPORTS , 29500-30499  
EQAXOPT  HOSTPORTS , (29500-30499 , 31500-32499)
```

IGNOREODOLIMIT

This command tells z/OS Debugger to display COBOL table data items even when an ODO value is out of range, and to suppress the following messages:

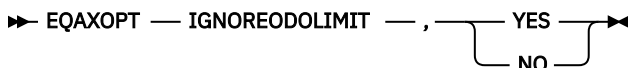
MFI and batch:

EQA1471E Incorrect value for ODO variable data item

Remote:

EQA2377E Invalid data.

The following diagram describes the syntax of the IGNOREODOLIMIT command:



YES

Indicates that z/OS Debugger should display the requested table data item even when an ODO value is out of range, and to suppress issuing EQA1471E or EQA2377E.

NO

Indicates that z/OS Debugger should not display the requested table data item when an ODO value is out of range, and to issue EQA1471E or EQA2377E.

Examples

```
EQAXOPT IGNOREODOLIMIT,YES  
EQAXOPT IGNOREODOLIMIT,NO
```

Notes:

- The default setting is NO.
- IGNOREODOLIMIT only affects the behaviour of z/OS Debugger if the compilation unit was compiled with one of the following compilers:
 - COBOL for OS/390 & VM Version 2 (5648-A25)
 - Enterprise COBOL for z/OS and OS/390 Version 3 (5655-G53)
 - Enterprise COBOL for z/OS Version 4 (5655-S71)
- IGNOREODOLIMIT is ignored for LangX COBOL.

IMSISOORIGPSB

Note: This command is deprecated. It is accepted for compatibility but has no effect. The original PSB is always preserved.

You can specify this command only in the EQAOPTS load module. It cannot be specified at run time. For the command to take effect, the EQAOPTS load module that contains it must be in the search path of the IMS control region.

This command instructs the IMS Transaction Isolation Facility to preserve the original PSB of the transaction when a message is routed to a private message processing region.

For example, if you register to debug conversational transaction IVTCB, and the private message class 121 is assigned to you, a message routed to your private message processing region will be sent to transaction EQAC1211. Ordinarily, the PSB name for EQAC1211 is EQAT1211. With IMSISOORIGPSB in effect, EQAC1211 is changed to associate the PSB name with IVTCB, DFSIVP34.

The following diagram describes the syntax of the IMSISOORIGPSB command:



YES

Indicates that you want IMS Isolation to preserve the original PSB of the transaction when a message is routed to a private message. IMS Transaction Isolation bypasses its normal operations for bringing up the transaction under the control of the debugger. Therefore, the debugger starts only for Language Environment-enabled programs.

NO

Indicates that you want IMS Isolation not to preserve the original PSB of the transaction when a message is routed to a private message. **NO** is the default setting.

LDDAUTOLANGX

This command controls whether LDD is automatically run on LangX COBOL compile units. The default setting is OFF. The LDDAUTOLANGX command is incompatible with the EXPLICITDEBUG command and is ignored if EXPLICITDEBUG is set to ON.

If there are many LangX COBOL compile units, or if the debug data is large for some of the LangX COBOL compile units, LDDAUTOLANGX might slow down the performance or cause the debugger to run out of storage. To mitigate this, the EQAOPTS NAMES command can be used to control which compile units

to load the debug data for. For CICS programs, the SET IGNORELINK command can be used to avoid loading debug data for programs in new enclaves.

The following diagram describes the syntax:



The following list describes the parameters:

COBOL

Indicates that the LDD command is automatically run on all LangX COBOL compile units.

OFF

Indicates that the LDD command is not automatically run on LangX COBOL compile units. This parameter is the default setting.

Example

```
EQAXOPT LDDAUTOLANGX, COBOL
```

```
EQAXOPT LDDAUTOLANGX, OFF
```

LOGDSN

By default, z/OS Debugger handles the log file data set in one of the following ways:

- In a non-CICS environment, when z/OS Debugger starts in batch mode or full-screen mode, and you allocate the INSPLOG DD name, z/OS Debugger runs the command SET LOG ON FILE INSPLOG OLD and starts writing the log to INSPLOG.
- In a CICS environment, when z/OS Debugger starts in full-screen mode, it runs the command SET LOG OFF. If you want a log file, you run the command SET LONG ON FILE *fileid* OLD and z/OS Debugger starts writing the log to *fileid*.

LOGDSN allows a site or a user to specify the default data set name for the log file. If you specify the LOGDSN command, z/OS Debugger handles the log file in the following way:

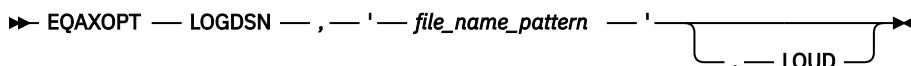
- In a non-CICS environment, when z/OS Debugger starts in batch mode or full-screen mode, and you allocate the INSPLOG DD name, z/OS Debugger runs the command SET LOG ON FILE INSPLOG OLD and starts writing the log to INSPLOG . This behavior remains the same.
- In a non-CICS environment, when z/OS Debugger starts in full-screen mode, if you do not allocate the INSPLOG DD name, z/OS Debugger runs the command SET LOG ON FILE *fileid* OLD and starts writing the log to the data set specified in the LOGDSN command.
- In CICS, when z/OS Debugger starts in full-screen mode, it runs the command SET LOG ON FILE *fileid* OLD and starts writing the log to the data set specified in the LOGDSN command.

This allows a user to always write the log file to a data set, whether in CICS or not, and without having to pre-allocate the log file data set.

For instructions on how to specify the allocation parameters for automatically creating the data set, see “LOGDSNALLOC” on page 213. Use the EQAOPTS LOGDSN and LOGDSNALLOC commands to help a new z/OS Debugger user automatically create and write to the log file.

If you are an existing z/OS Debugger user that uses a SAVESETS data set, and you or your site specify the EQAOPTS commands LOGDSN and LOGDSNALLOC, then the SAVESETS data set contains a SET LOG command that overrides the EQAOPTS command LOGDSN.

The following diagram describes the syntax of the LOGDSN command:



file_name_pattern

Specifies a naming pattern that determines the name of the data set that contains the log file. Follow these guidelines when you create the naming pattern:

- Create a data set name that includes &&USERID. as one of the qualifiers. z/OS Debugger substitutes the user ID of the current user for this qualifier when it determines the name of the data set.
- Specify NULLFILE to indicate you do not want z/OS Debugger to write to a log file.

LOUD

Specifies that z/OS Debugger display WTO messages, which helps you debug processing done by this command. z/OS Debugger normally does not display any messages if it does not find the data set. If you are trying to determine why z/OS Debugger is not writing to this log file, specify LOUD to see if it displays any messages.

If you choose to implement this option, users who want to use the EQAOPTS LOGDSN command must create a log file in one of the following ways:

- Instruct z/OS Debugger to create the log file by specifying the EQAOPTS LOGDSNALLOC command, as described in “LOGDSNALLOC” on page 213.
- Create the log file manually with the allocation parameters that are described in "Data sets used by z/OS Debugger" in the *IBM z/OS Debugger User's Guide* .

Example

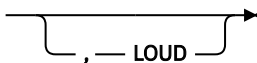
```
EQAXOPT LOGDSN, '&&USERID.DBGTOOL.LOG'
```

If you log in with user ID USERIBM, z/OS Debugger determines the name of the data set to be USERIBM.DBGTOOL.LOG.

LOGDSNALLOC

Indicates that you want z/OS Debugger to create the log file data set specified by EQAOPTS LOGDSN command if it does not exist. You specify the EQAOPTS LOGDSNALLOC command with the corresponding allocation parameters for the data set, which z/OS Debugger uses when it creates the data set.

The following diagram describes the syntax of the LOGDSNALLOC command:

►► EQAXOPT — LOGDSNALLOC — , — ' — *allocation_parms* — ' — 

allocation_parms

Specifies the allocation parameters you want z/OS Debugger to use when it creates the data set. You can specify only the keys in the following list:

- BLKSIZE
- BLOCK
- CYL
- DATACLAS
- DIR
- DSNTYPE
- DSORG
- LRECL
- MGMTCLAS
- RECFM
- SPACE
- STORCLAS

Example

```
EQAXOPT MDBG, YES
```

MULTIPROCESS

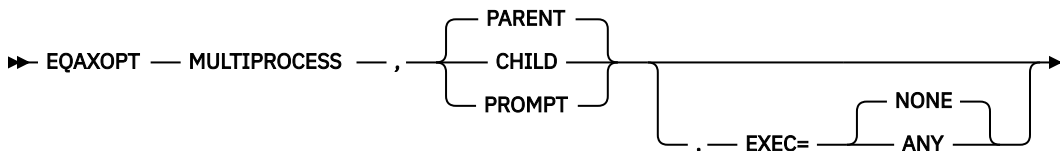
Controls the behavior of z/OS Debugger when a new POSIX process is created by a `fork()` or `exec()` function in the application.

With the `MULTIPROCESS` command, you can instruct z/OS Debugger to perform any of the following tasks when a new POSIX process is created:

- Continue debugging the current process. The current process is also referred to as the PARENT process.
- Stop debugging the current process and start debugging the newly created process. The newly created process is also referred to as the CHILD process.
- Prompt you to decide whether to follow the PARENT or CHILD process.

Note: The `MULTIPROCESS` command applies only to remote debug mode.

The following diagram describes the syntax of the `MULTIPROCESS` command:



The following list describes the parameters of the `MULTIPROCESS` command:

PARENT

Indicates that z/OS Debugger continues with the current debug session; that is, z/OS Debugger follows the PARENT process.

CHILD

Indicates that z/OS Debugger stops debugging the current process and starts debugging the newly created process; that is, z/OS Debugger follows the CHILD process.

PROMPT

Indicates that the remote debug GUI prompts you to decide whether to follow the PARENT or CHILD process.

EXEC=ANY

Indicates that z/OS Debugger debugs any process that is reinitialized by the `exec()` function.

EXEC=NONE

Indicates that z/OS Debugger does not debug a process that is reinitialized by the `exec()` function. If you do not specify the `EXEC` option, the default setting is `EXEC=NONE`.

Examples

- Specify that z/OS Debugger follows the PARENT process and debugs the new process that is created by the `exec()` function.

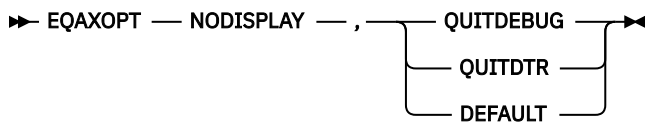
```
EQAXOPT MULTIPROCESS, PARENT, EXEC=ANY
```

- Specify that z/OS Debugger follows the CHILD process and does not debug the new process that is created by the `exec()` function.

```
EQAXOPT MULTIPROCESS, CHILD, EXEC=NONE
```

- Specify that you are prompted to choose whether to follow the PARENT or CHILD process and z/OS Debugger does not debug the new process that is created by the `exec()` function.

```
EQAXOPT MULTIPROCESS, PROMPT
```

DEFAULT

z/OS Debugger follows the default behavior.

QUITDEBUG

z/OS Debugger displays a message that indicates that z/OS Debugger will quit, and that the user interface could not be used. z/OS Debugger processing continues as if the user entered a QUIT DEBUG command. IBM Dynamic Test Engine will not do any recording or replay.

QUITDTR

IBM Dynamic Test Engine will not do any recording or replay. z/OS Debugger follows the remaining default behavior.

Example

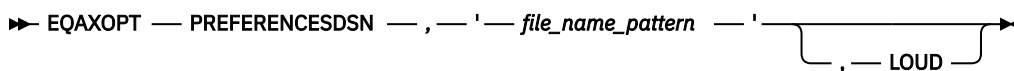
```
EQAXOPT NODISPLAY,QUITDEBUG
```

PREFERENCESDSN

Indicates that you want z/OS Debugger to read a user's preferences file (with the name of the data set containing the preferences file determined by the specified naming pattern) each time it starts. This works in the following situation:

- You do not specify a data set name or DD name for the user's preferences file using any other method; for example, the TEST runtime option.
- In a non-CICS environment, you do not allocate ISPPREF DD.
- You or your site specifies the PREFERENCESDSN command.
- The data set specified by the PREFERENCESDSN command exists.

The following diagram describes the syntax of the PREFERENCESDSN command:



file_name_pattern

Specifies a naming pattern that determines the name of the data set that contains the preferences file. Follow these guidelines when you create the naming pattern:

- Create a data set name that includes &&USERID. as one of the qualifiers. z/OS Debugger substitutes the user ID of the current user for this qualifier when it determines the name of the data set.
- Specify NULLFILE to indicate you do not want z/OS Debugger to process a preferences file.

LOUD

Specifies that z/OS Debugger display WTO messages, which helps you debug processing done by this command. z/OS Debugger normally does not display any messages if it does not find the data set. If you are trying to determine why z/OS Debugger is not processing your preferences file, specify LOUD to see if it displays any messages about not finding the data set.

If you choose to implement this option, users who want to use this function must create the preferences file as a sequential data set with the allocation parameters that are described in "Data sets used by z/OS Debugger" in the *IBM z/OS Debugger User's Guide*.

Example

```
EQAXOPT PREFERENCESDSN, '&&USERID.DBGT00L.PREFS'
```

If you log in with user ID USERIBM, z/OS Debugger determines the name of the data set to be USERIBM.DBGTOOL.PREFS.

SAVEBPDSN, SAVESETDSN

You can modify the default names of the data sets used to save and restore settings and breakpoints, monitor values, and LOADDEBUGDATA (LDD) specifications. The following list describes the initial default names:

- For settings: *userid*.DBGTOOL.SAVESETS
- For breakpoints, monitor values, and LOADDEBUGDATA (LDD) specifications: *userid*.DBGTOOL.SAVEBPS

To change the default name for either or both of these data sets, you need to specify the EQAOPTS SAVESETDSN and SAVEBPDSN commands, along with a corresponding naming pattern for the data set.

The following diagram describes the syntax of the SAVESETDSN and SAVEBPDSN commands:



file_name_pattern

Specifies a naming pattern for the data set that stores this information.

In most environments, you should choose one of the following rules for the naming pattern:

- Any data set name that includes &&USERID. as one of the qualifiers. z/OS Debugger substitutes the user ID of the current user for this qualifier when it creates the data set.
- A DD name (Reminder: DD names are not supported under CICS)
- The string NULLFILE to indicate that saving and restoring this information is not supported

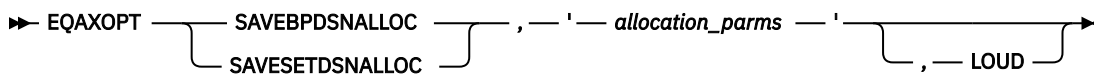
Examples

```
EQAXOPT SAVESETDSN, 'CICS.DTDATA.&&USERID.SAVSET'
EQAXOPT SAVEBPDSN, '&&USERID.USERDATA.DTOOL.SAVBPMON';
```

SAVESETDSNALLOC, SAVEBPDSNALLOC

Indicates that you want z/OS Debugger to create the data sets for SAVESETS, SAVEBPS, or both (specified by EQAOPTS SAVESETDSN or SAVEBPDSN commands) if they do not exist. You specify the EQAOPTS SAVESETDSNALLOC and SAVEBPDSNALLOC commands with the corresponding allocation parameters for the data sets, which z/OS Debugger uses when it creates the data sets. After creating each data set, z/OS Debugger runs commands that save the information (settings, breakpoints, monitors, preferences, and LDD specifications) in the corresponding data set.

The following diagram describes the syntax of the SAVEBPDSNALLOC and SAVESETDSNALLOC commands:



allocation_parms

Specifies the allocation parameters you want z/OS Debugger to use when it creates the data set. You can specify only the keys in the following list:

- BLKSIZE
- BLOCK
- CYL
- DATACLAS

- DIR
- DSNTYPE
- DSORG
- LRECL
- MGMTCLAS
- RECFM
- SPACE
- STORCLAS
- TRACKS
- UNIT
- VOL

Separate the keys by one or more blanks. z/OS Debugger does not provide defaults for any of the keys.

For information on the format of the keys, see the chapter "BPXWDYN: a text interface to dynamic allocation and dynamic output" in the *z/OS Using REXX and z/OS UNIX System Services* manual. Specify that the data set be sequential for SAVESETS; a PDS or PDSE for SAVEBPS. To learn about other formatting rules for these files, see "Data sets used by z/OS Debugger" of the *IBM z/OS Debugger User's Guide*.

LOUD

Specifies that z/OS Debugger display WTO messages, which helps you debug processing done by this command. z/OS Debugger normally does not display any messages when it creates these data sets. If you are trying to determine why the data sets were not created, specify LOUD to view any messages.

z/OS Debugger does the following tasks when you specify these commands:

1. If you specified the SAVESETDSNALLOC command, it creates the SAVESETS data set.
2. If it creates the SAVESETS data set successfully, it runs the following commands:

```
SET SAVE SETTINGS AUTO;
SET RESTORES SETTINGS AUTO;
```

If it did not create the SAVESETS data set successfully, it skips the rest of these steps and does the next processing task.

3. If you specified the SAVEBPDSNALLOC command, it creates the SAVEBPS data set.
4. If it creates the SAVEBPS data set successfully, it runs the following commands:

```
SET SAVE BPS AUTO;
SET SAVE MONITORS AUTO;
SET RESTORE BPS AUTO;
SET RESTORE MONITORS AUTO;
```

In a CICS environment, review the performance implications discussed in the "Performance considerations in multi-enclave environments" section of the "Using full-screen mode: overview" topic in the *IBM z/OS Debugger User's Guide* before choosing to implement the SAVEBPDSNALLOC command. If you think the performance implications might adversely affect your site, do not implement the SAVEBPDSNALLOC command in the EQAOPTS for CICS.

Example

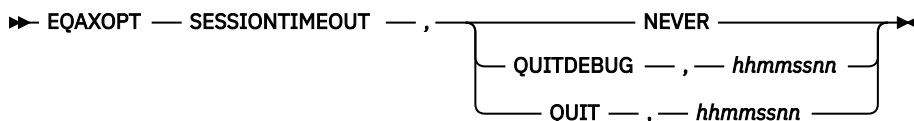
```
EQAXOPT  SAVESETDSNALLOC,'MGMTCLAS(STANDARD) STORCLAS(DEFAULT) +
LRECL(3204) BLKSIZE(0) RECFM(V,B) DSORG(PS) SPACE(2,2) +
TRACKS'
EQAXOPT  SAVEBPDSNALLOC,'MGMTCLAS(STANDARD) STORCLAS(DEFAULT) +
LRECL(3204) BLKSIZE(0) RECFM(V,B) DSORG(PO) +
DSNTYPE(LIBRARY) SPACE(1,3) CYL'
```

SESSIONTIMEOUT

You can specify this command only in the EQAOPTS load module. It cannot be specified at run time.

You can establish a timeout for idle z/OS Debugger sessions that use the Terminal Interface Manager. Timed out sessions are canceled after a specified period of no user activity.

The following diagram describes the syntax of the SESSIONTIMEOUT command:



NEVER

No timeout is enforced. Unattended sessions will not be canceled.

QUITDEBUG, *hhmssnn*

Sessions left unattended for the specified time interval will be canceled, and the process being debugged will proceed as though the QUIT DEBUG command had been entered.

The time interval is expressed as *hhmssnn*, where

- *hh* is the number of hours,
- *mm* is the number of minutes,
- *ss* is the number of seconds,
- *nn* is the number of hundredths of seconds.

QUIT, *hhmssnn*

Sessions left unattended for the specified time interval will be canceled, and the process being debugged will be terminated with a U4038 abend, as though the QUIT ABEND command had been entered.

The time interval is expressed as *hhmssnn*, where

- *hh* is the number of hours,
- *mm* is the number of minutes,
- *ss* is the number of seconds,
- *nn* is the number of hundredths of seconds.

If the command is not specified in the EQAOPTS load module, the default behavior is "NEVER", which means that any full-screen mode session using Terminal Interface Manager left unattended will not be canceled.

Example

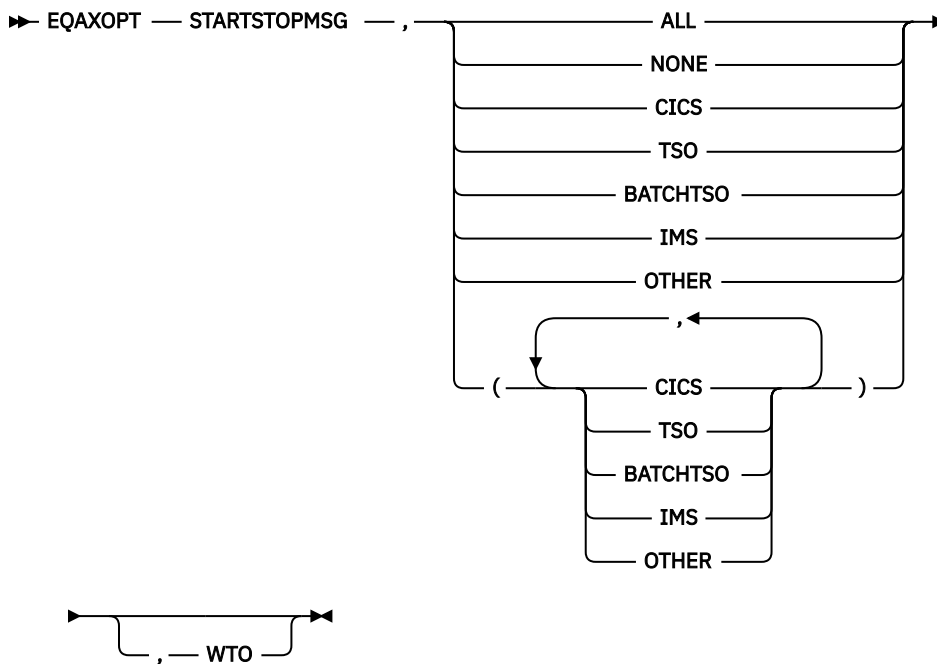
To specify a timeout interval of 1 hour and allow the debugged process to proceed after the debug session is canceled, enter the following EQAOPTS command:

```
EQAXOPT SESSIONTIMEOUT,QUITDEBUG,01000000
```

STARTSTOPMSG

This command controls whether to issue a message when each debugging session is initiated or terminated. By default, these messages are not issued.

The following diagram describes the syntax of the STARTSTOPMSG command:



The following list describes the parameters of the STARTSTOPMSG command:

ALL

Indicates that the start/stop messages should be written in all environments.

NONE

Indicates that no start/stop messages should be written. If you do not specify EQAOPTS STARTSTOPMSG, the default option is NONE.

CICS

Indicates that the start/stop messages should be written in the CICS environment.

TSO

Indicates that the start/stop messages should be written in the TSO environment.

BATCHTSO

Indicates that the start/stop messages should be written in the BATCH TSO environment.

IMS

Indicates that the start/stop messages should be written when running under IMS. In addition, an informational message that contains the IMS system ID, region ID, and transaction ID is written.

OTHER

Indicates that the start/stop messages should be written in all other environments, such as MVS batch.

WTO

Indicates that the start/stop messages should be written to the system log using a WTO.

Examples

```
EQAXOPT STARTSTOPMSG,ALL,WTO
EQAXOPT STARTSTOPMSG,(TSO,OTHER),WTO
```

STARTSTOPMSGDSN

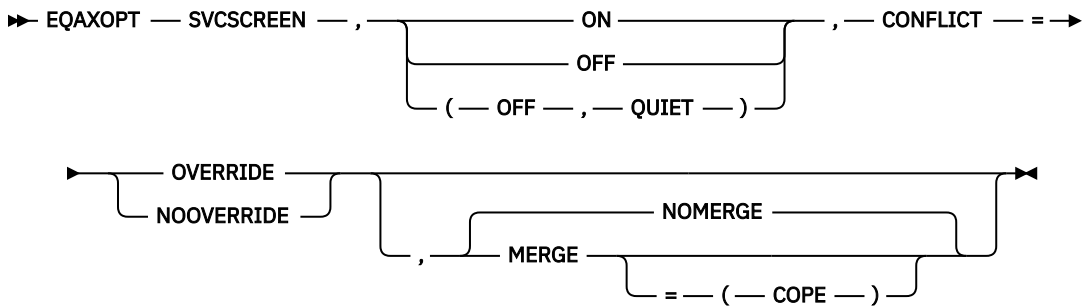
You can specify this command only in the EQAOPTS load module. It cannot be specified at run time.

You can use this command to indicate that you want z/OS Debugger to write a message in the message file when the debug session is started and stopped.

The following diagram describes the syntax of the STARTSTOPMSGDSN command:

- Run z/OS Debugger when debugging LangX COBOL programs.
- Run z/OS Debugger when you need to detect services such as MVS LINK, LOAD and DELETE.
- Run z/OS Debugger when you debug subtasks within a multi-tasked application, where subtasks are started by using the ATTACH assembler macro.
- Run z/OS Debugger in a situation that requires SVC screening and SVC screening is already in use by a program with which z/OS Debugger supports MERGE SVC screening as described by the MERGE operand that follows.

The following diagram describes the syntax of the SVCSCREEN command:



ON

Indicates that you want z/OS Debugger to use SVC screening in order to support MVS LOAD, DELETE, and LINK SVCs.

OFF

Indicates that you want z/OS Debugger to not use SVC screening. z/OS Debugger will not know about programs started through MVS LOAD, DELETE, and LINK SVCs. If you start z/OS Debugger by using the EQANMDBG program, the OFF setting is ignored.

QUIET

Suppresses message EQA2458I, which is written to the z/OS Debugger log when SVC screening is disabled by default.

CONFLICT=

Specifies what you want z/OS Debugger to do when ON is specified or defaulted and SVC screening is already used by another program.

OVERRIDE

Indicates that you want z/OS Debugger to override the current SVC screening and take control of SVC screening.

NOOVERRIDE

Indicates that if SVC screening is already in use, z/OS Debugger does not initiate SVC screening and proceeds as if OFF were specified.

NOMERGE

Indicates that SVC screening is not to be merged with SVC screening used by any other product. NOMERGE is the default.

MERGE

Indicates that when SVC screening is already being used by another program when z/OS Debugger starts, z/OS Debugger saves the current SVC screening environment, then enables SVC screening for both z/OS Debugger and the other program. When z/OS Debugger terminates, it restores the original SVC screening environment.

Currently, z/OS Debugger supports the MERGE command with only one other program: COPE.

If you specify the MERGE command and z/OS Debugger does not recognize the program that is using the SVC screening, the MERGE command is ignored and z/OS Debugger starts based on the value of the CONFLICT option.

MERGE=(COPE)

If COPE is active, z/OS Debugger saves the current SVC screening environment, then enables SVC screening for both z/OS Debugger and COPE. When z/OS Debugger terminates, it restores COPE's SVC screening environment.

If COPE is not active, z/OS Debugger starts based on the value of the CONFLICT option.

The default parameters for the EQAOPTS SVCSCREEN command is one of the following situations:

- If z/OS Debugger is started by using the EQANMDBG program:
SVCSCREEN, ON, CONFLICT=NOOVERRIDE, NOMERGE
- If z/OS Debugger is started by any other method:
SVCSCREEN, OFF, CONFLICT=NOOVERRIDE, NOMERGE

Use [Table 36 on page 224](#) as a guide to select the appropriate suboptions.

Usage notes

- This command does not support 64-bit programs.

Example

```
EQAXOPT SVCSCREEN,ON,CONFLICT=OVERRIDE,NOMERGE
EQAXOPT SVCSCREEN,OFF,CONFLICT=NOOVERRIDE,NOMERGE
```

Combinations of suboptions for the EQAOPTS SVCSCREEN command

The following table shows examples of combinations of suboptions for the EQAOPTS SVCSCREEN command:

SVSCREEN options	Type of z/OS Debugger session	Action
OFF, CONFLICT=NOOVERRIDE (default)	z/OS Debugger started by using EQANMDBG	Same as for ON, CONFLICT=NOOVERRIDE.
	z/OS Debugger started by any other method	<ul style="list-style-type: none">• z/OS Debugger does not enable its SVC screening.• You cannot debug programs that do not run in Language Environment which were started by programs that do run in Language Environment.• z/OS Debugger does not detect the MVS services LINK, LOAD and DELETE.• The CONFLICT setting is ignored when the OFF setting is specified.
OFF, CONFLICT=OVERRIDE	z/OS Debugger started by using EQANMDBG	Same as for ON, CONFLICT=OVERRIDE.
	z/OS Debugger started by any other method	Same as for OFF, CONFLICT=NOOVERRIDE. The CONFLICT setting is ignored when the OFF setting is specified.

Table 36. Combination of SVSCREEN options and their effects (continued)

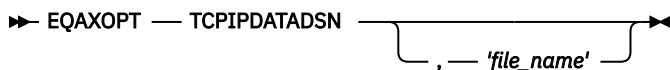
SVSCREEN options	Type of z/OS Debugger session	Action
ON, CONFLICT=NOOVERRIDE	z/OS Debugger started by using EQANMDBG	If SVC screening is active, z/OS Debugger terminates. If SVC screening is not active, z/OS Debugger enables its SVC screening, runs the debugging session, and disables its SVC screening after the debugging session ends.
	z/OS Debugger started by any other method	If SVC screening is active, z/OS Debugger does not enable its SVC screening. You cannot debug programs that do not run in Language Environment which were started by programs that do run in Language Environment. z/OS Debugger does not detect the MVS services LINK, LOAD and DELETE. If SVC screening is not active, z/OS Debugger enables its SVC screening, runs the debugging session, and disables its SVC screening after the debugging session ends.
ON, CONFLICT=OVERRIDE	z/OS Debugger started by using EQANMDBG	If any SVC screening is active and the NOMERGE option is in effect, z/OS Debugger overrides the existing SVC screening. This is also the default behavior. z/OS Debugger enables its SVC screening, runs the debugging session, and disables its SVC screening after the debugging session ends. If any SVC screening was active, z/OS Debugger restores the previous SVC screening. If you specify the MERGE option, see the following information about MERGE.
	z/OS Debugger started by any other method	

TCPIP DATASN

You can specify this command only in the EQAOPTS load module. It cannot be specified at run time.

You can use this command to instruct z/OS Debugger to dynamically allocate the specified *'file_name'* to DDNAME SYSTCPD (if SYSTCPD is not already allocated). This provides the data set name for TCPIP.DATA when no GLOBALTCPIPDATA statement is configured in the system TCP/IP options.

The following diagram describes the syntax of the TCPIP DATASN command:

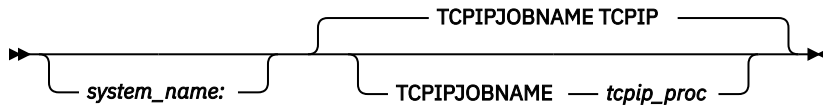


Examples

```
EQAXOPT TCPIP DATASD, 'SYS2.TCPIP.DATA'
```

```
EQAXOPT TCPIP DATASD, 'SYS2.TCPIP.PARMLIB(TCPDATA)'
```

If you want to use an alternative TCP/IP stack, you can add an entry to the specified `TCPIP . DATA` dataset with a `TCPIPJOBNAME` statement.



Example

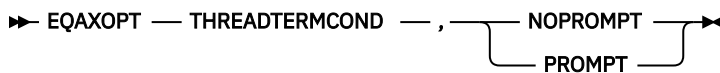
To specify `TCPIPA` as the name of the procedure that was used to start the TCP/IP address space, add the following code to the specified `TCPIP . DATA` dataset:

```
TCPIPJOBNAME TCPIPA
```

THREADTERMCOND

You can indicate that z/OS Debugger should not prompt the user when a `FINISH`, `CEE066`, or `CEE067` thread termination condition is raised by Language Environment, regardless of the suboptions used in the `TEST` runtime option. These conditions are raised by statements like `STOP RUN`, `GOBACK`, or `EXEC CICS RETURN`, which can occur frequently in an application program. Suppressing the display of these prompts can reduce the number of times your users are interrupted by this prompt during a debugging session.

The following diagram describes the syntax of the `THREADTERMCOND` command:



NOPROMPT

Suppress the display of termination prompts.

PROMPT

Prompts the user at termination. If you do not specify the `THREADTERMCOND` command, the default `PROMPT` is used.

Example

```
EQAXOPT THREADTERMCOND, NOPROMPT
```

TIMACB

You can include this command only in the `EQAOPTS` load module. You cannot specify it at run time.

`TIMACB` identifies the name of an ACB, other than `EQASESSM`, that z/OS Debugger uses to make full-screen mode using the Terminal Interface Manager work in an environment where you want to run the Terminal Interface Manager on more than one LPAR in the same VTAM network. You specify `TIMACB` as the last step in "Example: Defining the VTAM `EQAMVnnn` and Terminal Interface Manager `APPL` definition statements when z/OS Debugger runs on four LPARs" in the IBM z/OS Debugger Customization Guide.

The following diagram describes the syntax of the `TIMACB` command:



ACB_name

The new ACB name you want used. The default name is `EQASESSM`.

Example

```
EQAXOPT TIMACB,EQASESS2
```

END

The END command identifies the last EQAOPTS command. You must always specify it and it must be the last command in the input stream.

The following diagram describes the syntax of the END command:

►► EQAXOPT — END ◄◄

Example

```
EQAXOPT END
```


Appendix A. SMP/E USERMODs

SMP/E USERMODs are available for a number of the customizations listed in the *IBM z/OS Debugger Customization Guide* and *IBM z/OS Debugger User's Guide*. The following table shows the available USERMODs and the associated names.

<i>hlq</i> .SEQAEXEC	<i>hlq</i> .SEQATLIB	<i>hlq</i> .SEQASAMP	<i>hlq</i> .SEQAMOD	SMP/E USERMOD in <i>hlq</i> .SEQASAMP
EQASTART				EQAUMOD2
	EQAZDFLT			EQAUMOD5
	EQAZDSYS			EQAUMOD6
	EQAZDUSR			EQAUMOD7
	EQAZPROC			EQAUMOD8
		EQACUIDF ¹	EQACUIDF ²	EQAUMOD9
		EQACUIDM		EQAUMODA
		EQAOPTS ¹	EQAOPTS ²	EQAUMODE
		EQAUEDAT ¹	EQAUEDAT ²	EQAUMODF
	EQABMPSP			EQAUMODG
	EQADBBSP			EQAUMODH
	EQADLISM			EQAUMODI
		EQAUEDAC ¹	EQAUEDAT ²	EQAUMODJ
		EQAD3CXT ^{1,3}	EQAD3CXT ²	EQAUMODK
EQAJCL				EQAUMODL

Note:

1. The source for these parts is in *hlq*.SEQASAMP. The executable (the part updated by the USERMOD) is in SEQAMOD.
2. The *IBM z/OS Debugger User's Guide* and *IBM z/OS Debugger Customization Guide* discussion of these parts typically shows generating a private copy of these load modules. If you want to update *hlq*.SEQAMOD so that all users see these customizations, you should use the SMP/E USERMOD method.
3. z/OS Debugger SMP/E USERMODs for these parts are only available if you choose the method that updates *hlq*.SEQAMOD. They are not available if you choose to update CEE.SCEERUN.

Appendix B. Enabling debugging in full-screen mode using a dedicated terminal

Note: This chapter is not applicable to IBM Developer for z/OS (non-Enterprise Edition).

This is a copy of Chapter 6 from the Debug Tool V10.1 Customization Guide. It documents the setup for 'full-screen mode using a dedicated terminal without/with Terminal Interface Manager' (indicated via the TEST runtime sub-options %MFI and %VTAM). It should be used

- by sites that want to continue to use the TEST %MFI option to specify a dedicated terminal
- as a reference for sites that are moving from an older release of Debug Tool to Debug Tool V11 (or later).

To enable users to debug the following types of programs while using a 3270-type terminal, you need to enable full-screen mode using a dedicated terminal:

- Batch programs
- TSO programs (using a separate terminal for debugging)
- Programs running under UNIX System Services
- Db2 stored procedures
- IMS programs

A dedicated terminal has specific set up requirements so that it can interact with z/OS Debugger in these environments. Thus, the terminal is dedicated for use by z/OS Debugger. Users do not typically use it to access other services.

How z/OS Debugger uses full-screen mode using a dedicated terminal

The following steps describe how a user would start a debugging session for a batch job using full-screen mode using a dedicated terminal. Study these steps to understand how z/OS Debugger uses full-screen mode using a dedicated terminal and to understand why you need to do the configuration steps described in [“Enabling full-screen mode using a dedicated terminal”](#) on page 232.

1. Start two terminal emulator sessions. Connect the second session to a terminal LU that can handle a full-screen mode using a dedicated terminal.
2. On the first terminal emulator session, log on to TSO.
3. Note the LU name (LU_name) to which the second terminal emulator session is connected.
4. Make following changes to the PARM string in the batch job that starts your debugging session:
 - Specify the TEST runtime option in the following format:

```
TEST(, , MFI%LU_name:*)
```

LU_name is the LU name you noted in step “3” on page 231.

If your site requires that you specify the VTAM network identifier (NETID), specify the TEST runtime option in the following format:

```
TEST(, , MFI%NETID.LU_name:*)
```

NETID identifies the network in which the second terminal emulator resides. For example, in the string NETA.LU001, NETA is the *NETID*.

5. Submit the batch job. z/OS Debugger completes the following tasks:
 - a. z/OS Debugger allocates a VTAM ACB (EQAMVnnn) for its end of a VTAM session.

- b. z/OS Debugger uses VTAM to initiate a session with the terminal LU to which the second terminal emulator is connected.
 - c. A VTAM session is then conducted between z/OS Debugger and the terminal LU.
The user does not log on to any host application through the second terminal emulator. z/OS Debugger initiates the connection between itself and that second terminal LU.
6. On the second terminal emulator, the emulator displays a full-screen mode debugging session. Interact with it in the same way you would with any other full-screen mode debugging session.

This technique requires you to define and configure a number of items in the z/OS Communications Server. Section [“Enabling full-screen mode using a dedicated terminal”](#) on page 232 describes these definitions and configuration.

Enabling full-screen mode using a dedicated terminal

To enable full-screen mode using a dedicated terminal, do the following steps:

1. Define the VTAM APPL definition statements that z/OS Debugger uses for its end of the session, as described in [“Defining the VTAM EQAMVnnn APPL definition statements”](#) on page 232.
2. Define the terminal LUs used by z/OS Debugger, as described in [“Defining terminal LUs used by z/OS Debugger”](#) on page 234.
3. If your terminals are connected through a SNA network, you are done. If your terminals are connected through a TN3270 network, you must continue.
4. If a TN3270 server manages the terminal, configure the TN3270 Telnet Server, as described in [“Configuring the TN3270 Telnet Server to access the terminal LUs”](#) on page 235.
5. Verify the installation of the facility to debug programs in full-screen mode using a dedicated terminal, as described in [“Verifying the customization of the facility to debug full-screen mode using a dedicated terminal”](#) on page 239.

Defining the VTAM EQAMVnnn APPL definition statements

You must define the APPL definition statements that z/OS Debugger uses for its end of the VTAM session with the terminal LU. You can define up to 999 APPLs for z/OS Debugger. You can define an APPL by using one of the following naming conventions:

- Define each APPL with the following naming convention: the first five characters of the APPL name must be EQAMV and the last three characters must be consecutive three digit numbers, starting with 001. Do not code an ACBNAME operand on the APPL definition statements for this method.
- Define each APPL name with the naming convention you use at your site. Code an ACBNAME operand on the APPL definition statement that uses EQAMV as the first five characters, and three numeric digits (starting with 001) as the last three characters.

Tip: The EQAMVnnn names are used internally by z/OS Debugger. Do not confuse these names with the terminal LU names. The user needs to know only the terminal LU name, which he specifies with the MFI% suboption of the TEST runtime option.

The number of APPL names you define must be sufficient to allow for the maximum number of concurrent z/OS Debugger full-screen mode using a dedicated terminal sessions. (z/OS Debugger uses one of these APPL names for its end of each VTAM session that is initiated with a terminal LU.)

The descriptions and examples used in this book assume you defined APPL names by using the EQAMVnnn naming convention. z/OS Debugger uses the EQAMVnnn names for internal processing.

The EQAWAPPL member in the *hlq*.SEQASAMP data set predefines 50 APPL names, EQAMV001 to EQAMV050. You can do one of the following tasks to add this member to the VTAM definitions library (VTAMLST).

- Copy EQAWAPPL into a new member:

1. Create a new member in the VTAM definitions library (VTAMLST). The VTAM definitions library is often stored in the data set SYS1.VTAMLST.
 2. Copy the contents of the EQAWAPPL member into the new member.
 3. Add the new member's name to the VTAM start options configuration file, ATCCONxxx, so that VTAM activates the z/OS Debugger APPL definitions at initialization.
- Copy EQAWAPPL into an existing member that is already defined in VTAMLST:
 1. Select a member in the VTAM definitions library (VTAMLST) that contains the major node definitions.
 2. Copy the APPL definition statements for z/OS Debugger from the EQAWAPPL member into the selected member.

Tip: The existing member has the VBUILD TYPE=APPL statement, so do not copy this statement from EQAWAPPL.

If you are running VTAM in a multi-domain environment and you require the ability to debug full-screen mode using a dedicated terminal on more than one host, edit the copy of EQAWAPPL on each system to make the names for z/OS Debugger major and minor nodes unique for each system.

For example, if you have hosts SYSA, SYSB, and SYSC, and need to provide definitions for up to 50 concurrent users debugging programs in full-screen mode using a dedicated terminal on each system, you can code the following entries:

- SYSA VTAMLST EQAWAPPL entry:

```
EQAAPPLA VBUILD TYPE=APPL
EQAMV001 APPL AUTH=(PASS,ACQ),PARSESS=NO
EQAMV002 APPL AUTH=(PASS,ACQ),PARSESS=NO
...
EQAMV050 APPL AUTH=(PASS,ACQ),PARSESS=NO
```

- SYSB VTAMLST EQAWAPPL entry:

```
EQAAPPLB VBUILD TYPE=APPL
EQAMV051 APPL AUTH=(PASS,ACQ),PARSESS=NO
EQAMV052 APPL AUTH=(PASS,ACQ),PARSESS=NO
...
EQAMV100 APPL AUTH=(PASS,ACQ),PARSESS=NO
```

- SYSC VTAMLST EQAWAPPL entry:

```
EQAAPPLC VBUILD TYPE=APPL
EQAMV101 APPL AUTH=(PASS,ACQ),PARSESS=NO
EQAMV102 APPL AUTH=(PASS,ACQ),PARSESS=NO
...
EQAMV150 APPL AUTH=(PASS,ACQ),PARSESS=NO
```

You can have up to 999 unique APPL names for full-screen mode using a dedicated terminal spread across your network.

As an alternative to coding each minor node name, you can use the Model Application Names function. With this function, VTAM dynamically creates the minor nodes. Use one of the following ways (alter these examples, if needed, to maintain unique names per system as discussed in [“Defining the VTAM EQAMVnnn APPL definition statements”](#) on page 232):

- EQAMV??? APPL AUTH=(PASS,ACQ),PARSESS=NO
- ABCDE??? APPL AUTH=(PASS,ACQ),PARSESS=NO,ACBNAME=EQAMV???

Activating the VTAM EQAMVnnn APPLs

Activate the VTAM APPLs by entering the following command from the console, where *member-name* is the member name in the VTAM library (VTAMLST):

```
VARY NET,ACT,ID=member-name
```

Defining terminal LUs used by z/OS Debugger

The terminal LUs used by z/OS Debugger in full-screen mode using a dedicated terminal must meet the requirements specified in the following sections:

[“Terminal LU specifications” on page 234](#)

[“Terminal LU state requirements” on page 234](#)

Terminal LU specifications

All terminal LUs that are used to debug programs in full-screen mode using a dedicated terminal must have a default log mode specified in the corresponding VTAM definitions. This log mode must match the characteristics of the terminal emulator session that is attached to this terminal LU. Use the DLOGMOD= operand on the APPL definition for the terminal logical unit (LU) to specify the default log mode.

To support the widest range of terminal characteristics, we recommend you use a DLOGMOD specification of D4C32XX3, in the IBM supplied MODETAB of ISTINCLM. If you use a DLOGMOD specification of D4C32XX3, you must use a TN3270E emulator that responds to a VTAM query with terminal characteristics, such as size, color, and extended graphics.

If your terminal emulator session cannot provide this information, select a log mode that matches your terminal emulator session characteristics. For example, if you have a TN3270 emulator that does not respond to a query, select one of the following log modes that matches the terminal size that the user will be using:

- D4C32782 24x80
- D4C32783 32x80
- D4C32784 43x80
- D4C32785 27x132

When you specify these types of log modes, the user must select a terminal size that matches your DLOGMOD specification.

An example of a set of terminal LU definitions for the terminal side of the VTAM session is *h7q*. SEQASAMP (EQAWTRML). See the log mode definitions in the *IBM Communications Server SNA Resource Definition Reference* for further information about log modes. The MODETAB log mode table load module that contains the DLOGMOD default log mode specification must be available to VTAM via the VTAMLIB DD statement.

You need to VARY on these new terminal LU definitions, similar to the way it was done in [“Activating the VTAM EQAMVnnn APPLs” on page 233](#).

Terminal LU state requirements

When z/OS Debugger accesses the terminal LU, the terminal LU must be in the following state:

- It must be known to the z/OS Communications Server on the system which z/OS Debugger runs.
- It must be marked secondary logical unit (SLU) enabled.
- It must not be in session with any application.

You can determine whether a particular terminal LU meets these criteria by using the DISPLAY VTAM operator command:

1. Access the desired LU using your terminal emulator, and exit any session manager.
2. On your system console, enter the following command, where *name* is the LU name:

```
DISPLAY NET, ID=name, SCOPE=ALL
```

3. Inspect the output of the command for the following information:

- The IST486I message indicates STATUS=ACTIV and DESIRED STATE=ACTIV, and an IST172I NO SESSIONS EXIST message is displayed.

- The IST597I message indicates SLU ENABLED.
- The IST934I message indicates that a DLOGMOD was specified.

Configuring the TN3270 Telnet Server to access the terminal LUs

If you use the IBM Communications Server for z/OS TN3270 Telnet Server to manage your terminals, you must configure TN3270 Telnet Server to support terminals with the following characters:

- Terminal LUs that have a proper DLOGMOD specified must be accessed.
- The LUMAP KEEPOPEN statement needs to be specified, so that VTAM allocates the ACB for the terminal LU when a terminal emulator session is connected to it, rather than only when an application is started.
- The terminal LU name must be available to the user of the terminal emulator session.

One way to enable this support is to set up a new TN3270 telnet port. The following instructions guide you through setting up a new port and the changes you must make to the PROFILE.TCPIP data set. The examples in [“Configuring the TN3270 Telnet Server” on page 237](#) show several variations of this support.

1. Select an unused port, such as 2023. If you have a firewall installed, ensure that this port is allowed through the firewall.
2. Do one of the following steps:
 - If you are running the TN3270 Telnet Server in a separate address space (optional on z/OS Communications Server Version 1.6 through 1.8, required on Version 1.9 or later), specify a `PORT num TCP jobname NOAUTOLOG` statement to reserve the new port for the TN3270 Telnet Server.
 - If you are running the TN3270 Telnet Server in the TCP/IP address space, specify a `PORT num TCP INTCLIEN` statement to reserve the new port for the TN3270 Telnet Server.
3. Create a new set of TELNETPARMS and BEGINVTAM blocks for the new port by copying the existing TELNETPARMS and BEGINVTAM blocks for port 23.
4. Customize the new TELNETPARMS and BEGINVTAM blocks to use this new port number. Ensure that the previous TELNETPARMS and BEGINVTAM blocks also specify a port number (typically 23).
5. Make the following changes to your new BEGINVTAM block:
 - a. If you intend to use this new port for only z/OS Debugger in full-screen mode using a dedicated terminal, you can remove all the statements from the BEGINVTAM block that you created in step 3, except the PORT statement. Go to step 5c.
 - b. Remove any copied DEFAULTLUS, DEFAULTLUSSPEC, DEFAULTAPPL and LUMAP statements.
 - c. Specify a new LUGROUP specification that indicates which terminal LUs that will be used as dedicated terminals for debugging in full-screen mode using a dedicated terminal. These terminal LUs must have a DLOGMOD specification in their APPL definition statement.
 - d. Specify some client_identification statements (such as HNGROUP and IPGROUP).
 - e. Specify a new LUMAP statement with KEEPOPEN (along with the proper LU group operand and client_identification operand).

The KEEPOPEN operand forces the TN3270 Telnet Server to keep the access control block (ACB) for the LU open at all times (for those LUs affected by this LUMAP statement). With the ACB open, z/OS Debugger can acquire the LU if the LU is connected to a client terminal emulator session but is not in session.
 - f. Specify a new ALLOWAPPL EQAMV* statement (or ALLOWAPPL * if site policies allow it) in the BEGINVTAM block to let z/OS Debugger start a session with the terminal LU.

If you defined the name that z/OS Debugger uses for its side of the VTAM session with a name other than EQAMVnnn, then you should specify that name on the ALLOWAPPL statement, rather than EQAMVnnn. (Or just use * if your site policies allow it.)
 - g. Specify whether the terminal is to display a session manager panel, a USSMSG10 panel, or a Telnet Solicitor Logon panel.

The user must know what terminal LU they have acquired when they connect their terminal emulator session to this new port. If you normally use a session manager that displays the terminal LU, then you can continue to use that method. Otherwise, use one of the following panels:

- A modified USSMSG10 panel that displays the terminal LU name
- The Telnet Solicitor Logon panel, if the terminal emulator itself shows the terminal LU name

To specify which panel is to be displayed, do the following steps:

- i) To display a session manager panel, specify the `FIRSTONLY` operand on a `DEFAULTAPPL` statement that defines the session manager to run. To use the LU to debug a program in full-screen mode using a dedicated terminal, the user must first exit the session manager panel and return to the Telnet Solicitor Logon panel.
- ii) To display a USSMSG10 panel, specify a `USSTCP` statement. If your terminal emulator session supports the TN3270E protocol, the USSMSG10 panel can be customized to display the terminal LU name. See the *IBM Communication Server IP Configuration Reference* manual for information about how to create a new USS table load module that contains a USSMSG10 panel which includes the `@@LUNAME` parameter.
- iii) To display a Telnet Solicitor Logon panel, code no additional statements.

If you want to restrict access for a terminal connected to this new port so that no one can use it to start any application and that no application other than z/OS Debugger can acquire it, then do the following steps:

1. Remove any statements from the port's `BEGINVTAM` block other than those recommended above.
2. Write only one `ALLOWAPPL` statement, specifying `EQAMVnnn` or, if you didn't use `EQAMVnnn`, the minor node name that z/OS Debugger uses for its side of the VTAM session.
3. Use the USSMSG10 panel or Telnet Solicitor Logon Panel display method.

After you make these changes to the TCP/IP configuration data set, you must instruct TCP/IP to use this updated definition and start the new port. The Telnet server uses the `VARY` command to change Telnet functions. One of the following commands can help you change Telnet functions:

VARY TCPIP, ,OBEYFILE

To start, restart or change a port by updating the Telnet profile. If you are running a TN3270 Telnet Server in a separate address space, you need to include the TN3270 Telnet Server *jobname* in the command. For example, `VARY TCPIP, ,jobname, OBEYFILE`.

VARY TCPIP, ,TELNET, STOP and VARY TCPIP, ,OBEYFILE

To stop a Telnet port, and then restart that port or a new port without stopping the TCP/IP stack.

See *IBM Communication Server IP Configuration Reference* for more information about the `VARY TCPIP` command.

After making these changes, your users can set up a unique terminal emulator session that connects to this new port, and debug programs that require the use of full-screen mode using a dedicated terminal.

Example: Activating full-screen mode using a dedicated terminal when using TCP/IP TN3270 Telnet Server

The examples below describe how to define the z/OS Debugger minor node names, define the terminal LUs for use by z/OS Debugger, and three ways to define Telnet ports that the TN3270 Telnet server can use.

After you code these definitions, you need activate these changes by using the `VARY NET` and `VARY TCPIP` commands as described previously.

Defining z/OS Debugger to VTAM

These are the z/OS Debugger minor node names defined to VTAM through VTAMLST:

```
EQAAPPL  VBUILD TYPE=APPL
EQAMV001 APPL  AUTH=(PASS,ACQ),PARSESS=NO
EQAMV002 APPL  AUTH=(PASS,ACQ),PARSESS=NO
EQAMV003 APPL  AUTH=(PASS,ACQ),PARSESS=NO
EQAMV004 APPL  AUTH=(PASS,ACQ),PARSESS=NO
EQAMV005 APPL  AUTH=(PASS,ACQ),PARSESS=NO
...
EQAMV050 APPL  AUTH=(PASS,ACQ),PARSESS=NO
```

See `hlq.SEQASAMP(EQAWAPPL)` for a sample of these definitions.

Defining the terminals used by z/OS Debugger

These are the terminal LUs defined to VTAM through VTAMLST:

```
EQATRML  VBUILD TYPE=APPL
TRMLU001 APPL  AUTH=NVPACE,EAS=1,PARSESS=NO,MODETAB=ISTINCLM,      *
           SESSLIM=YES,DLOGMOD=D4C32XX3
TRMLU002 APPL  AUTH=NVPACE,EAS=1,PARSESS=NO,MODETAB=ISTINCLM,      *
           SESSLIM=YES,DLOGMOD=D4C32XX3
TRMLU003 APPL  AUTH=NVPACE,EAS=1,PARSESS=NO,MODETAB=ISTINCLM,      *
           SESSLIM=YES,DLOGMOD=D4C32XX3
TRMLU004 APPL  AUTH=NVPACE,EAS=1,PARSESS=NO,MODETAB=ISTINCLM,      *
           SESSLIM=YES,DLOGMOD=D4C32XX3
TRMLU005 APPL  AUTH=NVPACE,EAS=1,PARSESS=NO,MODETAB=ISTINCLM,      *
           SESSLIM=YES,DLOGMOD=D4C32XX3
...
TRMLU050 APPL  AUTH=NVPACE,EAS=1,PARSESS=NO,MODETAB=ISTINCLM,      *
           SESSLIM=YES,DLOGMOD=D4C32XX3
```

See `hlq.SEQASAMP(EQAWTRML)` for a sample of these definitions.

Note that the `DLOGMOD` operand is specified. Change the `TRMLU nnn` names on the terminal LU APPL definition statements to names that meet your site convention for terminal LU names. These names must match the entries in the `LUGROUP` statements in the `BEGINVTAM` blocks shown in [“Example 1” on page 237](#), [“Example 2” on page 238](#), and [“Example 3” on page 238](#).

Configuring the TN3270 Telnet Server

The examples below highlight the changes made to the TCP/IP TN3270 server's configuration file.

Example 1

The example defines a new port (2023). When a user connects a terminal emulator session to this port, the Netview Access Services (NVAS) menu appears when the LU is created. The user copies the LU name that appears on the NVAS screen and specifies it as the value for the `MFI%LU_name` suboption of the `TEST` run-time option. After the user copies the LU name, the user exits NVAS and returns to the Telnet Solicitor Logon panel to make the terminal LU available to z/OS Debugger.

Each change is highlighted with a number in **reverse highlighting**. This number corresponds to the step number in the list of instructions in [“Configuring the TN3270 Telnet Server to access the terminal LUs” on page 235](#).

```
PORT
...
2 2023 TCP jobname NOAUTOLOG           ; Telnet Server - z/OS Debugger
...
;
; Define Telnet pool for z/OS Debugger
;
TELNETPARMS
4 PORT 2023
... the rest of this should be a copy of port 23
```

```

ENDTELNETPARMS

BEGINVTAM
4 PORT 2023

LUGROUP DBGTOOL
5c TRMLU001..TRMLU050
ENDLUGROUP

IPGROUP EVERYONE
5d 0.0.0.0:0.0.0.0
ENDIPGROUP

5g1 DEFAULTAPPL NVAS FIRSTONLY
5e LUMAP DBGTOOL EVERYONE KEEPOPEN
5f ALLOWAPPL EQAMV*
ENDVTAM

```

See `hlq.SEQASAMP(EQAWTTS1)` for a sample of these definitions.

Example 2

The example defines a new port (2023). When a user connects a terminal emulator session to this port, a USSMSG10 panel is displayed. The USSTCP statement is coded to point to a customized USSMSG10 panel that you defined that displays the LU name. The user copies this LU name and assigns it to the `MFI%LU_name` suboption of the TEST runtime option. When the USSMSG10 panel is displayed, the terminal LU is available to z/OS Debugger.

Each change is highlighted with a number in **reverse highlighting**. This number corresponds to the step number in the list of instructions in [“Configuring the TN3270 Telnet Server to access the terminal LUs” on page 235](#).

```

PORT
2 ... 2023 TCP jobname NOAUTOLOG ; Telnet Server - z/OS Debugger
...

;
; Define Telnet pool for z/OS Debugger
;
TELNETPARMS
4 PORT 2023
... the rest of this should be a copy of port 23
ENDTELNETPARMS

BEGINVTAM
4 PORT 2023

LUGROUP DBGTOOL
5c TRMLU001..TRMLU050
ENDLUGROUP

IPGROUP EVERYONE
5d 0.0.0.0:0.0.0.0
ENDIPGROUP

5g2 USSTCP USS$EQAW EVERYONE
5e LUMAP DBGTOOL EVERYONE KEEPOPEN
5f ALLOWAPPL EQAMV*
ENDVTAM

```

See `hlq.SEQASAMP(EQAWTTS2)` for a sample of these definitions.

Example 3

The example defines a new port (2023). When the user connects a terminal emulator session to this port, the Telnet Solicitor Logon panel is displayed, and the terminal LU is available to z/OS Debugger. The user copies the LU name from the terminal emulator session's information area and assigns it to the `MFI%LU_name` suboption of the TEST runtime option.

Each change is highlighted with a number in **reverse highlighting**. This number corresponds to the step number in the list of instructions in [“Configuring the TN3270 Telnet Server to access the terminal LUs”](#) on page 235.

```
PORT
  2 2023 TCP jobname NOAUTOLOG          ; Telnet Server - z/OS Debugger
  ...
;
; Define Telnet pool for z/OS Debugger
;
TELNETPARMS
  4 PORT 2023
  ... the rest of this should be a copy of port 23
ENDTELNETPARMS

BEGINVTAM
  4 PORT 2023

LUGROUP DBGTOOL
  5c TRMLU001..TRMLU050
  ENDLUGROUP

IPGROUP EVERYONE
  5d 0.0.0.0:0.0.0.0
  ENDIPGROUP

  5e LUMAP DBGTOOL EVERYONE KEEPOPEN
  5f ALLOWAPPL EQAMV*
ENDVTAM
```

See *hlq*.SEQASAMP (EQAWTTS3) for a sample of these definitions.

Verifying the customization of the facility to debug full-screen mode using a dedicated terminal

Connect a terminal emulator session to one of the terminal LUs setup as described previously in this chapter. Issue the DISPLAY command from your system console as shown in [“Terminal LU state requirements”](#) on page 234. Verify that the output of the DISPLAY command is correct. If the output of the DISPLAY command is not correct, you must review every step in [“Enabling full-screen mode using a dedicated terminal”](#) on page 232 and verify that you completed each step correctly. Then run one of the install verification jobs described below.

To help you verify the installation of the facility to debug full-screen mode using a dedicated terminal, the *hlq*.SEQASAMP data set contains the following installation verification program (IVP) jobs:

- EQAWIVP5 (COBOL)
- EQAWIVP6 (C)
- EQAWIVP7 (PL/I)
- EQAWIVP9 (Enterprise PL/I)
- EQAWIVPB (Language Environment assembler)
- EQAWIVPD (non-Language Environment assembler)
- EQAWIVPW (OS/VS COBOL)
- EQAWIVPY (non-Language Environment VS COBOL II)

Before you run a sample, customize it for your installation as described in the sample.

Using z/OS Debugger Terminal Interface Manager as a dedicated terminal

The z/OS Debugger Terminal Interface Manager enables a user to debug in full-screen mode using a dedicated terminal without having to know the LU name of the dedicated terminal. Use the z/OS Debugger Terminal Interface Manager because it makes it easier for users to identify the terminals to use for their debugging sessions.

Complete the steps in “[Enabling full-screen mode using a dedicated terminal](#)” on page 232 before you do the instructions in this section to ensure that the basic full-screen mode using a dedicated terminal function works at your site.

Example: a debugging session using the z/OS Debugger Terminal Interface Manager

Compare the following steps with the steps shown in “[How z/OS Debugger uses full-screen mode using a dedicated terminal](#)” on page 231 to understand how using the Terminal Interface Manager affects the flow of work.

1. Start two terminal emulator sessions. These sessions can be either of the following situations:

- Two separate terminal emulator sessions.
- If you use IBM Session Manager, two sessions selected from the IBM Session Manager menu.

In either situation, ensure that the second session connects to a terminal that can handle a full-screen mode debugging session through a dedicated terminal and that starts z/OS Debugger Terminal Interface Manager.

2. On the first terminal emulator session, log on to TSO.

3. On the second terminal emulator session, provide your login credentials to the Terminal Interface Manager and press Enter. The login credentials can be your TSO user ID and password, PassTicket, password phrase, or MFA token.

Notes:

- a. You are not logging on TSO. You are indicating that you want your user ID associated with this terminal LU.
- b. When the number of characters entered into the password field, including blanks, exceeds 8, the input is passed to the security system as a password phrase.
- c. To use PassTickets with Terminal Interface Manager, define the PTKTDATA profile by following the rules for MVS batch jobs. For more information, see [Defining profiles in the PTKTDATA class](#) in the z/OS documentation.

A panel similar to the following panel is then displayed on the second terminal emulator session:

z/OS Debugger TERMINAL INTERFACE MANAGER

```
EQAY001I Terminal TRMLU001 connected for user USER1
EQAY001I Ready for z/OS Debugger
```

```
PF12=LOGOFF          PF3=EXIT  PF10=Edit LE options data set
```

The terminal is now ready to receive a z/OS Debugger full-screen mode using a dedicated terminal session.

4. Edit the PARM string of your batch job so that you specify the TEST runtime parameter as follows:

```
TEST(,,VTAM%userid:*)
```

5. Submit the batch job.

The tasks completed are similar to the tasks described in step “5” on page 231 except that first the batch job communicates with the Terminal Interface Manager to correlate the user ID to the terminal LU of the second terminal emulator session. The remaining steps are the same as described in step “5” on page 231.

6. On the second terminal emulator session, a full-screen mode debugging session is displayed. Interact with it the same way you would with any other full-screen mode debugging session.
7. After you exit z/OS Debugger, the second terminal emulator session displays the panel and messages you saw in step “3” on page 240. This indicates that z/OS Debugger can use this session again. (this will happen each time you exit from z/OS Debugger).
8. If you want to start another debugging session, return to step “5” on page 241. If you are finished debugging, you can do one of the following tasks:
 - Close the second terminal emulator session.
 - Exit the Terminal Interface Manager by choosing one of the following options:
 - Press PF12 to display the Terminal Interface Manager logon panel. You can log in with the same ID or a different user ID.
 - Press PF3 to exit the Terminal Interface Manager.

Enabling full-screen mode using a dedicated terminal with z/OS Debugger Terminal Interface Manager

To enable full-screen mode using a dedicated terminal with z/OS Debugger Terminal Interface Manager, do the following steps:

1. Define the VTAM APPL definition statements as described in [“Defining the Terminal Interface Manager APPL definition statements”](#) on page 242.
2. Start the z/OS Debugger Terminal Interface Manager as described in [“Starting the z/OS Debugger Terminal Interface Manager as a dedicated terminal”](#) on page 242.

3. Configure the Telnet Server as described in [“Configuring the TN3270 Telnet Server to access the Terminal Interface Manager”](#) on page 243.
4. Verify that the customizations are completed correctly by following the steps in [“Verifying the customization of the Terminal Interface Manager”](#) on page 246.

Defining the Terminal Interface Manager APPL definition statements

You must define the APPL definition statements that the Terminal Interface Manager will use for its sessions. To define the APPL definition statements, do the following steps:

1. Define the APPL definition statements as shown in the EQAWSESS member in the *hlq.SEQASAMP* data set by doing one of the following tasks:
 - Copy EQAWSESS into a new member:
 - a. Create a new member in the VTAM definitions library (VTAMLST). The VTAM definitions library is often stored in the data set SYS1.VTAMLST.
 - b. Copy the contents of the EQAWSESS member into the new member.
 - c. Add the new member's name to the VTAM start options configuration file, ATCCONxx.
 - Copy EQAWSESS into an existing member:
 - a. Select a member in the VTAM definitions library (VTAMLST) that contains the major node definitions.
 - b. Copy the APPL definition statements for z/OS Debugger from the EQAWSESS member into the selected member.

To activate the new definitions, enter the following command from the console:

```
VARY NET,ACT,ID=member-name
```

member-name is the member name in the VTAM definitions library.

Starting the z/OS Debugger Terminal Interface Manager as a dedicated terminal

The z/OS Debugger Terminal Interface Manager is a VTAM application that must be started (following the start of VTAM itself) before users can access it. Follow these steps to start it:

1. Copy the EQAYSESM member of the data set *hlq.SEQASAMP* to the SYS1.PROCLIB data set, making any changes required by your installation.
2. Make sure that the z/OS Debugger Terminal Interface Manager load modules, EQAYSESM and EQAYTRMM, resides in an APF authorized library (this module can be found in the *hlq.SEQAAUTH* data set). This is required to allow access to functions to validate users by login credentials.
3. Start the z/OS Debugger Terminal Interface Manager using the START command from the console. The START command can be added to the COMMNDxx member of SYS1.PARMLIB to start the z/OS Debugger Terminal Interface Manager when the system is IPLed.

The z/OS Debugger Terminal Interface Manager load module accepts three parameters, which you can provide by using the OPTS substitution variable on the START command or in the EQAYSESM PROC definition. You can code the parameters in any sequence and all of them are optional. The following list describes the parameters:

-a *acbname*

Specifies an alternate VTAM ACB name for Terminal Interface Manager to open. For more information about this parameter, see [“Running the Terminal Interface Manager on more than one LPAR on the same VTAM network”](#) on page 244.

-s

Instructs Terminal Interface Manager to supply an additional entry field on each Terminal Interface Manager panel, in which the user can enter an IBM Session Manager escape sequence. For more

information about this parameter, see [“Configuring Terminal Interface Manager as an IBM Session Manager application”](#) on page 245.

+T

Turns on internal tracing for Terminal Interface Manager. Do not use this parameter unless instructed by IBM support personnel.

The following example starts the z/OS Debugger Terminal Interface Manager for alternate ACB EQASESS2 and instructs it to provide an extra entry field for use with IBM Session Manager:

```
START EQAYSESM,OPTS='-a EQASESS2 -s'
```

Configuring the TN3270 Telnet Server to access the Terminal Interface Manager

Select an additional unused port (for example, 2024) and then implement [“Example 1”](#) on page 237 with the following changes:

- Specify port 2024 instead of 2023 (3 times)
- Specify the following value for the DEFAULTAPPL statement:

```
DEFAULTAPPL EQASESSM FIRSTONLY
```

- Make the following change on the ALLOWAPPL statement:

```
ALLOWAPPL EQA*
```

Example 4

The example below shows the modified [“Example 1”](#) on page 237, with the changes highlighted with an asterisk (*).

```
PORT
...
* 2024 TCP jobname NOAUTOLOG           ; Telnet Server - z/OS Debugger
...

; Add a TELNETPARMS block for the new port

TELNETPARMS
* PORT 2024                           ; z/OS Debugger
... the rest of this should be a copy of the existing Port 23
ENDTELNETPARMS

; Add a BEGINVTAM block for the new port

BEGINVTAM
* PORT 2024

; Define the VTAM terminal LUs to use for this port (see EQAWTRML)

LUGROUP DBGTOOL
      TRMLU001..TRMLU050
ENDLUGROUP

; Allow anyone with access to this system to use the LUs above

IPGROUP EVERYONE
      0.0.0.0:0.0.0.0
ENDIPGROUP

; The z/OS Debugger Terminal Interface
Manager will be displayed
; when an emulator connects

* DEFAULTAPPL EQASESSM FIRSTONLY

; Indicate that the ACBs always be allocated

LUMAP DBGTOOL EVERYONE KEEPOPEN

; Allow only z/OS Debugger to use this port
```

```
* ALLOWAPPL  EQA*
```

```
ENDVTAM
```

See `hlq.SEQASAMP (EQAWTTS4)` for a sample of these definitions.

Instruct TCP/IP to use this additional definition, as described on page [“Configuring the TN3270 Telnet Server to access the terminal LUs”](#) on page 235.

After you make these changes, your users can set up a unique terminal emulator session that connects to this new port, and debug programs that require the use of full-screen mode using a dedicated terminal with the z/OS Debugger Terminal Interface Manager. The user does the following steps:

1. Starts a terminal emulator session that connects to this new port. The z/OS Debugger Terminal Interface Manager is displayed.
2. The user enters his user ID and password and then presses Enter. The terminal is now ready to receive a z/OS Debugger full-screen mode using a dedicated terminal session.
3. On another terminal emulator session, the user starts his program with the TEST run-time option and specifies the `VTAM%userid` suboption. The terminal emulator session connected to this new port displays a full-screen mode using a dedicated terminal session.

Example: Connecting a VTAM network with multiple LPARs with one Terminal Interface Manager

This example describes the connections that need to be made in a VTAM network that has four LPARs that run z/OS Debugger jobs with one of the LPARs managing the terminals.

- LPAR 1 runs a TN3270E server and the Terminal Interface Manager with the default ACB name. Its VTAM also owns all the terminal LUs. Users connect their TN3270E emulator to this LPAR for the Terminal Interface Manager session. Users use the Terminal Interface Manager to create the connection between z/OS Debugger and the terminal LU used for their full-screen mode using a dedicated terminal debugging session.
- VTAM on LPAR1 defines the terminal LU APPL definition statements and the EQASESSM APPL definition statement for the Terminal Interface Manager.
- VTAM on LPAR 1 needs visibility to the EQAMVnnn APPL definition statements on LPARs 2, 3 and 4. This enables communication between the Terminal Interface Manager and z/OS Debugger.
- Each VTAM on LPAR 1, 2, 3 and 4 has a unique set of EQAMVnnn APPL definition statements. For example, LPAR 1 has APPL definition statements 001-050, LPAR 2 has APPL definition statements 051-100, LPAR 3 has APPL definition statements 101-150, and LPAR 4 has APPL definition statements 151-200.
- Each VTAM on LPAR 2, 3 and 4 needs visibility to the EQASESSM APPL definition statement on LPAR 1. This enables communication between z/OS Debugger and the Terminal Interface Manager.
- Each VTAM on LPAR 2, 3 and 4 needs visibility to the terminal LU APPL definition statements on LPAR 1.

Running the Terminal Interface Manager on more than one LPAR on the same VTAM network

This topic describes the modifications you need to make to the steps described in [“Defining the Terminal Interface Manager APPL definition statements”](#) on page 242, [“Starting the z/OS Debugger Terminal Interface Manager as a dedicated terminal”](#) on page 242, and [“Configuring the TN3270 Telnet Server to access the Terminal Interface Manager”](#) on page 243 in order to make full-screen mode using a dedicated terminal with Terminal Interface Manager work in an environment where you want to run the Terminal Interface Manager on more than one LPAR in the same VTAM network.

Do the following steps for each additional instance of the Terminal Interface Manager:

1. In “[Defining the Terminal Interface Manager APPL definition statements](#)” on page 242, after you have copied EQAWSESS into a new or existing member, modify it so that you specify an ACB name other than the default EQASESSM.

By default, z/OS Debugger assumes you work in an environment where you use only one instance of Terminal Interface Manager and the default ACB name used by this instance of Terminal Interface Manager and z/OS Debugger is EQASESSM. By specifying the ACB name used by the Terminal Interface Manager (instead of using the default name), you can create a unique ACB name for each instance of the Terminal Interface Manager.

2. In “[Starting the z/OS Debugger Terminal Interface Manager as a dedicated terminal](#)” on page 242, after you copy the EQAYSESM member to the SYS1.PROCLIB data set, modify it to specify the new ACB name you created in step “1” on page 245 by specifying OPTS= ' -a XXXXXXXX', where XXXXXXXX is the new ACB name.
3. In “[Configuring the TN3270 Telnet Server to access the Terminal Interface Manager](#)” on page 243, when you modify the TCP/IP TN3270 server's configuration file, modify the DEFAULTAPPL statement to specify the ACB name you created in step “1” on page 245, instead of EQASESSM.
4. Specify the EQAOPTS TIMACB command, as described in “[TIMACB](#)” on page 226, using the new ACB name you created in step “1” on page 245 for *ACB-name*.

Configuring Terminal Interface Manager as an IBM Session Manager application

To define z/OS Debugger Terminal Interface Manager as an application within IBM Session Manager, do the following steps:

1. Define a TN3270 port and a group of terminal LUs which start Terminal Interface Manager as described in “[Configuring the TN3270 Telnet Server to access the Terminal Interface Manager](#)” on page 243.
2. Enable the IBM Session Manager TCP/IP support, as described in *IBM Session Manager for z/OS: Installation and Getting Started*.
3. Define Terminal Interface Manager to IBM Session Manager as a TCP/IP application. To do this, create an APPL statement in the IBM Session Manager configuration, similar to the following statement:

```
APPL applname      APPLID TCP_1
                   DESC 'description'
                   DATA 'protocol://host-addr:port'
```

The following list describes the variables used in this statement:

applname

Your choice for the application name. This is the name used when referring to the application in other IBM Session Manager definitions.

description

The descriptive text you want displayed on any session menus.

protocol

One of the following values: TELNET, TN3270 or TN3270E. For a description of these protocols, see “Session Manager and TCP/IP” in *IBM Session Manager: Facilities Reference*.

host-addr

The hostname or IP address of the server that hosts Terminal Interface Manager.

port

The port number that was configured for Terminal Interface Manager in step “1” on page 245.

For a complete description of the IBM Session Manager APPL configuration statement, see *IBM Session Manager: Technical Reference*.

The following example shows an APPL statement:

```
APPL DTTIM
    APPLID TCP_1
```

```
DESC 'z/OS Debugger Terminal Interface  
Manager'  
DATA 'TN3270E://mvsa.ibm.com:2024'
```

4. Start the Terminal Interface Manager started task with the -s parameter. This causes the Terminal Interface Manager panels to display an extra field where you can enter the IBM Session Manager escape key.

Verifying the customization of the Terminal Interface Manager

Do the following steps to verify the installation and customization:

1. Start a terminal emulator session that starts the Terminal Interface Manager. Enter your user ID and password and then press Enter.
2. On your other terminal emulator session, select the same IVP as you used above, change the run time parameter string from `MFI%VTAM_LU_id:*` to `VTAM%userid:*`, submit the job and then follow the rest of the instructions in the IVP.
3. On your other terminal emulator session, select the same IVP as you used above, change the runtime parameter string from `MFI%LU_name:*` to `VTAM%userid:*`, submit the job and then follow the rest of the instructions in the IVP.

Appendix C. Applying maintenance

Support resources and problem solving information describes all the resources available to obtain technical support information. Follow the steps in this section to apply a service APAR or PTF.

Applying Service APAR or PTF

This chapter describes how to apply service updates to z/OS Debugger. To use the maintenance procedures effectively, you must install the product or products by using SMP/E before doing the maintenance procedures below.

What you receive

If you report a problem with z/OS Debugger to your IBM Support Center, you may receive a tape containing one or more Authorized Program Analysis Reports (APARs) or Program Temporary Fixes (PTFs) that were created to solve your problem.

You may also receive a list of prerequisite APARs or PTFs, which you must apply to your system before applying the current APAR. These prerequisite APARs or PTFs might relate to z/OS Debugger or any other licensed product you have installed, including z/OS.

Checklist for applying an APAR or PTF

The following checklist describes the steps and associated SMP/E commands to install the APAR or PTF:

1. Prepare to install the APAR or PTF.
2. Receive the APAR or PTF. (SMP/E RECEIVE)
3. Review the HOLDDATA.
4. Accept previously applied APARs or PTFs (optional). (SMP/E ACCEPT)
5. Apply APAR or PTF. (SMP/E APPLY)
6. Run REPORT CROSSZONE and apply any missing requisites.
7. Test APAR or PTF.
8. Accept APAR or PTF. (SMP/E ACCEPT)

Step 1. Prepare to install APAR or PTF

Before you start to install an APAR or PTF, do the following:

1. Create a backup copy of the current z/OS Debugger libraries. Save this copy of z/OS Debugger until you have completed installing the APAR or PTF, and you are confident that the service runs correctly.
2. Research each service tape through the IBM Support Center for any errors or additional information. Note all errors on the tape that were reported by APARs or PTFs and apply the relevant fixes. You should also review the current Preventive Service Planning (PSP) information.

Step 2. Receive the APAR or PTF

Receive the service using the SMP/E RECEIVE command from either the SMP/E dialogs in ISPF, or using a batch job similar to EQAWRECV in *hlq*.SEQASAMP.

Step 3. Review the HOLDDATA

Review the HOLDDATA summary reports for the APAR or PTF. Follow any instructions described in the summary reports.

Step 4. Accept previously applied APAR or PTF (optional)

If there is any APAR or PTF which you applied earlier but did not accept, and the earlier APAR or PTF is not causing problems in your installation, accept the applied service from either the SMP/E dialogs in ISPF, or using a batch job similar to EQAWACPT in *hlq*.SEQASAMP.

Accepting the earlier service allows you to use the SMP/E RESTORE command to return to your current level if you encounter a problem with the service you are currently applying. You can do this either from the SMP/E dialogs in ISPF, or using a batch job.

Step 5. Apply the APAR or PTF

We recommend you first use the SMP/E APPLY command with the CHECK operand. Check the output; if it shows no conflict, rerun the APPLY command without the CHECK operand. This can be done from the SMP/E dialogs in ISPF or using a batch job similar to EQAWAPLY in *hlq*.SEQASAMP.

Step 6. Run REPORT CROSSZONE and apply any missing requisites

Run an SMP/E REPORT CROSSZONE by using the SMP/E dialogs or by using a batch job similar to EQAWRPXZ in *hlq*.SEQASAMP. Apply any missing requisites found by SMP/E.

Step 7. Test the APAR or PTF

Thoroughly test your updated z/OS Debugger. Do not accept an APAR or PTF until you are confident that it runs correctly.

Step 8. Accept the APAR or PTF

We recommend you first use the SMP/E ACCEPT command with the CHECK operand. Check the output; if it shows no conflict, rerun the ACCEPT command without the CHECK operand. You can do this either from the SMP/E dialogs in ISPF, or using a batch job similar to EQAWACPT in *hlq*.SEQASAMP.


Appendix D. Support resources and problem solving information

This section shows you how to quickly locate information to help answer your questions and solve your problems. If you have to call IBM support, this section provides information that you need to provide to the IBM service representative to help diagnose and resolve the problem.

Accessing the IBM Support portal

You must be a registered user on the IBM Support portal to download fixes and to submit a problem online to the IBM Support community.

If you need to look beyond [IBM Documentation](#) to answer your question or resolve your problem, you can use one or more of the following approaches:

- Open the [IBM Support portal](#).
- Click  to log in using your IBM.com username.
- On the IBM Support portal, you can do the following tasks:
 - Search for known issues, documentation, and support forums.
 - Open a case or view cases you opened.
 - Open a chat window with a Support representative.
 - Open Fix Central to view product downloads and updates.
 - Access product documentation and support forums.
 - Manage your support account, including notifications, invoices, orders, contracts, and warranties. For more information about notifications, see [“Subscribing to support updates”](#) on page 249.

Getting fixes

A product fix might be available to resolve your problem. To determine what fixes and other updates are available, select a link from the following list:

- [Latest PTFs for z/OS Debugger](#)
- [Latest PTFs for IBM Developer for z/OS Enterprise Edition](#)
- [Latest PTFs for ADFz Common Components](#)

When you find a fix that you are interested in, click the name of the fix to read its description and to optionally download the fix.


Subscribe to receive e-mail notifications about fixes and other IBM Support information as described in [Subscribing to Support updates](#).

Subscribing to support updates

To receive automatic updates when IBM publishes new support content for your products, subscribe to weekly email updates or RSS feeds. Support content might include information about new releases, fixes, technotes, APARs, and support flashes.

To sign up for email updates, you must be a registered user on the IBM Support community website.

To subscribe to Support updates, follow the steps below.

1. Open the [IBM Support portal website](#).
2. Click  to log in using your IBM.com username.

3. Click **Manage support account > Notifications** to view your notifications.
4. Type the product name in the search field or click **Browse for a product**.
5. Type the product name in the **Product lookup** field, or click **Browse for a product**.
6. Click **Subscribe** beside your product, and in the **Select document types** window, select the types of documents for which you want to receive information. Click **Submit**.
7. Optionally, you can click the RSS/Atom feed by clicking **Links**. Then, copy and paste the link into your feeder.
8. To see any notifications that were sent to you, click **View**.

Contacting IBM Support

To submit your problem to IBM Support, you must have an active Passport Advantage® software maintenance agreement. Passport Advantage is the IBM comprehensive software licensing and software maintenance (product upgrades and technical support) offering. You can enroll online on the [Passport Advantage](#) website.

- To learn more about Passport Advantage, see the [Passport Advantage FAQs](#).
- For further assistance, contact your IBM representative.

To submit your problem online (from the IBM website) to IBM Support:

- Be a registered user on the IBM Support website. For details about registering, see [Registering on the IBM Support website](#).
- Be listed as an authorized caller in the service request tool.

Determine the business impact of your problem

When you report a problem to IBM, you are asked to supply a severity level. Therefore, you must understand and assess the business impact of the problem that you are reporting.

Severity 1

The problem has a *critical* business impact: You are unable to use the program, resulting in a critical impact on operations. This condition requires an immediate solution.

Severity 2

This problem has a *significant* business impact: The program is usable, but it is severely limited.

Severity 3

The problem has *some* business impact: The program is usable, but less significant features (not critical to operations) are unavailable.

Severity 4

The problem has *minimal* business impact: The problem causes little impact on operations or a reasonable circumvention to the problem was implemented.

Gather diagnostic information

To save time, if there is a MustGather document available for the product, refer to the MustGather document and gather the information specified. MustGather documents contain specific instructions for submitting your problem to IBM and gathering information needed by the IBM support team to resolve your problem. To determine if there is a MustGather document for this product, go to the product support page and search on the term MustGather. At the time of this publication, the following MustGather documents are available:

- MustGather: Read first for problems encountered with z/OS Debugger: <https://www.ibm.com/support/pages/node/89125>
- MustGather: Read first for problems encountered with code coverage: <https://www.ibm.com/support/pages/node/6561317>

If the product does not have a MustGather document, provide answers to the following questions:

- What software versions were you running when the problem occurred?
- Do you have logs, traces, and messages that are related to the problem symptoms? IBM Software Support is likely to ask for this information.
- Can you re-create the problem? If so, what steps were performed to re-create the problem?
- Did you make any changes to the system? For example, did you make changes to the hardware, operating system, networking software, and so on.
- Are you currently using a workaround for the problem? If so, be prepared to explain the workaround when you report the problem.

Submit the problem to IBM Support

You can submit your problem to IBM Support in the following ways:

- Online: Open the [IBM Support community website](#). Click **Open a case** to open a service request and describe the problem in detail.
- By phone: For the phone number to call in your country or region, see the [IBM Directory of worldwide contacts](#) and click the name of your country or geographic region.
- Through your IBM Representative: If you cannot access IBM Support online or by phone, contact your IBM Representative. If necessary, your IBM Representative can open a service request for you. You can find complete contact information for each country at [IBM Directory of worldwide contacts](#).

If the problem you submit is for a software defect or for missing or inaccurate documentation, IBM Support creates an Authorized Program Analysis Report (APAR). The APAR describes the problem in detail. Whenever possible, IBM Support provides a workaround that you can implement until the APAR is resolved and a fix is delivered. IBM publishes resolved APARs on the IBM Support website daily, so that other users who experience the same problem can benefit from the same resolution.

Appendix E. Accessibility

Accessibility features help a user who has a physical disability, such as restricted mobility or limited vision, to use software products successfully. The accessibility features in z/OS provide accessibility for z/OS Debugger.

The major accessibility features in z/OS enable users to:

- Use assistive technology products such as screen readers and screen magnifier software
- Operate specific or equivalent features by using only the keyboard
- Customize display attributes such as color, contrast, and font size

IBM Documentation, and its related publications, are accessibility-enabled. The accessibility features of the information center are described at <https://www.ibm.com/docs>.

Using assistive technologies

Assistive technology products work with the user interfaces that are found in z/OS. For specific guidance information, consult the documentation for the assistive technology product that you use to access z/OS interfaces.

Keyboard navigation of the user interface

Users can access z/OS user interfaces by using TSO/E or ISPF. Refer to *z/OS TSO/E Primer*, *z/OS TSO/E User's Guide*, and *z/OS ISPF User's Guide Volume 1* for information about accessing TSO/E and ISPF interfaces. These guides describe how to use TSO/E and ISPF, including the use of keyboard shortcuts or function keys (PF keys). Each guide includes the default settings for the PF keys and explains how to modify their functions.

Accessibility of this document

Information in the following format of this document is accessible to visually impaired individuals who use a screen reader:

- HTML format when viewed from IBM Documentation
- PDF format

Syntax diagrams start with the word Format or the word Fragments. Each diagram is preceded by two images. For the first image, the screen reader will say "Read syntax diagram". The associated link leads to an accessible text diagram. When you return to the document at the second image, the screen reader will say "Skip visual syntax diagram" and has a link to skip around the visible diagram.

Notices

This information was developed for products and services offered in the U.S.A. IBM might not offer the products, services, or features discussed in this document in other countries. Consult your local IBM representative for information on the products and services currently available in your area. Any reference to an IBM product, program, or service is not intended to state or imply that only that IBM product, program, or service may be used. Any functionally equivalent product, program, or service that does not infringe any IBM intellectual property right may be used instead. However, it is the user's responsibility to evaluate and verify the operation of any non-IBM product, program, or service.

IBM may have patents or pending patent applications covering subject matter in this document. The furnishing of this document does not give you any license to these patents. You can send license inquiries, in writing, to:

IBM Corporation
J46A/G4
555 Bailey Avenue
San Jose, CA 95141-1003
U.S.A.

For license inquiries regarding double-byte (DBCS) information, contact the IBM Intellectual Property Department in your country or send inquiries, in writing, to:

Intellectual Property Licensing
Legal and Intellectual Property Law
IBM Japan, Ltd.
3-2-12, Roppongi, Minato-ku, Tokyo 106-8711

The following paragraph does not apply to the United Kingdom or any other country where such provisions are inconsistent with the local law:

INTERNATIONAL BUSINESS MACHINES CORPORATION PROVIDES THIS PUBLICATION "AS IS" WITHOUT WARRANTY OF ANY KIND, EITHER EXPRESS OR IMPLIED, INCLUDING, BUT NOT LIMITED TO, THE IMPLIED WARRANTIES OF NON-INFRINGEMENT, MERCHANTABILITY OR FITNESS FOR A PARTICULAR PURPOSE.

Some states do not allow disclaimer of express or implied warranties in certain transactions; therefore, this statement might not apply to you.

This information could include technical inaccuracies or typographical errors. Changes are periodically made to the information herein; these changes will be incorporated in new editions of the publication. IBM may make improvements and/or changes in the product(s) and/or the program(s) described in this publication at any time without notice.

Trademarks and service marks

IBM, the IBM logo, and ibm.com are trademarks or registered trademarks of International Business Machines Corp., registered in many jurisdictions worldwide. Other product and service names might be trademarks of IBM or other companies. A current list of IBM trademarks is available on the web at "Copyright and trademark information" at www.ibm.com/legal/copytrade.shtml.

Other company, product, or service names may be trademarks or service marks of others.

Glossary

This glossary defines technical terms and abbreviations used in *IBM z/OS Debugger Customization Guide* documentation. If you do not find the term you are looking for, refer to the *IBM Glossary of Computing Terms*, located at the IBM Terminology web site:

<http://www.ibm.com/ibm/terminology>

B

batch

Pertaining to a predefined series of actions performed with little or no interaction between the user and the system. Contrast with *interactive*.

batch job

A job submitted for batch processing. See *batch*. Contrast with *interactive*.

C

compile

To translate a program written in a high level language into a machine-language program.

compile unit

A sequence of HLL statements that make a portion of a program complete enough to compile correctly. Each HLL product has different rules for what comprises a compile unit.

compiler

A program that translates instructions written in a high level programming language into machine language.

D

data set

The major unit of data storage and retrieval, consisting of a collection of data in one of several prescribed arrangements and described by control information to which the system has access.

debug

To detect, diagnose, and eliminate errors in programs.

DTCN

z/OS Debugger Control utility, a CICS transaction that enables the user to identify which CICS programs to debug.

debugging profile

Data that specifies a set of application programs which are to be debugged together.

E

eXtra Performance LINKage (XPLINK)

A new call linkage between functions that has the potential for a significant performance increase when used in an environment of frequent calls between small functions. XPLINK makes subroutine calls more efficient by removing nonessential instructions from the main path. When all functions are compiled with the XPLINK option, pointers can be used without restriction, which makes it easier to port new applications to z/OS.

F

full-screen mode

An interface mode for use with a nonprogrammable terminal that displays a variety of information about the program you are debugging.

H

hook

An instruction inserted into a program by a compiler when you specify the TEST compile option. Using a hook, you can set breakpoints to instruct z/OS Debugger to gain control of the program at selected points during its execution.

I

index

A computer storage position or register, the contents of which identify a particular element in a table.

L

link-edit

To create a loadable computer program using a linkage editor.

load module

A program in a form suitable for loading into main storage for execution. In this document this term is also used to refer to a Dynamic Load Library (DLL).

logical window

A group of related debugging information (for example, variables) that is formatted so that it can be displayed in a physical window.

LU

See [logical unit](#).

logical unit

A type of network accessible unit that enables users to gain access to network resources and communicate with each other.

A name used by VTAM to identify a terminal or other resource.

M

minor node

In VTAM, a uniquely defined resource within a major node.

multitasking

A mode of operation that provides for concurrent performance, or interleaved execution of two or more tasks.

N

network identifier

In TCP/IP, that part of the IP address that defines a network. The length of the network ID depends on the type of network class (A, B, or C).

node name

The name assigned to a node during network definition. The format for the node name is *netid.cpname*.

O

offset

The number of measuring units from an arbitrary starting point to some other point.

P

parameter

Data passed between programs or procedures.

partitioned data set (PDS)

A data set in direct access storage that is divided into partitions, called members, each of which can contain a program, part of a program, or data.

PDS

See *partitioned data set*.

physical window

A section of the screen dedicated to the display of one of the four logical windows: Monitor window, Source window, Log window, or Memory window.

PLU

See *primary logical unit*.

primary logical unit

In SNA, the logical unit that contains the primary half-session for a particular logical unit-to-logical unit (LU-to-LU) session.

In SNA, the logical unit (LU) that sends the BIND to activate a session with its partner LU.

profile

A group of customizable settings that govern how the user's session appears and operates.

program

A sequence of instructions suitable for processing by a computer. Processing can include the use of an assembler, a compiler, an interpreter, or a translator to prepare the program for execution, as well as to execute it.

S

secondary logical unit

In SNA, the logical unit (LU) that contains the secondary half-session for a particular LU-LU session. An LU may contain secondary and primary half-sessions for different active LU-LU sessions.

A VTAM Secondary Logical Unit (i.e., terminal).

session

The events that take place between the time the user starts an application and the time the user exits the application.

SIMLOGON

A VTAM macro instruction that initiates a session in which the application program acts as the PLU.

Single Point of Control

The control interface that sends commands to one or more members of an IMSplex and receives command responses.

SLU

See [secondary logical unit](#).

SPOC

See [Single Point of Control](#).

statement

An instruction in a program or procedure.

In programming languages, a language construct that represents a step in a sequence of actions or a set of declarations.

U

utility

A computer program in general support of computer processes; for example, a diagnostic program, a trace program, or a sort program.

V

VTAM

See [Virtual Telecommunications Access Method](#).

Virtual Telecommunications Access Method (VTAM)

IBM software that controls communication and the flow of data in an SNA network by providing the SNA application programming interfaces and SNA networking functions. An SNA network includes subarea networking, Advanced Peer-to-Peer Networking (APPN), and High-Performance Routing (HPR). Beginning with Release 5 of the OS/390 operating system, the VTAM for MVS/ESA function was included in Communications Server for OS/390; this function is called Communications Server for OS/390 - SNA Services.

An access method commonly used by MVS to communicate with terminals and other communications devices.

X

XPLINK

See [eXtra Performance LINKage \(XPLINK\)](#).

IBM z/OS Debugger publications

You can access the IBM z/OS Debugger publications by visiting any of the following pages:

- IBM Debug for z/OS:
 - IBM Documentation: https://www.ibm.com/docs/SSVSZX_16.0.0/com.ibm.debug.z.doc/topics/pdf.html
 - Library page: <https://www.ibm.com/support/pages/node/713283>
- IBM Developer for z/OS:
 - IBM Documentation: https://www.ibm.com/docs/SSQ2R2_16.0.0/com.ibm.debug.z.doc/topics/pdf.html
 - Library page: <https://www.ibm.com/support/pages/node/713179>

Index

Special Characters

[./E, BTS Environment command 123](#)
[&PGMNAME 123](#)
[&USERID 123](#)

A

accessing
 another language by using NATLANG [134](#)

activating
 SVCs without using a system IPL [9](#)
 z/OS Debugger definitions to VTAM [20](#),
 [233](#)

Adding support for Data Collector and Data Collector Service [107](#)

Address space count [50](#)

ALLOWAPPL EQAMV*
 specifying, statement [235](#)

AOR example [162](#)

AOR example, application does not use terminal [164](#)

APPL definition statements [19](#), [232](#)

assembler, definition of [xi](#)

assigning
 values to NATLANG, LOCALE, and LINECOUNT [187](#)

AT-TLS [114](#)

AT-TLS configuration, PROFILE.TCPIP [38](#)

AT-TLS policy [39](#)

AT-TLS policy activation [44](#)

AT-TLS security updates [41](#)

AT-TLS setup [37](#)

authentication for incoming TCP/IP connections [121](#)

authentication, Debug Manager [44](#)

Authorization [131](#)

authorizing
 Dynamic Debug facility to access programs in protected storage [11](#)

B

batch applications [111](#)

browse mode
 controlled by EQAOPTS [197](#), [198](#)
 controlled by RACF [129](#)
 setting up facility access [129](#)
 setting up user access [130](#)

BTS Environment command (./E), when to use [123](#)

C

CCSID [200](#)

CCSOURCEPATHFIRST [198](#)

CEEBXITA
 description of how it works [123](#)

CEEBXITA, comparing two methods of linking [126](#)

CEEBXITA, specifying message display level in [125](#)

CEEBXITA, specifying naming pattern in [124](#)

CEEREACTAFTERQDBG command
 syntax of EQAXOPT macro for [199](#)

CEETEST [199](#)

checklist [1](#)

CICS
 adding support for [151](#)
 AOR example [162](#)
 AOR example, application does not use terminal [164](#)
 CSD [151](#)
 DFHRPL [151](#)
 EQAOCPLT [153](#)
 EQACCSD [151](#)
 EQACDCT [151](#)
 INITPARM [154](#)
 IVPs [162](#)
 JCL, updating [151](#)
 SEQAMOD [151](#)
 SEQAMOD must be APF-authorized [15](#)
 Terminal to TOR then routes to AOR example, with DTCN [163](#)
 Terminal to TOR, application on AOR example [164](#), [165](#)

CICS EXCI [94](#), [95](#)

CICS TCPIP SERVICE [90](#)

CICS translator
 specifying a different [140](#)

CICS, changes to make to [90](#)

code pages
 creating conversion images for [200](#)

command
 syntax diagrams [xii](#)

commands, Start (S) [53](#)

commands, Stop (P) [54](#)

COMMANDSDSN command
 syntax of EQAXOPT macro for [202](#)

COMMNDxx, add started tasks [28](#)

communication, External [45](#)

communication, Internal [46](#)

configure Debug Profile Service [64](#)

Configuring Data Collector Service [116](#)

controlled libraries for RSE, Define MVS [34](#)

copying
 data sets to specified DD concatenation [134](#)

CSD [151](#)

customer support [250](#)

customizing
 Delay Debug Profile [145](#)
 IBM z/OS Debugger Utilities [135](#)
 IMS Transaction and User ID Cross Reference Table [146](#)
 Non-CICS Debug Session Start and Stop Message Viewer [147](#)
 Other IBM Application Delivery Foundation for z/OS tools [138](#)
 Program Preparation [139](#)
 z/OS Debugger User Exit Data Set [142](#)

Customizing with the sample job EQADCLSU [108](#)

Customizing with the sample job EQAHCCSU [117](#)

D

Data Collector [102](#), [108](#), [116](#)
Data Collector and Data Collector Service [102](#), [107](#), [108](#)
Data Collector Rest Service API [102](#)
Data Collector Service [116](#)
Data Collector started task [114](#)
Data Collector with batch applications [111](#)
data sets
 copying into DD concatenation [134](#)
Db2 precompiler
 specifying a different [140](#)
DBGMGR [29](#), [31](#)
DBGMGR, debug manager [34](#)
debug manager [29](#), [31](#), [36](#)
Debug Manager authentication [44](#)
Debug Manager logging [52](#)
Debug Manager started tasks, Define [33](#)
debug manager, DBGMGR [34](#)
Debug Profile Service [62](#), [64](#), [72](#), [86](#), [95](#), [103](#), [105](#)
Debug Profile Service CICS DTCN configuration file [87](#)
debugger, manager [36](#)
DEFAULTVIEW command
 syntax of EQAXOPT macro for [203](#)
Define MVS program controlled libraries for RSE [34](#)
Define RSE server as a secure z/OS UNIX [33](#)
defining
 DTCN transaction name [152](#)
 names [19](#), [232](#)
 TCP/IP terminals [235](#)
defining Transient Data queues [151](#)
DELETE, detecting [222](#)
deleting debug profiles from VSAM or temporary storage queue [160](#)
DFHLETRU [161](#)
DLAYDBG command
 description of [203](#)
 syntax of EQAXOPT macro for [203](#)
DLAYDBGDSN command
 syntax of EQAXOPT macro for [204](#)
DLAYDBGTRC command
 syntax of EQAXOPT macro for [205](#)
DLOGMOD operand, specifying [234](#)
documents, licensed [ix](#)
DSALIM [154](#)
dtn.ports [87](#)
DTCX transaction [155](#)
Dynamic Debug
 accessing programs in unprotected storage [11](#)
dynamic installation [9](#)

E

editing
 EQAZPROC to add other procedure libraries [136](#)
EDSALIM [154](#)
Enterprise PL/I, definition of [xi](#)
EQA00SVC
 checking level of [10](#)
 description of [9](#)
EQA01SVC
 checking level of [10](#)
 description of [9](#)
EQA0CPLT

EQA0CPLT (*continued*)

 INITPARM
 example [154](#)
 parameters [154](#)
 PLT, adding [153](#)
 set up [153](#)
EQA9974I [155](#)
EQACCSO [151](#)
EQACDCT [151](#)
EQAD3CXT
 comparing Db2 RUNOPTS to [123](#)
EQADCDEL [160](#)
EQADTCN2, where to define [156](#)
EQADTOOL.BROWSE.CICS [129](#)
EQADTOOL.BROWSE.MVS [129](#)
EQADTOOL.DTCDELETEALL [167](#)
EQADTOOL.DTCIINACTALL [167](#)
EQADTOOL.DTSTMODCICSK [166](#)
EQADTOOL.DTSTMODUSERK [166](#)
EQANCPLT [155](#)
EQA_OPTS, using to set global preferences [209](#)
EQA_OPTS, using to set SVC screening option [223](#)
EQARMTSU [55](#)
EQASET
 when to run [123](#)
EQASTART
 modifying, to customize data set names [135](#)
EQAUEDAT [185](#)
EQAWAPPL
 modifying [19](#), [232](#)
EQAYSESM PROC definition [21](#), [242](#)
EQAZDFLT
 example of, showing parameters to set [138](#), [139](#)
EQAZDSYS [143](#)
EQAZPCM [44](#)
EQAZPROC [136](#)
example
 activating z/OS Debugger definitions to VTAM [236](#)
 full-screen mode using a dedicated terminal [231](#)
 full-screen mode using the Terminal Interface Manager [17](#)
 JCL that generates conversion images [201](#)
 VTAM in a sysplex environment [19](#), [233](#)
External communication [45](#)

F

FEJCNFG [46](#)
FIRSTONLY operand
 specifying, to display a session manager panel [236](#)
fixes, getting [249](#)
full-screen mode using a dedicated terminal with z/OS Debugger Terminal Interface Manager,
 overview of steps to enable [241](#)
full-screen mode using a dedicated terminal,
 overview of steps to enable [232](#)
full-screen mode using a dedicated terminal, how users start [231](#)
full-screen mode using the Terminal Interface Manager,
 overview of steps to enable [19](#)

G

Generating secure keystore passwords for Remote Debug Service [58](#)
global preferences file [209](#)
goals, setting in WLM [50](#)

H

Headless Code Coverage Collector [116–119](#)
Headless Code Coverage Collector started task [116–119](#)
HOSTPORTS [210](#)

I

IBM Support Assistant, searching for problem resolution [249](#)
IGNOREODOLIMIT [210](#)
impersonate other users [81](#)
IMS
 adding support for [169](#)
 program that do not run in Language Environment [171](#)
IMS Transaction Isolation Service API [97](#)
IMSISOORIGPSB [211](#)
IMSpIex
 configuring for [142](#)
initial default data set names
 LDD specifications file [218](#)
 saved breakpoints file [218](#)
 saved monitor values file [218](#)
 saved settings file [218](#)
INITPARM
 example [154](#)
 NLE [154](#)
 NWP [154](#)
 STK [154](#)
installation verification programs
 CICS [162](#)
Installing Data Collector [108](#)
Internal communication [46](#)
Internet
 searching for problem resolution [249](#)
IPL
 to install z/OS Debugger SVC
 [9](#)
IVP
 running for z/OS Debugger facility
 [10](#)
IVPs [162](#)

J

Japanese
 adding data sets to DD concatenation [134](#)
 Customizing z/OS Debugger [188](#)
 data sets [135](#)
JES Job Monitor tracing [52](#)

K

Korean
 data sets [135](#)

L

Language Environment
 user exit, link, into private copy of Language Environment runtime module [127](#)
 user exits, methods to modify sample assembler [124](#)
Language Environment user exit, create and manage data set used by [127](#)
Language Environment user exit, requirements for data set used by [127](#)
libraries for RSE , Define MVS [34](#)
licensed documents [ix](#)
LINK, detecting [222](#)
LOAD, detecting [222](#)
log mode [234](#)
LOGDSN command
 syntax of EQAXOPT macro for [212](#), [213](#)
logging, Debug Manager [52](#)
LPAR, multiple, with multiple Terminal Interface Manager (on same VTAM network) [244](#)
LPAR, multiple, with one Terminal Interface Manager [23](#), [244](#)

M

Management
 z/OS Debugger Profile
 [105](#)
message display level, how to specify, in Language Environment user exit [125](#)
MFI VTAM [17](#), [231](#)
Model Application Names [20](#), [233](#)
modifying
 EQASTART [135](#)
 EQAWAPPL [19](#), [232](#)
moving to new level of Language Environment [127](#)
multi-domain environment
 modifying EQAWAPPL [19](#), [233](#)
multiple instances, Running [52](#)
multiple systems, customizing Preparation Utilities for [139](#), [142](#)
MULTIPROCESS
 MULTIPROCESS CHILD [215](#)
 MULTIPROCESS PARENT [215](#)
 MULTIPROCESS PROMPT [215](#)
MVS program controlled libraries for RSE , Define [34](#)

N

NAMES command
 description of [216](#)
naming pattern, how to specify, in Language Environment user exit [125](#)
NATLANG [134](#)
NLE [154](#)
NWP [154](#)

O

optimizing z/OS Debugger's performance [154](#)
order in which commands and preferences files are processed [209](#)

P

- parameters
 - setting, using EQAZDFLT example [138](#), [139](#)
 - specifying, for Db2 and CICS [140](#)
- PARMLIB [62](#), [105](#), [116](#), [119](#)
- performance
 - optimizing for CICS [154](#)
- PL/I, definition of [xi](#)
- Policy Agent configuration [39](#)
- Policy Agent started task [38](#)
- port reservation, TCP/IP [46](#)
- ports, TCP/IP [44](#)
- preferences file, setting global [209](#)
- PREFERENCEDSN command
 - syntax of EQAXOPT macro for [217](#)
- preparing
 - to customize z/OS Debugger [1](#)
- problem determination
 - describing problems [250](#)
 - determining business impact [250](#)
 - submitting problems [251](#)
- Process count [50](#)
- PROCLIB [59](#), [103](#), [113](#)
- PROCLIB changes [29](#), [31](#)
- PROFILE.TCPIP data set [235](#)
- PROFILE.TCPIP, AT-TLS configuration [38](#)
- PROGxx, APF authorizations [28](#)

R

- RACF profiles
 - as option for BROWSE [198](#)
 - Authorizing DTCD and DTCI transactions to delete or deactivate debug profiles [167](#)
 - Authorizing DTST transaction to modify storage [166](#)
 - browse mode [129](#)
 - data sets that require READ authorization, Db2 stored procedures [149](#)
 - reserve for CICS administrator [159](#)
 - reserve for CICS administrators [160](#)
- Remote Debug Service [54](#), [55](#), [58–62](#)
- reservation, TCPIP port [46](#)
- resource usage, overview [50](#)
- resource usage, tuning [50](#)
- RSE , Define MVS program controlled libraries for [34](#)
- RSE daemon [45](#)
- RSE server [45](#)
- RSE, Define as a secure z/OS UNIX server [33](#)
- Running multiple instances [52](#)
- RUNOPTS (Db2)
 - comparing EQAD3CXT to [123](#)

S

- SAF JSON Web Tokens (JWT) [100](#)
- SAF JWT [100](#)
- sample job EQADCLSU [108](#)
- SAVEBPDSN command
 - syntax of EQAXOPT macro for [218](#)
- SAVESETDSN command
 - syntax of EQAXOPT macro for [218](#)

- screen control mode [164](#)
- screening, setting SVC [222](#)
- secure communication [61](#), [72](#)
- secure communication with AT-TLS [114](#)
- secure keystore passwords [58](#)
- secure passwords [111](#)
- secure passwords for Data Collector [111](#)
- secure z/OS UNIX server, Define RSE as a [33](#)
- security definitions [60](#), [114](#)
- security settings and classes, Activate [33](#)
- security settings, verify [34](#)
- separate debug file, attributes to use for [154](#)
- separate terminal mode [165](#)
- SEQABMOD [13](#)
- SEQAEXEC
 - modifying [135](#)
- SEQATLIB [134](#), [135](#), [138](#), [139](#)
- service, when you apply to Language Environment [127](#)
- session manager panel
 - displaying [236](#)
- SESSIONTIMEOUT [220](#)
- SET DEFAULT VIEW command
 - description of [203](#)
 - setting global preferences file [209](#)
- setting goals, WLM [50](#)
- settings and classes, Activate security [33](#)
- Software Support
 - contacting [250](#)
 - describing problems [250](#)
 - determining business impact [250](#)
 - receiving updates [249](#)
 - submitting problems [251](#)
- Start (S) command [53](#)
- Start and stop Data Collector dynamically [116](#)
- start Data collector during IPL [116](#)
- started task [60](#), [72](#), [114](#)
- started task, Policy Agent [38](#)
- started tasks, Define for Debug Manager
 - JMON started tasks [33](#)
 - RSED started tasks [33](#)
- started tasks, verifying [34](#)
- starting
 - IBM z/OS Debugger Utilities from an ISPF panel [135](#)
- Starting and stopping Headless Code Coverage Collector dynamically [118](#)
- STARTSTOPMSG [220](#)
- STK [154](#)
- Stop (P) command [54](#)
- Support for Swagger UI [102](#)
- SVC
 - installing, without using a system IPL [9](#)
 - setting screening option [222](#)
- SVC screening [222](#)
- Swagger UI [102](#)
- Swagger UI support [102](#)
- syntax diagrams
 - how to read [xii](#)
- syslogd setup [37](#)
- sysplex
 - modifying EQAWAPPL [19](#), [233](#)
- system PROCLIB [113](#), [117](#)

T

TCP/IP
 defining terminals to TN3270 [235](#)
 VARY NET command [20](#), [233](#)
 VARY TCPIP command [236](#)
TCP/IP connections [121](#)
TCP/IP port reservation [46](#)
TCP/IP ports [44](#)
TCP/IP ports, graphical representation [44](#)
TCP/IP updates [31](#)
TCP/IP, using with CICS [26](#)
TCPIP DATASN [225](#)
temporary storage queue
 setting up to share among CICS systems [156](#)
Terminal Interface Manager
 as IBM Session Manager application [245](#)
 Configuring telnet server for [243](#)
 description of [240](#)
 example of use [240](#)
 how to start [21](#), [242](#)
 multiple LPARs on same VTAM network [244](#)
 multiple LPARs with one Terminal Interface Manager [23](#),
 [244](#)
 Verifying customization of [246](#)
Terminal to TOR then routes to AOR example, with DTCN [163](#)
Terminal to TOR, application on AOR example [164](#), [165](#)
terminology, z/OS Debugger [x](#)
Thread count [50](#)
TIM [245](#)
TOR [163–165](#)
tracing, JES Job Monitor [52](#)
TSQ [160](#)
tuning considerations [50](#)

U

UNIX server, Define RSE as [33](#)
Updating PARMLIB to start Headless Code Coverage
Collector during IPL [119](#)
USEQSAM [161](#)
user access to product components [83](#)
user exit
 EQUUEDAT [185](#)
 XEIIN [155](#)
 XEIOUT [155](#)
 XPCFTCH [155](#)
 XPCHAIR [155](#)
 XPCTA [155](#)
USSMSG10 panel
 displaying [236](#)

V

Verify security settings [34](#)
verifying
 installation of z/OS Debugger SVCs
 [10](#)
Visual Studio Code [54](#)
VS Code [54](#)
VSAM
 defining file locally to all CICS regions [158](#)
 deleting or deactivating debug profiles [159](#)

VSAM (continued)

 migrating debug profiles from a previous release [156](#)
 setting up to function-ship file operations to a FOR [157](#)
 setting up to share among CICS systems [156](#)
 setting up, to store DTCN profiles [156](#)

VTAM

 activating z/OS Debugger definitions to, example [236](#)
 allowing users to debug using [17](#), [231](#)
 DLOGMOD operand [234](#)
 in a multi-domain environment [19](#), [233](#)
 in a sysplex environment [19](#), [233](#)
 LU characteristics [234](#)
 verifying installation of the z/OS Debugger definitions to
 [22](#), [239](#)
VTAM definitions library [19](#), [232](#)
VTAM minor node
 defining for Terminal Interface Manager [242](#)
 defining for the Terminal Interface Manager [20](#)
VTAMLST [19](#), [232](#)

Y

yb2* parameters [144](#), [145](#)

Z

z/OS Debugger
 parameters
 assigning values to [187](#)
 terminology [x](#)
z/OS Debugger SVCs
 Dynamic Debug Facility [9](#)
z/OS UNIX server, Define RSE as [33](#)



Product Number: 5724-T07