

z/OS



DFSMSHsm Managing Your Own Data

Version 2 Release 1

Note

Before using this information and the product it supports, read the information in "Notices" on page 197.

This edition applies to Version 2 Release 1 of z/OS (5650-ZOS) and to all subsequent releases and modifications until otherwise indicated in new editions.

© **Copyright IBM Corporation 1984, 2013.**

US Government Users Restricted Rights – Use, duplication or disclosure restricted by GSA ADP Schedule Contract with IBM Corp.

Contents

Figures vii

Tables ix

About this document xi

Who should read this document xi

Major divisions of this document xi

Required product knowledge xi

Accessing z/OS DFSMS information on the Internet xi

How to send your comments to IBM xiii

If you have a technical problem xiii

z/OS Version 2 Release 1 summary of changes xv

Part 1. Introduction 1

Chapter 1. Introduction to DFSMSHsm. 3

What is space management? 3

What is availability management? 4

What is a storage device hierarchy?. 4

Where does DFSMSHsm store my data? 5

What is the storage management subsystem? 6

Chapter 2. What you do with DFSMSHsm 7

Chapter 3. Security 9

What is RACF protection? 9

What is password protection? 10

 Non-VSAM data sets 10

 VSAM data sets 11

How are DFSMSHsm commands protected?. 11

Chapter 4. Methods of performing tasks 13

Using ISMF to perform tasks 13

 Invoking ISMF 13

 Building a data set list. 14

 Specifying line operators 15

 Receiving feedback from ISMF 16

 Entering line operator modes 16

Using DFSMSHsm user macros 16

Chapter 5. Space management 17

How does DFSMSHsm manage space? 17

 Automatic volume space management and automatic secondary space management. 17

 Recall 18

 Can I perform space management tasks? 21

Chapter 6. Availability management 23

How does DFSMSHsm ensure data availability? 23

 Backup 23

 Recovery 24

 Can I perform availability management tasks?. 27

Chapter 7. Space management and availability management capabilities 29

Space-saving functions 29

 Partitioned data set compression 29

 Deletion of temporary data sets. 29

 Release of overallocated space 29

 Deletion of expired data sets 29

 Extent reduction. 30

 Reblocking 30

 Expiration of backup versions 30

Chapter 8. Associated data sets 31

How does DFSMSHsm know where my data sets are located? 31

 Control data sets 31

 Journal data set 31

How do I know where my data sets are located?. 31

Chapter 9. Understanding syntax diagrams and using DFSMSHsm commands 33

How to read syntax diagrams 33

 Symbols 33

 Syntax items 33

 Syntax examples. 34

Using DFSMSHsm commands 35

 Positional parameters 35

 Keyword parameters 35

 Abbreviating commands and parameters 36

 Delimiters 36

 Line continuations 36

 Comments. 36

 Notational conventions 36

Specifying data set names 37

Specifying data set passwords 38

Example of a DFSMSHsm user command 38

Chapter 10. Interacting with DFSMSHsm. 39

TSO HELP command 39

TSO Attention key 39

 Incompatibilities caused by DFSMSHsm 39

Submitting commands in batch mode 40

 Example JCL for submitting an DFSMSHsm command 40

Chapter 11. Introduction to DFSMSShsm user tasks 43

What tasks can I perform using DFSMSShsm user commands? 43
How do I perform the task? 43

Part 2. DFSMSShsm user tasks 45

Chapter 12. HALTERDS: Changing data set parameters 47

Using ISMF 47
Using TSO. 49
 Syntax 49
 Required parameters 50
 Optional parameters 50
 Examples of different ways to code the HALTERDS command. 52

Chapter 13. HBACKDS: Backing up data sets 55

Using ISMF 55
Using TSO commands. 56
 Backing up a data set 57
 Syntax 57
 Required parameters 60
 Optional parameters 60
 Examples of different ways to code the HBACKDS command 66
Using inline backup 67
Invoking inline backup 68

Chapter 14. HBDELETE: Deleting backup versions 73

Using ISMF 73
Using TSO. 76
 Deleting backup versions of a data set 77
 Syntax 77
 Required parameters 78
 Optional parameters 80
 Examples of different ways to code the HBDELETE command. 81

Chapter 15. HCANCEL: Canceling a queued request 83

Cancel queued requests 83
 Syntax 83
 Required parameters 83
 Optional parameters 84
 Examples of different ways to code the HCANCEL command 84

Chapter 16. HDELETE: Deleting migrated data sets. 87

Using ISMF 87
Using TSO. 89
 Syntax 89
 Required parameters 89
 Optional parameters 90

Examples of different ways to code the HDELETE command 91

Chapter 17. HLIST: Listing information from the BCDS and MCDS 93

Listing information from the BCDS and MCDS in TSO 93
 Syntax 93
 Required parameters 95
 Optional parameters 97
 Examples of different ways to code the HLIST command 102
Sample lists from the HLIST command. 104
 Listing volume entries 104
 Listing backup volume entries. 109
 Listing data set entries from the migration control data set. 110
 Listing data set entries from the backup control data set 112
 Listing entries of the latest backup version on backup volumes 114
 Listing data set entries from both control data sets. 115
 Listing user authorization status entries 116
 Listing a summary of data set entries 116

Chapter 18. HMIGRATE: Migrating data sets 117

Using ISMF 117
Using TSO commands 119
 Syntax. 119
 Required parameters 119
 Optional parameters 120
 Examples of different ways to code the HMIGRATE command 121

Chapter 19. HQUERY: Listing pending requests 123

Using TSO commands 123
 Syntax. 123
 Required parameters 123
 Optional parameters 123
 Examples of different ways to code the HQUERY command 124
Messages from the HQUERY command 125

Chapter 20. HRECALL: Recalling data sets 127

Using ISMF 127
Using TSO commands 129
 Recalling one or more data sets with TSO 129
 Syntax. 129
 Required parameters 130
 Optional parameters 131
 Examples of different ways to code the HRECALL command 133

Chapter 21. HRECOVER: Recovering data sets 135

Using ISMF	135
Using TSO	139
Recovering a backup version or a dump copy of a data set.	139
Syntax.	140
Required parameters	141
Optional parameters	142
Examples of different ways to code the HRECOVER command	148

Part 3. DFSMSHsm application programming interface 151

Chapter 22. Using DFSMSHsm user macros 153

Register usage for return codes	154
Supported unit types and their UCBs	154
Asynchronous processing with DFSMSHsm	154
ARCFMWE: Freeing up storage in common storage area	156
Syntax.	156
Required parameters	156
Optional parameters	156
Usage notes	156
ARCHBACK: Backing up a specific data set	157
Syntax.	157
Required parameters	157
Optional parameters	158
Usage notes	161
ARCHBDEL: Deleting a backed up version of data sets.	162
Syntax.	162
Required parameters	162
Optional parameters	163
Usage notes	163
ARCHDEL: Deleting migrated data sets	164
Syntax.	164
Required parameters	164
Optional parameters	164
Usage notes	165
ARCHMIG: Migrating data sets	166
Syntax.	166
Required parameters	166
Optional parameters	166
Usage notes	167

ARCHRCAL: Recalling a data set	168
Syntax.	168
Required parameters	168
Optional parameters	168
Usage notes	170
ARCHRCOV: Recovering a data set	171
Syntax.	171
Required parameters	171
Optional parameters	171
Usage notes	174
ARCHSEND: Sending a command to DFSMSHsm	175
Syntax.	175
Required parameters	175
Optional parameters	175
Usage notes	176
ARCXTRCT: Extracting data from DFSMSHsm	177
Syntax.	177
Required parameters	177
Optional parameters	180
Usage notes	181

Part 4. Appendixes 183

Appendix A. DFSMSHsm and ISMF line operator reference summary . . . 185

Appendix B. Return codes from DFSMSHsm commands 187

Return codes from the default set	188
Return codes from the extended set	188
Return codes from user macros	191
Individual macros and their messages	192

Appendix C. Accessibility 193

Accessibility features	193
Using assistive technologies	193
Keyboard navigation of the user interface	193
Dotted decimal syntax diagrams	193

Notices 197

Policy for unsupported hardware.	198
Minimum supported hardware	199
Programming interface information	199
Trademarks	199

Index 201

Figures

1. ISPF Master Application Menu	14	28. Sample Printer List When You Specify DATASETNAME and MIGRATIONCONTROLDATASET	111
2. Page 1 of the Data Set Selection Entry Panel	14	29. Sample Printer List of a Group of Data Sets When You Specify LEVEL	111
3. Data Set List Panel	15	30. Sample Terminal List of a Group of Data Sets When You Specify LEVEL and TERMINAL	112
4. Entering the HBDELETE Line Operator	15	31. Sample Printer List of All Data Sets When You Specify DATASETNAME and BACKUPCONTROLDATASET	114
5. Flow of Automatic Migration	19	32. Sample Terminal List of All Data Sets When You Specify DATASETNAME, BACKUPCONTROLDATASET, and TERMINAL	114
6. Flow of Automatic Recall	20	33. Sample Printer List When You Specify DATASETNAME and SELECT(VOLUME(volser))	115
7. Flow of Automatic Incremental Backup	25	34. Sample Terminal List When You Specify DATASETNAME, SELECT(VOLUME(volser)), and TERMINAL	115
8. Flow of Recovery/Restore Functions	26	35. Sample Printer List of User Entries When You Specify USER	116
9. Data Set List Panel with HALTERDS Selected	47	36. Sample Printer List When You Specify DATASETNAME and SUMMARY	116
10. HALTERDS Entry Panel	48	37. Data Set List Panel with HMIGRATE Selected	117
11. HALTERDS Entry Panel with Error Message	48	38. HMIGRATE Entry Panel	118
12. Data Set List Panel After Function Completes	49	39. Data Set List Panel After Function Completes	118
13. Data Set List Panel with HBACKDS Selected	55	40. Data Set List Panel with HRECALL Selected	127
14. HBACKDS Entry Panel	56	41. HRECALL Entry Panel	128
15. Data Set List Panel after Function Completes	56	42. Data Set List Panel After Function Completes	128
16. Example of Inline Backup Job Stream	70	43. Data Set List Panel with HRECOVER Selected	135
17. Example of Messages Resulting from Inline Backup Job Stream	71	44. HRECOVER Entry Panel (Part 1 of 6)	136
18. Data Set List Panel with HBDELETE Selected	73	45. HRECOVER Entry Panel (Part 2 of 6)	136
19. Data Set List Panel After Function Completes	76	46. HRECOVER Entry Panel (Part 3 of 6)	137
20. Data Set List Panel with HDELETE Selected	87	47. HRECOVER Entry Panel (Part 4 of 6)	137
21. HDELETE Entry Panel	88	48. HRECOVER Entry Panel (Part 5 of 6)	138
22. Data Set List Panel after Function Completes	88	49. HRECOVER Entry Panel (Part 6 of 6)	138
23. Sample Printer List of Migration Volumes from the Migration Control Data Set When You Specify MIGRATIONVOLUME and MIGRATIONCONTROLDATASET	106	50. Data Set List Panel After Function Completes	139
24. Sample Terminal List of All Volumes from the Migration Control Data Set When You Specify VOLUME and TERMINAL	106		
25. Sample Printer List of Tape Migration Level 2 Volumes When You Specify MIGRATIONLEVEL2(TAPE) and MIGRATIONCONTROLDATASET parameter..	108		
26. Sample Printer List from the BCDS When You Specify VOLUME, PRIMARYVOLUME(volser) and BACKUPCONTROLDATASET	108		
27. Sample Printer List of All the Backup Volumes When You Specify BACKUPVOLUME.	110		

Tables

1. Syntax examples	34	9. HLIST--Listing Information from the BCDS and MCDS	114
2. ARCINBAK Return Codes	69	10. Headings of Output When You Request Summary Information from the MCDS	116
3. Headings of Output When You Request Information from the Migration Control Data Set for DFSMShsm-Managed or DASD Migration Volume	104	11. Messages Associated with the QUERY Command by Parameter Name	125
4. Headings of Output When You Request Information from the MCDS for Tape Migration Level 2 Volumes	106	12. Supported Unit Types and Their UCBs	154
5. Headings of Output When You Request Information for DFSMShsm-Managed Volumes from the Backup Control Data Set	108	13. Extract Header Layout	177
6. Headings of Output When You Request Information for Backup Volumes	109	14. Entry for DATA=COPYPOOL backup version	178
7. Headings of Output When You Request MCDS Information for Data Sets	110	15. Entry for DATA=BUVERS backup version	179
8. Headings of Output for All Data Sets When You Request Information from the Backup Control Data Set	112	16. DFSMShsm/ISMF Line Operators.	185
		17. Default Set Return Codes	188
		18. Return codes from the extended set example: register 15 values	189
		19. Extended set return codes	190
		20. User Macros Return Codes	191
		21. Messages from Individual Macros.	192

About this document

This document helps you manage your data through the use of IBM® z/OS® DFSMSHsm. This document introduces you to DFSMSHsm and what you use DFSMSHsm for. The basics of security, as it relates to DFSMSHsm, is explained along with the fundamental concepts of space and availability management and how to use DFSMSHsm user commands.

For information about the accessibility features of z/OS, for users who have a physical disability, see Appendix C, “Accessibility,” on page 193.

Who should read this document

This document is intended for any one who manages their own data.

Major divisions of this document

This document is divided into the following parts:

Part 1, “Introduction,” on page 1 describes the major functions of DFSMSHsm and introduces the terminology used with DFSMSHsm.

Part 2, “DFSMSHsm user tasks,” on page 45 describes the tasks you can perform on your data sets using DFSMSHsm user commands, and explains how to perform those commands.

Part 3, “DFSMSHsm application programming interface,” on page 151 describes the user macros you can use from application programs to issue DFSMSHsm commands.

Appendix A, “DFSMSHsm and ISMF line operator reference summary,” on page 185 describes the DFSMSHsm/ISMF line operators. The tables show the functions and give the minimum abbreviation that you can use when entering line operators in the foreground.

Appendix B, “Return codes from DFSMSHsm commands,” on page 187 describes the return codes issued by DFSMSHsm after processing DFSMSHsm commands or requests from DFSMSHsm user macros.

Required product knowledge

You should be familiar with the basic concepts of storage management, managing your personal data, and basic diagnostic techniques. You are presumed to have a background in using TSO, understanding of z/OS concepts and terms, and to understand the information in *z/OS DFSMS Introduction*.

Accessing z/OS DFSMS information on the Internet

In addition to making softcopy information available on physical media, IBM provides access to z/OS softcopy information on the Internet. To view, search, and print z/OS information, go to the z/OS Internet Library:

<http://www.ibm.com/systems/z/os/zos/bkserv/>

How to send your comments to IBM

We appreciate your input on this publication. Feel free to comment on the clarity, accuracy, and completeness of the information or provide any other feedback that you have.

Use one of the following methods to send your comments:

1. Send an email to mhvrcfs@us.ibm.com.
2. Send an email from the "Contact us" web page for z/OS (<http://www.ibm.com/systems/z/os/zos/webqs.html>).
3. Mail the comments to the following address:
IBM Corporation
Attention: MHVRCFS Reader Comments
Department H6MA, Building 707
2455 South Road
Poughkeepsie, NY 12601-5400
US
4. Fax the comments to us, as follows:
From the United States and Canada: 1+845+432-9405
From all other countries: Your international access code +1+845+432-9405

Include the following information:

- Your name and address.
- Your email address.
- Your telephone or fax number.
- The publication title and order number:
z/OS V2R1.0 DFSMSHsm Managing Your Own Data
SC23-6870-00
- The topic and page number that is related to your comment.
- The text of your comment.

When you send comments to IBM, you grant IBM a nonexclusive right to use or distribute the comments in any way appropriate without incurring any obligation to you.

IBM or any other organizations use the personal information that you supply to contact you only about the issues that you submit.

If you have a technical problem

Do not use the feedback methods that are listed for sending comments. Instead, take one of the following actions:

- Contact your IBM service representative.
- Call IBM technical support.
- Visit the IBM Support Portal at z/OS support page (<http://www.ibm.com/systems/z/support/>).

z/OS Version 2 Release 1 summary of changes

See the following publications for all enhancements to z/OS Version 2 Release 1 (V2R1):

- *z/OS Migration*
- *z/OS Planning for Installation*
- *z/OS Summary of Message and Interface Changes*
- *z/OS Introduction and Release Guide*

Part 1. Introduction

This topic describes the major functions of DFSMSHsm and introduces the terminology used with DFSMSHsm.

Chapter 1. Introduction to DFSMSHsm

DFSMSHsm is a licensed program that automatically performs space management and availability management in a storage device hierarchy. DFSMSHsm makes sure that space is available on your Direct Access Storage Device (DASD) volumes so that you can extend your old data sets and allocate new ones. DFSMSHsm also makes sure that backup copies of your data sets are always available if your working copies are lost or corrupted.

DFSMSHsm terminology includes the following:

Term Meaning

Space management

Functions that ensure space is available for extending and allocating data sets.

Availability management

Functions that make backup copies available.

Authorized user

An authorized user is someone whom the computing center has authorized to issue all of the DFSMSHsm commands. Authorized users can issue commands that affect other users data sets.

Unauthorized user

An unauthorized user is someone who can issue only a limited subset of the DFSMSHsm commands, called the unauthorized commands. Unauthorized users can affect only their own data sets.

What is space management?

Space management is a process that ensures that there is enough storage space on user volumes for your data.

Space management performs two functions that are visible to you:

- It *expires* data sets that have passed their expiration dates. For non-SMS-managed data sets, you specify the expiration date when you allocate the data set. For SMS-managed data sets, the expiration date is controlled by the management class associated with the data set. To find out if your data sets are SMS-managed and what management classes are associated with your data sets, ask your computing center.
- It *migrates* data sets that have not been used within a specified time. A migrated data set is one that has been moved to a different volume (either DASD or tape) in a special form that saves space on the volume. You cannot use a migrated data set directly. However, as soon as you refer to the data set, either in an interactive or batch use, DFSMSHsm returns the data set to a volume that you are authorized to use and in the form in which it originally existed.

You can recognize that a data set has been migrated by the term MIGRAT in the volume field when you list your cataloged data sets. Only cataloged data sets can be migrated.

The amount of time that a data set remains unused before it can migrate automatically is the same for all data sets on a volume when they are

non-SMS-managed. For SMS-managed data sets, the management class determines when the data sets are eligible to automatically migrate. Your computing center can tell you what these values are.

Migration occurs to either of two levels: migration level 1 or migration level 2. Migration level 1 (ML1) volumes are always DASD. Migration level 2 (ML2) volumes can be either DASD or tape. Your computing center controls which volumes are to be used as migration volumes.

DFSMSHsm creates available space on user volumes by:

- Freeing over allocated space
- Deleting expired data sets
- Moving eligible data sets that you have not used recently to a lower-cost-per-byte storage device

DFSMSHsm records the location of each data set that it moves in a control data set.

What is availability management?

Availability management is a process that ensures that there is a current backup version of your data sets from which you can recover your data if it is damaged or accidentally deleted.

The automatic parts of availability management are invisible to you. DFSMSHsm automatically makes dumps of complete volumes (that is, it backs up the entire allocated space of a volume) and backup copies of changed data sets. The backup copies of changed data sets are known as incremental backup versions. These dumps and backup copies are made on a regular schedule. When you need to retrieve a backup copy, the copy is there for you. Your computing center can tell you the schedule for making dumps and backup copies.

The feature that DFSMSHsm provides is retrieval of your own backup copies. Unless you tell it to do something else, DFSMSHsm selects the latest copy that you can retrieve. (Some computing centers may not allow you to retrieve a backup copy from a volume dump. Therefore, you might be able to get only the latest incremental backup version.) Your computing center can tell you if you can get backup copies from dumps. DFSMSHsm automatically copies new and changed data sets to DASD or tape. DFSMSHsm also dumps all the data sets on DASD volumes to tape volumes.

What is a storage device hierarchy?

A storage device hierarchy consists of a group of storage devices that have different costs for storing data, different amounts of data stored, and different speeds of accessing the data.

DFSMSHsm uses the following three-level storage device hierarchy for space management:

- Level 0, including DFSMSHsm-managed storage devices at the highest level of the hierarchy, contains data directly accessible to you.
- Level 1 contains data sets that DFSMSHsm has moved from level 0 volumes.
- Level 2 contains data sets that DFSMSHsm has moved from level 1 or level 0 volumes.

Storage devices at the lower levels of the hierarchy, level 1 and level 2, contain data that DFSMSHsm has compressed and optionally compacted into a format that you cannot use. Devices at this level provide lower-cost-per-byte storage and usually slower response time.

Where does DFSMSHsm store my data?

DFSMSHsm stores data in a device-independent format so it can move data to any of the following devices:

- Tape for the 3480, 3480X, 3490, and 3590-1 Magnetic Tape Subsystems.
- DASD for Models 3380, 3390, and 9345.

DFSMSHsm supports the following volume types:

- **Level 0 volumes** are volumes containing data sets that are directly accessible to you and the jobs you run. **DFSMSHsm-managed volumes** are those level 0 volumes that are managed by the DFSMSHsm automatic functions.
Level 0 volumes, and DFSMSHsm-managed volumes, can be any DFSMSHsm-supported DASD. These volumes must be mounted and online when you refer to them with DFSMSHsm commands.
- **Migration level 1 volumes** contain data sets that DFSMSHsm moved from level 0 volumes and contain the backup versions that were created from a DFSMSHsm BACKDS or HBACKDS command.
Migration level 1 volumes are DFSMSHsm-supported DASD on which DFSMSHsm maintains your data in DFSMSHsm format. Normally, these volumes are permanently mounted and online.
- **Migration level 2 volumes** are volumes containing data sets moved from migration level 1 volumes or level 0 volumes.
Migration level 2 volumes are DFSMSHsm-supported tape, or DASD, on which DFSMSHsm maintains your data in DFSMSHsm format. Normally, these volumes are not mounted or online.
- **Daily backup volumes** are volumes containing the most current backup versions of data sets copied from level 0 volumes. These volumes may also contain earlier backup versions of these data sets.
Daily backup volumes are DFSMSHsm-supported tape, or DASD, on which DFSMSHsm maintains your data in DFSMSHsm format. Normally, these volumes are not mounted or online.
- **Spill backup volumes** are volumes containing earlier backup versions of data sets, which were moved from DASD backup volumes.
Spill backup volumes are DFSMSHsm-supported tape, or DASD, on which DFSMSHsm maintains your data sets in DFSMSHsm format. Normally, these volumes are not mounted or online.
- **Dump volumes** are DFSMSHsm-owned magnetic tape volumes. When a volume is dumped, DFSMSHsm invokes DFSMSdss to write a copy of the entire allocated space of that volume on a dump volume.
Dump volumes are DFSMSHsm-supported tape. Image copies of volumes are produced by the full volume dump function of DFSMSdss, which is invoked by DFSMSHsm.
- **Aggregate backup volumes** contain copies of the data sets of a user-defined group of data sets, along with control information for those data sets. These data sets and their control information are stored as a group so that they can be recovered (if necessary) as an entity by an aggregate recovery process.

Aggregate backup volumes are DFSMShsm-supported tape and are normally not mounted or online.

- **Fast replication target volumes** contain the fast replication backup copies of DFSMShsm-managed volumes. Fast replication target volumes are contained within SMS copy pool backup storage groups.

What is the storage management subsystem?

DFSMShsm is a member of the DFSMS product family. DFSMS, along with resource access control facility (RACF[®], a component of the Security Server for z/OS) and interactive storage management facility (ISMF) licensed programs, provides a system-managed storage environment freeing the user of many time-consuming storage tasks.

The Storage Management Subsystem (SMS) is part of DFSMS. SMS changes the storage management approach from user-managed volumes to SMS-managed data sets residing in SMS-managed storage groups. The system, rather than the user, determines data placement and handles data backup, movement, space, and security.

SMS provides the following storage classes and groups, which are customized by the storage administrator to fit the system environments and policies:

- **Data class:** A list of allocation attributes that the system uses for the creation of data sets.
- **Storage class:** A list of storage performance and availability service requests.
- **Management class:** A list of data set migration, backup, and retention attributes that DFSMShsm uses to manage storage at the data set level.
- **Storage group:** A list of real DASD volumes, or a list of serial numbers of volumes that no longer reside on a system but that end users continue to refer to in their JCL.

Storage administrators also customize SMS automatic class selection (ACS) routines, which automatically assign the SMS classes and storage groups to data sets. This allows the user to create data sets by providing only a small amount of information through ISMF panels.

Because the SMS management class defines the data set migration, backup, and retention parameters for each data set that is SMS-managed, DFSMShsm works with SMS, using the SMS attributes, to provide space and availability management.

There are some differences in the way in which DFSMShsm works in an SMS environment as opposed to a non-SMS environment. Some of those differences are visible to the user when entering explicit commands, as certain commands and parameters do not apply to SMS-managed data sets. Those differences are defined for the user in the “DFSMShsm User Tasks” section of this publication.

Chapter 2. What you do with DFSMSHsm

Although DFSMSHsm performs most of its functions automatically, you may at times want to perform some of the functions for your data sets by command. DFSMSHsm provides a set of commands that unauthorized users can issue to manage their own data sets. SMS provides controls in the management classes that allow or disallow management of data sets by command. If your data sets are associated with a management class that disallows space management or availability management by command, you cannot issue these commands for those data sets. In addition, DFSMSHsm provides a command that authorized users can use to issue DFSMSHsm commands from TSO.

Many computing centers use security programs to protect users data sets from being deleted, changed, or read by unauthorized people. DFSMSHsm honors both password and RACF protection for data sets.

DFSMSHsm provides several ways to perform its tasks but not all ways can be used for every task.

- Using interactive storage management facility (ISMF) panels
- Issuing commands through TSO
- Issuing user macros
- Using the inline backup facility

You can use DFSMSHsm to perform the following tasks for your data sets:

- Back up a data set
- Change the data set parameters that affect backup for a particular data set
- Condense the data set. When you condense a data set, you release excess allocated space in a sequential data set or remove all unused space or invalid data from a partitioned data set.
- Cancel a request for DFSMSHsm services
- Delete backup versions of a data set
- Delete a migrated data set
- Free storage in the common service area (CSA)
- List DFSMSHsm information about your data sets
- Migrate a data set
- List information about your requests for DFSMSHsm services.
- Recall a data set
- Recover a data set
- Send an authorized command to DFSMSHsm

Chapter 3. Security

DFSMSHsm maintains the security of your data sets through the resource access control facility (RACF) or through password protection. Operating as an authorized MVS™ task, DFSMSHsm can manage data sets automatically regardless of their RACF or password protection.

DFSMSHsm maintains the security of DFSMSHsm commands through the use of RACF FACILITY class profiles.

What is RACF protection?

RACF is a program that protects data sets from unauthorized access by enabling you to define who can access your data sets and what functions they can perform on the data sets. RACF uses the information in a data set profile to determine whether a user is authorized to access the data set.

You can protect data sets with either separate RACF generic data set profiles or RACF discrete data set profiles. A RACF generic data set profile describes one or more data sets that have a similar name structure. A RACF discrete data set profile describes a specific data set on a particular volume.

DFSMSHsm optionally creates a backup profile for the most recent backup version of a cataloged data set if the data set was protected with a RACF discrete profile at the time of the backup. DFSMSHsm maintains only one backup profile for all backup versions of the cataloged data set. When all backup versions of the data set are scratched, the related backup profile is also scratched.

If the data set had a RACF discrete profile when backed up, profile recovery will be done if DFSMSHsm finds out that the profile no longer exists when recovery is attempted.

If the data set had a RACF discrete profile when backed up and you specify NEWNAME, DFSMSHsm creates a RACF discrete profile for the new name data set.

The following table lists the level of RACF resource access authority that you need to access and perform the DFSMSHsm function on a RACF-protected data set. If you are not authorized to manipulate the data, DFSMSHsm fails the command.

DFSMSHsm User Command	DFSMSHsm Function	RACF Resource Access Authority Required
HALTERDS	Changes the backup frequency and the number of backup versions kept for one or more data sets. Cannot be used on SMS-managed data sets, which are controlled by the data sets management class parameters. If used on SMS-managed data sets, the command fails and an error message is issued.	ALTER
HBACKDS	Creates a backup version of one or more data sets.	UPDATE

DFSMSHsm User Command	DFSMSHsm Function	RACF Resource Access Authority Required
HBDELETE	Deletes specific backup versions of one or more data sets.	ALTER
HDELETE	Deletes one or more migrated data sets.	ALTER
HMIGRATE	Migrates one or more data sets.	UPDATE
HRECALL	Recalls one or more migrated data sets.	EXECUTE
HRECOVER	Recovers, without the NEWNAME parameter, a backup version of one or more data sets.	ALTER If profile recovery is necessary, you also need authority to create a RACF discrete profile for the recovered data set.
HRECOVER	Recover, with the NEWNAME parameter, a backup version of one or more data sets.	READ authority to the data set being recovered. ALTER authority to the new name data set. If profile recovery is necessary, you also need authority to create a RACF discrete profile for the new name data set.

For more information on the use of RACF, see *z/OS Security Server RACF Security Administrator's Guide*

What is password protection?

Password protection allows you to protect your data set by assigning it a password. Another user cannot read, change, or delete your data set without knowing the password.

MVS implements password protection differently for non-VSAM and VSAM data sets.

Passwords are not supported for SMS data sets or for DFSMSHsm user macros.

Non-VSAM data sets

MVS stores passwords for all non-VSAM data sets in one system password data set.

DFSMSHsm User Command	Password You Must Supply
HALTERDS	The password in the system password data set that allows you to write to the data set.
HBACKDS	The password in the system password data set that allows you to write to the data set.
HBDELETE	The password in the system password data set that allows you to write to the data set.

DFSMSHsm User Command	Password You Must Supply
HDELETE	The password in the system password data set that allows you to write to the data set.
HMIGRATE	The password in the system password data set that allows you to write to the data set.
HRECALL	The password in the system password data set that allows you to read the data set.
HRECOVER	For the data set that you are recovering, supply the password in the system password data set that allows you to write to the data set. NEWNAME is not specified. If you specify the NEWNAME parameter, for the new name data set, supply the password in the system password data set that allows you to write to the data set.

VSAM data sets

The password for each VSAM data set is stored in a catalog record for each specific VSAM data set. Therefore, MVS maintains the VSAM passwords during DFSMSHsm processing as a part of the regular catalog creation and updating.

DFSMSHsm User Command	Password You Must Supply
HALTERDS	The master password of the base cluster.
HBACKDS	The master password of the base cluster.
HBDELETE	The master password of the base cluster.
HDELETE	The master password of the base cluster.
HMIGRATE	The master password of the base cluster.
HRECALL	The master password of the base cluster.
HRECOVER	If the data set to be recovered exists, supply the current master password of the base cluster. If the data set does not exist, supply the master password of the base cluster that existed when DFSMSHsm backed up the data set. If you specify the NEWNAME parameter, supply the master password of the base cluster for the new name data set.

How are DFSMSHsm commands protected?

DFSMSHsm provides a way to protect all DFSMSHsm command access through the use of RACF FACILITY class profiles. An active RACF FACILITY class establishes the security environment, and if active, each user command is protected by a RACF FACILITY class profile. Your installation's Security Administrator must give you user ID authority to the resource that represents the user command you want to use.

Chapter 4. Methods of performing tasks

DFSMSHsm provides several ways to perform tasks. You can use ISMF panels to issue commands to DFSMSHsm, issue DFSMSHsm commands through Time Sharing Option (TSO), or use DFSMSHsm user macros from portions of application programs.

This topic provides examples of using ISMF to perform tasks and explains how to use the DFSMSHsm user macros.

Using ISMF to perform tasks

Interactive Storage Management Facility (ISMF) is an Interactive System Productivity Facility (ISPF) application that helps you manage data and storage interactively. DFSMSHsm/ISMF line operators are used to perform tasks on a specific data set. In this section, the following topics are discussed for ISMF:

- Invoking ISMF
- Building a data set list
- Specifying line operators
- Receiving feedback from ISMF
- Entering line operator modes

The information you supply on DFSMSHsm/ISMF panels is used to build TSO commands like those you would enter at your terminal. Using ISMF panels, you no longer have to remember DFSMSHsm keywords or syntax. You simply fill in the values on the DFSMSHsm/ISMF panels and ISMF automatically generates the DFSMSHsm command.

Using ISMF panels, you can also construct a list of data about specific data sets. You identify the selection criteria to ISMF and it builds a list that fits your criteria. Because the list is formatted to provide a variety of information all in one place, you can use it to analyze and manage your data and storage more efficiently.

Invoking ISMF

How you invoke ISMF depends upon your installation. You begin by logging on to TSO and invoking ISPF.

If ISMF is installed as an option on the ISPF Master Application menu or as an option on the ISPF/PDF Primary Option menu, specify the selection option (letter or number) that corresponds to ISMF. The ISMF Primary Option menu appears, and you can begin an ISMF session. For example, in Figure 1 on page 14, you see the ISPF Master Application menu. To select ISMF, enter I (letter i) following the arrow on the command line.

```

----- ISPF MASTER APPLICATION MENU -----
SELECT APPLICATION ==> I_
1 SPF      - SPF PROGRAM DEVELOPMENT FACILITY   USERID  - K665941
. ....    -          ...                       TIME    - 07:30
. ....    -          ...                       TERMINAL - 3279
. ....    -          ...                       PF KEYS  - 12
. ....    -          ...
I ISMF     - INTERACTIVE STORAGE MANAGEMENT FACILITY
. ....    -          ...
. ....    -          ...
. ....    -          ...
P PARMS   - SPECIFY TERMINATION PARAMETERS AND LIST/LOG DEFAULTS
X EXIT    - TERMINATE USING LIST/LOG DEFAULTS

PRESS THE END KEY TO TERMINATE

```

Figure 1. ISPF Master Application Menu

If you want to invoke ISMF directly from TSO, issue: ISPSTART PGM(DGTFMD01) NEWAPPL(DGT)

The ISMF Primary Option menu appears, and you can begin an ISMF session.

Building a data set list

After invoking ISMF and choosing the data set application from the ISMF Primary Option menu, you need to build a data set list to use during the session. To do this:

1. Complete the Data Set Selection Entry panel with the values shown in Figure 2 to generate the list from the catalog and acquire data from the VTOC for data sets that have been migrated by DFSMSHsm. Verify that pages 2, 3, and 4 of the Data Set Selection Entry panel are blank. If they are not blank, you will receive the short informational message: OTHER VALUES PRESENT.

```

Panel Defaults Utilities Scroll Help
-----
                        DATA SET SELECTION ENTRY PANEL                Page 1 of 5

For a Data Set List, Select Source of Generated List . . 2 (1 or 2)

1 Generate from a Saved List
  List Name . .

2 Generate a new list from criteria below
  Data Set Name . . . USER20.*

Specify Source of the new list . . 2 (1 - VTOC, 2 - Catalog)
1 Generate list from VTOC
  Volume Serial Number . . . (fully or partially specified)
2 Generate list from Catalog
  Catalog Name . . .
  Catalog Password . . . . . (if password protected)
  Volume Serial Number . . . (fully or partially specified)
  Acquire Data from Volume . . . . . Y (Y or N)
  Acquire Data if DFSMSHsm Migrated . . Y (Y or N)

Command ==>
F1=Help   F2=Split  F3=End    F4=Return F7=Up     F8=Down   F9=Swap
F10=Left  F11=Right  F12=Cursor

```

Figure 2. Page 1 of the Data Set Selection Entry Panel

- Press ENTER to generate the data set list. A list that conforms to your selection criteria appears (Figure 3). See *z/OS DFSMS Using the Interactive Storage Management Facility* for more information about building a data set list.

```

Panel List Dataset Utilities Scroll Help
-----
                        DATA SET LIST
Enter Line Operators below:                               Entries 1-1 of 1
                                                         Data Columns 3-6 of 39

LINE      DATA SET NAME      ALLOC  ALLOC  % NOT  COMPRESSED
OPERATOR          SPACE    USED   USED   USED   FORMAT
---(1)---  ---(2)---  ---(3)-- --(4)-- -(5)-  ---(6)---
USER20.CLIST.CLIST      46      46      0    ???
USER20.DFP220.DGTTLIB  46      46      0    ???
USER20.ISMF.DGTLLIB    46      46      0    ???
USER20.ISMF.DGTPLIB   46      46      0    ???
USER20.ISMF.DUMP      4684   4356    7    ???
USER20.ISMF.JCL       468      46     90    ???
USER20.ISPFILE        46      46      0    ???
USER20.ISPPROF        93     93      0    ???
USER20.SPFLOG1.LIST   2623   1311   50    ???
USER20.TEMP.DATASET   4684     93     98    ???
-----
                        BOTTOM OF DATA
-----

Command ==>
F1=Help   F2=Split  F3=End   F4=Return F7=Up    F8=Down  F9=Swap
F10=Left  F11=Right F12=Cursor

```

Figure 3. Data Set List Panel

Specifying line operators

After you have created a data set list and tailored it to fit your needs, you can use ISMF to perform DFSMSHsm tasks. Using line operators, you can perform these tasks against entries in your list. For a list of DFSMSHsm line operators, see Appendix A, “DFSMSHsm and ISMF line operator reference summary,” on page 185.

Line operators work with the individual entries in a list. You enter line operators in the line operator field, column (1), next to the entry you want to affect. For example, to delete backup versions of data sets, enter the HBDELETE line operator in the line operator field next to the data set you want to delete, as shown in Figure 4.

```

Panel List Dataset Utilities Scroll Help
-----
                        DATA SET LIST
Enter Line Operators below:

LINE      DATA SET NAME
OPERATOR          SPACE
---(1)---  ---(2)---
HBDELETE    USER20.ISMF.JCL

```

Figure 4. Entering the HBDELETE Line Operator

ISMF displays the HBDELETE entry panel, which allows you to view and change processing options for HBDELETE.

Receiving feedback from ISMF

ISMF provides feedback for successful completion or submission of line operators and for error conditions. When a line operator is successful, ISMF inserts an asterisk (*) before the line operator in the line operator field.

If there is an error during the execution of a line operator, ISMF prefixes the line operator with a question mark (?). A short error message appears in the upper right corner of the panel.

Entering line operator modes

There are two ways to enter line operators: normal mode and last-use mode.

In *normal mode*, you enter the line operator by itself in the line operator field. ISMF displays the entry panel associated with the line operator you specify. You can then view or change the processing options on the entry panel.

In *last-use mode*, you enter the line operator followed by an equal sign in the line operator field. ISMF does not display the entry panel for the line operator. Instead, the line operator is processed with the values that were present on the entry panel the last time the line operator was executed in this, or a previous, ISMF session.

Note:

1. The HALTERDS and HBDELETE line operators can only be entered in normal mode.
2. The CONDENSE panel again displays the volume serial number and the device type where the data set resides if the CONDENSE command is reentered.

Using DFSMShsm user macros

DFSMShsm has macros available that allow you to request DFSMShsm service from your application programs. When you provide information to the macro and process it from your application program, the macro builds the required DFSMShsm control information and issues the request for DFSMShsm service. The macros are in *execute* form only. There is no *list* form provided.

The following user macros are currently supported in DFSMShsm:

- ARCFMWE frees up storage in common storage area (CSA)
- ARCHBACK backs up a specific data set
- ARCHBDEL deletes backed up versions of a data set
- ARCHDEL deletes a migrated data set
- ARCHMIG migrates a specific data set
- ARCHRCAL recalls a data set
- ARCHRCOV recovers a data set
- ARCHSEND sends a command to DFSMShsm
- ARCXTRCT extracts data from DFSMShsm

For more information on application programming interfaces or user macros, see Chapter 22, “Using DFSMShsm user macros,” on page 153.

Chapter 5. Space management

The purpose of space management is to manage DASD storage efficiently. This topic explains how DFSMSHsm manages space and what commands you can issue to perform space management on your own data sets.

How does DFSMSHsm manage space?

DFSMSHsm manages space by:

- Freeing overallocated space
- Deleting expired data sets
- Moving eligible data sets that you have not used recently from a DFSMSHsm-managed volume to a migration level 1 or migration level 2 volume

DFSMSHsm can also move data sets from migration level 1 volumes to migration level 2 volumes or directly from level 0 to migration level 2 volumes. When you refer to a migrated data set, DFSMSHsm automatically recalls it to a level 0 volume so you can use it.

DFSMSHsm can migrate or delete data sets on volumes either automatically or by command. If you do not want to wait for automatic space management to run, you can use the DFSMSHsm user command HMIGRATE to migrate one or more of your data sets. You can also use the DFSMSHsm user command HDELETE to delete one or more of your migrated data sets.

DFSMSHsm uses the following functions to manage space:

- Space Management
 - Automatic volume space management
 - Primary
 - Interval migration
 - On-demand migration
 - Automatic secondary space management
- Recall
 - Automatic recall
 - Command recall

Automatic volume space management and automatic secondary space management

Automatic volume and automatic secondary space management prepare the computing system for the addition of new data by freeing space on the DFSMSHsm-managed volumes and DFSMSHsm-owned volumes. Automatic volume space management includes automatic primary space management, interval migration, and on-demand migration.

During **automatic primary** space management, DFSMSHsm performs space management on each requested DFSMSHsm-managed volume at a specified time of day.

During **interval migration**, DFSMSHsm ensures on an hourly basis that a specified amount of space is available on DFSMSHsm-managed volumes.

During **on-demand migration**, DFSMShsm performs space management on eligible SMS-managed volumes immediately after the volume exceeds its high threshold.

During **automatic secondary** space management, DFSMShsm performs space management on eligible migrated data sets.

Recall

Recall returns a migrated data set to a user volume (level 0). If you want to recall your own migrated data sets, you can do so without knowing where your data sets reside. To provide interactive terminal users with quick access to their migrated data sets, DFSMShsm allows up to 15 concurrent recall tasks.

Automatic recall returns your migrated data set to a DFSMShsm-managed volume when you refer to it.

Command recall returns your migrated data set to a user volume when you enter the HRECALL command through an ISMF panel or by directly keying in the command.

For both automatic and command recall, DFSMShsm working with SMS invokes the automatic class selection (ACS) routines. Data sets that were not SMS-managed at the time they were migrated may be recalled as SMS-managed data sets. The ACS routines determine whether the data sets should be recalled as SMS-managed, and if so, the routines select the classes and storage groups in which the data sets will reside. The system chooses the appropriate volume for the data sets.

DFSMShsm working without SMS returns a migrated data set to a DFSMShsm-managed non-SMS volume with the most free space.

See Figure 5 on page 19 and Figure 6 on page 20 for an overview of the flow for the automatic migration and the automatic recall functions.

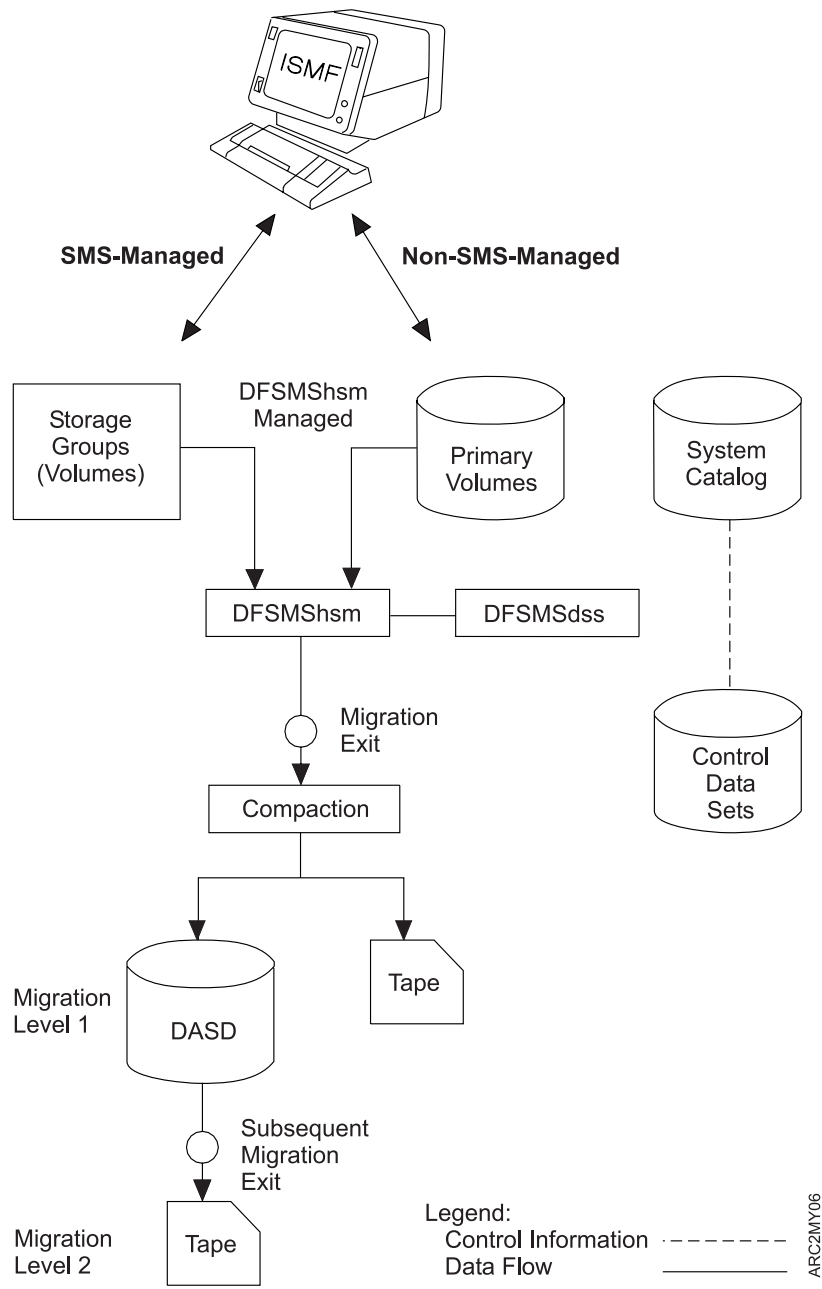
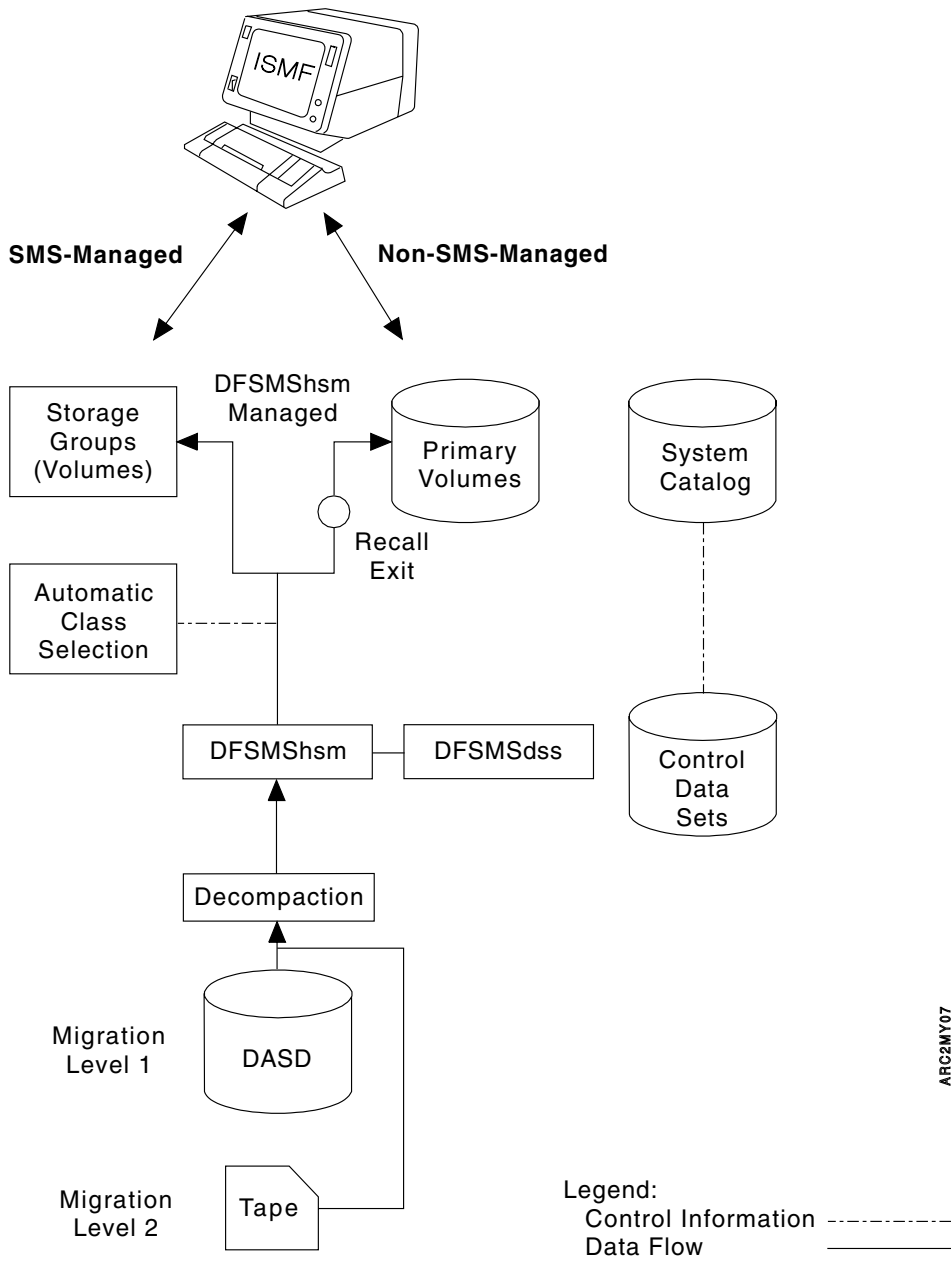


Figure 5. Flow of Automatic Migration



ARC2MY07

Figure 6. Flow of Automatic Recall

Can I perform space management tasks?

Although DFSMSHsm performs space management automatically, you can perform space management tasks on your own data sets by issuing the following DFSMSHsm commands through ISMF panels, DFSMSHsm space maintenance panels, TSO, TSO/E or a user macro.

Space Management User Commands	DFSMSHsm Function
HDELETE	Deletes one or more migrated data sets.
HLIST	Lists information from the migration and backup control data sets.
HMIGRATE	Requests migration of one or more data sets.
HQUERY	Lists outstanding DFSMSHsm requests.
HRECALL	Recalls one or more migrated data sets.

For more information on DFSMSHsm user commands, see “What tasks can I perform using DFSMSHsm user commands?” on page 43.

Chapter 6. Availability management

Availability management ensures that lost or damaged data sets can be retrieved at the most current possible level. This topic describes how DFSMSHsm ensures data availability and what commands you can issue to perform availability management on your own data sets.

How does DFSMSHsm ensure data availability?

One of the ways in which DFSMSHsm ensures data availability is by automatically copying new and changed user data sets to a backup volume. The copy of your data set is called a backup version. The backup version ensures that your data is still available if your original data set is damaged or accidentally deleted.

Another way in which DFSMSHsm ensures data availability is by automatically dumping volumes to tape.

Availability management also includes the process of retrieving data from a backup or dump version if you need to recover your data set. DFSMSHsm can recover your data set only if you issue the HRECOVER command.

DFSMSHsm uses the following functions to ensure that your data is available:

- Backup
 - Automatic backup
 - Command backup
 - Inline backup
- Recovery
 - Data set recovery
 - Volume recovery

Backup

The backup function copies a data set from a level 0 volume or a level 1 migration volume to a backup volume. The result of the backup process is a backup version of the data set, which you can recover with the HRECOVER command.

The **automatic backup** function ensures that a current copy of new and changed data sets exists in case the original data sets are damaged or accidentally deleted. At the time and on the days specified by the storage administrator, DFSMSHsm automatically copies new and changed data sets on DFSMSHsm-managed volumes to tape or DASD. During automatic backup (also referred to as incremental backup), DFSMSHsm backs up only new or changed data sets.

DFSMSHsm automatic backup, working **with** SMS, uses storage group and management class attributes to determine which data sets get backed up, how often they get backed up, how many backup versions to maintain, and how long to keep those backup versions.

DFSMSHsm automatic backup, working **without** SMS, uses the volume automatic backup attribute to backup volumes on a volume basis. The number of backup

versions kept and how often they get backed up are typically the same for all non-SMS data sets in the installation, except where the HALTERDS command has been used to change specific data sets.

When you issue the HBACKDS command, the **command backup** function copies a specific data set to either a migration level 1 volume or to a backup tape. The data set can be cataloged or uncataloged and does not have to reside on a DASD volume that is managed by DFSMSHsm. The volume, however, must be mounted.

Command backup of SMS-managed data sets is available for eligible data sets. Eligibility is controlled by an SMS management class attribute.

The **inline backup** function (a program called ARCINBAK) allows you to back up data sets in the middle of a job. If you use the optional TARGET keyword, ARCINBAK allows you to direct a data set to ML1 DASD or to tape.

Recovery

The recovery function recovers a backup version to a level 0 volume. Recovery must be initiated by a command.

The **data set recovery** function refers to the process of recovering a data set to its condition as of a specified date.

You can recover individual data sets by entering an HRECOVER line operator on an ISMF panel or by issuing the HRECOVER command.

DFSMSHsm can recover data sets from a DFSMSHsm backup version or from a DFSMSHsm dump copy. For a data set to be restored from a dump copy, the dump copy must have been made from a dump class that allows data set restore, and a VTOC copy must exist for the dump (except when an authorized user explicitly specifies a dump volume). Dump copies created by the fast replication process are not used for recoveries by the RECOVER nor HRECOVER commands.

DFSMSHsm automatically chooses the most recent copy of the data set unless directed otherwise by options you specify with the HRECOVER command, or by options set by your installation's system programmer.

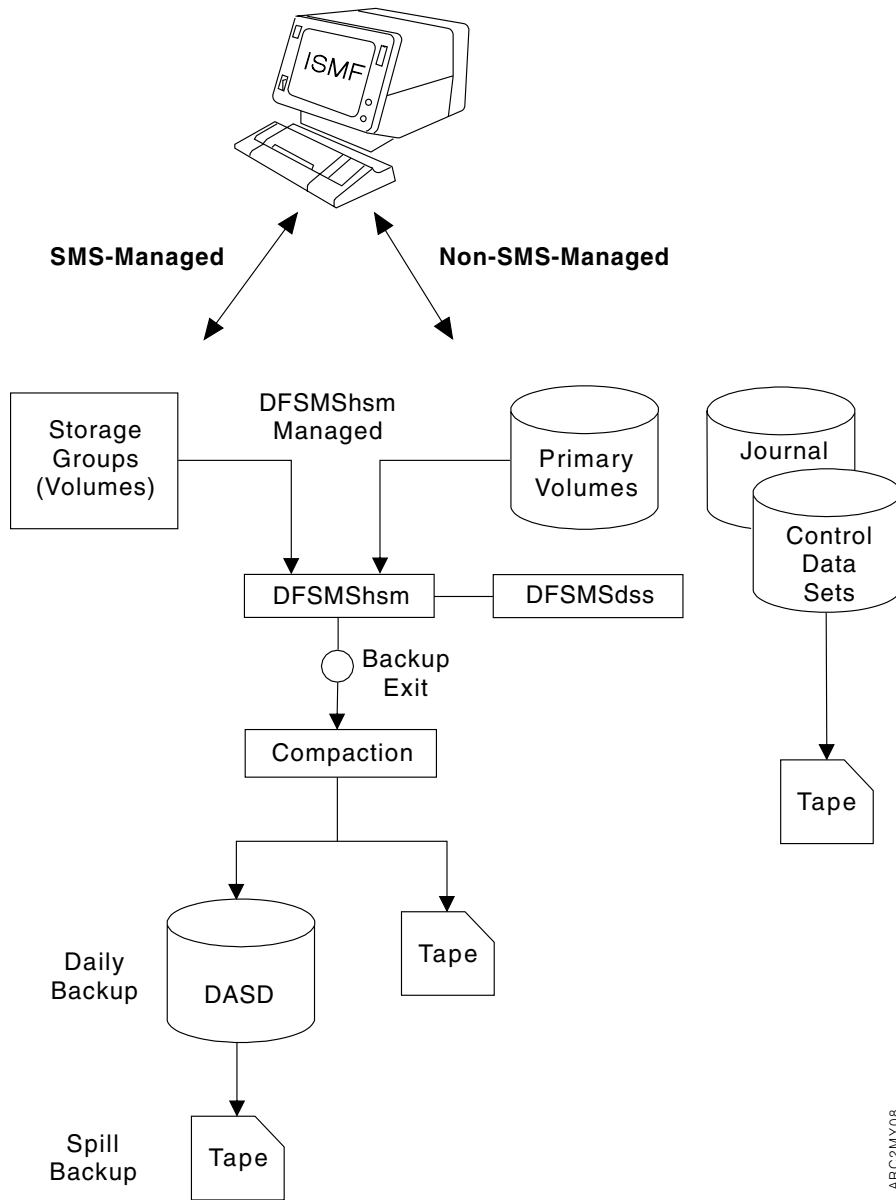
If the data set is SMS-managed at the time of recovery, the target volume is determined by the data sets storage class and storage group. If the data set is not SMS-managed, then the target volume is selected in the following order:

- The target volume specified
- The volume on which the target data set is currently cataloged
- The volume from which the data set was originally backed up or dumped

The **volume recovery** function refers to the process of recovering a level 0 volume to its condition as of a specified date.

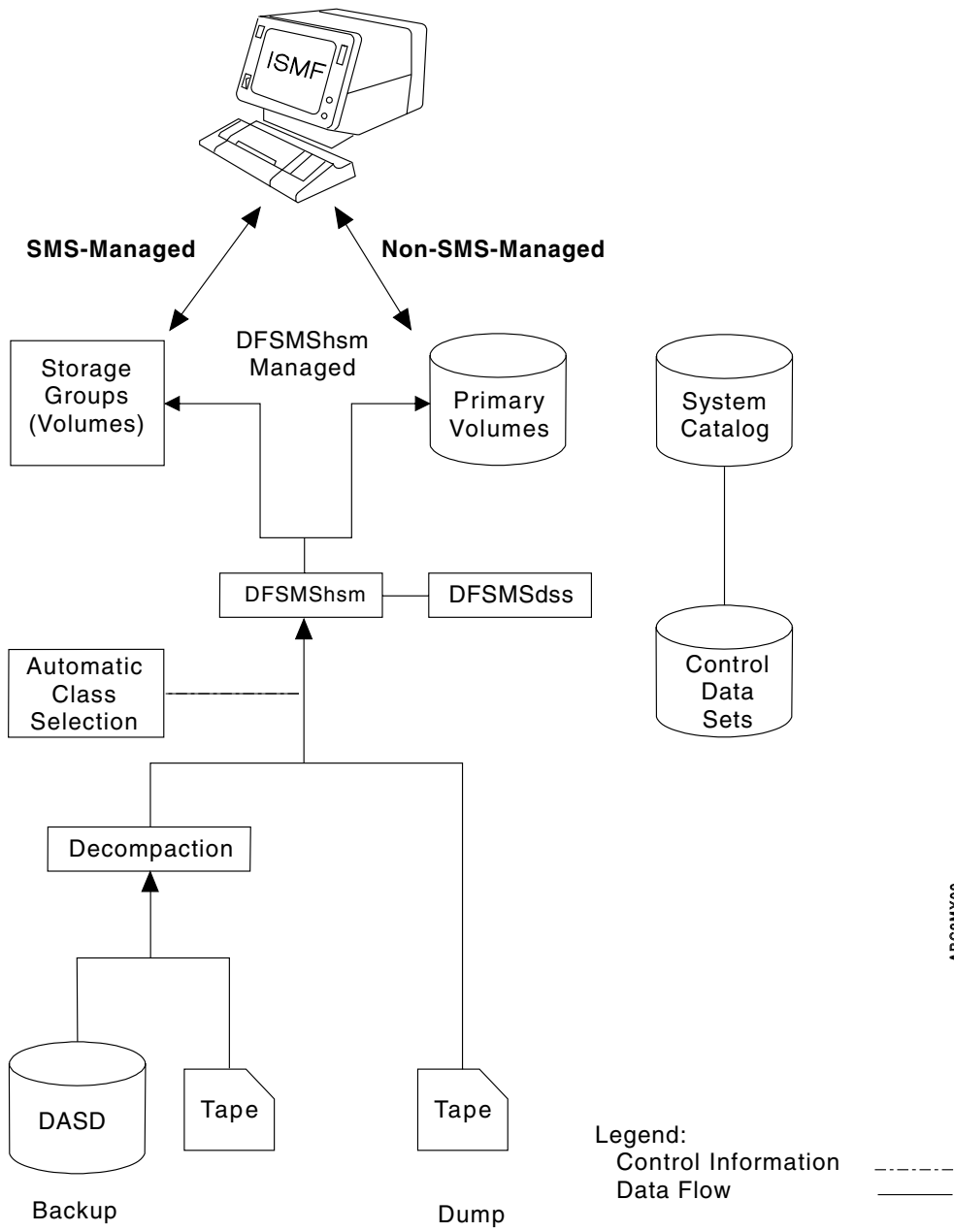
DFSMSHsm volume recovery can use incremental backups or full-volume dumps, or both. A DFSMSHsm-authorized user can issue one RECOVER command that is used to request both a volume restore and an incremental volume recovery.

See Figure 7 on page 25 and Figure 8 on page 26 for an overview of the flow for the automatic incremental backup and the recovery/restore functions.



ARC2MY08

Figure 7. Flow of Automatic Incremental Backup



ARC2MY08

Figure 8. Flow of Recovery/Restore Functions

Can I perform availability management tasks?

Although DFSMSHsm performs backup and dump tasks automatically, you can perform availability management tasks on your own data sets by issuing the following DFSMSHsm user commands through ISMF online panels, TSO, TSO/E, or a user macro. Inline backup is also available for backing up data sets.

Availability Management User Commands	DFSMSHsm Functions
HALTERDS	Changes the minimum backup frequency and number of backup versions kept for one or more data sets. Cannot be used on SMS-managed data sets, which are controlled by the data sets' management class parameters. If used on SMS-managed data sets, the command fails and an error message is issued.
HBACKDS	Creates a backup version of one or more data sets.
HBDELETE	Deletes specific backup versions of one or more data sets.
HLIST	Lists information from the migration and backup control data sets.
HQUERY	Lists outstanding DFSMSHsm requests.
HRECOVER	Recovers a backup version of one or more data sets.

For more information on DFSMSHsm user commands, see "What tasks can I perform using DFSMSHsm user commands?" on page 43.

Chapter 7. Space management and availability management capabilities

This topic describes some of the space saving functions provided by DFSMSHsm.

Space-saving functions

Space-saving functions, part of DFSMSHsm space management and availability management, allow DFSMSHsm to consolidate data while it migrates and backs up data sets and to perform cleanup activities so that the migration volume can store more data or so that the data occupies less space when DFSMSHsm returns it to a DFSMSHsm-managed volume.

The following items are space saving functions:

- Partitioned data set compression
- Deletion of temporary data sets
- Release of overallocated space
- Deletion of expired data sets
- Extent reduction
- Reblocking
- Expiration of backup versions

Partitioned data set compression

DFSMSHsm moves only data and not the entire allocated space when it migrates and recalls or backs up and recovers data sets. If you allocate more space for a partitioned data set than the data requires, DFSMSHsm releases both the unused space and the used space that is no longer valid when it migrates and recalls or backs up and recovers the data set. Furthermore, if you have specified secondary extents, when DFSMSHsm recalls or recovers the data set to a DFSMSHsm-managed volume, it allocates only the amount of space that the data requires. DFSMSHsm retains user information in partitioned data set directories.

Deletion of temporary data sets

Temporary data sets are data sets that are unintentionally left at the end of the task. DFSMSHsm automatically deletes these data sets as each data set is encountered.

Release of overallocated space

This is space that was allocated for data sets, but is not being used and is not needed. This is a management class option for SMS-managed data sets.

Deletion of expired data sets

During primary space management and secondary space management, DFSMSHsm determines if data sets meet the optional expiration criteria. If they do, DFSMSHsm deletes them. The expiration and deletion of an SMS-managed data set is controlled by management class attributes. Migrated data sets are included in the expiration checking and deleting process.

Extent reduction

When DFSMShsm recalls or recovers a data set, it requests MVS to reallocate the data set. DFSMShsm requests enough space in the allocation request so it can recall or recover the data set in one extent. If enough contiguous space is available on the target volume, DFSMShsm automatically reduces the number of extents as it migrates and recalls or backs up and recovers the data set. If you specified secondary extents when you allocated the data set, DFSMShsm releases any unused space during recall or recovery. This process makes a larger contiguous space available for allocation of larger data sets. DFSMShsm can migrate, then recall, a data set specifically to reduce extents.

Reblocking

Reblocking is the process of changing the number of records in a physical block. The purpose of reblocking is to use the space on the DASD volume more efficiently. DFSMShsm can reblock physical sequential data sets during recall and recovery to any DFSMShsm-supported DASD. If DFSMSdss is the data mover, DFSMShsm can reblock partitioned data sets. When recalling or recovering a data set, DFSMShsm does not determine a blocksize for the data set if the data set VTOC entry indicates that the data set is reblockable. Instead, the blocksize is determined by the DFSMS DASD calculation services.

Expiration of backup versions

A DFSMShsm-authorized user can issue a command for DFSMShsm to delete backup versions of data sets when the expiration criteria of those data sets have been reached. Management class attributes control the expiration and deletion of backup versions of SMS-managed data sets. Command parameters control the expiration and deletion of backup versions of non-SMS-managed data sets.

Chapter 8. Associated data sets

This topic describes the control data sets, the journal data set, and the log used by DFSMSHsm.

How does DFSMSHsm know where my data sets are located?

DFSMSHsm keeps track of all migration and backup activity by recording information in the control data sets, the journal data set, and the DFSMSHsm log.

Control data sets

The following control data sets contain the location of the data sets that DFSMSHsm migrates and backs up:

Control Data Set	Description
Backup Control Data Set (BCDS)	Contains content and location of backup versions and dump copies
Migration Control Data Set (MCDS)	Contains content and location of migrated data sets
Offline Control Data Set (OCDS)	Contains content of tape backup volumes and tape migration level 2 volumes

Journal data set

The journal data set contains the sequential history of updates to the control data sets. If a control data set is damaged, DFSMSHsm-authorized users can recover it to its most current status by combining the entries in the journal data set with the restored backup version of the control data set.

How do I know where my data sets are located?

You can list migration and backup control data set information by issuing the following DFSMSHsm user command through TSO or TSO/E:

DFSMSHsm User Command	Pertaining to Control Data Sets
HLIST	Lists information from the migration and backup control data sets.

For more information on DFSMSHsm user commands, see “What tasks can I perform using DFSMSHsm user commands?” on page 43.

Chapter 9. Understanding syntax diagrams and using DFSMSHsm commands

This topic describes using DFSMSHsm commands and the notational conventions used in this publication.

How to read syntax diagrams

This section describes how to read syntax diagrams. It defines syntax diagram symbols, items that may be contained within the diagrams (keywords, variables, delimiters, operators, fragment references, operands) and provides syntax examples that contain these items.

Syntax diagrams pictorially display the order and parts (options and arguments) that comprise a command statement. They are read from left to right and from top to bottom, following the main path of the horizontal line.

For users accessing the Information Center using a screen reader, syntax diagrams are provided in dotted decimal format.

Symbols

The following symbols may be displayed in syntax diagrams:

Symbol

Definition

- ▶— Indicates the beginning of the syntax diagram.
- ▶ Indicates that the syntax diagram is continued to the next line.
- ▶— Indicates that the syntax is continued from the previous line.
- ▶◀ Indicates the end of the syntax diagram.

Syntax items

Syntax diagrams contain many different items. Syntax items include:

- Keywords - a command name or any other literal information.
- Variables - variables are italicized, appear in lowercase, and represent the name of values you can supply.
- Delimiters - delimiters indicate the start or end of keywords, variables, or operators. For example, a left parenthesis is a delimiter.
- Operators - operators include add (+), subtract (-), multiply (*), divide (/), equal (=), and other mathematical operations that may need to be performed.
- Fragment references - a part of a syntax diagram, separated from the diagram to show greater detail.
- Separators - a separator separates keywords, variables or operators. For example, a comma (,) is a separator.

Note: If a syntax diagram shows a character that is not alphanumeric (for example, parentheses, periods, commas, equal signs, a blank space), enter the character as part of the syntax.

Keywords, variables, and operators may be displayed as required, optional, or default. Fragments, separators, and delimiters may be displayed as required or optional.

Item type

Definition

Required

Required items are displayed on the main path of the horizontal line.

Optional

Optional items are displayed below the main path of the horizontal line.

Default

Default items are displayed above the main path of the horizontal line.

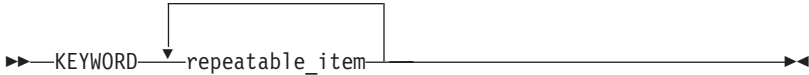
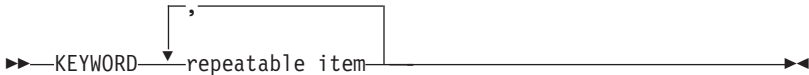
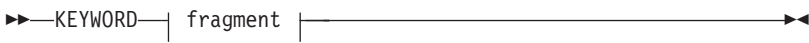
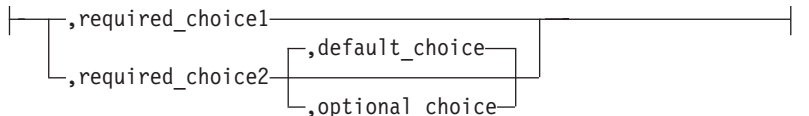
Syntax examples

The following table provides syntax examples.

Table 1. Syntax examples

Item	Syntax example
Required item.	
Required items appear on the main path of the horizontal line. You must specify these items.	
Required choice.	
A required choice (two or more items) appears in a vertical stack on the main path of the horizontal line. You must choose one of the items in the stack.	
Optional item.	
Optional items appear below the main path of the horizontal line.	
Optional choice.	
An optional choice (two or more items) appears in a vertical stack below the main path of the horizontal line. You may choose one of the items in the stack.	
Default.	
Default items appear above the main path of the horizontal line. The remaining items (required or optional) appear on (required) or below (optional) the main path of the horizontal line. The following example displays a default with optional items.	
Variable.	
Variables appear in lowercase italics. They represent names or values.	

Table 1. Syntax examples (continued)

Item	Syntax example
Repeatable item.	
An arrow returning to the left above the main path of the horizontal line indicates an item that can be repeated.	
A character within the arrow means you must separate repeated items with that character.	
An arrow returning to the left above a group of repeatable items indicates that one of the items can be selected, or a single item can be repeated.	
Fragment.	
The fragment symbol indicates that a labelled group is described below the main syntax diagram. Syntax is occasionally broken into fragments if the inclusion of the fragment would overly complicate the main syntax diagram.	 <p>fragment:</p> 

Using DFSMShsm commands

A command consists of a command name usually followed by one or more operands or parameters. All operands are referred to as parameters. Parameters provide the specific information required for the command to perform the function.

DFSMShsm commands use positional and keyword parameters.

Positional parameters

Positional parameters follow the command name in a prescribed sequence.

You must specify required positional parameters immediately after the command name to which they apply. When using optional positional parameters, you must specify them immediately after any required positional parameters or after the command name if no required positional parameter exists. When a positional parameter is a list of items, you must enclose the list within parentheses. However, if you specify only one item, you have the option of using parentheses.

Keyword parameters

Keyword parameters are specific words or symbols that have meaning to DFSMShsm. They follow positional parameters and can occur in any order. The command explanations used in this publication show the keyword parameters in **UPPERCASE BOLDFACE** characters.

You can specify values or variables with some keyword parameters by placing them after the keyword parameter and enclosing them in parentheses. A typical keyword with a value appears in this publication as:

VOLUME(*volser*)

Note: Sometimes keywords can conflict. If you enter conflicting keywords, the last keyword entered overrides the previous ones unless otherwise noted in the explanations of the specific parameters. This publication identifies conflicting keywords with a vertical bar (|) separating them.

Abbreviating commands and parameters

The TSO abbreviation convention applies for all DFSMSHsm user commands and parameters. In other words, when you want to abbreviate the DFSMSHsm commands and parameters, you must specify enough of the leading characters so that the abbreviation is distinguishable from all the other commands and parameters.

In addition, some DFSMSHsm keyword parameters allow unique abbreviations. This publication lists all unique abbreviations of a parameter under the heading “Abbreviations.”

Delimiters

When you issue a DFSMSHsm command, you must separate the command name from the first parameter by one or more blanks. You must separate parameters by one or more blanks or a comma. Do not use a semicolon (;) as a delimiter because DFSMSHsm ignores any characters that follow a semicolon.

Line continuations

When you enter a DFSMSHsm user command from a TSO terminal, you do not need to enter line continuation characters for commands that are too long for one line. You can allow the line to wrap around to the next line. If you were entering the same command from the batch reader, you would indicate continuation of the command to the next card image by using a plus or minus sign as the last character of the current card. However, when you use a plus sign, leading delimiters, such as spaces, are removed from the continuation card image. All command examples in this publication show commands entered from a TSO terminal.

Comments

You can add comments to any DFSMSHsm user command anywhere that a blank might appear. To distinguish your comments, enter them between the comment delimiters, which are /* and */. You can continue a comment to the next line by using a line-continuation character (+ or -) at the end of the line.

The following is an example of a DFSMSHsm command with a comment:

```
HLIST /*this simple command lists all of my migrated data sets*/
```

Notational conventions

The following list of symbols and type styles defines the format of DFSMSHsm commands. Do not use the symbols in the actual command statements:

- A vertical bar (|) separates alternative choices. Unless otherwise stated, you can select only one item. If you enter more than one item, the last choice entered overrides the previous ones. Do not use the vertical bar when you submit the command.

- An ellipsis (...) specifies that you can enter multiple entries of the type immediately preceding the ellipsis. For example, *dsname* ... means that you can enter one or more data set names. Do not use the ellipsis when you submit the command.
- Parentheses, commas, slashes, spaces, and other punctuation specify characters that you must enter exactly as shown.
- *Italic* type specifies fields that you must supply.
- Numeric parameters appear in three possible forms: decimal (EBCDIC), hexadecimal (X'n'), or binary (B'n'), unless specifically restricted in the parameter explanation.

Specifying data set names

When you specify a data set name with a DFSMSHsm user command, the data set name must conform to TSO data set naming conventions. The qualified name consists of the following fields:

- Your user prefix (required; defaults to user ID; can be redefined by using the TSO PROFILE command)
- A user-supplied name (required)
- A descriptive qualifier (optional)

The following example shows all three fields:

```
USER.PART.DATA
```

where:

- USER is the user prefix
- PART is the user-supplied name
- DATA is the descriptive qualifier

You may specify a fully qualified name (a name with all three qualifiers) by enclosing it in apostrophes, for example:

```
'USER.PART.DATA'
```

The system does not append the user prefix and descriptive qualifiers to data set names that are enclosed in apostrophes. If you use a fully qualified name without enclosing it in apostrophes, the system appends the user prefix, for example:

```
USER.PART.DATA
```

becomes:

```
USER.USER.PART.DATA
```

For the HBACKDS, HDELETE, HMIGRATE, HRECALL, and HRECOVER commands, you can specify a partly qualified data set name using a filter, which can contain certain symbols ("wild cards"), interpreted as follows:

- % one and only one character in a qualifier
- %%... up to eight percent signs can be specified in each qualifier
- * one or more characters in one qualifier
- ** zero or more qualifiers (the double asterisk cannot precede or follow any characters; it must be preceded and followed by either a period or a blank)

Given such a filter, DFSMSHsm uses catalog services to locate all non-VSAM data sets, generation data sets, and VSAM clusters with names that match the pattern specified in the filter. From these data sets, DFSMSHsm performs the desired function on those that meet any other qualifications in the command, such as CHANGEDONLY for HBACKDS.

For example, if you specify HBACKDS 'HLQ.MLQ.DATA%', DFSMSHsm will back up data set HLQ.MLQ.DATA1 but not VSAM cluster HLQ.MLQ.DATA25.

If you specify HDELETE HLQ.MLQ.*.DATA, DFSMSHsm will delete migrated data sets USERID.HLQ.MLQ.A.DATA and USERID.HLQ.MLQ.XYZ.DATA, but not USERID.HLQ.MLQ.ABC.

If you specify HRECALL 'HLQ.MLQ.**', DFSMSHsm will recall migrated data sets HLQ.MLQ.DATA4 and HLQ.MLQ.Z.LIST, but not USERID.HLQ.MLQ.DATA.

If you specify HMIGRATE **.DATA, DFSMSHsm will migrate data sets USERID.HLQ.DATA and USERID.DATA, but not USERID.HLQ.LIST.

Note:

1. If you specify a list of data sets in the command, any of the data set names in the list can be filters.
2. Any fully qualified data set name in the list can be an alias for a true data set name. However, the HRECOVER command fails if a user substitutes an alias for the data set name of an ICF catalog, even if the user is DFSMSHsm-authorized.
3. If a filter within apostrophes has a wild card as the first character, DFSMSHsm asks to search all the user catalogs in the system. This search has a negative effect on system performance.

Specifying data set passwords

When using password-protected data sets, you must specify the password as part of the data set name. You separate the password from the data set name by entering a slash (/), which must immediately follow the data set name and immediately precede the password. Passwords are not supported for SMS data sets or for DFSMSHsm user macros.

Example of a DFSMSHsm user command

In this example, the parameters associated with the HRECALL command specify the name of the data set that you want to recall:

```
HRECALL 'LHE2104.TEST.CASES.TEXT'
```

where:

- HRECALL is the command name.
- LHE2104.TEST.CASES.TEXT is the name of the data set that you want to recall.

Chapter 10. Interacting with DFSMSHsm

This topic describes how you can interact with DFSMSHsm by using the TSO HELP command, the TSO attention key, or by submitting commands in batch mode. Some incompatibilities with utilities are also discussed.

TSO HELP command

The TSO HELP command gives you online information about the use, function, syntax, and parameters of DFSMSHsm user commands. For example, as a TSO or TSO/E user, you can issue the following command to obtain information about the HMIGRATE command:

```
====> HELP HMIGRATE
```

TSO Attention key

If you are in a wait state because of DFSMSHsm, your terminal is locked while DFSMSHsm performs a requested task. You can press the TSO Attention key, which is usually the PA1 key, to receive the following message:

```
ARC1023A  CONVERTING TO A NON-WAIT WILL FAIL THE USER REQUEST,  
          BUT WILL ALLOW THE {RECALL | RECOVER | MIGRATE | BACKUP |  
          DELETE | HSEND CMD} TO COMPLETE IN THE BACKGROUND.  
          CONVERT Y OR N?
```

If you enter Y, you are released from the wait state. If you enter N, you remain in the wait state.

Using the TSO Attention key does not cancel the DFSMSHsm command that you have already issued. If you press the TSO attention key to interrupt a RECALL, the RECALL is still performed. If you press the TSO Attention key to interrupt an HLIST command, you receive the information up to the point that you interrupted the command.

Note: If you are in full screen mode when the TSO Attention key is pressed (for example, ISPF browse), the screen that is displayed after the attention interrupt does not show the correct information. Press the Refresh key, which is usually the PA2 key, to get the correct information displayed on your screen.

Incompatibilities caused by DFSMSHsm

Although installation of DFSMSHsm should not affect your data sets, DFSMSHsm can cause incompatibilities if you use the following utilities and commands:

- IEHMOVE utility
- TSO DELETE command and IDCAMS DELETE command
- TSO ALTER command and IDCAMS ALTER command
- TSO Attention key

IEHMOVE utility

An incompatibility can exist between DFSMSHsm and the IEHMOVE utility if DFSMSHsm has migrated the data set being cataloged, uncataloged, scratched, or renamed. The incompatibility affects only non-SMS-managed data sets.

If the IEHMOVE utility assumes that the data set being copied or moved is cataloged, the volume serial number returned by the catalog locate request for the data set must be associated with a volume allocated to the job step, or the IEHMOVE utility cannot complete the request. The IEHMOVE utility assumes that the data set is cataloged if the `FROM=device=list` parameter has not been specified. Also, in this case, the located volume serial number is `MIGRAT`, so you would have to use the `HRECALL` command to recall the migrated data set or to automatically recall the data set by allocating it in a previous step before running the IEHMOVE utility.

IDCAMS considerations

IDCAMS commands allow either the `INFILE` or `FILE` keywords to refer to DD statements. The DD statements specify a data set name or volume serial, or both, to be used for processing the commands.

If a DD statement referred to by either the `INFILE` or `FILE` keywords specifies both a data set name and a non-SMS-managed volume and the data set has been migrated by DFSMSHsm, the IDCAMS command request may not be performed successfully. If an error occurs in this condition, one of the following actions should be taken prior to reissuing the IDCAMS command:

1. Specify the DD statement without specifying the volume serial and unit names. This causes the data set to be allocated when the job step is initiated, and the migrated data set will be recalled for the allocation request.
In some cases, such as specification of the `AMP = (AMORG)` for VSAM data sets, the volume serial number must be specified on the DD statement. In such cases, the second action should be taken, rather than the first.
2. Recall the migrated data set by doing one of the following:
 - Issue a DFSMSHsm recall command (`RECALL` or `HRECALL`).
 - Cause the data set to be recalled by referring to the data set in a prior step (a step different from the one where the IDCAMS command is being requested) without specifying a volume serial number.

Submitting commands in batch mode

You can submit DFSMSHsm commands for processing in batch mode by using JCL. Because you are processing in batch mode, DFSMSHsm cannot issue a message to your terminal but notes any exception in its log.

If you are logged onto TSO when you submit a batch job, ALL ERROR messages are sent to your terminal. If you are not logged onto TSO, the DFSMSHsm messages are lost.

If RACF is installed and you are processing RACF-protected data sets, you must supply the `USER=` and `PASSWORD=` parameters on the job statement.

Example JCL for submitting an DFSMSHsm command

The following is an example of JCL for submitting DFSMSHsm commands in batch mode. In this example, we want to recall four data sets from a migration volume by using the `HRECALL` command:


```
//RECALJOB JOB . . .  
//STEP1 EXEC PGM=IKJEFT01,REGION=512K  
//SYSPRINT DD SYSOUT=A  
//SYSTSPRT DD SYSOUT=A  
//SYSIN DD *  
HRECALL CRPA.DATA1  
HRECALL CRPA.DATA2  
HRECALL CRPA.DATA3  
HRECALL CRPA.DATA4  
/*
```

Chapter 11. Introduction to DFSMSHsm user tasks

This topic tells you what tasks you can perform on your data sets using DFSMSHsm user commands.

Note: If your installation is using RACF FACILITY class, you can issue one or more of the DFSMSHsm user commands that are described in this publication only if your installation's Security Administrator has given authority for your user ID to issue the command.

What tasks can I perform using DFSMSHsm user commands?

As a TSO or TSO/E terminal user, you can use DFSMSHsm user commands to perform the following space management and data availability management tasks on your data sets:

User Command	User Task
HALTERDS	Changes the backup frequency and number of backup versions kept for one or more data sets. Cannot be used on SMS-managed data sets, which are controlled by the data sets management class parameters. If used on SMS-managed data sets, the command fails and an error message is issued.
HBACKDS	Creates a backup version of one or more data sets.
HBDELETE	Deletes specific backup versions of one or more data sets.
HCANCEL	Cancels one or more existing queued DFSMSHsm command requests.
HDELETE	Deletes one or more migrated data sets.
HLIST	Lists information from the migration and backup control data sets.
HMIGRATE	Migrates one or more data sets.
HQUERY	Lists outstanding DFSMSHsm requests associated with your user identification.
HRECALL	Recalls one or more migrated data sets.
HRECOVER	Recovers a backup version of one or more data sets.

How do I perform the task?

To perform a task with a DFSMSHsm user command, you need to:

- Identify the DFSMSHsm user command
- Identify the name of your data set
- Identify the parameters (positional and keyword) of the DFSMSHsm user command

As a general rule, when you enter most of the DFSMSHsm user commands, you first type the command name, follow it with the name of your data set, and finally include the necessary parameters. For example:

commandname datasetname parameters

or

HRECALL *a.b.x*

For detailed information on the correct syntax of the DFSMSHsm user commands, see Chapter 9, “Understanding syntax diagrams and using DFSMSHsm commands,” on page 33.

Part 2. DFSMSHsm user tasks

This topic describes the tasks you can perform on your data sets using DFSMSHsm user commands, and explains how to perform those commands.

Chapter 12. HALTERDS: Changing data set parameters

This topic describes how to change the data set parameters that affect backup of non-SMS-managed data sets using ISMF or TSO.

Using ISMF

The following steps present an example of how to use the HALTERDS line operator to change parameters for a data set that is not SMS-managed. In our example, we have used USER20.ISMF.JCL as a sample data set name.

1. Generate a list of data sets as described in Chapter 4, “Methods of performing tasks,” on page 13.
2. Enter the HALTERDS line operator in the line operator column next to USER20.ISMF.JCL as described in Figure 9. The HALTERDS Entry panel appears.

```
Panel List Dataset Utilities Scroll Help
-----
                        DATA SET LIST
Enter Line Operators below:                               Entries 1-1 of 1
                                                           Data Columns 3-6 of 39
LINE OPERATOR      DATA SET NAME      ALLOC SPACE  ALLOC USED  % NOT USED  COMPRESSED
---(1)---          ---(2)---          --(3)-- --(4)--  -(5)-  ---(6)---
                USER20.CLIST.CLIST      46      46      46      0  ???
                USER20.DFP220.DGTTLIB    46      46      46      0  ???
                USER20.ISMF.DGTLLIB      46      46      46      0  ???
                USER20.ISMF.DGTPLIB      46      46      46      0  ???
HALTERDS          USER20.ISMF.DUMP      4684    4356    4356     7  ???
                USER20.ISMF.JCL         468      46      46     90  ???
                USER20.ISPFILE           46      46      46      0  ???
                USER20.ISPPROF           93      93      93      0  ???
                USER20.SPFL0G1.LIST     2623    1311    1311    50  ???
                USER20.TEMP.DATASET     4684     93      93     98  ???
-----          -----          BOTTOM OF DATA -----
Command ==>
F1=Help   F2=Split  F3=End    F4=Return F7=Up     F8=Down   F9=Swap
F10=Left  F11=Right  F12=Cursor
```

Figure 9. Data Set List Panel with HALTERDS Selected

3. Complete the HALTERDS Entry panel as described in Figure 10 on page 48 for a non-SMS-managed data set.

```

Panel  Utilities  Help
-----
                        HALTERDS ENTRY PANEL

Specify the following to Change Backup Attributes
of Data Set: USER20.ISMF.JCL
SMS Managed Data Set: NO

Select frequency of creating Backup Versions
2  1. Specific number of days          2. System default frequency

    Number of days . . . (0 to 999)

Select number of Backup Versions to maintain
2  1. Specific number of versions      2. System default number

    Number of Backup Versions . . . (0 to 100)

Data Set Password . . . (if password protected)

Command ==>>
F1=Help   F2=Split  F3=End    F4=Return  F7=Up     F8=Down   F9=Swap
F10=Left  F11=Right  F12=Cursor

```

Figure 10. HALTERDS Entry Panel

The maximum number of backup versions is limited to 29 versions or 100 versions based on the BCDS record length. The following values are the valid maximum allowable number of backup versions for different BCDS record lengths:

- Record length of 2040 to 6543 — 29 versions maximum
- Record length of 6544 or more — 100 versions maximum

Your computing center can tell you the maximum number of backup versions you can specify for your installation.

4. If the HALTERDS command is used on SMS-managed data sets, the command fails and an error message is issued (see Figure 11).

```

Panel  Utilities  Help
-----
                        HALTERDS ENTRY PANEL      Invalid HALTERDS request

Specify the following to Change Backup Attributes
of Data Set: USER20.ISMF.JCL
SMS Managed Data Set: YES

Select frequency of creating Backup Versions
2  1. Specific number of days          2. System default frequency

    Number of days . . . (0 to 999)

Select number of Backup Versions to maintain
2  1. Specific number of versions      2. System default number

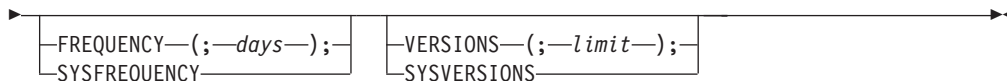
    Number of Backup Versions . . . (0 to 100)

Data Set Password . . . (if password protected)

Command ==>>
F1=Help   F2=Split  F3=End    F4=Return  F7=Up     F8=Down   F9=Swap
F10=Left  F11=Right  F12=Cursor

```

Figure 11. HALTERDS Entry Panel with Error Message

**Notes:**

- 1 Parentheses around data set names are required only when multiple data set names are specified.

Required parameters**dsname: Specifying the name of the data set being altered**

Explanation: (*dsname/password ...*) is a required positional parameter specifying the name of the data set or list of names of data sets for which backup attributes are being changed.

For *password*, substitute the correct password and include the preceding slash (/). TSO does not prompt you for the password.

- For password-protected non-VSAM data sets, you must supply the password that allows you to write to the data set.
- For password-protected VSAM data sets, you must supply the master password of the base cluster.

Abbreviations: None.

Defaults: None.

Restrictions: Because *dsname* is a required positional parameter, you must specify it immediately after HALTERDS.

You cannot use any wild card (% , * , or **) in a data set name.

DFSMSHsm does not process individual partitioned data set members. If you specify a partitioned data set with a member name, DFSMSHsm ignores the member name and alters the backup parameters for the entire data set.

Optional parameters**FREQUENCY and SYSFREQUENCY: Specifying the frequency for creation of backup versions for changed data sets**

Explanation: **FREQUENCY(days)** | **SYSFREQUENCY** are mutually exclusive, optional parameters used to specify the minimum number of days between consecutive backup versions of changed data sets during incremental backup. If you have changed a data set since DFSMSHsm created the latest backup version and the specified number of days has elapsed, DFSMSHsm creates a new backup version of the data set during automatic backup. If the specified number of days has elapsed but you have not changed the data set, DFSMSHsm does not create a new backup version of the data set during automatic backup.

FREQUENCY specifies the minimum number of days that must elapse between two consecutive backup versions of the data set during incremental backup. For *days*, substitute a decimal number from 0 through 999. For example, if you specify

days as 5, DFSMShsm backs up the data set providing you changed the data set since the last backup and the last backup version is at least five days old. If you specify 0, DFSMShsm creates a backup version for a changed data set every day in the backup cycle during automatic backup.

SYSFREQUENCY specifies that you want DFSMShsm to back up the specified data set at the same frequency that the system programmer specified. Use this parameter only if you issued a previous HALTERDS command to change the frequency of backup versions from the frequency specified by the general DFSMShsm parameter value.

Abbreviations: The TSO abbreviation convention applies for FREQUENCY and SYSFREQUENCY. There are no additional abbreviations.

Defaults: None.

Restrictions: You can specify FREQUENCY or SYSFREQUENCY, but not both.

VERSIONS and SYSVERSIONS: Specifying the number of backup versions to maintain

Explanation: **VERSIONS**(*limit*) | **SYSVERSIONS** are mutually exclusive, optional parameters you can use to specify the maximum number of backup versions that DFSMShsm is to maintain for the data set.

VERSIONS specifies the number of backup versions that you want DFSMShsm to maintain for the data set. The maximum number of backup versions is limited to 29 versions or 100 versions based on the BCDS record length.

The following values are the valid maximum allowable number of backup versions for different BCDS record lengths:

- Record length of 2040 to 6543 — 29 versions maximum
- Record length of 6544 or more — 100 versions maximum

Your computing center can tell you the maximum number of backup versions you can specify for your installation.

For *limit*, substitute a decimal number from 0 through 100. If you specify 0, DFSMShsm does not maintain any backup versions for the data set. If you reduce the number of backup versions, DFSMShsm does not delete any existing backup versions when it processes the HALTERDS command. DFSMShsm deletes existing excess backup versions for a specified reduced limit at the time the data set is backed up or when an EXPIREBV command is performed.

SYSVERSIONS specifies that you want DFSMShsm to maintain the same number of backup versions for the data set that the system programmer specified or defaulted to. Use this parameter only if you issued a previous HALTERDS command to change the number of backup versions from the number specified by the system programmer.

Abbreviations: The TSO abbreviation convention applies for VERSIONS and SYSVERSIONS. There are no additional abbreviations.

Defaults: The maximum number of backup versions you can have is 29 versions or 100 versions depending on the BCDS record length.

Restrictions: You can specify VERSIONS or SYSVERSIONS, but not both.

Examples of different ways to code the HALTERDS command

The examples below present different ways to code the HALTERDS command. The values are examples only. Do not interpret them as values that you should use for your system.

Altering data set parameters for maximum backup versions and minimum frequency when using a BCDS record length of 6544 or more

In this example, you are issuing the HALTERDS command to change the number of backup versions for the data set CRPA.PARTSTST.CNTL to the maximum allowable number of versions (100) for a BCDS record length of 6544 or more, and the number of days between backup versions to the minimum number of days (0). You are changing the frequency of creation of backup versions of the data set so that DFSMSHsm creates a backup version every day during automatic backup, provided you changed the data set.

```
HALTERDS 'CRPA.PARTSTST.CNTL' VERSIONS(100) FREQUENCY(0)
```

Altering data set parameters for maximum backup versions and minimum frequency when using a BCDS record length of 2040

In this example, you are issuing the HALTERDS command to change the number of backup versions for the data set CRPA.PARTSTST.CNTL to the maximum allowable number of versions (29) for a BCDS record length of 2040, and the number of days between backup versions to the minimum number of days (0). You are changing the frequency of creation of backup versions of the data set so that DFSMSHsm creates a backup version every day during automatic backup, provided you changed the data set.

```
HALTERDS 'CRPA.PARTSTST.CNTL' VERSIONS(29) FREQUENCY(0)
```

Altering data set parameters for installation-specified versions and maximum frequency

In this example, you are issuing the HALTERDS command to change the number of backup versions of the data set CRPA.COMTEST.CLIST from the number of versions that was previously specified to the number of versions specified by the system programmer. You are changing the maximum frequency of creation of backup versions of the data set so that DFSMSHsm creates a backup version every four days during automatic backup, provided you changed the data set.

```
HALTERDS 'CRPA.COMTEST.CLIST' SYSVERSIONS FREQUENCY(4)
```

Altering data set parameters for specified versions and frequencies

In this example, you are issuing the HALTERDS command to change the number of backup versions and the frequency of creation of backup versions of the data set SMITH.VERSION1.TEXT.

```
HALTERDS 'SMITH.VERSION1.TEXT' VERSIONS(7) FREQUENCY(10)
```

Altering parameters for a list of data sets for installation-specified versions and frequency

In this example, you are issuing the HALTERDS command to change the number of backup versions for three data sets CRPA.PARTSTST.CNTRL, CRPA.COMMTEST.CLIST, and CRPA.OUTTESTS.TESTLIST to the number of backup versions and the frequency of creation specified by the system programmer.

```
HALTERDS ('CRPA.PARTSTST.CNTRL','CRPA.COMMTEST.CLIST', -  
          'CRPA.OUTTESTS.TESTLIST') SYSVERSIONS -  
          SYSFREQUENCY
```

HALTERDS

Chapter 13. HBACKDS: Backing up data sets

This topic describes how to back up data sets using ISMF, TSO, or inline backup. This command applies to both SMS-managed and non-SMS-managed data sets and is intended to supplement the automatic functions of DFSMSHsm.

Using ISMF

The following steps present an example of how to use the HBACKDS line operator to back up data sets. In our example, we have used USER20.ISMF.JCL as a sample data set name.

1. Generate a data set list as explained in Chapter 4, “Methods of performing tasks,” on page 13.
2. Enter the HBACKDS line operator in the line operator column next to USER20.ISMF.JCL as shown in Figure 13.

Panel List Dataset Utilities Scroll Help					
DATA SET LIST					
Enter Line Operators below:			Entries 1-1 of 1 Data Columns 3-6 of 39		
LINE OPERATOR	DATA SET NAME	ALLOC SPACE	ALLOC USED	% NOT USED	COMPRESSED FORMAT
---(1)---	-----(2)-----	--(3)--	--(4)--	-(5)-	---(6)---
	USER20.CLIST.CLIST	46	46	0	???
	USER20.DFP220.DGTTLIB	46	46	0	???
	USER20.ISMF.DGTLLIB	46	46	0	???
	USER20.ISMF.DGTPLIB	46	46	0	???
	USER20.ISMF.DUMP	4684	4356	7	???
HBACKDS	USER20.ISMF.JCL	468	46	90	???
	USER20.ISPFILE	46	46	0	???
	USER20.ISPPROF	93	93	0	???
	USER20.SPFL0G1.LIST	2623	1311	50	???
	USER20.TEMP.DATASET	4684	93	98	???
----- BOTTOM OF DATA -----					
Command ==>			Scroll ==> HALF		
F1=Help	F2=Split	F3=End	F4=Return	F7=Up	F8=Down
F10=Left	F11=Right	F12=Cursor			F9=Swap

Figure 13. Data Set List Panel with HBACKDS Selected

The HBACKDS entry panel appears.

3. Complete the HBACKDS entry panel as shown in Figure 14 on page 56. You may choose to use a TARGET option or leave the field blank. Likewise, you may choose to use a concurrent copy option or leave the field blank. Specify Y in the *Wait for Completion* field if you want to wait for HBACKDS to complete before you return to ISMF.

```

Panel  Utilities  Help
-----
                                HBACKDS ENTRY PANEL
Command ==>>

Optionally Specify one or more for
Data Set:

Target . . . . .                (D=DASD, T=TAPE or blank)

Concurrent copy . . . . .        (P, R, S, VP, VR, CP, CR or blank)
  For P, R, VP, VR, CP or CR,
    enter CC option                (P=PHYSICAL, L=LOGICAL or blank)

Wait for Completion . . . . . N  (Y or N)

Data Set Password . . . . .      (if password protected)

Retain Days . . . . .            (0 to 50000, or 99999 or blank)

Note: Dataset Password ignored when in ADMIN mode.

Use ENTER to Perform Hbackds;
Use HELP Command for Help; Use END Command to Exit.

```

Figure 14. HBACKDS Entry Panel

4. Press ENTER to perform the backup and redisplay the list (see Figure 15).

The asterisk next to the HBACKDS in the line operator column indicates that the backup was successful if you specified *wait for completion=Y*, or that the backup task was successfully issued to DFSMSHsm if you specified *wait for completion=N*.

```

Panel  List Dataset Utilities Scroll Help
-----
                                DATA SET LIST
                                Entries 1-1 of 1
                                Data Columns 3-6 of 39
Enter Line Operators below:

LINE          OPERATOR          DATA SET NAME          ALLOC  ALLOC  % NOT  COMPRESSED
OPERATOR          DATA SET NAME          SPACE  USED   USED   FORMAT
---(1)---      -----(2)-----      --(3)-- --(4)-- -(5)-  ---(6)---
                USER20.CLIST.CLIST          46     46     0     ???
                USER20.DFP220.DGTTLIB  46     46     0     ???
                USER20.ISMF.DGTLLIB    46     46     0     ???
                USER20.ISMF.DGTPLIB    46     46     0     ???
                USER20.ISMF.DUMP       4684   4356   7     ???
*HBACKDS        USER20.ISMF.JCL           468    46     90    ???
                USER20.ISPFILE        46     46     0     ???
                USER20.ISPPROF        93     93     0     ???
                USER20.SPFL0G1.LIST    2623   1311   50    ???
                USER20.TEMP.DATASET    4684   93     98    ???
                ----- BOTTOM OF DATA -----

Command ==>>
F1=Help  F2=Split  F3=End   F4=Return  F7=Up      F8=Down  F9=Swap
F10=Left F11=Right  F12=Cursor
                                Scroll ==>> HALF

```

Figure 15. Data Set List Panel after Function Completes

Using TSO commands

The commands for backing up SMS-managed and non-SMS-managed data sets are different. When you are backing up SMS-managed data sets, the SMS management class attributes that are used in your computing center direct whether DFSMSHsm creates your backup version. With the TARGET keyword, you can direct the

backup to a specific device when you are backing up either SMS or non-SMS data sets. The CC keyword also works for both SMS and non-SMS data sets.

All allocations to a data set are freed before requesting service from DFSMSHsm when HBACKDS is issued from your TSO address space. This includes REXX programs that invoke the HBACKDS command.

Backing up a data set

Task: Create a backup version for a specific data set, a list of data sets, or a filter specification. You can back up a data set to either DASD or tape.

Only eligible data sets are backed up. Whether an SMS-managed data set is eligible to be backed up by command is determined by SMS management class attributes. For a non-SMS-managed data set, eligibility for backup is determined by the VERSIONS parameter of the HALTERDS command.

If the data set to be backed up is currently allocated, DFSMSHsm attempts to deallocate it. DFSMSHsm does not try to reallocate the data set at the end of HBACKDS processing.

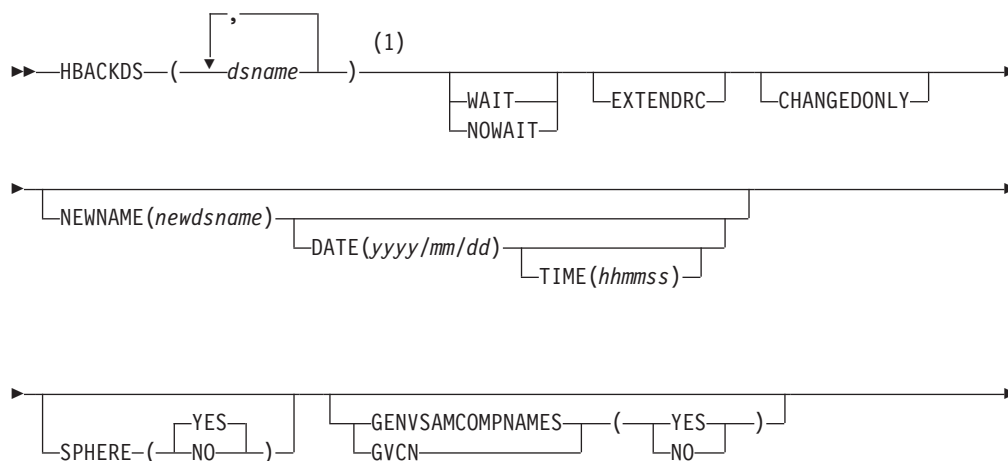
Note: When you back up a data set to DASD, it must fit on a migration level 1 volume. If it does not, the command fails.

RACF authority: To back up a RACF-protected data set, you must have RACF UPDATE authority to the data set.

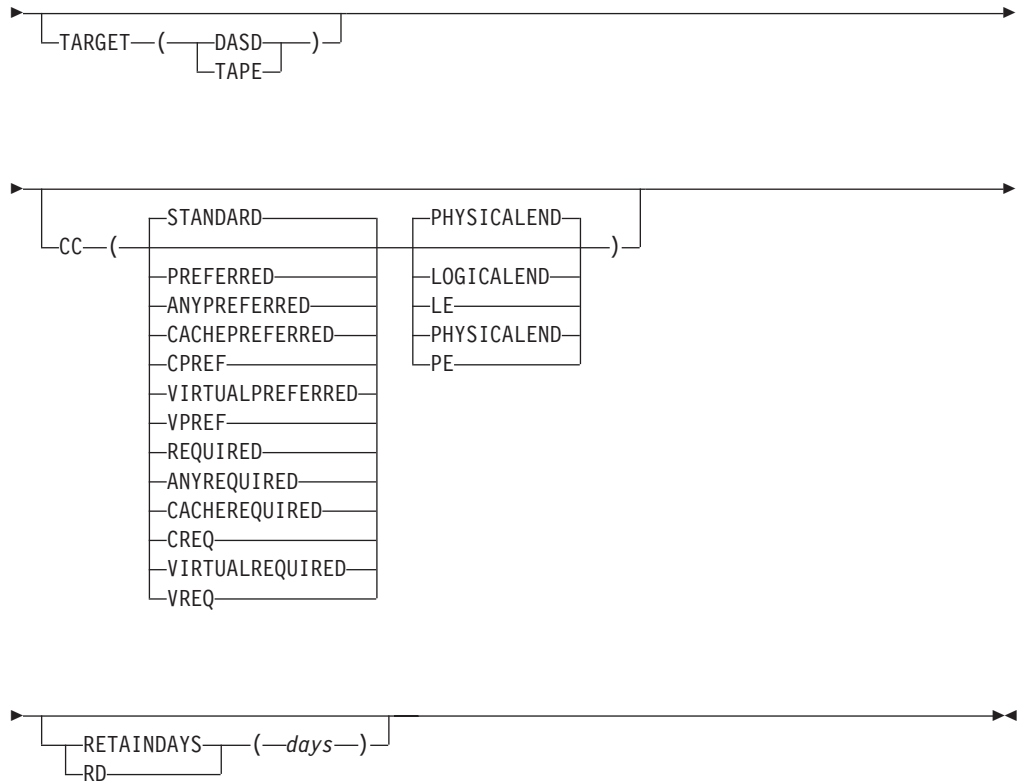
Abbreviation: The minimum abbreviation for the HBACKDS command is HBACK.

Syntax

The following diagram presents the syntax of the HBACKDS command for SMS-managed data sets:



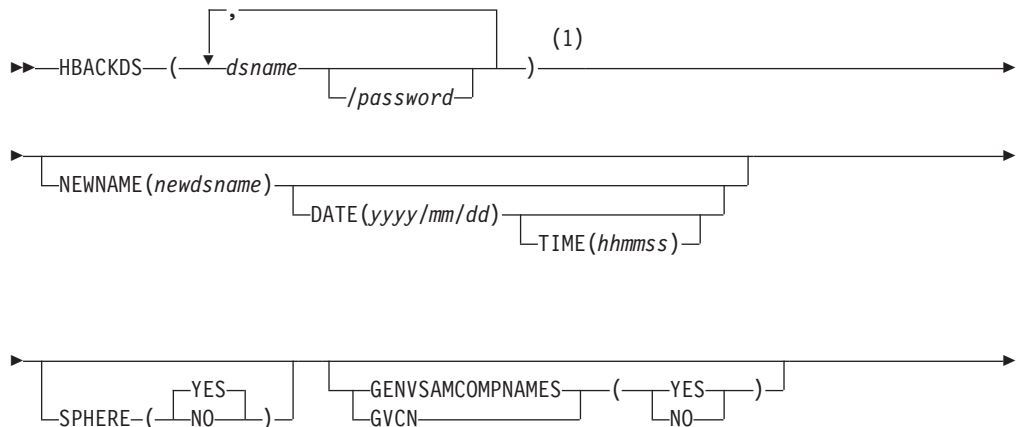
HBACKDS

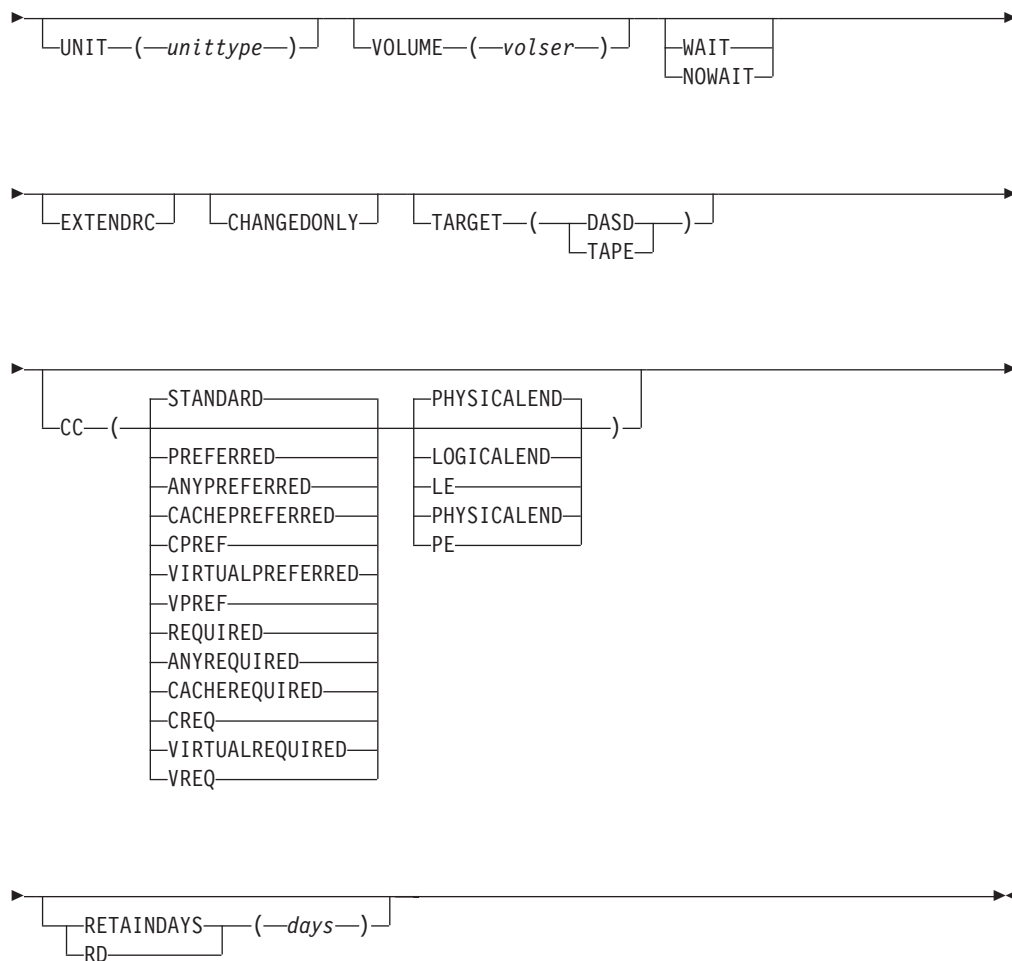


Notes:

- 1 Parentheses around data set names are required only when multiple data set names are specified.

The following diagram presents the syntax of the HBACKDS command for **non-SMS-managed** data sets:





Notes:

- 1 Parentheses around data set names are required only when multiple data set names are specified.

Required parameters

dsname: Specifying the name of one or more data sets to be copied for backup

This parameter applies to both SMS-managed and non-SMS-managed data sets.

Explanation: (*dsname*) or (*dsname/password ...*) is a required positional parameter that specifies the name of the data set or list of data set names that you want to back up. Passwords are not supported for SMS-managed data sets.

For *dsname*, substitute the name of the data set or list of data set names you want to back up. You can use a data set filter for any *dsname* in a list. For a discussion of how to specify data set names, see “Specifying data set names” on page 37.

For non-SMS data sets, specifying a filter requests only cataloged, not uncataloged, data sets. If you want to back up an uncataloged data set, you must specify its data set name explicitly.

For *password*, substitute the correct password and include the preceding slash (/). TSO does not prompt you for the password.

- For password-protected non-VSAM data sets, you must supply the password that allows you to write to the data set.
- For password-protected VSAM data sets, you must supply the master password of the base cluster.

Abbreviations: None.

Defaults: None.

Restrictions:

- Because *dsname* is a required positional parameter, you must specify it immediately after HBACKDS.
- The volume on which the data set resides must be mounted before you issue the command.
- DFSMSHsm does not process individual partitioned data set members. If you specify a partitioned data set name with a member name, message ARC1065I is issued and nothing is backed up.
- If *dsname* is fully qualified and refers to a VSAM data set, specify the base cluster name. The entire VSAM data set will be backed up.
- When you specify a password with a filter, all the password-protected data sets affected must have the same password. Otherwise, DFSMSHsm authorization checking fails the backup of those password-protected data sets that are protected by some other password.

Optional parameters

CHANGEDONLY: Specifying whether to back up only changed data sets

This parameter applies to both SMS-managed and non-SMS-managed data sets.

Explanation: **CHANGEDONLY** is an optional parameter that specifies whether DFSMSHsm backs up only those data sets specified (explicitly or by a filter) that have their change bits on in their data set VTOC entries.

Abbreviations: The TSO abbreviation convention applies for CHANGEDONLY. There are no additional abbreviations.

Defaults: DFSMSHsm backs up all the data sets specified, regardless of the state of the change bits.

Note: The HBACKDS command will not back up a migrated data set if CHANGEDONLY is specified.

DATE: Specifying the address of a field containing the date

This parameter applies to both SMS-managed and non-SMS-managed data sets.

Explanation: DATE is an optional parameter that can be specified with NEWNAME. For *yyyy/mm/dd*, substitute the date to assign to the backup version. If DATE is specified without the NEWNAME parameter, the HBACKDS command will fail.

Abbreviations: None.

Defaults: None.

Restrictions: None.

EXTENDRC: Requesting an extended set of return and reason codes

This parameter applies to both SMS-managed and non-SMS-managed data sets.

Explanation: EXTENDRC is an optional parameter that specifies that DFSMSHsm return an extended set of return and reason codes while you are running DFSMSHsm commands in a truly interactive mode (TSO or foreground). This option returns only the return and reason codes that are mapped into DFSMSHsm messages that are issued to the users terminal. For detailed information on return codes that DFSMSHsm returns for this command, see "Return codes from the extended set" on page 188.

Abbreviations: The TSO abbreviation convention applies for EXTENDRC.

Defaults: None.

Restrictions: The WAIT option must be specified with the EXTENDRC parameter when you are running DFSMSHsm commands in a truly interactive mode (TSO or foreground).

GENVSAMCOMPNames: Overriding SETSYS DSBACKUP(GENVSAMCOMPNames)

This parameter applies to both SMS-managed and non-SMS-managed data sets.

Explanation: The GENVSAMCOMPNames specified setting overrides the SETSYS DSBACKUP(GENVSAMCOMPNames) setting. If GVCN=YES is specified, and *newsname* represents a VSAM base cluster that is either migrated or uncataloged, DFSMSHsm will process the request, and default names will be assigned to the VSAM data and index components (.data and .index). If GVCN=NO is specified, and *newsname* represents a VSAM base cluster that is either migrated or uncataloged, the HBACKDS command will fail, as DFSMSHsm is unable to assign the proper names to the data and index components. If the *newsname* is uncataloged or has been migrated outside of DFSMSHsm, and the data set to be backed up is VSAM and has an associated AIX/PATH, the

SPHERE(NO) keyword must be specified on the command. If GVCN is specified and the data set to back up is non-VSAM or is VSAM and is cataloged and not migrated, the GVCN keyword will be ignored.

Abbreviations: GVCN

Defaults: None.

Restrictions: None.

NEWNAME: Specifying a backup version of a specified data set

This parameter applies to both SMS-managed and non-SMS-managed data sets.

Explanation: NEWNAME is an optional parameter that specifies the data set name to assign to the new backup version that is created by specifying the BACKDS command. The NEWNAME parameter must be fully-qualified and in the standard data set name format.

Abbreviations: None

Defaults: None.

Restrictions: None.

RETAIN_DAYS: Specifying a number of days to retain a backup copy

This parameter applies to both SMS-managed and non-SMS-managed data sets.

Explanation: RETAIN_DAYS is an optional parameter specifying a number of days to retain a specific backup copy of a data set. If you specify RETAIN_DAYS, number of retain days is a required parameter that specifies a minimum number of days (0–50000) that DFSMSHsm retains the backup copy. If you specify 99999, the data set backup version never expires. Any value given on the command line greater than 50000 (and other than 99999) causes a failure with an ARC1605I error message. When a value is specified via the ARCBDEXT, any value greater than 50000 is changed to 50000. A decimal value of 99999 indicates that the backup copy should never expire. Any value less than 0 is changed to 0. A retain days value of 0 indicates that:

- the backup version might expire within the same day that it was created if EXPIREBV processing takes place,
- the backup version is kept as an active copy before roll-off occurs,
- The backup version is not managed as a retained copy.

SPHERE: Specifying whether components of a VSAM data set will be backed up with the base cluster

This parameter applies to both SMS-managed and non-SMS-managed data sets.

Explanation: SPHERE is an optional parameter that can be specified with NEWNAME. If YES is specified a backup of the entire VSAM SPHERE will be performed. If NO is specified, a backup of the base cluster will be performed, and any associated AIXs and/or PATHs will not be backed up. If SPHERE is specified without a parameter, or if SPHERE is not specified at all, DFSMSHsm will attempt to back up the entire SPHERE. If SPHERE is specified without NEWNAME, the HBACKDS command will fail. The default is YES.

Abbreviations: None.

Defaults: SPHERE(YES)

Restrictions: In order to backup the entire sphere, the following restrictions apply:

- No more than one PATH can be defined for the data set to back up, and no more than one PATH can be defined for the NEWNAME data set.
- No more than one AIX can exist for the data set to back up, and no more than one AIX can exist for the NEWNAME data set.

If multiple AIXs and/or PATHs exist for one or both of the data sets, specify SPHERE(NO) to back up the base cluster.

TIME: Specifying the address of a field containing the time

This parameter applies to both SMS-managed and non-SMS-managed data sets.

Explanation: TIME is an optional parameter that can be specified with NEWNAME and DATE keywords. For *hhmmss*, substitute the time to assign to the backup version. Specify '00' for *ss* if the seconds are unknown. If TIME is specified without DATE, the HBACKDS command will fail. If DATE is specified and TIME is not specified, DFSMSHsm will set a time of 120000 (12 noon).

Abbreviations: None.

Defaults: 120000

Restrictions: None.

UNIT: Specifying the type of device

This parameter applies only to non-SMS-managed data sets.

Explanation: UNIT(*unittype*) is an optional parameter that specifies the type of unit on which the volume can be allocated for an uncataloged data set. For *unittype*, substitute the type of unit. The valid types of units are 3380, 3390, and 9345.

Abbreviations: The TSO abbreviation convention applies for UNIT. There are no additional abbreviations.

Defaults: None.

Restrictions: You must specify the UNIT parameter with the VOLUME parameter if any data set to be backed up is uncataloged. Do not specify the UNIT parameter if the data set to be backed up is a cataloged data set. If you specify the UNIT parameter, you must also specify the VOLUME parameter.

NEWNAME cannot be specified with UNIT and VOLUME.

VOLUME: Specifying the volume where the data set resides

This parameter applies only to non-SMS-managed data sets.

Explanation: VOLUME(*volser*) is an optional parameter used to specify the volume where the uncataloged data set to be backed up resides. For *volser*, substitute the serial number of the volume where the uncataloged data set to be backed up resides.

Abbreviations: The TSO abbreviation convention applies for VOLUME. There are no additional abbreviations.

Defaults: None.

Restrictions: You must specify the VOLUME parameter if any data set to be backed up is uncataloged. Do not specify the VOLUME parameter if the data set to be backed up is a cataloged data set. If you specify VOLUME, you must also specify UNIT and *unittype*.

WAIT and NOWAIT: Specifying whether to wait for the HBACKDS command to be completed

These parameters apply to both SMS-managed and non-SMS-managed data sets.

Explanation: WAIT | NOWAIT are mutually exclusive, optional parameters used to specify whether you want to wait for the HBACKDS command to complete.

WAIT specifies that you want to wait for the HBACKDS command to complete. When DFSMSHsm successfully completes the HBACKDS process, the ARC1000I message is issued. If the HBACKDS process does not complete successfully, the ARC1001I message is issued. If you press the TSO Attention key before DFSMSHsm completes the command, DFSMSHsm issues the ARC1800I message and does not issue the ARC1000I message.

NOWAIT specifies that you do not want to wait for the HBACKDS command to complete. When DFSMSHsm successfully receives the request, the ARC1007I message is issued. After DFSMSHsm successfully completes the HBACKDS command, the ARC1000I message is issued. If the HBACKDS command does not complete successfully, the ARC1001I message is issued.

Abbreviations: The TSO abbreviation convention applies for WAIT and NOWAIT. There are no additional abbreviations.

Defaults: The default is NOWAIT.

Restrictions: You can specify WAIT or NOWAIT, but not both.

TARGET: Specifying the media target of the backup data set

This parameter applies to both SMS-managed and non-SMS-managed data sets.

Explanation: TARGET is an optional parameter that specifies that you want backup data sets targeted to either DASD or a backup tape.

DASD indicates that you want the data set initially backed up to ML1 DASD.

TAPE indicates that you want the data set backed up to tape.

Abbreviations: The TSO abbreviation convention applies for TARGET. There is no additional abbreviation.

Defaults: None. If you do not specify the TARGET keyword, DFSMSHsm selects the output target device type.

Restrictions: You can specify either DASD or TAPE, but not both.

CC: Tailoring concurrent copy backups for SMS and non-SMS data sets

This parameter applies to both SMS-managed and non-SMS-managed data sets.

Explanation: CC is an optional parameter with which you can tailor concurrent copy backups. The parameters of CC are:

STANDARD

indicates that you want to use standard backup methods without using concurrent copy.

REQUIRED

ANYREQUIRED

indicates that you want to use concurrent copy as the backup method. Virtual concurrent copy is attempted first, if the storage subsystem on which the data set resides is capable of virtual concurrent copy and working-space data sets have been defined. Otherwise, cache-based concurrent copy is attempted if the storage subsystem is capable of it. If both types of concurrent copy are not possible or fail, the data set backup will fail.

PREFERRED

ANYPREFERRED

indicates that you want to use concurrent copy as the preferred backup method. Virtual concurrent copy is attempted first, if the storage subsystem on which the data set resides is capable of virtual concurrent copy and working-space data sets have been defined. Otherwise, cache-based concurrent copy is attempted if the storage subsystem is capable of it. If both types of concurrent copy are not possible or fail, the data set backup continues as if the CC parameter was not specified. PREFERRED is the default if CONCURRENT is specified without a parameter.

CACHEPREFERRED

CPREF

indicates that you want to use cache-based concurrent copy as the preferred backup method. If cache-based concurrent copy is not available, the data set backup continues as if the CC keyword was not specified.

VIRTUALPREFERRED

VPREF

indicates that you want to use virtual concurrent copy as the preferred backup method. If virtual concurrent copy is not available the data set backup continues as if the CC keyword was not specified.

CACHEREQUIRED

CREQ

indicates that you want to use cache-based concurrent copy as the backup method. The data set backup will fail if cache-based concurrent copy is not available.

VIRTUALREQUIRED

VREQ

indicates that you want to use virtual concurrent copy as the backup method. The data set backup will fail if virtual concurrent copy is not available.

PHYSICALEND

PE indicates that you want control returned to the application only after the backup has physically completed.

LOGICALEND

LE indicates that you want control returned to the application when the concurrent copy initialization has completed.

Abbreviations: The TSO abbreviation convention applies for the CC subparameters CACHEPREFERRED, VIRTUALPREFERRED, CACHEREQUIRED, VIRTUALREQUIRED, LOGICAEND and PHYSICAEND. There are no additional abbreviations.

Defaults: If you do not specify any subparameters with the CC parameter, the defaults are STANDARD and PHYSICAEND.

Restrictions: By default, all users can use the CC options. However, if RACF indicates a lack of authority, DFSMSHsm fails the data set backup request if concurrent copy is a requirement. If concurrent copy is not required and RACF indicates a lack of authority, DFSMSHsm backs up the data set as if the concurrent copy keyword were not specified on the backup command.

You cannot use the CC option with the EXTENDRC parameter. EXTENDRC is an optional parameter that directs DFSMSHsm to return an extended set of return and reason codes. These codes may not be completed until after physical completion of the backup. The HBACKDS command fails if you use both the CC and EXTENDRC keywords together.

If you use the CC option with LE or PE, you must also specify the option WAIT=YES.

The CC keyword applies to all data sets that result from filter resolution.

Examples of different ways to code the HBACKDS command

The following examples present different ways to code the HBACKDS command. The values are examples only. Do not interpret them as values that you should use for your system.

Backing up a data set and not waiting for completion

In this example, you are issuing the HBACKDS command to create a backup version of the cataloged data set PAC1234.LEVELMST.OUTLIST. The NOWAIT parameter indicates that you do not want to wait for the HBACKDS command to complete.

```
HBACKDS 'PAC1234.LEVELMST.OUTLIST' NOWAIT
```

Backing Up a Password-Protected Cataloged Data Set and Waiting for Completion

In this example, you are issuing the HBACKDS command to create a backup version for the uncataloged data set WIDRR.MSTLEVEL.LINKLIST protected with the password WRITE. A 3380 is the type of unit that volume GRAVU1 can reside on. The WAIT parameter indicates that you want to wait for the HBACKDS command to complete.

```
HBACKDS 'WIDRR.MSTLEVEL.LINKLIST'/WRITE VOLUME(GRAVU1) -  
UNIT(3380) WAIT
```

Backing Up Data Sets with the Same User Prefix Using an Asterisk in the Data Set Name and Not Waiting for Completion

In this example, you are issuing the HBACKDS command to create backup versions for all cataloged data sets that have the same user prefix and descriptive qualifier. The NOWAIT parameter indicates that you do not want to wait for the HBACKDS to complete.

```
HBACKDS 'RRDIW.*.TEXT' NOWAIT
```

Backing Up a Data Set and Requesting the Extended Return and Reason Codes

In this example, you are issuing the HBACKDS command from a TSO session to create a backup version of the cataloged data set RPA5678.LEVELMST.OUTLIST. The WAIT EXTENDRC parameter indicates that you want to see the extended return and reason codes.

```
HBACKDS 'RPA5678.LEVELMST.OUTLIST' WAIT EXTENDRC
```

Backing up a data set that is targeted to DASD and waiting for completion

In this example, you are issuing the HBACKDS command to create a backup version of the cataloged data set PAC5678.LEVELMST.OUTLIST. The WAIT parameter indicates that you want to wait for the HBACKDS process to complete before you receive notice of the completion. The TARGET(DASD) parameter indicates that you want to direct the backup data set to DASD, rather than to tape.

```
HBACKDS 'PAC5678.LEVELMST.OUTLIST' WAIT TARGET(DASD)
```

Backing up a data set that is targeted to tape and that uses concurrent copy as the preferred backup method

In this example, you are issuing the HBACKDS command to create a backup version of the cataloged data set PAC1234.LEVELMST.OUTLIST. The TARGET(TAPE) parameter indicates that you want to direct the backup data set to tape, rather than to DASD. The CC(PREFERRED) parameter indicates that you want concurrent copy to be the backup method, if it is available. If concurrent copy is not available, the data set will be backed up as if this keyword were not specified. Because the default is PHYSICALEND, control returns to the application when the data set has completed the backup operation.

```
HBACKDS 'PAC1234.LEVELMST.OUTLIST' TARGET(TAPE) CC(PREFERRED)
```

Backing up a data set with a specified retention period

In this example, you are backing up data sets with a specified retention period by specifying the RETAIN_DAYS keyword on the HBACKDS command. RETAIN_DAYS controls the minimum number of days that a backup copy of a data set is maintained. DFSMSHsm uses the RETAIN_DAYS value to determine when a backup version expires.

```
HBACKDS (dsname1, dsname2, dsname3,..... dsnamen) RETAIN_DAYS(days)
```

Using inline backup

The inline backup function allows you to request a backup of a data set in a batch environment. Inline backup is a way of overcoming the problems of invoking the terminal monitor program (TMP) in the background in order to issue HBACKDS commands.

When you are invoking TMP, the HBACKDS command requires that you specify the fully qualified data set names or a filter name. In the case of a generation data

group (GDG), you may not know this fully qualified data set name, and TMP does not allow you to specify a relative generation number. Also, in executing a batch job with TMP, if a data set is created (DISP=NEW), an exclusive enqueue is done on the data set name, and the enqueue is not released until the last job step referring to that data set has ended. If a job step backward references a newly created data set after the TMP job step is processed, the HBACKDS command fails.

Inline backup also allows you to back up data sets in the middle of a job. You can add a new step to a job by specifying the inline backup module as the program to start. You specify in specially named DD statements the data sets that are being backed up. Inline backup extracts the data set names associated with these DDNAMEs and then performs the backup.

The results of each data set backup attempt can be written to a specially named output data set. SNAP dumps of storage relating to inline backup can be written to a specially named output data set for certain error conditions.

Uncataloged data sets are not supported for inline backup.

Invoking inline backup

To invoke inline backup, perform the following tasks:

1. Include a step at the correct place in the job to execute a program called ARCINBAK. The PARM parameter allows you to specify the options TARGET and CC, from which you can target data set backups and concurrent copy support, respectively. These TARGET and CC parameter values apply to all backups in this job step.
2. For each data set to be backed up, specify the name of the data set to be processed by including a valid DD statement with a DDNAME of BACKxxxx (where xxxx is 1–4 characters).

Note:

- a. Only cataloged data sets and SMS-managed open VSAM data sets are supported for inline backup. If volume and unit information is specified on the DD statement, an uncataloged data set is assumed, and the data set is not processed.
- b. ARCINBAK does not support data sets allocated with any of the following three dynamic allocation options: XTIO, UCB NOCAPTURE, and DSAB above the line, except when the calling program supplies an open DCB.

Any form of the data set name is acceptable to ARCINBAK. Specification of a relative generation number for a GDG or a reference to a DDNAME in a previous step is acceptable. You can also specify a VSAM cluster, or data or index components, or both.

3. A DD statement with a DDNAME of ARCPRINT can be optionally included in the ARCINBAK program job step. This DD statement defines a SYSOUT data set to contain messages about data sets for which a backup has been attempted.

The possible messages are as follows:

```
BACKUP FOR (DSNAME) SUCCESSFUL
DDNAME (DDNAME) NOT BACKED UP, UNABLE TO GET ASSOCIATED JFCB
BACKUP FOR (DSNAME) FAILED, DATA SET NOT CATALOGED
BACKUP FOR (DSNAME) FAILED, RC = (RETURN CODE), REAS = (REASON CODE)
```

At the completion of the ARCINBAK module job step, you will receive a return code as shown in Table 2 on page 69

Table 2. ARCINBAK Return Codes

CC=	Explanation
CC=0	All backups were successful.
CC=4	No DDNAMEs prefixed with BACK were found or the JFCB associated with a DDNAME could not be found.
CC=8	Backup of an uncataloged data set was attempted. Uncataloged data sets are not supported by inline backup.
CC=12	Backup of a data set failed. If the return code equals: RC=0100 DFSMSHsm is not active; request rejected. RC=0001-0099 For message return codes and reason codes, see message ARCnnnnI using the REAS field, where <i>nnnn</i> is the return code. For RC=0004, see message ARCnnnnI or ARCnnnnE where <i>nnnn</i> is the reason code.
CC=16	Parameter error.
CC=806	Link error.

4. You can specify the RETAINDDAYS keyword with the ARCINBAK program. RETAINDDAYS specifies a number of days to retain a specific backup copy of a data set. A single RETAINDDAYS value applies to all of the data sets that are backed up under this job step. RETAINDDAYS specifies a minimum number of days (0–50000) that DFSMSHsm retains the backup copy. If you specify 99999, the data set backup version never expires. Any value greater than 50000 (and other than 99999) causes failure. A retain days value of 0 indicates, that:
 - The backup version might expire within the same day that it was created if EXPIREBV processing takes place,
 - The backup version is kept as an active copy before roll-off occurs,
 - The backup version is not managed as a retained copy.
5. A DD statement with a DDNAME of ARCSNAP can be included in the ARCINBAK program job step. This DD statement defines a SYSOUT data set for the output from a SNAP macro. The following storage areas are dumped to the SNAPDCB data set when the inline backup fails for any reason:
 - MWE storage can be dumped when an error occurs in issuing the service call.
 - A complete image of the task storage can be dumped when no DDNAMEs or data sets are processed.

Figure 16 on page 70 shows a job stream example of data sets that can or cannot be backed up by ARCINBAK in a batch environment. In this example, each data set backup is targeted to tape, and each data set will be backed up using the specified concurrent copy and RETAINDDAYS options. For a description of the TARGET options, see “TARGET: Specifying the media target of the backup data set” on page 64. For a description of the CC options, see “CC: Tailoring concurrent copy backups for SMS and non-SMS data sets” on page 64.

HBACKDS

```
//JOBNAME JOB . . . ,USER=USERID,PASSWORD=USERPSWD
//STEP1 EXEC PGM=USERPGM
//SYSPRINT DD SYSOUT=A
//DSET1 DD DSN=USERID.N03.GDG(-1),DISP=OLD
//DSET2 DD DSN=USERID.N03.PSFB,DISP=OLD
//DSET3 DD DSN=USERID.N04.PSFB,DISP=OLD
//DSET4 DD DSN=USERID.N03.KSDS,DISP=OLD
/*
//STEP2 EXEC PGM=ARCINBAK,PARM=('RETAINDDAYS(00365),
// TARGET(TAPE),CC=(PREFERRED,PHYSICALEND)')
//ARCPRINT DD SYSOUT=A
//ARCSNAP DD SYSOUT=A
/* -----
/* BACKUP OF GDG DATA SET SHOULD BE SUCCESSFUL.
/* -----
//BACK01 DD DSN=*.STEP1.DSET1,DISP=SHR
/* -----
/* BACKUP OF NON-VSAM DATA SET SHOULD BE SUCCESSFUL.
/* -----
//BACK02 DD DSN=*.STEP1.DSET2,DISP=SHR
/* -----
/* BACKUP OF VSAM DATA SET SHOULD BE SUCCESSFUL.
/* -----
//BACK03 DD DSN=*.STEP1.DSET4,DISP=SHR
/* -----
/* BACKUP OF GDG DATA SET SHOULD BE SUCCESSFUL.
/* -----
//BACK04 DD DSN=USERID.N01.GDG.G0001V00,DISP=SHR
/* -----
/* BACKUP OF NON-VSAM DATA SET SHOULD BE SUCCESSFUL.
/* -----
//BACK05 DD DSN=USERID.N01.PSFB,DISP=SHR
/* -----
/* BACKUP OF UNCATALOGED DATA SET SHOULD FAIL.
/* -----
//BACK06 DD DSN=USERID.N02.UNCAT,VOL=SER=VOL003,UNIT=3390,DISP=SHR
/* -----
/* BACKUP OF VSAM DATA SET SHOULD BE SUCCESSFUL.
/* -----
//BACK07 DD DSN=USERID.N01.KSDS,DISP=SHR
/* -----
/* BACKUP OF OPEN IN-USE VSAM DATA SET SHOULD FAIL.
/* -----
//BACK08 DD DSN=USERID.N02.KSDS,DISP=SHR
/* -----
/* BACKUP OF RACF PROTECTED NON-VSAM DATA SET
/* BY AN UNAUTHORIZED USER SHOULD FAIL.
/* -----
//BACK09 DD DSN=USERXX.N02.PSFB,DISP=SHR
/* -----
/* DDNAME PREFIX OTHER THAN BACK IS NOT PROCESSED.
/* -----
//BAK01 DD DSN=*.STEP1.DSET3,DISP=SHR
/* -----
/* DDNAME PREFIX OTHER THAN BACK IS NOT PROCESSED
/* -----
//BAK02 DD DSN=USERID.N02.PSFB,DISP=SHR
/*
```

Figure 16. Example of Inline Backup Job Stream

The return code from processing the inline backup job stream example of the ARCINBAK program is 12, and the resulting messages for each DDNAME prefixed with BACK are described in Figure 17 on page 71.

```
BACKUP FOR USERID.N03.GDG.G0001V00    SUCCESSFUL
BACKUP FOR USERID.N03.PSFB             SUCCESSFUL
BACKUP FOR USERID.N03.KSDS             SUCCESSFUL
BACKUP FOR USERID.N01.GDG.G0001V00    SUCCESSFUL
BACKUP FOR USERID.N01.PSFB             SUCCESSFUL
BACKUP FOR USERID.N02.UNCAT            FAILED, DATA SET NOT CATALOGED
BACKUP FOR USERID.N01.KSDS             SUCCESSFUL
BACKUP FOR USERID.N02.KSDS             FAILED, RC = 056, REAS = 016
BACKUP FOR USERXX.N02.PSFB             FAILED, RC = 039, REAS = 008
```

Figure 17. Example of Messages Resulting from Inline Backup Job Stream

Chapter 14. HBDELETE: Deleting backup versions

This topic describes how to delete backup versions of data sets using ISMF or TSO. This command applies to both SMS-managed and non-SMS-managed data sets and is intended to supplement the automatic functions of DFSMSHsm.

Using ISMF

The following steps present an example of how to use the HBDELETE line operator to delete backup versions of a data set. In our example, we have used USER20.SAMPLE.DATASET as a sample data set name.

1. Generate a list of data sets as explained in Chapter 4, “Methods of performing tasks,” on page 13.
2. Enter the HBDELETE line operator in the line operator column next to USER20.SAMPLE.DATASET as described in Figure 18.

```
Panel List Dataset Utilities Scroll Help
-----
                        DATA SET LIST
                        Entries 1-1 of 1
Enter Line Operators below:                Data Columns 3-6 of 39

LINE          DATA SET NAME          ALLOC   ALLOC   % NOT   COMPRESSED
OPERATOR      DATA SET NAME          SPACE   USED   USED   FORMAT
---(1)----- (2)----- (3)--  --(4)-- (5)-  ---(6)----
                USER20.CLIST.CLIST          46      46     0     ???
                USER20.DFP220.DGTTLIB    46      46     0     ???
                USER20.ISMF.DGTLLIB      46      46     0     ???
                USER20.ISMF.DGTPLIB      46      46     0     ???
                USER20.ISMF.DUMP         4684    4356    7     ???
                USER20.ISPFILE           46      46     0     ???
                USER20.ISPPROF           93      93     0     ???
HBDELETE     USER20.SAMPLE.DATASET         468     46     90    ???
                USER20.SPFLOG1.LIST      2623    1311    50    ???
                USER20.TEMP.DATASET      4684     93     98    ???
----- (3)----- (4)----- (5)----- (6)-----
                        BOTTOM OF DATA

Command ==>
F1=Help   F2=Split  F3=End    F4=Return F7=Up    F8=Down   F9=Swap
F10=Left  F11=Right  F12=Cursor
```

Figure 18. Data Set List Panel with HBDELETE Selected

The HBDELETE Entry panel appears.

3. Complete the HBDELETE Entry panel as described in “HBDELETE Entry Panel” on page 74. Up to five panels can be displayed. In each panel, the backup version, date, and time of the backup are displayed as two lists with headers. If **Y** is entered for the DELETE ALL VERSIONS field, only one HBDELETE Entry panel is displayed.

Note: Retained backup versions are not displayed on these panels. Entering **Y** for the DELETE ALL VERSIONS field will delete all active and retained backup copies. To delete an individual retained backup copy, use the DFSMSHsm HLIST DSNAME(dsname) BCDS command to obtain a complete list of the active and retained backup copies of this data set. Then issue the HBDELETE command with the DATE and TIME keywords.

HBDELETE Entry Panel

Panel Utilities Scroll Help

HBDELETE ENTRY PANEL Page 1 of 5

Specify Y to Delete all or individual Backup Versions for
 Data Set: USER20.SAMPLE.DATASET
 Delete All Versions . . N (Y or N)
 Data Set Password . . . (if password protected)

Version	Date	Time	Delete(Y/N)	Version	Date	Time	Delete(Y/N)
100	94100	00:58	N	099	94099	12:36	N
098	94098	00:58	N	097	94097	12:36	N
096	94096	00:58	N	095	94095	12:36	N
094	94094	00:58	N	093	94093	12:36	N
092	94092	00:58	N	091	94091	12:36	N
090	94090	00:58	N	089	94089	12:36	N
088	94088	00:58	N	087	94087	12:36	N
086	94086	00:58	N	085	94085	12:36	N
084	94084	00:58	N	083	94083	12:36	N

Command ==>
 F1=Help F2=Split F3=End F4=Return F7=Up F8=Down F9=Swap
 F10=Left F11=Right F12=Cursor

Panel Utilities Scroll Help

HBDELETE ENTRY PANEL Page 2 of 5

Specify Y to Delete individual Backup Versions for
 Data Set: USER20.SAMPLE.DATASET

Version	Date	Time	Delete(Y/N)	Version	Date	Time	Delete(Y/N)
082	94082	00:58	N	081	94081	12:36	N
080	94080	00:58	N	079	94079	12:36	N
078	94078	00:58	N	077	94077	12:36	N
076	94076	00:58	N	075	94075	12:36	N
074	94074	00:58	N	073	94073	12:36	N
072	94072	00:58	N	071	94071	12:36	N
070	94070	00:58	N	069	94069	12:36	N
068	94068	00:58	N	067	94067	12:36	N
066	94066	00:58	N	065	94065	12:36	N
064	94064	00:58	N	063	94063	12:36	N
062	94062	00:58	N	061	94061	12:36	N

Command ==>
 F1=Help F2=Split F3=End F4=Return F7=Up F8=Down F9=Swap
 F10=Left F11=Right F12=Cursor

Panel Utilities Scroll Help

HBDELETE ENTRY PANEL Page 3 of 5

Specify Y to Delete individual Backup Versions for
Data Set: USER20.SAMPLE.DATASET

Version	Date	Time	Delete(Y/N)	Version	Date	Time	Delete(Y/N)
060	94060	00:58	N	059	94059	12:36	N
058	94058	00:58	N	057	94057	12:36	N
056	94056	00:58	N	055	94055	12:36	N
054	94054	00:58	N	053	94053	12:36	N
052	94052	00:58	N	051	94051	12:36	N
050	94050	00:58	N	049	94049	12:36	N
048	94048	00:58	N	047	94047	12:36	N
046	94046	00:58	N	045	94045	12:36	N
044	94044	00:58	N	043	94043	12:36	N
042	94042	00:58	N	041	94041	12:36	N

Command ==>
 F1=Help F2=Split F3=End F4=Return F7=Up F8=Down F9=Swap
 F10=Left F11=Right F12=Cursor

Panel Utilities Scroll Help

HBDELETE ENTRY PANEL Page 4 of 5

Specify Y to Delete individual Backup Versions for
Data Set: USER20.SAMPLE.DATASET

Version	Date	Time	Delete(Y/N)	Version	Date	Time	Delete(Y/N)
040	94040	00:58	N	039	94039	12:36	N
038	94038	00:58	N	037	94037	12:36	N
036	94036	00:58	N	035	94035	12:36	N
034	94034	00:58	N	033	94033	12:36	N
032	94032	00:58	N	031	94031	12:36	N
030	94030	00:58	N	029	94029	12:36	N
028	94028	00:58	N	027	94027	12:36	N
026	94026	00:58	N	025	94025	12:36	N
024	94024	00:58	N	023	94023	12:36	N
022	94022	00:58	N	021	94021	12:36	N

Command ==>
 F1=Help F2=Split F3=End F4=Return F7=Up F8=Down F9=Swap
 F10=Left F11=Right F12=Cursor

HBDELETE

```

Panel  Utilities  Scroll  Help
-----
                        HBDELETE ENTRY PANEL                        Page 5 of 5

Specify Y to Delete individual Backup Versions for
Data Set: USER20.SAMPLE.DATASET

Version  Date    Time    Delete(Y/N) | Version  Date    Time    Delete(Y/N)
-----
  020    94020    00:58    N           |  019    94019    12:36    N
  018    94018    00:58    N           |  017    94017    12:36    N
  016    94016    00:58    N           |  015    94015    12:36    N
  014    94014    00:58    N           |  013    94013    12:36    N
  012    94012    00:58    N           |  011    94011    12:36    N
  010    94010    00:58    N           |  009    94009    12:36    N
  008    94008    00:58    N           |  007    94007    12:36    N
  006    94006    00:58    N           |  005    94005    12:36    N
  004    94004    00:58    N           |  003    94003    12:36    N
  002    94002    00:58    N           |  001    94001    12:36    N

Command ==>
F1=Help   F2=Split  F3=End    F4=Return F7=Up     F8=Down   F9=Swap
F10=Left  F11=Right F12=Cursor

```

On the DATA SET LIST panel, the asterisk next to the HBDELETE in the line operator column (Figure 19) indicates that the deletion was successful.

```

Panel  List  Dataset  Utilities  Scroll  Help
-----
                        DATA SET LIST
Entries 1-1 of 1
Data Columns 3-6 of 39

Enter Line Operators below:

LINE          OPERATOR          DATA SET NAME          ALLOC  ALLOC  % NOT  COMPRESSED
SPACE        USED    USED    FORMAT
---(1)---    ---(2)---    ---(3)---  --(4)---  -(5)-  ---(6)---
          USER20.CLIST.CLIST          46      46      0    ???
          USER20.DFP220.DGTTLIB    46      46      0    ???
          USER20.ISMF.DGTLLIB      46      46      0    ???
          USER20.ISMF.DGTPLIB      46      46      0    ???
          USER20.ISMF.DUMP        4684    4356    7    ???
          USER20.ISPFILE          46      46      0    ???
          USER20.ISPPROF          93      93      0    ???
*HBDELETE  USER20.SAMPLE.DATASET        468      46      90    ???
          USER20.SPFL0G1.LIST     2623    1311    50    ???
          USER20.TEMP.DATASET     4684      93      98    ???
-----
          BOTTOM OF DATA
-----

Command ==>
F1=Help   F2=Split  F3=End    F4=Return F7=Up     F8=Down   F9=Swap
F10=Left  F11=Right F12=Cursor

```

Figure 19. Data Set List Panel After Function Completes

For more information on using DFSMSshm/ISMF line operators, see *z/OS DFSMS Using the Interactive Storage Management Facility* or use the online help provided with ISMF.

Using TSO

The commands for deleting backup versions of SMS-managed and non-SMS-managed data sets are different.

With SMS-managed data sets, you only need to specify the backup version you want to delete. With non-SMS-managed data sets, you can delete the backup versions DFSMSHsm created from uncataloged data sets.

Deleting backup versions of a data set

Task

Delete all backup versions of a specific cataloged or uncataloged data set, specific backup versions by version number, or delete backup versions that were created on a specified date and at a specific time. A retired version is a specially marked backup version that DFSMSHsm created before it deleted the original data set during the data set retirement space management process. The only way you can delete a retired version is to specify its version number, or the date and time when the backup version was created.

RACF authority

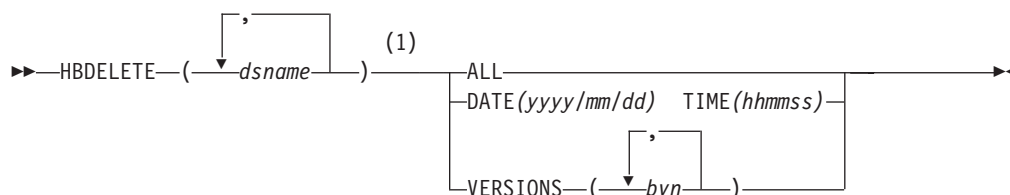
To delete specific backup versions of a RACF-protected data set, you must have RACF ALTER authority to the data set from which the backup version was created.

Abbreviations

The minimum abbreviation for the HBDELETE command is HBDEL.

Syntax

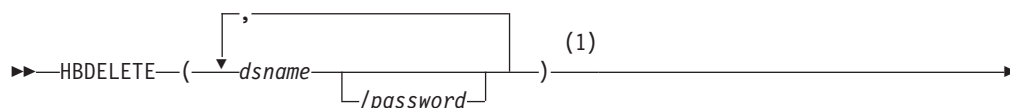
The following diagram presents the syntax of the HBDELETE command for **SMS-managed** data sets:



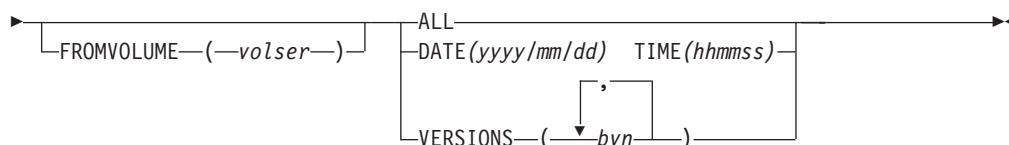
Notes:

- 1 Parentheses around data set names are required only when multiple data set names are specified.

The following diagram presents the syntax of the HBDELETE command for **non-SMS-managed** data sets:



HBDELETE



Notes:

- 1 Parentheses around data set names are required only when multiple data set names are specified.

Required parameters

The follow parameters are required parameters of the HBDELETE command. If you do not specify any of these parameters, the HBDELETE fails with a parse error.

ALL: Deleting all backup versions

ALL specifies that all of the backup copies of a data set are to be deleted, including active and retained copies. You can specify ALL for one or more data sets. If you specify ALL for multiple data sets, all backup copies for all specified data sets are deleted. If you specify a partially qualified data set, all data sets that meet the filter criteria are deleted. ALL is mutually exclusive with DATE TIME and VERSIONS

Abbreviations

None.

Default

None.

SMS relationship

This parameter applies to SMS-managed and non-SMS-managed data sets.

Restrictions

ALL does not delete retired versions.

DATE TIME: Deleting a backup version that was created on a specific date and time

DATE(yyyy/mm/dd) and TIME(hhmmss) specify that a backup version that was created on a specified date and at a specified time is to be deleted.

yyyy/mm/dd

The date when the backup version to be deleted was created.

hhmmss

The time when the backup version to be deleted was created.

You can use DATE and TIME to delete both active and retained backup copies that match the specified criteria. DATE TIME is mutually exclusive with ALL and VERSIONS.

Abbreviations

None.

Default

None.

SMS relationship

This parameter applies to SMS-managed and non-SMS-managed data sets.

Restrictions

The following restrictions apply to the DATE TIME parameter:

- You must specify DATE and TIME together, otherwise the HBDELETE command fails.
- If you specify FROMVOLUME with the DATE and TIME keywords, the command fails. The command also fails if you specify VERSIONS(0).

VERSIONS: Specifying the number of the backup versions to be deleted

VERSIONS(*bvn* ...) specifies that DFSMSHsm is to delete specific backup versions of a data set. You can specify multiple backup version numbers. If you specify multiple data set names and multiple version numbers, DFSMSHsm applies each number you specified with VERSIONS to each data set name you specified with *dsname*.

bvn

The one-to-three digit decimal number of a particular backup version that is to be deleted. You can obtain backup version numbers by issuing an HLIST command and specifying the data set name and the BACKUPCONTROLDATASET parameter.

VERSIONS is mutually exclusive with ALL and DATE TIME.

Abbreviations

The TSO abbreviation convention applies for VERSIONS. There are no additional abbreviations.

Default

None.

SMS relationship

This parameter applies to both SMS-managed and non-SMS-managed data sets.

Restrictions

You cannot delete retained backup copies with the VERSIONS keyword.

dsname: Specifying the name of the data set backup versions to be deleted

(*dsname...*) or (*dsname/password ...*) is a required positional parameter you use to specify the name of the data set or list of data set names whose backup versions you want to delete.

dsname

The data set name or list of names of the data set whose backup versions are to be deleted. The data sets can be either cataloged or uncataloged. To delete all the backup versions of a cataloged data set, you specify only the data set name.

/password

The password including the preceding slash (/). TSO does not prompt you for the password.

- For a password-protected non-VSAM data set, you must supply the password that allows you to write to the data set.
- For a password-protected VSAM data set, you must supply the master password of the base cluster.

Abbreviations

None.

Default

None.

SMS relationship

This parameter applies to both SMS-managed and non-SMS-managed data sets.

Restrictions

The following restrictions apply to the *dsname* parameter:

- Because *dsname* is a required positional parameter, you must specify it immediately after HBDELETE.
- DFSMSHsm does not process individual partitioned data set members. If you specify a partitioned data set name with a member name, DFSMSHsm rejects the request.
- You cannot use any wild card (*%*, ***, or ****) in a data set name.

Optional parameters

The follow parameters are optional parameters of the HBDELETE command.

FROMVOLUME: Specifying the volume on which the data set resided when the backup versions were created

FROMVOLUME(*volser*) is an optional parameter that you should include only if DFSMSHsm created the specified backup versions from an uncataloged data set. FROMVOLUME specifies the volume on which an uncataloged data set or data sets resided when DFSMSHsm created the backup versions. For *volser*, substitute the serial number of the volume where the uncataloged data set resided when DFSMSHsm created the backup versions. To delete all the backup versions of an uncataloged data set, specify the data set name and the serial number of the volume from which the data set was backed up.

Abbreviations

The TSO abbreviation convention applies for FROMVOLUME. There are no additional abbreviations.

Default

None.

SMS relationship

This parameter applies only to non-SMS-managed data sets.

Restrictions

The following restrictions apply to the FROMVOLUME parameter:

- The data sets listed should have been either all cataloged or all uncataloged at the time DFSMSHsm created the specified backup versions. If uncataloged, the data sets should have been on the same volume.
- If you specify FROMVOLUME, DFSMSHsm only deletes backup versions of uncataloged data sets. If you do not specify FROMVOLUME, DFSMSHsm only deletes backup versions of cataloged data sets.

Examples of different ways to code the HBDELETE command

The examples below present different ways to code the HBDELETE command. The values are examples only. Do not interpret them as values you should use for your system.

Deleting all backup versions of a cataloged data set

In this example, you are issuing the HBDELETE command to delete all backup versions of the cataloged data set USER1.CMD.CLIST.

```
HBDELETE 'USER1.CMD.CLIST' ALL
```

Deleting specific backup versions of an uncataloged data set

In this example, you are issuing the HBDELETE command to delete only backup versions 2, 3, and 10 of the uncataloged data set *userid*.MATRIX.TEXT. DFSMSHsm had backed up this data set from volume VOL001.

```
HBDELETE MATRIX.TEXT FROMVOLUME(VOL001) VERSIONS(2,3,10)
```

HBDELETE

Chapter 15. HCANCEL: Canceling a queued request

To cancel a queued request, use the HCANCEL command in TSO. The following discussion applies to both SMS-managed data sets and non-SMS-managed data sets.

Cancel queued requests

Task: Cancel existing queued DFSMSHsm requests.

The HCANCEL command is designed for the TSO user who wants to cancel a data movement request. The command cannot be used on a request that is already being processed.

To use the HCANCEL command, your user ID must be DFSMSHsm-authorized or be the same as that of the command to be canceled. Identification of the command to cancel can be specified by the DFSMSHsm request number, user ID, or data set name. A request number implies that only one request be found, but a user ID or data set name causes all existing nonprocessing requests that have the same user ID or data set name to be canceled.

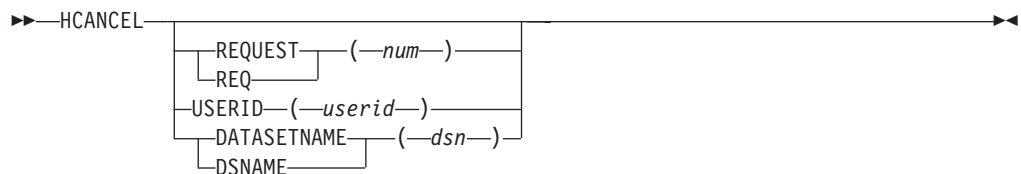
You can determine the request numbers that you have active by using the HQUERY command with the REQUEST parameter. Two commands cannot be canceled: HCANCEL and HQUERY.

If no parameters are included in this command, no function results.

Abbreviation: The minimum abbreviation for the HCANCEL command is HCAN.

Syntax

The following diagram presents the syntax of the HCANCEL command for **both** SMS-managed and non-SMS-managed data sets:



Required parameters

None.

Optional parameters

REQUEST: Specifying the DFSMSHsm request number to be canceled

Explanation: `REQUEST(num)` is an optional parameter you use to specify a single request by a DFSMSHsm request number. For *num*, substitute the number (issued by DFSMSHsm) of the request to be canceled. You can enter a `HQUERY REQUEST` command to determine current requests.

Abbreviations: The TSO abbreviation convention applies for `REQUEST`. In addition, you can use the abbreviation `REQ`.

Defaults: None.

Restrictions: Only one parameter can be specified at a time. `REQUEST` and `USERID` or `REQUEST` and `DATASETNAME` cannot be specified together.

USERID: Specifying that all requests submitted by a particular user be canceled

Explanation: `USERID(userid)` is an optional parameter you use to specify that all requests submitted by a particular user be canceled. For *userid*, substitute the users identification to be canceled.

Abbreviations: The TSO abbreviation convention applies for `USERID`.

Defaults: None.

Restrictions: Only one parameter can be specified at a time. `USERID` and `REQUEST` or `USERID` and `DATASETNAME` cannot be specified together.

An unauthorized user cannot cancel the requests for another users ID.

DATASETNAME: Specifying that all requests submitted to process a particular data set be canceled

Explanation: `DATASETNAME(dsn)` is an optional parameter you use to specify that all requests submitted to process a particular data set be canceled. For *dsn*, substitute the name of the data set to be canceled.

Abbreviations: The TSO abbreviation convention applies for `DATASETNAME`. `DSNAME` can also be used.

Defaults: None.

Restrictions: Only one parameter can be specified at a time. `DATASETNAME` and `REQUEST` or `DATASETNAME` and `USERID` cannot be specified together.

You cannot use any wild card (`%`, `*`, or `**`) in a data set name.

Examples of different ways to code the HCANCEL command

The examples below present different ways to code the `HCANCEL` command. The values are examples only. Do not interpret them as values you should use for your system.

Canceling a request number

In this example, you are issuing the HCANCEL command to cancel a single request by its request number, 0068.

```
HCANCEL REQUEST(0068)
```

Canceling all requests submitted by a particular user

In this example, you are issuing the HCANCEL command to cancel all requests submitted by a particular user with a user ID of B123456.

```
HCANCEL USERID(B123456)
```

Canceling all requests submitted to process a particular data set

In this example, you are issuing the HCANCEL command to cancel all requests submitted to process a particular data set named USER.WXYZ2. The data set name must be fully qualified.

```
HCANCEL DSNAME('USER.WXYZ2')
```

HCANCEL

Chapter 16. HDELETE: Deleting migrated data sets

This topic describes how to delete migrated data sets using ISMF or TSO. This command and its parameters apply to both SMS and non-SMS-managed data sets and is intended to supplement the automatic functions of DFSMSHsm.

Using ISMF

The following steps present an example of how to use the HDELETE line operator to delete a migrated data set. In our example, we have used USER20.ISMF.JCL as a sample data set name.

1. Generate a list of data sets as described in Chapter 4, “Methods of performing tasks,” on page 13.
2. Enter the HDELETE line operator in the line operator column next to USER20.ISMF.JCL as described in Figure 20.

```
Panel List Dataset Utilities Scroll Help
-----
                        DATA SET LIST
                        Entries 1-1 of 1
Enter Line Operators below:                Data Columns 3-6 of 39

LINE          ALLOC  ALLOC  % NOT  COMPRESSED
OPERATOR      DATA SET NAME  SPACE  USED   USED   FORMAT
---(1)----- (2)----- (3)--- (4)--- (5)--- (6)----
              USER20.CLIST.CLIST      46     46     0    ???
              USER20.DFP220.DGTTLIB   46     46     0    ???
              USER20.ISMF.DGTLLIB     46     46     0    ???
              USER20.ISMF.DGTPLIB     46     46     0    ???
              USER20.ISMF.DUMP        4684   4356    7    ???
HDELETE      USER20.ISMF.JCL           468     46    90    ???
              USER20.ISPFILE         46     46     0    ???
              USER20.ISPPROF         93     93     0    ???
              USER20.SPFL0G1.LIST    2623   1311    50    ???
              USER20.TEMP.DATASET    4684     93    98    ???
----- (7)----- (8)----- (9)----- (10)-----
                        BOTTOM OF DATA

Command ==>
F1=Help  F2=Split  F3=End  F4=Return  F7=Up    Scroll ==> HALF
F10=Left F11=Right F12=Cursor  F8=Down  F9=Swap
```

Figure 20. Data Set List Panel with HDELETE Selected

The HDELETE Entry panel appears.

3. Complete the HDELETE Entry panel as described in Figure 21 on page 88. (Specify Y in the *wait for completion* field if you want to wait for HDELETE to complete before returning to ISMF.)

HDELETE

```

Panel  Utilities  Help
-----
                                HDELETE ENTRY PANEL

Optionally Specify One or More for
Data Set: USER20.ISMF.JCL

Delete DFSMShsm Backup Versions  Y          (Y or N)

Wait for Completion . . . . . N          (Y or N)

Purge Unexpired Data Set . . . . N          (Y or N)

Data Set Password . . . . .              (if password protected)

Command ==>
F1=Help   F2=Split  F3=End   F4=Return F7=Up     F8=Down   F9=Swap
F10=Left  F11=Right F12=Cursor

```

Figure 21. HDELETE Entry Panel

The Data Set List panel appears as shown in Figure 22. The asterisk next to the HDELETE in the line operator column indicates that the deletion was successful if you specified *wait for completion=Y*, or that the deletion task was successfully issued to DFSMShsm if you specified *wait for completion=N*.

```

Panel  List Dataset Utilities Scroll Help
-----
                                DATA SET LIST

Enter Line Operators below:                                Entries 1-1 of 1
                                                            Data Columns 3-6 of 39

LINE OPERATOR          DATA SET NAME          ALLOC  ALLOC  % NOT  COMPRESSED
SPACE                 SPACE          USED   USED   USED   FORMAT
---(1)---            -----(2)-----  --(3)-- --(4)-- -(5)-  ---(6)---
USER20.CLIST.CLIST          46      46      0  ???
USER20.DFP220.DGTTLIB      46      46      0  ???
USER20.ISMF.DGTLLIB        46      46      0  ???
USER20.ISMF.DGTPLIB        46      46      0  ???
USER20.ISMF.DUMP           4684    4356     7  ???
*HDELETE  USER20.ISMF.JCL      468      46     90  ???
USER20.ISPFILE              46      46      0  ???
USER20.ISPPROF              93      93      0  ???
USER20.SPFL0G1.LIST        2623    1311     50  ???
USER20.TEMP.DATASET        4684     93     98  ???
-----  -----  BOTTOM OF DATA  -----

Command ==>                                Scroll ==> HALF
F1=Help   F2=Split  F3=End   F4=Return F7=Up     F8=Down   F9=Swap
F10=Left  F11=Right F12=Cursor

```

Figure 22. Data Set List Panel after Function Completes

For more information on using DFSMShsm/ISMF line operators, see *z/OS DFSMS Using the Interactive Storage Management Facility* or use the online help provided with ISMF.

Using TSO

The following discussion applies to both SMS-managed and non-SMS-managed data sets.

Task: Delete one or more migrated data sets from migration volumes.

DFSMSHsm deletes the data set without recalling it to a DFSMSHsm-managed volume. When DFSMSHsm deletes the data set, it maintains any backup versions of the data set and the information in the BCDS. You cannot delete data sets from DFSMSHsm-managed volumes or backup volumes with this command.

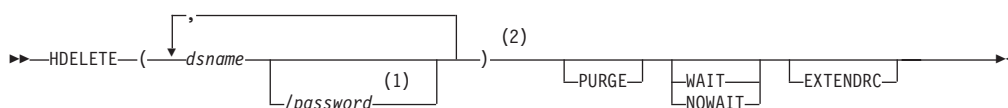
This command deletes both the migrated data set and the data set catalog entry.

RACF authority: To delete a RACF-protected data set, you must have RACF ALTER authority to the data set.

Abbreviation: The minimum abbreviation for the HDELETE command is HDEL.

Syntax

The following diagram presents the syntax of the HDELETE command for **both** SMS-managed and non-SMS-managed data sets:



Notes:

- 1 Password does not apply to SMS-managed data sets.
- 2 Parentheses are required only when multiple data set names are specified.

Required parameters

dsname: Specifying the data set to delete

Explanation: (*dsname/password ...*) is a required positional parameter that specifies the name of a migrated data set or list of names of migrated data sets that you want to delete. For *dsname*, substitute the name of the migrated data set you want to delete. You can use a data set filter for any *dsname* in a list. See “Specifying data set names” on page 37 for a discussion of how to specify data set names. For VSAM data sets, only the base cluster name can be specified. For non-VSAM data sets, only the true name can be specified. Other names, such as migration names, cannot be specified.

For *password*, substitute the correct password and include the preceding slash (/). TSO does not prompt you for the password. Password protection does not apply to SMS-managed data sets; if a password is specified, it is ignored.

- For a password-protected non-VSAM data set, you must supply the password that allows you to write to the data set.
- For a password-protected VSAM data set, you must supply the master password of the base cluster.

Abbreviations: None.

HDELETE

Defaults: None.

Restrictions: Because *dsname* is a required positional parameter, you must specify it immediately after HDELETE.

When you specify a password with a filter, all the password-protected data sets affected must have the same password. Otherwise, DFSMSHsm rejects the HDELETE command for those password-protected data sets that are protected by some other password.

DFSMSHsm does not process individual partitioned data set members. If you specify a partitioned data set name with a member name, DFSMSHsm rejects the request.

Optional parameters

PURGE: Specifies deletion of migrated data sets within their retention periods

Explanation: **PURGE** is an optional parameter you use if you want to delete a migrated data set while it is within its retention period.

Abbreviations: The TSO abbreviation convention applies for **PURGE**. There are no additional abbreviations.

Defaults: None.

Restrictions: If the data set has a valid date that has not expired, the **PURGE** parameter is required.

WAIT and NOWAIT: Specifying whether to wait for the data set to be deleted

Explanation: **WAIT** | **NOWAIT** are mutually exclusive, optional parameters specifying whether you want to wait for the HDELETE command to complete.

WAIT specifies that you want to wait for the HDELETE command to complete. When DFSMSHsm successfully completes the HDELETE process, an ARC1000I message is issued. If the HDELETE process does not complete successfully, an ARC1001I message is issued. If you press the TSO Attention key before DFSMSHsm completes the command, DFSMSHsm issues an ARC1800I message and does not issue an ARC1000I message.

NOWAIT specifies that you do not want to wait for the HDELETE command to complete. When DFSMSHsm successfully receives the request, an ARC1007I message is issued. After DFSMSHsm successfully completes the HDELETE command, an ARC1000I message is issued. If the HDELETE command does not complete successfully, an ARC1001I message is issued.

Abbreviations: The TSO abbreviation convention applies for **WAIT** and **NOWAIT**. There are no additional abbreviations.

Defaults: The default is **NOWAIT**.

Restrictions: You can specify **WAIT** or **NOWAIT**, but not both.

EXTENDRC: Requesting an extended set of return and reason codes

Explanation: EXTENDRC is an optional parameter specifying that DFSMSHsm should return an extended set of return and reason codes while you are running DFSMSHsm commands in a truly interactive mode (TSO or foreground). This option returns only the return and reason codes that are mapped into DFSMSHsm messages that are issued to the users terminal. For detailed information on return codes that DFSMSHsm returns for this command, see Appendix B, “Return codes from DFSMSHsm commands,” on page 187.

Abbreviations: The TSO abbreviation convention applies for EXTENDRC.

Defaults: None.

Restrictions: The WAIT option must be specified with the EXTENDRC parameter when you are running DFSMSHsm commands in a truly interactive mode (TSO or foreground).

Examples of different ways to code the HDELETE command

The examples below present different ways to code the HDELETE command. The values are examples only. Do not interpret them as values that you should use for your system.

Deleting a migrated data set that is still within its retention period

In this example, you are issuing the command to delete the migrated data set KTMM.TEXTVER1.TEXT. The PURGE parameter indicates that you want to delete the data set before the end of its retention period.

```
HDELETE 'KTMM.TEXTVER1.TEXT' PURGE
```

Deleting a migrated data set and waiting for completion

In this example, you are issuing the command to delete the migrated data set CLCE.TEXTVER1.TEXT. The WAIT parameter indicates that you want to wait for DFSMSHsm to complete the deletion of the data set.

```
HDELETE 'CLCE.TEXTVER1.TEXT' WAIT
```

Deleting a group of migrated data sets and not waiting for completion

In this example, you are issuing the HDELETE command to delete all migrated data sets that have the user prefix and the descriptive qualifier of the specified data set name CCEL.*.LOADLIST. The NOWAIT parameter indicates that you do not want to wait for DFSMSHsm to complete the deletion of the data sets.

```
HDELETE 'CCEL.*.LOADLIST' NOWAIT
```

Deleting a password-protected migrated data set and not waiting for completion

In this example, you are issuing the HDELETE command to delete the migrated data set ELCCA.BASICTST.VSBASIC with the password WRITE. You do not want to wait for DFSMSHsm to complete the deletion of the data set.

HDELETE

```
HDELETE 'ELCCA.BASICTST.VSBASIC'/WRITE NOWAIT
```

Deleting two migrated data sets and not waiting for completion

In this example, you are issuing the HDELETE command to delete two migrated data sets, ELCCA.VER1TEXT.LIST and CLCE.BASICTST.VSBASIC. You do not want to wait for DFSMSHsm to complete the deletion of the data sets.

```
HDELETE ('ELCCA.VER1TEXT.LIST', 'CLCE.BASICTST.VSBASIC') -  
NOWAIT
```

Deleting a data set and requesting to see the extended return and reason codes

In this example, you are issuing the HDELETE command from a TSO session to delete the migrated data set RPM2345.TEXTVER1.TEXT. You want to see the extended return and reason codes.

```
HDELETE 'RPM2345.TEXTVER1.TEXT' WAIT EXTENDRC
```

Chapter 17. HLIST: Listing information from the BCDS and MCDS

To list information from the BCDS and MCDS use TSO. This command can only be issued directly through TSO.

An unauthorized user can use this command to get any of the information that is offered. The most useful information for unauthorized users is information about their own data sets.

DFSMSHsm maintains information about the volumes and data sets that it manages and owns and its control data sets. DFSMSHsm maintains three control data sets: backup, migration, and offline. The information for the user comes from only two: backup and migration.

The HLIST command is a long-running command that can tie up your TSO terminal if its output is directed to TERM.

Listing information from the BCDS and MCDS in TSO

The following information applies to both SMS and non-SMS-managed data sets.

Task: List selected information from the MCDS and BCDS.

You can issue the HLIST command without specifying any parameters to list all of your migrated data sets. Or, you can list information from the following categories, using the HLIST command:

- Backup volume information from the BCDS
- Data set information from the MCDS or BCDS
- Migration and DFSMSHsm-managed volume information from the MCDS
- User authorization information

The HLIST command can process only one of the four categories at a time. If you specify more than one category, the HLIST command processes the category of the highest order of preference. The following is the order of preference:

- PRIMARYVOLUME, MIGRATIONVOLUME, or VOLUME
- BACKUPVOLUME
- USER
- DATASETNAME or LEVEL

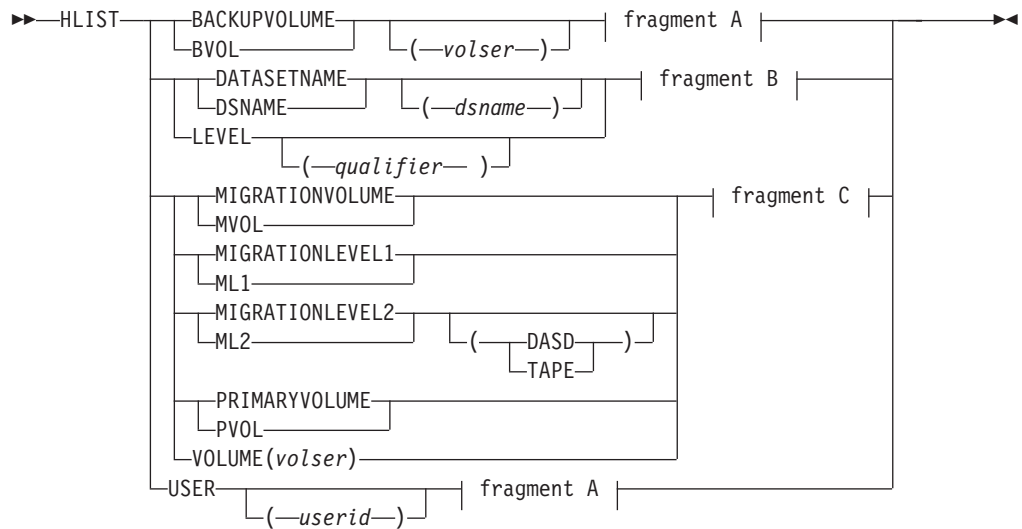
Note: For examples of lists produced by using the HLIST command, see “Sample lists from the HLIST command” on page 104.

Abbreviation: The minimum abbreviation for the HLIST command is HL.

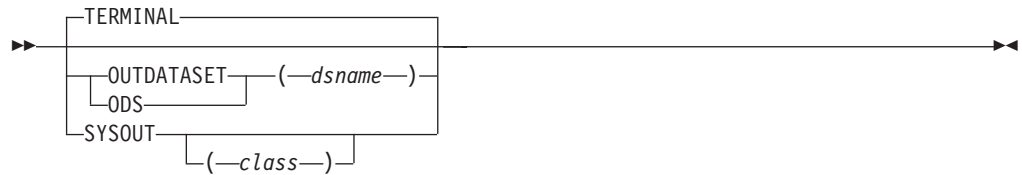
Syntax

The following diagram presents the syntax of the HLIST command for **both** SMS-managed and non-SMS-managed data sets:

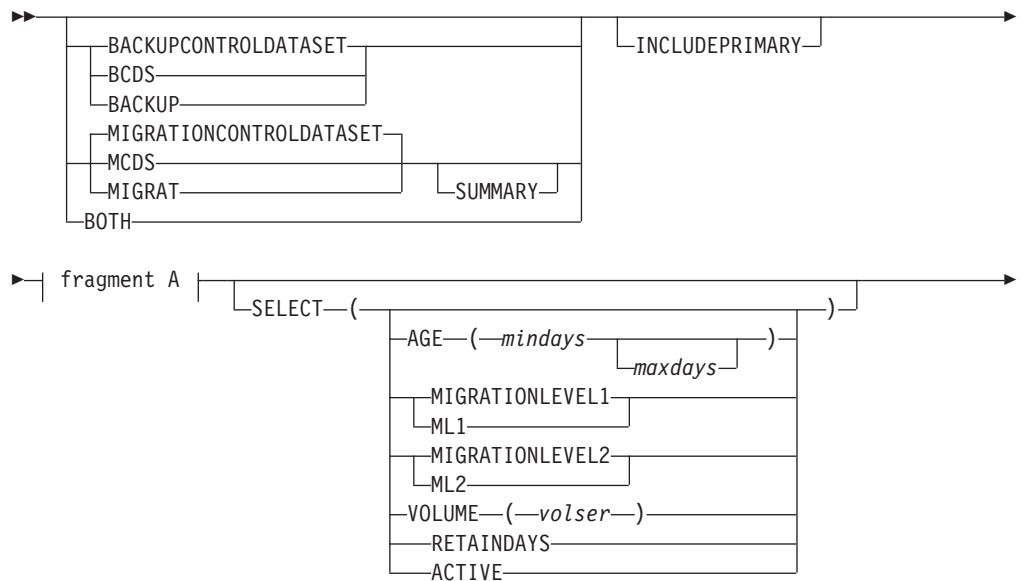
HLIST

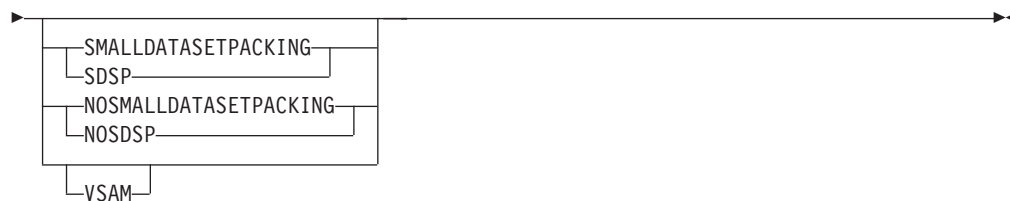


A: HLIST Optional Parameters

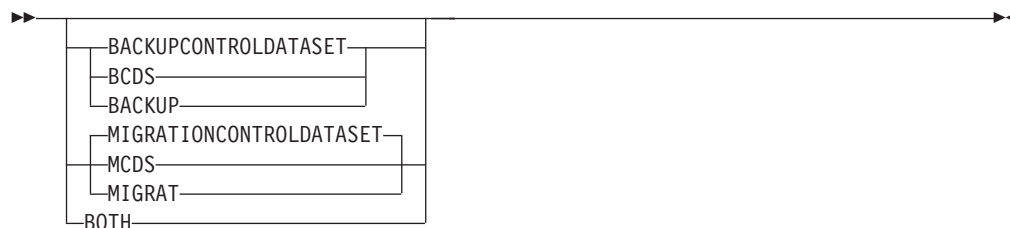


B: HLIST Optional Parameters





C: HLIST Optional Parameters



Required parameters

BACKUPVOLUME: Requesting a list of backup volume entries

Explanation: **BACKUPVOLUME** is the parameter you use to request a list of selected information from backup volume entries contained in the BCDS. For *volser*, substitute the serial number of the backup volume for which you want listed.

Abbreviations: The TSO abbreviation convention applies for **BACKUPVOLUME**. In addition, you can use the abbreviation **BVOL** for **BACKUPVOLUME**.

Defaults: If you specify **BACKUPVOLUME** without *volser*, DFSMSHsm lists all the backup volume entries from the BCDS.

If you do not specify the parameters **MIGRATIONVOLUME**, **PRIMARYVOLUME**, **VOLUME**, **BACKUPVOLUME**, **USER**, **DATASETNAME**, or **LEVEL**, DFSMSHsm lists all the data set entries that have your user identification as the set of initial characters of the data set name.

Restrictions: None.

DATASETNAME and LEVEL: Requesting a list of data set entries

Explanation: **DATASETNAME** | **LEVEL**(*qualifier*) are the parameters you use to request a list of data set entries.

DATASETNAME specifies a list of all of your data set entries. For *dsname*, substitute the name of the data set for which you want the list. You cannot use any wild cards (*%*, ***, or ****) in the data set name and you can specify a data set name of up to 44 characters.

LEVEL(*qualifier*) is specified to request a list of all data set entries that have the same set of initial characters of the data set name. For *qualifier*, substitute the set of initial characters of the data set name for the data sets you want listed. The set of

initial characters can contain imbedded periods. The *qualifier* can end with a period if LEVEL is the first keyword on the command. You can specify a *qualifier* of up to 44 characters.

Abbreviations: The TSO abbreviation convention applies for DATASETNAME and LEVEL. In addition, you can use the abbreviation DSNAME for DATASETNAME.

Defaults: If you specify DATASETNAME without *dsname* or specify LEVEL without a *qualifier*, DFSMSHsm lists all the data set entries that have your user identification as the set of initial characters of the data set name.

If you do not specify the parameters MIGRATIONVOLUME, PRIMARYVOLUME, VOLUME, USER, BACKUPVOLUME, DATASETNAME, or LEVEL, DFSMSHsm lists all the data set entries that have your user identification as the set of initial characters of the data set name.

Restrictions: None.

MIGRATIONVOLUME, MIGRATIONLEVEL1, MIGRATIONLEVEL2, PRIMARYVOLUME, and VOLUME: Requesting a list of primary and migration volume entries

Explanation: MIGRATIONVOLUME | MIGRATIONLEVEL1 | MIGRATIONLEVEL2 | PRIMARYVOLUME | VOLUME are mutually exclusive, optional parameters you use to request a list of DFSMSHsm-managed or migration volume entries. A list of volume entries does not include information about any individual data sets that reside on the volumes.

MIGRATIONVOLUME specifies that you want a list of the volume entries for all migration volumes.

MIGRATIONLEVEL1 specifies that you want a list of the volume entries for all migration level 1 volumes.

MIGRATIONLEVEL2 specifies that you want a list of the volume entries for all migration level 2 volumes.

DASD or TAPE are mutually exclusive, optional subparameters of the MIGRATIONLEVEL2 parameter that specifies whether to list DASD or tape migration level 2 volumes. DASD specifies that you want a list of the volume entries for all DASD migration level 2 volumes. TAPE specifies that you want a list of the volumes entries for all tape migration level 2 volumes.

PRIMARYVOLUME specifies that you want a list of the volume entries for all DFSMSHsm-managed volumes.

VOLUME (*volser*) specifies a list of all DFSMSHsm-managed and migration volumes. For *volser*, substitute the serial number of the volume for which you want the volume entry listed.

Abbreviations: The TSO abbreviation convention applies for PRIMARYVOLUME, MIGRATIONVOLUME, MIGRATIONLEVEL1, MIGRATIONLEVEL2 and VOLUME. In addition, you can use the abbreviation PVOL for PRIMARYVOLUME, the abbreviation MVOL for MIGRATIONVOLUME, the abbreviation ML1 for MIGRATIONLEVEL1, and the abbreviation ML2 for MIGRATIONLEVEL2.

Defaults: If you specify VOLUME without *volser*, DFSMShsm lists all volume entries for all the DFSMShsm-managed and migration volumes it owns or manages.

If you do not specify the parameters MIGRATIONVOLUME, PRIMARYVOLUME, VOLUME, BACKUPVOLUME, USER, DATASETNAME, or LEVEL, DFSMShsm lists all the data set entries that have your user identification as the set of initial characters of the data set name.

Restrictions: You can specify only one of PRIMARYVOLUME, MIGRATIONVOLUME, MIGRATIONLEVEL1, MIGRATIONLEVEL2, or VOLUME with each HLIST command.

USER: Requesting a list of user entries

Explanation: USER is the parameter you use to request a list of the authorization status of users. A list of user entries does not include any information about the data sets associated with a specified user.

Abbreviations: The TSO abbreviation convention applies for USER. There are no additional abbreviations.

Defaults: If you specify USER without *userid*, DFSMShsm lists all DFSMShsm-authorized users.

If you do not specify the parameters MIGRATIONVOLUME, PRIMARYVOLUME, VOLUME, BACKUPVOLUME, USER, DATASETNAME, or LEVEL, DFSMShsm lists all the data set entries that have your user identification as the set of initial characters of the data set name.

Optional parameters

BACKUPCONTROLDATASET, MIGRATIONCONTROLDATASET, and BOTH: Controlling the source of information listed

Explanation: BACKUPCONTROLDATASET | MIGRATIONCONTROLDATASET | BOTH are mutually exclusive, optional parameters that specify where DFSMShsm should obtain the information for the list. Specify one or the other when data set or volume information can exist in both the MCDS and BCDS.

BACKUPCONTROLDATASET specifies a list of selected information from only the BCDS entries for a specific data set, level, or volume, or for DFSMShsm-managed volumes. BACKUP is allowed as an alias for BACKUPCONTROLDATASET.

MIGRATIONCONTROLDATASET specifies a list of selected information from the MCDS entries for a specific data set, level, or volume, or for DFSMShsm-managed volumes or migration volumes. MIGRAT is allowed as an alias for MIGRATIONCONTROLDATASET.

BOTH specifies a list of selected information from the MCDS and BCDS entries for the specified data sets, DFSMShsm-managed volumes, or migration volumes.

Note: Records of the DFSMShsm-managed volumes exist in both the MCDS and BCDS. Records of the migration volumes exist only in the MCDS. Records of the backup volumes exist only in the BCDS.

Abbreviations: The TSO abbreviation convention applies for BOTH, MIGRATIONCONTROLDATASET, and BACKUPCONTROLDATASET. In addition, you can use the abbreviation MCDS for MIGRATIONCONTROLDATASET and the abbreviation BCDS for BACKUPCONTROLDATASET.

Defaults: The default is MIGRATIONCONTROLDATASET.

Restrictions: You can specify only one of BOTH, MIGRATIONCONTROLDATASET, or BACKUPCONTROLDATASET when you specify DATASETNAME, LEVEL, PRIMARYVOLUME, MIGRATIONVOLUME, or VOLUME. If you do not specify any of these parameters, DFSMSHsm ignores the BOTH, MIGRATIONCONTROLDATASET, and BACKUPCONTROLDATASET parameters.

INCLUDEPRIMARY: Requesting a list of entries for a data set that has migrated even though the data set might have been recalled

Explanation: INCLUDEPRIMARY is an optional parameter you use to request a list of all data set entries including entries of recalled data sets. DFSMSHsm retains data set entries in the MCDS for a limited amount of time even after it recalls the data set.

Abbreviations: The TSO abbreviation convention applies for INCLUDEPRIMARY. There are no additional abbreviations.

Defaults: If you do not specify INCLUDEPRIMARY, the list will not include data set entries for recalled data sets among the data set entries listed.

Restrictions: The INCLUDEPRIMARY parameter applies only to the DATASETNAME and LEVEL parameters and only when information from the MCDS is being listed. If you specify INCLUDEPRIMARY when it does not apply, DFSMSHsm ignores it.

OUTDATASET, SYSOUT, and TERMINAL: Specifying the location of output for the list

Explanation: OUTDATASET(*dsname*) | SYSOUT | TERMINAL are mutually exclusive, optional parameters that specify the output location for the list.

OUTDATASET(*dsname*) specifies the name of the data set where DFSMSHsm is to write the output data. For *dsname*, substitute the fully-qualified name of the data set to receive the HLIST command output.

If you specify a data set that does not exist, DFSMSHsm dynamically allocates and catalogs an output data set with the following characteristics:

- Data set name specified (*dsname*)
- Record format of fixed-blocked with ANSI control characters (FBA)
- Logical record length of 121
- System-reblockable if DFSMSHsm is running with DFP 3.1.0 or a subsequent release; otherwise, block size of 1210
- Primary allocation of 20 tracks
- Secondary allocation of 50 tracks
- Unit of SYSALLDA

If the data set already exists:

- The data set must be cataloged and on DASD.

- The data set record format must be FBA and the logical record length must be 121.
- The data set is system-reblockable if DFSMSHsm is running with DFP 3.1.0 or a subsequent release and the block size must be 0; otherwise, the block size must be a multiple of 121 up to a limit of 32K.
- The user can choose the primary space allocation.
- If DFSMSHsm needs additional extents after the primary space allocation, DFSMSHsm uses a secondary space allocation of 50 tracks.
- If the data set does not contain data, DFSMSHsm starts writing output data at the beginning of the data set.
- If the data set contains data, DFSMSHsm writes the output data after the existing data.

SYSOUT specifies that the list is to be printed to the specified system output class. For *class*, substitute the alphanumeric character for the system output class you want.

TERMINAL specifies that the list is to be printed at your terminal.

Abbreviations: The TSO abbreviation convention applies for TERMINAL, SYSOUT, and OUTDATASET. In addition, you can use the abbreviation ODS for OUTDATASET.

Defaults: The default is TERMINAL. If you specify SYSOUT without *class*, *class* defaults to the type of class specified by the system programmer. If the system programmer did not specify a type of class, the default is class A.

Restrictions: You can specify only one of TERMINAL, SYSOUT, or OUTDATASET with each HLIST command.

DFSMSHsm does not process partitioned data set members individually. If you specify a partitioned data set with a member name as the output data set, DFSMSHsm could write the list over existing data.

SELECT: Requesting a list of only those data set entries that meet selection criteria

Explanation: **SELECT** is an optional parameter set that you use to request a list containing only selected data set entries. When the DATASETNAME or LEVEL parameter identifies multiple data sets, you use the SELECT parameter to select a subset of data set entries for the list.

Note: Because of the number of subparameters of SELECT, this publication lists and describes each subparameter separately.

Abbreviations: The TSO abbreviation convention applies for SELECT. There are no additional abbreviations.

Defaults: None.

Restrictions: The SELECT parameter applies only to the DATASETNAME and LEVEL parameters. If you do not specify either parameter, DFSMSHsm ignores the SELECT parameter.

The AGE subparameter is the only subparameter that applies to information from both the MCDS and BCDS. The other subparameters apply only to the MCDS.

SELECT(ACTIVE | RETAINDDAYS): Selecting entries based on specification of the RETAINDDAYS keyword

ACTIVE specifies that DFSMSHsm is to display the information about the active backup versions only. The information about the retained backup copies is not included in the output.

RETAINDDAYS specifies that DFSMSHsm is to display the backup information about the active and retained backup copies that have **RETAINDDAYS** specified at the time of backup. Retained backup copies do not have version and generation numbers, therefore this information is not available in the HLIST command output.

Note: If you specify **SELECT** without specifying either **RETAINDDAYS** or **ACTIVE**, DFSMSHsm displays information about both active and retained backup copies. The output contains "****" for generation and version numbers for retained copies, and "*****" in the field of the **RETAINDDAYS** value for copies that do not have **RETAINDDAYS** specified during backup.

SELECT(AGE): Selecting entries based on data set use

Explanation: **AGE**(*mindays maxdays*) is an optional subparameter of **SELECT** that specifies a list of those entries in the MCDS for only the data sets whose most recent reference is within the specified range of days, or a list of those entries in the BCDS for the data sets that were backed up within the specified range of days.

For *mindays*, substitute a decimal number from 0 to 999999 for the minimum number of days since you referred to the data sets or since DFSMSHsm backed them up.

For *maxdays*, substitute a decimal number from 0 to 999999 for the maximum number of days since you referred to the data sets or since DFSMSHsm backed them up. The *maxdays* value should be greater than or equal to the *mindays* value. If the *maxdays* value is not greater than the *mindays* value, DFSMSHsm lists only the data sets whose most recent reference or backup was exactly *mindays* days ago.

Abbreviations: The TSO abbreviation convention applies for **AGE**. There are no additional abbreviations.

Defaults: The default for *mindays* is 0, and the default for *maxdays* is 999999. The default range of days causes entries to be listed for all of the data sets that meet the data set or volume specification. If *maxdays* is less than *mindays*, *maxdays* defaults to the same value as *mindays*.

Restrictions: None.

SELECT(MIGRATIONLEVEL1 | MIGRATIONLEVEL2 | VOLUME(volser)): Selecting entries based on the volume where the data set resides

Explanation: **MIGRATIONLEVEL1** | **MIGRATIONLEVEL2** | **VOLUME**(*volser*) | are mutually exclusive, optional subparameters of **SELECT** that specify the volume or migration volumes where the data sets must reside for the data set entries to be included in the list.

MIGRATIONLEVEL1 specifies a list of the entries for data sets that reside on level 1 migration volumes only.

MIGRATIONLEVEL2 specifies a list of the entries for data sets that reside on level 2 migration volumes only.

VOLUME (*volser*) specifies a list of one of the following:

- The entries for data sets that reside on the specified migration volume
- The entries for data sets that reside on the specified level 0 volume
- The entries for only those data sets whose most recent backup version resides on the specified backup volume

For *volser*, substitute the serial number of the volume that contains the data sets for which you want entries listed.

Note: To list data set entries on a specific level 0 volume, you must also specify INCLUDEPRIMARY.

Abbreviations: The TSO abbreviation convention applies for VOLUME, MIGRATIONLEVEL1, and MIGRATIONLEVEL2. In addition, you can use the abbreviation ML1 for MIGRATIONLEVEL1 and the abbreviation ML2 for MIGRATIONLEVEL2.

Defaults: None.

Restrictions: You can specify only one of VOLUME, MIGRATIONLEVEL1, or MIGRATIONLEVEL2 with the SELECT parameter for each HLIST command.

SELECT(SMALLDATASETPACKING | NOSMALLDATASETPACKING): Selecting entries based on whether the data sets migrated to an SDSP data set

Explanation: SMALLDATASETPACKING | NOSMALLDATASETPACKING are mutually exclusive, optional subparameters of the SELECT parameter that you use to request a list of those entries for the data sets that DFSMSHsm has migrated to small-data-set-packing data sets or entries for only the data sets that DFSMSHsm has not migrated to a small-data-set-packing data set. If you do not specify either subparameter, the list contains entries for data sets that DFSMSHsm migrated regardless of where it migrated them to.

SMALLDATASETPACKING specifies a list of entries for only those data sets that DFSMSHsm has migrated to small-data-set-packing data sets.

NOSMALLDATASETPACKING specifies a list of entries for only those data sets that DFSMSHsm has not migrated to small-data-set-packing data sets.

Small-data-set-packing data sets can exist only on migration level 1 volumes. You can specify the ML1 subparameter and the SDSP or NOSDSP subparameters of the SELECT parameter in the same HLIST command.

Abbreviations: The TSO abbreviation convention applies for SMALLDATASETPACKING and NOSMALLDATASETPACKING. In addition, you can use the abbreviation SDSP for SMALLDATASETPACKING and the abbreviation NOSDSP for NOSMALLDATASETPACKING.

Defaults: None.

Restrictions: You can specify either SMALLDATASETPACKING or NOSMALLDATASETPACKING, but not both. Do not specify ML2 and SDSP in the

HLIST

same HLIST command. In addition, do not specify a particular volume and SDSF in the same HLIST command if the volume is not a migration level 1 volume.

SELECT(VSAM): Specifying the data set organization

Explanation: **VSAM** is an optional subparameter of the **SELECT** parameter that specifies a list of only migrated VSAM data sets. The list contains standard data set information for the MCDS data set records and any VSAM object names that you can use to automatically recall the data set.

The VSAM subparameter applies only to data set information from the MCDS.

Abbreviations: The TSO abbreviation convention applies for VSAM. There are no additional abbreviations.

Defaults: None.

Restrictions: None.

SUMMARY: Requesting a summary only

Explanation: **SUMMARY** is an optional parameter that specifies only a count of data sets, tracks, and bytes of the selected data sets. The **SUMMARY** parameter suppresses information about individual data sets. Also, this parameter applies only to information from the MCDS.

Abbreviations: The TSO abbreviation convention applies for **SUMMARY**. There are no additional abbreviations.

Defaults: None.

Restrictions:

- When you specify this parameter, DFSMSHsm does not list information about each data set. Also, this parameter applies only to information from the MCDS.
- The **SUMMARY** information is issued when you specify the **LEVEL** parameter or the **DATASETNAME** parameter (with no data set name specified) and the MCDS information is requested and available. The **SUMMARY** parameter applies only to the **DATASETNAME** parameter (with no data set name specified) and the **LEVEL** parameter.

Examples of different ways to code the HLIST command

The examples below present different ways to code the HLIST command. The values are examples only. Do not interpret them as values that you should use for your system.

Listing the data set entries from the MCDS and printing them at the terminal

In this example, you are issuing the HLIST command to list all migrated data set entries in the MCDS with MST7707 as the specified set of initial characters of the data set name. The list is printed at the terminal from which you issued the command.

```
HLIST LEVEL(MST7707) MIGRATIONCONTROLDATASET TERMINAL
```

Listing the data set entries for data sets from the BCDS

In this example, you are issuing the HLIST command to list the BCDS entries for all data sets that have MST7707.A as the set of initial characters of the data set name. The list is printed at SYSOUT class A.

```
HLIST LEVEL(MST7707.A) BACKUPCONTROLDATASET SYSOUT(A)
```

Listing the entry for a backup volume

In this example, you are issuing the HLIST command to list the BCDS volume entry for backup volume BVL005. The list is printed at the terminal from which you issued the command.

```
HLIST BACKUPVOLUME(BVL005)
```

Listing the entries for data sets of selected age and sending the output to an output data set

In this example, you are issuing the HLIST command to list all the data sets from both the MCDS and BCDS whose set of initial characters is the same as your user identification. The data sets listed from the MCDS will be those that are migrated and that you have referred to in the last 60 days. The data sets listed from the BCDS will be those that DFSMSHsm last backed up in the last 60 days. The list is to go to the output data set CECL.OUTTESTS.TESTLIST.

```
HLIST DATASETNAME BOTH SELECT(AGE(0 60)) -  
OUTDATASET('CECL.OUTTESTS.TESTLIST')
```

Listing all migration volume entries from the MCDS

In this example, you are issuing the HLIST command to list all the migration volume entries from the MCDS. The list is to go to the output data set GRPA.COMMTEST.LIST.

```
HLIST MIGRATIONVOLUME OUTDATASET('GRPA.COMMTEST.LIST')
```

Listing the data set entries for data sets residing in a small-data-set-packing data set of a specific volume

In this example, you are issuing the HLIST command to list the entries from the MCDS for all migrated data sets with MST7707 as the specific set of initial characters of the data set name that are in the small-data-set-packing data set on migration level 1 volume MVL003. The list is to go to SYSOUT class A.

```
HLIST LEVEL(MST7707) SELECT(VOLUME(MVL003) -  
SMALLDATASETPACKING) SYSOUT(A)
```

Listing the data set entries for all level 1 volumes and sending the output to a terminal

In this example, you are issuing the HLIST command to list the entries for migrated data sets that have MST7707 as the set of initial characters of the data set name, are on migration level 1 volumes, but are not in small-data-set-packing data sets. The list is to be printed at the terminal from which you issued the command.

```
HLIST LEVEL(MST7707) SELECT(MIGRATIONLEVEL1 -  
NOSMALLDATASETPACKING)
```

Sample lists from the HLIST command

This section contains examples of printer and terminal lists generated by the HLIST command.

Listing volume entries

Table 3 presents the headings that appear in a list printed at the printer or terminal when you request information for DFSMSHsm-managed or migration volumes and a description of the information that appears with those headings.

Table 3. Headings of Output When You Request Information from the Migration Control Data Set for DFSMSHsm-Managed or DASD Migration Volume

Printer Output Heading	Terminal Label	Description
VOLSER	VOL	The number under this heading is the volume serial number of the DFSMSHsm-managed or migration volume.
DEVICE TYPE	DEVTYPE	The name under this heading is the name of the type of unit on which this volume can reside.
VOL TYPE	VOLTYPE	The DFSMSHsm category assigned to this volume is PRIM, P SMS, LEV 1, L1-OV, or LEV 2. UN indicates that a DASD migration level 2 volume has not been assigned to a key range and that a tape level 2 migration volume has not been selected for migration by any processing unit.
THRESHOLD HI---LO	HI-THRESH LO-THRESH	This field contains the high and low threshold of occupancy defined for this volume. The low threshold of occupancy applies only to DFSMSHsm-managed volumes. The values listed for SMS-managed volumes are those that DFSMSHsm last retrieved from SMS and may not be the most current values. The most current values for SMS-managed volumes are reflected in the volume's associated storage group.
FRAG INDEX	FRAG	The number under this heading is a qualitative measure of the scattered free space on the volume. The values of the index can range from 0 to 1. The higher the value, the more fragmented the free space on the volume.
HOSTID	AUTO-MIG	The character listed is the processor ID of a processor by which this volume was assigned the automatic space management attribute. A NO indicates that the volume has not been assigned the automatic space management attribute by any processor. This field applies to DFSMSHsm-managed volumes only.
HOSTID	BACK	The character listed is the processor ID of a processor by which this volume was assigned the automatic backup attribute. A NO indicates that the volume was not assigned the automatic backup attribute by any processor. This field applies to DFSMSHsm-managed volumes only.
	DUMP	The character listed is the processor ID of a processor by which this volume was assigned the automatic dump attribute. A NO indicates that the volume was not assigned the automatic dump attribute by any processor. This field applies to DFSMSHsm-managed volumes only.
AUTO RECALL	AUTO-RECALL	YES or Y indicates that the volume with the automatic recall attribute is eligible to receive recalled data sets. This field applies to DFSMSHsm-managed volumes only.

Table 3. Headings of Output When You Request Information from the Migration Control Data Set for DFSMSHsm-Managed or DASD Migration Volume (continued)

Printer Output Heading	Terminal Label	Description
SDSP AVAIL	SDSP	YES or Y indicates that a small-data-set-packing data set was created on this volume. This field applies to migration level 1 volumes only.
MIN AGE	MIN-AGE	This is the inactive age of the most recently migrated data set from the volume that was processed the last time volume space management ran.
MIGRATED DS--TRKS	MIG DS	This is the number of data sets that were migrated or deleted from the volume during the last volume space management.
	MIG TRKS	This is the number of tracks of data that were migrated or deleted from the volume during the last volume space management.
DATE--TIME LAST MIGRATED	MIGDATE-TIME	This is the date of the last volume space management of this volume.
SPACE-MGMT TYPE/AGE	SPACE-MGMT	This is the type of space management assigned to this volume. MIG indicates migration, DBA indicates delete-by-age, and DBU indicates delete-if-backed-up.
	AGE	This is the number of days a data set on this volume must be inactive before it is eligible for space management. DEFAULT indicates that the age criteria for the volume or all DFSMSHsm-managed volumes is not specified in the SETSYS command and DFSMSHsm determines the age based on whether DFSMSHsm is running in a single processor environment or multiple processor environment. This field applies only to DFSMSHsm-managed volumes.
BACKDEV CATEGORY	BACKUP-DEVICE CATEGORY	This field contains the backup device category assigned to this volume. If no category was assigned, the field contains ANY. This field applies only to DFSMSHsm-managed volumes.
DUMP CLASS	DUMPCCLASS	This field contains the dump class of the DFSMSHsm-managed or migration volume. The values listed for SMS-managed volumes are those that DFSMSHsm last retrieved from SMS and may not be the most current values. The most current values for SMS-managed volumes are reflected in the volume's associated storage group.
Note: A field containing only *** is not applicable to this volume (see individual field descriptions in the sample lists).		

Figure 23 on page 106 is a sample printer list of a specific migration volume when you specify the MIGRATIONVOLUME parameter. The printer list format for a specific migration volume, for all the DFSMSHsm-managed and migration volumes, or for all the DFSMSHsm-managed volumes or migration volumes has the same format as described in Figure 23 on page 106. If you request information for more than one volume, the list has multiple entries.

HLIST

```

1- DFSMSHSM CONTROL DATASET - MIGRATE VOLUME-MCDS--- LISTING ----- AT 14:09:45 ON 08/12/02 FOR SYSTEM=PCC

VOLSER  DEVICE  VOLUME  THRESH  FRAG  HOSTID  AUTO-  AUTO  SDSP  MIN  MIGRATED  DATE---TIME  SPACE-MGMT  BUDEV  DUMP
        TYPE   TYPE   HI--LOW  INDX  MIG--BACK-DUMP  RECL  ELIG  AGE  DS-----TRKS  LAST MIGRATED  TYPE/AGE  CATGY  CLASS

MIG101  3390  LEV 1   075 *** .018 **** 8      *** YES *** 00115 009636 00/00/00 00:00 *** *** **** DUMPCLB
MIG102  3390  LEV 1   075 *** .012 **** 8      *** NO  *** 00010 000125 00/00/00 00:00 *** *** **** DUMPCLC
MIG103  3390  LEV 1   075 *** .079 **** 8      *** NO  *** 00005 000070 00/00/00 00:00 *** *** **** DUMPCLC
OVFML1  3390  L1-OV   080 *** .000 **** C      *** NO  *** 00012 745930 00/00/00 00:00 *** *** **** DUMPCLB

----- END OF - MIGRATE VOLUME - LISTING -----

1- DFSMSHSM CONTROL DATASET - MIGRATE VOLUME-MCDS--- LISTING ----- AT 14:09:54 ON 08/12/02 FOR SYSTEM=PCC

```

Figure 23. Sample Printer List of Migration Volumes from the Migration Control Data Set When You Specify *MIGRATIONVOLUME* and *MIGRATIONCONTROLDATASET*

Figure 24 is a sample terminal list for all the DFSMSHsm-managed and migration volumes when you have specified the *VOLUME* and *TERMINAL* parameters. The terminal list format for a specific DFSMSHsm-managed volume or migration volume, or for all the DFSMSHsm-managed volumes or migration volumes, has the same format as described in Figure 24. If you request information for only one volume, the list has one entry.

```

VOL=SMS001 DEVTYP=3380  VOLTYPE=P SMS  MIGDS=0001 MIGTRKS=****
MIGDATE-TIME=89/01/28 12:01 FRAG=.069 HI-THRESH=020 LO-THRESH=010
MIN-AGE=***  BACKUP-DEVICE-CATEGORY=****  AUTO-RECALL=*
SDSP=***  SPACE-MGMT=MIG  AGE=***  AUTO-HOST MIG=**  BACK=**  DUMP=**
DUMPCLASS = *****

VOL=M2TP02 DEVTYP=3480  MIGTYP=L2-TP  VOL FULL=Y  VOL EMPTY=N  DELDS=0000
SP-MGT-DATE=88/01/10  PSWD=Y  EXP=N  RACF=N  AVAIL=Y  IN USE=-NO-  SELD=N

```

Figure 24. Sample Terminal List of All Volumes from the Migration Control Data Set When You Specify *VOLUME* and *TERMINAL*

Table 4 presents the headings of the output when DFSMSHsm lists information from the MCDS for tape migration level 2 volumes.

Table 4. Headings of Output When You Request Information from the MCDS for Tape Migration Level 2 Volumes

Printer Output Heading	Terminal Label	Description
VOLSER	VOL	This field contains the volume serial number of the tape migration level 2 volume.
DEVICE TYPE	DEVTYP	This field contains the name of the unit where this volume can be allocated.
MIGRATE TYPE	MIGTYP	L2-TP: The tape volume was added as a tape migration level 2 volume.
VOL FULL	VOL FULL	A YES or Y indicates that an end-of-tape marker was reached or a data movement error occurred while DFSMSHsm was writing on the tape volume.
DATE LAST VOL SP MANAGEMENT	SP-MGT-DATE	This is the date of the last volume space management of this volume.

Table 4. Headings of Output When You Request Information from the MCDS for Tape Migration Level 2 Volumes (continued)

Printer Output Heading	Terminal Label	Description
VOL EMPTY	VOL EMPTY	A YES or Y indicates that the volume is empty.
DELETED DS	DELDS	This is the number of data sets deleted from the volume during the last volume space management.
PSWD	PSWD	A YES or Y indicates that the tape volume is password-protected.
EXP	EXP	A YES or Y indicates that this tape volume is protected by an expiration date.
RACF	RACF	A YES or Y indicates that the tape volume is RACF-protected.
AVAILABLE	AVAIL	A YES or Y indicates that the tape volume is available.
IN USE	IN USE	NO: The tape volume is not being used. MIGD: Data set migration is using the tape volume. MIGV: Volume migration is using the tape volume. RECL: Recall is using the tape volume. RCYS: The tape volume is a recycle source volume. RCYT: The tape volume is a recycle target volume. DBAU: Data set deletion or data set retirement is using the tape volume.
SELECTED	SELD	A YES or Y indicates that the volume is selected.
IDRC	IDRC	Y = Volume contains data in the Improved Data Recording Capability format. N = Volume does not contain data in the Improved Data Recording Capability format. ** = Volume is empty—not assigned the Improved Data Recording Capability format.
DUPLEX ALT	DUPLEX ALT	<i>volser</i> indicated the volume serial number of the duplexed alternate. *PEND* indicates an exception condition and an internal TAPECOPY is pending. *NONE* indicates volume not created in a duplexing environment.

Figure 25 on page 108 is a sample of the printer list of tape migration level 2 volumes when you specify the MIGRATIONLEVEL2(TAPE) parameter and MIGRATIONCONTROLDATASET parameter.

HLIST

```

1- DFSMSHSM CONTROL DATASET - MIGRATE VOLUME-MCDS--- LISTING ----- AT 14:09:45 ON 08/12/02 FOR SYSTEM=PCC

VOLSER  DEVICE  VOLUME  THRESH  FRAG  HOSTID  AUTO-  AUTO  SDSP  MIN  MIGRATED  DATE---TIME  SPACE-MGMT  BUDEV  DUMP
        TYPE   TYPE   HI--LOW  INDX  MIG--BACK-DUMP  RECL  ELIG  AGE  DS-----TRKS  LAST MIGRATED  TYPE/AGE  CATGY  CLASS

MIG101  3390  LEV 1   075 *** .018  ****  ****  8   ***  YES  ***  00115  009636  00/00/00 00:00  ***  ***  ****  DUMPCLB
MIG102  3390  LEV 1   075 *** .012  ****  ****  8   ***  NO   ***  00010  000125  00/00/00 00:00  ***  ***  ****  DUMPCLC
MIG103  3390  LEV 1   075 *** .079  ****  ****  8   ***  NO   ***  00005  000070  00/00/00 00:00  ***  ***  ****  DUMPCLC
OVFML1  3390  L1-0V  080 *** .000  ****  ****  C   ***  NO   ***  00012  745930  00/00/00 00:00  ***  ***  ****  DUMPCLB

----- END OF - MIGRATE VOLUME - LISTING -----

1- DFSMSHSM CONTROL DATASET - MIGRATE VOLUME-MCDS--- LISTING ----- AT 14:09:54 ON 08/12/02 FOR SYSTEM=PCC

1- DFSMSHSM CONTROL DATASET - MIGRATE VOLUME-MCDS--- LISTING ----- AT 10:44:26 ON 96/11/12 FOR SYSTEM=3090

VOLSER  DEVICE  MIGRATE  VOL  DATE VOL LAST VOL  DELETED  PSWD  EX  RACF  AVAILABLE  IN  USE  SELECTED  IDRC  DUPLEX
        TYPE   TYPE   FULL  SP  MANAGED  EMPTY  DS      DS      NO  NO  YES  -NO-  NO  N  ALT

A16010  3480  L2-TP  NO   00/00/00  NO   0000  YES  NO  NO  YES  -NO-  NO  N  A16011
A16012  3480  L2-TP  NO   00/00/00  NO   0000  YES  NO  NO  YES  -NO-  NO  N  *NONE*
A16014  3480  L2-TP  NO   00/00/00  NO   0000  YES  NO  NO  YES  -NO-  NO  N  *PEND*

----- END OF - MIGRATE VOLUME - LISTING -----

```

Figure 25. Sample Printer List of Tape Migration Level 2 Volumes When You Specify MIGRATIONLEVEL2(TAPE) and MIGRATIONCONTROLDATASET parameter.

Table 5 presents the headings that appear when you request a list of DFSMSHsm-managed volume information from the backup control data set.

Table 5. Headings of Output When You Request Information for DFSMSHsm-Managed Volumes from the Backup Control Data Set

Printer Output Heading	Terminal Label	Description
VOLSER	VOL	The number under this heading is the volume serial number of the volume.
ICF catalog	VSAM CTLG	ICF catalogs are no longer supported.
CATALOG ON VOLSER	CTLG VOL	This field contains the volume serial number of the volume on which the catalog resides, SYSRES, or blanks.
LAST BACKED UP DATE TIME	LAST BACKED UP ON	This field contains the date and time of the last volume backup of this volume.
DUMP CLASS	DUMPCCLASS	This field contains the dump class of the DFSMSHsm-managed or migration volume.

Figure 26 is a sample of a printer list of information about DFSMSHsm-managed volumes from the BCDS.

```

----- DFSMSHsm CONTROL DATASET -PRIMARY VOLUME-BCDS--- LISTING -----
AT 13:31:36 ON 89/12/31 FOR SYSTEM=SYSA

VOLSER  SMS  OWNED BY ICF CATALOG  CATALOG  LAST BACKED UP
PRIM01  NO   NOT OWNED BY A ICF CATALOG  PRIM01   DATE      TIME
                                DUMPCCLASS  DUMPED  TIME  EXP DATE
                                DCLASS01  88/01/31 01:59 *NOLIMIT
                                DCLASS02  88/01/31 01:59 88/12/31
                                DCLASS03  88/01/31 01:59 88/12/31
                                DCLASS04  88/01/31 01:59 88/12/31
                                DCLASS05  88/01/31 01:59 88/12/31

```

Figure 26. Sample Printer List from the BCDS When You Specify VOLUME, PRIMARYVOLUME(volser) and BACKUPCONTROLDATASET

Listing backup volume entries

You specify the HLIST command with the BACKUPVOLUME parameter to get a list of the information for all the backup volumes managed by DFSMSHsm. The command lists the volumes in alphanumeric sequence by volume serial number. You specify HLIST BACKUPVOLUME(volser) to get a list of the information for a specific backup volume managed by DFSMSHsm.

Table 6 presents the information included in the list of all backup volumes or of a specific backup volume.

Table 6. Headings of Output When You Request Information for Backup Volumes

Printer Output Heading	Terminal Label	Description
VOLSER	VOL	This field contains the volume serial number of the backup volume.
DEVICE TYPE	DEVTYPE	This field contains the type of unit on which this volume can be allocated.
BACKUP TYPE	BACKTYP	DAILY or SPILL indicates the DFSMSHsm volume category of the backup volume. AVAIL specifies that the backup category was not assigned and the volume is available to be used as a daily or spill backup volume when the volume is used for the first time.
VOL FULL	FULL	For a DASD backup volume, YES indicates that an attempt to back up a data set to this volume failed because of insufficient space. For a tape backup volume, YES indicates that in writing to the tape, an end-of-tape marker was reached or a data movement error occurred and the volume was marked full to prevent further use.
TOTAL TRACKS	TOTAL TRKS	This field contains the total track capacity of the DASD volume. If this field indicates zero tracks, the backup volume has never been used. This field does not apply to tape.
FREE TRACKS	FREE TRKS	This field contains the number of tracks on the DASD volume available for data sets. This field does not apply to tape.
THRESH	THRESH	This field contains the threshold of occupancy for the DASD backup volume. This field does not apply to tape.
LAST BACKUP DATE	LAST BACKUP DATE	This field contains the date that the volume was most recently used as a target volume for backup, spill, or recycle processing.
PSWD	PSWD	A YES or Y indicates that the tape volume is password-protected. This field does not apply to DASD.
EXP	EXP	A YES or Y indicates that the tape volume is protected by an expiration date. This field does not apply to DASD.
RACF	RACF	A YES or Y indicates that the tape volume is RACF-protected. This field does not apply to DASD.
EMPTY	EMPTY	A Y indicates that the tape volume is empty. This field does not apply to DASD.
IDRC	IDRC	Y = Volume contains data in the Improved Data Recording Capability format. N = Volume does not contain data in the Improved Data Recording Capability format. ** = Volume is empty—not assigned the Improved Data Recording Capability format.

HLIST

Table 6. Headings of Output When You Request Information for Backup Volumes (continued)

Printer Output Heading	Terminal Label	Description
DUPLEX ALT	DUPLEX ALT	<p><i>volser</i> indicated the volume serial number of the duplexed alternate</p> <p>*PEND* indicates an exception condition and an internal TAPECOPY is pending</p> <p>*NONE* indicates volume not created in a duplexing environment</p>
<p>Note: A field containing only *** is not applicable (see individual field descriptions in the sample lists).</p>		

Figure 27 is a sample printer list of all the backup volumes when you specify the BACKUPVOLUME parameter. The printer list format for a specific volume has the same format as that described in Figure 27. If you request information for only one volume, the list has one entry.

```

1- DFSMSHSM CONTROL DATASET - BACKUP VOLUME-- LISTING ----- AT 10:55:46 ON 01/04/03 FOR SYSTEM=3090

VOLSER  DEVICE  BACKUP  VOL  TOTAL    FREE  THRESH  LAST BACKUP  PSWD  EXP  RACF  EMPTY  IDRC  DUPLEX  PCT
         TYPE   TYPE   FULL TRACKS  TRACKS          DATE                YES  NO  NO  NO  N  *NONE*  ****
A00002  3480  DAILY  NO  *****  *****  ***   00/09/05    YES  NO  NO  NO  N  *NONE*  ****
A00017  3480  DAILY  YES  *****  *****  ***   00/08/25    YES  NO  NO  NO  N  *NONE*  ****
A00018  3480  DAILY  NO  *****  *****  ***   00/10/31    YES  NO  NO  NO  N  *NONE*  ****
BACK01  3390  DAILY  NO  00000150 00000021  090   01/04/02    ***  ***  ***  ***  NA  NA      NA
BACK02  3390  DAILY  NO  00000150 00000023  090   01/04/03    ***  ***  ***  ***  NA  NA      NA
BACK03  3390  SPILL  NO  00000150 *****  090   00/00/00    ***  ***  ***  ***  NA  NA      NA
----- END OF - BACKUP VOLUME - LISTING -----

```

Figure 27. Sample Printer List of All the Backup Volumes When You Specify BACKUPVOLUME

Listing data set entries from the migration control data set

Table 7 presents the information you receive when you request information from the MCDS for data sets.

Table 7. Headings of Output When You Request MCDS Information for Data Sets

Printer Output Heading	Terminal Label	Description
DATASET NAME	DSN	This field contains the name of the user data set.
MIGRATED ON VOLUME	MIGVOL	This field contains the volume serial number of the migration volume the data set is on if the data set is currently migrated. If the data set is on more than one tape migration level 2 volume, this field contains the volume serial number of the first volume the data set is on. The field contains ONLINE if the data set was recalled.
LAST REF DATE	LAST REF	This field contains the date of the most recent reference of the data set.
MIGRATED DATE	MIG	This field contains the date that the data set was last migrated.
TRKS ALLOC	TRKS	If the data set is currently migrated, this field contains the number of tracks allocated for the data set on the DFSMSHsm-managed volume from which the data set migrated. If the data set is recalled, this field is the number of tracks allocated for the recalled data set.
QTY 2K BLKS	2K BLKS	This field contains the size, in 2K blocks, of the data set on the migration volume. This field does not apply to tape.

Table 7. Headings of Output When You Request MCDS Information for Data Sets (continued)

Printer Output Heading	Terminal Label	Description
TIMES MIG	TIMES MIG	This field contains the number of times DFSMSHsm migrated the data set. If migration cleanup has deleted the data set record, this is the number of times DFSMSHsm migrated the data set since the record was deleted.
DS ORG	DSO	This field contains the type of data set organization: <ul style="list-style-type: none"> • PE (partitioned data set extended) • PS (physical sequential) • PO (partitioned) • DA (BDAM) • VS (VSAM) • *** if the data set organization is unknown.
SDSP DS	SDSP	A YES under this heading indicates that the data set resides in a small-data-set-packing data set.
QTY 16K BLOCKS	16K BLOCKS	This field contains the size, in 16K blocks, of the data set on the tape migration level 2 volume. This field does not apply to DASD migration volumes.
LAST MIG VOLUME	LAST MIGVOL	This field contains the volume serial number of the last tape migration level 2 volume if the data set spans more than one tape volume. *NONE* indicates that the data set does not span more than one tape volume. This field does not apply to DASD.

Figure 28 is a sample printer list from the migration control data set for all the data sets that contain the user's identification as the specific set of initial characters of the data set name. If you request information for a specific data set, the list contains the entry for only that data set.

```

----DFSMSHsm CONTROL DATASET - MIGRATED DATASET--LISTING ----- AT 13:07:20 ON 89/03/23 FOR SYSTEM=381A

DATASET NAME                MIGRATED  LAST REF  MIGRATED  TRKS  QTY  TIMES  DS  SDSP  QTY  LAST MIG
                           ON VOLUME  DATE     DATE     ALLOC 2K  BLKS  MIG   ORG  DS   16K  BLKS  VOLUME
S469193.DAV.N.F40RC034.DSET01  M2TP10  89/03/23 89/03/01 0589  ****  01   DA  NO   0118  M2TP01
S469193.DAVS.N.F40RC034.DSET01  M2TP10  89/03/23 89/03/01 0001  ****  01   DA  NO   0001  *NONE*

```

Figure 28. Sample Printer List When You Specify DATASETNAME and MIGRATIONCONTROLDATASET

Figure 29 is a sample printer list of data set entries when you specify the LEVEL parameter.

```

----DFSMSHsm CONTROL DATASET - MIGRATED DATASET--LISTING ----- AT 13:07:20 ON 89/03/23 FOR SYSTEM=381A

DATASET NAME                MIGRATED  LAST REF  MIGRATED  TRKS  QTY  TIMES  DS  SDSP  QTY  LAST MIG
                           ON VOLUME  DATE     DATE     ALLOC 2K  BLKS  MIG   ORG  DS   16K  BLKS  VOLUME
H952762.PSFB.F40LI404.DSET01  M2TP01  89/03/23 89/03/23 0006  ****  01   PS  NO   0004  *NONE*
H952762.PSFB.F40LI404.DSET02  M2TP01  89/03/23 89/03/23 0006  ****  01   PS  NO   0004  *NONE*

```

Figure 29. Sample Printer List of a Group of Data Sets When You Specify LEVEL

HLIST

Figure 30 is a sample terminal list of data set entries when you specify the LEVEL and TERMINAL parameters.

```

DSN=H952762.PSFB.F40LI404.DSET01          MIGVOL=M2TP01 DSO=PS  SDSP=NO
LAST REF=89/03/23 MIG=89/03/23 TRKS=0006 2K BLKS=**** TIMES MIG=01
16K BLKS=0004 LAST MIGVOL=*NONE*

DSN=H952762.PSFB.F40LI404.DSET02          MIGVOL=M2TP01 DSO=PS  SDSP=NO
LAST REF=89/03/23 MIG=89/03/23 TRKS=0006 2K BLKS=**** TIMES MIG=01
16K BLKS=0004 LAST MIGVOL=*NONE*

MIGRATED DATA SETS = 00002 TRACKS = 000012 K-BYTES = 00000104

```

Figure 30. Sample Terminal List of a Group of Data Sets When You Specify LEVEL and TERMINAL

Listing data set entries from the backup control data set

Table 8 presents the following information from the BCDS for all data sets:

Table 8. Headings of Output for All Data Sets When You Request Information from the Backup Control Data Set

Printer Output Heading	Terminal Label	Description
DSNAME	DSN	This field contains the data set name of the data set that was backed up.
BACKUP FREQ	BACK FREQ	This field contains the minimum number of days that must elapse after a backup of the data set before another backup can be done during incremental backup processing.
MAX BACKUP VERSIONS	MAX VERS	This field contains the maximum number of versions of the data set to be kept. More than this number of backup versions may be listed if backup versions exist of uncataloged data sets with the same names as cataloged data sets or if you reduced the limit and no new backup versions were created.
BACKUP VERSION DATA SET NAME	BDSN	This field contains the data set name of the backup version.
BACKUP VOLUME	BACKVOL	This field contains the volume serial number of the volume on which the backup version resides. The volume can be a backup volume or a migration level 1 volume.
FROM VOLUME	FRVOL	This field contains the volume serial number of the user volume on which the data set resided when the backup version was made. If the data set was migrated at the time of the backup, this field contains the volume serial number of the user volume from which the data set migrated.
BACKUP DATE	BACKDATE	This field contains the date the backup version was created.
BACKUP TIME	BACKTIME	This field contains the time the backup version was created.
SYS CAT	CAT	YES indicates that the backup version was made from the cataloged data set.

Table 8. Headings of Output for All Data Sets When You Request Information from the Backup Control Data Set (continued)

Printer Output Heading	Terminal Label	Description
GEN NMBR	GEN	This field contains the relative generation number of the backup version. The most recent backup version is number 0, the next most recent backup version is number 1, and so forth.
VER NMBR	VER	This field contains the version number of the backup version. This number is unique to the backup version during its entire life span. The numbering begins at 1 for the first backup version of a data set.
UNS/ RET	UNS/RET	This field indicates special conditions or exceptions. UNS indicates that the data set was unserialized when backed up. RET indicates that the version listed is a retired version. U/R indicates an unserialized, retired version. NO indicates a version that is neither unserialized nor retired.
RET DAYS	RETDAYS	This field contains the RETAINDDAYS parameter specified at the time of backup. The value represents the minimum number of days that DFSMSHsm maintains the backup copy. ***** indicates that RETAINDDAYS is not specified.
RACF IND	RACF IND	YES indicates that the RACF indicator was on at the time of backup. NO indicates that the RACF indicator was not on at the time of backup.
BACKUP PROF	BACK PROF	YES indicates that the RACF discrete backup profile exists. NO indicates that a RACF discrete backup profile does not exist.
NEWNAME	NEWNM	Y as the first character indicates that NEWNAME was specified at the time of backup. N as the first character indicates that NEWNAME was not specified at the time of backup. Y as the second character indicates that the data set was VSAM with associated AIX/PATH, and SPHERE(NO) was specified. N as the second character indicates the data set was VSAM with associated AIX/PATH and SPHERE(NO) was not specified. Y as the third character indicates the data set was VSAM and was uncataloged or migrated and the backup was processed with the GVCN(YES) option. * as the second character indicates the data set was non-VSAM or VSAM and no AIX/PATH existed. * as the third character indicates the data set was non-VSAM or was VSAM and cataloged and not migrated.
SPHERE(NO)	NOSPH	YES indicates the data set was VSAM with associated AIX/PATH and SPHERE(NO) was specified. NO indicates the data set was VSAM with associated AIX/PATH and SPHERE(NO) was not specified.
GENVSAMCOMP NAMES	GVCN	YES indicates the data set was VSAM and was uncataloged or migrated and the backup was processed with the GVCN(YES) option.

Figure 31 on page 114 is a sample printer list of all data sets that contain the user's identification as the specific set of initial characters of the data set name when you have specified the DATASETNAME and BACKUPCONTROLDATASET parameters. If you request information for a specific data set, the list contains the

HLIST

entries for only that data set.

```

1- DFSMSHSM CONTROL DATASET - BACKUP DATASET-- LISTING ----- AT 08:55:18 ON 09/03/06 FOR SYSTEM=3090

DSNAME = HSMATH0.SMSDS4.N01.KSDS          BACKUP FREQ = ***, MAX ACTIVE BACKUP VERSIONS = ***

BACKUP VERSION DATA SET NAME             BACKUP FROM  BACKUP   BACKUP   SYS GEN  VER  UNS/  RET  BACKUP NEW
VOLUME VOLUME DATE     TIME     CAT NMBR NMBR  RET  DAYS PROF  NAME

DFHSM.BACK.T165308.HSMATH0.SMSDS4.J9065  A00138 SRC001 09/03/06 08:53:16 YES 000 002  NO 00300 NO  N**
DFHSM.BACK.T445208.HSMATH0.SMSDS4.J9065  A00136 SRC001 09/03/06 08:52:44 YES 001 001  NO ***** NO  N**

TOTAL BACKUP VERSIONS = 0000000002

----- END OF - BACKUP DATASET - LISTING -----

```

Figure 31. Sample Printer List of All Data Sets When You Specify DATASETNAME and BACKUPCONTROLDATASET

Figure 32 is a sample terminal list for all the data sets that contain the user’s identification as the specific set of initial characters of the data set name when you have specified the DATASETNAME, BACKUPCONTROLDATASET, and TERMINAL parameters. If you request information for a specific data set, the list only contains entries for that data set.

```

DSN=HSMATH0.SMSDS4.N01.KSDS          BACK FREQ = ***  MAX ACTIVE BACKUP VERSIONS = ***

BDSN=DFHSM.BACK.T371814.HSMATH0.SMSDS4.J9064  BACKVOL=MIG102
FRVOL=SMS001, BACKDATE=09/03/05  BACKTIME=14:18:37  CAT=YES  GEN=000  VER=001
UNS/RET= NO RACF IND=NO  BACK PROF=NO  NEWNM=NO  NOSPH=***  GVCN=***  RETDAYS=00002

TOTAL BACKUP VERSIONS = 0000000001

```

Figure 32. Sample Terminal List of All Data Sets When You Specify DATASETNAME, BACKUPCONTROLDATASET, and TERMINAL

Listing entries of the latest backup version on backup volumes

Table 9 presents the following information for data sets whose latest backup version is contained on the specified backup volume:

Table 9. HLIST--Listing Information from the BCDS and MCDS

Printer Output Heading	Terminal Label	Description
DATA SET NAME	DSN	This field contains the original data set name of the data set that was backed up.
FROM VOLUME	FRVOL	This field contains the volume serial number of the user volume on which the data set resided when the backup version was made. If the data set was migrated at the time of the backup, this field contains the volume serial number of the user volume from which the data set migrated.
BACKUP DATE	BACKDATE	This field contains the date the backup version was created.
BACKUP TIME	BACKTIME	This field contains the time the backup version was created.

Table 9. HLIST--Listing Information from the BCDS and MCDS (continued)

Printer Output Heading	Terminal Label	Description
UNS/ RET	UNS/RET	This field indicates special conditions or exceptions. UNS indicates that the data set was unserialized when backed up. RET indicates that the version listed is a retired version. U/R indicates an unserialized, retired version. NO indicates a version that is neither unserialized nor retired.
RET DAYS	RETDAYS	This field contains the RETAIN_DAYS parameter specified at the time of backup. The value represents the minimum number of days that DFSMSHsm maintains the backup copy. ***** indicates that RETAIN_DAYS is not specified.

Figure 33 is a sample printer list that you would get if you specified the DATASETNAME and SELECT(VOLUME(*volser*)) parameters and the volume specified was a backup volume.

```

- DFSMSHSM CONTROL DATASET - LATEST VERSION BACK01-- LISTING ----- AT 12:51:21 ON 09/01/22 FOR SYSTEM=3090

  DATA SET NAME                FROM    BACKUP    BACKUP    UNS/    RET
                                VOLUME  DATE      TIME     RET     DAYS

  HSMATH0.SMSDS4.N01.KSDS        SMS001  09/01/22  12:49:32  NO     00999
  HSMATH0.SMSDS4.N04.PSFB        SMS001  09/01/22  12:49:58  NO     00034

----- END OF - LATEST VERSION BACK01 - LISTING -----

```

Figure 33. Sample Printer List When You Specify DATASETNAME and SELECT(VOLUME(*volser*))

Figure 34 is a sample terminal list that you would get if you specified the DATASETNAME, SELECT(VOLUME(*volser*)), and TERMINAL parameters and the volume specified was a backup volume.

```

DSN= HSMATH0.SMSDS4.N04.PSFB                BACKVOL=BACK01
FRVOL=SMS001 BACKDATE=09/01/22 BACKTIME=12:49:58 UNS/RET= NO RETDAYS=00034

ARC0140I LIST COMPLETED,4 LINE(S) OF DATA
ARC0140I (CONT.) OUTPUT

```

Figure 34. Sample Terminal List When You Specify DATASETNAME, SELECT(VOLUME(*volser*)), and TERMINAL

Listing data set entries from both control data sets

You specify HLIST DATASETNAME BOTH to get a list of both the migration and backup control data set information for all the data sets that contain the user's identification as the specific set of initial characters of the data set name. You specify HLIST DATASETNAME(*dsname*) BOTH to get a list of both the migration and backup control data set information for a specific data set.

The information is provided in separate lists, and the command lists the data sets in each list in alphanumeric sequence by data set name. If you request information for a specific data set, the list contains entries only for that data set.

If you specify SYSOUT or OUTDATASET, the lists are in the same format as that described in Figure 28 on page 111 and Figure 31 on page 114. If you specify TERMINAL, the lists are in the same format as that described in Figure 32 on page 114.

Listing user authorization status entries

Figure 35 is a sample printer list of user entries when you specify the USER (*userid*) parameter.

```

--- DFSMShsm CONTROL DATASET - USER-- LISTING --- AT 15:24:51 ON 89/01/24 FOR SYSTEM=381A

  USERID      AUTH
D324711      USER
G834921      USER
H952762      CNTL
M059259      USER
M100222      CNTL
S369193      CNTL
S469193      CNTL
TMPUSRI      USER

-----END OF - USER - LISTING -----

```

Figure 35. Sample Printer List of User Entries When You Specify USER

Listing a summary of data set entries

Table 10 presents the following information from the MCDS for the specified data sets:

Table 10. Headings of Output When You Request Summary Information from the MCDS

Printer Output Heading	Terminal Label	Description
MIGRATED DATA SETS	MIGRATED DATA SETS	This field contains the number of data sets listed.
TRACKS MIGRATED	TRACKS	This field contains the sum of the tracks allocated for all the data sets listed.
K-BYTES MIGRATED	K-BYTES	This field contains the sum of the lengths of the data sets listed in units of 1024 bytes.

Figure 36 is a sample printer list of data sets when you specify DATASETNAME and SUMMARY.

```

---- DFSMShsm CONTROL DATASET - SUMMARY-- LISTING ----- AT 13:07:32 ON 89/03/23 FOR
SYSTEM=381A

                                MIGRATED      TRACKS      K-BYTES
                                DATA SETS    MIGRATED    MIGRATED
                                00002        000012     00000104

---- END OF - MIGRATED DATASET - LISTING ----

```

Figure 36. Sample Printer List When You Specify DATASETNAME and SUMMARY

Chapter 18. HMIGRATE: Migrating data sets

This topic describes how to migrate data sets using ISMF or TSO. This command applies to both SMS-managed and non-SMS-managed data sets and is intended to supplement the automatic functions of DFSMSHsm.

Using ISMF

The following steps present an example of how to use the HMIGRATE line operator to migrate a data set. In our example, we have used USER20.ISMF.JCL as a sample data set name.

1. Generate a list of data sets as described in Chapter 4, “Methods of performing tasks,” on page 13.
2. Enter the HMIGRATE line operator in the line operator column next to USER20.ISMF.JCL as described in Figure 37.

```
Panel List Dataset Utilities Scroll Help
-----
                        DATA SET LIST
                        Entries 1-1 of 1
Enter Line Operators below:                Data Columns 3-6 of 39

LINE          ALLOC  ALLOC  % NOT  COMPRESSED
OPERATOR      DATA SET NAME  SPACE  USED   USED   FORMAT
---(1)---    -----(2)----- --(3)-- --(4)-- -(5)-  ---(6)---
              USER20.CLIST.CLIST      46     46     0     ???
              USER20.DFP220.DGTTLIB  46     46     0     ???
              USER20.ISMF.DGTLLIB    46     46     0     ???
              USER20.ISMF.DGTPLIB    46     46     0     ???
              USER20.ISMF.DUMP       4684   4356    7     ???
HMIGRATE     USER20.ISMF.JCL      468     46    90     ???
              USER20.ISPFILE        46     46     0     ???
              USER20.ISPPROF         93     93     0     ???
              USER20.SPFL0G1.LIST    2623   1311    50     ???
              USER20.TEMP.DATASET    4684     93    98     ???
-----  -----  -----  BOTTOM OF DATA  -----  -----  ---

Command ==>
F1=Help  F2=Split  F3=End  F4=Return  F7=Up  F8=Down  F9=Swap
F10=Left F11=Right F12=Cursor
```

Figure 37. Data Set List Panel with HMIGRATE Selected

The HMIGRATE Entry panel appears.

3. Complete the HMIGRATE Entry panel as described in Figure 38 on page 118. (Specify Y in the *wait for completion* field if you want to wait for HMIGRATE to complete before returning to ISMF.)

HMIGRATE

```

Panel  Utilities  Help
-----
                        HMIGRATE ENTRY PANEL

Optionally Specify One or More for
Data Set: USER20.ISMF.JCL

Current Migration Level : NOT MIGRATED

Desired Migration Level . . 1          (1 or 2)

Wait for Completion . . . . N         (Y or N)

Data Set Password . . . . .           (if password protected)

Command ==>
F1=Help   F2=Split  F3=End   F4=Return  F7=Up     F8=Down   F9=Swap
F10=Left  F11=Right F12=Cursor

```

Figure 38. HMIGRATE Entry Panel

4. Press ENTER to perform the migration and redisplay the list (see Figure 39).

The asterisk next to the HMIGRATE in the line operator column indicates that the migration was successful if you specified *wait for completion=Y*, or that the migration task was successfully issued to DFSMSHsm if you specified *wait for completion=N*.

```

Panel  List Dataset Utilities Scroll Help
-----
                        DATA SET LIST

Enter Line Operators below:                               Entries 1-1 of 1
                                                           Data Columns 3-6 of 39

LINE OPERATOR          DATA SET NAME          ALLOC  ALLOC  % NOT  COMPRESSED
                   SPACE  USED  USED  FORMAT
---(1)---  -----(2)-----  --(3)--  --(4)--  -(5)-  ---(6)---
                USER20.CLIST.CLIST             46      46      0  ???
                USER20.DFP220.DGTTLIB          46      46      0  ???
                USER20.ISMF.DGTLLIB            46      46      0  ???
                USER20.ISMF.DGTPLIB            46      46      0  ???
                USER20.ISMF.DUMP              4684    4356     7  ???
*HMIGRATE  USER20.ISMF.JCL                     468     46     90  ???
                USER20.ISPFILE                 46      46      0  ???
                USER20.ISPPROF                 93      93      0  ???
                USER20.SPFL0G1.LIST            2623    1311    50  ???
                USER20.TEMP.DATASET            4684     93     98  ???
-----  -----  BOTTOM OF DATA  -----

Command ==>
F1=Help   F2=Split  F3=End   F4=Return  F7=Up     F8=Down   F9=Swap
F10=Left  F11=Right F12=Cursor

Scroll ==> HALF

```

Figure 39. Data Set List Panel After Function Completes

For more information on using DFSMSHsm/ISMF line operators, see *z/OS DFSMS Using the Interactive Storage Management Facility* or use the online help provided with ISMF.

Using TSO commands

The following information applies to both SMS-managed and non-SMS-managed data sets.

Task: Migrate one or more data sets to migration volumes.

The data set migrates to a level 1 migration volume unless you specify the `MIGRATIONLEVEL2` parameter in the command or you are in an environment that migrates directly to migration level 2 volumes. An SMS-managed data set, for example, can migrate directly to a level 2 volume if defined to do so by a management class parameter. You can cause a data set on a level 1 migration volume to migrate to a level 2 migration volume if you specify a data set that is already on a level 1 migration volume and you specify the `MIGRATIONLEVEL2` parameter.

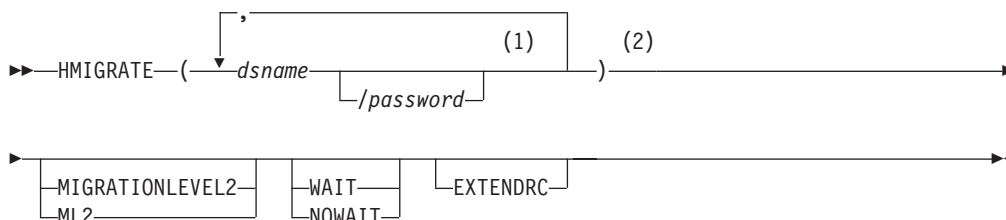
Command migration of SMS-managed data sets is available only for eligible data sets. Data set eligibility is determined by an SMS management class attribute. If you issue `HMIGRATE` for a data set that is not eligible for migration, the `HMIGRATE` operation ends and `DFSMSHsm` issues message `ARC1245I`.

RACF Authority: To migrate a RACF-protected data set, you must have RACF `UPDATE` authority to the data set.

Abbreviation: The minimum abbreviation for the `HMIGRATE` command is `HMIG`.

Syntax

The following diagram presents the syntax of the `HMIGRATE` command for **both** SMS-managed and non-SMS-managed data sets:



Notes:

- 1 Password does not apply to SMS-managed data sets.
- 2 Parentheses around data set names are required only when multiple data set names are specified.

Required parameters

dsname: Specifying the name of the data set that is to migrate

Explanation: (*dsname/password ...*) is a required positional parameter specifying the name of the cataloged data set or list of names of cataloged data sets that are to migrate. For *dsname*, substitute the name or list of names of the data sets (in

HMIGRATE

parentheses) that are to migrate. You can use a data set filter for any dsname in a list. See “Specifying data set names” on page 37 for a discussion of how to specify data set names.

For *password*, substitute the correct password and include the preceding slash (/). TSO does not prompt you for the password. Password protection does not apply to SMS-managed data sets; if a password is specified, it is ignored.

- For password-protected non-VSAM data sets, you must supply the password that allows you to write to the data set.
- For password-protected VSAM data sets, you must supply the master password of the base cluster.

Abbreviations: None.

Defaults: None.

Restrictions:

- Because *dsname* is a required positional parameter, you must specify it immediately after HMIGRATE.
- The volume on which the data set resides must be mounted before you issue the command.
- When you specify a password with a filter, all the data sets protected by a password must have the same password. Otherwise, DFSMSHsm authorization checking fails the migration of those data sets that are protected by a different password.
- DFSMSHsm does not process individual partitioned data set members. If you specify a partitioned data set name with a member name, DFSMSHsm fails the HMIGRATE command.
- If *dsname* is fully qualified and refers to a VSAM data set, specify the base cluster name, or any component name, or any path name. The entire VSAM sphere will be migrated. If the sphere has more than one alternate index (AIX), more than one path, or more than one path on the AIX, the data set can be recalled by the base cluster name only.
- If you migrate a VSAM data set with more than one path per alternate index, only the last path listed in the catalog is preserved. After the migration, you must redefine any other paths that are needed.

Optional parameters

MIGRATIONLEVEL2: Specifying migration of a data set directly to a level 2 volume

Explanation: **MIGRATIONLEVEL2** is an optional parameter you use to migrate a data set from a level 0 volume or a migration level 1 volume to a migration level 2 volume. The **MIGRATIONLEVEL2** parameter must be specified if you are migrating an already migrated data set.

Abbreviations: The TSO abbreviation convention applies for **MIGRATIONLEVEL2**. In addition, you can use the abbreviation **ML2**.

Defaults: None.

WAIT and NOWAIT: Specifying whether to wait for data set migration

Explanation: `WAIT` | `NOWAIT` are mutually exclusive, optional parameters that specify whether you want to wait for the HMIGRATE command to complete.

`WAIT` specifies that you want to wait for the HMIGRATE command to complete. When DFSMSHsm successfully completes the HMIGRATE process, an ARC1000I message is issued. If the HMIGRATE process does not complete successfully, an ARC1001I message is issued. If you press the TSO Attention key before DFSMSHsm completes the command, DFSMSHsm issues an ARC1800I message and does not issue an ARC1000I message.

`NOWAIT` specifies that you do not want to wait for the HMIGRATE command to complete. When DFSMSHsm successfully receives the request, an ARC1007I message is issued. After DFSMSHsm successfully completes the HMIGRATE command, an ARC1000I message is issued. If the HMIGRATE command does not complete successfully, an ARC1001I message is issued.

Abbreviations: The TSO abbreviation convention applies for `WAIT` and `NOWAIT`. There are no additional abbreviations.

Defaults: The default is `NOWAIT`.

Restrictions: You can specify either `WAIT` or `NOWAIT`, but not both.

EXTENDRC: Requesting an extended set of return and reason codes

Explanation: `EXTENDRC` is an optional parameter that specifies that DFSMSHsm should return an extended set of return and reason codes while you are running DFSMSHsm commands in a truly interactive mode (TSO or foreground). This option returns only the return and reason codes that are mapped into DFSMSHsm messages issued to the user's terminal. For detailed information on return codes that DFSMSHsm returns for this command, see Appendix B, "Return codes from DFSMSHsm commands," on page 187.

Abbreviations: The TSO abbreviation convention applies for `EXTENDRC`.

Defaults: None.

Restrictions: The `WAIT` option must be specified with the `EXTENDRC` parameter when you are running DFSMSHsm commands in a truly interactive mode (TSO or foreground).

Examples of different ways to code the HMIGRATE command

The examples below present different ways to code the HMIGRATE command. The values are examples only. Do not interpret them as values that you should use for your system.

Causing multiple data sets to migrate and not waiting for completion

In this example, you are issuing the HMIGRATE command to migrate all data sets that have the same user prefix and descriptive qualifier, `GRPA.*.OUTLIST`, from level 0 volumes. The `NOWAIT` parameter indicates that you do not want to wait for DFSMSHsm to complete the migration of the data sets.

```
HMIGRATE 'GRPA.*.OUTLIST' NOWAIT
```

If your *datasetname* filter specification includes already-migrated data sets, DFSMSShsm does not attempt to migrate these data sets.

Causing a password-protected data set to migrate

In this example, you are issuing the HMIGRATE command to migrate the data set CLARK.TEXTVER3.TEXT protected by the password WRITE from a level 0 volume. The WAIT parameter indicates that you want to wait for DFSMSShsm to complete the migration of the data set.

```
HMIGRATE 'CLARK.TEXTVER3.TEXT'/WRITE WAIT
```

Causing data sets to migrate to level 2 volumes and not waiting for completion

In this example, you are issuing the HMIGRATE command to migrate all data sets that have the same user prefix and descriptive qualifier, GRPA.*.OUTLIST, from level 0 volumes or migration level 1 volumes (ML1) to migration level 2 volumes (ML2). The NOWAIT parameter indicates that you do not want to wait for DFSMSShsm to complete the migration of the data sets.

```
HMIGRATE 'GRPA.*.OUTLIST' MIGRATIONLEVEL2 NOWAIT
```

Causing multiple data sets to migrate to level 2 volumes and not waiting for completion

In this example you are issuing the HMIGRATE command to migrate two data sets, USER01.TEXTVER3.TEXT and USER01.APGOUT.LOADLIST, which are both protected by the password WRITE from level 0 volumes directly to migration level 2 volumes. Your user ID prefix is USER01. The NOWAIT parameter indicates that you do not want to wait for DFSMSShsm to complete the migration of the data sets.

```
HMIGRATE (TEXTVER3.TEXT/WRITE APGOUT.LOADLIST/WRITE) -  
MIGRATIONLEVEL2 NOWAIT
```

Migrating a data set and requesting to see the return codes and reason codes

In this example, you are issuing the HMIGRATE command from a TSO session to migrate the data set VOLUN.TEXTVER2.TEXT from a level 0 volume to a migration volume. The WAIT EXTENDRC parameter indicates that you want to see the extended return and reason codes.

```
HMIGRATE 'VOLUN.TEXTVER2.TEXT' WAIT EXTENDRC
```

Chapter 19. HQUERY: Listing pending requests

To list pending requests, use the HQUERY command in TSO. The following discussion applies to both SMS-managed data sets and non-SMS-managed data sets.

Using TSO commands

Task: Display pending DFSMSHsm requests associated with your user identification.

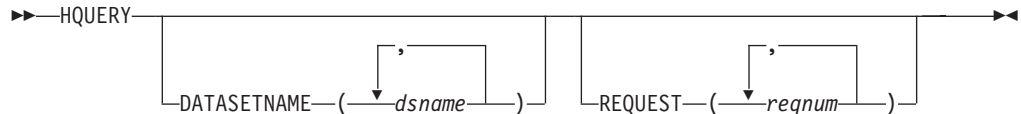
You can display specific requests by request number or you can display all of the requests for a specific data set name. To display all pending requests associated with your user identification, issue the HQUERY command without parameters.

For an example of the messages displayed in response to an HQUERY command, see “Messages from the HQUERY command” on page 125.

Abbreviation: The minimum abbreviation for the HQUERY command is HQ.

Syntax

The following diagram presents the syntax of the HQUERY command for **both** SMS-managed and non-SMS-managed data sets:



Required parameters

None.

Optional parameters

DATASETNAME: Specifying a list of requests by data set name

Explanation: DATASETNAME(*dsname* ...) is an optional parameter you use to display pending requests associated with one or more specified data set names.

For *dsname*, substitute the name or names of the data sets for which you want the list of requests. You cannot use any wild cards (% , * , or **) in a data set name.

Abbreviations: The TSO abbreviation convention applies for DATASETNAME. There are no additional abbreviations.

Defaults: If you do not specify HQUERY with either DATASETNAME(*dsname*) or REQUEST(*reqnum*), the list contains all pending requests associated with your user identification.

HQUERY

Restrictions: DFSMSHsm does not process individual partitioned data set members. If you specify a partitioned data set name with a member name, DFSMSHsm ignores the member name and lists the requests for the entire partitioned data set.

REQUEST: Specifying a list of requests by request number

Explanation: **REQUEST**(*reqnum* ...) is an optional parameter you can use to display specific pending requests for your user identification. For *reqnum*, substitute the DFSMSHsm request number. A request number is given when a DFSMSHsm command is accepted and you specify that you do not want to wait for completion of the command.

To display all of the pending requests associated with your user identification, issue the HQUERY command by itself.

Abbreviations: The TSO abbreviation convention applies for REQUEST. There are no additional abbreviations.

Defaults: If you do not specify HQUERY with either DATASETNAME(*dsname*) or REQUEST(*reqnum*), the list contains all pending requests associated with your user identification.

Restrictions: None.

Examples of different ways to code the HQUERY command

The examples below present different ways to code the HQUERY command. The values are examples only. Do not interpret them as values that you should use for your system.

Listing pending requests for a data set

In this example, you are issuing the HQUERY command to list the pending DFSMSHsm requests for the data set ELPA.OUTTESTS.TESTLIST and request number 104.

```
HQUERY DATASETNAME('ELPA.OUTTESTS.TESTLIST') -  
REQUEST(104)
```

Listing all pending requests for your user identification

In this example, you are issuing the HQUERY command to list all pending DFSMSHsm requests that are associated with your user identification.

```
HQUERY
```

Listing pending requests by request number

In this example, you are issuing the HQUERY command to list three pending DFSMSHsm requests, 25, 27, and 28.

```
HQUERY REQUEST(25,27,28)
```

Messages from the HQUERY command

When you issue the HQUERY command, the information appears as a message at your terminal as well as on the DFSMSHsm log. Table 11 presents the messages associated with the HQUERY command.

Table 11. Messages Associated with the QUERY Command by Parameter Name

Parameter name	Message
DATASETNAME (<i>dsname</i>)	ARC0101I QUERY {ACTIVE ABARS ARPOOL AUTOPROGRESS BACKUP CDSVERSIONBACKUP CONTROLDATASETS CSALIMITS DATASETNAME MIGRATIONLEVEL2 POOL/VOLUMEPOOL REQUEST RETAIN SETSYS SPACE STARTUP STATISTICS TRAPS USER WAITING} COMMAND {STARTING COMPLETED IGNORED} ON HOST= <i>x</i>
	ARC0161I {MIGRATING MIGRATION PREPROCESSING FREEVOL PROCESSING DBA/DBU PROCESSING BACKING UP RECOVERING RECYCLING AUDITING {DUMPING FRBACKUP DUMP OF FRBACKUP DUMPNLY OF} MOUNTING INITIAL TAPE FOR DS BACKUP, RESTORING} VOLUME { <i>volser</i> <i>volser</i> , SGROUP= <i>sg</i> <i>volser</i> , COPY POOL = <i>cpname</i> } FOR USER { <i>userid</i> **AUTO** *} REQUEST { <i>request-number</i> NONE *} [, TCB=X' <i>tcbaddress</i> ' TCB2=X' <i>tcbaddress</i> ' TCB=X'****?***']
	ARC0162I {MIGRATING BACKING UP RECALLING RECOVERING DELETING RESTORING FRRECOV OF} DATA SET <i>dsname</i> FOR USER <i>userid</i> , REQUEST <i>request</i> ON HOST <i>hostid</i> [,TCB=X' <i>tcbaddress</i> ']
	ARC0165I USER NOT AUTHORIZED TO QUERY REQUESTS FOR OTHER USERIDS OR REQNUM MISSING
	ARC0166I NO DFSMSHSM REQUEST FOUND FOR QUERY
	ARC0167I <i>type</i> MWE FOR {VOLUME DATA SET COMMAND AGGREGATE GROUP CONTROL FILE DATA SET COPY POOL} { <i>name</i> <i>name</i> , SGROUP = <i>sg</i> <i>name</i> , COPY POOL = <i>cpname</i> } FOR USER <i>userid</i> , REQUEST <i>request</i> , WAITING TO BE PROCESSED, <i>nmwe</i> MWE(S) AHEAD OF THIS ONE
	ARC1543I <i>type</i> MWE FOR DATA SET <i>name</i> , FOR USER <i>userid</i> , REQUEST <i>request_number</i> , WAITING TO BE PROCESSED ON A COMMON QUEUE, <i>nmwe</i> MWES AHEAD OF THIS ONE{, REQUEST ORIGINATED ON HOST <i>hostid</i> }

HQUERY

Table 11. Messages Associated with the QUERY Command by Parameter Name (continued)

Parameter name	Message
REQUEST	ARC0101I QUERY {ACTIVE ABARS ARPOOL AUTOPROGRESS BACKUP CDSVERSIONBACKUP CONTROLDATASETS CSALIMITS DATASETNAME MIGRATIONLEVEL2 POOL/VOLUMEPOOL REQUEST RETAIN SETSYS SPACE STARTUP STATISTICS TRAPS USER WAITING} COMMAND {STARTING COMPLETED IGNORED} ON HOST= <i>x</i>
	ARC0161I {MIGRATING MIGRATION PREPROCESSING FREEVOL PROCESSING DBA/DBU PROCESSING BACKING UP RECOVERING RECYCLING AUDITING {DUMPING FRBACKUP DUMP OF FRBACKUP DUMPOF} MOUNTING INITIAL TAPE FOR DS BACKUP, RESTORING} VOLUME { <i>volser</i> <i>volser</i> , SGROUP= <i>sg</i> <i>volser</i> , COPY POOL = <i>cpname</i> } FOR USER { <i>userid</i> **AUTO** *} REQUEST { <i>request-number</i> NONE *} [, TCB= <i>X'tcbaddress'</i> TCB2= <i>X'tcbaddress'</i> TCB= <i>X'****?***'</i>]
	ARC0162I {MIGRATING BACKING UP RECALLING RECOVERING DELETING RESTORING FRRECOV OF} DATA SET <i>dsname</i> FOR USER <i>userid</i> , REQUEST <i>request</i> ON HOST <i>hostid</i> [,TCB= <i>X'tcbaddress'</i>]
	ARC0165I USER NOT AUTHORIZED TO QUERY REQUESTS FOR OTHER USERIDS OR REQNUM MISSING
	ARC0166I NO DFSMSHSM REQUEST FOUND FOR QUERY
	ARC0167I <i>type</i> MWE FOR {VOLUME DATA SET COMMAND AGGREGATE GROUP CONTROL FILE DATA SET COPY POOL} { <i>name</i> <i>name</i> , SGROUP = <i>sg</i> <i>name</i> , COPY POOL = <i>cpname</i> } FOR USER <i>userid</i> , REQUEST <i>request</i> , WAITING TO BE PROCESSED, <i>nmwe</i> MWE(S) AHEAD OF THIS ONE
	ARC1543I <i>type</i> MWE FOR DATA SET <i>name</i> , FOR USER <i>userid</i> , REQUEST <i>request_number</i> , WAITING TO BE PROCESSED ON A COMMON QUEUE, <i>nmwe</i> MWES AHEAD OF THIS ONE[, REQUEST ORIGINATED ON HOST <i>hostid</i>]
	ARC1822I {FRBACKUP FRRECOV FRBACKUP DUMP OR DUMPOF FRRECOV FROMDUMP} OF COPY POOL <i>cpname</i> FOR USER <i>userid</i> , REQUEST <i>request-number</i> ON HOST <i>host_id</i> IS IN PROGRESS: NOT PROCESSED = <i>xx</i> , TOTAL = <i>yy</i>

Chapter 20. HRECALL: Recalling data sets

This topic describes how to recall one or more data sets using ISMF or TSO. This command applies to both SMS-managed and non-SMS-managed data sets and is intended to supplement the automatic functions of DFSMSHsm.

Using ISMF

The following steps present an example of how to use the HRECALL line operator to recall one or more data sets. In our example, we have used USER20.ISMF.JCL as a sample data set name.

1. Generate a list of data sets as described in Chapter 4, “Methods of performing tasks,” on page 13.
2. Enter the HRECALL line operator in the line operator column next to USER20.ISMF.JCL as described in Figure 40.

```
Panel List Dataset Utilities Scroll Help
-----
                        DATA SET LIST
                        Entries 1-1 of 1
Enter Line Operators below:                        Data Columns 3-6 of 39

LINE          DATA SET NAME          ALLOC  ALLOC  % NOT  COMPRESSED
OPERATOR      DATA SET NAME          SPACE  USED   USED   FORMAT
---(1)----- (2)----- (3)--  --(4)-- (5)-  ---(6)----
              USER20.CLIST.CLIST          46     46     0     ???
              USER20.DFP220.DGTTLIB       46     46     0     ???
              USER20.ISMF.DGTLLIB         46     46     0     ???
              USER20.ISMF.DGTPLIB         46     46     0     ???
              USER20.ISMF.DUMP            4684   4356    7     ???
HRECALL      USER20.ISMF.JCL              468     46    90     ???
              USER20.ISPFILF             46     46     0     ???
              USER20.ISPPROF              93     93     0     ???
              USER20.SPFL0G1.LIST         2623   1311    50     ???
              USER20.TEMP.DATASET         4684    93     98     ???
----- (1)----- (2)----- (3)--  --(4)-- (5)-  ---(6)----
                        BOTTOM OF DATA

Command ==>
F1=Help  F2=Split  F3=End  F4=Return  F7=Up    F8=Down  F9=Swap
F10=Left F11=Right F12=Cursor
```

Figure 40. Data Set List Panel with HRECALL Selected

The HRECALL Entry panel appears.

3. Complete the HRECALL Entry panel as described in Figure 41 on page 128. (Specify Y in the *wait for completion* field if you want to wait for HRECALL to complete before returning to ISMF. Specify N in the *wait for completion* field if you do not want to wait for HRECALL to complete before returning to ISMF.)

```

Panel  Utilities  Help
-----
                          HRECALL ENTRY PANEL

Optionally Specify One or More for
Data Set: USER20.ISMF.JCL

To Recall to a Specific Volume, Specify:
  Volume Serial Number . . . (target volume)
  Device Type . . . . . (target device type)

DA Access Option . . . . . (SAMETRK, RELTRK OR RELBLK)

Wait for Completion . . . . N (Y or N)

Data Set Password . . . . . (if password protected)

Command ==>
F1=Help  F2=Split  F3=End  F4=Return  F7=Up  F8=Down  F9=Swap
F10=Left F11=Right F12=Cursor
    
```

Figure 41. HRECALL Entry Panel

4. Press ENTER to perform the recall and redisplay the list (see Figure 42).

The asterisk next to HRECALL in the line operator column indicates that the recall was successful if you specified *wait for completion=Y*, or that the HRECALL task was successfully issued to DFSMSHsm if you specified *wait for completion=N*.

```

Panel  List Dataset Utilities Scroll Help
-----
                          DATA SET LIST

Enter Line Operators below:                               Entries 1-1 of 1
                                                           Data Columns 3-6 of 39

LINE OPERATOR          DATA SET NAME          ALLOC  ALLOC  % NOT  COMPRESSED
                      SPACE  USED  USED  FORMAT
---(1)---  -----(2)-----  --(3)--  --(4)--  -(5)-  ---(6)---
                      USER20.CLIST.CLIST          46      46      0  ???
                      USER20.DFP220.DGTTLIB      46      46      0  ???
                      USER20.ISMF.DGTTLIB        46      46      0  ???
                      USER20.ISMF.DGTPLIB        46      46      0  ???
                      USER20.ISMF.DUMP          4684    4356     7  ???
*HRECALL  USER20.ISMF.JCL          468      46      90  ???
                      USER20.ISPFILE           46      46      0  ???
                      USER20.ISPPROF           93      93      0  ???
                      USER20.SPFLOG1.LIST       2623    1311    50  ???
                      USER20.TEMP.DATASET       4684     93     98  ???
-----  -----  BOTTOM OF DATA  -----

Command ==>                               Scroll ==> HALF
F1=Help  F2=Split  F3=End  F4=Return  F7=Up  F8=Down  F9=Swap
F10=Left F11=Right F12=Cursor
    
```

Figure 42. Data Set List Panel After Function Completes

For more information on using DFSMSHsm/ISMF line operators, see *z/OS DFSMS Using the Interactive Storage Management Facility* or use the online help provided with ISMF.

Using TSO commands

The commands for recalling SMS-managed and non-SMS-managed data sets are different.

When you are recalling SMS-managed data sets, the SMS allocation services used in your computing center directs the return of your data set. When you are recalling non-SMS-managed data sets or uncataloged data sets, you can direct the return of your data set to a specific volume.

Recalling one or more data sets with TSO

Task: Recall one or more migrated data sets.

When you are recalling an SMS-managed data set, the automatic class selection (ACS) routines determine whether a data set should be SMS-managed or not. If a data set is going to be SMS-managed, the ACS routines select a target storage group and from the volumes that belong to that storage group, a target volume is chosen on which to place the data set.

When you are recalling non-SMS-managed data sets, you can specify to which volume you want DFSMSHsm to recall the data sets. If you do not specify the volume, DFSMSHsm selects the volume.

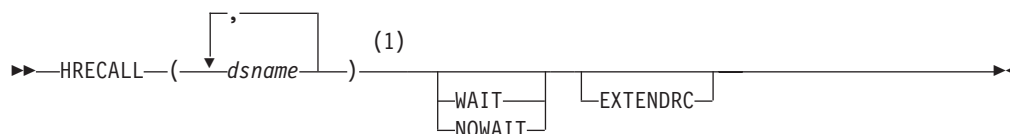
It is not considered an error when you are recalling a data set that is not cataloged to the volume MIGRAT. If this occurs, the informational message ARC1102I will be issued and a zero will be returned in register 15.

RACF authority: To recall a RACF-protected data set, you must have RACF EXECUTE authority to the data set.

Abbreviation: The minimum abbreviation for the HRECALL command is HRECA.

Syntax

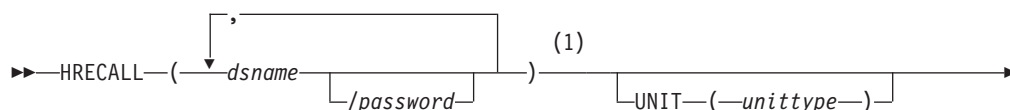
The following diagram presents the syntax of the HRECALL command for **SMS-managed** data sets:

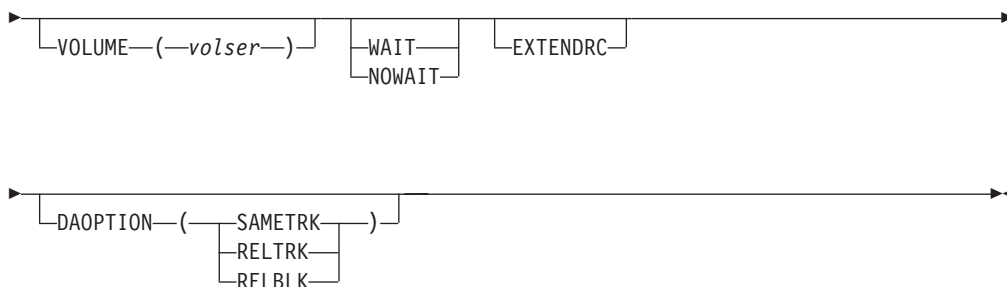


Notes:

- 1 Parentheses around data set names are required only when multiple data set names are specified.

The following diagram presents the syntax of the HRECALL command for **non-SMS-managed** data sets:



**Notes:**

- 1 Parentheses around data set names are required only when multiple data set names are specified.

Required parameters**dsname: Specifying the name of the data set to be recalled**

This parameter applies to both SMS-managed and non-SMS-managed data sets.

Explanation: (*dsname...*) or (*dsname/password ...*) is a required positional parameter you use to specify the name of the data set or list of data set names that you want to recall. For *dsname*, substitute the name of the data set or list of data set names that you want to recall. You can use a data set filter for any data set name in a list. See “Specifying data set names” on page 37 for a discussion of how to specify data set names.

For *password*, substitute the correct password and include the preceding slash (/). TSO does not prompt you for the password.

- For a password-protected non-VSAM data set, you must supply the password that allows you to read the data set.
- For a password-protected VSAM data set, you must supply the master password of the base cluster.

Abbreviations: None.

Defaults: None.

Restrictions:

- Because *dsname* is a required positional parameter, you must specify it immediately after HRECALL.
- DFSMSHsm does not process individual members of partitioned data sets. If you specify a partitioned data set name with a member name, message ARC1065I is issued and nothing is recalled.
- If *dsname* is fully qualified and refers to a VSAM data set, specify the base cluster name, or any component name, or any path name.
- If you recall a VSAM data set with more than one path per alternate index, only the last path listed in the catalog is preserved. After the migration, you must redefine any other paths that are needed.

- When you specify a password with a filter, all the affected data sets protected by a password must have the same password. Otherwise, DFSMSShsm authorization checking fails the recall of those password-protected data sets that are protected by some other password.

Optional parameters

DAOPTION: Selecting target volume track length

This parameter applies only to data that will be returned to a non-SMS-managed DASD volume.

Explanation: **DAOPTION(SAMETRK | RELTRK | RELBLK)** are mutually exclusive, optional parameters specifying the type of data set accessing required (relative track or relative block) upon recall of a direct access data set. This, in turn, will imply the allowable target volume device types.

SAMETRK specifies that if DFSMSShsm is not directed to a volume by the **VOLUME** parameter, it will select a target volume with the same track length as the last L0 volume from which the data set was migrated. If DFSMSShsm is directed to a specific volume by the **VOLUME** parameter, this volume must have the same track length as the last L0 volume from which the data set was migrated.

Data will be moved as a track-to-track image, accessible for both relative track and relative block processing.

RELTRK specifies that if DFSMSShsm is not directed to a volume by the **VOLUME** parameter, it will attempt to select a target volume with the same track length as the last L0 volume from which the data set was migrated. If no volume with equal track length is available, then the target volume selected may have a larger track length than the last L0 volume. If DFSMSShsm is directed to a specific volume by the **VOLUME** parameter, this volume must have the same or greater track length than the last L0 volume from which the data set was migrated.

Data will be moved as a track-to-track image, accessible by relative track addressing.

RELBLK specifies that if DFSMSShsm is not directed to a volume by the **VOLUME** parameter, it will attempt to select a target volume with the same track length as the last L0 volume from which the data set was migrated. If no volume with equal track length is available, then the target volume selected may have a larger or smaller track length than the last L0 volume. If DFSMSShsm is directed to a specific volume by the **VOLUME** parameter, this volume can have any track length.

Data will be moved to fill out the track, accessible by relative block addressing.

Abbreviations: TSO abbreviation convention applies for this parameter. There are no additional abbreviations.

Defaults: If **DAOPTION** is not specified, the target volume selection is unchanged and data is moved as a track image, allowing for relative track accessing.

Note: Only direct access (BDAM) data sets are supported by this option. Using **DAOPTION** to recall a data set as SMS-managed is not supported. If a data set would be SMS-managed after the recall, the **FORCENONSMS** parameter of the **RECALL** command must be used to force it to be non-SMS-managed.

EXTENDRC: Requesting an extended set of return and reason codes

This parameter applies to both SMS-managed and non-SMS-managed data sets.

Explanation: **EXTENDRC** is an optional parameter you use to specify that DFSMSHsm should return an extended set of return and reason codes while you are running DFSMSHsm commands in a truly interactive mode (TSO or foreground). This option returns only the return and reason codes that are mapped into DFSMSHsm messages that are issued to the user's terminal. For detailed information on return codes that DFSMSHsm returns for this command, see Appendix B, "Return codes from DFSMSHsm commands," on page 187.

Abbreviations: The TSO abbreviation convention applies for **EXTENDRC**.

Defaults: None.

Restrictions: The **WAIT** option must be specified with the **EXTENDRC** parameter when you run DFSMSHsm commands in a truly interactive mode (TSO or foreground).

UNIT: Specifying the type of unit for the receiving volume

This parameter applies only to data that will be returned to a non-SMS-managed DASD volume.

Explanation: **UNIT**(*unittype*) is an optional parameter you use to specify the type of unit where the receiving volume can be allocated. For *unittype*, substitute the type of unit where the volume that is to receive the recalled data set can be allocated. The valid types of units are 3380, 3390, and 9345.

Abbreviations: The TSO abbreviation convention applies for **UNIT**. There are no additional abbreviations.

Defaults: None.

Restrictions:

- If you specify **UNIT**, you must also specify **VOLUME**.
- If the block size of the data set is greater than the track capacity of the target volume, track overflow must be supported in both the software and the hardware. This applies to devices whose track size is less than 32K.

VOLUME: Specifying the volume to receive the recalled data set

This parameter applies only to data that will be returned to a non-SMS-managed DASD volume.

Explanation: **VOLUME**(*volser*) is an optional parameter you use to specify the volume that is to receive the recalled data set. The volume does not have to be managed by DFSMSHsm. For *volser*, substitute the serial number of the volume that is to receive the recalled data set.

The volume specified with the **HRECALL** command can be a DFSMSHsm-managed volume or a volume not managed by DFSMSHsm. If you do not specify the **VOLUME** parameter on the **HRECALL** command, DFSMSHsm uses its defaults for volume selection.

Abbreviations: The TSO abbreviation convention applies for **VOLUME**. There are no additional abbreviations.

Defaults: If you do not specify VOLUME, DFSMSHsm recalls the data set to the DFSMSHsm-managed storage volume that has the most space available, unless the data set is associated with a recall pool.

Restrictions:

- If you specify VOLUME, you must also specify UNIT and *unittype*. The volume cannot be SMS-managed.
- If you specify the VOLUME parameter on the HRECALL command, enough available space must exist on the specified volume for the data set recall. Otherwise, the recall fails.

WAIT and NOWAIT: Specifying whether to wait for the data set to be recalled

This parameter applies to both SMS-managed and non-SMS-managed data sets.

Explanation: WAIT | NOWAIT are mutually exclusive, optional parameters you use to specify whether to wait for the HRECALL command to complete.

WAIT specifies that you want to wait for the HRECALL command to complete. If you are recalling data sets from tape, we recommend that you specify the NOWAIT parameter because the operator must mount the tape before the recall can complete.

When DFSMSHsm successfully completes the HRECALL process, an ARC1000I message is issued. If the HRECALL process does not complete successfully, an ARC1001I message is issued. If you press the TSO Attention key before DFSMSHsm completes the command, DFSMSHsm issues an ARC1800I message and does not issue an ARC1000I message.

NOWAIT specifies that you do not want to wait for the HRECALL command to complete. When DFSMSHsm successfully receives the request, an ARC1007I message is issued. If you are recalling data sets from tape, a volume mount request message (ARC0612I) is issued. After DFSMSHsm successfully completes the HRECALL command, an ARC1000I message is issued. If the HRECALL command does not complete successfully, an ARC1001I message is issued.

Abbreviations: The TSO abbreviation convention applies for WAIT and NOWAIT. There are no additional abbreviations.

Defaults: The default is NOWAIT.

Restrictions: You can specify either WAIT or NOWAIT, but not both.

Examples of different ways to code the HRECALL command

The examples below present different ways to code the HRECALL command. The values are examples only. Do not interpret them as values that you should use for your system.

Recalling two SMS-managed data sets and not waiting for completion

In this example, you are issuing the HRECALL command to recall two SMS-managed data sets, ELMST.TEXTVER3.TEXT and ELMST.VER1TEXT.LIST. Because the data are SMS-managed, SMS directs the return of the data sets. The NOWAIT parameter indicates that you do not want to wait for DFSMSHsm to complete the recall of the data sets.

```
HRECALL ('ELMST.TEXTVER3.TEXT', 'ELMST.VER1TEXT.LIST') NOWAIT
```

Recalling a group of data sets and not waiting for completion

In this example, you are issuing the HRECALL command to recall all data sets that have ELMST*.TEXT as the user prefix and descriptive qualifier. The NOWAIT parameter indicates that you do not want to wait for DFSMSHsm to complete the recall of the data sets.

```
HRECALL 'ELMST*.TEXT' NOWAIT
```

Recalling a data set and requesting to see the return code and reason code

In this example, you are issuing the HRECALL command from a TSO session to recall the data set BROWN.TEXTVER6.TEXT to a DFSMSHsm-managed volume. The WAIT EXTENDRC parameter indicates that you want to see the extended return and reason codes.

```
HRECALL 'BROWN.TEXTVER6.TEXT' WAIT EXTENDRC
```

Recalling a password-protected data set to a specific volume and waiting for completion

In this example, you are issuing the HRECALL command to recall the data set CRPA.COMMTEST.CLIST protected with password LOCK1 to volume VOL005. A 3380 is the type of unit where volume VOL005 can be allocated. The WAIT parameter indicates that you want to wait for DFSMSHsm to complete the recall of the data set.

```
HRECALL 'CRPA.COMMTEST.CLIST'/LOCK1 VOLUME(VOL005) -  
UNIT(3390) WAIT
```

Recalling two non-SMS-managed data sets to a DFSMSHsm-managed volume and not waiting for completion

In this example, you are issuing the HRECALL command to recall two non-SMS-managed data sets, ELMST.TEXTVER3.TEXT and ELMST.VER1TEXT.LIST, to a DFSMSHsm-managed volume. Because you did not specify a specific volume, DFSMSHsm directs the return of the data set. The NOWAIT parameter indicates that you do not want to wait for DFSMSHsm to complete the recall of the data sets.

```
HRECALL ('ELMST.TEXTVER3.TEXT', 'ELMST.VER1TEXT.LIST') NOWAIT
```

Recalling a non-SMS-managed DA (BDAM) data set to a volume with a different track length than that of the last level 0 volume

In this example, a non-SMS-managed direct access (DA) data set is recalled to a target volume that, if no volume with equal track length is available, will have a track length either larger or smaller than the last L0 volume from which the data set was migrated. The data will be moved to fill out the track, allowing for relative block accessing.

```
HRECALL TKS1975.SERVICE.DATA DAOPTION(RELBLK)
```

Chapter 21. HRECOVER: Recovering data sets

This topic describes how to recover a backup version or a dump copy of a data set using ISMF or TSO. This command applies to both SMS-managed and non-SMS-managed data sets.

Using ISMF

The following steps present an example of how to use the HRECOVER line operator to recover a cataloged data set. In our ISMF panel example, we have used USER20.SAMPLE.DATASET as a sample data set name.

1. Generate a list of data sets as described in Chapter 4, “Methods of performing tasks,” on page 13.
2. Enter the HRECOVER line operator in the line operator column next to USER20.SAMPLE.DATASET as described in Figure 43.

```
Panel List Dataset Utilities Scroll Help
-----
                        DATA SET LIST
                        Entries 1-1 of 1
Enter Line Operators below:                Data Columns 3-6 of 39

LINE          ALLOC  ALLOC  % NOT  COMPRESSED
OPERATOR      SPACE  USED   USED   FORMAT
---(1)----- (2)----- (3)--- (4)--- (5)--- (6)-----
                USER20.CLIST.CLIST          46     46     0    ???
                USER20.DFP220.DGTTLIB  46     46     0    ???
                USER20.ISMF.DGTLLIB    46     46     0    ???
                USER20.ISMF.DGTPLIB    46     46     0    ???
                USER20.ISMF.DUMP      4684   4356    7    ???
                USER20.ISPFILE         46     46     0    ???
                USER20.ISPPROF         93     93     0    ???
HRECOVER      USER20.SAMPLE.DATASET          468     46     90   ???
                USER20.SPFLOG1.LIST    2623   1311    50   ???
                USER20.TEMP.DATASET    4684    93     98   ???
----- (7)----- (8)----- (9)----- (10)-----
                        BOTTOM OF DATA

Command ==>
F1=Help   F2=Split  F3=End    F4=Return  F7=Up      F8=Down    F9=Swap
F10=Left  F11=Right F12=Cursor
```

Figure 43. Data Set List Panel with HRECOVER Selected

The HRECOVER entry panel appears.

3. Complete the HRECOVER entry panel as described in Figure 44 on page 136 through Figure 49 on page 138. Up to six panels can be displayed. In each panel, the backup version, date and time of the backup are displayed as two lists with headers.

Note: Retained backup versions are not displayed on these panels. Use the DFSMSHsm HLIST DSNAME (dsname) BCDS command to obtain a complete list of the active and retained backup copies of this data set. To recover a retained backup copy, specify the creation date and time of the copy to recover on page 6 of the ISMF HRECOVER panel, or issue the HRECOVER command with the DATE and TIME keywords.

HRECOVER

```

Panel Utilities Scroll Help
-----
                                HRECOVER ENTRY PANEL                                Page 1 of 6
Command ==>>>

Specify Y to recover a Backup Version for
Data Set:

Version  Date    TIME  Gen#  Recover  Version  Date    TIME  Gen#  Recover
(Y/N)                                     (Y/N)
-----  -
100     2008100  162511  00     N         099     2008099  163501  01     N
098     2008098  162926  02     N         097     2008097  162551  03     N
096     2008096  162704  04     N         095     2008095  162905  05     N
094     2008094  162851  06     N         093     2008093  163301  07     N
092     2008092  162956  08     N         091     2008091  162918  09     N
090     2008090  162604  10     N         089     2008089  162945  11     N
088     2008088  162936  12     N         087     2008087  162651  13     N
086     2008086  162724  14     N         085     2008085  162705  15     N
084     2008084  162801  16     N         083     2008083  163103  17     N
082     2008082  162916  18     N         081     2008081  162938  19     N

Use ENTER to Continue; Use DOWN to select other versions;
Use HELP Command for Help; Use END Command to Cancel the HRecover.

```

Figure 44. HRECOVER Entry Panel (Part 1 of 6)

```

Panel Utilities Scroll Help
-----
                                HRECOVER ENTRY PANEL                                Page 2 of 6
Command ==>>>

Specify Y to recover a Backup Version for
Data Set:

Version  Date    TIME  Gen#  Recover  Version  Date    TIME  Gen#  Recover
(Y/N)                                     (Y/N)
-----  -
080     2008080  162634  20     N         079     2008079  162935  21     N
078     2008078  162936  22     N         077     2008077  162531  23     N
076     2008076  162744  24     N         075     2008075  162805  25     N
074     2008074  162951  26     N         073     2008073  163101  27     N
072     2008072  162556  28     N         071     2008071  162718  29     N
070     2008070  162624  30     N         069     2008069  162925  31     N
068     2008068  162836  32     N         067     2008067  162611  33     N
066     2008066  162734  34     N         065     2008065  162805  35     N
064     2008064  162841  36     N         063     2008063  163133  37     N
062     2008062  162916  38     N         061     2008061  162918  39     N

Use ENTER to Continue; Use UP/DOWN to select other versions;
Use HELP Command for Help; Use END Command to Cancel the HRecover.

```

Figure 45. HRECOVER Entry Panel (Part 2 of 6)


```

Panel  Utilities  Scroll  Help
-----
                                HRECOVER ENTRY PANEL                                Page 3 of 6
Command ==>>>

Specify Y to recover a Backup Version for
Data Set:

```

Version	Date	TIME	Gen#	Recover (Y/N)	Version	Date	TIME	Gen#	Recover (Y/N)
060	2008060	162534	40	N	059	2008059	163421	41	N
058	2008058	162936	42	N	057	2008057	162631	43	N
056	2008056	162738	44	N	055	2008055	162815	45	N
054	2008054	162827	46	N	053	2008053	163331	47	N
052	2008052	162929	48	N	051	2008051	162948	49	N
050	2008050	162631	50	N	049	2008049	162825	51	N
048	2008048	162736	52	N	047	2008047	162751	53	N
046	2008046	162924	54	N	045	2008045	162545	55	N
044	2008044	163001	56	N	043	2008043	163213	57	N
042	2008042	162956	58	N	041	2008041	162848	59	N

```

Use ENTER to Continue; Use UP/DOWN to select other versions;
Use HELP Command for Help; Use END Command to Cancel the HRecover.

```

Figure 46. HRECOVER Entry Panel (Part 3 of 6)

```

Panel  Utilities  Scroll  Help
-----
                                HRECOVER ENTRY PANEL                                Page 4 of 6
Command ==>>>

Specify Y to recover a Backup Version for
Data Set:

```

Version	Date	TIME	Gen#	Recover (Y/N)	Version	Date	TIME	Gen#	Recover (Y/N)
040	2008040	162924	60	N	039	2008039	162835	61	N
038	2008038	162636	62	N	037	2008037	162921	63	N
036	2008036	162724	64	N	035	2008035	162635	65	N
034	2008034	162911	66	N	033	2008033	163201	67	N
032	2008032	162756	68	N	031	2008031	162748	69	N
030	2008030	162724	70	N	029	2008029	162825	71	N
028	2008028	162936	72	N	027	2008027	162711	73	N
026	2008026	162734	74	N	025	2008025	162705	75	N
024	2008024	162821	76	N	023	2008023	163233	77	N
022	2008022	162936	78	N	021	2008021	162958	79	N

```

Use ENTER to Continue; Use UP/DOWN to select other versions;
Use HELP Command for Help; Use END Command to Cancel the HRecover.

```

Figure 47. HRECOVER Entry Panel (Part 4 of 6)

HRECOVER

```

Panel Utilities Scroll Help
-----
                                HRECOVER ENTRY PANEL                                Page 5 of 6
Command ==>>>

Specify Y to recover a Backup Version for
Data Set:

Version  Date    TIME    Gen#    Recover    Version  Date    TIME    Gen#    Recover
-----  -
020     2008020  162544  80      N          019     2008019  163411  81      N
018     2008018  162726  82      N          017     2008017  162831  83      N
016     2008016  162908  84      N          015     2008015  162515  85      N
014     2008014  162623  86      N          013     2008013  163131  87      N
012     2008012  162826  88      N          011     2008011  162908  89      N
010     2008010  163039  90      N          009     2008009  162625  91      N
008     2008008  162706  92      N          007     2008007  162721  93      N
006     2008006  162524  94      N          005     2008005  162845  95      N
004     2008004  163201  96      N          003     2008003  163113  97      N
002     2008002  162856  98      N          001     2008001  162808  99      N

Use ENTER to Continue; Use UP to select other versions;
Use HELP Command for Help; Use END Command to Cancel the HRecover.

```

Figure 48. HRECOVER Entry Panel (Part 5 of 6)

```

Panel Utilities Help
-----
                                HRECOVER ENTRY PANEL                                Page 6 of 6
Command ==>>>

Optionally specify one or more for
Data Set:
For the Backup Data Set, Specify:
  Backup Generation Number . _          (0 to 99)
  Backup Date . . . . . _____ (yyyy/mm/dd)
  Backup Time . . . . . _____ (hhmmss)
  Data Set Password . . . . . _____ (if password protected)
  Note: Dataset Password ignored when in ADMIN mode.
To Recover to a specific volume, Specify:
  Volume Serial Number . . . . . _____ (target volume)
  Device Type . . . . . _____ (target device type)
To rename recovered Data Set, Specify:
  New Data Set Name . . . . . _____
  Password of New Data Set . . . . . _____ (if password protected)
  Replace existing Data Set . . . . . _ (Y or N)
  DA Access Option . . . . . _____ (1-SAMETRK, 2-RELTRK or 3-RELBLK)
  Wait for completion . . . . . N (Y or N)
Use ENTER to perform HRecover;
Use HELP Command for Help; Use END Command to Exit.

```

Figure 49. HRECOVER Entry Panel (Part 6 of 6)

4. Press ENTER to perform the recover and redisplay the list (see Figure 50 on page 139).

The asterisk next to the HRECOVER in the line operator column indicates that the recovery was successful.

```

Panel List Dataset Utilities Scroll Help
-----
                        DATA SET LIST
Enter Line Operators below:                               Entries 1-1 of 1
                                                         Data Columns 3-6 of 39

LINE OPERATOR          DATA SET NAME          ALLOC SPACE  ALLOC USED  % NOT USED  COMPRESSED
---(1)---             ---(2)----- --(3)-- --(4)--  -(5)-  ---(6)---
                    USER20.CLIST.CLIST             46      46      0  ???
                    USER20.DFP220.DGTTLIB          46      46      0  ???
                    USER20.ISMF.DGTLLIB            46      46      0  ???
                    USER20.ISMF.DGTPLIB            46      46      0  ???
                    USER20.ISMF.DUMP              4684    4356     7  ???
                    USER20.ISPFILE                 46      46      0  ???
                    USER20.ISPPROF                 93      93      0  ???
*HRECOVER USER20.SAMPLE.DATASET                   468      46     90  ???
                    USER20.SPFL0G1.LIST            2623    1311    50  ???
                    USER20.TEMP.DATASET            4684     93     98  ???
-----
                                BOTTOM OF DATA
-----

Command ==>
F1=Help   F2=Split  F3=End    F4=Return F7=Up    F8=Down   F9=Swap
F10=Left  F11=Right  F12=Cursor

```

Figure 50. Data Set List Panel After Function Completes

For more information on using DFSMSHsm/ISMF line operators, see *z/OS DFSMS Using the Interactive Storage Management Facility* or use the online help provided with ISMF.

Using TSO

The commands for recovering an SMS-managed or a non-SMS-managed data set are different.

When recovering SMS-managed data sets, the SMS allocation services used in your computing center directs the return of your data set. When recovering non-SMS data sets or uncataloged data sets, you can direct the return of your data sets to a specific volume.

Recovering a backup version or a dump copy of a data set

Task: Recover a backup version or a dump copy of one or more data sets.

When recovering SMS-managed or non-SMS-managed data sets, you can do any of the following tasks:

- Replace an existing version or damaged data set with the recovered version of the data set.
- Recover the backup version of a cataloged non-VSAM data set that is currently migrated, as specified in the computing system catalog or the MCDS, if the HRECOVER command is issued with NEWNAME specified, and the NEWNAME data set is not a migrated data set.
- Rename the recovered version of the data set and have two versions of the same data set on DFSMSHsm-managed volumes.

You cannot recover the backup version of a cataloged VSAM data set that is currently migrated, as specified in the computing system catalog or the MCDS, until DFSMSHsm recalls or deletes the migrated VSAM data set.

HRECOVER

The copy of a data set to be recovered can be either a backup version or a dump copy created by DFSMSdss. If your installation uses both incremental backup and the DFSMSdss dump function, an HRECOVER command may result in DFSMSShsm invoking DFSMSdss to do a restore of the data set. You can read about the decisions that DFSMSShsm makes to select the DFSMSdss copy in *z/OS DFSMSShsm Storage Administration*. In most cases, it will be transparent to you whether the HRECOVER command results in using a backup version or a dump copy. Usually, the most recent copy of your data set will be made available based on the DFSMSShsm options set by your installation's system programmer and on the optional parameters that you specify on the HRECOVER command.

RACF authority: To recover a RACF-protected data set and you issue the HRECOVER command:

- Without the NEWNAME parameter, you must have RACF ALTER authority to the data set.
- With the NEWNAME parameter:
 - You must have RACF READ authority to the data set being recovered.
 - In addition, if the newname data set exists and is RACF-protected and you specify REPLACE, you must have RACF ALTER authority to the newname data set.

RACF profile requirements: The following are RACF profile requirements when you issue the HRECOVER command with the NEWNAME parameter:

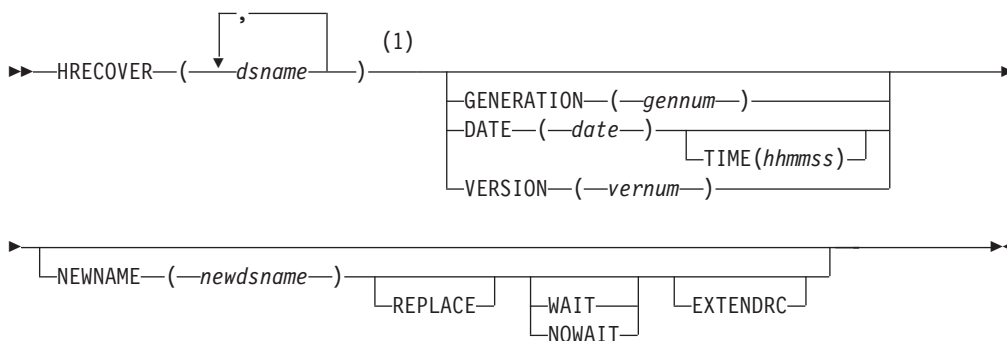
- A RACF profile must exist for the original data set if the original data set was RACF-indicated at the time of backup or recovery.
- A RACF profile must exist for the newname data set if the newname data set exists and is RACF indicated.

Note: In either case, it does not matter if the original data set exists as long as the profile exists.

Abbreviation: The minimum abbreviation for the HRECOVER command is HRECOV.

Syntax

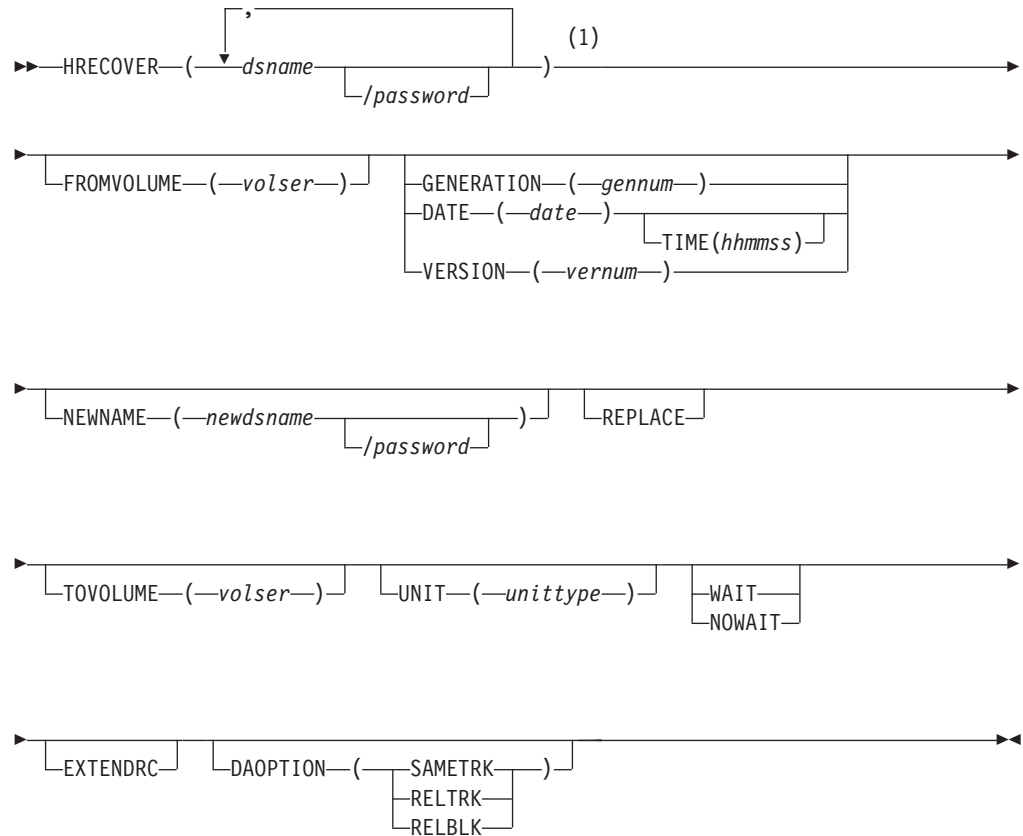
The following diagram presents the syntax of the HRECOVER command for SMS-managed data sets:



Notes:

- 1 Parentheses around data set names are required only when multiple data set are specified.

The following diagram presents the syntax of the HRECOVER command for **non-SMS-managed** data sets:

**Notes:**

- 1 Parentheses around data set names are required only when multiple data set are specified.

Required parameters

dsname: Specifying the name of the data set to be recovered

This parameter applies to both SMS-managed and non-SMS-managed data sets.

Explanation: (*dsname...*) or (*dsname/password ...*) is a required positional parameter used to specify the name of the data set or list of data set names to be recovered. For *dsname*, substitute the name of the data set or list of data set names that you want to recover. You can use a data set filter for any *dsname* in a list. If you specify a list of data sets or one or more filters, each data set is associated with the other parameters specified with the command. Thus a filter and the NEWNAME parameter are not compatible since a filter implies more than one data set to recover.

HRECOVER

If you want to recover an uncataloged data set, you must specify its data set name explicitly. For a discussion of how to specify data set names, see “Specifying data set names” on page 37.

For *password*, substitute the correct password and include the preceding slash (/). TSO does not prompt you for the password.

- For a password-protected non-VSAM data set, supply the password that allows you to write to the data set.
- For a password-protected VSAM data set:
 - If the data set exists, you must supply the current master password of the base cluster.
 - If the data set does not exist, you must supply the master password of the base cluster that existed when DFSMSHsm backed up the data set.

Abbreviations: None.

Defaults: None.

Restrictions:

- Because *dsname* is a required positional parameter, you must specify it immediately after HRECOVER.
- Individual partitioned data set members are not processed by DFSMSHsm. If you specify a partitioned data set with a member name, message ARC1065I is issued and nothing is recovered.
- If *dsname* is fully qualified and refers to a VSAM data set, specify the base cluster name. The entire VSAM data set will be recovered.
- When you specify a password with a filter, all the affected data sets protected by a password must have the same password. Otherwise, DFSMSHsm authorization checking fails the recovery of those password-protected data sets that are protected by a different password.
- If an alias is substituted for the data set name of an ICF catalog, the command fails, even if the user is DFSMSHsm-authorized.

Optional parameters

DAOPTION: Selecting target volume track length

This parameter applies only to data that will be returned to a non-SMS-managed DASD volume.

Explanation: DAOPTION(SAMETRK | RELTRK | RELBLK) are mutually exclusive, optional parameters specifying the type of data set accessing required (relative track or relative block) upon recovery of a direct access data set. This, in turn, implies the allowable target volume device types.

SAMETRK specifies that data is to be moved as a track-to-track image and that the target volume track size must be the same as the L0 volume from which the data set was backed up. If DFSMSHsm is directed to a specific volume by the TOVOLUME parameter, this volume must have the same track length as the L0 volume from which the data set was backed up.

Data can be accessed for both relative track and relative block processing.

RELTRK specifies that data is to be moved as a track-to-track image and that the target volume track size must be the same or greater than the L0 volume from

which the data set was backed up. If DFSMSHsm is directed to a specific volume by the TOVOLUME parameter, this volume must have the same or greater track length as the L0 volume from which the data set was backed up.

Data can be accessed for relative track processing.

RELBLK specifies that data is to be moved to fill out the track and that the target volume track size can be the same, greater, or smaller than the L0 volume from which the data set was backed up.

Data can be accessed for relative block processing.

Abbreviations: The TSO abbreviation convention applies to this parameter. There are no additional abbreviations.

Defaults: If you do not specify DAOPTION, the data is moved as a track image, allowing for relative track accessing.

Note: Only direct access (BDAM) data sets are supported by this option. Using DAOPTION to recover a data set as SMS-managed is not supported. If a data set would be SMS-managed after the recover, the FORCENONSMS parameter of RECOVER must be used to force it to be non-SMS-managed.

EXTENDRC: Requesting an extended set of return and reason codes

This parameter applies to both SMS-managed and non-SMS-managed data sets.

Explanation: EXTENDRC is an optional parameter that specifies that DFSMSHsm return an extended set of return and reason codes while you are running DFSMSHsm commands in a truly interactive mode (TSO or foreground). This option returns only the return and reason codes that are mapped into DFSMSHsm messages that are issued to the user's terminal. For detailed information on return codes that DFSMSHsm returns for this command, see Appendix B, "Return codes from DFSMSHsm commands," on page 187.

Abbreviations: The TSO abbreviation convention applies for EXTENDRC.

Defaults: None.

Restrictions: The WAIT option must be specified with the EXTENDRC parameter when you are running DFSMSHsm commands in a truly interactive mode (TSO or foreground).

FROMVOLUME: Specifying the volume from which the backup version or dump copy of a data set was created

This parameter applies only to non-SMS-managed data sets.

Explanation: FROMVOLUME(*volser*) is an optional parameter that specifies that the data set was uncataloged and that it resided on the volume specified by the *volser* when DFSMSHsm created the backup version. For *volser*, substitute the serial number of the volume where the uncataloged data set resided when DFSMSHsm created the backup version.

If FROMVOLUME is used to direct DFSMSHsm to restore a data set from a dump copy, the dump copy made from the specified volume will be used regardless of the catalog status of the data set when the dump copy was made. The data set will be restored to the FROMVOLUME specified and left uncataloged.

If the FROMVOLUME is not specified, the volume on which the data set is currently cataloged, or where an incremental backup version was found, is used to locate an eligible dump copy.

Abbreviations: The TSO abbreviation convention applies for FROMVOLUME. There are no additional abbreviations.

Defaults: None.

Restrictions:

- You must use the FROMVOLUME parameter to recover a data set if the data set was uncataloged at the time DFSMSHsm backed it up.
- You cannot use the FROMVOLUME parameter for cataloged data sets.
- When you specify the FROMVOLUME parameter, DFSMSHsm does not catalog the recovered backup version or dump copy.

GENERATION, DATE, and VERSION: Specifying the particular data set backup version to recover

These parameters apply to both SMS-managed and non-SMS-managed data sets.

Explanation: GENERATION(*gennum*) | DATE(*date*) | VERSION(*vernum*) are mutually exclusive, optional parameters used to identify the backup version of the data set or data sets that you want to recover.

GENERATION specifies that you want to recover a particular backup version of a specific data set. For *gennum*, substitute the relative generation number of the backup version of the data set that you want to recover. Zero is the latest created backup version, one is the next to the latest created version, and so forth, up to the maximum number of versions existing for the data set. You cannot specify GENERATION with retained backup copies.

DATE specifies that you want to recover the latest backup version or dump copy created on or before a particular date. For *date*, substitute the date in the following format for the backup or dump copy of the data set that you want to recover:

- *yy/mm/dd* or *mm/dd/yy*, if you issue the command before 1 January 2000
- *yyyy/mm/dd*, if you issue the command after 31 December 1999

The backup or dump copy to be recovered is the newest one created on or before the date specified. A leading zero is not required for a one-digit month or day.

TIME is an optional parameter that specifies the exact time in hours, minutes, and seconds (hhmmss) when the backup version was created. The valid range for hours is 00–23, and for minutes and seconds is 00–59. If you specify TIME, you must also specify DATE, otherwise the HRECOVER command fails. If you specify a partially qualified data set, the DATE and TIME are applied to all of the data sets that meet the filter criteria. If you specify DATE and TIME, DFSMSHsm recovers the exact backup copy that was created at the specified date and time. If you specify DATE and do not specify TIME, DFSMSHsm recovers the most recent backup copy created on or before the specified date. You can use the LIST command to determine the creation DATE and TIME of the data sets that you want to recover. If a copy with specified DATE and TIME does not exist, the HRECOVER command fails. You cannot specify TIME on a volume recovery request.

VERSION(*vernum*) specifies that you want to recover a particular unique version of a specific data set. For *vernum*, substitute a decimal number from 1 to 999 for

the particular backup version you would like to recover. If DFSMSHsm is unable to find the specified backup version, the recover fails and message ARC1128I is issued. You cannot specify VERSION with retained backup copies.

Abbreviations: The TSO abbreviation convention applies for GENERATION, DATE, and VERSION. There are no additional abbreviations.

Defaults: If you do not specify GENERATION, DATE, or VERSION, DFSMSHsm recovers the latest created backup version or dump copy of the data set. If you issue the command before 1 January 2000 and specify the date in the form *mm/dd*, the year (*yy*) defaults to the current year.

Restrictions: If either the GENERATION or VERSION parameters are specified, DFSMSHsm will select only from incremental backups and will not recover from physical dump copies, even if the physical dump is more recent.

NEWNAME: Specifying a new data set name for the recovered data set

This parameter applies to both SMS-managed and non-SMS-managed data sets.

Explanation: **NEWNAME**(*newdsname*) is an optional parameter used to specify a new data set name for the recovered backup version or dump copy of the data set. For *newdsname*, substitute the name to be given to the recovered data set. If a data set already exists with the same name as the new name you are specifying, you must specify the REPLACE parameter to replace the existing data set.

For *password*, substitute the correct password and include the preceding slash (/). TSO does not prompt you for the password.

- If a password-protected non-VSAM data set currently exists with the name specified by NEWNAME, you must supply the password that allows you to write to the data set.
- If a password-protected VSAM data set currently exists with the name specified by NEWNAME, you must supply the master password of the base cluster.

Abbreviations: The TSO abbreviation convention applies for NEWNAME. There are no additional abbreviations.

Defaults: None.

Restrictions:

- If you want to keep both versions of the data set, you must specify NEWNAME when a data set exists with the same name as the data set you are recovering.
- It is inconsistent to specify the NEWNAME parameter when you are recovering more than one data set with each HRECOVER command.
- When you specify NEWNAME, you may have to consider the following conditions:

HRECOVER

If	Then
You are recovering a VSAM data set and you specify NEWNAME,	The new data set name and the original data set name must be cataloged in the same catalog. Additionally, the catalog entry for the original data set name must exist so that the original data and index component names can be found. The base cluster data component name and the base cluster index component name of the data set being recovered must be the same as the base cluster data component name and the base cluster index name exported.
You specify TOVOLUME with NEWNAME and the VSAM data set is cataloged in a non-ICF catalog,	The volume must be owned by the catalog where the VSAM data set being recovered will be cataloged.
The newname data set is an already existing VSAM data set,	DFSMSHsm uses the base cluster data component and base cluster index component name when creating the newname data set.
The newname data set does not exist,	DFSMSHsm generates a name for the base cluster data component and the base index component.
There is a path defined on the base cluster of a VSAM data set,	You cannot rename the VSAM data set.
If you are recovering a VSAM data set and the original data set exists, but no backup copy exists (only a dump copy exists), and you specify NEWNAME,	The recover command fails. DFSMSDss does not support the NEWNAME parameter for VSAM data sets, so the restore function must use the original data set name.
If you are recovering a non-VSAM data set and you specify NEWNAME,	The new data set name should be cataloged and must have the same data set organization as the backup version.

- DFSMSHsm does not process individual partitioned data set members. If you specify a partitioned data set with a member name, DFSMSHsm fails the HRECOVER request.

Note: When you issue the following command:

```
HRECOVER dsname NEWNAME (newdsname) REPLACE
```

consider the following:

- If the original data set and newname data set are both VSAM data sets, password-protected, RACF-protected, and you have the proper RACF authority to the data sets, this HRECOVER command will delete the newname data set (including the catalog entry and the RACF profile of the newname data set) and rename the recovered version to the newname data set.
- If the original data set and the newname data set are both non-VSAM data sets, this HRECOVER command will not change the protection of the original data set. The data set VTOC entry of the newname data set indicates that the newname data set now has the combined protection of the original data set and the newname data set.

REPLACE: Specifying that the recovered data set version is to replace any existing data set of the same name

This parameter applies to both SMS-managed and non-SMS-managed data sets.

Explanation: **REPLACE** is an optional parameter used to specify that the recovered backup version or dump copy of the data set replaces any existing data set with the same data set name on the receiving volume or on any volume if the data set is cataloged. If you specify **NEWNAME** and the new name is the same as the name of an existing data set, you must specify the **REPLACE** parameter or DFSMSHsm does not process the HRECOVER command for that data set. The data set being replaced is uncataloged (if it was cataloged) and scratched.

Abbreviations: The TSO abbreviation convention applies for **REPLACE**. There are no additional abbreviations.

Defaults: None.

Restrictions:

- When a data set with the specified name already exists on the receiving volume or on any volume if the data set is cataloged and if you do not specify the **REPLACE** or **NEWNAME** parameters, DFSMSHsm does not process the HRECOVER command for that data set.
- The data set to be replaced must have the same data set organization as the data set from which the backup version was created. For example, a sequential data set can not be recovered into a partitioned data set member.
- If the backup version is being recovered and both the backup version and the target data set are cataloged, then DFSMSHsm will fail the HRECOVER request when the data set organizations do not match.

TOVOLUME: Specifying the volume to receive the recovered data set

This parameter applies only to data that will be returned to a non-SMS-managed DASD volume.

Explanation: **TOVOLUME**(*volser*) is an optional parameter used to specify the volume that is to receive the recovered data set. For *volser*, substitute the serial number of the volume that you want to receive the recovered data set.

Abbreviations: The TSO abbreviation convention applies for **TOVOLUME**. There are no additional abbreviations.

Defaults: If you do not specify **TOVOLUME**, DFSMSHsm recovers the data set:

- To the volume where the catalog entry that specifies the data set currently exists;
- If no catalog entry exists, to the volume where it resided at the time DFSMSHsm backed it up unless DFSMSHsm created the backup version from a migrated data set;
- If DFSMSHsm backed up a data set while it was migrated, to the volume from which the data set last migrated.

Restrictions:

- If you specify **TOVOLUME**, you must also specify **UNIT** and *unittype*. If you are recovering a VSAM data set cataloged in a non-ICF catalog, you can only specify with the **TOVOLUME** parameter a volume owned by the catalog where the VSAM data set being recovered is cataloged or will be cataloged.
- The volume you specify for **TOVOLUME** cannot be a migration volume.

UNIT: Specifying the type of unit for the receiving volume

This parameter applies only to data that will be returned to a non-SMS-managed DASD volume.

HRECOVER

Explanation: `UNIT(unittype)` is an optional parameter used to specify the type of unit where the receiving volume can be allocated. For *unittype*, substitute the type of unit where the volume that is to receive the recovered data set can be allocated. The valid types of units are: 3380, 3390, and 9345.

Abbreviations: The TSO abbreviation convention applies for UNIT. There are no additional abbreviations.

Defaults: None.

Restrictions:

- If you specify `TOVOLUME`, you must also specify `UNIT` and *unittype*. If you specify `UNIT`, you must also specify `TOVOLUME`.
- If the device to which you are recovering the backup version has a smaller track capacity than the block size of the users data set, the track overflow feature must be on in both the software and hardware.

WAIT and NOWAIT: Specifying whether to wait for the data set to be recovered

These parameters apply to both SMS-managed and non-SMS-managed data sets.

Explanation: `WAIT` | `NOWAIT` are mutually exclusive, optional parameters used to specify whether to wait for the HRECOVER command to complete.

`WAIT` specifies that you want to wait for the HRECOVER command to complete. When DFSMSHsm successfully completes the HRECOVER process, the ARC1000I message is issued. If the HRECOVER process does not complete successfully, the ARC1001I message is issued. If you press the TSO Attention key before DFSMSHsm completes the command, DFSMSHsm issues the ARC1800I message and does not issue the ARC1000I message.

`NOWAIT` specifies that you do not want to wait for the HRECOVER command to complete. When DFSMSHsm successfully receives the request, the ARC1007I message is issued. If you are recovering data sets from tape, a volume mount request message (ARC0612I) is issued. After DFSMSHsm successfully completes the HRECOVER command, the ARC1000I message is issued. If the HRECOVER command does not complete successfully, the ARC1001I message is issued.

Abbreviations: The TSO abbreviation convention applies for `WAIT` and `NOWAIT`. There are no additional abbreviations.

Defaults: The default is `NOWAIT`.

Restrictions: You can specify either `WAIT` or `NOWAIT`, but not both.

Examples of different ways to code the HRECOVER command

The examples below present different ways to code the HRECOVER command. The values are examples only. Do not interpret them as values that you should use for your system.

Recovering a specific data set by generation number and waiting for completion

In this example, you are issuing the HRECOVER command to recover the third latest backup version of the cataloged data set `GRPA.OUTTESTS.TESTLIST`. Because you are not specifying the `REPLACE` option in the command, a data set

with this name does not currently exist. The WAIT parameter indicates that you want to wait for DFSMSHsm to complete the recovery of the data set.

```
HRECOVER 'GRPA.OUTTESTS.TESTLIST' GENERATION(2) WAIT
```

Recovering a data set and requesting to see the return code and reason code

In this example, you are issuing the HRECOVER command from a TSO session to recover the latest version of the data set TESTS.TEXTVER4.TEXT. The WAIT EXTENDRC parameter indicates that you want to see the extended return and reason codes.

```
HRECOVER 'TESTS.TEXTVER4.TEXT' WAIT EXTENDRC
```

Recovering a non-SMS password-protected data set, renaming it, and waiting for completion

In this example, you are issuing the HRECOVER command to recover the latest backup version of the uncataloged data set CLCE.TEXTVER1.TEXT created on or before 1/05/89 and protected by the password WRITE. You are naming the recovered version CLCE.VER1TEXT.TEXT and placing it on volume VOL001, specifying 3380 as the type of unit. VOL003 is the volume where the uncataloged data set resided when DFSMSHsm backed it up. The WAIT parameter indicates that you want to wait for DFSMSHsm to complete the recovery of the data set.

```
HRECOVER 'CLCE.TEXTVER1.TEXT'/WRITE FROMVOLUME(VOL003) -  
DATE(1/05/89) NEWNAME('CLCE.VER1TEXT.TEXT') -  
TOVOLUME(VOL001) UNIT(3380) WAIT
```

Recovering a non-SMS data set to replace an existing data set and not waiting for completion

In this example, you are issuing the HRECOVER command to recover the latest version of the data set USER01.PARTSTST.CNTL to volume VOL007 to replace an existing cataloged data set of the same name. A 3390 is the type of unit that volume VOL007 can reside on. Your user ID prefix is USER01. The NOWAIT parameter indicates that you do not want to wait for DFSMSHsm to complete the recovery and replacement of the data set.

In this example, the original data set is uncataloged and scratched.

```
HRECOVER PARTSTST.CNTL TOVOLUME(VOL007) UNIT(3390) -  
REPLACE NOWAIT
```

Recovering a DA (BDAM) data set to a volume with a different track length than the last L0 volume from which the backup version was created

In this example, a non-SMS-managed direct access (DA) data set is to be recovered for relative block accessing to a target volume with a smaller track size than the L0 volume from which the backup version was created.

```
HRECOVER PMJS73.SERVICE.DATA -  
TOVOLUME(VOL001) UNIT(3380) -  
DAOPTION(RELBLK)
```

HRECOVER

Part 3. DFSMSHsm application programming interface

This topic describes the user macros you can use from application programs to issue DFSMSHsm.

Chapter 22. Using DFSMSHsm user macros

This topic contains general-use programming interface and associated guidance information that allow the customer to write programs that use the services of DFSMSHsm.

DFSMSHsm has macros available that allow you to request DFSMSHsm service from your application programs. When you provide information to the macro and process it from your application program, the macro builds the required DFSMSHsm control information and issues the request for DFSMSHsm service. The macros are in *execute* form only. There is no *list* form provided.

The following user macros are currently supported in DFSMSHsm:

- ARCFMWE frees up storage in common storage area (CSA)
- ARCHBACK backs up a specific data set
- ARCHBDEL deletes backed up versions of a data set
- ARCHDEL deletes a migrated data set
- ARCHMIG migrates a specific data set
- ARCHRCAL recalls a data set
- ARCHRCOV recovers a data set
- ARCHSEND sends a command to DFSMSHsm
- ARCXTRCT extracts data from DFSMSHsm

Note: When these macros are invoked from a application program that runs APF Authorized, in System Key (0 or 7), or Supervisor State, then DFSMSHsm bypasses SAF calls for the data sets that are processed. The application owner must ensure that their application program does not introduce a security exposure by enabling unauthorized users access to data via these DFSMSHsm macros.

Register usage for return codes

Use the parameters of the macro to specify an explicit value or an address of a data field. They can be specified in any order. When the address of a data field is specified, registers 2 through 12 can be used. For example, SNAPDCB=(3) or a symbol, SNAPDCB=DCBAREA, can be used.

The application program must ensure that register 13 contains the address of a standard 18-word save area. The following return codes are placed in register 15 upon completion of the invocation:

Return code

Description

0	Function is successful
100	DFSMSHsm is not running or the request could not be communicated to DFSMSHsm
400	Invalid request ID
401	Attempt to free a MWE for an incomplete function (applies to ARCFMWE only)
402	Data set locate failure (applies to ARCHRCAL and ARCHMIG only)
403	Data set name specified was * or blank
404	The date specified with ARCHRCOV has format <i>yyddd</i> , but the system date is later than 1999.
806	Link error
Any other nonzero	Function fails

See “Individual macros and their messages” on page 192.

Supported unit types and their UCBs

When working with uncataloged data sets, the UNIT and VOLUME parameters must be specified. The unit address is a four-byte field that contains the UCB device type. Table 12 presents the unit types and their UCBs that are supported by the user macros in this section.

Table 12. Supported Unit Types and Their UCBs

Unit Type	UCB
3380	X'3010200E'
3390	X'3010200F'
9345	X'00002004'

Asynchronous processing with DFSMSHsm

Asynchronous processing of the ARCHRCAL and ARCHBACK macros is provided by the ASYNC parameter. This parameter is to be used in conjunction with a *no-wait* or *wait* request:

no-wait

Sends a request to DFSMSHsm and returns control to the user as soon as

the request is queued. The user is not notified of the request processing other than a completion message, if the user is logged onto TSO at the time the request ends.

wait Sends a request to DFSMSHsm and does not receive control back until the request has completed. In the return notification, a return code and reason code indicate whether the processing was successful.

The ASYNC=YES parameter allows you, as a program submitter, a way to send requests to DFSMSHsm and immediately receive control back so that you can do other things while DFSMSHsm is processing your request. DFSMSHsm notifies you when the request is complete and returns a return code and reason code.

Before ASYNC=YES will successfully run in your requesting user program, you, as a program submitter, must perform the following tasks:

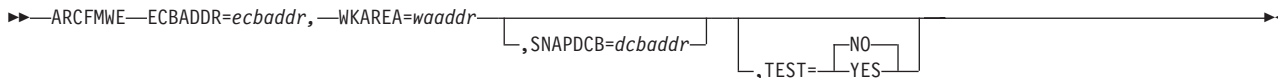
- Ensure that the requesting user program is an authorized program because protected CSA storage is used to communicate the request.
- Specify the ASYNC=YES option and the WAIT=YES option when you code the requested user macro.
- Save the ECB address that is returned in register 1 and do not free this area until the ECB is posted. When the request is queued in CSA, control is returned to the requester. Register 1 contains the address of an ECB that is posted when the request is finished. For certain errors during an asynchronous request, register 1 contains zero indicating that an ECB is not passed. Check the return and reason codes under these conditions.
- After the ECB has been posted, issue the ARCFMWE user macro to free the CSA storage used in this method by specifying the saved ECB address. Upon return from the ARCFMWE macro, the return code is in register 15 and a reason code is in register 0.

ARCFMWE: Freeing up storage in common storage area

The ARCFMWE macro allows you to free up storage space for management work elements and is used only when the ASYNC=YES option is specified with the ARCHRCAL or ARCHBACK user macros.

Syntax

The following diagram presents the syntax of the ARCFMWE macro:



Required parameters

The following are the required parameters of the ARCFMWE macro:

ECBADDR

specifies the address of the ECB in a work area (management work element) that is obtained when the ASYNC=YES is specified for an ARCHRCAL or ARCHBACK request. The requesting application must be authorized program facility (APF) authorized. For *ecbaddr*, substitute the address that has returned in register 1 from the ARCHRCAL or ARCHBACK request.

Note: The ASYNC request must have been completed (ECB posted), before issuing the macro.

WKAREA

specifies the address of a 200-byte work area that contains the information specified in the macro. For *waaddr*, substitute the address of the work area. The work area should be below the 16MB line. The work area serves as a temporary storage area for the macro processing.

Optional parameters

The following are the optional parameters of the ARCFMWE macro:

SNAPDCB

specifies the address of an open DCB that can be used for SNAP macro processing. This feature is intended for problem determination. If you specify this parameter, review "Usage notes." For *dcbaddr*, specify the address of an open DCB.

TEST

specifies whether to refrain from sending a request for service to DFSMSHsm. If YES is specified the service request is not sent. If NO is specified, a service request is sent to DFSMSHsm. In both cases the parameters are checked for correctness. A 4xx return code will result for invalid parameters. The default is NO.

Usage notes

1. If a return code of 4xx is returned and SNAPDCB is specified, a SNAP macro is issued and the request made to DFSMSHsm is dumped. The dumped storage area will include the data set name, volume serial number, and function requested.
2. If SNAPDCB and TEST=YES were specified, and there was an error flagged in the MWERC, then a SNAP macro is issued and the MWE is dumped.

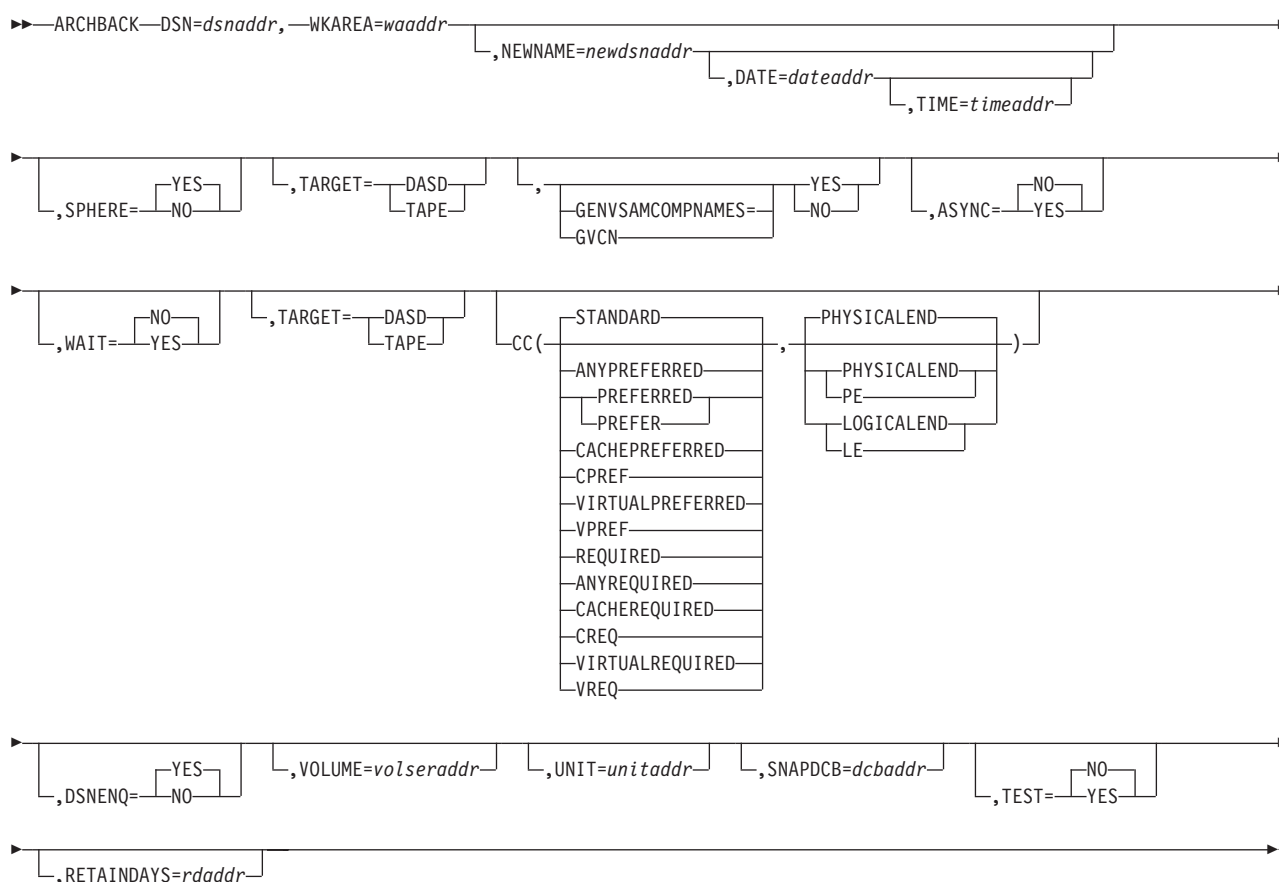
ARCHBACK: Backing up a specific data set

The ARCHBACK macro allows you to create a backup version of a specific data set. This macro can handle only one data set at a time. Consequently, the macro must be invoked for each data set processed.

Note: All memory areas passed to DFSMSHsm through the macro must be in 24-bit addressing mode and below the 16MB line.

Syntax

The following diagram presents the syntax of the ARCHBACK macro for both SMS-managed and non-SMS-managed data sets:



Required parameters

The following are the required parameters of the ARCHBACK macro:

DSN

specifies the address of a field that contains the fully qualified name of the data set to be processed. For *dsnaddr*, use the address of the 44-byte data area that contains the data set name. The data set name must be left-justified and padded with blanks. This data set can be either SMS-managed or non-SMS-managed.

WKAREA

specifies the address of a 200-byte work area that will contain the information specified in the macro. For *waaddr*, substitute the address of the work area. The

work area must be below the 16MB line. The work area serves as a temporary storage area for the macro processing and becomes available to you as soon as the macro returns to your program.

Optional parameters

The following are the optional parameters of the ARCHBACK macro:

DATE

specifies the address of a field which contains the backup date to assign to the new backup version that will be created via the ARCHBACK macro. DATE can ONLY be specified with NEWNAME or the invocation will fail. For *dateaddr*, substitute the address of a data area that contains the backup date. The field referenced by *dateaddr* must contain 7 characters in the form of *yyyyddd*. This parameter applies to both SMS-managed and non-SMS-managed data sets.

NEWNAME

specifies the data set name to assign to the new backup version that is created by specifying the BACKDS command. The NEWNAME parameter must be fully-qualified and in the standard data set name format.

RETAINDAYS

specifies the number of days to retain a specific backup copy of a data set. For *rdaddr* substitute the address of the 5-byte data area that contains the RETAINDAYS value. RETAINDAYS specifies the minimum number of days (0–50000) that DFSMSHsm retains the backup copy. If you specify 99999, the data set backup version never expires. Any value greater than 50000 (and other than 99999) causes a failure with an ARC1605I error message. A retain days value of 0 indicates that:

- the backup version might expire within the same day that it was created if EXPIREBV processing takes place,
- the backup version is kept as an active copy before roll-off occurs,
- the backup version is not managed as a retained copy.

SPHERE

specifies whether the AIX and PATH components of a VSAM data set will be backed up with the base cluster. SPHERE can ONLY be specified with NEWNAME or the invocation will fail. If NO is specified, a backup of the base cluster will be performed, but backup for any associated AIXs and/or PATHs will not be performed. If YES, the default, is specified, a backup of the entire VSAM SPHERE will be performed. The following restrictions apply when using the SPHERE parameter:

- No more than one PATH can be defined for the data set to back up, and no more than one PATH can be defined for the NEWNAME data set.
- No more than one AIX can exist for the data set to back up, and no more than one AIX can exist for the NEWNAME data set.

This parameter applies to both SMS-managed and non-SMS-managed data sets.

TIME

specifies the address of a field which contains the backup time to assign to the new backup version that will be created via the ARCHBACK macro. TIME can ONLY be specified when NEWNAME AND DATE are also specified. For *timeaddr*, substitute the address of a data area that contains the backup time. The field referenced by *timeaddr* must contain 6 characters in the form of *hhmmss*. For *hhmmss*, substitute the time to assign to the backup version. If the seconds are unknown, specify '00' for *ss*. If TIME is not specified, DFSMSHsm will set a time of 120000. This parameter applies to both SMS-managed and non-SMS-managed data sets.

GVCN

overrides the SETSYS DSBACKUP(GENVSAMCOMPNames) setting. If GVCN=YES is specified, and the NEWNAME data set represents a VSAM base cluster that is either migrated or uncataloged, DFSMSHsm will process the request, and default names will be assigned to the VSAM data and index components. If GVCN=NO is specified, and the NEWNAME data set represents a VSAM base cluster that is either migrated or uncataloged, the data set backup command will fail. DFSMSHsm ignores the GVCN specification when the NEWNAME data set is cataloged to a volser other than MIGRAT. This parameter applies to both SMS-managed and non-SMS-managed data sets.

If the old component's name is equal to the old cluster name (plus any suffix), then the new component name will equal the new cluster name, plus the same suffix of the old component. For more information on how component (default) names are derived during rename processing see *z/OS DFSMSdss Storage Administration*.

ASYNc

specifies whether the special asynchronous backup processing is requested. The requesting application must be authorized by the authorized program facility (APF) to request the ASYNc option. If ASYNc=YES is specified, the WAIT parameter must also be specified as YES to allow the ECB to be posted back to the user when DFSMSHsm completes the function. The default is NO. This parameter applies to both SMS-managed and non-SMS-managed data sets.

If YES is specified, storage for the generated MWE is obtained in the requester's private storage, and an event control block (ECB) address is returned in register 1 when control is returned to the requester. The application program is responsible for freeing this storage area; however, do not free it until the ECB is posted. You must use the ARCFMWE macro to free the storage area by supplying the ECB address. In cases where a zero value is returned for the ECB address, the request has failed and storage is not obtained for the MWE. Upon return from the ARCFMWE macro, the return code is in register 15 and a reason code is in register 0. If register 15 contains a return code of 400, 401, or 806, this error is from the completion of the ARCFMWE macro. All other return codes contained in register 15 are from the completion of the ARCHBACK macro. The last reported, nonzero return code is in register 15. For example:

If the return code from ARCHBACK is:	And the return code from ARCFMWE is:	Then the return code placed in register 15 is from:
Zero	Nonzero	ARCFMWE
Nonzero	Zero	ARCHBACK
Nonzero	Nonzero	ARCFMWE

WAIT

specifies whether you want the application to wait until DFSMSHsm has processed this request. If you specify YES without ASYNc=YES, the application does not receive control back until DFSMSHsm completes processing of the request. The default is NO. This parameter applies to both SMS-managed and non-SMS-managed data sets.

TARGET

specifies whether tape or DASD will be the target of the backup output data set. If you specify TAPE, the backup data set goes to tape. If you specify DASD, the backup data set goes to DASD. If you specify neither, DFSMSHsm decides the target for this data set.

CC specifies whether you want to use concurrent copy and which notification options that you want. If you specify PREFERRED, CACHEPREFERRED or VIRTUALPREFERRED, you have indicated that you want to use concurrent copy, if it is available. However, processing continues even if concurrent copy is not available. If you specify REQUIRED, CACHEREQUIRED or VIRTUALREQUIRED then a form of concurrent copy is a requirement, and the command fails if that form of concurrent copy is not available. If you specify STANDARD, you do not want to use concurrent copy. The default is STANDARD.

If you specify PHYSICALEND, you will receive notice when the physical end of the backup has completed. If you specify LOGICALEND, you will receive notice when the concurrent copy initialization has completed. The default is PHYSICALEND.

Note:

1. If you use the CC option with LE or PE, you must also specify the option WAIT=YES.
2. You can abbreviate PHYSICALEND and LOGICALEND as PE and LE, respectively. You can abbreviate PREFERRED as PREFER. You can abbreviate CACHEPREFERRED as CPREF, VIRTUALPREFERRED as VPREF, CACHEREQUIRED as CREQ, and VIRTUALREQUIRED as VREQ.

DSNENQ

specifies whether the data set is serialized by DFSMSHsm during backup processing. If NO is used, the data set is not enqueued during backup processing, and the application program is responsible for data set serialization. The data set is not allocated and the SYSDSN resource is not obtained if NO is chosen. If YES is chosen, normal serialization occurs. The default is YES.

VOLUME

specifies the address of a field that contains the volume serial number of a volume that contains the requested uncataloged data set. For *volseraddr*, use the address of the six-character field that contains the volume serial number. The volume serial number must be left-justified and padded with blanks. This parameter applies only to non-SMS-managed data sets.

Note: Do not specify the VOLUME parameter if the data set to be backed up is a cataloged data set. If you specify the VOLUME parameter, you must also specify the UNIT parameter.

UNIT

specifies the address of a field that contains the unit type of the non-DFSMSHsm-managed volume that contains the uncataloged data set. For *unitaddr*, use the address of the four-byte field that contains the UCB device type. For example, X'3010200E' is the UCB unit type for a 3380 device. For a table showing the supported unit types and UCBs, see Table 12 on page 154. This parameter applies only to non-SMS-managed data sets.

Note: Do not specify the UNIT parameter if the data set to be backed up is a cataloged data set. If you specify the UNIT parameter, you must also specify the VOLUME parameter.

SNAPDCB

specifies the address of an open DCB that can be used for SNAP macro

processing. This feature is intended for problem determination. If you specify this parameter, review "Usage notes." For *dcbaddr*, specify the address of an open DCB.

TEST

specifies whether to refrain from sending a request for service to DFSMSHsm. If YES is specified, the service request is not sent. If NO is specified, a service request is sent to DFSMSHsm. In both cases the parameters specified to the macro are checked for correctness. A 4xx return code results for invalid parameters. The default is NO.

Usage notes

1. If you issue ARCHBACK on a system prior to the current release, where new parameters were added to current release, a warning message is issued that informs you that DFSMSHsm is processing the backup request, but ignoring all new parameters.
2. If a return code of 4xx is returned and SNAPDCB is specified, a SNAP macro is issued and the request made to DFSMSHsm is dumped. The dumped storage area will include the data set name, volume serial number, and function requested.
3. If SNAPDCB and TEST=YES were specified, and there was an error flagged in the MWERC, then a SNAP macro is issued and the MWE is dumped.

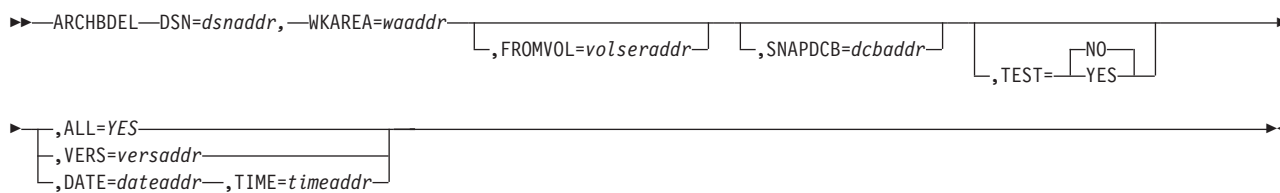
ARCHBDEL: Deleting a backed up version of data sets

The ARCHBDEL macro allows you to delete a backup version of a data set. This macro can handle only one data set at a time. Consequently, the macro must be invoked for each data set processed.

Note: All memory areas passed to DFSMSHsm through the macro must be in 24-bit addressing mode and below the 16MB line.

Syntax

The following diagram presents the syntax of the ARCHBDEL macro for both SMS-managed and non-SMS-managed data sets:



Required parameters

The following are the required parameters of the ARCHBDEL macro:

ALL
DATE
TIME
VERS

are mutually exclusive required parameters.

ALL

specifies that all backup versions are to be deleted, including both active and retained backup versions. ALL does not delete retired versions.

DATE

specifies the address of a field that contains the date when the backup version to be deleted was created. For *dateaddr*, specify the address of a data area that contains the backup date. The field referenced by *dateaddr* must contain 7 digits in the form of *yyyymmdd*.

TIME

specifies the address of the field that contains the time when the backup version to be deleted was created. For *timeaddr*, specify the address of the data area that contains the backup time. The field referenced by *timeaddr* must contain 6 digits in the form of *hhmmss*.

VERS

specifies a list of versions to delete. Specify the address of a structure that contains a 2-byte number of entries on the list, followed by entries (2-bytes each) containing the version number (001–999) that you want to delete. You can use the ARCXTRCT macro to extract data for version numbers that currently exist. For more information on this macro, see “ARCXTRCT: Extracting data from DFSMSHsm” on page 177. You cannot use the VERS keyword to delete retained backup copies.

DSN

specifies the address of a field that contains the fully qualified name of the data set to be processed. For *dsnaddr*, use the address of the 44-byte data area

that contains the data set name. The data set name must be left-justified and padded with blanks. This data set can be either SMS-managed or non-SMS-managed.

WKAREA

specifies the address of a 200-byte work area that will contain the information specified in the macro. For *waaddr*, substitute the address of the work area. The work area must be below the 16MB line. The work area serves as a temporary storage area for the macro processing that is available to you as soon as the macro returns control to your program.

Optional parameters

The following are the optional parameters of the ARCHBDEL macro:

FROMVOL

specifies the address of a field that contains the volume from which uncataloged data sets were backed up. For *volseraddr*, substitute the address of the six-character field that contains the volume serial number. The volume serial number must be left-justified and padded with blanks. FROMVOL applies only to non-SMS-managed data sets that were uncataloged at the time they were backed up.

SNAPDCB

specifies the address of an open DCB that can be used for SNAP macro processing. This feature is intended for problem determination. If you specify this parameter, review "Usage notes." For *dcbaddr*, specify the address of an open DCB.

TEST

specifies whether to refrain from sending a request for service to DFSMSHsm. If YES is specified, the service request is not sent. If NO is specified, a service request is sent to DFSMSHsm. In both cases, the parameters specified to the macro are checked for correctness. A 4xx return code results for invalid parameters. The default is NO.

Usage notes

1. You can use the DATE and TIME parameters to delete active and retained backup copies.
2. You can use the LIST command or ARCXTRCT macro to extract data from DFSMSHsm to obtain the creation date and time for available backup versions.
3. If a return code of 4xx is returned and SNAPDCB is specified, a SNAP macro is issued and the request made to DFSMSHsm is dumped. The dumped storage area will include the data set name, volume serial number, and function requested.
4. If SNAPDCB and TEST=YES were specified, and there was an error flagged in the MWERC, then a SNAP macro is issued and the MWE is dumped.

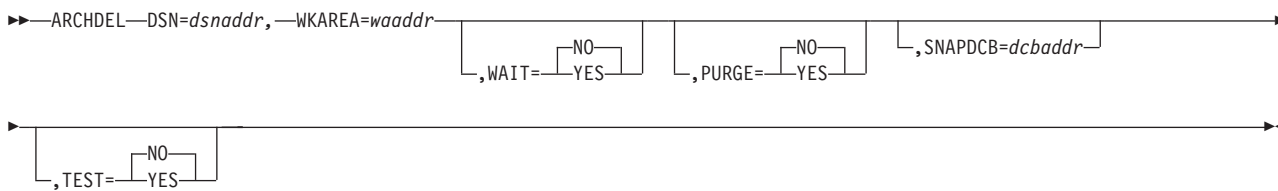
ARCHDEL: Deleting migrated data sets

The ARCHDEL macro allows you to delete a migrated data set. This macro can handle only one data set at a time. Consequently, the macro must be invoked for each data set processed.

Note: All memory areas passed to DFSMSHsm through the macro must be in 24-bit addressing mode and below the 16MB line.

Syntax

The following diagram presents the syntax of the ARCHDEL macro for both SMS-managed and non-SMS-managed data sets:



Required parameters

The following are the required parameters of the ARCHDEL macro:

DSN

specifies the address of a field that contains the fully qualified name of the data set to be processed. For *dsnaddr*, use the address of the 44-byte data area that contains the data set name. The data set name must be left-justified and padded with blanks. This data set can be either SMS-managed or non-SMS-managed.

WKAREA

specifies the address of a 200-byte work area that will contain the information specified in the macro. For *waaddr*, substitute the address of the work area. The work area must be below the 16MB line. The work area serves as a temporary storage area for the macro processing that becomes available to you as soon as DFSMSHsm returns control to your program.

Optional parameters

The following are the optional parameters of the ARCHDEL macro:

WAIT

specifies whether you want the application to wait until DFSMSHsm has processed this request. If YES is specified, the application waits until DFSMSHsm completes processing of the request. The default is NO. This parameter applies to both SMS-managed and non-SMS-managed data sets.

PURGE

specifies whether or not the data set is to be deleted even though the expiration date has not been reached. If YES is specified, the data set is deleted. The default is NO. This parameter applies to both SMS-managed and non-SMS-managed data sets.

SNAPDCB

specifies the address of an open DCB that can be used for SNAP macro

processing. This feature is intended for problem determination. If you specify this parameter, review "Usage notes." For *dcbaddr*, specify the address of an open DCB.

TEST

specifies whether to refrain from sending a request for service to DFSMSHsm. If YES is specified, the service request is not sent. If NO is specified, a service request is sent to DFSMSHsm. In both cases the parameters of the macro are checked for correctness. A 4xx return code results for invalid parameters. The default is NO.

Usage notes

1. If a return code of 4xx is returned and SNAPDCB is specified, a SNAP macro is issued and the request made to DFSMSHsm is dumped. The dumped storage area will include the data set name, volume serial number, and function requested.
2. If SNAPDCB and TEST=YES were specified, and there was an error flagged in the MWERC, then a SNAP macro is issued and the MWE is dumped.

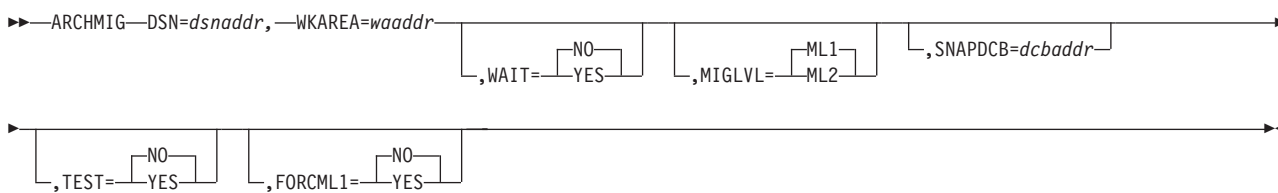
ARCHMIG: Migrating data sets

The ARCHMIG macro allows you to migrate a data set. This macro can handle only one data set at a time. Consequently, the macro must be invoked for each data set processed.

Note: All memory areas passed to DFSMSHsm through the macro must be in 24-bit addressing mode and below the 16MB line.

Syntax

The following diagram presents the syntax of the ARCHMIG macro for both SMS-managed and non-SMS-managed data sets:



Required parameters

The following are the required parameters of the ARCHMIG macro:

DSN

specifies the address of a field containing the fully qualified name of the data set to be processed. For *dsnaddr*, use the address of the 44-byte data area that contains the data set name. The data set name must be left-justified and padded with blanks. This data set can be either SMS-managed or non-SMS-managed.

WKAREA

specifies the address of a 200-byte work area that will contain the information specified in the macro. For *waaddr*, substitute the address of the work area. The work area must be below the 16MB line. The work area serves as a temporary storage area for the macro processing and becomes available to you as soon as the macro returns control to your program.

Optional parameters

The following are the optional parameters of the ARCHMIG macro:

WAIT

specifies whether you want the application to wait until DFSMSHsm has processed this request. If YES is specified, the application waits until DFSMSHsm completes processing of the request. The default is NO. This parameter applies to both SMS-managed and non-SMS-managed data sets.

MIGLVL

specifies the migration level, ML1 or ML2, to which you wish to migrate the data set. The default is ML1. This parameter applies to both SMS-managed and non-SMS-managed data sets.

SNAPDCB

specifies the address of an open DCB that can be used for SNAP macro processing. This feature is intended for problem determination. If you specify this parameter, review "Usage notes" on page 167. For *dcbaddr*, specify the address of an open DCB.

TEST

specifies whether to refrain from sending a request for service to DFSMSHsm. If YES is specified the service request is not sent. If NO is specified, a service request is sent to DFSMSHsm. In both cases the parameters specified to the macro are checked for correctness. A 4xx return code results for invalid parameters. The default is NO.

FORCML1

specifies whether or not you want to override the management class parameter of ML1DAYS(0) and force this data set to migrate to ML1. If YES is specified, the data set will be migrated to ML1 without compaction. If NO is specified, the management class criteria will be used to determine if the data set should migrate to ML1 or ML2. The default is NO.

Usage notes

1. If a return code of 4xx is returned and SNAPDCB is specified, a SNAP macro is issued and the request made to DFSMSHsm is dumped. The dumped storage area will include the data set name, volume serial number, and function requested.
2. If SNAPDCB and TEST=YES were specified, and there was an error flagged in the MWERC, then a SNAP macro is issued and the MWE is dumped.

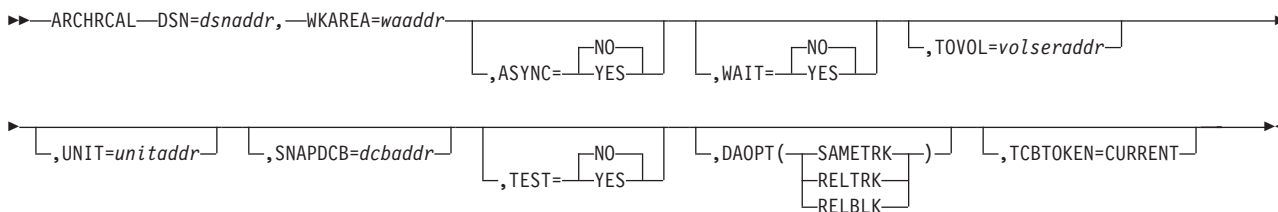
ARCHRCAL: Recalling a data set

The ARCHRCAL macro allows you to recall a migrated data set. This macro can handle only one data set at a time. Consequently, the macro must be invoked for each data set processed.

Note: All memory areas passed to DFSMSHsm through the macro must be in 24-bit addressing mode and below the 16MB line.

Syntax

The following diagram presents the syntax of the ARCHRCAL command for both SMS-managed and non-SMS-managed data sets:



Required parameters

The following are the required parameters of the ARCHRCAL macro:

DSN

specifies the address of a field containing the fully qualified name of the data set to be processed. For *dsnaddr*, use the address of the 44-byte data area that contains the data set name. The data set name must be left-justified and padded with blanks. This data set can be either SMS-managed or non-SMS-managed.

WKAREA

specifies the address of a 200-byte work area that will contain the information specified in the macro. For *waaddr*, substitute the address of the work area. The work area must be below the 16MB line. The work area serves as a temporary storage area for the macro processing and becomes available to you as soon as the macro returns control to your program.

Optional parameters

The following are the optional parameters of the ARCHRCAL macro:

ASYNC

specifies whether the special asynchronous recall processing is requested. The requesting application must be authorized by the authorized program facility (APF) to request the ASYNC option. If ASYNC=YES is specified, the WAIT parameter must also be specified as YES to allow the ECB to be posted back to the user when DFSMSHsm completes the function. The default is NO. This parameter applies to both SMS-managed and non-SMS-managed data sets.

If YES is specified, storage for the generated MWE is obtained in the requester's private storage, and an event control block (ECB) address is returned in register 1 when control is returned to the requester. The application program is responsible for freeing this storage area; however, it must not be freed until the ECB is posted. The ARCFMWE macro must be used to free the storage area by supplying the ECB address. In cases where a zero value is returned for the ECB address, the request has failed and storage is not

obtained for the MWE. Upon return from the ARCFMWE macro, the return code is in register 15 and a reason code is in register 0. If register 15 contains a return code of 400, 401, or 806, this error is reported from the completion of the ARCFMWE macro. All other return codes contained in register 15 are from the completion of the ARCHRCAL macro. The last reported, nonzero return code is placed in register 15. For example:

If the return code from ARCHRCAL is:	And the return code from ARCFMWE is:	Then the return code placed in register 15 is from:
Zero	Nonzero	ARCFMWE
Nonzero	Zero	ARCHRCAL
Nonzero	Nonzero	ARCFMWE

WAIT

specifies whether you want the application to wait until DFSMSHsm has processed this request. If YES is specified, the application waits until DFSMSHsm completes processing of the request. The default is NO. This parameter applies to both SMS-managed and non-SMS-managed data sets.

TOVOL

specifies the address of a field containing the volume serial number of the volume to which the data set is recalled. For *volseraddr*, substitute the address of the six-byte area that contains the specified volume serial number. The volume serial number must be left-justified and padded with blanks. SMS-managed data sets are recalled to the volume determined by SMS.

Note: When the TOVOL parameter is used, the UNIT parameter must also be used.

UNIT

specifies the address of a field containing the unit type of the volume to which the data set is to be recalled. For *unitaddr*, use the address of the four-byte field that contains the UCB device type. For example, X'3010200F' is the UCB unit type for a 3390 device. For a table presenting the supported unit type and UCBs, see Table 12 on page 154. If the data set is SMS-managed, SMS determines the unit type.

Note: When the UNIT parameter is used, the TOVOL parameter must also be used.

SNAPDCB

specifies the address of an open DCB that can be used for SNAP macro processing. This feature is intended for problem determination. If you specify this parameter, review "Usage notes" on page 170. For *dcbaddr*, specify the address of an open DCB.

TEST

specifies whether to refrain from sending a request for service to DFSMSHsm. If YES is specified the service request is not sent. If NO is specified, a service request is sent to DFSMSHsm. In both cases the parameters specified to the macro are checked for correctness. A 4xx return code results for invalid parameters. The default is NO.

DAOPT

specifies the type of data set accessing required after the recall of a direct access data set. This, in turn, implies the allowable target volume DASD types.

ARCHRCAL

The recalled data set must be non-SMS-managed. For details on DAOPT see “DAOPTION: Selecting target volume track length” on page 131.

TCBTOKEN=CURRENT

specifies that the current TCB TOKEN will be used to validate the ECB on POST. If not specified, the JOBSTEP TCB TOKEN will be used.

Note: When the TCBTOKEN=CURRENT parameter is used, both the ASYNC=YES and WAIT=YES parameters must also be used.

Usage notes

1. If a return code of 4xx is returned and SNAPDCB is specified, a SNAP macro is issued and the request made to DFSMSHsm is dumped. The dumped storage area will include the data set name, volume serial number, and function requested.
2. If SNAPDCB and TEST=YES were specified, and there was an error flagged in the MWERC, then a SNAP macro is issued and the MWE is dumped.

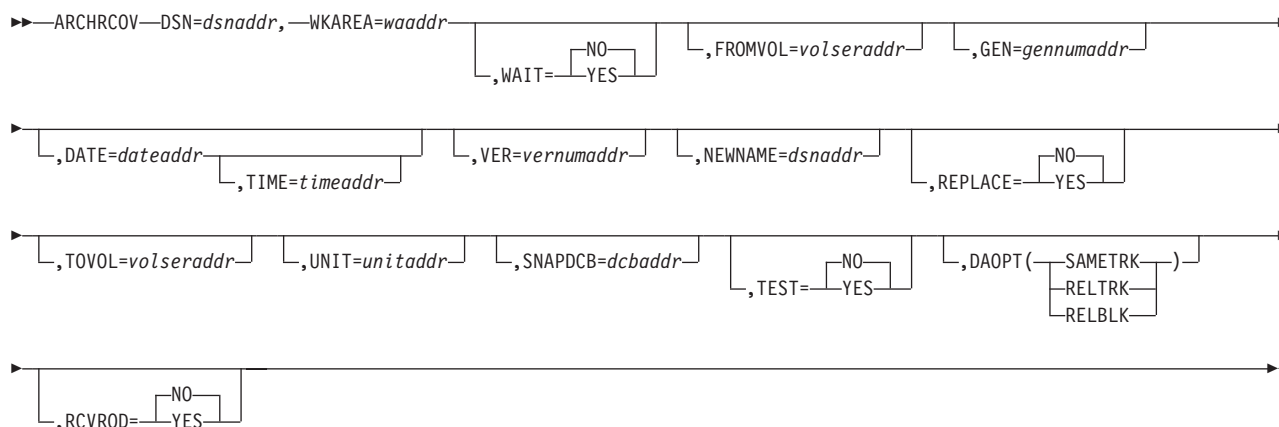
ARCHRCOV: Recovering a data set

The ARCHRCOV macro allows you to recover a backup version or a dump copy of a data set. This macro can handle only one data set at a time. Consequently, the macro must be invoked for each data set processed.

Note: All memory areas passed to DFSMSHsm through the macro must be in 24-bit addressing mode and below the 16MB line.

Syntax

The following diagram presents the syntax of the ARCHRCOV macro for both SMS-managed and non-SMS-managed data sets:



Required parameters

The following are the required parameters of the ARCHRCOV macro:

DSN

specifies the address of a field containing the fully qualified name of the data set to be processed. For *dsnaddr*, use the address of the 44-byte data area that contains the data set name. The data set name must be left-justified and padded with blanks. This data set can be either SMS-managed or non-SMS-managed.

WKAREA

specifies the address of a 200-byte work area that will contain the information specified in the macro. For *waaddr*, substitute the address of the work area. The work area must be below the 16MB line. The work area serves as a temporary storage area for the macro processing and becomes available to you as soon as the macro returns control to your program.

Optional parameters

The following are the optional parameters of the ARCHRCOV macro:

DAOPT

specifies the type of data set accessing required after the recover of a direct access data set. This, in turn, implies the allowable target volume DASD types. The recovered data set must be non-SMS-managed. For details on DAOPT, see “DAOPTION: Selecting target volume track length” on page 142.

DATE

specifies the address of a field containing the date of creation of a backup

version number that you wish to recover. For *dateaddr*, substitute the address of a field containing the date of the backup version you wish to recover in one of the following forms:

- If the system date is after 1999, that field must contain 7 digits in the format *yyyyddd*.
- If the system date is before 1 January 2000, that field may contain either (a) 7 digits in the format *yyyyddd*, where the first two digits are 19, 20, or 21; or (b) 5 digits in the format *yyddd*, where the first two digits (prefixed by 19 to form year 19yy) must be greater than 21.

The backup version that is recovered is the newest one created on or before the specified date. GEN and DATE are mutually exclusive parameters. You can use the ARCXTRCT macro in “ARCXTRCT: Extracting data from DFSMSHsm” on page 177 to obtain this backup version number creation date for backup versions that exist. This parameter applies to both SMS-managed and non-SMS-managed data sets.

FROMVOL

specifies the address of a field containing the volume serial number of the volume from which uncataloged data sets were backed up. For *volseraddr*, substitute the address of the six-character field that contains the volume serial number. The volume serial number must be left-justified and padded with blanks. FROMVOL applies only to non-SMS-managed data sets that were uncataloged at the time they were backed up.

GEN

specifies the address of a field containing the relative generation number that you wish to recover. For *gennumaddr*, substitute the address of a four-byte field that contains the fullword (binary) generation number to be recovered. You can use the ARCXTRCT macro in “ARCXTRCT: Extracting data from DFSMSHsm” on page 177 to extract data for the generation numbers that currently exist. This parameter applies to both SMS-managed and non-SMS-managed data sets. GEN applies only to active backup copies. You cannot use GEN with retained copies.

NEWNAME

specifies the address of a field containing a new name for the recovered data set. For *dsnaddr*, substitute the address of the 44-byte area that contains the data set name. The data set name must be left-justified and padded with blanks. This parameter applies to both SMS-managed and non-SMS-managed data sets.

RCVRQD

specifies whether to set the recovery required indicator on in the target data set. This parameter should only be used by forward recovery applications. The default is NO. This parameter applies to both SMS-managed and non-SMS-managed data sets.

REPLACE

specifies whether an existing data set with the same name is to be replaced. The default is NO. This parameter applies to both SMS-managed and non-SMS-managed data sets.

SNAPDCB

specifies the address of an open DCB that can be used for SNAP macro processing. This feature is intended for problem determination. If you specify this parameter, review “Usage notes” on page 174. For *dcbaddr*, specify the address of an open DCB.

TEST

specifies whether to refrain from sending a request for service to DFSMSHsm. If YES is specified, the service request is not sent. If NO is specified, a service request is sent to DFSMSHsm. In both cases the parameters specified for the macro are checked for correctness. A 4xx return code results for invalid parameters. The default is NO.

TIME

specifies the address of the field containing the creation time of the backup version that you want to recover. For *timeaddr*, substitute the address of the field that contains the time that the backup version was created in following form: *hmmss*, where the first two digits are hours, the next two digits are minutes, and the last two digits are seconds. The range for hours is 00–23 and the range for minutes and seconds is 00–59. If a backup copy with the specified data and time does not exist, the request fails. You can use the ARCXTRCT macro to obtain the creation date and time of the backup version of an existing data set. TIME applies to both SMS-managed and non-SMS-managed data sets.

Note: If you specify TIME, you must specify DATE. If you specify TIME without DATE, the ARCHRCOV macro fails.

TOVOL

specifies the address of a field containing the volume serial number of the volume to which the data set is recovered. For *volseraddr*, substitute the address of the six-byte area that contains the specified volume serial number. The volume serial number must be left-justified and padded with blanks. This parameter only applies to non-SMS-managed data sets.

Note: When the TOVOL parameter is specified, the UNIT parameter must also be specified.

UNIT

specifies the address of a field containing the unit type of the volume to which the data set is to be recovered. For *unitaddr*, use the address of the four-byte field that contains the UCB device type. For example, X'3010200F' is the UCB unit type for a 3390 device. For a table presenting the supported unit types and UCBs, see Table 12 on page 154. This parameter only applies to non-SMS-managed data sets.

Note: When the UNIT parameter is specified, the TOVOL parameter must also be specified.

VER

specifies the address of a field containing the unique version number of the particular active backed up data set that you would like to recover. For *vernumaddr*, substitute the address of a four-byte field that contains the fullword (binary) version number for the specified backup version. If DFSMSHsm is unable to find the specified backup version, the recover fails and message ARC1128I is issued. This parameter applies to both SMS-managed and non-SMS-managed data sets. VER applies only to active backup copies. You cannot use VER with retained copies.

WAIT

specifies whether you want the application to wait until DFSMSHsm has processed this request. If YES is specified, the application waits until DFSMSHsm completes processing of the request. The default is NO. This parameter applies to both SMS-managed and non-SMS-managed data sets.

Usage notes

1. If a return code of 4xx is returned and SNAPDCB is specified, a SNAP macro is issued and the request made to DFSMSHsm is dumped. The dumped storage area will include the data set name, volume serial number, and function requested.
2. If SNAPDCB and TEST=YES were specified, and there was an error flagged in the MWERC, then a SNAP macro is issued and the MWE is dumped.

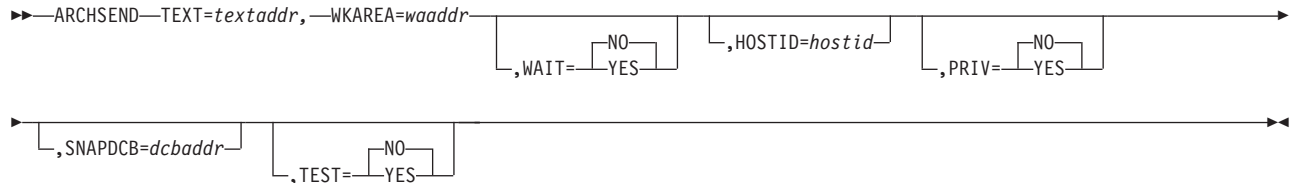
ARCHSEND: Sending a command to DFSMSHsm

The ARCHSEND macro allows you to send authorized user commands to DFSMSHsm. You must be a DFSMSHsm-authorized user to use this macro.

Note: All memory areas passed to DFSMSHsm through the macro must be in 24-bit addressing mode and below the 16MB line.

Syntax

The following diagram presents the syntax of the ARCHSEND macro:



Required parameters

The following are the required parameters of the ARCHSEND macro:

TEXT

specifies the address of a field containing the command text that is to be passed to DFSMSHsm by the HSEND CMD command. For *textaddr*, substitute the address of a variable length area (on a halfword boundary) that contains a halfword of the length of the text string (including the halfword length field), followed by the text string of the command to be passed to DFSMSHsm.

WKAREA

specifies the address of a 200-byte work area that will contain the information specified in the macro. For *waaddr*, substitute the address of the work area.

Optional parameters

The following are the optional parameters of the ARCHSEND macro:

WAIT

specifies whether you want the application to wait until DFSMSHsm has processed this request. If YES is specified, the application waits until DFSMSHsm completes processing of the request. The default is NO.

HOSTID

is a one-character host identifier that is used to distinguish which active DFSMSHsm (main or auxiliary) host is to receive the command. The specified host ID must match one of the currently active DFSMSHsm host IDs. For requirements of the *hostid* value, see the topic about startup procedure keywords in *z/OS DFSMSHsm Implementation and Customization Guide*.

SNAPDCB

specifies the address of an open DCB that can be used for SNAP macro processing. This feature is intended for problem determination. If you specify this parameter, review “Usage notes” on page 176. For *dcbaddr*, specify the address of an open DCB.

TEST

specifies whether to refrain from sending a request for service to DFSMSHsm. If YES is specified the service request is not sent. If NO is specified, a service

ARCHSEND

request is sent to DFSMSHsm. In both cases the parameters are checked for correctness. A 4xx return code will result for invalid parameters. The default is NO.

PRIV

specifies a reserved keyword for the internal interface from the CATALOG function to DFSMSHsm. If YES is specified, the interface is used. If NO is specified, the interface is not used. The default is NO.

Usage notes

1. If a return code of 4xx is returned and SNAPDCB is specified, a SNAP macro is issued and the request made to DFSMSHsm is dumped. The dumped storage area will include the data set name, volume serial number, and function requested.
2. If SNAPDCB and TEST=YES were specified, and there was an error flagged in the MWERC, then a SNAP macro is issued and the MWE is dumped.

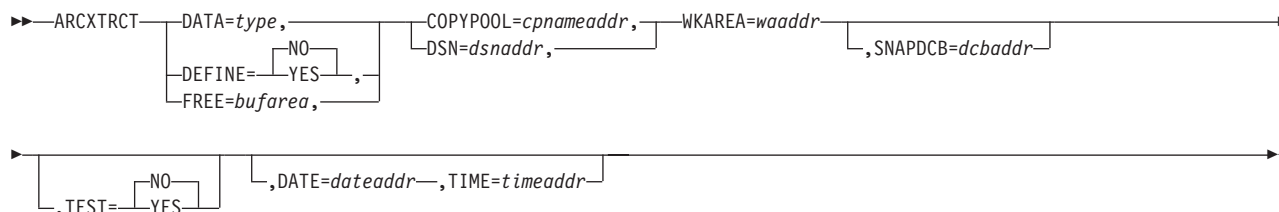
ARCXTRCT: Extracting data from DFSMSHsm

The ARCXTRCT macro allows you to extract DFSMSHsm data within a program. The data can be used to issue other DFSMSHsm user macros.

Note: All memory areas passed to DFSMSHsm through the macro must be in 24-bit addressing mode and below the 16MB line.

Syntax

The following diagram presents the syntax of the ARCXTRCT macro.



Required parameters

There are three usage forms for ARCXTRCT, specified by `DATA=type`, `DEFINE=YES`, and `FREE=bufarea`, respectively. These are mutually exclusive keywords; only one can be specified per invocation. The three usage forms are described as follows:

DATA: Extracting the data into an extract buffer

The DATA keyword determines the type of data to be extracted. The following values, COPYPOOL and BUVERS, are mutually exclusive values for *type*.

- **COPYPOOL:** The COPYPOOL parameter is used to extract data about each backup version of the specified copy pool. The extract buffer is a header that is followed by one or more entries describing each valid backup version. There can be up to 85 versions that are returned for a single copy pool. Data associated with each copy is returned.

Requirement: When you specify `DATA=COPYPOOL`, you must specify the `COPYPOOL=cpnameaddr` keyword.

The COPYPOOL keyword specifies the pointer to the name of the copy pool for which a list of backup versions is to be returned. For *cpnameaddr*, substitute the address of the copy pool name. The area pointed to by *cpnameaddr* must be a 30-byte area containing the copy pool name, left justified and padded with blanks.

Table 13 shows the layout for the extract header.

Table 13. Extract Header Layout

Offsets		Type	Bytes	Name	Description
Dec	Hex				
0	(0)	Character	8	XHEADER	Extract area header.
0	(0)	Fixed	1	XSUBPOOL	Extract Data subpool.
1	(1)	Fixed	3	XLENGTH	Extract area size (total).
4	(4)	Fixed	2	XENTRIES	Number of entries that follow.
6	(6)	Fixed	2	XENTRLEN	Size of each entry.

ARCXTRCT

Table 14 shows the layout of each DATA=COPYPOOL backup version entry.

Table 14. Entry for DATA=COPYPOOL backup version

Offsets		Type	Bytes	Name	Description
Dec	Hex				
0	(0)	Character	108	CPENT	Entry for copy pool backup version.
0	(0)	Fixed	4	CPVER	Version number 001-999.
4	(4)	Fixed	4	CPGEN	Generation number 00-84.
8	(8)	Bitstring	2	CPFLAG	Flags.
		1...		CPFVALID	When set to 1, the DASD copy is valid. When set to 0, the version is in a state ineligible for recover processing. It might fail or the copy pool is formatted for use in a z/OS V1R8 or later environment.
		.1..		CPFNVTOC	When set to 1, NOVTOCENQ was specified.
		..1.		CPFRECVR	When set to 1, DASD copy is recoverable.
		...1		CPFDMPRC	When set to 1, all required dump copies are complete.
	 1...		CPFDMPAC	When set to 1, all dump copies are complete.
	1..		CPFDMPPC	When set to 1, dump is partial.
	1.		CPFINC	When set to 1, the copy pool version is incremental.
	1		CPFINCMPL	When set to 1, copy pool recovery is incomplete.
		1...		CPFCATIN	When set to 1, catalog information was captured.
		.1..		CPFFCCG	When set to 1, copy pool backup version was created with the FlashCopy consistency group option.
		..xx xxxx		*	Reserved.
10	(A)	Character	4	CPDATE	Date when backup made. Format: YYYYDDDF
14	(E)	Character	4	CPTIME	Time when backup made. Format: HHMMSSSTH
18	(12)	Character	40	CPTOKEN	Token.
58	(3A)	Character	9(5)	CPDINFO	Array containing dump class info.
58	(3A)	Character	8	CPDCNAME	Dump class name.
66	(42)	Bitstring	1	CPDFLAGS	Flags for this dump class.
		1...		CPDCMPLT	When set to 1, the dump for this dump class is complete.
		.1..		CPDREQD	When set to 1, a dump class is required.
		..xx xxxx		*	Reserved.
103	(67)	Character	5	*	Reserved.

- **BUVERS:** The BUVERS parameter is used to extract data about the backup versions for an individual data set. The extract buffer is a header that is followed by one or more entries describing each valid backup version. There can be up to 100 versions that are returned for a single data set. Because uncataloged data sets can have the same name as cataloged data sets, a bit indicates whether this version is for the cataloged or uncataloged data set.

The DATA=BUVERS information returned can be used for ARCHBDEL and ARCHRCOV macros. It is the caller's responsibility to free the extract buffer when no longer required. See the FREE=*keyword* description below.

Requirement: When you specify BUVERS, you must specify the DSN=*dsnaddr* keyword.

Table 13 on page 177 shows the layout of the DATA=BUVERS extract header and Table 15 shows the layout of each DATA=BUVERS backup version entry.

Table 15. Entry for DATA=BUVERS backup version

Offsets		Type	Bytes	Name	Description
Dec	Hex				
0	(0)	Character	108	BUVEENT	Entry for backup version.
0	(0)	Fixed	4	BUVEVER	Version number 000-999. (Version=000 indicates the version was created with the NEWNAME and DATE keywords).
4	(4)	Fixed	4	BUVEGEN	Generation number 00-84.
8	(8)	Character	4	BUVEDATE	Date when backup made. Format: YYYYDDDF
12	(C)	Character	4	BUVETIME	Time when backup made. Format: HHMMSSSTH
16	(10)	Character	16	BUVEOWNR	Resource owner.
32	(20)	Character	8	BUVEDATA	Resource data.
40	(28)	Bitstring	4	BUVEFLAG	Status flags.
		1... ..		BUVEFBWO	When set to 1, backup-while-open candidate.
		.1.. ..		BUVENONQ	When set to 1, no enqueue attempted, since DFSMSHsm directed not to.
		..1.		BUVEFCAT	When set to 1, cataloged when backup made.
		...1		BUVEFRRR	When set to 1, RLS recovery required indicator.
	 1...		BUVENQN1	When set to 1, enqueue attempted, but failed.
	1..		BUVENQN2	When set to 1, enqueue attempted, backup retried, enqueue failed again.
	1.		BUVENRCM	When set to 1, notify recovery control manager.
	1		BUVEFN	When set to 1, NEWNAME specified at time of backup.
		1... ..		BUVEFSNO	When set to 1, the backup version was created using the SPHERE(NO) option.

ARCXTRCT

Table 15. Entry for DATA=BUVERS backup version (continued)

Offsets		Type	Bytes	Name	Description
Dec	Hex				
		.1..		BUVEFGVN	When set to 1, the backup version was created using the GENVSAMCOMPNames option.
		..1.		BUVEMAS	When set to 1, more entries available
		...1		BUVEFRD	When set to 1, RETAINDays was specified at the time of backup
	 1...		BUFEFNEX	When set to 1, this version never expires. Only valid when BUVEFRD is set to 1.
		..xx xxxx		*	Reserved.
44	(2C)	Character	8	BUVERLSG	RLS recovery timestamp (GMT).
52	(34)	Character	8	BUVERLSL	RLS recovery timestamp local.
60	(3C)	Fixed	2	BUVERDYS	RETAINDays value, only valid when BUVEFRD is set to 1 and BUFEFNEX is set to 0.
62	(3E)	Character	46	*	Reserved.

The DSN keyword determines the data set from which the information is needed. DATA determines what type of data is requested. A GETMAIN request for the extract buffer is performed automatically and returned in register 1. For *dsnaddr*, use the address of the 44-byte data area that contains the fully-qualified data set name. The data set name must be left-justified and padded with blanks. This data set can be either SMS-managed or non-SMS-managed.

The WKAREA keyword specifies the address of a 200-byte work area that will contain the information specified in the macro. For *waaddr*, substitute the address of the work area. The work area must be below the 16MB line. The work area serves as a temporary storage area for the macro processing and becomes available to you as soon as the macro returns control to your program.

DEFINE: Defining a DSECT for the data returned

The extract buffer address contains an area with a header, followed by a list of entries. Both the header and entry definitions are generated. DEFINE=YES specifies that a DSECT is to be generated. DEFINE=NO is the default. Table 13 on page 177 and Table 14 on page 178 show the layouts of the data buffer that is returned.

FREE: Free the extract buffer

The FREE keyword specifies the address of the extract buffer that was returned by a previous extract request. If the extract request did not obtain storage, register 1 would be zero. If register 1 is not zero, it is the caller's responsibility to free the storage as described by its first four bytes of the extract header layout (shown in Table 13 on page 177).

Optional parameters

The following are the optional parameters of the ARCXTRCT macro:

DATE

specifies the date and time that the backup version to be extracted was created.

For *dateaddr*, specify the address of a data area that contains the backup date. The field referenced by *dateaddr* must contain 7 digits in the form of *yyyymmdd*. The default value for date is 0.

TIME

specifies the time that the backup version to be extracted was created. For *timeaddr*, specify the address of the data area that contains the backup time. The field referenced by *timeaddr* must contain 6 digits in the form of *hhmmss*. The default value for time is 0.

SNAPDCB

specifies the address of an open DCB that can be used for SNAP macro processing. This feature is intended for problem determination. If you specify this parameter, review "Usage notes." For *dcbaddr*, specify the address of an open DCB.

TEST

specifies whether to refrain from sending a request for service to DFSMSHsm. If YES is specified the service request is not sent. If NO is specified, a service request is sent to DFSMSHsm. In both cases the parameters are checked for correctness. A 4xx return code will result for invalid parameters. The default is NO.

Usage notes

1. You must specify DATE and TIME together and they are valid only with the DATA=BUVERS form of the macro. Otherwise, the macro fails.
2. The ARCXTRCT DATA=BUVERS output can contain information for up to 100 backup versions. If there are more than 100 backup copies of the specified data set, DFSMSHsm sets the BUVEFMAS flag in the last entry of the output. To obtain information on the additional backup copies, issue the request again and specify the DATE and TIME parameters. DFSMSHsm returns up to 100 versions created before the specified date and time.
3. If a return code of 4xx is returned and SNAPDCB is specified, a SNAP macro is issued and the request made to DFSMSHsm is dumped. The dumped storage area will include the data set name, volume serial number, and function requested. DFSMSHsm also dumps the extract buffer.
4. If SNAPDCB and TEST=YES were specified, and there was an error flagged in the MWERC, then a SNAP macro is issued and the MWE is dumped.

Part 4. Appendixes

Appendix A. DFSMSHsm and ISMF line operator reference summary

Table 16 presents the DFSMSHsm/ISMF line operators, summarizes their functions, and gives the minimum abbreviation that you can use when entering them in the foreground.

Table 16. DFSMSHsm/ISMF Line Operators

Line Operator	Minimum Abbreviation	Description
CONDENSE	CON	Frees unused space at the end of a partitioned or sequential data set; compresses a PDS.
DELETE	DE	Deletes a DFSMSHsm-migrated data set or an online data set.
HALTERDS	HA	Changes the maximum number of backup versions of a data set; changes the minimum frequency of incremental backup. Cannot be used on SMS-managed data sets, which are controlled by the data sets management class parameters. If used on SMS-managed data sets, the command fails and an error message is issued.
HBACKDS	HBA	Creates a backup version of a data set.
HBDELETE	HBD	Deletes backup versions of a data set.
HMIGRATE	HMI	Migrates a data set to a DFSMSHsm level one or level two volume.
HRECALL	HRECA	Recalls a data set that has been migrated by DFSMSHsm.
HRECOVER	HRECO	Recovers a backup version of a data set.

Appendix B. Return codes from DFSMSHsm commands

The following DFSMSHsm commands issue return codes to indicate the success or failure of their operation:

- HBACKDS
- HDELETE
- HMIGRATE
- HRECALL
- HRECOVER

Return codes are assigned in register 15. This allows the success or failure of the commands to be tested in a CLIST or batch job. Return codes come from one of two sets: default and extended.

The default set of return codes appear during normal DFSMSHsm operations and provides a return code that indicates success or one of several errors.

The extended set of return codes is functional only when DFSMSHsm commands are running in a truly interactive mode (TSO or foreground). This extended set of return codes, which appear when the EXTENDRC and the WAIT parameters are specified, provides a more detailed indication of processing results by returning both a return code and a reason code. The EXTENDRC parameter does not apply when it is used by a terminal monitor program (TMP) or when DFSMSHsm commands are issued from a batch job; although DFSMSHsm does not fail the command, the parameter is ignored. Because the extended set of return and reason codes may not be completed until after physical completion of backup processing, the HBACKDS command fails if you use both the CC and EXTENDRC keywords together.

Return codes from the default set

Table 17 lists the return codes (*retcode*) that belong to the default set.

Table 17. Default Set Return Codes

Retcode	Meaning
0	No errors are detected. Note: It is not considered an error when an HRECALL command finds that the data set is not cataloged to volume MIGRAT. The informational message ARC1102I will be issued and zero will be returned in register 15.
12	DFSMSHsm functional failure has occurred or more than one type of error was detected as a multiple data set request was processed. DFSMSHsm received the request and tried to process it, but was unsuccessful. DFSMSHsm issued an error message between messages: ARC1101I and ARC1900I. To obtain this return code, the WAIT option must be specified on the command. Otherwise, only the success or failure of communication with DFSMSHsm is reported.
14	Data set error has occurred and the request was not communicated to DFSMSHsm. A data set error occurs when the data set is not cataloged for a command that requires a cataloged data set or if the data set name syntax is incorrect.
16	DFSMSHsm SVC path error has occurred. An error has occurred in attempting to communicate with DFSMSHsm. DFSMSHsm has not received the request.
18	A command syntax error was detected.

The default set of return codes is returned in register 15. The following JCL is an example of using a DFSMSHsm command and testing the return code while running in a batch job:

```
//LISTDS JOB...
//*RECOVER DATA SET
//RECOVER EXEC PGM=IKJEFT01
//SYSIN DD DUMMY
//SYSPRINT DD SYSOUT=A
//SYSTSPRT DD SYSOUT=A
//SYSTSIN DD *
    HRECOVER DATA.SET.NAME REPLACE WAIT
/*
//*PRINT DATA SET IF RECOVERY IS SUCCESSFUL
//PRINT EXEC PGM=IDCAMS,COND=(0,NE)
//SYSPRINT DD SYSOUT=A
//SYSIN DD *
    PRINT INDATASET(DATA.SET.NAME)
/*
```

Return codes from the extended set

When the EXTENDRC parameter is specified on the HBACKDS, HDELETE, HRECALL, HRECOVER or HMIGRATE commands, DFSMSHsm assigns both a return code and a reason code in register 15 that provides a more detailed indication of the results from processing the request. In most cases, the return codes correspond to the message number that DFSMSHsm issues to provide an explanation when the request fails. If there is a reason code associated with the failure, it is also returned.

Important: The return code is returned in the high-order two bytes of register 15. The reason code is returned in the low-order two bytes of register 15.

To obtain the corresponding message number from the contents of register 15, the following algorithms are used:

For return code: $HSMRC = (\text{contents of register 15} / 65536)$

For reason code: $HSMREAS = (\text{contents of register 15} - (HSMRC \times 65536))$

The following example shows how to obtain the return code, the corresponding message number, and any associated reason code from the contents of register 15. For this example, when we tried to migrate a data set that was not eligible for migration, we received the following values:

Table 18. Return codes from the extended set example: register 15 values

Decimal Value	HEX Value
1310724	00140004

- Return code:

$HSMRC = (1310724 / 65536)$

$HSMRC = 20.000061$

$HSMRC = 20$

The HSMRC variable contains the return code value of 20. The return code (or **nn**) can be used to locate the corresponding message number; in our migration example, ARC12**nn** or ARC1220.

- Reason code:

$HSMRC = 20$ (return code must be obtained before reason code)

$HSMREAS = (1310724 - (20 \times 65536))$

$HSMREAS = (1310724 - 1310720)$

$HSMREAS = 4$

The HSMREAS variable contains the reason code value of 4. Look for this reason code under the corresponding message number; in our migration example, message ARC1220 and reason code of 4.

When you are using a TSO CLIST, the return and reason codes are both provided in register 15 for access as the CLIST variables: &LASTCC or &MAXCC; The CLIST example (see 190) shows how to separate the return and reason codes set by DFSMSHsm from the &LASTCC variable.

When you are using ISPF, the return and reason codes are both provided in register 15 and can be obtained by using the HELP function. Use the given algorithms to obtain the return code, the corresponding message number, and any associated reason code.

The EXTENDRC parameter is best used when single data set requests are issued. When a multiple data set request is issued, multiple failures are reported with a single, generic return code of 112.

Table 19 on page 190 lists the return codes that belong to the extended set. These return codes are returned in the high-order two bytes of register 15 with the exception of return code 18, which is returned in the low-order two bytes of register 15.

Table 19. Extended set return codes

Retcode	Meaning
0	No errors are detected.
18	A command syntax error is detected. The return code is reported in the low-order two bytes of register 15.
112	For a multiple data set request, more than one type of error was detected, or more than one functional failure has occurred.
114	A data set error has occurred. A data set error occurs when the data set is not cataloged for a command that requires a cataloged data set or if the data set name syntax is incorrect. DFSMSHsm did not receive the request.
116	A DFSMSHsm SVC path error has occurred. An error has occurred in communicating with DFSMSHsm. DFSMSHsm did not receive the request.
120	An ABEND occurred.
nn	<p>A DFSMSHsm functional failure occurred (the WAIT option was specified) and the MWE return code of the functional failure coincides with ARCxxnn messages as follows:</p> <ul style="list-style-type: none"> • Failing recall/recovery/delete messages ARC1101 to ARC1199 have return codes 1 to 99. <p>Note: It is not considered an error when an HRECALL command finds that the data set is not cataloged to volume MIGRAT. The informational message ARC1102I will be issued and zero will be returned in register 15.</p> <ul style="list-style-type: none"> • Failing migration messages ARC1201 to ARC1299 have return codes 1 to 99. • Failing backup messages ARC1301 to ARC1399 have return codes 1 to 99. • Failing DFSMSHsm command messages ARC1601 to ARC1699 have return codes 1 to 99. • Attention message ARC1800 has return code 100. This return code is returned when the request is interrupted with a TSO attention request. • Abnormal ending message ARC1900 of the preceding function has a return code of 120.

These reason codes have meaning only with specific return codes. Reason codes are described with the corresponding messages. See *LookAtLookAt* or *z/OS MVS System Messages, Vol 2 (ARC-ASA)*.

The following fragment is an example of checking return codes when issuing DFSMSHsm commands from a CLIST running in the foreground:

```

/*ERROR EXIT TO GET RETURN AND REASON CODES FROM REGISTER 15*/
ERROR DO
    SET   HSMRC = &EVAL(&LASTCC; / 65536)
    SET   HSMREAS = &EVAL(&LASTCC - &EVAL(&HSMRC * 65536))
    RETURN
    END
/*RECOVER THE DATA SET */
HRECOVER DATA.SET.NAME REPLACE WAIT EXTENDRC
IF &HSMRC = 45 THEN -
    /*IF DATA SET IS MIGRATED, RECALL THE DATA SET */
    DO
        SET HSMRC = 0
        SET HSMREAS = 0
        HRECALL DATA.SET.NAME WAIT EXTENDRC
        IF &HSMRC = 0 THEN -
            /*IF RECALL IS SUCCESSFUL, ATTEMPT DATA SET RECOVER
            HRECOVER DATA.SET.NAME REPLACE WAIT EXTENDRC
            ELSE -
                /*IF RECALL IS NOT SUCCESSFUL, ISSUE MESSAGE */
                DO
                    WRITE RECALL NOT SUCCESSFUL
                    EXIT
                END
            END
        END
    ELSE -
        /*IF DATA SET IS NOT MIGRATED OR RECOVERY NOT SUCCESSFUL
        /*ISSUE MESSAGE */
        DO
            WRITE RECOVERY NOT SUCCESSFUL
            EXIT
        END
    END
EXIT

```

Return codes from user macros

Programming Interface Information

When using the user macros, DFSMShsm sets a return code in register 15 that indicates the result of processing the request. In most cases, the return codes correspond to the message number that DFSMShsm issues to provide an explanation when the request fails. If there is a reason code associated with the failure, it is returned in register 0.

Table 20 lists the return codes that are placed in register 15 upon completion of the invocation of the macro.

Table 20. User Macros Return Codes

Retcode	Meaning
0	Function is successful
100	DFSMShsm is not running or the request could not be communicated to DFSMShsm
400	Invalid request ID
401	Attempt to free a MWE for an incomplete function (applies to ARCFMWE only)
402	Data set locate failure (applies to ARCHRCAL and ARCHMIG only)
403	Data set name specified was * or blank
404	The date specified with ARCHRCOV has format <i>yyddd</i> , but the system date is later than 1999
407	An internal error occurs with the ARCHBACK command.

Table 20. User Macros Return Codes (continued)

Retcode	Meaning
806	Link error
Any other nonzero	Function fails

End of Programming Interface Information

Individual macros and their messages

Programming Interface Information

Table 21 lists individual macros and their related messages. *xx* is the nonzero value returned in register 15. This hexadecimal value must be converted to decimal before the corresponding message number can be obtained. For most of the macros, WAIT *must* be coded in the macro to get an “any other nonzero” return code.

Table 21. Messages from Individual Macros

Macro	Message
ARCFMWE	None.
ARCHBACK	See ARC13xx for return codes (use WAIT to get a <i>retcode</i>).
ARCHBDEL	See messages ARC0182 and ARC0183.
ARCHDEL	See message ARC11xx for return codes (use WAIT to get a <i>retcode</i>).
ARCHMIG	See message ARC12xx for return codes (use WAIT to get a <i>retcode</i>).
ARCHRCAL	See message ARC11xx for return codes (use WAIT to get a <i>retcode</i>).
ARCHRCOV	See message ARC11xx for return codes (use WAIT to get a <i>retcode</i>).
ARCHSEND	Dependent on the text sent. For instance, if the text indicated MIGRATE, then see message ARC12xx (use WAIT to get a <i>retcode</i>).
ARCXTRCT	See message ARC0184I.

End of Programming Interface Information

Appendix C. Accessibility

Accessible publications for this product are offered through the z/OS Information Center, which is available at www.ibm.com/systems/z/os/zos/bkserv/.

If you experience difficulty with the accessibility of any z/OS information, please send a detailed message to mhvrcfs@us.ibm.com or to the following mailing address:

IBM Corporation
Attention: MHVRCFS Reader Comments
Department H6MA, Building 707
2455 South Road
Poughkeepsie, NY 12601-5400
USA

Accessibility features

Accessibility features help a user who has a physical disability, such as restricted mobility or limited vision, to use software products successfully. The major accessibility features in z/OS enable users to:

- Use assistive technologies such as screen readers and screen magnifier software
- Operate specific or equivalent features using only the keyboard
- Customize display attributes such as color, contrast, and font size.

Using assistive technologies

Assistive technology products, such as screen readers, function with the user interfaces found in z/OS. Consult the assistive technology documentation for specific information when using such products to access z/OS interfaces.

Keyboard navigation of the user interface

Users can access z/OS user interfaces using TSO/E or ISPF. Refer to *z/OS TSO/E Primer*, *z/OS TSO/E User's Guide*, and *z/OS ISPF User's Guide Vol I* for information about accessing TSO/E and ISPF interfaces. These guides describe how to use TSO/E and ISPF, including the use of keyboard shortcuts or function keys (PF keys). Each guide includes the default settings for the PF keys and explains how to modify their functions.

Dotted decimal syntax diagrams

Syntax diagrams are provided in dotted decimal format for users accessing the z/OS Information Center using a screen reader. In dotted decimal format, each syntax element is written on a separate line. If two or more syntax elements are always present together (or always absent together), they can appear on the same line, because they can be considered as a single compound syntax element.

Each line starts with a dotted decimal number; for example, 3 or 3.1 or 3.1.1. To hear these numbers correctly, make sure that your screen reader is set to read out punctuation. All the syntax elements that have the same dotted decimal number (for example, all the syntax elements that have the number 3.1) are mutually

exclusive alternatives. If you hear the lines 3.1 USERID and 3.1 SYSTEMID, you know that your syntax can include either USERID or SYSTEMID, but not both.

The dotted decimal numbering level denotes the level of nesting. For example, if a syntax element with dotted decimal number 3 is followed by a series of syntax elements with dotted decimal number 3.1, all the syntax elements numbered 3.1 are subordinate to the syntax element numbered 3.

Certain words and symbols are used next to the dotted decimal numbers to add information about the syntax elements. Occasionally, these words and symbols might occur at the beginning of the element itself. For ease of identification, if the word or symbol is a part of the syntax element, it is preceded by the backslash (\) character. The * symbol can be used next to a dotted decimal number to indicate that the syntax element repeats. For example, syntax element *FILE with dotted decimal number 3 is given the format 3 * FILE. Format 3* FILE indicates that syntax element FILE repeats. Format 3* * FILE indicates that syntax element * FILE repeats.

Characters such as commas, which are used to separate a string of syntax elements, are shown in the syntax just before the items they separate. These characters can appear on the same line as each item, or on a separate line with the same dotted decimal number as the relevant items. The line can also show another symbol giving information about the syntax elements. For example, the lines 5.1*, 5.1 LASTRUN, and 5.1 DELETE mean that if you use more than one of the LASTRUN and DELETE syntax elements, the elements must be separated by a comma. If no separator is given, assume that you use a blank to separate each syntax element.

If a syntax element is preceded by the % symbol, this indicates a reference that is defined elsewhere. The string following the % symbol is the name of a syntax fragment rather than a literal. For example, the line 2.1 %OP1 means that you should refer to separate syntax fragment OP1.

The following words and symbols are used next to the dotted decimal numbers:

- ? means an optional syntax element. A dotted decimal number followed by the ? symbol indicates that all the syntax elements with a corresponding dotted decimal number, and any subordinate syntax elements, are optional. If there is only one syntax element with a dotted decimal number, the ? symbol is displayed on the same line as the syntax element, (for example 5? NOTIFY). If there is more than one syntax element with a dotted decimal number, the ? symbol is displayed on a line by itself, followed by the syntax elements that are optional. For example, if you hear the lines 5 ?, 5 NOTIFY, and 5 UPDATE, you know that syntax elements NOTIFY and UPDATE are optional; that is, you can choose one or none of them. The ? symbol is equivalent to a bypass line in a railroad diagram.
- ! means a default syntax element. A dotted decimal number followed by the ! symbol and a syntax element indicates that the syntax element is the default option for all syntax elements that share the same dotted decimal number. Only one of the syntax elements that share the same dotted decimal number can specify a ! symbol. For example, if you hear the lines 2? FILE, 2.1! (KEEP), and 2.1 (DELETE), you know that (KEEP) is the default option for the FILE keyword. In this example, if you include the FILE keyword but do not specify an option, default option KEEP will be applied. A default option also applies to the next higher dotted decimal number. In this example, if the FILE keyword is omitted, default FILE(KEEP) is used. However, if you hear the lines 2? FILE, 2.1, 2.1.1!

(KEEP), and 2.1.1 (DELETE), the default option KEEP only applies to the next higher dotted decimal number, 2.1 (which does not have an associated keyword), and does not apply to 2? FILE. Nothing is used if the keyword FILE is omitted.

- * means a syntax element that can be repeated 0 or more times. A dotted decimal number followed by the * symbol indicates that this syntax element can be used zero or more times; that is, it is optional and can be repeated. For example, if you hear the line 5.1* data area, you know that you can include one data area, more than one data area, or no data area. If you hear the lines 3*, 3 HOST, and 3 STATE, you know that you can include HOST, STATE, both together, or nothing.

Note:

1. If a dotted decimal number has an asterisk (*) next to it and there is only one item with that dotted decimal number, you can repeat that same item more than once.
 2. If a dotted decimal number has an asterisk next to it and several items have that dotted decimal number, you can use more than one item from the list, but you cannot use the items more than once each. In the previous example, you could write HOST STATE, but you could not write HOST HOST.
 3. The * symbol is equivalent to a loop-back line in a railroad syntax diagram.
- + means a syntax element that must be included one or more times. A dotted decimal number followed by the + symbol indicates that this syntax element must be included one or more times; that is, it must be included at least once and can be repeated. For example, if you hear the line 6.1+ data area, you must include at least one data area. If you hear the lines 2+, 2 HOST, and 2 STATE, you know that you must include HOST, STATE, or both. Similar to the * symbol, the + symbol can only repeat a particular item if it is the only item with that dotted decimal number. The + symbol, like the * symbol, is equivalent to a loop-back line in a railroad syntax diagram.

Notices

This information was developed for products and services offered in the U.S.A. or elsewhere.

IBM may not offer the products, services, or features discussed in this document in other countries. Consult your local IBM representative for information on the products and services currently available in your area. Any reference to an IBM product, program, or service is not intended to state or imply that only that IBM product, program, or service may be used. Any functionally equivalent product, program, or service that does not infringe any IBM intellectual property right may be used instead. However, it is the user's responsibility to evaluate and verify the operation of any non-IBM product, program, or service.

IBM may have patents or pending patent applications covering subject matter described in this document. The furnishing of this document does not give you any license to these patents. You can send license inquiries, in writing, to:

IBM Director of Licensing
IBM Corporation
North Castle Drive
Armonk, NY 10504-1785
U.S.A

For license inquiries regarding double-byte character set (DBCS) information, contact the IBM Intellectual Property Department in your country or send inquiries, in writing, to:

Intellectual Property Licensing
Legal and Intellectual Property Law
IBM Japan, Ltd.
19-21, Nihonbashi-Hakozakicho, Chuo-ku
Tokyo 103-8510, Japan

The following paragraph does not apply to the United Kingdom or any other country where such provisions are inconsistent with local law: INTERNATIONAL BUSINESS MACHINES CORPORATION PROVIDES THIS PUBLICATION "AS IS" WITHOUT WARRANTY OF ANY KIND, EITHER EXPRESS OR IMPLIED, INCLUDING, BUT NOT LIMITED TO, THE IMPLIED WARRANTIES OF NON-INFRINGEMENT, MERCHANTABILITY OR FITNESS FOR A PARTICULAR PURPOSE. Some states do not allow disclaimer of express or implied warranties in certain transactions, therefore, this statement may not apply to you.

This information could include technical inaccuracies or typographical errors. Changes are periodically made to the information herein; these changes will be incorporated in new editions of the publication. IBM may make improvements and/or changes in the product(s) and/or the program(s) described in this publication at any time without notice.

Any references in this information to non-IBM Web sites are provided for convenience only and do not in any manner serve as an endorsement of those Web sites. The materials at those Web sites are not part of the materials for this IBM product and use of those Web sites is at your own risk.

IBM may use or distribute any of the information you supply in any way it believes appropriate without incurring any obligation to you.

Licensees of this program who wish to have information about it for the purpose of enabling: (i) the exchange of information between independently created programs and other programs (including this one) and (ii) the mutual use of the information which has been exchanged, should contact:

Site Counsel
IBM Corporation
2455 South Road
Poughkeepsie, NY 12601-5400
USA

Such information may be available, subject to appropriate terms and conditions, including in some cases, payment of a fee.

The licensed program described in this information and all licensed material available for it are provided by IBM under terms of the IBM Customer Agreement, IBM International Program License Agreement, or any equivalent agreement between us.

Information concerning non-IBM products was obtained from the suppliers of those products, their published announcements or other publicly available sources. IBM has not tested those products and cannot confirm the accuracy of performance, compatibility or any other claims related to non-IBM products. Questions on the capabilities of non-IBM products should be addressed to the suppliers of those products.

All statements regarding IBM's future direction or intent are subject to change or withdrawal without notice, and represent goals and objectives only.

If you are viewing this information softcopy, the photographs and color illustrations may not appear.

COPYRIGHT LICENSE:

This information might contain sample application programs in source language, which illustrate programming techniques on various operating platforms. You may copy, modify, and distribute these sample programs in any form without payment to IBM, for the purposes of developing, using, marketing or distributing application programs conforming to the application programming interface for the operating platform for which the sample programs are written. These examples have not been thoroughly tested under all conditions. IBM, therefore, cannot guarantee or imply reliability, serviceability, or function of these programs. The sample programs are provided "AS IS", without warranty of any kind. IBM shall not be liable for any damages arising out of your use of the sample programs.

Policy for unsupported hardware

Various z/OS elements, such as DFSMS, HCD, JES2, JES3, and MVS, contain code that supports specific hardware servers or devices. In some cases, this device-related element support remains in the product even after the hardware devices pass their announced End of Service date. z/OS may continue to service element code; however, it will not provide service related to unsupported hardware devices. Software problems related to these devices will not be accepted

for service, and current service activity will cease if a problem is determined to be associated with out-of-support devices. In such cases, fixes will not be issued.

Minimum supported hardware

The minimum supported hardware for z/OS releases identified in z/OS announcements can subsequently change when service for particular servers or devices is withdrawn. Likewise, the levels of other software products supported on a particular release of z/OS are subject to the service support lifecycle of those products. Therefore, z/OS and its product publications (for example, panels, samples, messages, and product documentation) can include references to hardware and software that is no longer supported.

- For information about software support lifecycle, see: IBM Lifecycle Support for z/OS (<http://www.ibm.com/software/support/systemsz/lifecycle/>)
- For information about currently-supported IBM hardware, contact your IBM representative.

Programming interface information

This document primarily documents information that is **not** intended to be used as a programming interface of DFSMSHsm.

This document also documents intended programming interfaces that allow the customer to write programs to obtain the services of DFSMSHsm. This information is identified where it occurs, either by an introductory statement or by the following marking:

————— **Programming Interface Information** —————

Programming interface information.

————— **End of Programming Interface Information** —————

Trademarks

IBM, the IBM logo, and [ibm.com](http://www.ibm.com) are trademarks or registered trademarks of International Business Machines Corp., registered in many jurisdictions worldwide. Other product and service names might be trademarks of IBM or other companies. A current list of IBM trademarks is available on the Web at "Copyright and trademark information" at www.ibm.com/legal/copytrade.shtml (<http://www.ibm.com/legal/copytrade.shtml>).

Index

A

abbreviating commands and parameters 36
accessibility 193
 contact IBM 193
 features 193
active backup copies 62
AGE subparameter, HLIST SELECT command 95, 100
ARCFMWE user macro 156
ARCHBACK user macro 157
ARCHBDEL user macro 162
ARCHDEL user macro 164
ARCHMIG user macro 166
ARCHRCAL user macro 168
ARCHRCOV user macro 171
ARCHSEND user macro 175
ARCINBAK program 68
ARCXTRCT user macro 177
assistive technologies 193
ASYNCR parameter,
 ARCHBACK user macro 157, 159
 ARCHRCAL user macro 168
attention key, TSO 39
automatic
 backup 23
 interval migration 17
 on-demand migration 17
 primary space management 17
 recall 18
 secondary space management 17
 space management 17
 volume space management 17
availability management 4, 23

B

backup
 and recovery 23
 automatic 23
 changed data sets 23
 command 24
 control data set 31
 data sets to DASD or tape 57
 function 23, 24
 inline, description 24, 67
 inline, invoking 68
 profile, discrete RACF 9
 version to recover, HRECOVER 144
 versions
 altering data set for
 installation-specified number,
 example 52
 altering data set for maximum
 versions, example 52
 altering data set for minimum
 frequency, example 52
 deleting all, example 81
 deleting specific versions 81

backup (*continued*)
 versions (*continued*)
 frequency of creation,
 HALTERDS 50
 number to delete, HBDELETE 79
 number to keep, HALTERDS 51
 number to maintain,
 HALTERDS 51
 recover, HRECOVER 144
 volume 23
backup data set deletion, expired 30
BACKUPCONTROLDATASET parameter,
 HLIST command 95, 97
BACKUPVOLUME parameter, HLIST
 command 95
batch mode processing 40
batch mode processing, example of
 JCL 40
BOTH parameter, HLIST command 95,
 97
building a data set list 14

C

cancel
 backup version, HCANCEL 84
 request numbers, example 85
 requests submitted by a particular
 user, example 85
 requests submitted to process a
 particular data set, example 85
CC parameter
 ARCHBACK user macro 64, 157
 HBACKDS command 64
changed data set, backup 23
CHANGEDONLY parameter,
 HBACKDS command (non-SMS) 57,
 60
 HBACKDS command (SMS) 57, 60
command
 syntax diagrams 33
command backup 24
command migration 119
commands
 abbreviating commands and
 parameters 36
 authorization 11, 43
 comments 36
 conventions used 36
 delimiters 36
 HALTERDS 49
 HBACKDS 57
 HBDELETE 77
 HCANCEL 83
 HDELETE 89
 HELP 39
 HLIST 93
 HMIGRATE 119
 HQUERY command 123
 HRECALL 129
 HRECOVER 139

commands (*continued*)
 keyword parameters 35
 line continuations 36
 positional parameters 35
 space maintenance 21
 syntax 38
 TSO terminal users 21, 31
 TSO/E terminal users 21, 31
comments, using commands 36
compression
 partitioned data set 29
control data sets
 backup 31
 migration 31
 offline 31
controlling the source of information
 listed, HLIST command 97
conventions, using commands 36
COPYPOOL parameter
 ARCXTRCT user macro 177

D

daily backup volume definition 5
DAOPT parameter
 ARCHRCAL user macro 168, 169
 ARCHRCOV user macro 171
DAOPTION parameter
 HRECALL command (non-SMS) 129,
 131
 HRECOVER command
 (non-SMS) 140, 142
DASD (direct access storage device)
 backup 23
 recovery 24
DATA parameter, ARCXTRCT user
 macro 177, 180
data set
 altering 53
 installation-specified versions and
 maximum frequency,
 example 52
 list of versions and frequency,
 example 53
 maximum backup versions and
 minimum frequency,
 example 52
 using HALTERDS 50
 backup
 control 31
 not waiting, example 66
 delete, HDELETE 89
 deleting partitioned data sets 90
 deletion
 of expired 29
 of expired backup 30
 extent reduction 30
 journal 31
 listing entries, HLIST 98
 listing, HLIST 93, 104
 migration control 31

data set (*continued*)

- name
 - cancelling queued requests
 - HCANCEL 83, 84
 - cancelling requests 85
 - cancelling, HCANCEL 87
 - copied for backup, HBACKKDS 60
 - deleting backup versions,
 - HBDELETE 77, 83
 - filter 37
 - listing request, HQUERY 123, 125
 - recovered data set,
 - HRECOVER 145, 146
- offline control 31
- partitioned, compression 29
- password protected 10
- recalling 129
- recover from backup,
 - HRECOVER 141
- recovery 139
- recovery, by generation number,
 - example 148
- return codes and reason codes
 - HBACKKDS example 67, 154
 - HDELETE example 92
 - HMIGRATE example 122
 - HRECALL example 134
 - HRECOVER example 149
- space overallocation, release 29
- temporary, deleting 29
- with same user prefix using asterisk
 - in data set name, not waiting
 - example 66
- data set list, building 14
- data set not waiting, example 66
- DATASETNAME parameter,
 - HCANCEL command 83, 84
 - HLIST command 95
 - HQUERY command 123
- DATE parameter,
 - ARCHRCOV user macro 171
 - HRECOVER command
 - (non-SMS) 140, 144
 - HRECOVER command (SMS) 140, 144
- DEFINE parameter, ARCXRCT user macro 177, 180
- delete
 - all backup versions of a cataloged data set, example 81
 - backup version HBDELETE 77
 - group of data sets, HDELETE 89
 - group of data sets, not waiting, example 91
 - inactive 17
 - migrated data set HDELETE 89
 - migrated data set, waiting, example 91
 - partitioned data set 90
 - password-protected data set, not waiting, example 91
 - specific backup versions of an uncataloged data set, example 81
 - two data sets, not waiting, example 92
- deletion
 - expired backup data sets 30

deletion (*continued*)

- expired data sets 29
- temporary data sets 29
- delimiters, using commands 36
- device type for receiving volume
 - specifying HRECALL 132
 - specifying HRECOVER 147
- device type for the volume,
 - HBACKKDS 63
- DFSMSHsm
 - HALTERDS command 47
 - HBACKKDS command 55
 - HBDELETE command 73
 - HCANCEL command 83
 - HDELETE command 87
 - HLIST command 93
 - HMIGRATE command 117
 - HQUERY command 123
 - HRECALL command 127
 - HRECOVER command 135
 - incompatibilities 39
 - introduction 3
 - line operator reference summary 185
 - line operators 15
 - storage device support 5
 - using with ISMF 13
- DFSMSHsm-managed
 - volume entries, listing, HLIST 96
 - volumes 5
- discrete
 - RACF backup profile 9
 - RACF profiles 9
- DSN parameter,
 - ARCHBACK user macro 157
 - ARCHBDEL user macro 162
 - ARCHDEL user macro 164
 - ARCHMIG user macro 166
 - ARCHRCAL user macro 168
 - ARCHRCOV user macro 171
 - ARCXRCT user macro 177, 179
- dsname parameter
 - (non-SMS)
 - HBACKKDS command 57
 - HBDELETE command 77, 80
 - HRECALL command 129, 130
 - HRECOVER command 140, 141
 - (SMS)
 - HBACKKDS command 57
 - HBDELETE command 77, 80
 - HRECALL command 129, 130
 - HRECOVER command 140, 141
- HALTERDS command 49, 50
- HDELETE command 89
- HMIGRATE command 119
- DSNENQ parameter, ARCHBACK user macro 157, 160

E

- ECBADDR parameter, ARCFMWE user macro 156
- entering
 - the HALTERDS command 47
 - the HDELETE command 87
 - the HMIGRATE command 117
 - the HRECALL command 127
 - the HRECOVER command 135

examples

- coding commands
 - HALTERDS 52
 - HBACKKDS 66
 - HBDELETE 81
 - HCANCEL 84
 - HDELETE 91
 - HLIST 102
 - HMIGRATE 121
 - HQUERY 124
 - HRECALL 133
 - HRECOVER 148
- expired backup data set deletion 30
- expired data set deletion 29
- extended return codes 189
- EXTENDRC parameter,
 - (non-SMS)
 - HBACKKDS command 57, 61
 - HRECALL command 129, 132
 - HRECOVER command 140, 143
 - (SMS)
 - HBACKKDS command 57, 61
 - HRECALL command 129, 132
 - HRECOVER command 140, 143
 - HDELETE command 89, 91
 - HMIGRATE command 119, 121
- EXTENDRC, using commands 187
- extent reduction 30

F

- filter, data set name 37
- FORCML1 parameter, ARCHMIG user macro 167
- FREE parameter, ARCXRCT user macro 177, 180
- frequency of creating backup versions, HALTERDS 50
- FREQUENCY parameter, HALTERDS command 49, 50
- FROMVOL parameter,
 - ARCHBDEL user macro 162, 163
 - ARCHRCOV user macro 171, 172
- FROMVOLUME parameter
 - HBDELETE command (non-SMS) 77, 80
 - HRECOVER command 140, 143
- function
 - availability management 23
 - space management 17

G

- GEN parameter, ARCHRCOV user macro 171, 172
- GENERATION parameter,
 - HRECOVER 140, 144
- generic RACF profiles 9
- group of data sets
 - deleting, example 91
 - recalling, example 134

H

- HALTERDS command
 - description 49

HALTERDS command (*continued*)
 line operator, example 47

HBACKDS command
 description 57
 line operator, example 55

HBDELETE command
 description 77
 line operator, example 73

HCANCEL command 83

HDELETE command
 description 89
 line operator, example 87

HLIST command
 description 93
 sample lists from 104

HMIGRATE command
 description 119
 line operator, example 117

HQUERY command
 description 123
 example 124

HRECALL command
 description 129
 line operator, example 127

HRECOVER command
 description 139
 line operator, example 135

I

IDCAMS considerations 40

INCLUDEPRIMARY parameter, HLIST command 95, 98

incompatibilities caused by DFSMSHsm
 IDCAMS 40
 IEHMOVE utility 40

inline backup
 data set eligibility 67
 description 24, 67
 example JCL 69
 invoking 68
 return codes 68

introduction to DFSMSHsm 3

ISMF (interactive storage management facility)
 invoking 13, 14
 line operator reference summary 185
 line operators, using 15
 using with DFSMSHsm 13

J

JCL
 batch processing example 40
 inline backup example 69

journal data set 31

K

keyboard
 navigation 193
 PF keys 193
 shortcut keys 193

keyword, parameters using commands 35

L

last-use mode 16

level 1 volumes, migration 5

level 2 volumes, migration 5

LEVEL parameter, HLIST command 95

line continuations using commands 36

line operator
 data set list, building 14
 feedback for successful completion or submission 16
 HALTERDS command 47
 HDELETE example 87
 HMIGRATE example 117
 HRECALL example 127
 HRECOVER example 135
 mode 16
 reference summary 185
 using to perform DFSMSHsm tasks 15

list of pending DFSMSHsm requests
 HQUERY command 123

list pending requests
 by request number, example 124
 data set, example 124
 for your user identification, example 124

listing
 all migration volume entries from migration control data set, example 103
 all pending requests for your user identification, example 124
 by request number, HQUERY 124
 data set entries
 for level 1 volume and sending to terminal, example 103
 from migration control data set and printing at the terminal, example 102
 DFSMSHsm-managed and migration volume entries, HLIST 96
 entries for a backup volume, HLIST 95
 entries for a data set, HLIST 95
 entries for a user, HLIST 97
 entries for data sets of selected age and sending to output data set, example 103
 entries for data sets on level 2 volumes from backup control data set, example 103
 entries for data sets residing in a small-data-set-packing data set of a specific volume, example 103
 entry for backup volume, example 103
 migrated data set entries even though data sets may have been recalled, HLIST 98
 migration and backup control data set entries, HLIST 93, 104
 only data sets that meet selection criteria, HLIST 99
 requesting a summary 102
 requests by data set name, HQUERY 123
 specifying data set organization 102

lists produced by HLIST, samples 104

location of output for the listing 98

logging onto ISMF
 master application menu 13
 primary option menu 13

M

macro
 ARCFMWE 156, 192
 ARCHBACK 157, 192
 ARCHBDEL 162, 192
 ARCHDEL 164, 192
 ARCHMIG 166, 192
 ARCHRCAL 168, 192
 ARCHRCOV 171, 192
 ARCHSEND 175, 192
 ARCXRCT 177, 192

management, automatic space 17

maximum concurrent recall tasks 18

MIGLVL parameter, ARCHMIG user macro 166

migrate a data set with HMIGRATE 119

migrated data sets
 deleting 89
 deleting, example 91
 purging, example 91

migration
 command 119
 control data set 31
 data sets to level 2 volume, not waiting, example 122
 directly to level 2 volume example 122
 specifying HMIGRATE 120
 level 1 volumes 4, 5
 level 2 volumes 4, 5
 multiple data sets to level 2 volume, not waiting, example 122
 password-protected data set to a level 1 volume, example 122
 volume entries, listing using HLIST 96

MIGRATIONCONTROLDATASET parameter, HLIST command 95, 97

MIGRATIONLEVEL1 parameter, HLIST command 95, 96

MIGRATIONLEVEL1 subparameter, HLIST SELECT command 95, 100

MIGRATIONLEVEL2 parameter
 HLIST command 95, 96
 HMIGRATE command 119, 120

MIGRATIONLEVEL2 subparameter, HLIST SELECT command 95, 100

MIGRATIONVOLUME parameter, HLIST command 95, 96

N

name of data set
 being altered, HALTERDS 50
 being deleted, HDELETE 89
 being migrated, HMIGRATE 119
 being recalled, HRECALL 129
 being recovered, HRECOVER 141

- navigation
 - keyboard 193
- new data set name for recovered data set, HRECOVER 145
- NEWNAME parameter
 - ARCHRCOV user macro 171, 172
 - HRECOVER command (non-SMS) 140, 145
 - HRECOVER command (SMS) 140, 145
- NOSMALLDATASETPACKING subparameter, HLIST SELECT command 95, 101
- Notices 197
- NOWAIT parameter, (non-SMS)
 - HBACKDS command 57, 64
 - HRECALL command 129, 133
 - HRECOVER command 140, 148 (SMS)
 - HBACKDS command 57, 64
 - HRECALL command 129, 133
 - HRECOVER command 140, 148
 - HDELETE command 89, 90
 - HMIGRATE command 119, 121
- number of backup versions to maintain, HALTERDS 51

O

- offline control data set 31
- OUTDATASET parameter, HLIST command 95, 98
- output for the listing, HLIST command 98
- overallocated space, release 29

P

- parameters
 - abbreviating commands 36
 - keyword, using commands 35
 - positional, using commands 35
- password protection data set 10
- password-protected data set
 - backing up, example 66
 - deleting, example 91
 - migration, example 122
 - recalling, example 134
 - recovering and renaming, example 149
 - renaming during recovery 145
 - waiting, example 66
- password, specifying data set 38
- PDS (partitioned data set)
 - compression, space management 29
 - deleting 90
- performing DFSMSHsm tasks with line operators 15
- positional parameters using commands 35
- PRIMARYVOLUME parameter, HLIST 95, 96
- PRIV parameter, ARCHSEND user macro 176
- processing, batch mode 40

- profile
 - discrete RACF 9
 - generic RACF 9
- programming interface information 199
- protection
 - password 10
 - RACF 9
- PURGE parameter
 - ARCHDEL user macro 164
 - HDELETE command 89, 90

Q

- query pending requests
 - example 124
 - HQUERY command 123

R

- RACF (resource access control facility)
 - authority 9
 - command 11, 43
 - data set 10
 - password 10
 - profile 9
 - protection 9
- RCVRQD parameter, ARCHRCOV user macro 171, 173
- reason codes
 - extended set
 - HBACKDS 61
 - HDELETE 91
 - HMIGRATE 121
 - HRECALL 132
 - HRECOVER 143
- recall
 - data sets 18
 - definition 18
 - description 18
- recalling
 - group of data sets, not waiting, example 134
 - migrated data set, HRECALL 129
 - password-protected data set to specific volume, waiting, example 134
 - two data sets to a volume, not waiting, example 133, 134
- receiving volume
 - for recalled data set, HRECALL 132
 - recovered data set, HRECOVER 147
- recover tape takeaway 23, 68
- recovering
 - backup version of a data set HRECOVER 139
 - backup version to replace a data set, not waiting, example 149
 - password-protected data set, renaming it, waiting, example 149
 - specific backup version by generation number, waiting, example 148
- recovery
 - and backup 23
 - description 24
- recovery of a data set 139
- reference summary, line operators 185

- releasing overallocated space 29
- renaming recovered password-protected data set, example 149
- REPLACE parameter,
 - ARCHRCOV user macro 171, 172
 - HRECOVER command (non-SMS) 140, 146
 - HRECOVER command (SMS) 140, 146
- replacing data set
 - example 149
 - specifying HQUERY 141
- request number
 - cancelling HCANCEL 85
 - cancelling queued requests HCANCEL 83
 - cancelling, example 85
 - listing HQUERY 123
- REQUEST parameter,
 - HCANCEL command 83, 84
 - HQUERY command 123, 124
- restore 24, 140, 143, 144, 146
- RETAINSDAYS parameter, HBACKDS command 62
- retained backup copies 62
- return codes
 - extended set
 - HBACKDS 61
 - HDELETE 91
 - HMIGRATE 121
 - HRECALL 132
 - HRECOVER 143
 - from default set 188
 - from extended set 188
 - from user macros 191

S

- sample lists from HLIST 104
- SELECT parameter, HLIST command 95, 99
- selected data sets, HLIST 99
- selecting entries
 - data set in use, HLIST 100
 - migrated to small-data-set-packing data set, HLIST 101
 - volume, HLIST 100
- sending comments to IBM xiii
- shortcut keys 193
- SMALLDATASETPACKING subparameter, HLIST SELECT command 95, 101
- SMS (Storage Management Subsystem)
 - storage class 6
 - storage tasks 6
- SNAPDCB parameter,
 - ARCFMWE user macro 156
 - ARCHBACK user macro 157, 160
 - ARCHBDEL user macro 162, 163
 - ARCHDEL user macro 164
 - ARCHMIG user macro 166
 - ARCHRCAL user macro 168, 169
 - ARCHRCOV user macro 171, 172
 - ARCHSEND user macro 175
 - ARCXTRCT user macro 177, 181
- source volume
 - for recovered data set 143

source volume (*continued*)
 specifying the HRECOVER 143

space management
 automatic 17
 expired backup data set deletion 30
 expired data set deletion 29
 extent reduction 30
 partitioned data set compression 29
 purpose 17
 release of overallocated space 29
 temporary data set deletion 29

space, release of overallocated 29

specifying
 data set names 37
 volume data set resided,
 HBDELETE 80

spill backup volume 5

storage device support 5

Summary of changes xv

SUMMARY parameter, HLIST
 command 95, 102

support, storage device 5

syntax diagrams
 how to read 33

syntax of DFSMSHsm user
 commands 33

SYSFREQUENCY parameter, HALTERDS
 command 49, 50

SYSOUT parameter, HLIST
 command 95, 98

SYSVERSIONS parameter, HALTERDS
 command 49, 51

T

TARGET parameter
 ARCHBACK user macro 160
 HBACKDS command 64

target volume
 for recalled data set 132
 recovered data set, HRECOVER 147

tasks, maximum number of recall 18

TCBTOKEN=CURRENT parameter
 ARCHRCAL user macro 170

temporary data set
 deletion 29

TERMINAL parameter, HLIST
 command 95, 98

TEST parameter,
 ARCFMWE user macro 156
 ARCHBACK user macro 157, 161
 ARCHBDEL user macro 162, 163
 ARCHDEL user macro 164, 165
 ARCHMIG user macro 166, 167
 ARCHRCAL user macro 168, 169
 ARCHRCOV user macro 171, 173
 ARCHSEND user macro 175
 ARCXRCT user macro 177, 181

TEXT parameter, ARCHSEND user
 macro 175

TOVOL parameter,
 ARCHRCAL user macro 168, 169
 ARCHRCOV user macro 171, 173

TOVOLUME parameter, HRECOVER
 command 140, 147

trademarks 199

TSO attention key 39

type of device
 HBACKDS 63
 specifying HRECALL 132
 specifying HRECOVER 147

U

UNIT parameter,
 ARCHBACK user macro 157, 160
 ARCHRCAL user macro 168, 169
 ARCHRCOV user macro 171, 173
 HBACKDS command (non-SMS) 57,
 63
 HRECALL command (non-SMS) 129,
 132
 HRECOVER command
 (non-SMS) 140, 147

user
 commands 21, 31
 listing entries for, HLIST 97

user commands, using 43

user interface
 ISPF 193
 TSO/E 193

user macros
 ARCFMWE 156, 192
 ARCHBACK 157, 192
 ARCHBDEL 162, 192
 ARCHDEL 164, 192
 ARCHMIG 166, 192
 ARCHRCAL 168, 192
 ARCHRCOV 171, 192
 ARCHSEND 175, 192
 ARCXRCT 177, 192

USER parameter, HLIST command 95,
 97

userid
 cancelling HCANCEL 87
 cancelling queued requests
 HCANCEL 83
 cancelling requests 85

USERID parameter, HCANCEL
 command 83, 84

using
 abbreviating commands and
 parameters 36
 asterisks in data set name,
 example 66
 comments 36
 conventions used 36
 delimiters 36
 keyword parameters 35
 line continuations 36
 line operators to perform DFSMSHsm
 tasks 15
 positional parameters 35

using commands
 DFSMSHsm user commands 43
 DFSMSHsm with the MVS/XA
 Interactive Storage Management
 Facility 13
 EXTENDRC, HBACKDS example 67
 EXTENDRC, HDELETE example 92
 EXTENDRC, HMIGRATE
 example 122
 EXTENDRC, HRECALL example 134

using commands (*continued*)
 EXTENDRC, HRECOVER
 example 149
 Using DFSMSHsm User Macros 16

V

VER parameter, ARCHRCOV user
 macro 171

VERS parameter, ARCHBDEL user
 macro 162

VERSION parameter,
 (non-SMS)
 HBDELETE command
 (non-SMS) 77, 79
 HRECOVER command
 (non-SMS) 140, 144
 (SMS)
 HBDELETE command (SMS) 77,
 79
 HRECOVER command
 (SMS) 140, 144

HALTERDS command 49, 51

volume
 daily backup 5
 deleting backup versions,
 HBDELETE 80
 DFSMSHsm-managed 5
 dump 5
 listing
 backup volume entries, HLIST 95
 DFSMSHsm-managed volume
 entries, HLIST 96
 migration volume entries,
 HLIST 96
 migration level 1 5
 migration level 2 5
 receive recalled data set,
 HRECALL 132
 receive recovered data set,
 HRECOVER 147
 spill backup 5
 where data set resides,
 HBACKDS 63

VOLUME parameter,
 ARCHBACK user macro 157, 160
 HBACKDS command (non-SMS) 57,
 63
 HLIST command 95, 96
 HRECALL command (non-SMS) 129,
 132

VOLUME subparameter, HLIST SELECT
 command 95, 100

VSAM subparameter, HLIST SELECT
 command 95, 102

W

WAIT parameter
 (non-SMS)
 HBACKDS command 57, 64
 HRECALL command 129, 133
 HRECOVER command 140, 148
 (SMS)
 HBACKDS command 57, 64
 HRECALL command 129, 133

WAIT parameter *(continued)*
(SMS) *(continued)*
HRECOVER command 140, 148
ARCHBACK user macro 157, 159
ARCHDEL user macro 164
ARCHMIG user macro 166
ARCHRCAL user macro 168, 169
ARCHRCOV user macro 171, 173
ARCHSEND user macro 175
HDELETE command 89, 90
HMIGRATE command 119, 121
WKAREA parameter
ARCFMWE user macro 156
ARCHBACK user macro 157
ARCHBDEL user macro 162, 163
ARCHDEL user macro 164
ARCHMIG user macro 166
ARCHRCAL user macro 168
ARCHRCOV user macro 171
ARCHSEND user macro 175
ARCXTRCT user macro 177, 180



Product Number: 5650-ZOS

Printed in USA

SC23-6870-00

