

z/OS



UNIX System Services File System Interface Reference

Version 2 Release 1

Note

Before using this information and the product it supports, read the information in "Notices" on page 569.

This edition applies to Version 2 Release 1 of z/OS (5650-ZOS) and to all subsequent releases and modifications until otherwise indicated in new editions.

© **Copyright IBM Corporation 1996, 2013.**

US Government Users Restricted Rights – Use, duplication or disclosure restricted by GSA ADP Schedule Contract with IBM Corp.

Contents

Figures vii

Tables ix

About this document xi

Who should use this document? xi
z/OS information xi
IBM Systems Center publications xii
Porting information for z/OS UNIX xii
z/OS UNIX courses xii
z/OS UNIX home page xii
Discussion list xiii
Finding more information about sockets xiii
Finding more information about timer units xiii

How to send your comments to IBM . . . xv

If you have a technical problem xv

z/OS Version 2 Release 1 summary of changes xvii

Chapter 1. General overview 1

System structure 1

Chapter 2. Physical file systems 3

Installing a PFS 3
Activating and deactivating the PFS 4
 Activation flow for the PFS_Init module 4
 PFS_Init entry interface 5
 Recycling a PFS externally 9
 Termination considerations 11
Cross-memory considerations 13
Considerations for writing a PFS in C 13
Security responsibilities and considerations 13
Running a PFS in a colony address space 15
Overview of the PFS interface 15
 Operations summary 16
 LFS/PFS control block structure 17
 Sharing files 19
 LFS-PFS control block integrity 20
 The OSI structure 20
 Waiting and posting 23
 LFS-PFS control block serialization 24
 Recovery considerations 25
PFS interface: File PFS protocols 28
 Mounting file systems 28
 Asynchronous mounting 30
 Resolving pathnames 31
 Unmounting file systems 31
 Creating, referring to, and inactivating file
 vnodes 32
 Creating files 34
 Deleting files 35

 Opening and closing files and first references to
 files 36
 PFS Open Context and the Open_token 37
 Reading from and writing to files 39
 Reading directories 40
 Getting and setting attributes 42
 Supporting Share Reservations in a PFS 44
 File tags 48
 Using daemon tasks within a PFS 48
 Exporting files to a VFS server 49
 Select 50
PFS interface: Socket PFS protocols 50
 Activating a domain 50
 Creating, referring to, and closing socket vnodes 51
 Reading and writing 52
 Getting and setting attributes 52
 Select/poll processing 52
 Common INET sockets 55
 SRB-mode callers 63
 Asynchronous I/O processing 64
 Related services 65
 Impact on initialization 65
 Waits that are avoided 65
 Related OSI fields 65
 Canceling an operation 66
 Responsibilities for the semantics 66
 Asynchronous I/O flow diagram 67
 Asynchronous I/O flow details 68
Colony PFS PC 71
Considerations for Internet Protocol Version 6 (IPv6) 72
 Activating IPv6 on a system 72
 Common INET transport driver index 72
 ioctl used by the XL C/C++ Runtime Library 73
 ioctls used by the prerouter 73
 ioctls used by the resolver 73
PFS support for multilevel security 75
PFS support for 64-bit virtual addressing 77
 Levels of support for 64-bit virtual addressing 77
 Indicating support for 64-bit virtual addressing 77
 Minimum 64-bit support 78
 Specific considerations for vnode operations 78
 Expanded 64-bit time values 79
PFS support for reason code error text 80
 Indicating PFS support for the error text pfscctl
 call 81
 Passing data on the error text pfscctl call 81

Chapter 3. PFS operations descriptions 83

Environment for PFS operations 83
 C header files 84
vfs_batsel — Select/poll on a batch of vnodes 84
vfs_gethost — Get the socket host ID or name 88
vfs_inactive — Batch inactivate vnodes 91
vfs_mount — Mount a file system 94
vfs_network — Define a socket domain to the PFS 99

vfs_pfsctl — PFS control	102
vfs_recovery — Recover resources at end-of-memory	106
vfs_socket — Create a socket or a socket pair	109
vfs_statfs — Get the file system status	112
vfs_sync — Harden all file data for a file system	115
vfs_unmount — Unmount a file system	117
vfs_vget — Convert a file identifier to a vnode Token	120
vn_accept — Accept a socket connection request	123
vn_access — Check access to a file or directory	126
vn_anr — Accept a socket connection and read the first block of data	128
Specific processing notes	133
Serialization provided by the LFS	134
Security calls to be made by the LFS	134
Related services	134
vn_audit — Audit an action	134
vn_bind — Bind a name to a socket	136
vn_cancel — Cancel an asynchronous operation	139
vn_close — Close a file or socket	144
vn_connect — Connect to a socket	147
vn_create — Create a new file	150
vn_fsync — Harden file data	154
vn_getattr — Get the attributes of a file	156
vn_getname — Get the peer or socket name	159
vn_inactive — Inactivate a vnode	161
vn_ioctl — I/O control	164
vn_link — Create a link to a file	167
vn_listen — Listen on a socket	171
vn_lockctl — Byte range lock control	173
vn_lookup — Look up a file or directory	177
vn_mkdir — Create a directory	181
vn_open — Open a file	184
vn_pathconf — Determine configurable pathname values	187
vn_rdwr — Read or write a file	190
vn_readdir — Read directory entries	194
vn_readlink — Read a symbolic link	198
vn_readwritev — Read or write using a set of buffers for data	201
vn_recovery — Recover resources after an abend	205
vn_remove — Remove a link to a file	209
vn_rename — Rename a file or directory	212
vn_rmdir — Remove a directory	217
vn_select — Select or poll on a vnode	220
vn_sendtorcvfm — Send to or receive from a socket	225
vn_setattr — Set the attributes of a file	228
vn_setpeer — Set a socket's peer address	234
vn_shutdown — Shut down a socket	238
vn_sndrcv — Send to or receive from a socket	240
vn_sockopt — Get or set socket options	244
vn_srmgs — Send messages to or receive messages from a socket	247
vn_srx — Send or receive CSM buffers	251
vn_symlink — Create a symbolic link	254
vn_trunc — Truncate a file	258

Chapter 4. VFS servers 263
Installation 263

Activation and deactivation	263
Termination considerations	264
Security responsibilities and considerations	264
VFS server considerations for 64-bit addressing	265
Using the VFS callable services application programming interface	265
Operations summary	266
VFS server – LFS control block structure	266
Registration	267
Mounting and unmounting	267
Overview of NFS processing	268
NFS file handles	272
DFS-style file exporters	273
Reading and writing	275
Reading directories	276
Getting and setting attributes	277
Comparing the VFS server and PFS interfaces	277

Chapter 5. VFS callable services application programming interface . . . 279

Syntax conventions for the VFS callable services	279
Elements of callable services syntax	279
Other subjects related to callable services	280
Considerations for servers written in C	281
v_access (BPX1VAC, BPX4VAC) — Check file accessibility	281
v_close (BPX1VCL, BPX4VCL) — Close a file	283
v_create (BPX1VCR, BPX4VCR) — Create a file	286
v_export (BPX1VEX, BPX4VEX) — Export a file system	290
v_fstatfs (BPX1VSF, BPX4VSF) — Return file system status	295
v_get (BPX1VGT, BPX4VGT) — Convert an FID to a vnode Token	298
v_getattr (BPX1VGA, BPX4VGA) — Get the attributes of a file	301
v_ioctl (BPX1VIO/BPX4VIO) - Convey a command to a physical file system	303
v_link (BPX1VLN, BPX4VLN) — Create a link to a file	306
v_lockctl (BPX1VLO, BPX4VLO) — Lock a file	310
v_lookup (BPX1VLK, BPX4VLK) — Look up a file or directory	322
v_mkdir (BPX1VMK, BPX4VMK) — Create a directory	325
v_open (BPX1VOP, BPX4VOP) — Open or create a file	329
v_pathconf (BPX1VPC, BPX4VPC) — Get pathconf information for a directory or file	337
v_rdwr (BPX1VRW, BPX4VRW) — Read from and write to a file	340
v_readdir (BPX1VRD, BPX4VRD) — Read entries from a directory	344
v_readlink (BPX1VRA, BPX4VRA) — Read a symbolic link	348
v_reg (BPX1VRG, BPX4VRG) — Register a process as a server	351
v_rel (BPX1VRL, BPX4VRL) — Release a vnode token	355
v_remove (BPX1VRM, BPX4VRM) — Remove a link to a file	357

v_rename (BPX1VRN, BPX4VRN) — Rename a file or directory	360
v_rmdir (BPX1VRE, BPX4VRE) — Remove a directory	364
v_rpn (BPX1VRP, BPX4VRP) — Resolve a path name	367
v_setattr (BPX1VSA, BPX4VSA) — Set the attributes of a file	371
v_symlink (BPX1VSY, BPX4VSY) — Create a symbolic link	379

Chapter 6. OSI services 385

Using OSI services from a non-kernel address space	386
osi_copyin — Move data from a user buffer to a PFS buffer	387
osi_copyout — Move data from a PFS buffer to a user buffer	390
osi_copy64 — Move data between user and PFS buffers with 64-bit addresses	393
osi_ctl — Pass control information to the kernel	395
osi_getcred — Obtain SAF UIDs, GIDs and supplementary GIDs	399
osi_getvnode — Get or return a vnode	402
osi_kipcget — Query interprocess communications	406
osi_kmsgctl — Perform message queue control operations	409
osi_kmsgget — Create or find a message queue	413
osi_kmsgrcv — Receive from a message queue	416
osi_kmsgsnd — Send a message to a message queue	420
osi_mountstatus — Report file system status to LFS	423
osi_post — Post an OSI waiter	425
osi_sched — Schedule async I/O completion	426
osi_selpost — Post a process waiting for select	429
osi_signal — Generate the requested signal event	430
osi_sleep — Sleep until a resource is available	432
osi_thread — Fetch and call a module from a colony thread	435
osi_uiomove — Move data between PFS buffers and buffers defined by a UIO structure	440
osi_upda — Update async I/O request	444
osi_wait — Wait for an event to occur	445
osi_wakeup — Wake up OSI sleepers	449

Appendix A. System control offsets to callable services 453

Example	453
List of offsets	453

Appendix B. Mapping macros 459

Macros mapping parameters	459
BPXYATTR — Map file attributes for v_ system calls	459
BPXYNREG — Map interface block to vnode registration	467
BPXYOSS — Map operating system specific information	470
BPXYVLOK — Map the interface block for v_lockctl	474

BPXYVOPN — Map the open parameters structure for v_open	480
---	-----

Appendix C. Callable services examples 485

Reentrant entry linkage	485
BPX1VCR, BPX4VCR (v_create)	485
BPX1VSF, BPX4VSF (v_fstatfs)	486
BPX1VGT, BPX4VGT (v_get)	486
BPX1VGA, BPX4VGA (v_getattr)	487
BPX1VIO, BPX4VIO (v_ioctl)	487
BPX1VLN, BPX4VLN (v_link)	487
BPX1VLO, BPX4VLO (v_lockctl)	488
BPX1VLK, BPX4VLK (v_lookup)	488
BPX1VMK, BPX4VMK (v_mkdir)	489
BPX1VPC, BPX4VPC (v_pathconf)	489
BPX1VRW, BPX4VRW (v_rdw)	490
BPX1VRD, BPX4VRD (v_readdir)	490
BPX1VRA, BPX4VRA (v_readlink)	491
BPX1VRG, BPX4VRG (v_reg)	491
BPX1VRL, BPX4VRL (v_rel)	492
BPX1VRM, BPX4VRM (v_remove)	492
BPX1VRN, BPX4VRN (v_rename)	492
BPX1VRE, BPX4VRE (v_rmdir)	493
BPX1VRP, BPX4VRP (v_rpn)	493
BPX1VSA, BPX4VSA (v_setattr)	493
BPX1VSY, BPX4VSY (v_symlink)	494
Reentrant return linkage	495

Appendix D. Interface structures for C language servers and clients 499

BPXYVFSI	499
BPXYPFISI	523

Appendix E. Assembler and C-language facilities for writing a PFS in C 559

Assembler replacements for @@XGET and @@XFREE	559
BPXT4KGT—Get a page of storage	561
C function	561
Assembler routine	561
BPXT4KFR—Free a page of storage	561
C function	562
Assembler routine	562
BPXTWAIT—Wait on an ECB list	562
C function	562
Assembler routine	562
BPXTPOST—Post an ECB	563
C function	563
Assembler routine	563
BPXTEPOC—Convert time-of-day to epoch time	563
C function	563
Assembler routine	563

Appendix F. Accessibility 565

Accessibility features	565
Using assistive technologies	565
Keyboard navigation of the user interface	565

Dotted decimal syntax diagrams 565

Notices 569

Policy for unsupported hardware. 570

Minimum supported hardware 571

Trademarks 571

Acknowledgments. 571

Index 573

Figures

1.	VFS server and PFS structure	2	7.	Important note	312
2.	PFS_Init entry parameter list	6	8.	Input to module and exit using a parameter structure	439
3.	The LFS/PFS control block structure	19	9.	Input to module and exit without using a parameter structure	439
4.	Format of BPXYFDUM.	28			
5.	Common INET sockets PFS structure	56			
6.	Async operation flow	68			

Tables

1. PFS restart options	12	6. VFS callable services API functions	266
2. PFS operations by PFS type and category	16	7. Summary of v_open parameters that vary by open type.	336
3. TOD and SSE fields with the EXTENDED keyword	80	8. Attributes fields.	375
4. vn_select subfunctions	222	9. OSI services	385
5. attribute_structure input fields	231	10. System control offsets to callable services	453

About this document

This document describes the interfaces that are used to create physical file system (PFS) and virtual file system (VFS) servers that can operate with z/OS UNIX System Services (z/OS UNIX). PFS and VFS servers might be written to extend the services provided by z/OS UNIX in the areas of device support for a file system or network access to file systems. This document also describes how to use these interfaces.

Chapter 1 is a general overview that shows how the physical file system, logical file system, and virtual file system server interact. Chapters 2 and 3 describe the physical file system interface. Chapters 4 and 5 describe the virtual file system server interface. Chapter 6 describes the Operating System Interface (OSI) callable services.

In the appendixes, you will find information about:

- System control offsets to callable services
- Mapping macros
- Callable services examples
- Interface structures for C language servers and clients
- Assembler and C-language facilities for writing a PFS in C
- Accessibility features
- Notices
- An index

Who should use this document?

This document is intended for a specialized audience: system programmers using C or assembler language to create a physical file system (PFS) or a virtual file system (VFS) server, or to port a PFS or a VFS server to z/OS UNIX. Knowledge of POSIX or UNIX is assumed.

Depending on the complexity of the PFS or VFS server involved, a considerable amount of MVS™ system programming knowledge might be required. Detailed information about MVS services that might be needed can be found in:

- *z/OS MVS Programming: Authorized Assembler Services Reference ALE-DYN*
- *z/OS MVS Programming: Authorized Assembler Services Reference EDT-IXG*
- *z/OS MVS Programming: Authorized Assembler Services Reference LLA-SDU*
- *z/OS MVS Programming: Authorized Assembler Services Reference SET-WTO*
- *z/OS MVS Programming: Extended Addressability Guide*
- *z/OS MVS Programming: Authorized Assembler Services Guide*

This document should be used in conjunction with *z/OS UNIX System Services Programming: Assembler Callable Services Reference*, and supplements information that is contained in IEEE Std 1003.1-1990 and IEEE Std 1003.1a.

z/OS information

This information explains how z/OS references information in other documents and on the web.

When possible, this information uses cross document links that go directly to the topic in reference using shortened versions of the document title. For complete titles and order numbers of the documents for all products that are part of z/OS®, see *z/OS Information Roadmap*.

To find the complete z/OS library, including the z/OS Information Center, see z/OS Internet Library (<http://www.ibm.com/systems/z/os/zos/bkserv/>).

IBM Systems Center publications

IBM® Systems Centers produce IBM Redbooks® publications that can be helpful in setting up and using z/OS UNIX. See the IBM Redbooks site at <http://www.ibm.com/redbooks>.

These documents have not been subjected to any formal review nor have they been checked for technical accuracy, but they represent current product understanding at the time of their publication and provide information on a wide range of topics. You must order them separately. A selected list of these documents is on the z/OS UNIX website at <http://www.ibm.com/systems/z/os/zos/features/unix/library/>.

Porting information for z/OS UNIX

A *Porting Guide* is available at <http://www.ibm.com/systems/z/os/zos/features/unix/bpxa1por.html>. It covers a range of useful topics, including sizing a port, setting up a porting environment, ASCII-EBCDIC issues, performance, and much more.

The porting page also features a variety of porting tips and lists porting resources that will help you in your port.

z/OS UNIX courses

For a current list of courses that you can take, go to <http://www.ibm.com/services/learning/>.

z/OS UNIX home page

Visit the z/OS UNIX home page at <http://www.ibm.com/systems/z/os/zos/features/unix/>.

Some of the tools available from the website are ported tools, and some are unsupported tools designed for z/OS UNIX. The code works in our environment at the time we make it available, but is not officially supported. Each tool has a readme file that describes the tool and lists any restrictions.

The simplest way to reach these tools is through the z/OS UNIX home page. From the home page, click on **Tools and Toys**.

The code is also available from <ftp://ftp.software.ibm.com/s390/zos/unix/> through anonymous FTP.

Because the tools are not officially supported, APARs cannot be accepted.

Discussion list

Customers and IBM participants also discuss z/OS UNIX on the **mvs-oe discussion list**. This list is not operated or sponsored by IBM.

To subscribe to the mvs-oe discussion, send a note to:

listserv@vm.marist.edu

Include the following line in the body of the note, substituting your given name and family name as indicated:

subscribe mvs-oe **given_name family_name**

After you have been subscribed, you will receive further instructions on how to use the mailing list.

Finding more information about sockets

You can find more detailed information about sockets and their operations in various publications, including the following:

- *4.3BSD UNIX Operating System*, by S. J. Leffler et al.
- *z/OS XL C/C++ Programming Guide*
- *z/OS XL C/C++ Runtime Library Reference*
- *AIX® Version 4.3 Communications Programming Concepts*, SC23-4124

Finding more information about timer units

You can find detailed information about timer units in *z/Architecture Principles of Operation*, SA22-7832.

How to send your comments to IBM

We appreciate your input on this publication. Feel free to comment on the clarity, accuracy, and completeness of the information or provide any other feedback that you have.

Use one of the following methods to send your comments:

1. Send an email to mhvrcfs@us.ibm.com.
2. Send an email from the "Contact us" web page for z/OS (<http://www.ibm.com/systems/z/os/zos/webqs.html>).
3. Mail the comments to the following address:
IBM Corporation
Attention: MHVRCFS Reader Comments
Department H6MA, Building 707
2455 South Road
Poughkeepsie, NY 12601-5400
US
4. Fax the comments to us, as follows:
From the United States and Canada: 1+845+432-9405
From all other countries: Your international access code +1+845+432-9405

Include the following information:

- Your name and address.
- Your email address.
- Your telephone or fax number.
- The publication title and order number:
z/OS V2R1.0 UNIX System Services File System Interface Reference
SA23-2285-00
- The topic and page number that is related to your comment.
- The text of your comment.

When you send comments to IBM, you grant IBM a nonexclusive right to use or distribute the comments in any way appropriate without incurring any obligation to you.

IBM or any other organizations use the personal information that you supply to contact you only about the issues that you submit.

If you have a technical problem

Do not use the feedback methods that are listed for sending comments. Instead, take one of the following actions:

- Contact your IBM service representative.
- Call IBM technical support.
- Visit the IBM Support Portal at z/OS support page (<http://www.ibm.com/systems/z/support/>).

z/OS Version 2 Release 1 summary of changes

See the following publications for all enhancements to z/OS Version 2 Release 1 (V2R1):

- *z/OS Migration*
- *z/OS Planning for Installation*
- *z/OS Summary of Message and Interface Changes*
- *z/OS Introduction and Release Guide*

Chapter 1. General overview

z/OS UNIX System Services (z/OS UNIX) allows you to install virtual file system servers (VFS servers) and physical file systems (PFSs).

- A **VFS server** makes requests for file system services on behalf of a client. A VFS server is similar to a POSIX program that reads and writes files, except that it uses the lower-level *VFS callable services API* instead of the POSIX C-language API.

An example of a VFS server is the Network File System.

- A **physical file system (PFS)** controls access to data.

PFSs receive and act upon requests to read and write files that they control. The format of these requests is defined by the *PFS interface*.

PFSs include pipes, sockets, the Network File System client, and the following UNIX file systems: HFS, zFS, and TFS.

Another name for a PFS is an *installable file system*.

User-written programs use the POSIX API to issue file requests. VFS servers use the *VFS callable services API* to issue file requests. These requests are routed by the *logical file system (LFS)* to the appropriate PFS through the PFS interface. See Figure 1 on page 2 for a view of this structure.

This information unit describes these two interfaces and discusses the things you need to know to write a VFS server or a PFS, or to port one to the z/OS UNIX environment. In order to do this, you should be a system programmer who is familiar with POSIX or UNIX.

Porting note

This information unit uses notes like this one to highlight certain points of the implementation that are particularly important to readers who are considering porting an existing UNIX-based program to z/OS UNIX.

z/OS UNIX supports the following types of files:

- Regular files
- Directories
- Symbolic links
- Character special files (for example, terminals)
- Pipes (both FIFOs and unnamed)
- Sockets

Restriction: Character special and unnamed pipe physical file systems cannot be implemented with this interface. Unnamed pipes and socket files cannot be exported by a VFS server.

System structure

The position of the VFS server and the PFS in the structure of z/OS UNIX and the interfaces they use are illustrated in Figure 1 on page 2.

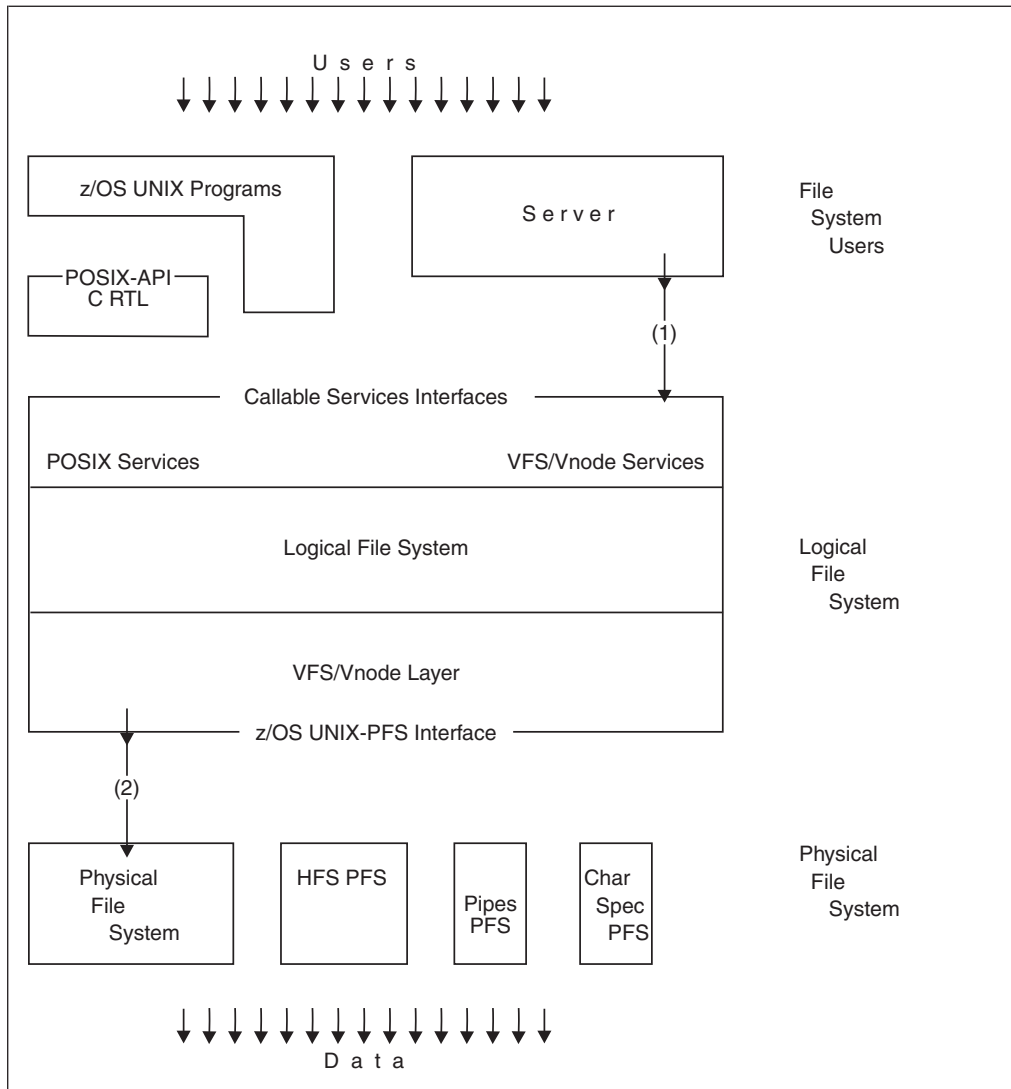


Figure 1. VFS server and PFS structure

1. The VFS callable services API is used by VFS servers to call the logical file system.
2. The logical file system calls the PFSs through the PFS interface.

Chapter 2. Physical file systems

This topic describes:

- How to install a physical file system (PFS)
- How a PFS is activated and deactivated
- The functions that must be provided by a PFS
- The functions that are provided for it
- Cross-memory considerations
- Considerations for writing a PFS in C
- Security considerations
- Running a PFS in a colony address space
- Considerations for Internet Protocol Version 6 (IPv6)
- PFS support for multilevel security
- PFS support for 64-bit virtual addressing
- PFS support for reason code error text

Installing a PFS

A physical file system (PFS) is packaged as one or more MVS load modules, which must be installed in an APF-authorized load library. The load modules cannot be installed in the z/OS UNIX file system because it is not available when a PFS is loaded.

The PFS must have an initialization routine whose entry point, called *PFS_Init*, is externally known through the system link list or the STEPLIB of the OMVS cataloged procedure. If the PFS runs in a colony address space (see “Running a PFS in a colony address space” on page 15), it must be found through the system link list or a STEPLIB of the colony address space's procedure.

A physical file system is defined to z/OS UNIX through the BPXPRMxx parmlib member you specify when you start the kernel address space (OMVS=xx). The FILESYSTYPE statement defines a single instance of a PFS.

Additional MOUNT, ROOT, SUBFILESYSTYPE, or NETWORK statements activate file system or socket support in the PFS.

```
FILESYSTYPE TYPE(file_system_type)
            ENTRYPOINT(PFS_Init)
            PARM(parameter_string)
            ASNAME(procname)
```

where:

- **TYPE** specifies a 1-to-8-character name that uniquely identifies this PFS. This name is used to route subsequent MOUNT, ROOT, SUBFILESYSTYPE, or NETWORK statements (as well as later MOUNT and PFSCtl syscalls) to the correct PFS.
- **ENTRYPOINT** specifies the name of the PFS's initialization module. The LFS attaches the PFS_Init entry point as an MVS task. This task remains active for as long as the PFS is active. See “Activating and deactivating the PFS” on page 4 for a description of initialization processing requirements for this routine.

- **PARM** specifies a PFS-defined parameter text string that can contain any value and be up to 1024 bytes long. The meaning of this string is defined by the individual PFS. The string is passed to the PFS when the PFS_Init routine is attached.
- **ASNAME** specifies that the PFS is to run outside the kernel in a separate address space.
procname is the name of the procedure to be used when starting this address space, and a logical name for the address space. Each *procname* generates a different address space when it is first encountered, and each PFS with the same *procname* shares that address space. These address spaces are logical extensions of the kernel. They are referred to as *colony address spaces*.

All PFSs are activated automatically when z/OS UNIX is started, based on the FILESYSTYPE and SUBFILESYSTYPE statements in the parmlib member. This is the only way a PFS can be started.

Mounts may also be issued dynamically at a later time through a TSO/E command or a program function call. A mount is not strictly necessary, but it is required if the files that are managed by the PFS are to be visible in the file hierarchy (that is, if they are to be represented by standard pathnames). Support for mount generally implies support for the lookup operation, which is used to resolve a pathname to a file. Pipes and sockets are examples of files that are not in the hierarchy; these PFSs do not use mount.

For a discussion of mount processing, refer to “Mounting file systems” on page 28.

The ROOT statement is a special case of MOUNT. It can be issued only from parmlib, and it defines the system's root file system.

The NETWORK statement does for a sockets PFS what MOUNT does for a data file type of PFS: It activates an address family, or domain, so that subsequent **socket()** calls are routed to that PFS to service.

For a discussion of network processing, refer to “Activating a domain” on page 50.

Activating and deactivating the PFS

A PFS is started for each FILESYSTYPE statement in the BPXPRMxx parmlib member whenever z/OS UNIX is started. The LFS and PFS exchange information during this initialization phase. Usually the PFS does not terminate.

The same ENTRYPOINT name may be specified on two or more FILESYSTYPE statements with different TYPE operands. This causes the same PFS to be started more than once. It is up to the PFS to allow this or to detect and reject it.

Activation flow for the PFS_Init module

The LFS builds a general file system table (GFS) for each PFS and attaches the PFS's initialization entry point. This creates an independent MVS task, which is expected to follow these general steps:

1. Perform any PFS initialization that is necessary.
2. Load its VFS and vnode operation service routines and build their respective vector tables.

These are the PFS routines that the LFS calls to get such services as mount, open, read, and write. The VFS and vnode operations vector tables make up the major part of the PFS interface.

This loading may be done by link-editing the operational routines with the PFS_Init routine.

3. Save the OSI operations vector table (OSIT) address.
The OSI operations vector table contains the addresses of LFS routines that the PFS uses to get certain services, such as those used to create vnodes.
4. Pass back to the LFS an 8-byte token that is saved by the LFS and used on all subsequent VFS and vnode operations. This token typically contains the address of the PFS's main anchor block. Its use is optional.
5. Exchange miscellaneous items of information between the LFS and PFS. Refer to "The PFSI structure" on page 6 and the PFSI structure in Appendix D, "Interface structures for C language servers and clients," on page 499 for details on the specific information that is exchanged.
6. Notify the LFS that initialization has finished, by posting the initialization-complete ECB that was supplied.
7. Wait on the termination ECB, which is also supplied by the LFS. This ECB is posted by the LFS when it is time to terminate the PFS.

Each PFS is initialized synchronously and serially during z/OS UNIX initialization, so that no PFS may go into an extended wait during initialization.

Note: The file system is not available this early in z/OS UNIX initialization. If the PFS_Init routine needs configuration or other information from a file, it must use an MVS data set.

PFS_Init entry interface

The PFS_Init routine receives control as the result of an MVS ATTACH in the following environment:

Authorization

Supervisor state, PSW key 0

Dispatchable unit mode

Task

Cross memory mode

PASN = HASN

AMODE

31 bit

ASC mode

Primary mode

Interrupt status

Enabled for interrupts

Locks

Unlocked

Control parameters

All parameters are addressable in the primary address space

On entry, register 1 points to a variable-length list of parameter addresses. The high-order bit of the last parameter address is turned on. For information about other entry registers, see *z/OS MVS Programming: Authorized Assembler Services*

Reference *ALE-DYN* for a description of *ATTACH*.

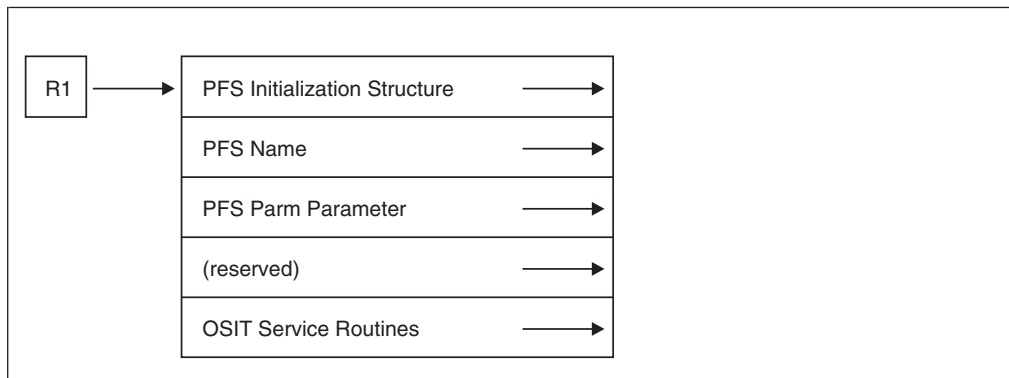


Figure 2. *PFS_Init* entry parameter list

The addresses in the parameter list point to the following parameters, each of which is described in Appendix D, “Interface structures for C language servers and clients,” on page 499.

Parameter

Description

PFSI The PFS initialization structure. This contains information that is being passed to the PFS and fields that are to be filled in by the PFS during its initialization. See “The PFSI structure” for a description of these fields.

PFSNAME

An 8-byte field that contains the name of the PFS. This name was specified in either the *TYPE* parameter of a *FILESYSTYPE* parmlib statement or the *NAME* parameter of a *SUBFILESYSTYPE* parmlib statement. This name is used to identify the PFS for the *pfscctl()* function and, when applicable, for the *v_reg()* function.

PFSPARM

A variable-length field that contains the text string that is specified in the *PARM* parameter of the *FILESYSTYPE* statement. This is a 2-byte field that contains the length of the text string, followed by the string. If this parameter is absent, the length field is zero.

OSIT The OSI service routine vector table, which provides the PFS with the addresses of the LFS service routines it needs to perform some basic functions.

See Chapter 6, “OSI services,” on page 385 for a description of the interfaces to, and functions of, each of these OSI routines.

The PFSI structure

The PFS initialization structure (*BPXYPFSI*, referred to as the *PFSI*) contains the following fields (each name is prefixed with the characters *pfsi_*):

Field Description

Supplied Fields

- ver** The version number of this *PFSI*.
- ook** An indication that this PFS is running outside the kernel.
- alone** An indication that this PFS is the only PFS running in the address space.

new An indication that this is the first time this PFS has been initialized in the address space.

romntclient

Set on to indicate that the PFS does not support simultaneous R/O mounts from multiple systems; the LFS is responsible for making R/O file systems available for sharing in a sysplex system.

The default value is off. This indicates that the PFS supports sharing of R/O file systems in a sysplex.

rwmntsysplex

Set on to indicate that the PFS does not support simultaneous R/W mounts from multiple systems; the LFS is responsible for making R/W file systems available for sharing in a sysplex system.

The default value is off. This indicates that the PFS supports sharing of R/W file systems in a sysplex.

initcompecb

The ECB that the PFS posts when its initialization is complete.

pfsecb The ECB that the LFS posts when z/OS UNIX is stopped. The PFS must be waiting on this ECB.

restart The address of the restart option byte. The PFS sets this byte any time during its processing, to control if and how it is to be restarted if it should terminate.

dumpptr

The address of dump information. This information is used by the PFS to add significant LFS areas to the dumps that are taken by the PFS.

pfssid The PFS identifier that is used with `osi_sleep` and `osi_wakeup`.

asname

The value of the ASNAME parameter of the FILESYSTYPE statement.

ep The value of the ENTRYPOINT parameter of the FILESYSTYPE statement.

Returned Fields

pfsanchor

The PFS initialization token. This token value is passed back to the PFS on every subsequent call from the LFS as part of the `token_structure`, which is the first parameter of every call. This field typically contains the address of the PFS's main anchor block.

vfso The address of the PFS's VFS operation vector table.

vnop The address of the PFS's vnode operation vector table.

srb An indication that SRB mode is supported.

asyio An indication that asynchronous I/O is supported.

usetthreads

An indication that the PFS is requesting support for the `osi_thread` service. This field can be set only by PFSs that are running outside the kernel.

disableLLA

An indication that the LFS should not provide lookup lookaside function for this PFS. If there is not a strict one-to-one correspondence between the spelling of a file name in a directory and the vnode-inode pair that represents the file, the PFS should set this bit. For example, if

'/usr/d1/fl,attr=fb' and '/usr/d1/fl' represent the same file in the /usr/d1 directory, you must disable the LFS lookup lookaside function. If directories are remote and files may be removed from them remotely, the LFS's LLA cache should also be disabled.

styalone

An indication that the LFS should not initialize any other PFSs in this address space. This field can be set only by PFSs that are running outside the kernel.

immeddel

An indication that the PFS supports deleting a removed file's data when its open count becomes zero, rather than waiting for **vn_inactive** to free the space.

cpfs

An indication that the PFS is written in C, and is requesting that the LFS invoke it with pre-initialized C environments.

datoffmove

An indication that the PFS supports DATOFF move for page read operations. For more information, see "Reading from and writing to files" on page 39.

pfstype

The type of the PFS. This identifies the PFS as a local file PFS, a remote file PFS, or a socket PFS.

pipebuf

pathconf() **_PC_PIPE_BUF** value, if applicable

maxcanon

pathconf() **_PC_MAX_CANON** value, if applicable

maxinput

pathconf() **_PC_MAX_INPUT** value, if applicable

chownrstd

pathconf() **_PC_CHOWN_RESTRICTED** value, if applicable

vdisable

pathconf() **_PC_VDISABLE** value, if applicable.

Pathconf() values that are not constant for all files supported by the PFS may be reported through the **vn_pathconf** operation.

compon

The PFS's three-letter component (or module) prefix.

compid

The PFS's five-letter component (or product) ID.

The component prefix and ID are used in dump titles for dumps that are taken by the LFS when there is an abnormal end in the PFS from which it does not recover.

modind

An indication that the PFS is supplying indirect addresses in the VFS and vnode operations vector tables for the various VFS and vnode operations routines.

complow

The low value for the PFS reason code high byte. For more information, see "PFS support for reason code error text" on page 80.

comphigh

The high value for the PFS reason code high byte. For more information, see "PFS support for reason code error text" on page 80.

VFS and vnode operations vector tables

VFS and vnode operations vector tables are allocated and built by the PFS, and their addresses are returned in the PFSI. These tables may not be altered after the PFS posts the initialization-complete ECB.

Vnode operations, such as `vn_open` and `vn_readdir`, deal with file system objects. VFS operations, such as `vfs_mount` and `vfs_statfs`, deal with whole file systems or with the PFS itself.

The routine that supports each particular operation is loaded into storage by the `PFS_Init` routine, and the entry-point address is placed into the corresponding vector table entry. If the PFS supports the dynamic service activation capability, it must instead supply indirect addresses (that point to the actual entry-point addresses for each operation routine) in the vector table entries and set the `pfsi_modind` flag in the PFSI. When the LFS processes a VFS or vnode operation request, it will recognize the flag and use the address supplied in the vector table as an indirect address to locate the target operation routine.

If the PFS does not support a particular operation, the corresponding operation's vector must contain 0. The number of operations that are placed in the table by the PFS, as determined by the returned table's length, may be less than or equal to the number of operations that are supported by the LFS. If this value is less, the LFS treats all remaining operations as not supported, just as though the PFS had supplied 0 for those operation vectors. If the table contains more entries than the LFS expects, it is considered a serious product-level mismatch between the LFS and PFS, and the PFS is terminated.

For more information, see the description of `vnoptab` and `vfsotab` structures in Appendix D, "Interface structures for C language servers and clients," on page 499.

Recycling a PFS externally

PFS Recycle can be driven externally by two calls to `pfscctl`. The caller must be a superuser. This is supported for kernel-resident PFSs only; for PFSs that are running in a colony address space, cancel the space to recycle the PFS.

PFS Recycle refreshes the PFS load module after service has been applied. The kernel space does not terminate; the only way to refresh a kernel-resident PFS load module is for the `PFS_Init` task to exit. The PFS may have its own technique to accomplish this and the `PFS_Init` task can exit on its own at any time. PFS Recycle restarts the PFS, or the LFS issues a `WTOR` and waits for a reply before restarting the PFS. Refer to "Termination considerations" on page 11 for details. These `pfscctl` commands coordinate the PFS's termination with the LFS so that calls into the PFS can be quiesced before the `PFS_Init` task exits.

PC#RecyclePFS X'8000000C'

`PC#RecyclePFS X'8000000C'` initiates a PFS recycle by posting the PFS's termination ECB.

- If no argument is passed, or if the argument value is not 1, the LFS returns to the caller immediately after calls to the PFS have quiesced and the PFS has been posted to terminate. The caller and the PFS must coordinate any dependencies

that they have on each other after this point, because the PFS may not have terminated when the caller regained control.

- If a fullword argument value of 1 is passed, the LFS waits for the PFS to terminate before returning to the caller.

The Return_value is 0 if the PFS is found.

Before this call the caller or PFS must ensure that:

- All current `osi_waiters` have been `osi_posted`.
If the `v_reg` service has been used to register that the PFS is dependent on the caller's process for `osi_post`, the LFS `osi_posts` the `osi_waiters`, just as it would if the caller's process had terminated.
- All outstanding `asncio` has been `osi_scheduled`.
- All internal waiters have been posted.
- No new `vnode ops` will be accepted by the PFS, or that no new ops will be allowed to wait or for `asncio` to cue.

Before posting the PFS termination ECB, the LFS ensures that there are no more threads executing code in the PFS layer and it will permit no more VFS or `vnode ops` to branch into the PFS. The LFS waits for any threads that are still in the PFS layer at the time of the `pfscctl` call. These could include, for example, threads that were just `osi_posted`, but whose address space had not been swapped in yet, or that were otherwise not dispatched, so they have not had a chance to return back up to the LFS layer.

A race condition exists between this call and user threads that are branching into the PFS layer at about the same time. The PFS begins to reject these calls and the LFS waits for those rejected threads to exit from the PFS layer.

When the termination ECB is posted, the PFS cleans up and exits the `PFS_Init` module. This decrements the load module's use count; when that count goes to zero the load module is deleted. This assumes a PFS that was not packaged to reside in LPA.

If the second `pfscctl`, `PC#Restart PFS`, is going to be used, the PFS must have left the Restart Option Byte (`pfsci_restart`) at its default value or reset it to `RESTART_WTOR` before exiting. In this case, the normal `WTOR` message is not issued when the PFS terminates, and the second `pfscctl` takes the place of the operator reply to restart the PFS. Alternatively, the second `pfscctl` does not have to be used if the PFS sets the Restart Option Byte to `RESTART_AUTO`.

The second `pfscctl` can also be used without the first if the PFS exits with the Restart Option Byte set to `RESTART_PFSCTL(7)`. This suppresses the `WTOR` message and causes the LFS to wait for the second `pfscctl` before restarting the PFS.

PC#RestartPFS X'8000000D'

`PC#RestartPFS X'8000000D'` restarts the PFS by reattaching the `PFS_Init` module.

- If no argument is passed, or if the argument value is not 1, the LFS waits for the PFS initialization to complete before returning to the caller.
- If a fullword argument value of 1 is passed, the LFS returns to the caller immediately after posting the internal thread that does the reattach. The caller and the PFS must coordinate between themselves for the restart. This is similar to a startup during IPL.

The Return_value is 0 if the PFS was found and was awaiting this restart. The Return_value is 1 if the PFS was found but was not waiting to be restarted. This would be a normal situation immediately after an IPL, or if the caller did not recycle the PFS. If the PFS is not found the call fails.

This call can be made before the PFS has finished terminating, in which case the LFS proceeds directly to the PFS restart when it does finally terminate.

If all copies of the PFS have been recycled and the PFS load module does not reside in the LPA, the first reattach of the load module brings a fresh copy into storage.

The PFS should run through a more or less normal PFS initialization sequence with respect to the LFS. The regular sequence of returning VFS and vnode operation vectors, posting the LFS ECB, and waiting for the PFS termination ECB must be followed.

On each restart of a PFS, the previously returned value of pfsi_pfsanchor is passed into the new instance of the PFS. The PFS may use a design in which this anchor points to persistent storage so that it can reuse or reclaim resources from a prior instance.

For Socket PFSs:

- After the PFS completes its reinitialization, the LFS reissues any vfs_network calls that were originally made to set up for the address family domains that this PFS supports.
- The master socket opens with the normal sequence of events.

For File System PFSs, prior active mounts are reissued.

The PFS does not have to remember anything from one instance to the next with respect to the LFS and the LFS/PFS interfaces.

Termination considerations

Usually, a PFS does not stop. However, an operator can request that a PFS be stopped by issuing a `MODIFY OMFS,STOPPFS=pfsname` command.

In a sysplex environment, the LFS will attempt to move file systems for the stopping PFS that are owned by this system to another system so that the termination of the PFS is nondisruptive. File systems that were mounted with `AUTOMOVE(UNMOUNT)` will be unmounted. After this, the PFS's termination ECB will be posted.

The pfsi_stoppfs capability bit indicates whether a PFS supports being stopped in this manner and only PFSs that set the pfsi_stoppfs bit will be stopped. Such PFSs do not need their own external operator command for this purpose.

A PFS may define its own external interface for stopping; however, it cannot use the `STOP` or `MODIFY` operator commands unless the PFS is running outside of the kernel.

There is nothing to prevent a PFS from terminating, either normally in a manner defined by the PFS, or abnormally. A PFS that is running in an address space

outside the kernel terminates if that address space is terminated. If the PFS_Init program task terminates for any reason before the LFS posts the termination ECB, the LFS takes the following actions:

1. All activity to this PFS is halted. Users receive EIO or EMVSERR errors for any reference to a file that is owned by this PFS.
2. Every file system that is mounted for this PFS is logically unmounted. The PFS's vfs_umount is not called, because all activity is halted; but otherwise the file system is unmounted as it would be for an UNMOUNT FORCE command. File systems that are owned by other PFSs that are mounted on directories that are owned by the terminating PFS are also unmounted. These PFSs receive vfs_umount force.
3. The PFS is restarted or not depending on the setting of the restart option byte (see Table 1). The address of this byte is passed to the PFS in the PFSI during initialization. Its value may be adjusted by the PFS any time before it terminates.
4. If the PFS was running in an address space outside the kernel, that address space may be stopped and restarted, depending on the setting of the restart option byte.

Table 1 shows the available PFS restart options.

Table 1. PFS restart options

Option	Action
RESTART_NONE	Do not restart.
RESTART_AUTO	Automatic restart.
RESTART_WTOR	Prompt the operator before restarting. This is the default restart option.
RESTART_RCNONE	Stop the address space and do not restart the PFS.
RESTART_RCAUTO	Stop the address space and automatically restart the address space and the PFS.
RESTART_RCWTOR	Stop the address space and prompt the operator before restarting the address space and the PFS.

Note:

- a. If the PFS is restarted, file systems that were mounted at the time of failure are not automatically remounted, and network statements are not reprocessed. Socket file systems should specify that the PFS is not to be restarted, because NETWORK statements cannot be issued dynamically.
- b. If the PFS requests that the colony address space in which it runs be stopped, the ASID for that address space is marked unusable.

When z/OS UNIX or the file system is being shut down by an operator, the LFS issues a PC#ShuttingDownFS vfs_pfsctl call to notify the PFS before the LFS starts unmounting file systems. At such time, the PFS can do whatever might be necessary to prepare for an orderly shutdown prior to receiving the unmount requests. This preparation should not inhibit or disrupt file system operations; users may continue using the file system up until the vfs_umount request is issued.

Note: The entire system might not be shutting down and new mount requests might be received after all existing file systems have been unmounted. The return code from the `vfs_pfsctl` call will be ignored and there is no way for the PFS to stop the shutdown.

Cross-memory considerations

Because all of the VFS and vnode operations can be called in cross-memory mode, a PFS that must invoke MVS functions that cannot run in this mode must attach a worker task, or tasks, to accomplish these functions. A worker task is a subtask that performs non-cross memory work for PFS operations.

See “Using daemon tasks within a PFS” on page 48 for information about some services that make this task easier.

Although the `PFS_Init` task can be used as a worker task, if this task terminates, the PFS also terminates.

Considerations for writing a PFS in C

A PFS can be written in System Programmer's C. The `BPXYPFISI` and `BPXYVFSI` headers define the structures and parameters that are needed for PFSs that are written in C. A PFS that is written in C can avoid the cost of establishing a C environment each time it is invoked for a vnode or VFS function, by requesting that the LFS invoke the PFS with pre-initialized C environments. The PFS requests this at initialization by setting the `pfsi_cpfs` flag in the `PFISI`.

The PFS must not do anything that would sever addressability to the stack.

Because the PFS is running in a cross-memory environment, Language Environment[®] and C/C++ run-time library functions are not available. A PFS that needs to invoke these functions must attach a worker task, or tasks, to accomplish these functions.

See “Using daemon tasks within a PFS” on page 48 for information about services that make creating these worker tasks easier.

Some assembler services that may be useful are provided in Appendix E, “Assembler and C-language facilities for writing a PFS in C,” on page 559. In particular, `BPXFASM` must be assembled and link-edited with the PFS modules, to provide the correct `@@XGET/@@XFREE` routines for their C environment.

Security responsibilities and considerations

z/OS UNIX maintains system security by verifying user identities and file access control information. A PFS is primarily concerned with file access control.

For those functions where POSIX .1 (IEEE Standard 1003.1-1990) specifies that “appropriate privilege” is required, the PFS refers to a bit that is set by the LFS to determine whether the function has appropriate privileges. For more information, see “Appropriate Privileges” in the POSIX standards.

Access control checks are based on information that is stored with each individual file, and are generally carried out on the system where the data resides.

Access control is integrated with the SAF interface to call RACF®, or whichever security product is used at a particular installation.

The basic flow of file security is as follows:

1. Security information, such as the owner's UID-GID and the permission bits for a file, is kept in a 64-byte area called the file security packet (FSP), which is mapped by IRRPIFSP. The FSP is the security-related section of a file's attributes.
2. The FSP is created by a SAF call from the PFS when a file is created. Some of the information is taken from the current security environment, and some of it is passed as parameters.
3. The PFS stores the FSP with the attributes of the file.
4. When an access check is to be done, the PFS calls SAF with the type of check that is being requested, the `audit_structure` from the current call, and the file's FSP. SAF passes these to the security product, which extracts user information from the current security environment and compares it against the access control that is stored within the FSP. The `audit_structure` is used primarily for any auditing that may be necessary.

There are many access and privilege checks defined by the POSIX standards. The detailed description of each vnode operation in Chapter 3, "PFS operations descriptions," on page 83 discusses the access checks that are expected.

5. When a file's access control information is changed, such as by `chmod()`, the PFS calls SAF with the type of change, the new values, the `audit_structure` from the current call, and the file's current FSP. A new version of the FSP is returned to the PFS, which then replaces the file's old FSP with the new one.
6. When a file is deleted, the PFS discards the FSP.

In the flow described previously, the PFS provides some private space within the file attributes for the security product's use, ensures common access checking across all PFSs, allows for the installation of different security products, and lets the security product perform auditing or other non-POSIX processing.

The PFS is ultimately responsible for the following access checks:

- If the PFS controls the storage of its own files, it follows the flow outlined in this topic to create, maintain, and use security information.
- If the PFS is a client getting its data from some remote repository, it sends the request to the remote system, where the access checks are performed using the `osi_getcred` service.
- If access is not controlled for the type of data that is supported by a particular PFS, the PFS may choose to skip these security procedures.

Some events that occur in the LFS are audited for security purposes by the `vn_audit` operation. For example, because relative pathnames may be audited during an access check, it is important to audit the working directory so that a full pathname can be constructed if necessary. When a user calls `chdir()` or `fchdir()`, the LFS invokes `vn_audit` to record the new working directory. `chroot()`, which changes the current root, is another call that causes an audit record to be created.

Refer to *z/OS Security Server RACF Callable Services* for more information about these interfaces.

"PFS support for multilevel security" on page 75 discusses PFS responsibilities and considerations for multilevel security.

Running a PFS in a colony address space

By default, PFSs are initialized in the kernel address space. An installation may choose to run a PFS in a separate *colony address space* by specifying an ASNAME parameter on its FILESYSTYPE statement. You may want to have a PFS run in a colony address space if:

- The PFS is constrained by kernel address space resources, such as:
 - Storage
 - Data set allocations
 - Lock contention
- The PFS needs to request callable services itself, in order to:
 - Use sockets
 - Make remote procedure calls
 - Obtain POSIX file I/O

When a PFS runs in a colony address space, an extra address space is created, and each PFS operation has a slightly longer path length.

Any PFS can run in a colony address space unchanged. PFSs that are running in colony address spaces can use the `osi_thread` service, which is not available to PFSs that are running in the kernel address space. Any PFS that uses this service must document to its users that the PFS must be initialized in a colony address space. See “Using daemon tasks within a PFS” on page 48 for more information about the `osi_thread` service.

The writer of a PFS cannot assume that the PFS will run in the kernel, nor that it will run under the task that calls it.

Overview of the PFS interface

The PFS interface is a set of protocols and calling interfaces between the logical file system (LFS) and the PFSs that are installed on z/OS UNIX. PFSs mount and unmount file systems and perform other file operations.

This topic describes the services provided by the PFS routines that are called by the LFS. The services are described in terms of the requirements the PFS must meet and the expectations of the LFS. Also included are descriptions of the design that are intended to clarify the implementation of a physical file system on z/OS UNIX.

There are two types of PFSs, those that manage files and those that manage sockets:

1. File management PFSs deal with objects that have pathnames and that generally follow the semantics of POSIX files.
2. Socket PFSs deal with objects that are created by the `socket()` and `accept()` functions and that follow socket semantics.

The LFS is called by POSIX programs, non-POSIX z/OS UNIX programs, and VFS servers. In this topic, “the caller” refers to the LFS or any of the programs that call the LFS. When the LFS is mentioned specifically, it is usually to clarify a point of the design.

This interface is a modification of the architecture that is outlined by S. R. Kleiman in the paper “Vnodes: An Architecture for Multiple File System Types in Sun UNIX”, which was published in *Proceedings: Summer Usenix Technical Conference & Exhibition* (June 1986).

Porting note

Some operations that are found on some UNIX systems are not called by the z/OS UNIX logical file system, and are not shown in the list in Table 2. Table 2 includes some functions that are unique to the logical file system.

Operations summary

The following PFS operations are grouped by category and by applicability to file or socket PFSs.

Table 2. PFS operations by PFS type and category. This table lists the operations by PFS type and category.

Type	Category	Operation
File PFS - File System Services	VFS_MOUNT	Mount a file system
	VFS_UMOUNT	Unmount a file system
	VFS_SYNC	Synchronize a file system (synchronize all files)
	VFS_STATFS	Get general file system attributes
File PFS - Directory Services	VFS_VGET	Get a vnode from a file ID (FID)
	VN_LOOKUP	Look up a filename in a directory
	VN_READDIR	Read a directory
	VN_CREATE	Create a regular, FIFO, or character special file
	VN_MKDIR	Create a directory
	VN_SYMLINK	Create a symbolic or external link
	VN_LINK	Create a hard link to a file
	VN_RMDIR	Remove a directory
	VN_REMOVE	Remove a file
VN_RENAME	Rename a file or directory	
File PFS - File Services	VN_OPEN	Open a file
	VN_CLOSE	Close a file
	VN_READLINK	Read a symbolic link file or external link file
	VN_ACCESS	Perform access check
	VN_TRUNC	Truncate a file
	VN_FSYNC	Synchronize a file (save data to disk)

Table 2. PFS operations by PFS type and category (continued). This table lists the operations by PFS type and category.

Type	Category	Operation
Any PFS - File Services	VN_RDWR	Read or write
	VN_READWRITEV	Read or write with multiple buffers
	VN_GETATTR	Get attributes for a file
	VN_SETATTR	Set attributes of a file
	VN_IOCTL	Control I/O
	VN_AUDIT	Perform security auditing
	VN_SELECT	Select on a vnode
	VN_INACTIVE	Inactivate a vnode-inode
	VN_PATHCONF	Return configurable limits
	VN_RECOVERY	Recover from an abend for an operation in progress
	VFS_RECOVERY	Recover from an EOM condition for an operation in progress
	VFS_PFSCTL	PFS Control
	VFS_BATSEL	Select on a set of files/sockets
Sockets PFS - Address Family, or Domain, Services	VFS_NETWORK	Activate a domain
	VFS_SOCKET	Create socket or socketpair in a domain
	VFS_GETHOST	Get host ID or name
Sockets PFS - Socket Services	VN_ACCEPT	Accept a connection request
	VN_BIND	Bind a socket
	VN_CONNECT	Establish a connection
	VN_GETNAME	Get the name of the peer or socket
	VN_SOCKOPT	Get or set socket options
	VN_LISTEN	Get ready to accept connection requests
	VN_SNDRCV	Send or receive
	VN_SNDTORCFM	Send to or receive from
	VN_SRMSG	Send a message or receive a message
	VN_SETPEER	Set a peer
	VN_SHUTDOWN	Shut down a socket

The VFS-vnode vector tables returned by the PFS after its initialization contain either the direct or indirect addresses (depending on the value of the pfsi_modind flag in the PFSI) of the routines that implement the operations in the preceding list.

LFS/PFS control block structure

In the LFS/PFS model that is used in z/OS UNIX, each active file system object is represented in the LFS and PFS by its own control blocks or structures. These are called the *vnode* and *inode*, respectively. There is a one-to-one relationship between

the LFS's vnode and the PFS's inode. They effectively point to each other across the interface, although neither ever directly refers to the other's fields.

Porting note

Such terms as “build the inode”, as used in this topic, mean “construct the in-storage representation of a file”. This does not imply anything about the file representation as it is stored on disk.

There is only one vnode-inode pair for each data object in the system, no matter how many links there are to the object (for file objects), or how many users may be accessing the object. Users who access a vnode through the LFS must be accessing the same data object through the PFS.

Token_structure: A difference between the z/OS UNIX PFS interface and other implementations is that the vnode is not directly addressable by the PFS during a vnode operation. A `Token_structure` is presented on all calls as a vnode surrogate.

The `Token_structure` contains the following 8-byte PFS tokens:

- **Initialization token**, returned from the `PFS_Init` routine during PFS activation. This token usually contains the address of the PFS anchor block.
- **Mount token**, returned from the `vfs_mount` or `vfs_network` operation for the file system that is related to the current call. This token usually contains the address of the PFS mount block.
- **File token**, originally passed by the PFS to `osi_getvnode` when the file's vnode-inode pair was created. This token usually contains the address of the PFS file block—that is, the inode.

For a vnode operation, `Token_structure` contains all three tokens; for a VFS operation, it contains only the initialization and mount tokens.

See the `TOKSTR` typedef in Appendix D, “Interface structures for C language servers and clients,” on page 499 for the mapping of `Token_structure`.

Porting note

The file token within `Token_structure` is a copy of the “private data” area in the vnode. If a PFS expects a vnode structure as an input parameter, but does not refer to any vnode fields other than the PFS's private data pointer, the subfields within the program's vnode structure can be rearranged so that the pointer's offset matches that used in `Token_structure`. In this way, the PFS code that refers to this field will pick up the correct value when it is recompiled, and does not have to be changed.

`Token_structure` is transient; it lives only for the duration of a single call.

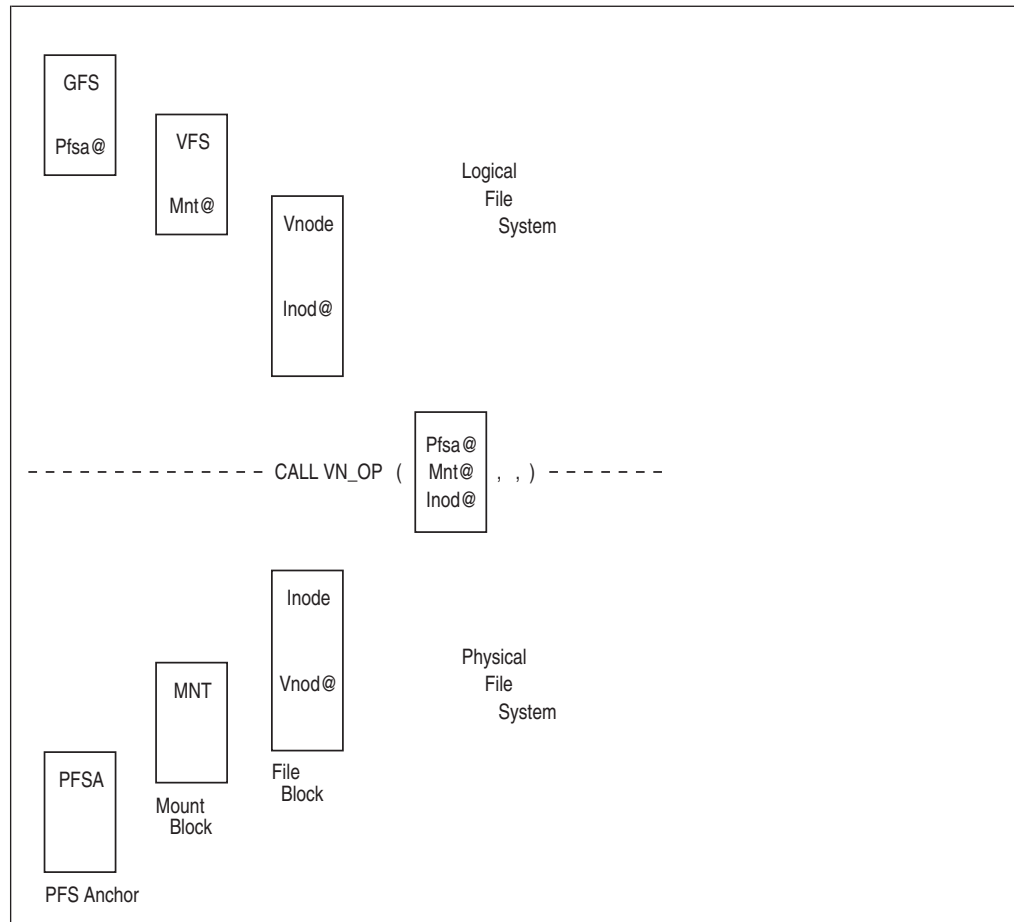


Figure 3. The LFS/PFS control block structure

The control block relationships described so far are illustrated in Figure 3. Reading from left to right, in the order they are created:

- The GFS-PFS_anchor pair is created at PFS initialization time and exists as long as the PFS does. Pfsa@ represents the PFS token saved by the LFS.
- The VFS-MNT pair is created during a file system mount or socket network activation, and exists until the file system is unmounted, or forever, respectively. Mnt@ represents the PFS token saved by the LFS from that operation.
- The vnode-inode pair is created during lookup and creation operations, which are explained in “Creating, referring to, and inactivating file vnodes” on page 32 and “Creating, referring to, and closing socket vnodes” on page 51.

Each of these control blocks contains the other's token for the file object. The vnode's Inod@ token is placed in Token_structure as input for a call to the PFS, and an inode's Vnod@ token is returned by the PFS from any call that has a vnode as output.

- Token_structure contains all three PFS tokens, and spans the LFS-PFS interface as the first parameter of each call.

Sharing files

The LFS manages user access to the vnodes. For programs that use the **open()** or **socket()** function, the LFS allocates file descriptors and manages sharing between processes and threads within a process. For VFS server programs, the LFS allocates vnode tokens, which behave somewhat like file descriptors. All programs, of any type, share the same file hierarchy.

The PFS is not aware of who is using a file or how it is being shared. To the PFS, there is only a vnode-inode pairing, and all file references come through that structure. In effect, the PFS has only one user: the LFS.

The PFS does not generally maintain any state information that would associate a sequence of calls. Successive calls to the PFS may relate to different end users, so every call is self-contained and does not depend on any information saved by the PFS from a previous call.

Files become shared when different end users open the same file, and when additional references to descriptors are created through the `fork()` and `dup()` functions.

Because the LFS maintains reference counts in its structures, it knows how many references to a given vnode are active and how many threads are currently making a call to the PFS with each reference. The PFS does not, therefore, have to be aware of how many users are accessing a given vnode-inode pair. The LFS ensures that all activity has ended and that the vnode-inode pair is no longer in use before it invokes `vn_inactive` to disassociate the vnode and inode.

LFS-PFS control block integrity

To preserve the vnode-inode relationship, the LFS guarantees the following:

- On every operation, the inode, represented by the PFS's token in `Token_structure`, has not been inactivated.
- When the PFS is called to break the relationship (via `vn_inactive` at the time that a vnode is being freed), the LFS ensures that there are no other operations in progress against this vnode and, by extension, against the inode.

There are, in fact, no operations in progress against any file that is in the same mounted file system as the file that is being inactivated. This is so that no other operation may be attempting to find or recreate the inode while it is being deleted.

- After a `vn_inactive`, the PFS does not receive any additional `vn_` calls for that inode until the PFS creates a new vnode-inode binding for this same object as a result of a `vn_lookup` or `vfs_vget` call.

The OSI structure

The second parameter of every call from the LFS to the PFS is the address of the operating system interface (OSI) structure. This structure contains information that is used by the `OSI_operations` and MVS-specific information that needs to be passed between the LFS and the PFS. It is mapped by the OSI typedef in Appendix D, "Interface structures for C language servers and clients," on page 499. The fields are described as follows:

Field	Description
-------	-------------

Wait-post fields

- | | |
|--------------|---|
| token | Wait-post token. Set by <code>osi_wait</code> when it is called to set up for a wait. This token is the input to <code>osi_post</code> when it is called to wake up the current thread. |
| ecb | Address of an event control block (ECB). Set by <code>osi_wait</code> when it is called to set up for a wait. This is the ECB that is used by <code>osi_wait</code> when it is called to suspend. A program that cannot call <code>osi_post</code> can use this ECB |

with an MVS cross-memory post to wake up the current thread. However, using the MVS cross-memory post for this ECB can result in a system integrity problem.

ascb Address of the address space control block (ASCB). Set by `osi_wait` when it is called to set up for a wait. This ASCB address is used, along with the ECB, for an MVS cross-memory post.

SMF accounting fields

diribc Directory I/O block count that occurred on this operation.

readibc

Read I/O block count that occurred on this operation.

writeibc

Write I/O block count that occurred on this operation.

bytesrd

The number of bytes that were read on this operation.

byteswr

The number of bytes that were written on this operation.

Miscellaneous fields

rtokptr

Address of the recovery token area. The recovery token area is set and cleared by the PFS on each operation, to provide for abnormal end and end-of-memory recovery. Refer to "Recovery considerations" on page 25 for details.

workarea

Address of a work area for use by the PFS. This area can be used for the dynamic, or automatic, storage necessary to run the current operation. This can save the PFS the overhead of obtaining and freeing stack storage on every call. The workarea is on a doubleword boundary.

workarealen

Length of the workarea. The workarea length is 3KB. This allows 2KB for routines that call the SAF `Chk_Owner_Two_Files` routine or the `osi_uiomove` service, each of which requires that a 2-KB work area be passed. The other SAF security routines require a 1-KB work area.

pid

The current thread's process ID (PID). This is the input to `osi_signal` if it is called to send a signal to the current thread's process.

pfsid A PFS identifier that is used with `osi_sleep` and `osi_wakeup`.

attr

Address of an output file attribute buffer. Whenever this field is nonzero, the PFS should build and return a standard attribute structure for the file operated on at the end of the current operation. This is the same attribute structure that would be returned by `vn_getattr`.

The buffer is preset with an attribute structure header that contains the available length of the buffer.

Because this buffer may be the same area as an input attribute structure, it should not be modified until the very end of the current operation.

If the PFS does not return the file's attributes when asked, the LFS invokes `vn_getattr` to get them. This results in poorer performance for files that are supported by this PFS.

fsp Address of an output File Security Packet (FSP). Whenever this field is nonzero, the PFS should return an fsp structure for the file operated on. This is the same fsp structure that would be returned by vn_getattr.

If the PFS does not return the file's FSP when asked, the LFS builds one. For a description of the FSP, refer to "Security responsibilities and considerations" on page 13.

remount

A flag that indicates that the current operation is running during a remount (that is, during UNMOUNT with the REMOUNT option).

NotSigReg

Indicates that the calling process is not registered for signals and so should not be sent any.

Waiting and posting

OSI_Operations are provided to the PFS to wait for internal events and to post the waiting thread when the event occurs.

Three important reasons for using the OSI wait and post services rather than native MVS WAIT and POST are:

- The OSI services allow signals to interrupt a wait.
- Users are not left hanging if z/OS UNIX or the PFS is stopped.
- The PFS is protected from any system integrity exposures that might result from the cross-memory post operation.

There are two kinds of wait, distinguished by whether or not signals are enabled during the wait:

- **Not signal-enabled:** Used to wait for internal serialization or other activities that are independent of external forces likely to take a long time. These waits should generally not be used with human interactions. Examples are: waiting for data to be read from disk, or waiting for an available output buffer from a pool that is shared by all users.
- **Signal-enabled:** Usually correspond to the blocking situations that are defined by POSIX, and often involve waiting for an end user to do something. Examples are: waiting for data to be read or written by another independent program, such as a socket session, or reading input from a terminal.

Signals should be enabled when the end user may need to break out of an indefinite wait.

When a signal-enabled wait is entered, all serialization that was obtained by the LFS is dropped before the wait and re-obtained after it. This means that other operations may intrude on an otherwise exclusive operation. The PFS must take this into account if it uses signal-enabled waits. This does not mean that two exclusive operations will actually be running in the PFS for the same vnode-inode at the same time, but that a second operation may run while the first is blocked. When the first is resumed there may have been state changes made by the second. For writes on stream sockets, the default socket option of exclusive write will prevent the dropping of LFS serialization during single-enabled waits.

The WAITX option also allows LFS serialization to be dropped around the wait, independent of whether signals are enabled. See the "LFS-PFS control block serialization" on page 24 for details on LFS serialization.

As a consequence of dropping LFS serialization, it is possible for a file system to be unmounted, with the IMMEDIATE or FORCE operands, while a task is waiting. If this happens, the wait service returns with an OSI_UNMOUNTED return code when it is posted, and the PFS must cancel the rest of the operation and return to the LFS with some care. Because it is expected that vfs_umount will have cleaned up all file-system-related resources, the current operation may have to avoid references to internal file system structures that are freed by vfs_umount.

Waits that are signal-enabled or that request the LFS to drop its serialization cannot be used on some vnode and VFS operations. The implementation notes for those operations state this.

The OSI sleep and wakeup functions are similar to wait and post, with these advantages:

- Osi_sleep
 - Does not require a separate setup call
 - Associates a Resource_id and Pfs_id with the sleeping thread
- Osi_wakeup
 - Wakes up all threads that match Resource_id and Pfs_id

Implementation details: The PFS implementation for waiting and posting involves the steps described here. There are two threads involved: the waiting thread and the posting thread.

1. The waiting thread is running on behalf of some VFS or vnode operation when it must wait for an event to occur. It calls osi_wait to set up for the wait, performs internal coordination to schedule the eventual wakeup, and calls osi_wait again to actually suspend the thread.
2. The posting thread may be an independent PFS task, or it may be running on behalf of some other user's VFS or vnode operation. It determines that a thread is waiting for the resource it is dealing with, and calls osi_post to wake that thread up.
3. When the waiting thread wakes up, it checks the return code from osi_wait and reacts accordingly.

This table lists the PFS implementation for the waiting thread.

Waiting thread	Posting thread
<ul style="list-style-type: none"> • Determine that a wait is necessary. osi_wait(OSI_SETUPSIG, OSI, RC) • Create an internal wait structure that is used by the posting thread to recognize that the waiting thread is waiting. • Save the osi_token in this structure. • Chain the wait structure where the posting thread will find it. osi_wait(OSI_SUSPEND, OSI, RC) 	(None)

This table lists the PFS implementation for the waiting thread.

Waiting thread	Posting thread
(None)	<ul style="list-style-type: none"> When an event occurs, scan the wait structures to see if anyone is waiting for this event. Unchain and free the wait structure. osi_post(saved_token, RC) If the return code is not zero, the waiting thread did not get this post and you may need to go on to the next waiting thread.
<ul style="list-style-type: none"> Select on return code: <ul style="list-style-type: none"> When (OSI_POSTED): proceed with what you were going to do. When (OSI_SIGNALRCV): a signal has arrived (when using SETUPSIG rather than SETUP). Back out of this operation and return EINTR. Otherwise: an abnormal end or unexpected error occurred. Back out of this operation and return EMVSERR. End 	(None)
<p>Note:</p> <ol style="list-style-type: none"> This example assumes that the PFS has its own serialization around the chaining and unchaining of the wait structure. A variation of the steps in this table would be to unchain and free the wait structure on the waiting thread. In this case, the posting thread marks the structure as "posted" so that another event occurrence cannot result in the same structure's being used again. Recovery is more complicated with this approach, though. One also has to consider abnormal ends while waiting—for instance, the user might be canceled. In that case, control does not return to the code after the osi_wait. If the PFS supports vn_recovery, or has an ESTAE or FRR active, it gets control there and the situation can be handled as when a signal is received. For abnormal ends and any return code other than OSI_POSTED, additional serialization between the waiting thread and the posting thread is necessary. In these cases the waiting thread is ending before, or even while, the posting thread is trying to wake it up. This is why it is important to save a copy of the osi_token from the waiting thread's OSI, rather than just the address of the waiting thread's OSI. The waiting thread's OSI storage could be gone by the time the posting thread tries to refer to it. Another consideration is user address space end-of-memory, which abnormally terminates the waiting thread without activating any ESTAE or FRR. In this case, the LFS uses the OSI recovery token to invoke vfs_recovery, which gives the PFS a chance to clean up. 	

LFS-PFS control block serialization

The LFS serializes use of the vnode-inode pair for each vnode operation. Writing of file data is done under an exclusive latch. Reading of file data is also done under an exclusive latch, unless shared read support has been indicated by the PFS for the file, and the read is via vn_rdwr or vn_readwritev. Shared read can be indicated in the OSI by the PFS upon return from vn_open, vn_close, vn_rdwr, vn_readwritev, vn_setattr, and vn_trunc.

Other read operations, such as `vn_readdir`, are done under a shared latch.

In particular, to optimize the performance of pathname resolution, only a shared latch is held on the directory that is involved in a `vn_lookup` operation.

Recommendation: Read operations that are done under a shared latch may require the PFS to update some structures; for example, to mark the access time of a file for update. The PFS is responsible for any additional serialization that is required to maintain integrity of its structures when functions are called with a shared or an exclusive latch. Often the compare and swap instruction is sufficient for this additional serialization. In order to avoid contention problems, the cross-memory local lock (CML) should not be used.

For the operations that refer to more than one vnode (`vn_remove`, `vn_rmdir`, `vn_link`, and `vn_rename`), exclusive latches are held on all the vnodes that are involved in the operation. This includes vnodes that are not explicitly passed on the interface, such as the file that is being unlinked on `vn_remove`.

When the PFS enters a signal-enabled wait, or when the `WAITX` option has been used to drop serialization around the wait, all vnode and file system latches are released before the wait and re-obtained after it. This means that other operations may be invoked from another thread for a given vnode during an exclusive operation that enters a signal-enabled wait, although there would not be two operations running at the same time, because the blocked thread re-obtains exclusive access when it wakes up.

Note: While any operation is active, the PFS never receives a `vn_inactive` call for that vnode, even if the latches are released. In cases of `vn_open` or `vn_close` processing, the LFS does not allow a close against the last active file descriptor while another thread has any operation in progress against it.

Refer to the individual operations for the level of serialization that is provided for each call.

The serialization that is provided can be changed by the PFS when the `osi_getvnode` service is called to create a vnode. The PFS can specify that no LFS latching be performed. If no LFS latching is specified, all discussions in this topic about latches held on vnodes do not apply. Other LFS latches are unaffected; `sigwait` and `waitx` should still be used to drop other latches, where necessary.

Recovery considerations

There are several recovery situations that must be handled by the PFS.

PFS task or address space termination

As discussed in “Termination considerations” on page 11, if the `PFS_Init` task terminates for any reason, the LFS terminates the PFS and restarts it based on the current setting of the restart option byte. If the PFS is started in a colony address space and that address space terminates, the `PFS_Init` task is also terminated by MVS.

User process and thread termination

Two possible situations are discussed here: when the process or thread is between calls to the PFS, and when it is actually running in the PFS code during a PFS interface operation.

In general, when a user process terminates normally or abnormally, the LFS closes all active file descriptors. There is nothing special about these close operations. The PFS receives a normal `vn_close` if all file descriptors for an open file reference happen to be closed. If forked children have not closed their inherited file descriptors, the PFS does not receive a `vn_close` and may never know that the user process terminated.

Individual user requests are run on dubbed tasks, but POSIX semantics assign file resources to the process. Consequently, if a user task terminates between calls to the PFS, and its process does not also terminate, the PFS is not notified.

When a VFS server address space terminates, all of its vnode tokens are released and files that were opened for the server are closed. If a vnode's reference count goes to zero, that vnode is inactivated. If this happens to remove all references to a vnode, that vnode is inactivated after a delay interval. The PFS does not receive any special notification.

PFS abnormal ends

If the user address space or task terminates while actually running in the PFS code for a PFS interface operation, or if the PFS code itself fails, an MVS abnormal end is generated for each affected task. The MVS system then usually runs the FRR and ESTAE recovery exits.

- If the PFS does not have recovery established, the `vn_recovery` operation is available to allow the PFS to run its recovery processing as an exit from the LFS's ESTAE. See the description of `vn_recovery` and `vfs_recovery` that follows this list.
- If the PFS needs its own special recovery, it must establish an FRR or ESTAE on each entry from the LFS.
- If task-level recovery is bypassed by MVS, the end-of-memory (EOM) resource manager established by z/OS UNIX is run. It ensures that the PFS has a last chance to clean up by calling `vfs_recovery`. See the next topic on `vn_recovery` and `vfs_recovery`.

`vn_recovery` and `vfs_recovery` are called to permit a PFS to recover resources when a user request ends abnormally, or when the user's address space enters EOM processing while a request to that PFS is active. This works as follows:

1. On every VFS and vnode operation, the LFS makes an 8-byte recovery area available to the PFS. This field is in the PFS's primary address space, not in the user's address space. Its address is in the OSI.
2. The PFS should set this field soon after entry, or when it has resources that need protection. The field is used for recovery information, or for the address of a recovery structure that is not in the user's address space.
3. The PFS clears the field on exit. The LFS also clears the field as soon as the PFS returns, as it has meaning only during a call, and presumably the area it points to is no longer valid. The PFS should clear the field so that it cannot be invoked with bad data if the user is canceled after the PFS has returned, but before the LFS can zero out the field.
4. If an abnormal end occurs and the LFS ESTAE routine finds this area to be nonzero, the area is passed to the PFS with a call to `vn_recovery` and cleared after this call.

See "`vn_recovery` — Recover resources after an `abend`" on page 205 for more details.

5. If the EOM resource manager for a user address space finds this area to be nonzero, the area is passed to the PFS with a call to `vfs_recovery`. This can

happen only for an abnormal end that bypasses normal ESTAE processing, or when an address space is canceled during ESTAE processing.

See “vfs_recovery — Recover resources at end-of-memory” on page 106 for more details.

6. The PFS uses the information that is stored in the area during vn_recovery or vfs_recovery to clean up whatever was in progress at the time of the interruption.

The PFS can establish its own MVS dynamic resource managers if it must perform special recovery for a user or z/OS UNIX task or address space termination. This is not recommended, however, because severe performance degradation occurs if these resource managers have to be set up and removed on every operation.

Terminating a PFS’s associated separate address space

If a PFS communicates with a separate address space, that is, one unknown to z/OS UNIX, and waits for replies from that address space, users could be left waiting forever if that address space abnormally terminates while it has outstanding responsibilities to post user threads. Usually, the PFS has to remember all users that are waiting in this situation and post them from a recovery resource manager of the separate address space. This can involve extra serialization and overhead during mainline operations.

If, however, the separate address space registers with the v_reg() function, specifying the PFS that is dependent on it, and uses osi_wait and osi_post, the system remembers this information in a task-related area that does not require additional serialization or overhead during mainline operations. When the separate address space terminates, the system scans through all users looking for those in a potential wait for this address space and posts them. Thus the extra overhead is incurred only when the separate address space terminates.

Dumping LFS data

Information that can be used by the PFS to add LFS data areas to dumps taken by the PFS is passed at initialization. Pfsi_dumpptr contains the address of an array of elements, mapped by BPXYFDUM, shown pictorially in Figure 4 on page 28. These may be used to construct entries in a LISTD-type list passed to SDUMPX.

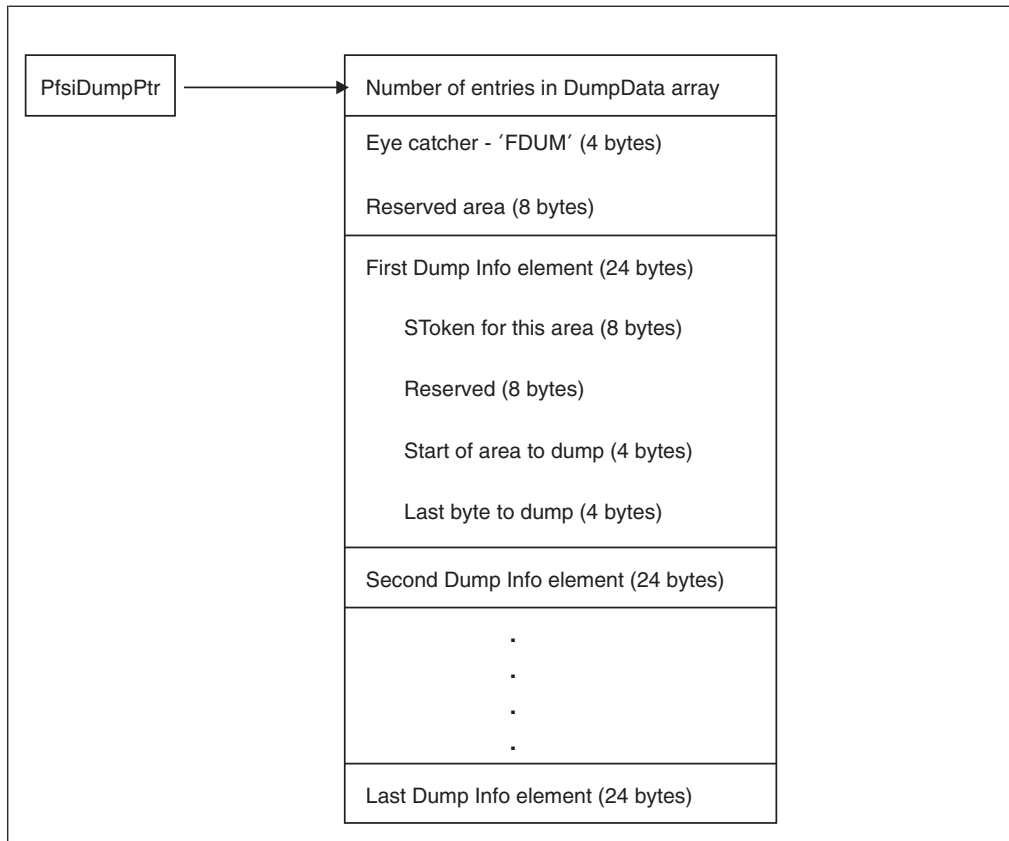


Figure 4. Format of BPXYFDUM

PFS interface: File PFS protocols

Mounting file systems

Mountable file systems are subsets of the file hierarchy that are added and deleted by mount and unmount. Each has its own root and hierarchical directory structure. One such file system serves as the root of the whole file hierarchy, and mounts are done upon the directories of other mounted file systems.

A mount may be issued from the BPXPRMxx parmlib member that is used with the start of z/OS UNIX, by a user through ISHELL, by the TSO/E MOUNT command, by automount, or by a program using the **mount()** function. The latter function is restricted to users with appropriate privileges.

Following is the syntax of a MOUNT statement, showing the parameters that are important to this discussion:

```
MOUNT FILESYSTEM(file_system_name) or DDNAME(ddname)
      TYPE(file_system_type)
      MOUNTPOINT(pathname)
      MODE(READ | RDWR)
      PARM(parameter_string)
      SETUID | NOSETUID
```

where:

- FILESYSTEM specifies a 1-to-44-character name, blank padded, by which this file system is to be known. It must be unique among previously mounted file systems. This is also used by some PFSs as an MVS data set name.
- DDNAME specifies the ddname on an ALLOCATE that is issued from the OMVS cataloged procedure. This is an alternative to the FILESYSTEM parameter for mounts that are issued from the parmlib member only. The real data set name becomes the mounted file system's name.
- TYPE identifies the PFS that supports this mounted file system. This operand must match the TYPE operand used on the FILESYSTYPE statement that defined the PFS.
- MOUNTPOINT specifies the pathname of the mount point directory within the file hierarchy where this file system is to be mounted. This item is passed to the PFS, but only for informational purposes.
- MODE specifies the type of access that the issuer of MOUNT has to this file system. READ is specified for read-only access, and RDWR is specified for read/write access.

The LFS enforces this parameter to prevent operations such as writing and creating files. The PFS must ensure that it does not update access times for read operations, or otherwise change file systems that are mounted read-only.

- PARM specifies a PFS-defined parameter text string. It may contain any value and be up to 1024 bytes long. The meaning of this text string is defined by the individual PFS, and the text is passed to the PFS for it to interpret and process.
- SETUID | NOSETUID specifies whether the SETUID and SETGID mode bits on executables in this file system are to be respected. This is enforced by z/OS UNIX; the information is passed to the PFS for informational purposes only.

See the MOUNT command description in *z/OS UNIX System Services Command Reference* for more information about the MOUNT command.

The parameters are passed to the PFS on the `vfs_mount` operation. The FILESYSTEM or PARM values are used by the PFS to identify the file system object that is being mounted.

During `vfs_mount` the PFS is expected to:

1. Ready the file system for all later processing.
2. Save the device number that has been assigned to this file system so that it can be output on `vn_getattr` for any file within this file system. This number corresponds to the `st_dev` value of POSIX.
3. Set output fields, as appropriate, in the MTAB.
4. Create an inode that represents the root of the file system.
5. Call `osi_getvnode` to create a vnode. The returned vnode token is saved in the inode.
6. Return the vnode token of the root to the LFS.
7. Return an 8-byte token that will be saved by the LFS and used on all subsequent VFS and vnode operations for this file system. This token is typically the address of the PFS's mount block. Its use is optional.

Porting note

This differs from some implementations in that `vfs_root` is not used to extract the vnode of the root of a just-mounted file system.

The root vnode is never explicitly inactivated. If this file system is unmounted, the `vfs_umount` operation implies `vn_inactive` for the root vnode-inode pair.

The PFS cannot use a signal-enabled wait or `WAITX` during `MOUNT`.

The LFS does not permit two mounts on a single MVS image with the same file system name. If the PFS identifies its mounted objects through the `PARM` parameter or by some other means, the PFS must permit or reject attempts to mount the same object more than once. If the mounted file system is on DASD, DASD file sharing must be taken into account. If the file system object is on or is using a resource that is shared by multiple systems, the PFS is responsible for managing or denying shared access.

The `ROOT` statement defines the system root. It is valid only from the `parmlib` member, and it has the same parameters as `MOUNT`, except that a `MOUNTPOINT` is not specified.

Asynchronous mounting

The PFS may choose to complete mounting the file system asynchronously. Because latches are held by the LFS during execution of `vfs_mount`, it is desirable to perform the mount asynchronously if it cannot be completed immediately (perhaps because of the need to communicate with another system).

Asynchronous mount processing follows this sequence:

1. The `vfs_mount` service is called by the LFS as part of the mount processing described in “Mounting file systems” on page 28.
 - If the PFS decides to complete the mount asynchronously, it must indicate this to the LFS with the `AsynchMount` flag in the `MTAB` before returning to the LFS.
 - If the `SynchOnly` flag in the `MTAB` is set on, the mount must be completed synchronously. The PFS must either complete it synchronously or reject it, returning `EINVAL`.
2. When the PFS has completed its asynchronous processing, it calls `osi_mountstatus` to indicate to the LFS that the mount can now be completed.
3. The LFS then calls `vfs_mount` a second time, from within the `OMVS` address space. On the second call, `AsynchMount` in the `MTAB` is turned on so that the PFS can identify this as the second mount.

The PFS completes the mount actions described in this topic.

After the PFS returns to the LFS from the first call to `vfs_mount`, the LFS may call any `vfs_` operation. In particular, the PFS must be prepared to process `vfs_unmount` and `vfs_statfs`. If the PFS can determine the file attributes on the first call, it can create and return the root vnode on that call. Otherwise, it defers this until the second call. If a vnode is returned on the first call and also on the second call, it must be the same vnode each time. If the mount operation fails during the asynchronous phase, the PFS calls `osi_mountstatus` and reports the failure on the second `vfs_mount` call.

Serialization: During each `vfs_mount`, the PFS has exclusive access to the file system that is being mounted, and no access is allowed until the second `vfs_mount` has completed.

Resolving pathnames

LFS processing

Pathname resolution starts from the user's root or working directory. The LFS looks up the first component of the pathname in that directory. This often yields another directory, and the LFS looks up the second component of the name in this new directory. The LFS looks up each successive component of the name in the directory that was returned from the previous lookup, until the end of the pathname is reached.

When the LFS encounters a directory that is a mount point, it switches to the root directory of the file system that was mounted there. The next lookup is done in the mounted file system's root directory, rather than in the directory that was returned from the previous lookup. This is called *crossing mount points*; it is because of these mount points that pathname resolution has to be done one component at a time.

PFS processing

Resolving pathnames and identifying mount points is a function of the LFS. Except for the individual `vn_lookup` operations that are invoked, the PFS is not involved.

Unmounting file systems

A user can issue an unmount through ISHELL, the TSO/E UNMOUNT command, automount, or a program that is written to use the `unmount()` function. This function is restricted to users with appropriate privileges.

Here is the syntax of the TSO/E UNMOUNT command, showing the parameters that are important to this discussion:

```
UNMOUNT FILESYSTEM(file_system_name)
        NORMAL | DRAIN | RESET | IMMEDIATE | FORCE | REMOUNT(RDWR | READ | SAMEMODE)
```

where:

- **FILESYSTEM** specifies the name that was used when the file system was mounted.
- **NORMAL | DRAIN | RESET | IMMEDIATE | FORCE | REMOUNT(RDWR | READ)** specifies the type of unmount to perform.

LFS processing

- **NORMAL.** The LFS checks to make sure no user is using any of the files in the file system that is to be unmounted, and passes the request to the PFS via `vfs_umount`. If files in this file system are being accessed, the LFS rejects the unmount request.
- **DRAIN.** The LFS checks to make sure that no user is accessing any of the files in the file system that is to be unmounted, and passes the request to the PFS via `vfs_umount`. If files in this file system are being accessed, the LFS waits until all activity has ceased, and then passes the request to the PFS.
- **RESET.** The LFS cancels a previous unmount drain request. The file system goes back to the normal mounted state.
- **IMMEDIATE.** The LFS stops further user access to the file system that is being unmounted. Any attempt to access files in this file system receives an error return code. The LFS then passes the request to the PFS via `vfs_umount`.
UNMOUNT with IMMEDIATE can be used to override a previous UNMOUNT DRAIN request for a file system.

- **FORCE.** The LFS stops further user access to the file system that is being unmounted. Any attempt to access files in this file system receives an error return code. The LFS passes the request to the PFS via `vfs_umount`.
UNMOUNT with FORCE can be used to unmount a file system even if I/O errors are being received from the underlying device.
An IMMEDIATE unmount request must be issued before a FORCE unmount can be requested.
- **REMount.** The LFS handles this like an IMMEDIATE unmount followed by a mount. User access is suspended while the operations are in progress. `vfs_vget` is used to establish the vnode/inode bindings so that the remount is not disruptive to the users.

PFS processing

1. The PFS processes requests for UNMOUNT with the NORMAL, IMMEDIATE, and FORCE options as follows:
 - **NORMAL.** Synchronizes all data buffers to disk (if appropriate for this PFS). This saves all data changes to files in the file system that is being unmounted. If an I/O error occurs during this activity, the unmount request fails.
 - **IMMEDIATE.** Synchronizes all data buffers to disk (if appropriate for this PFS). If an I/O error occurs during this activity, the unmount request fails.
 - **FORCE.** Synchronizes all data buffers to disk (if appropriate for this PFS). If an I/O error occurs during this activity, the unmount proceeds anyway and data is lost.

The difference between NORMAL and IMMEDIATE is whether the PFS is likely to find itself with any active inodes other than the one belonging to the root. The difference between IMMEDIATE and FORCE is whether the PFS continues if it encounters an I/O error while trying to synchronize data during the unmount.

2. The PFS frees any inodes that are still active, including the root inode, which is never explicitly inactivated.
3. The PFS reverses the `vfs_mount` and returns the file system to unready status.

Serialization: The whole file system is serialized under an exclusive latch at the time `vfs_umount` is called. No other vnode or VFS operations are running, although some may be in the PFS in a blocked state. See “LFS-PFS control block serialization” on page 24 for more about serialization and blocking.

Creating, referring to, and inactivating file vnodes

The PFS creates vnodes by calling `osi_getvnode`, which is one of the OSI services in the OSIT vector table that is passed to the PFS during its initialization. The output of `osi_getvnode` is actually an 8-byte vnode token, but for the purposes of this discussion the vnode and the vnode token are the same, and the term *vnode* is used for both.

The first vnode for a mounted file system is created during `vfs_mount` processing. At this time, the PFS must create a vnode-inode pair to represent the root of the mounted file system and return the vnode token of the root. The LFS never inactivates this first vnode; it is cleaned up as part of `vfs_umount` processing.

Subsequent vnodes within a mounted file system are created by calls to `vn_lookup`, `vn_create`, `vn_mkdir`, or `vfs_vget`. The first three of these routines are passed a

previously obtained directory vnode, represented by a token structure, and the name of a file within that directory to find or create.

The `vfs_vget` operation also generates vnodes directly from the file identifier (FID) of a file within a given file system. See “Exporting files to a VFS server” on page 49.

During `vn_lookup` the PFS must:

1. Look up the filename in the directory. If the name is not found, `vn_lookup` fails.
2. Find or create an inode that represents the named file. This may involve reading the file's control information from a disk when the file has not been referred to for a while.
3. For a new inode or one without a vnode (depending on PFS design), call `osi_getvnode` to create a vnode. The PFS's file token is passed to `osi_getvnode` to be saved in the vnode, and the returned vnode token is saved by the PFS in the inode.
4. Return the vnode token from the inode that represents the named file in the specified directory. The file may itself be another directory.

The creation operations of `vn_create` and `vn_mkdir` follow a similar flow. See “Creating files” on page 34 for more information. They are also invoked with a directory vnode and a name, but in these cases the file itself is created if it does not exist. `vn_lookup` may create an inode, but it does not create the file.

The vnode is generally used in subsequent operations, such as `vn_rdwrr` for a file or `vn_lookup` and `vn_create` for a directory. A directory vnode may become a mount point, the current root, or the working directory of POSIX processes. None of these references to the vnode involve any processing by the PFS.

Eventually the vnode falls out of use. After all opens have been closed and all other references to the vnode have been released, the LFS marks the vnode for inactivation. If the vnode is not referred to again for some time after it is marked for inactivation, the LFS invokes `vn_inactive`, or `vfs_inactive` if the PFS supports batch inactive and actually frees the vnode. The same functions are performed by `vfs_inactive` and `vn_inactive`; `vfs_inactive` requires only one call to the PFS to perform these functions for multiple vnodes.

During `vn_inactive` the PFS must:

1. Disassociate the inode from the vnode.
2. Perform any inode cleanup desired.
If the inode's link count is zero, it must be deleted; otherwise it is just deactivated and can be reactivated with `vn_lookup`.

After the call to `vn_inactive`, or `vfs_inactive` for multiple vnodes, LFS frees the vnode, unless the PFS reports a problem via a bad return code from the operation.

Porting note: The PFS does not free the vnode. This is a change from some implementations.

In cases in which a file is repeatedly opened and closed by a single process, the deactivation delay helps to avoid the cost of reconstructing the vnode-inode

relationship, and whatever other overhead is incurred by a PFS in reactivating a file. In these cases, file caching is done by the LFS and need not be done by the PFS.

Serialization: The `vn_lookup` service is called with a shared latch held on the directory being searched. The `vn_inactive` service is called with an exclusive latch on the whole file system that the object belongs to.

The serialization of `vn_inactive` ensures that no operations are running that could possibly find, or attempt to create, the inode that is being processed by `vn_inactive`. This is because an exclusive latch is held on the inode's file system during `vn_inactive` and the LFS does not allow links across file systems, therefore no parent directory of the object that is being inactivated can be referred to while the PFS is trying to inactivate the object.

The PFS must serialize the creation of its own inodes, to ensure that a single file does not have two or more inodes. This is because the same file object may be looked up or created by more than one process concurrently. The PFS must atomically create the vnode-inode pair and associate the inode with the file object, either through a global latch or with a Compare and Swap algorithm.

To help with a Compare and Swap algorithm, a Return an Unused Vnode option is provided on `osi_getvnode` so that the Compare and Swap loser can free the vnode it had acquired. The vnode obtained from `osi_getvnode` does not represent anything until the PFS returns it to the LFS from this or another concurrent operation. The instant that the PFS associates a vnode-inode pair with an object, any `vn_lookup` for the same object that is running on another process must find this same vnode-inode pair.

Creating files

File hierarchy objects are created with the `vn_create`, `vn_mkdir`, and `vn_symlink` calls.

The interface for all these operations includes:

- The object's parent directory vnode, as a token structure
- The object's name, as a character string
- An ATTR structure

Serialization: An exclusive latch is held on the parent directory vnode.

PFS processing

During these operations the PFS must:

1. Fail the operation if the object already exists—that is, if the name is already in the directory.
2. Otherwise, create the object and add an entry to the parent directory.

A unique nonzero *inode number* that corresponds to the `st_ino` value of POSIX must be assigned to this object. This value only has to be unique within this file system and at this time. It may be reused after the object is deleted. For additional information about reusing file identifiers, see “Exporting files to a VFS server” on page 49.

A directory object should be initialized by the PFS with the “.” and “..” entries. For a root, “..” refers to itself, but for any other directory “..” refers to its parent directory. These entries are not strictly required by POSIX.

3. Store at least the file's type, major number, and minor number from the passed ATTR structure with the stored attributes of the file. Whenever `osi_getvnode` is called, the PFS must construct and pass an ATTR structure, as would be returned by `vn_getattr`, so that the vnode can be built properly.
4. Call SAF to create the FSP. The user credentials and ATTR mode bits from the interface and the FSP of the parent directory are passed to SAF, so that it can construct the FSP and do any auditing that is necessary. See "Security responsibilities and considerations" on page 13.
5. Store the FSP with the rest of the attributes of the file.
6. For `vn_create` and `vn_mkdir`, build an inode-vnode pair, as it would for a `vn_lookup` of this object, and return the corresponding vnode token.

The PFS is responsible for link counts, which must be initialized here. The *link count* of an object is the number of directory entries within the file system that point to the object. It is reported to a caller via `vn_getattr`, and changed by `vn_link`, `vn_remove`, `vn_rmdir`, and `vn_rename`.

Special consideration must be made for the "." and ".." entries when creating directories. "." implies that a directory's initial link count would be two. ".." implies that a directory's parent directory's link count has to be incremented when the child directory is created and decremented when it is deleted.

`vn_link` creates a new node in the file hierarchy, but it does not create a new object.

The LFS does not allow the creation of links (`vn_link`) to a directory.

Deleting files

File hierarchy objects are deleted with the `vn_remove`, `vn_rmdir`, and `vn_rename` calls. The `vn_rename` function causes the deletion of the `new_name` file when it exists.

The interface for all these operations includes the object's:

- Parent directory vnode, as a token structure
- Name, as a character string
- PFS file token

Serialization: An exclusive latch is obtained for the parent directory vnode and the object's vnode. For `vn_rename`, an exclusive latch is held on both parent directories, the old object vnode, and the new object vnode, if it exists.

PFS processing

During these operations the PFS must:

1. Call SAF's Check Access service to verify that the caller has write permission to the parent directory. If the sticky bit (S_ISVTX) is on in the parent directory's mode, the PFS must call SAF's Check2Owners service to verify that the caller is allowed to delete or rename the object.
2. Remove the directory entry for the named object, and update the Change and Modification times for the directory.
3. Decrement the link count in the object whose name was removed.

If a directory is being removed, it must be empty except for the "." and ".." entries. The parent's link count is also decremented to account for the ".." entry in the removed directory.

4. If the object's link count goes to zero, the object itself is deleted later during `vn_inactive`, but the deletion is recorded for audit purposes now.
If the object is a regular file that is not open, the space used by its data must be released now. If a regular file is still open, its data is deleted on the last `vn_close`. This behavior is required by POSIX.
A POSIX-conforming PFS should set the `immeddel` flag in the PFSI during initialization to let the LFS know that this requirement is in force. Otherwise, the LFS must issue `vn_getattr` and `vn_trunc` during `unlink()` and `close()` in order to check the link count and free regular file data.
5. While an inode's link count and open count both are zero, the PFS may reject subsequent operations, except for `vn_readdir`, which would return no entries, and `vn_inactive`.

Opening and closing files and first references to files

POSIX programs read and write files or read directories within an open-close bracket, whereas VFS servers do this directly from the vnodes that they have looked up or created.

The LFS inserts a single open-close bracket around the operations that are issued by a VFS server against regular files. Operations that affect a file's attributes or read a directory may or may not be preceded by an open, and a PFS has to be prepared for either case. In particular, a file's size may be changed with the `truncate()` function, which results in a call to `vn_setattr` without a preceding `vn_open`.

The PFS must perform two main functions to support reading and writing, both of which tend to be done only once:

1. Physically prepare to do the I/O. This may involve getting buffers ready or using lower-layer protocols for a device or access method.
2. Perform access checking.

Note that for performance reasons, the fewest number of access checks possible should be done when a particular end user accesses a particular file.

Serialization: Both `vn_open` and `vn_close` are invoked under an exclusive vnode latch.

The PFS is expected to do the following:

- During `vn_open`:
 1. Perform access checks. This must be done here for POSIX users.
 2. Prepare for I/O, if necessary.
 3. Increment an open counter in the inode for regular files.
- During reading or writing:

Perform access checks, if the Check Access bit is on in the UIO.
- During `vn_close`:
 1. Perform any I/O that is necessary, instead of deferring it to the `vn_inactive` call. Examples include saving the contents of data buffers to disk and updating access times. This allows I/O to be charged back to the end user, whereas I/O that is done during `vn_inactive` is charged to z/OS UNIX.
 2. Decrement the inode's open counter for regular files. If this goes to zero and the file's link count is zero, the file's data blocks are deleted and their space is reclaimed before the return from `vn_close`.

A PFS that reclaims space on the last `vn_close` of a deleted file should set the `immeddel` bit in the PFSI during initialization, for best performance. Otherwise, the LFS issues `vn_trunc` unnecessarily.

3. Perform the minimum amount of other cleanup. It is better to defer cleanup to `vn_inactive` processing. Even if no one is still referring to a file, which would not be apparent to the PFS, performance is better if the PFS allows LFS file caching to reuse a closed file with minimal overhead.
- During `vn_inactive`, or `vfs_inactive` if the PFS supports batch inactive: Perform final cleanup for the file or directory inode. This operation runs on a z/OS UNIX system task with the containing file system locked, so the PFS should accomplish this cleanup as quickly as possible. Avoid waits and I/O during this cleanup processing.

If this process is followed, the access credentials of POSIX users are checked only during their `open()` call. A VFS server that maintains state information requests access checking for the first reference by a particular end user to a particular file, but not for subsequent references. A VFS server without this state knowledge must pay the price of access checks on every reference.

The LFS builds and manages the file descriptors that are used by POSIX programs.

The `vn_open-vn_close` pair has the following characteristics:

- There may be many `vn_opens` issued for the same file or directory, and any number may be outstanding at a given time.
- The LFS may share a single `vn_open` with many users, because of forking or VFS server usage. This sharing is not apparent, nor is it of concern, to the PFS.
- For any `vn_open` that is seen by the PFS, there is a corresponding `vn_close`. Because there may be many `vn_opens` active, getting a `vn_close` does not mean that the file is in any sense no longer in use. The PFS does not get any indication that a particular `vn_close` is the “last close”, so it needs to maintain an “open counter” to control the deletion of data blocks for removed regular files.
- If the PFS needs to maintain an open context for file operations: an 8-byte `Open_token` can be returned by the PFS from `vn_open` and the LFS will pass this token back to the PFS on `vnode` operations that are invoked from within this open context. See “PFS Open Context and the `Open_token`” for more information.

PFS Open Context and the `Open_token`

An 8-byte `Open_token` can be returned by the PFS from `vn_open` and the LFS will pass this token back to the PFS on the following `vnode` operations when they are invoked from within this open context:

```
Vn_rdwr      vn_setattr  vn_fsync
Vn_readdir   vn_getattr  vn_lockctl
Vn_readwrite vn_trunc     vn_close
```

The token is passed in the `OSI` structure in the field `osi_opentoken`. To activate this support, the PFS sets the `pfsi_opentokens` flag as part of its output from PFS initialization.

Note that there will not always be an `Open Token` passed on all of these `vnode` operations. For example, there are both pathname and file descriptor forms of syscalls that generate `vn_getattr` or `vn_setattr`, such as `stat()/fstat()` and `chmod()/fchmod()`. Pathname operations are not within an open context. The read/write operations can be invoked by programs using the VFS Server `v_op`

interface. These are not part of an open context. An Open Token is always passed on `vn_close` and `vn_trunc` if one was returned on the corresponding `vn_open`.

Attention: If a file system has a PFS that uses Open_tokens, then that file system cannot be remounted.

Sysplex considerations

If the PFS allows the LFS to share its files in a sysplex Shared File System configuration, the following additional considerations apply to cross-system support:

- If an LFS client system leaves the sysplex, all opens that were done at the LFS owner for users at the lost client are closed. These closes must be correlated by the PFS to the open context to which they belong. The following interface is used to accomplish this:
 - On `vn_open` from the LFS owner to the PFS, the client's sysid will be passed in the `osi_otsysid` field. This is a 1-byte value that the PFS saves within its open context.
 - If the LFS client system leaves the sysplex, the LFS makes one call to `vn_close` for each vnode, and on that call it passes the client's sysid in the `osi_otsysid` field. No other operations run on this vnode at this time.

The PFS should scan through all its open contexts for this file and perform `vn_close` processing for each one that has a matching client sysid. The difference between this type of `vn_close` and a regular `vn_close` that passes a regular Open_token is that the first seven bytes of this Open_token field are zero. The PFS must insure that its Open_tokens use more than just the last byte of the 8-byte token field.

Note: The PFS is also responsible for cleaning up any remaining open contexts on `vn_inact` of a vnode. These open contexts can persist for a long period of time. To avoid accumulating an indeterminate number of orphaned open contexts in the PFS, this `vn_close` is done when an LFS client abnormally terminates.

- If an LFS client system is at an earlier release level where the Open_token is not supported, the client does not store or pass back the Open_token. Consequently, all vnode operations from the LFS owner to the PFS for this client will pass a 0 for the Open_token.

Since the Open_token is not usable in this configuration, a flag, `osi_otstateless`, is passed to the PFS on `vn_open` to indicate that this is a "stateless" client, and the PFS does not return an Open_token or expect one to be passed to it on future vnode operations. The `osi_otstateless` flag is also set for `vn_closes` from this client.

- If an LFS server system leaves the sysplex, current vnode references at the remaining client systems are broken, and current users receive RC=EIO for any future file operations.

To summarize, the following information can be passed to the PFS in the `osi_opentoken` field:

- For `vn_open`:
 - 0 A non-sysplex `open()` or a local `open()` at the LFS owner.
- `sysid`
A remote LFS client open being done at an LFS owner.

sysid & stateless

An open from an LFS client that does not support open tokens is being done at an LFS owner.

- For vn_close:

Open_token

A regular vn_close when the Open_token is available.

sysid

A mass vn_close at an LFS owner for all opens from that sysid.

sysid & stateless

A vn_close from an LFS client that does not support open tokens is being done at an LFS owner.

Reading from and writing to files

The PFS is responsible for actually moving data that is to be read or written, and for implementing the semantics that are required by the standards supported by z/OS UNIX.

See also “Opening and closing files and first references to files” on page 36.

vn_rdw and vn_readwritev are UIO operations, which means that:

- The UIO structure is part of the interface.
- The UIO contains the address, ALET, storage key, and address space ID of the user's buffer or buffers. It has a read/write flag to distinguish direction. For reads, it contains the length of the user's buffer or buffers. For writes, it contains the number of bytes that are to be written.
- The UIO contains the process file size limit for the file. On a write or writev request it is the responsibility of the PFS to determine when this limit has been reached or exceeded. When a write or writev request is unable to write any data without exceeding the file size limit, the PFS must set the bit in the UIO that indicates that the limit was exceeded, and set the errno to EFBIG. The PFS must also be aware of one other special value for the file size limit: If both UIO.u_fssizelimitw and UIO.u_fssizelimitl are equal to 0, there is no file size limit set for the process.
- It is the responsibility of the PFS to maintain system integrity while moving data between the address spaces. This means that the Move With Source Key and Move With Destination Key machine instructions or the osi_copyin, osi_copyout, and osi_uiomove services must be used.
- The caller maintains file positioning for the PFS, and the current file cursor is in the UIO for every operation. This indicates the position from which the read or write is to start.

When the O_APPEND flag is set on in the open flags parameter for a write operation, the UIO cursor is ignored by the PFS. Writing begins at the end of the file, as it is known by the PFS at the time of the write.

The UIO cursor may reflect the last read/write operation that was seen by the PFS; it may be from a different instance of vn_open; or it may have been changed through seek operations that were issued by the user and that are not seen by the PFS.

The PFS modifies the UIO cursor to reflect the file position after the operation.

The UIO cursor area is 8 bytes long, to support large files. It is the responsibility of the PFS to handle file offsets greater than 2^{31} or to reject them. The 8-byte cursor is a doubleword signed binary integer.

During `vn_rdwr` and `vn_readwritev` the PFS must:

1. Do access checking, if the UIO check-access bit is on.
2. Move the data. During `vn_rdwr`, if the UIO real-page bit is on, use the DATOFF services of MVS to move the data. The ability to refer to real pages is indicated by the PFS during its initialization. If this cannot be supported, the LFS supplies an intermediate virtual page buffer.
3. Synchronize the data, if the UIO sync-on-write bit is on, and turn on the sync-done bit to notify the LFS that it was done. Otherwise, the LFS issues `vn_fsync` explicitly and the whole operation takes a little longer.
4. Ensure that the operation does not write beyond the process file size limit. If the starting position is already at or beyond the limit, the PFS must set the limit-exceeded bit in the UIO and return with EFBIG. This check is done in the PFS because of the O_APPEND case, in which it is much more efficient for the PFS to verify the starting position.
5. Return the number of bytes that were transferred.
6. Modify the UIO cursor to reflect the file position after the operation.

Serialization: The `vn_rdwr` and `vn_readwritev` services are invoked with an exclusive latch for both reads and writes. This is to help the PFS implement the POSIX semantics that require atomic operations and immediate visibility to all other processes.

Reading directories

To optimize directory reading, `vn_readdir` is designed to return as many entries as possible on each call. The C run-time library deblocks the entries for POSIX programs, to provide the sequencing that they expect.

Like `vn_rdwr` and `vn_readwritev`, `vn_readdir` is a UIO operation, but the interpretation of the cursor is different. Cursor technique is described in the next topic. See also “Opening and closing files and first references to files” on page 36.

Serialization

Because the LFS obtains a shared latch for the `vn_readdir` operation, there may be many users reading the same directory at the same time.

The `vn_readdir` output buffer is mapped by the DIRENT structure, and its format is defined as follows:

- The buffer contains a variable number of variable-length directory entries. Only full entries are placed in the buffer, up to the buffer size specified, and the number of entries is returned on the interface.
- Each directory entry that is returned in the buffer has the following format:
 1. 2-byte `Entry_length`. This length field includes itself.
 2. 2-byte `Name_length`. This is the length of the following `Member_name` subfield.
 3. `Member_name`. A character field of length `Name_length`. This name is not null-terminated.
 4. File-system-specific data. If `Entry_length` equals `Name_length` plus 4 bytes, this subfield is not present. Whenever this field is present, it must start with the file's inode number, `st_ino`, in 4 bytes.

To be XPG-conforming, the PFS must include the file's inode number.

This subfield is not part of POSIX, but it is passed through to all programs to use or ignore as they wish. A non-standards-conforming program may take advantage of additional information provided by a specific PFS that it knows about.

- The entries should be packed together. The length fields are not aligned on any particular boundary.

An example of an entry for the name *abc* and inode number X'1234' is X'000B 0003 818283 00001234'.

Many applications expect entries for "." and ".." to be returned. This is not strictly required for standards conformance.

Successive calls to `vn_readdir` for a particular end user must proceed through the directory from the point at which the last one left off. A call does not have to account for activity that occurred "behind" its position in the directory, nor worry about items that may be deleted from "in front" of the current position before it was reached.

The PFS does not directly maintain positioning over successive calls to `vn_readdir`. The 8-byte UIO cursor is used to specify the positioning within the directory.

Not all directories are implemented as simple linear files that hold an array of name entries. Two continuation techniques may be used, and these must both be supported by a PFS. These techniques are:

- **Cursor technique.** The cursor that is returned by the PFS in the UIO contains PFS-specific information that locates the next directory entry. The caller is required to preserve the UIO cursor and the entire output buffer from the last `vn_readdir`, and present both of these on the next `vn_readdir`.

The PFS may use the cursor as an offset into a simple linear directory file, ignoring the buffer; or it may use it as an offset into the output buffer of the last entry that was returned. The latter approach can be used by a PFS with a tree-structured directory, where the previous entry name is used as a key to search for the next entry. That is, the last returned name, a 1-to-255-byte-long text string, is really the cursor for the caller's position in the directory. To ensure data integrity, you have to use the Move With Source Key instruction or `osi_copyin` for the entry header, and then again for the name length.

The cursor technique is used by the [for POSIX-conforming functions.

- **Index technique.** The index that is set in the UIO by the caller determines which entry to start reading from. To read through the directory, the caller starts at 1 and maintains the index by adding the number of entries returned to the previous index. The caller may jump around in the directory, and there is no requirement that the next index be related to the last `vn_readdir`.

This technique views the directory as a one-based array, where the first entry has an index of 1, the second entry has an index of 2, and so on.

The index technique is used by the Network File System and by the XL C/C++ runtime library for XPG-conforming functions.

If the PFS wants the LFS to convert directory reads that use index technique into cursor technique, the PFS must set the `PfsiRddCursor` capability bit during its initialization. A PFS might want to do this if its implementation of cursor technique has better performance than index technique. Whenever possible, the LFS will convert to cursor technique. However, a PFS that sets `PfsiRddCursor` must support the following three requirements:

1. If the PFS receives a `vn_readdir` with `FuioRetCursor` flag set by the LFS, the PFS must return the cursor entry for each directory entry in new field `DirEntCursor`.
2. The PFS must return the `dotdot` entry in index 2.
3. If a file tag was passed in the `Mtab` on the `vfs_mount`, the PFS must save the file tag, and during `readdirplus`, must return the file tag in the `AttrFileTag` of every entry that is not a directory or symbolic link and does not already have a file tag.

The UIO contains both the cursor and index fields that are used with these continuation techniques. The interpretation of these two fields is summarized in the following table:

The interpretation of the cursor and index fields are summarized.

Index	Cursor	Action
0	0	Start reading from the first entry.
0	M	Use the cursor value to resume reading.
N	0	Start reading from entry N.
N	M	Start reading from entry N.
Note: 0=zero; N and M are nonzero values.		

A nonzero index overrides the cursor. When both are zero or the index is 1, reading starts from the front of the directory.

The general flow for reading a directory is:

1. On the first `vn_readdir` of a sequence, both fields are zero and the PFS starts at the front of the directory. The normal cursor value of the PFS and the number of entries that were placed in the buffer are returned.
2. On the next `vn_readdir`, the caller specifies whether the cursor technique or index technique is being used to proceed through the directory. The PFS positions itself in the directory based on the technique used, reads more entries, and returns its normal updated cursor value and the number of entries that were placed in the buffer.

The PFS must always return an updated cursor value, even if the index technique is being used. Some callers may switch between techniques, as the XL C/C++ runtime library does for the `seekdir()` function.

3. In most cases, the caller continues in this way until the directory is exhausted.
4. The application can reset the directory stream to the beginning, but this action is not passed through to the PFS. The next `vn_readdir` simply has both cursor and index values of zero. The application can also begin reading from any desired entry.

Getting and setting attributes

The PFS is responsible for storing file attributes with its files. POSIX users can read these attributes with such functions as `stat()`, and set various attributes through such functions as `chmod()`. A VFS server does the same things with `v_getattr()` and `v_setattr()`.

All of this is passed through to the PFS when the LFS calls the `vn_getattr` or `vn_setattr` service with the `ATTR` structure (`BPXYATTR`). The `ATTR` structure is the

file attribute interface between the LFS and the PFS. It contains all the fields of the POSIX STAT structure, plus z/OS UNIX extensions that the PFS may support if it can.

A file's attributes are logically split between the security-related and non-security-related attributes. The security-related attributes are kept in the file security packet, IRRPIFSP, or FSP for short. The FSP is stored with the attributes of the file by the PFS, but it is created and changed only through SAF-defined routines. The FSP contains the file's mode bits, UID, and GID; it may also contain other information that is defined by the security product.

The FSP is the file attribute interface between the PFS and SAF. Refer to "Security responsibilities and considerations" on page 13 and "Creating files" on page 34 for more details on SAF and the FSP.

Serialization: The `vn_getattr` service is invoked with a shared vnode latch, and the `vn_setattr` service with an exclusive latch.

`vn_getattr` and `vn_setattr` do not require `vn_open`, although the file may be open for read or write at the time of these calls. Reads and writes would not be in progress at the time of the get or set.

All times in the ATTR structure are specified in POSIX format, which is "Seconds Since the Epoch" (00:00:00 January 1, 1970, Coordinated Universal Time). The PFS may keep time values internally in any format, but they must be in POSIX format across the LFS-PFS interface.

The ATTR structure's header is initialized with the ATTR's length before any get or set call.

The `vn_getattr` protocol is as follows:

1. All ATTR fields that are supported by the PFS are returned.
2. To account for different release levels, the PFS should zero out the area and set fields it understands only up to the minimum of the input area's length (from the ATTR length subfield) and the PFS's native ATTR length (the one it was compiled with). The input area's ATTR length subfield should be updated to reflect the amount of data that is returned or zeroed out.

A simple way to do this is to construct a local ATTR structure and copy this, truncating it if necessary, to the input ATTR.

The `vn_setattr` protocol is as follows:

1. More than one attribute may be changed on a single `vn_setattr` call, and each settable field in the ATTR structure is conditionally and individually set. Bit flags are set by the LFS in an ATTR flag area to indicate which fields from the ATTR structure are being set.
 - In general, if a change bit is on, the PFS updates the corresponding file attribute from the value that is passed in the corresponding ATTR field.
 - **Security fields.** For each security-related field, such as mode, owner, or audit, that is being changed, there is a corresponding SAF routine that the PFS calls to actually make the changes in the FSP. This allows the security product to do permission checks and security auditing, or other necessary security-related processing.

- **Time fields.** Two bits are defined for each time field. The first bit indicates that a change is to be made, and the second bit indicates whether to use the corresponding ATTR time field's value, or if the current time of day is to be generated and stored by the PFS.

Non-security fields may still have access control defined for them. This means that SAF is called to see if the user has permission to make the change, but the PFS does the change.

2. The PFS should ensure that either all changes or no changes are permanently recorded for a single `vn_setattr` call.
3. To account for different release levels, the PFS must not refer to fields beyond the input ATTR's length, as specified in its length subfield.

Note: To optimize performance for VFS servers, several of the vnode operations, such as `vn_lookup` and `vn_rdwrt`, pass an ATTR structure pointer in the OSI structure and expect an implicit `vn_getattr` to be performed at the end of the current operation. If the PFS cannot support this, the LFS calls `vn_getattr` after the operation in question. This flow has poorer performance when accessing files owned by this PFS.

Supporting Share Reservations in a PFS

A file is opened with Share Reservations in order to prevent other programs from later opening the file in ways that conflict with these reservations. Share Reservations are expressed in terms of denying read or write access by using two bits in the `open_flags` that are passed on `vn_open`: `O_DENYRD=0x00020000` and `O_DENYWRT=0x00010000`.

If a file is opened with an access intent of read or write that conflicts with an already established Share Reservation, the open is rejected with EBUSY. Conversely, if a file is already opened for an access intent that another open is trying to deny, the later open fails with EBUSY.

See “`v_open` (BPX1VOP, BPX4VOP) — Open or create a file” on page 329 for information about Share Reservations from the NFS Server's point of view.

A PFS indicates that it supports Share Reservations by setting the `pfsi_sharesupported` flag as part of its output from PFS initialization. The access and deny modes are always passed to the PFS on `vn_open`, but when the PFS supports Share Reservations the LFS does not monitor or enforce the reservations.

Types of opens

This topic contains background information about the various types of open operations.

- The traditional POSIX `open()` function requests read or write access to a file, and files are shared among all users who independently open them.
- An open/close protocol was added to the NFS architecture in Version 4. The z/OS V4 NFS Server invokes `v_open()` in support of V4 clients. `v_open()` can be used to place Share Reservations on a file for Windows work stations.

The distinctions between `open()` and V4 `v_open()` are not significant to the PFS. Both are passed on `vn_open` as type `VNOPEN_FILE`. When `close()` or `v_close()` is issued the resulting `vn_close` will also be of this type.

- Older V3 clients can use the Network Lock Manager Share function to place Share Reservations on files, but since NLM and NFS are not necessarily integrated on a server the V3 NLM Shares do not inhibit reading and writing. These NLM Shares are advisory locks and only contend with each other at the

time they are obtained. V4 Shares are mandatory locks and they also inhibit any conflicting reading or writing by V3 clients. Because of this difference in enforcement for reads and writes that occur outside of an open context, these NLM Shares are passed to the PFS on `vn_open` as type `VNOPEN_NLM_SHR`. When the NLM Unshare is specified a corresponding `vn_close` is passed to the PFS with this same type.

- V4 NFS clients can reduce the number of flows to a server by sharing opens on that server among its local users. When a file is subsequently opened for more access or with more reservations than the client has so far established on the server, the client must upgrade its open context on the server. Conversely, when the file is closed locally on the client and it no longer needs all of the access rights or reservations it has on the server, it can downgrade its open context on server. These upgrades appear in the PFS as a `vn_open` and the downgrades appear as a `vn_close` of the same types as described previously.

These upgrades and downgrades are not necessarily paired. Consequently, when Shares are supported by the PFS there may not be the same number of `vn_closes` as `vn_opens` for a given file. See “Close processing” on page 46 for more information. An upgrade of the deny modes appears in the PFS as a `vn_open` with no access flags turned on, and there should be no SAF Check Access security call made when there is no new access requested.

- The LFS issues Internal Opens in support of file servers such as NFS V3 and SMB. These servers obtain Vnode Tokens for the files they reference, usually through `v_lookup` or `v_vget`, and then proceed to read and write to these files without ever explicitly opening them. The purpose of the Internal Open is to keep the PFS's open counter greater than 0 while the server has an active Vnode Token, so that if the file is removed by the server or by a local user, the file data will not be discarded until after the server has finished and called `v_rel()`. These Internal Opens do not effect or interact with Share Reservations in any way and so are passed to the PFS as type `VNOPEN_INTERNAL`. The later reads and writes from this server are outside of an open context and are checked against the corresponding Share Reservations that may inhibit that action. When the Vnode Token is released with `v_rel` the LFS does an internal close of this same type.

Open processing

The type of open that is being done by `vn_open` is passed in the `ts_sysd1` field. This open can be one of the following:

VNOPEN_FILE

A traditional POSIX `open()` or NFS V4 `v_open()`. These actions request access rights and optionally can place share reservations on the file. They contend with any other opens that may already be established for this file. The call can fail due to an existing reservation that denies the access requested, or the call can fail if it attempts to deny an access that is already established. Both conflicts cause the call to be rejected with `RC=EBUSY`. If the PFS does not support Share Reservations, the LFS uses `Rsn=JRShrConflict` for the former and `Rsn=JRAccessConflict` for the later.

This call can be blocking or nonblocking, but the LFS does not allow blocking with share reservations requested. That is, if either `O_DENYRD` or `O_DENYWRT` are set then `O_NONBLOCK` must also be set. When the call is blocking it should wait for any conflicting Share Reservations to be removed. When nonblocking, it should be rejected immediately with `RC=EBUSY` if there is a conflict. The Share reservations established here

inhibit any conflicting reading or writing that occur outside of an open context. See “Considerations for reading and writing and SetAttr” on page 47 for more information.

VNOPEN_NLM_SHR

This type of open is for a Network Lock Manager Share Reservation. It is not an open in the traditional sense, although there is really no difference to the PFS. SAF/RACF is called for a normal access check . These calls are always nonblocking.

The corresponding `vn_close` also indicates that it is for a `VNOPEN_NLM_SHR`, so that the appropriate deny counters can be decremented.

Note that the SMB server also issues `v_rdwr` outside of an open context. But on the first read or write to a file the LFS issues a `vn_open(VNOPEN_FILE)` for it, so once SMB starts reading or writing a file it cannot be denied that access later. That first read or write is rejected if there is already a conflicting Share Reservation that causes the `vn_open` to be rejected.

NLM opens contend with all other previous opens, but the reservations established do not inhibit subsequent reads and writes from an NFS V3 client. An NFS client does not have an open context and its reads and writes are allowed to violate NLM Share Reservations, but they are rejected if they conflict with a V4 Share Reservation. There are two requirements to correctly enforce Reservations with respect to NFS V3 reads and writes:

- The PFS must maintain two pairs of deny counters. These are for (`V4_DenyWrt,V4_DenyRd`) and (`NLM_DenyWrt,NLM_DenyRd`).
- For a `vn_rdwr` operation the LFS must pass the type of client that is doing the read or write. This is done in terms of the type of checking that should be performed by the PFS. See “Considerations for reading and writing and SetAttr” on page 47 for more information.

VNOPEN_INTERNAL

An internal open issued by the LFS. This is for read and write access, or for read-only access if the file system is Read-only. This operation never denies any accesses. This open should bypass all Share checking, and it does not inhibit later Share Reservations. There may be more than one internal `vn_open` issued for a file. For each internal `vn_open` there will be a corresponding internal `vn_close`. These internal opens are done with system credentials.

Close processing

The `open_flags` passed on `vn_close` indicate which access and deny counters need to be decremented. These counters can include flags that originated on more than one `vn_open`. The type of open that is being closed is indicated in the `ts_sysd1` field, as follows:

VNOPEN_FILE

Used for POSIX `close()` and NFS V4 `v_close()`.

VNOPEN_NLM_SHR

Used for a Network Lock Manager UnShare.

VNOPEN_INTERNAL

Used for an internal LFS close that bypasses all Share processing

When Share Reservations are released and a deny counter goes to zero there can be blocked `vn_opens` that need to be posted.

The total count of `vn_opens` for any given file can not equal the total count of `vn_closes` for that file, due to the upgrades and downgrades of a client's open context. For example, the following sequences are possible:

```
vn_open(Read), vn_open(Write), vn_close(Read, Write)
vn_open(Read), vn_open(DenyWrt), vn_close(DenyWrt), vn_open(Write), vn_close(Read,Write)
vn_open(Read,Write), vn_open(Read), vn_close(Write), vn_close(Read), vn_close(Read)
```

The sum of all `vn_closes` for any one type of access or reservation will equal the sum of all `vn_opens` that requested that type of access or reservation. For example, in the third sequence, the sum of all `vn_opens` that specified `O_RDONLY` equal the sum of all `vn_closes` with `O_RDONLY` on.

Considerations for deleting files

When the target of `vn_remove` – or an old file from a `vn_rename` – has a Share Reservation on it that denies opening the file for write, the attempt to delete the file is rejected with `RC=EBUSY`.

When the last link to a file is removed the file's data should not be discarded until the sum of all the (`Opens_for_read` + `Opens_for_write` + `Internal_Opens`) is zero.

Considerations for reading and writing and SetAttr

There are special considerations for `vn_rdwr` and `vn_setattr(FileSizeChange)` for clients who perform these operations outside of an open context. From a V3 client these operations are allowed to violate NLM Share Reservations but not V4 reservations. For V4 clients there are several variations in the architecture that include operating outside of an open context and overriding Share Reservations. See “`vn_rdwr (BPX1VRW, BPX4VRW) — Read from and write to a file`” on page 340 for more information about these variations between the clients and the server.

Note that `vn_trunc` is only called for the `ftruncate()` function so it always operates within an open context, and the LFS checks that the open was for write. Consequently, there is no share checking required in `vn_trunc`.

From the PFS's point of view the following types of share checking can be requested on `vn_rdwr` or `vn_setattr(FileSizeChange)`. They are passed in the `ts_sysd1` field of the call:

VNSHRCHK_NONE

A read/write/setattr that is within an open context and therefore should be permitted.

VNSHRCHK_ADV

A check only against V4 reservations.

VNSHRCHK_MAND

A check against all reservations (V4 and NLM).

When a check is made it corresponds to the action being requested: read versus `DenyRd`, and write or file size change versus `DenyWrt`. When there is a conflict the `vn_rdwr` or `vn_setattr` call is rejected with `RC=EBUSY`.

For a detailed description of the NFS V4 architecture refer to RFC 3530, which can be found at <http://www.ietf.org/>.

Other considerations

With a read-only file system, Share Reservations should be accepted but do not have to be enforced.

A `vfs_umount` for remount may be rejected if any file within that file system has any share reservations.

Share contention in a sysplex generally has to be resolved at some central file system owner, which leads to the following restrictions when there are various release levels in the sysplex:

- Share reservations should be rejected with `RC=EOPNOTSUPP` if the file system's owner does not support them.
- Once share reservations have been established, the file system cannot be moved to an owner that does not support reservations. When the file system is moved to an owner that does support reservations, the established reservations should move along with the file system ownership.
- If the owning system crashes and the file system is taken over by a system that does support reservations, those reservations that have been established should be reestablished for the new owner.

If the new owner does not support share reservations, the reservations are lost and the opens that are using them have to be invalidated. This can be done by calling `osi_getvnode(OSI_STALEOPENS)` for each vnode that has share reservations. Once the opens are marked stale, subsequent attempts to use them are rejected by the LFS with `RC=EIO` and `RSN=JrShrsLost`.

File tags

The file tag is a file attribute that identifies the character set of the text data within a file.

It is not expected that the PFS will use file tags, but if the PFS supports its own conversion capability, it may have to take file tags into consideration now that the LFS is also doing conversions. For example, NFS Client will fail `vfs_mount` if both the `LFS TAG()` parameter and the `NFS PARM(XLATE())` parameter are specified.

The following headers are used by both the PFS interface and the VFS Server functions `v_getattr()` and `v_setattr()`.

In C header `BPXYVFSI`:

```
The following 'SetAttr Change Flag' is added:
    BIT    at_charsetidchg :1;        /* File Info Set    */
```

The following is added to the `_BPX_MNTE2` form of the `s_mnt` struct:

```
char    me_filetag[4]                /* file tag        */
```

In C header `BPXYPFSI`:

```
The following is added to the s_mntab structure:
char    mt_tag[4];                    /* TAG() Parameter */
```

Using daemon tasks within a PFS

If the PFS needs to invoke functions that cannot be performed in a cross-memory environment, it must make use of other tasks to perform these functions. To use these daemon tasks the PFS must, at a minimum:

1. Attach these tasks and
2. Communicate with them

Several services are provided to make this easier. They are:

- `osi_kmsgctl`
- `osi_kmsgget`
- `osi_kmsgrcv`

- `osi_kmsgsnd`
- `osi_thread`

The `osi_thread` service is available only to PFSs that are running in a colony address space.

The PFS can attach these tasks via the MVS ATTACH service from its initialization task, or it can use the `osi_thread` service. The `osi_thread` service attaches a task in the PFS's address space that runs in primary mode. The initial module on this task is a C Main function that fetches the module that is specified by the invoker using the C/C++ `fetch()` function, and then calls it. When called on this task, or thread, the specified module can perform a single function and return; or it can service work requests by the PFS until the PFS terminates. In the latter case, the `osi_thread` service is used to attach a PFS daemon task.

When attached, these tasks need to communicate with the PFS functions that are invoked by the LFS. One way these processes can communicate is through message queue functions that are provided by the `osi_kmsg` services in the previous list. For descriptions of these services, see Chapter 6, "OSI services," on page 385.

Exporting files to a VFS server

For a VFS server to access files that are owned by a PFS on the same system, the following support is necessary in the PFS:

- Its file objects must be visible in the file hierarchy. This is the same as saying that the PFS supports `vfs_mount` and `vn_lookup`.
- Each file must have a unique and persistent file identifier (FID). This is 8 bytes long, and is usually made up from the file's 4-byte `st_ino` value and a 4-byte uniquifier. The uniquifier must be constructed by the PFS if it reuses file `st_ino` values, so that the full 8-byte FID is unique and never reused.

The FID must persist over PFS restarts and even full-system IPLs. A VFS server's client may access a file days after it has obtained the FID.

- The FID must be returned in all ATTR structures that are returned.
- The PFS must be able to look up a file by its FID reasonably efficiently. The `vfs_vget` operation must be supported to convert a FID value to a `vnode-inode` pairing. This is similar to `vn_lookup`, except that a FID within a file system is looked up, rather than a name within a directory.
- Access checking on read/write must be supported, as discussed in "Opening and closing files and first references to files" on page 36.
- `vn_readdir` must not require `vn_open` and `vn_close`.
- For better performance, the PFS should support:
 - Implicit `vn_getattr` on any operation that passes a nonzero ATTR pointer in the OSI structure.
 - Sync-on-write, when that bit is on in the UIO. (This eliminates the need for a separate call to `fsync`.)
 - Real-page support with DATOFF moves for memory-mapped files.

Porting note

The `vn_fid` operation is not used to convert a `vnode` to a FID. The combination of returning the FID in the ATTR structure and implicit `vn_getattr` on many operations is much faster for VFS servers.

When a VFS server's client mounts part of the file hierarchy, it really only obtains tokens to a directory and the directory's file system. It is not a mount like that performed for the MOUNT command, and the PFS does not receive a `vfs_mount` or any indication that it occurred. The first call from a VFS server that the PFS would see is likely to be a `vfs_vget`, `vn_lookup`, or `vn_readdir`.

Select

A PFS should consider supporting the `vn_select` operation if data for a read-type operation may arrive asynchronously when no read has been issued; or if buffers for a write-type operation are rationed and are therefore sometimes not immediately available (require a WAIT).

The LFS answers READY for any select status requested from a PFS that does not support `vn_select`.

See "Select/poll processing" on page 52 for more details.

PFS interface: Socket PFS protocols

Activating a domain

NETWORK statements in the BPXPRMxx parmlib member that is used to start z/OS UNIX assign socket domains, or address families, to the socket PFSs.

The NETWORK syntax is:

```
NETWORK TYPE(file_system_type)
        DOMAINNAME(domain_name)
        DOMAINNUMBER(domain_number)
        MAXSOCKETS(number)
```

where:

- TYPE identifies the PFS that supports this domain. This operand must match the TYPE operand that is used on the FILESYSTYPE statement that defined the PFS.
- DOMAINNAME specifies the domain, or address family, name. The AF_UNIX and AF_INET domains are supported by IBM-supplied socket PFSs.
- DOMAINNUMBER specifies the numeric value of the domain that is passed by programs that call `socket()`. The values that are supported for this field are defined in `socket.h`.
- MAXSOCKETS specifies the maximum number of currently active sockets that are to be supported.

The parameters just described are passed to the PFS on the `vfs_network` operation.

During `vfs_network` the PFS is expected to:

1. Activate support for this domain.
2. Optionally return an 8-byte token that is saved by the LFS and used on all subsequent VFS and vnode operations. This token is typically the address of the PFS's domain block.

When a user calls `socket()`, the first parameter is a domain number. The LFS routes this request to the appropriate PFS with a call to `vfs_socket`.

The NETWORK statement is analogous to the MOUNT statement that is used by file-oriented PFSs.

See *z/OS MVS Initialization and Tuning Reference* and the description of the NETWORK statement of BPXPRMxx in *z/OS UNIX System Services Planning* for more information.

Creating, referring to, and closing socket vnodes

The PFS creates vnodes by calling `osi_getvnode`, which is one of the OSI services in the OSIT vector table that is passed to the PFS during its initialization.

Sockets are created by user calls to `socket()` and `accept()`. The corresponding vnodes are created during `vfs_socket` and `vn_accept`, respectively. `vfs_socket` creates a socket, and if that socket is connected, a stream session is established to another socket that is created by `vn_accept`. `socketpair()` generates a special case of the `vfs_socket` call that creates two connected sockets. This is similar to the `pipe()` function.

During `vfs_socket` and `vn_accept`, the PFS is expected to:

1. Set up its socket support and build an inode.
2. Call `osi_getvnode` to create a vnode.
3. Return the vnode token that was returned by `osi_getvnode`.

The LFS builds the file descriptor, which is also called a socket descriptor, that is the output of the `socket()` and `accept()` functions.

Sockets do not have a name in the file hierarchy; consequently, they cannot be opened by POSIX users or exported by VFS servers.

The user program makes socket calls on the file descriptor, and the calling parameters are generally passed straight through to the PFS by the LFS.

Socket descriptors can be inherited over `fork()`, and they can be duplicated with `dup()`. The LFS manages this sharing; the PFS is not aware of how many active references to a socket there are.

Eventually the program calls `close()` for its socket descriptors. After all active references to the socket vnode-inode are closed, the LFS calls `vn_close`. Because sockets cannot be opened like files, the PFS receives only a single `vn_close` for any socket.

During `vn_close`, the PFS severs the user's socket session.

After the `vn_close`, the LFS calls `vn_inactive` for the final cleanup of the vnode-inode relationship.

During `vn_inactive`, the PFS is expected to:

1. Disassociate the inode from the vnode.
2. Perform any inode cleanup that is desired.

After the call to `vn_inactive`, the LFS frees the vnode unless the PFS reports a problem through a bad return code.

Porting note

Because sockets cannot be reused after `vn_close`, the PFS can combine its close and inactive processing in `vn_close`, and choose not to support `vn_inactive`.

Nonsupport is not considered a failure of `vn_inactive`.

Reading and writing

The five variations on read/write—`vn_rdwr`, `vn_readwritev`, `vn_sndrcv`, `vn_sndtorcvfm`, and `vn_srmsg`—are all UIO operations, and are described in “Reading from and writing to files” on page 39.

The UIO contains additional fields for the socket-specific buffers that are used on some of these calls.

During these read/write calls, the PFS must:

1. Move the data using Move With Source Key or Move With Destination Key, as appropriate. The `osi_copyin` and `osi_copyout` services can be used to move data areas between the user and kernel address spaces. The `osi_uiomove` service can be used to move data areas based on the UIO structure for `vn_rdwr` and `vn_readwritev`.
2. Return the number of bytes that were transferred.

Serialization: All five operations are called with an exclusive latch for writing. All five operations are called with an exclusive latch for reading, with the exception of `vn_rdwr` and `vn_readwritev`, which may be called with a shared latch for reading if the PFS has specified shared read support for the file being read. The LFS defaults to exclusive latching for both reading and writing, to help the PFS implement the POSIX semantics of atomic operations and immediate visibility to all other processes. This latching can be turned off if it is not needed by the PFS. Refer to “LFS-PFS control block serialization” on page 24 for more details.

Getting and setting attributes

Socket descriptors are eligible for `fstat()`, so sockets can be called for `vn_getattr`. The PFS should consider supporting this operation and returning some information in the `ATTR` structure. At a minimum, you could return: the file type, permission bits of 777, the current time for the time values, the `devno` as passed by `vfs_network`, and an inode number for the socket that is unique for this socket at this point in time.

Note: Some programs use `fdopen()` with a socket descriptor, and this function does an `fstat()` under the covers.

Generally, a program cannot set any attributes of a socket, so the PFS does not have to support the `vn_setattr` operation.

Select/poll processing

An application program calls `select()` or `poll()` with a list of file descriptors and the events that are to be waited for. The file descriptors can represent files, sockets, pipes, or terminals; they are all referred to as “files” in this discussion. The events that can be waited for are: ready for reading, ready for writing, and exceptional conditions. Because a `poll()` is converted into a `select()` call by the time the request reaches the PFS, for this discussion only `select` will be discussed.

There are two operations that can be called to handle the `select` request: `vfs_batsel` and `vn_select`. The `vfs_batsel` operation is useful for a performance boost; it does not have to be supported. If a PFS supports the `vfs_batsel` operation, a single call is made to that PFS with an array of information about its files. If a single descriptor

is requested, or the PFS does not support `vfs_batsel`, the `vn_select` operation is called for the owning PFS for each file specified.

The LFS converts the file descriptors into `vnodes`. If the user has multiple file descriptors in the list that refer to the same file, such as after a `dup()`, or if a particular PFS owns more than one file that is present in the list, it receives a separate call for each file if the `vfs_batsel` operation is not supported. Otherwise, a single call is made with multiple array entries for the same file. While one user is waiting in `select()` for some files, another user may issue `select()` for some of the same files. The LFS manages the lists and the associations of users to requests. The PFS should just treat each `vn_select` or `vfs_batsel` array entry as a completely separate and independent action against the file, and be prepared for more than one `select()` to be active at a time for a file.

Select processing consists of two phases, called *Query* and *Cancel*, which are identified by a parameter on the select call. Each file may be called for both phases or just for Cancel. When a user specifies a timeout value of 0, the LFS skips the Query phase and goes right into the Cancel phase.

The LFS passes a select token to the PFS with each `vn_select` or `vfs_batsel` array element call. The select token uniquely identifies a request for both phases, and thus can be used by the PFS to correlate Queries and Cancels. This token is unique to this single instance of `vn_select(Query)` being called, and is not used again until after the corresponding call to `vn_select(Cancel)`.

There is also a *PFS_work_token* available on `vn_select` and in each array element of `vfs_batsel` that can be set by the PFS to correlate Queries and Cancels.

Note: Only `vn_select` is mentioned in this discussion. The only difference between `vn_select` and `vfs_batsel` is that similar processing must occur within a loop for the array elements of the `vfs_batsel` request.

Query phase

In the Query phase of select processing, the LFS queries the PFSs by calling `vn_select(Query)` with the `vnode` that is represented by each file descriptor.

During `vn_select(Query)`, the PFS must:

1. Return status information without taking any other action, if any requested event is immediately available.
2. Otherwise, save the select token (16 bytes) and the `Select_Options` in a `select-pending` structure that is chained from its `inode`.

The Query phase ends as soon as any PFS reports immediate status. The remaining PFSs are contacted during the Cancel phase, so the user can receive the most information available at this time.

The LFS may omit recalling the PFS for the Cancel phase if:

1. The PFS does not set any of the `PFS_work_tokens`, and
2. For `vfs_batsel`, status is returned in the array entries.

If the PFS is dependent on being recalled for Cancel whenever it has been recalled for Query, it must set a `PFS_work_token` to some nonzero value. For optimal performance, the PFS should not have this dependence when it is able to report immediate status to the Query request.

If no PFS reports immediate status, the LFS waits for one of the PFSs to call `osi_selpost`, or for the time limit to expire.

Event occurrence: Eventually an event occurs asynchronously within a PFS for a given file. The PFS process or thread that handles these events notices that the file has selects pending for it. Examples of such events are: data arriving for a read, buffers freeing up for a write, or sessions terminating for an exceptional condition.

When such an event occurs, the PFS is expected to do the following:

1. Scan through the select-pending structures that are chained from the inode for those that are waiting for this type of status.
The PFS must serialize this with its own processing for Cancel; see “Cancel phase.”
2. For each pending select that is satisfied:
 - a. The PFS removes the select-pending structure, or marks it as “posted”. The PFS must ensure that it never calls `osi_selpost` more than once for a particular `vn_select(Query)` request or select token.
 - b. The `osi_selpost` routine is called with the select token saved during the Query phase.

The `osi_selpost` routine uses the select token to find the waiting process and thread and post it.

Note: The identity of the event that occurred is not passed to `osi_selpost`. This information is picked up by the LFS during the Cancel phase.

Cancel phase

The LFS goes through the Cancel phase by invoking `vn_select(Cancel)` for each file descriptor when:

- One of the PFS events has occurred and `osi_selpost` is called
- Any PFS reported status during the Query phase
- The timeout value expires

Note that if a PFS reported status during the Query phase, the loop that was doing the queries is terminated; therefore, a cancel request may be received by a PFS even though no query was done.

During `vn_select(Cancel)`, the PFS is expected to do the following:

1. Scan the pending-select structures that are chained from the inode for one with a matching select token. If one is found, it is removed so that `osi_selpost` is not invoked for that select token after the PFS returns from this `vn_select(Cancel)` call.

Note: It is the PFS's responsibility to serialize the cancellation of a pending select with its asynchronous event handler, which may be attempting to call `osi_selpost`. It is critical that `osi_selpost` never be called for a particular select token after the PFS returns to the LFS from a call to `vn_select(Cancel)` for that same select token.

It is not unusual for the PFS not to find a pending select to be canceled, as it could have been already removed by the event handler, or this PFS may not have been queried in the first place.

2. After the PFS ensures that the select is no longer pending, it checks for the requested status and returns this information to the LFS.

The LFS collects status from all of the files and reports it back to the program that called `select()`.

Note: Although it is rare in practice, there is nothing to stop a user from selecting and reading on the same socket from two different processes or threads. Consequently, it is technically possible that an event that is reported by `select` may no longer be true when the selecting program finally acts on the information. A selecting program may not act on the information, but pass it off to another process to handle. Therefore, reporting back on `select` does not reserve the data or buffers for the caller; it merely reports the status of the file at that time.

Common INET sockets

Common INET sockets PFS structure

The Common INET layer (CINET) is inserted between the LFS and a sockets PFS to allow multiple `AF_INET` transports to be used by a single application socket. A sockets PFS can be attached directly to the LFS when it is the only `AF_INET` transport on the system, or attached through the CINET layer when it is one of several. To be attached to CINET, the PFS must implement the “master socket” and support several additional `ioctl` command types, as described in this topic. The interface to the PFS is the same in both cases. Once the additional support for CINET is written, the PFS does not have to distinguish between the two cases.

When Common INET is used, the sockets file system is initialized by the `SUBFILESYSTYPE` statement in the `parmlib` member, instead of by the `FILESYSTYPE` statement, which initializes the Common INET support. The operands of the `SUBFILESYSTYPE` statement are similar to those for the `FILESYSTYPE` statement.

The general model is that of a sockets PFS that is split into two pieces: a PFS layer that runs in the kernel address space, and additional programming that runs in a separate address space and that actually controls the transport interface to the network. For the purposes of this discussion, the PFS layer piece will be called the *transport driver* (or TD) and the separate address space piece will be called the *transport provider* (or TP).

The transport driver is started by z/OS UNIX, as a PFS, and communicates with the transport provider through its own internal mechanisms, usually by a space switching program call (PC).

The transport provider (for instance, a TCP/IP stack) is started independently, and communicates with the transport driver through the master socket.

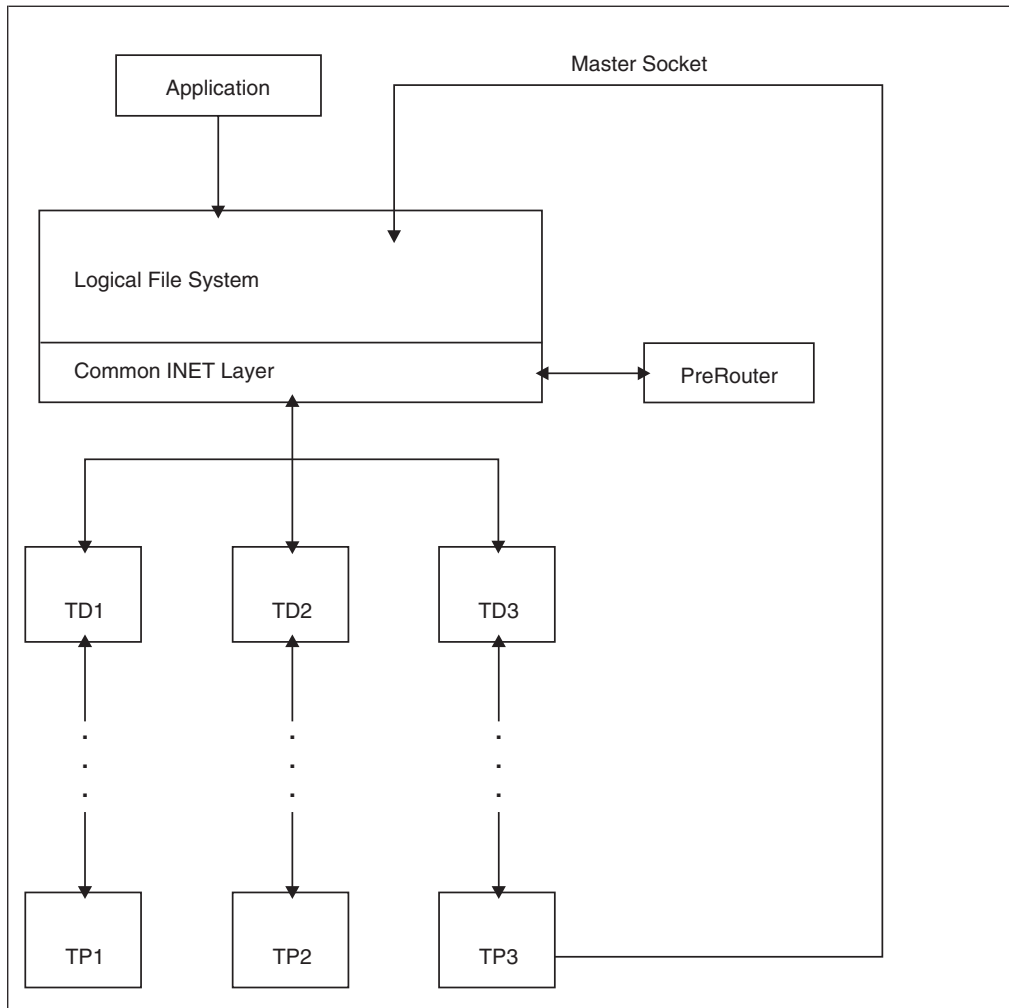


Figure 5. Common INET sockets PFS structure

A TD/TP that is structured entirely within the PFS in the kernel address space still has to establish the master socket and pass the minimum ioctl commands to run under the CINET layer.

The master socket

The master socket is used to communicate between the transport provider and both the Common INET layer and its own transport driver. It is used mostly for initialization and, potentially, for later dynamic route updates. If the TP ever has to initiate a message to the TD (for instance, due to an asynchronous configuration update), it can do so over the master socket.

- The master socket is created by the transport provider with the standard socket() C function or the BPX1SOC/BPX4SOC callable service, by specifying AF_INET for the *Domain* and -1 for the *Protocol* parameters.

This builds a session from the TP to the CINET layer.

The TP address space must be defined to RACF as a z/OS UNIX user with a UID of 0.

- The only functions that are used with the master socket are ioctl and close. Most of the ioctl command codes that are used with z/OS UNIX are nonstandard, so these ioctls must be issued with the w_ioctl() C function or the BPX1IOC/BPX4IOC callable service.

The socket can be closed with either close() or BPX1CLS/BPX4CLS.

- The first thing that flows on the master socket must be an SIOCSETRTTD ioctl to connect the socket to a specific transport driver. This ioctl is also known as the left bookend, signifying the start of TD–TP initialization. On the call, the Argument_length should be specified as 8, and Argument should refer to an 8-byte area in which the TD name is filled in. For more information about the interface to ioctl, refer to “vn_ioctl — I/O control” on page 164.

The vfs_socket request is issued at this point to the specified TD, which builds the normal socket support between the LFS and PFS, but does not propagate this session to the TP.

The SIOCSETRTTD command is then passed on to the TD with an ioctl call.

Note: The TP must know the name of its own TD in order to select it with SIOCSETRTTD. This name was specified with the NAME parameter of the SUBFILESYSTYPE statement that started the TD, and is passed to the TD when it is initialized. There are several ways to make this name known to the TP. It could be a product-specified constant value; the value could be configured into the TP through its externals; the TD could pass the name to the TP if it starts the PC session first; or the TD could store the name with the MVS Named Token Services, where the TP would retrieve it.

- Subsequent ioctls are then sent from the TP to the TD to perform product-specific initialization, as necessary. For instance, these could drive the TD to establish the PC session to the TP. These ioctl calls can specify application-defined commands, or use existing command definitions. The ioctl command values that are used must not conflict with any of the commands that are discussed here, or any that are used by the prerouter.

These commands pass through z/OS UNIX without any interpretation.

Note: If the PFS is designed to run directly attached to the LFS, it has already solved the problems of initialization between the TD and TP. This does not have to change when it is attached through CINET. Only the first and last ioctl commands discussed here are required on the master socket.

- After any product-specific initialization is finished, an IOCC#TCCE ioctl command is sent by the TP to notify CINET that this file system is ready for business. This ioctl command is also known as the right bookend, signifying the end of TD–TP initialization. For this command, no other specific data is required, so the Argument_length can be zero.

This command is also passed on to the TD.

At this time, the transport is considered to be active. The prerouter gathers configuration information from the transport and applications that had used the SO_EioIfNewTP socket option receive notification that a new transport is available for use. This notification is performed by failing any socket accept or receive type calls with a return code of EIO, after which the application closes that socket and opens a new socket to pick up the new transport.

If the transport is not yet ready to accept new socket requests, the notification phase can be delayed. If the argument length for IOCC#TCCE is four bytes and the argument contains a value of one, this signifies a delay and the SO_EioIfNewTP notification phase will be skipped. The transport must later send another IOCC#TCCE ioctl command with a value of two to perform just the notification phase.

- At this point the prerouter will start its conversation with the TD–TP on a separate socket session, see “Common INET prerouting function” on page 58.

Ioctls that flow on the master socket to the TD are never passed through to the TP, because that is where they came from. Some of the ioctl commands are intended

only for the Common INET layer, and these are not even passed on to the TD. However, the TD should be coded to ignore the ioctl commands that are intended for the Common INET layer, because when it is connected directly to the LFS it will receive these requests. The TP could also be configured to know how the TD is set up within z/OS UNIX and process accordingly, but this is usually not worth the extra effort and externals.

The master socket is left open for the duration of the transport provider. If this socket is closed, the prerouter assumes that the transport provider has terminated. This socket may also be needed later for dynamic route updates, and it can be used within the TD/TP recovery design. If the TP abnormally terminates, the master socket for it is closed. The TD sees this as a `vn_close`, at which point it can take whatever recovery actions may be necessary. Thus, a resource manager for the TP and the code to notify the TD are not necessary solely for the purpose of letting the TD know when the TP crashes.

The constants for the various ioctl commands that are used during initialization are defined in `BPXYPSI`.

Common INET prerouting function

The Common INET support allows an installation to connect up to 32 different instances of TCP/IP or other `AF_INET` physical file systems. Application programs that use sockets do not need to change any code to take advantage of the multiple `AF_INET` file systems.

Supporting multiple `AF_INET` physical file systems and providing a single file system image to the user means that the Common INET must perform a set of management and distribution functions that govern how a socket behaves with multiple file systems. A fundamental requirement for distributing work across multiple file systems is an understanding of the IP configurations of each file system. The IP configurations are needed to determine which file system should handle a `bind()` to a particular home IP address, a `connect()`, a `sendto()`, and so forth.

When the Common INET processes a socket request that requires it to select only a particular file system based on an input IP address from a user, the Common INET uses its copy of each file system's IP configuration to select the correct file system to process the user's request. Copies of the IP configurations are maintained by the Common INET internally, and are only used for "prerouting" a socket call to the correct file system. The file system that was selected performs all of the official file system functions, such as routing, once the socket request reaches the file system from the Common INET.

Each file system that is connected to the Common INET must provide a copy of its internal IP routing table. An ioctl is issued to each transport provider (TP) as part of the PFS initialization. This allows the Common INET function to query the routing tables for that file system. Once the Common INET prerouter function has successfully retrieved and stored routing information from a particular file system, message `BPXF206I` is issued to the hardcopy log. Message `BPXF206I` is also issued whenever a file system refreshes its routing table. For example, IBM's TCP/IP may refresh its routing tables as part of the `OBEYFILE` command. Message `BPXF207I` is issued to the hardcopy log whenever the Common INET deletes internal routing information for a file system. When the connection with a specific file system is severed, the Common INET routing information for that file system is deleted.

Limitations of Common INET-attached PFS IP configurations

System programmers and network administrators should be aware of the following information about the common INET prerouting function:

1. Two or more file systems may contain home IP addresses on the same network or subnetwork. However, load balancing across file systems is not done. If a user has not done a **bind()** to a home address, the same file system is selected for each subsequent **sendto()**, even if there are other transport providers with routes to the same destination.
2. Two or more file systems may contain a route to the same destination. Again, load balancing across the file systems is not performed.
3. **Route precedence:** The prerouter assigns a route precedence value for each route. The route precedence value is based on the route type reported by the transport provider. The higher the value, the better the route. If there is more than one route to a destination, the route with the best route precedence value will be selected. If there is more than one route to a destination with the best route precedence value, the route with the best route precedence *and* the best route metric (see item 4) will be selected.

In order for route selection based on route precedence to completely work, all TPs connected to the prerouter must report the route type on route-related ioctls (SIOCGRTTABLE and SIOCMSADDRT for IPv4; SIOCGRT6TABLE, SIOCMSADDRT6, and SIOCMSADDRT6V2 for IPv6). For the IPv4 ioctls, the route type is in the `locn_RtMsgRteType` field. For the IPv6 ioctls, the route type is in the `IPV6FlgRouteType` field. IBM TCP/IP reports the route type on these ioctls. Non-IBM TCP/IP products must adhere to the same route precedence hierarchy as IBM TCP/IP.

If some of the TPs connected to the prerouter supply route types and some do not, routes will be selected as follows when multiple routes exist to the same destination:

- If at least one of the routes to the destination is from a stack that does not supply route types, the best route will be selected by comparing route metric values only.
- Otherwise, the best route will be selected by comparing route precedence values, with route metric values serving as a tie breaker, as described previously.

If none of the TPs connected to the prerouter supply route types and there is more than one route to a destination, the route with the best route metric value will be selected.

Tip: If a TP that does not supply route types is connected to the prerouter, then, when the TP initializes, z/OS UNIX issues message BPXF238I to indicate that the TP does not support route precedence.

4. **Route metrics:** If two or more transports maintain routes to the same destination, metric information may be needed from each transport in order to correctly select the best route. For IBM TCP/IP, this is best accomplished when each stack is running with a dynamic routing daemon (such as OMROUTE). Statically defined indirect routes (routes to destinations that do not reside on a transport's directly-attached links) do not provide adequate metric information to select the shortest route to a destination network when two or more transports maintain indirect routes to the network.

In cases in which two or more file systems maintain routes to the same destination and not all file systems provide metric information, selection of the file system to process a request is unpredictable. Generally, the file systems with metric information are selected because of implementation details.

5. If the route selection algorithm cannot select a single best file system based on the values being used to compare their routes to destinations, selection of a file system proceeds as follows:
 - a. If one of the file systems with a route to the destination is the default file system as specified in the BPXPRMxx parmlib member, the default file system is selected.
 - b. Otherwise, the file systems are selected in the order in which they were defined in the BPXPRMxx parmlib member.
6. Host-defined routes are always searched before network routes.
7. If a file system severs its connection, all routing information for the severed file system is deleted. If the severed file system maintained duplicate home or network routes, these routes are deleted. Subsequent requests for the duplicate routes are routed to the remaining file systems.
8. If two transport providers have connections to the same network and two applications that are running on the same MVS start communicating with each other, performance may not be optimal. If for some reason the two applications bind to different transport providers, the external network is used, rather than the Common INET local INET support. Therefore, it is suggested that applications use a method analogous to **gethostid()** to get the IP address of themselves and bind to the address that is returned from the **gethostid()**. This method ensures that the default transport provider is selected. The local INET support works only with the default transport provider.

Initializing an AF_INET (IPv4) transport driver

When a transport driver is being initialized, the prerouter is notified of the TD's arrival. The prerouter performs the following functions:

1. Opens a socket from the kernel address space. This is not the master socket, but a regular user socket that is initiated through the z/OS UNIX socket interface.
2. Issues the SIOCGIFCONF ioctl to the TP.
 - If the TP recognizes that the SIOCGIFCONF was sent by the z/OS UNIX prerouter (the prerouter puts 'USS4' in the first four bytes of the buffer), the TP returns the ioctl with Iocn_NetConfLength set to -1 (to indicate that no home interface information is being returned). The prerouter will receive information about the IPv4 home interfaces maintained by the file system in the next step.
 - Otherwise, the TP returns the list of home IPv4 interfaces via the ioctl. The prerouter adds the home IP addresses to the home interface table.
3. Issues the SIOCGRRTABLE ioctl. This gets the file system IPv4 home, host, and network routing information in a table format. The mapping for this request is found in **ioctl.h**.
 - The TP places the home IP address in the Iocn_ipaddrRtMsgHomelf field for each route to be returned.
 - The TP identifies home routes by setting the Iocn_bRtAttrLocal and Iocn_bRtAttrHost bits on.
 - When the TP sets the Iocn_bRtAttrLocal and Iocn_bRtAttrHost bits on in any route, it also sets the Iocn_bRtAttrRtUp bit on if the interface is active, or off if it is inactive.
4. Places the routes from the SIOCGRRTABLE in the home, host, and network routing tables managed by the prerouter. Note that the TP can give metrics in hop counts or millisecond delays by setting the appropriate flag in the header of the SIOCGRRTABLE structure. All metrics are converted to hop counts.
5. Closes the socket.

The prerouter is now initialized for the transport driver.

Initializing an AF_INET6 (IPv6) transport driver

When the transport driver that is being initialized is IPv6 capable, the prerouter also performs the following functions when it is notified of the TD's arrival:

1. Opens a socket from the kernel address space. This is not the master socket, but a regular user socket that is initiated through the z/OS UNIX socket interface.
2. Issues the SIOCGHOMEIF6 ioctl to the TP.

- If the TP recognizes that the SIOCGHOMEIF6 was sent by the z/OS UNIX prerouter (the prerouter puts 'USS6' in the first four bytes of the buffer), the TP returns the ioctl with NchNumEntryRet set to -1 (to indicate that no home interface information is being returned). The prerouter will receive information about the home IPv6 interfaces maintained by the file system in the next step.

A TP that responds to the SIOCGHOMEIF6 ioctl in this manner must use the following ioctls to notify the prerouter of changes to individual IPv6 routes:

- SIOCMSADDRT6V2
- SIOCMSDELRT6V2
- SIOCMSCHGRT6METRICV2

- Otherwise, the TP returns the list of home IPv6 interfaces via the ioctl. The prerouter adds the home IP addresses to the home interface table.

A TP that responds to the SIOCGHOMEIF6 ioctl in this manner must use the following ioctls to notify the prerouter of changes to individual IPv6 routes:

- SIOCMSADDRT6
- SIOCMSDELRT6
- SIOCMSCHGRT6METRIC

3. Issues the SIOCGRT6TABLE ioctl. This gets the file system IPv6 home, host, and network routing information in a table format.
 - The TP places the home interface index in the GRT6RtHomeIdx field for each route to be returned.
 - The TP identifies home routes by setting the IPV6BitHome and IPV6BitHost bits on.
 - When the TP sets the IPV6BitHome and IPV6BitHost bits on in any route, it also sets the IPV6BitRtUp bit on if the interface is active, or off if it is inactive.
4. Places the routes returned from the SIOCGRT6TABLE ioctl in the home, host, and network routing tables managed by the prerouter. (Note that IPv6 metrics are in hop counts.)
5. Closes the socket.

The prerouter is now initialized for the transport driver.

Route changes

The prerouter handles BSD-style route changes for the routeD add (SIOCADDRT) and delete (SIOCDELRT) functions. When a route is added, the rt_use field is checked for a nonzero value. If rt_use is nonzero, it is assumed to be a hop count metric. Metrics can be changed by issuing the SIOMETRIC1RT ioctl or by reissuing the SIOCADDRT ioctl with the rt_use field set to the new metric value.

Route changes can be sent to the prerouter in two ways:

- When processing ioctls for add (SIOCADDRT) and delete (SIOCDELRT) functions from a routing daemon that uses z/OS UNIX sockets, z/OS UNIX

automatically passes the ioctls to the prerouter. If the TP did not return a value of -1 for `Iocn_NetConfLength` on the initial `SIOCGIFCONF` (as described in “Initializing an AF_INET (IPv4) transport driver” on page 60), the prerouter makes the needed updates.

- If a routing daemon does not use z/OS UNIX sockets (but, instead, uses a different interface to a file system) or the TP returned a value of -1 for `Iocn_NetConfLength` on the initial `SIOCGIFCONF` (as described in “Initializing an AF_INET (IPv4) transport driver” on page 60), the ioctls for add (`SIOCADDRT`) and delete (`SIOCDELRT`) functions must be propagated to z/OS UNIX. To do this, the file system must use the `SIOCMSADDRT`, `SIOCMSDELRT`, and `SIOMSMETRIC1RT` ioctls for IPv4 routes and the `SIOCMSADDRT6V2`, `SIOCMSDELRT6V2`, and `SIOCMSCHGRT6METRICV2` ioctls for IPv6 routes. These are issued on the master socket (as denoted by the 'MS'). z/OS UNIX needs the master socket or else these functions would be propagated back to the file system and an endless loop would occur.
 - For `SIOCMSADDRT` and `SIOCMSDELRT`, the TP identifies home and host routes by setting the `Iocn_bRtAttrLocal` and `Iocn_bRtAttrHost` bits on, respectively. If `Iocn_bRtAttrLocal` is on for any route, the TP also sets the `Iocn_bRtAttrRtUp` bit on if the interface is active. The TP also puts the home IP address associated with the interface in the `rt_ifp` field for the `SIOCMSADDRT`, `SIOCMSDELRT`, and `SIOMSMETRIC1RT` ioctls. When an IPV4 interface is deleted, the TP also sends a `SIOCMSDELRT` ioctl to delete the home IP address to the prerouter.
 - For `SIOCMSADDRT6V2` and `SIOCMSDELRT6V2`, the TP identifies home and host routes by setting the `IPV6BitHome` and `IPV6BitHost` bits on, respectively. If `IPV6BitHome` is on for any route, the TP also sets the `IPV6BitRtUp` bit on if the interface is active. The TP also puts the home interface index in the `RT6RtHomeIfIdx` field for each route specified with the `SIOCMSADDRT6V2`, `SIOCMSDELRT6V2`, and `SIOCMSCHGRT6METRICV2` ioctls.

ICMP redirects are handled using the `SIOCMSICMPREDIRECT` ioctl.

Interface state changes

After the prerouter's routing tables have been built (as described in “Initializing an AF_INET (IPv4) transport driver” on page 60 and “Initializing an AF_INET6 (IPv6) transport driver” on page 61), the prerouter can be notified about interface state changes in the following ways:

- For TPs that returned a value of -1 for `Iocn_NetConfLength` on the initial `SIOCGIFCONF` (or for `NchNumEntryRet` on the initial `SIOCGHOMEIF6`) during TD initialization, the prerouter's routing tables will contain both active and inactive routes. The TP can issue the following ioctls to change the state of an interface:
 - The `SIOCMSMODHOMEIF` ioctl allows a TP to activate or deactivate an IPv4 home interface. For each entry in the home IP address table, the `Iocn_bRtAttrRtUp` bit indicates the status (active or inactive) of the home interface. `SIOCMSMODHOMEIF` turns this bit on or off to activate or deactivate the interface. If a home IP address is active, then this means that the home interface and all of the routes associated with that interface are active. Likewise, if a home IP address is inactive, then the home interface and all of the routes associated with that interface are inactive.
 - The `SIOCMSMODHOMEIF6` ioctl allows a TP to activate or deactivate an IPv6 home interface. For each entry in the home interface index table, the `IPV6BitRtUp` bit indicates the status (active or inactive) of the home interface. `SIOCMSMODHOMEIF6` turns this bit on or off to activate or deactivate the interface. If an interface is active, then all of the routes associated with that

interface are active. Likewise, if an interface is inactive, then all of the routes associated with that interface are inactive.

- Otherwise, for TPs that did not return a value of -1 for `Iocn_NetConfLength` on the initial `SIOCGIFCONF` (or for `NchNumEntryRet` on the initial `SIOCGHOMEIF6`) during TD initialization, the prerouter only adds the active routes to its routing tables. Therefore, the fact that a route exists in the routing tables means that the interface is active. If the state of an interface changes, the prerouter receives an `SIOCMSRBRTTABLE` ioctl (for IPv4) or `SIOCMSRBRT6TABLE` ioctl (for IPv6) from the TP so that it can rebuild its routing tables, as described in “Rebuilding the routing tables.”

Rebuilding the routing tables

If the file system encounters a situation where it believes that the IPv4 routing information or the IPv4 home IP address information needs to be re-synchronized, it can issue the `SIOCMSRBRTTABLE` ioctl on the master socket. If the file system encounters a situation where it believes that the IPv6 routing information or the IPv6 home IP address information needs to be re-synchronized, it can issue the `SIOCMSRBRT6TABLE` ioctl on the master socket. If the IPv6 home IP address information needs to be re-synchronized, `SIOCMSRBHOMEIF6` can also be used. These ioctls cause the prerouter to flush the information for the file system and rebuild it from scratch.

When the prerouter receives the `SIOCMSRBRTTABLE` ioctl (or `SIOCMSRBRT6TABLE` for IPV6) from the TP, it does the following:

- For `SIOCMSRBRTTABLE`, if the TP returned a value of -1 for `Iocn_NetConfLength` on the initial `SIOCGIFCONF` (as described in “Initializing an `AF_INET` (IPv4) transport driver” on page 60), the prerouter only issues the `SIOCGRTTABLE` ioctl to rebuild its home, host, and network routing tables. Otherwise, the prerouter issues both the `SIOCGIFCONF` ioctl to rebuild its home interface table and the `SIOCGRTTABLE` ioctl to rebuild its host and network routing tables.
- For `SIOCMSRBRT6TABLE`, if the TP returned a value of -1 for `NchNumEntryRet` on the initial `SIOCGHOMEIF6` (as described in “Initializing an `AF_INET6` (IPv6) transport driver” on page 61), the prerouter only issues the `SIOCGRT6TABLE` ioctl to rebuild its home, host, and network routing tables. Otherwise, the prerouter issues both the `SIOCGHOMEIF6` ioctl to rebuild its home interface table and the `SIOCGRT6TABLE` ioctl to rebuild its host and network routing tables.

Note: If a user does a socket request during a rebuild, the user may or may not be able to connect with the file system. The routing table is in flux.

SRB-mode callers

z/OS UNIX supports programs that are running on service request block (SRB) dispatchable units, in addition to the more standard task control blocks (TCBs). This affects the PFS, as the resulting vnode operations are also running in SRB mode.

SRB mode is even more restrictive than cross-memory mode. Additional restrictions on the PFS include the following:

- There are no MVS `WAITs`; instead you have to use `SUSPEND/RESUME`. This can impact some of the internal functions of the PFS that may not be easy to modify, including task switching, lock managers, and tracing.

Note: The `osi_wait/osi_post` services transparently support both TCB and SRB-mode callers.

- No TCB is available (`Psatold=0`). The TCB address is used by some programs to build identifiers, or in other algorithms.
- There is no EOT or ESTAE recovery, although you can use an FRR.

Note: `vn_recovery` support is still available from the LFS.

- Because SRB callers do not receive POSIX signals, they cannot break out of extended waits, as they can in the `EINTR` cases.

Signal-enabled `osi_waits` should still be set up where they are set up now, because this also indicates that the `osi_wait` may be interrupted for process termination.

The following OSI services are enabled for SRB-mode callers:

<code>osi_copyin</code>	<code>osi_sched</code>
<code>osi_copyout</code>	<code>osi_selpost</code>
<code>osi_copy64</code>	<code>osi_uiomove</code>
<code>osi_getvnode</code>	<code>osi_upda</code>
<code>osi_mountstatus</code>	<code>osi_wait</code>
<code>osi_post</code>	<code>osi_wakeup</code>

The PFS signifies that it supports SRB-mode callers on the `pfsi_srb` bit that is returned during PFS initialization. The LFS inhibits SRB-mode calls to PFSs that do not support them.

All sockets-related vnode operations are potentially callable from an SRB, and in the future this may be extended to file-related operations. Therefore, the PFS should be made completely SRB safe.

Refer to *z/OS MVS Programming: Authorized Assembler Services Guide* for more information about SRB-mode programs.

Asynchronous I/O processing

An asynchronous capability is provided by z/OS UNIX for socket calls that may block. These include `accept`, `connect`, `select`, `poll`, and the five pairs of `read/write` type functions. These services are provided asynchronously to programs through the `asynch` callable service. Refer to *z/OS UNIX System Services Programming: Assembler Callable Services Reference* for details.

Asynchronous I/O processing between the LFS and PFS is implemented with a two-pass technique using the regular vnode operations, such as `vn_accept` and `vn_rdwr`:

- Part 1, which is indicated by a bit in the `Osi` structure, starts with the beginning of the normal vnode operation and continues up to the point at which the PFS would call `osi_wait` to block. The PFS returns to the LFS instead of waiting. When the I/O can be completed, the PFS calls the `osi_sched` service at the point at which it would call `osi_post` for a blocked operation.
- Part 2, which is indicated by another bit in the `Osi` structure, continues from the point after which `osi_wait` would have been called through the end of the operation.

These two stages are covered in detail in the “Asynchronous I/O flow details” on page 68.

Related services

Two special `osi` services are used in asynchronous I/O processing:

- `osi_upda`, which is called during Part 1 to pass a PFS token to the LFS. Refer to “`osi_upda` — Update async I/O request” on page 444 for specifics.
- `osi_sched`, which is called to drive Part 2 when the I/O can be completed. Refer to “`osi_sched` — Schedule async I/O completion” on page 426 for specifics.

The `vn_cancel` service is a special `vn`ode operation that is used to cancel an outstanding request. Refer to “`vn_cancel` — Cancel an asynchronous operation” on page 139 for specifics.

The `vn`ode operations that can be run in two passes are:

<code>vn_accept</code>	<code>vn_rdwr</code>	<code>vn_sndtorcvfm</code>
<code>vn_anr</code>	<code>vn_readwritev</code>	<code>vn_srmsg</code>
<code>vn_connect</code>	<code>vn_sndrcv</code>	

Impact on initialization

The PFS signifies that it supports asynchronous I/O on the `pfsi_asyio` bit that is returned during PFS initialization. To support asynchronous I/O, the PFS must also support SRB-mode callers, because Part 2 runs from an SRB, and it must support `vn_cancel`. The LFS inhibits asynchronous calls to PFSs that do not support them.

Waits that are avoided

Asynchronous I/O is intended to avoid long waits only. These are blocking, indeterminate waits that usually depend on something from the network or an end user. Long waits also tend to be conditional, based on the current non-blocking mode. Short internal waits, such as lock waits for serialization, are not avoided. An example is that of a read: you can wait for a lock to look at the inbound queue, but if the queue is empty you cannot wait for the data.

Related OSI fields

The OSI fields that are significant to this discussion are:

- `osi_asy1`, which signifies Part 1
- `osi_asy2`, which signifies Part 2
- `osi_asytok`, which holds the LFS's token on entry to Part 1 and the PFS's token on entry to Part 2.
- `osi_ok2compimd`, which indicates that the PFS may complete the operation immediately, if possible. See “Asynchronous I/O flow details” on page 68 for details.
- `osi_compimd`, which is returned by the PFS to indicate that it has completed the operation immediately. This is valid only if `osi_ok2compimd` is on.
- `osi_commbuff`, which indicates that Part 2 of Async I/O must not occur. Within the PFS, the changes from normal Async I/O flow are:
 1. Received data can be copied directly to the user's buffers from the PFS's inbound data handler.
 2. `osi_sched` is called after the data has been copied.
 3. The amount of data being returned must be supplied to `osi_sched`.

4. There must be no dependence on Part 2 being called.

Note: The last four fields are meaningful only when `osi_asy1` or `osi_asy2` are on; they should not be referred to otherwise.

These fields are covered in more detail in Figure 6 on page 68.

Canceling an operation

The LFS attempts to cancel an outstanding operation with `vn_cancel`. There are two types of `vn_cancel`: normal and forced.

- A normal `vn_cancel` only flows to the PFS between Part 1 and Part 2, and is used to get requests off the waiting, or blocking, queues in the PFS. If the request is not currently on a waiting queue, nothing is done. If the request is found, it is removed from the queue and failed with `ECANCELED`.
- A forced `vn_cancel` is used during process termination of the original requestor. It can be sent logically at any time, but the PFS will already have abnormally ended and gone through recovery if the request was in Part 1 or Part 2 at the time the process terminated. There is no Part 2 after a `vn_cancel` force, so the PFS must do any necessary cleanup during the `vn_cancel`.

Refer to “`vn_cancel` — Cancel an asynchronous operation” on page 139 for more information.

Responsibilities for the semantics

The semantics for the `asynchio` function are split between the PFS and the LFS. Some of the features whose support might be ambiguous are discussed here. Refer to `aiio_suspend` (`BPX1ASP`, `BPX4ASP`) — Wait for an asynchronous I/O request in *z/OS UNIX System Services Programming: Assembler Callable Services Reference* while reading this topic.

The LFS must handle the following:

- The `aiocb` structure. The interface to the PFS is through the regular `vnode` operations, such as `vn_rdwr` and `vn_sndrcv`.
- The returned information. The PFS should return 0 for a successful Part 1, and the normal functional values from Part 2. In particular, the LFS handles the `EINPROGRESS` `return_code`.
- Scheduling the SRB and calling the I/O completion notification. This includes calling the user exit, posting an ECB, and sending a signal.
- `AioSync`. This appears to the PFS as a normal synchronous operation (`osi_asy1=osi_asy2=OFF`).
- `AioOk2CompImd`, for accept and connect. The `osi_ok2compimd` bit is always on in the PFS for `vn_accept` and `vn_connect`, so the PFS can always complete these operations immediately without calling `osi_upda` or `osi_sched`. `osi_compimd` should be turned on if the PFS does happen to complete these operations immediately.
- The `select` and `poll` functions, which are already asynchronous with respect to the PFS. The PFS continues to call `osi_selpost` for the `vfs_batsel` and `vn_select` operations.

The PFS must handle or contribute to the support of:

- `AioOk2CompImd`, for reads (including `accept_and_rcv`) and writes, through support for `osi_ok2compimd`. Even when the PFS is able to complete a read or

write type of operation immediately, it must still call `osi_sched` whenever `osi_ok2compimd=off`. See “Asynchronous I/O flow details” on page 68 for details.

- `AioCallB4` and deferred buffer allocation, by not requiring the presence of the user's data buffers during Part 1, unless `osi_ok2compimd=on`; and by passing the length of data that is available to be received to `osi_sched`.
- The `ECANCELED` `Return_code`, by failing a request with that return code when the request has been removed from a waiting queue because of `vn_cancel`. The race condition between `vn_cancel` and data arrival can only be resolved by the PFS.

Asynchronous I/O flow diagram

This diagram describes the general flow of an asynchronous operation, noting those parts of the interface that are specific to its asynchronicity, and the significant design points within the PFS that the LFS is dependent on. As it is based on a somewhat generic PFS model, it might not match any specific implementation, and a PFS might have to do some work to accommodate it. PFSs that have an associated separate address space should be able to fit this model. These design points can be met either in the kernel address space or in the associated address space.

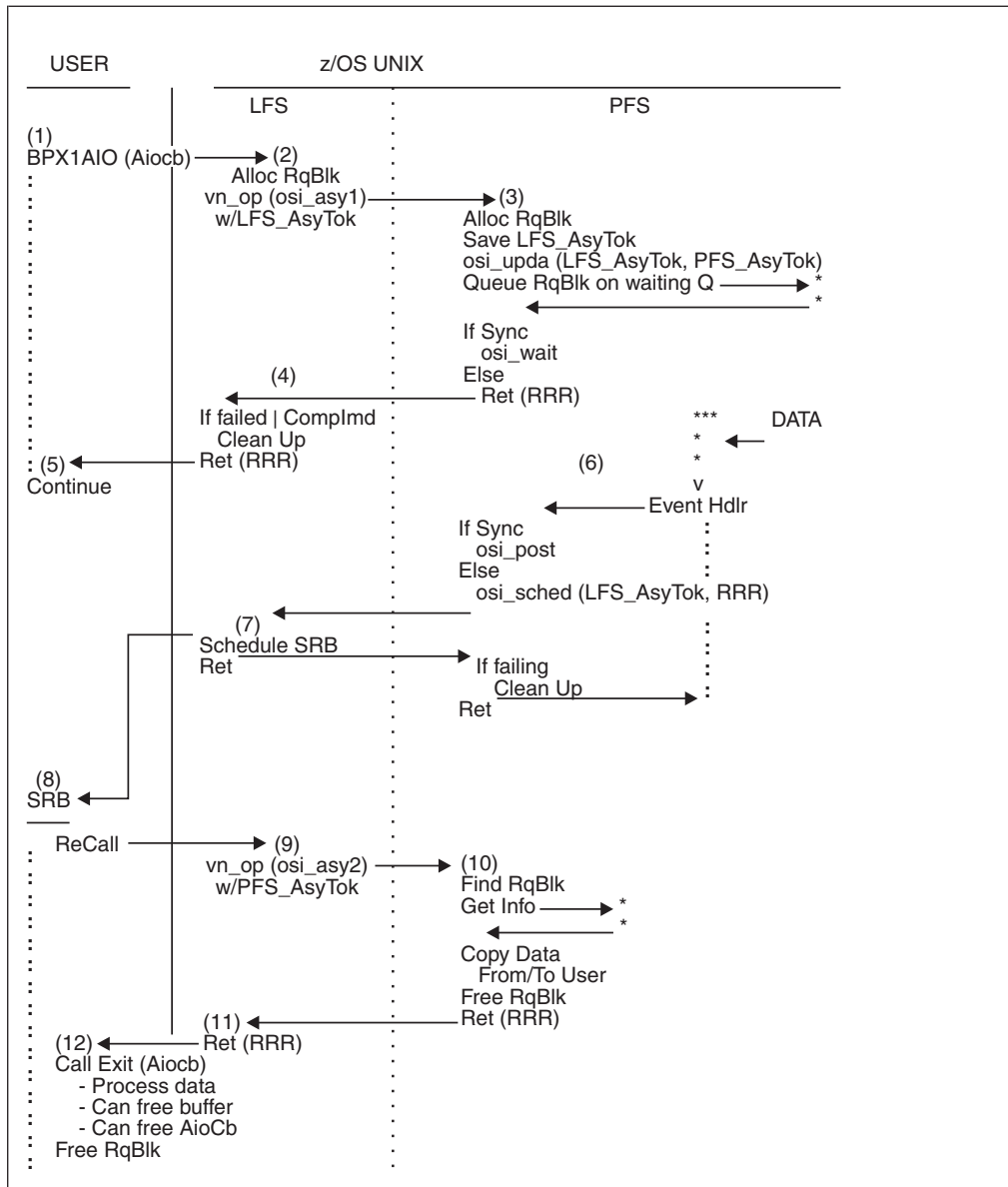


Figure 6. Async operation flow

Asynchronous I/O flow details

This flow is discussed as an addition to an existing PFS design that already handles synchronous blocking and non-blocking socket operations.

1. BPX1AIO/BPX4AIO (asynCIO) is called with an AioCb structure. The AioCb contains all the information that is needed to do the specific function.
2. The LFS builds an Async I/O Request Block (RqBlk). The PFS has signified support via the Pfsi_AsynIO PFSinit output bit. The regular vnode operation for the function is invoked in the PFS with:
 - + The osi_asy1 bit turned on to indicate Async I/O Part 1.
 - + The osi_asytok field holding the LFS_AsyTok token.

3. Part 1 in the PFS:

- The PFS builds its own Request Block. The LFS_AsyTok is saved for later use with `osi_sched()`. The PFS's PFS_AsyTok is passed back to the LFS via `osi_upda()`. This identifies the request to the PFS in Part 2 and to `vn_cancel`. Basic preliminary parameter and state checking can be done here.
- The user's read buffers are not referenced during Part 1 unless `osi_ok2compimd=ON` (see the Variations in this topic). This allows the user to defer read buffer allocation to just before Part 2. The requested length for reads is available, even if the buffers are not.
- The PFS queues the request to await the desired event. This is essentially the same thing that is normally done for blocking requests. Instead of calling `osi_wait()`, as it would at this point for a blocking request, the PFS returns to the LFS with the `Return_value`, `Return_code`, and `Reason_code` (RRR) from queuing the asynchronous I/O. For a successfully queued request, the `Return_value` is 0, and any output from the operation is deferred until Part 2. Important PFS structures are preserved as necessary over this return and the subsequent reentry to the PFS for Part 2.

Variations: The variations are as follows:

- If the operation fails during Part 1, the normal path is taken and, instead of the request being queued, the failure is returned. This includes both queuing failures and failures of the function that is being requested.
 - If the operation can be completed immediately and `osi_ok2compimd=ON`, the PFS can proceed as it would normally and complete the operation synchronously. `osi_compimd` is turned ON to tell the LFS that this has happened.
 - If `osi_ok2compimd=OFF`, the PFS must make the call to `osi_sched` from within this `vnode` operation, and proceed from Part 2 as if the data were not immediately available. This bit is only OFF for read/write type operations. If the PFS does not need to be recalled for Part 2 (for instance, with a short write), it can skip the call to `osi_upda`. It is all right to transfer the responsibility for calling `osi_sched` to some other thread, making the call asynchronously and returning to the LFS, as long as you do not wait for network input.
4. The LFS returns to the caller with `AioRC=EINPROGRESS`; or, if it has failed or completed immediately, cleans up and returns the operation's results.
 5. The original caller continues. All structures and data buffers must persist throughout the operation.
 6. Event occurrence in the PFS:
 - At some point data arrives for the socket, or buffers become available, and the request can be completed.
 - The PFS notices, or responds to, this condition as it normally does. Instead of calling `osi_post()`, as it would at this point for a blocked request, it calls `osi_sched()` with the saved `LFS_AsyTok` to drive Part 2.
 - For read type operations, the passed `Return_Value` contains the length of the data that is available to be read in Part 2. This is an optional performance enhancement that some applications may take advantage of. If the length is not easily known, 0 should be passed.
 - The rest of the action happens on the SRB, because user data cannot generally be moved while it is on the thread that calls `osi_post/osi_sched`.

Variations: The variations are as follows:

- If the request fails asynchronously, the PFS can report this on the call to `osi_sched()` by passing the failing three R's. There will be no Part 2 if the passed `Return_value` is -1, so the PFS has to clean everything up from here.

- Alternatively, the PFS can save the results, pass success to `osi_sched()`, and report the failure from Part 2. This is sometimes more convenient when the event handler is in a separate address space and the PFS has resources to clean up in the kernel address space. The only time `osi_sched()` fails is if the passed `LFS_AsyTok` is no longer valid, which may represent a logic error in the PFS. `osi_sched()` succeeds even after the user has terminated, but the PFS sees `vn_cancel` instead of Part 2.
7. The LFS schedules an SRB into the user's address space and returns to the PFS. The SRB runs asynchronously to the caller of `osi_sched()`.
 8. The SRB runs in the user's address space, so that the user's data buffers can be referenced from "home" while in cross-memory mode. This also gets the user's address space swapped in if necessary. The LFS is recalled to get into the kernel address space.
 9. The LFS reconstructs the original vnode request structures. The same vnode operation is invoked in the PFS as for Part 1, with:
 - + The `osi_asy2` bit turned on to indicate Async I/O Part 2.
 - + The `osi_asytok` field holding the `PFS_AsyTok` value from `osi_upda()`

Variations: The variations are as follows:

If `osi_upda` was not called during Part 1, the PFS is not called for Part 2.

10. Part 2 in the PFS:

- This is running on an SRB instead of the more usual TCB, and the PFS has to be able to handle this mode.
- From the `PFS_AsyTok`, the PFS is able to pick up from where it left off at the end of Part 1 (3), when it returned to the LFS instead of waiting. Necessary information that is related to the completing operation is obtained in a manner similar to that in which it is obtained after coming back from `osi_wait()`.
- Data is moved between the user's and the PFS's buffers for read/write types of operations; or the operation is completed as appropriate.
- The normal cross-memory environment has been recreated, with the user's buffers in home and the PFS's buffers in primary; or it is otherwise addressable as arranged by the PFS.
- The normal move-with-key instructions are used to protect against unauthorized access to storage. The `osi` copy services are available.
- For unauthorized callers in a TSO address space, the LFS has stopped the user from running authorized TSO commands while async I/O is outstanding. This avoids an obscure integrity problem, with user key storage being modified from a system SRB.
- The PFS returns to the LFS with the results of the operation and the normal output for this particular vnode operation, such as the `vnode_token` from `vn_accept`. The operation is over at this point, as far as the PFS is concerned.

Variations: The variations are as follows:

- If the operation fails during Part 2, this is reported back. An earlier failure may have been deferred to Part 2 by the PFS.
- For very large writes, the PFS may not want to commit all of its buffers to one caller. It may instead loop, sending smaller segments and waiting in between for more buffers. If this is the case, the PFS remains in control and does not return from Part 2 until the whole operation is complete, that is, until the remainder of the operation is synchronous and the PFS blocks as necessary, as it normally does in this loop. `osi_wait` is convenient here, as it

accommodates SRB callers. Essentially, `osi_sched()` is only called when the first set of buffers become available and the effect is to offload the work from the user's task or SRB to a system SRB. The operation is still asynchronous to the user. This ties up the SRB, but it is considered to be a situation of relatively small frequency.

- Because SRBs are not interrupted with signals, `osi_waits` during Part 2 normally do not return as they do in the EINTR cases. If the user's process terminates, signal-enabled `osi_waits` return as if they have been signaled.
11. On return to the LFS, signals are sent and unauthorized exits are queued to the user's TCB (not shown).
 12. The LFS returns to the SRB.
 13. On return to the SRB, authorized exits are called and ECBs are posted. When the user program is notified that the I/O has completed, either on the SRB or user's TCB, it can free the `Aiocb` and buffers. The operation is over, as far as the LFS is concerned, either at the end of the SRB or after an unauthorized exit has run on the user's TCB.

Colony PFS PC

A PC number is established in colony address spaces that can be used from code running in the kernel to PC into the colony. This could be used by a related PFS that runs in the kernel or by a related file exporter's glue exit.

The PC number is passed to the PFS in the `pfsi_pfspc` field during initialization. Using this PC involves the following:

- The colony PFS must have a PC routine that will be the target of the PCs. This routine must reside in the colony or in common storage.
- The colony PFS passes the `pfsi_pfspc` PC number and the address of its PC routine to the cooperating code that runs in the kernel or otherwise makes these values known to the kernel code that will use them.
- The kernel PC caller must place the colony PC routine address in Register 15 and invoke the PC instruction with the `pfsi_pfspc` value.
- In the colony, the real PC routine that was established by the LFS branches to the address that is in Register 15.
- The PFS's PC routine is responsible for anything that it may need, and its entry is not much different from that of a real PC routine.

The PC is defined to be entered in the following state:

PSW key:	0
Authorization:	Supervisor state
AR:	ASC mode
AMODE:	31-bit

Registers on entry: The registers on entry are as follows:

Register

Contents

- 0-13 As they were in the PC caller
- 14 A return address that can be used by the PC routine
- 15 The routine address as set by the PC caller

The routine does not have to save or restore any registers or state information. This is a stacking PC.

The routine must acquire any working storage that it may need in the primary, colony, address space.

The routine must set up an FRR or ESTAE if it needs any recovery to be run in the colony address space. It will be officially running under an ARR (associated recovery routine), but there will be no recovery done by that ARR.

When it has completed, the routine may either issue a PR instruction to return back to the PC caller, or return to the address that was in Register 14 on entry; that is, issue BR 14.

- The PC caller must beware of the colony address space terminating while it is using the PC. If the colony address space terminates before the PC or during the PC routine's execution, the PC caller will abend.

Considerations for Internet Protocol Version 6 (IPv6)

The following should be considered when activating IPv6 on a system.

Activating IPv6 on a system

IPv6 is activated on a system with a second NETWORK statement for DOMAINNAME(AF_INET6) with DOMAINNUMBER(19), which arrives at the PFS as a second vfs_network call. If a PFS supports IPv6, it must support both AF_INET and AF_INET6; there are no IPv6-only stacks.

To indicate support for IPv6, a PFS must:

1. Set PfsIIPv6 on during initialization, to indicate that it can receive vfs_network(AF_INET6).
2. Return successfully from that call.

An administrator can add the second NETWORK statement for AF_INET6 dynamically with SETOMVS RESET=. The stack is free to reject the vfs_network if it arrives after initialization. Generally, both vfs_network calls are passed to the PFS during z/OS UNIX startup or after a PFS recycles. The vfs_network calls for AF_INET and AF_INET6 may be in any order.

If PfsIIPv6 has not been set, or if the vfs_network for AF_INET6 is not accepted, IPv6 sockets are not opened to that stack. When an application opens an AF_INET6 socket across a Common INET configuration of both IPv6-capable and IPv4-only stacks, an AF_INET socket is opened to the IPv4-only stacks, and a certain amount of address conversion and emulation is performed by CINET for the IPv4-only stack. An IPv6-capable stack must do its own conversions and emulations for any IPv4 partners that it permits on an IPv6 socket.

Common INET transport driver index

In a multi-stack configuration there can be duplication of interface indices. CINET inserts its transport driver index, TdIndex, into the upper halfword of all output interface indices to identify the interfaces uniquely. On input interface indices, the upper halfword is used to select a stack, and is cleared before the information is passed on to the stack. Each stack's TdIndex value is passed to it in PfsITdIndex, but the stack does not have to do anything with the value.

For more information about the transport driver index, see the discussion of the SIOCGIFNAMEINDEX ioctl command in w_ioctl (BPX1IOC, BPX4IOC) — Control I/O in *z/OS UNIX System Services Programming: Assembler Callable Services Reference*.

ioctl used by the XL C/C++ Runtime Library

The if_nameindex(), if_nametoindex(), and if_indextoname() functions use the SIOCGIFNAMEINDEX (Get Interface Name/Index Table) ioctl, which returns the Interface Name/Index Table for a PFS. The command and output arguments are defined in the BPXYIOCC macro, and are described in the discussion of the SIOCGIFNAMEINDEX ioctl command inw_ioctl (BPX1IOC, BPX4IOC) — Control I/O in *z/OS UNIX System Services Programming: Assembler Callable Services Reference*.

ioctls used by the prerouter

The dialog between a transport provider and the Common INET prerouter for IPv6 is basically the same as the one for IPv4. The prerouter uses these ioctl commands, which are defined in the BPXYIOCC macro:

Command	Value	Description
SIOCMSADDRT6	'8044F604'x	Add an IPv6 route
SIOCMSDELRT6	'8044F605'x	Delete an IPv6 route
SIOCMSCHGRT6METRIC	'8044F60A'x	Change an IPv6 route's metric
SIOCGRT6TABLE	'C014F606'x	Get IPv6 network routing table
SIOCMSRBRT6TABLE	'8000F607'x	Rebuild IPv6 route tables
SIOCGHOMEIF6	'C014F608'x	Get IPv6 home interface configuration
SIOCMSRBHOMEIF6	'8000F609'x	Rebuild IPv6 home interface
SIOCMSMODHOMEIF6	'8008F60B'x	Modify IPv6 home interface
SIOCMSADDRT6V2	'8058F60C'x	Add an IPv6 route, version 2
SIOCMSDELRT6V2	'8058F60D'x	Delete an IPv6 route, version 2
SIOCMSCHGRT6METRICV2	'8058F60E'x	Change an IPv6 route's metric, version 2

The associated argument structures are defined in the BPXYIOC6 macro.

ioctls used by the resolver

The resolver uses two ioctl commands to get specific information from a stack. These command codes are defined in BPXYIOCC, and the associated argument structures are described as follows:

SIOCGSRCIPADDR (obtain source IP addresses for an array of IPv6 and IPv4 destination addresses)

SIOCGSRCIPADDR obtains the associated source address (by Source Address Selection algorithm, which is part of RFC 3484 (Default Address Selection)) for each of the IPv6 addresses passed in an array. The label and precedence of each source and destination address are also returned. This information is ultimately used to sort the IPv6 and IPv4 destination addresses, using the algorithm described in the RFC 3484 (Default Address Selection) for destination addresses.

Argument: An array of IPv6 and IPv4 destination addresses, with a total count of the addresses being passed. The IPv4 destination addresses must be passed in as IPv4-mapped IPv6 addresses. The only SisPreferences currently recognized by the z/OS Communications Server IP stack are SisSrcPreferPublic and SisSrcPreferTmp.

Upon return from the IOCTL invocation, the array structure is to include a source IP address for each of the array elements associated with the destination address that is being passed. This source address is determined by the stack, using the Source Address Selection algorithm defined in RFC 3484 (Default Address Selection). If a source address cannot be determined for a specific destination IP address (for example, if there is no route to the destination), a null value is placed in the array element's IP source address field (SisSrcIPaddr).

```

DCL 1 SrcIpSelect Based Bdy(Word),
  2 SisHeader,
    3 SisVersion Fixed(8),      /* Version of the IOCTL interface
                               This should be SrcIpSelect_V2*/
    3 SisPreferences Bit(8),   /* IPV6_ADDR_PREFERENCES_FLAGS
                               byte-4 (see BPXYSOCK) */
    /* The following mapping of SisPreferences must */
    /* match the mapping of IPV6_ADDR_PREFERENCES_FLAGS */
    /* in BPXYSOCK (see BPXYSOCK) */
    5 * Bit(2), /* Invalid flags */
    5 SisSrcPreferNoncga Bit(1), /* IPV6_PREFER_SRC_NONCGA
                               Prefer non-crypto */
    5 SisSrcPreferCga Bit(1), /* IPV6_PREFER_SRC_CGA
                               Prefer cryptographic */
    5 SisSrcPreferPublic Bit(1), /* IPV6_PREFER_SRC_PUBLIC
                               Prefer public addr */
    5 SisSrcPreferTmp Bit(1), /* IPV6_PREFER_SRC_TMP
                               Prefer temp address */
    5 SisSrcPreferCoa Bit(1), /* IPV6_PREFER_SRC_COA
                               Prefer care-of addr */
    5 SisSrcPreferHome Bit(1), /* IPV6_PREFER_SRC_HOME
                               Prefer home address */
    3 SisSrcAddrFlagsIn Bit(8), /* Source IP address flags
                               (input to IOCTL) */
    5 SisIgnoreSourceVIPA Bit(1), /* B'1' indicates that
                               source VIPA should be ignored */
    5 * Bit(7), /*
    3 * Char(1), /* Available
    3 SisNumEntries Fixed(32), /* Number of destination
                               addresses for which a source
                               address must be selected */
  2 SisIpAdrs(*),
    3 SisDestInfo, /* Destination IPaddr data */
    4 SisDestIPaddr Char(16), /* Destination IP address. Can
                               contain a native IPv6 address,
                               or a mapped IPv4 address */
    5 SisIPv4prefix Char(12), /* IP address prefix */
    7 SisIPv4nulls Char(10), /* Always nulls for IPv6
                               mapped addresses */
    7 SisIPv4mapped Char(2), /* IPv6 mapped prefix */
    5 SisV4DestIPaddr Char(4), /* IPv4 address */
    4 SisDestLabel Fixed(16), /* Dest IP addr label */
    4 SisDestPrecedence Fixed(16), /* Destaddr precedence */
    4 * Char(4),
    3 SisSrcInfo, /* Source IP address data */
    4 SisSrcIPaddr Char(16), /* Associated Source IP address
                               (output from IOCTL) */
    4 SisSrcLabel Fixed(16), /* Src IP address label */
    4 SisSrcPrecedence Fixed(16), /* Src Ipadr precedence */
    4 SisSrcScopeID Fixed(32),
    3 SisReturnInfo, /* Other IOCTL output */
    4 SisRetcode Fixed(32), /* Return code from attempt to
                               obtain a source address */
    4 SisSrcAddrFlags Bit(8), /* Source IP address flags
                               (output from IOCTL) */
    5 SisSrcDeprecated Bit(1), /* B'1' indicates address is
                               deprecated (only applicable for
                               native IPv6 addresses)

```

```

        5 *          Bit(7),
        4 *          Char(3); /* Available          */
DCL SrcIpSelect_V2    Fixed(8) Constant(2);
DCL SrcIpSelect_Version Fixed(8) Constant(2);

```

SIOCGIFVERSION (determine if an IPv4 or IPv6 interface has been configured on a TCP/IP stack)

SIOCGIFVERSION determines if a TCP/IP stack in an INET environment has a configured IPv6 or IPv4 source address. (In this case, the loopback address is not considered to be valid as a configured interface.) This information is needed so that appropriate DNS queries can be made (IPv6 address records (AAAA) vs. IPv4 address records (AA)).

Argument: A four-byte area containing flags that provide the following information:

```

DCL 1 IfVersionInfo Based,          /* SIOCGIFVERSION structure */
    2 IfVerFlags Bit(16),          /* Stack flags          */
    3 IfVerIPv6Interfaces Bit(1), /* Are there any IPv6
                                   interfaces active other than
                                   loopback          */
    3 IfVerIPv4Interfaces Bit(1), /* Are there any IPv4
                                   interfaces active other than
                                   loopback          */
    3 IfVerIPv6Supported Bit(1), /* Is IPv6 supported by this
                                   stack          */
    3 *          Bit(13), /* Available          */
    2 *          Char(2); /* Available          */

```

PFS support for multilevel security

To support multilevel security, a PFS must provide the following capabilities:

- **vn_link:**

If a link is attempted to a character special file, and there is a security label on the file or on the directory for the new link, the vn_link call will fail with EPERM. If the ZCredSeclablActive flag is on, the following checks should be done:

1. If zCredSeclablRequired is on and the object has no security label, the zCredROSeclabel should be used as the object security label for all subsequent checks.
2. If the directory for the new link has a security label of SYSMULTI, no further security label checking is necessary.
3. If the directory for the new link has no security label, or has a security label other than SYSMULTI, a check for equality must be done between the security label of the directory and the security label of the file. If the values are equal, no further security label checking is necessary.
4. If the equality check fails, a dominance check must be made to check that the security label of the directory and the security label of the file are equivalent. The call to check security label equivalence should look like this:

```
RACROUTE REQUEST=DIRAUTH,RSECLABEL=(x),TYPE=EQUALMAC,USERSECLABEL=(y)
```

where x and y are registers that contain the addresses for the security labels.

- **vn_readdir:**

If the ZCredSeclablActive flag is set, the following checks should be done:

1. If zCredSeclablRequired is on and the directory has no security label, the zCredROSeclabel should be used as the object security label for all subsequent checks.

2. If the directory has a security label of SYSMULTI, a dominance for read should be made between the user's security label and the security label of each entry in the directory. The user's security label is passed in the ZCredSeclabel field. If the security label of the directory entry is SYSMULTI or SYSLOW, the dominance check can be bypassed. If the dominance check fails, the directory entry should be excluded from the output buffer. The dominance check should look like this:

```
RACROUTE REQUEST=DIRAUTH,RSECLABEL=(x),ACCESS=READ,USERSECLABEL=(y)
```

where x and y are registers that contain the addresses for the security labels.

Note:

1. The PFS may cache object security labels to avoid rechecking for labels that have already passed the dominance check. A good cache is likely to result in a single check for each unique security label per readdir call.
2. No indication will be returned from the PFS if some names were excluded from the output buffer.
3. Discrepancy between the apparent number of entries in a directory and the number that can be read is acceptable.
4. The LFS will not filter names based on security label when it does a readdir2 for a PFS that does not support security labels. Any PFS that supports security labels must also support readdir2.
5. When the index method is used to read a directory, the meaning of the index is not the relative name in the directory, but the relative name that the user can access. For example, if the request is to return entries beginning with entry 10, the PFS must start at the first entry and verify dominance on each name until the 10th name that the user is permitted to see is found, and start returning names that can be seen from that point.

- **vn_readlink:**

If the zCredSeclablActive flag is set, the following checks should be done:

1. If zCredSeclablRequired is on and the directory has no security label, the zCredROSeclabel should be used as the object security label for all subsequent checks. If this flag is on, and the resulting object security label continues to be null because no value was provided by zCredROSeclabel, vn_readlink should return with a failure of EACCES.
2. A dominance check should be performed between the user's security label and the security label of the symbolic link. The user's security label is passed in the zCredSeclabel field. If the security label of the directory entry is SYSMULTI or SYSLOW, the dominance check can be bypassed. If the dominance check fails, the vn_readlink should return with a failure of EPERM. The dominance check should look like this:

```
RACROUTE REQUEST=DIRAUTH,RSECLABEL=(x),ACCESS=READ,USERSECLABEL=(y)
```

where x and y are registers that contain the addresses for the security labels.

- **vn_setattr:**

If the AttrSeclabelChg flag is set, a call to the SAF callable service IRRSSB00 should be made to set the security label for the file. The new security label is passed in the zCredSeclabel field, which is passed to SAF. The PFS does not have to access the new or the old security label.

PFS support for 64-bit virtual addressing

The entry environment and parameters for the vnode and VFS operations are the same for 31-bit and 64-bit addressing. The PFS is always entered in AMODE 31, with a 31-bit parameter list address in R1 that points to a parameter list of 31-bit addresses. All calling parameters are below the 2-gigabyte line, although some of these parameters may contain 64-bit addresses of areas that are above the 2-gigabyte line.

The main consideration for 64-bit addressing is the user data buffers, which may require 64-bit addressing in the UIO, IOV, and MSGH structures. In general, the other user parameters are copied into the kernel below the 2-gigabyte line, and these copies are passed to the PFS.

The data length parameter for read and write-type operations with 64-bit addressing remains 31 bits long.

Levels of support for 64-bit virtual addressing

From the point of view of the LFS, there are three levels of PFS support for 64-bit virtual addressing: None, 64-bit supporting, and 64-bit exploiting.

- **None:**

The PFS has no understanding of 64-bit addresses. The LFS copies 64-bit addressable user data to an internal 31-bit addressable buffer before it invokes the PFS for write-type operations, and vice versa for reads.

- **64-bit supporting:**

The PFS can handle 64-bit user virtual addresses, or it makes use of the OSI services that can. It does not itself use buffers above the 2-gigabyte line or run in AMODE 64, at least not to the knowledge of the LFS.

- **64-bit exploiting:**

The PFS supports 64-bit user virtual addresses. It may run in AMODE 64 and have its own data buffers, or even autodata, above the 2-gigabyte line. Some considerations for these PFSs are:

- Unless otherwise specified, the OSI service routines expect to be called in AMODE 31, with a 31-bit parameter list address and 31-bit parameter addresses. The calling interface may have to be manually constructed below the 2-gigabyte line.
- The SAF (RACF) services do not support 64-bit callers or addresses.
- MVS WAIT and POST services do not support ECBs above the 2-gigabyte line.

Recommendation: A PFS should be at least 64-bit supporting, in order to avoid the extra LFS data move that is otherwise required for high user buffers.

Indicating support for 64-bit virtual addressing

A PFS indicates support for 64-bit user virtual addressing during initialization with:

`pfsi_addr64` Indicates the PFS supports 64-bit user virtual addresses in the UIO, IOV, and MSGH structures. `PfsiAddr64` in PL/X.

A user indicates 64-bit addressing to the PFS with the following fields and structures:

<code>u_addr64</code>	Indicates that this UIO, and any associated IOV and/or MSGH when present, uses 64-bit addresses. <code>FuioAddr64</code> in PL/X.
<code>u_buff64vaddr</code>	A 64-bit field that contains the virtual address of the area being passed. <code>FuioBuff64VAddr</code> in PL/X.

The IOV and MSGH structures have corresponding 64-bit formats, IOV64 and MSGH64.

When an application program in AMODE 64 calls a z/OS UNIX service, 64-bit user addressing is assumed and is used by the LFS. This does not necessarily mean that the 64-bit address values are actually greater than 2 gigabytes. Most 64-bit addresses will come from C programs that have been compiled with LP64, which makes all longs and pointers 64 bits by default, regardless of whether the program's heap is above the 2-gigabyte line.

osi_copy64 routine

The OSI routine `osi_copy64` (“`osi_copy64` — Move data between user and PFS buffers with 64-bit addresses” on page 393) helps a PFS deal with 64-bit addresses. It takes 64-bit virtual addresses and operates in much the same way as `osi_copyin` and `osi_copyout`. `osi_copy64` is a high-performance routine that does not PC into the kernel. It handles 31- or 64-bit user and PFS buffer addresses for AMODE 31 or AMODE 64 PFS callers.

Minimum 64-bit support

The minimum needed by a PFS to be 64-bit supporting is:

- If the only data moves to or from the user address space are done with `osi_uiomove`, the PFS just needs to set `pfsi_addr64` during initialization.
- If `osi_copyin` or `osi_copyout` are used for user buffers, the PFS must check the `FuioAddr64` flag at each of these calls, and use `osi_copy64` or `osi_uiomove` whenever this flag is on.
- If the PFS does its own MVCSKs and MVCDKs, it must check the `FuioAddr64` flag at each of these locations and handle moves with 64-bit addresses; or call `osi_copy64` or `osi_uiomove` at these points. Doing your own moves is, of course, fastest.

Specific considerations for vnode operations

The following vnode operations contain parameters that may contain 64-bit addresses or point to structures that contain 64-bit addresses. Each of these operations has `Fuio` as an input parameter, which may point to a 64-bit user buffer:

- `vn_rdwr`
- `vn_readdir`
- `vn_readlink`
- `vn_sndrcv`
- `vn_sendtorcvfrom`
- `vn_readwritev`—the IO vectors passed may be in an IOV or an IOV64 structure.
- `vn_srmmsg`—the message header passed may be an MSGH or an MSGH64 structure.

Note:

1. MSGH64 and IOV64 are always used together.
2. Whenever `FuioAddr64` is on (and `FuioRealPage` is off):
 - `FuioBuff64Vaddr` points to a buffer, an IOV64, or an MSGH64.

- A MSGH64 always points to an IOV64.

Expanded 64-bit time values

As part of the POSIX standards for 64-bit computing, known as LP64 (64-bit Longs and Pointers), the `time_t` data type for file times is expanded to 64 bits in z/OS V1R6. The current signed 31-bit data type will go negative in 2038. Because the 390 system clock will wrap in 2042, there is an issue for PFSs that store time in STCK format.

The z/Architecture® has a 128-bit STCKE that adds one byte to the left of the current 8-byte format; that is, it has five bytes of “seconds”, and goes to about the year 36765. An 8-byte POSIX time value goes far beyond that. A 9-byte time field, or the left 8 bytes of the new STCKE, would hold any real times, and an 8-byte POSIX format field would hold anything that could be set by a user.

XL C/C++ Runtime Library support

XL C/C++ Runtime Library supports old 31-bit programs and new LP64 programs with a stat structure that contains 4-byte and 8-byte time fields for all five file time values: the POSIX `atime`, `mtime`, `ctime`; and the z/OS UNIX reference time and create time. The old fields could not be expanded in place without changing the offset of all the following fields; new fields were therefore added to the end. When a C program is compiled without LP64, the stat structure is generated with the POSIX names (such as `st_atime`) on the 4-byte fields; and when it is compiled with LP64, those names coincide with the new 8-byte fields. The unused fields in each compile have dummy names that would not be referenced by the average C program.

There are two separate ru-time libraries, compiled from the same source with and without LP64, so that even the runtime library will not reference both field types at the same time.

PFS support

The kernel supports 31-bit and 64-bit programs with the same routines. The PL/X stat structure, `BPXYSTAT`, has both fields generated; the new fields have new names. `BPXYATTR` (“BPXYATTR — Map file attributes for v_ system calls” on page 459) also has five new 8-byte time fields:

```
3 AttrEndVer1      Char(0),      /* +A0--- End of Version 1 --- @D2C*/

3 AttrStat4 ,          /* +A0 Fourth part of the stat @DAA*/
5 AttrLP64 ,          /* +A0 LP64 Versions @DAA*/
  7 AttrAtime64      Char(8),      /*+A8 Access Time @DAA*/
  7 AttrMtime64      Char(8),      /*+B0 Data Mod Time @DAA*/
  7 AttrCtime64      Char(8),      /*+B8 Medadata Change Time @DAA*/
  7 AttrCreateTime64 Char(8),      /*+C0 File Creation Time @DAA*/
  7 AttrRefTime64    Char(8),      /*+C8 Reference Time @DAA*/
  7 *                Char(8),      /*+A0 May be AttrIno64 @DAA*/

5 *                  Char(16), /* +D0 Reserved (1st consider @DAA
                               space at +5C,+8D,+94) @DAA*/
3 AttrEndVer2 Char(0),      /* +E0 End of Version 2 @DAA*/
```

The associated 4- and 8-byte fields will usually contain the same values, until some time in the year 2038.

The C `ATTR` structure in `BPXYVFSI` exactly matches the PL/X `Attr`:

```
char at_atime64[8]; /* +A0 --- End Ver 1 --- @P5A*/
char at_mtime64[8]; /* Large Time Fields @P5A*/
char at_ctime64[8]; /* @P5A*/
```

```

char   at_ctime64[8];           /*@P5A*/
char   at_createtime64[8];     /*@P5A*/
char   at_reftime64[8];       /*@P5A*/
char   at_rsvd4[8];           /*@P5A*/
char   at_rsvd5[16];          /*@P5A*/
/* +E0 --- End Ver 2 --- @P5A*/

```

PFSs must return both sets of time fields in all output ATTRs. This includes `vn_getattr`, any `osi_attr`s, and `ReadDirPlus` (part of “`v_readdir` (BPX1VRD, BPX4VRD) — Read entries from a directory” on page 344). The LFS always passes to the PFSs an ATTR that is large enough to hold the 8-byte times (at least of length `Attr#Ver2Len`). The `stat()` function is performance-sensitive, because it is called so often by programs in the field, and it is faster for the PFSs to set the five extra fields than for the LFS to check to see if it has been done, and then copy the 4-byte values to the 8-byte fields.

PFSs that support `vn_setattr`, or setting times at all, must accept 8-byte time values. The `AttrLP64Times` bit in `BPXYATTR` indicates that the time value is being passed in the 8-byte fields. Most of these 8-byte time values will still be less than 2 gigaseconds, but they are being passed by LP64 programs. An LP64 program may try to `utime()` beyond 2 gigaseconds.

PFSs that use `BPXXCTME` should use the new syntax for large time values. The `BPXXCTME` macro converts to and from the extended STCKE TOD format with the optional `EXTENDED` keyword:

```

?BPXXCTME INPUT(TOD|SSE)
    TOD(8ByteArea|16ByteArea)
    SSE(WordArea|DWordArea)
    MICSEC(WordArea)
    EXTENDED(8<,4>|16<,4>) (optional)

```

`INPUT` indicates the input field, and `TOD` is a doubleword-aligned 8- or 16-character field containing the input TOD or the converted value. `SSE` is a word-aligned 4-byte character field or doubleword-aligned 8-byte character field containing the input SSE or the converted value. Table 3 shows the TOD and SSE fields with the `EXTENDED` keyword:

Table 3. TOD and SSE fields with the EXTENDED keyword

EXTENDED	TOD	SSE
Keyword is omitted	Bytes 1 through 8 of the STCK format	A 4-byte character field
EXTENDED(8)	Bytes 1 through 8 of the STCKE format	An 8-byte field
EXTENDED(16)	Bytes 1 through 16 of the STCKE format	An 8-byte field
EXTENDED(16,4)	Bytes 1 through 16 of the STCKE format	A 4-byte field

PFS support for reason code error text

The `pfscctl` function allows a PFS to provide error text for reason codes that are not supported by the kernel for display by the `BPXMTEXT` utility. The `vfs_pfscctl` command value is `pfscctl_errortext` (0xc000000b).

During initialization, the PFS declares a range of values for the high byte of the reason codes that it issues. To extract error text for a given reason code, the BPXMTEXT utility calls pfsctl, BPX1PCT. For reason codes not supported by the kernel, the LFS looks for a PFS that supports the high byte value and, if found, the LFS forwards the pfsctl call to that PFS for processing.

Indicating PFS support for the error text pfsctl call

To indicate the range of reason codes that it issues, the PFS returns low and high values in the PFSI structure at the time the PFS initializes. High byte values for PFSs are normally assigned by the LFS. The following fields in the PFSI indicate the low and high values for the range of reason codes:

```
pfsi_complow char; /* low value for the PFS reason code high byte */
pfsi_comphigh char; /* high value for the PFS reason code high byte */
```

These fields should be set to zero if the PFS does not support the pfsctl_errortext command.

Passing data on the error text pfsctl call

As with all pfsctl calls, this is a FUIO type of operation. The PFS should assume that the buffer used to pass the request type and receive the response may reside in the user address space and should handle all data accesses and moves appropriately. No SAF Check Privilege call should be made to check authorization for this call.

The following structure, pfsctl_et_hdr, maps the header of the pfsctl buffer for this command call:

```
struct pfsctl_et_hdr {
    short et_rqst; /* type of text requested - pfsctl_et_XXXX */
    short rsvd;
    char et_reasoncd[4];
};
```

The following values are supported for the pfsctl_et_XXXX request type:

```
pfsctl_et_desc    0 /* request for the error description */
pfsctl_et_action  1 /* request for the action text */
pfsctl_et_modname 2 /* request for the issuing module information */
```

On entry, the beginning of the buffer is mapped by the pfsctl_et_hdr structure. This is used to indicate the type of data being requested and for which reason code.

On return, the requested text starts at the front of the buffer, overlaying the header. The Return_value from the pfsctl call indicates the number of bytes returned in the buffer. If the buffer is not long enough to hold all of the requested text, the service returns only the amount of data that fits in the buffer and sets the Return_value accordingly. There is no explicit indication that data was truncated. The returned text is assumed to be a simple string of text, not null-terminated, and newline characters are not required unless the text has specific formatting requirements. The BPXMTEXT utility will attempt to flow the text and honor newline characters.

Chapter 3. PFS operations descriptions

This topic describes each PFS operation, which are arranged in alphabetic order. The C language prototypes and definitions for these operations can be found in Appendix D, "Interface structures for C language servers and clients," on page 499. Assembler definitions are in Appendix B, "Mapping macros," on page 459.

Environment for PFS operations

Each PFS operation (`vfs_` and `vn_` functions) operates in the following environment:

Environment at entry: Are as follows:

Authorization:	Supervisor state, PSW key 0
Dispatchable unit mode:	Task or SRB, if the PFS has indicated that it supports SRB-mode callers. You cannot assume that <code>vfs</code> or <code>vn</code> routines receive control under the same dispatchable unit as the requestor of the related callable service. For example, <code>unmount()</code> and <code>sync()</code> do not.
Cross memory mode:	Any
AMODE:	31-bit
ASC mode:	Primary mode
Interrupt status:	Enabled for interrupts
Locks:	Unlocked
Control parameters:	All parameters are in key 0 storage in the primary address space. They are not fetch protected.

Registers at entry: The contents of the registers on entry to this operation are:

Register

	Contents
0	Contains the Vnode or VFS operation number. This number is the index of the operation in the <code>vnop</code> table or the <code>vfso</code> table. This number starts with one for the first operation in each table, and has <code>0x800</code> added to the VFS operation numbers so that they can be differentiated from the Vnode operations. For example, for <code>vn_lookup</code> R0 is 8 and for <code>vfs_sync</code> R0 is <code>0x0803</code> .
1	Parameter list address
2-12	Undefined
13	Save area address, of a 136-byte save area
14	Return address
15	Entry address
AR0-15	Undefined

Environment at exit: Upon return from this operation, the entry environment must be restored.

Registers at exit: Upon return from this operation, the register contents must be as follows:

Register

Contents

2-13 Restored from the entry values

0,1,14,15

Undefined

AR0-15

Untouched or restored from the entry values

C header files

The C header files that are referred to in this section (such as **stat.h**) can be found in *z/OS XL C/C++ Runtime Library Reference*.

vfs_batsel — Select/poll on a batch of vnodes

Function

The `vfs_batsel` operation monitors activity on a batch of vnodes (multiple vnodes) to see if they are ready for reading or writing, or if they have an exceptional condition pending. The vnodes can be for a socket, pipe, regular, or pseudoterminal file.

Environment on entry and exit

See “Environment for PFS operations” on page 83.

Input parameter format

```
vfs_batsel (Token_structure,  
           OSI_structure,  
           Audit_structure,  
           Reserved_1,  
           Function,  
           Batch-Select_Structure  
           Reserved_2,  
           Return_value,  
           Return_code,  
           Reason_code)
```

Parameters

Token_structure

Supplied parameter

Type: TOKSTR

Length:

Specified by TOKSTR.ts_hdr.cblen.

The `Token_structure` represents the file system (VFS) being operated on. It contains the PFS's initialization token and mount token. Refer to “LFS/PFS control block structure” on page 17 for a discussion of this structure, and to the TOKSTR typedef in BPXYPSI in Appendix D, “Interface structures for C language servers and clients,” on page 499 for its mapping.

OSI_structure

Supplied and returned parameter

Type: OSI

Length:

Specified by OSI.osi_hdr.cblen.

The OSI_structure contains information used by the OSI operations that may be called by the PFS. See Chapter 6, "OSI services," on page 385 for more information.

It also contains MVS-specific information that needs to be passed to the PFS, including SMF accounting fields, a work area, a recovery area, and an optional pointer to an output ATTR structure. For more details on the OSI structure, see "The OSI structure" on page 20.

This area is mapped by the OSI typedef in BPXYPFISI in Appendix D, "Interface structures for C language servers and clients," on page 499.

Audit_structure

Supplied parameter

Type: CRED

Length:

Specified by CRED.cred_hdr.cblen.

The Audit_structure contains information used by the security product for access checks and auditing. It is passed to most SAF routines that are invoked by the PFS.

Refer to "Security responsibilities and considerations" on page 13 for a discussion of security processing, and to the CRED typedef in BPXYPFISI in Appendix D, "Interface structures for C language servers and clients," on page 499 for the mapping of this structure.

Reserved_1

Supplied parameter

Type: Integer

Length:

Fullword

The value 0. This parameter is reserved to maintain consistency with the vn_select operation interface.

Function

Supplied parameter

Type: Integer

Length:

Fullword

A fullword that specifies whether this is a batch-select query or a batch-select cancel request, and whether it is a poll or a select request. The values for this field are defined in the BPXYPFISI header file (see Appendix D, "Interface structures for C language servers and clients," on page 499).

Function specifies the type of select that is being requested:

- Query (SEL_BATSELQ or SEL_BATPOLLQ): The PFS should perform the following for query:

1. Check each of the files in the Batch-Select_Structure to see if any of the specified events for a file can be satisfied immediately. If so, the BSIC Response fields for those files are updated, and the status for any one of them is returned in the Return_value parameter.
 2. If there is no immediate status to report for any file in the Batch-Select_Structure, the PFS records that a select is pending for each of the files and sets up to invoke `osi_selpost` later, when one of the selected events has occurred. The PFS returns a value of 0 in Return_value after it has performed its internal processing to set up select pending for each of the files.
The occurrence of an event and the subsequent invocation of `osi_selpost` happen asynchronously on another thread or MVS task.
- Cancel (SEL_BATSELC or SEL_BATPOLLC): The PFS performs the following for cancel:
 1. If there is a pending select recorded for a file with the same SelectToken that was specified on a previous query, it must be canceled in such a way that `osi_selpost` is not invoked.
 2. Check each of the files that are specified in the Batch-Select_Structure to see if any of the specified events can be immediately satisfied. If at least one file has status, that status is returned in the Return_value parameter, and the status for each of the selected files is returned in the BSIC Response fields for those files. If a file does not have status, a 0 is returned in the BSIC Response field for that file. If none of the files have status, 0 is returned in the Return_value parameter.

Batch-Select_Structure

Returned parameter

Type: BSIC**Length:**

Calculated: A BSIC header plus one BSIC entry for each selected file.

An area that contains information about the selected files and events. It specifies which files and events are being selected, a SelectToken for each file, a response area for status, and work area pointers for use by the PFS. This area is mapped by the BSIC typedef in the BPXYPFSI header file (see Appendix D, "Interface structures for C language servers and clients," on page 499). The events that can be selected for select requests are:

- **SEL_READ:** A read that is issued against this file will not block.
- **SEL_WRITE:** A write that is issued against this file will not block.
- **SEL_XCEPT:** An exceptional condition, as defined by the particular PFS, has occurred. This could happen when a socket connection becomes inoperative because of network problems, or when the other end of the socket is closed.

For poll requests, the events that can be selected are documented in other manuals (for instance, *z/OS XL C/C++ Runtime Library Reference*). The mapping for these fields is defined in the BPXYPFSI header file.

For reading and writing, an error condition that would cause the read or write to fail means that the operation will not block and therefore the file is ready for that operation.

If one or more of the selected events are ready for any of the selected files, the PFS immediately returns the status for one of the files in the Return_value parameter, using the same bit mapping that is used in the BSIC Response field.

Reserved_2

Supplied parameter

Type: Integer

Length:
Fullword

The value 0. This parameter is reserved, to maintain consistency with the vn_select operation interface.

Return_value

Returned parameter

Type: Integer

Length:
Fullword

The name of a fullword in which the vfs_batsel service returns the results of the operation, as one of the following:

Return_value**Meaning**

- 1** The operation was not successful. This causes the whole **select()** or **poll()** request, as made by the application program, to fail. The Return_code and Reason_code values are passed back to the application program.
- 0** There is no status for any of the files in the Batch-Select_Structure, and the operation was successful.
 - For query (SEL_BATSELQ or SEL_BATPOLLQ): The PFS is set up to invoke `osi_selpost` when the requested event occurs.
 - For cancel (SEL_BATSELC or SEL_BATPOLLC): The PFS has canceled the request to invoke `osi_selpost`, or it was never set up to do so. The PFS will not invoke `osi_selpost` after returning from this call.

Greater than 0

Status is being returned in the Batch-Select_Structure. The returned status in this parameter has the same format as the BSIC Response field.

- For query (SEL_BATSELQ or SEL_BATPOLLQ): The operation is complete and the PFS will not invoke `osi_selpost` for this request.
- For cancel (SEL_BATSELC or SEL_BATPOLLC): The PFS has canceled the request to invoke `osi_selpost` if it had been recorded.

Return_code

Returned parameter

Type: Integer

Length:
Fullword

A fullword in which the vfs_batsel operation stores the return code. The vfs_batsel operation returns Return_code only if Return_value is -1. For a complete list of supported return code values, see *z/OS UNIX System Services Messages and Codes*.

Reason_code

Returned parameter

vfs_batsel

Type: Integer

Length:
Fullword

A fullword in which the `vfs_batsel` operation stores the reason code. The `vfs_batsel` operation returns `Reason_code` only if `Return_value` is -1. `Reason_code` further qualifies the `Return_code` value. These reason codes are documented by the PFS.

Implementation notes

Overview of `vfs_batsel` processing

The `vfs_batsel` operation is identical to the `vn_select` operation, except that a batch of files (multiple files) are selected using the `Batch-Select_Structure`, instead of only one. For information about `vn_select`, refer to “Select/poll processing” on page 52.

For more information about the semantics of this operation for a POSIX-conforming PFS, refer to the publications mentioned in “Finding more information about sockets” on page xiii for the `select` function.

Specific processing notes

- On the query request, the PFS should save the BSIC `SelectToken` for each file passed in the `Batch-Select_Structure`. This token is used both during the cancel request (to delete the request) and when an event occurs that the LFS should be informed of through the `osi_selpost` function.
- The PFS can use the BSIC entry `workptr` field in the `Batch-Select_Structure` to save information about each file during a query request. It can also use the BSIC header `workptr` field to save information about the entire query (such as an address where it has stored information about this request) so that it can be found during a cancel request. The data is used to correlate the cancel request with its matching query request. This provides an alternative to scanning the PFS control blocks for matching `SelectToken` values.

Serialization provided by the LFS

None.

Security calls to be made by the PFS

None.

Related services

- “`vn_select` — Select or poll on a vnode” on page 220

`vfs_gethost` — Get the socket host ID or name

Function

The `vfs_gethost` operation gets the ID or the name of the socket host.

Environment on entry and exit

See “Environment for PFS operations” on page 83.

Input parameter format

```
vfs_gethost (Token_structure,
             OSI_structure,
             Audit_structure
             Name_length,
             Name,
             Return_value,
             Return_code,
             Reason_code)
```

Parameters

Token_structure

Supplied parameter

Type: TOKSTR

Length:

Specified by TOKSTR.ts_hdr.cblen.

The Token_structure represents the file system (VFS) that is being operated on. It contains the PFS's initialization token and mount token. Refer to "LFS/PFS control block structure" on page 17 for a discussion of this structure, and to the TOKSTR typedef in BPXYPFISI in Appendix D, "Interface structures for C language servers and clients," on page 499 for its mapping.

OSI_structure

Supplied and returned parameter

Type: OSI

Length:

Specified by OSI.osi_hdr.cblen.

The OSI_structure contains information that is used by the OSI operations that may be called by the PFS. See Chapter 6, "OSI services," on page 385 for more information.

It also contains MVS-specific information that needs to be passed to the PFS, including SMF accounting fields, a work area, a recovery area, and an optional pointer to an output ATTR structure. For more details on the OSI structure, see "The OSI structure" on page 20.

This area is mapped by the OSI typedef in BPXYPFISI in Appendix D, "Interface structures for C language servers and clients," on page 499.

Audit_structure

Supplied parameter

Type: CRED

Length:

Specified by CRED.cred_hdr.cblen.

The Audit_structure contains information that is used by the security product for access checks and auditing. It is passed to most SAF routines that are invoked by the PFS.

Refer to "Security responsibilities and considerations" on page 13 for a discussion of security processing, and to the CRED typedef in BPXYPFISI in Appendix D, "Interface structures for C language servers and clients," on page 499 for the mapping of this structure.

vfs_gethost

Name_length

Supplied and returned parameter

Type: Integer

Length:

Fullword

A fullword that contains the length of the name. If this value is zero, the request is for the host ID. Otherwise, this is the length of the buffer to hold the name. On return, for host name, this field contains the length of the name plus one for the null.

Name

Returned parameter

Type: String

Length:

Specified by Name_length

An area that contains the name on return, if the host name was requested. This name must be null-terminated by the PFS.

Return_value

Returned parameter

Type: Integer

Length:

Fullword

A fullword in which the `vfs_gethost` operation returns the results of the operation, as one of the following:

Return_value

Meaning

-1 The operation was not successful. The `Return_code` and `Reason_Code` values must be filled in by the PFS when `Return_value` is -1.

0 The operation was successful (for getting the host name).

Greater than 0

The operation was successful (for getting the host ID) and is the identifier of the current host.

Return_code

Returned parameter

Type: Integer

Length:

Fullword

A fullword in which the `vfs_gethost` operation stores the return code. The `vfs_gethost` operation returns `Return_code` only if `Return_value` is -1. For a complete list of supported return code values, see *z/OS UNIX System Services Messages and Codes*.

Reason_code

Returned parameter

Type: Integer

Length:

Fullword

A fullword in which the `vfs_gethost` operation stores the reason code. The `vfs_gethost` operation returns `Reason_code` only if `Return_value` is -1. `Reason_code` further qualifies the `Return_code` value. These reason codes are documented by the PFS.

Implementation notes

Overview of `vfs_gethost` processing

For more information about the semantics of this operation, refer to the publications mentioned in “Finding more information about sockets” on page xiii for the `gethostid()` and `gethostname()` functions.

Specific processing notes

The PFS determines whether to get the host name or host ID depending on `Name_length`. A zero length indicates a `gethostid()` request.

Serialization provided by the LFS

The `vfs_gethost` operation is invoked with an exclusive latch held on the domain of the PFS.

Security calls to be made by the PFS

None.

`vfs_inactive` — Batch inactivate vnodes

Function

The `vfs_inactive` disassociates multiple vnodes from the PFS's related inodes.

Environment on entry and exit

See “Environment for PFS operations” on page 83.

Input parameter format

```

vfs_inactive (Token_structure,
             OSI_structure,
             Audit_structure,
             InactBuffer_structure,
             InactBuffer_length,
             Return_value,
             Return_code,
             Reason_code)

```

Parameters

`Token_structure`

Supplied parameter

Type: TOKSTR

Length:

Specified by TOKSTR.ts_hdr.cblen.

The `Token_structure` represents the file system (VFS) that is being operated on. It contains the PFS's initialization token, and mount token. Refer to “LFS/PFS control block structure” on page 17 for a discussion of this structure, and to the TOKSTR typedef in BPXYPSI in Appendix D, “Interface structures for C language servers and clients,” on page 499 for its mapping.

OSI_structure

Supplied and returned parameter

Type: OSI

Length:

Specified by OSI.osi_hdr.cblen.

The OSI_structure contains information that is used by the OSI operations that may be called by the PFS. See Chapter 6, "OSI services," on page 385 for more information.

It also contains MVS-specific information that needs to be passed to the PFS, including SMF accounting fields, a work area, a recovery area, and an optional pointer to an output ATTR structure. For more details on the OSI structure, see "The OSI structure" on page 20.

This area is mapped by the OSI typedef in BPXYPFISI in Appendix D, "Interface structures for C language servers and clients," on page 499.

Audit_structure

Supplied parameter

Type: CRED

Length:

Specified by CRED.cred_hdr.cblen.

The Audit_structure contains information that is used by the security product for access checks and auditing. It is passed to most SAF routines that are invoked by the PFS.

Refer to "Security responsibilities and considerations" on page 13 for a discussion of security processing, and to the CRED typedef in BPXYPFISI in Appendix D, "Interface structures for C language servers and clients," on page 499 for the mapping of this structure.

InactBuffer_structure

Supplied and returned parameter

Type: IAB

Length:

Calculated: An IAB header plus one IAB entry for each selected vnode.

The InactBuffer_structure contains information about the vifs and the vnodes that are to be made inactive. This area is mapped by the IAB typedef in the BPXYPFISI header file (Appendix D).

This structure contains the following fields:

Server_devno

A fullword that contains the device number of this vif.

Each **Server_devno** is followed by an array of records containing the following information:

Vnode_pointer

A pointer to the vnode.

Pfs_token

An eight-byte area that contains the pfs token for this vnode.

Server_Vnode

A pointer to the server's vnode.

Return_Value

A fullword in which the `vfs_inactive` operation returns the results of the operation for the vnode. A nonzero value indicates that the operation was not successful.

InactBuffer_length

Supplied parameter

Type: Integer

Length:
Fullword

A fullword that supplies the length of the `InactBuffer_structure`.

Return_value

Returned parameter

Type: Integer

Length:
Fullword

The name of a fullword in which the `vfs_inactive` service returns the results of the operation, as one of the following:

Return_value**Meaning**

- 1** The operation was not successful. The `Return_code` and `Reason_Code` values must be filled in by the PFS when `Return_value` is -1.
- 0** The operation was successful.

Return_code

Returned parameter

Type: Integer

Length:
Fullword

A fullword in which the `vfs_inactive` service stores the return code. The `vfs_inactive` service returns `Return_code` only if `Return_value` is -1. For a complete list of supported return code values, see *z/OS UNIX System Services Messages and Codes*.

The `vfs_inactive` service should support the following error value:

Return_code	Explanation
EIO	An I/O error occurred while accessing the file.

Reason_code

Returned parameter

Type: Integer

Length:
Fullword

A fullword in which the `vfs_inactive` service stores the reason code. The `vfs_inactive` service returns `Reason_code` only if `Return_value` is -1. `Reason_code` further qualifies the `Return_code` value. These reason codes are documented by the PFS.

Implementation notes

Overview of vfs_inactive processing

“Creating, referring to, and inactivating file vnodes” on page 32 provides an overview of file inactivate processing.

Specific processing notes

- The Return_value for each vnode that is being made inactive is returned in the InactBuf_structure while the results of the vfs_inactive service is provided in the returned parameters.
- If a transient error, such as an I/O error, is encountered, the Return_value should be set to -1. In this case, the request is retried later.
- If a permanent error that prevents the specified file or directory from being used is encountered, Return_value should be set to zero. In this case, all references to the file or directory are removed from the LFS and the request is not retried. The PFS must not issue a signal-enabled wait during inactivate processing. “Waiting and posting” on page 22 provides an overview of wait and post processing.
- If a file's link count is zero, but its open count is not zero, the PFS should ignore the open count and delete the file's data along with the file. This might happen, for example, when an address space is canceled right after vn_open finishes in the PFS, but before the LFS regains control.

Serialization provided by the LFS

The vfs_inactive operation is invoked with an exclusive latch held on the file system containing the vnode.

Security calls to be made by the PFS

None.

Related services

- “osi_wait — Wait for an event to occur” on page 445
- “vn_inactive — Inactivate a vnode” on page 161

vfs_mount — Mount a file system

Function

The vfs_mount operation activates a file system and returns the root directory vnode_token.

Environment on entry and exit

See “Environment for PFS operations” on page 83.

Input parameter format

```

vfs_mount  (Token_structure,
           OSI_structure,
           Audit_structure,
           Mount_table,
           Vnode_token,
           Return_value,
           Return_code,
           Reason_code)

```

Parameters

Token_structure

Supplied parameter

Type: TOKSTR

Length:

Specified by TOKSTR.ts_hdr.cblen.

The Token_structure represents the file system (VFS) that is being operated on. It contains the PFS's initialization token and mount token. Refer to "LFS/PFS control block structure" on page 17 for a discussion of this structure, and to the TOKSTR typedef in BPXYPFISI in Appendix D, "Interface structures for C language servers and clients," on page 499 for its mapping.

OSI_structure

Supplied and returned parameter

Type: OSI

Length:

Specified by OSI.osi_hdr.cblen.

The OSI_structure contains information that is used by the OSI operations that may be called by the PFS. See Chapter 6, "OSI services," on page 385 for more information.

It also contains MVS-specific information that needs to be passed to the PFS, including SMF accounting fields, a work area, a recovery area, and an optional pointer to an output ATTR structure. For more details on the OSI structure, see "The OSI structure" on page 20.

This area is mapped by the OSI typedef in BPXYPFISI in Appendix D, "Interface structures for C language servers and clients," on page 499.

Audit_structure

Supplied parameter

Type: CRED

Length:

Specified by CRED.cred_hdr.cblen.

The Audit_structure contains information that is used by the security product for access checks and auditing. It is passed to most SAF routines that are invoked by the PFS.

See "Security responsibilities and considerations" on page 13 for a discussion of security processing, and to the CRED typedef in BPXYPFISI in Appendix D, "Interface structures for C language servers and clients," on page 499 for the mapping of this structure.

vfs_mount

Mount_table

Supplied and returned parameter

Type: Structure

Length:

Specified by the MTAB.mtab_hdr.cbllen field

An area that is used to pass the file system name, mount options, and PFS-specific parameters to the vfs_mount operation. This area is mapped by the MTAB typedef in the BPXYPFSI header file (see Appendix D, "Interface structures for C language servers and clients," on page 499).

Vnode_token

Returned parameter

Type: Token

Length:

8 bytes

An area in which the vfs_mount service returns the vnode_token for the root directory of the mounted file system.

Return_value

Returned parameter

Type: Integer

Length:

Fullword

A fullword in which the vfs_mount service returns the results of the operation, as one of the following:

Return_value

Meaning

-1 The operation was not successful. The Return_code and Reason_Code values must be filled in by the PFS when Return_value is -1.

0 The operation was successful.

Return_code

Returned parameter

Type: Integer

Length:

Fullword

A fullword in which the vfs_mount service stores the return code. The vfs_mount service returns Return_code only if Return_value is -1. See *z/OS UNIX System Services Messages and Codes* for a complete list of supported return code values.

The vfs_mount operation should support at least the following error value:

Return_code	Explanation
EEXIST	A file system with the same name has already been mounted.

Reason_code

Returned parameter

Type: Integer

Length:

Fullword

A fullword in which the `vfs_mount` service stores the reason code. The `vfs_mount` service returns `Reason_code` only if `Return_value` is -1. `Reason_code` further qualifies the `Return_code` value. These reason codes are documented by the PFS.

Implementation notes**Overview of `vfs_mount` processing**

"Mounting file systems" on page 28 provides an overview of file system mount processing.

Specific processing notes

- The PFS is responsible for the following fields:

`token_structure.ts_mount`

The PFS should fill in this field with a token that it can use to locate the PFS structures that are associated with the mounted file system. On subsequent calls for files within this file system, the `token_structure` value contains the token set here by the PFS.

`MTAB.mt_filesys` or `MTAB.mt_ddname`

On entry to the PFS, the field `MTAB.mt_filesys` contains either the blank padded file system name or nulls. On a successful return, if this field is not nulls and it represents an MVS data set name, the field `MTAB.mt_ddname` should be filled in by the PFS with the dynamically allocated `ddname`.

If the field `MTAB.mt_filesys` is nulls on entry to the PFS, the field `MTAB.mt_ddname` contains the `ddname` of an allocated MVS data set for the file system. On a successful return, the field `MTAB.mt_filesys` should be filled in by the PFS with the MVS data set name that is specified on the DD statement.

`MTAB.mt_rwmntclient`

The read/write sysplex-awareness of file systems is typically determined by the `PfsiRWMntClient` (or `PfsiRWMntSysplex`) that the PFS sets during its initialization. A `PfsiRWMntClient` (or `PfsiRWMntSysplex`) of 0 typically indicates that the PFS is sysplex-aware for all read/write mounts, and a `PfsiRWMntClient` (or `PfsiRWMntSysplex`) of 1 typically indicates that PFS is sysplex-unaware for all read/write mounts. However, if a PFS wants to mount certain file systems as read/write sysplex-aware and other file systems as read/write sysplex-unaware, it can do this by setting the output `MTAB.mt_rwmntclient` on the primary owner mount, to indicate the read-write sysplex-awareness of a particular file system. An output `MTAB.mt_rwmntclient` of 0 indicates read/write sysplex-aware, and an output `MTAB.mt_rwmntclient` of 1 indicates read/write sysplex-unaware.

The output `MTAB.mt_rwmntclient` is ignored for network PFSes.

`MTAB.mt_disablella`

The LLA (lookup lookaside) enablement of file systems is typically determined by the `PfsiDisableLLA` that the PFS sets during its initialization. The `PfsiDisableLLA` typically indicates whether LLA is enabled or disabled for all file systems. However, if a PFS wants to disable LLA for certain file systems (those that are read/write

sysplex-aware) and enable LLA for other file systems (those that are read/write sysplex-unaware), it can do this by setting `MTAB.mt_disablella` as output on the primary owner mount. An output `MTAB.mt_disablella` of 0 indicates that the LFS should enable LLA, and an output `MTAB.mt_disablella` of 1 indicates that the LFS should disable LLA.

The output `MTAB.mt_disablella` is ignored for network PFses.

MTAB.mt_samemode

If `MTAB.mt_samemode` is set by the LFS on input for an owner mount, then the read/write-awareness and LLA for this file system must not be changed by the PFS. The LFS passes the `MTAB.mt_rwmntclient` and `MTAB.mt_disablella` as input to indicate the read/write-awareness and LLA-enablement for the file system. `MTAB.mt_samemode` is set for certain operations where the read/write sysplex-awareness should not be changed by the PFS, like for the `vfs_mount` on the owner for a samemode remount. Only PFses that would set the output `MTAB.mt_rwmntclient` and/or `MTAB.mt_disablella` need to check the input `MTAB.mt_samemode` bit.

If every file in this file system has the same values, the PFS is responsible for filling in the MTAB with the following pathconf values (see the IEEE POSIX 1003.1 specification for further details):

MTAB.mt_linkmax

LINK_MAX

MTAB.mt_namemax

NAME_MAX

MTAB.mt_notrunc

POSIX_NO_TRUNC

MTAB.mt_chownrstd

POSIX_CHOWN_RESTRICTED

Alternatively, the PFS may meet this responsibility by supporting `vn_pathconf`.

- The PFS must not issue a signal-enabled wait under the thread invoking `vfs_mount`.
- “Waiting and posting” on page 22 provides an overview of wait and post processing.
- If the mount is to be completed asynchronously:
 - The PFS must set `MTAB.mt_asynchmount` on before returning to the LFS. The LFS in turn sets `MTAB.mt_asynchmount` on before calling the PFS for the second call to `vfs_mount`.
 - When the mount operation has completed, the PFS indicates this to the LFS by calling `osi_mountstatus`.
 - The `vnode_token` must be returned on at least one of the calls to `vfs_mount`. However, if the PFS chooses to return a nonzero `vnode_token` on each call, it must be the same token.
 - If asynchronous mount processing in the PFS fails, the PFS should call `osi_mountstatus` to drive the second call to `vfs_mount`. When called by the LFS to complete the mount, the PFS should then return the error to the LFS, which deletes all references to the incompletely mounted file system. No call to `vfs_umount` results.

- If MTAB.mt_synchonly is set on in the Mount_table, vfs_mount must either complete the mount synchronously or reject the request, returning EINVAL. MTAB.mt_synchonly is always set on for the system root and for mounts that result from MOUNT statements in BPXPRMxx that specify DDNAME.
- Vfs operations, such as vfs_umount and vfs_statfs, may need to be handled during an asynchronous mount.
- It is not necessary for the PFS to perform security checking during mount processing, because the LFS has already performed all necessary checking.
- The PFS returns an aggregate name, if it has one, from the vfs_mount operation. If mt_aggrnameptr is not zero, it points to mt_aggrname, which is a 45-byte area where the PFS can put the aggregate name. If the PFS may run on an earlier release, it should test for mt_hdr.cbllen > 0x80 before it tests mt_aggrnameptr. If read-only mounts of file systems with the same aggregate name should be function shipped to the owning system rather than locally mounted, mt_aggtachrw should be turned on. If subsequent recovery of this mount should not attempt to attach the aggregate before issuing the vfs_mount, mt_agghfscomp should be turned on.

Serialization provided by the LFS

The vfs_mount operation is invoked with an exclusive latch held on the file system, to ensure that no other operations are attempted upon the file system being mounted. In addition, the LFS ensures that all vfs_mount and vfs_umount calls are serialized.

Note: However, if the mount is asynchronous, there is a time between the start and the end of the mount in which the latch is not held.

Security calls to be made by the PFS

None.

Related services

- “vfs_unmount — Unmount a file system” on page 117
- “vn_pathconf — Determine configurable pathname values” on page 187
- “osi_getvnode — Get or return a vnode” on page 402
- “osi_ctl — Pass control information to the kernel” on page 395
- “osi_wait — Wait for an event to occur” on page 445

vfs_network — Define a socket domain to the PFS

Function

The vfs_network operation is called as a result of the NETWORK statement in the BPXBPRMxx parmlib member that is used to start z/OS UNIX. It defines information about a socket domain to the PFS that is supporting it.

Environment on entry and exit

See “Environment for PFS operations” on page 83.

Input parameter format

```

vfs_network (Token_structure,
             OSI_structure,
             Audit_structure,
             Network_structure,
             Return_value,
             Return_code,
             Reason_code)
    
```

Parameters

Token_structure

Supplied parameter

Type: TOKSTR

Length:

Specified by TOKSTR.ts_hdr.cblen.

The Token_structure represents the file system (VFS) that is being operated on. It contains the PFS's initialization token and mount token. Refer to "LFS/PFS control block structure" on page 17 for a discussion of this structure, and to the TOKSTR typedef in BPXYPSI in Appendix D, "Interface structures for C language servers and clients," on page 499 for its mapping.

OSI_structure

Supplied and returned parameter

Type: OSI

Length:

Specified by OSI.osi_hdr.cblen.

The OSI_structure contains information that is used by the OSI operations that may be called by the PFS. See Chapter 6, "OSI services," on page 385 for more information.

It also contains MVS-specific information that needs to be passed to the PFS, including SMF accounting fields, a work area, a recovery area, and an optional pointer to an output ATTR structure. For more details on the OSI structure, see "The OSI structure" on page 20.

This area is mapped by the OSI typedef in BPXYPSI in Appendix D, "Interface structures for C language servers and clients," on page 499.

Audit_structure

Supplied parameter

Type: CRED

Length:

Specified by CRED.cred_hdr.cblen.

The Audit_structure contains information that is used by the security product for access checks and auditing. It is passed to most SAF routines that are invoked by the PFS.

Refer to "Security responsibilities and considerations" on page 13 for a discussion of security processing, and to the CRED typedef in BPXYPSI in Appendix D, "Interface structures for C language servers and clients," on page 499 for the mapping of this structure.

Network_structure

Supplied parameter

Type: NETW

Length:

Specified by netw.netw_hdr.cblen

The Network_structure is an area, built during initialization, that contains the information that is included on the NETWORK statement—the socket domain name and number and the maximum number of sockets. This area is mapped by the NETW typedef in the BPXYPSI header file (see Appendix D, “Interface structures for C language servers and clients,” on page 499).

Return_value

Returned parameter

Type: Integer

Length:

Fullword

A fullword in which the vfs_network operation returns the results of the operation as one of the following:

Return_value**Meaning**

- 1** The operation was not successful. The Return_code and Reason_Code values must be filled in by the PFS when Return_value is -1.
- 0** The operation was successful.

Return_code

Returned parameter

Type: Integer

Length:

Fullword

A fullword in which the vfs_network operations stores the return code. The vfs_network operation returns Return_code only if Return_value is -1. For a complete list of supported return code values, see *z/OS UNIX System Services Messages and Codes*.

The vfs_network operation should support at least the following error values:

Return_code	Explanation
EAFNOSUPPORT	The address family that was specified in the Network_structure is not supported by this PFS.

Reason_code

Returned parameter

Type: Integer

Length:

Fullword

A fullword in which the vfs_network operation stores the reason code. The vfs_network operation returns Reason_code only if Return_value is -1. Reason_code further qualifies the Return_code value. These reason codes are documented by the PFS.

Implementation notes

Overview of vfs_network processing

For information about the `vfs_network` call, refer to “Activating a domain” on page 50.

Specific processing notes

The PFS should ensure that it does not do any blocking waits during its processing.

The PFS is responsible for returning two fields set so that they can be used for subsequent processing. These fields are:

NETW.nt_localremote

An indication of whether the communication done by this PFS is local or remote. Turn the bit on to indicate remote communication.

TOKSTR.ts_mount

The 8-byte token that is returned by the PFS and used on all subsequent calls to this PFS. This token is used by the PFS to locate the PFS structures that are associated with this network.

Serialization provided by the LFS

The logical file system ensures that only one `vfs_network` statement is processed at a time. Further, the PFS does not receive any socket requests specifying this domain until the `vfs_network` operation completes.

Security calls to be made by the PFS

None.

vfs_pfsctl — PFS control

Function

The `vfs_pfsctl` operation passes control information to the PFS.

Environment on entry and exit

See “Environment for PFS operations” on page 83.

Input parameter format

```
vfs_pfsctl (Token_structure,  
            OSI_structure,  
            Audit_structure,  
            Command,  
            User_IO_structure,  
            Return_value,  
            Return_code,  
            Reason_code)
```

Parameters

Token_structure

Supplied parameter

Type: TOKSTR

Length:

Specified by TOKSTR.ts_hdr.cblen.

The Token_structure contains the PFS's initialization token. Refer to "LFS/PFS control block structure" on page 17 for a discussion of this structure, and to the TOKSTR typedef in BPXYPFSI in Appendix D, "Interface structures for C language servers and clients," on page 499 for its mapping.

OSI_structure

Supplied and returned parameter

Type: OSI

Length:

Specified by OSI.osi_hdr.cblen.

The OSI_structure contains information that is used by the OSI operations that may be called by the PFS. See Chapter 6, "OSI services," on page 385 for more information.

It also contains MVS-specific information that needs to be passed to the PFS, including SMF accounting fields, a work area, a recovery area, and an optional pointer to an output ATTR structure. For more details on the OSI structure, see "The OSI structure" on page 20.

This area is mapped by the OSI typedef in BPXYPFSI in Appendix D, "Interface structures for C language servers and clients," on page 499.

Audit_structure

Supplied parameter

Type: CRED

Length:

Specified by CRED.cred_hdr.cblen.

The Audit_structure contains information that is used by the security product for access checks and auditing. It is passed to most SAF routines that are invoked by the PFS.

Refer to "Security responsibilities and considerations" on page 13 for a discussion of security processing, and to the CRED typedef in BPXYPFSI in Appendix D, "Interface structures for C language servers and clients," on page 499 for the mapping of this structure.

Command

Supplied parameter

Type: Integer

Length:

Fullword

The command indicates the function that is to be performed by the PFS.

User_IO_structure

Supplied parameter

Type: Structure

Length:

Specified by the UIO.u_hdr.cblen field

An area that is to be used by the vfs_pfsctl service to determine the buffer address, length, storage key, and other attributes of the argument that is passed by the caller of pfsctl (BPX1PCT). This area is mapped by the UIO typedef in the BPXYVFSI header file (see Appendix D, "Interface structures for C language servers and clients," on page 499).

Return_value

Returned parameter

Type: Integer

Length:

Fullword

A fullword in which the `vfs_pfsctl` operation returns the results of the operation, as one of the following:

Return_value

Meaning

-1 The operation was not successful. The `Return_code` and `Reason_Code` values must be filled in by the PFS when `Return_value` is -1.

0 The operation was successful.

0 or greater

Can be used by the PFS to return the length of the information that is being returned in a modified argument buffer.

Return_code

Returned parameter

Type: Integer

Length:

Fullword

A fullword in which the `vfs_pfsctl` operation stores the return code. The `vfs_pfsctl` operation returns `Return_code` only if `Return_value` is -1. For a complete list of supported return code values, see *z/OS UNIX System Services Messages and Codes*.

The `vfs_pfsctl` operation should support at least the following error values when the situation applies:

Return_code	Explanation
EMVSPARM	The command or argument parameters are incorrect.
EFAULT	The address of the argument buffer is incorrect, or the user is not authorized to read or write to that location.
EINTR	The service was interrupted by a signal.
EPERM	Permission was denied. The calling program does not have sufficient authority for the service that was requested.

Reason_code

Returned parameter

Type: Integer

Length:

Fullword

A fullword in which the `vfs_pfsctl` operation stores the reason code. The `vfs_pfsctl` operation returns `Reason_code` only if `Return_value` is -1. `Reason_code` further qualifies the `Return_code` value. These reason codes are documented by the PFS product.

Implementation notes

Overview of `vfs_pfsctl` processing

This function is like `vn_ioctl`, except that the data is directed to the PFS itself rather than to, or for, a particular file.

A program can communicate with the PFS through the `pfsctl` (BPX1PCT) callable service, which is converted by the LFS into `vfs_pfsctl`. An example of this would be a program that is provided with a particular PFS product that displays performance statistics for that PFS.

You should avoid passing addresses with this service, and instead include all data in the buffer.

Negative command values are reserved for use by the LFS.

Command values of less than 0x40000000 are considered to be authorized functions, and a privilege check is made. See the security calls to be made by the PFS section.

For more information, see *z/OS DFSMS Using Data Sets*.

Specific processing notes

The `token_structure` of this operation contains only the initialization token.

The following UIO fields are provided by the LFS:

UIO.u_hdr.cbid

Contains `UIO_ID` (from the `BPXYVFSI` header file)

UIO.u_hdr.cblen

Specifies the length of the `user_IO_structure`

UIO.u_buffaddr

Specifies the address of the argument buffer

UIO.u_buffalet

Specifies the `ALET` of the argument buffer

UIO.u_count

Specifies the length of the argument buffer

UIO.u_asid

Specifies the `ASID` of the caller

UIO.u_key

Specifies the storage key of the argument buffer

Serialization provided by the LFS

None.

Security calls to be made by the PFS

None expected by the LFS.

When the command value is less than 0x40000000, the LFS calls SAF's Check Privilege callable service to determine if the caller has appropriate privileges before it invokes the PFS with `vfs_pfsctl`. The results of this call are passed to the PFS using the `osi_privileged` bit.

If the `osi_privileged` bit is *on*, the user has appropriate privileges. If the PFS wishes to restrict this function or certain command values, it can check this bit.

Related services

None.

vfs_recovery — Recover resources at end-of-memory

Function

The `vfs_recovery` operation permits a PFS to recover resources when a user address space enters end-of-memory processing while a request to that PFS is active.

Environment on entry and exit

See “Environment for PFS operations” on page 83.

Input parameter format

```

vfs_recovery (Token_structure,
              OSI_structure,
              Audit_structure,
              Recovery_area,
              Return_value,
              Return_code,
              Reason_code)
    
```

Parameters

Token_structure

Supplied parameter

Type: TOKSTR

Length:

Specified by TOKSTR.ts_hdr.cbllen.

The `Token_structure` represents the file system (VFS) that is being operated on. It contains the PFS's initialization token and mount token. Refer to “LFS/PFS control block structure” on page 17 for a discussion of this structure, and to the TOKSTR typedef in BPXYPFSI in Appendix D, “Interface structures for C language servers and clients,” on page 499 for its mapping.

OSI_structure

Supplied and returned parameter

Type: OSI

Length:

Specified by OSI.osi_hdr.cbllen.

The `OSI_structure` contains information that is used by the OSI operations that may be called by the PFS. See Chapter 6, “OSI services,” on page 385 for more information.

It also contains MVS-specific information that needs to be passed to the PFS, including SMF accounting fields, a work area, a recovery area, and an optional pointer to an output ATTR structure. For more details on the OSI structure, see “The OSI structure” on page 20.

This area is mapped by the OSI typedef in BPXYPFSI in Appendix D, “Interface structures for C language servers and clients,” on page 499.

Audit_structure

Supplied parameter

Type: CRED

Length:

Specified by CRED.cred_hdr.cblen.

The Audit_structure contains information that is used by the security product for access checks and auditing. It is passed to most SAF routines that are invoked by the PFS.

Refer to “Security responsibilities and considerations” on page 13 for a discussion of security processing, and to the CRED typedef in BPXYPFISI in Appendix D, “Interface structures for C language servers and clients,” on page 499 for the mapping of this structure.

Recovery_area

Supplied parameter

Type: String

Length:

8 bytes

A copy of the Recovery_area that was filled in by the PFS during the operation that was interrupted. This area is mapped by osirtoken in BPXYPFISI (see Appendix D, “Interface structures for C language servers and clients,” on page 499).

Return_value

Returned parameter

Type: Integer

Length:

Fullword

A fullword in which the vfs_recovery operation returns the results of the operation, as one of the following:

Return_value**Meaning**

-1 The operation was not successful. The Return_code and Reason_Code values must be filled in by the PFS when Return_value is -1.

0 The operation was successful.

Return_code

Returned parameter

Type: Integer

Length:

Fullword

A fullword in which the vfs_recovery operation stores the return code. The vfs_recovery operation returns Return_code only if Return_value is -1. For a complete list of supported return code values, see *z/OS UNIX System Services Messages and Codes*.

Reason_code

Returned parameter

Type: Integer

Length:

Fullword

A fullword in which the `vfs_recovery` operation stores the reason code. The `vfs_recovery` operation returns `Reason_code` only if `Return_value` is -1. `Reason_code` further qualifies the `Return_code` value. These reason codes are documented by the PFS.

Implementation notes

Overview of `vfs_recovery` processing

“Recovery considerations” on page 25 provides an overview of recovery processing, and discusses the flow for `vfs_recovery` in particular.

Specific processing notes

When an active request to the PFS is interrupted in a situation where normal ESTAE processing is bypassed by MVS, the PFS may have resources, such as storage and locks, that are left in a state that will cause problems for other users.

To allow the PFS a chance to clean up if this should happen, a `Recovery_area` is passed on every operation, through the `osi_rtokptr` pointer in the `OSI_structure`, where the PFS can record its resources or store a pointer to a recovery block. Any information that is stored in this area by the PFS during an operation is passed back to the PFS via the `Recovery_area` parameter of `vfs_recovery` if the operation is interrupted by end-of-memory for the user address space.

The OSI Work Area and the Pre-initialized C Environment Stack, if used, are still addressable and left as they were at the time of the abend. These areas can be used to hold a recovery block whose address is placed in the `Recovery_area`. The `vfs_recovery` operation is invoked with its own areas like any other operation.

Refer also to “`vn_recovery` — Recover resources after an abend” on page 205, which is the operation that is invoked during normal ESTAE processing.

There is no EOM recovery for the `vfs_recovery` operation itself. The operation is invoked with `osi_rtokptr` pointing to a new recovery area that can be used for standard PFS abend recovery; that is, with `vn_recovery`.

The PFS is not called if the file system has been unmounted between the original vnode operation and the running of the EOM resource manager. This can only happen if the user was in a signal-enabled wait at the time the address space was terminated. It is expected that the PFS has cleaned up all its file-system-related resources during `vfs_umount`.

See also the OSI and `osirtoken` structures in Appendix D, “Interface structures for C language servers and clients,” on page 499.

The state of any file-level objects that may have been involved with the interrupted operation is unknown at the time `vfs_recovery` is invoked.

Serialization provided by the LFS

The `vfs_recovery` operation is invoked with a shared latch held on the file system represented by the `token_structure`.

Any file-level objects that may have been involved with the interrupted operation are not serialized.

Security calls to be made by the PFS

None.

vfs_socket — Create a socket or a socket pair

Function

The `vfs_socket` operation creates one socket or two related sockets.

Environment on entry and exit

See “Environment for PFS operations” on page 83.

Input parameter format

```
vfs_socket (Token_structure,
           OSI_structure,
           Audit_structure,
           Domain,
           Type,
           Protocol,
           Array_dimension,
           Vnode_token_array,
           Return_value,
           Return_code,
           Reason_code)
```

Parameters

Token_structure

Supplied parameter

Type: TOKSTR

Length:

Specified by TOKSTR.ts_hdr.cblen.

The `Token_structure` represents the file system (VFS) that is being operated on. It contains the PFS's initialization token and mount token. Refer to “LFS/PFS control block structure” on page 17 for a discussion of this structure, and to the TOKSTR typedef in BPXYPFSI in Appendix D, “Interface structures for C language servers and clients,” on page 499 for its mapping

OSI_structure

Supplied and returned parameter

Type: OSI

Length:

Specified by OSI.osi_hdr.cblen.

The `OSI_structure` contains information that is used by the OSI operations that may be called by the PFS. See Chapter 6, “OSI services,” on page 385 for more information.

It also contains MVS-specific information that needs to be passed to the PFS, including SMF accounting fields, a work area, a recovery area, and an optional pointer to an output ATTR structure. For more details on the OSI structure, see “The OSI structure” on page 20.

This area is mapped by the OSI typedef in BPXYPFSI in Appendix D, “Interface structures for C language servers and clients,” on page 499.

Audit_structure

Supplied parameter

Type: CRED

Length:

Specified by CRED.cred_hdr.cblen.

The Audit_structure contains information that is used by the security product for access checks and auditing. It is passed to most SAF routines that are invoked by the PFS.

Refer to “Security responsibilities and considerations” on page 13 for a discussion of security processing, and to the CRED typedef in BPXYPSI in Appendix D, “Interface structures for C language servers and clients,” on page 499 for the mapping of this structure.

Domain

Supplied parameter

Type: Integer

Length:

Fullword

A fullword that contains a number that represents the address family the socket is to be created for. The values defined for this field are mapped by **socket.h**.

Type

Supplied parameter

Type: Integer

Length:

Fullword

A fullword that contains a number that represents the socket type. The values defined for this field are mapped by **socket.h**.

Protocol

Supplied parameter

Type: Integer

Length:

Fullword

A fullword that contains a number that represents the protocol to be used with the socket.

Array_dimension

Supplied parameter

Type: Integer

Length:

Fullword

A fullword that specifies the number of Vnode_tokens to get. The allowable values for this field are 1 (for the socket call) and 2 (for the socketpair call).

Vnode_token_array

Returned parameter

Type: Token

Length:
16 bytes

A two-element array that contains the one or two Vnode_tokens obtained.

Return_value
Returned parameter

Type: Integer

Length:
Fullword

A fullword in which the vfs_socket operation returns the results of the operation, as one of the following:

Return_value
Meaning

- 1** The operation was not successful. The Return_code and Reason_Code values must be filled in by the PFS when Return_value is -1.
- 0** The operation was successful.

Return_code
Returned parameter

Type: Integer

Length:
Fullword

A fullword in which the vfs_socket operation stores the return code. The vfs_socket operation returns Return_code only if Return_value is -1. For a complete list of supported return code values, see *z/OS UNIX System Services Messages and Codes*.

The vfs_socket operation should support at least the following error values:

Return_code	Explanation
EAFNOSUPPORT	The address family that is specified by Domain is not supported by this PFS.
EINVAL	The socket type that was specified is not supported; or the Array_dimension that was specified is incorrect. If the PFS does not support the socketpair() call, an Array_dimension of 2 is incorrect.
EPROTONOSUPPORT	The protocol that was specified is not supported.

Reason_code
Returned parameter

Type: Integer

Length:
Fullword

A fullword in which the vfs_socket operation stores the reason code. The vfs_socket operation returns Reason_code only if Return_value is -1. Reason_code further qualifies the Return_code value. These reason codes are documented by the PFS.

Implementation notes

Overview of vfs_socket processing

See “Creating, referring to, and closing socket vnodes” on page 51 for general information about sockets.

For more information about the semantics of this operation, refer to the publications that are mentioned in “Finding more information about sockets” on page xiii for the `socket()` and `socketpair()` functions.

Specific processing notes

If the PFS does not support `socketpair()`, the LFS simulates this function by creating and connecting two separate sockets. This is done in response to a `Return_Code` of `EINVAL` when `Array_dimension` is two.

Serialization provided by the LFS

The `vfs_socket` operation is invoked with a shared latch held on the domain of the PFS.

Security calls to be made by the PFS

None.

Related services

- “`vn_close` — Close a file or socket” on page 144

vfs_statfs — Get the file system status

Function

The `vfs_statfs` operation returns status information about a mounted file system.

Environment on entry and exit

See “Environment for PFS operations” on page 83.

Input parameter format

```
vfs_statfs (Token_structure,
            OSI_structure,
            Audit_structure,
            Fsattr_structure,
            Return_value,
            Return_code,
            Reason_code)
```

Parameters

Token_structure

Supplied parameter

Type: TOKSTR

Length:

Specified by `TOKSTR.ts_hdr.cblen`.

The `Token_structure` represents the file system (VFS) that is being operated on. It contains the PFS's initialization token and mount token. Refer to “LFS/PFS control block structure” on page 17 for a discussion of this structure, and to the `TOKSTR` typedef in `BPXYPSI` in Appendix D, “Interface structures for C language servers and clients,” on page 499 for its mapping.

OSI_structure

Supplied and returned parameter

Type: OSI

Length:

Specified by OSI.osi_hdr.cblen.

The OSI_structure contains information that is used by the OSI operations that may be called by the PFS. See Chapter 6, "OSI services," on page 385 for more information.

It also contains MVS-specific information that needs to be passed to the PFS, including SMF accounting fields, a work area, a recovery area, and an optional pointer to an output ATTR structure. For more details on the OSI structure, see "The OSI structure" on page 20.

This area is mapped by the OSI typedef in BPXYPFISI in Appendix D, "Interface structures for C language servers and clients," on page 499.

Audit_structure

Supplied parameter

Type: CRED

Length:

Specified by CRED.cred_hdr.cblen.

The Audit_structure contains information that is used by the security product for access checks and auditing. It is passed to most SAF routines that are invoked by the PFS.

Refer to "Security responsibilities and considerations" on page 13 for a discussion of security processing, and to the CRED typedef in BPXYPFISI in Appendix D, "Interface structures for C language servers and clients," on page 499 for the mapping of this structure.

Fsattr_structure

Supplied and returned parameter

Type: FSATTR

Length:

Specified by FSATTR.fs_hdr.cblen

An area in which the vfs_statfs operation returns the file system status information. This area is mapped by the FSATTR typedef in the BPXYVFSI header file (see Appendix D, "Interface structures for C language servers and clients," on page 499).

Return_value

Returned parameter

Type: Integer

Length:

Fullword

A fullword in which the vfs_statfs operation returns the results of the operation, as one of the following:

Return_value**Meaning**

-1 The operation was not successful. The Return_code and Reason_Code values must be filled in by the PFS when Return_value is -1.

vfs_statfs

0 The operation was successful.

Return_code

Returned parameter

Type: Integer

Length:

Fullword

A fullword in which the `vfs_statfs` operation stores the return code. The `vfs_statfs` operation returns `Return_code` only if `Return_value` is -1. For a complete list of supported return code values, see *z/OS UNIX System Services Messages and Codes*.

Reason_code

Returned parameter

Type: Integer

Length:

Fullword

A fullword in which the `vfs_statfs` operation stores the reason code. The `vfs_statfs` operation returns `Reason_code` only if `Return_value` is -1. `Reason_code` further qualifies the `Return_code` value. These reason codes are documented by the PFS.

Implementation notes

• Overview of `vfs_statfs` processing

The `vfs_statfs` operation returns information about the status of the file system. To account for different release levels, the PFS should zero out the FSATTR area and set fields it understands only up to the smaller of:

- the input area's length, from the FSATTR length subfield
- the PFS's native FSATTR length (the one with which it was compiled)

The input area's FSATTR length subfield should be updated to reflect the amount of data that is returned, or zeroed out. The PFS must not refer to fields beyond the input FSATTR's length, as specified in its length subfield.

• Specific processing notes

- The value that is returned in `FSATTR.fs_hdr.cblen` must match the amount of valid data that is returned in the `Fsattr_structure`.
- When a `Return_Value` of 0 is returned, the PFS is responsible for returning valid data in at least the following fields in the FSATTR:
 - `FSATTR.fs_blocksize`
 - `FSATTR.fs_totalspace`
 - `FSATTR.fs_usedspace`
 - `FSATTR.fs_freespace`
- `vfs_statfs` may be called before the mount process completes for a file system that is being mounted asynchronously. If the PFS is unable to provide valid data, the PFS must return a `Return_value` of -1, along with a `Return_code` of EAGAIN.

• Serialization provided by the LFS

The `vfs_statfs` operation is invoked with a shared latch held on the mounted file system.

- **Security calls to be made by the PFS:** None.

vfs_sync — Harden all file data for a file system

Function

The `vfs_sync` operation writes to disk (or otherwise stabilizes) all changed data in a buffer cache for files in a mounted file system.

Environment on entry and exit

See “Environment for PFS operations” on page 83.

Input parameter format

```

vfs_sync (Token_structure,
         OSI_structure,
         Audit_structure,
         Return_value,
         Return_code,
         Reason_code)

```

Parameters

Token_structure

Supplied parameter

Type: TOKSTR

Length:

Specified by TOKSTR.ts_hdr.cbllen.

The `Token_structure` represents the file system (VFS) being operated on. It contains the PFS's initialization token and mount token. Refer to “LFS/PFS control block structure” on page 17 for a discussion of this structure, and to the TOKSTR typedef in BPXYPFSI in Appendix D, “Interface structures for C language servers and clients,” on page 499 for its mapping.

OSI_structure

Supplied and returned parameter

Type: OSI

Length:

Specified by OSI.osi_hdr.cbllen.

The `OSI_structure` contains information used by the OSI operations that may be called by the PFS. See Chapter 6, “OSI services,” on page 385 for more information.

It also contains MVS-specific information that needs to be passed to the PFS, including SMF accounting fields, a work area, a recovery area, and an optional pointer to an output ATTR structure. For more details on the OSI structure, see “The OSI structure” on page 20.

This area is mapped by the OSI typedef in BPXYPFSI in Appendix D, “Interface structures for C language servers and clients,” on page 499.

Audit_structure

Supplied parameter

Type: CRED

vfs_sync

Length:

Specified by CRED.cred_hdr.cblen.

The Audit_structure contains information used by the security product for access checks and auditing. It is passed to most SAF routines that are invoked by the PFS.

Refer to “Security responsibilities and considerations” on page 13 for a discussion of security processing, and to the CRED typedef in BPXYPSI in Appendix D, “Interface structures for C language servers and clients,” on page 499 for the mapping of this structure.

Return_value

Returned parameter

Type: Integer

Length:

Fullword

A fullword where the vfs_sync service returns the results of the operation as one of the following:

Return_value

Meaning

-1 The operation was not successful. The Return_code and Reason_Code values must be filled in by the PFS when Return_value is -1.

0 The operation was successful.

Return_code

Returned parameter

Type: Integer

Length:

Fullword

A fullword in which the vfs_sync service stores the return code. The vfs_sync service returns Return_code only if Return_value is -1. See *z/OS UNIX System Services Messages and Codes* for a complete list of supported return code values.

The vfs_sync service should support at least the following error values:

Return_code	Explanation
EROFS	The file system is mounted read-only.

Reason_code

Returned parameter

Type: Integer

Length:

Fullword

A fullword in which the vfs_sync service stores the reason code. The vfs_sync service returns Reason_code only if Return_value is -1. Reason_code further qualifies the Return_code value. These reason codes are documented by the PFS product.

Implementation notes

- **Overview of vfs_sync processing**

vfs_sync writes to non-volatile storage (usually disk) all modified data for each file in the mounted file system that is indicated by the mount token in the input token_structure. The PFS can use the synch daemon to synchronize modified data at regular intervals, by specifying the desired interval in the MTAB during the mount operation.

A PFS could perform vfs_sync processing asynchronously, although this is not recommended. The osi_usersync flag in the OSI can be set to indicate to the PFS that the vfs_sync request is the result of a user request, rather than a timer pop. If this bit is set, the PFS must complete vfs_sync processing before it returns from the call.

To allow for timer-driven cleanup, vfs_sync is called for readonly file systems also.

- **Specific processing notes**

Data should be completely hardened before vfs_sync returns to its caller.

- **Serialization provided by the LFS**

The vfs_sync operation is invoked with an exclusive latch held on the mounted file system.

- **Security calls to be made by the PFS:** None.

Related services

- “vn_fsync — Harden file data” on page 154

vfs_unmount — Unmount a file system

Function

The vfs_unmount operation unmounts a file system and inactivates the root vnode.

Environment on entry and exit

See “Environment for PFS operations” on page 83.

Input parameter format

```

vfs_unmount (Token_structure,
            OSI_structure,
            Audit_structure,
            Unmount_options,
            Return_value,
            Return_code,
            Reason_code)

```

Parameters

Token_structure

Supplied parameter

Type: TOKSTR

Length:

Specified by TOKSTR.ts_hdr.cblen.

The Token_structure represents the file system (VFS) that is being operated on. It contains the PFS's initialization token and mount token. Refer to “LFS/PFS control block structure” on page 17 for a discussion of this structure, and to the

vfs_umount

TOKSTR typedef in BPXYPFISI in Appendix D, "Interface structures for C language servers and clients," on page 499 for its mapping.

OSI_structure

Supplied and returned parameter

Type: OSI

Length:

Specified by OSI.osi_hdr.cblen.

The OSI_structure contains information that is used by the OSI operations that may be called by the PFS. See Chapter 6, "OSI services," on page 385 for more information.

It also contains MVS-specific information that needs to be passed to the PFS, including SMF accounting fields, a work area, a recovery area, and an optional pointer to an output ATTR structure. For more details on the OSI structure, see "The OSI structure" on page 20.

This area is mapped by the OSI typedef in BPXYPFISI in Appendix D, "Interface structures for C language servers and clients," on page 499.

Audit_structure

Supplied parameter

Type: CRED

Length:

Specified by CRED.cred_hdr.cblen.

The Audit_structure contains information that is used by the security product for access checks and auditing. It is passed to most SAF routines that are invoked by the PFS.

Refer to "Security responsibilities and considerations" on page 13 for a discussion of security processing, and to the CRED typedef in BPXYPFISI in Appendix D, "Interface structures for C language servers and clients," on page 499 for the mapping of this structure.

Unmount_options

Supplied parameter

Type: Integer

Length:

Fullword

An area that is used to pass the options that are to be used to unmount the file system that is specified in Token_structure. The values for this parameter are defined in the **stat.h** header. For a description of this header, see *z/OS XL C/C++ Runtime Library Reference*.

Return_value

Returned parameter

Type: Integer

Length:

Fullword

A fullword in which the vfs_umount service returns the results of the operation, as one of the following:

Return_value

Meaning

- 1 The operation was not successful. The Return_code and Reason_Code values must be filled in by the PFS when Return_value is -1.
- 0 The operation was successful.

Return_code

Returned parameter

Type: Integer

Length:
Fullword

A fullword in which the vfs_unmount service stores the return code. The vfs_unmount service returns Return_code only if Return_value is -1. For a complete list of supported return code values, see *z/OS UNIX System Services Messages and Codes*.

The vfs_unmount operation should support at least the following error value:

Return_code	Explanation
EIO	An I/O error occurred while the file system was being unmounted.

Reason_code

Returned parameter

Type: Integer

Length:
Fullword

A fullword in which the vfs_unmount service stores the reason code. The vfs_unmount service returns Reason_code only if Return_value is -1. Reason_code further qualifies the Return_code value. These reason codes are documented by the PFS.

Implementation notes

- **Overview of vfs_unmount processing**

“Unmounting file systems” on page 31 provides an overview of file system unmount processing.

- **Specific processing notes**

The PFS cannot issue a signal-enabled wait during unmount processing. “Waiting and posting” on page 22 provides an overview of wait and post processing.

It is not necessary for the PFS to perform security checking during unmount processing, because the LFS has already performed all necessary checking.

A file system that is being mounted asynchronously may be unmounted before the mount process completes. Consequently, if the PFS returns only the vnode_token on the second call to vfs_mount, vfs_unmount must be capable of successfully unmounting a file system without reference to its inode token.

If vfs_unmount is being invoked for a remount (MT_REMOUNT or OSI_REMOUNT), the PFS receives a vfs_mount for the same file system as soon as the vfs_unmount completes. This is followed by vfs_vgets to recreate the vnode-inode pairs that were active at the time of the unmount operation. If a file was open at the time of the remount, the vnode’s open counter is reestablished through calls to vn_open.

vfs_umount

The PFS does not have to do anything special for remount; however, for performance reasons, it may want to maintain some resources at `vfs_umount` in anticipation of reusing them for the next `vfs_mount`. Socket or RPC sessions are examples of resources that might be worth maintaining.

If the PFS cannot support remount, it should reject the `vfs_umount` request. One reason for not supporting remount is that the PFS would not complete the following `vfs_mount` synchronously.

- **Serialization provided by the LFS**

The `vfs_unmount` operation is invoked with an exclusive latch held on the file system, to ensure that no other operations are attempted upon the file system that is being unmounted. In addition, the LFS ensures that all mount and unmount operations are serialized.

- **Security calls to be made by the PFS:** None.

Related services

- “`osi_wait` — Wait for an event to occur” on page 445
- “`vfs_mount` — Mount a file system” on page 94

vfs_vget — Convert a file identifier to a vnode Token

Function

The `vfs_vget` operation returns a vnode token for the file or directory that is represented by the input file identifier (FID).

Environment on entry and exit

See “Environment for PFS operations” on page 83.

Input parameter format

<code>vfs_vget</code>	(<code>Token_structure</code> , <code>OSI_structure</code> , <code>Audit_structure</code> , <code>File_identifier</code> , <code>Vnode_token</code> , <code>Return_value</code> , <code>Return_code</code> , <code>Reason_code</code>)
-----------------------	---

Parameters

Token_structure

Supplied parameter

Type: TOKSTR

Length:

Specified by `TOKSTR.ts_hdr.cblen`.

The `Token_structure` represents the file system (VFS) that is being operated on. It contains the PFS's initialization token and mount token. Refer to “LFS/PFS control block structure” on page 17 for a discussion of this structure, and to the `TOKSTR` typedef in `BPXYPFISI` in Appendix D, “Interface structures for C language servers and clients,” on page 499 for its mapping.

OSI_structure

Supplied and returned parameter

Type: OSI

Length:

Specified by OSI.osi_hdr.cblen.

The OSI_structure contains information that is used by the OSI operations that may be called by the PFS. See Chapter 6, "OSI services," on page 385 for more information.

It also contains MVS-specific information that needs to be passed to the PFS, including SMF accounting fields, a work area, a recovery area, and an optional pointer to an output ATTR structure. For more details on the OSI structure, see "The OSI structure" on page 20.

This area is mapped by the OSI typedef in BPXYPFISI in Appendix D, "Interface structures for C language servers and clients," on page 499.

Audit_structure

Supplied parameter

Type: CRED

Length:

Specified by CRED.cred_hdr.cblen.

The Audit_structure contains information that is used by the security product for access checks and auditing. It is passed to most SAF routines that are invoked by the PFS.

Refer to "Security responsibilities and considerations" on page 13 for a discussion of security processing, and to the CRED typedef in BPXYPFISI in Appendix D, "Interface structures for C language servers and clients," on page 499 for the mapping of this structure.

File_identifier

Supplied parameter

Type: FID

Length:

8 bytes

The name of an 8-byte area containing the file identifier of the file or directory for which a vnode token is to be returned. This area is mapped by the FID typedef in the BPXYVFSI header file (see Appendix D, "Interface structures for C language servers and clients," on page 499).

Vnode_token

Returned parameter

Type: Token

Length:

8 bytes

Vnode_token is used to return the vnode token that corresponds to the input FID.

Return_value

Returned parameter

Type: Integer

vfs_vget

Length:

Fullword

The name of a fullword in which the `vfs_vget` service returns the results of the operation, as one of the following:

Return_value

Meaning

- 1 The operation was not successful. This causes the `vfs_vget` request to fail. The `Return_code` and `Reason_Code` are returned to the caller.
- 0 The operation was successful.

Return_code

Returned parameter

Type: Integer

Length:

Fullword

The name of a fullword in which the `vfs_vget` service stores the return code. The `vfs_vget` service returns `Return_code` only if `Return_value` is -1. For a complete list of supported return code values, see *z/OS UNIX System Services Messages and Codes*.

The `vfs_vget` service should support at least the following error values:

Return_code	Explanation
ENOENT	The file indicated by the <code>File_identifier</code> does not exist in the mounted file system that is indicated by <code>token_structure</code>
EIO	An input/output error occurred while attempting to access data pertaining to the file indicated by the <code>File_identifier</code> .

Reason_code

Returned parameter

Type: Integer

Length:

Fullword

The name of a fullword in which the `vfs_vget` service stores the reason code. The `vfs_vget` service returns `Reason_code` only if `Return_value` is -1. `Reason_code` further qualifies the `Return_code` value. These reason codes are documented by the PFS.

Implementation notes

• Overview of `vfs_vget` processing

Given a file identifier as input, `vfs_vget` returns a vnode token that refers to the file. The file identifier uniquely identifies a file in a particular mounted file system. Its validity persists across mounting and unmounting of the file system, as well as `z/OS UNIX re-IPLS`. This distinguishes the file identifier from the vnode token, which relates to a file in active use, and whose validity persists only until the token is released via `vn_inactive`. The FID for a file is created by the PFS and returned in the `ATTR` structure, which is mapped by typedef `ATTR` in the `BPXYVFSI` header file (see Appendix D, "Interface structures for C language servers and clients," on page 499) by `vn_getattr`.

- **Specific processing notes**
File identifier zero is taken to refer to the root of the mounted file system.
- **Serialization provided by the LFS**
The `vfs_vget` operation is invoked with a shared latch held on the mounted file system.
- **Security calls to be made by the PFS:** None.

Related services

- “`vn_getattr` — Get the attributes of a file” on page 156

vn_accept — Accept a socket connection request

Function

The `vn_accept` operation accepts a connection request for a socket server from a socket client. It returns a new socket descriptor.

Environment on entry and exit

See “Environment for PFS operations” on page 83.

Input parameter format

```
vn_accept (Token_structure,
          OSI_structure,
          Audit_structure,
          Sockaddr_length,
          Sockaddr,
          Open_flags,
          Vnode_token,
          Return_value,
          Return_code,
          Reason_code)
```

Parameters

Token_structure

Supplied parameter

Type: TOKSTR

Length:

Specified by TOKSTR.ts_hdr.cblen.

The `Token_structure` represents the file (`vnode`) that is being operated on. It contains the PFS's initialization token, mount token, and the file token. Refer to “LFS/PFS control block structure” on page 17 for a discussion of this structure, and to the TOKSTR typedef in BPXYPSI in Appendix D, “Interface structures for C language servers and clients,” on page 499 for its mapping.

OSI_structure

Supplied and returned parameter

Type: OSI

Length:

Specified by OSI.osi_hdr.cblen.

The `OSI_structure` contains information that is used by the OSI operations that may be called by the PFS. See Chapter 6, “OSI services,” on page 385 for more information.

It also contains MVS-specific information that needs to be passed to the PFS, including SMF accounting fields, a work area, a recovery area, and an optional pointer to an output ATTR structure. For more details on the OSI structure, see “The OSI structure” on page 20.

This area is mapped by the OSI typedef in BPXYPFSI in Appendix D, “Interface structures for C language servers and clients,” on page 499.

Audit_structure

Supplied parameter

Type: CRED

Length:

Specified by `CRED.cred_hdr.cblen`.

The `Audit_structure` contains information that is used by the security product for access checks and auditing. It is passed to most SAF routines that are invoked by the PFS.

Refer to “Security responsibilities and considerations” on page 13 for a discussion of security processing, and to the CRED typedef in BPXYPFSI in Appendix D, “Interface structures for C language servers and clients,” on page 499 for the mapping of this structure.

Sockaddr_length

Supplied and returned parameter

Type: Integer

Length:

Fullword

A fullword that supplies the length of the `Sockaddr` buffer and returns the length of the `Sockaddr` structure that is returned.

Sockaddr

Supplied and returned parameter

Type: SOCK

Length:

Specified by `Sockaddr_length`

A structure that varies depending on the address family type. On return, it contains the address that was used for this operation. For an example of this mapping for `AF_INET`, see `in.h`.

Open_flags

Supplied parameter

Type: Structure

Length:

Fullword

A fullword that contains the bits that are associated with the socket. The defined values for this field are mapped by `fcntl.h`.

Vnode_token

Returned parameter

Type: Token

Length:
8 bytes

An area in which a token that represents the newly created socket is returned.

Return_value

Returned parameter

Type: Integer

Length:
Fullword

A fullword in which the vn_accept operation returns the results of the operation, as one of the following:

Return_value

Meaning

-1 The operation was not successful. The Return_code and Reason_Code values must be filled in by the PFS when Return_value is -1.

0 The operation was successful.

Return_code

Returned parameter

Type: Integer

Length:
Fullword

A fullword in which the vn_accept operation stores the return code. The vn_accept operation returns Return_code only if Return_value is -1. For a complete list of supported return code values, see *z/OS UNIX System Services Messages and Codes*.

The vn_accept operation should support at least the following error values:

Return_code	Explanation
EINTR	The request was interrupted by a signal.
EINVAL	An incorrect request, such as a socket for which a listen has not been issued (that is, a server), was received.
EWOULDBLOCK	The operation would have required a blocking wait, and this socket was marked as nonblocking.

Reason_code

Returned parameter

Type: Integer

Length:
Fullword

A fullword where the vn_accept operation stores the reason code. The vn_accept operation returns Reason_code only if Return_value is -1. Reason_code further qualifies the Return_code value. These reason codes are documented by the PFS.

Implementation notes

- **Overview of vn_accept processing**

vn_accept

- For more information on vn_accept, refer to “Creating, referring to, and closing socket vnodes” on page 51.

For more information on the semantics of this operation for a POSIX-conforming PFS, refer to the publications mentioned in “Finding more information about sockets” on page xiii for the accept function.

- The vn_accept service can be used from a multithreaded server, that is, a server with several threads simultaneously calling accept() on the same socket. The PFS must handle queuing for vn_accept requests on the same socket that are waiting to be satisfied. When a connection arrives it is given to one of the waiting vn_accept requestors. All the server threads are expected to be equal; their requests may be satisfied in any order.

- **Serialization provided by the LFS**

The vn_accept operation is invoked with an exclusive latch held on the vnode of the socket.

- **Security calls to be made by the PFS:** None.

-

Related services

- “vn_listen — Listen on a socket” on page 171

vn_access — Check access to a file or directory

Function

The vn_access operation checks whether the calling process has the requested access permission to the specified file or directory.

Environment on entry and exit

See “Environment for PFS operations” on page 83.

Input parameter format

```
vn_access (Token_structure,  
          OSI_structure,  
          Audit_structure,  
          Access_intent,  
          Return_value,  
          Return_code,  
          Reason_code)
```

Parameters

Token_structure

Supplied parameter

Type: TOKSTR

Length:

Specified by TOKSTR.ts_hdr.cblen.

The Token_structure represents the file (vnode) that is being operated on. It contains the PFS's initialization token, mount token, and the file token. Refer to “LFS/PFS control block structure” on page 17 for a discussion of this structure, and to the TOKSTR typedef in BPXYPSI in Appendix D, “Interface structures for C language servers and clients,” on page 499 for its mapping.

OSI_structure

Supplied and returned parameter

Type: OSI

Length:

Specified by OSI.osi_hdr.cblen.

The OSI_structure contains information that is used by the OSI operations that may be called by the PFS. See Chapter 6, "OSI services," on page 385 for more information.

It also contains MVS-specific information that needs to be passed to the PFS, including SMF accounting fields, a work area, a recovery area, and an optional pointer to an output ATTR structure. For more details on the OSI structure, see "The OSI structure" on page 20.

This area is mapped by the OSI typedef in BPXYPFISI in Appendix D, "Interface structures for C language servers and clients," on page 499.

Audit_structure

Supplied parameter

Type: CRED

Length:

Specified by CRED.cred_hdr.cblen.

The Audit_structure contains information that is used by the security product for access checks and auditing. It is passed to most SAF routines that are invoked by the PFS.

Refer to "Security responsibilities and considerations" on page 13 for a discussion of security processing, and to the CRED typedef in BPXYPFISI in Appendix D, "Interface structures for C language servers and clients," on page 499 for the mapping of this structure.

Access_intent

Supplied parameter

Type: Integer

Length:

Fullword

An input structure passed through to the SAF Check Access callable service by the vn_access operation. The values for this parameter are defined in **unistd.h**.

Return_value

Returned parameter

Type: Integer

Length:

Fullword

A fullword in which the vn_access service returns the results of the operation, as one of the following:

Return_value**Meaning**

- 1** The operation was not successful. The Return_code and Reason_Code values must be filled in by the PFS when Return_value is -1.
- 0** The operation was successful.

Return_code

Returned parameter

Type: Integer

Length:
Fullword

A fullword in which the vn_access service stores the return code. The vn_access service returns Return_code only if Return_value is -1. See *z/OS UNIX System Services Messages and Codes* for a complete list of supported return code values.

The vn_access operation should support at least the following error value:

Return_code	Explanation
EACCES	The caller does not have the requested access to the specified file or directory.

Reason_code

Returned parameter

Type: Integer

Length:
Fullword

A fullword in which the vn_access service stores the reason code. The vn_access service returns Reason_code only if Return_value is -1. Reason_code further qualifies the Return_code value. These reason codes are documented by the PFS.

Implementation notes

- **Overview of vn_access processing**
“Security responsibilities and considerations” on page 13 provides an overview of file access checking.
For more information on the semantics of this operation for a POSIX-conforming PFS, refer to the **access()** function in the POSIX.1 standard (IEEE Std 1003.1-1990).
- **Specific processing notes**
The PFS should provide reason codes that distinguish between the SAF reason codes:
 - User is not authorized to access the file.
 - Input that is not valid.
- **Serialization provided by the LFS**
The vn_access operation is invoked with a shared latch held on the vnode.
- **Security calls to be made by the PFS**
The PFS is expected to invoke SAF's Check Access callable service to check that the user has the requested access to the file or directory.

vn_anr — Accept a socket connection and read the first block of data

Function

The vn_anr operation accepts a connection request for a socket server from a socket client, and reads the first block of data.

Environment on entry and exit

See “Environment for PFS operations” on page 83.

Input parameter format

vn_anr	(Token_structure, OSI_structure, Audit_structure, Anr_addr User_IO_structure Open_flags, Acp_token, Return_value, Return_code, Reason_code)
--------	--

Parameters

Token_structure

Supplied parameter

Type: TOKSTR

Length:

Specified by TOKSTR.ts_hdr.cblen.

The Token_structure represents the file (vnode) that is being operated on. It contains the PFS's initialization token, mount token, and the file token. Refer to “LFS/PFS control block structure” on page 17 for a discussion of this structure, and to the TOKSTR typedef in BPXYPFISI in Appendix D, “Interface structures for C language servers and clients,” on page 499 for its mapping.

OSI_structure

Supplied and returned parameter

Type: OSI

Length:

Specified by OSI.osi_hdr.cblen.

The OSI_structure contains information that is used by the OSI operations that might be called by the PFS. See Chapter 6, “OSI services,” on page 385 for more information.

It also contains MVS-specific information that needs to be passed to the PFS, including SMF accounting fields, a work area, a recovery area, and an optional pointer to an output ATTR structure. For more information about the OSI structure, see “The OSI structure” on page 20.

This area is mapped by the OSI typedef in BPXYPFISI in Appendix D, “Interface structures for C language servers and clients,” on page 499.

Audit_structure

Supplied parameter

Type: CRED

Length:

Specified by CRED.cred_hdr.cblen.

The `Audit_structure` contains information that is used by the security product for access checks and auditing. It is passed to most SAF routines that are invoked by the PFS.

Refer to “Security responsibilities and considerations” on page 13 for a discussion of security processing, and to the `CRED` typedef in `BPXYVFSI` in Appendix D, “Interface structures for C language servers and clients,” on page 499 for the mapping of this structure.

Open_flags

Supplied parameter

Type: Structure

Length:
Fullword

A fullword that supplies the bits associated with the socket. The defined values for this field are mapped by `fcntl.h`.

Acp_token

Supplied and returned parameter

Type: Token

Length:
8 bytes

An area that is used in one of two ways:

- The LFS passes the PFS's token for a reusable socket.
- The LFS passes a value of 0, and the PFS returns the Vnode token for a new accepted socket.

User_IO_structure

Supplied and returned parameter

Type: UIO

Length:
Specified by `UIO.u_hdr.cblen`.

An area that contains the buffer parameters for the receive operation that is to be performed. This area is mapped by the `UIO` typedef in the `BPXYVFSI` header file (see Appendix D, “Interface structures for C language servers and clients,” on page 499). See “Specific processing notes” for details on how the fields in this structure are processed.

Anr_addr

Supplied parameter

Type: `struct anr_addr`

Length:
`sizeof(anr_addr)`

A structure that describes the remote and local socket addresses. This structure contains the following fields:

Field Description

Remote_sockaddr_length

A fullword that supplies the length of the `Remote_sockaddr` buffer that is pointed to by `Remote_sockaddr_ptr`. On return, this parameter contains the length of the socket address that was put in the `Remote_sockaddr` buffer.

If the value of Remote_sockaddr_length is 0, the Remote_sockaddr is not to be returned.

Remote_sockaddr_ptr

A pointer to the Remote_sockaddr buffer. On return, this buffer contains the socket address of the remote socket that has just connected.

Local_sockaddr_length

A fullword that supplies the length of the Local_sockaddr buffer that is pointed to by Local_sockaddr_ptr.

On return, this parameter contains the length of the socket address that was put in the Local_sockaddr buffer.

If this value is 0, the Local_sockaddr is not to be returned.

Local_sockaddr_ptr

A pointer to the Local_sockaddr buffer. On return, this buffer contains the socket address of the new local socket that was just created.

msg_flags

A fullword that supplies the message flags mapped by BPXYMSGF. On return this parameter contains the updated message flags. (For more information, see Mapping macros in *z/OS UNIX System Services Programming: Assembler Callable Services Reference*).

Return_value

Returned parameter

Type: Integer

Length:
Fullword

A fullword in which the vn_anr operation returns the results of the operation, as one of the following:

Return_value

Meaning

- 1 The operation was either not successful or, when Return_code is EINTRNODATA, partially successful. The Return_code and Reason_Code values must be filled in by the PFS when Return_value is -1.
- 0 The operation was successful; the value represents the number of bytes that were transferred.

Return_code

Returned parameter

Type: Integer

Length:
Fullword

A fullword in which the vn_anr operation stores the return code. The vn_anr operation returns Return_code only if Return_value is -1. See *z/OS UNIX System Services Messages and Codes* for a complete list of supported return code values.

The vn_anr operation should support at least the following error values:

Return_code	Explanation
EFAULT	The address of one of the buffers is not in addressable storage.
EINTR	A signal arrived before a connection was assigned to this request.
EINTRNODATA	A signal arrived after a connection was assigned to this request, but before any data arrived. The connection has been established. The result of this call is equivalent to a successful vn_accept.
EINVAL	This condition does not occur in a PFS that does not assign arrived connections to a vn_anr request until some data has also arrived. An incorrect parameter was specified.
EWOULDBLOCK	A new connection has been established but the SO_RCVTIMEO timeout value was reached before any data arrived. The result of this call is equivalent to a successful vn_accept. This condition does not occur in a PFS that does not assign arrived connections to a vn_An request until some data has also arrived.

Reason_code

Returned parameter

Type: Integer**Length:**
Fullword

A fullword where the vn_anr operation stores the reason code. The vn_anr operation returns Reason_code only if Return_value is -1. Reason_code further qualifies the Return_code value. These reason codes are documented by the PFS.

Implementation notes

- Overview of vn_anr processing:

The vn_anr operation is a functional combination of the vn_accept and vn_rdw operations, in that an inbound connection is accepted to create a new socket and the first block of data is read on that socket. The output is the new connected socket and the data.

The vn_anr operation is generated from an application call to the accept_and_recv callable service (BPX1ANR). The accept_and_recv callable service is designed to work with the send_file service (BPX1SF) to provide an efficient file transfer capability for connection-oriented servers with short connection times and high connection rates. See accept_and_recv (BPX1ANR, BPX4ANR) — Accept a connection and receive the first block of data in *z/OS UNIX System Services Programming: Assembler Callable Services Reference* for more information.

The vn_anr operation is intended to be used from a multithreaded server, that is, a server with several threads simultaneously calling accept_and_recv() on the same socket. The PFS must handle queuing for vn_anr requests on the same socket that are waiting to be satisfied. When a connection and its first data have arrived, the connection and data are given to one of the waiting vn_anr requesters. All of the server threads are expected to be equal, and their requests may be satisfied in any order. In particular, LIFO order would reduce the serialization necessary to manage the requester queue.

The PFS does not complete the vn_anr operation until the first data has arrived on the new connection or a signal arrives for this thread. The listening socket must be in blocking mode; this requirement is enforced by the LFS.

When socket reuse is supported by the PFS, the Acp_token parameter is used to pass the PFS's token for the socket that is being reused. When reuse is not supported, or when a reusable socket is not supplied by the application, the Acp_token parameter is used to return the vnode token of the new socket that is created. In this case, the input Acp_token is 0, and the output Acp_token is basically the same as the Vnode_token parameter of the vn_accept operation.

A PFS that does not support socket reuse does not have to be coded to reject vn_anr requests that attempt to reuse a socket. A reusable socket is one that was closed by a prior write-type operation that specified the REUSE flag. If the PFS does not honor the REUSE flag, it is assumed that the PFS does not support reuse, and the socket is closed in the normal way. Consequently, the Acp_token parameter would be 0 on a subsequent vn_anr request.

Because the vn_anr operation is a combined operation, it can be interrupted between the connection arrival and the data arrival. If the PFS irrevocably associates a new connection to a vn_anr request before any data has arrived and is subsequently interrupted by a signal, it may return the connection via Acp_token, and set a Return_value of -1 and a Return_code of EINTRNODATA. It is strongly recommended that the PFS not assign connections to vn_anr requests until data has arrived, because doing so ties up a server's worker threads while the PFS is waiting for the data to arrive. If an application uses both accept() and accept_and_recv() calls on the same socket from several threads at the same time, the results are allowed to be unpredictable. Depending on PFS design and timing, the vn_accept and vn_anr calls may be satisfied in any order. Because it is not recommended that connections be assigned to vn_anr requests until the first data has arrived, it is possible that vn_accept requests could consume all arriving connections.

Specific processing notes

The following UIO fields are provided by the LFS:

UIO.u_hdr.cbid

Contains UIO_ID (from the BPXYVFSI header file).

UIO.u_hdr.cblen

Specifies the length of the UIO.

UIO.u_buffadr

Specifies the address of the user's buffer.

UIO.u_count

Specifies the size of the user's buffer. If this value is 0, no read is done, and vn_anr is functionally equivalent to vn_accept. In this case, the rest of the UIO fields should be ignored.

UIO.u_asid

Specifies the ASID of the user.

UIO.u_rw

Set to 0, specifying a read request.

UIO.u_key

Specifies the storage key of the caller.

The Remote_sockaddr, Local_sockaddr, and data buffer are all optional.

Serialization provided by the LFS

The vn_anr operation is invoked with an exclusive latch held on the listening vnode if latching is requested by this PFS.

Security calls to be made by the LFS

None.

Related services

- “vn_listen — Listen on a socket” on page 171

vn_audit — Audit an action

Function

The vn_audit operation audits the action that is indicated by the audit_structure.

Environment on entry and exit

See “Environment for PFS operations” on page 83.

Input parameter format

```
vn_audit (Token_structure,
         OSI_structure,
         Audit_structure,
         Return_value,
         Return_code,
         Reason_code)
```

Parameters

Token_structure

Supplied parameter

Type: TOKSTR

Length:

Specified by TOKSTR.ts_hdr.cblen.

The Token_structure represents the file (vnode) that is being operated on. It contains the PFS's initialization token, mount token, and the file token. Refer to “LFS/PFS control block structure” on page 17 for a discussion of this structure, and to the TOKSTR typedef in BPXYPSI in Appendix D, “Interface structures for C language servers and clients,” on page 499 for its mapping.

OSI_structure

Supplied and returned parameter

Type: OSI

Length:

Specified by OSI.osi_hdr.cblen.

The OSI_structure contains information that is used by the OSI operations that may be called by the PFS. See Chapter 6, “OSI services,” on page 385 for more information.

It also contains MVS-specific information that needs to be passed to the PFS, including SMF accounting fields, a work area, a recovery area, and an optional pointer to an output ATTR structure. For more details on the OSI structure, see “The OSI structure” on page 20.

This area is mapped by the OSI typedef in BPXYPFISI in Appendix D, “Interface structures for C language servers and clients,” on page 499.

Audit_structure

Supplied parameter

Type: CRED

Length:

Specified by CRED.cred_hdr.cblen.

The Audit_structure contains information that is used by the security product for access checks and auditing. It is passed to most SAF routines that are invoked by the PFS.

Refer to “Security responsibilities and considerations” on page 13 for a discussion of security processing, and to the CRED typedef in BPXYPFISI in Appendix D, “Interface structures for C language servers and clients,” on page 499 for the mapping of this structure.

Return_value

Returned parameter

Type: Integer

Length:

Fullword

A fullword in which the vn_audit operation returns the results of the operation, as one of the following:

Return_value

Meaning

-1 The operation was not successful. The Return_code and Reason_Code values must be filled in by the PFS when Return_value is -1.

0 The operation was successful.

Return_code

Returned parameter

Type: Integer

Length:

Fullword

A fullword in which the vn_audit operation stores the return code. The vn_audit operation returns Return_code only if Return_value is -1. See *z/OS UNIX System Services Messages and Codes* for a complete list of supported return code values.

Reason_code

Returned parameter

Type: Integer

Length:

Fullword

vn_audit

A fullword in which the vn_audit operation stores the reason code. The vn_audit operation returns Reason_code only if Return_value is -1. Reason_code further qualifies the Return_code value. These reason codes are documented by the PFS.

Implementation notes

Overview of vn_audit processing

- The vn_audit operation calls the SAF Audit interface to write an audit record.
- The Audit_structure contains a code that identifies the function that is being audited, defined in IRRPAFC.

Serialization provided by the LFS

The vn_audit operation is invoked with a shared latch held on the vnode of the file.

Security calls to be made by the PFS

The PFS is expected to invoke SAF's Audit callable service to write the audit record.

vn_bind — Bind a name to a socket

Function

The vn_bind operation associates a name with a socket.

Environment on entry and exit

See “Environment for PFS operations” on page 83.

Input parameter format

vn_bind	(Token_structure, OSI_structure, Audit_structure, Sockaddr_length, Sockaddr, Return_value, Return_code, Reason_code)
---------	---

Parameters

Token_structure

Supplied parameter

Type: TOKSTR

Length:

Specified by TOKSTR.ts_hdr.cblen.

The Token_structure represents the file (vnode) that is being operated on. It contains the PFS's initialization token, mount token, and the file token. Refer to “LFS/PFS control block structure” on page 17 for a discussion of this structure, and to the TOKSTR typedef in BPXYPSI in Appendix D, “Interface structures for C language servers and clients,” on page 499 for its mapping.

OSI_structure

Supplied and returned parameter

Type: OSI

Length:

Specified by OSI.osi_hdr.cblen.

The OSI_structure contains information that is used by the OSI operations that may be called by the PFS. See Chapter 6, "OSI services," on page 385 for more information.

It also contains MVS-specific information that needs to be passed to the PFS, including SMF accounting fields, a work area, a recovery area, and an optional pointer to an output ATTR structure. For more details on the OSI structure, see "The OSI structure" on page 20.

This area is mapped by the OSI typedef in BPXYPFISI in Appendix D, "Interface structures for C language servers and clients," on page 499.

Audit_structure

Supplied parameter

Type: CRED

Length:

Specified by CRED.cred_hdr.cblen.

The Audit_structure contains information that is used by the security product for access checks and auditing. It is passed to most SAF routines that are invoked by the PFS.

Refer to "Security responsibilities and considerations" on page 13 for a discussion of security processing, and to the CRED typedef in BPXYPFISI in Appendix D, "Interface structures for C language servers and clients," on page 499 for the mapping of this structure.

Sockaddr_length

Supplied parameter

Type: Integer

Length:

Fullword

A fullword that contains the length of sockaddr.

Sockaddr

Supplied parameter

Type: SOCK

Length:

Specified by Sockaddr_length

A structure that varies depending on the address family type. It contains the address that is to be used for this operation. For an example of this mapping for AF_INET, see **in.h**.

Return_value

Returned parameter

Type: Integer

Length:

Fullword

vn_bind

A fullword in which the vn_bind operation returns the results of the operation, as one of the following:

Return_value

Meaning

- 1 The operation was not successful. The Return_code and Reason_Code values must be completed by the PFS when Return_value is -1.
- 0 The operation was successful.

Return_code

Returned parameter

Type: Integer

Length:

Fullword

A fullword in which the vn_bind operation stores the return code. The vn_bind operation returns Return_code only if Return_value is -1. See *z/OS UNIX System Services Messages and Codes* for a complete list of supported return code values.

The vn_bind operation should support at least the following error values:

Return_code	Explanation
EAFNOSUPPORT	The address family that was specified is not supported.
EINVAL	The length of the name is either too short or negative.

Reason_code

Returned parameter

Type: Integer

Length:

Fullword

A fullword where the vn_bind operation stores the reason code. The vn_bind operation returns Reason_code only if Return_value is -1. Reason_code further qualifies the Return_code value. These reason codes are documented by the PFS.

Implementation notes

Overview of vn_bind processing

For more information about the semantics of this operation for a POSIX-conforming PFS, refer to the publications that are mentioned in "Finding more information about sockets" on page xiii for the **bind()** function.

Specific processing notes

An unbind flag can be passed in the first word of the system data area of the Token_structure, ts_sysdl. A value of 1 in this word indicates that the socket should be reset to an unbound state, if possible. If the socket can be reset to an unbound state, then a subsequent vn_bind call with a different Sockaddr might be successful. If the socket cannot be unbound, the call should be rejected. All other parameters are the same as on a successful vn_bind call. There is no external application interface for this function; it is used internally by the Common INET (CINET) layer so that CINET can

try to place an application socket back into a state where another call to bind() may succeed after a bind() has succeeded on some transports but failed on others.

A bind with source address selection flag can be passed in the first word of the system data area of the Token_structure, ts_sysd1. A value of 2 in this word indicates that the socket should be bound using the source address selection preferences. (bind2addrsel())

The function specifies the destination IP address. When this function is used, the socket is bound to the "best" source address for the provided destination IP address.

The caller's suggestion of "best" source address is set by using the setsockopt () call with the IPv6 socket option Sock#IPV6_ADDR_PREFERENCES. Port number is irrelevant for bind2addrsel() function.

The return value, return code, and reason code are same as the bind() operation. The external application interface for this function is the BPX1BAS, BPX4BAS, and bind2addrsel() functions. See these functions in *z/OS UNIX System Services Programming: Assembler Callable Services Reference* for more details.

Serialization provided by the LFS

The vn_bind operation is invoked with an exclusive latch held on the vnode of the socket.

Security calls to be made by the PFS

When a program specifies a port value less than 1024 decimal, the PFS must call SAF's Check Privilege function to verify that the caller has the authority to do so.

vn_cancel — Cancel an asynchronous operation

Function

The vn_cancel operation cancels the wait for an asynchronous operation to complete, or cancels the remaining portion of an operation after the I/O completion has been scheduled.

Environment on entry and exit

See "Environment for PFS operations" on page 83.

Input parameter format

```
vn_cancel (Token_structure,
           OSI_structure,
           Audit_structure,
           VnCan_Flags,
           PFS_AsyTok,
           LFS_AsyTok,
           Return_value,
           Return_code,
           Reason_code)
```

Parameters

Token_structure

Supplied parameter

Type: TOKSTR

Length:

Specified by TOKSTR.ts_hdr.cblen.

The Token_structure represents the file (vnode) that is being operated on. It contains the PFS's initialization token, mount token, and the file token. Refer to "LFS/PFS control block structure" on page 17 for a discussion of this structure, and to the TOKSTR typedef in BPXYPFISI in Appendix D, "Interface structures for C language servers and clients," on page 499 for its mapping.

OSI_structure

Supplied and returned parameter

Type: OSI

Length:

Specified by OSI.osi_hdr.cblen.

The OSI_structure contains information that is used by the OSI operations that may be called by the PFS. See Chapter 6, "OSI services," on page 385 for more information.

It also contains MVS-specific information that needs to be passed to the PFS, including SMF accounting fields, a work area, a recovery area, and an optional pointer to an output ATTR structure. For more details on the OSI structure, see "The OSI structure" on page 20.

This area is mapped by the OSI typedef in BPXYPFISI in Appendix D, "Interface structures for C language servers and clients," on page 499.

Audit_structure

Supplied parameter

Type: CRED

Length:

Specified by CRED.cred_hdr.cblen.

The Audit_structure contains information that is used by the security product for access checks and auditing. It is passed to most SAF routines that are invoked by the PFS.

Refer to "Security responsibilities and considerations" on page 13 for a discussion of security processing, and to the CRED typedef in BPXYPFISI in Appendix D, "Interface structures for C language servers and clients," on page 499 for the mapping of this structure.

VnCan_Flags

Supplied parameter

Type: String

Length:

4 bytes

Control flags for this cancellation. Refer to the vncanflags structure in BPXYPFISI.

- **vncanforce:** This flag specifies whether a normal or forced cancellation is being requested:

– **0– Normal Cancel:**

Only the wait for completion is being canceled; otherwise the operation is to proceed normally. If the PFS finds the request on a waiting queue, it is to be removed from the queue and completed with a return code of ECANCELED. That is, `osi_sched` should be called, and the normal flow for a failed request should be followed. Note that if it is the PFS's custom to handle asynchronous failures in Part 2, it may call `osi_sched` with success and return ECANCELED from the Part 2 call.

If the PFS does not find the request on a waiting queue, it should take no action whatsoever. The request is completing, or has completed, normally and should not be interrupted.

– **1– Forced Cancel and Cleanup:**

Part 2 is not run for this operation, usually because the user's process is terminating. The PFS should remove the request from any waiting queues, and discard all buffers and other resources that were allocated to this request. Regardless of whether the request was found on the waiting queues, the PFS must clean up the request if it is still active.

PFS_AsyTok

Supplied parameter

Type: String

Length:
8 bytes

A copy of the PFS's Asynchronous I/O Request Token, which identifies the request that is being canceled.

This is the token that was originally passed by the PFS to the LFS via a call to `osi_upda` during Part 1 of the asynchronous operation. This is also the same token that is passed in `osi_asytok` on Part 2 of an asynchronous operation to identify the request to the PFS.

LFS_AsyTok

Supplied parameter

Type: String

Length:
8 bytes

A copy of the LFS's Asynchronous I/O Request Token, which was originally passed to the PFS in the `osi_asytok` field on Part 1 of the request that is being canceled.

This token has presumably been saved by the PFS in its request structure during Part 1, since it is needed for `osi_sched`, and can be used to validate the PFS request structure. The PFS's original request structure must be validated on `vn_cancel` because the original operation might have finished by the time the `vn_cancel` reaches the PFS, and therefore its request structure might have been already freed or reused for another operation. Once cancel is started for a request, the LFS does not reuse its token until after the cancel has completed.

The PFS may also, of course, perform this validation on its own and ignore the `LFS_AsyTok` if it is so designed. A request structure could be validated, for instance, with a structure sequence number that is included within the `PFS_AsyTok`, or by running a chain of active request blocks.

For more information see the processing notes in this topic.

vn_cancel

Return_value

Returned parameter

Type: Integer

Length:
Fullword

A fullword in which the vn_cancel operation returns the results of the operation, as one of the following:

Return_value Meaning

0 The request was found.

-1 The request was not found.

Generally, vn_cancel is not called after osi_sched has been called, but there is a race condition between these two acts and so this Return_value is really not very definitive. For more information see the processing notes.

Return_code

Returned parameter

Type: Integer

Length:
Fullword

A fullword in which the vn_cancel operation stores the return code. The vn_cancel operation returns Return_code only if Return_value is -1. For a complete list of supported return code values, see *z/OS UNIX System Services Messages and Codes*.

The vn_cancel operation should support at least the following error value:

Return_code	Explanation
EINVAL	The PFS_AsyTok is not valid.

Reason_code

Returned parameter

Type: Integer

Length:
Fullword

A fullword in which the vn_cancel operation stores the reason code. The vn_cancel operation returns Reason_code only if Return_value is -1. Reason_code further qualifies the Return_code value. These reason codes are documented by the PFS.

Implementation notes

Overview of vn_cancel processing

“Asynchronous I/O processing” on page 64 provides an overview of asynchronous I/O, and discusses the flows that are related to vn_cancel.

Specific processing notes

- Vn_cancel is for one specific request only.
- Only requests that originally had OsiAsy1=ON are potentially cancelable.

- The normal cancel only “pushes through” the original request, and does not attempt to abort it if it is not blocked.
- Vn_cancel is not an asynchronous operation in the sense of the OsiAsy1 and OsiAsy2 bits. It is also not normally a blocking operation. If the original request is found on a waiting queue it may be removed, and osi_sched() called, on another thread while vn_cancel returns to the LFS.
- Vn_cancel must contend with situations in which a thread may be calling osi_sched, or an SRB may be running Part 2 of the original request. This can be a problem in either case, if the PFS is about to free up the structures that are related to the original request and the PFS_AsyTok. Hopefully, the original request structure can be validated or not used directly, in order to avoid introducing additional serialization points into the main line path just to deal with a potential cancel. For instance, for a normal cancel, only requests that are found on a waiting chain need be referenced directly, and for cancel force some cleanup may be able to be deferred to vn_close.

Technically, though, because of fork() and inherited descriptors, vn_cancel(Force) might not soon be followed by vn_close. However, it would be rather rare for an application in this position to carry on. The results of the application would be unpredictable because of timing; and at a minimum it would have to expect data loss, since the termination could just as easily have occurred on entry to its I/O Completion exit.

Vn_cancel(Force) is a result of process termination; therefore, any requests that were still in the PFS have gone through recovery and generally have been handled, as they would be for any abnormal end situation.

- Part 1 requests run on the user's TCB or SRB, and these are abnormally ended before vn_cancel is issued.
- For process termination in general, new SRBs are not permitted to start Part 2, but old SRBs are allowed to finish. Osi_wait(), though, returns as if interrupted with a signal, in an attempt to keep these SRBs from blocking. If the user address space goes to memterm, nothing is able to run, so Part 2 can be abnormally ended for that reason. If the PFS issues its own MVS suspend during Part 2, it can also be abnormally ended by the system.

Serialization provided by the LFS

The vn_cancel operation is invoked with an exclusive vnode latch.

Additional serialization is provided even when the PFS is not using vnode latching.

1. The vn_cancel operation is not invoked while the request it is canceling is still in the PFS during Part 1 of the operation.
2. Vn_close is not invoked while vn_cancel is in progress.
3. If a user process terminates before osi_upda is called, vn_cancel is not called, since the LFS does not have the PFS's token to pass.
4. The LFS serializes vn_cancel with the potentially simultaneously occurring end of Part 2 on the SRB, so the PFS does not have to in any sense “wait” within vn_cancel for Part 2.

Security calls to be made by the PFS

None.

vn_close — Close a file or socket

Function

The vn_close operation closes a file or socket.

Environment on entry and exit

See “Environment for PFS operations” on page 83.

Input parameter format

vn_close	(Token_structure, OSI_structure, Audit_structure, Open_flags, Return_value, Return_code, Reason_code)
----------	---

Parameters

Token_structure

Supplied parameter

Type: TOKSTR

Length:

Specified by TOKSTR.ts_hdr.cblen.

The Token_structure represents the file (vnode) that is being operated on. It contains the PFS's initialization token, mount token, and the file token. Refer to “LFS/PFS control block structure” on page 17 for a discussion of this structure, and to the TOKSTR typedef in BPXYPFSI in Appendix D, “Interface structures for C language servers and clients,” on page 499 for its mapping.

OSI_structure

Supplied and returned parameter

Type: OSI

Length:

Specified by OSI.osi_hdr.cblen.

The OSI_structure contains information that is used by the OSI operations that may be called by the PFS. See Chapter 6, “OSI services,” on page 385 for more information.

It also contains MVS-specific information that needs to be passed to the PFS, including SMF accounting fields, a work area, a recovery area, and an optional pointer to an output ATTR structure. For more details on the OSI structure, see “The OSI structure” on page 20.

This area is mapped by the OSI typedef in BPXYPFSI in Appendix D, “Interface structures for C language servers and clients,” on page 499.

Audit_structure

Supplied parameter

Type: CRED

Length:

Specified by CRED.cred_hdr.cblen.

The Audit_structure contains information that is used by the security product for access checks and auditing. It is passed to most SAF routines that are invoked by the PFS.

Refer to “Security responsibilities and considerations” on page 13 for a discussion of security processing, and to the CRED typedef in BPXYPSI in Appendix D, “Interface structures for C language servers and clients,” on page 499 for the mapping of this structure.

Open_flags

Supplied parameter

Type: Bit

Length:

Fullword

A fullword containing the open flags that are associated with this file. These flags are defined by **fcntl.h**.

Return_value

Returned parameter

Type: Integer

Length:

Fullword

A fullword in which the vn_close operation returns the results of the operation, as one of the following:

Return_value**Meaning**

-1 The operation was not successful. The Return_code and Reason_Code values must be filled in by the PFS when Return_value is -1.

0 The operation was successful.

Return_code

Returned parameter

Type: Integer

Length:

Fullword

A fullword in which the vn_close operation stores the return code. The vn_close operation returns Return_code only if Return_value is -1. See *z/OS UNIX System Services Messages and Codes* for a complete list of supported return code values.

Reason_code

Returned parameter

Type: Integer

Length:

Fullword

vn_close

A fullword in which the `vn_close` operation stores the reason code. The `vn_close` operation returns `Reason_code` only if `Return_value` is `-1`. `Reason_code` further qualifies the `Return_code` value. These reason codes are documented by the PFS.

Implementation notes

Overview of `vn_close` processing

See “Opening and closing files and first references to files” on page 36 for a discussion of close processing.

See “Creating, referring to, and closing socket vnodes” on page 51 for a discussion of relevant socket processing.

For more information about the semantics of this operation for a POSIX-conforming PFS, refer to the `close()` function in the POSIX .1 standard (IEEE Std 1003.1-1990).

Specific processing notes

1. The `Return_value` parameter is preset to `-1` before the PFS is called. If the PFS program checks or ends abnormally during the `vn_close` operation and the `abend` is percolated back to the LFS, the LFS uses the `Return_value` to determine what to do next. If the `Return_value` is still `-1`, the PFS is recalled with `vn_close`; otherwise it is not. Therefore, just before the PFS reaches a point at which it would rather not be recalled if it should end abnormally, it should zero out the `Return_value`.
2. If the PFS supports `vn_recovery`, and `vn_recovery` returns control information to direct the outcome of the original call, the rule is overridden. That is, `vn_close` is not recalled if it appears that `vn_recovery` has handled the problem, regardless of the value of `Return_value`.
3. Although the `Return_value`, `Return_code`, and `Reason_code` values are returned to the caller, the operation always succeeds in that the user's file descriptor is freed and the vnode's open counter is decremented, regardless of the `Return_value`.
4. If `vn_inactive` is not supported by the PFS, the LFS will free its vnode after the `vn_close` returns. If `vn_inactive` is supported, the LFS keeps the vnode for a few minutes and then invokes `vn_inactive`, at which time the vnode is freed.

For sockets PFSs, the total number of vnodes in use is used to enforce the `MAXSOCKETS` limit. Thus, for sockets PFSs that use `vn_inactive`, it is possible for a heavily loaded system to reach its `MAXSOCKETS` limit—even though not that many sockets are open—because of closed vnodes that have not yet been inactivated.

Refer to “Creating, referring to, and closing socket vnodes” on page 51 for more information about socket close and inactivation.

Serialization provided by the LFS

The `vn_close` operation is invoked with an exclusive latch held on the vnode of the file. Shared read support for the file that is being closed can be modified in the OSI by the PFS upon returning from the `vn_close` operation.

Security calls to be made by the PFS

None.

Related services

- “vn_open — Open a file” on page 184
- “vfs_socket — Create a socket or a socket pair” on page 109

vn_connect — Connect to a socket

Function

The vn_connect operation connects to a socket. The socket can be either a stream socket or a datagram socket. The connection is done for stream sockets by a client; a bind and a listen request must have preceded this request at the server.

Environment on entry and exit

See “Environment for PFS operations” on page 83.

Input parameter format

```
vn_connect (Token_structure,
           OSI_structure,
           Audit_structure,
           Sockaddr_length,
           Sockaddr,
           Open_flags,
           Return_value,
           Return_code,
           Reason_code)
```

Parameters

Token_structure

Supplied parameter

Type: TOKSTR

Length:

Specified by TOKSTR.ts_hdr.cblen.

The Token_structure represents the file (vnode) that is being operated on. It contains the PFS's initialization token, mount token, and the file token. Refer to “LFS/PFS control block structure” on page 17 for a discussion of this structure, and to the TOKSTR typedef in BPXYPFSI in Appendix D, “Interface structures for C language servers and clients,” on page 499 for its mapping.

OSI_structure

Supplied and returned parameter

Type: OSI

Length:

Specified by OSI.osi_hdr.cblen.

The OSI_structure contains information that is used by the OSI operations that may be called by the PFS. See Chapter 6, “OSI services,” on page 385 for more information.

It also contains MVS-specific information that needs to be passed to the PFS, including SMF accounting fields, a work area, a recovery area, and an optional pointer to an output ATTR structure. For more details on the OSI structure, see “The OSI structure” on page 20.

This area is mapped by the OSI typedef in BPXYPSI in Appendix D, "Interface structures for C language servers and clients," on page 499.

Audit_structure

Supplied parameter

Type: CRED

Length:

Specified by CRED.cred_hdr.cblen.

The Audit_structure contains information that is used by the security product for access checks and auditing. It is passed to most SAF routines that are invoked by the PFS.

Refer to "Security responsibilities and considerations" on page 13 for a discussion of security processing, and to the CRED typedef in BPXYPSI in Appendix D, "Interface structures for C language servers and clients," on page 499 for the mapping of this structure.

Sockaddr_length

Supplied parameter

Type: Integer

Length:

Fullword

A fullword that contains the length of sockaddr.

Sockaddr

Supplied parameter

Type: SOCK

Length:

Specified by Sockaddr_length

A structure that varies depending on the address family type. It contains the address that is to be used for this operation. For an example of this mapping for AF_INET, see **in.h**.

Open_flags

Supplied parameter

Type: Structure

Length:

Fullword

A fullword that contains the bits that are associated with the socket. The defined values for this field are mapped by **fcntl.h**.

Return_value

Returned parameter

Type: Integer

Length:

Fullword

A fullword in which the vn_connect operation returns the results of the operation, as one of the following:

Return_value

Meaning

- 1 The operation was not successful. The Return_code and Reason_Code values must be filled in by the PFS when Return_value is -1.
- 0 The operation was successful.

Return_code

Returned parameter

Type: Integer

Length:
Fullword

A fullword in which the vn_connect operation stores the return code. The vn_connect operation returns Return_code only if Return_value is -1. For a complete list of supported return code values, see *z/OS UNIX System Services Messages and Codes*.

The vn_connect operation should support at least the following error values:

Return_code	Explanation
ECONNREFUSED	The connection request was rejected.
EINTR	The request was interrupted by a signal.
EINVAL	The length of the name specified was too short, or negative.
EISCONN	The socket is already connected.
ENOAFSUPPORT	The PFS does not support this address family.
EOPNOTSUPP	The socket that was specified is a server; a listen has been done.
EPROTOTYPE	The request is for an incorrect socket type.
EWOULDBLOCK	The operation would have required a blocking wait, and this socket was marked as nonblocking.

Reason_code

Returned parameter

Type: Integer

Length:
Fullword

A fullword in which the vn_connect operation stores the reason code. The vn_connect operation returns Reason_code only if Return_value is -1. Reason_code further qualifies the Return_code value. These reason codes are documented by the PFS.

Implementation notes**Overview of vn_connect processing**

For more information about the semantics of this operation for a POSIX-conforming PFS, refer to the publications that are mentioned in "Finding more information about sockets" on page xiii for the connect function.

Specific processing notes

The **connect()** function performs a different action for each of the following types of initiating sockets:

- If the initiating socket is SOCK_DGRAM, the **connect()** function establishes the peer address. The peer address identifies the socket to

vn_connect

which all datagrams are sent on subsequent **send()** functions. No connections are made by this **connect()** function.

- If the initiating socket is SOCK_STREAM, the **connect()** function attempts to make a connection to the socket that is specified by the Sockaddr parameter.

Serialization provided by the LFS

The vn_connect operation is invoked with an exclusive latch held on the vnode of the socket.

Security calls to be made by the PFS

None.

Related services

- “vn_listen — Listen on a socket” on page 171
- “vn_accept — Accept a socket connection request” on page 123
- “vn_bind — Bind a name to a socket” on page 136

vn_create — Create a new file

Function

The vn_create operation creates a new file using the file type and attributes that are provided by the caller.

Environment on entry and exit

See “Environment for PFS operations” on page 83.

Input parameter format

```
vn_create (Token_structure,  
          OSI_structure,  
          Audit_structure,  
          Name_length,  
          Name,  
          Attribute_structure,  
          Vnode_token,  
          Return_value,  
          Return_code,  
          Reason_code)
```

Parameters

Token_structure

Supplied parameter

Type: TOKSTR

Length:

Specified by TOKSTR.ts_hdr.cblen.

The Token_structure represents the file (vnode) that is being operated on. It contains the PFS's initialization token, mount token, and the file token. Refer to “LFS/PFS control block structure” on page 17 for a discussion of this structure, and to the TOKSTR typedef in BPXYPSI in Appendix D, “Interface structures for C language servers and clients,” on page 499 for its mapping.

OSI_structure

Supplied and returned parameter

Type: OSI

Length:

Specified by OSI.osi_hdr.cblen.

The OSI_structure contains information that is used by the OSI operations that may be called by the PFS. See Chapter 6, "OSI services," on page 385 for more information.

It also contains MVS-specific information that needs to be passed to the PFS, including SMF accounting fields, a work area, a recovery area, and an optional pointer to an output ATTR structure. For more details on the OSI structure, see "The OSI structure" on page 20.

This area is mapped by the OSI typedef in BPXYPFISI in Appendix D, "Interface structures for C language servers and clients," on page 499.

Audit_structure

Supplied parameter

Type: CRED

Length:

Specified by CRED.cred_hdr.cblen.

The Audit_structure contains information that is used by the security product for access checks and auditing. It is passed to most SAF routines that are invoked by the PFS.

Refer to "Security responsibilities and considerations" on page 13 for a discussion of security processing, and to the CRED typedef in BPXYPFISI in Appendix D, "Interface structures for C language servers and clients," on page 499 for the mapping of this structure.

Name_length

Supplied parameter

Type: Integer

Length:

Fullword

A fullword that contains the length of Name. The name is between 1 and 255 bytes long.

Name

Supplied parameter

Type: String

Length:

Specified by Name_length

An area, of length Name_length, that contains the name of the file that is to be created. This name is not null-terminated.

Attribute_structure

Supplied parameter

Type: ATTR

Length:

Specified by ATTR.at_hdr.cblen.

vn_create

An area that is to be used by the vn_create operation to set the attributes of the file that is to be created. This area is mapped by typedef ATTR in the BPXYVFSI header file (see Appendix D, "Interface structures for C language servers and clients," on page 499).

Vnode_token

Returned parameter

Type: Token

Length:
8 bytes

An area in which the vn_create operation returns the vnode token that is created.

Return_value

Returned parameter

Type: Integer

Length:
Fullword

A fullword in which the vn_create operation returns the results of the operation, as one of the following:

Return_value

Meaning

- 1 The operation was not successful. The Return_code and Reason_Code values must be filled in by the PFS when Return_value is -1.
- 0 The operation was successful.

Return_code

Returned parameter

Type: Integer

Length:
Fullword

A fullword in which the vn_create operation stores the return code. The vn_create operation returns Return_code only if Return_value is -1. For a complete list of supported return code values, see *z/OS UNIX System Services Messages and Codes*.

The vn_create operation should support at least the following error values:

Return_code	Explanation
EACCES	The caller does not have write permission for the parent directory.
EEXIST	A file with the same name already exists.

Reason_code

Returned parameter

Type: Integer

Length:
Fullword

A fullword in which the vn_create operation stores the reason code. The vn_create operation returns Reason_code only if Return_value is -1. Reason_code further qualifies the Return_code value. These reason codes are documented by the PFS.

Implementation notes

Overview of vn_create processing

“Creating files” on page 34 provides an overview of file creation processing.

Specific processing notes

- The token structure that is passed on input represents the directory in which the file is created.
- The following attribute_structure fields are provided by the LFS:

ATTR.at_hdr.cbid

Contains Attr_ID (from the BPXYVFSI header file)

ATTR.at_hdr.cblen

Specifies the length of the attribute_structure

ATTR.at_mode

Specifies the file type and permission bits. See the ATTR typedef in Appendix D, “Interface structures for C language servers and clients,” on page 499 for the mapping of this field.

The user's file creation mask, umask() value, has already been applied to the permission bits.

ATTR.at_major

Specifies the major number for character-special files. This is provided only when the file type is character-special.

ATTR.at_minor

Specifies the minor number for character-special files. This is provided only when the file type is character-special.

- If the file that is named in the Name parameter already exists, the vn_create operation returns a return code of EEXIST, and the output vnode_token is optional.

Serialization provided by the LFS

The vn_create operation is invoked with an exclusive latch held on the vnode of the parent directory.

Security calls to be made by the PFS

The PFS is expected to invoke SAF's Check Access callable service to verify that the user has write permission to the directory. The PFS is also expected to invoke SAF's Make FSP callable service to create a file security packet.

Related services

- “osi_getvnode — Get or return a vnode” on page 402
- “vn_remove — Remove a link to a file” on page 209

vn_fsync — Harden file data

Function

The vn_fsync operation writes to disk (or otherwise stabilizes) all changed data in a file.

Environment on entry and exit

See “Environment for PFS operations” on page 83.

Input parameter format

vn_fsync	(Token_structure, OSI_structure, Audit_structure, Return_value, Return_code, Reason_code)
----------	--

Parameters

Token_structure

Supplied parameter

Type: TOKSTR

Length:

Specified by TOKSTR.ts_hdr.cblen.

The Token_structure represents the file (vnode) that is being operated on. It contains the PFS's initialization token, mount token, and the file token. Refer to “LFS/PFS control block structure” on page 17 for a discussion of this structure, and to the TOKSTR typedef in BPXYPFSI in Appendix D, “Interface structures for C language servers and clients,” on page 499 for its mapping.

OSI_structure

Supplied and returned parameter

Type: OSI

Length:

Specified by OSI.osi_hdr.cblen.

The OSI_structure contains information that is used by the OSI operations that may be called by the PFS. See Chapter 6, “OSI services,” on page 385 for more information.

It also contains MVS-specific information that needs to be passed to the PFS, including SMF accounting fields, a work area, a recovery area, and an optional pointer to an output ATTR structure. For more details on the OSI structure, see “The OSI structure” on page 20.

This area is mapped by the OSI typedef in BPXYPFSI in Appendix D, “Interface structures for C language servers and clients,” on page 499.

Audit_structure

Supplied parameter

Type: CRED

Length:

Specified by CRED.cred_hdr.cblen.

The Audit_structure contains information that is used by the security product for access checks and auditing. It is passed to most SAF routines that are invoked by the PFS.

Refer to “Security responsibilities and considerations” on page 13 for a discussion of security processing, and to the CRED typedef in BPXYPSFI in Appendix D, “Interface structures for C language servers and clients,” on page 499 for the mapping of this structure.

Return_value

Returned parameter

Type: Integer

Length:

Fullword

A fullword in which the vn_fsync service returns the results of the operation, as one of the following:

Return_value**Meaning**

-1 The operation was not successful. The Return_code and Reason_Code values must be filled in by the PFS when Return_value is -1.

0 The operation was successful.

Return_code

Returned parameter

Type: Integer

Length:

Fullword

A fullword in which the vn_fsync service stores the return code. The vn_fsync service returns Return_code only if Return_value is -1. See *z/OS UNIX System Services Messages and Codes* for a complete list of supported return code values.

The vn_fsync service should support at least the following error value:

Return_code	Explanation
EINVAL	The operation is not possible for the specified file.

Reason_code

Returned parameter

Type: Integer

Length:

Fullword

A fullword in which the vn_fsync service stores the reason code. The vn_fsync service returns Reason_code only if Return_value is -1. Reason_code further qualifies the Return_code value. These reason codes are documented by the PFS.

Implementation notes**Overview of vn_fsync processing**

vn_fsync

For the file token in the token_structure, vn_fsync must write all modified data that is not yet placed in nonvolatile storage to such a medium.

Specific processing notes

- Data should be completely hardened before vn_fsync returns to its caller.
- For more information about the semantics of this operation for a POSIX-conforming PFS, refer to the **fsync()** function in the POSIX .1a standard (IEEE Std 1003.1a), draft 7.

Serialization provided by the LFS

The vn_fsync operation is invoked with an exclusive latch held on the vnode of the file.

Security calls to be made by the PFS

None.

Related services

- “vfs_sync — Harden all file data for a file system” on page 115

vn_getattr — Get the attributes of a file

Function

The vn_getattr operation gets the attributes of a file.

Environment on entry and exit

See “Environment for PFS operations” on page 83.

Input parameter format

```
vn_getattr (Token_structure,  
           OSI_structure,  
           Audit_structure,  
           Attribute_structure,  
           Return_value,  
           Return_code,  
           Reason_code)
```

Parameters

Token_structure

Supplied parameter

Type: TOKSTR

Length:

Specified by TOKSTR.ts_hdr.cblen.

The Token_structure represents the file (vnode) that is being operated on. It contains the PFS's initialization token, mount token, and the file token.

Refer to “LFS/PFS control block structure” on page 17 for a discussion of this structure, and to the TOKSTR typedef in BPXYPSI in Appendix D, “Interface structures for C language servers and clients,” on page 499 for its mapping.

OSI_structure

Supplied and returned parameter

Type: OSI

Length:

Specified by OSI.osi_hdr.cblen.

The OSI_structure contains information that is used by the OSI operations that may be called by the PFS. See Chapter 6, “OSI services,” on page 385 for more information.

It also contains MVS-specific information that needs to be passed to the PFS, including SMF accounting fields, a work area, a recovery area, and an optional pointer to an output ATTR structure. For more details on the OSI structure, see “The OSI structure” on page 20.

This area is mapped by the OSI typedef in BPXYPFISI in Appendix D, “Interface structures for C language servers and clients,” on page 499.

Audit_structure

Supplied parameter

Type: CRED

Length:

Specified by CRED.cred_hdr.cblen.

The Audit_structure contains information that is used by the security product for access checks and auditing. It is passed to most SAF routines that are invoked by the PFS.

Refer to “Security responsibilities and considerations” on page 13 for a discussion of security processing, and to the CRED typedef in BPXYPFISI in Appendix D, “Interface structures for C language servers and clients,” on page 499 for the mapping of this structure.

Attribute_structure

Supplied and returned parameter

Type: ATTR

Length:

Specified by ATTR.at_hdr.cblen.

An area used by the vn_getattr operation to return the file attributes for the file that is specified by the vnode token. Before a call to vn_getattr, Attribute_structure must be initialized with the ID and length fields set correctly and the unused fields set to zero. This area is mapped by typedef ATTR in the BPXYVFSI header file (see Appendix D, “Interface structures for C language servers and clients,” on page 499).

Return_value

Returned parameter

Type: Integer

Length:

Fullword

The name of a fullword in which the vn_getattr service returns the results of the operation, as one of the following:

Return_value

Meaning

-1 The operation was not successful. The Return_code and Reason_Code values must be filled in by the PFS when Return_value is -1.

vn_getattr

0 The operation was successful.

Return_code

Returned parameter

Type: Integer

Length:

Fullword

A fullword in which the vn_getattr service stores the return code. The vn_getattr service returns Return_code only if Return_value is -1. See *z/OS UNIX System Services Messages and Codes* for a complete list of supported return code values.

Reason_code

Returned parameter

Type: Integer

Length:

Fullword

A fullword in which the vn_getattr service stores the reason code. The vn_getattr service returns Reason_code only if Return_value is -1. Reason_code further qualifies the Return_code value. These reason codes are documented by the PFS.

Implementation notes

Overview of vn_getattr processing

vn_getattr is used to read file attributes, as described in “Getting and setting attributes” on page 42.

Specific processing notes

- The input attribute_structure length may not match the length that is supported by the PFS. The PFS must return the minimum of:
 - Input ATTR.at_hdr.cblen
 - The attribute_structure length that is supported by this release of the PFS

The returned value in ATTR.at_hdr.cblen must match the size returned.

- Time-related fields that are marked for update must be updated before the attributes are returned.

Serialization provided by the LFS

The vn_getattr operation is invoked with a shared latch held on the vnode of the directory.

Security calls to be made by the PFS

None.

Related services

- “vn_setattr — Set the attributes of a file” on page 228

vn_getname — Get the peer or socket name

Function

The vn_getname operation gets the peer name or the socket name.

Environment on entry and exit

See “Environment for PFS operations” on page 83.

Input parameter format

```
vn_getname (Token_structure,
            OSI_structure,
            Audit_structure,
            Name_type,
            Sockaddr_length,
            Sockaddr,
            Return_value,
            Return_code,
            Reason_code)
```

Parameters

Token_structure

Supplied parameter

Type: TOKSTR

Length:

Specified by TOKSTR.ts_hdr.cblen.

The Token_structure represents the file (vnode) that is being operated on. It contains the PFS's initialization token, mount token, and the file token. Refer to “LFS/PFS control block structure” on page 17 for a discussion of this structure, and to the TOKSTR typedef in BPXYPSI in Appendix D, “Interface structures for C language servers and clients,” on page 499 for its mapping.

OSI_structure

Supplied and returned parameter

Type: OSI

Length:

Specified by OSI.osi_hdr.cblen.

The OSI_structure contains information that is used by the OSI operations that may be called by the PFS. See Chapter 6, “OSI services,” on page 385 for more information.

It also contains MVS-specific information that needs to be passed to the PFS, including SMF accounting fields, a work area, a recovery area, and an optional pointer to an output ATTR structure. For more details on the OSI structure, see “The OSI structure” on page 20.

This area is mapped by the OSI typedef in BPXYPSI in Appendix D, “Interface structures for C language servers and clients,” on page 499.

Audit_structure

Supplied parameter

Type: CRED

vn_getname

Length:

Specified by CRED.cred_hdr.cblen.

The Audit_structure contains information that is used by the security product for access checks and auditing. It is passed to most SAF routines that are invoked by the PFS.

Refer to “Security responsibilities and considerations” on page 13 for a discussion of security processing, and to the CRED typedef in BPXYPSI in Appendix D, “Interface structures for C language servers and clients,” on page 499 for the mapping of this structure.

Name_type

Supplied parameter

Type: Integer

Length:

Fullword

A fullword that specifies whether to get the peer name or the socket name. The values for this field are defined in the BPXYPSI header file (see Appendix D, “Interface structures for C language servers and clients,” on page 499).

Sockaddr_length

Supplied and returned parameter

Type: Integer

Length:

Fullword

A fullword that supplies the length of the Sockaddr buffer, and returns the length of the Sockaddr structure that is returned.

Sockaddr

Supplied and returned parameter

Type: SOCK

Length:

Specified by Sockaddr_length

A structure that varies depending on the address family type. On return, it contains the address that was used for this operation. For an example of this mapping for AF_INET, see **in.h**.

Return_value

Returned parameter

Type: Integer

Length:

Fullword

A fullword in which the vn_getname operation returns the results of the operation, as one of the following:

Return_value**Meaning**

-1 The operation was not successful. The Return_code and Reason_Code values must be filled in by the PFS when Return_value is -1.

0 The operation was successful.

Return_code

Returned parameter

Type: Integer

Length:
Fullword

A fullword in which the vn_getname operation stores the return code. The vn_getname operation returns Return_code only if Return_value is -1. For a complete list of supported return code values, see *z/OS UNIX System Services Messages and Codes*.

The vn_getname operation should support at least the following error values:

Return_code	Explanation
EINVAL	The length of the name that was specified is too short.
ENOTCONN	The socket is not connected for a getpeername request.

Reason_code

Returned parameter

Type: Integer

Length:
Fullword

A fullword in which the vn_getname operation stores the reason code. The vn_getname operation returns Reason_code only if Return_value is -1. Reason_code further qualifies the Return_code value. These reason codes are documented by the PFS.

Implementation notes**Overview of vn_getname processing**

For more information about the semantics of this operation for a POSIX-conforming PFS, refer to the publications that are mentioned in “Finding more information about sockets” on page xiii for the getpeername and getsockname functions.

Serialization provided by the LFS

The vn_getname operation is invoked with an exclusive latch held on the vnode of the socket.

Security calls to be made by the PFS

None

vn_inactive — Inactivate a vnode**Function**

The vn_inactive disassociates a vnode from the PFS's related inode.

Environment on entry and exit

See “Environment for PFS operations” on page 83.

Input parameter format

```
vn_inactive (Token_structure,
            OSI_structure,
            Audit_structure,
            Return_value,
            Return_code,
            Reason_code)
```

Parameters

Token_structure

Supplied parameter

Type: TOKSTR

Length:

Specified by TOKSTR.ts_hdr.cblen.

The Token_structure represents the file (vnode) that is being operated on. It contains the PFS's initialization token, mount token, and the file token. Refer to "LFS/PFS control block structure" on page 17 for a discussion of this structure, and to the TOKSTR typedef in BPXYPFISI in Appendix D, "Interface structures for C language servers and clients," on page 499 for its mapping.

OSI_structure

Supplied and returned parameter

Type: OSI

Length:

Specified by OSI.osi_hdr.cblen.

The OSI_structure contains information that is used by the OSI operations that may be called by the PFS. See Chapter 6, "OSI services," on page 385 for more information.

It also contains MVS-specific information that needs to be passed to the PFS, including SMF accounting fields, a work area, a recovery area, and an optional pointer to an output ATTR structure. For more details on the OSI structure, see "The OSI structure" on page 20.

This area is mapped by the OSI typedef in BPXYPFISI in Appendix D, "Interface structures for C language servers and clients," on page 499.

Audit_structure

Supplied parameter

Type: CRED

Length:

Specified by CRED.cred_hdr.cblen.

The Audit_structure contains information that is used by the security product for access checks and auditing. It is passed to most SAF routines that are invoked by the PFS.

Refer to "Security responsibilities and considerations" on page 13 for a discussion of security processing, and to the CRED typedef in BPXYPFISI in Appendix D, "Interface structures for C language servers and clients," on page 499 for the mapping of this structure.

Return_value

Returned parameter

Type: Integer

Length:
Fullword

The name of a fullword in which the vn_inactive service returns the results of the operation, as one of the following:

Return_value**Meaning**

-1 The operation was not successful. The Return_code and Reason_Code values must be filled in by the PFS when Return_value is -1.

0 The operation was successful.

Return_code

Returned parameter

Type: Integer

Length:
Fullword

A fullword in which the vn_inactive service stores the return code. The vn_inactive service returns Return_code only if Return_value is -1. For a complete list of supported return code values, see *z/OS UNIX System Services Messages and Codes*.

The vn_inactive service should support the following error value:

Return_code	Explanation
EIO	An I/O error occurred while accessing the file.

Reason_code

Returned parameter

Type: Integer

Length:
Fullword

A fullword in which the vn_inactive service stores the reason code. The vn_inactive service returns Reason_code only if Return_value is -1. Reason_code further qualifies the Return_code value. These reason codes are documented by the PFS.

Implementation notes**Overview of vn_inactive processing**

“Creating, referring to, and inactivating file vnodes” on page 32 provides an overview of file inactivate processing.

Specific processing notes

- If a transient error, such as an I/O error, is encountered, the Return_value should be set to -1. In this case, the request is retried later.
- If a permanent error that prevents the specified file or directory from being used is encountered, Return_value should be set to zero. In this case, all references to the file or directory are removed from the LFS and the request is not retried. The PFS must not issue a signal-enabled wait

vn_inactive

during inactivate processing. “Waiting and posting” on page 22 provides an overview of wait and post processing.

- If a file's link count is zero, but its open count is not zero, the PFS should ignore the open count and delete the file's data along with the file. This may happen, for example, when an address space is canceled right after `vn_open` finishes in the PFS, but before the LFS regains control.

Serialization provided by the LFS

The `vn_inactive` operation is invoked with an exclusive latch held on the file system containing the vnode.

Security calls to be made by the PFS

None

Related services

- “`osi_wait` — Wait for an event to occur” on page 445
- “`vfs_inactive` — Batch inactivate vnodes” on page 91

vn_ioctl — I/O control

Function

The `vn_ioctl` operation conveys a command for a file or device driver. The specific commands that are supported are defined by the PFS.

Environment on entry and exit

See “Environment for PFS operations” on page 83.

Input parameter format

```
vn_ioctl (Token_structure,  
         OSI_structure,  
         Audit_structure,  
         Open_flags,  
         Command,  
         Argument_length,  
         Argument,  
         Return_value,  
         Return_code,  
         Reason_code)
```

Parameters

Token_structure

Supplied parameter

Type: TOKSTR

Length:

Specified by TOKSTR.ts_hdr.cblen.

The `Token_structure` represents the file (vnode) that is being operated on. It contains the PFS's initialization token, mount token, and the file token. Refer to “LFS/PFS control block structure” on page 17 for a discussion of this structure, and to the TOKSTR typedef in BPXYPSI in Appendix D, “Interface structures for C language servers and clients,” on page 499 for its mapping.

OSI_structure

Supplied and returned parameter

Type: OSI

Length:

Specified by OSI.osi_hdr.cblen.

The OSI_structure contains information that is used by the OSI operations that may be called by the PFS. See Chapter 6, "OSI services," on page 385 for more information.

It also contains MVS-specific information that needs to be passed to the PFS, including SMF accounting fields, a work area, a recovery area, and an optional pointer to an output ATTR structure. For more details on the OSI structure, see "The OSI structure" on page 20.

This area is mapped by the OSI typedef in BPXYPFISI in Appendix D, "Interface structures for C language servers and clients," on page 499.

Audit_structure

Supplied parameter

Type: CRED

Length:

Specified by CRED.cred_hdr.cblen.

The Audit_structure contains information that is used by the security product for access checks and auditing. It is passed to most SAF routines that are invoked by the PFS.

Refer to "Security responsibilities and considerations" on page 13 for a discussion of security processing, and to the CRED typedef in BPXYPFISI in Appendix D, "Interface structures for C language servers and clients," on page 499 for the mapping of this structure.

Open_flags

Supplied parameter

Type: Structure

Length:

Fullword

An area that contains the open options that are associated with the file. These flags are defined in **fcntl.h**.

Command

Supplied parameter

Type: Integer

Length:

Fullword

The command indicates the function that is to be performed by the PFS. The values that are defined in **ioctl.h** are for regular calls. The special values for sockets initialization are defined in BPXYPFISI (see Appendix D, "Interface structures for C language servers and clients," on page 499).

Argument_length

Supplied and returned parameter

Type: Integer

vn_ioctl

Length:
Fullword

Argument_length contains the length of the argument.

Argument

Supplied and returned parameter

Type: Defined by the PFS or the Device Driver

Length:
Specified by Argument_length

Argument is the buffer that is to be processed by the PFS. It may contain input data to be processed, data placed in it by the PFS or device driver, or both.

Return_value

Returned parameter

Type: Integer

Length:
Fullword

A fullword in which the vn_ioctl service returns the results of the operation, as one of the following:

Return_value
Meaning

-1 The operation was not successful. The Return_code and Reason_Code values must be filled in by the PFS when Return_value is -1.

0 The operation was successful.

Return_code

Returned parameter

Type: Integer

Length:
Fullword

A fullword in which the vn_ioctl service stores the return code. The vn_ioctl service returns Return_code only if Return_value is -1. See *z/OS UNIX System Services Messages and Codes* for a complete list of supported return code values.

The vn_ioctl service should support at least the following error value:

Return_code	Explanation
ENODEV	The requested function is not supported by the PFS.

Reason_code

Returned parameter

Type: Integer

Length:
Fullword

A fullword in which the vn_ioctl service stores the reason code. The vn_ioctl service returns Reason_code only if Return_value is -1. Reason_code further qualifies the Return_code value. These reason codes are documented by the PFS.

Implementation notes

Overview of vn_ioctl processing

vn_ioctl provides a vehicle by which a PFS may provide functions not described by the POSIX standard.

Specific processing notes

- The PFS could use vn_ioctl to support unique file operations.
- vn_ioctl could be used to allow direct access to devices that are controlled by the PFS. You should avoid passing addresses with this service (using *argument*), and instead include all data in the buffer.
- The maximum Argument_length that is supported by the LFS is 1024 bytes.
- Refer to “Common INET sockets” on page 55 for information about the commands that a PFS must support in order to be an AF_INET socket PFS.
- Open_flags are all zero when vn_ioctl is the result of the w_piocntl (BPX1PIO) function, since the file being operated on has not been opened. The PFS may want to include a special access check in this case.
- For those cases in which user data addresses are passed in the argument, the user's storage key is passed to the PFS. This key should be used with MVCSK/MVCDK or osi_copyin/osi_copyout to reference the user data areas.

The key is passed in the first word of the system data area of the Token_structure, ts_sysd1, with a format of X'PPPP020K', where K is the four-bit key value. When ts_sysd1 is all zeros, keys are not passed.

The first two bytes of ts_sysd1, when byte 3 is X'02', are the first and third bytes of the user's PSW, which are the bytes that contain the user's AMODE and Supervisor State bits.

This information is passed in ts_sysd1 for all instances of program iocntl() calls, but some internal uses of vn_ioctl, mostly for FIONBIO, do not do so. These cases do not contain addresses in the argument.

Serialization provided by the LFS

The vn_ioctl operation is invoked with an exclusive latch held on the vnode of the file.

Security calls to be made by the PFS

The PFS may choose to invoke SAF's Check Access callable service to verify that the user has write permission to the file or device.

vn_link — Create a link to a file

Function

The vn_link operation creates a link to the file that is specified by Token_structure in the directory that is specified by Directory_token_structure. The link is a new name that identifies an existing file. The new name does not replace the old one, but provides an additional way to refer to the file.

Environment on entry and exit

See “Environment for PFS operations” on page 83.

Input parameter format

```
vn_link    (Token_structure,
           OSI_structure,
           Audit_structure,
           Link_name_length,
           Link_name,
           Directory_token_structure,
           Return_value,
           Return_code,
           Reason_code)
```

Parameters

Token_structure

Supplied parameter

Type: TOKSTR

Length:

Specified by TOKSTR.ts_hdr.cblen.

The Token_structure represents the file (vnode) that is being operated on. It contains the PFS's initialization token, mount token, and the file token. Refer to "LFS/PFS control block structure" on page 17 for a discussion of this structure, and to the TOKSTR typedef in BPXYPSI in Appendix D, "Interface structures for C language servers and clients," on page 499 for its mapping.

OSI_structure

Supplied and returned parameter

Type: OSI

Length:

Specified by OSI.osi_hdr.cblen.

The OSI_structure contains information that is used by the OSI operations that may be called by the PFS. See Chapter 6, "OSI services," on page 385 for more information.

It also contains MVS-specific information that needs to be passed to the PFS, including SMF accounting fields, a work area, a recovery area, and an optional pointer to an output ATTR structure. For more details on the OSI structure, see "The OSI structure" on page 20.

This area is mapped by the OSI typedef in BPXYPSI in Appendix D, "Interface structures for C language servers and clients," on page 499.

Audit_structure

Supplied parameter

Type: CRED

Length:

Specified by CRED.cred_hdr.cblen.

The Audit_structure contains information that is used by the security product for access checks and auditing. It is passed to most SAF routines that are invoked by the PFS.

See “Security responsibilities and considerations” on page 13 for a discussion of security processing, and to the CRED typedef in BPXYPSI in Appendix D, “Interface structures for C language servers and clients,” on page 499 for the mapping of this structure.

Link_name_length

Supplied parameter

Type: Integer

Length:
Fullword

A fullword that contains the length of Link_name. The name can be between 1 and 255 bytes long.

Link_name

Supplied parameter

Type: String

Length:
Specified by Link_name_length

An area, of length Link_name_length, that contains the new name by which the file is to be known. This name contains no nulls.

Directory_token_structure

Supplied parameter

Type: TOKSTR

Length:
Specified by TOKStr.ts_hdr.cblen.

The Directory_token_structure represents the vnode of the directory that is to contain Link_name.

This area is mapped by the TOKSTR typedef in the BPXYPSI header file (see Appendix D, “Interface structures for C language servers and clients,” on page 499) for details.

Return_value

Returned parameter

Type: Integer

Length:
Fullword

A fullword in which the vn_link service returns the results of the operation, as one of the following:

Return_value**Meaning**

- 1** The operation was not successful. The Return_code and Reason_Code values must be filled in by the PFS when Return_value is -1.
- 0** The operation was successful.

Return_code

Returned parameter

Type: Integer

Length:

Fullword

A fullword in which the vn_link service stores the return code. The vn_link service returns Return_code only if Return_value is -1. See *z/OS UNIX System Services Messages and Codes* for a complete list of supported return code values.

The vn_link service should support at least the following error values:

Return_code	Explanation
EEXIST	A file with the same name already exists.
ENAMETOOLONG	The length of Link_name exceeds the length that is supported by this PFS.
EROFS	The file system is mounted read-only.

Reason_code

Returned parameter

Type: Integer

Length:

Fullword

A fullword in which the vn_link service stores the reason code. The vn_link service returns Reason_code only if Return_value is -1. Reason_code further qualifies the Return_code value. These reason codes are documented by the PFS.

Implementation notes

Overview of vn_link processing

vn_link must create an entry in the directory that is specified by Directory_token_structure, pointing to the file that is specified by Token_structure.

Specific processing notes

- If the link is created successfully, the operation increments the link count of the file. The link count shows how many links to a file exist. (If the link is not created successfully, the link count is not incremented.)
- The LFS does not permit links to directories.
- If the link is created successfully, the change time of the linked-to file is updated, as are the change and modification times of the directory that contains Link_name, that is, the directory that holds the link.
- For more information about the semantics of this operation for a POSIX-conforming PFS, refer to the **link()** function in the POSIX .1 standard (IEEE Std 1003.1-1990).

Serialization provided by the LFS

The vn_link operation is invoked with an exclusive latch held on the vnodes of the directory and the file.

Security calls to be made by the PFS

The PFS is expected to invoke SAF's Check Access callable service to verify that the user has *any* access to the file, and has *write* access to the directory.

For a discussion of vn_link processing in a multilevel security environment, see "PFS support for multilevel security" on page 75.

Related services

- “vn_remove — Remove a link to a file” on page 209
- “vn_rename — Rename a file or directory” on page 212

vn_listen — Listen on a socket

Function

The vn_listen operation identifies the socket as a server and establishes the maximum number of incoming connection requests that can be queued.

Environment on entry and exit

See “Environment for PFS operations” on page 83.

Input parameter format

```
vn_listen (Token_structure,
           OSI_structure,
           Audit_structure,
           Backlog,
           Return_value,
           Return_code,
           Reason_code)
```

Parameters

Token_structure

Supplied parameter

Type: TOKSTR

Length:

Specified by TOKSTR.ts_hdr.cblen.

The Token_structure represents the file (vnode) that is being operated on. It contains the PFS's initialization token, mount token, and the file token. Refer to “LFS/PFS control block structure” on page 17 for a discussion of this structure, and to the TOKSTR typedef in BPXYPFISI in Appendix D, “Interface structures for C language servers and clients,” on page 499 for its mapping.

OSI_structure

Supplied and returned parameter

Type: OSI

Length:

Specified by OSI.osi_hdr.cblen.

The OSI_structure contains information that is used by the OSI operations that may be called by the PFS. See Chapter 6, “OSI services,” on page 385 for more information.

It also contains MVS-specific information that needs to be passed to the PFS, including SMF accounting fields, a work area, a recovery area, and an optional pointer to an output ATTR structure. For more details on the OSI structure, see “The OSI structure” on page 20.

This area is mapped by the OSI typedef in BPXYPFISI in Appendix D, “Interface structures for C language servers and clients,” on page 499.

vn_listen

Audit_structure

Supplied parameter

Type: CRED

Length:

Specified by CRED.cred_hdr.cblen.

The Audit_structure contains information that is used by the security product for access checks and auditing. It is passed to most SAF routines that are invoked by the PFS.

Refer to "Security responsibilities and considerations" on page 13 for a discussion of security processing, and to the CRED typedef in BPXYPSI in Appendix D, "Interface structures for C language servers and clients," on page 499 for the mapping of this structure.

Backlog

Supplied parameter

Type: Integer

Length:

Fullword

A fullword that specifies the maximum number of connection requests that can be queued.

Return_value

Returned parameter

Type: Integer

Length:

Fullword

A fullword in which the vn_listen operation returns the results of the operation, as one of the following:

Return_value

Meaning

-1 The operation was not successful. The Return_code and Reason_Code values must be filled in by the PFS when Return_value is -1.

0 The operation was successful.

Return_code

Returned parameter

Type: Integer

Length:

Fullword

A fullword in which the vn_listen operation stores the return code. The vn_listen operation returns Return_code only if Return_value is -1. For a complete list of supported return code values, see *z/OS UNIX System Services Messages and Codes*.

The vn_listen operation should support at least the following error values:

Return_code

EINVAL

Explanation

Either a bind has not been issued on this socket; a listen was already done; or this socket has been connected.

Return_code	Explanation
EOPNOTSUPP	Listen is valid only for stream sockets.

Reason_code

Returned parameter

Type: Integer

Length:
Fullword

A fullword in which the vn_listen operation stores the reason code. The vn_listen operation returns Reason_code only if Return_value is -1. Reason_code further qualifies the Return_code value. These reason codes are documented by the PFS.

Implementation notes**Overview of vn_listen processing**

For more information about the semantics of this operation for a POSIX-conforming PFS, refer to the publications that are mentioned in “Finding more information about sockets” on page xiii for the listen function.

Specific processing notes

None.

Serialization provided by the LFS

The vn_listen operation is invoked with an exclusive latch held on the vnode of the socket.

Security calls to be made by the PFS

None.

Related services

- “vn_bind — Bind a name to a socket” on page 136

vn_lockctl — Byte range lock control**Function**

The vn_lockctl operation conveys a byte range locking command for a file.

Environment on entry and exit

See “Environment for PFS operations” on page 83.

Input parameter format

```
vn_lockctl (Token_structure,
            OSI_structure,
            Audit_structure,
            LockCommand,
            Vlock_length,
            Vlock,
            Return_value,
            Return_code,
            Reason_code)
```

Parameters

Token_structure

Supplied parameter

Type: TOKSTR

Length:

Specified by TOKSTR.ts_hdr.cblen.

The Token_structure represents the file (vnode) that is being operated on. It contains the PFS's initialization token, mount token, and the file token. Refer to "LFS/PFS control block structure" on page 17 for a discussion of this structure, and to the TOKSTR typedef in BPXYPSI in Appendix D, "Interface structures for C language servers and clients," on page 499 for its mapping.

OSI_structure

Supplied and returned parameter

Type: OSI

Length:

Specified by OSI.osi_hdr.cblen.

The OSI_structure contains information that is used by the OSI operations that may be called by the PFS. See Chapter 6, "OSI services," on page 385 for more information.

It also contains MVS-specific information that needs to be passed to the PFS, including SMF accounting fields, a work area, a recovery area, and an optional pointer to an output ATTR structure. For more details on the OSI structure, see "The OSI structure" on page 20.

This area is mapped by the OSI typedef in BPXYPSI in Appendix D, "Interface structures for C language servers and clients," on page 499.

Audit_structure

Supplied parameter

Type: CRED

Length:

Specified by CRED.cred_hdr.cblen.

The Audit_structure contains information that is used by the security product for access checks and auditing. It is passed to most SAF routines that are invoked by the PFS.

Refer to “Security responsibilities and considerations” on page 13 for a discussion of security processing, and to the CRED typedef in BPXYVFSI in Appendix D, “Interface structures for C language servers and clients,” on page 499 for the mapping of this structure.

LockCommand

Supplied parameter

Type: Integer

Length:
Fullword

The command indicates the function that is to be performed by the PFS. The values are the same as for the v_lockctl callable service and are defined in BPXYVFSI. See Appendix D, “Interface structures for C language servers and clients,” on page 499.

Vlock_length

Supplied parameter

Type: Integer

Length:
Fullword

Vlock_length contains the length of the Vlock structure that is passed.

Vlock

Supplied and returned parameter

Type: Structure

Length:
Specified by Vlock_length

The Vlock structure contains information about the locking request. See “v_lockctl (BPX1VLO, BPX4VLO) — Lock a file” on page 310 for more information.

Return_value

Returned parameter

Type: Integer

Length:
Fullword

A fullword in which the vn_lockctl service returns the results of the operation, as one of the following:

Return_value**Meaning**

- 1** The operation was not successful. The Return_code and Reason_Code values must be filled in by the PFS when Return_value is -1.
- 0** The operation was successful.

Return_code

Returned parameter

Type: Integer

Length:
Fullword

vn_lockctl

A fullword in which the vn_lockctl operation stores the return code. The vn_lockctl operation returns Return_code only if Return_value is -1. For a complete list of supported return code values, see *z/OS UNIX System Services Messages and Codes*.

The vn_lockctl operation should support at least the following error values:

Return_code	Explanation
EAGAIN	The Lock command was requested, but the lock conflicts with a lock on an overlapping part of the file that is already set by another locker.
EDEADLK	The LockWait command was requested, but the potential for deadlock was detected.
EINTR	A LockWait request was interrupted by a signal.
EINVAL	Parameter error.
ENOSYS	Returned for files that must be locked locally. After this return code is encountered, the current and all subsequent lock requests for this file are sent to the local BRLM. This remains in effect until the file is inactivated.

Reason_code

Returned parameter

Type: Integer

Length:
Fullword

A fullword in which the vn_lockctl operation stores the reason code. The vn_lockctl operation returns Reason_code only if Return_value is -1. Reason_code further qualifies the Return_code value. These reason codes are documented by the PFS.

Implementation notes

Overview of vn_lockctl processing

Refer to the `fcntl()` function in *z/OS XL C/C++ Language Reference* for an overview of byte range locking and how applications use it.

See “v_lockctl (BPX1VLO, BPX4VLO) — Lock a file” on page 310 for details on the Vlock structure and its usage.

Serialization provided by the LFS

The vn_lockctl operation is invoked with a shared latch held on the vnode of the file.

Security calls to be made by the PFS

None

Specific processing notes

1. The PFS may support locking for just some of its files. Mt_nolocking can be returned from vfs_mount to turn off vn_lockctl for an entire file system. Vn_lockctl can be turned off for one file by rejecting any vn_lockctl request with RC=ENOSYS. Normal local BRLM locking is done in cases where vn_lockctl is not called.
2. Vn_lockctl is called for the following locking operations: VL_LOCK, VL_LOCKWAIT, VL_UNLOCK, VL_QUERY, VL_UNREGLOCKER. These are described in “v_lockctl (BPX1VLO, BPX4VLO) — Lock a file” on page 310.

3. The object being locked is represented by the Vnode of the operation. The Object ID in the Vlock is usually not filled in.
4. Locker Registration: To speed up future locking operations for a process, the PFS can return a token in vl_lockertok that the LFS saves and passes back to the PFS on later vn_lockctl calls from this same process. Vl_lockertok will be zeros unless a prior Locker Token has been saved. A new Locker Token can be returned on vn_lockctl requests that fail; for example, with VL_LOCK when the lock can not be granted. The Locker Token is also passed to the PFS on vn_rdw, vn_trunc, and vn_setattr (File Size Change) calls when the file involved is one for which vn_lockctl would be called for locking requests. When this process terminates, vn_lockctl is called for the VL_UNREGLOCKER operation so it can clean up any resources that may be associated with the token. There is no file associated with this operation, so the Vnode passed on the call is not significant and will usually be the root vnode of one of the file systems that is mounted on this PFS.
5. Object Registration: The object being locked is fundamentally represented by the Vnode of the operation, but if the PFS returns a non-zero value in vl_objtok the LFS will save this value in the Vnode and pass it back to the PFS on all future locking operations for this object. A new Object Token can be returned on vn_lockctl requests that fail; for example, with VL_LOCK when the lock can not be granted. There is no explicit Object unregistration. Any locking related resources for an object are normally cleaned up as part of vn_inact processing.
6. The Locker ID passed to vn_lockctl for normal POSIX fcntl() users has the user's Process ID (PID) in the vl_clientpid field. The vl_serverpid and vl_clienttid fields will be zeros. In general, the full 16-byte Locker ID represents the individual entity that is requesting the lock. This Locker ID contends with all other 16-byte Locker ID entities for these locks. Only the first 8-bytes of the Locker ID are used for implicit Locker registration and explicit unregistration. Threads would be considered to be part of the registered process.
7. For VL_QUERY, only the POSIX Brk structure can be returned to the fcntl() caller, so the extended blocker information discussed under “v_lockctl (BPX1VLO, BPX4VLO) — Lock a file” on page 310 for the vl_blockinglock field is not used with vn_lockctl. The only information returned about the blocking locker by the LFS for fcntl() is a 1-word Process ID. If the blocking locker is another local POSIX process the PFS should return that PID in the Brk structure; otherwise the PFS should return the PFS's Colony PID.

vn_lookup — Look up a file or directory

Function

The vn_lookup searches the directory that is represented by token_structure for the file or directory whose name is supplied.

Environment on entry and exit

See “Environment for PFS operations” on page 83.

Input parameter format

```
vn_lookup (Token_structure,
          OSI_structure,
          Audit_structure,
          Name_length,
          Name,
          Vnode_token,
          Return_value,
          Return_code,
          Reason_code)
```

Parameters

Token_structure

Supplied parameter

Type: TOKSTR

Length:

Specified by TOKSTR.ts_hdr.cblen.

The Token_structure represents the file (vnode) that is being operated on. It contains the PFS's initialization token, mount token, and the file token. Refer to "LFS/PFS control block structure" on page 17 for a discussion of this structure, and to the TOKSTR typedef in BPXYPSI in Appendix D, "Interface structures for C language servers and clients," on page 499 for its mapping.

OSI_structure

Supplied and returned parameter

Type: OSI

Length:

Specified by OSI.osi_hdr.cblen.

The OSI_structure contains information that is used by the OSI operations that may be called by the PFS. See Chapter 6, "OSI services," on page 385 for more information.

It also contains MVS-specific information that needs to be passed to the PFS, including SMF accounting fields, a work area, a recovery area, and an optional pointer to an output ATTR structure. For more details on the OSI structure, see "The OSI structure" on page 20.

This area is mapped by the OSI typedef in BPXYPSI in Appendix D, "Interface structures for C language servers and clients," on page 499.

Audit_structure

Supplied parameter

Type: CRED

Length:

Specified by CRED.cred_hdr.cblen.

The Audit_structure contains information that is used by the security product for access checks and auditing. It is passed to most SAF routines that are invoked by the PFS.

Refer to “Security responsibilities and considerations” on page 13 for a discussion of security processing, and to the CRED typedef in BPXYPSI in Appendix D, “Interface structures for C language servers and clients,” on page 499 for the mapping of this structure.

Name_length

Supplied parameter

Type: Integer

Length:

Fullword

A fullword that contains the length of Name. The name is between 1 and 255 bytes long.

Name

Supplied parameter

Type: String

Length:

Specified by Name_length

An area, of length Name_length, that contains the name of the file or directory that is to be searched for. This name is not null-terminated.

Vnode_token

Returned parameter

Type: Token

Length:

8 bytes

An area in which the vn_lookup operation returns the vnode token of the file or directory that is supplied in the name parameter.

Return_value

Returned parameter

Type: Integer

Length:

Fullword

A fullword in which the vn_lookup operation returns the results of the operation, as one of the following:

Return_value**Meaning**

-1 The operation was not successful. The Return_code and Reason_Code values must be filled in by the PFS when Return_value is -1.

0 The operation was successful.

Return_code

Returned parameter

Type: Integer

Length:

Fullword

vn_lookup

A fullword in which the vn_lookup operation stores the return code. The vn_lookup operation returns Return_code only if Return_value is -1. For a complete list of supported return code values, see *z/OS UNIX System Services Messages and Codes*.

The vn_lookup operation should support at least the following error values:

Return_code	Explanation
EACCES	The caller does not have search permission for the parent directory.
ENAMETOOLONG	The Name_length that was supplied is greater than the maximum name length that is supported by this PFS.
ENOENT	The file or directory does not exist in the parent directory.

Reason_code

Returned parameter

Type: Integer

Length:
Fullword

A fullword in which the vn_lookup operation stores the reason code. The vn_lookup operation returns Reason_code only if Return_value is -1. Reason_code further qualifies the Return_code value. These reason codes are documented by the PFS.

Implementation notes

Overview of vn_lookup processing

Lookup processing is described in “Creating, referring to, and inactivating file vnodes” on page 32.

Specific processing notes

- The token structure that is passed on input represents the directory that is searched for the input name.
- If the file or directory that is named in the Name parameter does not exist in the parent directory, the vn_lookup operation returns a failing return code, and no vnode_token is returned.

Serialization provided by the LFS

The vn_lookup operation is invoked with a shared latch held on the vnode of the parent directory.

Security calls to be made by the PFS

The PFS is expected to invoke SAF's Check Access callable service to verify that the user has search permission to the directory.

Related services

- “osi_getvnode — Get or return a vnode” on page 402

vn_mkdir — Create a directory

Function

The vn_mkdir operation creates a directory using the attributes that are provided by the caller.

Environment on entry and exit

See “Environment for PFS operations” on page 83.

Input parameter format

```
vn_mkdir (Token_structure,
          OSI_structure,
          Audit_structure,
          Name_length,
          Name,
          File_attribute_structure,
          Vnode_token,
          Return_value,
          Return_code,
          Reason_code)
```

Parameters

Token_structure

Supplied parameter

Type: TOKSTR

Length:

Specified by TOKSTR.ts_hdr.cblen.

The Token_structure represents the file (vnode) that is being operated on. It contains the PFS's initialization token, mount token, and the file token. Refer to “LFS/PFS control block structure” on page 17 for a discussion of this structure, and to the TOKSTR typedef in BPXYPFSI in Appendix D, “Interface structures for C language servers and clients,” on page 499 for its mapping.

OSI_structure

Supplied and returned parameter

Type: OSI

Length:

Specified by OSI.osi_hdr.cblen.

The OSI_structure contains information that is used by the OSI operations that may be called by the PFS. See Chapter 6, “OSI services,” on page 385 for more information.

It also contains MVS-specific information that needs to be passed to the PFS, including SMF accounting fields, a work area, a recovery area, and an optional pointer to an output ATTR structure. For more details on the OSI structure, see “The OSI structure” on page 20.

This area is mapped by the OSI typedef in BPXYPFSI in Appendix D, “Interface structures for C language servers and clients,” on page 499.

Audit_structure

Supplied parameter

Type: CRED

Length:

Specified by CRED.cred_hdr.cblen.

The Audit_structure contains information that is used by the security product for access checks and auditing. It is passed to most SAF routines that are invoked by the PFS.

Refer to "Security responsibilities and considerations" on page 13 for a discussion of security processing, and to the CRED typedef in BPXYPSI in Appendix D, "Interface structures for C language servers and clients," on page 499 for the mapping of this structure.

Name_length

Supplied parameter

Type: Integer

Length:

Fullword

A fullword that contains the length of the directory name that is to be created. The name can be between 1 and 255 bytes long.

Name

Supplied parameter

Type: String

Length:

Specified by Name_length

An area, of length Name_length, that contains the name of the directory that is to be created. This name contains no nulls.

File_Attribute_Structure

Supplied parameter

Type: Structure

Length:

Specified by the ATTR.attr_hdr.cblen field

An area that contains the attributes of the directory that is to be created. This area is mapped by the ATTR typedef in the BPXYVFSI header file (see Appendix D, "Interface structures for C language servers and clients," on page 499). See "Specific processing notes" for details on how the fields in this structure are processed.

Vnode_token

Returned parameter

Type: Token

Length:

8 bytes

An area in which the vn_mkdir service returns the vnode_token for the new directory.

Return_value

Returned parameter

Type: Integer

Length:
Fullword

A fullword in which the vn_mkdir service returns the results of the operation, as one of the following:

Return_value
Meaning

-1 The operation was not successful. The Return_code and Reason_Code values must be filled in by the PFS when Return_value is -1

0 The operation was successful.

Return_code
Returned parameter

Type: Integer

Length:
Fullword

A fullword in which the vn_mkdir service stores the return code. The vn_mkdir service returns Return_code only if Return_value is -1. See *z/OS UNIX System Services Messages and Codes* for a complete list of supported return code values.

The vn_mkdir service should support the following error values:

Return_code	Explanation
EACCES	The caller does not have write authority for the parent directory.
EEXIST	A directory with the same name already exists.
ENOENT	The parent directory has been marked for deletion.
ENAMETOOLONG	The length of the name is greater than the maximum supported length.

Reason_code
Returned parameter

Type: Integer

Length:
Fullword

A fullword in which the vn_mkdir service stores the reason code. The vn_mkdir service returns Reason_code only if Return_value is -1. Reason_code further qualifies the Return_code value. These reason codes are documented by the PFS.

Implementation notes

Overview of vn_mkdir processing

“Creating, referring to, and inactivating file vnodes” on page 32 provides an overview of directory creation processing.

For more information about the semantics of this operation for a POSIX-conforming PFS, refer to the **mkdir()** function in the POSIX .1 standard (IEEE Std 1003.1-1990).

Specific processing notes

vn_mkdir

- The token structure that is passed on input represents the parent directory in which the new directory is created.
- The following ATTR fields are provided by the LFS:

Attr.at_hdr.cbid

Contains Attr_ID (from the BPXYVFSI header file)

Attr.attr_hdr.cbllen

Specifies the length of the File_Attribute_Structure

ATTR.at_mode

Specifies the directory permission bits. See Appendix D, "Interface structures for C language servers and clients," on page 499 for the mapping of this field.

- If the directory that is named in the Name parameter already exists, the vn_mkdir service returns a return code of EEXIST, and the output vnode_token is optional.

Serialization provided by the LFS

The vn_mkdir operation is invoked with an exclusive latch held on the vnode of the parent directory.

Security calls to be made by the PFS

The PFS is expected to invoke SAF's Check Access callable service to verify that the user has write permission to the directory. The PFS is also expected to invoke SAF's Make FSP callable service to create a file security packet.

Related services

- "osi_getvnode — Get or return a vnode" on page 402
- "vn_remove — Remove a link to a file" on page 209

vn_open — Open a file

Function

The vn_open operation opens a file.

Environment on entry and exit

See "Environment for PFS operations" on page 83.

Input parameter format

vn_open	(Token_structure, OSI_structure, Audit_structure, Open_flags, Return_value, Return_code, Reason_code)
---------	---

Parameters

Token_structure

Supplied parameter

Type: TOKSTR

Length:

Specified by TOKSTR.ts_hdr.cblen.

The Token_structure represents the file (vnode) being operated on. It contains the PFS's initialization token, mount token, and the file token. Refer to "LFS/PFS control block structure" on page 17 for a discussion of this structure, and to the TOKSTR typedef in BPXYPFISI in Appendix D, "Interface structures for C language servers and clients," on page 499 for its mapping.

OSI_structure

Supplied and returned parameter

Type: OSI

Length:

Specified by OSI.osi_hdr.cblen.

The OSI_structure contains information used by the OSI operations that may be called by the PFS. See Chapter 6, "OSI services," on page 385 for more information.

It also contains MVS-specific information that needs to be passed to the PFS, including SMF accounting fields, a work area, a recovery area, and an optional pointer to an output ATTR structure. For more details on the OSI structure, see "The OSI structure" on page 20.

This area is mapped by the OSI typedef in BPXYPFISI in Appendix D, "Interface structures for C language servers and clients," on page 499.

Audit_structure

Supplied parameter

Type: CRED

Length:

Specified by CRED.cred_hdr.cblen.

The Audit_structure contains information used by the security product for access checks and auditing. It is passed to most SAF routines that are invoked by the PFS.

Refer to "Security responsibilities and considerations" on page 13 for a discussion of security processing, and to the CRED typedef in BPXYPFISI in Appendix D, "Interface structures for C language servers and clients," on page 499 for the mapping of this structure.

Open_flags

Supplied parameter

Type: Bit

Length:

Fullword

A fullword containing the binary flags that describe how the file is to be opened. These flags are defined by **fcntl.h**.

Return_value

Returned parameter

Type: Integer

Length:

Fullword

vn_open

A fullword where the vn_open operation returns the results of the operation as one of the following:

Return_value

Meaning

- 1 The operation was not successful. The Return_code and Reason_Code values must be filled in by the PFS when Return_value is -1.
- 0 The operation was successful.

Return_code

Returned parameter

Type: Integer

Length:

Fullword

A fullword in which the vn_open operation stores the return code. The vn_open operation returns Return_code only if Return_value is -1. See *z/OS UNIX System Services Messages and Codes* for a complete list of supported return code values.

The vn_open operation should support at least the following error values:

Return_code	Explanation
EACCES	The caller does not have permission for the requested (read or write) access.
ENOENT	The file does not exist.
EROFS	An attempt was made to open a file for write in a read-only file system.

Reason_code

Returned parameter

Type: Integer

Length:

Fullword

A fullword where the vn_open operation stores the reason code. The vn_open operation returns Reason_code only if Return_value is -1. Reason_code further qualifies the Return_code value. These reason codes are documented by the PFS.

Implementation notes

Overview of vn_open processing

See “Opening and closing files and first references to files” on page 36 for a discussion of open processing.

For more information about the semantics of this operation for a POSIX-conforming PFS, refer to the **open()** function in the POSIX .1 standard (IEEE Std 1003.1-1990).

Specific processing notes

- The O_RDONLY and O_WRONLY bits in the Open_flags control whether the SAF Check Access callable service is called for a read, write, or read and write access check.
- When the O_EXEC flag is ON in the Open_flags, the SAF Check Access call must be made with a check for execute permission rather than read

or write permission. This bit is a z/OS UNIX extension that is defined in Appendix D, “Interface structures for C language servers and clients,” on page 499.

- When the O_TRUNC flag is ON in the Open_flags the PFS must truncate the file to zero length.
- The LFS implements the semantics of the O_CREAT and O_EXCL flags.
- The Open_flags will be remembered by the LFS and passed to the PFS on all read/write type operations that are related to this open. The O_APPEND and O_NONBLOCK flags, for instance, are processed by the PFS during those read/write operations from the flags passed to it at that time. The O_SYNC flag is transferred by the LFS to the UIO.u_sync flag for all read/write type operations so that this function can be processed by the PFS the same way for both POSIX and NFS users.

Serialization provided by the LFS

The vn_open operation is invoked with an exclusive latch held on the vnode of the file. Shared read support for the file being opened may be modified in the OSI by the PFS upon returning from the vn_open operation.

Security calls to be made by the PFS

The PFS is expected to invoke SAF's Check Access callable service to check that the user has permission for the requested (read, write, or execute) access.

Related services

- “vn_close — Close a file or socket” on page 144

vn_pathconf — Determine configurable pathname values

Function

The vn_pathconf operation returns the current value of a configurable limit or option that is associated with a file or directory.

Environment on entry and exit

See “Environment for PFS operations” on page 83.

Input parameter format

```
vn_pathconf (Token_structure,
             OSI_structure,
             Audit_structure,
             Option,
             Return_value,
             Return_code,
             Reason_code)
```

Parameters

Token_structure

Supplied parameter

Type: TOKSTR

Length:

Specified by TOKSTR.ts_hdr.cblen.

The Token_structure represents the file (vnode) that is being operated on. It contains the PFS's initialization token, mount token, and the file token. Refer to "LFS/PFS control block structure" on page 17 for a discussion of this structure, and to the TOKSTR typedef in BPXYPFISI in Appendix D, "Interface structures for C language servers and clients," on page 499 for its mapping.

OSI_structure

Supplied and returned parameter

Type: OSI

Length:

Specified by OSI.osi_hdr.cblen.

The OSI_structure contains information that is used by the OSI operations that may be called by the PFS. See Chapter 6, "OSI services," on page 385 for more information.

It also contains MVS-specific information that needs to be passed to the PFS, including SMF accounting fields, a work area, a recovery area, and an optional pointer to an output ATTR structure. For more details on the OSI structure, see "The OSI structure" on page 20.

This area is mapped by the OSI typedef in BPXYPFISI in Appendix D, "Interface structures for C language servers and clients," on page 499.

Audit_structure

Supplied parameter

Type: CRED

Length:

Specified by CRED.cred_hdr.cblen.

The Audit_structure contains information that is used by the security product for access checks and auditing. It is passed to most SAF routines that are invoked by the PFS.

Refer to "Security responsibilities and considerations" on page 13 for a discussion of security processing, and to the CRED typedef in BPXYPFISI in Appendix D, "Interface structures for C language servers and clients," on page 499 for the mapping of this structure.

Option

Supplied parameter

Type: Integer

Length:

Fullword

The option parameter contains a value that indicates which configurable limit or option is returned in Return_value. These values are defined in **unistd.h** and are:

Variable Returned

_PC_CHOWN_RESTRICTED

Description

Change ownership function is restricted to a process with appropriate privileges, and to changing the group ID (GID) of a file only to the effective group ID of the process or to one of its supplementary group IDs.

Variable Returned	Description
_PC_LINK_MAX	Maximum value of a file's link count.
_PC_MAX_CANON	Maximum number of bytes in a terminal canonical input line.
_PC_MAX_INPUT	Minimum number of bytes for which space is to be available in a terminal input queue; therefore, the maximum number of bytes a portable application may require to be typed as input before it reads them.
_PC_NAME_MAX	Maximum number of bytes in a filename (not a string length; count excludes a terminating null).
_PC_NO_TRUNC	Pathname components longer than 255 bytes generate an error.
_PC_PATH_MAX	Maximum number of bytes in a pathname (not a string length; count excludes a terminating null).
_PC_PIPE_BUF	Maximum number of bytes that can be written atomically when writing to a pipe.
_PC_VDISABLE	Terminal special characters that are maintained by the system can be disabled using this character value.

Return_value

Returned parameter

Type: Integer

Length:
Fullword

The name of a fullword in which the vn_pathconf operation returns the current value of the pathname variable that corresponds to Name specified, or -1 if not successful.

If the named pathname variable does not have a limit for the specified file, Return_value is set to -1 and Return_code and Reason_code remain unchanged.

If _PC_CHOWN_RESTRICTED is specified for Option, and _POSIX_CHOWN_RESTRICTED is active, Return_value is set to 1.

If _PC_CHOWN_RESTRICTED is specified for Option, and _POSIX_CHOWN_RESTRICTED is not active, Return_value is set to 0.

If _PC_NO_TRUNC is specified for Option, and _POSIX_NO_TRUNC is active, Return_value is set to 1.

If _PC_NO_TRUNC is specified for Option, and _POSIX_NO_TRUNC is not active, Return_value is set to 0.

Return_code

Returned parameter

Type: Integer

Length:
Fullword

A fullword in which the vn_pathconf operation stores the return code. The vn_pathconf operation returns Return_code only if Return_value is -1. For a complete list of supported return code values, see *z/OS UNIX System Services Messages and Codes*.

vn_pathconf

Reason_code

Returned parameter

Type: Integer

Length:

Fullword

A fullword in which the vn_pathconf operation stores the reason code. The vn_pathconf operation returns Reason_code only if Return_value is -1. Reason_code further qualifies the Return_code value. These reason codes are documented by the PFS.

Implementation notes

Specific processing notes

- If the PFS does not have a limit for the specified option, Return_value is set to -1, but Return_code and Reason_code are unchanged. A Return_value of -1 in this case represents a limit of infinity (or no limit) for the requested option.
- The vn_pathconf operation is not invoked by the LFS if the PATH_MAX option is specified. The LFS value for PATH_MAX, 1023, is returned.
- If the PC_NAME_MAX option is specified, the LFS compares its value to the PFS value, and returns the minimum.

Serialization provided by the LFS

The vn_pathconf operation is invoked with a shared latch held on the vnode.

Security calls to be made by the PFS

None.

vn_rdwr — Read or write a file

Function

The vn_rdwr operation reads data from or writes data to a file or a socket.

Environment on entry and exit

See “Environment for PFS operations” on page 83.

Input parameter format

vn_rdwr	(Token_structure, OSI_structure, Audit_structure, Open_flags, User_IO_structure, Return_value, Return_code, Reason_code)
---------	---

Parameters

Token_structure

Supplied parameter

Type: TOKSTR

Length:

Specified by TOKSTR.ts_hdr.cblen.

The Token_structure represents the file (vnode) that is being operated on. It contains the PFS's initialization token, mount token, and the file token. Refer to "LFS/PFS control block structure" on page 17 for a discussion of this structure, and to the TOKSTR typedef in BPXYPFISI in Appendix D, "Interface structures for C language servers and clients," on page 499 for its mapping.

OSI_structure

Supplied and returned parameter

Type: OSI

Length:

Specified by OSI.osi_hdr.cblen.

The OSI_structure contains information that is used by the OSI operations that may be called by the PFS. See Chapter 6, "OSI services," on page 385 for more information.

It also contains MVS-specific information that needs to be passed to the PFS, including SMF accounting fields, a work area, a recovery area, and an optional pointer to an output ATTR structure. For more details on the OSI structure, see "The OSI structure" on page 20.

This area is mapped by the OSI typedef in BPXYPFISI in Appendix D, "Interface structures for C language servers and clients," on page 499.

Audit_structure

Supplied parameter

Type: CRED

Length:

Specified by CRED.cred_hdr.cblen.

The Audit_structure contains information that is used by the security product for access checks and auditing. It is passed to most SAF routines that are invoked by the PFS.

Refer to "Security responsibilities and considerations" on page 13 for a discussion of security processing, and to the CRED typedef in BPXYPFISI in Appendix D, "Interface structures for C language servers and clients," on page 499 for the mapping of this structure.

Open_flags

Supplied parameter

Type: Structure

Length:

Fullword

An area that contains the options that are to be used when reading from or writing to the file or socket. This area is mapped by **fcntl.h**. See *z/OS XL C/C++ Runtime Library Reference* for a description of this header.

User_IO_structure

Supplied and returned parameter

Type: Structure

Length:

Specified by the `UIO.u_hdr.cblen` field

An area to be used by the `vn_rdwr` service to determine the buffer address, length, storage key, and other attributes of the read or write request. This area is mapped by the `UIO` typedef in the `BPXYVFSI` header file (see Appendix D, "Interface structures for C language servers and clients," on page 499). See the description of the `vn_readwritev` service ("Specific processing notes") for details on how the fields in this structure are processed.

Return_value

Returned parameter

Type: Integer

Length:

Fullword

A fullword in which the `vn_rdwr` service returns the results of the operation, as one of the following:

Return_value**Meaning**

-1 The operation was not successful. The `Return_code` and `Reason_Code` values must be filled in by the PFS when `Return_value` is -1.

0 or greater

The operation was successful; the value represents the number of bytes that were transferred.

Return_code

Returned parameter

Type: Integer

Length:

Fullword

A fullword in which the `vn_rdwr` service stores the return code. The `vn_rdwr` service returns `Return_code` only if `Return_value` is -1. For a complete list of supported return code values, see *z/OS UNIX System Services Messages and Codes*.

The `vn_rdwr` service should support the following error values:

Return_code	Explanation
EFAULT	A buffer address that was not valid was passed.
EINTR	The request was interrupted by a signal.
EACCES	The caller does not have the requested (read or write) access to the file.
EFBIG	Writing to the specified file would exceed the file size limit for the process, or the maximum file size that is supported by the physical file system.
EIO	An I/O error occurred while the file was being accessed.
EWOULDBLOCK	The request was made of a non-blocking descriptor, and a block was needed to satisfy the request.

Reason_code

Returned parameter

Type: Integer

Length:

Fullword

A fullword in which the vn_rdwr service stores the reason code. The vn_rdwr service returns Reason_code only if Return_value is -1. Reason_code further qualifies the Return_code value. These reason codes are documented by the PFS.

Implementation notes**Overview of vn_rdwr processing**

“Reading from and writing to files” on page 39 provides an overview of file read and write processing.

Specific processing notes

- The following UIO fields are provided by the LFS:

UIO.u_hdr.cbid

Contains UIO_ID (from the BPXYVFSI header file)

UIO.u_hdr.cblen

Specifies the length of the user_IO_structure

UIO.u_buffaddr

Specifies the address of the caller's input/output buffer

UIO.u_buffalet

Specifies the ALET of the caller's input/output buffer

UIO.u_offseth

Specifies the upper word of a doubleword value that contains the offset into the file. The updated value for this field is returned by the PFS as a result of the vn_rdwr operation.

UIO.u_offset

Specifies the lower word of a doubleword value that contains the offset into the file. The updated value for this field is returned by the PFS as a result of the vn_rdwr operation.

UIO.u_count

Specifies the number of bytes that are to be read or written

UIO.u_asid

Specifies the ASID of the caller

UIO.u_rw

Specifies whether the request is a read (0) or a write (1)

UIO.u_key

Specifies the storage key of the caller's input/output buffer

UIO.u_fssizehighw

Specifies the high word of the file size limit for the process

UIO.u_fssizelimitl

Specifies the low word of the file size limit for the process

UIO.u_sync

Specifies that the file is to be written to disk before the PFS returns. The PFS sets UIO.u_syncd to indicate that this has been done.

UIO.u_chkacc

Specifies that access checking is to be performed

UIO.u_realpage

Specifies that a real storage address is being passed. This flag is used only if the PFS reported during initialization that it supports DATOFF moves.

PFS limit processing

The UIO contains the process file size limit for the file. This is a doubleword value that is contained in UIO.u_fssizelimitlw and UIO.u_fssizelimitw. When a write request is unable to write any data before exceeding the file size limit, the PFS must set the UIO.u_limitex bit on, in addition to setting a Return_code of EFBIG. This includes detecting the special case in which the UIO.u_fssizelimitw is equal to UIO_NONEFILES, which prohibits the expansion of existing files.

(Note that for vn_setattr, the LFS handles file size limit checking.)

The PFS must also be aware of one other special value for the file size limit. If both UIO.u_fssizelimitlw and UIO.u_fssizelimitw are equal to 0, there is no file size limit set for the process.

Serialization provided by the LFS

The vn_rdwr operation is invoked with an exclusive latch held on the vnode, unless the VnodSharedRead flag indicates that shared read is supported, in which case a shared latch is held on the vnode.

Shared read support for the file that is being read from or written to may be modified in the OSI by the PFS upon returning from the vn_rdwr operation.

Security calls to be made by the PFS

If u_chkacc is on in the user_IO_structure, the PFS is expected to invoke SAF's Check Access callable service to check that the user has permission to read from or write to the file. This check should be based on the access intent that is specified by u_rw.

The PFS is expected to invoke SAF's Clear Setid callable service whenever a write is done to a file with the S_GID or S_UID options. System overhead can be significantly reduced by setting an internal flag in the Inode to indicate that Clear Setid has been called, so that subsequent calls can be avoided. This flag would be cleared whenever the file's mode is changed via vn_setattr. In other words, Clear Setid should only be called once on the first write after the file's mode is changed or its Inode is created in storage.

vn_readdir — Read directory entries**Function**

The vn_readdir operation reads entries from the directory that is represented by the input Token_structure, and returns as many entries as will fit in the caller's buffer.

Environment on entry and exit

See "Environment for PFS operations" on page 83.

Input parameter format

```
vn_readdir (Token_structure,
           OSI_structure,
           Audit_structure,
           User_IO_structure,
           Return_value,
           Return_code,
           Reason_code)
```

Parameters

Token_structure

Supplied parameter

Type: TOKSTR

Length:

Specified by TOKSTR.ts_hdr.cblen.

The Token_structure represents the file (vnode) that is being operated on. It contains the PFS's initialization token, mount token, and the file token. Refer to "LFS/PFS control block structure" on page 17 for a discussion of this structure, and to the TOKSTR typedef in BPXYPFSI in Appendix D, "Interface structures for C language servers and clients," on page 499 for its mapping.

OSI_structure

Supplied and returned parameter

Type: OSI

Length:

Specified by OSI.osi_hdr.cblen.

The OSI_structure contains information that is used by the OSI operations that may be called by the PFS. See Chapter 6, "OSI services," on page 385 for more information.

It also contains MVS-specific information that needs to be passed to the PFS, including SMF accounting fields, a work area, a recovery area, and an optional pointer to an output ATTR structure. For more information about the OSI structure, see "The OSI structure" on page 20.

This area is mapped by the OSI typedef in BPXYPFSI in Appendix D, "Interface structures for C language servers and clients," on page 499.

Audit_structure

Supplied parameter

Type: CRED

Length:

Specified by CRED.cred_hdr.cblen.

The Audit_structure contains information that is used by the security product for access checks and auditing. It is passed to most SAF routines that are invoked by the PFS.

Refer to "Security responsibilities and considerations" on page 13 for a discussion of security processing, and to the CRED typedef in BPXYPFSI in Appendix D, "Interface structures for C language servers and clients," on page 499 for the mapping of this structure.

User_IO_structure

Supplied and returned parameter

Type: UIO

Length:

Specified by UIO.u_hdr.cblen.

An area containing the parameters for the I/O that is to be performed. This area is mapped by the UIO typedef in the BPXYVFSI header file (see Appendix D, "Interface structures for C language servers and clients," on page 499). See "Specific processing notes" for details on how the fields in this structure are processed.

Return_value

Returned parameter

Type: Integer

Length:

Fullword

A fullword in which the vn_readdir operation returns the results of the operation, as one of the following return codes:

Return_value

Meaning

-1 The operation was not successful. The Return_code and Reason_Code values must be completed by the PFS when Return_value is -1.

0 The operation was successful, and there are no more directory entries to be read. No entries are returned.

0 or greater

The operation was successful; the value represents the number of directory entries that are returned.

Return_code

Returned parameter

Type: Integer

Length:

Fullword

A fullword in which the vn_readdir operation stores the return code. The vn_readdir operation returns Return_code only if Return_value is -1. For a complete list of supported return code values, see *z/OS UNIX System Services Messages and Codes*.

The vn_readdir operation must support at least the following error values:

Return_code	Explanation
EACCES	The caller does not have search permission for the directory.
EFAULT	A buffer address that was specified is not in addressable storage.
EINVAL	There was a parameter error, such as an input buffer that is too small for any entries.

Reason_code

Returned parameter

Type: Integer

Length:

Fullword

A fullword in which the vn_readdir operation stores the reason code. The vn_readdir operation returns Reason_code only if Return_value is -1. Reason_code further qualifies the Return_code value. These reason codes are documented by the PFS product.

Implementation notes**Overview of vn_readdir processing**

“Reading directories” on page 40 provides an overview of readdir operation.

Specific processing notes

The token structure that is passed on input represents the directory that is to be read.

The following UIO fields are provided by the LFS:

UIO.u_hdr.cbid

Contains UIO_ID (from the BPXYVFSI header file)

UIO.u_hdr.cblen

Specifies the length of the user_IO_structure

UIO.u_buffaddr

Specifies the address of the caller's buffer

UIO.u_alet

Specifies the ALET of the caller's buffer

UIO.u_offseth

Specifies the high-order word of the cursor

UIO.u_offset

Specifies the low-order word of the cursor

UIO.u_count

Specifies the maximum number of bytes that can be written to the caller's buffer

UIO.u_asid

Specifies the ASID of the caller

UIO.u_key

Specifies the storage key of the caller's buffer

UIO.u_rindex

Specifies the **readdir** index field

- The following UIO fields must be set by the PFS:
 - UIO.u_offseth
 - UIO.u_offset
- The PFS is expected to write directory entries into the caller's buffer. These directory entries are mapped by the DIRENT and DIREXT typedefs in the BPXYVFSI header file (see Appendix D, “Interface structures for C language servers and clients,” on page 499).
- For more information about the semantics of this operation for a POSIX-conforming PFS, see readdir (BPX1RDD, BPX4RDD) — Read an entry from a directory in *z/OS UNIX System Services Programming: Assembler Callable Services Reference*.

Serialization provided by the LFS

The vn_readdir operation is invoked with a shared latch held on the vnode of the directory.

Security calls to be made by the PFS

The PFS is expected to invoke SAF's Check Access callable service to verify that the user has read permission to the directory.

For a discussion of vn_link processing in a multilevel security environment, see "PFS support for multilevel security" on page 75.

Related services

- "vn_open — Open a file" on page 184

vn_readlink — Read a symbolic link

Function

The vn_readlink operation reads the symbolic link file that is represented by Token_structure, and returns the contents in the buffer that is described by User_IO_structure.

Environment on entry and exit

See "Environment for PFS operations" on page 83.

Input parameter format

```
vn_readlink (Token_structure,  
             OSI_structure,  
             Audit_structure,  
             User_IO_structure,  
             Return_value,  
             Return_code,  
             Reason_code)
```

Parameters

Token_structure

Supplied parameter

Type: TOKSTR

Length:

Specified by TOKSTR.ts_hdr.cblen.

The Token_structure represents the file (vnode) that is being operated on. It contains the PFS's initialization token, mount token, and the file token. Refer to "LFS/PFS control block structure" on page 17 for a discussion of this structure, and to the TOKSTR typedef in BPXYPSI in Appendix D, "Interface structures for C language servers and clients," on page 499 for its mapping.

OSI_structure

Supplied and returned parameter

Type: OSI

Length:

Specified by OSI.osi_hdr.cblen.

The `OSI_structure` contains information that is used by the OSI operations that may be called by the PFS. See Chapter 6, “OSI services,” on page 385 for more information.

It also contains MVS-specific information that needs to be passed to the PFS, including SMF accounting fields, a work area, a recovery area, and an optional pointer to an output ATTR structure. For more details on the OSI structure, see “The OSI structure” on page 20.

This area is mapped by the OSI typedef in BPXYPFSI in Appendix D, “Interface structures for C language servers and clients,” on page 499.

Audit_structure

Supplied parameter

Type: CRED

Length:

Specified by CRED.cred_hdr.cblen.

The `Audit_structure` contains information that is used by the security product for access checks and auditing. It is passed to most SAF routines that are invoked by the PFS.

Refer to “Security responsibilities and considerations” on page 13 for a discussion of security processing, and to the CRED typedef in BPXYPFSI in Appendix D, “Interface structures for C language servers and clients,” on page 499 for the mapping of this structure.

User_IO_structure

Supplied and returned parameter

Type: UIO

Length:

Specified by UIO.u_hdr.cblen.

An area that contains the parameters for the I/O that is to be performed. This area is mapped by the UIO typedef in the BPXYVFSI header file (see Appendix D, “Interface structures for C language servers and clients,” on page 499).

Return_value

Returned parameter

Type: Integer

Length:

Fullword

A fullword in which the `vn_readlink` service returns the results of the operation, as one of the following:

Return_value

Meaning

-1 The operation was not successful. The `Return_code` and `Reason_Code` values must be filled in by the PFS when `Return_value` is -1.

0 or greater

The operation was successful and represents the number of bytes that were transferred.

Return_code

Returned parameter

vn_readlink

Type: Integer

Length:
Fullword

A fullword in which the vn_readlink service stores the return code. The vn_readlink service returns Return_code only if Return_value is -1. For a complete list of supported return code values, see *z/OS UNIX System Services Messages and Codes*.

The vn_readlink service should support at least the following error value:

Return_code	Explanation
EFAULT	The buffer address that was specified in the input user_IO_structure is not in addressable storage.

Reason_code
Returned parameter

Type: Integer

Length:
Fullword

A fullword in which the vn_readlink service stores the reason code. The vn_readlink service returns Reason_code only if Return_value is -1. Reason_code further qualifies the Return_code value. These reason codes are documented by the PFS.

Implementation notes

Overview of vn_readlink processing

“Reading from and writing to files” on page 39 provides an overview of file read and write processing.

The vn_readlink operation reads a symbolic link file. A symbolic link file contains the pathname or external name that was specified when the symbolic link was created.

Specific processing notes

- The token structure that is passed on input represents the symbolic link that is to be read.
- The following UIO fields are provided by the LFS:

UIO.u_hdr.cbid
Contains UIO_ID (from the BPXYVFSI header file)

UIO.u_hdr.cbllen
Specifies the length of the user_IO_structure

UIO.u_buffaddr
Specifies the address of the caller's buffer

UIO.u_alet
Specifies the ALET of the caller's buffer

UIO.u_count
Specifies the maximum number of bytes that can be written to the caller's buffer

UIO.u_asid
Specifies the ASID of the caller

UO.u_key

Specifies the storage key of the caller's buffer

- If the buffer that is supplied to `vn_readlink` is too small to contain the contents of the symbolic link, the value should be truncated to the length of the buffer (`UO.u_count`).
- There is no difference in `vn_readlink` processing for symbolic and external links.
- Refer to the `readlink()` function in the POSIX .1a standard (IEEE Std 1003.1a), draft 7, for more information about the semantics of this operation for a POSIX-conforming PFS.

Serialization provided by the LFS

The `vn_readlink` operation is invoked with a shared latch held on the `vnode` of the directory.

Security calls to be made by the PFS

For a discussion of `vn_link` processing in a multilevel security environment, see “PFS support for multilevel security” on page 75.

Related services

- “`vn_symlink` — Create a symbolic link” on page 254

vn_readwritev — Read or write using a set of buffers for data**Function**

The `vn_readwritev` operation reads or writes on a file or socket, using a set of buffers to hold the data that is read or written.

Environment on entry and exit

See “Environment for PFS operations” on page 83.

Input parameter format

```
vn_readwritev (Token_structure,
              OSI_structure,
              Audit_structure,
              Open_flags,
              User_IO_structure,
              Return_value,
              Return_code,
              Reason_code)
```

Parameters**Token_structure**

Supplied parameter

Type: TOKSTR

Length:

Specified by `TOKSTR.ts_hdr.cblen`.

The `Token_structure` represents the file (`vnode`) that is being operated on. It contains the PFS's initialization token, mount token, and the file token. Refer to

“LFS/PFS control block structure” on page 17 for a discussion of this structure, and to the TOKSTR typedef in BPXYPFISI in Appendix D, “Interface structures for C language servers and clients,” on page 499 for its mapping.

OSI_structure

Supplied and returned parameter

Type: OSI

Length:

Specified by OSI.osi_hdr.cblen.

The OSI_structure contains information that is used by the OSI operations that may be called by the PFS. See Chapter 6, “OSI services,” on page 385 for more information.

It also contains MVS-specific information that needs to be passed to the PFS, including SMF accounting fields, a work area, a recovery area, and an optional pointer to an output ATTR structure. For more details on the OSI structure, see “The OSI structure” on page 20.

This area is mapped by the OSI typedef in BPXYPFISI in Appendix D, “Interface structures for C language servers and clients,” on page 499.

Audit_structure

Supplied parameter

Type: CRED

Length:

Specified by CRED.cred_hdr.cblen.

The Audit_structure contains information that is used by the security product for access checks and auditing. It is passed to most SAF routines that are invoked by the PFS.

Refer to “Security responsibilities and considerations” on page 13 for a discussion of security processing, and to the CRED typedef in BPXYPFISI in Appendix D, “Interface structures for C language servers and clients,” on page 499 for the mapping of this structure.

Open_flags

Supplied parameter

Type: Structure

Length:

Fullword

A fullword that contains the bits that are associated with the socket. The defined values for this field are mapped by fcntl.h.

User_IO_structure

Supplied and returned parameter

Type: UIO

Length:

Specified by UIO.u_hdr.cblen.

An area that contains the parameters for the I/O that is to be performed. This area is mapped by the UIO typedef in the BPXYVFSI header file (see Appendix D, “Interface structures for C language servers and clients,” on page 499). See “Specific processing notes” for details on how the fields in this structure are processed.

Return_value

Returned parameter

Type: Integer

Length:
Fullword

A fullword in which the vn_readwritev operation returns the results of the operation, as one of the following:

Return_value**Meaning**

-1 The operation was not successful. The Return_code and Reason_Code values must be filled in by the PFS when Return_value is -1.

0 or greater

The operation was successful; the value represents the number of bytes that were transferred.

Return_code

Returned parameter

Type: Integer

Length:
Fullword

A fullword in which the vn_readwritev operation stores the return code. The vn_readwritev operation returns Return_code only if Return_value is -1. For a complete list of supported return code values, see *z/OS UNIX System Services Messages and Codes*.

The vn_readwritev operation should support at least the following error values:

Return_code	Explanation
EINVAL	Either a negative number of bytes was requested, or this socket has been shut down.
EFAULT	A buffer address that was specified is not in addressable storage.
EFBIG	Writing to the specified file would exceed the file size limit for the process or the maximum file size that is supported by the physical file system.
EWOULDBLOCK	The operation would have required a blocking wait, and this socket was marked as nonblocking.

Reason_code

Returned parameter

Type: Integer

Length:
Fullword

A fullword in which the vn_readwritev operation stores the reason code. The vn_readwritev operation returns Reason_code only if Return_value is -1. Reason_code further qualifies the Return_code value. These reason codes are documented by the PFS.

Implementation notes**Overview of vn_readwritev processing**

For more information about the semantics of this operation for a POSIX-conforming PFS, refer to the publications that are mentioned in “Finding more information about sockets” on page xiii for the `readv` and `writev` functions.

Specific processing notes

- The following UIO fields are provided by the LFS:

UIO.u_hdr.cbid

Contains UIO_ID (from the BPXYVFSI header file)

UIO.u_hdr.cblen

Specifies the length of the `user_IO_structure`

UIO.u_buffaddr

Specifies the address of the caller's iov structure. The iov structure is mapped in **uio.h**.

UIO.u_buffalet

Specifies the ALET of the caller's iov structure

UIO.u_offseth

Specifies the upper word of a doubleword value that contains the offset into the file. The updated value for this field is returned by the PFS as a result of the `vn_readwritev` operation.

UIO.u_offset

Specifies the lower word of a doubleword value that contains the offset into the file. The updated value for this field is returned by the PFS as a result of the `vn_readwritev` operation.

UIO.u_count

Specifies the number of elements in the IOV array

UIO.u_asid

Specifies the ASID of the caller

UIO.u_rw

Specifies whether the request is a read (0) or a write (1)

UIO.u_key

Specifies the storage key of the caller's buffer

UIO.u_iovbufalet

Specifies the ALET of the iov's buffers. All of the iov buffers must use the same ALET.

UIO.u_fssizelimitlw

Specifies the high word of the file size limit for the process.

UIO.u_fssizelimitlw

Specifies the low word of the file size limit for the process.

Also refer to “Reading from and writing to files” on page 39 for details on how reads and writes are done by the file system.

The UIO contains fields that may point to a 64-bit addressable user buffer. When `FuioAddr64` is on (and `FuioRealPage` is off), `FuioBuff64Vaddr` points to a buffer, an IOV64, or an MSGH64.

PFS Limit Processing

The UIO contains the process file size limit for the file. This is a doubleword value that is contained in `UIO.u_fssizelimitlw` and `UIO.u_fssizelimitlw`. When a write request is unable to write any data

before exceeding the file size limit, the PFS must set the `UO.u_limitex` bit on, in addition to setting a `Return_code` of `EFBIG`. This includes detecting the special case in which the `UO.u_fssizelimitw` is equal to `UO_NONEFILES`, which prohibits the expansion of existing files.

(Note that for `vn_setattr`, the LFS handles file size limit checking.)

The PFS must also be aware of one other special value for the file size limit. If both `UO.u_fssizelimitw` and `UO.u_fssizelimitlw` are equal to 0, there is no file size limit set for the process.

Serialization provided by the LFS

The `vn_readwritev` operation is invoked with an exclusive latch held on the `vnode` of the file or socket, unless the `VnodSharedRead` flag indicates that shared read is supported, in which case a shared latch is held on the `vnode`.

Shared read support for the file that is being read from or written to can be modified in the OSI by the PFS upon returning from the `vn_readwritev` operation.

Security calls to be made by the PFS

If the check access bit is set and this PFS does access checking, the PFS is expected to invoke SAF's Check Access callable service to verify that the user has permission to read from or write to the file.

The PFS is expected to invoke SAF's Clear Setid callable service whenever a write is done to a file with the `S_GID` or `S_UID` options. System overhead can be significantly reduced by setting an internal flag in the Inode to indicate that Clear Setid has been called, so that subsequent calls can be avoided. This flag would be cleared whenever the file's mode was changed via `vn_setattr`. In other words, Clear Setid should only be called once on the first write after the file's mode is changed or its Inode is created in storage.

vn_recovery — Recover resources after an abend

Function

The `vn_recovery` operation permits a PFS to recover resources when an abnormal end occurs while a request to that PFS is active.

Environment on entry and exit

See "Environment for PFS operations" on page 83.

Input parameter format

```
vn_recovery (Token_structure,
             OSI_structure,
             Audit_structure,
             Recovery_area,
             Return_value,
             Return_code,
             Reason_code)
```

Parameters

Token_structure

Supplied parameter

Type: TOKSTR

Length:

Specified by TOKSTR.ts_hdr.cblen.

The Token_structure represents the file (vnode) that is being operated on. It contains the PFS's initialization token, mount token, and the file token. Refer to "LFS/PFS control block structure" on page 17 for a discussion of this structure, and to the TOKSTR typedef in BPXYPFISI in Appendix D, "Interface structures for C language servers and clients," on page 499 for its mapping.

OSI_structure

Supplied and returned parameter

Type: OSI

Length:

Specified by OSI.osi_hdr.cblen.

The OSI_structure contains information that is used by the OSI operations that may be called by the PFS. See Chapter 6, "OSI services," on page 385 for more information.

It also contains MVS-specific information that needs to be passed to the PFS, including SMF accounting fields, a work area, a recovery area, and an optional pointer to an output ATTR structure. For more details on the OSI structure, see "The OSI structure" on page 20.

This area is mapped by the OSI typedef in BPXYPFISI in Appendix D, "Interface structures for C language servers and clients," on page 499.

Audit_structure

Supplied parameter

Type: CRED

Length:

Specified by CRED.cred_hdr.cblen.

The Audit_structure contains information that is used by the security product for access checks and auditing. It is passed to most SAF routines that are invoked by the PFS.

Refer to "Security responsibilities and considerations" on page 13 for a discussion of security processing, and to the CRED typedef in BPXYPFISI in Appendix D, "Interface structures for C language servers and clients," on page 499 for the mapping of this structure.

Recovery_area

Supplied parameter

Type: String

Length:

8 bytes

A copy of the Recovery_area that was filled in by the PFS during the operation that was interrupted. This area is mapped by OSIRTOKEN (see Appendix D, "Interface structures for C language servers and clients," on page 499).

Return_value

Returned parameter

Type: Integer

Length:
Fullword

A fullword in which the vn_recovery operation returns control information to direct the outcome of the recovery processing, as follows:

Return_value**Meaning****VNR_NODUMP**

Suppress the system dump that is normally taken.

VNR_RETSUCCESS

Report success to the user. In this case, the value in the Return_Code parameter is passed back to the user as the return value of the original function.

VNR_RETERRNO

Report failure to the user. In this case, the values in the Return_Code and Reason_Code parameters are passed back to the user as the return and reason codes for the original function. The return value that is passed back for the original function is -1.

Dump suppression may be requested with either success or failure reports; that is, with values of VNR_NODUMP+VNR_RETSUCCESS or VNR_NODUMP+VNR_RETERRNO, respectively.

If a Return_value is not returned by the PFS, a system dump is attempted and the original function fails with generic return and reason codes. The Return_values listed in this topic are defined in BPXYPFSI (see Appendix D, "Interface structures for C language servers and clients," on page 499.)

Return_code

Returned parameter

Type: Integer

Length:
Fullword

A fullword in which the vn_recovery operation stores the return code. The vn_recovery operation returns Return_code with the Return_value that was returned, as explained in this topic.

Reason_code

Returned parameter

Type: Integer

Length:
Fullword

A fullword in which the vn_recovery operation stores the reason code. The vn_recovery operation returns Reason_code with the Return_value that was returned, as explained in this topic.

Implementation notes**Overview of vn_recovery processing**

“Recovery considerations” on page 25 provides an overview of recovery processing, and discusses the flow for `vn_recovery` in particular.

When an active request to the PFS is interrupted by an abnormal end, the PFS may have resources, such as storage and locks, that are left in a state that will cause problems for other users. This operation is defined to give the PFS a chance to clean up these resources if an abnormal end should occur.

This operation is designed for a PFS that does not have its own ESTAE or FRR protection. When a PFS has its own recovery, it normally handle abnormal ends before returning or percolating back to the LFS.

Specific processing notes

- An 8-byte `Recovery_area` is passed on every VFS and vnode operation, through the `osi_rtokptr` pointer in the `OSI_structure`, in which the PFS can record its resources or store a pointer to a recovery block. Any information that is stored in this area by the PFS during an operation is passed back to the PFS via the `Recovery_area` parameter of `vn_recovery` if the operation is interrupted by an abnormal end.

The SDWA address is also passed to the PFS, for diagnostic purposes. This address is stored 16 bytes after the 8-byte `Recovery_area`. (Refer to the `osirtokenx` structure in Appendix D, “Interface structures for C language servers and clients,” on page 499.) The PFS must test this address for zero before using it, because the system is not always able to obtain an SDWA during recovery.

- The OSI work area and the preinitialized C Environment Stack (if used) are still addressable, and left as they were at the time of the abnormal end. These areas can be used to hold a recovery block whose address is placed in the `Recovery_area`. `Vn_recovery` is invoked with its own separate areas.
- The PFS is not called if the `Recovery_area` that is pointed to by `osi_rtokptr` is zero at the time of the abnormal end.
- The PFS is not called if the file system has been unmounted. A file system can be unmounted between the original vnode operation and `vn_recovery` in the following scenario:
 1. An operation goes into a signal enabled wait.
 2. The file system is unmounted with the IMMEDIATE operand.
 3. The waiting user is canceled.

The PFS is expected to have cleaned up all its file-system-related resources during `vfs_umount`.

- This `Recovery_area` is the same one that is used by the `vfs_recovery` operation for user EOM recovery. The difference between these operations is that if the LFS's ESTAE runs, it calls the PFS with `vn_recovery` from the same home address space and task that the original operation was invoked from. If the LFS's ESTAE is bypassed by MVS, the LFS's user address space EOM resource manager calls the PFS with `vfs_recovery`. This call is from a different task and home address space than the original call, and the original home address space no longer exists.
- `Vfs_recovery` is not called after `vn_recovery` has been called, unless `vn_recovery` is interrupted by a sudden end-of-memory condition for the user's address space. An example of this would be a program check in the PFS that was followed almost immediately by an operator force of

the user. Another example would be if the PFS's vn_recovery routine were to get into a deadlock or extended wait, and the operator had to force the user off.

- Special care must be taken with vn_recovery, because the Token_structure may not always contain a file-level token. This is because vn_recovery is used for abend recovery of all the VFS and vnode operations. If a VFS operation is interrupted, the Token_structure on the vn_recovery call does not contain a file token; and if vfs_pfsctl is interrupted, the Token_structure contains only the PFS's initialization token.
- No recovery of any type is supplied for the vn_recovery operation itself. The operation is invoked with Osi_rtokptr pointing to a new recovery area, but this is only to allow the PFS to use common entry code that may depend on having a valid address in this field.
See the OSI and osirtoken structures in Appendix D, "Interface structures for C language servers and clients," on page 499.
- The state of any file system and file objects that may have been involved with the interrupted operation is the same as at the time of the interruption.

Serialization provided by the LFS

The vn_recovery operation is invoked with the same serialization that was held at the time of the abnormal end.

Security calls to be made by the PFS

None.

vn_remove — Remove a link to a file

Function

The vn_remove service removes a link to a file. The input Name can identify a file, a link-name of a file, or a symbolic link.

Environment on entry and exit

See "Environment for PFS operations" on page 83.

Input parameter format

```
vn_remove (Token_structure,
           OSI_structure,
           Audit_structure,
           Name_Length,
           Name,
           Return_value,
           Return_code,
           Reason_code)
```

Parameters

Token_structure

Supplied parameter

Type: TOKSTR

Length:

Specified by TOKSTR.ts_hdr.cblen.

The Token_structure represents the file (vnode) that is being operated on. It contains the PFS's initialization token, mount token, and the file token. Refer to "LFS/PFS control block structure" on page 17 for a discussion of this structure, and to the TOKSTR typedef in BPXYPFSI in Appendix D, "Interface structures for C language servers and clients," on page 499 for its mapping.

OSI_structure

Supplied and returned parameter

Type: OSI

Length:

Specified by OSI.osi_hdr.cblen.

The OSI_structure contains information that is used by the OSI operations that may be called by the PFS. See Chapter 6, "OSI services," on page 385 for more information.

It also contains MVS-specific information that needs to be passed to the PFS, including SMF accounting fields, a work area, a recovery area, and an optional pointer to an output ATTR structure. For more details on the OSI structure, see "The OSI structure" on page 20.

This area is mapped by the OSI typedef in BPXYPFSI in Appendix D, "Interface structures for C language servers and clients," on page 499.

Audit_structure

Supplied parameter

Type: CRED

Length:

Specified by CRED.cred_hdr.cblen.

The Audit_structure contains information that is used by the security product for access checks and auditing. It is passed to most SAF routines that are invoked by the PFS.

Refer to "Security responsibilities and considerations" on page 13 for a discussion of security processing, and to the CRED typedef in BPXYPFSI in Appendix D, "Interface structures for C language servers and clients," on page 499 for the mapping of this structure.

Name_length

Supplied parameter

Type: Integer

Length:

Fullword

A fullword that contains the length of Name. The name is between 1 and 255 bytes long.

Name

Supplied parameter

Type: String

Length:

Specified by Name_length

An area, of length Name_length, that contains the name of the link that is to be deleted. This name contains no nulls.

Return_value

Returned parameter

Type: Integer

Length:
Fullword

A fullword in which the vn_remove service returns the results of the operation, as one of the following:

Return_value**Meaning**

- 1** The operation was not successful. The Return_code and Reason_Code values must be filled in by the PFS when Return_value is -1.
- 0** The operation was successful.

Return_code

Returned parameter

Type: Integer

Length:
Fullword

A fullword in which the vn_remove service stores the return code. The vn_remove service returns Return_code only if Return_value is -1. See *z/OS UNIX System Services Messages and Codes* for a complete list of supported return code values.

The vn_remove service should support at least the following error values:

Return_code	Explanation
ENAMETOOLONG	The value of Name_length exceeds the length that is supported by this PFS.
ENOENT	Name is marked for deletion.
EROFS	The file system is mounted read-only.

Reason_code

Returned parameter

Type: Integer

Length:
Fullword

A fullword in which the vn_remove service stores the reason code. The vn_remove service returns Reason_code only if Return_value is -1. Reason_code further qualifies the Return_code value. These reason codes are documented by the PFS.

Implementation notes**Overview of vn_remove processing**

“Deleting files” on page 35 provides an overview of file deletion processing.

Specific processing notes

vn_remove

- The system data fields of the Token_structure contain the PFS's file token for the file that is being removed.
- If the name that is specified refers to a symbolic link, the symbolic link file that is named by Name should be deleted.
- If the link name is successfully removed from the directory, and the link count becomes zero, the deletion of the file is recorded for audit purposes. The actual deletion of the file object, and the inode, is done when the vnode is inactivated.

If a regular file is not open when its link count goes to zero, the space that is occupied by its data should be freed for reuse before the return from vn_remove.

If a regular file is still open when the link count goes to zero, its contents are not deleted at this point, but remain accessible until the open count goes to zero.

- When the vn_remove service is successful in removing a directory entry and decrementing the link count, even if the link count is not zero, it must return control to the caller with Return_value set to 0. It must update the change and modification times for the parent directory, and the change time for the file itself (unless the file is deleted).
- For more information about the semantics of this operation for a POSIX-conforming PFS, refer to the **unlink()** function in the POSIX .1 standard (IEEE Std 1003.1-1990).

Serialization provided by the LFS

The vn_remove operation is invoked with an exclusive latch held on the vnode of the file that is to be removed, and on the directory that contains that file name.

Security calls to be made by the PFS

The PFS is expected to invoke SAF's Check Access callable service to verify that the user has write permission to the directory, and the Audit callable service to record the deletion of the file.

SAF's Check2Owners service is called whenever the sticky bit is on in the parent directory.

Related services

- “vn_create — Create a new file” on page 150
- “vn_link — Create a link to a file” on page 167
- “vn_rmdir — Remove a directory” on page 217
- “vn_symlink — Create a symbolic link” on page 254

vn_rename — Rename a file or directory

Function

The vn_rename renames a file or directory.

Environment on entry and exit

See “Environment for PFS operations” on page 83.

Input parameter format

```
vn_rename (Token_structure,
           OSI_structure,
           Audit_structure,
           Name_length,
           Name,
           New_name_length,
           New_name,
           New_token_structure,
           Return_value,
           Return_code,
           Reason_code)
```

Parameters

Token_structure

Supplied parameter

Type: TOKSTR

Length:

Specified by TOKSTR.ts_hdr.cblen.

The Token_structure represents the file (vnode) that is being operated on. It contains the PFS's initialization token, mount token, and the file token. Refer to "LFS/PFS control block structure" on page 17 for a discussion of this structure, and to the TOKSTR typedef in BPXYPFISI in Appendix D, "Interface structures for C language servers and clients," on page 499 for its mapping.

OSI_structure

Supplied and returned parameter

Type: OSI

Length:

Specified by OSI.osi_hdr.cblen.

The OSI_structure contains information that is used by the OSI operations that may be called by the PFS. See Chapter 6, "OSI services," on page 385 for more information.

It also contains MVS-specific information that needs to be passed to the PFS, including SMF accounting fields, a work area, a recovery area, and an optional pointer to an output ATTR structure. For more details on the OSI structure, see "The OSI structure" on page 20.

This area is mapped by the OSI typedef in BPXYPFISI in Appendix D, "Interface structures for C language servers and clients," on page 499.

Audit_structure

Supplied parameter

Type: CRED

Length:

Specified by CRED.cred_hdr.cblen.

The Audit_structure contains information that is used by the security product for access checks and auditing. It is passed to most SAF routines that are invoked by the PFS.

vn_rename

Refer to “Security responsibilities and considerations” on page 13 for a discussion of security processing, and to the CRED typedef in BPXYPSI in Appendix D, “Interface structures for C language servers and clients,” on page 499 for the mapping of this structure.

Name_length

Supplied parameter

Type: Integer

Length:

Fullword

A fullword that contains the length of Name. The name is between 1 and 255 bytes long.

Name

Supplied parameter

Type: String

Length:

Specified by Name_length

An area, of length Name_length, that contains the file or directory name that is to be renamed. This name is not null-terminated.

New_name_length

Supplied parameter

Type: Integer

Length:

Fullword

A fullword that contains the length of New_name. The name is between 1 and 255 bytes long.

New_name

Supplied parameter

Type: String

Length:

Specified by New_name_length

An area, of length New_name_length, that contains the file or directory name to which the file or directory is to be renamed. This name is not null-terminated.

New_token_structure

Supplied parameter

Type: Structure

Length:

Specified by the structure's TOKSTR.ts_hdr.cblen field.

New_token_structure represents the vnode of the directory that contains New_name.

Refer to “LFS/PFS control block structure” on page 17 for a discussion of the use of this structure, and to the TOKSTR typedef in BPXYPSI in Appendix D, “Interface structures for C language servers and clients,” on page 499 for its mapping.

Return_value

Returned parameter

Type: Integer

Length:
Fullword

A fullword in which the vn_rename operation returns the results of the operation, as one of the following:

Return_value**Meaning**

- 1** The operation was not successful. The Return_code and Reason_Code values must be filled in by the PFS when Return_value is -1.
- 0** The operation was successful.

Return_code

Returned parameter

Type: Integer

Length:
Fullword

A fullword in which the vn_rename operation stores the return code. The vn_rename operation returns Return_code only if Return_value is -1. For a complete list of supported return code values, see *z/OS UNIX System Services Messages and Codes*.

The vn_rename operation should support at least the following error values:

Return_code	Explanation
EACCES	The caller does not have write permission for one or both of the parent directories.
EBUSY	The New_name could not be deleted, or the named file or directory could not be renamed because the PFS considers it to be in use.
EISDIR	An attempt was made to rename a file to a directory.
ENAMETOOLONG	The length of one of the names supplied was greater than the maximum supported name length for this PFS.
ENOENT	Name was not found.
ENOTEMPTY	New_name specified an existing directory that was not empty.
ENOTDIR	Token_structure did not represent a directory, or an attempt was made to rename a directory to a file.

Reason_code

Returned parameter

Type: Integer

Length:
Fullword

A fullword in which the vn_rename operation stores the reason code. The vn_rename operation returns Reason_code only if Return_value is -1. Reason_code further qualifies the Return_code value. These reason codes are documented by the PFS.

Implementation notes

Overview of vn_rename processing

The PFS renames a file or directory that is specified by Name in the directory that is represented by Token_structure to the name that is specified by New_name in the directory that is represented by New_token_structure.

“Deleting files” on page 35 provides an overview of file deletion processing.

Specific processing notes

- The system data fields of the Token_structure contain the PFS's file token for the file that is being renamed. The system data fields of the New_Token_structure contain the PFS's file token for the file that is named by New_name, if it exists.
- If a directory entry does not already exist for New_name, the PFS creates it. If a directory entry for New_name already exists, the file or directory that is represented by this entry is deleted, as described for vn_remove or vn_rmdir, as appropriate.

If New_name is an existing directory that is not empty, the PFS returns a Return_value of -1 and an Return Code of ENOTEMPTY.

If the rename is successful, the directory entry for the old name is deleted.

- The names that are passed to the PFS cannot be “.” or “..”.
- For more information about the semantics of this operation for a POSIX-conforming PFS, refer to the **rename()** function in the POSIX .1 standard (IEEE Std 1003.1-1990).

Serialization provided by the LFS

The PFS is invoked with an exclusive latch for all of the vnodes involved in this operation. These include:

- The old parent directory
- The new parent directory
- The file or directory that is specified by Name
- If it already exists, the file or directory that is specified by New_name

Security calls to be made by the PFS

The PFS is expected to verify that the calling process has write permission for the directories that contain Name and New_name by calling SAF's Check Access callable service. If Name and New_name are themselves directories, the caller does not need write permission to these directories, only to the parent directories.

SAF's Check2Owners service is called whenever the sticky bit is on in the parent directory.

If the file that was previously known by New_name is deleted, invoke SAF's Audit callable service to record the deletion of the file.

Related services

- “vn_remove — Remove a link to a file” on page 209
- “vn_rmdir — Remove a directory” on page 217

vn_rmdir — Remove a directory

Function

The vn_rmdir operation removes a directory. The directory must be empty.

Environment on entry and exit

See “Environment for PFS operations” on page 83.

Input parameter format

```
vn_rmdir (Token_structure,
         OSI_structure,
         Audit_structure,
         Directory_name_length,
         Directory_name,
         Return_value,
         Return_code,
         Reason_code)
```

Parameters

Token_structure

Supplied parameter

Type: TOKSTR

Length:

Specified by TOKSTR.ts_hdr.cblen.

The Token_structure represents the file (vnode) that is being operated on. It contains the PFS's initialization token, mount token, and the file token. Refer to “LFS/PFS control block structure” on page 17 for a discussion of this structure, and to the TOKSTR typedef in BPXYPFSI in Appendix D, “Interface structures for C language servers and clients,” on page 499 for its mapping.

OSI_structure

Supplied and returned parameter

Type: OSI

Length:

Specified by OSI.osi_hdr.cblen.

The OSI_structure contains information that is used by the OSI operations that may be called by the PFS. See Chapter 6, “OSI services,” on page 385 for more information.

It also contains MVS-specific information that needs to be passed to the PFS, including SMF accounting fields, a work area, a recovery area, and an optional pointer to an output ATTR structure. For more details on the OSI structure, see “The OSI structure” on page 20.

This area is mapped by the OSI typedef in BPXYPFSI in Appendix D, “Interface structures for C language servers and clients,” on page 499.

Audit_structure

Supplied parameter

Type: CRED

Length:

Specified by CRED.cred_hdr.cblen.

The Audit_structure contains information that is used by the security product for access checks and auditing. It is passed to most SAF routines that are invoked by the PFS.

Refer to “Security responsibilities and considerations” on page 13 for a discussion of security processing, and to the CRED typedef in BPXYPSI in Appendix D, “Interface structures for C language servers and clients,” on page 499 for the mapping of this structure.

Directory_name_length

Supplied parameter

Type: Integer

Length:

Fullword

A fullword that contains the length of Directory_name. The name is between 1 and 255 bytes long.

Directory_name

Supplied parameter

Type: String

Length:

Specified by Directory_name_length

An area, of length Directory_name_length, that contains the name of the directory that is to be deleted. This name contains no nulls.

Return_value

Returned parameter

Type: Integer

Length:

Fullword

A fullword in which the vn_rmdir service returns the results of the operation, as one of the following:

Return_value

Meaning

-1 The operation was not successful. The Return_code and Reason_Code values must be filled in by the PFS when Return_value is -1.

0 The operation was successful.

Return_code

Returned parameter

Type: Integer

Length:

Fullword

A fullword in which the vn_rmdir service stores the return code. The vn_rmdir service returns Return_code only if Return_value is -1. See *z/OS UNIX System Services Messages and Codes* for a complete list of supported return code values.

The vn_rmdir service should support at least the following error values:

Return_code	Explanation
ENAMETOOLONG	The value of Directory_name_length exceeds the length that is supported by this PFS.
ENOENT	The directory name is marked for deletion.
ENOTEMPTY	The directory contains entries other than . and ..
EROFS	The file system is mounted read-only.

Reason_code

Returned parameter

Type: Integer

Length:
Fullword

A fullword in which the vn_rmdir service stores the reason code. The vn_rmdir service returns Reason_code only if Return_value is -1. Reason_code further qualifies the Return_code value. These reason codes are documented by the PFS.

Implementation notes**Overview of vn_rmdir processing**

“Deleting files” on page 35 provides an overview of file deletion processing.

Specific processing notes

- The system data fields of the Token_structure contain the PFS's file token for the file that is being removed.
- The directory that is specified by Directory_name must be empty except for the “.” and “..” entries.
- If the directory is successfully removed, the change and modification times for the parent directory must be updated.
- The deletion of the directory is recorded for audit purposes now, but the actual deletion of the object and the inode is done when the vnode is inactivated.
- Vn_readdir of a removed directory returns zero entries.
- New files must not be created under a directory that is removed.
- For more information about the semantics of this operation for a POSIX-conforming PFS, refer to the **rmdir()** function in the POSIX .1 standard (IEEE Std 1003.1-1990).

Serialization provided by the LFS

The vn_rmdir operation is invoked with an exclusive latch held on the vnode of the directory name that is to be removed, and on the directory that contains that directory name.

Security calls to be made by the PFS

The PFS is expected to invoke SAF's Check Access callable service to verify that the user has write permission to the directory, and invoke the audit callable service to record the deletion of the directory file.

SAF's Check2Owners service is called whenever the sticky bit is on in the parent directory.

Related services

- “vn_remove — Remove a link to a file” on page 209
- “vn_mkdir — Create a directory” on page 181

vn_select — Select or poll on a vnode**Function**

The vn_select operation monitors activity on a vnode to see if it is ready for reading or writing, or if it has an exceptional condition pending. The vnode can be for a socket, a pipe, a regular file, or a pseudoterminal file.

Environment on entry and exit

See “Environment for PFS operations” on page 83.

Input parameter format

```
vn_select (Token_structure,
          OSI_structure,
          Audit_structure,
          Select_token,
          Function,
          Select_option,
          Pfs_work_token,
          Return_value,
          Return_code,
          Reason_code)
```

Parameters**Token_structure**

Supplied parameter

Type: TOKSTR

Length:

Specified by TOKSTR.ts_hdr.cblen.

The Token_structure represents the file (vnode) that is being operated on. It contains the PFS's initialization token, mount token, and the file token. Refer to “LFS/PFS control block structure” on page 17 for a discussion of this structure, and to the TOKSTR typedef in BPXYPSI in Appendix D, “Interface structures for C language servers and clients,” on page 499 for its mapping.

OSI_structure

Supplied and returned parameter

Type: OSI

Length:

Specified by OSI.osi_hdr.cblen.

The OSI_structure contains information that is used by the OSI operations that may be called by the PFS. See Chapter 6, “OSI services,” on page 385 for more information.

It also contains MVS-specific information that needs to be passed to the PFS, including SMF accounting fields, a work area, a recovery area, and an optional pointer to an output ATTR structure. For more details on the OSI structure, see “The OSI structure” on page 20.

This area is mapped by the OSI typedef in BPXYPFISI in Appendix D, “Interface structures for C language servers and clients,” on page 499.

Audit_structure

Supplied parameter

Type: CRED

Length:

Specified by CRED.cred_hdr.cblen.

The Audit_structure contains information that is used by the security product for access checks and auditing. It is passed to most SAF routines that are invoked by the PFS.

Refer to “Security responsibilities and considerations” on page 13 for a discussion of security processing, and to the CRED typedef in BPXYPFISI in Appendix D, “Interface structures for C language servers and clients,” on page 499 for the mapping of this structure.

Select_token

Supplied and returned parameter

Type: Token

Length:

16 Bytes

An area that the PFS copies into its own storage and later uses to tell the LFS that a selected event has occurred for this vnode.

This token is unique among all active vn_selects on the system, and can be used to correlate a query request (SEL_QUERY or SEL_POLLQUERY) with its corresponding cancel request (SEL_CANCEL or SEL_POLLCANCEL).

Function

Supplied parameter

Type: Integer

Length:

Fullword

A fullword that specifies whether this is a query or a cancel request, and whether the request is for select or poll. The values for this field are defined in the BPXYPFISI header file (see Appendix D, “Interface structures for C language servers and clients,” on page 499). The Function parameter specifies the subfunction that is being requested:

Table 4. vn_select subfunctions

Function	Description
SEL_QUERY, SEL_POLLQUERY	<p>The PFS should perform the following:</p> <ol style="list-style-type: none"> 1. Check the events that are specified in <code>Select_option</code> to see if any of them can be immediately satisfied. If so, this status is returned in the <code>Return_Value</code> parameter. 2. If there is no immediate status to report, the PFS records that a select is pending on this file and sets up to invoke <code>osi_selpost</code> later, when one of the selected events has occurred. The PFS returns a value of 0 in <code>Return_Value</code> after it has performed its internal processing to set up for select pending. <p>The occurrence of the event and the subsequent invocation of <code>osi_selpost</code> happen asynchronously on another thread or MVS task.</p>
SEL_CANCEL, SEL_POLLCANCEL	<p>The PFS performs the following:</p> <ol style="list-style-type: none"> 1. If there is a pending select/poll recorded for a prior query with the same <code>Select_token</code>, it must be canceled in such a way that <code>osi_selpost</code> is not invoked. 2. Check the events that are specified in <code>Select_option</code> to see if any of them can be immediately satisfied. If so, this status is returned in the <code>Return_Value</code> parameter.

Select_option

Supplied parameter

Type: Integer

Length:
Fullword

A fullword that contains the bits that describe the options that are requested for this vnode. The values for this field are defined in the BPXYPFISI header file (see Appendix D, "Interface structures for C language servers and clients," on page 499).

`Select_option` indicates the conditions or events that are being checked for. If this is a select request, the conditions are:

Option Description**SEL_READ**

A read that is issued against this file will not block.

SEL_WRITE

A write that is issued against this file will not block.

SEL_XCEPT

An exceptional condition, as defined by the particular PFS, has

occurred. Typically this could occur because a socket connection has become inoperative because of network problems, or the other end of the socket has been closed.

For reading and writing, an error condition that would cause the read or write to fail means that the operation will not block, and therefore the file is ready for that operation.

If one or more of the selected conditions are ready, the PFS returns the information in the Return_Value parameter immediately, using the same bit mapping to indicate which conditions are ready.

The conditions that can be specified for poll are explained in other documents (for instance, *z/OS XL C/C++ Language Reference*). The mapping for these fields is defined in the BPXYPSI header file (see Appendix D).

Pfs_work_token

Supplied or returned parameter

Type: Token

Length:
Fullword

A fullword that is returned on a query request and passed on a subsequent cancel request. This allows the LFS to store data that the PFS will need on the cancel request, if any is needed.

Return_value

Returned parameter

Type: Integer

Length:
Fullword

The name of a fullword in which the vn_select service returns the results of the operation, as one of the following:

Return_value

Meaning

- 1** The operation was not successful. This causes the whole **select()** or **poll()** request, as made by the application program, to fail. The Return_code and Reason_Code values are passed back to the application program.
- 0** There is no status, and the operation was successful.
 - For query (**SEL_QUERY** or **SEL_POLLQUERY**):
The PFS is set up to invoke `osi_selpost` when the requested event occurs.
 - For cancel (**SEL_CANCEL** or **SEL_POLLCANCEL**):
The PFS has canceled the request to invoke `osi_selpost`, or it has never been set up to do so. The PFS does not invoke `osi_selpost` after returning from this call.

Greater than 0

There is status being returned in this parameter. The returned status has the same format as the Select_option parameter.

- For query (**SEL_QUERY** or **SEL_POLLQUERY**):
The operation is complete and the PFS will not invoke `osi_selpost` for this request.

vn_select

- For cancel (`SEL_CANCEL` or `SEL_POLLCANCEL`):
The PFS has canceled the request to invoke `osi_selpost` if it had been recorded, or it has never been set up to do so.

Return_code

Returned parameter

Type: Integer

Length:

Fullword

A fullword in which the `vn_select` operation stores the return code. The `vn_select` operation returns `Return_code` only if `Return_value` is -1. For a complete list of supported return code values, see *z/OS UNIX System Services Messages and Codes*.

Reason_code

Returned parameter

Type: Integer

Length:

Fullword

A fullword in which the `vn_select` operation stores the reason code. The `vn_select` operation returns `Reason_code` only if `Return_value` is -1. `Reason_code` further qualifies the `Return_code` value. These reason codes are documented by the PFS.

Implementation notes

Overview of vn_select processing

For information about `vn_select`, refer to “Select/poll processing” on page 52.

For more information about the semantics of this operation for a POSIX-conforming PFS, refer to the publications that are mentioned in “Finding more information about sockets” on page xiii for the `select()` function.

Specific processing notes

- The PFS should save the `Select_token` that is passed on the query request. This token is used both during the cancel request (to delete the request), and when an event occurs that the LFS should be informed of through the `osi_selpost` function.
- The PFS can use the `Pfs_work_token` parameter on a query request to return data (such as an address where it has stored information about this request), so that it can be found during a cancel request. The data is used to correlate the cancel request with its matching query request. This provides an alternative to scanning the PFS control blocks for a matching `Select_token` value.
- If the session being selected becomes inoperative, the PFS must fail the operation with a `Return_code` of `EIO`. For sockets, this is critical to Common Inet processing so that a stack can be removed from a socket during the internal `vn_select` that is done to implement blocking reads and accepts. For application `select()` calls, the LFS will convert `EIO` from `vn_select` to ready status for the descriptor so that the application receives the `EIO` notification on the specific descriptor to which it applies.

Serialization provided by the LFS

The vn_select operation is invoked with an exclusive latch held on the vnode of the file.

Security calls to be made by the PFS

None.

vn_sendtorcvfm — Send to or receive from a socket**Function**

The vn_sendtorcvfm operation sends datagrams to or receives datagrams from a socket. The socket can be connected or unconnected.

Environment on entry and exit

See “Environment for PFS operations” on page 83.

Input parameter format

```
vn_sendtorcvfm (Token_structure,
                OSI_structure,
                Audit_structure,
                Open_flags,
                User_IO_structure,
                Flags,
                Sockaddr_length,
                Sockaddr,
                Return_value,
                Return_code,
                Reason_code)
```

Parameters**Token_structure**

Supplied parameter

Type: TOKSTR

Length:

Specified by TOKSTR.ts_hdr.cblen.

The Token_structure represents the file (vnode) that is being operated on. It contains the PFS's initialization token, mount token, and the file token. Refer to “LFS/PFS control block structure” on page 17 for a discussion of this structure, and to the TOKSTR typedef in BPXYPFSI in Appendix D, “Interface structures for C language servers and clients,” on page 499 for its mapping.

OSI_structure

Supplied and returned parameter

Type: OSI

Length:

Specified by OSI.osi_hdr.cblen.

The OSI_structure contains information that is used by the OSI operations that may be called by the PFS. See Chapter 6, “OSI services,” on page 385 for more information.

It also contains MVS-specific information that needs to be passed to the PFS, including SMF accounting fields, a work area, a recovery area, and an optional pointer to an output ATTR structure. For more details on the OSI structure, see “The OSI structure” on page 20.

This area is mapped by the OSI typedef in BPXYPFSI in Appendix D, “Interface structures for C language servers and clients,” on page 499.

Audit_structure

Supplied parameter

Type: CRED

Length:

Specified by CRED.cred_hdr.cblen.

The Audit_structure contains information that is used by the security product for access checks and auditing. It is passed to most SAF routines that are invoked by the PFS.

Refer to “Security responsibilities and considerations” on page 13 for a discussion of security processing, and to the CRED typedef in BPXYPFSI in Appendix D, “Interface structures for C language servers and clients,” on page 499 for the mapping of this structure.

Open_flags

Supplied parameter

Type: Structure

Length:

Fullword

A fullword that contains the bits that are associated with the socket. The defined values for this field are mapped by **fcntl.h**.

User_IO_structure

Supplied and returned parameter

Type: UIO

Length:

Specified by UIO.u_hdr.cblen.

An area that contains the parameters for the I/O that is to be performed. This area is mapped by the UIO typedef in the BPXYVFSI header file (see Appendix D, “Interface structures for C language servers and clients,” on page 499). See “Specific processing notes” for details on how the fields in this structure are processed.

Flags

Supplied parameter

Type: Structure

Length:

Fullword

A fullword that indicates special processing requests. The defined values for this field are mapped by **socket.h**.

Sockaddr_length

Supplied and returned parameter

Type: Integer

Length:
Fullword

A fullword that supplies the length of the Sockaddr buffer and returns the length of the Sockaddr structure that is returned.

Sockaddr
Supplied and returned parameter

Type: Structure

Length:
Specified by Sockaddr_length

A structure that varies depending on the address family type. It contains the address that is to be used for this operation. For an example of this mapping for AF_INET, see **in.h**.

Return_value
Returned parameter

Type: Integer

Length:
Fullword

A fullword in which the vn_sendtorcvfm operation returns the results of the operation, as one of the following:

Return_value
Meaning

-1 The operation was not successful. The Return_code and Reason_Code values must be filled in by the PFS when Return_value is -1.

0 or greater
The operation was successful. The value represents the number of bytes that were transferred.

Return_code
Returned parameter

Type: Integer

Length:
Fullword

A fullword in which the vn_sendtorcvfm operation stores the return code. The vn_sendtorcvfm operation returns Return_code only if Return_value is -1. For a complete list of supported return code values, see *z/OS UNIX System Services Messages and Codes*.

The vn_sendtorcvfm operation should support at least the following error values:

Return_code	Explanation
EFAULT	A buffer address that was specified was not in addressable storage.
EINVAL	The length that was specified was incorrect.
EWOULDBLOCK	The operation would have required a blocking wait, and this socket was marked as nonblocking.

Reason_code
Returned parameter

vn_sendtorcvfm

Type: Integer

Length:
Fullword

A fullword in which the vn_sendtorcvfm operation stores the reason code. The vn_sendtorcvfm operation returns Reason_code only if Return_value is -1. Reason_code further qualifies the Return_code value. These reason codes are documented by the PFS.

Implementation notes

Overview of vn_sendtorcvfm processing

For more information about the semantics of this operation for a POSIX-conforming PFS, refer to the publications that are mentioned in “Finding more information about sockets” on page xiii for the **recvfrom()** and **sendto()** functions.

Specific processing notes

- The following UIO fields are provided by the LFS:

UIO.u_hdr.cbid
Contains UIO_ID (from the BPXYVFSI header file)

UIO.u_hdr.cblen
Specifies the length of the user_IO_structure

UIO.u_buffaddr
Specifies the address of the caller's buffer

UIO.u_buffalet
Specifies the ALET of the caller's buffer

UIO.u_count
Specifies the maximum number of bytes that can be written to the caller's buffer

UIO.u_asid
Specifies the ASID of the caller

UIO.u_rw
Specifies whether the request is a read (0) or a write (1)

UIO.u_key
Specifies the storage key of the caller's buffer

- The UIO contains fields that may point to a 64-bit addressable user buffer. When FuioAddr64 is on (and FuioRealPage is off), FuioBuff64Vaddr points to a buffer, an IOV64, or an MSGH64.

Serialization provided by the LFS

The vn_sendtorcvfm operation is invoked with an exclusive latch held on the vnode of the socket.

Security calls to be made by the PFS

None.

vn_setattr — Set the attributes of a file

Function

The vn_setattr operation sets the attributes of a file.

Environment on entry and exit

See “Environment for PFS operations” on page 83.

Input parameter format

```
vn_setattr (Token_structure,
           OSI_structure,
           Audit_structure,
           attribute_structure,
           Return_value,
           Return_code,
           Reason_code)
```

Parameters

Token_structure

Supplied parameter

Type: TOKSTR

Length:

Specified by TOKSTR.ts_hdr.cblen.

The Token_structure represents the file (vnode) that is being operated on. It contains the PFS's initialization token, mount token, and the file token. Refer to “LFS/PFS control block structure” on page 17 for a discussion of this structure, and to the TOKSTR typedef in BPXYPFSI in Appendix D, “Interface structures for C language servers and clients,” on page 499 for its mapping.

OSI_structure

Supplied and returned parameter

Type: OSI

Length:

Specified by OSI.osi_hdr.cblen.

The OSI_structure contains information that is used by the OSI operations that may be called by the PFS. For more information, see Chapter 6, “OSI services,” on page 385.

It also contains MVS-specific information that must be passed to the PFS, including SMF accounting fields, a work area, a recovery area, and an optional pointer to an output ATTR structure. For more information about the OSI structure, see “The OSI structure” on page 20.

This area is mapped by the OSI typedef in BPXYPFSI in Appendix D, “Interface structures for C language servers and clients,” on page 499.

Audit_structure

Supplied parameter

Type: CRED

Length:

Specified by CRED.cred_hdr.cblen.

The Audit_structure contains information that is used by the security product for access checks and auditing. It is passed to most SAF routines that are invoked by the PFS.

vn_setattr

Refer to “Security responsibilities and considerations” on page 13 for a discussion of security processing, and to the CRED typedef in BPXYVFSI in Appendix D, “Interface structures for C language servers and clients,” on page 499 for the mapping of this structure.

attribute_structure

Supplied parameter

Type: ATTR

Length:

Specified by ATTR.at_hdr.cblen.

An area that contains the file attributes that are to be set for the file that is specified by the vnode token. This area is mapped by typedef ATTR in the BPXYVFSI header file (see Appendix D, “Interface structures for C language servers and clients,” on page 499).

Return_value

Returned parameter

Type: Integer

Length:

Fullword

A fullword in which the vn_setattr operation returns the results of the operation, as one of the following error values:

- 1** The operation was not successful. The Return_code and Reason_Code values must be completed by the PFS when Return_value is -1.
- 0** The operation was successful.

Return_code

Returned parameter

Type: Integer

Length:

Fullword

A fullword in which the vn_setattr operation stores the return code. The vn_setattr operation returns Return_code only if Return_value is -1. For a complete list of supported return code values, see *z/OS UNIX System Services Messages and Codes*.

The vn_setattr operation should support at least the following error values:

Return_code	Explanation
EACCES	The caller does not have SAF authority to do these tasks: <ul style="list-style-type: none">• Set the access time or modification time to current time• Truncate the file

Return_code

EPERM

Explanation

The caller does not have SAF authority to do these tasks::

- Change the mode
- Change the owner
- Change general attribute bits
- Set a time field to a value (not the current time)
- Set the change time or reference time to the current time
- Change the auditing flags
- Change the file format
- Set the security label; or there is already a security label that is associated with the file

EROFS

The file system is mounted read-only.

ENOSPC

The file system is out of space.

EINVAL

Incorrect input parameter, such as a negative time value, an incorrect mode field, or an incorrect UID-GID.

Reason_code

Returned parameter

Type: Integer**Character set:**

N/A

Length:

Fullword

A fullword in which the vn_setattr operation stores the reason code. The vn_setattr operation returns Reason_code only if Return_value is -1.

Reason_code further qualifies the Return_code value. These reason codes are documented by the PFS.

Implementation notes**Overview of vn_setattr processing**

vn_setattr is used to set file attributes, as described in “Getting and setting attributes” on page 42.

Specific processing notes

Table 5. attribute_structure input fields

Set flags	Attribute fields input	Description
at_modechg	at_mode	Set the mode according to the value in at_mode
at_ownchg	at_uid at_gid	Set the owner user ID (UID) and group ID (GID) to the values specified in at_uid and at_gid
at_setgen	at_genvalue at_genmask	Only the bits corresponding to the bits set ON in the at_genmask are set to the value (ON or OFF) in at_genvalue; other bits are unchanged

Table 5. attribute_structure input fields (continued)

Set flags	Attribute fields input	Description
at_trunc	at_sizeh at_size	Truncate the file size to the number of bytes specified by the doubleword at_sizeh and at_size
at_atimechg	at_atime	Set the access time of the file to the value specified in at_atime
at_atimechg and at_atimeTOD	None	Set the access time of the file to the current time
at_mtimechg	at_mtime	Set the modification time of the file to the value specified in at_mtime
at_mtimechg and at_mtimeTOD	None	Set the modification time of the file to the current time
at_auditchg	at_audit	Set the security auditor's auditing flags to the value specified in at_audit
at_uauditchg	at_uaudit	Set the user's auditing flags to the value specified in at_uaudit
at_ctimechg	at_ctime	Set the change time of the file to the value specified in at_ctime
at_ctimechg and at_ctimeTOD	None	Set the change time of the file to the current time
at_reftimechg	at_reftime	Set the reference time of the file to the value specified in at_reftime
at_reftimechg and at_refTOD	None	Set the reference time of the file to the current time
at_filefmtchg	at_filefmt	Set the file format of the file to the value in at_filefmt
at_seclabelchg	at_seclabel	Set the initial security label of the file to the value in at_seclabel

1. In addition to the attribute fields that are specified according to Table 5 on page 231, the following ATTR header fields are provided by the caller:

ATTR.at_hdr.cbid

Contains ATTR

ATTR.at_hdr.cblen

Specifies the length of attribute_structure.

2. Multiple attributes can be changed on a single vn_setattr call. The PFS should ensure that either all supported changes or no changes are permanently recorded for a single vn_setattr call.
3. Changing mode (at_modechg = ON):
 - SAF's Change File Mode callable service is called to perform the necessary security checks and to actually make the change to the mode field in the FSP.
 - The at_mode field is mapped by **modes.h**.

Note:

- a. The file type, which is contained within at_mode, is not changed by the vn_setattr operation.

- b. Files that are open when the `vn_setattr` service is called retain the access permission they had when the file was opened.
4. Changing owner (`at_owncg = ON`):
 - SAF's Change Owner and Group callable service is called to perform the necessary security checks and to update the owner or group fields in the FSP.

Note: When the UID or GID value is set to -1, the original value remains unchanged.

5. Changing general attribute bits (`at_setgen = ON`):
 - SAF's Check Access callable service is called for Write access before the PFS changes the file's general attribute bits.
 - For each bit ON in the genmask, the corresponding bit in the file's attributes is set to the value (ON or OFF) from the corresponding genvalue field.
6. Truncating a file (`at_trunc = ON`):
 - SAF's Check Access is called for write access before the PFS changes the file's size.
 - The truncation of a file changes the file size to the doubleword value that is represented by `at_sizeh` and `at_size`, beginning from the first byte of the file.
 - If the file is larger than the specified file size, the data from the specified size to the original end of the file is removed. Full blocks are returned to the file system to be used again.
 - If the file is shorter than the specified size, bytes between the old and new lengths are read as zeros.
 - When the file size is changed, the PFS calls SAF's Clear Setid callable service.

Note:

- a. The LFS handles enforcing file size limits for `vn_setattr`.
 - b. The `truncate()` function requires write permission to the file, whereas `ftruncate()` requires that the file be open for writing. The LFS handles this difference by calling `vn_setattr` for the former and `vn_trunc` for the latter when the file is open for writing.
7. Changing time fields (`atime`, `mtime`, `ctime`, and `reftime`):
 - All time fields in the ATTR are in POSIX format.
 - Each time field is controlled by a pair of bits: the `chg` bit and the `TOD` bit, as listed in Table 5 on page 231.
 - The `chg` bit (for instance, `at_atimechg`) indicates that the corresponding time field is to be changed.
 - The `TOD` bit (for instance, `at_atimeTOD`) indicates whether the change is to an explicitly specified time (bit is off) or to the current time of day (bit is on).
 - For a time change using an explicit time value, the SAF check file owner service is called to verify that the caller is the file owner or has appropriate privileges before the PFS changes the corresponding file time field.
 - To set the time to the current time of day, SAF's Check Access must be called to check for write permission. If the caller does not have write permission, SAF's Check File Owner is called to verify that

the caller is the file owner or has appropriate privileges. One of the SAF checks must succeed before the PFS will change the corresponding time field of the file.

8. Changing auditor audit flags (at_auditchg = ON) or user audit flags (at_uauditchg = ON):
 - SAF's Change Audit Options callable service is called to perform the necessary security checks and to update the corresponding audit field in the FSP.
9. Changing file format (at_filefmtchg = ON):
 - SAF's Check File Owner is called before the PFS saves the new file format value.
10. When any attribute field is changed successfully, the file's change time is also updated.
11. Changing the security label (ATTSECLABELCHG=ON):
 - For the security label to be changed, the user must have RACF SPECIAL authorization and appropriate privileges (see *Authorization in z/OS UNIX System Services Programming: Assembler Callable Services Reference*), and no security label must currently exist on the file. Only an initial security label can be set. An existing security label cannot be changed. The function successfully sets the security label if the SECLABEL class is active. If the SECLABEL class is not active, the request returns successfully, but the security label is not set.
 - You can invoke the SAF IRRSSB00 callable service to set the security label.

Serialization provided by the LFS

The vn_setattr operation is invoked with an exclusive latch held on the vnode. Shared read support can be modified by the PFS in the OSI upon return from the vn_setattr operation.

Security calls to be made by the PFS

Refer to the previous notes for the security calls that are made for the various file attributes.

Related services

- “vn_getattr — Get the attributes of a file” on page 156

vn_setpeer — Set a socket's peer address

Function

The vn_setpeer operation presets the peer address that is associated with a socket. This causes all datagrams that are sent using the specified socket to be sent to the address that is specified here. Only datagrams that are sent from the specified address are received.

Environment on entry and exit

See “Environment for PFS operations” on page 83.

Input parameter format

```
vn_setpeer (Token_structure,
            OSI_structure,
            Audit_structure,
            Sockaddr_length,
            Sockaddr,
            Option,
            Return_value,
            Return_code,
            Reason_code)
```

Parameters

Token_structure

Supplied parameter

Type: TOKSTR

Length:

Specified by TOKSTR.ts_hdr.cblen.

The Token_structure represents the file (vnode) that is being operated on. It contains the PFS's initialization token, mount token, and the file token. Refer to "LFS/PFS control block structure" on page 17 for a discussion of this structure, and to the TOKSTR typedef in BPXYPSI in Appendix D, "Interface structures for C language servers and clients," on page 499 for its mapping.

OSI_structure

Supplied and returned parameter

Type: OSI

Length:

Specified by OSI.osi_hdr.cblen.

The OSI_structure contains information that is used by the OSI operations that may be called by the PFS. See Chapter 6, "OSI services," on page 385 for more information.

It also contains MVS-specific information that needs to be passed to the PFS, including SMF accounting fields, a work area, a recovery area, and an optional pointer to an output ATTR structure. For more details on the OSI structure, see "The OSI structure" on page 20.

This area is mapped by the OSI typedef in BPXYPSI in Appendix D, "Interface structures for C language servers and clients," on page 499.

Audit_structure

Supplied parameter

Type: CRED

Length:

Specified by CRED.cred_hdr.cblen.

The Audit_structure contains information that is used by the security product for access checks and auditing. It is passed to most SAF routines that are invoked by the PFS.

Refer to “Security responsibilities and considerations” on page 13 for a discussion of security processing, and to the CRED typedef in BPXYPSI in Appendix D, “Interface structures for C language servers and clients,” on page 499 for the mapping of this structure.

Sockaddr_length

Supplied and returned parameter

Type: Integer

Length:

Fullword

A fullword that supplies the length of the Sockaddr buffer and returns the length of the Sockaddr structure that is returned.

Sockaddr

Supplied and returned parameter

Type: Structure

Length:

Specified by Sockaddr_length

A structure that varies depending on the address family type. It contains the address that is to be used for this operation. For an example of this mapping for AF_INET, see **in.h**.

Option

Supplied parameter

Type: Integer

Length:

Fullword

A fullword that specifies the option of the vn_setpeer operation to use. These values are mapped by **socket.h**.

Return_value

Returned parameter

Type: Integer

Length:

Fullword

A fullword in which the vn_setpeer operation returns the results of the operation, as one of the following:

Return_value

Meaning

-1 The operation was not successful. The Return_code and Reason_Code values must be filled in by the PFS when Return_value is -1.

0 The operation was successful.

Return_code

Returned parameter

Type: Integer

Length:

Fullword

A fullword in which the vn_setpeer operation stores the return code. The vn_setpeer operation returns Return_code only if Return_value is -1. For a complete list of supported return code values, see *z/OS UNIX System Services Messages and Codes*.

The vn_setpeer operation should support at least the following error value:

Return_code	Explanation
EINVAL	The address length that was specified is not the size of a valid address for the specified address family.

Reason_code

Returned parameter

Type: Integer

Length:
Fullword

A fullword in which the vn_setpeer operation stores the reason code. The vn_setpeer operation returns Reason_code only if Return_value is -1. Reason_code further qualifies the Return_code value. These reason codes are documented by the PFS.

Implementation notes

Overview of vn_setpeer processing

The vn_setpeer call is new for POSIX 1003.12, and is not currently supported by any of the socket PFSs.

Specific processing notes

- Calling setpeer() with the option set to SO_SET causes all datagrams that are sent through this socket to be sent to the address that is specified by sockaddr. Only datagrams that originate from sockaddr are received.
- Calling setpeer() with the option set to SO_SET on the passive end of a virtual circuit before calling listen() or connect() causes an error. Calling connect() and specifying a destination address with setpeer causes an error. Calling setpeer() after a connection is established is an error.
- The result of calling setpeer() with the option set to SO_SET on an endpoint that has already had the destination address preset causes an error if the underlying protocol does not support multiple peer addresses for a given endpoint.

Serialization provided by the LFS

The vn_setpeer operation is invoked with an exclusive latch held on the vnode of the socket.

Security calls to be made by the PFS

None.

Related services

None.

vn_shutdown — Shut down a socket

Function

The vn_shutdown operation shuts down all or part of a duplex socket connection.

Environment on entry and exit

See “Environment for PFS operations” on page 83.

Input parameter format

```
vn_shutdown (Token_structure,
             OSI_structure,
             Audit_structure,
             How,
             Return_value,
             Return_code,
             Reason_code)
```

Parameters

Token_structure

Supplied parameter

Type: TOKSTR

Length:

Specified by TOKSTR.ts_hdr.cblen.

The Token_structure represents the file (vnode) that is being operated on. It contains the PFS's initialization token, mount token, and the file token. Refer to “LFS/PFS control block structure” on page 17 for a discussion of this structure, and to the TOKSTR typedef in BPXYPFSI in Appendix D, “Interface structures for C language servers and clients,” on page 499 for its mapping.

OSI_structure

Supplied and returned parameter

Type: OSI

Length:

Specified by OSI.osi_hdr.cblen.

The OSI_structure contains information that is used by the OSI operations that may be called by the PFS. See Chapter 6, “OSI services,” on page 385 for more information.

It also contains MVS-specific information that needs to be passed to the PFS, including SMF accounting fields, a work area, a recovery area, and an optional pointer to an output ATTR structure. For more details on the OSI structure, see “The OSI structure” on page 20.

This area is mapped by the OSI typedef in BPXYPFSI in Appendix D, “Interface structures for C language servers and clients,” on page 499.

Audit_structure

Supplied parameter

Type: CRED

Length:

Specified by CRED.cred_hdr.cblen.

The Audit_structure contains information that is used by the security product for access checks and auditing. It is passed to most SAF routines that are invoked by the PFS.

Refer to “Security responsibilities and considerations” on page 13 for a discussion of security processing, and to the CRED typedef in BPXYPSI in Appendix D, “Interface structures for C language servers and clients,” on page 499 for the mapping of this structure.

How

Supplied parameter

Type: Integer

Length:

Fullword

The How parameter explains the condition of the shutdown request. The values that can be specified are:

Value Condition**SHUT_RD**

Shutdown reads from this socket.

SHUT_WR

Shutdown writes to this socket.

SHUT_RDWR

Shutdown reads to and writes from this socket.

These values are defined in **socket.h**.

Return_value

Returned parameter

Type: Integer

Length:

Fullword

A fullword in which the vn_shutdown operation returns the results of the operation, as one of the following:

Return_value**Meaning**

-1 The operation was not successful. The Return_code and Reason_Code values must be filled in by the PFS when Return_value is -1.

0 The operation was successful.

Return_code

Returned parameter

Type: Integer

Length:

Fullword

vn_shutdown

A fullword in which the vn_shutdown operation stores the return code. The vn_shutdown operation returns Return_code only if Return_value is -1. For a complete list of supported return code values, see *z/OS UNIX System Services Messages and Codes*.

The vn_shutdown operation should support at least the following error value:

Return_code	Explanation
EINVAL	The How argument was not valid.

Reason_code

Returned parameter

Type: Integer

Length:
Fullword

A fullword where the vn_shutdown operation stores the reason code. The vn_shutdown operation returns Reason_code only if Return_value is -1. Reason_code further qualifies the Return_code value. These reason codes are documented by the PFS.

Implementation notes

Specific processing notes

The How parameter comes directly from the **shutdown()** system call. The LFS does not check this parameter.

Serialization provided by the LFS

The vn_shutdown operation is invoked with an exclusive latch held on the vnode of the socket.

Security calls to be made by the PFS

None.

Related services

- “vfs_socket — Create a socket or a socket pair” on page 109
- “vn_close — Close a file or socket” on page 144

vn_sndrcv — Send to or receive from a socket

Function

The vn_sndrcv operation sends datagrams to or receives datagrams from a socket. The socket must be connected.

Environment on entry and exit

See “Environment for PFS operations” on page 83.

Input parameter format

```
vn_sndrcv (Token_structure,
           OSI_structure,
           Audit_structure,
           Open_flags,
           User_IO_structure,
           Flags,
           Return_value,
           Return_code,
           Reason_code)
```

Parameters

Token_structure

Supplied parameter

Type: TOKSTR

Length:

Specified by TOKSTR.ts_hdr.cblen.

The Token_structure represents the file (vnode) that is being operated on. It contains the PFS's initialization token, mount token, and the file token. Refer to "LFS/PFS control block structure" on page 17 for a discussion of this structure, and to the TOKSTR typedef in BPXYPSI in Appendix D, "Interface structures for C language servers and clients," on page 499 for its mapping.

OSI_structure

Supplied and returned parameter

Type: OSI

Length:

Specified by OSI.osi_hdr.cblen.

The OSI_structure contains information that is used by the OSI operations that may be called by the PFS. See Chapter 6, "OSI services," on page 385 for more information.

It also contains MVS-specific information that needs to be passed to the PFS, including SMF accounting fields, a work area, a recovery area, and an optional pointer to an output ATTR structure. For more details on the OSI structure, see "The OSI structure" on page 20.

This area is mapped by the OSI typedef in BPXYPSI in Appendix D, "Interface structures for C language servers and clients," on page 499.

Audit_structure

Supplied parameter

Type: CRED

Length:

Specified by CRED.cred_hdr.cblen.

The Audit_structure contains information that is used by the security product for access checks and auditing. It is passed to most SAF routines that are invoked by the PFS.

Refer to “Security responsibilities and considerations” on page 13 for a discussion of security processing, and to the CRED typedef in BPXYVFSI in Appendix D, “Interface structures for C language servers and clients,” on page 499 for the mapping of this structure.

Open_flags

Supplied parameter

Type: Structure

Length:
Fullword

A fullword that contains the bits that are associated with the socket. The defined values for this field are mapped by **fcntl.h**.

User_IO_structure

Supplied and returned parameter

Type: UIO

Length:
Specified by UIO.u_hdr.cblen.

An area that contains the parameters for the I/O that is to be performed. This area is mapped by the UIO typedef in the BPXYVFSI header file (see Appendix D, “Interface structures for C language servers and clients,” on page 499). See “Specific processing notes” for details on how the fields in this structure are processed.

Flags

Supplied parameter

Type: Structure

Length:
Fullword

A fullword that indicates special processing requests. The defined values for this field are mapped by **socket.h**.

Return_value

Returned parameter

Type: Integer

Length:
Fullword

A fullword in which the vn_sndrcv operation returns the results of the operation, as one of the following:

Return_value

Meaning

-1 The operation was not successful. The Return_code and Reason_Code values must be filled in by the PFS when Return_value is -1.

0 or greater

The operation was successful. The value represents the number of bytes that were transferred.

Return_code

Returned parameter

Type: Integer

Length:

Fullword

A fullword in which the vn_sndrcv operation stores the return code. The vn_sndrcv operation returns Return_code only if Return_value is -1. For a complete list of supported return code values, see *z/OS UNIX System Services Messages and Codes*.

The vn_sndrcv operation should support at least the following error values:

Return_code	Explanation
EFAULT	A buffer address that was specified is not in addressable storage.
EINVAL	An incorrect parameter was specified.
EWOULDBLOCK	The operation would have required a blocking wait, and this socket was marked as nonblocking.

Reason_code

Returned parameter

Type: Integer**Length:**

Fullword

A fullword in which the vn_sndrcv operation stores the reason code. The vn_sndrcv operation returns Reason_code only if Return_value is -1. Reason_code further qualifies the Return_code value. These reason codes are documented by the PFS.

Implementation notes**Overview of vn_sndrcv processing**

For more information about the semantics of this operation for a POSIX-conforming PFS, refer to the publications that are mentioned in “Finding more information about sockets” on page xiii for the recv and send functions.

Specific processing notes

The following UIO fields are provided by the LFS:

UIO.u_hdr.cbid

Contains UIO_ID (from the BPXYVFSI header file)

UIO.u_hdr.cblen

Specifies the length of the user_IO_structure

UIO.u_buffaddr

Specifies the address of the caller's buffer

UIO.u_buffalet

Specifies the ALET of the caller's buffer

UIO.u_count

Specifies the maximum number of bytes that can be written to or read from the caller's buffer

UIO.u_asid

Specifies the ASID of the caller

UIO.u_rw

Specifies whether the request is a read (0) or a write (1)

UIO.u_key

Specifies the storage key of the caller's buffer

The UIO contains fields that may point to a 64-bit addressable user buffer. When FuioAddr64 is on (and FuioRealPage is off), FuioBuff64Vaddr points to a buffer, an IOV64, or an MSGH64.

Serialization provided by the LFS

The vn_sndrcv operation is invoked with an exclusive latch held on the vnode of the socket.

Security calls to be made by the PFS

None.

vn_sockopt — Get or set socket options

Function

The vn_sockopt operation gets or sets options that are associated with a socket.

Environment on entry and exit

See “Environment for PFS operations” on page 83.

Input parameter format

```
vn_sockopt (Token_structure,  
           OSI_structure,  
           Audit_structure,  
           Direction,  
           Level,  
           Option,  
           Option_data_length,  
           Option_data,  
           Return_value,  
           Return_code,  
           Reason_code)
```

Parameters

Token_structure

Supplied parameter

Type: TOKSTR

Length:

Specified by TOKSTR.ts_hdr.cblen.

The Token_structure represents the file (vnode) that is being operated on. It contains the PFS's initialization token, mount token, and the file token. Refer to “LFS/PFS control block structure” on page 17 for a discussion of this structure, and to the TOKSTR typedef in BPXYPSI in Appendix D, “Interface structures for C language servers and clients,” on page 499 for its mapping.

OSI_structure

Supplied and returned parameter

Type: OSI

Length:

Specified by OSI.osi_hdr.cblen.

The OSI_structure contains information that is used by the OSI operations that may be called by the PFS. See Chapter 6, “OSI services,” on page 385 for more information.

It also contains MVS-specific information that needs to be passed to the PFS, including SMF accounting fields, a work area, a recovery area, and an optional pointer to an output ATTR structure. For more details on the OSI structure, see “The OSI structure” on page 20.

This area is mapped by the OSI typedef in BPXYPFISI in Appendix D, “Interface structures for C language servers and clients,” on page 499.

Audit_structure

Supplied parameter

Type: CRED

Length:

Specified by CRED.cred_hdr.cblen.

The Audit_structure contains information that is used by the security product for access checks and auditing. It is passed to most SAF routines that are invoked by the PFS.

Refer to “Security responsibilities and considerations” on page 13 for a discussion of security processing, and to the CRED typedef in BPXYPFISI in Appendix D, “Interface structures for C language servers and clients,” on page 499 for the mapping of this structure.

Direction

Supplied parameter

Type: Integer

Length:

Fullword

The Direction parameter specifies whether the socket options are to be set or returned to the requester. The values for this parameter are defined in the BPXYPFISI header file (see Appendix D, “Interface structures for C language servers and clients,” on page 499) and are as follows:

Value Meaning**GET_SOCKETOPT**

Get the current socket options

SET_SOCKETOPT

Change the socket options

SET_IBMSOCKOPT

Change SetIBMsockopt options

Level

Supplied parameter

Type: Integer

Length:

Fullword

A fullword that specifies the protocol level. This area is mapped by **socket.h**.

vn_sockopt

Option

Supplied parameter

Type: Integer

Length:
Fullword

A fullword that specifies the option that is to be set or retrieved. This area is mapped by **socket.h**.

Option_data_length

Supplied parameter

Type: Integer

Length:
Fullword

The Option_data_length is a fullword that describes the length of the Option_data parameter.

Option_data

Supplied parameter

Type: Defined by the Option

Length:
Specified by Option_data_length

For most options, this is either a zero or nonzero, depending on whether the option is disabled or enabled.

Return_value

Returned parameter

Type: Integer

Length:
Fullword

A fullword in which the vn_sockopt operation returns the results of the operation, as one of the following:

Return_value

Meaning

-1 The operation was not successful. The Return_code and Reason_Code values must be filled in by the PFS when Return_value is -1.

0 The operation was successful.

Return_code

Returned parameter

Type: Integer

Length:
Fullword

A fullword in which the vn_sockopt operation stores the return code. The vn_sockopt operation returns Return_code only if Return_value is -1. For a complete list of supported return code values, see *z/OS UNIX System Services Messages and Codes*.

The vn_sockopt operation should support at least the following error value:

Return_code	Explanation
ENOPROTOOPT	The level that was specified is an incorrect protocol.

Reason_code

Returned parameter

Type: Integer

Length:

Fullword

A fullword in which the vn_sockopt operation stores the reason code. The vn_sockopt operation returns Reason_code only if Return_value is -1. Reason_code further qualifies the Return_code value. These reason codes are documented by the PFS.

Implementation notes**Overview of vn_sockopt processing**

For more information about the semantics of this operation for a POSIX-conforming PFS, refer to the publications that are mentioned in “Finding more information about sockets” on page xiii for the getsockopt and setsockopt functions.

Serialization provided by the LFS

The vn_sockopt operation is invoked with an exclusive latch held on the vnode of the socket.

Security calls to be made by the PFS

None.

vn_srmsg — Send messages to or receive messages from a socket

Function

The vn_srmsg operation sends or receives messages on a socket. Message headers are used for the reading or writing operation. The socket can be either connected or unconnected.

Environment on entry and exit

See “Environment for PFS operations” on page 83.

Input parameter format

```
vn_srmsg (Token_structure,
          OSI_structure,
          Audit_structure,
          Open_flags,
          User_IO_structure,
          Flags,
          Return_value,
          Return_code,
          Reason_code)
```

Parameters

Token_structure

Supplied parameter

Type: TOKSTR

Length:

Specified by TOKSTR.ts_hdr.cblen.

The Token_structure represents the file (vnode) that is being operated on. It contains the PFS's initialization token, mount token, and the file token. Refer to "LFS/PFS control block structure" on page 17 for a discussion of this structure, and to the TOKSTR typedef in BPXYPFISI in Appendix D, "Interface structures for C language servers and clients," on page 499 for its mapping.

OSI_structure

Supplied and returned parameter

Type: OSI

Length:

Specified by OSI.osi_hdr.cblen.

The OSI_structure contains information that is used by the OSI operations that may be called by the PFS. See Chapter 6, "OSI services," on page 385 for more information.

It also contains MVS-specific information that needs to be passed to the PFS, including SMF accounting fields, a work area, a recovery area, and an optional pointer to an output ATTR structure. For more details on the OSI structure, see "The OSI structure" on page 20.

This area is mapped by the OSI typedef in BPXYPFISI in Appendix D, "Interface structures for C language servers and clients," on page 499.

Audit_structure

Supplied parameter

Type: CRED

Length:

Specified by CRED.cred_hdr.cblen.

The Audit_structure contains information that is used by the security product for access checks and auditing. It is passed to most SAF routines that are invoked by the PFS.

Refer to "Security responsibilities and considerations" on page 13 for a discussion of security processing, and to the CRED typedef in BPXYPFISI in Appendix D, "Interface structures for C language servers and clients," on page 499 for the mapping of this structure.

Open_flags

Supplied parameter

Type: Structure

Length:

Fullword

A fullword that contains the bits that are associated with the socket. The defined values for this field are mapped by **fcntl.h**.

User_IO_structure

Supplied and returned parameter

Type: UIO

Length:

Specified by UIO.u_hdr.cblen.

An area that contains the parameters for the I/O that is to be performed. This area is mapped by the UIO typedef in the BPXYVFSI header file (see Appendix D, "Interface structures for C language servers and clients," on page 499). See "Specific processing notes" for details on how the fields in this structure are processed.

Flags

Supplied parameter

Type: Structure

Length:

Fullword

A fullword that indicates special processing requests. The defined values for this field are mapped by **socket.h**.

Return_value

Returned parameter

Type: Integer

Length:

Fullword

A fullword in which the vn_srmmsg operation returns the results of the operation, as one of the following:

Return_value

Meaning

-1 The operation was not successful. The Return_code and Reason_Code values must be filled in by the PFS when Return_value is -1.

0 or greater

The operation was successful. The value represents the number of bytes that were transferred.

Return_code

Returned parameter

Type: Integer

Length:

Fullword

A fullword in which the vn_srmmsg operation stores the return code. The vn_srmmsg operation returns Return_code only if Return_value is -1. See *z/OS UNIX System Services Messages and Codes* for a complete list of supported return code values.

The vn_srmmsg operation should support at least the following error values:

Return_code	Explanation
EFAULT	The address of one of the buffers is not in addressable storage.
EINVAL	An incorrect parameter was specified.
EWOULDBLOCK	A socket that has been defined as nonblocking cannot complete its operation without blocking.

Reason_code

Returned parameter

Type: Integer

Length:

Fullword

A fullword in which the vn_srmmsg operation stores the reason code. The vn_srmmsg operation returns Reason_code only if Return_value is -1. Reason_code further qualifies the Return_code value. These reason codes are documented by the PFS.

Implementation notes**Overview of vn_srmmsg processing**

The vn_srmmsg call can be used by connected or nonconnected sockets.

For more information about the semantics of this operation for a POSIX-conforming PFS, refer to the publications that are mentioned in "Finding more information about sockets" on page xiii for the **recvmsg()** and **sendmsg()** functions.

Specific processing notes

- The following UIO fields are provided by the LFS:

UIO.u_hdr.cbid

Contains UIO_ID (from the BPXYVFSI header file)

UIO.u_hdr.cblen

Specifies the length of the user_IO_structure

UIO.u_buffaddr

Specifies the address of the caller's message header

UIO.u_buffalet

Specifies the ALET of the caller's message header

UIO.u_count

Specifies the length of the message header

UIO.u_asid

Specifies the ASID of the caller

UIO.u_rw

Specifies whether the request is a read (0) or a write (1)

UIO.u_key

Specifies the storage key of the caller's buffer

UIO.u_iovalet

Specifies the ALET of the iov

UIO.u_iovbufalet

Specifies the ALET of the iov's buffers. All buffers must use the same ALET.

- The UIO contains fields that may point to a 64-bit addressable user buffer. When FuioAddr64 is on (and FuioRealPage is off), FuioBuff64Vaddr points to a buffer, an IOV64, or an MSGH64.
- The message header is defined in **socket.h**.
- The iov structure is defined in **uio.h**.

Serialization provided by the LFS

The vn_srmgs operation is invoked with an exclusive latch held on the vnode of the socket.

Security calls to be made by the PFS

None.

vn_srx — Send or receive CSM buffers

Function

The vn_srx operation sends or receives data using CSM (Communications Storage Manager) buffers.

Environment on entry and exit

See “Environment for PFS operations” on page 83.

Input parameter format

vn_srx	(Token_structure, OSI_structure, Audit_structure, Open_flags, User_IO_structure, Return_value, Return_code, Reason_code)
--------	---

Parameters

Token_structure

Supplied parameter

Type: TOKSTR

Length:

Specified by TOKSTR.ts_hdr.cblen.

The Token_structure represents the file (vnode) that is being operated on. It contains the PFS's initialization token, mount token, and file token. Refer to “LFS/PFS control block structure” on page 17 for a discussion of this structure, and to the TOKSTR typedef in BPXYPSI in Appendix D, “Interface structures for C language servers and clients,” on page 499 for its mapping.

OSI_structure

Supplied and returned parameter

Type: OSI

Length:

Specified by OSI.osi_hdr.cblen.

The OSI_structure contains information that is used by the OSI operations that may be called by the PFS. See Chapter 6, “OSI services,” on page 385 for more information.

It also contains MVS-specific information that needs to be passed to the PFS, including SMF accounting fields, a work area, a recovery area, and an optional pointer to an output ATTR structure. For more details on the OSI structure, see “The OSI structure” on page 20.

This area is mapped by the OSI typedef in BPXYPFSI in Appendix D, "Interface structures for C language servers and clients," on page 499.

Audit_structure

Supplied parameter

Type: CRED

Length:

Specified by CRED.cred_hdr.cblen.

The Audit_structure contains information that is used by the security product for access checks and auditing. It is passed to most SAF routines that are invoked by the PFS.

Refer to "Security responsibilities and considerations" on page 13 for a discussion of security processing, and to the CRED typedef in BPXYPFSI in Appendix D, "Interface structures for C language servers and clients," on page 499 for the mapping of this structure.

Open_flags

Supplied parameter

Type: Structure

Length:

Fullword

A fullword that contains the bits that are associated with the socket. The defined values for this field are mapped by fcntl.h.

User_IO_structure

Supplied and returned parameter

Type: UIO

Length:

Specified by UIO.u_hdr.cblen.

An area that contains the parameters for the I/O that is to be performed. This area is mapped by the UIO typedef in the BPXYVFSI header file (see Appendix D, "Interface structures for C language servers and clients," on page 499). See "Specific processing notes" for information about how the fields in this structure are processed.

Return_value

Returned parameter

Type: Integer

Length:

Fullword

A fullword in which the vn_srx operation returns the results of the operation, as one of the following values:

Return_value

Meaning

-1 The operation was not successful. The Return_code and Reason_Code values must be filled in by the PFS when Return_value is -1.

0 or greater

The operation was successful. The value represents the number of bytes that were transferred.

Return_code

Returned parameter

Type: Integer

Length:
Fullword

A fullword in which the vn_srx operation stores the return code. The vn_srx operation returns Return_code only if Return_value is -1. See *z/OS UNIX System Services Messages and Codes* for a complete list of supported return code values.

The vn_srx operation should support at least the following error values:

Return_code	Explanation
EFAULT	A buffer address that was specified is not in addressable storage.
EINVAL	An incorrect parameter was specified.
EWOULDBLOCK	A socket that has been defined as nonblocking cannot complete its operation without blocking.

Reason_code

Returned parameter

Type: Integer

Length:
Fullword

A fullword in which the vn_srx operation stores the reason code. The vn_srx operation returns Reason_code only if Return_value is -1. Reason_code further qualifies the Return_code value. These reason codes are documented by the PFS.

Implementation notes**Overview of vn_srx processing**

The Communications Storage Manager (CSM) provides a facility that allows programs to avoid data moves on a communications session by transferring buffer ownership instead of copying the buffer contents. See *z/OS Communications Server: CSM Guide* for more information about CSM.

The controlling parameters of the vn_srx operation are passed in a msghdrx structure, which is pointed to from the UIO. Included in the msghdrx is a pointer to an array of structures, each of which points to a data buffer that is obtained from CSM. For more information about the msghdrx structure and the semantics of this operation, see *srx_np (BPX1SRX, BPX4SRX) — Send or receive CSM buffers on a socket in z/OS UNIX System Services Programming: Assembler Callable Services Reference*.

The vn_srx call can be used on either connected or unconnected sockets.

Specific processing notes

- The following UIO fields are provided by the LFS:

UIO.u_hdr.cbid
Contains UIO_ID (from the BPXYVFSI header file)

UIO.u_hdr.cbilen
Specifies the length of the user_IO_structure

UIO.u_buffaddr

Specifies the address of a primary address space copy of the caller's msghdrx structure

UIO.u_buffalet

Specifies the ALET, 0, of the msghdrx structure

UIO.u_count

Specifies the length of the msghdrx structure that is being passed

UIO.u_asid

Specifies the ASID of the caller

UIO.u_rw

Specifies whether the request is a read (0) or a write (1)

UIO.u_key

Specifies the storage key of the caller

- The msghdrx structure is defined in bpxysrxh.h.
- The user's msghdrx is copied into the kernel by the LFS, and this copy is passed to the PFS. This kernel msghdrx, with any changes that are made by the PFS, is copied back to the user after the operation.
- The use of Msghdrx_length=0 in BPX1SRX to determine support for this operation is handled by the LFS, and not passed down to the PFS.

Serialization provided by the LFS

The vn_srx operation is invoked with an exclusive latch held on the vnode.

Security calls to be made by the PFS

None.

vn_symlink — Create a symbolic link

Function

The vn_symlink operation creates a symbolic link to a pathname or an external name. A file that is named Link_name, of type "symbolic link", is created within the directory that is represented by Token_structure. The content of the symbolic link file is the path name or external name that is specified in Pathname.

Environment on entry and exit

See "Environment for PFS operations" on page 83.

Input parameter format

```
vn_symlink (Token_structure,
            OSI_structure,
            Audit_structure,
            Pathname_length,
            Pathname,
            attribute_structure,
            Link_name_length,
            Link_name,
            Return_value,
            Return_code,
            Reason_code)
```

Parameters

Token_structure

Supplied parameter

Type: TOKSTR

Length:

Specified by TOKSTR.ts_hdr.cblen.

The Token_structure represents the file (vnode) that is being operated on. It contains the PFS's initialization token, mount token, and the file token. Refer to "LFS/PFS control block structure" on page 17 for a discussion of this structure, and to the TOKSTR typedef in BPXYPFSI in Appendix D, "Interface structures for C language servers and clients," on page 499 for its mapping.

OSI_structure

Supplied and returned parameter

Type: OSI

Length:

Specified by OSI.osi_hdr.cblen.

The OSI_structure contains information that is used by the OSI operations that may be called by the PFS. See Chapter 6, "OSI services," on page 385 for more information.

It also contains MVS-specific information that needs to be passed to the PFS, including SMF accounting fields, a work area, a recovery area, and an optional pointer to an output ATTR structure. For more details on the OSI structure, see "The OSI structure" on page 20.

This area is mapped by the OSI typedef in BPXYPFSI in Appendix D, "Interface structures for C language servers and clients," on page 499.

Audit_structure

Supplied parameter

Type: CRED

Length:

Specified by CRED.cred_hdr.cblen.

The Audit_structure contains information that is used by the security product for access checks and auditing. It is passed to most SAF routines that are invoked by the PFS.

Refer to “Security responsibilities and considerations” on page 13 for a discussion of security processing, and to the CRED typedef in BPXYVFSI in Appendix D, “Interface structures for C language servers and clients,” on page 499 for the mapping of this structure.

Pathname_length

Supplied parameter

Type: Integer

Length:

Fullword

A fullword that contains the length of Pathname. The Pathname can be up to 1023 bytes long.

Pathname

Supplied parameter

Type: Character string

Length:

Specified by the Pathname_length parameter

An area that contains the pathname or external name for which a symbolic link is to be created.

A pathname can begin with or without a slash:

- If the pathname begins with a slash, it is an *absolute* pathname; the slash refers to the root directory, and the search for the file starts at the root directory.
- If the pathname does not begin with a slash, it is a *relative* pathname, and the search for the file starts at the parent directory of the symbolic link file.

A pathname contains no nulls.

An external name is the name of an object outside of the hierarchical file system. It may contain nulls.

attribute_structure

Supplied parameter

Type: ATTR

Length:

Specified by ATTR.at_hdr.cblen.

An area that contains the file attributes that are to be set for the symbolic link being created. This area is mapped by typedef ATTR in the BPXYVFSI header file (see Appendix D, “Interface structures for C language servers and clients,” on page 499).

Link_name_length

Supplied parameter

Type: Integer

Length:

Fullword

A fullword that contains the length of Link_name. The Link_name can be up to 255 bytes long.

Link_name

Supplied parameter

Type: Character string

Length:

Specified by Link_name_length parameter

An area that contains the symbolic link that is being created. Link_name contains no nulls.

Return_value

Returned parameter

Type: Integer

Length:

Fullword

A fullword in which the vn_symlink service returns the results of the operation, as one of the following:

Return_value

Meaning

- 1** The operation was not successful. The Return_code and Reason_Code values must be filled in by the PFS when Return_value is -1.
- 0** The operation was successful.

Return_code

Returned parameter

Type: Integer

Length:

Fullword

A fullword in which the vn_symlink service stores the return code. The vn_symlink service returns Return_code only if Return_value is -1. See *z/OS UNIX System Services Messages and Codes* for a complete list of supported return code values.

The vn_symlink service should support at least the following error values:

Return_code	Explanation
EACCES	The calling process does not have permission to write in the directory that was specified.
EEXIST	Link_name already exists.
ENAMETOOLONG	Link_name is longer than is supported by the PFS.
ENOENT	The parent directory has been marked for deletion.
ENOSPC	The file system is out of space.
ENOSYS	The PFS does not support storing external links.
EROFS	Token_structure specifies a directory on a read-only file system.

Reason_code

Returned parameter

Type: Integer

Length:

Fullword

A fullword in which the vn_symlink service stores the reason code. The vn_symlink service returns Reason_code only if Return_value is -1. Reason_code further qualifies the Return_code value. These reason codes are documented by the PFS.

Implementation notes

Overview of vn_symlink processing

“Creating files” on page 34 provides an overview of symbolic link creation.

Specific processing notes

- The Token_structure that is passed on input represents the directory in which the symbolic link is to be created.
- The following attribute_structure fields are provided by the LFS:

ATTR.at_hdr.cbid

Contains Attr_ID (from the BPXYVFSI header file)

ATTR.at_hdr.cbLen

Specifies the length of attribute_structure

ATTR.at_genvalue

When ((at_genvalue & S_IFEXTL) == S_IFEXTL) is true, the pathname is an external link.

- An external link is a symbolic link with an extra file attribute bit stored by the PFS. The distinction between a normal symbolic link and an external link is only apparent in the attribute structures that are returned by the PFS for the link file. There is no difference in the way vn_readlink is processed, for example.

If the PFS cannot store this external link bit, it must fail the vn_symlink request with ENOSYS.

- If the file that is named in the Name parameter already exists, the vn_symlink operation returns a failing return code.
- Refer to the **symlink()** function in the POSIX .1a standard (IEEE Std 1003.1a), draft 7, for more information about the semantics of this operation for a POSIX-conforming PFS.

Serialization provided by the LFS

The vn_symlink operation is invoked with an exclusive latch held on the vnode of the directory.

Security calls to be made by the PFS

The PFS is expected to invoke SAF's Check Access callable service to check that the user has write permission to the directory.

Related services

- “vn_readlink — Read a symbolic link” on page 198
- “vn_link — Create a link to a file” on page 167
- “vn_remove — Remove a link to a file” on page 209

vn_trunc — Truncate a file

Function

The vn_trunc operation changes the length of an open file.

Environment on entry and exit

See “Environment for PFS operations” on page 83.

vn_trunc	(Token_structure, OSI_structure, Audit_structure, File_length, Return_value, Return_code, Reason_code)
----------	--

Parameters

Token_structure

Supplied parameter

Type: TOKSTR

Length:

Specified by TOKSTR.ts_hdr.cblen.

The Token_structure represents the file (vnode) that is being operated on. It contains the PFS's initialization token, mount token, and the file token. Refer to "LFS/PFS control block structure" on page 17 for a discussion of this structure, and to the TOKSTR typedef in BPXYPSI in Appendix D, "Interface structures for C language servers and clients," on page 499 for its mapping.

OSI_structure

Supplied and returned parameter

Type: OSI

Length:

Specified by OSI.osi_hdr.cblen.

The OSI_structure contains information that is used by the OSI operations that may be called by the PFS. See Chapter 6, "OSI services," on page 385 for more information.

It also contains MVS-specific information that needs to be passed to the PFS, including SMF accounting fields, a work area, a recovery area, and an optional pointer to an output ATTR structure. For more details on the OSI structure, see "The OSI structure" on page 20.

This area is mapped by the OSI typedef in BPXYPSI in Appendix D, "Interface structures for C language servers and clients," on page 499.

Audit_structure

Supplied parameter

Type: CRED

Length:

Specified by CRED.cred_hdr.cblen.

The Audit_structure contains information that is used by the security product for access checks and auditing. It is passed to most SAF routines that are invoked by the PFS.

Refer to "Security responsibilities and considerations" on page 13 for a discussion of security processing, and to the CRED typedef in BPXYPSI in Appendix D, "Interface structures for C language servers and clients," on page 499 for the mapping of this structure.

File_length

Supplied parameter

vn_trunc

Type: Integer

Length:
Doubleword

A doubleword that contains the number of bytes to which the file size is to be set. Only positive values are passed by the caller.

Return_value

Returned parameter

Type: Integer

Length:
Fullword

A fullword in which the vn_trunc operation returns the results of the operation, as one of the following:

Return_value

Meaning

-1 The operation was not successful. The Return_code and Reason_Code values must be filled in by the PFS when Return_value is -1.

0 The operation was successful.

Return_code

Returned parameter

Type: Integer

Length:
Fullword

A fullword in which the vn_trunc operation stores the return code. The vn_trunc operation returns Return_code only if Return_value is -1. See *z/OS UNIX System Services Messages and Codes* for a complete list of supported return code values.

The vn_trunc operation should support at least the following error value:

Return_code	Explanation
EROFS	The file is on a read-only file system.

Reason_code

Returned parameter

Type: Integer

Length:
Fullword

A fullword in which the vn_trunc operation stores the reason code. The vn_trunc operation returns Reason_code only if Return_value is -1. Reason_code further qualifies the Return_code value. These reason codes are documented by the PFS.

Implementation notes

Overview of vn_trunc processing

The vn_trunc changes the file size to File_length bytes.

Specific processing notes

- The difference between `vn_trunc` and `vn_setattr(truncate)` is that `vn_trunc` is called for `ftruncate()`, and therefore does not do a security check. `vn_setattr(truncate)` is called for `truncate()` and must do a security check.
- When a file is truncated, all data from `File_length` to the original end of the file must be removed.
Full blocks are returned to the file system so that they can be used again, and the file size must be changed to the lesser of `File_length` or the current length of the file.
- When the file is expanded, its length is changed to `File_length` and unwritten bytes read between the old end-of-file and the new end-of-file are returned as zeros.
- The LFS ensures that the file is a regular file, open for writing if necessary, and that the `File_length` is not negative.
- When the file size is changed successfully, the PFS calls SAF's Clear Setid callable service.
- The LFS enforces any file size limits that may be in effect.
- Refer to the `ftruncate()` function in the POSIX .1a standard (IEEE Std 1003.1a), draft 7, for more information about the semantics of this operation for a POSIX-conforming PFS.

Serialization provided by the LFS

The `vn_trunc` operation is invoked with an exclusive latch held on the vnode of the directory.

Security calls to be made by the PFS

Clear Setid.

Related services

- “`vn_open` — Open a file” on page 184

vn_trunc

Chapter 4. VFS servers

A VFS server is a program that registers as a VFS server with z/OS UNIX by calling the `v_reg()` function. There is no special system definition required to become a VFS server.

VFS servers must have appropriate privileges, which are defined as *superuser authority*. For more information about appropriate privileges, see Authorization in *z/OS UNIX System Services Programming: Assembler Callable Services Reference*. This topic describes:

- How to install a virtual file system (VFS) server
- How a VFS server is activated and deactivated
- The functions that must be provided by a VFS server
- The functions that are provided for it
- Security considerations

A VFS server is a program that uses the VFS callable services API to access objects in the z/OS UNIX file hierarchy.

This is not to be confused with other types of servers. For example, consider a file transfer program that moves files between z/OS UNIX and a workstation. If this program uses the `open()`, `read()`, and `write()` functions to access the files, it is certainly a “file server”, but this type of program it is not discussed in this topic. On the other hand, if this same program uses the `v_get()` and `v_rdwr()` functions, it is the type of server discussed here. Such a program could be written as a set of LU 6.2 transactions, independent of which interface is used to access the files.

The VFS callable services API is designed to meet the requirements of an NFS- or DFS-style server, but it is not limited to those applications. The main difference between the POSIX API and the VFS callable services API is that POSIX programs refer to files by path names and VFS servers refer to them by file identifiers (FIDs). VFS servers do their own path name resolution to convert a path name into a FID, and later use the FID to access the file. The FID is designed to be part of the NFS file handle that the Network File System returns to its clients. A file handle always refers to the same file. A path name, on the other hand, may refer to different files over time, because of rename, remove/re-create, or symbolic link changes.

Installation

A VFS server may be installed in the hierarchical file system or in standard MVS load libraries. The choice depends on how the VFS server is activated.

Activation and deactivation

Because any program with appropriate privileges can become a VFS server by calling the `v_reg()` function, VFS servers can be activated in all the ways that a program can be run on MVS. They may be independent address spaces with their own START cataloged procedure; they can run as batch programs; or they can be shell processes that are run in the background or started through `/etc/init`. A VFS server can even be a command or program that is invoked directly by a user and run in the foreground of that user's process.

Once a program successfully calls `v_reg()`, it is registered as a VFS server with z/OS UNIX and dubbed, if it has not already been dubbed. After a server is registered, appropriate privileges are not needed for subsequent `v_` functions.

Server registration is not inherited across `fork()` or `spawn()`.

A VFS server, like any other program, can use the standard file and socket APIs of z/OS UNIX, along with other MVS APIs. The VFS server aspects of the program have to do only with its use of the VFS callable services API.

Termination considerations

There is no service provided to unregister with z/OS UNIX. If and when a VFS server's process terminates, z/OS UNIX removes its registration.

A VFS server can, however, release itself from all z/OS UNIX associations by calling `undub (BPX1MPC)`, which also removes its registration as a VFS server.

When z/OS UNIX removes a VFS server's registration, all of the z/OS UNIX resources that are allocated to that VFS server are freed.

Security responsibilities and considerations

The security structure of z/OS UNIX consists of two parts: the user's identity and the file's access control information. A VFS server is primarily concerned with the user's identity.

As a z/OS UNIX "superuser," a VFS server has free access to all z/OS UNIX resources. Consequently, it is the VFS server's responsibility to make sure that everything it does on behalf of a particular end user is done under the authority of that end user.

For a VFS server that is directly invoked by a local user, such as by a command, the simplest thing to do is to require that the invoker be a superuser. If the VFS server runs as a `setuid` program or is a more traditional client/server type of server, the rest of this topic applies.

It is expected that a VFS server will assume the identity of its end user while making calls to z/OS UNIX services. This consists of several steps:

1. End users must be defined to both MVS and z/OS UNIX. They will have both an MVS user ID and a z/OS UNIX UID-GID pair.
2. The VFS server must know the MVS user ID of the end user.
3. The VFS server invokes SAF services to set up a security environment based on that MVS user ID.

`RACROUTE REQUEST=VERIFY,ENVIR=CREATE` is used to initialize the MVS part of the security environment, and `Init_USP` is used to add the z/OS UNIX information.

For acceptable performance, a VFS server should maintain enough state information so that it could save this security environment for a given end user and not have to re-create it on every request.

4. Before calling z/OS UNIX services for an end user, the VFS server updates its address space or task to assume the security environment that was set up by `RACROUTE` and `Init_USP`, by storing the `ACEE` from `RACROUTE` in the security environment field of the Task Control Block (`TCBSENV`).

If this is a read or write function, the VFS server must decide whether file access checking is to be performed by the system. If the VFS server maintains

enough state information to recognize the first reference by a particular end user to a particular file object, it can limit the overhead of access checking to that first reference. Otherwise, every read or write must be access checked. Other types of calls are unconditionally access-checked if access control is defined for the call.

After the call, or sequence of calls, for that end user, the VFS server reverts to its own security environment or sets up for the next end user.

5. When an end user is finished using the VFS server, the VFS server invokes `RACROUTE REQUEST=VERIFY,ENVIR=DELETE` to free the security environment.

Access control checks are performed by the PFSs that own the data. These checks are based on information that is associated with each individual file. The VFS server does not control these access checks except for read and write operations.

For more information about these interfaces, see *z/OS Security Server RACF Callable Services*.

VFS server considerations for 64-bit addressing

For a server that is entirely 31-bit, no changes are required.

For `v_op` calls in AMODE 31:

- A server may set `FuioAddr64` and use 64-bit addressing within the UIO to address its own buffers for the `v_rdwtr`, `v_readdir`, and `v_readlink` operations.
- The UIO itself and all the calling parameters must be 31-bit addressable.

For `v_op` calls in AMODE 64:

- The server must set `FuioAddr64` appropriately to indicate whether a 31-bit or a 64-bit buffer address is being passed.
- Register 1 and the parameter list must all be 64-bit addresses; the parameters themselves may be above or below 2 gigabytes.
- BPX1 callers must use the BPX4 entry names.

Using the VFS callable services application programming interface

The VFS callable services API separates a VFS server from the logical file system (LFS) of z/OS UNIX. It is a set of protocols and callable services that deal with accessing objects in the file hierarchy.

This topic describes the services that are provided to a VFS server and the requirements and responsibilities that are placed on a VFS server.

As described in Chapter 1, “General overview,” on page 1, a VFS server is just one of many users of the file system. File requests that are made through the various APIs that are supported by z/OS UNIX are routed by the LFS to the PFS that owns or controls the file that is being referred to. The PFS cannot tell what kind of program originated these requests.

Operations summary

The VFS callable services API contains the following functions:

Table 6. VFS callable services API functions

Function	Description
v_access	Check access permissions
v_close	Close a file
v_create	Create a regular, FIFO, or character special file
v_export	Export a file system
v_fstatfs	Get file system attributes
v_get	Get a vnode from a file ID (FID)
v_getattr	Get attributes for a file
v_link	Create a hard link to a file
v_lockctl	Control locks
v_lookup	Look up a file name
v_mkdir	Create a directory
v_open	Open or create a file
v_rdwr	Read or write to a file
v_readdir	Read a directory
v_readlink	Read a symbolic link or external link file
v_reg	Register a process with the file system
v_rel	Release a vnode
v_remove	Remove a file
v_rename	Rename a file or directory
v_rmdir	Remove a directory
v_rpn	Resolve a path name to a file system and a file
v_setattr	Set attributes of a file
v_symlink	Create a symbolic or external link

VFS server – LFS control block structure

Files are contained within mounted file systems, and the collection of all the files in all the mounted file systems forms the z/OS UNIX file hierarchy.

The LFS structures for files and file systems are not directly addressable by a VFS server. Consequently, files and file systems are abstracted somewhat on the VFS callable services API.

A file is represented to a VFS server by a vnode token with the following characteristics:

- A vnode token is similar to a POSIX file descriptor, in that it is the main input to all calls that refer to the file.
- Vnode tokens are obtained most often from `v_get()` and `v_lookup()`, but also from `v_rpn()`, `v_create()`, and `v_mkdir()`
- Vnode tokens are not inherited across `fork()`.

- Vnode tokens are released with `v_rel()`. All vnode tokens that are obtained must eventually be released. After `v_rel()` is called, any subsequent call with the same vnode token fails.
 - A single vnode token may be cached by the VFS server and shared among many end users. A single vnode token can be used by several tasks at the same time, but `v_rel()` is mutually exclusive with all other operations.
 - Many different vnode tokens can be obtained for the same file.
 - A vnode token that has not been released is always valid for a call in the sense that the VFS server program will not abnormally end from using it.
- Files that are deleted are still accessible with existing vnode tokens. This is the same behavior that is expected for POSIX file descriptors that have not been closed. If the underlying real file system is unmounted with IMMEDIATE or FORCE, however, calls that are made with vnode tokens for files in that file system fail with an error code.

A file system is represented to a VFS server by a VFS token with the following characteristics:

- The VFS token represents a virtual file system (VFS). With NFS, for example, this corresponds to a client mount. The directory that is mounted becomes the root of this VFS.
- A VFS is a subset of some real mounted file system. VFS servers do not refer to the mounted file system directly.
- VFS tokens are obtained from `v_rpn()`, and they are never released.
- VFS tokens are used only with the `v_get()` function, which converts a file ID within a given VFS into a vnode token.
- All VFS tokens for VFSs that are contained within the same real mounted file system are the same.
- VFS tokens remain valid for as long as the underlying real file system is mounted.

After the underlying file system is unmounted, `v_get()` with the prior VFS token fails with an error code. This remains true even if the real file system is remounted.

Registration

A VFS server must register with z/OS UNIX by calling the `v_reg()` service.

`v_reg()` checks that the VFS server has appropriate privileges (is a superuser), and sets up support for the VFS callable services API.

The input to `v_reg()` is contained in the NREG structure and includes the name by which the VFS server is to be known.

A DFS-style file exporter also includes the name of an exit program that the LFS is to call before and after every vnode operation for files that are being exported.

Refer to Appendix D, “Interface structures for C language servers and clients,” on page 499 for a description of the information that is passed during registration.

Mounting and unmounting

Servers do not physically mount file systems. NFS-style servers connect to the file hierarchy at the directory that their client has *NFS-mounted*, and they access only

those files that are in these NFS-mounted directories or lower in the hierarchy within the same physically-mounted file system.

DFS-style servers export whole mounted file systems. They connect to the file hierarchy at the root directory of those file systems.

The Resolve Path Name service, **v_rpn()**, is called to implement an *NFS mount*. The input is the directory pathname, as sent by the client. The primary output is a VFS token for the file system that the directory belongs to and the file ID (FID) of the directory. These represent a VFS and its root directory. With this information the VFS server can access any file in the same file system at or below that directory in the hierarchy.

The export service, **v_export()**, is called by file exporters. Its input is a file system name and its output is the same as it is for **v_rpn()**.

If several directories in the same real file system are mounted by NFS clients, the VFS server receives the same VFS token for each **v_rpn()** that is issued during those NFS mounts. This fact is not significant to the VFS server, which associates each VFS token that is obtained with the NFS mount that was performed; there should not be any concern for the physical mount structure that underlies the file hierarchy.

The path name that is passed to **v_rpn()** may be a regular file; in fact, determining whether it is a file or a directory may be the sole objective of the operation. Usually, though, the path name refers to a directory that serves as a base from which other files are accessed. This access involves path name resolution, which is explained in “Resolving the pathname of a file or directory” on page 269.

When a client NFS unmounts the directory, the VFS server can release whatever information it is maintaining about the mount. This includes releasing any cached vnode tokens. The VFS server does not have to inform z/OS UNIX or release the VFS token in any way.

When a file exporter is finished with a file system it calls **v_export()** to unexport it.

Overview of NFS processing

To understand how the VFS callable services API is used, you need to understand the typical sequence of operations for a network file system (NFS) server.

There are three major interactions between an NFS client and its NFS server:

1. Mounting a path name
2. Resolving the path name of a file or directory
3. Accessing an individual file or directory

Mounting a path name

Initially, an end user at an NFS client mounts the path name of a directory that resides at the VFS server's system onto some mount point directory at the client. These mounts are often done automatically during the initialization of the user's workstation. The VFS server object that is mounted may be a regular file, rather than a directory, in which case information in “Resolving the pathname of a file or directory” on page 269 does not apply. This topic describes only mounting a directory at the VFS server. This directory is referred to as the “initial directory.”

The flow for an “NFS mount” is as follows:

1. The initial directory path name is sent to the VFS server through the Mount remote procedure call (RPC).
2. **v_rpn()** is called by the VFS server to resolve the path name from the RPC into: a VFS token for the path name object's file system; a vnode token for the object itself; and the file ID (FID) of the object.
3. The VFS server builds a structure to represent and remember this mount operation.
A unique "mount key" is constructed and saved in the structure. This may be, for example, an index number into a mount table array or a time stamp. It is used later to find the mount structure.
The VFS token is saved in the mount structure.
4. An NFS file handle is constructed from the FID, mount key, and other control information that is specific to this VFS server.
5. Either the vnode token of the object is cached, or **v_rel()** is called to release it.
6. The file handle of the object is returned to the client.

After this exchange, the client has a file handle for the initial directory that was mounted. This file handle is saved and associated with the local mount point. All end user references to files at or below the local mount point now refer to files in the VFS server's file hierarchy that are at or below the initial directory.

Resolving the pathname of a file or directory

Subsequently, the client's user refers to a specific file by path name, and the path name is resolved locally, component by component, until an NFS mount point is reached.

The client then continues with the following process:

1. The lookup RPC is called with the initial directory file handle, which was saved with the NFS mount point, and the next name component of the path name, which is the name after the mount point name.
2. The VFS server uses the mount key from the file handle to find the related mount RPC structure where the VFS token from **v_rpn()** was saved.
3. **v_get()** is called with that VFS token and the FID from the file handle. This call returns the vnode token for the directory that is represented by the file handle. If the vnode token had been cached, this step could be skipped.
4. **v_lookup()** is called with that directory vnode token and the component name from the RPC. This call returns the named object's vnode token, FID, and attributes.
5. An NFS file handle for the named object is constructed from its FID, the mount key, and other control information that is specific to this VFS server.
6. **v_rel()** is called to release the directory vnode token.
7. **v_rel()** is called to release the named object's vnode token.
8. The file handle and attributes of the object are returned to the client.
9. At the client the file handle represents the named object that was just looked up. The object's path name is equal to that part of the original path name that has been resolved so far. From the attributes that are returned, the client can tell what type of file the object is:
 - If it is a symbolic link, the readlink RPC is called to retrieve the link's contents.
 - If it is a directory, and there are more name components of the path name to be resolved, the client moves on to the next name component and calls the lookup RPC with that name and the file handle that was just returned.

10. The VFS server continues with step 2 on page 269, and this loop continues iteratively through each name component of the remaining path name string.

Note: This processing does not generally cross real mount points at the server. If a particular directory encountered during these lookups has been mounted on, lookups in that directory return files from that directory, not from the directory that was mounted over it. As a consequence, all files that are obtained from a given initial directory are in the same real mounted file system. This also means that an NFS client's view of the file hierarchy is different from that of a local user. NFS clients can see "underneath" real mount points that are reachable from the directories they have NFS-mounted. This is usually of no consequence, because most mount-point directories are empty. Refer to "v_lookup (BPX1VLK, BPX4VLK) — Look up a file or directory" on page 322 for a way to override this behavior.

After a path name has been fully resolved to the file handle of an object in the VFS server's file hierarchy, the client can use that handle on later RPC requests to perform a specific function against that object. For example:

- If the user program does an **open()** and **read()** on a file, the client resolves the open's pathname and uses the file handle to satisfy the read by issuing a read RPC.
- For a **mkdir()**, the path name is resolved up to the last name component, yielding the file handle of the parent directory in which the new directory is to be defined. The `make_dir` RPC is then called with this file handle and the last name component of the original path name.
- For a **stat()**, the path name is resolved to its end, and the file handle is used on a `get_attributes` RPC.
- The lookups and readlinks that are involved with path name resolution itself are also examples of the use of a file handle for specific operations against the directory that is represented by the handle.

Accessing an individual file or directory

After an object's file handle is available, the flow for a functional request is as follows:

1. The functional RPC is called with the object's file handle and other parameters that are specific to this function.
2. The VFS server uses the mount key from the file handle to find the related mount RPC structure in which the VFS token from **v_rpn()** was saved.
3. **v_get()** is called with that VFS token and the FID from the file handle. This returns the vnode token for the object that is represented by the file handle.
4. The appropriate VFS callable services API function is called to perform the operation that is requested by the RPC. The parameters of the call include the object's vnode token, from step 3, and the other parameters that are specific to this function.
5. **v_rel()** is called to release the object's vnode token.
6. The data or results of the function are returned to the client.

So long as the client has cached a file handle, the pathname resolution process does not have to be repeated, and files and directories can be immediately accessed by their handle. In particular, this simpler flow would be used for all reads and writes against an open file, since the client can save the file handle with the open structures.

Note:

1. If the VFS server keeps enough state information, the `v_get()`-`v_rel()` pairs can be skipped by caching the vnode token that is used on a sequence of inbound RPC requests. Because NFS clients do not inform their servers when they are finished with a file handle, a server that is caching vnode tokens must eventually clean them up by calling `v_rel()`, after an inactivity timeout or with some other reclamation algorithm.
2. `v_rpn()` is the only VFS callable services API function that takes a path name for the file it acts upon.

Capabilities and restrictions for Version 4 NFS server processing in a sysplex environment

Starting with z/OS V1R7, z/OS UNIX supports Version 4 NFS server protocols. This support includes new `v_open()` and `v_close()` callable services, including support for file sharing semantics (share reservations), and enhanced lock control interfaces and functionality (provided by the `v_lockctl()` callable service).

The following capabilities and restrictions apply to Version 4 NFS server processing in a sysplex environment:

- To open a file with share reservations, the file must be owned by a system at the z/OS V1R7 level or higher. The following applies to files that are owned by remote systems:
 - If a file is owned by a remote system that supports share reservations, they will be enforced at the owning system for all open requests within the sysplex. At the owning system, an open request from a down-level remote system behaves just like a local open request.
 - If a file is owned by a remote system that does not support share reservations, the `v_open()` fails with return code EOPNOTSUPP, reason code JrNoShrsAtOwner. Move the file system to a sysplex member that supports share reservations.
- A file system that has active share reservations on any of its files can be moved to another system that supports share reservations and those share reservations will move with the files and continue to be enforced at the new owning system. A file system cannot be moved to a down-level system while there are active share reservations on any file in that file system. Any attempt to do so will fail with return code EINVAL, reason code JrCantMoveShares. Either move the file system to a sysplex member that does support share reservations, stop the NFS client applications that are holding share reservations on the files, or wait for those applications to complete.
- When share reservations exist on files that are owned by a remote system and that system crashes, the following occurs:
 - If the file system is taken over by another system that supports share reservations, the reservations will be reestablished and enforced at the new owning system.
 - If the file system is taken over by another system that does not support share reservations, the share reservations can no longer be enforced. The open tokens for the affected files will be invalidated and subsequent operations with those open tokens will be rejected with return code EIO, reason code JrShrsLost. Move the file system to a sysplex member that supports share reservations; the files can then be reopened as they were before.

Note: You can use the AUTOMOVE parameter on the MOUNT command to restrict such takeovers only to systems that support share reservations.

- When a file system is owned by a remote system that does not support the Version 4 NFS server protocols, the following restrictions apply:

- Enhanced blocker information is not available when a byte range lock request cannot be granted. In such a case, the output BRLM_Rangelock structure will contain zeros.
- The new purge locks interfaces are not supported unless the masks map to the old functionality—that is, all clients and threads or all threads at a client. TID subsetting cannot be used.
- The UnLoadLocks function is not supported.

NFS file handles

As mentioned before, the VFS callable services API is designed to be used with NFS, and NFS uses file handles to represent files. Two advantages of NFS file handles over pathnames are that they are a smaller fixed length (usually 32 bytes long), and that they always refer to the same file object even if that object is renamed or if it is deleted and the pathname reused for another object. In the latter case, references to the file handle fail, but this is the desired result.

An NFS file handle contains two pieces of information that are needed to convert the handle back to a file. These are the file system in which the file resides and its identifier (FID) within that file system. The FID values, which are generated by PFSs that own the data, are unique within a file system, persistent, and never reused. File systems, however, do not have a persistent and dedicated identifier that can be used in an NFS file handle.

An NFS client expects file handles to be valid for as long as the corresponding VFS server object exists. To support their validity over system or VFS server restarts, the VFS server must maintain a disk file, or database, that retains some information about the NFS mounts that have been performed. With this database, the VFS server can create unique and persistent file system identifiers to be placed in the file handles along with the file's FID. This file system identifier is called a "mount key", and the following process makes it unique and persistent:

1. On each mount RPC, a unique "mount key" is generated. This can be, for example, an index into a mount table or a time stamp.

The mount key can be reused after the client issues an unmount RPC. Presumably the client will not be using old file handles from directories that it has unmounted.

The initial directory pathname from the RPC and the mount key are saved on disk. The file system name and directory FID are also saved.

A mount structure is built to hold the mount key and VFS token. With the mount key the VFS server is able to find the mount structure and extract the VFS token.

2. Each file handle that is constructed contains the file's FID and the mount key for the mount RPC under which the file resides.
3. Each time the VFS server is started, it reads the mount file and rebuilds the corresponding mount structures with their saved mount keys.

v_rpn() is called, with the saved path name, to get a new VFS token, which is saved in the new mount structure.

At this point the VFS server has re-created the mount state it had before the system was restarted, and it can field inbound RPCs and process their file handles.

4. With an old file handle the VFS server can find the new mount structure, since the mount key has not changed and the new VFS token is used on the subsequent call to **v_get()**.

A mount RPC refers to a specific initial directory, which, when the RPC arrived, was known by the path name that is included with the RPC. That specific directory can be renamed or deleted and the path name reused for another directory. If this happens, the `v_rpn()` that is issued by a VFS server after it restarts yields the VFS token and FID of a different directory. In this case, the same file handle used by a client before and after the VFS server restart refers to two different objects!

To help detect this situation, `v_rpn()` returns additional information about the real mounted file system that the initial directory belongs to. This includes the FILESYSTEM name used on the real mount command. By saving this name and the FID of the initial directory, along with the path name and mount key, the VFS server can validate the output of `v_rpn()` after a restart.

After a restart `v_rpn()`, the old and new FIDs are compared to catch situations in which the path name has been reused within the same real file system. The old and new FILESYSTEM names are compared in order to catch instances in which the path name was reused across real file systems and happens to refer to an object with the same FID within the new file system. Getting the same FID is not so uncommon; because FIDs are usually generated sequentially, the local root of every real file system, for example, tends to have the same FID.

This scheme requires that the FILESYSTEM name not be reused for another file system, but this is somewhat easier to control. Generally, mount commands are issued only from the BPXPRMxx parmlib member that was used to start z/OS UNIX, or by a small set of people with special authorization. For HFS file systems, also, the FILESYSTEM name is the name of an MVS data set. Controls can be placed over who is able to rename or delete these data sets, and they cannot be renamed or deleted by anyone while they are mounted.

DFS-style file exporters

The main difference between a DFS-style server, called a file exporter here, and an NFS-style server is that a file exporter controls both local and remote access to the file systems that it exports. It does this through the use of an exit program that is specified at the time the exporter registers with `v_reg()`.

A file exporter exports entire mounted file systems with the `v_export()` function. Usually the exporter is set up with a list of file systems that it is to export, and these are exported during initialization.

An exported file system is made known to the network in general. End users at DFS-style clients access all network files through a single "DFS" mount point on their system. The clients call a name server to find files that they are interested in, and so they are not affected when the files are moved. This differs from an NFS-style client, whose user individually mounts directories from each remote system on particular local mount points. The location of the directory, and thus the files under it, is specified at mount time, and so cannot be changed without changing the mount at each client.

For vnode operations that do not originate with the file exporter itself, an exporter exit program is used to synchronize file changes. The exporter exit program is invoked before and after every vnode operation that is called for files within an exported file system. The exit program communicates with the file exporter to coordinate file sharing between local users and remote clients. In effect, the exit program is serving as a "DFS client" for all the local users of the exported file

system. Only tokens that grant permission to continue with the vnode operation are transferred via the exit, and not file data. In this way the exit and file exporter ensure that when a local program reads a file it will see all changes that may have been made to this file by remote clients.

The general flow is:

1. The exit is loaded and called for initialization when **v_reg()** is called.
2. **V_export()** is called by the file exporter to identify the file systems that are being exported. **V_export()** has the same output as **v_rpn()**, and the file exporter proceeds to access local data in the same way that NFS-style servers do.
3. The exit program is called before and after every vnode operation for an exported file system that does not originate from the file exporter.
The exit program can communicate with the file exporter address space through its own internal mechanisms, if necessary. Significant performance degradation is possible for exported file systems if the exit and exporter are not designed to minimize this communication.
The OSI services are available to the exit program.
The exit can cause the vnode operation to be rejected, with return and reason codes that are passed back to the caller.
4. The **osi_ctl()** service is available for asynchronous communication from the file exporter address space to the exit program.
5. The exit program is also called when a file system is unexported and when the file exporter terminates. In the latter case the exit program is also deleted.

The interface between the LFS and the exporter exit is the GXPL structure. Refer to Appendix D, "Interface structures for C language servers and clients," on page 499 for the structure itself and the C prototype of the interface.

The exit program receives control in the kernel address space and in the following environment:

Authorization:	Supervisor state, PSW key 0
Dispatchable unit mode:	Task
Cross memory mode:	Any
AMODE:	31-bit
ASC mode:	Primary mode
Interrupt status:	Enabled for interrupts
Locks:	Unlocked
Control parameters:	All parameters are in key 0 storage in the primary address space. The parameters are not fetch protected.

Registers at Entry. The contents of the registers on entry to the exit are:

Register	Contents
0	Undefined
1	Parameter list address. The list contains one item that is the address of the Gxpl structure.
2-12	Undefined
13	Save area address, of a 136-byte save area.

14 Return address

15 Entry address

AR0-15

Undefined

Environment at Exit. Upon return from the exit, the entry environment must be restored as follows:

Registers at Exit. Upon return from the exit, the register contents must be

Register

Contents

2-13 Restored from the entry values

0,1,14,15

Undefined

AR0-15

Untouched or restored from the entry values.

Reading and writing

When reading and writing to files, the VFS server is responsible for maintaining file position and for having access checks performed.

Each call to **v_rdwr()** must specify:

- The file offset from which the operation is to start. This differs from the POSIX API, where the LFS maintains a file cursor.
- Whether security access checks are to be performed. If the VFS server maintains sufficient state information to associate a sequence of reads and writes from the same end user, it can limit these access checks to that end user's first reference, thus improving performance.

Additionally, the VFS server may request a “sync on write”, which forces the current write, and all previously written data, to be saved to disk before **v_rdwr()** returns.

Reading directories

To optimize directory reading, **v_readdir()** is designed to return as many entries as possible on each call.

The VFS server must maintain directory positioning if more than one call must be made to read an entire directory, and this topic describes positioning:

The **v_readdir()** output buffer is mapped by the **DIRENT** structure, and its format is defined as follows:

- The buffer contains a variable number of variable-length directory entries. Only full entries are placed in the buffer, up to the buffer size specified, and the number of entries is returned on the interface.
- Each directory entry that is returned in the buffer has the following format:
 1. 2-byte **Entry_length**. This length field includes itself.
 2. 2-byte **Name_length**, which is the length of the following **Member_name** subfield.

3. Member_name. A character field of length Name_length. This name is not null-terminated.
 4. File-system-specific data. If (Name_length + 4) = Entry_length, this field is not present. Whenever the field is present, however, it starts with the file's serial number, st_ino, in 4 bytes. This field is not part of POSIX, but it is supported for special-use programs that are dealing with particular file systems that they know about.
- The entries can be packed together, and the length fields are not aligned on any particular boundary.

An example of an entry for the name *abc* would be X'0007 0003 818283' or X'000B 0003 818283 00001234' with a file serial number of X'1234' also returned.

Entries for "." and ".." may or may not be returned by the PFS that owns the directory.

In order for successive calls to **v_readdir()** to proceed through a directory from the point at which the last one left off, the VFS server must specify the directory position at which the operation is to start. There are two different ways this can be done:

-
- **Cursor technique.** The cursor that is returned in the UIO contains PFS-specific information that locates the next directory entry. The VFS server is required to preserve the UIO cursor and the entire output buffer from the last **v_readdir()**, and present both of these on the next **v_readdir()**.

The PFS may use the cursor as an offset into a simple linear directory file, ignoring the buffer; or it may use it as an offset into the previous output buffer of the last entry returned. The latter approach is used by a PFS with a tree-structured directory, where the previous entry name is used as a key to search for the next entry. That is, the last returned name, a 1-to-255-byte-long text string, is really the "cursor" for the directory position.

- **Index technique.** The index that is set in the UIO by the VFS server determines which entry to start reading from. To read through a directory, the VFS server starts at one and maintains the index by adding the number of entries that are returned to the previous index. The directory is treated as a one-based array, where the first entry has index 1, the second entry has index 2, and so on.

This technique is slower than the cursor technique, but it is useful when a VFS server does not maintain state information from one call to the next. The index can be passed back to the client, who must return it with the next request to continue reading the same directory for a particular end user.

The UIO contains both the cursor and the index fields that are used with these continuation techniques. The interpretation of these two fields is summarized in the following table:

The index and cursor fields are listed, along with the related actions.

Index	Cursor	Action
0	0	Start reading from the first entry.
0	M	Use the cursor value to resume reading.
N	0	Start reading from entry N.
N	M	Start reading from entry N.
Note: 0=zero; N and M are nonzero values.		

A nonzero index overrides the cursor; when both are zero, reading starts from the front of the directory.

The end of the directory stream is indicated in two different ways:

- A Return_value of 0 entries is returned. This happens when the previous **v_readdir()** exhausted the directory.
- A null name entry is returned as the last entry in the output buffer. A null name entry has an Entry_length of 4 and a Name_length of 0—that is, X'00040000'. This happens when the current **v_readdir()** exhausts the directory and there are at least 4 bytes left in the output buffer.

The Move With Destination Key machine instruction or the `osi_copyout` or `osi_uiomove` services must be used to write to the user's buffer.

The end of the directory stream is indicated by the PFS in two different ways:

- A Return_value of 0 entries is returned. This must be supported by the PFS for cases in which a `vn_readdir` is issued and the position is already at the end of the directory.
- A null name entry is returned in the output buffer. A null name entry has an Entry_length of 4 and a Name_length of 0—for example, X'00040000'. This would be the last entry in the buffer, when the directory end has been encountered on a call and there are at least 4 bytes left in the buffer. A PFS that supports this indicator helps the caller to run faster. A small directory may be read in only one operation, because the caller can detect that a second call is unnecessary.

Note: POSIX allows **open()** and **read()** from a directory, but it only specifies that these operations do not fail with an error. The PFS cannot tell whether a `vn_open` is from an **open()** or from an **opendir()**, but **read()** results in a `vn_rdwr` while **readdir()** results in a `vn_readdir`. The PFS is free to support `vn_rdwr` as a traditional UNIX system would, or to just return zero bytes on every operation. The *X/Open Portability Guide, Version 4, Issue 2* allows the `EISDIR` error to be returned for **read()**. The LFS ensures that only reading is allowed.

Getting and setting attributes

A file's attributes are returned by the **v_getattr()** function. Many of the other VFS callable services API functions also return file attributes as a performance enhancement, since attributes are often requested in conjunction with those functions.

A file's attributes are changed with the **v_setattr()** function. A set of “change bits” are used on this interface, and the VFS server specifies exactly which attributes are being updated, along with the new values for those attributes.

Comparing the VFS server and PFS interfaces

Certain traditional VFS or vnode functions are missing from the VFS callable services API. In particular, the set of functions in the VFS callable services API does not match the set of file-related operations in the PFS interface.

Some of these missing functions are not generally used by an NFS-style VFS server, and some of them are implemented in other ways, as explained in the following list.

truncate

A file can be truncated with `v_setattr()`, specifying the desired file size.

sync A file can be synchronized, or saved to disk, with `v_rdwr()`. Specify write, a length of 0, and sync-on-write.

open or close

NFS-style VFS servers do not use these operations. To maintain the performance characteristics of an open-close protocol, the VFS server can limit access checks to an end user's first reference to a particular file.

inactivate

`v_rel()` is functionally equivalent for a VFS server to the `vn_inactive` operation for a PFS.

mount or unmount

The `v_rpn()` function implements an NFS-style mount, and these are not explicitly unmounted.

vfs_fid

A file's FID is part of the ATTR structure, so it can be obtained with the `v_getattr()` function. The ATTR is returned on the operations where a FID would usually be needed, so a VFS server generally does not have to explicitly convert vnodes into FIDs.

vfs_root

An NFS-style server does not do real mounts, so it does not need to find the root of a real mounted file system. `v_rpn()` returns the root of a VFS server's VFS.

check access

A VFS server does not explicitly check to see if its end user has permission to access a file; instead, it assumes the user's identity and makes the file reference under that authority.

Chapter 5. VFS callable services application programming interface

This topic describes the syntax of each of the VFS callable services. The services are arranged in alphabetic order. Sample invocations of each service are in Appendix C, “Callable services examples,” on page 485.

Syntax conventions for the VFS callable services

A callable service is a programming interface that uses the CALL macro to access system services. To code a callable service, code the CALL macro followed by the name of the callable service and a parameter list. A syntax diagram for a callable service follows.

```
CALL Service_name, (Parm_1,  
                   Parm_2,  
                   .  
                   .  
                   Return_value,  
                   Return_code,  
                   Reason_code)
```

This format does not show the assembler column dependence (columns 1, 10, 16, and 72) or parameter list options (VL and MF). The exact syntax is shown in the examples in Appendix C, “Callable services examples,” on page 485.

When you code a callable service:

- You must code all the parameters in the parameter list, because parameters are positional in a callable service interface. That is, the function of each parameter is determined by its position with respect to the other parameters in the list. Omitting a parameter, therefore, assigns the omitted parameter's function to the next parameter in the list.
- You must place values explicitly into all supplied parameters, because callable services do not set defaults.

Elements of callable services syntax

The following paragraphs describe the standard elements that are contained in the callable services reference pages in this information unit.

CALL

CALL is the assembler macro that transfers control and passes a parameter list.

Service_name

The name that assembler understands is the name of a module in the form BPX1xxx, where xxx is a three-character symbol unique to the service. AMODE 64 callers use the form BPX4xxx.

Modules are invoked in one of the following ways:

- A program can load a module first and then branch to the address where it was loaded.

- When you are link-editing a program, you can link to the linkage stub. The program can issue a call.
- You can include in the code the system control offset to the callable service. See Appendix A, “System control offsets to callable services,” on page 453 for information about how to use this linkage.

Parm parameters

Parm_1, Parm_2, and so on are placeholders for variables that may be part of a service's syntax.

Return_value

The Return_value parameter is a common parameter for many callable services. It indicates the success or failure of the service. If the callable service fails, it returns -1 in Return_value. For most successful calls to z/OS UNIX services, the return value is set to 0. If the request is not successful, -1 is returned.

Return_code

The Return_code parameter is referred to as the *errno* in the POSIX C interface. The Return_code is returned only if the service fails.

In the callable service description, some of the possible return codes are listed for services that have return codes. The return codes are described in each service if they help describe its function.

Reason codes are listed with the return codes they describe.

The return codes and their descriptions are found in *z/OS UNIX System Services Messages and Codes*.

Some Return_code values may occur for any callable service: the ones that are unique to z/OS UNIX. They are not always listed under each callable service. See *z/OS UNIX System Services Messages and Codes* for a description of these return codes.

Reason_code

The Reason_code parameter usually accompanies the Return_code value when the callable service fails. It further defines the return code. Reason codes do not have a POSIX equivalent.

z/OS UNIX System Services Messages and Codes lists all the reason codes with their descriptions, both alphabetically by name and numerically by value. The value is the lower half of the reason code.

Other subjects related to callable services

See Invocation details for callable services in *z/OS UNIX System Services Programming: Assembler Callable Services Reference* for a discussion of other subjects related to callable services, such as:

- How to invoke them
- Their linkage conventions
- Reentrant versus nonreentrant coding
- Environmental restrictions
- Abnormal end conditions
- Authorization

Considerations for servers written in C

The BPXYVFSI header file in Appendix D, “Interface structures for C language servers and clients,” on page 499 contains prototypes and linkage macros for all the callable services in this topic. With this header, you can call each service using the `v_name` that is shown in the title, and you will not have to linkedit your program with the linkage stubs.

This header also contains definitions for all structures, parameters, and constants that are used on the interface.

The calling parameters are the same for C and assembler, but the call format follows C syntax. For example, the call statement for creating a file would look like this:

```
v_create(directory_vnode_token, &oss, name_length, name, sizeof(ATTR),
        attribute_structure, &file_vnode_token, &return_value, &return_code,;
        &reason_code);
```

`v_access` (BPX1VAC, BPX4VAC) — Check file accessibility

Function

The `v_access` service verifies that the caller has the requested access permissions to the object that is represented by `Vnode_token`.

Requirements

Authorization:	Supervisor state or problem state, any PSW key
Dispatchable unit mode:	Task
Cross memory mode:	PASN = HASN
AMODE (BPX1VAC):	31-bit
AMODE (BPX4VAC):	64-bit
ASC mode:	Primary mode
Interrupt status:	Enabled for interrupts
Locks:	Unlocked
Control parameters:	All parameters must be addressable by the caller and in the primary address space.

Format

```
CALL BPX1VAC, (Vnode_token,
              OSS,
              Mode,
              Return_value,
              Return_code,
              Reason_code)
```

AMODE 64 callers use BPX4VAC with the same parameters.

Parameters

`Vnode_token`

Supplied parameter

Type: Token

v_access (BPX1VAC, BPX4VAC)

Length:

8 bytes

The name of an 8-byte area that contains a vnode token that represents the file or directory.

OSS

Supplied and returned parameter

Type: Structure

Length:

OSS#LENGTH (from the BPXYOSS macro)

The name of an area that contains operating-system-specific parameters. This area is mapped by the BPXYOSS macro (see "BPXYOSS — Map operating system specific information" on page 470).

Mode

Supplied parameter

Type: Integer

Length:

Fullword

The name of a fullword that contains the permissions to be checked. This area is mapped by the BPXYMODE macro (see Mapping macros in *z/OS UNIX System Services Programming: Assembler Callable Services Reference*).

The read, write, and execute permissions that are to be checked are set in the Owner permission bits of the Mode (the S_IRUSR, S_IWUSR and S_IXUSR bits).

Return_value

Returned parameter

Type: Integer

Length:

Fullword

The name of a fullword in which the v_access service returns the results of the access check.

When the request is successful, the permission bits that correspond to the caller's allowed access for each of the input mode bits are returned here. This is in the same format as the input Mode parameter, and is therefore a subset of the input Mode bits.

If the request is not successful, -1 is returned.

Return_code

Returned parameter

Type: Integer

Length:

Fullword

The name of a fullword in which the v_access service stores the return code. The v_access service returns Return_code only if Return_value is -1. See *z/OS UNIX System Services Messages and Codes* for a complete list of possible return code values. The v_access service can return the following value in the Return_code parameter:

Return_code
EINVAL

Explanation
Parameter error; something other than the Owner's permission bits were set.

Reason_code
Returned parameter
Type: Integer
Length:
Fullword

The name of a fullword in which the v_access service stores the reason code. The v_access service returns a Reason_code only if Return_value is -1. Reason_code further qualifies the Return_code value. See *z/OS UNIX System Services Messages and Codes* for the reason codes.

Usage notes

1. This service is similar to the access() function, but the return of information is handled differently, as follows:
 - 0** Access is denied for all of the bits that were on in the Mode parameter.
 - Greater than zero** The permissible access is represented by the non-zero bits that are returned here.
 - 1** The service has failed for some reason other than an access failure.
2. The caller's real UID and real GID are used to check for the access that is requested.
3. All access is allowed to symbolic link files, regardless of the file's mode setting. This does not imply anything about whether access to the file that is pointed to by the symbolic link would be granted.
4. The setting of the AttrLP64times bit in the BPXYATT structure, and not the AMODE of the caller, determines whether 4-byte or 8-byte time fields are used.

Related services

- “v_reg (BPX1VRG, BPX4VRG) — Register a process as a server” on page 351

Characteristics and restrictions

A process must be registered as a server before it can invoke the v_access service; see “v_reg (BPX1VRG, BPX4VRG) — Register a process as a server” on page 351.

v_close (BPX1VCL, BPX4VCL) — Close a file

Function

The v_close service closes a previous open created by v_open. This frees the open token and removes all state information associated with the v_open.

Requirements

Authorization:	Supervisor state or problem state, any PSW key
Dispatchable unit mode:	Task
Cross memory mode:	PASN = HASN
AMODE (BPX1VCL):	31-bit

v_close (BPX1VCL, BPX4VCL)

AMODE (BPX4VCL):	64-bit
ASC mode:	Primary mode
Interrupt status:	Enabled for interrupts
Locks:	Unlocked
Control parameters:	All parameters must be addressable by the caller and in the primary address space.

Format

```
CALL BPX1VCL, (Vnode_token,  
              OSS,  
              Open_Token,  
              Return_value,  
              Return_code,  
              Reason_code)
```

AMODE 64 callers use BPX4VCL with the same parameters.

Parameters

Vnode_token

Supplied parameter

Type: Token

Length:
8 bytes

The name of an 8-byte area that contains a vnode token that represents the file that was previously opened by v_open.

OSS

Supplied and returned parameter

Type: Structure

Length:
OSS#LENGTH (from the BPXYOSS macro)

The name of an area that contains operating system specific parameters. This area is mapped by the BPXYOSS macro (see "BPXYOSS — Map operating system specific information" on page 470).

Open_Token

Supplied parameter

Type: Token

Length:
8 bytes

The name of an 8-byte area that holds the open token returned by a prior call to v_open.

Return_value

Returned parameter

Type: Integer

Length:
Fullword

The name of a fullword in which the v_close service returns 0 if the request is successful, or -1 if it is not successful.

Return_code

Returned parameter

Type: Integer

Length:

Fullword

The name of a fullword in which the v_close service stores the return code. The v_close service returns Return_code only if the Return_value is -1. See *z/OS UNIX System Services Messages and Codes* for a complete list of possible return code values. The v_open service can return one of the following values in the Return_code parameter:

Return_code	Explanation
EINVAL	Parameter error; for example, the vnode token has been released or one of the token parameters does not contain a valid token value.
ESTALE	The open token is stale or already closed.
EAGAIN	The open token is currently in use by another thread in this process.

Reason_code

Returned parameter

Type: Integer

Length:

Fullword

The name of a fullword in which the v_close service stores the reason code. The v_close service returns a Reason_code only if Return_value is -1. Reason_code further qualifies the Return_code value. See *z/OS UNIX System Services Messages and Codes* for the reason codes.

Usage notes

1. The v_close service frees the open token represented by Open-Token and releases all state information associated with it. This includes share reservations and byte range locks associated with the open instance.
2. Byte range locks are not associated with open tokens that are created with OPEN_NLM_SHR, so v_close will not release these. They must be explicitly released with the v_lockctl service.
3. In accordance with POSIX rules, when v_close releases byte range locks on a file, all locks owned by the open owner are also released—even those obtained by this open owner using other open tokens. Also, for any lock owner who is not the open owner but who is specified on a v_lockctl call using this open token, all of the locks on the file that are owned by that lock owner will be released.
4. When v_close releases pending asynchronous byte range locks, the request completion signal will be sent and the lock request will complete with an ECANCELED error.

Note: There is a race condition with the lock request completing normally just before the v_close is issued and, in this case, the lock request will successfully complete but the lock will have been released. This is similar to the case where

v_close (BPX1VCL, BPX4VCL)

one thread obtains a byte range lock on a file and another thread closes that file before the first thread has had a chance to use the lock.

5. If any other thread is currently issuing a call (such as v_rdw) using the same open token that v_close is attempting to close, the v_close will fail with an EAGAIN error.
6. The v_rel service implicitly calls v_close for any open token that is associated with the vnode token that is being released.

Related services

- “v_open (BPX1VOP, BPX4VOP) — Open or create a file” on page 329
- “v_reg (BPX1VRG, BPX4VRG) — Register a process as a server” on page 351
- “v_rel (BPX1VRL, BPX4VRL) — Release a vnode token” on page 355

Characteristics and restrictions

A process must be registered as a server before the v_open service is permitted; see “v_reg (BPX1VRG, BPX4VRG) — Register a process as a server” on page 351.

v_create (BPX1VCR, BPX4VCR) — Create a file

Function

The v_create service creates a new file in the directory that is represented by Directory_vnode_token. The file can be a regular, FIFO, or character special file. The input Attr is used to define the attributes of the new file. A token that represents the new file is returned in File_vnode_token.

Requirements

Authorization:	Supervisor state or problem state, any PSW key
Dispatchable unit mode:	Task
Cross memory mode:	PASN = HASN
AMODE (BPX1VCR):	31-bit
AMODE (BPX4VCR):	64-bit
ASC mode:	Primary mode
Interrupt status:	Enabled for interrupts
Locks:	Unlocked
Control parameters:	All parameters must be addressable by the caller and in the primary address space.

Format

```
CALL BPX1VCR,(Directory_vnode_token,  
             OSS,  
             Name_length,  
             Name,  
             Attr_length,  
             Attr,  
             File_vnode_token,  
             Return_value,  
             Return_code,  
             Reason_code)
```

AMODE 64 callers use BPX4VCR with the same parameters.

Parameters**Directory_vnode_token**

Supplied parameter

Type: Token**Length:**
8 bytes

The name of an 8-byte area that contains a vnode token that represents the directory in which the v_create service creates the new file that is named in the Name parameter.

OSS

Supplied and returned parameter

Type: Structure**Length:**
OSS#LENGTH (from the BPXYOSS macro)

The name of an area that contains operating-system-specific parameters. This area is mapped by the BPXYOSS macro (see “BPXYOSS — Map operating system specific information” on page 470).

Name_length

Supplied parameter

Type: Integer**Length:**
Fullword

The name of a fullword that contains the length of the filename that is to be created. The name can be up to 255 bytes long.

Name

Supplied parameter

Type: Character string**Length:**
Specified by Name_length parameter

The name of an area, of length Name_length, that contains the filename that is to be created. It must not contain null characters (X'00').

Attr_length

Supplied parameter

Type: Integer**Length:**
Fullword

The name of a fullword that contains the length of the area that is passed in the Attr parameter. To determine the value of Attr_length, use the ATTR structure (see “BPXYATTR — Map file attributes for v_ system calls” on page 459).

Attr

Supplied and returned parameter

Type: Structure

v_create (BPX1VCR, BPX4VCR)

Length:

Specified by the Attr_length parameter

The name of an area, of length Attr_length, that is to be used by the v_create service to set the attributes of the file that is to be created. The attributes of the file that is created are also returned in this area. This area is mapped by the ATTR structure (see “BPXYATTR — Map file attributes for v_ system calls” on page 459).

File_vnode_token

Returned parameter

Type: Token

Length:

8 bytes

The name of an 8-byte area in which the v_create service returns a Vnode_token of the file created.

Return_value

Returned parameter

Type: Integer

Length:

Fullword

The name of a fullword where the v_create service returns 0 if the request is successful, or -1 if it is not successful.

Return_code

Returned parameter

Type: Integer

Length:

Fullword

The name of a fullword in which the v_create service stores the return code. The v_create service returns Return_code only if Return_value is -1. See *z/OS UNIX System Services Messages and Codes* for a complete list of possible return code values. The v_create service can return one of the following values in the Return_code parameter:

Return_code	Explanation
EACCES	The calling process does not have permission to write in the directory that was specified.
EEXIST	The named file exists.
EFBIG	The file size limit for the process is set to zero, which means files cannot be created.
EINVAL	Parameter error; for example, a supplied area was too small.
EMFILE	The following reason codes can accompany the return code: JRSmallAttr, JRInvalidAttr, JrNoName, JrNullInPath, JRVTokenFreed, JRWrongPID, JRStaleVnodeTok, JRInvalidVnodeTok, JRInvalidOSS.
ENAMETOOLONG	The maximum number of vnode tokens have been created.
	The name is longer than 255 characters.

Return_code	Explanation
ENFILE	An error occurred while storage was being obtained for a vnode token.
ENOTDIR	The supplied token did not represent a directory.
EPERM	The operation is not permitted. The caller of the service is not registered as a server.
EROFS	The Directory_vnode_token is a file on a read-only file system.

Reason_code

Returned parameter

Type: Integer

Length:
Fullword

The name of a fullword in which the v_create service stores the reason code. The v_create service returns a Reason_code only if Return_value is -1. Reason_code further qualifies the Return_code value. See *z/OS UNIX System Services Messages and Codes* for the reason codes.

Usage notes

1. The following ATTR fields are provided by the caller:

Attr.at_hdr.cbid

Contains Attr#ID (from the ATTR structure).

AttrLen

Specifies the length of the ATTR structure.

AttrMode

Specifies the file mode permission bits. See Mapping macros in *z/OS UNIX System Services Programming: Assembler Callable Services Reference* for the mapping of this field.

AttrType

Specifies the file type: regular, FIFO, or character special. See Mapping macros in *z/OS UNIX System Services Programming: Assembler Callable Services Reference* for the mapping of this field.

AttrMajorNumber

Specifies the major number for character special files.

AttrMinorNumber

Specifies the minor number for character special files.

AttrCVerSet

Indicates whether the Creation Verifier (AttrCVer) is present.

AttrCVer

Specifies the Creation Verifier for the file. When the AttrCVerSet bit is on and the create is successful, the PFS saves the Creation Verifier, and the server can retrieve it with v_lookup. The Creation Verifier allows the server to determine whether a v_create that returns EEXIST should be considered successful or not. If AttrCVerSet is on, AttrCVer is returned, and the server can compare the file's Creation Verifier with the input Creation Verifier on the v_create. If they are the same, it considers the v_create successful; that is, it is a duplicate of an earlier successful request.

Other fields in the ATTR area should be set to zeros.

v_create (BPX1VCR, BPX4VCR)

2. If the file that is named in the Name parameter exists, the v_create service returns a failing return code, and no File_vnode_token is returned.
3. Vnode tokens that are returned by the v_create service are not inherited across a fork callable service.
4. The caller is responsible for freeing vnode tokens that are returned by the v_create service by calling to the v_rel service when they are no longer needed.
5. If the file size limit for the process is set to zero, files cannot be created and file creation fails with EFBIG.
6. The value set by **umask()** for the process does not affect the setting of the mode permission bits.

Related services

- “v_reg (BPX1VRG, BPX4VRG) — Register a process as a server” on page 351
- “v_rel (BPX1VRL, BPX4VRL) — Release a vnode token” on page 355

Characteristics and restrictions

A process must be registered as a server before the v_create service is permitted; see “v_reg (BPX1VRG, BPX4VRG) — Register a process as a server” on page 351.

Examples

For an example using this callable service, see “BPX1VCR, BPX4VCR (v_create)” on page 485.

v_export (BPX1VEX, BPX4VEX) — Export a file system

Function

The v_export service controls whether a file system is being exported by the server that makes this call.

Both local and remote access to this file system are controlled by the server while it is being exported.

Requirements

Authorization:	Supervisor state or problem state, any PSW key
Dispatchable unit mode:	Task
Cross memory mode:	PASN = HASN
AMODE (BPX1VEX):	31-bit
AMODE (BPX4VEX):	64-bit
ASC mode:	Primary mode
Interrupt status:	Enabled for interrupts
Locks:	Unlocked
Control parameters:	All parameters must be addressable by the caller and in the primary address space.

Format

```
CALL BPX1VEX,(OSS,
              Function,
              File_system_name,
              VFS_token,
              Vnode_token,
              Mnte_length,
              Mnte,
              Attr_length,
              Attr,
              Vol_Handle,
              Return_value,
              Return_code,
              Reason_code)
```

AMODE 64 callers use BPX4VEX with the same parameters.

Parameters**OSS**

Supplied and returned parameter

Type: Structure

Length:

OSS#LENGTH (from the BPXYOSS macro)

The name of an area that contains operating-system-specific parameters. This area is mapped by the BPXYOSS macro (see “BPXYOSS — Map operating system specific information” on page 470).

Function

Supplied parameter

Type: Integer

Length:

Fullword

The name of a fullword that contains the function to perform:

1. Export the file system. This activates the server's control over the file system.
2. Unexport the file system. This deactivates the server's control over the file system.

File_system_name

Supplied parameter

Type: Character string

Length:

44 bytes

The name of a 44-character field that identifies the file system that is to be exported or unexported. The name must be left-justified and padded with blanks.

This is the name that is specified on the mount of the file system. It is an MVS data set name in uppercase letters without surrounding quotation marks.

VFS_token

Returned parameter

v_export (BPX1VEX, BPX4VEX)

Type: Token

Length:
8 bytes

The name of an 8-byte area in which the v_export service returns the VFS token of the file system.

Vnode_token

Returned parameter

Type: Token

Length:
8 bytes

The name of an 8-byte area in which the v_export service returns a vnode token of the root of the file system.

Mnte_length

Supplied parameter

Type: Integer

Length:
Fullword

The name of a fullword that contains the length of the area that is to be passed in the Mnte parameter.

The length of this area must be large enough to contain a mount entry header (MnteH) and one mount entry (Mnte). These fields are mapped by the BPXYMNTTE macro (see Mapping macros in *z/OS UNIX System Services Programming: Assembler Callable Services Reference*).

Mnte

Returned parameter

Type: Structure

Length:
Specified by the Mnte_length parameter

The name of an area, of length Mnte_length, in which the v_export service returns information about the file system. This area is mapped by the BPXYMNTTE macro (see Mapping macros in *z/OS UNIX System Services Programming: Assembler Callable Services Reference*).

Attr_length

Supplied parameter

Type: Integer

Length:
Fullword

The name of a fullword that contains the length of the area that is to be passed in the Attr parameter. To determine the value of Attr_length, use the ATTR structure (see "BPXYATTR — Map file attributes for v_ system calls" on page 459).

Attr

Returned parameter

Type: Structure

Length:

Specified by the Attr_length parameter

The name of an area, of length Attr_length, in which the v_export service returns the file attribute structure for the root. This area is mapped by the ATTR structure (see “BPXYATTR — Map file attributes for v_ system calls” on page 459).

Vol_Handle

Supplied parameter

Type: Token

Length:

16 bytes

The name of a 16-byte area that is to be associated with the exported file system and passed to the exporter exit with each call that is related to this file system.

This parameter is not interpreted by the LFS.

Return_value

Returned parameter

Type: Integer

Length:

Fullword

The name of a fullword in which the v_export service returns 0 if the request is successful, or -1 if it is not successful.

Return_code

Returned parameter

Type: Integer

Length:

Fullword

The name of a fullword in which the v_export service stores the return code. The v_export service returns Return_code only if Return_value is -1. See *z/OS UNIX System Services Messages and Codes* for a complete list of possible return code values. The v_export service can return one of the following values in the Return_code parameter:

Return_code	Explanation
EINVAL	Parameter error; for example, the file system that is to be exported or unexported is not mounted or is a sysplex client; or one of the supplied areas was too small. The following reason codes can accompany the return code: JrFileSysNotThere, JrBadEntryCode, JrSmallAttr, JrSmallMnte, JrInvalidOSS, JRCantExpClient.
EBUSY	The file system that is to be unexported is not exported by this server.
EIO	The file system is being unmounted (JrQuiescing).
EAGAIN	The file system has been quiesced (JrQuiesced), or is being asynchronously mounted (JrAsynchMount).
EALREADY	The file system that is to be exported is already being exported; or the file system that is to be unexported is not currently exported.

v_export (BPX1VEX, BPX4VEX)

Return_code	Explanation
EMFILE	The maximum number of vnode tokens have been created.
ENFILE	An error occurred while storage was being obtained for a vnode token.
EPERM	The operation is not permitted. The caller of the service is not registered as a file exporter.

Reason_code

Returned parameter

Type: Integer

Length:
Fullword

The name of a fullword in which the v_export service stores the reason code. The v_export service returns a Reason_code only if Return_value is -1. Reason_code further qualifies the Return_code value. See *z/OS UNIX System Services Messages and Codes* for the reason codes.

Usage notes

1. Vnode tokens that are returned by the v_export service are not inherited across a fork callable service.
2. VFS tokens that are returned by the v_export service are inherited across a fork callable service.
3. The caller is responsible for freeing the vnode token that is returned by the v_export service, by calling the v_rel() service when it is no longer needed.
4. The caller must be registered as a server of type *file exporter*. Refer to "DFS-style file exporters" on page 273 for more information about file exporters.
5. The v_export service is used to gain access to the file system for the server, and is similar to v_rpn() in this respect. V_export(), though, also activates the server's control over local access through use of the exporter exit that is specified on v_reg(). V_export() acts against a whole mounted file system, while v_rpn() acts against the files underneath arbitrary directories.
6. The file system is quiesced before it is exported or unexported, and new requests against the file system are suspended while it is being quiesced. If there is a lot of activity against this file system, the v_export request might take some time to complete, and might cause noticeable pauses for the users.
7. The mount point pathname is not returned in the Mnte structure that is returned by v_export.
8. On a call to unexport a file system, the VFS_token, Vnode_token, Mnte, Attr, and Vol_Handle parameters are not significant, though they are syntactically required for the call. The Mnte_length and Attr_length fields can be specified as 0, in this case.
9. The exporter exit is called during an unexport to notify it about this event.
10. When a file system that is mounted with read/write access is shared within a sysplex, it can be exported if it is sysplex-unaware, but only from the sysplex server (owner) system. If it is mounted with read-only access, it can be exported from any system. Any attempts to remount a read-only file system that is exported on a non-owner system will fail. If a read-only file system is exported on the owner and then is remounted with read/write access, the

remount will succeed and the file system will become sysplex-unaware after the remount. That is, the non-owner system is function-shipped in read/write mode to the owner system, where it is then exported. This process maintains the integrity of the file system. When the file system is remounted in read-only mode, it becomes sysplex-aware again and all systems will be locally mounted. Once a read-write file system has been exported at the file system sysplex server, it cannot be moved within the sysplex until it is unexported. Attempts to v_export a sysplex client file system are rejected with EINVAL/JrCantExpClient, and attempts to chmount (move) an already exported file system are rejected with EINVAL/JRIsExported.

Related services

- “v_reg (BPX1VRG, BPX4VRG) — Register a process as a server” on page 351
- “v_rel (BPX1VRL, BPX4VRL) — Release a vnode token” on page 355

Characteristics and restrictions

A process must be registered as a file exporter before the v_export service is permitted; see “v_reg (BPX1VRG, BPX4VRG) — Register a process as a server” on page 351.

v_fstatfs (BPX1VSF, BPX4VSF) — Return file system status

Function

The v_fstatfs service returns file system status for the file system that contains the file or directory that is represented by the supplied Vnode_token parameter.

Requirements

Authorization:	Supervisor state or problem state, any PSW key
Dispatchable unit mode:	Task
Cross memory mode:	PASN = HASN
AMODE (BPX1VSF):	31-bit
AMODE (BPX4VSF):	64-bit
ASC mode:	Primary mode
Interrupt status:	Enabled for interrupts
Locks:	Unlocked
Control parameters:	All parameters must be addressable by the caller and in the primary address space.

Format

```
CALL BPX1VSF, (Vnode_token,
              OSS,
              FsAttr_length,
              FsAttr,
              Return_value,
              Return_code,
              Reason_code)
```

AMODE 64 callers use BPX4VSF with the same parameters.

v_fstats (BPX1VSF, BPX4VSF)

Parameters

Vnode_token

Supplied parameter

Type: Token

Length:
8 bytes

The name of an 8-byte area that contains a vnode token that represents a file or directory that is contained in the file system for which status is being requested.

OSS

Supplied and returned parameter

Type: Structure

Length:
OSS#LENGTH (from the BPXYOSS macro)

The name of an area that contains operating-system-specific parameters. This area is mapped by the BPXYOSS macro (see "BPXYOSS — Map operating system specific information" on page 470).

FsAttr_length

Supplied parameter

Type: Integer

Length:
Fullword

The name of a fullword that contains the length of the area that is passed in the FsAttr parameter. To determine the value of FsAttr_length, use the BPXYSSTF macro (see Mapping macros in *z/OS UNIX System Services Programming: Assembler Callable Services Reference*).

FsAttr

Returned parameter

Type: Structure

Length:
Specified by the FsAttr_length parameter

The name of an area, of length FsAttr_length, in which the v_fstats service returns file system status information. This area is mapped by the BPXYSSTF macro (see Mapping macros in *z/OS UNIX System Services Programming: Assembler Callable Services Reference*).

Return_value

Returned parameter

Type: Integer

Length:
Fullword

The name of a fullword in which the v_fstats service returns 0 if the request is successful, or -1 if it is not successful.

Return_code

Returned parameter

Type: Integer

Length:

Fullword

The name of a fullword in which the v_fstatfs service stores the return code. The v_fstatfs service returns Return_code only if Return_value is -1. See *z/OS UNIX System Services Messages and Codes* for a complete list of possible return code values. The v_fstatfs service can return one of the following values in the Return_code parameter:

Return_code	Explanation
EINVAL	Parameter error; for example, a supplied area was too small. The following reason codes can accompany the return code: JRSmallFsAttr, JRVTokenFreed, JRWrongPID, JRStaleVnodeTok, JRInvalidVnodeTok, JRInvalidOSS.
EPERM	The operation is not permitted. The caller of the service is not registered as a server.

Reason_code

Returned parameter

Type: Integer**Length:**

Fullword

The name of a fullword in which the v_fstatfs service stores the reason code. The v_fstatfs service returns a Reason_code only if Return_value is -1. Reason_code further qualifies the Return_code value. See *z/OS UNIX System Services Messages and Codes* for the reason codes.

Usage notes

1. The supplied FsAttr structure must be at least SSTF#MINLEN (from the BPXYSSTF macro) bytes in length. The length of the structure is SSTF#LENGTH.
2. The input FsAttr structure length might not match the length that is supported by the file system. The file system returns the size that represents the amount of valid data in SSTFLEN.

Related services

- “v_reg (BPX1VRG, BPX4VRG) — Register a process as a server” on page 351

Characteristics and restrictions

A process must be registered as a server before the v_fstatfs service is permitted; see “v_reg (BPX1VRG, BPX4VRG) — Register a process as a server” on page 351.

Examples

For an example using this callable service, see “BPX1VSF, BPX4VSF (v_fstatfs)” on page 486.

v_get (BPX1VGT, BPX4VGT) — Convert an FID to a vnode Token

Function

The v_get service returns a vnode token for the file or directory that is represented by the input FID within the mounted file system that is represented by the input VFS token.

Requirements

Authorization:	Supervisor state or problem state, any PSW key
Dispatchable unit mode:	Task
Cross memory mode:	PASN = HASN
AMODE (BPX1VGT):	31-bit
AMODE (BPX4VGT):	64-bit
ASC mode:	Primary mode
Interrupt status:	Enabled for interrupts
Locks:	Unlocked
Control parameters:	All parameters must be addressable by the caller and in the primary address space.

Format

```
CALL BPX1VGT, (VFS_token,  
              OSS,  
              FID,  
              Vnode_token,  
              Return_value,  
              Return_code,  
              Reason_code)
```

AMODE 64 callers use BPX4VGT with the same parameters.

Parameters

VFS_token

Supplied parameter

Type: Token

Length:
8 bytes

The name of an 8-byte area that contains the VFS token for the mounted file system that contains the file or directory that is specified by the FID parameter. This token is obtained from the v_rpn callable service.

OSS

Supplied and returned parameter

Type: Structure

Length:
OSS#LENGTH (from the BPXYOSS macro)

The name of an area that contains operating-system-specific parameters. This area is mapped by the BPXYOSS macro (see “BPXYOSS — Map operating system specific information” on page 470).

FID

Supplied parameter

Type: Token

Length:
8 bytes

The name of an 8-byte area that contains the file identifier of the file or directory for which a vnode token is to be returned. The FID for a file is contained in the attribute structure for the file in the AttrFid field; the ATTR structure describes the attribute structure.

Vnode_token

Returned parameter

Type: Token

Length:
8 bytes

The name of an 8-byte area in which the v_get service returns a vnode token of the file or directory that is supplied in the FID parameter. The token is used to identify the file or directory to other callable services.

Return_value

Returned parameter

Type: Integer

Length:
Fullword

The name of a fullword in which the v_get service returns 0 if the request completes successfully (the file or directory exists), or -1 if the request is not successful.

Return_code

Returned parameter

Type: Integer

Length:
Fullword

The name of a fullword in which the v_get service stores the return code. The v_get service returns Return_code only if Return_value is -1. See *z/OS UNIX System Services Messages and Codes* for a complete list of possible return code values. The v_get service can return one of the following values in the Return_code parameter:

Return_code	Explanation
EINVAL	Parameter error; for example, the VFS token parameter is obsolete. The following reason codes can accompany the return code: JRStaleVFSTok, JRInvalidOSS.
EMFILE	The maximum number of vnode tokens have been created.
ENFILE	An error occurred obtaining storage for a vnode token.
EPERM	The operation is not permitted. The caller of the service is not registered as a server.

v_get (BPX1VGT, BPX4VGT)

Reason_code

Returned parameter

Type: Integer

Length:

Fullword

The name of a fullword in which the v_get service stores the reason code. The v_get service returns Reason_code only if Return_value is -1. Reason_code further qualifies the Return_code value. See *z/OS UNIX System Services Messages and Codes* for the reason codes.

Usage notes

1. The FID (file identifier) uniquely identifies a file in a particular mounted file system. For files associated with a physical DASD resource, the FID validly persists across mounting and unmounting of the file system, as well as z/OS UNIX re-IPLS. This distinguishes the FID from the vnode token, which relates to a file in active use, and whose validity persists only until the token is released via the v_rel callable service. Note that automount-managed directories are virtual, and the FID is unique only as long as the directory is being referenced.

A server application uses v_get to convert a FID to a vnode token when it is preparing to use a file, because the Vnode token identifies the file to the other VFS callable services.

2. The FID for a file is returned in the ATTR structure (see “BPXYATTR — Map file attributes for v_ system calls” on page 459), by such services as v_rpn and v_lookup.
3. vnode tokens that are returned by the v_get service are not inherited across a fork callable service.
4. The caller is responsible for freeing vnode tokens that are returned by the v_get service by calling to the v_rel service when they are no longer needed.

Related services

- “v_create (BPX1VCR, BPX4VCR) — Create a file” on page 286
- “v_getattr (BPX1VGA, BPX4VGA) — Get the attributes of a file” on page 301
- “v_lookup (BPX1VLK, BPX4VLK) — Look up a file or directory” on page 322
- “v_mkdir (BPX1VMK, BPX4VMK) — Create a directory” on page 325
- “v_rdwr (BPX1VRW, BPX4VRW) — Read from and write to a file” on page 340
- “v_reg (BPX1VRG, BPX4VRG) — Register a process as a server” on page 351
- “v_rel (BPX1VRL, BPX4VRL) — Release a vnode token” on page 355
- “v_rpn (BPX1VRP, BPX4VRP) — Resolve a path name” on page 367
- “v_setattr (BPX1VSA, BPX4VSA) — Set the attributes of a file” on page 371

Characteristics and restrictions

A process must be registered as a server before the v_get service is permitted; see “v_reg (BPX1VRG, BPX4VRG) — Register a process as a server” on page 351.

Examples

For an example using this callable service, see “BPX1VGT, BPX4VGT (v_get)” on page 486.

v_getattr (BPX1VGA, BPX4VGA) — Get the attributes of a file

Function

The v_getattr service gets the attributes of the file that is represented by Vnode_token.

Requirements

Authorization:	Supervisor state or problem state, any PSW key
Dispatchable unit mode:	Task
Cross memory mode:	PASN = HASN
AMODE (BPX1VGA):	31-bit
AMODE (BPX4VGA):	64-bit
ASC mode:	Primary mode
Interrupt status:	Enabled for interrupts
Locks:	Unlocked
Control parameters:	All parameters must be addressable by the caller and in the primary address space.

Format

```
CALL BPX1VGA, (Vnode_token,
              OSS,
              Attr_length,
              Attr,
              Return_value,
              Return_code,
              Reason_code)
```

AMODE 64 callers use BPX4VGA with the same parameters.

Parameters

Vnode_token

Supplied parameter

Type: Token

Length:
8 bytes

The name of an 8-byte area that contains a vnode token that represents the file.

OSS

Supplied and returned parameter

Type: Structure

Length:
OSS#LENGTH (from the BPXYOSS macro)

The name of an area that contains operating-system-specific parameters. This area is mapped by the BPXYOSS macro (see “BPXYOSS — Map operating system specific information” on page 470).

Attr_length

Supplied parameter

Type: Integer

v_getattr (BPX1VGA, BPX4VGA)

Length:

Fullword

The name of a fullword that contains the length of Attr. To determine the value of Attr_length, use the BPXYATTR macro (see “BPXYATTR — Map file attributes for v_ system calls” on page 459).

Attr

Returned parameter

Type: Structure

Length:

Specified by the Attr_length parameter

The name of an area, of length Attr_length, in which the v_getattr service returns the file attribute structure for the file that is specified by the vnode token. This area is mapped by the BPXYATTR macro (see “BPXYATTR — Map file attributes for v_ system calls” on page 459).

Return_value

Returned parameter

Type: Integer

Length:

Fullword

The name of a fullword in which the v_getattr service returns 0 if the request is successful, or -1 if it is not successful.

Return_code

Returned parameter

Type: Integer

Length:

Fullword

The name of a fullword in which the v_getattr service stores the return code. The v_getattr service returns Return_code only if Return_value is -1. See *z/OS UNIX System Services Messages and Codes* for a complete list of possible return code values. The v_getattr service can return one of the following values in the Return_code parameter:

Return_code	Explanation
EINVAL	Parameter error; for example, a supplied area was too small. The following reason codes can accompany the return code: JRSmallAttr, JRVTokenFreed, JRWrongPID, JRStaleVnodeTok, JRInvalidVnodeTok, JRInvalidOSS.
EPERM	The operation is not permitted. The caller of the service is not registered as a server.

Reason_code

Returned parameter

Type: Integer

Length:

Fullword

The name of a fullword in which the v_getattr service stores the reason code. The v_getattr service returns a Reason_code only if Return_value is -1.

Reason_code further qualifies the Return_code value. See *z/OS UNIX System Services Messages and Codes* for the reason codes.

Usage notes

1. All time fields in the Attr area are in POSIX format.
2. The setting of the AttrLP64times bit in the BPXYATT structure, and not the AMODE of the caller, determines whether 4-byte or 8-byte time fields are used.
3. The File Mode field in the Attr area is mapped by the BPXYMODE macro (see Mapping macros in *z/OS UNIX System Services Programming: Assembler Callable Services Reference*).

Related services

- “v_reg (BPX1VRG, BPX4VRG) — Register a process as a server” on page 351

Characteristics and restrictions

A process must be registered as a server before the v_getattr service is permitted; see “v_reg (BPX1VRG, BPX4VRG) — Register a process as a server” on page 351.

Examples

For an example using this callable service, see “BPX1VGA, BPX4VGA (v_getattr)” on page 487.

v_ioctl (BPX1VIO/BPX4VIO) - Convey a command to a physical file system

Function

The v_ioctl callable service conveys a command to a physical file system. The specific action that is specified by the v_ioctl callable service varies by physical file system, and is defined by the physical file system.

Requirements

Authorization:	Supervisor state or problem state, any PSW key
Dispatchable unit mode:	Task
Cross memory mode:	PASN = HASN
AMODE (BPX1VIO):	31-bit
AMODE (BPX4VIO):	64-bit
ASC mode:	Primary mode
Interrupt status:	Enabled for interrupts
Locks:	Unlocked
Control parameters:	All parameters must be addressable by the caller and in the primary address space.

v_ioctlr (BPX1VIO, BPX4VIO)

Format

```
CALL BPX1VIO,(Vnode_token,  
             OSS,  
             Command,  
             Argument_length,  
             Argument,  
             Return_value,  
             Return_code,  
             Reason_code)
```

AMODE 64 callers use BPX4VIO with the same parameters.

Parameters

Vnode_token

Supplied parameter

Type: Token

Length:
8 bytes

The name of an 8-byte area that contains a vnode token that represents the file.

OSS

Supplied and returned parameter

Type: Structure

Length:
OSS#LENGTH (from the BPXYOSS macro)

The name of an area that contains operating-system-specific parameters. This area is mapped by the BPXYOSS macro (see “BPXYOSS — Map operating system specific information” on page 470).

Command

Supplied parameter

Type: Integer

Length:
Fullword

The name of a fullword that contains the ioctl command that is to be passed to the physical file system. This area is mapped by the BPXYIOCC macro (see Mapping macros in *z/OS UNIX System Services Programming: Assembler Callable Services Reference*).

Argument_length

Supplied and returned parameter

Type: Integer

Length:
Fullword

The name of a fullword that contains the length of the argument. The length of the argument is specified as an integer value in the range 0-51200.

Argument

Supplied and returned parameter

Type: Defined by the physical file system

Character set:

No restriction

Length:

Specified by the Argument_length parameter

Specifies the name of a buffer, of length Argument_length, containing the argument to be passed to the physical file system. This buffer is also used for any output.

Return_value

Returned parameter

Type: Integer**Length:**

Fullword

The name of a fullword in which the v_ioctl service returns 0 if the request is successful, or -1 if it is not successful. For the **getfacl** command, return_value contains the ACL length if the request is successful.

Return_code

Returned parameter

Type: Integer**Length:**

Fullword

The name of a fullword in which the v_ioctl service stores the return code. The v_ioctl service returns a Return_code only if Return_value is -1. See *z/OS UNIX System Services Messages and Codes* for a complete list of possible return code values. The v_ioctl service can return one of the following values in the Return_code parameter:

Return_code	Explanation
EFAULT	The input argument address or any other parameter is incorrect. The following reason codes can accompany the return code: JrReadUserStorageFailed, JrWriteUserStorageFailed.
EINVAL	Parameter error; for example, a supplied area was too small. The following reason code can accompany the return code: JRIOBufLengthInvalid.
ENOTDIR	The Vnod-Token passed for the Ioctl#GetPathName command is not a directory and a parent directory for this object cannot be determined.
EPERM	The operation is not permitted. The caller of the service is not registered as a server.
E2BIG	The argument_length passed on a Setfacl or Getfacl request was not large enough to contain even the minimum amount of data. The size that is specified must be large enough to hold a RACL_Edit, followed by an ACL and as many ACL_Entry(s) as needed

Reason_code

Returned parameter

Type: Integer**Length:**

Fullword

v_ioctlr (BPX1VIO, BPX4VIO)

The name of a fullword in which the v_ioctl service stores the reason code. The v_ioctl service returns a Reason_code only if Return_value is -1. Reason_code further qualifies the Return_code value. See *z/OS UNIX System Services Messages and Codes* for the reason codes.

Usage notes

1. For file systems that support access control lists (ACLs), you can use the **GetfACL** and **SetfACL** commands. For detailed information about these and other commands, see the Notes section of w_ioctl (BPX1IOC, BPX4IOC) — Control I/O in *z/OS UNIX System Services Programming: Assembler Callable Services Reference*.
2. The Ioccc#GetPathName command will return the absolute path name of an input directory or file.

An input file must have been recently looked up or created in order for its path name to be generated. If the only reference to this file has been by a server with the vfs_vget function, it will not be possible to construct the path name because an immediate parent directory cannot be determined.

If the input directory resides in a file system that has been covered, by the mounting of another file system on a directory in the path name, the command will fail with ENOENT. The OssXMtPt flag can be used to override this check and return a path name without regard to covered mount points that might be encountered. In this case the path name returned can not be used as input to functions like v_rpn() and open() because those functions will cross mount points and will either fail to find the directory or will find a different directory with the same path name in a mounted file system.

Related services

- “v_rel (BPX1VRL, BPX4VRL) — Release a vnode token” on page 355
- “v_reg (BPX1VRG, BPX4VRG) — Register a process as a server” on page 351

Characteristics and restrictions

1. A process must be registered as a server before the v_ioctl service is permitted; see “v_reg (BPX1VRG, BPX4VRG) — Register a process as a server” on page 351.
2. The argument is limited to 51200 bytes.

Examples

For an example using this callable service, see “BPX1VIO, BPX4VIO (v_ioctl)” on page 487.

v_link (BPX1VLN, BPX4VLN) — Create a link to a file

Function

The v_link service creates a link (Link_name) to the file that is specified by File_vnode_token in the directory that is specified by Directory_vnode_token. The link is a new name that identifies an existing file. The new name does not replace the old one, but provides an additional way to refer to the file. To rename an existing file, see “v_rename (BPX1VRN, BPX4VRN) — Rename a file or directory” on page 360.

Requirements

Authorization:	Supervisor state or problem state, any PSW key
Dispatchable unit mode:	Task
Cross memory mode:	PASN = HASN
AMODE (BPX1VLN):	31-bit
AMODE (BPX4VLN):	64-bit
ASC mode:	Primary mode
Interrupt status:	Enabled for interrupts
Locks:	Unlocked
Control parameters:	All parameters must be addressable by the caller and in the primary address space.

Format

```
CALL BPX1VLN,(File_vnode_token,
              OSS,
              Link_name_length,
              Link_name,
              Directory_vnode_token,
              Return_value,
              Return_code,
              Reason_code)
```

AMODE 64 callers use BPX4VLN with the same parameters.

Parameters

File_vnode_token

Supplied parameter

Type: Token

Length:
8 bytes

The name of an 8-byte area that contains a vnode token that represents the file to which a link is to be established.

OSS

Supplied and returned parameter

Type: Structure

Length:
OSS#LENGTH (from the BPXYOSS macro)

The name of an area that contains operating-system-specific parameters. This area is mapped by the BPXYOSS macro (see “BPXYOSS — Map operating system specific information” on page 470).

Link_name_length

Supplied parameter

Type: Integer

Length:
Fullword

The name of a fullword that contains the length of Link_name. The name can be up to 255 bytes long.

v_link (BPX1VLN, BPX4VLN)

Link_name

Supplied parameter

Type: Character string

Length:

Specified by Link_name_length parameter

The name of an area, of length Link_name_length, that contains the name by which the file is to be known. It must not contain null characters (X'00').

Directory_vnode_token

Supplied parameter

Type: Token

Length:

8 bytes

The name of an 8-byte area that contains a vnode token that represents the directory from which the v_link service is to create the link that is supplied in the Link_name parameter.

Return_value

Returned parameter

Type: Integer

Length:

Fullword

The name of a fullword in which the v_link service returns 0 if the request completes successfully, or -1 if the request is not successful.

Return_code

Returned parameter

Type: Integer

Length:

Fullword

The name of a fullword in which the v_link service stores the return code. The v_link service returns Return_code only if Return_value is -1. See *z/OS UNIX System Services Messages and Codes* for a complete list of possible return code values. The v_link service can return one of the following values in the Return_code parameter:

Return_code	Explanation
EACCES	The process did not have appropriate permissions to create the link. Possible reasons include: <ul style="list-style-type: none">• The process had no write permission for the directory that is intended to contain the link.• The process had no permission to access the file that is specified by File_vnode_token.
EEXIST	A file, directory, or symbolic link named Link_name already exists.
EINVAL	Parameter error; for example, one of the vnode tokens is stale. The following reason codes can accompany the return code: JRVTokenFreed, JRWrongPID, JRStaleVnodeTok, JRInvalidVnodeTok, JRInvalidOSS, JRNoName, JRNullInPath.

Return_code	Explanation
EMLINK	The file that is specified by File_vnode_token already has its maximum number of links. The maximum number is LINK_MAX. The value of LINK_MAX can be determined through pathconf (BPX1PCF) or fpathconf (BPX1FPC).
ENAMETOOLONG	Link_name_length exceeds 255 characters.
ENOSPC	The directory that is intended to contain the link cannot be extended to contain another entry.
ENOTDIR	Directory_vnode_token does not specify a directory. The following reason code can accompany the return code: JRTokNotDir.
EPERM	The operation is not permitted. The caller of the service is not registered as a server; or the File_vnode_token specifies a directory. The following reason codes can accompany the return code: JRNotRegisteredServer, JRTokDir.
EROFS	Creating the link would require writing on a read-only file system. The following reason code can accompany the return code: JRLnkROFileSet.
EXDEV	The file that is specified by File_vnode_token and Directory_vnode_token are on different file systems. The following reason code can accompany the return code: JRLnkAcrossFileSets.

Reason_code

Returned parameter

Type: Integer

Length:
Fullword

The name of a fullword in which the v_link service stores the reason code. The v_link service returns Reason_code only if Return_value is -1. Reason_code further qualifies the Return_code value. See *z/OS UNIX System Services Messages and Codes* for the reason codes.

Usage notes

1. BPX1VLN creates a link named Link_name to an existing file that is specified by File_vnode_name. This provides an alternate pathname for the existing file; the file may be accessed by the old name or the new name. The link may be stored under the same directory as the original file, or under a different directory on the same file system.
2. If the link is created successfully, the service routine increments the link count of the file. The link count shows how many links to a file exist. (If the link is not created successfully, the link count is not incremented.)
3. Links are not allowed to directories.
4. If the link is created successfully, the change time of the linked-to file is updated, as are the change and modification times of the directory that contains Link_name (that is, the directory that holds the link).

Related services

- “v_reg (BPX1VRG, BPX4VRG) — Register a process as a server” on page 351
- “v_rel (BPX1VRL, BPX4VRL) — Release a vnode token” on page 355
- “v_remove (BPX1VRM, BPX4VRM) — Remove a link to a file” on page 357

v_link (BPX1VLN, BPX4VLN)

- “v_rename (BPX1VRN, BPX4VRN) — Rename a file or directory” on page 360

Characteristics and restrictions

A process must be registered as a server before the v_link service is permitted, See “v_reg (BPX1VRG, BPX4VRG) — Register a process as a server” on page 351.

Examples

For an example using this callable service, see “BPX1VLN, BPX4VLN (v_link)” on page 487.

v_lockctl (BPX1VLO, BPX4VLO) — Lock a file

Function

The v_lockctl service controls advisory byte-range locks on a file.

Requirements

Authorization:	Supervisor state or problem state, any PSW key
Dispatchable unit mode:	Task
Cross memory mode:	PASN = HASN
AMODE (BPX1VLO):	31-bit
AMODE (BPX4VLO):	64-bit
ASC mode:	Primary mode
Interrupt status:	Enabled for interrupts
Locks:	Unlocked
Control parameters:	All parameters must be addressable by the caller and in the primary address space.

Format

```
CALL BPX1VLO, (OSS,  
              Command,  
              Vlock_length,  
              Vlock,  
              Return_value,  
              Return_code,  
              Reason_code)
```

AMODE 64 callers use BPX4VLO with the same parameters.

Parameters

OSS

Supplied and returned parameter

Type: Structure

Length:

OSS#LENGTH (from the BPXYOSS macro)

The name of an area that contains operating-system-specific parameters. This area is mapped by the BPXYOSS macro (see “BPXYOSS — Map operating system specific information” on page 470).

Command

Supplied parameter

Type: Integer

Length:
Fullword

The name of a fullword that contains one of the integer values that is mapped in the BPXYVLOK macro and indicates the action that is to be performed. For the list of commands, see “BPXYVLOK — Map the interface block for v_lockctl” on page 474.

Vlock_length

Supplied parameter

Type: Integer

Length:
Fullword

The name of a fullword that contains the length of Vlock. To determine the value of Vlock_length, use the BPXYVLOK macro (see “BPXYVLOK — Map the interface block for v_lockctl” on page 474).

Vlock

Supplied and returned parameter

Type: Structure

Length:
Specified by the Vlock_length parameter

The name of an area that contains the lock request information. This area is mapped by the BPXYVLOK macro (see “BPXYVLOK — Map the interface block for v_lockctl” on page 474).

Return_value

Returned parameter

Type: Integer

Length:
Fullword

The name of a fullword in which the v_lockctl service returns 0 if the request is successful, or -1 if it is not successful.

Return_code

Returned parameter

Type: Integer

Length:
Fullword

The name of a fullword in which the v_lockctl service stores the return code. The v_lockctl service returns Return_code only if Return_value is -1. See *z/OS UNIX System Services Messages and Codes* for a complete list of possible return code values. The v_lockctl service can return one of the following values in the Return_code parameter:

Return_code	Explanation
EAGAIN	The Lock command was requested, but the lock conflicts with a lock on an overlapping part of the file that is already set by another locker.

v_lockctl (BPX1VLO, BPX4VLO)

Return_code	Explanation
EDEADLK	The Lockwait command was requested, but the potential for deadlock was detected. The following reason codes can accompany the return code: JRBrmDeadLockDetected, JRBrmPromotePending, JRBrmAlreadyWaiting, JRBrmUnlockWhileWait.
EINTR	A LockWait request was interrupted by a signal.
EINVAL	Parameter error. The following reason codes can accompany the return code: JRBadEntryCode, JRInvalidVlok, JRInvalidServerPid, JRNoLockerToken, JRBrmLockerNotRegistered, JRBrmBadLType, JRBrmObjectMissing, JRBrmInvalidRange, JRBrmBadL_Whence.
EPERM	The operation is not permitted. The caller of the service is not registered as a lock server.
ENOENT	The LockCancel command was requested, but an exactly matching lock request was not found on the object's waiting queue.

Reason_code

Returned parameter

Type: Integer

Length:
Fullword

The name of a fullword in which the v_lockctl service stores the reason code. The v_lockctl service returns a Reason_code only if Return_value is -1. Reason_code further qualifies the Return_code value. See *z/OS UNIX System Services Messages and Codes* for the reason codes.

Usage notes

1. The v_lockctl service locks out other cooperating lockers from part of a file, so that the locker can read or write to that part of the file without interference from others.

All locks are advisory only. Client and local processes can use locks to inform each other that they want to protect parts of a file, but locks do not prevent I/O on the locked parts. A process that has appropriate permissions on a file can perform whatever I/O it chooses, regardless of the locks that are set. Therefore, file locking is only a convention, and it works only when all processes respect the convention.
Figure 7. Important note

2. **Registering as a locker (Vlok#RegLocker):** Each locker must be registered before it issues any lock requests. On a **Vlok#RegLocker** command, the following Vlock fields are provided by the caller:

VlokID

The Vlok#ID (from the BPXYVLOK macro).

VlokLen

The length of the Vlock structure.

VlokServerPID

The process ID of the lock server. If 0 is specified, the caller's PID is used.

VlokClientPID

A server-generated process ID that uniquely identifies the client within this server PID.

Other fields in the Vlock area should be set to zeros.

The following Vlock field is returned to the caller:

VlockLockerTok

A token to identify the locker on subsequent lock requests.

3. On a **Vlock#Query**, **Vlock#Lock**, **Vlock#LockWait**, or **Vlock#Unlock** command, the following Vlock fields are provided by the caller:

VlockID

The Vlock#ID (from the BPXYVLOK macro).

VlockLen

The length of the Vlock structure.

VlockLockerTok

The locker.

VlockClientTID

The client's thread ID.

VlockObjClass

The file object class. The possible classes are defined in the BPXYVLOK macro; see “BPXYVLOK — Map the interface block for v_lockctl” on page 474.

VlockObjID

The file object uniquely within the class. For an HFS file, VlockObjID contains the device number and FID of the file.

VlockObjTok

A token that was returned on the previous lock request for this object. This field is optional, but will improve performance for multiple lock requests.

VlockBrk

Lock information describing the byte-range. This area is mapped by BPXYBRLK (see note 5 on page 314). The following BPXYBRLK fields must be provided:

Command	Required fields
Vlock#Query	l_type, l_whence, l_start, l_len
Vlock#Lock	l_type, l_whence, l_start, l_len
Vlock#LockWait	l_type, l_whence, l_start, l_len
Vlock#Unlock	l_whence, l_start, l_len

VlockVnToken

(Optional) The vnode token for a UNIX file system object. The use of this optional parameter can improve the performance of any operation that specifies a file system object. Additionally, for the **Vlock#UnLoadLocks** function, this also indicates that share reservations for the file are to be appended to the unloaded byte range locks (see note 11 on page 318 for more information).

Other fields in the Vlock area should be set to zeros.

The following Vlock fields are returned to the caller:

VlockObjTok

A token to identify the object on a subsequent lock request.

v_lockctl (BPX1VLO, BPX4VLO)

VlokBrk

On Query, lock information that describes a lock that would prevent the proposed lock from being set.

4. On a **Vlok#Lock**, **Vlok#LockWait**, and **Vlok#LockAsy** command, the caller can pass an open token in the OSS by providing the following field:

OssOpenToken

Contains an open token with which the byte range lock should be associated

For open tokens other than those created with OPEN_NLM_SHR, the lock owner becomes associated with the open token. Thus, when a **v_close()** is issued using that open token, all byte range locks on this file that were obtained by this lock owner will be released.

5. Locking operations are controlled with a structure that is mapped by BPXYBRLK. This structure is needed whether the request is for setting a lock, releasing a lock, or querying a particular byte range for a lock. The following is a description of the BPXYBRLK structure:

- The **l_type** field specifies the type of lock that is to be set or queried. (**l_type** is not used on Unlock.) Valid values for **l_type** are as follows

Type	Description
------	-------------

F_RDLCK

A *read lock*. Specified as a halfword integer value of 1, this is also known as a *shared lock*. This type of lock specifies that the locker can read the locked part of the file, and other lockers cannot write on that part of the file in the meantime. A locker can change a held write lock, or any part of it, to a read lock, thereby making it available for other lockers to read. Multiple lockers can have read locks on the same part of a file simultaneously.

F_WRLCK

A *write lock*. Specified as a halfword integer value of 2, this is also known as an *exclusive lock*. This type of lock indicates that the locker can write on the locked part of the file, without interference from other lockers. If one locker puts a write lock on part of a file, no other locker can establish a read lock or write lock on that same part of the file. A locker cannot put a write lock on part of a file if there is already a read lock on an overlapping part of the file, unless that locker is the only owner of that overlapping read lock. In such a case, the read lock on the overlapping section is replaced by the write lock that is being requested.

F_UNLCK

Returned on a Query, when there are no locks that would prevent the proposed lock operation from completing successfully. Specified as a halfword integer value of 3.

- The **l_whence** field specifies how the byte-range offset is to be found within the file. The only valid value for **l_whence** is **SEEK_SET**, which stands for the start of the file, and is specified as a halfword integer value of 0.
- The **l_start** field identifies the part of the file that is to be locked, unlocked, or queried. The part of the file that is affected by the lock begins at this offset from the start of the file. For example, if **l_start** is the value 10, a Lock request attempts to set a lock beginning 10 bytes past the start of the file.

Note: Although you cannot request a byte range that begins or extends beyond the beginning of the file, you can request a byte range that starts or extends beyond the end of the file.

- The **l_len** field gives the size of the locked part of the file, in bytes. The value that is specified for l_len may be negative. If l_len is positive, the area that is affected begins at l_start and ends at l_start + l_len-1. If l_len is negative, the area that is affected starts at l_start+l_len and ends at l_start-1. If l_len is zero, the locked part of the file begins at the position that is specified by l_whence and l_start, and extends to the end of the file.
 - The **l_pid** field identifies the ClientProcessID of the locker that holds the lock found on a Query request, if one was found.
6. **Obtaining locks (Vlok#Lock and Vlok#LockWait):** Locks can be set by specifying a **Vlok#Lock** as the Command parameter. If the lock cannot be obtained, a return value of -1 is returned, along with an appropriate return code and reason code.

Locks can also be set by specifying **Vlok#LockWait** as the Command parameter. If the lock cannot be obtained because another process has a lock on all or part of the requested range, the LockWait request waits until the specified range becomes free and the request can be completed.

If a signal interrupts a call to the v_lockctl service while it is waiting in a LockWait operation, the function returns with a return value of -1, and a return code of EINTR.

LockWait operations have the potential for encountering deadlocks. This happens when locker A is waiting for locker B to unlock a region, and B is waiting for A to unlock a different region. If the system detects that a LockWait request might cause a deadlock, the v_lockctl service returns with a return value of -1 and a return code of EDEADLK.

7. **Asynchronous locking:**

- *Obtaining an asynchronous lock (Vlok#LockAsy):* The Vlok#LockAsy command parameter is used to request an asynchronous lock. The lock request is either satisfied immediately or is queued for asynchronous completion. The v_lockctl call will not block. The caller should expect to receive the asynchronous lock completion through the **sigtimedwait()** or **sigwaitinfo()** interfaces. These provide an event queue for lock completions based on queued signals and is the same as that used with asynchronous I/O completions. The caller can specify the signal number and signal value to pass back on the asynchronous completion.

The Vlock structure is set up just as it would be for the Vlok#LockWait function with the addition of a caller-supplied Aiocb structure that specifies the signal information and holds the results of the completed asynchronous request. The new fields in the Vlock structure for this function are:

VlockAiocbLen

Length of the Aiocb structure

VlockAiocb

Address of the Aiocb structure

The Aiocb must remain valid for the life of an asynchronous request and its use is similar to that for an aio_read call. The following Aiocb fields are provided by the caller:

aio_sigevent.sigev_signo

The signal number

v_lockctl (BPX1VLO, BPX4VLO)

aio_sigevent.sigev_value

An application-specific data value to be passed with the signal

aio_exitdata

An application data area (not touched by the system)

The rest of the Aiocb should be zeroed out.

The following Aiocb fields are returned to the caller:

aio_rv The return value

aio_rc The return code

aio_rsn

The reason code

The Return_value from **v_lockctl()** indicates the outcome of the call, as follows:

+1 The lock will be granted asynchronously.

0 The lock was granted immediately.

-1 The lock request failed as indicated by the accompanying return code and reason code.

When the Return_value from **v_lockctl()** is **+1**, the final result of the lock request is determined when the completion signal is pulled from the signal queue using **sigtimedwait()** or **sigwaitinfo()**. At that point, the **aio_rv** field will contain **0** if the lock was granted or **-1** (with accompanying values in **aio_rc** and **aio_rsn**) if the lock was not granted. Generally, a request will only fail asynchronously if it is canceled.

When the Return_value from **v_lockctl()** is **0** or **-1**, the request has immediately succeeded or failed, respectively, and no signal is sent.

As with any asynchronous operation, the request may complete before the **v_lockctl()** call returns to the caller.

A lock owner may only have one outstanding lock request at a time on any particular range. This includes pending asynchronous requests and blocked synchronous requests. In other words, waiting locks for the same owner cannot intersect. Similarly, unlock requests may not be issued for any range that intersects with a pending lock request from the same lock owner.

- *Canceling an asynchronous lock request (Vlok#LockCancel):* To cancel a specific, outstanding asynchronous lock request, call the **v_lockctl** service with a command parameter of **Vlok#LockCancel** and a **Vlock** structure that contains all the information from the original **Vlok#LockAsy** request: object, owner, **Brk** information, and **Aiocb**.

You must use the same **Aiocb** on both the original **Vlok#LockAsy** request and the **Vlok#LockCancel** request and the **Aiocb** must not have been modified between the two calls. When the **Vlok#LockAsy** request returns with a return value of 1, an asynchronous request token is also returned in the **Aiocb** and that token must be present on any subsequent call to cancel the lock request.

An asynchronous lock request can only be canceled if it is still waiting for the lock to be granted. When a pending request is successfully canceled, the Return_value from **v_lockctl()** will be **0** and a lock completion signal will be sent with an **aio_rc** of **ECANCELED**. When an exact match for the request is not found on the object's waiting queue, the Return_value from **v_lockctl()** will be **-1** and the Return_code will be **ENOENT**.

There is a race condition between a pending lock being canceled and its being granted, so there is always a chance that the call to cancel the lock request will fail because the successful lock completion signal has already been sent. Note, too, that at the time the v_lockctl call to cancel the lock request returns to the caller, the completion signal (either for the lock being granted or for its being canceled) may still be on the application's signal queue. Therefore, the application must handle the coordination between the caller of the cancel request and the handler of the completion signal.

- Refer to note 16 on page 319 for the effects of a purge request on asynchronous locks.
 - *Effects of changing file system ownership in a sysplex:* If the ownership of a file system is changed within a sysplex environment (for instance, by using the chmount shell command), pending asynchronous locks will be lost. This special situation is indicated by a lock failure of the original request with an aio_rc of EAGAIN and a lower half-word value in aio_rsn of 0x0607 (the value of the JrOwnerMoved reason code). The v_lockctl call must be issued again to request the asynchronous lock from the new owner. At such time, the lock may be immediately granted or it may again enter a pending state.
8. **Determining lock status (Vlok#Query):** A process can determine locking information about a file by using **Vlok#Query** as the Command parameter. The VlokBrk structure should describe a lock operation that the caller would like to perform. When the v_lockctl service returns, the structure is modified to describe the first lock found that would prevent the proposed lock operation from completing successfully.

If a lock is found that would prevent the proposed lock from being set, the Query request returns a modified structure whose l_whence value is always SEEK_SET, whose l_start value gives the offset of the locked portion from the beginning of the file, whose l_len value is set to the length of the locked portion of the file, and whose l_pid value is set to the ClientProcessID of the locker that is holding the lock. If there are no locks that would prevent the proposed lock operation from completing successfully, the returned structure is modified to have an l_type of F_UNLCK, but otherwise it remains unchanged.

9. **Multiple lock requests:** A locker can have several locks on a file simultaneously, but can have only one type of lock set on any given byte. Therefore, if a locker sets a new lock on part of a file that it had previously locked, the locker has only one lock on that part of the file, and the lock type is the one that was given by the most recent locking operation.
10. **Returning blocker information:** A request to the v_lockctl service that cannot be granted can return information about the lock that is blocking the request from being granted. The blocking lock shares at least part of the range that was requested and may be from a granted lock range or a waiting lock request. The returned information is in the form of a BRLM_RangeLock structure, defined in IGWLBINT for PL/X and in BPXYVFSI for C.

The caller requests the return of blocker information by specifying in **VlokBlockingLock** the address of an area in primary storage where the output BRLM_RangeLock may be placed. **VlokBlkLockLen** specifies the length of this output area. The storage for the output area is assumed to be in the caller's key.

Blocker information can be returned in the following cases:

- A Vlok#Lock or Vlok#LockWait request fails with a return code of EAGAIN or EDEADLK
- A Vlok#Query request finds a blocking lock

v_lockctl (BPX1VLO, BPX4VLO)

- A Vlok#LockAsy request returns with a Return_value of +1

The output BRLM_RangeLock area (or, at a minimum, the server PID in the first word) should be zeroed out before the call to the v_lockctl service. If the contents are changed upon completion of the call, then information about a blocking lock was returned. Note that the blocking lock was blocking this request when the v_lockctl call was issued but is subject to change at any time.

11. **Query all locks for an object (Vlok#UnLoadLocks):** The Vlok#UnLoadLocks request provides an interface to the BRLM UnloadLocks function and also obtains the share reservations for file system objects.

The information is returned as a chain of BRLM_UnloadLocksList structures, each of which contains control information and an array of (Object, Rangelock) pairs, each of which describe one locked range or share reservation. The storage for the chain of structures is obtained in the caller's primary address space, is in the caller's key, and is owned by the caller's TCB. Each structure in the chain must be freed by the caller using the MVS storage release service. The unloaded lock list segments may be of different lengths so the ull_length field must be used when the storage is released. These structures are defined in IGWLBINT for PL/X and in BPXYVFSI for C.

The following Vlock fields are provided by the caller:

VlokObject

The class and ID of the object

VlokUllSubPool

An MVS storage subpool number for the areas to be obtained. For unauthorized callers, this number must be between 1 and 127.

VlokUllRetWaiters

When set to Vlok#RetWaiters, all locks for the specified objects are returned, including waiting locks, pending asynchronous locks, and held locks. When set to Vlok#RetHeldOnly, only held locks for the specified objects are returned. When set to Vlok#RetAllObj, all the locks for all the objects are returned. Waiting locks are identified by the RIWaiting flag in the BRLM_Rangelock structure.

VlokUllMaskLen and VlokUllInMaskPtr

(Optional) When VlokUllMaskLen is non-zero, it specifies the length of the object mask whose address is passed in VlokUllInMaskPtr. This is a 16-byte mask as defined by VlokObjectMask. The VlokObject and this mask are used together to determine which locks are returned.

The mask is logically ANDed with the object ID of each lock and the result is compared with the VlokObject that is passed. The algorithm is as follows:

```
if ( (LockObject & PassedObjectMask) == VlokObject )
    { The lock will be returned. }
```

For example, to get all the locks for all objects that are files in the UNIX File System with a devno of 8, specify the following. (This example is shown in hexadecimal with blanks inserted for readability.)

```
VlokObject: 00000000 00000008 00000000 00000000
Mask:       FFFFFFFF FFFFFFFF 00000000 00000000
```

VlokUllRetWaiters can be set to Vlok#RetHeldOnly or to Vlok#RetWaiters to further filter what locks are returned. Note that if

VlokUllRetWaiters is set to Vlok#RetAllObj, the object mask is ignored and all locks for all objects are returned.

VlokVnToken

(Optional) A vnode token for the VlokObject. Also indicates that the object's share reservations should be appended to the byte range locks that are returned. This must be the same file as identified by the VlokObject.

The following Vlock field is returned to the caller:

VlokUllOutListPtr

The address of the first member of the output chain of BRLM_UnloadLocksList structures, or zero.

Zero or more BRLM_UnloadLocksList structures will be produced by BRLM. For file system objects when a vnode token is supplied, the unloaded locks will be followed by zero or more BRLM_UnloadLocksList structures for the share reservations. Share reservations may be placed in the unused slots of the last BRLM structure. The BRLM_UnloadLocksList structures may have varying numbers of locks returned in their array section so the ull_count field must be used to step through the arrays. The Return_value will contain the total number of locks and share reservations that were returned.

For each byte range lock, the rl_access field will be set to the type of lock: rl_shared, rl_excl, or rl_shr2excl.

For each share reservation, the rl_access field will be set to rl_openmodes. The rl_openacc and rl_opendeny fields will be set to the current Shr_Access and Shr_Deny modes, respectively, for that open. (Refer to "v_open (BPX1VOP, BPX4VOP) — Open or create a file" on page 329 for more information about these modes.)

12. **Releasing locks (Vlok#Unlock):** When an Vlok#Unlock request is made to unlock a byte region of a file, all locks that are held by that locker within the specified region are released. In other words, each byte that is specified on an Unlock request is freed from any lock that is held against it by the requesting locker.
13. Locks are not inherited by a child process that is created with the fork service.
14. **Effects of close and process termination:** All locks (those that are owned, pending, or waiting) for a given lock owner on a specific file will be released if any of the owner's open tokens for that file are closed with a v_close call. This includes any open token that was opened by this lock owner or one that was opened by a different lock owner but was subsequently used by this lock owner on a v_lockctl call. Owned locks are unlocked; pending and waiting locks are canceled. (This does not apply to open tokens created with OPEN_NLM_SHR.)

If the registered server process terminates, all locks that are associated with this process are unlocked or canceled. Since the process is terminating, lock completion signals will not be delivered.

15. If the lock server terminates, all locks are released.
16. **Purging locks (Vlok#Purge):** The Vlok#Purge command releases all locks on all files that are held by a locker or a group of lockers. This is primarily a pass through to BRLM. It will purge all types of byte range locks: held locks, waiting locks, or pending asynchronous locks. It does not affect share reservations or open tokens.

The purge interface is implemented using two bit masks that are logically ANDed with the object ID and owner ID, respectively, of each lock before they are compared with the passed arguments. The algorithm is as follows:

v_lockctl (BPX1VLO, BPX4VLO)

```
if ( (PassedObject == (LockObject & PassedObjectMask))
    && (PassedOwner == (LockOwner & PassedOwnerMask)) )
    { The lock will be purged. }
```

This purge function is enhanced and extended from the previously existing v_lockctl purge function. The following Vlock fields are provided by the caller:

VlockObject

The object's 16-byte identifier

VlockServerPID

The process ID of the lock server whose locks are to be released.

VlockClientPID

A server-generated process ID that uniquely identifies the client whose locks are to be released. If binary ones are specified, all locks for all clients of the specified server are released.

VlockClientTID

The client's thread ID for which locks are to be released. If binary ones are specified, all locks for the specified client and server are released.

VlockPgMasks

Points to a pair of 16-byte bit masks for the object and owner, respectively. These are defined as VlockObjectMask and VlockOwnerMask.

VlockPgMaskslen

Specifies the length of the bit mask pair being passed, which is 32

The three subfields of the lock owner ID (VlockServerPID, VlockClientPID, VlockClientTID) are considered to be a single concatenated 16-byte field with respect to the owner mask. Since VlockServerPID is automatically set to the server's PID by the LFS, the first four bytes of the owner mask will be set to all ones so that the server may only purge locks that it has obtained.

Other fields in the Vlock area should be set to zeros.

- *Purging locks held on an object by a server:* The following Vlock fields are provided by the caller:

VlockObject

The 16-byte identifier of a specific object

VlockObjectMask

All X'FF', for matches on just the specific object

VlockLocker

All zeroes

VlockClientTID

All zeroes

VlockLockerMask

All zeroes, for matches on any owner with the same server PID

- *Purging locks held by a client user:* The following Vlock fields are provided by the caller:

VlockObject

Zero

VlockObjectMask

All zeroes, for matches on every object

VlokClientPID

The appropriate client PID

VlokClientTID

The appropriate client TID, TID subset (padded with zeroes), or all zeroes

VlokLockerMask

X'FF', left-justified for a length matching the appropriate subset of the 16-byte owner ID, and then padded with X'00'. For instance:

- 16 bytes of X'FF' for exactly one lock owner
- 12 bytes of X'FF' for, perhaps, all processes for a specific user at a specific client
- 8 bytes of X'FF' for all client TIDs for a given client PID

- *Effects of purge on asynchronous locks:* If a set of locks being purged includes pending asynchronous locks, those lock requests will be canceled.

If a set of asynchronous lock requests are purged, the application will not be able to immediately tell which pending requests have been canceled and which had been granted and then were unlocked. When the call to purge returns to the caller, the lock completion signals will have all been sent but they may still be on the signal queue. The application can coordinate the purge operation with the signal handler after the purge completes by calling **sigqueue(0)** with a special signal number or value to flush the queue of these lock completion signals. If only a single thread handles the signal queue, then the appearance of this flush signal will indicate that all of the successful and ECANCELED signals have arrived and have been processed.

17. Each locker should be unregistered when it has finished issuing lock requests. On a Vlok#UnregLocker command, the following Vlock field is provided by the caller:

VlokID

Vlok#ID (from the BPXYVLOK macro)

VlokLen

The length of the Vlock structure

VlokLockerTok

A token to identify the locker to unregister

Other fields in the Vlock area should be set to zeros.

Related services

- “v_reg (BPX1VRG, BPX4VRG) — Register a process as a server” on page 351

Characteristics and restrictions

A process must be registered as a lock server before the v_lockctl service is permitted; see “v_reg (BPX1VRG, BPX4VRG) — Register a process as a server” on page 351.

Examples

For an example using this callable service, see “BPX1VLO, BPX4VLO (v_lockctl)” on page 488.

v_lookup (BPX1VLK, BPX4VLK) — Look up a file or directory

Function

The v_lookup service accepts a vnode token that represents a directory and a name that identifies a file. The directory is searched for this file, and if it is found, a vnode token for this file and its file attributes are returned. The file vnode token that is returned must be supplied by the server on all subsequent VFS callable services that are related to this file.

Requirements

Authorization:	Supervisor state or problem state, any PSW key
Dispatchable unit mode:	Task
Cross memory mode:	PASN = HASN
AMODE (BPX1VLK):	31-bit
AMODE (BPX4VLK):	64-bit
ASC mode:	Primary mode
Interrupt status:	Enabled for interrupts
Locks:	Unlocked
Control parameters:	All parameters must be addressable by the caller and in the primary address space.

Format

```
CALL BPX1VLK,(Directory_vnode_token,  
             OSS,  
             Name_length,  
             Name,  
             Attr_length,  
             Attr,  
             File_vnode_token,  
             Return_value,  
             Return_code,  
             Reason_code)
```

AMODE 64 callers use BPX4VLK with the same parameters.

Parameters

Directory_vnode_token

Supplied parameter

Type: Token

Length:
8 bytes

The name of an 8-byte area that contains a vnode token that represents the directory in which the v_lookup service searches for the file that is supplied in the Name parameter.

OSS

Supplied and returned parameter

Type: Structure

Length:
OSS#LENGTH (from the BPXYOSS macro)

The name of an area that contains operating-system-specific parameters. This area is mapped by the BPXYOSS macro (see “BPXYOSS — Map operating system specific information” on page 470).

Name_length

Supplied parameter

Type: Integer

Length:

Fullword

The name of a fullword that contains the length of the filename that is to be searched for. The name can be up to 255 bytes long.

Name

Supplied parameter

Type: Character string

Length:

Specified by Name_length parameter

The name of an area, of length Name_length, that contains the filename to be searched for. It must not contain null characters (X'00').

Attr_length

Supplied parameter

Type: Integer

Length:

Fullword

The name of a fullword that contains the length of the area that is passed in the Attr parameter. To determine the value of Attr_length, use the ATTR structure (see “BPXYATTR — Map file attributes for v_ system calls” on page 459).

Attr

Returned parameter

Type: Structure

Length:

Specified by the Attr_length parameter

The name of an area, of length Attr_length, in which the v_lookup service returns the file attribute structure for the file that is supplied in the Name parameter. This area is mapped by the ATTR structure (see “BPXYATTR — Map file attributes for v_ system calls” on page 459).

The file attributes information is returned only if the file is found.

File_vnode_token

Returned parameter

Type: Token

Length:

8 bytes

The name of an 8-byte area in which the v_lookup service returns a vnode token of the file that is supplied in the Name parameter.

The token is returned only if the file is found.

v_lookup (BPX1VLK, BPX4VLK)

Return_value

Returned parameter

Type: Integer

Length:
Fullword

The name of a fullword in which the v_lookup service returns 0 if the request is successful, or -1 if it is not successful.

Return_code

Returned parameter

Type: Integer

Length:
Fullword

The name of a fullword in which the v_lookup service stores the return code. The v_lookup service returns Return_code only if Return_value is -1. See *z/OS UNIX System Services Messages and Codes* for a complete list of possible return code values. The v_lookup service can return one of the following values in the Return_code parameter:

Return_code	Explanation
EINVAL	Parameter error; for example, a supplied area was too small. The following reason codes can accompany the return code: JRSmallAttr, JRNoName, JrNullInPath, JRVTokenFreed, JRWrongPID, JRStaleVnodeTok, JRInvalidVnodeTok, JRInvalidOSS.
EMFILE	The maximum number of vnode tokens have been created.
ENAMETOOLONG	The name is longer than 255 characters.
ENFILE	An error occurred while storage was being obtained for a vnode token.
ENOENT	Name was not found.
ENOTDIR	The supplied token did not represent a directory.
EPERM	The operation is not permitted. The caller of the service is not registered as a server.
ERREMOTE	Object is remote. The following reason code can accompany the return code: JrNoRemote.

Reason_code

Returned parameter

Type: Integer

Length:
Fullword

The name of a fullword in which the v_lookup service stores the reason code. The v_lookup service returns a Reason_code only if Return_value is -1. Reason_code further qualifies the Return_code value. See *z/OS UNIX System Services Messages and Codes* for the reason codes.

Usage notes

1. Vnode tokens that are returned by the v_lookup service are not inherited across a fork callable service.

2. The caller is responsible for freeing vnode tokens that are returned by the v_lookup service, by calling to the v_rel service when they are no longer needed.
3. Local mount points are not crossed unless the OssXmtpt flag is set in the input OSS structure. When that flag is on and the name looked up turns out to be a mount point directory, the root directory of the file system that is mounted there is returned instead of the named directory. This is called “crossing down the mount point tree”. When the specified name is “..” and the specified directory is a local root, the parent directory of the underlying mount point is returned instead of the parent of the specified directory. This is called “crossing up the mount point tree”.
In these situations, the OssXmtpt flag is left on and the VFS-Token of the crossed into file system is returned in the AttrCharSetID field of the returned ATTR structure. If a mount point is not encountered, the OssXmtpt flag is turned off.
4. When the OssNoRemote flag and the OssXmtpt flag are both set, v_lookup will not allow crossing over into a remote file system. Remote file systems are NFS Client and DFS Client file systems. If a remote file system is encountered, v_lookup will fail with a return code of ERREMOTE.

Related services

- “v_reg (BPX1VRG, BPX4VRG) — Register a process as a server” on page 351
- “v_rel (BPX1VRL, BPX4VRL) — Release a vnode token” on page 355

Characteristics and restrictions

A process must be registered as a server before the v_lookup service is permitted; see “v_reg (BPX1VRG, BPX4VRG) — Register a process as a server” on page 351.

Examples

For an example using this callable service, see “BPX1VLK, BPX4VLK (v_lookup)” on page 488.

v_mkdir (BPX1VMK, BPX4VMK) — Create a directory**Function**

The v_mkdir service creates a new empty directory in the directory that is represented by Directory_vnode_token. The input Attr is used to define the attributes of the new directory. A token that represents the new directory is returned in the New_directory_vnode_token.

Requirements

Authorization:	Supervisor state or problem state, any PSW key
Dispatchable unit mode:	Task
Cross memory mode:	PASN = HASN
AMODE (BPX1VMK):	31-bit
AMODE (BPX4VMK):	64-bit
ASC mode:	Primary mode
Interrupt status:	Enabled for interrupts
Locks:	Unlocked
Control parameters:	All parameters must be addressable by the caller and in the primary address space.

Format

```
CALL BPX1VMK,(Directory_vnode_token,  
              OSS,  
              Name_length,  
              Name,  
              Attr_length,  
              Attr,  
              New_directory_vnode_token,  
              Return_value,  
              Return_code,  
              Reason_code)
```

AMODE 64 callers use BPX4VMK with the same parameters.

Parameters

Directory_vnode_token

Supplied parameter

Type: Token

Length:
8 bytes

The name of an 8-byte area that contains a vnode token that represents the directory in which the v_mkdir service creates the new directory that is named in the Name parameter.

OSS

Supplied and returned parameter

Type: Structure

Length:
OSS#LENGTH (from the BPXYOSS macro)

The name of an area that contains operating system specific parameters. This area is mapped by the BPXYOSS macro (see "BPXYOSS — Map operating system specific information" on page 470).

Name_length

Supplied parameter

Type: Integer

Length:
Fullword

The name of a fullword that contains the length of the directory name that is to be created. The name can be up to 255 bytes long. It must not contain null characters (X'00').

Name

Supplied parameter

Type: Character string

Length:
Specified by Name_length parameter

The name of an area, of length Name_length, that contains the directory name that is to be created. It must not contain null characters (X'00').

Attr_length

Supplied parameter

Type: Integer

Length:

Fullword

The name of a fullword that contains the length of the area that is passed in the Attr parameter. To determine the value of Attr_length, use the ATTR structure (see "BPXYATTR — Map file attributes for v_ system calls" on page 459).

Attr

Supplied and returned parameter

Type: Structure

Length:

Specified by the Attr_length parameter

The name of an area, of length Attr_length, that is to be used by the v_mkdir service to set the attributes of the directory that is to be created. The attributes of the directory that is created are also returned in this area. This area is mapped by the ATTR structure (see "BPXYATTR — Map file attributes for v_ system calls" on page 459).

New_directory_vnode_token

Returned parameter

Type: Token

Length:

8 bytes

The name of an 8-byte area in which the v_mkdir service returns a vnode token of the directory that is created.

Return_value

Returned parameter

Type: Integer

Length:

Fullword

The name of a fullword in which the v_mkdir service returns 0 if the request is successful, or -1 if it is not successful.

Return_code

Returned parameter

Type: Integer

Length:

Fullword

The name of a fullword in which the v_mkdir service stores the return code. The v_mkdir service returns Return_code only if Return_value is -1. See *z/OS UNIX System Services Messages and Codes* for a complete list of possible return code values. The v_mkdir service can return one of the following values in the Return_code parameter:

v_mkdir (BPX1VMK, BPX4VMK)

Return_code	Explanation
EACCES	The calling process does not have permission to update the directory that was specified.
EEXIST	The directory named already exists.
EFBIG	The file size limit for the process is set to zero, which means directories cannot be created.
EINVAL	Parameter error; for example, a supplied area was too small. The following reason codes can accompany the return code: JRSmallAttr, JRInvalidAttr, JrNoName, JRVTOKENFreed, JRWrongPID, JRStaleVnodeTok, JRInvalidVnodeTok, JRInvalidOSS.
EMFILE	The maximum number of vnode tokens have been created.
ENAMETOOLONG	The name is longer than 255 characters.
ENFILE	An error occurred while storage was being obtained for a vnode token.
ENOTDIR	The supplied token did not represent a directory.
EPERM	The operation is not permitted. The caller of the service is not registered as a server.
EROFS	Directory_vnode_token specifies a directory on a read-only file system.

Reason_code

Returned parameter

Type: Integer

Length:
Fullword

The name of a fullword in which the v_mkdir service stores the reason code. The v_mkdir service returns a Reason_code only if Return_value is -1. Reason_code further qualifies the Return_code value. See *z/OS UNIX System Services Messages and Codes* for the reason codes.

Usage notes

1. The following Attr fields are provided by the caller:

AttrID

Contains Attr#ID (from the ATTR structure).

AttrLen

Specifies the length of the Attr structure.

AttrMode

Specifies directory mode permission bits. See BPXYMODE in Mapping macros in *z/OS UNIX System Services Programming: Assembler Callable Services Reference* for the mapping of this field.

Other fields should be initialized to zero.

2. If the directory that is named in the Name parameter already exists, the v_mkdir service returns a failing return code, and no New_directory_vnode_token is returned.
3. Vnode tokens that are returned by the v_mkdir service are not inherited across a fork callable service.
4. The caller is responsible for freeing vnode tokens that are returned by the v_mkdir service, by calling to the v_rel service when they are no longer needed.

5. If the file size limit for the process is set to zero, directories cannot be created and directory creation fails with EFBIG.
6. The value set by `umask()` for the process does not affect the setting of the mode permission bits.
7. The setting of the `AttrLP64times` bit in the `BPXYATT` structure, and not the `AMODE` of the caller, determines whether 4-byte or 8-byte time fields are used.

Related services

- “`v_reg` (BPX1VRG, BPX4VRG) — Register a process as a server” on page 351
- “`v_rel` (BPX1VRL, BPX4VRL) — Release a vnode token” on page 355

Characteristics and restrictions

A process must be registered as a server before the `v_mkdir` service is permitted; see “`v_reg` (BPX1VRG, BPX4VRG) — Register a process as a server” on page 351.

Examples

For an example using this callable service, see “BPX1VMK, BPX4VMK (`v_mkdir`)” on page 489.

v_open (BPX1VOP, BPX4VOP) — Open or create a file**Function**

The `v_open` service opens an existing file or creates and opens a new file. To open an existing file, the file's vnode token is passed. To create a new file, a directory vnode token is passed along with the name of the file to be created in that directory.

The `v_open` service can also be used to establish share reservations on the file. A file is opened for a particular type of access (reading, writing, or both) and a share reservation can be specified to prohibit any other conflicting access while the file is open. A `v_open` will fail if an existing share reservation prohibits the desired access or if the file is already open in an access mode that this `v_open` is trying to prohibit.

An open token is returned which represents the share reservations established by the `v_open` call. The open token is used on subsequent `v_rdw` and `v_setattr` calls to show that they are being done within a share reservation owned by the caller and with `v_lockctl` to associate byte range locks with a particular open.

The share reservations made here can be upgraded or downgraded with another call to `v_open`. They are relinquished with `v_close`, which removes all state information associated with the `v_open`.

A file vnode token is returned when a file is opened by name or a new file is created. This token is used on subsequent VFS callable services that are related to this file and the token is eventually released with the `v_rel` service.

Requirements

Authorization:	Supervisor state or problem state, any PSW key
Dispatchable unit mode:	Task
Cross memory mode:	PASN = HASN

v_open (BPX1VOP, BPX4VOP)

AMODE (BPX1VOP):	31-bit
AMODE (BPX4VOP):	64-bit
ASC mode:	Primary mode
Interrupt status:	Enabled for interrupts
Locks:	Unlocked
Control parameters:	All parameters must be addressable by the caller and in the primary address space.

Format

```
CALL BPX1VOP,(Vnode_token,  
              OSS,  
              Open_Parms_length,  
              Open_Parms,  
              FileName_length,  
              FileName,  
              CreateParm_length,  
              CreateParm,  
              OutputAttr_length,  
              OutputAttr,  
              Return_value,  
              Return_code,  
              Reason_code)
```

AMODE 64 callers use BPX4VOP with the same parameters.

Parameters

Vnode_token

Supplied parameter

Type: Token

Length:
8 bytes

The name of an 8-byte area that contains a vnode token that represents the file being opened or the directory in which a new file is to be created.

OSS

Supplied and returned parameter

Type: Structure

Length:
OSS#LENGTH (from the BPXYOSS macro)

The name of an area that contains operating system specific parameters. This area is mapped by the BPXYOSS macro (see "BPXYOSS — Map operating system specific information" on page 470).

Open_Parms_length

Supplied parameter

Type: Integer

Length:
Fullword

The name of a fullword that contains the length of the Open_Parms parameter.

Open_Parms

Supplied parameter

Type: Structure

Length:

Specified by Open_Parms_length parameter

The name of an area that contains additional parameters for this open request. Refer to the usage notes for a description of these parameters. This area is mapped by the BPXYVOPN macro (see “BPXYVOPN — Map the open parameters structure for v_open” on page 480).

FileName_length

Supplied parameter

Type: Integer

Length:

Fullword

The name of a fullword that contains the length of the FileName parameter. The name can be up to 255 bytes long.

FileName

Supplied parameter

Type: Character string

Length:

Specified by FileName_length parameter

The name of an area (of length FileName_length) that contains the name of the file to be created. The file name must not contain null characters (X'00').

CreateParm_length

Supplied parameter

Type: Integer

Length:

Fullword

The name of a fullword that contains the length of the area that is passed in the CreateParm parameter.

CreateParm

Supplied parameter

Type: Structure

Length:

Specified by the CreateParm_length parameter

The name of an area whose content depends on the type of create request, as follows:

- For OPEN_CREATE_EXCLUSIVE, an 8-byte creation verifier is passed.
- For OPEN_CREATE_GUARDED and OPEN_CREATE_UNCHECKED, an attr structure is passed which contains the attributes to be assigned to the new file. The set of attributes can include any valid, writable attribute for regular files. Refer to “v_setattr (BPX1VSA, BPX4VSA) — Set the attributes of a file” on page 371 for the format of this attr structure and for setting file attributes.

v_open (BPX1VOP, BPX4VOP)

Refer to the usage notes for more information about the three types of file creation.

OutputAttr_length

Supplied parameter

Type: Integer

Length:

Fullword

The name of a fullword that contains the length of the area that is passed in the OutputAttr parameter, or 0 if no output attributes are desired.

OutputAttr

Supplied and returned parameter

Type: Structure

Length:

Specified by the OutputAttr_length parameter

The name of an optional area where the system will return the attributes of the file to be opened. If no output attributes are desired, specify 0 for the preceding OutputAttr_length parameter. See "BPXYATTR — Map file attributes for v_ system calls" on page 459 for a mapping of the file attributes structure.

Return_value

Returned parameter

Type: Integer

Length:

Fullword

The name of a fullword in which the service returns 0 if the request is successful, or -1 if it is not successful.

Return_code

Returned parameter

Type: Integer

Length:

Fullword

The name of a fullword in which the v_open service stores the return code. The v_open service returns Return_code only if the Return_value is -1. See *z/OS UNIX System Services Messages and Codes* for a complete list of possible return code values. The v_open service can return one of the following values in the Return_code parameter:

Return_code

EBUSY

Explanation

The file is currently open in a way that conflicts with the share reservation that is being requested. The following reason codes can accompany the return code:

JrAccessConflict

The file is already open with access that this open is trying to deny.

JrShrConflict

This open conflicts with a share reservation that has denied the intended access.

Return_code

EEXIST

EINVAL

EOPNOTSUPP

ESTALE

EACCES

EROFS

EISDIR

EFAULT

EMFILE

ENAMETOOLONG

ENFILE

ENOTDIR

EPERM

Reason_code

Returned parameter

Type: Integer

Length:
Fullword

Explanation

The file to be created with the GUARDED or EXCLUSIVE creation protocols already exists. Parameter error; for example, a supplied area was too small or the Vnode_token is stale. The following reason codes can accompany the return code:

JrUpgradeSet

The access or share mode of an OPEN_UPGRADE is not a superset of the current value.

JrDowngradeSet

The access or share mode of an OPEN_DOWNGRADE is not a subset of the current value.

JrInvAccess

The access mode is 0 or greater than 3. The socket or file is not a type that supports the requested function. The following reason code can accompany the return code:

JrNoShrsAtOwner

Share reservations are requested but the file is owned by a system that does not support shares.

The open token is not (or is no longer) valid.

The user is not authorized either to create a file in this directory or to open the specified existing file.

The define or open cannot be done on a read-only file system.

An open request is being attempted on a directory.

A bad parameter address was specified.

The maximum number of vnode tokens or open tokens has been created. The following reason codes can accompany the return code:

JRTokenMax

The maximum number of vnode tokens has been allocated for this process.

JROpenTokMax

The maximum number of open tokens has been allocated for this process.

The name is longer than 255 characters.

An error occurred in obtaining storage for a vnode token.

The supplied directory token does not represent a directory.

The operation is not permitted. The caller of the service is not registered as a server.

v_open (BPX1VOP, BPX4VOP)

The name of a fullword in which the v_open service stores the reason code. The v_open service returns a Reason_code only if Return_value is -1. Reason_code further qualifies the Return_code value. See *z/OS UNIX System Services Messages and Codes* for the reason codes.

Usage notes

1. An output open token returned by v_open is generally freed by calling v_close. It is also freed if the vnode token with which it is associated is freed by a call to v_rel or if the process terminates.
2. The v_close service releases the share reservations made by this and subsequent calls to v_open with this open token. It also releases any byte range locks associated with this open token by v_lockctl.
3. An output vnode token returned by v_open is generally freed by calling v_rel. It is also freed if the process terminates.
4. Vnode tokens and open tokens returned by the v_open service are not inherited across a call to the fork service.
5. All calls to v_open that refer to an existing file may be rejected if the specified access intent or share reservations conflict with the current state of existing opens on that file. See the descriptions of the Shr_Access and Shr_Deny parameters in note 7 for more information.
6. The total number of open tokens that a process can acquire is limited by the MaxVnTok value that is established when the server registers with v_reg. The limit applies separately to the number of vnode tokens and the number of open tokens, not to the sum of the two.
7. The Open_Parms structure contains the following additional parameters:
 - *Open_type* — specifies the type of open being requested. All of the following open types may establish share reservations on the file.
 - **OPEN_FILE** — Open an existing file. The Vnode_token parameter specifies the file to open.
 - **OPEN_CREATE_UNCHECKED** — Create a new file with the unchecked create protocol. The Vnode_token parameter specifies a directory and the FileName parameter specifies the name of the file to create in that directory.
 - **OPEN_CREATE_GUARDED** — Create a new file with the guarded create protocol. The Vnode_token parameter specifies a directory and the FileName parameter specifies the name of the file to create in that directory.
 - **OPEN_CREATE_EXCLUSIVE** — Create a new file with the exclusive create protocol. The Vnode_token parameter specifies a directory and the FileName parameter specifies the name of the file to create in that directory.
 - **OPEN_NLM_SHR** — Only establish share reservations on a file. The Vnode_token parameter specifies the file. This open type differs from the preceding ones in the following ways:
 - The file is not actually opened to the PFS that manages the file. Normal access checking is still performed for the specified *Shr_Access* mode. However, because the file is not open to the PFS, file data is not protected from deletion if the file is removed.
 - Byte range locks are not associated with NLM_SHR open tokens and, thus, are not released by a v_close call for this open token. To implement an NLM unshare, call v_close with the open token that was returned by this call to v_open.

- The share reservations that are established here are only advisory with regard to any read and write operations that are performed without an open token. See “v_rdwr (BPX1VRW, BPX4VRW) — Read from and write to a file” on page 340 for details.
- **OPEN_UPGRADE** — Upgrade the access intent and share reservations that are associated with a prior open operation. The *Vnode_token* parameter specifies the file that was opened and the *Open_token* parameter contains the token that was returned by that open. The *Shr_Access* and *Shr_Deny* parameters contain the new settings to be associated with this open token. The new settings consist of the results of applying the upgrade settings to the current settings and, thus, must form a superset of the settings currently in effect for this open token.
- **OPEN_DOWNGRADE** — Downgrade the access intent and share reservations that are associated with a prior open operation. The *Vnode_token* parameter specifies the file that was opened and the *Open_token* parameter contains the open token that was returned by that open. The *Shr_Access* and *Shr_Deny* parameters contain the new settings to be associated with this open token. The new settings consist of the results of applying the downgrade settings to the current settings and, thus, must form a subset of the settings currently in effect for this open token.
- *Open_Owner* — specifies a structure that contains the (server PID, client PID, thread ID) triplet that identifies the individual owner of the share reservations established here. This structure is mapped by *VlokOwner* in the *BPXYVLOK* macro and by the *LOCKOWNER* structure in the *BPXYVFSI C* header.

Note: The first word is reserved and is set by the system to the server's PID.

- *Shr_Access* — specifies the access intent for this open request, as follows:
 - **ACC_READ** — Access intent is read
 - **ACC_WRITE** — Access intent is write
 - **ACC_BOTH** — Access intent is read and write

This *v_open* will be rejected with return code *EBUSY*, reason code *JrShrConflict*, if the access intent conflicts with an existing share reservation. A value is required for this parameter (must not be zero).

- *Shr_Deny* — specifies the share reservations for this open request. Share reservations specify the type of access intent that will be prohibited on subsequent open or *v_open* attempts for this file while this open is in effect. This will also inhibit conflicting read and write operations that are performed without an open token. The following share reservations are valid:
 - **DENY_NONE** — No access is denied.
 - **DENY_READ** — Read access is denied. Attempts to open this file for read will be rejected.
 - **DENY_WRITE** — Write access is denied. Attempts to open this file for write will be rejected.
 - **DENY_BOTH** — Read and write access is denied. Any attempts to open this file will be rejected.

This *v_open* will be rejected with return code *EBUSY*, reason code *JrShrConflict*, if the file is already open for an access intent that this *v_open* is trying to deny. Share reservations that attempt to deny reading or writing for files in a read-only file system will be accepted but will not be enforced.

v_open (BPX1VOP, BPX4VOP)

Note: A file system can not be remounted while there are active share reservations on any file in that file system.

- *Open_token* — specifies an 8-byte token that identifies a particular open instance.
 - For OPEN_UPGRADE and OPEN_DOWNGRADE open types, the open token of a prior v_open call is passed by the caller.
 - For all other open types, if the call is successful, the v_open service returns an open token that represents this open on subsequent calls to VFS callable services, in particular v_rdwr and v_lockctl.

The open token is put into the OSS of v_rdwr and v_setattr (size change) when those operations are performed within an open context. Read and write operations that are performed within an open context do not need to be validated against the share reservations of other opens. See “v_rdwr (BPX1VRW, BPX4VRW) — Read from and write to a file” on page 340 for details.

- *Output_File_vnode_token* — specifies an 8-byte token that identifies the particular file that was just opened by name. The v_open service returns an output vnode token for successful calls that specify one of the OPEN_CREATE_XXXX open types. This is the same token as that which would be returned by the v_lookup and v_create services.
8. Several v_open parameters are optional or differ in value depending on the setting of the Open_type parameter. Table 7 summarizes the parameters that vary by open type.

Table 7. Summary of v_open parameters that vary by open type

If Open_type is...	Vnode_token specifies a...	FileName required?	CreateParm specifies a...	An Open_token is...	Output_File_vnode_token returned?
OPEN_FILE	file			returned	
OPEN_CREATE_UNCHECKED	directory	yes	attr structure	returned	yes
OPEN_CREATE_GUARDED	directory	yes	attr structure	returned	yes
OPEN_CREATE_EXCLUSIVE	directory	yes	creation verifier	returned	yes
OPEN_NLM_SHR	file			returned	
OPEN_UPGRADE	file			supplied	
OPEN_DOWNGRADE	file			supplied	

9. There are three creation protocols available, as follows:
- a. **OPEN_CREATE_UNCHECKED** — indicates that the file should be created if a file by that name does not already exist or if encountering an existing regular file by that name is not to be considered an error. The v_open service indicates a successful return value in either case. If the name is in use by something other than a regular file, the v_open call fails with an EEXIST return code.

For this type of create, the CreateParm parameter specifies the initial set of attributes for the file. The set of attributes can include any valid, writable attribute for regular files. Refer to “v_setattr (BPX1VSA, BPX4VSA) — Set the attributes of a file” on page 371 for the format and protocols for setting file attributes. When an unchecked create encounters an existing file, the attributes specified by CreateParm are ignored, *except* that if a file size of zero is specified, the existing file will be truncated.

- b. **OPEN_CREATE_GUARDED** — indicates that v_open should fail with an EEXIST return code if it encounters any existing file by the same name. If no object with the same name exists, the request proceeds as described for OPEN_CREATE_UNCHECKED.
- c. **OPEN_CREATE_EXCLUSIVE** — indicates that the CreateParm parameter contains an 8-byte creation verifier that will be used to ensure the exclusive creation of the file. If the file does not exist, it will be created and the verifier will be stored with the file. No attributes are provided on this call since the PFS may use an attribute of the target object to temporarily store the verifier. The verifier is reliable until the first time v_setattr is called or the file is used in any other way. There is no way to tell if an existing attribute is used (or which one is used) to temporarily store the verifier. If the file exists, the v_open call fails with an EEXIST return code. The server reacts to an EEXIST failure by calling v_lookup to fetch the attributes of the existing file. If those attributes contain a creation verifier that matches the creation verifier that was passed by the client, then the existing file must have been created by a prior transmission of this create request, so this request is deemed successful. Otherwise, the existing object is something different and the client's request fails.

Related services

- “v_close (BPX1VCL, BPX4VCL) — Close a file” on page 283
- “v_reg (BPX1VRG, BPX4VRG) — Register a process as a server” on page 351
- “v_rel (BPX1VRL, BPX4VRL) — Release a vnode token” on page 355

Characteristics and restrictions

A process must be registered as a server before the v_open service is permitted; see “v_reg (BPX1VRG, BPX4VRG) — Register a process as a server” on page 351.

v_pathconf (BPX1VPC, BPX4VPC) — Get pathconf information for a directory or file**Function**

The v_pathconf service accepts a vnode token that represents a file or a directory and returns the current values of options that are associated with that file or directory in the output PCFG structure that is defined in the BPXYPCF macro.

Requirements

Authorization:	Supervisor state or problem state, any PSW key
Dispatchable unit mode:	Task
Cross memory mode:	PASN = HASN
AMODE (BPX1VPC):	31-bit
AMODE (BPX4VPC):	64-bit
ASC mode:	Primary mode
Interrupt status:	Enabled for interrupts
Locks:	Unlocked
Control parameters:	All parameters must be addressable by the caller and in the primary address space.

v_pathconf (BPX1VPC, BPX4VPC)

Format

```
CALL BPX1VPC,(Vnode_token,  
             OSS,  
             PCFG_length,  
             PCFG,  
             Attr_length,  
             Attr,  
             Return_value,  
             Return_code,  
             Reason_code)
```

AMODE 64 callers use BPX4VPC with the same parameters.

Parameters

Vnode_token

Supplied parameter

Type: Token

Length:
8 bytes

The name of an 8-byte area that contains a vnode token that represents the directory or file for which to obtain pathconf information.

OSS

Supplied and returned parameter

Type: Structure

Length:
OSS#LENGTH (from the BPXYOSS macro)

The name of an area that contains operating-system-specific parameters. This area is mapped by the BPXYOSS macro; see “BPXYOSS — Map operating system specific information” on page 470.

PCFG_length

Supplied parameter

Type: Integer

Length:
Fullword

The name of a fullword that contains the length of the PCFG parameter; see Mapping macros in *z/OS UNIX System Services Programming: Assembler Callable Services Reference* for the mapping of this field).

PCFG

Returned parameter

Type: Structure

Length:
Specified by the PCFG_length parameter.

The name of an area in which the pathconf information is to be returned. This area is mapped by the BPXYPCF macro.

Attr_length

Supplied parameter

Type: Integer

Length:
Fullword

The name of a fullword that contains the length of the Attr parameter.

Attr

Returned parameter

Type: Structure

Length:
Specified by the Attr_length parameter

The name of an area in which the attributes of the file or directory are to be returned. This area is mapped by the BPXYATTR macro.

Return_value

Returned parameter

Type: Integer

Length:
Fullword

The name of a fullword in which the v_pathconf service returns the length of the output PCFG if the request is successful, or -1 if it is not successful.

Return_code

Returned parameter

Type: Integer

Length:
Fullword

The name of a fullword in which the v_pathconf service stores the return code. The v_pathconf service returns Return_code only if Return_value is -1. The v_pathconf service can return one of the following values in the Return_code parameter:

Return_code	Explanation
EINVAL	Parameter error; for example, a supplied area was too small. The following reason codes can accompany the return code: JRSmallAttr, JrInvalidAttr, JRBufLenInvalid, JrVTokenFreed, JrWrongPID, JRStaleVnodeTok, JRInvalidVnodeTok, JRInvalidOSS
EPERM	The operation is not permitted. The caller of the service is not registered as a server.

Reason_code

Returned parameter

Type: Integer

Length:
Fullword

The name of a fullword in which the v_pathconf service stores the reason code. The v_pathconf service returns Reason_code only if Return_value is -1. Reason_code further qualifies the Return_code value.

v_pathconf (BPX1VPC, BPX4VPC)

Usage notes

The buffer contents that are returned by the v_pathconf service are mapped by the BPXYPCF macro.

Related services

Characteristics and restrictions

A process must be registered as a server before the v_pathconf service is permitted.

Examples

For an example using this callable services, see “BPX1VPC, BPX4VPC (v_pathconf)” on page 489.

v_rdw (BPX1VRW, BPX4VRW) — Read from and write to a file

Function

The v_rdw service accepts a vnode token that represents a file and reads data from or writes data to the file. The number of bytes that are read or written and the file attributes are returned upon completion of the operation.

Requirements

Authorization:	Supervisor state or problem state, any PSW key
Dispatchable unit mode:	Task
Cross memory mode:	PASN = HASN
AMODE (BPX1VRW):	31-bit
AMODE (BPX4VRW):	64-bit
ASC mode:	Primary mode
Interrupt status:	Enabled for interrupts
Locks:	Unlocked
Control parameters:	All parameters must be addressable by the caller and in the primary address space.

Format

```
CALL BPX1VRW, (Vnode_token,  
              OSS,  
              UIO,  
              Attr_length,  
              Attr,  
              Return_value,  
              Return_code,  
              Reason_code)
```

AMODE 64 callers use BPX4VRW with the same parameters. The FUIO may contain a 64-bit address.

Parameters

Vnode_token
Supplied parameter

Type: Token

Length:
8 bytes

The name of an 8-byte area that contains a vnode token that represents the file that is to be read from or written into.

OSS

Supplied and returned parameter

Type: Structure

Length:
OSS#LENGTH (from the BPXYOSS macro)

The name of an area that contains operating-system-specific parameters. This area is mapped by the BPXYOSS macro (see “BPXYOSS — Map operating system specific information” on page 470).

UIO

Supplied and returned parameter

Type: Structure

Length:
Fuio#Len (from the BPXYFUIO macro)

The name of an area that contains the user input and output block. This area is mapped by the BPXYFUIO macro (see Mapping macros in *z/OS UNIX System Services Programming: Assembler Callable Services Reference* for the mapping of this field).

Attr_length

Supplied parameter

Type: Integer

Length:
Fullword

The name of a fullword that contains the length of the area that is passed in the Attr parameter. To determine the value of Attr_length, use the ATTR structure (see “BPXYATTR — Map file attributes for v_ system calls” on page 459).

Attr

Returned parameter

Type: Structure

Length:
Specified by the Attr_length parameter

The name of an area, of length Attr_length, in which the v_rdwr service returns the file attribute structure for the file that is specified by the vnode token. This area is mapped by the ATTR structure (see “BPXYATTR — Map file attributes for v_ system calls” on page 459).

The file attributes information is returned only if the read or write operation is successful.

Return_value

Returned parameter

Type: Integer

v_rdwr (BPX1VRW, BPX4VRW)

Length:

Fullword

The name of a fullword in which the v_rdwr service returns the number of bytes read or written if the request is successful, or -1 if it is not successful.

Return_code

Returned parameter

Type: Integer

Length:

Fullword

The name of a fullword in which the v_rdwr service stores the return code. The v_rdwr service returns Return_code only if Return_value is -1. See *z/OS UNIX System Services Messages and Codes* for a complete list of possible return code values. The v_rdwr service can return one of the following values in the Return_code parameter:

Return_code	Explanation
EINVAL	Parameter error; for example, a supplied area was too small. The following reason codes can accompany the return code: JRSmallAttr, JRVTokenFreed, JRWrongPID, JRStaleVnodeTok, JRInvalidVnodeTok, JRInvalidOSS, JRRwNotRegFile, JRInvalidFuio, JRBytes2RWZero.
EFBIG	Writing to the specified file would exceed either the file size limit for the process or the maximum file size that is supported by the physical file system.
EACCES	The caller does not have the requested (read or write) access to the file.
EIO	An I/O error occurred while reading or writing the file.
EPERM	The operation is not permitted. The caller of the service is not registered as a server.
EMVSPFSPERM	An internal error occurred in the PFS. Consult Reason_code to determine the exact reason the error occurred.

Reason_code

Returned parameter

Type: Integer

Length:

Fullword

The name of a fullword in which the v_rdwr service stores the reason code. The v_rdwr service returns a Reason_code only if Return_value is -1. Reason_code further qualifies the Return_code value. See *z/OS UNIX System Services Messages and Codes* for the reason codes.

Usage notes

1. The following UIO fields are provided to specify the details of the read or write request:

FuioSync

Requests that all data that is associated with the file is to be transferred to the storage device before completion of this write request.

FuioChkAcc

Requests the PFS to perform required access checking before performing the requested read or write operation.

FuioBufferAddr

Contains the address of a buffer that contains the data that is to be read or written.

FuioBuff64Vaddr

Contains the 64-bit virtual address of a buffer that contains the data that is to be read or written.

FuioBytesRW

Specifies the number of bytes to be read or written.

FuioRWInd

Specifies the operation requested; read or write.

FuioCursor

Specifies the byte offset in the file where the read or write operation is to begin.

FuioRealPage

Specifies that the buffer is a real-storage page and the DATOFF services of MVS must be used to move the data.

FuioInternal

Used internally by the LFS during a call; this field must be zeroed out before each call.

2. The FuioAddr64 setting determines whether the pointer to the user buffer is a 64-bit pointer in FuioBuff64Vaddr or a 31-bit pointer in FuioBufferAddr.
3. An open token from a prior v_open can be passed in the OSS to indicate that this read or write operation is being done within the open context of that token. Consequently, the operation does not have to be verified against the share reservations that might currently be in effect for this file. If an open token is unavailable to pass on a call, there are three levels of share reservation checking that can be requested:

Oss#NoTokAdvChk

Advisory checking. The operation is validated only against non-NLM share reservations. This corresponds to a read or write from a version 2 or 3 NFS client. These clients do not issue an open request and the NLM share reservations that they make are only advisory with respect to the reads and writes of other version 2 or 3 clients.

Oss#NoTokMandChk

Mandatory checking. The operation is validated against all share reservations. This corresponds to a version 4 NFS client read or write with a stateid of 0 or a write with a stateid of -1.

Oss#NoTokOverride

No checking. The operation is permitted without any share reservation checking. This is only allowed for read operations and corresponds to a version 4 NFS client read with a stateid of -1.

In general, version 4 share reservations are enforced against all clients; read and write operations from version 4 clients cannot violate any share reservations. Read and write operations from version 2 and 3 clients are allowed to violate version 2 and 3 share reservations.

v_rdwr (BPX1VRW, BPX4VRW)

Related services

- “v_reg (BPX1VRG, BPX4VRG) — Register a process as a server” on page 351

Characteristics and restrictions

A process must be registered as a server before the v_rdwr service is permitted; see “v_reg (BPX1VRG, BPX4VRG) — Register a process as a server” on page 351.

Examples

For an example using this callable service, see “BPX1VRW, BPX4VRW (v_rdwr)” on page 490.

v_readdir (BPX1VRD, BPX4VRD) — Read entries from a directory

Function

The v_readdir service accepts a vnode token that represents a directory and returns as many directory entries from this directory as will fit in the caller's buffer.

Requirements

Authorization:	Supervisor state or problem state, any PSW key
Dispatchable unit mode:	Task
Cross memory mode:	PASN = HASN
AMODE (BPX1VRD):	31-bit
AMODE (BPX4VRD):	64-bit
ASC mode:	Primary mode
Interrupt status:	Enabled for interrupts
Locks:	Unlocked
Control parameters:	All parameters must be addressable by the caller and in the primary address space.

Format

```
CALL BPX1VRD,(Vnode_token,  
              OSS,  
              UIO,  
              Return_value,  
              Return_code,  
              Reason_code)
```

AMODE 64 callers use BPX4VRD with the same parameters. The FUIO may contain a 64-bit address.

Parameters

Vnode_token

Supplied parameter

Type: Token

Length:

8 bytes

The name of an 8-byte area that contains a vnode token that represents the directory to read directory entries from.

OSS

Supplied and returned parameter

Type: Structure

Length:

OSS#LENGTH (from the BPXYOSS macro)

The name of an area that contains operating-system-specific parameters. This area is mapped by the BPXYOSS macro (see “BPXYOSS — Map operating system specific information” on page 470).

UIO

Supplied and returned parameter

Type: Structure

Length:

Fuio#Len (from the BPXYFUIO macro)

The name of an area that contains the user input and output block. This area is mapped by the BPXYFUIO macro (see BPXYMODE in Mapping macros in *z/OS UNIX System Services Programming: Assembler Callable Services Reference*).

Return_value

Returned parameter

Type: Integer

Length:

Fullword

The name of a fullword in which the v_readdir service returns the number of directory entries that were returned if the request is successful, or -1 if it is not successful.

Return_code

Returned parameter

Type: Integer

Length:

Fullword

The name of a fullword in which the v_readdir service stores the return code. The v_readdir service returns Return_code only if Return_value is -1. See *z/OS UNIX System Services Messages and Codes* for a complete list of possible return code values. The v_readdir service can return one of the following values in the Return_code parameter:

Return_code	Explanation
EACCES	The calling process does not have permission to read a specified directory.
EINVAL	Parameter error; for example, a supplied area was too small. The following reason codes can accompany the return code: JRInvalidFuio, JrBytes2RWZero, JRVTokFree, JRWrongPID, JRStaleVnodeTok, JRInvalidVnodeTok, JRInvalidOSS
ENOTDIR	The supplied token did not represent a directory.
EPERM	The operation is not permitted. The caller of the service is not registered as a server.

v_readdir (BPX1VRD, BPX4VRD)

Reason_code

Returned parameter

Type: Integer

Length:

Fullword

The name of a fullword in which the v_readdir service stores the reason code.

The v_readdir service returns Reason_code only if Return_value is -1.

Reason_code further qualifies the Return_code value. See *z/OS UNIX System Services Messages and Codes* for the reason codes.

Usage notes

1. For an overview of the process of reading from directories, see “Reading directories” on page 275.
2. Two protocols are supported for reading through large directories with successive calls:
 - The cursor protocol. The cursor, or offset, that is returned in the UIO by the v_readdir service contains file-system-specific information that locates the next directory entry. The cursor and buffer must be preserved by the caller from one v_readdir call to the next, and reading proceeds based on the cursor.
 - The index protocol. The index that is set in the UIO by the caller determines which entry to start reading from. To read through the directory, the caller starts at one and increments the index by the number of entries that were returned on the previous call.
3. The following UIO fields are provided to specify the details of the read directory request:

FuioID

Contains Fuio#ID (from the BPXYFUIO macro).

FuioLen

Contains the length of the UIO structure.

FuioChkAcc

Requests the PFS to perform required access checking before performing the requested readdir operation.

FuioBufferAddr

Contains the address of a buffer where the directory entries are to be returned.

FuioBuff64Vaddr

Contains the 64-bit virtual address of a buffer where the directory entries are to be returned.

FuioBytesRW

Specifies the maximum number of bytes that can be written to the output buffer.

FuioRDIndex

Specifies the first directory entry that is to be returned when the index protocol is used.

FuioCursor

When the cursor protocol is used, this specifies a value that was returned on the previous v_readdir call and that indicates the next entry to be read, or 0 on the first call.

FuioRddPlus

Indicates that the request is for the ReaddirPlus function. The attributes for each entry should be included in the output.

4. The following UIO fields are returned by the v_readdir service:

FuioPSWKey

Is set to the caller's key.

FuioCursor

Is set to the cursor value representing the directory position. This value is used if the next call uses the cursor protocol.

FuioCVerRet

Indicates that the Cookie Verifier (FuioCVer) is being returned.

FuioCVer

When FuioCVerRet is on, this field is set to the Cookie Verifier for the directory that is being read. When a directory is being read with multiple reads, you can use the FuioCVer that is returned to compare each Cookie Verifier with the last one. If the directory has been modified between reads, you can reject the request because the results will not be valid.

5. The buffer contents that are returned by the v_readdir service are mapped by BPXYDIRE macro (see Mapping macros in *z/OS UNIX System Services Programming: Assembler Callable Services Reference*).
6. The FuioAddr64 setting determines whether the pointer to the user buffer is a 64-bit pointer in FuioBuff64Vaddr or a 31-bit pointer in FuioBufferAddr.
7. The OssXmtpt flag allows a v_readdir operation to cross mount points when the FuioRddPlus flag is set. Normally, the attributes that are returned with each name are for objects in the same file system as the directory being read. However, some of the objects may be mount point directories. To have the attributes of the mounted root directory returned (instead of the attributes of the mount point), set the OssXmtpt flag in the input OSS structure. When the directory being read is the root of a mounted file system (but not the system root), the attributes for the "." entry will be replaced with the attributes of the parent of the underlying mount point. In such cases, the device number in the Attrdev field in that entry's attributes will differ from the device number of the directory being read and the VFS-Token of the other file system will be returned in the AttrCharSetID field.
8. When the OssNoRemote flag and the OssXmtpt flag are both set, v_readdir will not cross over into a remote file system. Remote file systems are NFS Client and DFS Client file systems. If a remote file system is encountered the attributes that are returned will be those of the original object; that is, the mount point rather than the mounted root, and for the "." entry in a root, the root's attributes will be returned.

Related services

- "v_reg (BPX1VRG, BPX4VRG) — Register a process as a server" on page 351

Characteristics and restrictions

A process must be registered as a server before the v_readdir service is permitted; see "v_reg (BPX1VRG, BPX4VRG) — Register a process as a server" on page 351.

v_readdir (BPX1VRD, BPX4VRD)

Examples

For an example using this callable service, see “BPX1VRD, BPX4VRD (v_readdir)” on page 490.

v_readlink (BPX1VRA, BPX4VRA) — Read a symbolic link

Function

The v_readlink service reads the symbolic link file that is represented by Vnode_token, and returns the contents in the buffer that is described by UIO. The symbolic link file contains the path name or external name that was specified when the symbolic link was defined (see “v_symlink (BPX1VSY, BPX4VSY) — Create a symbolic link” on page 379).

Requirements

Authorization:	Supervisor state or problem state, any PSW key
Dispatchable unit mode:	Task
Cross memory mode:	PASN = HASN
AMODE (BPX1VRA):	31-bit
AMODE (BPX4VRA):	64-bit
ASC mode:	Primary mode
Interrupt status:	Enabled for interrupts
Locks:	Unlocked
Control parameters:	All parameters must be addressable by the caller and in the primary address space.

Format

```
CALL BPX1VRA, (Vnode_token,  
              OSS,  
              UIO,  
              Return_value,  
              Return_code,  
              Reason_code)
```

AMODE 64 callers use BPX4VRA with the same parameters. The FUIO can contain a 64-bit address.

Parameters

Vnode_token

Supplied parameter

Type: Token

Length:

8 bytes

The name of an 8-byte area that contains a vnode token that represents the symbolic link file to read.

OSS

Supplied and returned parameter

Type: Structure

Length:

OSS#LENGTH (from the BPXYOSS macro)

The name of an area that contains operating-system-specific parameters. This area is mapped by the BPXYOSS macro (see “BPXYOSS — Map operating system specific information” on page 470).

UIO

Supplied and returned parameter

Type: Structure**Length:**

Fuio#Len (from the BPXYFUIO macro)

The name of an area that contains the user input and output block. This area is mapped by the BPXYFUIO macro (see Mapping macros in *z/OS UNIX System Services Programming: Assembler Callable Services Reference*).

Return_value

Returned parameter

Type: Integer**Length:**

Fullword

The name of a fullword in which the v_readlink service returns the number of bytes read into the buffer if the request is successful, or -1 if it is not successful.

Return_code

Returned parameter

Type: Integer**Length:**

Fullword

The name of a fullword in which the v_readlink service stores the return code. The v_readlink service returns Return_code only if Return_value is -1. See *z/OS UNIX System Services Messages and Codes* for a complete list of possible return code values. The v_readlink service can return one of the following values in the Return_code parameter:

Return_code	Explanation
EINVAL	Parameter error; for example, a supplied area was too small. The following reason codes can accompany the return code: JRInvalidFuio, JrFileNotSymLink, JRVTokenFreed, JRWrongPID, JRStaleVnodeTok, JRInvalidVnodeTok, JRInvalidOSS.
EPERM	The operation is not permitted. The caller of the service is not registered as a server.

Reason_code

Returned parameter

Type: Integer**Length:**

Fullword

v_readlink (BPX1VRA, BPX4VRA)

The name of a fullword in which the v_readlink service stores the reason code. The v_readlink service returns Reason_code only if Return_value is -1. Reason_code further qualifies the Return_code value. See *z/OS UNIX System Services Messages and Codes* for the reason codes.

Usage notes

1. The following UIO fields are provided by the caller:

FuioID

Contains Fuio#ID (from the BPXYFUIO macro).

FuioLen

Contains the length of the UIO structure.

FuioBufferAddr

Contains the address of a buffer where the link contents are to be returned.

FuioBuff64Vaddr

Contains the 64-bit virtual address of a buffer where the link contents are to be returned.

FuioBytesRW

Specifies the maximum number of bytes that can be written to the output buffer.

2. The following UIO field is returned by the v_readlink service.:

FuioPSWKey

Is set to the caller's key.

3. If the buffer that is supplied to v_readlink is too small to contain the contents of the symbolic link, the value is truncated to the length of the buffer (FuioBytesRW). The length of the symbolic link can be determined from an ATTR structure that is returned on a call to the VFS callable services API (that is, to "v_getattr (BPX1VGA, BPX4VGA) — Get the attributes of a file" on page 301). The maximum length is 1023 bytes.
4. The FuioAddr64 setting determines whether the pointer to the user buffer is a 64-bit pointer in FuioBuff64Vaddr or a 31-bit pointer in FuioBufferAddr.

Related services

- "v_getattr (BPX1VGA, BPX4VGA) — Get the attributes of a file" on page 301
- "v_reg (BPX1VRG, BPX4VRG) — Register a process as a server" on page 351
- "v_symlink (BPX1VSY, BPX4VSY) — Create a symbolic link" on page 379

Characteristics and restrictions

A process must be registered as a server before the v_readlink service is permitted; see "v_reg (BPX1VRG, BPX4VRG) — Register a process as a server" on page 351.

Examples

For an example using this callable service, see "BPX1VRA, BPX4VRA (v_readlink)" on page 491.

v_reg (BPX1VRG, BPX4VRG) — Register a process as a server

Function

The v_reg service registers a process as a server. A process must be registered by means of this service before it can call any other VFS callable services API.

Requirements

Authorization:	Supervisor state or problem state, any PSW key
Dispatchable unit mode:	Task
Cross memory mode:	PASN = HASN
AMODE (BPX1VRG):	31-bit
AMODE (BPX4VRG):	64-bit
ASC mode:	Primary mode
Interrupt status:	Enabled for interrupts
Locks:	Unlocked
Control parameters:	All parameters must be addressable by the caller and in the primary address space.

Format

```
CALL BPX1VRG, (Nreg_length,
              Nreg,
              Return_value,
              Return_code,
              Reason_code)
```

AMODE 64 callers use BPX4VRG with the same parameters.

Parameters

Nreg_length

Supplied parameter

Type: Integer

Length:
Fullword

The name of a fullword that contains the length of the Nreg parameter list area.

Nreg

Supplied and returned parameter

Type: Structure

Length:
Specified by the Nreg_length parameter

The name of an area that contains the registration parameters. The entries in this area are mapped by BPXYNREG (see “BPXYNREG — Map interface block to vnode registration” on page 467). The following registration parameters must be supplied:

Parameter	Description
-----------	-------------

v_reg (BPX1VRG, BPX4VRG)

ID Set to Nreg#ID.

Len
Set to Nreg#Len.

Ver
Set to Nreg#Version.

Type
Set to server type:

- *NRegSType#FILE* — for a file server
- *NRegSType#LOCK* — for a lock server
- *NRegSType#FEXP* — for a file exporter

NameLen
Set to the length of the supplied server name.

Name
Up to 32 bytes of character string that is used as the name of this server. This name appears in DISPLAY OMVS output.

If the process is to be registered as a server-type file exporter, the following parameters must also be supplied:

ExitName
The name of the program that is to control local access to exported file systems.

InitParm
A parameter that is to be passed to the ExitName program when it is initialized.

Hotc Flag
An indication that the ExitName program should be invoked with a preinitialized C environment (HOTC).

The following registration parameters can be supplied:

No Wait Flag
An indication that server threads should not be suspended during a request that is made to a file system that is quiesced, such as for an HSM backup. The request will fail instead of waiting.

MaxVnTok
An upper bound on the number of vnode tokens and, separately, the number of open tokens that the server is to be allowed to have active at one time.

AllocDevno Flag
Requests that a file system device number, as in AttrDev, be allocated for exclusive use by the server. This number will not be used by the LFS for any mounted file system so the server can use this number as the device number for a non-UNIX file system that it is exporting. On a successful v_reg call, the device number is returned in the Devno field of the Nreg structure.

If the process is responsible for posting threads that are waiting within a specific PFS, the process can establish special recovery by specifying the PFS with:

PfsType

The name of the Physical File System that is dependent on this process for `osi_post`. This is the name that was specified when the PFS was defined in the `BPXPRMxx` parmlib member with either `FILESYSTYPE TYPE()` or `SUBFILESYSTYPE NAME()`.

Return_value

Returned parameter

Type: Integer

Length:
Fullword

The name of a fullword in which the `v_reg` service returns 0 if the request is successful, or -1 if it is not successful.

Return_code

Returned parameter

Type: Integer

Length:
Fullword

The name of a fullword in which the `v_reg` service stores the return code. The `v_reg` service returns `Return_code` only if `Return_value` is -1. See *z/OS UNIX System Services Messages and Codes* for a complete list of possible return code values. The `v_reg` service can return one of the following values in the `Return_code` parameter:

Return_code	Explanation
EINVAL	Parameter error; for example, the server name length that was supplied in the registration parameter list was too long; or the server type that was supplied is not a recognized value. The following reason codes can accompany this return code: <code>JRNameTooLong</code> , <code>JRInvalidNReg</code> , and <code>JRInvalidRegType</code> .
EPERM	The operation is not permitted. The caller of the service is not privileged; or the caller is already registered.

Reason_code

Returned parameter

Type: Integer

Length:
Fullword

The name of a fullword in which the `v_reg` service stores the reason code. The `v_reg` service returns `Reason_code` only if `Return_value` is -1. `Reason_code` further qualifies the `Return_code` value. See *z/OS UNIX System Services Messages and Codes* for the reason codes.

Usage notes

1. Registration as a server is not inherited across a fork.
2. The `MaxVNTokens` field in the registration parameter list is an input and output parameter. If supplied by the caller, it indicates the value that should be

v_reg (BPX1VRG, BPX4VRG)

used for this server. If a value of 0 is supplied, or if the value that is supplied exceeds the maximum allowed value, the maximum allowed value is used and returned.

3. The main difference between the file server and file exporter types is that file exporters control all access, both local and remote, to the file systems that they export.

Refer to “DFS-style file exporters” on page 273 for more information about file exporters and the exit program.

4. If the exit program cannot be loaded, the Nreg abend code and abend reason code fields are filled in with the corresponding values returned by the system load service.

If the exit program fails, v_reg also fails, and the exit's return and reason codes are returned as the corresponding values from v_reg.

5. If the server's address space is started before the z/OS UNIX address space, a v_reg that is issued during initialization fails. To account for this, an Event Notification Facility (ENF) signal is issued whenever z/OS UNIX is started. During initialization, a server can set up an ENF Listen for this event and call v_reg. If the v_reg call fails with EMVSNOTUP, the ENF signal is eventually issued, and v_reg can be called again after the server's ENF Listen exit is invoked. The ENF Qualifier Constant is defined in macro BPXYENFO. The MVS ENF service is documented in *z/OS MVS Programming: Assembler Services Guide*.

6. When a PFS is dependent on a separate address space calling `osi_post` to wake up threads that are in `osi_wait` within that PFS, recovery can be established to protect these threads from waiting forever if the separate address space terminates abnormally.

To do this, the separate address space registers and specifies a PfsType name. This creates a process, if one did not already exist. When the registered process terminates, the system scans for and wakes up any users that are in `osi_wait` from within the specified PFS. The PFS's `osi_wait` call returns with a return code of `OSI_POSTERTRM` if it is posted for this reason.

This recovery support is process-related. A process is usually the same as the address space, but if the registering task is the only task to use z/OS UNIX services, or if `set_dub_default` (BPX1SDD/BPX4SDD) has been called to make each task a separate process, this recovery is invoked when the registering task terminates.

If this recovery support is the only reason the server is registering, use the server type for a file server.

7. There is no specific way to unregister. If necessary, the task can call `mvspoclp` (BPX1MPC/BPX4MPC) to terminate the process, which also unregisters the server.
8. If z/OS UNIX terminates and restarts while the server address space is active, `mvspoclp` (BPX1MPC) must be called on each task that has used z/OS UNIX services to remove its binding to the old instance of z/OS UNIX before `V_reg` can be recalled to reregister as a server.

Characteristics and restrictions

In order to register, the caller must have appropriate privileges.

Examples

For an example using this callable service, see “BPX1VRG, BPX4VRG (v_reg)” on page 491.

v_rel (BPX1VRL, BPX4VRL) — Release a vnode token

Function

The v_rel service accepts a Vnode_token value that represents a file or a directory and releases that token.

Requirements

Authorization:	Supervisor state or problem state, any PSW key
Dispatchable unit mode:	Task
Cross memory mode:	PASN = HASN
AMODE (BPX1VRL):	31-bit
AMODE (BPX4VRL):	64-bit
ASC mode:	Primary mode
Interrupt status:	Enabled for interrupts
Locks:	Unlocked
Control parameters:	All parameters must be addressable by the caller and in the primary address space.

Format

```
CALL BPX1VRL, (Vnode_token,
              OSS,
              Return_value,
              Return_code,
              Reason_code)
```

AMODE 64 callers use BPX4VRL with the same parameters.

Parameters

Vnode_token

Supplied parameter

Type: Token

Length:
8 bytes

The name of an 8-byte area that contains a vnode token that is to be released.

OSS

Supplied and returned parameter

Type: Structure

Length:
OSS#LENGTH (from the BPXYOSS macro)

The name of an area that contains operating-system-specific parameters. This area is mapped by the BPXYOSS macro (see “BPXYOSS — Map operating system specific information” on page 470).

v_rel (BPX1VRL, BPX4VRL)

Return_value

Returned parameter

Type: Integer

Length:

Fullword

The name of a fullword in which the v_rel service returns 0 if the request is successful, or -1 if it is not successful.

Return_code

Returned parameter

Type: Integer

Length:

Fullword

The name of a fullword in which the v_rel service stores the return code. The v_rel service returns Return_code only if Return_value is -1. See *z/OS UNIX System Services Messages and Codes* for a complete list of possible return code values. The v_rel service can return one of the following values in the Return_code parameter:

Return_code	Explanation
EINVAL	Parameter error; for example, Vnode_token has already been released. The following reason codes can accompany the return code: JRVTokenFreed, JRWrongPID, JRStaleVnodeTok, JRInvalidVnodeTok, JRInvalidOSS.

Reason_code

Returned parameter

Type: Integer

Length:

Fullword

The name of a fullword in which the v_rel service stores the reason code. The v_rel service returns a Reason_code only if Return_value is -1. Reason_code further qualifies the Return_code value. See *z/OS UNIX System Services Messages and Codes* for the reason codes.

Usage notes

1. The vnode token is no longer valid and cannot be used for subsequent requests after the v_rel service has successfully processed it.
2. All vnode tokens that are obtained from other operations must be released by calling this service.

Related services

- “v_reg (BPX1VRG, BPX4VRG) — Register a process as a server” on page 351

Characteristics and restrictions

A process must be registered as a server before the v_rel service is permitted; see “v_reg (BPX1VRG, BPX4VRG) — Register a process as a server” on page 351.

Examples

For an example using this callable service, see “BPX1VRL, BPX4VRL (v_rel)” on page 492.

v_remove (BPX1VRM, BPX4VRM) — Remove a link to a file

Function

The v_remove service removes a link to a file.

The name of the link is specified as input, along with a Directory_vnode_token value that identifies the directory that contains the name that is to be removed. The name can identify a file, a link name to a file, or a symbolic link.

Requirements

Authorization:	Supervisor state or problem state, any PSW key
Dispatchable unit mode:	Task
Cross memory mode:	PASN = HASN
AMODE (BPX1VRM):	31-bit
AMODE (BPX4VRM):	64-bit
ASC mode:	Primary mode
Interrupt status:	Enabled for interrupts
Locks:	Unlocked
Control parameters:	All parameters must be addressable by the caller and in the primary address space.

Format

```
CALL BPX1VRM, (Directory_vnode_token,
              OSS,
              Name_length,
              Name,
              Return_value,
              Return_code,
              Reason_code)
```

AMODE 64 callers use BPX4VRM with the same parameters.

Parameters

Directory_vnode_token

Supplied parameter

Type: Token

Length:
8 bytes

The name of an 8-byte area that contains a vnode token that represents the directory from which the v_remove service is to remove the entry that is supplied in the Name parameter.

OSS

Supplied and returned parameter

Type: Structure

v_remove (BPX1VRM, BPX4VRM)

Length:

OSS#LENGTH (from the BPXYOSS macro)

The name of an area that contains operating-system-specific parameters. This area is mapped by the BPXYOSS macro, see “BPXYOSS — Map operating system specific information” on page 470.

Name_length

Supplied parameter

Type: Integer

Length:

Fullword

The name of a fullword that contains the length of Name. The name can be up to 255 bytes long.

Name

Supplied parameter

Type: Character string

Length:

Specified by Name_length parameter

The name of an area, of length Name_length, that contains the name that is to be removed. It must not contain null characters (X'00').

Return_value

Returned parameter

Type: Integer

Length:

Fullword

The name of a fullword in which the v_remove service returns 0 if the request completes successfully, or -1 if the request is not successful.

Return_code

Returned parameter

Type: Integer

Length:

Fullword

The name of a fullword in which the v_remove service stores the return code. The v_remove service returns Return_code only if Return_value is -1. See *z/OS UNIX System Services Messages and Codes* for a complete list of possible return code values. The v_remove service can return one of the following values in the Return_code parameter:

Return_code	Explanation
EACCES	The process did not have write permission for the directory that contains the name that is to be removed.
EAGAIN	The name cannot be removed, because it is temporarily unavailable. The following reason code can accompany the return code: JRInvalidVnode.
EBUSY	The file is open by a remote NFS client with a share reservation that conflicts with the requested operation.

Return_code	Explanation
EINVAL	Parameter error; for example, the vnode token parameter is stale. The following reason codes can accompany the return code: JRVTokenFreed, JRWrongPID, JRStaleVnodeTok, JRInvalidVnodeTok, JRInvalidOSS, JRNoName, JRNullInPath.
ENAMETOOLONG	Name_length exceeds 255 characters.
ENOENT	Name was not found.
ENOTDIR	The file that was specified by Directory_vnode_token is not a directory. The following reason code can accompany the return code: JRTokNotDir.
EPERM	The operation is not permitted. The caller of the service is not registered as a server; or Name specifies a directory. The following reason codes can accompany the return code: JRNotRegisteredServer, JRNotForDir.
EROFS	The name that is to be removed is on a read-only file system. The following reason code can accompany the return code: JRReadOnlyFS.

Reason_code

Returned parameter

Type: Integer

Length:
Fullword

The name of a fullword in which the v_remove service stores the reason code. The v_remove service returns Reason_code only if Return_value is -1. Reason_code further qualifies the Return_code value. See *z/OS UNIX System Services Messages and Codes* for the reason codes.

Usage notes

1. If the sticky bit is on in the parent directory, the file cannot be deleted.
2. If the name that is specified refers to a symbolic link, the symbolic link file that is named by Name is deleted.
3. If the v_remove service request is successful and the link count becomes zero, the file is deleted. The contents of the file are discarded, and the space it occupied is freed for reuse. However, if another process (or more than one) has the file open, or has a valid vnode token, when the last link is removed, the file contents are not discarded until the last process closes the file or releases the vnode token.
4. When the v_remove service is successful in removing a directory entry and decrementing the link count, whether or not the link count becomes zero, it returns control to the caller with Return_value set to 0. It updates the change and modification times for the parent directory, and the change time for the file itself (unless the file is deleted).
5. Directories cannot be removed using v_remove. To remove a directory, refer to "v_rmdir (BPX1VRE, BPX4VRE) — Remove a directory" on page 364.
6. A file may not be removed if it is currently open by a remote NFS client with a share reservation that would prevent the file from being opened for write access.

v_remove (BPX1VRM, BPX4VRM)

Related services

- “v_link (BPX1VLN, BPX4VLN) — Create a link to a file” on page 306
- “v_lookup (BPX1VLK, BPX4VLK) — Look up a file or directory” on page 322
- “v_mkdir (BPX1VMK, BPX4VMK) — Create a directory” on page 325
- “v_reg (BPX1VRG, BPX4VRG) — Register a process as a server” on page 351
- “v_rel (BPX1VRL, BPX4VRL) — Release a vnode token” on page 355
- “v_remove (BPX1VRM, BPX4VRM) — Remove a link to a file” on page 357
- “v_rename (BPX1VRN, BPX4VRN) — Rename a file or directory”
- “v_rmdir (BPX1VRE, BPX4VRE) — Remove a directory” on page 364

Characteristics and restrictions

A process must be registered as a server before the v_remove service is permitted. See “v_reg (BPX1VRG, BPX4VRG) — Register a process as a server” on page 351.

Examples

For an example using this callable service, see “BPX1VRM, BPX4VRM (v_remove)” on page 492.

v_rename (BPX1VRN, BPX4VRN) — Rename a file or directory

Function

The v_rename service renames a file or a directory that is specified by the Old_name parameter in the directory that is represented by Old_directory_vnode_token to the name that is specified by the New_name parameter in the directory that is represented by New_directory_vnode_token.

Requirements

Authorization:	Supervisor state or problem state, any PSW key
Dispatchable unit mode:	Task
Cross memory mode:	PASN = HASN
AMODE (BPX1VRN):	31-bit
AMODE (BPX4VRN):	64-bit
ASC mode:	Primary mode
Interrupt status:	Enabled for interrupts
Locks:	Unlocked
Control parameters:	All parameters must be addressable by the caller and in the primary address space.

Format

```
CALL BPX1VRN,(Old_directory_vnode_token,
              OSS,
              Old_name_length,
              Old_name,
              New_directory_vnode_token,
              New_name_length,
              New_name,
              Return_value,
              Return_code,
              Reason_code)
```

AMODE 64 callers use BPX4VRN with the same parameters.

Parameters**Old_directory_vnode_token**

Supplied parameter

Type: Token

Length:
8 bytes

The name of an 8-byte area that contains a vnode token that represents the directory in which the file or directory that is to be renamed exists.

OSS

Supplied and returned parameter

Type: Structure

Length:
OSS#LENGTH (from the BPXYOSS macro)

The name of an area that contains operating system specific parameters. This area is mapped by the BPXYOSS macro, see “BPXYOSS — Map operating system specific information” on page 470.

Old_name_length

Supplied parameter

Type: Integer

Length:
Fullword

The name of a fullword that contains the length of the file or directory name that is to be renamed. The name can be up to 255 bytes long.

Old_name

Supplied parameter

Type: Character string

Length:
Specified by Old_name_length parameter

The name of an area, of length Old_name_length, that contains the file or directory name that is to be renamed. It must not contain null characters (X'00').

v_rename (BPX1VRN, BPX4VRN)

New_directory_vnode_token

Supplied parameter

Type: Token

Length:
8 bytes

The name of an 8-byte area that contains a vnode token that represents the directory in which the renamed file or directory is to exist.

New_name_length

Supplied parameter

Type: Integer

Length:
Fullword

The name of a fullword that contains the length of the file or directory name to which the file or directory is to be renamed. The name can be up to 255 bytes long.

New_name

Supplied parameter

Type: Character string

Length:
Specified by New_name_length parameter

The name of an area, of length New_name_length, that contains the file or directory name to which the file or directory is to be renamed. It must not contain null characters (X'00').

Return_value

Returned parameter

Type: Integer

Length:
Fullword

The name of a fullword in which the v_rename service returns 0 if the request is successful, or -1 if it is not successful.

Return_code

Returned parameter

Type: Integer

Length:
Fullword

The name of a fullword in which the v_rename service stores the return code. The v_rename service returns Return_code only if Return_value is -1. See *z/OS UNIX System Services Messages and Codes* for a complete list of possible return code values. The v_rename service can return one of the following values in the Return_code parameter:

Return_code	Explanation
EACCES	The calling process does not have permission to write in a specified directory.
EAGAIN	One of the files or directories was temporarily unavailable. The following reason code can accompany the return code: JRIInvalidVnode.

Return_code	Explanation
EBUSY	The name that was specified is in use as a mount point or the file is open by a remote NFS client with a share reservation that conflicts with the requested operation. The following reason code can accompany the return code: JRIsFSRoot.
EINVAL	Parameter error—for example, attempting to rename a file named “.” The following reason codes can accompany the return code: JRDotorDotDot, JrOldPartOfNew, JrNoName, JrNullInPath, JRVTokenFreed, JRWrongPID, JRStaleVnodeTok, JRInvalidVnodeTok, JRInvalidOSS.
EISDIR	An attempt was made to rename something other than a directory to a directory.
ENAMETOOLONG	A name is longer than 255 characters.
ENOSPC	The directory that is intended to contain New_name cannot be extended.
ENOTDIR	The supplied token did not represent a directory; or an attempt was made to rename a directory to something other than a directory.
ENOTEMPTY	New_name specified an existing directory that was not empty.
EPERM	The operation is not permitted. The caller of the service is not registered as a server.
EROFS	The specified file system is read-only. The following reason code can accompany the return code: JRRReadOnlyFS.
EXDEV	An attempt was made to rename across file systems.

Reason_code

Returned parameter

Type: Integer

Length:
Fullword

The name of a fullword in which the v_rename service stores the reason code. The v_rename service returns a Reason_code only if Return_value is -1. Reason_code further qualifies the Return_code value. See *z/OS UNIX System Services Messages and Codes* for the reason codes.

Usage notes

1. If the sticky bit is on in the parent directory, special ownership is required to rename the file.
2. The v_rename service changes the name of a file or a directory from Old_name to New_name. When renaming completes successfully, the change and modification times for the parent directories of Old_name and New_name are updated.
3. For renaming to succeed, the calling process needs write permission for the directory that contains Old_name and the directory that contains New_name. If Old_name and New_name are the names of directories, the caller does not need write permission for the directories themselves.
4. **Renaming Files:**

v_rename (BPX1VRN, BPX4VRN)

- If Old_name and New_name are links that refer to the same file, v_rename returns successfully and does not perform any other action.
- If Old_name is the name of a file, New_name must also name a file, not a directory. If New_name is an existing file, it is unlinked. Then the file that is specified as Old_name is given New_name. The pathname New_name always stays in existence; at the beginning of the operation, New_name refers to its original file, and at the end, it refers to the file that used to be Old_name.
- If Old_name is the name of a file that is currently open by a remote NFS client with a share reservation that would prevent the file from being opened for writing, the file cannot be renamed.

5. Renaming Directories:

If Old_name is the name of a directory, New_name must also name a directory, not a file. If New_name is an existing directory, it must be empty, containing no files or subdirectories. If empty, it is removed, as described in “v_remove (BPX1VRM, BPX4VRM) — Remove a link to a file” on page 357.

New_name cannot be a directory under Old_name; that is, the old directory cannot be part of the pathname prefix of the new one.

Related services

- “v_reg (BPX1VRG, BPX4VRG) — Register a process as a server” on page 351

Characteristics and restrictions

A process must be registered as a server before the v_rename service is permitted; see “v_reg (BPX1VRG, BPX4VRG) — Register a process as a server” on page 351.

Examples

For an example using this callable service, see “BPX1VRN, BPX4VRN (v_rename)” on page 492.

v_rmdir (BPX1VRE, BPX4VRE) — Remove a directory

Function

The v_rmdir service removes a directory. The directory must be empty.

Directory_name is specified as input, along with a Directory_vnode_token value that identifies the directory that contains the directory that is to be removed.

Requirements

Authorization:	Supervisor state or problem state, any PSW key
Dispatchable unit mode:	Task
Cross memory mode:	PASN = HASN
AMODE (BPX1VRE):	31-bit
AMODE (BPX4VRE):	64-bit
ASC mode:	Primary mode
Interrupt status:	Enabled for interrupts
Locks:	Unlocked
Control parameters:	All parameters must be addressable by the caller and in the primary address space.

Format

```
CALL BPX1VRE,(Directory_vnode_token,
              OSS,
              Directory_name_length,
              Directory_name,
              Return_value,
              Return_code,
              Reason_code)
```

AMODE 64 callers use BPX4VRE with the same parameters.

Parameters**Directory_vnode_token**

Supplied parameter

Type: Token

Length:
8 bytes

The name of an 8 byte area that contains a vnode token that represents the directory from which the v_rmdir service is to remove the directory that is supplied in the Directory_name parameter.

OSS

Supplied and returned parameter

Type: Structure

Length:
OSS#LENGTH (from the BPXYOSS macro)

The name of an area that contains operating-system-specific parameters. This area is mapped by the BPXYOSS macro (see "BPXYOSS — Map operating system specific information" on page 470).

Directory_name_length

Supplied parameter

Type: Integer

Length:
Fullword

The name of a fullword that contains the length of Directory_name. The name can be up to 255 bytes long.

Directory_name

Supplied parameter

Type: Character string

Length:
Specified by Directory_name_length parameter

The name of an area, of length Directory_name_length, that contains the name of the directory that is to be removed. It must not contain null characters (X'00').

Return_value

Returned parameter

v_rmdir (BPX1VRE, BPX4VRE)

Type: Integer

Length:
Fullword

The name of a fullword in which the v_rmdir service returns 0 if the request completes successfully, or -1 if the request is not successful.

Return_code

Returned parameter

Type: Integer

Length:
Fullword

The name of a fullword in which the v_rmdir service stores the return code. The v_rmdir service returns Return_code only if Return_value is -1. See *z/OS UNIX System Services Messages and Codes* for a complete list of possible return code values. The v_rmdir service can return one of the following values in the Return_code parameter:

Return_code	Explanation
EACCES	The process did not have write permission for the directory that contains the directory that is to be removed.
EBUSY	The directory cannot be removed, because it is being used as a mount point. The following reason code can accompany the return code: JRIsFSRoot.
EAGAIN	The directory cannot be removed, because it is temporarily unavailable. The following reason code can accompany the return code: JRInvalidVnode.
EINVAL	Parameter error; for example, the Vnode_token parameter is obsolete. The following reason codes can accompany the return code: JRVTokenFreed, JRWrongPID, JRStaleVnodeTok, JRInvalidVnodeTok, JRInvalidOSS, JRDotOrDotDot, JRNoName, JRNullInPath.
ENAMETOOLONG	Directory_name_length exceeds 255 characters.
ENOENT	The directory that was specified by Directory_name was not found.
ENOTDIR	The file that was specified by Directory_vnode_token is not a directory; or the name that was specified by Directory_name is not a directory. The following reason codes can accompany the return code: JRTokNotDir, JRNotDir.
ENOTEMPTY	The directory contains files or subdirectories.
EPERM	The operation is not permitted. The caller of the service is not registered as a server.
EROFS	The directory that is to be removed is on a read-only file system. The following reason code can accompany the return code: JRReadOnlyFS.

Reason_code

Returned parameter

Type: Integer

Length:
Fullword

The name of a fullword in which the v_rmdir service stores the reason code. The v_rmdir service returns Reason_code only if Return_value is -1. Reason_code further qualifies the Return_code value. See *z/OS UNIX System Services Messages and Codes* for the reason codes.

Usage notes

1. If the sticky bit is on in the parent directory, the target directory cannot be removed.
2. The directory that is specified by Directory_name must be empty.
3. If the directory is successfully removed, the change and modification times for the parent directory are updated.
4. If any process has the directory open when it is removed, the directory itself is not removed until the last process has closed the directory. New files cannot be created under a directory that is removed, even if the directory is still open.

Related services

- “v_mkdir (BPX1VMK, BPX4VMK) — Create a directory” on page 325
- “v_reg (BPX1VRG, BPX4VRG) — Register a process as a server” on page 351
- “v_rel (BPX1VRL, BPX4VRL) — Release a vnode token” on page 355
- “v_remove (BPX1VRM, BPX4VRM) — Remove a link to a file” on page 357

Characteristics and restrictions

A process must be registered as a server before the v_rmdir service is permitted. See “v_reg (BPX1VRG, BPX4VRG) — Register a process as a server” on page 351.

Examples

For an example using this callable service, see “BPX1VRE, BPX4VRE (v_rmdir)” on page 493.

v_rpn (BPX1VRP, BPX4VRP) — Resolve a path name

Function

The v_rpn service accepts an absolute path name of a file or a directory and returns a vnode token that represents this file or directory, and the VFS token that represents the mounted file system that contains the file or directory. These tokens must be supplied by the server on any subsequent VFS callable services API that is related to these files, directories, or file systems. The v_rpn service also returns file attribute information for the file or directory, and mount information for the file system.

Requirements

Authorization:	Supervisor state or problem state, any PSW key
Dispatchable unit mode:	Task
Cross memory mode:	PASN = HASN
AMODE (BPX1VRP):	31-bit
AMODE (BPX4VRP):	64-bit
ASC mode:	Primary mode
Interrupt status:	Enabled for interrupts
Locks:	Unlocked

v_rpn (BPX1VRP, BPX4VRP)

Control parameters: All parameters must be addressable by the caller and in the primary address space.

Format

```
CALL BPX1VRP,(OSS,  
             Pathname_length,  
             Pathname,  
             VFS_token,  
             Vnode_token,  
             Mnte_length,  
             Mnte,  
             Attr_length,  
             Attr,  
             Return_value,  
             Return_code,  
             Reason_code)
```

AMODE 64 callers use BPX4VRP with the same parameters.

Parameters

OSS

Supplied and returned parameter

Type: Structure

Length:

OSS#LENGTH (from the BPXYOSS macro)

The name of an area that contains operating-system-specific parameters. This area is mapped by the BPXYOSS macro (see “BPXYOSS — Map operating system specific information” on page 470).

Pathname_length

Supplied parameter

Type: Integer

Length:

Fullword

The name of a fullword that contains the length of the full path name of the file or directory that is to be resolved to a token. The name can be up to 1023 bytes long; each component of the name (between delimiters) can be up to 255 bytes long.

Pathname

Supplied parameter

Type: Character string

Length:

Specified by Pathname_length parameter

The name of an area, of length Pathname_length, that contains the full name of the file or directory that is to be resolved.

VFS_token

Returned parameter

Type: Token

Length:
8 bytes

The name of an 8-byte area in which the v_rpn service returns the VFS token of the file system that contains the file or directory that is supplied in the Pathname parameter.

Vnode_token
Returned parameter

Type: Token

Length:
8 bytes

The name of an 8-byte area in which the v_rpn service returns a vnode token of the file or directory that is supplied in the Pathname parameter.

Mnte_length
Supplied parameter

Type: Integer

Length:
Fullword

The name of a fullword that contains the length of the area that is passed in the Mnte parameter.

The length of this area must be large enough to contain a mount entry header (MnteH) and one mount entry (Mnte). These fields are mapped by the BPXYMNTE macro (see Mapping macros in *z/OS UNIX System Services Programming: Assembler Callable Services Reference*).

Mnte
Returned parameter

Type: Structure

Length:
Specified by the Mnte_length parameter

The name of an area, of length Mnte_length, in which the v_rpn service returns information about the file system that contains the file or directory that is supplied in the Pathname parameter. This area is mapped by the BPXYMNTE macro (see Mapping macros in *z/OS UNIX System Services Programming: Assembler Callable Services Reference*).

Attr_length
Supplied parameter

Type: Integer

Length:
Fullword

The name of a fullword that contains the length of the area that is passed in the Attr parameter. To determine the value of Attr_length, use the ATTR structure (see "BPXYATTR — Map file attributes for v_ system calls" on page 459).

Attr
Returned parameter

Type: Structure

v_rpn (BPX1VRP, BPX4VRP)

Length:

Specified by the Attr_length parameter

The name of an area, of length Attr_length, in which the v_rpn service returns the file attribute structure for the file or directory that is supplied in the Pathname parameter. This area is mapped by the ATTR structure (see "BPXYATTR — Map file attributes for v_ system calls" on page 459).

Return_value

Returned parameter

Type: Integer

Length:

Fullword

The name of a fullword in which the v_rpn service returns 0 if the request is successful, or -1 if it is not successful.

Return_code

Returned parameter

Type: Integer

Length:

Fullword

The name of a fullword in which the v_rpn service stores the return code. The v_rpn service returns Return_code only if Return_value is -1. See *z/OS UNIX System Services Messages and Codes* for a complete list of possible return code values. The v_rpn service can return one of the following values in the Return_code parameter:

Return_code	Explanation
EINVAL	Parameter error; for example, the Pathname parameter did not contain an absolute path name; or one of the supplied areas was too small. The following reason codes can accompany the return code: JRNoLeadingSlash, JRSmallAttr, JRSmallMnte, JRInvalidOSS, JRNullInPath.
ELOOP	Too many symbolic links were encountered in the path name.
EMFILE	The maximum number of vnode tokens have been created.
ENAMETOOLONG	The path name or a component in the path name is too long.
ENFILE	An error occurred while storage was being obtained for a vnode token.
ENOENT	A directory or file that was supplied in the Pathname parameter does not exist; or the Pathname_length parameter is not greater than 0.
ENOTDIR	A node in the path name is not a directory.
EPERM	The operation is not permitted. The caller of the service is not registered as a server.
ERREMOTE	The object is remote. This return code can be accompanied by reason code JrNoRemote.

Reason_code

Returned parameter

Type: Integer

Length:

Fullword

The name of a fullword in which the v_rpn service stores the reason code. The v_rpn service returns a Reason_code only if Return_value is -1. Reason_code further qualifies the Return_code value. See *z/OS UNIX System Services Messages and Codes* for the reason codes.

Usage notes

1. Vnode tokens that are returned by the v_rpn service are not inherited across a fork callable service.
2. VFS tokens that are returned by the v_rpn service are inherited across a fork callable service.
3. The mount point path name is not returned in the Mnte structure that is returned by v_rpn.
4. The caller is responsible for freeing the vnode token that is returned by the v_rpn service, by calling to the v_rel service when it is no longer needed.
5. When the OssNoRemote flag is set v_rpn will not cross over into a remote file system, such as the NFS Client file system. If a remote file system is encountered during the resolution of the path name v_rpn will fail with a return code of ERREMOTE.

Related services

- “v_reg (BPX1VRG, BPX4VRG) — Register a process as a server” on page 351
- “v_rel (BPX1VRL, BPX4VRL) — Release a vnode token” on page 355

Characteristics and restrictions

A process must be registered as a server before the v_rpn service is permitted; see “v_reg (BPX1VRG, BPX4VRG) — Register a process as a server” on page 351.

Examples

For an example using this callable service, see “BPX1VRP, BPX4VRP (v_rpn)” on page 493.

v_setattr (BPX1VSA, BPX4VSA) — Set the attributes of a file**Function**

The v_setattr service sets the attributes that are associated with the file that is represented by Vnode_token. It can be used to change the mode, owner, access time, modification time, change time, reference time, audit flags, general attribute flags, and file size. It can also be used to set the initial security label for a file or directory.

Requirements

Authorization:	Supervisor state or problem state, any PSW key
Dispatchable unit mode:	Task
Cross memory mode:	PASN = HASN
AMODE (BPX1VSA):	31-bit
AMODE (BPX4VSA):	64-bit
ASC mode:	Primary mode
Interrupt status:	Enabled for interrupts

v_setattr (BPX1VSA, BPX4VSA)

Locks:	Unlocked
Control parameters:	All parameters must be addressable by the caller and in the primary address space.

Format

```
CALL BPX1VSA, (Vnode_token,  
              OSS,  
              Attr_length,  
              Attr,  
              Return_value,  
              Return_code,  
              Reason_code)
```

AMODE 64 callers use BPX4VSA with the same parameters.

Parameters

Vnode_token

Supplied parameter

Type: Token

Length:
8 bytes

The name of an 8-byte area that contains a vnode token that represents the file.

OSS

Supplied and returned parameter

Type: Structure

Length:
OSS#LENGTH (from the BPXYOSS macro)

The name of an area that contains operating-system-specific parameters. This area is mapped by the BPXYOSS macro (see "BPXYOSS — Map operating system specific information" on page 470).

Attr_length

Supplied parameter

Type: Integer

Length:
Fullword

The name of a fullword that contains the length of Attr. To determine the value of Attr_length, use the ATTR structure (see "BPXYATTR — Map file attributes for v_ system calls" on page 459).

Attr

Supplied and returned parameter

Type: Structure

Length:
Specified by the Attr_length parameter

The name of an area, of length Attr_length, that contains the file attributes to be set for the file that is specified by the vnode token. The attributes of the file

are also returned in this area, overlaying the input values. This area is mapped by the ATTR structure (see “BPXYATTR — Map file attributes for v_ system calls” on page 459).

Return_value

Returned parameter

Type: Integer

Length:
Fullword

The name of a fullword in which the v_setattr service returns 0 if the request is successful, or -1 if it is not successful.

Return_code

Returned parameter

Type: Integer

Length:
Fullword

The name of a fullword in which the v_setattr service stores the return code. The v_setattr service returns Return_code only if Return_value is -1. See *z/OS UNIX System Services Messages and Codes* for a complete list of possible return code values. The v_setattr service can return one of the following values in the Return_code parameter:

Return_code	Explanation
EINVAL	Parameter error; for example, a supplied area was too small. The following reason codes can accompany the return code: JRSmallAttr, JRInvalidAttr, JRNegativeValueInvalid, JRTrNotRegFile, JRTrNegOffset, JRVTokenFreed, JRWrongPID, JRStaleVnodeTok, JRInvalidVnodeTok, JRInvalidOSS.
EACCES	The calling process did not have appropriate permissions. Possible reasons include: <ul style="list-style-type: none"> • In an attempt to set access time or modification time to current time, the effective UID of the calling process does not match the owner of the file, the process does not have write permission for the file, and the process does not have appropriate privileges. • In an attempt to truncate the file, the calling process does not have write permission for the file.
EFBIG	A process attempted to change the size of a file, but the new length that was specified is greater than the maximum file size limit for the process. The following reason code can accompany the return code: JRWriteBeyondLimit.

v_setattr (BPX1VSA, BPX4VSA)

Return_code

EPERM

Explanation

The operation is not permitted for one of the following reasons:

- The caller of the service is not registered as a server.
- In an attempt to change the mode or the file format, the effective UID of the calling process does not match the owner of the file, and the calling process does not have appropriate privileges.
- In an attempt to change the owner, the calling process does not have appropriate privileges.
- In an attempt to change the general attribute bits, the calling process does not have write permission for the file.
- In an attempt to set a time value (not current time), the effective user ID of the calling process does not match the owner of the file, and the calling process does not have appropriate privileges.
- In an attempt to set the change time or reference time to current time, the calling process does not have write permission for the file.
- In an attempt to change auditing flags, the effective UID of the calling process does not match the owner of the file, and the calling process does not have appropriate privileges.
- In an attempt to change the security auditor's auditing flags, the user does not have auditor authority.
- In an attempt to set the security label, one or more of the following conditions applies:
 - The calling process does not have RACF SPECIAL authorization and appropriate privileges.
 - The security label that is associated with the file is already set.

EROFS

The file is on a read-only file system. The following reason code can accompany the return code: JRReadOnlyFS.

ESTALE

On input, the AttrGuardTimeChk bit was on, and the input AttrGuardTime value did not match the Ctime of the file.

Reason_code

Returned parameter

Type: Integer

Length:
Fullword

The name of a fullword in which the v_setattr service stores the reason code. The v_setattr service returns Reason_code only if Return_value is -1. Reason_code further qualifies the Return_code value. See *z/OS UNIX System Services Messages and Codes* for the reason codes.

Usage notes

Table 8. Attributes fields

Set flags	Attribute fields input	Description
ATTRCHARSETIDCHG	ATTRCHARSETID	Set the character set ID to the value specified in ATTRCHARSETID
ATTRMODECHG	ATTRMODE	Set the mode according to the value in ATTRMODE.
AttrOwnerChg	ATTRUID and ATTRGID	Set the owner user ID (UID) and group ID (GID) to the values specified in ATTRUID and ATTRGID.
ATTRSETGEN	ATTRGENVALUE ATTRGENMASK	Only the bits corresponding to the bits set ON in the ATTRGENMASK are set to the value (ON or OFF) in ATTRGENVALUE. Other bits will be unchanged.
ATTRTRUNC	ATTRSIZE	Truncate the file size to ATTRSIZE bytes.
ATTRATIMECHG	ATTRATIME	Set the access time of the file to the value specified in ATTRATIME.
ATTRATIMECHG and ATTRATIMETOD	None	Set the access time of the file to the current time.
ATTRMTIMECHG	ATTRMTIME	Set the modification time of the file to the value specified in ATTRMTIME.
ATTRMTIMECHG and ATTRMTIMETOD	None	Set the modification time of the file to the current time
ATTRMAAUDIT	ATTRAUDITORAUDIT	Set the security auditor's auditing flags to the value specified in ATTRAUDITORAUDIT.
ATTRMUAUDIT	ATTRUSERAUDIT	Set the user's auditing flags to the value specified in ATTRUSERAUDIT.
ATTRCTIMECHG	ATTRCTIME	Set the change time of the file to the value specified in ATTRCTIME.
ATTRCTIMECHG and ATTRCTIMETOD	None	Set the change time of the file to the current time.
ATTRREFTIMECHG	ATTRREFTIME	Set the reference time of the file to the value specified in ATTRREFTIME.
ATTRREFTIMECHG and ATTRREFTIMETOD	None	Set the reference time of the file to the current time.
ATTRFILEFMTCHG	ATTRFILEFMT	Set the file format of the file to the value specified in ATTRFILEFMT.
ATTRSECLABELCHG	ATTRSECLABEL	Set the initial security label for a file or directory.

v_setattr (BPX1VSA, BPX4VSA)

1. Flags in the attributes parameter are set to indicate which attributes should be updated. To set an attribute, turn the corresponding Set Flag on, and set the corresponding attributes field according to Table 8 on page 375. Multiple attributes may be changed at the same time.

The Set Flag field should be cleared before any bits are turned on. It is considered an error if any of the reserved bits in the flag field are turned on.

2. In addition to the attribute fields that are specified according to Table 8 on page 375, the following ATTR header fields must be provided by the caller:

ATTRID

Contains ATTR.

ATTRLEN

Specifies the length of the ATTR structure.

AttrGuardTimeChk

Indicates whether the AttrGuardTime should be checked. If this bit is on, the PFS checks the Ctime of the file against the value that is specified in AttrGuardTime. If they do not match, the request fails with ESTALE.

AttrGuardTime

The time value, in seconds and micro-seconds, to be compared against the file's Ctime if AttrGuardTimeChk is set.

Other fields in the ATTR should be set to 0s.

3. Changing mode (ATTRMODECHG = ON):
 - The file mode field in the ATTR area is mapped by the BPXYMODE macro (see Mapping macros in *z/OS UNIX System Services Programming: Assembler Callable Services Reference*).
 - Files that are open when the v_setattr service is called retain the access permission they had when the file was opened.
 - The effective UID of the calling process must match the file's owner UID, or the caller must have appropriate privileges.
 - Setting the set-group-ID-on-execution permission (in mode) means that when this file is run, through the exec service, the effective GID of the caller is set to the file's owner GID, so that the caller seems to be running under the GID of the file, rather than that of the actual invoker.

The set-group-ID-on-execution permission is set to zero if both of the following are true:

 - The caller does not have appropriate privileges.
 - The GID of the file's owner does not match the effective GID or one of the supplementary GIDs of the caller.
 - Setting the set-user-ID-on-execution permission (in mode) means that when this file is run, the process's effective UID is set to the file's owner UID, so that the process seems to be running under the UID of the file's owner, rather than that of the actual invoker.
4. Changing owner (ATTROWNERCHG = ON):
 - For changing the owner UID of a file, the caller must have appropriate privileges.
 - For changing the owner GID of a file, the caller must have appropriate privileges, or meet all of these conditions:
 - The effective UID of the caller matches the file's owner UID.
 - The Owner_UID value that is specified in the change request matches the file's owner UID.

- The Group_ID value that is specified in the change request is the effective GID, or one of the supplementary GIDs, of the caller.
 - When owner is changed, the set-user-ID-on-execution and set-group-ID-on-execution permissions of the file mode are automatically turned off.
 - When owner is changed, both UID and GID must be specified as they are to be set. If only one of these values is to be changed, the other must be set to its present value or to -1 in order to remain unchanged.
5. Changing general attribute bits (ATTRSETGEN = ON):
- For general attribute bits to be changed, the calling process must have write permission for the file.
6. Truncating a file (ATTRTRUNC = ON):
- The truncation of a file to ATTRSIZE bytes changes the file size to ATTRSIZE, beginning from the first byte of the file. If the file was originally larger than ATTRSIZE bytes, the data from ATTRSIZE to the original end of file is removed. If the file was originally shorter than ATTRSIZE, bytes between the old and new lengths are read as zeros.
 - Full blocks are returned to the file system so that they can be used again. The file offset is not changed.
 - When a file is truncated successfully, it clears the set-user-ID, the set-group-ID, and the save-text (sticky bit) attributes of the file unless the caller has authority to access the root.
 - Changing a file's size is considered to be a write operation and an open token from a prior v_open may be passed in the OSS to indicate that this change is being done within the open context of that token. Consequently, the operation does not have to be verified against the share reservations that may currently be in effect for the file. If no open token is available to pass on the call, there are three levels of share reservation checking that can be requested (see "v_rdwr (BPX1VRW, BPX4VRW) — Read from and write to a file" on page 340 for details).
7. Changing times:
- All time fields in the Attr area are in POSIX format.
 - For the access time or the modification time to be set explicitly (ATTRATIMECHG = ON or ATTRMETIMECHG = ON), the effective ID must match the file's owner, or the process must have appropriate privileges.
 - For the access time or modification time to be set to the current time (ATTRATIMETOD = ON or ATTRMTIMETOD = ON), the effective ID must match the file's owner, the calling process must have write permission for the file, or the process must have appropriate privileges.
 - For the change time or the reference time to be set explicitly (ATTRCTIMECHG = ON or ATTRREFTIMECHG = ON), the effective ID must match the file's owner or the process must have appropriate privileges.
 - For the change time or reference time to be set to the current time (ATTRCTIMETOD = ON or ATTRREFTIMETOD = ON), the calling process must have write permission for the file.
 - When any attribute field is changed successfully, the file's change time is updated as well.
 - The setting of the AttrLP64times bit in the BPXYATTR structure, and not the AMODE of the caller, determines whether 4-byte or 8-byte time fields are

v_setattr (BPX1VSA, BPX4VSA)

used. When AttrLP64Times=ON with any of the explicit time changes the new time value is taken from the corresponding AttrATime64, AttrMTime64, AttrCTime64, or AttrRefTime64 field.

8. Changing auditor audit flags (ATTRMAAUDIT = ON):
 - For auditor audit flags to be changed, the user must have auditor authority. Users with auditor authority can set the auditor options for any file, even those they do not have path access to or authority to use for other purposes.
You can establish auditor authority by running the TSO/E command ALTUSER Auditor.
9. Changing user audit flags (ATTRMUAUDIT = ON):
 - For the user audit flags to be changed, the user must have appropriate privileges (See Authorization in *z/OS UNIX System Services Programming: Assembler Callable Services Reference*) or be the owner of the file.
10. Changing file format (ATTRFILEFMTCHG = ON):
 - The effective UID of the calling process must match the file's owner UID or the caller must have appropriate privileges.
11. Changing the security label (ATTSECLABELCHG=ON):
 - For the security label to be changed, the user must have RACF SPECIAL authorization and appropriate privileges, and no security label must currently exist on the file. Only an initial security label can be set. An existing security label cannot be changed. The function will successfully set the security label if the SECLABEL class is active. If the SECLABEL class is not active, the request will return successfully, but the security label will not be set.
12. The tagging of /dev/null, /dev/random, /dev/urandom, /dev/zero is ignored.

Related services

- “v_getattr (BPX1VGA, BPX4VGA) — Get the attributes of a file” on page 301
- “v_reg (BPX1VRG, BPX4VRG) — Register a process as a server” on page 351

Characteristics and restrictions

1. A process must be registered as a server before the v_setattr service is permitted; see “v_reg (BPX1VRG, BPX4VRG) — Register a process as a server” on page 351.
2. The ATTREXTLINK flag in the ATTRGENVALUE field of the ATTR cannot be modified with BPX1VSA.
3. The general attribute fields (set by ATTRSETGEN, ATTRGENMASK, and ATTRGENVALUE fields) are not intended as a general-use programming interface on v_setattr.
4. The security label (ATTRSECLABELCHG) flag requires RACF SPECIAL authorization and appropriate privileges. See Authorization in *z/OS UNIX System Services Programming: Assembler Callable Services Reference* for information about appropriate privileges.
5. The security label (ATTRSECLABELCHG) flag cannot be used to change an existing security label; it can only be used to set an initial security label on a file.

Examples

For an example using this callable service, see “BPX1VSA, BPX4VSA (v_setattr)” on page 493.

v_symlink (BPX1VSY, BPX4VSY) — Create a symbolic link

Function

The v_symlink service creates a symbolic link to a path name or external name. A file whose name is specified in the Link_name parameter, of type “symbolic link”, is created within the directory that is represented by Directory_vnode_token. The contents of the symbolic link file is the path name or external name that is specified in Pathname.

Requirements

Authorization:	Supervisor state or problem state, any PSW key
Dispatchable unit mode:	Task
Cross memory mode:	PASN = HASN
AMODE (BPX1VSY):	31-bit
AMODE (BPX4VSY):	64-bit
ASC mode:	Primary mode
Interrupt status:	Enabled for interrupts
Locks:	Unlocked
Control parameters:	All parameters must be addressable by the caller and in the primary address space.

Format

```
CALL BPX1VSY, (Directory_vnode_token,
              OSS,
              Link_name_length,
              Link_name,
              Pathname_length,
              Pathname,
              Attr_length,
              Attr,
              Return_value,
              Return_code,
              Reason_code)
```

AMODE 64 callers use BPX4VSY with the same parameters.

Parameters

Directory_vnode_token

Supplied parameter

Type: Token

Length:
8 bytes

The name of an 8-byte area that contains a vnode token that represents the directory in which the v_symlink service creates the new symbolic link file that is named in the Link_name parameter.

OSS

Supplied and returned parameter

Type: Structure

v_symlink (BPX1VSY, BPX4VSY)

Length:

OSS#LENGTH (from the BPXYOSS macro)

The name of an area that contains operating-system-specific parameters. This area is mapped by the BPXYOSS macro (see “BPXYOSS — Map operating system specific information” on page 470).

Link_name_length

Supplied parameter

Type: Integer

Length:

Fullword

The name of a fullword that contains the length of Link_name. The Link_name can be up to 255 bytes long.

Link_name

Supplied parameter

Type: Character string

Length:

Specified by Link_name_length parameter

The name of a field that contains the symbolic link that is being created. It must not contain null characters (X'00').

Pathname_length

Supplied parameter

Type: Integer

Length:

Fullword

The name of a fullword that contains the length of Pathname. The Pathname can be up to 1023 bytes long. If the Pathname is not an external name (AttrExtLink = 0), each component of the name (between delimiters) can be up to 255 bytes long.

Pathname

Supplied parameter

Type: Character string

Length:

Specified by the Pathname_length parameter

The name of a field that contains the path name or external name for which you are creating a symbolic link.

A path name can begin with or without a slash.

- If the path name begins with a slash, it is an absolute path name, the slash refers to the root directory, and the search for the file starts at the root directory.
- If the path name does not begin with a slash, it is a relative path name, and the search for the file starts at the parent directory of the symbolic link file.

A path name must not contain null characters (X'00').

An external name is the name of an object that is outside the hierarchical file system. There are no restrictions on the characters that may be used in an external name.

Attr_length

Supplied parameter

Type: Integer

Length:

Fullword

The name of a fullword that contains the length of Attr. To determine the value of Attr_length, use the ATTR structure (see "BPXYATTR — Map file attributes for v_ system calls" on page 459).

Attr

Supplied parameter

Type: Structure

Length:

Specified by the Attr_length parameter

The name of an area, of length Attr_length, that is to be used by the v_symlink service to set the attributes of the file that is to be created. This area is mapped by the ATTR structure (see "BPXYATTR — Map file attributes for v_ system calls" on page 459).

Return_value

Returned parameter

Type: Integer

Length:

Fullword

The name of a fullword in which the v_symlink service returns 0 if the request is successful, or -1 if it is not successful.

Return_code

Returned parameter

Type: Integer

Length:

Fullword

The name of a fullword in which the v_symlink service stores the return code. The v_symlink service returns Return_code only if Return_value is -1. See *z/OS UNIX System Services Messages and Codes* for a complete list of possible return code values. The v_symlink service can return one of the following values in the Return_code parameter:

Return_code	Explanation
EACCES	The calling process does not have permission to write in the directory specified.
EEXIST	Link_name already exists.
EFBIG	The file size limit for the process is set to zero, prohibiting the creation of symbolic links.
EINVAL	Parameter error; for example, a supplied area was too small. The following reason codes can accompany the return code: JRSmallAttr, JRInvalidAttr, JRNoName, JRInvalidSymLinkLen, JRNULLInPath, JRInvalidSymLinkComp, JRVTokenFreed, JRWrongPID, JRStaleVnodeTok, JRInvalidVnodeTok, JRInvalidOSS.
ENAMETOOLONG	Link_name is longer than 255 characters.

v_symlink (BPX1VSY, BPX4VSY)

Return_code	Explanation
ENOTDIR	The supplied token did not represent a directory.
EPERM	The operation is not permitted. The caller of the service is not registered as a server.
EROFS	Directory_vnode_token specifies a directory on a read-only file system.

Reason_code

Returned parameter

Type: Integer

Length:
Fullword

The name of a fullword in which the v_symlink service stores the reason code. The v_symlink service returns a Reason_code only if Return_value is -1. Reason_code further qualifies the Return_code value. See *z/OS UNIX System Services Messages and Codes* for the reason codes.

Usage notes

1. The following Attr fields are provided by the caller:

AttrID

Contains Attr#ID (from the ATTR structure)

AttrLen

Specifies the length of the ATTR structure.

AttrExtLink

Specifies whether the Pathname is an external name (1) or a path name in a hierarchical file system (0).

AttrMode

Specifies directory mode permission bits. See Mapping macros in *z/OS UNIX System Services Programming: Assembler Callable Services Reference* for the mapping of this field.

Other fields in the ATTR should be set to zeros.

2. Like a hard link (described in “v_link (BPX1VLN, BPX4VLN) — Create a link to a file” on page 306), a symbolic link allows a file to have more than one name. The presence of a hard link guarantees the existence of a file, even after the original name has been removed. A symbolic link, however, provides no such assurance; in fact, the file identified by Pathname need not exist when the symbolic link is created. In addition, a symbolic link can cross file system boundaries, and can refer to objects that are outside a hierarchical file system.
3. When a component of a path name refers to a symbolic link (but not an external symbolic link) rather than to a directory, the path name that is contained in the symbolic link is resolved. When the VFS callable services API, v_rpn, or other z/OS UNIX callable services are being used, a symbolic link in a path name parameter is resolved as follows:
 - If the path name in the symbolic link begins with / (slash), the symbolic link path name is resolved relative to the process root directory.
 - If the path name in the symbolic link does not begin with /, the symbolic link path name is resolved relative to the directory that contains the symbolic link.
 - If the symbolic link is not the last component of the original path name, remaining components of the original path name are resolved from there.

- When a symbolic link is the last component of a path name, it may or may not be resolved. Resolution depends on the function that is using the path name. For example, a rename request does not have a symbolic link resolved when it appears as the final component of either the new or old path name. However, an open request does have a symbolic link resolved when it appears as the last component.
 - When a slash is the last component of a path name, and it is preceded by a symbolic link, the symbolic link is always resolved.
 - The mode of a symbolic link is ignored during the lookup process. Any files and directories to which a symbolic link refers are checked for access permission.
4. The external name that is contained in an external symbolic link is not resolved. Link_name cannot be used as a directory component of a path name.
 5. If the file size limit for the process is set to zero, symbolic link creation is prohibited and fails with EFBIG.
 6. The value that is set by `umask(0)` for the process does not affect the setting of the mode permission bits.

Related services

- “v_getattr (BPX1VGA, BPX4VGA) — Get the attributes of a file” on page 301
- “v_reg (BPX1VRG, BPX4VRG) — Register a process as a server” on page 351
- “v_readlink (BPX1VRA, BPX4VRA) — Read a symbolic link” on page 348
- “v_remove (BPX1VRM, BPX4VRM) — Remove a link to a file” on page 357
- “v_link (BPX1VLN, BPX4VLN) — Create a link to a file” on page 306

Characteristics and restrictions

A process must be registered as a server before the v_symlink service is permitted; see “v_reg (BPX1VRG, BPX4VRG) — Register a process as a server” on page 351.

Examples

For an example using this callable service, see “BPX1VSY, BPX4VSY (v_symlink)” on page 494.

v_symlink (BPX1VSY, BPX4VSY)

Chapter 6. OSI services

The LFS provides several Operating System Interface (OSI) callable services specifically for PFSs.

The addresses of these routines are passed to a PFS during initialization in the OSI operations vector table (OSIT structure). For information about how the OSIT is passed to the PFS during initialization, see “Activating and deactivating the PFS” on page 4. See also Appendix D, “Interface structures for C language servers and clients,” on page 499 for more information about C language structures.

Table 9 shows the OSI services.

Table 9. OSI services

Service	Description
osi_copyin	Copy data to a PFS buffer
osi_copyout	Copy data to a user buffer
osi_copy64	Move data between user and PFS buffers with 64-bit addresses
osi_ctl	Pass control information to the kernel
osi_getcred	Obtain SAF UIDs, GIDs, and supplementary IDs
osi_getvnode	Get a vnode
osi_kipcget	Query interprocess communications
osi_kmsgctl	Control in-kernel messages
osi_kmsgget	Get a message queue ID
osi_kmsgrcv	Receive an in-kernel message from the queue
osi_kmsgsnd	Send an in-kernel message to the queue
osi_mountstatus	Report file system status
osi_post	General post
osi_sched	Schedule Part 2 of Async I/O
osi_selpost	Select post
osi_signal	Send a signal
osi_sleep	Wait for a resource
osi_thread	Fetch a module from a thread
osi_uiomove	Move data between buffers
osi_upda	Update Async I/O request
osi_wait	General wait
osi_wakeup	Wake a task waiting for a resource

This topic describes each of the OSI services, which are arranged in alphabetic order. The OSI services are callable services that are generally called only from within a PFS. Some of these services must be called from the same thread that is making a VFS or vnode call. The information about callable services from Chapter 5, “VFS callable services application programming interface,” on page 279 applies here, with a few exceptions:

- The service name is a C-language macro that invokes the particular service based on its address in the OSIT structure.
- The three ways of invoking a module that are listed in Chapter 5, “VFS callable services application programming interface,” on page 279 do not apply to these services. They must be called with the saved OSIT structure address, by using the macros listed in Table 9 on page 385.

Assembler language programs must use the OSIT structure offsets for each service. These offsets can be found in the OSIT typedef in Appendix D, “Interface structures for C language servers and clients,” on page 499.

Note: Any of the output parameters of a call can be modified by the system, whether the call is successful or not.

Using OSI services from a non-kernel address space

The `osi_post`, `osi_selpost`, and `osi_wakeup` services can be called from a non-kernel address space to wake up a thread that is waiting for some event to occur. `Osi_ctl` can be used from a non-kernel address space to communicate with a file exporter exit program. The `osi_sched` service can be called to initiate Part 2 of an asynchronous I/O.

For example, if a PFS establishes its own communication mechanism to another separate address space, there may be times when it needs to wait for a reply from that address space. In these cases the PFS can call `osi_wait`, while running on the user's thread in either the kernel or the other address space, and a program in that other address space can call `osi_post` to wake it up. A recovery option is available through the `v_reg()` function that will ensure that these waiting processes are posted if the separate address space should terminate abnormally.

Similarly, if the PFS participates in `select()` processing and the selected event occurs in another address space, `osi_selpost` can be called from that other address space.

This section does not apply to calls that are made by the PFS while in the kernel or in a colony address space. For these calls, the OSIT table address that is passed during initialization should be used.

To use the OSI services from an independent (non-cross-memory) thread in another address space, or from an end user thread that has PCed from the PFS to another address space, you must perform the following steps from an authorized program that is running in non-cross-memory mode in that other address space:

1. Issue an MVS LOAD for the module BPXVOSIT.
2. Branch to the address that is returned by LOAD, passing the standard `return_value`, `return_code`, and `reason_code` parameters with OS linkage.
The program must be authorized at the time of this branch, so that a PC (Program Call instruction) can be set up between this address space and the kernel.
If `return_value` is not -1, it will be the address of an OSIT in this address space.
3. Save the OSIT address returned from a successful LOAD and branch.
4. Do not DELETE the BPXVOSIT load module. All the addresses of the OSI services are within this load module.

The constants and prototype related to doing this are included in Appendix D, “Interface structures for C language servers and clients,” on page 499.

From this point on, you can call the OSI services from this address space (via the saved OSIT address) from C or assembler programs the same way a PFS does. The calling program does not have to be authorized at the time of an OSI service call, unless the service specifically requires it.

The following restrictions on using the OSI services from an independent task apply:

- A task in the server process can use the standard IPC message interface to communicate with a PFS that is using the `osi_kmsg` interface, so `osi_getipc` and the `osi_kmsg` services are not intended to be used from an independent task.
- A task in the server process can use the standard `kill()` function to send a signal; `osi_signal` should not be used.
- `osi_copyin`, `osi_copyout`, and `osi_uiomove` should not be used to copy from or to the user address space buffers that were passed on a PFS operation.
- `osi_getvnode`, `osi_sleep`, and `osi_thread` may not be used. `osi_wait` may be used after some special setup. Refer to the usage notes for `osi_wait` for details.

The effect of loading and calling BPXVOSIT is tied to the address space. BPXVOSIT cannot be called twice unless z/OS UNIX has terminated and restarted.

If z/OS UNIX terminates, new OSI service requests fail with an EMVSNOTUP return code. Calls that are in progress when z/OS UNIX terminates may receive a cross memory abend. After z/OS UNIX is restarted, BPXVOSIT must be recalled to reestablish the PC to the new kernel.

If the separate address space is started before the kernel address space, a call to BPXVOSIT that is issued during initialization fails. Generally, a PFS contacts its partner address space during z/OS UNIX initialization, and the load and call can be performed at this time. As an alternative, you can listen for the Event Notification Facility (ENF) Signal, which is issued whenever z/OS UNIX is started. During initialization, an address space can set up an ENF Listen for this event and call BPXVOSIT. If BPXVOSIT fails with EMVSNOTUP, the ENF Signal is eventually issued and BPXVOSIT can be called again after the server's ENF Listen exit is invoked. The ENF Qualifier Constant is defined in macro BPXYENFO.

osi_copyin — Move data from a user buffer to a PFS buffer

Function

The `osi_copyin` service moves a block of data from a user buffer to a PFS buffer.

Requirements

Authorization:	Supervisor state; any PSW key
Dispatchable unit mode:	Task or SRB
Cross memory mode:	Any
AMODE:	31-bit
ASC mode:	Any
Interrupt status:	Enabled for interrupts
Locks:	Unlocked
Control parameters:	All parameters must be addressable by the caller and in the primary address space.

Format

```
osi_copyin(Destination_buffer,
           Destination_ALET,
           Source_buffer,
           Source_ALET,
           Source_key,
           Move_length,
           Return_value,
           Return_code,
           Reason_code);
```

Parameters

Destination_buffer

Supplied parameter

Type: Char

Length:

Value specified by Move_length.

The name of the buffer in the PFS to which data is copied.

Destination_ALET

Supplied parameter

Type: Integer

Length:

Fullword

The ALET for the specified Destination_buffer in the PFS.

Source_buffer

Supplied parameter

Type: Char

Length:

Value specified by Move_length.

The name of the buffer in the user address space from which data is copied.

Source_ALET

Supplied parameter

Type: Integer

Length:

Fullword

The ALET for the specified Source_buffer in the user address space.

Source_key

Supplied parameter

Type: Integer

Length:

Fullword

The storage key for the Source_buffer in the user address space. The specified key should be in the last 4 bits of the word. The key is typically the same value as the key stored in the UIO field UIO.u_key.

Move_length

Supplied parameter

Type: Integer

Length:
Fullword

The number of bytes to move.

Return_value

Returned parameter

Type: Integer

Length:
Fullword

A fullword in which the osi_copyin service returns the results of the request, as one of the following:

Return_value**Meaning**

-1 The operation was not successful. The Return_code and Reason_code parameters contain the values returned by the service.

0 The operation was successful.

Return_code

Returned parameter

Type: Integer

Length:
Fullword

A fullword in which the osi_copyin service stores the return code. The osi_copyin service returns Return_code only if Return_value is -1. See *z/OS UNIX System Services Messages and Codes* for a complete list of supported return code values.

The osi_copyin operation supports the following error value:

Return_code	Explanation
EFAULT	A specified buffer address is not in addressable storage.

Reason_code

Returned parameter

Type: Integer

Length:
Fullword

A fullword in which the osi_copyin service stores the reason code. The osi_copyin service returns Return_code only if Return_value is -1. Reason_code further qualifies the Return_code value. The reason codes are described in *z/OS UNIX System Services Messages and Codes*.

Usage notes

1. The address of the osi_copyin routine is passed to the PFS in the OSIT structure when the PFS is initialized.

osi_copyin

2. The storage key for the destination buffer can be any storage key.

Related services

- “osi_uiomove — Move data between PFS buffers and buffers defined by a UIO structure” on page 440
- “osi_copyout — Move data from a PFS buffer to a user buffer”
- “osi_copy64 — Move data between user and PFS buffers with 64-bit addresses” on page 393

Characteristics and restrictions

This routine must be used only on the dispatchable unit (task or SRB) that made the vnode or VFS call because the service requires the use of the cross-memory environment of the calling dispatchable unit.

osi_copyout — Move data from a PFS buffer to a user buffer

Function

The osi_copyout service moves a block of data from a PFS buffer to a user buffer.

Requirements

Authorization:	Supervisor state; any PSW key
Dispatchable unit mode:	Task or SRB
Cross memory mode:	Any
AMODE:	31-bit
ASC mode:	Any
Interrupt status:	Enabled for interrupts
Locks:	Unlocked
Control parameters:	All parameters must be addressable by the caller and in the primary address space.

Format

```
osi_copyout(Destination_buffer,  
            Destination_ALET,  
            Source_buffer,  
            Source_ALET,  
            Destination_key,  
            Move_length,  
            Return_value,  
            Return_code,  
            Reason_code);
```

Parameters

Destination_buffer

Supplied parameter

Type: Char

Length:

Value specified by Move_length.

The name of the buffer in the user address space to which data is copied.

Destination_ALET

Supplied parameter

Type: Integer

Length:
Fullword

The ALET for the specified Destination_buffer in the user address space.

Source_buffer

Supplied parameter

Type: Char

Length:
Value specified by Move_length.

The name of the buffer in the PFS from which data is copied.

Source_ALET

Supplied parameter

Type: Integer

Length:
Fullword

The ALET for the specified Source_buffer in the PFS.

Destination_key

Supplied parameter

Type: Integer

Length:
Fullword

The storage key for the Destination_buffer in the user address space. The specified key should be in the last 4 bits of the word. The key is typically the same value as the key stored in the UIO field UIO.u_key

Move_length

Supplied parameter

Type: Integer

Length:
Fullword

The number of bytes to move.

Return_value

Returned parameter

Type: Integer

Length:
Fullword

A fullword in which the osi_copyout service returns the results of the request, as one of the following:

Return_value**Meaning**

-1 The operation was not successful. The Return_code and Reason_code parameters contain the values returned by the service.

osi_copyout

0 The operation was successful.

Return_code

Returned parameter

Type: Integer

Length:

Fullword

A fullword in which the osi_copyout service stores the return code. The osi_copyout service returns Return_code only if Return_value is -1. For a complete list of supported return code values, see *z/OS UNIX System Services Messages and Codes*.

The osi_copyout operation supports the following error value:

Return_code	Explanation
EFAULT	A buffer address that was specified is not in addressable storage.

Reason_code

Returned parameter

Type: Integer

Length:

Fullword

A fullword in which the osi_copyout service stores the reason code. The osi_copyout service returns Reason_code only if Return_value is -1. Reason_code further qualifies the Return_code value. The reason codes are described in *z/OS UNIX System Services Messages and Codes*.

Usage notes

1. The address of the osi_copyout routine is passed to the PFS in the OSIT structure when the PFS is initialized.
2. The storage key for the source buffer can be any storage key.

Related services

- “osi_uiomove — Move data between PFS buffers and buffers defined by a UIO structure” on page 440
- “osi_copyin — Move data from a user buffer to a PFS buffer” on page 387
- “osi_copy64 — Move data between user and PFS buffers with 64-bit addresses” on page 393

Characteristics and restrictions

This routine must be used only on the dispatchable unit (task or SRB) that made the vnode or VFS call because the service requires the use of the cross-memory environment of the calling dispatchable unit.

osi_copy64 — Move data between user and PFS buffers with 64-bit addresses

Function

The `osi_copy64` service moves a block of data in either direction between 64-bit addressed user and PFS buffers.

Requirements

Authorization:	Supervisor state; any PSW key
Dispatchable unit mode:	Task or SRB
Cross memory mode:	Any
AMODE:	31- or 64-bit
ASC mode:	Any
Interrupt status:	Enabled for interrupts
Locks:	Unlocked
Control parameters:	All parameters must be 31-bit addressable by the caller and in the primary address space.

Format

```
osi_copy64(copy64_struct,
           Workarea);
```

Parameters

`copy64_struct`

Supplied and returned parameter

Type: Structure

Length:

Specified by the `64_length` field

The parameters of this service are contained in the `copy64_struct`. See “Usage notes” for a description of the fields in this structure.

`Workarea`

Supplied parameter

Type: Character

Length:

512 bytes

`Workarea` is a 512-byte buffer that resides below the 2GB line and is aligned on a doubleword boundary. It can be used by the service for dynamic storage.

Usage notes

1. The `osi_copy64` service can be called in AMODE 31 or AMODE 64, and the buffers may be above or below the 2GB line. In all cases the full 64-bit addresses must be valid. In releases prior to z/OS V1R5, the `osi_copy64` service may be called only in AMODE 31.
2. The size of the R1 address and of the parameter list addresses that it points to are assumed to correspond to the AMODE of the caller at the time of the call.
3. `copy64_struct` contains the following fields:

c64_sourcebuff

The source address for the copy. The source is always copied to the destination (**c64_destbuff**).

c64_destbuff

The destination address for the copy.

c64_direction

Specifies whether MVCSK (In) or MVCDK (Out) should be used.

c64_keybits

Contains the 4-bit key of the user's data.

c64_copylen

Specifies the length of the data to be copied. This is a 32-bit field.

c64_dontincrsrc

The source address will be incremented by the **c64_copylen** to facilitate looping calls, unless this flag is set.

64_dontincrdest

The destination address will be incremented by the **c64_copylen** to facilitate looping calls, unless this flag is set.

c64_gotrecovery

If the PFS has its own EFAULT recovery, you can avoid the overhead involved in the setting up and taking down of an FRR on each call to this service by setting this flag.

c64_rc Indicates the success or failure of the operation, as described in this topic.

c64_rsn

Indicates the success or failure of the operation, as described in this topic.

c64_sourcealet

Contains the ALET of the source buffer.

c64_destalet

Contains the ALET of the destination buffer.

c64_length

Contains the length of the **copy64_struct** itself.

4. The results of the operation are returned in **c64_rc** as either:

0 The operation was successful, and **c64_copylen** bytes were moved.

Nonzero

The operation failed. This is the failing return code, and **c64_rsn** contains the failing reason code. The **osi_copy64** service may return the following return code:

Return_code	Explanation
EFAULT	A specified buffer address is not in addressable storage.

5. The **osi_copy64** routine is a high-performance routine. It does not issue program calls (PC) into the kernel.

6. If the PFS has no storage below the 2GB line for the Workarea, the OSI WorkArea can be used.

Related services

- “osi_uiomove — Move data between PFS buffers and buffers defined by a UIO structure” on page 440
- “osi_copyout — Move data from a PFS buffer to a user buffer” on page 390
- “osi_copyin — Move data from a user buffer to a PFS buffer” on page 387

Characteristics and restrictions

Whenever it is used to copy user address space areas, this routine must be used only on the dispatchable unit (task or SRB) that made the original vnode or VFS call because the service requires the use of the cross-memory environment of the calling dispatchable unit.

osi_ctl — Pass control information to the kernel

Function

The osi_ctl service passes control information to the kernel or to a file exporter exit in the kernel.

Requirements

Authorization:	Problem or Supervisor state, any key
Dispatchable unit mode:	Task
Cross memory mode:	Any
AMODE:	31-bit
ASC mode:	Any
Interrupt status:	Enabled for interrupts
Locks:	Unlocked
Control parameters:	All parameters must be addressable by the caller and in the primary address space.

Format

```
osi_ctl(Command,
        Argument_length,
        Argument,
        Return_value,
        Return_code,
        Reason_code);
```

Parameters

Command

Supplied parameter

Type: Integer

Length:
Fullword

The name of a fullword that contains the command code for this operation. The allowed command codes and their associated commands are as follows:

- 1 OSI_GLUECALL – provides general communication between a file exporter and the exporter exit that was established during v_reg().

- 5 OSI_REMOUNTSAMEMODE – Enables a PFS to remount a file system without changing the mount mode.
- 6 OSI_QSE – Allows the PFS to issue notifications that a file system is being quiesced in the PFS so that the LFS can also quiesce it in the LFS layer.
- 7 OSI_UQS – Allows the PFS to issue notifications that a file system is being unquiesced in the PFS so that the LFS can also unquiesce it in the LFS layer.
- 8 OSI_GETMNTSTATUS – Enables a PFS to obtain the LFS status of a file system.
- 9 OSI_DUB – Enables the PFS to dub and undub a worker task.
- 10 OSI_PFSSTATUS – Enables a PFS to provide PFS-specific status information to the Logical File System.

These commands are defined in BPXYPFSI. See “BPXYPFSI” on page 523.

Argument_length

Supplied parameter.

Type: Integer

Length:
Fullword

The name of a fullword that contains the length of the Argument.

Argument

Parameter supplied and returned

Type: Defined by the receiver.

Length:
Specified by the Argument_length parameter

Specifies the address of a buffer, of length Argument_Length, that contains the argument of the operation. The Argument depends on the command, as follows:

- For OSI_GLUecALL, Argument is a buffer of variable length up to 256 bytes.
- For OSI_REMOUNTSAMEMODE, Argument is the osi_remnt structure in “BPXYPFSI” on page 523).
- For OSI_GETMNTSTATUS, Argument is the osi_getmntstat structure in “BPXYPFSI” on page 523.
- For OSI_DUB, Argument is a four-byte integer whose value is either osi_dubtask or osi_undubtask. These fields are defined in “BPXYPFSI” on page 523.
- For OSI_PFSSTATUS, Argument is the osipfsstatus structure in the BPXYPFSI, PFS interface definitions. See “BPXYPFSI” on page 523.
- For OSI_QSE, Argument is the Osi_Quiesce_Struct structure in BPXYPFSI, PFS interface definitions. See “BPXYPFSI” on page 523.
- For OSI_UQS, Argument is the Osi_Quiesce_Struct structure in BPXYPFSI, PFS interface definitions. See “BPXYPFSI” on page 523.

Specifies the name of a buffer, of length Argument_Length, that contains the argument of the operation.

The buffer can be modified to return information to the caller.

Return_value

Returned parameter

Type: Integer

Length:
Fullword

The name of a fullword in which the osi_ctl service returns 0 if the request is successful, and -1 if the request is not successful.

Return_code

Returned parameter

Type: Integer

Length:
Fullword

The name of a fullword in which the osi_ctl service stores the return code. The osi_ctl service returns Return_code only if Return_value is -1. For a complete list of possible return code values, see *z/OS UNIX System Services Messages and Codes*. The return code may come from the exporter exit.

The osi_ctl service can return one of the following values in the Return_code parameter:

Return_code	Explanation
EINVAL	A supplied parameter is incorrect. One of the following Reason_codes can accompany this Return_code: <ul style="list-style-type: none"> • JRNotRegisteredServer - The caller is not registered or is not a file exporter type. • JRInvIoctlCmd - The command was not a supported value.
ENOENT	A matching file system was not found.
ENOMEM	A C environment cannot be obtained to invoke the exit.
EPERM	A task is already dubbed or undubbed. For OSI_DUB, if Argument is osi_dubtask and the task is already dubbed, the Return_Value is returned as -1 and the Reason_Code is JrAlreadyDubbed. If Argument is osi_undubtask and the task is already undubbed, the Return_Value is -1 and the Reason_Code is JrAlreadyUnDubbed.
ESRCH with JrPfsNotDubbed	The caller is not on a POSIX thread.

Reason_code

Returned parameter

Type: Integer

Length:
Fullword

The name of a fullword in which the osi_ctl service stores the reason code. The osi_ctl service returns Reason_code only if Return_value is -1. Reason_code further qualifies the Return_code value. For the reason codes, see *z/OS UNIX System Services Messages and Codes*.

The reason code may come from the exporter exit, in which case it would be documented with that product.

Usage notes

1. The OSI_GLUECALL command is provided for general communication between a file exporter and the exporter exit that was established during `v_reg()`.
 The argument buffer can be modified to convey information from the exit to the caller. The exit must not write in the argument buffer beyond the amount that was passed in by the caller. The caller and the exit should agree on the size of the argument, or should use an embedded length field to limit the amount of data that is moved to the argument buffer for output.
 If the amount of data to be transferred is more than the amount that is allowed by this service, the caller should use the argument to pass the address of a buffer that contains the data. The exit can use `osi_copyin` and `osi_copyout` to move data between the caller's address space and the kernel.
 Refer to "DFS-style file exporters" on page 273 for more information about file exporters.
2. For `OSI_GETMNTSTATUS`, the PFS must fill in the `mt_devno` in `osi_getmntstat_devno`. The PFS must also fill in the eyecatcher, version, buffer address, and buffer length. The buffer length must be at least as large as the length of an `mnteh` (header) plus the length of one `mnte` entry. The buffer pointed to by `osi_getmntstat_bufferaddr` does not need to be initialized. The length that was copied into the buffer is stored in `osi_getmntstat_bufferlen` as output.
`OSI_GETMNTSTATUS` performs an internal `getmntent` (`BPX1GMN`), and the `osi_getmntstat_bufferaddr` points to a buffer that will hold the output of that `getmntent` call, which includes an `mnteh` (header) and `mnte`, which are described in `BPXYMNT`. If a file system was found matching the input `osi_getmntstat_devno`, the `return_value` will be zero and the buffer will contain an `mnteh` and the `mnte` entry for that file system. The PFS can examine fields in the `mnte` to determine the status of the file system. For example, `mntentfstname` will contain the PFS type name and `mntentfsclient` will indicate if LFS function-shipping or locally-mounted to PFS. The PFS should also check the `mntentstatus` flags to ensure the file system is valid. If no matching file system is found, the `return_value` is -1 and the `return_code` is `ENOENT`.
3. For `OSI_REMOUNTSAMEMODE`, `osi_remnt` is the `osi_remnt` structure in "BPXYPFSI" on page 523. The PFS calls `osi_ctl` with `osi_remountsamemode`, passing the `osi_remnt` as the Argument. `osi_remnt_name`, `osi_remnt_version`, `osi_remnt_devno` and `osi_remnt_pfsid` must be filled in. The `osi_remnt_devno` identifies the file system. `osi_remnt_pfsid` is the `pfsid` passed on initialization.
4. For `OSI_DUB`, if Argument is `OSI_DUBTASK` and the task is already dubbed, the `return_value` is returned as -1, and the `return_code` is `EPERM` with `JrAlreadyDubbed`. If Argument is `OSI_UNDUBTASK` and the task is already undubbed, the `return_value` is returned as -1, and the `return_code` is `EPERM` with `JrAlreadyUnDubbed`.
5. For `OSI_PFSSTATUS`, the parameter argument is specified as structure `osi_pfsstatusinfo`, which is documented in `BPXYPFSI`. `osi_pfsstatus_linx` contains the formatted text of 60 characters. (See "BPXYPFSI" on page 523.) In any part of the `osi_pfsstatus_linx`, if the first character is a null character, or if the entire line contains blanks, this indicates that there is no status on that line. The command `D OMVS,PFS` skips null or blank lines and displays only `osi_pfsstatus_linx` with status information.
6. For `OSI_QSE`, the argument is specified as structure `Osi_Quiesce_Struct`, which is documented in `BPXYPFSI`. In the structure, the PFS sets the

Osi_Quiesce_Name to 'OSIQ', and Osi_Quiesce_Version to Osi_QuiesceV1. It sets Osi_Quiesce_Devno to the mt_devno identifying the file system to be quiesced. It passes the process id of the quiescing process in Osi_Quiesce_PID, and a unique quiesce instance ID in Osi_Quiesce_Handle. The job name and system name of the quiesce owner is passed in Osi_Quiesce_JobName and Osi_Quiesce_SysName. The PFS passes its pfsi_pfsid in Osi_Quiesce_PfsID. The Osi_Quiesce_Flags must be set to identify the quiesce reason. The PFS must have support for a vfs_pfsctl to allow notification to the PFS to unquiesce, passing the quiesce handle and file system name. Unquiesce might be necessary under certain exceptional conditions, such as PFS termination or the quiesce owner's system leaving the sysplex.

7. For OSI_UQS, the argument is specified as structure Osi_Quiesce_Struct, which is documented in BPXYPFSI. In the structure, the PFS sets the Osi_Quiesce_Name to OSIQ, and Osi_Quiesce_Version to Osi_QuiesceV1. It sets Osi_Quiesce_Devno to the mt_devno identifying the file system to be unquiesced.

The Osi_Quiesce_Handle must be passed and must match the Osi_Quiesce_Handle that was passed on the quiesce, unless it is FFFFFFFF hex, which is a force unquiesce. If the PFS wants the LFS to perform quiesce handle validation only and not proceed with the unquiesce, it should set flag Osi_Quiesce_CheckOnly.

Characteristics and restrictions

None.

osi_getcred — Obtain SAF UIDs, GIDs and supplementary GIDs

Function

The osi_getcred obtains the real, effective, and saved user IDs; group IDs; and supplementary group IDs from SAF.

Requirements

Authorization:	Supervisor state, any PSW key
Dispatchable unit mode:	Task
Cross memory mode:	Any
AMODE:	31-bit
ASC mode:	Any
Interrupt status:	Enabled for interrupts
Locks:	Unlocked
Control parameters:	All parameters must be addressable by the caller and, except for the Getcred_Parms and area for the supplemental GIDs, must be in the primary address space.

Format

```
osi_getcred(OSI_structure,
            Workarea,
            Alet,
            Getcred_Parms,
            Return_value,
            Return_code,
            Reason_code);
```

Parameters

OSI_structure

Supplied parameter

Type: Structure

Length:
Specified by the Osilen field

OSI_structure contains information that is used by the OSI operations. The PFS receives this structure on each PFS interface operation.

Refer to Appendix D, "Interface structures for C language servers and clients," on page 499 for a full description of this structure.

Workarea

Supplied parameter

Type: Char

Length:
3072 bytes

Workarea is a buffer of 3072 bytes (3K), aligned on a doubleword boundary, that is to be used by this OSI operation.

Alet

Supplied parameter

Type: Integer

Length:
Fullword

The Alet for the Getcred_Parms structure and the supplementary GID list that is pointed to by Getcred_Parms.

Getcred_parms

Supplied parameter

Type: Structure

Length:
Specified by sizeof(OGCDPRM)

An area that contains the osi_getcred parameters. The entries in this area are mapped by the OGCDPRM typedef, which is defined in the BPXYPFISI header.

Refer to Appendix D, "Interface structures for C language servers and clients," on page 499 for a full description of this structure. Following is a description of the parameters in this structure:

oc_hdr

A header that contains an eyecatcher and length. It can be initialized using OGCDPRM_HDR.

oc_real_uid

The real UID, returned by the security product.

oc_effective_uid

The effective UID, returned by the security product.

oc_saved_uid

The saved UID, returned by the security product.

oc_real_gid

The real GID, returned by the security product.

oc_effective_gid

The effective GID, returned by the security product.

oc_saved_gid

The saved GID, returned by the security product.

oc_maxsgids

Set by the invoker to the maximum number of supplementary GIDs that will fit in the area that is pointed to by oc_gid_list. If there is not enough room for all available GIDs, this maximum is returned. In this case, this field is updated, on return to the caller, to indicate the total number of GIDs which could have been returned had there been room for all.

oc_numsgids

The number of supplementary GIDs returned by the security product.

oc_gid_list

A pointer to an area to contain the array of supplementary GIDs.

Return_value

Returned parameter

Type: Integer

Length:

Fullword

A fullword in which the osi_getcred service returns the results of the service, as one of the following:

Return_value**Meaning**

- 1** The operation was not successful. The Return_code and Reason_code parameters contain the values returned by the service.
- 0** The operation was successful, and there was room for all supplementary GIDs in the caller-provided area.
- +1** The operation was successful, but there were more supplementary GIDs than could fit in the caller-provided area. A partial list of GIDs has been returned. The oc_maxsgids field has been updated with the actual number of supplementary GIDs that are available. The oc_maxsgids field should be reset to the proper value, if necessary, before the Getcred_Parms structure is used again on a subsequent call.

Return_code

Returned parameter

osi_getcred

Type: Integer

Length:
Fullword

A fullword in which the `osi_getcred` service stores the return code. The `osi_getcred` service returns `Return_code` only if `Return_value` is -1. For a complete list of supported return code values, see *z/OS UNIX System Services Messages and Codes*.

Reason_code

Returned parameter

Type: Integer

Length:
Fullword

A fullword in which the `osi_getcred` service stores the reason code. The `osi_getcred` service returns `Reason_code` only if `Return_value` is -1. `Reason_code` further qualifies the `Return_code` value. The reason codes are described in *z/OS UNIX System Services Messages and Codes*.

Note that if the `Return_code` that is returned by `osi_getcred` is `EMVSSAF2ERR`, the low-order two bytes of the `Reason_code` will be the RACF return and reason codes.

Usage notes

1. The `osi_getcred` calls SAF to obtain the UID and GID information.
2. If there is not room in the supplementary GID area, SAF returns as many as will fit. A return value of 1 indicates that this has occurred. In this case, the `oc_maxsgids` field is updated with the number that would have been returned had there been room for all supplementary GIDs. The caller should not depend upon those GIDs that are returned when there is not enough room for all supplementary GIDs. The subset of the available GIDs that is returned may differ among various security products, or even from call to call for some security products.
3. The `OSI_structure` contains an area that is pointed to by `osi_workarea`, which may be passed to this service as the `Workarea` parameter.

Related services

None.

Characteristics and restrictions

None.

osi_getvnode — Get or return a vnode

Function

The `osi_getvnode` service is used by a PFS to create a vnode or return a vnode that it created but never used.

Requirements

Authorization:	Supervisor state, PSW key 0
Dispatchable unit mode:	Task or SRB

Cross memory mode:	Any
AMODE:	31-bit
ASC mode:	Any
Interrupt status:	Enabled for interrupts
Locks:	Unlocked
Control parameters:	All parameters must be addressable by the caller and in the primary address space.

Format

```
osi_getvnode(Entry_code,
             Token_structure,
             attribute_structure,
             PFS_token,
             Vnode_token,
             Return_value,
             Return_code,
             Reason_code);
```

Parameters

Entry_code

Supplied parameter

Type: Integer

Length:
Fullword

Entry_code specifies the function that is being requested for the osi_getvnode service.

Entry_code	Explanation
OSI_BUILDVNOD	Get a vnode
OSI_BUILDVNODNL	Get a vnode that is never locked by the LFS.
OSI_RTNVNOD	Return an unused vnode.
OSI_BUILDVNODXL	Get a vnode that is always under an exclusive lock.
OSI_PURGELLA	Purge LLA entries for a vnode.
OSI_INACTASAP	Inactivate a vnode as soon as possible.
OSI_MEMCRITICAL	PFS requests memory relief for its file systems.
OSI_STALEVNODE	Indicate that a file is no longer usable.

Token_structure

Supplied parameter

Type: TOKSTR

Length:
Specified by TOKSTR.ts_hdr_cblen.

This token_structure is the one that was passed to the vnode or VFS operation from which this call is being made. It represents the parent file or file system of the file for which a vnode is being created. This parameter is 0 for OSI_PURGELLA and OSI_INACTASAP.

attribute_structure

Supplied parameter

Type: Structure

osi_getvnode

Length:

Specified by the structure's attr.cbhdr.cblen field.

The file attributes of the file for which this vnode is being created. This structure is mapped by typedef ATTR in the BPXYVFSI header file (see Appendix D, "Interface structures for C language servers and clients," on page 499).

PFS_token

Supplied parameter

Type: Token

Length:

8

The PFS token for the file for which this vnode is being created.

Vnode_token

Returned parameter for entry code OSI_BUILDVNOD, OSI_BUILDVNODXL, and OSI_BUILDVNODNL; supplied parameter for entry code OSI_RTNVNOD, OSI_PURGELLA, and OSI_INACTASAP.

Type: Token

Length:

8

The vnode token for the file.

Return_value

Returned parameter

Type: Integer

Length:

Fullword

The name of a fullword in which the osi_getvnode service returns the results of the operation, as one of the following:

Return_value**Meaning**

-1 The operation was not successful.

0 The operation was successful.

Return_code

Returned parameter

Type: Integer

Length:

Fullword

The name of a fullword in which the osi_getvnode service stores the return code. The osi_getvnode service can return one of the following values in the Return_code parameter only if Return_value is -1. Reason_code further qualifies the Return_code value.

Return_code	Explanation
0	Successful completion
Osi_BadParm	Invalid OSI_structure
Osi_Abend	Abend in osi_getvnode

Reason_code

Returned parameter

Type: Integer

Length:
Fullword

A fullword in which the osi_getvnode service stores the reason code. The osi_getvnode service returns Reason_code only if Return_value is -1. Reason_code further qualifies the Return_code value.

Usage notes

1. For additional information, see “Creating, referring to, and inactivating file vnodes” on page 32.
2. The PFS should use the OSI_RTNVNOD function to return an unused vnode only when it gets a vnode, but decides it does not need it, before returning the vnode token to the LFS.
The Token_structure, attribute_structure, and PFS_token parameters are not referenced for OSI_RTNVNOD, and the PFS may pass a zero for each parameter.
3. The address of the osi_getvnode routine is passed to the PFS in the OSIT when the PFS is initialized.
4. OSI_BUILDVNODNL is used when the PFS does not need the vnode serialization provided by the LFS. A vnode that is obtained in this way is locked only for vn_open and vn_close.
5. The PFS may pass a minimum File_Attribute_Structure, for performance reasons. This structure must include:

at_hdr.cbid

Set to ATT2 to distinguish this subset ATTR

at_hdr.cblen

Set to the correct length

at_mode

The file type field, at least

at_ino**at_major****at_minor****at_genvalue**

The LFS bits, at least

at_fid

6. No Token_structure is required on an OSI_PURGELLA or OSI_INACTASAP request. This parameter may be 0.
7. The PFS can use OSI_STALEVNODE to tell the LFS that a file is no longer usable. After this call, the LFS will not allow new vnode operations. The PFS must continue to handle any operations already in progress at least well enough to fail the operation until the vnode is inactivated.

For a sysplex-aware PFS, this call must be made to the LFS on all systems in the sysplex. Any future vn_lookup call for the old file name or vfs_vget call for the old FID should return a new vnode. The PFS must also insure that the target vnode cannot be inactivated while processing the OSI_STALEVNODE

osi_getvnode

request. During the time that it is processing an OSI_STALEVNODE request, the PFS must reject any vn_inact calls for that vnode.

Characteristics and restrictions

1. This routine can be called only for a vnode or VFS operation that returns a vnode token on the interface—for example, vn_lookup.
2. This routine must be used only on the task that made the vnode or VFS call, with the exception of the OSI_INACTASAP requests. OSI_INACTASAP requests can be invoked on a physical file system worker task; no serialization is necessary for these operations.
3. OSI_MEMCRITICAL is not a vnode-related function. Only the Token_Structure is used as input. The PFS should first check the PFS initialization block (PFSI) to see if the OSI_MEMCRITICAL function is supported. If it is, the PFS may use it to request memory relief by requesting that LFS clean up the vnode cache quickly. The PFS will also be called to harden its cached data to disk for each of its mounted file systems, using vfs_sync. To indicate the completion of this LFS memory-critical function, LFS will set the ts_sysd1 field to OSI_MEMCRITICAL for the last vfs_sync operation.

osi_kipcget — Query interprocess communications

Function

The osi_kipcget service queries shared memory, messages and semaphors for the "next or specified member".

It is a secondary interface to the w_getipc service and is provided for use by a PFS that is running in a colony address space. For information about the w_getipc service, see w_getipc (BPX1GET, BPX4GET) — Query interprocess communications in *z/OS UNIX System Services Programming: Assembler Callable Services Reference*.

Requirements

Authorization:	Supervisor state or problem state; any PSW key
Dispatchable unit mode:	Task
Cross memory mode:	Any
AMODE:	31-bit
ASC mode:	Any
Interrupt status:	Enabled for interrupts
Locks:	Unlocked
Control parameters:	All parameters must be addressable by the caller and in the primary address space.

Format

```
CALL osi_kipcget(Ipc_Token | Ipc_Member_ID,  
                Buffer_Address,  
                Buffer_Length,  
                Command,  
                Return_value,  
                Return_code,  
                Reason_code);
```


Parameters

IpC_Token

Supplied parameter

Type: Integer

Length:
Word

Specifies a token that corresponds to a message queue, shared memory segment, or semaphore member ID. Zero represents the first member ID. The token that is to be used in the next invocation is passed back in Return_value. IpC_Token is ignored when IpC_OVER is specified.

IpC_Member_ID

Supplied parameter

Type: Integer

Length:
Word

Specifies a message queue ID, semaphore ID, or shared member ID.

Buffer_address

Supplied parameter

Type: Address

Length:
Fullword

Address of the buffer structure that is defined by IPCQ. For the structure that describes this buffer, see Mapping macros in *z/OS UNIX System Services Programming: Assembler Callable Services Reference*.

Buffer_Length

Supplied parameter

Type: Address

Length:
Fullword

Length of the structure that is defined by IPCQ. This parameter is set to IPCQ#LENGTH. Field IPCQLENGTH differs from IPCQ#LENGTH when the system call is at a different level than the included IPCQ. An error is returned if this length is less than 4. The buffer is filled to the lesser of IPCQ#LENGTH or the value specified here.

Command

Supplied parameter

Type: Integer

Length:
Fullword

Command	Description
IpCq#ALL	Retrieve next shared memory, message and semaphore member.
IpCq#MSG	Retrieve next message member.
IpCq#SEM	Retrieve next semaphore member.

osi_kipcget

Command	Description
Ipq#SHM	Retrieve next shared memory member.
Ipq#OVER	Overview of system variables. Ignores the value of the first operand (Ip_Token).

Return_value

Returned parameter

Type: Integer

Length:
Fullword

The name of a fullword in which the osi_kipcget service returns the next Ip_Token (a negative number), 0, or -1 (error). If Ip_Token is specified, 0 indicates end of file. If Ip_Member_ID is specified, 0 indicates success.

Return_code

Returned parameter

Type: Integer

Length:
Fullword

The name of a fullword in which the osi_kipcget service stores the return code. The osi_kipcget service returns Return_code only if Return_value is -1. See *z/OS UNIX System Services Messages and Codes* for a complete list of possible return code values. The osi_kipcget service can return one of the following values in the Return_code parameter:

Return_code

EINVAL

Explanation

One of the following errors occurred:

- The Ip_Member_ID is not valid for the command that was specified.
- The Command parameter is not a valid command.
- The buffer pointer was zero; or the buffer length was less than 4.

The following reason codes can accompany the return code: JRBuffTooSmall, JRipBadID, or JRBadEntryCode.

EFAULT

An input parameter specified an address that caused the callable service to program check. The following reason code can accompany the return code: JRBadAddress.

Reason_code

Returned parameter

Type: Integer

Length:
Fullword

The name of a fullword in which the osi_kipcget service stores the reason code. The osi_kipcget service returns Reason_code only if Return_value is -1. Reason_code further qualifies the Return_code value. See *z/OS UNIX System Services Messages and Codes* for the reason codes.

Usage notes

1. With `IpToken`, `return_values` should be tested for 0 (end of file) or -1 (error). Other values are negative and will be the next `IpToken`.
2. With `IpMemberID`, `return_values` should be tested for -1 (error).
3. A member's accessibility can change if the permissions are changed.
4. A given `IpToken` may not always retrieve the same member.
5. If a specific member is desired and has been found using `IpToken`, subsequent requests may place it at that token or later (never earlier).
6. The address of the `osi_kipcget` routine is passed to the PFS in the OSIT structure when the PFS is initialized.

Related services

None.

Characteristics and restrictions

This service may be invoked only from a colony address space.

osi_kmsgctl — Perform message queue control operations

Function

The `osi_kmsgctl` service provides various message control operations as specified by command. These functions include reading and changing message variables within the `MSQID_DS` data structure and removing a message queue from the system.

This is a secondary interface to the `msgctl` service. It is provided for use by a PFS running in a colony address space. For information about the `msgctl` service, see `msgctl (BPX1QCT, BPX4QCT) — Perform message queue control operations in z/OS UNIX System Services Programming: Assembler Callable Services Reference`.

Requirements

Authorization:	Supervisor state or problem state; any PSW key
Dispatchable unit mode:	Task
Cross memory mode:	Any
AMODE:	31-bit
ASC mode:	Any
Interrupt status:	Enabled for interrupts
Locks:	Unlocked
Control parameters:	All parameters must be addressable by the caller and in the primary address space.

Format

```
CALL osi_kmsgctl, (Message_Queue_ID,
                  Command,
                  Buffer,
                  Return_value,
                  Return_code,
                  Reason_code)
```

Parameters

Message_Queue_ID

Supplied parameter

Type: Integer

Length:
Fullword

Specifies the message queue identifier.

Command

Supplied parameter

Type: Integer

Character set:
N/A

Length:
Fullword

The name of a fullword field that indicates the message command that is to be executed. For the structure that contains these constants, see Mapping macros in *z/OS UNIX System Services Programming: Assembler Callable Services Reference*. The values for Command are:

IpC_STAT

This command obtains status information about the message queue that is identified by the Message_Queue_ID parameter, if the current process has read permission. This information is stored in the area that is pointed to by argument Buffer and mapped by area MSQID_DS data structure. For the data structure, see MSQID_DS DSECT.

IpC_SET

Set the value of the IPC_UID, IPC_GID, IPC_MODE and MSG_QBYTES for associated Message_queue_ID. The values that are to be set are taken from the MSQID_DS data structure that is pointed to by argument Buffer. Any value for IPC_UID and IPC_GID may be specified. Only mode bits that are defined by BPX1QGT under the Message_Flag argument may be specified in the IPC_MODE field. This Command can only be executed by a task that has an effective user ID equal to either that of a task with appropriate privileges, or the value of IPC_CUID or IPC_UID in the MSQID_DS data structure that is associated with Message_Queue_ID. This information is taken from the buffer that is pointed to by the Buffer parameter. For the data structure, see MSQID_DS DSECT.

IpC_RMID

Remove the message identifier that is specified by Message_Queue_ID from the system, and destroy the message queue and MSQID_DS data

structure that are associated with it. This Command can only be executed by a process that has an effective user ID equal to either that of a process with appropriate privileges, or the value of IPC_CUID or IPC_UID in the MSQID_DS data structure that is associated with Message_Queue_ID.

Buffer

Parameter supplied and returned

Type: Address

Length:
Fullword

The name of the fullword that contains the address of the buffer into which or from which the message queue information is to be copied. This buffer is mapped by MSQID_DS.

Return_value

Returned parameter

Type: Integer

Length:
Fullword

The name of a fullword in which the osi_kmsgctl service returns -1 or 0.

Return_code

Returned parameter

Type: Integer

Length:
Fullword

The name of a fullword in which the osi_kmsgctl service stores the return code. The osi_kmsgctl service returns Return_code only if Return_value is -1. See *z/OS UNIX System Services Messages and Codes* for a complete list of possible return code values. The osi_kmsgctl service can return one of the following values in the Return_code parameter:

Return_code	Explanation
EACCES	The command specified was Ipc_STAT, and the calling process does not have read permission. The following reason code can accompany the return code: JRlpcDenied.
EINVAL	One of the following errors occurred: <ul style="list-style-type: none"> • Message_Queue_ID is not a valid Message queue identifier • The Command parameter is not a valid command. • The mode bits were not valid (SET). <p>The following reason codes can accompany the return code: JRlpcBadFlags, JRMsqQBytes, or JRlpcBadID.</p>

Return_code

EPERM

Explanation

The command specified was Ipc_RMID or Ipc_SET, and the effective user ID of the caller is not that of a process with appropriate privileges, and is not the value of IPC_CUID or IPC_UID in the MSQID_DS data structure that is associated with Message_Queue_ID.

The command specified was Ipc_SET, and an attempt is being made to increase MSG_QBYTES. The effective user ID of the caller does not have superuser privileges. The following reason codes can accompany the return code: JRIPcDenied or JRMsqQBytes.

EFAULT

The Buffer parameter specified an address that caused the syscall to program check. The following reason code can accompany the return code: JRBadAddress.

Reason_code

Returned parameter

Type: Integer**Length:**
Fullword

The name of a fullword in which the osi_kmsgctl service stores the reason code. The osi_kmsgctl service returns Reason_code only if Return_value is -1. Reason_code further qualifies the Return_code value. See *z/OS UNIX System Services Messages and Codes* for the reason codes.

Usage notes

1. Changing the access permissions only affects message queue syscall invocations that occur after msgctl has returned. msgsnd and msgrcv, which are waiting while the permission bits are changed by msgctl, are not affected.
2. Ipc_SET can change permissions, and might affect the ability of a thread to use the next message queue syscall.
3. Quiescing a message queue stops additional messages from being added, while allowing existing messages to be received. A message queue can be quiesced by clearing (Ipc_SET) write permission bits.
4. A message queue can also be quiesced by reducing MSG_QBYTES (Ipc_SET) to zero. (Note: it would take superuser authority to reraise the limit.) Requesters are told EAGAIN or wait.
5. When a message queue ID is removed (Ipc_RMID) from the system, all waiting threads regain control with RV=-1, RC=EIDRM, and RC=JRIPcRemoved.
6. If you do not want to change all the fields, first initialize (Ipc_STAT) the buffer, change the desired fields, and then make the change (Ipc_SET).
7. For Command Ipc_RMID, the remove is complete by the time control is returned to the caller.

Related services

- “osi_kmsgget — Create or find a message queue” on page 413

Characteristics and restrictions

This service is invoked only from a colony address space.

The caller is restricted by ownership, read, and read/write permissions that are defined by OSI_kmsgget and OSI_kmsgctl Ipc_SET.

osi_kmsgget — Create or find a message queue

Function

The osi_kmsgget service returns a message queue ID.

This is a secondary interface to the msgget service. It is provided for use by a PFS running in a colony address space. For information about the msgget service, see msgget (BPX1QGT, BPX4QGT) — Create or find a message queue in *z/OS UNIX System Services Programming: Assembler Callable Services Reference*.

Requirements

Authorization:	Supervisor state or problem state; any PSW key
Dispatchable unit mode:	Task
Cross memory mode:	Any
AMODE:	31-bit
ASC mode:	Any
Interrupt status:	Enabled for interrupts
Locks:	Unlocked
Control parameters:	All parameters must be addressable by the caller and in the primary address space.

Format

```
CALL osi_kmsgget, (Key,
                  Message_Flag,
                  Return_value,
                  Return_code,
                  Reason_code)
```

Parameters

Key

Supplied parameter

Type: Integer

Length:
Fullword

Identification for this message queue. This is a user-defined value that serves as a lookup value to determine if this message queue already exists, or the reserved value Ipc_PRIVATE.

Message_Flag

Supplied parameter

Type: Integer

Length:

Fullword

Valid values for this field include any combination of the following (additional bits cause an EINVAL):

IPC_CREAT

Creates a message queue if the key that is specified does not already have an associated ID. IPC_CREAT is ignored when IPC_PRIVATE is specified.

IPC_EXCL

Causes the msgget function to fail if the key that is specified has an associated ID. IPC_EXCL is ignored when IPC_CREAT is not specified, or when IPC_PRIVATE is specified.

S_IRUSR

Permits the process that owns the message queue to read it.

S_IWUSR

Permits the process that owns the message queue to alter it.

S_IRGRP

Permits the group that is associated with the message queue to read it.

S_IWGRP

Permits the group that is associated with the message queue to alter it.

S_IROTH

Permits others to read the message queue.

S_IWOTH

Permits others to alter the message queue.

The values that begin with an IPC_ prefix are defined in BPXYIPCP, and are mapped onto S_TYPE, which is in BPXYMODE.

The values that begin with an S_I prefix are defined in BPXYMODE, and are a subset of the access permissions that apply to files.

Return_value

Returned parameter

Type: Integer

Length:

Fullword

The name of a fullword in which the osi_kmsgget service returns -1 or the message queue identifier.

Return_code

Returned parameter

Type: Integer

Length:

Fullword

The name of a fullword in which the osi_kmsgget service stores the return code. The osi_kmsgget service returns Return_code only if Return_value is -1. See *z/OS UNIX System Services Messages and Codes* for a complete list of possible return code values. The osi_kmsgget service can return one of the following values in the Return_code parameter:

Return_code	Explanation
EACCES	A message queue identifier exists for the Key parameter, but operation permission, as specified by the low-order 9-bits of the Message_Flag parameter, is not granted (the "S_" items). The following reason code can accompany the return code: JRIpcDenied.
EEXIST	A message queue identifier exists for the Key parameter, and both Ipc_CREAT and Ipc_EXCL are specified. The following reason code can accompany the return code: JRIpcExists.
EINVAL	The Message_Flag operand included bits that are not supported by this function. The following reason code can accompany the return code: JRIpcBadFlags.
ENOENT	A message queue identifier does not exist for the Key parameter, and Ipc_CREAT was not set. The following reason code can accompany the return code: JRIpcNoExist.
ENOSPC	The system limit of the number of message queue IDs has been reached. The following reason code can accompany the return code: JRIpcMaxIDs.

Reason_code

Returned parameter

Type: Integer

Length:
Fullword

The name of a fullword in which the osi_kmsgget service stores the reason code. The osi_kmsgget service returns Reason_code only if Return_value is -1. Reason_code further qualifies the Return_code value. See *z/OS UNIX System Services Messages and Codes* for the reason codes.

Usage notes

1. If the thread knows the message queue ID, it can issue a msgctl, msgsnd, or msgrcv. msgget is not needed.
2. This function returns the message queue identifier that is associated with the Key parameter.
3. This function creates a data structure, which is defined by MSQID_DS, if one of the following is true:
 - The Key parameter is equal to Ipc_PRIVATE.
 - The Key parameter does not already have a message queue identifier that is associated with it, and Ipc_CREAT is set.
4. Upon creation, the data structure that is associated with the new message queue identifier is initialized as follows:
 - Ipc_CUID and Ipc_UID are set to the effective user ID of the calling task.
 - Ipc_CGID and Ipc_GID are set to the effective group ID of the calling task.
 - The low-order 9-bits of Ipc_MODE are equal to the low-order 9-bits of the Message_Flag parameter.
 - MSG_QBYTES is set to the system limit that is defined by parmlib.
5. The message queue is removed from the system when BPX1QCT (msgctl) is called with command Ipc_RMID.

osi_kmsgget

6. Users of message queues are responsible for removing them when they are no longer needed. Failure to do so ties up system resources.

Related services

- “osi_kmsgctl — Perform message queue control operations” on page 409

Characteristics and restrictions

1. This service is invoked from a colony address space.
2. There is a maximum number of message queues that are allowed in the system.
3. The caller is restricted by ownership, read, and read/write permissions that are defined by OSI_kmsgget and OSI_kmsgctl Ipc_SET.

osi_kmsgrcv — Receive from a message queue

Function

The osi_kmsgrcv service receives a message from a message queue.

This is a secondary interface to the msgrcv service. It is provided for use by a PFS that is running in a colony address space. For information about the msgrcv service, see msgrcv (BPX1QRC, BPX4QRC) — Receive from a message queue in *z/OS UNIX System Services Programming: Assembler Callable Services Reference*.

Requirements

Authorization:	Supervisor state or problem state; any PSW key
Dispatchable unit mode:	Task
Cross memory mode:	Any
AMODE:	31-bit
ASC mode:	Any
Interrupt status:	Enabled for interrupts
Locks:	Unlocked
Control parameters:	All parameters must be addressable by the caller and in the primary address space.

Format

```
CALL osi_kmsgrcv, (Message_Queue_ID,  
                  Message_Address,  
                  Message_Alet,  
                  Message_Length,  
                  Message_Type,  
                  Message_Flag,  
                  Return_value,  
                  Return_code,  
                  Reason_code)
```

Parameters

Message_Queue_ID
Supplied parameter
Type: Integer
Length:
Fullword

Specifies the message queue identifier.

Message_Address

Supplied parameter

Type: Address

Length:

Fullword

The name of a field that contains the address of a buffer that is mapped by MSGBUF or MSGXBUF (see Mapping macros in *z/OS UNIX System Services Programming: Assembler Callable Services Reference*).

Message_Alet

Supplied parameter

Type: Address

Length:

Fullword

The name of the fullword that contains the ALET for Message_Address, which identifies the address space or data space in which the buffer resides.

You should specify a Message_Alet of 0 if the buffer resides in the user's address space (current primary address space).

You should specify a Message_Alet of 2 if the buffer resides in the home address space.

If a value other than 0 or 2 is specified for the Message_ALET, the value must represent a valid entry in the dispatchable unit access list (DUAL).

Message_Length

Supplied parameter

Type: Integer

Length:

Fullword

Specifies the length of the message text that is to be placed in the buffer that is pointed to by Message_Address parameter. If Msg_Info is specified, this buffer is 20 bytes longer than Message_Length; otherwise this buffer is 4 bytes longer than Message_Length. The message that is received may be truncated (see MSG_NOERROR of Message_Flag). A value of zero with MSG_NOERROR is useful for receiving the message type without the message text.

Message_Type

Supplied parameter

Type: Integer

Length:

Fullword

Specifies the type of message that is requested, as follows:

- If Message_Type is equal to zero, the first message on the queue is received.
- If Message_Type is greater than zero, the first message of Message_Type is received.
- If Message_Type is less than zero, the first message of the lowest type that is less than or equal to the absolute value of Message_Type is received.

Message_Flag

Supplied parameter

Type: Integer**Length:**

Fullword

MSG_NOERROR specifies that the received message is to be truncated to Message_Length (mapped in BPXYMSG). The truncated part of the message is lost, and no indication of the truncation is given to the caller.

MSG_INFO specifies that the received message is to be of the MSGXBUF and not the MSGBUF format mapped in BPXYMSG. MSG_INFO specifies that extended information is to be received, which is similar to the msgxrcv() C language function.

IpC_NOWAIT specifies the action that is to be taken if a message of the desired type is not on the queue, as follows:

- If IpC_NOWAIT is specified, the caller is to return immediately with an error (ENOMSG).
- If IpC_NOWAIT is not specified, the calling thread is to suspend execution until one of the following occurs:
 - A message of the desired type is placed on the queue.
 - The message queue is removed from the system (EIDRM).
 - The caller receives a signal (EINTR).

Return_value

Returned parameter

Type: Integer**Length:**

Fullword

The name of a fullword in which the osi_kmsgrcv service returns -1, or the number of MSG_MTEXT bytes returned.

Return_code

Returned parameter

Type: Integer**Length:**

Fullword

The name of a fullword in which the osi_kmsgrcv service stores the return code. The osi_kmsgrcv service returns Return_code only if Return_value is -1. See *z/OS UNIX System Services Messages and Codes* for a complete list of possible return code values. The osi_kmsgrcv service can return one of the following values in the Return_code parameter:

Return_code	Explanation
E2BIG	MSG_MTEXT is greater than Message_Length, and MSG_NOERROR is not set. The following reason code can accompany the return code: JRMSq2Big.
EACCES	Operation permission is denied to the calling task. The following reason code can accompany the return code: JRlpcDenied.

Return_code	Explanation
EIDRM	The Message_Queue_ID was removed from the system while the invoker was waiting. The following reason code can accompany the return code: JRlpcRemoved.
EINTR	The function was interrupted by a signal. The following reason code can accompany the return code: JRlpcSignaled.
EINVAL	Message_Queue_ID is not a valid message queue identifier; or the Message_Length parameter is less than 0. The following reason codes can accompany the return code: JRlpcBadID or JRMsqBadSize.
EFAULT	The Message_Address parameter specified an address that caused the syscall to program check. The following reason code can accompany the return code: JRBAdAddress.
ENOMSG	The queue does not contain a message of the desired type, and Ipc_NOWAIT is set. The following reason code can accompany the return code: JRMsqNoMsg.

Reason_code

Returned parameter

Type: Integer

Length:
Fullword

The name of a fullword in which the osi_kmsgrcv service stores the reason code. The osi_kmsgrcv service returns Reason_code only if Return_value is -1. Reason_code further qualifies the Return_code value. See *z/OS UNIX System Services Messages and Codes* for the reason codes.

Usage notes

1. Within the type specifications, the longest waiting thread is reactivated first (FIFO). For example, if there are two threads waiting on message type 3 and one thread waiting on message type 2, when a message send for type 3 occurs, the oldest waiter for message type 3 receive is posted first.
2. Read access to the specified message queue is required.

Related services

- “osi_kmsgctl — Perform message queue control operations” on page 409
- “osi_kmsgget — Create or find a message queue” on page 413
- “osi_kmsgsnd — Send a message to a message queue” on page 420

Characteristics and restrictions

- This service is invoked only from a colony address space.
- There is a maximum number of message queues that are allowed in the system.
- The caller is restricted by ownership, read, and read/write permissions that are defined by OSI_kmsgrcv and OSI_kmsgctl Ipc_SET.

osi_kmsgsnd — Send a message to a message queue

Function

The osi_kmsgsnd service sends a message to a message queue.

This is a secondary interface to the msgsnd service. It is provided for use by a PFS that is running in a colony address space. For information about the msgsnd service, see msgsnd (BPX1QSN, BPX4QSN) — Send to a message queue in z/OS *UNIX System Services Programming: Assembler Callable Services Reference*.

Requirements

Authorization:	Supervisor state or problem state; any PSW key
Dispatchable unit mode:	Task
Cross memory mode:	Any
AMODE:	31-bit
ASC mode:	Any
Interrupt status:	Enabled for interrupts
Locks:	Unlocked
Control parameters:	All parameters must be addressable by the caller and in the primary address space.

Format

```
CALL osi_kmsgsnd, (Message_Queue_ID,
                  Message_address,
                  Message_Alet,
                  Message_Size,
                  Message_Flag,
                  Return_value,
                  Return_code,
                  Reason_code)
```

Parameters

Message_Queue_ID

Supplied parameter

Type: Integer

Character set:

N/A

Length:

Fullword

Specifies the message queue identifier.

Message_address

Supplied parameter

Type: Address

Length:

Fullword

The name of a field that contains the address of the message that is to be sent. This area is mapped by MSGBUF. The message type is the first word of the message, and must be greater than zero.

Message_Alet

Supplied parameter

Type: Address

Length:

Fullword

The name of the fullword that contains the ALET for Message_address that identifies the address space or data space in which the buffer resides.

You should specify a Message_address of 0 if the buffer resides in the user's address space (current primary address space).

You should specify a Message_address of 2 if the buffer resides in the home address space.

If a value other than 0 or 2 is specified for the Message_ALET, the value must represent a valid entry in the dispatchable unit access list (DUAL).

Message_Size

Supplied parameter

Type: Integer

Length:

Fullword

Specifies the length of the message text that is pointed to by the Message_address parameter. The length does not include the 4-byte type that precedes the message text. For example, a message with a MSG_TYPE and no MSG_MTEXT has a Message_Size of zero.

Message_Flag

Supplied parameter

Type: Integer

Length:

Fullword

Specifies the action that is to be taken if one or more of the following are true:

- Placing the message on the message queue would cause the current number of bytes on the message queue (msg_cbytes) to be greater than the maximum number of bytes that are allowed on the message queue (msg_qbytes).
- The total number of messages on the message queue (msg_qnum) is equal to the system-imposed limit.

The actions that are taken are as follows:

- If Ipc_NOWAIT is specified, the caller returns immediately with an error (EAGAIN).
- If Ipc_NOWAIT is not specified, the calling thread suspends execution until one of the following occurs:
 - The message is sent.
 - The message queue is removed from the system (EIDRM).
 - The caller receives a signal (EINTR).

osi_kmsgsnd

Return_value

Returned parameter

Type: Integer

Length:
Fullword

The name of a fullword in which the osi_kmsgsnd service returns -1 or 0. The message was sent unless a -1 is received.

Return_code

Returned parameter

Type: Integer

Length:
Fullword

The name of a fullword in which the osi_kmsgsnd service stores the return code. The osi_kmsgsnd service returns Return_code only if Return_value is -1. See *z/OS UNIX System Services Messages and Codes* for a complete list of possible return code values. The osi_kmsgsnd service can return one of the following values in the Return_code parameter:

Return_code	Explanation
EACCES	Operation permission is denied to the calling task. The following reason code can accompany the return code: JRlpcDenied.
EAGAIN	The message cannot be sent, and Message_Flag is set to Ipc_NOWAIT. The following reason codes can accompany the return code: JRMsqQueueFullMessages, JRMsqQueueFullBytes.
EIDRM	The Message_Queue_ID was removed from the system while the invoker was waiting. The following reason code can accompany the return code: JRlpcRemoved.
EINTR	The function was interrupted by a signal, and the message was not sent. The following reason code can accompany the return code: JRlpcSignaled.
EINVAL	Message_Queue_ID is not a valid message queue identifier; the value of MSG_TYPE is less than 1; or the value of Message_Size is less than zero or greater than the system-imposed limit. The following reason codes can accompany the return code: JRlpcBadID, JRMsqBadSize or JRMsqBadType.
EFAULT	The Message_address parameter specified an address that caused the syscall to program check. The following reason code can accompany the return code: JRBadAddress.
ENOMEM	There are not enough system storage exits to send the message; the message was not sent. The following reason code can accompany the return code: JrSmNoStorage.

Reason_code

Returned parameter

Type: Integer

Length:
Fullword

The name of a fullword in which the osi_kmsgsnd service stores the reason code. The osi_kmsgsnd service returns Reason_code only if Return_value is -1. Reason_code further qualifies the Return_code value. See *z/OS UNIX System Services Messages and Codes* for the reason codes.

Usage notes

None.

Related services

- “osi_kmsgget — Create or find a message queue” on page 413
- “osi_kmsgctl — Perform message queue control operations” on page 409
- “osi_kmsgrcv — Receive from a message queue” on page 416

Characteristics and restrictions

1. This service may only be invoked from a colony address space.
2. The caller is restricted by ownership, read, and read/write permissions that are defined by OSI_kmsgsnd and OSI_kmsgctl Ipc_SET.

osi_mountstatus — Report file system status to LFS

Function

The osi_mountstatus service is used by a PFS to indicate to the LFS a change in the status of a file system, such as completion of an asynchronous mount operation.

Requirements

Authorization:	Problem or supervisor state; any PSW key
Dispatchable unit mode:	Task or SRB
Cross memory mode:	Any
AMODE:	31-bit
ASC mode:	Any
Interrupt status:	Enabled for interrupts
Locks:	Unlocked
Control parameters:	All parameters must be addressable by the caller and in the primary address space.

Format

```
osi_mountstatus(Entry_code,
                StDev,
                Return_value,
                Return_code,
                Reason_code);
```

Parameters

Entry_code

Supplied parameter

Type: Integer

Length:
Fullword

osi_mountstatus

Entry_code specifies the function that is being requested for the osi_mountstatus service.

Entry_code	Explanation
OSI_MOUNTCOMPLETE	Mount complete

StDev

Supplied parameter

Type: Integer

Length:
Fullword

This is a copy of MTAB.mt_stdev that is passed by the LFS on the original vfs_mount. It identifies the file system for which status is being reported.

Return_value

Returned parameter

Type: Integer

Length:
Fullword

The name of a fullword in which the osi_mountstatus service returns the results of the operation, as one of the following:

Return_value	Meaning
--------------	---------

-1	The operation was not successful.
----	-----------------------------------

0	The operation was successful.
---	-------------------------------

Return_code

Returned parameter

Type: Integer

Length:
Fullword

The name of a fullword in which the osi_mountstatus service stores the return code. The osi_mountstatus service can return the following value in the Return_code parameter only if Return_value is -1. Reason_code further qualifies the Return_code value.

Return_code	Explanation
EINVAL	Parameter error. Consult Reason_code to determine the exact reason the error occurred. The following reason codes can accompany the return code: JRIsMounted, JRBadStDev.

Reason_code

Returned parameter

Type: Integer

Length:
Fullword

A fullword in which the osi_mountstatus service stores the reason code. The osi_mountstatus service returns Reason_code only if Return_value is -1. Reason_code further qualifies the Return_code value.

Usage notes

1. For the OSI_MOUNTCOMPLETE Entry_code:
 - The PFS uses this entry code to inform the LFS of the completion of a mount operation that was previously identified as asynchronous. The LFS calls `vfs_mount` again to complete the mount. See “Asynchronous mounting” on page 30.
 - If the PFS has a Return_value, Return_code, and Reason_code to present, indicating the status of the mount, they must be returned to the LFS at the time `vfs_mount` is called again.
2. The address of the `osi_mountstatus` routine is passed to the PFS in the OSIT when the PFS is initialized.

osi_post — Post an OSI waiter

Function

The `osi_post` service posts a process that is waiting in `osi_wait`.

Requirements

Authorization:	Problem or supervisor state, any PSW key
Dispatchable unit mode:	Task or SRB
Cross memory mode:	Any
AMODE:	31-bit
ASC mode:	Any
Interrupt status:	Enabled for interrupts
Locks:	Unlocked
Control parameters:	All parameters must be addressable by the caller and in the primary address space.

Format

```
osi_post(OSI_post_token,
         Return_code);
```

Parameters

OSI_post_token

Supplied parameter

Type: Token

Length:

24

`OSI_post_token` is the post token that is saved from the `OSI_structure` of the task that is to be posted.

Refer to Appendix D, “Interface structures for C language servers and clients,” on page 499 for a full description of this structure.

Return_code

Returned parameter

Type: Integer

osi_post

Length:

Fullword

The name of a fullword in which the `osi_post` service stores the return code. The `osi_post` service can return one of the following values in the `Return_code` parameter:

Return_code	Explanation
0	Successful completion
Osi_BadParm	Invalid OSI_structure
Osi_Abend	Abend in osi_post

Usage notes

1. For additional information, see “Waiting and posting” on page 22.
2. The task that is posted is the task that is represented by `OSI_post_token`. Before a PFS uses `OSI_wait`, it should copy the `OSI_post_token` from the OSI structure to a place that is addressable by the task that performs the `OSI_post`. The storage for the OSI for the waiting task is freed if the task terminates.
3. The PFS must never call `OSI_post` for a waiting process more than once, and it should have sufficient logic and recovery to avoid calling `OSI_post` for a task that is no longer waiting.
4. The address of the `osi_post` routine is passed to the PFS in the OSIT structure when the PFS is initialized.

Related services

- “`osi_wait` — Wait for an event to occur” on page 445

osi_sched — Schedule async I/O completion

Function

The `osi_sched` service schedules the completion of an asynchronous request.

Requirements

Authorization:	Problem or Supervisor state, any key
Dispatchable unit mode:	Task or SRB
Cross memory mode:	Any
AMODE:	31-bit
ASC mode:	Any
Interrupt status:	Enabled for interrupts
Locks:	Unlocked
Control parameters:	All parameters must be addressable by the caller and in the primary address space.

Format

```
osi_sched(Saved_Osi_AsyTok,  
          Return_value,  
          Return_code,  
          Reason_code);
```

Parameters

Saved_Osi_AsyTok

Supplied parameter

Type: Token

Length:
8 bytes

The name of the field that contains the osi_asytok value that was saved by the PFS during Part 1 of the asynchronous vnode operation that is now completing.

Return_value

Supplied and returned parameter

Type: Integer

Length:
Fullword

The name of a fullword in which the PFS passes the results of Part 1 of the asynchronous operation, and the LFS returns the results of the scheduling.

On input to osi_sched, one of the following return values is returned:

0 or greater

The request is successful.

The LFS invokes the PFS for Part 2 of the asynchronous operation.

If the user has requested a preprocessing exit call, this value is passed to the exit before Part 2 is invoked.

On receive-type operations, the PFS should pass the actual length of the data that is to be received, if it can do so at this point. This allows a preprocessing exit to allocate smaller buffers than the size that was originally specified at the beginning of the operation. If this value cannot be passed to osi_sched, a Return_value of 0 should be used, and the exit will allocate buffers to accommodate the amount that was originally requested. See *asynco (BPX1AIO, BPX4AIO) — Asynchronous I/O for sockets in z/OS UNIX System Services Programming: Assembler Callable Services Reference* for more details about these operations.

-1

The request has failed.

The LFS does not invoke the PFS for Part 2 of the asynchronous operation.

The Return_value, Return_code, and Reason_code are passed back to the user as the results of the operation.

If the PFS has resources to free that cannot be freed by the caller of osi_sched, or if for any other reason Part 2 needs to be called, it should set Return_value to 0 and report the failure of the user's operation as output from Part 2.

On output from osi_sched, one of the following return values is returned:

0

The scheduling was successful.

The LFS invokes the PFS for Part 2 of the asynchronous operation based on the input Return_value.

osi_sched

If Part 2 cannot be run because of process termination, the PFS gets a `vn_cancel` instead.

- 1 The `Saved_Osi_AsyTok` value was not recognized.

The LFS always accepts valid calls to `osi_sched`. Even when the user's process is terminating and Part 2 cannot be run, cleanup for the request is deferred to `vn_cancel`.

If the saved LFS token is bad, it is not clear what the PFS should do about it. This could be a logic error in the PFS. If the value that was passed was once an LFS token, and this is not a late or redundant call, then it is unlikely that this can happen, because the LFS does not clean up its request while there is still any valid chance that `osi_sched` will be called.

Return_code

Supplied and returned parameter

Type: Integer

Length:
Fullword

The name of a fullword in which the PFS passes the return code from Part 1, and the LFS returns the return code from the scheduling.

The `Return_code` parameter is meaningful only if `Return_value` is -1.

Reason_code

Returned parameter

Type: Integer

Length:
Fullword

The name of a fullword in which the PFS passes the reason code from Part 1 and the LFS returns the reason code from the scheduling. `Reason_code` further qualifies the `Return_code` value.

The `Reason_code` parameter is meaningful only if `Return_value` is -1.

For the reason codes, see *z/OS UNIX System Services Messages and Codes*.

Usage notes

1. For more information about asynchronous operations, see "Asynchronous I/O processing" on page 64.
2. `osi_sched` is called by the PFS when an asynchronous vnode operation is ready to complete. For instance, data has arrived for receive-type operations or buffers are available for write-type operations.
3. `Osi_asytok` on entry to Part 1 of an asynchronous vnode operation contains the LFS's request token. This value must be saved by the PFS, and is used here to identify the operation that is completing.
4. As a result of calling `osi_sched`, the LFS calls the PFS for Part 2 of the original operation again. Part 2 is run from an SRB in the user's address space.

Characteristics and restrictions

None.

osi_selpost — Post a process waiting for select

Function

The osi_selpost service posts a process that is waiting because of a select request.

Requirements

Authorization:	Problem or supervisor state, any PSW key
Dispatchable unit mode:	Task or SRB
Cross memory mode:	Any
AMODE:	31-bit
ASC mode:	Any
Interrupt status:	Enabled for interrupts
Locks:	Unlocked
Control parameters:	All parameters must be addressable by the caller and in the primary address space.

Format

```
osi_selpost(Select_token,
            Return_value,
            Return_code,
            Reason_code);
```

Parameters

Select_token

Supplied parameter

Type: Token

Length:
16 bytes

Select_token is the token that was saved by the PFS when it was called for the select query request. The PFS does not need to be aware of the contents of this field; it just needs to save it on the select request and pass it to this module when it is time to post.

Return_value

Returned parameter

Type: Integer

Length:
Fullword

A fullword in which the osi_selpost operation returns the results of the operation, as one of the following:

Return_value

Meaning

-1 The operation was not successful.

0 The operation was successful.

Return_code

Returned parameter

osi_selpost

Type: Integer

Length:
Fullword

A fullword in which the `osi_selpost` operation stores the return code. The `osi_selpost` operation returns `Return_code` only if `Return_value` is -1. For a complete list of supported return code values, see *z/OS UNIX System Services Messages and Codes*.

Reason_code
Returned parameter

Type: Integer

Length:
Fullword

A fullword in which the `osi_selpost` operation stores the reason code. The `osi_selpost` operation returns `Reason_code` only if `Return_value` is -1. `Reason_code` further qualifies the `Return_code` value.

Usage notes

1. For additional information, see “Select/poll processing” on page 52.
2. The task that is posted is the task that is represented by `Select_token`. Before a PFS uses `osi_selpost`, it should copy the `Select_token` to a place that is addressable by the task that will perform the `osi_selpost`.
3. The PFS must never call `osi_selpost` for a waiting process more than once, and it should have sufficient logic and recovery to avoid calling `osi_selpost` for a task that is no longer waiting.
4. The address of the `osi_selpost` routine is passed to the PFS in the OSIT structure when the PFS is initialized.

Related services

- “`vn_select` — Select or poll on a vnode” on page 220

Characteristics and restrictions

The caller of this service must be on a process thread.

osi_signal — Generate the requested signal event

Function

The `osi_signal` service generates the requested signal to the target process.

Requirements

Authorization:	Problem or supervisor state, any PSW key
Dispatchable unit mode:	Task
Cross memory mode:	Any
AMODE:	31-bit
ASC mode:	Any
Interrupt status:	Enabled for interrupts
Locks:	Unlocked
Control parameters:	All parameters must be addressable by the caller and in the primary address space.

Format

```
osi_signal(OSI_structure,
          Target_Osipid,
          Signal_value,
          Signal_options,
          Return_value,
          Return_code,
          Reason_code);
```

Parameters

OSI_structure

Supplied parameter

Type: Structure

Length:
Specified by the Osilen field.

OSI_structure contains information that is used by the OSI operations. The PFS receives this structure on each PFS interface operation.

For more information about the full description of this structure, see Appendix D, "Interface structures for C language servers and clients," on page 499.

Target_Osipid

Supplied parameter

Type: Integer

Length:
Fullword

A copy of the Osipid field from the target process.

Signal_value

Supplied parameter

Type: Integer

Length:
Fullword

The name of a fullword that contains the signal value. See *z/OS XL C/C++ Runtime Library Reference* for a description of the signal.h header and the signal values.

Signal_options

Supplied parameter

Type: Integer

Length:
Fullword

The name of a fullword that contains the signal option flags. See *kill (BPX1KIL, BPX4KIL)* — Send a signal to a process in *z/OS UNIX System Services Programming: Assembler Callable Services Reference* for a description of the declaration of signal option flags.

Return_value

Returned parameter

osi_signal

Type: Integer

Length:
Fullword

A fullword in which the `osi_signal` service returns the results of the signal request, as one of the following values:

-1 The operation was not successful.

0 The operation was successful.

Return_code

Returned parameter

Type: Integer

Length:
Fullword

A fullword in which the `osi_signal` service stores the return code. The `osi_signal` service returns `Return_code` only if `Return_value` is `-1`. See *z/OS UNIX System Services Messages and Codes* for a complete list of supported return code values.

Reason_code

Returned parameter

Type: Integer

Length:
Fullword

A fullword in which the `osi_signal` service stores the reason code. The `osi_signal` service returns `Return_code` only if `Return_value` is `-1`. `Reason_code` further qualifies the `Return_code` value. The reason codes are described in *z/OS UNIX System Services Messages and Codes*.

Usage notes

1. The PFS must have the process ID of the task that is to receive the signal. This information must be retrieved from the target `OSI_structure` and placed in a variable that is visible to the task that will eventually invoke the `osi_signal` service.
2. The address of the `osi_signal` routine is passed to the PFS in the `OSIT` structure when the PFS is initialized.

osi_sleep — Sleep until a resource is available

Function

The `osi_sleep` service waits for an `osi_wakeup` to be called with a matching `Resource_id` and `Pfs_id`.

Requirements

Authorization:	Problem or supervisor state, any PSW key
Dispatchable unit mode:	Task
Cross memory mode:	Any
AMODE:	31-bit
ASC mode:	Any
Interrupt status:	Enabled for interrupts

Locks: Unlocked
 Control parameters: All parameters must be addressable by the caller and in the primary address space.

Format

```
osi_sleep(OSI_structure,
          Resource_id,
          Time_interval,
          Return_value,
          Return_code,
          Reason_code);
```

Parameters

OSI_structure

Supplied parameter

Type: OSI

Length:
Specified by OSI.osi_hdr.cblen.

OSI_structure contains information that is used by the OSI operations. The PFS receives this structure on each PFS interface operation.

Refer to Appendix D, "Interface structures for C language servers and clients," on page 499 for a full description of this structure.

Resource_id

Supplied parameter

Type: Token

Length:
Fullword

The Resource_id identifies the resource for which the thread is waiting.

Time_interval

Supplied parameter

Type: Integer

Length:
Doubleword

The Time_interval is the maximum time for which osi_sleep will sleep. The value is specified in timer units and is rounded up to approximate seconds (the value of the high-order word). See *z/Architecture Principles of Operation* for more information about timer units. The rounded-up value is added to the current time; therefore a very large time interval added to the current time could wrap to a very small number and result in an immediate timeout of osi_sleep. A value of 0 indicates that there is no time limit.

Return_value

Returned parameter

Type: Integer

Length:
Fullword

osi_sleep

The name of a fullword in which the `osi_sleep` service returns the results of the operation as one of the following:

Return_value

Meaning

- 1 The operation was not successful.
- 0 The operation was successful, and the task was awakened by `osi_wakeup`.

Return_code

Returned parameter

Type: Integer

Length:

Fullword

The name of a fullword in which the `osi_sleep` service stores the return code. The `osi_sleep` service can return one of the following values in the `Return_code` parameter only if `Return_value` is -1. `Reason_code` further qualifies the `Return_code` value.

Return_code	Explanation
EDEADLK	An FRR was active when the service was requested.
EINTR	The service was interrupted. Consult <code>Reason_code</code> to determine the exact reason the error occurred. The following reason codes can accompany the return code: <code>JRSIGDURINGWAIT</code> , <code>JRTIMEOUT</code> .
EINVAL	Incorrect parameter. Consult <code>Reason_code</code> to determine the exact reason the error occurred. The following reason codes can accompany the return code: <code>JRBADOSI</code> , <code>JRBADPFSID</code> .
EIO	The file system was unmounted while LFS serialization was dropped.
EMVSNOTUP	The system is being stopped.

Reason_code

Returned parameter

Type: Integer

Length:

Fullword

A fullword in which the `osi_sleep` service stores the reason code. The `osi_sleep` service returns `Reason_code` only if `Return_value` is -1. `Reason_code` further qualifies the `Return_code` value.

Usage notes

1. For additional information, see “Waiting and posting” on page 22.
2. All LFS serialization is dropped during an `osi_sleep` and reestablished after the `osi_wakeup`.
3. Before calling `osi_sleep`, the PFS must copy the `osi_pfsid` value to a location that is addressable by the task that will call `osi_wakeup`. It must be passed as the `Pfs_id` on `osi_wakeup`. The `osi_pfsid` value that is passed to the PFS is the same for all operations of this PFS. It is also passed as `pfsi_pfsid` during PFS initialization. This initialization value may be used on `osi_wakeup` instead of saving the OSI value.

4. The osi_wakeup service does not wake up a task that is not currently sleeping. If osi_wakeup is issued before osi_sleep for the same resource, the task sleeps until the next osi_wakeup for that resource. Therefore, the PFS must have sufficient logic and recovery to ensure that sleeping tasks are eventually awakened.
5. The address of the osi_sleep routine is passed to the PFS in the OSIT structure when the PFS is initialized.

Related services

- “osi_wakeup — Wake up OSI sleepers” on page 449

Characteristics and restrictions

1. This routine must be used only on the task that made the vnode or VFS call.
2. An osi_sleep is not permitted if an FRR is established.

osi_thread — Fetch and call a module from a colony thread

Function

The osi_thread service is used by a PFS to call a module on an asynchronous colony thread that is in the same colony address space that the PFS is running on. For a synchronous request, the caller's task is put into a wait while the module is running.

Requirements

Authorization:	Problem or supervisor state, any PSW key
Dispatchable unit mode:	Task
Cross memory mode:	Any
AMODE:	31-bit
ASC mode:	Any
Interrupt status:	Enabled for interrupts
Locks:	Unlocked
Control parameters:	All parameters must be addressable by the caller and in the primary address space.

Format

```
osi_thread(OSI_structure,
           OsitThread_Parm_structure,
           Return_value,
           Return_code,
           Reason_code);
```

Parameters

OSI_structure

Supplied parameter

Type: Structure

Length:

Specified by the Osilen field

OSI_structure contains information that is used by the OSI operations. The PFS receives this structure on each PFS interface operation.

Refer to Appendix D, “Interface structures for C language servers and clients,” on page 499 for a full description of this structure.

OsitThread_Parm_structure

Supplied parameter

Type: Structure

Length:

Specified by the Othdlen field

An area that contains the OsitThread parameters. The entries in this area are mapped by the OTHDPRM typedef.

Refer to Appendix D, “Interface structures for C language servers and clients,” on page 499 for a full description of this structure. The following OsitThread parameters must be supplied:

ot_modname

The name of the module that is to be fetched and called on the colony thread. The name must be a null-terminated string that is acceptable to the C fetch function.

ot_parms

The address of the parameters that is to be passed to the module specified by ot_modname. This parameter is also passed to the named exit if it is called. If any parameters are passed, the first parameter is used by the LFS to pass a state token to the named module or exit routine. The area whose address is passed in ot_parms must reserve the first word for this purpose.

The address that is specified in this parameter points to a structure, or control block, in whose first word the LFS inserts the address of the 8-byte state token. A pointer containing ot_parms is the first parameter to the module and to the exit routine.

ot_exitname

The name of the exit routine that may be called after the module completes. This routine is called for a request that specifies NOWAIT, or when the caller's wait is terminated before the module completes. The name must be a null-terminated string that is acceptable to the C fetch function.

ot_option_flags

A field in which the caller can specify:

- OSI_SIGWAIT—the caller's task is put into a signal-enabled wait until the module that is named in ot_modname completes.
- OSI_NOWAIT—the caller's task is not put into a wait; the module is run asynchronously.

If neither OSI_SIGWAIT nor OSI_NOWAIT is specified, the caller's task is placed in a wait that is not signal-enabled.

- OSI_RELEASEMODS—the fetched module and exit routine, if called, are released when the request is complete.

When a module is released, any state token that is associated with this module on the current osi worker thread is freed.

IF OSI_RELEASEMODS is not specified, the named module and the exit routine, if called, remain in storage. The next request that specifies these routines does not fetch them before calling them.

Return_value

Returned parameter

Type: Integer

Length:
Fullword

The name of a fullword in which the osi_thread service returns the results of the operation, as one of the following return codes:

Return_value**Meaning**

- 1** The operation was not successful. The resources that are associated with this request can be safely freed.
- 0** The operation was successful. The resources that are associated with this request can be safely freed.
- +1** The named module was scheduled to be called, but might not have completed. Resources that are associated with this request should not be freed. This value is returned if the request specified OSI_NOWAIT, or if the caller's wait is terminated before the request completes.

Note: The return value indicates the results of the osi_thread service. It does not indicate the results of the named module. Some other mechanism must be used by the caller to determine these results.

Return_code

Returned parameter

Type: Integer

Length:
Fullword

The name of a fullword in which the osi_thread service stores the return code. The osi_thread service can return one of the following values in the Return_code parameter only if Return_value is +1 or -1. Reason_code further qualifies the Return_code value.

Return_code	Explanation
EINTR	The service was interrupted by a signal.
EINVAL	Parameter error. Consult Reason_code to determine the exact reason that the error occurred. The following reason codes can accompany the return code: JROWaitSetupErr, JRNoClnyThreadSuppt.

Reason_code

Returned parameter

Type: Integer

Length:
Fullword

A fullword in which the osi_thread service stores the reason code. The osi_thread service returns Reason_code only if Return_value is +1 or -1. Reason_code further qualifies the Return_code value.

Usage notes

1. The osi_thread service may be invoked only from a PFS that is running in a colony address space.
2. For more information, see “Using daemon tasks within a PFS” on page 48.
3. The osi_thread service is not available for use until kernel initialization is complete. The PFS can determine when kernel initialization is complete by interrogating the ot_available flag whose address is passed in the pfsi_otstatptr field.
4. The caller must not free any resources that can be used by the module that is running on the colony thread unless a return value of 0 or -1 is returned. If a return value of +1 is returned, the resources must be freed by the exit routine.
5. The osi_thread service undoes any Osi_Wait Setup that was done before this service was called.
6. The named module and the named exit routine are fetched on the colony thread using the C/370™ **fetch()** function. The named module must comply with any requirements of this function. See *z/OS XL C/C++ Runtime Library Reference* for more information.
7. The named module, and the exit routine, if it is called, remain in storage after the request completes, unless OSI_RELEASEMODS was specified.
8. The named module and the exit routine may use C/RTL or POSIX services. The writer of the PFS should remember that this thread could be used to fetch and call the specified module on another osi_thread call. Therefore, the named module should not request any services that would affect the process that is associated with this thread, such as exit or exec. Pthread services should not be requested either.
9. The named module and the exit routine must be reentrant.
10. The named module and the exit routine are invoked using OS linkage conventions.
11. The named module and the exit routine receive control in the following environment:

Authorization:	Problem state, PSW key 8
Dispatchable unit mode:	Task
Cross memory mode:	PASN=HASN=SASN
AMODE:	31-bit
ASC mode:	Primary
Interrupt status:	Enabled for interrupts
Locks:	Unlocked
Signals:	All signals are blocked except SIGALRM
12. If any parameters are passed to the named module or exit routine, the first parameter should be the address of an 8-byte state token. The first time a named module or exit routine is invoked on a particular osi worker thread, this token is zeros. The named module or exit routine can modify this token to preserve some state information from one invocation to the next. For all subsequent invocations of this module on this particular worker thread, the token is provided unmodified by the LFS.
 When the PFS uses a parameter structure, the first word is used by the LFS to point to the state token. The input to the module and exit looks like this:

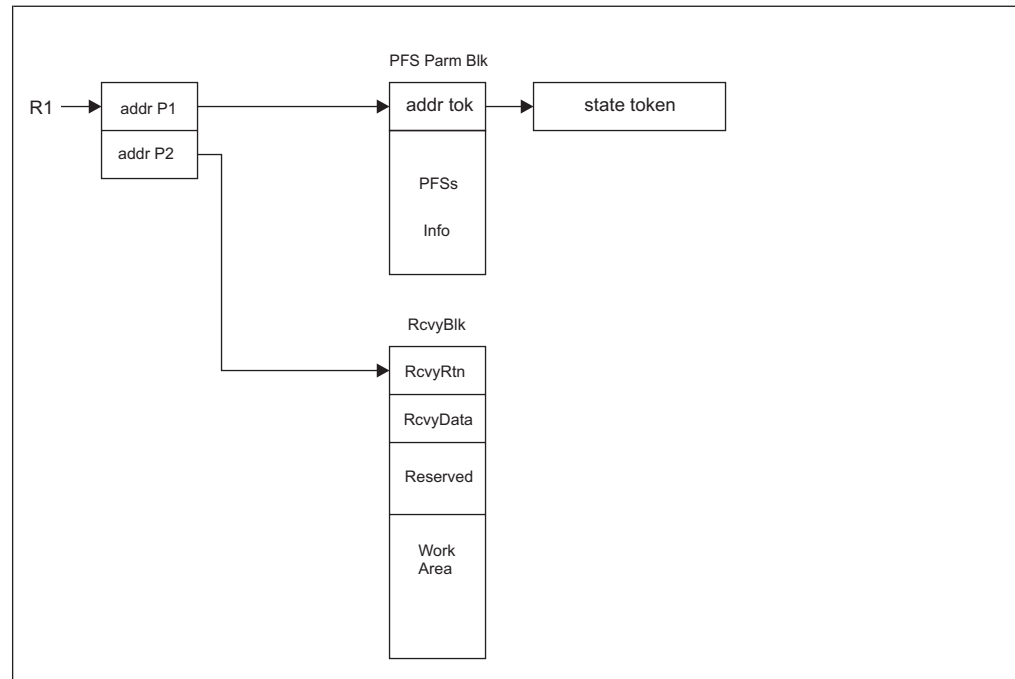


Figure 8. Input to module and exit using a parameter structure

When the PFS does not use a parameter structure, the input to the module and exit looks like this:

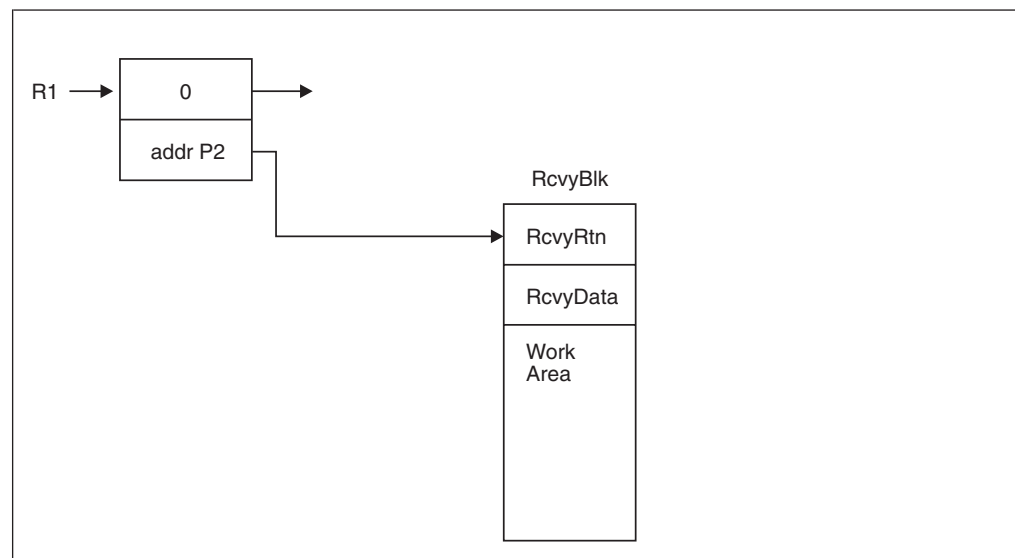


Figure 9. Input to module and exit without using a parameter structure

13. ESTAE-like recovery is available to the module and exit routines. This saves the overhead involved in having these routines set up and take down their own ESTAEs on each entry.

A pointer to a Recovery Block (RcvyBlk) is passed as the second parameter to these routines. The pointer is used as follows:

- a. On entry, or when recovery protection is needed, the module or exit sets the RcvyData pointer to the address of its own recovery information. Pertinent data can also be placed in the work area. This data will be available to the recovery routine.

The RcvyRtn pointer is set to the address of a recovery routine.

- b. If the module or exit ends abnormally, and RcvyRtn is non-zero, the RcvyRtn routine is called from the LFS's ESTAE and passed all the parameters provided by RTM, including the pointer to RcvyBlk. An exception is that register 15 contains the address of the recovery routine (RcvyRtn), rather than the address of the LFS's permanent ESTAE exit. When the RcvyRtn routine returns, it returns directly to RTM, rather than to the LFS's permanent ESTAE exit.
- c. Under normal circumstances, before returning, or when recovery protection is no longer needed, the module or exit zeros out the RcvyRtn field.

The recovery routine is invoked in the same way as an MVS ESTAE routine, not a C subroutine. The registers on entry are:

Register

Contents

- | | |
|------------|---|
| R0 | 12, if an SDWA is not provided; otherwise, an SDWA address is provided in R1. |
| R1 | SDWA address, if an SDWA is provided; otherwise, completion code. |
| R2 | Pointer to RcvyBlk, with or without an SDWA. This value is also contained in SDWAPARM when an SDWA is provided. |
| R13 | Address of the save area provided by RTM. |
| R14 | Return address, as provided by RTM. |
| R15 | Address of the recovery routine that is being called (RcvyRtn). |
- 14. The recovery block (RcvyBlk) is mapped by OTHDCRCV in bpxypfsi.h.
 - 15. The work area in the recovery block can be used to pass information to the recovery routine. It can also be used as a work area for the recovery routine to build dump titles or list forms of assembler macros.
 - 16. The recovery routine is entered in problem program state, key 8.
 - 17. The address of the osi_thread routine is passed to the PFS in the OSIT when the PFS is initialized.

Characteristics and restrictions

This routine must be used only on the task that made the vnode or VFS call.

osi_uiomove — Move data between PFS buffers and buffers defined by a UIO structure

Function

The osi_uiomove service moves blocks of data between PFS buffers and buffers that are defined by a UIO structure.

Requirements

Authorization:	Supervisor state, PSW key 0
Dispatchable unit mode:	Task or SRB
Cross memory mode:	Any
AMODE:	31-bit
ASC mode:	Any

Interrupt status:	Enabled for interrupts
Locks:	Unlocked
Control parameters:	All parameters must be addressable by the caller and in the primary address space.

Format

```
osi_uiomove(OSI_structure,
            Workarea,
            PFS_Buffer,
            PFS_Buffer_Alet,
            Number_of_bytes,
            User_IO_structure,
            Return_value,
            Return_code,
            Reason_code);
```

Parameters

OSI_structure

Supplied parameter

Type: Structure

Length:
Specified by the Osilen field

OSI_structure contains information that is used by the OSI operations. The PFS receives this structure on each PFS interface operation.

Refer to Appendix D, "Interface structures for C language servers and clients," on page 499 for a full description of this structure.

Workarea

Supplied parameter

Type: Char

Length:
2048 bytes

Workarea is a buffer of 2048 bytes, aligned on a word boundary, that is to be used by this OSI operation.

PFS_Buffer

Supplied parameter

Type: Char

Length:
N/A

The name of the buffer to or from which data is to be moved.

PFS_Buffer_Alet

Supplied parameter

Type: Integer

Length:
Fullword

The Alet for the specified PFS_Buffer.

osi_uiomove

Number_of_bytes

Supplied parameter

Type: Integer

Length:
Fullword

The number of bytes to move.

User_IO_structure

Supplied and returned parameter

Type: UIO

Length:
Specified by UIO.u_hdr.cblen.

An area that contains the parameters for the I/O that is to be performed. This area is mapped by the UIO typedef in the BPXYVFSI header file (see Appendix D, "Interface structures for C language servers and clients," on page 499). See "Specific processing notes" on page 443 for details on how the fields in this structure are processed.

Return_value

Returned parameter

Type: Integer

Length:
Fullword

A fullword in which the osi_uiomove service returns the results of the service, as one of the following:

Return_value Meaning

-1 The operation was not successful. The Return_code and Reason_code parameters contain the values that are returned by the service.

0 or greater
The operation was successful. The value represents the number of bytes that were transferred.

Return_code

Returned parameter

Type: Integer

Length:
Fullword

A fullword in which the osi_uiomove service stores the return code. The osi_uiomove service returns Return_code only if Return_value is -1. For a complete list of return codes, see *z/OS UNIX System Services Messages and Codes*.

Reason_code

Returned parameter

Type: Integer

Length:
Fullword

A fullword in which the osi_uiomove service stores the reason code. The osi_uiomove service returns Return_code only if Return_value is -1. Reason_code further qualifies the Return_code value. The reason codes are described in *z/OS UNIX System Services Messages and Codes*.

Usage notes

1. The osi_uiomove service moves the number of bytes of data that is specified by the Number_of_bytes parameter or the UIO.u_count field, whichever is less. If either of these parameters is zero, no data is moved, and Return_value field is set to 0.
2. The u_iovresidualcnt and u_totalbytesrw fields, described in this topic, are not set until after the first call to osi_uiomove.
3. This service requires the calling program to run in key 0 storage, because it must update the UIO, and this structure is usually in key 0 storage. Osi_copyin and osi_copyout do not require the calling program to be in key 0 storage.
4. The address of the osi_uiomove routine is passed to the PFS in the OSIT structure when the PFS is initialized.
5. The OSI_structure contains an area, pointed to by osi_workarea, that may be passed to this service as the Workarea parameter.
6. The osi_indirect64 bit in BPXYPFSI indicates that the PFS_Buffer parameter is a 64-bit address that points to the PFS_Buffer to be used by the osi_uiomove service. osi_uiomove turns this bit off before returning to the caller. Because of this, the caller of osi_uiomove is responsible for setting the osi_indirect64 flag prior to each invocation of osi_uiomove that requires a 64-bit address for the PFS_Buffer parameter.

If the osi_indirect64 flag is set, the PFS_Buffer parameter is assumed to be an 8-byte address of the actual PFS Buffer. This allows a program to call the osi_uiomove service in AMODE(31) and still pass the address of a PFS buffer that is above the bar. The osi_uiomove service turns this flag off, so it must be reset to ON for every call for which you want to use indirect buffer addressing. PFS_Buffer_Alet still refers to the actual buffer itself, not to the 8-byte pointer. The 8byte pointer must be in the primary address space.

Specific processing notes

The following UIO fields are provided by the LFS:

UIO.u_count

Specifies the number of bytes in the buffer, or the number of elements in the IOV array.

UIO.u_rw

Specifies whether the request is a read (0) or a write (1). On a read, the contents of PFS_buffer are moved to Uiuserbuffer. On a write, the contents of Uiuserbuffer are moved to PFS_buffer.

UIO.u_iovinuio

Specifies whether the user_IO_structure points to an iov structure.

UIO.u_realpage

Specifies whether the user_IO_structure contains addresses of real pages. This flag must be OFF (0), or the osi_uiomove service fails the request.

UIO.u_key

Specifies the storage key of the caller's buffer.

UIO.u_iovresidualcnt

Specifies the number of bytes remaining in the buffer or iov structure that is pointed to by the user_IO_structure.

u_totalbytesrw

Specifies the total number of bytes that are to be moved.

Related services

- “osi_copyin — Move data from a user buffer to a PFS buffer” on page 387
- “osi_copyout — Move data from a PFS buffer to a user buffer” on page 390
- “osi_copy64 — Move data between user and PFS buffers with 64-bit addresses” on page 393

Characteristics and restrictions

1. This routine must be used only on the dispatchable unit (task or SRB) that made the vnode or VFS call because the service requires the use of the cross-memory environment of the calling dispatchable unit.
2. The osi_uiomove service does not support DATOFF moves; that is, it fails requests if the UIO.u_realpage flag is ON.

osi_upda — Update async I/O request

Function

The osi_upda service updates an asynchronous request with the PFS's request token.

Requirements

Authorization:	Supervisor state, key 0
Dispatchable unit mode:	Task or SRB
Cross memory mode:	Any
AMODE:	31-bit
ASC mode:	Any
Interrupt status:	Enabled for interrupts
Locks:	Unlocked
Control parameters:	All parameters must be addressable by the caller and in the primary address space.

Format

```
osi_upda(Osi_AsyTok,  
        PFS_AsyTok);
```

Parameters

Osi_AsyTok
Supplied parameter
Type: Token
Length:
8 bytes

The name of the field that contains the `osi_asytok` value that was passed to the PFS on this vnode operation.

The field from the input `osi` itself may be used on this call.

PFS_AsyTok

Supplied parameter.

Type: Token

Length:
8 bytes

The name of the field containing the PFS's token for this asynchronous request. This value is saved by the LFS and passed back to the PFS on the second part of the asynchronous operation, or on `vn_cancel`.

Usage notes

1. Refer to “Asynchronous I/O processing” on page 64 for details on asynchronous operations.
2. `osi_upda` is called by the PFS early in Part 1 of an asynchronous vnode operation. It must be called some time before there is any possibility that `osi_sched` will be called for an asynchronous completion of this I/O.
When an operation can be completed immediately, `Osi_upda` does not have to be called if `osi_ok2compimd=ON`, or if the PFS does not need to participate in Part 2.
3. On entry to Part 1, `Osi_asytok` contains the LFS's request token, and `osi_upda` is called so that the LFS can save the PFS's request token.
`Osi_asytok` is also saved by the PFS during Part 1, and is used later for `osi_sched`.
4. `Osi_asytok` on entry to Part 2 contains this `PFS_AsyTok` value.
It is important that `osi_upda` be called before `osi_sched` is called, when the PFS is participating in Part 2, because Part 2 could run anytime after `osi_sched` is called, and the LFS might not have the PFS's request token to pass.
5. This `PFS_AsyTok` value is also passed on `vn_cancel` to identify the request that is being canceled.
Canceled requests do not generate a call to `vn_cancel` if `osi_upda` has not been called.
6. If the `Osi_AsyTok` value is not valid, `osi_upda` issues an `0xEC6` abnormal end with a reason code of `0x11450727`.

Characteristics and restrictions

None.

osi_wait — Wait for an event to occur

Function

The `osi_wait` service waits for a signal to occur or for `osi_post` to be called.

Requirements

Authorization:	Problem or supervisor state, any PSW key
Dispatchable unit mode:	Task or SRB
Cross memory mode:	Any

osi_wait

AMODE:	31-bit
ASC mode:	Any
Interrupt status:	Enabled for interrupts
Locks:	Unlocked
Control parameters:	All parameters must be addressable by the caller and in the primary address space.

Format

```
osi_wait(Entry_code,  
         OSI_structure,  
         Return_code,  
         [Wait_Flags,  
          Time_interval]);
```

Parameters

Entry_code

Supplied parameter

Type: Integer

Length:

Fullword

The Entry_code specifies the function that is being requested for the osi_wait service.

Entry_code	Explanation
OSI_SETUP	Set up for a subsequent wait request.
OSI_SETUPSIG	Set up for a subsequent wait request with signals enabled.
OSI_SUSPEND	Wait to be posted from osi_post.
OSI_WAITX	Wait to be posted from osi_post or for a timer to expire.
OSI_INIT2	Initialize for use by an independent task. See the usage notes.

OSI_structure

Supplied and returned parameter

Type: OSI

Length:

Specified by OSI.osi_hdr.cblen.

OSI_structure contains information that is used by the OSI operations. The PFS receives this structure on each PFS interface operation.

Refer to Appendix D, "Interface structures for C language servers and clients," on page 499 for a full description of this structure.

Return_code

Returned parameter

Type: Integer

Length:

Fullword

The name of a fullword in which the osi_wait service stores the return code. The osi_wait service can return one of the following values in the Return_code parameter:

Return_code	Explanation
OSI_POSTED	Successful completion.
OSI_SIGNALRCV	A signal arrived.
OSI_SHUTDOWN	The system is being stopped.
OSI_TIMEOUT	A specified time interval expired before a post or signal.
OSI_UNMOUNTED	The file system was unmounted while LFS serialization was dropped.
OSI_POSTERTRM	The address space that is responsible for doing the osi_post has terminated.
OSI_BADPARM	Incorrect OSI_structure.
OSI_ESTAEF	Unable to establish a recovery environment.
OSI_ABEND	Abnormal end in osi_wait.
OSI_SYSTEMERR	Unable to release latches before a signal wait.

Wait_Flags

Supplied parameter (only when Entry_code is OSI_WAITX)

Type: Integer

Length:
Fullword

Wait_flags contains flags that specify options on the wait request.

Flag	Explanation
osi_wtdroplocks	Drop LFS serialization during the wait, and reestablish it after the wait.

Refer to Appendix D, “Interface structures for C language servers and clients,” on page 499 for a full description of this structure.

Time_interval

Supplied parameter (only when Entry_code is OSI_WAITX)

Type: Integer

Length:
Doubleword

The Time_interval is the time for which osi_wait will wait. The value is specified in timer units. If the high-order word is non-zero, the 8-byte value is rounded to approximate seconds. See *z/Architecture Principles of Operation* for more detail on timer units. The value is added to the current time; therefore a very large time interval added to the current time could wrap to a very small number and result in an immediate timeout of osi_wait. A value of 0 indicates there is no time limit.

Usage notes

1. For additional information, see “Waiting and posting” on page 22.
2. The PFS must call osi_wait for setup before making the call to do the wait and before OSI_post is called to wake up the task. On the setup call, Entry_code specifies whether the PFS wants the wait to be terminated if the process receives a signal.

osi_wait

The order of the calls to wait and to OSI_post is not important after the setup call has been made.

3. If Entry_code is OSI_SUSPEND and a signal-enabled wait was set up, all LFS serialization is dropped during the wait and reestablished after the wait.

If Entry_code is OSI_WAITX, the Wait_flags specify whether LFS serialization is dropped during the wait and reestablished after the wait.

For writes on stream sockets, the default socket option of exclusive write will prevent the dropping of LFS serialization during signal-enabled waits.

4. Between the calls to setup and suspend, the PFS should make sure that the OSI token that is returned by setup is addressable to the program that will eventually call OSI_post. The PFS can copy the OSI token. If only the address is used, be careful using this OSI, because the storage for a task will be freed if the task terminates.
5. The PFS must never call OSI_post for a waiting task more than once, and should have sufficient logic and recovery to avoid calling OSI_post for a task that is no longer waiting.
6. The osi_thread service undoes any osi_wait setup that was done before osi_thread was called.
7. Osi_wait issues an MVS WAIT or SUSPEND, respectively, as appropriate for TCB or SRB mode callers. Osi_post invokes the corresponding MVS service to wake up osi_waiters.
8. When osi_wait is called from an SRB, OSI_SETUPSIG may be requested, but signals are not really enabled. This is because signals are not delivered to SRBs, therefore the wait is not interrupted by a signal.

Using OSI_SETUPSIG allows z/OS UNIX to interrupt an SRB's wait if the associated user process goes into termination. It is awakened as if a signal had been delivered.

9. The OSI_INIT2 Entry_code is used to initialize an OSI_Structure for use by an independent task (TCB) in an address space that is associated with the PFS. This allows the task to wait with osi_wait and be posted with osi_post. An independent task is one that was attached in that address space; it is not running from within a vnode operation.

Note: Generally an independent task would use MVS WAIT, and be posted by MVS POST. Osi_wait and osi_post take several hundred more instructions to execute than MVS WAIT/POST.

There are several restrictions on this service:

- a. Only tasks (TCBs) are supported, not SRBs.
- b. The task must already be dubbed a z/OS UNIX thread. If this is not the case, the task can get dubbed by calling a z/OS UNIX service such as getpid() before calling osi_wait for OSI_INIT2.
- c. The only osi service that is expected to be used by this task with the OSI_structure returned is osi_wait.

Osi_wait(OSI_INIT2) needs to be called only once for the life of a TCB.

The storage for the OSI_structure is provided by the caller as input, and osi_wait(OSI_INIT2) initializes this area for use on subsequent calls for setup and suspension. This storage belongs to the caller, and is freed by the caller, usually at task termination. Calls for setup and suspension may be made with a copy of the structure that is built from this call.

Only the task that made the OSI_INIT2 call can use this OSI_structure.

The OSI_structure must be initialized with the length of the area that is being passed before osi_wait(OSI_INIT2) is called. For example, `osi.osi_hdr.cblen=sizeof(OSI)`.

10. The address of the osi_wait routine is passed to the PFS in the OSIT structure when the PFS is initialized. Calls that are made from independent address spaces require their own loaded OSIT structure. Refer to “Using OSI services from a non-kernel address space” on page 386 for details.

Related services

- “osi_post — Post an OSI waiter” on page 425

Characteristics and restrictions

Calls that are made with the OSI_structure that was passed to the PFS on a vnode or VFS operation must be made only on the task that made the vnode or VFS call.

osi_wakeup — Wake up OSI sleepers

Function

The osi_wakeup service wakes up all threads that are sleeping in osi_sleep with a matching Resource_id and Pfs_id.

Requirements

Authorization:	Problem or supervisor state, any PSW key
Dispatchable unit mode:	Task or SRB
Cross memory mode:	Any
AMODE:	31-bit
ASC mode:	Any
Interrupt status:	Enabled for interrupts
Locks:	Unlocked
Control parameters:	All parameters must be addressable by the caller and in the primary address space.

Format

```
osi_wakeup(Resource_id,
           Pfs_id,
           Return_value,
           Return_code,
           Reason_code);
```

Parameters

Resource_id

Supplied parameter

Type: Token

Length:

Fullword

The Resource_id identifies the resource that is available. All osi_sleep services that are waiting for this Resource_id are to return to their callers.

osi_wakeup

Pfs_id

Supplied parameter

Type: Token

Length:
Fullword

The Pfs_id identifies the calling PFS. The PFS receives its unique identifier from the LFS in the osi_pfsid field of the OSI structure on each VFS and vnode operation. This identifier is also passed as pfsi_pfsid during PFS initialization, and the initialization value may be used instead of the OSI value that is saved from osi_sleep.

Return_value

Returned parameter

Type: Integer

Length:
Fullword

The name of a fullword in which the osi_wakeup service returns the results of the operation, as one of the following:

Return_value	Meaning
---------------------	----------------

-1	The operation was not successful.
-----------	-----------------------------------

0 or greater	The operation was successful; the value represents the number of sleeping tasks that were awakened.
---------------------	---

Return_code

Returned parameter

Type: Integer

Length:
Fullword

The name of a fullword in which the osi_wakeup service stores the return code. The osi_wakeup service returns Return_code only if Return_value is -1. Reason_code further qualifies Return_code.

Reason_code

Returned parameter

Type: Integer

Length:
Fullword

A fullword in which the osi_wakeup service stores the reason code. The osi_wakeup service returns Reason_code only if Return_value is -1. Reason_code further qualifies the Return_code value.

Usage notes

1. For additional information, see “Waiting and posting” on page 22.
2. Before calling osi_sleep, the PFS must copy the osi_pfsid value to a location that is addressable by the task that is to call osi_wakeup. It must be passed as the Pfs_id on osi_wakeup. The osi_pfsid value that is passed to the PFS is the same for all operations of this PFS. It is also passed as pfsi_pfsid during PFS

initialization. This initialization value may be used on `osi_wakeup` instead of the OSI value that is saved from `osi_sleep`.

3. The `osi_wakeup` service does not wake up a task that is not currently sleeping. If `osi_wakeup` is issued before `osi_sleep` for the same resource, the task sleeps until the next `osi_wakeup` for that resource. Therefore, the PFS must have sufficient logic and recovery to ensure that sleeping tasks will eventually be awakened.
4. The address of the `osi_wakeup` routine is passed to the PFS in the OSIT structure when the PFS is initialized.

Related services

- “`osi_sleep` — Sleep until a resource is available” on page 432

Characteristics and restrictions

The caller of this service must be on a process thread.

osi_wakeup

Appendix A. System control offsets to callable services

An alternative to loading or link-editing the service stub is to include in the code the system control offset to the callable service. For example, use decimal 52 for the offset of access (BPX1ACC).

When using the offsets, set the registers up as follows:

Register 1

To contain the address of your parameter list. Set bit 0 of the last address in the list on.

Register 14

To contain the return address in the invoking module.

Register 15

To contain the address of the callable service code.

Example

The following is an example of code that specifies the offset. The example assumes that register 1 is set up with the address of the parameter list. Replace *offset* with the appropriate value from the following offset table.

```
L 15,16          CVT - common vector table
L 15,544(15)     CSRTABLE
L 15,24(15)      CSR slot
L 15,offset(15)  Address of the service
BALR 14,15       Branch and link
```

List of offsets

Table 10. System control offsets to callable services

Service	Offset	Function
BPX1ACC	52	access
BPX1ACK	972	auth_check_rsrc_np
BPX1ACP	508	accept
BPX1AIO	988	asyncio
BPX1ALR	224	alarm
BPX1ANR	1060	accept_and_recv
BPX1ASP	1088	aio_suspend
BPX1ATM	668	attach_execmvs
BPX1ATX	664	attach_exec
BPX1BND	512	bind
BPX1BAS	592	bind with source address selection
BPX1CCA	480	cond_cancel
BPX1CCS	1012	console_np
BPX1CHA	84	chaudit
BPX1CHD	56	chdir
BPX1CHM	60	chmod
BPX1CHO	64	chown
BPX1CHP	764	chpriority
BPX1CHR	500	chattr
BPX1CID	968	convert_id_np
BPX1CLD	68	closedir

System control offsets

Table 10. System control offsets to callable services (continued)

Service	Offset	Function
BPX1CLO	72	close
BPX1CON	516	connect
BPX1CPL	1132	__cpl
BPX1CPO	484	cond_post
BPX1CRT	872	chroot
BPX1CSE	488	cond_setup
BPX1CTW	492	cond_timed_wait
BPX1CWA	496	cond_wait
BPX1DEL	888	delethfs
BPX1DSD	1124	sw_signaldelv
BPX1ENV	960	oe_env_np
BPX1EXC	228	exec
BPX1EXI	232	_exit
BPX1EXM	236	execmvs
BPX1EXT	200	extlink_np
BPX1FAI	1168	FreeAddrInfo
BPX1FCA	140	fchaudit
BPX1FCD	852	fchdir
BPX1FCM	88	fchmod
BPX1FCO	92	fchown
BPX1FCR	504	fchattr
BPX1FCT	96	fcntl
BPX1FPC	100	fpathconf
BPX1FRK	240	fork
BPX1FST	104	fstat
BPX1FSY	108	fsync
BPX1FTR	112	ftruncate
BPX1FTV	848	FstatVfs
BPX1GAI	1164	GetAddrInfo
BPX1GCL	1024	getclientid
BPX1GCW	116	getcwd
BPX1GEG	244	getegid
BPX1GEP	860	getpgid
BPX1GES	864	getsid
BPX1GET	736	w_getipc
BPX1GEU	248	geteuid
BPX1GGE	772	getgrent
BPX1GGI	252	getgrgid
BPX1GGN	256	getgrnam
BPX1GGR	260	getgroups
BPX1GHA	1160	gethostbyaddr
BPX1GHN	1156	gethostbyname
BPX1GID	264	getgid
BPX1GIV	1028	givesocket
BPX1GLG	268	getlogin
BPX1GMN	76	w_getmntent
BPX1GNI	1172	GetNameInfo
BPX1GNM	524	getpeername
BPX1GPE	776	getpwent
BPX1GPG	272	getpgrp
BPX1GPI	276	getpid
BPX1GPN	280	getpwnam
BPX1GPP	284	getppid
BPX1GPS	428	w_getpsent

Table 10. System control offsets to callable services (continued)

Service	Offset	Function
BPX1GPT	916	grantpt
BPX1GPU	288	getpwuid
BPX1GPY	744	getpriority
BPX1GRL	820	getrlimit
BPX1GRU	824	getrusage
BPX1GTH	1056	__getthent
BPX1GTR	752	getitimer
BPX1GUG	292	getugrps
BPX1GUI	296	getuid
BPX1GWD	936	getwd
BPX1HST	520	gethostid
BPX1IOC	120	w_ioctl
BPX1IPT	396	MvsIptAffinity
BPX1ITY	12	isatty
BPX1KIL	308	kill
BPX1LCO	832	lchown
BPX1LCR	1180	lchattr
BPX1LNK	124	link
BPX1LOD	880	loadhfs
BPX1LSK	128	lseek
BPX1LSN	532	listen
BPX1LST	132	lstat
BPX1MAT	720	shmat
BPX1MCT	724	shmctl
BPX1MDT	728	shmdt
BPX1MGT	732	shmget
BPX1MKD	136	mkdir
BPX1MKN	144	mknod
BPX1MMI	1136	__map_init
BPX1MMP	796	mmap
BPX1MMS	1140	__map_service
BPX1MNT	148	mount
BPX1MP	688	MVSpause
BPX1MPC	408	mvsprocclp
BPX1MPI	680	MVSpauseInit
BPX1MPR	800	mprotect
BPX1MSD	336	mvsunsigsetup
BPX1MSS	312	mvssigsetup
BPX1MSY	804	msync
BPX1MUN	808	munmap
BPX1NIC	748	nice
BPX1OPD	152	opendir
BPX1OPN	156	open
BPX1OPT	528	getsockopt
BPX1OSE	1100	__osenv
BPX1PAF	1072	__pid_affinity
BPX1PAS	316	pause
BPX1PCF	160	pathconf
BPX1PCT	768	pfscctl
BPX1PIO	984	w_piocctl
BPX1PIP	164	pipe
BPX1POE	1176	__poe
BPX1POL	932	poll
BPX1PQG	1152	Pthread_quiesce_and_get_np

System control offsets

Table 10. System control offsets to callable services (continued)

Service	Offset	Function
BPX1PSI	460	pthread_setintr
BPX1PST	472	Pthread_setintrtype
BPX1PTB	448	pthread_cancel
BPX1PTC	432	pthread_create
BPX1PTD	444	pthread_detach
BPX1PTI	476	Pthread_testintr
BPX1PTJ	440	pthread_join
BPX1PTK	464	pthread_kill
BPX1PTQ	412	pthread_quiesc
BPX1PTR	320	ptrace
BPX1PTS	452	pthread_self
BPX1PTT	1016	pthread_tag_np
BPX1PTX	436	pthread_xandg
BPX1PWD	788	password
BPX1QCT	692	msgctl
BPX1QDB	948	querydub
BPX1QGT	696	msgget
BPX1QRC	700	msgrcv
BPX1QSE	388	quiesce
BPX1QSN	704	msgsnd
BPX1RCV	540	recv
BPX1RDD	168	readdir
BPX1RDL	172	readlink
BPX1RDV	536	readv
BPX1RDX	940	read_extlink
BPX1RD2	856	readdir2
BPX1RED	176	read
BPX1REN	180	rename
BPX1RFM	544	recvfrom
BPX1RMD	188	rmdir
BPX1RMG	8	resource
BPX1RMS	548	recvmsg
BPX1RPH	884	realpath
BPX1RW	1108	Pread
BPX1RWD	184	rewinddir
BPX1SA2	1084	__Sigactionset
BPX1SCT	708	semctl
BPX1SDD	300	setdubdefault
BPX1SEC	1044	__security
BPX1SEG	424	setegid
BPX1SEL	552	select
BPX1SEU	420	seteuid
BPX1SF	1064	send_file
BPX1SGE	780	setgrent
BPX1SGI	328	setgid
BPX1SGQ	1104	sigqueue
BPX1SGR	792	setgroups
BPX1SGT	712	semget
BPX1SHT	572	shutdown
BPX1SIA	324	sigaction
BPX1SIN	1004	server_init
BPX1SIP	340	sigpending
BPX1SLK	1068	__shm_lock
BPX1SLP	344	sleep

Table 10. System control offsets to callable services (continued)

Service	Offset	Function
BPX1SMC	1112	__smc
BPX1SMF	1036	__smf_record
BPX1SMS	560	sendmsg
BPX1SND	556	send
BPX1SOC	576	socket_pair
BPX1SOP	716	semop
BPX1SPB	416	sigputback
BPX1SPE	784	setpwent
BPX1SPG	348	setpgid
BPX1SPM	352	sigprocmask
BPX1SPN	760	spawn
BPX1SPR	568	setpeer
BPX1SPW	1008	server_pwu
BPX1SPY	740	setpriority
BPX1SRG	896	setregid
BPX1SRL	816	setrlimit
BPX1SRU	892	setreuid
BPX1SRX	1080	srx_np
BPX1SSI	356	setsid
BPX1SSU	360	sigsuspend
BPX1STA	192	stat
BPX1STE	1076	Set_Timer_Event
BPX1STF	80	w_statfs
BPX1STL	684	Set_limits
BPX1STO	564	sendto
BPX1STQ	1144	server_thread_query
BPX1STR	756	setitimer
BPX1STV	844	StatVfs
BPX1STW	1096	sigtimedwait
BPX1SUI	364	setuid
BPX1SWT	468	sigwait
BPX1SYC	368	sysconf
BPX1SYM	196	symlink
BPX1SYN	868	sync
BPX1TAF	1148	MvsThreadAffinity
BPX1TAK	1032	takesocket
BPX1TDR	24	tcdrain
BPX1TFH	20	tcflush
BPX1TFW	28	tcflow
BPX1TGA	32	tcgetattr
BPX1TGC	900	tcgetcp
BPX1TGP	36	tcgetpgrp
BPX1TGS	912	tcgetsid
BPX1TIM	372	times
BPX1TLS	964	pthread_security_np
BPX1TRU	828	truncate
BPX1TSA	40	tcsetattr
BPX1TSB	44	tcsendbreak
BPX1TSC	904	tcsetcp
BPX1TSP	48	tcsetpgrp
BPX1TST	908	tcsettables
BPX1TYN	16	ttynname
BPX1UMK	204	umask
BPX1UMT	208	umount

System control offsets

Table 10. System control offsets to callable services (continued)

Service	Offset	Function
BPX1UNA	376	uname
BPX1UNL	212	unlink
BPX1UPT	920	unlockpt
BPX1UQS	392	unquiesce
BPX1UTI	216	utime
BPX1VAC	944	v_access
BPX1VCL	1188	v_close
BPX1VCR	620	v_create
BPX1VEX	876	v_export
BPX1VGA	632	v_getattr
BPX1VGT	596	v_get
BPX1VLK	604	v_lookup
BPX1VLN	640	v_link
BPX1VLO	660	v_lockctl
BPX1VMD	624	v_mkdir
BPX1VOP	1184	v_open
BPX1VPC	1040	v_pathconf
BPX1VRA	616	v_readlink
BPX1VRD	612	v_readdir
BPX1VRE	644	v_rmdir
BPX1VRG	584	v_reg
BPX1VRL	600	v_rel
BPX1VRM	648	v_remove
BPX1VRN	652	v_rename
BPX1VRP	588	v_rpn
BPX1VRW	608	v_rdwr
BPX1VSA	636	v_setattr
BPX1VSF	656	v_fstatfs
BPX1VSY	628	v_symlink
BPX1WAT	380	wait
BPX1WLM	1048	__wlm
BPX1WRT	220	write
BPX1WRV	580	writev
BPX1WTE	840	waitid/wait3
BPX2ITY	928	isatty2
BPX2MNT	1128	__mount
BPX2OPN	1052	openstat
BPX2RMS	976	recvmsg2
BPX2SMS	980	sendmsg2
BPX2TYN	924	ttyname2

Appendix B. Mapping macros

Mapping macros map the parameter options in many callable services. The fields with the comment “Reserved for IBM use” are not programming interfaces. A complete list of the options for each macro is listed in the macro in “Macros mapping parameters.”

Most of the mapping macros can be expanded with or without a *DSECT* statement. The invocation operand *DSECT=YES* (default) can be used with either reentrant or nonreentrant programs with the appropriate rules governing the storage backed by the *USING*.

Many of the mapping macros exploit the fact that *DC* expands as a *DS* in a *DSECT* and as a *DC* with its initialized value in a *CSECT*. When these fields are expanded as or within *DSECT*s, the program is responsible for initializing the necessary fields.

Mapping macros not listed here are documented in *z/OS UNIX System Services Programming: Assembler Callable Services Reference*.

Macros mapping parameters

Specifying *DSECT=YES* (the default for all macros) creates a *DSECT*. Addressability requires a *USING* and a register pointing to storage.

Specifying *DSECT=NO* (exceptions are listed when this is not allowed) allocates space in the current *DSECT* or *CSECT*. In reentrant programs, programmers can place these macros in the *DSECT* with *DSECT=NO*, and addressability is accomplished without the individual *USING* required by *DSECT=YES*. Nonreentrant programs can place their macros in the program's *CSECT*, and addressability is obtained through the program base register(s).

Specifying *LIST=YES* (the default for most macros) causes the expansion of the macro to appear in the listing. You can override this by using *PRINT OFF*.

Specifying *LIST=NO* removes the macro expansion from the listing.

Additional keywords *VARLEN* and *PREFIX* are described in the individual sections where they apply.

BPXYATTR — Map file attributes for v_ system calls

```
*          %GOTO ATTRPRO ;          /* Bilingual header
MACRO
BPXYATTR &DSECT=YES,&LIST=YES
GBLB &ATTR411
AIF (&ATTR411 EQ 1).E411
&ATTR411 SETB 1
AIF ('&LIST' EQ 'YES').A411
PUSH PRINT BPXYATTR: File attributes for v_ system calls
PRINT OFF
AGO .A411

*                                     */
*%ATTRPRO : ;
*/****START OF SPECIFICATIONS*****
```

BPXYATTR

```
*
*   $MAC (BPXYATTR) COMP(SCPX1) PROD(BPX):
*
*01* MACRO NAME: BPXYATTR
*
*01* DSECT NAME: N/A
*
*01* DESCRIPTIVE NAME: Attribute Structure for the Logical File System
*
*02*   ACRONYM: ATTR
**/
*/01* PROPRIETARY STATEMENT=                                     */
*/***PROPRIETARY_STATEMENT******/
*/*/                                                                 */
*/*/                                                                 */
*/* LICENSED MATERIALS - PROPERTY OF IBM                       */
*/* THIS MACRO IS "RESTRICTED MATERIALS OF IBM"                 */
*/* 5650-ZOS (C) COPYRIGHT IBM CORP. 1993, 2004                */
*/*/                                                                 */
*/* STATUS= HBB7709                                             */
*/*/                                                                 */
*/***END_OF_PROPRIETARY_STATEMENT******/
*/*/
*
*01* EXTERNAL CLASSIFICATION: GUPI
*01* END OF EXTERNAL CLASSIFICATION:
*
*01* FUNCTION:
*
*       The ATTR maps file attributes that the logical file system is
*       interested in.
*
*01* METHOD OF ACCESS:
*
*02*   PL/X:
*
*       %INCLUDE SYSLIB(BPXYATTR)
*       By default, the ATTR is based on AttrPtr.  If
*       other basing is desired, use %ATTRBASE='BASED(XXXXXX)'.
*       If %ATTRBASE='BASED(ATTRPTR)' is coded, a Declare for
*       ATTRPTR is also generated.
*
*       By default, the ATTR uses no VIA.  If access
*       register usage is desired, code %ATTRVIA='VIA(XXXXXX)'.
*       If %ATTRVIA='VIA(AttrAlet)' is coded, a Declare for
*       AttrAlet is also generated.
*
*02*   ASM:
*
*       BPXYATTR DSECT=YES|NO,LIST=YES|NO
*
*       With DSECT=NO, storage is allocated in line
*       and addressability is provided thru that DSECT or CSECT.
*       With DSECT=YES, a DSECT is produced and "USING ATTR,reg"
*       is required for addressability. Here "reg" contains the
*       address of ATTR#LENGTH bytes of storage.
*       The defaults are DSECT=YES and LIST=YES.
*
*01* SIZE: Release dependent. Refer to the mapping.
*
*01* POINTED TO BY: In dynamic storage of LFS routines or caller of
*                   Vnode interface services.
*
*01* CREATED BY: LFS Syscall Routines and callers of Vnode interface
*                   services
*
*01* DELETED BY: LFS Syscall Routines or caller of Vnode interface
```

```

*                services
*
*01* STORAGE ATTRIBUTES:
*02*  SUBPOOL: N/A
*02*  KEY: N/A
*02*  RESIDENCY: Writeable Storage
*
*01* FREQUENCY: 1 per syscall
*
*01* SERIALIZATION: N/A
*
*01* DEPENDENCIES: None
*
*01* NOTES: The following mapping macros are closely related.
*
*   BPXYATT - Interface between an application and the LFS for
*             BPX1CHA (chattr). It maps the subset of BPXYATTR
*             fields which can be modified, and the set flags.
*             Fields match corresponding fields in BPXYATTR.
*             The overall structures are not related.
*             (Field size and type match, but not the offset.)
*             AttSetFlags, AttGenMask, and AttGenValue structures
*             match AttrSetFlags, AttrGenMask, and AttrGenValue
*             in BPXYATTR.
*
*   BPXYATTR - Vnode interface to the LFS and PFS for file
*              attributes.
*              Fields match corresponding fields in BPXYATT.
*              AttrStat, AttrStat2, and AttrStat3 structures match
*              st_Part1, st_Part2, and st_Part3 in BPXYSTAT.
*
*   BPXYSTAT - Interface between an application and the LFS for
*              BPX1STA (stat). It is the POSIX interface to the LFS
*              for file attributes. The st_Part1, st_Part2, and
*              st_Part3 structures match AttrStat, AttrStat2,
*              and AttrStat3 in BPXYATTR. The entire BPXYSTAT
*              structure also matches the stat.h structure.
*
*   BPXZATTR - Prior name of BPXYATTR. To facilitate migration,
*              BPXZATTR includes BPXYATTR. In all new code,
*              BPXYATTR should be used.
*
*   BPXYVFSI - C program interface for the BPX1V (v_) services.
*              The ATTR structure in BPXYVFSI matches the BPXYATTR
*              structure.
*
*   stat.h   - C program interface for stat(). It is the POSIX C
*              form of BPXYSTAT. The entire stat.h structure
*              matches the BPXYSTAT structure.
*
*01* COMPONENT: z/OS UNIX (SCPX1)
*
*01* DISTRIBUTION LIBRARY: AMACLIB
*
*01* EYE-CATCHER: ATTR
*02*  OFFSET: 0
*02*  LENGTH: 4
*
*****END OF SPECIFICATIONS*****/
*   %GOTO ATTRPLS ; /* Bilingual header
.A411 ANOP ,
** BPXYATTR: File attributes for callable services
** Used By: VRP VLK VRW VCR VMD VSY VGA VSA
          AIF ('&DSECT' EQ 'NO').B411
ATTR          DSECT ,
          AGO .C411

```

BPXYATTR

.B411	ANOP	,						
			DS	0D	Clear storage			
ATTR			DC	XL(ATTR#LENGTH)'00'				
			ORG	ATTR				
.C411	ANOP	,						
ATTRBEGIN			DS	0D				
*								
ATTRHDR			DS	0D	ATTR Header			
ATTRID			DC	C'ATTR'			*	
					Eye Catcher			
ATTRSP			DC	AL1(ATTR#SP)		*		
					Subpool number of this ATTR			
ATTRLEN			DC	AL3(ATTR#LENGTH)		*		
					Length of this Attr			
ATTRSTAT			DS	0D	stat() structure			
ATTRMODE			DS	0F	File Mode mapped by BPXYMODE			
ATTRTYPE			DS	AL1	First byte of mode is file type, mapped by BPXYFTYP	*		
ATTRREMODE			DS	AL3	Name to know the last 3 byte			
ATTRINO			DS	F	File Serial Number			
ATTRDEV			DS	F	Device ID of the file			
ATTRLINK			DS	F	Number of links			
ATTRUID			DS	F	User ID of owner of the file			
ATTRGID			DS	F	Group ID of Group of file			
ATTRSIZE			DS	0D	File Size in bytes, for regular file. This is unspecified for others.	*	*	
ATTRSIZE_H			DS	F	First word of size			
ATTRSIZE_L			DS	F	Second word of size			
ATTRATIME			DS	F	Time of last access			
ATTRMTIME			DS	F	Time of last data mod			
ATTRCTIME			DS	F	Time of last file stat chng			
ATTRMAJORNUMBER			DS	F	Major number for this file, if it is a character special file.	*	*	
ATTRMINORNUMBER			DS	F	Minor number for this file, if it is a character special file.	*	*	
ATTRSTAT2			DS	0F	second part of the stat			
ATTRAUDITORAUDIT			DS	0F	Area for auditor audit info			
ATTRAUDITORAUDIT1			DS	XL1	Auditor audit byte 1			
ATTRAUDITORAUDIT2			DS	XL1	Auditor audit byte 2			
ATTRAUDITORAUDIT3			DS	XL1	Auditor audit byte 3			
ATTRAUDITORAUDIT4			DS	XL1	Auditor audit byte 4			
ATTRAAUDIT			EQU	X'01'	ON = auditor audit info change request (ON when AttrMAAAudit = ON)	*	*	
ATTRUSERAUDIT			DS	0F	Area for user audit info			
ATTRUSERAUDIT1			DS	XL1	User audit byte 1			
ATTRUSERAUDIT2			DS	XL1	User audit byte 2			
ATTRUSERAUDIT3			DS	XL1	User audit byte 3			
ATTRUSERAUDIT4			DS	XL1	User audit byte 4			
ATTRNOTAAUDIT			EQU	X'01'	Always OFF to indicate this is NOT auditor audit info	*	*	
ATTRBLKSIZE			DS	F	File Block Size			
ATTRCREATETIME			DS	F	File Creation Time			
ATTRAUDITID			DS	CL16	RACF File ID for auditing			
*								
ATTRGUARDTIME			ORG	ATTRAUDITID	Guard Time		@D7A	
ATTRGUARDTIMESEC			DS	F	Seconds		@D7A	
ATTRGUARDTIMEMSEC			DS	F	Micro_Seconds		@D7A	
			ORG	ATTRAUDITID			@D7A	
ATTRCVER			DS	CL8	Creation Verifier		@D7A	
			DS	CL8	Spacer		@D7A	
*								
ATTRRES01			DS	F	Reserved			

ATTRGENMASK	DS	0F	Mask to indicate which General attributes bit to modify --Masks AttrGenValue	* * *
ATTROPAQUEMASK	DS	XL3	Opaque attribute flags - Reserved for ADSTAR use	*
ATTRVISIBLEMASK	DS	XL1	Visible attribute flags	
ATTRNODELFILES	EQU	X'20'	Files should not be deleted	@P1A
ATTRSHARELIB	EQU	X'10'	Shared Library	@D6A
ATTRNOSHAREAS	EQU	X'08'	No shareas flag	@D8A
ATTRAPFAUTH	EQU	X'04'	APF authorized flag	@D6A
ATTRPROGCTLMASK	EQU	X'02'	Program controlled flag	@D6A
ATTREXTLINKMASK	EQU	X'01'	External Symlink flag Mask bit not used on vn_setattr	* *
ATTRSETFLAGS	DS	0XL4	Flags - which fields to set	
ATTRSETFLAGS1	DS	XL1	Flag byte 1	
ATTRMODECHG	EQU	X'80'	Change to the mode indicated	
ATTROWNERCHG	EQU	X'40'	Change to Owner indicated	
ATTRSETGEN	EQU	X'20'	Set General attributes	
ATTRTRUNC	EQU	X'10'	Truncate size	
ATTRATIMECHG	EQU	X'08'	Change the Atime	
ATTRATIMETOD	EQU	X'04'	Change to the Current Time	
ATTRMTIMECHG	EQU	X'02'	Change the Mtime	
ATTRMTIMETOD	EQU	X'01'	Change to the Current Time	
ATTRSETFLAGS2	DS	XL1	Flag byte 2	
ATTRMAAUDIT	EQU	X'80'	Modify auditor audit info	
ATTRMUAUDIT	EQU	X'40'	Modify user audit info	
ATTRCTIMECHG	EQU	X'20'	Change the Ctime	
ATTRCTIMETOD	EQU	X'10'	Change Ctime to the Current Time	*
ATTRREFTIMECHG	EQU	X'08'	Change the RefTime	
ATTRREFTIMETOD	EQU	X'04'	Change RefTime to Current Time	
ATTRFILEFMTCHG	EQU	X'02'	Change File Format	@D5A
ATTRGUARDTIMECHK	EQU	X'01'	Guard Time Check Requested	@D7A
ATTRSETFLAGS3	DS	XL1	Flag byte 3 - reserved	
ATTRCVSET	EQU	X'80'	Creation Verifier Set	@D7A
ATTRCHARSETIDCHG	EQU	X'40'	CharSetId Change	@D9A
ATTRLP64TIMES	EQU	X'20'	64-bit time fields used	@DDA
ATTRSECLABELCHG	EQU	X'10'	Seclabel Change	@DEA
ATTRSETFLAGS4	DS	XL1	Flag byte 4 - reserved	*
ATTRSTAT3	DS	0F	Third part of the stat	
ATTRCHARSETID	DS	CL12	Coded Character set id	
	ORG		ATTRCHARSETID	@D9A
ATTRFILETAG	DS	CL4	File Tag	@D9A
	DS	CL8	Reserved	@D9A
	ORG		ATTRCHARSETID	@DFA
ATTRVINFO	DS	0CL12	Cross MtPt Information:	@DFA
ATTRVFSTOK	DS	CL8	Cross MtPt Vfs Tok	@DFA
ATTRVMTPTINO	DS	CL4	Root's MtPt's Ino	@DFA
ATTRBLOCKS_D	DS	0F	Double word num blocks	
ATTRBLOCKS_H	DS	F	First word of blocks	
ATTRBLOCKS	DS	F	Number of blocks allocated	
ATTRGENVALUE	DS	0F	General attribute values --Masked by AttrGenMask	*
ATTROPAQUE	DS	XL3	Opaque attribute flags - Reserved for ADSTAR use	*
ATTRVISIBLE	DS	XL1	Visible attribute flags	
ATTRNODELFILES	EQU	X'20'	Files should not be deleted	@P1A
ATTRSHARELIB	EQU	X'10'	Shared Library flag	@D8A
ATTRNOSHAREAS	EQU	X'08'	No shareas flag	@D6A
ATTRAPFAUTH	EQU	X'04'	APF authorized flag	@D6A
ATTRPROGCTL	EQU	X'02'	Program controlled flag	@D6A
ATTREXTLINK	EQU	X'01'	External Symlink	
ATTRREFTIME	DS	F	Reference Time - Reserved for ADSTAR use	*

BPXYATTR

```

ATTRFID          DS    0F    Align ATTRFID
ATTRFILEFMT     DS    XL1   File Identifier
ATTRFSPFLAG2    DS    XL1   IFSP_FLAG2
ATTRACCESSACL   EQU    X'80' Access ACL exists
ATTRFMODELACL   EQU    X'40' File Model ACL exists
ATTRMODELACL    EQU    X'20' Directory Model ACL exists
ATTRRES02       DS    CL2   Reserved for future
*
ATTRCTIMEMSEC   DS    F     Ctime Micro_Seconds
ATTRSECLABEL    DS    CL8   Security Label
ATTRRES03       DS    CL4   Reserved for future
ATTRENDVER1     EQU    *     End of Version 1 ATTR
*
ATTRTIME64      DS    D     Access Time
ATTRMTIME64     DS    D     Data Mod Time
ATTRCTIME64     DS    D     Metadata Change Time
ATTRCREATE64    DS    D     File Creation Time
ATTRREFTIME64   DS    D     Reference Time
*
ATTRENDVER2     EQU    *     End of Version 2 ATTR
*
* Constants
*
ATTR#LEN         EQU    *-ATTRBEGIN
*                               Length of ATTR
ATTR#LENGTH      EQU    ATTR#LEN Length of ATTR
ATTR#MINLEN      EQU    ATTRENDVER1-ATTRBEGIN
*                               Minimum length of valid ATTR
ATTR#SP          EQU    2     Subpool for the ATTR
** BPXYATTR End
    SPACE 3
    AIF ('&LIST' EQ 'YES').E411
    POP PRINT
.E411 ANOP ,
    MEND ,                               Terminating PL/X comment */
*
*%ATTRPLS : ;
*
* %IF ATTRBASE = '' %THEN
*   %DO;
*   %ATTRBASE = 'Based(AttrPtr)';
*   %END;
* %IF TRANSLATE(ATTRBASE) = 'BASED(ATTRPTR)' %THEN
*   %DO;
*   DCL AttrPtr Ptr(31);                /* Pointer to the ATTR */
*   %END;
* %IF TRANSLATE(ATTRVIA) = 'VIA(ATTRALET)' %THEN
*   %DO;
*   Dcl AttrAlet Ptr(31);              /* Alet of the ATTR */
*   %END;
*
*%IF AsaxmacF63 = ''
*   %Then %AsaxmacF63 = 'Char(8)';
*
*Dcl
* 1 Attr ATTRBASE ATTRVIA,
* 3 AttrHdr, /* +00 Attr Header @D2A*/
* 5 AttrID Char(4), /* +00 EBCDIC ID @D2C*/
* 5 AttrSP Fixed(8), /* +04 Subpool number of this Attr @D2C*/
* 5 AttrLen Fixed(24), /* +05 Length of this Attr @D2C*/
* 3 AttrStat, /* +08 stat() structure */
* 5 AttrMode Fixed(32), /* File Mode mapped by BPXYMODE*/
* 7 AttrType Fixed(8), /* First byte of mode is file type, mapped by BPXYFTYP */

```

```

*      7 AttrRemMode Fixed(24), /* Name to know the last 3 byte*/
*      5 AttrIno      Fixed(32), /* +0C File Serial Number */
*      5 AttrDev      Fixed(32), /* +10 Device ID of the file */
*      5 AttrLink     Fixed(32), /* +14 Number of links */
*      5 AttrUid      Fixed(31), /* +18 User ID of owner of the file*/
*      5 AttrGid      Fixed(31), /* +1C Group ID of Group of file */
*      5 AttrSize Char(8) Bdy(8), /* +20 File Size in bytes, for
*                                regular file. This is
*                                unspecified, for others. */
*      7 AttrSize_h   Fixed(31), /* +20 First word of size */
*      7 AttrSize_l   Fixed(32), /* +24 Second word of size */
*      5 AttrAtime     Fixed(31), /* +28 Time of last access @P0C*/
*      5 AttrMtime     Fixed(31), /* +2C Time of last data mod @P0C*/
*      5 AttrCtime     Fixed(31), /* +30 Time of last file stat chng
*                                @P0C*/
*      3 AttrMajorNumber Fixed(32), /* +34 Major number for this file,
*                                if it is a character
*                                special file. */
*      3 AttrMinorNumber Fixed(32), /* +38 Minor number for this file,
*                                if it is a character
*                                special file. */
*      3 AttrStat2, /* +3C second part of the stat */
*      5 AttrAuditorAudit Bit(32), /* +3C Area for auditor audit info */
*      7 * Bit(31), /* First 31 bits @D1A*/
*      7 AttrAAudit Bit(1), /* ON = auditor audit info
*                                change request
*                                (ON when AttrMAAudit = ON)
*                                @D1A*/
*      5 AttrUserAudit Bit(32), /* +40 Area for user audit info */
*      7 * Bit(31), /* First 31 bits @D1A*/
*      7 AttrNotAAudit Bit(1), /* Always OFF to indicate
*                                this is NOT auditor audit
*                                info @D1A*/
*      5 AttrBlkSize Fixed(31), /* +44 File Block Size */
*      5 AttrCreateTime Fixed(31), /* +48 File Creation Time @P0C*/
*      5 * UNION Char(16) Bdy(Word), /*@D7A*/
*      7 AttrAuditID Char(16), /* +4C RACF File ID for auditing */
*
*      7 AttrGuardTime , /* Guard Time Value: @D7A*/
*      8 AttrGuardTimeSec Fixed(32), /* Seconds - compare @D7A
*                                against either AttrCtime or
*                                AttrCtime64L @DCA*/
*      8 AttrGuardTimeMsec Fixed(32), /* Micro-seconds @D7A*/
*
*      7 AttrCver Char(8), /* Creation Verifier @D7A*/
*
*      5 * Fixed(32), /* +5C Reserved */
*
*      3 AttrGenMask Bit(32), /* +60 Mask to indicate which
*                                General attributes bit to
*                                modify
*                                --Masks AttrGenValue @D1A*/
*      5 AttrOpaqueMask Bit(24), /* Opaque attribute flags -
*                                Reserved for ADSTAR use @D1A*/
*      5 AttrVisibleMask Bit(8), /* Visible attribute flags @D1A*/
*      7 AttrRsvMask Bit(2), /* Reserved @D8C @P1C*/
*      7 AttrNoDelFilesMask Bit(1), /* Files should not be deleted
*                                from directory @P1A*/
*      7 AttrShareLibMask Bit(1), /* Shared Library @D8A*/
*      7 AttrNoShareasMask Bit(1), /* do not run in shareas @D6A*/
*      7 AttrApfAuthMask Bit(1), /* Program is APF auth @D6A*/
*      7 AttrProgCtlMask Bit(1), /* Program controlled @D6A*/
*      7 AttrExtLinkMask Bit(1), /* External Symlink flag
*                                Mask bit not used on
*                                vn_setattr @D1A*/
*      3 AttrSetFlags Bit(32), /* +64 Flags - which fields to set */
*      5 AttrModeChg Bit(1), /* Change to the mode indicated*/

```

BPXYATTR

```

* 5 AttrOwnerChg      Bit(1), /* Change to Owner indicated */
* 5 AttrSetGen        Bit(1), /* Set General attributes @D1A*/
* 5 AttrTrunc         Bit(1), /* Truncate size @D2C*/
* 5 AttrATimeChg     Bit(1), /* Change the Atime */
* 5 AttrATimeTOD     Bit(1), /* Change to the Current Time */
* 5 AttrMTimeChg     Bit(1), /* Change the Mtime */
* 5 AttrMTimeTOD     Bit(1), /* Change to the Current Time */
* 5 AttrMAAudit      Bit(1), /* Modify auditor audit info */
* 5 AttrMUAudit      Bit(1), /* Modify user audit info */
* 5 AttrCTimeChg     Bit(1), /* Change the Ctime @D1A*/
* 5 AttrCTimeTOD     Bit(1), /* Change Ctime to the Current
*                               Time @D1A*/
* 5 AttrRefTimeChg   Bit(1), /* Change the RefTime @D1A*/
* 5 AttrRefTimeTOD   Bit(1), /* Change RefTime to Current Time
*                               @D1A*/
* 5 AttrFileFmtChg   Bit(1), /* Change the File Format @D5A*/
* 5 AttrGuardTimeChk Bit(1), /* Guard Time Check Req @D7A*/
* 5 AttrCverSet      Bit(1), /* Creation Verifier Set @D7A*/
* 5 AttrCharSetIdChg Bit(1), /* Change File Info @D9A*/
* 5 AttrLP64Times    Bit(1), /* 64-bit time fields used @DCA*/
* 5 AttrSecLabelChg  Bit(1), /* Change Security Label @DEA*/
* 5 *                Bit(12), /* Reserved bits @DEC*/
*
* 3 AttrStat3, /* +68 Third part of the stat */
* 5 * UNION, /* @DFA*/
* 7 AttrCharSetID Char(12), /* +68 Character Set Information */
* 9 AttrFileTag Char(4), /* File Tag @D9A*/
* 9 * Char(8), /* Reserved @D9A*/
* 7 AttrVInfo Char(12), /* v_readdir/v_getattr Info@DFA*/
* 9 AttrVfsTok Char(8), /* Cross MtPt Vfs Tok @DFA*/
* 9 AttrVMtPtIno Char(4), /* Root's MtPt's Ino @DFA*/
* 5 AttrBlocks_D Char(8) Bdy(word), /* +74 Double word num blocks */
* 7 * Fixed(31),
* 7 AttrBlocks Fixed(32), /* +78 Number of blocks allocated */
* 5 AttrGenValue Bit(32), /* +7C General attribute values
*                               --Masked by AttrGenMask @D1A*/
* 7 AttrOpaque Bit(24), /* Opaque attribute flags
*                               Reserved for ADSTAR use @D1A*/
* 7 AttrVisible Bit(8), /* Visible attribute flags @D1A*/
* 9 AttrRsv Bit(2), /* Reserved @D8C @P1C*/
* 9 AttrNoDelFiles Bit(1), /* Files should not be deleted
*                               from directory @P1A*/
* 9 AttrShareLib Bit(1), /* Shared Library @D8A*/
* 9 AttrNoShareas Bit(1), /* do not run in shareas @D6A*/
* 9 AttrApfAuth Bit(1), /* Program is APF auth @D6A*/
* 9 AttrProgCtl Bit(1), /* Program controlled @D6A*/
* 9 AttrExtLink Bit(1), /* External Symlink @D1A*/
* 5 AttrRefTime Fixed(31), /* +80 Reference Time -
*                               Reserved for ADSTAR use @D1A*/
* 5 AttrFid Char(8) Bdy(Word), /* +84 File Identifier @D2A*/
* 5 AttrFileFmt Fixed(8), /* +8C File Format @D5A*/
*                               /* Value constants for filefmt */
*                               /* declared in BPXYFTYP @D5A*/
*                               /* ***** */
* 5 AttrFspFlag2 Bit(8), /* +8D byte maps IFSP_FLAG2 - @DBA*/
*                               /* These flags are copied by
*                               HFS directly into this field.
*                               The bit positions match those
*                               defined in the FSP. @DBA*/
* 7 AttrAccessAcl Bit(1), /* 1 = Access Acl exists @DBA*/
* 7 AttrFModelAcl Bit(1), /* 1 = File Model Acl exists @DBA*/
* 7 AttrDModelAcl Bit(1), /* 1 = Dir Model Acl exists @DBA*/
* 7 * Bit(5), /* Reserved for future fsp use @DBA*/
*                               /* ***** */
* 5 * Char( 2), /* +8F Reserved for future @DBC*/
* 5 AttrCtimeMsec Fixed(32), /* +90 Micro-seconds of Ctime @D7A*/
* 5 AttrSecLabel Char(8), /* +94 Security Label @DBA*/

```

```

* 5 *          Char(4),      /* +9C Reserved for future   @DBC*/
*
* 3 AttrEndVer1 Char(0),      /* +A0--- End of Version 1 --- @D2C*/
*
* 3 AttrStat4 ,              /* +A0 Fourth part of the stat @DAA*/
* 5 AttrLP64 ,              /* +A0 LP64 Versions          @DAA*/
* 7 AttrAtime64 Char(8) Bdy(DWord), /*+A8 Access Time           @DAA*/
* 9 AttrAtime64S AsaxmacF63 Bdy(DWord), /* Signed value             @DCA*/
* 11 *          Char(4),      /*                               @DCA*/
* 11 AttrAtime64L Fixed(31), /*                               @DCA*/
* 7 AttrMtime64 Char(8) Bdy(DWord), /*+B0 Data Mod Time         @DAA*/
* 9 AttrMtime64S AsaxmacF63 Bdy(DWord), /* Signed value             @DCA*/
* 11 *          Char(4),      /*                               @DCA*/
* 11 AttrMtime64L Fixed(31), /*                               @DCA*/
* 7 AttrCtime64 Char(8) Bdy(DWord), /*+B8 Metadata              @DAA*/
*                               Change Time           @DAA*/
* 9 AttrCtime64S AsaxmacF63 Bdy(DWord), /* Signed value             @DCA*/
* 11 *          Char(4),      /*                               @DCA*/
* 11 AttrCtime64L Fixed(31), /* compare w/AttrGuardTime @DCA*/
* 7 AttrCreateTime64 Char(8) Bdy(DWord), /*+C0 File                   @DAA*/
*                               Creation Time         @DAA*/
* 9 AttrCreateTime64S AsaxmacF63 Bdy(DWord), /* Signed                   @DCA*/
* 11 *          Char(4),      /*                               @DCA*/
* 11 AttrCreatetime64L Fixed(31), /*                               @DCA*/
* 7 AttrRefTime64 Char(8) Bdy(DWord), /*+C8 Reference Time@DAA*/
* 9 AttrReftime64S AsaxmacF63 Bdy(DWord), /* Signed                   @DCA*/
* 11 *          Char(4),      /*                               @DCA*/
* 11 AttrReftime64L Fixed(31), /*                               @DCA*/
* 7 *          Char(8),      /*+D0 May be AttrIno64     @DAA*/
*
* 5 *          Char(16), /* +D0 Reserved (1st consider @DAA
*                               space at +5C,+8D,+94) @DAA*/
* 3 AttrEndVer2 Char(0),      /* +E0 End of Version 2      @DAA*/
* /*****
* /* Add fields here for Version 3. */
* /* NOTE that the increased length of the ATTR will have */
* /* migration considerations in the code that handles ATTR's. */
* /*****
* 3 * Char(0) Bdy(Dword);      /* +E0 Ensure ATTR ends on doubleword
*                               boundary */
*
* DCL
* ATTR#ID Char(4) Constant('ATTR'), /* Control Block Acronym*/
* ATTR#LEN Fixed(24) Constant(Length(ATTR)), /* Length of ATTR */
* ATTR#MINLEN Fixed(24) Constant(Offset(AttrEndVer1)), /* Minimum
*                               length of valid ATTR @D2A*/
* ATTR#VER2LEN Fixed(24) Constant(Offset(AttrEndVer2)), /* Length
*                               of version 2 @DCA*/
* ATTR#SP Fixed(8) Constant(2); /* Subpool for the ATTR */

```

BPXYNREG — Map interface block to vnode registration

```

* %GOTO NREGPRO ; /* Bilingual header
* MACRO
* BPXYNREG &DSECT=YES,&LIST=YES
* GBLB &NREG411
* AIF (&NREG411 EQ 1).E411
&NREG411 SETB 1
* AIF ('&LIST' EQ 'YES').A411
* PUSH PRINT BPXYNREG: BPX2REG (v_reg) parameter list
* PRINT OFF
* AGO .A411
*
* */
*%NREGPRO : ;
* /****START OF SPECIFICATIONS****
*
* $MAC (BPXYNREG) COMP(SCPX1) PROD(BPX):

```

BPXYNREG

```
*
*01* MACRO NAME: BPXYNREG
*
*01* DSECT NAME: N/A
*
*01* DESCRIPTIVE NAME: Interface Block to VNode Registration
*
*02*  ACRONYM: NREG
**/
*/*01* PROPRIETARY STATEMENT= */
*/**PROPRIETARY_STATEMENT*****/
*/* */
*/* */
*/* LICENSED MATERIALS - PROPERTY OF IBM */
*/* THIS MACRO IS "RESTRICTED MATERIALS OF IBM" */
*/* 5650-ZOS (C) COPYRIGHT IBM CORP. 1993, 2003 */
*/* */
*/* STATUS= HBB7709 */
*/* */
*/**END_OF_PROPRIETARY_STATEMENT*****/
*/*
*
*01* EXTERNAL CLASSIFICATION: GUPI
*01* END OF EXTERNAL CLASSIFICATION:
*
*01* FUNCTION:
*
*       The NREG maps the input to the v_register routine, BPXVREG.
*
*01* METHOD OF ACCESS:
*
*02*  PL/X:
*
*       %INCLUDE SYSLIB(BPXYNREG)
*       By default, the NREG is based on NRegPtr.  If
*       other basing is desired, use %NREGBASE='BASED(XXXXXX)'.
*       If %NREGBASE='BASED(NREGPTR)' is coded, a Declare for
*       NREGPTR is also generated.
*
*02*  ASM:
*       With DSECT=NO, storage is allocated in line
*       and addressability is provided thru that DSECT or CSECT.
*       With DSECT=YES, a DSECT is produced and "USING NREG,reg"
*       is required for addressability. Here "reg" contains the
*       address of NREG#LEN bytes of storage.
*       The default is DSECT=YES.
*
*01* SIZE: Release dependent. Refer to the mapping.
*
*01* POINTED TO BY: In dynamic storage of routines calling BPXVREG.
*
*01* CREATED BY: Caller of Syscall Routine
*
*01* DELETED BY: Caller of Syscall Routine
*
*01* STORAGE ATTRIBUTES:
*02*  SUBPOOL: n/a
*02*  KEY: n/a
*02*  RESIDENCY: Callers storage
*
*01* FREQUENCY: 1 per syscall that calls BPXVREG
*
*01* SERIALIZATION: N/A
*
*01* DEPENDENCIES: None
*
*01* NOTES:
```

```

*          BPXYVFSI is a C program interface for the BPX1V (v_)
*          services. The NREG structure in BPXYVFSI matches
*          the BPXYNREG structure.
*
*01* COMPONENT: z/OS UNIX (SCPX1)
*
*01* DISTRIBUTION LIBRARY:  AMACLIB                      @P1C
*
*01* EYE-CATCHER: NREG
*02* OFFSET: 0
*02* LENGTH: 4
*
*****END OF SPECIFICATIONS*****/
*          %GOTO NREGPLS ;          /* Bilingual header
.A411 ANOP ,
** BPXYNREG: NREG - LFS Registration routine parameter list
** Used By: VRG
          AIF ('&DSECT' EQ 'NO').B411
NREG          DSECT ,
          AGO .C411
.B411 ANOP ,
          DS 00
NREG          DC XL(NREG#LENGTH)'00'
          ORG NREG
.C411 ANOP ,
NREGBEGIN    DS 00
*
NREGID       DC C'NREG'          Eye catcher
NREGLEN      DC AL2(NREG#LENGTH) Length of the structure
NREGVER      DC AL2(NREG#VERSION) NReg version number
NREGSTYPE    DS F                Server Type
NREGSNAMELEN DS F                Length of Server name
NREGSNAME    DS CL32             Server Name
NREGMAXVNTOKENS DS F            Max # of VNTokens
NREGFLAGS    DS CL1             Flags @D4C
NREGFXHOTC   EQU X'80'          Exit uses HOTC @D4A
NREGNOWAIT   EQU X'40'          for Quiesced FS @D5A
NREGSECSFD   EQU X'20'          for SFD servers @P3A
NREGALLOCDEVNO EQU X'10'       allocate a devno @D6A
NREGRES01    DS CL3             Reserved field @D4C
NREGENDOFVER1 DS 0F            End of Version 1 @D4A
NREGFXEXITNAME DS CL8           Exit program name @D4A
NREGFXINITPARM DS CL8           Init parm for Exit @D4A
NREGABENDCODE DS F              Abend Code received @D4A
NREGABENDRSN DS F              Abend Reason Code @D4A
          ORG NREGABENDRSN @D6A
NREGDEVNO    DS F              or Output Devno @D6A
NREGPFSTYPE  DS CL8            Dependant PFS @D5A
*
* Constants
*
NREG#LENGTH EQU *-NREGBEGIN     Length of NREG
NREG#LENGTHVER1 EQU NREGENDOFVER1-NREGBEGIN Length of V1 NREG
NREG#VERSION1 EQU 1             NReg Version 1
NREG#VERSION2 EQU 2             NReg Version 2
NREG#VERSION EQU NREG#VERSION2  NReg Current Version
* NRegStype constants
NREGSTYPE#FILE EQU 1            File Server type
NREGSTYPE#LOCK EQU 2            Lock Server type
NREGSTYPE#FEXP EQU 3            File Exporter type
NREGSTYPE#SFDS EQU 4            SFD server @P3A
NREGSTYPE#MAX EQU 4            Max allowed srvr type
** BPXYNREG End
          SPACE 3
          AIF ('&LIST' EQ 'YES').E411
          POP PRINT
.E411 ANOP ,

```


BPXYNREG

```

                MEND ,                               Terminating PL/X comment      */
*
*%NREGPLS : ;
*%IF NREGBASE='' %THEN
* %DO;
*   %NREGBASE='BASED(NREGPTR)';
* %END;
*%IF TRANSLATE(NREGBASE)='BASED(NREGPTR)' %THEN
* %DO;
*   DCL NRegPtr Ptr(31);           /* Pointer to NReg parameter list */
* %END;
*DCL
* 1   NReg           NREGBASE,
* 3   NRegID         Char(4),      /* +00 EBCDIC ID                      */
* 3   NRegLen        Fixed(15),    /* +04 Length of NREG structure@P2C*/
* 3   NRegVer        Fixed(16),    /* +06 NReg Version number           */
* 3   NRegSType      Fixed(32),    /* +08 Server type                   */
* 3   NRegSNameLen   Fixed(31),    /* +0C Length of Server name parm    */
* 3   NRegSName      Char(32),     /* +10 Server Name                   */
* 3   NRegMaxVNTokens Fixed(32),  /* +30 Max # of VNTokens that will
*                                     be created for this server */
* 3   NRegFlags      Bit(8),       /* +34 Flags                          @D4C*/
* 5   NregFxFxHotc   Bit(1),       /*      Invoke Exit with HOTC        @D4A*/
* 5   NregNoWait     Bit(1),       /*      for Quiesced File Sys        @D5A*/
* 5   NregSecSfd     Bit(1),       /*      Secondary SFD srvr           @P3A*/
* 5   NregAllocDevno Bit(1),       /*      Allocate a Devno             @D6A*/
* 3   *              Char(3),      /* +35 Reserved                      @D4C*/
* 3   NRegEndOfVer1  Char(0),      /* +38 End of Ver1 -----          @D4A*/
* 3   NRegFileExporterArea, /*
* 5   NregFxFxExitName Char(8),    /* +38 Exit program name             @D4A*/
* 5   NregFxFxInitParm Char(8),    /* +40 Init parm for Exit pgm        @D4A*/
* 3   NRegAbendCode  Fixed(32),    /* +48 Abend Code received           @D4A*/
* 3   NRegAbendRsn   Fixed(32),    /* +4C Abend Reason Code             @D4A*/
* 5   NRegDevno      Fixed(32),    /*      or Output Devno              @D6A*/
* 3   NRegPfsType    Char(8),      /* +50 Dependant PFS                 @D5A*/
* 3 * Char(0) Bdy(Dword);          /* +58 Ensure NREG ends on
*                                     doubleword boundary          */
*DCL
* NReg#ID          Char(4)  Constant('NREG'),/* Control Block Acronym */
* NReg#LEN         Fixed(15) Constant(Length(NREG)),/* Length of NREG */
* NReg#Version     Fixed(16) Constant(NReg#Version2),/* Current          @D4C*/
* NReg#Version1    Fixed(16) Constant(1),      /* Version 1 of NReg */
* NReg#LenVer1     Fixed(16) Constant(Offset(NRegEndOfVer1)), /*@D4A*/
* NReg#Version2    Fixed(16) Constant(2);      /* Version 2 of NReg @D4A*/
*
* /* NRegSType constants */
*DCL
* NRegSType#FILE   Fixed(32) Constant(1),/* File Server          @D1C*/
* NRegSType#LOCK   Fixed(32) Constant(2),/* Lock Server          @D1A*/
* NRegSType#FEXP   Fixed(32) Constant(3),/* File Exporter        @D4A*/
* NRegSType#SFDS   Fixed(32) Constant(4),/* SFD server           @P3A*/
* NRegSType#MAX    Fixed(32) Constant(4);/* Max allowed srvr type @P3C*/
*
* /* Note: If new Server types are added, DISPLAY OMVS should
* be updated as follows:
* (1) In BPXZMDEF, msg BPX040If, add a type to the array.
* (2) Recompile BPXMIMST. */
*
```

BPXYOSS — Map operating system specific information

The numbers of file blocks read and written, along with the number of directory blocks processed, are returned in the `OssReadIBC`, `OssWriteIBC` and `OssDirIBC`, fields of the OSS. On return from the VFS Callable Service API, the block counts present initially in the OSS have been incremented to reflect the counts for this call

to the service. Thus, to obtain the numbers of blocks processed on a particular call to a VFS Callable Service API, set the block count fields to zero before calling the service. To accumulate the block counts across a series of calls, pass the same OSS to each, without modifying the count fields

The following OSS fields must be provided by the caller:

OssId Contains 'OSS '

OssLen

Specifies the length of the OSS structure, OSS#LENGTH.

OSSReadIBC

Contains number of blocks read.

OSSWriteIBC

Contains number of blocks written.

OSSDirIBC

Contains number of directory blocks processed.

```

*      %GOTO OSSPRO ;          /* Bilingual header
      MACRO
      BPXYOSS &DSECT=YES,&LIST=YES
      GBLB &OSS411
      AIF (&OSS411 EQ 1).E411
&OSS411 SETB 1
      AIF ('&LIST' EQ 'YES').A411
      PUSH PRINT BPXYOSS: Operating System Specific Information
      PRINT OFF
      AGO .A411

*                                     */
*%OSSPRO : ;
*/****START OF SPECIFICATIONS*****
*
*   $MAC (BPXYOSS) COMP(SCPX1) PROD(BPX):
*
*01* MACRO NAME: BPXYOSS
*
*01* DSECT NAME: OSS
*
*01* DESCRIPTIVE NAME: Operating System Specific Information
*
*02* ACRONYM: OSS
**/
*/*01* PROPRIETARY STATEMENT=                                     */
*/****PROPRIETARY_STATEMENT******/
*/*                                     */
*/*                                     */
*/* LICENSED MATERIALS - PROPERTY OF IBM                         */
*/* THIS MACRO IS "RESTRICTED MATERIALS OF IBM"                 */
*/* 5650-ZOS (C) COPYRIGHT IBM CORP. 1993, 2005                 */
*/*                                     */
*/* STATUS= HBB7720                                             */
*/*                                     */
*/****END_OF_PROPRIETARY_STATEMENT******/
*/*
*
*01* EXTERNAL CLASSIFICATION: GUPI
*01* END OF EXTERNAL CLASSIFICATION:
*
*01* FUNCTION:
*
*   To pass information specific to the z/OS UNIX implementation
*   of the VFS/VNODE interface.
*
*01* METHOD OF ACCESS:

```

BPXYOSS

```

*
*02*  PL/X:
*
*      %INCLUDE SYSLIB(BPXYOSS)
*      By default, the OSS is based on OssPtr. If
*      other basing is desired, use %OSSBASE='BASED(XXXXXX)'.
*      If %OSSBASE='BASED(OssPtr)' is coded, a Declare for
*      OssPtr is also generated.
*
*      Typical Syscall usage: %OSSBASE = 'Based(Addr(InputOss))'
*
*02*  ASM:
*      With DSECT=NO, storage is allocated in line
*      and addressability is provided thru that DSECT or CSECT.
*      With DSECT=YES, a DSECT is produced and "USING OSS,reg"
*      is required for addressability. Here "reg" contains the
*      address of OSS#LENGTH bytes of storage.
*      The default is DSECT=YES.
*
*01*  SIZE: OSS#LENGTH
*
*01*  POINTED TO BY: OssPtr
*
*01*  CREATED BY: Storage obtained by caller of system call
*
*01*  DELETED BY: Caller of system call
*
*01*  STORAGE ATTRIBUTES:
*02*  SUBPOOL/DATASPACE:  N/A
*02*  KEY:                 N/A
*02*  RESIDENCY:          N/A
*
*01*  FREQUENCY: 1 per syscall of a vnode op
*
*01*  SERIALIZATION: N/A
*
*01*  DEPENDENCIES: None
*
*01*  NOTES:
*      BPXYVFSI is a C program interface for the BPXIV (v_)
*      services. The OSS structure in BPXYVFSI matches
*      the BPXYOSS structure.
*
*01*  COMPONENT:  z/OS UNIX (SCPX1)
*
*01*  DISTRIBUTION LIBRARY: AMACLIB
*
*01*  EYE-CATCHER: OSS
*02*  OFFSET: 0
*02*  LENGTH: 4
*
*****END OF SPECIFICATIONS*****/
*      %GOTO OSSPLS ; /* Bilingual header
.A411 ANOP ,
** BPXYOSS: OSS - Operating System Specific Information
** Used By: v_ callable services
      AIF ('&DSECT' EQ 'NO').B411
OSS      DSECT ,
      AGO .C411
.B411 ANOP ,
      DS 0D Clear storage
OSS      DC XL(OSS#LENGTH)'00'
      ORG OSS
.C411 ANOP ,
OSSBEGIN      DS 0D
*
OSSID      DC C'OSS ' Eye catcher

```

```

OSSLEN          DC    AL4(OSS#LENGTH)    Length of the structure
OSSDIRIBC       DS    F                    Directory I/O block cnt
OSSREADIBC      DS    F                    Read I/O block cnt
OSSWRITEIBC     DS    F                    Write I/O block cnt
OSSOPENFLAGS    DS    F                    Reserved for internal
*                                                    use - open flags
*
*                ORG    OSSOPENFLAGS      @P2C@P1A
OSSFLAGS1       DS    B                    @P1A
OSSXMTPT        EQU   X'80'                Cross Mount Points @P1A
*                DS    CL3                  @P1A
OSSOPENTOKEN    DS    CL8                  V_Open Token    @D4A
*
* Constants
*
OSS#LENGTH      EQU   *-OSSBEGIN           Length of OSS
** BPXYOSS End
    SPACE 3
    AIF ('&LIST' EQ 'YES').E411            6@D1A
    POP PRINT
.E411 ANOP ,
    MEND ,                                Terminating PL/X comment */
*
*%OSSPLS : ;
*
*%Dcl OSSBASE2 Char Ext;                  /* Settable by other macros @D2A*/
*
*%IF OSSBASE = '' %THEN
* %IF OSSBASE2 = '' %THEN                  /*@D2A*/
* %DO;
* %OSSBASE = 'BASED(OssPtr)';
* %END;
* %ELSE %OSSBASE = OSSBASE2;              /*@D2A*/
*
*%IF Translate(OSSBASE) = 'BASED(OSSPTR)' %THEN
* %DO;
* DCL OssPtr Ptr(31);                      /* Pointer to the OSS */
* %END;
*
*
*DCL
* 1 OSS OSSBASE ,                          /* Operating System Specific Info */
*
* 3 OssId Char(4),                          /* Eye catcher - 'OSS ' */
* 3 OssLen Fixed(31),                       /* Length of structure */
*
* 3 OssAcctIBC,                              /* I/O Block Counts */
* 7 OssDirIBC Fixed(32),                    /* Directory I/O block cnt @01C*/
* 7 OssReadIBC Fixed(32),                  /* Read I/O block cnt @01C*/
* 7 OssWriteIBC Fixed(32),                 /* Write I/O block cnt @01C*/
*
* 3 OssOpenFlags Bit(32),                  /* Reserved for internal use -
*                                           open flags for internal v_rdw
*                                           callers @P2M@D3A*/
* 5 OssXmtpt Bit(1),                       /* Cross Mount Points @P1A*/
* 3 OssOpenToken Char(8),                  /* V_Open Token @D4A@P2D*/
* 5 OssOpenTokSpec Char(4);               /* Special Token Values @D4A@P2D*/
*
*
*DCL
* Oss#ID Char(4) Constant('OSS '),          /* Eye catcher */
* Oss#Len Fixed(31) Constant(Length(Oss)); /* Length of Oss */
*
*Dcl /* Special Values for OssOpenTokSpec @D4A*/
* (Oss#NoTokAdvChk Constant(0), /* Advisory Check, vs. V4 @D4A*/

```

```

* Oss#NoTokMandChk Constant(2), /* Mandatory Check, vs. all @D4A*/
* Oss#NoTokOverride Constant(1) ) /* No Checks, for Reads only @D4A*/
*                               Fixed(32);                               /*@D4A*/
*

```

BPXYVLOK — Map the interface block for v_lockctl

The BPXYVLOK macro maps the interface block to pass locking information via the v_lockctl service.

```

*          %GOTO VLOKPRO ;          /* Bilingual header
MACRO
BPXYVLOK &DSECT=YES,&LIST=YES
GBLB &VLOK411
AIF (&VLOK411 EQ 1).E411
&VLOK411 SETB 1
AIF ('&LIST' EQ 'YES').A411
PUSH PRINT BPXYVLOK: Vnode Byte Range Locking Structure
PRINT OFF
AGO .A411

*                               */
*%VLOKPRO : ;
*/****START OF SPECIFICATIONS*****
*
*   $MAC (BPXYVLOK) COMP(SCPX1) PROD(BPX):
*
*01* MACRO NAME: BPXYVLOK
*
*01* DSECT NAME: VLOK
*
*01* DESCRIPTIVE NAME: Vnode Services Byte Range Locking Structure
*
*02*   ACRONYM: VLOK
**/
*/*01* PROPRIETARY STATEMENT=                                     */
*/****PROPRIETARY_STATEMENT*****
*/*
*/*
*/* LICENSED MATERIALS - PROPERTY OF IBM                         */
*/* THIS MACRO IS "RESTRICTED MATERIALS OF IBM"                 */
*/* 5650-ZOS (C) COPYRIGHT IBM CORP. 1993, 2005                 */
*/*
*/* STATUS= HBB7720                                             */
*/*
*/****END_OF_PROPRIETARY_STATEMENT*****
*/*
*01* EXTERNAL CLASSIFICATION: GUPI
*01* END OF EXTERNAL CLASSIFICATION:
*
*01* FUNCTION:
*
*       To pass locking information about the V_lockctl interface.
*
*01* METHOD OF ACCESS:
*
*02*   PL/X:
*
*       %INCLUDE SYSLIB(BPXYVLOK)
*       By default, the VLOK is based on VLOKPtr. If
*       other basing is desired, use %VLOKBASE='BASED(XXXXXX)'.
*       If %VLOKBASE='BASED(VLOKPtr)' is coded, a Declare for

```

```

*      VLOKPtr is also generated.
*
*      Typical Syscall usage: %VLOKBASE = 'Based(Addr(InputVLOK))'
*
*02*  ASM:
*      With DSECT=NO, storage is allocated in line
*      and addressability is provided thru that DSECT or CSECT.
*      With DSECT=YES, a DSECT is produced and "USING VLOK,reg"
*      is required for addressability. Here "reg" contains the
*      address of VLOK#LENGTH bytes of storage.
*      The default is DSECT=YES.
*
*01*  SIZE: VLOK#LENGTH
*
*01*  POINTED TO BY: VLOKPtr
*
*01*  CREATED BY: Storage obtained by caller of system call
*
*01*  DELETED BY: Caller of system call
*
*01*  STORAGE ATTRIBUTES:
*02*  SUBPOOL/DATASPACE:  N/A
*02*  KEY:                 N/A
*02*  RESIDENCY:          N/A
*
*01*  FREQUENCY: 1 per v_lockctl syscall
*
*01*  SERIALIZATION: N/A
*
*01*  DEPENDENCIES: None
*
*01*  NOTES:
*      BPXYVFSI is a C program interface for the BPXIV (v_)
*      services. The VLOCK structure in BPXYVFSI matches
*      the BPXYVLOK structure.
*
*01*  COMPONENT:  z/OS UNIX (SCPX1)
*
*01*  DISTRIBUTION LIBRARY:  AMACLIB
*
*01*  EYE-CATCHER: VLOK
*02*  OFFSET: 0
*02*  LENGTH: 4
*
****END OF SPECIFICATIONS*****/
*      %GOTO VLOKPLS ;          /* Bilingual header
.A411  ANOP ,
** BPXYVLOK: VLOK - Vnode Service Byte Range Locking structure
      AIF ('&DSECT' EQ 'NO').B411
VLOK      DSECT ,
      AGO .C411
.B411  ANOP ,
      DS 0D          Clear storage
VLOK      DC XL(VLOK#LENGTH)'00'
      ORG VLOK
.C411  ANOP ,
VLOKBEGIN      DS 0D
*
VLOKID      DC C'VLOK'          Eye catcher
VLOKLEN     DC AL4(VLOK#LENGTH) Length of the structure

```

BPXYVLOK

```

VLOKLOCKER          DS    0F          Locker
VLOKSERVERPID      DS    F           Server's Process ID
VLOKCLIENTPID      DS    F           Server's Client's PID
VLOKLOCKERTOK      DS    CL8        Locker Token
VLOKCLIENTTID      DS    CL8        Client's Thread ID
VLOKOBJECT          DS    0F          Object - a locked file
VLOKOBJCLASS       DS    F           Object Class
VLOKOBJID          DS    0CL12       Object ID           @D1C
VLOKOBJDEV         DS    CL4        Object Device ID
VLOKOBJFID         DS    CL8        Object File ID
VLOKOBJTOK         DS    CL8        Object token
VLOKDOS            DS    0F          <--Not used externally
VLOKDOSMODE        DS    CL1        <--Not used externally
VLOKDOSACCESS      DS    CL1        <--Not used externally
VLOKBLKLOCKLEN     DS    CL1        VlokBlockingLock length
VLOKSUBFUNCTION    DS    CL1        Internal SubFunction
VLOKRSVD           DS    CL4        Reserved
VLOKVNTOKEN        DS    CL8        Vnode Token
VLOKBRLK           DS    CL24       Lock Information mapped
*                   by BPXYBRLK
VLOKENDVER1        DS    0F          --- END OF VERSION 1 -----
DS    F
VLOKBLOCKINGLOCK   DS    A           Ptr to Ret Blocking Lock
VLOKUNION          DS    0CL12
VLOKAIIOEXT        ORG VLOKUNION     Async Extension
DS    F             ! Rsvd for Ptr64
VLOKAIIOCB         DS    A           Async Locking Aiocb
VLOKAIIOCBLEN      DS    F           Async Aiocb Length
*
VLOKUNLOADLOCKSEXT ORG VLOKUNION     Unload Locks Extension
DS    F             ! Rsvd for Ptr64
VLOKULLOUTLISTPTR  DS    A           Output List Ptr
VLOKULLSUBPOOL     DS    CL1        Storage Subpool
DS    CL1
VLOKULLRETWAITERS DS    CL1        Return Waiters too
*
VLOKPURGEEXT       ORG VLOKUNION     Purge Locks Mask Ext
DS    F             ! Rsvd for Ptr64
VLOKPGMASKS        DS    A           VlokObjOwnMasks
VLOKPGMASKSLEN     DS    F           Length of the two masks
*
DS    CL12
VLOKENDVER2        DS    0F          --- End of Version 2 -----
*
*   Constants
*
VLOK#LENGTH        EQU    *-VLOKBEGIN   Length of VLOK
VLOK#HFS           EQU    0             HFS Object Class
VLOK#MVS           EQU    1             MVS Object Class
VLOK#LFSESA        EQU    2             LFS/ESA Object Class
*
*   Constants for V_lockctl commands
*
VLOK#REGLOCKER     EQU    1             Register Locker
VLOK#UNREGLOCKER   EQU    2             Unregister Locker
VLOK#LOCK          EQU    3             Lock object's byte range
VLOK#LOCKWAIT      EQU    4             Lock object's byte range +
                                         - wait if blocked
VLOK#UNLOCK        EQU    5             UnLock object's byte range
VLOK#QUERY         EQU    6             Query byte range for locks

```

```

VLOK#PURGE          EQU  7          Purge all locks for a locker
VLOK#LOCKASY        EQU  8          Lock Asynchronously
VLOK#LOCKCANCEL     EQU  9          Cancel Async Lock
VLOK#UNLOADLOCKS    EQU 10         Unload BRLM Locks
*
*   Constants for UnLoadLocks
*
VLOK#RETWAITERS     EQU  1          Ret Held & Waiters
VLOK#RETALLOBJ      EQU  3          Total UnLoad
*
*   Mask structure for Purge Locks
*
VLOKOBJOWNMASKS     DSECT ,
VLOKOBJECTMASK      DS  0CL16       Object Id Mask
VLOKOBJCLASSMASK    DS  CL4         Object Class
VLOKOBJDEVMASK      DS  CL4         Object Devno (HFS)
VLOKOBJFIDMASK      DS  CL8         Object Fid (HFS)
VLOKOWNERMASK       DS  0CL16       Owner Id Mask
VLOKLOCKERMASK      DS  0CL8        Locker Mask
VLOKSPIDMASK        DS  CL4         Server PID Mask
VLOKCPIDMASK        DS  CL4         Client PID Mask
VLOKTIDMASK         DS  CL8         Thread Id Mask
*
** BPXYVLOK END
      SPACE 3
      AIF ('&LIST' EQ 'YES').E411      6@D1A
      POP PRINT
.E411 ANOP ,
      MEND ,                          Terminating PL/X comment */
*
*%VLOKPLS : ;
*%IF VLOKBASE = '' %THEN
* %DO;
*   %VLOKBASE = 'BASED(VlokPtr)';
* %END;
*%IF Translate(VLOKBASE) = 'BASED(VLOKPTR)' %THEN
* %DO;
*   DCL VlokPtr Ptr(31);              /* Pointer to the VLOK */
* %END;
*
*
*DCL
* 1 Vlok VLOKBASE Bdy(Dword),         /* V_lockctl Byte Range Lock Info */
*
* 3 VlokId Char(4),                   /* Eye catcher - 'VLOK ' */
* 3 VlokLen Fixed(31),                /* Length of structure */
*
* 3 VlokLocker Bdy(Dword),            /* Locker @01C*/
* 5 VlokServerPID Fixed(32),          /* Server's Process ID */
* 7 * Char(1),                        /* */
* 7 VlokServerPIDByte2 Char(1),       /* sysplex system number @D1A*/
* 5 VlokClientPID Fixed(32),          /* Server's Client's PID */
*                                     /* +10 */
* 3 VlokLockerTok Char(8)             /* Locker token @01C*/
*   Bdy(Dword),                       /* @01A*/
* 5 VlokLockerTok1 Ptr(31),           /* For CDS @01A*/
* 5 VlokLockerTok2 Ptr(31),           /* For CDS @01A*/
* 3 VlokClientTID Char(8)             /* Client's Thread ID @01C*/
*   Bdy(Dword),                       /* @01A*/
*                                     /* +20 */

```

BPXYVLOK

```

*   3 VlokObject,                /* Object - a locked file      */
*   5 VlokObjClass Fixed(32),    /* Object Class                */
*   5 VlokObjID Char(12),       /* Object ID -unique within Class */
*   7 VlokObjDev Char(4),       /* Device ID for HFS file      */
*   7 VlokObjFid Char(8),       /* File ID for HFS file        */
*                               /* +30 */
*   3 VlokObjTok Char(8),       /* Object token                */
*
*   ! The fields below were never used and are being left @D2A
*   ! here so old programs that may have referenced them @D2A
*   ! will not suffer compile failures with this new macro. @D2A
*   3 VlokDOS,                   !<--Not used externally @D2C
*   5 VlokDOSMode Char(1),       !<--Not used externally @D2C
*   5 VlokDOSAccess Char(1),     !<--Not used externally @D2C
*   !----- @D2A
*
*   3 VlokBlkLockLen Fixed(8),   /* Length for VlokBlockingLock @D2A*/
*   3 VlokSubFunction Fixed(8),  /* Optional internal sub function
*                               codes - see below @02A*/
*   3 * Char(4),                 /* Reserved for expansion      */
*                               /* +40 */
*   3 VlokVnToken Char(8),       /* Vnode Token                 @D2A*/
*                               /* +48 */
*   3 VlokBrlk Char(Length(Brlk)),/* Lock Information - BPXYBRLK */
*
*   3 VlokEndVer1 Char(0), /* +60 --- End of Version 1 ----- @D2A*/
*   3 * Ptr,                    ! Rsvd for Ptr64 @D2A*/
*   3 VlokBlockingLock Ptr,     /* Ptr to Ret Blocking Lock @D2A*/
*                               /* +68 */
*   3 * UNION Bdy(DWord),       /*@D2A*/
*   4 VlokAioExt ,              /* Async Extension @D2A*/
*   5 * Ptr,                    ! Rsvd for Ptr64 @D2A*/
*   5 VlokAiocb Ptr,           /* Async Locking Aiocb @D2A*/
*   5 VlokAiocbLen Fixed(32), /* Async Aiocb Length @D2A*/
*                               /*@D2A*/
*   4 VlokUnLoadLocksExt ,     /* Unload Locks Extension @D2A*/
*   5 * Ptr,                    ! Rsvd for Ptr64 @D2A*/
*   5 VlokUllOutListPtr Ptr,    /* Output List Ptr @D2A*/
*   5 VlokUllSubpool Fixed(8), /* Storage Subpool @D2A*/
*   5 * Fixed(8),               /*@P3D@D2A*/
*   5 VlokUllRetWaiters Fixed(8), /* Return Waiters too @D2A*/
*                               /*@D2A*/
*   4 VlokPurgeExt ,           /* Purge Locks Mask Ext @D2A*/
*   5 * Ptr,                    ! Rsvd for Ptr64 @D2A*/
*   5 VlokPgMasks Ptr,         /* VlokObjOwnMasks @D2A*/
*   5 VlokPgMasksLen Fixed(32), /* Length of the two masks @D2A*/
*                               /* +74 */
*   3 * Char(12),               /*@D2A*/
*   3 VlokEndVer2 Char(0); /* +80 --- End of Version 2 ----- @D2A*/
*
*DCL
* Vlok#ID Char(4) Constant('VLOK'), /* Eye catcher */
* Vlok#Len Fixed(31) Constant(Length(Vlok)); /* Length of Vlok */
*DCL
* Vlok#InvalidToken Char(8) /* Token is invalid due */
* Constant('FFFFFFFFFFFFFFF'X); /* to lock error @D3A*/
*
*/ * Constants for VlokSubFunction (Internal Use) */
*DCL

```



```

* Vlok#Close Fixed(8) Constant(5), /* v_lockctl = Vlok#Unlock & this
*                                     is for a close @02A*/
* Vlok#Getown Fixed(8) Constant(6), /* Query owner locks @03A*/
* Vlok#MoveFs Fixed(8) Constant(7); /* filesystem move @03A*/
*
*/
*/ Constants for Object Class (VlokObjClass) */
*DCL
* Vlok#HFS Fixed(32) Constant(0), /* z/OS UNIX MVS Hierarchical FS */
* Vlok#MVS Fixed(32) Constant(1), /* MVS dataset */
* Vlok#LFSESA Fixed(32) Constant(2); /* LAN File Server/ESA files */
*
* /* Constants for UnLoadLocks @D2A*/
* Dcl /*@P3D@D2A*/
* Vlok#RetWaiters Fixed(8) Constant(1), /* Ret Held & Waiters @D2A*/
* Vlok#RetAllObj Fixed(8) Constant(3); /* Total UnLoad @D2A*/
*
* /* The UnLoaded Locks output is mapped by the
* Brlm_UnloadLocksList structure in the IGWLB2IN macro.
* This contains an array of (ObjectID,RangeLock) pairs.
*
* In the RangeLock structure if the RLAccess field equals
* Vlok#OpenModes then the RangeLock structure contains the
* file's open access and deny modes rather than a byte range
* lock. The file's open modes are returned when the VlokVnToken
* field contains a Vnode token and only for opens that have
* specified either DenyRead or DenyWrite. These are mapped
* by the VlokRngLock structure below, which overlays the
* BRLM_UnloadList_RangeLock element of the array. @D2A*/
*
* Dcl Vlok#OpenModes Fixed(8) Constant(5); /*@D2A*/
*
* /* RangeLock structure for RLAccess=Vlok#OpenModes @D2A*/
* /*@D2A*/
* Dcl 1 VlokRngLock Based, /* A BRLM_RangeLock For Open Modes @D2A*/
* 2 VlokRngOwner Char(16), /* V_Open VopnOpenOwner @D2A*/
* 2 VlokRngOffLen Char(16), /* Not used @D2A*/
* 2 VlokRngFlags Fixed(32), /*@D2A*/
* 3 VlokRngWaiter Bit(1), /*@D2A*/
* 3 * Bit(7), /*@D2A*/
* 3 VlokRngOpenAcc Fixed(8), /* VopnShrAccess value @D2A*/
* 3 VlokRngOpenDeny Fixed(8), /* VopnShrDeny value @D2A*/
* 3 VlokRngRlAccess Fixed(8); /* =Vlok#OpenModes @D2A*/
*
* /* Mask structure for Purge Locks @D2A*/
*
* Dcl 1 VlokObjOwnMasks Based, /*@D2A*/
* 2 VlokObjectMask Char(16), /* Object Id Mask @D2A*/
* 3 VlokObjClassMask Char(4), /* Object Class @D2A*/
* 3 VlokObjDevMask Char(4), /* Object Devno (HFS) @D2A*/
* 3 VlokObjFIDMask Char(8), /* Object Fid (HFS) @D2A*/
* 2 VlokOwnerMask Char(16), /* Owner Id Mask @D2A*/
* 3 VlokLockerMask Char(8), /* Locker Mask @D2A*/
* 5 VlokSPidMask Char(4), /* Server PID Mask @D2A*/
* 5 VlokCPidMask Char(4), /* Client PID Mask @D2A*/
* 3 VlokTIDMask Char(8); /* Thread Id Mask @D2A*/
*
*/
*/ Constants for V_lockctl commands */
*/
*/ Changes made to these commands should also be made @P2A*/
*/
*/ in the BPXZFCNA macro in the BPXFCBRL section. @P2A*/
*DCL

```

BPXYVLOK

```
* Vlok#RegLocker   Fixed(32) Constant(1), /* Register Locker      */
* Vlok#UnregLocker Fixed(32) Constant(2), /* Unregister Locker     */
* Vlok#Lock        Fixed(32) Constant(3), /* Lock object's byte range*/
* Vlok#LockWait    Fixed(32) Constant(4), /* Lock object's byte range
*                                     - wait if blocked      */
* Vlok#Unlock      Fixed(32) Constant(5), /* UnLock object's byte range
*                                     */
* Vlok#Query       Fixed(32) Constant(6), /* Query byte range for locks
*                                     */
* Vlok#Purge       Fixed(32) Constant(7), /* Purge all locks for a
*                                     locker                    */
* Vlok#LockAsy     Fixed(32) Constant(8), /* Lock Asynchronously @D2A*/
* Vlok#LockCancel  Fixed(32) Constant(9), /* Cancel Async Lock    @D2A*/
* Vlok#UnloadLocks Fixed(32) Constant(10);/* Unload BRLM Locks   @D2A*/
*
*
**/ VlokObjectVP & VlokObjTokVP are used internally for loading */
**/ and unloading byte range locks.                               */
*
*DCL 1 VlokObjectVP ViaPtr Bdy(Dword) Defined(VlokObject), /* @D1A*/
*   3 VlokObject1 Fixed(32), /* word 1 of VlokObject @D1A*/
*   3 VlokObject2 Ptr; /* word 2 of VlokObject @D1A*/
*
*DCL 1 VlokObjTokVP ViaPtr Bdy(Dword) Defined(VlokObjTok), /* @D1A*/
*   3 VlokObjTok1 Fixed(32), /* word 1 of VlokObjTok @D1A*/
*   3 VlokObjTok2 Ptr; /* word 2 of VlokObjTok @D1A*/
*
```

BPXYVOPN — Map the open parameters structure for v_open

The BPXYVOPN macro maps the structure of the Open_Parms parameter of the v_open service.

```
*          %GOTO VOPNPRO ; /* Bilingual header
MACRO
BPXYVOPN &DSECT=YES,&LIST=YES
GBLB &VOPN411
AIF (&VOPN411 EQ 1).E411
&VOPN411 SETB 1
AIF ('&LIST' EQ 'YES').A411
PUSH PRINT BPXYVOPN: v_open parameter definitions
PRINT OFF
AGO .A411
*
*/
*%VOPNPRO: ;
**/****START OF SPECIFICATIONS*****
*
* $MAC (BPXYVOPN) COMP(SCPX1) PROD(BPX):
*
*01* MACRO NAME: BPXYVOPN
*
*01* DSECT NAME: VOPN
*
*01* DESCRIPTIVE NAME: BPX1VOP(v_open) Parameter Definitions
*
*02* ACRONYM: None
**/
**/*01* PROPRIETARY STATEMENT= */
**/****PROPRIETARY_STATEMENT*****
**/*
**/*
```

```

*/ * LICENSED MATERIALS - PROPERTY OF IBM */
*/ * THIS MACRO IS "RESTRICTED MATERIALS OF IBM" */
*/ * 5650-ZOS (C) COPYRIGHT IBM CORP. 2005 */
*/ * */ */
*/ * STATUS= HBB7720 */
*/ * */ */
*/ * **END_OF_PROPRIETARY_STATEMENT** */
*/ * */
*
*01* EXTERNAL CLASSIFICATION: GUPI
*01* END OF EXTERNAL CLASSIFICATION:
*
*01* FUNCTION:
*
*       This macro defines the input parameters for v_open.
*
*
*01* METHOD OF ACCESS:
*
*02*   PL/X:
*
*       %INCLUDE SYSLIB(BPXYVOPN)
*       By default, the VOpenParms structure is simply based.
*       If special basing is desired, use %VOPNBASE='BASED(XXXXXX)'.
*
*02*   ASM:
*       With DSECT=YES, a DSECT is produced and "USING VOPN,reg"
*       is required for addressability. Here "reg" contains the
*       address of VOPN#LENGTH bytes of storage.
*       With DSECT=NO, storage is allocated in line and
*       addressability is provided thru that DSECT or CSECT.
*       the default is DSECT=YES.
*
*01* SIZE: VOPN#LENGTH
*
*01* POINTED TO BY: N/A
*
*01* CREATED BY: Caller of system call
*
*01* DELETED BY: Caller of system call
*
*01* STORAGE ATTRIBUTES:
*02*   SUBPOOL/DATASPACE:
*02*   KEY:                Caller's
*02*   RESIDENCY:          Primary
*
*01* FREQUENCY: 1 per call to v_open
*
*01* SERIALIZATION: N/A
*
*01* DEPENDENCIES: N/A
*
*01* NOTES: None
*
*01* COMPONENT: z/OS UNIX (SCPX1)
*
*01* DISTRIBUTION LIBRARY: AMACLIB
*
*01* EYE-CATCHER: None
*02*   OFFSET:

```

BPXYVOPN

```

*02*   LENGTH:
*
****END OF SPECIFICATIONS*****
*       %GOTO VOPNPLS ;           /* Bilingual header
.A411   ANOP ,
** BPXYVOPN: V_open Parameters
** Used by: VOPN
        AIF ('&DSECT' EQ 'NO').B411
VOPN    DSECT ,
        AGO .C411
.B411   ANOP ,
VOPN    DS    @D
.C411   ANOP ,
VOPNOPENTYPE DS F    Type of v_open
VOPNOPENOWNER DS CL16 Owner identification
VOPNSHRACCESS DS F    Read, Write, or Both
VOPNSHRDENY   DS F    None, Read, Write, Both
VOPNOPENTOKEN DS CL8  Output/Input Open Token
VOPNVNTOKEN   DS CL8  Output Vnode Token
VOPNFLAGS     DS F    Open Flags @D1A
              DS CL12 @D1C
*
VOPN#LENGTH EQU *-VOPN Length of this structure
*
** VopnOpenType Values:
OPEN_CREATE_UNCHECKED EQU 1
OPEN_CREATE_GUARDED   EQU 2
OPEN_CREATE_EXCLUSIVE EQU 3
OPEN_FILE              EQU 4
OPEN_NLM_SHR          EQU 5
OPEN_UPGRADE           EQU 6
OPEN_DOWNGRADE        EQU 7
*
** VopnShrAccess Values:
SHRACC_WRITE          EQU 1
SHRACC_READ           EQU 2
SHRACC_BOTH           EQU 3
*
** VopnShrDeny Values: @D1C
*
SHRDENY_NONE          EQU 0
SHRDENY_WRITE         EQU 1
SHRDENY_READ          EQU 2
SHRDENY_BOTH          EQU 3
*
** VopnFlags Values:
*
SHRMOD_NONE           EQU 0
SHRMOD_DENY           EQU 1
SHRMOD_ACC            EQU 2
SHRMOD_BOTH           EQU 3
*
** BPXYVOPN End
        SPACE 3
        AIF ('&LIST' EQ 'YES').E411
        POP PRINT
.E411   ANOP ,
        MEND ,           Terminating PL/X comment      */
*%VOPNPLS: ;
*

```

```

* %IF VOPNBASE = '' %THEN
*   %DO;
*     %VOPNBASE = 'Based';
*   %END;
*
* /*-----*/
* /* V_Open OpenParms Parameter */
* /*-----*/
* Declare
*   1 VOpenParms VOPNBASE Bdy(Word),
*   2 VopnOpenType Fixed(32), /* Type of v_open */
*   2 VopnOpenOwner Char(Length(VopnLOwner)), /* Owner Id */
*   2 VopnShrAccess Fixed(32), /* Access Intent to: */
*   3 * Bit(30), /* READ, WRITE, or BOTH */
*   3 VopnShrAccRd Bit(1), /* Read Access */
*   3 VopnShrAccWrt Bit(1), /* Write Access */
*   2 VopnShrDeny Fixed(32), /* Reservations that deny: */
*   3 * Bit(30), /* NONE, READ, WRITE, BOTH */
*   3 VopnShrDenyRd Bit(1), /* Deny Read Access */
*   3 VopnShrDenyWrt Bit(1), /* Deny Write Access */
*   2 VopnOpenToken Char(8), /* Output/Input Open Token */
*   2 VopnVnToken Char(8), /* Output Vnode Token */
*   2 VopnFlags Bit(32), /* Flags */
*   3 * Bit(30), /* Reserved */
*   3 Vopn_ModAcc Bit(1), /* Modify Access (upgrade/downgrade)*/
*   3 Vopn_ModDeny Bit(1), /* Modify Deny (upgrade/downgrade) */
*   2 * Char(12);
*
*
* /*-----*/
* /* Lock or Open Owner */
* /*-----*/
* Declare
*   1 VopnLOwner Based Bdy(Word),
*   2 VopnLO_ServerPid Fixed(32), /* Server's PID */
*   2 VopnLO_ClientPid Fixed(32), /* Server's Client's ID */
*   2 VopnLO_ClientTid Char(8); /* Client's Thread's ID */
*
*
* /* VopnOpenType Values: */
* /* (Note value 99 is reserved for internal use only @P1A*/
*
* Dcl ( OPEN_CREATE_UNCHECKED Constant(1),
*       OPEN_CREATE_GUARDED Constant(2),
*       OPEN_CREATE_EXCLUSIVE Constant(3),
*       OPEN_FILE Constant(4),
*       OPEN_NLM_SHR Constant(5),
*       OPEN_UPGRADE Constant(6),
*       OPEN_DOWNGRADE Constant(7)
*       ) Fixed(32);
*
* /* VopnShrAccess Values: */
*
* Dcl ( SHRACC_WRITE Constant(1),
*       SHRACC_READ Constant(2),
*       SHRACC_BOTH Constant(3)
*       ) Fixed(32);
*
* /* VopnShrDeny Value: */
*

```

BPXYVOPN

```
* Dcl ( SHRDENY_NONE Constant(0),
*       SHRDENY_WRITE Constant(1),
*       SHRDENY_READ Constant(2),
*       SHRDENY_BOTH Constant(3)
*       ) Fixed(32);
*
* /* VopnFlags Values: for upgrade/downgrade */
*
* Dcl ( SHRMOD_NONE Constant(0),
*       SHRMOD_DENY Constant(1),
*       SHRMOD_ACC Constant(2),
*       SHRMOD_BOTH Constant(3)
*       ) Fixed(32);
*
* Dcl Vopn#Length Fixed(32) Constant(Length(VOpenParms));
*
```

Appendix C. Callable services examples

These examples follow the rules of reentrancy. They use DSECT=NO and place the variables in the program's dynamic storage DSECT, which is allocated upon entry.

The examples are arranged alphabetically and have references to the mapping macros they use. The declaration for all local variables used in the examples follows the examples.

Reentrant entry linkage

This entry linkage is reentrant and saves the caller's registers, allocates a save area and dynamic storage, and establishes program and dynamic storage base registers. This entry linkage is paired with the return linkage that is located at the end of the executable program; see "Reentrant return linkage" on page 495.

```
                TITLE 'Alphabetical Invocation of OpenMVS Callable Services'
BPXB5SM6 CSECT ,                Reentrant entry linkage
BPXB5SM6 AMODE 31
BPXB5SM6 RMODE ANY
                USING *,R15                Program addressability
@ENTRY0 B @ENTRY1                Branch around program header
                DROP R15                R15 not needed for addressability
                DC C'BPXB5SM6 - Reentrant callable service examples'
                DS 0H                Ensure half word boundary
@ENTRY1 STM R14,R12,12(R13)        Save caller's registers
                LR R2,R13                Hold address of caller's area
                LR R3,R1                Hold parameter register
                LR R12,R15                R12 program base register
                LA R11,2048(,R12)        Second program base register
                LA R11,2048(,R11)        Second program base register
                LA R9,2048(,R11)        Third program base register
                LA R9,2048(,R9)         Third program base register
                USING @ENTRY0,R12,R11,R9 Program addressability
                L R0,@SIZEDAT           Size this program's getmain area
                GETMAIN RU,LV=(0)        Getmain storage
                LR R13,R1                R13 -> this program's save area
                LA R10,2048(,R13)        Second getmain base register
                LA R10,2048(,R10)        Second getmain base register
                USING @STORE,R13,R10     Getmain addressability
                ST R2,@BACK              Save caller's save area pointer
                ST R13,8(,R2)            Give caller our save area
                LR R1,R3                 Restore parameter register
@ENTRY2 EQU * * * * * * * *          End of the entry linkage code
                SPACE ,
PSEUDO EQU *
```

BPX1VCR, BPX4VCR (v_create)

The following code creates a new and empty regular file named *fnewprots* in a previously looked-up directory whose vnode token is in DIRVNODETOK with user read-execute, group write, other read-execute permissions. For the callable service, see "v_create (BPX1VCR, BPX4VCR) — Create a file" on page 286. For the data structures, "BPXYOSS — Map operating system specific information" on page 470 and Mapping macros in *z/OS UNIX System Services Programming: Assembler Callable Services Reference*.

BPX1VCR, BPX4VCR (v_create) Example

```
MVC  BUFFERA(9),=CL9'fnewprots'
MVC  BUFLINA,=F'9'
MVC  OSSSTOR,OSS          Initialize BPXYOSS area
MVC  ATTRSTOR,ATTR       Initialize BPXYATTR area
XC   S_MODE,S_MODE      Clear mode
MVI  S_TYPE,FT_REGFILE   Set regular file type
MVI  S_MODE2,S_IRUSR     Read-execute/write/read-execute
MVI  S_MODE3,S_IXUSR+S_IWGRP+S_IROTH+S_IXOTH
LA   R5,ATTRSTOR        Address and
USING ATTR,R5           map BPXYATTR area
MVC  ATTRMODE,S_MODE     Move mode data to attribute
                               structure
+
DROP R5
SPACE ,
CALL BPX1VCR,           Create a file
                               +
(DIRVNODETOK,         Input: Directory vnode token
                               +
OSSSTOR,              Input/output: BPXYOSS
                               +
BUFLINA,              Input: New file name length
                               +
BUFFERA,              Input: New file name
                               +
=A(ATTR#LENGTH),      Input: BPXYATTR length
                               +
ATTRSTOR,             Input/output: BPXYATTR
                               +
VNODETOK,             Output: New file Vnode token
                               +
RETVL,                Return value: 0 or -1
                               +
RETCODE,              Return code
                               +
RSNCODE),             Reason code
                               +
VL,MF=(E,PLIST)      -----
```

BPX1VSF, BPX4VSF (v_fstats)

The following code obtains the status of the file system containing the previously looked-up file whose vnode token is in VNODETOK. For the callable service, see “v_fstats (BPX1VSF, BPX4VSF) — Return file system status” on page 295. For the data structures, see “BPXYOSS — Map operating system specific information” on page 470 and Mapping macros in *z/OS UNIX System Services Programming: Assembler Callable Services Reference*.

```
MVC  OSSSTOR,OSS          Initialize BPXYOSS area
SPACE ,
CALL BPX1VSF,           Obtain file system status
                               +
(VNODETOK,            Input: Vnode token
                               +
OSSSTOR,              Input/output: BPXYOSS
                               +
=A(SSTF#LENGTH),      Input: BPXYSSTF length
                               +
SSTF,                 Output: BPXYSSTF
                               +
RETVL,                Return value: 0 or -1
                               +
RETCODE,              Return code
                               +
RSNCODE),             Reason code
                               +
VL,MF=(E,PLIST)      -----
```

BPX1VGT, BPX4VGT (v_get)

The following code obtains a vnode token for the file or directory specified via the input FID, residing within the mounted file system represented by the input VFS token. Previously, the FID might have been obtained from an attribute structure returned by v_lookup, and the VFS token via v_rpn. For the callable service, see “v_get (BPX1VGT, BPX4VGT) — Convert an FID to a vnode Token” on page 298. For the data structure, see “BPXYOSS — Map operating system specific information” on page 470.

```
MVC  OSSSTOR,OSS          Initialize BPXYOSS area
SPACE ,
CALL BPX1VGT,           Obtain a Vnode token
                               +
(VFSTOK,              Input: VFS token
                               +
OSSSTOR,              Input/output: BPXYOSS
                               +
FID,                  Input: File identifier
                               +
```


BPX1VGT, BPX4VGT (v_get) Example

```
VNODETOK,      Output: Vnode token for file      +
RETVAL,        Return value: 0 or -1              +
RETCODE,       Return code                    +
RSNCODE),     Reason code                      +
VL,MF=(E,PLIST) -----
```

BPX1VGA, BPX4VGA (v_getattr)

The following code obtains the status of a file whose previously looked-up vnode token is in VNODETOK. For the callable service, see “v_getattr (BPX1VGA, BPX4VGA) — Get the attributes of a file” on page 301. For the data structures, see “BPXYATTR — Map file attributes for v_ system calls” on page 459 and “BPXYOSS — Map operating system specific information” on page 470.

```
MVC  OSSSTOR,OSS      Initialize BPXYOSS area
SPACE ,
CALL  BPX1VGA,        Obtain file status                +
      (VNODETOK,      Input: Vnode token                +
      OSSSTOR,        Input/output: BPXYOSS            +
      =A(ATTR#LENGTH), Input: BPXYATTR length          +
      ATTRSTOR,       Output: BPXYATTR                 +
      RETVAL,         Return value: 0 or -1            +
      RETCODE,        Return code                      +
      RSNCODE),       Reason code                      +
      VL,MF=(E,PLIST) -----
```

BPX1VIO, BPX4VIO (v_ioctl)

The following code conveys a command to a physical file system. To use this example correctly, in the COMMAND parameter you must define a command understood by the physical file system. For the callable service, see “v_ioctl (BPX1VIO/BPX4VIO) - Convey a command to a physical file system” on page 303. For the data structure, see “BPXYOSS — Map operating system specific information” on page 470.

```
MVC  COMMAND,=X'0000D302'  GETFACL command
MVC  ARGBLN,=F'1024'
CALL  BPX1VIO,
      (VNODETOK,          Input: Vnode token
      OSSSTOR,           Input/output: BPXYOSS
      COMMAND,           Input: command
      ARGBLN,            Input: argument length
      ARGBUFF,           Argument buffer name
      RETVAL,            Return value: 0 or -1
      RETCODE,           Return code
      RSNCODE),          Reason Code
      VL,MF=(E,PLIST) -----
```

BPX1VLN, BPX4VLN (v_link)

The following code creates a new name, **dataproc.next**, for a previously looked-up file whose vnode token is in VNODETOK in a previously looked-up directory whose vnode token is in DIRVNODETOK. For the callable service, see “v_link (BPX1VLN, BPX4VLN) — Create a link to a file” on page 306. For the data structure, see “BPXYOSS — Map operating system specific information” on page 470.

```
MVC  OSSSTOR,OSS      Initialize BPXYOSS area
MVC  BUFLN,=F'13'
MVC  BUFFERA(13),=CL13'dataproc.next'
SPACE ,
CALL  BPX1VLN,        Create a link to a file                +
      (VNODETOK,      Input: File vnode token                +

```

BPX1VLN, BPX4VLN (v_link) Example

OSSSTOR,	Input/output: BPXYOSS	+
BUFLNA,	Input: Name length: new name	+
BUFFERA,	Input: New file name	+
DIRVNODETOK,	Input: Vnode for directory	+
RETVL,	Return value: 0 or -1	+
RETCODE,	Return code	+
RSNCODE),	Reason code	+
VL,MF=(E,PLIST)	-----	

BPX1VLO, BPX4VLO (v_lockctl)

The following code requests a read lock on the file with the input DEVNO and FID. The locker has been previously registered as LOCKERTOK, and the request is for client thread CTID. The byte-range to lock is from the start of the file to byte 10. For the callable service, see “v_lockctl (BPX1VLO, BPX4VLO) — Lock a file” on page 310. For the data structures, see “BPXYOSS — Map operating system specific information” on page 470, “BPXYVLOK — Map the interface block for v_lockctl” on page 474, and Mapping macros in *z/OS UNIX System Services Programming: Assembler Callable Services Reference*.

MVC	OSSSTOR,OSS	Initialize BPXYOSS area	
MVC	VLOKSTOR,VLOK	Initialize BPXYVLOK area	
XC	BRLK(BRLK#LENGTH),BRLK	Initialize BPXYBRLK	
MVI	L_TYPE,F_RDLCK	Lock type = read	
MVI	L_WHENCE,SEEK_SET	Whence = start of file	
MVC	L_LEN,=F'10'	Len = 10 bytes	
LA	R5,VLOKSTOR	Address and	
USING	VLOK,R5	map BPXYVLOK area	
MVC	VLOKLOCKERTOK,LOCKERTOK	Move Locker Token to VLOK	
MVC	VLOKCLIENTTID,CTID	Move Thread ID to VLOK	
MVI	VLOKOBJCLASS,VLOK#HFS	Object Class = HFS	
MVC	VLOKOBJDEV,DEVNO	Move Device ID	
MVC	VLOKOBJFID,FID	Move File ID	
MVC	VLOKBRLK,BRLK	Move Lock info to VLOK	
DROP	R5		
SPACE	,		
CALL	BPX1VLO,	Create a link to a file	+
	(OSSSTOR,	Input/output: BPXYOSS	+
	=A(VLOK#LOCK),	Input: Command = Lock	+
	=A(VLOK#LENGTH),	Input: BPXYVLOK length	+
	VLOKSTOR,	Input/output: BPXYVLOK	+
	RETVL,	Return value: 0 or -1	+
	RETCODE,	Return code	+
	RSNCODE),	Reason code	+
	VL,MF=(E,PLIST)	-----	

BPX1VLK, BPX4VLK (v_lookup)

The following code looks up a file named **fnewprots** in a previously looked-up directory whose vnode token is in DIRVNODETOK. In the returned attribute structure, ATTRFID contains the file identifier (FID) which can be used to obtain a vnode token for the file, subsequent to freeing the vnode token returned by v_lookup via v_rel. For the callable service, see “v_lookup (BPX1VLK, BPX4VLK) — Look up a file or directory” on page 322. For the data structures, see “BPXYATTR — Map file attributes for v_system calls” on page 459 and “BPXYOSS — Map operating system specific information” on page 470.

MVC	BUFFERA(9),=CL9'fnewprots'		
MVC	BUFLNA,=F'9'		
MVC	OSSSTOR,OSS	Initialize BPXYOSS area	
SPACE	,		
CALL	BPX1VLK,	Lookup a file	+
	(DIRVNODETOK,	Input: Directory Vnode token	+
	OSSSTOR,	Input/output: BPXYOSS	+

BPX1VLK, BPX4VLK (v_lookup) Example

BUFLNA,	Input: File name length	+
BUFFERA,	Input: File name	+
=A(ATTR#LENGTH),	Input: BPXYATTR length	+
ATTRSTOR,	Output: BPXYATTR	+
VNODETOK,	Output: File Vnode token	+
RETVAL,	Return value: 0 or -1	+
RETCODE,	Return code	+
RSNCODE),	Reason code	+
VL,MF=(E,PLIST)	-----	

BPX1VMK, BPX4VMK (v_mkdir)

The following code creates a new and empty directory named *newprots* in a previously looked-up directory whose vnode token is in DIRVNODETOK with user read-execute, group write, other read-execute permissions. For the callable service, see “v_mkdir (BPX1VMK, BPX4VMK) — Create a directory” on page 325. For the data structures, see “BPXYATTR — Map file attributes for v_ system calls” on page 459, “BPXYOSS — Map operating system specific information” on page 470 and Mapping macros in *z/OS UNIX System Services Programming: Assembler Callable Services Reference*.

```
MVC  BUFFERA(8),=CL8'newprots'
MVC  BUFLNA,=F'8'
MVC  OSSSTOR,OSS          Initialize BPXYOSS area
MVC  ATTRSTOR,ATTR       Initialize BPXYATTR area
XC   S_MODE,S_MODE       Clear mode
MVI  S_TYPE,FT_DIR       Set directory file type
MVI  S_MODE2,S_IRUSR     Read-execute/write/read-execute
MVI  S_MODE3,S_IXUSR+S_IWGRP+S_IROTH+S_IXOTH
LA   R5,ATTRSTOR        Address and
USING ATTR,R5           map BPXYATTR area
MVC  ATTRMODE,S_MODE     Move mode data to attribute
                               structure
DROP R5
SPACE ,
CALL  BPX1VMK,           Make a directory
      (DIRVNODETOK,     Input: Directory vnode token
      OSSSTOR,          Input/output: BPXYOSS
      BUFLNA,           Input: New directory name length
      BUFFERA,          Input: New directory name
      =A(ATTR#LENGTH),  Input: BPXYATTR length
      ATTRSTOR,         Input/output: BPXYATTR
      DIRVNODETOK2,     Output: New directory Vnode token
      RETVAL,           Return value: 0 or -1
      RETCODE,          Return code
      RSNCODE),         Reason code
      VL,MF=(E,PLIST)   -----
```

BPX1VPC, BPX4VPC (v_pathconf)

The following code obtains current values of configurable options of a file or directory whose vnode token is in VNODETOK. For the callable service, see “v_pathconf (BPX1VPC, BPX4VPC) — Get pathconf information for a directory or file” on page 337. For the data structures, see “BPXYATTR — Map file attributes for v_ system calls” on page 459, “BPXYOSS — Map operating system specific information” on page 470 and Mapping macros in *z/OS UNIX System Services Programming: Assembler Callable Services Reference*.

```
MVC  OSSSTOR,OSS          Initialize BPXYOSS area
MVC  ATTRSTOR,ATTR       Initialize BPXYATTR area
CALL  BPX1VPC,           Input: File Vnode token
      (VNODETOK,         Input/output: BPXYOSS
      OSSSTOR,          Input/output: BPXYOSS
      =A(PCFG#LEN),     Input: PCFG length
```

BPX1VPC, BPX4VPC (v_pathconf) Example

BUFFERA,	Output: PCFG buffer area	+
=A(ATTR#LENGTH),	Input: BPXYATTR length	+
ATTRSTOR,	Output: BPXYATTR	+
RETVL,	Return value: PCFG len or -1	+
RETCODE,	Return code	+
RSNCODE),	Reason code	+
VL,MF=(E,PLIST)	-----	

Note: PCFG#LEN is defined as follows. It is not constant in the BPXYPCF macro.

	BPXYPCF	pathconf
PCFG#LEN EQU		*-PCFG

BPX1VRW, BPX4VRW (v_rdw) Example

The following code writes data to a previously looked-up file whose vnode token is in VNODETOK, from the buffer provided. Control is not to be returned to the calling program until the data has been written, and authorization to write to the file is to be verified. For the callable service, see “v_rdw (BPX1VRW, BPX4VRW) — Read from and write to a file” on page 340. For the data structures see “BPXYOSS — Map operating system specific information” on page 470 and Mapping macros in *z/OS UNIX System Services Programming: Assembler Callable Services Reference*.

MVC	OSSSTOR,OSS	Initialize BPXYOSS area	
MVC	FUIOSTOR,FUIO	Initialize BPXYFUIO area	
LA	R5,FUIOSTOR	Address and	
USING	FUIO,R5	map BPXYFUIO area	
LA	R15,BUFFERA	Set address of buffer	
ST	R15,FUIOBUFFERADDR	to be written in FUIO	
OI	FUIOFLAGS,FUIO#WRT+FUIOSYNC+FUIOCHKACC		+
		Indicate write action, write	+
		to medium before return,	+
		and check authorization	
MVC	FUIOCURSOR,=F'100'	Set offset to begin writing	
MVC	FUIOIBYTESRW,=F'80'	Max number of bytes to write	
DROP	R5		
SPACE	,		
CALL	BPX1VRW,	Read or write data to or from file+	
	(VNODETOK,	Input: Vnode token for file	+
	OSSSTOR,	Input/output: BPXYOSS	+
	FUIOSTOR,	Input/output: BPXYFUIO	+
	=A(ATTR#LENGTH),	Input: BPXYATTR length	+
	ATTRSTOR,	Output: BPXYATTR	+
	RETVL,	Return value: 0, -1 or char count	+
	RETCODE,	Return code	+
	RSNCODE),	Reason code	+
	VL,MF=(E,PLIST)	-----	

BPX1VRD, BPX4VRD (v_readdir) Example

The following code reads the multiple entries from a directory, whose previously looked-up vnode token is in DIRVNODETOK, into the buffer provided. FUIOCURSOR, set to zero by the BPXYFUIO macro, indicates that the system is to begin reading with the first entry in the directory. Presuming that this is the first time the directory is read, FUIOCHKACC is set, in order to verify access authority. For the callable service, see “v_readdir (BPX1VRD, BPX4VRD) — Read entries from a directory” on page 344. For the data structures, see “BPXYOSS — Map operating system specific information” on page 470 and Mapping macros in *z/OS UNIX System Services Programming: Assembler Callable Services Reference*.

MVC	OSSSTOR,OSS	Initialize BPXYOSS area	
MVC	FUIOSTOR,FUIO	Initialize BPXYFUIO area	
LA	R5,FUIOSTOR	Address and	
USING	FUIO,R5	map BPXYFUIO area	

BPX1VRD, BPX4VRD (v_readdir) Example

```
LA    R15,BUFFERA          Set address of buffer
ST    R15,FUIOBUFFERADDR   for directory data in FUIO
MVC   FUIOIBYTESRW,=F'1023' Max number of bytes to read
OI    FUIOFLAGS,FUIOCHKACC Check authorization
DROP  R5
SPACE ,
CALL  BPX1VRD,              Read directory entries          +
      (DIRVNODETOK,        Input: Vnode token for directory +
      OSSSTOR,             Input/output: BPXYOSS          +
      FUIOSTOR,           Input/output: BPXYFUIO         +
      RETVAL,              Return value: 0, -1 or char count +
      RETCODE,            Return code                  +
      RSNCODE),           Reason code                  +
      VL,MF=(E,PLIST)     -----
```

BPX1VRA, BPX4VRA (v_readlink)

The following code reads the contents of a previously looked up symbolic link file whose vnode token is in VNODETOK, into the buffer provided. This will be the path name that was specified when the symbolic link was defined. For the callable service, see “v_readlink (BPX1VRA, BPX4VRA) — Read a symbolic link” on page 348. For the data structures, see Mapping macros in *z/OS UNIX System Services Programming: Assembler Callable Services Reference*.

```
MVC   OSSSTOR,OSS          Initialize BPXYOSS area
MVC   FUIOSTOR,FUIO        Initialize BPXYFUIO area
LA    R5,FUIOSTOR          Address and
USING FUIO,R5              map BPXYFUIO area
LA    R15,BUFFERA          Set address of buffer
ST    R15,FUIOBUFFERADDR   for symlink in FUIO
MVC   FUIOIBYTESRW,=F'1023' Max number of bytes to read
DROP  R5
SPACE ,
CALL  BPX1VRA,             Read the value of a symbolic link +
      (VNODETOK,          Input: Vnode token for file    +
      OSSSTOR,            Input/output: BPXYOSS          +
      FUIOSTOR,           Input/output: BPXYFUIO         +
      RETVAL,              Return value: 0, -1 or char count +
      RETCODE,            Return code                  +
      RSNCODE),           Reason code                  +
      VL,MF=(E,PLIST)     -----
```

BPX1VRG, BPX4VRG (v_reg)

The following code registers a file server named **File server**, and accepts the default maximum number of vnode tokens by allowing NREGMAXVNTOKENS to remain zero. For the callable service, see “v_reg (BPX1VRG, BPX4VRG) — Register a process as a server” on page 351. For the data structure, see “BPXYNREG — Map interface block to vnode registration” on page 467.

```
MVC   NREGSTOR,NREG        Initialize BPXYNREG area
LA    R5,NREGSTOR          Address and
USING NREG,R5              map BPXYNREG area
MVC   NREGSTYPE,=A(NREGSTYPE#FILE) Set server type
MVC   NREGSNAME(11),=CL11'File server' Set server name
MVC   NREGSNAMELEN,=F'11'
DROP  R5
SPACE ,
CALL  BPX1VRG,             Register server                +
      (=A(NREG#LENGTH),   Input: BPXYNREG length        +
      NREGSTOR,           Input/output: BPXYNREG          +
      RETVAL,              Return value: 0 or -1          +
      RETCODE,            Return code                  +
      RSNCODE),           Reason code                  +
      VL,MF=(E,PLIST)     -----
```

BPX1VRL, BPX4VRL (v_rel)

The following code releases a vnode token, specified in VNODETOK. For the callable service, see “v_rel (BPX1VRL, BPX4VRL) — Release a vnode token” on page 355. For the data structure, see “BPXYOSS — Map operating system specific information” on page 470.

```

MVC  OSSSTOR,OSS          Initialize BPXYOSS area
SPACE ,
CALL  BPX1VRL,           Release Vnode token          +
      (VNODETOK,         Input: Vnode token          +
      OSSSTOR,           Input/output: BPXYOSS        +
      RETVAL,            Return value: 0 or -1        +
      RETCODE,           Return code                +
      RSNCODE),          Reason code                +
      VL,MF=(E,PLIST)    -----

```

BPX1VRM, BPX4VRM (v_remove)

The following code deletes the file named **newprots** located in a previously looked-up directory whose vnode token is in DIRVNODETOK. For the callable service, see “v_remove (BPX1VRM, BPX4VRM) — Remove a link to a file” on page 357. For the data structure, see “BPXYOSS — Map operating system specific information” on page 470.

```

MVC  BUFFERA(8),=CL8'newprots'
MVC  BUFLINA,=F'8'
MVC  OSSSTOR,OSS          Initialize BPXYOSS area
SPACE ,
CALL  BPX1VRM,           Remove a file                +
      (DIRVNODETOK,      Input: Directory vnode token  +
      OSSSTOR,           Input/output: BPXYOSS        +
      BUFLINA,           Input: File name length      +
      BUFFERA,           Input: File name            +
      RETVAL,            Return value: 0 or -1        +
      RETCODE,           Return code                +
      RSNCODE),          Reason code                +
      VL,MF=(E,PLIST)    -----

```

BPX1VRN, BPX4VRN (v_rename)

The following code changes the name of a file from **samantha** in a previously looked-up directory whose vnode token is in DIRVNODETOK to **sam** in a previously looked-up directory whose vnode token is in DIRVNODETOK2. For the callable service, see “v_rename (BPX1VRN, BPX4VRN) — Rename a file or directory” on page 360. For the data structure, see and “BPXYOSS — Map operating system specific information” on page 470.

```

MVC  BUFFERA(08),=CL08'samantha' Old name
MVC  BUFLINA,=F'08'
MVC  BUFFERB(03),=CL03'sam'      New name
MVC  BUFLINB,=F'03'
MVC  OSSSTOR,OSS          Initialize BPXYOSS area
SPACE ,
CALL  BPX1VRN,           Rename a file                +
      (DIRVNODETOK,      Input: Old directory vnode token  +
      OSSSTOR,           Input/output: BPXYOSS        +
      BUFLINA,           Input: Old name length        +
      BUFFERA,           Input: Old name                +
      DIRVNODETOK2,      Input: New directory Vnode token  +
      BUFLINB,           Input: New name length        +
      BUFFERB,           Input: New name                +
      RETVAL,            Return value: 0 or -1        +

```

BPX1VRN, BPX4VRN (v_rename) Example

```
RETCODE,          Return code          +
RSNCODE),         Reason code          +
VL,MF=(E,PLIST)  -----
```

BPX1VRE, BPX4VRE (v_rmdir)

The following code deletes the directory named **newprots** located in a previously looked-up directory whose vnode token is in DIRVNODETOK. For the callable service, see “v_rmdir (BPX1VRE, BPX4VRE) — Remove a directory” on page 364. For the data structure, see “BPXYOSS — Map operating system specific information” on page 470.

```
MVC  BUFFERA(8),=CL8'newprots'
MVC  BUFLINA,=F'8'
MVC  OSSSTOR,OSS          Initialize BPXYOSS area
SPACE ,
CALL BPX1VRE,            Remove a directory          +
   (DIRVNODETOK,        Input: Directory vnode token    +
   OSSSTOR,             Input/output: BPXYOSS           +
   BUFLINA,            Input: Directory name length     +
   BUFFERA,            Input: Directory name           +
   RETVAL,             Return value: 0 or -1           +
   RETCODE,            Return code                     +
   RSNCODE),           Reason code                     +
   VL,MF=(E,PLIST)    -----
```

BPX1VRP, BPX4VRP (v_rpn)

The following code resolves (that is, looks up) the fully qualified path named /usr/fnewprots. For the callable service, see “v_rpn (BPX1VRP, BPX4VRP) — Resolve a path name” on page 367. For the data structures, see “BPXYATTR — Map file attributes for v_system calls” on page 459, “BPXYOSS — Map operating system specific information” on page 470, and Mapping macros in *z/OS UNIX System Services Programming: Assembler Callable Services Reference*.

```
MVC  BUFFERA(14),=CL14'/usr/fnewprots'
MVC  BUFLINA,=F'14'
MVC  OSSSTOR,OSS          Initialize BPXYOSS area
SPACE ,
CALL BPX1VRP,            Resolve a pathname          +
   (OSSSTOR,           Input/output: BPXYOSS           +
   BUFLINA,            Input: Path name length         +
   BUFFERA,            Input: Path name               +
   VFSTOK,            Output: VFS token                +
   VNODETOK,          Output: Vnode token              +
   =A(MNTEH#LENGTH+MNTE#LENGTH), Input: MNTE length  +
   MNTE,              Output: BPXYMNTE                 +
   =A(ATTR#LENGTH),   Input: BPXYATTR length          +
   ATTRSTOR,          Output: BPXYATTR                 +
   RETVAL,            Return value: 0 or -1           +
   RETCODE,            Return code                     +
   RSNCODE),           Reason code                     +
   VL,MF=(E,PLIST)    -----
```

BPX1VSA, BPX4VSA (v_setattr)

The following code sets attributes for a previously looked-up file whose vnode token is in VNODETOK. The owning user and group IDs are changed, the file change time is set to the current time and the user read-execute, group write, other read-execute permissions are set. For the callable service, see “v_setattr (BPX1VSA, BPX4VSA) — Set the attributes of a file” on page 371. For the data structures, see “BPXYATTR — Map file attributes for v_system calls” on page 459, “BPXYOSS —

BPX1VSA, BPX4VSA (v_setattr) Example

Map operating system specific information" on page 470, and Mapping macros in *z/OS UNIX System Services Programming: Assembler Callable Services Reference*.

```
MVC  OSSSTOR,OSS          Initialize BPXYOSS area
MVC  ATTRSTOR,ATTR       Initialize BPXYATTR area
XC   S_MODE,S_MODE      Clear mode
MVI  S_MODE2,S_IRUSR     Read-execute/write/read-execute
MVI  S_MODE3,S_IXUSR+S_IWGRP+S_IROTH+S_IXOTH
LA   R5,ATTRSTOR        Address and
USING ATTR,R5           map BPXYATTR area
MVC  ATTRMODE,S_MODE     Move mode data to attribute  +
                               structure
MVC  ATTRUID,=F'7'       Specify new UID
MVC  ATTRGID,=F'77'      Specify new GID
OI   ATTRSETFLAGS1,ATTRMODECHG+ATTROWNERCHG  +
                               Flag UID and GID changes
OI   ATTRSETFLAGS2,ATTRCTIMECHG+ATTRCTIMETOD  +
                               Set change time to current time

DROP R5
SPACE ,
CALL  BPX1VSA,           Set file attributes  +
      (VNODETOK,        Input: File vnode token  +
      OSSSTOR,          Input/output: BPXYOSS  +
      =A(ATTR#LENGTH),  Input: BPXYATTR length  +
      ATTRSTOR,         Input/output: BPXYATTR  +
      RETVAL,           Return value: 0 or -1  +
      RETCODE,         Return code  +
      RSNCODE),        Reason code  +
      VL,MF=(E,PLIST)  -----
```

BPX1VSY, BPX4VSY (v_symlink)

The following code creates an external symbolic link to data set MY.DATASET, the "pathname", for link name mydataset, the "link name", which is contained in a previously looked-up directory whose vnode token is in DIRVNODETOK. For the callable service, see "v_symlink (BPX1VSY, BPX4VSY) — Create a symbolic link" on page 379. For the data structures, see "BPXYATTR — Map file attributes for v_ system calls" on page 459, "BPXYOSS — Map operating system specific information" on page 470, and Mapping macros in *z/OS UNIX System Services Programming: Assembler Callable Services Reference*.

```
MVC  BUFFERA(09),=CL09'mydataset' Name of link
MVC  BUFLINA,=F'09'
MVC  BUFFERB(10),=CL10'MY.DATASET' Contents of link
MVC  BUFLINB,=F'10'
MVC  OSSSTOR,OSS          Initialize BPXYOSS area
MVC  ATTRSTOR,ATTR       Initialize BPXYATTR area
LA   R5,ATTRSTOR        Address and
USING ATTR,R5           map BPXYATTR area
OI   ATTRVISIBLE,ATTREXTLINK  +
                               Flag as external link

DROP R5
SPACE ,
CALL  BPX1VSY,           Create a symbolic link  +
      (DIRVNODETOK,     Input: Directory vnode token  +
      OSSSTOR,          Input/output: BPXYOSS  +
      BUFLINA,          Input: Link name length  +
      BUFFERA,          Input: Link name  +
      BUFLINB,         Input: Pathname length  +
      BUFFERB,         Input: Path name  +
      =A(ATTR#LENGTH),  Input: BPXYATTR length  +
      ATTRSTOR,         Input/output: BPXYATTR  +
      RETVAL,           Return value: 0 or -1  +
      RETCODE,         Return code  +
      RSNCODE),        Reason code  +
      VL,MF=(E,PLIST)  -----
```


Reentrant Return Linkage

ENVCNT	DS	F	Number of environment variables
ENVLENS	DS	F	Length of environment variables
ENVPARMS	DS	F	Environment variables
EVENTLIST	DS	A	Event list for thread posting
EXITRTNA	DS	A	Exit routine address
EXITPLA	DS	A	Exit Parm list address
FID	DS	2F	File identifier (FID)
FILEDESC	DS	F	File descriptor
FILEDES2	DS	F	File descriptor
FSNAME	DS	CL44	File system name
FSTYPE	DS	CL8	File system type
GRNAMELN	DS	F	Group name length
GROUP	DS	F	Group
GROUPECNT	DS	F	Group count
GROUPID	DS	F	Group ID (PID of group leader)
GRPGMNAME	DS	CL8	Group program name
INTMASK	DS	XL8	Signal mask
INITRTNA	DS	A	->Initialization routine
INTRSTATE	DS	A	Interrupt state
INTRTYPE	DS	A	Interrupt type
LOCKERTOK	DS	CL8	Locker Token
NANOSECONDS	DS	F	Count of nanoseconds
NCATCHER	DS	A	New catcher
NEWFLAGS	DS	F	New flags
NEWHANDL	DS	F	New Handler
NEWLEN	DS	XL8	Length file
NEWMASK	DS	XL8	New mask for signals
NEWMASKA	DS	A	->New mask
NEWTIMES	DS	D	New access/modification time
OCATCHER	DS	A	Old catcher
OFFSET	DS	CL8	File offset
OLDHANDL	DS	F	Old handler
OLDFLAGS	DS	F	Old flags
OLDMASK	DS	CL8	Old signal mask
OLDMASKA	DS	A	->Old mask
OPTIONS	DS	F	Options
PGMNAME	DS	CL8	Program name
PGMNAMEL	DS	F	Length PGMNAME
PLIST	DS	13A	Max number of parms
PROCID	DS	F	Process ID
PROCTOK	DS	F	Relative process number
READFD	DS	F	File descriptor - input file
REFPT	DS	F	File reference point
RETCODE	DS	F	Return code (ERRNO)
RETVL	DS	F	Return value (0, -1 or other)
RSNCODE	DS	F	Reason code (ERRNOJR)
SECONDS	DS	F	Time in seconds
SIGNAL	DS	A	Signal
SIGNALREG	DS	A	Signal registration, user data
SIGNALOPTIONS	DS	A	Signal options
SIGRET	DS	CL8	Signal return mask
SIRTNA	DS	A	Signal interrupt routine
STATFLD	DS	A	Status field
STATUS	DS	F	Status
STATUSA	DS	A	->STATUS
TERMMASK	DS	XL8	Signal termination mask
THID	DS	XL8	Thread ID
USERID	DS	F	User ID
USERNAME	DS	CL8	User name
USERNLEN	DS	F	Length USERNAME
USERWORD	DS	F	User data
WAITMASK	DS	F	Mast for signal waits
WRITEFD	DS	F	File descriptor - output file
VFSTOK	DS	2F	VFS token
VNODETOK	DS	2F	Vnode token
	SPACE	,	
@ENDSTOR	EQU	*	End of getmain storage

Reentrant Return Linkage

```
SPACE 3 * * * * * * * * * * Register equates * * * * * * *
SPACE ,
R0      EQU 0
R1      EQU 1      Parameter list pointer
R2      EQU 2
R3      EQU 3
R4      EQU 4
R5      EQU 5
R6      EQU 6
R7      EQU 7
R8      EQU 8
R9      EQU 9      Third program base register
R10     EQU 10     Second getmain storage register
R11     EQU 11     Second program base register
R12     EQU 12     Program base register
R13     EQU 13     Savearea & getmain storage base
R14     EQU 14     Return address
R15     EQU 15     Branch location
END
```

Reentrant Return Linkage

Appendix D. Interface structures for C language servers and clients

This appendix describes the following C language header files:

- “BPXYVFSI,” which is for the VFS callable services API (v_XXXX, as described in Chapter 5, “VFS callable services application programming interface,” on page 279)
- “BPXPFSI” on page 523, which is for the PFS interface operations (vfs_XXXX and vn_XXXX, as described in Chapter 3, “PFS operations descriptions,” on page 83)

These headers are placed in SYS1.SFOMHDRS when z/OS UNIX is installed.

BPXYVFSI

```

/*****START OF SPECIFICATIONS*****
*
*   $MAC (BPXYVFSI) COMP(SCPX4) PROD(FOM):
*
*01* MACRO NAME: BPXYVFSI
*
*01* DSECT NAME: N/A
*
*01* DESCRIPTIVE NAME: Virtual File System Interface Definition for C
*
*02*  ACRONYM: N/A
*
*                                */
/*01* PROPRIETARY STATEMENT=                                */
/****PROPRIETARY_STATEMENT*****/
/*                                */
/*                                */
/* LICENSED MATERIALS - PROPERTY OF IBM                    */
/* 5650-ZOS COPYRIGHT IBM CORP. 1993, 2013                */
/*                                */
/* STATUS= HBB7790                                         */
/*                                */
/****END_OF_PROPRIETARY_STATEMENT*****/
/*
*01* EXTERNAL CLASSIFICATION: GUPI
*01* END OF EXTERNAL CLASSIFICATION:
*
*01* FUNCTION: Provide a C language header file for the VFS Callable
*              Services Interface.
*
*   Defines C structures for the control blocks and tokens that
*   are used with the v_ (BPX1V) Callable Services.
*
*   Defines C prototypes and macros for the Callable Services.
*   The macros make use of the callable services vector tables
*   so that the caller does not have to be statically bound
*   to the services or to their stubs.
*   The callable services may be invoked by either their official
*   names or by C-friendly names, i.e. as bpxlvgt() or v_get().
*
*   The following structures are defined here:
*
*   Common structures used on both the VFS and PFS interfaces.
*   -----
*   GTOK   - General Eight Byte Token
```

```

*      FID    - File Identifier
*      CBHDR  - General Control Block Header
*      ATTR   - File Attribute Structure
*      UIO    - User I/O Structure
*      DIRENT - Directory Entries for v_readdir/vn_readdir.
*      FSATTR - File System Attributes of v_fstatfs/vfs_statfs
*
* Structures specific to the VFS interface.
* -----
*      VFSTOK & VNTOK - Opaque Tokens for file systems and files.
*      OSS          - Operating System Specific Information Structure
*      RPNMNTTE    - Mount Entry Structures returned by v_rpn.
*      NREG        - Registration Parameter Block used with v_reg
*      VLOCK       - Byte Range Locking Structure for v_lockctl.
*
* Conditional Processing is controlled by the following symbols:
*
*      _NOFCNTL - suppresses the inclusion of fcntl.h
*
*      To suppress the inclusion of fcntl.h #define _NOFCNTL
*      and do one of the following before you include this header:
*
*      (1) If you are not going to call v_lockctl:
*
*          #define FLOCK char - to provide a dummy type for vl_flock
*      or
*
*      (2) If you will call v_lockctl
*
*          #define or typedef FLOCK to your program's flock struct
*
*      _BPX_MNTE2 - Produces Version 2 of the Mount Entry          @P5A
*
*      _BPXLL - converts the following fields from (Highword,LowWord)
*              pairs into a single 8-byte long long data type:  @P5A
*
*              at_size
*              at_blocks
*              u_offset
*              u_fssizeLimit
*              fs_maxfilesize
*              me_bytesread
*              me_byteswritten
*
*      _BPXRTL_VFSI - Makes adjustments necessary for the RTL.   @P7A
*
*      _LP64 - Makes the UIO and ATTR compatible with LP64      @P7A
*
*      __XPLINK__ - Makes the V_XXXX Linkages OS_UPSTACK       @P7A
*
* Structures that are input to the services must be initialized
* prior to being passed on the calls.
* This means that the id and length fields are set correctly
* and that unused fields are zero.
*
* Macros are provided for initializing these structures
* in two ways:
*
* (1) For each potential input structure, XXX, there is an XXX_HDR
*     macro defined that can be used to initialize the header and
*     zero out the rest of the structure when the local copy

```

```

*      is declared.  For example:
*
*      ATTR attr2 = { ATTR_HDR };
*
*
* (2) The CBINIT macro can be used to initialize an area after
*      it has been declared.  For example:
*
*      struct { int  abc;
*              UIO  uio2;
*              ATTR attr2;
*              int  def;
*            } area2;
*      ...
*
*      CBINIT(area2.uio2,UI0);
*
*
*****
*
*01* METHOD OF ACCESS:
*
*02*  C/370:
*
*      #include <bpxyvfsi.h>
*
*02*  PL/X:
*
*      None
*
*02*  ASM:
*
*      None
*
*01* DEPENDENCIES: Changes to the macros listed below must be reflected
*                  in the corresponding structures of this header.
*
*01* NOTES:
*
*      This header file is consistent with the following mappings:
*
*      BPXYATTR
*      BPXYDIRE
*      BPXYFUIO
*      BPXYMNTNTE
*      BPXYNREG
*      BPXYOSS
*      BPXYSSSTF
*      BPXYVLOK
*
*01* COMPONENT: OpenMVS (SCPX4)
*
*01* DISTRIBUTION LIBRARY: AFOMHDR1
*
*01* CHANGE-ACTIVITY:
*****END OF SPECIFICATIONS*****/

#ifdef __BPXYVFSI_Common
#define __BPXYVFSI_Common
/*****/
/*****/
/**                               **/
/** Common structures used on both the VFS and PFS interfaces. **/
/**                               **/
/*****/
/*****/

```

```

/*-----*/
/* Deal with gratuitous longs                                7@DVA*/
/* For compatibility with 31-bit apps, they stay as longs.  */
/* For 64-bit apps, they get converted to ints.             */
/* In common section because they are in both PFSI and VFSI.*/
/*-----*/
#ifdef _LP64
    typedef int          BPXL32 ;
    typedef unsigned int BPXUL32 ;
#else
    typedef long         BPXL32 ;
    typedef unsigned long BPXUL32 ;
#endif

/*-----*/
/* Set up for 64-bit addressing and pack the structures      6@DVA*/
/*-----*/
#ifdef _LP64
    #define _PTR32 __ptr32
    #pragma pack(1)
#else
    #define _PTR32
#endif

/*-----*/
/* Opaque Tokens                                           */
/*-----*/
typedef struct s_gtok { /* General Eight Byte Token */
#ifdef _LP64
    void *gtok[1]; /* @DVA*/
#else
    void *gtok[2];
#endif
} GTOK ;

typedef struct s_fid { /* File Identifier */
    int fid[2]; /* PFS Specific values */
} FID ;

/*-----*/
/* General Control Block Header and Typedef for BIT        */
/*-----*/
typedef struct s_cbhdr {
    char cbid[4]; /* Eye catcher */
    int cblen; /* Length */
} CBHDR;

typedef unsigned int BIT;

/*-----*/
/* ATTR - File Attribute Structure (BPXYATTR)*/
/*
/* File types and permissions of at_mode are defined in modes.h. */
/* Audit bits of at_audit & at_uaudit are defined in stat.h. */
/*-----*/
#ifdef _BPXLL
    typedef _Packed struct s_attr {
#else
    typedef struct s_attr {
#endif
        CBHDR at_hdr;

        /* POSIX fields */
        int at_mode; /* Type & Permissions st_mode */
        int at_ino; /* inode number st_ino */
        int at_dev; /* device number st_dev */
        int at_nlink; /* link count st_nlink*/

```



```

        int    at_uid;           /* uid of owner      st_uid */
        int    at_gid;           /* group id of owner st_gid */
#ifdef _BPXLL
        long long at_size;
#else
        int    at_size;           /* file size (high word) */
        int    at_size;           /* file size          st_size */
#endif
        int    at_atime;          /* last access time  st_atime*/
        int    at_mtime;          /* last modified time st_mtime*/
        int    at_ctime;          /* status change time st_ctime*/
                                   /* OE Extensions */
        int    at_major;          /* Major number for char spec */
        int    at_minor;          /* Minor number for char spec */
        int    at_aaudit;          /* auditor audit info */
        int    at_uaudit;          /* user audit info */
        int    at_blksize;          /* File block size */
        int    at_createtime;      /* File Creation time */
        union { /*@DFA*/
            char AT_auditid[16]; /* SAF Audit ID */

            struct { /* Guard Time Value: @DFA*/
                int sec; /* Seconds @DFA*/
                int msec; /* Micro-seconds @DFA*/
            } AT_guardtime; /*@DFA*/
            char AT_cver[8]; /* Creation Verifier @DFA*/
        } /* See below for non-union names @DFA*/
        } at_u1; /*@DFA*/

        char    rsvd1[4];
        int    at_genmask; /* Setgen Mask */
                                   /* SetAttr Change Flags: */
        BIT    at_modechg :1; /* to mode indicated */
        BIT    at_ownchg :1; /* to UID indicated */
        BIT    at_setgen :1; /* to General Attr flags */
        BIT    at_trunc :1; /* truncate size */
        BIT    at_atimechg :1; /* the Atime */
        BIT    at_atimeTOD :1; /* Atime to TOD */
        BIT    at_mtimechg :1; /* the Mtime */
        BIT    at_mtimeTOD :1; /* Mtime to TOD */
        BIT    at_aauditchg :1; /* auditor audit info */
        BIT    at_uauditchg :1; /* user audit info */
        BIT    at_ctimechg :1; /* the Ctime */
        BIT    at_ctimeTOD :1; /* Ctime to TOD */
        BIT    at_reftimechg :1; /* Reference time change */
        BIT    at_refTOD :1; /* Reference time to TOD */
        BIT    at_filefmtchg :1; /* File format change @DAA*/
        BIT    at_guardtimechk :1; /* Guard Time Check @DFA*/
        BIT    at_cverset :1; /* Creation Ver Set @DFA*/
        BIT    at_charsetidchg :1; /* Change File Info @DNA*/
        BIT    at_lp64times :1; /* 64-bit fields used @P7A*/
        BIT    at_seclabelchg :1; /* change seclabel @DQA*/
        BIT    :12;

#ifdef _BPXRTL_VFSI /*@P7A*/
        struct file_tag at_filetag; /* Ccsid and TxtFlag @P7A*/
        char at_charsetid[8]; /* (Not used) @P7C*/
#else /*@P7A*/
        char at_charsetid[12]; /* CharSetId */
                                   /* First 4 bytes of CharSetId is the FileTag */
#endif /*@P7A*/
#ifdef _BPXLL
        long long at_blocks;
#else
        int    at_blocksh; /* blocks allocated (high word)*/
        int    at_blocks; /* blocks allocated */
#endif
#endif

```

```

int    at_genvalue;    /* General Attribute Flags    */
int    at_reftime;    /* Reference Time              */
FID    at_fid;        /* File FID                    */
char   at_filefmt;    /* File format                  @DAA*/
char   at_fspflag2;   /* Fsp flag2 w/acl flags      @DOA*/
char   at_rsvd2[02];  /*                               /* @DOC*/
int    at_ctimemsec;  /* Micro-seconds of Ctime     @DFA*/
char   at_seclabel[8]; /* security label              @DOA*/
char   at_rsvd3[4];   /*                               /* @DOC*/
                                     /* +A0 --- End Ver 1 ---     @P5A*/
char   at_atime64[8]; /* Large Time Fields          @P5A*/
char   at_mtime64[8]; /*                               /*@P5A*/
char   at_ctime64[8]; /*                               /*@P5A*/
char   at_createtime64[8]; /*                               /*@P5A*/
char   at_reftime64[8]; /*                               /*@P5A*/
char   at_rsvd4[8];   /*                               /*@P5A*/
char   at_rsvd5[16];  /*                               /*@P5A*/
                                     /* +E0 --- End Ver 2 ---     @P5A*/
} ATTR ;

#define ATTR_ID "ATTR"
#define ATTR_HDR  {{ATTR_ID}, sizeof(ATTR)}

/* Field names without the union qualifiers    @DFA*/
#define at_auditid at_u1.AT_auditid           /*@DFA*/
#define at_guardtime at_u1.AT_guardtime       /*@DFA*/
#define at_cver at_u1.AT_cver                 /*@DFA*/

/*-----*/
/* FSP Flag2 (ACL) constants                    */
/*-----@DOA*/
#define ATTR_ACCESS_ACL 128 /* access acl exists @DOA*/
#define ATTR_FMODEL_ACL 64 /* file model acl exists @DOA*/
#define ATTR_DMODEL_ACL 32 /* dir model acl exists @DOA*/

/*-----*/
/* File Format Type Constants                    */
/*-----@DAA*/
#define ATTR_FFNA 0 /* Not specified */
#define ATTR_FFBinary 1 /* Binary data */
/* Text data delimiters: */
#define ATTR_FFNL 2 /* New Line */
#define ATTR_FFRCR 3 /* Carrage Return */
#define ATTR_FFRLF 4 /* Line Feed */
#define ATTR_FFRCRLF 5 /* CR & LF */
#define ATTR_FFRLFCR 6 /* LF & CR */
#define ATTR_FFRCRNL 7 /* CR & NL */
/* Data consists of Records: */
#define ATTR_FFRECORD 8 /* Records @DZA*/

/*----- 7@DGA*/
/* genvalue Constants -- use for ATTR or any other */
/* structures with genvalue */
/*-----*/
#define GENVAL_PROGCTL 2 /* file can be program controlled */
#define GENVAL_APF 4 /* file can be APF authorized */
#define GENVAL_NOSHRAS 8 /* file cannot run in a shared AS */
#define GENVAL_NODELFILES 32 /* files are not to be deleted from
this directory @P4A*/

/*-----*/
/* The macro below tests the at_mode and at_genvalue fields */
/* to see if the file is an External Symbolic Link. */
/*-----*/
#ifndef S_IFEXTL
#define S_IFEXTL 0x00000001 /* External Link in at_genvalue */

```

```

#define S_ISEXTL(m,gv) ( S_ISLNK(m) && ((gv) & S_IFEXTL) )
#endif

/*-----*/
/* Vfs-Token and/or Mount Point Inode Number that may be @PBA*/
/* returned by v_lookup, v_readdir, and v_getattr. */
/* */
/* These are placed in the 12 byte at_charsetid field and */
/* can be extracted as follows: */
/* ATTR *A; given an attr structure */
/* struct at_vinfo *AV; define a ptr to at_vinfo */
/* unsigned int MtPtInodNum; area to put Inode number */
/* unsigned int MtPtDevno; area to put Devno */
/* VFSTOK VT; area to put vfs token */
/* */
/* AV = (struct at_vinfo *)&A->at_charsetid; */
/* */
/* For v_lookup and v_readdir the Vfs Token can be gotten with: */
/* memcpy(&VT,&AV->at_vfstok,sizeof(VT)); */
/* */
/* For v_readdir and v_getattr to get the Mount Point Ino: */
/* MtPtInodNum = AV->at_vmtptino; */
/* */
/* For v_getattr to get the Mount Point's Devno: */
/* MtPtDevno = (unsigned int)(AV->at_vfstok.gtok[1]); */
/* */
/*-----*/
struct at_vinfo { /* Cross Mount Point Info @PBA*/
    GTOK at_vfstok; /* Cross MtPt Vfs Tok @PBA*/
    unsigned int at_vmtptino; /* Root's MtPt's Ino @PBA*/
};

/*-----*/
/* UIO - User I/O Structure (BPXYFUIO)*/
/* */
/* For 31-Bit addresses: u_buffaddr points to the buffer */
/* */
/* For 64-Bit addresses: u_addr64 is on and */
/* u_buff64vaddr points to the buffer */
/* */
/*-----*/
typedef struct s_uio {
    CBHDR u_hdr;
    /* u_buffaddr64 (Real) @DMA*/
    /* @P7A*/
#ifdef _LP64
    char *u_buffaddr; /* Buffer 31-bit address */
    /* @P7A*/
#else
    char u_buffaddr[4]; /* @P7A*/
    /* @P7A*/
#endif
    int u_buffalet; /* Alet for Buffer Address */
    /* @P7A*/

#ifdef _BPXLL
    long long u_offset;
#else
#ifdef _LP64
    int u_offseth; /* Cursor (high word) */
    int u_offset; /* Cursor */
    /* @P7A*/
#else
    off_t u_offset; /* @P7A*/
    /* @P7A*/
#endif
#endif
}

int u_count; /* Number of bytes */
short u_asid; /* Addr Space ID: set by LFS */
BIT u_rw :1; /* 0=Read, 1=Write */
BIT u_key :4; /* Storage Key: set by LFS */
BIT u_sync :1; /* Sync data on write */

```

```

        BIT    u_syncd  :1;    /* Sync was done: LFS/PFS only*/
        BIT    u_chkacc :1;    /* Perform Access check      */
        BIT    u_realpage :1; /* u_buffaddr -> real page @D4A*/
        BIT    u_limitex :1;    /* File size limit exceeded
                                @D6A*/
        BIT    u_iovinuio :1; /* uio buff is an iov        @D9A*/
        BIT    u_shutd   :1;    /* do shutdown after send   @DMA*/
        BIT    u_addr64  :1;    /* 64-Bit Addressing        @DMA*/
        BIT    u_seekcur :1;    /* For pread/pwrite         @P5A*/
        BIT    u_reserved :2;    /* Reserved                  @D6C*/

        union {
            /* Vnop Specific Fields: */
            int    u_rdirindex; /* Readdir Index            */
            int    u_iovalet;  /* Sendmsg/Recvmsg IOV's ALET */
        } u_vs; /* */

        union {
            /* Vnop Specific Fields2: @DFA*/
            int    U_rddflags; /* Readdir Flags            @DFA*/
            int    U_iovbufalet; /* IOV's Buffer's ALET      @DFC*/
            /* See below for non-union names @DFA*/
        } u_vs2; /*@DFA*/
#ifdef _BPXLL
        int    u_fssizelimitlw; /* filesize limit loword @D6A*/
        int    u_fssizelimitlw; /* filesize limit loword @D6A*/
#else
        long long u_fssizelimit;
#endif
        union {
            /* Vnop Specific Fields3: @DFA*/
            char    U_cver[8]; /* Readdir Cookie Verifier @DFA*/
            char    u_internal[16]; /* Internal fields @D9A*/
            /* See below for non-union names @DFA*/
        } u_vs3; /*@DFA*/
        int    u_iovresidualcnt; /* remaining bytes to be moved
                                @D9A*/
        int    u_totalbytesrw; /* total number of bytes to be
                                moved @D9A*/
#ifdef _LP64
        char    u_buff64vaddr[8]; /* 64-Bit Virtual Addr @P5A*/
#else
        char    *u_buff64vaddr; /* @P7A*/
#endif
    } UIO ;

    /* Field names w/o the union qualifier @DFA*/
#define u_iovbufalet u_vs2.U_iovbufalet /*@DFA*/
#define u_rddflags u_vs2.U_rddflags /*@DFA*/
#define u_cver u_vs3.U_cver /*@DFA*/

    /* u_rddflags - Readdir/ReaddirPlus Flags @DFA*/
#define FUIORETCURSOR 4 /* Return cursor in dirents @E1A*/
#define FUIOCVERRET 2 /* Cookie Ver being Returned @DFA*/
#define FUIORDDPLUS 1 /* ReaddirPlus requested @DFA*/

#define UIO_ID "FUIO"
#define UIO_HDR {{UIO_ID}, sizeof(UIO)}

#ifdef _BPXLL
#define UIO_NONEWFILES 0x8000000000000000LL
#else
#define UIO_NONEWFILES 0x80000000 /* No new files
                                can be created @D6A*/
#endif

/*-----*/
/* DIRENT - Directory Entries for v_readdir/vn_readdir. (BPXYDIRE)*/
/*

```

```

/*      Entry              Extension              */
/*      -----//-----              */
/*      | TL | NL | name          | Ino  |          |              */
/*      -----//-----              */
/*      0   2   4              4+NL   8+NL   TL              */
/*
/*      The Extension may not be returned by all PFSes.
/*
/*      When (u_rddflags & FUIORDDPLUS) == FUIORDDPLUS      @DFA*/
/*      the directory entries look like:                    @DFA*/
/*
/*      -----//-----              @DFA*/
/*      | TL | NL | name          | Attributes |              @DFA*/
/*      -----//-----              @DFA*/
/*      0   2   4              4+NL              TL @DFA*/
/*
/*      When (u_rddflags & FUIORETCURSOR) == FUIORETCURSOR @E1A*/
/*      the directory entries look like:                    */
/*
/*      -----//-----              */
/*      | TL | NL | name          | ino | cursor          |              */
/*      -----//-----              */
/*      0   2   4              4+NL  8+NL              TL              */
/*
/*-----*/

typedef struct s_dirent {          /* Directory Entry      */
    short  dir_len;              /* Total entry length  */
    short  dir_namelen;         /* Name length         */
    char   dir_name[1];         /* File name, 1-255 bytes */
} DIRENT ;

typedef struct s_dirext {         /* Directory Extension  */
    int    dir_ino;             /* File Ino number     */
    union {
        char DIR_other[1];     /* PFS specific data   */
        char DIR_cursor[8];    /* cursor              @E1A*/
    } dir_ul;
} DIREXT;

/* Field names without the union qualifiers      */
#define dir_other  dir_ul.DIR_other             /* @E1A*/
#define dir_cursor dir_ul.DIR_cursor           /* @E1A*/

/* The dir_name field is of variable length.
|
| Given the following two pointers:
|     DIRENT *dp;
|     DIREXT *dx;
|
| To move from one entry to the next:
|
|     dp = (DIRENT *) ((int)dp + dp->dir_len);
|
| To copy the name field to a standard C string buffer:
|
|     memcpy(dp->dir_name, name, dp->dir_namelen);
|     name[dp->dir_namelen] = '\0';
|
| To address the optional extension structure:
|
|     if ((dp->dir_len) > (4 + dp->dir_namelen)) {
|
|         dx = (DIREXT *) ((int)dp + 4 + dp->dir_namelen);
|
|         ino = dx->dir_ino;
|     }
|

```

```

    else
        ino = 0;

    To address the readdirplus attributes:                                @DFA
                                                                           @DFA
    ATTR *da;                                                            @DFA
                                                                           @DFA
    da = (ATTR *) ((int)dp + 4 + dp->dir_namelen);                       @DFA
    ino = da->at_ino;                                                    @DFA
*/

/*-----*/
/* FSATTR - File System Attributes of v_fstatfs/vfs_statfs(BPXYSSTF)*/
/*-----*/
    struct fsf_prop { /* NFS V3 Properties @DFA*/
        BIT fs_fsf_v3ret :1; /* V3 Prop Returned @DFA*/
        BIT :2;
        BIT fs_fsf_CanSetTime :1; /* time_delta accuracy @DFA*/
        BIT fs_fsf_homogeneous :1; /* pathconf same for all @DFA*/
        BIT :1;
        BIT fs_fsf_symlink :1; /* Supports Symlinks @DFA*/
        BIT fs_fsf_link :1; /* Supports Hard Links @DFA*/
    }; /*@DFA*/

typedef struct s_fsattr {
    CBHDR fs_hdr; /* (f_OEcbid and f_OEcblen) */
    BPXUL32 fs_blocksize; /* Block size (f_bsize) @DVC*/
    int rsvd1; /* Reserved */
    int rsvd2; /* Reserved */
    BPXUL32 fs_totalspace; /* Total space. The total
                           number of blocks on file
                           system in units of f_frsize
                           (f_blocks) @DVC*/
    int rsvd3; /* Reserved */
    BPXUL32 fs_usedspace; /* Used space in blocks
                          (f_OEusedspace) @DVC*/
    int rsvd4; /* Reserved */
    BPXUL32 fs_freespace; /* Free space in blocks
                          (f_bavail) @DVC*/
    BPXUL32 fs_fsid; /* File system ID (f_fsid)@DVC*/
    /* Flags: */
    BIT :1; /* Reserved @DCA*/
    BIT fs_exported :1; /* Filesys is exported
                        (ST_OEEXPORTED) @DCA*/
    BIT :6; /* Reserved @DFC*/
    struct fsf_prop fs_nfsprop; /* NFS V3 Properties @DFA*/
    BIT :8; /* Reserved @DFC*/
    BIT :5; /* Reserved @DJC*/
    BIT fs_nosec :1; /* No Security Checks @DJA*/
    BIT fs_nosuid :1; /* SetUID/SetGID not supported
                      (ST_NOSUID) @DBM*/
    BIT fs_ronly :1; /* Filesys is read only
                     (ST_RDONLY) @DBM*/
#ifdef _BPXLL
    long long fs_maxfilesize;
#else
    int fs_maxfilesizehw; /* High word of max file size
                          (f_OEmaxfilesizehw) @DBM*/
    BPXUL32 fs_maxfilesizelw; /* Low word of max file size
                              (f_OEmaxfilesizelw) @DVC*/
#endif
    char rsvd5[16]; /* Reserved @DBA*/
    BPXUL32 fs_frsize; /* Fundamental filesystem
                       block size (f_frsize) @DVC*/
    int rsvd6; /* Reserved @DBC*/
    int rsvd7; /* Reserved @DBC*/

```

```

        BPXUL32 fs_bfree;          /* Total number of free blocks
                                   (f_bfree)          @DVC*/
        BPXUL32 fs_files;         /* Total number of file nodes
                                   in the file system (f_files)
                                   @DVC*/
        BPXUL32 fs_ffree;        /* Total number of free file
                                   nodes (f_ffree)      @DVC*/
        BPXUL32 fs_favail;       /* Number of free file nodes
                                   available to unprivileged
                                   users (f_favail)     @DVC*/
        BPXUL32 fs_namemax;      /* Maximum file name length
                                   (f_namemax)         @DVC*/
        BPXUL32 fs_invarsec;     /* Number of seconds fs will
                                   remain unchanged
                                   (f_OEinvarsec)      @DVC*/
        BPXUL32 fs_time_delta_sec; /* Granularity of setting @DVC*/
        BPXUL32 fs_time_delta_ns; /* file times @DVC*/

        char rsvd8[12];         /* Reserved @DBC*/
    } FSATTR ;

    #define FSATTR_ID "SSTF"
    #define FSATTR_HDR {{FSATTR_ID}, sizeof(FSATTR)}

/*-----*/
/* PFS Type values for me_fstype and pfsi_pfstype. */
/*-----*/
    #define MNT_FSTYPE_LOCAL 1 /* Files are local */
    #define MNT_FSTYPE_REMOTE 2 /* Files are remote */
    #define MNT_FSTYPE_PIPE 3 /* Files are pipes/fifos */
    #define MNT_FSTYPE_SOCKET 4 /* Files are sockets */
    #define MNT_FSTYPE_CSPS 6 /* STREAMS char spec @DHA*/

/*-----*/
/* Alternative Macro for Initializing Input Structures. */
/*-----*/
    #define CBINIT(cb,typ) {
        memset(&(cb),'\0',sizeof(typ));
        memcpy(((CBHDR *)&(cb)) -> cbid, typ ## _ID, 4);
        ((CBHDR *)&(cb)) -> cblen = sizeof(typ);
    }

/*-----*/
/* I/O Control Command Codes used by w_piocntl & vn_ioctl (BPXYIOCC)*/
/*-----*/
    #ifndef IOC_EDITACL
        #define IOC_EDITACL 0x2000C100 /* Edit ACL: _IO('A',0) @P2A*/
    #endif

/*-----*/
/* File Group Pathconf structure used by v_pathconf (BPXYPCF) */
/*-----*/
/*@DFA*/
    struct PC_filegrp {
        /* PathConf File Group @DFA*/
        int pcfglinkmax; /* Link Max @DFA*/
        int pcfgnamemax; /* Name Max @DFA*/
        /* Flags: @DFA*/
        BIT pcfgnotrunc :1; /* No Trunc @DFA*/
        BIT pcfgchownRstd :1; /* Chown Rstd @DFA*/
        BIT pcfgcaseinsensitive :1; /* Case Insensitive @DFA*/
        BIT pcfgcasenonpreserving :1; /* Case non-presrv @DFA*/
        BIT :4; /*@DFA*/
        char pcfgRsvd[3]; /*@DFA*/
    } ;

```

```

                                                    /* 3@PDA*/

/*-----*/
/* VLOCK - Byte Range Locking Structure for v_lockctl.  (BPXYVLOCK)*/
/*      and for vn_lockctl                                @PEM*/
/*
/*   The POSIX flock structure and locking constants are defined */
/*   in the fcntl.h header, which is included here.             */
/*-----*/
#ifdef _NOFCNTL                /* If pgm does not request that*/
    #include <fcntl.h>        /* fcntl.h be suppressed,    */
    #define FLOCK struct flock /* see prolog for details.    */
#endif

typedef struct s_vlock {
    CBHDR    vl_hdr;
            /* LOCKER: fields that are used with VL_REGLOCKER*/
    int     vl_serverpid;    /* Server's PID          */
    int     vl_clientpid;   /* Server's Client's PID */

    GTOK    vl_lockertok;   /* Token for Locker(Spid+Cpid) */

            /* TID: individual lock owner within a locker. */
    char    vl_clienttid[8]; /* Client's Thread's TID  */

            /* OBJECT: represents a single locked file */
    int     vl_objclass;    /* Object Class: HFS, MVS, etc */
    char    vl_objid[12];   /* Obj's Unique Id within class*/

    GTOK    vl_objtok;     /* Token for Object(Class+Id) */

            /*-----
            ! The two fields below were never used and are
            ! being left here so old programs that may
            ! have referenced them will not suffer
            ! compile failures with this new header.    @DUA*/
            /*-----
            ! We are taking back these two fields:
            ! char vl_dosmode
            ! char vl_dosaccess
            ! Have advised FVT on the disappearing of the
            ! fields                                     @DYA*/
            /*-----*/
    BIT     vl_nosplitmerge :1; /*Do not split or merge
                                ranges                    @DYA*/

    BIT     :7; /* Reserved                                @DYA*/
    char    vl_rsvd;      /* Reserved        @DUC @DYC*/

    char    vl_blklocklen; /* Length for Blocking Lk @DUA*/

    char    vl_rsvd2[5];  /*@DUC*/

    GTOK    vl_vntoken;   /* Unix Obj Vnode Token  @DUA*/

            /* Lock information: range and type, etc */
    FLOCK    vl_flock;    /* POSIX flock structure */

            /* Version 2 Extensions - - - - - @DUA*/
    int     vl_rsvd3;     /*@DUA*/
    struct s_brlm_rangelock /*@DUA*/
    * _PTR32 vl_blockinglock; /* Ptr to Blocking Lock @DVC*/
            /*@DUA*/
    union {
            /*-----@DUA*/
        struct { /* Async Locking Ext @DUA*/
            /*-----@DUA*/

```



```

#ifdef _LP64
void * vl_ax_aiocb; /* Aiocb Ptr64 @PGA*/
#else
int vl_rsvd4; /*@DUA*/
void * _PTR32 vl_ax_aiocb; /* Aiocb @DVC*/
#endif
int vl_ax_aiocblen; /* Aiocblen @DUA*/
} vl_aioext; /*@DUA*/

/*-----*/
struct { /* UnloadLocks Extensions @PIC @PHA*/
/*-----*/
/* Ptr to Output Chain is always Ptr32 @PHA*/
int vl_rsvd52; /*@PHA*/
struct s_brlm_unloadlockslist /*@DUA*/
* _PTR32 vl_u1l_outlistptr; /* Chain Ptr @DVC*/
/* Pointer to Input Mask is in @PIA*/
/* vl_u1lIext below @PIA*/
/* Input Fields @PIC @PHA*/
char vl_u1l_subpool; /* Subpool @DUA*/
char vl_u1l_masklen; /* InMask Len @DYA*/
char vl_u1l_retwaiters; /* Held & Wait @DUA*/
} vl_u1lIext; /*@PIC @PHA*/

struct { /* UnloadLocks Input Extension @DUA*/
#ifdef _LP64
/*@PHA*/
/* Input Ptr64 to Object Mask @PHA*/
/* like vl_objectmask @PHA*/
void * vl_u1l_inmaskptr; /*@PHA*/
#else
/*@PHA*/
/*@DUA*/
/* Input Ptr32 to Object Mask @PHA*/
/* like vl_objectmask @PHA*/
void * _PTR32 vl_u1l_inmaskptr; /*@PHA*/
#endif
/* Input Fields: subpool,masklen,retwaiters
logically belong here but that would
change their fully qualified names. PIA*/
} vl_u1lIext; /*@PIC @DUA*/

/*-----*/
struct { /* Purge Masks Extension @DUA*/
/*-----*/
#ifdef _LP64
/*@PHA*/
struct vl_purgemasks * /*@PHA*/
vl_pg_masks; /* Obj/Own Masks Ptr64 @PHA*/
#else
/*@PHA*/
/*@DUA*/
struct vl_purgemasks * _PTR32 /*@DVC*/
vl_pg_masks; /* Obj/Own Masks @DVC*/
#endif
/*@PHA*/
int vl_pg_maskslen; /* Masks Len @DUA*/
} vl_pgext; /*@DUA*/
} vl_u; /*@DUA*/

char vl_rsvd7[12]; /*@DUA*/
} VLOCK;

/* Simple Field Names @DUA*/
/*@DUA*/
#define vl_aiocb vl_u.vl_aioext.vl_ax_aiocb /*@DUA*/
#define vl_aiocblen vl_u.vl_aioext.vl_ax_aiocblen /*@DUA*/
/*@DUA*/
/*@2@PHC*/
#define vl_outlistptr vl_u.vl_u1lIext.vl_u1l_outlistptr /*@DUA*/
#define vl_inmaskptr vl_u.vl_u1lIext.vl_u1l_inmaskptr /*@PIC@DYA*/

```

```

#define vl_subpool      vl_u.vl_ullex.vl_ull_subpool      /*@DUA*/
#define vl_masklen     vl_u.vl_ullex.vl_ull_masklen     /*@DYA*/
#define vl_retwaiters  vl_u.vl_ullex.vl_ull_retwaiters  /*@PHA*/

#define vl_pgmask      vl_u.vl_pgext.vl_pg_masks        /*@DUA*/
#define vl_pgmasklen   vl_u.vl_pgext.vl_pg_maskslen    /*@DUA*/

/* Constants */

#define VLOCK_ID      "VLOK"
#define VLOCK_HDR     {{VLOCK_ID}, sizeof(VLOCK)}

/* Values for Object Class: vl_objclass */
#define VL_HFS        0      /* Unix File */
#define VL_MVS        1      /* Legacy MVS dataset */
#define VL_LFSESA     2      /* Lan File Server */
#define VL_NFSCOBJCL  3      /* NFS Client object @DYA*/

/* Values for v_lockctl cmd */
#define VL_REGLOCKER  1
#define VL_UNREGLOCKER 2
#define VL_LOCK        3
#define VL_LOCKWAIT   4
#define VL_UNLOCK     5
#define VL_QUERY       6
#define VL_PURGE       7

#define VL_LOCKASY     8      /*@DUA*/
#define VL_LOCKCANCEL  9      /*@DUA*/
#define VL_UNLOADLOCKS 10     /*@DUA*/

/* UnLoadLocks Constants, for vl_retwaiters @DUA*/
#define ull_retwaiters 1      /* Output Holders & Waiters @DUA*/
#define ull_retaillocks 3     /* All Locks, Held & Waiting @DUA*/

/* The vl_objid used by fcntl() for POSIX locking of HFS files */
struct hfsobjid {
    int hfsobj_devno;      /* device number (at_dev) */
    FID hfsobj_fid;       /* file ID (at_fid) */
};

/*-----*/
/* Purge Locks Masks @DUA*/
/*-----*/
struct vl_purgemasks {
    char vl_objectmask[16]; /* ObjectId Mask @DUA*/
    char vl_ownermask[16]; /* Lock OwnerId Mask @DUA*/
};
/* These can be set, for example, as follows:
 * int AllFoxes[4] = {-1,-1,-1,-1};
 * int ClientTIDs[4] = {-1,-1,0,0};
 * struct vl_purgemasks PM;
 * memcpy(PM.vl_objectmask,AllFoxes,16);
 * memcpy(PM.vl_ownermask,ClientTIDs,16); @DUA*/

/*-----*/
/* Lock Owner Structure - v_lockctl and v_open @DUA*/
/*-----*/
typedef struct s_lockowner {
    int lo_serverpid;      /* Server's PID */
    int lo_clientpid;      /* Server's Client's ID */
    char lo_clienttid[8]; /* Client's Thread's ID */
} LOCKOWNER; @DUA*/

/*-----*/
/* BRLM_RangeLock - A blocking lock or an unloaded lock. @DUA*/

```

```

/*-----*/
typedef struct s_brlm_rangelock { /*@DUA*/
    LOCKOWNER rl_owner; /* Owner: Spid, Cpid, Ctid */
    char rl_offset[8]; /* 8-byte file offset */
    char rl_length[8]; /* 8-byte lock length */
    BIT rl_waiter :1; /* A waiting request */
    BIT :7;
    char rl_openacc; /* Open Access Mode */
    char rl_opendeny; /* Open Deny Mode */
    char rl_access; /* Lock Access or 5=0Modes */
} BRLM_RANGELOCK; /*@DUA*/

/* Values for rl_access @DUA*/
#define rl_shared 1 /* Read lock */
#define rl_excl 2 /* Write lock */
#define rl_shr2excl 3 /* Read waiting for wrt */
#define rl_openmodes 5 /* Acc & Deny Modes */

/*-----*/
/* BRLM UnloadLocks List @DUA*/
/*-----*/
struct s_u1l_entry { /* One Unloaded Lock Entry @DUA*/
    int u1l_objclass; /* Object Class */
    char u1l_objid[12]; /* Object Id */
    BRLM_RANGELOCK u1l_rangelock; /* Range Lock */
    int rsvd2;
} ; /*@DUA*/

/* One Unloaded Lock List Segment @DUA*/
typedef struct s_brlm_unloadlockslist { /*@DUA*/
    char u1l_id[8]; /* 'IGWLBULL' */
    int u1l_length; /* Total length */
    char u1l_ver; /* Version */
    char u1l_sp; /* Storage SubPool */
    char u1l_key; /* Storage Key */
    char rsvd1;
    struct s_brlm_unloadlockslist
        * _PTR32 u1l_next; /* Next on Chain @DVC*/
    int u1l_count; /* Number of Entries */
    struct s_u1l_entry u1l_entries[64]; /* 1 to 64 Locks */
} BRLM_UNLOADLOCKSLIST; /*@DUA*/

#ifdef _LP64
#pragma pack(reset)
#endif
/* End of Common Structures */

#if !defined(__BPXYVFSI) & !defined(__BPXYVFSI_Common_Only)
#define __BPXYVFSI
/*****
/*****
/**
/** Structures specific to the VFS interface.
/**
/**
/*****
/*****
/* 3@PDA*/

#ifdef _LP64
#pragma pack(1)
#endif
/*-----*/
/* VFSTOK & VNTOK - Opaque Tokens for file systems and files. */
/*-----*/
typedef struct s_vfstok { /* VFS Token */
    char vfstok[8];
} VFSTOK ;

```

```

typedef struct s_vntok {          /* Vnode Token          */
    char vntok[8];
} VNTOK ;

/*-----*/
/* OSS - Operating System Specific Information Structure (BPXYOSS) */
/*-----*/
typedef struct s_oss {
    CBHDR  os_hdr;
    int    os_diribc;      /* Directory I/O block cnt  */
    int    os_readibc;    /* Read I/O block cnt       */
    int    os_writeibc;   /* Write I/O block cnt      */
    BIT    os_xmtpt :1;   /* v_lookup cross mt pts   @P5A*/
    BIT    os_noremove :1; /* v_rpn don't cross into  @01A*/
                                file sys, like NFSC
    BIT    :30;
    GTOK   os_opentoken;  /* v_open token            @DUA*/
} OSS ;

#define OSS_ID "OSS "
#define OSS_HDR {{OSS_ID}, sizeof(OSS)}

/*----- @DUA*/
/* Special os_opentoken values - @DUA*/
/* These are to be used to set the first word of the @DUA*/
/* open token to the special values that correspond @DUA*/
/* to the special stateids passed by the client. @DUA*/
/* They are used as in this example: @DUA*/
/* OSS 0; @DUA*/
/* 0.os_opentoken.gtok[0] = OS_OTMANDCHK; @DUA*/
/*----- @DUA*/
#define OS_OTADVCHK (void*)(0) /* Advisory Check, V4 only @DUA*/
#define OS_OTMANDCHK (void*)(2) /* Mandatory Check, all @DUA*/
#define OS_OTOVERRIDE (void*)(1) /* No Checking - Rd Only @DUA*/

#ifdef _BPX_MNTE3 /*@DXA*/
#ifdef _BPX_MNTE2 /*@DXA*/
#define _BPX_MNTE2 1 /*@DXA*/
#endif /*@DXA*/
#endif /*@DXA*/

/*-----*/
/* RPNMTE - Mount Entry Structures returned by v_rpn. (BPXYMTE) */
/* NOTE: me_mountpoint is not filled in by v_rpn. */
/*-----*/

#ifdef _BPX_MNTE2

#ifdef __syslistdef /*@P8A*/
#define __syslistdef 1 /*@P8A*/

typedef struct s_syslistdef {
    short int mt_syslistnum; /* Number of systems in list @DRA*/
    short int mt_syslistflags; /* Flags @DRA*/
    char mt_syslist[32][8]; /* System names @DRA*/
} SYSLISTDEF; /*@DRA*/

#else /* Use the definition from mntent.h @P8A*/
#define mt_syslistnum mnt2_syslistnum /*@P8A*/
#define mt_syslistflags mnt2_syslistflags /*@P8A*/
#define mt_syslist mnt2_syslist /*@P8A*/
#endif /*@P8A*/

/*
 * Values for mt_syslistflags

```

```

*/
#define MNT_SYSLIST_INCLUDE 0x0000 /*@DRA*/
#define MNT_SYSLIST_EXCLUDE 0x0001 /*@DRA*/

#endif

typedef struct s_mnteh { /* w_getmntent header */
    CBHDR    mh_hdr; /* Header with total length */
    char     mh_cursor[8]; /* Internal cursor */
    int      mh_devno; /* File System devno to find */
#ifdef _BPX_MNTE2 /* mnte header definition @DLA*/
    int      rsvd; /* Reserved - must be
                  zero on entry @D5C*/
#else /* mnte2 header definition@DLA*/
    int      mh_bodylen; /* Length of the mnte body@DLA*/
    char     rsvd[8]; /* Reserved - must be
                     zero on entry @DLC*/
#endif /*@DLA*/
} MNTEH;

typedef struct s_mnte { /* w_getmntent returned entry */
    int      me_fstype; /* File system type */
    int      me_mode; /* File system mount mode */
    int      me_dev; /* st_dev of this file system */
    int      me_parentdev; /* st_dev of parent file sys */
    int      me_rootino; /* st_ino of the mount point */
    char     me_status; /* status of the file system. */
    char     me_ddname[9]; /* ddname specified on mount */
    char     me_fstname[9]; /* FILESYSTYPE Name */

    char     me_fsname[45]; /* File System Name (HFS DSN) */

    int      me_pathlen; /* Length of mount point path */
    char     me_mountpoint[1024]; /* Mount point pathname */
    char     me_jobname[8]; /* Job Name issuing Quiesce */
    int      me_pid; /* PID that issued Quiesce */
    int      me_parmoffset; /* Offset of mount parameter
                             from me_fstype @D8C*/
    short    me_parmlen; /* Length of mount parameter
                          @D5A*/
#ifdef _BPX_MNTE2 /* mnte base definition @DLA*/
    char     rsvd[54]; /* Reserved for expansion @D5C*/
#else /* mnte2 base definition@DLA*/
    char     me_sysname[8]; /* system mounted on @DKA*/
    char     me_qsysname[8]; /* quiesce system name @DKA*/
    char     me_fromsys[8]; /* filesystem moved from this
                             system @DKA*/
    short    rsvd1; /* reserved for alignment @DKA*/
    int      me_rflags; /* request flags @DKA*/
    int      me_status2; /* more status fields @DKA*/
    int      me_success; /* filesystems moved ok @DKA*/
    int      me_readct; /* Number of reads @DLA*/
    int      me_writect; /* Number of writes done @DLA*/
    int      me_diribc; /* Number directoryI/O blks@DLA*/
    int      me_readibc; /* Number read I/O blocks @DLA*/
    int      me_writeibc; /* Number write I/O blocks @DLA*/
#endif

#ifdef _BPXLL
    long long me_bytesread;
    long long me_byteswritten;
#else
    int      me_bytesreadhw; /* Total number bytes read
                             high word @DLA*/
    int      me_bytesreadlw; /* Total number bytes read
                             low word @DLA*/
    int      me_byteswrittenhw; /*Total number bytes-wrote
                             high word @DLA*/
    int      me_byteswrittenlw; /*Total number bytes-wrote
                             low word @DLA*/
#endif

```

```

                                low word                @DLA*/
#endif
char      me_filetag[4];        /* File tag                @DNA*/
int       me_syslistoff;       /* offset to syslist      @DRA*/
short    me_syslistlen;       /* length of syslist      @DRA*/
short    me_aggnamelen;       /* length of aggregate name
                                @DSA*/
int      me_aggnameoff;       /* offset to aggregate name
                                @DSA*/
char     me_roseclabel[8];    /* read only seclabel    @DTA*/
#endif                                  /* @DLA*/

#ifdef _BPX_MNTE3                                  /*@DXA*/
int me_mntsec;                /* Seconds since mount    @DXA*/
int me_fstoken;              /* VfsPtr for this fileys @DXA*/
int me_pfsnormalstatusoffset; /* Offset of Pfs normal status
                                @DXA*/
short me_pfsnormalstatuslength; /* Length of Pfs normal status
                                @DXA*/
short me_pfsexcpstatuslength; /* Length of Pfs exception status
                                @DXA*/
int me_pfsexcpstatusoffset; /* Offset of Pfs exception status
                                @DXA*/
unsigned int me_fsusrmntuid; /* UID of user that mounted the
                                file system. Always 0 for
                                privileged mounts.    @EOA*/
char me_expansion[76];       /* Expansion room        @EOC@DXA*/
#endif                                  /*@DXA*/
} MNTE;

typedef struct s_rpnmnte {                /* v_rpn returned entry: */
    MNTEH rpn_mnteh;                    /* w_getmntent header    */
    MNTE rpn_mnte;                       /* one w_getmntent entry */
} RPNMNTE;

#define MNTEH_ID "MNTE"
/*#define MNTE2H_ID "MNT2" */                                /*@DLA*/
#define MNTE2H_ID "\xD4\xD5\xE3\xF2" /* MNT2 In Hex @DSC*/
#define MNTE3H_ID "\xD4\xD5\xE3\xF3" /* MNT3 In Hex @DXC*/
/*#define MNTE2H MNTEH delete conflict @P8D @DLA*/
#define MNTEH_HDR {{MNTEH_ID}, sizeof(MNTEH)+sizeof(MNTE)}

/* Values for me_fstype are in the common area. */

/* Values for me_mode */
#define MNT_MODE_RDWR 0x00000000 /*@P8C*/
#define MNT_MODE_RDONLY 0x00000001 /*@P8C*/
#define MNT_MODE_NOSUID 0x00000002 /*@P8C @DCA*/
#define MNT_MODE_EXPORT 0x00000004 /*@P8C @DCA*/
#define MNT_MODE_NOSEC 0x00000008 /*@P8C*/
#define MNT_MODE_NOAUTO 16 /*@DKA*/
#define MNT_MODE_CLIENT 32 /*@DKA*/
#define MNT_MODE_AUNMOUNT 64 /*@DPA*/
#define MNT_MODE_SECACL 128 /*@DOA*/
#define MNT_MODE_RSVD1 256 /*@P9A*/

/* Values for me_status */
#define MNT_FILE_ACTIVE 0x00 /*@D5A*/
#define MNT_FILE_DEAD 0x01
#define MNT_FILE_RESET 0x02
#define MNT_FILE_DRAIN 0x04
#define MNT_FILE_FORCE 0x08
#define MNT_FILE_IMMED 0x10
#define MNT_FILE_NORM 0x20
#define MNT_FILE_IMMED_TRIED 0x40

```

```

#define MNT_FILE_QUIESCED          0x80
#define MNT_FILE_MOUNT_IN_PROGRESS 0x81      /*@D7A*/
#define MNT_FILE_ASYNC_MOUNT      0x82      /*@D5A*/

        /* Values for me_status2 */
#define MNT_FILE_UNOWNED          0x01
#define MNT_FILE_INRECOVERY       0x02
#define MNT_FILE_SUPERQUIESCED    0x04
#define MNT_FILE_RECYCLESTARTED   0x08      /*@DXA*/
#define MNT_FILE_RECYCLEMOUNTING  0x10      /*@DXA*/
#define MNT_FILE_RECYCLENOTACTIVE 0x20      /*@DXA*/

        /* Values for me_rflags */
#define MNT_REQUEST_CHANGE        0x01
#define MNT_REQUEST_NEWAUTO       0x02

/*-----*/
/* NREG - Registration Parameter Block used with v_reg (BPXYNREG)*/
/*
/* NOTE: The CBINIT macro cannot be used with this structure. */
/*-----*/
typedef struct s_nreg {
    char    nr_id[4];          /* Identifier */
    signed short nr_len;      /* Length */
    short   nr_ver;          /* Version */

    int     nr_type;          /* Server Type in*/
    int     nr_namelen;      /* Server Name Length in*/
    char    nr_name[32];     /* Server Name in*/
    int     nr_maxvntok;     /* Maximum VNTOK limit inout*/
    BIT     nr_hotc :1;      /* Exit needs Hotc Env in*/
    BIT     nr_nowait :1;    /* Don't wait for Quiesce in*/
    BIT     nr_secsfd :1;    /* secondary sfd server in*/
    BIT     nr_allocdevno :1; /* Allocate a Devno in @DUA*/
    BIT     :4;              /* Reserved */
    char    rsvd1[3];        /* Reserved */
    char    nr_exitname[8];  /* Exit name in*/
    char    nr_initparm[8]; /* Init parm for Exit in*/
    int     nr_abendcode;    /* Abend Code out*/
    int     nr_abendrsn;    /* Abend Reason out*/
    char    nr_pfstype[8];  /* Dependant PFS in*/
} NREG;

#define NREG_ID "NREG"
#define NREG_VERSION 2
#define NREG_HDR {NREG_ID}, sizeof(NREG), NREG_VERSION

#define NREG_FILE 1 /* File Server e.g.NFSS */
#define NREG_LOCK 2 /* Lock Server e.g.LOCKD */
#define NREG_FEXP 3 /* File Exporter e.g. DFS */
#define NREG_SFDS 4 /* Shared FD server: NW @DIA*/

#define nr_devno nr_abendrsn /* Output Devno @DUA*/

/*-----*/
/* v_open @DUA*/
/*-----*/
        /* Open_Parms Structure @DUA*/
typedef struct s_openparms { /*@DUA*/
    int open_type; /* Type of Open */
    LOCKOWNER openowner; /* Owner for Shr Options */
    int shr_access; /* Read, Write, Both */
    int shr_deny; /* None, Read, Write, Both */
    GTOK open_token; /* Open Token */
    VNTOK newvntoken; /* Output new Vnode Token */
    BIT :30;
    BIT modacc :1; /* Upgrade/Downgrade Acc */
}

```

```

        BIT moddeny    :1; /* Upgrade/Downgrade Deny */
        char rsvd[12]; /* Reserved */
    } OPENPARMS ; /*@DUA*/

    /* Open_Type paramter constants @DUA*/
#define OPEN_CREATE_UNCHECKED 1 /* use UnChecked protocol */
#define OPEN_CREATE_GUARDED 2 /* use Guarded protocol */
#define OPEN_CREATE_EXCLUSIVE 3 /* use Exclusive protocol */
#define OPEN_FILE 4 /* Open an existing file */
#define OPEN_NLM_SHR 5 /* V2/V3 NLM SHR Options */
#define OPEN_UPGRADE 6 /* UpGrade SHR Options */
#define OPEN_DOWNGRADE 7 /* DownGrade SHR Options */

    /* Shr_Access parameter constants @DUA*/
#define SHRACC_WRITE 1 /* Access Intent is to Write @PAC*/
#define SHRACC_READ 2 /* Access Intent is to Read @PAC*/
#define SHRACC_BOTH 3 /* Access Intent is Read & Write */

    /* Shr_Deny parameter constants @DUA*/
#define SHRDENY_NONE 0 /* No access is denied. */
#define SHRDENY_WRITE 1 /* Deny Write access. @PAC*/
#define SHRDENY_READ 2 /* Deny Read access. @PAC*/
#define SHRDENY_BOTH 3 /* Deny Read and Write access. */

/*****
/*****
/**
/** Calling Interface Definitions
/**
/*****
/*****

/*-----*/
/* Macros to translate the vnode calls to their callable services */
/*-----*/
#define v_ioctl _VCALL(V_IOCTL ,99) /*@DWA*/
#define v_reg _VCALL(V_REG ,145)
#define v_rpn _VCALL(V_RPN ,146)
#define v_get _VCALL(V_GET ,148)
#define v_rel _VCALL(V_REL ,149)
#define v_lookup _VCALL(V_LOOKUP ,150)
#define v_rdwr _VCALL(V_RDWR ,151)
#define v_readdir _VCALL(V_READDIR ,152)
#define v_readlink _VCALL(V_READLINK,153)
#define v_create _VCALL(V_CREATE ,154)
#define v_mkdir _VCALL(V_MKDIR ,155)
#define v_symlink _VCALL(V_SYMLINK ,156)
#define v_getattr _VCALL(V_GETATTR ,157)
#define v_setattr _VCALL(V_SETATTR ,158)
#define v_link _VCALL(V_LINK ,159)
#define v_rmdir _VCALL(V_RMDIR ,160)
#define v_remove _VCALL(V_REMOVE ,161)
#define v_rename _VCALL(V_RENAME ,162)
#define v_fstatfs _VCALL(V_FSTATFS ,163)
#define v_lockctl _VCALL(V_LOCKCTL ,164)
#define v_export _VCALL(V_EXPORT ,218) /*@DCA*/
#define v_access _VCALL(V_ACCESS ,235) /*@DDA*/
#define w_pioclt _VCALL(W_PIOCTL ,245) /*@P2A*/
#define v_pathconf _VCALL(V_PATHCONF,259) /*@DFA*/
#define v_open _VCALL(V_OPEN ,295) /*@DUA*/
#define v_close _VCALL(V_CLOSE ,296) /*@DUA*/

/*-----*/
/* Callable Services Typedefs and Prototypes */
/*
/*
/* NOTE: Each "len" parameter contains the length of the */

```



```

/*      parameter that follows.      */
/*-----*/
typedef void V_REG      (int len, NREG *,
                        int *rv, int *rc, int *rsn);
typedef void V_RPN      (OSS *,
                        int pathlen, char *path,
                        VFSTOK *, VNTOK *,
                        int mlen, RPNMNTTE *,
                        int alen, ATTR *,
                        int *rv, int *rc, int *rsn);
typedef void V_EXPORT   (OSS *,                               /*@DCA*/
                        int function,
                        char *filesysname,
                        VFSTOK *, VNTOK *,
                        int mlen, RPNMNTTE *,
                        int alen, ATTR *,
                        char *volhdl,
                        int *rv, int *rc, int *rsn);
typedef void V_GET      (VFSTOK, OSS *,
                        FID, VNTOK *,
                        int *rv, int *rc, int *rsn);
typedef void V_REL      (VNTOK, OSS *,
                        int *rv, int *rc, int *rsn);
typedef void V_LOOKUP   (VNTOK, OSS *,
                        int namelen, char *name,
                        int alen, ATTR *,
                        VNTOK *,
                        int *rv, int *rc, int *rsn);
typedef void V_RDWR     (VNTOK, OSS *,
                        UIO *,
                        int alen, ATTR *,
                        int *rv, int *rc, int *rsn);
typedef void V_READDIR  (VNTOK, OSS *,
                        UIO *,
                        int *rv, int *rc, int *rsn);
typedef void V_READLINK(VNTOK, OSS *,
                        UIO *,
                        int *rv, int *rc, int *rsn);
typedef void V_CREATE   (VNTOK, OSS *,
                        int namelen, char *name,
                        int alen, ATTR *,
                        VNTOK *,
                        int *rv, int *rc, int *rsn);
typedef void V_MKDIR    (VNTOK, OSS *,
                        int namelen, char *name,
                        int alen, ATTR *,
                        VNTOK *,
                        int *rv, int *rc, int *rsn);
typedef void V_SYMLINK  (VNTOK, OSS *,
                        int namelen, char *name,
                        int pathlen, char *pathname,
                        int alen, ATTR *,
                        int *rv, int *rc, int *rsn);
typedef void V_GETATTR  (VNTOK, OSS *,
                        int alen, ATTR *,
                        int *rv, int *rc, int *rsn);
typedef void V_SETATTR  (VNTOK, OSS *,
                        int alen, ATTR *,
                        int *rv, int *rc, int *rsn);
typedef void V_LINK     (VNTOK, OSS *,
                        int namelen, char *name,
                        VNTOK todir,
                        int *rv, int *rc, int *rsn);
typedef void V_RMDIR   (VNTOK, OSS *,
                        int namelen, char *name,
                        int *rv, int *rc, int *rsn);
typedef void V_REMOVE   (VNTOK, OSS *,

```

```

        int namelen, char *name,
        int *rv, int *rc, int *rsn);
typedef void V_RENAME (VNTOK, OSS *,
        int oldlen, char *oldname,
        VNTOK newdir,
        int newlen, char *newname,
        int *rv, int *rc, int *rsn);
typedef void V_FSTATFS (VNTOK, OSS *,
        int falen, FSATTR *,
        int *rv, int *rc, int *rsn);
typedef void V_ACCESS (VNTOK, OSS *,
        int mode,
        int *rv, int *rc, int *rsn);
typedef void V_LOCKCTL (OSS *,
        int cmd,
        int vlen, VLOCK *,
        int *rv, int *rc, int *rsn);

typedef void W_PIOCTL (int pathlen, char *path,          /*@P2A*/
        int cmd,
        int arglen, char *arg,
        int *rv, int *rc, int *rsn);

typedef void V_PATHCONF (VNTOK, OSS *,                  /*@DFA*/
        int pc_len, struct PC_filegrp *,
        int alen, ATTR *,
        int *rv, int *rc, int *rsn);

typedef void V_OPEN (VNTOK, OSS *,                      /*@DUA*/
        int OpenParm_Length, OPENPARMS *OpenParm,
        int Name_length, char *Name,
        int CreateParm_Length, void *CreateParm,
        int OAttr_length, ATTR *OAttr,
        int *rv, int *rc, int *rsn);

typedef void V_CLOSE (VNTOK, OSS *,                    /*@DUA*/
        GTOK *Open_Token,
        int *rv, int *rc, int *rsn);

typedef void V_IOCTL (VNTOK, OSS *,
        int cmd,
        int Argumentlen,
        char *Argument,
        int *rv, int *rc, int *rsn);          /*@DWA*/

/*-----*/
/* Macros & structures used to address the OE Callable Services */
/*-----*/

/* _VCALL Macro to invoke the i'th Vnode Callable Service */
#define _VCALL(op,i) ((op *) \
        ( (*(struct _v_cvt * _PTR32 * _PTR32)0x10) -> \
        _v_cvtcsrt -> _v_csrtvopt -> _v_vopptr[i] )) /*@PFC*/

/* Stub System Control Blocks for addressing the Callable Services */
struct _v_vopt { /* OpenEdition Callable Services */
    void * _PTR32 filler; /* @DVC*/
    void * _PTR32 _v_vopptr[400]; /* @DVC*/
};
struct _v_csrt { /* MVS Callable Services Table */
    char filler[0x18];
    struct _v_vopt * _PTR32 _v_csrtvopt; /* @DVC*/
};
struct _v_cvt { /* The CVT */
    char filler[0x220];
    struct _v_csrt * _PTR32 _v_cvtcsrt; /* @DVC*/
};

```

```

};
/*-----*/
/* Done packing structures for 64-bit compiles          3@DVA*/
/*-----*/
#ifdef _LP64
#pragma pack(reset)
#endif

/*-----*/
/* Interface Linkages                                  */
/*-----*/
#if !defined(__XPLINK__) && !defined(_LP64)           /*@P7A*/
#pragma linkage(V_REG      , OS)
#pragma linkage(V_RPN      , OS)
#pragma linkage(V_GET      , OS)
#pragma linkage(V_REL      , OS)
#pragma linkage(V_LOOKUP   , OS)
#pragma linkage(V_RDWR     , OS)
#pragma linkage(V_READDIR  , OS)
#pragma linkage(V_READLINK, OS)
#pragma linkage(V_CREATE   , OS)
#pragma linkage(V_MKDIR    , OS)
#pragma linkage(V_SYMLINK  , OS)
#pragma linkage(V_GETATTR  , OS)
#pragma linkage(V_SETATTR  , OS)
#pragma linkage(V_LINK     , OS)
#pragma linkage(V_RMDIR    , OS)
#pragma linkage(V_REMOVE   , OS)
#pragma linkage(V_RENAME   , OS)
#pragma linkage(V_FSTATFS  , OS)
#pragma linkage(V_LOCKCTL  , OS)
#pragma linkage(V_EXPORT   , OS)                               /*@DCA*/
#pragma linkage(V_ACCESS   , OS)                               /*@DDA*/
#pragma linkage(W_IOCTL    , OS)                               /*@P2A*/
#pragma linkage(V_PATHCONF, OS)                               /*@DFA*/
#pragma linkage(V_OPEN     , OS)                               /*@DUA*/
#pragma linkage(V_CLOSE    , OS)                               /*@DUA*/
#pragma linkage(V_IOCTL   , OS)                               /*@DWA*/
#else /* Linkage Versions for LP64 & XPLINK @P7A*/
#ifdef _LP64 /*@P7A*/
#pragma linkage(V_REG      , OS64_NOSTACK)
#pragma linkage(V_RPN      , OS64_NOSTACK)
#pragma linkage(V_GET      , OS64_NOSTACK)
#pragma linkage(V_REL      , OS64_NOSTACK)
#pragma linkage(V_LOOKUP   , OS64_NOSTACK)
#pragma linkage(V_RDWR     , OS64_NOSTACK)
#pragma linkage(V_READDIR  , OS64_NOSTACK)
#pragma linkage(V_READLINK, OS64_NOSTACK)
#pragma linkage(V_CREATE   , OS64_NOSTACK)
#pragma linkage(V_MKDIR    , OS64_NOSTACK)
#pragma linkage(V_SYMLINK  , OS64_NOSTACK)
#pragma linkage(V_GETATTR  , OS64_NOSTACK)
#pragma linkage(V_SETATTR  , OS64_NOSTACK)
#pragma linkage(V_LINK     , OS64_NOSTACK)
#pragma linkage(V_RMDIR    , OS64_NOSTACK)
#pragma linkage(V_REMOVE   , OS64_NOSTACK)
#pragma linkage(V_RENAME   , OS64_NOSTACK)
#pragma linkage(V_FSTATFS  , OS64_NOSTACK)
#pragma linkage(V_LOCKCTL  , OS64_NOSTACK)
#pragma linkage(V_EXPORT   , OS64_NOSTACK)
#pragma linkage(V_ACCESS   , OS64_NOSTACK)
#pragma linkage(W_IOCTL    , OS64_NOSTACK)
#pragma linkage(V_PATHCONF, OS64_NOSTACK)
#pragma linkage(V_OPEN     , OS64_NOSTACK)                               /*@DUA*/
#pragma linkage(V_CLOSE    , OS64_NOSTACK)                               /*@DUA*/
#pragma linkage(V_IOCTL   , OS64_NOSTACK)                               /*@DWA*/
#else /* XPLINK */

```

BPXYVFSI

```

#pragma linkage(V_REG      , OS_UPSTACK)
#pragma linkage(V_RPN     , OS_UPSTACK)
#pragma linkage(V_GET     , OS_UPSTACK)
#pragma linkage(V_REL     , OS_UPSTACK)
#pragma linkage(V_LOOKUP  , OS_UPSTACK)
#pragma linkage(V_RDWR    , OS_UPSTACK)
#pragma linkage(V_READDIR , OS_UPSTACK)
#pragma linkage(V_READLINK, OS_UPSTACK)
#pragma linkage(V_CREATE  , OS_UPSTACK)
#pragma linkage(V_MKDIR   , OS_UPSTACK)
#pragma linkage(V_SYMLINK , OS_UPSTACK)
#pragma linkage(V_GETATTR , OS_UPSTACK)
#pragma linkage(V_SETATTR , OS_UPSTACK)
#pragma linkage(V_LINK    , OS_UPSTACK)
#pragma linkage(V_RMDIR   , OS_UPSTACK)
#pragma linkage(V_REMOVE  , OS_UPSTACK)
#pragma linkage(V_RENAME  , OS_UPSTACK)
#pragma linkage(V_FSTATFS , OS_UPSTACK)
#pragma linkage(V_LOCKCTL , OS_UPSTACK)
#pragma linkage(V_EXPORT  , OS_UPSTACK)
#pragma linkage(V_ACCESS  , OS_UPSTACK)
#pragma linkage(W_IOCTL   , OS_UPSTACK)
#pragma linkage(V_PATHCONF, OS_UPSTACK)
#pragma linkage(V_OPEN    , OS_UPSTACK) /*@DUA*/
#pragma linkage(V_CLOSE   , OS_UPSTACK) /*@DUA*/
#pragma linkage(V_IOCTL  , OS_UPSTACK) /*@DWA*/
#endif /*@P7A*/
#endif /*@P7A*/

/*-----*/
/* Macros to allow the calls by either the v_ or bpxl names */
/*-----*/
#ifndef _BPXRTL_VFSI /*@P7A*/
#define bpxlvrg v_reg
#define bpxlvrp v_rpn
#define bpxlvgt v_get
#define bpxlvrl v_rel
#define bpxlvlk v_lookup
#define bpxlvrw v_rdrw
#define bpxlvrd v_readdir
#define bpxlvra v_readlink
#define bpxlvcr v_create
#define bpxlvmd v_mkdir
#define bpxlvsy v_symlink
#define bpxlvga v_getattr
#define bpxlvsa v_setattr
#define bpxlvln v_link
#define bpxlvre v_rmdir
#define bpxlvrm v_remove
#define bpxlvrn v_rename
#define bpxlvsf v_fstatfs
#define bpxlvlo v_lockctl
#define bpxlvex v_export /*@DCA*/
#define bpxlvac v_access /*@DDA*/
#define bpxlvpio w_ioctl /*@P2A*/
#define bpxlvpc v_pathconf /*@P2A*/
#define bpxlvop v_open /*@DUA*/
#define bpxlvcl v_close /*@DUA*/
#define bpxlvio v_ioctl /*@DWA*/
#endif /*@P7A*/

#endif /* End of VFSI Structures */

```

BPXYPFISI

```

#ifdef __BPXYPFISI
#define __BPXYPFISI
/*****START OF SPECIFICATIONS*****/
*
*   $MAC (BPXYPFISI) COMP(SCPX4) PROD(FOM):
*
*01* MACRO NAME: BPXYPFISI
*
*01* DSECT NAME: N/A
*
*01* DESCRIPTIVE NAME: Physical File System Interface Definition for C
*
*02* ACRONYM: N/A
*
/*01* PROPRIETARY STATEMENT=
/****PROPRIETARY_STATEMENT*****/
/*
/*
/* LICENSED MATERIALS - PROPERTY OF IBM
/* 5650-ZOS COPYRIGHT IBM CORP. 1993, 2013
/*
/* STATUS= HBB7790
/*
/****END_OF_PROPRIETARY_STATEMENT*****/
/*
*01* EXTERNAL CLASSIFICATION: GUPI
*01* END OF EXTERNAL CLASSIFICATION:
*
*01* FUNCTION: Provide a C language header file for the PFS Interface.
*
*   Defines C structures for the control blocks and tokens that
*   are used by the vfs_ and vn_ operations.
*
*   Defines C prototypes for the PFS entry points
*   of the vfs_ and vn_ operations.
*
*   Defines C structures and prototypes for the osi_ services
*   and the macros used to implement the calling linkages.
*
*   Defines C structures and prototypes for the File Exporter Exit.
*
*   The definition of the following can be suppressed, see below.
*   Defines C functions for the following Kernel Extension services
*   bcopy() - copy data from source to destination
*   bzero() - zero out bytes starting at a destination
*
*   Defines C functions for the following internal services
*   _memmove() - copy characters from one data object to another
*                 with checks for data overlap. This is invoked
*                 from the bcopy() function
*
*   The following structures are defined here:
*
*   O_VNTOK - Output Vnode Token
*   WPTOK   - Wait/Post Token for osi_post
*   SELTOK  - Vn_select Token for osi_selpost
*   TOKSTR  - First Parameter of a Vnode or VFS Operation
*   OSI     - Operating System Information - Second Parameter
*   CRED    - Security Auditing Information - Third Parameter
*   PFSPARM - Text from PARM operand of FILESYSTYPE and MOUNT.
*   MTAB    - vfs_mount parameter
*   NETW    - vfs_network parameter
*   PFSI    - PFS Initialization Block and related structures,
*             including the vnode and vfs operations tables.
*   PFSNAME - Name of the PFS from TYPE operand of FILESYSTYPE.

```



```

*   _OSICALL - internal macro for invoking the OSI_ services.      BPX01330
*   This macro is not normally replaced, refer to                 BPX01340
*   its definition for details on how it works.                   BPX01350
*   BPX01360
*   ___ADDR64 - Controls definition of the ADDR64 data type.      BPX01370
*   ADDR64 is an 8-byte data type used to deal with              BPX01380
*   64-bit user pointers.  If ___ADDR64 is #defined              BPX01390
*   then ADDR64 may be defined by the PFS else it will           BPX01400
*   be defined here based on _LP64.                               BPX01410
*   BPX01420
*   ___FSPL - Exposes the Fast Socket Parameter List.            BPX01430
*   This requires inclusion of socket.h.                          BPX01440
*   BPX01450
*   BPX01460
*   Conditional Processing is controlled by the following symbol: BPX01470
*   BPX01480
*   ___NO_PFS_KES - suppresses the Kernel Extension Services.    BPX01490
*   Default: Include the service definitions.                    BPX01500
*   Example use: #define ___NO_PFS_KES                          BPX01510
*   BPX01520
*****
*   BPX01530
*   BPX01540
*01* METHOD OF ACCESS:                                           BPX01550
*   BPX01560
*02*   C/370:                                                    BPX01570
*   BPX01580
*   #include string.h                                           BPX01590
*   #include bpxypfsi.h                                         BPX01600
*   BPX01610
*02*   PL/X:                                                     BPX01620
*   BPX01630
*   None                                                         BPX01640
*   BPX01650
*02*   ASM:                                                      BPX01660
*   BPX01670
*   None                                                         BPX01680
*   BPX01690
*   BPX01700
*01* DEPENDENCIES: Changes to the macros listed below must be reflected BPX01710
*   in the corresponding structures of this header.              BPX01720
*   BPX01730
*01* NOTES:                                                     BPX01740
*   BPX01750
*   This header file is consistent with the following mappings: BPX01760
*   BPX01770
*   BPXZBSIC                                                    BPX01780
*   BPXYSEL                                                    BPX01790
*   BPXZCJAR                                                    BPX01800
*   BPXZGXPL                                                    BPX01810
*   BPXZMTAB                                                    BPX01820
*   BPXZNETW                                                    BPX01830
*   BPXZOSI                                                     BPX01840
*   BPXZOSIT                                                    BPX01850
*   BPXZPFSI                                                    BPX01860
*   BPXZTPRM                                                    BPX01870
*   BPXZCPRM                                                    BPX01880
*   BPXZVFSO                                                    BPX01890
*   BPXZVNOP                                                    BPX01900
*   BPXZFSPL                                                    BPX01910
*   IRRPCRED                                                    BPX01920
*   BPX01930
*01* COMPONENT: OpenMVS (SCPX4)                                  BPX01940
*   BPX01950
*01* DISTRIBUTION LIBRARY: AFOMHDR1                              BPX01960
*   BPX01970
*****END OF SPECIFICATIONS*****/ BPX03010
BPX03020

```

BPXYVFSI

```

/*-----*/ BPX03030
/* Include the common data areas */ BPX03040
/*-----*/ BPX03050
#define __BPXYVFSI_Common_Only BPX03060
#include bpxyvfsi.h BPX03070
#undef __BPXYVFSI_Common_Only BPX03080
BPX03090

/*-----*/ BPX03100
/* Pack structures for 64-bit compiles 3@E5A*/ BPX03110
/*-----*/ BPX03120
#ifdef _LP64 BPX03130
#pragma pack(1) BPX03140
#endif BPX03150
BPX03160

#pragma page() BPX03170
/*-----*/ BPX03180
/* Opaque Tokens */ BPX03190
/*-----*/ BPX03200
typedef struct s_o_vntok { /* Output Vnode Token */ BPX03210
    char o_vntok[8]; BPX03220
} O_VNTOK ; BPX03230
BPX03240

typedef struct s_wptok { /* Wait/Post Token for osi_post */ BPX03250
    char wptok[24]; BPX03260
} WPTOK ; BPX03270
BPX03280

typedef struct s_seltok { /* vn_select Token for osi_selpost */ BPX03290
    char seltok[16]; BPX03300
} SELTOK ; BPX03310
BPX03320
BPX03330

/*-----*/ BPX03340
/* TOKSTR - Token Structure (BPXZCJAR)*/ BPX03350
/* This is the first parameter on all Vnode/VFS Operations */ BPX03360
/*-----*/ BPX03370
typedef struct s_tokstr { BPX03380
    CBHDR ts_hdr; /*+00 Id & Length */ BPX03390
    /* PFS's Tokens: */ BPX03400
    GTOK ts_init; /*+08 Init Token (Vnode & VFS) */ BPX03410
    GTOK ts_mount; /*+10 Mount Token (Vnode & VFS) */ BPX03420
    GTOK ts_file; /*+18 File Token (Vnode Only) */ BPX03430
    BPX03440
    char ts_LFS[24]; /*+20 LFS specific fields */ BPX03450
    int ts_sysd1; /*+38 System Data 1 */ BPX03460
    int ts_sysd2; /*+3C System Data 2 */ BPX03470
    BPX03480
} TOKSTR ; BPX03490
BPX03500

/*-----*/ BPX03510
/* Constants for ts_sysd1 field */ BPX03520
/*-----*/ BPX03530
#define ts_unbind 1 /* Unbind from CInet @EIA*/ BPX03540
#define ts_bind2addrsel 2 /* bind2addrsel() @EIA*/ BPX03550
BPX03560

/*-----*/ BPX03570
/* 64-Bit User Buffer Address Considerations @POA*/ BPX03580
/*-----*/ BPX03590
/* An attempt is being made to accommodate C PFSes that are compiled BPX03600
 * with LP64, those that are not, and those that aren't even compiled BPX03610
 * with the 2.6 level of Language Extended (for long long). BPX03620
 * A non-exploiting PFS mostly needs to be able to copy the 64-bit BPX03630
 * u_buff64vaddr field and its own 31-bit buffer address into the BPX03640
 * 64-bit fields of the copy64_struct. BPX03650
 * BPX03660
 * The PFS may typedef ADDR64 to an 8-byte data type of its own BPX03670
 * choice and #define __ADDR64 to bypass the default typedef. */ BPX03680
BPX03690

```



```

#ifndef __ADDR64
#define __ADDR64 /* Compiler Flag */ /*@POM*/ BPX03700
#define __LP64 /* 64-bit pointer */ BPX03710
typedef char * ADDR64; BPX03720
#else BPX03730
typedef struct { /* 64-bit area */ BPX03740
    int HW; /* High Word */ BPX03750
    char *LW; /* Low Word 31-bit ptr */ BPX03760
} ADDR64; BPX03770
#endif BPX03780
#endif BPX03790
BPX03800
/*-----*/ BPX03810
/* OSI - Operating System Information - Second Parameter (BPXZOSI)*/ BPX03820
/*-----*/ BPX03830
typedef struct s_osi { BPX03840
    CBHDR osi_hdr; /*+00 Id & Length */ BPX03850
    BPX03860
    char * _PTR32 osi_ascb; /*+08 ASCB ptr(set by osi_wait)@E5C*/ BPX03870
    BPXL32 * _PTR32 osi_ecb; /*+0C ECB ptr(set by osi_wait)@E5C*/ BPX03880
    int osi_pid; /*+10 Caller's PID for osi_signal*/ BPX03890
    char osi_lfs[8]; /*+14 LFS data */ BPX03900
    /* SMF I/O Counts Set by PFS: */ BPX03910
    int osi_diribc; /*+1C Directory I/O block cnt */ BPX03920
    int osi_readibc; /*+20 Read I/O block cnt */ BPX03930
    int osi_writeibc; /*+24 Write I/O block cnt */ BPX03940
    /*+28 Read Bytes (double word) */ BPX03950
    int osi_bytesrd_h; /* */ BPX03960
    int osi_bytesrd; /*+2C Read bytes (single wd) */ BPX03970
    /*+30 Write Bytes (double word)*/ BPX03980
    int osi_byteswr_h; /* */ BPX03990
    int osi_byteswr; /*+34 Written bytes (one wd) */ BPX04000
    BPX04010
    char * _PTR32 osi_fsp; /*+38 Opt ptr to output FSP @E5C*/ BPX04020
    int osi_pfsid; /*+3C PFS identifier @D6A*/ BPX04030
    struct osirtoken /*+40 Ptr to Recovery Token */ BPX04040
    * _PTR32 osi_rtokptr; /* @E5C*/ BPX04050
    /*+44 Flags */ BPX04060
    BIT osi_LFSrsvd :2; /* Reserved by LFS @PMA*/ BPX04070
    BIT osi_extcaller :1; /* External Caller @PMA*/ BPX04080
    BIT :1; /* Reserved for LFS Use @E0A*/ BPX04090
    BIT osi_qnowait :1; /* No wait on quiesce @E0A*/ BPX04100
    BIT osi_proctrm :1; /* In process termination @PKA*/ BPX04110
    BIT osi_quiesce :1; /* On behalf of quiesce @PKA*/ BPX04120
    BIT osi_sharedread :1; /* Shared read @DJC*/ BPX04130
    BIT osi_asy1 :1; /* AsyncIO Part 1 @DGA*/ BPX04140
    BIT osi_asy2 :1; /* AsyncIO Part 2 @DGA*/ BPX04150
    BIT osi_ok2compimd :1; /* May Complete Immed @DGA*/ BPX04160
    BIT osi_compimd :1; /* Did Complete Immed @DGA*/ BPX04170
    BIT osi_timedwait :1; /* Timed Wait Requested @DJC*/ BPX04180
    BIT osi_usersync :1; /* sync requested by user @DJC*/ BPX04190
    BIT osi_remount :1; /* Call is for remount @D9A*/ BPX04200
    BIT osi_privileged :1; /* User is Privileged @D9A*/ BPX04210
    short osi_workarealen; /*+46 Work Area Length */ BPX04220
    char * _PTR32 osi_workarea; /*+48 Work Area for PFS Usage@E5C*/ BPX04230
    ATTR * _PTR32 osi_attr; /*+4C Optional Ptr to Output Attr@E5C*/ BPX04240
    WPTOK osi_token; /*+50 Token for osi_post */ BPX04250
    char osi_rsvd2[8]; /*+68 reserved for LFS @P7C*/ BPX04260
    GTOK osi_asytok; /*+70 AsyncIO LFS/PFS Token @DGA*/ BPX04270
    char osi_rsvd3[4]; /*+78 reserved for LFS @P7C*/ BPX04280
    char * _PTR32 osi_xmib; /*+7C Ptr to XMIB @E5C*/ BPX04290
    /*+80 Original End of OSI @PFA*/ BPX04300
    /*+80 Flags2 */ BPX04310
    BIT osi_vfsexcl :1; /* VFS Latch is held EXCL @PMA*/ BPX04320
    BIT osi_onktask :1; /* Running on Kernel Task @PMA*/ BPX04330
    BIT :6; /* Reserved, see BPXZOSI @E5C*/ BPX04340
    BIT osi_commbuff :1; /* Buffers in Common @DWA*/ BPX04350
    BIT osi_fsmoving :1; /* File System is moving @E0A*/ BPX04360

```

```

BIT          :1; /*   osi_notsigreg           @E5C*/ BPX04370
BIT      osi_indirect64 :1; /*   Buffer address is a pointer   BPX04380
                               to a 64-bit buffer address   BPX04390
                               for uio_move                 @E5A*/ BPX04400

BIT          :4; BPX04410
char      osi_rsvd4[6]; /*+82 unused yet           @PMA*/ BPX04420
ADDR64   osi_uaiocb64; /*+88 User's Aiocb Addr     @DWA*/ BPX04430
int      osi_LFSrsvd5; /*+90 reserved for LFS     @PMA*/ BPX04440
char     osi_rsvd5[4]; /*+94 unused yet           @PMA*/ BPX04450
union { /*+98 Open Token     @E7A*/ BPX04460
    char osi_OpenToken[8]; /* Basic token             @E7A*/ BPX04470
    struct { BIT          :31; /*@E7A*/ BPX04480
        BIT osi_OTStateless :1; /* Stateless vn_open     @E7A*/ BPX04490
        char osi_OTRsvd[3]; /*@E7A*/ BPX04500
        char osi_OTSysid; /* Remote open's sysid @E7A*/ BPX04510
    } osi_OTStruct; /*@E7A*/ BPX04520
    FID osi_OTok; /* Dual word format     @E7A*/ BPX04530
    } osi_OT; /*@E7A*/ BPX04540
char     osi_rsvd6[32]; /*+A0 Available for expansion@ECA*/ BPX04550
                               /*+C0 End of OSI         @PFA*/ BPX04560
} OSI ; BPX04570
BPX04580

#define osi_opentoken osi_OT.osi_OpenToken /*5@E7A*/ BPX04590
#define osi_otstateless osi_OT.osi_OTStruct.osi_OTStateless BPX04600
#define osi_otsysid osi_OT.osi_OTStruct.osi_OTSysid BPX04610
#define osi_otint0 osi_OT.osi_OTok.fid[0] BPX04620
#define osi_otint1 osi_OT.osi_OTok.fid[1] BPX04630
BPX04640

#define osi_uaiocb osi_uaiocb64.LW /* User's Aiocb Addr @DWA*/ BPX04650
BPX04660
BPX04670
BPX04680
/*-----*/ BPX04690
/* PFS Recovery Token */ BPX04700
/* Set and Cleared by the PFS during a VNODE/VFS operation. */ BPX04710
/* If this is non-zero when an abend in the PFS is percolated*/ BPX04720
/* to the LFS's ESTAE the PFS will be invoked for */ BPX04730
/* VN_RECOVERY to clean up its resources. @D5A*/ BPX04740
/* If this is non-zero during user EOM processing the */ BPX04750
/* PFS will be invoked for VFS_RECOVERY to clean up */ BPX04760
/* whatever was recorded with the token. */ BPX04770
/*-----*/ BPX04780
struct osirtoken { BPX04790
    void * _PTR32 osirt_ptr[2]; /*@E5C*/ BPX04800
} ; BPX04810
BPX04820
/* Extended recovery token area passed to vn_recovery @PCA*/ BPX04830
struct osirtokenx { /*@PCA*/ BPX04840
    struct osirtoken osirtx_rtoken; /* Original osirtoken */ BPX04850
    char osirtx_rsv[16]; /* Reserved */ BPX04860
    void * _PTR32 osirtx_sdwa; /* Ptr to SDWA or 0 @E5C*/ BPX04870
    struct vncvydumplist * _PTR32 osirtx_dumplist; /*@E5C*/ BPX04880
} ; /*@PCA*/ BPX04890
/* The fourth parameter to vn_recovery may be considered BPX04900
as either osirtoken or osirtokenx. For migration BPX04910
purposes the prototype is not being changed. @PCA*/ BPX04920
BPX04930
/* vn_recovery output dumplist @PKA*/ BPX04940
struct vncvydumplist { /*@PKA*/ BPX04950
    int vncvydumpcount; /*@PKA*/ BPX04960
    struct vncvydumparea { /*@PKA*/ BPX04970
        char vncvydumpstoken[8]; /*@PKA*/ BPX04980
        void * _PTR32 vncvydumpaddr; /*@E5C*/ BPX04990
        int vncvydumplength; /*@PKA*/ BPX05000
        BIT vncvydumpsumm :1; /*@PKA*/ BPX05010
        BIT :31; /*@PKA*/ BPX05020
    } vncvydumpareas[1]; /*@PKA*/ BPX05030
} ;

```

```

    };
/* @PKA */ BPX05040
BPX05050
/*-----*/ BPX05060
/* vn_recovery retval flags */ BPX05070
/*-----*/ BPX05080
#define VNR_RETERRNO 1 /* Return -1 with retcode and rsnocode */ BPX05090
#define VNR_RETSUCCESS 2 /* Return retcode as retval to user */ BPX05100
#define VNR_NODUMP 4 /* Suppress the SDUMP for this abend */ BPX05110
BPX05120
BPX05130
/*-----*/ BPX05140
/* CRED - Security Auditing Information - Third Parameter (IRRPCRED) */ BPX05150
/* This parameter is generally just passed to SAF. */ BPX05160
/* */ BPX05170
/* Refer to SAF documentation for details on security */ BPX05180
/* related interfaces and structures. */ BPX05190
/*-----*/ BPX05200
/* length, alet, ptr set used by CREDACLINFO 6@DSA */ BPX05210
typedef struct s_credacl { BPX05220
    int len; /* cred_aclinfo[].len */ BPX05230
    int alet; /* cred_aclinfo[].alet */ BPX05240
    int rsv; BPX05250
    int ptr; /* cred_aclinfo[].ptr */ BPX05260
} CREDACL; BPX05270
BPX05280
/* aclinfo area pointed to from cred 3@DSA */ BPX05290
typedef struct s_credaclinfo { BPX05300
    CREDACL cred_aclinfo[5]; BPX05310
} CREDACLINFO; BPX05320
BPX05330
/* constants used to access an aclinfo slot for an acl type 6@DSA */ BPX05340
#define CREDACCESSACL 0 BPX05350
#define CREDFMODELACL 1 BPX05360
#define CREDDMODELACL 2 BPX05370
#define CREDPFMODELACL 3 BPX05380
#define CREDDPDMODELACL 4 BPX05390
BPX05400
/* Constants for cred_utype: */ BPX05410
#define CRED_UREGULAR 1 /* Regular User */ BPX05420
#define CRED_USYSTEM 2 /* System User, like a superuser */ BPX05430
BPX05440
/* Constants for cred_function: */ BPX05450
#define AFC_ACCESS 1 /* Use Real UID/GID on checks */ BPX05460
BPX05470
typedef struct s_cred { BPX05480
    CBHDR cred_hdr; /*+00 Id & Length */ BPX05490
    char cred_ver; /*+08 Version */ BPX05500
    char cred_utype; /*+09 User Type */ BPX05510
    short cred_function; /*+0A User Function */ BPX05520
    char rsv4; /*+0C Reserved @DYA*/ BPX05530
    BIT cred_rsv_bit8 :1; /*+0D reserved bit #8 @DYC*/ BPX05540
    BIT cred_seclablactive :1; /* seclabel class active @DYA*/ BPX05550
    BIT cred_SeclRequired :1; /* mlfsobj option active @DZA*/ BPX05560
    BIT :5; /* reserved bits @DZC*/ BPX05570
    char cred_info[50]; /*+0E Security Audit Info @DYC*/ BPX05580
    int rsv1; /*+40 6@DSA*/ BPX05590
    int cred_aclalet; /*+44 */ BPX05600
    int rsv2; /*+48 */ BPX05610
    void * _PTR32 cred_aclptr; /*+4C points to an ACL for access BPX05620
    @E5C*/ BPX05630
    #define cred_aclinfoptr cred_aclptr /* for makefsp and setfacl */ BPX05640
    char cred_seclabel[8]; /*+50 security label @DYA*/ BPX05650
    void * _PTR32 cred_aceptr; /*+58 ACEE for SRB requests @E5C*/ BPX05660
    char cred_ROSeclabel[8]; /*+5C Seclabel for RO Files @DYA*/ BPX05670
    char rsv5[28]; /*+64 */ BPX05680
} CRED ; BPX05690
BPX05700

```

```

#pragma page()
/*-----*/
/* PFSPARM - Text from PARM operand of FILESYSTYPE and MOUNT. */
/*
/* The parmtext field is of variable length, from 0 to 1024 bytes,
/* with the actual length passed in the parmlen field.
/*-----*/
typedef struct s_pfsparm {
    short parmlen;          /* Length of the text */
    char parmtext[1024];   /* Text, not null terminated.*/
} PFSPARM ;

/*-----*/
/* MTAB - vfs_mount parameter (BPXZMTAB)*/
/*
/* This structure passes to the PFS the parameters that were
/* specified on a ROOT or MOUNT command and provides for the
/* exchange of information between the LFS and PFS.
/*
/* The PFS is expected to set the fields marked with an S,
/* if appropriate.
/*-----*/
typedef char mt_aggname[45]; /* Aggregate Name @DUA*/

typedef struct s_mtab {
    CBHDR mt_hdr;          /* +00 Id & Length */
    int rsvd1;             /* +08 Reserved */
    char mt_filesys[44];   /* +0C Name of the file system */
    char mt_ddname[8];    /* +S+38 DD name of the file system if
                          mt_filesys is an MVS DSN */
    char mt_filesystype[8]; /* +40 Type name of the PFS that
                          owns this file system. */
    /* +48 Mount mode for this file sys*/
    BIT mt_readonly :1;   /* Read only specified */
    BIT mt_readwrite :1; /* Read/Write specified */
    BIT mt_nosuid :1;    /* no setuid @D8A*/
    BIT mt_nosec :1;    /* no security @DNA*/
    BIT mt_noauto :1;    /* no automove @DPA*/
    BIT mt_aunmount :1;  /* Unmount during recovery@DTA*/
    BIT :2;              /* Reserved @DTC @DPC*/
    /* +49 Lfs specific flags */
    BIT mt_internalcall :1; /* Mount from an internal
                          module - no authority check
                          is needed. */
    BIT mt_nowait :1; /*S If requests are made of this
                          file system while it is
                          quiesced, don't wait for the
                          unquiesce, give error rc. */
    BIT mt_remount :1; /* mount is a remount @DCA*/
    BIT :5; /* Reserved @DCC*/
    short mt_syncinterval; /*S+4A Interval to use for sync */
    PFSPARM * _PTR32 mt_parmaddr; /* +4C Address of PARM specified
                          on MOUNT or ROOT. @E5C*/
    int mt_ccsid;          /* +50 TAG Ccsid value @DRC*/
                          /* Mount Point: (for info only)*/
    char * _PTR32 mt_mountptaddr; /* +54 Address of the pathname
                          @E5C*/
    int mt_pathlen;       /* +58 Length of the pathname */
                          /* */
    int mt_stdev;         /* +5C The unique ID assigned to
                          this filesystem. This value
                          must be returned in at_dev. */
                          /* +60 Pathconf values for File Sys*/
    int mt_linkmax;       /*S+60 PFS: link_max */
    int mt_namemax;       /*S+64 LFS & PFS: name_max */

```

```

/* +68 Pathconf flags */ BPX06380
BIT    mt_notrunc    :1; /*S    LFS & PFS: posix_No_trunc */ BPX06390
BIT    mt_chownrstd :1; /*S    Security: chown restricted*/ BPX06400
BIT    mt_caseinsensitive :1; /*S  0=sensitive,1=not    @DHA*/ BPX06410
BIT    mt_casenonpreserving :1; /*S  0=perserving,1=not    @DHA*/ BPX06420
BIT    :4; /*    Reserved */ BPX06430
char    rsvd3[3]; /* +69  Reserved    @DRC*/ BPX06440
BIT    mt_nullFS    :1; /* Null value for FILESYSTEM @DRC*/ BPX06450
BIT    mt_nullMP    :1; /* Null value for MOUNTPOINT @DRC*/ BPX06460
BIT    mt_TagText   :1; /* TAG TEXT value. Auto conversion */ BPX06470
/* is allowed for every untagged */ BPX06480
/* file & mt_ccsid is the implicit */ BPX06490
/* charset id. When off, auto */ BPX06500
/* conversion is precluded. @DRC*/ BPX06510
BIT    :13; /*    Reserved    @DRA*/ BPX06520
/* +6E PFS communication flags */ BPX06530
BIT    mt_asynchmount :1; /*S    Asynchronous mount in    BPX06540
progress.
- Set by PFS to indicate    BPX06550
to LFS that mount will    BPX06560
complete asynchronously    BPX06570
- Set by LFS to indicate    BPX06580
to PFS that this call    BPX06590
is to complete an    BPX06600
asynchronous mount @DCC*/ BPX06610
BIT    mt_synchonly :1; /*    Mount must be completed    BPX06620
synchronously. That is,    BPX06630
vfs_mount must not return    BPX06640
+1 @D7A*/ BPX06650
BIT    mt_noclient  :1; /*S    Mount must not be completed    BPX06660
by establishing a client -    BPX06670
server relationship with    BPX06680
owning system. Set by PFS    BPX06690
@Q1C*/ BPX06700
BIT    mt_ininit    :1; /*    Set by the LFS to allow PFS    BPX06710
to know mount was done    BPX06720
during initialization @PAA*/ BPX06730
BIT    mt_nevermove :1; /*S    Sysplex environment only:    BPX06740
file system cannot be moved    BPX06750
to another system @DPA*/ BPX06760
BIT    mt_secac1    :1; /*S    Security product supports    BPX06770
ACLS. @DSA*/ BPX06780
BPX06790
BIT    mt_aggattachrw :1; /*S    Agg is attached R/W @DUA*/ BPX06800
BIT    mt_agghfscomp :1; /*S    Agg is HFS Compatible @DUA*/ BPX06810
BIT    :3; /*    Reserved for HFS @Q4C @Q3A*/ BPX06820
BIT    mt_catchup    :1; /*    Mount catchup @PQA*/ BPX06830
BIT    mt_deadsystakeover :1; /*    mount is for deadsys @PSA*/ BPX06840
BIT    mt_bh         :1; /*    blackhole mount @PSA*/ BPX06850
BIT    mt_restart    :1; /*    mount for recycle must    BPX06860
be asynchronous @EAA*/ BPX06870
BIT    mt_nolocking  :1; /*    Locking not supported @Q4C@EBC*/ BPX06880
char    rsvd4[8]; /*    Reserved @DPA*/ BPX06890
char    mt_sysname[8]; /*    system to be mounted    BPX06900
on @DPA*/ BPX06910
/*+80 End of Ver1 Mtab ----- @DUA*/ BPX06920
char    rsvd5[14]; /* @DUA*/ BPX06930
BIT    mt_disablella :1; /* +8E  Disable LLA @Q6A*/ BPX06940
BIT    mt_rwmntclient :1; /*    Mount as client if R/W @Q6A*/ BPX06950
BIT    mt_samemode    :1; /*    samemode remount @Q6A*/ BPX06960
BIT    :13; /*    Reserved @Q6A*/ BPX06970
char    rsvd6[16]; /* @Q6A*/ BPX06980
mt_aggname * _PTR32 mt_aggnameptr; /*+A0 Ptr to AggName Area @E5C*/ BPX06990
char    rsvd7[12]; /* @DUA*/ BPX07000
/*+B0 End of Ver2 Mtab ----- @DUA*/ BPX07010
/* owner version and protocol are passed to the PFS on vfs_mount*/ BPX07020
char    mt_ownerversion; /*    owner version @PRA*/ BPX07030

```

```

char    mt_ownerprotocol; /* owner protocol @PRA*/ BPX07050
char    rsvd8[6];        BPX07060
        /*+B8 End of Mtab -----*/ BPX07070
} MTAB ;                BPX07080
                        BPX07090
/*-----*/ BPX07100
/* NETW - vfs_network parameter (BPXZNETW)*/ BPX07110
/* BPX07120
/* This structure passes to the PFS the parameters that were BPX07130
/* specified on a NETWORK command and provides for the BPX07140
/* exchange of information between the LFS and PFS. BPX07150
/* BPX07160
/* The PFS is expected to set the fields marked with an S. BPX07170
/* BPX07180
/*-----*/ BPX07190
typedef struct s_netw { BPX07200
    CBHDR    nt_hdr; /* +00 ID & Length */ BPX07210
    int      rsvd1; /* +08 Reserved */ BPX07220
    int      nt_domnum; /* +0C Numeric value of the domain */ BPX07230
    char     nt_domname[16]; /* +10 Name of the domain */ BPX07240
    char     nt_type[8]; /* +20 Filesystem type of the PFS */ BPX07250
    int      nt_maxsockets; /* +28 Max number sockets */ BPX07260
    int      nt_stdev; /* +2C The unique ID assigned to BPX07270
                        this filesystem. This value BPX07280
                        must be returned in at_dev. */ BPX07290
                        /* +30 Parser Flags: */ BPX07300
    BIT      nt_havename :1; /* DOMAINNAME given */ BPX07310
    BIT      nt_havenum :1; /* DOMAINNUMBER given */ BPX07320
    BIT      nt_havesock :1; /* MAXSOCKETS given */ BPX07330
    BIT      nt_havetype :1; /* TYPE given */ BPX07340
    BIT      :4; BPX07350
    BIT      nt_invaname :1; /* DOMAINNAME invalid */ BPX07360
    BIT      nt_invanum :1; /* DOMAINNUMBER invalid */ BPX07370
    BIT      nt_invasock :1; /* MAXSOCKETS invalid */ BPX07380
    BIT      nt_invatype :1; /* TYPE invalid */ BPX07390
    BIT      :4; BPX07400
                        /* +32 Flags: */ BPX07410
    BIT      nt_localremote :1; /*S 0=Local, 1=Remote */ BPX07420
    BIT      nt_commoninet :1; /* running under Cinet @PGA*/ BPX07430
    BIT      :6; BPX07440
    char     rsvd2[1]; /* +33 Reserved */ BPX07450
    short    nt_iaaport; /* +34 Starting Reserved Port @PGA*/ BPX07460
    short    nt_iaaccount; /* +36 Number of Reserved Ports@PGA*/ BPX07470
    char     nt_parmmem[8]; /* +38 Parmlib Member name @PGA*/ BPX07480
                        /* +40 */ BPX07490
} NETW ;                BPX07500
                        BPX07510
        /* nt_localremote values */ BPX07520
#define NETW_LOCAL 0 /* Local (intra-system) socket */ BPX07530
#define NETW_REMOTE 1 /* Remote (network) socket */ BPX07540
                        BPX07550
                        BPX07560
/*-----*/ BPX07570
/* O_EXEC flag for the open_flags parameter of vn_open (BPXYOPNF)*/ BPX07580
/*-----*/ BPX07590
#define O_EXEC 0x00800000 /* Do Open Access check for Exec */ BPX07600
#ifndef O_DENYRD BPX07610
#define O_DENYRD 0x00020000 /* v_open (deny_read) @E4A*/ BPX07620
#endif BPX07630
#ifndef O_DENYWRT BPX07640
#define O_DENYWRT 0x00010000 /* v_open (deny_write) @E4A*/ BPX07650
#endif BPX07660
                        BPX07670
                        BPX07680
/* _SOCKADDR Dummy Value (BPXYSOCK)*/ BPX07690
/*-----*/ BPX07700
#ifndef _SOCKADDR /* This macro can be externally set @PIM*/ BPX07710

```



```

#define _SOCKADDR char /* to the desired sockaddr struct. @PIM*/ BPX07720
#endif /*@PIM*/ BPX07730
BPX07740
/*-----*/ BPX07750
/* Select Parameters - vn_select and vfs_batsel (BPXYSEL)*/ BPX07760
/*-----*/ BPX07770
BPX07780
/* sel_function values */ BPX07790
BPX07800
#define SEL_QUERY 1 /* SELECT Query */ BPX07810
#define SEL_CANCEL 2 /* SELECT Cancel */ BPX07820
#define SEL_BATSELQ 3 /* BATCH-SELECT Query */ BPX07830
#define SEL_BATSELC 4 /* BATCH-SELECT Cancel */ BPX07840
#define SEL_POLLQUERY 5 /* POLL Query @P9A*/ BPX07850
#define SEL_BATPOLLQ 6 /* BATCH-POLL Query @P9A*/ BPX07860
#define SEL_BATPOLLC 7 /* BATCH-POLL Cancel @P9A*/ BPX07870
#define SEL_POLLCANCEL 8 /* POLL Cancel @P9A*/ BPX07880
BPX07890
/* sel_options values */ BPX07900
BPX07910
#define SEL_READ 0x40000000 /* Read */ BPX07920
#define SEL_WRITE 0x20000000 /* Write */ BPX07930
#define SEL_XCEPT 0x10000000 /* Exception */ BPX07940
BPX07950
BPX07960
/* Batch Select Interface Control (BSIC) Block (BPXZBSIC)*/ BPX07970
BPX07980
typedef struct s_bsicent { /* Individual Entry: */ BPX07990
    int bs_request; /* Status Request */ BPX08000
    int bs_response; /* Status Response */ BPX08010
    GTOK bs_file; /* File Token, same as ts_file */ BPX08020
    char * _PTR32 bs_workptr; /* Work Area Ptr for use by PFS BPX08030
                                @E5C*/ BPX08040
    SELTOK bs_seltok; /* Select Token for osi_selpost */ BPX08050
} BSICENT; BPX08060
BPX08070
typedef struct s_bsic { /* Main structure with array: */ BPX08080
    char bsh_id[4]; /* Identifier */ BPX08090
    int bsh_fdcount; /* Number of bsh_ents (files) */ BPX08100
    char * _PTR32 bsh_workptr; /* Work Area Ptr for use by PFS BPX08110
                                @E5C*/ BPX08120
    BSICENT bsh_ents[1]; /* Entry array (1 per fdcount) */ BPX08130
} BSIC ; BPX08140
BPX08150
BPX08160
/*-----*/ BPX08170
/* Direction parameter for vn_sockopt @P8A*/ BPX08180
/*-----*/ BPX08190
BPX08200
#define GET_SOCKETOPT 1 /* Get socket options @P8A*/ BPX08210
#define SET_SOCKETOPT 2 /* Set socket options @P8A*/ BPX08220
#define SET_IBMSOCKETOPT 3 /* SetIBMSocketopt options @PDA*/ BPX08230
BPX08240
/*-----*/ BPX08250
/* vn_sockopt(SET_IBMSOCKETOPT) Options (BPXYSOCK)*/ BPX08260
/*-----*/ BPX08270
#define SOCK_SO_BULKMODE 0x8000 /*@DKA,@DMC*/ BPX08280
#define SOCK_SO_IGNOREINCOMINGPUSH 1 /*@DKA,@DMC*/ BPX08290
#define SOCK_SO_NONBLOCKLOCAL 0x8001 /*@DKA,@DMC*/ BPX08300
#define SOCK_SO_IGNORESOURCEVIPA 2 /*@DKA,@DMC*/ BPX08310
#define SOCK_SO_OPTMSS 0x8003 /*@DKA,@DMC*/ BPX08320
#define SOCK_SO_OPTACK 0x8004 /*@DKA,@DMC*/ BPX08330
BPX08340
/*-----*/ BPX08350
/* vn_getname Name_type values @PHA*/ BPX08360
/*-----*/ BPX08370
#define gnm_getpeername 1 /*@PHA*/ BPX08380

```

```

#define gnm_getsockname      2                                /*@PHA*/ BPX08390
                                                                BPX08400
/*-----*/ BPX08410
/* vn_cancel Flags                                @DGA*/ BPX08420
/*-----*/ BPX08430
struct vncanflags {                                          /* vn_cancel flags    @DGA*/ BPX08440
    BIT          :8;                                         /* Reserved           */ BPX08450
    BIT          :23;                                        /* Also reserved      */ BPX08460
    BIT vcanforce :1;                                         /* Forced Cancel      @DGA*/ BPX08470
};
                                                                BPX08480
                                                                BPX08490
                                                                BPX08500
/*-----*/ BPX08510
/* PathConf Extensions - vn_pathconf              (BPXYPCF)*/ BPX08520
/*-----*/ BPX08530
#define PC_CASE      100 /* pathconf_option value @DHA*/ BPX08540
                                                                BPX08550
#define CASE_INSENSITIVE 2 /* Ret if not sensitive @DHA*/ BPX08560
#define CASE_NONPRESERVING 1 /* Ret if not preserving @DHA*/ BPX08570
                                                                BPX08580
/*-----*/ BPX08590
/* Accept_and_Receive structure - vn_anr          (BPXZOSI)*/ BPX08600
/*-----*/ BPX08610
struct anr_struct {                                          /*@PHA*/ BPX08620
    int      remote_sockaddr_length;                       BPX08630
    _SOCKADDR *remote_sockaddr_ptr;                       BPX08640
    int      local_sockaddr_length;                       BPX08650
    _SOCKADDR *local_sockaddr_ptr;                       BPX08660
    int      msg_flags;                                    BPX08670
};
                                                                /*@PHA*/ BPX08680
                                                                BPX08690
/*-----*/ BPX08700
/* 64-Bit Versions of the Iovec and MsgHdr       (BPXYMSGH & BPXYIOV)*/ BPX08710
/*-----*/ BPX08720
                                                                BPX08730
struct iov64 {                                              /*@POA*/ BPX08740
    ADDR64 iov64_base;                                     /* 64-Bit Ptr         */ BPX08750
    int iov64_lenh;                                       /* Required to be Zero */ BPX08760
    signed int iov64_len;                                  /* Length, < 2G      */ BPX08770
};
                                                                BPX08780
                                                                BPX08790
                                                                BPX08800
struct msg64hdr {                                          /*@POA*/ BPX08810
    ADDR64 msg64_name;                                     /* 64-Bit sockaddr ptr */ BPX08820
    ADDR64 msg64_iov;                                     /* 64-Bit iov ptr      */ BPX08830
    ADDR64 msg64_control;                                 /* 64-Bit ancillary ptr */ BPX08840
    int msg64_flags;                                     /* MSG_flags          */ BPX08850
    int msg64_namelen;                                   /* 31-Bit sockaddr length */ BPX08860
    int msg64_iovlen;                                    /* 31-Bit number of iovecs */ BPX08870
    int msg64_controllen;                                /* 31-Bit ancillary len */ BPX08880
};
                                                                BPX08890
                                                                BPX08900
                                                                BPX08910
/*-----*/ BPX08920
/* Fast Sockets Parameter List - VN_FSR/FSRF/FSRM (BPXZFSP)*/ BPX08930
/*-----*/ BPX08940
                                                                BPX08950
#ifdef __FSPL
    struct fs_sr {                                          /* FSP1 - vn_fsr     @POA*/ BPX08960
                                                                /*++30*/
                                                                BPX08970
        int sr_ibufflen;                                   /* buffer length      */ BPX08980
        int sr_ibufferalet;                               /* buffer alet        */ BPX08990
        int sr_iflags;                                    /* flags              */ BPX09000
        char * _PTR32 sr_ibufferptr;                     /* 31-bit ptr        @E5C*/ BPX09010
                                                                /*++40*/
        ADDR64 sr_ibufferptr64;                           /* 64-bit buff ptr    */ BPX09030
    };
                                                                BPX09040
                                                                BPX09050

```



```

struct fs_srf {
    /* FSP2 - vn_fsrf
    /*+30*/
    int srf_ibufflen; /* buffer length */
    int srf_ibufferalet; /* buffer alet */
    int srf_iflags; /* flags */
    int srf_isockaddrlen; /* sockaddr length */
    /*+40*/
    char * _PTR32 srf_isockaddrptr; /* ptr to sockaddr in pri
    @E5C*/
    char * _PTR32 srf_ibufferptr; /* ptr to buffer
    @E5C*/
    ADDR64 srf_ibufferptr64; /* 64-bit buff ptr
    */
};

struct fs_srm {
    /* FSP3 - vn_fsrm
    /*+30*/
    int srm_iflags; /* flags */
    int srm_iiovalet; /* iov structure alet */
    int srm_iiovbufalet; /* alet for iov buffers */
    union {
        struct msghdr srm_imghdr; /* 31-bit msghdr
        struct { int rsvd;
        struct msg64hdr srm_imghdr64; /* 64-bit msghdr
        } srm_imghdr64u;
        } srm_imgh;
    };

struct s_fsp1 {
    /*@POA*/
    CBHDR fs_hdr; /* ID & Length
    char rsvd1[3]; /* Reserved
    /* Flags:
    BIT fs_key :4; /* user's key
    BIT fs_addr64 :1; /* 64-bit buffer addrs
    BIT :1; /*
    BIT fs_shutd :1; /* send & shutdown (msg_eof)
    BIT fs_rwind :1; /* 0=read, 1=write
    CRED * _PTR32 fs_cred; /* ptr to cred
    @E5C*/
    /*+10*/
    GTOK fs_pfstok; /* pfs token from vnode (ts_file)*/
    int fs_openflgs; /* open flags
    OSI * _PTR32 fs_osi; /* ptr to osi
    @E5C*/
    /*+20*/
    int fs_rv; /* return value
    int fs_rc; /* return code (errno)
    int fs_rsn; /* reason code (errnojr)
    int fs_sockdes; /* common socket descriptor
    /*+30*/
    union {
        struct fs_sr fs_isr;
        struct fs_srf fs_isrf;
        struct fs_srm fs_isrm;
    } fs_parms;
    int rsvd2; /* Adj to match BPXZFSPL
    @EKA*/
    /*+6C*/
    int fs_timeout; /* Timeout in Milli-seconds
    @EKA*/
    /*+70*/
    char fs_threadtoken[8]; /* LFS Thread Token
    @EKA*/
};

#endif

/*-----*/
/* Inactive buffer structure (IAB) - vfs_inactive (BPXZOSI)
/*-----*/
typedef struct s_iabent {
    /* Individual Entry
    char * _PTR32 iab_vnode; /* Vnode pointer
    @E5C*/
    char iab_pfs[8]; /* Pfs token
    */

```

```

        char * _PTR32 iab_server_vnode; /* Server's vnode ptr    @E5C*/ BPX09730
        FID      iab_fid;           /* Fid for validation    @PPA*/ BPX09740
        int      iab_return_value;  /* Return value         */ BPX09750
    } IABENT;                               /*@PLA*/ BPX09760
typedef struct s_iab {                     /* Main structure with array: */ BPX09770
    int      iab_devno;           /* Device number        */ BPX09780
    IABENT  iab_ents[1];        /* Entry array (1 per vnode) */ BPX09790
} IAB;                                     /*@PLA*/ BPX09800
BPX09810
#endif SIOCSETRTTD                        BPX09820
/*-----*/ BPX09830
/* Ioctl commands used during initialization of a PFS */ BPX09840
/* when using Common Inet                               @P8A*/ BPX09850
/* NOTE: Values of the form 000013xx can only be used */ BPX09860
/* with the w_ioctl() function, not with ioctl().      */ BPX09870
/*-----*/ BPX09880
BPX09890
#define SIOCSETRTTD      0x00008C981 /* Set TD - Left bookend */ BPX09900
#define IOCC_TCCE       0x00000138e /* (5006) - Right bookend*/ BPX09910
BPX09920
/*-----*/ BPX09930
/* Ioctl commands used during normal processing of route */ BPX09940
/* changes when using Common Inet                               @P8A*/ BPX09950
/*-----*/ BPX09960
BPX09970
#define SIOCMSDELRT     0x00000138f /* (5007) - Delete Route */ BPX09980
#define SIOCMSADDRT    0x000001390 /* (5008) - Add Route    */ BPX09990
#define SIOCMSIFADDR    0x000001391 /* (5009) - Set Interface BPX10000
                        Address */ BPX10010
#define SIOCMSIFFLAGS   0x000001392 /* (5010) - Set Interface BPX10020
                        Flags */ BPX10030
#define SIOCMSIFDSTADDR 0x000001393 /* (5011) - Set pt-to-pt BPX10040
                        interface address*/ BPX10050
#define SIOCMSIFBRDADDR 0x000001394 /* (5012) - Set broadcast BPX10060
                        Address */ BPX10070
#define SIOCMSIFNETMASK 0x000001395 /* (5013) - Set Interface BPX10080
                        Network Mask */ BPX10090
#define SIOCMSIFMETRIC  0x000001396 /* (5014) - Set Interface BPX10100
                        Routing Metric*/ BPX10110
#define SIOCMSRBRRTABLE 0x000001397 /* (5015) - Rebuild Routing BPX10120
                        Table */ BPX10130
#define SIOCMSMETRIC1RT 0x000001398 /* (5016) - Set Metric1 */ BPX10140
#define SIOCMSICMPREDIRECT 0x000001399 /* (5017) - ICMP Redirect*/ BPX10150
#endif
BPX10160
BPX10170
#pragma page()                             BPX10180
/******/ BPX10190
/* */ BPX10200
/* Physical File System Initialization Interface Structures */ BPX10210
/* */ BPX10220
/* These structures are used during the activation of a PFS. */ BPX10230
/* The pfsinit routine is invoked with the following parameters: */ BPX10240
/* */ BPX10250
/* pfsinit(PFSI *P, PFSNAME *N, PFSPARM *M, void *V, OSIT *O) */ BPX10260
/* */ BPX10270
/* The variable names, P,N,M,V, and O are used in the examples. */ BPX10280
/******/ BPX10290
BPX10300
/*-----*/ BPX10310
/* PFSI - PFS Initialization Block (BPXZPFSI) */ BPX10320
/* */ BPX10330
/* This structure is used to exchange information between */ BPX10340
/* the LFS and PFS during initialization. */ BPX10350
/* */ BPX10360
/* The PFS is expected to set the fields marked with an S. */ BPX10370
/* */ BPX10380
/*-----*/ BPX10390

```

```

typedef struct s_pfsi {
    CBHDR   pfsi_hdr;           /* +00 ID and Length          */ BPX10400
    short   pfsi_ver;          /* +08 Version number         */ BPX10420
    char    pfsi_rsvd1;        /* +0A Reserved               */ BPX10430
    char    pfsi_tdindex;      /* +0B Cinet Td Index passed to PFS @DVA*/ BPX10440
    GTOK    pfsi_pfsanchor;    /*S+0C The PFS init token that will be BPX10450
                                passed to the PFS on all calls. */ BPX10460

    struct vfsotab
        * _PTR32 pfsi_vfso;    /*S+14 Address of the VFS ops table @E5C*/ BPX10480
                                /* +18 Flags                  */ BPX10490
    BIT     pfsi_ook           :1; /* File system is running outside BPX10500
                                the kernel                  */ BPX10510
    BIT     pfsi_alone        :1; /* File system is the only PFS in BPX10520
                                this A.S. outside the kernel */ BPX10530
    BIT     pfsi_new          :1; /* File system is being intialized BPX10540
                                for the 1st time in this AS @P0C*/ BPX10550
    BIT     pfsi_estaeexits   :1; /* osi_thread called routine BPX10560
                                permanent ESTAE supported @DMA*/ BPX10570
    BIT     pfsi_memcritical  :1; /* LFS supports osi_memcritical BPX10580
                                in this release             @02A*/ BPX10590
    BIT     pfsi_sysplex     :1; /* USS started SYSPLEX(YES) @E0A*/ BPX10600
    BIT     pfsi_kernelready_supp :1; /* ot kernelready supported @EEA*/ BPX10610
    BIT     :1; /* Reserved @E0C*/ BPX10620
                                /* +19 Flags2                */ BPX10630
    BIT     pfsi_commbuff     :1; /* Common Buffers Supported @DWA*/ BPX10640
    BIT     pfsi_modind       :1; /* Module Indirection for all routine BPX10650
                                addresses supplied @E1A*/ BPX10660
    BIT     pfsi_attrcreat    :1; /* Attr supported on create @E2A*/ BPX10670
    BIT     pfsi_stoppfs     :1; /* Stop PFS is supported @E3A*/ BPX10680
    BIT     pfsi_sharesupported :1; /*s shares supported @E4A*/ BPX10690
    BIT     pfsi_opentokens   :1; /*s Open context used. @E7A*/ BPX10700
    BIT     pfsi_concurrentmount :1; /*S on when PFS supports concurrent BPX10710
                                mounts and unmounts. @E8A*/ BPX10720
    BIT     pfsi_amode64      :1; /*S PFS runs AMODE 64 @EKA*/ BPX10730
                                /* +1A Flags3                */ BPX10740
    BIT     pfsi_osync        :1; /*S vn_open does fsync for O_SYNC @PMA*/ BPX10750
    BIT     pfsi_srb          :1; /*S SRM Mode supported @DGA*/ BPX10760
    BIT     pfsi_asyio        :1; /*S Async I/O supported @DGA*/ BPX10770
    BIT     pfsi_rddplus      :1; /*S ReadDirPlus supported @DHA*/ BPX10780
    BIT     pfsi_64datoff     :1; /*S 64-Bit Real Page Supported @PMA*/ BPX10790
    BIT     pfsi_nolgfile     :1; /*S O_NOLARGEFILE size checking @PMA*/ BPX10800
    BIT     pfsi_addr64       :1; /*S 64-Bit User areas supported @PMA*/ BPX10810
    BIT     pfsi_ipv6         :1; /*S IPv6 Capable @DVA*/ BPX10820
                                /* +1B Flags4                */ BPX10830
    BIT     pfsi_romntclient  :1; /*S=1: Read-only mounts on other than BPX10840
                                owner should be client BPX10850
                                (i.e. served) BPX10860
                                =0: Such mounts should be local BPX10870
                                (i.e. file system is sysplex BPX10880
                                aware) @PEC*/ BPX10890
    BIT     pfsi_rwmntclient :1; /*S=1: Read-write mounts on other than BPX10900
                                owner should be client BPX10910
                                =0: Such mounts should be local BPX10920
                                @DOC*/ BPX10930
    BIT     pfsi_usethreads   :1; /*S File system requests support for BPX10940
                                the osi_thread function @D7A*/ BPX10950
    BIT     pfsi_disableLLA   :1; /*S File system requests no lookup BPX10960
                                look aside support @D5A*/ BPX10970
    BIT     pfsi_stayalone    :1; /*S File system requests no other PFS BPX10980
                                be started in this A.S. */ BPX10990
    BIT     pfsi_immeddel     :1; /*S Removed files are deleted if, or BPX11000
                                when, their open count is 0 @D6A*/ BPX11010
    BIT     pfsi_cpfs         :1; /*S File system is written in C. Invoke BPX11020
                                w/ a preinit. C environment */ BPX11030
    BIT     pfsi_datoffmove   :1; /*S File system supports DATOFF move BPX11040
                                for page read operations */ BPX11050
    struct vnoptab
                                BPX11060

```

BPXYPFSS

```

*_PTR32 pfsi_vnop; /*S+1C Address of the Vnode ops tbl @E5C*/ BPX11070
int pfsi_tcbaddr; /* +20 Address of the TCB for this PFS */ BPX11080
BPXL32 pfsi_initcompecb; /* +24 ECB that the PFS posts when BPX11090
initialization is complete. @E5C*/ BPX11100
char pfsi_pfstype; /*S+28 The type of the PFS */ BPX11110
/* +29 More PFS Input/Output FLAGS @EGA*/ BPX11120
BIT :8; /* +29 IN: Set by LFS as input @EGA*/ BPX11130
BIT pfsi_asyncIOANR:1; /* +2A OUT: AsyncIO for ANR supported BPX11140
@EGA*/ BPX11150
BIT pfsi_rddcursor :1; /* OUT: PFS supports index to cursor BPX11160
conversion for readdir @EJA*/ BPX11170
BIT :6; /* OUT: Set by PFS as output @EGA*/ BPX11180
BIT :8; /* +2B reserved @EGA*/ BPX11190
BPXL32 pfsi_pfsecb; /* +2C ECB that is posted when the Kernel BPX11200
is terminating. The PFS should BPX11210
be waiting on this ECB. @E5C*/ BPX11220
/* Pathconf() values as applicable: */ BPX11230
int pfsi_pipebuf; /*S+30 pipe_buf */ BPX11240
int pfsi_maxcanon; /*S+34 max_canon */ BPX11250
int pfsi_maxinput; /*S+38 max_input */ BPX11260
/* +3C Flags: */ BPX11270
BIT pfsi_chownrstd :1; /*S POSIX_Chown_restr */ BPX11280
BIT :7; /* Reserved */ BPX11290
char pfsi_rsvd3[2]; /* +3D Reserved */ BPX11300
char pfsi_vdisable; /*S+3F _posix_vdisable */ BPX11310
BPX11320
char *_PTR32 pfsi_restart; /* +40 Addr of Restart Option Byte@E5C*/ BPX11330
struct dmpinf BPX11340
*_PTR32 pfsi_dumpptr; /* +44 Address of Dump Information @E5C*/ BPX11350
BPX11360
char pfsi_asname[8]; /* +48 Address Space Name of PFS @D1A*/ BPX11370
char pfsi_ep[8]; /* +50 Entry point attached during BPX11380
initialization @D1A*/ BPX11390
int pfsi_pfsid; /* +58 Pfs Identifier @P5A*/ BPX11400
struct ot_statflags BPX11410
*_PTR32 pfsi_otstatptr; /* +5C osi_thread status flags @E5C*/ BPX11420
char pfsi_rsvd4[8]; /* +60 Reserved @P5C*/ BPX11430
/* Inserts for Dump Titles: */ BPX11440
char pfsi_compon[3]; /*S+68 This PFS's Component Prefix */ BPX11450
char pfsi_compid[5]; /*S+6B This PFS's Component ID */ BPX11460
char pfsi_startname[8]; /* +70 Start name for PFS @DAA*/ BPX11470
int pfsi_pfspc; /* +78 PfsPc Number, Colony Only @PMA*/ BPX11480
char pfsi_rsvd5[8]; /* +7C Reserved @E3A*/ BPX11490
char pfsi_complow; /* +84 low reason code value @E3A*/ BPX11500
char pfsi_comphigh; /* +85 high reason code value @E3A*/ BPX11510
char pfsi_rsvd6[2]; /* +86 Reserved @E5C*/ BPX11520
char pfsi_pooltoken[8]; /* +88 Storage token for this PFS @E5A*/ BPX11530
char pfsi_rsvd7[16]; /* +90 Reserved @E5A*/ BPX11540
BPX11550
} PFSI ; BPX11560
BPX11570
/*-----*/ BPX11580
/* pfsi_restart - Restart Option Values */ BPX11590
/* Example usage: *(P->pfsi_restart) = RESTART_NONE; */ BPX11600
/*-----*/ BPX11610
#define RESTART_WTOR 0 /* Prompt operator first */ BPX11620
#define RESTART_AUTO 1 /* Restart automatically */ BPX11630
#define RESTART_NONE 2 /* Do not restart this PFS */ BPX11640
#define RESTART_KILL 3 /* Terminate OMVS too */ BPX11650
BPX11660
#define RESTART_RCWTOR 4 /* Restart Colony and Prompt BPX11670
operator for PFS restart @D1A*/ BPX11680
#define RESTART_RCAUTO 5 /* Restart Colony and BPX11690
Automatic PFS restart @D1A*/ BPX11700
#define RESTART_RCNONE 6 /* Bring down Colony and BPX11710
No PFS restart tried @D1A*/ BPX11720
#define RESTART_PFSCTL 7 /* Wait for pfsctl(Restart) BPX11730

```

```

                                                    @PJA*/ BPX11740
                                                    BPX11750
/*-----*/ BPX11760
/* pfsi_pfstype - PFS Type Values */ BPX11770
/* Example usage: P->pfsi_pfstype = MNT_FSTYPE_REMOTE; */ BPX11780
/*-----*/ BPX11790
/* These are defined with the common structures in */ BPX11800
/* BPXYVFSI as the constants starting with MNT_FSTYPE_ */ BPX11810
                                                    BPX11820
/*-----*/ BPX11830
/* pfsi_ver - Version Values */ BPX11840
/*-----*/ BPX11850
#define PFSI_VER0      0      /* Initial Version */ BPX11860
#define PFSI_VER1      1      /* Second Version */ BPX11870
#define PFSI_VER2      2      /* Second Version + HOTC @D4A*/ BPX11880
                                                    BPX11890
/*-----*/ BPX11900
/* pfsi_otstatptr - pointer to status flags for the PFS @P5A*/ BPX11910
/*-----*/ BPX11920
struct ot_statflags { /* osi_thread status flags */ BPX11930
    BIT ot_available :1; /* Thread services are available*/ BPX11940
    BIT ot_kernelready :1; /* Syscalls can be made @EEA*/ BPX11950
    BIT :6; BPX11960
}; BPX11970
                                                    BPX11980
/*-----*/ BPX11990
/* pfsi_vnop - VNODE Operations Table (BPXZVNOP)*/ BPX12000
/* This table is built by the PFS and returned to the LFS */ BPX12010
/*-----*/ BPX12020
#define VN_OPEN      0      BPX12030
#define VN_CLOSE     1      BPX12040
#define VN_RDWR      2      BPX12050
#define VN_IOCTL     3      BPX12060
#define VN_GETATTR   4      BPX12070
#define VN_SETATTR   5      BPX12080
#define VN_ACCESS    6      BPX12090
#define VN_LOOKUP    7      BPX12100
#define VN_CREATE    8      BPX12110
#define VN_REMOVE    9      BPX12120
#define VN_LINK      10     BPX12130
#define VN_RENAME    11     BPX12140
#define VN_MKDIR     12     BPX12150
#define VN_RMDIR     13     BPX12160
#define VN_READDIR   14     BPX12170
#define VN_SYMLINK   15     BPX12180
#define VN_READLINK  16     BPX12190
#define VN_FSYNC     17     BPX12200
#define VN_TRUNC     18     BPX12210
#define VN_INACTIVE  19     BPX12220
#define VN_AUDIT     20     BPX12230
#define VN_PATHCONF  21     /*@D5A*/ BPX12240
#define VN_RECOVERY  22     /*@D5A*/ BPX12250
#define VN_LOCKCTL   23     BPX12260
#define VN_CANCEL    24     /*@DGA*/ BPX12270
#define VN_SELECT    25     BPX12280
#define VN_ACCEPT    26     BPX12290
#define VN_BIND      27     BPX12300
#define VN_CONNECT   28     BPX12310
#define VN_GETNAME   29     BPX12320
#define VN_SOCKOPT   30     BPX12330
#define VN_LISTEN    31     BPX12340
#define VN_READWRITEV 32     BPX12350
#define VN_SNDRCV    33     BPX12360
#define VN_SNDTORCVFM 34     BPX12370
#define VN_SRMSG     35     BPX12380
#define VN_SHUTDOWN  37     BPX12390
                                                    BPX12400

```

```

#define VN_FSR          38          /*@DLA*/ BPX12410
#define VN_FSRF        39          /*@DLA*/ BPX12420
#define VN_FSRM        40          /*@DLA*/ BPX12430
#define VN_SRX         42          /*@DLA*/ BPX12440
#define VN_ANR         43          /*@DLA*/ BPX12450
                                     BPX12460
#define MAX_VNOPS      44          BPX12470
                                     BPX12480
                                     BPX12490

typedef void VNOP_OP();          /* Generalized Vnode Op */ BPX12500
#pragma linkage(VNOP_OP, OS)     /* Is called with OS lnkg */ BPX12510
                                     BPX12520

struct vnoptab {                /* The Vnode Op Table */ BPX12530
    CBHDR    vnop_hdr;          BPX12540
                                     BPX12550
    VNOP_OP * _PTR32 vnop_op[MAX_VNOPS];          /*@EKC*/ BPX12560
};
                                     BPX12570
                                     BPX12580
#define VNOP_ID        "VNOP"    BPX12590
#define VNOP_HDR      {{VNOP_ID}, sizeof(struct vnoptab)} BPX12600
                                     BPX12610
/* Example initialization of this table:
|
|      * Get storage, init hdr & zero out rest * BPX12630
|      struct vnoptab pfstab = { VNOP_HDR };    BPX12640
|      * Set the address of each supported op *  BPX12650
|      pfstab.vnop_op[VN_OPEN] = pfs_open;      BPX12660
|      pfstab.vnop_op[VN_CLOSE] = pfs_close;    BPX12670
|      pfstab.vnop_op[VN_RDWR] = pfs_rdwr;     BPX12680
|      . . . etc.                               BPX12690
|      * Return the table address to the LFS *  BPX12700
|      P->pfsi_vnop = &pfstab;                 BPX12710
|
*/
|
|-----*/ BPX12740
/* pfsi_vfso - VFS Operations Table (BPXZVFSO)*/ BPX12750
/* This table is built by the PFS and returned to the LFS */ BPX12760
|-----*/ BPX12770
#define VFS_MOUNT      0          BPX12780
#define VFS_UMOUNT    1          BPX12790
#define VFS_SYNC       2          BPX12800
#define VFS_INACT      3          /*@PPA*/ BPX12810
#define VFS_STATFS    4          BPX12820
#define VFS_VGET       6          BPX12830
#define VFS_RECOVERY   7          BPX12840
#define VFS_BATSEL     9          BPX12850
#define VFS_GETHOST   10         BPX12860
#define VFS_SOCKET     11        BPX12870
#define VFS_NETWORK    12        BPX12880
#define VFS_PFSCTL     13        BPX12890
#define MAX_VFSOPS     14        BPX12900
                                     BPX12910
                                     BPX12920

typedef void VFS_OP();          /* Generalized VFS Op */ BPX12930
#pragma linkage(VFS_OP, OS)     /* Is called with OS lnkg */ BPX12940
                                     BPX12950

struct vfsotab {                /* The VFS Op Table */ BPX12960
    CBHDR    vfso_hdr;          BPX12970
                                     BPX12980
    VFS_OP * _PTR32 vfso_op[MAX_VFSOPS];          /* @E5C*/ BPX12990
};
                                     BPX13000
                                     BPX13010
#define VFSO_ID        "VFSO"    BPX13020
#define VFSO_HDR      {{VFSO_ID}, sizeof(struct vfsotab)} BPX13030
                                     BPX13040
|-----*/ BPX13050
/* Dump Information - used by the PFS to add LFS address space */ BPX13060
/* and data space areas to the dumps that are taken by the PFS.*/ BPX13070

```



```

/*-----*/ BPX13080
struct pfsi_dumpent { /* Individual Dump Area Entry: */ BPX13090
    char pfsi_dumpstoken[8]; /* Stoken of the space */ BPX13100
    int pfsi_dumpalet; /* Reserved @P8C*/ BPX13110
    int pfsi_dumpflag; /* Reserved @P8C*/ BPX13120
    char * _PTR32 pfsi_dumpstart; /* Starting address @E5C*/ BPX13130
    char * _PTR32 pfsi_dumpend; /* Ending address @E5C*/ BPX13140
}; BPX13150
BPX13160
struct dmpinf { /* Area pointed to by pfsi_dumpptr */ BPX13170
    int pfsi_dumpents; /* Number of Dump Area Entries */ BPX13180
    char pfsi_dumpid[4]; /* EBCDIC ID - FDUM @P8A*/ BPX13190
    char pfsi_rsvd7[8]; /* Reserved @P8C*/ BPX13200
    struct pfsi_dumpent /* Array of Dump Areas, actual */ BPX13210
        pfsi_dumpdata[16]; /* number of entries is in */ BPX13220
}; /* pfsi_dumpents. */ BPX13230
BPX13240
BPX13250
/*-----*/ BPX13260
/* PFSNAME - Name of the PFS from TYPE operand of FILESYSTYPE. */ BPX13270
/* This string is blank padded and not null terminated. */ BPX13280
/*-----*/ BPX13290
typedef struct s_pfsname {
    char pfsname[8]; /* PFS Type or Name */ BPX13300
} PFSNAME ; BPX13310
BPX13320
BPX13330
/*-----*/ BPX13340
/* pfsctl buffer header for reason code text */ BPX13350
/*----- 12@E3A*/ BPX13360
typedef struct pfsctl_et_hdr {
    short et_rqst; /* type of text requested pfsctl_et_xx */ BPX13380
    short rsvd; BPX13390
    char et_reasoncd[4]; BPX13400
}; BPX13410
BPX13420
#define pfsctl_et_desc 0 BPX13430
#define pfsctl_et_action 1 BPX13440
#define pfsctl_et_modname 2 BPX13450
#define pfsctl_errortext 0xc000000b /* pfsctl cmd for error text */ BPX13460
BPX13470
#define PC_SHUTTINGDOWNFS 0xC0000015 /* pfsctl for shutdown @E4A*/ BPX13480
#define PC_TYPEFILESYS 1 /* shutdown=filesystem @E4A*/ BPX13490
#define PC_TYPEFILEOWNER 2 /* shutdown=fileowner @E4A*/ BPX13500
#define PC_TYPEOMVS 3 /* omvs shutdown @E4A*/ BPX13510
BPX13520
#define PC_RECYCLEDONE 0xC0000016 /* pfsctl to notify PFS that BPX13530
    recycle is complete @EAA*/ BPX13540
#define PC_ISSRCADDR 0xC0000018 /* inet6_is_srcaddr() @EIA*/ BPX13550
#define PC_OWNEROK 0xC000001C /* query if OK for this system BPX13560
    to become owner @PUA*/ BPX13570
BPX13580
#pragma page() BPX13590
/******/ BPX13600
/* */ BPX13610
/* File Exporter Exit Interfaces */ BPX13620
/* */ BPX13630
/******/ BPX13640
BPX13650
/*-----*/ BPX13660
/* Exit Parameter Structure (BPXZGXPL)*/ BPX13670
/*-----*/ BPX13680
typedef struct s_gxpl {
    char gx_id[4]; /*+00 EBCDIC ID */ BPX13700
    short gx_ver; /*+04 Gxpl Version number */ BPX13710
    short gx_len; /*+06 Length of Gxpl structure */ BPX13720
    short gx_op; /*+08 Operation Code */ BPX13730
}; BPX13740

```

```

/*+0A Flags:
BIT      gx_postop      :1; /*      1=PostOp Call          */ BPX13750
BIT      gx_readwrite  :1; /*      0=Read mode, 1=Write mode */ BPX13760
BIT      gx_eom        :1; /*      1=Called from user EOM    */ BPX13770
BIT      gx_trunc      :1; /*      1=File Size Change        */ BPX13780
BIT      gx_expopen    :1; /*      v_export catchup open     @E9A*/ BPX13790
BIT      gx_nodump     :1; /*      Suppress Dump             @E9A*/ BPX13800
BIT      :10;          BPX13810
OSI * _PTR32 gx_osi;   /*+0C OSI address                @E5C*/ BPX13820
                                           BPX13830
int      gx_volhdl[4]; /*+10 VolHdl from v_export       */ BPX13840
int      gx_anchor[2]; /*+20 Exit Anchor                 */ BPX13850
int      gx_state[2]; /*+28 Exit State Area             */ BPX13860
                                           /* File Identifiers:              */ BPX13870
FID      gx_fid1;     /*+30 The principal target        */ BPX13880
FID      gx_fid2;     /*+38 The secondary target        */ BPX13890
FID      gx_fid3;     /*+40 for rename, the to-dir      */ BPX13900
FID      gx_fid4;     /*+48 for rename, the to-file     */ BPX13910
                                           BPX13920
int      gx_opretval;  /*+50 Op Return Value to PostOp   */ BPX13930
int      gx_retcode;   /*+54 Exit Return Code            */ BPX13940
union {
    int      gxU1_rsncode; /*+58 Exit Reason Code           @E9C*/ BPX13950
    void *gxU1_rcvysdwa; /*+58 or Recovery SDWA/0        @E9A*/ BPX13960
} gxU1; /*+58 or Recovery SDWA/0        @E9A*/ BPX13970
char * _PTR32 gx_optparm; /*+5C Optional Parameter        @E5C*/ BPX13980
                                           BPX13990
char      gx_lfs[8];   /*+60 Reserved for the LFS        */ BPX14000
char      rsvd1[8];    /*+68 Reserved for expansion      */ BPX14010
} GXPL ;
                                           BPX14020
#define GXPL_ID        "GXPL"          BPX14030
#define GXPL_VERSION  1                BPX14040
                                           BPX14050
#define gx_rsncode    gxU1.gxU1_rsncode /* Exit Reason Code @E9A*/ BPX14060
#define gx_rcvysdwa  gxU1.gxU1_rcvysdwa /* Rcvy SDWA or 0 @E9A*/ BPX14070
/*-----*/ BPX14080
/* Constants for gx_op */ BPX14090
/*-----*/ BPX14100
#define GXPL_INIT      0x1001 /* Initialization Call          */ BPX14110
#define GXPL_EXPCMD    0x1002 /* Exporter Command              */ BPX14120
#define GXPL_RECOVERY  0x1003 /* Recovery Call                  */ BPX14130
#define GXPL_UNMOUNT   0x1004 /* Unmount Call                   @DBA*/ BPX14140
#define GXPL_UNEXPORT  0x1005 /* Unexport Call                  @DBA*/ BPX14150
#define GXPL_EXPTERM   0x1006 /* Exporter has terminated        */ BPX14160
#define GXPL_TERM      0x1007 /* Termination Call              */ BPX14170
#define GXPL_MTPCHG    0x1008 /* Mount Point Change            @PNA*/ BPX14180
                                           BPX14190
/* The Vnode operation values are the same as the pfsi_vnop
| constants listed above, i.e. VN_OPEN, VN_RDWR, etc.
*/ BPX14200
/*-----*/ BPX14210
/* Byte Range Lock Parameters */ BPX14220
/*-----*/ BPX14230
struct gxlk {
    int      gxlk_version; /* gxlk version number          */ BPX14240
    int      gxlk_lckcmd; /* Lock Cmd: F_SETLK, etc.      */ BPX14250
    int      gxlk_lcktype; /* Lock Type: F_RDLCK, etc.     */ BPX14260
    int      gxlk_brhb; /* Range Beginning, high word    */ BPX14270
    int      gxlk_brbl; /* Range Beginning, low word     */ BPX14280
    int      gxlk_breh; /* Range End, high word          */ BPX14290
    int      gxlk_brel; /* Range End, low word           */ BPX14300
    int      gxlk_blkpid; /* Blocking PID                  */ BPX14310
    int      rsvd[2];
};
                                           BPX14320
                                           BPX14330
                                           BPX14340
                                           BPX14350
                                           BPX14360
                                           BPX14370
                                           BPX14380
                                           BPX14390
                                           BPX14400
                                           BPX14410

```



```

/* gxl_lckcmd and gxl_lcktype values are defined in fcntl.h. */ BPX14420
                                                                    BPX14430
#define GXL_VER0      0      /* First gxlk version      */ BPX14440
#define GXL_EOFH     0x7FFFFFFF /* End-Of-File High word  */ BPX14450
#define GXL_EOFL     0xFFFFFFF /* Low word                */ BPX14460
                                                                    BPX14470
/* gx_optparm values for GXPL_MTPCHG @05A*/ BPX14480
/* The field must be cast to an (int) to be used here. @05A*/ BPX14490
                                                                    /*@05A*/ BPX14500
#define GXPL_MTPT_UNMOUNT 0 /* Mount Point Unmounted @05A*/ BPX14510
#define GXPL_MTPT_MOUNT  1 /* Mounting on Mt Pt      @05A*/ BPX14520
#define GXPL_REMOUNT_RO  3 /* File Sys ReMount (RO) @05A*/ BPX14530
#define GXPL_REMOUNT_RW  4 /* File Sys ReMount (RW) @05A*/ BPX14540
                                                                    BPX14550
/*-----*/ BPX14560
/* Exit Routine Prototype - as called by the LFS */ BPX14570
/*-----*/ BPX14580
#pragma linkage(gx_exitrtn, OS) BPX14590
void gx_exitrtn (GXPL *); BPX14600
                                                                    BPX14610
#pragma page() BPX14620
/*****/ BPX14630
/* */ BPX14640
/* Operating System Interface (OSI) Services */ BPX14650
/* */ BPX14660
/*****/ BPX14670
                                                                    BPX14680
/*-----*/ BPX14690
/* Macros used to invoke the OSI services */ BPX14700
/* */ BPX14710
/* The OSIT table address must be saved during initialization */ BPX14720
/* and made available at the time of an OSI service call. */ BPX14730
/* Refer to the prolog for details on using this macro. */ BPX14740
/*-----*/ BPX14750
#ifndef _OSIT_PTR /* Establish the default osi_ptr */ BPX14760
#define _OSIT_PTR osit_ptr BPX14770
#endif BPX14780
                                                                    BPX14790
/*-----*/ BPX14800
/* OSI Service Names */ BPX14810
/* The OSI services are called with these names and the macros */ BPX14820
/* use the OSIT table to find the associated routine. */ BPX14830
/* */ BPX14840
/* For example: osi_wait(OSI_SETUP, osiaddr, &rc); */ BPX14850
/*-----*/ BPX14860
#define osi_getvnode _OSICALL(GETVNODE) BPX14870
#define osi_mountstatus _OSICALL(MOUNTSTATUS) /*@04A*/ BPX14880
#define osi_ctl _OSICALL(CTL) /*@0DA*/ BPX14890
#define osi_selpost _OSICALL(SELPOST) BPX14900
#define osi_wait _OSICALL(WAIT) BPX14910
#define osi_post _OSICALL(POST) BPX14920
#define osi_signal _OSICALL(SIGNAL) BPX14930
#define osi_sleep _OSICALL(SLEEP) /*@06A*/ BPX14940
#define osi_wakeup _OSICALL(WAKEUP) /*@06A*/ BPX14950
#define osi_kmsgget _OSICALL(KMSGGET) /*@06A*/ BPX14960
#define osi_kmsgsnd _OSICALL(KMSGSEND) /*@06A*/ BPX14970
#define osi_kmsgrcv _OSICALL(KMSGRCV) /*@06A*/ BPX14980
#define osi_kmsgctl _OSICALL(KMSGCTL) /*@06A*/ BPX14990
#define osi_kipcget _OSICALL(KIPCGET) /*@0DA*/ BPX15000
#define osi_uiomove _OSICALL(UIOMOVE) /* @D7A*/ BPX15010
#define osi_copyin _OSICALL(COPYIN) /* @D7A*/ BPX15020
#define osi_copyout _OSICALL(COPYOUT) /* @D7A*/ BPX15030
#define osi_thread _OSICALL(THREAD) /* @D7A*/ BPX15040
#define osi_getcred _OSICALL(GETCRED) /* @P6A*/ BPX15050
#define osi_upda _OSICALL(UPDA) /*@0GA*/ BPX15060
#define osi_sched _OSICALL(SCHED) /*@0GA*/ BPX15070
#define osi_lkfs _OSICALL(LKFS) /*@0JA*/ BPX15080

```

```

#define osi_ctrace      _OSICALL(CTRACE)                /*@DIA*/ BPX15090
#define osi_socket     _OSICALL(SOCKET)                /*@DKA*/ BPX15100
#define osi_copy64    _OSICALL(COPY64)                /*@PMA*/ BPX15110
#define osi_buffcache _OSICALL(BUFFCACHE)             /*@E5A*/ BPX15120
                                                    BPX15130
/* Internal Macro used to invoke the OSI_ service from the OSIT */
#ifdef _OSICALL
#define _OSICALL(op) ((_OSIT_PTR) -> osit_ ## op)
#endif
                                                    BPX15140
                                                    BPX15150
                                                    BPX15160
                                                    BPX15170
                                                    BPX15180
/*-----*/ BPX15190
/* OTHDPRM - Parameter structure input to osi_thread (BPXZTPRM)*/ BPX15200
/*-----*/ BPX15210
typedef struct s_othdprm {
    CBHDR ot_hdr; /*+00 Id & Length */ BPX15220
    char ot_modname[64]; /*+08 Name of module to fetch */ BPX15230
    void * _PTR32 ot_parms; /*+48 Pointer to parms to pass
    to module and(maybe) exit @E5C*/ BPX15240
    char ot_exitname[64]; /*+4C Name of exit routine */ BPX15250
    /*+8C Input option flags */ BPX15260
    BIT ot_sigwait :1; /* Signal enabled wait */ BPX15270
    BIT ot_nowait :1; /* no wait */ BPX15280
    BIT ot_releasemods:1; /* release modules when done */ BPX15290
    BIT ot_rsvrd1:29; /* reserved */ BPX15300
    char ot_rsvrd2[8]; /*+90 reserved @DDC*/ BPX15310
} OTHDPRM ; /* @D7A*/ BPX15320
                                                    BPX15330
#define OTHDPRM_ID "TPRM" BPX15340
#define OTHDPRM_HDR {{OTHDPRM_ID}, sizeof(OTHDPRM)} BPX15350
                                                    BPX15360
/*-----*/ BPX15370
/* OTHDCRCV - osi_thread called routine recovery block */ BPX15380
/* BPX15390
/* This is the second parameter passed to the routine specified BPX15400
/* in ot_modname and the "PARAM" for the ESTAEX routine. BPX15410
/*-----*/ BPX15420
typedef struct s_othdrcrv {
    void * _PTR32 otr_rcvyrtn; /*+00 Pointer to called module's BPX15430
    recovery routine @E5C*/ BPX15440
    void * _PTR32 otr_parms; /*+04 Pointer to parms to pass BPX15450
    to called module's
    recovery routine @E5C*/ BPX15460
    BPXL32 reserved1; /*+08 Reserved @E5C*/ BPX15470
    BPXL32 reserved2; /*+0C Reserved @E5C*/ BPX15480
    char work_area[496]; /*+10 Work area for ESTAEX rtn */ BPX15490
} OTHDCRCV ; /* @DMA*/ BPX15500
                                                    BPX15510
/*-----*/ BPX15520
/* OGCDPRM - Parameter structure input to osi_getcred (BPXZCPRM)*/ BPX15530
/*-----*/ BPX15540
typedef struct s_ogcdprm {
    CBHDR oc_hdr; /*+00 Id & Length I */ BPX15550
    int oc_real_uid; /*+08 Real uid 0 */ BPX15560
    int oc_effective_uid; /*+0C Effective uid 0 */ BPX15570
    int oc_saved_uid; /*+10 Saved uid 0 */ BPX15580
    int oc_real_gid; /*+14 Real gid 0 */ BPX15590
    int oc_effective_gid; /*+18 Effective gid 0 */ BPX15600
    int oc_saved_gid; /*+1C Saved gid 0 */ BPX15610
    int oc_maxsgids; /*+20 Maximum number of
    supplementary gids
    there is room for.
    Set to actual number
    if not room for all I/O */ BPX15620
    int oc_numsgids; /*+24 Number of supplementary
    gids returned 0 */ BPX15630
    int * _PTR32 oc_gid_list; /*+28 Pointer to array of
    supplementary gids I @E5C*/ BPX15640

```

```

} OGCDPRM ; /* @P6A*/ BPX15760
BPX15770
#define OGCDPRM_ID "CPRM" BPX15780
#define OGCDPRM_HDR {{OGCDPRM_ID}, sizeof(OGCDPRM)} BPX15790
BPX15800
/*-----*/ BPX15810
/* Time Interval - Input to osi_sleep and osi_wait @P8A*/ BPX15820
/* Double word S/390 timer units, or (time[0]*1.04) sec. approx. */ BPX15830
/*-----*/ BPX15840
struct time_int { BPX15850
    BPXUL32 time[2]; /*@E5C*/ BPX15860
}; BPX15870
BPX15880
/*-----*/ BPX15890
/* Share Reservation Support @E6A*/ BPX15900
/*-----*/ BPX15910
/* Open Type constants for vn_open @E6A*/ BPX15920
#define VNOOPEN_FILE 0 /* For open() or v_open() @E6A*/ BPX15930
#define VNOOPEN_NLM_SHR 5 /* For NLM Share @E6A*/ BPX15940
#define VNOOPEN_INTERNAL 99 /* For LFS Internal Open @E6A*/ BPX15950
/* Checking Requested for vn_rdw & vn_setattr @E6A*/ BPX15960
#define VNSHRCHK_NONE 0 /* No Checking @E6A*/ BPX15970
#define VNSHRCHK_ADV 1 /* Advisory Check, V4 only @E6A*/ BPX15980
#define VNSHRCHK_MAND 3 /* Mandatory Check, all @E6A*/ BPX15990
BPX16000
BPX16010
/*-----*/ BPX16020
/* OSI LkFs Parameter */ BPX16030
/* Passed to osi_LkFs service. @DJA*/ BPX16040
/*-----*/ BPX16050
typedef struct s_osilparm { /* osi LkFs parameter block @DJA*/ BPX16060
    int osil_length; /* Length @DJA*/ BPX16070
    TOKSTR * _PTR32 osil_tokstr; /* Cjar pointer @E5C*/ BPX16080
    int osil_devno; /* Device number @DJA*/ BPX16090
    int osil_cmdcode; /* Command Code (lock or unlk) @DJA*/ BPX16100
    GTOK osil_handle; /* Vfs lock handle @DJA*/ BPX16110
} OSILPARM; /* @DJA*/ BPX16120
BPX16130
#define OSIL_LOCK 1 /* Lock cmd code for osil_parm @DJA*/ BPX16140
#define OSIL_UNLK 2 /* Unlock cmd code for osil_parm @DJA*/ BPX16150
BPX16160
BPX16170
/*-----*/ BPX16180
/* osi_copy64 Parameter @PMA*/ BPX16190
/*-----*/ BPX16200
struct copy64_struct { /*@PMA*/ BPX16210
    int c64_length; /* Struct Length */ BPX16220
    BIT :20; /* Flags */ BPX16230
    BIT c64_dontincrsrc :1; /* 0=Add Len to Source */ BPX16240
    BIT c64_dontincrdest :1; /* 0=Add Len to Dest */ BPX16250
    BIT c64_gotrecovery :1; /* 1=PFS has own FRR */ BPX16260
    BIT c64_direction :1; /* 0=Out, 1=In */ BPX16270
    BIT c64_keybits :4; /* User's storage key */ BPX16280
    BIT :4; BPX16290
    ADDR64 c64_sourcebuff; /* Source */ BPX16300
    ADDR64 c64_destbuff; /* Destination */ BPX16310
    int c64_CLrsvd; /* (reserved) */ BPX16320
    int c64_copylen; /* Move length */ BPX16330
    int c64_sourcealet; BPX16340
    int c64_destalet; BPX16350
    int c64_rc; BPX16360
    int c64_rsn; BPX16370
    char c64_workarea[64]; BPX16380
}; BPX16390
BPX16400
#define C64_OUT 0 BPX16410
#define C64_IN 1 BPX16420

```

```

                                                                 BPX16430
/*-----*/ BPX16440
/* osi_buffcache parameter                                     @E5A*/ BPX16450
/*-----*/ BPX16460
    struct osi_bfche_struct { /* @E5A*/ BPX16470
        char    osi_bchs_name[4]; /* Eyecatcher ("BCHS")          */ BPX16480
        int     osi_bchs_length; /* Length of this structure -  */ BPX16490
                                     including the service-dependent BPX16500
                                     part that begins at          BPX16510
                                     osi_bchs_variable           */ BPX16520
        int     osi_bchs_fcn;    /* Requested service ID      */ BPX16530
        int     osi_bchs_rv;    /* Return value              */ BPX16540
        int     osi_bchs_rc;    /* Return code               */ BPX16550
        int     osi_bchs_rs;    /* Reason code               */ BPX16560
        char    osi_bchs_sttok[8]; /* Storage token            */ BPX16570
        char    osi_bchs_rsvd1[24]; /* Reserved for future use   */ BPX16580
        char    osi_bchs_fcnspecific[1]; /* Remainder depends on the  */ BPX16590
                                     service selected by bchs_fcn */ BPX16600
    };
                                                                 BPX16610
                                                                 BPX16620
    #define OSI_BCHS_ID "BCHS" /* Acronym for bfche_struct @E5A*/ BPX16630
                                                                 BPX16640
/*-----*/ BPX16650
/* osi_upd_filesys structure                                 */ BPX16660
/*-----*/ BPX16670
    struct osi_upd_filesys {
        char    osi_upd_name[4]; /* Eyecatcher ("UPDA")      */ BPX16690
        int     osi_upd_devno; /* mt_devno from vfs_mount  */ BPX16700
        short   osi_upd_type; /* osi_regstatus, osi_excstatus, BPX16710
                                     or osi_mountparm entry types */ BPX16720
        short   osi_upd_textlen; /* text length or 0 to remove */ BPX16730
        char    osi_upd_textstring[512]; /* text string              */ BPX16740
    };
                                                                 /* @EAA*/ BPX16750
                                                                 BPX16760
    #define OSI_UPD_ID "UPDA" /* @EAA*/ BPX16770
                                                                 BPX16780
/*-----*/ BPX16790
/* osi_quiesce_struct structure                             */ BPX16800
/*-----*/ BPX16810
    struct osi_quiesce_struct {
        char    osi_quiesce_name[4]; /* Eyecatcher ("OSIQ")      */ BPX16830
        unsigned int osi_quiesce_version; /* version                  */ BPX16840
        unsigned int osi_quiesce_devno; /* mt_devno                 */ BPX16850
        unsigned int osi_quiesce_pid; /* pid of quiesce caller    */ BPX16860
        BIT     osi_quiesce_noops :1; /*                           */ BPX16870
        BIT     osi_quiesce_backup :1; /*                           */ BPX16880
        BIT     osi_quiesce_clone :1; /*                           */ BPX16890
        BIT     osi_quiesce_delete :1; /*                           */ BPX16900
        BIT     osi_quiesce_checkonly :1; /* check handle only        */ BPX16910
                                     during unquiesce @EJA*/ BPX16920
        BIT     :3; /*                           */ BPX16930
        char    osi_quiesce_rsvd1[3]; /*                           */ BPX16940
        unsigned int osi_quiesce_handle; /* quiesce instance id     */ BPX16950
        char    osi_quiesce_jobname[8]; /*                           */ BPX16960
        char    osi_quiesce_sysname[8]; /*                           */ BPX16970
        int     osi_quiesce_pfsid; /* pfsi_pfsid              */ BPX16980
        char    osi_quiesce_rsvd2[12]; /*                           */ BPX16990
    };
                                                                 BPX17000
                                                                 BPX17010
    #define OSI_QUIESCE_ID "OSIQ" /* @EFA*/ BPX17020
    #define OSI_QUIESCEV1 1 /* version 1 for osi_quiesce_version @EFA*/ BPX17030
                                                                 BPX17040
/*-----*/ BPX17050
/* osi_getmntstat structure                                 */ BPX17060
/*-----*/ BPX17070
    struct osi_getmntstat {
        char    osi_getmntstat_name[4]; /* Eyecatcher ("GTMT")     */ BPX17090
    };

```

```

    unsigned int    osi_getmntstat_version; /* version          */ BPX17100
    unsigned int    osi_getmntstat_devno;  /* mt_devno           */ BPX17110
    char * _PTR32  osi_getmntstat_bufferaddr; /* buffer for mnte   */ BPX17120
    unsigned int    osi_getmntstat_bufferlen; /* in/out buffer len*/ BPX17130
    char            osi_getmntstat_rsvd[12];                               BPX17140
};                                                                           BPX17150
                                                                           /* @EFA*/ BPX17160
                                                                           BPX17170
#define OSI_GETMNTSTAT_ID "GTMT"                                          BPX17180
    /* eyecatcher for osi_getmntstat_name    @EFA*/ BPX17190
#define OSI_GETMNTSTATV1 1                                               BPX17200
    /* version 1 for osi_getmntstat_version  @EFA*/ BPX17210
                                                                           BPX17220
/*-----*/ BPX17230
/* osi_remnt structure */ BPX17240
/*-----*/ BPX17250
    struct osi_remnt {
        char            osi_remnt_name[4]; /* Eyecatcher ("RMNT") */ BPX17260
        unsigned int    osi_remnt_version; /* version              */ BPX17270
        unsigned int    osi_remnt_devno;   /* mt_devno            */ BPX17280
        unsigned int    osi_remnt_pfsid;   /* pfsi_pfsid         */ BPX17290
        char            osi_remnt_rsvd[16];                               BPX17300
    };                                                                           BPX17310
                                                                           BPX17320
                                                                           /* @EFA*/ BPX17330
                                                                           BPX17340
#define OSI_REMNT_ID "RMNT"                                              BPX17350
    /* eyecatcher for osi_remnt_name        @EFA*/ BPX17360
#define OSI_REMNTV1 1                                                    BPX17370
    /* version 1 for osi_remnt_version      @EFA*/ BPX17380
                                                                           BPX17390
/*-----*/ BPX17400
/* osi_pfsstatusinfo structure */ BPX17410
/* If there is no status information, set the first character of */ BPX17420
/* each status line (osi_pfsstatus_line1, ..._line2 or ..line3) */ BPX17430
/* to blank. */ BPX17440
/*-----*/ BPX17450
    struct osi_pfsstatusinfo {
        char osi_pfsstatus_name[4]; /* Eyecatcher ('PFST') */ BPX17460
        unsigned int osi_pfsstatus_version; /* Version              */ BPX17480
        unsigned int osi_pfsstatus_length; /* Length               */ BPX17490
        unsigned int osi_pfsstatus_pfsi_pfsid; /* Pfs identifier      */ BPX17500
        char osi_pfsstatus_line1[60];                               BPX17510
        char osi_pfsstatus_line2[60];                               BPX17520
        char osi_pfsstatus_line3[60];                               BPX17530
    };                                                                           /* @PTC@EHA*/ BPX17540
#define OSI_PFSSTATUS_ID "PFST"                                          /* @PTC@EHA*/ BPX17550
#define OSI_PFSSTATUSV1 1                                               /* @PTC@EHA*/ BPX17560
                                                                           BPX17570
/*-----*/ BPX17580
/* OSI Services Prototypes */ BPX17590
/*-----*/ BPX17600
typedef void OSI_GETVNODE(int ent, /* Entry Code */ BPX17610
    TOKSTR *, /* Object's Parent's Tokstr*/ BPX17620
    ATTR *, /* Attr of the new object */ BPX17630
    GTOK *, /* PFS File Token for obj */ BPX17640
    O_VNTOK *, /* Object's vnode token */ BPX17650
    int *retval, int *retcode, int *rsncode); BPX17660
                                                                           BPX17670
typedef void OSI_MOUNTSTATUS(int ent, /* Entry Code @D4A*/ BPX17680
    int devno, /* Devno (mt_stdev) @D5C*/ BPX17690
    int *retval, int *retcode, int *rsncode); BPX17700
                                                                           BPX17710
typedef void OSI_WAIT(int ent, /* Entry Code */ BPX17720
    OSI *, /* Caller's (waiter's) OSI */ BPX17730
    int *rc, BPX17740
    ... ); /* waitx parms: @P8A BPX17750
                                                                           int wait_flags BPX17760

```

```

                                struct time_int *    /* BPX17770
                                                                BPX17780
typedef void OSI_POST(WPTOK *,      /* osi_token of waiter  /* BPX17790
                                int *rc);                BPX17800
                                                                BPX17810
typedef void OSI_SIGNAL(OSI *,      /* Caller's OSI        /* BPX17820
                                int pid,                /* Target's osi_pid value /* BPX17830
                                int sigval,             /* Signal to issue      /* BPX17840
                                int sigopt,           /* Signal options      /* BPX17850
                                int *retval, int *retcode, int *rsnocode); BPX17860
                                                                BPX17870
typedef void OSI_SELPOST(SELTOK *,  /* Vn_select's select token*/ BPX17880
                                int *retval, int *retcode, int *rsnocode); BPX17890
                                                                BPX17900
typedef void OSI_SLEEP(OSI *,      /* Caller's OSI        @D6A*/ BPX17910
                                int resid,            /* Resource id          /* BPX17920
                                struct time_int *,    /* Timeout interval    @P8C*/ BPX17930
                                int *retval, int *retcode, int *rsnocode); BPX17940
                                                                BPX17950
typedef void OSI_WAKEUP(int resid,   /* Resource id        @D6A*/ BPX17960
                                int pfsid,          /* Pfs id             /* BPX17970
                                int *retval, int *retcode, int *rsnocode); BPX17980
                                                                BPX17990
typedef void OSI_KMSGGET(int msgqkey, /* Message Q Id      @D6A @D7C*/ BPX18000
                                int msgflag,        /* Flag field         /* BPX18010
                                int *retval, int *retcode, int *rsnocode); BPX18020
                                                                BPX18030
typedef void OSI_KMSGSEND(int msgqkey, /* Message Q Id      @D6A @D7C*/ BPX18040
                                void *msgaddr,      /* Message address    /* BPX18050
                                int msgalet,        /* Message alet      /* BPX18060
                                int msgsize,       /* Message size      /* BPX18070
                                int msgflag,       /* Flag field        /* BPX18080
                                int *retval, int *retcode, int *rsnocode); BPX18090
                                                                BPX18100
typedef void OSI_KMSGRCV(int msgqkey, /* Message Q Id      @D6A @D7C*/ BPX18110
                                void *msgaddr,     /* Message address    /* BPX18120
                                int msgalet,       /* Message alet      /* BPX18130
                                int msgsize,       /* Message size      /* BPX18140
                                int msgtype,      /* Message type      /* BPX18150
                                int msgflag,      /* Flag field        /* BPX18160
                                int *retval, int *retcode, int *rsnocode); BPX18170
                                                                BPX18180
typedef void OSI_KMSGCTL(int msgqkey, /* Message Q Id      @D6A @D7C*/ BPX18190
                                int msgcmd,        /* Message command    /* BPX18200
                                void *msgbuff,     /* Message buffer     /* BPX18210
                                int *retval, int *retcode, int *rsnocode); BPX18220
                                                                BPX18230
typedef void OSI_KIPCGET(int iptoken, /* IPC token         @DDA*/ BPX18240
                                void *ipcbuff,     /* Output buffer     /* BPX18250
                                int buflen,       /* IPC buffer length /* BPX18260
                                int ipccmd,      /* IPC command       /* BPX18270
                                int *retval, int *retcode, int *rsnocode); BPX18280
                                                                BPX18290
typedef void OSI_UIOMOVE(OSI *,      /* OSI struct         @D7A*/ BPX18300
                                char *uiomworkarea, /* work area for use by BPX18310
                                                                uiomove      @D7A*/ BPX18320
                                char *pfsbuf,     /* Pfs buffer        @D7A*/ BPX18330
                                int pfsbufalet,   /* Alet for the PFS buf@D7A*/ BPX18340
                                int movelen,     /* number of bytes to move /* BPX18350
                                UIO *,          /* Uio structure     /* BPX18360
                                int *retval, int *retcode, int *rsnocode); BPX18370
                                                                BPX18380
typedef void OSI_COPYIN(char *desbuf, /* destination buffer @D6A*/ BPX18390
                                int desbufalet,   /* destination buffer alet /* BPX18400
                                char *srcbuf,     /* source buffer      /* BPX18410
                                int srcbufalet,   /* source buffer alet /* BPX18420
                                int srckey,      /* source storage key /* BPX18430

```



```

int movelen, /* length to move */ BPX18440
int *retval, int *retcode, int *rsncode); BPX18450
BPX18460
typedef void OSI_COPYOUT(char *desbuf, /* destination buffer @D6A*/ BPX18470
int desbufalet, /* destination buffer alet */ BPX18480
char *srcbuf, /* source buffer */ BPX18490
int srcbufalet, /* source buffer alet */ BPX18500
int deskey, /* destination storage key */ BPX18510
int movelen, /* length to move */ BPX18520
int *retval, int *retcode, int *rsncode); BPX18530
BPX18540
typedef void OSI_THREAD(OSI *, /* OSI @D7A*/ BPX18550
OTHDRM *, /* Osit_Thred parm struct */ BPX18560
int *retval, int *retcode, int *rsncode); BPX18570
BPX18580
typedef void OSI_GETCRED(OSI *, /* OSI @P6A*/ BPX18590
char *workarea, /* 3K work area for BPX18600
use by getcred */ BPX18610
int alet, /* alet for getcred parm and BPX18620
supplementary gid list */ BPX18630
OGCDPRM *, /* Osit_Getcred parm struct*/ BPX18640
int *retval, int *retcode, int *rsncode); BPX18650
BPX18660
typedef void OSI_CTL (int cmd, /* Command Code @DAA*/ BPX18670
int arglen, /* Argument Length */ BPX18680
char *arg, /* Argument Length */ BPX18690
int *retval, int *retcode, int *rsncode); BPX18700
BPX18710
typedef void OSI_UPDA (GTOK *lfs_asytok, /* LFS's Token @DGA*/BPX18720
GTOK *pfs_asytok ); /* PFS's Token */BPX18730
BPX18740
typedef void OSI_SCHED (GTOK *lfs_asytok, /* LFS's Token @DGA*/BPX18750
int *retval, int *retcode, int *rsncode); BPX18760
BPX18770
typedef void OSI_CTRACE(char *pfs_name, /* name of the PFS @DIA*/ BPX18780
char *workarea, /* 3K work area for BPX18790
use by osi_ctrace */ BPX18800
int arglen, /* Argument Length */ BPX18810
char *arg, /* Argument Length */ BPX18820
int *retval, int *retcode, int *rsncode); BPX18830
BPX18840
typedef void OSI_SOCKET(char *function, /* socket function @DKA*/ BPX18850
...); /* args for equiv BPX1xxx */ BPX18860
BPX18870
BPX18880
typedef void OSI_LKFS (OSILPARM *, /* LkFs parm @PDC*/BPX18890
int *retval, int *retcode, int *rsncode); BPX18900
BPX18910
typedef void OSI_COPY64(struct copy64_struct *, /*2@PMA*/ BPX18920
char *workarea ); /* 512 Byte work area */ BPX18930
BPX18940
typedef void OSI_BUFFERCACHE(OSI *, /* Caller's OSI @E5A*/ BPX18950
struct osi_bfche_struct *); /* Buffer BPX18960
cache management structure */ BPX18970
BPX18980
/* OS linkage pragmas for the Services */ BPX18990
#pragma linkage(OSI_GETVNODE,OS) BPX19000
#pragma linkage(OSI_MOUNTSTATUS,OS) /*@D4A*/ BPX19010
#pragma linkage(OSI_CTL,OS) /*@DAA*/ BPX19020
#pragma linkage(OSI_SELPOST,OS) BPX19030
#pragma linkage(OSI_WAIT,OS) BPX19040
#pragma linkage(OSI_POST,OS) BPX19050
#pragma linkage(OSI_SIGNAL,OS) BPX19060
#pragma linkage(OSI_SLEEP,OS) /*@D6A*/ BPX19070
#pragma linkage(OSI_WAKEUP,OS) /*@D6A*/ BPX19080
#pragma linkage(OSI_KMSGGET,OS) /*@D6A*/ BPX19090
#pragma linkage(OSI_KMSGSEND,OS) /*@D6A*/ BPX19100

```

```

#pragma linkage(OSI_KMSGRCV,OS) /*@D6A*/ BPX19110
#pragma linkage(OSI_KMSGCTL,OS) /*@D6A*/ BPX19120
#pragma linkage(OSI_KIPCGET,OS) /*@DDA*/ BPX19130
#pragma linkage(OSI_UIOMOVE,OS) /*@D6A*/ BPX19140
#pragma linkage(OSI_COPYIN,OS) /* @D7A*/ BPX19150
#pragma linkage(OSI_COPYOUT,OS) /* @D7A*/ BPX19160
#pragma linkage(OSI_THREAD,OS) /* @D7A*/ BPX19170
#pragma linkage(OSI_GETCRED,OS) /* @P6A*/ BPX19180
#pragma linkage(OSI_UPDA,OS) /*@DGA*/ BPX19190
#pragma linkage(OSI_SCHED,OS) /*@DGA*/ BPX19200
#pragma linkage(OSI_TRACE,OS) /*@DIA*/ BPX19210
#pragma linkage(OSI_LKFS,OS) /*@DJA*/ BPX19220
#pragma linkage(OSI_SOCKET,OS) /*@DKA*/ BPX19230
#pragma linkage(OSI_COPY64,OS) /*@PMA*/ BPX19240
#pragma linkage(OSI_BUFFERCACHE,OS) /*@E5A*/ BPX19250
BPX19260
/*-----*/ BPX19270
/* OSIT - Operating System Interface Table (BPXZOSIT)*/ BPX19280
/*-----*/ BPX19290
typedef struct s_osit {
    CBHDR osit_hdr; /*+00 ID & Length */ BPX19310
    short osit_ver; /*+08 Version */ BPX19320
    short osit_rsvd1; BPX19330
    /* Function Pointers */ BPX19340
    OSI_GETVNODE *_PTR32 osit_GETVNODE; /* +0C @E5C*/ BPX19350
    OSI_MOUNTSTATUS *_PTR32 osit_MOUNTSTATUS; /* +10 Ver3 @E5C*/ BPX19360
    OSI_CTL *_PTR32 osit_CTL; /* +14 Ver2 @E5C*/ BPX19370
    void *_PTR32 osit_intern1; /* +18 @E5C*/ BPX19380
    OSI_SELPOST *_PTR32 osit_SELPOST; /* +1C @E5C*/ BPX19390
    OSI_WAIT *_PTR32 osit_WAIT; /* +20 @E5C*/ BPX19400
    OSI_POST *_PTR32 osit_POST; /* +24 @E5C*/ BPX19410
    OSI_SIGNAL *_PTR32 osit_SIGNAL; /* +28 @E5C*/ BPX19420
    OSI_SLEEP *_PTR32 osit_SLEEP; /* +2C Ver3 @E5C*/ BPX19430
    OSI_WAKEUP *_PTR32 osit_WAKEUP; /* +30 Ver3 @E5C*/ BPX19440
    OSI_KMSGGET *_PTR32 osit_KMSGGET; /* +34 Ver3 @E5C*/ BPX19450
    OSI_KMSGSEND *_PTR32 osit_KMSGSEND; /* +38 Ver3 @E5C*/ BPX19460
    OSI_KMSGRCV *_PTR32 osit_KMSGRCV; /* +3C Ver3 @E5C*/ BPX19470
    OSI_KMSGCTL *_PTR32 osit_KMSGCTL; /* +40 Ver3 @E5C*/ BPX19480
    OSI_KIPCGET *_PTR32 osit_KIPCGET; /* +44 Ver3 @E5C*/ BPX19490
    OSI_UIOMOVE *_PTR32 osit_UIOMOVE; /* +48 Ver3 @E5C*/ BPX19500
    OSI_COPYIN *_PTR32 osit_COPYIN; /* +4C Ver2 @E5C*/ BPX19510
    OSI_COPYOUT *_PTR32 osit_COPYOUT; /* +50 Ver2 @E5C*/ BPX19520
    OSI_THREAD *_PTR32 osit_THREAD; /* +54 Ver3 @E5C*/ BPX19530
    OSI_GETCRED *_PTR32 osit_GETCRED; /* +58 Ver3 @E5C*/ BPX19540
    OSI_SCHED *_PTR32 osit_SCHED; /* +5C @E5C*/ BPX19550
    OSI_UPDA *_PTR32 osit_UPDA; /* +60 @E5C*/ BPX19560
    OSI_LKFS *_PTR32 osit_LKFS; /* +64 Ver4 @E5C*/ BPX19570
    OSI_TRACE *_PTR32 osit_TRACE; /* +68 @E5C*/ BPX19580
    OSI_SOCKET *_PTR32 osit_SOCKET; /* +6C @E5C*/ BPX19590
    void *_PTR32 osit_rsvdB; /* +70 @E5C*/ BPX19600
    /*--- End of Ver4 @PMA*/ BPX19610
    OSI_COPY64 *_PTR32 osit_COPY64; /* +74 @E5C*/ BPX19620
    void *_PTR32 osit_rsvdC; /* +78 @E5C*/ BPX19630
    OSI_BUFFERCACHE *_PTR32 osit_BUFFERCACHE; /* +7C @E5C*/ BPX19640
    void *_PTR32 osit_rsvdE; /* +80 @E5C*/ BPX19650
    void *_PTR32 osit_rsvdF; /* +84 @E5C*/ BPX19660
    void *_PTR32 osit_rsvdG; /* +88 @E5C*/ BPX19670
    void *_PTR32 osit_rsvdH; /* +8C @E5C*/ BPX19680
    BPX19690
} OSIT;
BPX19700
BPX19710
/*-----*/ BPX19720
/* Done packing structures for 64-bit compiles 3@E5A*/ BPX19730
/*-----*/ BPX19740
#ifdef _LP64
#pragma pack(reset)
#endif
BPX19750
BPX19760
BPX19770

```



```

/* Version numbers */
#define OSIT_VER1 1 /* Rel 1 and Rel 2 Base */
#define OSIT_VER2 2 /* Rel 2 with copyin,copyout,ctl */
#define OSIT_VER3 3 /* Rel 3 sleep,wkup,kmsg,uiom,thrd */
#define OSIT_VER4 4 /* Rel 4 lkfs @DJA*/
#define OSIT_VER5 5 /* Ver 5 copy64 @PMA*/
#define OSIT_VER6 6 /* Ver 6 sysplex zfs @E0A*/

/*-----*/
/* Constants used with the Service calls */
/*-----*/

/* Input Entry Codes for osi_getvnode */
#define OSI_BUILDVNODE 1 /* Build Vnode */
#define OSI_BUILDVNODENL 2 /* Build Vnode without locks */
#define OSI_RTNVNODE 3 /* Return unused Vnode */
#define OSI_BUILDVNODEXL 4 /* Build Vnode-excl locks @P3A*/
#define OSI_UPDATEVNODE 5 /* Update PFS Area in Vnode@DGA*/
#define OSI_ASSOCIATE 7 /* Update PFS Area in Vnode@DIA*/
#define OSI_ASSOCIATENL 8 /* Update PFS Area in Vnode@DIA*/
#define OSI_MEMCRITICAL 9 /* Crit PFS Storage Cond @05A*/
#define OSI_INACTASAP 10 /* Inact vnod asap @E0A*/
#define OSI_STALEVNODE 11 /* File is unusable @E4A*/
#define OSI_STALEOPENS 12 /* Opens have lost shares @E6A*/

/* Input Entry Codes for osi_mountstatus @D4C*/
#define OSI_MOUNTCOMPLETE 1 /* Asynchronous mount complete @D4C*/

/* Input Entry Codes for osi_wait */
#define OSI_SETUP 1 /* Setup request */
#define OSI_SETUPSIG 4 /* Setup with signals */
#define OSI_SUSPEND 2 /* Wait request */
#define OSI_WAITX 5 /* Wait ext request with Latch and Timer control @D6A*/
#define OSI_INIT 6 /* Init OSI for a Task @DGA*/
#define OSI_INIT2 7 /* Init OSI with Length @PFA
osi_hdr.cbllen=sizeof(OSI) @PFA*/

/* Output Return Codes from osi_wait */
#define OSI_POSTED 0 /* Osi_post was called. */
#define OSI_SIGNALRCV 4 /* Signal has been received. */
#define OSI_SHUTDOWN 8 /* OMVS is shutting down. */
#define OSI_UNMOUNTED 16 /* File System was unmounted */
#define OSI_POSTERTRM 18 /* Poster has terminated @DBA*/
#define OSI_TIMEOUT 28 /* Timer interval expired @D7C*/
#define OSI_ABEND 32 /* Abend occurred. */
#define OSI_BADPARM 34 /* Bad parm passed on call. */
#define OSI_ESTAEF 36 /* Estae setup failure occurred*/
#define OSI_SYSTEMERR 38 /* System Error occurred. */
#define OSI_FRRACTIVE 40 /* FRR Active when signals enabled @D6A*/

/* Input Entry Codes for osi_ctl */
#define OSI_GLUECALL 1 /* Glue request @EAA*/
#define OSI_RECYCLESTART 2 /* PFS starting recycle @EAA*/
#define OSI_RECYCLEFINISHED 3 /* PFS recycle is complete @EAA*/
#define OSI_UPDATEFILESYS 4 /* file system update @EAA*/
#define OSI_REMOUNTSAMEMODE 5 /* remount in same mode @EFA*/
#define OSI_QSE 6 /* quiesce @EFA*/
#define OSI_UQS 7 /* unquiesce @EFA*/
#define OSI_GETMNTSTATUS 8 /* get mount status @EFA*/
#define OSI_DUB 9 /* dub or undub a task @EFA*/
#define OSI_PFSSTATUS 10 /* PFS report status @EHA*/

/* Values for Arg for OSI_DUB */
#define OSI_DUBTASK 1 /* dub task @EFA*/

```

BPXYPFISI

```

#define OSI_UNDUBTASK      2      /* undub task                @EFA*/ BPX20450
                                           BPX20460
/* Input Entry Types for osi_updatefilesys entry code */ BPX20470
#define OSI_REGSTATUS      1      /* regular status          @EAA*/ BPX20480
#define OSI_EXCPSTATUS    2      /* exceptional status      @EAA*/ BPX20490
#define OSI_MOUNTPARM     3      /* mount parm             @EAA*/ BPX20500
                                           BPX20510
/* Output Return Codes from osi_post (in addition to above) @DDA*/ BPX20520
#define OSI_NOTWAITING    4      /* Waiter has gone        @DDA*/ BPX20530
                                           BPX20540
/* Flag values for ot_option_flags on osi_thread call      @D7A*/ BPX20550
#define OSI_SIGWAIT       0x80000000 /* Wait caller's task with
                                           signals enabled          */ BPX20570
#define OSI_NOWAIT        0x40000000 /* Don't wait caller's task */ BPX20580
#define OSI_RELEASEMODS   0x20000000 /* Release modules when done */ BPX20590
                                           BPX20600
/* Flag values for wait_flags on osi_wait(waitx) calls     @P8A*/ BPX20610
#define OSI_WTDROPLLOCKS 0x00000001 /* Drop Locks over wait  @P8A*/ BPX20620
                                           BPX20630
/*-----*/ BPX20640
/* Information used for loading the OSIT into a separate addr space */ BPX20650
/*-----*/ BPX20660
#define OSIT_INIT "BPXVOSIT" /* The module to load & call */ BPX20670
                                           BPX20680
typedef void OSIT_INITMOD ( /* Prototype for the call: */ BPX20690
                           OSIT **, /* Output is a ptr to an OSIT */ BPX20700
                           int *retcode, int *rsncode); BPX20710
#pragma linkage(OSIT_INITMOD,OS) /* Called with OS linkage */ BPX20720
                                           BPX20730
/*-----*/ BPX20740
/* Prototype of the PFS Initialization Routine */ BPX20750
/* This routine is attached as an MVS task and invoked by the */ BPX20760
/* system with the following parameters: */ BPX20770
/*-----*/ BPX20780
void pfsinit (PFSI *, PFSNAME *, PFSPARM *, void *, OSIT *); BPX20790
                                           BPX20800
#pragma linkage(pfsinit,OS) /* Is invoked with OS linkage */ BPX20810
                                           BPX20820
/*-----*/ BPX20830
/* Prototypes of the Vnode and VFS operation routines. */ BPX20840
/* These routines are called by the LFS to perform their functions*/ BPX20850
/*-----*/ BPX20860
                                           BPX20870
/* File and Directory oriented operations */ BPX20880
void vn_open (TOKSTR *, OSI *, CRED *, BPX20890
              int *open_flags, BPX20900
              int *retval, int *retcode, int *rsncode); BPX20910
void vn_close (TOKSTR *, OSI *, CRED *, BPX20920
               int *open_flags, BPX20930
               int *retval, int *retcode, int *rsncode); BPX20940
void vn_readdir (TOKSTR *, OSI *, CRED *, BPX20950
                 UIO *, BPX20960
                 int *retval, int *retcode, int *rsncode); BPX20970
void vn_readlink(TOKSTR *, OSI *, CRED *, BPX20980
                 UIO *, BPX20990
                 int *retval, int *retcode, int *rsncode); BPX21000
void vn_create (TOKSTR *, OSI *, CRED *, BPX21010
                int *namelen, char *name, ATTR *, 0_VNTOK *, BPX21020
                int *retval, int *retcode, int *rsncode); BPX21030
void vn_mkdir (TOKSTR *, OSI *, CRED *, BPX21040
               int *namelen, char *name, ATTR *, 0_VNTOK *, BPX21050
               int *retval, int *retcode, int *rsncode); BPX21060
void vn_symlink (TOKSTR *, OSI *, CRED *, BPX21070
                 int *namelen, char *name, ATTR *, BPX21080
                 int *symlen, char *symlink, BPX21090
                 int *retval, int *retcode, int *rsncode); BPX21100
void vn_lookup (TOKSTR *, OSI *, CRED *, BPX21110

```

```

        int *namelen, char *name, O_VNTOK *,
        int *retval, int *retcode, int *rsncode);
void vn_getattr (TOKSTR *, OSI *, CRED *,
        ATTR *,
        int *retval, int *retcode, int *rsncode);
void vn_setattr (TOKSTR *, OSI *, CRED *,
        ATTR *,
        int *retval, int *retcode, int *rsncode);
void vn_access (TOKSTR *, OSI *, CRED *,
        int *access_intent,
        int *retval, int *retcode, int *rsncode);
void vn_trunc (TOKSTR *, OSI *, CRED *,
        int *offset,
        int *retval, int *retcode, int *rsncode);
void vn_fsync (TOKSTR *, OSI *, CRED *,
        int *retval, int *retcode, int *rsncode);
void vn_link (TOKSTR *, OSI *, CRED *,
        int *namelen, char *name, TOKSTR *,
        int *retval, int *retcode, int *rsncode);
void vn_rmdir (TOKSTR *, OSI *, CRED *,
        int *namelen, char *name,
        int *retval, int *retcode, int *rsncode);
void vn_remove (TOKSTR *, OSI *, CRED *,
        int *namelen, char *name,
        int *retval, int *retcode, int *rsncode);
void vn_rename (TOKSTR *, OSI *, CRED *,
        int *oldlen, char *oldname,
        int *newlen, char *newname, TOKSTR *,
        int *retval, int *retcode, int *rsncode);
void vn_audit (TOKSTR *, OSI *, CRED *,
        int *retval, int *retcode, int *rsncode);

        /* File System oriented operations */
void vfs_mount (TOKSTR *, OSI *, CRED *,
        MTAB *, O_VNTOK *,
        int *retval, int *retcode, int *rsncode);
void vfs_umount (TOKSTR *, OSI *, CRED *,
        int *unmount_options,
        int *retval, int *retcode, int *rsncode);
void vfs_statfs (TOKSTR *, OSI *, CRED *,
        FSATTR *,
        int *retval, int *retcode, int *rsncode);
void vfs_sync (TOKSTR *, OSI *, CRED *,
        int *retval, int *retcode, int *rsncode);
void vfs_inact (TOKSTR *, OSI *, CRED *, /*@PPA*/
        struct s_iab *, int *iablen,
        int *retval, int *retcode, int *rsncode);
void vfs_vget (TOKSTR *, OSI *, CRED *,
        FID *, O_VNTOK *,
        int *retval, int *retcode, int *rsncode);

        /* General operations */
void vn_select (TOKSTR *, OSI *, CRED *,
        SELTOK *,
        int *sel_function,
        int *sel_options,
        char *pfsworkptr,
        int *retval, int *retcode, int *rsncode);
void vfs_batset (TOKSTR *, OSI *, CRED *,
        int *rsvd1,
        int *sel_function,
        BSIC *,
        int *rsvd2,
        int *retval, int *retcode, int *rsncode);
void vn_rdwr (TOKSTR *, OSI *, CRED *,
        int *open_flags, UIO *,
        int *retval, int *retcode, int *rsncode);

```

```

void vn_readwritev(TOKSTR *, OSI *, CRED *,
                  int *open_flags, UIO *,
                  int *retval, int *retcode, int *rsnocode);
void vn_inactive (TOKSTR *, OSI *, CRED *,
                 int *retval, int *retcode, int *rsnocode);
void vn_ioctl    (TOKSTR *, OSI *, CRED *,
                 int *open_flags,
                 int *cmd, int *arglen, char *arg,
                 int *retval, int *retcode, int *rsnocode);
void vn_lockctl (TOKSTR *, OSI *, CRED *, /*@E7A*/
                 int *cmd,
                 int *vlocklen, VLOCK *,
                 int *retval, int *retcode, int *rsnocode);
void vn_pathconf (TOKSTR *, OSI *, CRED *, /*@D5A*/
                 int *pathconf_option,
                 int *retval, int *retcode, int *rsnocode);
void vn_recovery (TOKSTR *, OSI *, CRED *, /*@D5A*/
                 struct osirtoken *,
                 int *retval, int *retcode, int *rsnocode);
void vfs_recovery (TOKSTR *, OSI *, CRED *,
                  struct osirtoken *,
                  int *retval, int *retcode, int *rsnocode);
void vfs_pfsctl (TOKSTR *, OSI *, CRED *,
                int *cmd, UIO *,
                int *retval, int *retcode, int *rsnocode);
void vn_cancel  (TOKSTR *, OSI *, CRED *, /*@DGA*/
                 struct vncanflags *,
                 GTOK *pfs_asytok,
                 GTOK *lfs_asytok,
                 int *retval, int *retcode, int *rsnocode);

/* Socket Network (domain) oriented operations */
void vfs_network (TOKSTR *, OSI *, CRED *,
                 NETW *,
                 int *retval, int *retcode, int *rsnocode);
void vfs_socket  (TOKSTR *, OSI *, CRED *, /* socket|socketpair*/
                 int *domain, int *type, int *protocol,
                 int *dim, O_VNTOK (*vntoks)[2],
                 int *retval, int *retcode, int *rsnocode);
void vfs_gethost (TOKSTR *, OSI *, CRED *, /* get host id|name */
                 int *namelen, char *name,
                 int *retval, int *retcode, int *rsnocode);

/* Socket oriented operations */
void vn_accept  (TOKSTR *, OSI *, CRED *,
                 int *addrlen, _SOCKADDR *,
                 int *open_flags, O_VNTOK *,
                 int *retval, int *retcode, int *rsnocode);
void vn_bind    (TOKSTR *, OSI *, CRED *,
                 int *addrlen, _SOCKADDR *,
                 int *retval, int *retcode, int *rsnocode);
void vn_connect (TOKSTR *, OSI *, CRED *,
                 int *addrlen, _SOCKADDR *,
                 int *open_flags,
                 int *retval, int *retcode, int *rsnocode);
void vn_getname (TOKSTR *, OSI *, CRED *, /* peername|sockname*/
                 int *function,
                 int *addrlen, _SOCKADDR *,
                 int *retval, int *retcode, int *rsnocode);
void vn_listen  (TOKSTR *, OSI *, CRED *,
                 int *backlog,
                 int *retval, int *retcode, int *rsnocode);
void vn_sndrcv (TOKSTR *, OSI *, CRED *,
                int *open_flags, UIO *, int *sr_flags,
                int *retval, int *retcode, int *rsnocode);
void vn_sndtorcvfm(TOKSTR *, OSI *, CRED *,

```

```

        int *open_flags, UIO *, int *sr_flags,          BPX22460
        int *addrLen, _SOCKADDR *,                    BPX22470
        int *retval, int *retcode, int *rsnocode);    BPX22480
void vn_srmsg   (TOKSTR *, OSI *, CRED *,              BPX22490
        int *open_flags, UIO *, int *sr_flags,      BPX22500
        int *retval, int *retcode, int *rsnocode);  BPX22510
void vn_shutdown (TOKSTR *, OSI *, CRED *,            BPX22520
        int *how,                                    BPX22530
        int *retval, int *retcode, int *rsnocode);  BPX22540
void vn_sockopt (TOKSTR *, OSI *, CRED *, /* Get/Set sockopt */ BPX22550
        int *function, int *level,                  BPX22560
        int *optname, int *optval, char *optval,    BPX22570
        int *retval, int *retcode, int *rsnocode);  BPX22580
void vn_srx     (TOKSTR *, OSI *, CRED *, /*@PFA*/ BPX22590
        int *open_flags, UIO *,                    BPX22600
        int *retval, int *retcode, int *rsnocode);  BPX22610
void vn_anr     (TOKSTR *, OSI *, CRED *, /*@PHA*/ BPX22620
        struct anr_struct *, UIO *, /*@PIC*/ BPX22630
        int *open_flags, O_VNTOK *,                BPX22640
        int *retval, int *retcode, int *rsnocode);  BPX22650
                                                    BPX22660
#pragma page()                                     BPX22670
        /* The PFS operations are invoked with OS linkage */ BPX22680
#pragma linkage(vn_open ,OS)                       BPX22690
#pragma linkage(vn_close ,OS)                       BPX22700
#pragma linkage(vn_rdw   ,OS)                       BPX22710
#pragma linkage(vn_readdir ,OS)                     BPX22720
#pragma linkage(vn_readlink,OS)                     BPX22730
#pragma linkage(vn_create ,OS)                       BPX22740
#pragma linkage(vn_mkdir ,OS)                       BPX22750
#pragma linkage(vn_symlink ,OS)                     BPX22760
#pragma linkage(vn_lookup ,OS)                       BPX22770
#pragma linkage(vn_inactive,OS)                     BPX22780
#pragma linkage(vn_getattr ,OS)                     BPX22790
#pragma linkage(vn_setattr ,OS)                     BPX22800
#pragma linkage(vn_access ,OS)                       BPX22810
#pragma linkage(vn_trunc ,OS)                       BPX22820
#pragma linkage(vn_fsync ,OS)                       BPX22830
#pragma linkage(vn_link ,OS)                         BPX22840
#pragma linkage(vn_rmdir ,OS)                       BPX22850
#pragma linkage(vn_remove ,OS)                      BPX22860
#pragma linkage(vn_rename ,OS)                      BPX22870
#pragma linkage(vn_audit ,OS)                       BPX22880
#pragma linkage(vn_pathconf,OS) /*@D5A*/ BPX22890
#pragma linkage(vn_recovery,OS) /*@D5A*/ BPX22900
#pragma linkage(vn_cancel ,OS) /*@DGA*/ BPX22910
#pragma linkage(vn_ioctl ,OS)                       BPX22920
#pragma linkage(vn_lockctl ,OS) /*@E7A*/ BPX22930
#pragma linkage(vn_select ,OS)                      BPX22940
#pragma linkage(vn_accept ,OS)                      BPX22950
#pragma linkage(vn_bind ,OS)                        BPX22960
#pragma linkage(vn_connect ,OS)                     BPX22970
#pragma linkage(vn_getname ,OS)                     BPX22980
#pragma linkage(vn_listen ,OS)                      BPX22990
#pragma linkage(vn_sndrcv ,OS)                      BPX23000
#pragma linkage(vn_srmsg ,OS)                       BPX23010
#pragma linkage(vn_shutdown,OS)                     BPX23020
#pragma linkage(vn_sockopt ,OS)                     BPX23030
#pragma linkage(vn_readwritev,OS)                   BPX23040
#pragma linkage(vn_sndtorcvfm,OS)                   BPX23050
#pragma linkage(vn_srx ,OS)                         BPX23060
#pragma linkage(vn_anr ,OS)                         BPX23070
                                                    BPX23080
#pragma linkage(vfs_mount ,OS)                      BPX23090
#pragma linkage(vfs_umount ,OS)                     BPX23100
#pragma linkage(vfs_statfs ,OS)                     BPX23110
#pragma linkage(vfs_sync ,OS)                       BPX23120

```

```

#pragma linkage(vfs_inact ,OS) /*@PPA*/ BPX23130
#pragma linkage(vfs_vget ,OS) BPX23140
#pragma linkage(vfs_recovery,OS) BPX23150
#pragma linkage(vfs_batsel ,OS) BPX23160
#pragma linkage(vfs_network ,OS) BPX23170
#pragma linkage(vfs_socket ,OS) BPX23180
#pragma linkage(vfs_gethost ,OS) BPX23190
BPX23200
/*-----*/ BPX23210
/* Ctrace utility */ BPX23220
/*----- 4@DIA*/ BPX23230
struct ctrcvt {char x[0x8c];struct ctrcve * _PTR32 cve;}; /* @E5C*/ BPX23240
struct ctrcve {char x[0xf0];struct ctrocvt * _PTR32 ocvt;}; /* @E5C*/ BPX23250
struct ctrocvt {char x[0x130];unsigned int csptrace:1;}; BPX23260
/* 1@E5C*/ BPX23270
#define TRACEISON ((*struct ctrcvt* _PTR32 * _PTR32)0x10) -> \ BPX23280
                cve -> ocvt -> csptrace) BPX23290
BPX23300
#pragma page() BPX23310
#ifdef _NO_PFS_KES BPX23320
/*-----*/ BPX23330
/* Internal Services Prototypes */ BPX23340
/*-----*/ BPX23350
BPX23360
void * _memmove (void *, const void *, size_t); /* @D7A */ BPX23370
BPX23380
/*-----*/ BPX23390
/* Kernel Extension Services */ BPX23400
/* These functions are a subset of the Language Environment */ BPX23410
/* C functions. LE functions are not available to PFSes and */ BPX23420
/* the functions included here may be called in their place. */ BPX23430
/*-----*/ BPX23440
/*-----*/ BPX23450
/*-----*/ BPX23460
/* Name: bcopy @D7A */ BPX23470
/* */ BPX23480
/* Format: #include string.h BPX23490
/* #include bpxypfsi.h */ BPX23500
/* void bcopy( source, destination, length ) */ BPX23510
/* */ BPX23520
/* Description: */ BPX23530
/* Copies 'length' bytes from 'source' to 'destination'. */ BPX23540
/* Overlapping source and destination are handled */ BPX23550
/* correctly. */ BPX23560
/* */ BPX23570
/* Returned Value: */ BPX23580
/* None */ BPX23590
/* */ BPX23600
/* External References: _memmove */ BPX23610
/* */ BPX23620
/* Synopsis: */ BPX23630
/* void bcopy (const void *source, void *destination, size_t length) */ BPX23640
/* */ BPX23650
/* Related Information: */ BPX23660
/* bpxypfsi.h */ BPX23670
/* _memmove() */ BPX23680
/* */ BPX23690
/*-----*/ BPX23700
BPX23710
static /*@DIA*/ BPX23720
void bcopy (const void *src, void *dst, size_t length) /*@D7A*/ BPX23730
{
/* BPX23740
* let _memmove do the work... BPX23750
*/ BPX23760
BPX23770
BPX23780
BPX23780
/*@D7A*/ BPX23790
_memmove( dst, src, length );

```



```

}
BPX23800
BPX23810
#pragma page()
BPX23820
/*****/
BPX23830
/*
BPX23840
/* Name:    bzero
BPX23850
BPX23860
/*
BPX23870
/* Format:  #include string.h
BPX23880
/*
BPX23890
/*          #include bpxypfsi.h
BPX23900
/*          void bcopy( destination, length )
BPX23910
/*
BPX23920
/* Description:
BPX23930
/*          Zeroes out 'length' bytes, starting at 'destination'.
BPX23940
/*
BPX23950
/* Returned Value:
BPX23960
/*          None
BPX23970
/*
BPX23980
/* External References:  memset
BPX23990
/*
BPX24000
/* Synopsis:
BPX24010
/* void bzero (const void *destination, size_t length)
BPX24020
/*
BPX24030
/* Related Information:
BPX24040
/*          bpxypfsi.h
BPX24050
/*          memset()
BPX24060
/*****/
BPX24070
static
BPX24080
void bzero (void *dest, size_t length)
BPX24090
{
BPX24100
/*
BPX24110
/* let memset do the work ...
BPX24120
*/
BPX24130
BPX24140
        memset( dest, 0, length );
BPX24150
}
BPX24160
BPX24170
#pragma page()
BPX24180
/*****/
BPX24190
/* Internal Services
BPX24200
/*****/
BPX24210
/*****/
BPX24220
/*
BPX24230
/* Name:    _memmove
BPX24240
/*
BPX24250
/* Purpose: Copies characters from one data object to another
BPX24260
/*          with check for overlap
BPX24270
/*
BPX24280
/* Input:  s1 - object to move the characters to
BPX24290
/*          s2 - object to move the characters from
BPX24300
/*          n - the number of characters to move
BPX24310
/*
BPX24320
/* Output: Returns a pointer to object s1
BPX24330
/*
BPX24340
/* External References:  None
BPX24350
/*
BPX24360
/* Description:
BPX24370
/*
BPX24380
/* Copy n characters from object s2 to object s1.
BPX24390
/* If overlay exists between s2 and s1, the move shall
BPX24400
/* take place correctly. A pointer to the object s1 shall
BPX24410
/* be returned.
BPX24420
/*
BPX24430
/*****/
BPX24440
static
BPX24450
BPX24460
/*****/

```

```

void *_memmove (register void *s1, register const void *s2,
                register size_t n) {
    register void *anchor = s1; /* save s1 to return */
    char *p1;
    char *p2;
    size_t x;
    size_t y;

    /* check for destructive overlap and if it exists, move the end */
    /* of the string first. */
    if ( ((char *)s1 > (char *)s2) && (((char *)s2 + n) > (char *)s1) ) {
        p2 = (char *)s2 + n - 1; /* point to last character to move */
        p1 = (char *)s1 + n - 1; /* point to last position in result */
        x = (char *)s2 + n - (char *)s1; /* # of bytes colliding */
        y = x;

        while ( y-- > 0 )
            *p1-- = *p2--;

        /* can move the rest quickly */
        memcpy((char *)s1, s2, n - x);
    }
    else
        memcpy (s1, s2, n);

    return anchor;
}
#endif /* Endif _NO_PFS_KES */
#endif /* Endif __BPXYPFSI */

```

BPX24470
 BPX24480
 BPX24490
 */BPX24500
 BPX24510
 BPX24520
 BPX24530
 BPX24540
 BPX24550
 BPX24560
 BPX24570
 BPX24580
 BPX24590
 BPX24600
 BPX24610
 BPX24620
 BPX24630
 BPX24640
 BPX24650
 BPX24660
 BPX24670
 BPX24680
 BPX24690
 BPX24700
 BPX24710
 BPX24720
 BPX24730
 BPX24740
 BPX24750
 BPX24760
 BPX24770
 BPX24780
 BPX24790
 BPX24800
 BPX24810
 BPX24820
 BPX24830
 BPX24840
 BPX24850

Appendix E. Assembler and C-language facilities for writing a PFS in C

This appendix contains assembler routines that can be useful for writing a PFS in C.

Replacements for the C/370 Systems Programming Facilities routines @@XGET and @@XFREE are included. **These routines must be included in your PFS.** They are supplied in the BPXFASM sample, included here, which must be assembled and link-edited with all PFS load modules.

C-function prototypes and assembler routines are also included for the following facilities:

BPXT4KGT	Allocate a page of storage
BPXT4KFR	Free a page of storage
BPXTWAIT	Wait on an ECB list
BPXTPOST	Post an ECB
BPXTEPOC	Convert time-of-day clock format to seconds-since-the-epoch

Assembler replacements for @@XGET and @@XFREE

```
TITLE 'BPXFASM: File System Assembler Utilities'
*/****START OF SPECIFICATIONS*****
*
*   $MOD(BPXFASM) COMP(SCPX1) PROD(BPX):
*
*01* MODULE-NAME: BPXFASM
*
*01* CSECT NAME: @@XGET and @@XFREE
*
*01* DESCRIPTIVE-NAME: HOTC Replaceable Get/Free Storage for C PFSs
*
****END OF SPECIFICATIONS*****/
*
BPXFASM CSECT
BPXFASM AMODE ANY
BPXFASM RMODE ANY
BPXFASM MODID BR=NO
*
*****
*   CSECT-NAME: @@XGET
*
*   DESCRIPTIVE-NAME: Allocate storage for C/370
*
*   Input: R0 - length of storage to obtain (high bit on for storage
*           above the line).
*           R14 - Return address
*
*   Output: R0 - length of storage obtained
*           R1 - address of memory obtained
*
*   No save area is provided.
*   R2 and R4 are used as work regs.
*   Regs and Access Regs 0, 1, 14, 15 may be modified.
*
*****
@@XGET CSECT
```

```

@@XGET  AMODE ANY
@@XGET  RMODE ANY
        ENTRY @@XGET
*
        LR   R2,R0           Save Input Length
        LR   R4,R14          Save Return Addr
        EPAR R15             Extract Primary ASID
        LOCASCB ASID=(R15)   Locate the Primary ASCB, Ret in R1
        USING ASCB,R1
        L    R15,ASCBXTCB    Save Xmem Resource Owing TCB
        DROP R1
        LR   R0,R2           Restore Input Length to R0
        BALR R2,R0           Establish Addressability
        USING *,R2
*
        LTR  R0,R0           request for below?
        BNL  BELOW          yes
        SLL  R0,1            allocate anywhere
        SRL  R0,1            clear high bit
        LTR  R2,R2           are we running below the line
        BNL  BELOW          yes, get below instead of anywhere
        STORAGE OBTAIN,LENGTH=(R0),COND=YES,SP=3,TCBADDR=(R15)
        LTR  R15,R15         successful?
        BZR  R4              yes, return
        SR   R1,R1           R1=0, R15<>0 for failure
        BR   R4              Return
BELOW   DS   0H             Get memory below the line
        STORAGE OBTAIN,LENGTH=(R0),COND=YES,LOC=BELOW,          +
        SP=3,TCBADDR=(R15)
        LTR  R15,R15         Was it successful?
        BZR  R4              yes, return
        SR   R1,R1           R1=0, R15<>0 for failure
        BR   R4              Return
*
*
*****
*   CSECT-NAME:  @@XFREE
*
*   DESCRIPTIVE-NAME:  Free allocated storage for C/370
*
*   Input:  R0 - length of storage to free
*           R1 - address of storage to free
*           R14 - Return address
*
*   No save area is provided.
*   R2 and R4 are used as work regs.
*   Regs and Access Regs 0, 1, 14, 15 may be modified.
*
*****
@@XFREE CSECT
@@XFREE AMODE ANY
@@XFREE RMODE ANY
        ENTRY @@XFREE
*
        LR   R2,R1           Save Input Addr
        ST   R0,0(R2)        Save Input Length in the passed area
        LR   R4,R14          Save Return Addr
        EPAR R15             Extract Primary ASID
        LOCASCB ASID=(R15)   Locate the Primary ASCB, Ret in R1
        USING ASCB,R1
        L    R15,ASCBXTCB    Save Xmem Resource Owing TCB
        DROP R1
        L    R0,0(R2)        Restore Input Length to R0
        LR   R1,R2           Restore Input Addr to R1
        BALR R2,R0           Establish Addressability
        USING *,R2
*

```

```

                STORAGE RELEASE,LENGTH=(R0),ADDR=(R1),SP=3,TCBADDR=(R15)
                BR      R4
*
R0      EQU    0
R1      EQU    1
R2      EQU    2
R4      EQU    4
R14     EQU    14
R15     EQU    15
*
                PRINT OFF
                IHAASCB
                PRINT ON
*
                END

```

BPXT4KGT—Get a page of storage

This function gets a 4KB page of storage.

C function

```

#pragma linkage(BPXT4KGT,OS)
char *BPXT4KGT (long len,long key);

```

Assembler routine

```

*****
*   CSECT-NAME:  BPXT4KGT
*
*   DESCRIPTIVE-NAME:  Allocate storage on a page boundary with key.
*                       Storage is allocated in subpool 229.
*
*   Input:  R1 - Parm list
*            length of storage to obtain
*            key for storage
*
*   Output: R15 - address of storage obtained
*****
BPXT4KGT CSECT
BPXT4KGT AMODE ANY
BPXT4KGT RMODE ANY
                ENTRY BPXT4KGT
                EDCPRLG
                L      R2,0(R1)          get addr of length
                L      R0,0(R2)          get length
                L      R2,4(R1)          get addr of key
                L      R2,0(R2)          get key
                SLL   R2,4                put in bits 24-27
                STORAGE OBTAIN,LENGTH=(R0),BNDRY=PAGE,COND=YES,SP=229,KEY=(2)
                LTR   R15,R15            successful?
                BZ    OUT4KGT            yes, return
                SR   R1,R1                addr=0 for failure
OUT4KGT      LR   R15,R1                return storage address
                EDCEPIL
*

```

BPXT4KFR—Free a page of storage

This function frees a 4KB page of storage.

C function

```
#pragma linkage(BPXT4KFR,OS)
void BPXT4KFR (long len,long key,char *stor);
```

Assembler routine

```
*****
*   CSECT-NAME:  BPXT4KFR
*
*   DESCRIPTIVE-NAME:  Free storage allocated by BPXT4KGT
*
*   Input:  R1 - Parm list
*           length of storage to free
*           key for storage
*           address of storage
*****
BPXT4KFR CSECT
BPXT4KFR AMODE ANY
BPXT4KFR RMODE ANY
        ENTRY BPXT4KFR
        EDCPRLG
        L     R2,0(R1)          get addr of length
        L     R0,0(R2)          get length
        L     R2,4(R1)          get addr of key
        L     R2,0(R2)          get key
        SLL  R2,4                put in bits 24-27
        L     R1,8(R1)          get storage addr
        STORAGE RELEASE,LENGTH=(R0),ADDR=(R1),SP=229,KEY=(R2)
        EDCEPIL
*
```

BPXTWAIT—Wait on an ECB list

This function waits for an ECB in a list to be posted.

C function

```
#pragma linkage(BPXTWAIT,OS)
void BPXTWAIT (ECB *ecb1,...);
```

Assembler routine

```
*****
*   CSECT-NAME:  BPXTWAIT
*
*   DESCRIPTIVE-NAME:  Wait for an ECB in a list to be posted
*
*   NOTES:  This routine can be called from a PFS initialization
*           routine.  It will not run in cross memory mode.
*
*   Input:  R1 - Address of ECBLIST passed in R1
*****
BPXTWAIT CSECT
BPXTWAIT AMODE ANY
BPXTWAIT RMODE ANY
        ENTRY BPXTWAIT
        EDCPRLG
        LR   R4,R1              get pointer to ecb vector
        WAIT 1,ECBLIST=(R4),LINKAGE=SYSTEM,EUT=SAVE
        EDCEPIL
*
```

BPXTPOST—Post an ECB

This function posts an ECB.

C function

```
#pragma linkage(BPXTPOST,OS)
void BPXTPOST (long ascb,ECB *ecb);
```

Assembler routine

```
*****
*   CSECT-NAME:  BPXTPOST
*
*   DESCRIPTIVE-NAME:  Post an ECB
*
*   Input:  R1 - parm list:
*           ASCB address
*           Address of ECB
*
*****
BPXTPOST CSECT
BPXTPOST AMODE ANY
BPXTPOST RMODE ANY
        ENTRY BPXTPOST
        EDCPRLG USRDSAL=POSTLN
        USING POSTDYN,R13
        MVC  POSTL(POSTLN),POSTS copy POST parmlist to dynamic area
        L    R2,0(,R1)          get addr of ascb addr
        L    R2,0(,R2)          get ascb addr
        L    R4,4(,R1)          get addr of ECB to post
        POST (R4),ASCB=(R2),ERRET=POSTERR,ECBKEY=0,LINKAGE=SYSTEM,  X
        MF=(E,POSTL)
        EDCEPIL
POSTS   POST  0,ASCB=0,ERRET=0,ECBKEY=YES,MF=L
POSTERR BR   R14
POSTDYN EDCDSAD
POSTL   POST  0,ASCB=0,ERRET=0,ECBKEY=YES,MF=L
POSTLN  EQU  *-POSTL
        IHAPSA
*
```

BPXTEPOC—Convert time-of-day to epoch time

This function converts time-of-day to seconds-since-the-epoch.

C function

```
#pragma linkage(BPXTEPOC,OS)
void BPXTEPOC(char *tod, long *epoch);
```

Assembler routine

```
*****
*   CSECT-NAME:  BPXTEPOC
*
*   DESCRIPTIVE-NAME:  Convert TOD to Epoch time
*
*   Input:  R1 ->
*           address of TOD value to convert (double word)
*           address of output epoch time (one word)
*****
```

BPXTEPOCcn

```
BPXTEPOC CSECT
BPXTEPOC AMODE ANY
BPXTEPOC RMODE ANY
EDCPRLG
L R2,0(R1) get tod address
LM R14,R15,0(R2) get tod
LTR R14,R14 check high word for 0
BNZ EPOCTOD if input tod is 0
STCK 0(R2) get current tod
LM R14,R15,0(R2) get tod
EPOCTOD L R2,4(R1) get output area
LM R0,R1,EPOCJ70 get epoch tod
SLR R15,R1
BC 11,**6
BCTR R14,0
SLR R14,0
D R14,EPOCST divide by seconds per tod unit
SLR R14,R14
LA R1,2
DR R14,R1
ST R15,0(R2)
EDCEPIL
EPOCJ70 DS 0D
DC X'7D91048BCA000000'
EPOCST DC X'7A120000'
*
```

Appendix F. Accessibility

Accessible publications for this product are offered through the z/OS Information Center, which is available at www.ibm.com/systems/z/os/zos/bkserv/.

If you experience difficulty with the accessibility of any z/OS information, please send a detailed message to mhvrcfs@us.ibm.com or to the following mailing address:

IBM Corporation
Attention: MHVRCFS Reader Comments
Department H6MA, Building 707
2455 South Road
Poughkeepsie, NY 12601-5400
USA

Accessibility features

Accessibility features help a user who has a physical disability, such as restricted mobility or limited vision, to use software products successfully. The major accessibility features in z/OS enable users to:

- Use assistive technologies such as screen readers and screen magnifier software
- Operate specific or equivalent features using only the keyboard
- Customize display attributes such as color, contrast, and font size.

Using assistive technologies

Assistive technology products, such as screen readers, function with the user interfaces found in z/OS. Consult the assistive technology documentation for specific information when using such products to access z/OS interfaces.

Keyboard navigation of the user interface

Users can access z/OS user interfaces using TSO/E or ISPF. Refer to *z/OS TSO/E Primer*, *z/OS TSO/E User's Guide*, and *z/OS ISPF User's Guide Vol I* for information about accessing TSO/E and ISPF interfaces. These guides describe how to use TSO/E and ISPF, including the use of keyboard shortcuts or function keys (PF keys). Each guide includes the default settings for the PF keys and explains how to modify their functions.

Dotted decimal syntax diagrams

Syntax diagrams are provided in dotted decimal format for users accessing the z/OS Information Center using a screen reader. In dotted decimal format, each syntax element is written on a separate line. If two or more syntax elements are always present together (or always absent together), they can appear on the same line, because they can be considered as a single compound syntax element.

Each line starts with a dotted decimal number; for example, 3 or 3.1 or 3.1.1. To hear these numbers correctly, make sure that your screen reader is set to read out punctuation. All the syntax elements that have the same dotted decimal number (for example, all the syntax elements that have the number 3.1) are mutually

exclusive alternatives. If you hear the lines 3.1 USERID and 3.1 SYSTEMID, you know that your syntax can include either USERID or SYSTEMID, but not both.

The dotted decimal numbering level denotes the level of nesting. For example, if a syntax element with dotted decimal number 3 is followed by a series of syntax elements with dotted decimal number 3.1, all the syntax elements numbered 3.1 are subordinate to the syntax element numbered 3.

Certain words and symbols are used next to the dotted decimal numbers to add information about the syntax elements. Occasionally, these words and symbols might occur at the beginning of the element itself. For ease of identification, if the word or symbol is a part of the syntax element, it is preceded by the backslash (\) character. The * symbol can be used next to a dotted decimal number to indicate that the syntax element repeats. For example, syntax element *FILE with dotted decimal number 3 is given the format 3 * FILE. Format 3* FILE indicates that syntax element FILE repeats. Format 3* * FILE indicates that syntax element * FILE repeats.

Characters such as commas, which are used to separate a string of syntax elements, are shown in the syntax just before the items they separate. These characters can appear on the same line as each item, or on a separate line with the same dotted decimal number as the relevant items. The line can also show another symbol giving information about the syntax elements. For example, the lines 5.1*, 5.1 LASTRUN, and 5.1 DELETE mean that if you use more than one of the LASTRUN and DELETE syntax elements, the elements must be separated by a comma. If no separator is given, assume that you use a blank to separate each syntax element.

If a syntax element is preceded by the % symbol, this indicates a reference that is defined elsewhere. The string following the % symbol is the name of a syntax fragment rather than a literal. For example, the line 2.1 %OP1 means that you should refer to separate syntax fragment OP1.

The following words and symbols are used next to the dotted decimal numbers:

- ? means an optional syntax element. A dotted decimal number followed by the ? symbol indicates that all the syntax elements with a corresponding dotted decimal number, and any subordinate syntax elements, are optional. If there is only one syntax element with a dotted decimal number, the ? symbol is displayed on the same line as the syntax element, (for example 5? NOTIFY). If there is more than one syntax element with a dotted decimal number, the ? symbol is displayed on a line by itself, followed by the syntax elements that are optional. For example, if you hear the lines 5 ?, 5 NOTIFY, and 5 UPDATE, you know that syntax elements NOTIFY and UPDATE are optional; that is, you can choose one or none of them. The ? symbol is equivalent to a bypass line in a railroad diagram.
- ! means a default syntax element. A dotted decimal number followed by the ! symbol and a syntax element indicates that the syntax element is the default option for all syntax elements that share the same dotted decimal number. Only one of the syntax elements that share the same dotted decimal number can specify a ! symbol. For example, if you hear the lines 2? FILE, 2.1! (KEEP), and 2.1 (DELETE), you know that (KEEP) is the default option for the FILE keyword. In this example, if you include the FILE keyword but do not specify an option, default option KEEP will be applied. A default option also applies to the next higher dotted decimal number. In this example, if the FILE keyword is omitted, default FILE(KEEP) is used. However, if you hear the lines 2? FILE, 2.1, 2.1.1!

(KEEP), and 2.1.1 (DELETE), the default option KEEP only applies to the next higher dotted decimal number, 2.1 (which does not have an associated keyword), and does not apply to 2? FILE. Nothing is used if the keyword FILE is omitted.

- * means a syntax element that can be repeated 0 or more times. A dotted decimal number followed by the * symbol indicates that this syntax element can be used zero or more times; that is, it is optional and can be repeated. For example, if you hear the line 5.1* data area, you know that you can include one data area, more than one data area, or no data area. If you hear the lines 3*, 3 HOST, and 3 STATE, you know that you can include HOST, STATE, both together, or nothing.

Note:

1. If a dotted decimal number has an asterisk (*) next to it and there is only one item with that dotted decimal number, you can repeat that same item more than once.
 2. If a dotted decimal number has an asterisk next to it and several items have that dotted decimal number, you can use more than one item from the list, but you cannot use the items more than once each. In the previous example, you could write HOST STATE, but you could not write HOST HOST.
 3. The * symbol is equivalent to a loop-back line in a railroad syntax diagram.
- + means a syntax element that must be included one or more times. A dotted decimal number followed by the + symbol indicates that this syntax element must be included one or more times; that is, it must be included at least once and can be repeated. For example, if you hear the line 6.1+ data area, you must include at least one data area. If you hear the lines 2+, 2 HOST, and 2 STATE, you know that you must include HOST, STATE, or both. Similar to the * symbol, the + symbol can only repeat a particular item if it is the only item with that dotted decimal number. The + symbol, like the * symbol, is equivalent to a loop-back line in a railroad syntax diagram.

Notices

This information was developed for products and services offered in the U.S.A. or elsewhere.

IBM may not offer the products, services, or features discussed in this document in other countries. Consult your local IBM representative for information on the products and services currently available in your area. Any reference to an IBM product, program, or service is not intended to state or imply that only that IBM product, program, or service may be used. Any functionally equivalent product, program, or service that does not infringe any IBM intellectual property right may be used instead. However, it is the user's responsibility to evaluate and verify the operation of any non-IBM product, program, or service.

IBM may have patents or pending patent applications covering subject matter described in this document. The furnishing of this document does not give you any license to these patents. You can send license inquiries, in writing, to:

IBM Director of Licensing
IBM Corporation
North Castle Drive
Armonk, NY 10504-1785
U.S.A

For license inquiries regarding double-byte character set (DBCS) information, contact the IBM Intellectual Property Department in your country or send inquiries, in writing, to:

Intellectual Property Licensing
Legal and Intellectual Property Law
IBM Japan, Ltd.
19-21, Nihonbashi-Hakozakicho, Chuo-ku
Tokyo 103-8510, Japan

The following paragraph does not apply to the United Kingdom or any other country where such provisions are inconsistent with local law: INTERNATIONAL BUSINESS MACHINES CORPORATION PROVIDES THIS PUBLICATION "AS IS" WITHOUT WARRANTY OF ANY KIND, EITHER EXPRESS OR IMPLIED, INCLUDING, BUT NOT LIMITED TO, THE IMPLIED WARRANTIES OF NON-INFRINGEMENT, MERCHANTABILITY OR FITNESS FOR A PARTICULAR PURPOSE. Some states do not allow disclaimer of express or implied warranties in certain transactions, therefore, this statement may not apply to you.

This information could include technical inaccuracies or typographical errors. Changes are periodically made to the information herein; these changes will be incorporated in new editions of the publication. IBM may make improvements and/or changes in the product(s) and/or the program(s) described in this publication at any time without notice.

Any references in this information to non-IBM Web sites are provided for convenience only and do not in any manner serve as an endorsement of those Web sites. The materials at those Web sites are not part of the materials for this IBM product and use of those Web sites is at your own risk.

IBM may use or distribute any of the information you supply in any way it believes appropriate without incurring any obligation to you.

Licensees of this program who wish to have information about it for the purpose of enabling: (i) the exchange of information between independently created programs and other programs (including this one) and (ii) the mutual use of the information which has been exchanged, should contact:

Site Counsel
IBM Corporation
2455 South Road
Poughkeepsie, NY 12601-5400
USA

Such information may be available, subject to appropriate terms and conditions, including in some cases, payment of a fee.

The licensed program described in this information and all licensed material available for it are provided by IBM under terms of the IBM Customer Agreement, IBM International Program License Agreement, or any equivalent agreement between us.

Information concerning non-IBM products was obtained from the suppliers of those products, their published announcements or other publicly available sources. IBM has not tested those products and cannot confirm the accuracy of performance, compatibility or any other claims related to non-IBM products. Questions on the capabilities of non-IBM products should be addressed to the suppliers of those products.

All statements regarding IBM's future direction or intent are subject to change or withdrawal without notice, and represent goals and objectives only.

If you are viewing this information softcopy, the photographs and color illustrations may not appear.

COPYRIGHT LICENSE:

This information might contain sample application programs in source language, which illustrate programming techniques on various operating platforms. You may copy, modify, and distribute these sample programs in any form without payment to IBM, for the purposes of developing, using, marketing or distributing application programs conforming to the application programming interface for the operating platform for which the sample programs are written. These examples have not been thoroughly tested under all conditions. IBM, therefore, cannot guarantee or imply reliability, serviceability, or function of these programs. The sample programs are provided "AS IS", without warranty of any kind. IBM shall not be liable for any damages arising out of your use of the sample programs.

Policy for unsupported hardware

Various z/OS elements, such as DFSMS, HCD, JES2, JES3, and MVS, contain code that supports specific hardware servers or devices. In some cases, this device-related element support remains in the product even after the hardware devices pass their announced End of Service date. z/OS may continue to service element code; however, it will not provide service related to unsupported hardware devices. Software problems related to these devices will not be accepted

for service, and current service activity will cease if a problem is determined to be associated with out-of-support devices. In such cases, fixes will not be issued.

Minimum supported hardware

The minimum supported hardware for z/OS releases identified in z/OS announcements can subsequently change when service for particular servers or devices is withdrawn. Likewise, the levels of other software products supported on a particular release of z/OS are subject to the service support lifecycle of those products. Therefore, z/OS and its product publications (for example, panels, samples, messages, and product documentation) can include references to hardware and software that is no longer supported.

- For information about software support lifecycle, see: IBM Lifecycle Support for z/OS (<http://www.ibm.com/software/support/systemsz/lifecycle/>)
- For information about currently-supported IBM hardware, contact your IBM representative.

Trademarks

IBM, the IBM logo, and [ibm.com](http://www.ibm.com)[®] are trademarks or registered trademarks of International Business Machines Corporation in the United States, other countries, or both. If these and other IBM trademarked terms are marked on their first occurrence in this information with a trademark symbol ([®] or [™]), these symbols indicate U.S. registered or common law trademarks owned by IBM at the time this information was published. Such trademarks may also be registered or common law trademarks in other countries. A current list of IBM trademarks is available on the Web at www.ibm.com/legal/copytrade.shtml (<http://www.ibm.com/legal/copytrade.shtml>).

UNIX is a registered trademark of The Open Group in the United States and other countries.

Acknowledgments

InterOpen/POSIX Shell and Utilities is a source code product providing POSIX.2 (Shell and Utilities) functions to z/OS UNIX System Services. InterOpen/POSIX Shell and Utilities is developed and licensed by Mortice Kern Systems (MKS) Inc. of Waterloo, Ontario, Canada.

Index

Special characters

@@XFREE, assembler replacement for 559
@@XGET, assembler replacement for 559

Numerics

64-bit addressing
 indicating to the PFS 77
64-bit addressing, considerations for
 VFS server interface 265
64-bit virtual addressing
 PFS support for 77
 indicating 77
 levels 77

A

abnormal ends, PFS 26
accept a socket connection and read the
 first block of data 128
accept a socket connection request 123
access check
 against remote systems 14
 availability 298
access to a file or directory 126
accessibility 565
 contact IBM 565
 features 565
address space control block (ASCB) 21
address space termination 25
appropriate privileges 13, 263
assembler facilities for writing a PFS in
 C 559
assembler language syntax 279
assembler programming language
 routines
 converting TOD to epoch time 563
 freeing a page of storage 561
 getting a page of storage 561
 posting an ECB 563
 waiting on an ECB posting 562
assembler-language replacements for
 @@XGET and @@XFREE 559
assistive technologies 565
async I/O 426, 444
 vn_cancel for asynchronous
 operations 139
asynchronous mount processing 30
ATTR structure 43
 security fields 43
 time fields 44
attributes
 getting and setting 42
 getting and setting with VFS
 servers 277
audit an action 134
authority 263

B

batch-select 84
bind a name to a socket 136
BPX1VAC, BPX4VAC 281
BPX1VCL, BPX4VCL 283
BPX1VCR, BPX4VCR 286
 example 485
BPX1VEX, BPX4VEX 290
BPX1VGA, BPX4VGA 301
 example 487
BPX1VGT, BPX4VGT 298
 example 486
BPX1VIO, BPX4VIO 303
 example 487
BPX1VLK, BPX4VLK 322
 example 488
BPX1VLN, BPX4VLN 306
 example 487
BPX1VLO, BPX4VLO 310
 example 488
BPX1VMK, BPX4VMK 325
 example 489
BPX1VOP, BPX4VOP 329
BPX1VPC, BPX4VPC 337
 example 489
BPX1VRA, BPX4VRA 348
 example 491
BPX1VRD, BPX4VRD 344
 example 490
BPX1VRE, BPX4VRE 364
 example 493
BPX1VRG, BPX4VRG 351
 example 491
BPX1VRL, BPX4VRL 355
 example 492
BPX1VRM, BPX4VRM 357
 example 492
BPX1VRN, BPX4VRN 360
 example 492
BPX1VRP, BPX4VRP
 example 493
BPX1VRP, BPX4VRP) 367
BPX1VRW, BPX4VRW 340
 example 490
BPX1VSA, BPX4VSA 371
 example 493
BPX1VSE, BPX4VSF 295
 example 486
BPX1VSY, BPX4VSY 379
 example 494
BPXT4KFR (Free a page of storage) 561
BPXT4KGT (Get a page of storage) 561
BPXTEPOC (Convert TOD to epoch
 time) 563
BPXTPOST (Post an ECB) 563
BPXTWAIT (Wait on an ECB list) 562
BPXXCTME macro 79
BPXYATTR 459
BPXYNREG 467
BPXYOSS 471
BPXYPFSI macro 523

BPXYVFSI macro 499
BPXYVLOK 474
BPXYVOPN 480
buffers, read or write using multiple 201
byte-range locking 310

C

C-language facilities for writing a PFS in
 C 559
C-language PFSs 13
CALL macro 279
callable services
 invoking 279
 return_value parameter 280
 syntax 279
callable services examples 485
callable services reentrant entry 485
cancel asynchronous operations that are
 still in progress 139
check access to a file or directory 126
check file accessibility 281
check file availability 298, 306
close a file 283
closing files 36, 144
command
 to file system 303
Common INET (CINET) sockets 55
 initialization
 AF_INET (IPv4) transport
 driver 60
 AF_INET6 (IPv6) transport
 driver 61
 master socket 56
 PFS structure 55
 transport driver (TD) 55
 transport provider (TP) 55
 prerouter 58
 rebuilding routing tables 63
 route changes 61
comparing the VFS server and PFS
 interfaces 277
connect to a socket 147
control block structure for the
 LFS-PFS 17
control blocks
 address space control block
 (ASCB) 21
 ATTR structure 43
 file security packet (FSP) 14, 43
 general file system table (GFS) 4
 GFS-PFS_anchor pair 19
 initialization complete ECB 5
 integrity of 20
 NREG structure 267
 OSI service routine vector table 6
 OSI structure 20
 OSIT structure 5, 385
 PFS initialization structure 6
 serializing 24
 termination ECB 5

- control blocks (*continued*)
 - Token_structure 19
 - UIO structure 39
 - VFS operations vector table 9
 - VFS-MNT pair 19
 - VFS-vnode vector tables 17
 - vnode operations vector table 9
 - vnode-inode pair 19
- convert a file identifier to a vnode
 - token 120, 298
- converting TOD to epoch time 563
- convey
 - command to a file system 303
- create a directory 181, 325
- create a file open a file 329
- create a link to a file 167, 306
- create a new file 150
- create a socket or a socket pair 109
- create a symbolic link 254, 379
- creating a file 286
- cross memory for a PFS using
 - daemons 48
- cross-memory considerations for a
 - PFS 13
- cross-memory local lock 25
- cursor technique for reading
 - directories 41

D

- daemon tasks 48
- define a socket domain to the PFS 99
- determine configurable pathname
 - values 187
- directories
 - creating 325
 - reading 40, 41
 - removing 364
- dynamic service activation, PFS support
 - for 9

E

- ECB 5
- end-of-memory resource manager 26
- entry interface 5
- EOM resource manager 26
- ESTAE exits 26
- export a file system 290
- exporting files to a VFS server 49
- external name, symbolic link to 379

F

- FID (file identifier) 49
- file
 - attributes 156
 - attributes, getting 301
 - availability 298, 306
 - caching 34
 - creating 286
 - exporter 395
 - exporting to a VFS server 49
 - handles, NFS 272
 - identifier (FID) 49
 - management PFS 15

- file (*continued*)
 - sharing 19
 - system status 295
 - system status, report 423
 - truncating 258
- file access, checking 281
- file security packet (FSP) 14, 43
 - created by SAF 35
- file systems
 - exporting 290
 - mounting 28
 - unmounting 31
- file tag 48
- file token 18
- files
 - closing 283
 - creating 329
 - opening 329
- FILESYSTYPE statement 3
- freeing a page of storage 561
- FRR 432, 445
- FRR exits 26
- FSP (file security packet) 14, 43

G

- general file system table (GFS) 4
- generate the requested signal event 430
- get
 - attributes of a file 301
 - file attributes 156
 - file system status 112
 - page of storage 561
 - peer name 159
 - socket host ID or name 88
 - socket name 159
 - socket options 244
 - vnodes 402
- getting and setting attributes 42
 - VFS servers 277
- GFS (general file system table) 4
- GFS-PFS_anchor pair 19
- GIDs, obtaining with `osi_getcred` 399

H

- harden all file data for a file system 115
 - unmount a file system 117
- harden file data 154

I

- I/O control 164
- inactivate a vnode 91, 161
 - deleting 33
 - inactivating 33
- index technique for reading
 - directories 41
- initialization token 18
- initialization-complete ECB 5
- inodes 18
- installing a PFS 3
- interface between LFS and PFS 15
- Internet Protocol Version 6 (IPv6)
 - activating 72
- invoking callable services 279

- ioctl, convey a command 164
- ipcget(), in-kernel 406
- IPv6 (Internet Protocol Version 6)
 - activating 72
- IRRPINFSP (file security packet) 14, 43

K

- keyboard
 - navigation 565
 - PF keys 565
 - shortcut keys 565

L

- LFS-PFS control blocks
 - serializing 24
 - structure 17
- link
 - external 348
 - reading a symbolic 348
 - to a file 167
- link counts 35
- listen on a socket 171
- lock a file 310
- lock control 173
- locking, byte-range 310
- look up a file or directory 177, 322
- LP64 (64-bit longs and pointers) 79

M

- make a directory 181
- mapping macro
 - BPXYATTR 459
 - BPXYNREG 467
 - BPXYOSS 471
 - BPXYVLOK 474
 - BPXYVOPN 480
- messages to or from a socket 247
- modules, invoking 279
- mount
 - a file system 28, 94
 - key 269
 - points 31
 - structure 272
 - token 18
 - VFS servers 267
- MOUNT statement 3
- mounting file systems 28
 - asynchronously 30
- moving data
 - between PFS buffers and buffers
 - defined by a UIO 440
 - between user and PFS buffers with
 - 64-bit addresses 393
 - from a PFS buffer to a user
 - buffer 390
 - from a user buffer to a PFS
 - buffer 387
- msgctl(), in-kernel 409
- msgget(), in-kernel 413
- msgrcv(), in-kernel 416
- msgsnd(), in-kernel 420
- multilevel security
 - PFS support for 75

multiple buffers, read or write 201

N

navigation

keyboard 565

NETWORK statement 3

activating IPv6 72

in parmlib 50

NFS file handles 272

Notices 569

NREG structure 267

O

offset

system control

callable services 453

open token 37

opening files 36, 184

OSI service routine vector table 6

OSI services 385, 430

OSI structure 20

osi_copy64 78, 393

osi_copyin 387

osi_copyout 390

osi_ctl 395

osi_getcred 399

osi_getvnode 402

osi_kipcget 406

osi_kmsgctl 409

osi_kmsgget 413

osi_kmsgrcv 416

osi_kmsgsnd 420

osi_mountstatus 423

osi_opentoken 37

osi_post 425

osi_sched 426

osi_selpost 429

osi_signal 430

osi_sleep 432

osi_thread 435

osi_uiomove 440

osi_upda 444

osi_wait 445

osi_wakeup 449

OSIT (OSI operations vector table) 5

OSIT operations vector table (OSIT) 5

output file attribute buffer address 21

P

parm parameters 280

parmlib statements

FILESYSTYPE 3

NETWORK 4, 50

path name

symbolic link 379

pathname

resolution 31, 367

PFS

abnormal ends 26

file protocols 28

initialization structure 6

installation 3

share reservations 44

PFS (*continued*)

tokens 18

written in C 13

PFS interface

compared to VFS server

interface 277

facilities for writing in C 559

file-oriented 15, 50

socket-oriented 50, 55

PFS recovery considerations

abnormal ends 26

address space termination 25

task termination 25

thread termination 25

user process termination 25

vfs_recovery 26

vn_recovery 26

PFS recycling 9

PFS support for 64-bit virtual

addressing 77

PFS support for multilevel security 75

PFS support for reason code error

text 80

PFS_Init module 4, 5

PFS-LFS control blocks

serializing 24

structure 17

pfscctl (PFS Control) 102

physical file system

See PFS 16

physical file system interface

facilities for writing in C 559

socket-oriented 50, 55

PID (process id) 21

porting

file caching not done by PFS 33

file export operations 49

file representation in storage 18

mounting file systems 29

some operations not in this

interface 16

vn_inactive not required for

sockets 51

vnnode not freed by PFS 33

vnnode structure 18

post a process in osi_wait 425

post a process waiting for select 429

posting an ECB 563

posting internal events 22

privileges, appropriate 13, 263

process ID (PID) 21

process, registering as a server 351

R

read

a symbolic link 198, 348

directory entries 194

entries from a directory 344

from a file 190, 340

using multiple buffers 201

reading and writing with sockets 52

reading directories

cursor technique for VFS servers 276

index technique for VFS servers 276

with VFS servers 275

reason code error text, pfscctl call 80

reason codes 280

receive

data from a socket 225

datagrams from a socket 240

messages from a socket 247

recover

resources after an abend 205

resources at end-of-memory 106

recovery

token area 21

vfs_recovery at end-of-memory 106

vn_recovery after an abend 205

recycling a PFS 9

reentrant code 485

reentrant return linkage 495

referring to files for the first time 36

register a process as a server 351

registering with z/OS UNIX 267

release a vnode token 355

remove a directory 217, 364

remove a link to a file 209, 357

rename a file or directory 212, 360

resolve a pathname 31, 268, 367

restart option byte

address in the PFSI 7

restart options, PFS 12

return

codes 280

file system status 295

unused vnodes 402

return_value parameter for callable

services 280

ROOT statement 3

S

SAF auditing 134

SAF UIDs and GIDs, obtaining with

osi_getcred 399

save file updates to disk 154

security fields in the ATTR structure 43

select on a vnode 220

select processing for sockets 52

send

data to a socket 225

datagrams to a socket 240

messages to a socket 247

sending comments to IBM xv

serializing

directory reads 40

file creation 34

file deletion 35

file system mounts 30

getting and setting attributes 43

inode creation 34

LFS-PFS control blocks 24

reads and writes 40

socket read and write operations 52

vn_getattr 43

vn_open and vn_close 36

vn_readdir 40

vn_setattr 43

set

attributes 42

attributes for VFS servers 277

file attributes 228, 371

socket options 244

- set (*continued*)
 - socket peer address 234
- share reservations 44
- shared read support
 - specifying 24, 52
 - vn_close 146
 - vn_open 187
 - vn_rdwr 194
 - vn_readwritev 205
- sharing files 19
- shortcut keys 565
- shut down a socket 238
- socket management PFS 15
- socket options 244
- sockets
 - read and write operations 52
 - select processing 52
 - sending data to or receiving data
 - from 225, 240
 - sending messages to or receiving
 - messages from 247
- SRB-mode callers 63
- SUBFILESYSTYPE statement 3
- Summary of changes xvii
- summary of physical file system
 - operations 16
- superuser authority 263
- supplementary GIDs, obtaining with
 - osi_getcred 399
- symbolic link
 - creating 254
 - read a 348
 - to external name 379
 - to pathname 379
- synchronizing file data 115
- syntax for callable services 279
- system control
 - offsets to callable services 453

T

- termination
 - ECB 5
 - task 25
 - thread 25
- termination considerations 11
- thread, colony 435
- time fields in the ATTR structure 44
- time_t data type 79
- token 37
- Token_structure parameter 18
- transport driver (TD) 55
- transport provider (TP) 55
- truncate a file 258

U

- UIDs, obtaining with osi_getcred 399
- UIO structure 39
- unmounting file systems 31
 - LFS processing 31
 - PFS processing 32
- unmounting VFS servers 267
- user interface
 - ISPF 565
 - TSO/E 565

- user process termination 25

V

- v_ functions 266
- v_access 281
- v_close 283
- v_create 286
 - example 485
- v_export 290
- v_fstatts 295
 - example 486
- v_get 298
 - example 486
- v_getattr 301
 - example 487
- v_ioctl 303
 - example 487
- v_link 306
 - example 487
- v_lockctl 310
 - example 488
- v_lookup 322
 - example 488
- v_mkdir 325
 - example 489
- v_open 329
- v_pathconf 337
 - example 489
- v_rdwr 340
 - example 490
- v_readdir 344
 - example 490
- v_readlink 348
 - example 491
- v_reg 351
 - example 491
- v_reg()
 - implementation 267
- v_rel 355
 - example 492
- v_remove 357
 - example 492
- v_rename 360
 - example 492
- v_rmdir 364
 - example 493
- v_rpn 367
 - example 493
- v_setattr 371
 - example 493
- v_symlink 379
 - example 494
- VFS
 - callable services API functions 266
 - operation vector table, PFSI
 - address 7
 - operations vector table 9
 - VFS server interface 263, 279
 - compared to PFS interface 277
 - considerations for 64-bit
 - addressing 265
 - installation considerations 263
 - vfs_batsel 84
 - vfs_get 120
 - vfs_gethost 88
 - vfs_inactive 91

- vfs_inactive (*continued*)
 - implementation 33, 37
- vfs_mount 94
- vfs_network 99
- vfs_pfsctl 102
- vfs_recovery 106
- vfs_socket 109
- vfs_statfs 112
- vfs_sync 115
- vfs_unmount 117
- VFS-MNT pair 19
- VFS-vnode vector tables 17
- vn_accept 123
- vn_access 126
- vn_anr 128
- vn_audit 134
- vn_bind 136
- vn_cancel 139
- vn_close 144
 - implementation 36, 37
- vn_connect 147
- vn_create 150
 - implementation 33, 35
- vn_fsyc 154
- vn_getattr 156
 - implementation 42, 43
- vn_getname 159
- vn_inactive 161
 - implementation 33, 37
 - integrity of vnode-inode pair 20
- vn_ioctl 164
- vn_link 167
- vn_listen 171
- vn_lockctl 173
- vn_lookup 177
 - implementation 33
- vn_mkdir 181
 - implementation 33, 35
- vn_open 184
 - access checking 36
 - implementation 37
- vn_pathconf 187
- vn_rdwr 190
 - implementation 39
- vn_readdir 194
 - implementation 40
- vn_readlink 198
- vn_readwritev 201
 - implementation 39
- vn_recovery 205
- vn_remove 209
- vn_rename 212
- vn_rmdir 217
- vn_select 220
 - implementation 50
- vn_select(Cancel) 54
- vn_select(Query) 53
- vn_sendtorcvfm 225
- vn_setattr 228
 - implementation 42, 43
- vn_setpeer 234
- vn_shutdown 238
- vn_sockopt 244
- vn_srmmsg 247
- vn_symlink 254
- vn_trunc 258
- vnode operations vector table 9

vnode operations vector table (*continued*)
 address in the PFSI 7
vnode token, releasing 355
vnode-inode pair 19, 20
vnodes 18, 33
 creating 32
 getting 402
 referring to 33

W

wait
 for a resource 432, 449
 for an event 445
 for internal events 22
wait for an ECB posting 562
write
 to a file 340
 using multiple buffers 201



Product Number: 5650-ZOS

Printed in USA

SA23-2285-00

