

z/OS



Security Server RACF Diagnosis Guide

Version 2 Release 1

Note

Before using this information and the product it supports, read the information in "Notices" on page 271.

This edition applies to Version 2 Release 1 of z/OS (5650-ZOS) and to all subsequent releases and modifications until otherwise indicated in new editions.

© **Copyright IBM Corporation 1994, 2013.**

US Government Users Restricted Rights – Use, duplication or disclosure restricted by GSA ADP Schedule Contract with IBM Corp.

Contents

Figures	v
--------------------------	----------

Tables	vii
-------------------------	------------

About this document ix

Intended audience	ix
How to use this document	ix
Where to find RACF information	x
Where to find more information	xi
RACF courses	xi
Other sources of information	xi
Internet sources	xi

How to send your comments to IBM . . . xv

If you have a technical problem	xv
---	----

z/OS Version 2 Release 1 summary of changes xvii

Chapter 1. Starting diagnosis 1

Planning for problem diagnosis	1
Troubleshooting the problem	1
Diagnosis hints	2
Troubleshooting tables for problems in RACF	7
Using the troubleshooting tables	7
Troubleshooting tables	9
Performing a preliminary search for a matching problem	34
Introduction to searching for a matching problem	34
Related information	35
Steps for searching for a matching problem	35
Examples of search arguments for RACF	38

Chapter 2. Collecting and analyzing problem data 41

Collecting problem data	41
Obtaining a description of a RACF installation	41
Obtaining a system dump	41
Formatting a system dump	42
Obtaining RACF return codes and reason codes from a RACF macro invocation	42
Obtaining RACF return codes and reason codes from a RACF callable service invocation	43
Obtaining traces	43
Obtaining traces for program control and Program Access to Data Set (PADS) errors	44
Obtaining traces on z/OS UNIX System Services	48
Obtaining information about z/OS UNIX file and directory violations	48
Obtaining trace records using the SET TRACE command	50
Validating input	78
Identifying the caller of RACF	78
Checking the parameter list passed to RACF	80

Searching for a matching problem	81
Prerequisites	81
How to search for a matching problem	81
Application Identity Mapping Considerations	82
LOGREC data set entries for the alias index	83
Recovering from errors with Application Identity Mapping	83
Using SAF Trace to debug IBM HTTP server problems	84
Before you begin	84
Starting the trace	84
The order of trace calls	84
Examples of each of the post records	85
Using the trace to find problems	95

Chapter 3. Reporting RACF problems to IBM 99

Prerequisites	99
Introduction to reporting RACF problems to IBM	99
How to report RACF problems to IBM	99

Chapter 4. Troubleshooting your RACF database 107

Format of the RACF database	107
Header block (ICB)	108
Templates	109
Segment table block	109
BAM blocks	109
Index blocks	110
Profiles	117
Database Unload Utility for a RACF Database (IRRDBU00)	121
Block Update command for a RACF database (BLKUPD)	121

Chapter 5. Error recovery for RACF Remote Sharing Facility (RRSF) 139

Types of errors in an RRSF environment	140
Definition errors	140
Environmental errors	140
Program errors	141
Transmission and line errors	141
Handshaking and state changes	141
Connection states of RRSF nodes	141
Connection state changes after a successful TARGET command	143
Actions to recover from an RRSF failure	144
RRSF ESTAE processing	144
Failure of MVS system service	145
VSAM failures	145
Node communications	147
Recording of errors	153

Chapter 6. Diagnosis reference for RACF	155
Parameter list descriptions	155
RACROUTE parameter list	156
AUDIT service parameter list	159
AUTH service parameter list	160
DEFINE service parameter list	164
DIRAUTH service parameter list	170
EXTRACT service parameter list	171
FASTAUTH service parameter list	173
LIST service parameter list	174
SIGNON service parameter list	175
STAT service parameter list	176
TOKENBLD service parameter list	177
TOKENMAP/TOKENXTR service parameter list	180
VERIFY/VERIFYX service parameter list	181
ICHEINTY parameter list	185
Process flows for RACF	188
Process flow for RACF commands	188
Process flow for RACF directed commands	189
Process flow for RACF macros	189
Process flow for RACF installation exits	190
Process flow for RACF utilities	192
Process flow for the RACF report writer	193
Process flow for SMF data unload utility (IRRADU00).	194
Process flow for RACF callable services	195
Error recording for callable services	195
Variable data recorded by RACF callable services	196
Control block overviews for RACF	232
RCVT and SAF router vector table	232
ACEE and related control blocks	232
SVC dump title descriptions	233
SVC failure (ICHRST00)	233
RACF initialization failure (ICHSEC02)	234
RACLIST failure (IRRCOP10)	235
RACF COPY RACGLIST failure (IRRRLS12)	236
RACF CREATE RACGLIST failure (IRRRLS13)	236
RACF DELETE RACGLIST failure (IRRRLS14)	237
RACF data space recovery failure (IRRRLS15)	238
RACF subsystem failures (IRRSSC01, IRRSSS01, and IRRLOG00)	238
Persistent verification failures	239
RACF I/O failures.	239
RACF index block error	240
Dump title description for Callable Services	240

Dump titles for the RACF/DB2 external security module	241
RACF/DB2 external security module diagnostic information	241
VRA keys provided by RACF for some abends	243
Front-ending RACF commands	245
Command processing changes.	245
Considerations if writing a command front-end processor	246
The DEBUG command	246

Chapter 7. Error recovery for RACF sysplex data sharing	247
Actions to recover from a coupling facility error	247

Appendix A. The Inventory Control Block (ICB)	249
Constants	255
Cross reference	256

Appendix B. The Security Product Trace Area (SAFT)	261
---	------------

Appendix C. IPCS formatting for RACF control blocks	265
Using the VERBX RACFDATA command	265
Using the SUMMARY FORMAT command	265
Using the control block formatters	266

Appendix D. Accessibility	267
Accessibility features	267
Using assistive technologies	267
Keyboard navigation of the user interface	267
Dotted decimal syntax diagrams	267

Notices	271
Policy for unsupported hardware.	272
Minimum supported hardware	273
Programming interface information	273
RSA Secure code	273
Trademarks	273

Index	275
------------------------	------------

Figures

1. Trace Output Showing a Problem in the Command Processor or RACF	52	43. VERIFY/VERIFYX service parameter list (part 2 of 4)	182
2. Sample Proc 1: GTFRACF.	54	44. VERIFY/VERIFYX service parameter list (part 3 of 4)	183
3. Sample Parmlib Member: GTFPRM#O	54	45. VERIFY/VERIFYX service parameter list (part 4 of 4)	184
4. Format of the RACF Database	108	46. ICHEINTY parameter list (part 1 of 3)	185
5. Template blocks.	109	47. ICHEINTY parameter list (part 2 of 3)	186
6. Block Masks of the RACF Database	110	48. ICHEINTY parameter list (part 3 of 3)	187
7. Example of a RACF Index	111	49. Process flow for RACF commands	188
8. Example Overview of a Level-1 Index Block	112	50. Process flow for RACF directed commands	189
9. Example of an Index Block Header	113	51. Process flow for RACF macros	189
10. Example Overview of an Alias Index Block	114	52. Process flow for RACF installation exits (part 1 of 2)	190
11. Example of Front-End Compression in an Index Block	115	53. Process flow for RACF installation exits (part 2 of 2)	191
12. Example of Index Entry for USR26 with a Base, TSO, and DFP Segment	117	54. Process flow for RACF cross-reference and database unload utilities	192
13. Example of a Profile Displayed by BLKUPD	121	55. Process Flow for RACF Remove ID Utility	192
14. The Relationship between the BLKUPD Command and Its Levels of Subcommands	123	56. Process Flow for Other RACF Utilities	192
15. Flow of a Directed Command in an RRSF Environment.	140	57. Process flow for the RACF report writer	193
16. NETSTAT command output.	150	58. Process flow for SMF data unload utility	194
17. RACROUTE parameter list (part 1 of 2)	157	59. Process flow for RACF callable services	195
18. RACROUTE parameter list (part 2 of 2)	158	60. An example of a symptom record when an SNAME is not found in the alias index entry but is found in the mapping profile (part 1 of 2)	198
19. AUDIT service parameter list	159	61. An example of a symptom record when an SNAME is not found in the alias index entry but is found in the mapping profile (part 2 of 2)	199
20. AUTH service parameter list (part 1 of 4)	160	62. An example of a symptom record when a UID is not found in the alias index entry but is found in the mapping profile (part 1 of 2)	201
21. AUTH service parameter list (part 2 of 4)	161	63. An example of a symptom record when a UID is not found in the alias index entry but is found in the mapping profile (part 2 of 2)	202
22. AUTH service parameter list (part 3 of 4)	162	64. An example of a symptom record when the callable service cannot communicate with RACF	229
23. AUTH service parameter list (part 4 of 4)	163	65. An example of a symptom record when a command fails	231
24. DEFINE Service Parameter List (part 1 of 6)	164	66. Control block overview: ACEE in a single-user address space	232
25. DEFINE Service Parameter List (part 2 of 6)	165	67. Control block overview: ACEE in a multiple-user address space.	232
26. DEFINE Service Parameter List (part 3 of 6)	166	68. Control block overview: ACEEs when third-party AUTH request is used.	233
27. DEFINE Service Parameter List (part 4 of 6)	167	69. Sample Symptoms for RACF (DAEDATA Output)	243
28. DEFINE Service Parameter List (part 5 of 6)	168	70. Sample SDWA for RACF.	244
29. DEFINE Service Parameter List (part 6 of 6)	169		
30. DIRAUTH service parameter list	170		
31. EXTRACT Service Parameter List (part 1 of 3)	171		
32. EXTRACT Service Parameter List (part 2 of 3)	171		
33. EXTRACT Service Parameter List (part 3 of 3)	172		
34. FASTAUTH service parameter list.	173		
35. LIST service parameter list	174		
36. SIGNON service parameter list	175		
37. TOKENBLD service parameter list (part 1 of 4)	177		
38. TOKENBLD service parameter list (part 2 of 4)	178		
39. TOKENBLD service parameter list (part 3 of 4)	179		
40. TOKENBLD service parameter list (part 4 of 4)	180		
41. TOKENMAP/TOKENXTR service parameter list	180		
42. VERIFY/VERIFYX service parameter list (part 1 of 4)	181		

Tables

1.	Determining Whether You Have a RACF Problem	2	27.	Information to gather before calling IBM with Return Code Problems	104
2.	Index to Troubleshooting Tables for RACF	8	28.	Information to gather before calling IBM with Wait Problems	104
3.	Troubleshooting Table: Abends	10	29.	Segment Identifiers	116
4.	Troubleshooting Table: Documentation	19	30.	Connection states between nodes	142
5.	Troubleshooting Table: Incorrect Output	20	31.	Table of New Connection States Based on a Successful TARGET Command.	144
6.	Troubleshooting Table: Logon Problems	28	32.	Contents of Primary Symptom String for a RACF Subsystem Address Space Error	153
7.	Troubleshooting Table: Loops	29	33.	Contents of Secondary Symptom String for a RACF Subsystem Address Space Error	154
8.	Troubleshooting Table: Messages	29	34.	Potential Contents of Variable Symptom String for a RACF Subsystem Address Space Error for the indicated protocol used.	154
9.	Troubleshooting Table: Performance Problems	31	35.	Additional LOGREC Data for a RACF Subsystem Address Space Error	154
10.	Troubleshooting Table: Return Codes	33	36.	Cross-Reference for RACROUTE REQUEST=type, the Independent RACF System Macros, and the Parameter List Name	155
11.	Troubleshooting Table: Waits	34	37.	Contents of primary symptom string for a callable service error	196
12.	Preliminary Search Symptoms for RACF	36	38.	Contents of secondary symptom string for a callable service error	196
13.	Examples of Search Arguments for RACF	38	39.	Additional LOGREC data for a callable service error	196
14.	RACF FMIDs	39	40.	Failing data space layer for an internal subroutine identifier	204
15.	RMID Levels, yyy and zzzzz Values for Example 1	45	41.	Failing system service for a failing system service identifier	205
16.	RMID Levels, yyy and zzzzz Values for Example 2	47	42.	Indicator of R_cacheserv operation	206
17.	Callable services type numbers	55	43.	System service or internal check being performed	207
18.	RACROUTE CALL= service type number	57			
19.	Additional Search Symptoms for RACF	81			
20.	Information to gather before calling IBM with Abend Problems	100			
21.	Information to gather before calling IBM with Documentation Problems	100			
22.	Information to gather before calling IBM with Output Problems	101			
23.	Information to gather before calling IBM with Logon Problems	101			
24.	Information to gather before calling IBM with Loop Problems	102			
25.	Information to gather before calling IBM with Message Problems	103			
26.	Information to gather before calling IBM with Performance Problems	103			

About this document

This document supports z/OS® (5650-ZOS) and contains information about Resource Access Control Facility (RACF®), which is part of z/OS Security Server.

This document provides information that is useful for diagnosing problems in RACF, such as:

- Parameter list descriptions
- Process flows
- Control block overviews
- SVC dump title descriptions
- A description of variable recording area (VRA) keys provided by RACF

The information included in this document should help you to:

- Follow diagnostic procedures for each type of problem in RACF
- Collect and analyze data needed to diagnose the problem
- Develop a search argument to be used for searching problem-reporting databases
- Gather the necessary problem data before reporting the problem to IBM®

In addition, this document describes how to use the BLKUPD command to correct problems in the RACF database.

Intended audience

This document is for anyone who diagnoses problems that appear to be caused by RACF and for RACF system programmers who intend to use the BLKUPD command to correct problems in the RACF database.

This document assumes that you:

- Understand basic system concepts and the use of system services
- Code in assembler language and read assembler and linkage editor output
- Understand the commonly used diagnostic tasks and aids, such as message logs, system dumps, and the interactive problem control system (IPCS)
- Understand the externals for RACF

How to use this document

Before using this document, collect this problem data:

- The problem type, such as an abend
- An indication that the problem was caused by RACF

If you do not have this data, see the problem determination and diagnosis publications for your system and perform the recommended procedures.

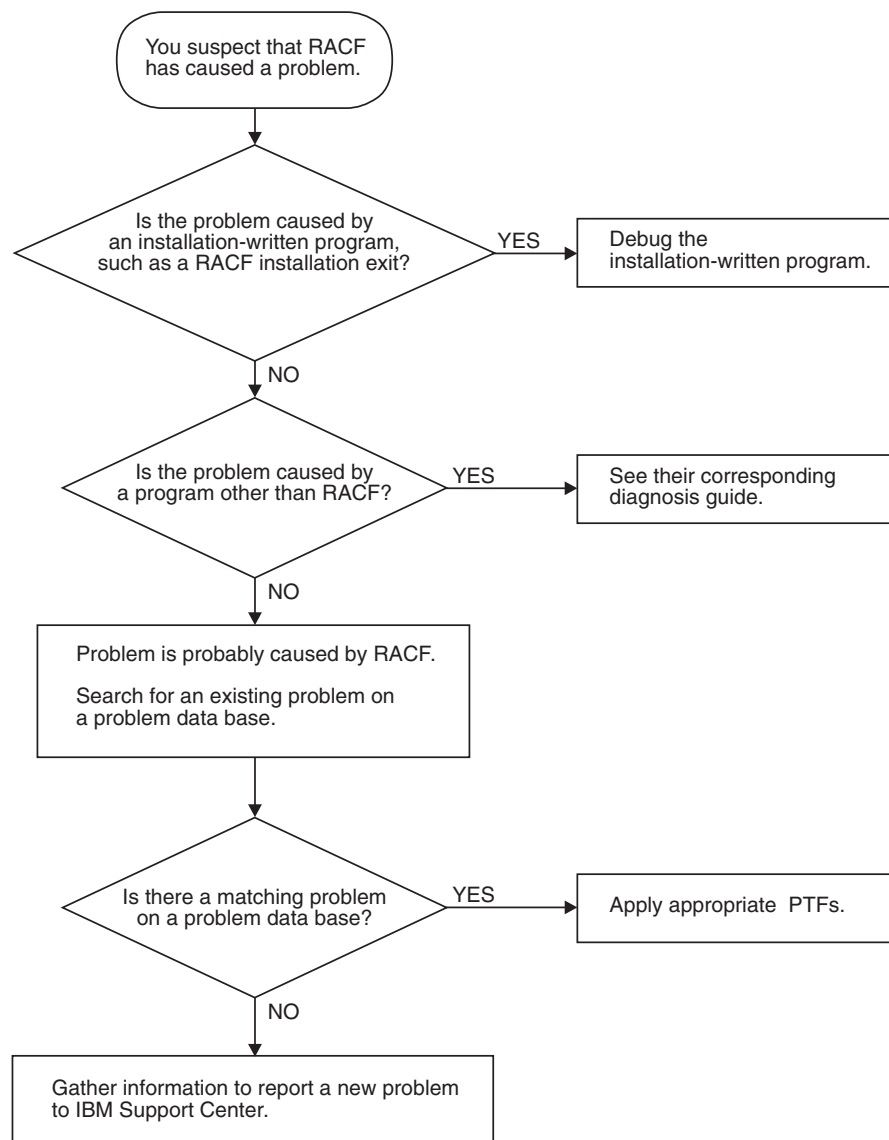
Use this document to diagnose problems in RACF only. If the problem is not caused by RACF, return to your system diagnosis guide to identify the failing component or program.

Preface

Use this document to diagnose problems in RACF as follows:

1. Identify the problem type.
2. Collect problem data.
3. Analyze the problem data to develop symptoms.
4. Develop search arguments, search problem-reporting databases, and request the problem fix if the problem has been reported before. If not, continue diagnosis.
5. Collect additional problem data.
6. Analyze the problem data to isolate the problem.
7. Report the problem to IBM if assistance is needed or if the problem is new.

This flowchart illustrates the possible paths to be taken during problem analysis while using this document.



Where to find RACF information

For general RACF information, see the RACF website at: <http://www.ibm.com/systems/z/os/zos/features/racf/>

For more detailed RACF information, see *z/OS Security Server RACF System Programmer's Guide*. For help in gathering information about your RACF installation, see your RACF security administrator and RACF auditor or see *z/OS Security Server RACF Security Administrator's Guide* and *z/OS Security Server RACF Auditor's Guide*.

For the syntax, return codes, and error reason codes for RACF macros, see *z/OS Security Server RACF Macros and Interfaces* except for the RACROUTE macro, which is described in *z/OS Security Server RACROUTE Macro Reference*.

For the mappings of RACF control blocks (such as the RCVT and the ACEE), see *z/OS Security Server RACF Data Areas*.

Where to find more information

When possible, this information uses cross-document links that go directly to the topic in reference using shortened versions of the document title. For complete titles and order numbers of the documents for all products that are part of z/OS, see *z/OS Information Roadmap*.

To find the complete z/OS library, including the z/OS Information Center, see z/OS Internet Library (<http://www.ibm.com/systems/z/os/zos/bkserv/>).

RACF courses

The following RACF classroom courses are available in the United States:

ES191 *Basics of z/OS RACF Administration*

BE870 *Effective RACF Administration*

ES885 *Exploiting the Advanced Features of RACF*

IBM provides various educational offerings for RACF. For more information about classroom courses and other offerings, do any of the following:

- See your IBM representative
- Call 1-800-IBM-TEACH (1-800-426-8322)

Other sources of information

IBM provides customer-accessible discussion areas where RACF may be discussed by customer and IBM participants. Other information is also available through the Internet.

Internet sources

The following resources are available through the Internet to provide additional information about the RACF library and other security-related topics:

- **Online library**

To view and print online versions of the z/OS publications, use this address:

<http://www.ibm.com/systems/z/os/zos/bkserv/>

- **Redbooks®**

The documents known as IBM Redbooks that are produced by the International Technical Support Organization (ITSO) are available at the following address:

<http://www.redbooks.ibm.com>

- **Enterprise systems security**

Finding RACF information

For more information about security on the S/390® platform, and z/OS, including the elements that comprise the Security Server, use this address:
<http://www.ibm.com/systems/z/advantages/security/>

- **RACF home page**

You can visit the RACF home page on the World Wide Web using this address:
<http://www.ibm.com/systems/z/os/zos/features/racf/>

- **RACF-L discussion list**

Customers and IBM participants may also discuss RACF on the RACF-L discussion list. RACF-L is not operated or sponsored by IBM; it is run by the University of Georgia.

To subscribe to the RACF-L discussion and receive postings, send a note to:
listserv@listserv.uga.edu

Include the following line in the body of the note, substituting your first name and last name as indicated:

```
subscribe racf-l first_name last_name
```

To post a question or response to RACF-L, send a note, including an appropriate Subject: line, to:

```
racf-l@listserv.uga.edu
```

- **Sample code**

You can get sample code, internally-developed tools, and exits to help you use RACF. This code works in our environment, at the time we make it available, but is not officially supported. Each tool or sample has a README file that describes the tool or sample and any restrictions on its use.

To access this code from a Web browser, go to the RACF home page and select the “Resources” file tab, then select “Downloads” from the list, or go to <http://www-03.ibm.com/systems/z/os/zos/features/racf/goodies.html>.

The code is also available from [ftp.software.ibm.com](ftp://ftp.software.ibm.com) through anonymous FTP. To get access:

1. Log in as user **anonymous**.
2. Change the directory, as follows, to find the subdirectories that contain the sample code or tool you want to download:

```
cd eserver/zseries/zos/racf/
```

An announcement will be posted on the RACF-L discussion list whenever something is added.

Note: Some Web browsers and some FTP clients (especially those using a graphical interface) might have problems using [ftp.software.ibm.com](ftp://ftp.software.ibm.com) because of inconsistencies in the way they implement the FTP protocols. If you have problems, you can try the following:

- Try to get access by using a Web browser and the links from the RACF home page.
- Use a different FTP client. If necessary, use a client that is based on command line interfaces instead of graphical interfaces.
- If your FTP client has configuration parameters for the type of remote system, configure it as UNIX instead of MVS™.

Restrictions

Because the sample code and tools are not officially supported,

- There are no guaranteed enhancements.

- No APARs can be accepted.

Finding RACF information

How to send your comments to IBM

We appreciate your input on this publication. Feel free to comment on the clarity, accuracy, and completeness of the information or provide any other feedback that you have.

Use one of the following methods to send your comments:

1. Send an email to mhvrcfs@us.ibm.com.
2. Send an email from the Contact z/OS.
3. Mail the comments to the following address:
IBM Corporation
Attention: MHVRCFS Reader Comments
Department H6MA, Building 707
2455 South Road
Poughkeepsie, NY 12601-5400
US
4. Fax the comments to us, as follows:
From the United States and Canada: 1+845+432-9405
From all other countries: Your international access code +1+845+432-9405

Include the following information:

- Your name and address.
- Your email address.
- Your telephone or fax number.
- The publication title and order number:
z/OS V2R1.0 Security Server RACF Diagnosis Guide
GA32-0886-00
- The topic and page number that is related to your comment.
- The text of your comment.

When you send comments to IBM, you grant IBM a nonexclusive right to use or distribute the comments in any way appropriate without incurring any obligation to you.

IBM or any other organizations use the personal information that you supply to contact you only about the issues that you submit.

If you have a technical problem

Do not use the feedback methods that are listed for sending comments. Instead, take one of the following actions:

- Contact your IBM service representative.
- Call IBM technical support.
- Visit the IBM Support Portal at [IBM support portal](http://ibm.com/support).

z/OS Version 2 Release 1 summary of changes

See the following publications for all enhancements to z/OS Version 2 Release 1 (V2R1):

- *z/OS Migration*
- *z/OS Planning for Installation*
- *z/OS Summary of Message and Interface Changes*
- *z/OS Introduction and Release Guide*

Chapter 1. Starting diagnosis

This information contains diagnostic procedures that you can perform with problem data that is quick and easy to obtain. It includes:

- “Planning for problem diagnosis”
- “Troubleshooting the problem”
- “Performing a preliminary search for a matching problem” on page 34

Planning for problem diagnosis

Consider making these preparations for diagnosis before you use RACF:

- Install and operate RACF so that you get adequate problem data (such as messages and dumps) when problems occur.
- Provide *timely* and *complete* backups of the RACF database.
- Obtain access to a RACF user with the SPECIAL attribute.
- Reserve a RACF user ID with the SPECIAL attribute for use **only after logon problems are resolved**. For example, if all users logging on are, through an error, revoked when logging on, then even the system security administrator could be revoked when logging on. After the problem is corrected, the system security administrator could then log on with the user ID that is still active and activate the other user IDs.
- Obtain messages that have been sent to the system console or the security console.
- Prevent common problems by using RACF macros and utilities. See the recommendations in “Utilities” on page 3.
- Correct any problems that were caused while using RACF profiles and options. See *z/OS Security Server RACF Security Administrator’s Guide*.

Troubleshooting the problem

This describes the RACF information you will need to troubleshoot your problem.

- “Diagnosis hints” on page 2.

This information includes:

- How to make sure that the problem is in RACF
- How to prevent some common programming errors in RACF macros and utilities

- “Troubleshooting tables for problems in RACF” on page 7.

These tables provide steps to follow in diagnosing each type of symptom, such as abend, message, or incorrect output.

- “Performing a preliminary search for a matching problem” on page 34.

This information tells you how to search a database for a matching problem.

Note to the Reader

Chapter 4, “Troubleshooting your RACF database,” on page 107 describes how to use the BLKUPD command. The skills used in working with the BLKUPD command are different from the skills used in general troubleshooting for suspected RACF problems.

Diagnosis hints

This information provides advice on making sure that this is a problem with RACF and describes special types of problems that you might be able to fix without calling IBM.

If the recommendations that follow do not solve the problem, you need to follow the other diagnosis procedures described in the troubleshooting tables.

Making sure this is a RACF problem

Table 1 helps you make sure that the problem is in RACF, rather than in either the caller of RACF or a system service used during processing of a RACF request.

For some problems, you might be able to do a quick check of the problem symptoms in the dump (if present), the job and system message log, SYS1.LOGREC, trace records, or other problem output.

Table 1. Determining Whether You Have a RACF Problem

Questions	Recommendations
Was there a <i>valid</i> request for a RACF function?	<p>This could be that:</p> <ul style="list-style-type: none"> • A RACF macro was invoked • A RACF utility was invoked • A RACF command was invoked • A user selected a RACF option on an ISPF panel <p>The RACF request <i>must be valid</i>. A user request could invoke a routine that in turn invokes RACF. A RACF error message (like ICH408I, insufficient access authority) would then be issued not because of a RACF error or because of an error made by the original user, but because of the routine that invoked RACF.</p> <p>Note: If there is a system dump, you can check this in the trace records recorded in the dump. If there is no system dump, you may need to recreate the problem and request a system dump when the problem recurs.</p>
Were error messages issued by system services that were used during RACF processing?	<p>Check whether any error messages were issued for the user request, and make sure that message IDs are included with the messages.</p> <p>If a batch job produced the output, check that the job statement had MSGLEVEL=(1,1) specified. If a TSO/E user had the problem, check that the user profile had these options specified: PROFILE WTPMSG MSGID.</p>
Did RACF return control to the program that made the request?	<p>For RACF macros and utilities: if there is a system dump, you can check this in the trace records recorded in the dump or (if an SVC was issued) in the RB chain in the system dump. If there is no system dump, you may need to recreate the problem and request a system dump when the problem recurs. For batch jobs, you can also check whether the job step for the program completed with a zero return code. (If an application program made the request, the TSO TEST command, a SLIP command issued by the system operator, or a WTO or PTRACE macro added to the program could be helpful in checking the execution steps within the program.)</p>

Note: While diagnosing the problem, you need to continue to check whether something other than RACF might be the source of the problem. Possible candidates are:

- Callers of RACF
- System services used by RACF
- A hardware error

- A program that overlaid storage used by RACF, its caller, or a system service
- A storage shortage can cause RACF commands to ABEND unpredictably

Common usage problems with RACF macros and utilities

This information provides advice for resolving problems that might result when using the RACF macros and utilities. The problems described here might appear at first to be errors in RACF.

Note: Advice for resolving coding problems is in *z/OS Security Server RACF System Programmer's Guide*.

Utilities

This information describes typical errors for RACF utilities and advice on action to take to resolve the problem.

IRRUT100 Utility:

Error Assuming that the utility is in a loop because it runs a long time. This utility reads every profile in the RACF database and usually takes a long time to run.

Action

Run the utility when the system is not heavily used and allow it to continue running until completion.

IRRUT200 Utility:

Error Assuming the RACF database contains no errors because the utility runs without error. The utility will not find all errors on a RACF database. Errors may exist within profiles and could result in message IRR407I.

```
RACF DATA SET INDEX ERROR. xxx
RACF DATA SET SEQUENCE nnn, dsname SEARCH ON entry-name
```

where *xxx* is PRIMARY or BACKUP, *nnn* is the database sequence number, *dsname* is the data set name, and *entry-name* is the type of entry.

Action

If the utility does not find any errors, list the profiles involved using the appropriate RACF command. Look for error messages such as NO CONNECT ENTRY FOUND or incorrect data in fields such as OWNER.

Use the RACF commands to list and correct the profiles, if possible. If the commands fail, use BLKUPD to correct or delete the profiles.

RACF Sysplex Data Sharing

If RACF is enabled for sysplex communication and the system is operating in read-only mode, you cannot use BLKUPD to update the RACF database.

You can, however, run BLKUPD from another system (in the same data sharing group) that is not in read-only mode.

Error Running the utility against an active output database. Even if there are no other users on the system, other system tasks and applications may be accessing the RACF database. If any changes are made to the database, the output of the utility will not be reliable.

Action

Enter the RVAR Y INACTIVE or RVAR Y SWITCH command before running the utility.

Troubleshooting

Error Assuming that the run of the utility failed because a nonzero return code was received.

Action

The return code returned is the highest return code encountered while processing the RACF database. A nonzero return code does not mean that the utility failed. See *z/OS Security Server RACF Messages and Codes* for details.

IRRUT400 Utility:

Error Do not use this utility to merge RACF databases from separate systems.

Action

Use it only for merging back together a database from one system.

Error Ignoring return code 4 or return code 8 on IRRUT400 MERGE. These return codes can indicate that duplicate profiles were found. Ignoring them can result in profile conflicts.

Action

Check the duplicate profiles on each of the input databases to determine which ones you want on the output database. Use the RACF commands to delete the unwanted ones and rerun the IRRUT400 MERGE.

Error Running the utility against an active RACF database. Even if there are no other users on the system, other system tasks and applications may be accessing the RACF database. If any changes are made to the database, the output of the utility will not be reliable.

Action

Enter the RVAR Y INACTIVE or RVAR Y SWITCH command before running the utility.

Error RACF manager return code X'50' (decimal 80) received while trying to access the RACF database. This return code means that one of these occurred:

- You attempted to update a RACF database that has had the utility run against it with the LOCKINPUT keyword specified.
- RACF is enabled for sysplex communication and while running in read-only mode, you tried to update the RACF database.

Action

The LOCKINPUT keyword makes the input database unusable for system updates. It should be used with caution.

If your RACF database is locked, and you want to unlock it, use the UNLOCKINPUT parameter of IRRUT400 or IRRDBU00.

Note: If this error occurs because your RACF sysplex data sharing system is in read-only mode, UNLOCKINPUT will not correct the problem. You cannot update the RACF database when your system is operating in read-only mode.

IRRDBU00 Utility:

Error RACF manager return code X'50' (decimal 80) received from another task while trying to access the RACF database. This return code means that one of these has occurred:

- A task attempted to update the RACF database while the IRRDBU00 utility was running against the database with the LOCKINPUT keyword specified.
- RACF is enabled for sysplex communication and was operating in read-only mode, when a task tried to update the RACF database.

Action

A task cannot update the database shared by a sysplex data sharing group when the system is operating in read-only mode. If, however, the utility is running with LOCKINPUT specified, do:

- Wait until the utility is finished running.
- Run the utility at another time when updates are *not* needed.
- Run the utility against a copy of the RACF database—not against the active database.

Note: The LOCKINPUT keyword makes the input database for the utility temporarily unusable for system updates. It should be used with caution.

Error I/O error while reading the database; your data set has slipped into secondary extents. These console messages appear:

```
13.31.20 JOB00019 *IRR401I 500 ABEND DURING RACF PROCESSING OF
                    NEXT REQUEST FOR ENTRY MURPHYB
13.31.20 JOB00019 IRR401I 500 ABEND DURING RACF PROCESSING
```

These messages appear from SYSPRINT:

```
IRR67122I *** Utility ESTAE error routine in control. ***
IRR67124I Profile processing DID NOT finish before the abend.
                    Output is NOT complete.
IRR67120I 500 abend during utility processing. Reason code 0000.
IRR67125I Utility ESTAE error routine will now attempt clean-up
                    processing.
IRR67121I The module in control at time of abend was IRRDBU03.
```

Action

Reallocate the database that is causing the problem as a single extent. Recopy the data.

Error Not all of your data is unloaded. Entire classes are missing.

Action

If you have imported a database from another system, you must use the class descriptor table from that system. IPL your system with the class descriptor table associated with the imported database.

Error Fields are missing or field offsets are incorrect in the output database.

Action

Ensure that you have the current level of templates for the input database. Run IRRMIN00 with PARM=UPDATE and the current level of templates.

IRRRID00 Utility:

Error The RACF remove ID utility (IRRRID00) does not issue any user abends. If a user abend is received, it was issued by a called service such as DFSORT.

Action

If you see a user abend, consult the documentation for the called service.

Troubleshooting

RACF report writer utility (RACFRW):

Error The RACF report writer utility (RACFRW) does not issue any user abends. If a user abend is received, it was issued by a called service such as SORT.

Action

If you see a user abend, consult the documentation for the called service.

IRRIRA00:

Error If the utility runs for a long period of time it is considered to be "in a loop". When going from stage 0 to stage 1 (which can take a considerable amount of time), IRRIRA00 reads every mapping profile for the application identity mapping fields in the RACF database. It then reads the base profile named by the mapping profile to verify that the base profile-alias correlation is valid, and also to verify every user and group profile with an OMVS segment. For every valid correlation found, the alias index entry must be maintained. Additionally, when going from stage 2 to stage 3 (which can take a considerable amount of time), all application identity mapping profiles in the RACF database are deleted.

Action

Run the utility when the system is not being heavily used, and allow it to continue running through completion.

RACF macros

This information describes typical errors for RACF macros and advice on action to take to resolve the problem.

General:

Error Unexpected return code or incorrect output when using the list and execute form of a macro. Results are not the same as for standard form.

Action

1. Check that the list form is in a CSECT, not a DSECT. If the list form is only in a DSECT, the parameter list will not be initialized.
2. Check that the list form was copied over correctly into the GETMAIN work area.
3. Make sure the LIST and EXECUTE forms of the RACROUTE macro specify the same value for the RELEASE= parameter.

Error Incorrect output from a macro with some keywords that were ignored.

Action

If the macro is continued on a second line, check that there is a continuation marked in column 72 and that the second line begins in column 16. If the macro is continued in column 17 or later, the assembler will ignore that line.

ICHEINTY macro:

Error Incorrect output on an ICHEINTY macro when looking at discrete or generic profiles.

Action

Check the meaning of the GENERIC keyword. This keyword refers to the encoding of the resource name. It does not correspond to the type of profile returned. If the generic profile was retrieved, the high-order bit will be on at offset X'A' in the work area specified in the ICHEINTY macro. It will be off if a discrete profile was returned.

Error Difficulties while using the ICHEINTY macro.

Action

Read the documentation of the macro very carefully. The ICHEINTY macro and its related macros are quite complex. They bypass exits, naming conventions, authorization checking, and do little parameter validation. They are recommended only when there is no other way of accomplishing the task you want (no command or utility that will do the same thing). Note that in some cases, the RACXTRT macro can be used instead of the ICHEINTY macro.

Error Message IRR401I reporting a DEQ abend (such as abend 730) or abend 0C4 in IRRMRT00 on an ICHEINTY macro.

Action

Check the specification of ENTRY or ENTRYX. This should point to a 1-byte length followed by the ENTRY or ENTRYX NAME. If the length is zero, or if it points directly to the ENTRY or ENTRYX name, an overlay occurs, resulting in the abend.

RACROUTE macro:

Error Abend 282-64 (decimal 100) on RACROUTE REQUEST=AUTH macro with ACEE (accessor environment element) keyword, or abend 283-4C (decimal 76) on RACROUTE REQUEST=VERIFY DELETE with ACEE keyword.

Action

Check the specification of the ACEE keyword. On a REQUEST=VERIFY, the ACEE keyword specifies a pointer to the address of the ACEE. On a REQUEST=AUTH, the ACEE keyword specifies a pointer to the ACEE.

Error Return code 4, abend 282-20 (DECIMAL 32), or abend 0C4 during parameter validation on RACROUTE REQUEST=AUTH macro.

Action

Check the specification of the ENTITY keyword. If a variable name is specified, it requires one set of parentheses. If a register is used, it requires two sets of parentheses, as in ENTITY=((R4)).

Troubleshooting tables for problems in RACF

You need to be familiar with RACF's basic concepts and functions in order to use the troubleshooting tables. If you need more information, see page "Where to find RACF information" on page x.

The troubleshooting tables that follow can help you:

- Select the type of problem that most closely matches your problem
- Follow procedures to diagnose each type of problem
- Determine the symptoms to use to search for a matching problem
- Collect the information you need if you report the problem to IBM

Using the troubleshooting tables

Before you begin:

You need to document the problem that you have and how it presents itself

Perform these steps to use the tables:

Troubleshooting

1. First, determine which type of symptom best describes the problem that you are troubleshooting and locate that type in the first column, **Symptom Type**, in Table 2.

2. If you find a matching symptom type:
 - a. Go to the page listed in the second column, **Refer To Page...**, in Table 2. This is the appropriate troubleshooting table.
 - b. In the appropriate table, locate the specific RACF symptom for the problem (for example, Abends). In the second column, **Recommended Diagnostic Procedures**, in Table 3 on page 10, follow the steps for diagnosing the problem.

3. If the problem has several symptoms, you should look up each symptom in the table. For example, some problems cause an abend and an I/O error message.

Table 2. Index to Troubleshooting Tables for RACF

Symptom Type	Refer To Page...
Abend	"Abend troubleshooting table" on page 9
Documentation error	"Documentation troubleshooting table" on page 19
Incorrect output	"Incorrect output troubleshooting table" on page 19
Logon problems	"Logon problems troubleshooting table" on page 28
Loop	"Loops troubleshooting table" on page 29
Messages	"Messages troubleshooting table" on page 29
Performance degradation	"Performance problems troubleshooting table" on page 31
Return code from RACF	"RACF return codes troubleshooting table" on page 33
Wait or hang	"Waits troubleshooting table" on page 34

If none of the symptoms in the list matches your problem, try these diagnostic procedures:

1. Check whether any error messages were issued for the user request and make sure that message IDs are included with the messages.
If a batch job produced the output, check that the job statement had `MSGLEVEL=(1,1)` specified. If a TSO/E user had the problem, check that the user profile had these options: `PROFILE WTPMSG MSGID`
-

2. If you find an error message that might relate to the problem, see Table 8 on page 29.

3. If you do not have a system dump for the problem, and you want to request one, see “Obtaining a system dump” on page 41.

4. If you have a system dump for the problem, display or print the symptom record in the dump.

Use the IPCS VERBEXIT LOGDATA and VERBEXIT SYMPTOMS subcommands.

Note: SYMPTOMS has some prerequisite VERBEXITs, such as DAEDATA, which provide the abend and non-abend symptoms for the dump. You can also use the BLSCSCAN CLIST with IPCS to obtain the prerequisites. For details, see *z/OS MVS IPCS User's Guide*.

If the symptom record indicates an abend, loop, or wait, use the corresponding entry in the list of symptom types in Table 2 on page 8.

5. If you have SYS1.LOGREC output for the problem, or a dump with LOGDATA output, check the LOGREC records related to the problem. If you have a software LOGREC record for an abend, use Table 3 on page 10.

You know you are done when you have matched a system type with the type of problem you are having.

If you still do not have a symptom type,

1. Check the general problem analysis advice in *z/OS MVS Diagnosis: Reference*.
2. Read the information in “Making sure this is a RACF problem” on page 2.
3. If you need additional assistance, report the problem to IBM.

Troubleshooting tables

Abend troubleshooting table

Table 3 on page 10 describes abends (abnormal end of task) related to RACF, including:

- **RACF abends**, which are abends that result from using RACF functions and that could occur under any operating system
- **MVS abends**, which are abends that MVS system services issue and that are unique to MVS

For RACF abends, the first digit indicates the type of problem, as shown in the table, and the second and third digits together indicate which SVC (supervisor call instruction) was associated with the abend. SVCs occur because a macro was invoked.

- SVC X'82' (in decimal, SVC 130) occurs because a RACHECK macro was invoked independently or by means of a RACROUTE REQUEST=AUTH.
- SVC X'83' (in decimal, SVC 131) occurs because a RACINIT macro was invoked independently or by means of a RACROUTE REQUEST=VERIFY.
- SVC X'84' (in decimal, SVC 132) occurs because a RACLIST macro was invoked independently or by means of a RACROUTE REQUEST=LIST.

Abends

- SVC X'85' (in decimal, SVC 133) occurs because a RACDEF macro was invoked independently or by means of a RACROUTE REQUEST=DEFINE.

Table 3. Troubleshooting Table: Abends

Symptom	Recommended Procedures for Abends
Abends: X'0Cx'	<p>Description: Program exception.</p> <p>Action:</p> <ol style="list-style-type: none"> 1. Format the system dump. 2. In the PSW (program status word) in the dump, find the address of the failing instruction (the "next sequential instruction"). 3. The address of the failing instruction should be an address that was available in the dump. Look in the dump for the eye-catcher before the failing instruction. (The hexadecimal values in the dump are usually interpreted along the right side of the dump. In a system dump that contains mostly unprintable characters, a readable name, such as the name of an object module, is easy to see.) The next eye-catcher prior to a failed instruction should include the name of the object module containing the failing instruction. 4. If the module name begins with ICH or IRR, RACF was executing when the abend occurred. Check these special cases first: <p>For 0C1 abends: Use AMBLIST LISTLOAD to verify that the failing load module has been properly link-edited.</p> <ul style="list-style-type: none"> • Check the JCLIN as shipped with the RACF product. • Pay particular attention to aliases and entry points. • If IGC0013 is the failing module, it might not have been properly link-edited. <p>Note: The last character in the load module name is X'C0'.</p> <p>Determine whether the load module has been physically moved since it was link-edited. If the load module is in SYS1.LPALIB:</p> <ol style="list-style-type: none"> a. Link-edit the load module again. b. Re-IPL with CLPA. <p>For 0C4 abends: If the failing module is ICHCLD00, ICHDSM35, IRRRCK00, IRRRIN04, IRRRIN05, IRRRXT00, or IRRFLC00, it is likely that the module is trying to address a CSA or private profile that does not exist.</p> <p>This can happen when a RACROUTE REQUEST=AUTH preprocessing exit passes a return code of 4 or 8 but does not build a CSA or private profile even though the CSA or private option was specified on the AUTH request.</p> <p>To correct this error, correct the RACROUTE REQUEST=AUTH preprocessing exit so that it builds a CSA or private profile when requested on the AUTH request.</p> 5. If these preliminary checks fail, check "Identifying the caller of RACF" on page 78 to see if RACF is the probable cause of the problem or to determine who called the RACF module. <p>Note: To check the parameters actually passed to RACF on a macro request, see "Checking the parameter list passed to RACF" on page 80.</p> 6. If your investigation leads you to think that RACF was the cause of the problem, fill out the Information to gather before calling IBM with Abend Problems worksheet in Table 20 on page 100 and call the IBM support center.

Table 3. Troubleshooting Table: Abends (continued)

Symptom	Recommended Procedures for Abends
Abends: X'182' X'183' X'185'	<p>Description: RACF was unable to establish an ESTAE for the SVC (supervisor call instruction).</p> <p>Action:</p> <ol style="list-style-type: none"> 1. See the message issued with the abend. This could be message IRR401I or ICH409I. Find the abend reason code, if any, in the text for the messages. 2. See <i>z/OS Security Server RACF Messages and Codes</i> for information about the abend code and the accompanying message (if you have not looked up the explanation already). In general, the information in <i>z/OS Security Server RACF Messages and Codes</i> should be sufficient to correct the problem. 3. If the information in <i>z/OS Security Server RACF Messages and Codes</i> is not sufficient to correct the problem, do the rest of the steps in this procedure. 4. See "Performing a preliminary search for a matching problem" on page 34. If you do not find a matching problem, you will need to collect problem information to report to IBM, using the steps in the rest of this list. 5. If the abend did not generate a system dump, and the problem is reproducible, obtain a system dump. See "Obtaining a system dump" on page 41. 6. Format the system dump. See "Formatting a system dump" on page 42. 7. You may want to re-create the problem you are investigating (or set up the conditions to allow the problem to recur) after setting the trap to obtain the dump. 8. See "Searching for a matching problem" on page 81. 9. If you still do not find a matching problem, see Chapter 3, "Reporting RACF problems to IBM," on page 99.
Abends: X'282' X'283' X'285'	<p>Description: Parameter error on input to the SVC (supervisor call instruction). The reason codes associated with these abends indicate which parameter is bad in the parameter list. The bad parameter was probably set by the caller of RACF.</p> <p>Action:</p> <ol style="list-style-type: none"> 1. See the message issued with the abend. This could be message IRR401I or ICH409I. Find the abend reason code, if any, in the text for the messages. 2. If you have not looked up the explanations already, see <i>z/OS Security Server RACF Messages and Codes</i> for the explanations of the message and the abend code. (Abend codes are also called "completion codes.") Pay particular attention to the reason code associated with the abend. In general, the information in <i>z/OS Security Server RACF Messages and Codes</i> should be sufficient to correct the problem. 3. If the information in <i>z/OS Security Server RACF Messages and Codes</i> is not sufficient to correct the problem, follow the rest of the steps in this procedure. 4. Check whether any other error messages were issued with the abend messages. These messages might indicate the context in which the abend occurred. In particular, messages preceding the abend message might indicate conditions that caused the abend. Note: If message IDs were not included with the messages and you can re-create the error, do: <ul style="list-style-type: none"> • If a batch job produced the output, check that the job statement had MSGLEVEL=(1,1) specified. • If a TSO/E user had the problem, check that the user profile had these options: PROFILE WTPMSG MSGID.

Abends

Table 3. Troubleshooting Table: Abends (continued)

Symptom	Recommended Procedures for Abends
Abends: X'282' X'283' X'285' (continued)	<ol style="list-style-type: none"> 1. Find the name of the calling module. This is the module that issued the RACF request (such as a RACF macro, command, or utility). The conditions set up by this module might have caused the abend. See "Identifying the caller of RACF" on page 78. 2. Find the owner of the module: an IBM product, a non-IBM product, or a user at your installation. If the module name begins with ICH or IRR, it is a RACF module. Continue with this procedure. If the module name begins with the letters A through I, S, or X (but not ICH or IRR), it is probably part of an IBM product, but it is not RACF. See the diagnosis or logic document for the program of which the module is a part. To determine the name of the component that owns the module, use the component summary in <i>z/OS MVS Diagnosis: Reference</i>. 3. See "Performing a preliminary search for a matching problem" on page 34. If you find a matching problem, apply the appropriate PTFs (program temporary fixes). If you do not find a matching problem, you need to collect problem information to report to IBM, using the steps in the rest of this procedure. Please be sure to fill out a blank copy of the worksheet shown in Table 20 on page 100. 4. If the abend did not generate a system dump, and the problem is reproducible, obtain a system dump. You may want to re-create the problem you are investigating (or set up the conditions to allow the problem to recur) after setting the trap to obtain the dump. 5. See "Searching for a matching problem" on page 81. 6. If you still do not find a matching problem, see Chapter 3, "Reporting RACF problems to IBM," on page 99.
Abends: X'382' X'383' X'385'	<p>Description: A user exit associated with an SVC (supervisor call instruction) passed a non-valid return code.</p> <p>Action:</p> <ol style="list-style-type: none"> 1. See the message issued with the abend. This could be message IRR401I or ICH409I. 2. If you have not looked up the explanations already, see <i>z/OS Security Server RACF Messages and Codes</i> for the explanations of the message and the abend code. (Abend codes are also called "completion codes.") Pay particular attention to the explanation of the abend code. In general, the information in <i>z/OS Security Server RACF Messages and Codes</i> should be sufficient to correct the problem. 3. If the information in <i>z/OS Security Server RACF Messages and Codes</i> is not sufficient to correct the problem, do the rest of the steps in this procedure. 4. Check whether any other error messages were issued with the abend messages. These messages might indicate the context in which the abend occurred. In particular, messages preceding the abend message might indicate conditions that caused the abend. Note: If message IDs were not included with the messages and you can re-create the error, do: <ul style="list-style-type: none"> • If a batch job produced the output, check that the job statement had MSGLEVEL=(1,1) specified. • If a TSO/E user had the problem, check that the user profile had these options: PROFILE WTPMSG MSGID.

Table 3. Troubleshooting Table: Abends (continued)

Symptom	Recommended Procedures for Abends
Abends: X'382' X'383' X'385' (continued)	<ol style="list-style-type: none"> 1. Find the name of the calling module. This is the module that issued the RACF request (such as a RACF macro, command, or utility). The conditions set up by this module might have caused the abend. See "Identifying the caller of RACF" on page 78. 2. Find the owner of the module: an IBM product, a non-IBM product, or a user at your installation. If the module name begins with ICH or IRR, it is a RACF module. Continue with this procedure. If the module name begins with the letters A through I, S, or X (but not ICH or IRR), it is probably part of an IBM product, but it is not RACF. See the diagnosis or logic document for the program of which the module is a part. To determine the name of the component that owns the module, use the component summary in <i>z/OS MVS Diagnosis: Reference</i>. 3. See "Performing a preliminary search for a matching problem" on page 34. If you find a matching problem, apply the appropriate PTFs (program temporary fixes). If you do not find a matching problem, you will need to collect problem information to report to IBM, using the steps in the rest of this procedure. Please be sure to fill out a blank copy of the worksheet shown in Table 20 on page 100. 4. If the abend did not generate a system dump, and the problem is reproducible, obtain a system dump. See "Obtaining a system dump" on page 41. 5. Format the system dump. See "Formatting a system dump" on page 42. 6. You might want to re-create the problem you are investigating (or set up the conditions to allow the problem to recur) after setting the trap to obtain the dump. 7. See "Searching for a matching problem" on page 81. 8. If you still do not find a matching problem, see Chapter 3, "Reporting RACF problems to IBM," on page 99.
Abends: X'3C7'	<p>Description: RACF storage manager error during processing of a non-SVC, SRB mode, get space and free space request.</p> <p>Action:</p> <ol style="list-style-type: none"> 1. See the message issued with the abend. This could be message ICH409I. Find the abend reason code, if any, in the text for the message. 2. If you have not looked up the explanations already, see <i>z/OS Security Server RACF Messages and Codes</i> for the explanations of the message and the abend code. (Abend codes are also called "completion codes.") Pay particular attention to the reason code associated with the abend. In general, the information in <i>z/OS Security Server RACF Messages and Codes</i> should be sufficient to correct the problem. 3. See Chapter 3, "Reporting RACF problems to IBM," on page 99.

Abends

Table 3. Troubleshooting Table: Abends (continued)

Symptom	Recommended Procedures for Abends
Abends: X'400'	<p>Description: This abend is issued by IOS (I/O supervisor) when the RACF database goes into multiple extents. (The RACF database must be allocated in a single contiguous extent.)</p> <p>Action:</p> <ol style="list-style-type: none"> To correct this problem, reallocate the RACF database with enough space to fit in a single extent and re-IPL the system. If this step does not solve the problem, do the rest of the steps in this procedure. See "Performing a preliminary search for a matching problem" on page 34. If you do not find a matching problem, you will need to collect problem information to report to IBM, using the steps in the rest of this list. If the abend did not generate a system dump, and the problem is reproducible, obtain a system dump. See "Obtaining a system dump" on page 41. Format the system dump. See "Formatting a system dump" on page 42. You might want to re-create the problem you are investigating (or set up the conditions to allow the problem to recur) after setting the trap to obtain the dump. See "Searching for a matching problem" on page 81. If you still do not find a matching problem, see Chapter 3, "Reporting RACF problems to IBM," on page 99.
Abends: X'482' X'483' X'485'	<p>Description: RACF manager error during SVC (supervisor call instruction) processing.</p> <p>Action:</p> <ol style="list-style-type: none"> See the message issued with the abend. This could be message IRR401I or ICH409I. Find the abend reason code, if any, in the text for the messages. See message IRR413I, which occurs with RACF manager abends. Find the RACF manager request ID in the message. See <i>z/OS Security Server RACF Messages and Codes</i> for information about the abend code and the accompanying message (if you have not looked up the explanation already). In general, the information in <i>z/OS Security Server RACF Messages and Codes</i> should be sufficient to correct the problem. If the information in <i>z/OS Security Server RACF Messages and Codes</i> is not sufficient to correct the problem, do the rest of the steps in this procedure. See "Performing a preliminary search for a matching problem" on page 34. If you do not find a matching problem, you will need to collect problem information to report to IBM, using the steps in the rest of this list. If the abend did not generate a system dump, and the problem is reproducible, obtain a system dump. See "Obtaining a system dump" on page 41. Format the system dump. See "Formatting a system dump" on page 42. You might want to re-create the problem you are investigating (or set up the conditions to allow the problem to recur) after setting the trap to obtain the dump. See "Searching for a matching problem" on page 81. If you still do not find a matching problem, see Chapter 3, "Reporting RACF problems to IBM," on page 99.

Table 3. Troubleshooting Table: Abends (continued)

Symptom	Recommended Procedures for Abends
Abends: X'4C6'	<p>Description: A service call to a RACF module used for z/OS UNIX services did not complete. The specific error is indicated by the abend reason code.</p> <p>Action:</p> <ol style="list-style-type: none"> 1. See the message issued with the abend. This could be message ICH409I. Find the abend reason code, if any, in the text for the message. 2. If you have not looked up the explanations already, see <i>z/OS Security Server RACF Messages and Codes</i> for the explanations of the message and the abend code. (Abend codes are also called “completion codes.”) Pay particular attention to the reason code associated with the abend. In general, the information in <i>z/OS Security Server RACF Messages and Codes</i> should be sufficient to correct the problem. 3. See Chapter 3, “Reporting RACF problems to IBM,” on page 99.
Abends: X'4C7'	<p>Description: RACF storage manager error during processing of a non-SVC, task mode, get space and free space request.</p> <p>Action:</p> <ol style="list-style-type: none"> 1. See the message issued with the abend. This could be message ICH409I. Find the abend reason code, if any, in the text for the message. 2. If you have not looked up the explanations already, see <i>z/OS Security Server RACF Messages and Codes</i> for the explanations of the message and the abend code. (Abend codes are also called “completion codes.”) Pay particular attention to the reason code associated with the abend. In general, the information in <i>z/OS Security Server RACF Messages and Codes</i> should be sufficient to correct the problem. 3. See Chapter 3, “Reporting RACF problems to IBM,” on page 99.
Abends: X'582' X'585'	<p>Description: Error during SVC (supervisor call instruction) processing. The specific error is indicated by the abend reason code.</p> <p>Action:</p> <ol style="list-style-type: none"> 1. See message IRR401I or ICH409I, which occur with RACF abends. Find the abend reason code, if any, in the message text. If the abend reason code is zero, no ACEE (accessor environment element) could be found. Note: This is normal if a job started or a user logged on while RACF was inactive but has since been reactivated. 2. If the abend reason code is not zero, do the rest of the steps in this procedure. 3. If you have not looked up the explanations already, see <i>z/OS Security Server RACF Messages and Codes</i> for the explanations of the message and the abend code. (Abend codes are also called “completion codes.”) Pay particular attention to the reason code associated with the abend. In general, the information in <i>z/OS Security Server RACF Messages and Codes</i> should be sufficient to correct the problem. 4. If the information in <i>z/OS Security Server RACF Messages and Codes</i> is not sufficient to correct the problem, do the rest of the steps in this procedure. 5. Check whether any other error messages were issued with the abend messages. These messages might indicate the context in which the abend occurred. In particular, messages preceding the abend message might indicate conditions that caused the abend. Note: If message IDs were not included with the messages and you can re-create the error, do: <ul style="list-style-type: none"> • If a batch job produced the output, check that the job statement had MSGLEVEL=(1,1) specified. • If a TSO/E user had the problem, check that the user profile had these options: PROFILE WTPMSG MSGID.

Abends

Table 3. Troubleshooting Table: Abends (continued)

Symptom	Recommended Procedures for Abends
Abends: X'582' X'585' (continued)	<ol style="list-style-type: none"> 1. Find the name of the calling module. This is the module that issued the RACF request (such as a RACF macro, command, or utility). The conditions set up by this module might have caused the abend. See "Identifying the caller of RACF" on page 78. 2. Find the owner of the module: an IBM product, a non-IBM product, or a user at your installation. If the module name begins with ICH or IRR, it is a RACF module. Continue with this procedure. If the module name begins with the letters A through I, S, or X (but not ICH or IRR), it is probably part of an IBM product, but it is not RACF. See the diagnosis or logic document for the program of which the module is a part. To determine the name of the component that owns the module, use the component summary in <i>z/OS MVS Diagnosis: Reference</i>. 3. See "Performing a preliminary search for a matching problem" on page 34. If you find a matching problem, apply the appropriate PTFs (program temporary fixes). If you do not find a matching problem, you will need to collect problem information to report to IBM, using the steps in the rest of this procedure. Please be sure to fill out a blank copy of the worksheet shown in Table 20 on page 100. 4. If the abend did not generate a system dump, and the problem is reproducible, obtain a system dump. See "Obtaining a system dump" on page 41. 5. Format the system dump. See "Formatting a system dump" on page 42. 6. You might want to re-create the problem you are investigating (or set up the conditions to allow the problem to recur) after setting the trap to obtain the dump. 7. See "Searching for a matching problem" on page 81. 8. If you still do not find a matching problem, see Chapter 3, "Reporting RACF problems to IBM," on page 99.
Abends: X'683' X'684' X'685'	<p>Description: Insufficient authority to issue the SVC (supervisor call) instruction. The issuer of the SVC must be APF-authorized (authorized program facility). These abends can occur if a RACF command is not in the TSO command table.</p> <p>Action:</p> <ol style="list-style-type: none"> 1. See the message issued with the abend. This could be message IRR401I or ICH409I. Find the abend reason code, if any, in the text for the messages. 2. If you have not looked up the explanations already, see <i>z/OS Security Server RACF Messages and Codes</i> for the explanations of the message and the abend code. (Abend codes are also called "completion codes.") Pay particular attention to the reason code associated with the abend. In general, the information in <i>z/OS Security Server RACF Messages and Codes</i> should be sufficient to correct the problem. 3. If the information in <i>z/OS Security Server RACF Messages and Codes</i> is not sufficient to correct the problem, do the rest of the steps in this procedure. 4. Check whether any other error messages were issued with the abend messages. These messages might indicate the context in which the abend occurred. In particular, messages preceding the abend message might indicate conditions that caused the abend. Note: If message IDs were not included with the messages and you can re-create the error, do: <ul style="list-style-type: none"> • If a batch job produced the output, check that the job statement had MSGLEVEL=(1,1) specified. • If a TSO/E user had the problem, check that the user profile had these options: PROFILE WTPMSG MSGID. 5. Find the name of the calling module. This is the module that issued the RACF request (such as a RACF macro, command, or utility). The conditions set up by this module might have caused the abend. See "Identifying the caller of RACF" on page 78.

Table 3. Troubleshooting Table: Abends (continued)

Symptom	Recommended Procedures for Abends
Abends: X'683' X'684' X'685' (continued)	<ol style="list-style-type: none"> 1. Find the owner of the module: an IBM product, a non-IBM product, or a user at your installation. If the module name begins with ICH or IRR, it is a RACF module. Continue with this procedure. If the module name begins with the letters A through I, S, or X (but not ICH or IRR), it is probably part of an IBM product, but it is not RACF. See the diagnosis or logic document for the program of which the module is a part. To determine the name of the component that owns the module, use the component summary in <i>z/OS MVS Diagnosis: Reference</i> . 2. See "Performing a preliminary search for a matching problem" on page 34. If you find a matching problem, apply the appropriate PTFs (program temporary fixes). If you do not find a matching problem, you will need to collect problem information to report to IBM, using the steps in the rest of this procedure. Please be sure to fill out a blank copy of the worksheet shown in Table 20 on page 100. 3. If the SVC (supervisor call instruction) was issued because a user issued a RACF command, check to be sure the RACF command is in the list of APF-authorized (authorized program facility) commands or in the ISPF command tables. 4. See "Performing a preliminary search for a matching problem" on page 34. If you do not find a matching problem, you will need to collect problem information to report to IBM, using the steps in the rest of this list. 5. If the abend did not generate a system dump, and the problem is reproducible, obtain a system dump. See "Obtaining a system dump" on page 41. 6. Format the system dump. See "Formatting a system dump" on page 42. 7. You might want to re-create the problem you are investigating (or set up the conditions to allow the problem to recur) after setting the trap to obtain the dump. 8. See "Searching for a matching problem" on page 81. 9. If you still do not find a matching problem, see Chapter 3, "Reporting RACF problems to IBM," on page 99.
Abends: X'9C7'	<p>Description: RACF token error during RACROUTE functions.</p> <p>Action:</p> <ol style="list-style-type: none"> 1. See the message issued with the abend. Find the abend reason code, if any, in the text for the messages. 2. See <i>z/OS Security Server RACF Messages and Codes</i> for information about the abend code and the accompanying message (if you have not looked up the explanation already). In general, the information in <i>z/OS Security Server RACF Messages and Codes</i> should be sufficient to correct the problem. 3. If the information in <i>z/OS Security Server RACF Messages and Codes</i> is not sufficient to correct the problem, do the rest of the steps in this procedure. 4. See "Performing a preliminary search for a matching problem" on page 34. If you do not find a matching problem, you will need to collect problem information to report to IBM, using the steps in the rest of this list. 5. If the abend did not generate a system dump, and the problem is reproducible, obtain a system dump. See "Obtaining a system dump" on page 41. 6. Format the system dump. See "Formatting a system dump" on page 42. 7. You might want to re-create the problem you are investigating (or set up the conditions to allow the problem to recur) after setting the trap to obtain the dump. 8. See "Searching for a matching problem" on page 81. 9. If you still do not find a matching problem, see Chapter 3, "Reporting RACF problems to IBM," on page 99.

Abends

Table 3. Troubleshooting Table: Abends (continued)

Symptom	Recommended Procedures for Abends
Abends: X'AC5'	<p>Description: Internal RACF problem.</p> <p>Action:</p> <ol style="list-style-type: none"> 1. See "Performing a preliminary search for a matching problem" on page 34. If you do not find a matching problem, you will need to collect problem information to report to IBM, using the steps in the rest of this list. 2. Format the system dump. See "Formatting a system dump" on page 42. 3. See "Searching for a matching problem" on page 81. 4. If you still do not find a matching problem, see Chapter 3, "Reporting RACF problems to IBM," on page 99.
Abends: X'D82' X'D83' X'D84' X'D85'	<p>Description: RACF storage manager error during SVC processing.</p> <p>Action:</p> <ol style="list-style-type: none"> 1. See the message issued with the abend. This could be message IRR401I or ICH409I. Find the abend reason code, if any, in the text for the messages. 2. If you have not looked up the explanations already, see <i>z/OS Security Server RACF Messages and Codes</i> for the explanations of the message and the abend code. (Abend codes are also called "completion codes.") Pay particular attention to the reason code associated with the abend. In general, the information in <i>z/OS Security Server RACF Messages and Codes</i> should be sufficient to correct the problem. 3. If the information in <i>z/OS Security Server RACF Messages and Codes</i> is not sufficient to correct the problem, do the rest of the steps in this procedure. 4. Check whether any other error messages were issued with the abend messages. These messages might indicate the context in which the abend occurred. In particular, messages preceding the abend message might indicate conditions that caused the abend. Note: If message IDs were not included with the messages and you can re-create the error, do: <ul style="list-style-type: none"> • If a batch job produced the output, check that the job statement had MSGLEVEL=(1,1) specified. • If a TSO/E user had the problem, check that the user profile had these options: PROFILE WTPMSG MSGID. 5. Find the name of the calling module. This is the module that issued the RACF request (such as a RACF macro, command, or utility). The conditions set up by this module might have caused the abend. See "Identifying the caller of RACF" on page 78.

Table 3. Troubleshooting Table: Abends (continued)

Symptom	Recommended Procedures for Abends
Abends: X'D82' X'D83' X'D84' X'D85' (continued)	<ol style="list-style-type: none"> Find the owner of the module: an IBM product, a non-IBM product, or a user at your installation. If the module name begins with ICH or IRR, it is a RACF module. Continue with this procedure. If the module name begins with the letters A through I, S, or X (but not ICH or IRR), it is probably part of an IBM product, but it is not RACF. See the diagnosis or logic document for the program of which the module is a part. To determine the name of the component that owns the module, use the component summary in <i>z/OS MVS Diagnosis: Reference</i>. See "Performing a preliminary search for a matching problem" on page 34. If you find a matching problem, apply the appropriate PTFs (program temporary fixes). If you do not find a matching problem, you will need to collect problem information to report to IBM, using the steps in the rest of this procedure. Please be sure to fill out a blank copy of the worksheet shown in Table 20 on page 100. If the abend did not generate a system dump, and the problem is reproducible, obtain a system dump. See "Obtaining a system dump" on page 41. Format the system dump. See "Formatting a system dump" on page 42. You may want to re-create the problem you are investigating (or set up the conditions to allow the problem to recur) after setting the trap to obtain the dump. See "Searching for a matching problem" on page 81. If you still do not find a matching problem, see Chapter 3, "Reporting RACF problems to IBM," on page 99.
Abends: X'E82' X'E83' X'E84' X'E85'	<p>Description: RACF is not installed.</p> <p>Action: Make sure RACF is properly installed.</p>

Documentation troubleshooting table

Table 4. Troubleshooting Table: Documentation

Symptom	Recommended Procedures for Documentation
Error in a publication that documents RACF	<p>Action:</p> <ol style="list-style-type: none"> If you have a problem with RACF documentation, see "How to send your comments to IBM" on page xv to report the documentation error. Report the problem to the IBM support center for these situations: <ul style="list-style-type: none"> The correction to the documentation is needed to prevent a severe problem. You are not sure if the error is in the documentation or the product. The error is in an online panel. If you plan to report the problem to the IBM support center, see: <ol style="list-style-type: none"> "Performing a preliminary search for a matching problem" on page 34 "Searching for a matching problem" on page 81 Chapter 3, "Reporting RACF problems to IBM," on page 99

Incorrect output troubleshooting table

This topic describes incorrect output from RACF. Generally, incorrect output can be missing records, duplicate records, incorrect values, format errors, or meaningless data.

Incorrect output

Incorrect output could also be the improper issuing of an error message, an abend code, a return code from a macro, or a wait-state code. For example, an abend could be issued when no abend is needed, or a message that should be issued is not issued. Another example is message text that includes incorrect information.

Table 5. Troubleshooting Table: Incorrect Output

Symptom	Recommended Procedures for Incorrect Output
<p>Incorrect output: Improper access to a protected resource with no message issued</p>	<p>Action:</p> <ol style="list-style-type: none"> 1. Check whether any error messages were issued for the user request and make sure that message IDs are included with the messages. If a batch job produced the output, check that the job statement had MSGLEVEL=(1,1) specified. If a TSO/E user had the problem, check that the user profile had these options: PROFILE WTPMSG MSGID. 2. Check the global access checking table for an entry describing the resource. This step does not apply for z/OS or OS/390 z/OS UNIX System Services . 3. Check for an installation exit for RACROUTE REQUEST=AUTH. This step does not apply for z/OS or OS/390 z/OS UNIX System Services . 4. Check the kind of RACROUTE request that was made. Compare it with the level of protection of the resource. (Use LISTDSD or RLIST command for the resource; use LISTUSER command for the user.) This step does not apply for z/OS or OS/390 z/OS UNIX System Services . 5. If the cause of the problem is not apparent, attempt to duplicate the problem with another user doing the same kind of request. Try another user with similar attributes and group associations. If the problem can be duplicated, then determine which user attributes or group associations cause the problem. This can help you define the problem. If the problem cannot be duplicated with other users, try to duplicate the problem with other resources protected like the original. 6. See "Performing a preliminary search for a matching problem" on page 34. If you do not find a matching problem, you need to collect problem information to report to IBM, using the procedures in the remainder of this list. 7. Get a printed or online copy of the incorrect output. You need it to analyze the problem or report the problem to IBM. 8. See "Searching for a matching problem" on page 81. 9. See Chapter 3, "Reporting RACF problems to IBM," on page 99.

Table 5. Troubleshooting Table: Incorrect Output (continued)

Symptom	Recommended Procedures for Incorrect Output
Incorrect output: Messages	<p>Action:</p> <ol style="list-style-type: none"> 1. Make sure that you have all the error messages that were issued for the user request, and make sure that message IDs are included with the messages. If a batch job produced the output, check that the job statement had MSGLEVEL=(1,1) specified. If a TSO/E user had the problem, check that the user profile had these options: PROFILE WTPMSG MSGID. 2. Decide which of these types of messages applies: <ol style="list-style-type: none"> a. Macro error messages (MNOTEs) b. System error messages issued by RACF (messages with prefixes of CST, HCP, ICH, IRR, and RPI) 3. Decide what the nature of the message error is. <ol style="list-style-type: none"> a. Was the message valid but unexpected? See “Messages troubleshooting table” on page 29. b. Was the message itself incorrect; for example, did it contain incorrect or unreadable data, or was an error message issued for a non-error situation? 4. If you had incorrect output from a RACF macro, see “Utilities” on page 3 for a list of common application programming errors for RACF; the results of some of these errors could appear to be incorrect output from RACF. 5. See “Performing a preliminary search for a matching problem” on page 34. If you do not find a matching problem, you need to collect problem information to report to IBM using the procedures in the remainder of this list. 6. Get a printed or online copy of the incorrect output. You need it to analyze the problem or report the problem to IBM. <ol style="list-style-type: none"> a. For macro error messages (MNOTEs): Get a copy of the assembler listing that contained the macro error message. b. For system error messages issued by RACF: Get a copy of the part of the job log or system log that contained the message. (The IBM support center might also need to check messages that preceded the error message in the log.) 7. See “Searching for a matching problem” on page 81. 8. See Chapter 3, “Reporting RACF problems to IBM,” on page 99.

Incorrect output

Table 5. Troubleshooting Table: Incorrect Output (continued)

Symptom	Recommended Procedures for Incorrect Output
Incorrect output: Incorrect abends	<p>Action:</p> <ol style="list-style-type: none"> 1. Check whether any error messages were issued in response to the user request and make sure that message IDs are included with the messages. If a batch job produced the output, check that the job statement had MSGLEVEL=(1,1) specified. If a TSO/E user had the problem, check that the user profile had these options: PROFILE WTPMSG MSGID. 2. Decide what the nature of the abend error is. <ol style="list-style-type: none"> a. Was the abend valid but unexpected? Go to “Abend troubleshooting table” on page 9. b. Was the abend not documented? Go to “Documentation troubleshooting table” on page 19. c. Was the abend itself incorrect? For example, was the abend issued for a non-error situation? d. If you had incorrect output from a RACF macro, see “Utilities” on page 3 for a list of common application programming errors for RACF; the results of some of these errors could appear to be incorrect output from RACF. 3. See “Performing a preliminary search for a matching problem” on page 34. If you do not find a matching problem, you need to collect problem information to report to IBM, using the procedures in the remainder of this list. 4. Get a printed or online copy of the incorrect output. You need it to analyze the problem or report the problem to IBM. <p>To Get the Dump Output and Analysis Results:</p> <p>Use the procedures described:</p> <ol style="list-style-type: none"> a. “Obtaining a system dump” on page 41, if you need to request a dump b. “Formatting a system dump” on page 42 c. “Validating input” on page 78. <ol style="list-style-type: none"> 5. See “Searching for a matching problem” on page 81. 6. See Chapter 3, “Reporting RACF problems to IBM,” on page 99.

Table 5. Troubleshooting Table: Incorrect Output (continued)

Symptom	Recommended Procedures for Incorrect Output
<p>Incorrect output: Improperly formatted output from RACF LIST commands (LISTDSD, LISTGRP, LISTUSER, RLIST, and RACLINK LIST)</p>	<p>Action:</p> <ol style="list-style-type: none"> 1. Check whether any error messages were issued for the user request and make sure that message IDs are included with the messages. If a batch job produced the output, check that the job statement had MSGLEVEL=(1,1) specified. If a TSO/E user had the problem, check that the user profile had these options: PROFILE WTPMSG MSGID. 2. Decide what caused the incorrect output: <ul style="list-style-type: none"> • The data read by the command (the RACF database). If this is the case, see the table entry for the RACF database. • RACF's processing of the command request 3. If the database should have been updated by a command that was issued on another system in the RACF remote sharing facility (RRSF) network, check the status of the connection with a TARGET LIST on this system and the originating system. Also, check the RRSFDATA profiles on the originating system. 4. See "Performing a preliminary search for a matching problem" on page 34. If you do not find a matching problem, you need to collect problem information to report to IBM, using the procedures in the remainder of this list. 5. Get a printed or online copy of the incorrect output. You need it to analyze the problem or report the problem to IBM. You can capture the output by executing the command in a batch job, or under the session manager, or in a CLIST in which you trap the output from the command. 6. See "Searching for a matching problem" on page 81. 7. See Chapter 3, "Reporting RACF problems to IBM," on page 99.
<p>Incorrect output: Improperly formatted reports (from DSMON or RACF report writer)</p>	<p>Action:</p> <ol style="list-style-type: none"> 1. Check whether any error messages were issued for the user request and make sure that message IDs are included with the messages. If a batch job produced the output, check that the job statement had MSGLEVEL=(1,1) specified. If a TSO/E user had the problem, check that the user profile had these options: PROFILE WTPMSG MSGID. 2. See "Performing a preliminary search for a matching problem" on page 34. If you do not find a matching problem, you need to collect problem information to report to IBM, using the procedures in the remainder of this list. 3. Get a printed or online copy of the improperly formatted report. You need it to analyze the problem or report the problem to IBM. 4. Check whether the problem is caused by RACF in generating the report or by bad data used as input to the report: As a check on the RACF report writer, you can print (or display) the SMF (system management facility) records using the access method services PRINT command with DUMP specified. As a check on DSMON, use the RACF LIST commands to check the profiles that seem to be reported incorrectly by DSMON. 5. See "Searching for a matching problem" on page 81. 6. See Chapter 3, "Reporting RACF problems to IBM," on page 99.

Incorrect output

Table 5. Troubleshooting Table: Incorrect Output (continued)

Symptom	Recommended Procedures for Incorrect Output
Incorrect output: SMF records (types 80, 81, or 83)	<p>Action:</p> <ol style="list-style-type: none">1. Check whether any error messages were issued for the user request and make sure that message IDs are included with the messages. If a batch job produced the output, check that the job statement had MSGLEVEL=(1,1) specified. If a TSO/E user had the problem, check that the user profile had these options: PROFILE WTPMSG MSGID.2. If the RACF SMF data unload utility leads you to suspect that the SMF (system management facilities) records are not valid, check to make sure that the SMF records are at fault, not the utility.3. See "Performing a preliminary search for a matching problem" on page 34. If you do not find a matching problem, you need to collect problem information to report to IBM, using the procedures in the remainder of this list.4. Get a printed or online copy of the incorrect output. You need it to analyze the problem or report the problem to IBM. For SMF records (type 80 or 81):<ul style="list-style-type: none">• Use the RACF SMF data unload utility to list the contents of the RACF SMF records. See <i>z/OS Security Server RACF Auditor's Guide</i> for more information.• As a check on the RACF SMF data unload utility, you can print (or display) the record using the access method services PRINT command with HEX specified.• See "Searching for a matching problem" on page 81.• See Chapter 3, "Reporting RACF problems to IBM," on page 99.

Table 5. Troubleshooting Table: Incorrect Output (continued)

Symptom	Recommended Procedures for Incorrect Output
Incorrect output: The RACF database (this includes profiles, index blocks, and inventory control block)	<p>Action:</p> <ol style="list-style-type: none"> 1. Check whether any error messages were issued for the user request and make sure that message IDs are included with the messages. If a batch job produced the output, check that the job statement had MSGLEVEL=(1,1) specified. If a TSO/E user had the problem, check that the user profile had these options: PROFILE WTPMSG MSGID. 2. These RACF functions affect the RACF database: <ul style="list-style-type: none"> • RACF commands that add, alter, or delete profiles (such as ADDUSER, ALTUSER, DELUSER, RDEFINE, RALTER, and RDELETE) • BLKUPD command • RVARY and SETROPTS commands • IRRUT400 utility • RACF macros: RACDEF, RACINIT, ICHEINTY, ICHECTEST, ICHEACTN, and RACXTRT (with ENCRYPT or TYPE=REPLACE specified) 3. If the database should have been updated by a command that was issued on another system in the RACF remote sharing facility (RRSF) network, check the status of the connection with a TARGET LIST on this system and the originating system. Also, check the RRSFDATA profiles on the originating system. 4. If you had incorrect output from a RACF macro, see “Utilities” on page 3 for a list of common application programming errors for RACF; the results of some of these errors could appear to be incorrect output from RACF. 5. See “Performing a preliminary search for a matching problem” on page 34. If you do not find a matching problem, you need to collect problem information to report to IBM, using the procedures in the remainder of this list. 6. Get a printed or online copy of the incorrect output. You need it to analyze the problem or report the problem to IBM. Run the IRRUT200 utility and the BLKUPD command to get a description of the RACF database. See <i>z/OS Security Server RACF System Programmer’s Guide</i> for a description of how to use IRRUT200, and “Block Update command for a RACF database (BLKUPD)” on page 121 for a description of how to use BLKUPD. 7. See “Searching for a matching problem” on page 81. 8. See Chapter 3, “Reporting RACF problems to IBM,” on page 99.

Incorrect output

Table 5. Troubleshooting Table: Incorrect Output (continued)

Symptom	Recommended Procedures for Incorrect Output
Incorrect output: RACF subsystem	<p>Action:</p> <ol style="list-style-type: none"> 1. Check for any messages that might have been issued by the RACF subsystem. 2. Refer to <i>z/OS Security Server RACF Messages and Codes</i>. 3. If the RVAR command, along with other commands, is not working, then the subsystem is also not working correctly. 4. Check to see if the subsystem initialized correctly; if it did not, check for an install problem and get a system console log (SYSLOG). 5. If a <i>userid.RRSFLIST</i> data set is missing output, or contains incorrect output: <ul style="list-style-type: none"> • Issue the SET LIST command and verify that: <ul style="list-style-type: none"> – Automatic direction or password synchronization is active for the type of request for which output is missing. – The OUTPUT keyword specifies the user ID that should be receiving the missing output. – The correct level of output is specified (ALWAYS, WARN, or FAIL). • Check the RRSFDATA profiles and access lists and make sure that the requests are really being directed. • Check the TSO PREFIX specification for the user ID that is missing the output. If it is set to something other than the user ID, the RRSFLIST data set might have a different name than you expect. • Issue the TARGET LIST command on both nodes involved, and make sure that they are both operative-active, and that requests are not queued in one of the INMSG or OUTMSG data sets. • Check whether anyone stopped the RACF subsystem address space, or used the TARGET command to purge an INMSG or OUTMSG file while a request was active. These actions can cause requests and output to be lost. • Check for TSO TRANSMIT messages to the user ID that is missing the output. If there was an error processing the RRSFLIST data set a message should have been sent. Check the console log too. • Make sure that the RRSFLIST data set is allocated with the proper DCB parameters and is not full. If in doubt, you can delete or rename it and let RACF create another one. 6. If an abend occurred, get a copy of the system dump that was taken. 7. If the abend did not generate a system dump, and the problem is reproducible, obtain a system dump. See “Obtaining a system dump” on page 41. 8. Format the system dump. See “Formatting a system dump” on page 42. <p>Action</p>

Table 5. Troubleshooting Table: Incorrect Output (continued)

Symptom	Recommended Procedures for Incorrect Output
<p>Incorrect output: Return or reason code from a RACF macro or utility</p>	<p>Action:</p> <ol style="list-style-type: none"> 1. Check whether any error messages were issued for the user request and make sure that message IDs are included with the messages. If a batch job produced the output, check that the job statement had MSGLEVEL=(1,1) specified. If a TSO/E user had the problem, check that the user profile had these options: PROFILE WTPMSG MSGID. 2. Decide if the return or reason code is: <ul style="list-style-type: none"> • Incorrect • Undocumented. See “Documentation troubleshooting table” on page 19. 3. See “Utilities” on page 3 for a list of common application programming errors for RACF; the results of some of these errors could appear to be incorrect output from RACF. 4. See “Performing a preliminary search for a matching problem” on page 34. If you do not find a matching problem, you need to collect problem information to report to IBM, using the procedures in the remainder of this list. 5. Get a printed or online copy of the incorrect output. You need it to analyze the problem or report the problem to IBM. Note: If the macro return code or reason code was incorrect, request a system dump from a RACF macro request that produced the incorrect output when RACF returns control. To Get the Dump Output and Analysis Results: Use the procedures described in these areas: <ol style="list-style-type: none"> a. “Obtaining a system dump” on page 41, if you need to request a dump b. “Formatting a system dump” on page 42 c. “Validating input” on page 78. 6. See “Searching for a matching problem” on page 81. 7. See Chapter 3, “Reporting RACF problems to IBM,” on page 99.

Logon problems troubleshooting table

Table 6. Troubleshooting Table: Logon Problems

Symptom	Recommended Procedures for Logon Problems
Users cannot log on	<p>Action:</p> <ol style="list-style-type: none"> 1. Check whether any error messages were issued for the user request and make sure that message IDs are included with the messages. If a batch job produced the output, check that the job statement had MSGLEVEL=(1,1) specified. If a TSO/E user had the problem, check that the user profile had these options: PROFILE WTPMSG MSGID. 2. If only one or a few users cannot log on, check that they are using the current password. If no users can log on, do the rest of this procedure. 3. There might be a password synchronization problem, which you should be able to recognize because the user's old password is either accepted as correct or as expired. Enter a RACLINK LIST command on each system to check the user's user ID association if that's what is being used to synchronize passwords. 4. If the database should have been updated by a command that was issued on another system in the RACF remote sharing facility (RRSF) network, check the status of the connection with a TARGET LIST on this system and the originating system. Also, check the RRSFDATA profiles on the originating system. 5. Check the system date in effect for the current system IPL. If the wrong date is in effect, users who cannot log on might have the REVOKE attribute in their user profiles. See <i>z/OS Security Server RACF Security Administrator's Guide</i> for more information about the REVOKE attribute. 6. If you are sharing your database with other systems, make sure that all systems sharing the database are using the same password authentication algorithm, and that there has not been a period of time when the systems were using different algorithms. The default password authentication algorithm for the RACF component of the SecureWay Security Server is the Data Encryption Standard (DES) algorithm. The default password authentication algorithm for RACF on MVS beginning with RACF 2.1 is the (DES) algorithm, but for releases previous to RACF 2.1 the default is the masking algorithm. Make sure that you have taken the correct steps to activate the algorithm that you intend to use on each system sharing the database. See <i>z/OS Security Server RACF System Programmer's Guide</i> for more information.
Users cannot log on (continued)	<ol style="list-style-type: none"> 1. If you are using a PassTicket, make sure: <ul style="list-style-type: none"> • The PTKTDATA class has been activated and a class profile exists. • You do not try to use the same PassTicket more than once. • The GMT clock on the evaluating computer is within the valid time range. For more information, see <i>z/OS Security Server RACF Security Administrator's Guide</i>. 2. See "Performing a preliminary search for a matching problem" on page 34. If you do not find a matching problem, you need to collect problem information to report to IBM, using the procedures in the remainder of this list. 3. Get a printed or online copy of the SMF records related to the logon problem. You need it to analyze the problem or report the problem to IBM. 4. See "Searching for a matching problem" on page 81. 5. See Chapter 3, "Reporting RACF problems to IBM," on page 99.

Loops troubleshooting table

Table 7. Troubleshooting Table: Loops

Symptom	Recommended Procedures for Loops
Any loop during RACF processing	<p>Action:</p> <ol style="list-style-type: none"> 1. Check whether any error messages were issued for the user request that had the loop and make sure that message IDs are included with the messages. If a batch job produced the output, check that the job statement had MSGLEVEL=(1,1) specified. If a TSO/E user had the problem, check that the user profile had these options: PROFILE WTPMSG MSGID. 2. Check whether the prefix of one of the modules involved in the loop is ICH or IRR. Note: The instructions involved in the loop are generally pointed to by the PSW that was active when the system dump was generated. Most modules owned by IBM have an identifier with the module name at either the beginning or end of the object code for the module. See the MVS diagnosis publications if you need further details of general loop analysis techniques. 3. If the prefix is ICH or IRR, the problem might be caused by RACF, and you should use these diagnostic procedures: <ol style="list-style-type: none"> a. Check that the problem was not due to repeated requests for RACF services. Repeated requests might be caused by a loop of logic in the application program issuing the request. If the loop was in a program making repeated requests, report the problem to the owner of the program. If the loop was within RACF, use the diagnostic procedures in the remainder of this list. b. See “Performing a preliminary search for a matching problem” on page 34. c. If you do not find a matching problem, you need to request a dump (if you don't have one already) and collect problem information to report to IBM. To Get the Dump Output and Analysis Results: Use the procedures described in these areas: <ol style="list-style-type: none"> 1) “Obtaining a system dump” on page 41, if you need to request a system dump. 2) “Formatting a system dump” on page 42. 3) “Validating input” on page 78. d. See “Searching for a matching problem” on page 81. e. See Chapter 3, “Reporting RACF problems to IBM,” on page 99. 4. If the prefix of one of the looping modules is neither ICH nor IRR, the problem was probably not caused by RACF. Note the prefixes of the looping modules. If the module is owned by IBM (modules owned by IBM usually start with the letters A through I, S, or X), see the diagnosis or logic document for the program that the module is a part of. To determine the name of the component that owns the module, use the component summary in <i>z/OS MVS Diagnosis: Reference</i>.

Messages troubleshooting table

Table 8. Troubleshooting Table: Messages

Symptom	Recommended Procedures for Messages
Messages with a prefix of IKJ	<p>Description: These are TSO messages issued for RACF commands. IKJ messages are issued by the TSO Terminal Monitor Program (TMP).</p> <p>Action:</p> <ol style="list-style-type: none"> 1. See <i>z/OS TSO/E Messages</i> for a description of the message and the condition causing it. Attempt to correct the problem from the information in the messages document. 2. If you cannot correct the problem from the information in the messages document, do the problem determination procedure related to the message.

Messages

Table 8. Troubleshooting Table: Messages (continued)

Symptom	Recommended Procedures for Messages
Messages with a prefix of ICH or IRR	<p>Description: These are RACF messages.</p> <p>Action:</p> <ol style="list-style-type: none"> 1. See <i>z/OS Security Server RACF Messages and Codes</i> for a description of the message and the condition causing it. Attempt to correct the problem from the information in <i>z/OS Security Server RACF Messages and Codes</i> . 2. If you cannot correct the problem from the information in <i>z/OS Security Server RACF Messages and Codes</i>, do the problem determination procedure related to the message.
Messages with a prefix of BPX	<p>Description: These are z/OS and OS/390 z/OS UNIX System Services messages.</p> <p>Action: If there are no RACF messages with this message, the problem is probably not caused by RACF. See your system diagnosis guide for information about correcting this problem.</p>
Unnumbered messages	<p>Description: Unnumbered messages are also issued by RACF.</p> <p>Action:</p> <ol style="list-style-type: none"> 1. Make sure that any message IDs are included with the messages. If a batch job produced the output, check that the job statement had MSGLEVEL=(1,1) specified. If a TSO/E user had the problem, check that the user profile had these options: PROFILE WTPMSG MSGID. 2. See <i>z/OS Security Server RACF Messages and Codes</i> for a description of the message and the condition causing it. Attempt to correct the problem from the information in the messages document. 3. If the message is not in <i>z/OS Security Server RACF Messages and Codes</i>, and you are certain it is a RACF message, see "Documentation troubleshooting table" on page 19.

Performance problems troubleshooting table

Table 9. Troubleshooting Table: Performance Problems

Symptom	Recommended Procedures for Performance Problems
<p>Performance, such as:</p> <ul style="list-style-type: none"> • There is excessive I/O to the RACF database. • Users report slow response time, particularly when logging on or off, or when opening data sets. 	<p>Action:</p> <p>Most performance problems related to RACF are corrected by changing the way RACF is set up at an installation.</p> <p>Before suspecting that RACF itself is causing performance problems, review this checklist to assure that the problem is not actually caused by the way your installation has set up RACF. Pay close attention to any recent changes you have made in the way you have set up RACF. For more information about these performance considerations, see <i>z/OS Security Server RACF System Programmer's Guide</i>.</p> <ul style="list-style-type: none"> • The rate at which users log on to TSO/E, sign on the IMS/VS or CICS/VS, or submit batch jobs on MVS affects system performance. The higher the rate, the lower the performance. You might see peaks and valleys in performance through the work day. • Using the RACLIST or GENLIST operands on the SETROPTS command can improve system performance. • Use of the global access checking table can improve system performance. • Using RACROUTE REQUEST=FASTAUTH instead of RACROUTE REQUEST=AUTH can improve system performance. • Using ADSP and PROTECT=YES can degrade system performance. • The processing performed by installation-written exit routines can affect system performance. • The placement of the RACF database on DASD (including how many DASDs the database is placed on) can affect system performance. • The use of logging by users with SPECIAL or group-SPECIAL attributes or users with AUDITOR or group-AUDITOR attributes can reduce system performance. • The gathering of resource statistics can reduce system performance. • The use of certain RACF commands (such as SEARCH, LISTDSD with the ID or PREFIX operands, LISTGRP *, and others) can reduce system performance when there is a single RACF database. • The use of RACF utilities can reduce system performance when there is a single data set in the RACF database. • The use of erase-on-scratch can reduce system performance.

Performance problems

Table 9. Troubleshooting Table: Performance Problems (continued)

Symptom	Recommended Procedures for Performance Problems
Performance (continued)	<ul style="list-style-type: none"> • During failsoft processing, the operator is prompted frequently, thereby degrading system performance while you repair RACF. To improve system performance during failsoft processing, write a RACROUTE REQUEST=AUTH preprocessing exit. • List of groups processing can reduce system performance. • Group authority processing when made to percolate for a user to subgroups owned by the group can reduce system performance. • Defining many generic profiles within a data set high-level qualifier or a general resource class can hurt performance. • The use of the IRRACEE VLF class can improve system performance. The use of the IRRUMAP, IRRGMAP, and IRRSMAP VLF classes can improve performance of z/OS and OS/390 z/OS UNIX System Services . • See "Performing a preliminary search for a matching problem" on page 34. If you do not find a matching problem, you will need to collect problem information to report to IBM, using the procedures in the remainder of this list. • See "Searching for a matching problem" on page 81. • See Chapter 3, "Reporting RACF problems to IBM," on page 99.

RACF return codes troubleshooting table

Table 10. Troubleshooting Table: Return Codes

Symptom	Recommended Procedures for Return Codes
Return codes from RACF macros (nonzero value in register 15)	<p>Action:</p> <ol style="list-style-type: none"> 1. For some macros, depending on the return code, there is a reason code in register 0. Check register 0 for this reason code. (To obtain the reason code from a RACF macro, see “Obtaining RACF return codes and reason codes from a RACF macro invocation” on page 42.) 2. See “Utilities” on page 3 for a summary of some commonly encountered macro reason codes and advice on how to resolve problems that are due to an error in the program that issued a RACF macro. Note: Error return codes and reason codes from a RACF macro are generally due to a problem in the program that issued the macro. 3. If you haven't done so already, look up the explanation of the RACF macro's return and reason codes. See <i>z/OS Security Server RACF Macros and Interfaces</i>, except for the RACROUTE macro, which is described in <i>z/OS Security Server RACROUTE Macro Reference</i>. Note: For the RACROUTE macro, you should also check the first and second words of the SAF parameter list. These are the return and reason codes from the RACF request (usually a RACF macro invocation). 4. Check whether any error messages were issued for the user request, and make sure that message IDs are included with the messages. If a batch job produced the output, check that the job statement had MSGLEVEL=(1,1) specified. If a TSO/E user had the problem, check that the user profile had these options: PROFILE WTPMSG MSGID. 5. The module that issued the macro is either owned by IBM or is a non-IBM product. If the module is owned by IBM (modules owned by IBM usually start with the letters A through I, S, or X), see the diagnosis or logic document for the program of which the module is a part. To determine the name of the component that owns the module, use the component summary in <i>z/OS MVS Diagnosis: Reference</i>. 6. If the problem still appears to be caused by RACF, use the diagnostic procedures described in these areas: <ol style="list-style-type: none"> a. “Performing a preliminary search for a matching problem” on page 34. If you do not find a matching problem, continue diagnosis, using the procedures in the remainder of this list. b. If you need to request a system dump, “Obtaining a system dump” on page 41. c. “Formatting a system dump” on page 42. d. “Validating input” on page 78. e. “Searching for a matching problem” on page 81. f. Chapter 3, “Reporting RACF problems to IBM,” on page 99.
RACF manager return codes	<p>Action:</p> <ol style="list-style-type: none"> 1. See <i>z/OS Security Server RACF Messages and Codes</i> for a description of the message and the condition causing it. Attempt to correct the problem from the information in the messages document. 2. If you cannot correct the problem from the information in the messages document, perform the problem determination procedure that is related to the message.
Return codes from RACF callable services	<p>Action:</p> <ol style="list-style-type: none"> 1. Check the parameter list for the SAF return code, the RACF return code, and the RACF reason code. 2. If you have not done so already, look up the explanations of the return codes and reason codes. See <i>z/OS Security Server RACF Callable Services</i> and <i>z/OS Security Server RACF Messages and Codes</i>.

Waits troubleshooting table

Table 11. Troubleshooting Table: Waits

Symptom	Recommended Procedures for Waits
<p>Wait:</p> <ul style="list-style-type: none"> • Enabled wait (“hang”) in the task that issued a RACF request • Dummy (no work) wait • Wait caused by RACF 	<p>Action:</p> <ol style="list-style-type: none"> 1. First, see your system diagnosis guide to check which module caused the wait. Try to find out what address space the module was running in. The key question to answer is, “Why was the job or user waiting?” (If a task is waiting for a RACF macro request, RACF might not have caused the wait; another routine could cause the wait if it never released a resource needed by RACF.) Perform the remaining diagnostic steps only if you have determined that RACF is actually the cause of the problem (that is, RACF never released a resource or caused the wait in some other way). 2. Check whether any error messages were issued for the user request that immediately preceded the wait. If a batch job produced the output, check that the job statement had MSGLEVEL=(1,1) specified. If a TSO/E user had the problem, check that the user profile had these options specified: PROFILE WTPMSG MSGID. 3. If the prefix of a module that caused the wait is ICH or IRR, the problem is probably caused by RACF and these diagnostic procedures apply: <ol style="list-style-type: none"> a. “Performing a preliminary search for a matching problem.” If you do not find a matching problem, continue diagnosis, using the procedures in the remainder of this list. b. If you do not have a dump, “Obtaining a system dump” on page 41. c. “Formatting a system dump” on page 42. d. “Validating input” on page 78. e. “Searching for a matching problem” on page 81. f. Chapter 3, “Reporting RACF problems to IBM,” on page 99. 4. If the prefix of the waiting module's name is neither ICH nor IRR, the problem was probably not caused by RACF. If the module is owned by IBM (modules owned by IBM usually start with the letters A through I, S, or X), see the diagnosis or logic document for the program of which the module is a part. To determine the name of the component that owns the module, use the component summary in <i>z/OS MVS Diagnosis: Reference</i>.

Performing a preliminary search for a matching problem

Introduction to searching for a matching problem

This topic tells you how to create a list of symptoms for RACF. You (or IBM) can use these symptoms in the search argument for a preliminary search of a problem database.

A search argument consists of a set of problem symptoms, called search symptoms, to use in a search to identify a matching problem.

If you have a search tool such as Information/Management, consider searching these for a matching problem (which could have a fix already developed). You should search in the order shown:

1. PSP bucket (Preventive Service Plan)
2. Your problem database (if you have one)
3. An IBM problem database

If you find that the problem has already been reported, you can avoid or reduce time-consuming problem analysis work. In addition, if you have the Info/Access tool, or SoftwareXcel Extended in the ServiceLink application on IBMLink, you can order the fix for the problem.

If you don't have a search tool, you need to collect additional search symptoms before you report the problem to IBM. (The troubleshooting tables list the additional procedures to use.)

If you are doing a structured search, you should provide symptoms in the order that they are listed in DAEDATA and SYMPTOMS output, in order to have the fastest search.

The procedure gives examples of the free-format search symptoms that you can use if you have a search tool such as Info/System (with the Info/MVS database) or Info/Management. It also has examples of the search symptoms that you need if you do a structured search using a tool such as Info/Management or Info/Access. You might need the structured symptoms if you call the IBM support center to report a problem or if you review the APAR and PTF descriptions in IBM's Early Warning System (EWS). EWS is on microfiche and on the Info/MVS database.

The formats used in the examples are the same formats that are used at the IBM support center to enter problem descriptions for APARs and to do searches.

Related information

If you need information about doing problem searches with the Info/System, Info/MVS, Info/Management, or Info/Access program, see *Introducing the Information/Family*.

For examples of Info/Management panels and structured search symptoms to use in a search for a matching problem, see *Using Information/Family Problem Management*.

Steps for searching for a matching problem

Before you begin: You need to verify that this is a problem caused by RACF and to collect some initial problem symptoms. See "Troubleshooting tables for problems in RACF" on page 7 for steps to perform this prerequisite.

Perform these steps to:

1. Make an initial list of search symptoms.
 2. Use the list to search for a matching problem.
 3. If you did not find a match, try other symptoms.
 4. If you found too many matches, add search symptoms.
 1. Use Table 12 on page 36 to select which search arguments apply to the type of problem you have.
-
2. Using Table 13 on page 38 for examples of search arguments, do your first search for a match.
-
3. If your search does not produce a match, try widening your search.
 - a. Use the word "RACF" instead of the component ID.
 - b. Use fewer search arguments.

Preliminary search

-
4. If a search produces too many matches, use some of the other symptoms listed in this procedure to narrow the search.
-
5. If your preliminary searches are unsuccessful, do the structured search described in “Searching for a matching problem” on page 81.
 - a. If a structured search is still unsuccessful, gather additional information before reporting the problem to IBM by using the diagnostic procedures recommended for your type of problem.
 - b. Return to where you were in the troubleshooting tables.
-
6. If your search has too many matches, consider using these procedures to add search symptoms:
 - a. Return to the troubleshooting tables to obtain one or more additional symptoms to narrow your search.
 - b. Obtain additional search symptoms by analyzing a dump or doing other in-depth analysis. (For lists of the procedures for doing the analysis, return to where you were in the troubleshooting tables.)

Note: “Searching for a matching problem” on page 81 summarizes the additional symptoms that you can obtain through in-depth analysis.

You know you are done when you have found a problem match for your symptom or have contacted IBM for additional help.

Table 12. Preliminary Search Symptoms for RACF. Preliminary Search Symptoms for RACF

Search Argument	Free-Format Example	Structured Example
Component identification (ID) The component ID matches problems that had RACF as either the cause of the problem or the apparent cause (for a problem that was reassigned to another component).	RACF 5752XXH00 5752SC1BN	PIDS/5752XXH00 PIDS/5752SC1BN
Release level of RACF: Use the FMID (function modification identifier). For a list of RACF FMIDs, see Table 14 on page 39.	R902 or RI02 (R for release; I, the ninth letter of the alphabet, can stand for 9; and 02 for 02. R922 (for RACF 1.9.2) R210 (for RACF 2.1) R220 (for RACF 2.2) R230 (for FMID HRF2230) R240 (for FMID HRF2240) R260 (for FMID HRF2260) 2608 (for FMID HRF2608) 7703 (for FMID HRF7703)	LVLS/902 or LVLS/RI02 LVLS/922 LVLS/210 LVLS/220
RACF request that failed	RACHECK PROFILE	PCSS/RACHECK PCSS/PROFILE
Error reason code from the RACF request (if available)	rc00000004	PRCS/00000004

Table 12. Preliminary Search Symptoms for RACF (continued). Preliminary Search Symptoms for RACF

Search Argument	Free-Format Example	Structured Example
<p>Associated error message ID</p> <p>The job log or system log might contain error messages associated with the problem that you encountered. Some problems produce multiple error messages, such as problems initiated by a previous abend or I/O error.</p> <p>General error messages, such as the IEA995I symptom dump message for all types of abends, are not needed as search symptoms.</p>	msg ICH408I	MS/ICH408I
Associated reason code from message	rc04	PRCS/04
RACF module	ICHRIN00	RIDS/ICHRIN00
SMF record with error	SMF type 80	RECS/SMF80
Part of a document title	Security Administrator's Guide	PUBS/security PUBS/administrator's PUBS/guide
Symptoms for later searches		
<p>Component ID of a service used by RACF, such as Master Scheduler</p> <p>If you suspect a problem in a system service used by RACF, consider a search argument of the service's component ID, plus the failing RACF request and the problem type (such as an abend and reason code).</p>	5752SC1B8	PIDS/5752SC1B8
<p>A PTF number</p> <p>Consider use of this symptom if a recent PTF (program temporary fix) updated a RACF module involved in the problem. This does not mean that an error exists in the PTF, only that the problem might occur after this PTF is installed.</p>	UY00934 UW02010	PTFS/UY00934 PTFS/UW02010
Area within a document, such as a part, section, chapter, appendix, or page	Chapter3 appendixA	PUBS/CHAP3 PUBS/APPXA
<p>Document order number</p> <p>Document order numbers end with a version number, such as the 01 in GC28-1154-01. All version numbers are now two digits, although previously they could be one. You could leave off the second hyphen and the version numbers that follow it. Then, if you receive too many matches, add the version numbers to the search symptom.</p>	GC28-1154-01	PUBS/GC28115401

Preliminary search

Examples of search arguments for RACF

Table 13 has examples of free-format search arguments for problems in RACF.

Table 13. Examples of Search Arguments for RACF

Problem Type	Example of Search Argument	Descriptions of Search Symptoms
Abend	5752XXH00 abend685 rc04	Component ID Abend code Abend reason code (if one exists)
Documentation error	5752XXH00 doc RACHECK	Component ID The word <i>doc</i> The name of the RACF request with the documentation error
Incorrect output	5752XXH00 RACHECK output	Component ID The type of output request that was involved The word <i>output</i>
Loop	5752XXH00 ICHRIN00 enabled loop	Component ID The name of any associated module (or RACF request) The word <i>loop</i> . Add the word <i>enabled</i> or <i>disabled</i> if you know the type of loop.
Message	5752XXH00 msgICH408I invalid password	Component ID The message identifier Any inserted code (or text) in the message
Performance degradation	5752XXH00 RACHECK performance	Component ID The name of any associated RACF request The word <i>performance</i>
Return code from macro	5752XXH00 RACHECK rc08rc04	Component ID The return code and any reason code (Specify both return code and reason code if a reason code occurred.)
Wait - <i>hang</i> or coded wait state (using ICHRIN00)	5752XXH00 ICHRIN00 enabled wait	Component ID The name of any associated RACF module (or RACF request) The word <i>wait</i> and any associated wait-state code (for a wait state indicated at the system operator's console). If you know the type of wait, add the word <i>enabled</i> , <i>disabled</i> , or <i>dummy</i> (for a no-work wait).

Table 13. Examples of Search Arguments for RACF (continued)

Problem Type	Example of Search Argument	Descriptions of Search Symptoms
Wait - <i>hang</i> or coded wait state (using RACHECK)	5752XXH00 RACHECK wait03c	Component ID The name of any associated RACF module (or RACF request) The word <i>wait</i> and any associated wait-state code (for a wait state indicated at the system operator's console). If you know the type of wait, add the word <i>enabled</i> , <i>disabled</i> , or <i>dummy</i> (for a no-work wait).

Table 14. RACF FMIDs

RACF Level	RACF FMID
RACF 1.9	HRF1902
RACF 1.9.2	JRF1922
RACF 2.1	HRF2210
RACF 2.2	HRF2220
OS/390® Release 1	HRF2220
OS/390 Release 2	HRF2220
OS/390 Release 3	HRF2230
OS/390 Version 2 Release 4	HRF2240
OS/390 Version 2 Release 5	HRF2240
OS/390 Version 2 Release 6	HRF2260
OS/390 Version 2 Release 7	HRF2260
OS/390 Version 2 Release 8	HRF2608
OS/390 Version 2 Release 9	HRF2608
OS/390 Version 3 Release 10	HRF7703
OS/390 Version 3 Release 12	HRF7705
z/OS Version 1 Release 3	HRF7706
z/OS Version 1 Release 4	HRF7707
z/OS Version 1 Release 5	HRF7708
z/OS Version 1 Release 6	HRF7709
z/OS Version 1 Release 7	HRF7720
z/OS Version 1 Release 8	HRF7730
z/OS Version 1 Release 9	HRF7740
z/OS Version 1 Release 10	HRF7750
z/OS Version 1 Release 11	HRF7760
z/OS Version 1 Release 12	HRF7770
z/OS Version 1 Release 13	HRF7780
z/OS Version 2 Release 1	HRF7790

Preliminary search

Chapter 2. Collecting and analyzing problem data

This topic explains how to collect and analyze problem data. These tasks include obtaining dumps and traces, validating input, and searching for matching problems.

Collecting problem data

If you do not know what data to collect for the problem that you are diagnosing, see “Troubleshooting the problem” on page 1. Also, Chapter 3, “Reporting RACF problems to IBM,” on page 99 summarizes the information that you should consider collecting before reporting each type of problem to IBM.

Obtaining a description of a RACF installation

For advice on gathering information about a RACF installation, see the information about conducting an audit in *z/OS Security Server RACF Auditor’s Guide*.

Obtaining a system dump

Prerequisites

You have a problem with an abend for which a system dump was not taken.

How to obtain a system dump

If the problem occurred while a batch job was using the DSMON command (or the RACF report writer), run the job again with a SYSABEND DD statement specified. This generates a system dump.

If an abend does not produce a system dump, and the problem is reproducible, set a SLIP trap to obtain a system dump the next time the problem recurs.

The trap set by this procedure causes an SVC dump to be generated. Generally, an SVC dump contains all the information needed for debugging RACF-related problems. You may want to re-create the problem you are investigating (or set up the conditions to allow the problem to recur) after setting the trap.

1. On the operator's console, enter this command:

```
SLIP SET,COMP=xxx,ACTION=SYNCSVCD,JOBNAME=jobname,END
```

where *xxx* is the system completion code and *jobname* is the job name (if a batch job is involved) or the user ID (if an interactive user is involved).

Note: For more information about setting the SLIP trap, see *z/OS MVS System Commands*.

2. When the abend occurs, the system console receives message IEA989I:

```
SLIP TRAP ID=nnn MATCHED
```

where *nnn* is the system-assigned SLIP ID. The operator should notify you if a system dump was requested. You can format and read the system dump.

Note: A system dump is not generated if the SLIP is a NODUMP SLIP.

Formatting a system dump

Prerequisites

- IPCS
- A system dump (see “Obtaining a system dump” on page 41)

How to format a system dump

To start debugging a system dump, the IBM support center requires this information to be formatted in the dump.

- Use IPCS to format the system dump by using:
 - SUMMARY
 - SUMDUMP
 - FORMAT
 - CURRENT
 - TRACE
 - LOGDATA
 - LPAMAP
 - CPUDATA
 - SYMPTOMS

This can help you start researching a problem. The IBM support center may request further information, for which other verbexits would be used for further research on specific problems.

Obtaining RACF return codes and reason codes from a RACF macro invocation

If the program that issued the RACF macro received an error return code from the macro, but did not produce a message containing the return and reason codes, you can use one of these techniques to obtain the codes:

- Use the RACF SET TRACE command. See “Obtaining trace records using the SET TRACE command” on page 50.
- Place a TSO TEST trap at the instruction after the macro expansion instructions in the program, and check the return and reason codes when the trap matches.

Note: You could use the SLIP command to set a trap, but it affects system performance. If you use SLIP, consider qualifying it with job name or PVTMOD options, and request an SVC dump when the trap is hit.

- Use the SPZAP (“superzap”) service aid to modify the program that issued the RACF macro:
 1. Locate the RACF macro instruction in the assembly listing or the object code for the program.
 2. Use the SPZAP service aid to change the program's instruction that follows the last instruction of the macro expansion. Change the instruction operation (op) code to an invalid op code, such as X'00'.
 3. Re-create the problem, using JCL with a SYSMDUMP, SYSUDUMP, or SYSABEND DD statement. The invalid op code causes an X'0C1' abend. The SYSMDUMP DD statement is recommended if you plan to report the problem to IBM.

Obtaining RACF return codes and reason codes from a RACF callable service invocation

If the program that invoked the callable service received an error return code from the macro, but did not produce a message containing the return code and reason code, you can use one of these techniques to obtain the codes:

- Use the RACF SET TRACE command. See “Obtaining trace records using the SET TRACE command” on page 50.
- Place a TSO TEST trap at the instruction after the callable service invocation in the program, and check the return code and reason code when the trap matches.

Note: You could use the SLIP command to set a trap, but it affects system performance. If you use SLIP, consider qualifying it with job name or PVTMOD options, and request an SVC dump when the trap is hit.

- Use the SPZAP (“superzap”) service aid to modify the program that invoked the callable service:
 1. Locate the callable service invocation in the assembly listing or the object code for the program.
 2. Use the SPZAP service aid to change the program's instruction that follows the callable service invocation. Change the instruction operation (op) code to an invalid op code, such as X'00'.
 3. Re-create the problem, using JCL with a SYSMDUMP, SYSUDUMP, or SYSABEND DD statement. The invalid op code causes an X'0C1' abend. The SYSMDUMP DD statement is recommended if you plan to report the problem to IBM.

At the time of the trap or the 0C1 abend, Register 1 contains the address of the parameter list for the callable service. This parameter list contains the SAF return code and the RACF return code and reason code. See *z/OS Security Server RACF Callable Services* for more information.

Obtaining traces

When access to a resource is allowed (or denied) incorrectly, you can obtain more data about the problem with GTF trace. GTF trace must be activated to obtain trace output just before reproducing the problem.

To obtain a trace when access is incorrectly denied, do:

1. To start GTF, enter this command:

```
START GTF,TRACE=SLIP
```

2. Set this SLIP trap:

```
SLIP SET,IF,LPAEP=(ICHRFR00,0,0),ACTION=TRACE,JOBNAME=xxx,  
TRDATA=(STD,REGS,1R??,+100),END
```

where *xxx* is the job name of a batch job or the user ID of an interactive user.

This SLIP trap produces a GTF trace entry each time a RACROUTE macro is invoked (ICHRFR00 is the module called by RACROUTE). The trace entry contains the parameter list passed with the RACROUTE macro request.

3. Use the START GTF command to trace the SVCs related to the RACHECK macro (equivalent to SVC 130) and RACDEF macro (equivalent to SVC 133). There is more than one way to do this. This is a suggestion only:
 - a. On the master console, enter the START GTF command with TRACE=SVCP specified.
 - b. When GTF prompts for trace-event keywords, specify SVC=(130,133).

Collecting data

4. Run the job that has the access problem (or ask the user to attempt to gain access to the resource again) while GTF is on.
5. Stop GTF after the job has ended or after the user has attempted access.
6. Examine the GTF trace output. See *z/OS MVS IPCS Commands* for more information.

Obtaining traces for program control and Program Access to Data Set (PADS) errors

Program control allows an installation to treat load modules (programs) as protected resources. This gives installations the ability to control who can execute which programs.

Load modules are protected by creating a profile for the program in the PROGRAM general resource class. A program protected by such a profile is called a controlled program.

An installation can use a controlled program as a condition for access to a specified data set. That is, some users can access specified data sets at a specified access level only while executing a certain controlled program. This is known as program access to data sets (PADS). PADS is set up by creating a conditional access list for the data set profile protecting the data sets.

In some cases, users trying to implement program control and PADS might receive message IEC1501I, ABEND 913-38, or message ICH408I, INSUFFICIENT ACCESS AUTHORITY, when they feel they have the necessary authority to open the data set through the conditional access list of the data set. In these scenarios, these error messages most commonly occur when a controlled program has loaded an uncontrolled program.

Other error messages will be generated when dealing with program control and PADS in the user's environment. These RACF processing messages can be used to diagnose errors when defining programs to RACF and the file system. Check the job log and security console for these diagnostic messages, and use the responses in *z/OS Security Server RACF Messages and Codes* to attempt to correct the problem before setting the slip traps.

In a RACF environment, a program and user combination can open a RACF-protected data set through conditional access list authority if all of the other programs in the environment are RACF-protected. RACF turns on a bit in the TCB, known as the "dirty bit" or TCBNCTL, to indicate that a program not protected by RACF has been loaded into the environment. If this bit is on, an uncontrolled program causes a failure. RACF provides an environment service, IRRENS00, to assist in handling program control and PADS. For more information about this service, see *z/OS Security Server RACF Macros and Interfaces*.

Thus, in a RACF environment, it is **not** sufficient to only protect the program doing the open of the data set. To correctly implement PADS, you must protect all of the programs loaded in the environment before the attempt to open the data set. This is also true for any utilities that are to be executed. If a utility loads another program during execution, this additional program must also be protected to prevent an error condition. To help users determine what programs need to be protected, a TRACE is provided in "Trace examples" on page 45 so that when set correctly, it will print out the program name, data set name, and volume required to define profiles in the PROGRAM class for these other programs.

Attention

Read all of the information that follows before beginning any of the activities described.

Trace examples

This information provides two examples of traces. The first example writes a GTF trace record for each program loaded into the environment. The second example can determine additional programs that need to be protected.

Trace example 1: This slip should be used to write a GTF trace record for each program loaded into the environment:

```
SLIP SET,IF,ACTION=TRACE,LPAMOD=(ICHRFR00,xxxxx),J=jobname,
TRDATA=(STD,REGS,zzzzz),ML=100,END
```

xxxxx The offset into ICHRFR00 where ICHRCP00 starts plus the *yyy* value defined in Table 15 for your RMID level of the ICHRCP00 CSECT. Run an AMBLIST of ICHRFR00 to determine the offset of the beginning of ICHRCP00 into ICHRFR00.

zzzzz See Table 15 for the correct TRDATA information based on your RMID level of the ICHRCP00 CSECT. The *yyy* and *zzzzz* values specified for UW21213 should be used for all later RMID levels beginning with RACF 2.2.0, and for the OS/390 Release 3 level of RACF (HRF2230). If you have a later RMID level for RACF 2.1.0, you should use the *yyy* and *zzzzz* values specified for UW16891.

jobname

If the program is executed in batch, this is the name of the job that executes the program. If a TSO user executes the job, this is the TSO user ID. In the case of a TSO user ID, you must set the slip before the user logging on to the system.

Table 15. RMID Levels, *yyy* and *zzzzz* Values for Example 1

RMID LEVEL	yyy	zzzzz
UW03221	406	9R?+A0?,+7,9R?+A4?,+2B,9R?+A8?,+5
UW08914	406	9R?+A0?,+7,9R?+A4?,+2B,9R?+A8?,+5
UW16891	BC	9R?+A0?,+7,9R?+A4?,+2B,9R?+A8?,+5
HRF2220	5E	9R?+00?,+7,9R?+04?,+2B,9R?+08?,+5
UW21213	60	9R?+00?,+7,9R?+04?,+2B,9R?+08?,+5
HRF2240 to HRF2608	80	9R?+00?,+7,9R?+04?,+2B,9R?+08?,+5
HRF7703	84	9R?+00?,+7,9R?+04?,+2B,9R?+08?,+5
HRF7707	9C	9R?+00?,+7,9R?+04?,+2B,9R?+08?,+5

Because this slip produces GTF records, you need to start GTF ensuring that you use PARM TRACE=SLIP, then use IPCS to format the data with the GTFTRACE IPCS command.

Collecting data

If the preceding steps have been implemented correctly, 'SLIP S+U' entries are generated in the trace records. Under the 'SLIP S+U' heading, locate the 'General Purpose Register Values' line and obtain the value of R15 for each of the 'SLIP S+U' records in the trace output.

R15 can have 5 possible values:

- 0 User or group is authorized to resource.
- 4 Resource is not defined to RACF.
- 8 User or group is not authorized to resource.
- C Resource is not defined to RACF and library is controlled.
- 10 User or group is authorized to resource and program has NOPADCHK attribute.

If the value in R15 is 4, 8, or C, a profile in the PROGRAM class must be defined to protect the program identified by this trace entry. In addition to defining the profile in the PROGRAM class, the PERMIT command must be issued to put users or groups in the access list for program's profile. To rebuild the in-storage profile list, issue the SETROPTS WHEN(PROGRAM) REFRESH command after making changes to the PROGRAM class. This allows the changes to take effect immediately. For more information about defining profiles in the PROGRAM class and creating entries in a conditional access list, see *z/OS Security Server RACF Security Administrator's Guide*.

Note: If the RACF database is being shared with other systems, the SETROPTS REFRESH takes effect only on the system on which it was issued. In this case, the SETROPTS WHEN(PROGRAM) REFRESH must be issued on all the other sharing systems. This allows the PROGRAM class changes to take effect immediately on the other systems as well. An exception occurs when RACF is enabled for sysplex communications.

The information that you need to define the PROGRAM class profile correctly is found in the 'SLIP USR' of the trace record following the 'SLIP S+U' information. If the zzzzz value was set correctly you will see:

```
0008 PROGRAM
002C DATASET.NAME
0006 VOLUME
```

where:

PROGRAM

Is the actual name of the program being loaded as it is known to RACF.

DATASET.NAME

Is the name of the data set from which the program name was loaded.
There are instances where the library name does not show up in the trace.

VOLUME

Is the volume that the data set resides on.

Note: As stated in *z/OS Security Server RACF Security Administrator's Guide*, if a TSO user has executed a non-controlled program during the current session, and then attempts to access a PADS data set, the attempt fails. The TSO user can in some cases temporarily regain a controlled environment by invoking the controlled program through the TSOEXEC command. See "Special consideration when REXX is involved" on page 47 for exceptions to this. When writing a program, you can

do the equivalent by invoking the TSO IKJEFTSR service. This technique can prove extremely useful to users who want to have their programs run from the TSO session, but do not want to protect every program that is executed between logon time and execution of the program intended to access the data set.

Also, program AAOEFTB3 might require protection if the MVS/TSO Dynamic Steplib Facility, program number 5798-DZW, is used while attempting to implement program control in the environment created by TSOEXEC. AAOEFTB3 is normally found in SYS1.LINKLIB.

Trace example 2: There are instances in which the SLIP trace specified in “Trace example 1” on page 45 might not catch all the modules that should be protected. This SLIP should be used with the SLIP trace in “Trace examples” on page 45 if you are still failing with an ABEND 913.

With this trap, it is not necessary to check the value in general register 15. All modules that appear in the trace records need to be protected.

Note: The same module name might appear multiple times in the trace output. Also, you might not see a library name in the trace.

To determine the additional programs that need to be protected use:

```
SLIP SET,IF,ACTION=TRACE,LPAMOD=(ICHRFR00,xxxxx),J=jobname,
TRDATA=(STD,REGS,zzzzz),END
```

Table 16. RMID Levels, yyy and zzzzz Values for Example 2

RMID LEVEL	yyy	zzzzz
UW03221	8A8	9R?+A0?,+7,9R?+A4?,+2B,9R?+A8?,+5
UW08914	8E4	9R?+A0?,+7,9R?+A4?,+2B,9R?+A8?,+5
UW16891	D2	9R?+A0?,+7,9R?+A4?,+2B,9R?+A8?,+5
HRF2220	76	9R?+00?,+7,9R?+04?,+2B,9R?+08?,+5
UW21213	78	9R?+00?,+7,9R?+04?,+2B,9R?+08?,+5
HRF2240 to HRF2608	98	9R?+00?,+7,9R?+04?,+2B,9R?+08?,+5
HRF7703	9C	9R?+00?,+7,9R?+04?,+2B,9R?+08?,+5
HRF7707	B4	9R?+00?,+7,9R?+04?,+2B,9R?+08?,+5

As with the previous TRACE, you need to run an AMBLIST of ICHRFR00 to determine the offset of ICHRCP00. Also, GTF must be started with TRACE=SLIP.

Special consideration when REXX is involved

As mentioned previously, the TCB contains a bit that indicates if the current environment is trusted to open a program accessed data set (PADS) or not. This bit, the TCBNCTL, is turned on by RACF when an unprotected and “untrusted” program is loaded into the environment.

The TCB dirty bit can also be turned on by TSO/E itself. If this is the case, none of the RACF traces will catch this. If you issue TSOEXEC pgm_name, which called IRXINIT to create a REXX environment, TSO/E would mark the TCBs on the parallel side “dirty”, if the job-step TCB is “dirty”. If there are any stack-related commands in the REXX exec, TSO/E checks the job-step TCB and marks the parallel side dirty if the job-step dirty bit is on. Examples of stack-related commands are: PUSH, PULL, QUEUE, MAKEBUF.

Collecting data

Even though TSOEXEC creates a “clean” parallel side in a TSOE address space, TSOE can mark the parallel side “dirty” if the REXX exec is being used and depending on what REXX is doing.

Special consideration when using IMS

DFSDLOC0 is an IMS™ module that issued an OPEN. This module is not loaded through Contents Supervisor in which case RACF is not called. You cannot use PROGRAM CONTROL/PADS if DFSDLOC0 is involved.

Obtaining traces on z/OS UNIX System Services

When access to a resource is allowed (or denied) incorrectly, you can obtain more data about the problem by using the RACF SET TRACE command, or with GTF trace. GTF trace must be activated to obtain trace output just before reproducing the problem.

To obtain a trace when access is incorrectly denied, using the RACF SET TRACE command. See “Obtaining trace records using the SET TRACE command” on page 50.

To obtain a trace with GTF trace, the trace must be activated to obtain trace output just before reproducing the problem. You may use this procedure:

1. To start GTF, enter this command:

```
START GTF,TRACE=SLIP
```

2. Set this SLIP trap for callable services:

```
SLIP SET,IF,LPAEP=(IRRRFR10,0,0),ACTION=TRACE,JOBNAME=xxx,  
TRDATA=(STD,REGS,1R?,+100),END
```

where *xxx* is the job name of a batch job or the user ID of an interactive user.

This SLIP trap produces a GTF trace entry each time a RACF callable service is invoked (IRRRFR10 is the module called by the RACF callable service). The trace entry contains the parameter list passed with the RACF callable service request.

3. Run the job that has the access problem (or ask the user to attempt to gain access to the resource again) while GTF is on.
4. Stop GTF after the job has ended or after the user has attempted access.
5. Examine the GTF trace output. See *z/OS MVS IPCS Commands* for more information.

Obtaining information about z/OS UNIX file and directory violations

An error occurs when RACF detects an attempt to specify a z/OS UNIX function for which the user does not have authority. When an ICH408I message is issued, it contains a syscall-name which identifies the z/OS UNIX callable service that invoked RACF. In some cases, the message indicates that you do not have sufficient authority to perform the callable service because it requires superuser authority. Superuser authority is UID 0, or authority to an appropriate FACILITY class or UNIXPRIV class profile. In other cases, the message indicates that you do not have access to a file or a directory, and contains your access intent and allowed access.

This message indicates that you do not have permission to find the file pointed to by path name /u/myuser/path:

```

ICH408I USER(MYUSER ) GROUP(MYGROUP ) NAME(ME)
/u/myuser/path CL(DIRSRCH ) FID(01C7C3E6E5D4E400011E000000000)
INSUFFICIENT AUTHORITY TO LOOKUP
ACCESS INTENT(--X) ACCESS ALLOWED(GROUP ---)
EFFECTIVE UID (0000000023) EFFECTIVE GID (0000000012)

```

The final line of the message indicates the UID and GID upon which RACF has based its decision. The first thing to verify is that the UID and GID are the expected values for the failing user ID. In some cases, the values may not correspond to the actual user ID which performed the function (identified within the message). For example, if you execute a set-uid file, which runs under the authority of the file owner, the UID displayed will be the file owner. In this case, it is the file owner, and not the end user, who lacks authority to the file or directory.

In the message, a syscall-name of LOOKUP or OPEN, a class name of DIRSRCH, and an access intent of X are all indicators that you do not have authority to a directory in the path name.

This lists the permissions encoded by the file permission bits:

r- Read permission

Are you allowed to read the file/directory?

w - Write permission

Are you allowed to write to the file/directory?

x - Execute permission

Are you allowed to execute the file?

x - Lookup permission

Are you allowed to traverse the directory?

Correcting the permissions when access is denied

To correct the permissions, you should do:

- Verify that every directory contained in the path has the execute permission bit set.

Examine the path printed in the message. For every intermediate directory, including the root, issue the command:

```
ls -a1Ld directory-name
```

If the path is: /a/b/c, the commands are:

```

ls -a1Ld /
ls -a1Ld /a
ls -a1Ld /a/b
ls -a1Ld /a/b/c

```

Verify that the execute bits are set by examining the output of those commands and correct, if necessary.

```
chmod +x filename
```

Note: After granting this permission, another ICH408I message may be generated, which although similar, is different in the file ID.

- Use the file ID (FID) printed in the message to determine the exact directory which needs to have permission granted.

Obtain the auditid tool, which will search the file system for a particular file ID contained in the message. The auditid tool can be found on the z/OS UNIX System Services Tools and Toys web site <http://www.ibm.com/systems/z/os/zos/features/unix/bpxa1toy.html>.

Collecting data

List the directory using this command:

```
ls -a1ld directory-name
```

Verify that the execute bits are set by examining the output of this command and correct, if necessary.

```
chmod +x filename
```

Repeat, if necessary, until there are no more violations.

See *z/OS UNIX System Services Programming: Assembler Callable Services Reference* for more information about syscall functions or *z/OS UNIX System Services Planning* for setting up security for files and directories.

Obtaining trace records using the SET TRACE command

The SET TRACE(APPC | NOAPPC | ASID | NOASID | CALLABLE | NOCALLABLE | CLASS | NOCLASS | ALLCLASSES | IFCLASS | NEVERCLASS | DATABASE | NODATABASE | IMAGE | NOIMAGE | JOBNAME | NOJOBNAME | CALLABLE | NOCALLABLE | RACROUTE | NORACROUTE | SYSTEMSSL | USERID | NOUSERID | ALLUSERIDS | IFUSERID | NEVERUSERID | GENERICANCHOR | NOGENERICANCHOR | RRSF | NORRSF) command specifies whether or not Generalized Trace Facility (GTF) records should be created for the specified events. If the TRACE operand is specified, at least one suboperand is required. The record created is EF44 for each trace event. See *z/OS MVS IPCS User's Guide* or *z/OS MVS Diagnosis: Tools and Service Aids* for information about viewing these records.

Note: These records are intended only for diagnosis use when requested by the IBM support center. The format will not be documented.

Attention

Trace records might contain passwords and therefore, trace output data sets should be appropriately protected.

Command tracing

Command tracing can be useful when diagnosing command errors and can be used with any command in *z/OS Security Server RACF Command Language Reference* that supports the AT keyword. It provides a step-by-step history of how the command text is parsed and rebuilt by the RACF command envelope module and can be used to determine which TSO macros are used. It can help determine if the problem is in the command envelope module or the command processor load module and also determine where a failure occurred during command parsing and rebuilding.

To obtain a command trace, do:

1. At the operator console, activate SET TRACE(IMAGE).
2. From a TSO terminal in TSO READY mode or from ISPF Option 6 (Command), do one or more of:
 - Issue a RACF command and append the two characters `-c` (note there's a leading blank between the command and the two characters) to obtain a trace of the command buffer. This keyword is the most useful and is recommended over the others.
 - Issue a RACF command and append the two characters `-t` (note there's a leading blank between the command and the two characters) to obtain a

trace of the TSO macros used during the parsing of the RACF command and to obtain a trace of the command buffer.

- Issue a RACF command and append the two characters *-n* (note there's a leading blank between the command and the two characters) to not run the command.
3. Output is sent to the user's TSO terminal.

Note:

1. The three characters that are added to the end of the command must be entered exactly as shown and in lowercase letters only. That is, the command image must be followed by one blank space, either *-c*, *-t*, or *-n* and no trailing blanks.
2. Each of these keywords does one thing, but can be issued on the same command together to get multiple results. For example, *-c -n* would trace, but not run the command.
3. If you front-end commands, ensure that this information about the command buffer is passed to RACF:
 - The command alias name (for example, *AG*, *ADDGROUP*, and so on) is still the first thing in the buffer
 - The *-c*, *-t*, and *-n* are the last characters in the buffer (with no trailing blanks).
4. Do not use the common command exit, *IRREVSX01*, to put trace characters in the command buffer. Doing this causes a parse error.

See “Front-ending RACF commands” on page 245 for additional information about front-ending RACF commands.

Example of command tracing: Command tracing would be helpful in this example. You entered the command, *ALTUSER MURPHY DATA('PRESIDENT - CATSKILL DIVISION')*, and the command seemed to run, but the installation data field was not updated. By reissuing the command with the *-c* appended to the end of it, *ALTUSER MURPHY DATA('PRESIDENT - CATSKILL DIVISION') -c*, (note the leading blank between the command and the two characters) you can quickly determine if the RACF command envelope module parsed and rebuilt the command image properly before invoking the *ALTUSER* command processor module.

The command envelope module does multiple parses and rebuilds of the RACF command. If the traced image has the correct installation data, the problem exists in the command processor or some deeper level of RACF. If the traced image does not have the correct installation data, you isolated the problem to the command envelope module.

Figure 1 on page 52 shows the command:

```
ALTUSER MURPHY DATA('PRESIDENT - CATSKILL DIVISION') -c
```

being issued, traced, and rebuilt correctly with all the proper keywords. Therefore, the problem must exist in the command processor or some deeper level of RACF.

Collecting data

```
IRRV099I <ALU>
IRRV099I <ALU>
IRRV099I <ALU>
IRRV099I <ALU      (>
IRRV099I <ALU      (MURPHY>
IRRV099I <ALU      (MURPHY)>
IRRV099I <ALU      (MURPHY)>
IRRV099I <ALU      (MURPHY) DATA>
IRRV099I <ALU      (MURPHY) DATA(>
IRRV099I <ALU      (MURPHY) DATA('>
IRRV099I <ALU      (MURPHY) DATA('PRESIDENT - CATSKILL DIVISION>
IRRV099I <ALU      (MURPHY) DATA('PRESIDENT - CATSKILL DIVISION'>
IRRV099I <ALU      (MURPHY) DATA('PRESIDENT - CATSKILL DIVISION'>
IRRV099I <ALU      (MURPHY) DATA('PRESIDENT - CATSKILL DIVISION' )>
IRRV099I <ALU>
IRRV099I <ALU>
IRRV099I <ALU>
IRRV099I <ALU      (>
IRRV099I <ALU      (MURPHY>
IRRV099I <ALU      (MURPHY)>
IRRV099I <ALU      (MURPHY)>
IRRV099I <ALU      (MURPHY) DATA>
IRRV099I <ALU      (MURPHY) DATA(>
IRRV099I <ALU      (MURPHY) DATA('>
IRRV099I <ALU      (MURPHY) DATA('PRESIDENT - CATSKILL DIVISION>
IRRV099I <ALU      (MURPHY) DATA('PRESIDENT - CATSKILL DIVISION'>
IRRV099I <ALU      (MURPHY) DATA('PRESIDENT - CATSKILL DIVISION'>
IRRV099I <ALU      (MURPHY) DATA('PRESIDENT - CATSKILL DIVISION' )>
```

Figure 1. Trace Output Showing a Problem in the Command Processor or RACF

Tracing GENERICANCHOR

GENERICANCHOR specifies that tracing is to be in effect for generic anchor loading events. When RACF creates a new generic anchor list for an applicable job, it records a trace record providing the HLQ or class name of the profile list it is creating, the number of profile names in the list, the number of anchors present for the job, and, if applicable, the HLQ or class name for the list that RACF is replacing. Tracing occurs for jobs selected based on the ASID (or ALLASIDS), JOBNAME (or ALLJOBNAMES), or USER ID (or ALLUSERIDS, IFUSERID) keywords.

NOGENERICANCHOR specifies that RACF should not trace generic anchor loading events.

Tracing the R_admin callable service

RACF provides a component trace ability for the R_admin callable service. To activate this trace, start GTF specifying TRACE=USR, and issue the RACF SET TRACE(IMAGE) command. When tracing of IMAGE events is active, the R_admin callable service records a snapshot of the input data it receives in GTF records, including:

- The function-specific parameter list containing segment and field data
- The caller's jobname, ASID, PSW, and ASCB address

It also logs, in a separate record:

- The return code
- The reason code
- The output messages

Tracing the Callable Services, RACROUTE, and RACF Database Manager Request calls

RACF provides a trace facility that will allow tracing Racroutes, Callable Services, and RACF Database Manager Requests. When tracing these services, the trace routine will copy the parameter lists into a GTF record before and after the function executes. IPCS is used to view the trace data. To obtain these traces:

1. Start the GTF using the GTFRACF Figure 2 on page 54 or other procedure:
START GTFRACF.GTF,, ,NOPROMPT
2. Use the SET command to enable your trace:
@SET TRACE(RACROUTE(TYPE(5)) JOBNAME(IBMUSER))
3. Reproduce the scenario that you want. For example start batch job, login, start application, use CICS® application or access resource.
4. Next stop GTF to prevent excessive traces:
STOP GTF
5. Use IPCS to view the trace data. The input trace data is contained in the data set specified on the IEFRDER DD card in the GTFRACF (or other) procedure. The sample GTFRACF procedure specifies 'SYS1.TRACE'. Once the TSO IPCS session is active the IPCS subcommand 'IP GTF USR' may be used to display the formatted trace.

Note: The SET TRACE command sets data in the IRRSAFT control block, see Appendix B, "The Security Product Trace Area (SAFT)," on page 261. This information can be used by IBM support to help diagnosis SAF TRACE problems.

Performance Considerations:

- Security as implemented on the OS/390, z/OS platform includes many calls to the security product. This trace facility can adversely affect system performance by adding to the path length associated with performance sensitive security functions. This trace should only be used as a debugging aid. Caution should be exercised when designing the trace (as with any other trace) to impose the least performance penalty. For example, if the address space ID or jobname is known, use these to restrict the scope of the trace.

Usage hints:

- RACF database contention
 - The scope of RACF database serialization is dependent on the RACF database manager parameter list. Set up a trace for Manager ALTER requests on the specific ASID indicated using GRS contention displays. Examine the trace records to find out what RACF is changing in the database so frequently.
 - When applications specify subsystem and requestor information, this will be contained in the trace record header. You can determine who is issuing the security function.

Collecting data

```
//GTFRACF PROC MEMBER=GTFFPRM#0
//BR14 EXEC PGM=IEFBR14,REGION=512K
//SYSPRINT DD SYSOUT=*
//D DD DISP=(OLD,DELETE),UNIT=3380,VOL=SER=TEMP01,
// DSN=SYS1.TRACE
//IEFPROC EXEC PGM=AHLGTF,PARM='MODE=EXT,DEBUG=NO,SA=100K,AB=100K',
// REGION=2880K,TIME=NOLIMIT
//IEFRDOR DD DSN=SYS1.TRACE,UNIT=3380,VOL=SER=TEMP01,
// DISP=(NEW,CATLG),SPACE=(TRK,(100))
//SYSLIB DD DSN=RACFDRVR.PARMLIB.R6(&MEMBER),DISP=SHR
```

Figure 2. Sample Proc 1: GTFRACF

```
TRACE=USRP
USR=(F44),END
```

Figure 3. Sample Parmlib Member: GTFFPRM#0

Reading a trace output: The trace output formatted by IPCS is split into 3 main areas. The first area contains common information for all services. For example, the caller's information and return codes. The parameter lists and unloaded parameters are found in the second area. The third area is a complete hex dump of the entire GTF record which includes the header information, parameter lists and all of the parameters that were unloaded.

For RACROUTE requests' there are two parameter lists. The first one is the SAF parameter list mapped by ICHSAFP. The second parameter list is mapped by the specific RACROUTE type parameter list. These are described in *z/OS Security Server RACF Data Areas*. The parameter lists for Callable Services can be found in *z/OS Security Server RACF Callable Services*. For Manager calls, see the Diagnosis Guide for the Manager parameter list mapping.

Following the parameter lists are the parameters that are unloaded. Not all parameters are unloaded. Before most parameters are unloaded, there are extra entries that say OFFSET##. This is for informational purposes to let you know that the following parameter is at offset ## in the parameter list. This helps determine what parameter you are examining.

Due to nesting of some services PRE and POST trace records might not be in sequential order. For example, one might see two PRE calls and then two POST calls.

Explaining trace header information:

Trace identifier

SAFTRACE Record type 54.

Record eyecatcher

Eyecatcher for the SAFTRACE record type: RTRACE.

Trace type

Identifies what trace this is. Types are OMVS for callable services, MNGR for manager calls, or RACF for RACROUTE traces. These types are followed by PRE or POST to indicate the record pertains to a pre-function trace or post-function trace.

Ending sequence

This will contain a unique identifier in the case of the trace record exceeded the maximum size. In case of an abend during the trace, it will contain RECOVERY. Ending sequences indicate a problem occurred during

trace capture. If you find these, it is indicative of a problem with the parameter list built by the caller of the function.

Calling address

Address of the caller. This is useful along with a dump of the address space when determining the caller of the service in question. It may not be possible to determine the caller of the function using the Request/Subsystem (when available).

Requestor/Subsystem

Caller's SAFPREQR and SAFPSUBS as specified on RACROUTE.

Primary jobname

Primary jobname.

Primary asid

Primary ASID.

Primary ACEEP

Primary ASID related ACEE pointer, as indicated in ASXBSENV.

Home jobname

Home Jobname.

Home asid

Home ASID.

Home ACEEP

Home ASID related ACEE pointer as indicated in the home address space ASXBSENV field.

Task address

TCB pointer of current task.

Time Time stamp.**Error class**

Possible Security product resource class name in error.

Service number

Service number for Callable service or RACROUTE. (See Table 17 and Table 18 on page 57 for supported services).

RACF Return code

RACF Return Code.

RACF Reason code

RACF Reason Code.

Return area address

Address of data returned by the function. When used with a dump of an address space, storage creep problems can be isolated to the application.

Parameter count

Number of parameters that were captured. Note, this is not the number of parameters in the parmlist, but rather the number of parameters which were collected.

Tables:

Table 17. Callable services type numbers

CALLABLE SERVICE	Service Number or TYPE (HEX)	Service Number or TYPE (DECIMAL)
------------------	---------------------------------	-------------------------------------

Collecting data

Table 17. Callable services type numbers (continued)

IRRSIU00	1	1
IRRSDU00	2	2
IRRSMF00	3	3
Reserved	4	4
IRRSMM00	5	5
IRRSKA00	6	6
IRRSKP00	7	7
IRRSUM00	8	8
IRRSGM00	9	9
IRRS GG00	A	10
IRRSU00	B	11
IRRS EU00	C	12
IRRS SG00	D	13
IRRS EG00	E	14
IRRS CO00	F	15
IRRS CF00	10	16
IRRS CA00	11	17
IRRS EX00	12	18
IRRS AU00	13	19
IRRS KO00	14	20
IRRS QS00	15	21
IRRS QF00	16	22
IRRS CS00	17	23
IRRS KF00	18	24
IRRS MR00	19	25
IRRS PT00	1A	26
IRRS UG00	1B	27
IRRS FK00	1C	28
IRRS M100	1D	29
IRRS K100	1E	30
IRRS C100	1F	31
IRRS C200	20	32
IRRS GE00	21	33
IRRS D100	22	34
IRRS DK00	23	35
IRRS UD00	24	36
IRRS DA00	25	37
IRRS IA00	26	38
IRRS EQ00*	27	39
IRRS IM00	28	40
IRRS DL00	29	41

Table 17. Callable services type numbers (continued)

IRRSMK00	2A	42
IRRSPK00	2B	43
IRRSPX00	2C	44
IRRSCH00	2D	45
IRRSFY00	2E	46
IRRSCL00	2F	47
IRRSSB00	30	48
IRRSWP00	31	49
IRRSGS00	32	50
IRRSAX00	33	51
IRRSFI00	34	52
IRRSFS00	35	53

Note: Callable Service IRRSEQ00, R_Admin, has its own trace facility.

Table 18. RACROUTE CALL= service type number

RACROUTE CALL=	Service / Type Number in Hex	Service / Type Number in Decimal
AUTH	1	1
FASTAUTH	2	2
LIST	3	3
DEFINE	4	4
VERIFY	5	5
EXTRACT	6	6
DIRAUTH	7	7
TOKENMAP	8	8
VERIFYX	9	9
TOKENXTR	A	10
TOKENBLD	B	11
EXTRACT, BR=YES	C	12
AUDIT	D	13
STAT	E	14
SIGNON	F	15
TOKENMAP, XMEM	10	16
TOKENXTR, XMEM	11	17

Examples of trace output: When an ACEE is dumped in the trace record, the associated ACEX, USP, and TOKEN are also dumped with it.

Callable Service: This is an example of SAF trace output for the R_dceauth Callable Service (service type 37) PRE and POST entries.

```
**** GTFTRACE DISPLAY OPTIONS IN EFFECT ****
USR=ALL
```

Collecting data

**** GTF DATA COLLECTION OPTIONS IN EFFECT: ****
USRP option

**** GTF TRACING ENVIRONMENT ****
Release: SP7.0.3 FMID: HBB7706 System name: RACFR13
CPU Model: 4381 Version: FF Serial no. 111515

USR57 F44 ASCB 00FA9500 JOBN J23DC002

Following is a formatted R_TRACE record.
This trace record was generated by IRRTRC00 with IDENT(R_TRACE).

Trace Identifier: 00000036
Record Eyecatcher: RTRACE
Trace Type: OMVSPRE
Ending Sequence:
Calling address: 00000000 8B000BAE
Requestor/Subsystem:
Primary jobname: J23DC002
Primary asid: 0000012E
Primary ACEEP: 00000000 006F6700
Home jobname: J23DC002
Home asid: 0000012E
Home ACEEP: 00000000 006F6700
Task address: 00000000 006F6B00
Task ACEEP: 00000000 00000000
Time: B570BA31 042B3327
Error class:
Service number: 00000025
RACF Return code: 00000000
RACF Reason code: 00000000
Return area address: 00000000 00000000
Parameter count: 00000025

Area length: 00000040

Area value:
0B001B2C 0B0016EC 0B0016F0 0B0016EC |0.... |
0B0016F4 0B0016EC 0B0016F8 0B001700 | ...4.....8.... |
0B0016EC 0B0019A1 0B0019C5 0B0019E9 |~...E...Z |
0B0019F2 0B001AE8 0B001704 0B001706 | ..2...Y..... |

Area length: 00000008

Area value:
D6C6C6E2 C5E30004 | OFFSET.. |

Area length: 00000004

Area value:
00000000 | |

Area length: 00000008

Area value:
D6C6C6E2 C5E30008 | OFFSET.. |

Area length: 00000004

Area value:
00000000 | |

Area length: 00000008

```

Area value:
D6C6C6E2 C5E3000C          | OFFSET..          |
Area length:                00000004
Area value:
00000000                    | ....             |
Area length:                00000008
Area value:
D6C6C6E2 C5E30010          | OFFSET..          |
Area length:                00000004
Area value:
00000000                    | ....             |
Area length:                00000008
Area value:
D6C6C6E2 C5E30014          | OFFSET..          |
Area length:                00000004
Area value:
00000000                    | ....             |
Area length:                00000008
Area value:
D6C6C6E2 C5E30018          | OFFSET..          |
Area length:                00000004
Area value:
00000000                    | ....             |
Area length:                00000008
Area value:
D6C6C6E2 C5E3001C          | OFFSET..          |
Area length:                00000004
Area value:
7FFF5268                    | "...             |
Area length:                000000A8
Area value:
C1C3C5C5 FF0000A8 02000000 00000000 | ACEE...y..... |
00000000 05C8D6D5 C4C14040 4004E2E8 | .....HONDA .SY |
E2F14040 40400101 0001054F 40404040 | S1 ..... |
40404040 00000000 00000000 00000000 | ..... |
40404040 40404040 00000000 00000000 | ..... |
00000000 00000000 40404040 40404040 | ..... |
00000000 7FFD3258 00000000 0101054F | ..... |
00000000 00A00000 00000000 00000000 | ..... |
00000000 00000000 7FFD3290 00000000 | ..... "..... |
00000000 7FFD3968          | ..... "..... |
Area length:                00000050
Area value:
50010000 0000C000 00000000 00000000 | &.....{..... |

```

Collecting data

```

00000000 00000000 00000000 00000000 | ..... |
00000000 00000000 00000000 00000000 | ..... |
00000000 00000000 00000000 00000000 | ..... |
C8D6D5C4 C1404040 E2E8E2F1 40404040 | HONDA SYS1 |

```

Area length: 00000090

```

Area value:
C1C3C5E7 03000000 00000000 00000000 | ACEX..... |
00000000 00000000 00000000 00000000 | ..... |
00000000 00000024 7FFD3000 00000000 | .....". |
00000000 00000000 00000000 00000000 | ..... |
00000000 00000000 00000000 00000000 | ..... |
00000000 00000000 00000000 00000000 | ..... |
00000000 00000000 00000000 00000000 | ..... |
00000000 00000000 00000000 00000000 | ..... |
00000000 00000000 00000000 00000000 | ..... |

```

Area length: 00000008

```

Area value:
D6C6C6E2 C5E30020 | OFFSET.. |

```

Area length: 00000004

```

Area value:
00000000 | .... |

```

Area length: 00000008

```

Area value:
D6C6C6E2 C5E30024 | OFFSET.. |

```

Area length: 00000024

```

Area value:
81828384 85868182 60838485 86608182 | abcdefab-cdef-ab |
838460F1 F1818160 F4F5F4F5 F4F5F4F5 | cd-11aa-45454545 |
F4F5F4F5 | 4545 |

```

Area length: 00000008

```

Area value:
D6C6C6E2 C5E30028 | OFFSET.. |

```

Area length: 00000024

```

Area value:
81828384 85868182 60838485 8660F2F3 | abcdefab-cdef-23 |
F3F260F1 F1818160 F4F5F4F5 F4F5F4F5 | 32-11aa-45454545 |
F4F5F4F5 | 4545 |

```

Area length: 00000008

```

Area value:
D6C6C6E2 C5E3002C | OFFSET.. |

```

Area length: 00000006

```

Area value:
05C8D6D5 C4C1 | .HONDA |

```

Area length: 00000008

```

Area value:
D6C6C6E2 C5E30030 | OFFSET.. |

```

```

Area length:          00000008

Area value:
C6C1C3C9 D3C9E3E8          | FACILITY          |

Area length:          00000008

Area value:
D6C6C6E2 C5E30034          | OFFSET..          |

Area length:          00000006

Area value:
D7D9D6E3 E6D6              | PROTWO            |

Area length:          00000008

Area value:
D6C6C6E2 C5E30038          | OFFSET..          |

Area length:          00000002

Area value:
0006                        | ..                |

Area length:          00000008

Area value:
D6C6C6E2 C5E3003C          | OFFSET..          |

Area length:          00000001

Area value:
04                          | .                 |

Area length:          000000A8

Area value:
C1C3C5C5 FF0000A8 02000000 00000000 | ACEE...y..... |
00000000 07C9C2D4 E4E2C5D9 4004E2E8 | ....IBMUSER .SY |
E2F14040 4040A110 0001054F 40404040 | S1  ~...| |
40404040 00000000 00000000 00000000 | ..... |
40404040 40404040 00000000 00000000 | ..... |
00000000 00000000 40404040 40404040 | ..... |
00000000 006F67A8 00000000 00000000 | .....?.y..... |
00000000 006F67C0 00000000 0101054F | .....?.{.....| |
00000000 00200000 00000000 00000000 | ..... |
00000000 006F6888          | .....?.h        |

Area length:          00000050

Area value:
50010207 0003C000 00000000 00000000 | &.....{..... |
D7D6D2E5 D4D4C3D3 C9C2D4E4 E2C5D940 | POKVMMCLIBMUSER |
D7D6D2E5 D4D4C3D3 E2E8E2F1 40404040 | POKVMMCLSYS1 |
C9D5E3D9 C4D94040 00000000 00000000 | INTRDR ..... |
C9C2D4E4 E2C5D940 E2E8E2F1 40404040 | IBMUSER SYS1 |

Area length:          00000090

Area value:
C1C3C5E7 03000000 00FAB6F8 00000000 | ACEX.....8.... |
00000000 00000000 00000000 00000000 | ..... |
00000000 00000024 006F68D8 00000000 | .....?.Q.... |
00000000 00000000 00000000 00000000 | ..... |
00000000 00000000 00000000 00000000 | ..... |
00000000 00000000 00000000 00000000 | ..... |

```

Collecting data

```
00000000 00000000 00000000 00000000 | .....
00000000 00000000 00000000 00000000 | .....
00000000 00000000 00000000 00000000 | .....
```

Hexadecimal dump of record follows:

+0000	00000036	D9E3D9C1	C3C54040	D6D4E5E2	...RTRACE OMVS
+0010	D7D9C540	00000000	00000000	00000000	PRE
+0020	00000000	00000000	00000000	8B000BAE
+0030	00000000	00000000	00000000	00000000
+0040	00000000	00000000	006F6B00	00FA9500?,...n.
+0050	00FA9500	0000012E	0000012E	D1F2F3C4	...n.....J23D
+0060	C3F0F0F2	D1F2F3C4	C3F0F0F2	006F6700	C002J23DC002.?.?
+0070	006F6700	00000000	B570BA31	042B3327	.?.....
+0080	00000000	00000000	00000025	00000025
+0090	00000040	0B001B2C	0B0016EC	0B0016F00
+00A0	0B0016EC	0B0016F4	0B0016EC	0B0016F84.....8
+00B0	0B001700	0B0016EC	0B0019A1	0B0019C5~...E
+00C0	0B0019E9	0B0019F2	0B001AE8	0B001704	...Z...2...Y...
+00D0	0B001706	00000008	D6C6C6E2	C5E30004OFFSET..
+00E0	00000004	00000000	00000008	D6C6C6E2OFFS
+00F0	C5E30008	00000004	00000000	00000008	ET.....
+0100	D6C6C6E2	C5E3000C	00000004	00000000	OFFSET.....
+0110	00000008	D6C6C6E2	C5E30010	00000004	...OFFSET.....
+0120	00000000	00000008	D6C6C6E2	C5E30014OFFSET..
+0130	00000004	00000000	00000008	D6C6C6E2OFFS
+0140	C5E30018	00000004	00000000	00000008	ET.....
+0150	D6C6C6E2	C5E3001C	00000004	7FFF5268	OFFSET....."
+0160	000000A8	C1C3C5C5	FF0000A8	02000000	...yACEE...y...
+0170	00000000	00000000	05C8D6D5	C4C14040HONDA
+0180	4004E2E8	E2F14040	40400101	0001054F	.SYS1
+0190	40404040	40404040	00000000	00000000
+01A0	00000000	40404040	40404040	00000000
+01B0	00000000	00000000	00000000	40404040
+01C0	40404040	00000000	7FFF5000	00000000"&.....
+01D0	00000000	00000000	7FFD3258	00000000"
+01E0	0101054F	00000000	00A00000	00000000
+01F0	00000000	00000000	00000000	7FFD3290"
+0200	00000000	00000000	7FFD3968	00000050"&.....&
+0210	50010000	0000C000	00000000	00000000	&.....{.....
+0220	00000000	00000000	00000000	00000000
+0230	00000000	00000000	00000000	00000000
+0240	00000000	00000000	00000000	00000000
+0250	C8D6D5C4	C1404040	E2E8E2F1	40404040	HONDA SYS1
+0260	00000090	C1C3C5E7	03000000	00000000ACEX.....
+0270	00000000	00000000	00000000	00000000
+0280	00000000	00000000	00000024	7FFD3000"
+0290	00000000	00000000	00000000	00000000
+02A0	00000000	00000000	00000000	00000000
+02B0	00000000	00000000	00000000	00000000
+02C0	00000000	00000000	00000000	00000000
+02D0	00000000	00000000	00000000	00000000
+02E0	00000000	00000000	00000000	00000000
+02F0	00000000	00000008	D6C6C6E2	C5E30020OFFSET..
+0300	00000004	00000000	00000008	D6C6C6E2OFFS
+0310	C5E30024	00000024	81828384	85868182	ET.....abcdefab
+0320	60838485	86608182	838460F1	F1818160	-cdef-abcd-11aa-
+0330	F4F5F4F5	F4F5F4F5	F4F5F4F5	00000008	454545454545....
+0340	D6C6C6E2	C5E30028	00000024	81828384	OFFSET.....abcd
+0350	85868182	60838485	8660F2F3	F3F260F1	efab-cdef-2332-1
+0360	F1818160	F4F5F4F5	F4F5F4F5	F4F5F4F5	1aa-454545454545
+0370	00000008	D6C6C6E2	C5E3002C	00000006OFFSET.....
+0380	05C8D6D5	C4C10000	0008D6C6	C6E2C5E3	.HONDA...OFFSET
+0390	00300000	0008C6C1	C3C9D3C9	E3E80000FACILITY..
+03A0	0008D6C6	C6E2C5E3	00340000	0006D7D9	..OFFSET.....PR
+03B0	D6E3E6D6	00000008	D6C6C6E2	C5E30038	OTWO...OFFSET..
+03C0	00000002	00060000	0008D6C6	C6E2C5E3OFFSET
+03D0	003C0000	00010400	0000A8C1	C3C5C5FFyACEE..


```

+03E0 0000A802 00000000 00000000 00000007 |..y.....|
+03F0 C9C2D4E4 E2C5D940 04E2E8E2 F1404040 |IBMUSER .SYS1|
+0400 40A11000 01054F40 40404040 40404000 |~...|. |
+0410 00000000 00000000 00000040 40404040 |.....|
+0420 40404000 00000000 00000000 00000000 |.....|
+0430 00000040 40404040 40404000 00000000 |... ..|
+0440 6F67A800 00000000 00000000 00000000 |?.y.....|
+0450 6F67C000 00000001 01054F00 00000000 |?.{.....|. |
+0460 20000000 00000000 00000000 00000000 |.....|
+0470 00000000 6F67F800 00000000 00000000 |...?.8.....|
+0480 6F688800 00005050 01020700 03C00000 |?.h...&.....{|
+0490 00000000 000000D7 D6D2E5D4 D4C3D3C9 |.....POKVMMLI|
+04A0 C2D4E4E2 C5D940D7 D6D2E5D4 D4C3D3E2 |BMUSER POKVMMLI|
+04B0 E8E2F140 404040C9 D5E3D9C4 D9404000 |YS1 INTRDR .|
+04C0 00000000 000000C9 C2D4E4E2 C5D940E2 |.....IBMUSER S|
+04D0 E8E2F140 40404000 000090C1 C3C5E703 |YS1 ....ACEX.|
+04E0 00000000 FAB6F800 00000000 00000000 |.....8.....|
+04F0 00000000 00000000 00000000 00000000 |.....|
+0500 00002400 6F68D800 00000000 00000000 |...?.Q.....|
+0510 00000000 00000000 00000000 00000000 |.....|
+0520 00000000 00000000 00000000 00000000 |.....|
+0530 00000000 00000000 00000000 00000000 |.....|
+0540 00000000 00000000 00000000 00000000 |.....|
+0550 00000000 00000000 00000000 00000000 |.....|
+0560 00000000 00000000 00000000 00000000 |.....|

```

GMT-02/23/2001 15:50:35.825866 LOC-02/23/2001 11:50:35.825866

USR57 F44 ASCB 00FA9500

JOBN J23DC002

Following is a formatted R_TRACE record.

This trace record was generated by IRRTRC00 with IDENT(R_TRACE).

```

Trace Identifier:          00000036
Record Eyecatcher:       RTRACE
Trace Type:              OMVSP0ST
Ending Sequence:         .....
Calling address:         00000000 8B000BAE
Requestor/Subsystem:     .....
Primary jobname:         J23DC002
Primary asid:            0000012E
Primary ACEEP:           00000000 006F6700
Home jobname:            J23DC002
Home asid:                0000012E
Home ACEEP:              00000000 006F6700
Task address:            00000000 006F6B00
Task ACEEP:              00000000 00000000
Time:                    B570BA31 24A9A94B
Error class:             .....
Service number:          00000025
RACF Return code:        00000000
RACF Reason code:        00000000
Return area address:     00000000 00000000
Parameter count:         00000025

```

Area length: 00000040

Area value:

```

0B001B2C 0B0016EC 0B0016F0 0B0016EC | .....0....|
0B0016F4 0B0016EC 0B0016F8 0B001700 | ...4.....8....|
0B0016EC 0B0019A1 0B0019C5 0B0019E9 | .....~...E...Z|
0B0019F2 0B001AE8 0B001704 0B001706 | ...2...Y.....|

```

Area length: 00000008

Area value:

Collecting data

```
D6C6C6E2 C5E30004          | OFFSET..          |
Area length:                00000004
Area value:
00000000                    | ....             |
Area length:                00000008
Area value:
D6C6C6E2 C5E30008          | OFFSET..          |
Area length:                00000004
Area value:
00000000                    | ....             |
Area length:                00000008
Area value:
D6C6C6E2 C5E3000C          | OFFSET..          |
Area length:                00000004
Area value:
00000000                    | ....             |
Area length:                00000008
Area value:
D6C6C6E2 C5E30010          | OFFSET..          |
Area length:                00000004
Area value:
00000000                    | ....             |
Area length:                00000008
Area value:
D6C6C6E2 C5E30014          | OFFSET..          |
Area length:                00000004
Area value:
00000000                    | ....             |
Area length:                00000008
Area value:
D6C6C6E2 C5E30018          | OFFSET..          |
Area length:                00000004
Area value:
00000000                    | ....             |
Area length:                00000008
Area value:
D6C6C6E2 C5E3001C          | OFFSET..          |
Area length:                00000004
Area value:
7FFF5268                    | "...             |
```

```

Area length:                000000A8

Area value:
C1C3C5C5 FF0000A8 02000000 00000000 | ACEE...y..... |
00000000 05C8D6D5 C4C14040 4004E2E8 | .....HONDA .SY |
E2F14040 40400101 0001054F 40404040 | S1 ..... |
40404040 00000000 00000000 00000000 | ..... |
40404040 40404040 00000000 00000000 | ..... |
00000000 00000000 40404040 40404040 | ..... |
00000000 7FFF5000 00000000 00000000 | .....&..... |
00000000 7FFD3258 00000000 0101054F | ..... |
00000000 00A00000 00000000 00000000 | ..... |
00000000 00000000 7FFD3290 00000000 | ..... |
00000000 7FFD3968 00000000 00000000 | ..... |

```

```

Area length:                00000050

Area value:
50010000 0000C000 00000000 00000000 | &.....{..... |
00000000 00000000 00000000 00000000 | ..... |
00000000 00000000 00000000 00000000 | ..... |
00000000 00000000 00000000 00000000 | ..... |
C8D6D5C4 C1404040 E2E8E2F1 40404040 | HONDA SYS1 |

```

```

Area length:                00000090

Area value:
C1C3C5E7 03000000 00000000 00000000 | ACEX..... |
00000000 00000000 00000000 00000000 | ..... |
00000000 00000024 7FFD3000 00000000 | ..... |
00000000 00000000 00000000 00000000 | ..... |
00000000 00000000 00000000 00000000 | ..... |
00000000 00000000 00000000 00000000 | ..... |
00000000 00000000 00000000 00000000 | ..... |
00000000 00000000 00000000 00000000 | ..... |
00000000 00000000 00000000 00000000 | ..... |

```

```

Area length:                00000008

Area value:
D6C6C6E2 C5E30020 | OFFSET.. |

```

```

Area length:                00000004

Area value:
00000000 | .... |

```

```

Area length:                00000008

Area value:
D6C6C6E2 C5E30024 | OFFSET.. |

```

```

Area length:                00000024

Area value:
81828384 85868182 60838485 86608182 | abcdefab-cdef-ab |
838460F1 F1818160 F4F5F4F5 F4F5F4F5 | cd-11aa-45454545 |
F4F5F4F5 | 4545 |

```

```

Area length:                00000008

Area value:
D6C6C6E2 C5E30028 | OFFSET.. |

```

```

Area length:                00000024

Area value:

```

Collecting data

```

81828384 85868182 60838485 8660F2F3 | abcdefab-cdef-23 |
F3F260F1 F1818160 F4F5F4F5 F4F5F4F5 | 32-11aa-45454545 |
F4F5F4F5 | 4545 |

Area length: 00000008

Area value:
D6C6C6E2 C5E3002C | OFFSET.. |

Area length: 00000006

Area value:
05C8D6D5 C4C1 | .HONDA |

Area length: 00000008

Area value:
D6C6C6E2 C5E30030 | OFFSET.. |

Area length: 00000008

Area value:
C6C1C3C9 D3C9E3E8 | FACILITY |

Area length: 00000008

Area value:
D6C6C6E2 C5E30034 | OFFSET.. |

Area length: 00000006

Area value:
D7D9D6E3 E6D6 | PROTWO |

Area length: 00000008

Area value:
D6C6C6E2 C5E30038 | OFFSET.. |

Area length: 00000002

Area value:
0006 | .. |

Area length: 00000008

Area value:
D6C6C6E2 C5E3003C | OFFSET.. |

Area length: 00000001

Area value:
04 | . |

Area length: 000000A8

Area value:
C1C3C5C5 FF0000A8 02000000 00000000 | ACEE...y..... |
00000000 07C9C2D4 E4E2C5D9 4004E2E8 | .....IBMUSER .SY |
E2F14040 4040A110 0001054F 40404040 | S1 ~....| |
40404040 00000000 00000000 00000000 | ..... |
40404040 40404040 00000000 00000000 | ..... |
00000000 00000000 40404040 40404040 | ..... |
00000000 006F67A8 00000000 00000000 | .....?y..... |
00000000 006F67C0 00000000 0101054F | .....?{.....| |
00000000 00200000 00000000 00000000 | ..... |
00000000 00000000 006F67F8 00000000 | .....?.8.... |

```

```
00000000 006F6888 | .....?.h |
Area length:          00000050
Area value:
50010207 0003C000 00000000 00000000 | &.....{..... |
D7D6D2E5 D4D4C3D3 C9C2D4E4 E2C5D940 | POKVMMCLIBMUSER |
D7D6D2E5 D4D4C3D3 E2E8E2F1 40404040 | POKVMMCLSYS1 |
C9D5E3D9 C4D94040 00000000 00000000 | INTRDR ..... |
C9C2D4E4 E2C5D940 E2E8E2F1 40404040 | IBMUSER SYS1 |
```

```
Area length:          00000090
Area value:
C1C3C5E7 03000000 00FAB6F8 00000000 | ACEX.....8.... |
00000000 00000000 00000000 00000000 | ..... |
00000000 00000024 006F68D8 00000000 | .....?.Q.... |
00000000 00000000 00000000 00000000 | ..... |
00000000 00000000 00000000 00000000 | ..... |
00000000 00000000 00000000 00000000 | ..... |
00000000 00000000 00000000 00000000 | ..... |
00000000 00000000 00000000 00000000 | ..... |
00000000 00000000 00000000 00000000 | ..... |
```

Hexadecimal dump of record follows:

```
+0000 00000036 D9E3D9C1 C3C54040 D6D4E5E2 | ....RTRACE OMVS |
+0010 D7D6E2E3 00000000 00000000 00000000 | POST..... |
+0020 00000000 00000000 00000000 8B000BAE | ..... |
+0030 00000000 00000000 00000000 00000000 | ..... |
+0040 00000000 00000000 006F6B00 00FA9500 | .....?....n. |
+0050 00FA9500 0000012E 0000012E D1F2F3C4 | ..n.....J23D |
+0060 C3F0F0F2 D1F2F3C4 C3F0F0F2 006F6700 | C002J23DC002?.. |
+0070 006F6700 00000000 B570BA31 24A9A94B | .?.....zz. |
+0080 00000000 00000000 00000025 00000025 | ..... |
+0090 00000040 0B001B2C 0B0016EC 0B0016F0 | .. .....0 |
+00A0 0B0016EC 0B0016F4 0B0016EC 0B0016F8 | .....4.....8 |
+00B0 0B001700 0B0016EC 0B0019A1 0B0019C5 | .....~...E |
+00C0 0B0019E9 0B0019F2 0B001AE8 0B001704 | ...Z...2...Y... |
+00D0 0B001706 00000008 D6C6C6E2 C5E30004 | .....OFFSET.. |
+00E0 00000004 00000000 00000008 D6C6C6E2 | .....OFFS |
+00F0 C5E30008 00000004 00000000 00000008 | ET..... |
+0100 D6C6C6E2 C5E3000C 00000004 00000000 | OFFSET..... |
+0110 00000008 D6C6C6E2 C5E30010 00000004 | ....OFFSET..... |
+0120 00000000 00000008 D6C6C6E2 C5E30014 | .....OFFSET.. |
+0130 00000004 00000000 00000008 D6C6C6E2 | .....OFFS |
+0140 C5E30018 00000004 00000000 00000008 | ET..... |
+0150 D6C6C6E2 C5E3001C 00000004 7FFF5268 | OFFSET....."... |
+0160 000000A8 C1C3C5C5 FF0000A8 02000000 | ...yACEE...y... |
+0170 00000000 00000000 05C8D6D5 C4C14040 | .....HONDA |
+0180 4004E2E8 E2F14040 40400101 0001054F | .SYS1 ..... |
+0190 40404040 40404040 00000000 00000000 | ..... |
+01A0 00000000 40404040 40404040 00000000 | ..... |
+01B0 00000000 00000000 00000000 40404040 | ..... |
+01C0 40404040 00000000 7FFF5000 00000000 | .....".&..... |
+01D0 00000000 00000000 7FFD3258 00000000 | .....". |
+01E0 0101054F 00000000 00A00000 00000000 | ...|. |
+01F0 00000000 00000000 00000000 7FFD3290 | .....". |
+0200 00000000 00000000 7FFD3968 00000050 | .....".& |
+0210 50010000 0000C000 00000000 00000000 | &.....{..... |
+0220 00000000 00000000 00000000 00000000 | ..... |
+0230 00000000 00000000 00000000 00000000 | ..... |
+0240 00000000 00000000 00000000 00000000 | ..... |
+0250 C8D6D5C4 C1404040 E2E8E2F1 40404040 | HONDA SYS1 |
+0260 00000090 C1C3C5E7 03000000 00000000 | ....ACEX..... |
+0270 00000000 00000000 00000000 00000000 | ..... |
+0280 00000000 00000000 00000024 7FFD3000 | .....". |
+0290 00000000 00000000 00000000 00000000 | ..... |
```

Collecting data

```

+02A0 00000000 00000000 00000000 00000000 .....
+02B0 00000000 00000000 00000000 00000000 .....
+02C0 00000000 00000000 00000000 00000000 .....
+02D0 00000000 00000000 00000000 00000000 .....
+02E0 00000000 00000000 00000000 00000000 .....
+02F0 00000000 00000008 D6C6C6E2 C5E30020 .....OFFSET..
+0300 00000004 00000000 00000008 D6C6C6E2 .....OFFS
+0310 C5E30024 00000024 81828384 85868182 ET.....abcdefab
+0320 60838485 86608182 838460F1 F1818160 -cdef-abcd-11aa-
+0330 F4F5F4F5 F4F5F4F5 F4F5F4F5 00000008 454545454545....
+0340 D6C6C6E2 C5E30028 00000024 81828384 OFFSET.....abcd
+0350 85868182 60838485 8660F2F3 F3F260F1 efab-cdef-2332-1
+0360 F1818160 F4F5F4F5 F4F5F4F5 F4F5F4F5 1aa-454545454545
+0370 00000008 D6C6C6E2 C5E3002C 00000006 ....OFFSET.....
+0380 05C8D6D5 C4C10000 0008D6C6 C6E2C5E3 .HONDA...OFFSET
+0390 00300000 0008C6C1 C3C9D3C9 E3E80000 .....FACILITY..
+03A0 0008D6C6 C6E2C5E3 00340000 0006D7D9 ..OFFSET.....PR
+03B0 D6E3E6D6 00000008 D6C6C6E2 C5E30038 OTWO...OFFSET..
+03C0 00000002 00060000 0008D6C6 C6E2C5E3 .....OFFSET
+03D0 003C0000 00010400 000A8C1 C3C5C5FF .....yACEE.
+03E0 0000A802 00000000 00000000 00000007 ..y.....
+03F0 C9C2D4E4 E2C5D940 04E2E8E2 F1404040 IBMUSER .SYS1
+0400 40A11000 01054F40 40404040 40404000 ~....| .
+0410 00000000 00000000 00000040 40404040 .....
+0420 40404000 00000000 00000000 00000000 .....
+0430 00000040 40404040 40404000 00000000 ... ..
+0440 6F67A800 00000000 00000000 00000000 ?.y.....
+0450 6F67C000 00000001 01054F00 00000000 ?.{.....|.....
+0460 20000000 00000000 00000000 00000000 .....
+0470 00000000 6F67F800 00000000 00000000 ....?.8.....
+0480 6F688800 00005050 01020700 03C00000 ?.h...&.....{..
+0490 00000000 000000D7 D6D2E5D4 D4C3D3C9 .....POKVMCLI
+04A0 C2D4E4E2 C5D940D7 D6D2E5D4 D4C3D3E2 BMUSER POKVMCLS
+04B0 E8E2F140 404040C9 D5E3D9C4 D9404000 YS1 INTRDR .
+04C0 00000000 000000C9 C2D4E4E2 C5D940E2 .....IBMUSER S
+04D0 E8E2F140 40404000 000090C1 C3C5E703 YS1 ....ACEX.
+04E0 00000000 FAB6F800 00000000 00000000 .....8.....
+04F0 00000000 00000000 00000000 00000000 .....
+0500 00002400 6F68D800 00000000 00000000 ....?.Q.....
+0510 00000000 00000000 00000000 00000000 .....
+0520 00000000 00000000 00000000 00000000 .....
+0530 00000000 00000000 00000000 00000000 .....
+0540 00000000 00000000 00000000 00000000 .....
+0550 00000000 00000000 00000000 00000000 .....
+0560 00000000 00000000 00000000 .....

```

GMT-02/23/2001 15:50:35.958984 LOC-02/23/2001 11:50:35.958984

RACROUTE REQUEST=VERIFY: This is an example of SAF trace output for *RACROUTE REQUEST=VERIFY* (service type 5) PRE and POST entries. Note that the column offsets are not exact but the content has not been altered.

**** GTFTRACE DISPLAY OPTIONS IN EFFECT ****
 USR=ALL

**** GTF DATA COLLECTION OPTIONS IN EFFECT: ****
 USRP option

**** GTF TRACING ENVIRONMENT ****
 Release: SP7.0.3 FMID: HBB7706 System name: RACFR13
 CPU Model: 4381 Version: FF Serial no. 111515

USR57 F44 ASCB 00FA9B00 JOBN RACF

Following is a formatted R_TRACE record.
 This trace record was generated by IRRTRC00 with IDENT(R_TRACE).

```

Trace Identifier:      00000036
Record Eyecatcher:   RTRACE
Trace Type:          RACFPRE
Ending Sequence:     .....
Calling address:     00000000 8B04A24E
Requestor/Subsystem: RSSC06 9 RACF
Primary jobname:     RACF
Primary asid:        0000001D
Primary ACEEP:       00000000 006FFDC0
Home jobname:        RACF
Home asid:           0000001D
Home ACEEP:          00000000 006FFDC0
Task address:        00000000 006EC1A0
Task ACEEP:          00000000 00000000
Time:                B5773AAD 0E780C4B
Error class:         .....
Service number:      00000005
RACF Return code:    00000000
RACF Reason code:    00000000
Return area address: 00000000 00000001
Parameter count:     0000000A

```

```
Area length:          00000068
```

```

Area value:
00000000 00000000 00680200 00055800 | .....
0B089158 0B089160 0B08916C 00000000 | ..j...j-..j%...
00000000 00000068 00000000 00000000 | .....
00400000 00000000 00000000 00000000 | . .....
00000000 00000000 00000000 00000000 | .....
00000000 00000000 00000000 00000000 | .....
00000000 00000000 | .....

```

```
Area length:          0000006C
```

```

Area value:
6C0000A0 00000000 00000000 00000000 | %.....
00000000 00000000 00000000 00000000 | .....
00000000 00000000 00000000 00000000 | .....
00000000 0B089154 00000000 00000000 | .....j.....
00000000 00000000 00000000 00000000 | .....
00000000 00000000 00000000 00000000 | .....
00000000 00000000 00000000 | .....

```

```
Area length:          00000008
```

```

Area value:
D6C6C6E2 C5E30034 | OFFSET.. |

```

```
Area length:          00000004
```

```

Area value:
006CF930 | .%9. |

```

```
Area length:          000000A8
```

```

Area value:
C1C3C5C5 FF0000A8 02000000 00000000 | ACEE...y.....
00000000 085CC2E8 D7C1E2E2 5C015C40 | .....*BYPASS*..*
40404040 40400000 0001059F 40404040 | .....
40404040 00000000 00000000 00000000 | .....
40404040 40404040 00000000 00000000 | .....
00000000 00000000 40404040 40404040 | .....
00000000 00000000 00000000 00000000 | .....
00000000 00000000 00000000 0101059F | .....

```

Collecting data

```
00000000 00200000 00000000 00000000 | .....
00000000 00000000 006CF8A0 00000000 | .....%8.....
00000000 006CF850 | .....%8&
```

Area length: 00000050

Area value:

```
50010003 4002C000 00000000 00000000 | &... .{.....
00000000 00000000 00000000 00000000 | .....
00000000 00000000 00000000 00000000 | .....
F0F14040 40404040 00000000 00000000 | 01 .....
5CC2E8D7 C1E2E25C 40404040 40404040 | *BYPASS*
```

Area length: 00000090

Area value:

```
C1C3C5E7 03000000 00000000 00000000 | ACEX.....
00000000 00000000 00000000 00000000 | .....
00000000 00000000 00000000 00000000 | .....
00000000 00000000 00000000 00000000 | .....
00000000 00000000 00000000 00000000 | .....
00000000 00000000 00000000 00000000 | .....
00000000 00000000 00000000 00000000 | .....
00000000 00000000 00000000 00000000 | .....
00000000 00000000 00000000 00000000 | .....
00000000 00000000 00000000 00000000 | .....
```

Area length: 000000A8

Area value:

```
C1C3C5C5 FF0000A8 02000000 00000000 | ACEE...y.....
00000000 07C9C2D4 E4E2C5D9 4004E2E8 | .....IBMUSER .SY
E2F14040 4040A110 4001059F D9C1C3C6 | S1 ~. ...RACF
40404040 00000000 00000000 00000000 | .....
40404040 40404040 00000000 00000000 | .....
00000000 00000000 40404040 40404040 | .....
00000000 006FD0E8 00000000 00000000 | .....?}Y.....
00000000 006FDFC8 00000000 0101059F | .....?..H.....
00000000 00200000 00000000 00000000 | .....
00000000 00000000 006FFB48 00000000 | .....?.....
00000000 006FFD70 | .....?..
```

Area length: 00000050

Area value:

```
50012204 08004000 00000000 00000000 | &.....
00000000 00000000 00000000 00000000 | .....
00000000 00000000 00000000 00000000 | .....
00000000 00000000 00000000 00000000 | .....
C9C2D4E4 E2C5D940 E2E8E2F1 40404040 | IBMUSER SYS1
```

Area length: 00000090

Area value:

```
C1C3C5E7 03000000 00000000 00000000 | ACEX.....
00000000 00000000 00000000 00000000 | .....
00000000 00000024 006FE008 00000000 | .....?\.....
00000000 00000000 00000000 00000000 | .....
00000000 00000000 00000000 00000000 | .....
00000000 00000000 00000000 00000000 | .....
00000000 00000000 00000000 00000000 | .....
00000000 00000000 00000000 00000000 | .....
00000000 00000000 00000000 00000000 | .....
```

Hexadecimal dump of record follows:

```
+0000 00000036 D9E3D9C1 C3C54040 D9C1C3C6 | ....RTRACE RACF
+0010 D7D9C540 00000000 00000000 00000000 | PRE .....
+0020 00000000 00000000 00000000 8B04A24E | .....s+
```


+0030	D9E2E2C3	F0F640F9	00000000	00000000	RSSC06 9.....
+0040	D9C1C3C6	40404040	006EC1A0	00FA9B00	RACF .>A.....
+0050	00FA9B00	0000001D	0000001D	D9C1C3C6RACF
+0060	40404040	D9C1C3C6	40404040	006FFDC0	RACF .?.{
+0070	006FFDC0	00000000	B5773AAD	0E780C4B	.?.{.....
+0080	00000000	00000001	0000000A	00000005
+0090	00000068	00000000	00000000	00680200
+00A0	00055800	0B089158	0B089160	0B08916Cj...j-..j%
+00B0	00000000	00000000	00000068	00000000
+00C0	00000000	00400000	00000000	00000000
+00D0	00000000	00000000	00000000	00000000
+00E0	00000000	00000000	00000000	00000000
+00F0	00000000	00000000	00000000	0000006C%
+0100	6C0000A0	00000000	00000000	00000000	%.....
+0110	00000000	00000000	00000000	00000000
+0120	00000000	00000000	00000000	00000000
+0130	00000000	0B089154	00000000	00000000j.....
+0140	00000000	00000000	00000000	00000000
+0150	00000000	00000000	00000000	00000000
+0160	00000000	00000000	00000000	00000008
+0170	D6C6C6E2	C5E30034	00000004	006CF930	OFFSET.....%9.
+0180	000000A8	C1C3C5C5	FF0000A8	02000000	...yACEE...y....
+0190	00000000	00000000	085CC2E8	D7C1E2E2*BYPASS
+01A0	5C015C40	40404040	40400000	0001059F	*.*
+01B0	40404040	40404040	00000000	00000000
+01C0	00000000	40404040	40404040	00000000
+01D0	00000000	00000000	00000000	40404040
+01E0	40404040	00000000	00000000	00000000
+01F0	00000000	00000000	00000000	00000000
+0200	0101059F	00000000	00200000	00000000
+0210	00000000	00000000	00000000	006CF8A0%8.
+0220	00000000	00000000	006CF850	00000050%8&...&
+0230	50010003	4002C000	00000000	00000000	&...{.....
+0240	00000000	00000000	00000000	00000000
+0250	00000000	00000000	00000000	00000000
+0260	F0F14040	40404040	00000000	00000000	01
+0270	5CC2E8D7	C1E2E25C	40404040	40404040	*BYPASS*
+0280	00000090	C1C3C5E7	03000000	00000000	...ACEX.....
+0290	00000000	00000000	00000000	00000000
+02A0	00000000	00000000	00000000	00000000
+02B0	00000000	00000000	00000000	00000000
+02C0	00000000	00000000	00000000	00000000
+02D0	00000000	00000000	00000000	00000000
+02E0	00000000	00000000	00000000	00000000
+02F0	00000000	00000000	00000000	00000000
+0300	00000000	00000000	00000000	00000000
+0310	00000000	000000A8	C1C3C5C5	FF0000A8yACEE...y
+0320	02000000	00000000	00000000	07C9C2D4IBM
+0330	E4E2C5D9	4004E2E8	E2F14040	4040A110	USER .SYS1 ~.
+0340	4001059F	D9C1C3C6	40404040	00000000	...RACF
+0350	00000000	00000000	40404040	40404040
+0360	00000000	00000000	00000000	00000000
+0370	40404040	40404040	00000000	006FD0E8?}Y
+0380	00000000	00000000	00000000	006FD0C8?..H
+0390	00000000	0101059F	00000000	00200000
+03A0	00000000	00000000	00000000	00000000
+03B0	006FFB48	00000000	00000000	006FFD70	.?.....?..
+03C0	00000050	50012204	08004000	00000000	...&.....
+03D0	00000000	00000000	00000000	00000000
+03E0	00000000	00000000	00000000	00000000
+03F0	00000000	00000000	00000000	00000000
+0400	00000000	C9C2D4E4	E2C5D940	E2E8E2F1	...IBMUSER SYS1
+0410	40404040	00000090	C1C3C5E7	03000000	...ACEX.....
+0420	00000000	00000000	00000000	00000000
+0430	00000000	00000000	00000000	00000024
+0440	006FE008	00000000	00000000	00000000	.?\.....
+0450	00000000	00000000	00000000	00000000

Collecting data

```

+0460 00000000 00000000 00000000 00000000 | ..... |
+0470 00000000 00000000 00000000 00000000 | ..... |
+0480 00000000 00000000 00000000 00000000 | ..... |
+0490 00000000 00000000 00000000 00000000 | ..... |
+04A0 00000000 00000000          | ..... |
          GMT-02/28/2001 19:57:22.490298  LOC-02/28/2001 15:57:22.490298

```

USR57 F44 ASCB 00FA9B00 JOBN RACF
 Following is a formatted R_TRACE record.
 This trace record was generated by IRRTRC00 with IDENT(R_TRACE).

```

Trace Identifier:      00000036
Record Eyecatcher:    RTRACE
Trace Type:           RACFPOST
Ending Sequence:      .....
Calling address:      00000000 8B04A24E
Requestor/Subsystem:  RSSC06 9  RACF
Primary jobname:      RACF
Primary asid:         0000001D
Primary ACEEP:        00000000 006FFDC0
Home jobname:         RACF
Home asid:            0000001D
Home ACEEP:           00000000 006FFDC0
Task address:         00000000 006EC1A0
Task ACEEP:           00000000 00000000
Time:                 B5773AAD 0E8C548B
Error class:          .....
Service number:      00000005
RACF Return code:    00000000
RACF Reason code:    00000000
Return area address:  00000000 0B0891C4
Parameter count:     00000005

```

Area length: 00000068

```

Area value:
00000000 00000000 00680200 00055800 | ..... |
0B089158 0B089160 0B08916C 00000000 | ..j...j-..j%... |
00000000 00000068 00000000 00000000 | ..... |
00400000 00000000 00000000 00000000 | . ..... |
00000000 00000000 00000000 00000000 | ..... |
00000000 00000000 00000000 00000000 | ..... |
00000000 00000000          | ..... |

```

Area length: 0000006C

```

Area value:
6C0000A0 00000000 00000000 00000000 | %..... |
00000000 00000000 00000000 00000000 | ..... |
00000000 00000000 00000000 00000000 | ..... |
00000000 0B089154 00000000 00000000 | .....j..... |
00000000 00000000 00000000 00000000 | ..... |
00000000 00000000 00000000 00000000 | ..... |
00000000 00000000 00000000          | ..... |

```

Area length: 000000A8

```

Area value:
C1C3C5C5 FF0000A8 02000000 00000000 | ACEE...y..... |
00000000 07C9C2D4 E4E2C5D9 4004E2E8 | .....IBMUSER .SY |
E2F14040 4040A110 4001059F D9C1C3C6 | S1 ~. ...RACF |
40404040 00000000 00000000 00000000 | ..... |
40404040 40404040 00000000 00000000 | ..... |
00000000 00000000 40404040 40404040 | ..... |
00000000 006FD0E8 00000000 00000000 | .....?}Y..... |
00000000 006FD0E8 00000000 0101059F | .....?.H..... |

```

```
00000000 00200000 00000000 00000000 | ..... |
00000000 00000000 006FFB48 00000000 | .....?..... |
00000000 006FFD70 | .....?.. |
```

Area length: 00000050

```
Area value:
50012204 08004000 00000000 00000000 | &..... |
00000000 00000000 00000000 00000000 | ..... |
00000000 00000000 00000000 00000000 | ..... |
00000000 00000000 00000000 00000000 | ..... |
C9C2D4E4 E2C5D940 E2E8E2F1 40404040 | IBMUSER SYS1 |
```

Area length: 00000090

```
Area value:
C1C3C5E7 03000000 00000000 00000000 | ACEX..... |
00000000 00000000 00000000 00000000 | ..... |
00000000 00000024 006FE008 00000000 | .....?\..... |
00000000 00000000 00000000 00000000 | ..... |
00000000 00000000 00000000 00000000 | ..... |
00000000 00000000 00000000 00000000 | ..... |
00000000 00000000 00000000 00000000 | ..... |
00000000 00000000 00000000 00000000 | ..... |
00000000 00000000 00000000 00000000 | ..... |
```

Hexadecimal dump of record follows:

```
+0000 00000036 D9E3D9C1 C3C54040 D9C1C3C6 | ...RTRACE RACF |
+0010 D7D6E2E3 00000000 00000000 00000000 | POST..... |
+0020 00000000 00000000 00000000 8B04A24E | .....s+ |
+0030 D9E2E2C3 F0F640F9 00000000 00000000 | RSSC06 9..... |
+0040 D9C1C3C6 40404040 006EC1A0 00FA9B00 | RACF .>A.... |
+0050 00FA9B00 0000001D 0000001D D9C1C3C6 | .....RACF |
+0060 40404040 D9C1C3C6 40404040 006FFDC0 | RACF .?.{ |
+0070 006FFDC0 00000000 B5773AAD 0E8C548B | .?.{..... |
+0080 00000000 0B0891C4 00000005 00000005 | .....jD..... |
+0090 00000068 00000000 00000000 00680200 | ..... |
+00A0 00055800 0B089158 0B089160 0B08916C | .....j...j-..j% |
+00B0 00000000 00000000 00000068 00000000 | ..... |
+00C0 00000000 00400000 00000000 00000000 | ..... |
+00D0 00000000 00000000 00000000 00000000 | ..... |
+00E0 00000000 00000000 00000000 00000000 | ..... |
+00F0 00000000 00000000 00000000 0000006C | .....% |
+0100 6C0000A0 00000000 00000000 00000000 | %..... |
+0110 00000000 00000000 00000000 00000000 | ..... |
+0120 00000000 00000000 00000000 00000000 | ..... |
+0130 00000000 0B089154 00000000 00000000 | .....j..... |
+0140 00000000 00000000 00000000 00000000 | ..... |
+0150 00000000 00000000 00000000 00000000 | ..... |
+0160 00000000 00000000 00000000 000000A8 | .....y..... |
+0170 C1C3C5C5 FF0000A8 02000000 00000000 | ACEE...y..... |
+0180 00000000 07C9C2D4 E4E2C5D9 4004E2E8 | ....IBMUSER .SY |
+0190 E2F14040 4040A110 4001059F D9C1C3C6 | S1 ~. ...RACF |
+01A0 40404040 00000000 00000000 00000000 | ..... |
+01B0 40404040 40404040 00000000 00000000 | ..... |
+01C0 00000000 00000000 40404040 40404040 | ..... |
+01D0 00000000 006FD0E8 00000000 00000000 | .....?}Y..... |
+01E0 00000000 006FD0F8 00000000 0101059F | .....?..H..... |
+01F0 00000000 00200000 00000000 00000000 | ..... |
+0200 00000000 00000000 006FFB48 00000000 | .....?..... |
+0210 00000000 006FFD70 00000050 50012204 | .....?.....&&... |
+0220 08004000 00000000 00000000 00000000 | .. |
+0230 00000000 00000000 00000000 00000000 | ..... |
+0240 00000000 00000000 00000000 00000000 | ..... |
+0250 00000000 00000000 00000000 C9C2D4E4 | .....IBMU |
+0260 E2C5D940 E2E8E2F1 40404040 00000090 | SER SYS1 .... |
+0270 C1C3C5E7 03000000 00000000 00000000 | ACEX..... |
```

Collecting data

```

+0280 00000000 00000000 00000000 00000000 | .....
+0290 00000000 00000024 006FE008 00000000 | .....?\.....
+02A0 00000000 00000000 00000000 00000000 | .....
+02B0 00000000 00000000 00000000 00000000 | .....
+02C0 00000000 00000000 00000000 00000000 | .....
+02D0 00000000 00000000 00000000 00000000 | .....
+02E0 00000000 00000000 00000000 00000000 | .....
+02F0 00000000 00000000 00000000 00000000 | .....
          GMT-02/28/2001 19:57:22.490583  LOC-02/28/2001 15:57:22.490583

```

MANAGER ALTER: This is an example of a MANAGER ALTER trace with PRE and POST entries. Note that the column offsets are not exact but the content has not been altered.

```

**** GTFTRACE DISPLAY OPTIONS IN EFFECT ****
USR=ALL

```

```

**** GTF DATA COLLECTION OPTIONS IN EFFECT: ****
USRP option

```

```

**** GTF TRACING ENVIRONMENT ****
Release: SP7.0.3  FMID: HBB7706  System name: RACFR13
CPU Model: 4381  Version: FF  Serial no. 111515

```

```

USR57 F44 ASCB 00FACD00          JOBN IBMUSER

```

is a formatted R_TRACE record.
This trace record was generated by IRRTRC00 with IDENT(R_TRACE).

```

Trace Identifier:          00000036
Record Eyecatcher:        RTRACE
Trace Type:                MNGRPRE
Ending Sequence:          .....
Calling address:           00000000  8B000BAE
Requestor/Subsystem:      .....
Primary jobname:          IBMUSER
Primary asid:              00000019
Primary ACEEP:            00000000  006FF608
Home jobname:              IBMUSER
Home asid:                 00000019
Home ACEEP:                00000000  006FF608
Task address:              00000000  006B8220
Task ACEEP:                00000000  00000000
Time:                      B57740CE  B8ED7F45
Error class:               .....
Service number:            00000000
RACF Return code:         00000000
RACF Reason code:         00000000
Return area address:       00000000  00000000
Parameter count:          00000006

```

```

Area length:              00000050

```

```

Area value:
08004102 0015FFDA 001468F8 00000000 | .....8....
00000000 00000000 00000000 01000000 | .....
20000000 00000000 40404040 40404040 | .....
00000000 00000000 00000000 00000000 | .....
00000000 00000000 00000000 00000000 | .....

```

```

Area length:              00000008

```

```

Area value:

```

D6C6C6E2 C5E30004 | OFFSET.. |

Area length: 00000004

Area value:
03D1D1D7 | .JJP |

Area length: 000000A8

Area value:
C1C3C5C5 FF0000A8 02000000 00000000 | ACEE...y.....
00000000 07C9C2D4 E4E2C5D9 4004E2E8 |IBMUSER .SY
E2F14040 4040A110 0001059F 40404040 | S1 ~.....
40404040 00B28CA0 00000000 00000000 |,b.....
D3D6C3C1 D3C3F1F0 00000000 00000000 | LOCALC10.....
00000000 00000000 40404040 40404040 |
00000000 006FDF98 00000000 00000000 |?.q.....
00000000 006FD120 00000000 0101059F |?J.....
00000000 00200000 00000000 00000000 |
00000000 00000000 006FF578 7F6F5000 |?5."?&.
00000000 006FDFB0 |?..

Area length: 00000050

Area value:
50010206 0001C000 00000000 00000000 | &.....{.....
00000000 00000000 00000000 00000000 |
00000000 00000000 00000000 00000000 |
D3D6C3C1 D3C3F1F0 00000000 00000000 | LOCALC10.....
C9C2D4E4 E2C5D940 E2E8E2F1 40404040 | IBMUSER SYS1

Area length: 00000090

Area value:
C1C3C5E7 03000000 00000000 00000000 | ACEX.....
00000000 00000000 00000000 00000000 |
00000000 00000024 006FF868 00000000 |?8.....
00000000 00000000 00000000 00000000 |
00000000 00000000 00000000 00000000 |
00000000 00000000 00000000 00000000 |
00000000 00000000 00000000 00000000 |
00000000 00000000 00000000 00000000 |
00000000 00000000 00000000 00000000 |
00000000 00000000 00000000 00000000 |

Hexadecimal dump of record follows:

+0000	00000036	D9E3D9C1	C3C54040	D4D5C7D9RTRACE MNGR
+0010	D7D9C540	00000000	00000000	00000000	PRE
+0020	00000000	00000000	00000000	00000000
+0030	00000000	00000000	00000000	00000000
+0040	00000000	00000000	006B8220	00FACD00,b.....
+0050	00FACD00	00000019	00000019	C9C2D4E4IBMUSER
+0060	E2C5D940	C9C2D4E4	E2C5D940	006FF608	SER IBMUSER .?6.
+0070	006FF608	00000000	B57740CE	B8ED7F45	.?6....."
+0080	00000000	00000000	00000006	00000000
+0090	00000050	08004102	0015FFDA	001468F8	...&.....8
+00A0	00000000	00000000	00000000	00000000
+00B0	01000000	20000000	00000000	40404040
+00C0	40404040	00000000	00000000	00000000
+00D0	00000000	00000000	00000000	00000000
+00E0	00000000	00000008	D6C6C6E2	C5E30004OFFSET..
+00F0	00000004	03D1D1D7	000000A8	C1C3C5C5JJP...yACEE
+0100	FF0000A8	02000000	00000000	00000000	...y.....
+0110	07C9C2D4	E4E2C5D9	4004E2E8	E2F14040	.IBMUSER .SYS1
+0120	4040A110	0001059F	40404040	40404040	~.....
+0130	00B28CA0	00000000	00000000	D3D6C3C1LOCA
+0140	D3C3F1F0	00000000	00000000	00000000	LC10.....
+0150	00000000	40404040	40404040	00000000

Collecting data

```

+0160 006FDF98 00000000 00000000 00000000 |.?.q.....
+0170 006FD120 00000000 0101059F 00000000 |.?J.....
+0180 00200000 00000000 00000000 00000000 |.....
+0190 00000000 006FF578 7F6F5000 00000000 |.....?5."?&....
+01A0 006FDFB0 00000050 50010206 0001C000 |.?.....&&.....{.
+01B0 00000000 00000000 00000000 00000000 |.....
+01C0 00000000 00000000 00000000 00000000 |.....
+01D0 00000000 00000000 D3D6C3C1 D3C3F1F0 |.....LOCALC10
+01E0 00000000 00000000 C9C2D4E4 E2C5D940 |.....IBMUSER
+01F0 E2E8E2F1 40404040 00000090 C1C3C5E7 |SYS1 ....ACEX
+0200 03000000 00000000 00000000 00000000 |.....
+0210 00000000 00000000 00000000 00000000 |.....
+0220 00000024 006FF868 00000000 00000000 |.....?8.....
+0230 00000000 00000000 00000000 00000000 |.....
+0240 00000000 00000000 00000000 00000000 |.....
+0250 00000000 00000000 00000000 00000000 |.....
+0260 00000000 00000000 00000000 00000000 |.....
+0270 00000000 00000000 00000000 00000000 |.....
+0280 00000000 00000000 00000000 00000000 |.....

```

GMT-02/28/2001 20:24:48.404209 LOC-02/28/2001 16:24:48.404209

USR57 F44 ASCB 00FACD00 JOBN IBMUSER

is a formatted R_TRACE record.
This trace record was generated by IRRTRC00 with IDENT(R_TRACE).

```

Trace Identifier:          00000036
Record Eyecatcher:       RTRACE
Trace Type:              MNGRPOST
Ending Sequence:         .....
Calling address:          00000000 8B000BAE
Requestor/Subsystem:     .....
Primary jobname:         IBMUSER
Primary asid:            00000019
Primary ACEEP:           00000000 006FF608
Home jobname:            IBMUSER
Home asid:               00000019
Home ACEEP:              00000000 006FF608
Task address:            00000000 006B8220
Task ACEEP:              00000000 00000000
Time:                    B57740CE C6AEBD85
Error class:             .....
Service number:          00000000
RACF Return code:        00000000
RACF Reason code:        00000000
Return area address:     00000000 00000000
Parameter count:         00000006

```

Area length: 00000050

```

Area value:
08004102 0015FFDA 001468F8 00000000 | .....8....
00000000 00000000 00000000 01000000 | .....
20000000 00000000 C2C1E2C5 40404040 | .....BASE
00000000 00000000 00000000 00000000 | .....
00000000 00000000 00000000 00000000 | .....

```

Area length: 00000008

```

Area value:
D6C6C6E2 C5E30004 | OFFSET.. |

```

Area length: 00000004

Area value:

03D1D1D7 | .JJP |

Area length: 000000A8

Area value:

C1C3C5C5	FF0000A8	02000000	00000000	ACEE...y.....
00000000	07C9C2D4	E4E2C5D9	4004E2E8IBMUSER .SY
E2F14040	4040A110	0001059F	40404040	S1 ~.....
40404040	00B28CA0	00000000	00000000
D3D6C3C1	D3C3F1F0	00000000	00000000	LOCALC10.....
00000000	00000000	40404040	40404040
00000000	006FDF98	00000000	00000000?.q.....
00000000	006FD120	00000000	0101059F?J.....
00000000	00200000	00000000	00000000
00000000	00000000	006FF578	7F6F5000?5."?&.....
00000000	006FDFB0		?..

Area length: 00000050

Area value:

50010206	0001C000	00000000	00000000	&.....{.....
00000000	00000000	00000000	00000000
00000000	00000000	00000000	00000000
D3D6C3C1	D3C3F1F0	00000000	00000000	LOCALC10.....
C9C2D4E4	E2C5D940	E2E8E2F1	40404040	IBMUSER SYS1

Area length: 00000090

Area value:

C1C3C5E7	03000000	00000000	00000000	ACEX.....
00000000	00000000	00000000	00000000
00000000	00000024	006FF868	00000000?8.....
00000000	00000000	00000000	00000000
00000000	00000000	00000000	00000000
00000000	00000000	00000000	00000000
00000000	00000000	00000000	00000000
00000000	00000000	00000000	00000000
00000000	00000000	00000000	00000000
00000000	00000000	00000000	00000000

Hexadecimal dump of record follows:

+0000	00000036	D9E3D9C1	C3C54040	D4D5C7D9RTRACE MNGR
+0010	D7D6E2E3	00000000	00000000	00000000	POST.....
+0020	00000000	00000000	00000000	00000000
+0030	00000000	00000000	00000000	00000000
+0040	00000000	00000000	006B8220	00FACD00,b.....
+0050	00FACD00	00000019	00000019	C9C2D4E4IBMUSER
+0060	E2C5D940	C9C2D4E4	E2C5D940	006FF608	SER IBMUSER .?6.
+0070	006FF608	00000000	B57740CE	C6AEBD85	.?6..... .F.e
+0080	00000000	00000000	00000006	00000000
+0090	00000050	08004102	0015FFDA	001468F8	...&.....8
+00A0	00000000	00000000	00000000	00000000
+00B0	01000000	20000000	00000000	C2C1E2C5BASE
+00C0	40404040	00000000	00000000	00000000
+00D0	00000000	00000000	00000000	00000000
+00E0	00000000	00000008	D6C6C6E2	C5E30004OFFSET..
+00F0	00000004	03D1D1D7	000000A8	C1C3C5C5JJP...yACEE
+0100	FF0000A8	02000000	00000000	00000000	...y.....
+0110	07C9C2D4	E4E2C5D9	4004E2E8	E2F14040	.IBMUSER .SYS1
+0120	4040A110	0001059F	40404040	40404040	~.....
+0130	00B28CA0	00000000	00000000	D3D6C3C1LOCA
+0140	D3C3F1F0	00000000	00000000	00000000	LC10.....
+0150	00000000	40404040	40404040	00000000
+0160	006FDF98	00000000	00000000	00000000	.?.q.....
+0170	006FD120	00000000	0101059F	00000000	.?J.....
+0180	00200000	00000000	00000000	00000000
+0190	00000000	006FF578	7F6F5000	00000000?5."?&.....
+01A0	006FDFB0	00000050	50010206	0001C000	.?.....&.....{.

Collecting data

```
+01B0 00000000 00000000 00000000 00000000 | .....  
+01C0 00000000 00000000 00000000 00000000 | .....  
+01D0 00000000 00000000 D3D6C3C1 D3C3F1F0 | .....LOCALC10  
+01E0 00000000 00000000 C9C2D4E4 E2C5D940 | .....IBMUSER  
+01F0 E2E8E2F1 40404040 00000090 C1C3C5E7 | SYS1 ....ACEX  
+0200 03000000 00000000 00000000 00000000 | .....  
+0210 00000000 00000000 00000000 00000000 | .....  
+0220 00000024 006FF868 00000000 00000000 | .....?8.....  
+0230 00000000 00000000 00000000 00000000 | .....  
+0240 00000000 00000000 00000000 00000000 | .....  
+0250 00000000 00000000 00000000 00000000 | .....  
+0260 00000000 00000000 00000000 00000000 | .....  
+0270 00000000 00000000 00000000 00000000 | .....  
+0280 00000000 00000000 00000000 00000000 | .....  
GMT-02/28/2001 20:24:48.460550 LOC-02/28/2001 16:24:48.460550
```

Validating input

This explains how to validate input to RACF processes.

Identifying the caller of RACF

Prerequisites

- “Obtaining a system dump” on page 41
- “Formatting a system dump” on page 42

Introduction to procedure

When a RACF abend occurs, RACF might be the cause of the problem, or the program calling RACF might have passed an incorrect parameter list, which caused RACF to issue the abend. (The parameter list is the only input RACF gets from a caller.)

This describes how to determine what module issued the RACF macro.

Procedure

1. Look at the system dump and check the TCB with field TCBCMP (equal to the abend code).
2. Locate the RB that issued the RACF SVC (SVC 82, 83, 84, or 85). In this RB, get the address of the next sequential instruction from field RBOPSW. If no such RB exists, then the executing RACF service may be PC-entered. In this case, use the “Alternative procedure” on page 79.
3. Find this address in the system dump and scan backward for the eye-catcher (a module or CSECT name printed in readable form along the right margin of the dump). That is the name of the routine that issued the RACROUTE macro.

Note: If the address of the next sequential instruction after the RACROUTE macro is not in the system dump, check an LPA (link pack area) map to determine if it is within an LPA module. If it is within an LPA module, that module is the issuer of the RACROUTE macro.

- If the name you find is not the ICHRF00 module, then the name found caused RACF to abend. (Note that the issuer of the RACF SVC may not have caused the original error but may have merely passed bad data created by yet another module that called it. The end of the bad data chain might be several callers away.)
- If the name you find is the ICHRF00 module, then SAF (the security authorization facility) issued the RACF macro as requested by another module that issued the RACROUTE macro.

To determine who issued the RACROUTE macro, locate the “current task” in the system dump and check the active RBs.

- a. Find the PRB with a RACF SVC (SVC 82, 83, 84, or 85) in the RBRTPSW2 field.
- b. Find the next RB.
 - In a formatted dump that has been printed, this is the RB below the RB with the SVC.
 - On IPCS (interactive problem control system), this is the RB displayed below the RB with the SVC.
- Check the general-purpose registers in this RB. Register 1 should have the same value as the trace entry for the SVC found in Step 3a. Register 13 points to the save area of the ICHRFR00 module.
- For RACROUTE functions other than VERIFY or VERIFYX:
 - Find the save area of the ICHRFR00 module and make sure that in the save area, the address at offset X'4' points to the save area of the ICHSFR00 module (the previous save area).
- For RACROUTE functions VERIFY or VERIFYX:
 - Find the save area of the ICHSFR00 module and make sure that in the save area, the address at offset X'4' points to the save area of the IRRSVY00 (or IRRSVX00) module (the previous save area).
 - Find the save area of the ICHRFR00 module and make sure that in the save area, the address at offset X'4' points to the save area of the ICHSFR00 module (the previous save area).
- Find the save area of the ICHRFR00 module and make sure that in the save area, the address at offset X'4' points to the save area of the ICHSFR00 module (the previous save area).
- Find the save area of the ICHSFR00 module and make sure that in the save area, the address at offset X'4' points to the save area of the issuer of the RACROUTE macro (the previous save area).
- Find the save area of the issuer of the RACROUTE macro. In the save area of the issuer of the RACROUTE macro, offset X'C' is the contents of Register 14 of the module that issued the RACROUTE macro. Register 14 contains the address of the instruction after the RACROUTE macro.
- Find this address in the system dump and scan backward for the eye-catcher (a module or CSECT name printed in readable form along the right margin of the dump). That is the name of the routine that issued the RACROUTE macro.

Alternative procedure

1. Look at the system dump and issue the IPCS command, SUMMARY FORMAT, to format the linkage stack for the failing task or SRB. In most cases, the top entry on this linkage stack represents the current RACF service; this can be validated by taking the formatted PSW for the stack entry and scrolling backward in memory in search of a module eyecatcher that has a RACF prefix, ICH or IRR.
2. If this stack entry represents a RACF service, then general purpose register 13 should point to a standard save area, and the caller of RACF can be located by tracing backward through a chain of such areas. If these steps do not appear to have produced the caller of RACF, then you cannot determine the caller of RACF without additional support.

Checking the parameter list passed to RACF

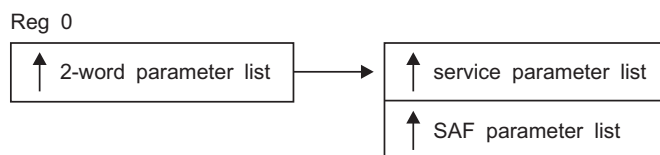
Prerequisites

- “Obtaining a system dump” on page 41
- “Formatting a system dump” on page 42.

How to check the parameter list passed to RACF

This procedure is useful only for a RACF macro request that was active when the system dump was generated.

1. Find the save area for the routine that issued the RACF macro. This can be found either in the trace-table entry for the SVC associated with the RACF macro, or in the RBs in a formatted dump. See “Identifying the caller of RACF” on page 78.
2. In the save area, find the contents of register 1.
 - If register 1 is zero, then the RACROUTE macro was issued and module ICHRF00 issued the RACF macro. In this case, register zero points to a two-word parameter list. The first word of this parameter list points to the RACF SVC parameter list, and the second word of this parameter list points to the SAF parameter list. This is shown:



- If register 1 is not zero, then this is the address of the parameter list passed with the macro request.
3. Find the address in the storage portion of the system dump. The values in the dump are the actual parameter list as seen by the system when processing the RACF request.
 4. Use the description of the parameter list from “Parameter list descriptions” on page 155 to decode the actual parameter list.

Note: For some parameter lists (such as RACROUTE REQUEST=AUTH, RACROUTE REQUEST=DEFINE, and RACROUTE REQUEST=VERIFY) the length of the parameter list varies from release to release. Check the first byte of these parameter lists for the actual length used.

5. Use these checks to determine whether the active RACF macro request had an error. You can do the checks most efficiently if you have a listing of the program that issued the macro.
 - a. Did the RACF macro request that invoked RACF services use valid keyword values, including addresses?
 - b. Did the caller supply a register save area for the RACF macro?
 - c. Do the caller's storage areas contain correct values?

You could check the system dump for application program storage areas that appear to have incorrect values, such as missing printable identifiers for modules or control blocks. Key storage areas are pointed to by the register save area for the RACF macro. (Incorrect values are generally caused by logic problems due to incorrect addresses.)

This check is especially important for these types of unexpected abends, which might involve a logic error in either the application program that issued the RACF macro or a system routine:

- A X'0Cx' abend, such as X'0C4'
- A cancel (a X'x22' abend)

Alternative procedure to check the parameter list passed to RACF

After you find the caller of RACF, the first word of the parameter list pointed to from the stack entry should contain the address of the parameters passed to RACF on the request.

Searching for a matching problem

Prerequisites

1. See “Performing a preliminary search for a matching problem” on page 34 for a description of easily located problem symptoms to use to find a matching problem.
2. See “Troubleshooting the problem” on page 1 for the diagnostic procedures to follow to collect additional symptoms needed for a search.

For problems involving system dumps, you need to follow the diagnostic procedures in “Obtaining a system dump” on page 41 and “Formatting a system dump” on page 42

How to search for a matching problem

This procedure summarizes search symptoms that you can collect by using this document's problem analysis procedures for RACF. You might want to use these symptoms to search for a matching problem in a problem database, or to report to IBM.

If you need descriptions or examples of entire search arguments, see the prerequisite procedure, “Performing a preliminary search for a matching problem” on page 34.

Scan Table 19 for more RACF symptoms that you might want to use in your search for a matching problem (or to report to IBM). It lists some of the most probable search symptoms for problems in RACF.

Note: For abends, more symptoms such as a register/PSW (program status word) difference and a failing instruction area are automatically produced in DAEDATA output, so they are not repeated here. Notes about the symptoms are indicated with asterisks (*) and *Note *n**, where *n* is the number of the note.

Table 19. Additional Search Symptoms for RACF. Additional Search Symptoms for RACF

Description of Search Symptom	Free-Format Example	Structured Example
Control block name	ACEE	FLDS/ACEE
Control block field name &rb;&rb;&rb;&rb;&rb;&rb;*Note 1*	ACEEFLG1	FLDS/ACEEFLG1
Symptoms for later searches		
Level of failing module &rb;&rb;&rb;&rb;&rb;&rb;*Note 2*	HRF2220 or UW09958	LVLS/HRF2220 or PTFS/UW09958

Note:

1. If you receive too many matches on your first search, consider adding a control block field name or other text from a RACF error message. (Avoid use of addresses or other values that would vary between executions of the RACF function.)
2. The ID and level at the beginning of a failing module might be pointed to by RACF's PSW at the time of the failure. For abends, the module level might be in the SDWAMLVL field and in DAEDATA output.

Application Identity Mapping Considerations

The conversion utility IRRIRA00 processes a RACF database to activate the function that controls the indexing of application identities for existing databases. IRRIRA00 is responsible for handling the non-RACF application identities that compose the alias index. The term 'alias' refers to any non-RACF application user identity (such as identities for products including Lotus Notes for z/OS, Novell Directory Services for OS/390, and z/OS UNIX System Services) that is part of this index structure.

For more information about the IRRIRA00 utility and the stages of application identity mapping, see *z/OS Security Server RACF System Programmer's Guide*.

IRRIRA00 activates this in four stages controlled by the installation and lists the current stage of the active primary database. Down-level systems do not have any support for application identity mapping, so errors might occur if the RACF database is shared by systems running releases before Version 2 Release 10. Therefore, you should make your changes from your Version 2 Release 10 system only. To prevent changes being made from a down-level system inadvertently, do one of the following before running IRRIRA00:

- Migrate all your systems to Version 2 Release 10
- Use the command protection steps described in *z/OS Security Server RACF Security Administrator's Guide*

These examples point out problems that can occur when sharing the RACF database with a system running Version 2 Release 10 or higher that has the application identity mapping support at stage 1 or higher and a down-level system system:

- You ADD a user or group profile with an application identity on a down-level system. The IRRUT200 report will run successfully on the Version 2 Release 10 system, but will show that the mapping profiles were created though no alias indexes were ever created.
- You ALTER an application identity field in a user or group profile with a different application identity on the down-level system. The IRRUT200 report will run successfully on the Version 2 Release 10 system, but will show that the new mapping profiles were created though the old alias indexes that still exists. You must also issue the LISTUSER or LISTGRP command or run DBUNLOAD and compare the output to the IRRUT200 output in order to see differences.
- You DELETE a user or group profile with a mapping on the down-level system. The IRRUT200 report will run successfully on the Version 2 Release 10 system, but will show the mapping profiles have been deleted though the old alias indexes still exist.

Additionally, if base profiles containing application identities are incorrectly manipulated from a down-level system, the alias index will not be updated.

LOGREC data set entries for the alias index

In all stages the getUMAP, getGMAP, and R-usermap callable services will report unexpected ICHEINTY and RACROUTE return codes (non-zero return codes other than indicating the profile was not found) with a LOGREC entry. Additionally, if locating an alias index entry fails but a mapping profile is found for a database at Stage 2, the callable service will write an entry to the LOGREC data set with a return code of X'0000000C' and a reason code of X'00000000'. The presence of these LOGREC entries indicates that the alias index is not complete and must be corrected before moving to Stage 3. The variable data for services IRRRGM01 (GID to group name mapping service), IRRRUM01 (UID to user ID mapping service) and IRRRIM00 (application ID to RACF user ID mapping service) serves as the RACF group name or user ID and as the entry name specified on the locate request for the alias index entry.

Recovering from errors with Application Identity Mapping

Before stage 3, RACF maintains mapping profiles and functionality to ensure mapping compatibility with down-level systems that share a database with higher-level systems. This means the RACF database is susceptible to errors if a mapping profile is inadvertently deleted, or if the mapping profile is modified so that the alias index entry does not match the corresponding USER profile, as seen in the previous examples.

With application identity mapping enabled at stage 3, RACF uses an alias index rather than mapping profiles to associate users and groups with specific application identities from products such as Lotus Notes for z/OS, Novell Directory Services for OS/390, or z/OS UNIX System Services. Though unlikely, it is possible that an unexpected error could cause an association mismatch that you can identify by comparing IRRUT200 alias index output with profile information returned from LISTUSER or LISTGRP (or DBUNLOAD). This area suggests methods to correct such inconsistencies.

If the mapping profile exists, and if your database is at stage 3, no profiles in class UNIXMAP, NOTELINK, or NDSLINK should exist. If you find one, you can ignore it just as RACF does. Otherwise, you can delete it using RDELETE. For example:

```
RDELETE UNIXMAP U1
```

If the mapping profile contains lowercase letters, you cannot specify them on the RDELETE command. You must use BLKUPD or RACROUTE to delete the profile.

If your database is at stage 1 or higher and you believe the profile to be incorrect, consider one of these:

- If the alias index entry is missing, and if your database is at stage 0, you should not expect to see any alias index.
- If your database is at stage 1 or higher and you do not find any alias index entry corresponding to a specified application identity, you can regenerate the entry by altering the user or group profile with the wanted application identity. For example, you can issue:

```
ALTUSER YOURID OMVS(UID(1))
```
- If the mapping profile associated with a user does not exist but the alias index entry does exist (at stage 1 or 2), you can remove the entry by temporarily

Considerations

adding the referenced profile with the indicated application identity, and then deleting the profile. For example, you can issue:

```
ADDUSER YOURID OMVS(UID(1))
DELUSER YOURID
```

- If an alias index entry references the incorrect user or group, but the user or group profile references a correct application identity, correct this by altering the user or group with the incorrect application identity, and then altering the user or group putting back the correct application identity. Suppose the alias index entry for the Lotus Notes for z/OS SNAME, USER1, references MYID rather than the wanted YOURID. For example, you can issue:

```
ALTUSER MYID LNOTES(SNAME(USER1))
ALTUSER YOURID LNOTES(SNAME(USER1))
```

Using SAF Trace to debug IBM HTTP server problems

SAF Trace may be used to debug IBM HTTP server problems related to an incorrect SAF keyring configuration. In this area, following are the steps needed to provide the appropriate output to be analyzed. Also provided is sample data for you to compare your output to.

Before you begin

You need to determine if the IBM HTTP server is using SAF keyrings.

- Verify that these lines are in `httpd.main.conf`:

```
sslmode on
sslport 443
keyfile mysslring SAF
```

If those lines do not exist in `httpd.main.conf`, **stop**, this diagnostic procedure does not apply.

- If the operator console says:

```
00 ICH408I USER(WEBSERV ) GROUP(IMWEB ) NAME(#####)
      IRR.DIGTCERT.LISTRING CL(FACILITY)
      INSUFFICIENT ACCESS AUTHORITY
      ACCESS INTENT(READ ) ACCESS ALLOWED(NONE )
```

You must give WEBSERV READ access to IRR.DIGTCERT.LISTRING in the FACULTY class. WEBSERV is the ID assigned to the web server process.

Starting the trace

Perform these steps to use SAF Trace to debug IBM HTTP server problems related to an incorrect SAF keyring configuration.

1. Turn SAF Trace on for IRRSDL00:
`@SET TRACE(CALLABLE(TYPE(41)) JOBNAME(*))`
2. Turn on GTF:
Start `gtfracf.gtf,,noprompt`

The order of trace calls

SSL calls the `r_datalib` (IRRSDL00) callable service. For an error free SSL connection, SAF Trace will contain a pre and post record for the `r_datalib` functions in this order listed:

DataGetFirst

initial DataGetFirst call that fails due to bad length of parameters

DataGetFirst
the first DataGetFirst call succeeds

CheckStatus

DataGetNext
call fails due to bad length of parameters

DataGetNext
call succeeds

CheckStatus

DataGetNext
call fails because there are no more certificates in the key ring

DataAbortQuery
the call ending the query

Examples of each of the post records

Note: This trace was generated by IRRTRC00 with IDENT(R_TACE).

DataGetFirst

```

Trace Identifier:          00000036
Record Eyecatcher:       RTRACE
Trace Type:              0MVSP0ST
Ending Sequence:         .....
Calling address:         00000000  A6168CFA
Requestor/Subsystem:     .....
Primary jobname:        IMWEBSRV
Primary asid:           00000022
Primary ACEEP:          00000000  009FFDC0
Home jobname:           IMWEBSRV
Home asid:              00000022
Home ACEEP:             00000000  009FFDC0
Task address:           00000000  009F0898
Task ACEEP:             00000000  00000000
Time:                   B5F9F4C7  804A5686
Error class:            .....
Service number:         00000029
RACF Return code:       00000000
RACF Reason code:       00000000
Return area address:    00000000  00000000
Parameter count:       00000029
Area length:           00000034
Area value:
2561D0C0 25615600 256155F4 25615604 | ./}{./.../.4./.. |
256155F8 25615608 256155FC 256154D1 | ./..8./.../.../.J |
2561560C 256154D2 2561D4C0 25615610 | ./.../.K./M{./.. |
A5615790 | v/.. |
Area length:           00000008
Area value:
D6C6C6E2 C5E30004 | OFFSET.. |
Area length:           00000004
Area value:
00000000 | .... |
Area length:           00000008
Area value:
D6C6C6E2 C5E30008 | OFFSET.. |
Area length:           00000004
Area value:
00000000 | .... |
Area length:           00000008

```

SAF Trace

```

Area value:
D6C6C6E2 C5E3000C          | OFFSET..      |
Area length:                00000004
Area value:
00000000                    | ....         |
Area length:                00000008
Area value:
D6C6C6E2 C5E30010          | OFFSET..      |

```

Note: Offset 10 is the return code, which in this case is 0.

```

Area length:                00000004
Area value:
00000000                    | ....         |
Area length:                00000008
Area value:
D6C6C6E2 C5E30014          | OFFSET..      |
Area length:                00000004
Area value:
00000000                    | ....         |
Area length:                00000008
Area value:
D6C6C6E2 C5E30018          | OFFSET..      |

```

Note: Offset 18 is the reason code, which in this case is 0.

```

Area length:                00000004
Area value:
00000000                    | ....         |
Area length:                00000008
Area value:
D6C6C6E2 C5E3001C          | OFFSET..      |

```

Note: Offset 1C is the Function code, which in this case is 01.. 01 is DataGetFirst

```

Area length:                00000001
Area value:
01                          | .            |
Area length:                00000008
Area value:
D6C6C6E2 C5E30020          | OFFSET..      |
Area length:                00000004
Area value:
00000000                    | ....         |
Area length:                00000008
Area value:
D6C6C6E2 C5E30024          | OFFSET..      |
Area length:                00000001
Area value:
00                          | .            |
Area length:                00000008
Area value:
D6C6C6E2 C5E30028          | OFFSET..      |

```

Note: Offset 28 is the ring name found in .conf file, which in this case is MYSSLRING.

```

Area length:                0000000A
Area value:
09D4E8E2 E2D3D9C9 D5C7    | .MYSSLRING   |
Area length:                00000008
Area value:
D6C6C6E2 C5E3002C          | OFFSET..      |

```



```

Area length:          00000004
Area value:
00000000             | .... |
Area length:          00000008
Area value:
D6C6C6E2 C5E30030   | OFFSET.. |
    
```

Note: Beginning with offset 30, the remaining offsets contain the function specific parameter list (FSPL).

```

Area length:          00000048
Area value:
256157D8 00000002 00000000 000002A5 | ./Q.....v |
256494B8 00000000 257DF558 00000000 | ..m.....'5.... |
00000000 00000009 256157EC 08899999 | ...../...irr |
838599A3 81000000 0000004F 257DF870 | certa.....|. '8. |
00000038 2561D5B0 | ...../N. |
Area length:          00000008
Area value:
D6C6C6E2 C5E30000   | OFFSET.. |
Area length:          00000014
Area value:
25C9A040 00000000 00000000 00000000 | .I. .... |
00000000 | .... |
Area length:          00000008
Area value:
D6C6C6E2 C5E30010   | OFFSET.. |
    
```

Note: Offset 10 is the certificate.

```

Area length:          000002A5
Area value:
308202A1 3082020A A0030201 02020100 | .b.~.b..... |
300D0609 2A864886 F70D0101 05050030 | ....f.f7..... |
4D310B30 09060355 04061302 55533118 | (..... |
30160603 55040A13 0F4D5920 434F4D50 | .....(..|(& |
414E592C 20494E43 31243022 06035504 | .+....+. |
0B131B48 554D414E 20524553 4F555243 | .....(+....|... |
45532043 45525449 46494341 5445301E | ..... |
170D3031 30363038 30353030 30305A17 | .....!. |
0D323030 36313030 34353935 395A304D | .....!.( |
310B3009 06035504 06130255 53311830 | ..... |
16060355 040A130F 4D592043 4F4D5041 | .....(....|(&. |
4E592C20 494E4331 24302206 0355040B | +.....+. |
131B4855 4D414E20 5245534F 55524345 | ....(+....|... |
53204345 52544946 49434154 4530819F | .....a. |
300D0609 2A864886 F70D0101 01050003 | ....f.f7..... |
818D0030 81890281 8100B3E1 D36F32A3 | a...ai..aa...L?.t |
1ED16837 8EF47012 0F74E1F7 CA9BA924 | .J...4....7..z. |
456081F5 6A5EDD89 35CA9674 4984F141 | .-a5.;.i..o..d1. |
E44AB5E0 F1B0DC82 75216B53 6FE7AC57 | Uç.\1..b...?X.. |
D73D4ECD 16161537 E5E786A1 4C0A09A9 | P.+....VXf~<..z |
1464E572 35AD5F9C D40F1B55 45FDF230 | ..V...~.M.....2. |
B0228334 E6ED2A0A 6B3AD28A B4AA789D | ..c.W...;.K.... |
54FD84F2 1279B011 C767CCCC 26EE3ED4 | ..d2.~.G.....M |
013BD21F AEBFB074 6AE50203 010001A3 | ..K.....V.....t |
81903081 8D304B06 09551D0F 0186F842 | a..a.....f8. |
010D043E 133C4765 6E657261 74656420 | .....>./.... |
62792074 68652053 65637572 65576179 | `...../` |
20536563 75726974 79205365 72766572 | ..... |
20666F72 204F532F 33393020 28524143 | ..?..|..... |
4629300E 0603551D 0F0101FF 04040302 | ..... |
0006300F 0603551D 130101FF 04053003 | ..... |
0101FF30 1D060355 1D0E0416 0414D79A | .....P. |
44A60457 328E9635 E655137D 52E787D4 | .w....o.W..'XgM |
    
```

SAF Trace

```

46D2300D 06092A86 4886F70D 01010505 |.K....f.f7.....|
00038181 0052EECE 337B3893 19B9D56B |..aa.....#.l..N,|
AD725205 C97C4DE5 C16D13E3 1EEA02E6 |...I@(VA_.T...W|
D00A29B1 CA6490CC 0ABAD5B9 6C61F417 |}.....N.%/4.|
95E207D5 CBE8B84B 1A7BD22A E3BC0154 |nS.N.Y...#K.T...|
FDE66400 8A4BB3DA 0D75D127 079743F5 |.W.....J..p.5|
00ED5E58 DC4B1FF9 2937C930 E306B662 |..;...9..I.T...|
0096DD5C BE80A812 5F859566 15D86B0C |.o.*.y.-en..Q..|
ECF12799 A58E813B 94FDF51E 45D9C3E2 |.l.rv.a.m.5..RCS|
27C64C2E BD |.F<..|
Area length: 00000008
Area value:
D6C6C6E2 C5E30018 | OFFSET.. |

```

Note: Offset 18 is the private_key_ptr. In this case, the length of 0 indicates that there is no key.

```

Area length: 00000000
Area value:
Area length: 00000008
Area value:
D6C6C6E2 C5E30028 | OFFSET.. |

```

Note: Offset 28 is the label.

```

Area length: 00000009
Area value:
D4E840D7 D2C940C3 C1 | MY PKI CA |
Area length: 00000008
Area value:
D6C6C6E2 C5E3003C | OFFSET.. |
Area length: 0000004F
Area value:
304D310B 30090603 55040613 02555331 |.(.....|
18301606 0355040A 130F4D59 20434F4D |.....(....|
50414E59 2C20494E 43312430 22060355 |&.+...+.....|
040B131B 48554D41 4E205245 534F5552 |.....(+.....|
43455320 43455254 49464943 415445 |.....|
Area length: 00000008
Area value:
D6C6C6E2 C5E30044 | OFFSET.. |
Area length: 00000038

```

Note: Offset 44 is the Subjects_DN.

```

Area value:
F0F04BD6 E47EC8E4 D4C1D54A D9C5E2D6 |00.OU=HUMAN&RESO|
E4D9C3C5 E24AC3C5 D9E3C9C6 C9C3C1E3 |URCES&CERTIFICAT|
C54BD67E D4E84AC3 D6D4D7C1 D5E86B4A |E.O=MY&COMPANY,&|
C9D5C34B C37EE4E2 |INC.C=US|
Area length: 000000A8
Area value:
C1C3C5C5 FF0000A8 02000000 00000000 |ACEE...y.....|
00000000 07E6C5C2 E2C5D9E5 4005C9D4 |....WEBSERV.IM|
E6C5C240 40400101 0501163F C9D4E6C5 |WEB .....IMWE|
C2E2D9E5 00000000 00000000 00000000 |BSRV.....|
40404040 40404040 00000000 00000000 |.....|
00000000 00000000 40404040 40404040 |.....|
00000000 009FDF90 00000000 009FFA78 |.....|
00000000 009FFAE0 00000000 0101163F |.....\.....|
00000000 00200000 00000000 00000000 |.....|
00000000 00000000 009FFB48 00000000 |.....|
00000000 009FFD70 |.....|
Area length: 00000050
Area value:

```

```

50012004 0000C000 00000000 00000000 | &.....{..... |
00000000 00000000 00000000 00000000 | ..... |
00000000 00000000 00000000 00000000 | ..... |
00000000 00000000 00000000 00000000 | ..... |
E6C5C2E2 C5D9E540 C9D4E6C5 C2404040 | WEBSERV IMWEB |
Area length:                                00000090
Area value:
C1C3C5E7 03000000 00000000 00000000 | ACEX..... |
00000000 00000000 00000000 00000000 | ..... |
00000000 00000024 009FE008 00000000 | ..... \..... |
00000000 00000000 00000000 00000000 | ..... |
00000000 00000000 7F877040 00000000 | ..... "g. .... |
00000000 00000000 00000000 00000000 | ..... |
00000000 00000000 00000000 00000000 | ..... |
00000000 00000000 00000000 00000000 | ..... |
00000000 00000000 00000000 00000000 | ..... |

```

Area length: 00000000
Area value:

Hexadecimal dump of record follows:

```

+0000 00000036 D9E3D9C1 C3C54040 D6D4E5E2 | ....RTRACE OMVS |
+0010 D7D6E2E3 00000000 00000000 00000000 | POST..... |
+0020 00000000 00000000 00000000 00000000 | ..... |
+0030 A6168CFA 00000000 00000000 40400000 | w..... |
+0040 00000000 00000000 00000000 00000000 | ..... |
+0050 00000000 00000000 009F0898 00000000 | .....q.... |
+0060 00F55C80 00000000 00F55C80 00000022 | .5*.....5*.... |
+0070 00000022 C9D4E6C5 C2E2D9E5 C9D4E6C5 | ....IMWEBSRVIMWE |
+0080 C2E2D9E5 00000000 009FFDC0 00000000 | BSRV.....{.... |
+0090 009FFDC0 00000000 00000000 B5F9F4C7 | ..{.....94G |
+00A0 804A5686 00000000 00000000 00000000 | .c.f..... |
+00B0 00000029 00000029 00000034 2561D0C0 | ...../){ |
+00C0 25615600 256155F4 25615604 256155F8 | ./.../.4./.../.8 |
+00D0 25615608 256155FC 256154D1 2561560C | ./.../.../.J./.. |
+00E0 256154D2 2561D4C0 25615610 A5615790 | ./..K./M{/..v/.. |
+00F0 00000008 D6C6C6E2 C5E30004 00000004 | ....OFFSET..... |
+0100 00000000 00000008 D6C6C6E2 C5E30008 | .....OFFSET.. |
+0110 00000004 00000000 00000008 D6C6C6E2 | .....OFFS |
+0120 C5E3000C 00000004 00000000 00000008 | ET..... |
+0130 D6C6C6E2 C5E30010 00000004 00000000 | OFFSET..... |
+0140 00000008 D6C6C6E2 C5E30014 00000004 | ....OFFSET..... |
+0150 00000000 00000008 D6C6C6E2 C5E30018 | .....OFFSET.. |
+0160 00000004 00000000 00000008 D6C6C6E2 | .....OFFS |
+0170 C5E3001C 00000001 01000000 08D6C6C6 | ET.....OFF |
+0180 E2C5E300 20000000 04000000 00000000 | SET..... |
+0190 08D6C6C6 E2C5E300 24000000 01000000 | .OFFSET..... |
+01A0 0008D6C6 C6E2C5E3 00280000 000A09D4 | ..OFFSET.....M |
+01B0 E8E2E2D3 D9C9D5C7 00000008 D6C6C6E2 | YSSLRING....OFFS |
+01C0 C5E3002C 00000004 00000000 00000008 | ET..... |
+01D0 D6C6C6E2 C5E30030 00000048 256157D8 | OFFSET...../.Q |
+01E0 00000002 00000000 000002A5 256494B8 | .....v..m. |
+01F0 00000000 257DF558 00000000 00000000 | ....'5..... |
+0200 00000009 256157EC 08899999 838599A3 | ..../.irrcert |
+0210 81000000 0000004F 257DF870 00000038 | a.....|. '8..... |
+0220 2561D5B0 00000008 D6C6C6E2 C5E30000 | ./N.....OFFSET.. |
+0230 00000014 25C9A040 00000000 00000000 | .....I. .... |
+0240 00000000 00000000 00000008 D6C6C6E2 | .....OFFS |
+0250 C5E30010 000002A5 308202A1 3082020A | ET.....v.b.~.b.. |
+0260 A0030201 02020100 300D0609 2A864886 | .....f.f |
+0270 F70D0101 05050030 4D310B30 09060355 | 7.....(..... |
+0280 04061302 55533118 30160603 55040A13 | ..... |
+0290 0F4D5920 434F4D50 414E592C 20494E43 | .(...|(&+.+.+. |
+02A0 31243022 06035504 0B131B48 554D414E | .....(+ |
+02B0 20524553 4F555243 45532043 45525449 | ....|..... |
+02C0 46494341 5445301E 170D3031 30363038 | ..... |
+02D0 30353030 30305A17 0D323030 36313030 | .....!..... |
+02E0 34353935 395A304D 310B3009 06035504 | .....!(..... |

```

SAF Trace

+02F0	06130255	53311830	16060355	040A130F
+0300	4D592043	4F4D5041	4E592C20	494E4331	(... (&+....+..
+0310	24302206	0355040B	131B4855	4D414E20(.+.
+0320	5245534F	55524345	53204345	52544946
+0330	49434154	4530819F	300D0609	2A864886a.....f.f
+0340	F70D0101	01050003	818D0030	81890281	7.....a....ai.a
+0350	8100B3E1	D36F32A3	1ED16837	8EF47012	a...L?.t.J...4..
+0360	0F74E1F7	CA9BA924	456081F5	6A5EDD89	...7..z.-a5.;.i
+0370	35CA9674	4984F141	E44AB5E0	F1B0DC82	..o..dl.Uç.\1..b
+0380	75216B53	6FE7AC57	D73D4ECD	16161537	...?X..P.+.....
+0390	E5E786A1	4C0A09A9	1464E572	35AD5F9C	VXf~<..z..V...~.
+03A0	D40F1B55	45FDF230	B0228334	E6ED2A0A	M.....2....c.W...
+03B0	6B3AD28A	B4AA789D	54FD84F2	1279B011	,.K.....d2.~..
+03C0	C767CCCC	26EE3ED4	013BD21F	AEBFB074	G.....M..K.....
+03D0	6AE50203	010001A3	81903081	8D304B06	.V.....ta..a....
+03E0	09551D0F	0186F842	010D043E	133C4765f8.....
+03F0	6E657261	74656420	62792074	68652053	>../......`.....
+0400	65637572	65576179	20536563	75726974/~.....
+0410	79205365	72766572	20666F72	204F532F	~.....?.. ..
+0420	33393020	28524143	4629300E	0603551D
+0430	0F0101FF	04040302	0006300F	0603551D
+0440	130101FF	04053003	0101FF30	1D060355
+0450	1D0E0416	0414D79A	44A60457	328E9635P..w....o.
+0460	E655137D	52E787D4	46D2300D	06092A86	W..'XgM.K.....f
+0470	4886F70D	01010505	00038181	0052EECE	.f7.....aa....
+0480	337B3893	19B9D56B	AD725205	C97C4DE5	.#.1..N,....I@(V
+0490	C16D13E3	1EEA02E6	D00A29B1	CA6490CC	A..T...W}.....
+04A0	0ABAD5B9	6C61F417	95E207D5	CBE8B84B	..N.%/4.nS.N.Y..
+04B0	1A7BD22A	E3BC0154	FDE66400	8A4BB3DA	.#K.T...W.....
+04C0	0D75D127	079743F5	00ED5E58	DC4B1FF9	..J..p.5.;....9
+04D0	2937C930	E306B662	0096DD5C	BE80A812	..I.T....o.*.y.
+04E0	5F859566	15D86B0C	ECF12799	A58E813B	-en..Q,..1.rv.a.
+04F0	94FDF51E	45D9C3E2	27C64C2E	BD000000	m.5..RCS.F<....
+0500	08D6C6C6	E2C5E300	18000000	00000000	.OFFSET.....
+0510	08D6C6C6	E2C5E300	28000000	09D4E840	.OFFSET.....MY
+0520	D7D2C940	C3C10000	0008D6C6	C6E2C5E3	PKI CA...OFFSET
+0530	003C0000	004F304D	310B3009	06035504(.....
+0540	06130255	53311830	16060355	040A130F
+0550	4D592043	4F4D5041	4E592C20	494E4331	(... (&+....+..
+0560	24302206	0355040B	131B4855	4D414E20(.+.
+0570	5245534F	55524345	53204345	52544946
+0580	49434154	45000000	08D6C6C6	E2C5E300OFFSET.
+0590	44000000	38F0F04B	D6E47EC8	E4D4C1D500.OU=HUMAN
+05A0	4AD9C5E2	D6E4D9C3	C5E24AC3	C5D9E3C9	çRESOURCESçCERTI
+05B0	C6C9C3C1	E3C54BD6	7ED4E84A	C3D6D4D7	FICATE.O=MYçCOMP
+05C0	C1D5E86B	4AC9D5C3	4BC37EE4	E2000000	ANY,çINC.C=US...
+05D0	A8C1C3C5	C5FF0000	A8020000	00000000	yACEE...y.....
+05E0	00000000	0007E6C5	C2E2C5D9	E54005C9WEBSERV .I
+05F0	D4E6C5C2	40404001	01050116	3FC9D4E6	MWEBIMW
+0600	C5C2E2D9	E5000000	00000000	00000000	EBSRV.....
+0610	00404040	40404040	40000000	00000000
+0620	00000000	00000000	00404040	40404040
+0630	40000000	00009FDF	90000000	00009FFA
+0640	78000000	00009FFA	E0000000	00010116\.....
+0650	3F000000	00002000	00000000	00000000
+0660	00000000	00000000	00009FFB	48000000
+0670	00000000	00009FFD	70000000	50500120&&..
+0680	040000C0	00000000	00000000	00000000	...{.....
+0690	00000000	00000000	00000000	00000000
+06A0	00000000	00000000	00000000	00000000
+06B0	00000000	00000000	00000000	00E6C5C2WEB
+06C0	E2C5D9E5	40C9D4E6	C5C24040	40000000	SERV IMWEB ...
+06D0	90C1C3C5	E7030000	00000000	00000000	.ACEX.....
+06E0	00000000	00000000	00000000	00000000
+06F0	00000000	00000000	24009FE0	08000000\.....
+0700	00000000	00000000	00000000	00000000
+0710	00000000	00000000	007F8770	40000000"g. ...

```
+0720 00000000 00000000 00000000 00000000 | ..... |
+0730 00000000 00000000 00000000 00000000 | ..... |
+0740 00000000 00000000 00000000 00000000 | ..... |
+0750 00000000 00000000 00000000 00000000 | ..... |
+0760 00000000 00          | ..... |
```

Note: All remaining examples will only contain the Function Specific Parameter List (FSPL) part of the trace record. All functions have the same parameter in the r_datalib parameter list, with different values.

CheckStatus

```
D6C6C6E2 C5E30030          | OFFSET.. |
Area length:                00000008
Area value:
000002A5 256494B8          | ...v..m. |
Area length:                00000008
Area value:
D6C6C6E2 C5E30004          | OFFSET.. |
```

Note: Offset 4 is the Certificate.

```
Area length:                000002A5
Area value:
308202A1 3082020A A0030201 02020100 | .b.~.b..... |
300D0609 2A864886 F70D0101 05050030 | .....f.f7..... |
4D310B30 09060355 04061302 55533118 | (..... |
30160603 55040A13 0F4D5920 434F4D50 | .....(....|(& |
414E592C 20494E43 31243022 06035504 | +.....+..... |
0B131B48 554D414E 20524553 4F555243 | .....(+.....|... |
45532043 45525449 46494341 5445301E | ..... |
170D3031 30363038 30353030 30305A17 | .....!. |
0D323030 36313030 34353935 395A304D | .....!.( |
310B3009 06035504 06130255 53311830 | ..... |
16060355 040A130F 4D592043 4F4D5041 | .....(....|(&. |
4E592C20 494E4331 24302206 0355040B | +.....+..... |
131B4855 4D414E20 5245534F 55524345 | .....(+.....|... |
53204345 52544946 49434154 4530819F | ..... |
300D0609 2A864886 F70D0101 01050003 | .....f.f7..... |
818D0030 81890281 8100B3E1 D36F32A3 | a...ai..aa...L?.t |
1ED16837 8EF47012 0F74E1F7 CA9BA924 | .J...4....7..z. |
456081F5 6A5EDD89 35CA9674 4984F141 | ..-a5.;.i..o..d1. |
E44AB5E0 F1B0DC82 75216B53 6FE7AC57 | Uç.\1..b..?.?X.. |
D73D4ECD 16161537 E5E786A1 4C0A09A9 | P.+.....VXF^<..z |
1464E572 35AD5F9C D40F1B55 45FDF230 | ..V...~.M.....2. |
B0228334 E6ED2A0A 6B3AD28A B4AA789D | ..c.W...,.K..... |
54FD84F2 1279B011 C767CCCC 26EE3ED4 | ..d2.`..G.....M |
013BD21F AEBFB074 6AE50203 010001A3 | ..K.....V.....t |
81903081 8D304B06 09551D0F 0186F842 | a..a.....f8. |
010D043E 133C4765 6E657261 74656420 | .....>../. |
62792074 68652053 65637572 65576179 | .`...../` |
20536563 75726974 79205365 72766572 | .....` |
20666F72 204F532F 33393020 28524143 | ..?..|..... |
4629300E 0603551D 0F0101FF 04040302 | ..... |
0006300F 0603551D 130101FF 04053003 | ..... |
0101FF30 1D060355 1D0E0416 0414D79A | .....P. |
44A60457 328E9635 E655137D 52E787D4 | .w....o.W..'.XgM |
46D2300D 06092A86 4886F70D 01010505 | .K.....f.f7..... |
00038181 0052EECE 337B3893 19B9D56B | ..aa.....#.1..N, |
AD725205 C97C4DE5 C16D13E3 1EEA02E6 | ....I@(VA_.T...W |
D00A29B1 CA6490CC 0ABAD5B9 6C61F417 | }.....N.%/4. |
95E207D5 CBE8B84B 1A7BD22A E3BC0154 | nS.N.Y...#K.T... |
FDE66400 8A4BB3DA 0D75D127 079743F5 | .W.....J..p.5 |
00ED5E58 DC4B1FF9 2937C930 E306B662 | ..;.9..I.T... |
0096DD5C BE80A812 5F859566 15D86B0C | .o.*.y.^en..Q,. |
ECF12799 A58E813B 94FDF51E 45D9C3E2 | .1.rv.a.m.5..RCS |
```

SAF Trace

```

27C64C2E BD | .F<.. |
Area length:          000000A8
Area value:
C1C3C5C5 FF0000A8 02000000 00000000 | ACEE...y..... |
00000000 07E6C5C2 E2C5D9E5 4005C9D4 | .....WEBSERV .IM |
E6C5C240 40400101 0501163F C9D4E6C5 | WEB .....IMWE |
C2E2D9E5 00000000 00000000 00000000 | BSRV..... |
40404040 40404040 00000000 00000000 | ..... |
00000000 00000000 40404040 40404040 | ..... |
00000000 009FDF90 00000000 009FFA78 | ..... |
00000000 009FFAE0 00000000 0101163F | .....\..... |
00000000 00200000 00000000 00000000 | ..... |
00000000 00000000 009FFB48 00000000 | ..... |
00000000 009FFD70 | ..... |
Area length:          00000050
Area value:
50012004 0000C000 00000000 00000000 | &.....{..... |
00000000 00000000 00000000 00000000 | ..... |
00000000 00000000 00000000 00000000 | ..... |
00000000 00000000 00000000 00000000 | ..... |
E6C5C2E2 C5D9E540 C9D4E6C5 C2404040 | WEBSERV IMWEB |
Area length:          00000090
Area value:
C1C3C5E7 03000000 00000000 00000000 | ACEX..... |
00000000 00000000 00000000 00000000 | ..... |
00000000 00000024 009FE008 00000000 | .....\..... |
00000000 00000000 00000000 00000000 | ..... |
00000000 00000000 7F877040 00000000 | ..... "g. .... |
00000000 00000000 00000000 00000000 | ..... |
00000000 00000000 00000000 00000000 | ..... |
00000000 00000000 00000000 00000000 | ..... |
00000000 00000000 00000000 00000000 | ..... |
Area length:          00000000
Area value:
Hexadecimal dump of record follows:
+0000 00000036 D9E3D9C1 C3C54040 D6D4E5E2 | ....RTRACE OMVS |
+0010 D7D6E2E3 00000000 00000000 00000000 | POST..... |
+0020 00000000 00000000 00000000 00000000 | ..... |
+0030 A6168F34 00000000 00000000 40400000 | w..... |
+0040 00000000 00000000 00000000 00000000 | ..... |
+0050 00000000 00000000 009F0898 00000000 | .....q..... |
+0060 00F55C80 00000000 00F55C80 00000022 | .5*.....5*..... |
+0070 00000022 C9D4E6C5 C2E2D9E5 C9D4E6C5 | ....IMWEBSRVIMWE |
+0080 C2E2D9E5 00000000 009FFDC0 00000000 | BSRV.....{..... |
+0090 009FFDC0 00000000 00000000 B5F9F4C7 | ..{.....94G |
+00A0 80C66C46 00000000 00000000 00000000 | .F%..... |
+00B0 0000001F 00000029 00000034 2561D0C0 | ...../}{ |
+00C0 25615600 256155F4 25615604 256155F8 | ./.../.4./.../.8 |
+00D0 25615608 256155FC 256154D0 2561560C | ./.../.../.../... |
+00E0 256154D2 2561D4C0 25615610 A561554C | ./.../M{...v/...< |
+00F0 00000008 D6C6C6E2 C5E30004 00000004 | ...OFFSET..... |
+0100 00000000 00000008 D6C6C6E2 C5E30008 | .....OFFSET.. |
+0110 00000004 00000000 00000008 D6C6C6E2 | .....OFFS |
+0120 C5E3000C 00000004 00000000 00000008 | ET..... |
+0130 D6C6C6E2 C5E30010 00000004 00000000 | OFFSET..... |
+0140 00000008 D6C6C6E2 C5E30014 00000004 | ...OFFSET..... |
+0150 00000000 00000008 D6C6C6E2 C5E30018 | .....OFFSET.. |
+0160 00000004 00000000 00000008 D6C6C6E2 | .....OFFS |
+0170 C5E3001C 00000001 04000000 08D6C6C6 | ET.....OFF |
+0180 E2C5E300 20000000 04000000 00000000 | SET..... |
+0190 08D6C6C6 E2C5E300 24000000 01000000 | .OFFSET..... |
+01A0 0008D6C6 C6E2C5E3 00280000 000A09D4 | ..OFFSET.....M |
+01B0 E8E2E2D3 D9C9D5C7 00000008 D6C6C6E2 | YSSLRING...OFFS |
+01C0 C5E3002C 00000004 00000000 00000008 | ET..... |
+01D0 D6C6C6E2 C5E30030 00000008 000002A5 | OFFSET.....v |
+01E0 256494B8 00000008 D6C6C6E2 C5E30004 | ..m.....OFFSET.. |
+01F0 000002A5 308202A1 3082020A A0030201 | ...v.b.~.b.....

```

+0200	02020100	300D0609	2A864886	F70D0101f.f7...
+0210	05050030	4D310B30	09060355	04061302(.....
+0220	55533118	30160603	55040A13	0F4D5920(.
+0230	434F4D50	414E592C	20494E43	31243022	. (&+.+.
+0240	06035504	0B131B48	554D414E	20524553(+....
+0250	4F555243	45532043	45525449	46494341
+0260	5445301E	170D3031	30363038	30353030
+0270	30305A17	0D323030	36313030	34353935	..!......
+0280	395A304D	310B3009	06035504	06130255	!.(......
+0290	53311830	16060355	040A130F	4D592043(...
+02A0	4F4D5041	4E592C20	494E4331	24302206	(&+.+.
+02B0	0355040B	131B4855	4D414E20	5245534F(+....
+02C0	55524345	53204345	52544946	49434154
+02D0	4530819F	300D0609	2A864886	F70D0101	..a.....f.f7...
+02E0	01050003	818D0030	81890281	8100B3E1a....ai.aa...
+02F0	D36F32A3	1ED16837	8EF47012	0F74E1F7	L?.t.J...4....7
+0300	CA9BA924	456081F5	6A5EDD89	35CA9674	..z...-a5.;.i..o.
+0310	4984F141	E44AB5E0	F1B0DC82	75216B53	.dl.Uç.\1..b....
+0320	6FE7AC57	D73D4ECD	16161537	E5E786A1	?X..P.+....Vxf~
+0330	4C0A09A9	1464E572	35AD5F9C	D40F1B55	<..z..V...-.M...
+0340	45FDF230	B0228334	E6ED2A0A	6B3AD28A	..2...c.W...,.K.
+0350	B4AA789D	54FD84F2	1279B011	C767CCCCd2...G...
+0360	26EE3ED4	013BD21F	AEBFB074	6AE50203	...M..K.....V..
+0370	010001A3	81903081	8D304B06	09551D0F	...ta...a.....
+0380	0186F842	010D043E	133C4765	6E657261	.f8.....>.. /
+0390	74656420	62792074	68652053	65637572`.....
+03A0	65576179	20536563	75726974	79205365	.. / ~`....
+03B0	72766572	20666F72	204F532F	33393020?..
+03C0	28524143	4629300E	0603551D	0F0101FF
+03D0	04040302	0006300F	0603551D	130101FF
+03E0	04053003	0101FF30	1D060355	1D0E0416
+03F0	0414D79A	44A60457	328E9635	E655137D	..P..w....o.W..'
+0400	52E787D4	46D2300D	06092A86	4886F70D	.XgM.K....f.f7.
+0410	01010505	00038181	0052EECE	337B3893aa.....#.1
+0420	19B9D56B	AD725205	C97C4DE5	C16D13E3	..N,...I@(_VA_.T
+0430	1EEA02E6	D00A29B1	CA6490CC	0ABAD5B9	...W}.....N.
+0440	6C61F417	95E207D5	CBE8B84B	1A7BD22A	%/4.nS.N.Y...#K.
+0450	E3BC0154	FDE66400	8A4BB3DA	0D75D127	T....W.....J.
+0460	079743F5	00ED5E58	DC4B1FF9	2937C930	.p.5...;.9..I.
+0470	E306B662	0096DD5C	BE80A812	5F859566	T....o.*.y.-en.
+0480	15D86B0C	ECF12799	A58E813B	94FDF51E	.Q,..1.rv.a.m.5.
+0490	45D9C3E2	27C64C2E	BD000000	A8C1C3C5	.RCS.F<....yACE
+04A0	C5FF0000	A8020000	00000000	00000000	E...y.....
+04B0	0007E6C5	C2E2C5D9	E54005C9	D4E6C5C2	..WEBSERV .IMWEB
+04C0	40404001	01050116	3FC9D4E6	C5C2E2D9IMWEBSR
+04D0	E5000000	00000000	00000000	00404040	V.....
+04E0	40404040	40000000	00000000	00000000
+04F0	00000000	00404040	40404040	40000000
+0500	00009FDF	90000000	00009FFA	78000000
+0510	00009FFA	E0000000	00010116	3F000000\.....
+0520	00002000	00000000	00000000	00000000
+0530	00000000	00009FFB	48000000	00000000
+0540	00009FFD	70000000	50500120	040000C0&&.....{
+0550	00000000	00000000	00000000	00000000
+0560	00000000	00000000	00000000	00000000
+0570	00000000	00000000	00000000	00000000
+0580	00000000	00000000	00E6C5C2	E2C5D9E5WEBSERV
+0590	40C9D4E6	C5C24040	40000000	90C1C3C5	IMWEBACE
+05A0	E7030000	00000000	00000000	00000000	X.....
+05B0	00000000	00000000	00000000	00000000
+05C0	00000000	24009FE0	08000000	00000000\.....
+05D0	00000000	00000000	00000000	00000000
+05E0	00000000	007F8770	40000000	00000000"g.
+05F0	00000000	00000000	00000000	00000000
+0600	00000000	00000000	00000000	00000000

```
+0610 00000000 00000000 00000000 00000000 | ..... |
+0620 00000000 00000000 00000000 00000000 | ..... |
+0630 00
```

DataGetNext

The resulting example output is the same as a **DataGetFirst** example.

DataAbortQuery

Your results may contain a certificate. This particular DataAbortQuery follows a DataGetNext that failed because there were no certificates are in the key ring.

```
D6C6C6E2 C5E30030 | OFFSET.. |
Area length: 00000004
Area value:
256157D8 | ./Q |
Area length: 00000008
Area value:
D6C6C6E2 C5E30000 | OFFSET.. |
Area length: 00000014
Area value:
00000000 00000000 00000000 00000000 | ..... |
00000000 | .... |
Area length: 000000A8
Area value:
C1C3C5C5 FF0000A8 02000000 00000000 | ACEE...y..... |
00000000 07E6C5C2 E2C5D9E5 4005C9D4 | .....WEBSERV .IM |
E6C5C240 40400101 0501163F C9D4E6C5 | WEB .....IMWE |
C2E2D9E5 00000000 00000000 00000000 | BSRV..... |
40404040 40404040 00000000 00000000 | ..... |
00000000 00000000 40404040 40404040 | ..... |
00000000 009FDF90 00000000 009FFA78 | ..... |
00000000 009FFAE0 00000000 0101163F | .....\..... |
00000000 00200000 00000000 00000000 | ..... |
00000000 00000000 009FFB48 00000000 | ..... |
00000000 009FFD70 | ..... |
Area length: 00000050
Area value:
50012004 0000C000 00000000 00000000 | &....{..... |
00000000 00000000 00000000 00000000 | ..... |
00000000 00000000 00000000 00000000 | ..... |
00000000 00000000 00000000 00000000 | ..... |
E6C5C2E2 C5D9E540 C9D4E6C5 C2404040 | WEBSERV IMWEB |
Area length: 00000090
Area value:
C1C3C5E7 03000000 00000000 00000000 | ACEX..... |
00000000 00000000 00000000 00000000 | ..... |
00000000 00000024 009FE008 00000000 | .....\. |
00000000 00000000 00000000 00000000 | ..... |
00000000 00000000 00000000 7F877040 00000000 | ..... "g. |
00000000 00000000 00000000 00000000 | ..... |
00000000 00000000 00000000 00000000 | ..... |
00000000 00000000 00000000 00000000 | ..... |
00000000 00000000 00000000 00000000 | ..... |
Area length: 00000000
Area value:
Hexadecimal dump of record follows:
+0000 00000036 D9E3D9C1 C3C54040 D6D4E5E2 | ....RTRACE OMVS |
+0010 D7D6E2E3 00000000 00000000 00000000 | POST..... |
+0020 00000000 00000000 00000000 00000000 | ..... |
+0030 A616A852 00000000 00000000 40400000 | w.y..... |
+0040 00000000 00000000 00000000 00000000 | ..... |
+0050 00000000 00000000 009F0898 00000000 | .....q.... |
+0060 00F55C80 00000000 00F55C80 00000022 | .5*.....5*.... |
+0070 00000022 C9D4E6C5 C2E2D9E5 C9D4E6C5 | ...IMWEBSRVIMWE |
+0080 C2E2D9E5 00000000 009FFDC0 00000000 | BSRV.....{.... |
+0090 009FFDC0 00000000 00000000 B5F9F4C7 | ...{.....94G |
```


+00A0	84F95A2C	00000000	00000000	00000000	d9!.....
+00B0	0000001F	00000029	00000034	2561D0C0/}{
+00C0	25615600	256155F4	25615604	256155F8	./.../.4./.../.8
+00D0	25615608	256155FC	256154D1	2561560C	./.../.../.J./..
+00E0	256154D2	2561D4C0	25615610	A5615790	./..K./M{./..v/..
+00F0	00000008	D6C6C6E2	C5E30004	00000004OFFSET.....
+0100	00000000	00000008	D6C6C6E2	C5E30008OFFSET..
+0110	00000004	00000000	00000008	D6C6C6E2OFFS
+0120	C5E3000C	00000004	00000000	00000008	ET.....
+0130	D6C6C6E2	C5E30010	00000004	00000000	OFFSET.....
+0140	00000008	D6C6C6E2	C5E30014	00000004OFFSET.....
+0150	00000000	00000008	D6C6C6E2	C5E30018OFFSET..
+0160	00000004	00000000	00000008	D6C6C6E2OFFS
+0170	C5E3001C	00000001	03000000	08D6C6C6	ET.....OFF
+0180	E2C5E300	20000000	04000000	00000000	SET.....
+0190	08D6C6C6	E2C5E300	24000000	01000000	.OFFSET.....
+01A0	0008D6C6	C6E2C5E3	00280000	000A09D4	..OFFSET.....M
+01B0	E8E2E2D3	D9C9D5C7	00000008	D6C6C6E2	YSSLRING....OFFS
+01C0	C5E3002C	00000004	00000000	00000008	ET.....
+01D0	D6C6C6E2	C5E30030	00000004	256157D8	OFFSET...../.Q
+01E0	00000008	D6C6C6E2	C5E30000	00000014OFFSET.....
+01F0	00000000	00000000	00000000	00000000
+0200	00000000	000000A8	C1C3C5C5	FF0000A8yACEE...y
+0210	02000000	00000000	00000000	07E6C5C2WEB
+0220	E2C5D9E5	4005C9D4	E6C5C240	40400101	SERV .IMWEB ..
+0230	0501163F	C9D4E6C5	C2E2D9E5	00000000IMWEBSRV....
+0240	00000000	00000000	40404040	40404040
+0250	00000000	00000000	00000000	00000000
+0260	40404040	40404040	00000000	009FDF90
+0270	00000000	009FFA78	00000000	009FFAE0\
+0280	00000000	0101163F	00000000	00200000
+0290	00000000	00000000	00000000	00000000
+02A0	009FFB48	00000000	00000000	009FFD70
+02B0	00000050	50012004	0000C000	00000000	..&.....{.....
+02C0	00000000	00000000	00000000	00000000
+02D0	00000000	00000000	00000000	00000000
+02E0	00000000	00000000	00000000	00000000
+02F0	00000000	E6C5C2E2	C5D9E540	C9D4E6C5WEBSERV IMWE
+0300	C2404040	00000090	C1C3C5E7	03000000	BACEX....
+0310	00000000	00000000	00000000	00000000
+0320	00000000	00000000	00000000	00000024
+0330	009FE008	00000000	00000000	00000000	..\.....
+0340	00000000	00000000	00000000	00000000
+0350	7F877040	00000000	00000000	00000000	"g.
+0360	00000000	00000000	00000000	00000000
+0370	00000000	00000000	00000000	00000000
+0380	00000000	00000000	00000000	00000000
+0390	00000000	00000000	00000000	00000000

Using the trace to find problems

If SSL does not start, or starts but SSL handshake does not occur, turn on trace, and restart the web server. Calls to `r_datalib` occur when the web server is being started. You should be able to tell from this list what went wrong based on the trace you received. For these trace examples, important trace information is followed by an explanatory note.

- **First DataGetFirst contains a return code of 8 with a reason code of 54**

All of the trace results offset 8 are not shown. The sample trace follows:

```
Area value:
D6C6C6E2 C5E30010 | OFFSET.. |
```

Note: Offset 10 is the return code

```

Area length:          00000004
Area value:
00000008              | ....          |

```

Note: Hex 8 in the return code value

```

Area length:          00000008
Area value:
D6C6C6E2 C5E30014    | OFFSET..      |
Area length:          00000004
Area value:
00000000              | ....          |
Area length:          00000008
Area value:
D6C6C6E2 C5E30018    | OFFSET..      |

```

Note: Offset 18 is the reason code

```

D6C6C6E2 C5E30018    | OFFSET..      |
Area length:          00000004
Area value:
00000054              | ....          |

```

Note: Hex 54 is the reason code value

54 in hex is equal to a reason code of 80 which for this function is reason: Profile for ring_name not found. The next step for fixing this problem would be to look at the trace at offset 28 and compare the ring name found there with the one in the keyfile area of the .conf file. An example of output at offset 28 is the first DataGetFirst previous example. Check that the ring name is correct. Note, ring names are case-sensitive and must be owned by the web server daemon user ID (WEBSRV by default). This can be checked using the RACDCERT LISTRING TSO command.

- **SSL doesn't start on the server and there are no traces.**

Check the keyfile like in the http.main.conf file. It should look like this:

```
keyfile MYSSLRING SAF
```

If the SAF positional parameter is missing, then System SSL treats the name as a GSKKMAN key file, not a RACF keyring, hence there is no trace. If the keyfile really is a RACF keyring, add the SAF positional parameter.

- **Second DataGetNext has a reason code 2C.**

Hex 2C is reason code 44: Record not found. This means that there is a problem with one of the two certificates that are attached to the ring. To find out what exactly is wrong, some more research is needed.

In order for SSL to function properly the key ring needs:

- to be owned by the ID who assigned to the web server process
- to contain a signing CERTAUTH certificate with CERTAUTH usage
- to contain a PERSONAL certificate owned by the ID who is assigned to the web server process. This certificate must also be signed by the CERTAUTH certificate and be marked DEFAULT.
- to have neither certificate marked NOTRUST

To learn what could be wrong a RACDCERT should be issued:

```
RACDCERT ID(webserver-user-id) LISTRING(MYSSLRING)
```

WEBSERV is the name of the ID who assigned to the web server process. MYSSLRING is the name that is listed in the keyfile area of the .conf file. The output should be similar to this example:

```
Ring:
  >MYSSLRING<
Certificate Label Name      Cert Owner      USAGE      DEFAULT
-----
MY PKI CA                  CERTAUTH       CERTAUTH   NO
SSL CERT                   ID(WEBSERV)    PERSONAL   YES
```

Looking at this output verifies most of these conditions.

The output: "IRRD114I Ring MYSSLRING does not exist." indicates that the ring in the .conf file does not exist, or that it is not owned by the ID assigned to the web server process.

To check the signer of the PERSONAL certificate is the CERTAUTH certificate and that neither certificate is marked NOTRUST, other commands must be used.

Using the previous certificate label names, the commands and output are listed:

Command:

```
RACDCERT ID(WEBSERV) LIST(LABEL('SSL CERT'))
```

Output:

```
Label: SSL CERT
Certificate ID: 2QfmxCLixdn14uLTQMPF2eNA
Status: TRUST
Start Date: 2001/06/25 00:00:00
End Date: 2002/06/25 23:59:59
Serial Number:
  >01<
Issuer's Name:
  >OU=HUMAN RESOURCES CERTIFICATE.O=MY COMPANY, INC.C=US<
Subject's Name:
  >CN=WWW.MYCOMPANY.COM.O=MY COMPANY INC.L=MILLBROOK.SP=NEW YORK.C=US<
Signing Algorithm: sha1RSA
Key Type: RSA
Key Size: 1024
Private Key: YES
Ring Associations:
  Ring Owner: WEBSERV
  Ring:
    >MYSSLRING<
```

Command:

```
RACDCERT CERTAUTH LIST(LABEL('MY PKI CA'))
```

Output:

```
Label: MY PKI CA
Certificate ID: 2QiJmZmDhZmjgdToQnfSyUDDwUBA
Status: TRUST
Start Date: 2001/06/08 00:00:00
End Date: 2020/06/09 23:59:59
Serial Number:
  >00<
Issuer's Name:
  >OU=HUMAN RESOURCES CERTIFICATE.O=MY COMPANY, INC.C=US<
Subject's Name:
  >OU=HUMAN RESOURCES CERTIFICATE.O=MY COMPANY, INC.C=US<
Key Usage: CERTSIGN
Signing Algorithm: sha256RSA
Key Type: RSA
```

SAF Trace

```
Key Size: 2048
Private Key: YES
Ring Associations:
  Ring Owner: WEBSERV
  Ring:
    >MYSSLRING<
```

Note: Both certificates have TRUST status and the PERSONAL certificate was issued by the CERTAUTH certificate.

Compare your results with the examples provided to evaluate your situation for common IBM HTTP Server related problems that are related to an incorrect SAF keyring configuration. If you need more assistance when you are done, you might want to consider calling the IBM support center.

Chapter 3. Reporting RACF problems to IBM

Prerequisites

See “Troubleshooting the problem” on page 1 and the diagnostic procedures for this type of problem.

You also need to understand the procedures for reporting a problem to the IBM support center.

Introduction to reporting RACF problems to IBM

This describes the information that you need to collect before you report any RACF problems to IBM. The procedure lists only the information that the IBM support center is most likely to request.

When you report a problem, you need to describe your system and the problem that you experienced. The people at the IBM support center use this information to see whether your problem is already known to IBM and to check whether a fix is available.

Note: If you have the Information/MVS or Information/Access product, or a similar problem-search tool, you can do checking for a duplicate known problem yourself. “Performing a preliminary search for a matching problem” on page 34 and “Searching for a matching problem” on page 81 have advice on which RACF symptoms to use in search arguments for search tools.

If you report a new, unique problem, you need to provide additional problem information.

How to report RACF problems to IBM

Before calling IBM, collect the information called for in the worksheet for your type of problem. See Figures Table 20 on page 100 through Table 28 on page 104 for the applicable worksheet.

Consider collecting all the information about the worksheets before reporting the problem, to speed up your phone conversation if the support center needs the information.

The support center people usually want you to provide the information in the same order as in the checklist.

Recommendations

1. Before you call, you need to have a listing or an interactive display ready that shows any problem information that you obtained from a system dump or another data set.
2. For the most efficient phone conversations with IBM, consider having IPCS (Interactive Problem Control System) ready for interactive dump displays during the conversation. “Formatting a system dump” on page 42 has advice about using IPCS.

Procedure

For the complete list of diagnostic procedures for each type of problem, see “Troubleshooting tables for problems in RACF” on page 7.

Table 20. Information to gather before calling IBM with Abend Problems

Information to gather before calling IBM with Abend Problems
<p>You can use this worksheet to write on directly or as a guide for making your own notes elsewhere.</p> <ol style="list-style-type: none">1. Level of z/OS: _____ (Example: z/OS Version 1 Release 1)2. RACF is enabled for sysplex communication: _____<ul style="list-style-type: none">• non-data sharing mode _____• data sharing mode _____• read-only mode _____3. System is configured as an RRSF node: _____<ul style="list-style-type: none">• local mode _____• remote mode _____4. PTF level of abending module: _____ (Example: UW27135)5. Installation exits installed (which exits are used and what they do):6. User modifications, if any (which modules are modified and what the modifications do):7. Any recent changes (such as maintenance applied, Security Server options changed, new program products, new hardware):8. A formatted system dump with options: SUMMARY SUNDUMP FORMAT CURRENT TRACE LOGDATA LPAMAP CPUDATA SYMPTOMS9. The message that contains the abend code: _____ Complete message text:10. Assembler listing, if source is available.11. If a hardware problem is suspected, EREP (error recording and editing program) records.

Table 21. Information to gather before calling IBM with Documentation Problems

Information to gather before calling IBM with Documentation Problems

You can use this worksheet to write on directly or as a guide for making your own notes elsewhere.

1. Level of z/OS: _____ (Example: z/OS Version 1 Release 1)
2. RACF is enabled for sysplex communication: _____
 - non-data sharing mode _____
 - data sharing mode _____
 - read-only mode _____
3. System is configured as an RRSF node: _____
 - local mode _____
 - remote mode _____
4. Installation exits installed (which exits are used and what they do):
5. User modifications, if any (which modules are modified and what the modifications do):
6. Publication title and order number (with dash level):
7. Page number or topic number: _____

Table 22. Information to gather before calling IBM with Output Problems

Information to gather before calling IBM with Output Problems

You can use this worksheet to write on directly or as a guide for making your own notes elsewhere.

1. Level of z/OS: _____ (Example: z/OS Version 1 Release 1)
2. RACF is enabled for sysplex communication: _____
 - non-data sharing mode _____
 - data sharing mode _____
 - read-only mode _____
3. System is configured as an RRSF node: _____
 - local mode _____
 - remote mode _____
4. Installation exits installed (which exits are used and what they do):
5. User modifications, if any (which modules are modified and what the modifications do):
6. **Any** recent changes (such as maintenance applied, RACF options changed, new program products, new hardware):
7. Description of RACF request that caused incorrect output (who did it—user's attributes, routine running, or both—and what was done):
8. IBM reference material that explains what correct output should look like:
9. Online or printed copy of output, or other indications that the output is incomplete:
10. If available, please attach example of good output (before problem occurred).
11. If a report writer problem, please attach a listing of the SMF (system management facilities) records.

Table 23. Information to gather before calling IBM with Logon Problems

Information to gather before calling IBM with Logon Problems
--

Procedure

You can use this worksheet to write on directly or as a guide for making your own notes elsewhere.

Note: Before filling out this worksheet, make sure the users are not “revoked”.

1. Level of z/OS: _____ (Example: z/OS Version 1 Release 1)
2. RACF is enabled for sysplex communication: _____
 - non-data sharing mode _____
 - data sharing mode _____
 - read-only mode _____
3. System is configured as an RRSF node: _____
 - local mode _____
 - remote mode _____
4. Installation exits installed (which exits are used and what they do):
5. User modifications, if any (which modules are modified and what the modifications do):
6. **Any** recent changes (such as maintenance applied, RACF options changed, new program products, new hardware):
7. How many users cannot log on? _____
8. Are there any aspects that the users having logon problems share, such as group memberships or authorities?
9. When users attempt to log on, what message, if any, is displayed?
10. If applicable, have SMF records related to the logon problem available.

Table 24. Information to gather before calling IBM with Loop Problems

Information to gather before calling IBM with Loop Problems

You can use this worksheet to write on directly or as a guide for making your own notes elsewhere.

1. Level of z/OS: _____ (Example: z/OS Version 1 Release 1)
2. RACF is enabled for sysplex communication: _____
 - non-data sharing mode _____
 - data sharing mode _____
 - read-only mode _____
3. System is configured as an RRSF node: _____
 - local mode _____
 - remote mode _____
4. Installation exits installed (which exits are used and what they do):
5. User modifications, if any (which modules are modified and what the modifications do):
6. **Any** recent changes (such as maintenance applied, RACF options changed, new program products, new hardware):
7. What external symptoms indicate that there is a loop (such as multiple copies of output or poor performance)?
8. Description of routines involved in loop, with addresses of instructions, if available:
9. What conditions the loop occurs in:
10. Whether loop is ___ enabled or ___ disabled.
11. If loop is enabled, please include a standalone system dump.
12. If applicable, please have available online or (preferably) printed output.

Table 25. Information to gather before calling IBM with Message Problems

Information to gather before calling IBM with Message Problems
<p>You can use this worksheet to write on directly or as a guide for making your own notes elsewhere.</p> <ol style="list-style-type: none"> 1. Level of z/OS: _____ (Example: z/OS Version 1 Release 1) 2. RACF is enabled for sysplex communication: _____ <ul style="list-style-type: none"> • non-data sharing mode _____ • data sharing mode _____ • read-only mode _____ 3. System is configured as an RRSF node: _____ <ul style="list-style-type: none"> • local mode _____ • remote mode _____ 4. Installation exits installed (which exits are used and what they do): 5. User modifications, if any (which modules are modified and what the modifications do): 6. Any recent changes (such as maintenance applied, RACF options changed, new program products, new hardware): 7. Complete message text, including any related messages that immediately precede or follow it: 8. Name of routine running when message is issued:

Table 26. Information to gather before calling IBM with Performance Problems

Information to gather before calling IBM with Performance Problems
<p>You can use this worksheet to write on directly or as a guide for making your own notes elsewhere.</p> <ol style="list-style-type: none"> 1. Level of z/OS: _____ (Example: z/OS Version 1 Release 1) 2. RACF is enabled for sysplex communication: _____ <ul style="list-style-type: none"> • non-data sharing mode _____ • data sharing mode _____ • read-only mode _____ 3. System is configured as an RRSF node: _____ <ul style="list-style-type: none"> • local mode _____ • remote mode _____ 4. Installation exits installed (which exits are used and what they do): 5. User modifications, if any (which modules are modified and what the modifications do): 6. Any recent changes (such as maintenance applied, RACF options changed, new program products, new hardware): 7. Description of the conditions in which degradation occurs: 8. Any console messages (please attach).

Procedure

Table 27. Information to gather before calling IBM with Return Code Problems

Information to gather before calling IBM with Return Code Problems
<p>You can use this worksheet to write on directly or as a guide for making your own notes elsewhere.</p> <ol style="list-style-type: none">1. Level of z/OS: _____ (Example: z/OS Version 1 Release 1)2. RACF is enabled for sysplex communication: _____<ul style="list-style-type: none">• non-data sharing mode _____• data sharing mode _____• read-only mode _____3. System is configured as an RRSF node: _____<ul style="list-style-type: none">• local mode _____• remote mode _____4. Installation exits installed (which exits are used and what they do):5. User modifications, if any (which modules are modified and what the modifications do):6. Any recent changes (such as maintenance applied, RACF options changed, new program products, new hardware):7. The return code you expected: _____ The return code you received: _____8. The RACF macro request that caused the return code (including the parameters passed):9. The order number (with dash level) and page number or topic number of your copy of the document in which you found the description of the return code: Order number: _____ Page number or topic number: _____10. Assembler listing of program.

Table 28. Information to gather before calling IBM with Wait Problems

Information to gather before calling IBM with Wait Problems

You can use this worksheet to write on directly or as a guide for making your own notes elsewhere.

1. Level of z/OS: _____ (Example: z/OS Version 1 Release 1)
2. RACF is enabled for sysplex communication: _____
 - non-data sharing mode _____
 - data sharing mode _____
 - read-only mode _____
3. System is configured as an RRSF node: _____
 - local mode _____
 - remote mode _____
4. Installation exits installed (which exits are used and what they do):
5. User modifications, if any (which modules are modified and what the modifications do):
6. **Any** recent changes (such as maintenance applied, RACF options changed, new program products, new hardware):
7. PSW (program status word): _____
8. Source and assembler listing of routine in which wait occurred, if available.

Procedure

Chapter 4. Troubleshooting your RACF database

This topic describes the organization of the RACF database and explains how you can troubleshoot and repair it by using some of the RACF utilities.

You can get a better understanding of the contents of your RACF database by running the database unload utility, IRRDBU00. If you unload your RACF database to a sequential file (using the IRRDBU00 utility), you might uncover problems in your database that you find only when reading the profile. This utility reads every profile.

For more information about using the IRRDBU00 utility, see *z/OS Security Server RACF Macros and Interfaces* and *z/OS Security Server RACF Security Administrator's Guide*.

You might also find it advantageous to use the IRRUT200 RACF database verification utility program to assist in locating problems in your RACF database. For more details, see *z/OS Security Server RACF System Programmer's Guide*.

Format of the RACF database

This describes the format of the RACF database.

Each RACF database is a non-VSAM single extent data set that is made up of 4KB blocks and must be cataloged.

A RACF database consists of several types of records:

Header block (inventory control block, ICB)

Is the first block in a RACF database and provides a general description of the database.

Templates

Contain mappings of the entity records for the RACF database.

Segment table block

Contains mappings of individual segments from within a template.

BAM (block availability mask) blocks

Determine allocation of space within the RACF database.

Index blocks

Locate entity records (profiles) in the RACF database.

If you are using application identity mapping and it is in stage 1, 2, or 3, there is an alternative alias index to consider. This alias index correlates an application identity (a set field defined within a non-base segment within the RACF templates, such as the OMVS UID field) to a base profile (the user or group profile which has an application identity field set to a particular value).

Profiles (entity records)

Contain descriptions of the attributes and authorities for every entity defined to RACF. These entities are:

- User profiles
- Group profiles

Database format

- DASD data set profiles
- Profiles for resources defined by entries in the class descriptor table

Figure 4 illustrates the format of the database.

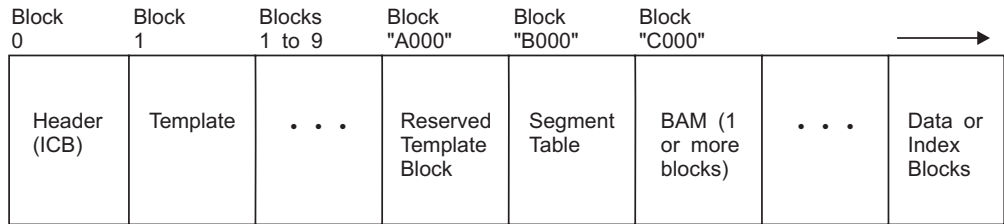


Figure 4. Format of the RACF Database

Relative byte addresses (RBA) up to the first BAM block are identified by their position. The need for more BAM blocks is driven by the size of the database. See "BAM block header" on page 109 for more information.

Any RBAs that are after the BAMs consist of unassigned blocks, index blocks, and data blocks. A profile's segment data may begin at any 256-byte slot with a 4K data block and then continue in consecutive slots, through consecutive RBAs. Therefore, it is possible that a field definition (which is what constitutes the contents of a profile's segment data) starts in one RBA, and completes upon another, possibly spanning many RBAs. The field definition might then deposit a byte of any value in the first byte of the first slot of an RBA.

If initially it might seem a false positive for an index block (X'8A'), a forceful approach read the RACF database might not be able to determine the RBA type by just checking the first byte of the RBA. The index structure and the sequence set provide the information to find a profile's segment data, in its assigned 256-byte slot with a data block. The logical length of the profile indicates the number of consecutive 256-byte slots that are needed.

Therefore, values you might use to locate blocks are:

- X'02'—segment table
- X'00'—BAM
- X'83'—data
- X'8A'—index
- X'C3'—empty block

Header block (ICB)

The ICB (inventory control block) has a relative byte address of zero. RACF uses the ICB to locate the other blocks in a RACF database. Each RACF database has an ICB, but RACF uses only the ICB for the master primary data set when determining the setting of options.

See Appendix A, "The Inventory Control Block (ICB)," on page 249 for the fields shown in the data area, ICB.

Templates

IRRTEMP2 contains database profile mappings. When your installation creates the database, IRRMIN00 reads the mappings, formats them, and writes them to the RACF database.

RACF provides a template for each type of profile (user, group, data set, and general resource). Each profile consists of a BASE segment, plus other potential segments, for example, the DFP segment. In turn, each template contains a number that corresponds to the type of profile that it is mapping. The template maps the fields that are contained in each segment of the profile by describing the field name and field length.

If a template block is continued into another block, the last three bytes of the template block will contain the block number of the template expansion block. This figure illustrates how the templates would look if Template 2 expanded into Block xxx of the database:

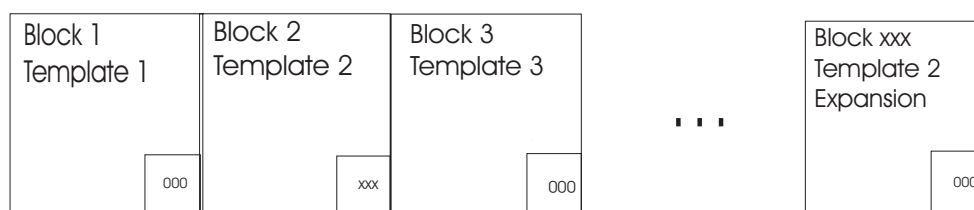


Figure 5. Template blocks

Attention

Do not modify the template definitions that IBM supplies, or unpredictable results might occur.

Segment table block

The segment table block contains mappings of individual segments from within a template. These describe the segments associated with the profiles.

BAM blocks

A block availability mask (BAM) block is a 4KB block that describes the availability of the corresponding blocks in a RACF database. Each BAM block starts with a header followed by a table of two-byte “block masks”.

The BAM high-water mark contained in the ICB is the address of the BAM block from which segments were last allocated or deallocated. This BAM block is used first when starting a search for space for a new allocation.

BAM block header

The BAM block header contains this information:

Bytes Description

Bytes 0-5:

Relative byte address (RBA) of the previous BAM block (or 0 if this is the first block).

Bytes 6-11:

RBA of the next BAM block (or 0 if this is the last block).

Database format

Bytes 12-17:

RBA of the first 4KB block whose space this BAM block defines.

Bytes 18-19:

Number of 4KB blocks whose space this BAM block defines. This is also the number of two-byte block masks which follow. A BAM block can correspond to a maximum of 2038 blocks of 4096 bytes each.

BAM block masks

Following the BAM block header is a table of block masks. A block mask is a two-byte field (16 bits) that corresponds to one 4KB block in the RACF database. The first block mask corresponds to the block whose RBA is defined in Bytes 12-17 of the BAM header. Subsequent block masks in the BAM correspond successively to the 4KB blocks following this RBA. Bytes 18-19 of the BAM header contains the number of block masks in this BAM.

Each bit in the block mask corresponds, successively, to a 256-byte slot within the mask's corresponding 4KB block. If a bit is set to 1, its corresponding slot in the block is free. Otherwise, this slot is in use. Figure 6 is an example of a block mask for a block whose first six slots are in use.

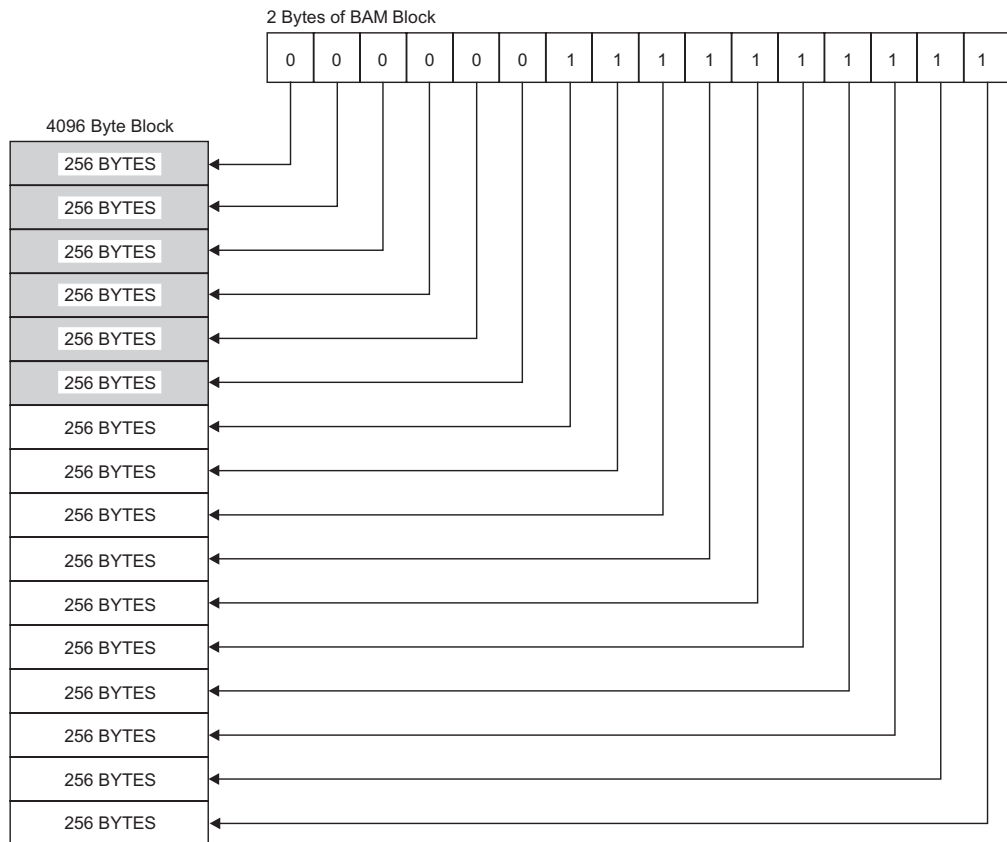


Figure 6. Block Masks of the RACF Database

Index blocks

RACF uses a multilevel index set to locate profiles. There can be up to 10 levels on a RACF database. All index searches begin with the highest level index block, whose RBA (relative byte address) is contained in the ICB (inventory control block). At every level but the lowest, the first entry in a block that is equal to or alphabetically greater than the requested profile name is used to reach the next

lower-level index block. If no entry is greater than or equal to the profile name, the index search continues with the RBA pointed to by the last index entry in the block being searched. This situation can occur because of previous index-entry deletions.

The lowest level of index blocks (level 1) is known as the sequence set. Index entries in the sequence set contain the RBAs of the actual profile segments. Each block then points to the next block in succession.

Note: The pointer in the ICB that is pointing to the first block in the sequence set is for use by BLKUPD if the database index structure is corrupted. The sequence set pointer is also used by IRRUT400 when reorganizing the database.

Figure 7 is an example of part of a RACF index, and it illustrates the path RACF uses to find the profile named FAL.N. This example assumes 3 levels. The level-1 blocks for the first and third level-2 blocks are partially shown in the figure.

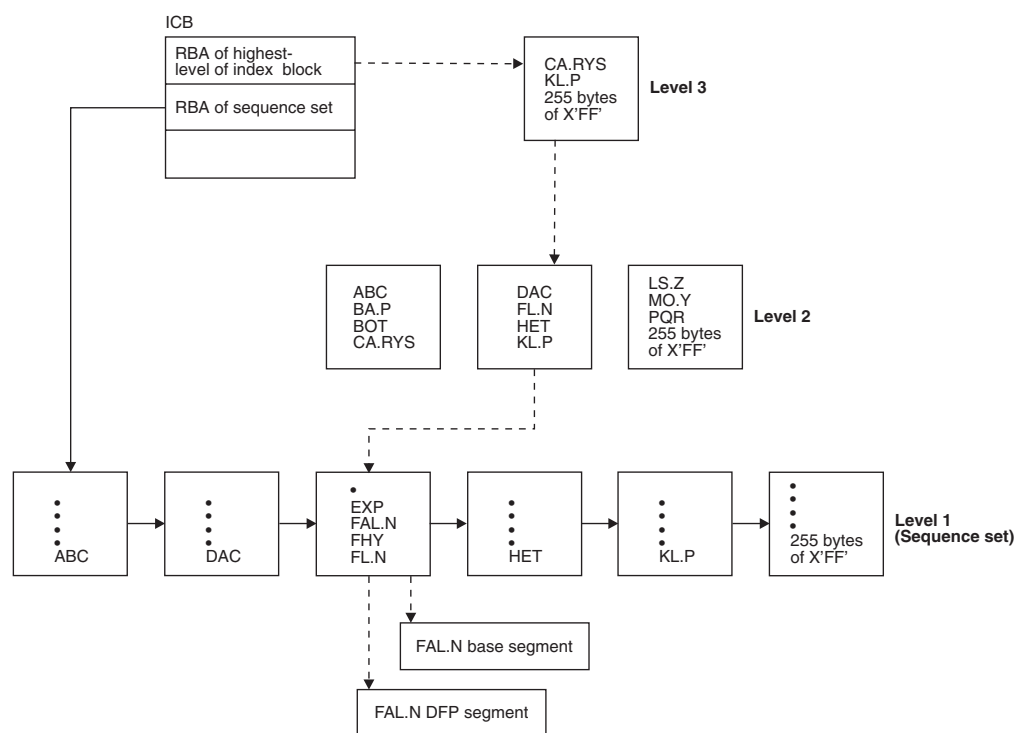


Figure 7. Example of a RACF Index

Alias index blocks

A companion to the existing index structure is the alias index structure. For alias indexes, there are four notable differences to consider:

- There are alternate anchors in the ICB
- There is a new format identifier
- There is a new index entry identifier
- The index entries in the sequence set of the alias index contain a base profile data area that names the base profile that corresponds to the particular alias index.

Overview

An index block (regular or alias) is a 4KB block whose overview is composed of these parts:

- Header
- Table of index entries.
- Sequence set chain pointer entry. For level-1 index blocks only. Follows last index entry.
- X'0C' Delimiter
- (At end of block) Table of two-byte offsets to the index entries.

Figure 8 is an example of an overview of a level-1 index block. The first 14 bytes is the header. In this example, *n* (in the header) is the number of index entries. Offset X'0EF8' is the sequence set chain pointer entry (which follows the last index entry). This offset value is also found in the header.

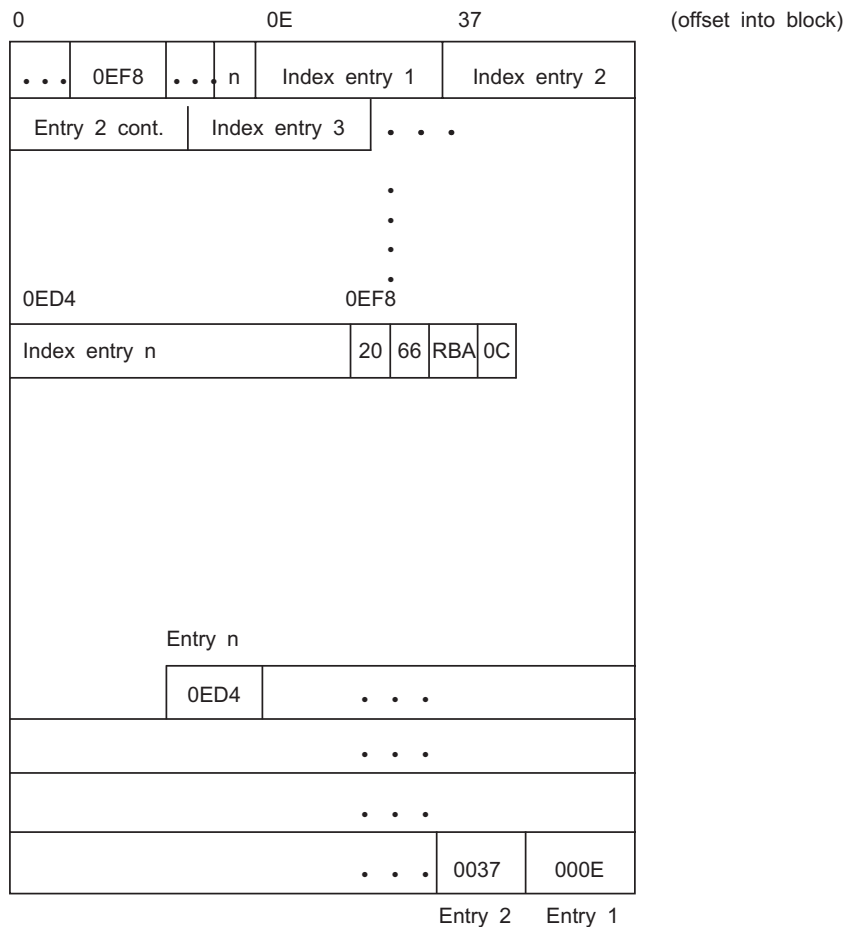


Figure 8. Example Overview of a Level-1 Index Block

Index block header

The format of an index block header in the index block is as follows:

Bytes Description

Byte 0:
X'8A' Index block identifier

- Bytes 1-2:**
X'1000' Length of the index block
- Byte 3:**
X'4E' Index block identifier
- Byte 4:**
X'00' Format identifier for regular index block; X'01' Format identifier for alias index block
- Byte 5:**
Index-level number (01-0A)
- Bytes 6-7:**
Offset to the last entry in the index block. In a level-1 index block, the last entry is a sequence set chain pointer entry. In an upper-level index block, the last entry is the last index entry of the block.
- Bytes 8-9:**
Offset to free space in the index block
- Bytes 10-11:**
Offset to a table of index-entry offsets
- Bytes 12-13:**
Count of index entries in the block. This is also equivalent to the count of entries in the table of index-entry offsets (the bottom part of the block).

Figure 9 shows an example of the index block header set up for the example of the level-1 index block in Figure 8 on page 112.

0	1	3	4	5	6	8	A	C	E	(offset)
8A	1000	4E	00	01	0EF8	0F01	0F9E	<i>n</i>		First index entry...

Figure 9. Example of an Index Block Header

Index entries

Following the index block header is a table of index entries. The format of an index entry is:

Bytes Description

- Byte 0:**
Entry identifier, as follows:
- X'21'** Normal index entry (non-duplicate entry). In a set of duplicate index entries, this identifier marks the last index entry of the set.
 - X'22'** Duplicate index entry. This entry is a duplicate of the next index entry. Index entries can be duplicates of one another until one marked by the X'21' identifier is reached.

A duplicate index entry can exist only in a level-1 index block and only for data set profiles with the same name.
 - X'23'** Alias index entry.

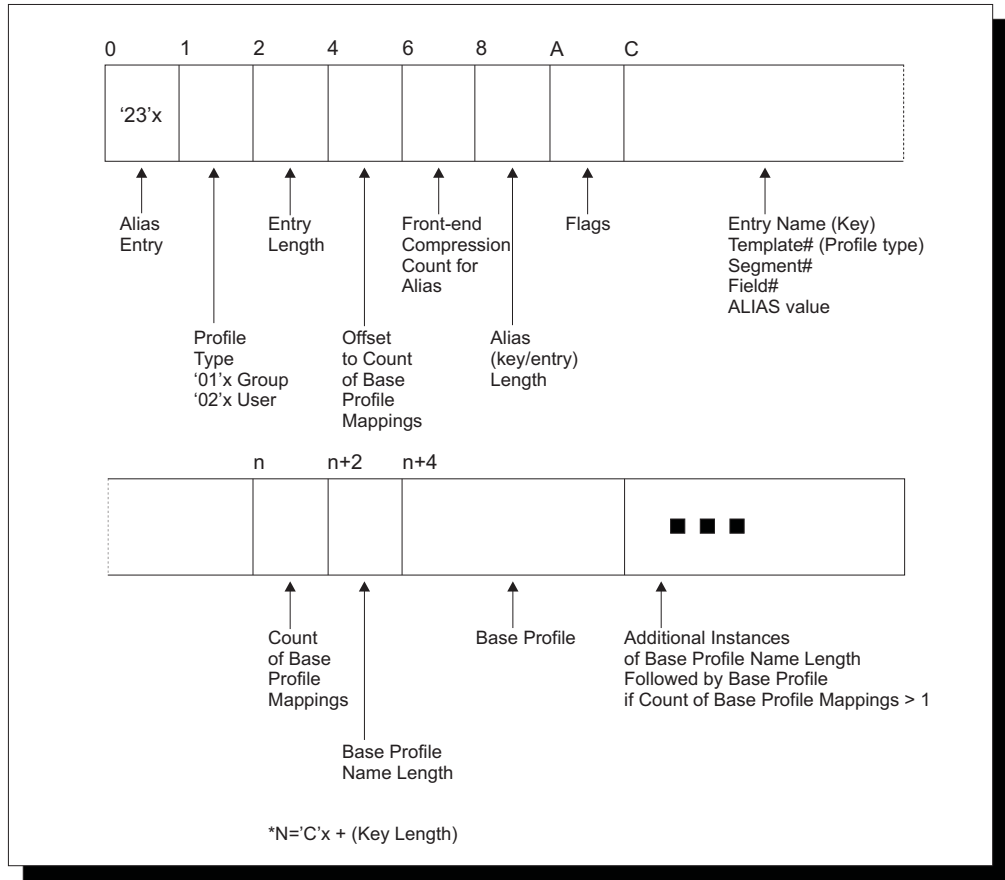


Figure 10. Example Overview of an Alias Index Block

Byte 1:

Type of profile for this index entry, as follows:

- X'01' Group
- X'02' User
- X'04' Data set
- X'05' General resource

Bytes 2-3:

Length of this index entry

Bytes 4-5:

Offset from the beginning of the entry to the segment data area for regular index entries, and offset from the beginning of the entry to the base profile data area for alias index.

Bytes 6-7:

Front-end compression count. Number of leftmost characters that had been suppressed from the profile name in the index entry's name field. To save space in the database, RACF suppresses the leftmost characters that are identical to those in the preceding index entry.

To find the suppressed characters, trace the index entries backward to the one with front-end compression count of zero. In this index entry, all leftmost characters would still be intact in its name field.

The first index entry of the index block always has a front-end compression count of zero. A name that is exactly the same as one in the previous entry might be totally compressed.

Figure 11 shows an example of front-end compression counts.

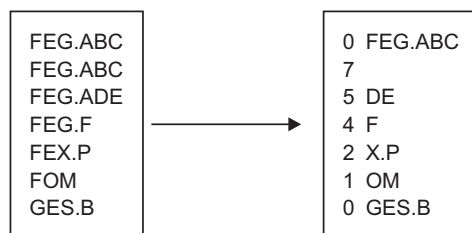


Figure 11. Example of Front-End Compression in an Index Block

Note: Not all entry names are necessarily compressed at all times. For example, when a new name is added, it might not be compressed until the database is reformatted (such as through the IRRUT400 utility).

Bytes 8-9:

Length of index entry name

Bytes 10-11:

Reserved

Bytes 12-*n*:

Index entry name, 0-255 bytes. Bytes 8-9 contain the actual length.

An index entry name corresponds to either a profile name or application identity, but it does not always match letter by letter or byte by byte. It might have been compressed (see Bytes 6-7, for example), or some of its characters might have been substituted by RACF for internal purposes (such as to save space or to facilitate the search).

For an alias index entry, the first 3 bytes of the entry name are non-EBCDIC and specifies the particular alias field within the template as follows:

- **Byte 0:** Template identifier. Describes the type of base profile associated with this alias entry.
- **Byte 1:** Segment identifier. See Table 29 on page 116.
- **Byte 2:** Field identifier. See the template descriptions in *z/OS Security Server RACF Macros and Interfaces* for field identifiers.

In an upper-level (that is, not level 1) index block, the index entry name might correspond to the entry name of the last index entry of the next-lower level block. Its rightmost characters might have been compressed if RACF determines that they are not essential to finding the correct index block at the next-lower block.

An index entry name of 255 bytes of X'FF' signifies the end of index blocks for that level number.

Bytes *n*+1:

Segment data area. In an upper-level regular or alias index block, the segment data area has this format:

Byte 0:

X'62' Identifier byte

Database format

Bytes 1-6:

RBA of the next-lower-level index block

In a regular level-1 index block, the segment data area has this format:

Byte 0:

Number of segment-data fields in this data area. This is also the number of segments in this profile.

Bytes 1-7:

Segment-data field. This field is repeated successively for each segment in the profile. The format of a segment-data field is:

Byte 0:

Segment Identifier. See Table 29 for a list of identifiers. Profile type is indicated in Byte 1 of the index entry.

Bytes 1-6:

RBA of the segment.

In an alias level-1 index block, the segment data area has this format:

Bytes 0-1:

Number of base profile fields in this data area.

Bytes 2-*n*:

Base profile data field. This field is repeated successively for each base profile reference for this application identity.

Bytes 2-3

Denotes the 1-8 character length of the user or group profile name immediately following this field.

Bytes 4-*m*:

Base profile name.

Table 29. Segment Identifiers

Group	User	Data Set	General
• X'01'—BASE	• X'01'—BASE	• X'01'—BASE	• X'01'—BASE
• X'02'—DFP	• X'02'—DFP	• X'02'—DFP	• X'02'—SESSION
• X'03'—OMVS	• X'03'—TSO	• X'03'—TME	• X'03'—DLFDATA
• X'04'—OVM	• X'04'—CICS		• X'04'—SSIGNON
• X'05'—TME	• X'05'—LANGUAGE		• X'05'—STDATA
• X'06'—CSDATA	• X'06'—OPERPARM		• X'06'—SVFMR
	• X'07'—WORKATTR		• X'07'—CERTDATA
	• X'08'—OMVS		• X'08'—TME
	• X'09'—NETVIEW		• X'09'—KERB
	• X'0A'—DCE		• X'0A'—PROXY
	• X'0B'—OVM		• X'0B'—EIM
	• X'0C'—LNOTES		• X'0C'—ALIAS
	• X'0D'—NDS		• X'0D'—CDTINFO
	• X'0E'—KERB		• X'0E'—ICTX
	• X'0F'—PROXY		• X'0F'—CFDEF
	• X'10'—EIM		• X'10'—SIGVER
	• X'11'—CSDATA		

Figure 12 on page 117 shows an example of a normal index entry in a level-1 index block for a user profile named USR26, which contains three segments: Base, TSO,

and DFP.

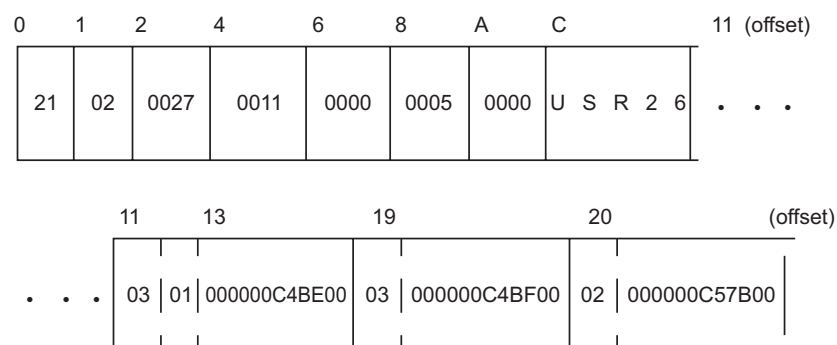


Figure 12. Example of Index Entry for *USR26* with a Base, TSO, and DFP Segment

Sequence set chain pointer entry

A sequence set chain pointer entry is an entry that references to the next level-1 index block. This entry follows the last index entry of the index block and is applicable only in level-1 index blocks. It has this format:

Bytes Description

Bytes 0-1:

X'2066' Sequence Set Chain Pointer Entry Identifier

Bytes 2-7:

RBA of next level-1 index block (0 if last one of the set)

An example of a sequence set chain pointer entry is illustrated in Figure 8 on page 112.

X'0C' delimiter

A 1-byte X'0C' delimiter marks the end of the list of entries in an index block. In an upper-level index block, it follows the last index entry. In a level-1 index block, it follows the sequence set chain pointer entry.

The X'0C' delimiter is then followed by a series of zeros until the beginning of the table of index-entry offsets at the end of the block.

Index-Entry offset table

At the end of an index block is a table of two-byte offsets to the index entries. This table starts from the bottom of the block and grows inward so that the last offset of the table is the offset for index entry 1, the next-to-last offset of the table is for index entry 2, and so on. RACF uses this table to perform a search on index entries.

In the example in Figure 8 on page 112, note that the last offset of the table is the offset of the first index entry and the first one of the table is the offset of the last index entry.

Profiles

The profiles, or entity records, contain the actual descriptions of the attributes and authorities for every entity (users, groups, DASD data sets, and resource classes defined in the class descriptor table) defined to RACF. The number in the entry-type field identifies the type of profile and corresponds to the number of the template that maps this type of profile.

Database format

The record data (including the type of profile that it is) follows the header. This data consists of the fields that are mapped by a template. See the template description corresponding to each type of profile for the contents of these fields. The template descriptions are in *z/OS Security Server RACF Macros and Interfaces*.

Because there can be duplicate entry names in different classes, the RACF manager adds a class identifier to the beginnings of general-resource entry names (for example; DASDVOL -, TAPEVOL -, or TERMINAL- for DASD volumes, tape volumes, or terminals, respectively). General-resource class names that are not eight characters in length are padded with trailing blanks.

Note: If you define a profile and use generic characters such as (*) to add members to the profile, RLIST RESGROUP does not return any of the matching profiles in its output because it does not support generic matches.

Generic profile names have the first period in a DATASET profile replaced by X'01', and the dash in the class identifier for general-resource classes replaced by X'02'. Although these expanded names are transparent to the user, they appear when using the block update utility command or the IRRUT200 utility. You also need to be aware of them when constructing a database range table.

When a tape volume profile is initially created, RACF places the tape volume serial in the volume list of the profile. RACF creates an index entry and profile name in the standard way. If another tape volume is to be added (creating a volume set), RACF adds its volume serial to the volume list in the profile and creates an index entry for the volume that points to the profile.

For example, if there are six tape volumes in a tape volume set, there are six index entries pointing to the same profile and six volume serials in the profile's volume list. When a tape volume is deleted, RACF removes the volume serial from the volume list in the profile and deletes the index entry. The profile name does not change, even if the volume after which the profile might have been named is deleted.

It is possible to have a profile name of TAPEVOL -TAPE01 without having a corresponding index entry and without having TAPE01 in the volume serial list.

The database profiles consist of segments that are made up of fields and repeat groups that follow a record header. The record header, the field structure, and the repeat group structure are described in this document.

- **Record header**

The record header consists of these fields:

Bytes Description

Byte 0:

X'83' Record identifier.

Bytes 1-4:

Physical length of this record, in bytes.

Bytes 5-8:

Logical record length. Length, in bytes, of the portion of the record that actually contains data.

Bytes 9-16:

Segment name.

Bytes 17-18:
Length of profile name (in Byte 20).

Byte 19:
Reserved

Bytes 20+n:
Profile name. Its length is specified in Bytes 17-18.

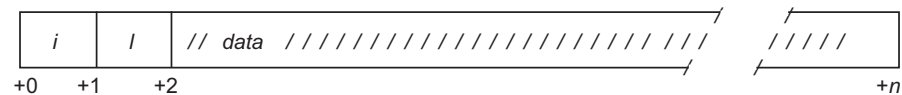
• **Field structure**

Following the record header is a set of one or more segment data fields. Although the potential total length of these fields is 2GB, that might be limited by the type of DASD and the amount of virtual storage available to the user.

All data fields are in a variable-length format. The first byte is the field ID. See the template descriptions in *z/OS Security Server RACF Macros and Interfaces* for field identifiers. Where indicated in the template descriptions, the field can be a member of a repeat group.

If the field is not a member of a repeat group, the field ID is followed by a field indicating the length of the data that follows. If the high-order bit of the length field is zero, this field is one byte and the data can be up to 127 bytes; if the high-order is set, the length field is 4 bytes (for example, X'80000022'), and the data can be up to 2 to the 31st power.

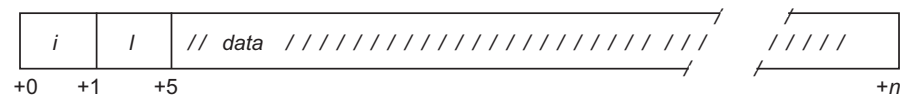
This figure shows the structure of a profile field when the length field is one byte. The structure is:



where:

- *i* is the field ID. *i* is 1 byte.
- *l* is the length of the data that follows. *l* is 1 byte.
- The high-order bit of this field is zero.
- *data* is 1 to 127 bytes of data.

This figure shows the structure of a profile field when the length field is 4 bytes. The structure is:



where:

- *i* is the field ID. *i* is 1 byte.
- *l* is the length of the data that follows. *l* is 4 bytes.
- The high-order bit of this field is set to one.
- *data* is up to 2³¹ bytes of data.

• **Repeat group structure**

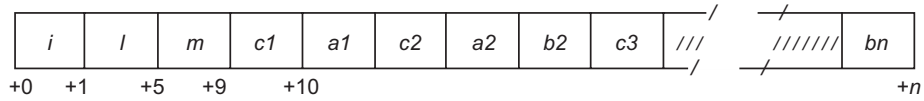
A repeat group structure contains a set of fields that are part of a repeat group. It contains all occurrences of a repeat group and, for each occurrence, it contains the count of fields and every field in the occurrence, *including those with null values*.

The field ID (first byte) is associated with the entire repeat group. Fields in a repeat group structure do not have individual ID fields.

Database format

Each repeat group is limited to 64KB of installation data.

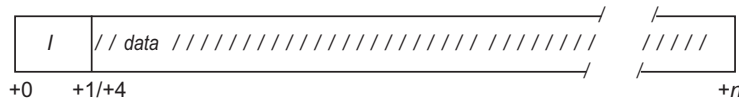
The structure of a repeat group is:



where:

- *i* is the field ID. *i* is 1 byte.
- *l* is the length of the entire repeat group. *l* is 4 bytes.
- *m* is the count of repeat group occurrences. *m* is 4 bytes.
- *c1*, *c2*, and *c3* are counts of fields in each occurrence. Each is 1 byte.
- *a1*, *a2*, and *b2* are data, up to 2^{31} bytes each.

Each data field has this format:



where:

- *l* is the length of data that follows. If its high-order bit is zero, *l* is one byte and the data length can be up to 127 bytes. If its high-order bit is set to one, *l* is 4 bytes.
- *data* is up to 2^{31} bytes of data.

When displaying a profile with the BLKUPD command, you might want to have the RACF database templates available for reference. These can be found in *z/OS Security Server RACF Macros and Interfaces*. They include a list of the field IDs in numeric order. The field IDs are in decimal in *z/OS Security Server RACF Macros and Interfaces* but in hexadecimal when displayed by the BLKUPD command.

Example of a profile

Figure 13 on page 121 shows a profile and identifies the record header, the first profile field structure, and the first repeat group structure. The field IDs of the other fields are shaded. You can use BLKUPD to display a profile. See “Block Update command for a RACF database (BLKUPD)” on page 121.

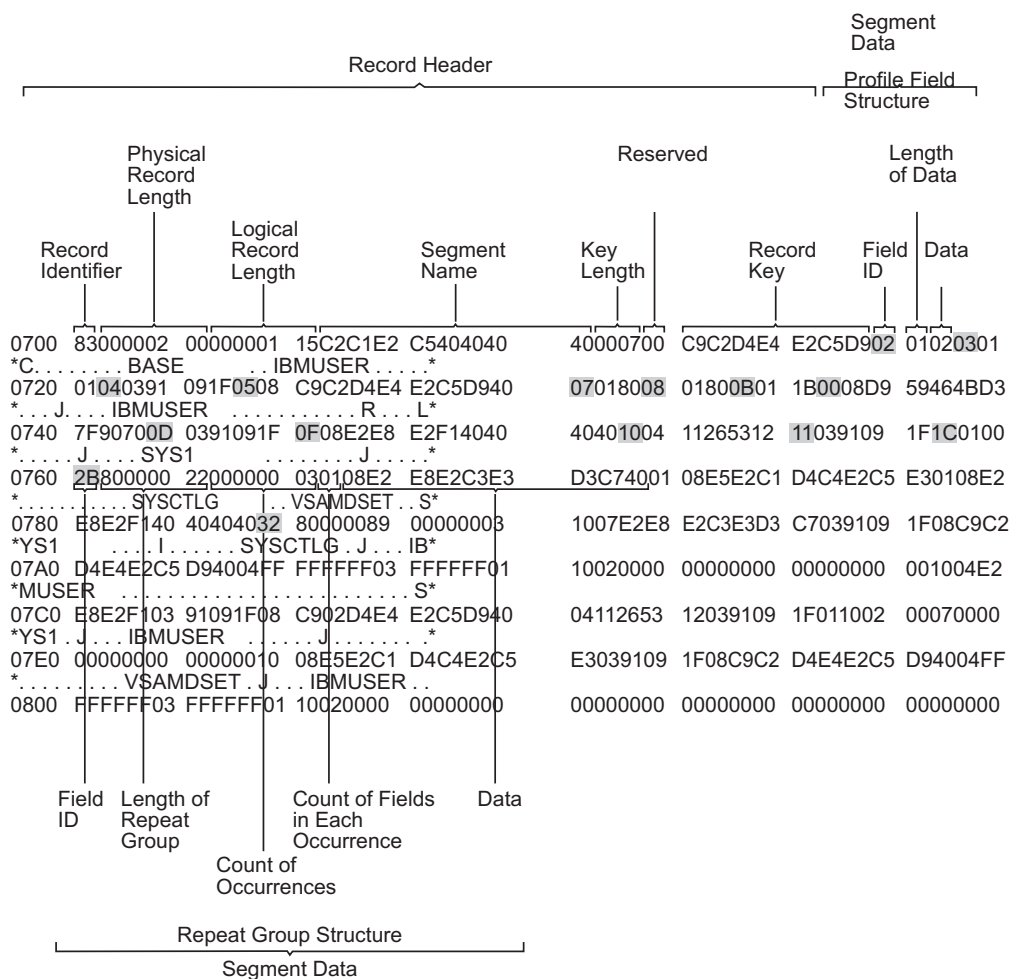


Figure 13. Example of a Profile Displayed by BLKUPD

Database Unload Utility for a RACF Database (IRRDBU00)

If you plan to use the block update (BLKUPD) command to update your database, you might want to get a better understanding of what your current database looks like.

The database unload utility (IRRDBU00) reads every profile as it unloads your RACF database to a sequential file. This can uncover problems in your database that you find only when reading the profile.

For more information on using the utility, see *z/OS Security Server RACF Macros and Interfaces* and *z/OS Security Server RACF Security Administrator's Guide*.

Note: RACF creates a member HWM for the SECDATA CATEGORY profile, which is reserved for IBM's use. The HWM member and a corresponding 0503 record exist if you have added any categories to the SECDATA CATEGORY profile. Deleting the record will impact RACF behavior.

Block Update command for a RACF database (BLKUPD)

You can use BLKUPD to examine or modify any block in a RACF database: a data block, index block, BAM block, or unallocated block.

Database format

In order to use BLKUPD, you must have at least UPDATE authority to the RACF database.

Attention

If you are sharing a RACF database between a z/OS V1R8 system and a z/OS V1R4 system, do not run this utility from the z/OS V1R4 system. You should run it from z/OS V1R8, or from a z/OS V1R5, V1R6, or V1R7 system with APAR OA12443 installed.

Before using the BLKUPD command, you should be very familiar with the RACF database and its configuration, because using BLKUPD improperly can damage the RACF database. (See “Format of the RACF database” on page 107.)

Before entering the BLKUPD command, you should read and understand the format of the database. Then, before using the BLKUPD command to perform updates to your RACF database, try to use one of the other RACF commands to alter or delete the entry in question.

This describes the following topics:

- Considerations when using the BLKUPD command
- Hierarchy and uses of the BLKUPD command
- Examples

Considerations for using BLKUPD

The following considerations apply to using the block update command (BLKUPD):

- In general:
 - Do not use BLKUPD during hours of peak activity on the active RACF database because the command uses hardware RESERVES or enqueues (GRS ENQs) to serialize access to the database.
 - BLKUPD can only be issued as a TSO command.
 - BLKUPD cannot be directed to run on another system using the AT or ONLYAT keywords or automatic command direction.
 - Whenever you need to run BLKUPD against a database that is active on a system that is a member of the RACF sysplex data sharing group, always run the utility from a system in the group, and make sure that you use the real name of the data set and not an alias. If you do not, you might damage your RACF database, or receive unpredictable results from the utility.
- Before using BLKUPD:
 - Try to correct the error by using other RACF commands.
 - Make a copy of the RACF database. Use BLKUPD on the copy. IBM might be able to use the copy for further diagnosis.
 - Run IRRUT200. The output might be useful in identifying the damaged portion of the database.
- Document all changes made for future reference and diagnosis.
- RVARY the "repaired" database online and test your fix.
- After the fix has been verified, apply the fix to the “real” database and RVARY this database ONLINE.
- If a profile is in question, delete the index entry that points to the profile, rather than trying to repair the profile itself. Use a RACF command to add the profile and index entry.

- Do not use BLKUPD to modify the BAM blocks. Instead, run the IRRUT400 utility, which rebuilds the BAM blocks.
- If a RACF database is RACF-protected, you must have at least UPDATE authority to the database.
- When executing BLKUPD under control of command procedures, you must add the DATA and ENDDATA command procedure statements around each BLKUPD command and subcommand that is also a command procedure statement. See *z/OS TSO/E Command Reference* for a description of command procedures.
- When executing BLKUPD under a TMP (terminal monitor program) that allows multitasking, you cannot have any other active task in your session. Allow the BLKUPD command to complete before executing any other TSO command.
- BLKUPD does not support attention handling.
If an attention interrupt occurs and the user does not enter any data other than a null line or TIME command, the RACF database remains enqueued.
- The subcommands of BLKUPD follow the TSO syntax rules. See *z/OS TSO/E Command Reference* for a description of TSO command syntax rules.
- BLKUPD runs as an APF-authorized TSO command.
- TSO prompt must be set on.
- When RACF is enabled for sysplex communication, you cannot use BLKUPD to update the database if your system is operating in read-only mode.

If you need assistance in using BLKUPD, contact the IBM support center.

Hierarchy of the BLKUPD command

Figure 14 shows the relationship between the BLKUPD command and its levels of subcommands.

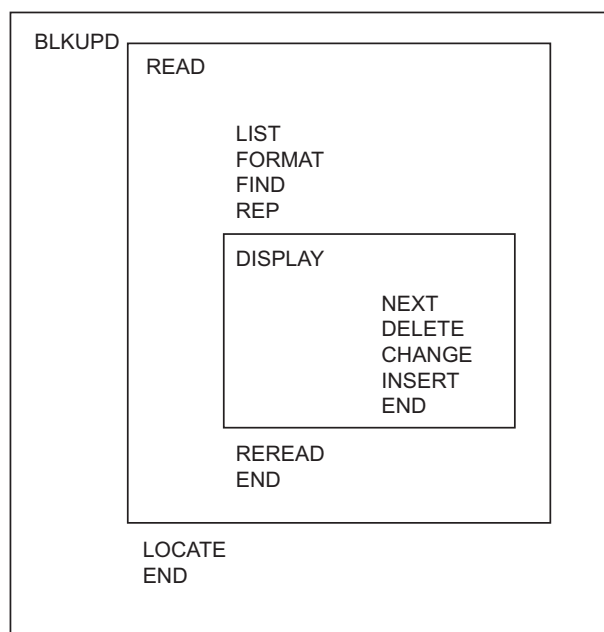


Figure 14. The Relationship between the BLKUPD Command and Its Levels of Subcommands

Database format

Using the BLKUPD command

Use the BLKUPD command to access the RACF database. Do *not* use BLKUPD during hours of peak activity on the active RACF database because the command uses hardware RESERVES or enqueues (GRS ENQs) to serialize access to the database.

The Syntax of the BLKUPD command

```
BLKUPD [racfbname]
```

where *racfbname* specifies the name of a data set in the RACF database. The name can be from 1 to 44 characters.

If the name is not specified, the RACF database must be allocated to the TSO session with the SYSRACF file name.

Working with the RACF database: To update or examine a data set in the RACF database, perform the following steps:

1. Decide which data set in the RACF database you want to work with, and enter BLKUPD.

Note: After entering the BLKUPD command, you can use the following subcommands: LOCATE, READ, or END.

2. Decide which block on the database you want to work with. If needed, use the LOCATE subcommand to assist you in finding the specific block.
3. Enter the READ subcommand, specifying either UPDATE or NOUPDATE.
4. Enter the subcommands of READ necessary to accomplish your task.
5. Issue the END command to end the utility.

Note that ALIAS index blocks are not supported by this utility. It is possible to use the LIST and the REP subcommands with ALIAS index blocks but great care should be taken since there is no format checking.

For more information about the alias indexes, see “Alias index blocks” on page 111.

The LOCATE subcommand: Use the LOCATE subcommand when you do not know the relative byte address (RBA) of the block you want to address. This subcommand locates an index entry in the sequence set and displays a formatted list of the contents of the level-1 index block containing the entry name. Optionally, the LOCATE subcommand displays a listing of all the index blocks in the chain from the highest-level index block to the appropriate level-1 block.

The syntax of the LOCATE subcommand (of BLKUPD)

```
LOCATE ENTRY(entryname)  
      CLASS(classname)  
      [GENERIC]  
      [LISTALL]
```

where:

ENTRY(*entryname*)

Specifies the index entry to be located; *entryname* can be from 1 to 255 characters, which can be enclosed in quotation marks or not, and can contain hexadecimal data. For example:

```
ENTRY(I X' C2' MUSER)
```

is equivalent to:

```
ENTRY(IBMUSER)
```

To specify a mixed-case entry name, you must enclose *entryname* in quotations. If you do not enclose *entryname* in quotations, alphabetic characters in *entryname* are treated as uppercase characters, regardless of the case in which you enter them. For example, if you enter:

```
LOCATE ENTRY(irrsitec) CLASS(USER)
```

RACF looks for the index entry IRRSITEC, but if you enter:

```
LOCATE ENTRY('irrsitec') CLASS(USER)
```

RACF looks for the index entry irrsitec.

CLASS(*classname*)

is one of the following:

- GROUP
- USER
- DATASET
- The class name of the general resource

GENERIC

specifies that *entryname* is generic.

LISTALL

specifies that all the index blocks in the hierarchy chain are to be displayed.

The formatted list contains the same information as that produced by the FORMAT subcommand of READ (see “The FORMAT subcommand” on page 127).

If an index block in the chain contains an error, BLKUPD produces a hexadecimal dump of the block. If the name is not found in a level-1 block, BLKUPD displays the block that should contain it.

If the block containing the name is not found by a hierarchy index search because of errors in the chain, BLKUPD searches the sequence set.

The READ subcommand: The READ subcommand reads the block specified by the RBA (relative block address) into storage and copies it into a work area.

This subcommand allows you to examine or change the database.

The syntax of the READ subcommand (of BLKUPD)

```
READ rba [UPDATE]
        [NOUPDATE]
```

where:

rba

Specifies the relative byte address of the block to be read.

If the RBA does not represent an address on a 4KB boundary, the block on the 4KB boundary that contains the RBA is read. You can enter the RBA value as a hexadecimal (X'nn') or decimal (*nnn*) number. Hexadecimal numbers can be from 1 to 8 characters; decimal numbers can be from 1 to 10 characters.

UPDATE

Specifies you are planning to update one of the blocks in the RACF database.

Database format

Specifying the UPDATE keyword imposes an exclusive RESERVE on the database, meaning that the issuing system has exclusive control of the RACF database and only that system can update it. Any system that shares the database cannot read the database or update it. In addition, no other user on the issuing system can read or update the database.

If RACF is enabled for sysplex communication:

1. You cannot update the RACF database when you are operating in read-only mode.
2. When running in data sharing mode, RACF uses global resource serialization (ENQ/DEQ), rather than hardware RESERVEs.

NOUPDATE

Specifies you are examining one of the blocks in the RACF database.

Specifying the NOUPDATE keyword imposes a shared RESERVE on the RACF database, meaning that if you are sharing the RACF database with another system, both systems can read the database, but neither system can update it.

The NOUPDATE keyword on the READ command permits you to examine the database block without making any changes. NOUPDATE is the default. Should you make changes and then end BLKUPD, the changes are not recorded.

If RACF is enabled for sysplex communication and running in data sharing mode, RACF uses global resource serialization (ENQ/DEQ) rather than hardware RESERVEs.

Using the subcommands of READ: The UPDATE keyword on the READ subcommand allows you to use the subcommands to update the block. The subcommands are:

- **LIST**—displays portions of the block in hexadecimal.
- **FORMAT**—produces a formatted listing of the contents of an index block.
- **FIND**—locates the offset of data in the block.
- **REP**—replaces data in the block (valid only with the UPDATE command).
- **DISPLAY**—displays the entries of an index block one at a time (it has several subcommands associated with it).
- **REREAD**—overlays the new block in the work area with the old block (valid only with the UPDATE keyword).
- **END**—terminates the READ function.

The FIND subcommand: The FIND subcommand finds the hexadecimal offset of a string in the block.

Syntax of the FIND subcommand of READ

```
FIND string [OLD]  
          [NEW]
```

where:

string

Specifies the string that is to be located.

The string can be hexadecimal (which is specified as *X'string'*) or characters (which can be enclosed in quotation marks or not). Hexadecimal strings are right-aligned and padded with zeros to a byte boundary. Character strings are left-aligned and padded with zeros to a byte boundary.

If *string* contains lowercase characters, *string* must be enclosed in quotation marks. If *string* is not enclosed in quotation marks, all characters are treated as uppercase characters, regardless of the case in which you enter them.

OLD

specifies the original block obtained by the READ command. OLD is the default.

NEW

specifies the copy of the block. **NEW is valid only with the READ UPDATE function.**

After entering the FIND subcommand, enter the LIST subcommand to see the actual data.

The LIST subcommand: The LIST subcommand displays a hexadecimal dump of all or part of the RACF block. It allows you to see exactly what is inside the block and where it is located.

Syntax of the LIST Subcommand of READ

```
LIST [NEW|OLD]
     RANGE(xxx,yyy)
     ALL
```

where:

NEW

Specifies the copy of the original block (it might or might not have been updated). **NEW is valid only with the READ UPDATE function.**

OLD

Specifies the original block that was copied into storage when you entered the READ command. OLD is the default.

RANGE

Defines the parts of the block to be listed.

- *xxx* specifies the offset into the block where the listing is to start. The default is 0.
- *yyy* specifies the number of bytes to be listed. The default is 16.

The values for *xxx* and *yyy* can be hexadecimal or decimal numbers. If the sum of *xxx* and *yyy* exceeds 4096, the dump ends at the end of the block.

ALL

specifies a hexadecimal listing of the entire RACF block.

The FORMAT subcommand: The FORMAT subcommand displays a formatted list of the contents of an index block. Use the FORMAT subcommand if you have read an index block and need to see the all the entries in this block and their RBAs (relative block addresses).

The list contains the following information:

- The RBA of the block
- The level of the block
- The offset to the last entry
- The offset to free space
- The offset of each entry within the block
- The front-end compression count of each entry

Database format

- The name of each entry (generic names are identified by a G in parentheses after the name)
- The last qualifier encode byte of each entry
- The RBA of the next-level index block for each entry or, for level-1 blocks, the RBA of the profile

If the block obtained by the READ command is not a valid index block, the request is rejected.

Syntax of the FORMAT subcommand of READ

```
FORMAT [OLD|NEW]
```

where:

OLD

Specifies the original index block obtained by the READ command. OLD is the default.

NEW

Specifies the index block that was updated. **NEW is valid only with the READ UPDATE function.**

The REP subcommand: The REP subcommand replaces a string in the new block with another string. Optionally, this subcommand verifies the original string before making the replacement. **This subcommand is valid only with the READ UPDATE function.**

Syntax of the REP subcommand of READ UPDATE

```
REP new-string  
  OFFSET(xxx)  
  [VER(old-string)]
```

where:

new-string

specifies the new string of data.

The data can be hexadecimal (which is specified as *X'string'*) or characters (which can be enclosed in quotation marks or not). Hexadecimal strings are right-aligned and padded with zeros to a byte boundary. Character strings are left-aligned and padded with zeros to a byte boundary.

If *new-string* contains lowercase characters, *new-string* must be enclosed in quotation marks. If *new-string* is not enclosed in quotation marks, all characters are treated as uppercase characters, regardless of the case in which you enter them.

OFFSET(*xxx*)

Specifies the offset into the block where the string is to be replaced.

VER(*old-string*)

Specifies the original string that is to be verified. If the string is not found at offset *xxx* into the new block, the replacement is not made.

If *old-string* contains lowercase characters, *old-string* must be enclosed in quotation marks. If you do not enclose *old-string* in quotation marks, all characters are treated as uppercase characters, regardless of the case in which you enter them.

Note: The verify (VER) operand only verifies the characters specified; it does not verify the whole string. Be sure to enter the entire string you want verified.

The DISPLAY subcommand: The DISPLAY subcommand displays an entry of the index block that was read by the READ command.

When you enter the DISPLAY subcommand (after specifying READ UPDATE), the BLKUPD command copies the original block to a new block in storage. This copy is referred to as a **new** index block. You can then use the DELETE, CHANGE, and INSERT subcommands of the DISPLAY subcommand to modify the displayed entries.

If the block obtained by the READ command is not a valid index block, RACF rejects your DISPLAY request.

Syntax of the DISPLAY subcommand of READ

```
DISPLAY [ENTRY(entryname) CLASS(classname)]
        [GENERIC]
```

where:

ENTRY(*entryname*)

Specifies the index entry where the display begins. If you do not specify an entry name, the display begins at the first entry in the index block; the entry name can be from 1 to 255 alphanumeric characters, which can be enclosed in quotation marks or not, and can contain hexadecimal data.

To specify a mixed-case entry name, you must enclose *entryname* in quotations. If you do not enclose *entryname* in quotations, alphabetic characters in *entryname* are treated as uppercase characters, regardless of the case in which you enter them.

If you specify an entry name, you must specify a class name.

CLASS(*classname*)

Must be one of the following:

- GROUP
- USER
- DATASET
- The class name of the general resource

GENERIC

Indicates that the index specified in ENTRY(*entryname*) is a generic name.

Using the Subcommands of DISPLAY: The subcommands of the DISPLAY subcommand are:

CHANGE

Changes the displayed entry (valid only with the READ UPDATE function).

INSERT

Inserts a new index entry immediately preceding the entry that is displayed (valid only with the READ UPDATE function).

NEXT Displays the next entry.

DELETE

Deletes the displayed entry (valid only with the READ UPDATE function).

Database format

END Ends the DISPLAY function.

The CHANGE subcommand of DISPLAY: This subcommand is valid only with the READ UPDATE function.

The CHANGE subcommand allows you to change the following:

- The name
- The RBA (relative byte address) of the index entry displayed
- The RBA of the segment specified
- The compression count (or the entry identifier byte or both)

The changed entry is displayed. Enter the NEXT subcommand or a null line to display the next entry.

Syntax of the CHANGE subcommand of DISPLAY

```
CHANGE [ENTRY(entryname) CLASS(classname)] | [SEGMENT(segment-name)]  
[GENERIC]  
[RBA(rba)]  
[COMP(xx)]  
DUPLICATE|NODUPLICATE
```

where:

ENTRY(*entryname*)

Specifies the index entry where the display begins. If you do not specify an entry name, the display begins at the first entry in the index block; the entry name can be from 1 to 255 alphanumeric characters, which can be enclosed in quotation marks or not, and can contain hexadecimal data.

To specify a mixed-case entry name, you must enclose *entryname* in quotations. If you do not enclose *entryname* in quotations, alphabetic characters in *entryname* are treated as uppercase characters, regardless of the case in which you enter them.

If you specify an entry name, you must specify a class name.

CLASS(*classname*)

Must be one of the following:

- GROUP
- USER
- DATASET
- The class name of the general resource

The length of name plus the compression count cannot exceed 255. To create a fully compressed name, specify ENTRY (' '), where the entry name is a null string, with a nonzero compression count. For a discussion of compression and an explanation of index blocks and encoding, see "Index entries" on page 113.

SEGMENT(*segment-name*)

Specifies the segment RBA to be changed.

The BASE segment cannot be specified as the segment name.

The ENTRY and CLASS keywords and the SEGMENT keyword are mutually exclusive. If both are specified, SEGMENT is ignored.

If you specify SEGMENT, only the RBA (relative byte address) of the SEGMENT is changed.

GENERIC

Indicates that the index entry name specified in ENTRY(*entryname*) is a generic name.

RBA(*rba*)

The value of *rba* can be from 1 to 8 hexadecimal characters or from 1 to 10 decimal characters.

COMP(*xx*)

The front-end compression count. *xx* is limited to one less than the length of the entry, and never exceeds 254. *xx* can be specified as decimal or hexadecimal characters.

DUPLICATE

Means that you want to make the entry a duplicate of the entry immediately following. This entry that immediately follows might be on the same block or appear at the beginning of the next block.

NODUPLICATE

Means that you do not want the current entry to be a duplicate of the entry immediately following.

There is no default on this keyword; if you do not specify DUPLICATE or NODUPLICATE, the entry identifier byte is not changed. It remains at its previous setting.

Specify only those keywords that you want to change. The others remain at their previous settings.

The BLKUPD command does not perform any checking to see if you have specified the appropriate keyword values to be changed. You must be very careful because specifying an incorrect keyword value or omitting a keyword and its value can produce unpredictable results.

The INSERT subcommand of DISPLAY: This subcommand is valid only with the READ UPDATE function.

The INSERT subcommand inserts a new index entry immediately preceding the entry that is displayed if SEGMENT is not specified. When SEGMENT is specified, the new segment ID is placed at the end of the segment array.

Note: The BLKUPD command cannot be used to insert the first entry in the database.

BLKUPD displays the new entry; entering the NEXT subcommand displays the original entry again.

Syntax of the INSERT subcommand of DISPLAY

```
INSERT [ENTRY(entryname) CLASS(classname)] | [SEGMENT(segment-name)]
      [GENERIC]
      RBA(rba)
      [COMP(xx)]
      [DUPLICATE | NODUPLICATE]
```

where:

ENTRY(*entryname*)

Specifies the index entry where the display begins. If you do not specify an entry name, the display begins at the first entry in the index block. The entry

Database format

name can be from 1 to 255 alphanumeric characters, which can be enclosed in quotation marks or not, and can contain hexadecimal data.

To specify a mixed-case entry name, you must enclose *entryname* in quotations. If you do not enclose *entryname* in quotations, alphabetic characters in *entryname* are treated as uppercase characters, regardless of the case in which you enter them.

If you specify an entry name, you must specify a class name.

CLASS(*classname*)

Must be one of the following:

- GROUP
- USER
- DATASET
- The class name of the general resource

The length of name plus the compression count cannot exceed 255. To create a fully compressed name, specify ENTRY (' '), where the entry name is a null string, with a nonzero compression count. For a discussion of compression, see "Index entries" on page 113.

SEGMENT(*segment-name*)

Specifies the new segment to be inserted.

The BASE segment cannot be specified as the segment name.

The ENTRY and CLASS keywords and the SEGMENT keyword are mutually exclusive. If both are specified, SEGMENT is ignored.

GENERIC

Indicates that the index specified in ENTRY(*entryname*) is a generic name.

RBA(*rba*)

The value of *rba* can be from 1 to 8 hexadecimal characters or from 1 to 10 decimal characters.

COMP(*xx*)

The front-end compression count. *xx* is limited to one less than the length of the entry, and never exceeds 254. *xx* can be specified as decimal or hexadecimal characters.

DUPLICATE

Means that you want to make the entry a duplicate of the entry immediately following. This entry that immediately follows might be on the same block or appear at the beginning of the next block.

NODUPLICATE

Means that you do not want the current entry to be a duplicate of the entry immediately following.

The NEXT subcommand of DISPLAY: The NEXT subcommand displays the next entry.

Syntax of the NEXT subcommand of DISPLAY (READ)

```
NEXT  
N
```

Entering a null line also displays the next entry.

The DELETE subcommand of DISPLAY: This subcommand is valid only with the READ UPDATE function.

The DELETE subcommand deletes the current index entry or segment, and the next entry is displayed.

Attention

Before you change or delete the first entry in the index, or insert a new first entry, you must first decompress any compressed entries that follow in the index block.

The best way to decide which entries to decompress is to display the index block and then examine the names and their compression counts, paying attention to the second entry in the block. If the second entry is compressed, or does not match the first entry enough to allow for proper decompression of the following entries, you must first delete the first entry and then do the following to each entry that needs decompression:

- If the entry has a compression count, enter a CHANGE command:

```
CHANGE COMP(0) ENTRY(xxxyyy) CLASS(classname)
```

where *xxx* is the compressed front-end characters as indicated by the old compression count, and *yyy* is the name that the BLKUPD command gave you as the name of this entry. (Note that you need the GENERIC keyword on the CHANGE command if the entry is generic.)

The second entry (now the new first entry) has now been changed.

- If this entry matches the old (first) entry for enough characters to decompress the remaining entries, you can stop. If it doesn't, you must decompress any entry that this new first entry does not match.
- To do so, enter NEXT commands until you get to the next entry that has to be changed. Then enter the CHANGE command to alter it as already described. Continue with the NEXT and CHANGE commands until all the entries in question have been resolved.

It might only be necessary to decompress that second entry; however, based on your examination of the listing, you might have to decompress all the entries. For an explanation of compression, see "Index entries" on page 113.

Syntax of the DELETE subcommand of DISPLAY

```
DELETE [SEGMENT(segmentname)]
D
```

where:

SEGMENT(*segment-name*)

deletes the specified segment from the current index entry.

The END subcommand of DISPLAY: This subcommand ends the DISPLAY subcommand.

You can continue to examine or update the block under the READ subcommand.

Syntax of the END subcommand of DISPLAY

```
END SAVE
NOSAVE
```

where:

SAVE

Tells RACF to update the new index block to reflect the changes made under the DISPLAY subcommand. Specifying SAVE means that you want the new index block to replace the old one.

Database format

NOSAVE

Tells RACF to ignore all the changes you made under the DISPLAY subcommand with the UPDATE keyword specified on the READ subcommand.

If you did not specify UPDATE on the READ command, then the NOSAVE option is forced.

The REREAD subcommand: The REREAD subcommand is valid only with the READ UPDATE function.

The REREAD subcommand allows you to overlay the new RACF block in the work area with the old block. Use this function when you have made errors to the new block while using the DISPLAY or REP subcommands. This subcommand gives you a new copy of the old block.

Syntax of the REREAD subcommand of READ UPDATE

REREAD

The END subcommand of READ: The END subcommand ends processing on the RACF database block that you obtained by entering the READ command.

Syntax of the END subcommand of READ

END SAVE
 NOSAVE

where:

SAVE

Specifies that you want the new block to be written back to the RACF database to replace the old one that was read.

NOSAVE

Specifies that the RACF database not be updated with the new block. The NOSAVE option is forced if you did not specify the UPDATE keyword on the READ command or if you did not make any changes to the block.

If you want to use the READ function to examine or update another block, enter another subcommand.

The END subcommand of BLKUPD: The END subcommand ends BLKUPD.

The syntax of the END subcommand (of BLKUPD)

END

If you want to read another block, do not enter this final end statement (enter another subcommand of the BLKUPD command).

The BLKUPD command—A scenario

This example illustrates the functions of BLKUPD. It is not meant to be used for repairing your RACF database.

1. Issue the BLKUPD command on the RACF data set that you want to work with.

```
BLKUPD 'SYS1.RACF'  
BLKUPD:
```

2. Replace a string in the block located at RBA X'E000'.

```
READ X'E000' UPDATE  
BLKUPD:
```


reads the block at RBA X'E000' and specifies that changes are to be made to the block.

FORMAT

produces a formatted listing of the OLD index block obtained by the READ command.

```
BLOCK WITH RBA OF 00000000E000
OFFSET COMP.          ENTRY NAME          RBA          BAM
COUNT              BLOCK BYTE BIT
00E  000  BEATL          00000000DC00  00  02F  4
02A  000  HILDE          00000000D000  00  02E  0
                                SEGMENT NAME: TSO
                                DFP          00000000D900  00  02F  1
                                00000000DA00  00  02F  2
051  000  HILDE.RDS.CNTL 00000000DE00  00  02F  6
073  000  IBMUSER        00000000D700  00  02E  7
08E  000  M267            00000000DB00  00  02F  3
0A6  000  M550ABC        00000000DD00  00  02F  5
0C1  000  SALES          00000000DF00  00  02F  7
0DA  000  SALES.* (G)      00000000F000  00  032  0
0F5  000  SECLABEL-SYSHIGH 00000000D100  00  02E  1
119  000  SECLABEL-SYSLOW  00000000D200  00  02E  2
13C  000  SECLABEL-SYSNONE 00000000D300  00  02E  3
160  000  SYSCTLG         00000000D600  00  02E  6
17B  000  SYS1           00000000D400  00  02E  4
193  000  VSAMDSET       00000000D500  00  02E  5
1AF  000  255 X'FF'S
2BB          SEQUENCE SET POINTER          000000000000
TOTAL NAMES IN THIS BLOCK-015. UNUSED BYTES-3358. AVERAGE NAME LENGTH-025.
LEVEL NUMBER-01. DISPLACEMENT TO LAST KEY-02BB. DISPLACEMENT TO FREE SPACE-02C4
(G) - ENTITY NAME IS GENERIC
```

- Find the string in the old block.

```
FIND M267
IRR63002I Offset is X'0000009A'
BLKUPD:
```

locates the offset of the character string 'M267' in the old block.

- Verify that offset X'9A' in the new block contains the character string 'M267' and replace that string with the character string 'M270'.

```
REP M270 OFFSET(X'9A') VER(M267)
IRR63004I REPLACE complete.
```

- List the modified area of the new block (8 bytes beginning at offset X'9A').

```
LIST NEW RANGE(X'9A',8)00000000E000
009A D4F2F7F0 01010000
*M270.... *
```

- Delete the first entry in the index block.

```
BLKUPD:
DISPLAY
OFFSET COMP.          ENTRY NAME          RBA
COUNT
00E  000  SIVLE          00000000DC00
DELETE
```

deletes the index entry just displayed. The next entry, which moves up to replace the deleted one, is displayed.

```
IRR63036I The first index entry has been deleted. The rest of the index
block may need to be updated.
00E  000  HILDE          00000000D000
                                SEGMENT NAME: TSO
                                DFP          00000000D900
                                00000000DA00
```

- Insert a new first index entry.

Database format

```
INSERT ENTRY(SIVLE) CLASS(USER) RBA(X'DC00')
```

inserts a new index entry, with the specified name, and RBA immediately preceding the entry just displayed. The new entry is displayed.

IRR63038I The first index entry has been inserted. The rest of the index block may need to be updated.

```
00E 000 SIVLE 00000000DC00
NEXT
```

displays the next index entry.

```
00E 000 HILDE 00000000D000
SEGMENT NAME: TSO 00000000D900
DFP 00000000DA00
```

8. Change the name of the entry.

```
04C 000 HILDE.RDS.CNTL 00000000DE00
CHANGE ENTRY(HILDE.RDS.CHNG) CLASS(DATASET)
```

changes the entry name of the entry.

```
04C 000 HILDE.RDS.CHNG 00000000DE00
```

9. Save the changes you have made and obtain a listing of your updated block.

```
END SAVE
```

ends the DISPLAY command and saves the changes that were made in the index block. The utility still runs under the READ subcommand.

IRR63009I DISPLAY ended. Changes saved.

```
FORMAT NEW
```

produces a formatted listing of the updated index block.

```
BLOCK WITH RBA OF 00000000E000
OFFSET COMP. ENTRY NAME RBA BAM
COUNT BLOCK BYTE BIT
00E 000 SIVLE 00000000DC00 00 02F 4
025 000 HILDE 00000000D000 00 02E 0
SEGMENT NAME: TSO 00000000D900 00 02F 1
DFP 00000000DA00 00 02F 2
04C 000 HILDE.RDS.CHNG 00000000DE00 00 02F 6
06E 000 IBMUSER 00000000D700 00 02E 7
089 000 M270 00000000DB00 00 02F 3
0A1 000 M550ABC 00000000DD00 00 02F 5
0BC 000 SALES 00000000DF00 00 02F 7
0D5 000 SALES.* (G) 00000000F000 00 032 0
0F0 000 SECLABEL-SYSHIGH 00000000D100 00 02E 1
114 000 SECLABEL-SYSLow 00000000D200 00 02E 2
137 000 SECLABEL-SYSNONE 00000000D300 00 02E 3
15B 000 SYSCTLG 00000000D600 00 02E 6
176 000 SYS1 00000000D400 00 02E 4
18E 000 VSAMDSET 00000000D500 00 02E 5
1AA 000 255 X'FF'S
2B6 SEQUENCE SET POINTER 000000000000
TOTAL NAMES IN THIS BLOCK-015. UNUSED BYTES-3363. AVERAGE NAME LENGTH-024.
LEVEL NUMBER-01. DISPLACEMENT TO LAST KEY-02B6. DISPLACEMENT TO FREE SPACE-02BF
(G) - ENTITY NAME IS GENERIC
```

10. Save the changes made and write them back to the RACF database.

```
END SAVE
```

IRR63013I READ ended. Block saved.

ends the READ command and writes the new block out to the RACF database.

11. Locate the block that contains the generic name of SALES.*.

```
LOCATE ENTRY(SALES.*) CLASS(DATASET) GENERIC
```

displays a formatted list of the level one block that contains the generic entry name 'SALES.*'.

```
BLOCK WITH RBA OF 00000000E000
OFFSET COMP.          ENTRY NAME          RBA          BAM
COUNT              BLOCK BYTE BIT
00E 000 SIVLE          00000000DC00 00 02F 4
025 000 HILDE          00000000D000 00 02E 0
                                SEGMENT NAME: TSO
                                DFP
04C 000 HILDE.RDS.CHNG 00000000DE00 00 02F 6
06E 000 IBMUSER        00000000D700 00 02E 7
089 000 M270           00000000DB00 00 02F 3
0A1 000 M550ABC        00000000DD00 00 02F 5
0BC 000 SALES          00000000DF00 00 02F 7
0D5 000 SALES.* (G)    00000000F000 00 032 0
0F0 000 SECLABEL-SYSHIGH 00000000D100 00 02E 1
114 000 SECLABEL-SYSLOW 00000000D200 00 02E 2
137 000 SECLABEL-SYSNONE 00000000D300 00 02E 3
15B 000 SYSCTLG        00000000D600 00 02E 6
176 000 SYS1           00000000D400 00 02E 4
18E 000 VSAMDSET       00000000D500 00 02E 5
1AA 000 255 X'FF'S
2B6          SEQUENCE SET POINTER          000000000000
TOTAL NAMES IN THIS BLOCK-015. UNUSED BYTES-3363. AVERAGE NAME LENGTH-024.
LEVEL NUMBER-01. DISPLACEMENT TO LAST KEY-02B6. DISPLACEMENT TO FREE SPACE-02BF
(G) - ENTITY NAME IS GENERIC
```

12. End the BLKUPD session.

```
BLKUPD:
END
READY
```

terminates the BLKUPD command.

Database format

Chapter 5. Error recovery for RACF Remote Sharing Facility (RRSF)

This topic describes:

- The flow of a directed command in a RACF remote sharing facility (RRSF) environment
- The types of errors experienced in an RRSF environment
- Handshaking between RRSF nodes
- The connection states of RRSF nodes and the transitions between them
- Actions to recover from an RRSF failure
- The recording of RRSF errors

RRSF moves the RACF command between the user who initiated the command and the RACF subsystem address space where the transaction is processed (either on a local or a remote node) and moves the RACF command output between the RACF subsystem address space where the transaction was processed (on a local or a remote node) and the node where the user was logged on when the transaction was initiated.

The INMSG data set is used to temporarily hold requests that are being sent to the local node from itself or a remote node, such as commands directed to the local node or output from RACF commands that were directed to a remote node. The OUTMSG data set is used to temporarily hold requests that are being sent to a target node, such as commands directed from the local node. If RRSF experiences a failure, it:

- Detects the error when it first occurs. This:
 - Prevents additional damage to the RACF subsystem address space and the RACF database.
 - Allows either the system programmer or the IBM support center to diagnose and fix the problem.
- Protects the rest of the RRSF network from damage by isolating the error to the failing node.
- Saves the work request for retry when the error has been corrected.

Figure 15 on page 140 shows an illustration of the flow of a directed command in an RRSF environment. The steps shown in this figure are:

1. A user issues a RACF command. This command enters the local node's OUTMSG data set while waiting to be sent to the remote node.
2. When this command is sent to the remote node to be processed, it enters the remote node's INMSG data set.
3. The command is processed in the remote node's RACF subsystem address space and the results are placed in the remote node's OUTMSG data set while waiting to be sent to the local node.
4. The results are sent to the local node and placed in the local node's INMSG data set until the output is returned to the user.

Types of errors

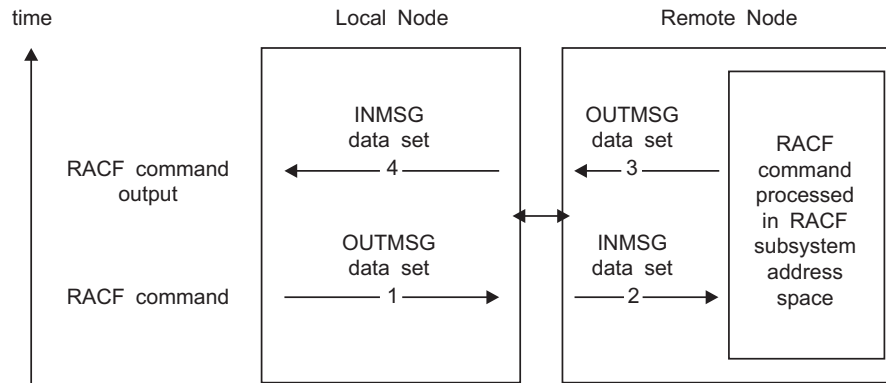


Figure 15. Flow of a Directed Command in an RRSF Environment

Types of errors in an RRSF environment

The following types of errors can be experienced by an RRSF network:

Definition errors

For RRSF, typical definition errors are local or remote nodes not being correctly defined to the system or to each other. In general, definitions must be accurate and consistent on both the local and target node. Problems occur when there are:

- - Previous versions of RACF database templates
 - Inconsistent node definitions to RACF (that is, something specified on the TARGET command at a local node was specified differently on a corresponding TARGET command at a remote node)
 - Incorrect security information for VSAM data sets
 - Differences in node status (NODEA is operative while NODEB thinks NODEA is dormant).
- For APPC:
 - Incorrect VTAM® definitions
 - Incorrect LU names
 - Incorrect security information for APPC conversation
- For TCP/IP:
 - Incorrect TCP/IP definitions
 - Incorrect host address names
 - Incorrect security information for TCP/IP
 - AT-TLS policy problems
 - Digital certificate and key ring problems

Environmental errors

Typical environmental errors are MVS resources not being available. These can occur when MVS or RACF is being restarted or can occur because of high volumes of directed commands (including automatically directed commands) or password changes that are being synchronized. This type of error can occur on either the local or remote node, and includes:

- - Insufficient main memory

- Insufficient VSAM space
- Remote RACF subsystem address space not active
- For APPC:
 - VTAM not yet active
 - APPC address space not yet active
 - Retryable APPC errors
- For TCP/IP:
 - TCP/IP policy agent or resolver address spaces not yet active
 - Retryable TCP/IP errors
 - Network connectivity problems
 - Firewall issues
 - Name server problems

Program errors

Overlaid control blocks, overlaid in-storage data, or programming errors within RRSF, and the portions of RACF started within the RACF subsystem address space can also cause an abend. Non-fatal errors detected by RRSF can have the following symptoms:

- Units of work being lost
- Units of work being done multiple times
- All tasks in the RACF subsystem address space being in wait state
- Resources are allocated to a request and the request has completed either normally or abnormally and the resources are not released or deallocated

Transmission and line errors

Transmission and line errors are external to the application, such as a car hitting a telephone pole.

Handshaking and state changes

Handshaking involves verifying that two RRSF nodes can communicate with each other and are compatible. Handshaking occurs whenever a TARGET command is issued to activate the connection between the local node and a remote node if sufficient information has been provided. Activating a remote node connection requires sufficient information to do all of the following:

- Allocate and open the VSAM data sets (INMSG and OUTMSG data sets)
- Register the RACF subsystem address space (as an APPC/MVS server for the APPC protocol, or a socket listener for the TCP/IP protocol)
- Define the required protocol information for the remote node

Connection states of RRSF nodes

While at a high level there are two types of connections between nodes, operative and dormant, at a lower level the connection between two nodes can be in any one of a number of states.

The state of the connection between nodes and the transitions between the states used by RRSF have the following characteristics:

- Controls whether information is sent to the remote node.

Handshaking and states

- Respects the state change request of the last person who issued such a request; that is, the connection status is not changed from dormant to active without an explicit human action.
- Provides available information about how the connection reached the current state.
- Recognizes that certain state changes do not occur immediately because they must check with the partner node to determine if the new state is allowed.

The following table shows the potential states that can exist on a local node to describe the connection between that node and a remote node:

Table 30. Connection states between nodes

Name	Abbreviation	Description
operative pending connection	O-P-C	The local node has requested that the connection be activated and is attempting to activate the conversation. The local node has not yet received a confirmation that the remote node will accept the connection. This state can occur while the local node is attempting to restore a successful connection that was interrupted.
operative pending verification	O-P-V	The local node's request for a conversation has been accepted. The two nodes are communicating and evaluating information they have exchanged to determine if they are compatible. The information can include RACF information and the digital certificates exchanged during the TLS handshake performed by TCP/IP. If the two nodes are not compatible, both nodes will remain in the operative pending verification state.
operative active	O-A	The connection between two nodes is active. The two nodes have verified that they can communicate with each other and that they are compatible with each other.
operative in error	O-E	A non-retryable error has occurred related to workspace data sets (for example, a volume has gone offline). Console or syslog messages have been issued with more information.
dormant by local request	D-L	The local node's connection with a remote node has been made dormant by an operator issuing a TARGET DORMANT command.
dormant by remote request	D-R	The local node has detected that the connection to the remote node has been made dormant by the remote node or the APPC connection between the local and remote nodes has not been defined on the remote node. This state can occur if the local node cannot successfully connect with a node after a reasonable amount of time.
dormant by mutual request	D-B	The local and remote nodes have both requested the connection be dormant by an operator issuing a TARGET DORMANT command on each system.

Table 30. Connection states between nodes (continued)

Name	Abbreviation	Description
dormant in error	D-E	The local node is dormant and a failure is experienced while saving RRSF requests for later processing.
defined	DEF	TARGET information has been defined, but no conversation occurs. This state occurs: <ul style="list-style-type: none"> • Between member systems of a multisystem node. Systems in a multisystem node do not communicate with each other. • Between a local nonmain system and a nonmain system on a remote multisystem node. Nonmain systems of multisystem nodes can communicate with single-system nodes and with the main systems of multisystem nodes, but they do not communicate with nonmain systems of other multisystem nodes.
not defined (initial)	???	No connection has been established to the node due to insufficient configuration information, or because a TARGET OPERATIVE or TARGET DORMANT command has not been issued for the node. The TARGET LIST command output shows this state as ???.

These connection states describe the state of the local node and the state of a connection between the local node and a remote node.

For example, from the local node perspective, operative active (O–A) means that the local node can have either a TCP/IP or APPC listener process and accepts connections from remote nodes. Dormant by local request (D–L) means that there are no listener processes active and no new conversations are accepted (existing O–A conversations are unaffected).

These connection states also describe the state of the local node when you have no remote node connection because you have not specified protocol information. The local node can be operative active (O–A), but does not have active listener processes. The local node can be dormant by local request (D–L), but not dormant by remote request (D–R) or dormant by mutual request (D–B). If VSAM errors occur, the local node can be either operative in error (O–E) or dormant in error (D–E).

Connection state changes after a successful TARGET command

The following table shows the connection state as seen on the local node after a successful TARGET command is issued on the local node to change the connection state between the local and remote nodes.

For example, if the connection state as seen on the local node is operative in error (O–E) and the local node issues a successful TARGET DORMANT command, the connection state, as seen by the local node, would be dormant by local request (D–L).

Handshaking and states

Table 31. Table of New Connection States Based on a Successful TARGET Command

Previous Connection State	After a successful TARGET OPERATIVE command	After a successful TARGET DORMANT command	After a successful TARGET DELETE command
O–A	O–P–C	D–L	error message received
O–P–C	O–P–C	D–L	error message received
O–P–V	O–P–C	D–L	error message received
O–E	O–P–C	D–L	error message received
D–L	O–P–C	D–L	connection deleted
D–R	O–P–C	D–B	error message received
D–B	O–P–C	D–B	connection deleted
D–E	O–P–C if INMSG and OUTMSG workspace data sets can be opened, else D–E	D–L if INMSG and OUTMSG workspace data sets can be opened, else D–E	connection deleted
DEF	DEF Message IRRM035I is issued to syslog.	DEF Message IRRM035I is issued to syslog.	connection deleted

Actions to recover from an RRSF failure

RRSF can experience the following types of failures:

1. An ABEND that causes ESTAE processing. For detailed information, see “RRSF ESTAE processing.”
2. An error return code from an MVS system service. For detailed information, see “Failure of MVS system service” on page 145.
3. An error return code from APPC/MVS. For detailed information, see “APPC return code handling” on page 151.
4. An error return code from a z/OS UNIX System Services socket API. For detailed information, see “TCP/IP return code handling” on page 148.
5. An error return code from a request to VSAM. For detailed information, see “VSAM failures” on page 145.

RRSF ESTAE processing

ESTAE or ESTAI processing occurs when MVS detects an abnormal end during processing of a task within the RACF subsystem address space.

The actions indicated here are normally done internally by RACF itself. However, in some cases, a manual RESTART command might be necessary.

The following is done during recovery processing:

1. If the task that failed had not abended during recovery processing:
 - a. If the task is initializing:

- 1) The task terminates to clean up its resources.
- 2) Another attempt is made to re-create the task.
- b. If the task is processing an item:
 - 1) The queue of waiting work is preserved.
 - 2) The current task is marked as being in recovery processing.
 - 3) In-use resources for the current item are freed.
 - 4) The current item is restarted.
- c. If the task is terminating, termination continues and the abend is ignored.
- d. If the task that failed is in recovery processing:
 - 1) Resources in use for the task are released.
 - 2) If the failure occurs when processing the same item for the second time, the item is deleted and output to be returned to the originator is created.
 - 3) The task that has failed is restarted.

Failure of MVS system service

When an error return code from an MVS system service is detected, an attempt is made to recover the work being done by RRSF. The basic retry scheme depends on where the error is detected. Most of the tasks within RRSF have the following structure:

1. An initialization section
2. A processing loop
3. A termination section

If errors are detected in the initialization section, the error is recorded and the task is restarted.

Note: The RACF subsystem address space attempts to restart a task *five* times before an abend is issued.

The actions indicated here are normally done internally by RRSF itself. However, in some cases, a manual RESTART command might be necessary.

If errors are detected within the processing loop, the following steps are done:

1. An entry is created in the LOGREC data set at the time of failure.
2. The element is retried.
3. If retry fails,
 - a. Another entry is created in the LOGREC data set.
 - b. The failing item is discarded.
 - c. If possible, returned output is sent to the originator.
 - d. The task is restarted.

If errors are detected in the termination section, the error is recorded and termination continues. The termination code is usually entered when the task in the RACF subsystem address space is being restarted or stopped.

VSAM failures

The checkpoint information is stored in a VSAM key-sequenced data set (KSDS). These files can be unusable for a number of operational reasons, such as:

Recovery actions

- There are I/O errors on the device that contains the VSAM data set.
- The operator has made the device inactive or unavailable.
- There is insufficient space to store the next record.

The actions indicated here are normally done internally by RRSF itself. However, in some cases, a manual RESTART command might be necessary.

If VSAM errors occur on the INMSG or OUTMSG data set, that prevent the records from being written to or deleted from the data sets, RRSF does the following:

- Shuts down the connection by:
 - Rejecting all inbound transactions by marking all affected successfully established connections as operative in error
 - Marking all dormant connections as dormant in error
 - Rejecting all directed commands that would require the use of the damaged VSAM data set
- Notifies the appropriate people by:
 - Writing a message to the system console
 - Creating a symptom record in the LOGREC data set
- Allows for correction by:
 - Attempting to close and de-allocate the VSAM data set that is experiencing errors

An error message is issued to the MVS operator console when a VSAM data set experiences an error. Some common error messages are IRRC029I and IRRC030I, which indicate problems in trying to write to the workspace data sets, and IRRC031I, which indicates that a workspace data set is full. Associated messages IRRC032I and IRRC033I are also issued, indicating that the specified connection has received a DORMANT ERROR or OPERATIVE ERROR.

After the error has been corrected, the following commands must be processed to reactivate the connection:

```
TARGET NODE(nodename) DORMANT
TARGET NODE(nodename) WORKSPACE([current or new settings])
TARGET NODE(nodename) OPERATIVE
```

Note: You should use RACF profiles to protect the INMSG and OUTMSG data sets.

Automatic direction and VSAM errors

Automatic direction is not apparent to most users who issue RACF commands, change their passwords, or take actions that result in application updates. They are typically not aware that their actions have caused an RRSF request to be automatically directed. Therefore, VSAM errors are not reported to the issuer of the request. Instead, the users who are specified on the NOTIFY and OUTPUT keywords of the RACF SET command (which might include the command issuer using &RACUID) receive an error message that the RRSF request was not sent to the appropriate remote node because of a VSAM file failure.

VSAM failures are critical because the request and the returned output are checkpointed in the VSAM files. If the VSAM files are unusable, there is no record of the RACF request or the output.

When an RRSF request generated by automatic direction is processed and it experiences a hard VSAM failure (that is, it cannot be written to the file and has not already been saved somewhere else) the standard failure output is sent to the users who are specified on the NOTIFY and OUTPUT keywords of the RACF SET command. This hard VSAM failure can only occur on the node where the request originated and before it is stored in the OUTMSG data set for the target node. In all other cases of a VSAM failure, a copy of the request or output exists in another VSAM file.

Password synchronization and VSAM failures

If possible, VSAM failures for password synchronization requests are processed the same as a VSAM failure for a directed command. A password synchronization failure generates RRSFLIST output and an error message to the TSO user.

IRRBRW00 utility and VSAM data sets

If you have a DASD problem or have a need for offline diagnosis of the RRSF VSAM data sets, RACF has an APF-authorized utility called IRRBRW00 that allows you to dump the RACF data contained within the VSAM data sets. Because this utility provides the capability to dump sensitive RACF data such as RACF command text and returned output, be careful to control access to this utility.

To prevent inadvertent disclosure of the data in the VSAM data sets, RACF requires that a user obtain read access to the resource name IRRBRW00 in the RRSFDATA class so the IRRBRW00 utility can be run. If the class is not active or no profile is defined, the user is denied access to run the utility. The user also needs RACF access to the VSAM data set to be dumped. VSAM data sets can be protected by using profiles in the DATASET class. See Workspace data sets for more information about data set names.

To ensure the integrity of the data in these files, set up these profiles and limit the access to only those with a need. You can use the RACF TARGET command to determine the VSAM data set names being used by the RACF remote sharing facility.

The IRRBRW00 utility is provided for diagnostic purposes only. For complete instructions on running IRRBRW00, see the RACJCL member of SYS1.SAMPLIB and read the IRRBRW00 sample.

Node communications

TCP/IP and APPC are communication vehicles for sending and receiving messages from one RRSF node to another.

TCP/IP errors

This section contains information about:

- Connection processing during system IPL
- TCP/IP return code handling
- Network connectivity issues
- AT-TLS errors
- Obtaining information about RRSF connections

Note: Many network-related problems are general in nature, and are not specific to RRSF. When experiencing connectivity errors, use diagnostic tools provided by the Communication Server, not by RACF. See *z/OS Communications Server: IP Diagnosis Guide* for information about debugging network problems.

Recovery actions

Connection processing during system IPL: During system IPL, the RACF subsystem is generally started earlier than some of the TCP/IP-related address spaces on which the RRSF TCP protocol support relies. For example, the TCP/IP and policy agent address spaces are required. Further, if host names are used instead of IP addresses in TARGET command definitions, then the resolver address space, and possibly an external name server, are also required. During RACF subsystem initialization, the socket listener process starts when the local node is made operative. Remote TCP connections are not attempted until the listener is successfully established. If the listener fails to initialize, message IRRC050I is issued and the listener periodically tries again for approximately 30 minutes, then issues message IRRC063I and stops trying.

As the TCP/IP address space initializes, it receives AT-TLS policy files from the policy agent address space. Address spaces (such as the RACF subsystem) might be requesting socket services before TCP/IP has obtained its policy files. The default behavior of TCP/IP is to reject such a request unless the user ID has access to a stack initialization resource that is used as an override. If this resource is protected by a RACF profile, then failed accesses result in ICH408I messages to the console. Therefore, you might see such a message for the RACF address space each time it attempts to establish its TCP listener before TCP/IP obtains the policy files. This is normal, and such messages can be ignored. Make sure that you do not allow the RACF subsystem user ID to this resource, or else the listener successfully initializes, and then attempts to establish connections with remote nodes. If these connections are attempted before TCP/IP obtains its policy, RRSF rejects the connections for lack of AT-TLS policy, and the connections must be restarted manually when the policy server has served the policy files to TCP/IP.

See *z/OS Communications Server: IP Configuration Guide* for information about stack initialization protection.

TCP/IP return code handling: RRSF uses z/OS UNIX System Services APIs to start socket services. Whenever an error is encountered, a message is issued to the console. The message contains the service name, the return and reason code from the service, and an additional diagnostic code that helps IBM service, if contacted. See *z/OS UNIX System Services Messages and Codes* for the return and reason codes. The return code is referred to as the *errno*, and the reason code is referred to as the *errnojr*. When looking up the reason code, use only the low-order halfword of the displayed value. In *z/OS UNIX System Services Messages and Codes*, there is a name and a value for each return code. Information about the identified service in *z/OS UNIX System Services Programming: Assembler Callable Services Reference* often lists some common errors by name and possible causes.

If the TCP socket listener encounters an error during initialization, or if a remote connection cannot be established, a console message is issued, and the attempt is periodically tried again. RRSF tracks the failing service name, including its return and reason code, and does not issue an error message if encountering the same error on a subsequent attempt.

Certain errors are not considered unrecoverable, and in such cases, RRSF does not issue an error message, but creates a LOGREC entry. These entries might be of value to IBM service when debugging a problem. See "Creation of LOGREC data set entries" on page 153 for more information.

Network connectivity issues: You are most likely using Communication Server tools and diagnostics to debug network problems. Therefore, you need the IP address of the system that the local system is attempting to communicate. Because

the TARGET command allows you to specify the host address as a host name, it might not be clear which IP address this name corresponds to. Whenever RRSF resolves a host name to an IP address, it saves the address so it can be displayed by the TARGET LIST command. Note that for the local node, the IP address is resolved when a remote connection is attempted, not when the listener is established. If you use the default address (0.0.0.0) for the local node and want to know the resolved IP address, and TARGET LIST is not already displaying it, you should attempt to establish a remote connection, and then issue the TARGET LIST for the local node again.

AT-TLS errors: While establishing a connection with a remote RRSF node, the initiating system issues a socket connect() call and the receiving system issues an accept(). Then, both sides of the connection issue a select() on the established socket. The select causes TCP/IP to perform the TLS handshake with the assistance of System SSL. The handshake process determines the AT-TLS policy rule used to protect the connection on each system and applies that policy. The policy identifies the RACF key ring that contains the digital certificates required to authenticate each server to the other.

If the handshake fails, RRSF usually issues message IRRIO31I. AT-TLS tracing, by default, logs errors and provides an error code. See *z/OS Communications Server: IP Diagnosis Guide* for more information about the error code. The AT-TLS trace level is specified in the AT-TLS rule for a connection. Because the TLS handshake is performed on both systems and the error might have occurred on only one of the systems, be sure to look in the trace log on the remote system if there is no helpful information about the system you are currently logged on to.

TLS handshake errors are usually caused by certificate or key ring setup errors, and this might not always be obvious from the error code description. The following checks generally identify the problem:

- On each system, use the RACDCERT LISTRING command to check that the key ring specified in the policy rule (the sample policy that RACF provides in the IRRSRRSF member of SYS1.SAMPLIB specifies IRR.RRSF.KEYRING and if using IBM Configuration Assistant, it specifies tlsKeyring) is defined for the RACF subsystem user ID. Note that key ring names are case-sensitive.
- Verify that the key ring contains a digital certificate for the RRSF server (the RACF subsystem user ID) as the default.
- Verify that the key ring contains the RRSF signing certificate and it is trusted.
- Verify that the RACF subsystem user ID has authority to read its own key rings (this is generally accomplished by granting READ access to the IRR.DIGTCERT.LISTRING resource in the FACILITY class). Note that this permission is required even if the RACF subsystem started task definition specifies TRUSTED or PRIVILEGED.

Other problems that might occur are:

- A certificate has expired.
- The key type associated with the certificate is not valid for the cipher algorithm requested in the policy.
- Some aspect of the AT-TLS policy requires ICSF, (for example, if the certificate private key is stored in the ICSF PKDS), but ICSF was not started when RRSF connections were attempted.
- There is a logical inconsistency between the policy files as they exist on the local and the remote system. Typically, both systems should have the same policy statements for RRSF, both for the "client" and "server" portions of the policy.

Recovery actions

After correcting any key ring problems, including an authorization problem, make sure that the policy agent reads the contents of the key ring again, by changing the EnvironmentUserInstance value in the policy rule. If you are using Configuration Assistant, click Reaccess Key Rings... under image level settings, for a given image. After the policy is updated, refresh the policy agent by issuing the following command from the console:

```
F PAGENT,UPDATE
```

After correcting an ICSF problem (such as starting ICSF after an RRSF connection has failed because ICSF was not available), you must change the GroupUserInstance value, and then update the policy agent as shown above. Your system configuration must start ICSF earlier in the IPL sequence (before the policy agent starts) so that you avoid this problem on the next IPL.

Note that these keywords might not be in your policy. Specifically, if using the sample policy, the GroupUserInstance keyword is not specified. If so, see for information about where to add this statement in your policy.

Obtaining information about RRSF connections: The z/OS Communications Server NETSTAT command is frequently used to display information about TCP/IP connections. On a busy system, the output can be voluminous. To help identify RRSF sockets, RACF associates application data with each of the sockets it uses. Each socket is tagged with the string "IRRRRSF" to identify it as an RRSF socket. You can issue the NETSTAT command specifying application data to restrict the output to RRSF connections. For example:

```
NETSTAT ALLCON (APPLD IRRRSF
```

The NETSTAT command displays output such as:

```
EZZ2350I MVS TCP/IP NETSTAT CS V1R13 TCPIP NAME: TCPIP 13:33:07
EZZ2585I USER ID CONN LOCAL SOCKET FOREIGN SOCKET STATE
EZZ2586I -----
EZZ2587I RSWJ 0000000A 9.57.1.243..18136 0.0.0.0..0 LISTEN
EZZ2591I APPLICATION DATA: IRRRSF
EZZ2587I RSWJ 000000A3 9.57.1.243..18136 9.57.1.13..1034 ESTABL
SH
EZZ2591I APPLICATION DATA: IRRRSF
```

Figure 16. NETSTAT command output

This output shows two RRSF sockets. The first is for the listener process, and the second is for a remote node connection. The output shows that the remote node connection was initiated by the remote node, because the local socket value is the default listener port of 18136, and the remote socket uses an ephemeral port number of 1034.

Obtaining AT-TLS information for an RRSF connection: TARGET LIST displays some basic information extracted from the AT-TLS rule covering a remote connection, such as:

- The rule name
- The negotiated cipher
- The client authentication level
- If the client authentication level is SAFCHECK, the local user ID that the remote server's certificate mapped

This information can be helpful as a quick check, however, the NETSTAT command can be used to obtain all the policy information.

See Figure 16 on page 150 for an example of NETSTAT command output and note that a connection identifier is shown in the CONN column. For the remote node, the connection ID shown is A3. To obtain detailed information about the AT-TLS policy covering that connection, issue the NETSTAT command specifying the connection ID:

```
NETSTAT TTLS CONN A3
```

or

```
NETSTAT TTLS CONN A3 DETAIL
```

See *z/OS Communications Server: IP System Administrator's Commands* for more information about the NETSTAT command.

APPC errors

This section contains information about:

- Initializing connection errors
- APPC return code handling

Initializing of connections: There is a class of problems that occur because of the order that the MVS address spaces become activated during a system IPL. As an MVS system is being IPLed, address spaces reach a state in which they are able to service requests at different rates. Therefore, there is no assurance that the VTAM and APPC address spaces, that are necessary to service RRSF requests, are available when the RACF subsystem address space issues its first request.

Attempting to activate the connections or send information to remote nodes when the RACF subsystem address space is started, but before VTAM and APPC have completed initialization, result in APPC failures. Normally, such APPC failures cause the connections between the two nodes to become operative in error when the first attempt is made. Instead, RRSF allows the RACF subsystem address space to continue to poll for APPC/MVS availability and when available, attempts to register the RACF subsystem address space as an APPC/MVS server.

If the RRSF APPC server fails to successfully register with APPC/MVS, error message IRRRC023I is issued to the MVS operator console and RRSF initialization discontinues.

A registration attempt to APPC/MVS also occurs if:

- A local node is in a dormant state,
- A TARGET command is issued to make the connection operative, and
- Protocol information has been supplied.

A subsequent TARGET LIST command against the node would show a connection state of operative active.

Note: If MODENAME is not specified in the TARGET command, RACF sends a default name to APPC that allows the connection to complete successfully. This default name, IRRMODE, is placed in IRRNODE. However, since there was no explicit specification by the user and the default name is a RACF internal, the TARGET LIST output shows "NOT SPECIFIED".

APPC return code handling: The actions indicated here are normally done internally by RRSF itself. However, in some cases, a manual RESTART command might be necessary.

Recovery actions

The MVS callable system services, that are used to implement the APPC or LU6.2 protocols, provide return codes to report the status of the request. Normally, a failure causes:

- The connection to be marked as operative in error
- A symptom record to be created in the LOGREC data set. See “Creation of LOGREC data set entries” on page 153 for details.

However, if RACF receives one of the following three error conditions back from APPC, RACF tries the error again:

- `Allocate_failure_retry`
- `TP_not_available_retry`
- `Resource_failure_retry`

If after 10 times, RACF continues to receive an error return code, it is considered a non-retryable error and:

- The connection is marked as operative in error.
- A symptom record is created in the LOGREC data set. See “Creation of LOGREC data set entries” on page 153 for details.

APPC missing interrupts: Another type of APPC error occurs when the MVS callable system service that attempts to perform an APPC function never completes. One way this can occur is if the partner remote RACF subsystem address space starts the TP program, but does not complete the request. A missing interrupt handler (MIH) uses a timer to wait for the transaction to complete. When the timer expires, the MIH breaks the connection and declares an error. The connection between the two nodes is marked as operative in error and message IRRRC022I is issued.

General errors

This general section contains information about:

- APPC or TCP/IP and the RACF RESTART command
- Deleted nodes

APPC or TCP/IP and the RACF RESTART command: The RESTART command provides a way to recycle or recover a hung or stopped task. See *z/OS Security Server RACF Command Language Reference* for the syntax of the RESTART command.

The preferred way to recycle a connection is not to use the RESTART command. Instead, the operator should use the TARGET command to make the connection to the node dormant and then operative. This method fails if the task is hung waiting for outstanding work. Use the RESTART command to recycle a connection only after an unsuccessful attempt at using the TARGET command to make that connection dormant and then operative.

On restart, the partner node always marks the sender as dormant-remote. The node being restarted then attempts to handshake with the partner to restore the connection.

Deleted node: A command can be executing in the RACF subsystem address space and the node definition for the node on which the command originated can be removed. While requiring the connection to the node to be dormant before it can be deleted reduces the probability of this occurring, it is still possible.

If a message is targeted to a node that is no longer defined to RRSF, the following actions occur:

- A symptom record is created.
- The command output or the command is discarded.

Recording of errors

Environmental errors and transmission errors must be reported to allow for their correction. When the RACF subsystem address space is unable to access a requested system resource, it records this type of error. Further, the RACF subsystem address space attempts to notify the originator of the command that it was unsuccessful. It might also need to stop transmitting to the affected node. The following mechanisms are used:

- A symptom record is created on the system experiencing the failure and stored in the LOGREC data set.
- If possible, an error message reporting the failure is sent back in the RRSFLIST data set (standard returned output) when the failure is not in RRSF. If the failure is in RRSF, then only a symptom record is created. This returned output is an error message. If the failing request is in storage, the failing request is added to the output. To the system where the request originated, the returned output is identical to the output returned when a command has successfully processed.
- RRSF tries the error again after creating the appropriate record of the failure.

Creation of LOGREC data set entries

When the RACF subsystem address space requests an MVS system resource or uses an MVS system service and is unsuccessful, this failure is recorded. If the failure is not recorded by MVS, RACF puts the symptom records in the LOGREC data set.

z/OS MVS Programming: Assembler Services Guide categorizes information contained within the symptom records as:

- Component Data – This identifies the application in which the error occurred (that is, RACF subsystem address space).
- Primary SDB symptoms – This contains the primary string of problem symptoms. This data is used for duplicate problem recognition (See Table 32).
- Secondary SDB symptoms – This contains any additional diagnostic values saved at the time of the error.
- Variable Data – This contains diagnostic data, such as portions of data areas or parameter lists pertinent to the error.

Table 32 shows the contents of the primary symptom string that the symptom record contains.

Table 32. Contents of Primary Symptom String for a RACF Subsystem Address Space Error

SDB Key Literal	Usage
RIDS/	Module CSECT name
RIDS/	Load module name
PCSS/	System service (MVS or RACF macro) that failed
PRCS/	Return code from service
PRCS/	Reason code from service (if no reason code is available, this field contains a value of zero)

Recovery actions

Table 33 shows the contents of the secondary symptom string that the symptom record contains.

Table 33. Contents of Secondary Symptom String for a RACF Subsystem Address Space Error

SDB Key Literal	Usage
ADRS/	Offset of service that failed

Table 34 shows the contents of the variable symptom string that the symptom record contains.

Table 34. Potential Contents of Variable Symptom String for a RACF Subsystem Address Space Error for the indicated protocol used

Field	Description
LUNAME	APPC partner LUNAME
TPNAME	APPC partner TPNAME
MODENAME	APPC partner MODE NAME
ADDRESS	TCP partner host address
PORTNUM	TCP listener port number
MISC STRING	Additional information for some service failures

Table 35 shows the additional information that the symptom record contains.

Table 35. Additional LOGREC Data for a RACF Subsystem Address Space Error

Field	Value
COMPDSC	RACF subsystem address space
PROBLEM	Name of failing service
SERVLEV	Service level of module
COMPID	Component ID (5752XXH00)
COMPLEV	Component level (260)

Chapter 6. Diagnosis reference for RACF

This topic contains:

- Parameter list descriptions (see “Parameter list descriptions”)
- Process flows (see “Process flows for RACF” on page 188)

Parameter list descriptions

This describes parameter lists passed to RACF when a RACF macro is invoked. Installation exits, which are described in *z/OS Security Server RACF System Programmer's Guide*, also use parameter lists, which are described in *z/OS Security Server RACF Data Areas*. See Appendix A, “The Inventory Control Block (ICB),” on page 249 for information about the ICB (inventory control block).

The parameter lists used by RACF in processing RACF commands and the RACF report writer are standard TSO/E parameter lists. See *z/OS TSO/E Customization* for information about these parameter lists.

The parameter lists used by RACF in processing RACF utilities and DSMON are standard MVS parameter lists.

Table 36 is a quick reference that identifies the system macro-request types that are replacements for the independent RACF system macros. For more information about both types, see *z/OS Security Server RACROUTE Macro Reference*.

Table 36. Cross-Reference for RACROUTE REQUEST=type, the Independent RACF System Macros, and the Parameter List Name

RACROUTE REQUEST=type	Independent RACF System Macro	Parameter List
REQUEST=AUDIT	None	AUDIT
REQUEST=AUTH	RACHECK	AUTH
REQUEST=DEFINE	RACDEF	DEFINE
REQUEST=DIRAUTH	None	DIRAUTH
REQUEST=EXTRACT	RACXTRT	EXTRACT
REQUEST=FASTAUTH	FRACHECK	FASTAUTH
REQUEST=LIST	RACLIST	LIST
REQUEST=SIGNON	None	SIGNON
REQUEST=STAT	RACSTAT	STAT
REQUEST=TOKENBLD	None	TOKENBLD
REQUEST=TOKENMAP	None	TOKENMAP
REQUEST=TOKENXTR	None	TOKENXTR
REQUEST=VERIFY	RACINIT	VERIFY
REQUEST=VERIFYX	None	VERIFYX

The following are the parameter lists:

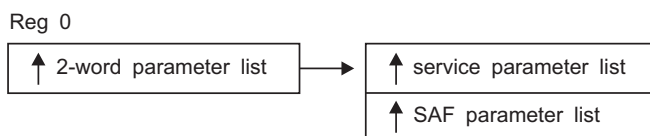
- “RACROUTE parameter list” on page 156
- “AUDIT service parameter list” on page 159
- “AUTH service parameter list” on page 160

Parameter descriptions

- “DEFINE service parameter list” on page 164
- “DIRAUTH service parameter list” on page 170
- “EXTRACT service parameter list” on page 171
- “FASTAUTH service parameter list” on page 173
- “LIST service parameter list” on page 174
- “SIGNON service parameter list” on page 175
- “STAT service parameter list” on page 176
- “TOKENBLD service parameter list” on page 177
- “TOKENMAP/TOKENXTR service parameter list” on page 180
- “VERIFY/VERIFYX service parameter list” on page 181
- “ICHEINTY parameter list” on page 185

“Checking the parameter list passed to RACF” on page 80 goes into detail to show you how to locate parameters in a dump. To do this, you find the contents of register 1.

If register 1 is zero, then the RACROUTE macro was issued, and module ICHRFR00 issued the RACF macro. In this case, register zero points to a two-word parameter list. The first word of this parameter list points to the RACF SVC parameter list, and the second word of this parameter list points to the SAF parameter list. This is shown in the following:



If register 1 is not zero, then this is the address of the parameter list passed with the macro request.

RACROUTE parameter list

The RACROUTE parameter list is also called the SAF router parameter list or the MVS router parameter list. It is mapped by macro ICHSAFP. For another description of this parameter list that includes field names, see *z/OS Security Server RACF Data Areas*.

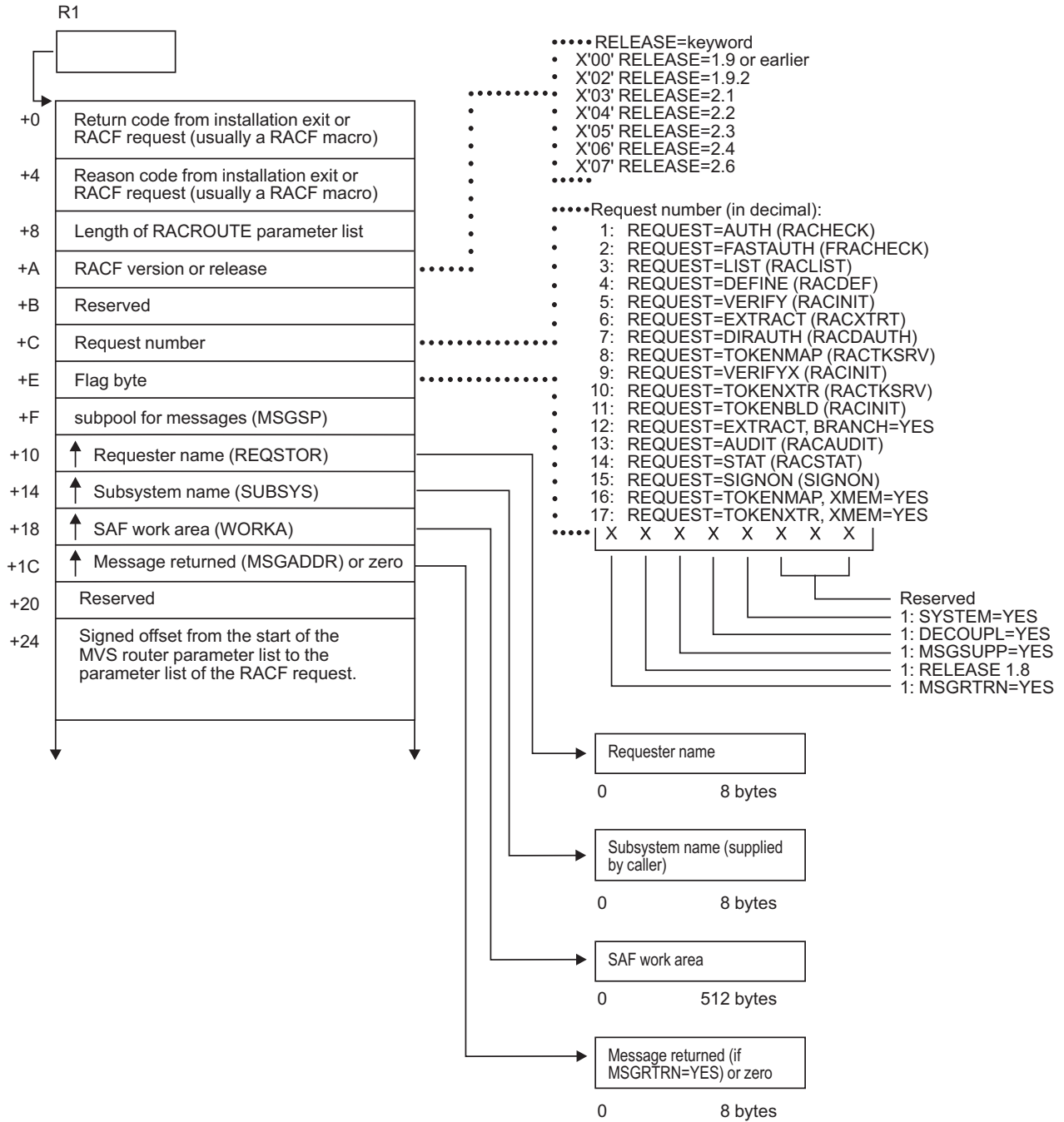


Figure 17. RACROUTE parameter list (part 1 of 2)

Parameter descriptions

These areas show up on both MVS and VM systems, but they are used only on VM.

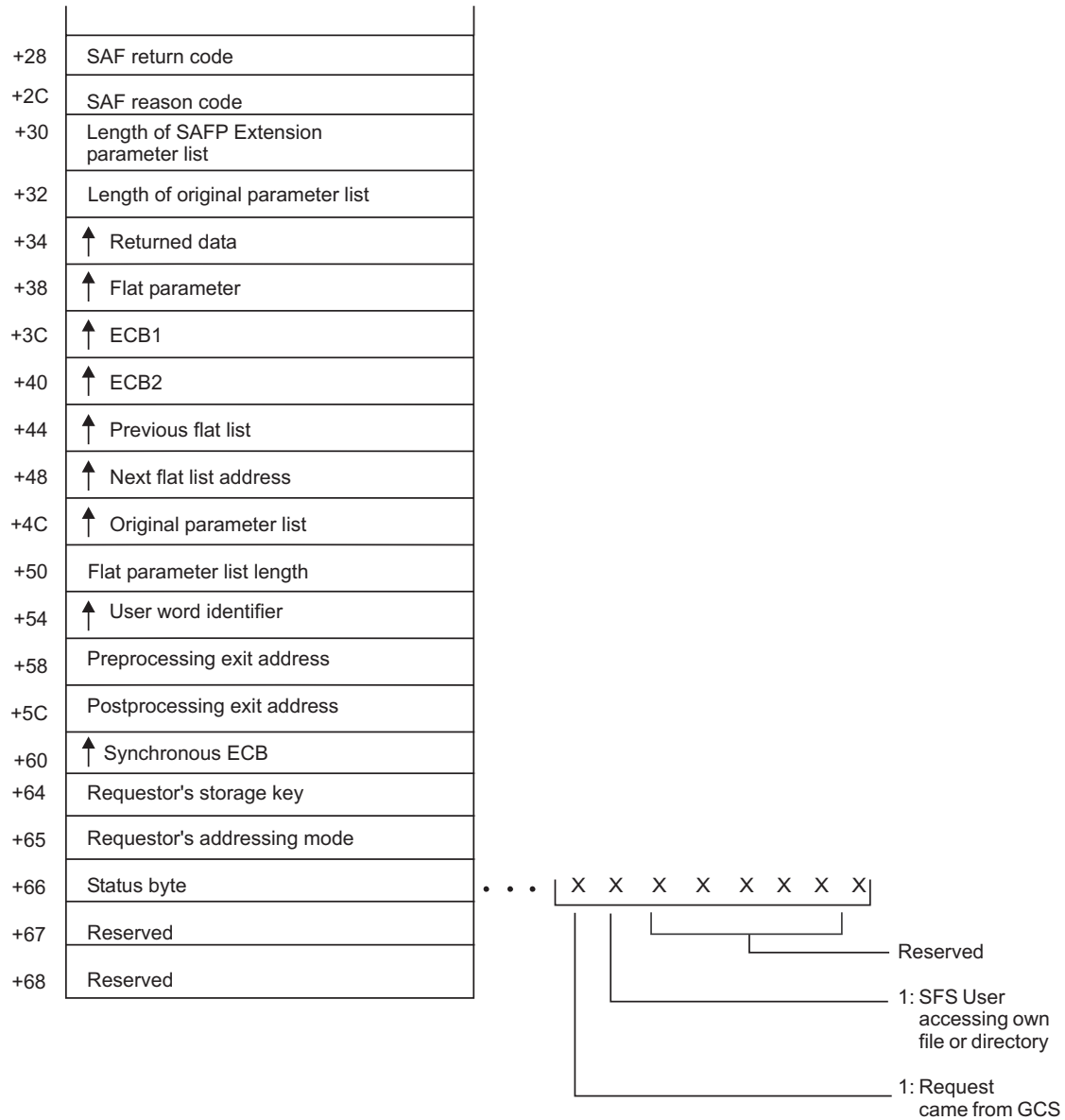


Figure 18. RACROUTE parameter list (part 2 of 2)

AUDIT service parameter list

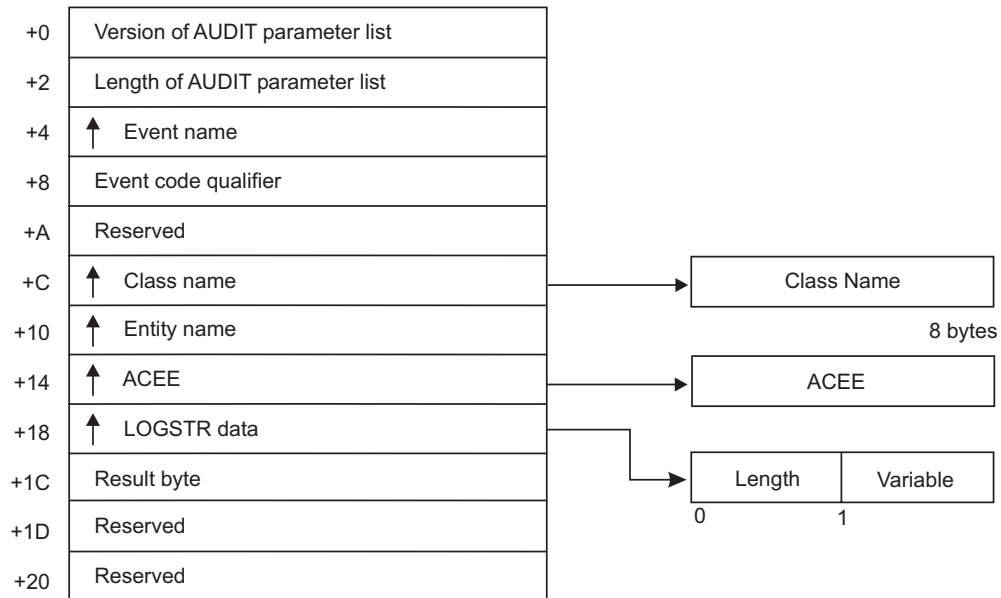
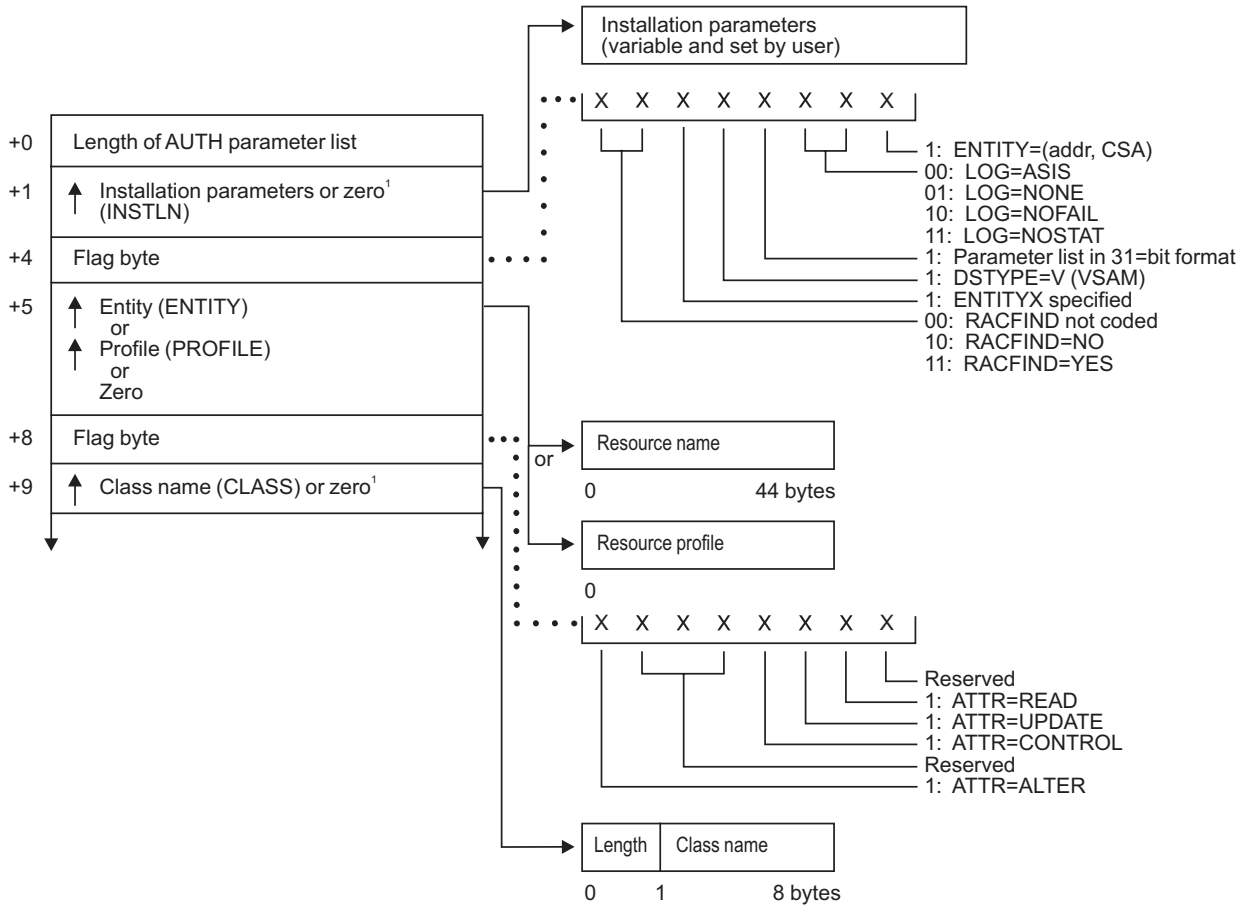


Figure 19. AUDIT service parameter list

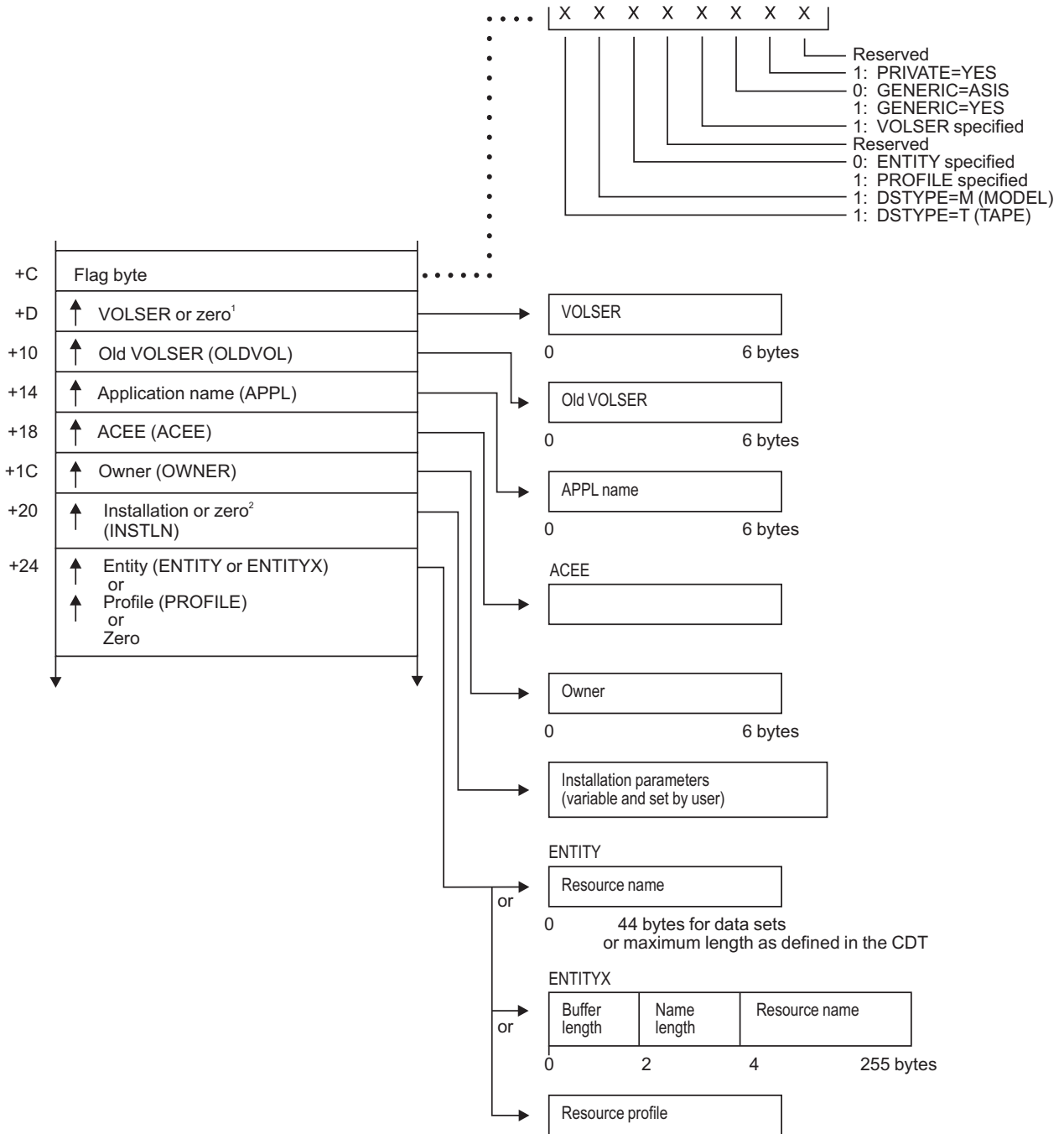
AUTH parameters

AUTH service parameter list



¹ This field is zero if bit 4 of the flag byte at offset 4 is one (input was RACROUTE REQUEST=AUTH).

Figure 20. AUTH service parameter list (part 1 of 4)

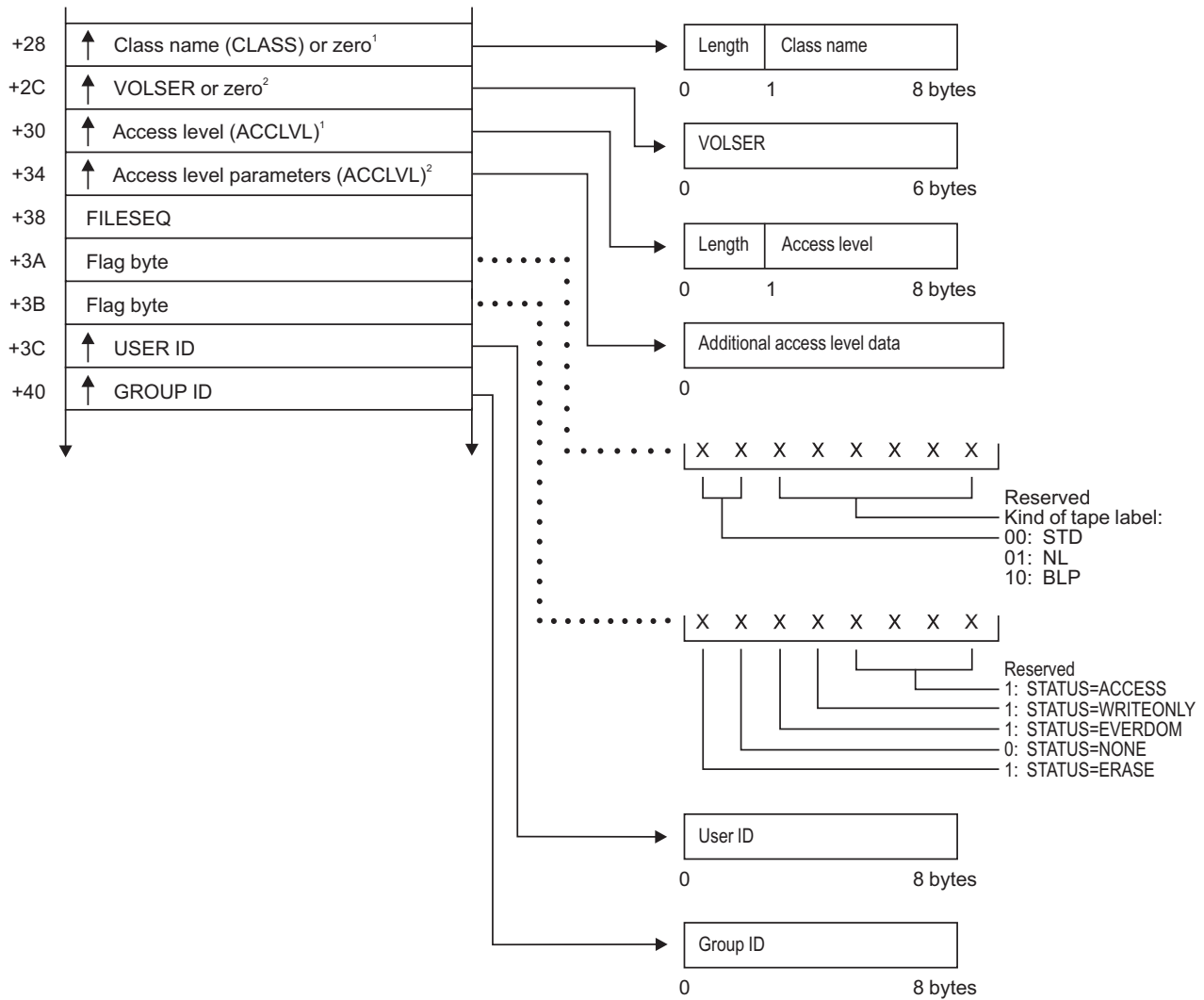


¹ This field is zero if bit 4 of the flag byte at offset 4 is one (input was RACROUTE REQUEST=AUTH).

² This field is zero if bit 4 of the flag byte at offset 4 is zero (input was RACHECK macro).

Figure 21. AUTH service parameter list (part 2 of 4)

AUTH parameters



¹ This field is zero if bit 4 of the flag byte at offset 4 is one (input was RACROUTE REQUEST=AUTH).

² This field is zero if bit 4 of the flag byte at offset 4 is zero (input was RACHECK macro).

Figure 22. AUTH service parameter list (part 3 of 4)

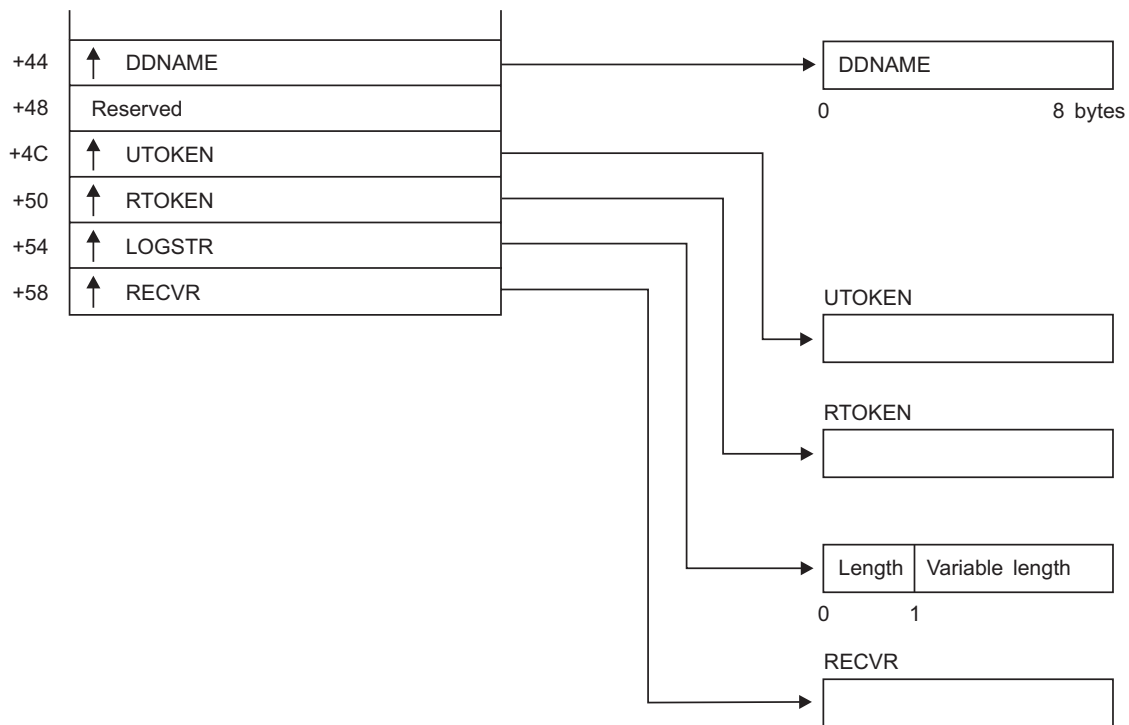
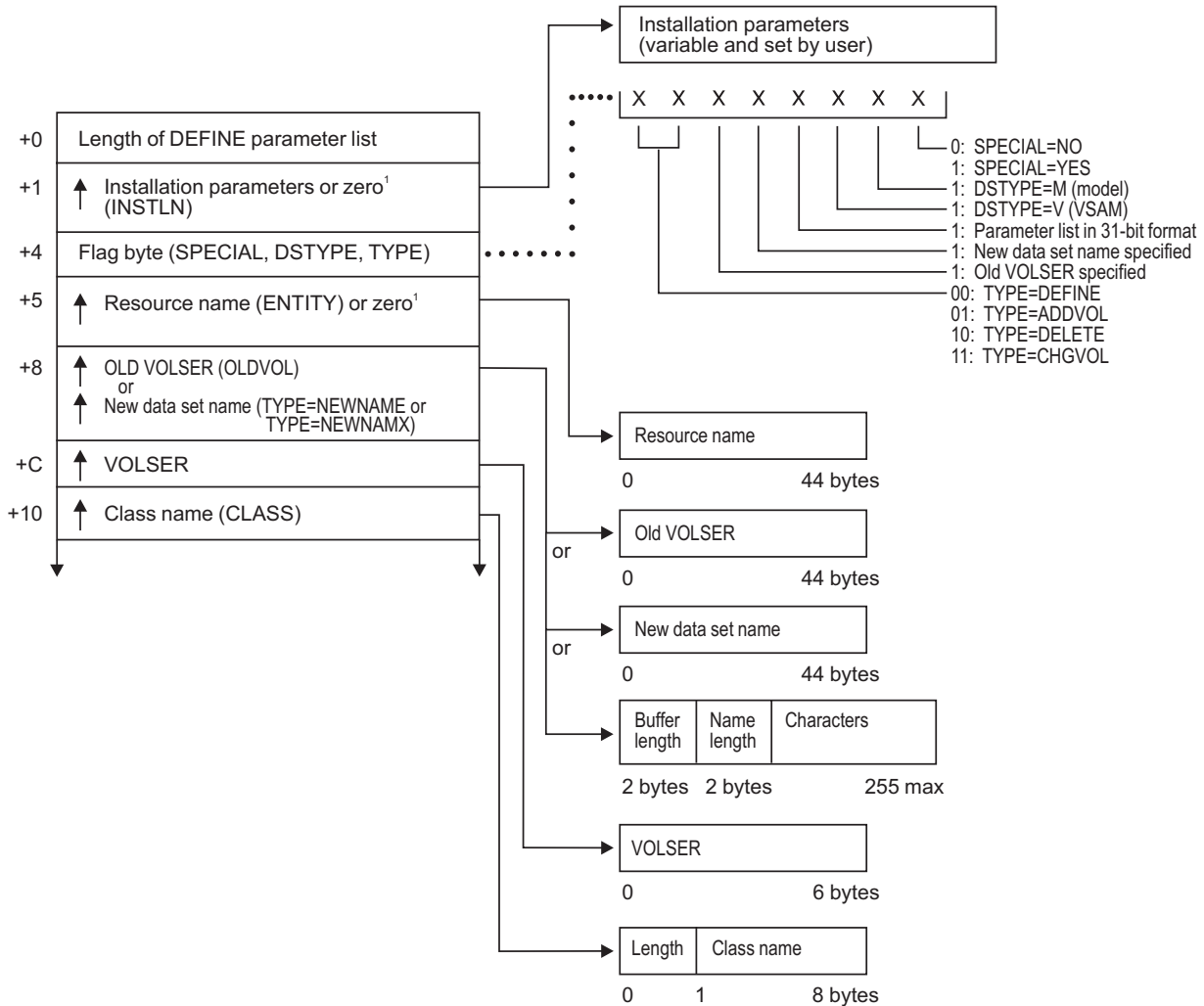


Figure 23. AUTH service parameter list (part 4 of 4)

DEFINE parameters

DEFINE service parameter list



¹ This field is zero if bit 4 of the flag byte at offset 4 is one (input was RACROUTE REQUEST=DEFINE).

Figure 24. DEFINE Service Parameter List (part 1 of 6)

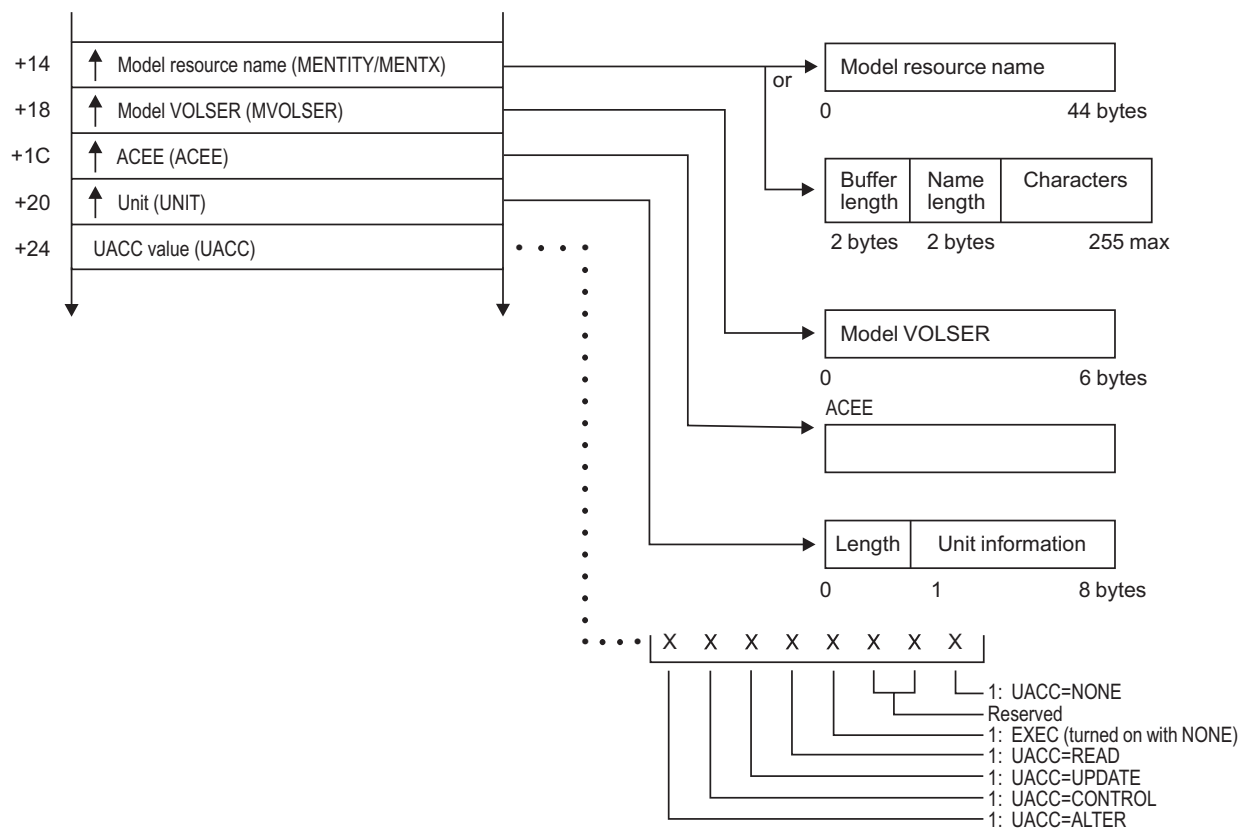


Figure 25. DEFINE Service Parameter List (part 2 of 6)

DEFINE parameters

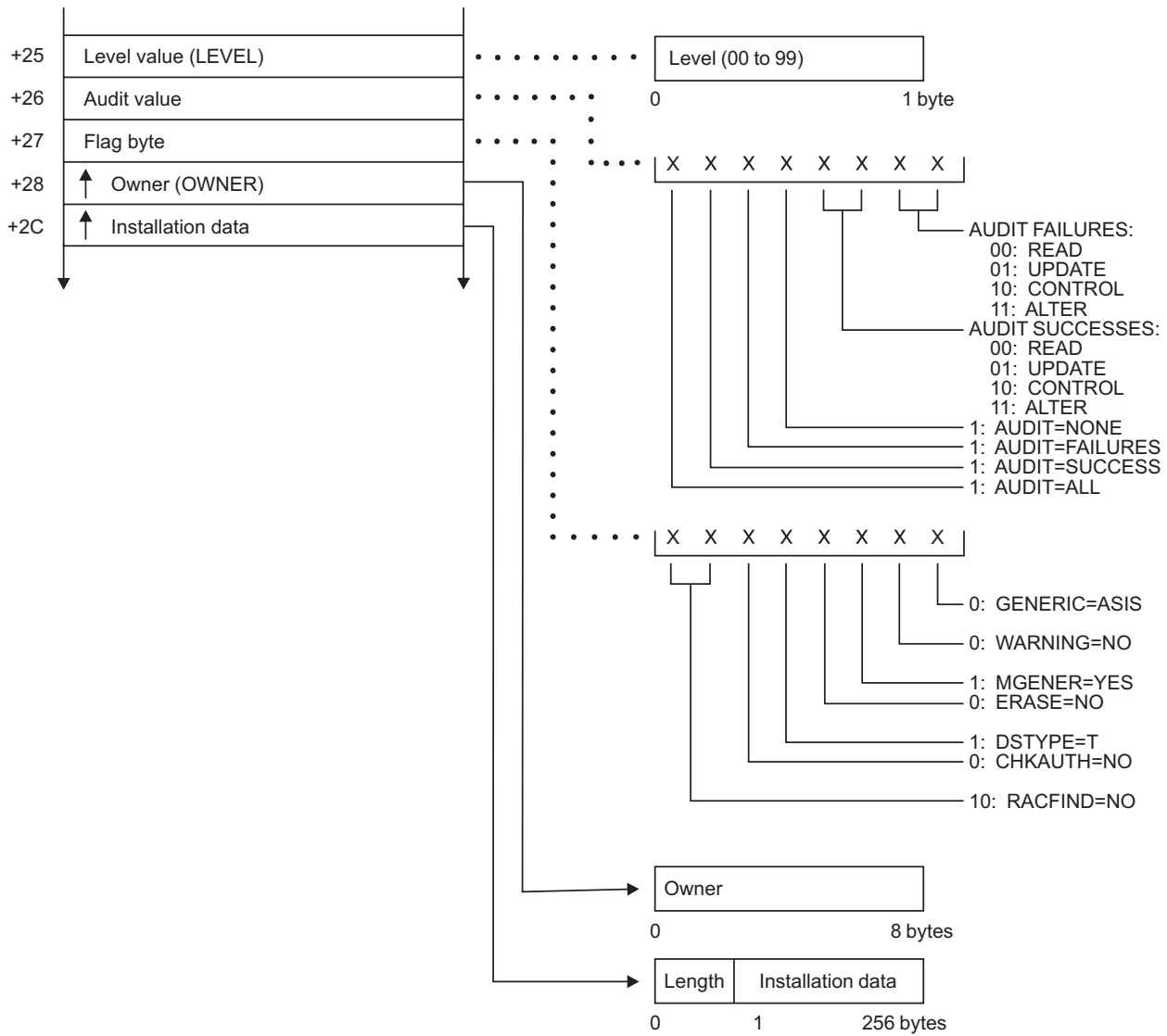
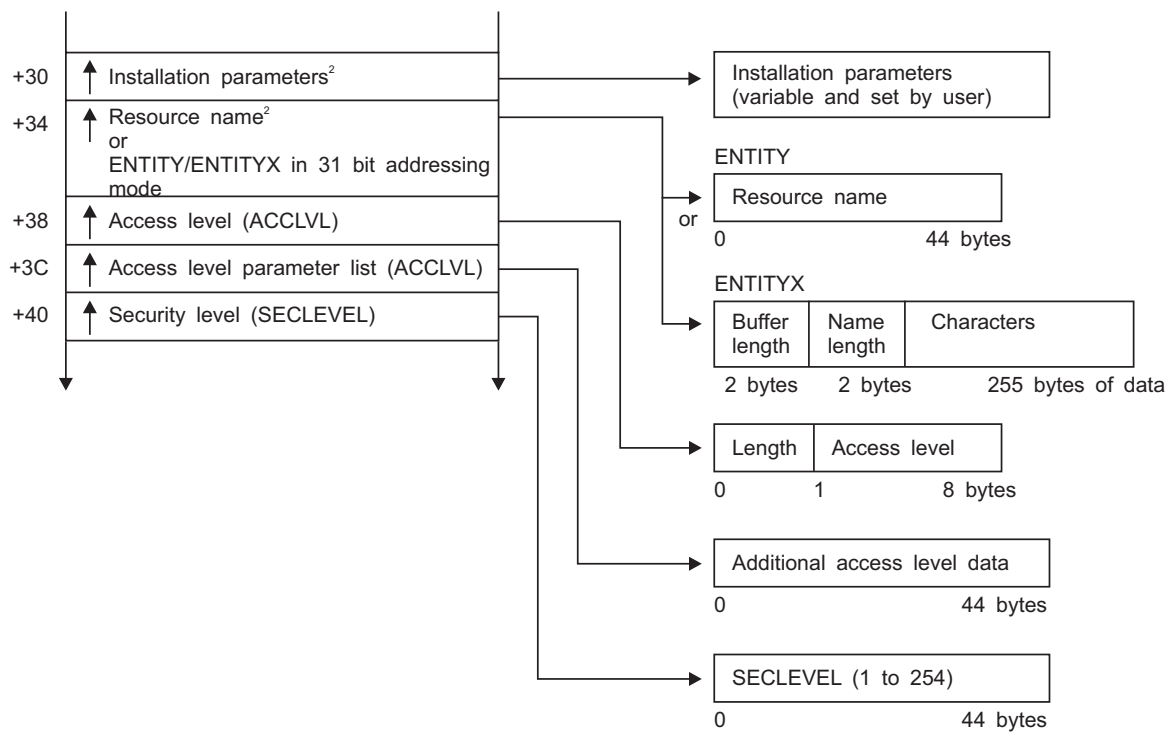


Figure 26. DEFINE Service Parameter List (part 3 of 6)



² This field is zero if bit 4 of the flag byte at offset 4 is zero (input was RACDEF macro).

Figure 27. DEFINE Service Parameter List (part 4 of 6)

DEFINE parameters

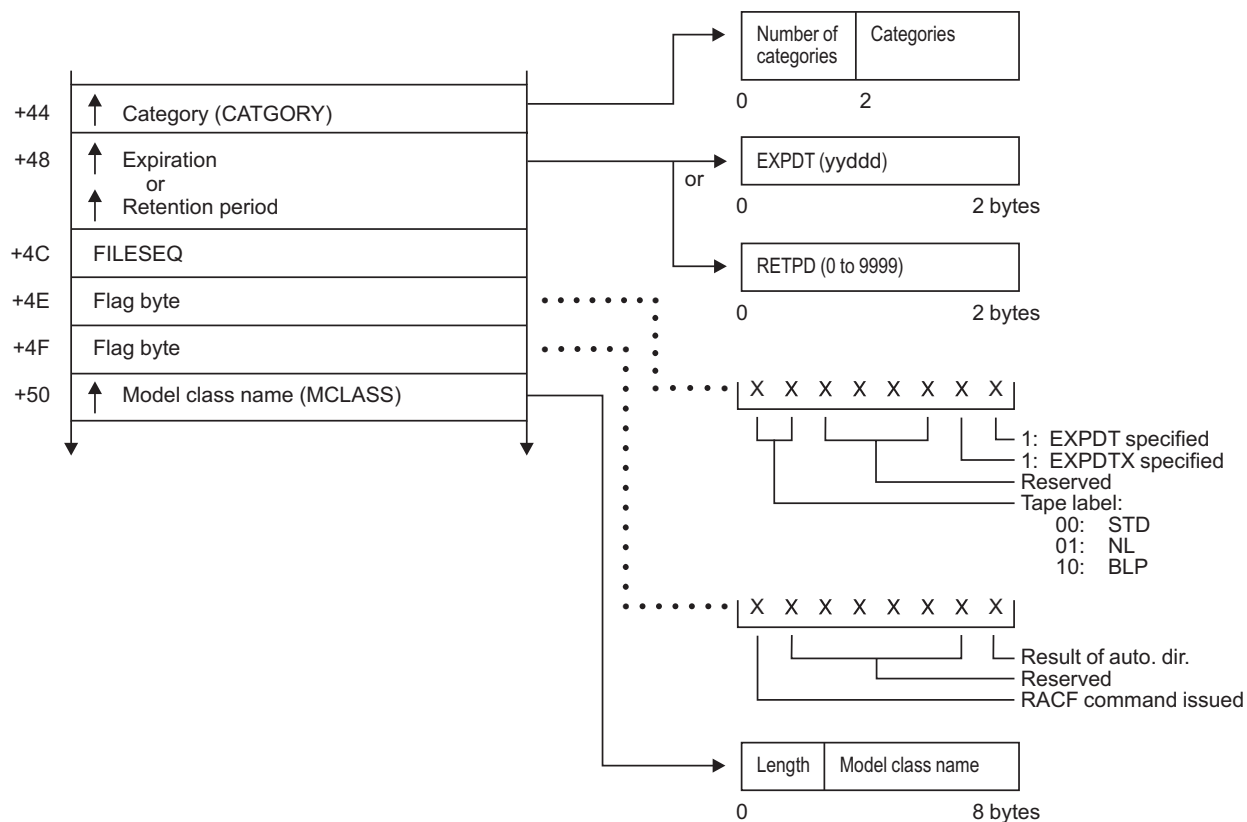


Figure 28. DEFINE Service Parameter List (part 5 of 6)

DEFINE parameters

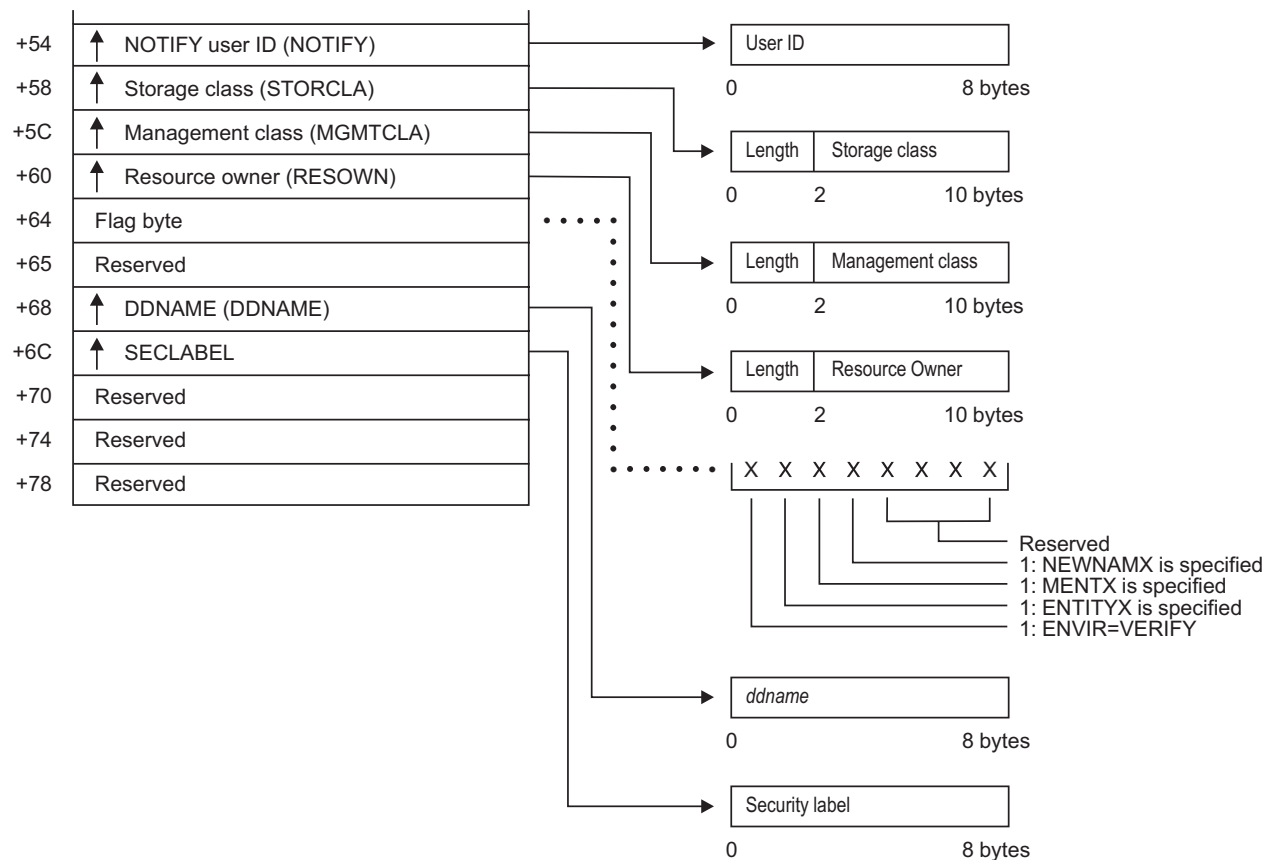


Figure 29. DEFINE Service Parameter List (part 6 of 6)

DIRAUTH service parameter list

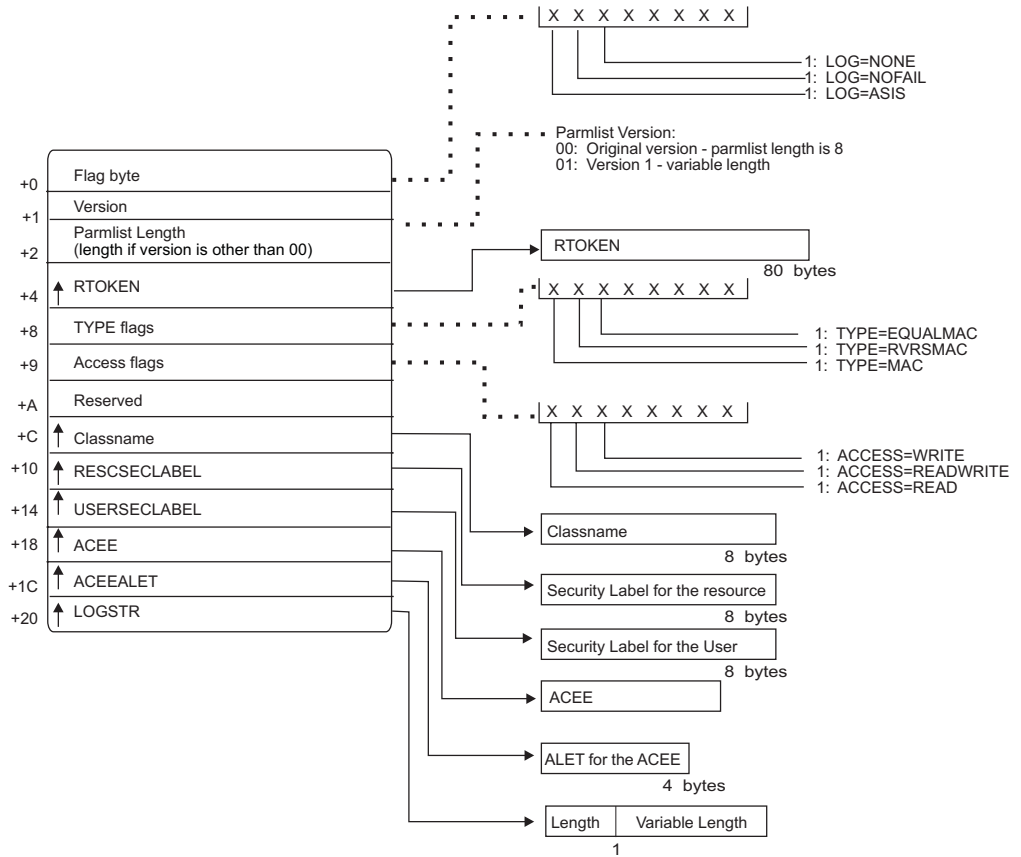


Figure 30. DIRAUTH service parameter list

EXTRACT service parameter list

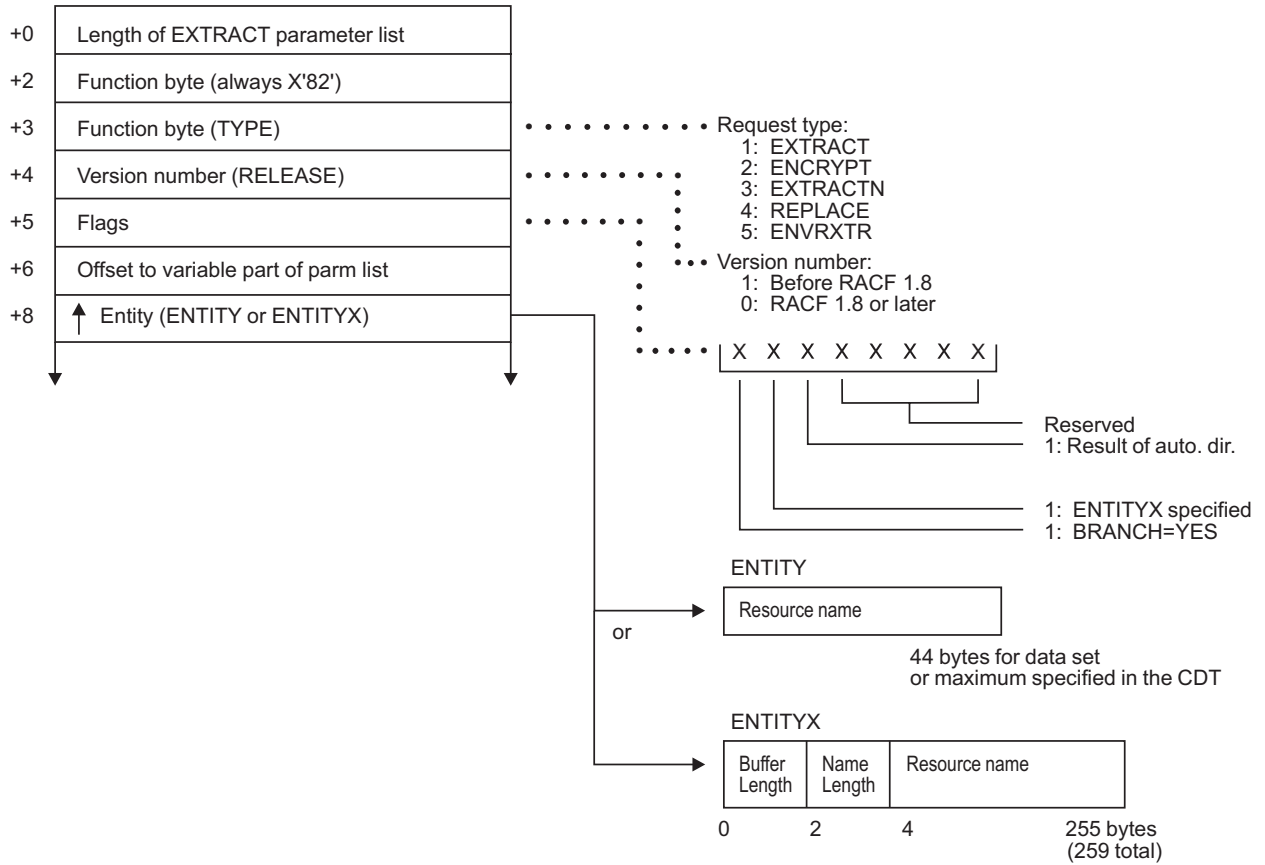


Figure 31. EXTRACT Service Parameter List (part 1 of 3)

(The following is used when TYPE = ENVRXTR.)

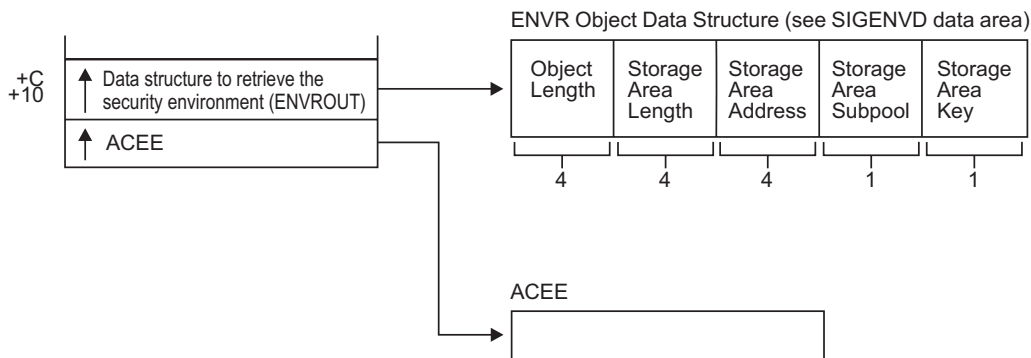
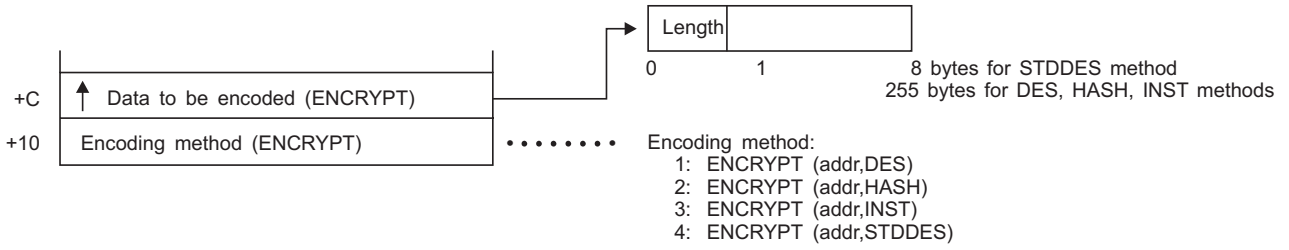


Figure 32. EXTRACT Service Parameter List (part 2 of 3)

EXTRACT parameters

(The following is used when TYPE=ENCRYPT.)



(The following is used when TYPE is not ENCRYPT or ENVRXTR.)

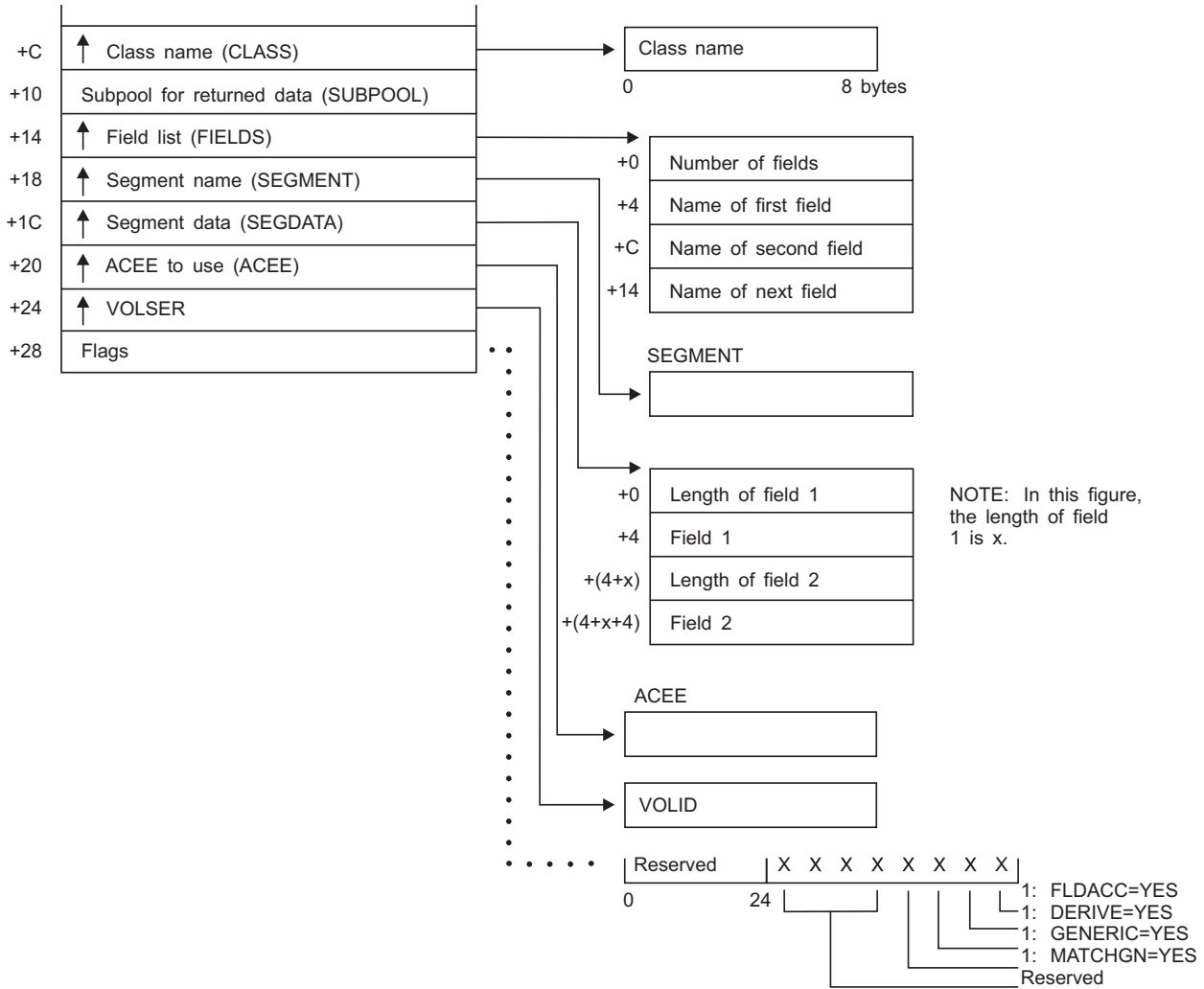


Figure 33. EXTRACT Service Parameter List (part 3 of 3)

FASTAUTH service parameter list

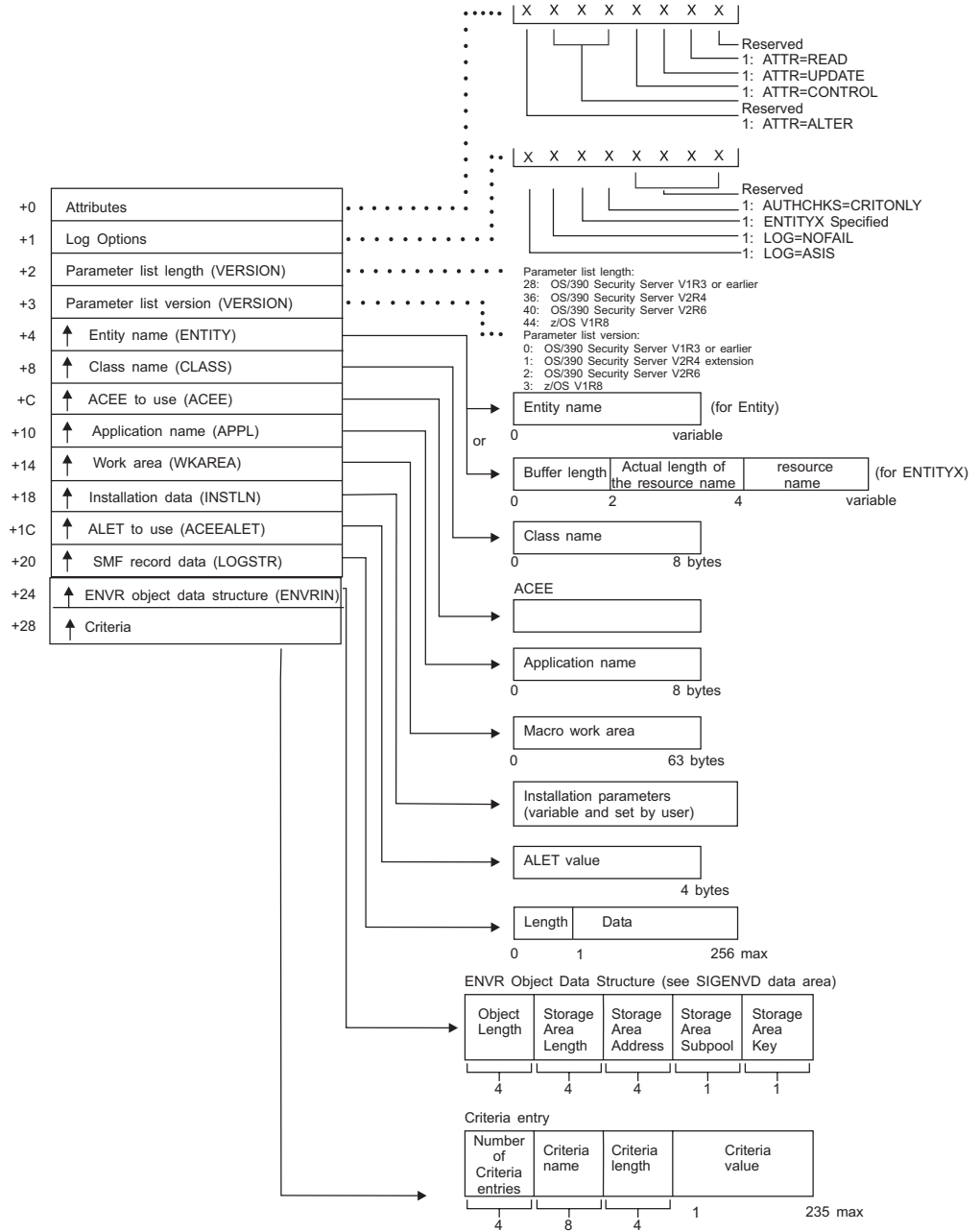


Figure 34. FASTAUTH service parameter list

LIST parameters

LIST service parameter list

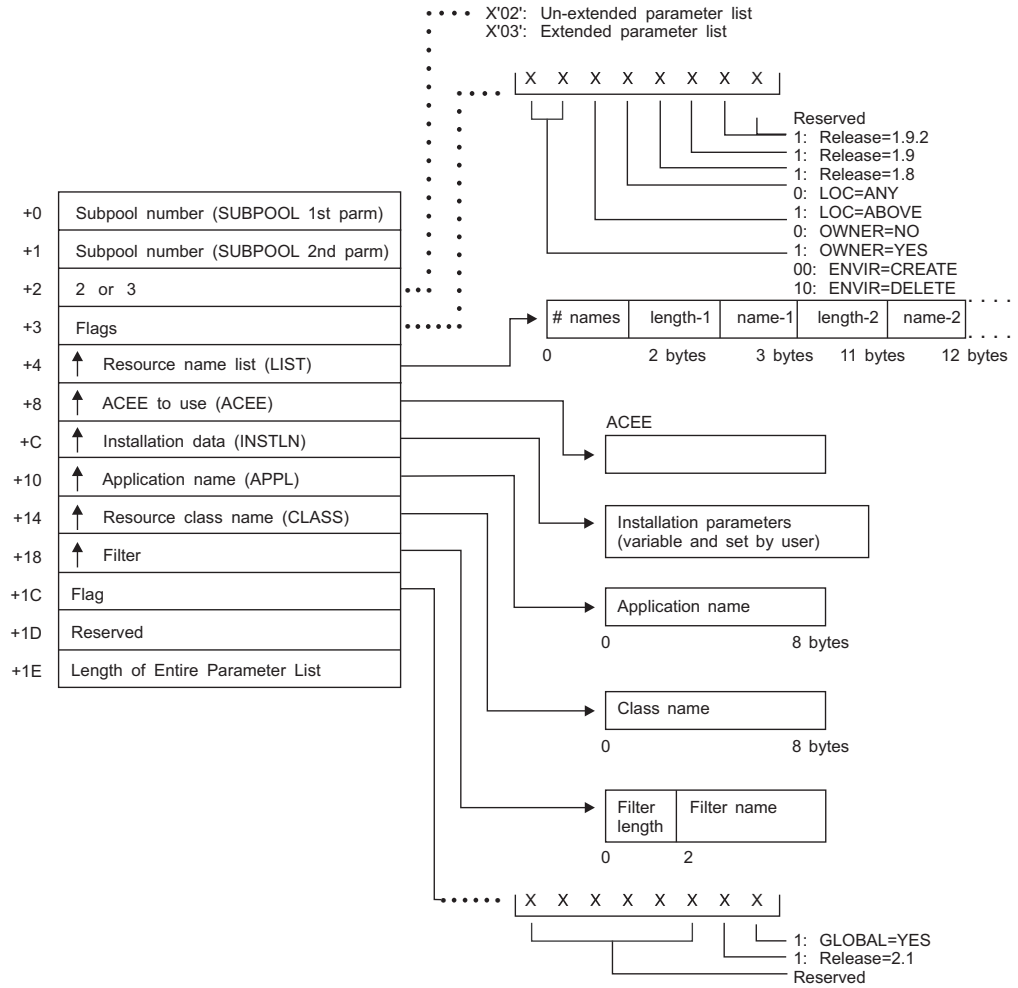


Figure 35. LIST service parameter list

SIGNON service parameter list

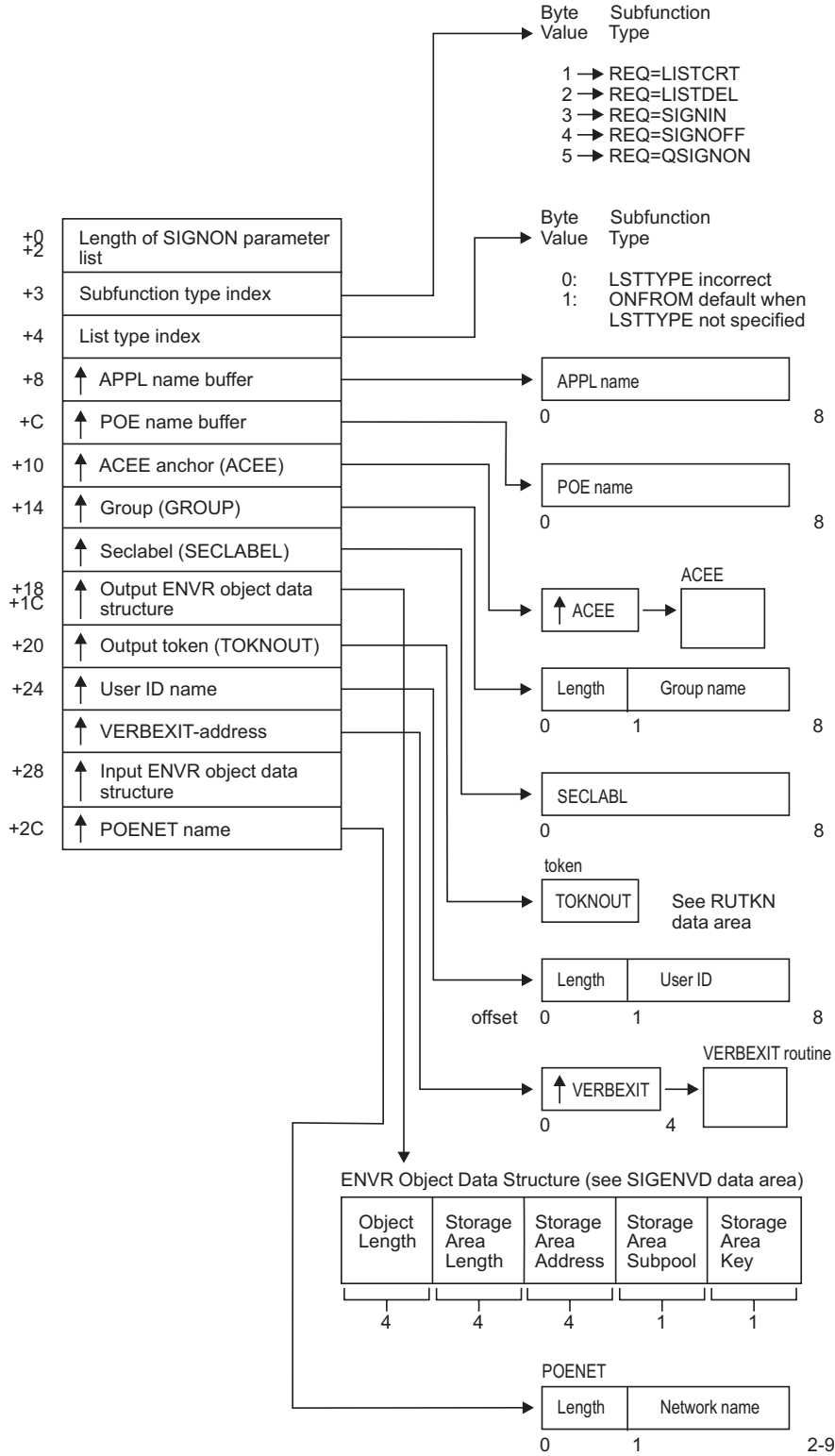


Figure 36. SIGNON service parameter list

STAT parameters

STAT service parameter list

TOKENBLD service parameter list

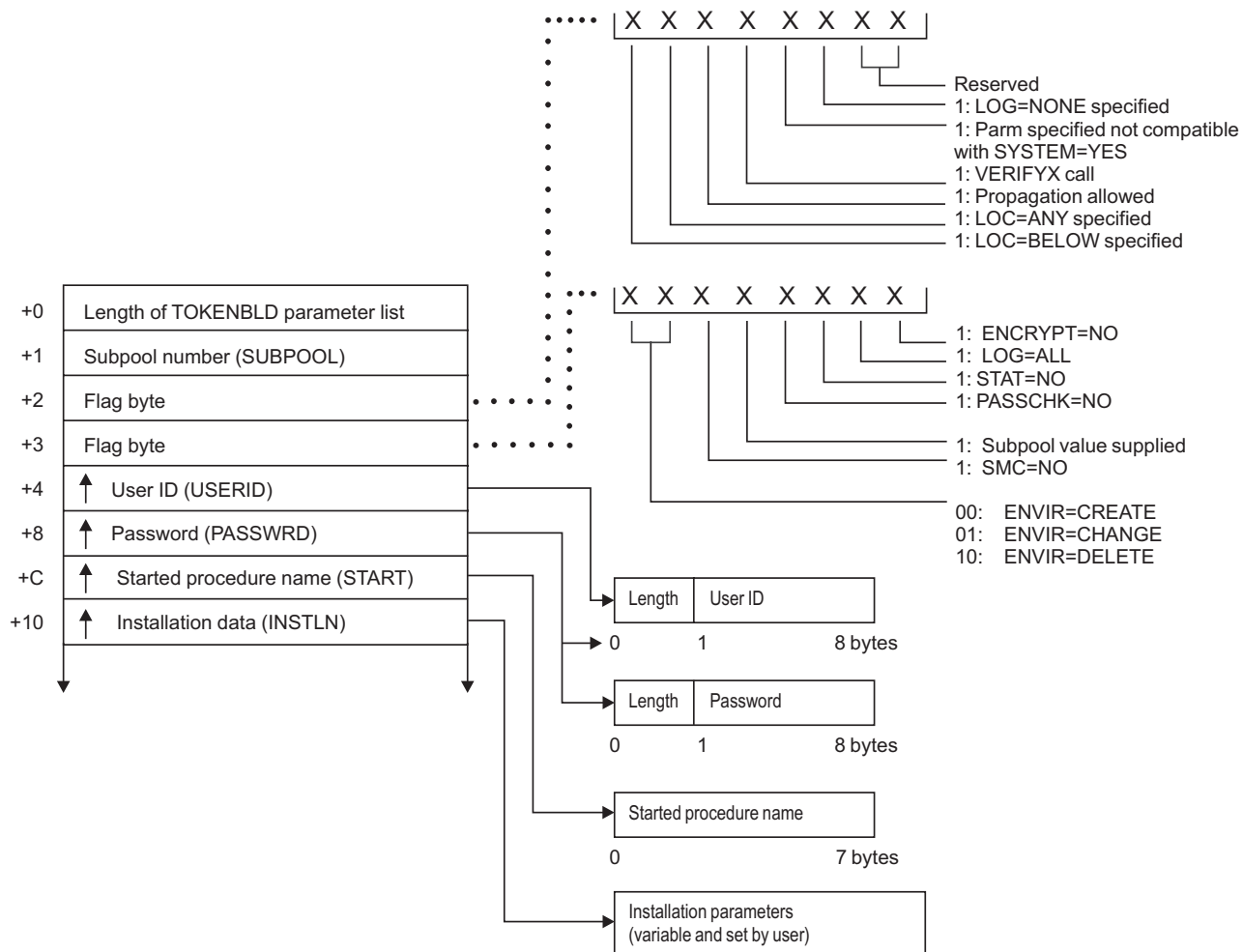


Figure 37. TOKENBLD service parameter list (part 1 of 4)

TOKENBLD parameters

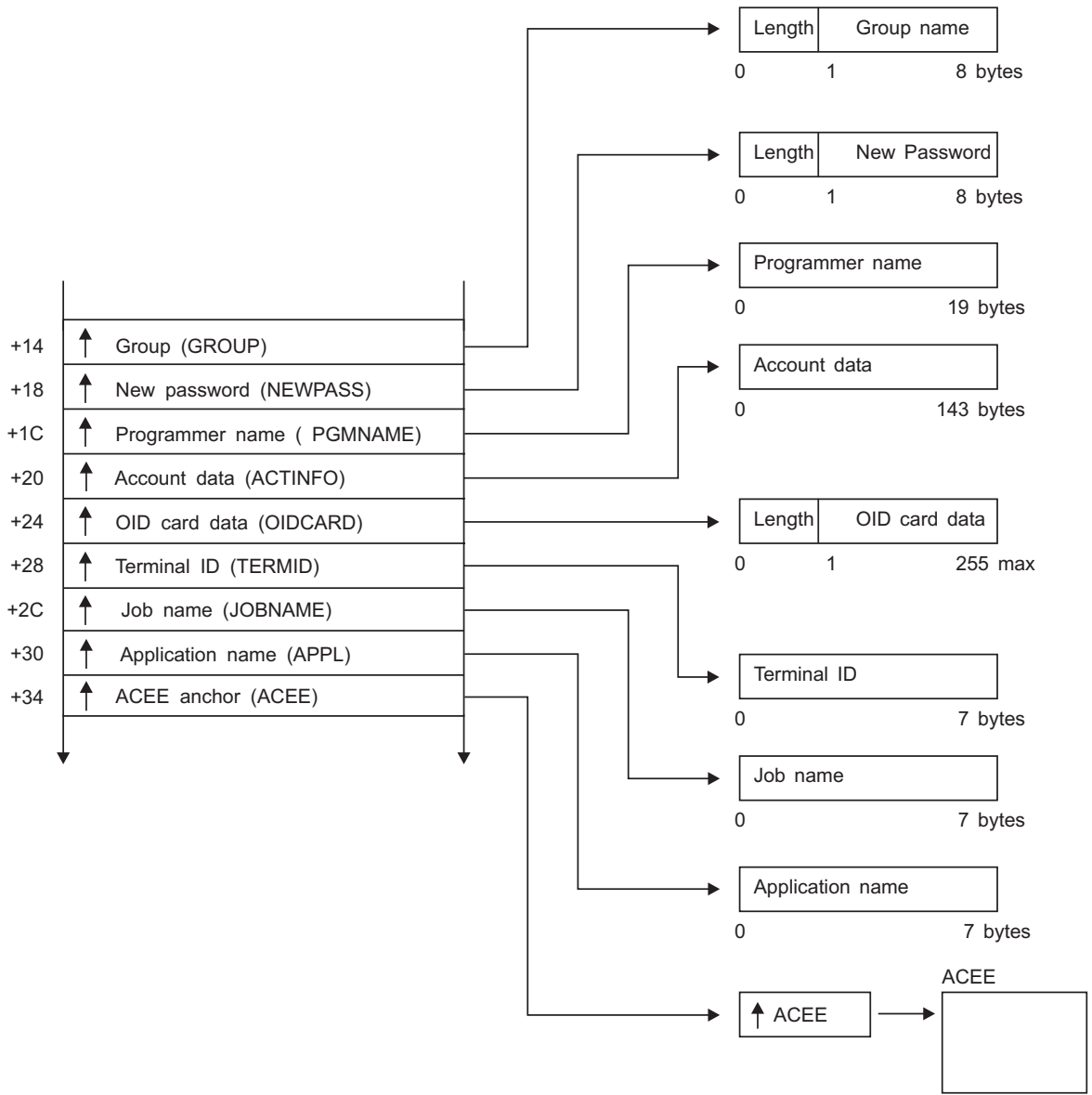


Figure 38. TOKENBLD service parameter list (part 2 of 4)

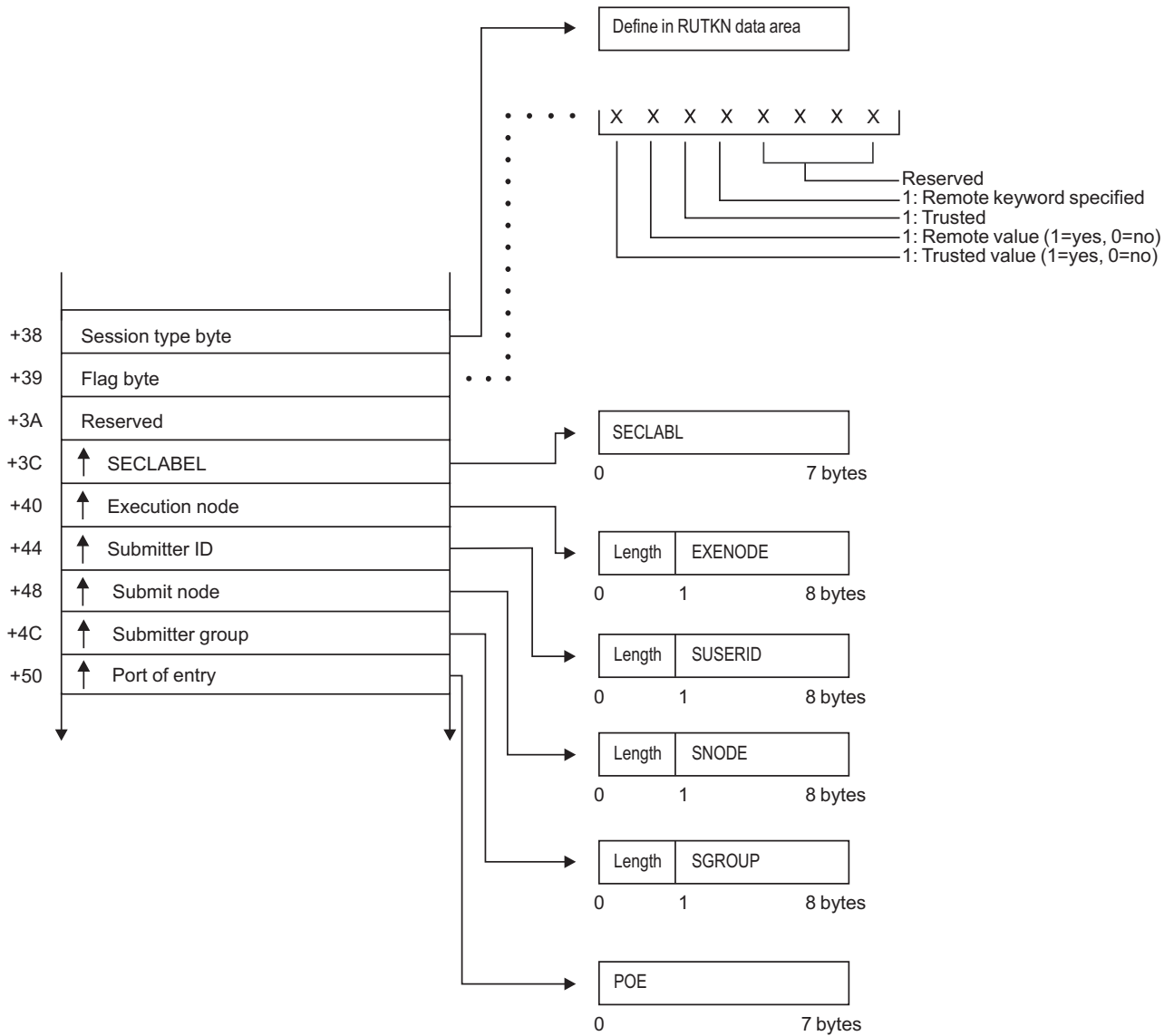


Figure 39. TOKENBLD service parameter list (part 3 of 4)

TOKENMAP/TOKENXTR parameters

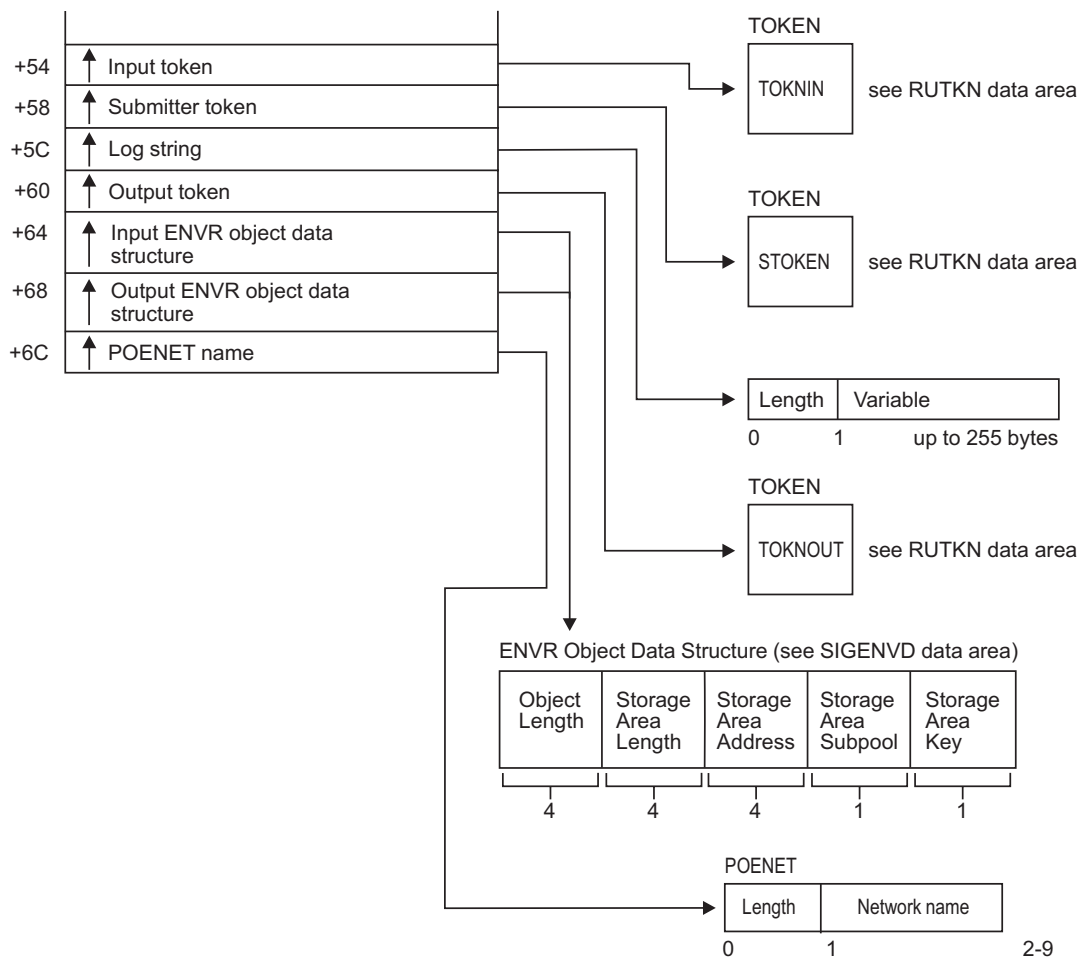


Figure 40. TOKENBLD service parameter list (part 4 of 4)

TOKENMAP/TOKENXTR service parameter list

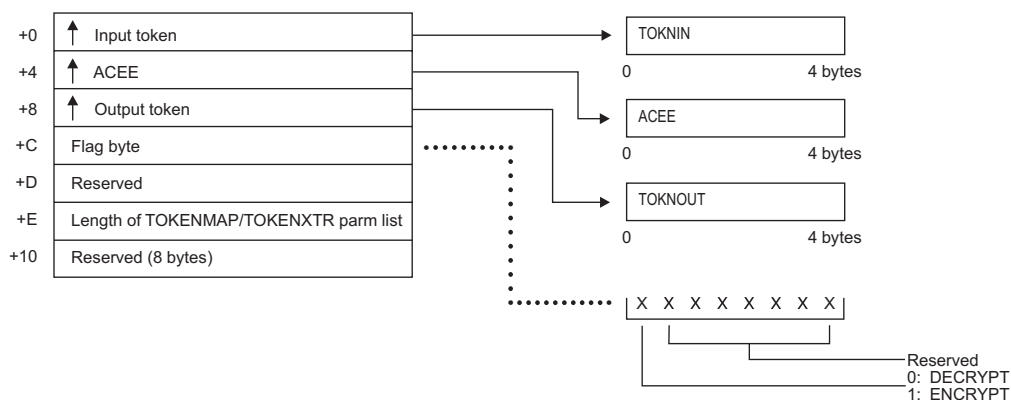


Figure 41. TOKENMAP/TOKENXTR service parameter list

VERIFY/VERIFYX service parameter list

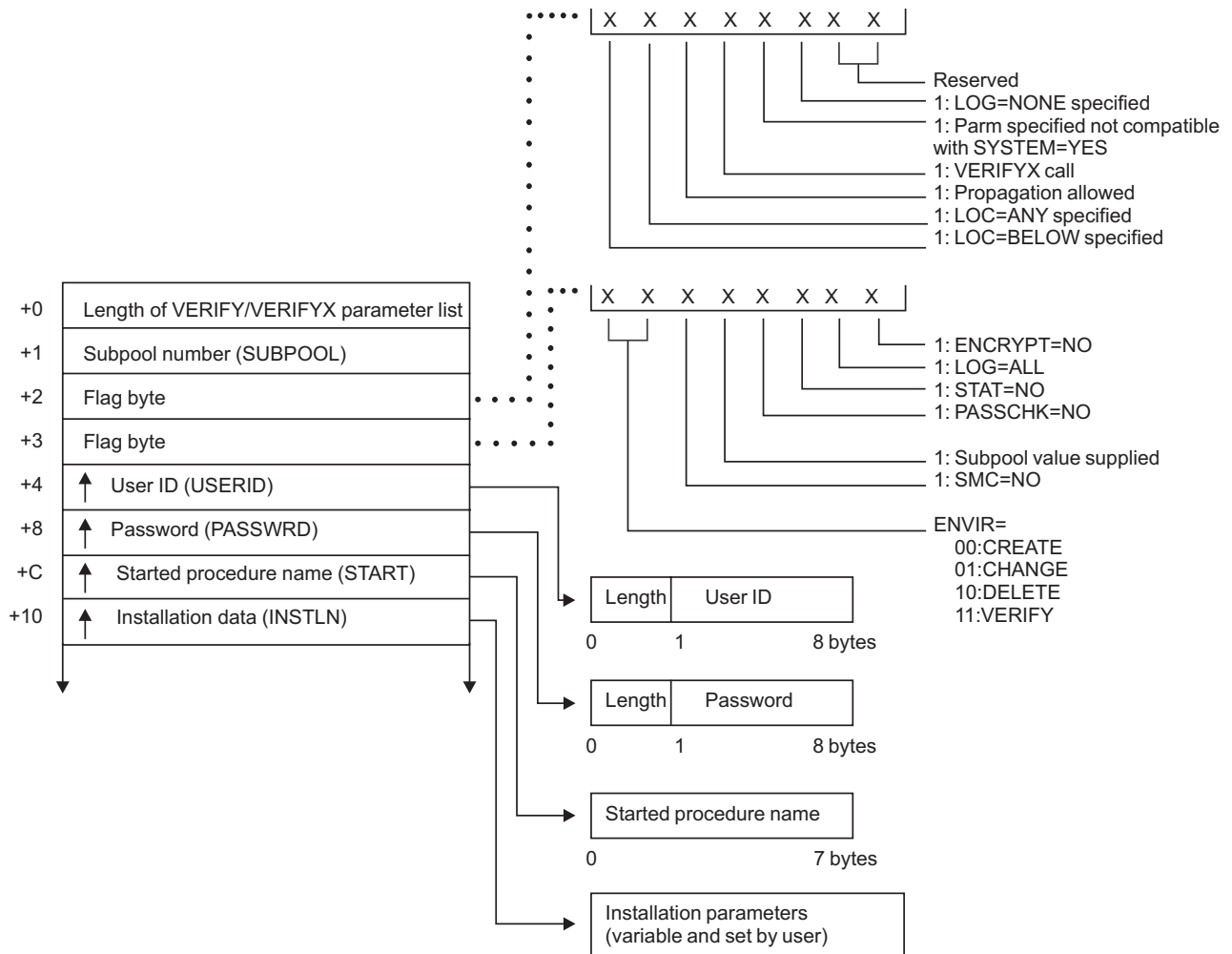


Figure 42. VERIFY/VERIFYX service parameter list (part 1 of 4)

VERIFY/VERIFYX parameters

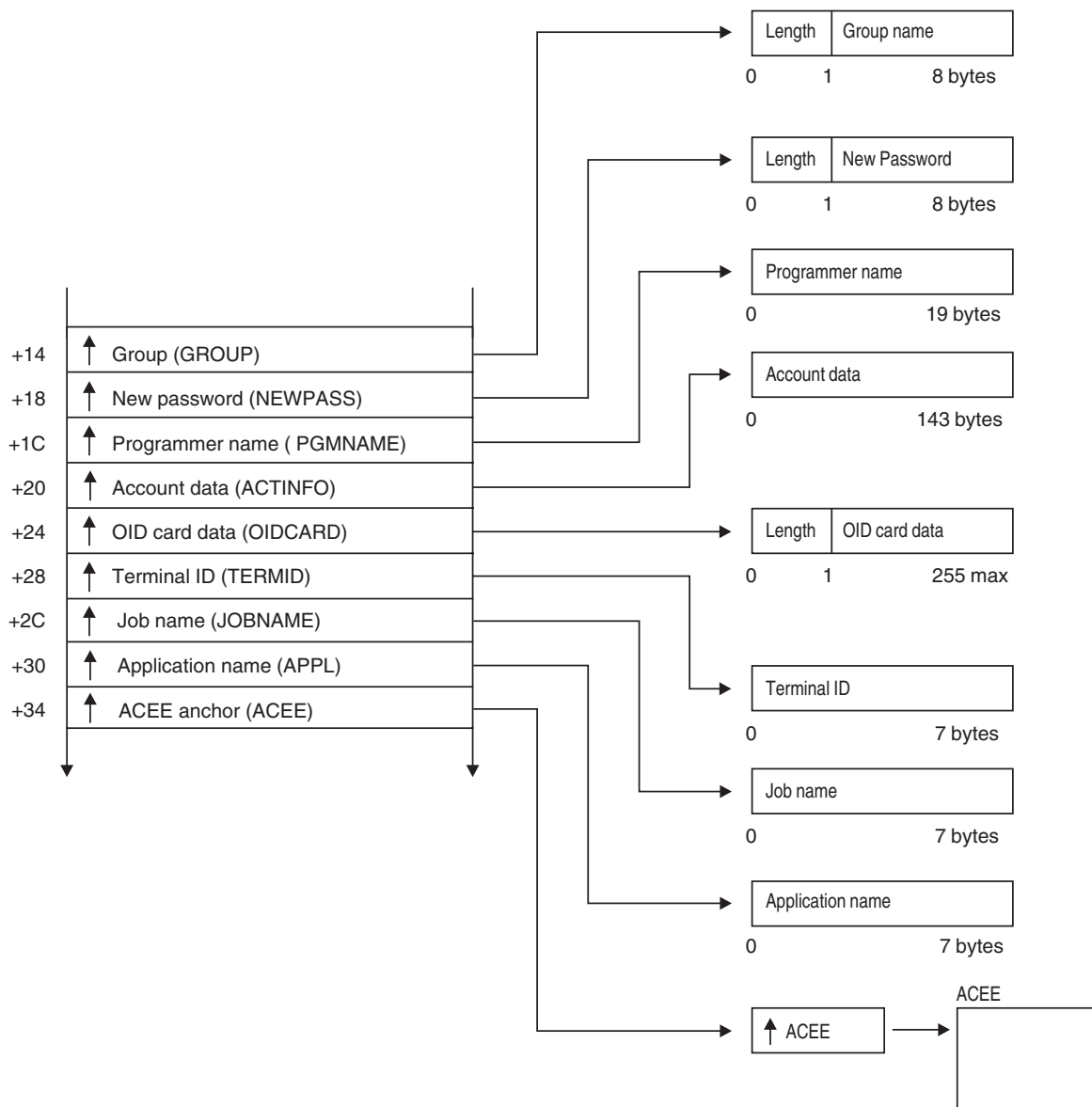


Figure 43. VERIFY/VERIFYX service parameter list (part 2 of 4)

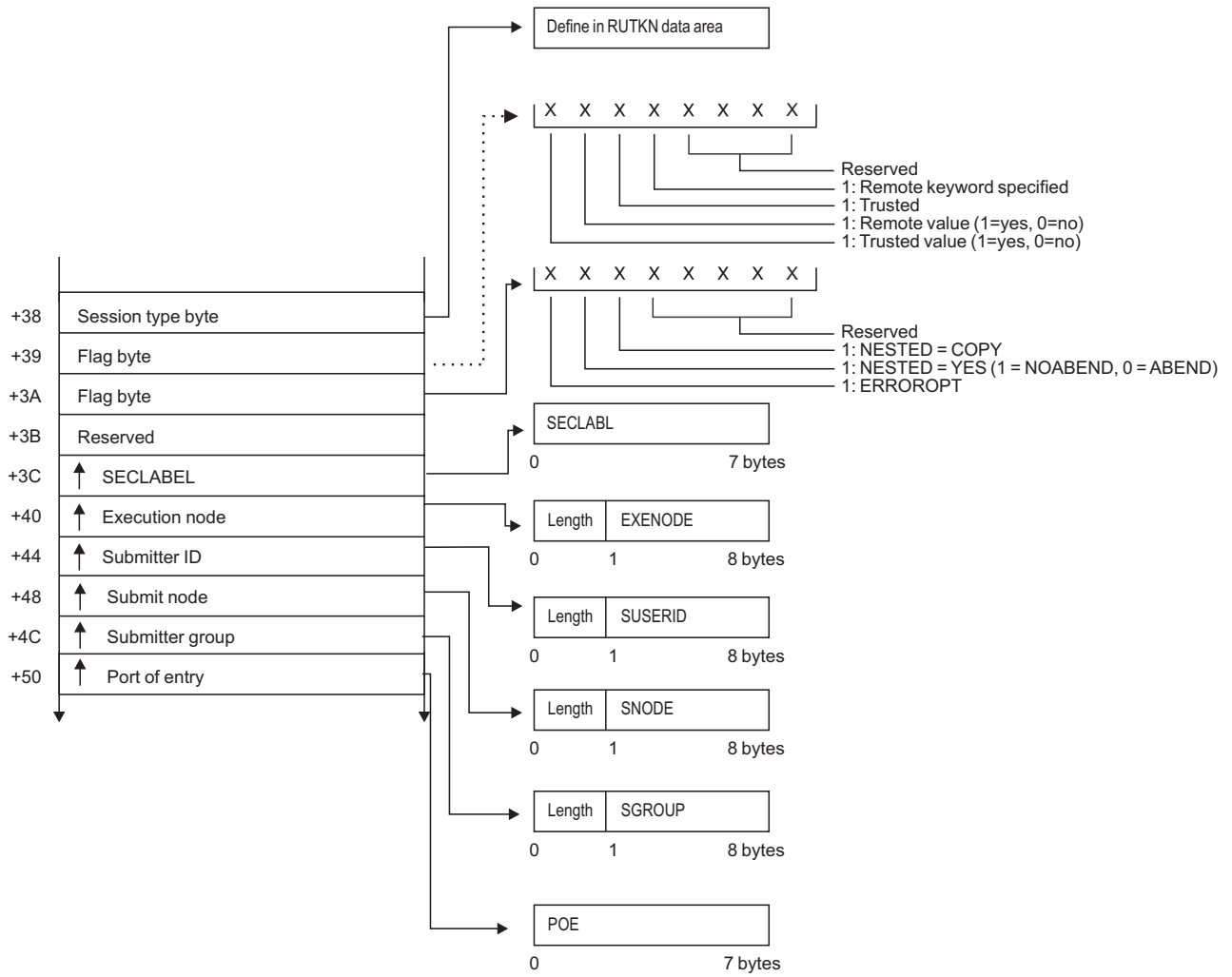


Figure 44. VERIFY/VERIFYX service parameter list (part 3 of 4)

VERIFY/VERIFYX parameters

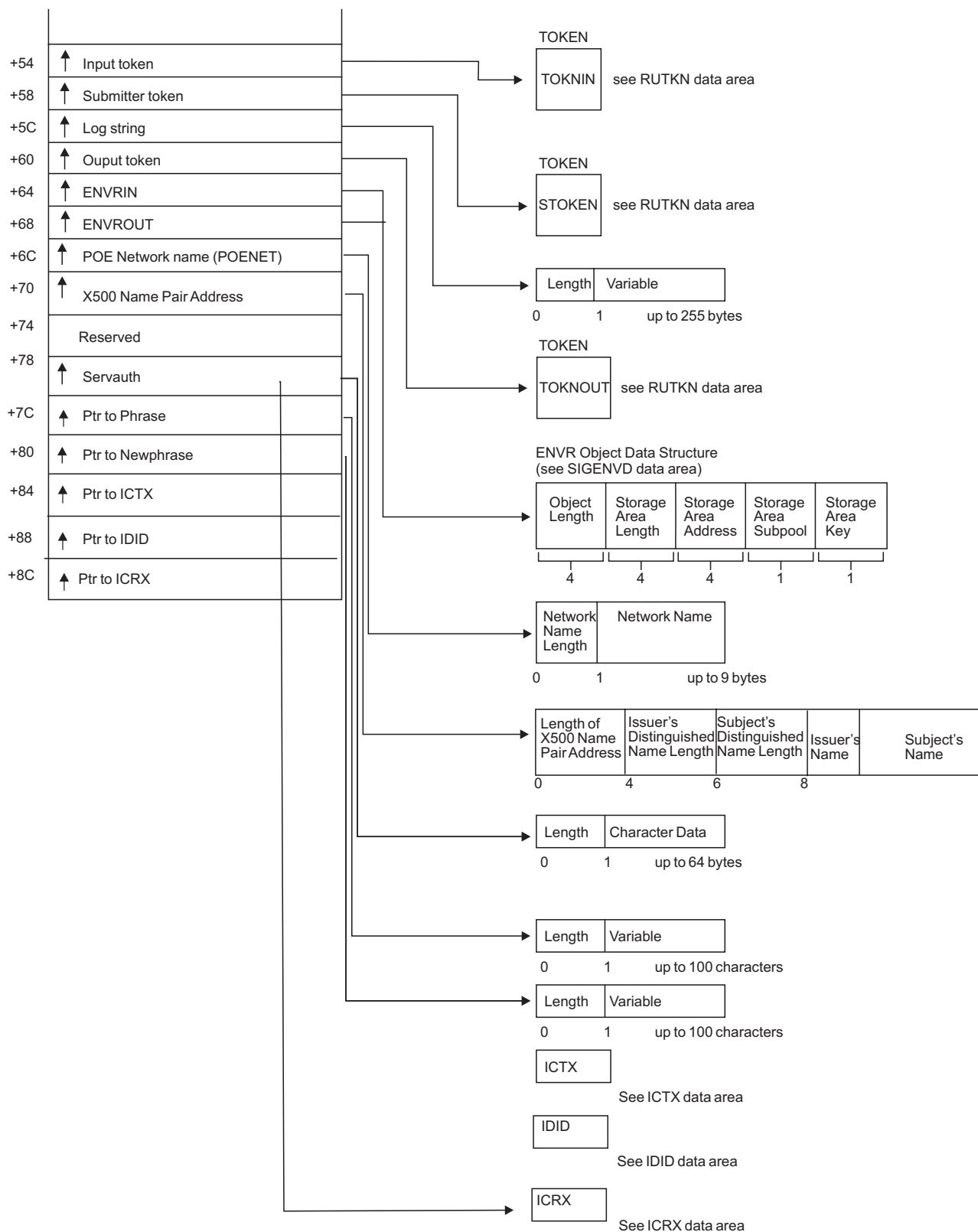


Figure 45. VERIFY/VERIFYX service parameter list (part 4 of 4)

ICHEINTY parameter list

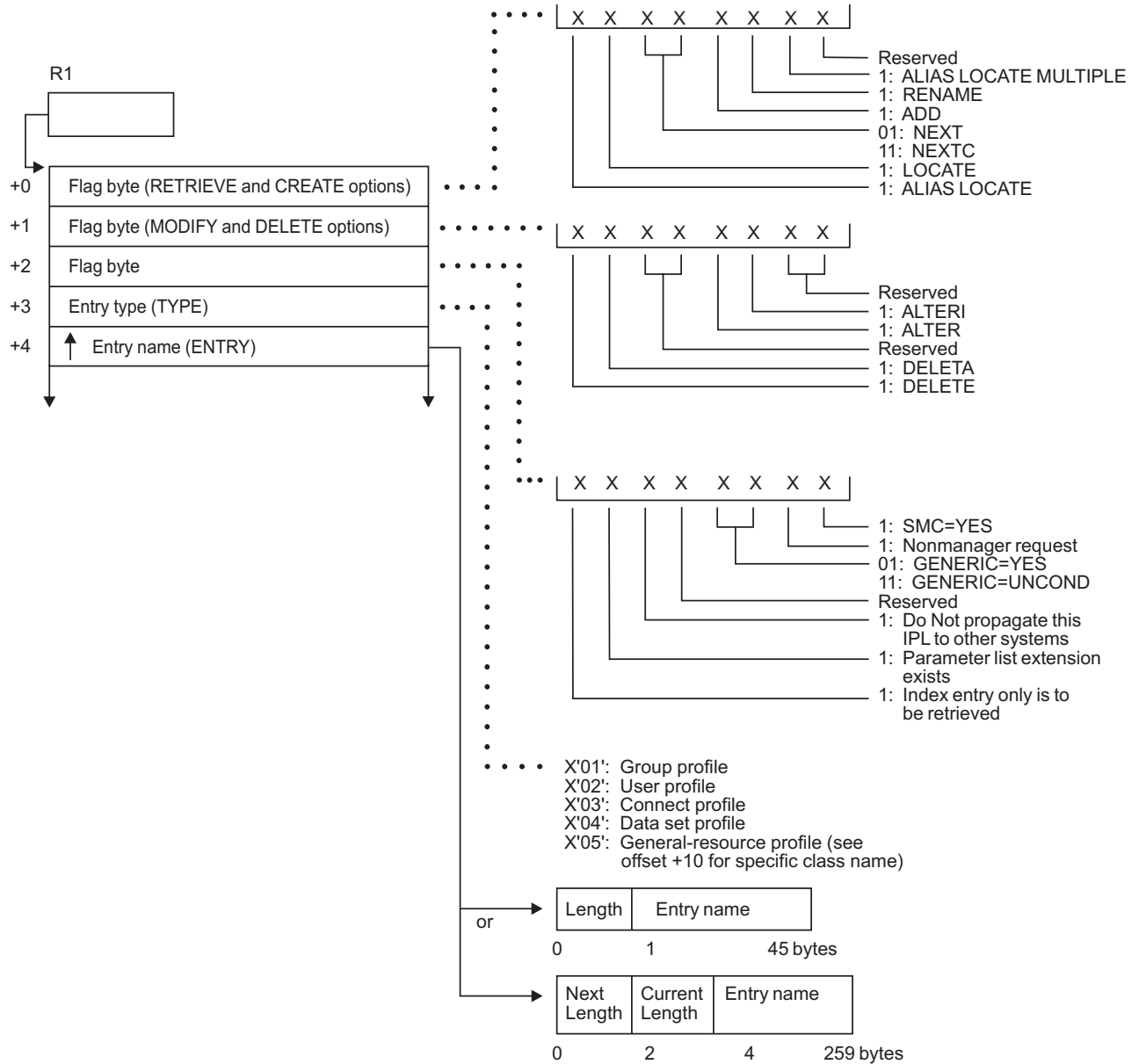
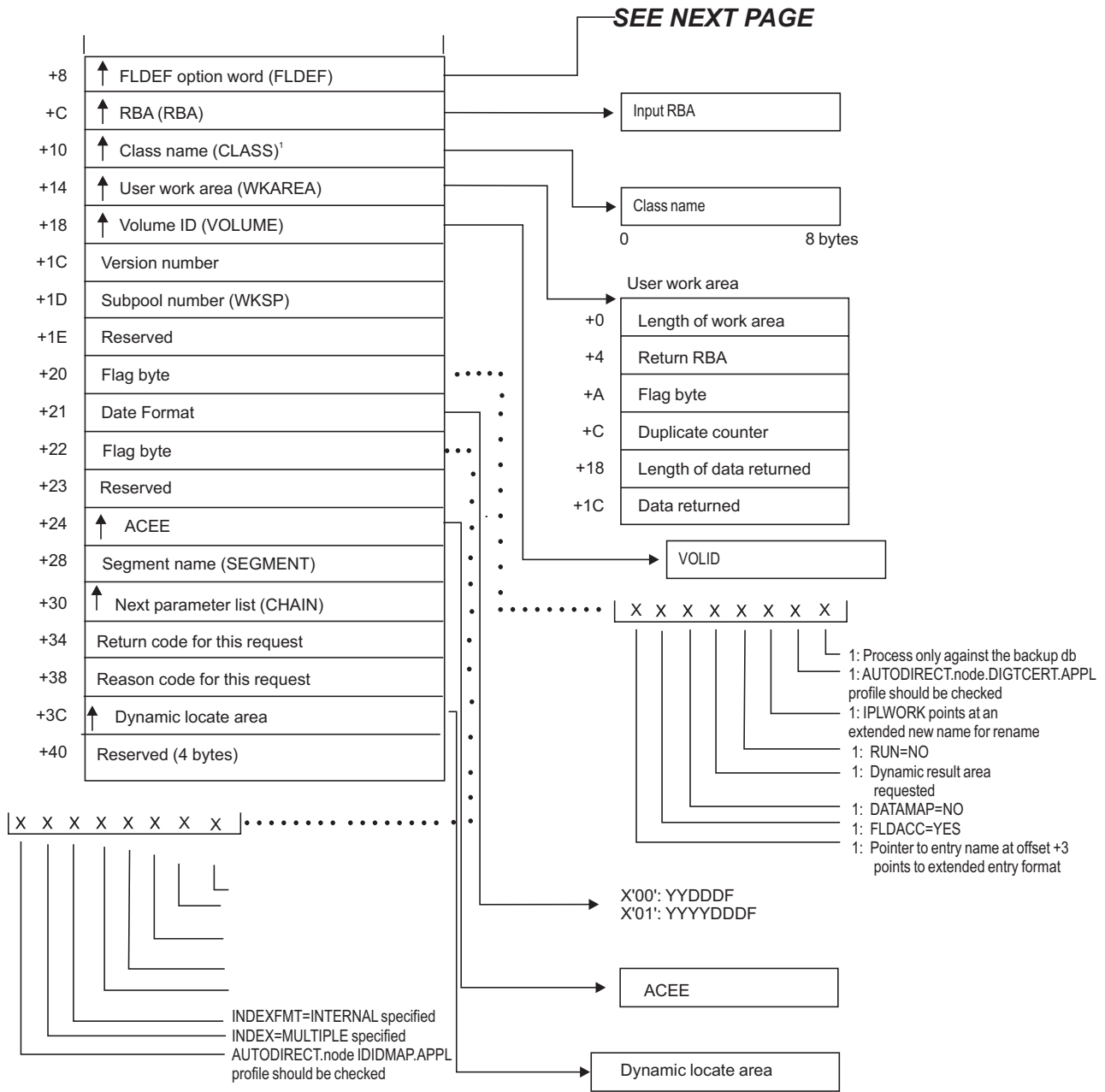


Figure 46. ICHEINTY parameter list (part 1 of 3)

ICHEINTY parameters



¹ This field has a value only when the byte at +3 (entry type) has a value of X'05'.

Figure 47. ICHEINTY parameter list (part 2 of 3)

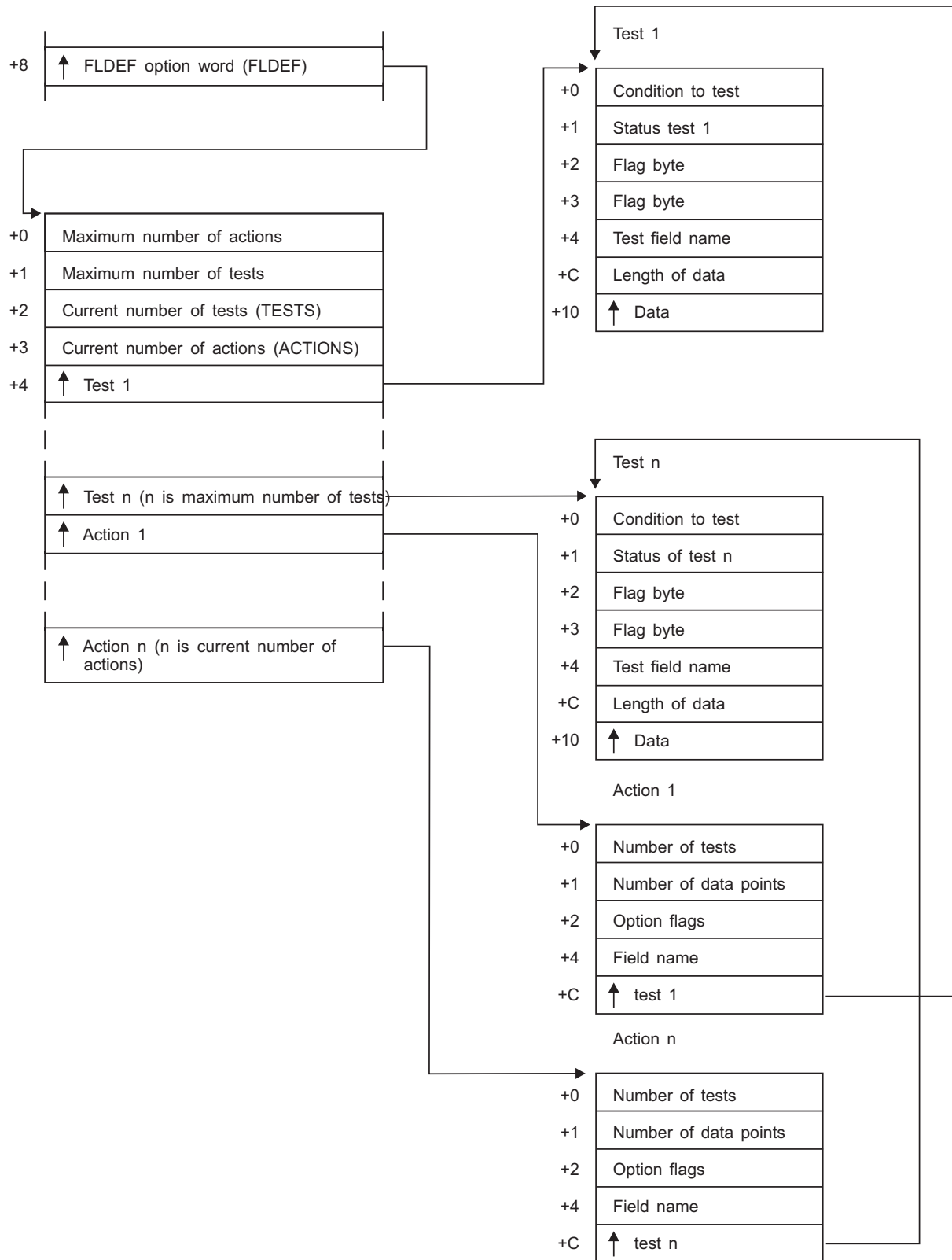


Figure 48. ICHEINTY parameter list (part 3 of 3)

Process flows for RACF

This provides process flows for:

- Commands
- Directed commands
- Macros
- Installation exits
- Utilities
- The report writer
- The SMF data unload utility
- Callable services

Process flow for RACF commands

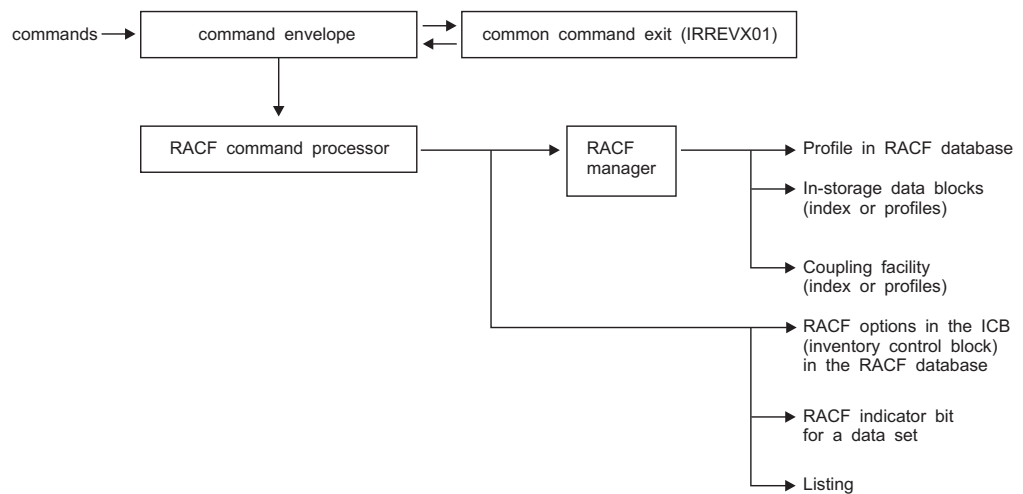


Figure 49. Process flow for RACF commands

Process flow for RACF directed commands

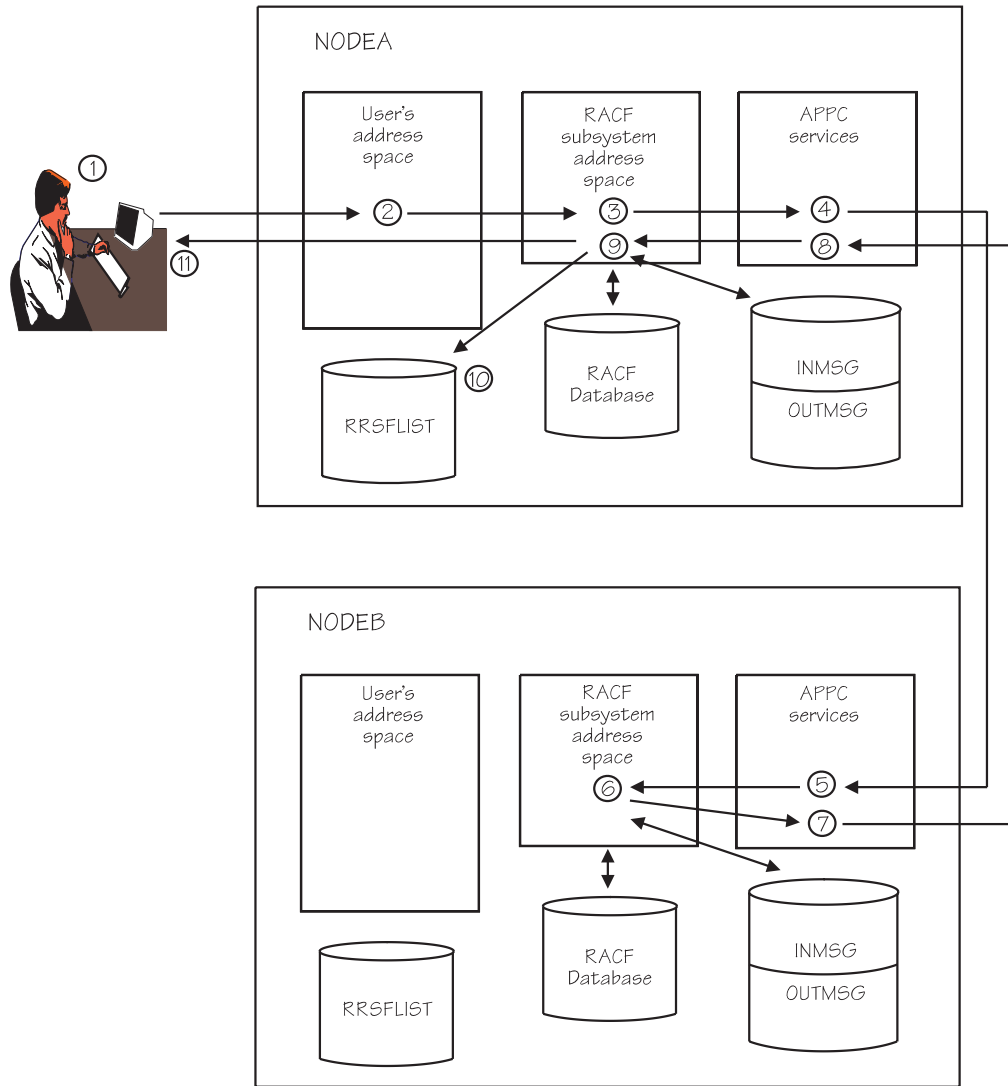


Figure 50. Process flow for RACF directed commands

Process flow for RACF macros

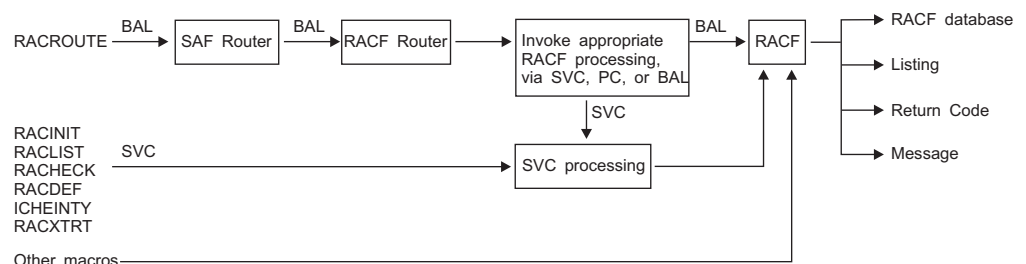


Figure 51. Process flow for RACF macros

Process flow for RACF installation exits

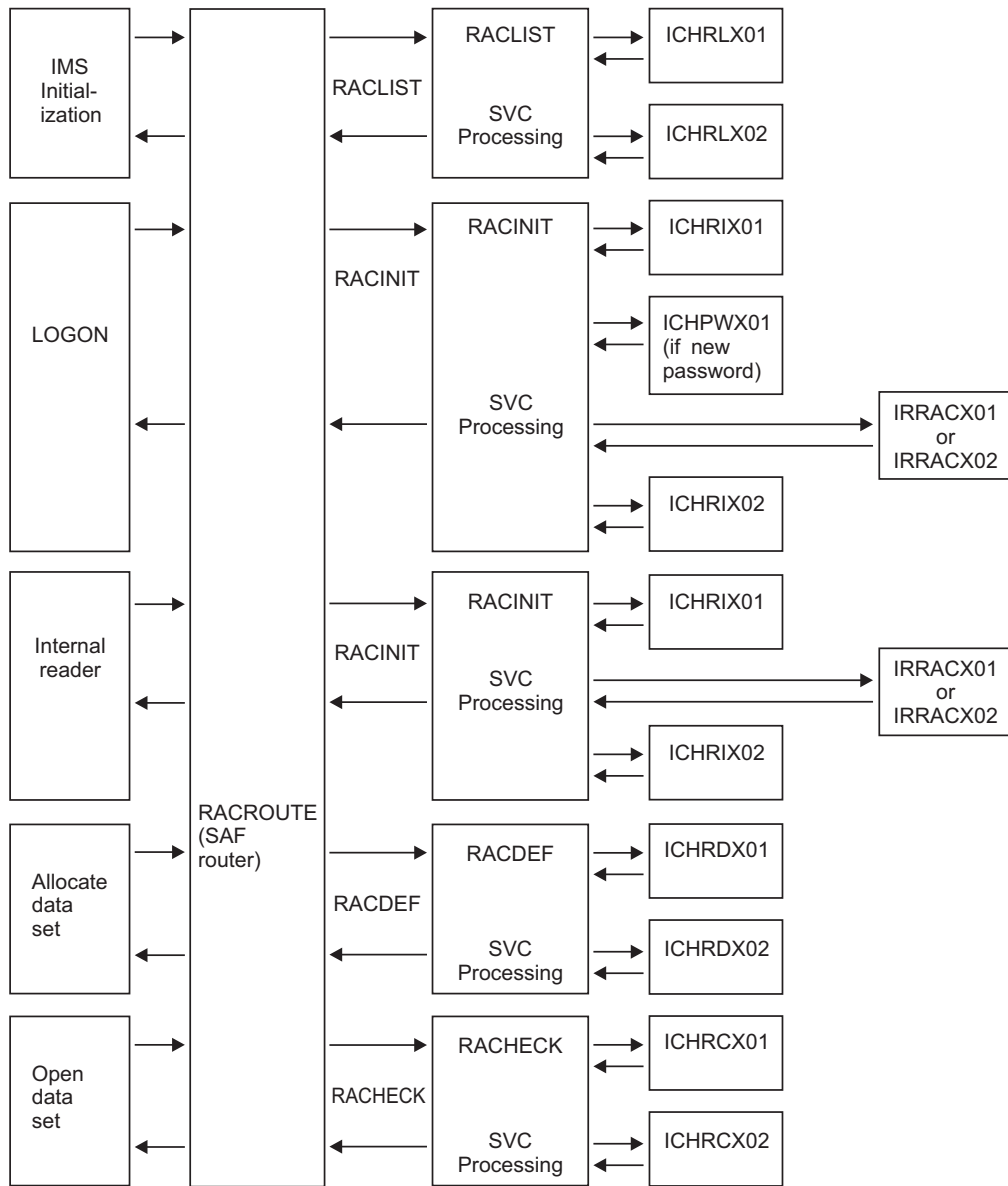


Figure 52. Process flow for RACF installation exits (part 1 of 2)

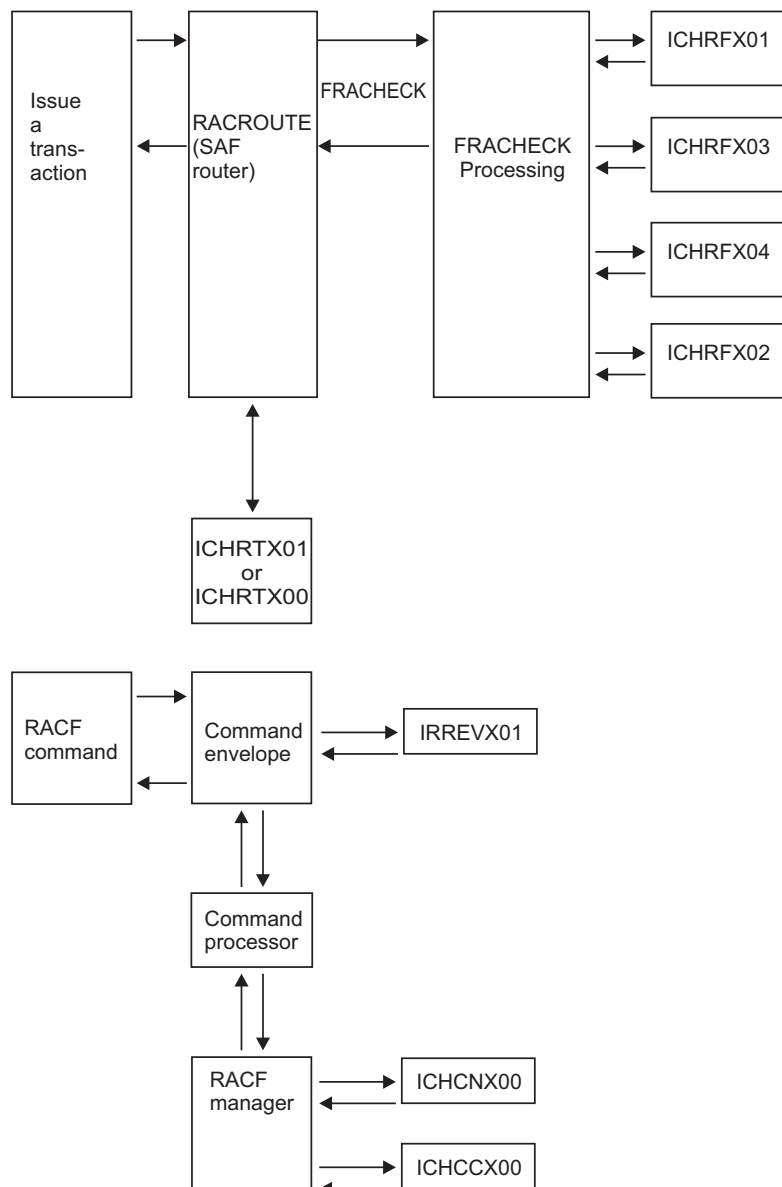


Figure 53. Process flow for RACF installation exits (part 2 of 2)

Process flow for RACF utilities

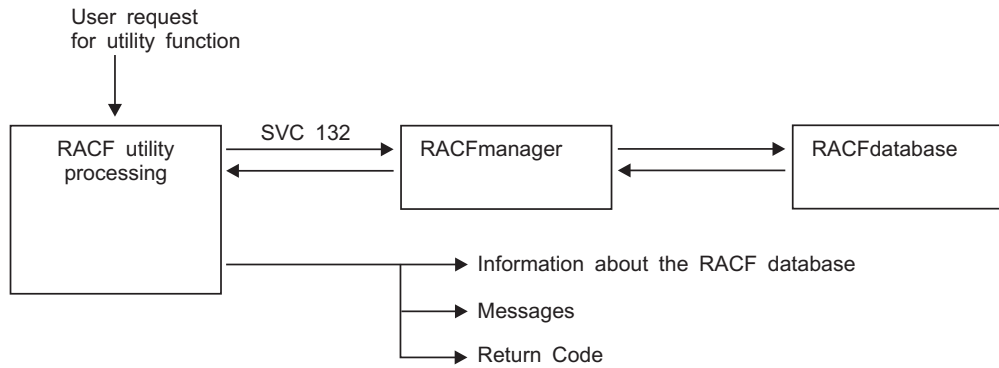


Figure 54. Process flow for RACF cross-reference and database unload utilities

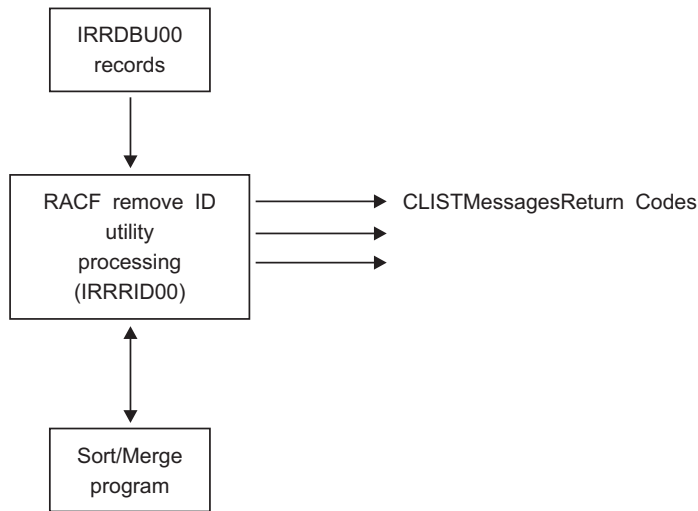


Figure 55. Process Flow for RACF Remove ID Utility

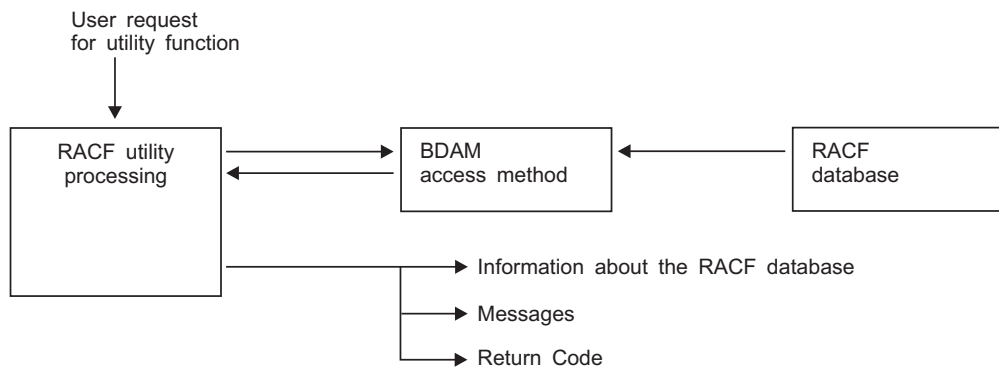


Figure 56. Process Flow for Other RACF Utilities

Process flow for the RACF report writer

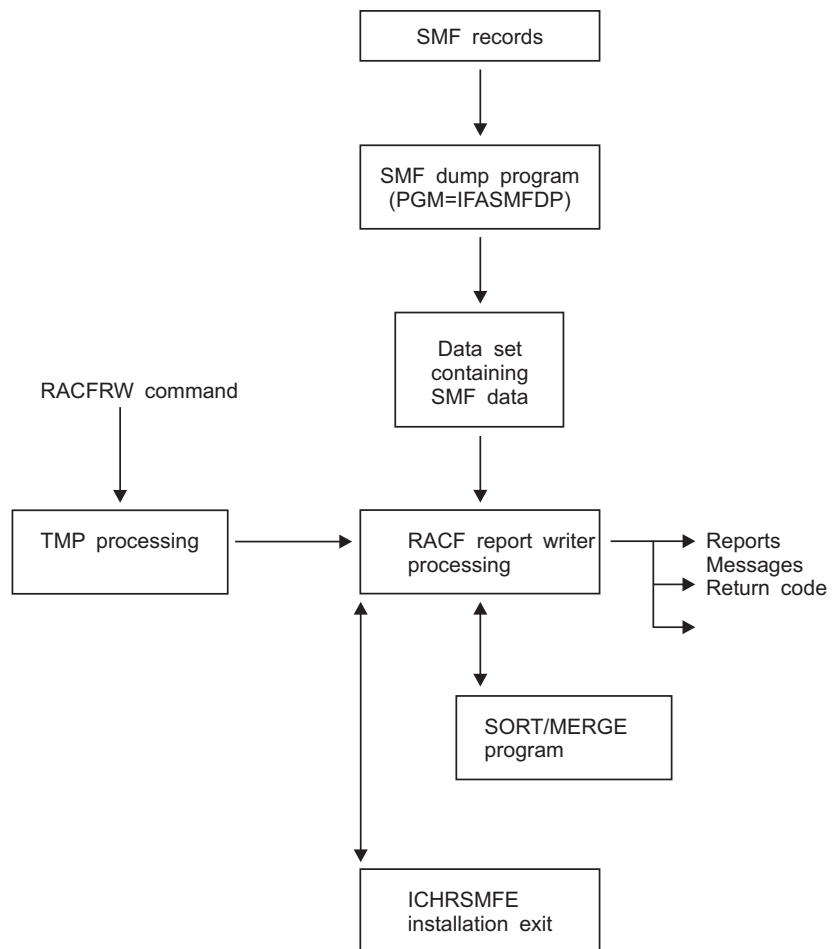


Figure 57. Process flow for the RACF report writer

Process flow for SMF data unload utility (IRRADU00)

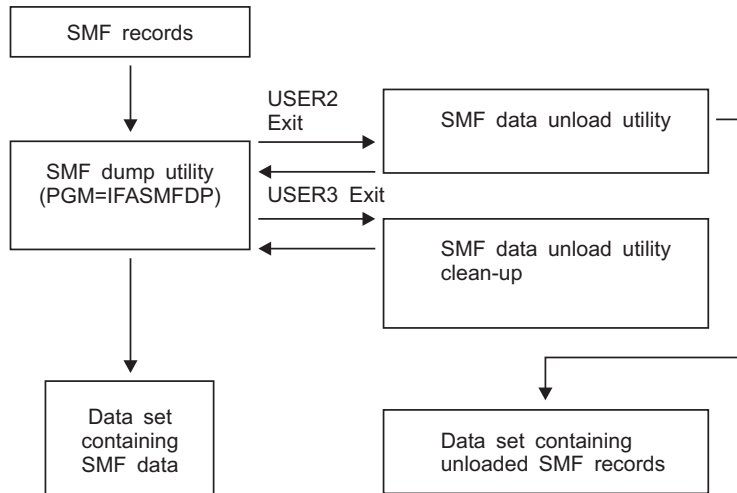


Figure 58. Process flow for SMF data unload utility. The USER2 exit is invoked once for each record that meets the criteria in the IFASMFDP control statements. See *z/OS MVS System Management Facilities (SMF)* for more information. The USER3 exit is invoked once.

Process flow for RACF callable services

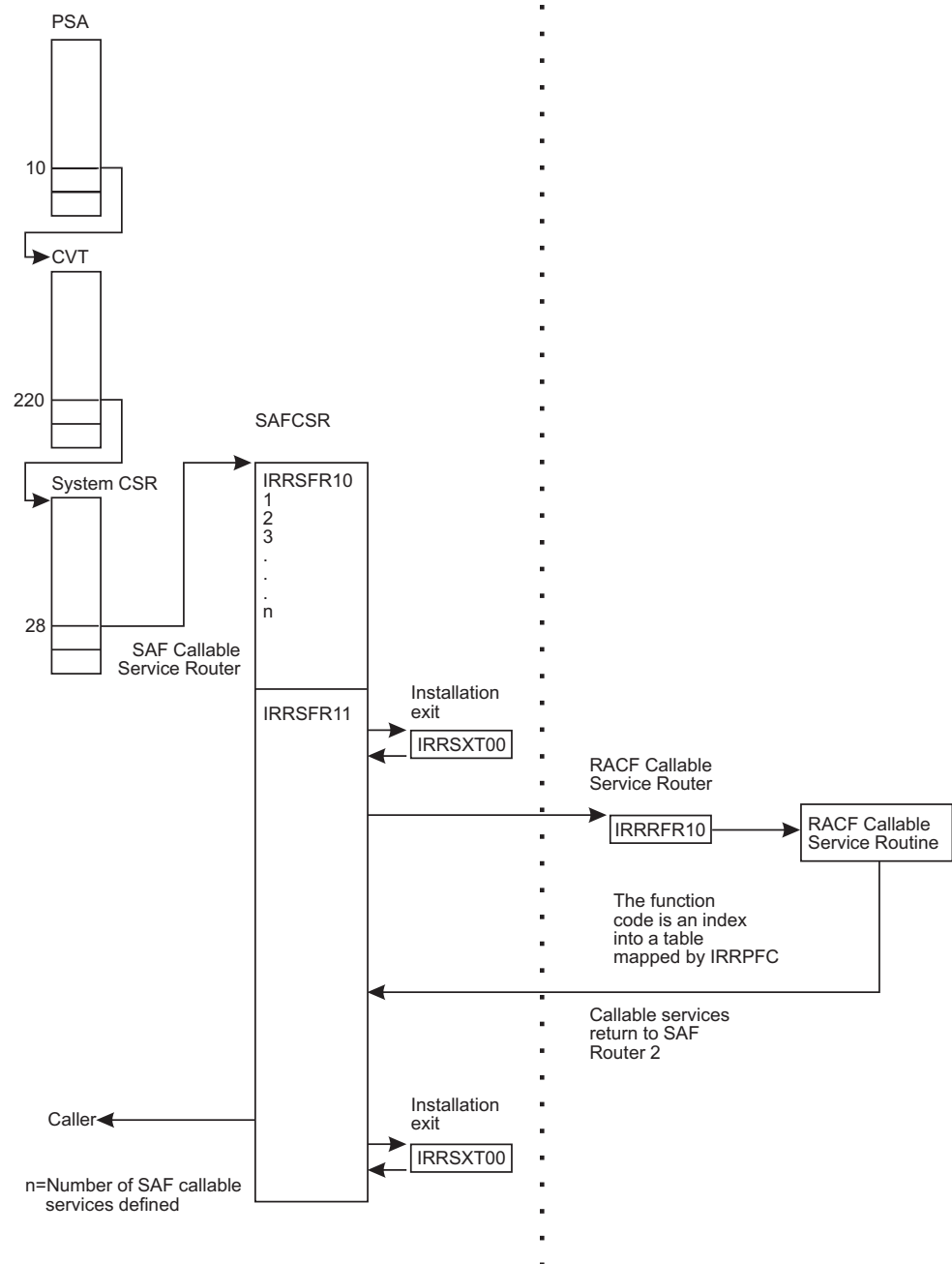


Figure 59. Process flow for RACF callable services

Error recording for callable services

Environmental errors must be reported to allow their correction. Some of the RACF callable services create symptom records for errors and store them in the LOGREC data set.

z/OS MVS Programming: Assembler Services Guide categorizes information contained in the symptom records as:

- Component data

Error recording

This identifies the application in which the error occurred (that is, the RACF subsystem address space).

- Primary SDB symptoms

This contains the primary string of problem symptoms. This data is used for duplicate problem recognition (see Table 37).

- Secondary SDB symptoms

This contains any additional diagnostic values saved at the time of the error. See Table 38.

- Variable data

This contains diagnostic data, such as portions of data areas or parameter lists pertinent to the error. See Table 39.

Table 37 shows the contents of the primary symptom string in the symptom record.

Table 37. Contents of primary symptom string for a callable service error

SDB key literal	Usage
RIDS/	Module CSECT name
RIDS/	Load module name (IRRRFR10)
PCSS/	System service (MVS or RACF macro) that failed
PRCS/	Return code from service
PRCS/	Reason code from service (if no reason code is available, this field contains a value of zero)

Table 38 shows the contents of the secondary symptom string.

Table 38. Contents of secondary symptom string for a callable service error

SDB key literal	Usage
ADRS/	Offset of service that failed

Table 39 shows the additional information that the symptom record contains.

Table 39. Additional LOGREC data for a callable service error

Field	Value
COMPDSC	RACF callable service
PROBLEM	Name of failing service
SERVLEV	Service level of module
COMPID	Component ID (5752XXH00)
COMPLEV	Component level (260)

Variable data recorded by RACF callable services

Each RACF callable service records additional variable data specific to the problem:

R_usermap (CSECT IRRRIM00)

- Error determining the RACF user ID associated with an application user identity
 - Service name: RACXTRT or ICHEINTY

- Variable data: The string 'IRRRIM00_XXXX:', where XXXX is the procedure name from which error occurs
- Additional variable data: application user identity and field names, such as SNAME or UNAME
- Error determining the application user identity associated with a RACF user ID
 - Service name: RACXTRT
 - Variable data: The string 'IRRRIM00_XXXX:', where XXXX is the procedure name from which error occurs
 - Additional variable data: RACF user ID and field names, such as SNAME or UNAME
- Figure 60 on page 198 shows an example of a symptom record when the user name is not found in an alias index entry but is found in the mapping profile.


```

SYMPTOM RECORD
+000 E2D9F4F3 F8F1F1F2 F7F6F8F5 FFFBFCF1 |SR4381127685...1
+010 B388C6D9 4BC38185 40404040 40404040 |.HFR.CAE
+020 4040D9C1 C3C6D9F1 F040F5F7 F5F2C8C2 |RACFR10 5752HB
+030 C2F7F7F0 F3400080 00000000 00000000 |B7703 .....
+040 F1F00030 00640070 00490138 000E0181 |10.....A
+050 0068018F 00000000 00000000 00000000 |.....
+060 00000000 00000000 00000000 00000000 |.....
+070 E2D9F2F1 F1F0F5F7 F5F2E7E7 C8F0F000 |SR21105752XXH00.
+080 F7F7F0F3 C8D9C6F7 F7F0F340 00000000 |7703HRF7703 ....
+090 00000000 00000000 00000000 D9C1C3C6 |.....RACF
+0A0 40D69785 95C58489 A3899695 40C38193 |z/OS UNIX SYSTEM
+0B0 93818293 8540E285 99A54B40 00000000 |CALLABLE SERV. .
+0C0 00000000 C9C3C8C5 C9D5E3E8 00000000 |....ICHEINTY....
+0D0 00000000 066839B1 066839B1 066839BF |.....
+0E0 066839BF 06683A27 06683A27 01000000 |.....
+0F0 06683830 00000000 00000000 F0F1F2F3 |.....0123
+100 F4F5F6F7 F8F9C1C2 C3C4C5C6 0049000E |456789ABCDEF....
+110 0068000F 00000000 F0F0F0F0 F1F4F0C3 |.....0000140C
+120 00000000 00000000 00000000 00000000 |.....
+130 00000000 00000000 D7C9C4E2 61F5F7F5 |.....PIDS/575
+140 F2E7E7C8 F0F040D7 D9C3E261 F0F0F0F0 |2XXH00 PRCS/0000
+150 F0F0F0C3 40D7D9C3 E261F0F0 F0F0F0F0 |000C PRCS/000000
+160 F0F040D9 C9C4E261 C9D9D9D9 C9D4F0F0 |00 RIDS/IRRRIM00
+170 40D9C9C4 E261C9D9 D9D9C6D9 F1F07BD3 |RIDS/IRRRFR10#L
+180 40C1C4D9 E261F0F0 F0F0F1F4 F0C340F0 |ADRS/0000140C 0
+190 000064C9 D9D9D9C9 D4F0F06D C1938981 |...IRRRIM00 ALIA
+1A0 A26DD396 837A40E2 D5C1D4C5 40D4E840 |S_LOC: SNAME MY
+1B0 D3D596A3 85A240C9 95869640 40404040 |LNOTES INFO
+1C0 LENGTH(0048) ==>ALL BYTES CONTAIN X'40'.

```

Figure 61. An example of a symptom record when an SNAME is not found in the alias index entry but is found in the mapping profile (part 2 of 2)

getGMAP (CSECT IRRRGM01)

- Error extracting the group name corresponding to the input group ID
 - Service name: RACXTRT or ICHEINTY
 - Variable data: The string 'IRRRGM01_XXXX: YYYY', where XXXX is the procedure name from which error occurs and YYYY is the GROUP mapping profile name for RACXTRT service or is the GROUP Alias name for ICHEINTY service
- Error extracting the group ID corresponding to the input group name
 - Service name: RACXTRT
 - Variable data: The string 'IRRRGM01_XXXX: YYYY', where XXXX is the procedure name from which error occurs and YYYY is the GROUP profile name

getGMAP/getUMAP/initUSP (CSECT IRRRUM02)

- Error locating or updating a profile during automatic UID/GID assignment
 - Service name: ICHEINTY
 - Variable data: The string 'IRRRUM02_XXXX: YYYY', where XXXX is the procedure name from which error occurs and YYYY is the ICHEINTY operation
 - Additional Variable data: class name and profile name
 - Primary symptom string return code: ICHEINTY return code
 - Secondary symptom string reason code: ICHEINTY reason code
- Error processing APPLDATA for the BPX.NEXT.USER profile in the FACILITY class
 - Service name: BPXNEXT

Error recording

- Variable data: The string 'IRRRUM02_XXXX: YYYY', where XXXX is the procedure name from which error occurs and YYYY is the profile being processed for automatic UID/GID assignment
- Additional variable data: One of the following error descriptions:
 - Profile BPX.NEXT.USER ran out of UID values
 - Profile BPX.NEXT.USER ran out of GID values

getUMAP (CSECT IRRRUM01)

- Error extracting the user name corresponding to the input user ID
 - Service name: RACXTRT or ICHEINTY
 - Variable data: The string 'IRRRUM01_XXXX: YYYY', where XXXX is the procedure name from which error occurs and YYYY is the USER mapping profile name for RACXTRT service or is the USER application identity name for ICHEINTY service
- Error extracting the user ID corresponding to the input user name
 - Service name: RACXTRT
 - Variable data: The string 'IRRRUM01_XXXX: YYYY', where XXXX is the procedure name from which the error occurs and YYYY is the USER profile name
- Figure 62 on page 201 shows an example of a symptom record when the user name is not found in an alias index entry but is found in the mapping profile.

TYPE: SYMPTOM RECORD REPORT: SOFTWARE EDIT REPORT DAY YEAR
 SCP: VS 2 REL 3 REPORT DATE: 032 00
 ERROR DATE: 032 00
 MODEL: 4381 HH MM SS.TH
 SERIAL: 127685 TIME: 09:16:23.25

SEARCH ARGUMENT ABSTRACT:
 PIDS/5752XXH00 PRCS/0000000C PRCS/00000000 RIDS/IRRRUM01
 RIDS/IRRRFR10#L

SYSTEM ENVIRONMENT:
 CPU MODEL: 4381 DATE: 032 00
 CPU SERIAL: 127685 TIME: 09:16:23.25
 SYSTEM: RACFR10 BCP: MVS
 RELEASE LEVEL OF SERVICE ROUTINE: HBB7703
 SYSTEM DATA AT ARCHITECTURE LEVEL: 10
 COMPONENT DATA AT ARCHITECTURE LEVEL: 10
 SYSTEM DATA: 00000000 00000000 |.....|

COMPONENT INFORMATION:
 COMPONENT ID: 5752XXH00
 COMPONENT RELEASE LEVEL: 7703
 SERVICE RELEASE LEVEL: HRF7703
 DESCRIPTION OF FUNCTION: RACF z/OS UNIX SYSTEM CALLABLE SERV.
 PROBLEM ID: ICHEINTY

PRIMARY SYMPTOM STRING:
 PIDS/5752XXH00 PRCS/0000000C PRCS/00000000 RIDS/IRRRUM01
 RIDS/IRRRFR10#L

SYMPTOM	SYMPTOM DATA	EXPLANATION
PIDS/5752XXH00	5752XXH00	COMPONENT IDENTIFIER
PRCS/0000000C	0000000C	RETURN CODE
PRCS/00000000	00000000	RETURN CODE
RIDS/IRRRUM01	IRRRUM01	ROUTINE IDENTIFIER
RIDS/IRRRFR10#L	IRRRFR10#L	ROUTINE IDENTIFIER

SECONDARY SYMPTOM STRING:
 ADRS/00000BAA

SYMPTOM	SYMPTOM DATA	EXPLANATION
ADRS/00000BAA	00000BAA	STORAGE ADDRESS

FREE FORMAT COMPONENT INFORMATION:
 KEY = F000 LENGTH = 000100 (0064)
 +000 C9D9D9D9 E4D4F0F1 6DC1D3C9 C1E26DE4 |IRRRUM01_ALIAS_U|
 +010 D3D6C37A 40F1F2F3 F4F5F6F7 F8404040 |LOC: 12345678 |
 +020 LENGTH(0064) ==> ALL BYTES CONTAIN X'40'.
 +060 40404040 | |

HEX DUMP OF RECORD:
 HEADER
 +000 4C831800 00000000 0000032F 09162325 |<C.....|
 +010 FF127685 43810000 |...E.A..|

Figure 62. An example of a symptom record when a UID is not found in the alias index entry but is found in the mapping profile (part 1 of 2)

Error recording

```

SYMPTOM RECORD
+000 E2D9F4F3 F8F1F1F2 F7F6F8F5 FFFFBCF1 SR4381127685...1
+010 B388D17B 767DA544 40404040 40404040 .HJ#. 'V.
+020 4040D9C1 C3C6D9F1 F040F5F7 F5F2C8C2 RACFR10 5752HB
+030 C2F7F7F0 F3400080 00000000 00000000 B7703 .....
+040 F1F00030 00640070 00490138 000E0181 10.....A
+050 0068018F 00000000 00000000 00000000 .....
+060 00000000 00000000 00000000 00000000 .....
+070 E2D9F2F1 F1F0F5F7 F5F2E7E7 C8F0F000 SR21105752XXH00.
+080 F7F7F0F3 C8D9C6F7 F7F0F340 00000000 7703HRF7703 ....
+090 00000000 00000000 00000000 D9C1C3C6 .....RACF
+0A0 40D69785 95C58489 A3899695 40C38193 z/OS UNIX SYSTEM
+0B0 93818293 8540E285 99A54B40 00000000 CALLABLE SERV. .
+0C0 00000000 C9C3C8C5 C9D5E3E8 00000000 ....ICHEINTY....
+0D0 00000000 06694591 06694591 0669459F .....J...J....
+0E0 0669459F 06694607 06694607 01000000 .....
+0F0 06694410 00000000 00000000 F0F1F2F3 .....0123
+100 F4F5F6F7 F8F9C1C2 C3C4C5C6 0049000E 456789ABCDEF...
+110 0068000F 00000000 F0F0F0F0 F0C2C1C1 .....00000BAA
+120 00000000 00000000 00000000 00000000 .....
+130 00000000 00000000 D7C9C4E2 61F5F7F5 .....PIDS/575
+140 F2E7E7C8 F0F040D7 D9C3E261 F0F0F0F0 2XXH00 PRCS/0000
+150 F0F0F0C3 40D7D9C3 E261F0F0 F0F0F0F0 000C PRCS/000000
+160 F0F040D9 C9C4E261 C9D9D9D9 E4D4F0F1 00 RIDS/IRRRUM01
+170 40D9C9C4 E261C9D9 D9D9C6D9 F1F07BD3 RIDS/IRRRFR10#L
+180 40C1C4D9 E261F0F0 F0F0F0C2 C1C140F0 ADRS/00000BAA 0
+190 000064C9 D9D9D9E4 D4F0F16D C1D3C9C1 ...IRRRUM01_ALIA
+1A0 E26DE4D3 D6C37A40 F1F2F3F4 F5F6F7F8 S_ULOC: 12345678
+1B0 LENGTH(0064) ==> ALL BYTES CONTAIN X'40'.

```

Figure 63. An example of a symptom record when a UID is not found in the alias index entry but is found in the mapping profile (part 2 of 2)

InitACEE (CSECT IRRRIA00)

- Certificate decoding problem
 - Service name: DECX509B
 - Variable data: The following 6 fullwords:
 1. Address of the certificate passed to InitACEE
 2. Length of the certificate passed to InitACEE
 3. Address of the byte found to be in error
 4. Internal diagnostic word
 5. Number of certificate bytes recorded in the next 4 variable data sections
 6. Number of certificate bytes skipped at the beginning of the certificate when recording
 - Additional variable data: up to 1024 bytes of the certificate
- Error in certificate profile (user ID not valid)
 - Service name: GETUSERI
 - Variable data: The string 'Bad DIGTCERT Class Profile'
 - Additional variable data: The name of the DIGTCERT class profile found to be in error
- Error in certificate profile (user ID not defined to RACF)
 - Service name: RACINIT
 - Variable data: The string 'Bad DIGTCERT Class Profile'
 - Additional variable data: The name of the DIGTCERT class profile found to be in error
- Unexpected return code from R_cacheserv SAF callable service

- Service name: CACHSERV
- Variable Data: The 8 byte user ID input to R_cacheserv
- Primary symptom string return code: R_cacheserv return code
- Primary symptom string return code: R_cacheserv reason code
- Unexpected return code from RACROUTE REQUEST=VERIFY
 - Service name: RACINIT
 - Variable data: The nine character user ID being verified (1 byte length followed by up to 8 characters for the user ID itself)
- Problem with IDID user mapping
 - Service name: IRRDID2U
 - Variable data: Includes return code and IDID

InitACEE (CSECT IRRRIA02)

- Certificate decoding problem
 - Service name: DECX509B
 - Variable data: The following 6 fullwords:
 1. Address of the certificate passed to InitACEE
 2. Length of the certificate passed to InitACEE
 3. Address of the byte found to be in error
 4. Internal diagnostic word
 5. Amount of certificate data recorded
 6. Amount of certificate data truncated
 - Additional variable data: up to 1024 bytes of the certificate
- Error retrieving the CERTAUTH certificate repeat group from the irrcerta profile.
 - Service name: RACXTRT
 - Variable data: The string 'Couldn't extract the CERTAUTH anchor USER profile, irrcerta'.
 - Additional variable data: none
- Error extracting the private key size (CERTPRVS) from a DIGTCERT profile.
 - Service name: RACXTRT
 - Variable data: The string 'Bad CERTAUTH class profile:'*label-value*
 - Additional variable data: The profile name

InitACEE (CSECT IRRRIA05)

- Error extracting the trust status (UACC) from a DIGTCERT profile
 - Service name: RACEXTR
 - Variable data: The string 'Bad DIGTCERT Class Profile'
 - Additional variable data: The profile name
- Error extracting date fields CERTSTRT, CERTEND from a DIGTCERT profile
 - Service name: RACEXTR
 - Variable data: The string 'Bad DIGTCERT Class Profile'
 - Additional variable data: The profile name
- Error extracting the CERTAUTH anchor in the USER profile.
 - Service name: RACEXTR
 - Variable data: The string 'Bad USER class profile — irrcerta'

R_cacheserv (CSECT IRRRCH12)

Error recording

- Physical error accessing the CACHECLS profile on the RACF database
 - Service name: ICHEINTY
 - Variable data: The string "LOCATE CACHECLS profile xxxx" where xxxx is the 16 byte profile name.
- Logical error with the contents of the CACHECLS profile read from the RACF database
 - Service name: Database (not a real Service, rather an indicator something was wrong with the profile read from the RACF database)
 - Variable data: The string "CACHECLS profile xxxx not valid:" where xxxx is the 16 byte profile name. Following that string is one of the following reasons the profile was determined not to be valid.
 - missing profile
 - profile not valid
 - timestamp is not correct
 - data space offset is not correct
 - data space size is not correct
 - data space count is not correct
 - cache version is not correct

R_cacheserv (CSECT IRRRCH13)

- Physical error accessing the CACHECLS profile on the RACF database
 - Service name: ICHEINTY
 - Variable data: The string "{LOCATE | ALTER | ADD} CACHECLS profile xxxx" where xxxx is the 16 byte profile name.

R_cacheserv (CSECT IRRRCH14)

- Physical error accessing the CACHECLS profile on the RACF database
 - Service name: ICHEINTY
 - Variable data: The string "{NEXT | DELETE} CACHECLS profile xxxx" where xxxx is the 16 byte profile name.

R_cacheserv (all CSECTs IRRRCHQx in IRRRCH16)

- Error occurred in data space layer
 - Service name: DISPLAYER
 - Variable data: xxxxxxxx yyyyyyyy zzzzzzzz aaaaaaaaa bbbbbbbb: ccccccc
 - xxxxxxxx = Internal subroutine identifier

The following are possible values for xxxxxxxx. These identify the failing data space layer subroutine:

Table 40. Failing data space layer for an internal subroutine identifier

xxxxxxx	Data space layer call
8	dspCreate
24	dspDelete
28	dspConnect
32	dspExtend
36	dspExpose
40	dspHide
44	addAlet
48	delAlet

Table 40. Failing data space layer for an internal subroutine identifier (continued)

52	dspAdd
60	dspDisconnect
64	dasENQDS
68	dasDEQDs
76	dasSetVer
80	dasGetVer
84	dasCopyDS

- yyyyyyyy = Failing system service

The following are possible values for yyyyyyyy. These identify the failing system service or internal request:

Table 41. Failing system service for a failing system service identifier

yyyyyyyy	Failing system service
0	None
4	TCBTOKEN
8	DSPSERV CREATE
12	ALESERV ADD
16	DSPSERV DELETE
20	Data space does not exist
24	Data space header eye-catcher bad
28	Irrrch10 not found
32	IEANTCR
36	IEANTRT
40	IEANTDL
44	DSPSERV EXTEND
48	ALESERV DELETE
Uppercase values are z/OS system macros. Lowercase values are internal requests.	

- zzzzzzzz = failing system service return code
- aaaaaaaa = failing system service reason code
- bbbbbbbb = identifies R_cacheserv subroutine
- cccccccc = additional diagnostic text, such as "dspCreate failed"

R_cacheserv (CSECTs IRRRCHQx in IRRRCH16)

- Error occurred in data space layer
 - Service name: DSPLAYER
 - Variable data: bbbbbbbb: cccccccc
 - bbbbbbbb = identifies R_cacheserv subroutine
 - cccccccc = additional diagnostic text

R_cacheserv (CSECTs IRRRCHQC in IRRRCH16)

- Recovery attempted after a failure during cache creation
 - Service name: REEXPOSE
 - Variable data: bbbbbbbb: RE-EXPOSE cccccccc dddddddd

Error recording

- bbbbbbbb = identifies R_cacheserv subroutine
- cccccccc = identifies failing object
- dddddddd = successful or failed

R_cacheserv (CSECT IRRRCHQD, IRRRCHQG, IRRRCHQE in IRRRCH16)

- Name/token service failure
 - Service name: IEANTRT
 - Variable data: bbbbbbbb: IEANTRT error
 - bbbbbbbb = identifies R_cacheserv subroutine

R_cacheserv (CSECT IRRRCHQG in IRRRCH16)

- Name/token service failure
 - Service name: IEANTCR
 - Variable data: bbbbbbbb: IEANTCR Error
 - bbbbbbbb = identifies R_cacheserv subroutine

R_cacheserv (CSECT IRRRCHQJ in IRRRCH16)

- Error restoring cache
 - Service name: RESTORE
 - Variable data: Restore: IRRRCH12 Restore DS error

R_cacheserv (CSECT IRRRCH18)

- Unable to use ICSF for random number generation, therefore, a software pseudo random number generator (SW PRNG) is used. It is possible that CSNBRNG is not found in LPA. See 'FINDMOD:' logrec for more information.
 - Service name: RANDNUM
 - Variable Data: IRRRCH18: USING SW PRNG, NOT CSNBRNG
 - Primary symptom string return code: 4
 - Primary symptom string reason code: 0
- Unable to find module in LPA using CSVQUERY
 - Service name: name of the module that was not found
 - Variable Data: aaaaaaaaa bbbbbbbb cccccccc dddddddd FINDMOD: UNABLE TO FIND MODULE IN LPA.
 - aaaaaaaaa is an indicator of R_cacheserv operation.

The following are possible values for aaaaaaaaa:

Table 42. Indicator of R_cacheserv operation

aaaaaaaa	Operation
201	IRRRCH10 SRB failed
202	Find IRRRCH10 SRB in LPA
203	Find other module in LPA (CSNBRNG)
210	Get cell from cell pool in data space
211	Add cell pool extent to cell pool in data space
213	Copy data to data cell(s) in cell pool
214	Locate data in data space
215	Delete data in data space
216	R18ADD

Table 42. Indicator of R_cacheserv operation (continued)

<i>aaaaaaaa</i>	Operation
217	R18IDX
218	R18GET
219	GenerateReference
220	CallDes

- *bbbbbbbb* is the system service or internal check being performed.
The following are possible values for *bbbbbbbb*:

Table 43. System service or internal check being performed

<i>bbbbbbbb</i>	Service
8	DSPSERV create – Create data space
10	CSRPGT1 – Get cell pool cell
11	CSRPEXP – Add cell pool extent
12	ALESERV Add
13	CHKEXT – Check if data space is full (does EXTent area hit data area)
14	Search – Find node in cache
15	PLO instruction #1
16	DSPSERV delete – delete data space
17	PLO instruction #2
18	CSRPF1 – Free cell pool cell (ddddddd = address of cell being freed)
19	Not used
20	Expiration time check for data or reference
21	CSNBRNG – ICSF random number function
22	Not used
23	CSVQUERY – Find mod in LPA
24	RACROUTE TYPE=ENCRYPT

- *ccccccc* is return code from service *bbbbbbbb*.
- *ddddddd* is reason code from service *bbbbbbbb*.
- Primary symptom string return code: 4
- Primary symptom string reason code: 0
- CSNBRNG failure, using software pseudo random number generator (PRNG)
 - Service name: RANDNUM
 - Variable Data: *aaaaaaaa bbbbbbbb ccccccc dddddddd* GENREF: USE SOFTWARE PRNG, NOT CSNBRNG
 - *aaaaaaaa* = indicator of R_cacheserv operation
See Table 42 on page 206 for possible values.
 - *bbbbbbbb* = system service or internal check being performed
See Table 43 for possible values.
 - *ccccccc* = return code from service *bbbbbbbb*
 - *ddddddd* = reason code from service *bbbbbbbb*

Error recording

- Primary symptom string return code: 0
- Primary symptom string reason code: 0
- RACROUTE TYPE=ENCRYPT *failure*
 - Service name: CALLDES
 - Variable Data: *aaaaaaaa bbbbbbbb cccccccc dddddddd* RACROUTE REQ=EXTRACT,TYPE=ENCRYPT FAIL
 - *aaaaaaaa* = indicator of R_cacheserv operation
See Table 42 on page 206 for possible values.
 - *bbbbbbbb* = system service or internal check being performed
See Table 43 on page 207 for possible values.
 - *ccccccc* = return code from service *bbbbbbbb*
 - *ddddddd* = reason code from service *bbbbbbbb*
 - Primary symptom string return code: RACROUTE return code
 - Primary symptom string reason code: 0

R_cacheserv (CSECT IRRRCH20)

- Name/token service failure
 - Service name: [IEANTRT0 | IEANTRT1 | IEANTCR]
 - Variable data: SETUPCACHE: [IEANTRT|IEANTCR] FAILURE
 - Primary symptom string return code: return code from IEANTRT/IEANTCR
 - Primary symptom string reason code: 0 (name/token functions have no reason codes)
- Failure due to no RCVI
 - Service name: FINDRCVI
 - Variable data: RCVTRCVI=0. UNABLE TO BUILD ICTX
 - Primary symptom string return code: 0
 - Primary symptom string reason code: 0
- Error occurred during STORE operation
 - Service name: STORE
 - Variable Data: *aaaaaaaa bbbbbbbb cccccccc dddddddd* STORE: R18ADD ([1|2]) ERROR
 - *aaaaaaaa* = indicator of R_cacheserv operation
See Table 42 on page 206 for possible values.
 - *bbbbbbbb* = system service or internal check being performed
See Table 43 on page 207 for possible values.
 - *ccccccc* = return code from service *bbbbbbbb*
 - *ddddddd* = reason code from service *bbbbbbbb*
 - Primary symptom string return code: [0,4,8...]
 - Primary symptom string reason code: 0
- Error occurred while an R_cacheserv operation was trying to find or create the cache
 - Service name: IRRRCH18
 - Variable Data: *aaaaaaaa bbbbbbbb cccccccc dddddddd* SETUPCACHE: ERROR IN IRRRCH18
 - *aaaaaaaa* = indicator of R_cacheserv operation
See Table 42 on page 206 for possible values.

- *bbbbbbb* = system service or internal check being performed
See Table 43 on page 207 for possible values.
- *ccccccc* = return code from service *bbbbbbb*
- *ddddddd* = reason code from service *bbbbbbb*
- Primary symptom string return code: [0,4,8...]
- Primary symptom string reason code: 0
- Error occurred during DESTROY operation
 - Service name: DESTROY
 - Variable Data: *aaaaaaaa bbbbbbbb ccccccc dddddddd* DESTROY: R18TERM ERROR
 - *aaaaaaaa* = indicator of R_cacheserv operation
See Table 42 on page 206 for possible values.
 - *bbbbbbb* = system service or internal check being performed
See Table 43 on page 207 for possible values.
 - *ccccccc* = return code from service *bbbbbbb*
 - *ddddddd* = reason code from service *bbbbbbb*
 - Primary symptom string return code: [0,4,8...]
 - Primary symptom string reason code: 0
- Error occurred during RETRIEVE operation
 - Service name: RETRIEVE
 - Variable Data: *aaaaaaaa bbbbbbbb ccccccc dddddddd* RETRIEVE: R18GET ERROR
 - *aaaaaaaa* = indicator of R_cacheserv operation
See Table 42 on page 206 for possible values.
 - *bbbbbbb* = system service or internal check being performed
See Table 43 on page 207 for possible values.
 - *ccccccc* = return code from service *bbbbbbb*
 - *ddddddd* = reason code from service *bbbbbbb*
 - Primary symptom string return code: [0,4,8...]
 - Primary symptom string reason code: 0
- Error occurred during REMOVE operation
 - Service name: REMOVE
 - Variable Data: *aaaaaaaa bbbbbbbb ccccccc dddddddd* STORE: R18DEL ERROR
 - *aaaaaaaa* = indicator of R_cacheserv operation
See Table 42 on page 206 for possible values.
 - *bbbbbbb* = system service or internal check being performed
See Table 43 on page 207 for possible values.
 - *ccccccc* = return code from service *bbbbbbb*
 - *ddddddd* = reason code from service *bbbbbbb*
 - Primary symptom string return code: [0,4,8...]
 - Primary symptom string reason code: 0
- Error occurred during REMOVE EXPIRED operation
 - Service name: CLEANUP
 - Variable Data: *aaaaaaaa bbbbbbbb ccccccc dddddddd* STORE: R18CLN ERROR

Error recording

- *aaaaaaaa* = indicator of R_cacheserv operation
See Table 42 on page 206 for possible values.
- *bbbbbbbb* = system service or internal check being performed
See Table 43 on page 207 for possible values.
- *cccccccc* = return code from service *bbbbbbbb*
- *dddddddd* = reason code from service *bbbbbbbb*
- Primary symptom string return code: [0,4,8...]
- Primary symptom string reason code: 0
- Error occurred during LOCATE operation
 - Service name: LOCATE
 - Variable Data: *aaaaaaaa bbbbbbbb cccccccc dddddddd* STORE: R18IDX ERROR
 - *aaaaaaaa* = indicator of R_cacheserv operation
See Table 42 on page 206 for possible values.
 - *bbbbbbbb* = system service or internal check being performed
See Table 43 on page 207 for possible values.
 - *cccccccc* = return code from service *bbbbbbbb*
 - *dddddddd* = reason code from service *bbbbbbbb*
 - Primary symptom string return code: [0,4,8...]
 - Primary symptom string reason code: 0

R_cacheserv (CSECT IRRRCH22)

- Error occurred obtaining storage for a DSG block
 - Service name: OBTAIN1
 - Variable data: *aaaaaaaa bbbbbbbb cccccccc dddddddd* STORAGE OBTAIN FOR DSG FAILURE
 - *aaaaaaaa* = STORAGE OBTAIN length
 - *bbbbbbbb* = STORAGE OBTAIN subpool
 - *cccccccc* = unused
 - *dddddddd* = unused
 - Primary symptom string return code: storage obtain return code. See *z/OS MVS Programming: Assembler Services Reference IAR-XCT* for the description of the return codes for the STORAGE OBTAIN macro.
 - Primary symptom string reason code: 0
- No active TTAB was found
 - Service name: TTAB1
 - Variable data: *aaaaaaaa bbbbbbbb cccccccc dddddddd* NO ACTIVE TTAB FOUND
 - *aaaaaaaa* = address of the DSCA
 - *bbbbbbbb* = TTAB anchor
 - *cccccccc* = active TTAB pointer
 - *dddddddd* = unused
 - Primary symptom string return code: 0
 - Primary symptom string reason code: 0
- Inconsistency found in TTAB slot
 - Service name: MEMTOKCK
 - Variable data: *aaaaaaaa bbbbbbbb cccccccc dddddddd* TTAB SLOT INCONSISTENCY system-name

- *aaaaaaaa* = TTAB anchor
- *bbbbbbbb* = active TTAB pointer
- *cccccccc* = index into the active TTAB
- *dddddddd* = system token for system name
- *system-name* = system name of sysplex member
- Primary symptom string return code: 0
- Primary symptom string reason code: 0
- DSG is returned with either no DSGR or more than one DSGR
 - Service name: DSG2
 - Variable data: *aaaaaaaa bbbbbbbb cccccccc dddddddd* DSG INCONSISTENCY FROM SYSTEM *system-name*
 - *aaaaaaaa* = DSG address
 - *bbbbbbbb* = DSG return code
 - *cccccccc* = DSGR pointer
 - *dddddddd* = number of responses
 - *system-name* = system name of sysplex member
 - Primary symptom string return code: 0
 - Primary symptom string reason code: 0
- Error occurred when attempting intersystem communication
 - Service name: DSG1
 - Variable data: *aaaaaaaa bbbbbbbb cccccccc dddddddd* UNEXPECTED DSG RC FROM SYSTEM *system-name*
 - *aaaaaaaa* = DSG address
 - *bbbbbbbb* = DSG return code
 - *cccccccc* = number of DSGs sent
 - *dddddddd* = DSGR pointer
 - *system-name* = system name of sysplex member
 - Primary symptom string return code: 0
 - Primary symptom string reason code: 0
- Other system had either: more information to return and had a STORAGE OBTAIN error, or an unexpected error
 - Service name: IRRRCH24
 - Variable data: *aaaaaaaa bbbbbbbb cccccccc dddddddd* IRRRCH24 HAD PROBLEM ON SYSTEM *system-name*
 - *aaaaaaaa* = DSG address
 - *bbbbbbbb* = DSGR pointer
 - *cccccccc* = DSGR return buffer pointer
 - *dddddddd* = DSGR return buffer length
 - *system-name* = system name of sysplex member
 - Primary symptom string return code: IRRRCH24 return code
 - 2 - BAD_OBTAIN, STORAGE OBTAIN failure
 - Primary symptom string reason code: IRRRCH24 reason code
 - When IRRRCH24 return code = 2, storage obtain return code. See *z/OS MVS Programming: Assembler Services Reference IAR-XCT* for the description of the return codes for the STORAGE OBTAIN macro.
- The DSGR lacks a return buffer

Error recording

- Service name: DSGR1
- Variable data: *aaaaaaaa bbbbbbbb ccccccc dddddddd* DSGR LACKS RETURN BUFFER FROM system-name
 - *aaaaaaaa* = DSG address
 - *bbbbbbbb* = DSGR pointer
 - *ccccccc* = DSGR return buffer pointer
 - *ddddddd* = DSGR return buffer length
 - system-name = system name of sysplex member
- Primary symptom string return code: 0
- Primary symptom string reason code: 0
- STORAGE OBTAIN failure on R_cacheserv return buffer for record name
 - Service name: OBTAIN2
 - Variable data: *aaaaaaaa bbbbbbbb ccccccc dddddddd* STORAGE OBTAIN FOR RECORD NAME FAILURE
 - *aaaaaaaa* = STORAGE OBTAIN length
 - *bbbbbbbb* = STORAGE OBTAIN subpool
 - *ccccccc* = unused
 - *ddddddd* = unused
 - Primary symptom string return code: storage obtain return code. See *z/OS MVS Programming: Assembler Services Reference IAR-XCT* for the description of the return codes for the STORAGE OBTAIN macro.
 - Primary symptom string reason code: 0
- STORAGE OBTAIN failure on R_cacheserv return buffer for data
 - Service name: OBTAIN3
 - Variable data: *aaaaaaaa bbbbbbbb ccccccc dddddddd* STORAGE OBTAIN FOR DATA FAILURE
 - *aaaaaaaa* = STORAGE OBTAIN length
 - *bbbbbbbb* = STORAGE OBTAIN subpool
 - *ccccccc* = unused
 - *ddddddd* = unused
 - Primary symptom string return code: storage obtain return code. See *z/OS MVS Programming: Assembler Services Reference IAR-XCT* for the description of the return codes for the STORAGE OBTAIN macro.
 - Primary symptom string reason code: 0
- STORAGE OBTAIN failure on R_cacheserv return buffer for source
 - Service name: OBTAIN4
 - Variable data: *aaaaaaaa bbbbbbbb ccccccc dddddddd* STORAGE OBTAIN FOR SOURCE FAILURE
 - *aaaaaaaa* = STORAGE OBTAIN length
 - *bbbbbbbb* = STORAGE OBTAIN subpool
 - *ccccccc* = unused
 - *ddddddd* = unused
 - Primary symptom string return code: storage obtain return code. See *z/OS MVS Programming: Assembler Services Reference IAR-XCT* for the description of the return codes for the STORAGE OBTAIN macro.
 - Primary symptom string reason code: 0
- Error from a R_cacheserv operation on another system

- Service name: IRRRCH24
- Variable data: *aaaaaaaa bbbbbbbb ccccccc dddddddd **xx* password ERROR ON SYSTEM system-name
 - *aaaaaaaa* = R_cacheserv option
 - *bbbbbbbb* = unused
 - *ccccccc* = unused
 - *ddddddd* = unused
 - ***xx* = 1st 4 characters of input user ID
 - password = input password
 - system-name = system name of sysplex member
- Primary symptom string return code: system-name R_cacheserv RACF return code
- Primary symptom string reason code: system-name R_cacheserv RACF reason code
- IRRRCH22 had an unknown return code
 - Service name: WAYOUT
 - Variable data: *aaaaaaaa bbbbbbbb ccccccc dddddddd **xx* password INTERNAL ERROR
 - *aaaaaaaa* = R_cacheserv option
 - *bbbbbbbb* = unused
 - *ccccccc* = unused
 - *ddddddd* = unused
 - ***xx* = 1st 4 characters of input user ID
 - password = input password
 - Primary symptom string return code: unexpected IRRRCH22 return code
 - Primary symptom string reason code: unexpected IRRRCH22 reason code

R_cacheserv (CSECT IRRRCH28)

- Name/token service failure
 - Service name: IEANTCR
 - Variable data: Identifies R_cacheserv subroutine
- ENVR object creation failure
 - Service name: IRRACM16
 - Variable data: Identifies subroutine and ACEE
- Unexpected return code from IRRRCH18 caching function
 - Service name: type of request (locate, store, and so on)
 - Variable data: Identifies related error information

R_cacheserv (CSECT IRRRCH30)

- Storage Obtain failure
 - Service name: OBTAINx
 - Variable data: Identifies subpool and length
- Unexpected return code from RACF sysplex communication path
 - Service name: Identifies the failure point
 - Variable data: Identifies related error information
- Unexpected return code from off-system cache
 - Service name: IRRRCH32

Error recording

- Variable data: system name and ICR information

R_Data1ib (CSECT IRRRDL04)

- Error determining the owning user ID for a DIGTCERT profile
 - Service name: RACXTRT
 - Variable data: The string 'Method GETUSERID failed to extract the UserID'
 - Additional variable data: The profile name
- Error incrementing the last serial number (CERTLSER) of a DIGTCERT profile
 - Service name: RACXTRT or ICHEINTY
 - Variable data: The string 'Module IRRCDC29 failed to generate new Serial Number'
 - Additional variable data: The profile name

R_Data1ib (CSECT IRRRDL06)

- Error parsing the input certificate
 - Service name: IRRCDC03
 - Variable data: The string 'IRRCDC03 failed to parse the certificate'
- Error retrieving the certificate profile
 - Service name: RACMAP
 - Variable data: The string 'RACMAP failed to retrieve the certificate profile'
 - Additional variable data: The certificate profile name
- Error retrieving the CERTNAME repeat group from a user profile
 - Service name: RACEXTR
 - Variable data: The string 'RACEXTR failed to retrieve the CERTNAME repeat group'
 - Additional variable data: The user name
- Error locating the certificate in the CERTNAME repeat group
 - Service name: RACEXTR
 - Variable data: The String 'Certificate not found in USER profile'
 - Additional variable data: The user name
- Error retrieving the private key from the certificate profile
 - Service name: RACEXTR
 - Variable data: The string 'RACFEXTR failed to retrieve the private key'
 - Additional variable data: The certificate profile name
- Error adding the certificate to RACF
 - Service name: IRRCDC02
 - Variable data: The string 'IRRCDC02 Error - Certificate already exists'
 - Additional variable data: The certificate profile name
- Error adding the certificate to RACF
 - Service name: IRRCDC02
 - Variable data: The string 'IRRCDC02 failed to add the certificate'
 - Additional variable data: The certificate profile name
- Error altering the certificate in RACF
 - Service name: IRRCDC05

- Variable data: The string 'IRRCDC05 failed to alter the certificate'
- Additional variable data: The certificate profile name
- Error connecting the certificate to a RACF ring
 - Service name: IRRCDC19
 - Variable data: The string 'IRRCDC19 failed to connect the certificate'
 - Additional variable data: The certificate profile name
- Error calling ICSF service CSNDKRR to retrieve the PKDS entry
 - Service name: CSNDKRR
 - Variable data: The string 'CSNDKRR failed to retrieve the PKDS entry'
 - Additional variable data: The PKDS entry name

R_DCEAUTH (CSECT IRRRDA00)

- Create ACEE failure
 - Service name: RACINIT
 - Variable data: the RACF user ID
- Convert UUID to RACF user ID failure
 - Service name: RACXTRT
 - Variable data: the DCEUUIDS profile name
- Check authorization failure
 - Service name: RACHECK or FASTAUTH
 - Variable data: the RACF user ID, class, profile, and access requested
- Delete ACEE failure
 - Service name: RACINIT
 - Variable data: the ACEE address

R_DCEINFO (CSECT IRRRDI00)

- Extract DCE fields failure
 - Service name: RACXTRT
 - Variable data: the RACF user ID and the names of the fields
- Replace DCE fields failure
 - Service name: RACXTRT
 - Variable data: the RACF user ID and the names of the fields

R_DCERUID (CSECT IRRRUD00)

- Extract DCEUUIDS APPLDATA failure
 - Service name: RACXTRT
 - Variable data: the DCEUUIDS profile name

R_DCEKEY (CSECT IRRRDK00)

- Extract DCE key failure
 - Service name: RACXTRT
 - Variable data: the RACF user ID
- Replace DCE key failure
 - Service name: RACXTRT
 - Variable data: the RACF user ID

R_DCEKEY (CSECT IRRCP01)

- Extract KEYSMSTR key failure
 - Service name: ICHEINTY

Error recording

- Variable data: the class and profile name
- ICSF CSNBENC callable service failure
 - Service name: CSNBENC
 - Variable data: the RACF user ID
- ICSF CSNBDEC callable service failure
 - Service name: CSNBDEC
 - Variable data: the RACF user ID

R_PKIserv (CSECT IRRRPX00)

- Error calling RACROUTE REQUEST=AUTH to determine the caller's access to a FACILITY class profile
 - Service name: RACHECK
 - Variable data: The string 'Error in R_PKIserv attempting to check a caller's authority to the service'
 - Additional variable data: The FACILITY class profile name, the ACEE address, and the user ID from the ACEE

R_PKIserv (CSECT IRRRPX02)

- Error calling RACROUTE REQUEST=AUTH to determine the caller's access to a FACILITY class profile
 - Service name: RACHECK
 - Variable data: The string 'Error in R_PKIserv GENCERT attempting to check a caller's authority to the service'
 - Additional variable data: The FACILITY class profile name, the ACEE address, and the user ID from the ACEE
- Unexpected return code from RACDCERT internal subroutine IRRCDC23
 - Service name: IRRCDC23
 - Variable data: The string 'Error in R_PKIserv GENCERT attempting to call RACDCERT subroutine. Unexpected return code'
 - Additional variable data: The first 942 bytes of the RACDCERT internal work area
- Error calling RACROUTE REQUEST=EXTRACT to retrieve the PGMRNAME field from the USER profile
 - Service name: RACXTRT
 - Variable data: The string 'Error in R_PKIserv GENCERT attempting to extract PGMRNAME field to build Common Name'
 - Additional variable data: The user ID

R_PKIserv (CSECT IRRRPX04)

- Error calling RACROUTE REQUEST=AUTH to determine the caller's access to a FACILITY class profile
 - Service name: RACHECK
 - Variable data: The string 'Error in R_PKIserv EXPORT attempting to check the caller's authority to the service'
 - Additional variable data: The FACILITY class profile name, the ACEE address, and the user ID from the ACEE
- Unexpected return code from RACDCERT internal subroutine IRRCDC25
 - Service name: IRRCDC25
 - Variable data: The string 'Error in R_PKIserv EXPORT attempting to call RACDCERT subroutine. Unexpected return code'

- Additional variable data: The first 942 bytes of the RACDCERT internal work area

R_PKIserv (CSECT IRRRPX06)

- Error calling RACROUTE REQUEST=AUTH to determine the caller's access to a FACILITY class profile
 - Service name: RACHECK
 - Variable data: The string 'Error in R_PKIserv GENCERT attempting to check the caller's authority to the service'
 - Additional variable data: The FACILITY class profile name, the ACEE address, and the user ID from the ACEE
- Unexpected return code from RACDCERT internal subroutine IRRCDC27
 - Service name: IRRCDC27
 - Variable data: The string 'Error in R_PKIserv GENCERT attempting to call RACDCERT subroutine. Unexpected return code'
 - Additional variable data: The first 942 bytes of the RACDCERT internal work area
- Error calling RACROUTE REQUEST=EXTRACT to retrieve the PGMRNAME field from the USER profile
 - Service name: RACXTRT
 - Variable data: The string 'Error in R_PKIserv GENCERT attempting to extract PGMRNAME field to build Common Name'
 - Additional variable data: The user ID
- Error calling MVS Name/Token Service
 - Service name: IEANTRT
 - Variable data: The string 'Name/Token service failed'
 - Additional variable data: The first 942 bytes of the RACDCERT internal work area
- Error on PC to PKI Services
 - Service name: PKIGENC
 - Variable data: The string 'PKI Services Failed for function GENCERT'
 - Additional variable data: Additional information word returned from PKI Services (register 1) followed by the parameter list used on the PC

R_PKIserv (CSECT IRRRPX07)

- Error calling RACROUTE REQUEST=AUTH to determine the caller's access to a FACILITY class profile
 - Service name: RACHECK
 - Variable data: The string 'Error in R_PKIserv EXPORT attempting to check the caller's authority to the service'
 - Additional variable data: The FACILITY class profile name, the ACEE address, and the user ID from the ACEE
- Error calling IRRCDC67 to find parent CERTAUTH chain to input certificate and build PKCS7 package.
 - Service name: IRRCDC67
 - Variable data: The string 'Error in R_PKIServ EXPORT attempting to call RACDCERT subroutine. Unexpected return code.'
 - Additional variable data: RACDCERT failing module and service in form of diagnostic data from the RACDCERT internal work area:
 - 4 bytes - internal service code

Error recording

- 4 bytes - service return code
- 4 bytes - service reason code
- 8 bytes - RACF class name
- 8 bytes - RACF segment name
- 81 bytes - blank
- 8 bytes - csect name
- 71 bytes - diagnostic message text
- 4 bytes - RACF entity length
- 4 bytes - number of extracted fields
- 56 bytes - array of 8 byte field names (max 7 entries)
- 256 bytes - RACF entity name
- Error calling MVS Name/Token Service
 - Service name: IEANTRT
 - Variable data: The string 'Name/Token service failed'
 - Additional variable data: None
- Error on PC to PKI Services
 - Service name: PKIEXPT
 - Variable data: The string 'PKI Services Failed for function EXPORT'
 - Additional variable data: Additional information word returned from PKI Services (register 1) followed by the parameter list used on the PC

R_PKIserv (CSECT IRRRPX08)

- Error calling MVS Name/Token Service
 - Service name: IEANTRT
 - Variable data: The string 'Name/Token service failed'
 - Additional variable data: None
- Error on PC to PKI Services
 - Service name: PKIQRYR or PKIQRYC
 - Variable data: The string 'PKI Services Failed for function {QUERYREQS | QUERCERTS}'
 - Additional variable data: Additional information word returned from PKI Services (register 1) followed by the parameter list used on the PC

R_PKIserv (CSECT IRRRPX10)

- Error calling MVS Name/Token Service
 - Service name: IEANTRT
 - Variable data: The string 'Name/Token service failed'
 - Additional variable data: None
- Error on PC to PKI Services
 - Service name: PKICRTR or PKICRTD
 - Variable data: The string 'PKI Services Failed for function {REQDETAILS | CERTDETAILS}'
 - Additional variable data: Additional information word returned from PKI Services (register 1) followed by the parameter list used on the PC

R_PKIserv (CSECT IRRRPX12)

- Error on PC to PKI Services
 - Service name: PKIMODR or PKIMODC

- Variable data: The string 'PKI Services Failed for function {MODIFYREQS | MODIFYCERTS}'
- Additional variable data: Additional information word returned from PKI Services (register 1) followed by the parameter list used on the PC
- Error calling MVS Name/Token Service
 - Service name: IEANTRT
 - Variable data: The string 'Name/Token service failed'
 - Additional variable data: None

R_PKIserv (CSECT IRRRPX13)

- Error calling RACROUTE REQUEST=AUTH to determine the caller's access to a FACILITY class profile
 - Service name: RACHECK
 - Variable data: The string 'Error in R_PKIServ VERIFY attempting to check the caller's authority to the service'
 - Additional variable data: The FACILITY class profile name, the ACEE address, and the user ID from the ACEE
- Error calling MVS Name/Token Service
 - Service name: IEANTRT
 - Variable data: The string 'Name/Token service failed'
 - Additional variable data: None
- Error on PC to PKI Services
 - Service name: PKIVERF
 - Variable data: The string 'PKI Services Failed for function VERIFY'
 - Additional variable data: Additional information word returned from PKI Services (register 1) followed by the parameter list used on the PC

R_PKIserv (CSECT IRRRPX14)

- Error calling RACROUTE REQUEST=AUTH to determine the caller's access to a FACILITY class profile
 - Service name: RACHECK
 - Variable data: The string 'Error in R_PKIServ REVOKE attempting to check the caller's authority to the service'
 - Additional variable data: The FACILITY class profile name, the ACEE address, and the user ID from the ACEE
- Error calling MVS Name/Token Service
 - Service name: IEANTRT
 - Variable data: The string 'Name/Token service failed'
 - Additional variable data: None
- Error on PC to PKI Services
 - Service name: PKIREVOKE
 - Variable data: The string 'PKI Services Failed for function REVOKE'
 - Additional variable data: Additional information word returned from PKI Services (register 1) followed by the parameter list used on the PC

R_PKIserv (CSECT IRRRPX15)

- Error calling RACROUTE REQUEST=AUTH to determine the caller's access to a FACILITY class profile
 - Service name: RACHECK

Error recording

- Variable data: The string 'Error in R_PKIServ RENEW attempting to check the caller's authority to the service'
- Additional variable data: The FACILITY class profile name, the ACEE address, and the user ID from the ACEE
- Error on PC to PKI Services
 - Service name: PKIRENW
 - Variable data: The string 'PKI Services Failed for function RENEW'
 - Additional variable data: Additional information word returned from PKI Services (register 1) followed by the parameter list used on the PC
- Error calling MVS Name/Token Service
 - Service name: IEANTRT
 - Variable data: The string 'Name/Token service failed'
 - Additional variable data: None

R_PKIServ (CSECT IRRRPX18)

- Error calling RACROUTE REQUEST=AUTH to determine the caller's access to a FACILITY class profile
 - Service name: RACHECK
 - Variable data: The string 'Error in R_PKIServ RESPOND attempting to check the caller's authority to the service'
 - The FACILITY class profile name, the ACEE address, the user ID from the ACEE
- Error calling MVS Name/Token Service
 - Service name: IEANTRT
 - Variable data: The string 'Name/Token Service, IEANTRT, failed'
 - Additional variable data: None
- Error on PC to PKI Services
 - Service name: R_PKIServ RESPOND
 - Variable data: The string 'PKI Services failed for function RESPOND'
 - Additional variable data: Additional information word returned from PKI Services (register 1) followed by the parameter list used on the PC.

R_PKIServ (CSECT IRRRPX20)

- Error calling RACROUTE REQUEST=AUTH to determine the caller's access to a FACILITY class profile
 - Service name: RACHECK
 - Variable data: The string 'Error in R_PKIServ SCEPREQ attempting to check the caller's authority to the service'
 - Additional variable data: The FACILITY class profile name, the ACEE address, the user ID from the ACEE
- Error calling MVS Name/Token Service
 - Service name: IEANTRT
 - Variable data: The string 'Name/Token Service, IEANTRT, failed'
 - Additional variable data: None
- Error on PC to PKI Services
 - Service name: R_PKIServ PKISCEP
 - Variable data: The string 'PKI Services failed for function SCEPREQ'
 - Additional variable data: Additional information word returned from PKI Services (register 1) followed by the parameter list used on the PC.

R_PKIserv (CSECT IRRRPX22)

- Error calling MVS Name/Token Service
 - Service name: IEANTRT
 - Variable data: The string 'Name/Token Service, IEANTRT, failed'
 - Additional variable data: None
- Error on PC to PKI Services
 - Service name: R_PKIServ PKIPREG
 - Variable data: The string 'PKI Services failed for function PREREGISTER'
 - Additional variable data: Additional information word returned from PKI Services (register 1) followed by the parameter list used on the PC.

R_PKIserv (CSECT IRRRPX24)

- Error calling RACROUTE REQUEST=AUTH to determine the caller's access to a FACILITY class profile
 - Service name: RACHECK
 - Variable data: The string 'Error in R_PKIserv QRECOVER attempting to check the caller's authority to the service'
 - Additional variable data: The FACILITY class profile name, the ACEE address, and the user ID from the ACEE
- Error calling MVS Name/Token Service
 - Service name: IEANTRT Error recording
 - Variable data: The string 'Name/Token service failed'
 - Additional variable data: None
- Error on PC to PKI Services
 - Service name: PKIQREC
 - Variable data: The string 'PKI Services Failed for function QRECOVER'
 - Additional variable data: Additional information word returned from PKI Services (register 1), followed by the parameter list used on the PC

R_PgmSignVer (CSECT IRRSPS00)

- Error with range
 - Service name: IRRRPS00
 - Variable data: Too many ranges
 - Primary symptom string return code: Index of invalid range
 - Secondary symptom string reason code: 0
- Error with end address
 - Service name: IRRRPS00
 - Variable data: End Address before start
 - Start: 0Xaaaaaaaa aaaaaaaa
 - End: 0Xbbbbbbbb bbbbbbbb"
 - Aaaaaaa aaaaaaaa=start address
 - Bbbbbbbb bbbbbbbb = end address
 - Primary symptom string return code: Index of invalid range
 - Secondary symptom string reason code: 0
- Extract error
 - Service name: SIGINIT
 - Variable data: Extract error:

Error recording

0xaaaaaaaa
0xbbbbbbbb
0xcccccccc

- Aaaaaaaaa=SAFRC
- Bbbbbbbb=RACFRC
- Cccccccc=RACFRSN

Primary symptom string return code: RACROUTE return code

Secondary symptom string reason code: RACROUTE reason code

- Error with APPLDATA algorithm
 - Service name: SIGINIT
 - Variable data: APPLDATA invalid algorithm: alg
 - Alg=What was specified in appldata
 - Primary symptom string return code: 0
 - Secondary symptom string reason code: 0
- Error locating APPLDATA in profile
 - Service name: SIGINIT
 - Variable data: APPLDATA not found in profile
 - Primary symptom string return code: 0
 - Secondary symptom string reason code: 0
- APPLDATA error with leading/trailing blanks
 - Service name: SIGINIT
 - Variable data: APPLDATA: Leading/Trailing blank encountered
 - Primary symptom string return code: Variable 'I' – Index of first blank in appldata
 - Secondary symptom string reason code: 0
- Error with APPLDATA algorithm name
 - Service name: SIGINIT
 - Variable data: APPLDATA: algorithm name too long
 - Primary symptom string return code: Variable 'I' – Index of first blank in appldata
 - Secondary symptom string reason code: 0
- RING error, ID too long
 - Service name: SIGINIT
 - Variable data: RING: / not found or ID too long
 - Primary symptom string return code: Variable 'I', index of '/'
 - Secondary symptom string reason code: Variable 'j' Index of ''
- RING error, name too long
 - Service name: SIGINIT
 - Variable data: RING: Name too long or not specified
 - Primary symptom string return code: Variable 'I', index of '/'
 - Secondary symptom string reason code: Variable 'j' Index of ''
- Key error in default certificate
 - Service name: SIGINIT
 - Variable data: No Private Key in default certificate
 - Primary symptom string return code: Number of certificates in ring
 - Secondary symptom string reason code: Index of default certificate in ring

- Error with key analysis
 - Service name: SIGINIT
 - Variable data: Key analysis error
 - Primary symptom string return code: RC from analysisKey() routine
 - Secondary symptom string reason code: 0
- Error with number of certificates in ring
 - Service name: SIGINIT
 - Variable data: Too many certificates in ring
 - Primary symptom string return code: Number of certificates in ring
 - Secondary symptom string reason code: 0
- Error with ring default certificate
 - Service name: SIGINIT
 - Variable data: No default certificate found in ring
 - Primary symptom string return code: 0
 - Secondary symptom string reason code: 0
- Error with certificate ordering
 - Service name: SIGINIT
 - Variable data: Certificate ordering error
 - Primary symptom string return code: RC from OrderPKCS7CA
 - Secondary symptom string reason code: 0
- Error with trust chain length
 - Service name: SIGINIT
 - Variable data: Trust chain too long
 - Primary symptom string return code: Number of items in trust chain
 - Secondary symptom string reason code: 0
- Error with R_datalib
 - Service name: SIGINIT
 - Variable data: R_datalib error:
Function Code X,
RC=0Xaaaaaaaa 0Xbbbbbbbb 0Xcccccccc
 - Primary symptom string return code: R_datalib Function code
 - Secondary symptom string reason code: R_datalib SAFRC
- Digest failure error
 - Service name: IRRRPS21
 - Variable data: Digest failure
 - Primary symptom string return code: 0
 - Secondary symptom string reason code: 0
- Digest failure 2 error
 - Service name: IRRRPS21
 - Variable data: Digest failure 2
 - Primary symptom string return code: 0
 - Secondary symptom string reason code: 0
- Number of ranges error
 - Service name: IRRRPS21
 - Variable data: Too many ranges

Error recording

- Primary symptom string return code: # specified ranges
- Secondary symptom string reason code: 0
- Error with end address
 - Service name: IRRRPS21
 - Variable data: End address before start:
Start: 0Xaaaaaaaa aaaaaaa
End: 0Xbbbbbbbb bbbbbbb"
 - Aaaaaaa aaaaaaa=start address
 - Bbbbbbbb bbbbbbbb = end address
 - Primary symptom string return code: Failing range index
 - Secondary symptom string reason code: 0
- Context error
 - Service name: IRRRPS21
 - Variable data: New context
 - Primary symptom string return code: CLiC rc
 - Secondary symptom string reason code: 0
- New digest error
 - Service name: IRRRPS21
 - Variable data: New digest
 - Primary symptom string return code: CLiC rc
 - Secondary symptom string reason code: 0
- Digest update error
 - Service name: IRRRPS21
 - Variable data: Digest update
 - Primary symptom string return code: CLiC rc
 - Secondary symptom string reason code: 0
- Digest update 2 error
 - Service name: IRRRPS21
 - Variable data: Digest update 2
 - Primary symptom string return code: CLiC rc
 - Secondary symptom string reason code: 0
- New context error
 - Service name: IRRRPS31
 - Variable data: New context
 - Primary symptom string return code: CLiC rc
 - Secondary symptom string reason code: 0
- Pk service error
 - Service name: IRRRPS31
 - Variable data: Pk service
 - Primary symptom string return code: CLiC rc
 - Secondary symptom string reason code: 0
- Rsa sign error
 - Service name: IRRRPS31
 - Variable data: Rsa sign
 - Primary symptom string return code: CLiC rc

- Secondary symptom string reason code: 0
- Rsa verify error
 - Service name: IRRRPS31
 - Variable data: Rsa verify
 - Primary symptom string return code: CLiC rc
 - Secondary symptom string reason code: 0
- Decode failure 1 error
 - Service name: IRRRPS51
 - Variable data: Decode Failure 1
 - Primary symptom string return code: RC from decodeSimple()
 - Secondary symptom string reason code: 0
- Decode failure 2 error
 - Service name: IRRRPS51
 - Variable data: Decode Failure 2
 - aaaaaaaa bbbbbbbb cccccccc dddddddd
 - eeeeeeee ffffffff gggggggg hhhhhhhh iiiiiiiii
 - Primary symptom string return code: 0
 - Secondary symptom string reason code: 0
- Decode failure 3 error
 - Service name: IRRRPS51
 - Variable data: Decode Failure 3 (hex data)
 - Primary symptom string return code: 0
 - Secondary symptom string reason code: 0
- Decode failure 4 error
 - Service name: IRRRPS51
 - Variable data: Decode failure 4
 - Primary symptom string return code: RC from DecodeSimple
 - Secondary symptom string reason code: 0
- Decode failure 5 error
 - Service name: IRRRPS51
 - Variable data: Decode failure 5
 - Primary symptom string return code: RC from analysiskey()
 - Secondary symptom string reason code: 0
- Decode failure 6 error
 - Service name: IRRRPS51
 - Variable data: Decode failure 6
 - Primary symptom string return code: Value of variable seqCount should be 5
 - Secondary symptom string reason code: 0
- Error with signature algorithm
 - Service name: VERFINAL
 - Variable data: Unsupported signature algorithm
 - Primary symptom string return code: Value of CxSignAlg
 - Secondary symptom string reason code: 0
- APPLDATA format error

Error recording

- Service name: VERFINAL
- Variable data: Appldata format error:
aaaaa
- Primary symptom string return code: Variable BlankPos: Index of ' ' in Appldata
- Secondary symptom string reason code: Variable DelimPos: index of '/' in ApplData
- Extract error
 - Service name: VERFINAL
 - Variable data: Extract Error:
0xaaaaaaaa
0xbbbbbbbb
0xcccccccc
 - Aaaaaaaa=safrc
 - Bbbbbbbb=racrc
 - Cccccccc=racfrsn
 - Primary symptom string return code: RACROUTE
 - Secondary symptom string reason code: RACROUTE
- Decode X509 error
 - Service name: VERFINAL
 - Variable data: Decode X509 error
 - Primary symptom string return code: RC from Decode X509
 - Secondary symptom string reason code: Certificate number (I loop index)
- SetCertificate error
 - Service name: VERFINAL
 - Variable data: SetCertificate Error
 - Primary symptom string return code: RC from SetCertificate
 - Secondary symptom string reason code: Certificate number
- R_datalib error
 - Service name: VERFINAL
 - Variable data: R_datalib error:
Function code aaaaaaaa,
RC=0xbbbbbbbb 0xcccccccc 0xdddddddd
 - Aaaaaaaa=r_datalib func code
 - Bbbbbbbb=saf RC from r_datalib
 - Cccccccc=RACFRC from r_datalib
 - Dddddddd=RACFRsn from r_datalib
 - Primary symptom string return code: R_datalib function code
 - Secondary symptom string reason code: R_datalib RC

R_proxyserv (CSECT IRRRPY00)

- Name/token service failure
 - Service name: IEANTRT
 - Variable data: The string "Name/token service failure"
 - Additional variable data: The name for the requested token

R_proxyserv (CSECT IRRRPY01 and IRRRPY02)

- Error response from LDAP

- Service name: LDAP
- Variable data: Up to 100 bytes of the LDAP error message
- LDAP message response decoding failure
 - Service name: LDAPMSG
 - Variable data: One of the following strings –
 - "Error in LDAP message – Incorrect ASN.1 syntax"
 - "Error in LDAP message – Expected field not found"
 - "Error in LDAP message – Unsupported character set detected"
 - Additional variable data: Up to 1024 bytes of the returned LDAP message

R_proxyserv (CSECT IRRCP01)

- Extract KEYSMSTR key failure
 - Service name: ICHEINTY
 - Variable data: the class and profile name
- ICSF CSNBENC callable service failure
 - Service name: CSNBENC
 - Variable data: the RACF user ID
- ICSF CSNBDEC callable service failure
 - Service name: CSNBDEC
 - Variable data: the RACF user ID

R_admin (CSECT IRRREQ00)

- The R_admin callable service uses the RACF subsystem address space. RACF command images generated by the callable service or by the caller are passed to the RACF subsystem for execution by invoking the internal macro IRRREQ. The IRRREQ macro uses the IEFSSREQ macro to communicate with the RACF subsystem.

In this environment the following errors could occur:

- IRRREQ is unable to communicate with the RACF subsystem (for example, the RACF subsystem is not started).
- IRRREQ is able to communicate with the RACF subsystem, but the RACF command fails in the RACF subsystem (for example, an ADDUSER command specifying a class that is not valid).
- The R_admin callable service differentiates between these two errors. For the first error, the callable service returns a SAF return code of 8, a RACF return code of 12, and a RACF reason code set equal to the return code from IEFSSREQ. For the second error, the callable service returns a SAF return code of 8, a RACF return code of 16, and a RACF reason code set equal to the return code returned from the command's execution in the RACF subsystem. Additionally, the R_admin callable service writes symptom records to SYS1.LOGREC for the errors. The symptom records contain the following information:
 - Primary symptom string:
 - Component identifier (PIDS) - 5752XXH00
 - 1st return code (PRCS) - RACF return code from the callable service
 - 2nd return code (PRCS) - RACF reason code from the callable service
 - Csect routine identifier (RIDS) - IRRREQ00
 - Loadmod routine identifier (RIDS) - IRRRFR10#L
 - Secondary symptom string:

Error recording

- Storage address (ADRS) - Error offset into IRRREQ00
- Free format component information: Specific to the error

For the first error (unable to communicate with the RACF subsystem), RACF records the following additional information in the free format area:

Offset	Length	Description
0	1	R_admin callable service function requested
1	4	Address of the command image to be executed
5	2	Length of the command image to be executed

Figure 64 on page 229 shows an example of a symptom record created when the R_admin callable service is unable to communicate with the RACF subsystem.

```

TYPE: SYMPTOM RECORD  REPORT: SOFTWARE EDIT REPORT  DAY YEAR
                                REPORT DATE: 348 96
SCP:  VS 2 REL 3          ERROR DATE: 348 96
                                MODEL: 4381          HH MM SS.TH
                                SERIAL: 111606       TIME: 15:24:51.20
SEARCH ARGUMENT ABSTRACT:
  PIDS/5752XXH00 PRCS/0000000C PRCS/00000004 RIDS/IRRREQ00
  RIDS/IRRRFR10#L

SYSTEM ENVIRONMENT:
  CPU MODEL: 4381          DATE: 348 96
  CPU SERIAL: 111606      TIME: 15:24:51.20
  SYSTEM:  NODE1          BCP:  MVS
  RELEASE LEVEL OF SERVICE ROUTINE:  JBB6604
  SYSTEM DATA AT ARCHITECTURE LEVEL:  10
  COMPONENT DATA AT ARCHITECTURE LEVEL: 10
  SYSTEM DATA: 00000000 00000000 |.....|

COMPONENT INFORMATION:
  COMPONENT ID:           5752XXH00
  COMPONENT RELEASE LEVEL: 240
  SERVICE RELEASE LEVEL:  HRF2240
  DESCRIPTION OF FUNCTION: RACF z/OS UNIX SYSTEM CALLABLE SERV.
  PROBLEM ID:            IRRREQ

PRIMARY SYMPTOM STRING:
  PIDS/5752XXH00 PRCS/0000000C PRCS/00000004 RIDS/IRRREQ00
  RIDS/IRRRFR10#L

  SYMPTOM          SYMPTOM DATA      EXPLANATION
  -----          -
  PIDS/5752XXH00  5752XXH00      COMPONENT IDENTIFIER
  PRCS/0000000C  0000000C      RETURN CODE
  PRCS/00000004  00000004      RETURN CODE
  RIDS/IRRREQ00  IRRREQ00      ROUTINE IDENTIFIER
  RIDS/IRRRFR10#L IRRRFR10#L    ROUTINE IDENTIFIER

SECONDARY SYMPTOM STRING:
  ADRS/00000734

  SYMPTOM          SYMPTOM DATA      EXPLANATION
  -----          -
  ADRS/00000734  00000734      STORAGE ADDRESS

FREE FORMAT COMPONENT INFORMATION:
  KEY = F000      LENGTH = 000100 (0064)
+000  0204803C  A2000D40  40404040  40404040  |....S..  |
+010  LENGTH(0080) ==> ALL BYTES CONTAIN X'40'.
+060  40404040  |          |

```

Figure 64. An example of a symptom record when the callable service cannot communicate with RACF

The IRRREQ (IEFSSREQ) return code is 4. Looking at the free format component information, the first byte has a value of X'02', indicating this was an ADMN_DEL_USER request. The next 4 bytes contain the address of the generated command image (X'04803CA2'). The sixth and seventh bytes contain the two byte length of the generated command image (X'000D').

For the second error (execution of the RACF command failed), the main intent of the symptom record is to capture the command image that was executed, because it might not be available elsewhere. Therefore, to limit the amount of user error information written to SYS1.LOGREC, RACF does not write symptom records for ADMN_RUN_COMD requests that fail. RACF also does not write symptom records for ADMN_ADD_USER requests where the RACF user ID exists and ADMN_DEL_USER requests where the

Error recording

RACF user ID does not exist. For the cases where RACF does write a symptom record, the following additional information is recorded in the free format area:

- First X'64' byte area—Command message output (if any). This is the first message text string only and is truncated if it exceeds X'64' bytes in length.
- Next four X'100' byte areas—A copy of the command image that was executed. The command image is truncated if it exceeds 1024 (decimal) bytes in length.

You can trace the R_admin callable service to obtain information not included in the symptom records. For information about tracing, see “Tracing the R_admin callable service” on page 52.

Figure 65 on page 231 shows an example of a symptom record created when the R_admin callable service is able to communicate with the RACF subsystem, but the command fails.


```

TYPE: SYMPTOM RECORD      REPORT: SOFTWARE EDIT REPORT DAY YEAR
                           REPORT DATE:    014 97
SCP:  VS 2 REL 3         ERROR DATE:     014 97
                           MODEL: 4381    HH MM SS.TH
                           SERIAL: 111606  TIME: 10:24:10.11

SEARCH ARGUMENT ABSTRACT:
  PIDS/5752XXH00 PRCS/00000010 PRCS/00000008 RIDS/IRRREQ00
  RIDS/IRRRFR10#L
  SYSTEM ENVIRONMENT:
  CPU MODEL: 4381          DATE: 014 97
  CPU SERIAL: 111606       TIME: 10:24:10.11
  SYSTEM:  NODE1          BCP:  MVS
  RELEASE LEVEL OF SERVICE ROUTINE:  JBB6604
  SYSTEM DATA AT ARCHITECTURE LEVEL:  10
  COMPONENT DATA AT ARCHITECTURE LEVEL: 10
  SYSTEM DATA: 00000000 00000000  |.....|

COMPONENT INFORMATION:
  COMPONENT ID:           5752XXH00
  COMPONENT RELEASE LEVEL: 240
  SERVICE RELEASE LEVEL:  HRF2240
  DESCRIPTION OF FUNCTION: RACF z/OS UNIX SYSTEM CALLABLE SERV.
  PROBLEM ID:            IRRREQ
  PRIMARY SYMPTOM STRING:
  PIDS/5752XXH00 PRCS/00000010 PRCS/00000008 RIDS/IRRREQ00
  RIDS/IRRRFR10#L

  SYMPTOM                SYMPTOM DATA    EXPLANATION
  -----                -
  PIDS/5752XXH00         5752XXH00    COMPONENT IDENTIFIER
  PRCS/00000010         00000010    RETURN CODE
  PRCS/00000008         00000008    RETURN CODE
  RIDS/IRRREQ00         IRRREQ00    ROUTINE IDENTIFIER
  RIDS/IRRRFR10#L      IRRRFR10#L  ROUTINE IDENTIFIER
  SECONDARY SYMPTOM STRING:
  ADRS/00000748

  SYMPTOM                SYMPTOM DATA    EXPLANATION
  -----                -
  ADRS/00000748         00000748    STORAGE ADDRESS

FREE FORMAT COMPONENT INFORMATION:
KEY = F000    LENGTH = 000100 (0064)
+000  C9D2D1F5    F6F7F0F2    C940C9D5    E5C1D3C9    |IKJ56702I INVALI
+010  C440C3D3    C1E2E240    D5C1D4C5    6B40C2C1    |D CLASS NAME, BA
+020  C4C3D3C1    E2E24040    40404040    40404040    |DCLASS
+030  LENGTH(0048) ==> ALL BYTES CONTAIN X'40'.
+060  40404040

KEY = F000    LENGTH = 000256 (0100)
+000  C1C4C4E4    E2C5D940    C7E4D4C2    E8404040    |ADDUSER GUMBY
+010  4040D5C1    D4C54040    40404040    40404D7D    |NAME ('
+020  D1968895    40D84B40    C7A49482    A87D5D40    |JOHN Q. GUMBY')
+030  404040C3    D3C1E4E3    C8404040    4040404D    |CLAUTH (
+040  82818483    9381A2A2    5D40D7C1    E2E2E6D6    |BADCLASS) PASSWO
+050  D9C44040    40404DA7    A7A75D40    C1C4C4C3    |RD (XXX) ADDC
+060  C1E3C5C7    D6D9E840    4040404D    8381A3F1    |ATEGORY (CAT1
+070  5D404040    40404040    40404040    40404040    |)
+080  LENGTH(0128) ==> ALL BYTES CONTAIN X'40'.

```

Figure 65. An example of a symptom record when a command fails

In this example, the RACF subsystem return code is 8. In the free format component information, the first X'64' byte area contains the diagnostic message ("IKJ56702I INVALID CLASS NAME, BADCLASS") produced by executing the command image. The next four X'100' areas (only 1 in this

case) contain the command image itself (ADDUSER GUMBY NAME('JOHN Q. GUMBY') CLAUTH(BADCLASS) PASSWORD(XXX) ADDCATEGORY(CAT1)). Note that the actual password value is not recorded.

Control block overviews for RACF

This presents the links between control blocks that can be useful when diagnosing problems related to RACF.

RCVT and SAF router vector table

ACEE and related control blocks

The first time a RACROUTE REQUEST=VERIFY is issued for an address space, there is only one ACEE (accessor environment element), and it is pointed to by the ASXB (see Figure 66).

For any subsequent task in the address space (multiple users), the following cases could occur:

- A table of pointers to ACEEs is set up in the address space. This occurs for CICS (Customer Information Control System) or IMS (Information Management System) address spaces.
- Another ACEE is created when the VERIFY request is issued. This ACEE is pointed to only by the TCB for that task. See Figure 67.
- When a third-party AUTH request is used (USERID was specified on the RACROUTE REQUEST=AUTH), the ACEE is pointed to by an existing ACEE. See Figure 68 on page 233.

For more information about how ACEEs are created and which ACEE is used, see *z/OS Security Server RACF System Programmer's Guide*.

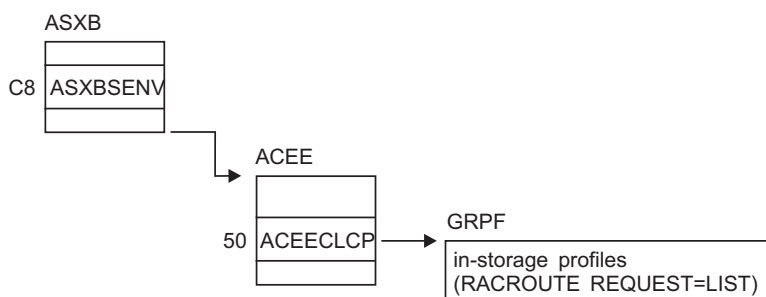


Figure 66. Control block overview: ACEE in a single-user address space

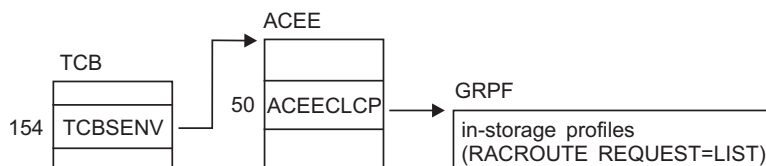


Figure 67. Control block overview: ACEE in a multiple-user address space

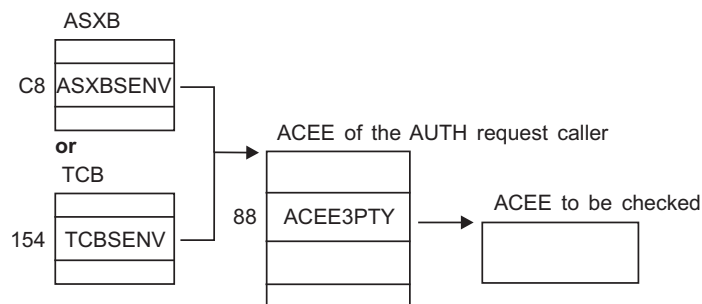


Figure 68. Control block overview: ACEEs when third-party AUTH request is used

SVC dump title descriptions

This describes the SVC (supervisor call instruction) dumps generated by RACF recovery routines.

SVC failure (ICHRST00)

This SVC dump issued by RACF has the form:

ICHRST00-RACF SVCS, ABEND CODE=*sss-rrr*, SVC=*svcname*, USER=RACF *user ID* or *job name*, GROUP=RACF *group ID* or *step name*[, EXIT= *csectname*]

Component:

Resource Access Control Facility (RACF), 5752-XXH00

Issuing Module:

ICHRST00-ESTAE

Explanation:

An abend occurred during processing of one of the RACF SVCs or during processing of the GENLIST or RACLIST operand of the SETROPTS command. The values in the system dump title are:

sss

System completion code (abend code), in hexadecimal.

rrr

Reason code associated with the system completion code (described in *z/OS Security Server RACF Data Areas*).

svcname

Name of the RACF routine handling the SVC and issuing the abend.

RACF user ID or job name

If interactive, RACF user ID of user who encountered the problem.

If batch, then name of job that encountered the problem.

RACF group ID or step name

If interactive, RACF group of user who encountered the problem.

If batch, then name of step that encountered the problem.

csectname

Name of the CSECT that probably caused the error.

System Action:

The executing task is terminated. The areas dumped are PSA, RGN, LPA, TRT, CSA, and SQA.

SVC dump descriptions

Problem Determination:

1. Look for the EXIT shown in the dump title:
 - If the EXIT shown in the system dump title is an installation exit, the installation exit probably caused the error (for a description of installation exits, see *z/OS Security Server RACF System Programmer's Guide*). Debug the installation exit. You can use standard debugging methods to analyze the problem described in this system dump.
 - If the EXIT shown in the system dump title is an IBM routine, or if EXIT is missing from the system dump title, follow the remaining steps in this procedure.
2. Look for message ICH409I as issued for this system dump. See the message text for the following:
 - Abend code and reason code (must be the same as in the dump title)
 - RACF macro or SETROPTS command option (GENLIST or RACLIST) that was being processed
 - Whether parameter validation or other processing was being doneSee *z/OS Security Server RACF Messages and Codes* for an explanation of ICH409I and of the abend code (and its reason code, if supplied).
3. If ICH409I is unavailable, see *z/OS Security Server RACF Messages and Codes* for an explanation of the abend code (sss) and reason code (rrr) from the dump title.
4. If the explanation of the code does not help you solve the problem and the EXIT named in the system dump title is an IBM routine, see "Abend troubleshooting table" on page 9 for instructions on debugging the problem.

Other Problem Data Produced:

A software record is written to SYS1.LOGREC and includes:

SDWAMODN

Main CSECT (control section) name of SVC (supervisor call instruction)

SDWACSCT

Blanks or name of routine in control at time of error

SDWAREXN

ICHRST00 (recovery routine)

SDWAGR15

Reason code if the abend is a RACF abend

SDWACRC

Completion code

SDWACID

XXH00

SDWAEAS

1 if SDUMP is generated by ICHRST00

SDWAREQ

Zero if SDUMP is generated by ICHRST00

RACF initialization failure (ICHSEC02)

The form of this dump issued by RACF depends on the cause of the dump.

Component:

Resource Access Control Facility (RACF), 5752-XXH00

Issuing Module:

ICHSEC02-ESTAE

Explanation:

An abend occurred during RACF initialization processing. The areas dumped are SQA, CSA, NUC, and RGN.

Problem Determination:

1. See message ICH505A for the abend code that caused the system dump.
2. If message ICH529I was issued, an RVARV command failed.
3. See *z/OS Security Server RACF Messages and Codes* for an explanation of the abend code and the messages.
4. If the explanations in *z/OS Security Server RACF Messages and Codes* do not help you solve the problem, see "Abend troubleshooting table" on page 9 for instructions on debugging the problem.

Other Problem Data Produced:

A software record is written to SYS1.LOGREC and includes:

SDWAMODN

ICHSEC00 (module detecting the error)

SDWAREXN

ICHSEC02 (recovery routine)

SDWACID

XXH00

SDWACSCT

ICHSEC00

SDWAEAS

1 if SDUMP is generated by ICHSEC00

SDWAREQ

Zero if SDUMP is generated by ICHSEC00

RACLIST failure (IRRCOP10)

This dump issued by RACF has the form:

IRRCOP10-RACF RACLIST TO A DATA SPACE FAILED FOR CLASS=*classname*

Component:

Resource Access Control Facility (RACF), 5752-XXH00

Issuing Module:

IRRCOP10-Copy RACLISTed Class to a Data Space

Explanation:

One of the following failed when attempting to copy the in-storage profiles into a data space during RACF initialization:

- SETROPTS RACLIST
- SETROPTS RACLIST REFRESH
- RACROUTE REQUEST=LIST,GLOBAL=YES request
- RACLIST

SVC dump descriptions

System Action:

The RACLIST for *classname* failed. A dump was taken to help determine the cause of the problem. Areas dumped are CSA, LSQA, and the data space.

Problem Determination:

1. Determine the cause of the failure by checking the return and reason codes provided by:
 - Message ICH14058I for the SETROPTS RACLIST or SETROPTS RACLIST REFRESH cases
 - Message ICH546I for the RACLIST during initialization case
 - Message IRRL0002I for the RACROUTE REQUEST=LIST,GLOBAL=YES case
2. Use standard debugging methods to analyze the dump itself. To look at a data space with IPCS, you must know the name of the data space. The name of a data space obtained for RACLIST purposes is "IRRx`xxxx`", where `xxxx` is a hex number. The name of the data space in this dump can be obtained by an IPCS command, "listdump select". Simply scan the command's output for "DSPNAME" and use the resulting name and ASID to access the data space.

RACF COPY RACGLIST failure (IRRRLS12)

The form of this dump is:

```
IRRRLS12-RACF COPY RACGLIST classname_nnnnn PROFILES FOR  
CLASS=classname
```

Component:

Resource Access Control Facility (RACF), 5752-XXH00

Issuing Module:

IRRRLS12RACF RACGLIST to Data Space Routine

Explanation:

Problems were encountered while trying to read A RACGLIST *classname_nnnnn* profile in order to use the RACLIST results stored in those profiles to build the RACLIST data space for *classname*.

System Action:

In addition to taking this dump, RACF issues IRRL0000I, which identifies the specific profile and the manager return and reason codes for the failure. RACF proceeds to RACLIST *classname* by reading *classname*'s discrete and generic profiles from the database to build the RACLIST results, which are then copied to the RACLIST data space. Areas dumped are SQA, LSQA, PSA, RGN, LPA, TRT, CSA, and SUMDUMP.

Problem Determination:

1. Determine the cause of the failure by checking the return and reason codes provided by message IRRL0000I.
2. Use standard debugging methods to analyze the dump itself.

RACF CREATE RACGLIST failure (IRRRLS13)

The form of this dump is:

```
IRRRLS13RACF CREATE RACGLIST classname_nnnnn PROFILES FOR  
CLASS=classname
```

Component:

Resource Access Control Facility (RACF), 5752-XXH00

Issuing Module:

IRRRLS13RACF Data Space to RACGLIST Routine

Explanation:

Problems were encountered while trying to write a RACGLIST *classname_nnnnn* profile to the database after building a raclist data space while RACLISTing *classname*.

System Action:

In addition to taking this dump, RACF issues IRRL0000I, which identifies the specific profile and the manager return and reason codes for the failure. RACF attempts to delete all the RACGLIST *classname_nnnnn* profiles. The RACLIST operation successfully built the RACLIST data space for *classname*. Areas dumped are SQA, LSQA, PSA, RGN, LPA, TRT, CSA, and SUMDUMP.

Problem Determination:

1. Determine the cause of the failure by checking the return and reason codes provided by message IRRL0000I.
2. Use standard debugging methods to analyze the dump itself.

RACF DELETE RACGLIST failure (IRRRLS14)

The form of this dump is:

```
IRRRLS14RACF DELETE RACGLIST classname_nnnnn PROFILES FOR
CLASS=classname
```

Component:

Resource Access Control Facility (RACF), 5752-XXH00

Issuing Module:

IRRRLS14RACF Delete RACGLIST *classname_nnnnn*

Explanation:

Problems were encountered while trying to delete a RACGLIST *classname_nnnnn* profile from the database.

System Action:

In addition to taking this dump, RACF issues IRRL0000I, which identifies the specific profile and the manager return and reason codes for the failure. If the command being processed was RDELETE RACGLIST *classname*, RACF terminates command processing. If the command was one of the commands or requests causing RACF to RACLIST *classname*, the RACLIST succeeded, but RACGLIST *classname_nnnnn* was not updated. Areas dumped are SQA, LSQA, PSA, RGN, LPA, TRT, CSA, and SUMDUMP.

Problem Determination:

1. Determine the cause of the failure by checking the return and codes provided by message IRRL0000I.
2. Use standard debugging methods to analyze the dump itself.

RACF data space recovery failure (IRRRLS15)

The form of this dump is:

IRRRLS15RACF RACLIST TO A DATA SPACE RECOVERY FOR CLASS=*classname*

Component:

Resource Access Control Facility (RACF), 5752-XXH00

Issuing Module:

IRRRLS15RACF RACLIST to Data Space Recovery

Explanation:

One of the following abended while processing a data space:

- SETROPTS RACLIST
- SETROPTS RACLIST REFRESH
- RACLIST during initialization
- RACROUTE REQUEST=LIST, GLOBAL=YES

The ICHRST00 dump described on page "SVC failure (ICHRST00)" on page 233 is also taken. This dump provides the data space, which is not provided by the ICHRST00 dump.

System Action:

The command or request failed. A dump was taken to determine the cause of the problem. Areas dumped are CSA, LSQA, and the data space.

Problem Determination:

1. Analyze the ICHRST00 dump as described.
2. Use standard debugging methods to analyze this dump. To look at a data space with IPCS, you must know the name of the data space. The name of a data space obtained for RACLIST purposes is "IRRxxxx" where xxxxx is a hex number. The name of the data space in the dump can be obtained by an IPCS command, "listdump select". Simply scan the command's output for "DSPNAME" and use the resulting name and ASID to access the data space.

RACF subsystem failures (IRRSSC01, IRRSSS01, and IRRLOG00)

All dumps issued by the RACF subsystem have the form:

DUMP_TITLE=*uuuu subsystem,vvvvvvvv task,www yyyy module,zzzzzzz segment.*

The appropriate subsystem name, task name, abend code, module name, and segment name are all provided. The numbers following the module name give the compile date for that module.

An example of a RACF subsystem dump title is:

DUMP_TITLE=RACF Subsystem,IRRSSC00 task,0C1 abend,
IRRSSM04 92100 module,WAITECB segment.

Component:

RACF (5752-XXH00)

Issuing Modules:

IRRSSC01 IRRSSS01

Explanation:

The RACF subsystem issued dumps.

Problem Determination:

1. See *z/OS MVS System Codes* for an explanation of the abend code and the messages.
2. If the explanations in *z/OS MVS System Codes* do not help you solve the problem, see “Abend troubleshooting table” on page 9 for instructions on debugging the problem.
3. When the dump title identifies IRRLOG00 as the failing CSECT, there might be additional diagnostic information available in the SYSOUT and CEEDUMP DDs for the subsystem started task.

Persistent verification failures

Dumps issued by RACF for persistent verification support in RACF's subsystem have the form:

DUMP_TITLE=COMPON=RACF,COMPID=5752XXH00,ISSUER=IRRSGN06,
MODULE=mmmmmmmmmm,ABEND=S0xxx,REASON=yyyyyyyyyy

Component:

RACF (5752-XXH00)

Issuing Module:

mmmmmmmmmm

Explanation:

The RACROUTE REQ=SIGNON service issued a dump.

Problem Determination:

1. Look up the abend and reason code in *z/OS Security Server RACF Messages and Codes*.
2. Use standard debugging methods to analyze the dump.

RACF I/O failures

Dumps issued by the RACF manager when an I/O occurs while processing a RACHECK, RACINIT, RACDEF, or RACF command request have the form:

DUMP TITLE= ISSUER=IRRMER01-RACF SVCS, I/O ERROR,SVC=xxxxxxx,
USER=yyyyyyyyy ,GROUP=zzzzzzzz

where:

xxxxxxx

is the SVC name

yyyyyyyy

is the RACF user's name from the ACEE or job name.

zzzzzzzz

is the RACF user's group name from the ACEE or step name.

An example of a RACF I/O dump title is:

DUMP TITLE= ISSUER=IRRMER01-RACF SVCS, I/O ERROR,SVC=ICHRSV00,
USER=IBMUSER ,GROUP=SYS1

Component:

RACF (5752-XXH00)

Issuing Modules:

IRRMER01

SVC dump descriptions

Explanation:

An I/O error occurred and RACF issued a Sdump.

RACF index block error

In some cases where message IRR407I is issued, a DAE suppressible dump might be provided as a problem determination aid. This can occur during SVC 132 processing.

DUMP TITLE=COMPON=RACF,COMPID=5752XXH00,ISSUER=ICHRSV00,
MODULE=IRRMLO00,MANAGER RC=4C,RBA=xxxxxxxxxxx

where:

xxxxxxxxxxx

is the RBA of the index block (which is not valid) that produced message IRR407I.

An example of a RACF Index Block error dump title is:

DUMP TITLE=COMPON=RACF,COMPID=5752XXH00,ISSUER=ICHRSV00,
MODULE=IRRMLO00,MANAGER RC=4C,RBA=000000001000

Component:

RACF (5752-XXH00)

Issuing Modules:

ICHRSV00

Explanation:

ICHRSV00 takes a DAE suppressible dump in cases where the RACF manager detects an index block that is not valid. In some cases this error occurs because of storage overlay. This dump captures information that might be helpful in debugging the overlay. IRRMLO00 is the RACF manager routine that determines whether conditions exist that call for this dump to be taken.

Dump title description for Callable Services

The following dump title is displayed on the MVS console when a RACF module used for processing a SAF callable service abends:

DUMP_TITLE=ISSUER=csect,COMPID=5752-
XXH00,COMPON=RACF,CSECT=aaaaaaaa, LVL=bbbbbbb,ABEND=sss-
rrr,USR=ccccccc

Where:

csect is the name of the csect that issued the dump, either IRRRCOMR or IRRRCHD7

aaaaaaaa

is the name of the RACF module that abended

bbbbbbb

is the product fmid (that is, HRF7706)

sss is the system completion code (abend code), in hexadecimal

rrr is the reason code associated with the system completion code

ccccccc

is the user's name from the RACF ACEE

When the module abends, the executing task is terminated. The areas dumped are RGN, SQA, TRT, and SUM.

Dump titles for the RACF/DB2 external security module

Restriction

This topic contains information about using RACF with DB2® Version 7, and earlier DB2 versions. For information about using RACF with DB2 Version 8, and later DB2 versions, see IBM Information Management Software for z/OS Solutions Information Center at <http://publib.boulder.ibm.com/infocenter/dzichelp/v2r2/index.jsp>.

The RACF/DB2 external security module generates the following dump titles:

```
COMPON=RACF,COMPID=5752XXH00,ISSUER=DSNX@FRR,MODULE=IRR@XACS,
ABEND=S0sss,REASON=NONE,L=zzzzzzzz
```

```
COMPON=RACF,COMPID=5752XXH00,ISSUER=DSNX@FRR,MODULE=IRR@XACS,
ABEND=S0sss,REASON=aaaaaaaa,L=zzzzzzzz
```

```
COMPON=RACF,COMPID=5752XXH00,ISSUER=DSNX@FRR,MODULE=IRR@XACS,
ABEND=Uuuuu,REASON=NONE,L=zzzzzzzz
```

```
COMPON=RACF,COMPID=5752XXH00,ISSUER=DSNX@FRR,MODULE=IRR@XACS,
ABEND=Uuuuu,REASON=aaaaaaaa,L=zzzzzzzz
```

where:

sss is the system abend code

uuuu is the user abend code

aaaaaaaa

is the abend reason code

zzzzzzzz

is the module length

RACF/DB2 external security module diagnostic information

The RACF/DB2 external security module returns a parameter, XAPLDIAG, that DB2 and other licensed programs can use to trap and obtain diagnostic information. When the RACF/DB2 external security module issues a RACROUTE REQUEST=FASTAUTH check that fails to grant access, the module records the failing SAF return code, RACF return code, and RACF reason code in XAPLDIAG. Each invocation of the RACF/DB2 external security module can issue multiple RACROUTE REQUEST=FASTAUTH macros, but the module can return only a single return code. However, the DB2 V8 external security module can store up to 20 sets of return codes from failing RACROUTE REQUEST=FASTAUTH macros in XAPLDIAG, allowing the results of a specific RACROUTE REQUEST=FASTAUTH macro to be determined.

Note:

1. z/OS V1R5 supports DB2 V6, V7, and V8, but DB2 V6 and V7 have storage capacity for only 10 sets of return codes from failing RACROUTE REQUEST=FASTAUTH macros in XAPLDIAG.
2. The RACF/DB2 external security module for DB2 V8 is shipped by DB2.

RACF/DB2 diagnostic information

The XAPL parameter list can be captured using DB2 trace record IFCID 314. In addition, the return code and corresponding reason code (EXPLRC1 and EXPLRC2) for authorization failures are captured in DB2 trace record IFCID 140. The DB2 trace facility is documented in *DB2 Administration Guide, SC26-8957*.

The content of XAPLDIAG depends on the return code and reason code from the RACF/DB2 external security module.

- If EXPLRC1=4 and ECPLRC2=14 (decimal), the ALESERV failed and the module made no RACROUTE REQUEST=FASTAUTH checks. In this case the first word of XAPLDIAG contains the non-zero ALESERV return code.
- Otherwise, each word of XAPLDIAG can contain a SAF return code, RACF return code, and RACF reason code corresponding to a non-zero return code from a RACROUTE REQUEST=FASTAUTH macro. Information related to non-zero return codes is stored in XAPLDIAG beginning with the first word until information related to all non-zero return codes is stored, or until the XAPLDIAG area has filled. XAPLDIAG contains 20 words, allowing information related to 20 FASTAUTH requests to be stored for an invocation of the RACF/DB2 external security module. If more than 20 FASTAUTH requests are issued, only the first 20 sets of return codes are stored.

Starting with DB2 Version 7, DBADM authorization checking for the CREATE VIEW privilege might result in more than 10 FASTAUTH requests, because a CREATE VIEW request might reference tables, or a combination of tables and views, from multiple databases. DB2 Version 7 passes the names of all the databases referenced in the CREATE VIEW using a database list pointed to by XAPLREL2. If SYSCTRL or SYSADM authorization checking does not grant the CREATE VIEW privilege and the XAPLCRVW field indicates that DBACRVW is enabled, the RACF/DB2 external security module checks the user's DBADM authorization for each database in the list. The result of each DBADM check is placed in the XAPLDBDA field associated with each database. The RACF/DB2 external security module updates XAPLDBDA with the following codes:

- Y Access to the database is allowed.
- N Access to the database is not allowed.
- U RACF was unable to return a decision. This occurs when the FASTAUTH request returns a SAF return code of X'04'.

Although DBADM checks might be done for multiple databases, only the results of the first 20 FASTAUTH requests are stored in XAPLDIAG. The results of all DBADM checking for each database are contained in the XAPL parameter list and is available using DB2 trace record IFCID 314.

The RACF/DB2 external security module truncates the SAF return codes and RACF return codes to one byte, and the RACF reason code to two bytes, before storing them in XAPLDIAG. The format of each word in XAPLDIAG is:

xyyzzzz

where:

- xx is the SAF return code
- yy is the RACF return code
- zzzz is the RACF reason code

For a list of the RACF return codes and reason codes and their meanings, see *z/OS Security Server RACF System Programmer's Guide*.

For additional information about common problems that can occur as a result of adding installation-defined classes to the class descriptor table (CDT) for DB2 objects, see *z/OS Security Server RACF Security Administrator's Guide*.

VRA keys provided by RACF for some abends

For some abends, RACF provides VRA (variable recording area) keys that can help in describing a problem to the IBM support center or in narrowing a search when an initial search gets too many matches.

The VRA is part of the SDWA (system diagnostic work area) that recovery routines can use when a problem occurs. The VRA can be included in an SYS1.LOGREC record and in a system dump. To format the VRA, use the DAEDATA control statement in PRDMP or the DAEDATA verbexit in IPCS. Symptoms included in the VRA can be formatted using the SYMPTOMS control statement in PRDMP or the SYMPTOMS verbexit in IPCS.

Figure 69. Sample Symptoms for RACF (DAEDATA Output)

```

ICHRST00-RACF SVCS, ABEND CODE=0C1-A62,SVC=ICHRSV00,USER=IBMUER  MODULE SVCDUMP DATE 07/13/87 TIME14.12.06 PAGE 00000004
RETAIN SEARCH ARGUMENT:
RIDS/ICHRSV00#L RIDS/ICHMDR00 AB/S00C1 VALU/H91204074 REGS/0F8B4
REGS/0E78A PRCS/00 000001
SYMPTOMS PRESENT FOR USE AS A UNIQUE DUMP IDENTIFIER BY DAE:

MVS KEYRETAINSYPMTOM DATA      EXPLANATION
    KEY
MOD/   RIDS/  ICHRSV00              LOAD MODULE NAME
CSECT/ RIDS/  ICHMDR00              ASSEMBLY MODULE CSECT NAME
AB/S   AB/S   S00C1                 ABEND CODE-SYSTEM
FI/    VALU/H 90EC5058000001091204074  FAILING INSTRUCTION AREA
REGS/  REGS/  0F8B4                 REG/PSW DIFFERENCE
REGS/  REGS/  0E78A                 REG/PSW DIFFERENCE
HRC1/  PRCS/  00000001              REASON CODE

ADDITIONAL SYMPTOM DATA NOT USED BY DAE TO IDENTIFY THIS DUMP:

MVS KEYRETAINSYPMTOM DATA      EXPLANATION
    KEY
VHID/  PCSS/  RACFCNTS              1  HEADER FOR DATA
VHID/  PCSS/  IPLPTR                HEADER FOR DATA
VHID/  PCSS/  ACTNPTR                HEADER FOR DATA
VHID/  PCSS/  TESTPTR                HEADER FOR DATA
VHID/  PCSS/  MGRREQST               HEADER FOR DATA
VHEX/  VALU/H 01000000               HEX ERROR DATA
VHEX/  VALU/H 0000EB74               HEX ERROR DATA
ASID1/ VALU/H 000F                    TASK RELATED ASID
ORRC1/ PRCS/  00000001              ORIGINAL REASON CODE
    
```

. This figure includes the RETAIN search argument and the VRA keys as formatted by DAEDATA.

- 1 A number of headers for VRA keys are produced by RACF. These headers (labeled HEADER FOR DATA) describe error data (labeled HEX ERROR DATA). For example, in this dump RACFCNTS is the header for 01000000, and IPLPTR is the header for 0000EB74.

Headers

Description

RACFCNTS

Number of the current RACF macro request on which the RACF manager failed. This number can be interpreted as X'wwxyyzz', where:

ww Is the number of the IPL being processed.

- xx Is the number of the action being processed.
- yy Is the number of the test being processed.
- zz Is reserved.

IPLPTR

Pointer to the input parameter list for the current RACF manager request.

ACTNPTR

Pointer to the action being performed at the time of the abend.

TESTPTR

Pointer to the test being performed at the time of the abend.

MGRREQST

RACF manager request ID for the ICHEINTY macro being performed at the time of the abend. This request ID is also reported in message ICH413I. This ID is included only on internal RACF requests.

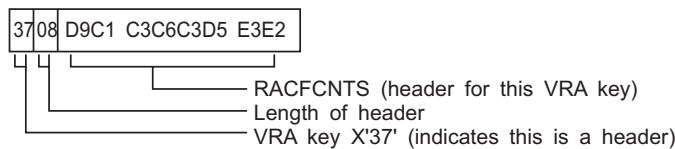
```

ICHRST00-RACF SVCS, ABEND CODE=0C1-A62,SVC=ICHRSV00,USER=IBMUSER MODULE SVCDUMP DATE 07/13/87 TIME14.12.06 PAGE 00000002
** INFORMATION AT TIME OF ERROR **
PSW - 070C0000 81B6D316 CSEC1 AT TIME OF ERROR - ICHMDR00
ABEND/COMPLETION CODE - SOC1
DATA POINTED TO BY PSW REASON CODE - 00000001
01B6D316 90EC50580000 ASID IN SDWA - 000F
01B6D316 001091204074 ADDRESS OF SDWA 005CCB40
REGS 0-7 000030005DF178 005D58FC 81B6CA16 01BF7C40 005CFE10 01B41C71 01B43274
REGS 8-15 01BE79905D5000 01BE7D78 00000010 01BE7C40 005CFE10 81B6CB8C 81B6CA62
SDWA
0000 005DFD6040C1000FF04000100000000 FF8500845000EBA20000300000000000000 *.....1.....*
0020 005D58F0B1B6CA101BF7C4005CFE10 01B41C7101B4327401BE797805D5000 *.....*
0040 01BE7D780000001001BF7C4005CFE10 81B6CB80B1B6CA62005FD33800000000 *.....L.....L.....*
0060 0000000000000000070C000081B6D316 0002000101C00EF4070C000081B6D316 *.....4.....1.....4.....L.....*
0080 0002000101C00EF400003000005DF178 005D58F0B1B6CA101BF7C4005CFE10 *.....*
00A0 01B41C7101B4327401BE797805D5000 01BE7D780000001001BF7C4005CFE10 *.....W.....*
00C0 81B6CB80B1B6CA62E60004C000000000 00000000000000000000000000000000 *.....*
00E0 00000000000000004004080100001000 00000000005CCCD0000000000800000 *.....*
0100 00000000000000000000000000000000 00000000000000000000000000000000 *.....*
0120 000F0000C9C3C8D8E2E5F0FC9C3C8D4 CAD9F0F000000000000000005CC80 *.....ICHRSV00ICHMDR00.....*
0140 00000000000000000000000000000000 00000000000000000000000000000000 *.....*
0160 000000000000000000000000FFFF0003 005CEA0080000F0000000F00000000 *.....*
0180 00000000000000000000000000000000 00FF20543708D9C3C6C3D5E323804 *.....RACFCNTS.....*
01A0 010000003708C9D7D3D7E3D00403804 0000EB743708C1C3E3D5D7E09403804 *.....IPLPTR.....ACTNPTR.....*
01C0 000000003708E3C2E3D7E09403804 000000003708D4C7D9D9C5DB2E33908 *.....TESTPTR.....MGRREQST.....*
01E0 40404040404040404040404040404040 40404040404040404040404040404040 *.....*
0200 40404040404040404040404040404040 40404040404040404040404040404040 *.....*
0220 40404040404040404040404040404040 40404040404040404040404040404040 *.....*
0240 40404040404040404040404040404040 40404040404040404040404040404040 *.....*
0260 40404040404040404040404040404040 40404040404040404040404040404040 *.....*
0280 40404040404040404040404040404040 404040E2C4E6C14005CCEB05CCDD8 *.....SDWA.....G.....*

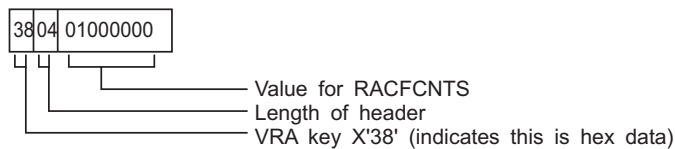
```

Figure 70. Sample SDWA for RACF

1 HEADER FOR DATA



2 HEX ERROR DATA



Front-ending RACF commands

The RACF common command exit, IRREVSX01, allows customers to customize or cancel RACF commands before the RACF command processor is invoked. This exit is the recommended vehicle for preprocessing RACF commands. Before RACF provided this exit, some customers created their own front-end processors to preprocess RACF commands. Because RACF 2.2 changed the way RACF processes commands, customers who wrote front-end processors before RACF 2.2 and who want to continue to use these front-end processors might have to change them. This information is intended for those customers.

Note: If you currently use a front-end processor for commands, it is recommended that you replace it with an IRREVSX01 exit.

Command processing changes

Before RACF 2.2, when a RACF TSO command was issued, control was passed directly to the appropriate command processor.

To make this happen, RACF included an entry similar to the following for ADDGROUP in the linkage editor statements for each RACF command.

```
INCLUDE AOSBN(ICHCAG00)
INCLUDE AOSBN(other modules)
:
ALIAS AG,ADDGROUP
ENTRY ICHCAG00
SETCODE AC(1)
NAME ICHCAG00(R)
```

Note: AG or ADDGROUP is the alias name by which the command is issued by a user and ICHCAG00 is the full name of the command by which it is invoked internally.

In RACF 2.2 and OS/390 Security Server (RACF), the entry in the linkage editor statements for most RACF commands look like this:

```
INCLUDE AOSBN(ICHCAG00)
INCLUDE AOSBN(other modules)
:
ENTRY ICHCAG00
NAME ICHCAG00(R)
```

Note: The aliases are not present.

The aliases are removed from each individual command and placed in a new entry for IRRENV00.

```
INCLUDE AOSBN(IRRENV00)
INCLUDE AOSBN(other modules)
ENTRY IRRENV00
ALIAS AD,ADDS
ALIAS AG,ADDGROUP
ALIAS other commands
:
SETCODE AC(1)
NAME IRRENV00(R)
etc.
```

IRRENV00 receives control before each command processor. If the AT or ONLYAT keywords were not specified, IRRENV00 invokes the appropriate command processor using its full name. When the command processor returns control,

IRRENV00 determines if automatic direction is required for the command. If so, a work item is sent to the RACF subsystem address space. If the AT or ONLYAT keywords were specified, IRRENV00 sends the command to the RACF subsystem address space for processing.

Considerations if writing a command front-end processor

If IRRENV00 processing is bypassed by a front-end processor, RACF remote sharing functions (RRSF) does not work. When writing a command front-end processor, ensure that IRRENV00 gets control somewhere in the processing before the command processor.

To ensure that all RRSF functions are processed as specified, commands must be invoked by one of the alias names with which they are shipped (for example, AG, ADDGROUP, ADDSD, and so on). When IRRENV00 receives control, the command buffer must have one of the two alias names in the first position. For example, AG or ADDGROUP should be coded, not ICHCAG00. If a front-end processor gets control before IRRENV00, set the command buffer correctly before attaching or linking to IRRENV00. If it gets control after IRRENV00, do not change the content of the command buffer as doing so might result in the information not being processed correctly by automatic command direction.

If the alias is changed to point to a front-end processor, it gets control before IRRENV00 when a command is issued as a TSO command. However, the preprocessor does not get control in all situations. For example, it does not get control for commands resulting from automatic command direction, or for commands issued from the RACF parameter library.

One possible approach to avoid the pitfalls mentioned is to include your front-end processor in RACF's load module.

```
INCLUDE mylib(mymod)
INCLUDE SYSLMOD(ICHCAG00)
ENTRY mymod
NAME ICHCAG00(R)
```

After completing its processing, the front-end processor will need to call the entry point for RACF's command processor. If the front-end processor needs to communicate with the user, be aware that the preprocessor could be running in the RACF subsystem address space and not in the TSO user's address space. The ACEERASP bit (x'40') is set in the ACEEFLG3 flag field of the ACEE for the RACF subsystem address space.

Assigning the entry point to the front-end processor (mymod) causes it to be invoked at the same point in the processing that the specific command processing would be invoked by RACF. Because the alias is not included, the RACF remote sharing functions operate and IRRENV00 is invoked.

The DEBUG command

The DEBUG command starts the diagnostic print statements that wrap the cryptographic library calls and displays additional diagnostic information for RACDCERT invoked ICHEINTY ALTER, RACROUTE REQUEST=EXTRACT, and RACROUTE REQUEST=DEFINE failures. However, the contents of these messages are not documented in any publication. When a problem is encountered, customers can use this keyword to gather diagnostic information for the IBM Support Center.

Chapter 7. Error recovery for RACF sysplex data sharing

This topic describes actions to take in order to allow RACF to continue servicing requests when you encounter a situation where coupling facility recovery scenarios do not work properly.

Actions to recover from a coupling facility error

Do not issue SETXCF to force the rebuild of a structure into a coupling facility that is not available to the system because the result is read-only mode. If SETXCF was issued, you need to exit out of read-only mode by issuing RVARY DATASHARE. Therefore, RACF returns to the original coupling facility.

If you encounter a situation where coupling facility recovery scenarios do not work properly, the following information might make it possible for RACF to continue servicing requests.

For example, assume a sysplex with 3 members: J90, J91, and J92. A coupling facility containing RACF Structure IRRXCF00_B001 has been lost. Member J90 remains active.

The following messages are received at the operator console:

```
IRRX016I RACF MEMBER J90 DETECTED A COUPLING FACILITY ERROR
IXC521I REBUILD FOR STRUCTURE IRRXCF00_B001 HAS BEEN STARTED
IRRX020I REBUILD FOR STRUCTURE IRRXCF00_B001 ON MEMBER J90 HAS BEEN INITIATED
```

The following message is not received at the operator console:

```
IRRX008I REBUILD FOR STRUCTURE IRRXCF00_B001 HAS BEEN COMPLETED
```

Issuing the following command from the operator console:

```
DISPLAY XCF,STRUCTURE
```

displays the following: IRRXCF00_B001 ALLOCATED REBUILDING

Issuing the following command from the operator console:

```
DISPLAY GRS,CONTENTION
```

displays the following: SYSZRAC2 , minor name backup-racf-db is held on system J90 by RACFDS

In this situation, members of the sysplex might be unable to function properly because RACF is holding enqueues. A rebuild of a RACF structure has been requested but cannot go ahead. The following steps might be helpful in allowing RACF to continue operating, though it will be at a degraded mode.

1. Make sure if message IXC402D has been received one or more times at the operator's console, you reply "down" to all of them. If this allows REBUILD to complete, you do not need to continue with the following steps.
2. Issue the following command at the operator console:

```
SETXCF STOP,REBUILD,STRNAME=IRRXCF00_B001
```

This command stops REBUILD and release enqueues. Additionally, message IRRX004A is received, which displays the following: IRRX004A MEMBER J90 IS IN READ-ONLY MODE.

3. Issue the following command at the operator console:

```
RVARY NODATASHARE
```

All remaining sysplex members now operate off the database, without the coupling facility. Note that performance will not be as good while running without the coupling facility.

4. You might be able to further improve the situation if you have configured your sysplex appropriately. This means that you have more than one coupling facility and that after the failure of one of them is still available. To illustrate this, read the following:

Take, for example, two coupling facilities. All structures for the primary RACF database are assigned to one coupling facility and all structures for the backup RACF database are assigned to the other coupling facility. (In this example, assume that no alternate coupling facilities have been assigned.) If you lose one or the other of the coupling facilities in this configuration, you can still get back into data sharing mode, though it will be without a backup database.

For example:

- If the coupling facility containing the primary database structures goes down, issue the command:

```
RVARY SWITCH
```

which makes the backup database primary and deactivates the old primary database.

- If the coupling facility containing the backup database structures goes down, issue the command:

```
RVARY INACTIVE
```

on the backup database.

- Issue the command:

```
RVARY DATASHARE
```

which allows remaining sysplex members the ability to connect to all structures on the available coupling facility.

The fourth step has an adverse consequence, however. Although these steps improve performance while a coupling facility is unavailable, your backup and primary databases will most likely become out of sync. This must be resolved before you can go back to normal operations with both primary and backup databases. This can be done by using IRRUT200, as documented in *z/OS Security Server RACF System Programmer's Guide*.

Appendix A. The Inventory Control Block (ICB)

The ICB is included here to help you diagnose RACF problems.

Common Name:	RACF Database Inventory Control Block
Macro ID:	ICHPICB
DSECT Name:	INVICB
Owning Component:	Resource Access Control Facility (XXH00)
Eye-Catcher ID:	RACFICB Offset: 1010 Length: 8
Storage Attributes:	Subpool: 231 Key: 0 Residency: ECSA
Size:	4096 bytes
Created by:	IRRMIN00 or IRRUT400 on the RACF database. In storage by RACF initialization when the system is in data sharing mode or if the database is not shared.
Pointed to by:	DSDEHDR in the DSDT data area
Serialization:	For the copy on the data set: SYSZRACF RESERVE or SYSZRACF ENQ For the in-storage copy: SYSZRACF ENQ
Function:	The ICB is the first record of the RACF database. It provides a control area for the routines that manage RACF data. This control area contains information needed to locate data related to the templates.

Offset (Dec)	Offset (Hex)	Type	Len	Name (Dim)	Description
0	(0)	STRUCTURE	4096	INVICB	Inventory Control Block
0	(0)	CHARACTER	2599	ICBHDR	
0	(0)	ADDRESS	4	ICBCHAIN	Reserved
4	(4)	SIGNED	4	ICBBAMNO	Number of BAM blocks in data set
8	(8)	BITSTRING	6	ICCIBRBA	RBA of highest level CIB
14	(E)	BITSTRING	6	ICISSRBA	RBA of first block of index sequence set
20	(14)	BITSTRING	6	ICBAMRBA	RBA of first BAM
26	(1A)	BITSTRING	1	ICBFLAGS	Status
		1... ..		ICBEXTND	RACF data set has been extended, RACF will no longer process updates to this version
		.1... ..		*	Reserved, do not use
		..1.		ICBEDAT	RESIDENT data blocks option used on some system
		...1		ICBDSFMT	1 = new RACF data set format
	 1...		ICBWIP	HPCS 1 = Write In Progress
	111		*	Reserved
27	(1B)	ADDRESS	1	ICTMPCNT	Number of templates
28	(1C)	BITSTRING	6	ICBAMHWM	BAM HWM.
34	(22)	CHARACTER	16	ICBTEMP (9)	Space for 9 template DEFNS
34	(22)	SIGNED	2	ICTMPL	Template length
36	(24)	ADDRESS	1	ICTMPN	Template number
37	(25)	BITSTRING	1	ICTMRSV1	Align to half word boundary
38	(26)	BITSTRING	6	ICTMPRBA	RBA of FDT
44	(2C)	CHARACTER	6	ICTMRSV2	Reserved

ICB

Offset (Dec)	Offset (Hex)	Type	Len	Name (Dim)	Description
178	(B2)	CHARACTER	16	*	Reserved
194	(C2)	CHARACTER	1	ICBSTAT	Status
		1... ..		*	Reserved, do not use. Maps the 'RCVTRNA' flag
		.1.. ..		ICBNLS	Bypass RACINIT statistics
		..1.		ICBNDSS	Bypass data set statistics
		...1		ICBNTVS	No tape volume statistics
	 1...		ICBNDVS	No direct access volume statistics
	1..		ICBNTMS	No terminal statistics
	1.		ICBNADS	No ADSP protection
	1		ICBEGN	EGN support in effect
195	(C3)	BITSTRING	1	ICBEXTA	Reserved
196	(C4)	CHARACTER	1	ICBSTAT1	
		1... ..		ICBTAPE	Tape volume protection
		.1..		ICBDASD	DASD volume protection
		..1.		ICBDGEN	Generic profiles for data set class
		...1		ICBDGCM	Generic commands for data set class
	 1...		ICBRDSN	Input data set name will be used for logging and messages
	1..		ICBJXAL	JES-XBMALLRACF is in effect
	1.		ICBJCHK	JES-EARLYVERIFY is in effect
	1		ICBJALL	JES-BATCHALLRACF is in effect
197	(C5)	CHARACTER	1	ICBAUOP	RACF audit options
		1... ..		*	Reserved
		.1..		ICBAGRO	Audit GROUP class
		..1.		ICBAUSE	Audit USER class
		...1		ICBADAT	Audit DATASET class
	 1...		ICBADAS	Audit DASDVOL class
	1..		ICBATAP	Audit TAPEVOL class
	1.		ICBATER	Audit TERMINAL class
	1		ICBAOPR	Audit OPERATIONS attribute
198	(C6)	BITSTRING	1	ICBAXTA	Reserved
199	(C7)	CHARACTER	1	ICBEROP	Miscellaneous options
		1... ..		ICBTERP	Terminal authorization checking
		.1..		ICBTUAC	Default UACC for terminals not defined to RACF. If ON, UACC = NONE. If OFF, UACC = READ.
		..1.		ICBAVIO	Do not create log record for command violations only
		...1		ICBSAUD	Do not audit SPECIAL users
	 1...		ICBMGDG	MODEL-GDG in effect
	1..		ICBMUSR	MODEL-USER in effect
	1.		ICBMGRP	MODEL-GROUP in effect
	1		ICBLGRP	LIST-OF-GRPS in effect
200	(C8)	SIGNED	4	ICBCHCT (10)	Change count array for all levels of index blocks
240	(F0)	ADDRESS	1	ICBPINV	Global max password interval value, valid range 1-254
241	(F1)	BITSTRING	4	ICBCSTA	Class STATISTICS mask
245	(F5)	BITSTRING	4	ICBCAUD	Class AUDIT mask
249	(F9)	BITSTRING	4	ICBCPRO	Class PROTECTION mask
253	(FD)	UNSIGNED	1	ICBPHIST	Password HISTORY value
254	(FE)	UNSIGNED	1	ICBPRVOK	Password REVOKE value
255	(FF)	UNSIGNED	1	ICBPWARN	Password WARNING value

Offset (Dec)	Offset (Hex)	Type	Len	Name (Dim)	Description
256	(100)	CHARACTER	10	ICBPSYN (8)	Password SYNTAX rules
256	(100)	UNSIGNED	1	ICBPSLEN	Starting length value
257	(101)	UNSIGNED	1	ICBPELEN	Ending length value
258	(102)	CHARACTER	8	ICBPRULS	Content rules
258	(102)	CHARACTER	1	ICBPRUL1	Content rule
259	(103)	CHARACTER	1	ICBPRUL2	Content rule
260	(104)	CHARACTER	1	ICBPRUL3	Content rule
261	(105)	CHARACTER	1	ICBPRUL4	Content rule
262	(106)	CHARACTER	1	ICBPRUL5	Content rule
263	(107)	CHARACTER	1	ICBPRUL6	Content rule
264	(108)	CHARACTER	1	ICBPRUL7	Content rule
265	(109)	CHARACTER	1	ICBPRUL8	Content rule
336	(150)	UNSIGNED	1	ICBINACT	INACTIVATE interval
337	(151)	BITSTRING	4	ICBCGEN	Generic profile checking, class mask
341	(155)	BITSTRING	4	ICBCGCM	Generic commands processing, class mask
345	(159)	BITSTRING	4	ICBMOPT	Miscellaneous options
		1...		ICBFPDS	Fastpath for DATASET class
		.1..		ICBTDSN	Tape data set protection in effect
		..11 1111		*	Reserved
		1...		ICBPRO	PROTECT-ALL is in effect
		.1..		ICBPROF	1 - PROTECT-ALL WARNING is in effect, 0 - PROTECT-ALL FAILURE is in effect (This flag is ignored if ICBPRO has a value of '0'B)
		..1.		ICBEOS	ERASE-ON-SCRATCH is in effect
		...1		ICBEOSL	ERASE-ON-SCRATCH by SECLEVEL is in effect (This flag is ignored if ICBEOS has a value of '0'B)
	 1...		ICBEOSA	ERASE-ON-SCRATCH for all data sets is in effect (This flag is ignored if ICBEOS has a value of '0' B)
	1..		ICBPLC	Mixed case password
	11			Reserved
		1...		ICBPROG	PROGRAM CONTROL is in effect
		.111 1111			Reserved
		1111 1111		*	Reserved
347	(15B)	BITSTRING	1	*	Reserved
349	(15D)	BITSTRING	4	ICBFPTH	Class FASTPATH mask
353	(161)	UNSIGNED	1	ICBSLVL	Security Level for ERASE-ON-SCRATCH
354	(162)	UNSIGNED	2	ICBRETP	Security Retention Period
356	(164)	UNSIGNED	1	ICBQLLN	Length of prefix for single level data set names
357	(165)	CHARACTER	9	ICBQUAL	Installation controlled prefix for single level data set names, plus period for level
366	(16E)	UNSIGNED	1	ICBSLAU	SECLEVEL to audit

ICB

Offset (Dec)	Offset (Hex)	Type	Len	Name (Dim)	Description
367	(16F)	UNSIGNED	1	ICBALIAS	367 (16F) UNSIGNED 1 ICBALIAS application identity mapping byte. 4 stages: <ul style="list-style-type: none"> • 0=stage 0 <ul style="list-style-type: none"> – not active – only mapping profiles • 1=stage 1 <ul style="list-style-type: none"> – active – maintain alias index, but also maintain and use VLF and mapping profiles – Reject locates of application identities • 2=stage 2 <ul style="list-style-type: none"> – active – maintain and use alias index, but also maintain VLF the mapping profiles – Allow locates of application identities • 3=stage 3 <ul style="list-style-type: none"> – active – maintain and use only alias index – mapping profiles have been removed
368	(170)	SIGNED	4	ICBCHCTD	Change count for data blocks, used to maintain current in-storage blocks with a shared RACF data set
372	(174)	CHARACTER	8	ICBSWPW	Password for RVAR Y SWITCH command
380	(17C)	CHARACTER	8	ICBINPW	Password for RVAR Y ACTIVE/INACTIVE command
388	(184)	BITSTRING	16	ICBLRCL	CDT-ANCHORED RA CLISTED profile class mask, ON if active
404	(194)	BITSTRING	16	ICBLGNL	CDT-ANCHORED GENLISTED profile class mask, ON if active
420	(1A4)	BITSTRING	16	ICBLSTAC	Class STATISTICS option mask long version, ON if active
436	(1B4)	BITSTRING	16	ICBLAUDC	Class AUDITING option mask long version, ON if active
452	(1C4)	BITSTRING	16	ICBLPROC	Class PROTECTION option mask long version, ON if active
468	(1D4)	BITSTRING	16	ICBLGENC	Class mask for GENERIC PROFILE CHECKING long version, ON if active
484	(1E4)	BITSTRING	16	ICBLGCMC	Class mask for GENERIC COMMAND CHECKING long version, ON if active
500	(1F4)	BITSTRING	16	ICBLFPTC	Class FASTPATH option mask long version, ON if active
516	(204)	SIGNED	1	ICBPMIN	SETROPTS PASSWORD(MINCHANGE) setting
517	(205)	ADDRESS	1	ICNTMPCT	Number of new templates
518	(206)	CHARACTER	16	ICBTMPVR	Template version levels
518	(206)	CHARACTER	8	ICBTMPRL	Release level
526	(20E)	CHARACTER	8	ICBTMPAL	APAR level
534	(216)	BITSTRING	6	ICBTXRBA	RBA of the template extensions
540	(21C)	SIGNED	2	ICBTXLN	Length of the template extension
542	(21E)	CHARACTER	136	*	Reserved
678	(2A6)	BITSTRING	4	ICBVMSSP	VM 370 SYNC counter

Offset (Dec)	Offset (Hex)	Type	Len	Name (Dim)	Description
682	(2AA)	BITSTRING	4	ICBVMSXA	VMXA ACI SYNC counter
686	(2AE)	CHARACTER	8	ICBBMAPA	VM XA profile name which contains the audit settings
694	(2B6)	CHARACTER	8	ICBBMAPP	VM XA profile name contains the project settings
702	(2BE)	CHARACTER	92	ICBBMAP	Saved copy of the ACI bit map located in the CP nucleus
702	(2BE)	BITSTRING	2	ICBMAPSZ	Length of the entire ACI bit map with uncompressed events
704	(2C0)	BITSTRING	1	ICBDIAL	Indicator for: DIAL CMND
705	(2C1)	BITSTRING	1	ICBPRMSG	Indicator for: DIAL CMND, PRELOGON MESSAGE CMD
706	(2C2)	BITSTRING	88	ICBEVENT	ACI bit map events
794	(31A)	SIGNED	2	ICBSINT	LU Session Interval
796	(31C)	BITSTRING	16	ICBLGAL	SETROPTS "LOGOPTIONS ALWAYS" class mask, ON if active
812	(32C)	BITSTRING	16	ICBLNVR	SETROPTS "LOGOPTIONS NEVER" class mask, ON if active
828	(33C)	BITSTRING	16	ICBLGSU	SETROPTS "LOGOPTIONS SUCCESSES" class mask, ON if active
844	(34C)	BITSTRING	16	ICBLGFL	SETROPTS "LOGOPTIONS FAILURES" class mask, ON if active
860	(35C)	CHARACTER	8	ICBJSYS	User ID from the SETROPTS command JES(NJEUSERID(<i>id</i>))
868	(364)	CHARACTER	8	ICBJUND	User ID from the SETROPTS command JES(UNDEFINEDUSER(<i>id</i>))
876	(36C)	SIGNED	4	ICBRCSGN	RACF group data synchronization value
880	(370)	BITSTRING	1	ICBLOGD	LOGOPTIONS for DATASET
		1... ..		ICBDLGA	LOGOPTIONS "ALWAYS" for the DATASET class
		.1..		ICBDLGN	LOGOPTIONS "NEVER" FOR THE DATASET CLASS
		..1.		ICBDLGS	LOGOPTIONS "SUCCESSES" for the DATASET class
		...1		ICBDLGF	LOGOPTIONS "FAILURES" for the DATASET class
	 1111		*	Reserved
881	(371)	BITSTRING	1	ICBFLG2X	RACF SETROPTS options
		1... ..		ICBCMPM	SETROPTS COMPATMODE, ON if active
		.1..		ICBMLSF	SETROPTS MLS FAILURES/WARNING - FAILURES if "ON" - (1) - WARNING if "OFF" - (0)
		..1.		ICBMLAF	SETROPTS MLACTIVE FAILURES/WARNING - FAILURES if "ON" - (1) - WARNING if "OFF" - (0)
		...1		ICBCATF	SETROPTS CATDSNS FAILURES/WARNING - FAILURES if "ON" - (1) - WARNING if "OFF" - (0)
	 1...		ICBAAPL	SETROPTS APPLAUDIT ON if active
	1..		ICBNOADC	SETROPTS NOADDCREATOR - on if NOADDCREATOR in effect
	11		*	Reserved
882	(372)	CHARACTER	8	ICBSPAUD	VM/SP profile names which contains the audit settings

ICB

Offset (Dec)	Offset (Hex)	Type	Len	Name (Dim)	Description
890	(37A)	CHARACTER	8	ICBSPCTL	VM/SP profile names which contains the protect settings
898	(382)	BITSTRING	1	ICBFLG2	RACF 1.9.0 SETROPTS options
		1... ..		ICBSLCL	SETROPTS SECLABELCONTROL - ON if active
		.1... ..		ICBCATD	SETROPTS CATDSNS - ON if active
		..1.		ICBMLQT	SETROPTS MLQUIET - ON if active
		...1		ICBMLST	SETROPTS MLSTABLE - ON if active
	 1...		ICBMLS	SETROPTS MLS - ON if active
	1..		ICBMLAC	SETROPTS MLACTIVE - ON if active
	1.		ICBGNOW	SETROPTS GENERICOWNER - ON if active
	1		ICBAUSL	SETROPTS SECLABELAUDIT - ON if active
899	(383)	CHARACTER	3	ICBNL1	PRIMARY LANGUAGE default
902	(386)	CHARACTER	3	ICBNL2	SECONDARY LANGUAGE default
905	(389)	BITSTRING	1	ICBDIRT	Dirty bits to indicate whether fields have been initialized.
		1... ..		ICBSESS	SESSIONINTERVAL dirty bit, 0=>Field not initialized, 1=>Field is initialized.
		.111 1111		*	Reserved
906	(38A)	BITSTRING	1	ICBML2F	SETROPTS options for RACF z/OS multilevel security support
		1... ..		ICBMLFS	Security labels required for File System Objects
		.1... ..		ICBMLIP	SETR MLFSOBJ Security labels required for IPC Objects
		..1.		ICBMLNM	SETR MLIPCOBJ Display of Names Restricted by Security label
		...1		ICBSBYS	SETR MLNAMES Security label by System requested
	 1111		*	Reserved
907	(38B)	CHARACTER	85	*	Reserved
992	(3E0)	CHARACTER	6	ICBALRBA	Highest ALIAS index block
998	(3E6)	CHARACTER	6	ICBASRBA	ALIAS index sequence set
1004	(3EC)	ADDRESS	4	ICBSMCT	Count field to control purge of VLF class IRRSMAP
1008	(3F0)	CHARACTER	1	ICBKRBVL	SETROPTS KERBLVL setting
1009	(3F1)	CHARACTER	1	*	Reserved
1010	(3F2)	CHARACTER	8	ICBID	Identifier, gets filled in during IRRMIN00 initialization
1018	(3FA)	CHARACTER	6	ICBVRMN	Version/release/modification number, also filled in IRRMIN00
End of first 1024 bytes					
1024	(400)	SIGNED	2	ICTSEGLN	Length of segment table
1026	(402)	BITSTRING	6	ICTSEGRB	RBA of segment table
1032	(408)	BITSTRING	1	ICBRDSFL	RDS flags
		1... ..		ICBINITF	ICB was completely initialized by RDS IRRMIN00
		.111 1111		*	Reserved
1033	(409)	CHARACTER	3	*	Reserved; Prevent byte skip msg

Offset (Dec)	Offset (Hex)	Type	Len	Name (Dim)	Description
1036	(40C)	UNSIGNED	4	ICBUSCT	ACEE data repository change count for user profile
1040	(410)	UNSIGNED	4	ICBGPCT	ACEE data repository change count for group profile
1044	(414)	UNSIGNED	4	ICBGRCT	ACEE data repository change count for general resource classes APPL, APPCPORT, JESINPUT, CONSOLE, TERMINAL, GTERMINL & SECLABEL
1048	(418)	ADDRESS	4	ICBUMCT	count field to control purge of VLF class IRRUMAP
1052	(41C)	ADDRESS	4	ICBGMCT	count field to control purge pf VLF class IRRGMAP
1056	(420)	CHARACTER	7	ICBTMPLV	Template level value filled in by IRRMIN00.
1063	(427)	BITSTRING	128	ICBVPROC	Class protection mask
1191	(4A7)	BITSTRING	128	ICBVGENC	Generic profile checking class mask
1319	(527)	BITSTRING	128	ICBVGCMC	Generic command processing class mask
1447	(5A7)	BITSTRING	128	ICBVRCL	CDT-anchored RACLISTed profile class mask
1575	(627)	BITSTRING	128	ICBVGNL	CDT-anchored GENLISTed profile class mask
1703	(6A7)	BITSTRING	128	ICBVFPTC	Fastpath option class mask
1831	(727)	BITSTRING	128	ICBVAUDC	Auditing option class mask
1959	(7A7)	BITSTRING	128	ICBVSTAC	Statistics option mask
2087	(827)	BITSTRING	128	ICBVLGA	SETROPTS LOGOPTIONS ALWAYS class mask
2215	(8A7)	BITSTRING	128	ICBVLNV	SETROPTS LOGOPTIONS NEVER class mask
2343	(927)	BITSTRING	128	ICBVLGS	SETROPTS LOGOPTIONS SUCCESSES class mask
2471	(9A7)	BITSTRING	128	ICBVLGF	SETROPTS LOGOPTIONS FAILURES class mask
2599	(A27)	ADDRESS	1	ICTMPXCT	Number of template extensions
2600	(A28)	CHARACTER	1496	ICBRSVD	RESERVED

End of ICB mapping

Constants

Len	Type	Value	Name	Description
8	CHARACTER	RACFICB	ICBIDC	Constant for ICBID field
6	CHARACTER	1090	ICB1090	Constant representing FMID HRF1902 for ICBVRMN field
6	CHARACTER	1092	ICB1092	Constant representing FMID JRF1922 for ICBVRMN field
6	CHARACTER	2010	ICB2010	Constant representing FMID HRF2210 for ICBVRMN field
6	CHARACTER	2020	ICB2020	Constant representing FMID HRF2220 for ICBVRMN field
6	CHARACTER	2030	ICB2030	Constant representing FMID HRF2230 for ICBVRMN field
6	CHARACTER	2040	ICB2040	Constant representing FMID HRF2240 for ICBVRMN field
6	CHARACTER	2060	ICB2060	Constant representing FMID HRF2260 for ICBVRMN field
6	CHARACTER	2608	ICB2608	Constant representing HRF2608 for ICBVRMN field
6	CHARACTER	7703	ICB7703	Constant representing HRF7703 for ICBVRMN field

ICB

Len	Type	Value	Name	Description
6	CHARACTER	7705	ICB7705	Constant representing HRF7705 for ICBVRMN field
6	CHARACTER	7706	ICB7706	Constant representing HRF7706 for ICBVRMN field
6	CHARACTER	7707	ICB7707	Constant representing HRF7707 for ICBVRMN field
6	CHARACTER	7708	ICB7708	Constant representing HRF7708 for ICBVRMN field
6	CHARACTER	7709	ICB7709	Constant representing HRF7709 for ICBVRMN field
6	CHARACTER	7720	ICB7720	Constant representing HRF7720 for ICBVRMN field
6	CHARACTER	7730	ICB7730	Constant representing HRF7730 for ICBVRMN field
6	CHARACTER	7740	ICB7740	Constant representing HRF7740 for ICBVRMN field
6	CHARACTER	7750	ICB7750	Constant representing HRF7750 for ICBVRMN field
6	CHARACTER	7760	ICB7760	Constant representing HRF7760 for ICBVRMN field
6	CHARACTER	7770	ICB7770	Constant representing HRF7770 for ICBVRMN field
6	CHARACTER	7780	ICB7780	Constant representing HRF7780 for ICBVRMN field
6	CHARACTER	7790	ICB7790	Constant representing HRF7790 for ICBVRMN field

Cross reference

Name	Hex Offset	Hex Value	Level
ICBAAPL	371	08	4
ICBADAS	C5	08	4
ICBADAT	C5	10	4
ICBAGRO	C5	40	4
ICBALIAS	16F		3
ICBALRBA	3E0		3
ICBAMHWM	1C		3
ICBAMRBA	14		3
ICBAOPR	C5	01	4
ICBASRBA	3E6		3
ICBATAP	C5	04	4
ICBATER	C5	02	4
ICBAUOP	C5		3
ICBAUSE	C5	20	4
ICBAUSL	382	01	4
ICBAVIO	C7	20	4
ICBAXTA	C6		3
ICBBAMNO	4		3
ICBBMAP	2BE		3
ICBBMAPA	2AE		3
ICBBMAPP	2B6		3
ICBCATD	382	40	4
ICBCATF	371	10	4

Name	Hex Offset	Hex Value	Level
ICBCAUD	F5		3
ICBCGCM	155		3
ICBCGEN	151		3
ICBCHAIN	0		3
ICBCHCT	C8		3
ICBCHCTD	170		3
ICBCMPM	371	80	4
ICBCPRO	F9		3
ICBCSTA	F1		3
ICBDASD	C4	40	4
ICBDGCM	C4	10	4
ICBDGEN	C4	20	4
ICBDIAL	2C0		4
ICBDIRT	89		3
ICBDLGA	370	80	4
ICBDLGF	370	10	4
ICBDLGN	370	40	4
ICBDLGS	370	20	4
ICBDSFMT	1A	10	4
ICBEDAT	1A	20	4
ICBEGN	C2	01	4
ICBEOS	15A	20	4
ICBEOSA	15A	08	4
ICBEOSL	15A	10	4
ICBEROP	C7		3
ICBEVENT	2C2		4
ICBEXTA	C3		3
ICBEXTND	1A	80	4
ICBFLAGS	1A		3
ICBFLG2	382		3
ICBFLG2X	371		3
ICBFPDS	159	80	4
ICBFPTH	15D		3
ICBGMCT	41C		3
ICBGNOW	382	02	4
ICBGPCT	410		3
ICBGRCT	414		3
ICBHDR	0		2
ICBID	3F2		3
ICBINACT	150		3
ICBINITF	408	80	4
ICBINPW	17C		3
ICBJALL	C4	01	4
ICBJCHK	C4	02	4
ICBJSYS	35C		3
ICBJUND	364		3
ICBJXAL	C4	04	4
ICBKRBLV	3F0		3
ICBLAUDC	1B4		3
ICBLFPTC	1F4		3
ICBLGAL	31C		3
ICBLGCMC	1E4		3
ICBLGENC	1D4		3

ICB

Name	Hex Offset	Hex Value	Level
ICBLGFL	34C		3
ICBLGNL	194		3
ICBLGRP	C7	01	4
ICBLGSU	33C		3
ICBLNVR	32C		3
ICBLOGD	370		3
ICBLPROC	1C4		3
ICBLRCL	184		3
ICBLSTAC	1A4		3
ICBMAPSZ	2BE		4
ICBMGDG	C7	08	4
ICBMGRP	C7	02	4
ICBMLAC	382	04	4
ICBMLAF	371	20	4
ICBMLFS	38A	80	4
ICBMLIP	38A	40	4
ICBMLNM	38A	20	4
ICBMLQT	382	20	4
ICBMLS	382	08	4
ICBMLSF	371	40	4
ICBMLST	382	10	4
ICBML2F	38A		3
ICBMOPT	159		3
ICBMUSR	C7	04	4
ICBNADS	C2	02	4
ICBNDSS	C2	20	4
ICBNDVS	C2	08	4
ICBNLS	C2	40	4
ICBNL1	383		3
ICBNL2	386		3
ICBNOADC	371	04	4
ICBNTEMP	206		3
ICBNTMS	C2	04	4
ICBNTVS	C2	10	4
ICBPELEN	101		4
ICBP HIST	FD		3
ICBPINV	F0		3
ICBPRMSG	2C1		4
ICBPRO	15A	80	4
ICBPROF	15A	40	4
ICBPROG	15B	80	4
ICBPRULS	102		4
ICBPRUL1	102		5
ICBPRUL2	103		5
ICBPRUL3	104		5
ICBPRUL4	105		5
ICBPRUL5	106		5
ICBPRUL6	107		5
ICBPRUL7	108		5
ICBPRUL8	109		5
ICBPRVOK	FE		3
ICBPSLEN	100		4
ICBPSYN	100		3

Name	Hex Offset	Hex Value	Level
ICBPWARN	FF		3
ICBQLLN	164		3
ICBQUAL	165		3
ICBRCGSN	36C		3
ICBRDSFL	408		3
ICBRDSN	C4	08	4
ICBRETP	162		3
ICBRSVD	A27		2
ICBSAUD	C7	10	4
ICBSBYS	38A	10	4
ICBSESS	389	80	4
ICBSINT	31A		3
ICBSLAU	16E		3
ICBSLCL	382	80	4
ICBSLVL	161		3
ICBSMCT	3EC		3
ICBSPAUD	372		3
ICBSPCTL	37A		3
ICBSTAT	C2		3
ICBSTAT1	C4		3
ICBWPW	174		3
ICBTAPE	C4	80	4
ICBTDSN	159	40	4
ICBTEMP	22		3
ICBTERP	C7	80	4
ICBTMPAL	20E		3
ICBTMPRL	206		3
ICBTMPLV	420		3
ICBTMPVR	206		3
ICBTUAC	C7	40	4
ICBTXLN	21C		3
ICBXRBA	216		3
ICBUMCT	418		3
ICBUSCT	40C		3
ICBVAUDC	727		3
ICBVFPTC	6A7		3
ICBVGCMC	527		3
ICBVGENC	4A7		3
ICBVGNL	627		3
ICBVLGA	827		3
ICBVLGF	9A7		3
ICBVLGS	927		3
ICBVLNV	8A7		3
ICBVMSSP	2A6		3
ICBVMSXA	2AA		3
ICBVPROC	427		3
ICBVRCL	5A7		3
ICBVRMN	3FA		3
ICBVSTAC	7A7		3
ICBWIP	1A	08	4
ICCIBRBA	8		3
ICISSRBA	E		3
ICNTMPCT	205		3

ICB

Name	Hex Offset	Hex Value	Level
ICTMPCNT	1B		3
ICTMPL	22		4
ICTMPN	24		4
ICTMPNN	208		4
ICTMPRBA	26		4
ICBTMPRL	206		4
ICTMRSV1	25		4
ICTMRSV2	2C		4
ICTSEGLN	400		3
ICTSEGRB	402		3
INVICB	0		1

Appendix B. The Security Product Trace Area (SAFT)

The SAFT is included here to help you diagnose RACF problems.

Common Name: RACF Security Product Trace Area Control Block
Macro ID: IRRSAFT
DSECT Name: SAFT
Owning Component: Resource Access Control Facility (SC1BN)
Eye-Catcher ID: SAFT
 Offset: 0
 Length: 4

Storage Attributes:

Subpool:
 245

Key: 0

Residency:
 SQA

Size: 200 bytes
Created by: ICHSEC07 during RACF initialization.
Pointed to by: SAFVSECT in the SAFV data area
Serialization: This control block is serialized with SYSZRAC2 ENQ.
Function: The SAFT provides a communication area for information global to the SAF Trace utility.

Offset (Dec)	Offset (Hex)	Type	Len	Name (Dim)	Description
0	(0)	STRUCTURE		SAFT	IRRSAFT Control Block
0	(0)	CHARACTER	4	SAFTID	SAFT eyecatcher
4	(4)	UNSIGNED	1	SAFTVRSN	Version Number
5	(5)	CHARACTER	3	*	RESERVED
8	(8)	UNSIGNED	1	SAFTSUBP	Storage subpool
9	(9)	UNSIGNED	3	SAFTLENG	Length of SAFT
12	(C)	UNSIGNED	4	SAFTTRCO	Trace routine address
16	(10)	UNSIGNED	4	SAFTTRPC	Trace routine PC number
20	(14)	BITSTRING	4	SAFTTRAC	RACF trace flags
20	(14)	BITSTRING	1	SAFTTACT	RACF trace flags
		1...		SAFTACTV	A trace is active
		.1..		SAFTRRTE	Trace racroute events
		..1.		SAFTMGRT	Trace DB manager events
		...1		SAFTSYSC	Trace system calls
	 1...		SAFTSYSZ	Trace SAF3 calls
	1..		SAFTGANC	Trace SET GENERICANCHORs
	11		*	RESERVED
21	(15)	BITSTRING	3	*	RESERVED
24	(18)	BITSTRING	8	SAFTRRTR	Racroute events
24	(18)	BITSTRING	1	*	
		1...		SAFTRALL	Trace all racroutes
		.1..		SAFTAUTH	SAFPREQT = 1 (Auth)
		..1.		SAFTFAUT	SAFPREQT = 2 (Fastauth)
		...1		SAFTLIST	SAFPREQT = 3 (List)
	 1...		SAFTDEFN	SAFPREQT = 4 (Define)
	1..		SAFTVFY	SAFPREQT = 5 (Verify)

SAFT

Offset (Dec)	Offset (Hex)	Type	Len	Name (Dim)	Description
	1.		SAFTEXTR	SAFPREQT = 6 (Extract)
	1		SAFTDIR	SAFPREQT = 7 (Dirauth)
25	(19)	BITSTRING	1	*	
		1... ..		SAFTTKSR	SAFPREQT = 8 (Token Serv)
		.1.		SAFTVFX	SAFPREQT = 9 (VerifyX)
		..1.		SAFTTEXT	SAFPREQT = A (Token Serv)
		...1		SAFTTBLD	SAFPREQT = B (Token Bld.)
	 1...		SAFTTXBR	SAFPREQT = C (Extract BR=Y)
	1..		SAFTAUD	SAFPREQT = D (Audit)
	1.		SAFTTSTS	SAFPREQT = E (Status)
	1		SAFTSIGN	SAFPREQT = F (Signon)
26	(1A)	BITSTRING	1	*	
		1... ..		SAFTMPX	SAFPREQT = 10 (Tmap Xmem)
		.1.		SAFTTXTX	SAFPREQT = 11 (Text Xmem)
		..11 1111		*	RESERVED
27	(1B)	BITSTRING	5	*	RESERVED
32	(20)	BITSTRING	16	SAFTSCLS	Trace RACF syscalls
32	(20)	BITSTRING	1	*	
		1... ..		SAFTSALL	Trace all syscalls
		.1.	5	SAFTSIU0	Init USP
		..1.		SAFTSDU0	Delete USP
		...1		SAFTSMF0	Make FSP
	 1...		*	RESERVED
	1..		SAFTSMM0	Set File Mode Creation Mask
	1.		SAFTSKA0	Check Access
	1		SAFTSKP0	Check Privilege
32	(22)	BITSTRING	1	*	
		1... ..		SAFTSUM0	Get Umap
		.1.		SAFTSGM0	Get Gap
		..1.		SAFTSGG0	Get Supplemental Groups
		...1		SAFTSSU0	Set Uid
	 1...		SAFTSEU0	Set Effective Uid
	1..		SAFTSSG0	Set Gid
	1.		SAFTSEG0	Set Effective Gid
	1		SAFTSCO0	Change Owner Group
34	(22)	BITSTRING	1	*	
		1... ..		SAFTSCF0	Change file mode
		.1.		SAFTSCA0	Change file audit options
		..1.		SAFTSEX0	Exec Set Uid, Gid
		...1		SAFTSAU0	Audit
	 1...		SAFTSKO0	Check Process owner
	1..		SAFTSQS0	Query Security options
	1.		SAFTSQF0	Query File options
	1		SAFTSCS0	Clear SETID
35	(23)	BITSTRING	1	*	
		1... ..		SAFTSKF0	Check File Owner
		.1.		SAFTSMR0	Make Root FSP
		..1.		SAFTSPT0	PTRACE Authority Check
		...1		SAFTSUG0	Get User groups
	 1...		SAFTSFK0	Fork Exit
	1..		SAFTSMI0	Make ISP
	1.		SAFTSKI0	Check IPC
	1		SAFTSCI0	IPC Control

Offset (Dec)	Offset (Hex)	Type	Len	Name (Dim)	Description
36	(24)	BITSTRING	1	*	
		1...		SAFTSC20	Check Owner 2 Files
		.1..		SAFTSGE0	Get EUID/EGid SupGrp
		..1.		SAFTSDI0	R_dceinfo
		...1		SAFTSDK0	R_dcekey
	 1...		SAFTSUD0	R_dceruid
	1..		SAFTSDA0	R_dceauth
	1.		SAFTSIA0	InitAcee
	1		SAFTSEQ0	RACF Admin Request
37	(25)	BITSTRING	1	*	
		1...		SAFTSIM0	User Map
		.1..		SAFTSDL0	R_datalib
		..1.		SAFTSMK0	Kerb
		...1		SAFTSPK0	Ticket Serve
	 1...		SAFTSPX0	R_PKIServ
	1..		SAFTSCH0	R_cacheserv
	1.		SAFTSPY0	R_proxyserv
	1		SAFTSCL0	R_SetFacI
38	(26)	BITSTRING	10	*	RESERVED
48	(30)	BITSTRING	8	SAFTZCLS	Trace SAF3 calls
48	(30)	BITSTRING	1	*	
		1...		SAFTZALL	All SAF3 clls
		.1..		SAFTZA00	aznAccess
		..1.		SAFTSC00	aznCreds
	 1111		*	RESERVED
49	(31)	BITSTRING	7	*	RESERVED
56	(38)	BITSTRING	8	SAFTMTRC	Trace DB manager events
56	(38)	BITSTRING	1	*	
		1...		SAFTMLL	All DB manager event reads
		.1..		SAFTMRD	reads
		..1.		SAFTMALT	writes
		...1		SAFTMALI	alteri
	 1111		*	RESERVED
57	(39)	BITSTRING	7	*	RESERVED
64	(40)	ADDRESS	4	SAFTRRPR	Address of pre-function call indicator
68	(44)	ADDRESS	4	SAFTRRPS	Address of post-function call indicator
72	(48)	ADDRESS	4	SAFTSCPR	Address of pre-function call indicator
76	(4C)	ADDRESS	4	SAFTSCPS	Address of post-function call indicator
80	(50)	ADDRESS	4	SAFTZCPR	Address of pre-function call indicator
84	(54)	ADDRESS	4	SAFTZCPS	Address of post-function call indicator
88	(58)	ADDRESS	4	SAFTMGPR	Address of pre-function call indicator
92	(5C)	ADDRESS	4	SAFTMGPS	Address of post-function call indicator
96	(60)	ADDRESS	4	SAFTGAPR	Address of pre-function call indicator
100	(64)	ADDRESS	4	SAFTGAPS	Address of post-function call indicator

SAFT

Offset (Dec)	Offset (Hex)	Type	Len	Name (Dim)	Description
104	(68)	ADDRESS	4	*	RESERVED
108	(6C)	UNSIGNED	2	*	RESERVED
110	(6E)	UNSIGNED	1	SAFTALLC	List count for allow filter
111	(6F)	UNSIGNED	1	SAFTTOTC	List count total for all filters
112	(70)	ADDRESS	4	SAFTALST	Trace ASID LIST
116	(74)	ADDRESS	4	SAFTJLST	Trace JOBS LIST
120	(78)	ADDRESS	4	SAFTCLST	Trace CLASS LIST
124	(7C)	ADDRESS	4	SAFTULST	Trace USERID LIST
128	(80)	ADDRESS	8	*	RESERVED
136	(88)	CHARACTER	16	SAFTRRFL	Flags to the security product
136	(88)	CHARACTER	8	SAFTRPRE	Pre process flag
144	(90)	CHARACTER	8	SAFTRPOS	Post process flag
152	(98)	CHARACTER	16	SAFTSCFL	Flags to the security product
152	(98)	CHARACTER	8	SAFTSPRE	Pre process flag
160	(A0)	CHARACTER	8	SAFTSPOS	Post process flag
168	(A8)	CHARACTER	16	SAFTZCFL	Flags to the PD product
168	(A8)	CHARACTER	8	SAFTZPRE	Pre process flag
176	(B0)	CHARACTER	8	SAFTZPOS	Post process flag
184	(B8)	CHARACTER	16	SAFTMGFL	Flags to the security product
184	(B8)	CHARACTER	8	SAFTMPRE	Pre process flag
192	(C0)	CHARACTER	8	SAFTMPOS	Post process flag
200	(C8)	CHARACTER	16	SAFTGAFL	Flags to security product
200	(C8)	CHARACTER	8	SAFTGPRE	Pre process flag
208	(D0)	CHARACTER	8	SAFTGPOS	Post process flag

End of SAFT mapping

Appendix C. IPCS formatting for RACF control blocks

This topic explains how to analyze RACF dump information by providing formatting support for RACF control blocks by using IPCS formatting.

IPCS formatting is intended only for diagnosis use when requested by the IBM support center.

Using the VERBX RACFDATA command

Use the VERBX RACFDATA command, without any options, to provide a list of acceptable report options. The following report options are provided:

RRSF

Shows remote requests which are actively being processed on a RACF address space TCB, including any requests that are queued for execution. The output summarizes the requests being processed and provides output containing commands. For example:

```
IP CBF 00067F28 ASID(x'001E') STR(IRRSSTCB) EXIT
```

For more information, cut and past the IP CBF command line to the command input area in the IPCS screen:

```
IPCS OUTPUT STREAM ----- Line 0 Cols 1 78  
Command ==> IP CBF 00067F28 ASID(x'001E') STR(IRRSSTCB) EXIT SCROLL ==> CSR
```

Press ENTER and you will see the control block you requested. Press PF3 to return to the previous control block.

CDT

Shows class descriptor table information, including static and dynamic class descriptors. Static is the common storage and most frequently available. Dynamic are in a data space and usually not dumped. Both CDTs are pointing to structures that reside in RACF data spaces. The formatting code attempts to locate the data space in the dump, but if it is not present, a message is issued identifying the data space that is missing from the dump.

If there is a problem with CDT processing, request a dump that includes RACF data spaces. The option to use on the DUMP or SLIP command is:

```
DSPNAME=(1.IRR*)
```

This dumps all data spaces owned by ASID(1) that start with IRR.

DSDT

Shows information about all active primary and backup RACF data sets.

DSG

Shows information about requests from other systems in the sysplex.

Using the SUMMARY FORMAT command

When using the SUMMARY FORMAT command it drives the invocation of exits for control blocks that it formats. The RACF IPCS support provides exits for ASXB, TCB, STCB, and RBs. These exits look for data that is relevant to RACF for the control block. For example, ASXBSENV and TCBSSENV may point to an ACEE. When this field is non-zero, then the exit generates output:

```
IP CBF 009EC300 ASID(X'0067') STR(ACEE) EXIT
```

For more ACEE information, cut and paste this command to the command line and run it. The EXIT option on the CBF command causes an ACEE exit to get control which formats different extensions on the ACEE. This enables you, for example, to see the list of groups that the user ID is connected to.

The STCB exit looks for the presence of a RACD and generates a command:

```
IP CBF 7FFFAD00 ASID(X'0067') STR(IRRPRACD)
```

RB is the most frequent exit. The RB exit determines whether it is an SVRB and if the SVRB was created for SVC 82, 83, 84 or 85 (all the RACF SVCs). For each SVC, there is a SAF parameter list and a function unique parameter list. The RB exit identifies the function being called, who invoked the SVC and CBF commands to format any parameter lists that are present. For example:

```
The previous RB has called RACF SVC 82 for function RACHECK
Return address of SAF caller: 00D2A93A
      ASID(X'0018') D2A93A. IFG0194A+293A IN PLPA
IP CBF 008D1D40 ASID(X'0018') STR(ICHSAFP)
IP CBF 008D1D68 ASID(X'0018') STR(ICHACHKL)
```

For more information about parameter lists, see “Parameter list descriptions” on page 155.

Using the control block formatters

You can format many of the control blocks RACF uses. See “Using the SUMMARY FORMAT command” on page 265 for examples. Also, see the RCVT, by using the CBF ICHPRCVT command, for another example, which can be useful to find your active exits. A complete list can be found in the results of IPCSDATA CURRENT ACTIVE.

Appendix D. Accessibility

Accessible publications for this product are offered through the z/OS Information Center, which is available at www.ibm.com/systems/z/os/zos/bkserv/.

If you experience difficulty with the accessibility of any z/OS information, please send a detailed message to mhvrcfs@us.ibm.com or to the following mailing address:

IBM Corporation
Attention: MHVRCFS Reader Comments
Department H6MA, Building 707
2455 South Road
Poughkeepsie, NY 12601-5400
USA

Accessibility features

Accessibility features help a user who has a physical disability, such as restricted mobility or limited vision, to use software products successfully. The major accessibility features in z/OS enable users to:

- Use assistive technologies such as screen readers and screen magnifier software
- Operate specific or equivalent features using only the keyboard
- Customize display attributes such as color, contrast, and font size.

Using assistive technologies

Assistive technology products, such as screen readers, function with the user interfaces found in z/OS. Consult the assistive technology documentation for specific information when using such products to access z/OS interfaces.

Keyboard navigation of the user interface

Users can access z/OS user interfaces using TSO/E or ISPF. Refer to *z/OS TSO/E Primer*, *z/OS TSO/E User's Guide*, and *z/OS ISPF User's Guide Vol I* for information about accessing TSO/E and ISPF interfaces. These guides describe how to use TSO/E and ISPF, including the use of keyboard shortcuts or function keys (PF keys). Each guide includes the default settings for the PF keys and explains how to modify their functions.

Dotted decimal syntax diagrams

Syntax diagrams are provided in dotted decimal format for users accessing the z/OS Information Center using a screen reader. In dotted decimal format, each syntax element is written on a separate line. If two or more syntax elements are always present together (or always absent together), they can appear on the same line, because they can be considered as a single compound syntax element.

Each line starts with a dotted decimal number; for example, 3 or 3.1 or 3.1.1. To hear these numbers correctly, make sure that your screen reader is set to read out punctuation. All the syntax elements that have the same dotted decimal number (for example, all the syntax elements that have the number 3.1) are mutually

exclusive alternatives. If you hear the lines 3.1 USERID and 3.1 SYSTEMID, you know that your syntax can include either USERID or SYSTEMID, but not both.

The dotted decimal numbering level denotes the level of nesting. For example, if a syntax element with dotted decimal number 3 is followed by a series of syntax elements with dotted decimal number 3.1, all the syntax elements numbered 3.1 are subordinate to the syntax element numbered 3.

Certain words and symbols are used next to the dotted decimal numbers to add information about the syntax elements. Occasionally, these words and symbols might occur at the beginning of the element itself. For ease of identification, if the word or symbol is a part of the syntax element, it is preceded by the backslash (\) character. The * symbol can be used next to a dotted decimal number to indicate that the syntax element repeats. For example, syntax element *FILE with dotted decimal number 3 is given the format 3 * FILE. Format 3* FILE indicates that syntax element FILE repeats. Format 3* * FILE indicates that syntax element * FILE repeats.

Characters such as commas, which are used to separate a string of syntax elements, are shown in the syntax just before the items they separate. These characters can appear on the same line as each item, or on a separate line with the same dotted decimal number as the relevant items. The line can also show another symbol giving information about the syntax elements. For example, the lines 5.1*, 5.1 LASTRUN, and 5.1 DELETE mean that if you use more than one of the LASTRUN and DELETE syntax elements, the elements must be separated by a comma. If no separator is given, assume that you use a blank to separate each syntax element.

If a syntax element is preceded by the % symbol, this indicates a reference that is defined elsewhere. The string following the % symbol is the name of a syntax fragment rather than a literal. For example, the line 2.1 %OP1 means that you should refer to separate syntax fragment OP1.

The following words and symbols are used next to the dotted decimal numbers:

- ? means an optional syntax element. A dotted decimal number followed by the ? symbol indicates that all the syntax elements with a corresponding dotted decimal number, and any subordinate syntax elements, are optional. If there is only one syntax element with a dotted decimal number, the ? symbol is displayed on the same line as the syntax element, (for example 5? NOTIFY). If there is more than one syntax element with a dotted decimal number, the ? symbol is displayed on a line by itself, followed by the syntax elements that are optional. For example, if you hear the lines 5 ?, 5 NOTIFY, and 5 UPDATE, you know that syntax elements NOTIFY and UPDATE are optional; that is, you can choose one or none of them. The ? symbol is equivalent to a bypass line in a railroad diagram.
- ! means a default syntax element. A dotted decimal number followed by the ! symbol and a syntax element indicates that the syntax element is the default option for all syntax elements that share the same dotted decimal number. Only one of the syntax elements that share the same dotted decimal number can specify a ! symbol. For example, if you hear the lines 2? FILE, 2.1! (KEEP), and 2.1 (DELETE), you know that (KEEP) is the default option for the FILE keyword. In this example, if you include the FILE keyword but do not specify an option, default option KEEP will be applied. A default option also applies to the next higher dotted decimal number. In this example, if the FILE keyword is omitted, default FILE(KEEP) is used. However, if you hear the lines 2? FILE, 2.1, 2.1.1!

(KEEP), and 2.1.1 (DELETE), the default option KEEP only applies to the next higher dotted decimal number, 2.1 (which does not have an associated keyword), and does not apply to 2? FILE. Nothing is used if the keyword FILE is omitted.

- * means a syntax element that can be repeated 0 or more times. A dotted decimal number followed by the * symbol indicates that this syntax element can be used zero or more times; that is, it is optional and can be repeated. For example, if you hear the line 5.1* data area, you know that you can include one data area, more than one data area, or no data area. If you hear the lines 3*, 3 HOST, and 3 STATE, you know that you can include HOST, STATE, both together, or nothing.

Note:

1. If a dotted decimal number has an asterisk (*) next to it and there is only one item with that dotted decimal number, you can repeat that same item more than once.
 2. If a dotted decimal number has an asterisk next to it and several items have that dotted decimal number, you can use more than one item from the list, but you cannot use the items more than once each. In the previous example, you could write HOST STATE, but you could not write HOST HOST.
 3. The * symbol is equivalent to a loop-back line in a railroad syntax diagram.
- + means a syntax element that must be included one or more times. A dotted decimal number followed by the + symbol indicates that this syntax element must be included one or more times; that is, it must be included at least once and can be repeated. For example, if you hear the line 6.1+ data area, you must include at least one data area. If you hear the lines 2+, 2 HOST, and 2 STATE, you know that you must include HOST, STATE, or both. Similar to the * symbol, the + symbol can only repeat a particular item if it is the only item with that dotted decimal number. The + symbol, like the * symbol, is equivalent to a loop-back line in a railroad syntax diagram.

Notices

This information was developed for products and services offered in the U.S.A. or elsewhere.

IBM may not offer the products, services, or features discussed in this document in other countries. Consult your local IBM representative for information on the products and services currently available in your area. Any reference to an IBM product, program, or service is not intended to state or imply that only that IBM product, program, or service may be used. Any functionally equivalent product, program, or service that does not infringe any IBM intellectual property right may be used instead. However, it is the user's responsibility to evaluate and verify the operation of any non-IBM product, program, or service.

IBM may have patents or pending patent applications covering subject matter described in this document. The furnishing of this document does not give you any license to these patents. You can send license inquiries, in writing, to:

IBM Director of Licensing
IBM Corporation
North Castle Drive
Armonk, NY 10504-1785
U.S.A

For license inquiries regarding double-byte character set (DBCS) information, contact the IBM Intellectual Property Department in your country or send inquiries, in writing, to:

Intellectual Property Licensing
Legal and Intellectual Property Law
IBM Japan, Ltd.
19-21, Nihonbashi-Hakozakicho, Chuo-ku
Tokyo 103-8510, Japan

The following paragraph does not apply to the United Kingdom or any other country where such provisions are inconsistent with local law: INTERNATIONAL BUSINESS MACHINES CORPORATION PROVIDES THIS PUBLICATION "AS IS" WITHOUT WARRANTY OF ANY KIND, EITHER EXPRESS OR IMPLIED, INCLUDING, BUT NOT LIMITED TO, THE IMPLIED WARRANTIES OF NON-INFRINGEMENT, MERCHANTABILITY OR FITNESS FOR A PARTICULAR PURPOSE. Some states do not allow disclaimer of express or implied warranties in certain transactions, therefore, this statement may not apply to you.

This information could include technical inaccuracies or typographical errors. Changes are periodically made to the information herein; these changes will be incorporated in new editions of the publication. IBM may make improvements and/or changes in the product(s) and/or the program(s) described in this publication at any time without notice.

Any references in this information to non-IBM Web sites are provided for convenience only and do not in any manner serve as an endorsement of those Web sites. The materials at those Web sites are not part of the materials for this IBM product and use of those Web sites is at your own risk.

Notices

IBM may use or distribute any of the information you supply in any way it believes appropriate without incurring any obligation to you.

Licenses of this program who wish to have information about it for the purpose of enabling: (i) the exchange of information between independently created programs and other programs (including this one) and (ii) the mutual use of the information which has been exchanged, should contact:

Site Counsel
IBM Corporation
2455 South Road
Poughkeepsie, NY 12601-5400
USA

Such information may be available, subject to appropriate terms and conditions, including in some cases, payment of a fee.

The licensed program described in this information and all licensed material available for it are provided by IBM under terms of the IBM Customer Agreement, IBM International Program License Agreement, or any equivalent agreement between us.

Information concerning non-IBM products was obtained from the suppliers of those products, their published announcements or other publicly available sources. IBM has not tested those products and cannot confirm the accuracy of performance, compatibility or any other claims related to non-IBM products. Questions on the capabilities of non-IBM products should be addressed to the suppliers of those products.

All statements regarding IBM's future direction or intent are subject to change or withdrawal without notice, and represent goals and objectives only.

If you are viewing this information softcopy, the photographs and color illustrations may not appear.

COPYRIGHT LICENSE:

This information might contain sample application programs in source language, which illustrate programming techniques on various operating platforms. You may copy, modify, and distribute these sample programs in any form without payment to IBM, for the purposes of developing, using, marketing or distributing application programs conforming to the application programming interface for the operating platform for which the sample programs are written. These examples have not been thoroughly tested under all conditions. IBM, therefore, cannot guarantee or imply reliability, serviceability, or function of these programs. The sample programs are provided "AS IS", without warranty of any kind. IBM shall not be liable for any damages arising out of your use of the sample programs.

Policy for unsupported hardware

Various z/OS elements, such as DFSMS, HCD, JES2, JES3, and MVS, contain code that supports specific hardware servers or devices. In some cases, this device-related element support remains in the product even after the hardware devices pass their announced End of Service date. z/OS may continue to service element code; however, it will not provide service related to unsupported hardware devices. Software problems related to these devices will not be accepted

for service, and current service activity will cease if a problem is determined to be associated with out-of-support devices. In such cases, fixes will not be issued.

Minimum supported hardware

The minimum supported hardware for z/OS releases identified in z/OS announcements can subsequently change when service for particular servers or devices is withdrawn. Likewise, the levels of other software products supported on a particular release of z/OS are subject to the service support lifecycle of those products. Therefore, z/OS and its product publications (for example, panels, samples, messages, and product documentation) can include references to hardware and software that is no longer supported.

- For information about software support lifecycle, see: <http://www.ibm.com/software/support/systemsz/lifecycle/>
- For information about currently-supported IBM hardware, contact your IBM representative.

Programming interface information

This publication documents information that is NOT intended to be used as a programming interface of z/OS

Programming interface information

End Programming interface information

RSA Secure code

This product contains code licensed from RSA Data Security Incorporated.



Trademarks

IBM, the IBM logo, and [ibm.com](http://www.ibm.com) are trademarks or registered trademarks of International Business Machines Corp., registered in many jurisdictions worldwide. Other product and service names might be trademarks of IBM or other companies. A current list of IBM trademarks is available on the Web at "Copyright and trademark information" at www.ibm.com/legal/copytrade.shtml (<http://www.ibm.com/legal/copytrade.shtml>).

Index

Special characters

??? state 143

A

abend
 example of search argument 38, 100
 VRA keys provided by RACF 243
 worksheet for reporting problems 100

abends
 troubleshooting table 9

access to a directory
 directory 48

accessibility 267
 contact IBM 267
 features 267

ACEE
 control block overview 232

ACTNPTR symptom in DAEDATA
 output 243

administration, RACF
 classroom courses xi

alias index blocks
 description of 111

ALL keyword
 on BLKUPD LIST subcommand 127

APPC
 obtaining trace records 50
 restarting a stopped task 152
 return code handling 148, 151

application identity mapping
 examples 82
 handling 82
 IRRIRA00 82

ASID events
 obtaining trace records 50

assistive technologies 267

ASXB control block overview 232

AT-TLS errors 149

attention handling
 when using BLKUPD 123

AUDIT request
 parameter list 159

AUTH requests
 parameter list 160

B

BAM blocks
 block masks 110
 description of 107, 109
 format of the header 109

BLKUPD command
 authority required for 121
 considerations 122
 DATA command procedure statement 123
 description of 121
 END subcommand 134

BLKUPD command (*continued*)
 ENDDATA command procedure statement 123
 examples 134
 invoking 124
 LOCATE subcommand 124
 locating an index entry 124
 READ subcommand 125
 syntax of 124
 terminating 134
 updating a RACF block 125
block update command (BLKUPD) 121

C

callable services
 error recording 195
 process flow 195

Callable Services
 dump title description 240
 tracing 53

caller of RACF, identifying 78

CHANGE subcommand of BLKUPD
 DISPLAY subcommand 130
checking the parameter list passed to RACF 80

class identifier
 adding to profile names 118

CLASS keyword
 on BLKUPD DISPLAY subcommand 129, 130, 132

classname
 on LOCATE subcommand of BLKUPD 125

classroom courses, RACF xi
collecting problem data for RACF 41
command

 BLKUPD 121
 front-ending 245
 incorrect output 23
 trace records 50

command procedures
 executing BLKUPD under control of 123

command traces 50

COMP keyword
 on CHANGE subcommand of BLKUPD DISPLAY subcommand 131
 on INSERT subcommand of BLKUPD DISPLAY subcommand 132

component identification for RACF 35
compression count, front-end 114

Connection processing during system IPL
 Connection processing 148
 connection state changes 141
 connection states of RRSF nodes 141, 143

control block
 ACEE 232
 ASXB 232

control block (*continued*)
 GRPF 232
 ICB 249
 inventory 249
 RCVT 232
 SAF router vector table 232
 task control block (TCB) 232
courses about RACF xi

D

D-B state 142
D-E state 143
D-L state 142
D-R state 142
DATA command procedure statement
 when executing BLKUPD 123

data encryption standard (DES)
 algorithm 28

database 121
 BAM blocks 109
 BLKUPD command 121
 first record 249, 261
 format 107
 header block 108
 how RACF creates and names profiles 118
 incorrect output 25
 index blocks 112
 index entries 113
 inventory control block (ICB) 249
 IRRDBU00 utility 107
 modifying with BLKUPD 121
 security product trace area(SAFT) 261
 sequence set chain pointers 117
 tape volumes 118
 templates 109
 troubleshooting 107
 types of records in
 BAM blocks 107, 109
 header block 107, 108
 index blocks 107, 110
 profiles 107
 templates 107, 109
 unloading to a sequential file 107
 using READ subcommand of BLKUPD to update a block 125
 viewing with BLKUPD 121

DATABASE events
 obtaining trace records 50
database profile
 class identifier 118
 description of templates 109
database unload utility (IRRDBU00)
 common problems 4
 using 107, 121
DEBUG command 246
DEF state 143
DEFINE request
 parameter list 164

- defined state 143
- definition errors for RRSF 140
- DELETE subcommand
 - of BLKUPD READ DISPLAY subcommand 133
- DES (Data Encryption Standard) algorithm 28
- diagnosis
 - hints 2
 - problems in racf 1
 - procedures for RACF 1
- DIRAUTH request
 - parameter list 170
- directed commands
 - process flow 189
- dirty bit 44
 - controlled programs 44
- DISPLAY subcommand of BLKUPD
 - READ subcommand 129
- distributed environment
 - types of errors 140
- documentation
 - troubleshooting table 19
- documentation error
 - example of search argument 38
 - worksheet for reporting problems 99
- dormant by local request state 142
- dormant by mutual request state 142
- dormant by remote request state 142
- dormant in error state 143
- DSECTs
 - INVICB 249
 - SAFT 261
- DSMON
 - incorrect output 23
- dump title descriptions
 - Callable Services 240
 - ICHRST00-RACF SVCS 233
 - IRRCOP10 module 235
 - IRRRLS12 module 236
 - IRRRLS13 module 236
 - IRRRLS14 module 237
 - IRRRLS15 module 238
 - RACF initialization failure 234
 - RACF persistent verification
 - dumps 239
 - RACF subsystem dumps 238
 - RACF/DB2 external security
 - module 241
 - SVC 233, 241
- DUPLICATE keyword
 - on CHANGE subcommand of BLKUPD DISPLAY subcommand 131
 - on INSERT subcommand of BLKUPD DISPLAY subcommand 132

E

- END subcommand
 - of BLKUPD command 134
 - of BLKUPD DISPLAY subcommand 133
 - of BLKUPD READ subcommand 134
- ENDDATA command procedure
 - statement
 - when executing BLKUPD 123

- ENTRY keyword
 - on BLKUPD DISPLAY subcommand 129
 - on CHANGE subcommand of BLKUPD DISPLAY subcommand 130
 - on INSERT subcommand of BLKUPD DISPLAY subcommand 131
- entryname
 - on LOCATE subcommand of BLKUPD 124
- environmental errors for RRSF 140
- error recording
 - for callable services 195
 - for RRSF 153
- error recovery for RACF sysplex data
 - sharing
 - actions 247
 - consequences 248
- errors
 - definition errors for RRSF 140
 - environmental errors for RRSF 140
 - program errors for RRSF 140
 - transmission/line errors 140
- errors in a distributed environment 140
- ESTAE processing for RRSF 144
- EXTRACT request
 - parameter list 171

F

- failure keywords
 - for a complete search 81
 - for a preliminary search 34
- failure of an MVS system service 145
- FASTAUTH request
 - parameter list 173
- FIND subcommand of READ
 - subcommand of BLKUPD 126
- FMIDs for RACF 39
- format of the RACF database 107
- FORMAT subcommand of BLKUPD
 - READ subcommand
 - format of 128
 - list of the information displayed 127
- FRACHECK macro
 - equivalent RACROUTE REQUEST type 155
- free-format search
 - examples of symptoms for RACF 35, 81
- front-end compression count 114
- front-ending commands 245
- front-ending processor 245

G

- general macro
 - common problems 6
- GENERIC keyword
 - on BLKUPD DISPLAY subcommand 129
 - on CHANGE subcommand of BLKUPD DISPLAY subcommand 131

- GENERIC keyword (*continued*)
 - on INSERT subcommand of BLKUPD DISPLAY subcommand 132
 - on LOCATE subcommand of BLKUPD 125
- GRPF control block overview 232
- GTF traces 43, 44, 48, 50

H

- handshaking 141
- header
 - for BAM blocks 109
 - for index blocks 112
- header block
 - description of 107, 108
 - fields in 249, 261
 - format 108

I

- ICB (inventory control block)
 - description of 107, 108
 - fields in 249
 - format 108
- ICB constants 255
- ICHEINTY macro
 - common problems 6
 - parameter list 185
- ICHRST00 module
 - dump title for certain abends 233
- ICHSEC00 module
 - dump title for certain abends 234
 - RACF initialization failure 234
- ICHSEC02 module
 - dump title for initialization failure 234
- identifying
 - the caller of RACF 78
- IMAGE events
 - obtaining trace records 50
- incorrect output 22
 - example of search argument 38
 - troubleshooting table 19
 - worksheet for reporting problems 99
- independent RACF system macros
 - equivalent RACROUTE REQUEST types 155
- index blocks
 - compression of index entries 114
 - description of 107, 110
 - format of 112
 - header 112
 - index entries 113
 - sequence set chain pointers 117
 - how profiles are located 110
 - information listed by the FORMAT subcommand 127
- index entries
 - compression of 114
 - format of 113
 - locating in a sequence set 124
- index entry table
 - sequence set chain pointers 117
- index structure
 - example of 110, 111

- Information/Access
 - use for RACF problem searches 35
- Information/Management
 - use for RACF problem searches 35
- Information/MVS
 - use for RACF problem searches 35
- Information/System
 - use for RACF problem searches 35
- initial state 143
- initialization problem
 - dump title for initialization failure 234
- INMSG data set for RRSF 139, 141
- INSERT subcommand of BLKUPD
 - DISPLAY subcommand 131
- installation exit
 - process flow 190
- inventory control block (ICB)
 - description of 107
 - fields in 249
 - format of 107
- INVICB DSECT 249
- IPCS (interactive problem control system) 9
- IPCS formatting for RACF control blocks
 - IPCS 265
- IPLPTR symptom in DAEDATA
 - output 243
- IRRBW00 utility 147
- IRRCOP10 module
 - dump title for failed data space 235
- IRRDBU00 utility
 - using database unload utility 107
- IRRENV00 module 245
- IRRRID00 utility
 - process flow 192
- IRRRLS12 module
 - dump title for COPY RACGLIST 236
- IRRRLS13 module
 - dump title for CREATE RACGLIST 236
- IRRRLS14 module
 - dump title for DELETE RACGLIST 237
- IRRRLS15 module
 - dump title for data space recovery failure 238
- IRRSSC01 module
 - dump title for RACF subsystem 238
- IRRSSS01 module
 - dump title for RACF subsystem 238
- IRRTMP2 member of SYS1.MACLIB
 - used by IRRMIN00 109

J

- JOBNAME events
 - obtaining trace records 50

K

- keyboard
 - navigation 267
 - PF keys 267
 - shortcut keys 267

L

- level of failing module 81
- LIST request
 - parameter list 174
- LIST subcommand of BLKUPD READ
 - subcommand
 - format of 127
- LISTALL keyword
 - on LOCATE subcommand of BLKUPD 125
- LOCATE subcommand of BLKUPD
 - format of 124
 - locating an index entry 124
- logon problems 28
 - troubleshooting table 28
 - worksheet for reporting problems 99
- LOGREC data set entries
 - for callable services errors 195
 - for RRSF errors 153
- loop
 - diagnostic procedures 29
 - example of search argument 38
 - troubleshooting table 29
 - worksheet for reporting problems 99

M

- macros
 - checking parameter lists 80
 - ICHPICB 249
 - incorrect output 27
 - IRRSAFT 261
 - process flow 189
 - return codes 33
- masks
 - block masks in the RACF database 110
- matching problem
 - searching for a 81
- message
 - example of search argument 38
 - troubleshooting table 29
 - worksheet for reporting problems 99
- messages
 - incorrect output 21
- MGRREQST symptom in DAEDATA
 - output 243
- MVS router
 - parameter list 156

N

- navigation
 - keyboard 267
- Network connectivity issues 148
- NEW keyword
 - on FIND subcommand 127
 - on FORMAT subcommand 128
 - on LIST subcommand 127
- NEXT subcommand of BLKUPD READ
 - DISPLAY subcommand 132
- Node communications 147
 - APPC
 - errors initializing connections 151
 - TCP/IP
 - errors initializing connections 147

- nodes, RRSF
 - connection states 141
 - connection states after TARGET 143
- NODUPLICATE keyword
 - on CHANGE subcommand of BLKUPD DISPLAY
 - subcommand 131
 - on INSERT subcommand of BLKUPD DISPLAY
 - subcommand 132
- non-VSAM data set
 - used for the RACF database 107
- NOSAVE keyword
 - on BLKUPD END subcommand 134
 - on END subcommand of BLKUPD DISPLAY
 - subcommand 133
- not defined state 143
- Notices 271

O

- O-A state 142
- O-E state 142
- O-P-C state 142
- O-P-V state 142
- Obtaining AT-TLS information for an RRSF connection 150
- Obtaining information about RRSF connections 150
- OFFSET keyword
 - on BLKUPD REPLACE
 - subcommand 128
- OLD keyword
 - on BLKUPD FIND subcommand 127
 - on BLKUPD FORMAT
 - subcommand 128
 - on BLKUPD LIST subcommand 127
- operative active state 142
- operative in error state 142
- operative pending connection state 142
- operative pending verification state 142
- OUTMSG data set for RRSF 139, 141
- output, incorrect
 - troubleshooting table 19
 - worksheet for reporting problems 99

P

- PADS (program access to data sets) 44
- parameter list
 - AUDIT service 159
 - AUTH service 160
 - checking 80
 - cross reference for RACROUTE REQUEST types 155
 - DEFINE service 164
 - descriptions 155
 - DIRAUTH service 170
 - EXTRACT service 171
 - FASTAUTH service 173
 - ICHEINTY 185
 - list passed to RACF 80
 - LIST service 174
 - MVS router 156
 - obtaining 43, 48
 - RACROUTE 156
 - RACROUTE REQUEST=AUDIT 159

- parameter list (*continued*)
 - RACROUTE REQUEST=AUTH 160
 - RACROUTE REQUEST=DEFINE 164
 - RACROUTE
 - REQUEST=DIRAUTH 170
 - RACROUTE
 - REQUEST=EXTRACT 171
 - RACROUTE
 - REQUEST=FASTAUTH 173
 - RACROUTE REQUEST=LIST 174
 - RACROUTE
 - REQUEST=SIGNON 175
 - RACROUTE REQUEST=STAT 176
 - RACROUTE
 - REQUEST=TOKENBLD 177
 - RACROUTE
 - REQUEST=TOKENEXTR 180
 - RACROUTE
 - REQUEST=TOKENMAP 180
 - RACROUTE REQUEST=VERIFY 181
 - RACROUTE
 - REQUEST=VERIFYX 181
 - SAF router 156
 - SIGNON service 175
 - STAT service 176
 - TOKENBLD service 177
 - TOKENEXTR service 180
 - TOKENMAP service 180
 - VERIFY service 181
 - VERIFYX service 181
- PassTicket
 - logon problems 28
- performance
 - example of search argument 38
 - troubleshooting table 31
 - worksheets for reporting problems 99
- persistent verification
 - dump title for RACF subsystem 239
- preliminary search for a matching problem 34
- problem diagnosis
 - making sure this is a RACF problem 2
 - procedures for RACF 1
- problem reporting procedure for RACF 99
- process flow
 - RACF callable services 195
 - RACF commands 188
 - RACF directed commands 189
 - RACF installation exits 190
 - RACF macros 189
 - RACF remove ID utility 192
 - RACF report writer 193
 - RACF utilities 192
 - SMF data unload utility 194
- profile
 - class identifier 118
 - description 117
 - description of templates 109
 - displayed by BLKUPD, example of 120
 - how RACF locates 110
- program access to data sets (PADS) 44
- program control
 - determining programs that need protection 44

program errors for RRSF 141

R

- R_admin callable service
 - tracing 52
- RACDEF macro
 - equivalent RACROUTE REQUEST type 155
- RACF blocks
 - updating 125
- RACF callable services
 - process flow 195
- RACF commands
 - process flow 188
- RACF Database Managers Request
 - tracing 53
- RACF directed commands
 - process flow 189
- RACF FMIDs 39
- RACF index block errors
 - description 240
- RACF installation exits
 - process flow 190
- RACF macros
 - how to locate parameters in a dump 80
 - ICHEINTY parameter list 185
 - obtaining parameter list for RACROUTE 43, 48
 - process flow 189
- RACF macros and utilities
 - common problems 3
- RACF macross
 - common problems 6
- RACF manager
 - adding a class identifier to profile names 118
- RACF problems
 - data for 41
 - reporting to IBM 99
 - searching for a matching problem 81
- RACF profile
 - description 117
- RACF reason codes
 - in the RACF/DB2 external security module 241
 - obtaining 42
- RACF remove ID utility
 - process flow 192
- RACF report writer
 - process flow 193
- RACF return codes
 - in the RACF/DB2 external security module 241
 - obtaining 42
- RACF SMF data unload utility
 - process flow 194
- RACF subsystem module
 - dump title for RACF subsystem 238
 - RACF subsystem dumps 238
- RACF utilities
 - common problems 3
 - IRRDBU00 Utility 4
 - IRRIRA00 Utility 6
 - IRRRID00 Utility 5
 - IRRUT100 Utility 3

- RACF utilities (*continued*)
 - common problems (*continued*)
 - IRRUT200 Utility 3
 - IRRUT400 Utility 4
 - RACFRW Utility 6
 - IRRDBU00 121
 - process flow 192
- RACF/DB2 external security module
 - diagnostic information 241
 - dump titles 241
 - XAPLDIAG output parameter 241
- RACFCNTS symptom in DAEDATA output 243
- RACFRW utility
 - common problems 6
- RACHECK macro
 - equivalent RACROUTE REQUEST type 155
- RACINIT macro
 - equivalent RACROUTE REQUEST type 155
- RACLIST macro
 - equivalent RACROUTE REQUEST type 155
- RACROUTE
 - trace service type number 57
- RACROUTE events
 - obtaining trace records 50
- RACROUTE macro
 - common problems 7
 - parameter list 156
- RACROUTE REQUEST types
 - equivalent RACF system macros 155
- RACROUTE REQUEST=AUTH macro
 - parameter list 160
- RACROUTE REQUEST=DEFINE macro
 - parameter list 164
- RACROUTE REQUEST=EXTRACT macro
 - parameter list 171
- RACROUTE REQUEST=FASTAUTH macro
 - diagnosing failures to grant access 241
 - parameter list 173
- RACROUTE REQUEST=LIST macro
 - parameter list 174
- RACROUTE REQUEST=SIGNON macro 175
 - parameter list 175
- RACROUTE REQUEST=STAT macro 176
 - parameter list 176
- RACROUTE REQUEST=TOKENBLD macro
 - parameter list 177
- RACROUTE REQUEST=TOKENMAP/TOKENXTR macros
 - parameter list 180
- RACROUTE REQUEST=VERIFY macro
 - parameter list 181
- Racroutes
 - tracing 53
- RACSTAT macro
 - equivalent RACROUTE REQUEST type 155

- RACXTRT macro
 - equivalent RACROUTE REQUEST type 155
- RANGE keyword
 - on BLKUPD LIST subcommand 127
- RBA (relative byte address)
 - on READ subcommand of BLKUPD 125
 - used in locating a profile 110
- RBA keyword
 - on CHANGE subcommand of BLKUPD DISPLAY subcommand 132
 - on INSERT subcommand of BLKUPD DISPLAY subcommand 132
- READ subcommand of BLKUPD
 - END subcommand 134
 - FIND subcommand 126
 - for reading a RACF database block 126
 - for updating a RACF database block 126
 - format of 125
 - FORMAT subcommand 127
 - LIST subcommand 127
 - REP subcommand 128
 - REREAD subcommand 134
- reading every profile in your database using the database unload utility (IRRDBU00) 107
- reason codes
 - from callable service 43
 - from RACF macros 42, 43
 - obtaining 42
- recording of errors
 - for callable services 195
 - RRSF 153
- records
 - in the RACF database
 - BAM blocks 109
 - index blocks 110
 - profiles 117
- recovery procedures
 - APPC errors 151
 - failure of MVS system service 145
 - RRSF ESTAE processing 144
 - RRSF failure 144
 - TCP/IP errors 147
 - VSAM failures 145
- relative byte address (RBA) 125
- remove ID utility (IRRRID00)
 - common problems 5
 - process flow 192
- REP subcommand of BLKUPD READ subcommand 128
- report writer
 - common problems 6
 - incorrect output 23
 - process flow 193
- reporting problems to IBM
 - abend 100
 - documentation error 99
 - incorrect output 99
 - information to collect 100
 - logon 99
 - loop 99
 - messages 99
 - reporting problems to IBM (*continued*)
 - overview 99
 - performance 99
 - return code 99
 - wait 99
 - REREAD subcommand of BLKUPD READ subcommand 134
 - RESTART command
 - using to recover from failures 152
 - RETAIN symptom string
 - sample in DAEDATA output 243
 - sample in formatted dump 243
 - return codes
 - example of search argument 38
 - from callable service 43
 - from RACF macros 42
 - obtaining 42, 43
 - troubleshooting table 33
 - worksheet for reporting problems 99
 - REVOKE attribute in user profile 28
 - RRSF (RACF remote sharing facility)
 - defined state 143
 - dormant by local request state 142
 - dormant by mutual request state 142
 - dormant by remote request state 142
 - dormant in error state 143
 - initial state 143
 - INMSG data set 139
 - introduction 139
 - not defined state 143
 - operative active state 142
 - operative in error state 142
 - operative pending connection state 142
 - operative pending verification state 142
 - OUTMSG data set 139
 - workspace data set 139
 - RRSF (RACF Remote Sharing Facility)
 - connection states 141
 - connection states after TARGET 143
 - error recording 153
 - ESTAE processing 144
 - failure recovery 144
 - INMSG data set 141
 - IRRBW00 utility 147
 - LOGREC data set entries 153
 - OUTMSG data set 141
 - RRSF LIST data set 153
 - workspace data set 141
 - dumping the data in 147
 - RRSF LIST data set
 - recording of errors 153
- S**
 - SAF return codes
 - in the RACF/DB2 external security module 241
 - SAF router
 - parameter list 156
 - SAFT (security product trace area)
 - fields in 261
 - SAFT DSECT 261
 - save area
 - use for validating input parameters 80
 - SAVE keyword
 - on BLKUPD END subcommand 134
 - on END subcommand of BLKUPD DISPLAY subcommand 133
 - SDWA (system diagnostic work area)
 - sample for RACF 244
 - search arguments
 - examples 34, 38
 - search symptoms
 - for a complete search 81
 - for a preliminary search 34
 - security product trace area(SAFT)
 - fields in 261
 - security topics for RACF
 - classroom courses xi
 - SEGMENT keyword
 - on BLKUPD DISPLAY subcommand 132
 - on CHANGE subcommand of BLKUPD DISPLAY subcommand 130
 - segment table block 109
 - sending comments to IBM xv
 - sequence set
 - definition of 110, 111
 - format of the chain pointers 117
 - locating an index entry 124
 - sequential file
 - creating for further manipulation 107
 - using the database unload utility (IRRDBU00) 107
 - shortcut keys 267
 - SIGNON request
 - parameter list 175
 - SLIP trap
 - setting 41
 - SMF data unload utility
 - process flow 194
 - SMF records
 - incorrect output 24
 - STAT request
 - parameter list 176
 - structured search
 - examples of symptoms for RACF 35, 81
 - subsystem dumps
 - RACF persistent verification dump title description 239
 - RACF subsystem dump title description 238
 - Summary of changes xvii
 - SVC dump title descriptions 233
 - symptom record 9, 153, 195
 - symptoms
 - for a complete search 81
 - for a preliminary search 34
 - troubleshooting for RACF 7
 - SYS1.LOGREC entries
 - for callable services errors 195
 - for RRSF errors 153
 - SYS1.MACLIB
 - IRRTMP2 member 109
 - sysplex data sharing option 3, 126
 - system dump
 - formatting 42
 - obtaining 41

T

- tape volume
 - how RACF creates and names profiles 118
- task control block (TCB)
 - overview of 232
- tasks
 - performing a preliminary search for a matching problem
 - steps for 34
 - SAF keyring debugging
 - steps for 84
 - SAF Trace debugging
 - steps for 84
 - using the troubleshooting tables
 - steps for 7
- TCB (task control block)
 - overview of 232
- templates
 - description of 107, 109
- terminal monitor program
 - executing BLKUPD under 123
- TESTPTR symptom in DAEDATA
 - output 243
- TMP (terminal monitor program)
 - executing BLKUPD under 123
- TOKENBLD request
 - parameter list 177
- TOKENEXTR request
 - parameter list 180
- TOKENMAP request
 - parameter list 180
- trace area
 - SAFT 261
- traces
 - for callable services 53
 - for R_admin callable service 52
 - for RACF Database Managers Requests 53
 - for racroutes 53
 - obtaining 43
 - obtaining command trace records 50
 - obtaining for program access to data sets 44
 - obtaining for program control 44
 - obtaining on z/OS UNIX System Services 48
 - obtaining using SET TRACE command 50
- Tracing GENERICANCHOR
 - tracing 52
- trademarks 273
- transmission and line errors 141
- troubleshooting problems
 - overview 1
 - RACF database 107
- troubleshooting table
 - abends incorrectly issued 22
 - access with no message issued 20
 - DSMON report 23
 - loop 29
 - macro return code or reason code 27
 - messages 21, 29
 - overview 7
 - performance 31
 - RACF database 25
 - RACF LIST command output 23

- troubleshooting table (*continued*)
 - reason code from macro or utility 27
 - report writer report 23
 - return code from macro or utility 27
 - SMF records 24
 - utility return code or reason code 27

U

- unloading to a sequential file 121
- UPDATE keyword
 - on READ subcommand of BLKUPD 126
- user interface
 - ISPF 267
 - TSO/E 267
- utilities
 - incorrect output 27
 - IRRBW00 147
 - IRRDW00 121
 - process flow 192
 - VSAM file browser 147

V

- variable data collected by RACF callable services
 - descriptions 196
- VER keyword
 - on BLKUPD REPLACE subcommand 128
- VERIFY request
 - parameter list 181
- VERIFYX request
 - parameter list 181
- VRA (variable recording area) keys
 - provided by RACF 243
- VSAM data sets
 - IRRBW00 utility 147
- VSAM errors
 - messages issued 146
- VSAM failures 145
 - automatic direction 146
 - password synchronization 147

W

- waits
 - example of search argument 38
 - troubleshooting table 34
 - worksheet for reporting problems 99
- workspace data sets, dumping the data in 147

X

- X'0C' delimiter 117
- XAPLDIAG parameter 241

Z

- z/OS UNIX System Services
 - RACF callable services process flow 195



Product Number: 5650-ZOS

Printed in USA

GA32-0886-00

