



accenture

High performance. Delivered.

-Maximo Monday-

**Topic: Maximo for Utilities 6.3
- Compatible Units Demonstration**

Date: April 21, 2008

Today's Objectives



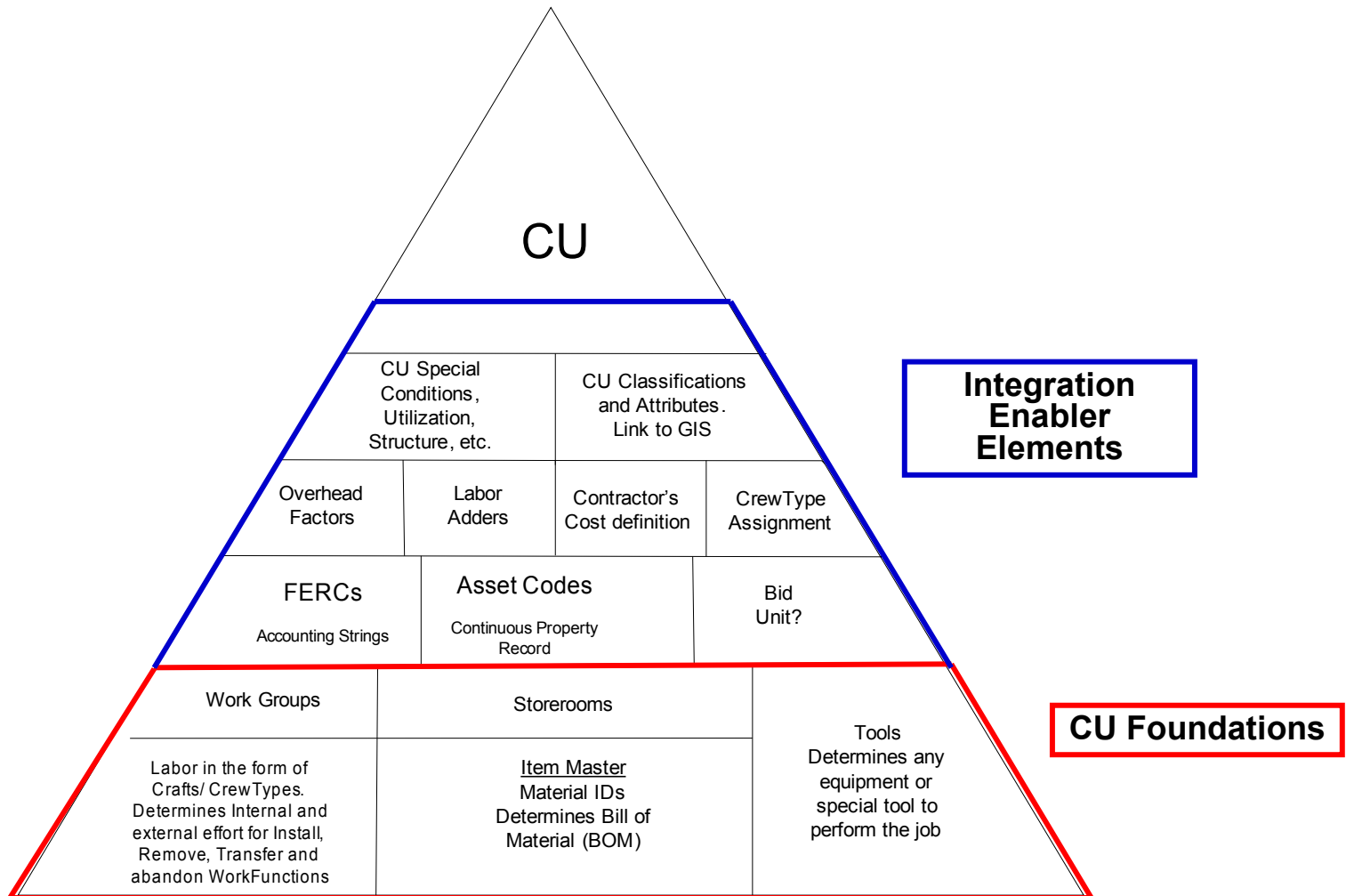
Overview of:

- Settings to enable use of CU records and actions
- CU Library (T&D)
 - Create Linear CU – cables, wires or pipes
 - Create Point CU – a single pole
 - Create Labor only CU – create a labor only CU
 - Create Material only CU – create a Materials only CU
- Building a CUs in Maximo for Utilities 6.3 Demo
- CU Estimating (T&D)

Compatible Units Building Blocks (Review)



Maximo Building Blocks For Compatible Units



**Integration
Enabler
Elements**

CU Foundations



- Organizations (T&D) Application – Includes settings for actions and records used for Compatible Units.
 - Configure Work Groups
 - Configure Classifications
 - Configure Crafts
 - Configure Items
 - Configure Tools

Setting The CU Options



- Organizations (T&D) continued:
 - Account Code Options
 - Account Override Options
 - CU Library Options
 - CU Estimating Options
 - CU Acceptance Options
 - Labor Adder Options
 - Loading Type Options
 - Work Type Options
 - Work Zone Options

CU Applications

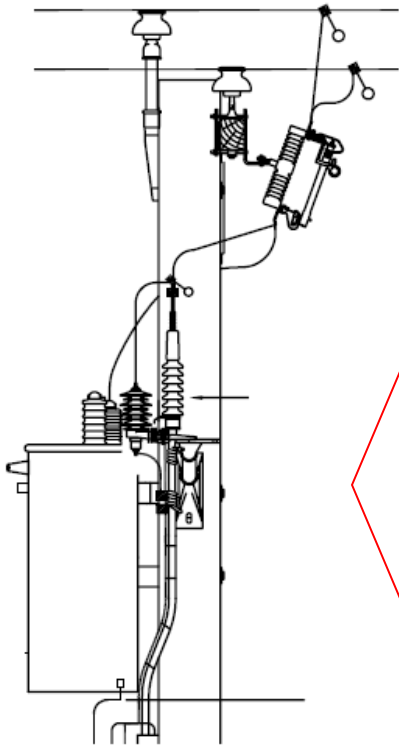


- CU Library (T&D) – Located in the Planning module; used to create compatible unit records, build hierarchies, specify the items, labor, and tools to use in specific work site conditions.
- CU Estimating (T&D) – Located in the Work Order module used to create design and construction scenarios; perform and accept estimates.

Compatible Units Structure

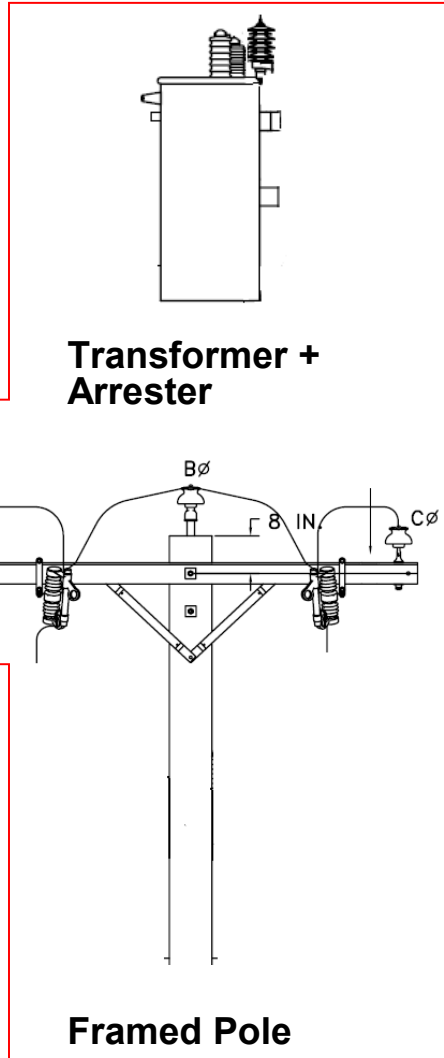


Level 3

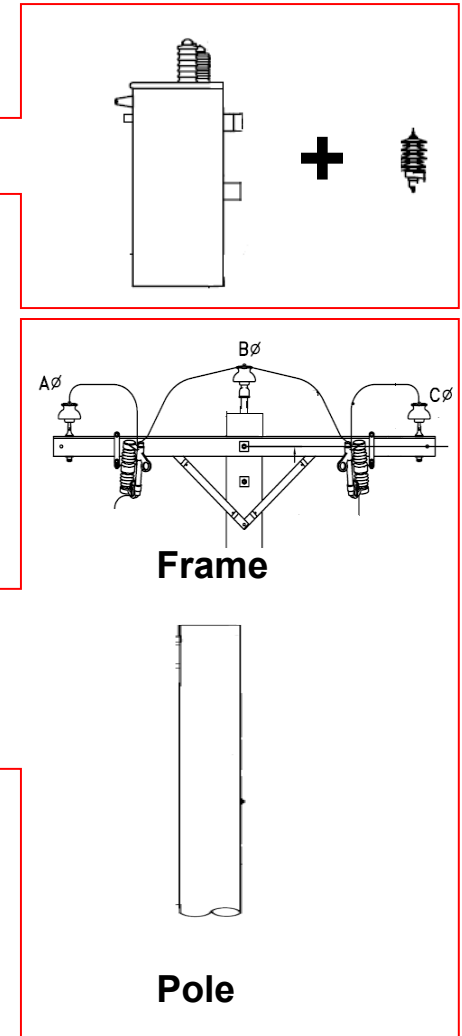


**Compatible Unit
selected by designer**

Level 2



Level 1



Contact Information



- Sandy Jones – Senior Executive
– sandra.l.jones@accenture.com
- Jeff Daniel – Manager
– jeff.daniel@accenture.com
- Felix J Torres – Manager
– Felix.j.torres@accenture.com